

# Log Splitter

## Safety, Operation, Maintenance & Parts Manual

---

**FS150**

**A1.03**

---



**Safety is our #1 concern!** Read and understand all safety information and instructions before operating, setting up or maintaining this machine.

*Form #2334*

**California**  
Proposition 65 Warning



**WARNING:** Breathing gas/diesel engine exhaust exposes you to chemicals known to the State of California to cause cancer and birth defects or other reproductive harm.

Always start and operate the engine in a well-ventilated area.  
If in an enclosed area, vent the exhaust to the outside.  
Do not modify or tamper with the exhaust system.  
Do not idle the engine except as necessary.

For more information go to **[www.P65warnings.ca.gov](http://www.P65warnings.ca.gov)**.



**WARNING:** Drilling, sawing, sanding or machining wood products can expose you to wood dust, a substance known to the State of California to cause cancer. Avoid inhaling wood dust or use a dust mask or other safeguards for personal protection.

For more information go to **[www.P65Warnings.ca.gov/wood](http://www.P65Warnings.ca.gov/wood)**.

**©2019**

Printed in the United States of America, all rights reserved. No part of this manual may be reproduced in any form by any photographic, electronic, mechanical or other means or used in any information storage and retrieval system without written permission from

**Wood-Mizer**  
**8180 West 10th Street**  
**Indianapolis, Indiana 46214**

# Table of Contents

# Section-Page

<b>SECTION 1</b>	<b>INTRODUCTION</b>	<b>1-1</b>
1.1	About this manual.....	1-1
1.2	Getting Service .....	1-1
1.3	Specifications .....	1-4
1.4	Warranty .....	1-5
<b>SECTION 2</b>	<b>SAFETY</b>	<b>2-1</b>
2.1	Safety Instructions .....	2-1
	<i>Owner's Responsibility.....</i>	<i>2-1</i>
2.2	Safety Symbols.....	2-1
2.3	For Models with Engines.....	2-4
<b>SECTION 3</b>	<b>SETUP AND OPERATION</b>	<b>3-1</b>
3.1	Uncrating .....	3-1
3.2	Hitch to towing vehicle .....	3-1
3.3	Onsite setup .....	3-2
3.4	Operation .....	3-3
<b>SECTION 4</b>	<b>HYDRAULICS</b>	<b>4-1</b>
4.1	Hydraulic schematic .....	4-1
4.2	Hydraulic layout .....	4-2
<b>SECTION 5</b>	<b>MAINTENANCE</b>	<b>5-1</b>
5.1	General maintenance after each use .....	5-1
5.2	Hydraulics.....	5-1
<b>SECTION 6</b>	<b>PARTS</b>	<b>6-1</b>
6.1	How To Use The Parts List .....	6-1
	<i>To Order Parts.....</i>	<i>6-1</i>
6.2	Sample Assembly .....	6-1
6.3	Splitter Head .....	6-2
6.4	Splitter Output .....	6-4
6.5	Trailer Tongue .....	6-5
6.6	Hydraulic Hoses .....	6-6
6.7	Hydraulic Tank.....	6-7
6.8	Hydraulic Controls .....	6-8
6.9	Engine.....	6-9
6.10	Decals .....	6-11

## SECTION 1 Introduction

### 1.1 About this manual

***Congratulations on your purchase of a Wood-Mizer Wood Splitter!*** When properly maintained and operated, your wood splitter should give you many years of dependable service.



**CAUTION!** Read this entire manual before operating the equipment. Take notice of all safety warnings throughout this manual and those posted on the equipment. Keep this manual with this equipment at all times, regardless of ownership.



Read all additional manufacturer's manuals and observe any applicable safety instructions including dangers, warnings, and cautions.

Only persons who have read and understood the entire operator's manual should operate the Wood-Mizer Wood Splitter. The wood splitter is not intended for use by or around children.

### 1.2 Getting Service

Wood-Mizer is committed to providing you with the latest technology, highest quality equipment, and strongest customer service available on the market today. We continually evaluate our customers' needs to ensure we're meeting current wood-processing demands. Your comments and suggestions are welcome.

#### GENERAL CONTACT INFORMATION

Toll free phone numbers are listed below for the *continental* U.S. and Canada. See the next page for contact information for more Wood-Mizer locations.

	United States	Canada
<b>Sales</b>	1-800-553-0182	1-877-866-0667
<b>Service</b>	1-800-525-8100	1-877-866-0667
<b>Website</b>	www.woodmizer.com	www.woodmizer.ca
<b>E-mail</b>	woodmizer@woodmizer.com	oninfo@woodmizer.com

**Office Hours:** All times are Eastern Standard Time.

Monday - Friday	Saturday (Indianapolis Office Only)	Sunday
8 a.m. to 5 p.m.	8 a.m. to 12 p.m.	Closed

Please have your vehicle identification number and your customer number ready when you call.

Wood-Mizer will accept these methods of payment:

- Visa, Mastercard, or Discover
- COD
- Prepayment
- Net 15 (with approved credit)

Be aware that shipping and handling charges may apply. Handling charges are based on size and quantity of order. In most cases, items will ship on the day they are ordered. Second Day and Next Day shipping are available at additional cost.

If your wood splitter was purchased outside of the United States or Canada, contact the distributor for service.

**WOOD-MIZER LOCATIONS**

USA World Headquarters	Canadian Headquarters
<p><b><i>Serving North &amp; South America, Oceania, East Asia</i></b></p> <p>Wood-Mizer LLC 8180 West 10th Street Indianapolis, IN 46214</p> <p>Phone: 317.271.1542 or 800.553.0182 Customer Service: 800.525.8100 Fax: 317.273.1011 Email: <a href="mailto:infocenter@woodmizer.com">infocenter@woodmizer.com</a></p>	<p><b><i>Serving Canada</i></b></p> <p>Wood-Mizer Canada 396 County Road 36, Unit B Lindsay, ON K9V 4R3</p> <p>Phone: 705.878.5255 or 877.357.3373 Fax: 705.878.5355 Email: <a href="mailto:ContactCanada@woodmizer.com">ContactCanada@woodmizer.com</a></p>

**1****Introduction***Getting Service*

<b>Brazilian Headquarters</b>	<b>European Headquarters</b>
<p><b><i>Serving Brazil</i></b></p> <p>Wood-Mizer do Brasil Rua Dom Pedro 1, No: 205 Bairro: Sao Jose Ivoti/RS CEP:93.900-000</p> <p>Tel: +55 51 9894-6461/ +55 21 8030-3338/ +55 51 3563-4784 Email: info@woodmizer.com.br</p>	<p><b><i>Serving Europe, Africa, West Asia</i></b></p> <p>Wood-Mizer Industries Sp z o.o. Nagorna 114 62-600 Kolo, Poland</p> <p>Phone: +48.63.26.26.000 Fax: +48.63.27.22.327</p>
<b>Branches &amp; Authorized Sales Centers</b>	
For a complete list of dealers, visit <a href="http://www.woodmizer.com">www.woodmizer.com</a>	

### 1.3 Specifications

<b>DIMENSIONS (FS150G208)</b>	<b>Imperial</b>	<b>Metric</b>
Operational Footprint	78½" x 38" x 40"	2.0 m x 0.96 m x 1.0 m
<b>SPLITTING CAPACITY</b>		
Splitting Function	Bi-Directional	
Maximum Log Length	24"	609 mm
Optimum Log Diameter	24"	711 mm
Cycle Time (sec)	7 sec	
Splitting (psi)	20 ton	18 mt
<b>MACHINE</b>		
Engine Type/Size	7 HP / 280cc	5.1kW / 280dc
Starter	Recoil Start	
Pump	2 Stage - 11GPM	2 Stage - 41.6 LPM
Hydraulic Tank Capacity	12 gallons	45.4 liters
Cylinder Size	4"	101 mm
Frame Construction	Tube-in-tube steel	
<b>WEDGE</b>		
Material	A36 carbon steel	
Height	8.5"	215 mm
<b>TOWING</b>		
Trailer	Standard	
Hitch	2" SAE4	50 mm SAE4
Maximum Towing Speed	45 mph	72.4 kph
<b>SHIPPING</b>		
Shipping Weight	610 lbs.	276 kg
<b>WARRANTY</b>		
	1 Year Limited	

## 1.4 Warranty

**Wood-Mizer® LLC**  
Limited Product Warranty

**Wood-Mizer®**

Wood-Mizer LLC (“Warrantor”), an Indiana corporation with its principal place of business at 8180 West Tenth Street, Indianapolis, IN 46214-2400 USA, warrants to the purchaser (“Purchaser”) that for the time periods specifically stated herein and subject to the terms, conditions and limitations stated herein, the equipment manufactured by the Warrantor will be free from defects in material and workmanship attributable to Warrantor so long as, during the warranty periods stated herein, the equipment is installed, operated and maintained in accordance with the instructions provided by Warrantor.

PRODUCT	MODEL CLASS	LENGTH OF WARRANTY		EFFECTIVE DATE
		USA & CANADA	NON USA & CANADA	
Portable Sawmills, Resaws, Edgers	LT, LX, HR, EG	Two years	One year	Date of purchase
Portable Sawmills with Chassis	LT28, LT35, LT40, LT50, LT70, LX450	Two years, excluding the chassis, which chassis shall have a five year warranty	One year	
Industrial Sawmills, Resaws, Edgers	WM, HR, EG, TVS, SVS, FS	One year	One year	Date of purchase or date of installation / training (if applicable), whichever occurs first, not to exceed 6 months from date of purchase
TITAN Industrial	WB, TV, HR, EG, EA, MR	One year	One year	
Material Handling	TWC, IC, TD, LD, GC, CR, CB, CC	One year	One year	
Blade Maintenance Equipment	BMS, BMT, BMST	One year	One year	Date of purchase
Options and Accessories	Various	One year <sup>1</sup>	One year <sup>1</sup>	
Moulders, Kilns	MP, SD, KD	One year	One year	
Pallet Dismantler	PD	<b>One year</b>	<b>One year</b>	
Log Splitter	FS	One year	One year	
Replacement Parts	Various	90 days	90 days	

<sup>1</sup> Warranty on Options will match the warranty on the primary equipment when purchased on same invoice.

### EXCLUSIONS FROM 90 DAY, LIMITED ONE YEAR AND TWO YEAR WARRANTY

Warrantor shall have **no** responsibility under this warranty for any wear components, including, but not limited to: belts, blade guides, blades, electric motor brushes, drum switches, filters, fuses, hoses, bearings (excluding cylindrical drive bearings), bushings, cable carriers, and spark plugs. All wear components are furnished “**as is**”, without any warranty from Warrantor. This limited warranty does not cover any defects caused by



misuse, negligence, alterations, damage due to overload, abnormal conditions, excessive operation, accident, or lack of performance of normal maintenance services.

Several components which are used in the manufacture of the equipment but not manufactured by Warrantor, such as cant hooks, power plants, laser sights, batteries, tires, and trailer axles have warranties provided by the original equipment manufacturer (written copies available upon request). Warrantor does not separately warrant such items. Components or equipment manufactured by third parties are not covered by this warranty. Warrantor, however, will provide reasonable assistance to the Purchaser to make claims against any warranties applicable to such component parts as provided by such original equipment manufacturers. Components or equipment manufactured by third parties are not covered by this Warranty.

### **FIVE YEAR LIMITED CHASSIS WARRANTY**

The limited five year chassis warranty, described above, DOES NOT extend to (a) any damage stemming from accident, improper towing, overload, abuse, misuse, abnormal conditions, negligence, excessive operation, or lack of maintenance, (b) rust caused by exposure to corrosive atmospheric conditions, or (c) the sawmill head, carriage, axle, brakes, or any hydraulic or electrical components attached to the chassis.

### **WARRANTOR'S OBLIGATIONS AS TO DEFECTS**

In the event that the equipment fails to perform due to defective materials or workmanship attributable to Warrantor under normal use and service within the established warranty period, Purchaser's sole and exclusive remedy and Warrantor's sole liability shall be to replace or repair, in Warrantor's sole and subjective discretion, any defective part at Warrantor's principal place of business without cost to the Purchaser if such defect exists. The determination of whether a product is defective shall be made by Warrantor in Warrantor's sole and subjective discretion. The Purchaser must notify Warrantor prior to shipping any defective part. Warrantor, at its sole discretion, may cover expenses incurred in shipping the defective part to Warrantor for evaluation; provided, however, that Warrantor will not be responsible for labor, travel time, mileage, removal, installation, and/or incidental or consequential damages. However, any part in excess of 140 pounds must be returned by the Purchaser to the Warrantor's nearest authorized facility at the Purchaser's expense, if return is requested by Warrantor. Warrantor shall have a reasonable time within which to repair or replace the defective part. If Warrantor determines that the product is not defective under the terms of this warranty in Warrantor's sole and subjective discretion, then Purchaser shall be responsible for any expenses incurred by Warrantor in returning the equipment to the Purchaser.

### **LIMITATIONS AND DISCLAIMERS OF OTHER WARRANTIES**

EXCEPT FOR THE EXPRESS WARRANTY PROVISIONS STATED ABOVE, WARRANTOR DISCLAIMS ALL WARRANTIES, EXPRESS AND/OR IMPLIED, INCLUDING AND WITHOUT LIMITATION, THE IMPLIED WARRANTIES OF MERCHANTABILITY, AND FITNESS FOR A PARTICULAR PURPOSE, NON-INFRINGEMENT AND TITLE. No representation or other affirmation of fact by representatives of Warrantor, whether verbal or in writing, including photographs, brochures, samples, models, or other sales aids, shall constitute a warranty, or any other basis, for any legal action against Warrantor. There are no other representations, promises, agreements, covenants, warranties, guarantees, stipulations or conditions, expressed or implied, by Warrantor, except as expressly set forth herein. THE PURCHASER AND ANY INTENDED USER OR BENEFICIARY OF THIS EQUIPMENT, SHALL NOT BE ENTITLED TO RECOVER ANY INDIRECT, SPECIAL, PUNITIVE, EXEMPLARY, CONSEQUENTIAL, SPECIAL, OR INCIDENTAL DAMAGES OR LOSSES, INCLUDING BUT NOT LIMITED TO, DAMAGES OF LOST PRODUCTION, LOST REVENUE, LOST PRODUCT, LOST PROFITS, LOST BUSINESS, LOSS OF USE, LOSS OF GOODWILL, OR BUSINESS INTERRUPTION, FROM WARRANTOR FOR ANY REASON WHATSOEVER INCLUDING, WITHOUT LIMITATION, WARRANTY OR DEFECT IN THE PRODUCT REGARDLESS OF THE SOLE, JOINT, AND/OR CONCURRENT NEGLIGENCE, BREACH OF CONTRACT, BREACH OF WARRANTY, STRICT LIABILITY IN TORT OR STATUTORY CLAIMS, OR OTHER LEGAL FAULT, OR RESPONSIBILITY OF EITHER WARRANTOR OR PURCHASER OR ITS EMPLOYEES OR AGENTS. Warrantor does not warrant that its equipment meets or complies with the requirements of any particular safety code or governmental requirements.

Defective items, replaced under the terms of this warranty, become the property of Warrantor.

# **1** Introduction

## *Warranty*

---

### **DESIGN CHANGES**

Warrantor reserves the right to change the design of its products from time to time without notice and without obligation to make corresponding changes in or to its products previously manufactured.

### **RIGHTS OF PURCHASERS**

The validity and effect of this limited warranty, as well as its interpretation, operation and effect, shall be determined exclusively by the principles of law and equity of the State of Indiana, USA. This limited warranty gives Purchaser specific legal rights. Purchaser may also have other rights, which may vary from state to state. Some states may not allow limitations as to the duration of implied warranties or to the exclusion or limitation of incidental or consequential damages, therefore some of the limitations and exclusions detailed set forth above may not apply. In the event that any one or more of the provisions of this warranty shall be or become invalid, illegal or unenforceable in any respect, the validity, legality and enforceability of the remaining provisions of this warranty shall not be affected thereby.

### **INTERPRETATIONS**

This Warranty constitutes the entire warranty agreement between Warrantor and Purchaser and supersedes any prior understandings or agreements pertaining to the same subject matter. This warranty cannot be amended, except in writing, which refers to this warranty that is signed by both Warrantor and Purchaser.

© 2018 Wood-Mizer LLC – 8180 West 10<sup>th</sup> Street, Indianapolis, IN 46214

## SECTION 2 Safety

### 2.1 Safety Instructions

#### *Owner's Responsibility*

**NOTICE** It is always the **owner's responsibility** to comply with all applicable safety instructions, as well as federal, state and local laws, rules and regulations regarding the ownership, operation, and towing of your Wood-Mizer Wood Splitter. All Wood-Mizer Wood Splitter owners should be thoroughly familiar with all applicable safety instructions and laws and comply with them fully while using or towing the wood splitter.

**NOTE:** ONLY safety instructions regarding **personal injury** are listed in this section. Safety instructions regarding only equipment damage appear where applicable throughout the manual.



**WARNING!** Clean sawdust from all guards, vents, control boxes, or any area where sawdust may gather **after every shift**. Failure to do so may result in fire, causing death or serious injury.



### 2.2 Safety Symbols

The following symbols and signal words call your attention to instructions concerning your personal safety. Be sure to observe and follow these instructions.



**DANGER!** indicates an imminently hazardous situation which, if not avoided, will result in serious injury or death.



**WARNING!** suggests a potentially hazardous situation which, if not avoided, could result in serious injury or death.



**CAUTION!** refers to potentially hazardous situations which, if not avoided, may result in minor or moderate injury or damage to equipment.

**NOTICE** indicates vital information.

**NOTE:** gives helpful information.


### OBSERVE SAFETY INSTRUCTIONS

#### NOTICE

- Keep children away from the area.
- Read the entire operator's manual before operating the wood splitter.
- Take notice of all safety warnings throughout this manual and those posted on the machine.
- Keep this manual with this machine at all times, regardless of ownership.
- Read all additional manufacturer's manuals.
- Obey all applicable safety instructions including dangers, warnings, and cautions.
- Only persons who have read and understood the entire operator's manual should operate the wood splitter.



### WEAR SAFETY CLOTHING


 **WARNING!** Secure all loose clothing, hair, and jewelry before operating the wood splitter.

Always wear hand, eye, ear, and foot protection when operating or servicing the wood splitter.




---

### KEEP WOOD SPLITTER AND AREA AROUND WOOD SPLITTER CLEAN

 **DANGER!** Maintain a clean and clear path for all necessary movement around the wood splitter and stacking areas.

---

 **WARNING!** Do not allow children in the area of the wood splitter. Failure to follow this may result in serious injury or death

## DISPOSE OF WOOD BY-PRODUCTS PROPERLY

**NOTICE** Always properly dispose of all wood by-products, including sawdust, chips, and other debris, including operation waste such as coolant, oil, fuel, oil filters, fuel filters, etc.

## KEEP SAFETY LABELS IN GOOD CONDITION

**NOTICE** Always be sure that all safety decals are clean and readable. Replace all damaged safety decals to prevent personal injury or damage to the equipment. Contact your local distributor, or call your Customer Service Representative to order more decals.

If replacing a component which has a safety decal affixed to it, make sure the new component also has the safety decal affixed.

## CAUTIONS FOR WOOD SPLITTER SETUP



**WARNING!** Set up the wood splitter on solid, level ground.

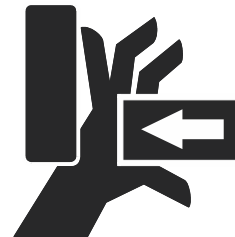
If unhitching the wood splitter, chock the trailer wheels to prevent movement before unhitching it from the towing vehicle. Failure to follow this may result in serious injury or death.

## USE CAUTION WHEN WORKING WITH HEAVY LOGS



**WARNING!** Do not load logs in excess of **300 lbs** without a counterbalance on the tongue to prevent unit tipping.

Be aware of possible crushing points when handling large logs.



## KEEP PERSONS AWAY



**WARNING!** Keep all persons out of the path of log moving equipment and logs when operating or loading the log splitter.

## KEEP HANDS AWAY



**DANGER!** Always keep hands away from moving wood.



**WARNING!** Avoid contact with any hot parts (hydraulic hoses, fittings, engines, as applicable).

Allow the system to cool sufficiently before beginning any service function, including debris removal.

Avoid contact with sharp edges of the cutting wedges.



### 2.3 For Models with Engines

#### HANDLE FUEL/LUBRICANTS SAFELY



**DANGER!** Keep all fuel and lubricants away from children.

Never smoke, weld, grind or allow sparks near your engine or storage tanks.

Never spill fuel on a hot engine.



**WARNING!** Store gasoline away from flammable materials.

Never use flammable fuels or liquids to clean the wedge.



#### CAUTIONS FOR GAS OR DIESEL ENGINE OPERATION



**DANGER!** Operate your engine/machine only in well ventilated areas.

Do not operate your engine/machine indoors or within a confined space.

Do not operate an engine with a fuel or oil leak, which can result in fire.

## SECTION 3 SETUP AND OPERATION

### 3.1 Uncrating

When your Wood-Mizer FS150 Wood Splitter arrives, it will be fully assembled. If any parts are missing, please contact Wood-Mizer support at 1-800-525-8100.

### 3.2 Hitch to towing vehicle



**DANGER!** Do not exceed 45 MPH (72 KPH). Failure to follow this will result in serious injury or death.



**IMPORTANT!** This hitch is designed for a 2" ball.

1. Set the hitch on the splitter tongue to the 2" ball on the towing vehicle.



**CAUTION!** Make sure the hitch coupler fits **entirely** over the hitch ball on the towing vehicle before latching.

2. Pin the hitch latch closed.
3. Cross the safety chains under the tongue and attach the chains to the towing vehicle at the proper site for that vehicle.

**NOTE:** Crossing the safety chains is mandated by law in Canada and varies from state to state in the US. Best practice is to cross them, even where not mandated.

4. Raise the jack by turning the jack handle.

See Figure 3-1.

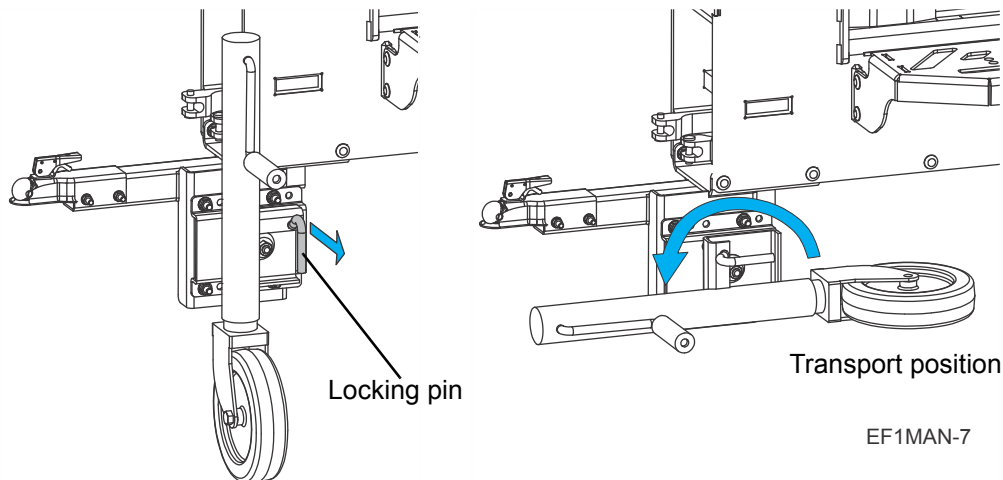


FIG. 3-1

5. Rotate the jack by pulling the spring loaded pin and rotating the jack 90 degrees. The pin will lock in to another hole at the 90 degree location.
6. Remove wheel chocks.

### 3.3 Onsite setup

**!** **DANGER!** Do not operate this unit indoors or in an enclosed area or carbon monoxide poisoning will occur. Failure to follow this will result in serious injury or death.

**!** **DANGER!** Maintain a clean and clear path for all necessary movement around the wood splitter and stacking areas. Failure to follow this will result in serious injury or death.

**!** **WARNING!** Do not allow children in the area of the wood splitter. Failure to follow this may result in serious injury or death.

**!** **WARNING!** Do not set up the wood splitter on ground with more than a 10 degree incline. Failure to follow this may result in serious injury or death.

1. Park the log splitter on a solid, level surface.



**NOTE:** The log splitter may be used either hitched or unhitched to the transport vehicle. Operating while hitched to the towing vehicle offers the best stability.

2. Chock both tires on both sides; use a total of four tire chocks.
3. If working unhitched, lower the jack.



**IMPORTANT!** Ensure that the jack sets on a firm, level surface.

**NOTE:** For best practices when operating the unit unhitched from the towing vehicle, place counterbalance weights on the tongue for added stability. Operating while hitched to the towing vehicle offers the best stability.



**CAUTION!** Engines are not shipped with oil. Fill the oil reservoir with the manufacturer's recommended type of oil before attempting to start this engine for the first time. Failure to follow this will result in engine damage.

### 3.4 Operation



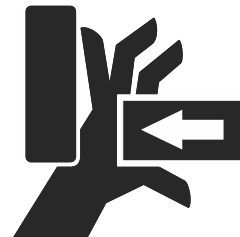
**DANGER!** Do not operate this unit indoors or in an enclosed area. Carbon monoxide poisoning will occur. Failure to follow this will result in serious injury or death.



**WARNING!** Do not load logs greater than 300lbs. Failure to follow this may result in serious injury or death.



**WARNING!** Avoid contact with sharp edges of the cutting wedges. Failure to follow this may result in serious injury or death.



1. Check the gas tank and oil reservoir.
2. Start the engine.

*See the engine manual for proper starting technique for your model of engine.*

3. Position a log onto the platform.

# 3

## Setup and Operation

### Operation



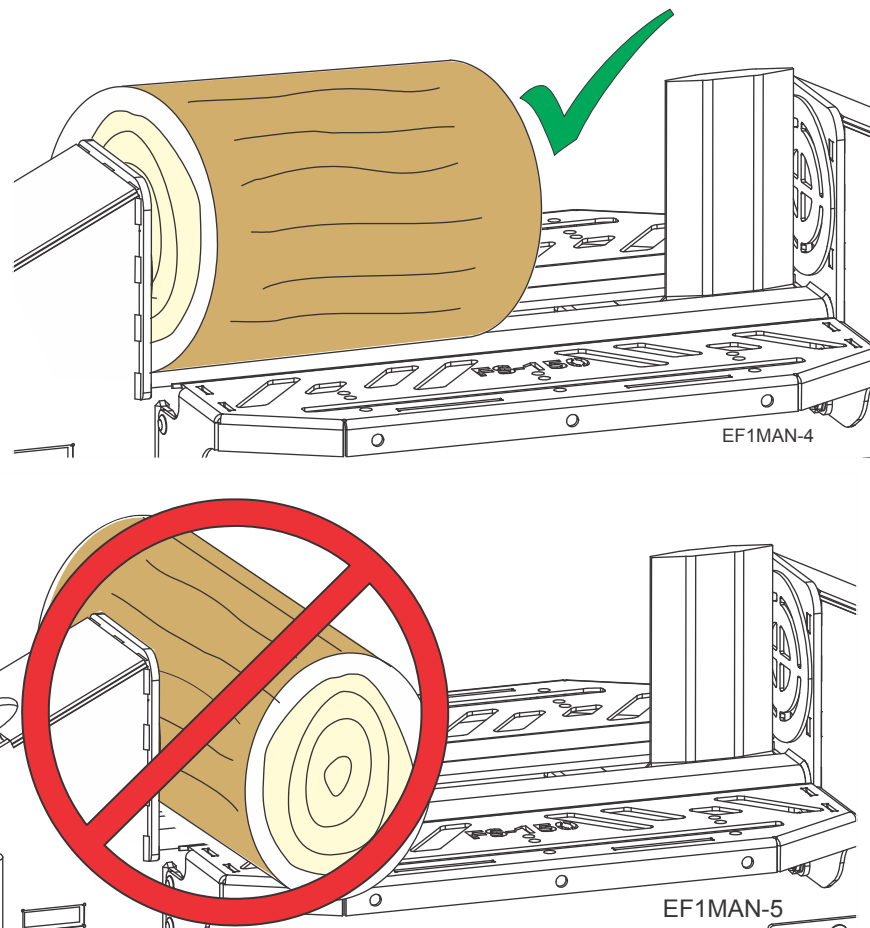
**WARNING!** Set the log with base end is towards the wedges to prevent wood from shattering or dislodging under pressure. Failure to follow this may result in serious injury or death.



**WARNING!** Do not place your hands on the ends of the log. Failure to follow this may result in serious injury or death.

4. Position the log onto the cutting table between the wedges and the base, as shown in Figure 3-2.

See Figure 3-2.



**FIG. 3-2**

5. Move the wedge to the left by moving the log splitter handle to the left to cut the first round of firewood.

See Figure 3-3.

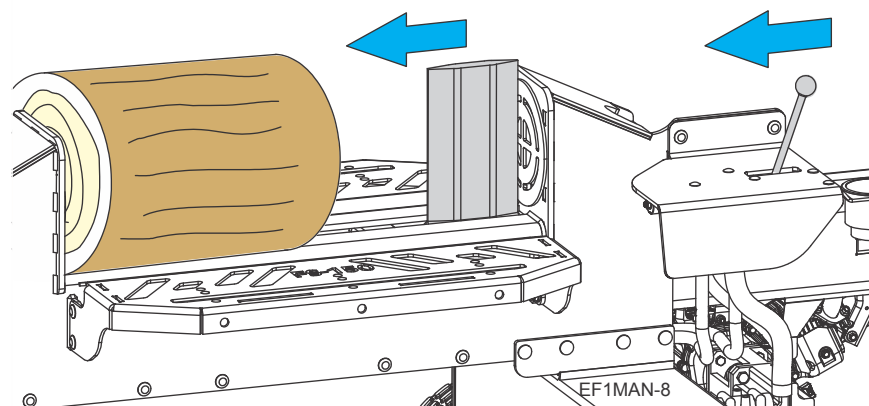


FIG. 3-3

6. Reposition the cut log and reverse the log splitter handle.

See Figure 3-4.

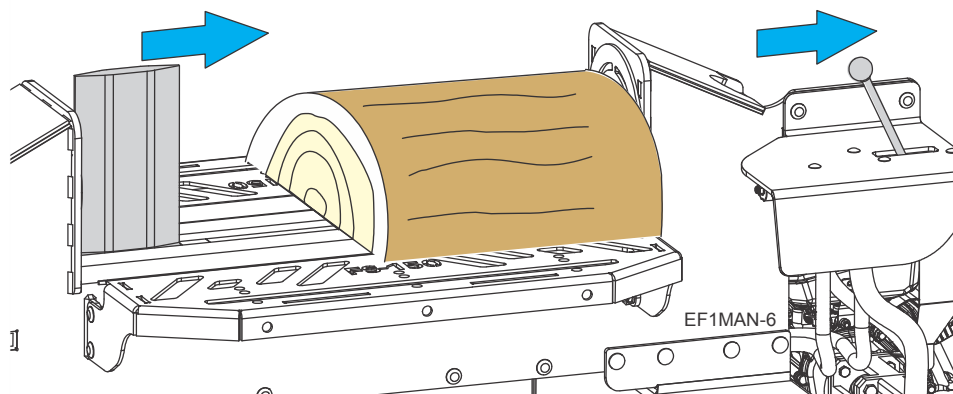
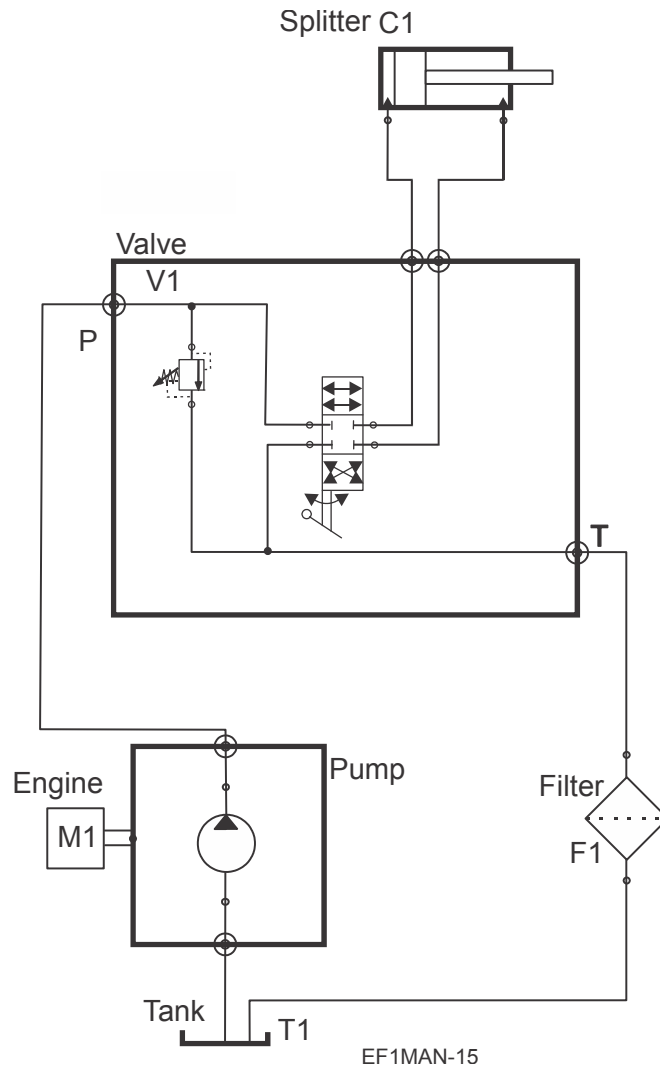


FIG. 3-4

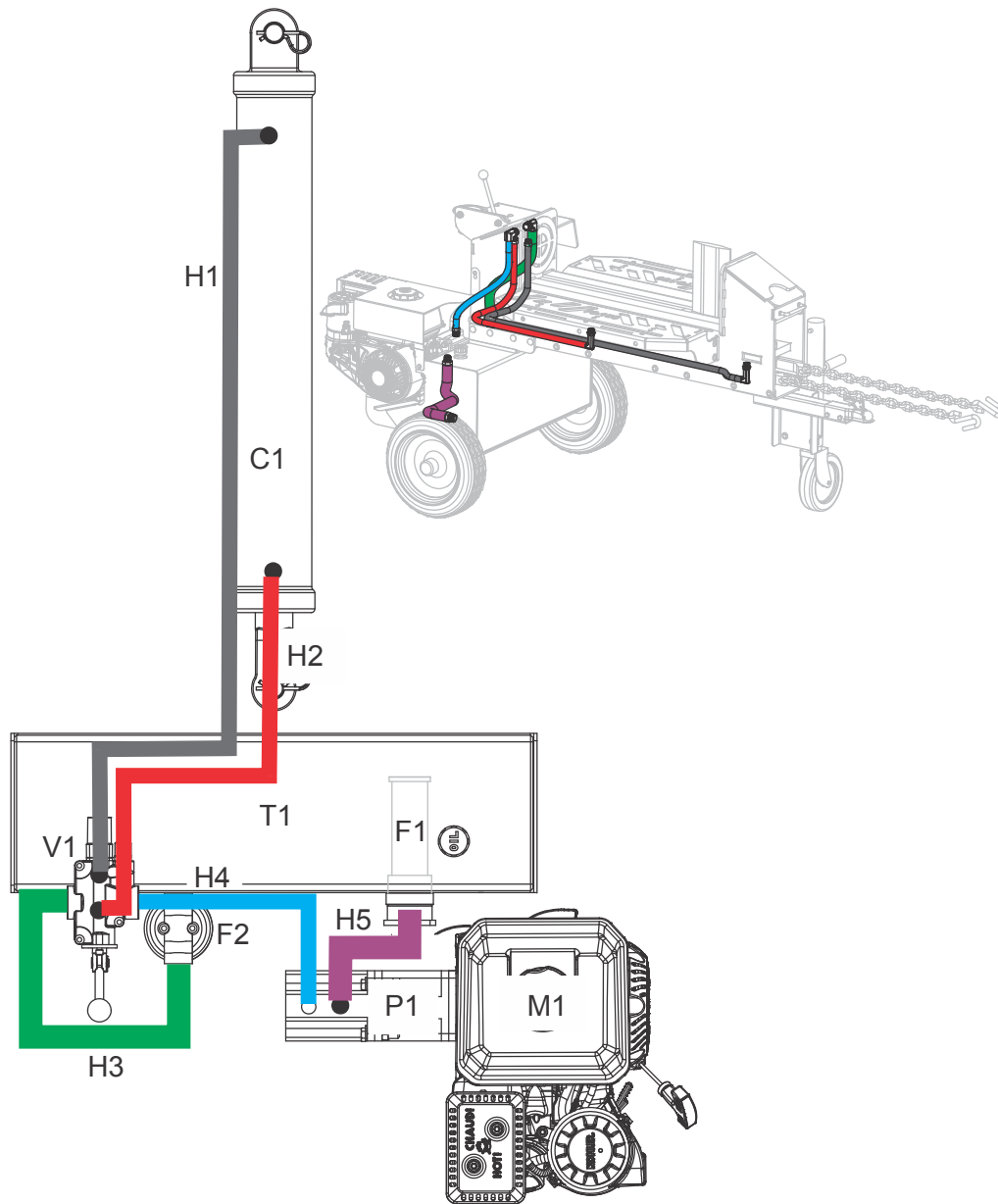
7. Move the wedge to the right by moving the log splitter handle to the right.
8. Repeat these steps 3 through 7 until finished.

## SECTION 4 HYDRAULICS

### 4.1 Hydraulic schematic



## 4.2 Hydraulic layout



## Hydraulic components

Hydraulic component reference <sup>1</sup>			
Ref	Description	Part Number	Qty
C1	Hydraulic Cylinder Assembly	113040	1
	Fitting, Hydraulic 90 8JIC 8NPTF Long (2)	113121	2
F1	Filter, 1 1/2 NPT In-Tank Suction	113094	1
	Fitting, Hydraulic STR 12JIC 12NPTF	113118	1
F2	Manifold with filter	113126	1
	Fitting, Hydraulic 90 12JIC 12NPTF	113117	1
M1	Engine, 7hp Kohler	X100-1083	1
P1	9 Gpm Two Stage Pump	113108	1
	Fitting, Hydraulic STR 8JIC 8NPTF (top)	113115	1
	Fitting Hydraulic STR 12JIC 8NPTF (bottom)	113119	1
T1	Weldment, Hydraulic Tank	113044	1
	Fitting, Hydraulic STR 12JIC 12NPTF	113118	1
V1	Assembly, Prince Two Spool FS350	113031	1
	Fitting, Hydraulic STR 8JIC 8NPTF	113120	2
	Fitting, Hydraulic 90 12JIC 12NPTF	113117	1
	Fitting, Hydraulic 90 8JIC 12NPTF	113116	6

<sup>1</sup> See Part section for more detail of the location and fittings.

Hydraulic hose list				
Ref	Hose color	Length	Description	Part Number
H1	gray	59.5"	Hose 8, Str End 8, 90deg End 8, 59.5 Inch Long	113113
H2	red	35"	Hose 8, Str End 8, 90deg End 8, 35 Inch Long	113114
H3	green	18.5"	Hose 12, Str End 12, Str End 12, 18.5 Inch Long	113111
H4	blue	15.5"	Hose 8, Str End 8, 45deg End 8, 15.5 Inch Long	113110
H5	purple	11	Hose 12, 90 Deg End 12, 90 Deg End 12, 11 Inch Long	113112

## SECTION 5 MAINTENANCE



**WARNING!** Before performing service turn the engine key switch to the OFF position and remove the key.

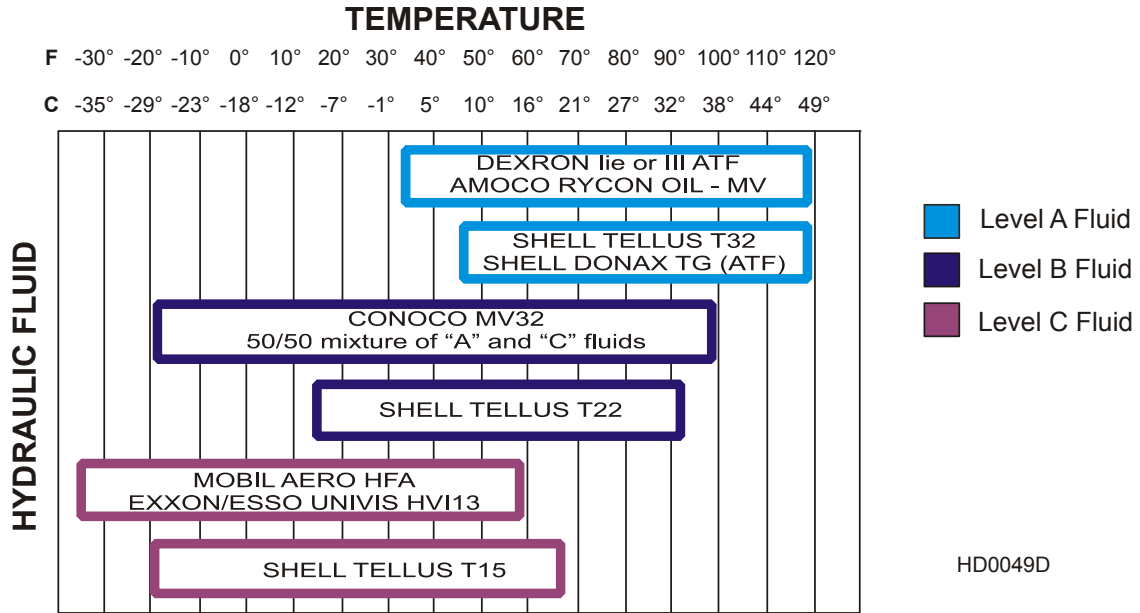
### 5.1 General maintenance after each use

1. Check for debris impeding any moving parts.
2. Clean debris off of the engine, hydraulic tank, fuel tank.
3. Check engine oil per engine manual specifications.
4. Check tire pressure as printed on tires.
5. Check for hydraulic leaks.
6. Check the oil cooler for any obstructions or leaks.

### 5.2 Hydraulics

1. Check the hydraulic fluid level. Add fluid up to the black level line on the fill gage.
2. Replace the hydraulic system cartridge filter every 500 hours of operation.
3. Use an all-weather hydraulic fluid conforming to ISO-32, such as Conoco MV32 for operating temperatures -20° to 100° F (-29° to 38° C).

See Figure 5-1. For alternate operating conditions and temperature ranges:



**FIG. 5-1**

See Figure 5-2.



## SECTION 6 PARTS

### 6.1 How To Use The Parts List

- Use the table of contents to locate the assembly that contains the part you need.
- Go to the appropriate section and locate the part in the illustration.
- Use the number pointing to the part to locate the correct part number and description in the table.
- Parts shown indented under another part are included with that part.

#### *To Order Parts*

- From the continental US, call **1-800-525-8100** to order parts. Have your customer number, vehicle identification number, and part numbers ready when you call.
- From other international locations, contact the Wood-Mizer distributor in your area for parts.

### 6.2 Sample Assembly

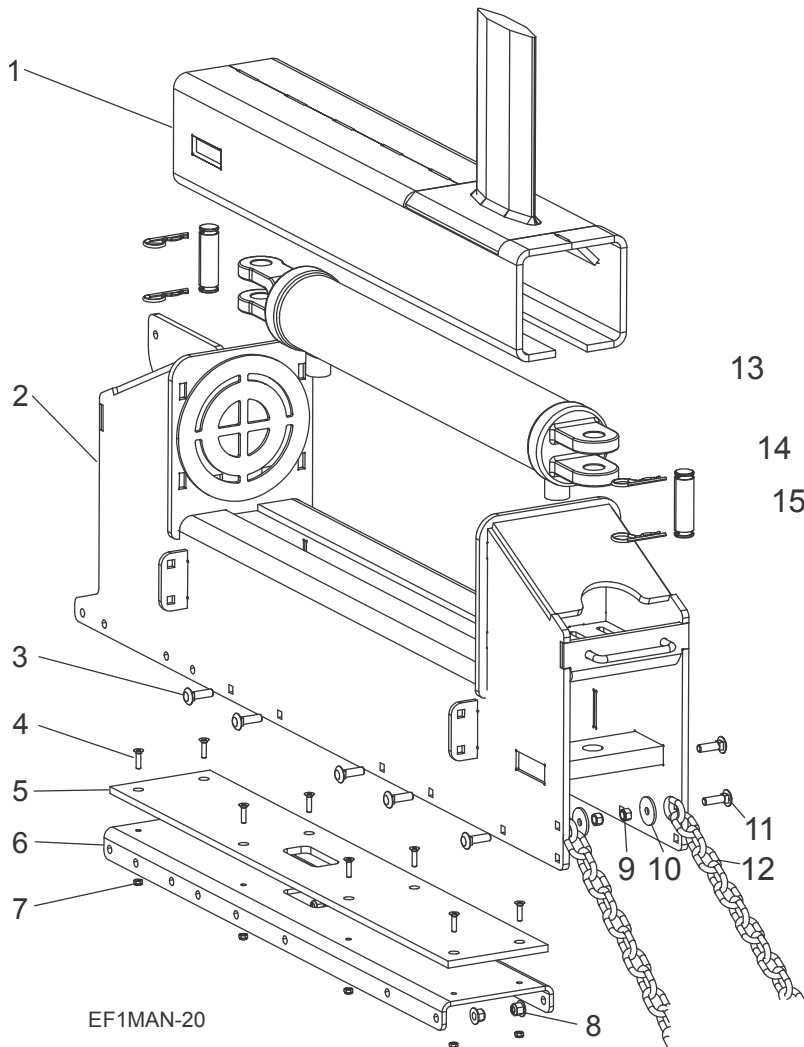
REF	DESCRIPTION (♦ Indicates Parts Available in Assemblies Only)	PART #	QTY
	SAMPLE ASSEMBLY, COMPLETE (INCLUDES ALL INDENTED PARTS BELOW)	012345	1
1	Sample Part	F02222-22	1
2	Sample Part	F03333-33	2
	Sample Subassembly (Includes All Indented Parts Below)	098765	1
3	Subassembly Sample Part	S04444-44	1
4	Subassembly Sample Part	K55555	1
	Sample Sub-Subassembly (Includes All Indented Parts Below)	054321	2
5	Sub-Subassembly Sample Part	022222	1
6	Sub-Subassembly Sample Part	F10234-56	1

The Sample Assembly, Complete, part number 02345 (top level assembly) includes two parts (F0222-22 and F0333-33) and the 098765 subassembly.

Subassembly 098765 contains two parts(S04444-44 and K55555) and two copies of sub-subassembly 054321.

Each sub-subassembly 054321 contains two parts (022222 and F10234-56).

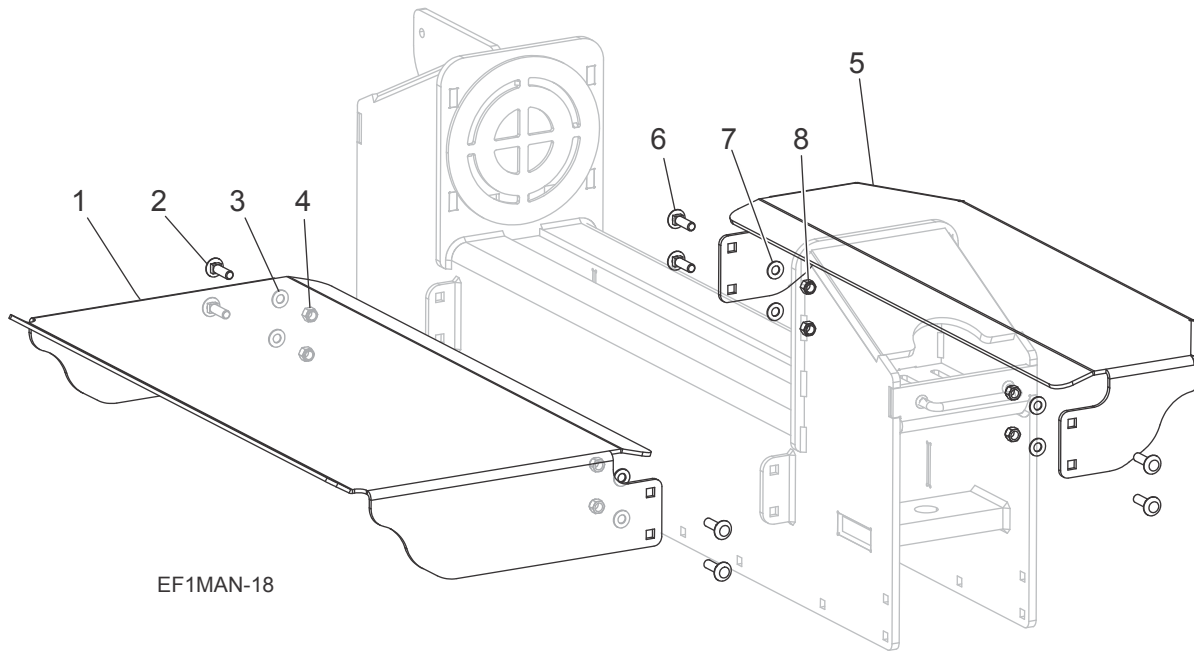
### 6.3 Splitter Head



REF	DESCRIPTION (♦ Indicates Parts Available in Assemblies Only)	PART #	QTY.
1	Weldment, Splitter Channel	113020	1
	Assy, FS150 Splitter Enclosure	113002	
2	Weldment, FS150 Splitter Enclosure	113003	1
3	Bolt, M10-1.5x35 Carriage Cl8.8 Zinc	F05022-34	10
	Assy, Splitter Enclosure Bottom	113012	1
4	Screw, M6x1x25mm FHS	F05004-266	8
5	Plate, FS150 Bottom Wear	113014	1
6	Plate, Splitter Enclosure Bottom Mount	113013	1
7	Nut, M6-1.0 Nylon Lock	F05010-200	8
8	Nut, M10-1.5 Flanged Nylon Lock	F05027-47	8

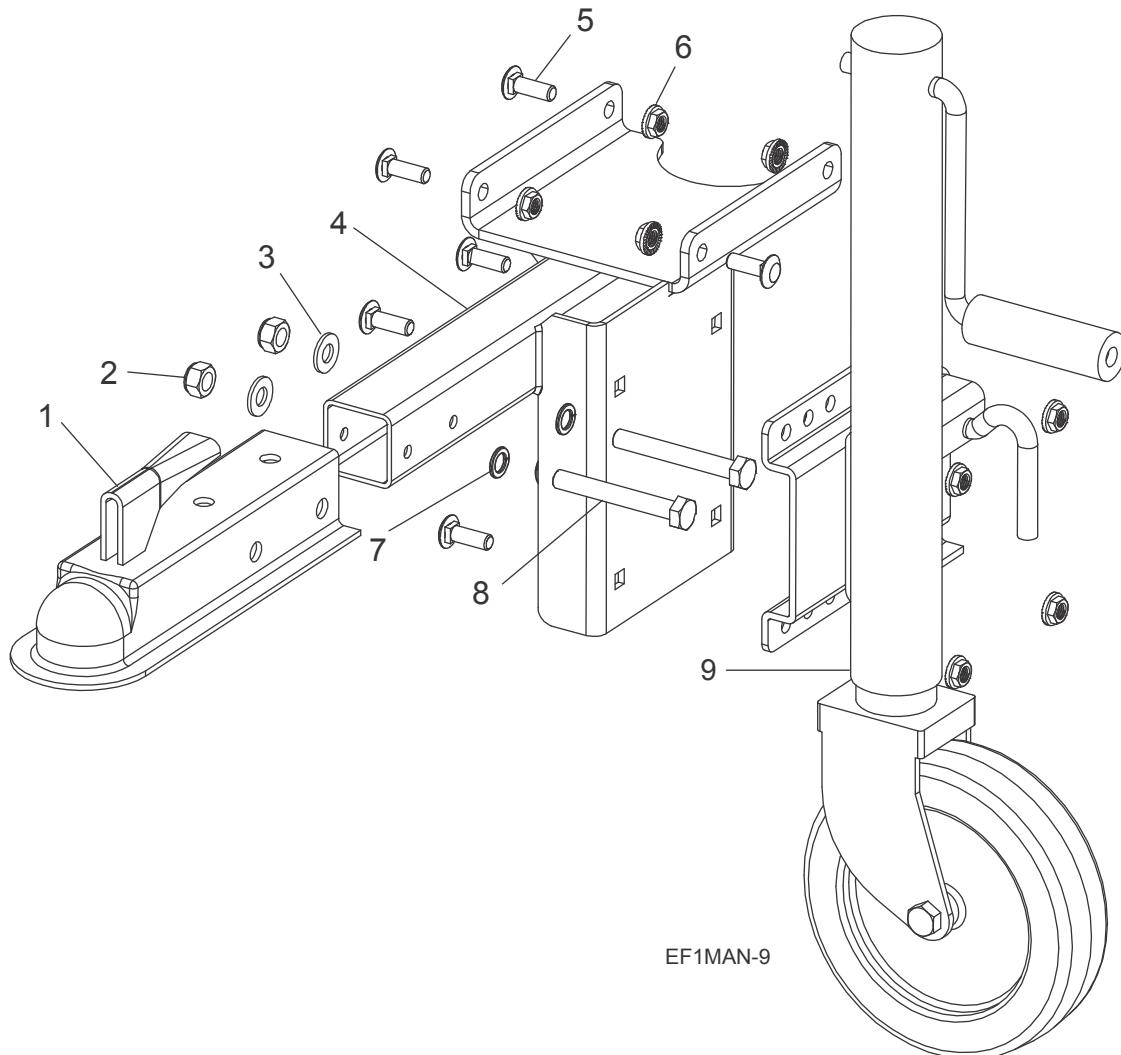
REF	DESCRIPTION (♦ Indicates Parts Available in Assemblies Only)	PART #	QTY.	
9	Nut, M10-1.50 Hex Nyl Lock	F05004-270	2	
10	Washer, 3/8x1-1/2x1/8 Thk Hardened->	F05011-104	2	
12	Chain, 30 Inch Safety	107163	2	
4	Assembly, Hydraulic Cylinder	113040	1	
5	Pin, Clevis W/Clips	061394	2	
6	Included with 061394	N/A	2	

## 6.4 Splitter Output



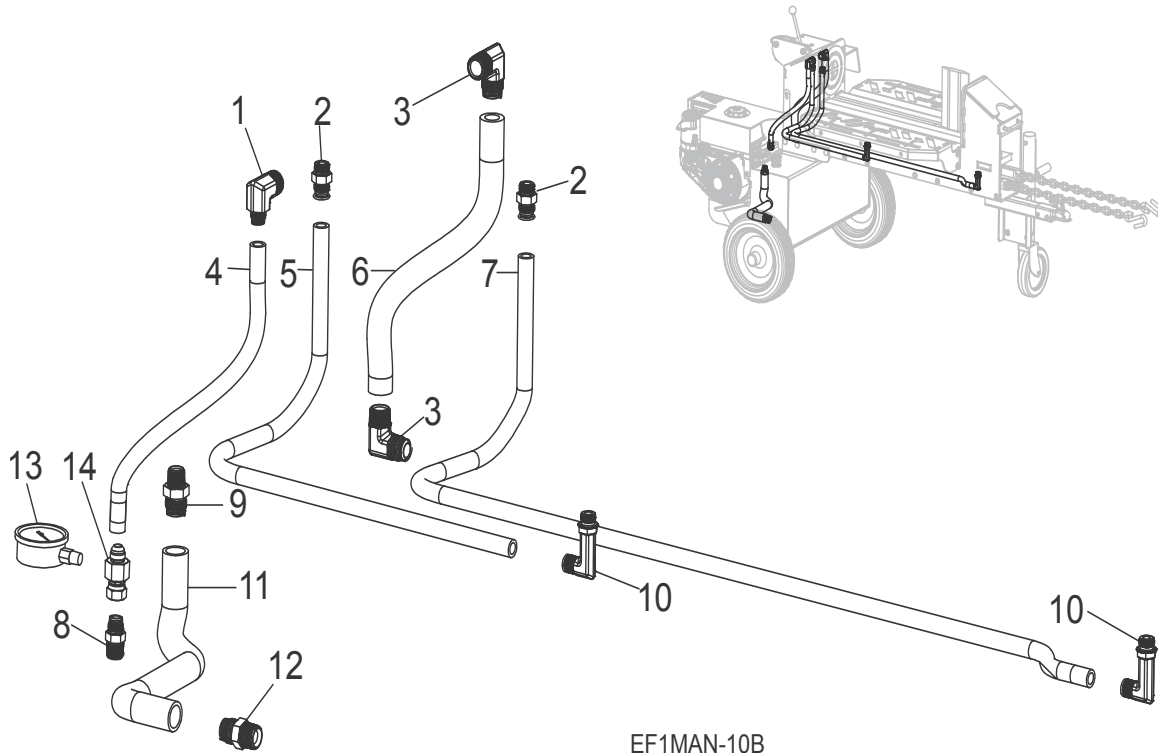
REF	DESCRIPTION (♦ Indicates Parts Available in Assemblies Only)	PART #	QTY.
	Assy, FS150 Wide Table w/ Backstop	115275	
1	Plate, FS150 Wide Side Table w/ Bkstop	115276	1
2	Bolt, M10-1.5x35 Carriage Cl8.8 Zinc	F05022-34	4
3	Washer, M10 Flat SAE	F05011-134	4
4	Nut, M10-1.50 Hex Nyl Lock	F05004-270	4
	Assy, Side Table (Standard)	113029	
5	Plate, FS150 Side Table	115278	1
6	Bolt, M10-1.5x35 Carriage Cl8.8 Zinc	F05022-34	4
7	Washer, M10 Flat SAE	F05011-134	4
8	Nut, M10-1.50 Hex Nyl Lock	F05004-270	4

## 6.5 Trailer Tongue



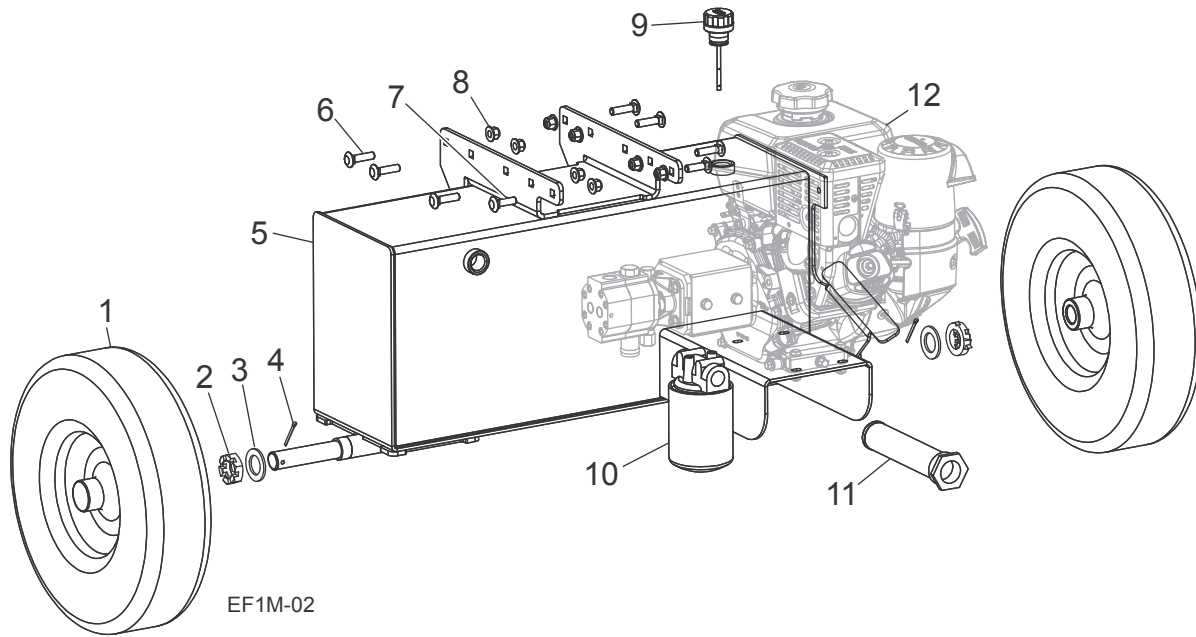
REF	DESCRIPTION (♦ Indicates Parts Available in Assemblies Only)	PART #	QTY.
	Assembly, Trailer Hitch	113063	1
1	Trailer Hitch, Straight Tongue Coupler	113101	1
2	Bolt, M8-1.25x75mm HH Class8.8	F05021-34	2
3	Washer, M12 Flat Zinc	F05011-124	2
4	Weldment, Trailer Hitch	113064	1
5	Bolt, M10-1.5x30 Carriage Class 8.8	F05022-19	8
6	Nut, M10 x 1.5 Flanged Serrated Nylock	F05010-249	8
7	Washer, 12MM Split Lock	F05011-123	2
8	Bolt, M12x1.75x90mm HH FT C110.9 Zinc	F05004-249	2
9	Jack, Tongue w/wheel - No Hardware	113069	1

## 6.6 Hydraulic Hoses



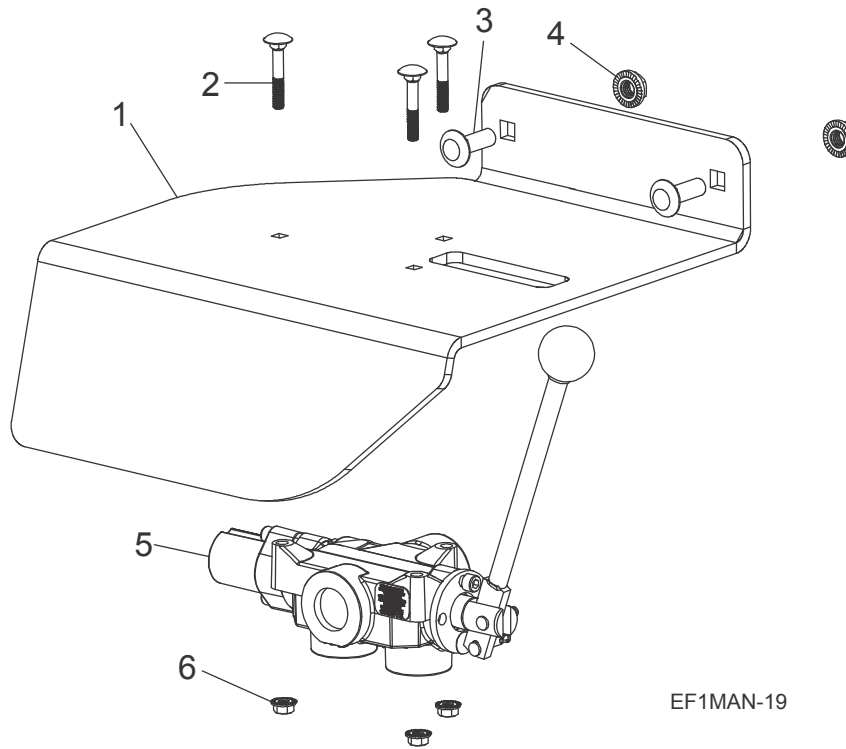
REF	DESCRIPTION (♦ Indicates Parts Available in Assemblies Only)	PART #	QTY.
	Kit, FS150 Hose /w Fittings	113070	1
1	Fitting, Hydraulic 90 8JIC 12NPTF	113116	1
2	Fitting, Hydraulic STR 8JIC 8NPTF	113120	1
3	Fitting, Hydraulic 90 12JIC 12NPTF	113117	2
4	Hose 8, Str End 8, 45deg End 8, 15.5 in long	113110	1
5	Hose 8, Str End 8, 90deg End 8, 35 Inch Long	113114	1
6	Hose 12, Str End 12, Str End 12, 18.5 Inch Long	113111	1
7	Hose 8, Str End 8, 90deg End 8, 59.5 Inch Long	113113	1
8	Fitting, Hydraulic STR 8JIC 8NPTF	113115	2
9	Fitting Hydraulic STR 12JIC 8NPTF	113119	2
10	Fitting, Hydraulic 90 8JIC 8NPTF LONG	113121	2
11	Hose 12, 90 Deg End 12, 90 Deg End 12, 11 Inch Long	113112	1
12	Fitting, Hydraulic STR 12JIC 12NPTF	113118	1
13	Gauge, 4000 PSI Hyd	P10052	1
14	Gauge Port, 8 JIC Fx8JIC M x 1/4NPT	110963	1

## 6.7 Hydraulic Tank



REF	DESCRIPTION (♦ Indicates Parts Available in Assemblies Only)	PART #	QTY.
	<b>ASSY, ENGINE AND WHEELS</b>	113043	
1	Wheel, FS150	113062	2
2	Nut, Castle, 1-14	P192	2
3	Washer, 1-1/16 x 1-3/4 x 1/8 Znc	P116	2
4	Pin, 1/8x1 1/2 Cotter	F05012-49	2
5	Weldment, FS150 Hydraulic Tank	113044	1
6	Bolt, M10-1.5 x 40 Carriage	F05022-47	6
7	Bolt, M10-1.5x35 Carriage Cl8.8 Zinc	F05022-34	2
8	Nut, M10-1.5 Flanged Nylon Lock	F05027-47	8
9	Cap, Hydraulic Tank w/ Breather	113102	1
10	Assembly, Hyd Filter	113126	1
11	Filter, 1 1/2 NPT In-Tank Suction	113094	1
12	Assy, Engine-Hyd Pump ( <a href="#">See Section 6.9</a> )	128144	1

## 6.8 Hydraulic Controls

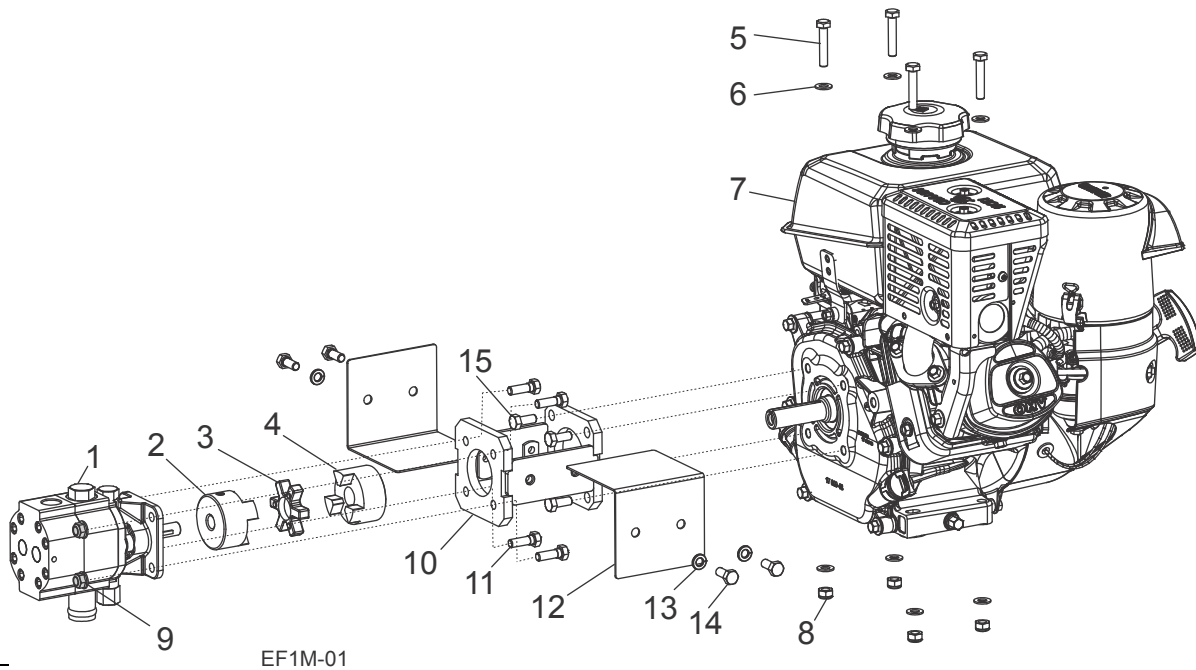


EF1MAN-19

REF	DESCRIPTION (♦ Indicates Parts Available in Assemblies Only)	PART #	QTY.	
	Assy, FS150 Hyd Valve	113031		
1	Mount, FS150 Hyd Valve Mount	113032	1	
2	Bolt, M6-1.0 x 40 Carriage	F05020-56	3	
3	Bolt, M10-1.5x35 Carriage Cl8.8 Zinc	F05022-34	2	
4	Nut, M10-1.50 Hex Nyl Lock	F05004-270	2	
5	Valve, Hyd FS150	113033	1	
6	Nut, M6-1.0 Nylon Lock	F05010-200	3	



## 6.9 Engine



REF	DESCRIPTION (♦ Indicates Parts Available in Assemblies Only)	PART #	QTY.
	<b>ASSY, ENGINE-HYD PUMP</b>	128144	
11	Pump, Hyd 9 Gpm Two Stage	113108	1
2	Coupling, 1/2" Bore Jaw Type	113103	1
3	Insert, 3/4" Coupling Spider	113105	1
4	Hub, 3/4" Coupling Sintered Iron Jaw	113104	1
5	Bolt, M8-1.25x40 HH Zinc Class 8.8	F81002-15	4
6	Washer, M8 Flat	F05026-4	8
7	Engine, Kohler 7hp	128139	1
	Fuel filter 17 050 20-S	061331	1
	Shaft Key, 1/4 x 1 11/16	S04124	1
	Spark Plug 25 132 19-S	061333	1
	Kit, Air/Pre-cleaner 17 883 07-S1	061380	1
	Module, Ignition 17 584 01-S	061381	1
8	Nut, M8-8-B Hex Nylon Zinc Lock	F81032-2	4
	Assy, Hyd Pump-Eng Mount	128143	1
9	Nut, 5/16-18 Flanged Hex Nylock	F05010-221	4
10	Weldment, Kohler Eng-Pump Coupler	128141	1
11	Bolt, 5/16-18x1 HH	F05006-1	4
12	Plate, Pump Coupler Cover	128142	2

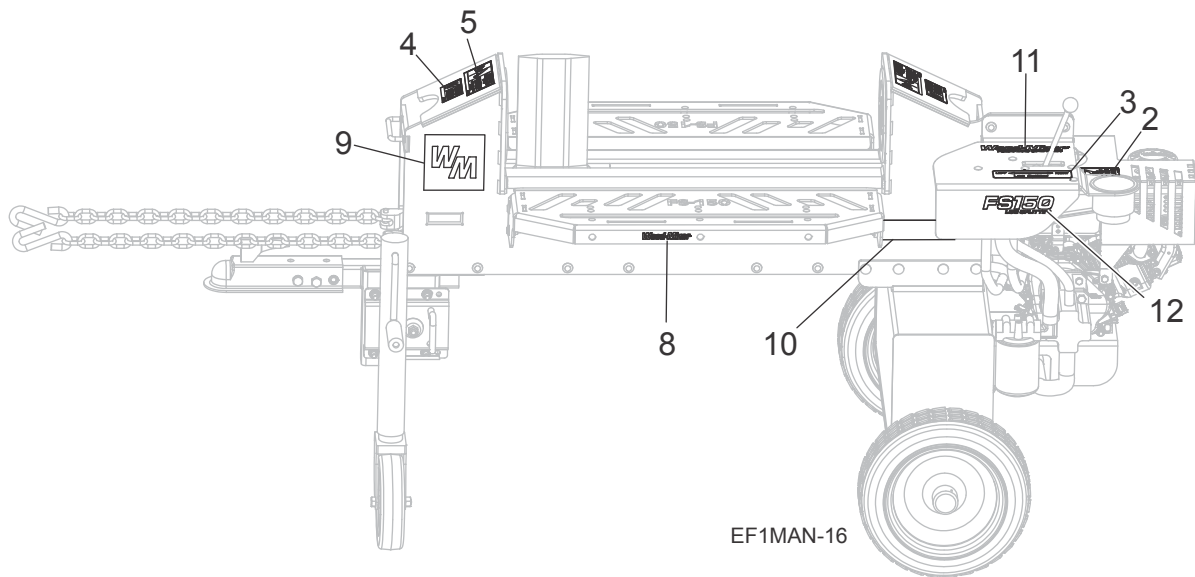
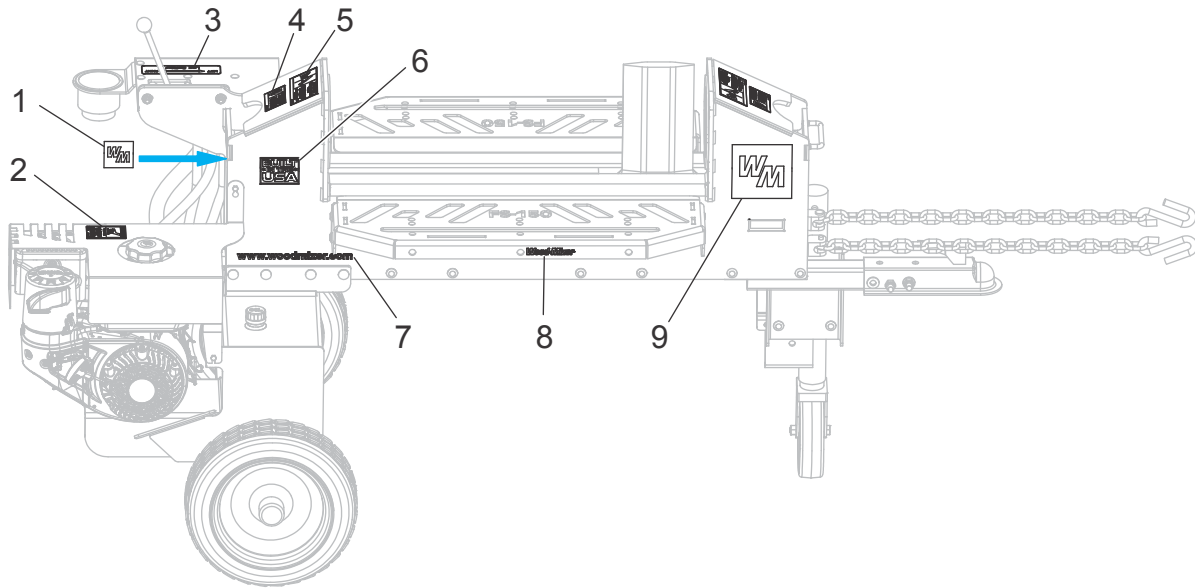
# 6 Parts

*Engine*

---

REF	DESCRIPTION (♦ Indicates Parts Available in Assemblies Only)	PART #	QTY.	
13	Washer, 5/16 Split Lock	F05011-13	4	
14	Bolt, 5/16-18x3/4 HH Gr5 Zinc	F05006-102	4	
15	Bolt, 5/16-24x3/4 HH Gr 5 FT ZNC	F05006-105	4	

## 6.10 Decals



REF	DESCRIPTION (♦ Indicates Parts Available in Assemblies Only)	PART #	QTY.
1	Decal, Small WM Badge	110657	1
2	Decal, Hot Engine Warning	014419	1
3	Decal, Log Splitter Direction	074996	1
4	Decal, Hand Pinch Point Warning Edger	S12641	2
5	Decal, Moving Parts Danger	033254	2
6	Decal, Built In The USA	074008	1

# 6 Parts

## Decals

---

REF	DESCRIPTION (♦ Indicates Parts Available in Assemblies Only)	PART #	QTY.
7	Decal, Wood-Mizer Website	003235	1
8	Decal, Wood-Mizer 4 inch White	074470	2
9	Decal, Large WM Badge	110656	2
10	Decal, LT15 ID Serial No.	015820	1
	Decal, VIN Overlay	P09971	1
11	Decal, FS150/Wood-Mizer Logo	110654	1
12	Decal, FS150 Logo	110655	1