

**Log Splitter
Safety, Operation,
& Maintenance Manual**

FS350

A1.03

Safety is our #1 concern!

July 2017

Form #2098

California
Proposition 65 Warning



WARNING: Breathing gas/diesel engine exhaust exposes you to chemicals known to the State of California to cause cancer and birth defects or other reproductive harm.

- Always start and operate the engine in a well-ventilated area.
- If in an enclosed area, vent the exhaust to the outside.
- Do not modify or tamper with the exhaust system.
- Do not idle the engine except as necessary.

For more information go to **www.P65warnings.ca.gov**.



WARNING: Drilling, sawing, sanding or machining wood products can expose you to wood dust, a substance known to the State of California to cause cancer. Avoid inhaling wood dust or use a dust mask or other safeguards for personal protection.

For more information go to **www.P65Warnings.ca.gov/wood**.

Active Patents assigned to Wood-Mizer, LLC

Wood-Mizer, LLC has received patents that protect our inventions which are a result of a dedication to research, innovation, development, and design. Learn more at: woodmizer.com/patents

©2022 Wood-Mizer LLC

Printed in the United States of America, all rights reserved. No part of this manual may be reproduced in any form by any photographic, electronic, mechanical or other means or used in any information storage and retrieval system without written permission from

Wood-Mizer, LLC
8180 West 10th Street
Indianapolis, Indiana 46214

SECTION 1	INTRODUCTION	1-1
1.1	About this manual.....	1-1
1.2	Getting Service.....	1-1
1.3	Specifications	1-3
1.4	Warranty.....	1-4
SECTION 2	SAFETY	2-1
2.1	Safety Instructions.....	2-1
	<i>Owner's Responsibility</i>	<i>2-1</i>
2.2	Safety Symbols.....	2-1
2.3	Engine Safety.....	2-3
	<i>Use Caution When Working With Batteries</i>	<i>2-4</i>
SECTION 3	SETUP AND OPERATION	3-1
3.1	Uncrating.....	3-1
3.2	General Transportation.....	3-1
3.3	Onsite setup	3-2
3.4	Operation.....	3-2
	<i>Using optional log lift.....</i>	<i>3-3</i>
SECTION 4	HYDRAULICS	4-1
4.1	Hydraulic schematic (without optional Log Lift).....	4-1
4.2	Hydraulic layout (without optional Log Lift).....	4-2
4.3	Hydraulic components (without optional Log Lift)	4-2
4.4	Hydraulic schematic (with optional Log Lift).....	4-4
4.5	Hydraulic layout (with optional Log Lift).....	4-5
4.6	Hydraulic components (with optional Log Lift)	4-5
SECTION 5	MAINTENANCE	5-1
5.1	General maintenance after each use	5-1
5.2	Hydraulics.....	5-1
5.3	Changing the wedges.....	5-1
5.4	Wedge sharpening	5-2
SECTION 6	PARTS	6-1
6.1	How To Use The Parts List	6-1
	<i>To Order Parts.....</i>	<i>6-1</i>
6.2	Sample Assembly	6-1
6.3	Splitter table.....	6-2
6.4	Debris Tray and Guards.....	6-3
6.5	Trailer Tongue.....	6-4
6.6	GX390 Engine and Hydraulic Pump.....	6-5
6.7	Trailer/Hydraulic Tank Frame.....	6-6
6.8	Hydraulic Controls (Standard)	6-8
6.9	Hydraulic Hoses (Standard)	6-9
6.10	Battery Box.....	6-10

6.11 Wedge.....6-11
6.12 Decals6-12
6.13 Log Lift Platform (Optional)6-13
6.14 Log Lift Controls (Optional)6-15
6.15 Hydraulic hoses (with optional Log Lift).....6-17
6.16 Electrical.....6-18

Wood-Mizer® LLC
Limited Product Warranty



Wood-Mizer LLC (“Warrantor”), an Indiana corporation with its principal place of business at 8180 West Tenth Street, Indianapolis, IN 46214-2400 USA, warrants to the purchaser (“Purchaser”) that for the time periods specifically stated herein and subject to the terms, conditions and limitations stated herein, the equipment manufactured by the Warrantor will be free from defects in material and workmanship attributable to Warrantor so long as, during the warranty periods stated herein, the equipment is installed, operated and maintained in accordance with the instructions provided by Warrantor.

PRODUCT	MODEL CLASS	LENGTH OF WARRANTY		EFFECTIVE DATE
		USA & CANADA	NON USA & CANADA	
Portable Sawmills, Resaws, Edgers	LT, LX, HR, EG	Two years	One year	Date of purchase
Portable Sawmills with Chassis	LT28, LT35, LT40, LT50, LT70, LX450	Two years, excluding the chassis, which chassis shall have a five year warranty	One year	
Industrial Sawmills, Resaws, Edgers	WM, HR, EG, TVS, SVS	One year	One year	Date of purchase or date of installation / training (if applicable), whichever occurs first, not to exceed 6 months from date of purchase
TITAN Industrial	WB, TV, HR, EG, EA, MR	One year	One year	
Material Handling	TWC, IC, TD, LD, GC, CR, CB, CC	One year	One year	
Blade Maintenance Equipment	BMS, BMT, BMST	One year	One year	Date of purchase
Options and Accessories	Various	One year*	One year*	
Moulders, Extractors, Kilns	MP, MD, KS, KD	One year	One year	
Slab Flatteners	MB	Two years	One year	
Pallet Equipment	PD, PC	One year	One year	
Log Splitters	FS	One year	One year	
Replacement Parts	Various	90 days	90 days	

* Warranty on Options will match the warranty on the primary equipment when purchased on same invoice.

Exclusions from 90 Day, Limited One Year and Two Year Warranty

Warrantor shall have no responsibility under this warranty for any wear components, including, but not limited to: belts, blade guides, blades, electric motor brushes, drum switches, filters, fuses, hoses, bearings (excluding cylindrical drive bearings), bushings, cable carriers, and spark plugs. All wear components are furnished “as is”, without any warranty from Warrantor. This limited warranty does not cover any defects caused by misuse, negligence, alterations, damage due to overload, abnormal conditions, excessive operation, accident, or lack of performance of normal maintenance services.

Several components which are used in the manufacture of the equipment but not manufactured by Warrantor such as cant hooks, power plants, laser sights, batteries, tires, and trailer axles have warranties provided by the original equipment manufacturer (written copies available upon request). Warrantor does not separately warrant such items. Components or equipment manufactured by third parties are not covered by this warranty. Warrantor, however, will provide reasonable assistance to the Purchaser to make claims against any warranties applicable to such component parts as provided by such original equipment manufacturers. Components or equipment manufactured by third parties are not covered by this Warranty.

Five Year Limited Chassis Warranty

The limited five year chassis warranty described above, DOES NOT extend to (a) any damage stemming from accident, improper towing, overload, abuse, misuse, abnormal conditions, negligence, excessive operation, or lack of maintenance, (b) rust caused by exposure to corrosive atmospheric conditions, or (c) the sawmill head, carriage, axle, brakes, or any hydraulic or electrical components attached to the chassis.

Warrantor’s Obligations as To Defects

In the event that the equipment fails to perform due to defective materials or workmanship attributable to Warrantor under normal use and service within the established warranty period, Purchaser’s sole and exclusive remedy and Warrantor’s sole liability shall be to replace or repair, in Warrantor’s sole and subjective discretion, any defective part at Warrantor’s principal place of business without cost to the Purchaser if such defect exists. The determination of whether a product is defective shall be made by Warrantor in Warrantor’s sole and subjective discretion. The Purchaser must notify Warrantor prior to shipping any defective part. Warrantor, at its sole discretion, may cover expenses incurred in shipping the defective part to Warrantor for evaluation; provided, however, that Warrantor will not be responsible for labor, travel time, mileage, removal, installation or incidental or consequential damages. However, any part in excess of 140 pounds must be returned by the Purchaser, to the Warrantor’s nearest authorized facility at the Purchaser’s expense, if return is requested by Warrantor. Warrantor shall have a reasonable time within which to replace or repair the defective part. If Warrantor determines that the product is not defective under the terms of this warranty in Warrantor’s sole and subjective discretion, then Purchaser shall be responsible for any expenses incurred by Warrantor in returning the equipment to the Purchaser.

Limitations and Disclaimers of Other Warranties

EXCEPT FOR THE EXPRESS WARRANTY PROVISIONS STATED ABOVE, WARRANTOR DISCLAIMS ALL WARRANTIES, EXPRESS AND/OR IMPLIED, INCLUDING WITHOUT LIMITATION, THE IMPLIED WARRANTIES OF MERCHANTABILITY, AND FITNESS FOR A PARTICULAR PURPOSE, NONINFRINGEMENT AND TITLE. No representation or other affirmation of fact by representatives of Warrantor, whether verbal or in writing, including photographs, brochures, samples, models, or other sales aids, shall constitute a warranty or other basis for any legal action against Warrantor. There are no other representations, promises, agreements, warranties, guarantees, stipulations or conditions, covenants, express or implied, by Warrantor except as expressly set forth herein. THE ORIGINAL PURCHASER AND ANY INTENDED USER OR BENEFICIARY OF THIS EQUIPMENT, SHALL NOT BE ENTITLED TO RECOVER ANY INDIRECT, SPECIAL, PUNITIVE, EXEMPLARY, CONSEQUENTIAL, SPECIAL, OR INCIDENTAL DAMAGES OR LOSSES, INCLUDING BUT NOT LIMITED TO, DAMAGES OF LOST PRODUCTION, LOST REVENUE, LOST PRODUCT, LOST PROFITS, LOST BUSINESS, LOSS OF USE, LOSS OF GOODWILL, OR BUSINESS INTERRUPTION, FROM WARRANTOR FOR ANY REASON WHATSOEVER INCLUDING WITHOUT LIMITATION WARRANTY OR DEFECT IN THE PRODUCT REGARDLESS OF THE SOLE, JOINT AND/OR CONCURRENT NEGLIGENCE, BREACH OF CONTRACT, BREACH OF WARRANTY, STRICT LIABILITY IN TORT OR STATUTORY CLAIMS OR OTHER LEGAL FAULT OR RESPONSIBILITY OF EITHER WARRANTOR OR PURCHASER OR ITS EMPLOYEES OR AGENTS. Warrantor does not warrant that its equipment meets or complies with the requirements of any particular safety code or governmental requirements.

Defective items replaced under the terms of this warranty become the property of Warrantor.

Design Changes

Warrantor reserves the right to change the design of its products from time to time without notice and without obligation to make corresponding changes in or to its products previously manufactured.

Rights of Purchasers

The validity and effect of this limited warranty as well as its interpretation, operation and effect, shall be determined exclusively by the principles of law and equity of the State of Indiana, USA. This limited warranty gives Purchaser specific legal rights. Purchaser may also have other rights, which may vary from state to state. Some states may not allow limitations as to the duration of implied warranties or to the exclusion or limitation of incidental or consequential damages, so some of the limitations and exclusions detailed set forth above may not apply. In the event that any one or more of the provisions of this warranty shall be or become invalid, illegal or unenforceable in any respect, the validity, legality and enforceability of the remaining provisions of this warranty shall not be affected thereby.

Interpretations

This Warranty constitutes the entire warranty agreement between Warrantor and Purchaser and supersedes any prior understandings or agreements pertaining to the same subject matter. This warranty cannot be amended except in writing which refers to this warranty which is signed by both Warrantor and Purchaser.

SECTION 1 Introduction

1.1 About this manual

Congratulations on your purchase of a Wood-Mizer Wood Splitter! When properly maintained and operated, your wood splitter should give you many years of dependable service.



CAUTION! Read this entire manual before operating the equipment. Take notice of all safety warnings throughout this manual and those posted on the equipment. Keep this manual with this equipment at all times, regardless of ownership.



Read all additional manufacturer's manuals and observe any applicable safety instructions including dangers, warnings, and cautions.

Only persons who have read and understood the entire operator's manual should operate the Wood-Mizer Wood Splitter. The wood splitter is not intended for use by or around children.

1.2 Getting Service

Wood-Mizer is committed to providing you with the latest technology, highest quality equipment, and strongest customer service available on the market today. We continually evaluate our customers' needs to ensure we're meeting current wood-processing demands. Your comments and suggestions are welcome.

GENERAL CONTACT INFORMATION

Toll free phone numbers are listed below for the *continental* U.S. and Canada. See the next page for contact information for more Wood-Mizer locations.

	United States	Canada
Sales	1-800-553-0182	1-877-866-0667
Service	1-800-525-8100	1-877-866-0667
Website	www.woodmizer.com	www.woodmizer.ca
E-mail	woodmizer@woodmizer.com	oninfo@woodmizer.com

Office Hours: All times are Eastern Standard Time.

Monday - Friday	Saturday (Indianapolis Office Only)	Sunday
8 a.m. to 5 p.m.	8 a.m. to 12 p.m.	Closed

Please have your vehicle identification number and your customer number ready when you call.

Wood-Mizer will accept these methods of payment:

- Visa, Mastercard, or Discover
- COD
- Prepayment
- Net 15 (with approved credit)

Be aware that shipping and handling charges may apply. Handling charges are based on size and quantity of order. In most cases, items will ship on the day they are ordered. Second Day and Next Day shipping are available at additional cost.

If your wood splitter was purchased outside of the United States or Canada, contact the distributor for service.

WOOD-MIZER LOCATIONS

USA World Headquarters	Canadian Headquarters
<p><i>Serving North & South America, Oceania, East Asia</i></p> <p>Wood-Mizer LLC 8180 West 10th Street Indianapolis, IN 46214</p> <p>Phone: 317.271.1542 or 800.553.0182 Customer Service: 800.525.8100 Fax: 317.273.1011 Email: infocenter@woodmizer.com</p>	<p><i>Serving Canada</i></p> <p>Wood-Mizer Canada 396 County Road 36, Unit B Lindsay, ON K9V 4R3</p> <p>Phone: 705.878.5255 or 877.357.3373 Fax: 705.878.5355 Email: ContactCanada@wood-mizer.com</p>

Brazilian Headquarters	European Headquarters
<p>Serving Brazil</p> <p>Wood-Mizer do Brasil Rua Dom Pedro 1, No: 205 Bairro: Sao Jose Ivoti/RS CEP:93.900-000</p> <p>Tel: +55 51 9894-6461/ +55 21 8030-3338/ +55 51 3563-4784 Email: info@woodmizer.com.br</p>	<p>Serving Europe, Africa, West Asia</p> <p>Wood-Mizer Industries Sp z o.o. Nagorna 114 62-600 Kolo, Poland</p> <p>Phone: +48.63.26.26.000 Fax: +48.63.27.22.327</p>
Branches & Authorized Sales Centers	
For a complete list of dealers, visit www.woodmizer.com	

1.3 Specifications

FS-350 Wood Splitter		Standard
Power	Engine	Honda gas 390CC
	Tonnage	29-T @ 3000psi
	Hydraulic pump	22 gpm 2 stage ¹
Dimension	Length:	120 in
	Width:	72 in
	Height:	36 in
Weight		2050 lbs
Operation	Hydraulic pressure	2500 psi
	Hydraulic fluid ²	18 gal tank + 5 gal system
	Cycle time	6.5 seconds

¹ **Single vs 2-stage pumps:** A single-stage pump has only one maximum pressure and one flow rate. Single-stage pumps are typically attached to the crankshaft or PTO shaft on a farm tractor or large industrial engine. Two-stage pumps are typically mounted to small gas or diesel engines. A two-stage pump will first produce high volumes of fluid, moving the cylinder in and out quickly. When the pump receives resistance, a second set of gears will produce high pressures for lifting or splitting. However, the volume of fluid will drop considerably during this stage. This mechanism has many practical applications. For example, in wood splitters equipped with a two-stage pump, in stage one, the rod travels faster up the cradle until the rod starts to split the wood. At that point, the speed slows but the force increases.

² For operating temperatures -20° to 100° F (-29° to 38° C), use an all-weather Hydraulic fluid conforming to ISO-32 standards, such as Conoco MV32. For other operating temperatures, See Section "5.2" Hydraulics.

1.4 Warranty

Wood-Mizer® LLC
Limited Product Warranty

Wood-Mizer®

Wood-Mizer LLC (“Warrantor”), an Indiana corporation with its principal place of business at 8180 West Tenth Street, Indianapolis, IN 46214-2400 USA, warrants to the purchaser (“Purchaser”) that for the time periods specifically stated herein and subject to the terms, conditions and limitations stated herein, the equipment manufactured by the Warrantor will be free from defects in material and workmanship attributable to Warrantor so long as, during the warranty periods stated herein, the equipment is installed, operated and maintained in accordance with the instructions provided by Warrantor.

PRODUCT	MODEL CLASS	LENGTH OF WARRANTY		EFFECTIVE DATE
		USA & CANADA	NON USA & CANADA	
Portable Sawmills, Resaws, Edgers	LT, LX, HR, EG	Two years	One year	Date of purchase
Portable Sawmills with Chassis	LT28, LT35, LT40, LT50, LT70, LX450	Two years, excluding the chassis, which chassis shall have a five year warranty	One year	
Industrial Sawmills, Resaws, Edgers	WM, HR, EG, TVS, SVS, FS	One year	One year	Date of purchase or date of installation / training (if applicable), whichever occurs first, not to exceed 6 months from date of purchase
TITAN Industrial	WB, TV, HR, EG, EA, MR	One year	One year	
Material Handling	TWC, IC, TD, LD, GC, CR, CB, CC	One year	One year	
Blade Maintenance Equipment	BMS, BMT, BMST	One year	One year	Date of purchase
Options and Accessories	Various	One year ¹	One year ¹	
Moulders, Kilns	MP, SD, KD	One year	One year	
Extractor	MD	One year	One year	
Pallet Dismantler	PD	One year	One year	
Log Splitter	FS	One year	One year	
Replacement Parts	Various	90 days	90 days	

¹ Warranty on Options will match the warranty on the primary equipment when purchased on same invoice.

EXCLUSIONS FROM 90 DAY, LIMITED ONE YEAR AND TWO YEAR WARRANTY

Warrantor shall have **no** responsibility under this warranty for any wear components, including, but not limited to: belts, blade guides, blades, electric motor brushes, drum switches, filters, fuses, hoses, bearings (excluding cylindrical drive bearings), bushings, cable carriers, and spark plugs. All wear components are furnished “**as is**”, without any warranty from Warrantor. This limited warranty does not cover any defects caused by misuse, negligence, alterations, damage due to overload, abnormal conditions, excessive operation, accident, or lack of performance of normal maintenance services.

Several components which are used in the manufacture of the equipment but not manufactured by Warrantor, such as cant hooks, power plants, laser sights, batteries, tires, and trailer axles have warranties provided by the original equipment manufacturer (written copies available upon request). Warrantor does not separately warrant such items. Components or equipment manufactured by third parties are not covered by this warranty. Warrantor, however, will provide reasonable assistance to the Purchaser to make claims against any warranties applicable to such component parts as provided by such original equipment manufacturers. Components or equipment manufactured by third parties are not covered by this Warranty.

FIVE YEAR LIMITED CHASSIS WARRANTY

The limited five year chassis warranty, described above, DOES NOT extend to (a) any damage stemming from accident, improper towing, overload, abuse, misuse, abnormal conditions, negligence, excessive operation, or lack of maintenance, (b) rust caused by exposure to corrosive atmospheric conditions, or (c) the saw-mill head, carriage, axle, brakes, or any hydraulic or electrical components attached to the chassis.

WARRANTOR’S OBLIGATIONS AS TO DEFECTS

In the event that the equipment fails to perform due to defective materials or workmanship attributable to Warrantor under normal use and service within the established warranty period, Purchaser’s sole and exclusive remedy and Warrantor’s sole liability shall be to replace or repair, in Warrantor’s sole and subjective discretion, any defective part at Warrantor’s principal place of business without cost to the Purchaser if such defect exists. The determination of whether a product is defective shall be made by Warrantor in Warrantor’s sole and subjective discretion. The Purchaser must notify Warrantor prior to shipping any defective part. Warrantor, at its sole discretion, may cover expenses incurred in shipping the defective part to Warrantor for evaluation; provided, however, that Warrantor will not be responsible for labor, travel time, mileage, removal, installation, and/or incidental or consequential damages. However, any part in excess of 140 pounds must be returned by the Purchaser to the Warrantor’s nearest authorized facility at the Purchaser’s expense, if return is requested by Warrantor. Warrantor shall have a reasonable time within which to repair or replace the defective part. If Warrantor determines that the product is not defective under the terms of this warranty in Warrantor’s sole and subjective discretion, then Purchaser shall be responsible for any expenses incurred by Warrantor in returning the equipment to the Purchaser.

LIMITATIONS AND DISCLAIMERS OF OTHER WARRANTIES

EXCEPT FOR THE EXPRESS WARRANTY PROVISIONS STATED ABOVE, WARRANTOR DISCLAIMS ALL WARRANTIES, EXPRESS AND/OR IMPLIED, INCLUDING AND WITHOUT LIMITATION, THE IMPLIED WARRANTIES OF MERCHANTABILITY, AND FITNESS FOR A PARTICULAR PURPOSE, NON-INFRINGEMENT AND TITLE. No representation or other affirmation of fact by representatives of Warrantor, whether verbal or in writing, including photographs, brochures, samples, models, or other sales aids, shall constitute a warranty, or any other basis, for any legal action against Warrantor. There are no other representations, promises, agreements, covenants, warranties, guarantees, stipulations or conditions, expressed or implied, by Warrantor, except as expressly set forth herein. THE PURCHASER AND ANY INTENDED USER OR BENEFICIARY OF THIS EQUIPMENT, SHALL NOT BE ENTITLED TO RECOVER ANY INDIRECT, SPECIAL, PUNITIVE, EXEMPLARY, CONSEQUENTIAL, SPECIAL, OR INCIDENTAL DAMAGES OR LOSSES, INCLUDING BUT NOT LIMITED TO, DAMAGES OF LOST PRODUCTION, LOST REVENUE, LOST PRODUCT, LOST PROFITS, LOST BUSINESS, LOSS OF USE, LOSS OF GOODWILL, OR BUSINESS INTERRUPTION, FROM WARRANTOR FOR ANY REASON WHATSOEVER INCLUDING, WITHOUT LIMITATION, WARRANTY OR DEFECT IN THE PRODUCT REGARDLESS OF THE SOLE, JOINT, AND/OR CONCURRENT NEGLIGENCE, BREACH OF CONTRACT, BREACH OF WARRANTY, STRICT LIABILITY

IN TORT OR STATUTORY CLAIMS, OR OTHER LEGAL FAULT, OR RESPONSIBILITY OF EITHER WARRANTOR OR PURCHASER OR ITS EMPLOYEES OR AGENTS. Warrantor does not warrant that its equipment meets or complies with the requirements of any particular safety code or governmental requirements.

Defective items, replaced under the terms of this warranty, become the property of Warrantor.

DESIGN CHANGES

Warrantor reserves the right to change the design of its products from time to time without notice and without obligation to make corresponding changes in or to its products previously manufactured.

RIGHTS OF PURCHASERS

The validity and effect of this limited warranty, as well as its interpretation, operation and effect, shall be determined exclusively by the principles of law and equity of the State of Indiana, USA. This limited warranty gives Purchaser specific legal rights. Purchaser may also have other rights, which may vary from state to state. Some states may not allow limitations as to the duration of implied warranties or to the exclusion or limitation of incidental or consequential damages, therefore some of the limitations and exclusions detailed set forth above may not apply. In the event that any one or more of the provisions of this warranty shall be or become invalid, illegal or unenforceable in any respect, the validity, legality and enforceability of the remaining provisions of this warranty shall not be affected thereby.

INTERPRETATIONS

This Warranty constitutes the entire warranty agreement between Warrantor and Purchaser and supersedes any prior understandings or agreements pertaining to the same subject matter. This warranty cannot be amended, except in writing, which refers to this warranty that is signed by both Warrantor and Purchaser.

© 2018 Wood-Mizer LLC – 8180 West 10th Street, Indianapolis, IN 46214

SECTION 2 Safety

2.1 Safety Instructions

Owner's Responsibility

NOTICE It is always the **owner's responsibility** to comply with all applicable safety instructions, as well as federal, state and local laws, rules and regulations regarding the ownership, operation, and towing of your Wood-Mizer Wood Splitter. All Wood-Mizer Wood Splitter owners should be thoroughly familiar with all applicable safety instructions and laws and comply with them fully while using or towing the wood splitter.

NOTE: ONLY safety instructions regarding **personal injury** are listed in this section. Safety instructions regarding only equipment damage appear where applicable throughout the manual.



WARNING! Clean sawdust from all guards, vents, control boxes, or any area where sawdust may gather **after every shift**. Failure to do so may result in fire, causing death or serious injury.



2.2 Safety Symbols

The following symbols and signal words call your attention to instructions concerning your personal safety. Be sure to observe and follow these instructions.



DANGER! indicates an imminently hazardous situation which, if not avoided, will result in serious injury or death.



WARNING! suggests a potentially hazardous situation which, if not avoided, could result in serious injury or death.



CAUTION! refers to potentially hazardous situations which, if not avoided, may result in moderate injury or damage to equipment.

NOTICE indicates vital information.

NOTE: gives helpful information.

OBSERVE SAFETY INSTRUCTIONS

NOTICE

- Keep children away from the area.
- Read the entire operator's manual before operating the wood splitter.
- Take notice of all safety warnings throughout this manual and those posted on the machine.
- Keep this manual with this machine at all times, regardless of ownership.
- Read all additional manufacturer's manuals.
- Obey all applicable safety instructions including dangers, warnings, and cautions.
- Only persons who have read and understood the entire operator's manual should operate the wood splitter.



WEAR SAFETY CLOTHING



WARNING! Secure all loose clothing, hair, and jewelry before operating the wood splitter.

Always wear hand, eye, ear, and foot protection when operating or servicing the wood splitter.



KEEP WOOD SPLITTER AND AREA AROUND WOOD SPLITTER CLEAN



DANGER! Maintain a clean and clear path for all necessary movement around the wood splitter and stacking areas.



WARNING! Do not allow children in the area of the wood splitter. Failure to follow this may result in serious injury or death.

DISPOSE OF WOOD BY-PRODUCTS PROPERLY

NOTICE Always properly dispose of all wood by-products, including sawdust, chips, and other debris, including operation waste such as coolant, oil, fuel, oil filters, fuel filters, etc.

KEEP SAFETY LABELS IN GOOD CONDITION

NOTICE Always be sure that all safety decals are clean and readable. Replace all damaged safety decals to prevent personal injury or damage to the equipment. Contact your local distributor, or call your Customer Service Representative to order more decals.

If replacing a component which has a safety decal affixed to it, make sure the new component also has the safety decal affixed.

CAUTIONS FOR WOOD SPLITTER SETUP



WARNING! Set up the wood splitter on solid, level ground.

If unhitching the wood splitter, chock the trailer wheels to prevent movement before unhitching it from the towing vehicle. Failure to follow this may result in serious injury or death.

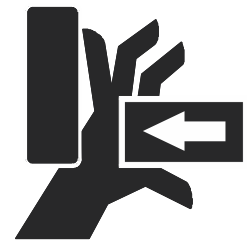
USE CAUTION WHEN WORKING WITH HEAVY LOGS



WARNING! Do not load logs in excess of **300 lbs** without a counterbalance on the tongue to prevent unit tipping.

Having the wood splitter properly hitched to the towing vehicle is a sufficient counterbalance.

Be aware of possible crushing points when handling large logs.



KEEP PERSONS AWAY



WARNING! Keep all persons out of the path of log moving equipment and logs when operating or loading the log splitter.

KEEP HANDS AWAY

DANGER! Always keep hands away from moving wood.



WARNING! Avoid contact with any hot parts (hydraulic hoses, fittings, engines, as applicable).

Allow the system to cool sufficiently before beginning any service function, including debris removal.

Avoid contact with sharp edges of the cutting wedges.

2.3 Engine Safety**HANDLE FUEL/LUBRICANTS SAFELY**

DANGER! Keep all fuel and lubricants away from children.

Never smoke, weld, grind or allow sparks near your engine or storage tanks.

Never spill fuel on a hot engine.



WARNING! Store gasoline away from flammable materials.

Never use flammable fuels or liquids to clean the wedge.

**OPERATION**

DANGER! Operate your engine/machine only in well ventilated areas.

Do not operate your engine/machine indoors or within a confined space.

Do not operate an engine with a fuel or oil leak, which can result in fire.

USE CAUTION WHEN WORKING WITH BATTERIES

EMERGENCY TREATMENT FOR CONTACT WITH BATTERY COMPONENTS (LEAD/SULFURIC ACID) per SDS (Safety Data Sheet):

EYE CONTACT	Sulfuric Acid and Lead: Flush eyes immediately with large amounts of water for at least 15 minutes while lifting lids. Seek immediate medical attention if eyes have been exposed directly to acid.
SKIN CONTACT	Sulfuric Acid: Flush affected area(s) with large amounts of water using deluge emergency shower, if available, shower for at least 15 minutes. Remove contaminated clothing, including shoes. If symptoms persist, seek medical attention. Wash contaminated clothing before reuse. Discard contaminated shoes. Lead: Wash immediately with soap and water.
INGESTION	Sulfuric Acid: Administer large amounts of water. Do NOT induce vomiting or aspiration into the lungs may occur and can cause permanent injury or death; consult physician.
INHALATION	Sulfuric Acid: Remove to fresh air immediately. If not breathing, give artificial respiration. If breathing is difficult, give oxygen. Consult a physician. Lead: Remove from exposure, gargle, wash nose and lips; consult physician.



DANGER! Keep sparks, flames, burning cigarettes, or other ignition sources away from batteries at all times.

Always wear safety goggles and a face shield when working near batteries.



WARNING! Battery posts, terminals and related accessories contain lead and lead compounds. Wash hands after handling.

Charge the battery in a well ventilated area.

Disconnect the negative battery terminal cable before performing any service to the 12-Volt electrical system.

Do not attempt to charge a frozen battery.



CAUTION! Do not overcharge the battery.

Be sure the battery is fully charged before transporting the wood splitter. If the battery is not fully charged, excessive vibration could reduce the overall service life of the battery.

SECTION 3 SETUP AND OPERATION

3.1 Uncrating

When your Wood-Mizer Wood Splitter arrives, it will be mostly assembled. If any parts are missing, please contact Wood-Mizer support at 1-800-525-8100.

NOTICE INSTALL THE TONGUE **FIRST** TO STABILIZE THE ENTIRE UNIT BEFORE UNLOADING THE MAIN FRAME. THE TONGUE SERVES AS A COUNTERBALANCE.

1. Unfasten the trailer tongue from the crate.
2. Unpackage the trailer light wiring harness and thread it through the trailer tongue tube.
3. Fasten the tongue to the frame with the two (2) bolts and hardware provided. The hardware is on the frame.
4. Unpack the engine manuals and key which are attached to the engine.

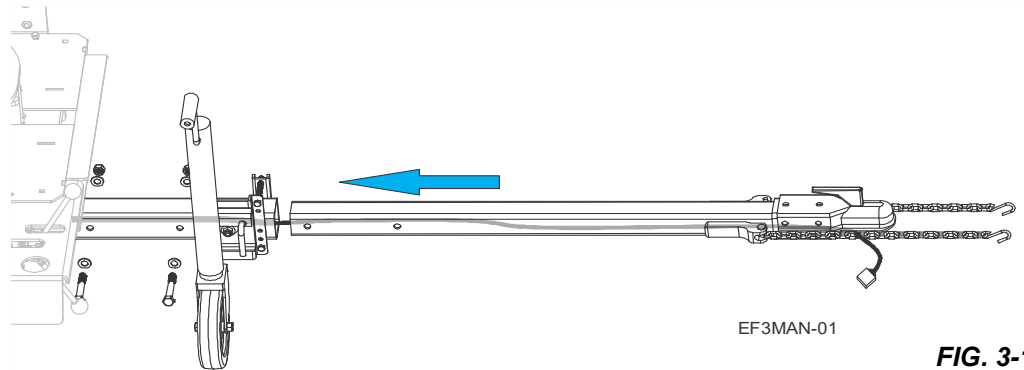


FIG. 3-1

5. Release the straps and chocks holding the frame to the crate and roll the unit off the crate.

3.2 General Transportation

IF PREVIOUSLY WORKING UNHITCHED FROM THE TOWING VEHICLE:

1. Close the output tray and pin it for transport.
2. If using the optional log lift, raise the lower section of the log lift platform, and pin it for transport.
3. Hitch the tongue to the towing vehicle.



CAUTION! MAKE SURE THE HITCH COUPLER FITS **ENTIRELY** OVER THE HITCH BALL ON THE TOWING VEHICLE BEFORE LATCHING.

4. Pin the hitch latch closed.
5. Cross the safety chains and attach the chains to the towing vehicle at the proper site for that vehicle.
6. Connect the light plug to the towing vehicle.
7. Raise the jack by pulling the spring loaded pin and rotating the jack 90 degrees. The pin will lock in to another hole at the 90 degree location.

3.3 Onsite setup

DANGER! Do not operate this unit indoors or in an enclosed area or carbon monoxide poisoning will occur. Failure to follow this will result in serious injury or death.

DANGER! Maintain a clean and clear path for all necessary movement around the wood splitter and stacking areas. Failure to follow this will result in serious injury or death.

WARNING! Do not allow children in the area of the wood splitter. Failure to follow this may result in serious injury or death.

WARNING! Do not set up the wood splitter on ground with more than a 10 degree incline.

1. Park the log splitter on a solid, level surface.

NOTE: The log splitter may be used either hitched or unhitched to the transport vehicle.

2. Chock both tires on both sides; use a total of four tire chocks.
3. If working unhitched, lower the jack. Ensure that it is on a firm, level surface.

NOTE: For best practices when operating the unit unhitched from the towing vehicle, place counterbalance weights on the tongue for added stability. Operating while hitched to the towing vehicle offers the best stability.

3.4 Operation

DANGER! Do not operate this unit indoors or in an enclosed area. Carbon monoxide poisoning will occur. Failure to follow this will result in serious injury or death.

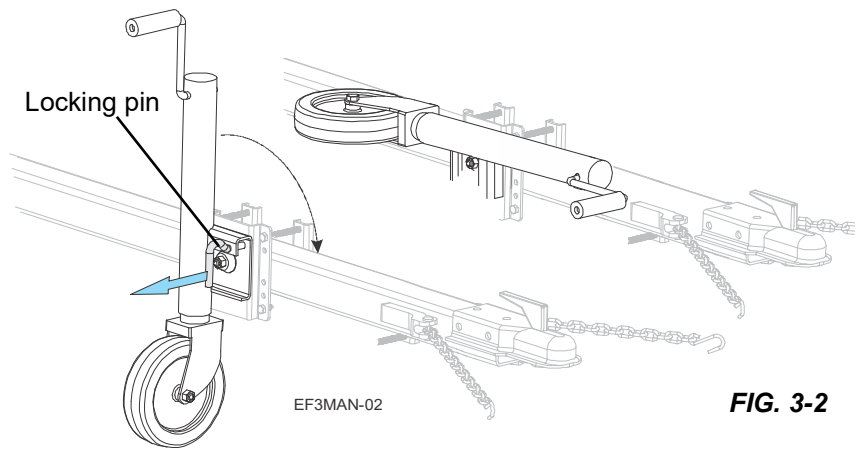
WARNING! DO NOT LOAD LOGS GREATER THAN 300LBS. Failure to follow this may result in serious injury or death.

WARNING! Avoid contact with sharp edges of the cutting wedges. Failure to follow this may result in serious injury or death.

1. Unpin the output trays and open the trays for operation.
2. Fill the fuel tank.
3. Start the engine.

See the engine manual for proper starting technique for your model of engine.

4. Move the pusher to the left by moving the log splitter handle to the left.



- Place the log on the splitter table.

NOTE: The log splits easier when the base end is towards the wedge.

LESS THAN 24 INCHES IN LENGTH
LESS THAN 27 INCHES IN DIAMETER
LESS THAN 300 LBS

<300 lbs

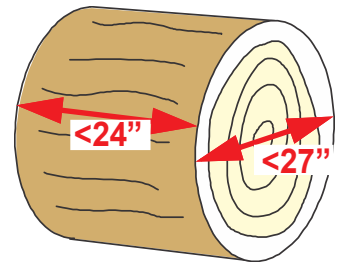


FIG. 3-3

- Position the log onto the cutting table between the wedge and the pusher.

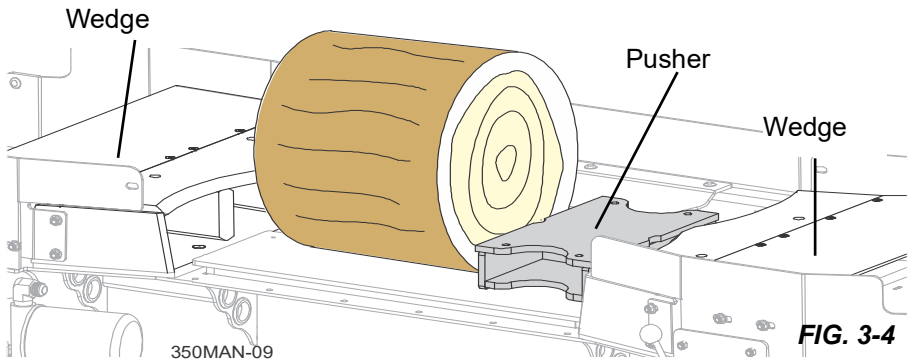


FIG. 3-4

SINGLE LOG OPERATION

- After the first cut, move the log back onto the cutting table.
- Move the pusher to the right by moving the log splitter handle to the right.
- Move the log back onto the cutting table and repeat the steps above.

DUAL LOG OPERATION

- Perform the first two steps above.
- Load a second log onto the table.
- Alternate cuttings by repositioning the logs onto the cutting table after each cut.
- Repeat these steps until finished.

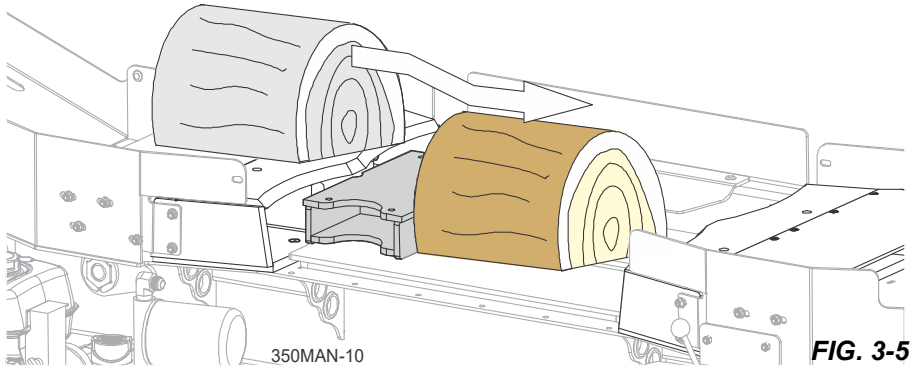


FIG. 3-5

Using optional log lift

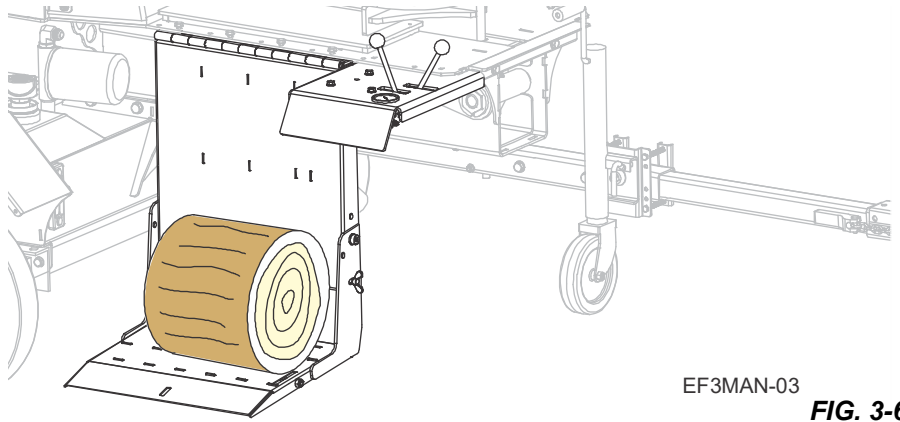


WARNING! ENSURE THE AREA IS CLEAR BEFORE LOWERING THE LOG LIFT PLATFORM.
 Failure to follow this may result in serious injury or death.

- Unpin the log lift platform from the transport position.
- Lower the log lift platform by moving the log lift handle to the down position.

7. Position a log onto the log lift platform.

NOTICE The log must be less than 24" long, 27" in diameter, and 300 lbs.



EF3MAN-03

FIG. 3-6

8. Raise the log lift platform by moving the log lift handle to the up position.

LESS THAN 24 INCHES IN LENGTH
LESS THAN 27 INCHES IN DIAMETER
LESS THAN 300 LBS

<300 lbs

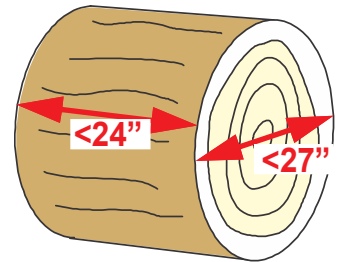


FIG. 3-7

9. Position the log onto the cutting table between the wedge and the pusher.

10. Lower the log lift platform.

NOTE: The operator stands on the log lift platform during operation.

11. Operate single or dual log method, as desired.

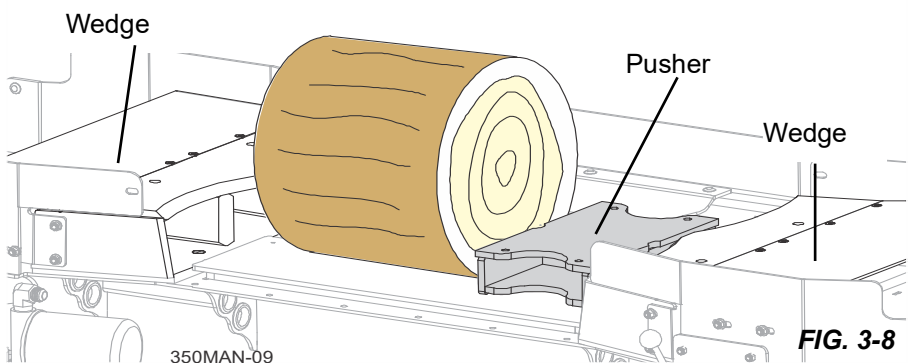
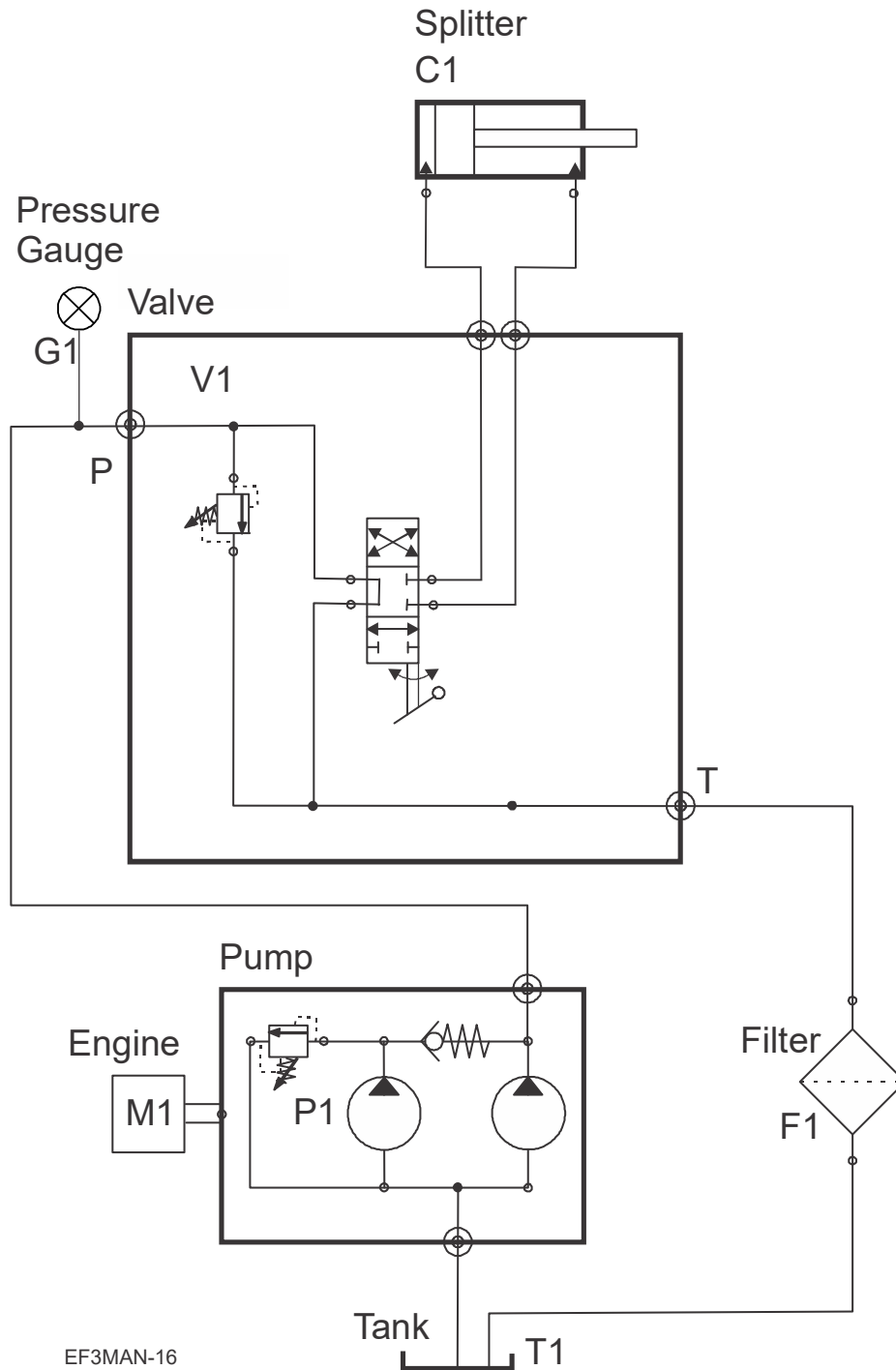


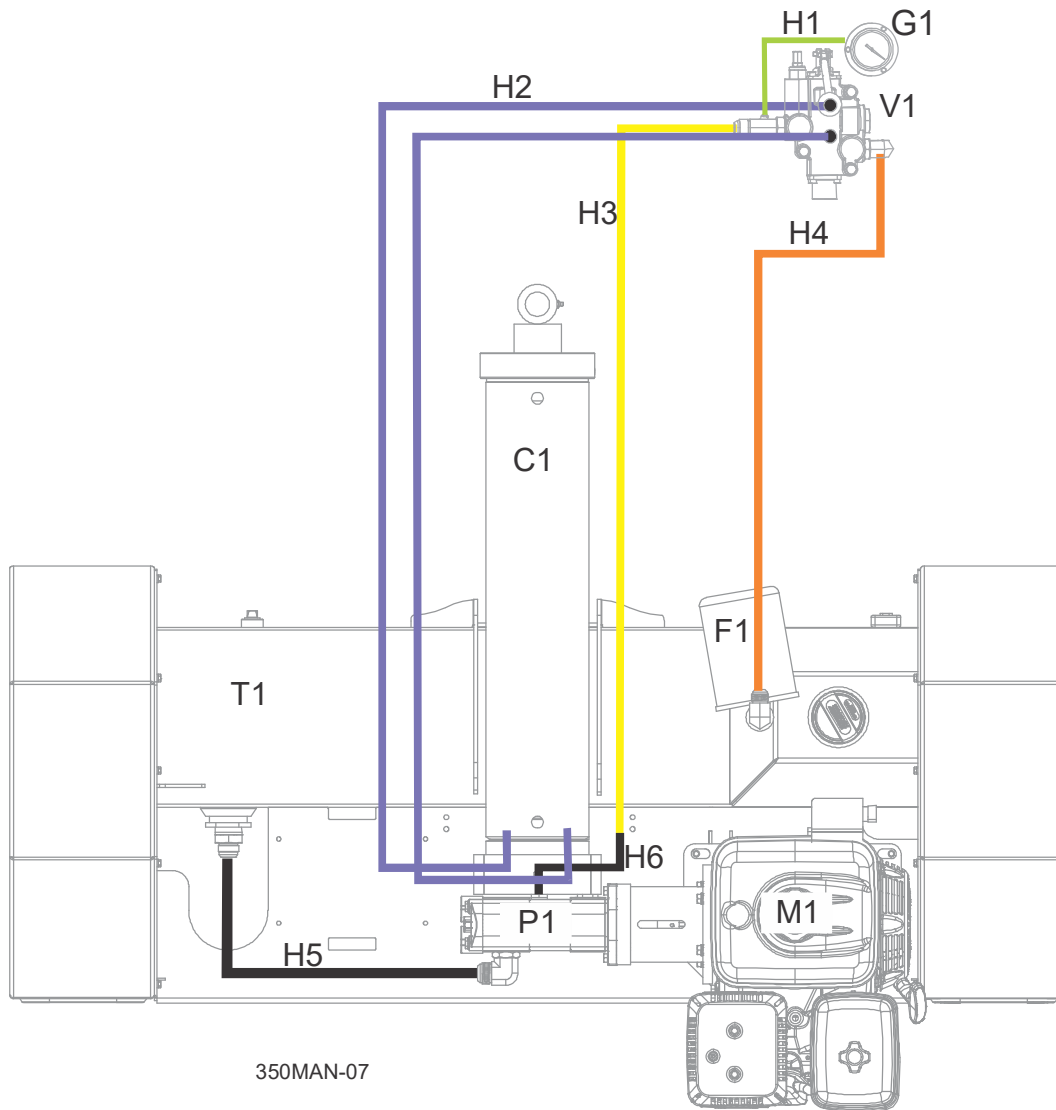
FIG. 3-8

SECTION 4 HYDRAULICS

4.1 Hydraulic schematic (without optional Log Lift)



4.2 Hydraulic layout (without optional Log Lift)



4.3 Hydraulic components (without optional Log Lift)

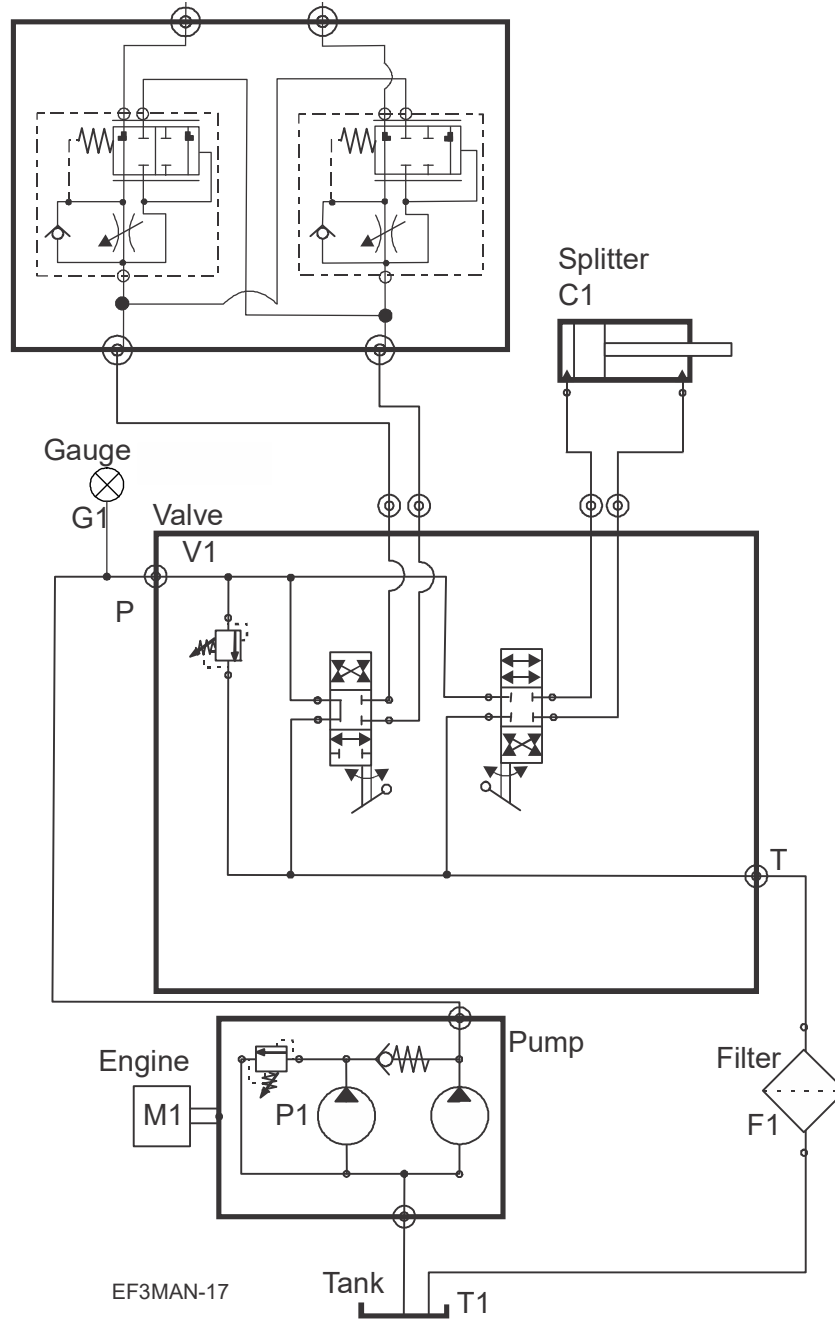
Hydraulic component reference ¹		
Ref	Description	Part Number
C1	Cylinder, Hydraulic 2-1/4x5x24	079047
	Fitting, 12SAE- 12 JIC Straight	074534
	Fitting, 12SAE- 12 JIC Straight	074534
F1	Filter, Spin On Head	079247
	Fitting, #16 SAE M - #12 JIC M 90 Deg	079114
G1	Gauge, Hydraulic Pressure	079775
	Fitting, #04 NPT F - #04 JIC M 90 Deg	079117
M1	Engine, Honda GX390	079380

Hydraulic component reference ¹		
Ref	Description	Part Number
P1	Pump, Hydraulic 21/6 GPM	079249
	Fitting, 16 SAE M x 16 JIC M 90 Elbow	079487
	Fitting, 12 JIC x 8 SAE	079519
T1	Weldment, Frame/Hydraulic Tank	TS-0072
	Fitting, 1 1/4NPT x 16 JIC M	079486
V1	Valve, Prince 1 Spool	079488
	Fitting, #12 SAE M - #12 JIC M x 90 Deg	079108
	Fitting, #04 NPT F - #04 JIC M 90 Deg	079117
	Fitting, 12 SAE Mx12 JIC Mx04 SAE F Tee	079116
	Fitting, 4SAE-4JIC 90° Elbow	074543
	Fitting, 4SAE-4JIC 90° Elbow	079449

¹ See Part section for more detail of the location and fittings.

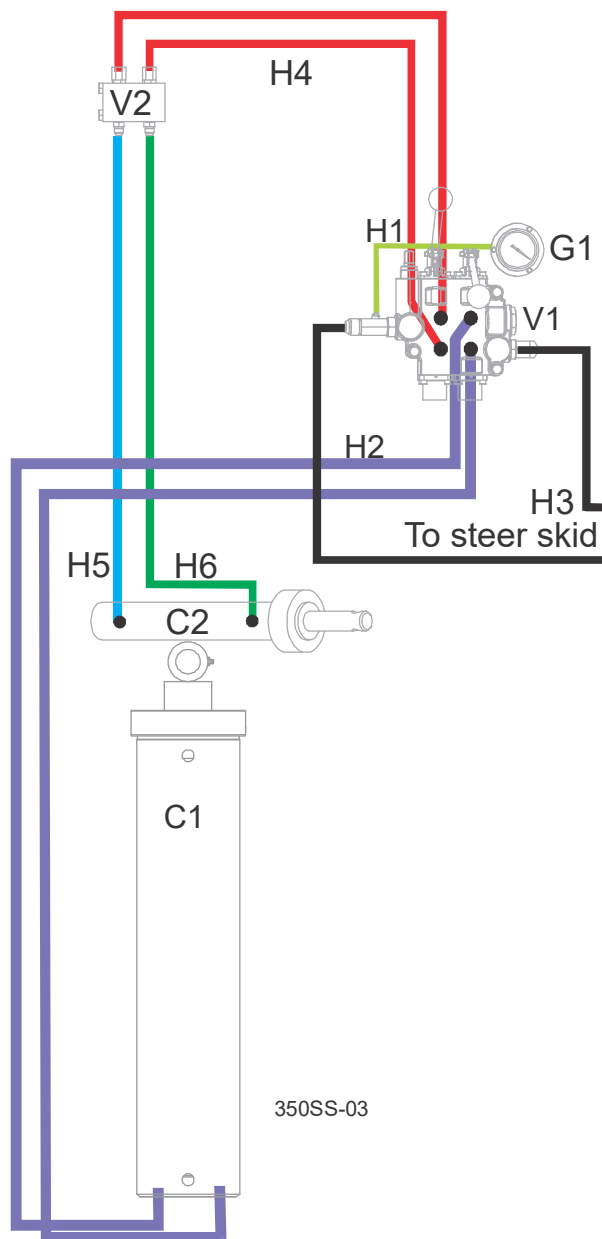
Hydraulic hose list				
Ref	Hose color	Length	Description	Part Number
H1	Lt Green	14-1/2"	Hose, 14-1/2" #4 F JIC & #4 F JIC	079301
H2	Purple	116"	3/4" Hose, 116" #12 F JIC & #12 90 Deg F JIC	079806
H3	Yellow	66-1/4"	3/4" Hose, 66-1/4" #12 M JIC & 45 Deg F JIC	079807
H4	Orange	72"	3/4" Hose, 72" #12 F JIC & #12 90 Deg F JIC	079808
H5	Black	27"	1" Hose, 27" #16 F JIC & #16 F JIC	079525
H6	Black	10-3/4"	3/4" Hose, 10-3/4" #12 90 Deg F JIC & #12 90 Deg F JIC	079764

4.4 Hydraulic schematic (with optional Log Lift)



EF3MAN-17

4.5 Hydraulic layout (with optional Log Lift)



4.6 Hydraulic components (with optional Log Lift)

Hydraulic component reference ¹		
Ref	Description	Part Number
C1	Cylinder, Hydraulic 2-1/4x5x24	079047
	Fitting, 12SAE- 12 JIC Straight	074534
	Fitting, 12SAE- 12 JIC Straight	074534
C2	Cylinder, Hydraulic Log Lift	079046
	Fitting, 4 SAE M x 6 JIC M 90 Deg Elbow	079518
F1	Filter, Spin On Head	079247
	Fitting, 12 JIC M x 1"NPT M 90 Elbow	079515

Hydraulic component reference ¹		
Ref	Description	Part Number
G1	Gauge, Hydraulic Pressure	079775
	Fitting, #04 NPT F - #04 JIC M 90 Deg	079117
M1	Engine, Honda GX390	079380
P1	Pump, Hydraulic 21/6 GPM	079249
	Fitting, 16 SAE M x 16 JIC M 90 Elbow	079487
	Fitting, 12 JIC x 8 SAE	079519
T1	Weldment, Frame/Hydraulic Tank	TS-0072
	Fitting, 1 1/4NPT x 16 JIC M	079486
V1	Valve, Prince 2Spool	079438
	Fitting, #04 NPT F - #04 JIC M 90 Deg	079117
	Fitting, #12 SAE M - #12 JIC M x 90 Deg	079108
	Fitting, #12 SAE M - 12 JIC M Strght	079116
	Fitting, 4SAE-4JIC 90° Elbow	074543
	Fitting, 10 SAE M x 12 JIC M	079449
	Fitting, 10 SAE M x 6 JIC M 45 Elbow	079530
V2	Fitting, 4 SAE M x 04 JIC M .062Orifice	079217
	Fitting, 4SAE-4JIC 90° Elbow	074543
	Fitting, 10 SAE M x 4 SAE F Redx Bush	079451

¹ See Part section for more detail of the location and fittings.

Hydraulic hose list				
Ref	Hose color	Length	Description	Part Number
H1	Lt Green	14-1/2	Hose, 14-1/2" #4 F JIC & #4 F JIC	079301
H2	Purple	116"	3/4" Hose, 116" #12 F JIC & #12 90 Deg F JIC	079806
H3	Yellow	66-1/4"	3/4" Hose, 66-1/4" #12 M JIC & 45 Deg F JIC	079807
H4	Orange	72"	3/4" Hose, 72" #12 F JIC & #12 90 Deg F JIC	079808
H5	Black	27"	1" Hose, 27" #16 F JIC & #16 F JIC	079525
H6	Black	10-3/4"	3/4" Hose, 10-3/4" #12 90 Deg F JIC & #12 90 Deg F JIC	079764
H7	Red	42"	3/8" Hose, 42" #6 F JIC & #6 F JIC	079802
H8	Blue	43"	3/8" Hose, 43" #6 F JIC & #6 F JIC	079803
H9	Green	40-1/2"	3/8" Hose, 40-1/2" #6 F JIC & #6 F JIC	079804

SECTION 5 MAINTENANCE



WARNING! Before performing service turn the engine key switch to the OFF position and remove the key.

5.1 General maintenance after each use

1. Check for debris impeding any moving parts.
2. Clean debris off of the engine, hydraulic tank, and fuel tank, and/or oil cooler.
3. Check engine oil per engine manual specifications.
4. Check tire pressure as printed on tires.
5. Check for hydraulic leaks.
6. Check the oil cooler for any obstructions or leaks.

5.2 Hydraulics

1. Check the hydraulic fluid level before each use. Add fluid up to the black level line on the fill gage.
2. Replace the hydraulic system cartridge filter every 500 hours of operation.
3. Use an all-weather hydraulic fluid conforming to ISO-32, such as Conoco MV32 for operating temperatures -20° to 100° F (-29° to 38° C).

For alternate operating conditions and temperature ranges:

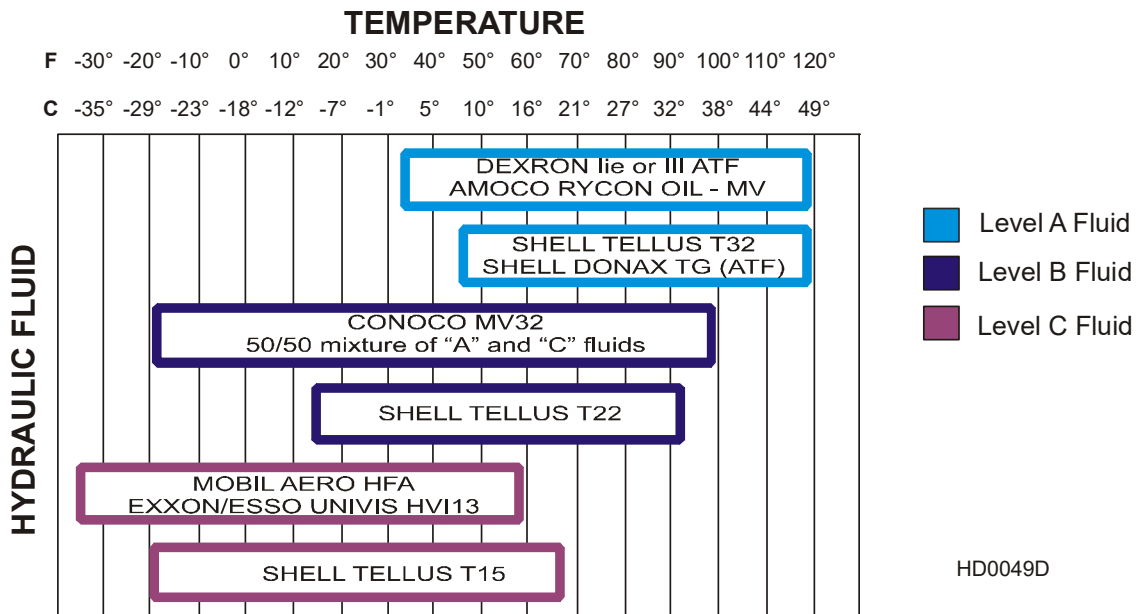


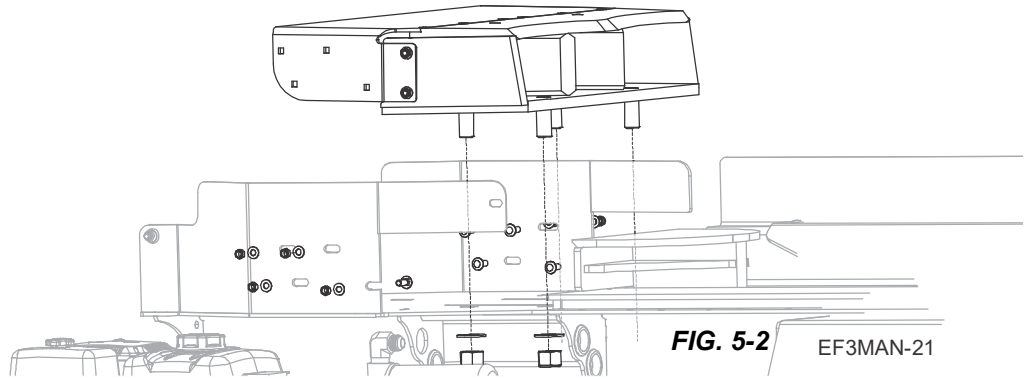
FIG. 5-1

5.3 Changing the wedges

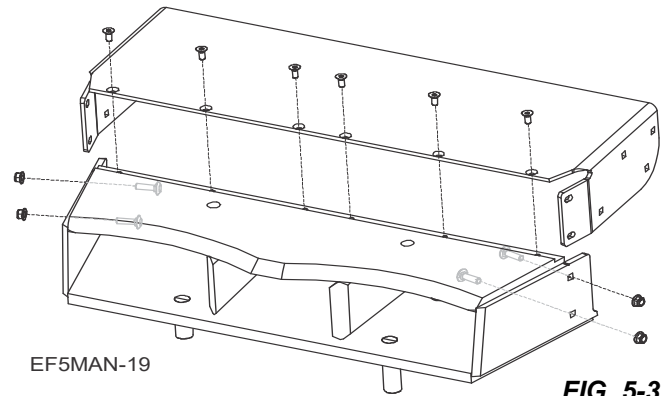


WARNING! Use proper lifting equipment; wedges are heavy. Failure to follow this could result in serious injury or death.

1. Unbolt the four (4) carriage bolts on each side that hold the wedge extension plate to the unit.
2. Remove the two nuts and their washers at the bottom of the cutting table on each side.
3. Lift the wedges and their extension plates straight up.



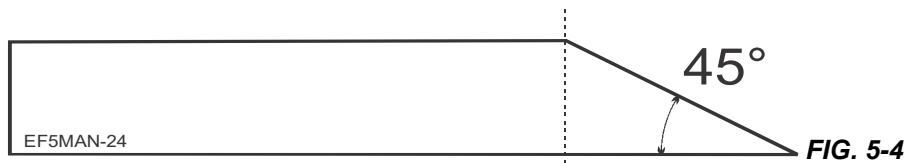
4. Retain hardware for reapplication.
5. Remove and retain all hardware holding the wedge and the wedge extension plate together.
6. To re-install the wedges, reverse the order of this procedure.



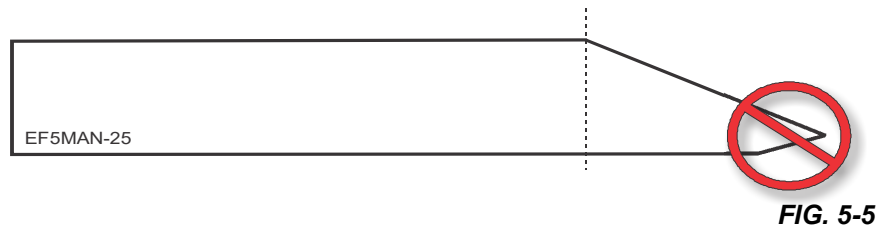
5.4 Wedge sharpening

Use a **hand file** to sharpen the wedges after 80 hours of use. An angle grinder may take off too much material at once.

NOTE: DO NOT CHANGE THE ANGLE OF THE WEDGE.



NOTE: DO NOT FILE ON THE UNDERSIDE OF THE WEDGE. THIS WILL CAUSE THE WOOD TO JAM.



SECTION 6 PARTS

6.1 How To Use The Parts List

- Use the table of contents to locate the assembly that contains the part you need.
- Go to the appropriate section and locate the part in the illustration.
- Use the number pointing to the part to locate the correct part number and description in the table.
- Parts shown indented under another part are included with that part.

To Order Parts

- From the continental US, call **1-800-525-8100** to order parts. Have your customer number, vehicle identification number, and part numbers ready when you call.
- From other international locations, contact the Wood-Mizer distributor in your area for parts.

6.2 Sample Assembly

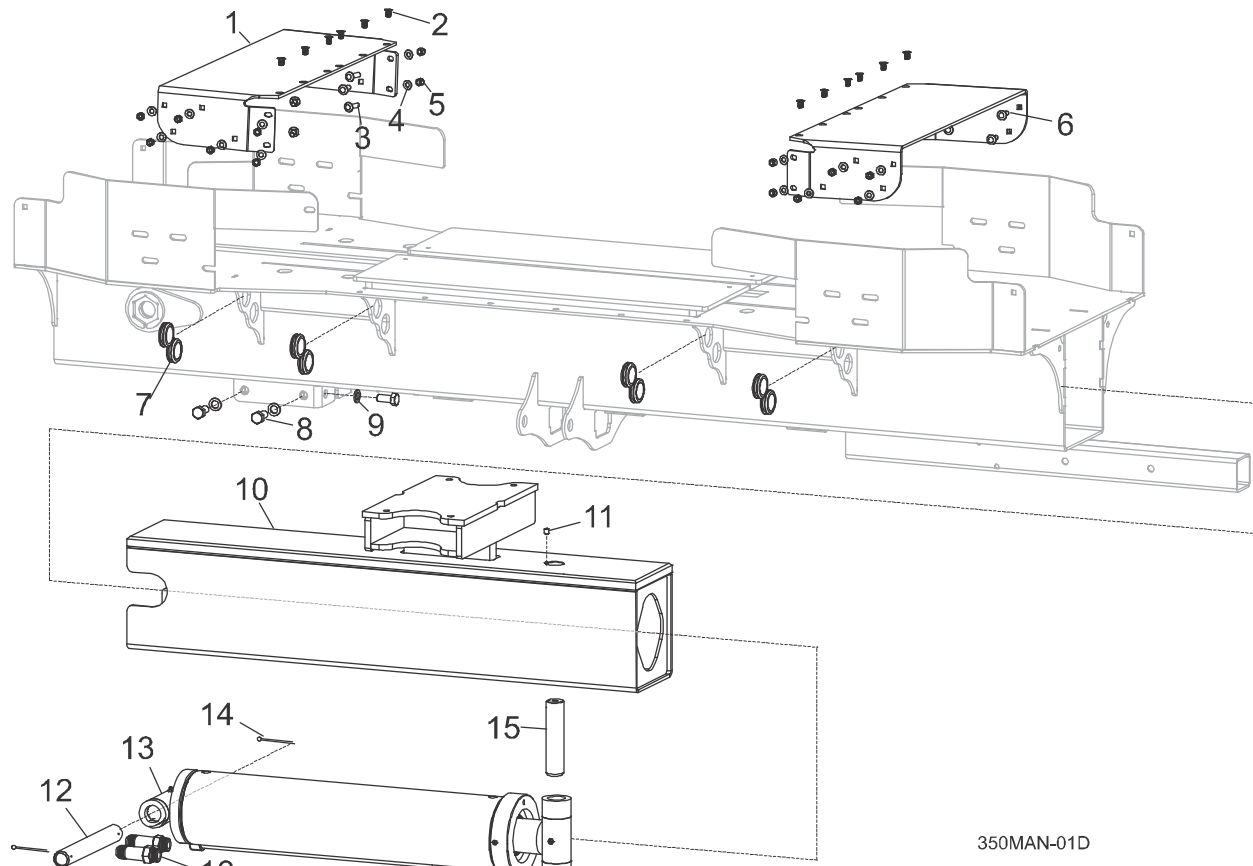
REF	PART #	DESCRIPTION	COMMENTS	QTY.
	012345	SAMPLE ASSEMBLY, COMPLETE (INCLUDES ALL INDENTED PARTS BELOW)		1
1	F02222-22	Sample Part		1
2	F03333-33	Sample Part		2
	098765	Sample Subassembly (Includes All Indented Parts Below)		1
3	S04444-44	Subassembly Sample Part		1
4	K55555	Subassembly Sample Part		1
	054321	Sample Sub-Subassembly (Includes All Indented Parts Below)		2
5	022222	Sub-Subassembly Sample Part		1
6	F10234-56	Sub-Subassembly Sample Part		1

The Sample Assembly, Complete, part number 02345 (top level assembly) includes two parts (F0222-22 and F0333-33) and the 098765 subassembly.

Subassembly 098765 contains two parts(S04444-44 and K55555) and two copies of sub-subassembly 054321.

Each sub-subassembly 054321 contains two parts (022222 and F10234-56).

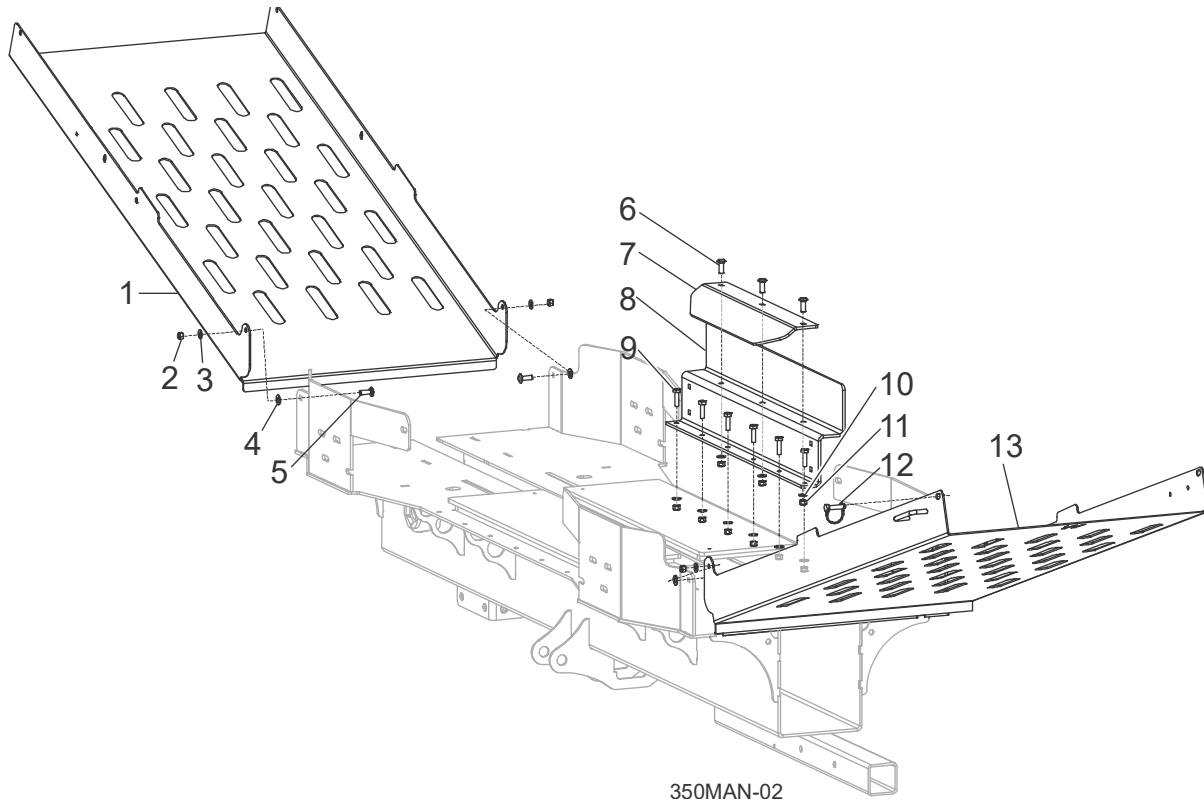
6.3 Splitter table



350MAN-01D

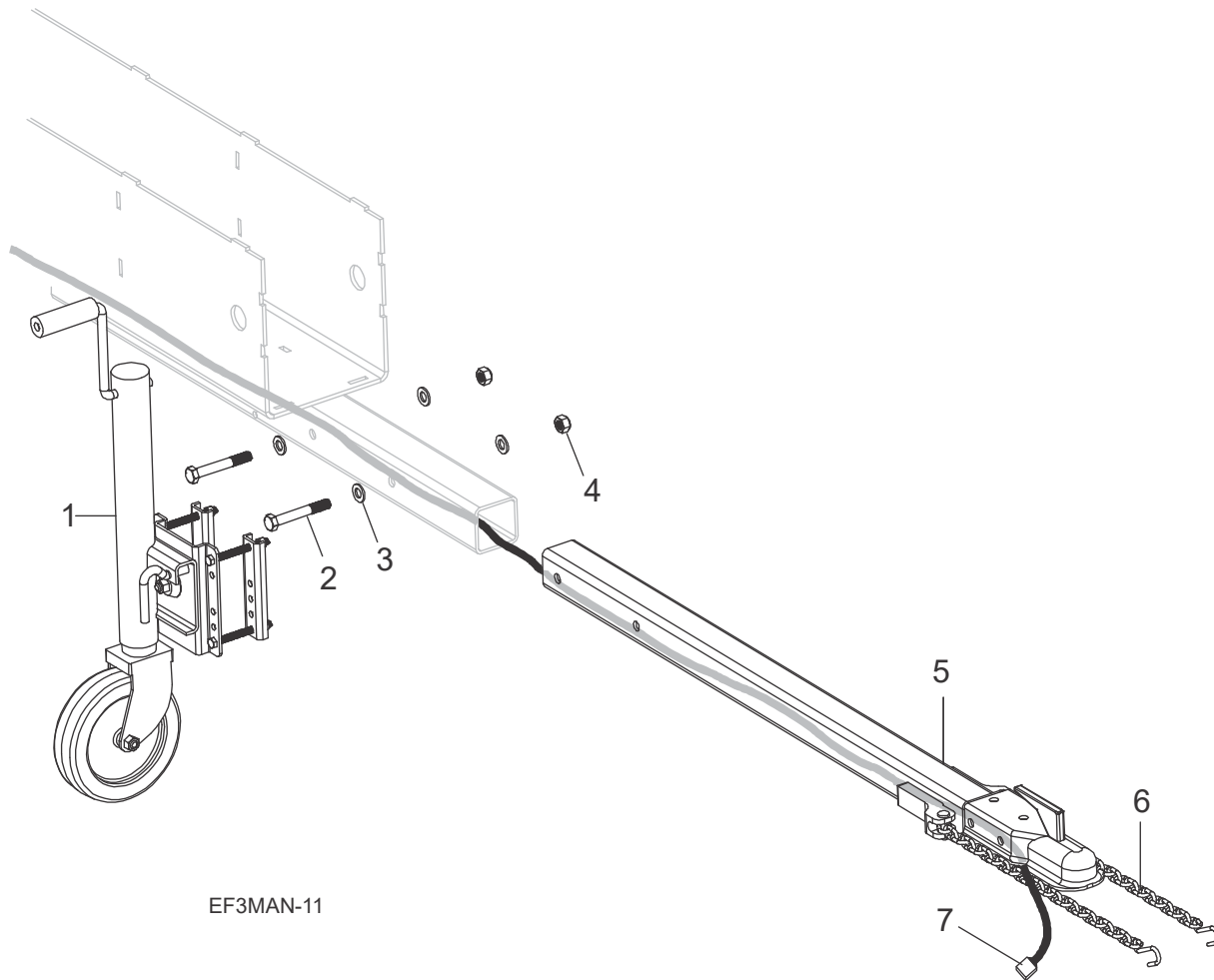
REF	PART #	DESCRIPTION	COMMENTS	QTY.
	079489	Assembly, Wedge Extension		1
1	TS-1159	Plate, Wedge Extension		1
2	F05021-42	Bolt, M8-1.25x16 Flat SHC Zinc		6
3	F05022-43	Bolt, M10-1.5x35 Class 8.8		4
4	F05011-134	Washer, M10 Flat SAE		12
5	F05004-270	Nut, M10-1.50 Hex Nyl Lock		12
6	F05022-19	Screw, M6-1x12 HHC FT GR8-8 Din 933		8
7	079512	Grommet, 1-3/4Hole x 1/4Panel Thk		5
8	F05025-2	Bolt, M16-2 x 35 HH		6
9	F05026-6	Washer, M16 Flat		6
10	079536	Weldment, Pusher Block		1
11	F05007-12	Screw, 3/8-16x1/2 SH Cup Pt Set		1
12	079818	Pin, 1-1/2 Dia Hyd Cylinder		1
13	079047	Cylinder, Hydraulic 2-1/4x5x24		1
14	F05012-158	Pin, Cotter 3/16 Dia x 3" Stl		2
15	TS-1271	Pin, Cylinder Rod End		1

6.4 Debris Tray and Guards



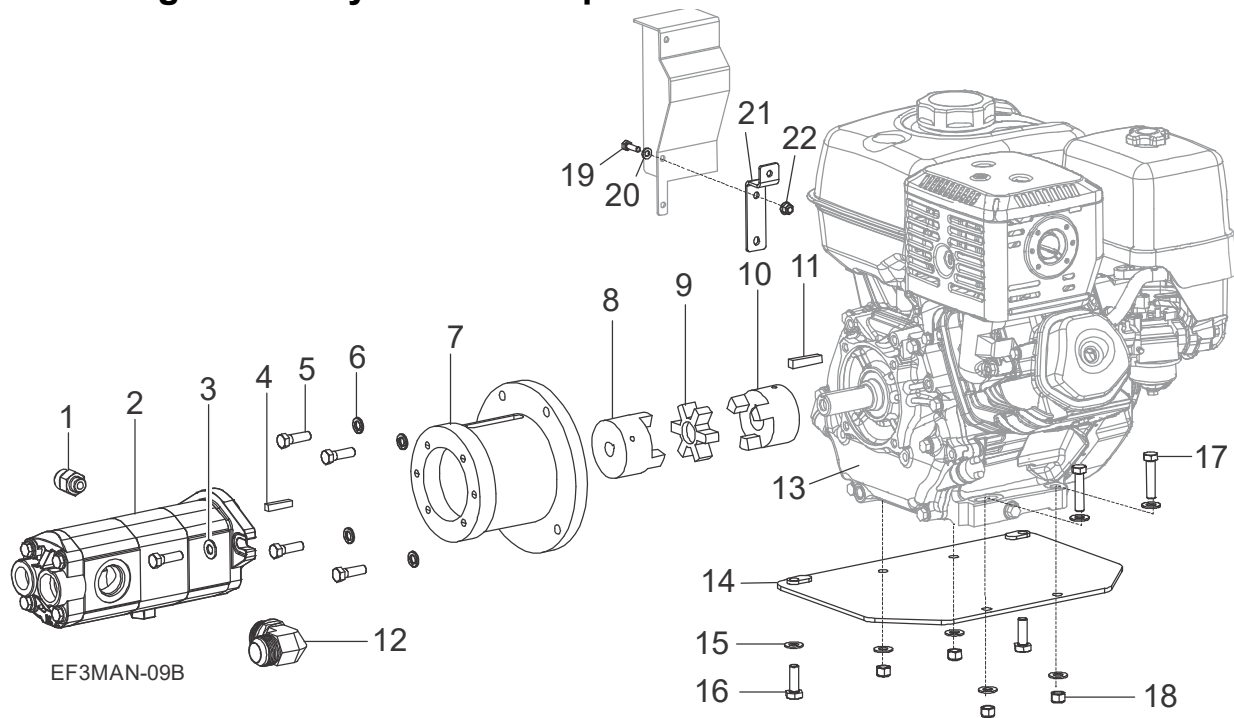
REF	PART #	DESCRIPTION	COMMENTS	QTY.
1	079233	Tray, FS300 Debris		1
2	F05004-270	Nut, M10-1.50 Hex Nyl Lock		4
3	F05011-134	Washer, M10 Flat		4
4	066114	Washer, .4 IDx1" ODx.06 Nylon		4
5	F05022-19	Bolt, M10-1.5x30 Carriage Class 8.8		4
	079532	Assembly, Backstop		1
6	F05022-19	Bolt, M10-1.5x30 Carriage Class 8.8		3
7	079180	Plate, Backstop Deflector		1
8	079491	Plate, Backstop Deflector		1
9	F05004-97	Bolt, M10-1.5x35mm HH Gr 8.8 Znc		6
10	F05011-134	Washer, M10 Flat		9
11	F05004-270	Nut, M10-1.50 Hex Nyl Lock		9
12	046412	Pin, 3/8x1 3/8 Rnd Wire Lock		1
13	079501	Weldment, FS350 Wide Debris Tray		1

6.5 Trailer Tongue



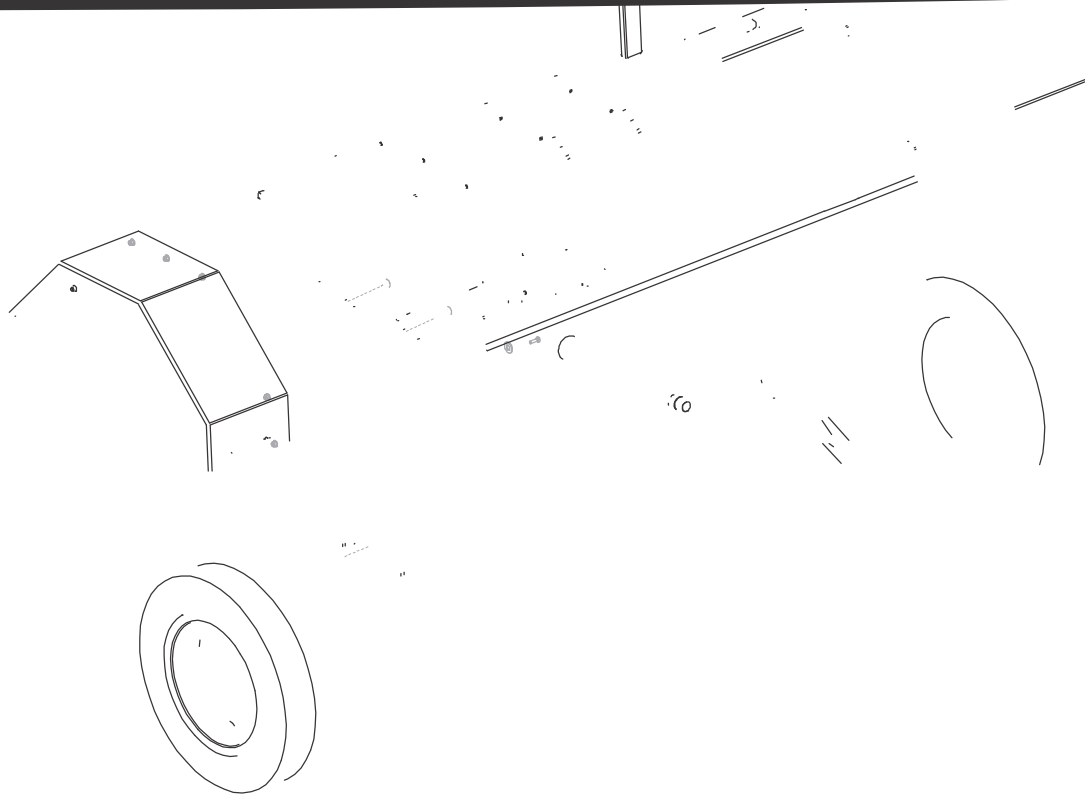
REF	PART #	DESCRIPTION	COMMENTS	QTY.
1	074997	Jack, Trailer Wheel 1500 lbs		1
	079442	Assembly, Trailer Tongue FS300		1
2	F05024-2	Bolt, M14-2.0 x 100 Gr 8.8 HHC		2
3	F05026-8	Washer, M14 Flat		4
4	F05027-12	Nut, M14-2.0 Class 8 Hex Nylock		2
5	079441	Weldment, Trailer Tongue FS300		1
6	107163	Chain, Safety		2
7	079809	Harness, Trailer Light		1

6.6 GX390 Engine and Hydraulic Pump



REF	PART #	DESCRIPTION	COMMENTS	QTY.
	079383	Assembly, Hydraulic Pump - Honda GX390		1
1	079249	Pump, Hydraulic 21/6 GPM		1
2	F05007-123	Bolt, 3/8-16x1 1/4 FT HH Gr5		6
3	F05011-4	Washer, 3/8 Split Lock		4
4	079514	Housing, Bell, Engine to Hydraulic Pump		1
5	079042	Coupler, L100 x 5/8"		1
6	042779	Coupling, L100 Spider		1
7	025816	Coupling Body, L100x1		1
8	F05020-6	Bolt, M6-1x20 HH Class 8		1
9	F05026-1	Washer, M6 Flat Class 4		1
10	079444	Bracket, FS300 Engine Control		1
11	F05027-34	Nut, M6-1.0 Flanged Hex Nylock		1
12	079487	Fitting, 16 SAE M x 16 JIC M 90 Elbow		1
13	079380	Engine, Honda GX390		1
	061274	Key Switch		1
	061270	Element, Air Cleaner GX390 17210-ZE3-505		1
	061271	Filter, Cup Fuel GX390 16959-Z5T-901		1
	061272	Filter, (Outer Foam) Air GX390-3EZ-505		1
	061273	Plug, Spark GX390 98079-56846 NGK BPR6ES		1
14	079770	Weldment, Honda GX390 Mount Plate		1
15	F05011-134	Washer, M10 Flat		10
16	F05022-3	Bolt, M10-1.5x30 HH Class 8		2
17	F05004-270	Nut, M10-1.50 Hex Nyl Lock		4
18	F05004-269	Bolt, M10-1.50x50mm HHFT 8.8		4
	L04869-1	Oil, 10W30 Type CD		1

6.7 Trailer/Hydraulic Tank Frame

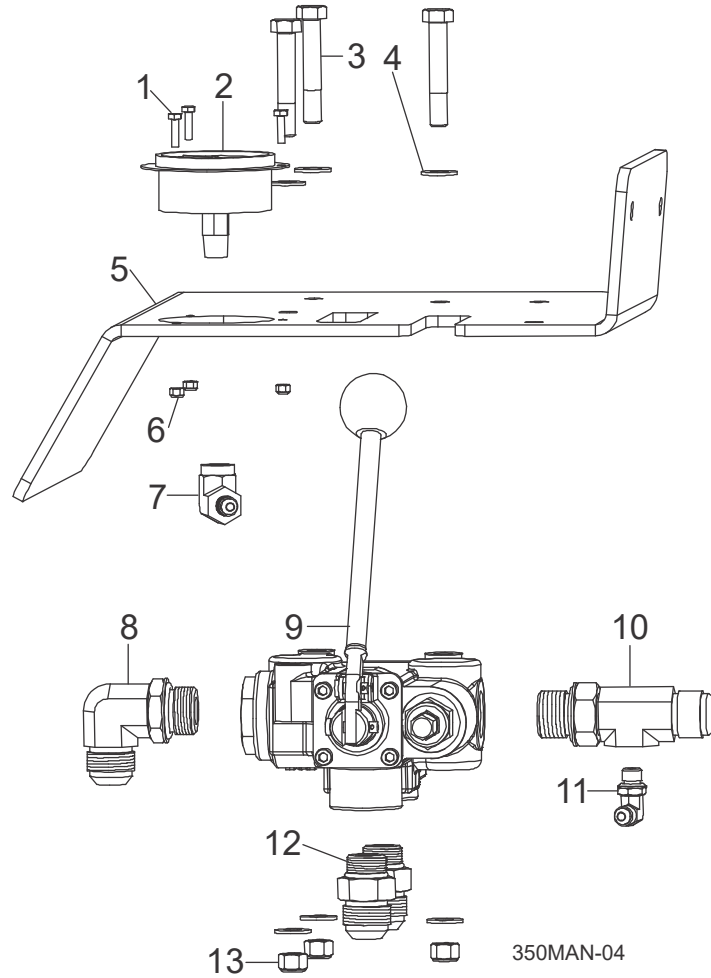


REF	PART #	DESCRIPTION	COMMENTS	QTY.
	079248	Assembly, Trailer Frame-Hydraulic Tank FS300		1
1	TS-1224	Fender, FS300		2
2	F05027-34	Nut, M6-1.0 Flange Hex Nylock Zinc		12
3	P20277	Plug, 3/4 NPT Pipe		1
4	F05026-1	Washer, M6 Flat Class 4		12
5	F05020-6	Bolt, M6-1 x 20 Class 8 HH		12
6	TS-0072	Weldment, Frame/Hydraulic Tank		1
7	P20211	Gage, Hydraulic. Fluid Sight		1
8	079513	Filter, Hydraulic Oil Return Element		1
9	079247	Filter, Spin On Head		1
10	079515	Fitting, 12 JIC M x 1"NPT M 90 Elbow		1
11	F05004-15	Screw, 10-32x5/8 HH Machine		6
12	078342	Assembly, Hydraulic Fill/Breath Anti-Splash 3micron		1
13	f05023-15	Bolt, M12-1.75 x 35mm 8.8 HH Zinc		4
14	F05011-124	Washer, M12 Flat Zinc		8
15	F05010-209	Nut, M12x1.75 Hex Nylock Zinc		4
16	079056	Screen, 2" NPT In-Tank Suction		1

6 **Parts**
Trailer/Hydraulic Tank Frame

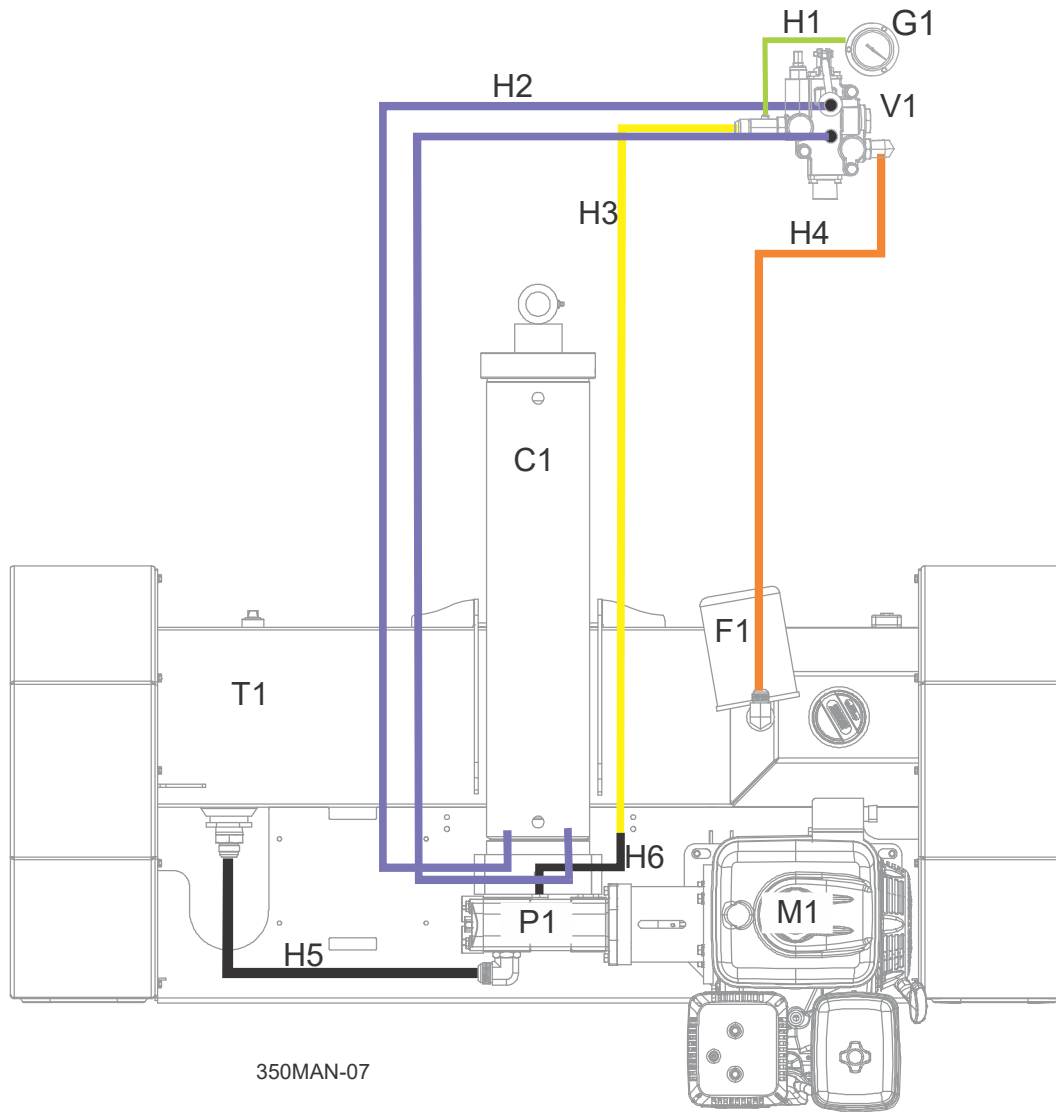
REF	PART #	DESCRIPTION	COMMENTS	QTY.
17	079486	Fitting, 1 1/4NPT x 16 JIC M		1
	006391	Light, LED Tail		2
18	074711	Plug, 3 Wire Tail Light		2
19	074710	Light, 8 Diode LED Tail		2
20	006688	Grommet, 6 1/2 Light Mounting		2
21	079363	Axle, 2200 lbs Torflex		1
22	133514	Tire Wheel Assy, 480-12 LoadStar		2
23	P04646	Nut, 1/2-20 Lug		8
	006318	Fluid, Hydraulic. Conoco Megaflow HVI 32		18

6.8 Hydraulic Controls (Standard)



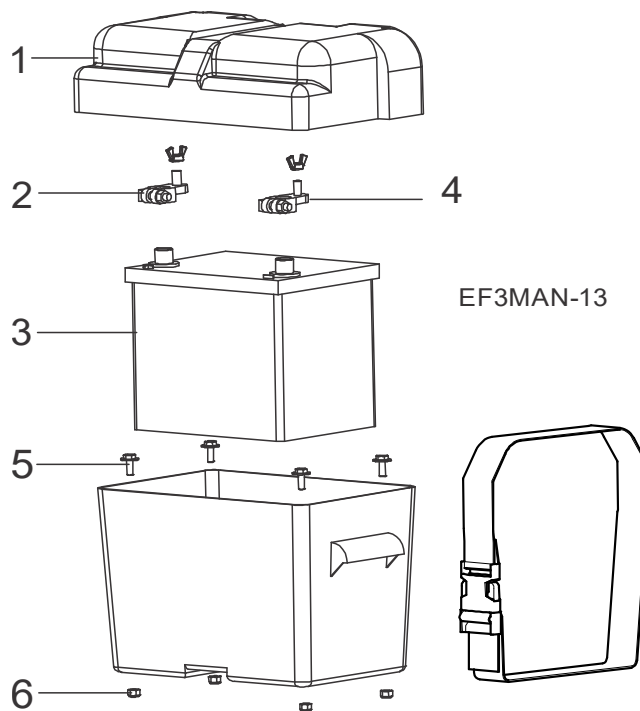
REF	PART #	DESCRIPTION	COMMENTS	QTY.
	079783	Assy, Prince One Spool FS350		1
1	F05020-10	Bolt, M4-.7 x 16 Class8 HH		3
2	079775	Gauge, Hyd Pressure 0-4000 Flange Mnt		1
3	F05022-16	Bolt, M10-1.5x60 HHC		3
4	F05011-134	Washer, M10 Flat SAE		6
5	079423	Plate, Prince Valve Mount FS500		1
6	F05027-8	Nut, M4-.7 Class 8 Nylock		3
7	079117	Fitting, #04 NPT F - #04 JIC M 90 Deg		1
8	079108	Fitting, #12 SAE M - #12 JIC M x 90 Deg		1
9	079488	Valve, Prince 1 Spool		1
	061260	Kit, Prince Handle & Hardware 660150004		1
	061261	Clevis, Prince Handle Sub Assembly 660350001		1
	061262	Kit, Prince Seal		1
	061263	Valve, Prince Adj Relief		1
10	079116	Fitting, #12 SAE M - 12 JIC M Straight		1
11	074543	Fitting, 4SAE-4JIC 90° Elbow		1
12	079449	Fitting, 10 SAE M x 12 JIC M		2
13	F05004-270	Nut, M10-1.50 Hex Nyl Lock		3

6.9 Hydraulic Hoses (Standard)



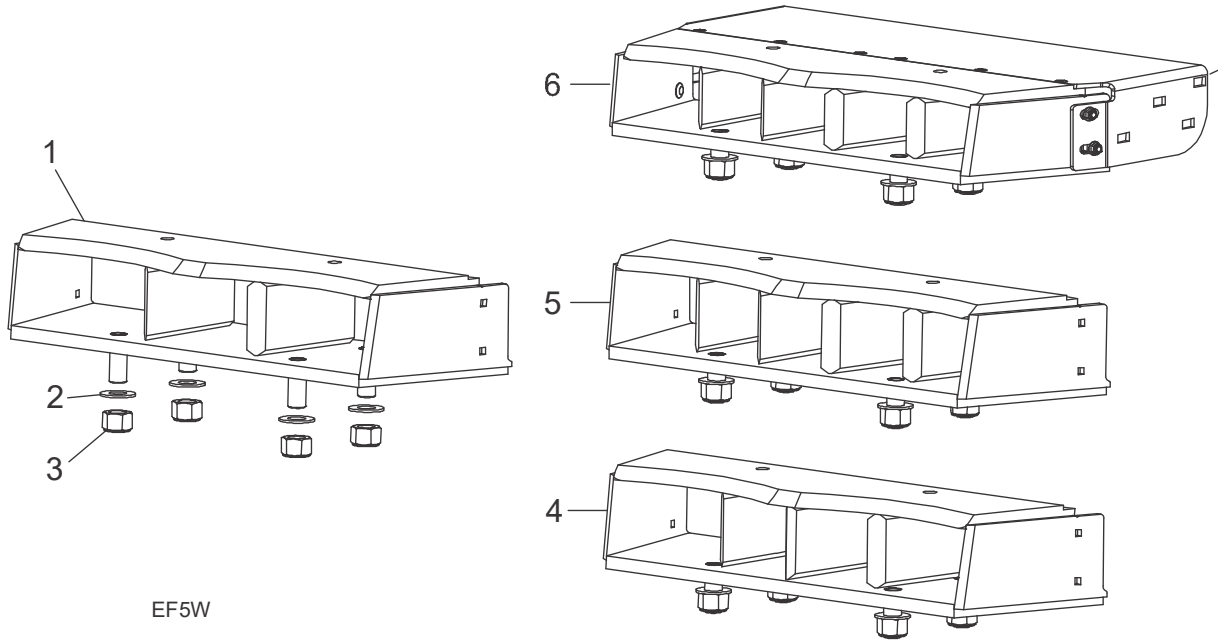
REF	PART #	DESCRIPTION	COMMENTS	QTY.
H1	079301	Hose, 14-1/2" #4 F JIC & #4 F JIC (lt green)		1
H2	079806	Hose, 116" #12 F JIC & 90 Deg F JIC (purple)		2
H3	079807	Hose, 66-1/4" #12 M JIC & 45 Deg F JIC (yellow)		1
H4	079808	Hose, 72" #12 F JIC & 90 Deg F JIC (orange)		1
H5	079525	Hose, 27" #16 F JIC & #16 F JIC (black)		1
H6	079764	Hose, 10-3/4" #12 90 Deg F JIC & 90 Deg F JIC (black)		1

6.10 Battery Box



REF	PART #	DESCRIPTION	COMMENTS	QTY.
	079386	Assembly, Battery Box		1
1	016413	Box, Battery, Modified		1
2	033358	Clamp, Pos. Battery		1
	F05010-128	Nut, 3/8-24 Wing		1
3	028004	Battery, 12V 524/26A		1
4	033359	Clamp, Neg. Battery		
	F05010-128	Nut, 3/8-24 Wing		1
5	F05005-134	Bolt, 1/4-20x3/4 W/Conical Washer		4
6	F05010-69	Nut, 1/4-20 Nylock		4

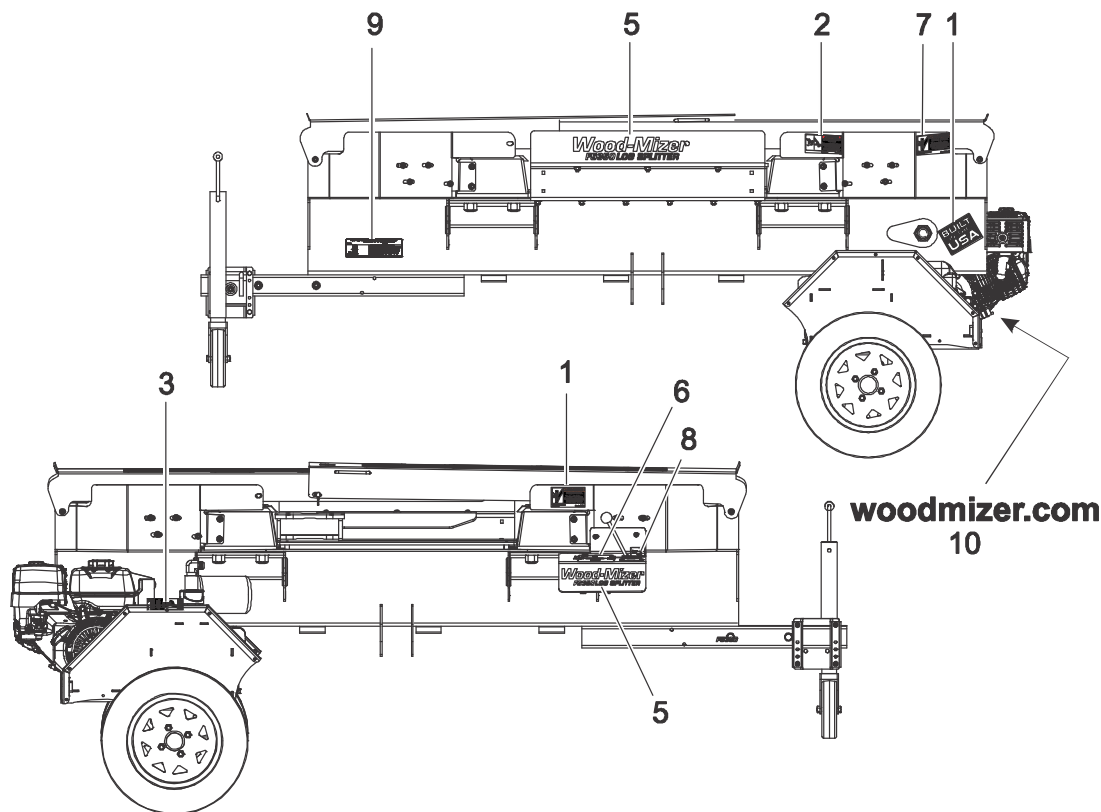
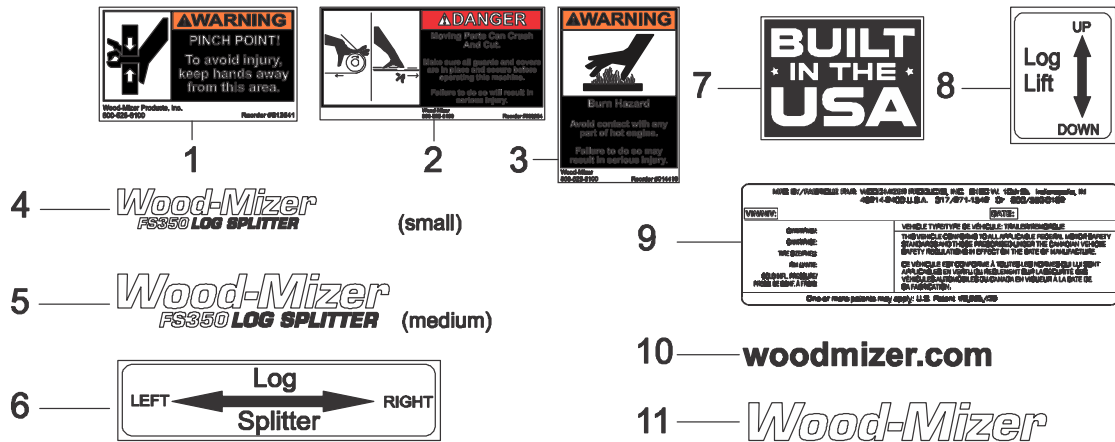
6.11 Wedge



EF5W

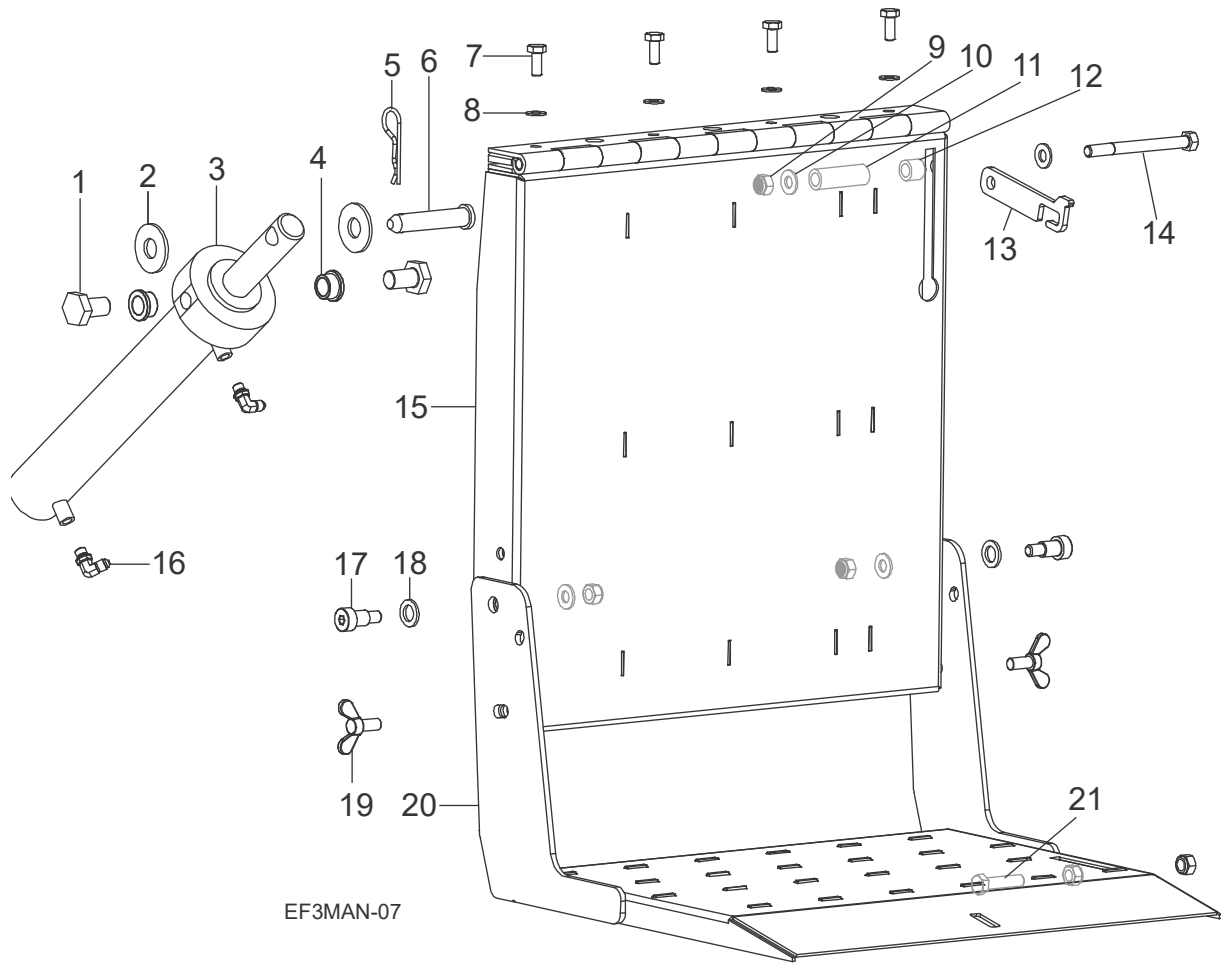
REF	PART #	DESCRIPTION	COMMENTS	QTY.
	FS3-A	Assembly, 3 Way Wedge Replacement (<i>one</i>)		1
1	079135	Weldment, 3 Way Wedge		1
2	F05011-28	Washer, 1 ID SAE Flat		4
3	F05010-109	Nut, 1-8 Hex Nylok, Zinc		4
4	FS4-A	Assembly, 4 Way Wedge, Replacement, (<i>one</i>)	(optional)	1
5	FS5-A	Assembly, 5 Way H Wedge, Replacement, (<i>one</i>)	(optional)	1
6	FS5B-A	Assembly, 5 Way 3.5"H Wedge Replacement (<i>one</i>)	(optional)	1

6.12 Decals



REF	PART #	DESCRIPTION	COMMENTS	QTY.
1	S12641	Decal, Hand Pinch Point Warning Edger		4
2	033254	Decal, Moving Parts Danger		4
3	014419	Decal, Hot Engine Warning		1
4	079765	Decal, Wood-Mizer FS350 Small (2pc)		2
5	079766	Decal, Wood-Mizer FS350 Med (2pc)		2
6	074996	Decal, Log Splitter Direction		1
7	074008	Decal, Built In The USA		1
8	074995	Decal, Log Lift Control (with optional Log Lift)		1
9	P09943	Decal, VIN		2
10	003235	Decal, Wood-Mizer Website		1
11	065025	Decal, Wood-Mizer Logo Wht LT40,50		2
	P09971	Decal, VIN Overlay (clear)		2

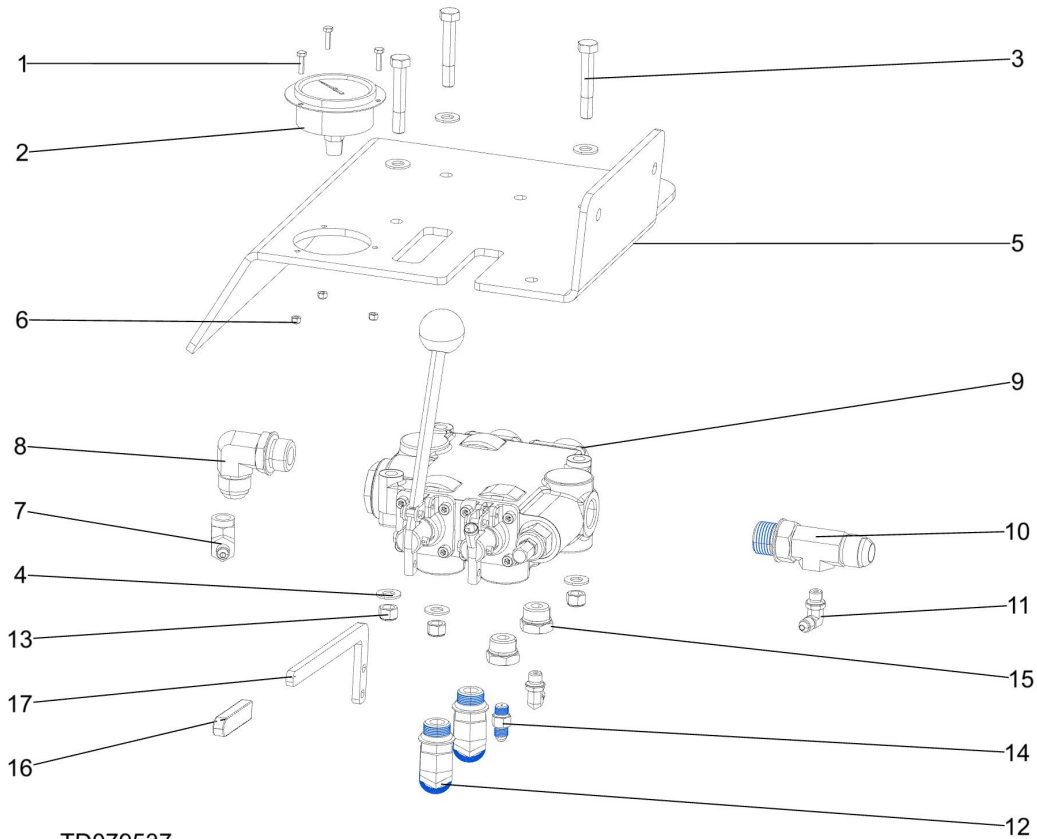
6.13 Log Lift Platform (Optional)



REF	PART #	DESCRIPTION	COMMENTS	QTY.
	FS350-LL	Log Lift Option		1
	TS-0074	Assembly, Narrow Log Lift		1
1	F05009-141	Bolt, 3/4-16 x 1 HH Gr 8		2
2	F05011-29	Washer, 3/4 USS Flat		2
3	079046	Cylinder, Hydraulic Log Lift		1
4	p786	Bushing, 3/4 ID x 1 OD x 5/8 Lng Flanged		2
5	F05012-62	Pin, #210 Hitch		1
6	007347	Pin, 3/4 x 3 1/8		1
7	F05022-38	Bolt, M10-1.5 x 25mm Class 8.8 HHC Zinc		4
8	F05011-134	Washer, M10 Flat SAE		4
9	F05010-209	Nut, M12x1.75 Hex Nylock Zinc		5
10	F05011-124	Washer, M12 Flat Zinc		4
11	079199	Spacer, 1/2 Sch 80 x 2-21/32		1
12	079198	Spacer, 1/2 Sch 80 x 11/16		1
13	079178	Plate, Log Lift Latch		1
14	F05023-9	Bolt, M12-1.75x130 HHC Class 8.8		1
15	079226	Weldment, Log Lift Upright		1

REF	PART #	DESCRIPTION	COMMENTS	QTY.
16	074544	Fitting, 6SAE-4JIC 90° Elbow		2
17	F05025-9	Bolt, M16x20mm Shoulder		2
18	F05026-6	Washer, M16 Flat		2
19	F05023-17	Screw, M12-1.75 x 25 Wing Head Thumb		2
20	079432	Weldment, Lower Log Lift FS300		1
21	F05007-193	Bolt, M12x50mm lg, HHCS Gr5 Zc		1
	079302	Hose, 47.5" #4 F JIC & #4 F JIC -Orange		1
	079303	Hose, 44" #4 F JIC & F JIC - Yellow		1

6.14 Log Lift Controls (Optional)

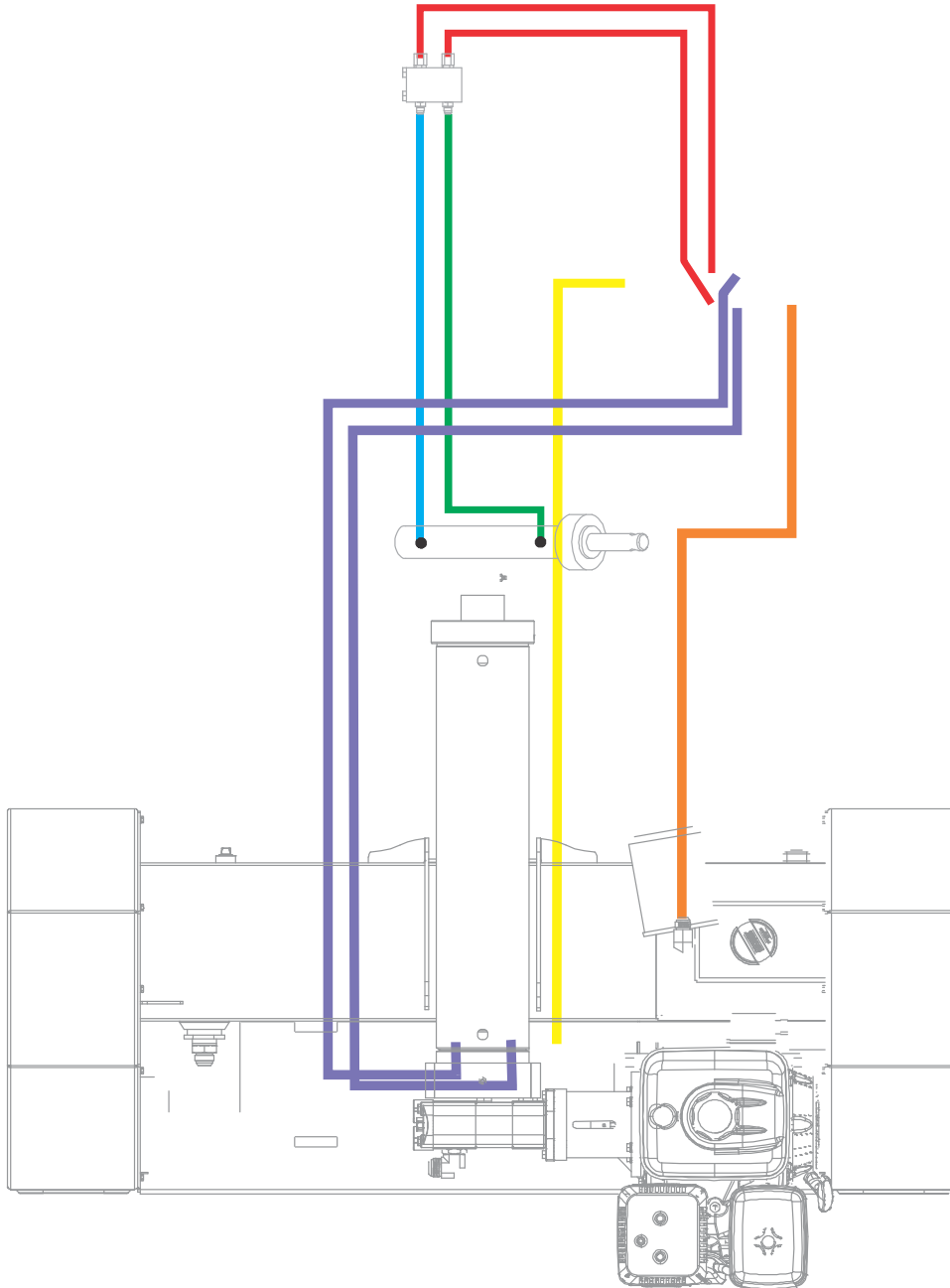


TD079537

REF	PART #	DESCRIPTION	COMMENTS	QTY.
	079537	Assy, Prince Two Spool FS350		1
1	F05020-10	Bolt, M4-.7 x 16 Class8 HH		3
2	079775	Gauge, Hyd Pressure 0-4000 Flange Mnt		1
3	F05022-16	Bolt,M10-1.5x60 HHC		3
4	F05011-134	Washer, M10 Flat SAE		6
5	079423	Plate, Prince Valve Mount FS500		1
6	F05027-8	Nut, M4-.7 Class 8 Nylock		3
7	079117	Fitting, #04 NPT F - #04 JIC M 90 Deg		1
8	079108	Fitting, #12 SAE M - #12 JIC M x 90 Deg		1
9	079438	Valve, Prince 2 Spool Hyd		1
	061260	Kit, Prince Handle & Hardware 660150004		1
	061261	Clevis, Prince Handle Sub Assembly 660350001		1
	061262	Kit, Prince Seal		1
	061263	Valve, Prince Adj Relief		1
10	079116	Fitting, #12 SAE M - 12 JIC M Strght		1
11	074543	Fitting, 4SAE-4JIC 90° Elbow		2
12	079517	Fitting, #12 JIC M x #10 SAE M 45 Deg El		
13	F05004-270	Nut, M10-1.50 Hex Nyl Lock		3
14	079217	Fitting, 4 SAE M x 04 JIC M .062Orifice		1
15	079451	Fitting, 10 SAE M x 4 SAE F Redx Bush		2

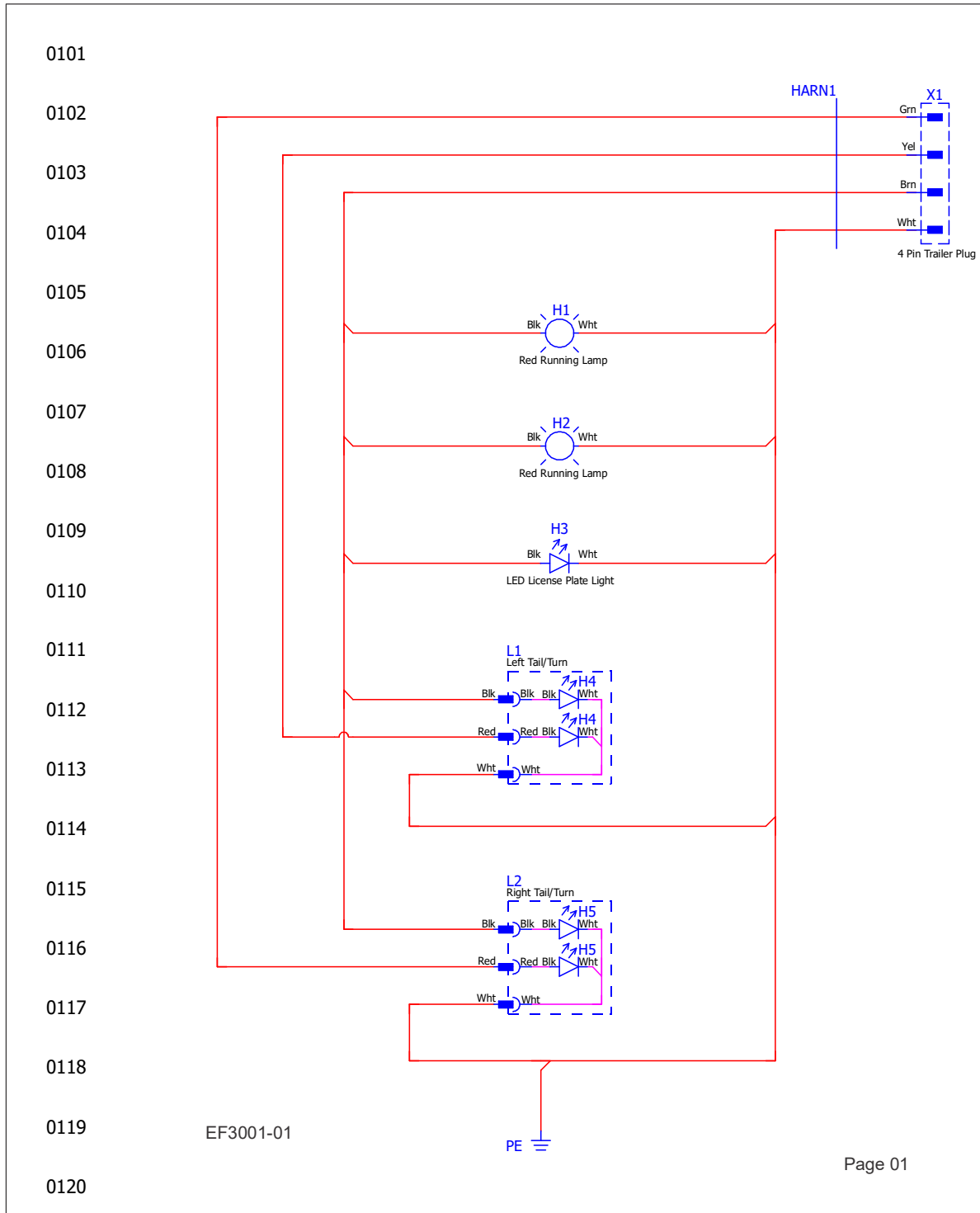
REF	PART #	DESCRIPTION	COMMENTS	QTY.
16	P08072	Grip, 3/8x5/8x2 27/32 Vinyl		1
17	110231	Plate, Log Lift Valve Handle		1

6.15 Hydraulic hoses (with optional Log Lift)



REF	PART #	DESCRIPTION	COMMENTS	QTY.
H1	079301	1/4" Hose, 14-1/2" #4 F JIC & #4 F JIC		1
H2	079806	3/4" Hose, 116" #12 F JIC & #12 90 Deg F JIC		2
H3	079807	3/4" Hose, 66-1/4" #12 M JIC & 45 Deg F JIC		1
H4	079808	3/4" Hose, 72" #12 F JIC & #12 90 Deg F JIC		1
H5	079525	1" Hose, 27" #16 F JIC & #16 F JIC		1
H6	079764	3/4" Hose, 10-3/4" #12 90 Deg F JIC & #12 90 Deg F JIC		1
H7	079802	3/8" Hose, 42" #6 F JIC & #6 F JIC		2
H8	079803	3/8" Hose, 43" #6 F JIC & #6 F JIC		1
H9	079804	3/8" Hose, 40-1/2" #6 F JIC & #6 F JIC		1

6.16 Electrical



Device Tag/Parts List

WM_PARTS_LIST-Manu.

Device tag	Function	Wood-Mizer Part Number	Wood-Mizer Description	Qty.	X-Ref
H1	Red Running Lamp	P12913	Lamp, Running Red Recessed	1	01.0106
H2	=	P12913	Lamp, Running Red Recessed	1	01.0108
H3	LED License Plate Light	006391	Light, LED Tail	1	01.0110
L1	Left Tail/Turn	074710	Light, 8 Diode LED Tail	1	01.0111
L1	=	074711	Right-Angle 3 Wire/3 Pin Plug	1	01.0111
L2	Right Tail/Turn	074710	Light, 8 Diode LED Tail	1	01.0115
L2	=	074711	Right-Angle 3 Wire/3 Pin Plug	1	01.0115
X1	4 Pin Trailer Plug	P04159	Connector, Trailer	1	01.0102

Cable Overview

Wood-Mizer_Cable_Overvie

Cable Designation	Cable Part Number	Cable Description	Cable X-Ref

