

LX55 Sawmill Parts Manual

| | |
|---------|------------|
| LX55G9 | rev. A2.00 |
| LX55G14 | rev. A2.00 |
| LX55E7 | rev. A1.00 |

Safety is our #1 concern!

October 2019

Form #2400



WARNING! Read and understand this manual before using this machine.

California
Proposition 65 Warning



WARNING: Breathing gas/diesel engine exhaust exposes you to chemicals known to the State of California to cause cancer and birth defects or other reproductive harm.

- Always start and operate the engine in a well-ventilated area.
- If in an enclosed area, vent the exhaust to the outside.
- Do not modify or tamper with the exhaust system.
- Do not idle the engine except as necessary.

For more information go to **www.P65warnings.ca.gov**.



WARNING: Drilling, sawing, sanding or machining wood products can expose you to wood dust, a substance known to the State of California to cause cancer. Avoid inhaling wood dust or use a dust mask or other safeguards for personal protection.

For more information go to **www.P65Warnings.ca.gov/wood**.

Active Patents assigned to Wood-Mizer, LLC

Wood-Mizer, LLC has received patents that protect our inventions which are a result of a dedication to research, innovation, development, and design. Learn more at: woodmizer.com/patents

©2022 Wood-Mizer LLC

Printed in the United States of America, all rights reserved. No part of this manual may be reproduced in any form by any photographic, electronic, mechanical or other means or used in any information storage and retrieval system without written permission from

Wood-Mizer, LLC
8180 West 10th Street
Indianapolis, Indiana 46214

Table of Contents

Section-Page

SECTION 1 REPLACEMENT PARTS

| | | |
|-----|---------------------------------|------------|
| 1.1 | How To Use The Parts List | 1-1 |
| | <i>To Order Parts</i> | <i>1-1</i> |
| 1.2 | Sample Assembly | 1-1 |
| 1.3 | Torque Values | 1-2 |

SECTION 2 BLADE GUIDE, WHEELS, AND TENSIONER

| | | |
|-----|---|-----|
| 2.1 | Blade Guide Assembly, Idle Side..... | 2-1 |
| 2.2 | Blade Guide Assembly, Drive Side..... | 2-2 |
| 2.3 | Blade Wheels..... | 2-3 |
| 2.4 | Blade Tensioner Assembly..... | 2-4 |
| 2.5 | Optional Blade Guide Arm Assembly | 2-6 |

SECTION 3 SAWHEAD ASSEMBLIES

| | | |
|-----|---------------------------|-----|
| 3.1 | Clutch Assembly | 3-1 |
| 3.2 | Scale Assembly | 3-3 |
| 3.3 | Water Lube Assembly..... | 3-4 |
| 3.4 | Blade Housing Covers..... | 3-5 |
| 3.5 | Decals Assembly | 3-7 |

SECTION 4 SAWHEAD LIFT SYSTEM

| | | |
|-----|-------------------------------|-----|
| 4.1 | Lift System | 4-1 |
| 4.2 | Lift System Handle..... | 4-3 |
| 4.3 | Up/Down Slide Assemblies..... | 4-4 |

SECTION 5 FEED SYSTEM

| | | |
|-----|--|-----|
| 5.1 | Mast Frame and Hardware | 5-1 |
| 5.2 | Roller Assemblies..... | 5-3 |
| 5.3 | Clutch Lever Assembly (Gas versions only)..... | 5-4 |

SECTION 6 BED ASSEMBLIES

| | | |
|-----|------------------------------------|-----|
| 6.1 | Bed Frame | 6-1 |
| 6.2 | Log Clamp | 6-2 |
| 6.3 | Optional Adjustable Feet..... | 6-3 |
| 6.4 | Optional Log Ramps..... | 6-4 |
| 6.5 | Optional Bed Frame Extension | 6-5 |
| 6.6 | Optional Log Taper Wedge | 6-6 |

Table of Contents

Section-Page

SECTION 7 POWER UNITS

7.1 Kohler 9hp Gas Engine7-1
7.2 Kohler 14hp Gas Engine7-2
7.3 E7 Electric Motor7-3
7.4 E7 Wiring Schematic.....7-5

SECTION 1 REPLACEMENT PARTS

1.1 How To Use The Parts List

- Use the table of contents to locate the assembly that contains the part you need.
- Go to the appropriate section and locate the part in the illustration.
- Use the number pointing to the part to locate the correct part number and description in the table.
- Parts shown indented under another part are included with that part.

To Order Parts

- From the continental US, call **1-800-525-8100** to order parts. Have your customer number, vehicle identification number, and part numbers ready when you call.
- From other international locations, contact the Wood-Mizer distributor in your area for parts.

1.2 Sample Assembly

| REF | PART # | DESCRIPTION | COMMENTS | QTY. |
|-----|-----------|-----------------------------|--------------------|------|
| | 012345 | SAMPLE ASSEMBLY, COMPLETE | INCLUDES ITEMS 1-6 | 1 |
| 1 | F02222-22 | Sample Part | | 1 |
| 2 | F03333-33 | Sample Part | | 2 |
| | 098765 | Sample Subassembly | Includes items 3-6 | 1 |
| 3 | S04444-44 | Subassembly Sample Part | | 1 |
| 4 | K55555 | Subassembly Sample Part | | 1 |
| | 054321 | Sample Sub-Subassembly | Includes items 5-6 | 2 |
| 5 | 022222 | Sub-Subassembly Sample Part | | 1 |
| 6 | F10234-56 | Sub-Subassembly Sample Part | | 1 |

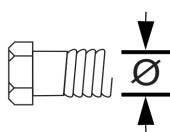
The Sample Assembly, Complete, part number 02345 (top level assembly) includes two parts (F0222-22 and F0333-33) and the 098765 subassembly.

Subassembly 098765 contains two parts(S04444-44 and K55555) and two copies of sub-subassembly 054321.

Each sub-subassembly 054321 contains two parts (022222 and F10234-56).

1.3 Torque Values

| Grade | | Units | SAE 5 | SAE 8 |
|------------|-----------------|-------------|-------------|-------------|
| Grade Mark | | | | |
| Bolt Dia. | Threads Per In. | Units | SAE 5 | SAE 8 |
| 6 | 32 | in-lbs (Nm) | 20 (2.3) | - |
| 8 | 32 | in-lbs (Nm) | 24 (2.7) | 30 (3.4) |
| 10 | 24 | in-lbs (Nm) | 35 (4.0) | 45 (5.1) |
| 10 | 32 | in-lbs (Nm) | 40 (4.5) | 50 (5.7) |
| 12 | 24 | in-lbs (Nm) | 50 (5.7) | 65 (7.3) |
| 1/4 | 20 | in-lbs (Nm) | 95 (10.7) | 125 (14.1) |
| 1/4 | 28 | in-lbs (Nm) | 95 (10.7) | 150 (17.0) |
| 5/16 | 18 | ft-lbs (Nm) | 17 (22.6) | 23 (31.2) |
| 5/16 | 24 | ft-lbs (Nm) | 20 (27.1) | 25 (33.8) |
| 3/8 | 16 | ft-lbs (Nm) | 30 (40.7) | 40 (54.2) |
| 3/8 | 24 | ft-lbs (Nm) | 35 (47.5) | 45 (61.0) |
| 7/16 | 14 | ft-lbs (Nm) | 50 (67.8) | 65 (88.1) |
| 7/16 | 20 | ft-lbs (Nm) | 55 (74.6) | 70 (94.9) |
| 1/2 | 13 | ft-lbs (Nm) | 75 (101.7) | 100 (135.6) |
| 1/2 | 20 | ft-lbs (Nm) | 85 (115.3) | 110 (149.2) |
| 9/16 | 12 | ft-lbs (Nm) | 105 (142.4) | 135 (183.1) |
| 9/16 | 18 | ft-lbs (Nm) | 115 (155.9) | 150 (203.4) |
| 5/8 | 11 | ft-lbs (Nm) | 150 (203.4) | 195 (264.4) |
| 5/8 | 18 | ft-lbs (Nm) | 160 (217.0) | 210 (284.8) |
| 3/4 | 10 | ft-lbs (Nm) | 170 (230.5) | 220 (298.3) |
| 3/4 | 16 | ft-lbs (Nm) | 175 (237.3) | 225 (305.1) |
| 7/8 | 9 | ft-lbs (Nm) | 302 (409.5) | 473 (640.9) |
| 7/8 | 14 | ft-lbs (Nm) | 300 (406.8) | 400 (542.4) |
| 1 | 8 | ft-lbs (Nm) | 466 (631.8) | 714 (967.4) |



Metric Bolt Head Identification



Metric Grade 8.8

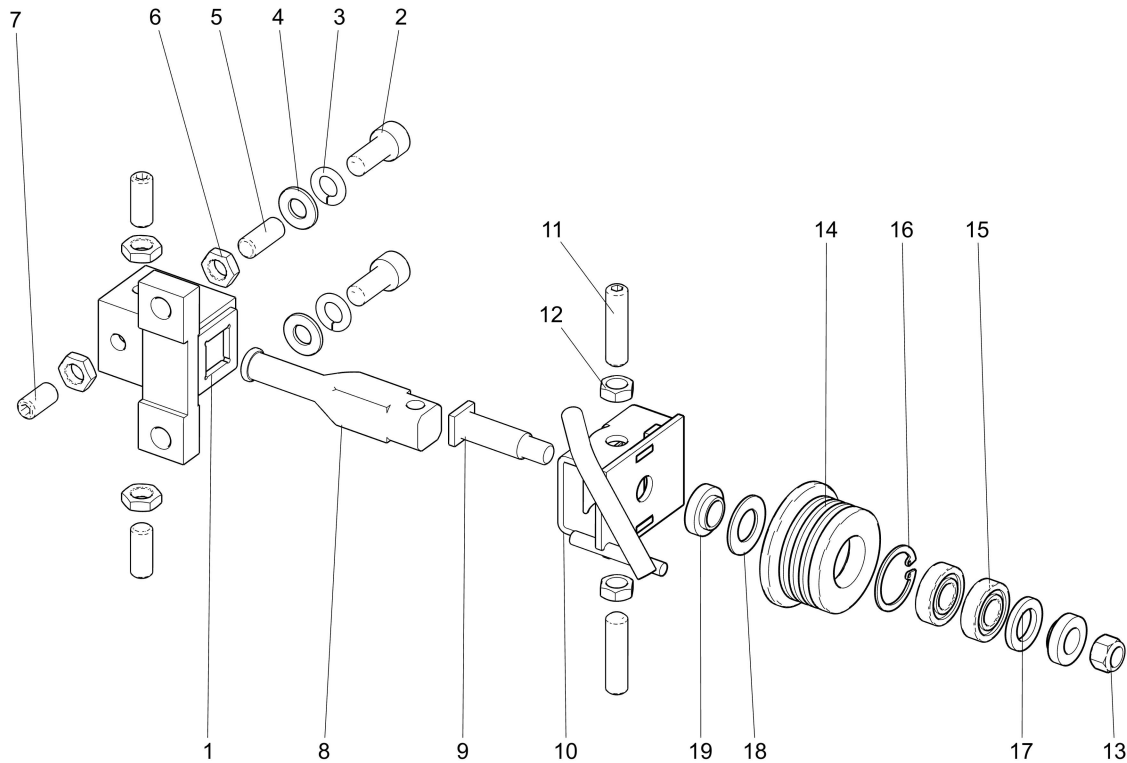


Metric Grade 10.9

| COARSE THREAD | | | | | FINE THREAD | | | | Wrench Size | |
|-------------------------|------------|--------|-------------|--------|-------------------------|------------|--------|-------------|-------------|--------|
| Diameter & Thread Pitch | Metric 8.8 | | Metric 10.9 | | Diameter & Thread Pitch | Metric 8.8 | | Metric 10.9 | | |
| | N-m | lbs-ft | N-m | lbs-ft | | N-m | lbs-ft | N-m | | lbs-ft |
| 6 x 1.0 | 8 | 6 | 11 | 8 | | | | | 10 mm | |
| 8 x 1.25 | 20 | 15 | 27 | 20 | 8 x 1.0 | 21 | 16 | 29 | 22 | 13 mm |
| 10 x 1.5 | 39 | 29 | 54 | 40 | 10 x 1.25 | 41 | 30 | 57 | 42 | 16 mm |
| 12 x 1.75 | 68 | 50 | 94 | 70 | 12 x 1.25 | 75 | 55 | 103 | 76 | 18 mm |
| 14 x 2.0 | 109 | 80 | 151 | 111 | 14 x 1.5 | 118 | 87 | 163 | 120 | 21 mm |
| 16 x 2.0 | 169 | 125 | 234 | 173 | 16 x 1.5 | 181 | 133 | 250 | 184 | 24 mm |
| 18 x 2.5 | 234 | 172 | 323 | 239 | 18 x 1.5 | 263 | 194 | 363 | 268 | 27 mm |
| 20 x 2.5 | 330 | 244 | 457 | 337 | 20 x 1.5 | 367 | 270 | 507 | 374 | 30 mm |
| 22 x 2.5 | 451 | 332 | 623 | 460 | 22 x 1.5 | 495 | 365 | 684 | 505 | 34 mm |
| 24 x 3.0 | 571 | 421 | 790 | 583 | 24 x 2.0 | 623 | 459 | 861 | 635 | 36 mm |
| 30 x 3.0 | 1175 | 867 | 1626 | 1199 | 30 x 2.0 | 1258 | 928 | 1740 | 1283 | 46 mm |

SECTION 2 BLADE GUIDE, WHEELS, AND TENSIONER

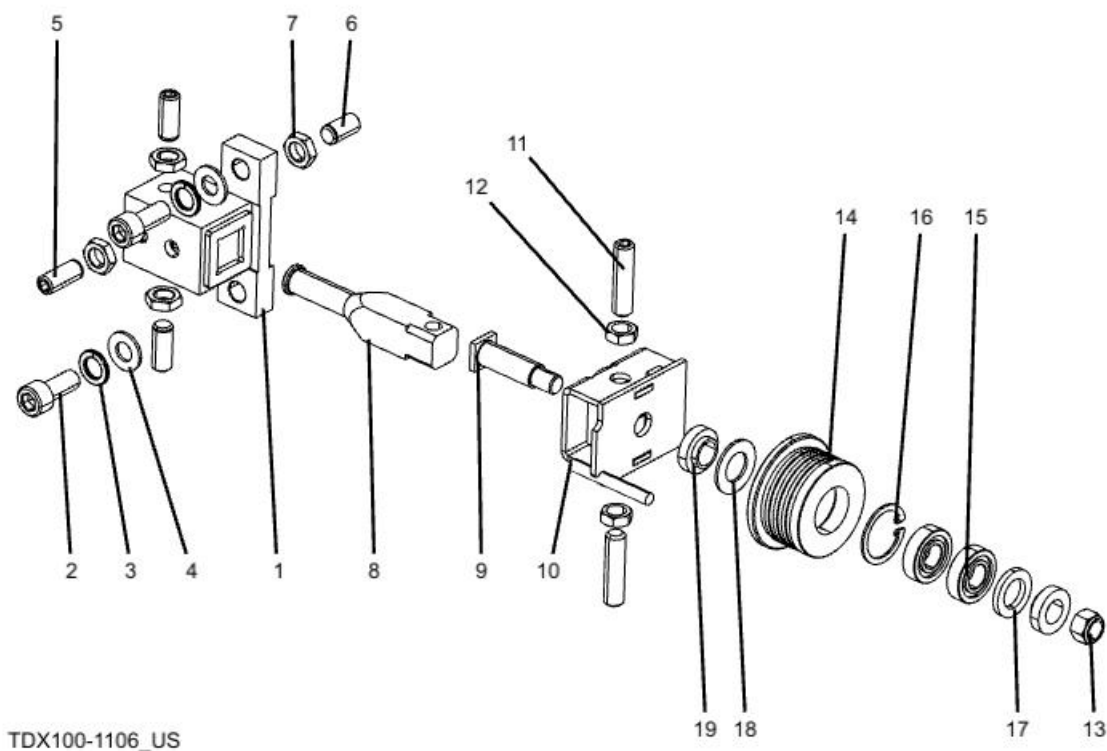
2.1 Blade Guide Assembly, Idle Side



TDX100-1107_US

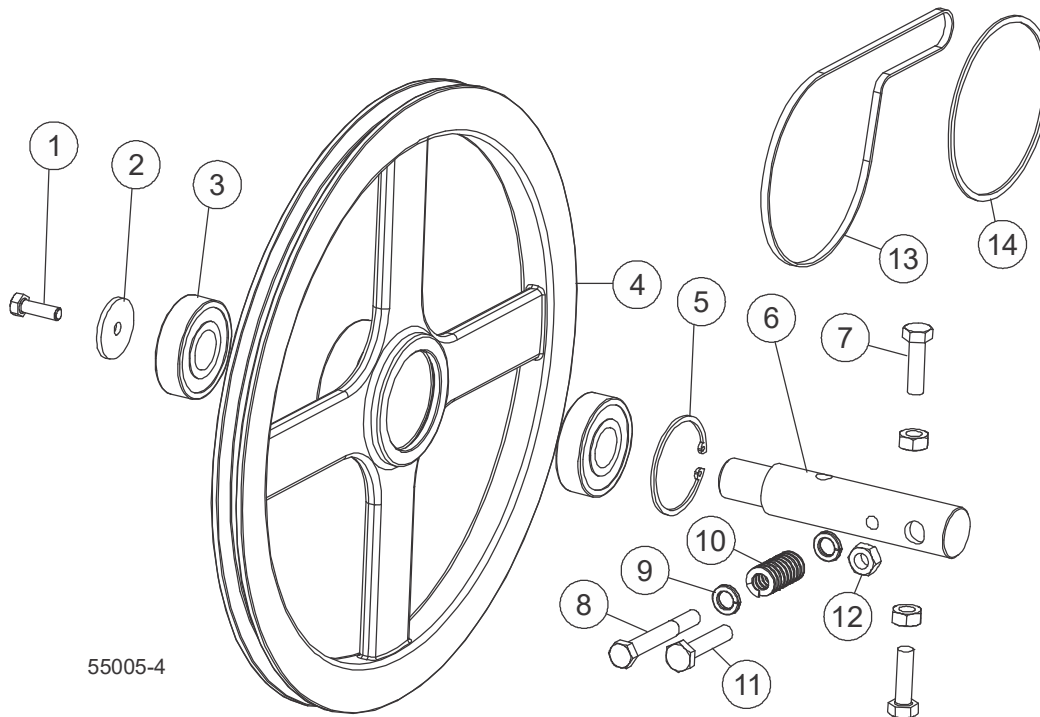
| REF | PART # | DESCRIPTION | COMMENTS | QTY. |
|-----|--------------|--|----------------------------|------|
| | X100-1107_US | Blade Guide Assembly, Idle Side | | 1 |
| 1 | 087744_US | Weldment, Metric B/G Mount | | 1 |
| 2 | F05022-12 | Bolt, M10-1.5 x 25 SHC | | 2 |
| 3 | F05011-88 | Washer, 10MM Split Lock | | 2 |
| 4 | F05011-134 | Washer, M10 Flat | | 2 |
| 5 | F81015-4 | Screw, M10-1.0x25mm Stainless Set | | 3 |
| 6 | F81033-10 | Nut, M10x1-04-ST-A2 ISO 8675 Thin | | 4 |
| 7 | F81015-1 | Screw, M10x1x20 DIN 913 SHSS | | 1 |
| | 094682_US | Guide Assy, Metric Drive Blade | | 1 |
| 8 | 503588_US | Shaft, Metric B/G Mount | | 1 |
| 9 | 087763_US | Shaft, M10-1.5 Metric Roller | | 1 |
| 10 | 094681-1_US | Brkt Weldment, Metric Idle B/G | | 1 |
| 11 | F05022-57 | Screw, M10-1.5x40mm SH Set, SS | | 2 |
| 12 | F05010-203 | Nut, M10-1.5 Jam | | 2 |
| 13 | F05004-270 | Nut, M10-1.50 Hex Nyl Lock | | 1 |
| | A04925 | Roller Assy, BG 1-1/4" and 1-1/2" Blades | | 1 |
| 14 | A09678 | Roller Assy, Blade Guide | Available in assembly only | 1 |
| 15 | 015975 | Bearing, R8-2RS Blade Guide | Available in assembly only | 2 |
| 16 | F04254-1 | Ring, 1 1/8 IR Tru-Ark | Available in assembly only | 1 |
| 17 | P06455 | Washer, 5/8 Grey Felt | Available in assembly only | 1 |
| 18 | P04252 | Washer, 5/8 White Felt | Available in assembly only | 1 |
| 19 | S04253 | Spacer, .510x.937x.34 | | 2 |

2.2 Blade Guide Assembly, Drive Side



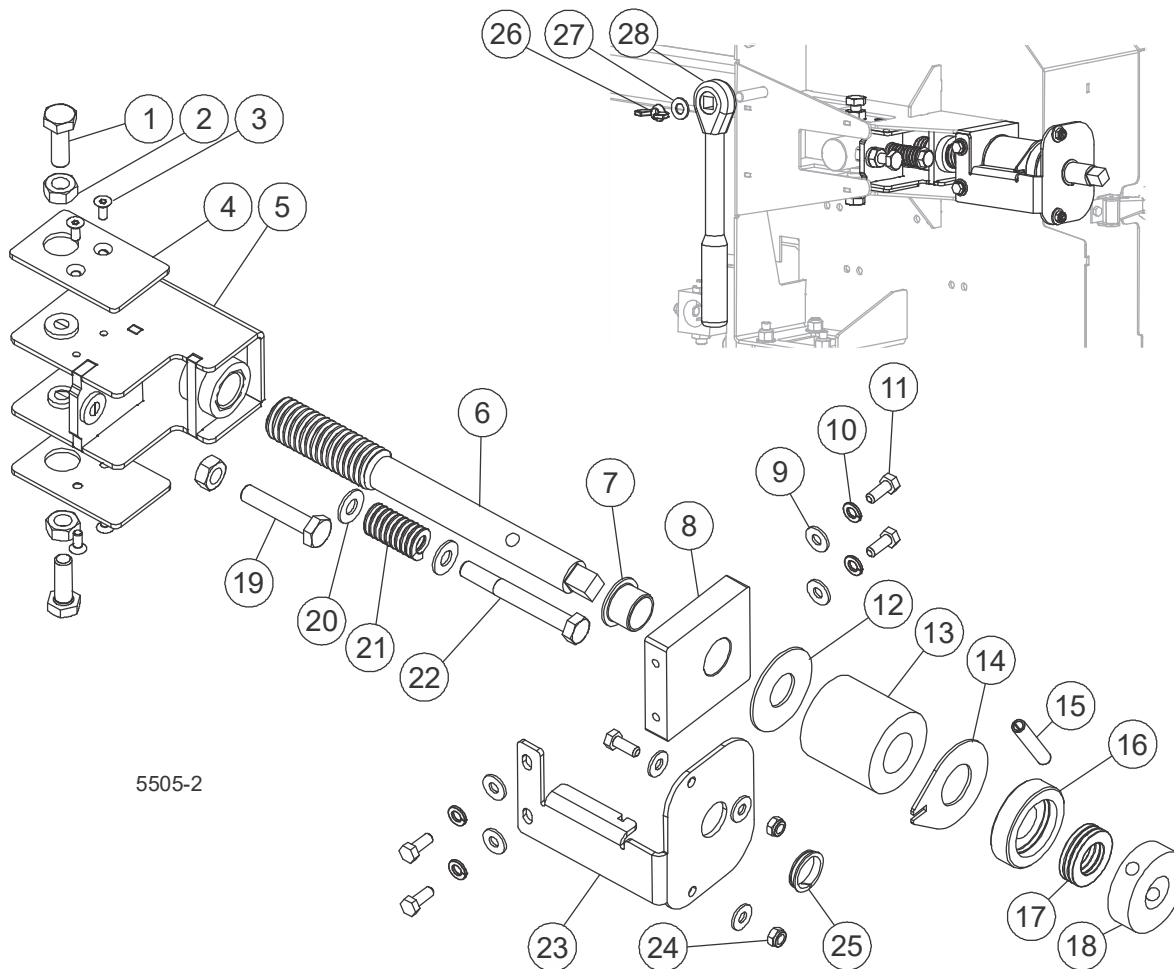
| REF | PART # | DESCRIPTION | COMMENTS | QTY. |
|-----|--------------|--|----------------------------|------|
| | X100-1106_US | Assembly, Blade Guide, Drive Side | | 1 |
| 1 | 087744_US | Weldment, Metric B/G Mount | | 1 |
| 2 | F05022-12 | Bolt, M10-1.5 x 25 SHC | | 2 |
| 3 | F05011-88 | Washer, 10MM Split Lock | | 2 |
| 4 | F05011-134 | Washer, M10 Flat | | 2 |
| 5 | F81015-4 | Screw, M10-1.0x25mm Stainless Set | | 3 |
| 6 | F81015-1 | Screw, M10x1x20 DIN 913 SHSS | | 1 |
| 7 | F81033-10 | Nut, M10x1-04-ST-A2 ISO 8675 Thin | | 4 |
| | 094682_US | Guide Assy, Metric Drive Blade | | 1 |
| 8 | 503588_US | Shaft, Metric B/G Mount | | 1 |
| 9 | 087763_US | Shaft, M10-1.5 Metric Roller | | 1 |
| 10 | 094679-1_US | Brkt Weldment, Metric Drive B/G | | 1 |
| 11 | F05022-57 | Screw, M10-1.5x40mm SH Set, SS | | 2 |
| 12 | F05010-203 | Nut, M10-1.5 Jam | | 2 |
| 13 | F05004-270 | Nut, M10-1.50 Hex Nyl Lock | | 1 |
| | A04925 | Roller Assy, BG 1-1/4" and 1-1/2" Blades | | 1 |
| 14 | A09678 | Roller Assy, Blade Guide | Available in assembly only | 1 |
| 15 | 015975 | Bearing, R8-2RS Blade Guide | Available in assembly only | 2 |
| 16 | F04254-1 | Ring, 1 1/8 IR Tru-Ark | Available in assembly only | 1 |
| 17 | P06455 | Washer, 5/8 Grey Felt | Available in assembly only | 1 |
| 18 | P04252 | Washer, 5/8 White Felt | Available in assembly only | 1 |
| 19 | S04253 | Spacer, .510x.937x.34 | | 2 |

2.3 Blade Wheels



| REF | PART # | DESCRIPTION | COMMENTS | QTY. |
|-----|------------|---|----------|------|
| | X100-961 | ASSY, BANDWHEEL SHAFT (DRIVE AND IDLE SIDES) | | 2 |
| 1 | F05004-40 | Bolt, M8x1.25x25mm C/S 8.8 Din 933 HH | | 1 |
| 2 | S08220 | Washer, .313x1.5x.125 Retaining | | 1 |
| 3 | P08066 | Bearing, .9843x2.4409x.6693 | | 2 |
| 4 | X100-303 | Sheave, Bandwheel, 15 3/8 OD | | 1 |
| 5 | F04254-21 | Ring, 2 7/16 IR N 5002-244 Beveled Snap | | 1 |
| 6 | X100-301 | Spindle, Blade Wheel | | 1 |
| 7 | F05022-3 | Bolt, M10-1.5x30 Class 8 HH | | 2 |
| 8 | F05022-1 | Bolt, M10-1.5x80 Class 8 HH | | 1 |
| 9 | F05011-61 | Washer, 3/8 SAE Flat | | 2 |
| 10 | 034430 | Spring, 3/4 O.D.x 1 1/2 Die | | 1 |
| 11 | F05004-269 | Bolt, M10-1.50x50mm HHFT 8.8 | | 1 |
| 12 | F05010-85 | Nut, M10-1.5 Hex | | 3 |
| | | BELTS | | |
| 13 | 128170 | Belt, B71R Super II Timken | | 1 |
| 14 | X100-900 | Idle Wheel Belt: Belt, B47.5 | | 1 |

2.4 Blade Tensioner Assembly

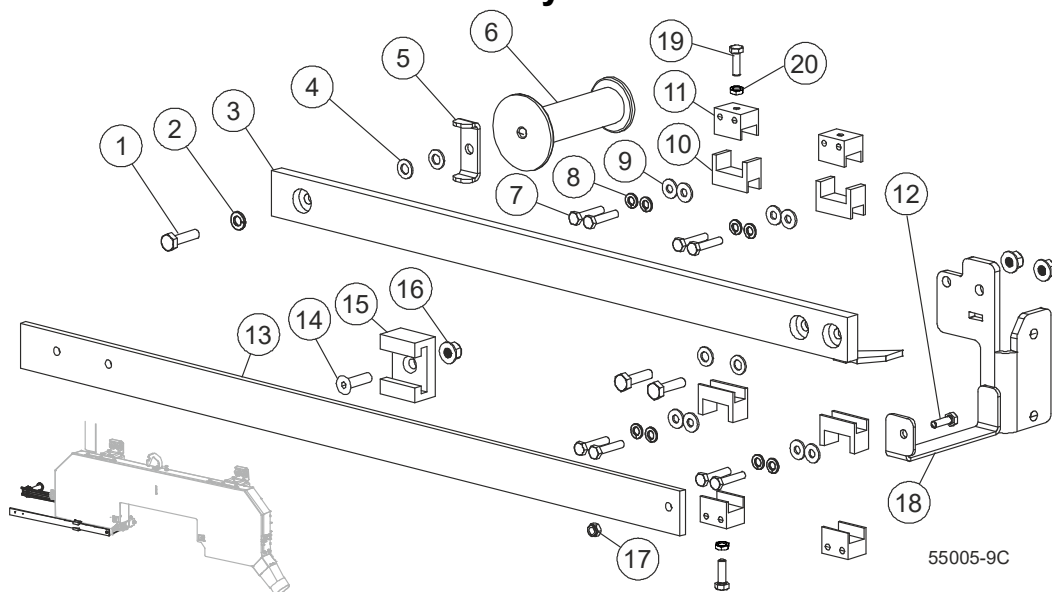


5505-2

| REF | PART # | DESCRIPTION | COMMENTS | QTY. |
|-----|--------------|----------------------------------|----------|------|
| | X100-1246_US | ASSY, TENSIONER | | 1 |
| 1 | F05022-3 | Bolt, M10-1.5x30 Class 8 HH | | 2 |
| 2 | F05010-85 | Nut, M10-1.5 Hex | | 3 |
| 3 | F05020-11 | Bolt, M5-.8 x12 FH SHC | | 4 |
| 4 | X100-1249 | Plate, Polyethelene | | 2 |
| 5 | X100-1239_US | Weldment, Tensioner | | 1 |
| 6 | X100-1252_US | Shaft, Blade Tension | | 1 |
| 7 | X100-1256_US | Bearing, Flange IGUS GFM-2023-16 | | 1 |
| 8 | X100-1247_US | Block, Tensioner | | 1 |
| 9 | F05011-11 | Washer, 1/4 SAE Flat | | 8 |
| 10 | F05011-14 | Washer, 1/4 Split Lock | | 4 |
| 11 | F05004-219 | Screw, M6x1.0x16mm 8.8 HH | | 6 |
| 12 | X100-1284_US | Washer, Tensioner | | 1 |
| 13 | 014828 | Spring, Tensioner Blade LT15 | | 1 |
| 14 | X100-1251_US | Plate, Tension Indicator | | 1 |
| 15 | F05029-17 | Pin, 8MM x 45MM Roll | | 1 |
| 16 | X100-1248_US | Bushing, Thrust Bearing | | 1 |

| REF | PART # | DESCRIPTION | COMMENTS | QTY. |
|-----|--------------|------------------------------|----------|------|
| 17 | 511979_US | Bearing, 20x35x10mm Thrust | | 1 |
| 18 | X100-1250_US | Bushing, Tensioner | | 1 |
| 19 | F05004-269 | Bolt, M10-1.50x50mm HHFT 8.8 | | 1 |
| 20 | F05011-61 | Washer, 3/8 SAE Flat | | 2 |
| 21 | 034430 | Spring, 3/4 O.D.x 1 1/2 Die | | 1 |
| 22 | F05022-1 | Bolt, M10-1.5x80 Class 8 HH | | 1 |
| 23 | X100-1253_US | Bracket, Tensioner Mount | | 1 |
| 24 | F05010-200 | Nut, M6-1.0 Nylon Lock | | 2 |
| 25 | X100-1259_US | Bearing, Clip MCM-20-03 | | 1 |
| 26 | F81033-8 | Nut, M10 -1.5 Wing | | 1 |
| 27 | F05011-134 | Washer, M10 Flat | | 1 |
| 28 | 091620 | Tool, Blade Tensioning | | 1 |

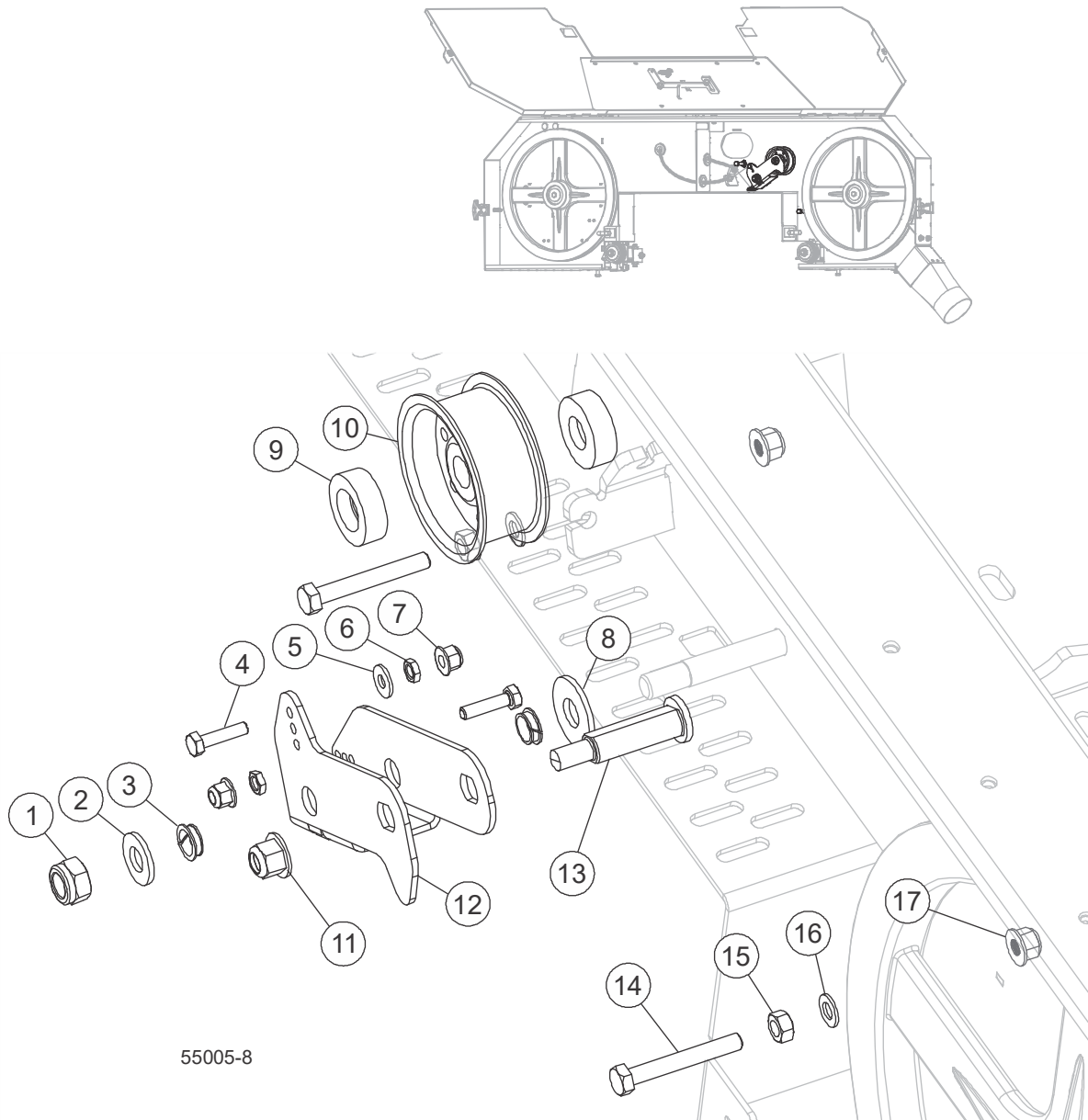
2.5 Optional Blade Guide Arm Assembly



| REF | PART # | DESCRIPTION | COMMENTS | QTY. |
|-----|------------|--|---|------|
| | 123061 | ASSY, BLADE GUIDE ARM | | 1 |
| 1 | F05021-11 | Screw, M8-1.25x30 HHC FT | F05021-11 replaced F05021-18 after 9/27/2021 per ECN 38155. | 3 |
| | F05021-18 | Bolt, M8-1.25 x 30 HH FT Class 8.8 | | 3 |
| 2 | F05011-45 | Washer, 8mm Split Lock, Zn | | 1 |
| 3 | 128219 | Arm, Blade Guide | | 1 |
| 4 | F05026-4 | Washer, M8 Flat | | 4 |
| 5 | 123092 | Plate, Blade Guide Stop | | 1 |
| 6 | 123070 | Handle, Elesa IFF.112 B-M8 | | 1 |
| 7 | F05020-8 | Bolt, M6-1 x 30mm Class 8 HH | | 8 |
| 8 | F05011-14 | Washer, 1/4 Split Lock | | 8 |
| 9 | F05011-11 | Washer, 1/4 SAE Flat | | 8 |
| 10 | 128221 | Slide, Blade Guide | | 4 |
| 11 | 128220 | Block, Blade Guide | | 4 |
| 12 | F05020-6 | Bolt, M6-1x20mm HH Class 8 | (2) deleted per ECN 37364. | 1 |
| 13 | 014955 | Guard, Blade | | 1 |
| 14 | F05004-245 | Screw, M8x1.25x30mm Flat Socket C/S BO | | 1 |
| 15 | 014882 | Guide, Blade Guard | | 1 |
| 16 | F05027-44 | Nut, M8 x 1.25 Flanged Nylock | | 3 |
| 17 | F05010-200 | Nut, M6-1.0 Nylon Lock | | 1 |
| 18 | 123093 | Wldmnt, Blade Guide | | 1 |
| 19 | F05020-33 | Bolt, M6-1 x 25 Class 8 HHC | Replaced (2) F05020-6 after 30/30/2020 per ECN 37364. | 2 |
| 20 | F05010-226 | Nut, M6 x 1 Hex Jam | Added after 30/30/2020 per ECN 37364. | 2 |

SECTION 3 SAWHEAD ASSEMBLIES

3.1 Clutch Assembly



55005-8

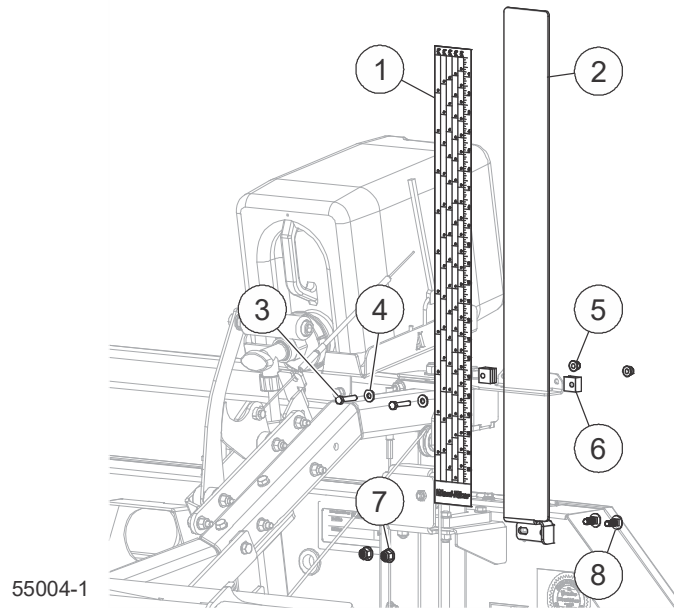
| REF | PART # | DESCRIPTION | COMMENTS | QTY. |
|-----|--------------|------------------------------------|----------|------|
| | X100-1192_US | ASSY, CLUTCH | | |
| 1 | F81034-2 | Nut, M12x1.5 Hex Nylock | | 1 |
| 2 | F05011-124 | Washer, M12 Flat Zinc | | 1 |
| 3 | X100-917 | Bearing, Clip, 1/2 | | 2 |
| 4 | F05020-33 | Bolt, M6-1 x 25 Class 8 HHC | | 2 |
| 5 | F05011-11 | Washer, 1/4 SAE Flat | | 2 |
| 6 | F05010-226 | Nut, M6 x 1 Hex Jam | | 2 |
| 7 | F05027-34 | Nut, M6-1.0 Flange Hex Nylock Zinc | | 2 |
| 8 | F05011-52 | Washer, 9/16 Flat | | 1 |

3 Sawhead Assemblies

Clutch Assembly

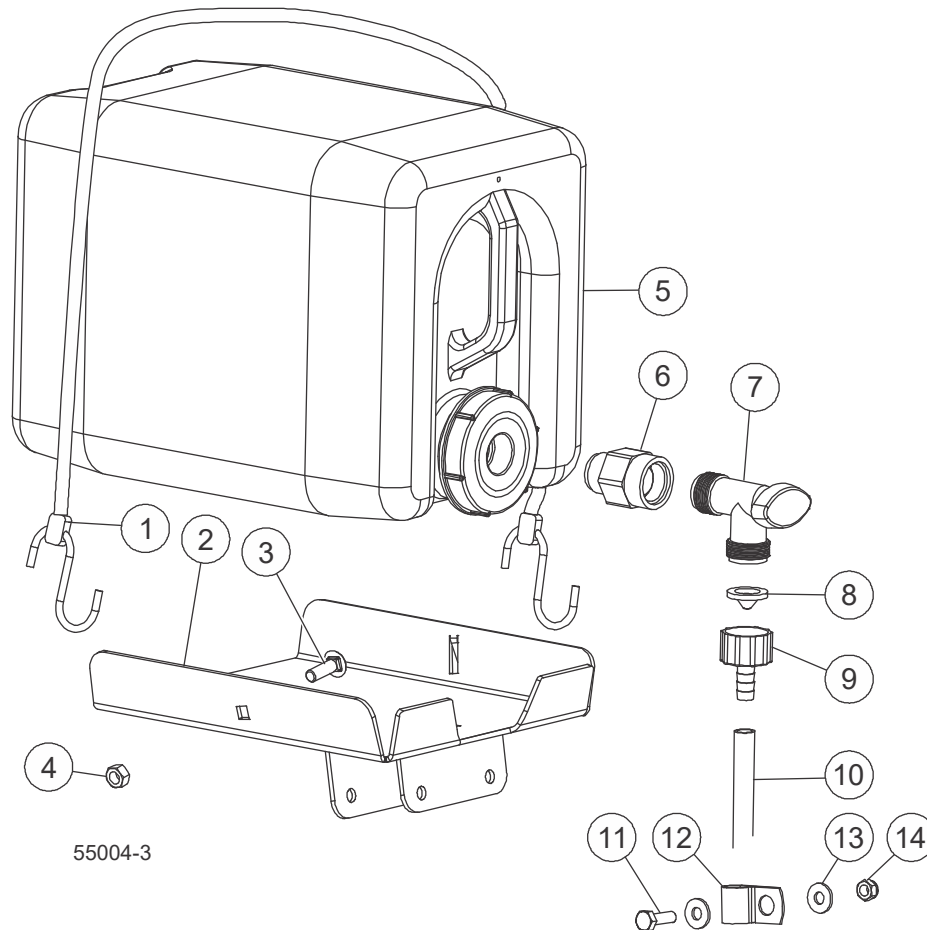
| REF | PART # | DESCRIPTION | COMMENTS | QTY. |
|-----|--------------|---------------------------------|----------|------|
| 9 | X200-1165 | Spacer, Clutch | | 2 |
| 10 | X200-906 | Pulley, Idler 5/8x2 3/4 | | 1 |
| 11 | F05027-47 | Nut, M10-1.5 Flanged Nylon Lock | | 1 |
| 12 | X100-1195_US | Bracket, Clutch Arm | | 1 |
| 13 | 128098 | Stud, Clutch Idler | | 1 |
| 14 | F05021-15 | Bolt, M8-1.25x60 HH Class 8.8 | | 2 |
| 15 | F05010-162 | Nut, M8-1.25 Free Zinc | | 2 |
| 16 | M05026-4 | Washer, M8 Flat | | 2 |
| 17 | F05027-44 | Nut, M8 x 1.25 mm Nylock Flange | | 2 |

3.2 Scale Assembly



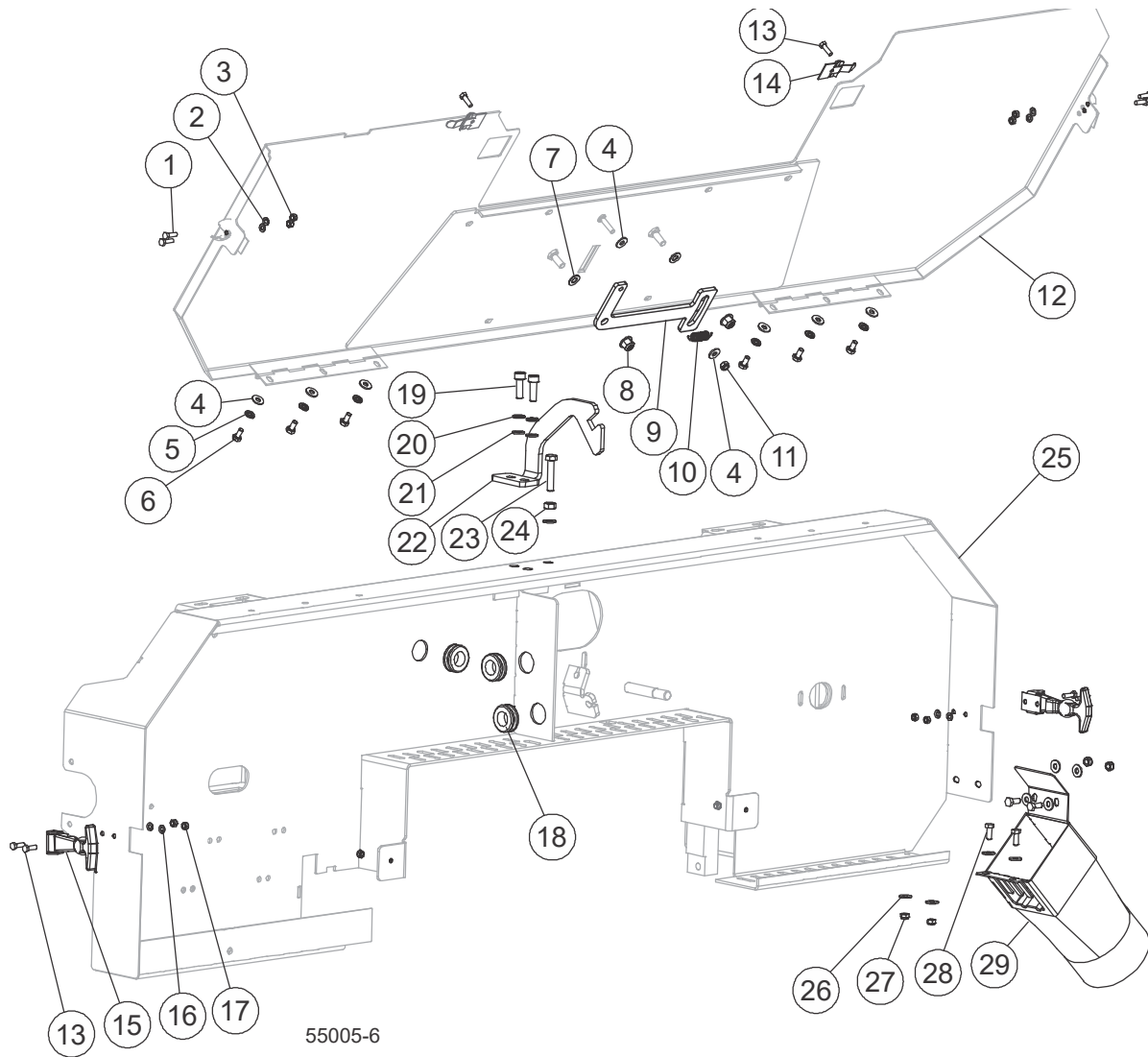
| REF | PART # | DESCRIPTION | COMMENTS | QTY. |
|-----|-------------|------------------------------------|----------|------|
| 1 | 123059 | DECAL, WOOD-MIZER INCH SCALE | | 1 |
| | 530667_US | ASSY, TRACK SCALE | | 1 |
| 2 | 531993-1_US | Bracket, Blade Height | | 1 |
| 3 | F05020-8 | Bolt, M6-1.0x30 Class8 HH | | 2 |
| 4 | F05011-11 | Washer, 1/4 SAE Flat | | 2 |
| 5 | F05027-34 | Nut, M6-1.0 Flange Hex Nylock Zinc | | 2 |
| 6 | X100-984 | Block, Plastic Scale | | 2 |
| 7 | F05027-44 | Nut, M8 x 1.25 Flanged Nylock | | 2 |
| 8 | F05021-14 | Bolt, M8-1.25x20 Carriage | | 2 |

3.3 Water Lube Assembly



| REF | PART # | DESCRIPTION | COMMENTS | QTY. |
|-----|------------|---------------------------------------|----------|------|
| | 123049 | ASSY, WATER TANK | | 1 |
| 1 | P11668 | Strap, 20 Rubber W/Hook | | 1 |
| 2 | 123050 | Weldment, Water Tank Mount | | 1 |
| 3 | F05021-17 | Bolt, M8-1.25 x 25 Carriage Class 8.8 | | 1 |
| 4 | F05027-17 | Nut, M8-1.25 Swaged Hex | | 1 |
| | 711401 | Bottle Kit, 2.5 Gallon Water | | 1 |
| 5 | 711400 | Bottle, 2.5 Gallon Water | | 1 |
| 6 | 014636 | Fitting, 3/4FPTx3/4MPT | | 1 |
| 7 | 014100 | Valve, 5/8 90 deg. Male Shutoff | | 1 |
| 8 | 016086 | Filter,Water Lube | | 1 |
| 9 | 014113 | Fitting, 5/8-3/8 Hose Barb | | 1 |
| 10 | R01885 | Tubing, Water Lube 3/8" id 1/2" od | | 6ft |
| 11 | F05020-6 | Bolt, M6-1x20 HH Class 8 | | 1 |
| 12 | P07584 | Clamp, 1/2EMT Coated | | 1 |
| 13 | F05011-11 | Washer, 1/4 SAE Flat | | 2 |
| 14 | F05010-200 | Nut, M6-1.0 Nylon Lock | | 1 |

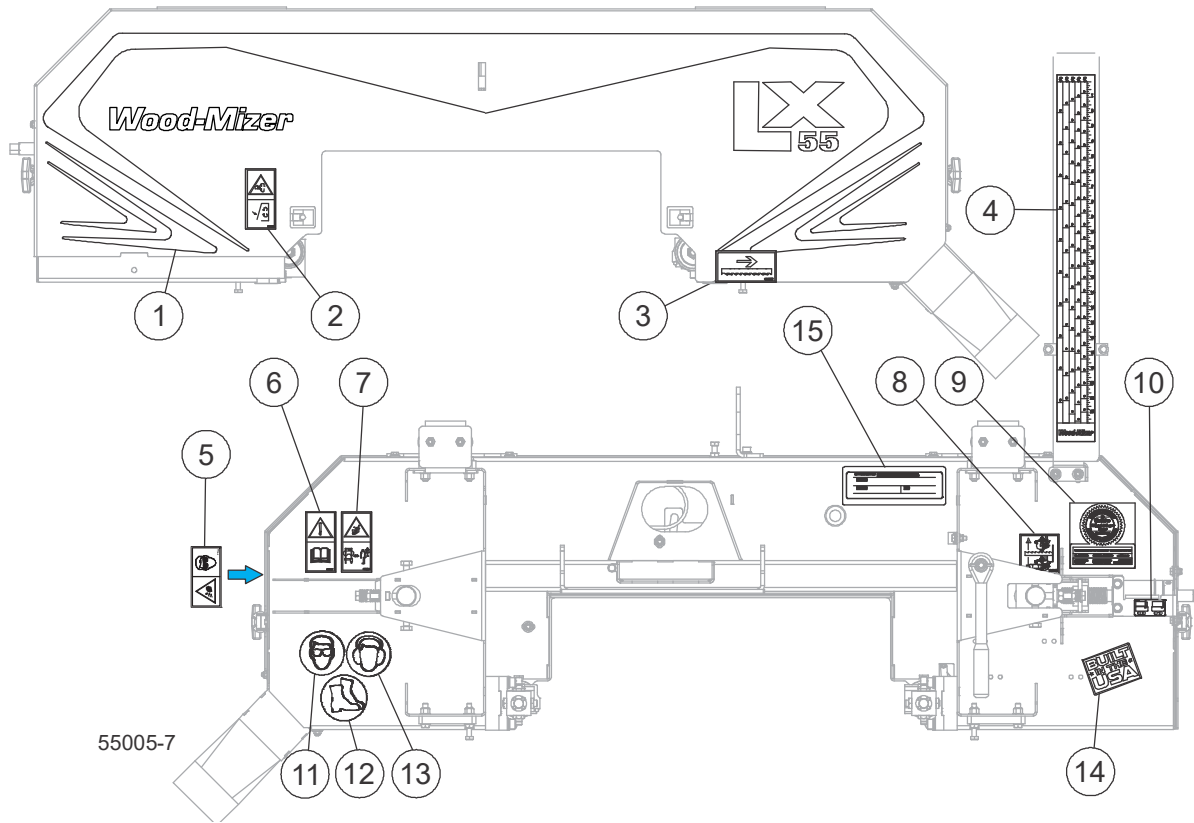
3.4 Blade Housing Covers



| REF | PART # | DESCRIPTION | COMMENTS | QTY. |
|-----|-------------|--|----------|------|
| | 530657_US | ASSY, FRONT COVER | | 1 |
| 1 | F81000-20 | Bolt, M5x16 8.8 Hex Head Full Thread Z | | 4 |
| 2 | F81052-1 | Washer, M5 Flat Zinc | | 4 |
| 3 | F05027-3 | Nut, M5-.8 Class 8 Hex Nylock | | 4 |
| 4 | F05011-11 | Washer, 1/4 SAE Flat | | 8 |
| 5 | F05011-14 | Washer, 1/4 Split Lock | | 6 |
| 6 | F05005-99 | Screw, M6-1x12 HHC FT GR8-8 Din 933 | | 6 |
| 7 | F05026-4 | Washer, M8 Flat | | 2 |
| 8 | F05027-44 | Nut, M8 x 1.25 Flanged Nylock | | 2 |
| 9 | X100-920 | Latch, Cover | | 1 |
| 10 | 092208 | Spring, Extension 1.6x12x38 | | 1 |
| 11 | F05010-200 | Nut, M6-1.0 Nylon Lock | | 1 |
| 12 | 530660-1_US | Weldment, Front Cover | | 1 |
| 13 | F81000-20 | Bolt, M5x16 HH FT Class 8.8 | | 6 |

| REF | PART # | DESCRIPTION | COMMENTS | QTY. |
|-----|--------------|----------------------------------|----------|------|
| 14 | X100-999 | Latch, Vibration Cover | | 2 |
| 15 | 014829 | Latch, Flexible Draw | | 2 |
| 16 | F81052-1 | Washer, 5.3 FE/ZN5 PN-78/M-82005 | | 4 |
| 17 | F05027-3 | Nut, M5-.8 Class 8 Hex Nyloc | | 6 |
| 18 | 025247 | Grommet, Rubber 3/4 ID | | 3 |
| 19 | F05021-33 | Screw, M8-1.25x25 SHC BO | | 2 |
| 20 | F05011-45 | Washer, 8mm Split Lock, Zn | | 2 |
| 21 | F05026-4 | Washer, M8 Flat | | 3 |
| 22 | X100-1155_US | Plate, Door Latch | | 1 |
| 23 | F81002-15 | Bolt, M8x1.25x40 HH FT | | 1 |
| 24 | F05010-162 | Nut, M8-1.25 Free Zinc | | 1 |
| 25 | 527166-1_US | Wldmnt, Head LX55 | | 1 |
| | X100-1288_US | ASSY, SAWDUST CHUTE | | 1 |
| 26 | F05004-219 | Screw, M6x1.0x16mm 8.8 HH | | 4 |
| 27 | F05010-200 | Nut, M6-1.0 Nylon Lock | | 4 |
| 28 | F05011-11 | Washer, 1/4 SAE Flat | | 8 |
| 29 | X100-1105_US | Weldment, Sawdust Chute | | 1 |

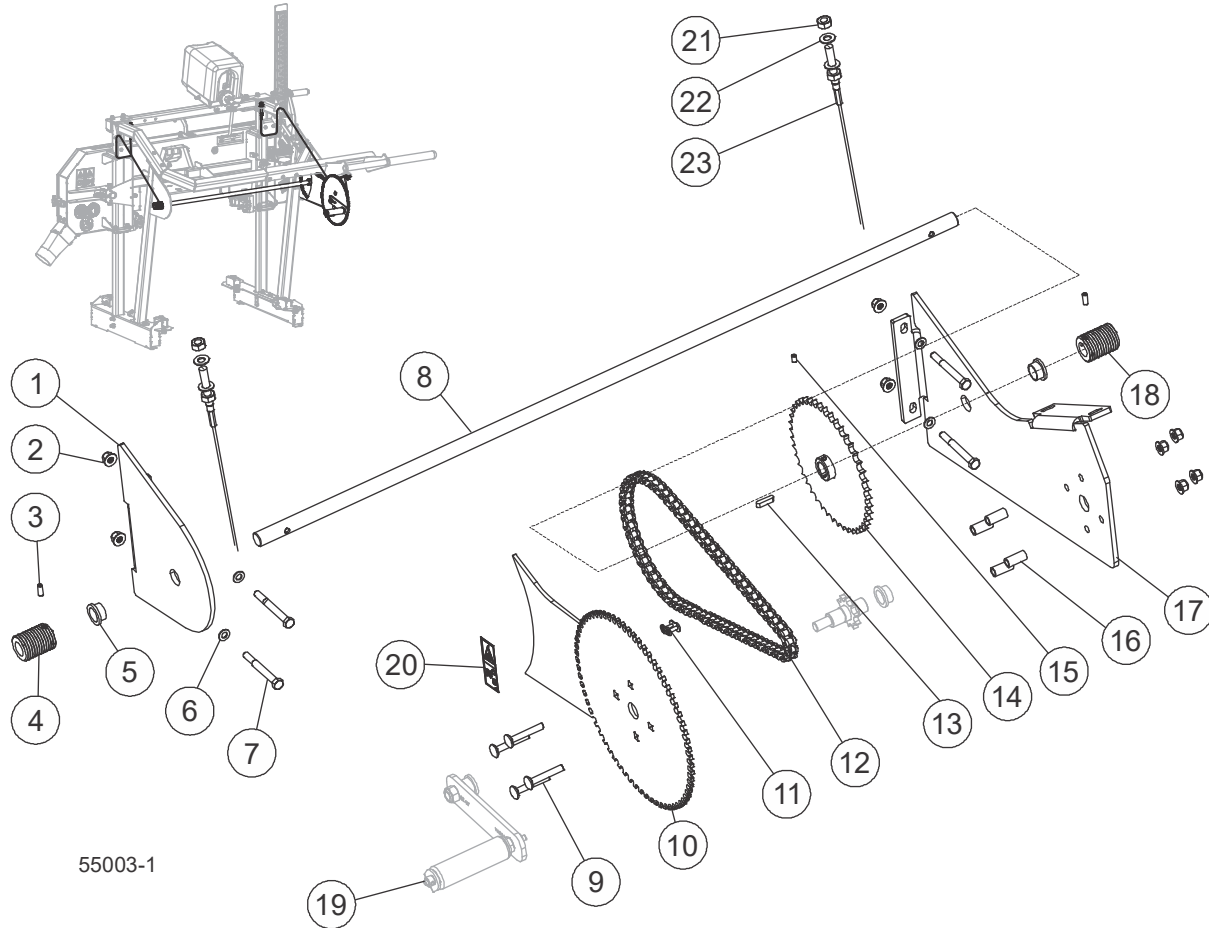
3.5 Decals Assembly



| REF | PART # | DESCRIPTION | COMMENTS | QTY. |
|-----|---------|---|----------|------|
| | 128063 | Decal Kit, LX55 | | 1 |
| 1 | 518620 | Decal, LX55 | | 1 |
| 2 | 099220 | Decal, Close Guards Before Operating | | 1 |
| 3 | 096321 | Decal, Blade Movement Direction | | 1 |
| 4 | 123059 | Decal, Wood-Mizer Inch Scale | | 1 |
| 5 | 099222 | Decal, Saw Dust Protection-Pictogram | | 1 |
| 6 | 096317 | Decal, Read Manual Before Operating | | 1 |
| 7 | 099221 | Decal, Keep A safe Distance | | 1 |
| 8 | P11789 | Decal, Blade Alignment | | 1 |
| 9 | 079278 | Decal, Wood-Mizer Quality & Information | | 1 |
| 10 | 527864 | Decal, Tensioner | | 1 |
| 11 | S12004G | Decal, Eye Warning | | 1 |
| 12 | 501465 | Decal, Use Safety Boots-Pictogram | | 1 |
| 13 | S12005G | Decal, Ear Warning | | 1 |
| 14 | 074008 | Decal, Built In The USA | | 1 |
| 15 | 015820 | Decal, LT15 ID | | 1 |
| | P09971 | Decal, VIN Overlament | | 1 |

SECTION 4 SAWHEAD LIFT SYSTEM

4.1 Lift System

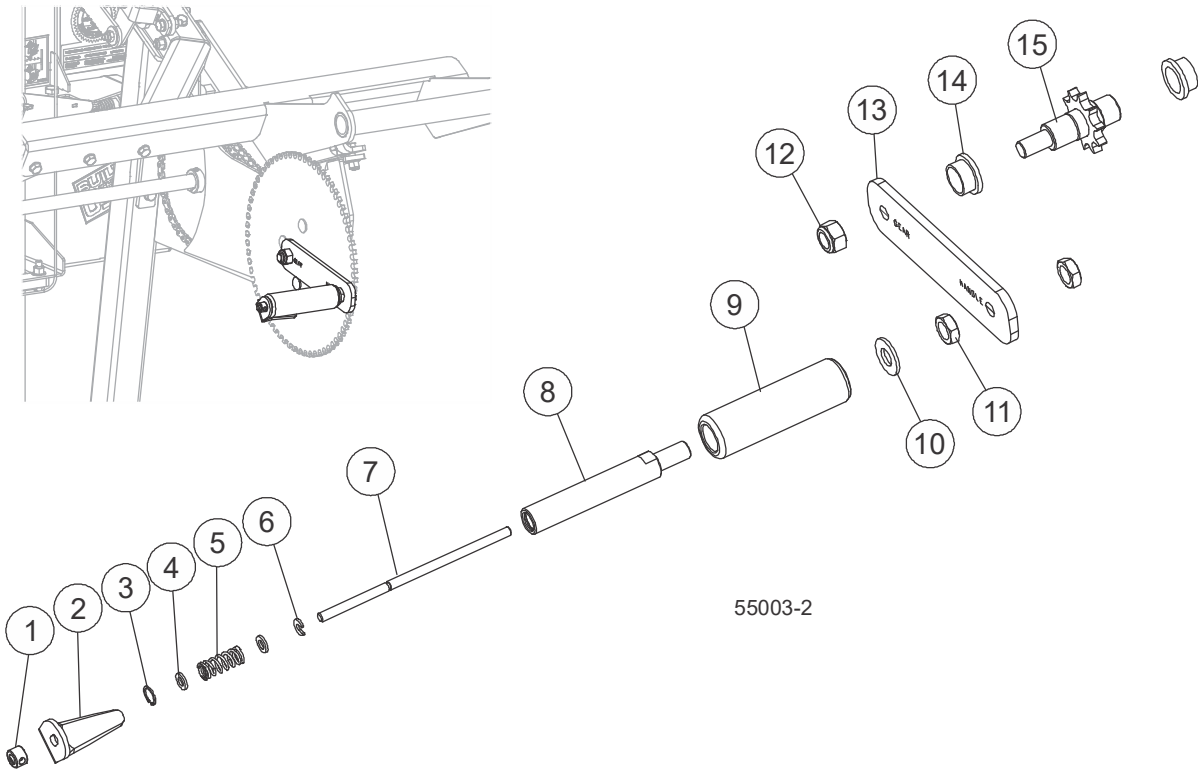


55003-1

| REF | PART # | DESCRIPTION | COMMENTS | QTY. |
|-----|-------------|---------------------------------------|----------|------|
| | 532337_US | ASSY, LIFT SYSTEM | | 1 |
| 1 | 531988-1_US | Bracket, Lift Mount RH | | 1 |
| 2 | F05027-44 | Nut, M8 x 1.25 Flanged Nylock | | 8 |
| 3 | F05020-79 | Screw, M6-1.0x16mm SH Flat Pt. SS Set | | 2 |
| 4 | 123058 | Helical Shaft, LH | | 1 |
| 5 | X100-1073 | Bushing, Bronze 3/4x7/8 | | 2 |
| 6 | F05026-4 | Washer, M8 Flat | | 4 |
| 7 | F05021-19 | Bolt, M8-1.25 x 75 HH Class 8.8 FT | | 4 |
| 8 | 532311-1_US | Shaft, Up/Down | | 1 |
| 9 | F05021-13 | Bolt, M8-1.25x50 Carriage | | 4 |
| 10 | 531984_US | Plate, Height Adjustment | | 1 |
| 11 | P04200 | Link, #40 Master | | 1 |
| 12 | 128073 | Chain, #40x74 Pitches (37") | | 1 |
| 13 | 076051 | Key, 6x6x25mm | | 1 |

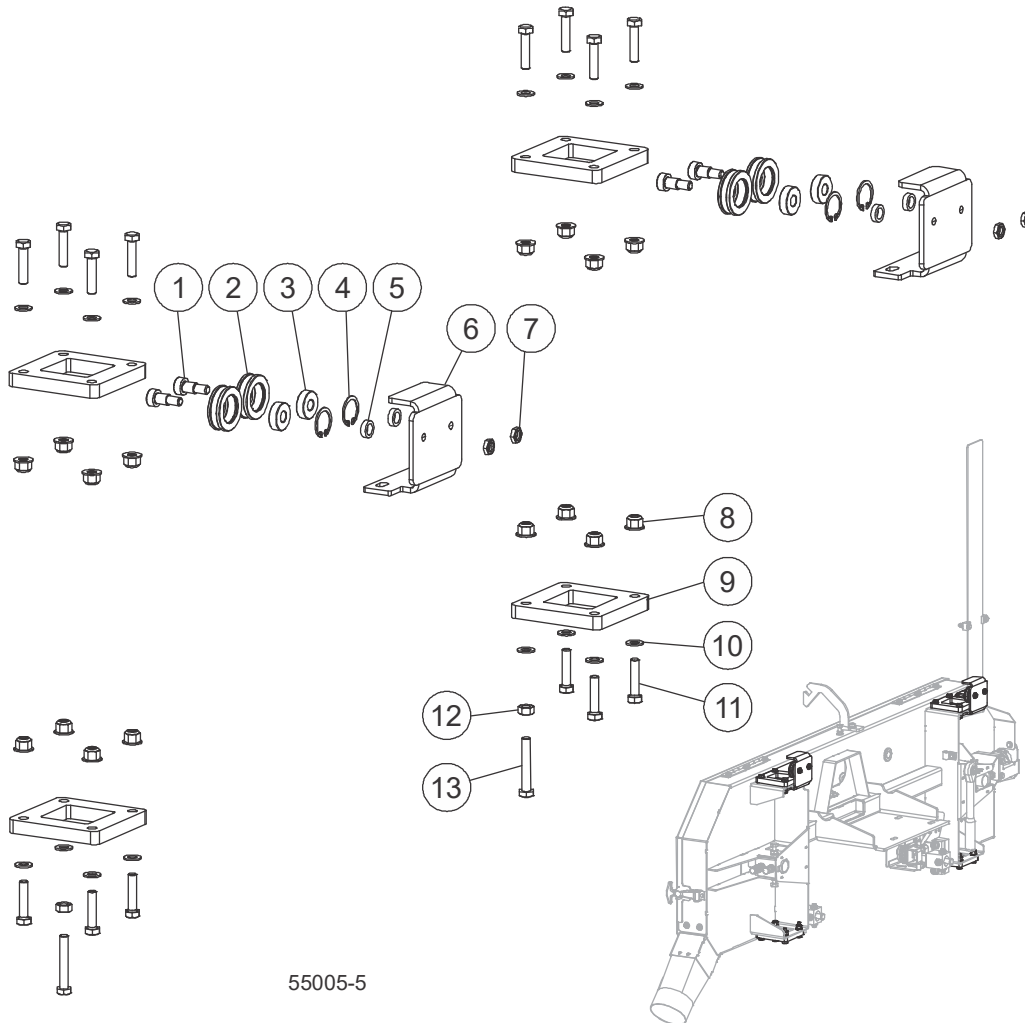
| REF | PART # | DESCRIPTION | COMMENTS | QTY. |
|-----|-------------|--|----------|------|
| 14 | 532323-1_US | Weldment, Driven Gear | | 1 |
| 15 | F05020-20 | Screw, M6-1x10 SH Flat Pt. Set | | 1 |
| 16 | 128077 | Spacer, Height Adjustment | | 4 |
| 17 | 531989-1_US | Bracket, Lift Mount LH | | 1 |
| 18 | 532325_US | Helical Shaft, RH | | 1 |
| 19 | 532318_US | Assy, Handle (See Section 4.2) | | 1 |
| 20 | 099540 | Decal, Gear Danger | | 1 |
| 21 | F05027-28 | Nut, M10-1 Hex | | 4 |
| 22 | F05011-134 | Washer, M10 Flat | | 4 |
| 23 | 532326 | Cable, Up-Down with End | | 2 |

4.2 Lift System Handle



| REF | PART # | DESCRIPTION | COMMENTS | QTY. |
|-----|-------------|--------------------------------------|----------|------|
| | 532318_US | ASSY, HANDLE | | 1 |
| | 096499_US | Assy, Handle | | 1 |
| 1 | 031975 | Collar, 1/4 ID Shaft | | 1 |
| 2 | 047689 | Plate, Edger Handle | | 1 |
| 3 | F04254-47 | Ring, 1/2ID IR Retaining Snap | | 1 |
| 4 | 047705 | Spacer, 1/4ID x .480 OD x 1/16 | | 2 |
| 5 | 047690 | Spring, 1/2 OD x 1-1/2 Length x .055 | | 1 |
| 6 | 006492 | Retainer, Handle Assy | | 1 |
| 7 | 047687 | Pin, Edger Handle | | 1 |
| 8 | 047686 | Shaft, Edger Handle | | 1 |
| 9 | 047688 | Handle, 49/64ID x 1-1/4OD x 4 Plas | | 1 |
| 10 | F05011-2 | Washer, 1/2 SAE Flat | | 1 |
| 11 | F05010-31 | Nut, 1/2-13 Jam | | 2 |
| 12 | F05010-209 | Nut, M12x1.75 Hex Nylock Zinc | | 1 |
| 13 | 531997-1_US | Plate, Handle | | 1 |
| 14 | X100-1073 | Bushing, Bronze 3/4x7/8 | | 2 |
| 15 | 532319-1_US | Weldment, Drive Gear | | 1 |

4.3 Up/Down Slide Assemblies

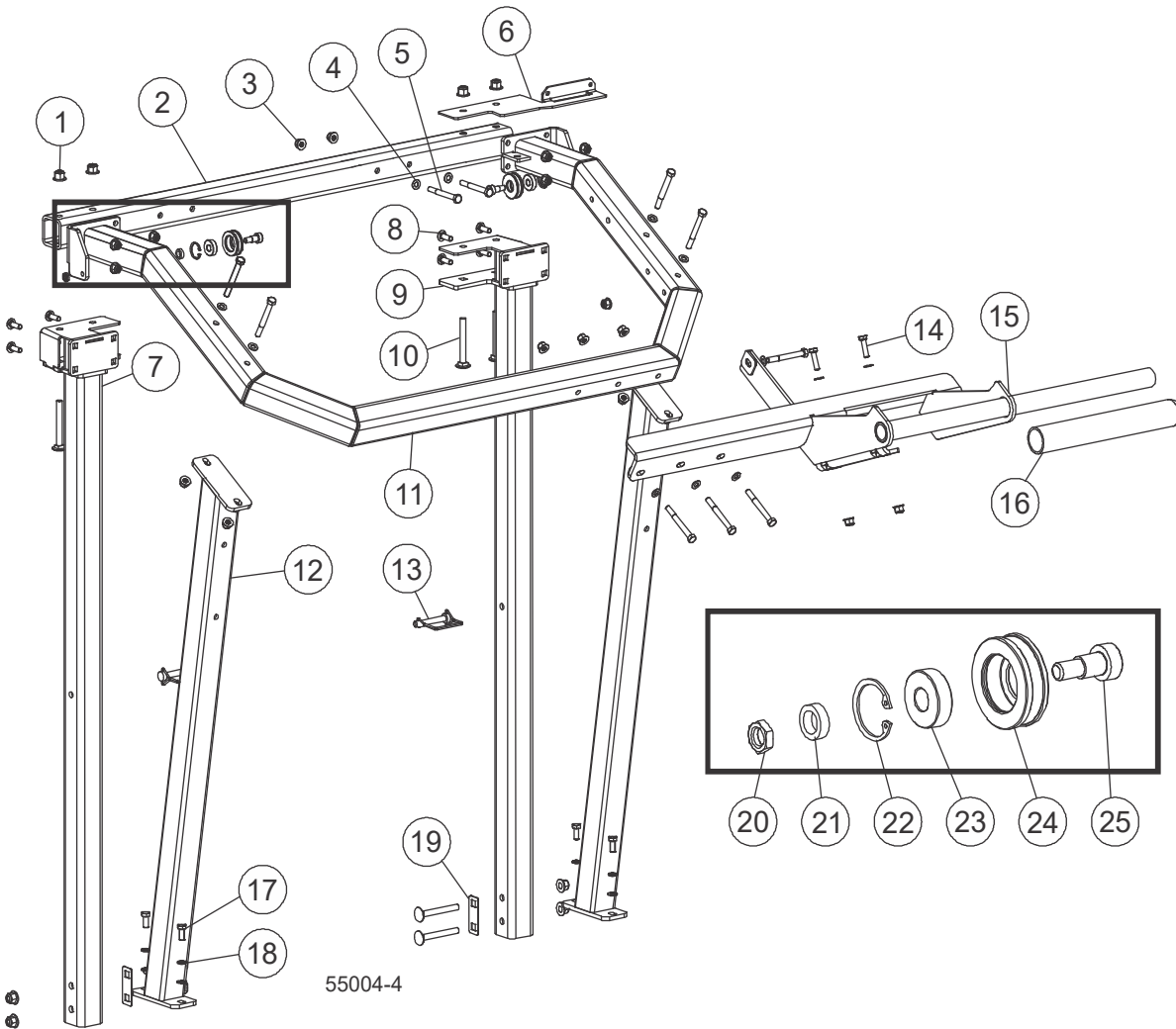


55005-5

| REF | PART # | DESCRIPTION | COMMENTS | QTY. |
|-----|--------------|-------------------------------------|----------|------|
| | X100-1169_US | ASSY, UP/DOWN SLIDE | | 1 |
| | 532308_US | Assy, Band Roll | | 2 |
| | 532306_US | Assy, Roller Guide Links | | 2 |
| 1 | F05022-10 | Bolt, 10MM x 12MM SH Shoulder Plain | | 1 |
| 2 | 532000_US | Roller, Wire Guide | | 1 |
| 3 | F05028-2 | Ring, 26MM Internal Retaining | | 1 |
| 4 | 087471 | Bearing, 6000 2RSR | | 1 |
| 5 | 128071 | Spacer, .41 ID x 5/8 OD x .236 | | 1 |
| 6 | 532310-1_US | Bracket, Roller Mount | | 1 |
| 7 | F05010-76 | Nut, M8x1.25 Hex Jam | | 2 |
| 8 | F05027-44 | Nut, M8 x 1.25 Flanged Nylock | | 16 |
| 9 | X100-327 | Block, Vertical Slide Guide | | 4 |
| 10 | F05026-4 | Washer, M8 Flat | | 16 |
| 11 | F81002-13 | Bolt, M8-1.25x35mm HH | | 14 |
| 12 | F05010-162 | Nut, M8-1.25 Free Zinc Plate | | 2 |
| 13 | F81002-19 | Bolt, M8x50 8.8 HH FT Zinc | | 2 |

SECTION 5 FEED SYSTEM

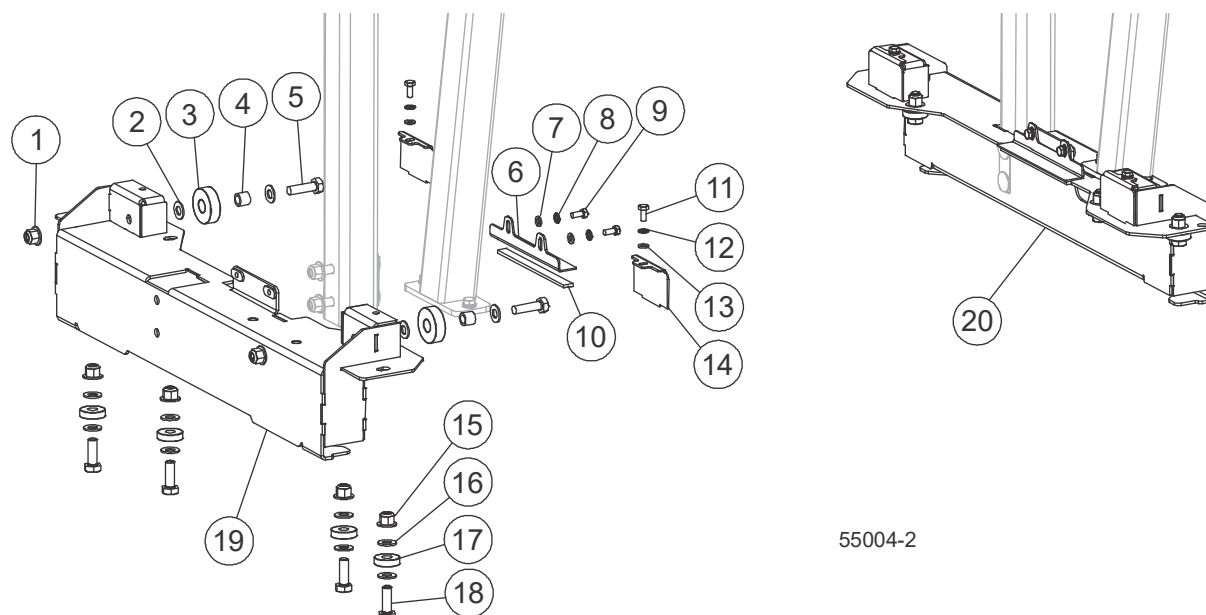
5.1 Mast Frame and Hardware



| REF | PART # | DESCRIPTION | COMMENTS | QTY. |
|-----|----------------|---------------------------------------|----------|------|
| 1 | F05027-47 | Nut, M10-1.5 Flanged Nylon Lock | | 8 |
| 2 | X100-1111_US-2 | Tube, Mast 2x3/16 | | 1 |
| 3 | F05027-44 | Nut, M8 x 1.25 Flanged Nylock | | 20 |
| 4 | F05026-4 | Washer, M8 Flat | | 16 |
| 5 | F05021-34 | Bolt, M8-1.25x75mm HH Class 8.8 | | 10 |
| 6 | 123056 | Bracket, Scale Mount RH | | 1 |
| 7 | 530662-1_US | Weldment, Mast Leg Left | | 1 |
| 8 | F05021-17 | Bolt, M8-1.25 x 25 Carriage Class 8.8 | | 8 |
| 9 | 530663-1_US | Weldment, Mast Leg Right | | 1 |
| 10 | F05022-31 | Bolt, M10-1.5x80 Carriage | | 8 |
| 11 | 123037_US | Weldment, Back Tube | | 1 |
| 12 | X100-1132_US | Weldment, Retaining Tube | | 2 |
| 13 | 014151 | Pin, 3/8x2 1/4 Sq Wire Lock | | 2 |

| REF | PART # | DESCRIPTION | COMMENTS | QTY. |
|-----|--------------|-------------------------------------|----------|------|
| 14 | F05021-11 | Screw, M8-1.25x30 HHC | | 2 |
| 15 | X100-1296_US | Weldment, Push Handle | | 1 |
| 16 | X300-163 | Grip, 1.5"x12" Cushioned | | 1 |
| 17 | F05021-2 | Bolt, M8-1.25x20 Class 8 HH | | 4 |
| 18 | F05011-45 | Washer, M8 Split Lock | | 4 |
| 19 | 128065 | Shim, Mast Tube | | 2 |
| 20 | F05010-76 | Nut, M8x1.25 Hex Jam | | 2 |
| | 532306_US | ASSY, ROLLER GUIDE LINKS | | 2 |
| 21 | 128071 | Spacer, .41 ID x 5/8 OD x .236 | | 1 |
| 22 | F05028-2 | Ring, 26MM Internal Retaining | | 1 |
| 23 | 087471 | Bearing, 6000 2RSR | | 1 |
| 24 | 532000_US | Roller, Wire Guide | | 1 |
| 25 | F05022-10 | Bolt, 10MM x 12MM SH Shoulder Plain | | 1 |

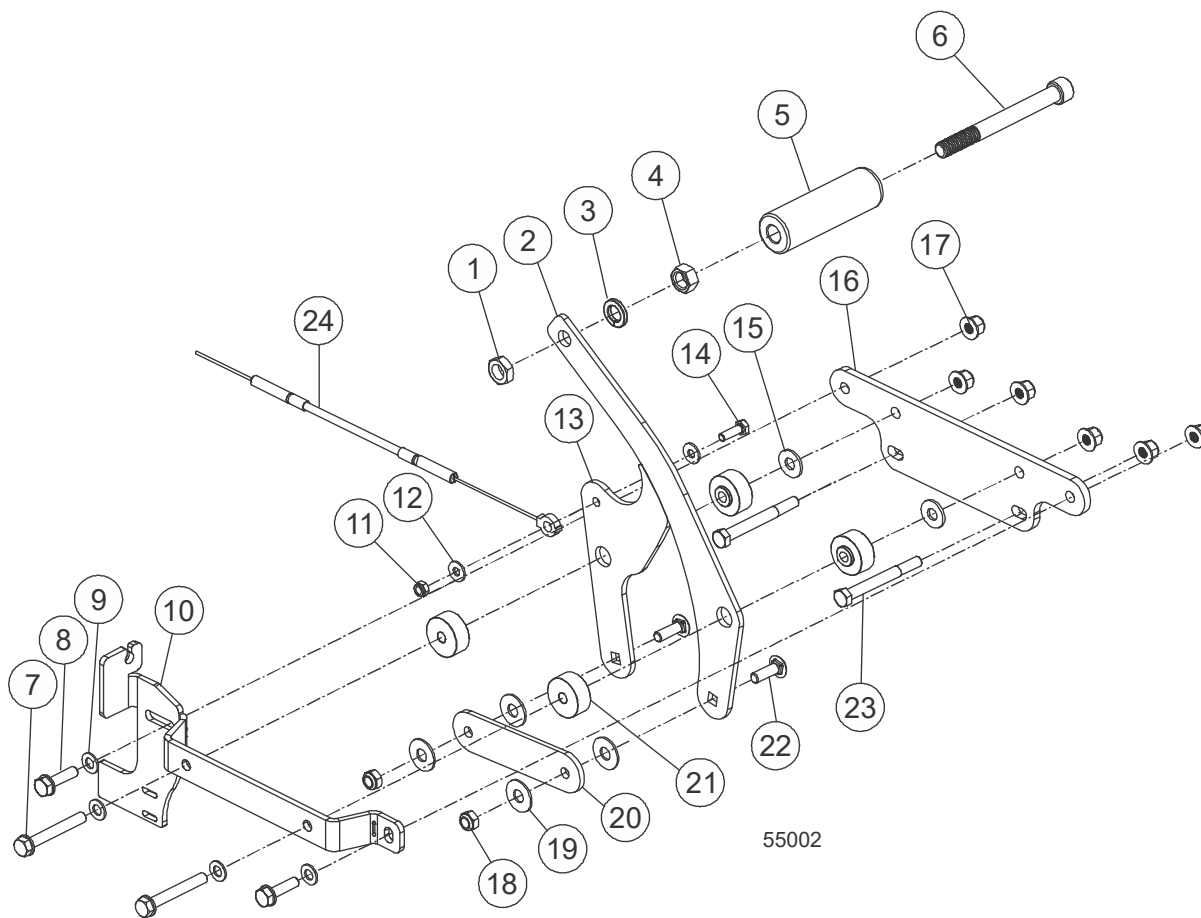
5.2 Roller Assemblies



55004-2

| REF | PART # | DESCRIPTION | COMMENTS | QTY. |
|-----|--------------|-----------------------------------|----------|------|
| | 123043 | ASSY, LOWER CARRIAGE LEFT | | 1 |
| | 123044 | ASSY, LOWER CARRIAGE RIGHT | | 1 |
| | X100-1136_US | Assy, Carriage Wheel | | 2 |
| 1 | F05027-47 | Nut, M10-1.5 Flanged Nylon Lock | | 1 |
| 2 | F05011-134 | Washer, M10 Flat SAE | | 2 |
| 3 | X200-957 | Bearing, LLU 6302 | | 1 |
| 4 | X200-348 | Bushing, Carriage Wheel | | 1 |
| 5 | F05022-18 | Bolt, M10-1.5 x35 HH Class 8.8 | | 1 |
| | X100-1260_US | Assy, Sweeper | | 1 |
| 6 | X100-1261_US | Bracket, Sweeper | | 1 |
| 7 | F05026-1 | Washer, M6 Flat Class 4 | | 2 |
| 8 | F05026-2 | Washer, M6 Split Lock | | 2 |
| 9 | f05020-7 | Bolt, M6-1 x 14 Class 8 HH | | 2 |
| 10 | X100-1262_US | Felt, 3/16 | | 1 |
| 11 | F05020-7 | Bolt, M6-1 x 14 Class 8 HH | | 2 |
| 12 | F05026-2 | Washer, M6 Split Lock | | 2 |
| 13 | F05026-1 | Washer, M6 Flat Class 4 | | 2 |
| 14 | X100-1139_US | Bracket, Roller Cover | | 2 |
| | X100-1135_US | Assy, Horizontal Bearing | | 4 |
| 15 | F05027-47 | Nut, M10-1.5 Flanged Nylon Lock | | 1 |
| 16 | F05011-134 | Washer, M10 Flat SAE | | 2 |
| 17 | X200-903 | Bearing, LLU 6200 | | 1 |
| 18 | F05022-3 | Bolt, M10-1.5x30 Class 8 HH | | 1 |
| 19 | X100-1123_US | Weldment, Lower Carriage Left | | 1 |
| 20 | X100-1129_US | Weldment, Lower Carriage, Right | | 1 |

5.3 Clutch Lever Assembly (Gas versions only)



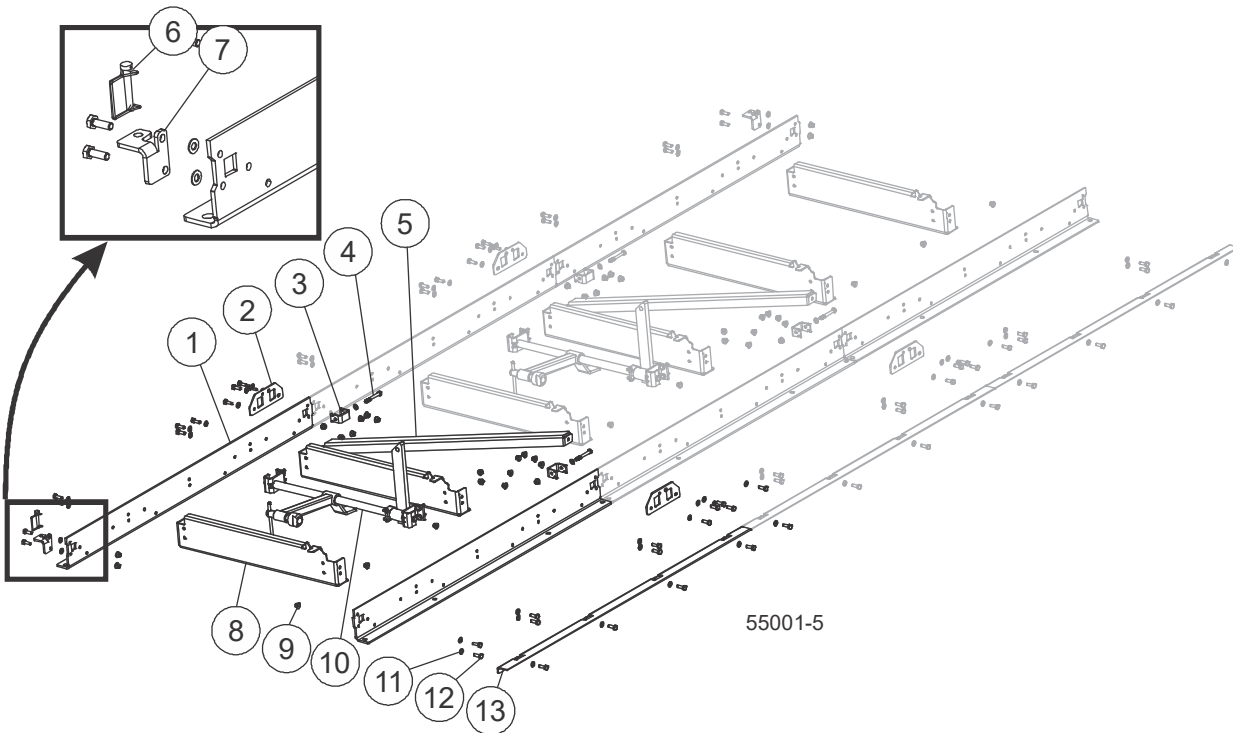
| REF | PART # | DESCRIPTION | COMMENTS | QTY. |
|-----|--------------|---------------------------------------|----------|------|
| | 532363_US | ASSY, CLUTCH LEVER | | 1 |
| 1 | F05027-19 | Nut, M12-1.75 Jam | | 1 |
| 2 | X100-1326_US | Plate, Clutch Mounting Arm | | 1 |
| 3 | F05011-9 | Washer, 1/2 Split Lock | | 1 |
| 4 | F05010-212 | Nut, M12x1.75 Free Zinc | | 1 |
| 5 | 046647 | Handle, 33/64ID x 1-1/4OD x 4 Plastic | | 1 |
| 6 | F05023-6 | Bolt, M12-1.75x120 SHC | | 1 |
| 7 | F05021-15 | Bolt, M8-1.25x60 HH Class 8.8 | | 2 |
| 8 | F05021-18 | Bolt, M8-1.25 x 30 HH FT Class 8.8 | | 2 |
| 9 | F05026-4 | Washer, M8 Flat | | 4 |
| 10 | X100-1323_US | Bracket, Clutch Arm Mounting | | 1 |
| 11 | F05010-200 | Nut, M6-1.0 Nylon Lock | | 1 |
| 12 | F05011-11 | Washer, 1/4 SAE Flat | | 2 |
| 13 | X100-1324_US | Plate, Clutch Pivot Arm | | 1 |
| 14 | F05020-6 | Bolt, M6-1 x 20 Class 8 HH | | 1 |
| 15 | F05011-16 | Washer, 5/16 Standard Flat | | 2 |
| 16 | 534503-1_US | Plate, Clutch Lever Mount | | 1 |
| 17 | F05027-44 | Nut, M8 x 1.25 Flanged Nylock | | 6 |
| 18 | F05010-132 | Nut, M8-1.25 Hex Nylock | | 2 |

5 **Feed System**
Clutch Lever Assembly (Gas versions only)

| REF | PART # | DESCRIPTION | COMMENTS | QTY. |
|-----|--------------|---------------------------------------|----------|------|
| 19 | 066114 | Washer, .4 IDx1" ODx.06 Nylon | | 4 |
| 20 | X100-1310_US | Plate, Clutch Engagement Arm | | 1 |
| 21 | X100-1325_US | Spacer, M8 Stepped | | 4 |
| 22 | F05021-17 | Bolt, M8-1.25 x 25 Carriage Class 8.8 | | 2 |
| 23 | F05021-34 | Bolt, M8-1.25x75mm HH Class 8.8 | | 2 |
| 24 | 534518_US | Clutch Cable | | 1 |

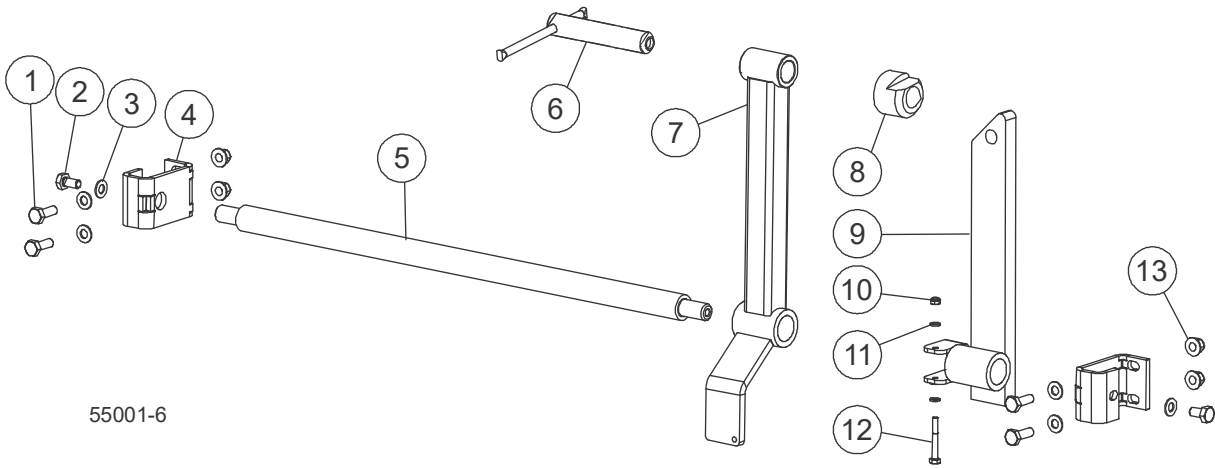
SECTION 6 BED ASSEMBLIES

6.1 Bed Frame



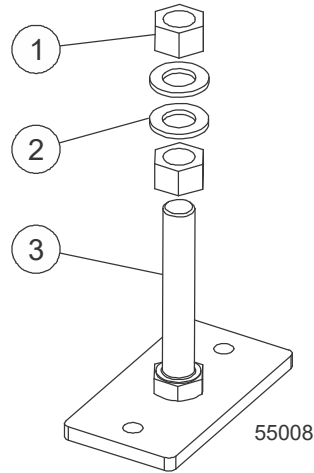
| REF | PART # | DESCRIPTION | COMMENTS | QTY. |
|-----|------------|---|----------|------|
| | 530672_US | BED ASSY, LX55 | | 1 |
| 1 | X100-929-W | Plate, T100 Drive/Idle Side Rail | | 6 |
| 2 | X100-934 | Plate, T100 Bed Coupler | | 4 |
| 3 | 071015 | Plate, 2012 LT10 Bed Rail Clamp | | 4 |
| 4 | F81003-125 | Bolt, M10-1.5x85, HH, Class 8 | | 4 |
| 5 | X100-932-W | Plate, T100 Cross Brace | | 2 |
| 6 | 014151 | Pin, 3/8x2 1/4 Sq Wire Lock | | 1 |
| 7 | X100-1275 | Plate, End Stop Lock | | 2 |
| 8 | 123031-W | Bracket, Center Bed Rail | | 6 |
| 9 | F05027-47 | Nut, M10-1.5 Flanged Nylon Lock | | 72 |
| 10 | 530673_US | Assy, Log Clamp (See Section 6.2) | | 2 |
| 11 | F05011-134 | Washer, M10 Flat SAE | | 64 |
| 12 | F05022-3 | Bolt, M10-1.5x30 Class 8 HH | | 60 |
| 13 | X100-930-W | Plate, T100 Safety Catch Rail | | 3 |

6.2 Log Clamp



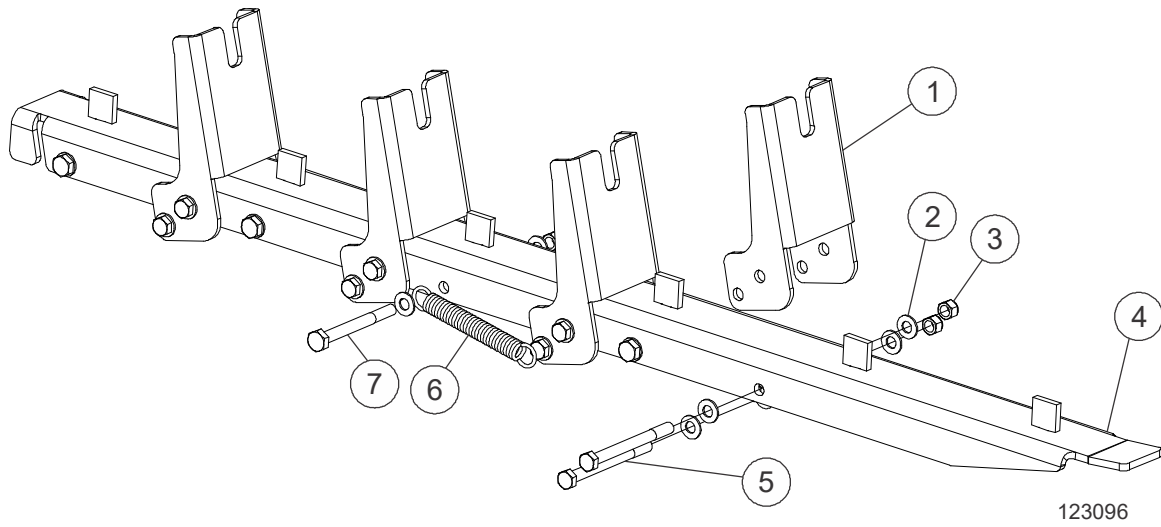
| REF | PART # | DESCRIPTION | COMMENTS | QTY. |
|-----|-------------|---------------------------------|----------|------|
| | 530673_US | ASSY, LOG CLAMP | | 2 |
| 1 | F05022-3 | Bolt, M10-1.5x30 Class 8 HH | | 4 |
| 2 | F05022-2 | Bolt, M10-1.5 x 20 Class 8 HH | | 2 |
| 3 | F05011-134 | Washer, M10 Flat SAE | | 6 |
| 4 | 530674-1_US | Bracket, Log Clamp Mount | | 2 |
| 5 | 515059-1_US | Rod, Log Clamp | | 1 |
| 6 | 071350 | Assy, Clamp Screw | | 1 |
| 7 | 530701-1_US | Weldment, Log Clamp | | 1 |
| 8 | 075295 | Block, Clamp Point | | 1 |
| 9 | 530676-1_US | Weldment, Log Rest | | 1 |
| 10 | F05010-200 | Nut, M6-1.0 Nylon Lock | | 1 |
| 11 | F05026-1 | Washer, M6 Flat Class 4 | | 2 |
| 12 | F05020-31 | Bolt, M6-1.0 x 50 HH Class 8.8 | | 1 |
| 13 | F05027-47 | Nut, M10-1.5 Flanged Nylon Lock | | 4 |

6.3 Optional Adjustable Feet



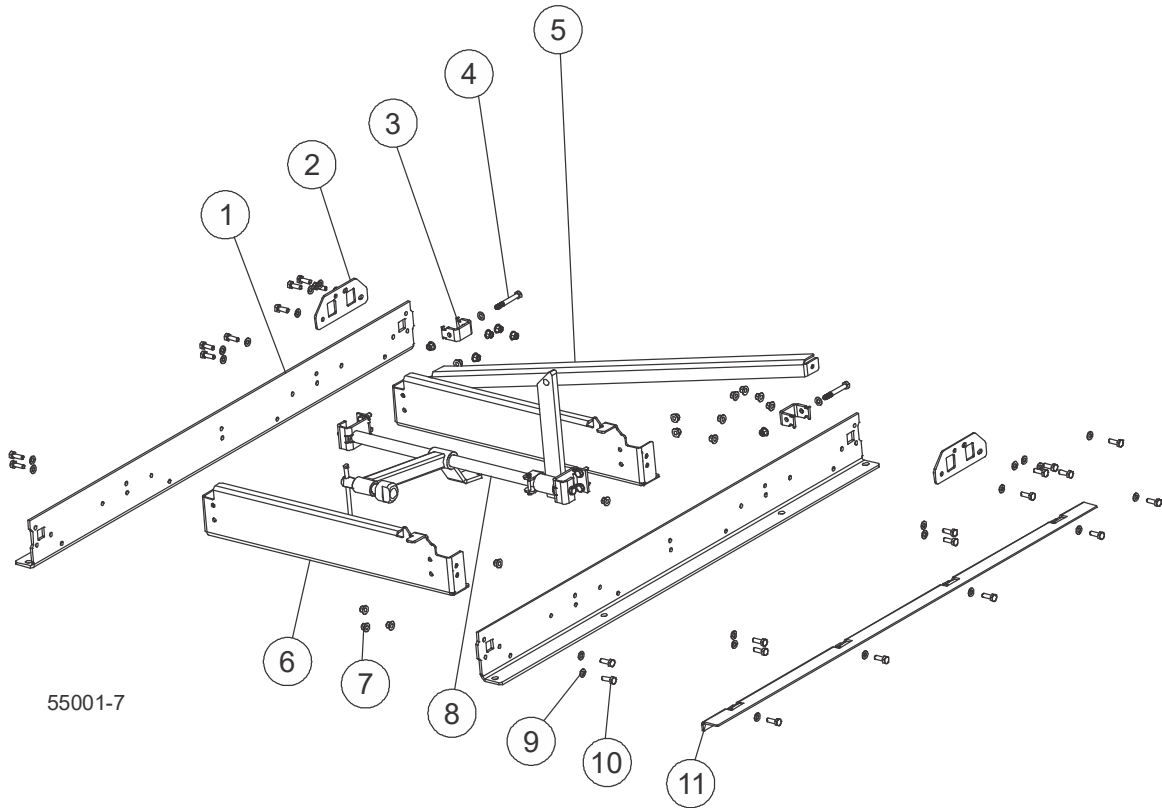
| REF | PART # | DESCRIPTION | COMMENTS | QTY. |
|-----|-------------|--|----------|------|
| | | For full bed | | |
| | 128127 | ASSY, SAWMILL BED FEET (QTY 12) | | |
| | 130829 | Kit, Sawmill Feet Fastener | | 1 |
| 1 | F05026-16 | Washer, M20 Flat Zinc | | 24 |
| 2 | F05027-26 | Nut, M20-2.5 Free | | 24 |
| | 514997_US | Assy, Bed Level | | 12 |
| 3 | 514996-1_US | Weldment, Bed Level | | 1 |
| | | For optional bed segments | | |
| | 130833 | KIT, SAWMILL FEET | | |
| 1 | F05027-26 | Nut, M20-2.5 Free | | 8 |
| 2 | F05026-16 | Washer, M20 Flat Zinc | | 8 |
| 3 | 514996-1_US | Weldment, Bed Level | | 4 |

6.4 Optional Log Ramps



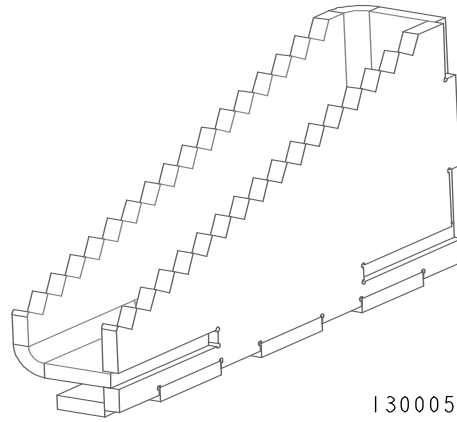
| REF | PART # | DESCRIPTION | COMMENTS | QTY. |
|----------|------------|--|----------|------|
| | 123252 | ASSY, 2 LOG RAMPS LX55/25 | | 1 |
| | 123096 | Assy, Log Ramp LX55/25 | | 2 |
| 1 | 123098 | Bracket, Log Stop LX55/25 | | 8 |
| 2 | F05011-134 | Washer, M10 Flat SAE | | 48 |
| 3 | F05004-270 | Nut, M10-1.50 Hex Nyl Lock | | 24 |
| 4 | 123099 | Weldment, Log Ramp LX55/25 | | 2 |
| 5 | f05022-13 | Bolt, M10-1.5x110 Class 8 HH | | 16 |
| 6 | P04060 | Spring, Old Style PWR/Feed &T110 Counter | | 8 |
| 7 | F05022-20 | Bolt, M10-1.5x100 HH Class 8.8 | | 8 |

6.5 Optional Bed Frame Extension



| REF | PART # | DESCRIPTION | COMMENTS | QTY. |
|-----|------------|---|----------|------|
| | LX55BS | LX55 BED SECTION 5' | | 1 |
| 1 | X100-929-W | Plate, T100 Drive/Idle Side Rail | | 2 |
| 2 | X100-934 | Plate, T100 Bed Coupler | | 2 |
| 3 | 071015 | Plate, 2012 LT10 Bed Rail Clamp | | 2 |
| 4 | F81003-125 | Bolt, M10-1.5x85, HH, Class 8 | | 2 |
| 5 | X100-932-W | Plate, T100 Cross Brace | | 1 |
| 6 | 123031-W | Bracket, Center Bed Rail | | 2 |
| 7 | F05027-47 | Nut, M10-1.5 Flanged Nylon Lock | | 28 |
| 8 | 530673_US | Assy, Log Clamp (See Section 6.2) | | 1 |
| 9 | F05011-134 | Washer, M10 Flat SAE | | 24 |
| 10 | F05022-3 | Bolt, M10-1.5x30 Class 8 HH | | 22 |
| 11 | X100-930-W | Plate, T100 Safety Catch Rail | | 1 |

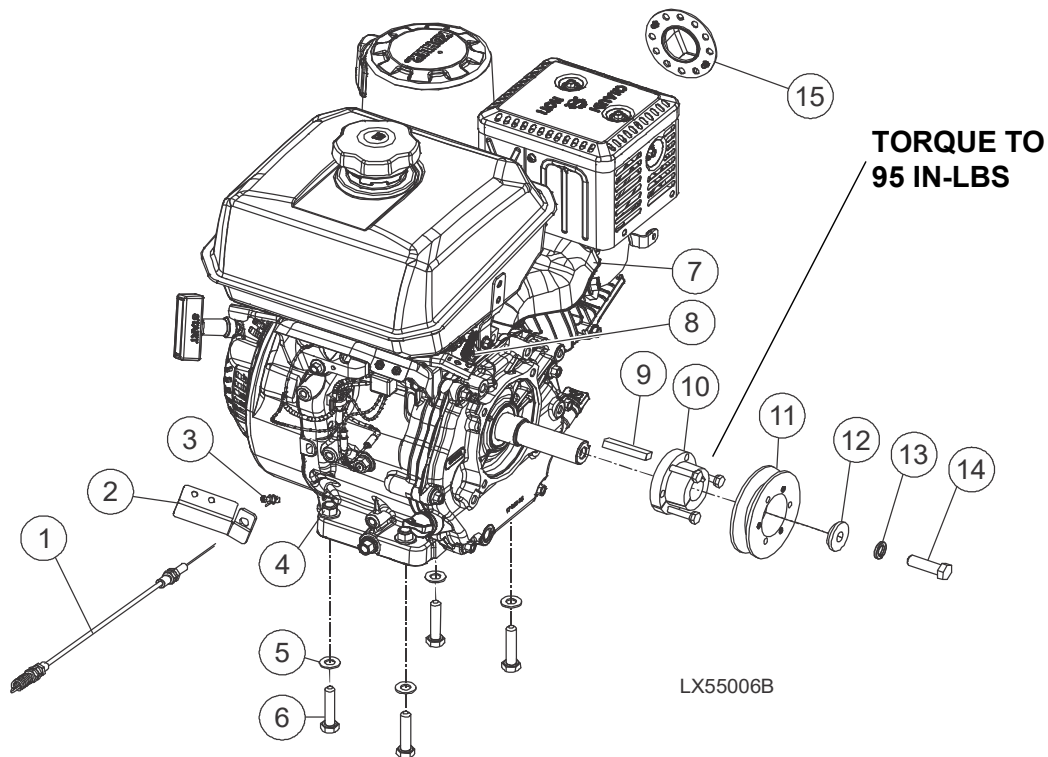
6.6 Optional Log Taper Wedge



| REF | PART # | DESCRIPTION | COMMENTS | QTY. |
|-----|--------|--------------------------|----------|------|
| | 130005 | OPTIONAL LOG TAPER WEDGE | | 1 |

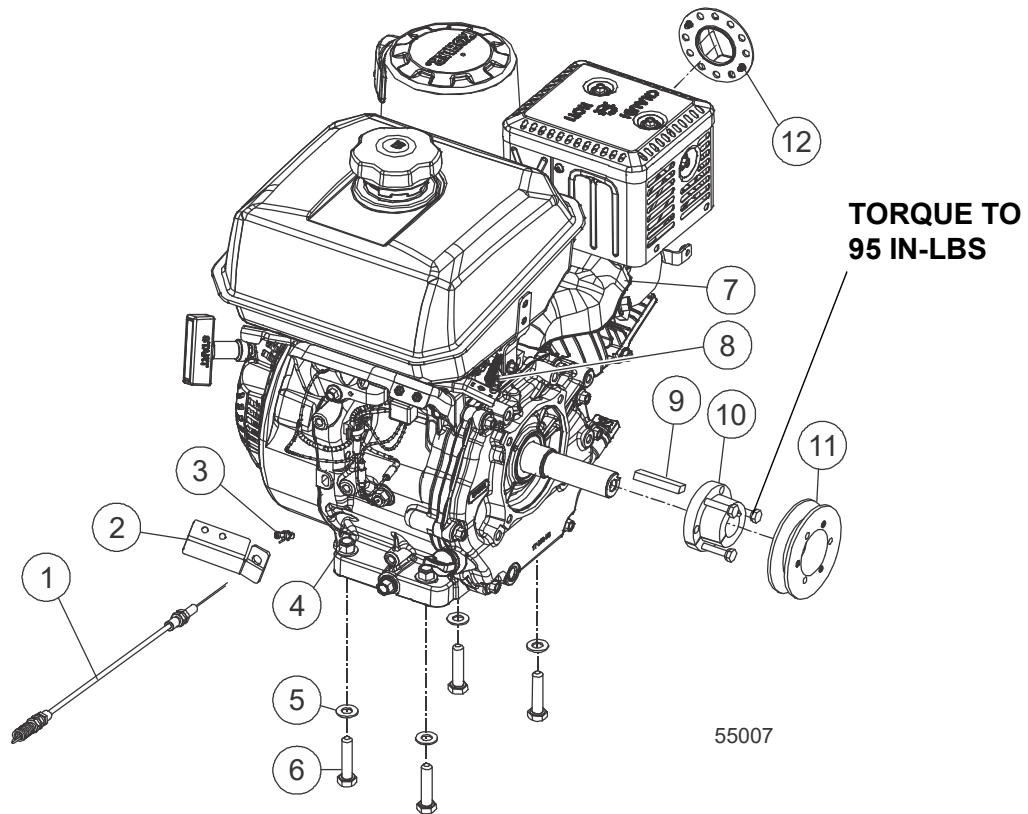
SECTION 7 POWER UNITS

7.1 Kohler 9hp Gas Engine



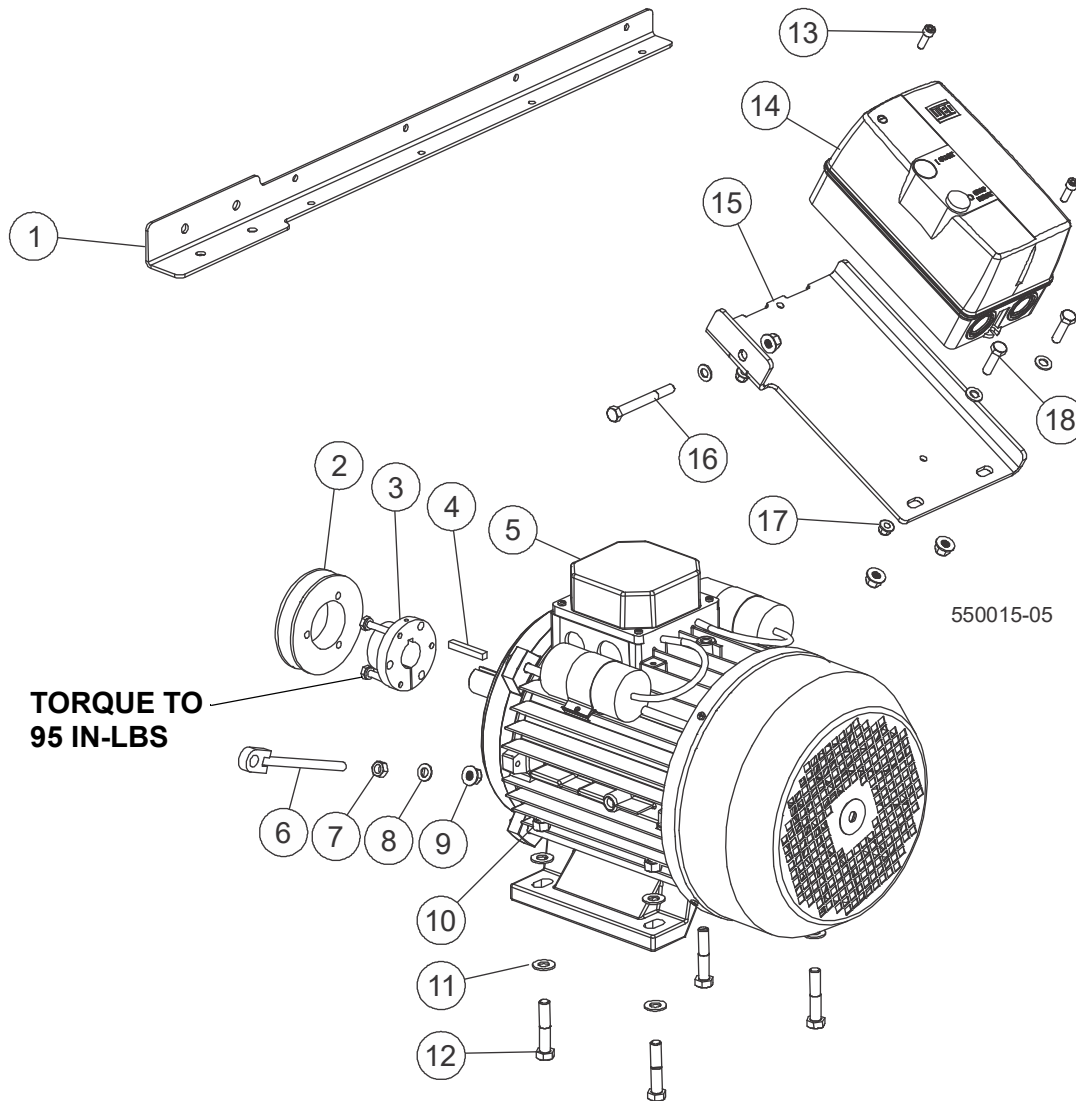
| REF | PART # | DESCRIPTION | COMMENTS | QTY. |
|-----|------------|---------------------------------------|--|------|
| | G9 | ENGINE ASSY, 9HP KOHLER | | 1 |
| 1 | X100-1092 | Cable, Throttle 20x28 Springx Cable | | 1 |
| 2 | X200-1203 | Plate, Kohler Throttle Cable Mounting | | 1 |
| 3 | 048904 | Throttle Fitting, Swivel | | 1 |
| 4 | F05004-270 | Nut, M10-1.50 Hex Nyl Lock | | 4 |
| 5 | F05011-134 | Washer, M10 Flat SAE | | 8 |
| 6 | F05022-14 | Bolt, M10-1.5 x 50 HH 8.8 | | 4 |
| 7 | X100-1091 | Engine, 9-1/2hp Kohler | | 1 |
| 8 | F05004-85 | Screw, 8-32x3/8 SHC | | 1 |
| 9 | S04124 | Key, 1/4 x 1 11/16 | | 1 |
| 10 | 039202 | Bushing, SHx1 | Torque to 95 in-lbs | 1 |
| 11 | X100-1062 | Sheave, 1B34-SH | | 1 |
| 12 | X100-1094 | Washer, 7/16" ID 1" x 1-1/4" Stepped | | 1 |
| 13 | F05011-48 | Washer, 7/16 Split Lock | | 1 |
| 14 | F05007-156 | Bolt, 7/16-20x1 1/2 HH Gr5 | | 1 |
| 15 | 110187 | Deflector, Kohler 14HP Exhaust | 110187 added after 4/5/2022 per ECN 38479. | 1 |
| | 065694 | Oil, 10W30, 1 Quart | | 1 |

7.2 Kohler 14hp Gas Engine



| REF | PART # | DESCRIPTION | COMMENTS | QTY. |
|-----------|------------|---------------------------------------|--|------|
| | G14 | ENGINE ASSY, 14HP KOHLER | | 1 |
| 1 | X100-1092 | Cable, Throttle 20x28 Springx Cable | | 1 |
| 2 | X200-1203 | Plate, Kohler Throttle Cable Mounting | | 1 |
| 3 | 048904 | Throttle Fitting, Swivel | | 1 |
| 4 | F05004-270 | Nut, M10-1.50 Hex Nyl Lock | | 4 |
| 5 | F05011-134 | Washer, M10 Flat SAE | | 8 |
| 6 | F05022-14 | Bolt, M10-1.5 x 50 HH 8.8 | | 4 |
| 7 | X200-1201 | Engine, 14HP Kohler CH440-3149 | | 1 |
| 8 | F05004-85 | Screw, 8-32x3/8 SHC | | 1 |
| 9 | S04124 | Key, 1/4 x 1 11/16 | | 1 |
| 10 | 039202 | Bushing, SHx1 | | 1 |
| 11 | X100-1062 | Sheave, 1B34-SH | | 1 |
| 12 | 110187 | Deflector, Kohler 14HP Exhaust | 110187 added after 4/5/2022 per ECN 38479. | 1 |
| | 065694 | Oil, 10W30, 1 Quart | | 1 |

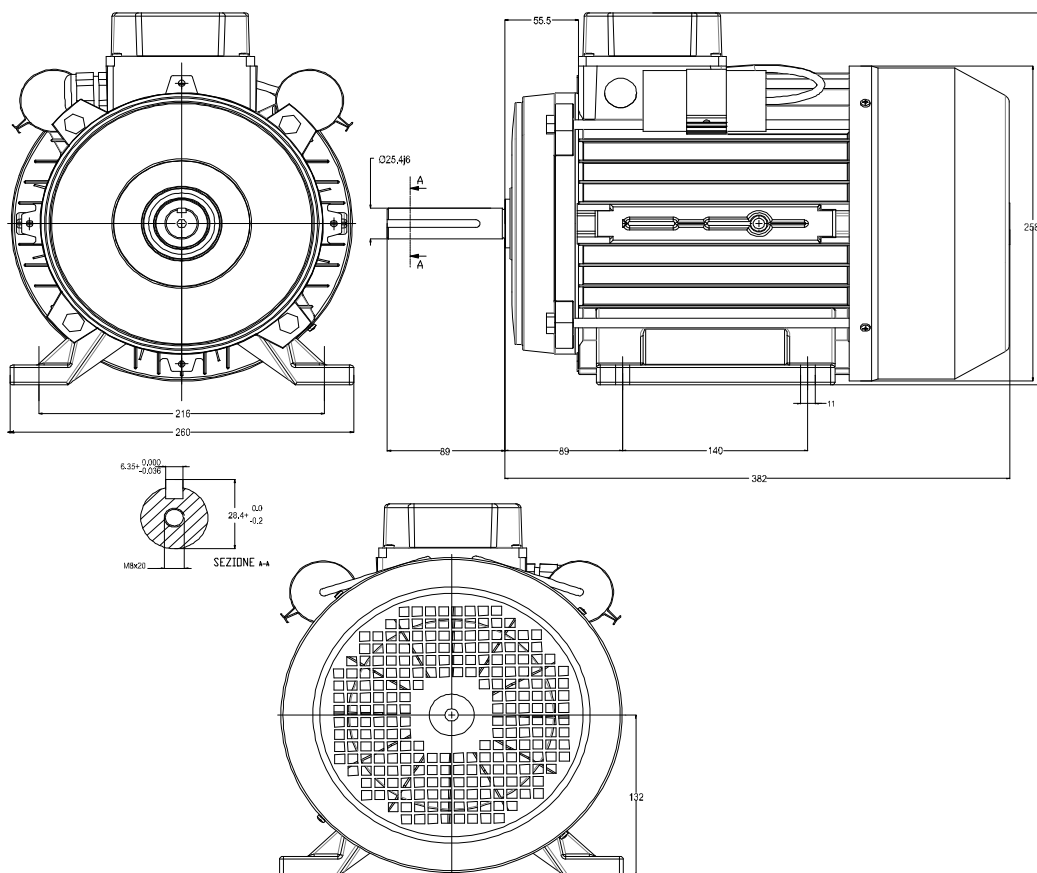
7.3 E7 Electric Motor



| REF | PART # | DESCRIPTION | COMMENTS | QTY. |
|-----|------------|-------------------------------------|----------|------|
| | E7 | ASSY, E7.5 ELECTRIC | | 1 |
| 1 | 123141 | Bracket, Electric Infeed | | 1 |
| 2 | X100-1062 | Sheave | | 1 |
| 3 | 039202 | Bushing, SHx1 | | 1 |
| 4 | S04124 | Key, 1/4 x 1 11/16 | | 1 |
| 5 | 123142 | Motor, 7.5hp 60hz 1 ph 3600rpm 132S | | 1 |
| 6 | 123154 | Weldment, Rod End M8 | | 1 |
| 7 | F05010-162 | Nut, M8-1.25 Free Zinc Plate | | 1 |
| 8 | F05026-4 | Washer, M8 Flat | | 4 |
| 9 | F05027-44 | Nut, M8 x 1.25 Flanged Nylock | | 4 |
| 10 | F05004-270 | Nut, M10-1.50 Hex Nyl Lock | | 4 |
| 11 | F05011-134 | Washer, M10 Flat SAE | | 8 |
| 12 | F05022-14 | Bolt, M10-1.5 x 50 HH Class 8.8 | | 4 |

| REF | PART # | DESCRIPTION | COMMENTS | QTY. |
|-----|-----------|------------------------------------|----------|------|
| 13 | F05020-15 | Screw, M6-1 x 20 SHC | | 2 |
| 14 | 127346 | LX55E7 Control Assembly | | 1 |
| 15 | 123145 | Bracket, Starter Box | | 1 |
| 16 | F05021-34 | Bolt, M8-1.25x75mm HH Class 8.8 | | 1 |
| 17 | F05027-34 | Nut, M6-1.0 Flange Hex Nylock Zinc | | 2 |
| 18 | F05021-11 | Screw, M8-1.25x30 HHC | | 2 |

MOTOR 123142 SPECIFICATIONS



SINGLE PHASE INDUCTION MOTOR DATA SHEET

| | | | |
|---------------------------------|------------------------|--------------------|--------------------------------------|
| Code: S132S1202K17758 | Poles: 2 | Duty: S1 | IP: 55 |
| Type: 132S | kW: 5,5 | Hp: 7,5 | Mounting: B3 |
| VN: 220V | IN: 33 A | cosw: 0,99 | Terminal Box: ALUMINIUM STEEL |
| rpm: 3450 | CR: 160 μ F | Freq: 60 Hz | Fan cover: GALVANIZED |
| Insulation class: F-TROP | | | Plate: CIMA ALUMINIUM |
| Rotation: CLOCKWISE | | | Front bearing: 6208 ZZ |
| | | | Rear bearing: 6208 ZZ |

7.4 E7 Wiring Schematic

