

# Wood-Mizer<sup>®</sup> Sawmill

## Parts Manual

---

**LX450**

**rev. A1.07**

---



**Safety is our #1 concern!** Read and understand all safety information and instructions before operating, setting up or maintaining this machine.

*Form #2227*

**California**  
Proposition 65 Warning



**WARNING:** Breathing gas/diesel engine exhaust exposes you to chemicals known to the State of California to cause cancer and birth defects or other reproductive harm.

Always start and operate the engine in a well-ventilated area.  
If in an enclosed area, vent the exhaust to the outside.  
Do not modify or tamper with the exhaust system.  
Do not idle the engine except as necessary.

For more information go to **[www.P65warnings.ca.gov](http://www.P65warnings.ca.gov)**.



**WARNING:** Drilling, sawing, sanding or machining wood products can expose you to wood dust, a substance known to the State of California to cause cancer. Avoid inhaling wood dust or use a dust mask or other safeguards for personal protection.

For more information go to **[www.P65Warnings.ca.gov/wood](http://www.P65Warnings.ca.gov/wood)**.

**Active Patents assigned to Wood-Mizer, LLC**

Wood-Mizer, LLC has received patents that protect our inventions which are a result of a dedication to research, innovation, development, and design. Learn more at: [woodmizer.com/patents](http://woodmizer.com/patents)

**©2024 Wood-Mizer LLC**

Printed in the United States of America, all rights reserved. No part of this manual may be reproduced in any form by any photographic, electronic, mechanical or other means or used in any information storage and retrieval system without written permission from

**Wood-Mizer, LLC**  
**8180 West 10th Street**  
**Indianapolis, Indiana 46214**

# Table of Contents

# Section-Page

|                  |   |            |
|------------------|---|------------|
| <b>SECTION 1</b> | <b>REPLACEMENT PARTS</b>  | <b>1-1</b> |
| 1.1              | How To Use The Parts List .....1-1<br><i>To Order Parts</i>       |            |
| 1.2              | Sample Assembly .....1-1  |            |
| 1.3              | Torque Values .....1-2  |            |
| <b>SECTION 2</b> | <b>BLADE GUIDE ROLLERS &amp; ARM</b>                              | <b>2-1</b> |
| 2.1              | Blade Guide Arm Assembly.....2-1                                  |            |
| 2.2              | Blade Guide Arm Drive Assembly.....2-2                            |            |
| 2.3              | Blade Guide Assembly, Idle Side.....2-4                           |            |
| 2.4              | Blade Guide Assembly, Drive Side.....2-6                          |            |
| <b>SECTION 3</b> | <b>BLADE WHEELS &amp; TENSIONER</b>                               | <b>3-1</b> |
| 3.1              | Blade Drive Assembly.....3-1                                      |            |
| 3.2              | Idle Blade Wheel Assembly .....3-3                                |            |
| 3.3              | Blade Tensioner Assembly.....3-4                                  |            |
| <b>SECTION 4</b> | <b>SAW HEAD FRAME</b>   | <b>4-1</b> |
| 4.1              | Blade Retainment & Middle Throat Screw .....4-1                   |            |
| 4.2              | Brake Assembly.....4-2  |            |
| 4.3              | Drag Back Fingers Assembly .....4-3                               |            |
| 4.4              | Water Lube & Fuel Tank Assembly.....4-4                           |            |
| 4.5              | Saw Head Decals.....4-6   |            |
| 4.6              | Blade Housing Covers.....4-8                                      |            |
| 4.7              | Drive Belt Covers .....4-10                                       |            |
| 4.8              | Sawdust Chute .....4-11   |            |
| <b>SECTION 5</b> | <b>CONTROL &amp; BATTERY BOXES</b>                                | <b>5-1</b> |
| 5.1              | Control Assembly (G38 w/Accuset) .....5-1                         |            |
| 5.2              | Control Assembly (D35 w/Accuset) .....5-3                         |            |
| 5.3              | Control Assembly (w/SimpleSet).....5-5                            |            |
| 5.4              | Accuset Control.....5-7   |            |
| 5.5              | Accuset Cover Assembly .....5-9                                   |            |
| 5.6              | Simple Set Control .....5-11                                      |            |
| 5.7              | Drum Switches .....5-13   |            |
| 5.8              | Circuit Breakers (w/Accuset) .....5-14                            |            |
| 5.9              | Circuit Breakers (w/SimpleSet).....5-15                           |            |
| 5.10             | Front Panel Assembly & Harnesses (G38 w/Accuset).....5-16         |            |
| 5.11             | Front Panel Assembly & Harnesses (D35 w/Accuset).....5-17         |            |
| 5.12             | Front Panel Assembly & Harnesses (D35 Remote w/Accuset) .....5-18 |            |
| 5.13             | Front Panel Assembly & Harnesses (w/SimpleSet) .....5-19          |            |
| 5.14             | Adjustable Control Mount Assembly.....5-20                        |            |
| 5.15             | Battery Box Assembly (G38) .....5-21                              |            |
| 5.16             | Battery Box Assembly (D35) .....5-22                              |            |
| 5.17             | Fuse Box Assembly (G38) .....5-23                                 |            |
| 5.18             | Fuse Box Assembly (D35) .....5-25                                 |            |

# Table of Contents

# Section-Page

|                  |   |            |
|------------------|---|------------|
| <b>SECTION 6</b> | <b>UP/DOWN SYSTEM</b>                                       | <b>6-1</b> |
| 6.1              | Mast Pad Assemblies and Level.....                          | 6-1        |
| 6.2              | Blade Height & Quarter Scales (w/SimpleSet).....            | 6-3        |
| 6.3              | Blade Height & Quarter Scales w/Transducer (w/Accuset)..... | 6-5        |
| 6.4              | Up/Down Assembly (G38).....                                 | 6-7        |
| 6.5              | Up/Down Assembly (D35).....                                 | 6-9        |
| 6.6              | Up/Down Sensor Assembly (w/SimpleSet).....                  | 6-11       |
| <br>             |   |            |
| <b>SECTION 7</b> | <b>FEED SYSTEM &amp; TRACK ROLLERS</b>                      | <b>7-1</b> |
| 7.1              | Track Rollers and Wipers (Drive Side).....                  | 7-1        |
| 7.2              | Track Roller And Wipers (Idle Side).....                    | 7-3        |
| 7.3              | Power Feed Assembly (w/Accuset).....                        | 7-5        |
| 7.4              | Power Feed Assembly (w/SimpleSet).....                      | 7-7        |
| 7.5              | Feed Chain/Stop.....  | 7-9        |
| <br>             |   |            |
| <b>SECTION 8</b> | <b>BED FRAME &amp; TRAILER ASSEMBLY</b>                     | <b>8-1</b> |
| 8.1              | Bed Frame Assembly.....                                     | 8-1        |
| 8.2              | Bed Rail Assembly, Front And Rear.....                      | 8-1        |
| 8.3              | Bed Rail Assembly, Front Middle.....                        | 8-2        |
| 8.4              | Bed Rail Assembly, Rear Middle.....                         | 8-3        |
| 8.5              | Adjustable Outrigger Assembly.....                          | 8-4        |
| 8.6              | Adjustable Outrigger Assembly, Offset.....                  | 8-6        |
| 8.7              | Toe Board Ramp Assembly.....                                | 8-8        |
| 8.8              | Trailer Assembly.....                                       | 8-9        |
| 8.9              | Hitch Assembly.....   | 8-11       |
| 8.10             | FAO Wrench Bracket Assembly.....                            | 8-12       |
| 8.11             | Trailer Light Panel Assembly.....                           | 8-13       |
| 8.12             | Log Side Support Assembly (Manual).....                     | 8-14       |
| 8.13             | Travel Lock Assembly.....                                   | 8-16       |
| 8.14             | Bed Frame Decals & Foot Dimensions.....                     | 8-17       |
| <br>             |   |            |
| <b>SECTION 9</b> | <b>BED HYDRAULIC</b>  | <b>9-1</b> |
| 9.1              | Hydraulic Hoses.....  | 9-1        |
| 9.2              | Hydraulic Valve & Pump Motors.....                          | 9-2        |
| 9.3              | Hydraulic Valve Assembly.....                               | 9-4        |
| 9.4              | Hydraulic Power Supply Strip.....                           | 9-5        |
| 9.5              | Hydraulic Power Contact Assembly.....                       | 9-6        |
| 9.6              | Hydraulic Log Loader.....                                   | 9-7        |
| 9.7              | Hydraulic Log Turner.....                                   | 9-9        |
| 9.8              | Hydraulic Log Side Supports (Front).....                    | 9-11       |
| 9.9              | Hydraulic Log Side Supports (Rear).....                     | 9-1        |
| 9.10             | Hydraulic Log Side Supports (Link).....                     | 9-1        |
| 9.11             | Hydraulic Log Clamp.....                                    | 9-2        |
| 9.12             | Hydraulic Toe Board.....                                    | 9-1        |



**Table of Contents**

**Section-Page**

**SECTION 10 MISCELLANEOUS**

**10-1**

10.1 Replacement Manuals .....10-1

## SECTION 1 REPLACEMENT PARTS

### 1.1 How To Use The Parts List

- Use the table of contents to locate the assembly that contains the part you need.
- Go to the appropriate section and locate the part in the illustration.
- Use the number pointing to the part to locate the correct part number and description in the table.
- Parts shown indented under another part are included with that part.

#### *To Order Parts*

- From the continental US, call **1-800-525-8100** to order parts. Have your customer number, vehicle identification number, and part numbers ready when you call.
- From other international locations, contact the Wood-Mizer distributor in your area for parts.

### 1.2 Sample Assembly



| REF | PART #    | DESCRIPTION                 | COMMENTS           | QTY. |
|-----|-----------|-----------------------------|--------------------|------|
|     | 012345    | SAMPLE ASSEMBLY, COMPLETE   | INCLUDES ITEMS 1-6 | 1    |
| 1   | F02222-22 | Sample Part                 |                    | 1    |
| 2   | F03333-33 | Sample Part                 |                    | 2    |
|     | 098765    | Sample Subassembly          | Includes items 3-6 | 1    |
| 3   | S04444-44 | Subassembly Sample Part     |                    | 1    |
| 4   | K55555    | Subassembly Sample Part     |                    | 1    |
|     | 054321    | Sample Sub-Subassembly      | Includes items 5-6 | 2    |
| 5   | 022222    | Sub-Subassembly Sample Part |                    | 1    |
| 6   | F10234-56 | Sub-Subassembly Sample Part |                    | 1    |

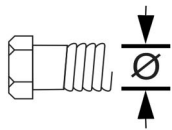
The Sample Assembly, Complete, part number 02345 (top level assembly) includes two parts (F0222-22 and F0333-33) and the 098765 subassembly.

Subassembly 098765 contains two parts(S04444-44 and K55555) and two copies of sub-subassembly 054321.

Each sub-subassembly 054321 contains two parts (022222 and F10234-56).

### 1.3 Torque Values

| Grade      |                  | Units       | SAE 5  | SAE 8   |
|------------|------------------|-------------|--|---|
| Grade Mark |                  |             |  |  |
| Bolt Dia.  | Threads. Per In. | Units       | SAE 5  | SAE 8   |
| 6          | 32               | in-lbs (Nm) | 20 (2.3)   | -   |
| 8          | 32               | in-lbs (Nm) | 24 (2.7)   | 30 (3.4)  |
| 10         | 24               | in-lbs (Nm) | 35 (4.0)   | 45 (5.1)  |
| 10         | 32               | in-lbs (Nm) | 40 (4.5)   | 50 (5.7)  |
| 12         | 24               | in-lbs (Nm) | 50 (5.7)   | 65 (7.3)  |
| 1/4        | 20               | in-lbs (Nm) | 95 (10.7)  | 125 (14.1)  |
| 1/4        | 28               | in-lbs (Nm) | 95 (10.7)  | 150 (17.0)  |
| 5/16       | 18               | ft-lbs (Nm) | 17 (22.6)  | 23 (31.2)   |
| 5/16       | 24               | ft-lbs (Nm) | 20 (27.1)  | 25 (33.8)   |
| 3/8        | 16               | ft-lbs (Nm) | 30 (40.7)  | 40 (54.2)   |
| 3/8        | 24               | ft-lbs (Nm) | 35 (47.5)  | 45 (61.0)   |
| 7/16       | 14               | ft-lbs (Nm) | 50 (67.8)  | 65 (88.1)   |
| 7/16       | 20               | ft-lbs (Nm) | 55 (74.6)  | 70 (94.9)   |
| 1/2        | 13               | ft-lbs (Nm) | 75 (101.7)   | 100 (135.6)   |
| 1/2        | 20               | ft-lbs (Nm) | 85 (115.3)   | 110 (149.2)   |
| 9/16       | 12               | ft-lbs (Nm) | 105 (142.4)  | 135 (183.1)   |
| 9/16       | 18               | ft-lbs (Nm) | 115 (155.9)  | 150 (203.4)   |
| 5/8        | 11               | ft-lbs (Nm) | 150 (203.4)  | 195 (264.4)   |
| 5/8        | 18               | ft-lbs (Nm) | 160 (217.0)  | 210 (284.8)   |
| 3/4        | 10               | ft-lbs (Nm) | 170 (230.5)  | 220 (298.3)   |
| 3/4        | 16               | ft-lbs (Nm) | 175 (237.3)  | 225 (305.1)   |
| 7/8        | 9                | ft-lbs (Nm) | 302 (409.5)  | 473 (640.9)   |
| 7/8        | 14               | ft-lbs (Nm) | 300 (406.8)  | 400 (542.4)   |
| 1          | 8                | ft-lbs (Nm) | 466 (631.8)  | 714 (967.4)   |



Metric Bolt Head Identification



Metric Grade 8.8

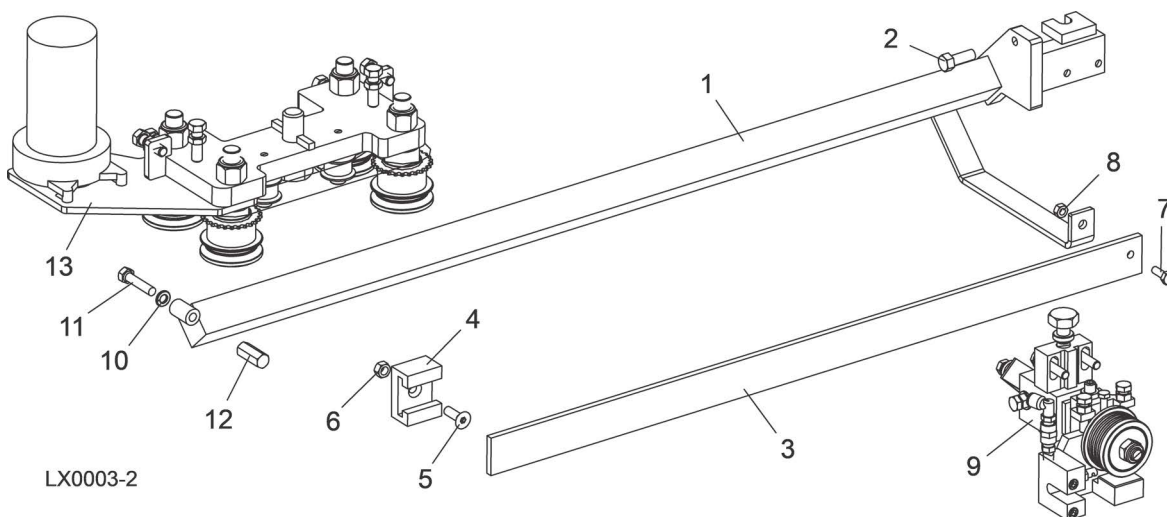


Metric Grade 10.9

| COARSE THREAD           |            |        |             |        | FINE THREAD             |            |        |             | Wrench Size |        |
|-------------------------|------------|--------|-------------|--------|-------------------------|------------|--------|-------------|-------------|--------|
| Diameter & Thread Pitch | Metric 8.8 |        | Metric 10.9 |        | Diameter & Thread Pitch | Metric 8.8 |        | Metric 10.9 |             |        |
|                         | N-m        | lbs-ft | N-m         | lbs-ft |                         | N-m        | lbs-ft | N-m         |             | lbs-ft |
| 6 x 1.0                 | 8          | 6      | 11          | 8      |                         |            |        |             | 10 mm       |        |
| 8 x 1.25                | 20         | 15     | 27          | 20     | 8 x 1.0                 | 21         | 16     | 29          | 22          | 13 mm  |
| 10 x 1.5                | 39         | 29     | 54          | 40     | 10 x 1.25               | 41         | 30     | 57          | 42          | 16 mm  |
| 12 x 1.75               | 68         | 50     | 94          | 70     | 12 x 1.25               | 75         | 55     | 103         | 76          | 18 mm  |
| 14 x 2.0                | 109        | 80     | 151         | 111    | 14 x 1.5                | 118        | 87     | 163         | 120         | 21 mm  |
| 16 x 2.0                | 169        | 125    | 234         | 173    | 16 x 1.5                | 181        | 133    | 250         | 184         | 24 mm  |
| 18 x 2.5                | 234        | 172    | 323         | 239    | 18 x 1.5                | 263        | 194    | 363         | 268         | 27 mm  |
| 20 x 2.5                | 330        | 244    | 457         | 337    | 20 x 1.5                | 367        | 270    | 507         | 374         | 30 mm  |
| 22 x 2.5                | 451        | 332    | 623         | 460    | 22 x 1.5                | 495        | 365    | 684         | 505         | 34 mm  |
| 24 x 3.0                | 571        | 421    | 790         | 583    | 24 x 2.0                | 623        | 459    | 861         | 635         | 36 mm  |
| 30 x 3.0                | 1175       | 867    | 1626        | 1199   | 30 x 2.0                | 1258       | 928    | 1740        | 1283        | 46 mm  |

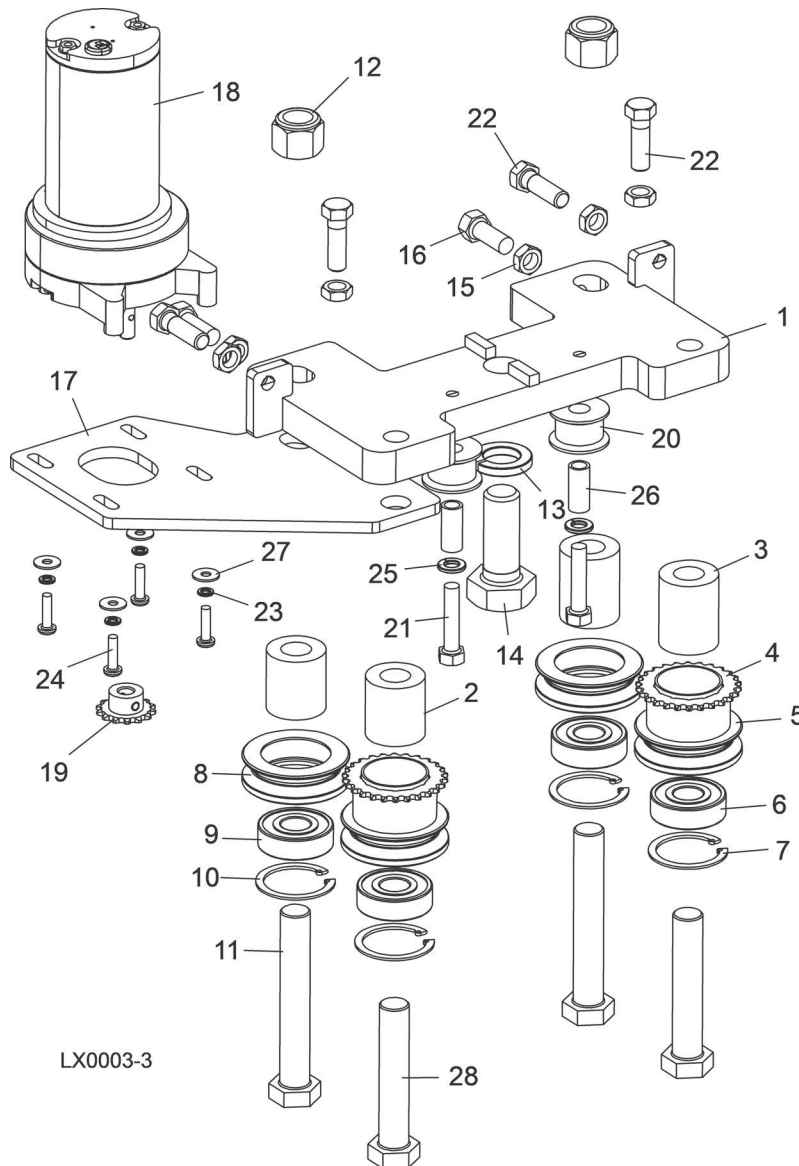
## SECTION 2 BLADE GUIDE ROLLERS & ARM

### 2.1 Blade Guide Arm Assembly



| REF       | PART #     | DESCRIPTION   | COMMENTS | QTY. |
|-----------|------------|---|----------|------|
|           | 107058     | <b>BLADE GUIDE ARM &amp; DRIVE ASSEMBLY (IDLE SIDE)</b>             |          | 1    |
|           | 107057     | Blade Guide Arm Assembly  |          |      |
| <b>1</b>  | 076449     | Arm Weldment, Blade Guide   |          | 1    |
| <b>2</b>  | F05007-7   | Bolt, 3/8-16x1 HHC  |          | 1    |
| <b>3</b>  | 014955     | Guard, Blade LT15   |          | 1    |
| <b>4</b>  | 014882     | Guide, Blade Guard LT15/LT70  |          | 1    |
| <b>5</b>  | F05006-124 | Bolt, 5/16-18x1 FHS   |          | 1    |
| <b>6</b>  | F05010-6   | Nut, 5/16-18 Swaged Hex   |          | 1    |
| <b>7</b>  | F05005-1   | Bolt, 1/4-20x3/4 FT HHC   |          | 1    |
| <b>8</b>  | F05010-21  | Nut, 1/4-20 Swaged  |          | 1    |
| <b>9</b>  | 107055     | Blade Guide Assembly (Drive Side) Parts<br><i>(See Section 2.4)</i> |          | 1    |
| <b>10</b> | F05011-13  | Washer, 5/16 Split Lock   |          | 1    |
| <b>11</b> | F05008-96  | Bolt, 5/16-18x1 1/2 HH Gr5  |          | 1    |
| <b>12</b> | 107133     | Standoff, 1/2 Hex x1-1/4, 5/16-18                                   |          | 1    |
| <b>13</b> | 075310     | Blade Guide Arm Drive Assembly Parts <i>(See Section 2.2)</i>       |          | 1    |

## 2.2 Blade Guide Arm Drive Assembly



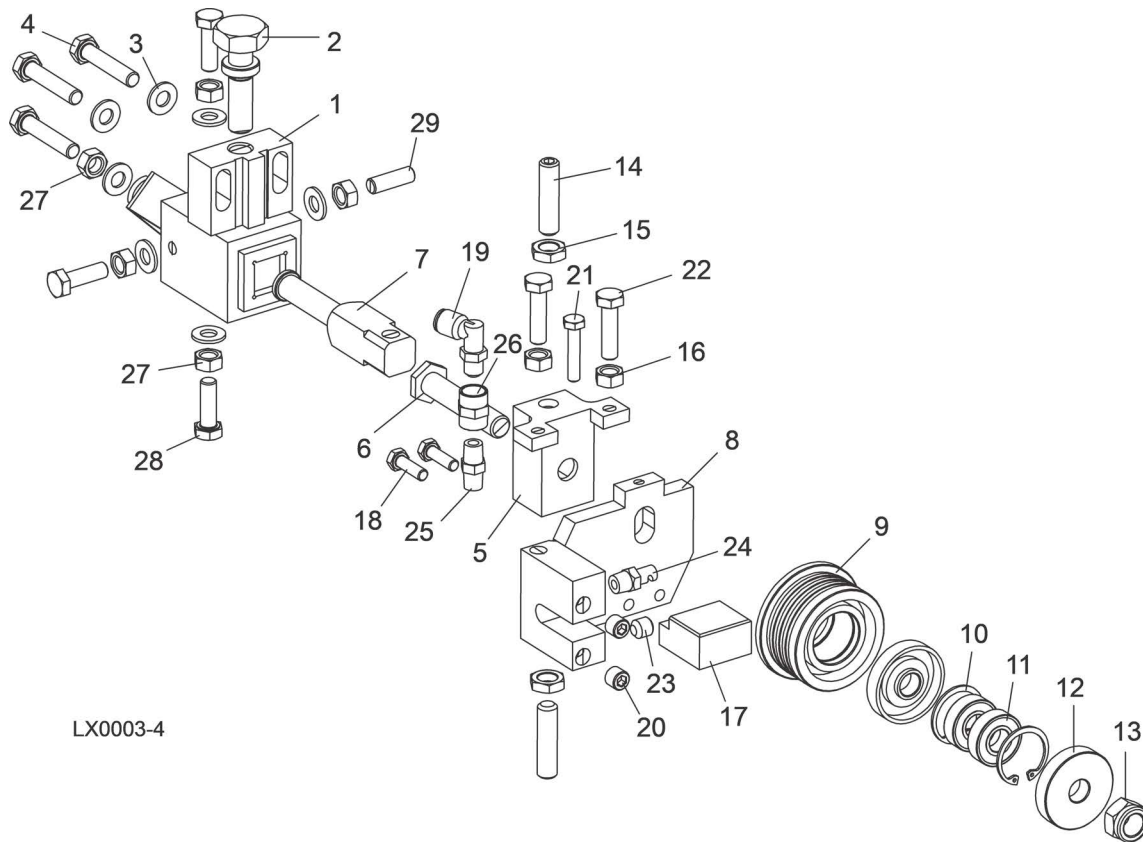
| REF | PART #   | DESCRIPTION  | COMMENTS                      | QTY. |
|-----|----------|--|-------------------------------|------|
|     | 075310   | <b>ARM DRIVE ASSEMBLY, BLADE GUIDE (IDLE SIDE)</b> |                               | 1    |
| 1   | 075300   | Mount Weldment, Blade Guide                        |                               | 1    |
| 2   | 106903   | Spacer, V Roller Blade Guide (Short)               |                               | 2    |
| 3   | 075307   | Spacer, V Roller Blade Guide (Long)                |                               | 2    |
|     | 106529   | Roller Assembly, V-Groove Drive                    |                               | 2    |
| 4   | S09931   | Sprocket, #25 Chain 26 Tooth                       | Available in assemblies only. | 1    |
| 5   | 106530   | Roller, 2.25 V-Groove Drive                        | Available in assemblies only. | 1    |
| 6   | P06030-1 | Bearing, 5/8x1.5748x.4724                          |                               | 1    |
| 7   | F04254-8 | Ring, 1.575 Id Beveled 5002-156 Retaining          |                               | 1    |
|     | A09059   | Roller Assembly, Blade Guide Arm w/Bearing         |                               | 2    |
| 8   | S07989   | Roller, 2 1/4 V Groove                             | Available in assemblies only. | 1    |
| 9   | P06030-1 | Bearing, 5/8x1.5748x.4724                          |                               | 1    |

## 2 Blade Guide Rollers & Arm

### Blade Guide Arm Drive Assembly

| REF | PART #     | DESCRIPTION   | COMMENTS | QTY. |
|-----|------------|---|----------|------|
| 10  | F04254-8   | Ring, 1.575 Id Beveled 5002-156 Retaining               |          | 1    |
| 11  | F05009-122 | Bolt, 5/8-18x4 HHC Ft Grade 5                           |          | 2    |
| 12  | F05010-71  | Nut, 5/8-18 Hex Nyl Lock                                |          | 2    |
| 13  | F05011-6   | Washer, 3/4 Split Lock                                  |          | 1    |
| 14  | F05013-1   | Bolt, 3/4-16x2 FT Hex Head                              |          | 1    |
| 15  | F05010-29  | Nut, 3/8-16 Jam   |          | 6    |
| 16  | F05007-7   | Bolt, 3/8-16x1 HHC                                      |          | 2    |
| 17  | 106569     | Plate, Blade Guide Motor Mount                          |          | 1    |
| 18  | 079214     | Motor, Current Application 1/30HP 12VDC Gear            |          | 1    |
|     | 061232     | Gear Kit, Motor Replacement (Current Application)       |          | 1    |
|     | 061234     | Brush Kit, Gear Motor Replacement (Current Application) |          | 1    |
|     | 061233     | Shaft Kit, Gear Motor Replacement (Current Application) |          | 1    |
| 19  | 036664     | Sprocket Assembly, 25B14x.3130 LT70                     |          | 1    |
| 20  | S09999     | Roller, Blade Guide Drive                               |          | 2    |
| 21  | F05008-96  | Bolt, 5/16-18x1 1/2 Hex Head Grade 5                    |          | 2    |
| 22  | F05007-123 | Bolt, 3/8-16x1 1/4 FT Hex Head Grade 5                  |          | 4    |
| 23  | F05011-20  | Washer, #10 Split Lock                                  |          | 4    |
| 24  | F05004-38  | Screw, 10-32x3/4 Phillips PH Machine                    |          | 4    |
| 25  | F05011-13  | Washer, 5/16 Split Lock                                 |          | 2    |
| 26  | 107176     | Tube, .32x.44x1.00 Spacer                               |          | 2    |
| 27  | F05011-18  | Washer, #10 SAE Flat                                    |          | 4    |
| 28  | F05009-98  | Bolt, 5/8-18x3-1/4 HHC                                  |          | 2    |
|     | 107120     | Chain, #25x128 Pitches w/Master Link                    |          | 1    |

## 2.3 Blade Guide Assembly, Idle Side



LX0003-4

| REF       | PART #    | DESCRIPTION                                       | COMMENTS | QTY. |
|-----------|-----------|---|----------|------|
|           | 107055    | <b>BLADE GUIDE ASSEMBLY, IDLE SIDE (OUTER)</b>    |          | 1    |
| <b>1</b>  | 089503-1  | Block Weldment, Blade Guide Mount                 |          | 1    |
| <b>2</b>  | 506552-1  | Screw, M10x1x20 DIN913 Stainless Set              |          | 1    |
| <b>3</b>  | F81054-1  | Washer, 8.4 Zinc Flat                             |          | 7    |
| <b>4</b>  | F81002-28 | Bolt, M8x40 Hex Head Stainless                    |          | 3    |
|           | 092523    | Roller Assembly, Blade Guide                      |          | 1    |
| <b>5</b>  | 087756-1  | Block, Roller                                     |          | 1    |
| <b>6</b>  | 087761-1  | Bolt, Roller 1-1/4" Blades                        |          | 1    |
|           | 092940-1  | Bolt, Roller 1-1/2" Blades                        |          | 1    |
| <b>7</b>  | 088255-1  | Shaft, Zinc Plated Blade Guide Mount              |          | 1    |
| <b>8</b>  | 087750-1  | Block, Roller Mount                               |          | 1    |
| <b>9</b>  | 088261    | <b>Roller Assembly, Blade Guide 1-1/4" Blades</b> |          | 1    |
| <b>10</b> | F81090-9  | Ring, Interior Retaining                          |          | 2    |
| <b>11</b> | 087893    | Bearing, Blade Guide                              |          | 2    |
| <b>12</b> | 087891-1  | Spacer, Blade Guide                               |          | 2    |
| <b>9</b>  | 092939    | <b>Roller Assembly, Blade Guide 1-1/2" Blades</b> |          |      |
| <b>10</b> | F81090-9  | Ring, Interior Retaining                          |          | 2    |
| <b>11</b> | 087893    | Bearing, Blade Guide                              |          | 2    |
| <b>12</b> | 087891-1  | Spacer, Blade Guide                               |          | 1    |
|           | 087892-1  | Spacer, Blade Guide                               |          | 1    |
| <b>13</b> | F81034-2  | Nut, M12-8 Hex Nylon                              |          | 1    |

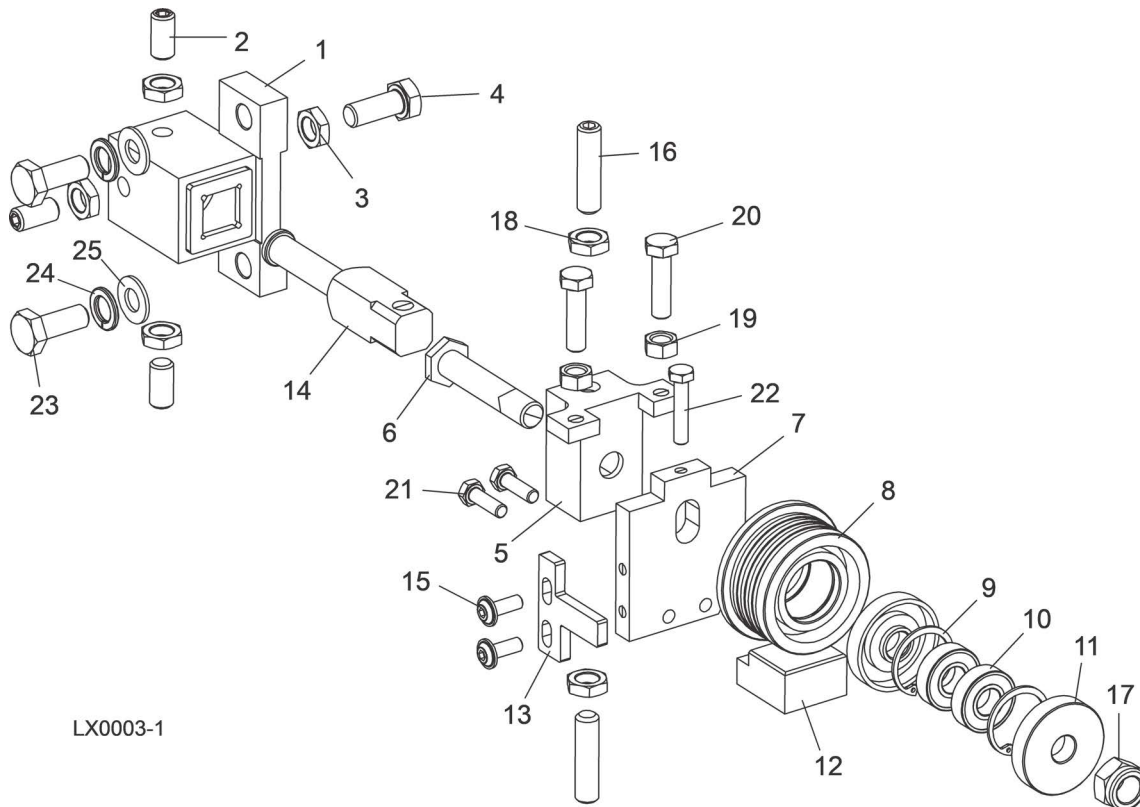
## 2 Blade Guide Rollers & Arm

Blade Guide Assembly, Idle Side

| REF | PART #    | DESCRIPTION                             | COMMENTS | QTY. |
|-----|-----------|---|----------|------|
| 14  | F81015-2  | Screw, M10x1x40                         |          | 2    |
| 15  | F81033-10 | Nut, M10x1-04-ST-A2 ISO 8675 Thin       |          | 2    |
| 16  | F81032-7  | Nut, M8 Hex                             |          | 2    |
| 17  | 096956-1  | Block, Guide Block Mount                |          | 1    |
| 18  | F81001-2  | Bolt, M6-1x20mm 8.8 Hex Head            |          | 2    |
| 19  | P09736    | Fitting, 1/8MPTx1/4Tube Elbow Swivel    |          | 1    |
| 20  | F81015-3  | Screw, M10x1 Set                        |          | 2    |
| 21  | F81001-37 | Bolt, M6x30mm Hex Head                  |          | 1    |
| 22  | F81002-27 | Bolt, M8x30 Stainless                   |          | 2    |
| 23  | P30127    | Fitting, 1/8 NPT Socket Pipe Plug       |          | 1    |
| 24  | 016637    | Nozzle, Blade Water Lube                |          | 1    |
| 25  | P02764    | Nipple, 1/8 Dry Seal                    |          | 1    |
| 26  | P05748    | Fitting, 1/8FPT Coupling                |          | 1    |
| 27  | F81032-7  | Nut, M8 Hex                             |          | 5    |
| 28  | F81002-26 | Bolt, M8x25 Hex Head Stainless          |          | 3    |
| 29  | F81014-8  | Screw, M8x30 DIN913 A2-70 Stainless Set |          | 1    |



## 2.4 Blade Guide Assembly, Drive Side



LX0003-1

| REF | PART #    | DESCRIPTION                                      | COMMENTS                      | QTY. |
|-----|-----------|--|-------------------------------|------|
|     | 519382    | <b>ROLLER/BLOCK ASSEMBLY, DRIVE SIDE (INNER)</b> |                               | 1    |
| 1   | 087744    | Block Weldment, Blade Guide Mount                |                               | 1    |
| 2   | F81015-1  | Screw, M10x1x20 DIN913 Stainless Set             |                               | 3    |
| 3   | F81033-10 | Nut, M10x1-04-ST-A2 ISO 8675 Thin                |                               | 4    |
| 4   | F81003-28 | Bolt, M10x1x25 DIN 933                           |                               | 1    |
|     | 087748    | Block Assembly, Blade Guide Mount                |                               | 1    |
| 5   | 087756-1  | Block, Blade Guide Mount                         |                               | 1    |
| 6   | 087761-1  | Shaft, Blade Guide                               |                               | 1    |
|     | 092940-1  | <b>For 1-1/2" Blades</b>                         |                               | 1    |
| 7   | 087753-1  | Plate, Blade Guide Mount                         |                               | 1    |
|     | 088261    | Roller Assembly, Blade Guide                     |                               | 1    |
|     | 092939    | <b>For 1-1/2" Blades</b>                         |                               | 1    |
| 8   | 087889    | Roller, Flanged Blade Guide                      | Available in assemblies only. | 1    |
| 9   | F81090-9  | Ring, Interior Retaining                         |                               | 2    |
| 10  | 087893    | Bearing, Blade Guide                             |                               | 2    |
| 11  | 087891-1  | Spacer, Blade Guide                              |                               | 2    |
| 12  | 096956-1  | Block, Guide Block Mount                         |                               | 1    |
| 13  | 087757-1  | Plate, Blade Guide Deflector                     |                               | 1    |
| 14  | 088255-1  | Shaft, Drive Side Guide                          |                               | 1    |
| 15  | F81001-24 | Screw, M6x16                                     |                               | 2    |
| 16  | F81015-2  | Screw, M10x1x40                                  |                               | 2    |
| 17  | F81034-2  | Nut, M12-8 Hex Nylon                             |                               | 1    |
| 18  | F81033-10 | Nut, M10x1-04-ST-A2 ISO 8675 Thin                |                               | 2    |

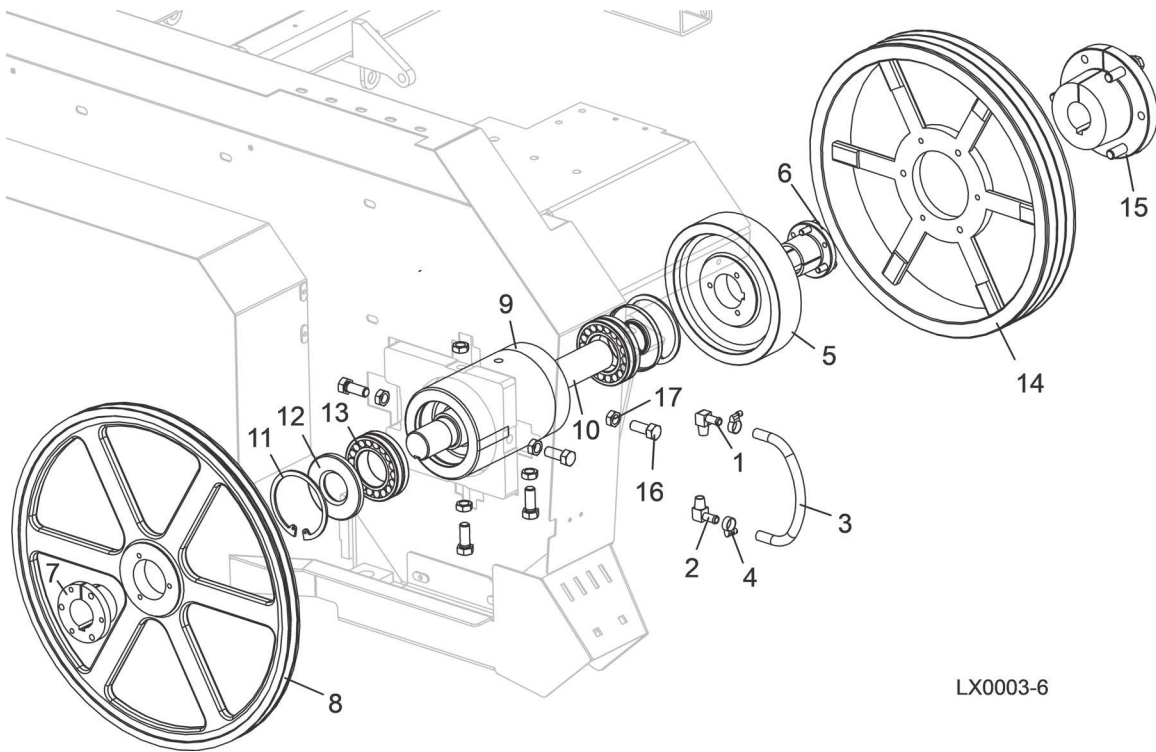
## 2 Blade Guide Rollers & Arm

Blade Guide Assembly, Drive Side

| REF | PART #     | DESCRIPTION                               | COMMENTS | QTY. |
|-----|------------|---|----------|------|
| 19  | F81032-7   | Nut, M8 Hex                               |          | 2    |
| 20  | F81002-27  | Bolt, M8x30                               |          | 2    |
| 21  | F81001-2   | Bolt, M6-1x20mm 8.8 Hex Head              |          | 2    |
| 22  | F81001-37  | Bolt, M6x30mm Hex Head                    |          | 1    |
| 23  | F05022-38  | <b>BOLT, M10-1.5 X 25MM CLASS 8.8 HHC</b> |          | 2    |
| 24  | F05011-88  | <b>WASHER, 10MM SPLIT LOCK</b>            |          | 2    |
| 25  | F05011-134 | <b>WASHER, M10 FLAT SAE</b>               |          | 2    |

## SECTION 3 BLADE WHEELS & TENSIONER

### 3.1 Blade Drive Assembly



LX0003-6

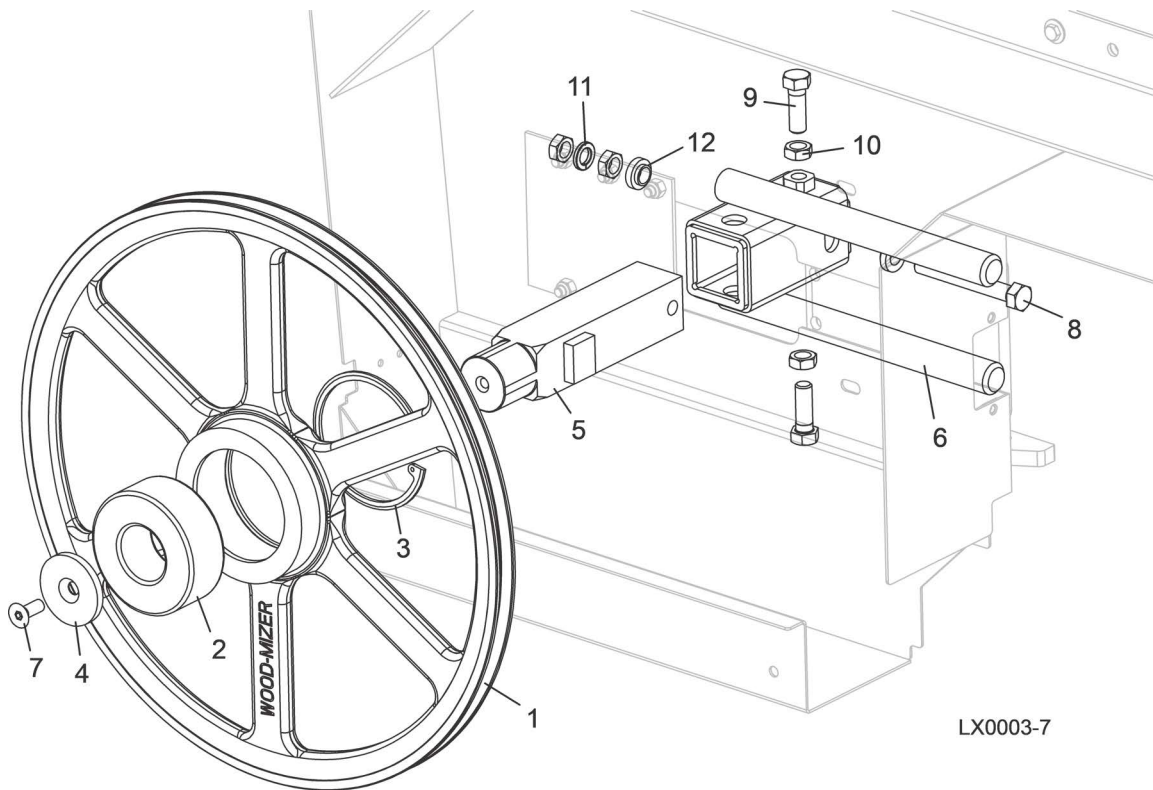
| REF | PART #     | DESCRIPTION                                    | COMMENTS                      | QTY.  |
|-----|------------|--|-------------------------------|-------|
|     | 107056     | <b>WHEEL ASSEMBLY, BLADE DRIVE</b>             |                               | 1     |
| 1   | 016330     | Fitting, 1/4" NPT x 3/8" Hose Barb, Elbow      |                               | 1     |
| 2   | 016331     | Fitting, 1/4" NPT x 3/8" Hose Barb, Vented     |                               | 1     |
| 3   | 016394     | Tube, Oil level                                |                               | 1     |
| 4   | P649       | Hose Clamp, 7/32"-5/8"                         |                               | 2     |
| 5   | 014000     | Pulley, Brake Ptd                              |                               | 1     |
| 6   | 014003     | Bushing, P1 1 9/16 Split Taper                 |                               | 1     |
| 7   | 016270     | Bushing, SD 1 9/16 Modified                    |                               | 1     |
| 8   | 016284     | Sheave, 18.62 OD Drive, SD Ptd.                |                               | 1     |
|     | 103950     | Bearing Assembly, Cylindrical                  |                               | 1     |
| 9   | 107022     | Housing, Cylindrical Bearing Ptd               | Available in assemblies only. | 1     |
| 10  | 103951     | Shaft, 2 1/4 Drive                             | Available in assemblies only. | 1     |
| 11  | F04254-17  | Ring, 90mm I17 IR #472 Retaining               |                               | 2     |
| 12  | P10206     | Seal, CR15890                                  |                               | 2     |
| 13  | 520509     | Bearing, 22210 E, 50x90x23                     |                               | 2     |
|     | 006318     | Fluid, Hydraulic Conoco Megaflow HVI 32 (Gal.) |                               | 0.031 |
| 14  | 107063     | Sheave, 3/5V1600E                              |                               | 1     |
| 15  | 107064     | Bushing, Split Taper, E 1-9/16                 |                               | 1     |
|     | 017470     | Decal, Oil Level Gauge                         |                               | 1     |
| 16  | F05008-108 | <b>BOLT, 1/2-20 X 1 1/4 HEX HEAD GRADE 5</b>   |                               | 4     |
| 17  | F05010-16  | <b>NUT, 1/2-20 HEX JAM</b>                     |                               | 6     |
|     | P04185     | <b>BELT, BLADE WHEEL B57</b>                   |                               | 1     |

**3** **Blade Wheel & Tensioner**  
*Blade Drive Assembly*

---

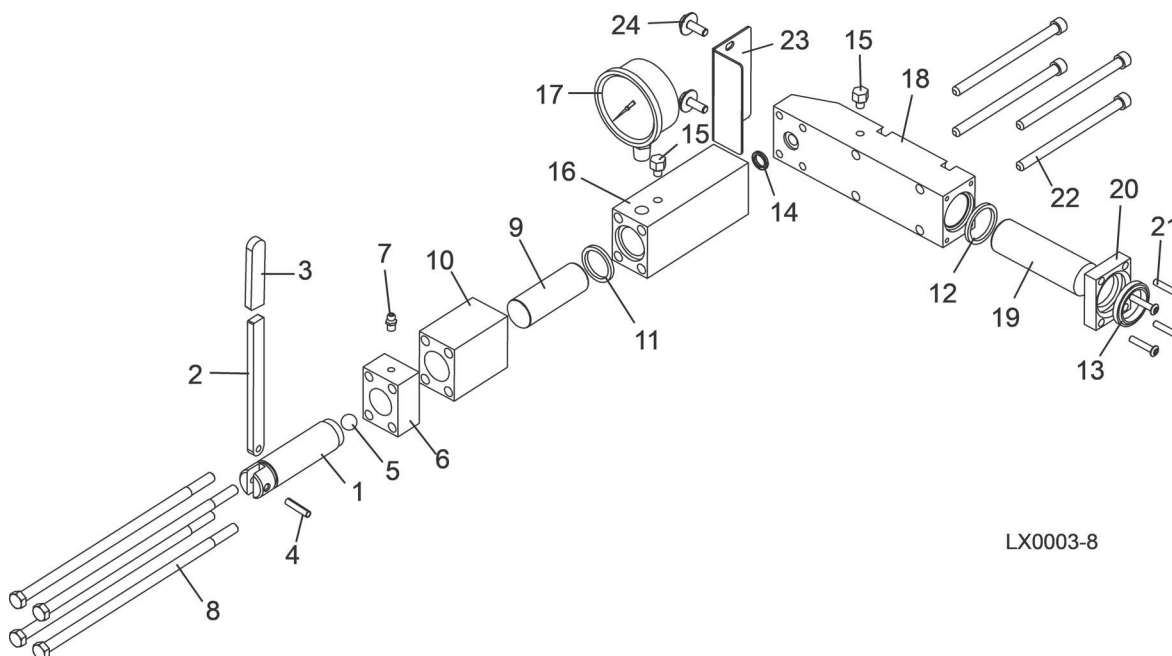
| REF | PART # | DESCRIPTION                               | COMMENTS | QTY. |
|-----|--------|---|----------|------|
|     |        | BELT, DRIVE (SEE ENGINE OPTION FOR PART#) |          |      |

### 3.2 Idle Blade Wheel Assembly



| REF | PART #     | DESCRIPTION                                     | COMMENTS | QTY. |
|-----|------------|---|----------|------|
|     | 076468     | <b>WHEEL ASSEMBLY, IDLE SIDE</b>                |          | 1    |
|     | 016120     | Wheel Assembly, Idle Side                       |          | 1    |
| 1   | 016013     | Pulley, Idle Side Ptd.                          |          | 1    |
| 2   | 016014     | Bearing, 5309-2RS                               |          | 1    |
| 3   | F04254-28  | Ring, 100mm Internal Beveled                    |          | 1    |
| 4   | 016397     | Retainer, 13/32ID x 2 1/4OD x 1/4               |          | 1    |
| 5   | 107039     | Shaft Weldment, Idle Side Blade                 |          | 1    |
| 6   | 107040     | Idler Weldment, LX450                           |          | 1    |
| 7   | F05007-64  | Screw, 3/8-16x1 Zinc & Bake                     |          | 1    |
| 8   | F05008-111 | Bolt, 1/2-20x3 3/4 Hex Head Full Thread Grade 5 |          | 1    |
| 9   | F05008-53  | Bolt, 1/2-20x1 1/2 Hex Head Grade 5             |          | 2    |
| 10  | F05010-16  | Nut, 1/2-20 Hex Jam                             |          | 4    |
| 11  | F05011-9   | Washer, 1/2 Split Lock                          |          | 1    |
| 12  | S04253     | Spacer, .510x.937x.34                           |          | 2    |
|     | P04185     | <b>BELT, BLADE WHEEL B57</b>                    |          | 1    |

### 3.3 Blade Tensioner Assembly



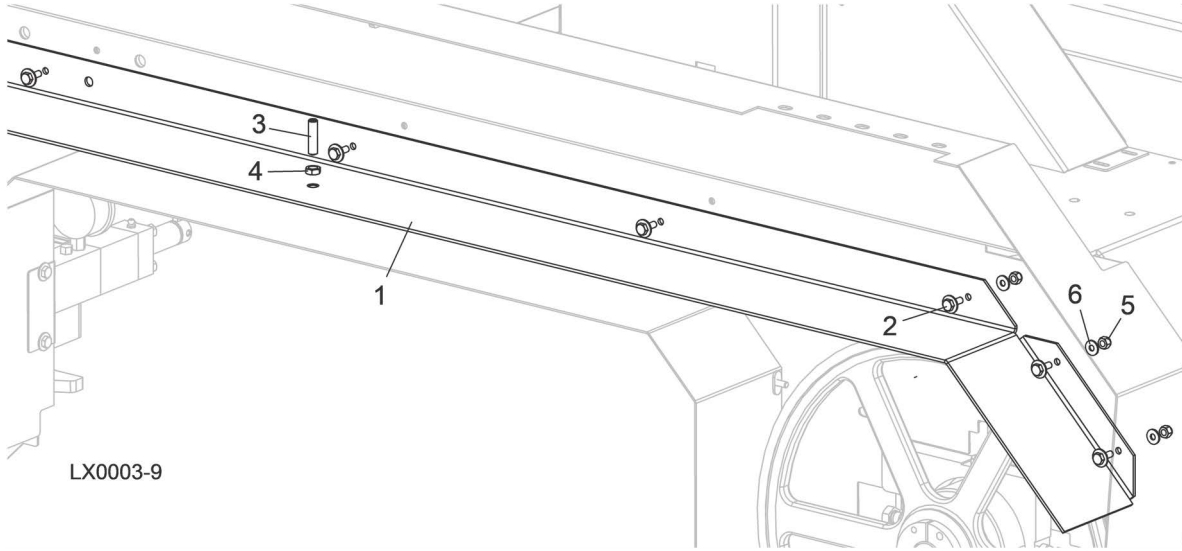
LX0003-8

| REF | PART #      | DESCRIPTION  | COMMENTS                      | QTY. |
|-----|-------------|--|-------------------------------|------|
|     | 076975      | <b>TENSIONER ASSEMBLY, LX450 HYDRAULIC BLADE</b>     |                               | 1    |
|     | A12294      | Handle Assembly, Hydraulic Blade Tensioner Screw     |                               | 1    |
| 1   | S10056      | Screw, Hydraulic Blade Tensioner                     | Available in assemblies only. | 1    |
| 2   | S08174      | Handle, Hydraulic Tensioner Screw                    |                               | 1    |
| 3   | P08072      | Sleeve, Plastic Handle                               |                               | 1    |
| 4   | F05012-19   | Pin, 3/16" x 7/8" Roll                               |                               | 1    |
| 5   | P02720      | Ball, 1/2" Steel                                     |                               | 1    |
| 6   | S10062      | Block, Threaded Tensioner End                        | Available in assemblies only. | 1    |
| 7   | P05060      | Fitting, 1/4-28 Grease                               |                               | 1    |
|     | A12294-518  | Instruction Sheet, Tensioner Screw                   |                               | 1    |
| 8   | F05006-180  | Bolt, 5/16-18 X 9" Hex Head Grade 5                  |                               | 4    |
| 9   | S10060      | Piston, Hydraulic Tensioner Front 2 3/4" Long        |                               | 1    |
| 10  | S10061      | Block, Piston Guide                                  |                               | 1    |
|     | 079562      | Seal Kit, LX450 Hydraulic Tensioner                  |                               | 1    |
| 5   | P02720      | Ball, 1/2" Steel                                     |                               | 1    |
| 11  | P10051      | Seal, 1" Diameter                                    |                               | 1    |
| 12  | 107104      | Seal, 1-1/8 Rubber                                   |                               | 1    |
| 13  | 107105      | Wiper, 1-1/8 Plastic                                 |                               | 1    |
| 14  | P10377      | Ring, 5/8" X 3/32" Square "O"                        |                               | 1    |
|     | 003224-1605 | Instruction Sheet, LT40 Hydraulic Tensioner Seal Kit |                               | 1    |
|     | 003224-2017 | Instruction Sheet, LT40 Hydraulic Tensioner Refill   |                               | 1    |
| 15  | P10065      | Plug, Hydraulic Tensioner Fill                       |                               | 2    |
| 16  | 076976      | Block, Tensioner Front                               |                               | 1    |
| 17  | P10052      | Gauge, 3000 P.S.I. Hydraulic                         |                               | 1    |
| 18  | 106833      | Block Assembly, Rear Tensioner Piston                |                               | 1    |

| REF | PART #     | DESCRIPTION                                 | COMMENTS | QTY. |
|-----|------------|---|----------|------|
| 19  | 107103     | Rod, 1-1/8 Chrome Tensioner                 |          | 1    |
| 20  | 107102     | Block, Tension Seal                         |          | 1    |
| 21  | F05004-43  | Bolt, #10-24 X 1" Socket Button Head        |          | 4    |
| 22  | F05006-181 | Bolt, 5/16-18x4 3/4 SHCS                    |          | 4    |
| 23  | 106872     | <b>PLATE, BLADE TENSIONER COVER</b>         |          | 1    |
| 24  | F05005-134 | <b>BOLT, 1/4-20X3/4 HH W/CONICAL WASHER</b> |          | 2    |

## SECTION 4 SAW HEAD FRAME

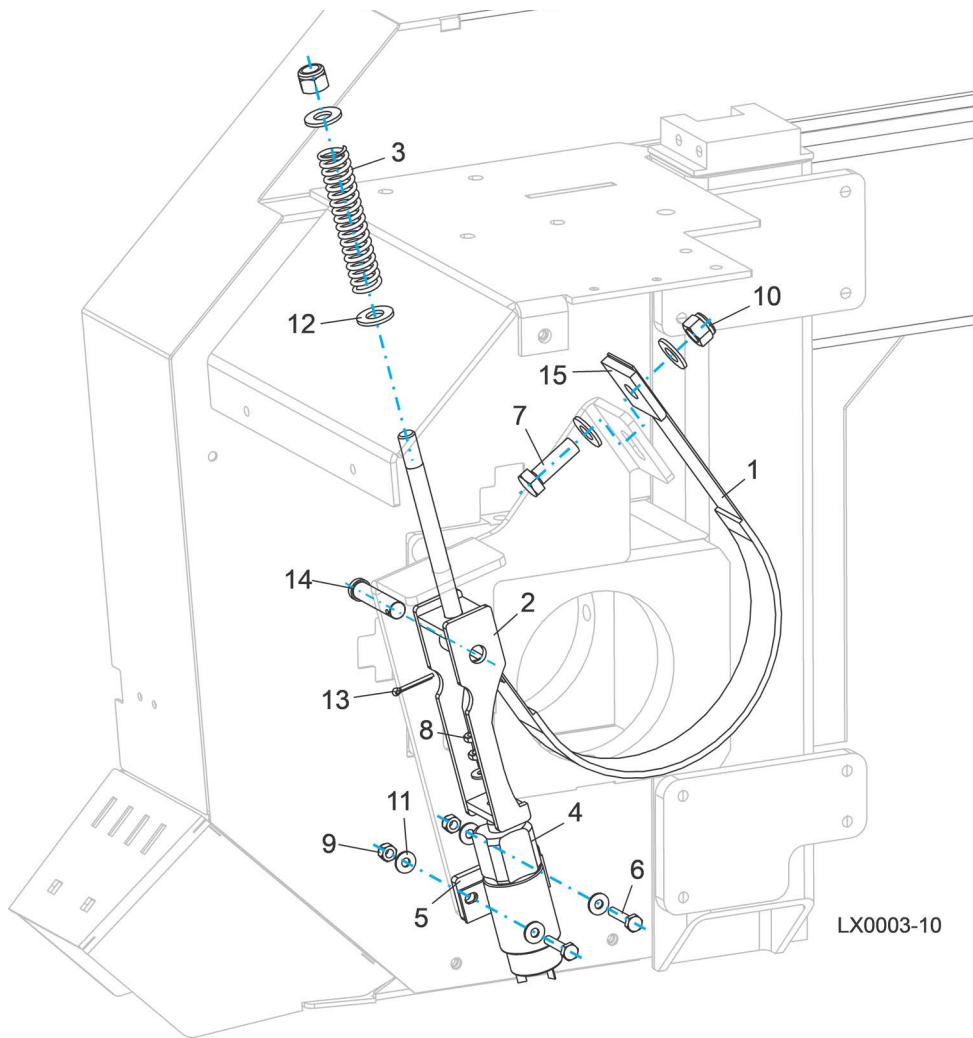
### 4.1 Blade Retainment & Middle Throat Screw



| REF      | PART #     | DESCRIPTION                          | COMMENTS | QTY. |
|----------|------------|--------------------------------------|----------|------|
|          | 107118     | <b>RETAINMENT ASSEMBLY, BLADE</b>    |          | 1    |
| <b>1</b> | 107117     | Retainment Weldment, Blade           |          | 1    |
| <b>2</b> | F05005-134 | Bolt, 1/4-20x3/4 HH w/Conical Washer |          | 9    |
| <b>3</b> | F05007-190 | Screw, 3/8-16 x 1-1/2 SHOP Set SS    |          | 1    |
| <b>4</b> | F05010-29  | Nut, 3/8-16 Jam                      |          | 1    |
| <b>5</b> | F05010-69  | Nut, 1/4-20 Nylock                   |          | 6    |
| <b>6</b> | F05011-60  | Washer, 1/4 SAE Flat                 |          | 6    |

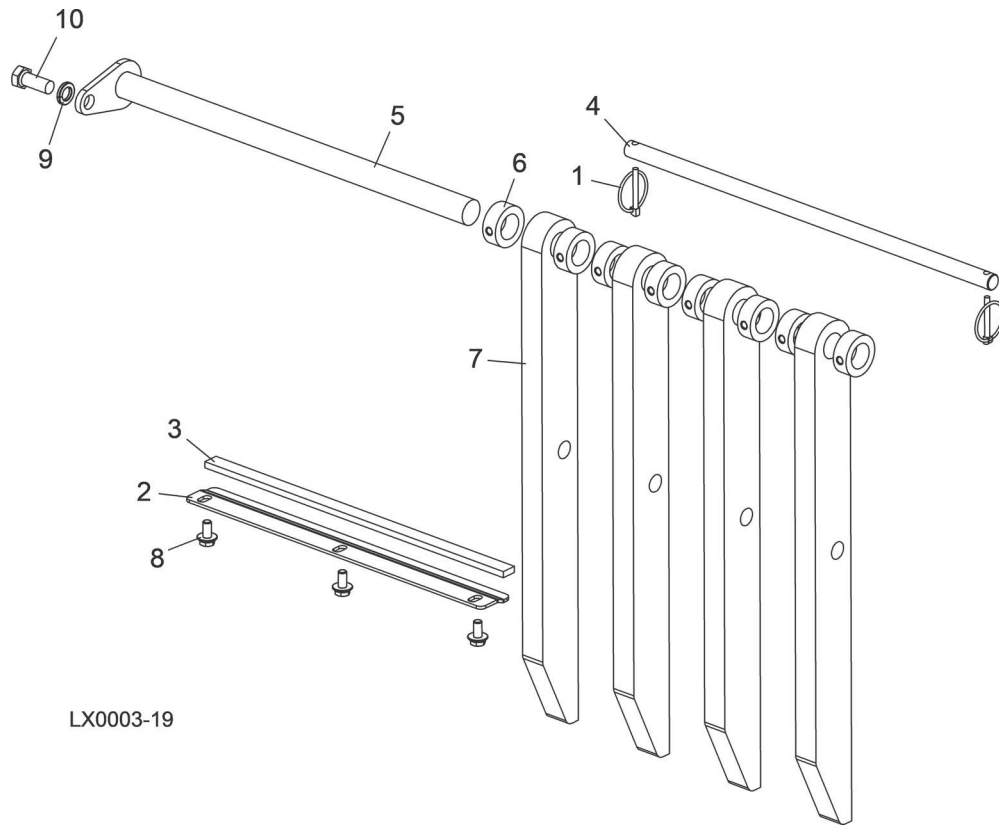


## 4.2 Brake Assembly



| REF | PART #     | DESCRIPTION                         | COMMENTS | QTY. |
|-----|------------|-------------------------------------|----------|------|
|     | 107041     | <b>BRAKE ASSEMBLY, BLADE</b>        |          | 1    |
| 1   | 014391     | Band, Upper Pivot Brake             |          | 1    |
| 2   | 036953     | Brake Link Weldment, SHR            |          | 1    |
| 3   | 016492     | Spring, 3/4ODx3x.095 Wire Comp      |          | 1    |
| 4   | 078156     | Solenoid, Engine Dual Coil 12VDC    |          | 1    |
| 5   | 076974     | Plate, Solenoid Spacer              |          | 1    |
| 6   | F05005-116 | Bolt, 1/4-20x1 1/4 Hex Head Grade 5 |          | 2    |
| 7   | F05008-33  | Bolt, 1/2-13x1 1/2 Hex Head Grade 5 |          | 1    |
| 8   | F05010-113 | Nut, 1/4-28 Hex Jam                 |          | 2    |
| 9   | F05010-69  | Nut, 1/4-20 Nylock                  |          | 2    |
| 10  | F05010-8   | Nut, 1/2-13 Nylon Hex Lock          |          | 2    |
| 11  | F05011-11  | Washer, 1/4 SAE Flat                |          | 5    |
| 12  | F05011-2   | Washer, 1/2 SAE Flat                |          | 4    |
| 13  | F05012-1   | Pin, 1/8x1 Cotter                   |          | 1    |
| 14  | F05012-81  | Pin, 1/2x2 1/4 Clevis               |          | 1    |
| 15  | S04195     | Plate, 1/4x1 3/4x1 3/4 Brake Strap  |          | 1    |

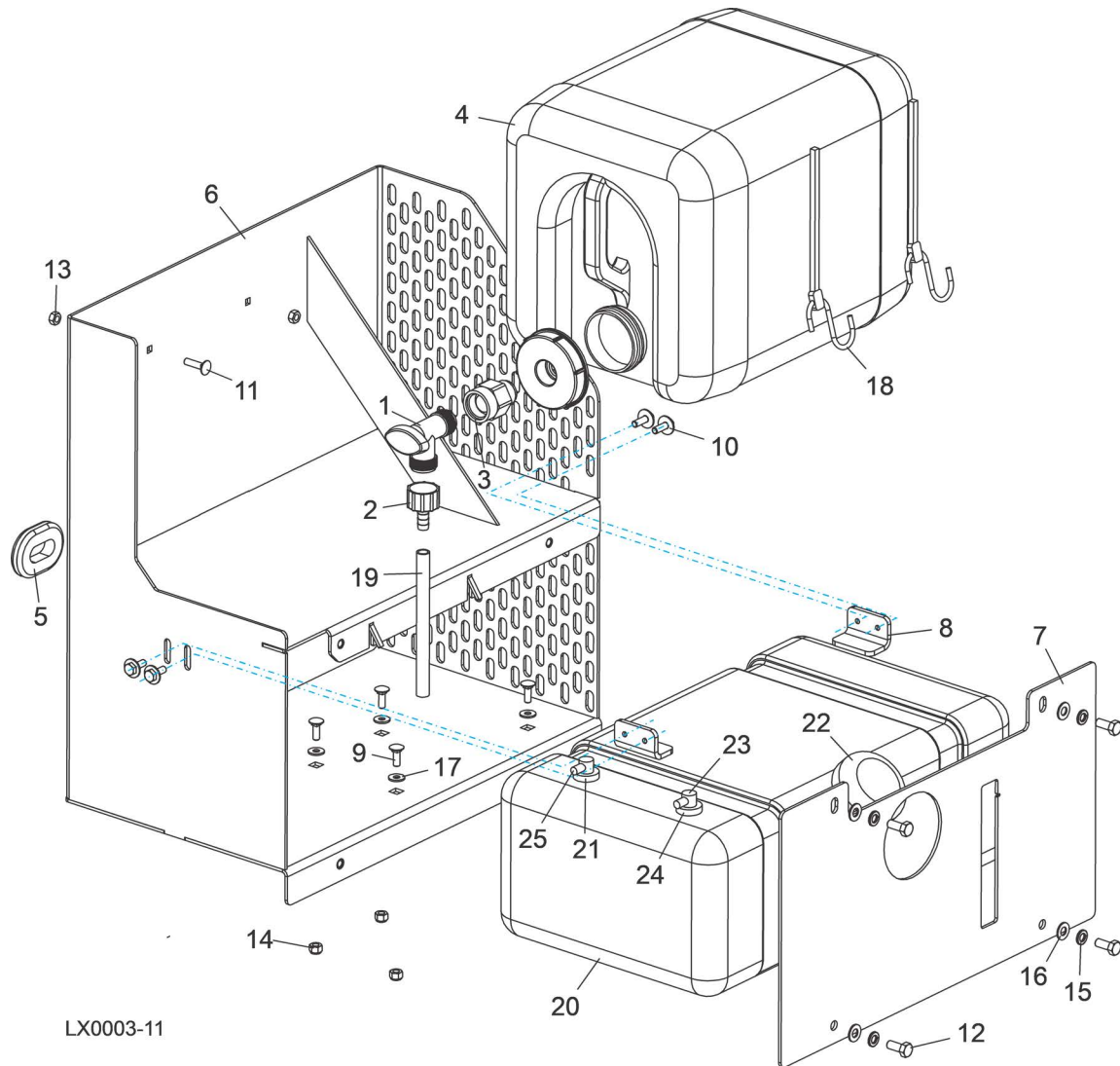
### 4.3 Drag Back Fingers Assembly



LX0003-19

| REF       | PART #     | DESCRIPTION                                   | COMMENTS | QTY. |
|-----------|------------|---|----------|------|
|           | 076443     | <b>BACK FINGERS ASSEMBLY, DRAG</b>            |          | 1    |
| <b>1</b>  | 017604     | Pin, Lynch 3/16 w/ Chain                      |          | 2    |
| <b>2</b>  | 017856     | Plate, Dragback Bumper                        |          | 1    |
| <b>3</b>  | 017857     | Bumper, 1/4x5/8x14 3/4                        |          | 1    |
| <b>4</b>  | 034565     | Pin, Lock Board Return LT70                   |          | 1    |
| <b>5</b>  | 034567     | Pin Weldment, Arm Pivot Board Return          |          | 1    |
| <b>6</b>  | 038090     | Collar, 1in Lock                              |          | 8    |
| <b>7</b>  | 076441     | Arm, Board Return                             |          | 4    |
| <b>8</b>  | F05006-101 | Bolt, 5/16-18x3/4 Hex Head w/Flat&Lock Washer |          | 3    |
| <b>9</b>  | F05011-9   | Washer, 1/2 Split Lock                        |          | 1    |
| <b>10</b> | F05008-37  | Bolt, 1/2-13x1 1/4 Hex Head Grade 5           |          | 1    |

## 4.4 Water Lube & Fuel Tank Assembly



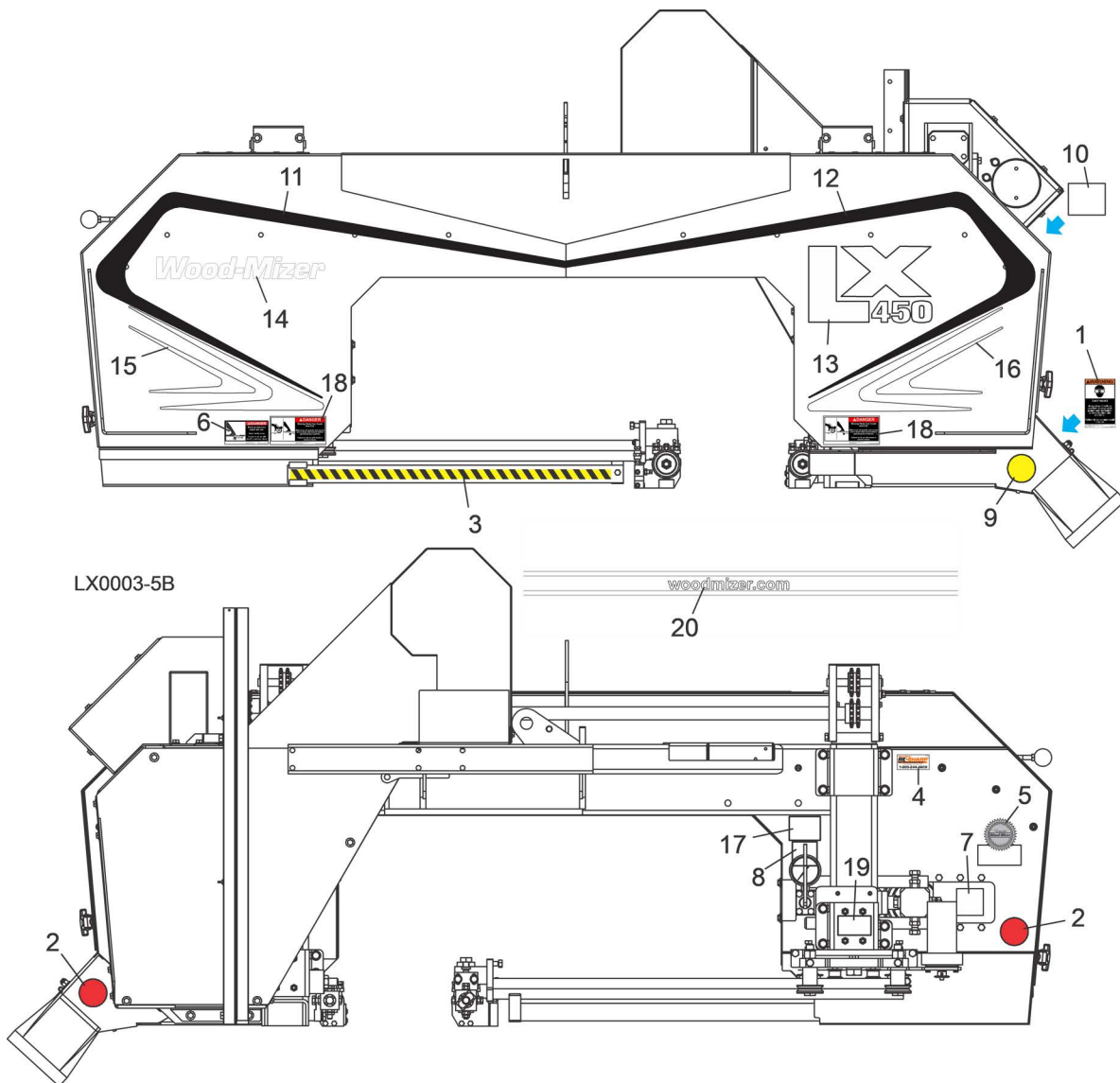
LX0003-11

| REF | PART #     | DESCRIPTION                                | COMMENTS | QTY. |
|-----|------------|--|----------|------|
|     | 106510     | <b>CAN/TRAY ASSEMBLY, GAS</b>              |          | 1    |
|     | 110731     | Bottle Kit, 5 Gallon Water                 |          | 1    |
| 1   | 014100     | Valve, 3/4 NPT Elbow 3/4 male outlet PVC   |          | 1    |
| 2   | 014113     | Reducer, 5/8NPT/3/8Barb Water Lube         |          | 1    |
| 3   | 014636     | Fitting, 3/4FPTx3/4MPT                     |          | 1    |
| 4   | 014642     | Bottle, 5Gal Water w/cap                   |          | 1    |
| 5   | 085613     | Grommet, Rubber, 1 x 1 3/4 Oval            |          | 1    |
| 6   | 107071     | Tray Weldment, Fuel Tank                   |          | 1    |
| 7   | 107144     | Plate, Fuel Tank Cover                     |          | 1    |
| 8   | 107145     | Bracket, Fuel Tank Hold Down               |          | 2    |
| 9   | F05005-113 | Bolt, 1/4-20x3/4 Carriage                  |          | 4    |
| 10  | F05005-134 | Bolt, 1/4-20x3/4 Hex Head w/Conical Washer |          | 4    |
| 11  | F05005-34  | Bolt, 1/4-20x1 Carriage                    |          | 1    |
| 12  | F05006-102 | Bolt, 5/16-18x3/4 Hex Head Grade 5         |          | 4    |
| 13  | F05010-21  | Nut, 1/4-20 Swaged                         |          | 2    |

**4** **Saw Head**  
*Water Lube & Fuel Tank Assembly*

| REF | PART #    | DESCRIPTION                         | COMMENTS | QTY.   |
|-----|-----------|-------------------------------------|----------|--------|
| 14  | F05010-69 | Nut, 1/4-20 Nylock                  |          | 4      |
| 15  | F05011-13 | Washer, 5/16 Split Lock             |          | 4      |
| 16  | F05011-17 | Washer, 5/16 SAE Flat               |          | 4      |
| 17  | F05011-60 | Washer, 1/4 SAE Flat                |          | 4      |
| 18  | P11668    | Strap, 20 Rubber W/Hook             |          | 2      |
| 19  | R01885    | Tubing, Water Lube (Ft.)            |          | 1      |
| 20  | 103878    | Tank, 5 Gallon Low Pro EPA Fuel     |          | 1      |
| 21  | 061250    | Grommet, Shut Off                   |          | 1      |
| 22  | 061251    | Gas Cap, LT15                       |          | 1      |
| 23  | 061252    | Valve, Slosh                        |          | 1      |
| 24  | 061253    | Grommet, Slosh Valve                |          | 1      |
| 25  | 074943    | Fitting, Fuel Pick-Up With Shut-Off |          | 1      |
|     | R02423-1  | Hose, Fuel 3/16" EPA 15G CARB       |          | 4.5 ft |
|     | R02423-2  | Hose, Fuel 1/4" EPA 15G CARB        |          | 4.5 ft |

## 4.5 Saw Head Decals



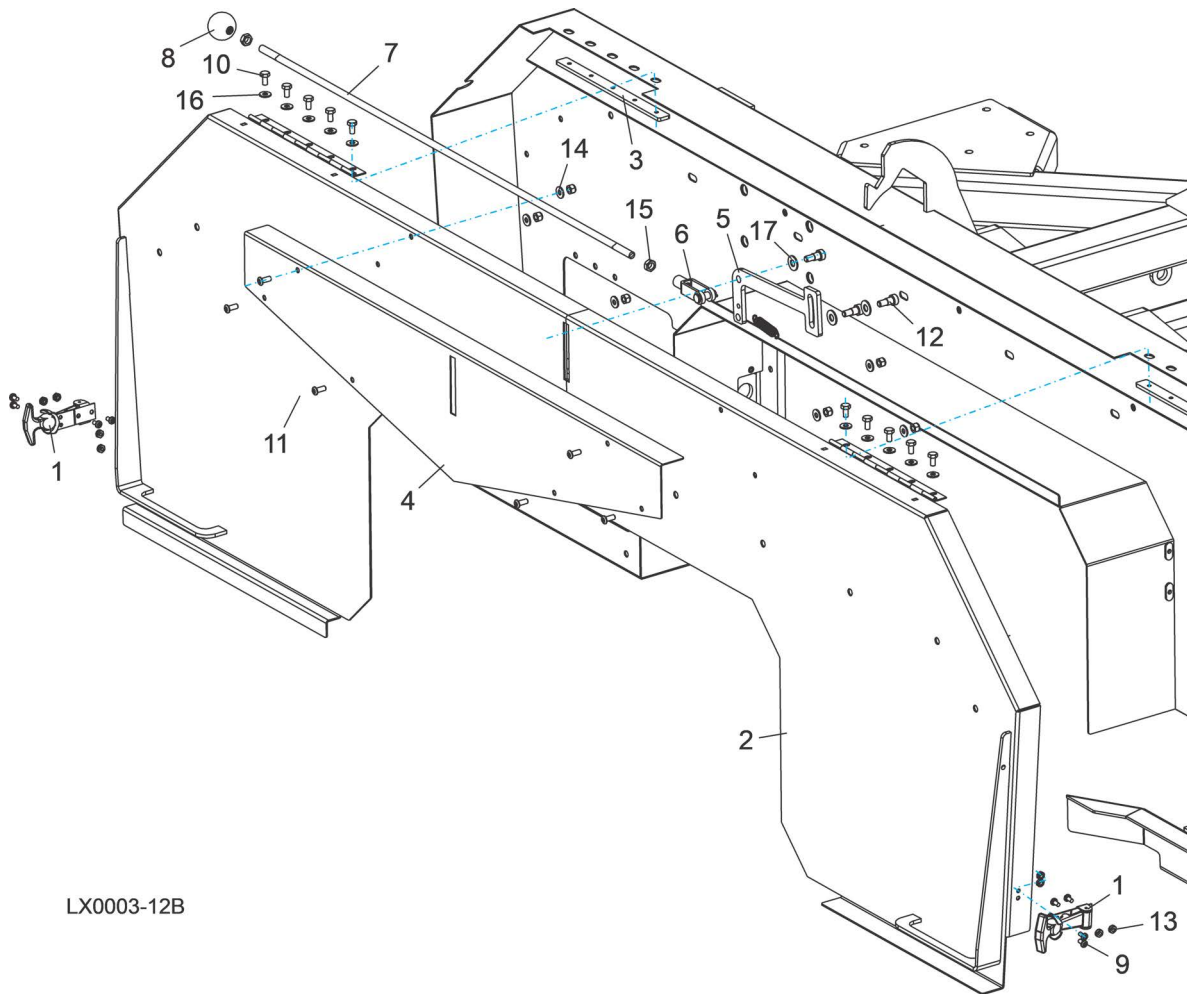
| REF | PART # | DESCRIPTION                             | COMMENTS | QTY. |
|-----|--------|---|----------|------|
| 1   | P11754 | DECAL, SAWDUST CHUTE WARNING            |          | 1    |
| 2   | P07452 | DECAL, RED REFLECTIVE 2" ROUND          |          | 2    |
| 3   | 015849 | DECAL, BLADE GUIDE ARM STRIPE           |          | 1    |
| 4   | P12879 | DECAL, BLADE RESHARP INFO               |          | 1    |
| 5   | 079278 | DECAL, WOOD-MIZER QUALITY & INFORMATION |          | 1    |
| 6   | S11752 | DECAL, BLADE DANGER                     |          | 1    |
| 7   | P11789 | DECAL, BLADE ALIGNMENT                  |          | 1    |
| 8   | P11790 | DECAL, TENSION SCREW                    |          | 1    |
| 9   | P07453 | DECAL, AMBER REFLECTIVE 2" ROUND        |          | 1    |
| 10  | 074008 | DECAL, BUILT IN THE USA                 |          | 1    |
| 11  | 107164 | DECAL, BLACK STRIPE, IDLE DOOR          |          | 1    |
| 12  | 107165 | DECAL, BLACK STRIPE, DRIVE DOOR         |          | 1    |
| 13  | 107166 | DECAL, WHITE LX450, DRIVE DOOR          |          | 1    |
| 14  | 107167 | DECAL, WHITE WOOD-MIZER, IDLE DOOR      |          | 1    |

**4** Saw Head  
Saw Head Decals

---

| REF | PART # | DESCRIPTION   | COMMENTS | QTY. |
|-----|--------|---|----------|------|
| 15  | 107168 | DECAL, WHITE STRIPE, IDLE DOOR                          |          | 1    |
| 16  | 107169 | DECAL, WHITE STRIPE, DRIVE DOOR                         |          | 1    |
| 17  | P10147 | DECAL, HYDRAULIC BLADE TENSION CAUTION                  |          | 1    |
| 18  | 033254 | DECAL, BLADE COVERS DANGER                              |          | 2    |
| 19  | P12373 | DECAL, BLADE TENSION RANGES                             |          | 1    |
| 20  | 107170 | DECAL, WHITE WOODMIZER.COM (LOCATED ON POWER FEED TUBE) |          | 1    |

## 4.6 Blade Housing Covers



LX0003-12B

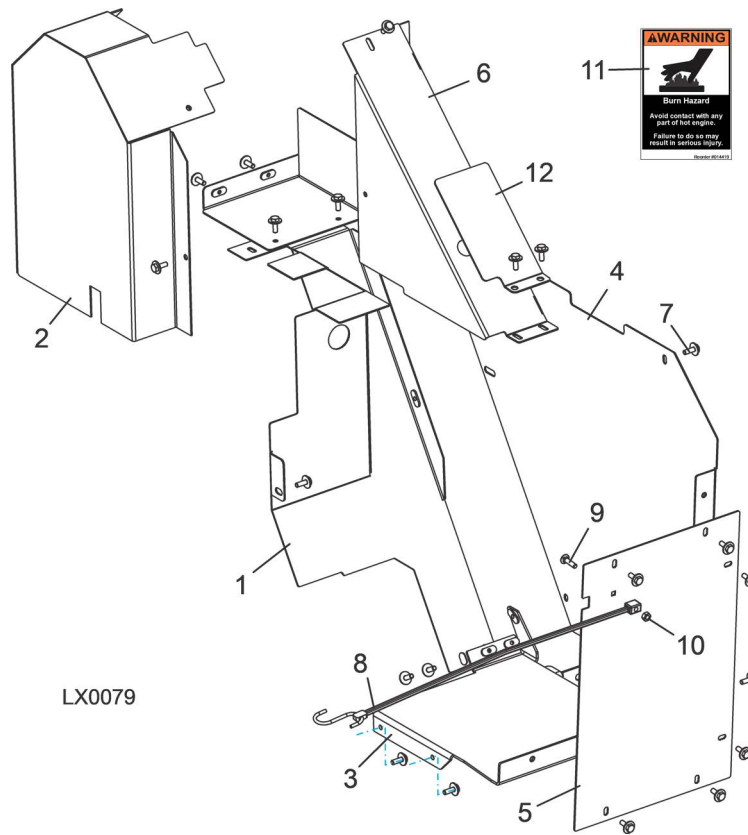
| REF | PART #     | DESCRIPTION                           | COMMENTS | QTY. |
|-----|------------|---------------------------------------|----------|------|
|     | 106841     | <b>DOOR ASSEMBLY, BLADE</b>           |          | 1    |
| 1   | 014829     | Latch, Flexible Draw                  |          | 2    |
| 2   | 106804     | Door Weldment, Blade                  |          | 1    |
| 3   | 106840     | Plate, Hinge Mounting                 |          | 2    |
| 4   | 106846     | Plate, Blade Pan Cover                |          | 1    |
| 5   | 107054     | Plate, Blade Cover Latch              |          | 1    |
| 6   | 107078     | Rod End, 3/8 Clevis                   |          | 1    |
| 7   | 107099     | Rod, Blade Cover Latch                |          | 1    |
| 8   | 107123     | Knob, Black Poly Ball                 |          | 1    |
| 9   | F05004-3   | Screw, #10-24x3/8 Phillips PH Machine |          | 8    |
| 10  | F05005-15  | Bolt, 1/4-20x1/2 HH                   |          | 10   |
| 11  | F05005-128 | Screw, 1/4-20x5/8 SBHC 18-8 SS        |          | 6    |
| 12  | F05007-159 | Bolt, 3/8x3/8 Socket Shoulder         |          | 3    |
| 13  | F05010-14  | Nut, #10-24 Keps                      |          | 8    |
| 14  | F05010-69  | Nut, 1/4-20 Nylock                    |          | 6    |
| 15  | F05010-29  | Nut, 3/8-16 Jam                       |          | 2    |
| 16  | F05011-11  | Washer, 1/4 SAE Flat                  |          | 16   |
| 17  | F05011-61  | Washer, 3/8 SAE Flat                  |          | 3    |
| 18  | 107180     | Spring, Ext .50ODx2.25Lx.055Wire Dia  |          | 1    |

**4** Saw Head  
Blade Housing Covers

| REF | PART # | DESCRIPTION  | COMMENTS | QTY. |
|-----|--------|--|----------|------|
|     | 107164 | Decal, Black Stripe, Idle Door ( <a href="#">See Section 4.5</a> for Decal Location) |          | 1    |
|     | 107165 | Decal, Black Stripe, Drive Door  |          | 1    |
|     | 107166 | Decal, White LX450, Drive Door   |          | 1    |
|     | 107167 | Decal, White Wood-Mizer, Idle Door   |          | 1    |
|     | 107168 | Decal, White Stripe, Idle Door   |          | 1    |
|     | 107169 | Decal, White Stripe, Drive Door  |          | 1    |
|     | S11752 | Decal, Blade Danger Arrow  |          | 1    |
|     | 033254 | Decal, Moving Parts Danger   |          | 2    |

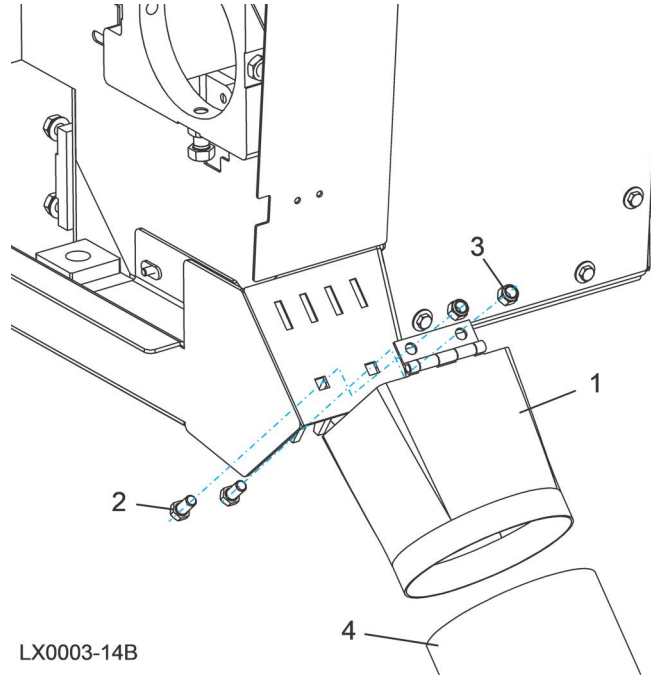


## 4.7 Drive Belt Covers



| REF | PART #     | DESCRIPTION                                | COMMENTS | QTY. |
|-----|------------|--|----------|------|
|     | 107046     | <b>COVER ASSEMBLY, DRIVE BELT</b>          |          | 1    |
| 1   | 107980     | Cover Weldment, Drive Belt                 |          | 1    |
| 2   | 106803     | Cover Weldment, Drive Belt (Top)           |          | 1    |
| 3   | 106839     | Cover Weldment, Bottom Belt                |          | 1    |
| 4   | 106845     | Cover Weldment, Drive Belt                 |          | 1    |
| 5   | 107050     | Plate, Drive Belt Cover                    |          | 1    |
| 6   | 107067     | Cover, Drive Belt                          |          | 1    |
| 7   | F05005-134 | Bolt, 1/4-20x3/4 Hex Head w/Conical Washer |          | 24   |
| 8   | P07461     | Strap, 15 Rubber W/S Hooks                 |          | 1    |
| 9   | F05005-34  | Bolt, 1/4-20x1 Carriage                    |          | 1    |
| 10  | F05010-21  | Nut, 1/4-20 Swaged                         |          | 1    |
| 11  | 014419     | Decal, Hot Engine Warning                  |          | 1    |
| 12  | 110662     | Plate, LX450 Belt Cover                    |          | 1    |

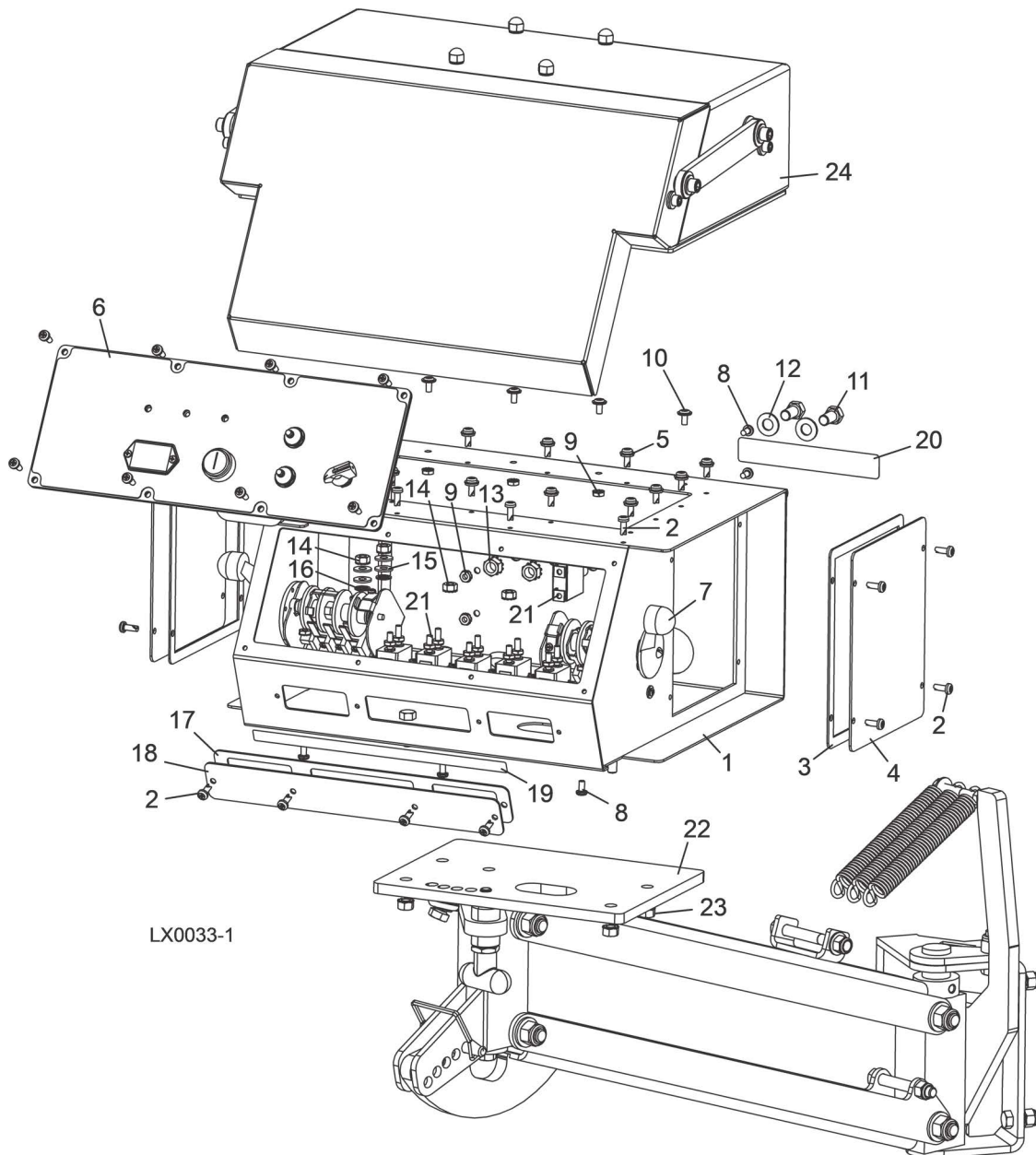
**4.8 Sawdust Chute**



| REF | PART #     | DESCRIPTION                       | COMMENTS | QTY. |
|-----|------------|-----------------------------------|----------|------|
| 1   | 034396     | TUBE WELDMENT, SAWDUST CHUTE      |          | 1    |
| 2   | F05007-118 | BOLT, 3/8-16X3/4 HEX HEAD GRADE 5 |          | 2    |
| 3   | F05010-10  | NUT, 3/8-16 HEX NYLON LOCK        |          | 2    |
| 4   | 017829     | CHUTE, RUBBER SAWDUST, 6IN        |          | 1    |

## SECTION 5 CONTROL & BATTERY BOXES

### 5.1 Control Assembly (G38 w/Accuset)



LX0033-1

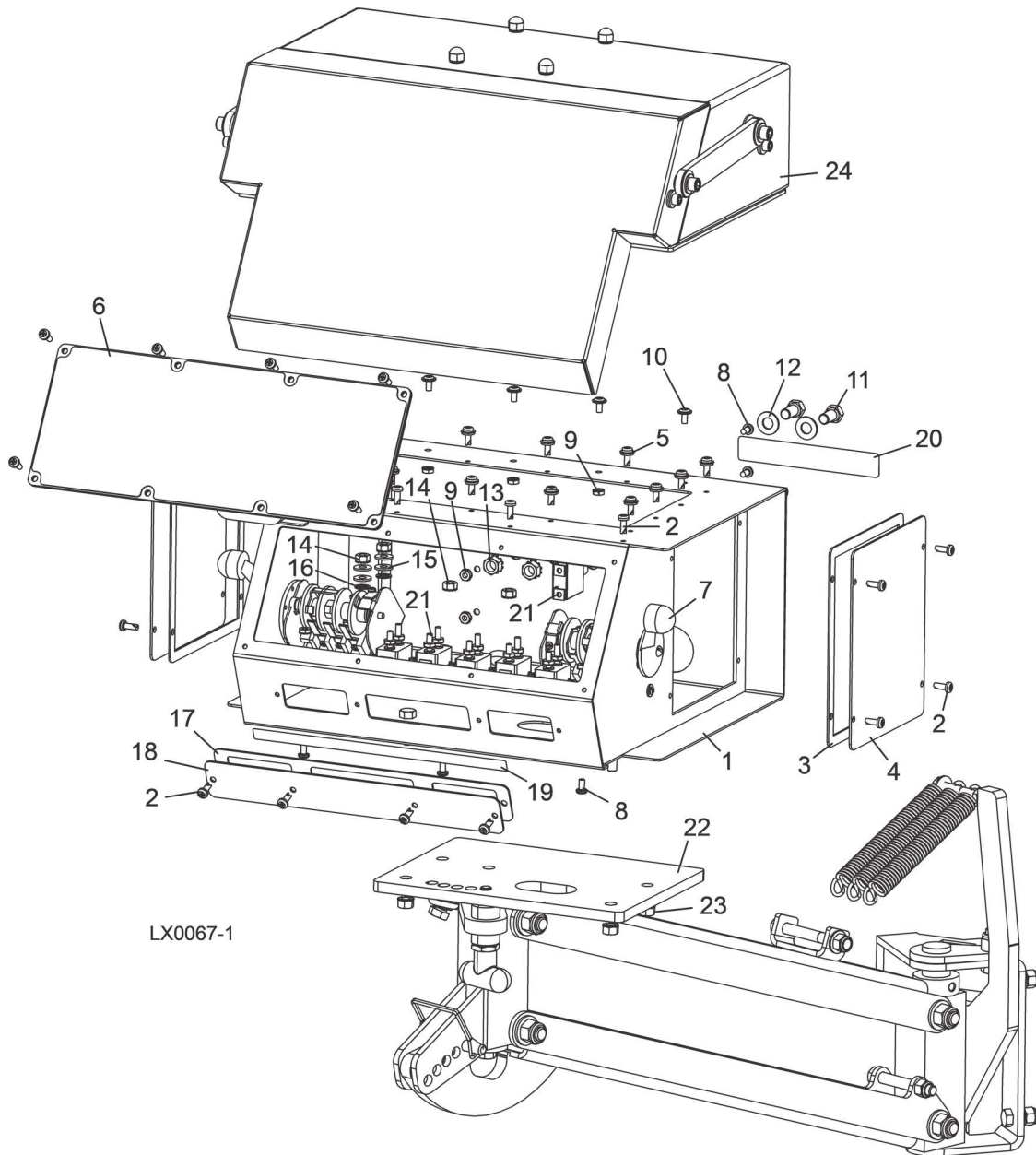
| REF | PART #     | DESCRIPTION                              | COMMENTS                      | QTY. |
|-----|------------|--|-------------------------------|------|
|     | 036352     | COVER, SAWMILL CONTROL CONSOLE W/ACCUSET |                               | 1    |
|     | 073649     | OPERATOR ASSEMBLY, LX450 G38 (W/ACCUSET) |                               | 1    |
| 1   | 025823     | Box Weldment, Sawmill Control            | Available in assemblies only. | 1    |
| 2   | F05015-17  | Screw, #10-24 x 1/2" Pan Head            |                               | 24   |
| 3   | 015274     | Gasket, Control Box Side Access          |                               | 2    |
| 4   | 006473     | Plate, Control Box Side Access           |                               | 2    |
| 5   | F05004-186 | Screw, #10-24 x 1/2" Phillips Head       |                               | 14   |

## 5 Control & Battery Boxes

Control Assembly (G38 w/Accuset)

| REF | PART #     | DESCRIPTION  | COMMENTS | QTY. |
|-----|------------|--|----------|------|
| 6   | See Parts  | Front Control Panel & Wiring Harnesses ((See Section 5.10))        |          | 1    |
| 7   | See Parts  | Drum Switches ((See Section 5.7))                                  |          | 1    |
| 8   | F05004-3   | Screw, #10-24 x 3/8" Phillips Pan Head                             |          | 5    |
| 9   | F05010-14  | Nut, #10-24 Self Locking   |          | 9    |
| 10  | F05004-148 | Screw, #10-24 x 3/8" Phillips Pan Head Machine with Neo Washer     |          | 4    |
| 11  | F05007-27  | Bolt, 3/8-16 x 3/4" Hex Head                                       |          | 2    |
| 12  | F05011-3   | Washer, 3/8" SAE Flat  |          | 2    |
| 13  | F05010-19  | Nut, 3/8" Self-Locking Hex   |          | 2    |
| 14  | F05010-9   | Nut, 1/4-20 Self Locking   |          | 4    |
| 15  | F05011-11  | Washer, 1/4" SAE Flat  |          | 4    |
| 16  | F05011-69  | Washer, 1/4" Internal Star Heavy Duty Lock                         |          | 2    |
| 17  | 015266     | Gasket, Front Access Panel   |          | 1    |
| 18  | 015376     | Panel, Control Box Front Access                                    |          | 1    |
| 19  | 069412     | Decal, Front Circuit Breaker ID (Super NR Dual-Axis)               |          | 1    |
| 20  | 069414     | Decal, Rear Circuit Breaker ID (Super NR Dual-Axis)                |          | 1    |
| 21  | See Parts  | Circuit Breakers ((See Section 5.8))                               |          | 1    |
|     | 053355     | Harness Assembly, Dual-Axis Motor Control Non-Remote               |          | 1    |
|     | 025003     | Wire Assembly, Fwd Feed Option Power Point                         |          | 1    |
| 22  | See Parts  | <b>MOUNT ASSEMBLY, ADJUSTABLE CONTROL BOX ((See Section 5.14))</b> |          | 1    |
| 23  | F05010-20  | <b>NUT, 5/16-18 SELF-LOCKING HEX</b>                               |          | 4    |
| 24  | See Parts  | <b>ACCUSET PARTS ((See Section 5.4))</b>                           |          | 1    |

## 5.2 Control Assembly (D35 w/Accuset)



LX0067-1

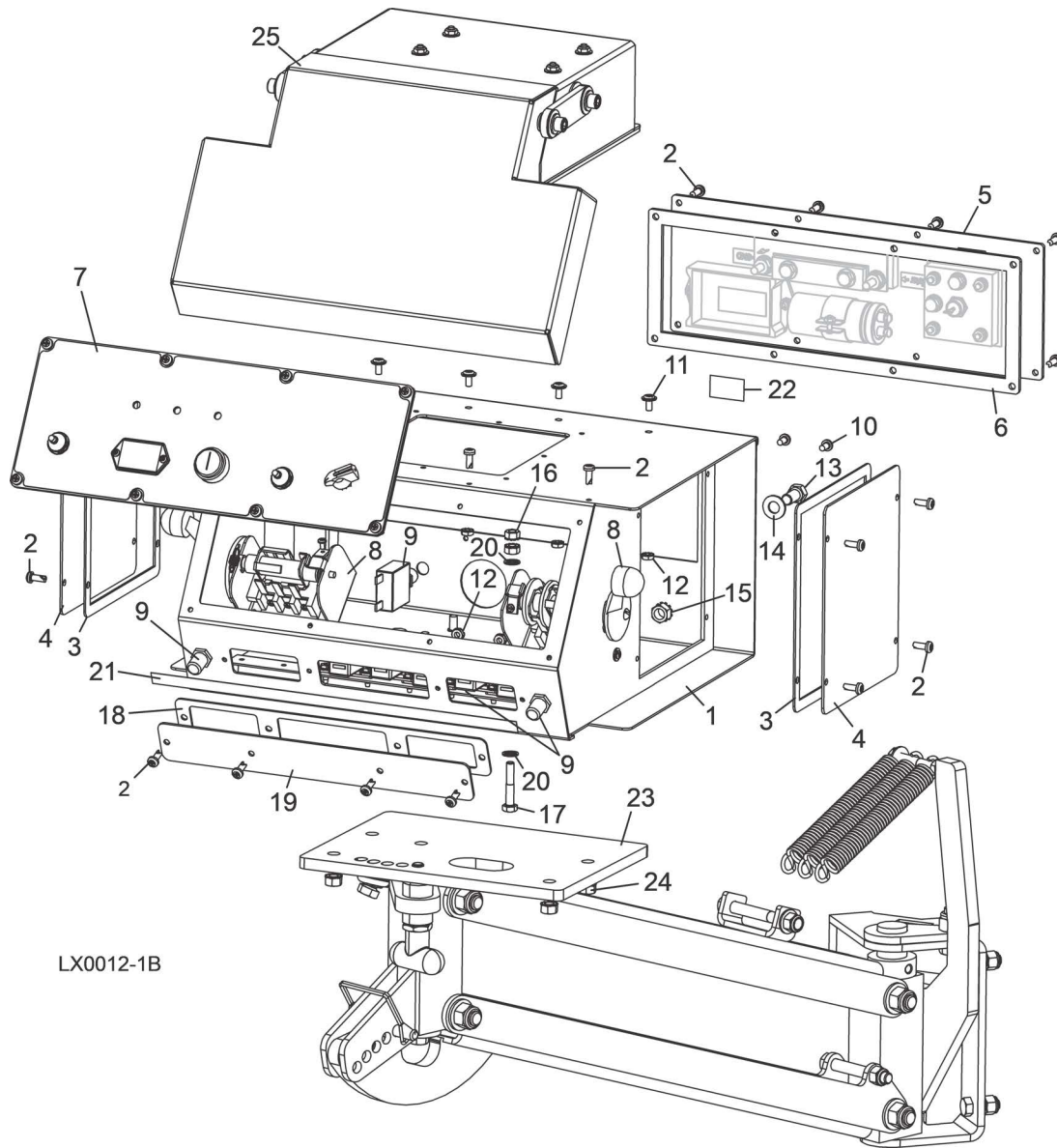
| REF | PART #     | DESCRIPTION   | COMMENTS                      | QTY. |
|-----|------------|---|-------------------------------|------|
|     | 036352     | COVER, SAWMILL CONTROL CONSOLE W/ACCUSET                    |                               | 1    |
|     | 073656     | OPERATOR ASSEMBLY, LX450 D35 TIER 4 (W/ACCUSET)             |                               | 1    |
| 1   | 025823     | Box Weldment, Sawmill Control                               | Available in assemblies only. | 1    |
| 2   | F05015-17  | Screw, #10-24 x 1/2" Pan Head                               |                               | 24   |
| 3   | 015274     | Gasket, Control Box Side Access                             |                               | 2    |
| 4   | 006473     | Plate, Control Box Side Access                              |                               | 2    |
| 5   | F05004-186 | Screw, #10-24 x 1/2" Phillips Head                          |                               | 14   |
| 6   | See Parts  | Front Control Panel & Wiring Harnesses ((See Section 5.11)) |                               | 1    |
| 7   | See Parts  | Drum Switches ((See Section 5.7))                           |                               | 1    |
| 8   | F05004-3   | Screw, #10-24 x 3/8" Phillips Pan Head                      |                               | 5    |

## 5 Control & Battery Boxes

Control Assembly (D35 w/Accuset)

| REF | PART #     | DESCRIPTION  | COMMENTS | QTY. |
|-----|------------|--|----------|------|
| 9   | F05010-14  | Nut, #10-24 Self Locking   |          | 9    |
| 10  | F05004-148 | Screw, #10-24 x 3/8" Phillips Pan Head Machine with Neo Washer                     |          | 4    |
| 11  | F05007-27  | Bolt, 3/8-16 x 3/4" Hex Head   |          | 2    |
| 12  | F05011-3   | Washer, 3/8" SAE Flat  |          | 2    |
| 13  | F05010-19  | Nut, 3/8" Self-Locking Hex   |          | 2    |
| 14  | F05010-9   | Nut, 1/4-20 Self Locking   |          | 4    |
| 15  | F05011-11  | Washer, 1/4" SAE Flat  |          | 4    |
| 16  | F05011-69  | Washer, 1/4" Internal Star Heavy Duty Lock   |          | 2    |
| 17  | 015266     | Gasket, Front Access Panel   |          | 1    |
| 18  | 015376     | Panel, Control Box Front Access  |          | 1    |
| 19  | 069412     | Decal, Front Circuit Breaker ID (Super NR Dual-Axis)                               |          | 1    |
| 20  | 069414     | Decal, Rear Circuit Breaker ID (Super NR Dual-Axis)                                |          | 1    |
| 21  | See Parts  | Circuit Breakers ( <a href="#">See Section 5.8</a> )                               |          | 1    |
|     | 053355     | Harness Assembly, Dual-Axis Motor Control Non-Remote                               |          | 1    |
|     | 025003     | Wire Assembly, Fwd Feed Option Power Point   |          | 1    |
| 22  | See Parts  | <b>MOUNT ASSEMBLY, ADJUSTABLE CONTROL BOX</b> ( <a href="#">See Section 5.14</a> ) |          | 1    |
| 23  | F05010-20  | <b>NUT, 5/16-18 SELF-LOCKING HEX</b>   |          | 4    |
| 24  | See Parts  | <b>ACCUSET PARTS</b> ( <a href="#">See Section 5.4</a> )                           |          | 1    |

### 5.3 Control Assembly (w/SimpleSet)



LX0012-1B

| REF | PART #     | DESCRIPTION                               | COMMENTS                      | QTY. |
|-----|------------|---|-------------------------------|------|
|     | 015764     | COVER, SAWMILL CONTROL CONSOLE            |                               | 1    |
|     | 073574     | OPERATOR ASSEMBLY, LX450NR G38            |                               | 1    |
|     | 073586     | OPERATOR ASSEMBLY, LX450NR D35            |                               | 1    |
| 1   | 016135     | Box Weldment, Sawmill Control             | Available in assemblies only. | 1    |
| 2   | F05015-17  | Screw, #10-24 x 1/2" Pan Head             |                               | 24   |
| 3   | 015274     | Gasket, Control Box Side Access           |                               | 2    |
| 4   | 006473     | Plate, Control Box Side Access            |                               | 2    |
| 5   | 073578     | Panel Assembly, Consolidated P/F CTRL 97  |                               | 1    |
|     | 073547     | Control Module, Power Feed with Heat-sink | Available in assemblies only. | 1    |
|     | 073572     | Plate, Consolidated Power Feed Mount      |                               | 1    |
|     | F05010-160 | Nut, 10-24 Hex Nylock                     |                               | 4    |
|     | F05011-11  | Washer, 1/4 SAE Flat                      |                               | 3    |
|     | F05010-9   | Nut, 1/4-20 Keps                          |                               | 3    |

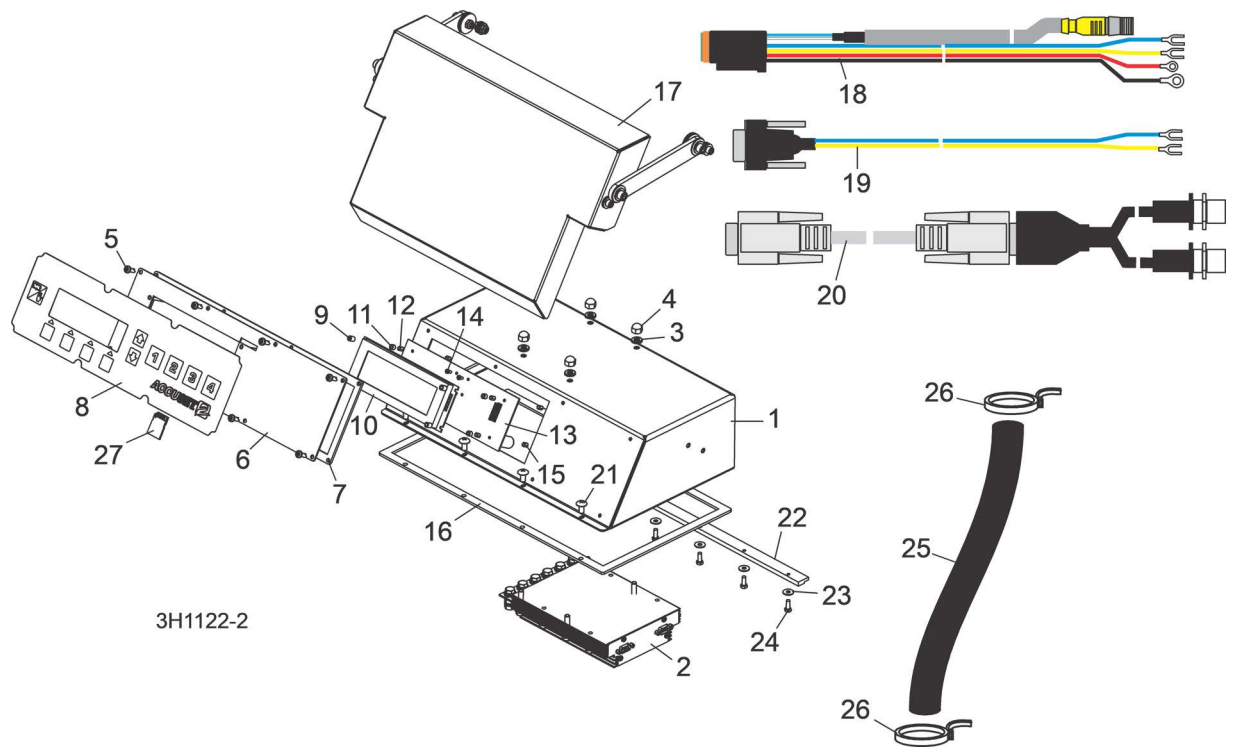
## 5 Control & Battery Boxes

Control Assembly (w/SimpleSet)

| REF | PART #     | DESCRIPTION  | COMMENTS | QTY. |
|-----|------------|--|----------|------|
| 6   | 015278     | Gasket, Rear Panel 97  |          | 1    |
| 7   | See Parts  | Front Control Panel & Wiring Harnesses ((See Section 5.13))        |          | 1    |
| 8   | See Parts  | Drum Switches ((See Section 5.7))                                  |          | 1    |
| 9   | See Parts  | Circuit Breakers ((See Section 5.9))                               |          | 1    |
| 10  | F05004-3   | Screw, #10-24 x 3/8" Phillips Pan Head                             |          | 2    |
| 11  | F05004-148 | Screw, #10-24 x 3/8" Phillips Pan Head Machine with Neo Washer     |          | 4    |
| 12  | F05010-14  | Nut, #10-24 Self Locking   |          | 6    |
| 13  | F05007-27  | Bolt, 3/8-16 x 3/4" Hex Head                                       |          | 2    |
| 14  | F05011-3   | Washer, 3/8" SAE Flat  |          | 2    |
| 15  | F05010-19  | Nut, 3/8" Self-Locking Hex   |          | 2    |
| 16  | F05010-9   | Nut, 1/4-20 Self Locking   |          | 2    |
| 17  | F05005-181 | Screw, 1/4-20 x 1 3/4" Flange Cap                                  |          | 1    |
| 18  | 015266     | Gasket, Front Access Panel   |          | 1    |
| 19  | 015376     | Panel, Control Box Front Access                                    |          | 1    |
| 20  | F05011-69  | Washer, 1/4" Internal Star Heavy Duty Lock                         |          | 2    |
| 21  | 069349     | Decal, Circuit Breaker ID (Std. 2010)                              |          | 1    |
| 22  | 024366     | Decal, Circuit Breaker ID (Autoclutch)                             |          | 1    |
| 23  | See Parts  | <b>MOUNT ASSEMBLY, ADJUSTABLE CONTROL BOX ((See Section 5.14))</b> |          | 1    |
| 24  | F05010-20  | <b>NUT, 5/16-18 SELF-LOCKING HEX</b>                               |          | 4    |
| 25  | See Parts  | <b>SIMPLESET PARTS ((See Section 5.6))</b>                         |          | 1    |



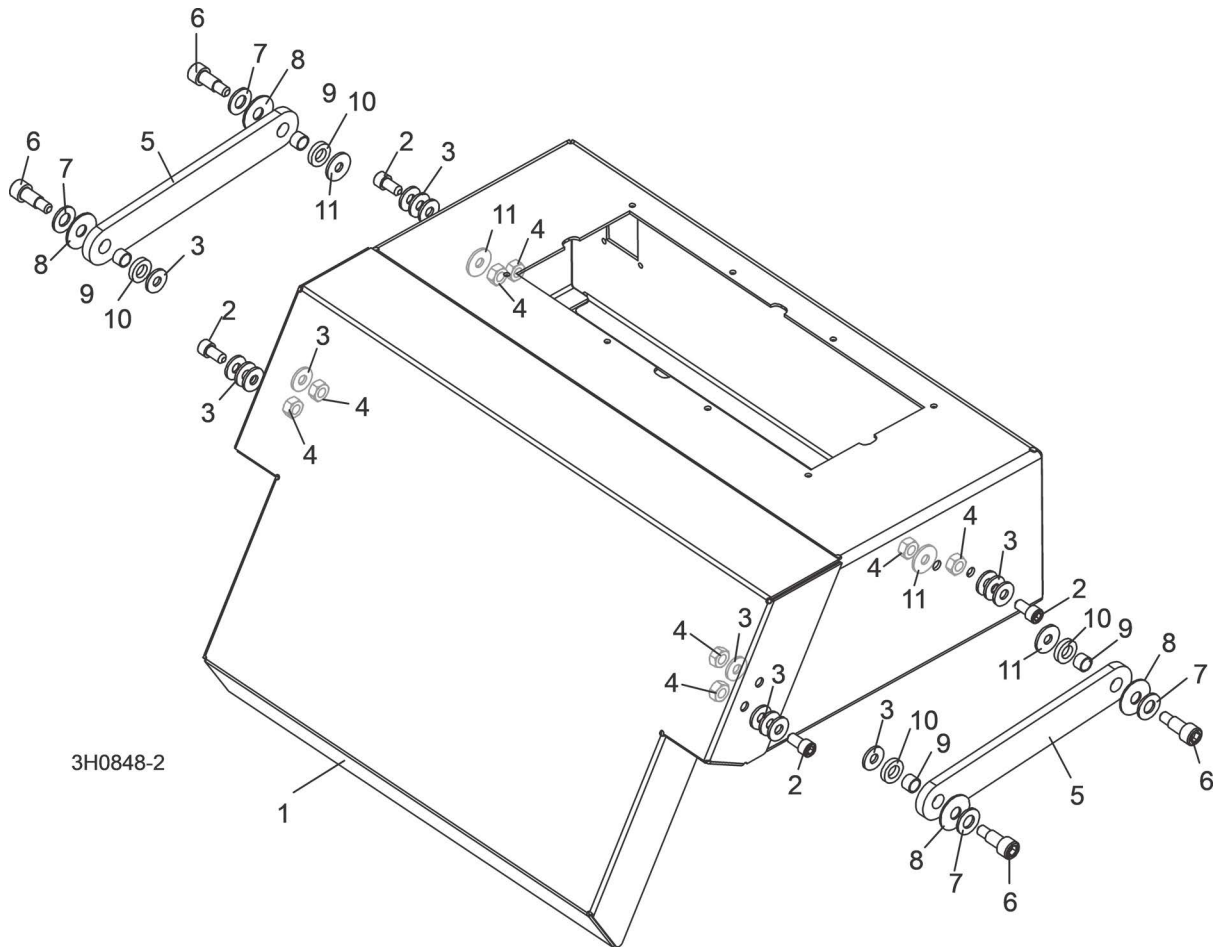
## 5.4 Accuset Control



| REF | PART #      | DESCRIPTION                                     | COMMENTS                      | QTY. |
|-----|-------------|---|-------------------------------|------|
|     | 053051      | <b>CONTROL ASSEMBLY, ACCUSET 2</b>              |                               | 1    |
| 1   | 003800      | Box Weldment, Accuset 2 Control                 | Available in assemblies only. | 1    |
| 2   | 057821LS-FR | Control Assembly, Accuset 2 Motor               |                               | 1    |
|     | 069556      | PCB Assembly, Transient Voltage Suppression     |                               | 1    |
| 3   | F05011-14   | Washer, 1/4" Split Lock                         |                               | 4    |
| 4   | F05010-204  | Nut, 1/4-20 Stainless Acorn                     |                               | 4    |
| 5   | F05015-17   | Screw, #10-24 x 1/2" Phillips Head              |                               | 8    |
|     | 069649      | Panel Assembly, Accuset 2 Modular Front         |                               | 1    |
| 6   | 055929      | Panel Weldment, AccuSet 2 Front Module          |                               | 1    |
| 7   | 024870      | Gasket, Accuset Front Panel                     |                               | 1    |
| 8   | 052874      | Switch, Accuset 2 Membrane                      |                               | 1    |
| 9   | 069650      | Spacer, 1/4" OD x 5/16" Long Nylon              |                               | 4    |
| 10  | 052900      | Display, Accuset 2 Front Panel                  |                               | 1    |
| 11  | 024864      | Spacer, 1/8" ID x 1/4" OD x 3/16" Long          |                               | 4    |
| 12  | 024863      | Spacer, 1/4" Hex Tapped                         |                               | 4    |
| 13  | 069662      | PCB Assembly, Accuset 2 Replacement Control     |                               | 1    |
| 14  | F05005-183  | Screw, #4-20 x 1/4" T10 Self-Tapping            |                               | 4    |
| 15  | 024863      | Spacer, 1/4" Hex Tapped                         |                               | 4    |
| 16  | 015980      | Gasket, Accuset Control Box                     |                               | 1    |
| 17  |             | Cover Parts ( <a href="#">See Section 5.5</a> ) |                               |      |
| 18  | 053036      | Harness Assembly, Accuset 2 LT40/70 HMI         |                               | 1    |
| 19  | 053037      | Cable Assembly, LT40/70 Bridge Bypass           |                               | 1    |
| 20  | 053696      | Cable Assembly, Dual M12 to D-Sub               |                               | 1    |

| REF | PART #    | DESCRIPTION                         | COMMENTS | QTY.  |
|-----|-----------|-------------------------------------|----------|-------|
| 21  | F05015-17 | SCREW, #10-24 X 1/2" PHILLIPS HEAD  |          | 4     |
| 22  | 015296    | BRACKET, ACCUSET HOLDOWN CLAMP      |          | 1     |
| 23  | F05011-18 | WASHER, #10 SAE FLAT                |          | 4     |
| 24  | F05004-27 | BOLT, #10-24 X 1/2" HEX HEAD        |          | 4     |
| 25  | R02349    | TUBING, 13/16 OD X 5/8 ID NORPRENE  |          | 6 in. |
| 26  | F05089-3  | TIE WRAP, 3/16" X 6" BLACK UV       |          | 2     |
| 27  | 053225    | CARD KIT, ACCUSET 2 SOFTWARE UPDATE |          | 1     |

## 5.5 Accuset Cover Assembly



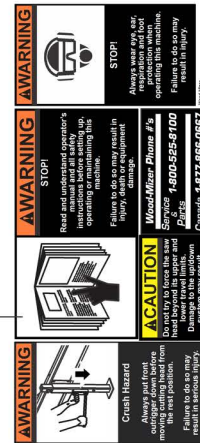
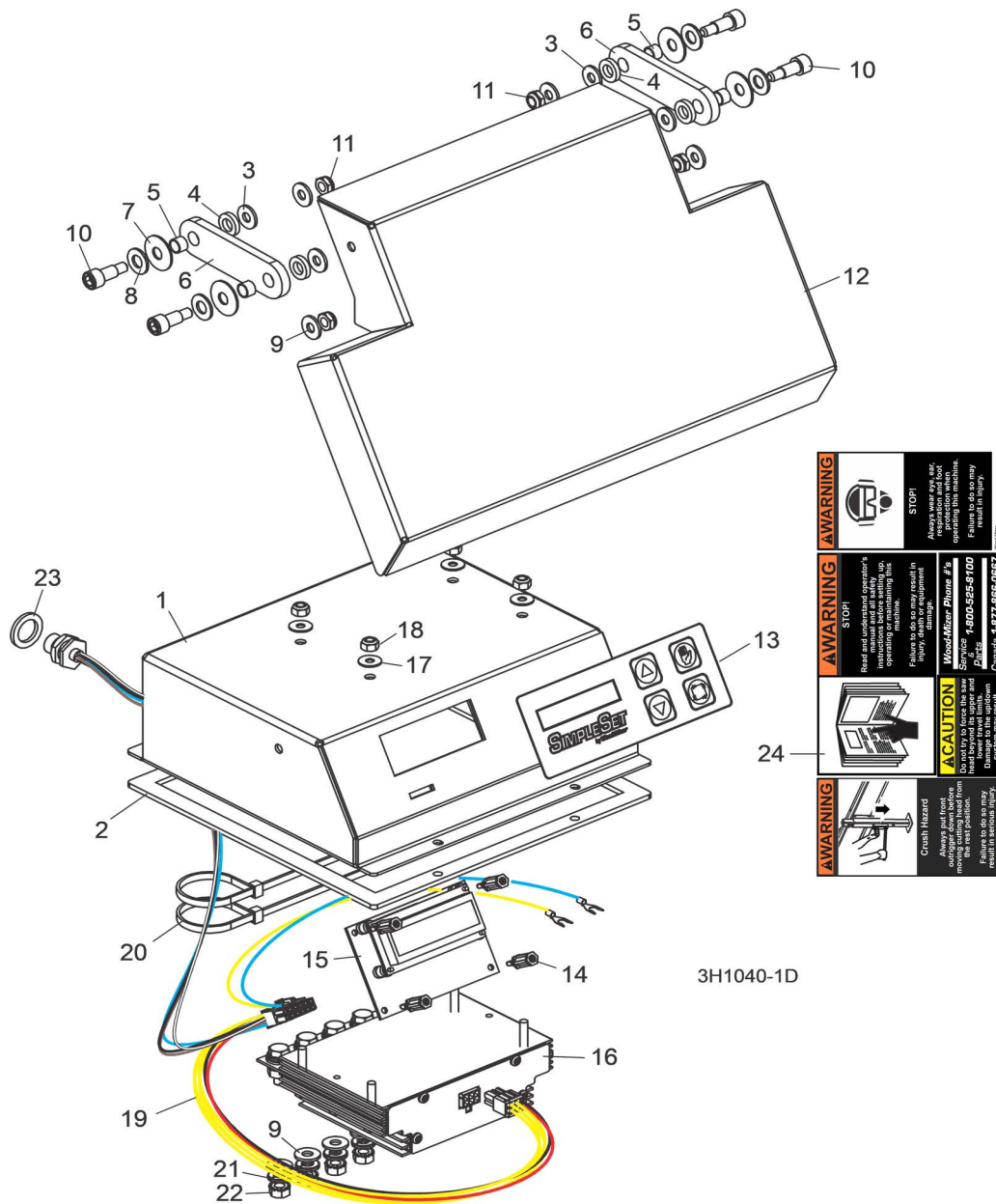
| REF | PART #     | DESCRIPTION   | COMMENTS | QTY. |
|-----|------------|---|----------|------|
|     | 006847     | <b>CONTROL ASSEMBLY, SIMPLE SET</b>                 |          | 1    |
| 1   | 006845     | Box Weldment, Simple Set Control                    |          | 1    |
| 2   | 006863     | Gasket, Simple Set Control Box                      |          | 1    |
| 3   | F05011-11  | Washer, 1/4" SAE Flat                               |          | 4    |
| 4   | F05011-92  | Washer, 5/16" Nylon Flat                            |          | 4    |
| 5   | 016655     | Bushing, 5/16" ID x 3/8" OD x 1/4" Bronze           |          | 4    |
| 6   | 006872     | Plate, Simple Set Control Cover Link                |          | 2    |
| 7   | F05011-93  | Washer, 5/16" Belleville                            |          | 4    |
| 8   | F05011-17  | Washer, 5/16" SAE Flat                              |          | 4    |
| 9   | F05011-11  | Washer, 1/4" SAE Flat                               |          | 8    |
| 10  | F05006-69  | Bolt, 5/16" x 1/2" Shoulder 1/4-20 Thread Stainless |          | 4    |
| 11  | F05010-156 | Nut, 1/4-20 Hex Half Nylon Lock                     |          | 4    |
| 12  | 006846     | Cover, Simple Set Control                           |          | 1    |
| 13  | 053347     | Membrane, Simple Set Control Switch                 |          | 1    |
| 14  | 053385     | Standoff, 5/8" Threaded PCB                         |          | 4    |
| 15  | 053377     | PCB Assembly, Simple Set Control                    |          | 1    |
| 16  | 053373     | H-Bridge Assembly, Simple Set                       |          | 1    |
| 17  | F05011-18  | Washer, #10 SAE Flat                                |          | 4    |
| 18  | F05010-160 | Nut, #10-24 Hex Nylon Lock                          |          | 4    |

**5** **Control & Battery Boxes**  
*Accuset Cover Assembly*

---

| REF | PART #    | DESCRIPTION                          | COMMENTS | QTY. |
|-----|-----------|--------------------------------------|----------|------|
| 19  | 053379    | Harness Assembly, Simple Set Control |          | 1    |
| 20  | F05089-3  | Tie Wrap, 3/16" x 6" UV Black        |          | 2    |
| 21  | F05011-14 | Washer, 1/4" Split Lock              |          | 4    |
| 22  | F05010-9  | Nut, 1/4-20 Self-Locking Hex         |          | 4    |
| 23  | F05011-19 | Washer, 5/8" x 15/16" x .094 Nylon   |          | 1    |
| 24  | 069632    | Decal, Control Box 4 x Warning       |          | 1    |

## 5.6 Simple Set Control



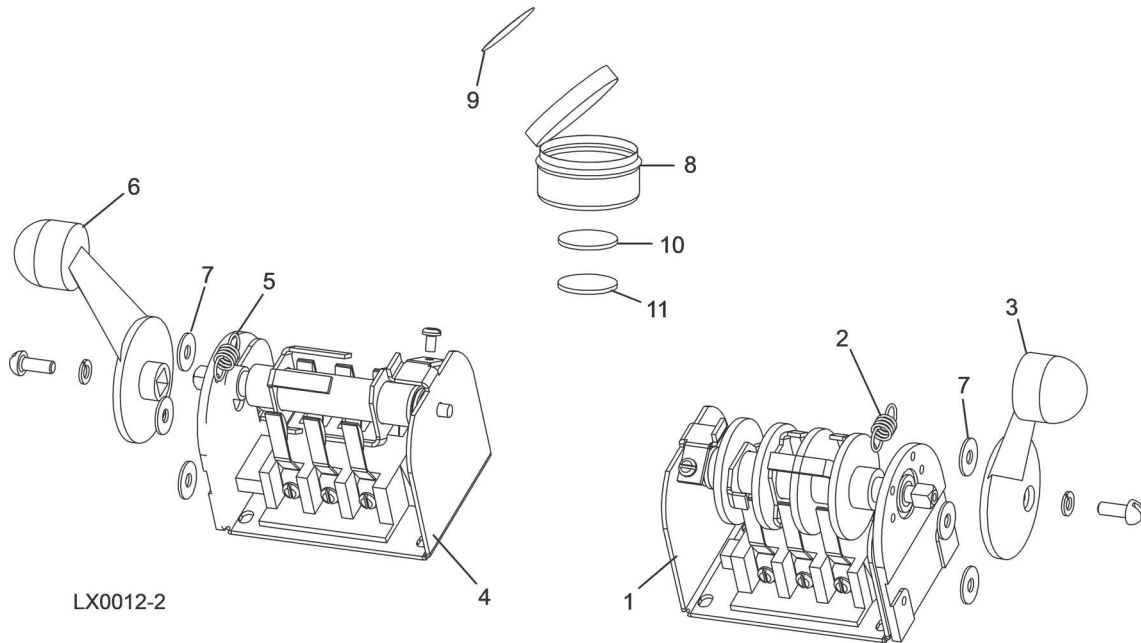
3H1040-1D

| REF | PART #     | DESCRIPTION   | COMMENTS | QTY. |
|-----|------------|---|----------|------|
|     | 006847     | <b>CONTROL ASSEMBLY, SIMPLE SET</b>                 |          | 1    |
| 1   | 006845     | Box Weldment, Simple Set Control                    |          | 1    |
| 2   | 006863     | Gasket, Simple Set Control Box                      |          | 1    |
| 3   | F05011-11  | Washer, 1/4" SAE Flat                               |          | 4    |
| 4   | F05011-92  | Washer, 5/16" Nylon Flat                            |          | 4    |
| 5   | 016655     | Bushing, 5/16" ID x 3/8" OD x 1/4" Bronze           |          | 4    |
| 6   | 006872     | Plate, Simple Set Control Cover Link                |          | 2    |
| 7   | F05011-93  | Washer, 5/16" Belleville                            |          | 4    |
| 8   | F05011-17  | Washer, 5/16" SAE Flat                              |          | 4    |
| 9   | F05011-11  | Washer, 1/4" SAE Flat                               |          | 8    |
| 10  | F05006-69  | Bolt, 5/16" x 1/2" Shoulder 1/4-20 Thread Stainless |          | 4    |
| 11  | F05010-156 | Nut, 1/4-20 Hex Half Nylon Lock                     |          | 4    |

**5** Control & Battery Boxes  
Simple Set Control

| REF | PART #     | DESCRIPTION                          | COMMENTS | QTY. |
|-----|------------|--------------------------------------|----------|------|
| 12  | 006846     | Cover, Simple Set Control            |          | 1    |
| 13  | 053347     | Membrane, Simple Set Control Switch  |          | 1    |
| 14  | 053385     | Standoff, 5/8" Threaded PCB          |          | 4    |
| 15  | 053377     | PCB Assembly, Simple Set Control     |          | 1    |
| 16  | 053373     | H-Bridge Assembly, Simple Set        |          | 1    |
| 17  | F05011-18  | Washer, #10 SAE Flat                 |          | 4    |
| 18  | F05010-160 | Nut, #10-24 Hex Nylon Lock           |          | 4    |
| 19  | 053379     | Harness Assembly, Simple Set Control |          | 1    |
| 20  | F05089-3   | Tie Wrap, 3/16" x 6" UV Black        |          | 2    |
| 21  | F05011-14  | Washer, 1/4" Split Lock              |          | 4    |
| 22  | F05010-9   | Nut, 1/4-20 Self-Locking Hex         |          | 4    |
| 23  | F05011-19  | Washer, 5/8" x 15/16" x .094 Nylon   |          | 1    |
| 24  | 069632     | Decal, Control Box 4 x Warning       |          | 1    |

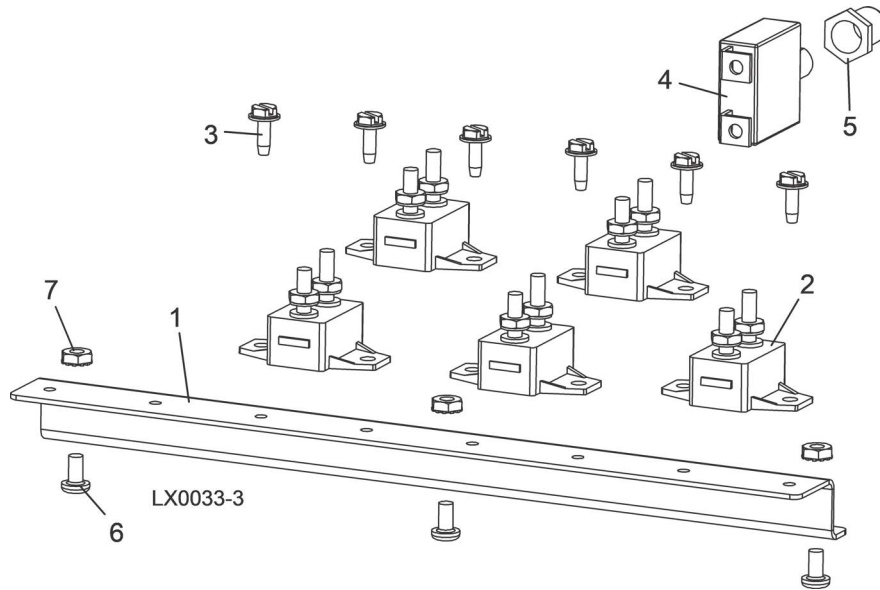
## 5.7 Drum Switches



LX0012-2

| REF | PART #    | DESCRIPTION                             | COMMENTS                      | QTY.       |
|-----|-----------|---|-------------------------------|------------|
|     | E20440    | <b>SWITCH ASSEMBLY, UP/DOWN DRUM</b>    |                               | 1          |
| 1   | E20440-B  | Switch, S12 Bulk Drum                   | Available in assemblies only. | 1          |
| 2   | P12570    | Spring, Drum Switch                     |                               | 1          |
| 3   | P12500    | Handle, Drum Switch Replacement         |                               | 1          |
|     | E20439    | <b>SWITCH ASSEMBLY, POWER FEED DRUM</b> |                               | 1          |
| 4   | E20439-B  | Switch, S11 Bulk Drum                   | Available in assemblies only. | 1          |
| 5   | P12570    | Spring, Drum Switch                     |                               | 1          |
| 6   | P12500    | Handle, Drum Switch Replacement         |                               | 1          |
| 7   | F05011-41 | <b>WASHER, #8 SAE FLAT</b>              |                               | 6          |
|     | A20463    | <b>CUP ASSEMBLY, DRUM SWITCH GREASE</b> |                               | 1          |
| 8   | P20464    | Cup, Plastic Container                  | Available in assemblies only. | 1          |
| 9   | P20467    | Decal, Grease Cup Label                 |                               | 1          |
| 10  | P20466    | Pad, Velcro Loop                        | Available in assemblies only. | 1          |
| 11  | P20465    | Pad, Velcro Hook                        | Available in assemblies only. | 1          |
|     | P20468    | Grease, High Temp Drum Switch           | Available in assemblies only. | .025<br>Lb |

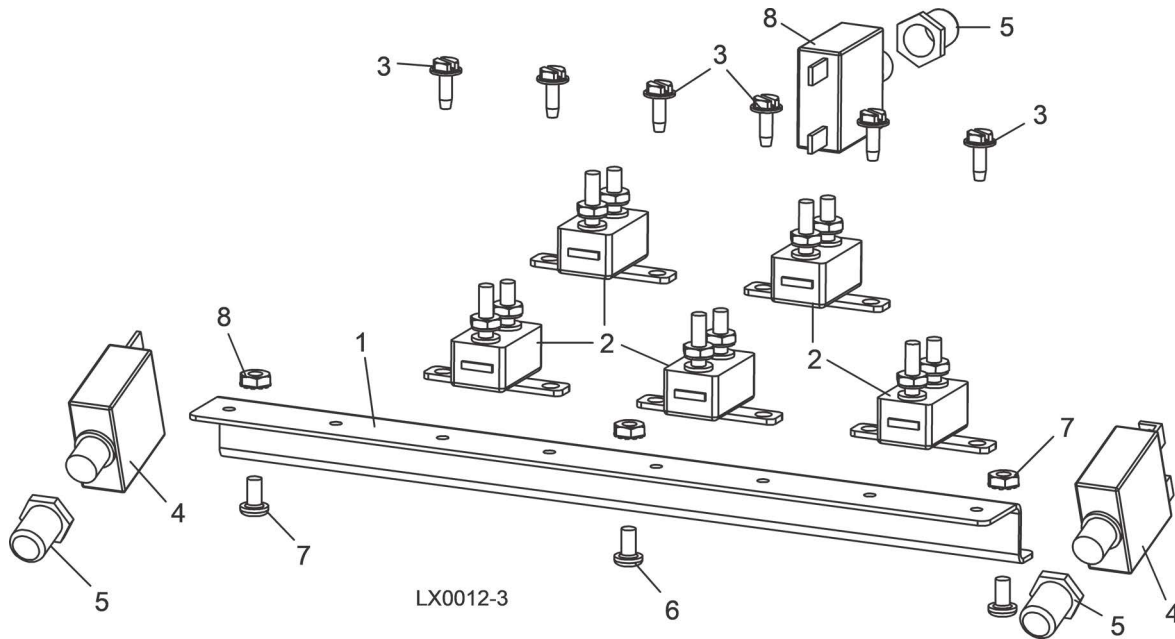
## 5.8 Circuit Breakers (w/Accuset)



| REF | PART #    | DESCRIPTION                                      | COMMENTS | QTY. |
|-----|-----------|--|----------|------|
|     | 015621    | <b>BREAKER ASSEMBLY, SAWMILL CONTROL CIRCUIT</b> |          | 1    |
| 1   | 052826    | Rail, Circuit Breaker                            |          | 1    |
| 2   | E20430    | Breaker, 15 Amp Manual Reset                     |          | 5    |
| 3   | F05015-7  | Screw, #10-24 x 1/2" Self-Tapping                |          | 6    |
| 4   | 015527    | <b>BREAKER, 70 AMP MANUAL RESET PANEL MOUNT</b>  |          | 1    |
| 5   | 021253    | <b>BOOT, CIRCUIT BREAKER</b>                     |          | 1    |
| 6   | F05004-3  | <b>SCREW, #10-24 X 3/8" PHILLIPS PAN HEAD</b>    |          | 3    |
| 7   | F05010-14 | <b>NUT, #10-24 SELF LOCKING</b>                  |          | 3    |

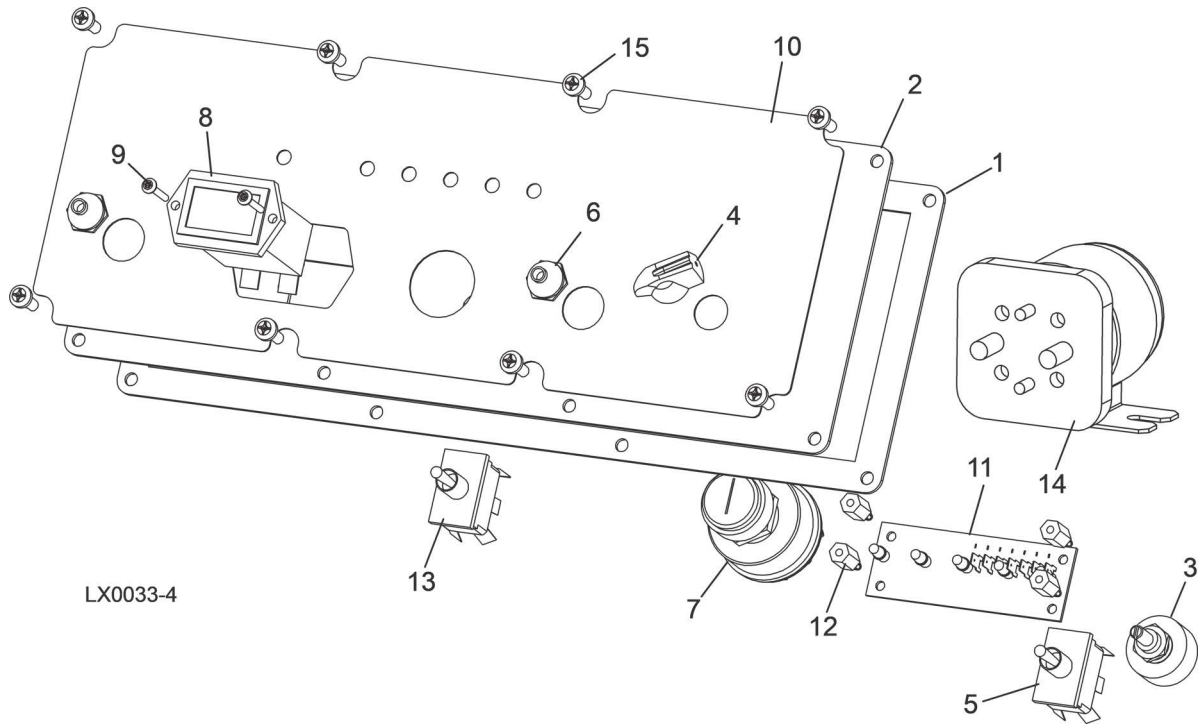


## 5.9 Circuit Breakers (w/SimpleSet)



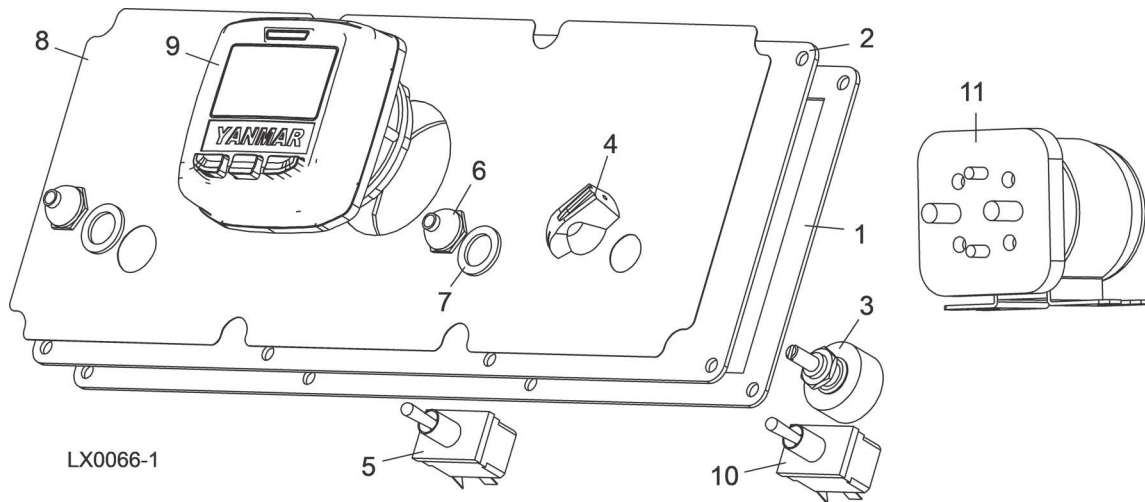
| REF | PART #    | DESCRIPTION                                      | COMMENTS | QTY. |
|-----|-----------|--|----------|------|
|     | 015621    | <b>BREAKER ASSEMBLY, SAWMILL CONTROL CIRCUIT</b> |          | 1    |
| 1   | 052826    | Rail, Circuit Breaker                            |          | 1    |
| 2   | E20430    | Breaker, 15 Amp Manual Reset                     |          | 5    |
| 3   | F05015-7  | Screw, #10-24 x 1/2" Self-Tapping                |          | 6    |
| 4   | 021256    | <b>BREAKER, 50A MANUAL RESET PANEL MOUNT</b>     |          | 2    |
| 5   | 021253    | <b>BOOT, CIRCUIT BREAKER</b>                     |          | 3    |
| 6   | F05004-3  | <b>SCREW, #10-24 X 3/8" PHILLIPS PAN HEAD</b>    |          | 3    |
| 7   | F05010-14 | <b>NUT, #10-24 SELF LOCKING</b>                  |          | 3    |
| 8   | 024246    | <b>BREAKER, 30A MANUAL RESET PANEL MOUNT</b>     |          | 1    |

### 5.10 Front Panel Assembly & Harnesses (G38 w/Accuset)



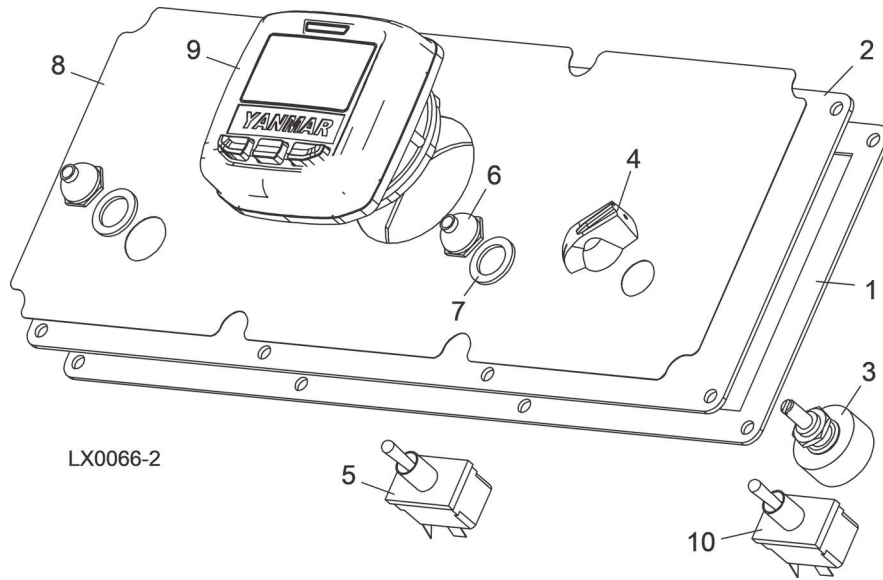
| REF | PART #    | DESCRIPTION   | COMMENTS | QTY.   |
|-----|-----------|---|----------|--------|
|     | 073650    | <b>PANEL ASSEMBLY, CONTROL FRONT (LX450 G38)</b>    |          | 1      |
| 1   | 015270    | Gasket, Front Panel                                 |          | 1      |
| 2   | 015302    | Panel Weldment, Control                             |          | 1      |
| 3   | 024450-1  | Switch Assembly, Feed Rate                          |          | 1      |
| 4   | P06257    | Knob, Feed Rate With Set Screw                      |          | 1      |
| 5   | 024200    | Switch, Toggle                                      |          | 1      |
| 6   | P02575    | Boot, Toggle Switch Rubber                          |          | 2      |
| 7   | P04350    | Switch, Key   |          | 1      |
| 8   | 015401    | Meter, Hour   |          | 1      |
| 9   | F05015-28 | Screw, #6-32 x 1/2" Plain PH T23                    |          | 2      |
| 10  | 015269    | Decal, Control Panel                                |          | 1      |
| 11  | 015409    | Board, LED Circuit (D35/G38)                        |          | 1      |
| 12  | 023147    | Spacer, 1/2"-#6 Threaded                            |          | 4      |
| 13  | 060514    | Toggle Switch, DPST OFF-ON                          |          | 1      |
| 14  | 015470    | Solenoid, 200A 12V SPST Cont. Duty                  |          | 1      |
| 15  | F05015-17 | <b>SCREW, #10-24 X 1/2" PAN HEAD</b>                |          | 8      |
|     | 073576    | <b>HARNESS ASSEMBLY, UPPER WIRING (LX450NR G38)</b> |          | 1      |
|     | 050399    | Conduit, 1 1/4" x 58" Flex                          |          | 1      |
|     | 024402    | Connector, 1 1/4" Straight Male Metal Conduit       |          | 1      |
|     | 073575    | <b>HARNESS ASSEMBLY, LOWER WIRING (G38)</b>         |          | 1      |
|     | R02374    | Conduit, 1/2" Expandable Black                      |          | 41 in. |
|     | R02374    | Conduit, 1/2" Expandable Black                      |          | 42 in. |

### 5.11 Front Panel Assembly & Harnesses (D35 w/Accuset)



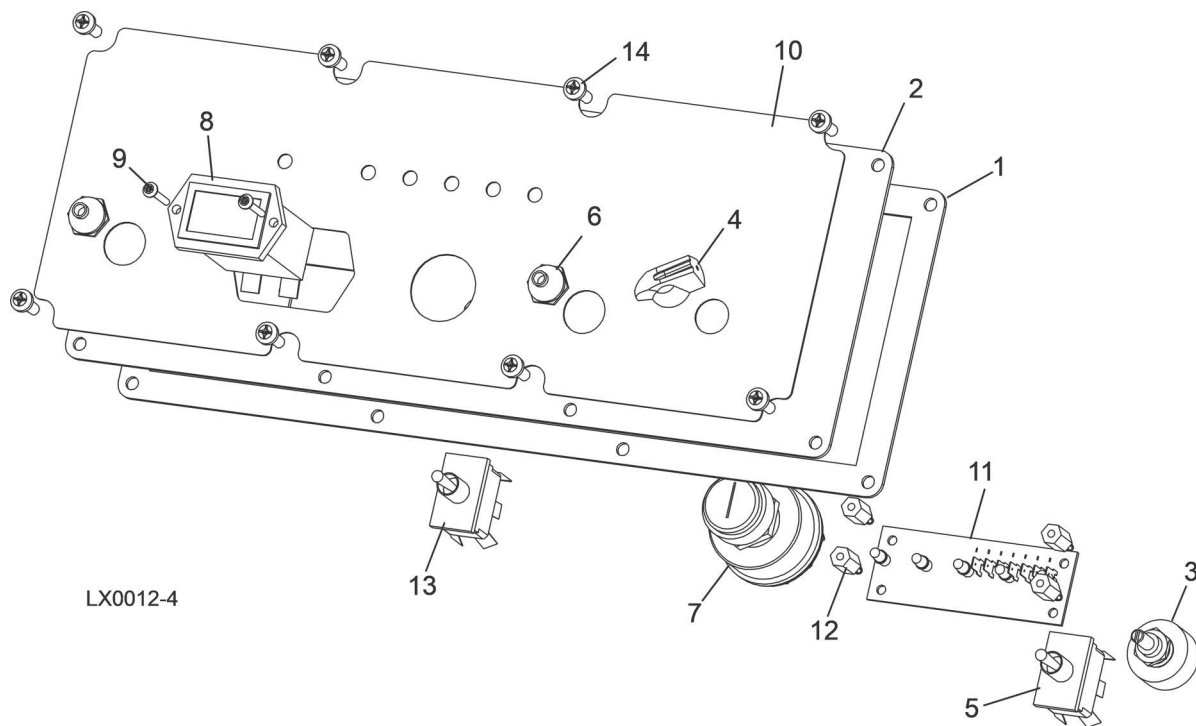
| REF | PART #   | DESCRIPTION                                      | COMMENTS                      | QTY. |
|-----|----------|--|-------------------------------|------|
|     | 073658   | <b>PANEL ASSEMBLY, CONTROL FRONT (LX450 D35)</b> |                               | 1    |
| 1   | 015270   | Gasket, Front Panel                              |                               | 1    |
| 2   | 011298   | Panel, LT40/50 Control Box Front                 |                               | 1    |
| 3   | 024450   | Pot Assembly, Feed Rate Control Sawmill          |                               | 1    |
| 4   | P06257   | Knob, Feed Rate With Set Screw                   |                               | 1    |
| 5   | 024200   | Switch, Toggle                                   |                               | 2    |
| 6   | P02575   | Boot, Toggle Switch Rubber                       |                               | 2    |
| 7   | P05251-1 | Washer, 1/2 x 3/4 x 1/16 Nylon                   |                               | 2    |
| 8   | 073660   | Decal, LX450 Tier 4 Control Panel Front          |                               | 1    |
| 9   | 073601   | Controller, Yanmar Tier 4 Engine                 |                               | 1    |
| 10  | 073661   | Switch, DPDT ON-ON Toggle                        |                               | 1    |
| 11  | 016371   | <b>SOLENOID KIT, 200A 12V SPST CONT. DUTY</b>    |                               | 1    |
|     | 015470   | Solenoid, 200A 12V SPST Cont. Duty               | Available in assemblies only. | 1    |
|     | 015426   | Diode Assembly, Solenoid Coil Chassis Gnd        |                               | 1    |
|     | 073657   | <b>HARNESS ASSEMBLY, LX450NR D35 UPPER</b>       |                               | 1    |
|     | 050399   | Conduit, 1 1/4" x 58" Flex                       |                               | 1    |
|     | 024402   | Connector, 1 1/4" Straight Male Metal Conduit    |                               | 1    |
|     | 073659   | <b>HARNESS ASSEMBLY, LX450NR D35 LOWER</b>       |                               | 1    |
|     | R02374   | Conduit, 1/2" Expandable Black (Inches)          |                               | 41   |
|     | R02374   | Conduit, 1/2" Expandable Black (Inches)          |                               | 42   |

### 5.12 Front Panel Assembly & Harnesses (D35 Remote w/Accuset)



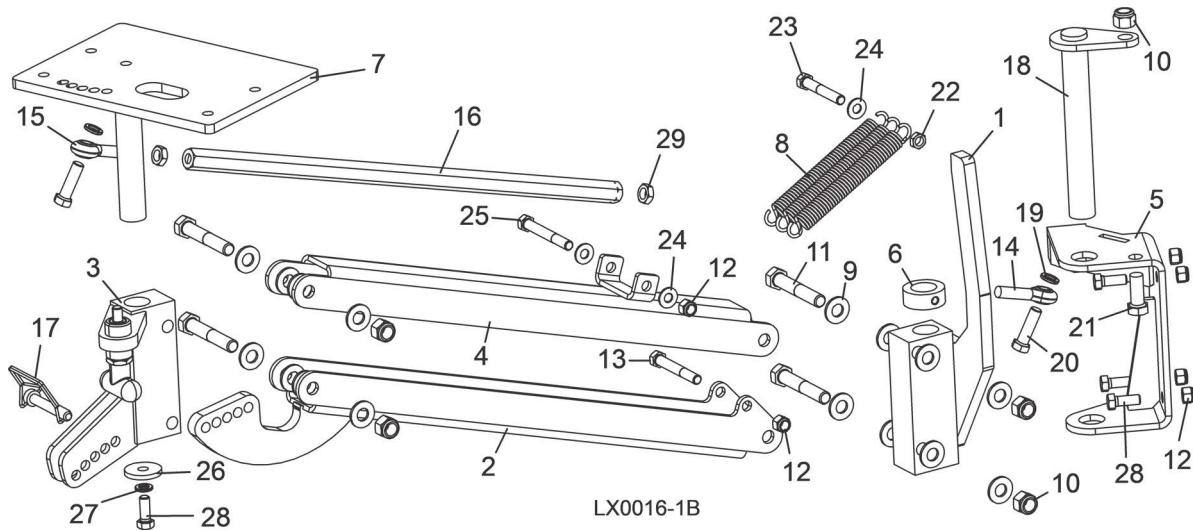
| REF       | PART #   | DESCRIPTION   | COMMENTS | QTY. |
|-----------|----------|---|----------|------|
|           | 073658   | <b>PANEL ASSEMBLY, CONTROL FRONT TIER 4 (LX450 D35)</b> |          | 1    |
| <b>1</b>  | 015270   | Gasket, Front Panel                                     |          | 1    |
| <b>2</b>  | 011298   | Panel, LT40/50 Control Box Front                        |          | 1    |
| <b>3</b>  | 024450   | Pot Assembly, Feed Rate Control Sawmill                 |          | 1    |
| <b>4</b>  | P06257   | Knob, Feed Rate With Set Screw                          |          | 1    |
| <b>5</b>  | 024200   | Switch, Toggle  |          | 1    |
| <b>6</b>  | P02575   | Boot, Toggle Switch Rubber                              |          | 2    |
| <b>7</b>  | P05251-1 | Washer, 1/2 x 3/4 x 1/16 Nylon                          |          | 2    |
| <b>8</b>  | 073660   | Decal, LX450 Tier 4 Control Panel Front                 |          | 1    |
| <b>9</b>  | 073601   | Controller, Yanmar Tier 4 Engine                        |          | 1    |
| <b>10</b> | 073661   | Switch, DPDT ON-ON Toggle                               |          | 1    |
|           | 073663   | <b>HARNESS ASSEMBLY, LX450 TIER 4 CONTROL</b>           |          | 1    |

### 5.13 Front Panel Assembly & Harnesses (w/SimpleSet)



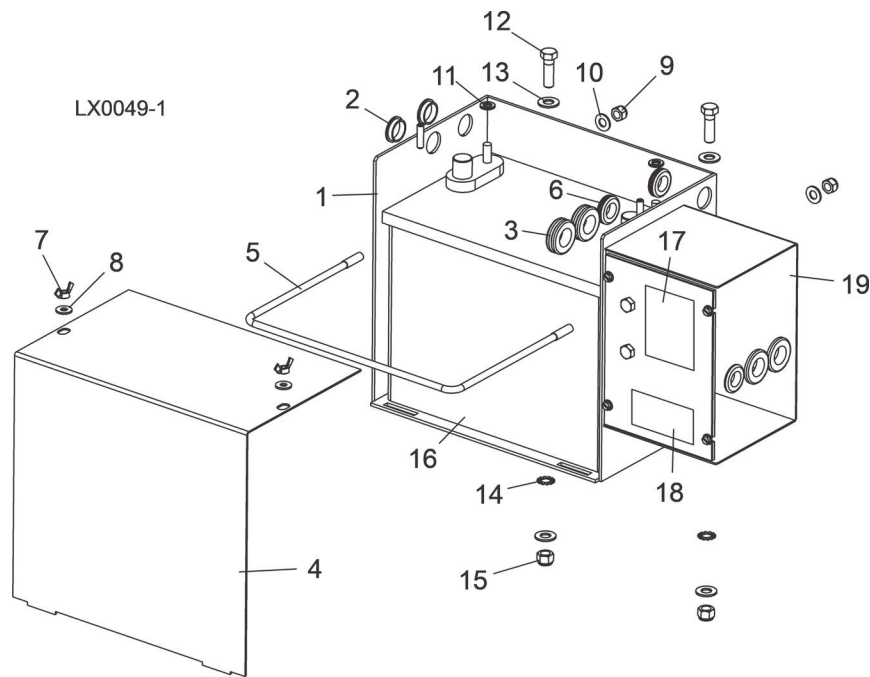
| REF | PART #    | DESCRIPTION  | COMMENTS | QTY.   |
|-----|-----------|--|----------|--------|
|     | 073577    | <b>PANEL ASSEMBLY, CONTROL FRONT (LX450NR G38/D35)</b> |          | 1      |
| 1   | 015270    | Gasket, Front Panel                                    |          | 1      |
| 2   | 015302    | Panel Weldment, Control                                |          | 1      |
| 3   | 024450-1  | Switch Assembly, Feed Rate                             |          | 1      |
| 4   | P06257    | Knob, Feed Rate With Set Screw                         |          | 1      |
| 5   | 024200    | Switch, Toggle   |          | 1      |
| 6   | P02575    | Boot, Toggle Switch Rubber                             |          | 2      |
| 7   | P04350    | Switch, Key  |          | 1      |
| 8   | 015401    | Meter, Hour  |          | 1      |
| 9   | F05015-28 | Screw, #6-32 x 1/2" Plain PH T23                       |          | 2      |
| 10  | 015269    | Decal, Control Panel (D35/G38)                         |          | 1      |
| 11  | 015409    | Board, LED Circuit (D35/G38)                           |          | 1      |
| 12  | 023147    | Spacer, 1/2"-#6 Threaded                               |          | 4      |
| 13  | 060514    | Toggle Switch, DPST OFF-ON                             |          | 1      |
| 14  | F05015-17 | <b>SCREW, #10-24 X 1/2" PAN HEAD</b>                   |          | 8      |
|     | 073576    | <b>HARNESS ASSEMBLY, UPPER WIRING (LX450NR G38)</b>    |          | 1      |
|     | 073585    | <b>HARNESS ASSEMBLY, UPPER WIRING (LX450NR D35)</b>    |          | 1      |
|     | 050399    | Conduit, 1 1/4" x 58" Flex                             |          | 1      |
|     | 024402    | Connector, 1 1/4" Straight Male Metal Conduit          |          | 1      |
|     | 073575    | <b>HARNESS ASSEMBLY, LOWER WIRING (G38)</b>            |          | 1      |
|     | N/A       | <b>HARNESS ASSEMBLY, LOWER WIRING (D35)</b>            |          | 1      |
|     | R02374    | Conduit, 1/2" Expandable Black                         |          | 41 in. |
|     | R02374    | Conduit, 1/2" Expandable Black                         |          | 42 in. |

### 5.14 Adjustable Control Mount Assembly



| REF | PART #     | DESCRIPTION                                   | COMMENTS | QTY. |
|-----|------------|---|----------|------|
|     | 107000     | <b>MOUNT ASSEMBLY, ADJUSTABLE CONTROL BOX</b> |          | 1    |
| 1   | 107161     | Mount Weldment, Control Box                   |          | 1    |
| 2   | 107156     | Link Weldment, Control Box                    |          | 1    |
| 3   | 107075     | Pivot Weldment, Control Box                   |          | 1    |
| 4   | 107159     | Link Weldment, Control Box Mount              |          | 1    |
| 5   | 107072     | Mount Weldment, Control Box                   |          | 1    |
| 6   | 038090     | Collar, 1in Lock                              |          | 1    |
| 7   | 107073     | Mount Weldment, Control Box                   |          | 1    |
| 8   | 107155     | Spring, Ext .75ODx6.5Lx.12Wire Dia            |          | 3    |
| 9   | F05011-2   | Washer, 1/2" SAE Flat                         |          | 16   |
| 10  | F05010-8   | Nut, 1/2-13 Nylon Hex Lock                    |          | 5    |
| 11  | F05008-23  | Bolt, 1/2-13 x 3" Hex Head Grade 5            |          | 4    |
| 12  | F05010-10  | Nut, 3/8-16 Nylon Hex Lock                    |          | 6    |
| 13  | F05007-206 | Bolt, 3/8-16 x 2 3/4" Hex Head Grade 5        |          | 2    |
| 14  | P11578     | Rod End, 7/16-20 LH Male                      |          | 1    |
| 15  | P11579     | Rod End, 7/16-20 RH Male                      |          | 1    |
| 16  | 107074     | Turnbuckle, Control Box                       |          | 1    |
| 17  | 014151     | Pin, 3/8x2 1/4 SQ Wire Lock                   |          | 1    |
| 18  | 107012     | Pin, Control Box Mount                        |          | 1    |
| 19  | F05011-48  | Washer, Split Lock 7/16                       |          | 2    |
| 20  | F05007-138 | Bolt, 7/16-14x1 1/2 FT Hex Head Grade 5       |          | 2    |
| 21  | F05008-37  | Bolt, 1/2-13 x 1 1/4 Hex Head Grade 5         |          | 1    |
| 22  | F05010-29  | Nut, 3/8-16 Jam                               |          | 1    |
| 23  | F05007-125 | Bolt, 3/8-16 x 2 1/2 Hex Head Grade 5         |          | 1    |
| 24  | F05011-61  | Washer, 3/8 SAE Flat                          |          | 3    |
| 25  | F05007-73  | Bolt, 3/8-16 x 3 Hex Head Grade 5             |          | 1    |
| 26  | S02779     | Washer, 3/8IDx1 1/4OD                         |          | 1    |
| 27  | F05011-4   | Washer, 3/8 Split Lock                        |          | 1    |
| 28  | F05007-87  | Bolt, 3/8-16x1 Hex Head Grade 5               |          | 5    |
| 29  | F05010-38  | Nut, 7/16-20 Jam                              |          | 2    |

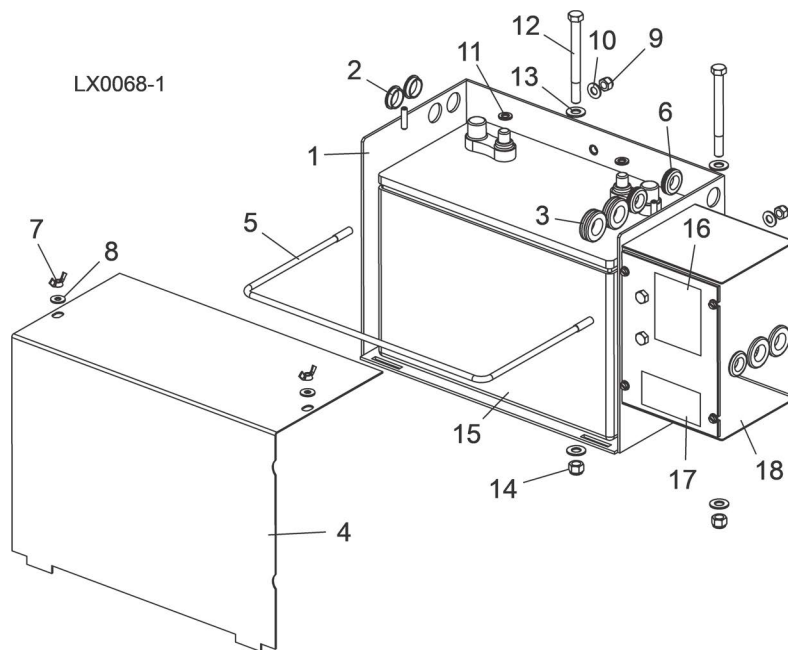
### 5.15 Battery Box Assembly (G38)



| REF | PART #     | DESCRIPTION   | COMMENTS | QTY. |
|-----|------------|---|----------|------|
|     | 106902     | <b>BOX ASSEMBLY, BATTERY (G38)</b>                  |          | 1    |
| 1   | 015472     | Box Weldment, Standard 97                           |          | 1    |
| 2   | 052496     | Plug, 1/2" Knockout Nylon                           |          | 2    |
| 3   | 074198     | Grommet, 3/4 ID 11 Gauge Thickness                  |          | 2    |
| 4   | 106901     | Cover, Std Battery Box                              |          | 1    |
| 5   | P09790     | Bolt, 5/16-18x10x7 3/16 U                           |          | 1    |
| 6   | P11764     | Grommet, 5/8 ID Rubber                              |          | 2    |
| 7   | F05010-13  | Nut, 1/4-20 Wing                                    |          | 2    |
| 8   | F05011-11  | Washer, 1/4 SAE Flat                                |          | 2    |
| 9   | F05010-58  | Nut, 5/16-18 Nylok Hex                              |          | 2    |
| 10  | F05011-17  | Washer, 5/16 SAE Flat                               |          | 2    |
| 11  | F05011-13  | Washer, 5/16 Split Lock                             |          | 2    |
| 12  | F05007-123 | Bolt, 3/8-16x1 1/4 FT HH Gr5                        |          | 2    |
| 13  | F05011-3   | Washer, 3/8 Flat SAE                                |          | 2    |
| 14  | F05011-36  | Washer, 3/8 Star External                           |          | 4    |
| 15  | F05010-10  | Nut, 3/8-16 Hex Nyloc                               |          | 2    |
| 16  | 107177     | Battery, 12V Deka 8A24M                             |          | 1    |
| 17  | P10364     | Decal, 12V Warning                                  |          | 1    |
| 18  | P12960     | Decal, Hydraulic Contact Caution                    |          | 1    |
| 19  | See Parts  | Fuse Box Parts ( <a href="#">See Section 5.17</a> ) |          | 1    |
|     | 036305     | Cable Assembly, 1Ga Red x 6 1/2" Solenoid/Fuse      |          | 1    |
|     | 079580     | Cable Assembly, 1Ga Red x 22" Solenoid/Contact+     |          | 1    |
|     | 079581     | Cable Assembly, 1Ga Black x 32" Battery-/Contact-   |          | 1    |
|     | 079582     | Cable Assembly, 1Ga Red x 13" Battery+/Fuses        |          | 1    |



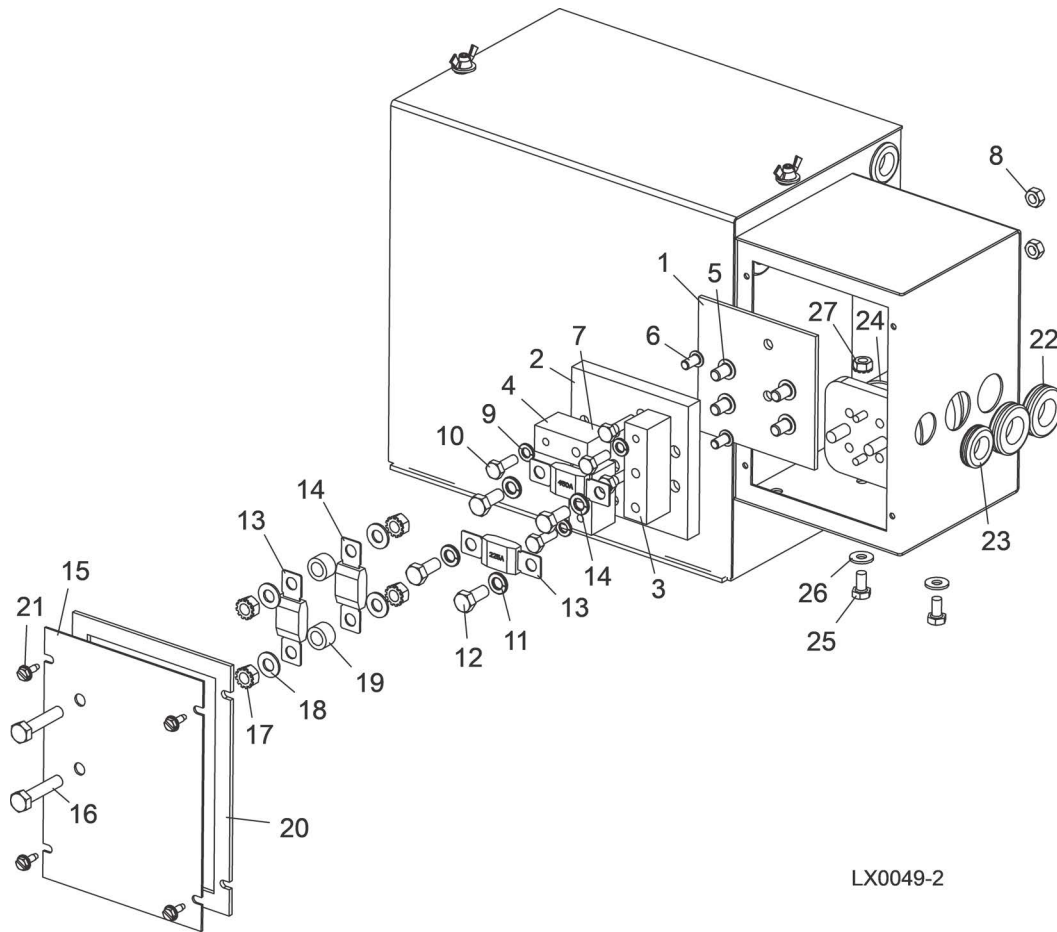
## 5.16 Battery Box Assembly (D35)



| REF       | PART #    | DESCRIPTION   | COMMENTS | QTY. |
|-----------|-----------|---|----------|------|
|           | 110256    | <b>BOX ASSEMBLY, BATTERY LX450 (D35)</b>            |          | 1    |
| <b>1</b>  | 015191    | Box Weldment, Super Battery                         |          | 1    |
| <b>2</b>  | 052496    | Plug, 1/2" Knockout Nylon                           |          | 2    |
| <b>3</b>  | 074198    | Grommet, 3/4 ID 11 Gauge Thickness                  |          | 2    |
| <b>4</b>  | 107999    | Cover, Battery Box LX450 D35                        |          | 1    |
| <b>5</b>  | 015194    | Bolt, 5/16-18x13x7 3/16 U                           |          | 1    |
| <b>6</b>  | P11764    | Grommet, 5/8 ID Rubber                              |          | 2    |
| <b>7</b>  | F05010-13 | Nut, 1/4-20 Wing                                    |          | 2    |
| <b>8</b>  | F05011-11 | Washer, 1/4 SAE Flat                                |          | 2    |
| <b>9</b>  | F05010-58 | Nut, 5/16-18 Nylok Hex                              |          | 2    |
| <b>10</b> | F05011-17 | Washer, 5/16 SAE Flat                               |          | 2    |
| <b>11</b> | F05011-13 | Washer, 5/16 Split Lock                             |          | 2    |
| <b>12</b> | F05007-4  | Bolt, 3/8-16x4 HH                                   |          | 2    |
| <b>13</b> | F05011-3  | Washer, 3/8 Flat SAE                                |          | 2    |
| <b>14</b> | F05010-10 | Nut, 3/8-16 Hex Nyloc                               |          | 2    |
| <b>15</b> | 025841    | Battery, Deka 8A31DTM AGM 12V                       |          | 1    |
| <b>16</b> | P10364    | Decal, 12V Warning                                  |          | 1    |
| <b>17</b> | P12960    | Decal, Hydraulic Contact Caution                    |          | 1    |
| <b>18</b> | See Parts | Fuse Box Parts ( <a href="#">See Section 5.17</a> ) |          | 1    |
|           | R01971-1  | Cable, 1AWG SO Weld, Red Southwire Royal            |          | 1    |



### 5.17 Fuse Box Assembly (G38)

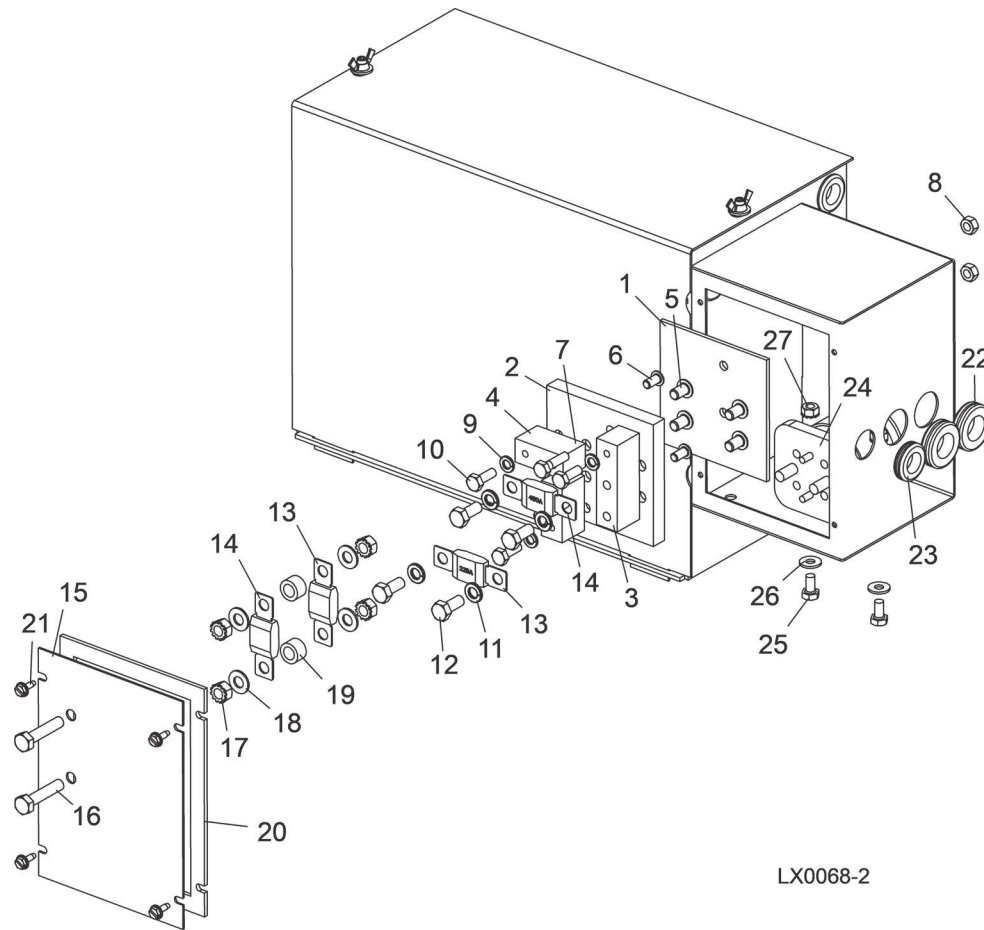


| REF | PART #     | DESCRIPTION                                 | COMMENTS                      | QTY. |
|-----|------------|---|-------------------------------|------|
|     | 006795     | <b>BLOCK ASSEMBLY, DOUBLE FUSE</b>          |                               | 1    |
| 1   | 056999     | Plate, Fuse Block Insulator                 |                               | 1    |
| 2   | 056997     | Block, Fuse Mount                           | Available in assemblies only. | 1    |
| 3   | 056996     | Block, 3/4" Upper Fuse                      |                               | 1    |
| 4   | 056998     | Block, 3/4" Lower Fuse                      |                               | 2    |
| 5   | F05006-20  | Screw, 5/16-18 x 1/2" Socket Button Head    |                               | 4    |
| 6   | F05005-59  | Screw, 1/4-20 x 1/2" Socket Button Head     |                               | 2    |
| 7   | F05005-101 | Bolt, 1/4-20 x 1" Hex Head Grade 5          |                               | 2    |
| 8   | F05010-21  | Nut, 1/4-20 Hex Lock                        |                               | 2    |
| 9   | F05011-14  | Washer, 1/4" Split Lock                     |                               | 3    |
| 10  | F05005-123 | Bolt, 1/4-20 x 3/4" Hex Head Grade 5        |                               | 3    |
| 11  | F05011-13  | Washer, 5/16" Split Lock                    |                               | 4    |
| 12  | F05006-102 | Bolt, 5/16-18 x 3/4" Hex Head Grade 5       |                               | 4    |
| 13  | 053339     | <b>FUSE, 225A 32V MEGA</b>                  |                               | 2    |
| 14  | 053340     | <b>FUSE, 450A 32V MEGA</b>                  |                               | 2    |
|     | 006853     | <b>COVER ASSEMBLY, DOUBLE FUSE BOX</b>      |                               | 1    |
| 15  | 006851     | Cover, Fuse Box                             |                               | 1    |
| 16  | F05006-2   | Bolt, 5/16-18 x 1 1/2" Hex Head Full Thread |                               | 2    |
| 17  | F05010-20  | Nut, 5/16-18 Hex Self-Locking               |                               | 4    |
| 18  | F05011-17  | Washer, 5/16" SAE Flat                      |                               | 4    |
| 19  | 055323     | Spacer, .39" x .625" x .39"                 |                               | 2    |

**5** Control & Battery Boxes  
 Fuse Box Assembly (G38)

| REF | PART #    | DESCRIPTION   | COMMENTS                      | QTY. |
|-----|-----------|---|-------------------------------|------|
| 20  | 050283    | Gasket, Fuse Box Cover                                |                               | 1    |
| 21  | F05015-7  | <b>SCREW, #10-24 X 1/2" SELF-TAPPING</b>              |                               | 4    |
| 22  | 074199    | <b>GROMMET, 3/4 ID 16 GAUGE THICKNESS</b>             |                               | 2    |
| 23  | P11764    | <b>GROMMET, 5/8" RUBBER WIRE</b>                      |                               | 1    |
| 24  | 016371    | <b>SOLENOID KIT, 200A 12V SPST CONT. DUTY</b>         |                               | 1    |
|     | 015470    | Solenoid, 200A 12V SPST Cont. Duty                    | Available in assemblies only. | 1    |
|     | 015426    | Diode Assembly, Solenoid Coil Chassis Gnd             |                               | 1    |
|     | 024451    | <b>WIRE ASSEMBLY, HYDRAULIC SOLENOID VOLTAGE DROP</b> |                               | 1    |
| 25  | F05005-15 | <b>BOLT, 1/4-20 X 1/2" HEX HEAD</b>                   |                               | 2    |
| 26  | F05011-11 | <b>WASHER, 1/4" SAE FLAT</b>                          |                               | 2    |
| 27  | F05010-9  | <b>NUT, 1/4-20 SELF-LOCKING HEX</b>                   |                               | 4    |
|     | 006868    | <b>DECAL, 225/450A MEGA FUSE ID</b>                   |                               | 1    |

### 5.18 Fuse Box Assembly (D35)



LX0068-2

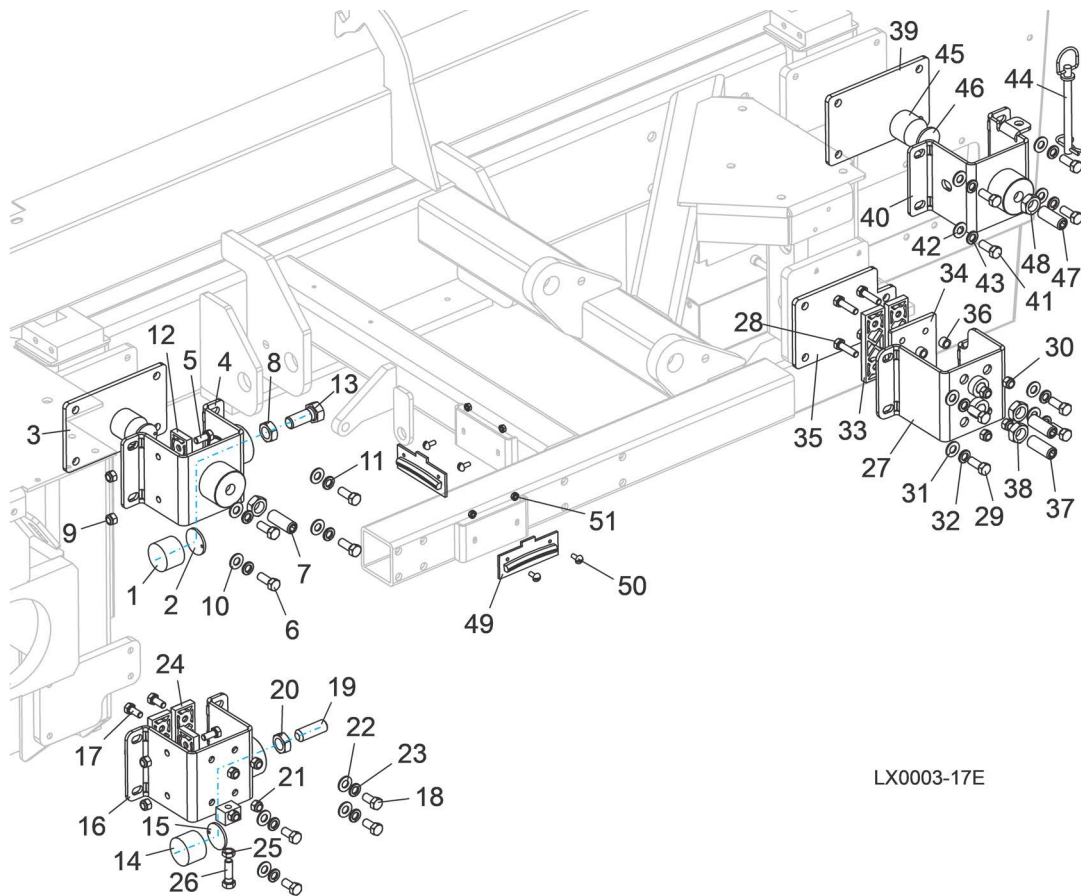
| REF | PART #     | DESCRIPTION                                 | COMMENTS                      | QTY. |
|-----|------------|---|-------------------------------|------|
|     | 006795     | <b>BLOCK ASSEMBLY, DOUBLE FUSE</b>          |                               | 1    |
| 1   | 056999     | Plate, Fuse Block Insulator                 |                               | 1    |
| 2   | 056997     | Block, Fuse Mount                           | Available in assemblies only. | 1    |
| 3   | 056996     | Block, 3/4" Upper Fuse                      |                               | 1    |
| 4   | 056998     | Block, 3/4" Lower Fuse                      |                               | 2    |
| 5   | F05006-20  | Screw, 5/16-18 x 1/2" Socket Button Head    |                               | 4    |
| 6   | F05005-59  | Screw, 1/4-20 x 1/2" Socket Button Head     |                               | 2    |
| 7   | F05005-101 | Bolt, 1/4-20 x 1" Hex Head Grade 5          |                               | 2    |
| 8   | F05010-21  | Nut, 1/4-20 Hex Lock                        |                               | 2    |
| 9   | F05011-14  | Washer, 1/4" Split Lock                     |                               | 3    |
| 10  | F05005-123 | Bolt, 1/4-20 x 3/4" Hex Head Grade 5        |                               | 3    |
| 11  | F05011-13  | Washer, 5/16" Split Lock                    |                               | 4    |
| 12  | F05006-102 | Bolt, 5/16-18 x 3/4" Hex Head Grade 5       |                               | 4    |
| 13  | 053339     | <b>FUSE, 225A 32V MEGA</b>                  |                               | 2    |
| 14  | 053340     | <b>FUSE, 450A 32V MEGA</b>                  |                               | 2    |
|     | 006853     | <b>COVER ASSEMBLY, DOUBLE FUSE BOX</b>      |                               | 1    |
| 15  | 006851     | Cover, Fuse Box                             |                               | 1    |
| 16  | F05006-2   | Bolt, 5/16-18 x 1 1/2" Hex Head Full Thread |                               | 2    |
| 17  | F05010-20  | Nut, 5/16-18 Hex Self-Locking               |                               | 4    |
| 18  | F05011-17  | Washer, 5/16" SAE Flat                      |                               | 4    |
| 19  | 055323     | Spacer, .39" x .625" x .39"                 |                               | 2    |

**5** Control & Battery Boxes  
 Fuse Box Assembly (D35)

| REF | PART #    | DESCRIPTION   | COMMENTS                      | QTY. |
|-----|-----------|---|-------------------------------|------|
| 20  | 050283    | Gasket, Fuse Box Cover                                |                               | 1    |
| 21  | F05015-7  | <b>SCREW, #10-24 X 1/2" SELF-TAPPING</b>              |                               | 4    |
| 22  | 074199    | <b>GROMMET, 3/4 ID 16 GAUGE THICKNESS</b>             |                               | 2    |
| 23  | P11764    | <b>GROMMET, 5/8" RUBBER WIRE</b>                      |                               | 1    |
| 24  | 016371    | <b>SOLENOID KIT, 200A 12V SPST CONT. DUTY</b>         |                               | 1    |
|     | 015470    | Solenoid, 200A 12V SPST Cont. Duty                    | Available in assemblies only. | 1    |
|     | 015426    | Diode Assembly, Solenoid Coil Chassis Gnd             |                               | 1    |
|     | 024451    | <b>WIRE ASSEMBLY, HYDRAULIC SOLENOID VOLTAGE DROP</b> |                               | 1    |
| 25  | F05005-15 | <b>BOLT, 1/4-20 X 1/2" HEX HEAD</b>                   |                               | 2    |
| 26  | F05011-11 | <b>WASHER, 1/4" SAE FLAT</b>                          |                               | 2    |
| 27  | F05010-9  | <b>NUT, 1/4-20 SELF-LOCKING HEX</b>                   |                               | 4    |
|     | 006868    | <b>DECAL, 225/450A MEGA FUSE ID</b>                   |                               | 1    |

## SECTION 6 UP/DOWN SYSTEM

### 6.1 Mast Pad Assemblies and Level

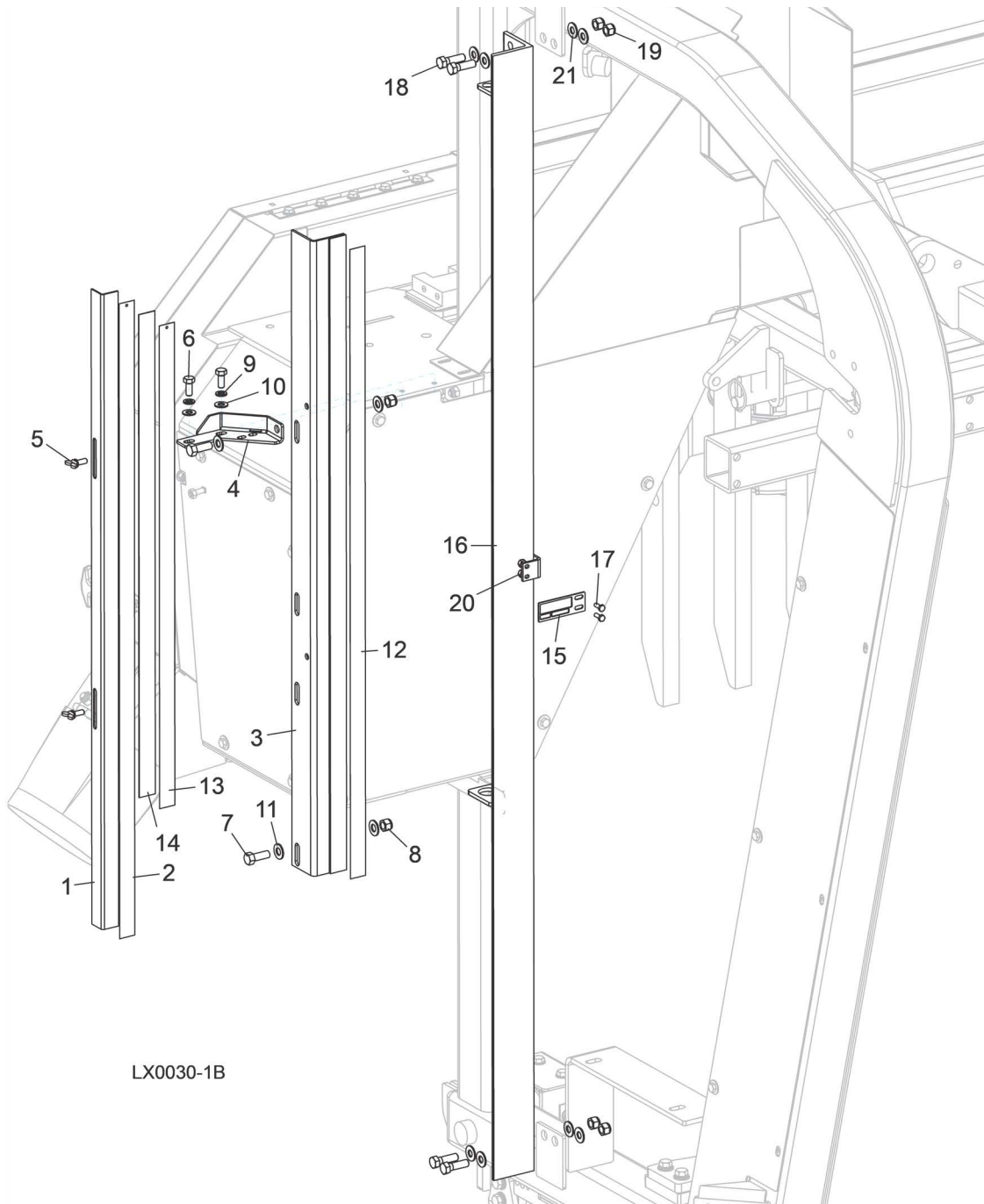


LX0003-17E

| REF | PART #    | DESCRIPTION                         | COMMENTS | QTY. |
|-----|-----------|-------------------------------------|----------|------|
|     | 103952    | <b>PAD ASSEMBLY, MAST</b>           |          | 1    |
| 1   | 033098    | Pad, Round Nylon                    |          | 2    |
| 2   | 042432    | Pad, Nylon Backing                  |          | 2    |
| 3   | 106504    | Pad, UHMW Mast                      |          | 1    |
| 4   | 106856    | Pad Weldment, Mast                  |          | 1    |
| 5   | F05006-5  | Bolt, 5/16-18x3/4 HHC               |          | 2    |
| 6   | F05007-87 | Bolt, 3/8-16x1 Hex Head Grade 5     |          | 4    |
| 7   | F05009-27 | Screw, 5/8-18x1 3/4 SH FP           |          | 1    |
| 8   | F05010-11 | Nut, 5/8-18 Hex Jam                 |          | 2    |
| 9   | F05010-58 | Nut, 5/16-18 Nylok Hex              |          | 2    |
| 10  | F05011-3  | Washer, 3/8 Flat SAE                |          | 4    |
| 11  | F05011-4  | Washer, 3/8 Split Lock              |          | 4    |
| 12  | M04096    | Pads, Delrin Up/Dn Slide            |          | 1    |
| 13  | F05009-19 | Bolt, 5/8-18x1 1/2 Hex Head Grade 5 |          | 1    |
|     | 103953    | <b>PAD ASSEMBLY, MAST</b>           |          | 1    |
| 14  | 033098    | Pad, Round Nylon                    |          | 1    |
| 15  | 042432    | Pad, Nylon Backing                  |          | 1    |
| 16  | 106855    | Weldment, Mast Pad                  |          | 1    |
| 17  | F05006-5  | Bolt, 5/16-18x3/4 HHC               |          | 6    |

| REF | PART #     | DESCRIPTION                               | COMMENTS | QTY. |
|-----|------------|---|----------|------|
| 18  | F05007-118 | Bolt, 3/8-16x3/4 Hex Head Grade 5         |          | 4    |
| 19  | F05009-27  | Screw, 5/8-18x1 3/4 SH FP                 |          | 1    |
| 20  | F05010-11  | Nut, 5/8-18 Hex Jam                       |          | 1    |
| 21  | F05010-58  | Nut, 5/16-18 Nylok Hex                    |          | 6    |
| 22  | F05011-3   | Washer, 3/8 Flat SAE                      |          | 5    |
| 23  | F05011-4   | Washer, 3/8 Split Lock                    |          | 4    |
| 24  | M04096     | Pads, Delrin Up/Dn Slide                  |          | 3    |
| 25  | F05010-29  | Nut, 3/8-16 Jam                           |          | 1    |
| 26  | F05007-123 | Bolt, 3/8-16x1 1/4 FT HH Gr5              |          | 1    |
|     | 106848     | <b>PAD ASSEMBLY, MAST</b>                 |          | 1    |
| 27  | 107914     | Bracket Weldment, Mast Pad                |          | 1    |
| 28  | F05006-93  | Bolt, 5/16-18x1 1/4 Hex Head FT Grade 5   |          | 4    |
| 29  | F05007-87  | Bolt, 3/8-16x1 Hex Head Grade 5           |          | 4    |
| 30  | F05010-58  | Nut, 5/16-18 Nylok Hex                    |          | 4    |
| 31  | F05011-3   | Washer, 3/8 Flat SAE                      |          | 4    |
| 32  | F05011-4   | Washer, 3/8 Split Lock                    |          | 4    |
| 33  | M04096     | Pads, Delrin Up/Dn Slide                  |          | 2    |
| 34  | 079831     | Plate, Slide Pad Mount                    |          | 1    |
| 35  | 079832     | Pad, UHMW Mast, Lower                     |          | 1    |
| 36  | 107921     | Spacer, .33IDx.50ODx.32Long               |          | 4    |
| 37  | F05009-27  | Screw, 5/8-18x1 3/4 SH FP                 |          | 2    |
| 38  | F05010-11  | Nut, 5/8-18 Hex Jam                       |          | 2    |
|     | 106858     | <b>PAD ASSEMBLY, MAST</b>                 |          | 1    |
| 39  | 106504     | Pad, UHMW Mast                            |          | 1    |
| 40  | 107913     | Bracket, Mast Pad                         |          | 1    |
| 41  | F05007-87  | Bolt, 3/8-16x1 Hex Head Grade 5           |          | 4    |
| 42  | F05011-3   | Washer, 3/8 Flat SAE                      |          | 4    |
| 43  | F05011-4   | Washer, 3/8 Split Lock                    |          | 4    |
| 44  | 079768     | Pin, Clevis 3/8x4 w/Cotter Pin            |          | 1    |
| 45  | 033098     | Pad, Round Nylon                          |          | 1    |
| 46  | 042432     | Pad, Nylon Backing                        |          | 1    |
| 47  | F05009-27  | Screw, 5/8-18x1 3/4 SH FP                 |          | 1    |
| 48  | F05010-11  | Nut, 5/8-18 Hex Jam                       |          | 1    |
| 49  | 079561     | <b>LEVEL SET, BUBBLE</b>                  |          | 2    |
| 50  | F05004-12  | <b>BOLT, 8-32X1/2 SL RND HEAD MACHINE</b> |          | 4    |
| 51  | F05010-41  | <b>NUT, #8-32 KEPS</b>                    |          | 4    |

## 6.2 Blade Height & Quarter Scales (w/SimpleSet)



LX0030-1B

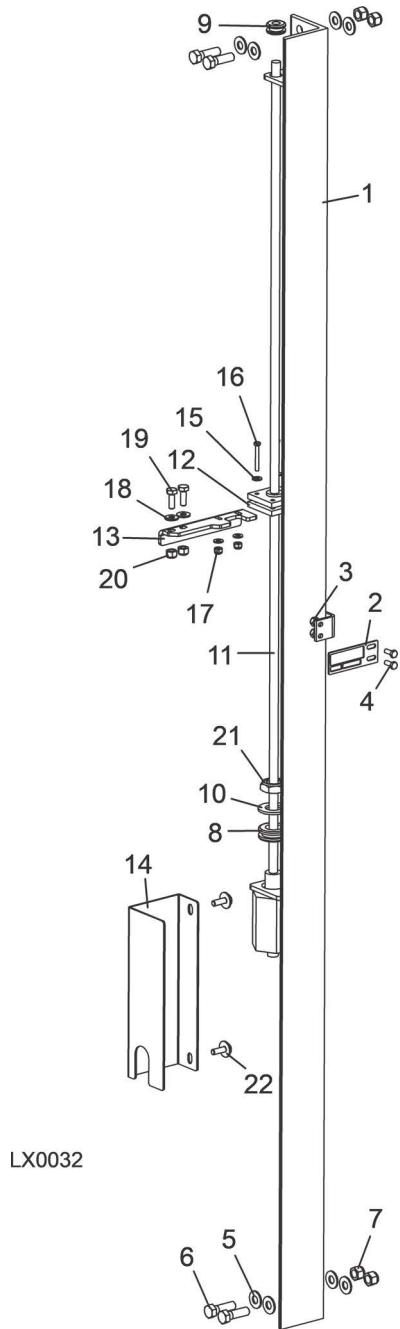
| REF | PART #     | DESCRIPTION                        | COMMENTS | QTY. |
|-----|------------|------------------------------------|----------|------|
|     | 106824     | <b>SCALE ASSEMBLY, LX450</b>       |          | 1    |
|     | 107937     | Scale Assembly, LT60/70 Quarter    |          | 1    |
| 1   | 107936     | Angle, Quarter Scale Mount         |          | 1    |
| 2   | P12819     | Decal, 37 1/2 Grade Quarter        |          | 1    |
| 3   | 034370     | Angle Weldment, Scale Mount        |          | 1    |
| 4   | 107098     | Bracket, Scale Mount               |          | 1    |
| 5   | F05005-64  | Screw, 1/4-20 x 5/8" Wing          |          | 2    |
| 6   | F05006-102 | Bolt, 5/16-18x3/4 Hex Head Grade 5 |          | 2    |
| 7   | F05007-7   | Bolt, 3/8-16 x 1" Hex Head         |          | 2    |

**6** **Up/Down System**  
Blade Height & Quarter Scales (w/SimpleSet)

| REF | PART #     | DESCRIPTION   | COMMENTS   | QTY. |
|-----|------------|---|--|------|
| 8   | F05010-10  | Nut, 3/8-16 Hex Nylon Lock                            |  | 2    |
| 9   | F05011-13  | Washer, 5/16 Split Lock                               |  | 2    |
| 10  | F05011-17  | Washer, 5/16 SAE Flat                                 |  | 2    |
| 11  | F05011-3   | Washer, 3/8 Flat SAE                                  |  | 4    |
| 12  | S11773     | Decal, Movable Inch Scale                             |  | 1    |
|     | 107938     | Scale, LX450 Standard Quarter                         |  | 1    |
| 13  | S11774     | Decal, Moveable Quarter Scale                         |  | 1    |
| 14  | R02312-4   | Stripping, Flexible Magnetic (3 Ft.)                  |  | 1    |
|     | 076433     | <b>SCALE ASSEMBLY, MAST (SIMPLESET MODEL ONLY)</b>    | See Section 6.3 Scale w/Transducer Assembly (Accuset) for scale part information used on sawmills equipped with Accuset. | 1    |
| 15  | 017778     | <b>INDICATOR, BLADE HEIGHT</b>                        |  | 1    |
| 16  | 076432     | Mount Wldmt, Transducer                               |  | 1    |
| 17  | F05004-27  | <b>SCREW, #10-24 X 1/2" HEX HEAD STAIN-LESS STEEL</b> |  | 2    |
| 18  | F05007-123 | Bolt, 3/8-16x1 1/4 FT Hex Head Grade 5                |  | 4    |
| 19  | F05010-10  | Nut, 3/8-16 Hex Nyloc                                 |  | 4    |
| 20  | F05010-160 | <b>NUT, #10-24 SELF-LOCKING HEX</b>                   |  | 2    |
| 21  | F05011-61  | <b>WASHER, 3/8 SAE FLAT</b>                           |  | 8    |



### 6.3 Blade Height & Quarter Scales w/Transducer (w/Accuset)

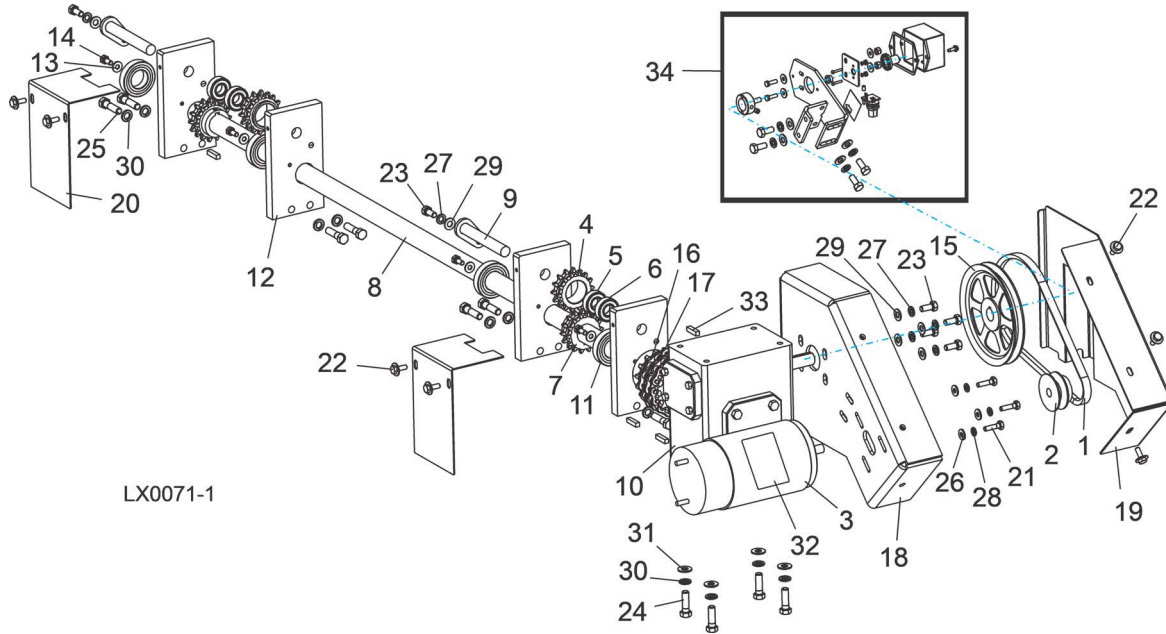


| REF      | PART #     | DESCRIPTION                                   | COMMENTS | QTY. |
|----------|------------|---|----------|------|
|          | 107933     | <b>ASSEMBLY, SCALE W/TRANSDUCER</b>           |          | 1    |
| <b>1</b> | 076432     | Mount Weldment, Transducer                    |          | 1    |
| <b>2</b> | 017778     | Pointer, Scale Height                         |          | 1    |
| <b>3</b> | F05010-160 | Nut, #10-24 Hex Self-Locking                  |          | 2    |
| <b>4</b> | F05004-27  | Screw, 10-24x1/2 Unsl Ind Hex Head SS Machine |          | 2    |
| <b>5</b> | F05011-61  | Washer, 3/8 SAE Flat                          |          | 8    |
| <b>6</b> | F05007-123 | Bolt, 3/8-16x 1 1/4 Hex Head Gr5              |          | 4    |
| <b>7</b> | F05010-10  | Nut, 3/8-16 Hex Nyl Lock                      |          | 4    |
| <b>8</b> | 025247     | Grommet, Rubber 3/4 ID                        |          | 1    |

**6** **Up/Down System**  
*Blade Height & Quarter Scales w/Transducer (w/Accuset)*

| REF | PART #     | DESCRIPTION                             | COMMENTS | QTY. |
|-----|------------|---|----------|------|
| 9   | 025248     | Grommet, Rubber 3/8 ID                  |          | 1    |
| 10  | 025250     | Washer, Nylon 3/4 ID                    |          | 1    |
| 11  | 038659     | Transducer, Position Z Style, Rev E.03  |          | 1    |
| 12  | 071357     | Bushing, Transducer Vibration Dampener  |          | 1    |
| 13  | 107932     | Bracket, Sensor Mount                   |          | 1    |
| 14  | 038985     | Cover, LT70 Lower Accuset               |          | 1    |
| 15  | F05011-41  | Washer, #8 Sae Flat Zinc                |          | 4    |
| 16  | F05004-291 | Screw, 8-32x1-1/4 Hex Head Machine SS   |          | 2    |
| 17  | F05010-169 | Nut, #8-32 Hex Nylock                   |          | 2    |
| 18  | F05011-11  | Washer, 1/4 SAE Flat                    |          | 2    |
| 19  | F05005-123 | Bolt, 1/4-20x3/4 Hex Head Gr5           |          | 2    |
| 20  | F05010-69  | Nut, 1/4-20 Nylock                      |          | 2    |
| 21  | F05010-171 | Nut, 3/4-16 Nylon Lock                  |          | 1    |
| 22  | F05005-134 | Bolt, 1/4-20x3/4 W/Conical Washer       |          | 2    |
|     | 073652     | Cable Assembly, Transducer 2M           |          | 1    |
|     | 025196     | Clamp, .187 Metal Cushioned Cable       |          | 3    |
|     | F05004-18  | Screw, 10-24x5/8 Unsl Indent HH Machine |          | 3    |
|     | F05010-14  | Nut, #10-24 Keps                        |          | 3    |

## 6.4 Up/Down Assembly (G38)

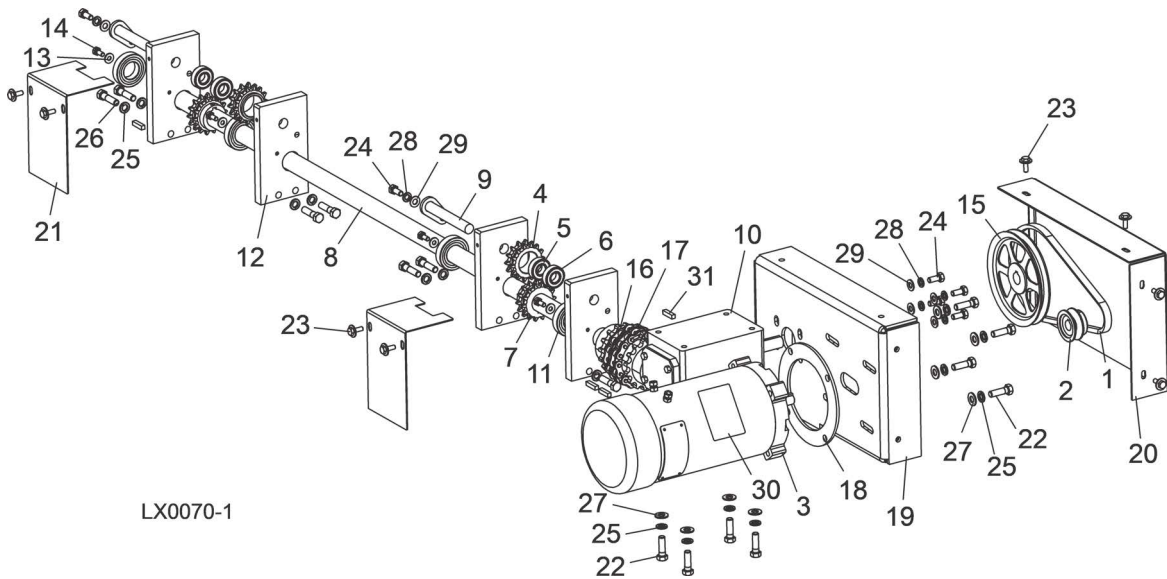


LX0071-1

| REF | PART #     | DESCRIPTION                              | COMMENTS  | QTY. |
|-----|------------|--|---|------|
|     | 107042     | <b>UP/DOWN ASSEMBLY, LX450 G38</b>       |   | 1    |
| 1   | 014089     | Belt, 4L270                              |   | 1    |
| 2   | 036204     | Sheave, AK22x1/2                         |   | 1    |
| 3   | 053683     | Motor, 3/4HP 12VDC Electric Std Mill     | Order retrofit Kit 110566 for D35 motors built prior to rev. A1.04. | 1    |
|     | 061794     | Brush Kit, .5-.75 12V DC Motor           |   | 1    |
|     | 074932     | Sprocket Assembly, D40B14 Bearings       |   | 2    |
| 4   | 074930     | Sprocket, D40B14x1.376 Bore              |   | 1    |
| 5   | 074931     | Bearing, 6202-16mm-2RLD                  |   | 2    |
| 6   | N/A        | Ring, Retaining                          |   | 1    |
| 7   | 066794     | Sprocket, D40B14 1-1/8" Keyed Bore       |   | 2    |
| 8   | 071395     | Shaft, Up/Down                           |   | 1    |
| 9   | 076428     | Pin Weldment, Idler                      |   | 2    |
| 10  | 076149     | Gear Box, Up/Down Grove                  |   | 1    |
|     | 076469     | Mount Assembly, Up Down Bearing          |   | 4    |
| 11  | 066798     | Bearing, 1-1/8 Bore R18-2Rs              |   | 1    |
| 12  | 075134     | Plate, Up/Down Bearing Mount             |   | 1    |
| 13  | F05011-11  | Washer, 1/4 SAE Flat                     |   | 1    |
| 14  | F05005-86  | Screw, 1/4-20x5/8 SS 18-8 HHC            |   | 1    |
| 15  | 076471     | Pulley, 6x3/4 A Groove                   |   | 1    |
| 16  | 076942     | Coupling, 1-1/8 High Torque Shaft        |   | 2    |
| 17  | 076943     | Coupling, Roller Chain Flexible Shaft    |   | 1    |
| 18  | 107043     | Mount Weldment, Up/Down Motor            |   | 1    |
| 19  | 107096     | Cover Weldment, Up/Down Belt             |   | 1    |
| 20  | 107106     | Cover, Up/Down Sprocket                  |   | 2    |
| 21  | F05005-101 | Bolt, 1/4-20x1 Hex Head Grade 5          |   | 3    |
| 22  | F05005-207 | Bolt, 1/4-20x3/4 Hex Head w/Washer&Patch |   | 7    |
| 23  | F05006-102 | Bolt, 5/16-18x3/4 Hex Head Grade         |   | 6    |

| REF | PART #     | DESCRIPTION   | COMMENTS | QTY. |
|-----|------------|---|----------|------|
| 24  | F05007-123 | Bolt, 3/8-16x1 1/4 FT Hex Head Grade                                  |          | 4    |
| 25  | F05007-78  | Bolt, 3/8-16x1 1/2 Hex Head Grade                                     |          | 8    |
| 26  | F05011-11  | Bolt, 3/8-16x1 1/2 Hex Head Grade                                     |          | 3    |
| 27  | F05011-13  | Washer, 1/4 SAE Flat  |          | 6    |
| 28  | F05011-14  | Washer, 1/4 Split Lock  |          | 3    |
| 29  | F05011-17  | Washer, 5/16 SAE Flat   |          | 6    |
| 30  | F05011-4   | Washer, 3/8 Split Lock  |          | 12   |
| 31  | F05011-61  | Washer, 3/8 SAE Flat  |          | 4    |
| 32  | 024431     | Decal, Disconnect Motor Leads Warning                                 |          | 1    |
| 33  | S21486     | Key, 1/4in x 1in  |          | 4    |
|     | 107121     | Chain, Double #40x171 Pitches (85-1/2")                               |          | 2    |
|     | N/A        | Link, Master  |          | 2    |
| 34  | 107090     | <b>SENSOR ASSEMBLY, MAGNETIC POSITION</b><br><i>(See Section 6.6)</i> |          | 1    |

## 6.5 Up/Down Assembly (D35)

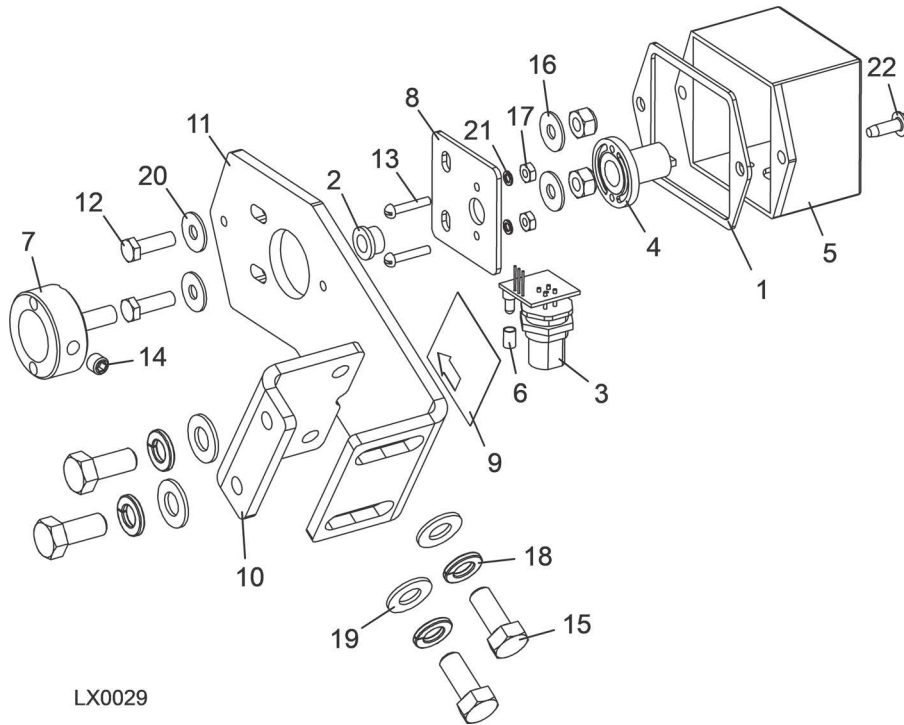


| REF | PART #     | DESCRIPTION                              | COMMENTS | QTY. |
|-----|------------|--|----------|------|
|     | 110443     | <b>UP/DOWN ASSEMBLY, LX450 D35</b>       |          | 1    |
| 1   | 014089     | Belt, 4L270                              |          | 1    |
| 2   | 036179     | Sheave, AK20x5/8                         |          | 1    |
| 3   | 024169     | Motor, 3/4 HP 12VDC Electric             |          | 1    |
|     | 061794     | Brush Kit, .5-.75 12V DC Motor           |          | 1    |
|     | 074932     | Sprocket Assembly, D40B14 Bearings       |          | 2    |
| 4   | 074930     | Sprocket, D40B14x1.376 Bore              |          | 1    |
| 5   | 074931     | Bearing, 6202-16mm-2RLD                  |          | 2    |
| 6   | N/A        | Ring, Retaining                          |          | 1    |
| 7   | 066794     | Sprocket, D40B14 1-1/8" Keyed Bore       |          | 2    |
| 8   | 071395     | Shaft, Up/Down                           |          | 1    |
| 9   | 076428     | Pin Weldment, Idler                      |          | 2    |
| 10  | 076149     | Gear Box, Up/Down Groove                 |          | 1    |
|     | 076469     | Mount Assembly, Up Down Bearing          |          | 4    |
| 11  | 066798     | Bearing, 1-1/8 Bore R18-2Rs              |          | 1    |
| 12  | 075134     | Plate, Up/Down Bearing Mount             |          | 1    |
| 13  | F05011-11  | Washer, 1/4 SAE Flat                     |          | 1    |
| 14  | F05005-86  | Screw, 1/4-20x5/8 SS 18-8 HHC            |          | 1    |
| 15  | 076471     | Pulley, 6x3/4 A Groove                   |          | 1    |
| 16  | 076942     | Coupling, 1-1/8 High Torque Shaft        |          | 2    |
| 17  | 076943     | Coupling, Roller Chain Flexible Shaft    |          | 1    |
| 18  | 107915     | Spacer Ring, Motor                       |          | 1    |
| 19  | 110444     | Mount Weldment, Up/Down Motor            |          | 1    |
| 20  | 110447     | Cover, Up/Down Drive                     |          | 1    |
| 21  | 107106     | Cover, Up/Down Sprocket                  |          | 2    |
| 22  | F05007-123 | Bolt, 3/8-16x1 1/4 FT Hex Head Grade     |          | 8    |
| 23  | F05005-207 | Bolt, 1/4-20x3/4 Hex Head w/Washer&Patch |          | 8    |
| 24  | F05006-102 | Bolt, 5/16-18x3/4 Hex Head Grade         |          | 6    |
| 25  | F05011-4   | Washer, 3/8 Split Lock                   |          | 12   |
| 26  | F05007-78  | Bolt, 3/8-16x1 1/2 Hex Head Grade        |          | 8    |

**6** **Up/Down System**  
*Up/Down Assembly (D35)*

| REF | PART #    | DESCRIPTION                             | COMMENTS | QTY. |
|-----|-----------|---|----------|------|
| 27  | F05011-3  | Washer, 3/8 Flat SAE                    |          | 8    |
| 28  | F05011-13 | Washer, 1/4 SAE Flat                    |          | 6    |
| 29  | F05011-17 | Washer, 5/16 SAE Flat                   |          | 6    |
| 30  | 024431    | Decal, Disconnect Motor Leads Warning   |          | 1    |
| 31  | S21486    | Key, 1/4in x 1in                        |          | 4    |
|     | 107121    | Chain, Double #40x171 Pitches (85-1/2") |          | 2    |
|     | N/A       | Link, Master                            |          | 2    |

## 6.6 Up/Down Sensor Assembly (w/SimpleSet)

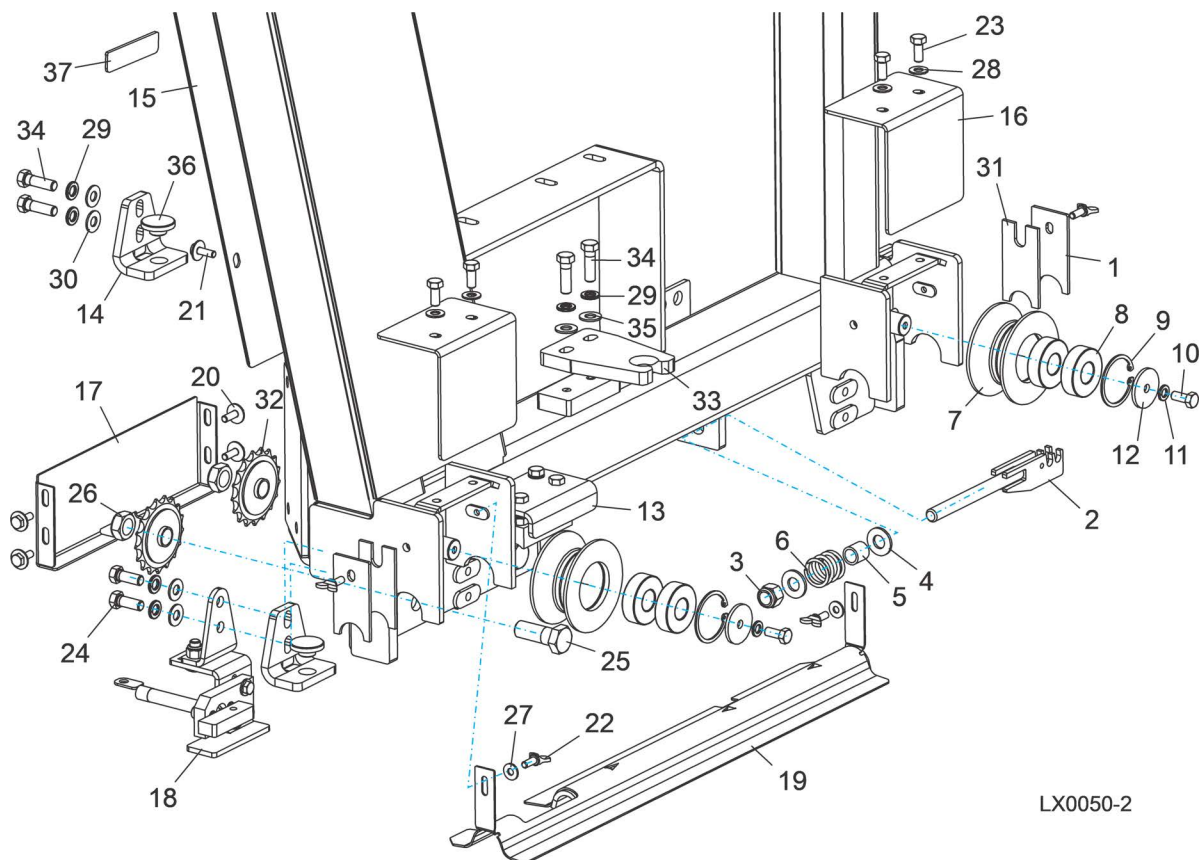


LX0029

| REF | PART #     | DESCRIPTION                                 | COMMENTS | QTY. |
|-----|------------|---|----------|------|
|     | 107090     | <b>SENSOR ASSEMBLY, MAGNETIC POSITION</b>   |          | 1    |
| 1   | 006864     | Gasket, Encoder                             |          | 1    |
| 2   | 049018     | Bushing, Flange 1/4IDx1/4 Lg                |          | 1    |
| 3   | 053376     | PCB Assembly, Encoder Sensor                |          | 1    |
| 4   | 053387     | Sensor Kit, Magnetic Encoder                |          | 1    |
| 5   | 053399     | Enclosure, Position Sensor                  |          | 1    |
| 6   | 053400     | Lens, LED T1 Clear                          |          | 1    |
| 7   | 057852     | Extension, SimpleSet Gearbox Shaft          |          | 1    |
| 8   | 057853     | Plate, SimpleSet Encoder Slide              |          | 1    |
| 9   | 074269     | Decal, Encoder Bolt Warning                 |          | 1    |
| 10  | 107091     | Plate, Simple Set Mount                     |          | 1    |
| 11  | 107092     | Plate, Encoder Mount                        |          | 1    |
| 12  | F05004-18  | Screw, 10-24x5/8 Unsl Indent HH Machine     |          | 2    |
| 13  | F05004-49  | Screw, #4-40x5/8 SI Rnd Head Machine        |          | 2    |
| 14  | F05005-131 | Screw, 1/4-20x1/4 SH Cup Pt Set             |          | 1    |
| 15  | F05006-5   | Bolt, 5/16-18x3/4 HHC                       |          | 4    |
| 16  | F05010-160 | Nut, 10-24 Hex Nylock                       |          | 2    |
| 17  | F05010-43  | Nut, #4-40 Hex                              |          | 2    |
| 18  | F05011-13  | Washer, 5/16 Split Lock                     |          | 4    |
| 19  | F05011-17  | Washer, 5/16 SAE Flat                       |          | 4    |
| 20  | F05011-18  | Washer, #10 SAE Flat                        |          | 4    |
| 21  | F05011-21  | Washer, #4 Split Lock                       |          | 2    |
| 22  | F05015-18  | Bolt, #8-32x1/2 SI HH S                     |          | 2    |
|     | 073589     | <b>CABLE ASSEMBLY, SIMPLESET ENCODER 5M</b> |          | 1    |

## SECTION 7 FEED SYSTEM & TRACK ROLLERS

### 7.1 Track Rollers and Wipers (Drive Side)



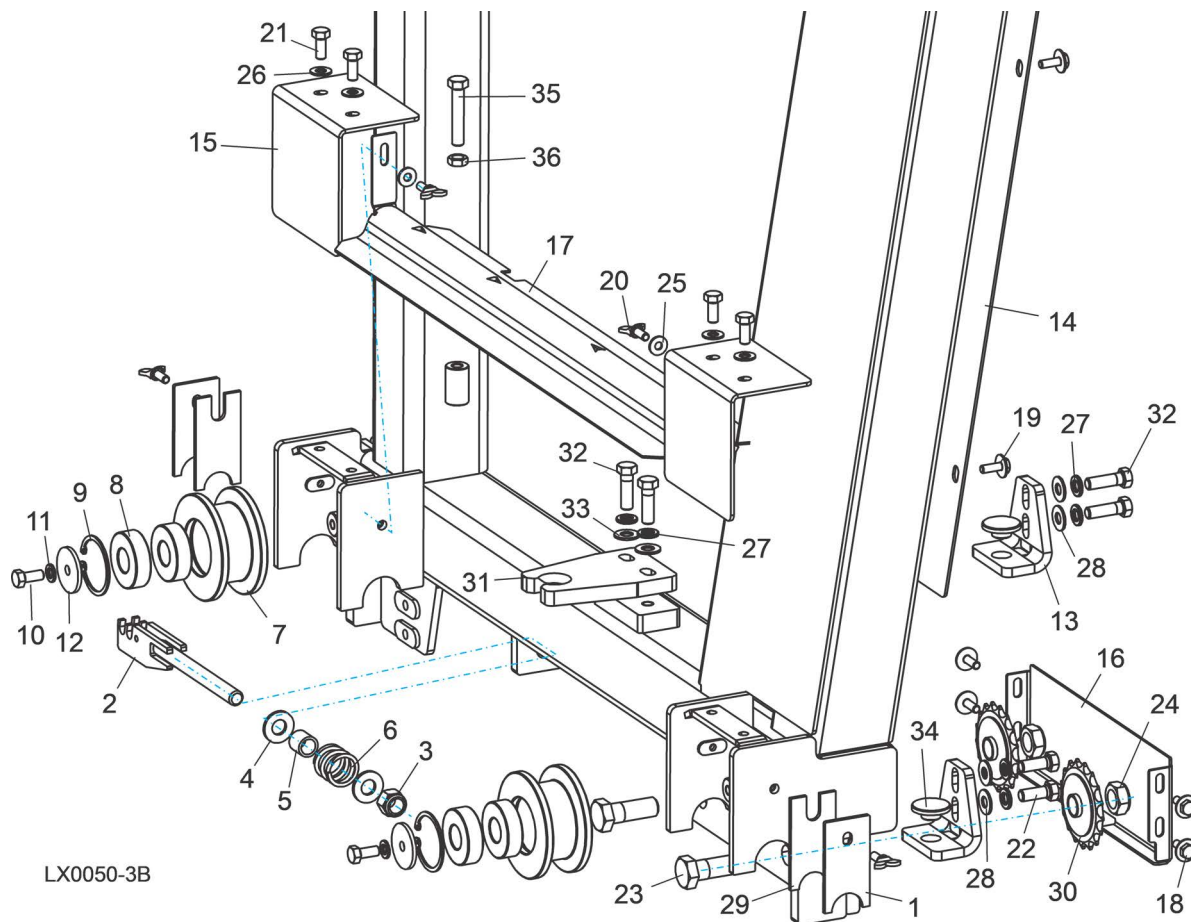
LX0050-2

| REF | PART #     | DESCRIPTION                                     | COMMENTS                      | QTY. |
|-----|------------|---|-------------------------------|------|
| 1   | 034229     | <b>PLATE, TRACK WIPER</b>                       |                               | 2    |
|     | 062527     | <b>TENSIONER ASSEMBLY, LT35 UP/DOWN CHAIN</b>   |                               | 1    |
| 2   | 062528     | Tensioner Weldment, LT35 Up/Down Chain          |                               | 1    |
| 3   | F05010-8   | Nut, 1/2-13 Nylon Hex Lock                      |                               | 1    |
| 4   | F05011-2   | Washer, 1/2 SAE Flat                            |                               | 2    |
| 5   | 016515     | Spacer, Up/Down Chain Tensioner                 |                               | 1    |
| 6   | 016516     | Spring, 1ODx1Longx.125Wire Comp                 |                               | 1    |
|     | 076413     | <b>ROLLER ASSEMBLY, TRACK</b>                   |                               | 1    |
| 7   | 071393     | Roller, Bed Rail                                | Available in assemblies only. | 1    |
| 8   | 088447     | Bearing, 6204 2RS-CX Rolling                    |                               | 2    |
| 9   | F04254-58  | Ring, 1.85 Internal Retaining N5000-185         |                               | 1    |
| 10  | F05006-102 | Bolt, 5/16-18x3/4 Hex Head Grade 5              |                               | 1    |
| 11  | F05011-13  | Washer, 5/16 Split Lock                         |                               | 1    |
| 12  | S08220     | Washer, .313x1.5x.125 Retaining                 |                               | 1    |
| 13  | 103915     | <b>CONTACT BUTTON PARTS ((See Section 9.5))</b> |                               | 1    |
| 14  | 103967     | <b>BRACKET, HEAD SAFETY</b>                     |                               | 2    |
| 15  | 079890     | <b>COVER FEED CHAIN</b>                         |                               | 1    |
| 16  | 107986     | <b>COVER, FEED ROLLER</b>                       |                               | 2    |
| 17  | 103989     | <b>COVER, FEED IDLER SPROCKET</b>               |                               | 1    |



| REF | PART #     | DESCRIPTION   | COMMENTS | QTY. |
|-----|------------|---|----------|------|
| 18  | 107023     | POSITIVE HYD. POWER CONTACT PARTS ( <a href="#">See Section 9.5</a> ) |          | 1    |
| 19  | 107925     | COVER ASSEMBLY, TRACK WIPER   |          | 1    |
| 20  | F05005-134 | BOLT, 1/4-20X3/4 HEX HEAD W/CONICAL WASHER                            |          | 4    |
| 21  | F05005-207 | BOLT, 1/4-20X3/4 HEX HEAD W/WASHER&PATCH                              |          | 3    |
| 22  | F05005-64  | STUD, 1/4-20X5/8 WING   |          | 4    |
| 23  | F05006-102 | BOLT, 5/16-18X3/4 HEX HEAD GRADE 5                                    |          | 4    |
| 24  | F05007-87  | BOLT, 3/8-16X1 HH GR5   |          | 2    |
| 25  | F05009-33  | BOLT, 5/8-11X1 3/4 HEX HEAD   |          | 2    |
| 26  | F05010-96  | NUT, 5/8-11 JAM NYL LOCK  |          | 2    |
| 27  | F05011-11  | WASHER, 1/4 SAE FLAT  |          | 2    |
| 28  | F05011-17  | WASHER, 5/16 SAE FLAT   |          | 4    |
| 29  | F05011-4   | WASHER, 3/8 SPLIT LOCK  |          | 6    |
| 30  | F05011-61  | WASHER, 3/8 SAE FLAT  |          | 4    |
| 31  | M04113     | WIPER, TOP RAIL   |          | 2    |
| 32  | P04333     | SPROCKET #40 IDLER 17T 5/8 ID   |          | 2    |
| 33  | 079604     | PLATE, TRAVEL LOCK  |          | 1    |
| 34  | F05007-123 | BOLT, 3/8-16X1 1/4 FT HH GR5  |          | 4    |
| 35  | F05011-3   | WASHER, 3/8 FLAT SAE  |          | 2    |
| 36  | 110262     | PAD, LOWER SLIDE  |          | 2    |
| 37  | 079561     | LEVEL SET, BUBBLE   |          | 1    |

## 7.2 Track Roller And Wipers (Idle Side)

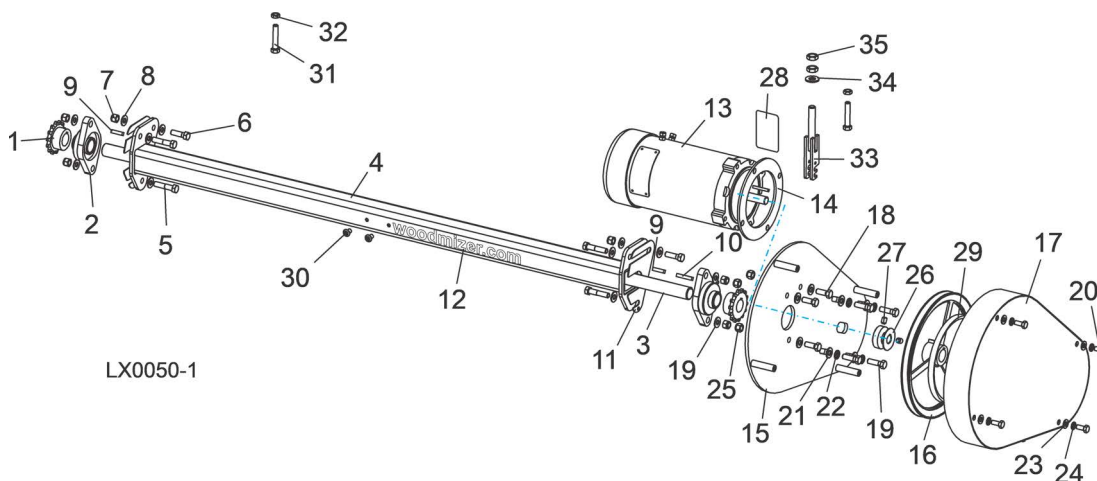


LX0050-3B

| REF | PART #     | DESCRIPTION                                   | COMMENTS                      | QTY. |
|-----|------------|---|-------------------------------|------|
| 1   | 034229     | <b>PLATE, TRACK WIPER</b>                     |                               | 2    |
|     | 062527     | <b>TENSIONER ASSEMBLY, LT35 UP/DOWN CHAIN</b> |                               | 1    |
| 2   | 062528     | Tensioner Weldment, LT35 Up/Down Chain        |                               | 1    |
| 3   | F05010-8   | Nut, 1/2-13 Nylon Hex Lock                    |                               | 1    |
| 4   | F05011-2   | Washer, 1/2 SAE Flat                          |                               | 2    |
| 5   | 016515     | Spacer, Up/Down Chain Tensioner               |                               | 1    |
| 6   | 016516     | Spring, 1ODx1Longx.125Wire Comp               |                               | 1    |
|     | 110351     | <b>ROLLER ASSEMBLY, TRACK</b>                 |                               | 1    |
| 7   | 110269     | Roller, Bed Rail                              | Available in assemblies only. | 1    |
| 8   | 088447     | Bearing, 6204 2RS-CX Rolling                  |                               | 2    |
| 9   | F04254-58  | Ring, 1.85 Internal Retaining N5000-185       |                               | 1    |
| 10  | F05006-102 | Bolt, 5/16-18x3/4 Hex Head Grade 5            |                               | 1    |
| 11  | F05011-13  | Washer, 5/16 Split Lock                       |                               | 1    |
| 12  | S08220     | Washer, .313x1.5x.125 Retaining               |                               | 1    |
| 13  | 103967     | <b>BRACKET, HEAD SAFETY</b>                   |                               | 2    |
| 14  | 079890     | <b>COVER FEED CHAIN</b>                       |                               | 1    |
| 15  | 107986     | <b>COVER, FEED ROLLER</b>                     |                               | 2    |
| 16  | 103989     | <b>COVER, FEED IDLER SPROCKET</b>             |                               | 1    |
| 17  | 107924     | <b>COVER ASSEMBLY, TRACK WIPER</b>            |                               | 1    |

| REF | PART #     | DESCRIPTION                                | COMMENTS | QTY. |
|-----|------------|--|----------|------|
| 18  | F05005-134 | BOLT, 1/4-20X3/4 HEX HEAD W/CONICAL WASHER |          | 4    |
| 19  | F05005-207 | BOLT, 1/4-20X3/4 HEX HEAD W/WASHER&PATCH   |          | 3    |
| 20  | F05005-64  | STUD, 1/4-20X5/8 WING                      |          | 4    |
| 21  | F05006-102 | BOLT, 5/16-18X3/4 HEX HEAD GRADE 5         |          | 4    |
| 22  | F05007-87  | BOLT, 3/8-16X1 HH GR5                      |          | 2    |
| 23  | F05009-33  | BOLT, 5/8-11X1 3/4 HEX HEAD                |          | 2    |
| 24  | F05010-96  | NUT, 5/8-11 JAM NYL LOCK                   |          | 2    |
| 25  | F05011-11  | WASHER, 1/4 SAE FLAT                       |          | 2    |
| 26  | F05011-17  | WASHER, 5/16 SAE FLAT                      |          | 4    |
| 27  | F05011-4   | WASHER, 3/8 SPLIT LOCK                     |          | 6    |
| 28  | F05011-61  | WASHER, 3/8 SAE FLAT                       |          | 4    |
| 29  | M04113     | WIPER, TOP RAIL                            |          | 2    |
| 30  | P04333     | SPROCKET #40 IDLER 17T 5/8 ID              |          | 2    |
| 31  | 079604     | PLATE, TRAVEL LOCK                         |          | 1    |
| 32  | F05007-123 | BOLT, 3/8-16X1 1/4 FT HH GR5               |          | 4    |
| 33  | F05011-3   | WASHER, 3/8 FLAT SAE                       |          | 2    |
| 34  | 110262     | PAD, LOWER SLIDE                           |          | 2    |
| 35  | F05007-16  | BOLT, 3/8-16X2 FT HH                       |          | 1    |
| 36  | F05010-29  | NUT, 3/8-16 JAM                            |          | 1    |

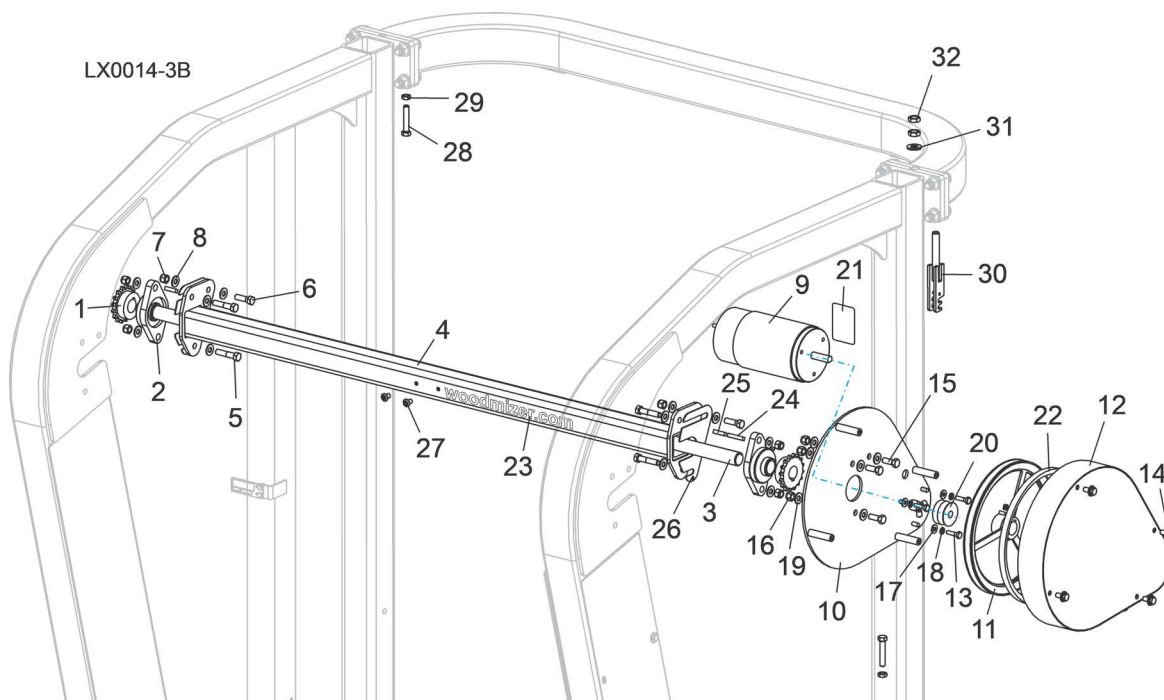
### 7.3 Power Feed Assembly (w/Accuset)



| REF | PART #     | DESCRIPTION                             | COMMENTS | QTY. |
|-----|------------|---|----------|------|
|     | 107904     | <b>FEED ASSEMBLY, POWER</b>             |          | 1    |
| 1   | 055965     | Sprocket, #40x14Tx1.00                  |          | 2    |
| 2   | 038124     | Bearing, 1 Flanged, VF2S 216            |          | 2    |
| 3   | 071452     | Shaft, Power Feed                       |          | 1    |
| 4   | 106589     | Upright Weldment, Tube                  |          | 1    |
| 5   | F05007-119 | Bolt, 3/8-16x1 3/4 Hex Head Grade 5     |          | 4    |
| 6   | F05007-123 | Bolt, 3/8-16x1 1/4 FT Hex Head Grade 5  |          | 2    |
| 7   | F05010-10  | Nut, 3/8-16 Hex Nyloc                   |          | 6    |
| 8   | F05011-61  | Washer, 3/8 SAE Flat                    |          | 12   |
| 9   | S21486     | Key, 1/4inX 1in                         |          | 2    |
| 10  | 017832     | Key, 1/4Sq x1 3/8                       |          | 1    |
| 11  | 079815-16  | Shim Plate, Upright Brace               |          | 2    |
| 12  | 107170     | Decal, White woodmizer.com              |          | 1    |
|     | 107912     | Motor Assembly, Power Feed              |          | 1    |
| 13  | 024169     | Motor, 3/4 HP 12VDC Electric            |          | 1    |
| 14  | 107915     | Spacer Ring, Motor                      |          | 1    |
| 15  | 107910     | Mount Weldment, Power Feed              |          | 1    |
| 16  | 106556     | Pulley, 10x1 A Groove                   |          | 1    |
| 17  | 107916     | Cover Weldment, Power Feed              |          | 1    |
| 18  | F05007-87  | Bolt, 1/4-20x3/4 Hex Head w/Washer&Patc |          | 4    |
| 19  | F05007-123 | Bolt, 3/8-16x1 1/4 FT HH Gr5            |          | 4    |
| 20  | F05006-102 | Bolt, 5/16-18x3/4 HH Gr5 Zinc           |          | 4    |
| 21  | F05011-3   | Washer, 3/8 Flat SAE                    |          | 7    |
| 22  | F05011-4   | Washer, 3/8 Split Lock                  |          | 4    |
| 23  | F05011-17  | Washer, 5/16 SAE Flat                   |          | 4    |
| 24  | F05011-13  | Washer, 5/16 Split Lock                 |          | 4    |
| 25  | F05010-10  | Nut, 3/8-16 Hex Nyloc                   |          | 3    |
| 26  | 015135     | Sheave, 1 3/4 Feed Motor                |          | 1    |
| 27  | F05007-12  | Screw, 3/8-16x1/2 SH Cup Pt Set         |          | 2    |
| 28  | 024431     | Decal, Disconnect Motor Leads Warning   |          | 1    |
| 29  | 107119     | Belt, 4L370                             |          | 1    |

| REF       | PART #     | DESCRIPTION                              | COMMENTS | QTY. |
|-----------|------------|--|----------|------|
|           | 107122     | Chain, #40x813 Pitches (406-1/2")        |          | 2    |
|           | N/A        | Link, Master                             |          | 2    |
| <b>30</b> | F05005-114 | <b>SCREW, 5/16-18X1/2 BHSC SS</b>        |          | 2    |
| <b>31</b> | F05007-16  | <b>BOLT, 3/8-16X2 FT HH</b>              |          | 2    |
| <b>32</b> | F05010-29  | <b>NUT, 3/8-16 JAM</b>                   |          | 2    |
| <b>33</b> | 106889     | <b>TENSIONER WELDMENT, UP/DOWN CHAIN</b> |          | 1    |
| <b>34</b> | F05011-2   | <b>WASHER, 1/2 SAE FLAT</b>              |          | 1    |
| <b>35</b> | F05010-31  | <b>NUT, 1/2-13 JAM</b>                   |          | 2    |

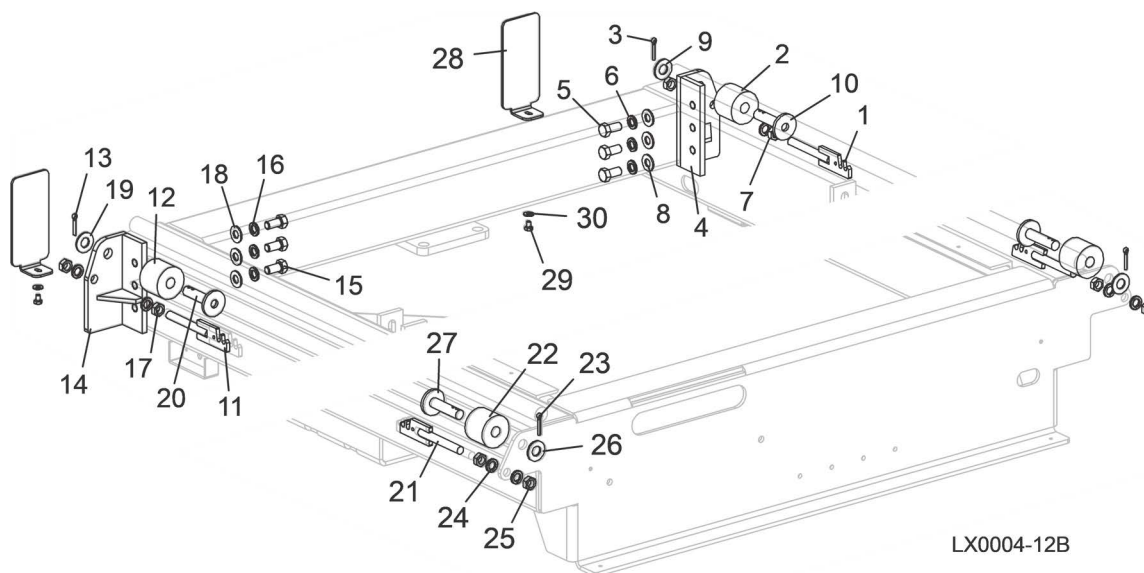
## 7.4 Power Feed Assembly (w/SimpleSet)



| REF | PART #     | DESCRIPTION                                   | COMMENTS            | QTY. |
|-----|------------|---|---------------------|------|
|     | 107014     | <b>FEED ASSEMBLY, POWER</b>                   |                     | 1    |
| 1   | 007311     | Sprocket, 40B16x1                             |                     | 2    |
| 2   | 038124     | Bearing, 1 Flanged, VF2S 216                  |                     | 2    |
| 3   | 071452     | Shaft, Power Feed                             |                     | 1    |
| 4   | 106589     | Upright Weldment, Tube                        |                     | 1    |
| 5   | F05007-119 | Bolt, 3/8-16x1 3/4 Hex Head Grade 5           |                     | 4    |
| 6   | F05007-123 | Bolt, 3/8-16x1 1/4 FT Hex Head Grade 5        |                     | 2    |
| 7   | F05010-10  | Nut, 3/8-16 Hex Nyloc                         |                     | 6    |
| 8   | F05011-61  | Washer, 3/8 SAE Flat                          |                     | 12   |
|     | 106596     | Motor Assembly, Power Feed                    |                     | 1    |
| 9   | 053683     | Motor, 3/4HP 12VDC Electric Std Mill          | If upgrade from the | 1    |
| 10  | 103992     | Mount Weldment, Power Feed                    |                     | 1    |
| 11  | 106556     | Pulley, 10x1 A Groove                         |                     | 1    |
| 12  | 107093     | Cover Weldment, Power Feed                    |                     | 1    |
| 13  | F05005-101 | Bolt, 1/4-20x1 Hex Head Grade 5               |                     | 3    |
| 14  | F05006-101 | Bolt, 5/16-18x3/4 Hex Head W/Flat&Lock Washer |                     | 4    |
| 15  | F05007-87  | Bolt, 1/4-20x3/4 Hex Head w/Washer&Patc       |                     | 4    |
| 16  | F05010-10  | Bolt, 3/8-16x1 Hex Head Grade 5               |                     | 3    |
| 17  | F05011-11  | Washer, 1/4 SAE Flat                          |                     | 3    |
| 18  | F05011-14  | Washer, 1/4 Split Lock                        |                     | 3    |
| 19  | F05011-61  | Washer, 3/8 SAE Flat                          |                     | 6    |
| 20  | S09579     | Sheave, 1 3/4 Feed Motor                      |                     | 1    |
|     | F05007-12  | Screw, 3/8-16x1/2 SH Cup Pt Set               |                     | 2    |
| 21  | 024431     | Decal, Disconnect Motor Leads Warning         |                     | 1    |
| 22  | 107119     | Belt, 4L370                                   |                     | 1    |

| REF       | PART #     | DESCRIPTION                              | COMMENTS | QTY. |
|-----------|------------|--|----------|------|
|           | 107122     | Chain, #40x799 Pitches (399-1/2")        |          | 2    |
|           | N/A        | Link, Master                             |          | 2    |
| <b>23</b> | 107170     | Decal, White woodmizer.com               |          | 1    |
| <b>24</b> | 017832     | Key, 1/4Sq x1 3/8                        |          | 1    |
| <b>25</b> | S21486     | Key, 1/4in x 1                           |          | 2    |
| <b>26</b> | 079815-16  | Shim Plate, Upright Brace                |          | 2    |
| <b>27</b> | F05005-114 | <b>SCREW, 5/16-18X1/2 BHSC SS</b>        |          | 2    |
| <b>28</b> | F05007-16  | <b>BOLT, 3/8-16X2 FT HH</b>              |          | 2    |
| <b>29</b> | F05010-29  | <b>NUT, 3/8-16 JAM</b>                   |          | 2    |
| <b>30</b> | 106889     | <b>TENSIONER WELDMENT, UP/DOWN CHAIN</b> |          | 1    |
| <b>31</b> | F05011-2   | <b>WASHER, 1/2 SAE FLAT</b>              |          | 1    |
| <b>32</b> | F05010-31  | <b>NUT, 1/2-13 JAM</b>                   |          | 2    |

## 7.5 Feed Chain/Stop



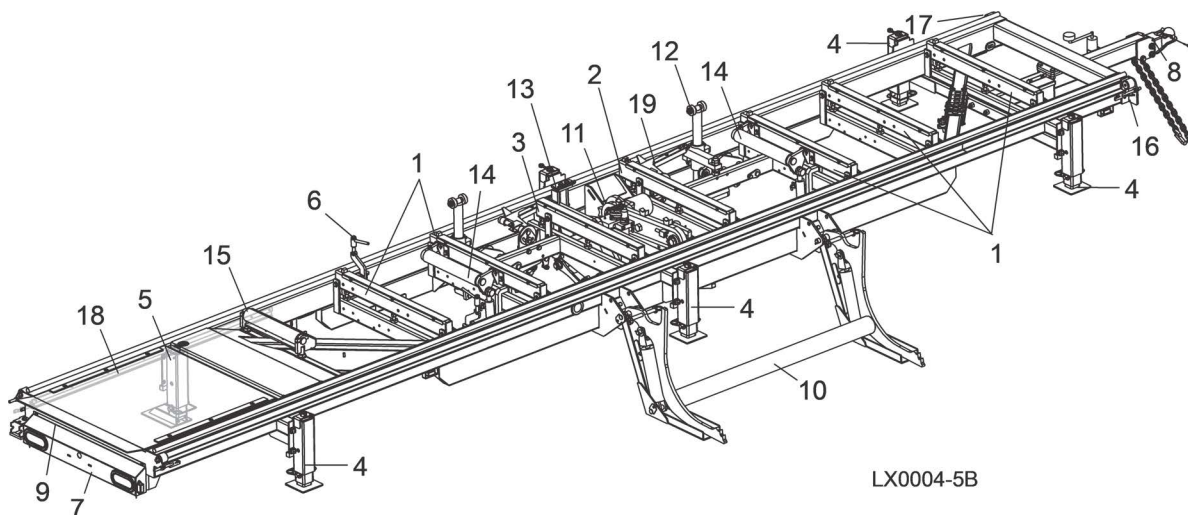
| REF | PART #     | DESCRIPTION                                       | COMMENTS | QTY. |
|-----|------------|---|----------|------|
|     | 106882     | <b>STOP/TENSIONER ASSEMBLY, CHAIN (RIGHT)</b>     |          | 1    |
| 1   | 015520     | Tensioner Weldment, Short Power Feed Chain        |          | 1    |
| 2   | P12165     | Bushing, 11/16x2 1/8x1 3/4 Rubber                 |          | 1    |
| 3   | F05012-21  | Pin, 3/16x1 Cotter                                |          | 1    |
| 4   | 103931     | Stop Weldment, End                                |          | 1    |
| 5   | F05008-128 | Bolt, 1/2-13x1 Hex Head Grade 8                   |          | 3    |
| 6   | F05011-9   | Washer, 1/2 Split Lock                            |          | 5    |
| 7   | F05010-16  | Nut, 1/2-20 Hex Jam                               |          | 2    |
| 8   | F05011-2   | Washer, 1/2 SAE Flat                              |          | 3    |
| 9   | F05011-5   | Washer, 5/8 SAE Flat                              |          | 1    |
| 10  | W09293     | Stop Weldment, Carriage Ptd                       |          | 1    |
|     | 106883     | <b>STOP/TENSIONER ASSEMBLY, CHAIN (LEFT)</b>      |          | 1    |
| 11  | 015520     | Tensioner Weldment, Short Power Feed Chain        |          | 1    |
| 12  | P12165     | Bushing, 11/16x2 1/8x1 3/4 Rubber                 |          | 1    |
| 13  | F05012-21  | Pin, 3/16x1 Cotter                                |          | 1    |
| 14  | 103965     | Stop Weldment, End                                |          | 1    |
| 15  | F05008-128 | Bolt, 1/2-13x1 Hex Head Grade 8                   |          | 3    |
| 16  | F05011-9   | Washer, 1/2 Split Lock                            |          | 5    |
| 17  | F05010-16  | Nut, 1/2-20 Hex Jam                               |          | 2    |
| 18  | F05011-2   | Washer, 1/2 SAE Flat                              |          | 3    |
| 19  | F05011-5   | Washer, 5/8 SAE Flat                              |          | 1    |
| 20  | W09293     | Stop Weldment, Carriage Ptd                       |          | 1    |
| 21  | 015520     | <b>TENSIONER WELDMENT, SHORT POWER FEED CHAIN</b> |          | 2    |
| 22  | P12165     | <b>BUSHING, 11/16X2 1/8X1 3/4 RUBBER</b>          |          | 2    |
| 23  | F05012-21  | <b>PIN, 3/16X1 COTTER</b>                         |          | 2    |
| 24  | F05011-9   | <b>WASHER, 1/2 SPLIT LOCK</b>                     |          | 4    |
| 25  | F05010-16  | <b>NUT, 1/2-20 HEX JAM</b>                        |          | 4    |
| 26  | F05011-5   | <b>WASHER, 5/8 SAE FLAT</b>                       |          | 2    |
| 27  | W09293     | <b>STOP WELDMENT, CARRIAGE PTD</b>                |          | 2    |



| REF | PART #    | DESCRIPTION               | COMMENTS | QTY. |
|-----|-----------|---------------------------|----------|------|
| 28  | 107140    | CAP, MAIN TUBE            |          | 2    |
| 29  | F05005-67 | BOLT, 1/4-20X3/8 HEX HEAD |          | 2    |
| 30  | F05011-60 | WASHER, 1/4 SAE FLAT      |          | 2    |

## SECTION 8 BED FRAME & TRAILER ASSEMBLY

### 8.1 Bed Frame Assembly

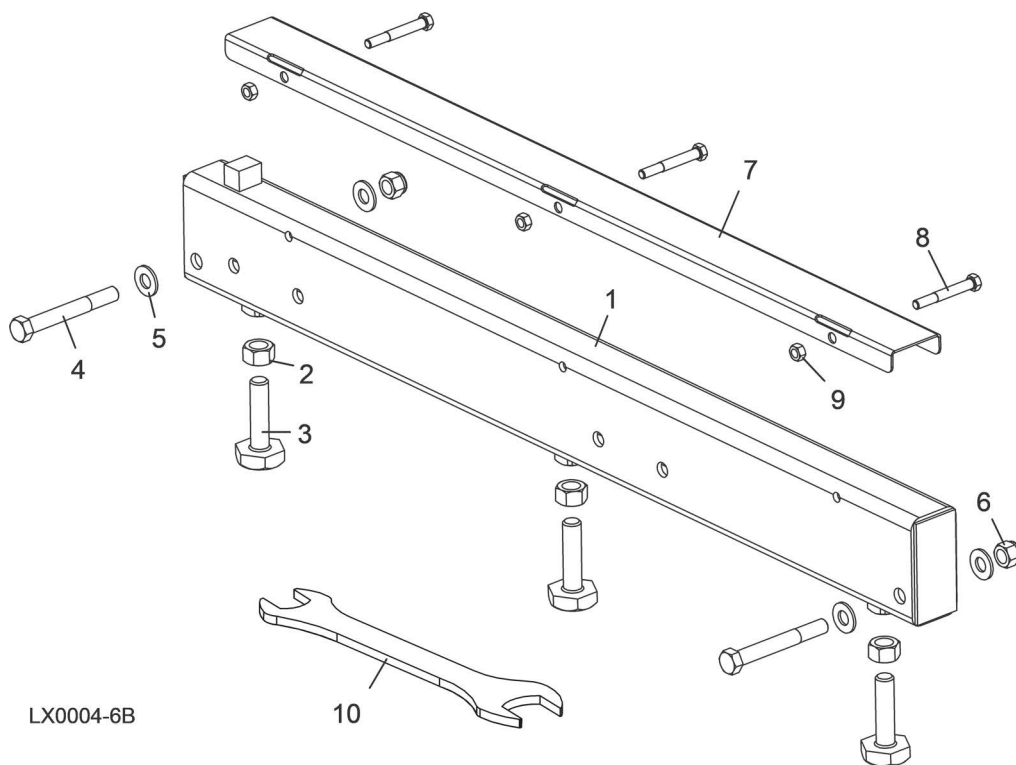


LX0004-5B

| REF | PART # | DESCRIPTION  | COMMENTS | QTY. |
|-----|--------|--|----------|------|
|     | 071420 | <b>BED ASSEMBLY, LX450</b>   |          | 1    |
| 1   | 075703 | Tube Assembly, Bed (Front & Rear) ((See Section 8.2))                |          | 5    |
| 2   | 106537 | Tube Assembly, Bed Adjustable Stop (Rear Middle) ((See Section 8.4)) |          | 1    |
| 3   | 075733 | Tube Assembly, Bed Short (Front Middle) ((See Section 8.3))          |          | 1    |
| 4   | 056781 | Leg Assembly, Loading Side Adjustable ((See Section 8.5))            |          | 5    |
| 5   | 056787 | Leg Assembly, Adj Outrigger Offset ((See Section 8.6))               |          | 1    |
| 6   | 079601 | Lock Assembly, Travel ((See Section 8.13))                           |          | 2    |
| 7   | 107147 | Trailer Light Panel Assembly ((See Section 8.11))                    |          | 1    |
| 8   | 107149 | Hitch Assembly, LX450 ((See Section 8.9))                            |          | 1    |
| 9   | 107148 | Hydraulic Assembly, LX450 ((See Section 9.2))                        |          | 1    |
| 10  | 103912 | Loader Assembly, Hydraulic Log, LX450 ((See Section 9.6))            |          | 1    |
| 11  | 006095 | Turner Arm Assembly, 2Pt Chain Log ((See Section 9.7))               |          | 1    |
| 12  | 034734 | Link Assembly, Vertical Side Support ((See Section 9.8))             |          | 1    |
| 13  | 075575 | Clamp Assembly, Extended ((See Section 9.11))                        |          | 1    |
| 14  | 106542 | Toe Board Assembly, Rear Hydraulic ((See Section 9.12))              |          | 1    |
| 15  | 110385 | Ramp Assembly, Toe Board ((See Section 8.7))                         |          | 1    |
| 16  | 106882 | Stop/Tensioner Assembly, Chain (Right) ((See Section 7.5))           |          | 1    |
| 17  | 106883 | Stop/Tensioner Assembly, Chain (Left) ((See Section 7.5))            |          | 1    |

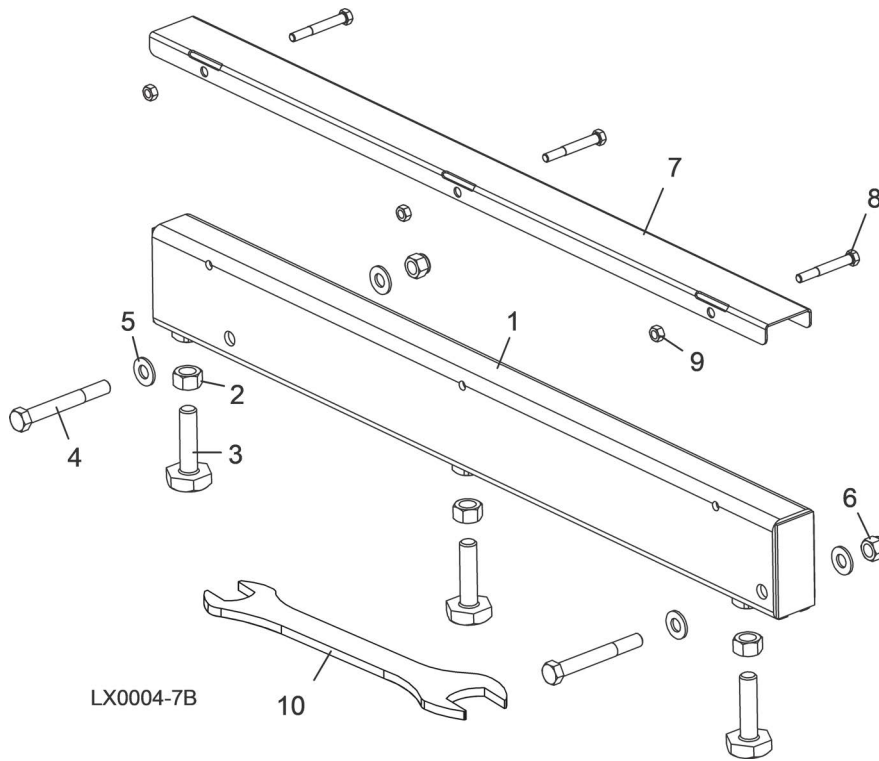
| REF | PART # | DESCRIPTION   | COMMENTS | QTY. |
|-----|--------|---|----------|------|
| 18  | A11977 | Strip Assembly, 6Ft Contact ( <a href="#">See Section 9.4</a> ) |          | 1    |
| 19  | 034554 | Side Support (Manual) ( <a href="#">See Section 8.12</a> )      |          | 2    |

## 8.2 Bed Rail Assembly, Front And Rear



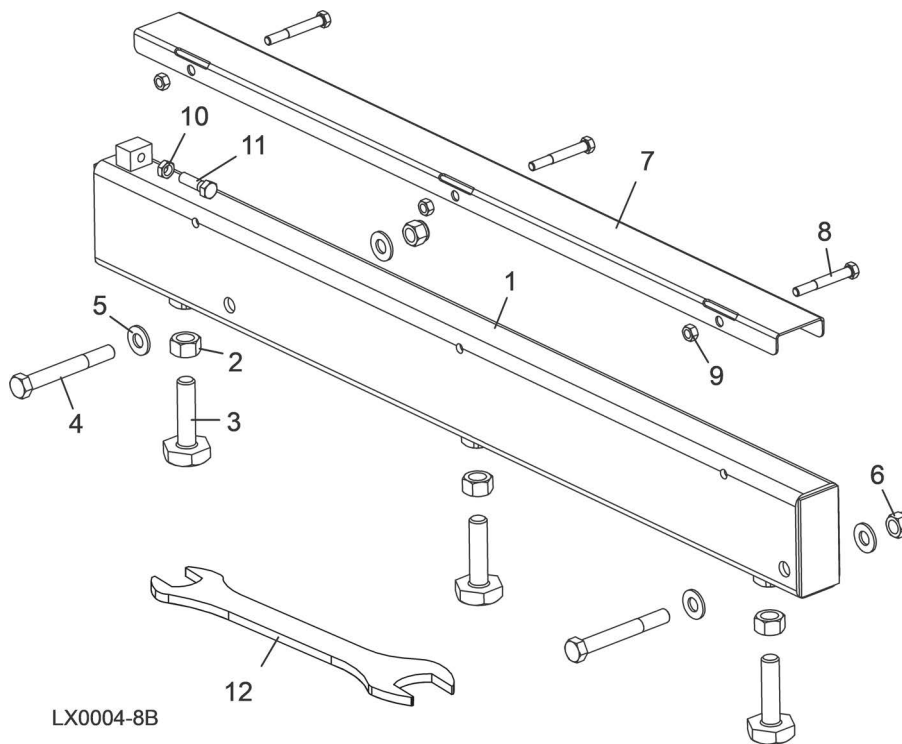
| REF | PART #    | DESCRIPTION  | COMMENTS | QTY. |
|-----|-----------|--|----------|------|
|     | 075703    | <b>BED RAIL ASSEMBLY, PAINTED (FRONT AND REAR)</b> |          | 1    |
| 1   | 075702    | Tube Weldment, Bed Rail                            |          | 1    |
| 2   | F05010-5  | Nut, 5/8-11 Hex                                    |          | 2    |
| 3   | S13006    | Bolt, Bed Rail Adjustment                          |          | 2    |
| 4   | F05008-78 | Bolt, 1/2-13 X 4" Hex Head                         |          | 2    |
| 5   | F05011-2  | Washer, 1/2" SAE Flat                              |          | 4    |
| 6   | F05010-8  | Nut, 1/2-13 Nylon Lock                             |          | 2    |
| 7   | 106551    | Cover, 33-13/16 Stainless Steel Bed Rail           |          | 1    |
| 8   | F05006-10 | Bolt, 5/16-18 X 2 1/2" Hex Head                    |          | 3    |
| 9   | F05010-6  | Nut, 5/16-18 Hex Lock                              |          | 3    |
| 10  | 015970    | <b>WRENCH, BED RAIL ADJUSTMENT</b>                 |          | 1    |

### 8.3 Bed Rail Assembly, Front Middle



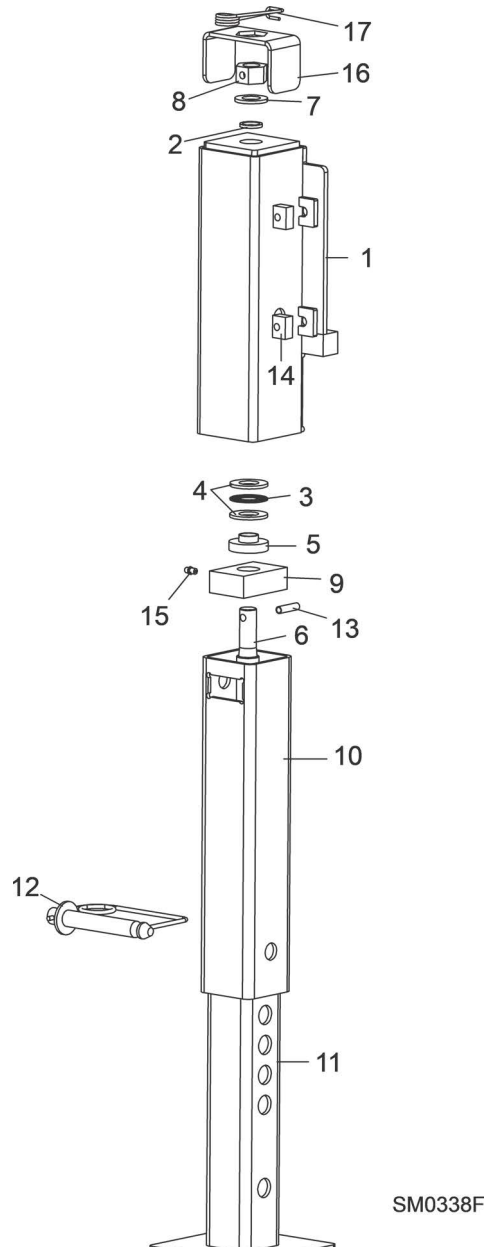
| REF | PART #    | DESCRIPTION  | COMMENTS | QTY. |
|-----|-----------|--|----------|------|
|     | 075733    | <b>BED RAIL ASSEMBLY, SHORT PAINTED (FRONT MIDDLE)</b> |          | 1    |
| 1   | 075696    | Tube Weldment, Bed Rail                                |          | 1    |
| 2   | F05010-5  | Nut, 5/8-11 Hex  |          | 2    |
| 3   | S13006    | Bolt, Bed Rail Adjustment                              |          | 2    |
| 4   | F05008-78 | Bolt, 1/2-13 X 4" Hex Head                             |          | 2    |
| 5   | F05011-2  | Washer, 1/2" SAE Flat                                  |          | 4    |
| 6   | F05010-8  | Nut, 1/2-13 Nylon Lock                                 |          | 2    |
| 7   | 106551    | Cover, 33-13/16 Stainless Steel Bed Rail               |          | 1    |
| 8   | F05006-10 | Bolt, 5/16-18 X 2 1/2" Hex Head                        |          | 3    |
| 9   | F05010-6  | Nut, 5/16-18 Hex Lock                                  |          | 3    |
| 10  | 015970    | <b>WRENCH, BED RAIL ADJUSTMENT</b>                     |          | 1    |

## 8.4 Bed Rail Assembly, Rear Middle



| REF | PART #    | DESCRIPTION                                     | COMMENTS | QTY. |
|-----|-----------|---|----------|------|
|     | 106537    | <b>BED RAIL ASSEMBLY, PAINTED (REAR MIDDLE)</b> |          | 1    |
| 1   | 106538    | Tube Weldment, Bed Rail                         |          | 1    |
| 2   | F05010-5  | Nut, 5/8-11 Hex                                 |          | 2    |
| 3   | S13006    | Bolt, Bed Rail Adjustment                       |          | 2    |
| 4   | F05008-78 | Bolt, 1/2-13 X 4" Hex Head                      |          | 2    |
| 5   | F05011-2  | Washer, 1/2" SAE Flat                           |          | 4    |
| 6   | F05010-8  | Nut, 1/2-13 Nylon Lock                          |          | 2    |
| 7   | 106551    | Cover, 33-13/16 Stainless Steel Bed Rail        |          | 1    |
| 8   | F05006-10 | Bolt, 5/16-18 X 2 1/2" Hex Head                 |          | 3    |
| 9   | F05010-6  | Nut, 5/16-18 Hex Lock                           |          | 3    |
| 10  | F05010-29 | Nut, 3/8-16 Jam                                 |          | 1    |
| 11  | F05007-2  | Screw, 3/8-16x1 1/4 HHC                         |          | 1    |
| 12  | 015970    | <b>WRENCH, BED RAIL ADJUSTMENT</b>              |          | 1    |

## 8.5 Adjustable Outrigger Assembly



SM0338F

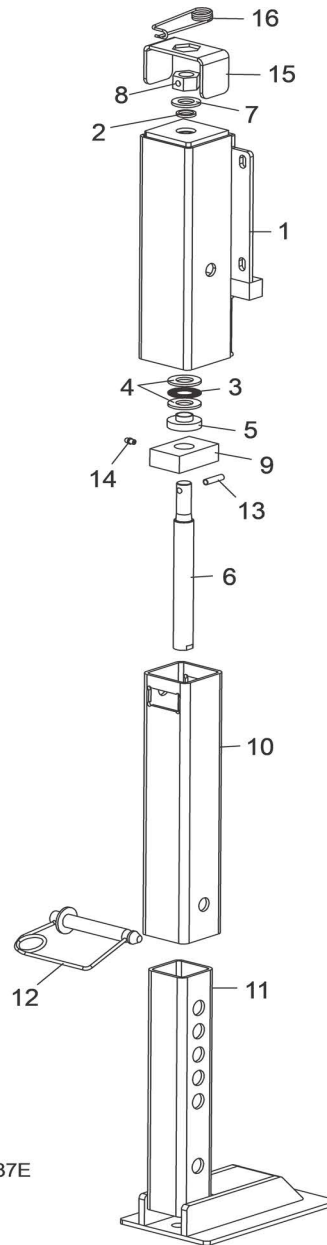
| REF | PART #    | DESCRIPTION  | COMMENTS | QTY. |
|-----|-----------|--|----------|------|
|     | 056781    | <b>OUTRIGGER ASSEMBLY, LOADING SIDE ADJUSTABLE</b> |          | 5    |
| 1   | 056780    | Mount Weldment, Loading Side Adjustable Outrigger  |          | 1    |
| 2   | 039641    | Seal, Outrigger Acme Screw                         |          | 1    |
|     | 039639    | Bearing Assembly, Adjustable Outrigger Thrust      |          | 1    |
| 3   | 039637    | Bearing, Needle-Roller Thrust                      |          | 1    |
| 4   | 039638    | Washer, Thrust Bearing                             |          | 2    |
| 5   | 039645    | Sleeve, Outrigger Acme Screw                       |          | 1    |
| 6   | 039642    | Screw, 1-5 Adjustable Outrigger Long Acme          |          | 1    |
| 7   | F05011-62 | Washer, 3/4" SAE Flat                              |          | 1    |
| 8   | 056774    | Nut, Adjustable Outrigger Hex                      |          | 1    |

**8** **Bed Frame & Trailer Assembly**  
*Adjustable Outrigger Assembly*

| REF | PART #     | DESCRIPTION  | COMMENTS | QTY. |
|-----|------------|--|----------|------|
| 9   | 039636     | Nut, 1-5 Long Acme                                       |          | 1    |
| 10  | 003981     | Tube, Adjustable Outrigger Slide                         |          | 1    |
| 11  | 056783     | Base Weldment, Loading Side Adjustable Out-<br>rigger    |          | 1    |
| 12  | 056817     | Pin, Adjustable Outrigger Locking                        |          | 1    |
| 13  | F05012-127 | Pin 5/16" x 1 1/4" Roll                                  |          | 1    |
| 14  | 056826     | Nut, Adjustable Outrigger Mounting                       |          | 4    |
| 15  | P05060     | Fitting, 1/4-28 Grease                                   |          | 1    |
|     | FAO-1524   | Inst. Sheet, Adjustable Outrigger                        |          | 1    |
| 16  | 059577     | <b>BRACKET, ADJUSTABLE OUTRIGGER LOCK<br/>(OPTIONAL)</b> |          | 1    |



## 8.6 Adjustable Outrigger Assembly, Offset



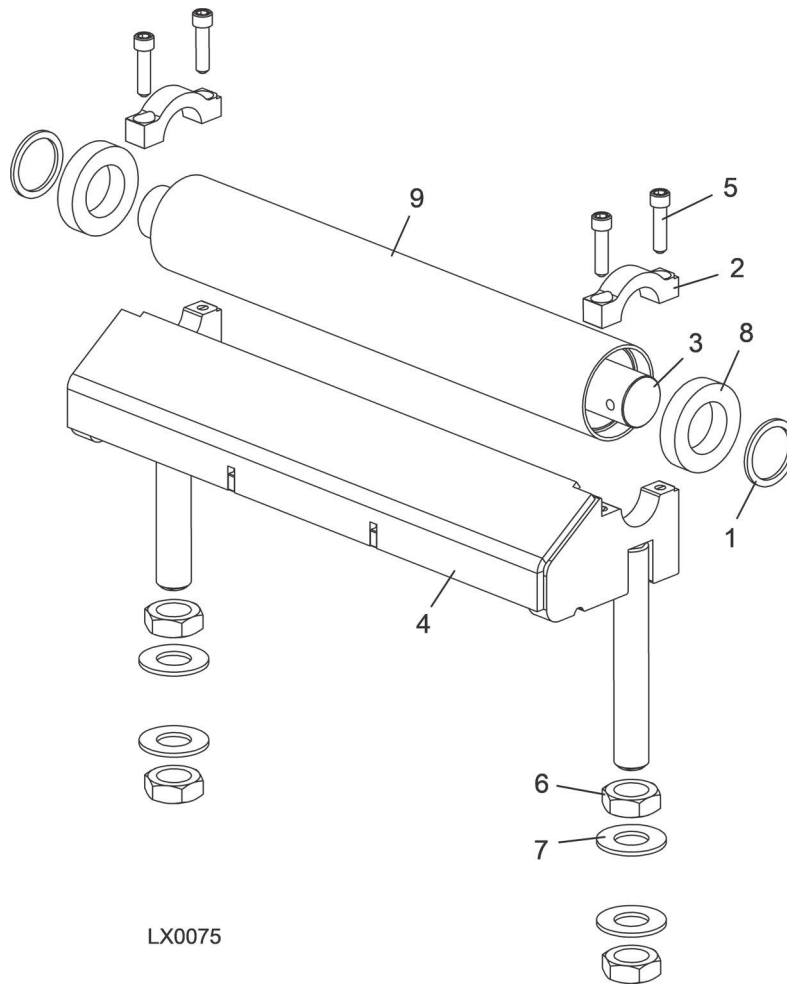
SM0337E

| REF | PART #    | DESCRIPTION                                   | COMMENTS | QTY. |
|-----|-----------|---|----------|------|
|     | 056787    | <b>OUTRIGGER ASSEMBLY, OFFSET ADJUSTABLE</b>  |          | 1    |
| 1   | 003945    | Mount Weldment, Offset Adjustable Outrigger   |          | 1    |
| 2   | 039641    | Seal, Outrigger Acme Screw                    |          | 1    |
|     | 039639    | Bearing Assembly, Adjustable Outrigger Thrust |          | 1    |
| 3   | 039637    | Bearing, Needle-Roller Thrust                 |          | 1    |
| 4   | 039638    | Washer, Thrust Bearing                        |          | 2    |
| 5   | 039645    | Sleeve, Outrigger Acme Screw                  |          | 1    |
| 6   | 039642    | Screw, 1-5 Adjustable Outrigger Long Acme     |          | 1    |
| 7   | F05011-62 | Washer, 3/4" SAE Flat                         |          | 1    |
| 8   | 056774    | Nut, Adjustable Outrigger Hex                 |          | 1    |

**8** **Bed Frame & Trailer Assembly**  
*Adjustable Outrigger Assembly, Offset*

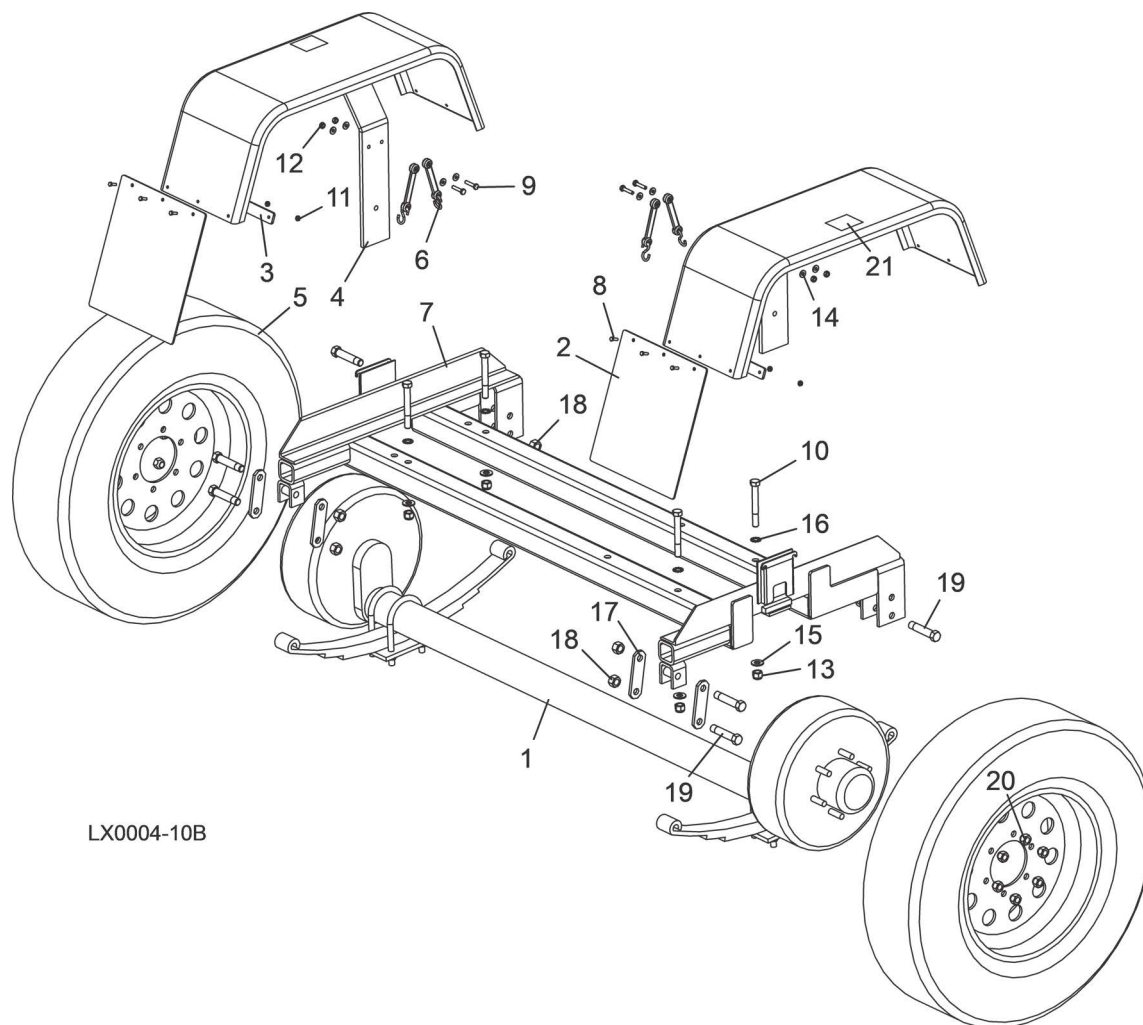
| REF | PART #     | DESCRIPTION  | COMMENTS | QTY. |
|-----|------------|--|----------|------|
| 9   | 039636     | Nut, 1-5 Long Acme                                   |          | 1    |
| 10  | 003981     | Tube, Front Adjustable Outrigger Slide               |          | 1    |
| 11  | 056788     | Base Weldment, Offset Adjustable Out-rigger          |          | 1    |
| 12  | 056817     | Pin, Adjustable Outrigger Locking                    |          | 1    |
| 13  | F05012-127 | Pin 5/16" x 1 1/4" Roll                              |          | 1    |
| 14  | P05060     | Fitting, 1/4-28 Grease                               |          | 1    |
|     | FAO-1524   | Inst. Sheet, Adjustable Outrigger                    |          | 1    |
| 15  | 059577     | <b>BRACKET, ADJUSTABLE OUTRIGGER LOCK (OPTIONAL)</b> |          | 1    |

## 8.7 Toe Board Ramp Assembly



| REF | PART #     | DESCRIPTION                     | COMMENTS | QTY. |
|-----|------------|---------------------------------|----------|------|
|     | 110385     | <b>RAMP ASSEMBLY, TOE BOARD</b> |          | 1    |
| 1   | 074843     | Plate, 1-19/32x2x1/8 Spacer     |          | 2    |
| 2   | 076234     | Plate, Taper Roller Side        |          | 2    |
| 3   | 076753     | Shaft, Toe Board 1-9/16 Dia     |          | 1    |
| 4   | 110362     | Ramp Weldment, Toe Board        |          | 1    |
| 5   | F05007-36  | Screw, 3/8-16x1 1/2 BO SHC      |          | 4    |
| 6   | F05010-188 | Nut, 1-8 Hex Jam Zinc           |          | 4    |
| 7   | F05011-28  | Washer, 1 ID SAE Flat           |          | 4    |
| 8   | P13024     | Bearing, 1.575x2.677x.591       |          | 2    |
| 9   | S13020     | Tube, 2 1/2x17 1/2 Toe Board    |          | 1    |

## 8.8 Trailer Assembly

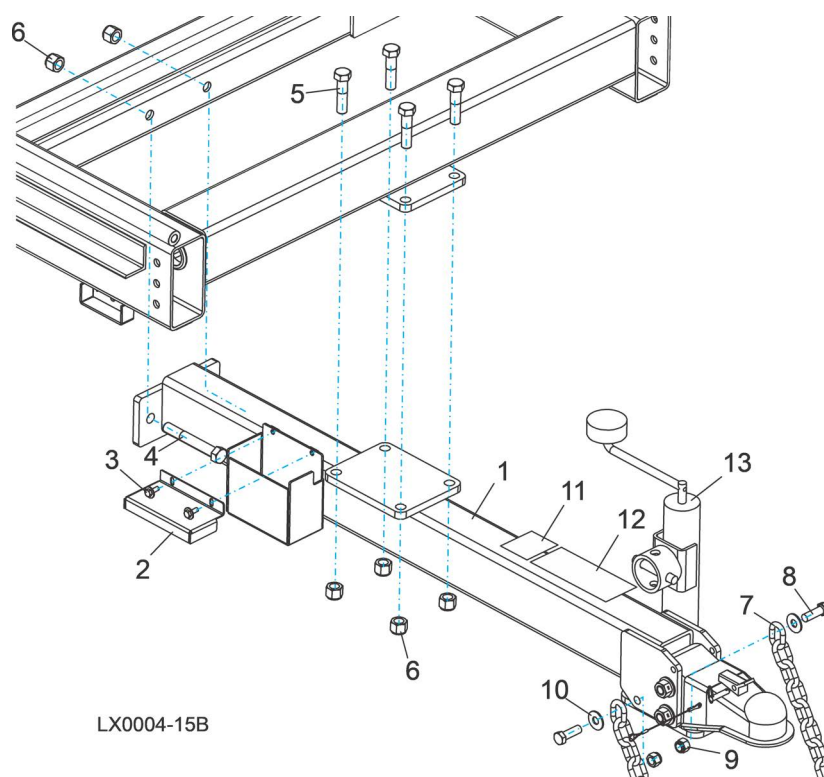


LX0004-10B

| REF | PART #    | DESCRIPTION                             | COMMENTS | QTY. |
|-----|-----------|---|----------|------|
|     | 075612    | <b>TRAILER ASSEMBLY, LX450</b>          |          | 1    |
| 1   | 107988    | Axle, 6000Lb Drop LX450                 |          | 1    |
| 2   | 015758    | Flap, Mud                               |          | 2    |
| 3   | 015787    | Plate, Flap Retaining                   |          | 2    |
| 4   | 015788    | Fender Weldment, Drop Axle              |          | 2    |
| 5   | 133513    | Tire Wheel Assy, ST235/80R16 Tamarack   |          | 2    |
| 6   | 016542    | Strap, Rubber 6                         |          | 4    |
| 7   | 075613    | Frame Weldment, Axle , LX450            |          | 1    |
| 8   | F05004-18 | Screw, 10-24x5/8 Unsl Indent HH Machine |          | 6    |
| 9   | F05005-3  | Bolt, 1/4-20x1 1/4 Hex Head FT Cap      |          | 4    |
| 10  | F05008-26 | Bolt, 1/2-13x4 Hex Head                 |          | 4    |
| 11  | F05010-14 | Nut, #10-24 Keps                        |          | 6    |
| 12  | F05010-21 | Nut, 1/4-20 Swaged                      |          | 4    |
| 13  | F05010-8  | Nut, 1/2-13 Nyl Hex Lock                |          | 4    |
| 14  | F05011-11 | Washer, 1/4 SAE Flat                    |          | 8    |
| 15  | F05011-2  | Washer, 1/2 SAE Flat                    |          | 4    |
| 16  | F05011-39 | Washer, 1/2 Star ET                     |          | 4    |
| 17  | M07528    | Plate, Axle Shackle Link Ptd            |          | 4    |

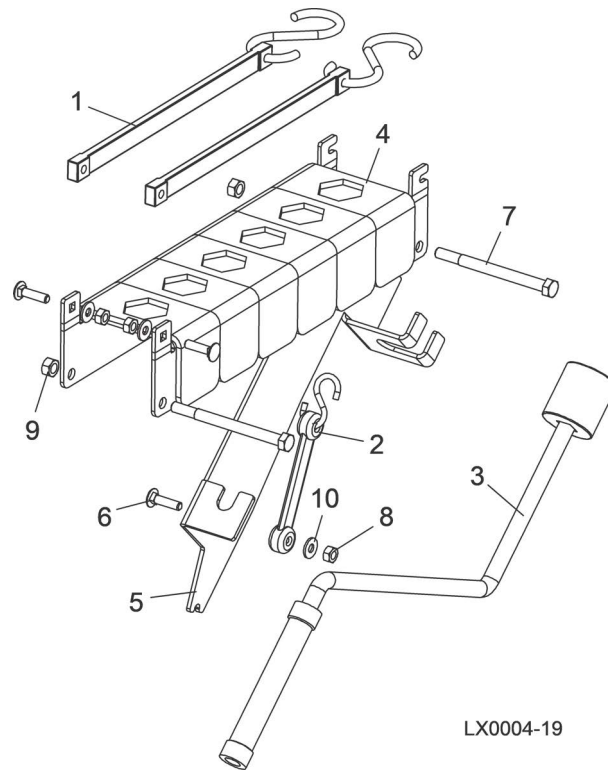
| REF | PART # | DESCRIPTION                  | COMMENTS | QTY. |
|-----|--------|------------------------------|----------|------|
| 18  | P04643 | Nut, 9/16-18 Lock            |          | 6    |
| 19  | P04644 | Bolt,9/16-18                 |          | 6    |
| 20  | P04646 | Nut, 1/2-20 Lug              |          | 12   |
| 21  | S11761 | Decal, Fender Damage Caution |          | 2    |

## 8.9 Hitch Assembly



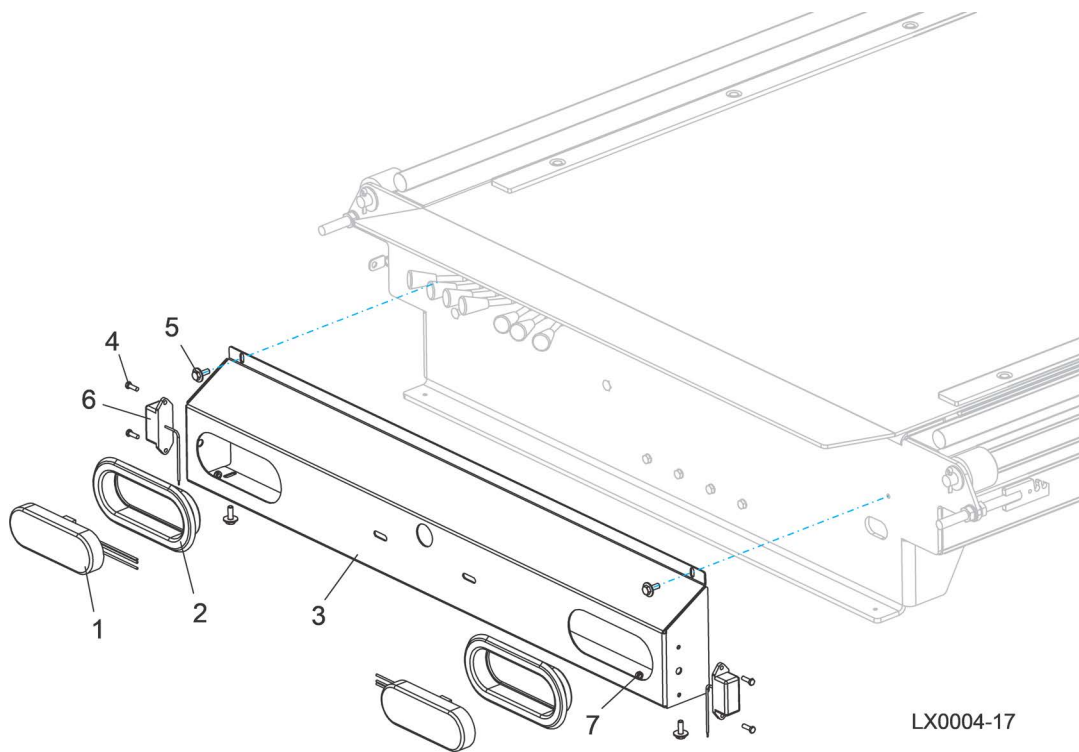
| REF | PART #     | DESCRIPTION                                | COMMENTS | QTY. |
|-----|------------|--|----------|------|
|     | 107149     | <b>HITCH ASSEMBLY, LX450</b>               |          | 1    |
| 1   | 103930     | Hitch Assembly, 8,500# LX450               |          | 1    |
| 2   | 107151     | Cover, Brake Battery                       |          | 1    |
| 3   | F05005-134 | Bolt, 1/4-20x3/4 Hex Head w/Conical Washer |          | 2    |
| 4   | F05009-10  | Bolt, 5/8-11x4 1/2 Hex Head Grade 5        |          | 2    |
| 5   | F05009-20  | Bolt, 5/8-11x2 1/2 Grade 5 Hex Head        |          | 4    |
| 6   | F05010-34  | Nut, 5/8-11 Nylon Lock                     |          | 6    |
| 7   | 107163     | Chain, 30 Inch Safety                      |          | 2    |
| 8   | F05008-33  | Bolt, 1/2-13x1 1/2 Hex Head Grade 5        |          | 2    |
| 9   | F05010-8   | Nut, 1/2-13 Nylon Hex Lock                 |          | 2    |
| 10  | F05011-35  | Washer, 7/16 Standard Flat                 |          | 2    |
| 11  | P11809     | Decal, Before Towing Caution               |          | 1    |
| 12  | 014106     | Decal, Before Towing Danger                |          | 1    |
| 13  | 110403     | Jack. 10" w/ Pin Only                      |          | 1    |
| 14  | F05012-45  | Pin, 5/16x1 Detaining                      |          | 1    |
| 15  | 016030     | Lanyard, 3/64 x 6                          |          | 1    |

## 8.10 FAO Wrench Bracket Assembly



| REF | PART #     | DESCRIPTION                               | COMMENTS | QTY. |
|-----|------------|---|----------|------|
|     | 079726     | <b>BRACKET ASSEMBLY, LX450 FAO WRENCH</b> |          | 1    |
| 1   | 012965     | Strap, 9In Rubber With Hooks              |          | 2    |
| 2   | 016542     | Strap, Rubber 6                           |          | 1    |
| 3   | 056831     | Handle Assembly, Adj. Outrigger Crank     |          | 1    |
| 4   | 059577     | Bracket, Adjustable Outrigger Lock        |          | 6    |
| 5   | 079725     | Holder Weldment, FAO Wrench/Lock          |          | 1    |
| 6   | F05005-34  | Bolt, 1/4-20x1 Carriage                   |          | 3    |
| 7   | F05006-109 | Bolt, 5/16-18x4 Hex Head Grade 5          |          | 2    |
| 8   | F05010-21  | Nut, 1/4-20 Swaged                        |          | 3    |
| 9   | F05010-6   | Nut, 5/16-18 Swaged Hex                   |          | 2    |
| 10  | F05011-11  | Washer, 1/4 SAE Flat                      |          | 3    |

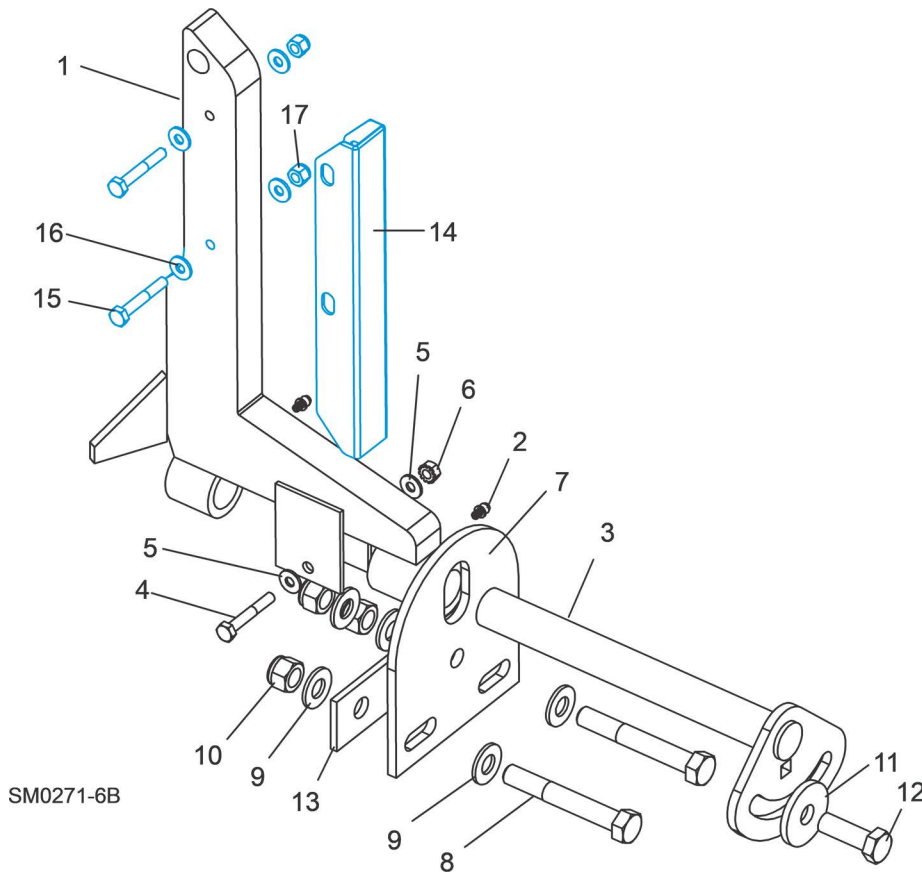
## 8.11 Trailer Light Panel Assembly



| REF | PART #     | DESCRIPTION                                | COMMENTS | QTY. |
|-----|------------|--|----------|------|
|     | 107147     | <b>LIGHT PANEL ASSEMBLY, LX450 TRAILER</b> |          | 1    |
| 1   | 006391     | Light, LED Tail                            |          | 2    |
| 2   | 006688     | Grommet, 6 1/2 Light Mounting              |          | 2    |
| 3   | 106897     | Plate, Taillight Panel                     |          | 1    |
| 4   | F05004-18  | Screw, 10-24x5/8 Unsl Indent HH Machine    |          | 4    |
| 5   | F05005-134 | Bolt, 1/4-20x3/4 HH w/Conical Washer       |          | 4    |
| 6   | P12905     | Lamp, Running Red                          |          | 2    |
| 7   | F05010-14  | Nut, #10-24 Keps                           |          | 4    |



## 8.12 Log Side Support Assembly (Manual)



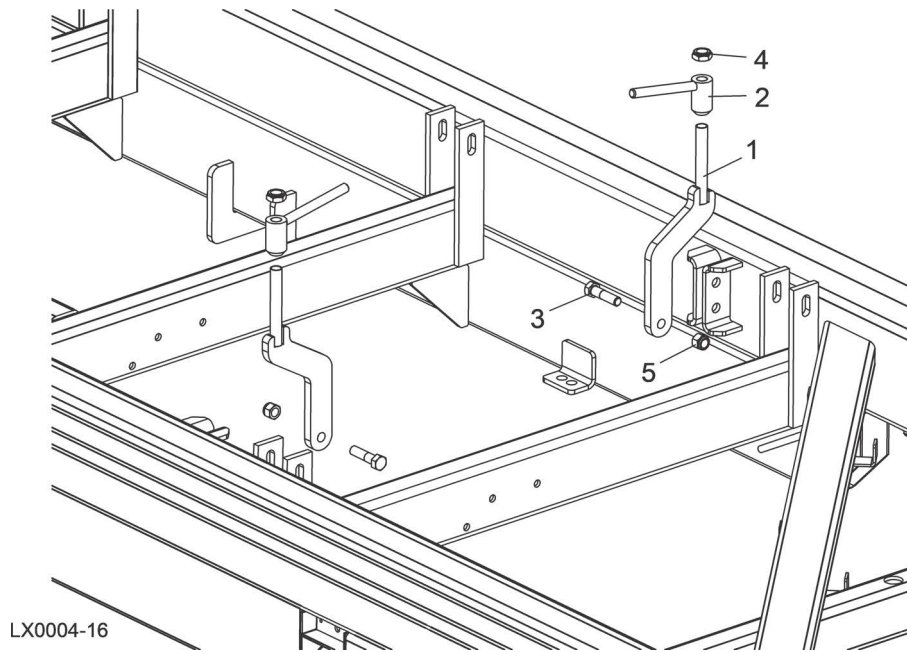
| REF | PART #    | DESCRIPTION                            | COMMENTS | QTY. |
|-----|-----------|--|----------|------|
| 1   | 015235    | <b>SUPPORT, LOG SIDE</b>               |          | 2    |
| 2   | P04107    | Fitting, 3/16" Grease                  |          | 2    |
|     | 016559    | <b>MOUNTING KIT, LOG SIDE SUPPORT</b>  |          | 2    |
| 3   | 016544    | Pin, Log Side Support Pivot            |          | 1    |
| 4   | F05005-4  | Bolt, 1/4-20 X 1 1/2" Hex Head Grade 5 |          | 1    |
| 5   | F05011-11 | Washer, 1/4" SAE Flat                  |          | 2    |
| 6   | F05010-9  | Nut, 1/4-20 Self Locking               |          | 1    |
| 7   | 016555    | Plate, Log Side Support End            |          | 1    |
| 8   | F05008-61 | Bolt, 1/2-13 X 3 1/2" Hex Head Grade 5 |          | 2    |
| 9   | F05011-2  | Washer, 1/2" SAE Flat                  |          | 5    |
| 10  | F05010-8  | Nut, 1/2-13 Hex Nylon Lock             |          | 3    |
| 11  | 014632    | Washer, .52" x 1.69"                   |          | 1    |
| 12  | F05008-33 | Bolt, 1/2-13 X 1 1/2" Hex Head Grade 5 |          | 1    |
| 13  | 016558    | Plate, Side Support Washer Clamp       |          | 1    |
|     | 016562    | <b>ROLLER KIT, SIDE SUPPORT</b>        |          | 4    |
| 14  | 016561    | Roller, Side Support                   |          | 2    |

# 8 Bed Frame & Trailer Assembly

Log Side Support Assembly (Manual)

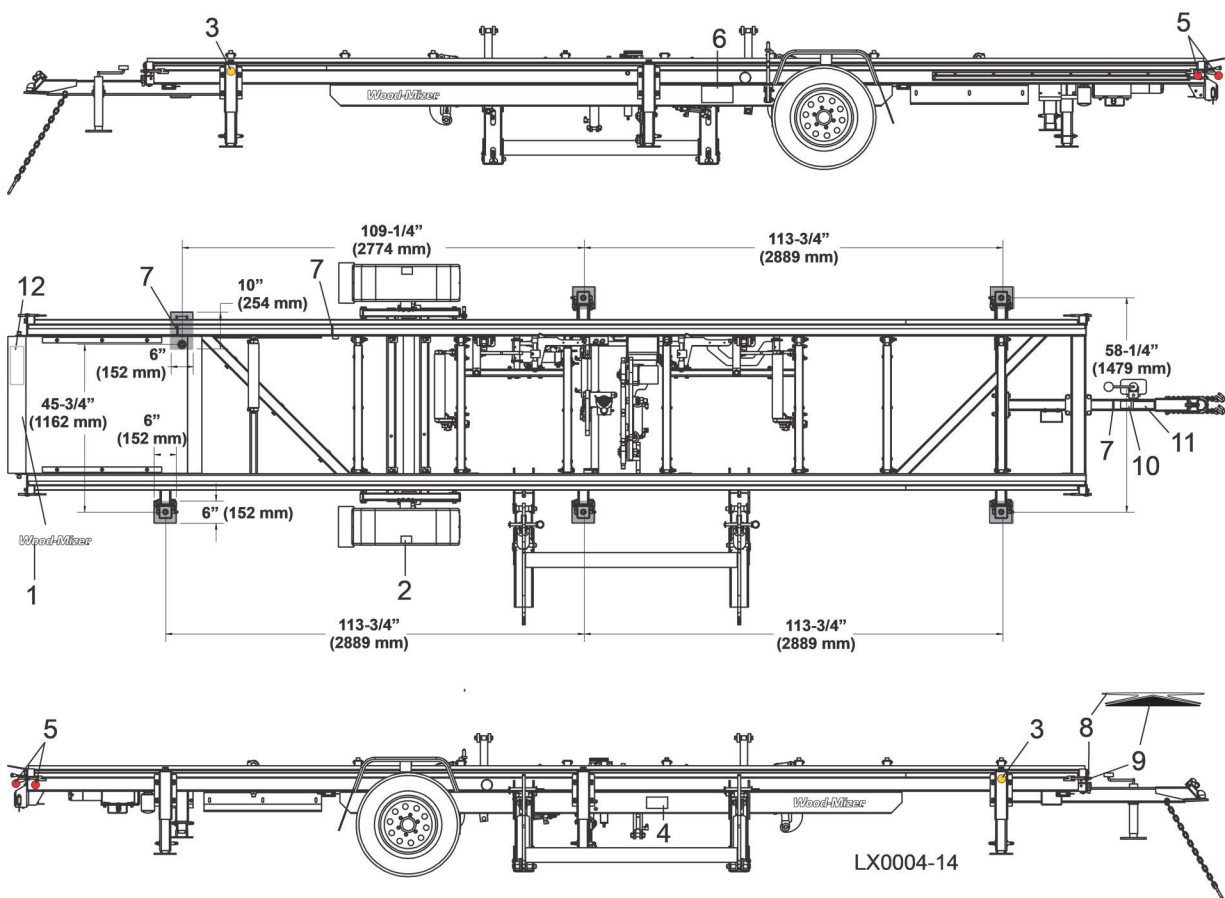
| REF | PART #      | DESCRIPTION   | COMMENTS  | QTY. |
|-----|-------------|---|---|------|
| 15  | F05011-5    | Washer, 5/8" SAE Flat                                       | Additional 5/8" SAE Flat Washer F05011-5 may be required on each side of side support to provide clearance for optional stainless steel side support guards. Extra washers are included in the stainless steel guard retrofit kit (016798). | 6    |
| 16  | F05009-118  | Bolt, 5/8-11 x 3 3/4" Hex Head Grade 5                      |   | 1    |
| 17  | F05010-96   | Nut, 5/8-11 Hex Nylon Lock Jam                              |   | 1    |
| 18  | 016560      | Bushing, Bronze 5/8" x 1" x 3/4"                            |   | 2    |
|     | F05008-94   | Bolt, 1/2-13 x 3 1/2" Carriage Head                         |   | 1    |
|     | 016562-526  | Instruction Sheet, Side Support Roller                      |   | 1    |
|     | 016798      | <b>GUARD KIT, STAINLESS STEEL SIDE SUPPORT (OPTIONAL)</b>   |   | 1    |
| 19  | 016722      | Guard, Stainless Steel Side Support                         |   | 4    |
| 20  | F05005-4    | Bolt, 1/4-20 x 1 3/4" Hex Head                              |   | 8    |
| 21  | F05011-11   | Washer, 1/4" SAE Flat                                       |   | 16   |
|     | F05011-5    | Washer, 5/8" SAE Flat                                       | Additional 5/8" SAE Flat Washer F05011-5 may be required on each side of side support to provide clearance for optional stainless steel side support guards. Extra washers are included in the stainless steel guard retrofit kit (016798). | 4    |
| 22  | F05010-69   | Nut, 1/4-20 Hex Nylon Lock                                  |   | 8    |
|     | 016798-1005 | Instruction Sheet, Stainless Steel Side Support Guard Retro |   | 1    |

### 8.13 Travel Lock Assembly



| REF      | PART #     | DESCRIPTION                  | COMMENTS | QTY. |
|----------|------------|------------------------------|----------|------|
|          | 079601     | <b>LOCK ASSEMBLY, TRAVEL</b> |          | 2    |
| <b>1</b> | 079600     | Lock Weldment, Travel        |          | 1    |
| <b>2</b> | 079747     | Nut Weldment, Travel Lock    |          | 1    |
| <b>3</b> | F05008-76  | Bolt, 1/2-13x2 Hex Head      |          | 1    |
| <b>4</b> | F05010-101 | Nut, 5/8-18 Nylon Jam        |          | 1    |
| <b>5</b> | F05010-8   | Nut, 1/2-13 Nylon Hex Lock   |          | 1    |

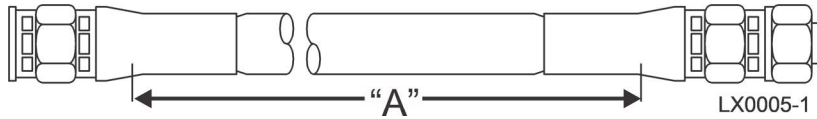
### 8.14 Bed Frame Decals & Foot Dimensions



| REF | PART # | DESCRIPTION                             | COMMENTS | QTY. |
|-----|--------|---|----------|------|
| 1   | 065025 | DECAL, WOOD-MIZER LOGO WHITE LT40/50    |          | 3    |
| 2   | S11761 | DECAL, FENDER DAMAGE CAUTION            |          | 2    |
| 3   | P07453 | DECAL, AMBER REFLECTIVE 2" ROUND        |          | 2    |
| 4   | S09851 | DECAL, KEEP AWAY DANGER                 |          | 1    |
| 5   | P07452 | DECAL, RED REFLECTIVE 2" ROUND          |          | 4    |
| 6   | P10287 | DECAL, PINCH POINT DANGER               |          | 1    |
| 7   | S12051 | DECAL, LOG LIMIT STRIPE                 |          | 3    |
| 8   | 107172 | DECAL, WHITE STRIPE, BED FRONT          |          | 1    |
| 9   | 107173 | DECAL, BLACK STRIPE, BED FRONT          |          | 1    |
| 10  | P11809 | DECAL, BEFORE TOWING CAUTION            |          | 1    |
| 11  | 014106 | DECAL, BEFORE TOWING DANGER             |          | 1    |
| 12  | 107198 | DECAL, HYDRAULIC CONTROL LEVER ID LX450 |          | 1    |

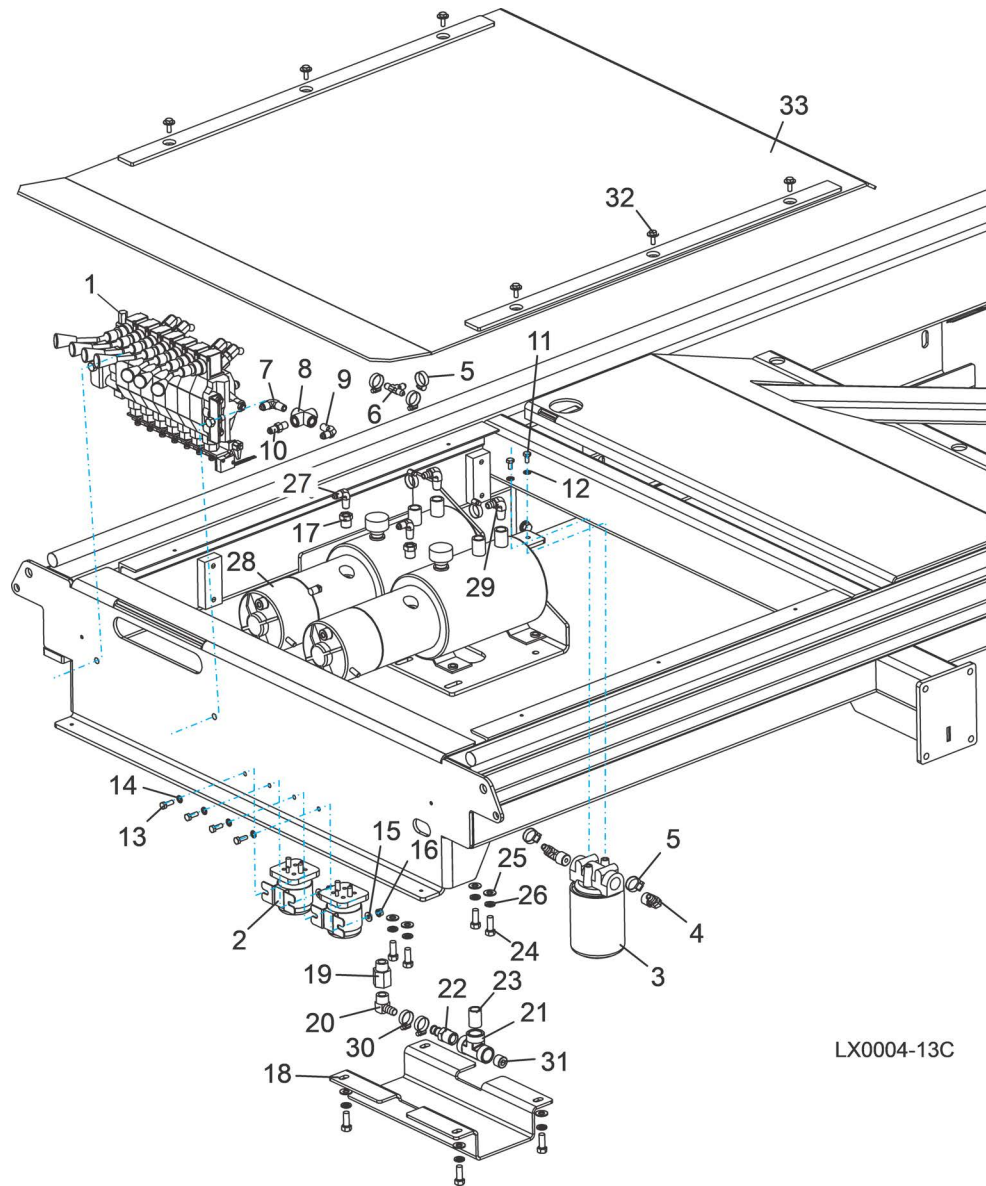
## SECTION 9 BED HYDRAULIC

### 9.1 Hydraulic Hoses



| ID  | Color Code | LENGTH "A" | Application (NOTE: See Hydraulic Information Section in Operator's Manual for Hydraulic Schematics) | HOSE PART # |
|-----|------------|------------|---|-------------|
| H1  | Purple     | 242"       | 1/4" Rear Toe Board Top   | 079000-242  |
| H2  | Black      | 242"       | 1/4" Rear Toe Board Base  | 079000-242  |
| H3  | Yellow     | 158"       | 1/4" Front Toe Board Top  | 079000-158  |
| H4  | Gray       | 158"       | 1/4" Front Toe Board Base   | 079000-158  |
| H5  | Green      | 218"       | 1/4" Clamp Up/Down Top  | 079000-218  |
| H6  | Yellow     | 207"       | 1/4" Clamp Up/Down Base   | 079000-207  |
| H7  | Red        | 108"       | 3/8" Loading Arm Base   | 079001-108  |
| H8  | Blue       | 108"       | 3/8" Loading Arm Top  | 079001-108  |
| H9  | Orange     | 79"        | 3/8" Side Support Base  | 079001-79   |
| H10 | Plain      | 87"        | 3/8" Side Support Top   | 079001-87   |
| H11 | Orange     | 191"       | 3/8" Clamp In/Out Base  | 079001-191  |
| H12 | White      | 165"       | 3/8" Clamp In/Out Top   | 079001-165  |
| H13 | Green      | 80"        | 3/8" Loading Arm Branch Top   | 079001-80   |
| H14 | Green      | 140"       | 3/8" Loading Arm Branch Top   | 079001-140  |
| H15 | Yellow     | 80"        | 3/8" Loading Arm Branch Base  | 079001-80   |
| H16 | Yellow     | 140"       | 3/8" Loading Arm Branch Base  | 079001-140  |
| H17 | Plain      | 181"       | 3/8" Log Turner Base  | 079001-181  |
| H18 | Pink       | 181"       | 3/8" Log Turner Top   | 079001-181  |
| H19 | Purple     | 191"       | 3/8" Log Turner Motor (Nearest Frame)   | 079001-191  |
| H20 | Black      | 194"       | 3/8" Log Turner Motor (Furthest from Frame)   | 079001-194  |
| H21 | Plain      | 15"        | 1/4" Pump to Valve  | 079000-15   |
| H22 | Plain      | 6.5"       | 3/8" Pump to Valve  | 079001-6.5  |

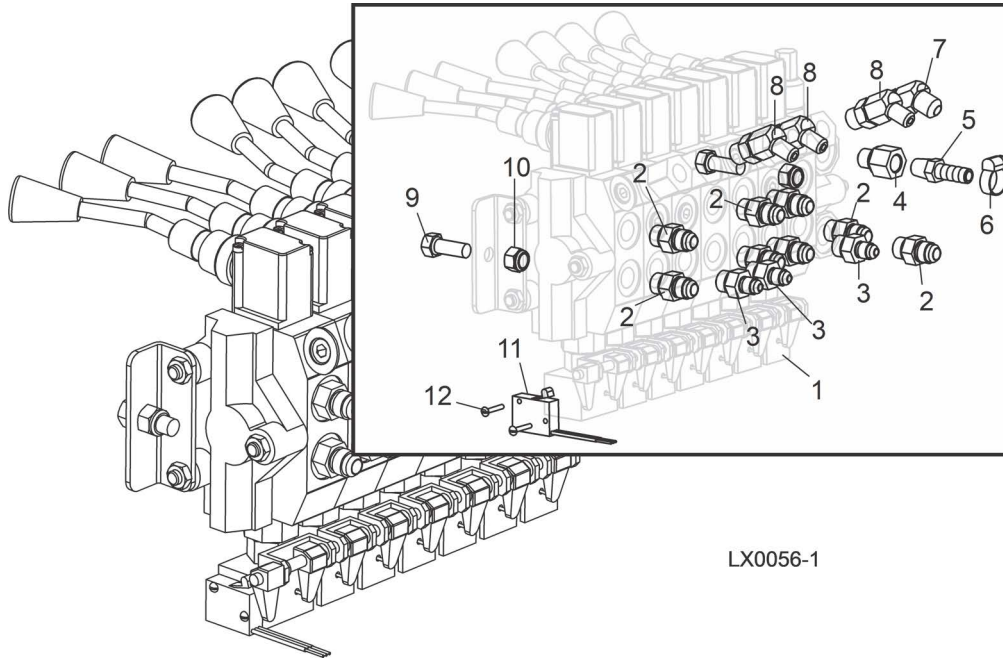
## 9.2 Hydraulic Valve & Pump Motors



| REF | PART # | DESCRIPTION  | COMMENTS                      | QTY. |
|-----|--------|--|-------------------------------|------|
|     | 107148 | Hydraulic Assembly, LX450  |                               | 1    |
| 1   | 034533 | Valve Assembly, 7-Section Hydraulic ((See <a href="#">Section 9.3</a> )) |                               | 1    |
| 2   | 016371 | Solenoid Kit, 200A 12V SPST Hydraulic Motor                              |                               | 2    |
|     | 015470 | Solenoid, 200A 12V SPST Cont. Duty                                       | Available in assemblies only. | 1    |
|     | 015426 | Diode Assembly, Solenoid Coil Chassis Gnd                                |                               | 1    |
| 3   | P22683 | Manifold, W/Filter   |                               | 1    |
| 4   | P12707 | Fitting, 1/2NPT-3/8 Barb Elbow   |                               | 2    |
| 5   | P12739 | Clamp, 11/16 Worm  |                               | 5    |
| 6   | 015485 | Fitting, 3/8 Barb Tee  |                               | 1    |
| 7   | 015491 | Fitting, 3/8JIC-1/4NPT 90L   |                               | 1    |
| 8   | P22311 | Cross, 1/4NPT  |                               | 1    |
| 9   | P09142 | Fitting, 1/4NPTx1/4JIC Male Elbow  |                               | 1    |

| REF | PART #     | DESCRIPTION  | COMMENTS                      | QTY. |
|-----|------------|--|-------------------------------|------|
| 10  | P09143     | Fitting, 1/4NPTx1/4JIC Male                              |                               | 1    |
| 11  | F05005-15  | Bolt, 1/4-20x1/2 HH                                      |                               | 2    |
| 12  | F05011-14  | Washer, 1/4 Split Lock                                   |                               | 2    |
| 13  | F05005-1   | Bolt, 1/4-20x3/4 FT HHC                                  |                               | 4    |
| 14  | F05011-37  | Washer, 1/4" Star Ext Tooth                              |                               | 4    |
| 15  | F05011-11  | Washer, 1/4 SAE Flat                                     |                               | 4    |
| 16  | F05010-9   | Nut, 1/4-20 Keps   |                               | 4    |
|     | 034534     | Pump Assembly, Hydraulic LT70                            |                               | 1    |
| 17  | 015490     | Fitting, 3/8" NPT x 1/4" NPT Reducer                     |                               | 2    |
| 18  | 015992     | Guard, Hyd Crossover                                     |                               | 1    |
| 19  | 015995     | Fitting, 1/2NPT-1/2NPT Adaptor                           |                               | 1    |
| 20  | 015997     | Fitting, 1/2NPT-1/2 Hose Barb 90Deg                      |                               | 1    |
| 21  | 016793     | Fitting, 1/2 NPT Female Tee                              |                               | 1    |
| 22  | 016794     | Fitting, 1/2 NPT Male-1/2 Hose Barb                      |                               | 1    |
| 23  | 016795     | Fitting, 1/2 NPT Close Brass Nipple                      |                               | 1    |
| 24  | F05007-7   | Bolt, 3/8-16x1 HHC                                       |                               | 8    |
| 25  | F05011-3   | Washer, 3/8 Flat SAE                                     |                               | 8    |
| 26  | F05011-4   | Washer, 3/8 Split Lock                                   |                               | 8    |
| 27  | P09142     | Fitting, 1/4NPTx1/4JIC Male Elbow                        |                               | 2    |
| 28  | 061764     | Pump Kit, Hydraulic w/Motor                              |                               | 2    |
|     | 016199     | Pump, Hydraulic Replacement Monarch Model #12070         |                               | 1    |
|     | 052807     | Motor Kit, Hydraulic Replacement                         |                               | 1    |
|     | 038683     | Motor, 12 VDC Hydraulic Pump #08714 (Iskra)              | Available in assemblies only. | 1    |
|     | 038682     | Brush Kit, 4-Valve Hydraulic Pump Motor #08658-I (Iskra) |                               | 1    |
|     | P12513     | Bearing, Base Motor #02318                               |                               | 1    |
|     | 052806     | Wire Assembly, Motor Brush Ground                        |                               | 1    |
|     | P12817     | Cap, Hydraulic Pump Vented Fill #03171                   |                               | 1    |
|     | P10198     | O-Ring, Hydraulic Pump/Reservoir #02352                  |                               | 1    |
|     | P10315     | Seal, Hydraulic Pump/Motor #02330                        |                               | 1    |
| 29  | P12708     | Fitting, 3/8NPT-3/8 Barb Elbow                           |                               | 2    |
| 30  | P12739     | Clamp, 11/16 Worm  |                               | 4    |
| 31  | P26258     | Plug, 1/2NPT Pipe  |                               | 1    |
|     | P03807     | Boot, 1/2 Rubber Terminal                                |                               | 2    |
| 32  | F05005-134 | Bolt, 1/4-20x3/4 HH w/Conical Washer                     |                               | 6    |
| 33  | 079779     | Return Weldment, Board                                   |                               | 8    |
|     | 036312     | Cable Assy, 1AWG Blk x16 (2x3/8 Term)                    |                               | 2    |
|     | 036310     | Cable Assy, 1AWG Blk x16 (2x5/16 Term)                   |                               | 2    |

### 9.3 Hydraulic Valve Assembly

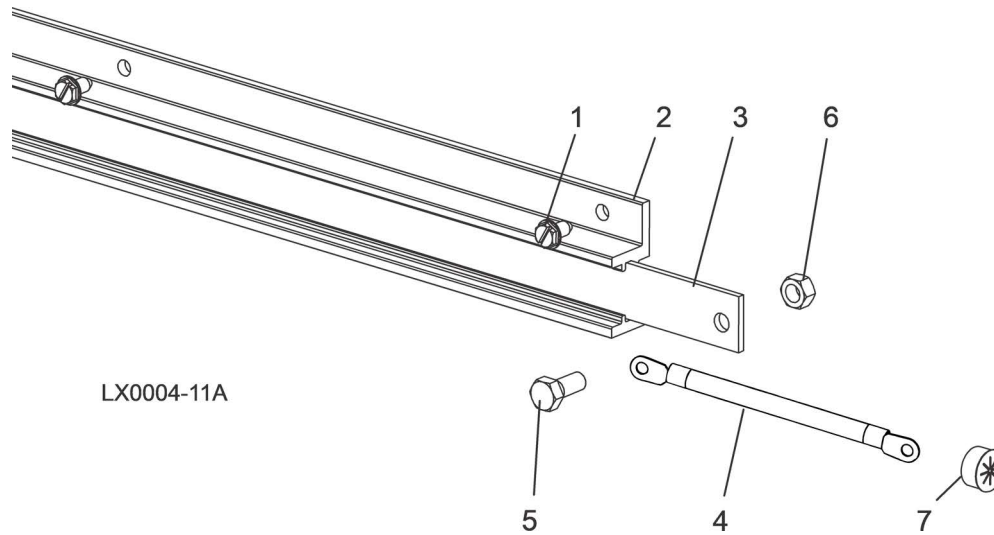


LX0056-1

| REF | PART #    | DESCRIPTION                         | COMMENTS | QTY. |
|-----|-----------|-------------------------------------|----------|------|
|     | 034533    | Valve Assembly, 7-Section Hydraulic |          | 1    |
| 1   | 034451    | Valve, 7-Section Hydraulic          |          | 1    |
| 2   | 014687    | Fitting, 3/8" O-Ring x 3/8" JIC     |          | 8    |
| 3   | P26284    | Fitting, 1/4" JIC x 3/8" O-Ring     |          | 3    |
| 4   | 014686    | Fitting, #6 SAE x 1/4" NPT Female   |          | 1    |
| 5   | 014685    | Fitting, 1/4" NPT x 3/8" Hose Barb  |          | 1    |
| 6   | P12739    | Clamp, 11/16" Hose                  |          | 1    |
| 7   | 015489    | Fitting, #6 SAE 45° Elbow           |          | 1    |
| 8   | 015488    | Fitting, #4 SAE x #6 SAE 45° Elbow  |          | 3    |
| 9   | F05007-7  | Bolt, 3/8-16 x 1" Hex Head          |          | 2    |
| 10  | F05010-10 | Nut, 3/8-16 Hex Nylon Lock          |          | 2    |
| 11  | 024198    | Switch, Hydraulic Valve Lever       |          | 1    |
| 12  | F05004-13 | Screw, #4-40 x 3/4" Slotted Head    |          | 2    |

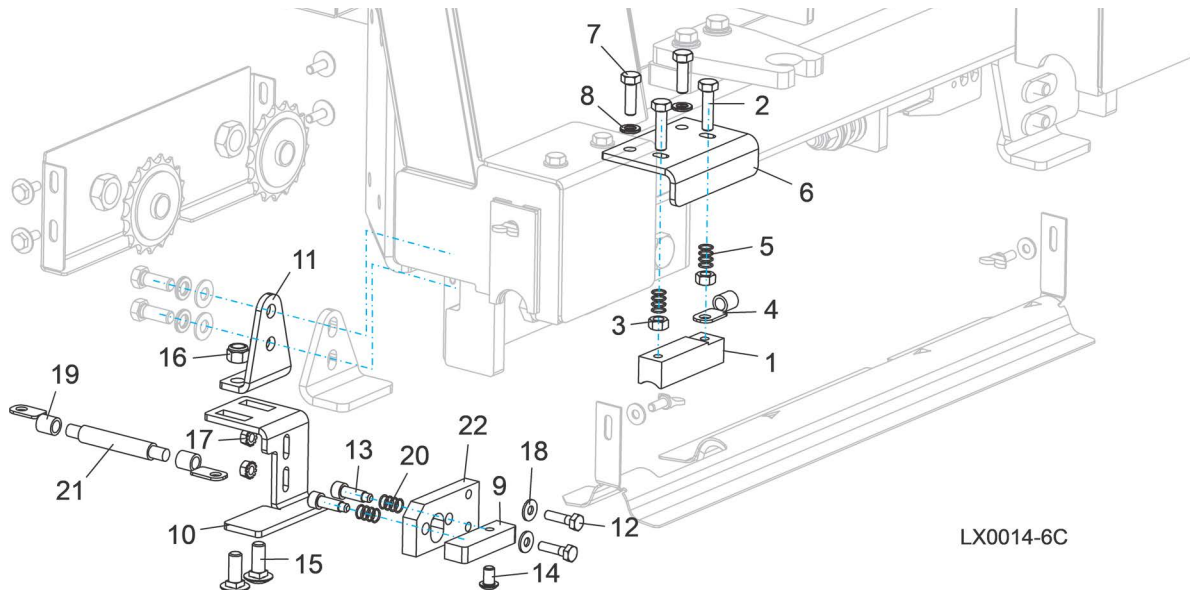


## 9.4 Hydraulic Power Supply Strip



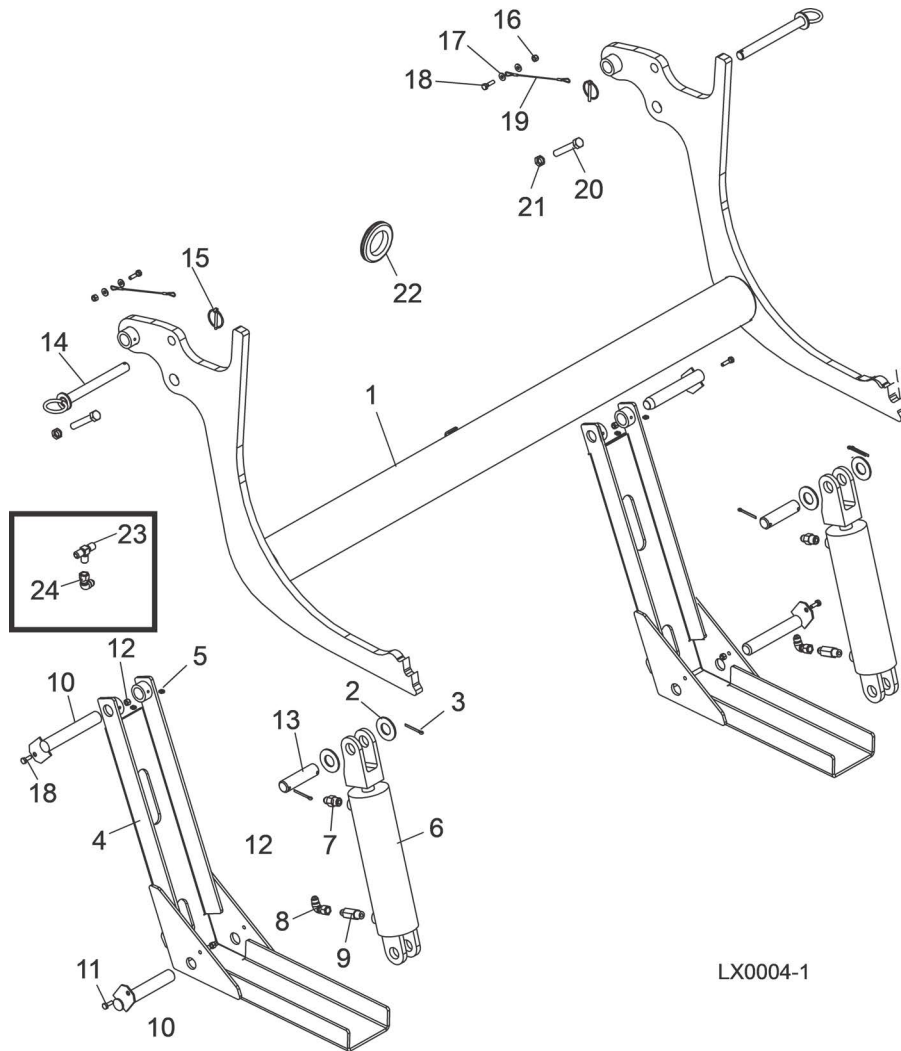
| REF      | PART #    | DESCRIPTION  | COMMENTS  | QTY.    |
|----------|-----------|--|---|---------|
|          | A11977    | <b>STRIP ASSEMBLY, 6' HYDRAULIC POWER SUPPLY W/3 FT. CABLE</b> |   | 1       |
| <b>1</b> | F05015-1  | Screw, 1/4-20 X 1/2" Slotted Hex Head                          |   | 8       |
| <b>2</b> | P11976    | Housing, 6' Contact Strip                                      |   | 1       |
|          | A12043-N  | Strip, 6' Contact With Cable                                   |   | 1       |
| <b>3</b> | S10075    | Strip, 6' Contact  | Available in assemblies only.   | 1       |
| <b>4</b> | 052161    | Cable Assembly, Hydraulic Contact Strip                        | Cable assembly 052161 replaced R01971 and F05092-16 after 9/17/2019 per ECN 37793 | 1       |
|          | R01971    | Cable, #1 Weld   | Available in assemblies only.   | 3 Ft    |
|          | F05092-16 | Terminal, 5/16" Ring #2 Gauge                                  |   | 2       |
| <b>5</b> | F05006-45 | Bolt, 5/16-18 X 3/4" Hex Head Black Nylon                      |   | 1       |
| <b>6</b> | F05010-86 | Nut, 5/16-18 Hex Black Nylon                                   |   | 1       |
|          | R01950-8  | Tube, 5/8" Heat Shrink w/Adhesive ID                           | Available in assemblies only.   | 0.16 Ft |
| <b>7</b> | P04137    | Grommet, 5/8" Wire   |   | 1       |

## 9.5 Hydraulic Power Contact Assembly



| REF | PART #     | DESCRIPTION                                  | COMMENTS | QTY.  |
|-----|------------|--|----------|-------|
|     | 103915     | <b>BUTTON ASSEMBLY, CONTACT</b>              |          | 1     |
| 1   | 015264     | Block, Exten Hyd Ground Contact              |          | 1     |
| 2   | F05006-93  | Bolt, 5/16-18x1 1/4 Hex Head FT Grade 5      |          | 2     |
| 3   | F05010-17  | Nut, 5/16-18 Hex                             |          | 2     |
| 4   | F05092-16  | Terminal, 5/16 1-2Ga Ring NI Loose           |          | 1     |
| 5   | P10077     | Spring, .42x.59x.042 Comp                    |          | 2     |
| 6   | 103987     | Plate, Ground Block                          |          | 1     |
| 7   | F05006-27  | Bolt, 5/16-18x1 Grade 5 Hex Head             |          | 2     |
| 8   | F05011-13  | Washer, 5/16 Split Lock                      |          | 2     |
|     | 107023     | <b>CONTACT ASSEMBLY, POSITIVE HYD. POWER</b> |          | 1     |
| 9   | 015253     | Button, Hot Contact 1997                     |          | 1     |
| 10  | 106829     | Plate, Hot Contact Mount                     |          | 1     |
| 11  | 106832     | Bracket, Contact Mount                       |          | 1     |
| 12  | F05005-38  | Screw, 1/4-20x1 HHC                          |          | 2     |
| 13  | F05006-143 | Bolt, 5/16x3/4 Shoulder 1/4-20 Thread SS     |          | 2     |
| 14  | F05006-20  | Bolt, 5/16-18x1/2 SBH                        |          | 1     |
| 15  | F05007-165 | Bolt, 3/8-16x1 Carriage, Zinc Gr 5           |          | 2     |
| 16  | F05010-10  | Nut, 3/8-16 Hex Nyloc                        |          | 2     |
| 17  | F05010-9   | Nut, 1/4-20 Keps                             |          | 2     |
| 18  | F05011-11  | Washer, 1/4 SAE Flat                         |          | 2     |
| 19  | F05092-16  | Terminal, 5/16 1-2Ga Ring NI Loose           |          | 2     |
| 20  | P10077     | Spring, .42x.59x.042 Comp                    |          | 2     |
| 21  | R01971-1   | Cable, 1AWG SO Weld, Red Southwire           |          | 1.083 |
| 22  | S10072     | Plate, 1/2 Nyl Insulator Contact             |          | 1     |

## 9.6 Hydraulic Log Loader

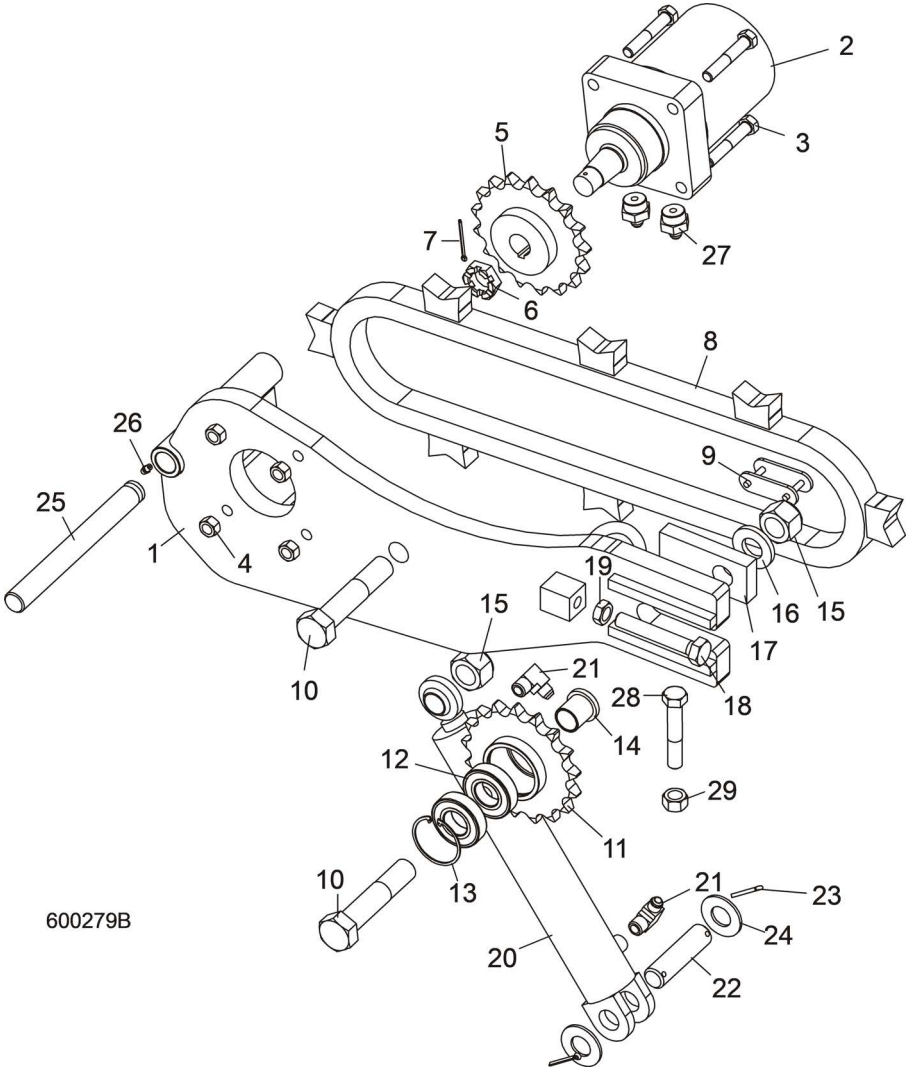


LX0004-1

| REF       | PART #    | DESCRIPTION                                  | COMMENTS   | QTY. |
|-----------|-----------|--|--|------|
|           | 103912    | <b>LOADER ASSEMBLY, HYDRAULIC LOG LX450</b>  |  | 1    |
| <b>1</b>  | 103914    | Arm Weldment, Log Loading LX450              |  | 1    |
| <b>2</b>  | F05011-28 | Washer, 1" SAE Flat                          |  | 4    |
| <b>3</b>  | F05012-23 | Pin, 3/16" X 1 1/2" Cotter                   |  | 4    |
| <b>4</b>  | W09208    | Foot Weldment, U-Channel                     |  | 2    |
| <b>5</b>  | P04107    | Fitting, 3/16" Grease                        |  | 4    |
|           | 038735    | Cylinder Assembly, Hydraulic Log Loader      |  | 2    |
| <b>6</b>  | 042754    | Cylinder, 8" X 3" Hydraulic (3/8" NPT Ports) |  | 1    |
|           | P12956    | Seal Kit, 8" x 3" Hydraulic Cylinder         |  | 1    |
| <b>7</b>  | 016819    | Fitting, 3/8" NPT x 3/8" JIC Male Connector  |  | 1    |
| <b>8</b>  | 042756    | Fitting, 3/8" JIC 90° Swivel Elbow           |  | 1    |
| <b>9</b>  | 038734    | Fitting, 3/8NPT 6.5GPM Velocity Fuse         |  | 1    |
| <b>10</b> | W09446    | Pin, Loading Arm Mount                       |  | 4    |
| <b>11</b> | F05005-1  | Bolt, 1/4-20 x 3/4" Hex Head Full Thread     | Replaced (2) F05005-1 with (2) F05005-101 after 1/30/2020 per ECN 37269. | 2    |

| REF | PART #              | DESCRIPTION   | COMMENTS   | QTY. |
|-----|---------------------|---|--|------|
| 12  | F05010-69           | Nut, 1/4-20 Hex Lock                                  | Added 016090, (2) F05005-101,(2) F05010-69, and F05011-11 after 1/30/2020 per ECN 37269. | 4    |
| 13  | S09251              | Pin, Loading Arm Cylinder Mount                       |  | 2    |
| 14  | 107178              | Pin Weldment, Arm Support                             |  | 2    |
| 15  | 017604              | Pin, Lynch 3/16" w/Chain                              |  | 2    |
| 16  | F05010-69           | Nut, 1/4-20 Nylock                                    |  | 2    |
| 17  | F05011-11           | Washer, 1/4 SAE Flat                                  | Replaced (2) F05005-1 with (2) F05005-101 after 1/30/2020 per ECN 37269.                 | 4    |
| 18  | F05005-101          | BOLT, 1/4-20 X 1 HEX HEAD GR5                         |  | 4    |
| 19  | 016090 <sup>2</sup> | Cable, 3/32 Dia Board Return                          |  | 2    |
| 20  | F05008-7            | <b>BOLT, 1/2-13 X 3" HEX HEAD FULL THREAD GRADE 5</b> |  | 2    |
| 21  | F05010-31           | <b>NUT, 1/2-13 JAM</b>                                |  | 2    |
| 22  | 085614              | <b>GROMMET, RUBBER 2 1/2 DIA</b>                      |  | 1    |
| 23  | 015487              | <b>FITTING, 3/8JIC TEE</b>                            |  | 1    |
| 24  | 042756              | <b>FITTING, 3/8JIC SWIVEL NUT 90 ELBOW</b>            |  | 1    |

9.7 Hydraulic Log Turner



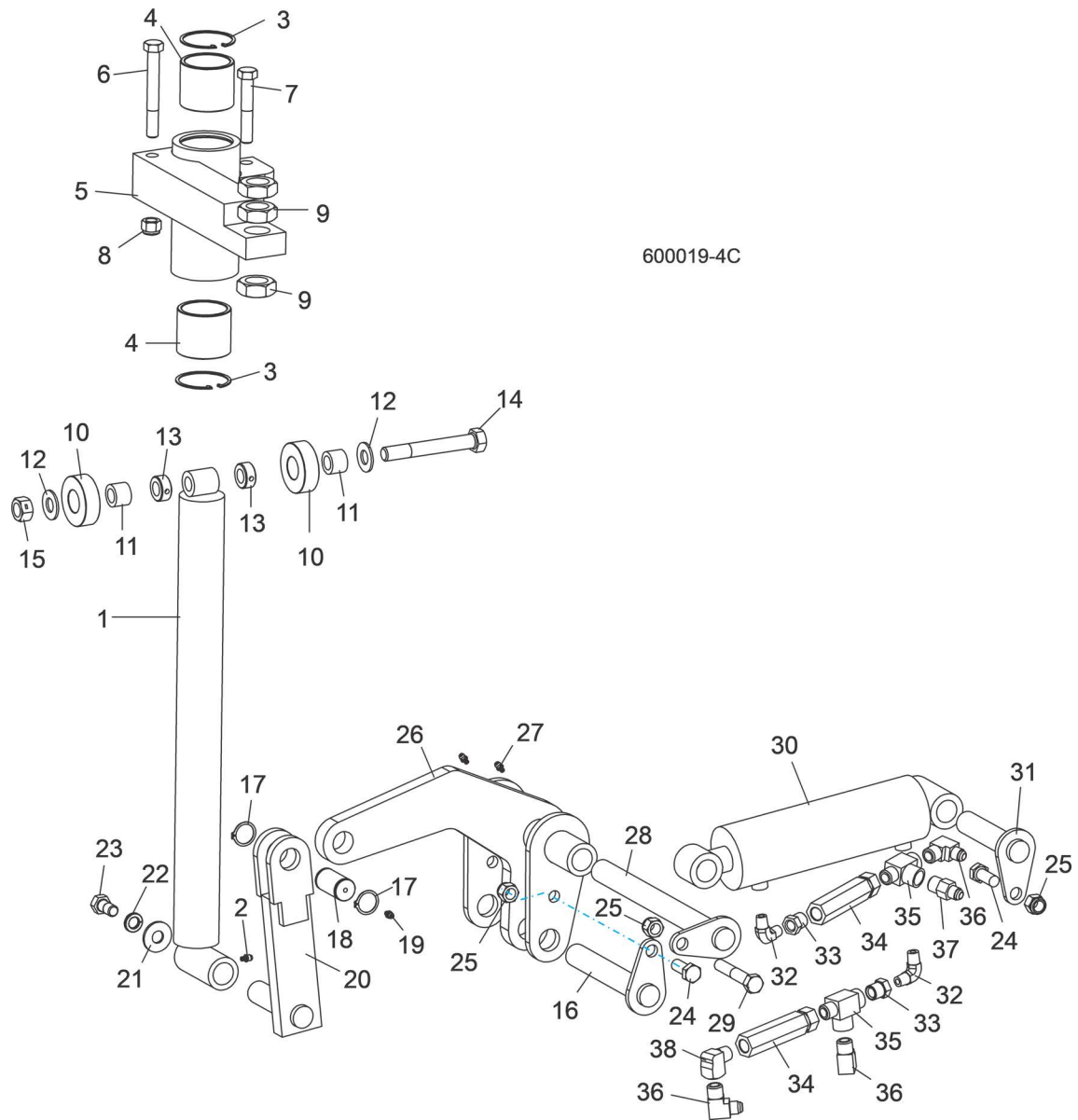
600279B

| REF | PART #     | DESCRIPTION                               | COMMENTS | QTY. |
|-----|------------|---|----------|------|
|     | 006095     | <b>ARM ASSEMBLY, HYDRAULIC LOG TURNER</b> |          | 1    |
| 1   | 006471     | Arm Weldment, Hydraulic Log Turner        |          | 1    |
| 2   | 007331     | Motor, Hydraulic Log Turner               |          | 1    |
|     | 061427     | Kit, Seal Rebuild                         |          | 1    |
| 3   | F05008-23  | Bolt, 1/2-13 x 3" Hex Head Grade 5        |          | 4    |
| 4   | F05010-3   | Nut, 1/2-13 Hex Lock                      |          | 4    |
| 5   | 042192     | Sprocket Weldment, Log Turner Drive       |          | 1    |
| 6   | 018741-2   | Nut, Hydraulic Motor Castle               |          | 1    |
| 7   | F05012-43  | Pin, 1/8" x 1 3/4" Cotter                 |          | 1    |
| 8   | 006097     | Chain Weldment, Log Turner                |          | 1    |
| 9   | 016796     | Link, #2080H Master                       |          | 1    |
| 10  | F05004-132 | Bolt, 1-8 x 5" Hex Head Grade 8           |          | 2    |
|     | 042193     | Sprocket Assembly, Idler                  |          | 1    |
| 11  | 042191     | Sprocket Weldment, Idler                  |          | 1    |
| 12  | P11035     | Bearing, 6206 25 Idler                    |          | 2    |
| 13  | F04254-12  | Ring, 62mm #472 DIN Inside Retaining      |          | 1    |
| 14  | 042187     | Spacer, Idler Sprocket                    |          | 2    |

**9** **Bed Hydraulic System**  
Hydraulic Log Turner

| REF | PART #     | DESCRIPTION  | COMMENTS | QTY. |
|-----|------------|--|----------|------|
| 15  | F05010-109 | Nut, 1-8 Hex Lock                                      |          | 2    |
| 16  | 038749     | Washer, 1" ID x 2" OD x 1/4"                           |          | 1    |
| 17  | 042188     | Plate, Log Turner Chain Tensioner                      |          | 1    |
| 18  | F05009-31  | Bolt, 5/8-11 x 4" Hex Head Full Thread Grade 5         |          | 1    |
| 19  | F05010-82  | Nut, 5/8-11 Hex Jam                                    |          | 1    |
| 20  | 034267     | Cylinder, 2" x 10" Welded Rod End Hydraulic            |          | 1    |
|     | 003814     | Seal Kit, 2x10 Hydraulic Cylinder                      |          | 1    |
| 21  | 016820     | Fitting, 3/8" NPT x 3/8" JIC 90° Elbow                 |          | 2    |
| 22  | S09251     | Pin, 1" x 3.88"  |          | 1    |
| 23  | F05012-23  | Pin, 3/16" x 1 1/2" Cotter                             |          | 2    |
| 24  | F05011-28  | Washer, 1" SAE Flat                                    |          | 2    |
| 25  | 006722     | Rod, Grooved Turner Mount                              |          | 1    |
| 26  | P05060     | Fitting, 1/4-28 Grease                                 |          | 1    |
| 27  | 017640     | Fitting, #10 SAE x 3/8" JIC Straight                   |          | 2    |
| 28  | F05009-16  | <b>BOLT, 5/8-18 X 3 1/2" HEX HEAD BOLT FULL THREAD</b> |          | 1    |
| 29  | F05010-50  | <b>NUT, 5/8-18 HEX</b>                                 |          | 1    |

## 9.8 Hydraulic Log Side Supports (Front)



600019-4C

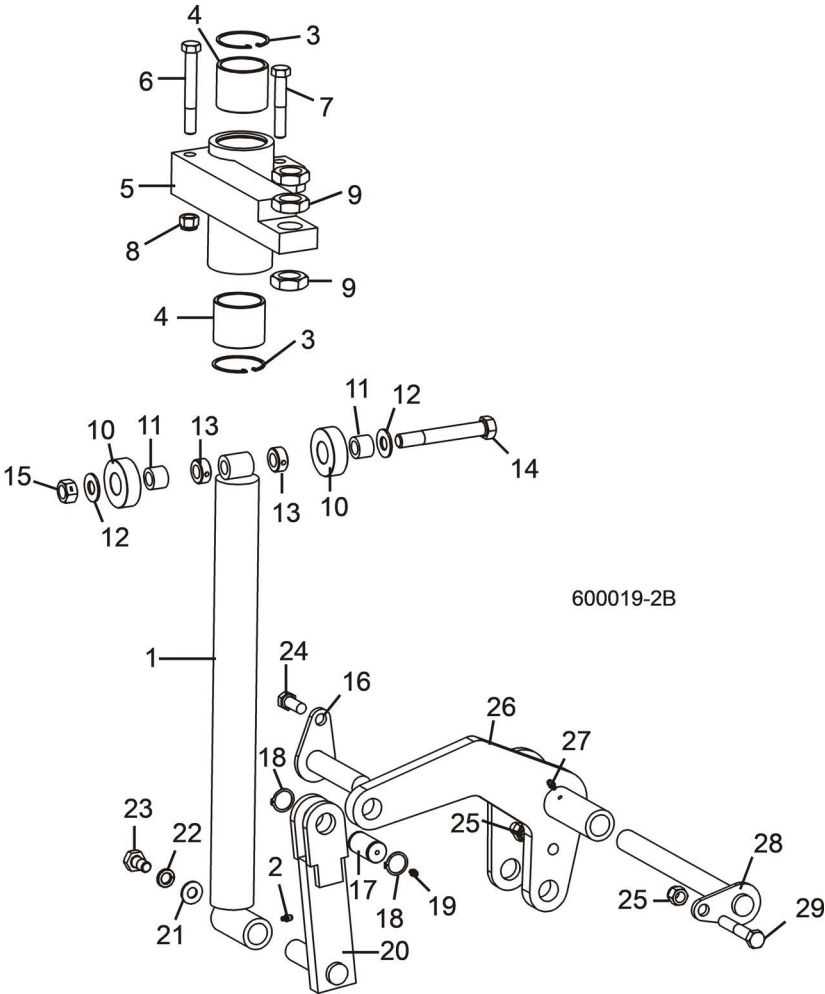
| REF | PART #     | DESCRIPTION                                      | COMMENTS | QTY. |
|-----|------------|--|----------|------|
|     | 034732     | <b>SUPPORT ASSEMBLY, VERTICAL HYDRAULIC SIDE</b> |          | 1    |
| 1   | 034704     | Rod Weldment, Vertical Side Support              |          | 1    |
| 2   | P04107     | Fitting, 3/16" Straight Grease                   |          | 1    |
| 3   | F04254-12  | Ring, 62mm Din #472 Inside Retaining             |          | 2    |
| 4   | 042262     | Bushing, Side Support                            |          | 2    |
| 5   | 034703     | Mount Weldment, Vertical Side Support            |          | 1    |
| 6   | F05008-78  | Bolt, 1/2-13 x 4" Hex Head Grade 5               |          | 1    |
| 7   | F05008-23  | Bolt, 1/2-13 x 3" Hex Head Grade 5               |          | 1    |
| 8   | F05010-8   | Nut, 1/2-13 Hex Nylon Lock                       |          | 2    |
| 9   | F05010-118 | Nut, 1-14 Hex Jam                                |          | 3    |
|     | 034733     | Roller Kit, Side Support                         |          | 1    |
| 10  | 016561     | Roller, Side Support                             |          | 2    |
| 11  | 016560     | Bushing, 5/8" x 1" x 3/4" Bronze                 |          | 2    |

**9** **Bed Hydraulic System**  
Hydraulic Log Side Supports (Front)

| REF | PART #    | DESCRIPTION  | COMMENTS                      | QTY. |
|-----|-----------|--|-------------------------------|------|
| 12  | F05011-5  | Washer, 5/8" SAE Flat                                  |                               | 2    |
| 13  | P05035    | Collar, 5/8" Lock                                      |                               | 2    |
| 14  | F05009-10 | Bolt, 5/8-11 x 4 1/2" Hex Head Grade 5                 |                               | 1    |
| 15  | F05010-4  | Nut, 5/8-11 Hex Lock                                   |                               | 1    |
| 16  | 106880    | <b>PIN WELDMENT, 6-5/16" PIVOT</b>                     |                               | 1    |
|     | 036053    | <b>PIN ASSEMBLY, SIDE SUPPORT PIVOT</b>                |                               | 1    |
| 17  | 034718    | Pin, Grooved Pivot                                     | Available in assemblies only. | 1    |
| 18  | F04254-15 | Ring, 1" 3100-100 Outside Retaining                    |                               | 2    |
| 19  | P04107    | Fitting, 3/16" Straight Grease                         |                               | 1    |
| 20  | 034711    | <b>PUSHER WELDMENT, LOWER SIDE SUPPORT</b>             |                               | 1    |
| 21  | F05011-52 | <b>WASHER, 9/16" SAE FLAT</b>                          |                               | 1    |
| 22  | F05011-9  | <b>WASHER, 1/2" SPLIT LOCK</b>                         |                               | 1    |
| 23  | F05008-50 | <b>BOLT, 1/2-13 X 1" HEX HEAD</b>                      |                               | 1    |
| 24  | F05008-37 | <b>BOLT, 1/2"-13 X 1 1/4" HEX HEAD GRADE 5</b>         |                               | 2    |
| 25  | F05010-8  | <b>NUT, 1/2-13 HEX NYLON LOCK</b>                      |                               | 3    |
| 26  | 106868    | <b>ARM WELDMENT, SIDE SUPPORT FRONT LIFT</b>           |                               | 1    |
| 27  | P04107    | <b>FITTING, 3/16" STRAIGHT GREASE</b>                  |                               | 2    |
| 28  | 034728    | <b>PIN WELDMENT, 10 7/8" PIVOT</b>                     |                               | 1    |
| 29  | F05008-23 | <b>BOLT, 1/2-13 X 3" HEX HEAD GRADE 5</b>              |                               | 1    |
| 30  | 034736    | <b>CYLINDER, 2 1/2" X 6" X 1/4" NPT PORT HYDRAULIC</b> |                               | 1    |
| 31  | 034726    | <b>PIN WELDMENT, 4 3/8" PIVOT</b>                      |                               | 1    |
| 32  | P09140    | <b>FITTING, 1/4" NPT MALE PIPE ELBOW</b>               |                               | 2    |
| 33  | 015490    | <b>FITTING, 3/8" NPT X 1/4" NPT REDUCER</b>            |                               | 2    |
| 34  | 015484    | <b>VALVE, SIDE SUPPORT SEQUENCE</b>                    |                               | 2    |
| 35  | 016822    | <b>FITTING, 3/8" NPT MALE RUN TEE</b>                  |                               | 2    |
| 36  | 016820    | <b>FITTING, 3/8" NPT X 3/8" JIC ELBOW</b>              |                               | 3    |
| 37  | 016819    | <b>FITTING, 3/8" NPT X 3/8" JIC CONNECTOR</b>          |                               | 1    |
| 38  | P05759    | <b>FITTING, 3/8" NPT STREET ELBOW</b>                  |                               | 1    |



9.9 Hydraulic Log Side Supports (Rear)

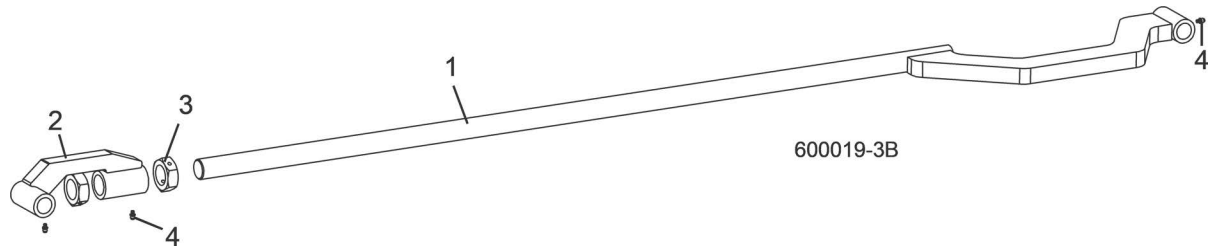


| REF | PART #     | DESCRIPTION                                      | COMMENTS | QTY. |
|-----|------------|--|----------|------|
|     | 034732     | <b>SUPPORT ASSEMBLY, VERTICAL HYDRAULIC SIDE</b> |          | 1    |
| 1   | 034704     | Rod Weldment, Vertical Side Support              |          | 1    |
| 2   | P04107     | Fitting, 3/16" Straight Grease                   |          | 1    |
| 3   | F04254-12  | Ring, 62mm Din #472 Inside Retaining             |          | 2    |
| 4   | 042262     | Bushing, Side Support                            |          | 2    |
| 5   | 034703     | Mount Weldment, Vertical Side Support            |          | 1    |
| 6   | F05008-78  | Bolt, 1/2-13 x 4" Hex Head Grade 5               |          | 1    |
| 7   | F05008-23  | Bolt, 1/2-13 x 3" Hex Head Grade 5               |          | 1    |
| 8   | F05010-8   | Nut, 1/2-13 Hex Nylon Lock                       |          | 2    |
| 9   | F05010-118 | Nut, 1-14 Hex Jam                                |          | 3    |
|     | 034733     | Roller Kit, Side Support                         |          | 1    |
| 10  | 016561     | Roller, Side Support                             |          | 2    |
| 11  | 016560     | Bushing, 5/8" x 1" x 3/4" Bronze                 |          | 2    |
| 12  | F05011-5   | Washer, 5/8" SAE Flat                            |          | 2    |
| 13  | P05035     | Collar, 5/8" Lock                                |          | 2    |
| 14  | F05009-10  | Bolt, 5/8-11 x 4 1/2" Hex Head Grade 5           |          | 1    |
| 15  | F05010-4   | Nut, 5/8-11 Hex Lock                             |          | 1    |
| 16  | 034726     | <b>PIN WELDMENT, 4 3/8" PIVOT</b>                |          | 1    |

**9** **Bed Hydraulic System**  
*Hydraulic Log Side Supports (Rear)*

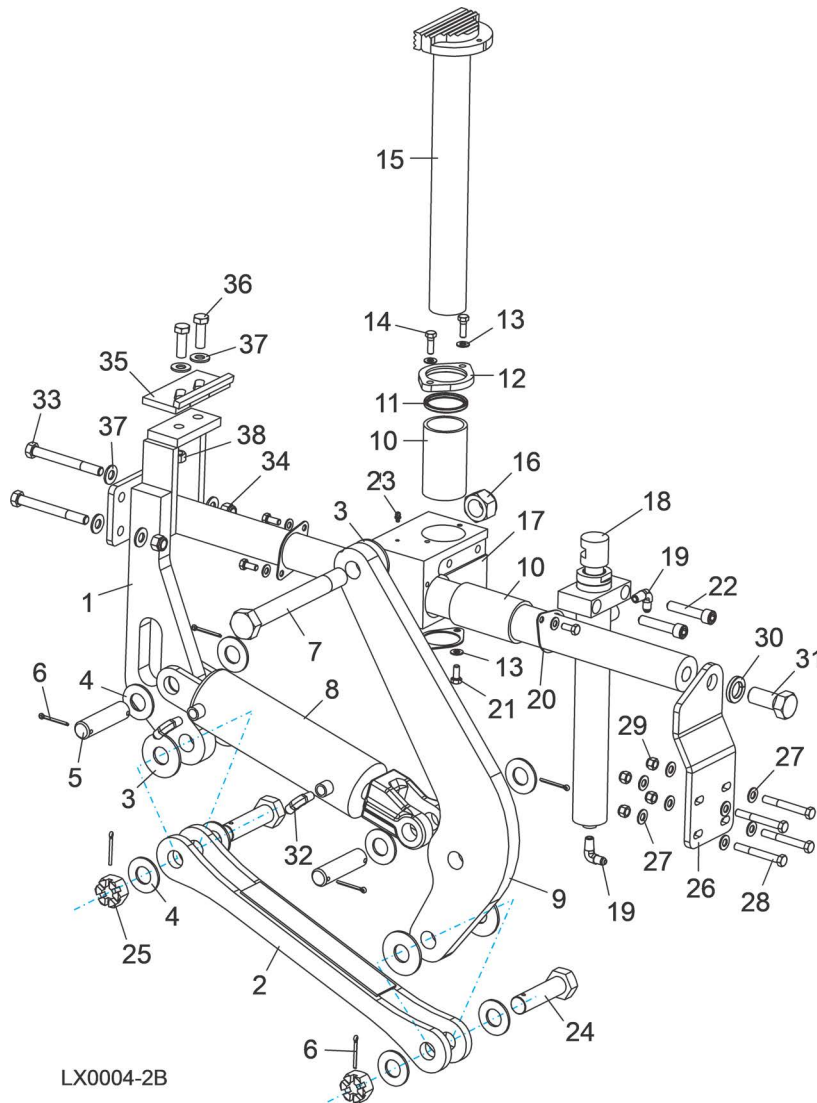
| REF       | PART #    | DESCRIPTION  | COMMENTS                      | QTY. |
|-----------|-----------|--|-------------------------------|------|
|           | 036053    | <b>PIN ASSEMBLY, SIDE SUPPORT PIVOT</b>                  |                               | 1    |
| <b>17</b> | 034718    | Pin, Grooved Pivot                                       | Available in assemblies only. | 1    |
| <b>18</b> | F04254-15 | Ring, 1" 3100-100 Outside Retaining                      |                               | 2    |
| <b>19</b> | P04107    | Fitting, 3/16" Straight Grease                           |                               | 1    |
| <b>20</b> | 034711    | <b>PUSHER WELDMENT, LOWER SIDE SUPPORT</b>               |                               | 1    |
| <b>21</b> | F05011-52 | <b>WASHER, 9/16" SAE FLAT</b>                            |                               | 1    |
| <b>22</b> | F05011-9  | <b>WASHER, 1/2" SPLIT LOCK</b>                           |                               | 1    |
| <b>23</b> | F05008-50 | <b>BOLT, 1/2-13 X 1" HEX HEAD</b>                        |                               | 1    |
| <b>24</b> | F05008-37 | <b>BOLT, 1/2"-13 X 1 1/4" HEX HEAD GRADE 5</b>           |                               | 2    |
| <b>25</b> | F05010-8  | <b>NUT, 1/2-13 HEX NYLON LOCK</b>                        |                               | 2    |
| <b>26</b> | 034716    | <b>ARM WELDMENT, VERTICAL SIDE SUPPORT<br/>REAR LIFT</b> |                               | 1    |
| <b>27</b> | P04107    | <b>FITTING, 3/16" STRAIGHT GREASE</b>                    |                               | 1    |
| <b>28</b> | 034728    | <b>PIN WELDMENT, 10 7/8" PIVOT</b>                       |                               | 1    |
| <b>29</b> | F05008-23 | <b>BOLT, 1/2-13 X 3" HEX HEAD GRADE 5</b>                |                               | 1    |

### 9.10 Hydraulic Log Side Supports (Link)



| REF | PART #     | DESCRIPTION                     | COMMENTS | QTY. |
|-----|------------|---------------------------------|----------|------|
| 1   | 034725     | ROD WELDMENT, SIDE SUPPORT LINK |          | 1    |
| 2   | 106869     | ARM WELDMENT, SIDE SUPPORT LINK |          | 1    |
| 3   | F05010-100 | NUT, 1 1/4"-12 HEX JAM          |          | 2    |
| 4   | P04107     | FITTING, 3/16" STRAIGHT GREASE  |          | 3    |

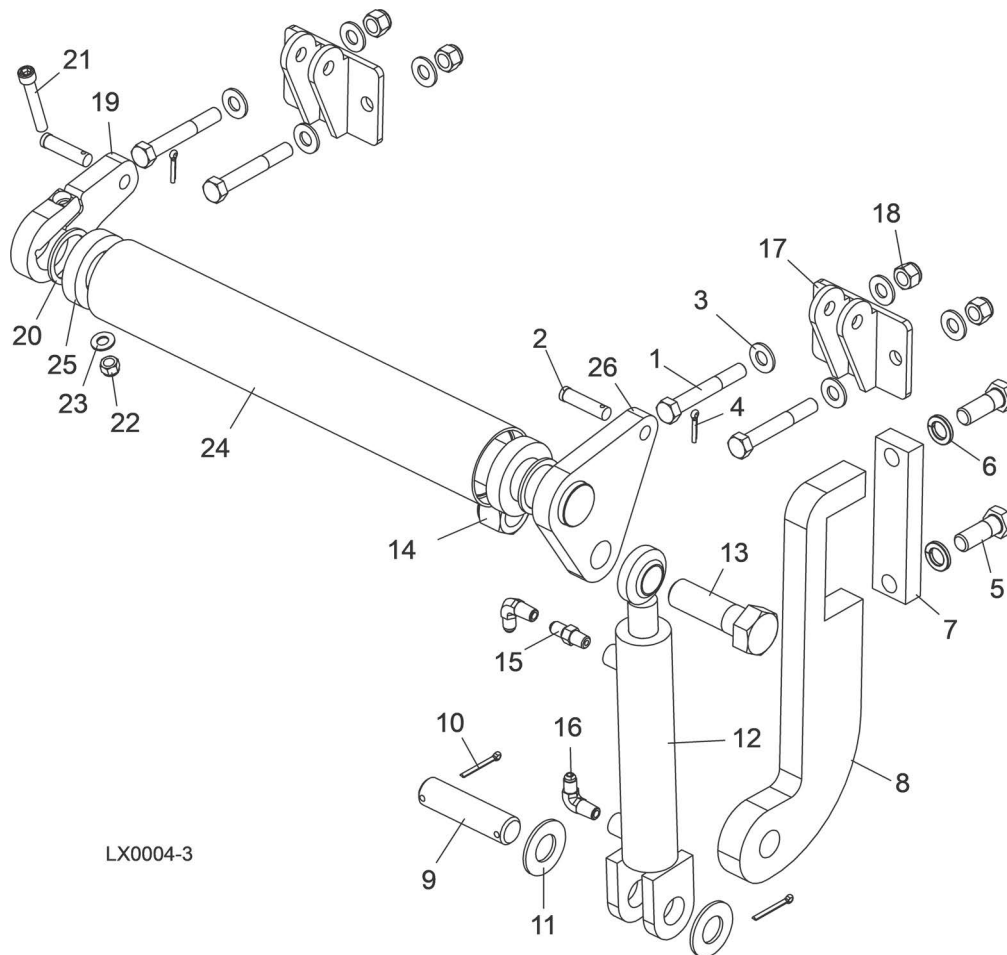
## 9.11 Hydraulic Log Clamp



| REF | PART #    | DESCRIPTION                                       | COMMENTS | QTY. |
|-----|-----------|---|----------|------|
|     | 075575    | <b>CLAMP ASSEMBLY, HYDRAULIC 2-PLANE EXTENDED</b> |          | 1    |
| 1   | 075577    | Slide Weldment, Hor. Clamp Long Travel            |          | 1    |
| 2   | 017267    | Link Weldment, Hydraulic Clamp                    |          | 1    |
| 3   | 015057    | Washer, 1/8" x 2 1/2" Hardened                    |          | 5    |
| 4   | F05011-28 | Washer, 1" SAE Flat                               |          | 8    |
| 5   | S09251    | Pin, 1" x 3.88"                                   |          | 2    |
| 6   | F05012-23 | Pin, 3/16" x 1 1/2" Cotter                        |          | 6    |
| 7   | 015049    | Bolt, 1-14 x 8 1/2" Hex Head Grade 8              |          | 1    |
| 8   | 017275    | Cylinder, 3" x 7" Hydraulic                       |          | 1    |
|     | P12956    | Seal Kit, Hydraulic Cylinder                      |          | 1    |
| 9   | 075578    | Arm, Clamp Pivot, LX450                           |          | 1    |
| 10  | 015088    | Bushing, Clamp Slide                              |          | 2    |
|     | 017271    | Wiper Assembly, Vertical Clamp Rod                |          | 1    |
| 11  | 017273    | Wiper, Vertical Clamp Rod                         |          | 1    |
| 12  | 017272    | Flange, Vertical Clamp Rod Wiper                  |          | 1    |

| REF | PART #      | DESCRIPTION  | COMMENTS                      | QTY. |
|-----|-------------|--|-------------------------------|------|
| 13  | F05011-17   | Washer, 5/16" SAE Flat                             |                               | 8    |
| 14  | F05006-1    | Bolt, 5/16-18 x 1" Hex Head                        |                               | 2    |
| 15  | 015043      | Clamp Weldment, Vertical                           |                               | 1    |
| 16  | F05010-141  | Nut, 1-14 Nylon Lock                               |                               | 1    |
| 17  | 017270      | Block, Hydraulic Clamp Slide                       | Available in assemblies only. | 1    |
| 18  | 015050      | Cylinder Weldment, Vertical Clamp Hydraulic        |                               | 1    |
|     | 016204      | Seal Kit, Hydraulic Cylinder                       |                               | 1    |
|     | 016204-1009 | Instruction Sheet, Vertical Clamp Seal Replacement |                               | 1    |
| 19  | P09142      | Fitting, 1/4" NPT x 1/4" JIC Elbow                 |                               | 2    |
| 20  | 017242      | Retainer, Clamp Bushing                            |                               | 3    |
| 21  | F05006-5    | Bolt, 5/16-18 x 3/4" Hex Head                      |                               | 6    |
| 22  | F05008-39   | Bolt, 1/2-13 x 2 1/2" Socket Head                  |                               | 2    |
| 23  | P04107      | Fitting, 3/16" Straight Grease                     |                               | 1    |
| 24  | 015072      | Bolt, 1-14 x 3 3/4" Hex Head Grade 8 w/Hole        |                               | 2    |
| 25  | F05010-163  | Nut, 1-14 Slotted Hex                              |                               | 2    |
| 26  | 106862      | Bracket, Clamp Mounting                            |                               | 1    |
| 27  | F05011-3    | Washer, 3/8" SAE Flat                              |                               | 8    |
| 28  | F05007-73   | Bolt, 3/8-16x3" Hex Head                           |                               | 4    |
| 29  | F05010-10   | Nut, 3/8-16 Hex Nylon Lock                         |                               | 4    |
| 30  | F05011-46   | Washer, 7/8" Split Lock                            |                               | 1    |
| 31  | F05014-2    | Bolt, 7/8-14 x 2" Hex Head Grade 5                 |                               | 1    |
| 32  | 015491      | Fitting, 3/8JIC-1/4NPT 90L                         |                               | 2    |
| 33  | F05008-35   | Bolt, 1/2-13x4 1/2" Hex Head Grade 5               |                               | 2    |
| 34  | F05010-8    | Nut, 1/2-13 Hex Nylon Lock                         |                               | 2    |
|     | K09485      | Clamp Stop Kit, Hydraulic Log                      |                               | 1    |
| 35  | W09404      | Plate, Clamp Stop                                  |                               | 1    |
| 36  | F05008-33   | Bolt, 1/2-13 X 1 1/2" Hex Head Grade 5             |                               | 2    |
| 37  | F05011-2    | Washer, 1/2" SAE Flat                              |                               | 2    |
| 38  | F05010-3    | Nut, 1/2-13 Hex Lock                               |                               | 2    |

## 9.12 Hydraulic Toe Board



LX0004-3

| REF | PART #     | DESCRIPTION   | COMMENTS | QTY. |
|-----|------------|---|----------|------|
|     | 106542     | <b>TOE BOARD ASSEMBLY, HYDRAULIC (FRONT &amp; REAR)</b> |          | 1    |
| 1   | F05008-61  | Bolt, 1/2-13 x 3 1/2" Hex Head Grade 5                  |          | 4    |
| 2   | F05012-82  | Pin, 1/2-1 3/4 Clevis                                   |          | 2    |
| 3   | F05011-2   | Washer, 1/2" SAE Flat                                   |          | 8    |
| 4   | F05012-3   | Pin, 1/8 x 3/4" Cotter                                  |          | 2    |
| 5   | F05009-33  | Bolt, 5/8-11 x 1 3/4" Hex Head                          |          | 2    |
| 6   | F05011-27  | Washer, 5/8" Split Lock                                 |          | 2    |
| 7   | S13023     | Plate, Hydraulic ToeBoard Mount                         |          | 1    |
| 8   | S13022     | Bracket, Hydraulic Toeboard Mount                       |          | 1    |
| 9   | S09251     | Pin, Cylinder Mount                                     |          | 1    |
| 10  | F05012-23  | Pin, 3/16" x 1 1/2" Cotter                              |          | 2    |
| 11  | F05011-28  | Washer, 1" SAE Flat                                     |          | 2    |
| 12  | 014482     | Cylinder, 1 1/2" x 6" Hydraulic Toe board               |          | 1    |
|     | 014547     | Seal Kit, 1 1/2" x 6" Hydraulic Cylinder                |          | 1    |
| 13  | F05009-51  | Bolt, 1-8 x 3 1/4" Hex Head Grade 5                     |          | 1    |
| 14  | F05010-109 | Nut, 1-8 Hex Nylon Lock                                 |          | 1    |
| 15  | P09143     | Fitting, 1/4" NPT x 1/4" JIC Male                       |          | 1    |
| 16  | P09142     | Fitting, 1/4" NPT x 1/4" JIC Male Elbow                 |          | 2    |
| 17  | 106540     | Mount Weldment, Toe Board                               |          | 2    |

| REF | PART #    | DESCRIPTION                   | COMMENTS | QTY. |
|-----|-----------|-------------------------------|----------|------|
| 18  | F05010-8  | Nut, 1/2-13 Nyl Hex Lock      |          | 4    |
|     | 074842    | Toe Board Assembly, Hydraulic |          | 1    |
| 19  | 074839    | Plate, 3/4 Toe Board Pivot D  |          | 1    |
| 20  | 074843    | Plate, 1-19/32x2x1/8 Spacer   |          | 2    |
| 21  | F05007-24 | Screw, 3/8-16x2 1/2 SHC       |          | 1    |
| 22  | F05010-10 | Nut, 3/8-16 Hex Nyloc         |          | 1    |
| 23  | F05011-3  | Washer, 3/8 Flat SAE          |          | 1    |
| 24  | S13020    | Tube, 2 1/2x17 1/2 Toe Board  |          | 1    |
| 25  | P13024    | Bearing, 1.575x2.677x.591     |          | 2    |
| 26  | 074838    | Shaft Weldment, Toe Board     |          | 1    |

## SECTION 10 MISCELLANEOUS

### 10.1 Replacement Manuals



| REF                                   | DESCRIPTION (◆ Indicates Parts Available In Assemblies Only) | PART # | QTY. |
|---------------------------------------|--|--------|------|
| <b>Wood-Mizer Product Information</b> |  |        |      |
| 1                                     | ALL-PRODUCTS CATALOG   | PS750  | 1    |
| <b>Basic Sawmill Manuals</b>          |  |        |      |
| 2                                     | TRU-SHARP BLADE HANDBOOK                                     | M600   | 1    |
| 3                                     | WOOD-MIZER GENERAL INFORMATION                               | M601   | 1    |
| 4                                     | LX450 OPERATOR'S MANUAL                                      | M2225  | 1    |
| 5                                     | LX450 PARTS MANUAL   | M2227  | 1    |
| <b>Power Option Manuals</b>           |  |        |      |
| 6                                     | G38 ENGINE OPTION MANUAL                                     | M2229  | 1    |
| <b>Miscellaneous Manuals</b>          |  |        |      |
| 7                                     | SHINGLE/LAPSIDER MANUAL (OPTION)                             | M621   | 1    |
| 8                                     | RESAW ATTACHMENT MANUAL (OPTION)                             | M263   | 1    |
| 9                                     | ACCUSET 2 MANUAL (OPTION)                                    | M1517  | 1    |
| 10                                    | LATHE-MIZER MANUAL (OPTION)                                  | M1337  | 1    |
| <b>Electrical Diagrams</b>            |  |        |      |
| 11                                    | G38 ELECTRICAL INFORMATION                                   | M2231  | 1    |