

**WM doc Bed Extension
Safety, Operation,
Maintenance, & Parts Manual**

LX450 Bed Extension rev. A1.00

Safety is our #1 concern!

Form #2413



WARNING! Read and understand this manual before using this machine.

California
Proposition 65 Warning



WARNING: Breathing gas/diesel engine exhaust exposes you to chemicals known to the State of California to cause cancer and birth defects or other reproductive harm.

Always start and operate the engine in a well-ventilated area.
If in an enclosed area, vent the exhaust to the outside.
Do not modify or tamper with the exhaust system.
Do not idle the engine except as necessary.

For more information go to **www.P65warnings.ca.gov**.



WARNING: Drilling, sawing, sanding or machining wood products can expose you to wood dust, a substance known to the State of California to cause cancer. Avoid inhaling wood dust or use a dust mask or other safeguards for personal protection.

For more information go to **www.P65Warnings.ca.gov/wood**.

©2019

Printed in the United States of America, all rights reserved. No part of this manual may be reproduced in any form by any photographic, electronic, mechanical or other means or used in any information storage and retrieval system without written permission from

Wood-Mizer
8180 West 10th Street
Indianapolis, Indiana 46214

Table of Contents

Section-Page

SECTION 1 INSTALLATION **1-1**

- 1.1 Options1-1
- 1.2 Sawmill Preparation1-1
- 1.3 Extension Frame Attachment1-3

SECTION 2 BED EXTENSION ALIGNMENT **2-1**

SECTION 3 LOG CLAMP OPERATION **3-1**

SECTION 4 STORAGE PROTECTION **4-1**

SECTION 5 BED EXTENSION PARTS **5-1**

- 5.1 Assembly, Bed Extension.....5-1
- 5.2 Support Assembly, Side, Manual.....5-2
- 5.3 Leg Assembly, Loading Side Adjustable5-3
- 5.4 Assembly, Bed Tube5-5

SECTION 1 INSTALLATION

1.1 Options

The bed extension option includes a frame and the necessary hardware to attach it to the LX450 sawmill. Mount the extension to a firm, level footing.

1.2 Sawmill Preparation



CAUTION! Disconnect the negative battery lead. This will ensure the chain does not short the system if it contacts the power supply.

1. Remove the trailer hitch from the frame of the sawmill.
2. Remove the feed chains from the feed stop brackets. Break apart the master link to disconnect the chain from the bracket.
3. Remove the flat washers, split washers, and bolts holding the feed stop bracket to the sawmill frame.
4. Remove both of the entire assemblies from the sawmill frame retaining the same bolts and hardware to remount the feed stop bracket assemblies to the end of the extension

frame as shown in Fig. 1-1.

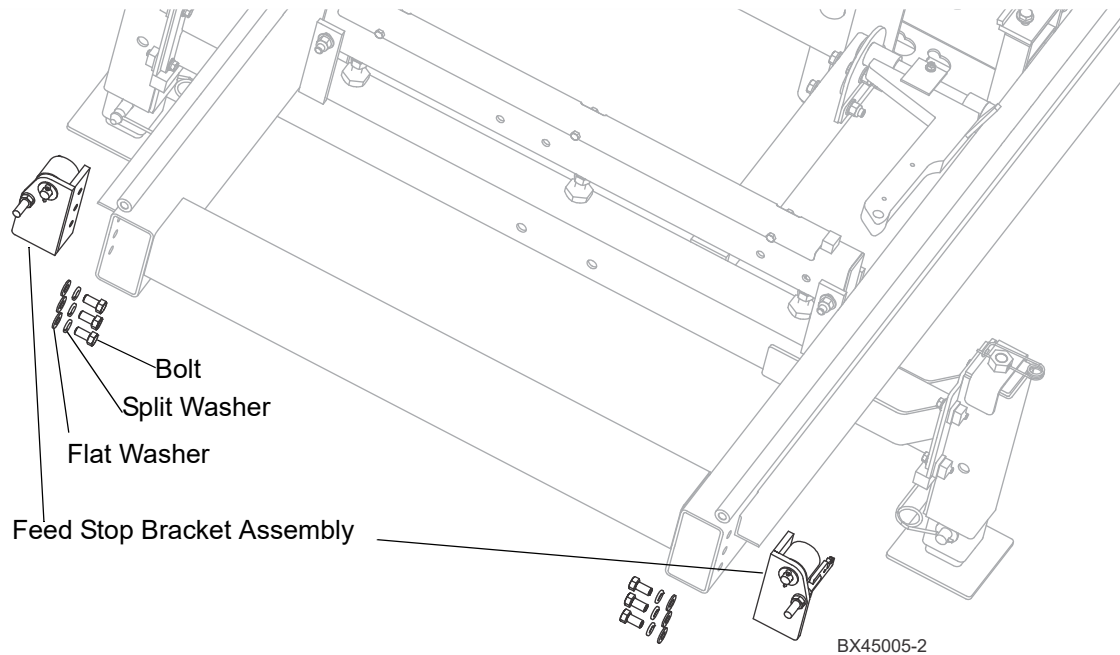


FIG. 1-1

5. Remove the cap from the end of the main tube that faces the bed extension by removing the bolt and washer underneath the tube.
6. If attached, remove the plates, bolts, nuts and washers from the end of the bed extension that faces the sawmill.

1

Installation

Extension Frame Attachment

1.3 Extension Frame Attachment

1. Position the extension frame at the end of the sawmill frame.
2. Sight down the length of the frames to see that the rods and pins are lined up as close as possible.
3. Slide the extension frame against the sawmill frame, allowing the pin to insert into the end of both rods.
4. Secure the frames together with the plates, bolts, flat washers, and nuts as shown in Fig. 1-2

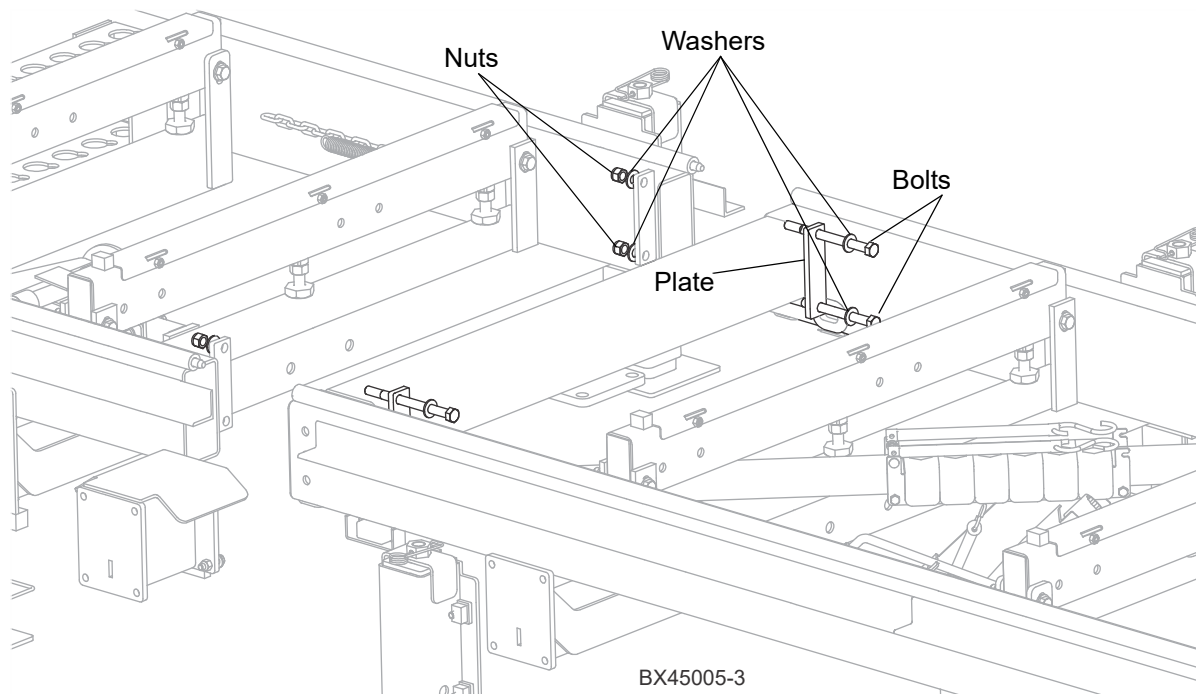


FIG. 1-2

5. Install the FAO extension, part 110617, in between the leg assembly and the sawmill frame to provide clearance for the cable carrier as shown in Fig. 1-3.

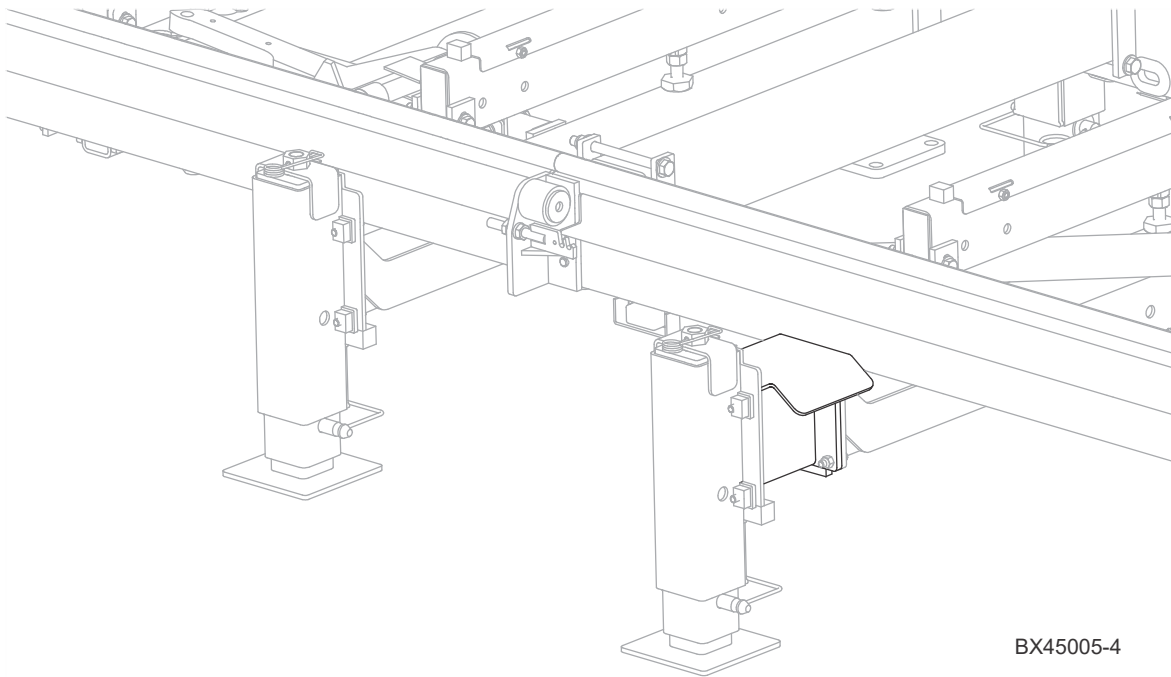


FIG. 1-3

NOTE: Install the FAO extension on the sawmill, not the bed extension.


2 Bed Extension Alignment

SECTION 2 BED EXTENSION ALIGNMENT

1. Align the extension to the sawmill using the pins.
2. Adjust the height using the legs to align the tracks on the sawmill to the tracks on the extension.

NOTE: You should not be able to detect any variance where one track ends and the other starts.

NOTE: Reference the instructions in the Operation & Maintenance Manual for the sawmill to adjust the height of the sawmill using the outriggers.

 **WARNING!** Hold the adjustable leg with one hand to prevent a sudden release and pull out the locking pin. Failure to follow this may result in serious injury.

3. Unclip the retainer on each locking pin on the adjustable outriggers, and use the adjustment handle to set the height of the extension as shown in Fig. 2-1.

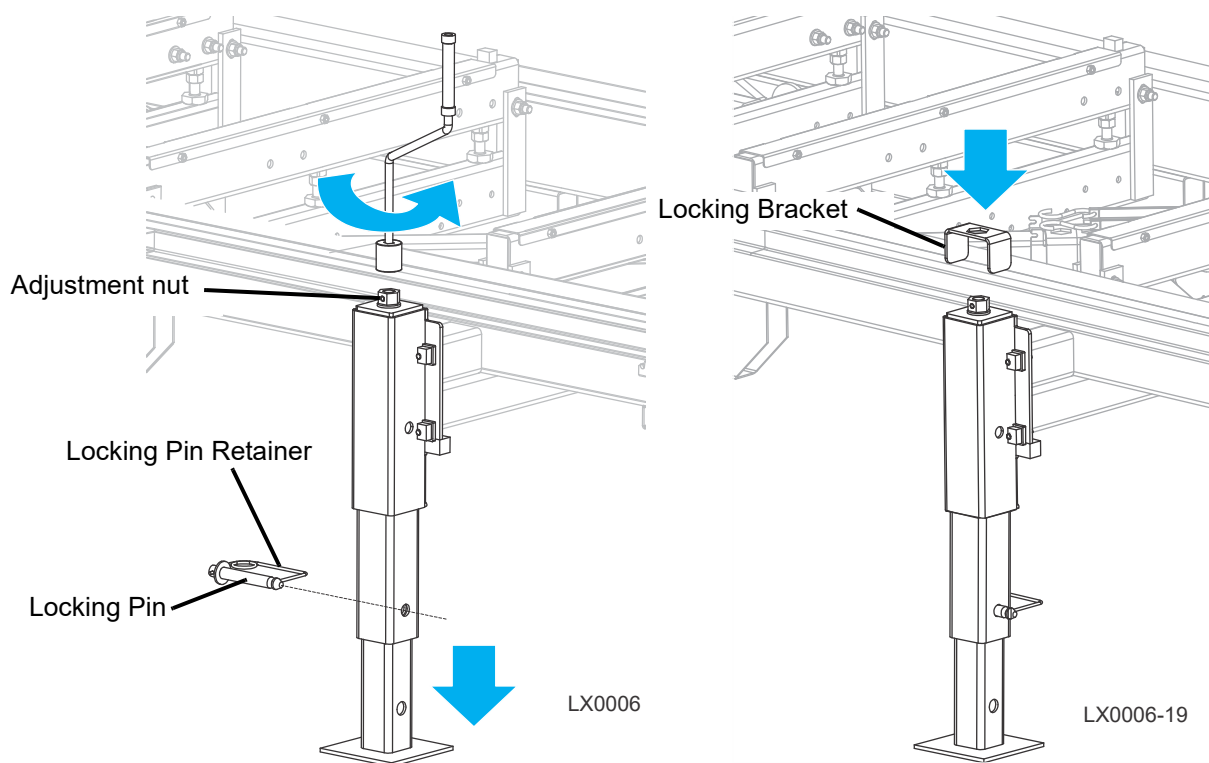


FIG. 2-1. OUTRIGGER ADJUSTMENT.

4. Lower the adjustable leg to align the locking pin holes so that the foot is as close to the ground as possible.
5. Reinstall the locking pin and secure with the retainer.
6. Use the provided crank handle to turn the outrigger adjustment nut counterclockwise to push the foot pad down to support the weight of the sawmill frame.
7. Install the locking brackets over the adjustment nut to prevent downward creep from vibration.
8. Move the cutting head across the area where the sawmill frame and extension meet.

NOTE: If the tracks are properly aligned, you should not be able to tell when the track bearings cross from the sawmill to the extension. Any variance will cause inaccurately sawn boards!

9. Fine tune the height of the bed extension until the sawmill and extension tracks are perfectly matched.

3 Log Clamp Operation

SECTION 3 LOG CLAMP OPERATION

A manual log clamp is supplied with the bed extension to help clamp long logs against the side supports.

1. Insert the log clamp post in a hole close to the log on the slotted channel between the middle bed rails of the extension.
2. Pull the clamp handle to spin the cam against the log and clamp the log firmly against the side supports.
3. Lock the clamp in place stretching the chain up to the clamp.
4. Slip the chain through the slot on the clamp handle using a link in the chain that holds the clamp firmly against the log.

SECTION 4 STORAGE PROTECTION

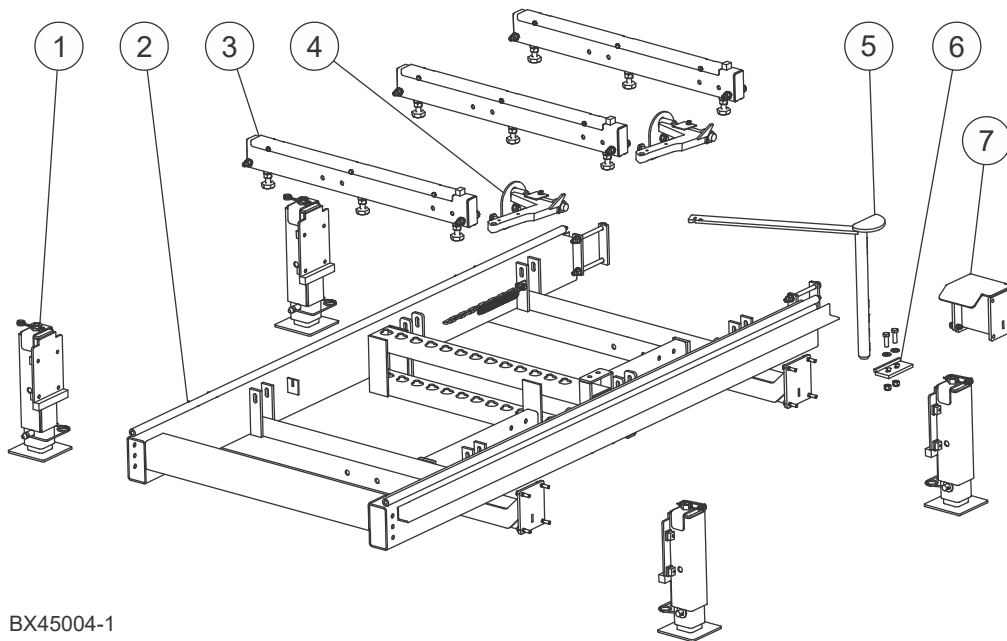
1. Coat the top and bottom bed extension rails with a rust inhibitor such as Sherwin-Williams P.D.R.P. #710.
2. Coat the power feed chain with a light film of a light-weight lubricant such as Dexron III ATF.
3. Ensure the connecting link is attached to the chain to prevent chain loss.
4. Coat the threads of the bed rail leveling bolts with a dry lube such as Gunk L-508.

Preparation For Use

Before using a bed extension that has been stored in the above manner, remove the rust inhibitor protection coat from the bed extension rails. Use a clean, dry cloth and a light lubricant such as WD-40 to remove the protection coat.

SECTION 5 BED EXTENSION PARTS

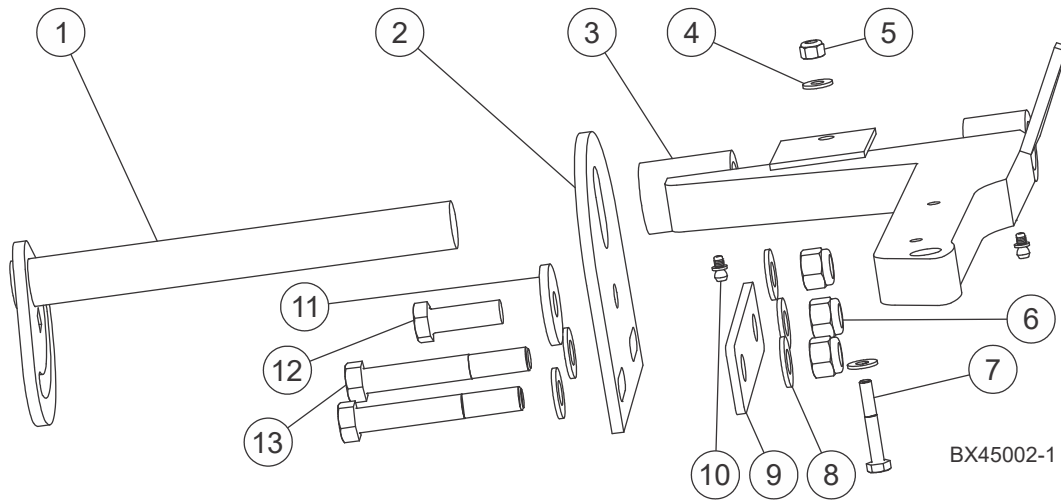
5.1 Assembly, Bed Extension



BX45004-1

REF	DESCRIPTION (♦ Indicates Parts Available in Assemblies Only)	PART #	QTY.	
	FRAME ASSY, 7.5" BED EXTENSION	BX7-LX450	1	
1	Leg Assy, Loading Side Adjustable	056781	4	
2	Frame Weldment, LX450BX7.5	N / A	1	♦
3	Assy, Bed Tube Front And Rear	N / A	3	♦
4	Support Assy, Side, Manual	034554	2	
5	Clamp Weldment, Manual Log Painted	W09412	1	
6	Stop Weldment, Clamp Ptd	W09404	1	
7	Extension Weldment, FAO Mount	110617	1	

5.2 Support Assembly, Side, Manual

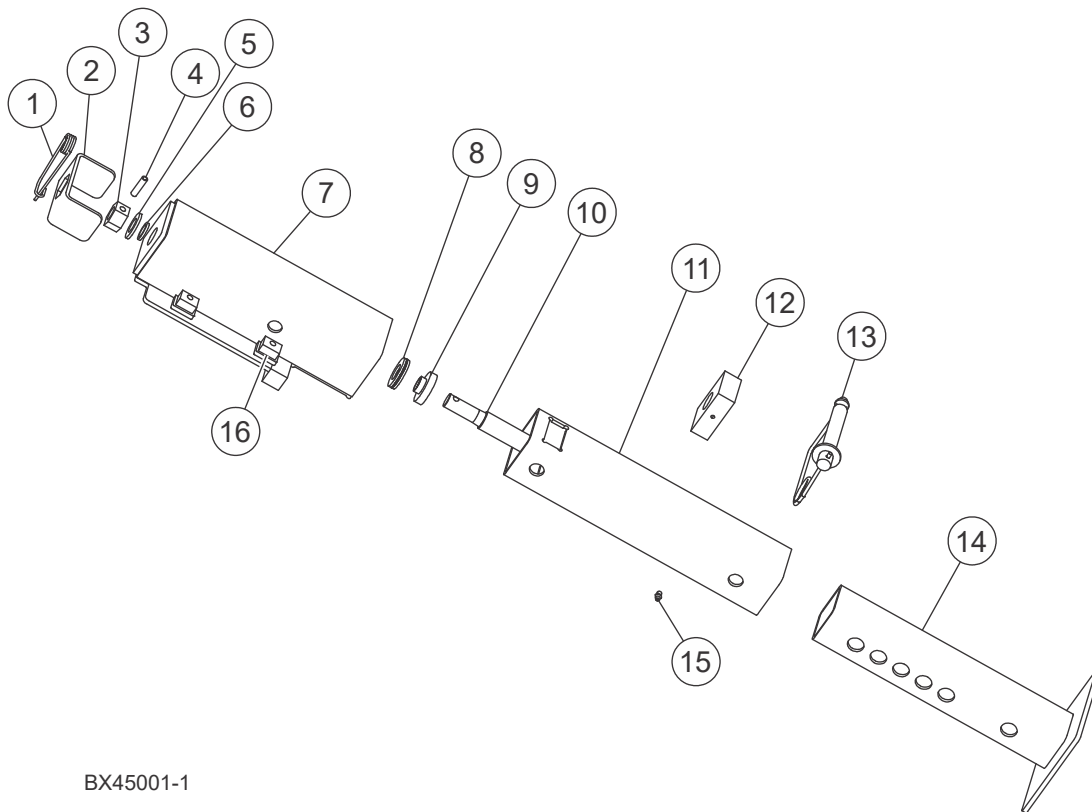


REF	DESCRIPTION (♦ Indicates Parts Available in Assemblies Only)	PART #	QTY.
	SUPPORT ASSY, SIDE, MANUAL	034554	2
1	Shaft Weldment, Side Support Pivot	016544	1
2	Plate, Side Support Mount Ptd	016555	1
3	Support Weldment, Manual Side Ptd	015235	1
4	Washer, 1/4 SAE Flat	F05011-11	2
5	Nut, 1/4-20 Nylock	F05010-69	1
6	Nut, 1/2-13 Nyl Hex Lock	F05010-8	3
7	Screw, 1/4-20x1 3/4 HHC	F05005-4	1
8	Washer, 1/2 SAE Flat	F05011-2	5
9	Plate, Side Support Clamp Ptd	016558	1
10	Fitting, 3/16x3/16 Straight Grease	P04107	2
11	Washer, .52x1.69	014632	1
12	Bolt, 1/2-13x1 1/2 HH Gr5	F05008-33	1
13	Bolt, 1/2-13x3 1/2 HH Gr5	F05008-61	2

5 Bed Extension Parts

Leg Assembly, Loading Side Adjustable

5.3 Leg Assembly, Loading Side Adjustable



BX45001-1

REF	DESCRIPTION (♦ Indicates Parts Available in Assemblies Only)	PART #	QTY.
	LEG ASSY, LOADING SIDE ADJUSTABLE	056781	4
1	Pin, 1/8x2-13/16L Locking Wire	F05012-162	1
2	Bracket, Adjustable Outrigger Lock	059577	1
3	Nut, Adjustable Outrigger Hex	056774	1
4	Pin, 5/16x1 1/4 Roll	F05012-127	1
5	Washer, 3/4 SAE Flat	F05011-62	1
6	Seal, Outrigger Acme Screw	039641	1
7	Weldment, Loading Side Adj Outrigger Mnt	056780	1
8	Assy, Adj. Outrigger Thrust Bearing	039639	1
9	Sleeve, Outrigger Screw	039645	1
10	Screw, 1-5 ACME Adj. Outrigger Long	039642	1
11	Tube, Front Adj Outrigger Slide	003981	1
12	Nut, Adj. Outrigger Long Acme	039636	1

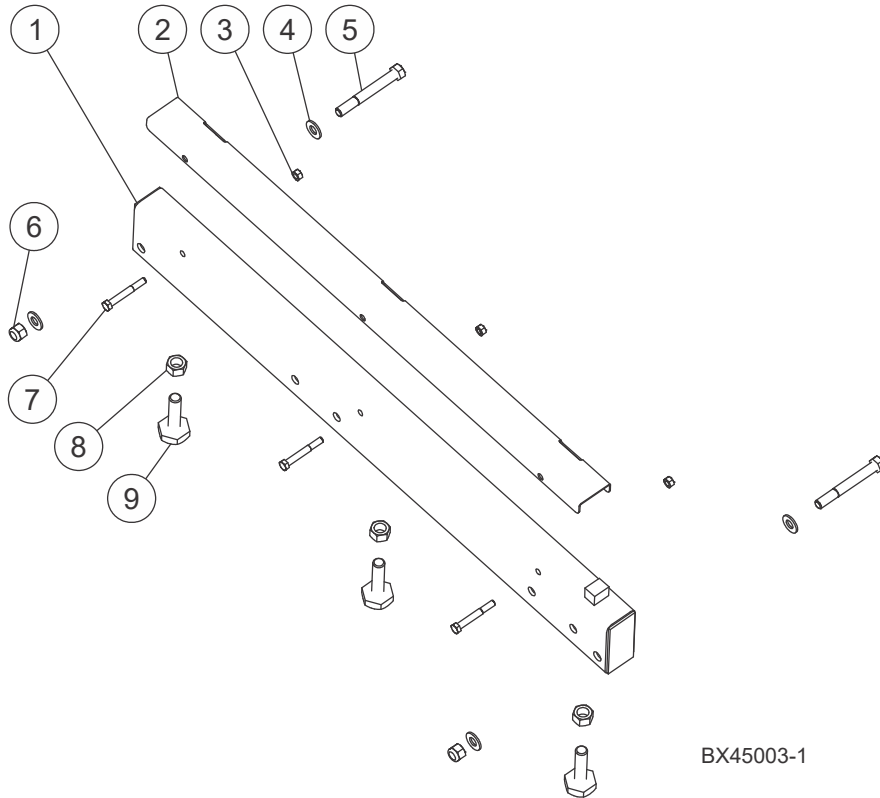
Bed Extension Parts 5
Leg Assembly, Loading Side Adjustable

REF	DESCRIPTION (♦ Indicates Parts Available in Assemblies Only)	PART #	QTY.	
13	Pin, Adj Outrigger Locking	056817	1	
14	Weldment, Adjustable Outrigger Base	056783	1	
15	Fitting, 1/4-28 Grease	P05060	1	
16	Nut, Loading Side Adj Outrigger Mnt	056826	4	
	Inst Sht, Field Installed Adj Outrigger	FAO-1524	1	

5 Bed Extension Parts

Assembly, Bed Tube

5.4 Assembly, Bed Tube



REF	DESCRIPTION (♦ Indicates Parts Available in Assemblies Only)	PART #	QTY.
	ASSY, BED TUBE FRONT AND REAR	075703	3
1	Tube Weldment, Bed Rail	075702	1
2	Cover, 33-13/16 Rail SS	106551	1
3	Nut, 5/16-18 Swaged Hex	F05010-6	3
4	Washer, 1/2 SAE Flat	F05011-2	4
5	Bolt, 1/2-13x4 HH Gr5	F05008-78	2
6	Nut, 1/2-13 Nyl Hex Lock	F05010-8	2
7	Bolt, 5/16-18x2 1/2 HH	F05006-10	3
8	Nut, 5/8-11 Hex	F05010-5	3
9	Bolt, Bed Rail Adj	S13006	3