

E25 Motor

Safety, Operation, Maintenance & Parts Manual

| | |
|-------------------------------|--------|
| 065352 25HP Motor Assembly | rev. A |
| 016011 E25 Premium Eff. (OBS) | rev. A |

Safety is our #1 concern!

Form #772

Used with mills *

| | Beginning rev - ending rev |
|--------------------|-----------------------------------|
| LT30 Super (OBS) | rev. F7.00 - J3.08 |
| LT30HD Super (OBS) | rev. G1.00 - J8.09 |
| LT40 Super | rev. F8.00 - J7.20** |
| LT40HD Super | rev. G1.00 - K4.02** |
| LT50HD | rev. A1.01 - A6.00** |

* Includes Wide versions, if available.

** Current revision



WARNING! Read and understand this manual before using this machine.

California
Proposition 65 Warning



WARNING: Breathing gas/diesel engine exhaust exposes you to chemicals known to the State of California to cause cancer and birth defects or other reproductive harm.

Always start and operate the engine in a well-ventilated area.
If in an enclosed area, vent the exhaust to the outside.
Do not modify or tamper with the exhaust system.
Do not idle the engine except as necessary.

For more information go to **www.P65warnings.ca.gov**.



WARNING: Drilling, sawing, sanding or machining wood products can expose you to wood dust, a substance known to the State of California to cause cancer. Avoid inhaling wood dust or use a dust mask or other safeguards for personal protection.

For more information go to **www.P65Warnings.ca.gov/wood**.

Active Patents assigned to Wood-Mizer, LLC

Wood-Mizer, LLC has received patents that protect our inventions which are a result of a dedication to research, innovation, development, and design. Learn more at: woodmizer.com/patents

©2023 Wood-Mizer LLC

Printed in the United States of America, all rights reserved. No part of this manual may be reproduced in any form by any photographic, electronic, mechanical or other means or used in any information storage and retrieval system without written permission from

Wood-Mizer, LLC
8180 West 10th Street
Indianapolis, Indiana 46214

SECTION 1 ABOUT THIS MANUAL

SECTION 2 OPERATION

2.1 Starting The Motor..... 2-1

SECTION 3 MAINTENANCE

3.1 Safety 3-1
3.2 Battery 3-1
3.3 Alternator Belt..... 3-1

SECTION 4 REPLACEMENT PARTS

4.1 Motor Starter Assembly (2011+) 4-1
4.2 Motor Starter Assembly (Pre-2011)..... 4-3
4.3 Motor Mount Assembly (220/380/415-440V) (8/11 - present) 4-5
4.4 Motor Mount Assembly (220/380/415-440V)(1/98-8/11)..... 4-6
4.5 Motor Mount Assembly (575V) (2/98 - 8/11) 4-7
4.6 Motor Mount Assembly (220/380/415-440V) (3/97 - 2/98)..... 4-8
4.7 Motor Mount Assembly (575V) (3/98 - 6/99) 4-9
4.8 Motor Assembly (8/11 - present)..... 4-10
4.9 Motor Assembly (1/98 - 5/11) 4-11
4.10 Drive And Alternator Assembly (460V) (8/11 - present)..... 4-12
4.11 Drive And Alternator Assembly (460V & 575V) (9/05 - 8/11) 4-14
4.12 Drive And Alternator Assembly (460V & 575V) (9/98 - 9/05) 4-16
4.13 Drive and Alternator Assembly (460V U.S.) (1/98 - 8/98) 4-19
4.14 140A Alternator Retrofit Kit (Premium Efficiency Motor)..... 4-21
4.15 140A Alternator Retrofit (Non-Premium Efficiency Motor)..... 4-23
4.16 Drive and Alternator Assembly (460V U.S.) (3/97 - 12/97) 4-25
4.17 Drive and Alternator Assembly (575V Canada) (3/97 - 9/98)..... 4-27
4.18 Engine Pulley Guards (E25) (8/11 - present)..... 4-28
4.19 Motor Pulley Guards (9/98 - 8/11)..... 4-29
4.20 Motor Pulley Guards (3/97 - 9/98)..... 4-30

SECTION 1 ABOUT THIS MANUAL

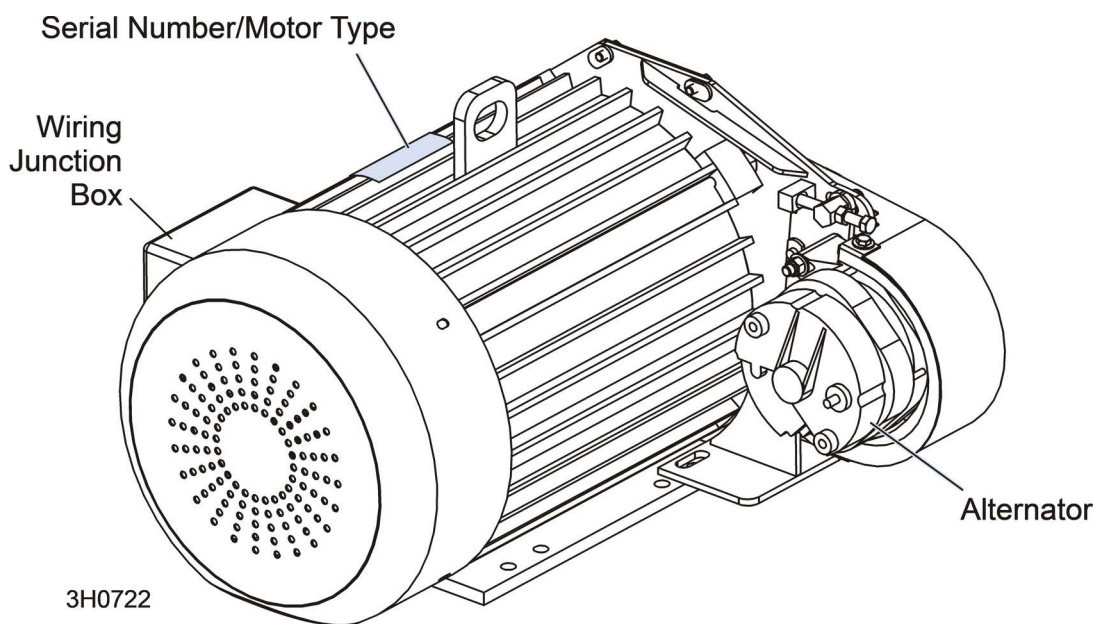
This manual is provided as a supplement to the equipment manufacturer's manuals. This manual provides information specific to the use of this equipment on the Wood-Mizer® sawmill. Refer to the sawmill operator's manual and manufacturer's manual before attempting to operate this equipment.

NOTICE Read the sawmill operator's manual and engine manufacturer's manual for instructions and safety precautions before operating this equipment.

The information and instructions given in this manual do not amend or extend the limited warranties for the equipment given at the time of purchase.

For electric sawmill installation instructions and power requirements, see Form 542, Electric Sawmill Installation Instructions.


E25 Motor

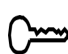


SECTION 2 OPERATION

2.1 Starting The Motor

Motor Control Lights

 *Alternator Charge Indicator:* Lights up if the alternator is not charging the battery.

 *Key Switch Indicator:* Lights up when the key is in either the on or accessory (#1 or #3) position.

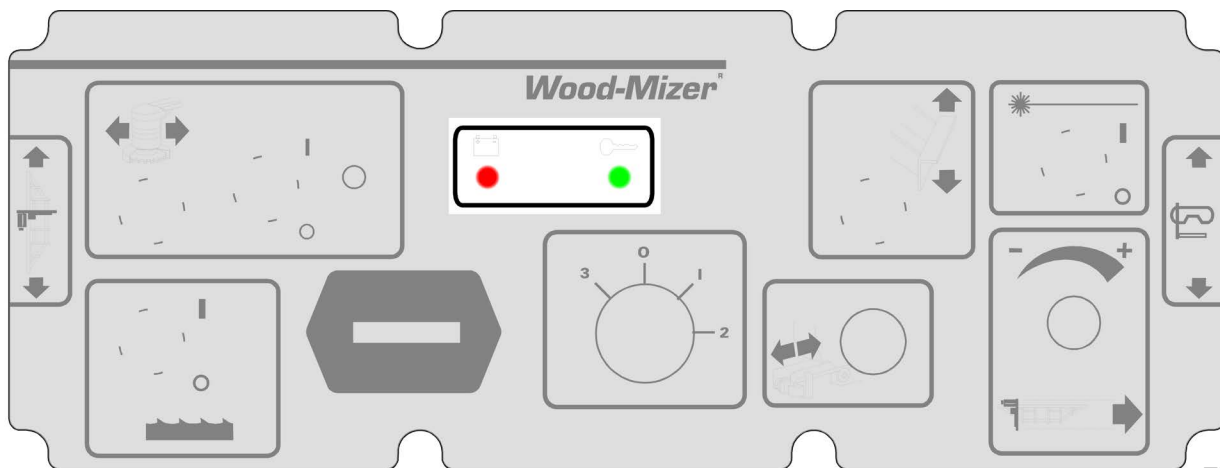




FIG. 2-1

MOTOR START

 **DANGER!** Always be sure the blade is disengaged and all persons are out of the path of the blade before starting the motor. Failure to do so will result in serious injury.

 **WARNING!** Be sure the power feed switch is in the neutral position before turning the key switch to the on (#1) or accessory (#3) position. This prevents accidental carriage movement, which may cause serious injury or death.

Turn the key switch to the start (#2) position and release.

MOTOR SHUTOFF

Turn the key switch to the off (#0) position.

SECTION 3 MAINTENANCE

Refer to the manufacturer's manual for maintenance intervals and procedures unless otherwise instructed in this manual. Follow the manufacturer's recommendations for dusty conditions.

NOTICE Refer to the manufacturer's manual for complete maintenance instructions. This manual only provides information about additional procedures or procedures to be performed at different time intervals than found in the manufacturer's manuals



.WARNING! Clean sawdust from all guards, vents, control boxes, or any area where sawdust may gather **after every shift**. Failure to do so may result in fire, causing death or serious injury.



3.1 Safety

Use caution when performing maintenance or service to the motor.



DANGER! Always be aware of and take proper protective measures against rotating shafts, pulleys, fans, etc. Always stay a safe distance from rotating members and make sure that loose clothing or long hair does not engage rotating members resulting in possible injury.



WARNING! Remove the blade before performing any motor service. Failure to do so may result in serious injury.

WARNING! Always wear proper and necessary safety equipment when performing service functions. Proper safety equipment includes eye protection, breathing protection, hand protection and foot protection.

3.2 Battery

Check the battery electrolyte level every 50 hours of operation. See manufacturer's manual for instructions.



DANGER! Batteries expel explosive gases. Keep sparks, flames, burning cigarettes, or other ignition sources away at all times. Always wear safety goggles and a face shield when working near batteries. Failure to do so will cause serious injury.



WARNING! Battery posts, terminals and related accessories contain lead and lead compounds, chemicals known to the State of California to cause cancer and reproductive harm. Wash hands after handling.

3.3 Alternator Belt

LT30 Super Rev. G6.00+

LT40 Super Rev. G7.00+

LT30HD Super Rev. H1.00+

LT40HD Super Rev. H1.00+

The belt tension should be checked after the first 100 hours of operation, when the battery is not charging properly or when the alternator belt is squealing.

If the battery continues to not charge properly or the belt continues to squeal after the initial belt adjustment, replace the belt.

IMPORTANT! Sawmills built prior to March 1999 were provided with a sight hole in the alternator bracket to gauge belt tension. To achieve proper belt tension, **do not use the sight hole**. Follow the procedure below to check the belt tension and adjust if necessary.

1. Release the blade tension and remove the blade from the sawmill if necessary.
2. Turn the key switch to OFF (0) and remove the key.

3. Remove the drive belt cover and alternator cover.
4. Use a belt tension gauge to measure the belt tension.
5. Place the gauge on the belt at the midpoint between the two pulleys.

If the belt has more than 3/16" at 9 lb. of deflection, tighten the belt as described below.

6. Loosen the upper pivot, lower pivot and the adjustment bolt jam nut.
7. Turn the belt tension adjustment bolt clockwise to tighten the belt, counterclockwise to loosen the belt.
8. Adjust the bolt until the proper belt tension is achieved.

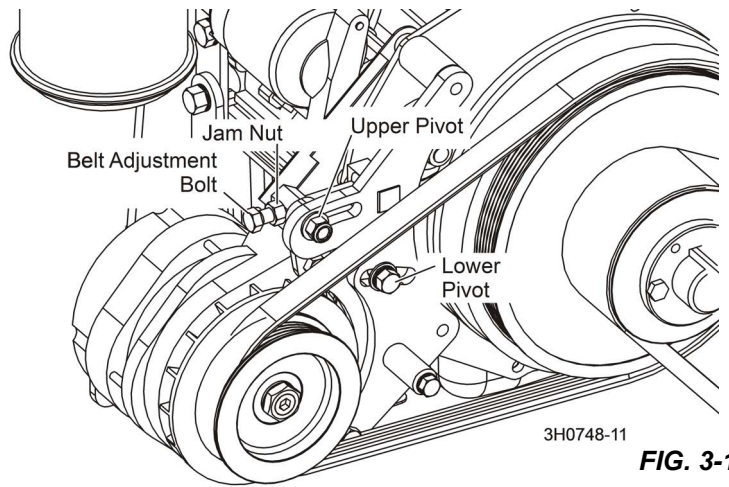


FIG. 3-1



CAUTION! Do not overtighten the alternator belt. Damage to the alternator will occur.

9. After the alternator belt has been tensioned, tighten the adjustment bolt jam nut.
10. Tighten the upper and lower pivots and replace the belt covers.

EARLIER MODELS

LT30 Super Rev. F7.00 - G5.00
LT40 Super Rev. F8.00 - G6.00
LT30HD Super Rev. G1.00 - G9.00
LT40HD Super Rev. G1.00 - G9.00

1. Loosen the two clamp bolts located underneath the alternator mount assembly.
2. Turn the tensioner belt clockwise to tighten the alternator belt.

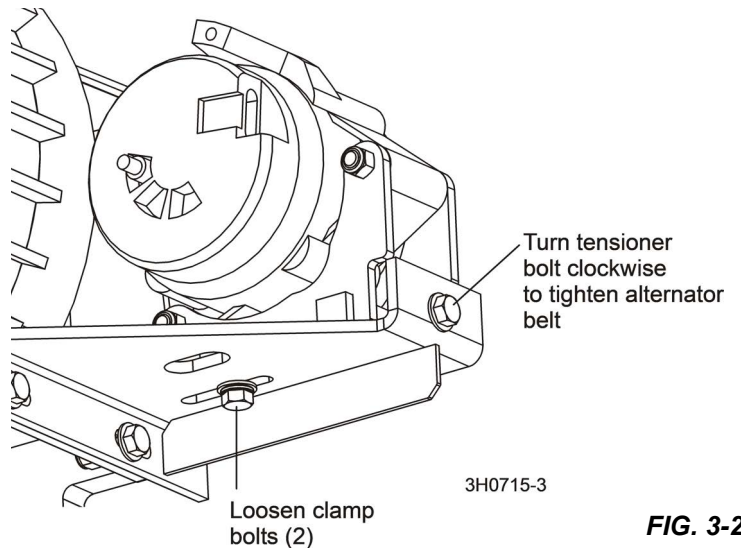
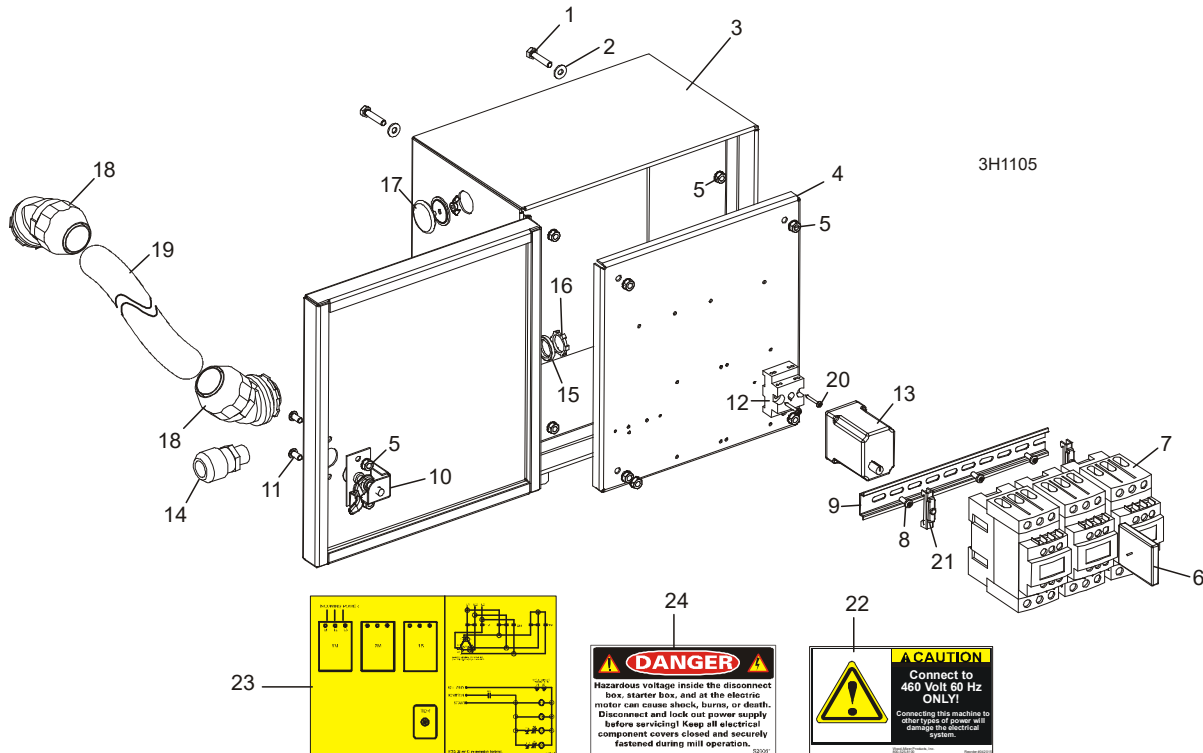


FIG. 3-2

SECTION 4 REPLACEMENT PARTS

4.1 Motor Starter Assembly (2011+)

LT40 SUPER REV. J7.05+
LT40HD SUPER REV. K3.05+
LT50 REV. A5.04+

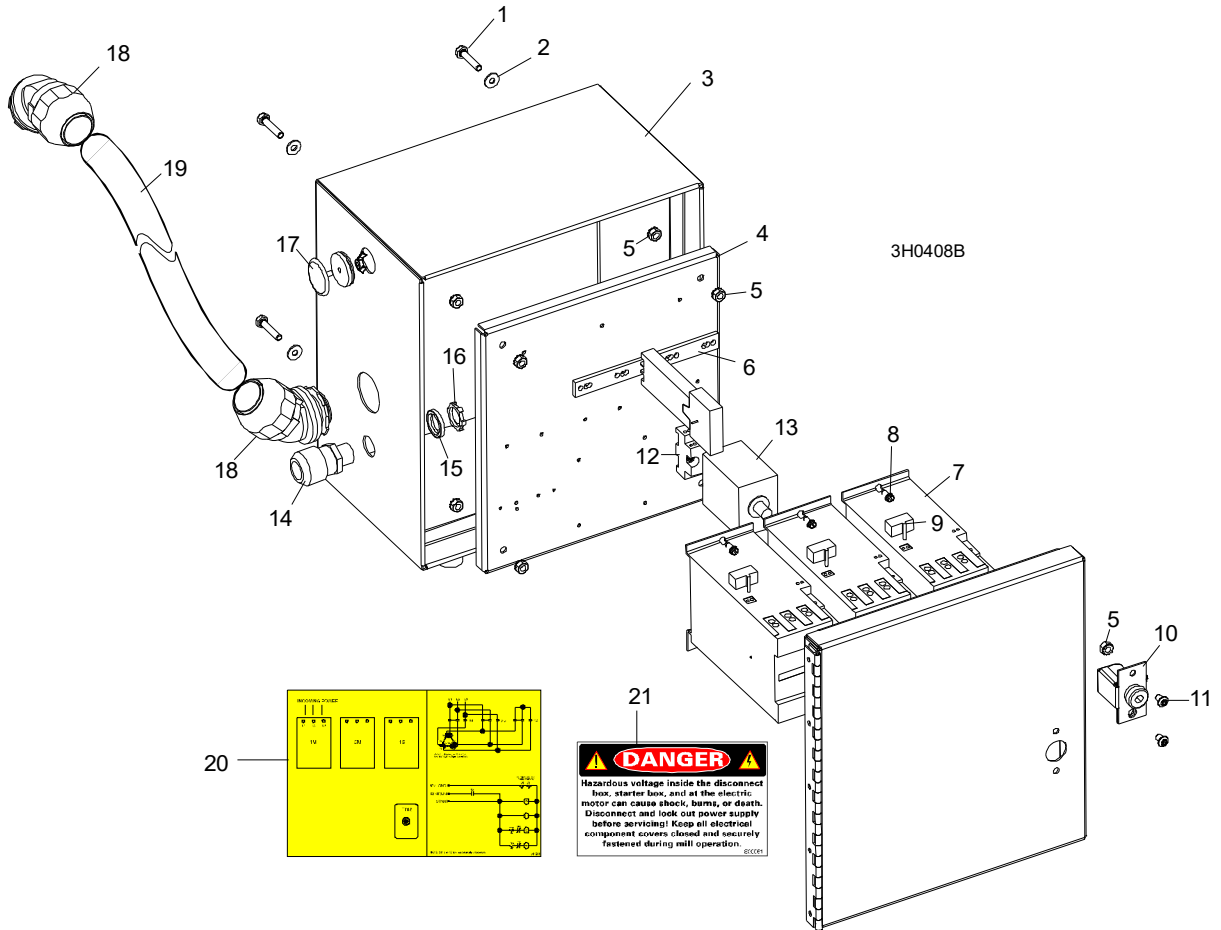


| REF | PART # | DESCRIPTION | COMMENTS | QTY. |
|-----|------------|--|---|------|
| | 014399 | STARTER ASSEMBLY, 25HP 3-PHASE 50/60HZ 3450RPM ELECTRIC MOTOR | Replacement of contacts issued prior to 1/11 requires DIN rail 024474-10, three screws F05015-17, two clamps E22707 and new interlock 023171-1. | 1 |
| 1 | F05005-3 | Bolt, 1/4-20 x 1 1/4" Hex Head Tap | | 4 |
| 2 | F05011-11 | Washer, 1/4" SAE Flat | | 4 |
| 3 | 014405 | Box, Electric Motor Starter Enclosure | Available in assemblies only. | 1 |
| 4 | S10212 | Panel, Starter Box Component Mounting | | 1 |
| 5 | F05010-9 | Nut, 1/4-20 Hex Self-Locking | | 11 |
| 6 | 023171-1 | Interlock, D40-D80 Contactor Mechanical | | 1 |
| 7 | 069521 | Contactor, 65Amp 3P 12VDC Coil D-A Series | | 3 |
| 8 | F05015-17 | Screw, #10-24 x 1/2" Philips Pan Head Type 23 | | 3 |
| 9 | 024474-10 | DIN Rail, 35mm x 7.5mm x 10" Steel Sym | | 1 |
| 10 | P20048 | Latch, Starter Box Door | | 1 |
| 11 | F05005-112 | Screw, 1/4-20 X 1/2" Button Head Socket Stainless | | 2 |
| 12 | E10216 | Socket, 8-pin Relay Sq-D #00605 Class 8501 Type NR52B | | 1 |

| REF | PART # | DESCRIPTION | COMMENTS | QTY. |
|-----|-----------|---|----------|----------|
| 13 | 050826 | Timer Kit, 12V Y-Delta Replacement | | 1 |
| 14 | E20456 | Connector, SR507 Cord | | 1 |
| 15 | E20460 | Ring, 1/2" Sealing | | 1 |
| 16 | E20461 | Nut, 1/2" #141 Lock | | 1 |
| 17 | 024250 | Plug, AS075 OilTite Painted | | 1 |
| 18 | 014448 | Connector, 1.25" 45° Nylon | | 2 |
| 19 | R01633 | Conduit, 1.25" Maxi-Flex | | 3.58 Ft. |
| 20 | F05004-42 | Screw, #6 x 1" Phillips Pan Head Type A Sheet Metal | | 2 |
| 21 | E22707 | Clamp, Plastic DIN Rail | | 2 |
| 22 | 042015 | Decal, 460V 60Hz Power Supply Caution | | 1 |
| 23 | 014344 | DECAL, Y-DELTA E20/E25 ELECTRIC WIRING | | 1 |
| 24 | S20061 | DECAL, ELECTRICAL HAZARD DANGER | | 1 |

4.2 Motor Starter Assembly (Pre-2011)

LT30 SUPER REV. F7.00 - J3.08
 LT40 SUPER REV. F8.00 - J7.05
 LT30HD SUPER REV. G1.00 - J8.09
 LT40HD SUPER REV. G1.00 - K3.05
 LT50 REV. A1.01 - A5.04

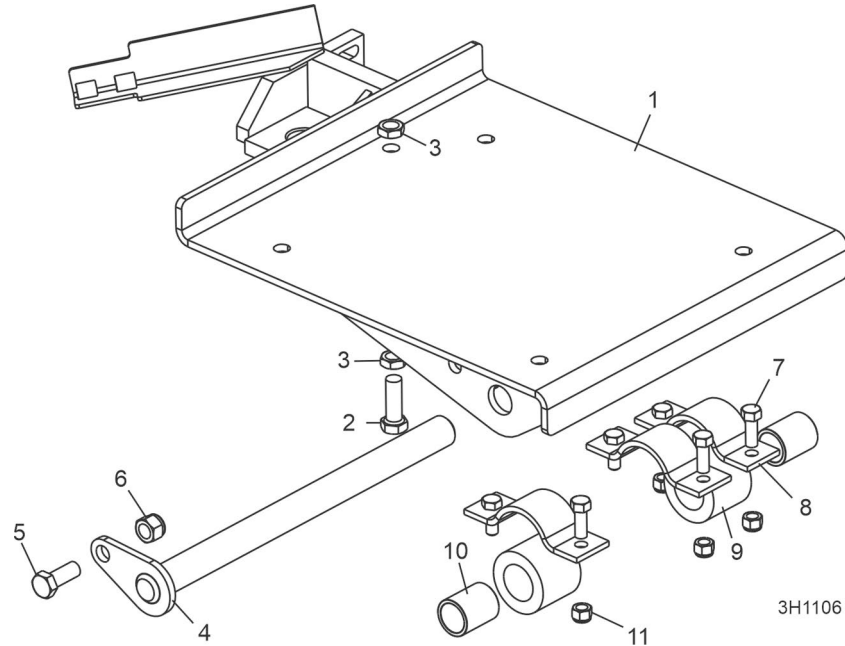


| REF | PART # | DESCRIPTION | COMMENTS | QTY. |
|-----|-----------|--|--|------|
| | 014399 | STARTER ASSEMBLY, 25HP 3-PHASE 50/60HZ 3450RPM ELECTRIC MOTOR | Starter Assembly 014399 modified 1/11 to accept DIN-rail mounted Contactors 069521 due to a change in vendor supply (See Section 4.1). Original Contactors 023169 available for service while supplies last. Replacement of old-style contactors with new requires DIN rail 024474-10, three screws F05015-17, two clamps E22707 and new interlock 023171-1. | 1 |
| 1 | F05005-3 | Bolt, 1/4-20 x 1 1/4" Hex Head Tap | | 4 |
| 2 | F05011-11 | Washer, 1/4" SAE Flat | | 4 |
| 3 | 014405 | Box, Electric Motor Starter Enclosure | Available in assemblies only. | 1 |
| 4 | S10212 | Panel, Starter Box Component Mounting | | 1 |
| 5 | F05010-9 | Nut, 1/4-20 Hex Self-Locking | | 10 |
| 6 | 023171 | Interlock, Mechanical for LP1D65 | | 1 |

| REF | PART # | DESCRIPTION | COMMENTS | QTY. |
|-----|-----------|---|---|----------|
| 7 | 023169 | Contact, 65Amp 480Volt 3Phase 12VDC Coil | | 3 |
| 8 | F05015-18 | Bolt, #8-32 x 1/2" Slotted Hex Head | | 9 |
| 9 | 023360 | Diode, Suppression Module D40-D80 | | 3 |
| 10 | P20048 | Latch, Starter Box Door | | 1 |
| 11 | F05005-62 | Screw, 1/4-20 X 1/2" Button Head Socket | | 2 |
| 12 | E10216 | Socket, 8-pin Relay Sq-D #00605 Class 8501 Type NR52B | | 1 |
| 13 | 050826 | Timer Kit, 12V Y-Delta Replacement | Replacement Kit 050826 replaces Timer 023170 supplied prior to LT30 Super Rev. H9.02, LT40 Super Rev. J1.02, and LT30HD/40HD Super Rev. J5.02. Kit includes new polarized timer and instructions on how to change wiring to accept the new timer. | 1 |
| 14 | E20456 | Connector, SR507 Cord | | 1 |
| 15 | E20460 | Ring, 1/2" Sealing | | 1 |
| 16 | E20461 | Nut, 1/2" #141 Lock | | 1 |
| 17 | 024250 | Plug, AS075 OilTite Painted | Replaces E20570 unpainted plug. | 1 |
| 18 | 014448 | Connector, 1.25" 45° Nylon | | 2 |
| 19 | R01633 | Conduit, 1.25" Maxi-Flex | | 3.58 Ft. |
| 20 | 014344 | DECAL, Y-DELTA E20/E25 ELECTRIC WIRING | | 1 |
| 21 | S20061 | DECAL, ELECTRICAL HAZARD DANGER | | 1 |

4.3 Motor Mount Assembly (220/380/415-440V) (8/11 - present)

LT40 Super Rev. J7.08+
 LT40HD Super Rev. K3.07+
 LT50HD Rev. A5.07+



| REF | PART # | DESCRIPTION | COMMENTS | QTY. |
|-----|-----------|--|-------------------------------|------|
| 1 | 065428 | Mount Weldment, Electric Motor (2011) | | 1 |
| 2 | F05008-33 | Bolt, 1/2-13 1 1/2" Hex Head Grade 5 | | 1 |
| 3 | F05010-31 | Nut, 1/2-13 Hex Jam | | 2 |
| 4 | 014154 | Pin Weldment, Engine Mount Pivot | | 1 |
| 5 | F05008-37 | Bolt, 1/2-13 x 1 1/4" Hex Head Grade 5 | | 1 |
| 6 | F05010-8 | Nut, 1/2-13 Nylon Lock | | 1 |
| 7 | F05007-7 | Bolt, 3/8-16 x 1" Hex Head | | 3 |
| 8 | 014540 | Clamp Weldment, Motor Mount Bushing | | 3 |
| | 016380 | Bushing Assembly, Motor Mount | | 3 |
| 9 | 016378 | Bushing, 2" OD x 2" | Available in assemblies only. | 1 |
| 10 | 016379 | Bearing, 1" x 1 1/4" x 2" | Available in assemblies only. | 1 |
| 11 | F05010-10 | Nut, 3/8-16 Hex Nylon Lock | | 6 |

4.4 Motor Mount Assembly (220/380/415-440V)(1/98-8/11)

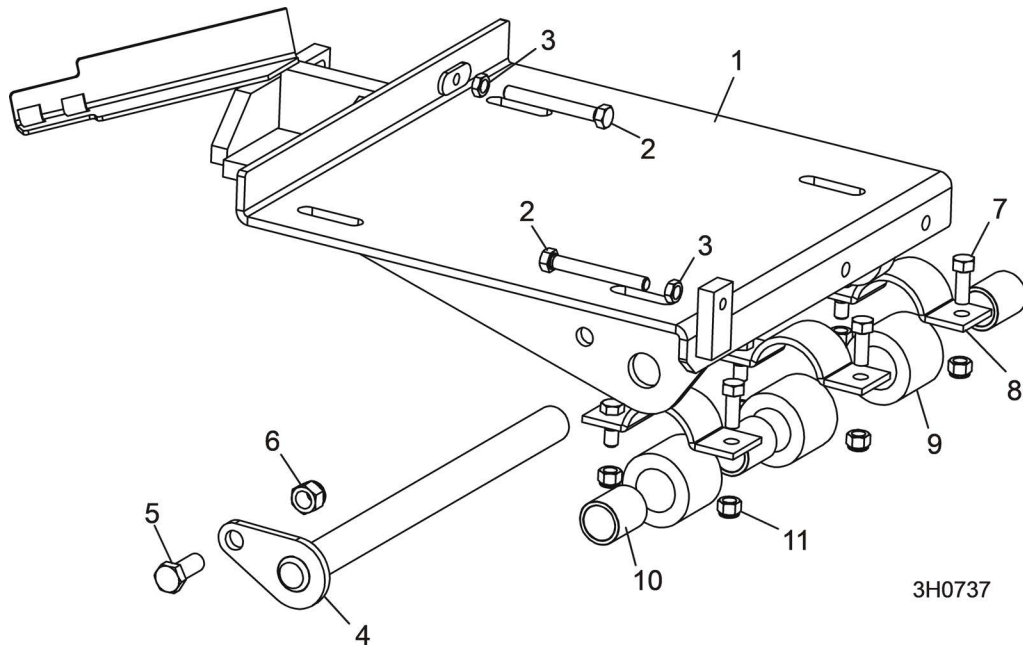
LT30 Super Rev. G2.00 - J3.08

LT40 SuperRev. G3.00 - J7.07

LT30HD SuperRev. G6.00 - J8.09

LT40HD SuperRev. G6.00 - K3.06

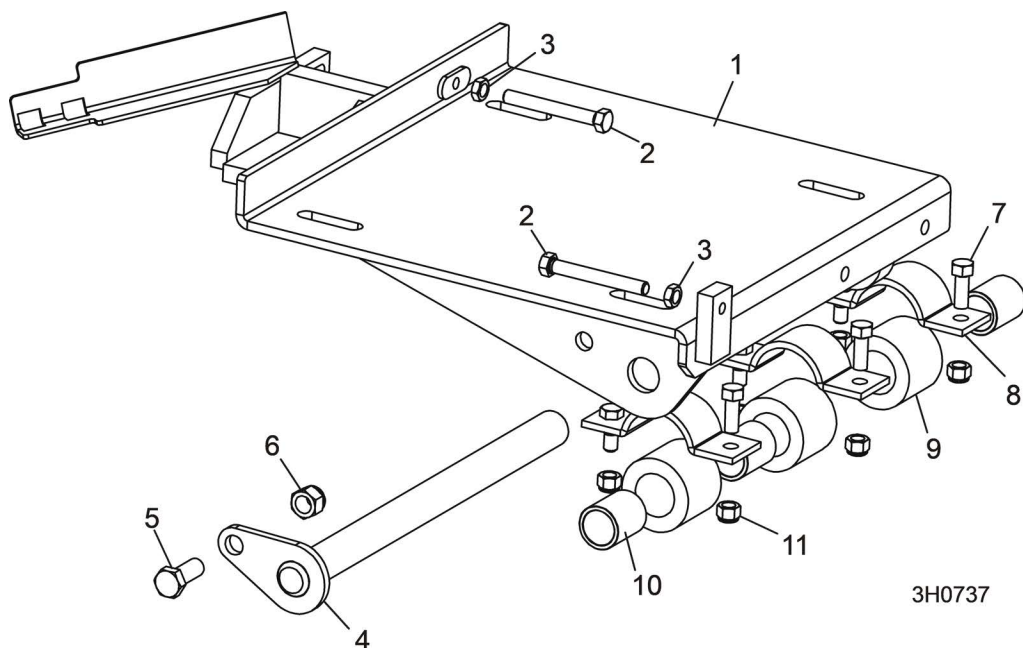
LT50HDRev. A1.01 - A5.06



| REF | PART # | DESCRIPTION | COMMENTS | QTY. |
|-----|-----------|--|--|------|
| | 016318 | Mount Kit, Electric Motor | Mount Kit 016318 includes clutch handle bushings and hardware for LT30 Super Rev. G9.00, LT40 Super Rev. H1.00 and LT30HD/40HD Super Rev. H4.00. | 1 |
| 1 | 023599 | Mount Weldment, Electric Motor | Available in assemblies only. | 1 |
| 2 | F05007-1 | Bolt, 3/8-16 x 3" Hex Head Full Thread | | 2 |
| 3 | F05010-29 | Nut, 3/8-16 Hex Jam | | 2 |
| 4 | 014154 | Pin Weldment, Engine Mount Pivot | | 1 |
| 5 | F05008-37 | Bolt, 1/2-13 x 1 1/4" Hex Head Grade 5 | | 1 |
| 6 | F05010-8 | Nut, 1/2-13 Nylon Lock | | 1 |
| 7 | F05007-7 | Bolt, 3/8-16 x 1" Hex Head | | 3 |
| 8 | 014540 | Clamp Weldment, Motor Mount Bushing | | 3 |
| | 016380 | Bushing Assembly, Motor Mount | 016380 replaces P12164 and P05041 supplied prior to LT30 Super Rev. H1.00, LT40 Super Rev. H2.00 and LT30HD/40HD Super Rev. H5.00. NOTE: When replacing original components, replace all three at the same time. | 3 |
| 9 | 016378 | Bushing, 2" OD x 2" | Available in assemblies only. | 1 |
| 10 | 016379 | Bearing, 1" x 1 1/4" x 2" | Available in assemblies only. | 1 |
| 11 | F05010-10 | Nut, 3/8-16 Hex Nylon Lock | | 6 |

4.5 Motor Mount Assembly (575V) (2/98 - 8/11)

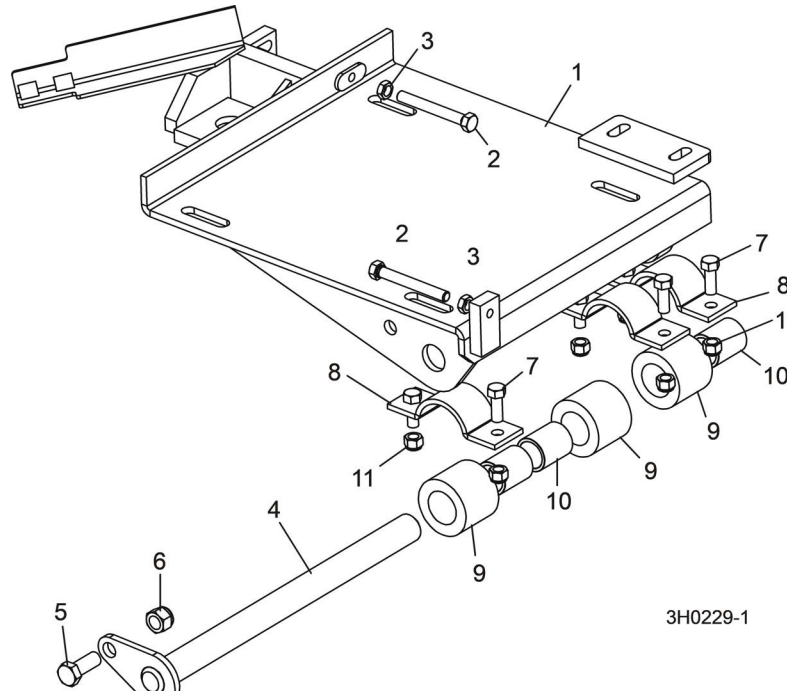
LT30 Super Rev. G6.00 - J3.08
 LT40 Super Rev. G7.00 - J7.06
 LT30HD Super Rev. H1.00 - J8.09
 LT40HD Super Rev. H1.00 - K3.05



| REF | PART # | DESCRIPTION | COMMENTS | QTY. |
|-----|-----------|--|--|------|
| | 016318 | Mount Kit, Electric Motor | Mount Kit 016318 includes bushings and hardware standard after 6/99. 575V no longer available on LT40 Rev. J7.07, LT40HD Rev. K3.06 & LT50HD Rev. A5.06 and later. | 1 |
| 1 | 023599 | Mount Weldment, Electric Motor | Available in assemblies only. | 1 |
| 2 | F05007-1 | Bolt, 3/8-16 x 3" Hex Head Full Thread | | 2 |
| 3 | F05010-29 | Nut, 3/8-16 Hex Jam | | 2 |
| 4 | 014154 | Pin Weldment, Engine Mount Pivot | | 1 |
| 5 | F05008-37 | Bolt, 1/2-13 x 1 1/4" Hex Head Grade 5 | | 1 |
| 6 | F05010-8 | Nut, 1/2-13 Nylon Lock | | 1 |
| 7 | F05007-7 | Bolt, 3/8-16 x 1" Hex Head | | 3 |
| 8 | 014540 | Clamp Weldment, Motor Mount Bushing | | 3 |
| | 016380 | Bushing Assembly, Motor Mount | New assembly 016380 replaces P12164 and P05041 originally supplied. NOTE: When replacing original components with new assembly, replace all three assemblies at the same time. | 3 |
| 9 | 016378 | Bushing, 2" OD x 2" | Available in assemblies only. | 1 |
| 10 | 016379 | Bearing, 1" x 1 1/4" x 2" | Available in assemblies only. | 1 |
| 11 | F05010-10 | Nut, 3/8-16 Hex Nylon Lock | | 6 |

4.6 Motor Mount Assembly (220/380/415-440V) (3/97 - 2/98)

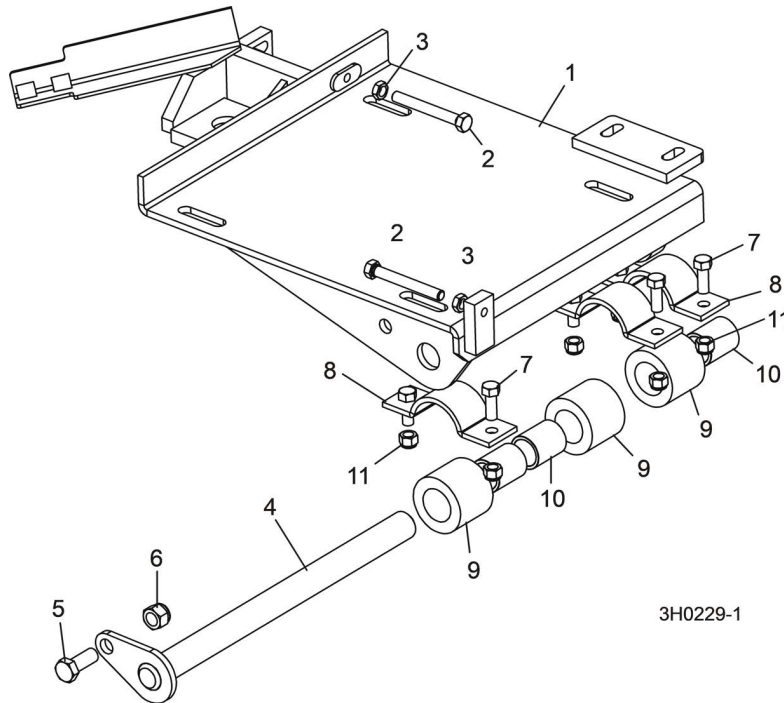
LT30 Super Rev. F7.00 - G1.02
 LT40 Super Rev. F8.00 - G2.02
 LT30HD Super Rev. G1.00 - G5.01
 LT40HD Super Rev. G1.00 - G5.01



| REF | PART # | DESCRIPTION | COMMENTS | QTY. |
|-----|-----------|--|--|------|
| | 016322 | Mount Kit, Electric Motor | Mount Kit 016322 includes bushings and hardware standard after 6/99 | 1 |
| 1 | 014059 | Mount Weldment, Electric Motor | Available in assemblies only. | 1 |
| 2 | F05007-1 | Bolt, 3/8-16 x 3" Hex Head Full Thread | | 2 |
| 3 | F05010-29 | Nut, 3/8-16 Hex Jam | | 2 |
| 4 | 014154 | Pin Weldment, Engine Mount Pivot | | 1 |
| 5 | F05008-37 | Bolt, 1/2-13 x 1 1/4" Hex Head Grade 5 | | 1 |
| 6 | F05010-8 | Nut, 1/2-13 Nylon Lock | | 1 |
| 7 | F05007-7 | Bolt, 3/8-16 x 1" Hex Head | | 3 |
| 8 | 014540 | Clamp Weldment, Motor Mount Bushing | | 3 |
| | 016380 | Bushing Assembly, Motor Mount | New assembly 016380 replaces P12164 and P05041. NOTE: When replacing original components with new assembly, replace all three assemblies at the same time. | 3 |
| 9 | 016378 | Bushing, 2" OD x 2" | Available in assemblies only. | 1 |
| 10 | 016379 | Bearing, 1" x 1 1/4" x 2" | Available in assemblies only. | 1 |
| 11 | F05010-10 | Nut, 3/8-16 Hex Nylon Lock | | 6 |

4.7 Motor Mount Assembly (575V) (3/98 - 6/99)

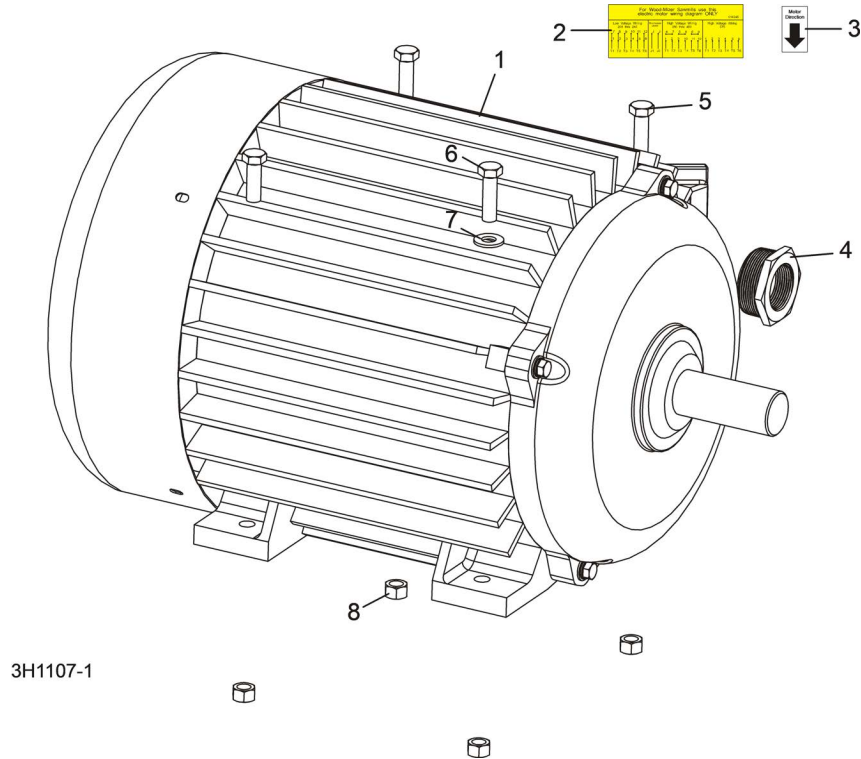
LT30 Super Rev. F7.00 - G5.00
 LT40 SuperRev. F8.00 - G6.00
 LT30HD SuperRev. G1.00 - G9.00
 LT40HD SuperRev. G1.00 - G9.00



| REF | PART # | DESCRIPTION | COMMENTS | QTY. |
|-----|-----------|--|--|------|
| | 016322 | Mount Kit, Electric Motor | Mount Kit 016322 includes bushings and hardware standard on LT30 Super Rev. G9.00, LT40 Super Rev. H1.00 and LT30HD/40HD Super Rev. H4.00 . | 1 |
| 1 | 014059 | Mount Weldment, Electric Motor | Available in assemblies only. | 1 |
| 2 | F05007-1 | Bolt, 3/8-16 x 3" Hex Head Full Thread | | 2 |
| 3 | F05010-29 | Nut, 3/8-16 Hex Jam | | 2 |
| 4 | 014154 | Pin Weldment, Engine Mount Pivot | | 1 |
| 5 | F05008-37 | Bolt, 1/2-13 x 1 1/4" Hex Head Grade 5 | | 1 |
| 6 | F05010-8 | Nut, 1/2-13 Nylon Lock | | 1 |
| 7 | F05007-7 | Bolt, 3/8-16 x 1" Hex Head | | 3 |
| 8 | 014540 | Clamp Weldment, Motor Mount Bushing | | 3 |
| | 016380 | Bushing Assembly, Motor Mount | 016380 replaces P12164 and P05041 supplied prior to 8/99. NOTE: When replacing original components, replace all three assemblies at the same time. | 3 |
| 9 | 016378 | Bushing, 2" OD x 2" | Available in assemblies only. | 1 |
| 10 | 016379 | Bearing, 1" x 1 1/4" x 2" | Available in assemblies only. | 1 |
| 11 | F05010-10 | Nut, 3/8-16 Hex Nylon Lock | | 6 |

4.8 Motor Assembly (8/11 - present)

LT40 Super Rev. J7.08+
LT40HD Super Rev. K3.07+
LT50HD Rev. A5.07+

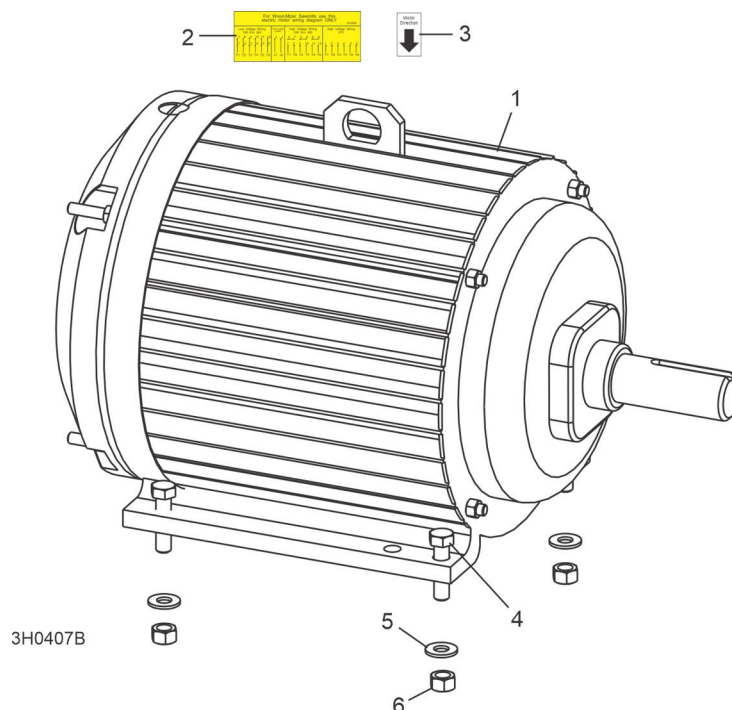


3H1107-1

| REF | PART # | DESCRIPTION | COMMENTS | QTY. |
|-----|-----------|---|--|------|
| | P12393 | Cover, Engine | | 1 |
| 1 | 065352 | MOTOR, 25HP LINCOLN ULTIMATE E | 065485 Motor Kit includes 065352 motor, wire terminals, reducer bushing and decals. Kit 065485 only applies to sawmills originally equipped with Ultimate E motor. See Section 4.6 for conversion kit information for previous revisions. | 1 |
| 2 | 014345 | Decal, E20/E25 Wiring | | 1 |
| 3 | S20097 | Decal, Motor Direction | | 1 |
| 4 | 065493 | Fitting, 2" NPT x 1 1/4" NPT Reducer | | 1 |
| 5 | F05008-33 | BOLT, 1/2-13 X 1 1/2" HEX HEAD GRADE 5 | | 3 |
| 6 | F05008-88 | Bolt, 1/2-13 x 1 3/4" Hex Head Grade 5 | | 1 |
| 7 | F05011-2 | WASHER, 1/2" SAE FLAT | | 1 |
| 8 | F05010-3 | NUT, 1/2-13 HEX LOCK | | 4 |

4.9 Motor Assembly (1/98 - 5/11)

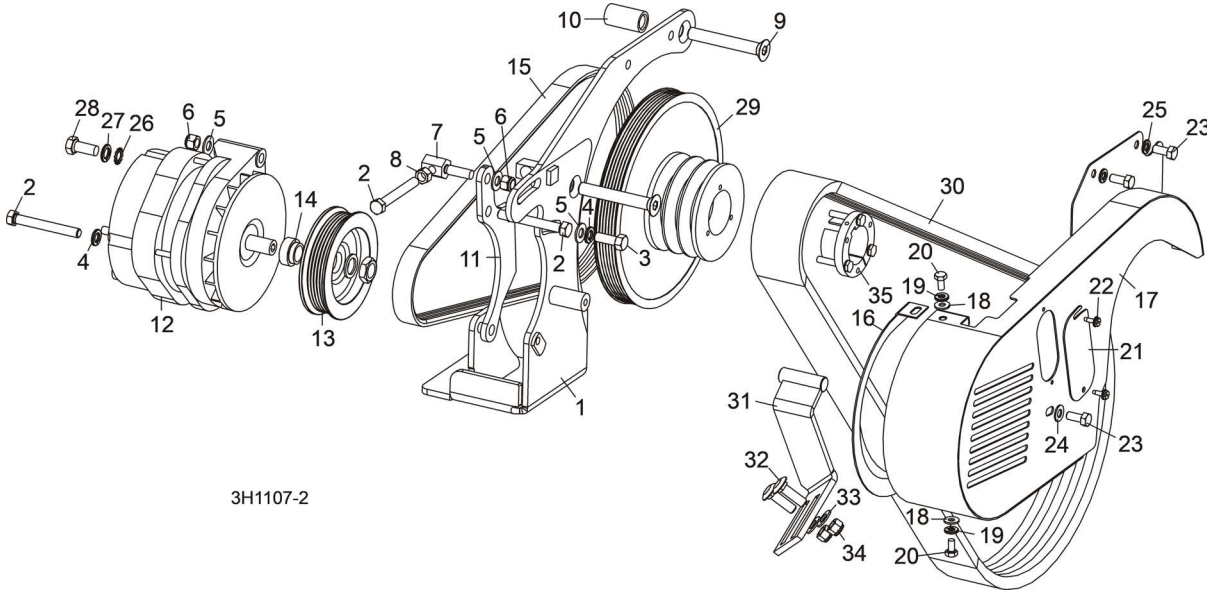
LT30 Super Rev. G2.00 - J3.09
 LT40 Super Rev. G3.00 - J7.08
 LT30HD Super Rev. G6.00 - J8.10
 LT40HD Super Rev. G6.00 - K3.07
 LT50HD Rev. A1.01 - A5.06



| REF | PART # | DESCRIPTION | COMMENTS | QTY. |
|-----|-----------|--|--|------|
| | P12393 | Cover, Engine | | 1 |
| 1 | 016011 | MOTOR ASSEMBLY, 25HP ELECTRIC PREMIUM EFFICIENCY CUSTOM | Motor Assembly 016011 no longer available. Use appropriate kit to upgrade to Ultimate E motor (See Section 4.5). Use kit 065486 to convert sawmills equipped with 3/5V Belt System supplied after LT30 Super Rev. H4.00, LT40 Super Rev. H5.00, LT30HD/40HD Super Rev. H8.00 and All LT50. Use kit 065487 for previous revisions with 3BX Drive System.T | 1 |
| | 015760 | MOTOR ASSEMBLY, 25HP 575 VOLT ELECTRIC | Motor Kit includes 016022, wire terminals, and decals. 016022 replaces 014389 motor supplied prior to LT30 Super Rev. G6.00, LT40 Super Rev. G7.00 and LT30HD/LT40HD Super Rev. H1.00. | 1 |
| 2 | 014345 | Decal, E20/E25 W/iring | | 1 |
| 3 | S20097 | Decal, Motor Direction | | 1 |
| 4 | F05008-76 | BOLT, 1/2-13 X 1 1/2" HEX HEAD GRADE 5 | | 4 |
| 5 | F05011-2 | WASHER, 1/2" SAE FLAT | | 4 |
| 6 | F05010-3 | NUT, 1/2-13 HEX LOCK | | 4 |

4.10 Drive And Alternator Assembly (460V) (8/11 - present)

LT40 Super Rev. J7.08+
 LT40HD Super Rev. K3.07+
 LT50HD Rev. A5.07+



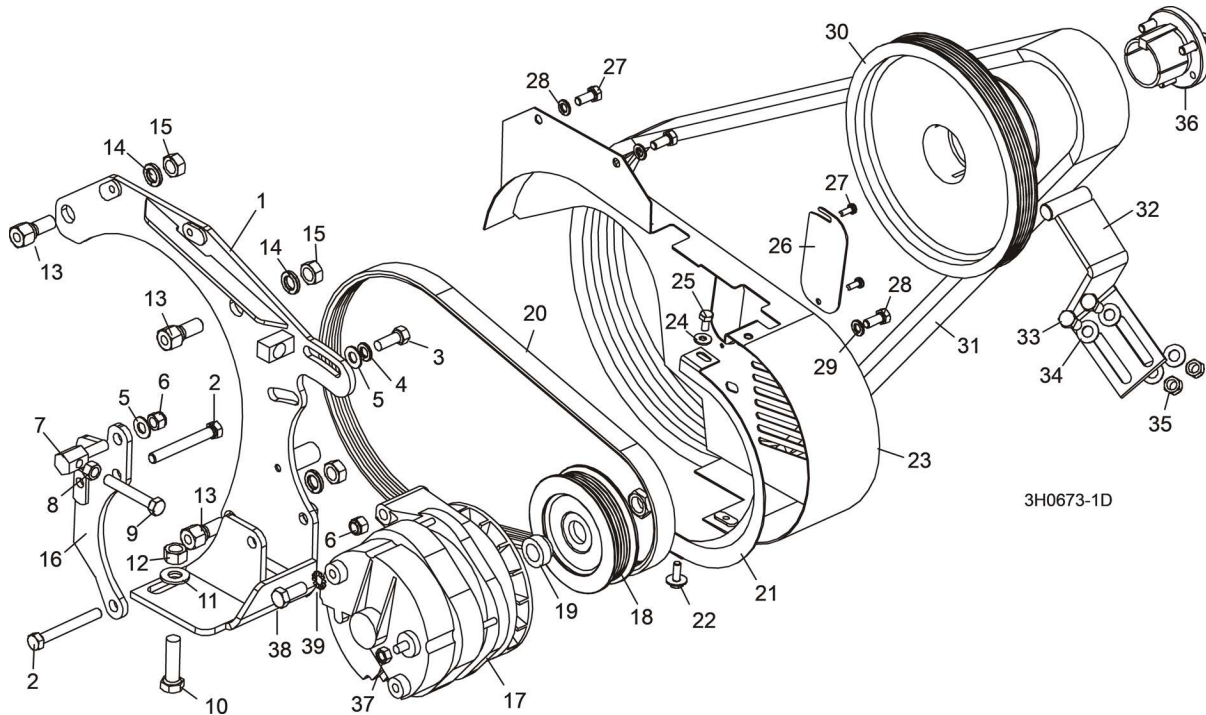
3H1107-2

| REF | PART # | DESCRIPTION | COMMENTS | QTY. |
|-----|------------|---|----------------------------------|------|
| | 024537 | Wire Assembly, 61/140 Amp Alternator Plug | | 1 |
| | N/A | Alternator Kit, 140 Amp E25 | | 1 |
| | | Belt Guard Parts | See Section 4.29 | |
| 1 | 065412 | Bracket Weldment, Alternator Mounting | | 1 |
| 2 | F05007-1 | Bolt, 3/8-16 x 3" Hex Head Full Thread | | 3 |
| 3 | F05007-7 | Bolt, 3/8-16 x 1" Hex Head | | 1 |
| 4 | F05011-4 | Washer, 3/8" Split Lock | | 2 |
| 5 | F05011-3 | Washer, 3/8" SAE Flat | | 3 |
| 6 | F05010-10 | Nut, 3/8-16 Nylon Lock | | 2 |
| 7 | 023764 | Stud, Alternator Belt Tension Adjustment | | 1 |
| 8 | F05010-1 | Nut, 3/8-16 Hex | | 1 |
| 9 | F05008-181 | Bolt, 1/2-13 x 3" Flat Socket Head | | 2 |
| 10 | 065457 | Spacer, E25 Alternator Mount | | 2 |
| 11 | 015875 | Plate Weldment, Alternator Mount | | 1 |
| | 023730 | Alternator Assembly, 140 Amp | Available in assemblies only. | 1 |
| 12 | 023695 | Alternator, 140 Amp | | 1 |
| | 036572 | Pulley Assembly, 140 Amp Alternator | | 1 |
| 13 | 023694 | Pulley, 140 Amp Alternator | Available in assemblies only. | 1 |
| 14 | 036571 | Spacer, Alternator Pulley | | 1 |
| 15 | 006524 | Belt, 6PK1145 Alternator | | 1 |
| 16 | 023799 | Guard, 140 Amp Alternator Belt Rear | | 1 |
| 17 | 065423 | Guard Weldment, E25 Alternator 2011 | | 1 |
| 18 | F05011-11 | Washer, 1/4" SAE Flat | | 2 |
| 19 | F05011-14 | Washer, 1/4" Split Lock | | 2 |
| 20 | F05005-15 | Bolt, 1/4-20 x 1/2" Hex Head | | 2 |

| REF | PART # | DESCRIPTION | COMMENTS | QTY. |
|-----|------------|---|---|------|
| 21 | 023794 | Plate, Alternator Belt Access | | 1 |
| 22 | F05015-17 | Bolt, #10-24 x 1/2" Pan Head | | 2 |
| 23 | F05006-5 | Bolt, 5/16-18 x 3/4" Hex Head | | 3 |
| 24 | F05011-17 | Washer, 5/16" SAE Flat | | 1 |
| 25 | F05011-13 | Washer, 5/16" Split Lock | | 2 |
| 26 | F81003-11 | Bolt, M10-1.5x25mm Hex Head Grade 8.8 | | 1 |
| 27 | F05011-88 | Washer, 10mm Split Lock | | 1 |
| 28 | F05011-36 | Washer, 3/8" External Star Lock | | 1 |
| 29 | 016534 | Pulley, 5Vx4.06 Poly V (60Hz) | For 50Hz, replace motor pulley with 016533 Sheave. (LT40 Super J7.08+/LT40HD Super K3.07+/LT50 A5.07+ only need 016533 Sheave.) | 1 |
| 30 | 065400 | Belt, 3/5VL780 Drive (60HZ) | | 1 |
| 31 | 065436 | Bracket Weldment, Drive Belt Support | | 1 |
| 32 | F05007-127 | Bolt, 3/8-16 x 1 1/4" Carriage Head Grade 5 | | 2 |
| 33 | F05011-3 | Washer, 3/8" SAE FLAT | | 2 |
| 34 | F05010-10 | Nut, 3/8-16 Hex Nylon Lock | | 2 |
| 35 | 016546 | Bushing, SH x 1 5/8" | | 1 |

4.11 Drive And Alternator Assembly (460V & 575V) (9/05 - 8/11)

LT30 Super Rev. J3.06 - J3.08
 LT40 Super Rev. J4.07 - J7.07
 LT30HD Super Rev. J8.07 - J8.09
 LT40HD Super Rev. J8.08 - K3.06
 LT50HD Rev. A1.01 - A5.06

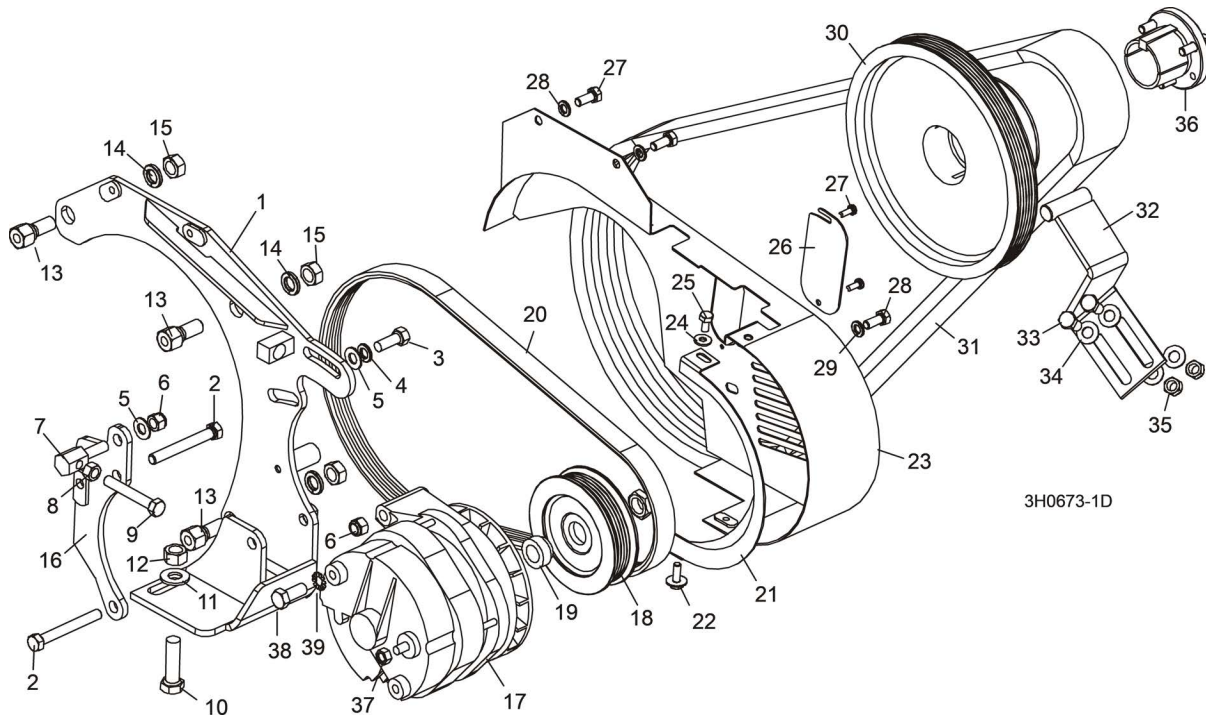


| REF | PART # | DESCRIPTION | COMMENTS | QTY. |
|-----|------------|--|------------------------------------|------|
| | 024537 | Wire Assembly, 61/140 Amp Alternator Plug | | 1 |
| | N/A | Alternator Kit, 140 Amp E25 | | 1 |
| | | Belt Guard Parts | (See Section 3.10) | |
| 1 | 038440 | Bracket Weldment, Alternator Mounting | | 1 |
| 2 | F05007-1 | Bolt, 3/8-16 x 3" Hex Head Full Thread | | 2 |
| 3 | F05007-7 | Bolt, 3/8-16 x 1" Hex Head | | 1 |
| 4 | F05011-4 | Washer, 3/8" Split Lock | | 1 |
| 5 | F05011-3 | Washer, 3/8" SAE Flat | | 2 |
| 6 | F05010-10 | Nut, 3/8-16 Nylon Lock | | 2 |
| 7 | 023764 | Stud, Alternator Belt Tension Adjustment | | 1 |
| 8 | F05010-1 | Nut, 3/8-16 Hex | | 1 |
| 9 | F05007-157 | Bolt, 3/8-16 x 2 1/2" Hex Head Grade 2 Full Thread | | 1 |
| 10 | F05008-88 | Bolt, 1/2-13 x 1 3/4" Hex Head Grade 5 | | 1 |
| 11 | F05011-2 | Washer, 1/2" SAE Flat | | 1 |
| 12 | F05010-3 | Nut, 1/2-13 Hex Lock | | 1 |
| 13 | 023773 | Stud, E25 Alternator Mount | | 3 |
| 14 | F05011-9 | Washer, 1/2" Split Lock | | 3 |
| 15 | F05010-35 | Nut, 1/2-13 Hex | | 3 |
| 16 | 015875 | Plate Weldment, Alternator Mount | | 1 |
| | 023730 | Alternator Assembly, 140 Amp | Available in assemblies only. | 1 |

| REF | PART # | DESCRIPTION | COMMENTS | QTY. |
|-----|------------|--|--|------|
| 17 | 023695 | Alternator, 140 Amp | | 1 |
| | 036572 | Pulley Assembly, 140 Amp Alternator | | 1 |
| 18 | 023694 | Pulley, 140 Amp Alternator | Available in assemblies only. | 1 |
| 19 | 036571 | Spacer, Alternator Pulley | | 1 |
| 20 | 023709 | Belt, 6PK425 Fiberglass | | 1 |
| 21 | 023799 | Guard, 140 Amp Alternator Belt Rear | | 1 |
| 22 | F05005-134 | Screw, 1/4-20 x 3/4" Conical Washer Head | | 1 |
| 23 | 023796 | Guard Weldment, 140 Amp Alternator Belt | | 1 |
| 24 | F05011-11 | Washer, 1/4" SAE Flat | | 1 |
| 25 | F05005-15 | Bolt, 1/4-20 x 1/2" Hex Head | | 1 |
| 26 | 023794 | Plate, Alternator Belt Access | | 1 |
| 27 | F05015-17 | Bolt, #10-24 x 1/2" Pan Head | | 2 |
| 28 | F05006-5 | Bolt, 5/16-18 x 3/4" Hex Head | | 3 |
| 29 | F05011-13 | Washer, 5/16" Split Lock | | 3 |
| 30 | 016534 | Pulley, 5Vx4.06 Poly V (60Hz) | | 1 |
| | 016533 | Pulley, 5Vx4.46 Poly V (50Hz) | Kit 015863 includes 5V pulley and SH bushing to convert current 60 Hz sawmill to 50Hz. | 1 |
| 31 | 006672 | Belt, 3/5VL750 Drive (60HZ) | Belt 006672 replaces 016556 supplied prior to 7/08. | 1 |
| | 016557 | Belt, 3/5VL760 Drive (50Hz) | Use Kit 015863 | 1 |
| 32 | 016364 | Bracket Weldment, Drive Belt Support | | 1 |
| 33 | F05007-7 | Bolt, 3/8-16 x 1" Hex Head | | 2 |
| 34 | F05011-3 | Washer, 3/8" SAE FLAT | | 4 |
| 35 | F05010-10 | Nut, 3/8-16 Hex Nylon Lock | | 2 |
| 36 | 016546 | Bushing, SH x 1 5/8" | | 1 |
| 37 | F05010-76 | Nut, M8 x 1.25 Hex Jam | | 1 |
| 38 | F81003-11 | Bolt, M10-1.5x25mm Hex Head Grade 8.8 | | 1 |
| 39 | F05011-36 | Washer, 3/8" External Star Lock | | 1 |

4.12 Drive And Alternator Assembly (460V & 575V) (9/98 - 9/05)

LT30 SuperRev. G6.00 - J3.05
 LT40 SuperRev. G7.00 - J4.06
 LT30HD SuperRev. H1.00 - J8.06
 LT40HD SuperRev. H1.00 - J8.07



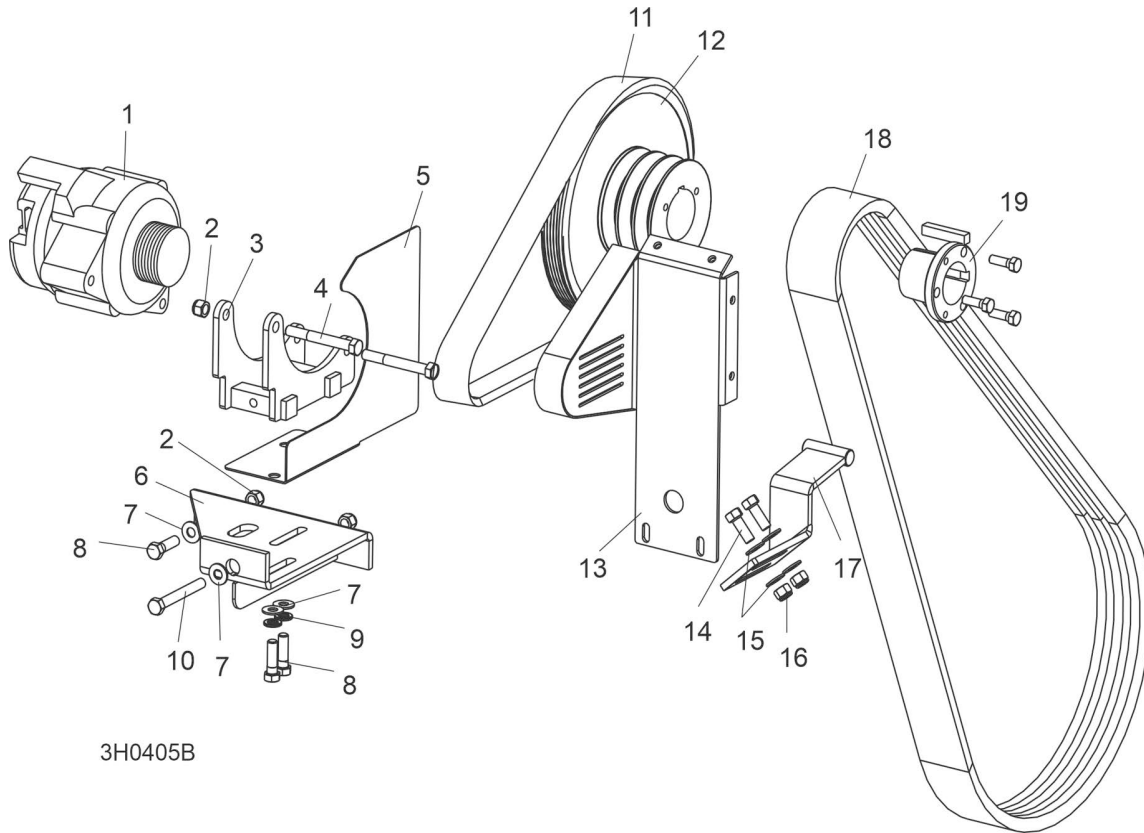
| REF | PART # | DESCRIPTION | COMMENTS | QTY. |
|-----|------------|--|--|------|
| | 024537 | Wire Assembly, 61/140 Amp Alternator Plug | 140 amp alternator supplied on LT30 Super Rev. G6.00, LT40 Super Rev. G7.00 and LT30HD/LT40HD Super Rev. H1.00. See Section 4.21 for 105 amp alternator parts. | 1 |
| | 023802 | Alternator Kit, 140 Amp E25 | | 1 |
| | | Belt Guard Parts | (See Section 3.10) | |
| 1 | 023772 | Bracket Weldment, Alternator Mounting | | 1 |
| 2 | F05007-1 | Bolt, 3/8-16 x 3" Hex Head Full Thread | | 2 |
| 3 | F05007-7 | Bolt, 3/8-16 x 1" Hex Head | | 1 |
| 4 | F05011-4 | Washer, 3/8" Split Lock | | 1 |
| 5 | F05011-3 | Washer, 3/8" SAE Flat | | 2 |
| 6 | F05010-10 | Nut, 3/8-16 Nylon Lock | | 2 |
| 7 | 023764 | Stud, Alternator Belt Tension Adjustment | | 1 |
| 8 | F05010-1 | Nut, 3/8-16 Hex | | 1 |
| 9 | F05007-157 | Bolt, 3/8-16 x 2 1/2" Hex Head Grade 2 Full Thread | | 1 |
| 10 | F05008-88 | Bolt, 1/2-13 x 1 3/4" Hex Head Grade 5 | | 1 |
| 11 | F05011-2 | Washer, 1/2" SAE Flat | | 1 |
| 12 | F05010-3 | Nut, 1/2-13 Hex Lock | | 1 |
| 13 | 023773 | Stud, E25 Alternator Mount | | 3 |
| 14 | F05011-9 | Washer, 1/2" Split Lock | | 3 |
| 15 | F05010-35 | Nut, 1/2-13 Hex | | 3 |

| REF | PART # | DESCRIPTION | COMMENTS | QTY. |
|-----|------------|--|---|------|
| 16 | 015875 | Plate Weldment, Alternator Mount | 015875 replaces 023765 supplied before 12/9 . | 1 |
| | 023730 | Alternator Assembly, 140 Amp | Available in assemblies only. | 1 |
| 17 | 023695 | Alternator, 140 Amp | | 1 |
| | 036572 | Pulley Assembly, 140 Amp Alternator | 036572 replaces 023694 and Spacer 016279 supplied prior to 7/04. | 1 |
| 18 | 023694 | Pulley, 140 Amp Alternator | Available in assemblies only. | 1 |
| 19 | 036571 | Spacer, Alternator Pulley | Available in assemblies only. | 1 |
| 20 | 023709 | Belt, 6PK425 Fiberglass | | 1 |
| 21 | 023799 | Guard, 140 Amp Alternator Belt Rear | | 1 |
| 22 | F05005-134 | Screw, 1/4-20 x 3/4" Conical Washer Head | | 1 |
| 23 | 023796 | Guard Weldment, 140 Amp Alternator Belt | | 1 |
| 24 | F05011-11 | Washer, 1/4" SAE Flat | | 1 |
| 25 | F05005-15 | Bolt, 1/4-20 x 1/2" Hex Head | | 1 |
| 26 | 023794 | Plate, Alternator Belt Access | | 1 |
| 27 | F05015-17 | Bolt, #10-24 x 1/2" Pan Head | | 2 |
| 28 | F05006-5 | Bolt, 5/16-18 x 3/4" Hex Head | | 3 |
| 29 | F05011-13 | Washer, 5/16" Split Lock | | 3 |
| 30 | 016534 | Pulley, 5Vx4.06 Poly V (60Hz) | Use 016534 5V pulley, 006672 3/5VL750 belt and 016546 SH bushing for 60Hz mills LT30 Super H4.00, LT40 Super H5.00 and LT30HD/40HD Super rev. H8.00 and later. Use 015348 pulley, 014085 3BX72 belt and 014009 P1 bushing for previous revision 60 Hz sawmills. Cog-style belt 006672 replaces 016556 originally supplied prior to 7/08 to reduce slippage. | 1 |
| | 015348 | Pulley, Poly Groove Electric (60Hz) | See 016534 note above | 1 |
| | 016533 | Pulley, 5Vx4.46 Poly V (50Hz) | Use 016533 5V pulley, 016557 3/5VL760 belt and 016546 SH bushing for 50Hz mills LT30 Super H4.00, LT40 Super H5.00 and LT30HD/40HD Super rev. H8.00 and later. Use 015350 pulley, 014249 3BX74 belt and 014009 P1 bushing for previous revision 50 Hz sawmills. Kit 015863 includes 5V pulley and SH bushing to convert current 60 Hz sawmill to 50Hz. | 1 |
| | 015350 | Pulley, Poly Groove Electric (50Hz) | Alternate parts for 50 Hz operation. See 16533 note above. | 1 |
| 31 | 006672 | Belt, 3/5VL750 Drive (60Hz) | See 016534 note above. | 1 |
| | 016557 | Belt, 3/5VL760 Drive (50Hz) | Alternate parts for 50 Hz operation. See 016533 note above. | 1 |
| | 014085 | Belt, 3BX72 Drive (60Hz) | See 016534 note above.. | 1 |
| | 014249 | Belt, 3BX74 Drive (50Hz) | Alternate parts for 50 Hz operation. See 16533 note above. | 1 |

| REF | PART # | DESCRIPTION | COMMENTS | QTY. |
|-----|-----------|---------------------------------------|---|------|
| 32 | 016364 | Bracket Weldment, Drive Belt Support | Replaces 015058 supplied prior to LT30 Super Rev. H3.00, LT40 Super Rev. H4.00, LT30HD/40HD Super Rev. H7.00. New bracket provides increased range of adjustment. | 1 |
| 33 | F05007-7 | Bolt, 3/8-16 x 1" Hex Head | | 2 |
| 34 | F05011-3 | Washer, 3/8" SAE FLAT | | 4 |
| 35 | F05010-10 | Nut, 3/8-16 Hex Nylon Lock | | 2 |
| 36 | 016546 | Bushing, SH x 1 5/8" | See 016534 note above. | 1 |
| | 014009 | Bushing, 1 5/8" P1 | See 016534 note above. | 1 |
| 37 | F05010-76 | Nut, M8 x 1.25 Hex Jam | | 1 |
| 38 | F81003-11 | Bolt, M10-1.5x25mm Hex Head Grade 8.8 | | 1 |
| 39 | F05011-36 | Washer, 3/8" External Star Lock | | 1 |

4.13 Drive and Alternator Assembly (460V U.S.) (1/98 - 8/98)

LT30 SuperRev. G2.00 - G5.00
 LT40 SuperRev. G3.00 - G6.00
 LT30HD SuperRev. G6.00 - G9.00
 LT40HD SuperRev. G6.00 - G9.00

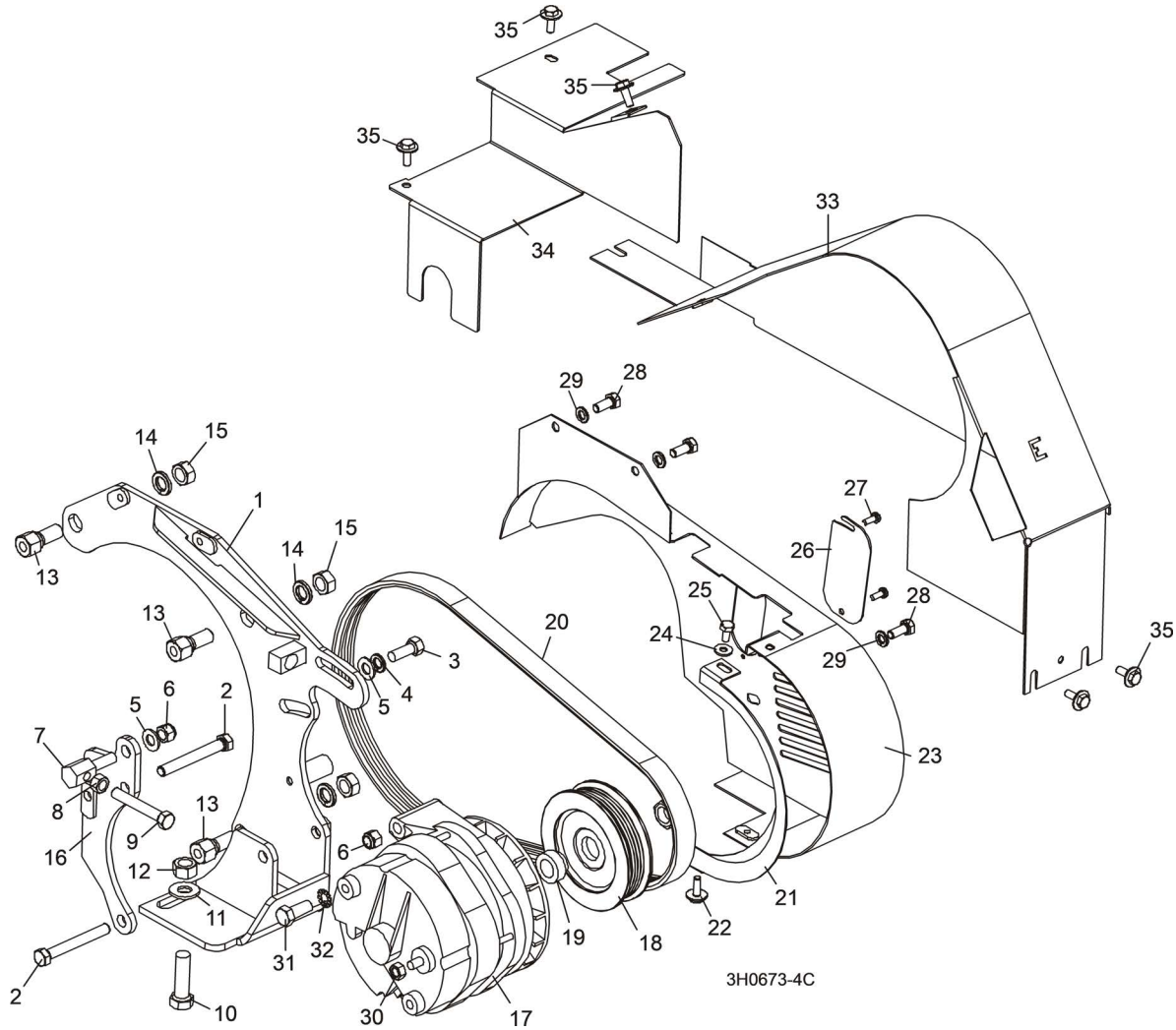


| REF | PART # | DESCRIPTION | COMMENTS | QTY. |
|-----|------------|--|---|------|
| 1 | 015473 | Alternator, 105Amp | 140A Alternator Retrofit 016240 available (See Section 4.22). | 1 |
| | 015932 | Wire Assembly, Alternator Plug 105 Amp | | 1 |
| 2 | F05010-10 | Nut, 3/8-16 Hex Nylon Lock | | 2 |
| 3 | 023596 | Bracket, E25 Alternator | | 1 |
| 4 | F05007-73 | Bolt, 3/8-16 x 3" Hex Head Grade 5 | | 2 |
| 5 | 023584 | Guard, Rear Alternator | | 1 |
| 6 | 023597 | Base Weldment, E25 Alternator | | 1 |
| 7 | F05011-3 | Washer, 3/8" Flat | | 5 |
| 8 | F05007-123 | Bolt, 3/8-16 x 1 1/4" Hex Head Grade 5 | | 4 |
| 9 | F05011-4 | Washer, 3/8" Split | | 2 |
| 10 | F05007-1 | Bolt, 3/8-16 x 3" Full Thread Hex Head | | 1 |
| 11 | 015474 | Belt, 6PK1015 105Amp Alternator | | 1 |
| 12 | 015348 | Pulley, Poly Groove Electric (60HZ) | | 1 |
| | 015350 | Pulley, Poly Groove Electric (50Hz) | Use Kit 015863 convert standard 60 Hz sawmill to 50 Hz. | 1 |
| 13 | 015545 | Guard Weldment, Alternator | | 1 |
| 14 | F05007-7 | Bolt, 3/8-16 x 1" Hex Head | | 2 |

| REF | PART # | DESCRIPTION | COMMENTS | QTY. |
|-----|-----------|--------------------------------------|---|------|
| 15 | F05011-3 | Washer, 3/8" SAE FLAT | | 4 |
| 16 | F05010-10 | Nut, 3/8-16 Hex Nylon Lock | | 2 |
| 17 | 016364 | Bracket Weldment, Drive Belt Support | Replaces 015058. | 1 |
| 18 | 014085 | Belt, 3BX72 Drive (60Hz) | | 1 |
| | 014249 | Belt, 3BX74 Drive (50Hz) | Use Kit 015863 convert standard 60 Hz sawmill to 50 Hz. | 1 |
| 19 | 014009 | Bushing, 1 5/8" P1 | | 1 |

4.14 140A Alternator Retrofit Kit (Premium Efficiency Motor)

LT30 SuperRev. G2.00 - G5.00
 LT40 SuperRev. G3.00 - G6.00
 LT30HD SuperRev. G6.00 - G9.00
 LT40HD SuperRev. G6.00 - G9.00

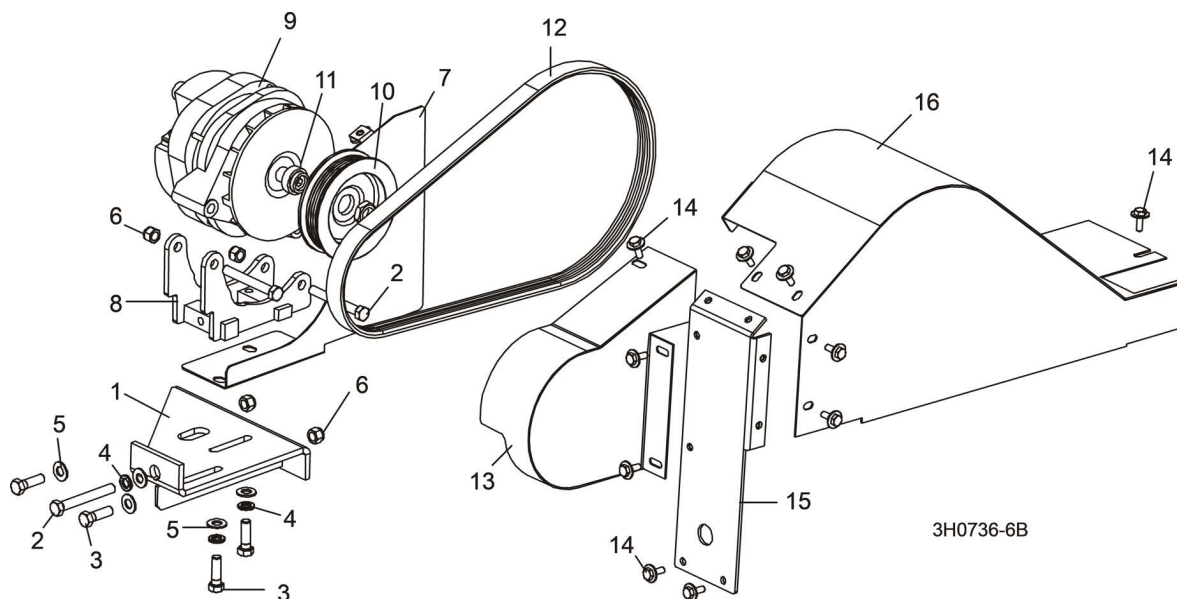


| REF | PART # | DESCRIPTION | COMMENTS | QTY. |
|-----|-----------|--|-----------------------------------|------|
| | 016240 | Alternator Kit, 140A E25 Retrofit | For Premium Efficiency E25 only . | 1 |
| | 024537 | Wire Assembly, 140 Amp Alternator Retro Plug | | 1 |
| | 024544 | Bag Assembly, 140A E25 Alternator Retrofit | | 1 |
| | 024543 | Harness Assembly, 140A E25 Alternator Retrofit | | 1 |
| 1 | 023772 | Bracket Weldment, Alternator Mounting | | 1 |
| 2 | F05007-1 | Bolt, 3/8-16 x 3" Hex Head Full Thread | | 2 |
| 3 | F05007-7 | Bolt, 3/8-16 x 1" Hex Head | | 1 |
| 4 | F05011-4 | Washer, 3/8" Split Lock | | 1 |
| 5 | F05011-3 | Washer, 3/8" SAE Flat | | 2 |
| 6 | F05010-10 | Nut, 3/8-16 Nylon Lock | | 2 |
| 7 | 023764 | Stud, Alternator Belt Tension Adjustment | | 1 |

| REF | PART # | DESCRIPTION | COMMENTS | QTY. |
|-----|------------|---|--|------|
| 8 | F05010-1 | Nut, 3/8-16 Hex | | 1 |
| 9 | F05007-157 | Bolt, 3/8-16 x 2 1/2" Hex Head Grade 2 Full Thread | | 1 |
| 10 | F05008-88 | Bolt, 1/2-13 x 1 3/4" Hex Head Grade 5 | | 1 |
| 11 | F05011-2 | Washer, 1/2" SAE Flat | | 1 |
| 12 | F05010-3 | Nut, 1/2-13 Hex Lock | | 1 |
| 13 | 023773 | Stud, E25 Alternator Mount | | 3 |
| 14 | F05011-9 | Washer, 1/2" Split Lock | | 3 |
| 15 | F05010-35 | Nut, 1/2-13 Hex | | 3 |
| 16 | 023765 | Plate Weldment, Alternator Mount | | 1 |
| | 023730 | Alternator Assembly, 140 Amp | Available in assemblies only. | 1 |
| 17 | 023695 | Alternator, 140 Amp | | 1 |
| | 036572 | Pulley Assembly, 140 Amp Alternator | 036572 replaces 023694 and Spacer 016279 supplied prior to 7/04. | 1 |
| 18 | 023694 | Pulley, 140 Amp Alternator | Available in assemblies only. | 1 |
| 19 | 036571 | Spacer, Alternator Pulley | Available in assemblies only. | 1 |
| 20 | 023709 | Belt, 6PK425 Fiberglass | | 1 |
| 21 | 023799 | Guard, 140 Amp Alternator Belt Rear | | 1 |
| 22 | F05005-134 | Screw, 1/4-20 x 3/4" Conical Washer Head | | 1 |
| 23 | 023796 | Guard Weldment, 140 Amp Alternator Belt | | 1 |
| 24 | F05011-11 | Washer, 1/4" SAE Flat | | 1 |
| 25 | F05005-15 | Bolt, 1/4-20 x 1/2" Hex Head | | 1 |
| 26 | 023794 | Plate, Alternator Belt Access | | 1 |
| 27 | F05015-17 | Bolt, #10-24 x 1/2" Pan Head | | 2 |
| 28 | F05006-5 | Bolt, 5/16-18 x 3/4" Hex Head | | 3 |
| 29 | F05011-13 | Washer, 5/16" Split Lock | | 3 |
| 30 | F05010-76 | Nut, M8 x 1.25 Hex Jam | | 1 |
| 31 | F81003-11 | Bolt, M10-1.5x25mm Hex Head Grade 8.8 | | 1 |
| 32 | F05011-36 | Washer, 3/8" External Star Lock | | 1 |
| 33 | 023801 | Guard Weldment, E25 Motor Pulley | | 1 |
| 34 | 023793 | Guard, E25 Side Motor Pulley | | 1 |
| 35 | F05005-134 | Bolt, 1/4-20 x 3/4" Hex Head With Conical Washer | | 6 |
| | 016240-876 | Instruction Sheet, E25 140A Alternator Retro (Epak) | | 1 |

4.15 140A Alternator Retrofit (Non-Premium Efficiency Motor)

460V LT30 Super Rev. F7 - G1.02
 460V LT40 Super Rev. F8 - G2.02
 460V LT30HD/40HD Super Rev. G1 - G5.01
 575V LT30 Super Rev. F7 - G5
 575V LT40 Super Rev. G8 - G6
 575V LT30HD/40HD Super Rev. G1 - G9

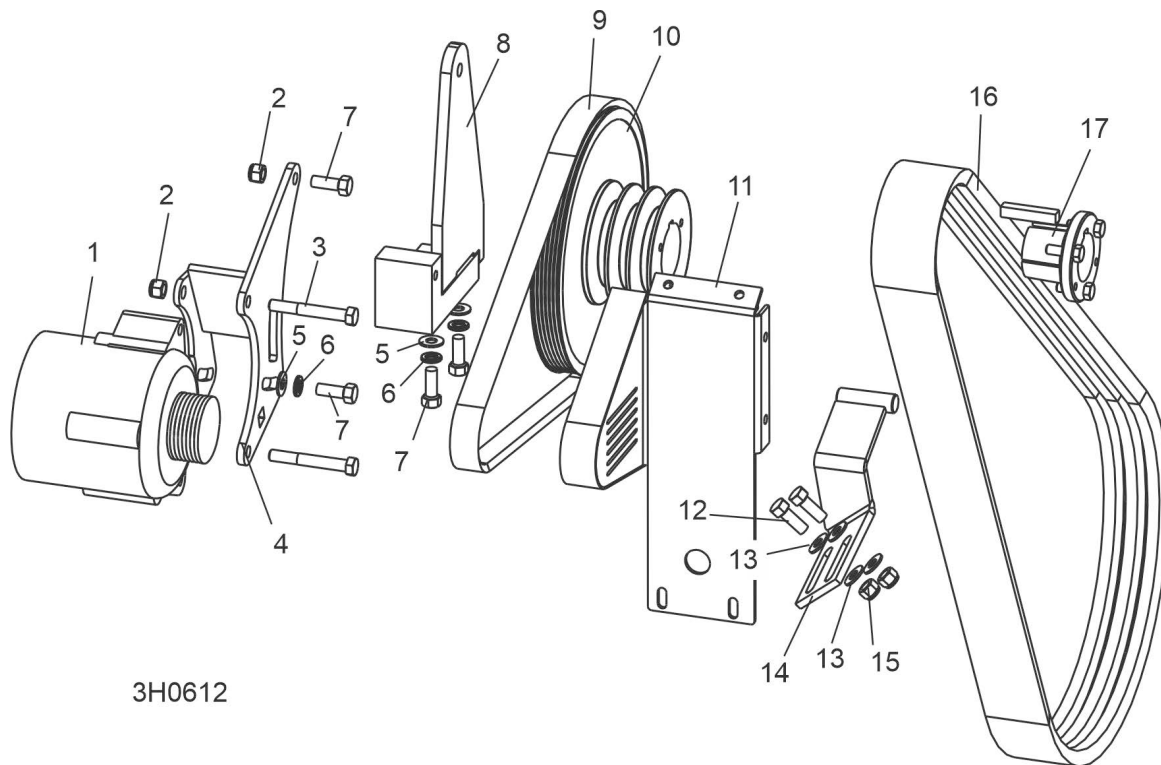


| REF | PART # | DESCRIPTION | COMMENTS | QTY. |
|-----|------------|--|--|------|
| | 016254 | Alternator Kit, 140A Pre-Epak E25 Retrofit | For Non-Premium Efficiency E25 only. Use 016240 to retrofit Premium Efficiency E25 (See Section 4.22). | 1 |
| | 024537 | Wire Assembly, 140 Amp Alternator Retro Plug | | 1 |
| | 024544 | Bag Assembly, 140A E25 Alternator Retrofit | | 1 |
| | 024543 | Harness Assembly, 140A E25 Alternator Retrofit | | 1 |
| 1 | 023597 | Bracket Weldment, Alternator Mounting Base | | 1 |
| 2 | F05007-1 | Bolt, 3/8-16 x 3" Hex Head Full Thread | | 3 |
| 3 | F05007-2 | Bolt, 3/8-16 x 1 1/4" Hex Head | | 4 |
| 4 | F05011-4 | Washer, 3/8" Split Lock | | 3 |
| 5 | F05011-3 | Washer, 3/8" SAE Flat | | 5 |
| 6 | F05010-10 | Nut, 3/8-16 Nylon Lock | | 4 |
| 7 | 016255 | Guard Weldment, Rear Alternator Belt | | 1 |
| 8 | 023596 | Bracket Weldment, Alternator Mount | | 1 |
| 9 | 023730 | Alternator Assembly, 140 Amp | Available in assemblies only. | 1 |
| | 023695 | Alternator, 140 Amp | | 1 |
| | 036572 | Pulley Assembly, 140 Amp Alternator | Replaces 023694 and Spacer 016279 supplied prior to 7/04. | 1 |
| 10 | 023694 | Pulley, 140 Amp Alternator | Available in assemblies only. | 1 |
| 11 | 036571 | Spacer, Alternator Pulley | Available in assemblies only. | 1 |
| 12 | 023709 | Belt, 6PK425 Fiberglass | | 1 |
| 13 | 016259 | Guard Weldment, 140 Amp Alternator Belt | | 1 |
| 14 | F05005-134 | Screw, 1/4-20 x 3/4" Conical Washer Head | | 10 |

| REF | PART # | DESCRIPTION | COMMENTS | QTY. |
|-----|------------|---|----------|------|
| 15 | 023257 | Plate Weldment, 140 Amp Alternator Belt Guard | | 1 |
| 16 | 016262 | Guard Weldment, Top Drive Belt | | 1 |
| | 016254-882 | Instruction Sheet, E25 140A Alternator Retro (Pre-Epak) | | 1 |

4.16 Drive and Alternator Assembly (460V U.S.) (3/97 - 12/97)

LT30 SuperRev. F7.00 - G1.02
 LT40 SuperRev. F8.00 - G2.02
 LT30HD SuperRev. G1.00 - G5.01
 LT40HD SuperRev. G1.00 - G5.01



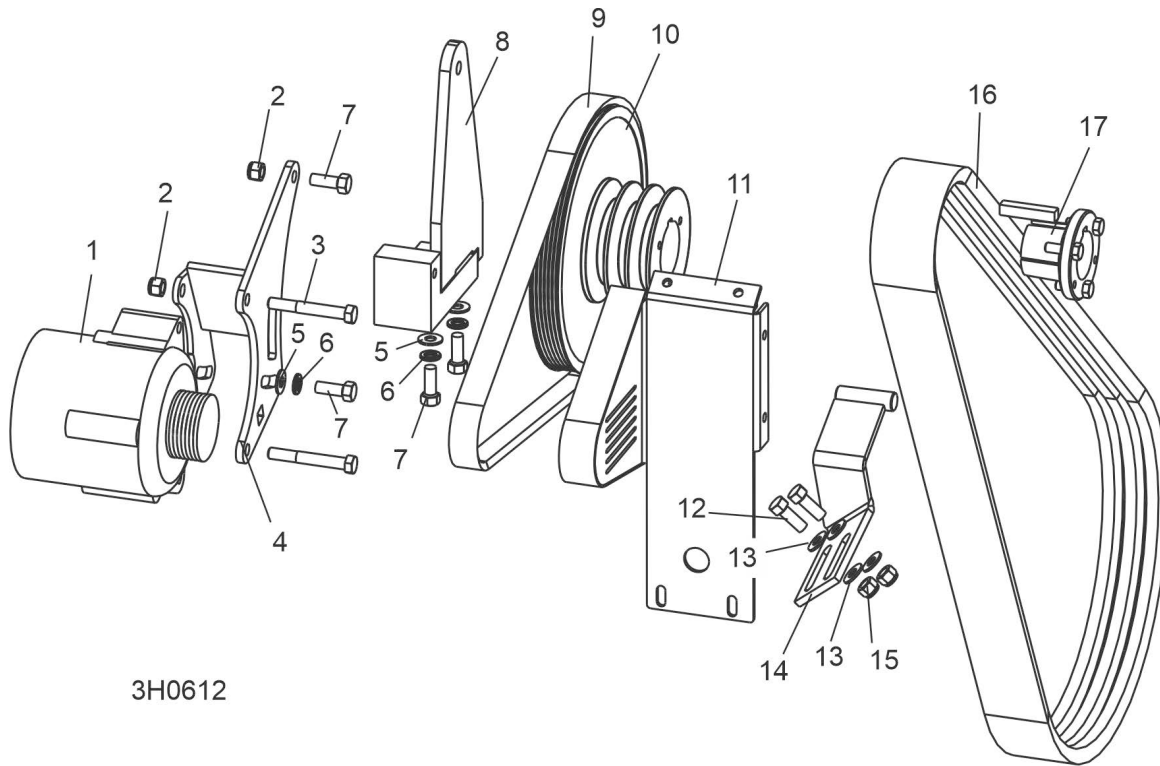
3H0612

| REF | PART # | DESCRIPTION | COMMENTS | QTY. |
|-----|-----------|--|--|------|
| 1 | 015473 | Alternator, 105Amp | 140A Alternator Retrofit 016254 available (See Section 4.23). | 1 |
| | 015932 | Wire Assembly, Alternator Plug 105 Amp | | 1 |
| 2 | F05010-10 | Nut, 3/8-16 Hex Nylon Lock | | 2 |
| 3 | F05007-29 | Bolt, 3/8-16 x 2 3/4" Hex Head Cap | | 2 |
| 4 | 015556 | Mount Weldment, G35/E25 Alternator | | 1 |
| 5 | F05011-3 | Washer, 3/8" SAE Flat | | 2 |
| 6 | F05011-4 | Washer, 3/8" Split Lock | | 2 |
| 7 | F05007-7 | Bolt, 3/8-16 x 1" Hex Head | | 2 |
| 8 | 015557 | Spacer, E25 Alternator Mount | | 1 |
| 9 | 015474 | Belt, 6PK1015 105Amp Alternator | | 1 |
| 10 | 015348 | Pulley, Poly Groove Electric (60 HZ) | | 1 |
| | 015350 | Pulley, Poly Groove Electric (50Hz) | Kit 015863 includes all parts required to convert 60 Hz saw-mill to 50 Hz. | 1 |
| 11 | 015545 | Guard Weldment, Alternator | | 1 |
| 12 | F05007-7 | Bolt, 3/8-16 x 1" Hex Head | | 2 |
| 13 | F05011-3 | Washer, 3/8" SAE FLAT | | 4 |
| 14 | 016364 | Bracket Weldment, Drive Belt Support | Replaces 015058. | 1 |
| 15 | F05010-10 | Nut, 3/8-16 Hex Nylon Lock | | 2 |
| 16 | 014085 | Belt, 3BX72 Drive (60Hz) | | 1 |

| REF | PART # | DESCRIPTION | COMMENTS | QTY. |
|-----------|--------|--------------------------|--|------|
| | 014249 | Belt, 3BX74 Drive (50Hz) | Kit 015863 includes all parts required to convert 60 Hz saw-mill to 50 Hz. | 1 |
| 17 | 014009 | Bushing, 1 5/8" P1 | | 1 |

4.17 Drive and Alternator Assembly (575V Canada) (3/97 - 9/98)

LT30 SuperRev. F7.00 - G5.00
 LT40 SuperRev. F8.00 - G6.00
 LT30HD SuperRev. G1.00 - G9.00
 LT40HD SuperRev. G1.00 - G9.00

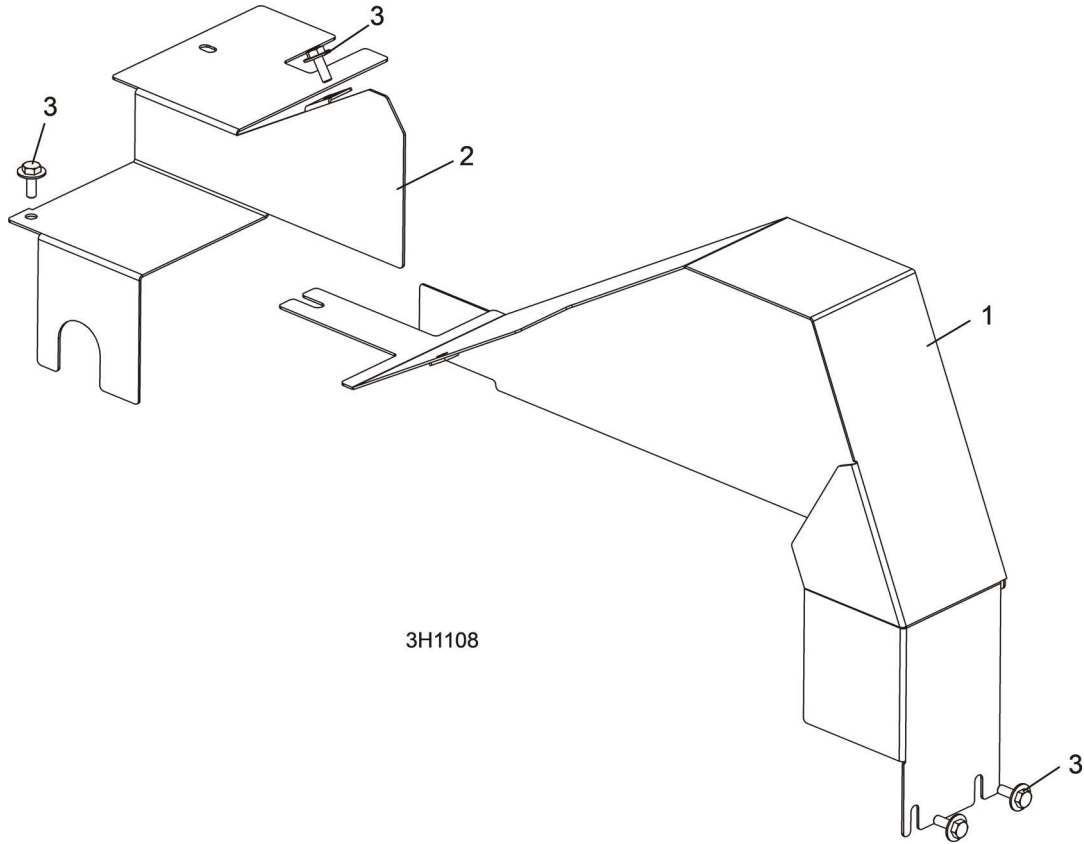


3H0612

| REF | PART # | DESCRIPTION | COMMENTS | QTY. |
|-----|-----------|--|---|------|
| 1 | 015473 | Alternator, 105Amp | 140A Alternator Retrofit 016254 available (See Section 4.23). | 1 |
| | 015932 | Wire Assembly, Alternator Plug 105 Amp | | 1 |
| 2 | F05010-10 | Nut, 3/8-16 Hex Nylon Lock | | 2 |
| 3 | F05007-29 | Bolt, 3/8-16 x 2 3/4" Hex Head Cap | | 2 |
| 4 | 015556 | Mount Weldment, G35/E25 Alternator | | 1 |
| 5 | F05011-3 | Washer, 3/8" SAE Flat | | 2 |
| 6 | F05011-4 | Washer, 3/8" Split Lock | | 2 |
| 7 | F05007-7 | Bolt, 3/8-16 x 1" Hex Head | | 2 |
| 8 | 015557 | Spacer, E25 Alternator Mount | | 1 |
| 9 | 015474 | Belt, 6PK1015 105Amp Alternator | | 1 |
| 10 | 015348 | Pulley, Poly Groove Electric (60 HZ) | | 1 |
| 11 | 015545 | Guard Weldment, Alternator | | 1 |
| 12 | F05007-7 | Bolt, 3/8-16 x 1" Hex Head | | 2 |
| 13 | F05011-3 | Washer, 3/8" SAE FLAT | | 4 |
| 14 | 016364 | Bracket Weldment, Drive Belt Support | Replaces 015058. | 1 |
| 15 | F05010-10 | Nut, 3/8-16 Hex Nylon Lock | | 2 |
| 16 | 014085 | Belt, 3BX72 Drive (60Hz) | | 1 |
| 17 | 014009 | Bushing, 1 5/8" P1 | | 1 |

4.18 Engine Pulley Guards (E25) (8/11 - present)

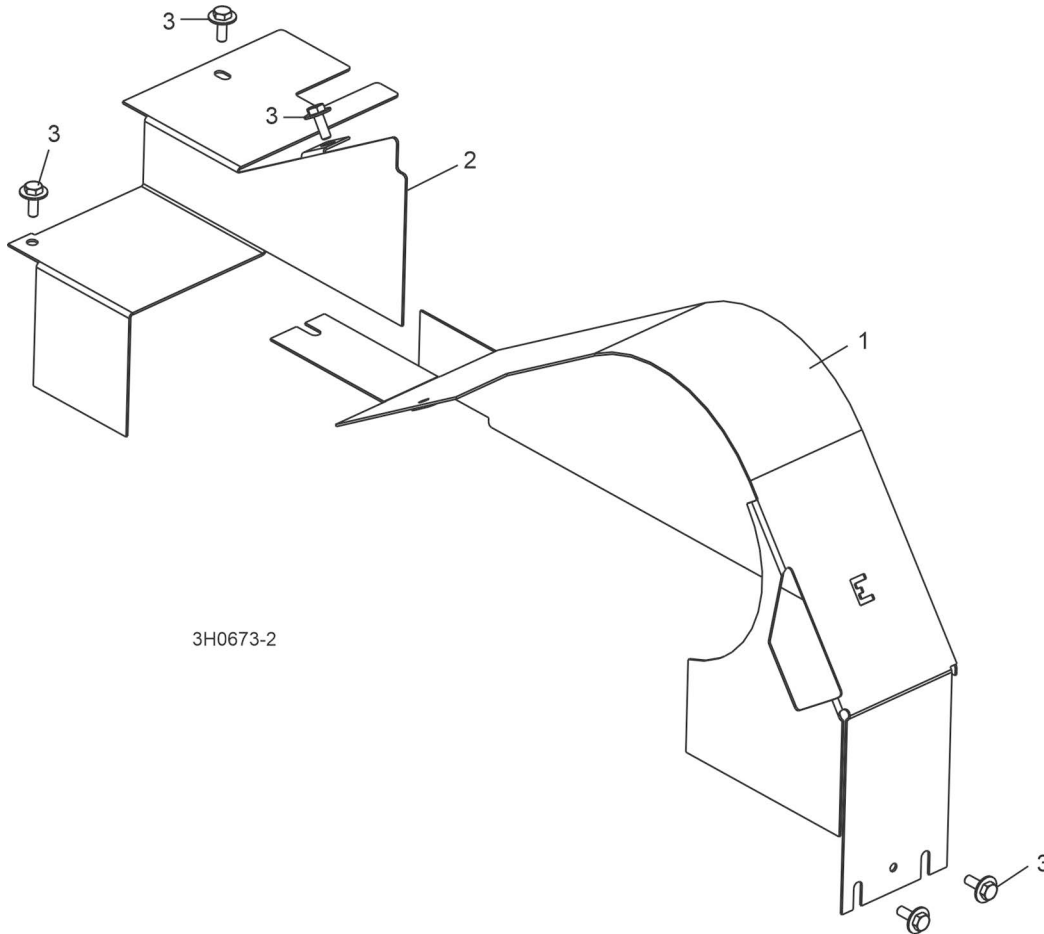
LT40 Super Rev. J7.08+
 LT40HD Super Rev. K3.07+
 LT50HD Rev. A5.07+



| REF | PART # | DESCRIPTION | COMMENTS | QTY. |
|-----|------------|--|----------|------|
| 1 | 065452 | Guard Weldment, E25 Motor Pulley | | 1 |
| 2 | 023793 | Guard, E25 Side Motor Pulley | | 1 |
| 3 | F05005-134 | Bolt, 1/4-20 x 3/4" Hex Head with conical washer | | 4 |

4.19 Motor Pulley Guards (9/98 - 8/11)

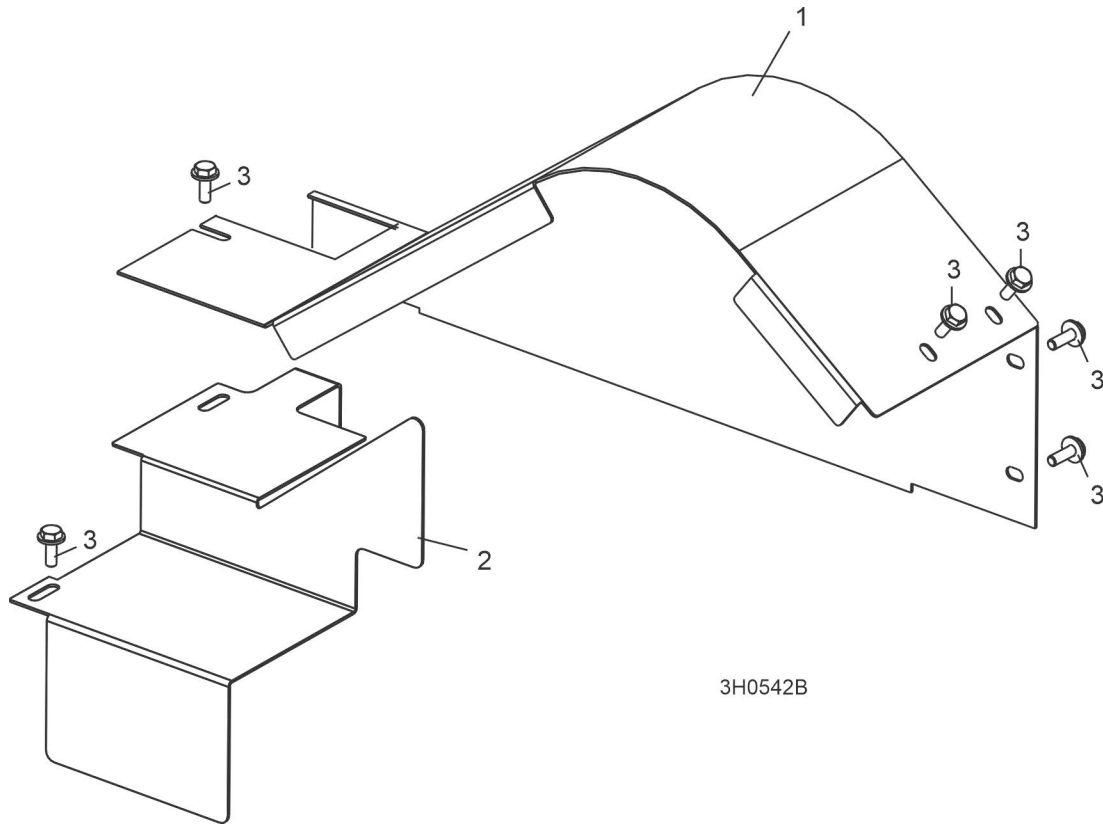
LT30 Super Rev. G6.00 - J3.09
 LT40 Super Rev. G7.00 - J7.07
 LT30HD Super Rev. H1.00 - J8.09
 LT40HD Super Rev. H1.00 - K3.06
 LT50HD Rev. A1.01 - A5.06



| REF | PART # | DESCRIPTION | COMMENTS | QTY. |
|-----|------------|--|---|------|
| 1 | 023801 | Guard Weldment, E25 Motor Pulley | Guards modified for 140 amp alternator supplied after LT30 Super Rev. G6.00+, LT40 Super Rev. G7.00+ and LT30HD/LT40HD Super Rev. H1.00+. See Section 4.20 for covers used on previous revisions with 105 amp alternator. | 1 |
| 2 | 023793 | Guard, E25 Side Motor Pulley | | 1 |
| 3 | F05005-134 | Bolt, 1/4-20 x 3/4" Hex Head with conical washer | | 5 |

4.20 Motor Pulley Guards (3/97 - 9/98)

LT30 SuperRev. F7.00 - G5.00
 LT40 SuperRev. F8.00 - G6.00
 LT30HD SuperRev. G1.00 - G9.00
 LT40HD SuperRev. G1.00 - G9.00



| REF | PART # | DESCRIPTION | COMMENTS | QTY. |
|-----|------------|--|---|------|
| 1 | 023582 | Guard Weldment, E25 Motor Pulley | | 1 |
| 2 | 023581 | Guard, E25 Side Motor Pulley | | 1 |
| 3 | F05005-134 | Bolt, 1/4-20 x 3/4" Hex Head with conical washer | Replaces F05005-1 and F05011-11 supplied prior to LT30 Super rev. G6.00, LT40 Super rev. G7.00 and LT30HD/40HD Super rev. H1.0. | 6 |