



Wood-Mizer[®] Sawmill

Parts Manual

LT70HD Remote

rev. A3.01 - B3.01



Safety is our #1 concern! Read and understand all safety information and instructions before operating, setting up or maintaining this machine.

January 2007

Form #1180

Table of Contents

Section-Page

SECTION 1	GENERAL INFORMATION	1-1
1.1	How To Use The Parts List	1-1
1.2	Sample Assembly	1-1
SECTION 2	BLADE GUIDE ROLLERS & ARM	2-1
2.1	Blade Guide Assembly, Idle Side..... <i>LT70HD Remote Rev. A8.01 - B3.01</i>	2-1
2.2	Blade Guide Assembly, Idle Side..... <i>LT70HD Remote Rev. A7.02 - A8.00</i>	2-4
2.3	Blade Guide Assembly, Idle Side..... <i>LT70HD Remote Rev. A3.01 - A7.01</i>	2-7
2.4	Blade Guide Assembly, Drive Side..... <i>LT70HD Remote Rev. A8.01 - B3.01</i>	2-10
2.5	Blade Guide Assembly, Drive Side..... <i>LT70HD Remote Rev. A7.02 - A8.00</i>	2-13
2.6	Blade Guide Assembly, Drive Side..... <i>LT70HD Remote Rev. A3.01 - A7.01</i>	2-16
2.7	Blade Guide Arm Drive Assembly.....	2-19
SECTION 3	BLADE WHEELS & TENSIONER	3-1
3.1	Blade Drive Assembly.....	3-1
3.2	Idle Blade Wheel Assembly	3-3
	<i>LT70HD Remote Rev. A5.03 - B3.01</i>	
3.3	Idle Blade Wheel Assembly	3-5
	<i>LT70HD Remote Rev. A1.03 - A5.02</i>	
3.4	Hydraulic Blade Tensioner Assembly.....	3-7
	<i>LT70HD Remote Retrofit</i>	
3.5	Hydraulic Blade Tensioner Assembly.....	3-10
	<i>LT70HD Remote Rev. A9.00 - B3.01</i>	
3.6	Blade Tensioner Assembly.....	3-13
	<i>LT70HD Remote Rev. A5.03 - A8.01</i>	
3.7	Blade Tensioner Assembly.....	3-15
	<i>LT70HD Remote Rev. A3.01 - A5.02</i>	
SECTION 4	SAW HEAD	4-1
4.1	Middle Throat Screw	4-1
4.2	Belt Tensioner	4-2
4.3	Brake Assembly (DC Only)	4-4
4.4	Autoclutch Assembly (DC Only).....	4-5
	<i>LT70HD Remote Rev. A6.00 - B3.01</i>	
4.5	Autoclutch Assembly (DC Only).....	4-7
	<i>LT70HD Remote Rev. A3.01 - A5.03</i>	
4.6	Board Return Assembly	4-9
4.7	Board Dragback.....	4-10
	<i>LT60HD/70HD Rev. A4.00+</i>	
4.8	Board Dragback.....	4-11
	<i>LT60HD/70HD Rev. A3.01 - A3.03</i>	
4.9	Water Lube Assembly	4-12

Table of Contents

Section-Page

4.10	Saw Head Decals.....	4-14
	<i>LT70HD Remote Rev. A9.00 - B3.01</i>	
4.11	Saw Head Decals.....	4-15
	<i>LT70HD Remote Rev. A8.00 (1/08) - A8.01</i>	
4.12	Saw Head Decals.....	4-16
	<i>LT70HD Remote Rev. A7.08 (1/07) - A8.00 (12/07)</i>	
4.13	Saw Head Decals.....	4-18
	<i>LT70HD Remote Rev. A3.01 - A7.08 (12/06)</i>	
4.14	Blade Housing Covers.....	4-20
	<i>LT70HD Remote Rev. B2.00 - B3.01</i>	
4.15	Blade Housing Covers.....	4-22
	<i>LT70HD Remote Rev. A5.00 - B1.00</i>	
4.16	Blade Housing Covers.....	4-24
	<i>LT70HD Remote Rev. A3.01 - A4.01</i>	
4.17	Sawdust Chute.....	4-26
4.18	Debarker Wire Box/Grommet.....	4-27
SECTION 5	CONTROL & BATTERY BOXES	5-1
5.1	Control Assembly (DC).....	5-1
	<i>LT70HD Remote Rev. A4.00 - B3.01</i>	
5.2	Control Assembly (AC).....	5-4
5.3	Control Assembly (DC).....	5-7
	<i>LT70HD Remote Rev. A3.01 - A3.03</i>	
5.4	Drum Switches.....	5-9
5.5	Front Panel Assembly.....	5-10
5.6	Battery Box Assembly (DC Only).....	5-12
	<i>LT70HD Remote Rev. B3.00 - B3.01</i>	
5.7	Battery Box Assembly (DC Only).....	5-14
	<i>LT70HD Remote Rev. A3.01 - B2.00</i>	
5.8	Fuse Box Assembly (DC Only).....	5-16
	<i>LT70HD Remote Rev. B3.00 - B3.01</i>	
5.9	Fuse Box Assembly (DC Only).....	5-18
	<i>LT70HD Remote Rev. A3.01 - B2.00</i>	
5.10	Remote Power Box Assembly (DC).....	5-20
	<i>LT70HD Remote Rev. B3.00 - B3.01</i>	
5.11	Remote Power Box Assembly (DC).....	5-22
	<i>LT70HD Remote Rev. A8.00 - B2.00</i>	
5.12	Remote Junction Box (AC).....	5-25
	<i>LT70HD Remote Rev. A9.00 - B3.01</i>	
5.13	Remote Power Box Assembly (DC).....	5-27
	<i>LT70HD Remote Rev. A4.00 - A7.10</i>	
5.14	Remote Junction Box (AC).....	5-30
	<i>LT70HD Remote Rev. A3.01 - A8.01</i>	
5.15	Remote Power Box Assembly (DC).....	5-32
	<i>LT70HD Remote Rev. A3.01 - A3.03</i>	
5.16	Remote Power Box Door Assembly (DC Only).....	5-34
	<i>LT70HD Remote Rev. B3.00 - B3.01</i>	
5.17	Remote Power Box Door Assembly (DC Only).....	5-35
	<i>LT70HD Remote Rev. A8.00 - B2.00</i>	

Table of Contents

Section-Page

5.18	Remote Power Box Door Assembly (DC Only)	5-36
	<i>LT70HD Remote Rev. A4.00 - A7.10</i>	
5.19	Remote Power Box Door Assembly (DC Only)	5-38
	<i>LT70HD Remote Rev. A3.01 - A3.03</i>	
SECTION 6 UP/DOWN SYSTEM		6-1
6.1	Up/Down Rollers & Covers	6-1
6.2	Blade Height & Quarter Scales	6-3
6.3	Up/Down Chain & Sprockets.....	6-4
6.4	Up/Down Drive Assembly	6-6
6.5	Up/Down Assist Assembly.....	6-8
	<i>LT70HD Remote Rev. A5.00 - B3.01</i>	
SECTION 7 FEED SYSTEM & TRACK ROLLERS		7-1
7.1	Upper Track Rollers And Wipers.....	7-1
7.2	Power Feed Assembly	7-3
7.3	Feed Chain/Stop	7-5
	<i>LT670HD Remote Rev. B1.00 - B1.03</i>	
7.4	Feed Chain/Stop	7-7
	<i>LT70HD Remote Rev. A3.03 - A9.00</i>	
7.5	Feed Chain/Stop	7-9
	<i>LT70HD Remote Rev. A3.01 - A9.00</i>	
7.6	Lower Track Rollers.....	7-11
SECTION 8 BED FRAME ASSEMBLY		8-1
8.1	Bed Rail Assembly, Front And Rear.....	8-1
	<i>LT70HD Remote Rev. A7.06 - B3.01</i>	
8.2	Bed Rail Assembly, Front And Rear.....	8-3
	<i>LT70HD Remote Rev. A3.01 - A7.05</i>	
8.3	Bed Rail Assembly, Middle Front.....	8-5
8.4	Bed Rail Assembly, Middle Rear.....	8-6
8.5	Leg Assembly (Stationary).....	8-8
8.6	Board Return Table Assembly	8-10
	<i>LT70HD Remote Rev. A5.00 - B3.01</i>	
8.7	Board Return Table Assembly	8-12
	<i>LT70HD Remote Rev. A3.01 - A4.01</i>	
8.8	Pivot Bed Rail Assembly.....	8-14
8.9	Log Side Support Assembly (Manual).....	8-16
8.10	Safety Chain Assembly	8-18
8.11	Saw Head Rest Pin Assembly	8-19
8.12	Bed Frame Decals.....	8-20
8.13	Cable Chain Assembly	8-21
8.14	Bottom Chain Mount Assembly.....	8-22
8.15	Top Chain Mount Assembly	8-23
8.16	Front Tray Mount Assembly	8-24
8.17	Cable Chain Support Bracket.....	8-25
8.18	Remote Cable Box.....	8-26
8.19	Board Outfeed Table (Optional).....	8-28

Table of Contents

Section-Page

SECTION 9	MISCELLANEOUS	9-1
9.1	Replacement Manuals	9-1
SECTION 10	HYDRAULIC SYSTEM	10-1
10.1	Hydraulic Hoses	10-1
	<i>LT70HD Remote Rev. B2.00 - B3.01</i>	
10.2	Hydraulic Hoses	10-2
	<i>LT70HD Remote Rev. A3.01 - B1.00</i>	
10.3	Command Control	10-3
10.4	Hydraulic Pump Box (DC).....	10-5
	<i>LT70HD Remote Rev. A6.00 - B3.01</i>	
10.5	Hydraulic Pump Box (DC).....	10-8
	<i>LT70HD Remote Rev. A3.01 - A5.03</i>	
10.6	Hydraulic Pump Box (230/460V AC).....	10-11
	<i>LT60HD/70HD Remote Rev. A7.09 - B3.01</i>	
10.7	Hydraulic Pump Box (575V AC).....	10-14
	<i>LT60HD/70HD Remote Rev. A7.09 - B3.01</i>	
10.8	Hydraulic Pump Box (AC).....	10-16
	<i>LT70HD Remote Rev. A6.00 - A7.08</i>	
10.9	Hydraulic Pump Box (AC).....	10-18
	<i>LT70HD Remote Rev. A3.01 - A5.03</i>	
10.10	Hydraulic Control Box (230/460V AC).....	10-20
10.11	Hydraulic Control Box (575V AC).....	10-22
10.12	Hydraulic Valve (DC)	10-24
	<i>LT70HD Remote Retrofit</i>	
10.13	Hydraulic Valve (DC)	10-26
	<i>LT70HD Remote Rev. A6.00 - B3.01</i>	
10.14	Hydraulic Valve (DC)	10-28
	<i>LT70HD Remote Rev. A3.01 - A5.03</i>	
10.15	Hydraulic Valve (AC)	10-30
	<i>LT70HD Remote Retrofit</i>	
10.16	Hydraulic Valve (AC)	10-32
	<i>LT70HD Remote Rev. A6.00 - B3.01</i>	
10.17	Hydraulic Valve (AC)	10-34
	<i>LT70HD Remote Rev. A3.01 - A5.03</i>	
10.18	Hydraulic Power Supply Strip (DC Only).....	10-36
10.19	Rear Hydraulic Power Supply Strip (DC Only).....	10-38
	<i>LT70HD Remote Rev. A5.00 - B3.01</i>	
10.20	Hydraulic Log Loader	10-39
	<i>LT70HD Remote Rev. A7.05 - B3.01</i>	
10.21	Hydraulic Log Loader	10-41
	<i>LT70HD Remote Rev. A3.01 - A7.04</i>	
10.22	Hydraulic Log Turner.....	10-43
	<i>LT70HD Remote Rev. B2.00 - B3.01</i>	
10.23	Hydraulic Log Turner.....	10-45
	<i>LT70HD Remote Rev. A3.01 - B1.00</i>	

Table of Contents

Section-Page

10.24 Hydraulic Log Side Supports (Front)10-47
10.25 Hydraulic Log Side Supports (Rear)10-49
10.26 Hydraulic Log Side Supports (Link)10-51
10.27 Hydraulic Log Clamp10-52
10.28 Hydraulic Toe Board10-54

INDEX

I

SECTION 1 GENERAL INFORMATION

1.1 How To Use The Parts List

- Use the table of contents or index to locate the assembly that contains the part you need.
- Go to the appropriate section and locate the part in the illustration.
- Use the number pointing to the part to locate the correct part number and description in the table.
- Parts shown indented under another part are included with that part.
- Parts marked with a diamond (◆) are only available in the assembly listed above the part.

See the sample table below. Sample Part #A01111 includes part F02222-2 and subassembly A03333. Subassembly A03333 includes part S04444-4 and subassembly K05555. The diamond (◆) indicates that S04444-4 is not available except in subassembly A03333. Subassembly K05555 includes parts M06666 and F07777-77. The diamond (◆) indicates M06666 is not available except in subassembly K05555.

1.2 Sample Assembly				
REF	DESCRIPTION (◆ Indicates Parts Available In Assemblies Only)	PART #	QTY.	
	SAMPLE ASSEMBLY, COMPLETE (INCLUDES ALL INDENTED PARTS BELOW)	A01111	1	
1	Sample Part	F02222-22	1	
	Sample Subassembly (Includes All Indented Parts Below)	A03333	1	
2	Sample Part (◆ Indicates Part Is Only Available With A03333)	S04444-4	1	◆
	Sample Subassembly (Includes All Indented Parts Below)	K05555	1	
3	Sample Part (◆ Indicates Part Is Only Available With K05555)	M06666	2	◆
4	Sample Part	F07777-77	1	

To Order Parts:

- From the continental U.S., call **1-800-525-8100** to order parts. Have your customer number, vehicle identification number, and part numbers ready when you call.
- From other international locations, contact the Wood-Mizer distributor in your area for parts.

2 Blade Guide Rollers & Arm

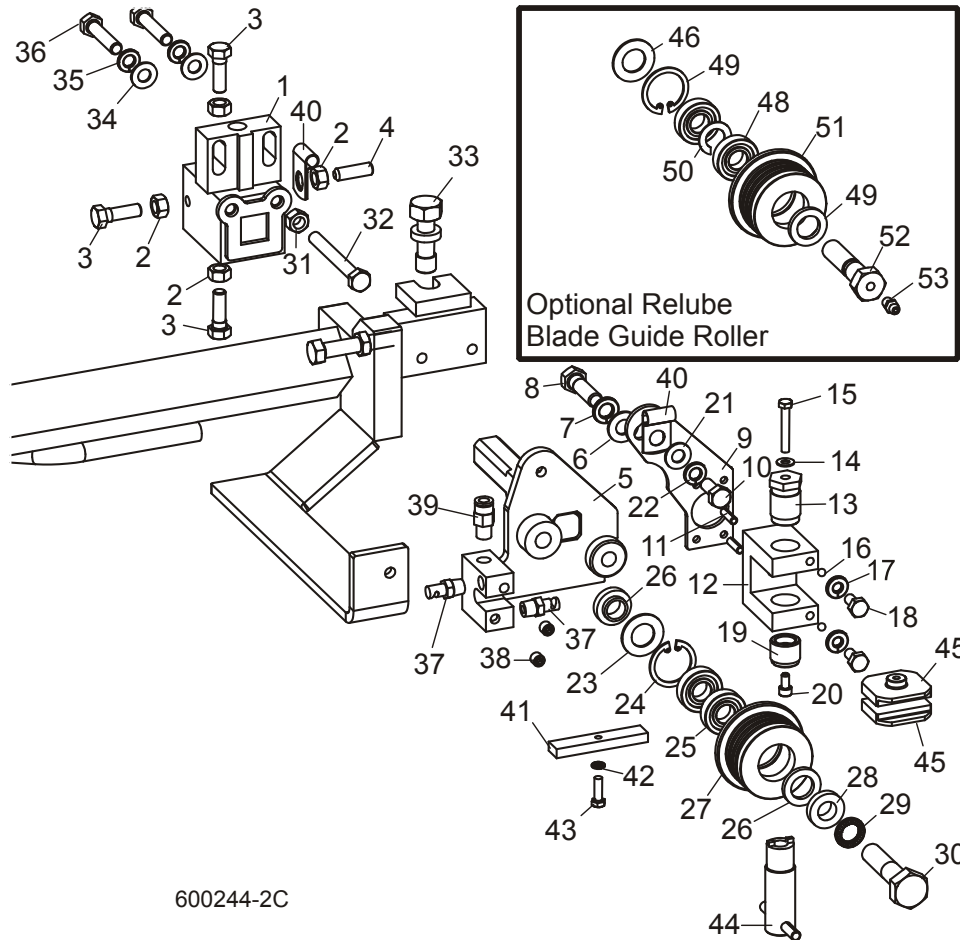
Blade Guide Assembly, Idle Side

SECTION 2 BLADE GUIDE ROLLERS & ARM

2.1 Blade Guide Assembly, Idle Side

LT70HD Remote

Rev. A8.01 - B3.01



600244-2C

REF	DESCRIPTION (◆ Indicates Parts Available In Assemblies Only)	PART #	QTY.	
	ROLLER/BLOCK ASSEMBLY, IDLE SIDE (OUTER)	003926 ¹	1	
	Block Assembly, Blade Guide Mount	065677	1	
1	Block Weldment, Blade Guide Mount	003911	1	◆
2	Nut, 5/16-18 Hex	F05010-17	4	
3	Bolt, 5/16-18 x 1" Hex Head Stainless Steel	F05006-88	3	
4	Screw, 5/16-18 x 1" Socket Head Flat Point Stainless Steel Set	F05006-122	1	
5	Shaft Weldment, Idle Side Guide	003924 ²	1	
	Mount Assembly, Blade Guide Block Idle	003928	1	
6	Washer, 3/8" SAE Flat	F05011-3	1	
7	Washer, 3/8" Split Lock	F05011-4	1	

Blade Guide Rollers & Arm

Blade Guide Assembly, Idle Side

2

8	Bolt, 3/8-16 x 1 1/4" Hex Head Grade 5	F05007-123	1	
9	Plate, Block Tilt Adjustment	003915	1	
10	Bolt, 5/16-18 x 3/4" Hex Head	F05006-102	1	
11	Pin, 3/16" x 5/8" Roll	F05012-22	2	
12	Block, Guide Block Mount	003909	1	
13	Bolt, Blade Guide Block Mount	003994	1	
14	Washer, #10 Brass	042867	1	
15	Bolt, #10-32 x 1 1/4" Hex Head Stainless Steel	F05004-240	1	
16	Ball, 3/16" Dia. Nylon	003914	2	
17	Washer, 1/4" Split Lock	F05011-14	2	
18	Bolt, 1/4-20 x 1/2" Hex Head	F05005-15	2	
19	Screw, Lower Block Adjustment	044057	1	
20	Screw, #10-32 x 3/8" Socket Head Stainless Steel	F05004-200	1	
21	Washer, 5/16" SAE Flat	F05011-17	1	
22	Washer, 5/16" Split Lock	F05011-13	1	
	Roller Assembly, Blade Guide (standard for use with 1 1/4" & 1 1/2" blades)	A04925 ³	1	
	Roller Assembly, Extended Blade Guide (optional for use with 1 1/2" blades)	014299 ³	1	
	Bearing Kit, Blade Guide Rebuild	K07079	1	
23	Washer, 5/8" White Felt	P04252	1	
24	Ring, 1 1/8" Interior Retaining	F04254-1	1	
25	Bearing, R8-2RS Blade Guide	015975	2	◆
26	Washer, 5/8" Gray Felt	P06455	1	
	Screw, 1/4-28 x 1/4" Socket Head Cup Point Set Black Oxide	F05005-105	1	
	Instruction Sheet, Blade Guide Rebuild	057407-1507	1	
27	Roller, Flanged Blade Guide (1 1/4" & 1 1/2" blade)	S04250	1	◆
	Roller, Flanged Blade Guide (1 1/2" blade)	014243	1	◆
	Instruction Sheet, Blade Guide Roller Replacement	A04925-364	1	
28	Spacer, Blade Guide	S04253	2	
29	Washer, 1/2" Nord-Lock	F05011-125 ⁴	1	
30	Bolt, 1/2-13 x 2 1/4" Hex Head Grade 5	F05008-10	1	
31	Nut, 5/16-18 Hex	F05010-17	1	
32	Bolt, 5/16-18 x 2 3/4" Hex Head Full Thread	F05006-136	1	
33	Bolt, Blade Guide Vertical Adjustment	035656	1	
34	Washer, 5/16" SAE Flat	F05011-17	2	
35	Washer, 5/16" Split Lock	F05011-13	2	
36	Bolt, 5/16-18 x 1 1/2" Hex Head Grade 5 Full Thread	F05006-76	2	
37	Fitting, Blade Lube Spray Nozzle	033479	2	
38	Fitting, 1/16" NPT Socket Pipe Plug	007734 ²	2	
39	Fitting, 1/8" NPT x 1/4" Tube	P03078 ⁵	1	
40	Clamp, 1/4" Wire 13/32" Mounting Hole	024155 ⁵	2	
41	BLOCK, BLADE GUIDE ALIGNMENT	035799	1	
42	SCREW, #10-32 X 5/8" HEX HEAD	F05004-152	1	

2 Blade Guide Rollers & Arm

Blade Guide Assembly, Idle Side

43	WASHER, #10 SPLIT LOCK	F05011-20	1	
44	TOOL, LOWER BLOCK ADJUSTMENT	044064	1	
45	BLOCK, BLADE GUIDE WEAR (STANDARD FOR 1 1/2" BLADES)	052309 ⁶	2	
	BLOCK, BLADE GUIDE WEAR (OPTIONAL FOR 1 1/4" BLADES)	052355 ⁶	2	
	BLOCK ASSEMBLY, 1" SQ. EZ-GLIDE WEAR	036347 ⁶	2	
	SHIM, .008" BLADE GUIDE BLOCK SPACER	035248	1	
	ROLLER ASSEMBLY, BLADE GUIDE RELUBE (OPTIONAL FOR USE WITH 1 1/4" & 1 1/2" BLADES)	016568 ³	1	
	ROLLER ASSEMBLY, EXTENDED BLADE GUIDE RELUBE (OPTIONAL FOR USE WITH 1 1/2" BLADES)	057405 ³	1	
	Bearing Kit, Relube Blade Guide Rebuild	057407	1	
46	Washer, 5/8" White Felt	P04252	1	
47	Ring, 1 1/8" Interior Retaining	F04254-1	1	
48	Bearing, R8-2RS Blade Guide (modified)	015975 ⁷	2	◆
49	Washer, 5/8" Gray Felt	P06455	1	
50	Spacer, Blade Guide Bearing	035411	1	
	Instruction Sheet, Blade Guide Rebuild	057407-1507	1	
51	Roller, Flanged Blade Guide (Relube 1 1/4" & 1 1/2" blade)	035426	1	◆
	Roller, Flanged Blade Guide (Relube 1 1/2" blade)	057402	1	◆
	Instruction Sheet, Blade Guide Roller Replacement	A04925-364	1	
52	BOLT, BLADE GUIDE ROLLER (RELUBE ONLY)	036161	1	
53	FITTING, 1/4-28 GREASE (RELUBE ONLY)	P05060	1	

¹ Roller/Block Assembly 003926 is no longer available. Use component parts to service or order Roller/Block Assembly 036818 for 1-1/4" blades or 065933 for 1-1/2" blades.

² Shaft Weldment 003924 modified to provide more clearance for adjustment bolts and to prevent water leaks (Rev. B3.01). New shaft requires two 1/16" NPT Pipe Plugs 007734.

³ The sawmill is equipped standard with non-greasable blade guide rollers that can be used with the standard 1 1/2" blade. The roller can also be used with 1 1/4" blades. Optional extended blade guide rollers are available for use with 1 1/2" blades. The extended rollers may provide more stability during difficult sawing, but will reduce the total amount of times the blade can be reused after sharpening. Optional relube versions of each roller configuration are also available.

⁴ Nord-Lock Washer F05011-125 replaced Split Lock Washer F05011-9 to prevent loosening due to vibration (Rev. B3.01).

⁵ Straight Tube Fitting P03078 replaced Swivel Hose Fitting P09736 and Clamps 024155 added to improve lube hose routing (Rev. B3.01).

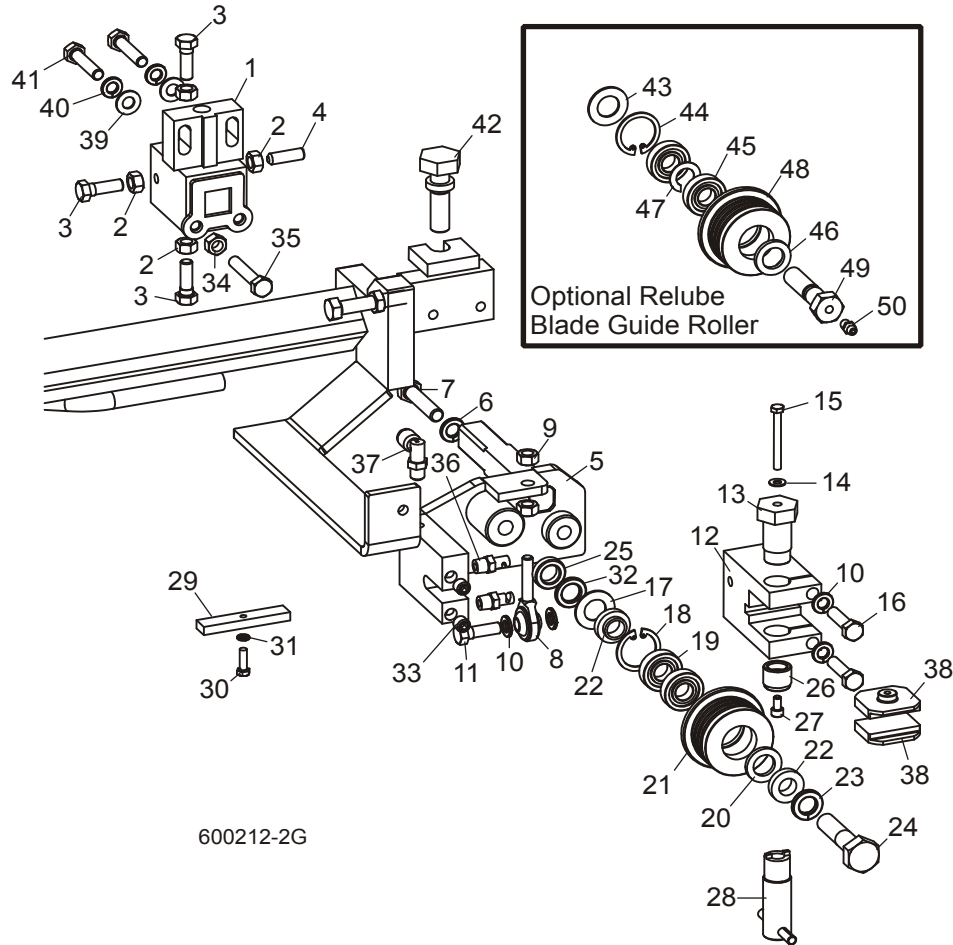
⁶ 052309 blocks for use with 1 1/2" blade provided as standard equipment. 052355 blocks available for optional use with 1 1/4" blades. EZ-Glide blocks 036347 are available for customers who prefer this block

⁷ Bearing must be modified for use with relube roller assemblies. Remove one seal from each bearing, place open sides facing each other and place spacer 035411 between bearings.

2.2 Blade Guide Assembly, Idle Side

LT70HD Remote

Rev. A7.02 - A8.00



600212-2G

REF	DESCRIPTION (◆ Indicates Parts Available In Assemblies Only)	PART #	QTY.	
	ROLLER/BLOCK ASSEMBLY, IDLE SIDE (OUTER)	036818	1	
	Block Assembly, Blade Guide Mount	036872	1	
1	Block Weldment, Blade Guide Mount	036868	1	◆
2	Nut, 5/16-18 Hex	F05010-17	4	
3	Bolt, 5/16-18 x 1" Hex Head Stainless Steel	F05006-88	3	
4	Screw, 5/16-18 x 1" Socket Head Flat Point Stainless Steel Set	F05006-122	1	
5	Shaft Weldment, Idle Side Guide	036866	1	
6	Washer, 3/8" Split Lock	F05011-4	1	
7	Bolt, 3/8-16 x 1 3/4" Full Thread Hex Head Grade 5	F05007-129	1	
8	Rod End, 5/16-24 Male	P09814	1	
9	Nut, 5/16-24 Hex Jam	F05010-28	2	
10	Washer, 5/16" Split Lock	F05011-13	4	
11	Bolt, 5/16-18 x 1" Hex Head Stainless Steel	F05006-88	1	

2

Blade Guide Rollers & Arm

Blade Guide Assembly, Idle Side

12	Block, Guide Block Mount	036814	1	
13	Bolt, Blade Guide Block Mount	035216	1	
14	Washer, #10 Brass	042867	1	
15	Bolt, #10-32 x 1 3/4" Hex Head Stainless Steel	F05004-178	1	
16	Bolt, 5/16-18 x 1 1/4" Hex Head Stainless Steel	F05006-118	2	
	Roller Assembly, Blade Guide (standard for use with 1 1/4" & 1 1/2" blades)	A04925 ²	1	
	Roller Assembly, Extended Blade Guide (optional for use with 1 1/2" blades)	014299 ²	1	
	Bearing Kit, Blade Guide Rebuild	K07079	1	
17	Washer, 5/8" White Felt	P04252	1	
18	Ring, 1 1/8" Interior Retaining	F04254-1	1	
19	Bearing, R8-2RS Blade Guide	015975	2	◆
20	Washer, 5/8" Gray Felt	P06455	1	
	Screw, 1/4-28 x 1/4" Socket Head Cup Point Set Black Oxide	F05005-105	1	
	Instruction Sheet, Blade Guide Rebuild	057407-1507	1	
21	Roller, Flanged Blade Guide (1 1/4" & 1 1/2" blade)	S04250	1	◆
	Roller, Flanged Blade Guide (1 1/2" blade)	014243	1	◆
	Instruction Sheet, Blade Guide Roller Replacement	A04925-364	1	
22	Spacer, Blade Guide	S04253	2	
23	Washer, 1/2" Split Lock	F05011-9 ³	1	
24	Bolt, 1/2-13 x 2 1/4" Hex Head Grade 5	F05008-10	1	
25	Spacer, 1/2" ID x 7/8" OD x 1/4" (For use with 1 1/4" Blades)	041626 ⁴	1	
26	Screw, Lower Block Adjustment	044057	1	
27	Screw, #10-32 x 3/8" Socket Head Stainless Steel	F05004-200	1	
28	Tool, Lower Block Adjustment	044064	1	
29	Block, Blade Guide Alignment	035799	1	
30	Screw, #10-32 x 5/8" Hex Head	F05004-152	1	
31	Washer, #10 Split Lock	F05011-20	1	
32	Spacer, 1/2" ID x 7/8" OD x 1/8" Thick	052364 ⁴	1	
33	Fitting, 1/8" NPT Socket Pipe Plug	P30127	2	
34	Nut, 5/16-18 Hex	F05010-17	1	
35	Bolt, 5/16-18 x 1 3/4" Hex Head Full Thread	F05006-17	1	
36	FITTING, BLADE LUBE SPRAY NOZZLE	033479 ⁵	2	
37	FITTING, 1/8" MPT X 1/4" TUBE SWIVEL ELBOW	P09736 ⁵	1	
38	BLOCK, BLADE GUIDE WEAR (STANDARD FOR 1 1/2" BLADES)	052309 ⁶	2	
	BLOCK, BLADE GUIDE WEAR (OPTIONAL FOR 1 1/4" BLADES)	052355 ⁵	2	
	BLOCK ASSEMBLY, 1" SQ. EZ-GLIDE WEAR	036347 ⁵	2	
	SHIM, .008" BLADE GUIDE BLOCK SPACER	035248	1	
39	WASHER, 5/16" SAE FLAT	F05011-17	2	
40	WASHER, 5/16" SPLIT LOCK	F05011-13	2	
41	BOLT, 5/16-18 X 1 1/2" HEX HEAD GRADE 5 FULL THREAD	F05006-76	2	
42	BOLT, BLADE GUIDE VERTICAL ADJUSTMENT	035656	1	

	ROLLER ASSEMBLY, BLADE GUIDE RELUBE (OPTIONAL FOR USE WITH 1 1/4" & 1 1/2" BLADES)	016568 ²	1	
	ROLLER ASSEMBLY, EXTENDED BLADE GUIDE RELUBE (OPTIONAL FOR USE WITH 1 1/2" BLADES)	057405 ²	1	
	Bearing Kit, Relube Blade Guide Rebuild	057407	1	
43	Washer, 5/8" White Felt	P04252	1	
44	Ring, 1 1/8" Interior Retaining	F04254-1	1	
45	Bearing, R8-2RS Blade Guide (modified)	015975 ⁷	2	◆
46	Washer, 5/8" Gray Felt	P06455	1	
47	Spacer, Blade Guide Bearing	035411	1	
	Instruction Sheet, Blade Guide Rebuild	057407-1507	1	
48	Roller, Flanged Blade Guide (Relube 1 1/4" & 1 1/2" blade)	035426	1	◆
	Roller, Flanged Blade Guide (Relube 1 1/2" blade)	057402	1	◆
	Instruction Sheet, Blade Guide Roller Replacement	A04925-364	1	
49	BOLT, BLADE GUIDE ROLLER (RELUBE ONLY)	036161	1	
50	FITTING, 1/4-28 GREASE (RELUBE ONLY)	P05060	1	

² The sawmill is equipped standard with non-greasable blade guide rollers that can be used with the standard 1 1/2" blade. The roller can also be used with 1 1/4" blades (requires spacer 041626 & wear blocks 052355). Optional extended blade guide rollers are available for use with 1 1/2" blades. The extended rollers may provide more stability during difficult sawing, but will reduce the total amount of times the blade can be reused after sharpening. Optional relube versions of each roller configuration are also available.

³ Nord-Lock Washer F05011-125 available to replace Split Lock Washer F05011-9 to prevent loosening due to vibration (12/09).

⁴ Use 1/8" spacer 052364 with 1 1/2" blade provided as standard equipment. Use 1/4" spacer 041626 for optional 1 1/4" blades.

⁵ Fittings removed from blade guide assembly BOM to allow structuring of blade guide assembly in various equipment (11/05).

⁶ 052309 blocks for use with 1 1/2" blade provided as standard equipment. 052355 blocks available for optional use with 1 1/4" blades. EZ-Glide blocks 036347 are available for customers who prefer this block. Blocks removed from blade guide assembly BOM to allow structuring of blade guide assembly in various equipment (11/05).

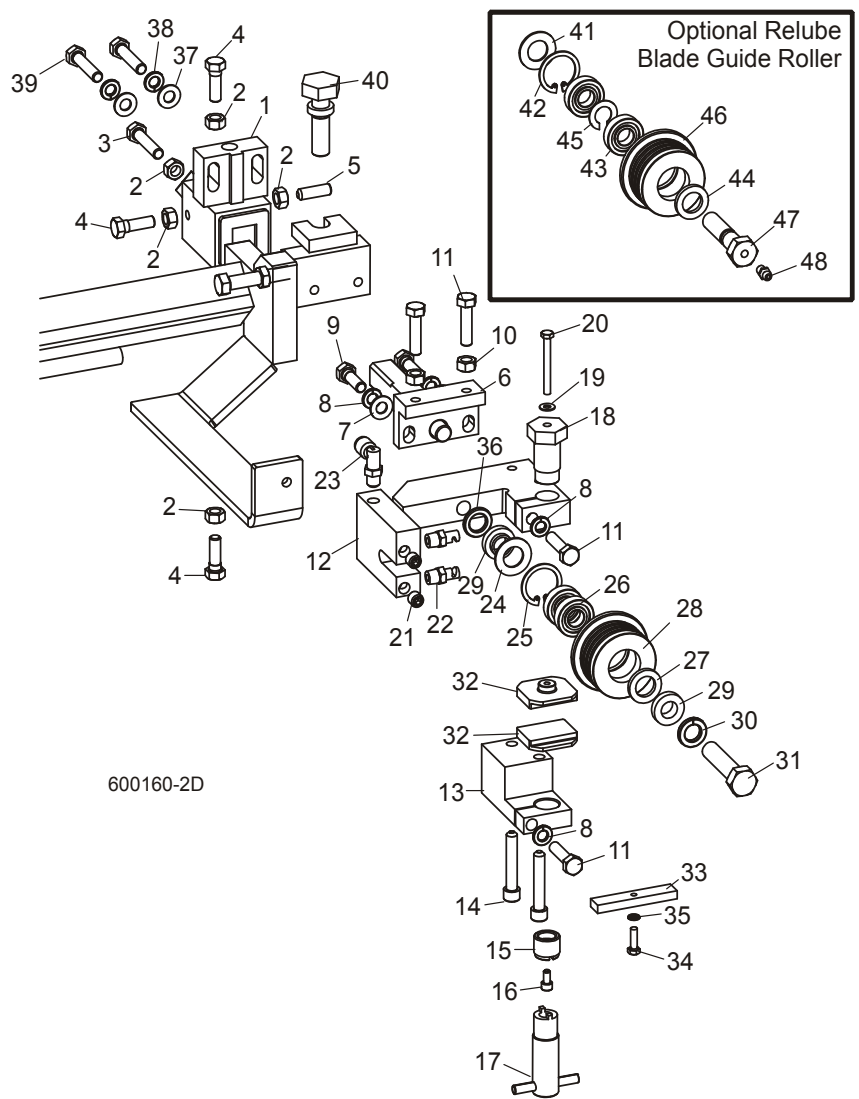
⁷ Bearing must be modified for use with relube roller assemblies. Remove one seal from each bearing, place open sides facing each other and place spacer 035411 between bearings.

2 Blade Guide Rollers & Arm

Blade Guide Assembly, Idle Side

2.3 Blade Guide Assembly, Idle Side

LT70HD Remote Rev. A3.01 - A7.01



600160-2D

REF	DESCRIPTION (◆ Indicates Parts Available In Assemblies Only)	PART #	QTY.	
	GUIDE ASSEMBLY, IDLE SIDE BLOCK/ROLLER	044055 ¹	1	◆
	Block Assembly, Idle Side Blade Guide	036099	1	
1	Block Weldment, Blade Guide Mount	035219	1	◆
2	Nut, 5/16-18 Hex	F05010-17	5	
3	Bolt, 5/16-18 x 1 1/2" Hex Head Full Thread Stainless Steel	F05006-119	1	
4	Bolt, 5/16-18 x 1" Hex Head Stainless Steel	F05006-88	3	
5	Screw, 5/16-18 x 1" Socket Head Flat Point Stainless Steel	F05006-122	1	
6	Shaft Weldment, Block Guide Pivot	035209	1	
7	Washer, 5/16" SAE Flat	F05011-17	2	

Blade Guide Rollers & Arm

Blade Guide Assembly, Idle Side

2

8	Washer, 5/16" Split Lock	F05011-13	4	
9	Bolt, 5/16-18 x 1" Hex Head Stainless Steel	F05006-88	2	
10	Nut, 5/16-18 Hex	F05010-17	2	
11	Bolt, 5/16-18 x 1 1/4" Hex Head Stainless Steel	F05006-118	4	
12	Block Weldment, Upper Blade Guide	044054	1	
13	Block, Lower Blade Guide	044053	1	
14	Screw, 5/16-18 x 1 3/4" Socket Head	F05006-65	2	
15	Screw, Lower Block Adjustment	044057	1	
16	Screw, #10-32 x 3/8" Socket Head Stainless Steel	F05004-200	1	
17	Tool, Lower Block Adjustment	044064	1	
18	Bolt, Blade Guide Block Mount	035216	1	
19	Washer, #10 Brass	042867	1	
20	Bolt, #10-32 x 1 3/4" Hex Head Stainless Steel	F05004-178	1	
21	Fitting, 1/8" NPT Socket Pipe Plug	P30127	2	
22	Fitting, Blade Lube Spray Nozzle	033479	2	
23	Fitting, 1/8" MPT x 1/4" Tube Swivel Elbow	P09736	1	
	Roller Assembly, Blade Guide (standard for use with 1 1/4" & 1 1/2" blades)	A04925 ²	1	
	Roller Assembly, Extended Blade Guide (optional for use with 1 1/2" blades)	014299 ²	1	
	Bearing Kit, Blade Guide Rebuild	K07079	1	
24	Washer, 5/8" White Felt	P04252	1	
25	Ring, 1 1/8" Interior Retaining	F04254-1	1	
26	Bearing, R8-2RS Blade Guide	015975	2	◆
27	Washer, 5/8" Gray Felt	P06455	1	
	Screw, 1/4-28 x 1/4" Socket Head Cup Point Set Black Oxide	F05005-105	1	
	Instruction Sheet, Blade Guide Rebuild	057407-1507	1	
28	Roller, Flanged Blade Guide (1 1/4" & 1 1/2" blade)	S04250	1	◆
	Roller, Flanged Blade Guide (1 1/2" blade)	014243	1	◆
	Instruction Sheet, Blade Guide Roller Replacement	A04925-364	1	
29	Spacer, Blade Guide	S04253	2	
30	Washer, 1/2" Split Lock	F05011-9 ³	1	
31	Bolt, Blade Guide Roller	036399	1	
32	Block, Blade Guide Wear (Standard for 1 1/2" Blades)	052309 ⁴	2	
	Block, Blade Guide Wear (Optional for 1 1/4" Blades)	052355 ⁴	2	
	Block Assembly, 1" Sq. EZ-Glide Wear	036347 ⁴	2	
33	Block, Blade Guide Alignment	035799	1	
34	Screw, #10-32 x 5/8" Hex Head	F05004-152	1	
35	Washer, #10 Split Lock	F05011-20	1	
36	Spacer, 1/2" ID x 7/8" OD x 1/8" Thick (For use with 1 1/4" Blades)	052364 ⁵	1	
	SHIM, .008" BLADE GUIDE BLOCK SPACER	035248	1	
37	WASHER, 5/16" SAE FLAT	F05011-17	2	
38	WASHER, 5/16" SPLIT LOCK	F05011-13	2	
39	BOLT, 5/16-18 X 1 1/2" HEX HEAD GRADE 5 FULL THREAD	F05006-76	2	

2 Blade Guide Rollers & Arm

Blade Guide Assembly, Idle Side

40	BOLT, BLADE GUIDE VERTICAL ADJUSTMENT	035656	1	
	ROLLER ASSEMBLY, BLADE GUIDE RELUBE (OPTIONAL FOR USE WITH 1 1/4" & 1 1/2" BLADES)	016568 ²	1	
	ROLLER ASSEMBLY, EXTENDED BLADE GUIDE RELUBE (OPTIONAL FOR USE WITH 1 1/2" BLADES)	057405 ²	1	
	Bearing Kit, Relube Blade Guide Rebuild	057407	1	
41	Washer, 5/8" White Felt	P04252	1	
42	Ring, 1 1/8" Interior Retaining	F04254-1	1	
43	Bearing, R8-2RS Blade Guide (modified)	015975 ⁶	2	◆
44	Washer, 5/8" Gray Felt	P06455	1	
45	Spacer, Blade Guide Bearing	035411	1	
	Instruction Sheet, Blade Guide Rebuild	057407-1507	1	
46	Roller, Flanged Blade Guide (Relube 1 1/4" & 1 1/2" blade)	035426	1	◆
	Roller, Flanged Blade Guide (Relube 1 1/2" blade)	057402	1	◆
	Instruction Sheet, Blade Guide Roller Replacement	A04925-364	1	
47	BOLT, BLADE GUIDE ROLLER (RELUBE ONLY)	036161	1	
48	FITTING, 1/4-28 GREASE (RELUBE ONLY)	P05060	1	

¹ 044055 Blade Guide Assembly replaced with 036818 Rev. A7.02 then 003926 Rev. A8.01 and no longer available. Use component parts to service or replace entire assembly with 003926. New assembly provides easier adjustment ([See Section 2.1](#))

² The sawmill is equipped standard with non-greasable blade guide rollers that can be used with the standard 1 1/2" blade. The roller can also be used with 1 1/4" blades. Optional extended blade guide rollers are available for use with 1 1/2" blades. The extended rollers may provide more stability during difficult sawing, but will reduce the total amount of times the blade can be reused after sharpening. Optional relube versions of each roller configuration are also available.

³ Nord-Lock Washer F05011-125 available to replace Split Lock Washer F05011-9 to prevent loosening due to vibration (12/09).

⁴ Blade guide wear blocks 052309 & 052355 replace EZ-Glide block 036347 to improve wear life (Rev. A6.01). 052309 blocks for use with 1 1/2" blade provided as standard equipment. 052355 blocks available for optional use with 1 1/4" blades. EZ-Glide blocks 036347 are available for customers who prefer this block.

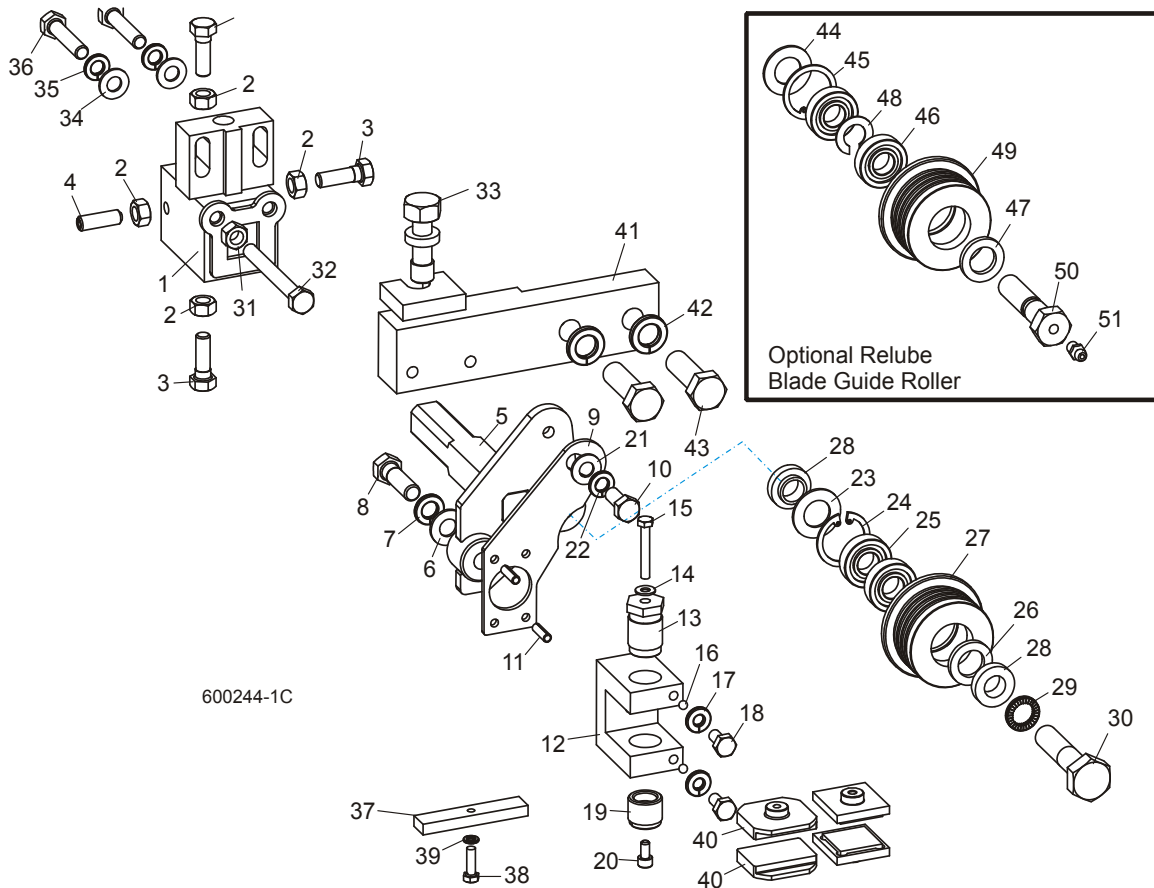
⁵ 1/8" thick spacer 052364 replaces 1/4" spacer 041626 to provide proper spacing of blade guide block when using 1 1/4" blades.

⁶ Bearing must be modified for use with relube roller assemblies. Remove one seal from each bearing, place open sides facing each other and place spacer 035411 between bearings.

2.4 Blade Guide Assembly, Drive Side

LT70HD Remote

Rev. A8.01 - B3.01



600244-1C

REF	DESCRIPTION (◆ Indicates Parts Available In Assemblies Only)	PART #	QTY.
	ROLLER/BLOCK ASSEMBLY, DRIVE SIDE (INNER)	003925 ¹	1
	Block Assembly, Blade Guide Mount	003910	1
1	Block Weldment, Blade Guide Mount	003911	1 ◆
2	Nut, 5/16-18 Hex	F05010-17	4
3	Bolt, 5/16-18 x 1" Hex Head Stainless Steel	F05006-88	3
4	Screw, 5/16-18 x 1" Socket Head Flat Point Stainless Steel Set	F05006-122	1
5	Shaft Weldment, Drive Side Guide	003913	1
	Mount Assembly, Blade Guide Block Drive	003927	1
6	Washer, 3/8" SAE Flat	F05011-3	1
7	Washer, 3/8" Split Lock	F05011-4	1
8	Bolt, 3/8-16 x 1 1/4" Hex Head Grade 5	F05007-123	1
9	Plate, Block Tilt Adjustment	003915	1
10	Bolt, 5/16-18 x 3/4" Hex Head	F05006-102	1
11	Pin, 3/16" x 5/8" Roll	F05012-22	2

2

Blade Guide Rollers & Arm

Blade Guide Assembly, Drive Side

12	Block, Guide Block Mount	003909	1	
13	Bolt, Blade Guide Block Mount	003994	1	
14	Washer, #10 Brass	042867	1	
15	Bolt, #10-32 x 1 1/4" Hex Head Stainless Steel	F05004-240	1	
16	Ball, 3/16" Dia. Nylon	003914	2	
17	Washer, 1/4" Split Lock	F05011-14	2	
18	Bolt, 1/4-20 x 1/2" Hex Head	F05005-15	2	
19	Screw, Lower Block Adjustment	044057	1	
20	Screw, #10-32 x 3/8" Socket Head Stainless Steel	F05004-200	1	
21	Washer, 5/16" SAE Flat	F05011-17	1	
22	Washer, 5/16" Split Lock	F05011-13	1	
	Roller Assembly, Blade Guide (standard for use with 1 1/4" & 1 1/2" blades)	A04925 ²	1	
	Roller Assembly, Extended Blade Guide (optional for use with 1 1/2" blades)	014299 ²	1	
	Bearing Kit, Blade Guide Rebuild	K07079	1	
23	Washer, 5/8" White Felt	P04252	1	
24	Ring, 1 1/8" Interior Retaining	F04254-1	1	
25	Bearing, R8-2RS Blade Guide	015975	2	◆
26	Washer, 5/8" Gray Felt	P06455	1	
	Screw, 1/4-28 x 1/4" Socket Head Cup Point Set Black Oxide	F05005-105	1	
	Instruction Sheet, Blade Guide Rebuild	057407-1507	1	
27	Roller, Flanged Blade Guide (1 1/4" & 1 1/2" blade)	S04250	1	◆
	Roller, Flanged Blade Guide (1 1/2" blade)	014243	1	◆
	Instruction Sheet, Blade Guide Roller Replacement	A04925-364	1	
28	Spacer, Blade Guide	S04253	2	
29	Washer, 1/2" Nord-Lock	F05011-125 ³	1	
30	Bolt, 1/2-13 x 2 1/4" Hex Head Grade 5	F05008-10	1	
31	Nut, 5/16-18 Hex	F05010-17	1	
32	Bolt, 5/16-18 x 2 3/4" Hex Head Full Thread	F05006-136	1	
33	Bolt, Blade Guide Vertical Adjustment	035656	1	
34	Washer, 5/16" SAE Flat	F05011-17	2	
35	Washer, 5/16" Split Lock	F05011-13	2	
36	Bolt, 5/16-18 x 1 1/2" Hex Head	F05006-76	2	
37	BLOCK, BLADE GUIDE ALIGNMENT	035799	1	
38	SCREW, #10-32 X 5/8" HEX HEAD	F05004-152	1	
39	WASHER, #10 SPLIT LOCK	F05011-20	1	
40	BLOCK, BLADE GUIDE WEAR (STANDARD FOR 1 1/2" BLADES)	052309 ⁴	2	
	BLOCK, BLADE GUIDE WEAR (OPTIONAL FOR 1 1/4" BLADES)	052355 ⁴	2	
	BLOCK ASSEMBLY, 1" SQ. EZ-GLIDE WEAR	036347 ⁴	2	
41	ARM WELDMENT, DRIVE SIDE BLADE GUIDE	034292	1	
42	WASHER, 1/2" SPLIT LOCK	F05011-9	2	
43	BOLT, 1/2-13 X 1 1/2" HEX HEAD GRADE 5	F05008-33	2	
	SHIM, .008" BLADE GUIDE BLOCK SPACER	035248	1	

	ROLLER ASSEMBLY, BLADE GUIDE RELUBE (OPTIONAL FOR USE WITH 1 1/4" & 1 1/2" BLADES)	016568 ²	1	
	ROLLER ASSEMBLY, EXTENDED BLADE GUIDE RELUBE (OPTIONAL FOR USE WITH 1 1/2" BLADES)	057405 ²	1	
	Bearing Kit, Relube Blade Guide Rebuild	057407	1	
44	Washer, 5/8" White Felt	P04252	1	
45	Ring, 1 1/8" Interior Retaining	F04254-1	1	
46	Bearing, R8-2RS Blade Guide	015975 ⁵	2	◆
47	Washer, 5/8" Gray Felt	P06455	1	
48	Spacer, Blade Guide Bearing	035411	1	
	Instruction Sheet, Blade Guide Rebuild	057407-1507	1	
49	Roller, Flanged Blade Guide (Relube 1 1/4" & 1 1/2" blade)	035426	1	◆
	Roller, Flanged Blade Guide (Relube 1 1/2" blade)	057402	1	◆
	Instruction Sheet, Blade Guide Roller Replacement	A04925-364	1	
50	BOLT, BLADE GUIDE ROLLER (RELUBE ONLY)	036161	1	
51	FITTING, 1/4-28 GREASE (RELUBE ONLY)	P05060	1	

¹ Roller/Block Assembly 003925 is no longer available. Use component parts to service or order Roller/Block Assembly 036812 for 1-1/4" blades or 065934 for 1-1/2" blades.

² The sawmill is equipped standard with non-greasable blade guide rollers that can be used with the standard 1 1/2" blade. The roller can also be used with 1 1/4" blades. Optional extended blade guide rollers are available for use with 1 1/2" blades. The extended rollers may provide more stability during difficult sawing, but will reduce the total amount of times the blade can be reused after sharpening. Optional relube versions of each roller configuration are also available.

³ Nord-Lock Washer F05011-125 replaced Split Lock Washer F05011-9 to prevent loosening due to vibration (Rev. B3.01).

⁴ 052309 blocks for use with 1 1/2" blade provided as standard equipment. 052355 blocks available for optional use with 1 1/4" blades. EZ-Glide blocks 036347 are available for customers who prefer this block.

⁵ Bearing must be modified for use with relube roller assemblies. Remove one seal from each bearing, place open sides facing each other and place spacer 035411 between bearings.

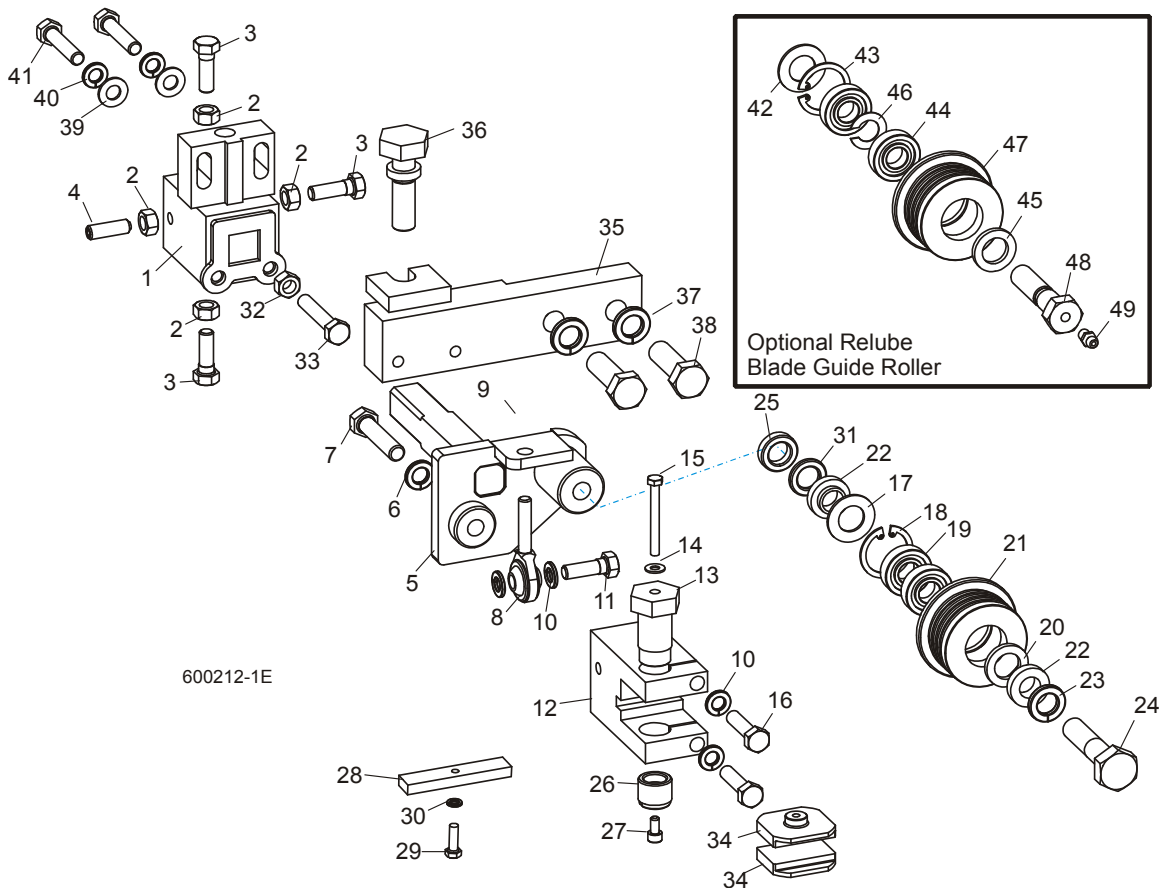
2 Blade Guide Rollers & Arm

Blade Guide Assembly, Drive Side

2.5 Blade Guide Assembly, Drive Side

LT70HD Remote

Rev. A7.02 - A8.00



REF	DESCRIPTION (◆ Indicates Parts Available In Assemblies Only)	PART #	QTY.	
	ROLLER/BLOCK ASSEMBLY, DRIVE SIDE (INNER)	036812	1	
	Block Assembly, Blade Guide Mount	036867	1	
1	Block Weldment, Blade Guide Mount	036868	1	◆
2	Nut, 5/16-18 Hex	F05010-17	4	
3	Bolt, 5/16-18 x 1" Hex Head Stainless Steel	F05006-88	3	
4	Screw, 5/16-18 x 1" Socket Head Flat Point Stainless Steel Set	F05006-122	1	
5	Shaft Weldment, Drive Side Guide	036865	1	
6	Washer, 3/8" Split Lock	F05011-4	1	
7	Bolt, 3/8-16 x 1 3/4" Full Thread Hex Head Grade 5	F05007-129	1	
8	Rod End, 5/16-24 Male	P09814	1	
9	Nut, 5/16-24 Hex Jam	F05010-28	2	
10	Washer, 5/16" Split Lock	F05011-13	4	
11	Bolt, 5/16-18 x 1" Hex Head Stainless Steel	F05006-88	1	
12	Block, Guide Block Mount	036814	1	

Blade Guide Rollers & Arm

Blade Guide Assembly, Drive Side

2

13	Bolt, Blade Guide Block Mount	035216	1	
14	Washer, #10 Brass	042867	1	
15	Bolt, #10-32 x 1 3/4" Hex Head Stainless Steel	F05004-178	1	
16	Bolt, 5/16-18 x 1 1/4" Hex Head Stainless Steel	F05006-118	2	
	Roller Assembly, Blade Guide (standard for use with 1 1/4" & 1 1/2" blades)	A04925 ²	1	
	Roller Assembly, Extended Blade Guide (optional for use with 1 1/2" blades)	014299 ¹	1	
	Bearing Kit, Blade Guide Rebuild	K07079	1	
17	Washer, 5/8" White Felt	P04252	1	
18	Ring, 1 1/8" Interior Retaining	F04254-1	1	
19	Bearing, R8-2RS Blade Guide	015975	2	◆
20	Washer, 5/8" Gray Felt	P06455	1	
	Screw, 1/4-28 x 1/4" Socket Head Cup Point Set Black Oxide	F05005-105	1	
	Instruction Sheet, Blade Guide Rebuild	057407-1507	1	
21	Roller, Flanged Blade Guide (1 1/4" & 1 1/2" blade)	S04250	1	◆
	Roller, Flanged Blade Guide (1 1/2" blade)	014243	1	◆
	Instruction Sheet, Blade Guide Roller Replacement	A04925-364	1	
22	Spacer, Blade Guide	S04253	2	
23	Washer, 1/2" Split Lock	F05011-9 ³	1	
24	Bolt, 1/2-13 x 2 1/4" Hex Head Grade 5	F05008-10	1	
25	Spacer, 1/2" ID x 7/8" OD x 1/4" (for use with 1 1/4" Blades Only)	041626 ⁴	1	
26	Screw, Lower Block Adjustment	044057	1	
27	Screw, #10-32 x 3/8" Socket Head Stainless Steel	F05004-200	1	
28	Block, Blade Guide Alignment	035799	1	
29	Screw, #10-32 x 5/8" Hex Head	F05004-152	1	
30	Washer, #10 Split Lock	F05011-20	1	
31	Spacer, 1/2" ID x 7/8" OD x 1/8" Thick	052364 ⁴	1	
32	Nut, 5/16-18 Hex	F05010-17	1	
33	Bolt, 5/16-18 x 1 3/4" Hex Head Full Thread	F05006-17	1	
34	BLOCK, BLADE GUIDE WEAR (STANDARD FOR 1 1/2" BLADES)	052309 ⁵	2	
	BLOCK, BLADE GUIDE WEAR (OPTIONAL FOR 1 1/4" BLADES)	052355 ⁵	2	
	BLOCK ASSEMBLY, 1" SQ. EZ-GLIDE WEAR	036347 ⁵	2	
35	ARM WELDMENT, DRIVE SIDE BLADE GUIDE	034292	1	
36	BOLT, BLADE GUIDE VERTICAL ADJUSTMENT	035656	1	
37	WASHER, 1/2" SPLIT LOCK	F05011-9	2	
38	BOLT, 1/2-13 X 1 1/2" HEX HEAD GRADE 5	F05008-33	2	
	SHIM, .008" BLADE GUIDE BLOCK SPACER	035248	1	
39	WASHER, 5/16" SAE FLAT	F05011-17	2	
40	WASHER, 5/16" SPLIT LOCK	F05011-13	2	
41	BOLT, 5/16-18 X 1 1/2" HEX HEAD STAINLESS STEEL	F05006-119	2	

2

Blade Guide Rollers & Arm

Blade Guide Assembly, Drive Side

	ROLLER ASSEMBLY, BLADE GUIDE RELUBE (OPTIONAL FOR USE WITH 1 1/4" & 1 1/2" BLADES)	016568 ¹	1	
	ROLLER ASSEMBLY, EXTENDED BLADE GUIDE RELUBE (OPTIONAL FOR USE WITH 1 1/2" BLADES)	057405 ¹	1	
	Bearing Kit, Relube Blade Guide Rebuild	057407	1	
42	Washer, 5/8" White Felt	P04252	1	
43	Ring, 1 1/8" Interior Retaining	F04254-1	1	
44	Bearing, R8-2RS Blade Guide	015975 ⁶	2	◆
45	Washer, 5/8" Gray Felt	P06455	1	
46	Spacer, Blade Guide Bearing	035411	1	
	Instruction Sheet, Blade Guide Rebuild	057407-1507	1	
47	Roller, Flanged Blade Guide (Relube 1 1/4" & 1 1/2" blade)	035426	1	◆
	Roller, Flanged Blade Guide (Relube 1 1/2" blade)	057402	1	◆
	Instruction Sheet, Blade Guide Roller Replacement	A04925-364	1	
48	BOLT, BLADE GUIDE ROLLER (RELUBE ONLY)	036161	1	
49	FITTING, 1/4-28 GREASE (RELUBE ONLY)	P05060	1	

² The sawmill is equipped standard with non-greasable blade guide rollers that can be used with the standard 1 1/2" blade (requires spacer 052364). The roller can also be used with 1 1/4" blades (requires spacer 041626 & wear blocks 052355). Optional extended blade guide rollers are available for use with 1 1/2" blades (no spacer required). The extended rollers may provide more stability during difficult sawing, but will reduce the total amount of times the blade can be reused after sharpening. Optional relube versions of each roller configuration are also available.

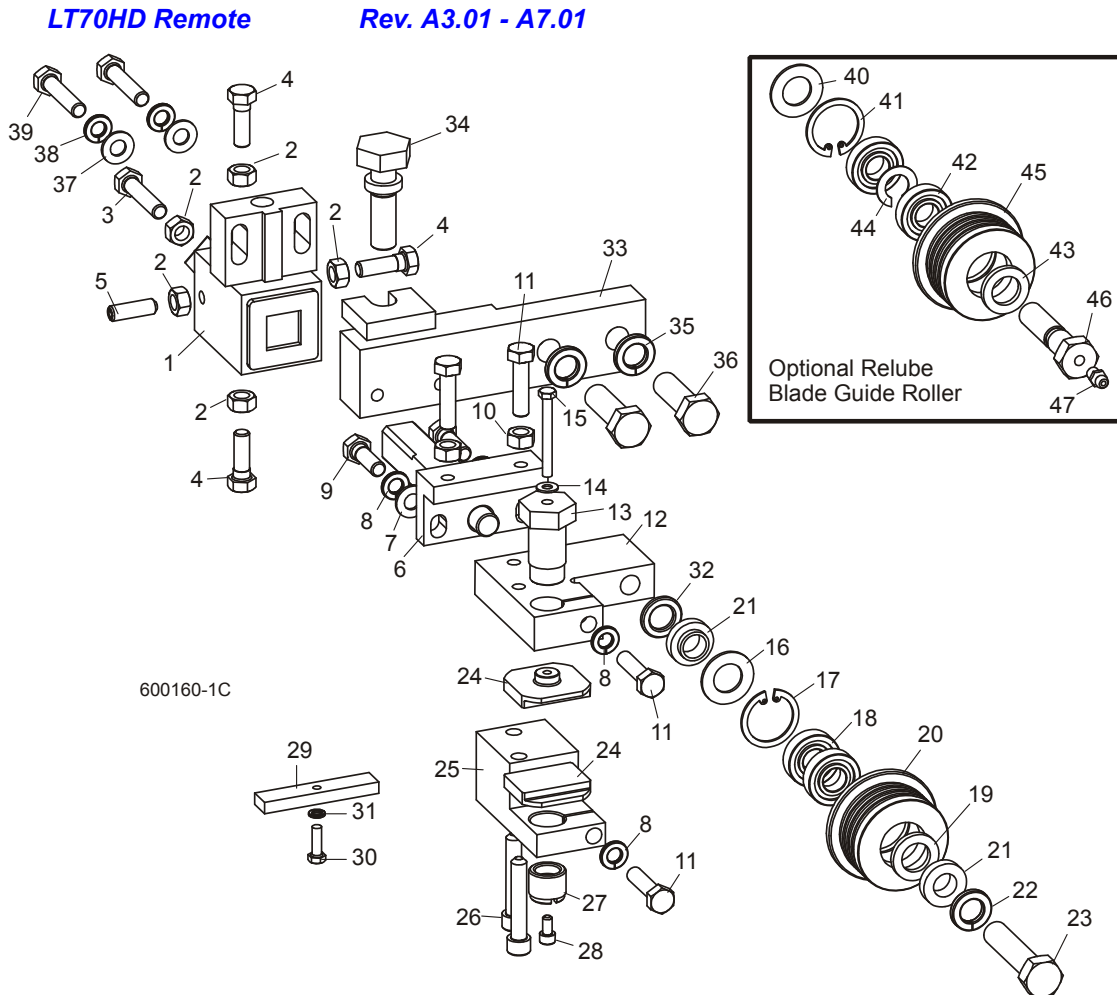
³ Nord-Lock Washer F05011-125 available to replace Split Lock Washer F05011-9 to prevent loosening due to vibration (12/09).

⁴ Use 1/8" spacer 052364 with 1 1/2" blade provided as standard equipment. Use 1/4" spacer 041626 for optional 1 1/4" blades.

⁵ 052309 blocks for use with 1 1/2" blade provided as standard equipment. 052355 blocks available for optional use with 1 1/4" blades. EZ-Glide blocks 036347 are available for customers who prefer this block. Blocks removed from blade guide assembly BOM to allow structuring of blade guide assembly in various equipment (11/05).

⁶ Bearing must be modified for use with relube roller assemblies. Remove one seal from each bearing, place open sides facing each other and place spacer 035411 between bearings.

2.6 Blade Guide Assembly, Drive Side



REF	DESCRIPTION (◆ Indicates Parts Available In Assemblies Only)	PART #	QTY.	
	ROLLER/BLOCK ASSEMBLY, DRIVE SIDE (INNER)	044050 ¹	1	◆
	Block Assembly, Blade Guide Mount	036100	1	
1	Block Weldment, Blade Guide Mount	035219	1	◆
2	Nut, 5/16-18 Hex	F05010-17	5	
3	Bolt, 5/16-18 x 1 1/2" Hex Head Full Thread Stainless Steel	F05006-119	1	
4	Bolt, 5/16-18 x 1" Hex Head Stainless Steel	F05006-88	3	
5	Screw, 5/16-18 x 1" Socket Head Flat Point Stainless Steel Set	F05006-122	1	
6	Shaft Weldment, Block Guide Pivot	035209	1	
7	Washer, 5/16" SAE Flat	F05011-17	2	
8	Washer, 5/16" Split Lock	F05011-13	4	
9	Bolt, 5/16-18 x 1" Hex Head Stainless Steel	F05006-88	2	
10	Nut, 5/16-18 Hex	F05010-17	2	

2

Blade Guide Rollers & Arm

Blade Guide Assembly, Drive Side

11	Bolt, 5/16-18 x 1 1/4" Hex Head Stainless Steel	F05006-118	4	
12	Block, Upper Blade Guide	044051	1	
13	Bolt, Blade Guide Block Mount	035216	1	
14	Washer, #10 Brass	042867	1	
15	Bolt, #10-32 x 1 3/4" Hex Head Stainless Steel	F05004-178	1	
	Roller Assembly, Blade Guide (standard for use with 1 1/4" & 1 1/2" blades)	A04925 ²	1	
	Roller Assembly, Extended Blade Guide (optional for use with 1 1/2" blades)	014299 ²	1	
	Bearing Kit, Blade Guide Rebuild	K07079	1	
16	Washer, 5/8" White Felt	P04252	1	
17	Ring, 1 1/8" Interior Retaining	F04254-1	1	
18	Bearing, R8-2RS Blade Guide	015975	2	◆
19	Washer, 5/8" Gray Felt	P06455	1	
	Screw, 1/4-28 x 1/4" Socket Head Cup Point Set Black Oxide	F05005-105	1	
	Instruction Sheet, Blade Guide Rebuild	057407-1507	1	
20	Roller, Flanged Blade Guide (1 1/4" & 1 1/2" blade)	S04250	1	◆
	Roller, Flanged Blade Guide (1 1/2" blade)	014243	1	◆
	Instruction Sheet, Blade Guide Roller Replacement	A04925-364	1	
21	Spacer, Blade Guide	S04253	2	
22	Washer, 1/2" Split Lock	F05011-9 ³	1	
23	Bolt, 1/2-13 x 2 1/4" Hex Head Grade 5	F05008-10	1	
24	Block, Blade Guide Wear (Standard for 1 1/2" Blades)	052309 ⁴	2	
	Block, Blade Guide Wear (Optional for 1 1/4" Blades)	052355 ⁴	2	
	Block Assembly, 1" Sq. EZ-Glide Wear	036347 ⁴	2	
25	Block, Lower Blade Guide	044052	1	
26	Screw, 5/16-18 x 1 3/4" Socket Head	F05006-65	2	
27	Screw, Lower Block Adjustment	044057	1	
28	Screw, #10-32 x 3/8" Socket Head Stainless Steel	F05004-200	1	
29	Block, Blade Guide Alignment	035799	1	
30	Screw, #10-32 x 5/8" Hex Head	F05004-152	1	
31	Washer, #10 Split Lock	F05011-20	1	
32	Spacer, 1/2" ID x 7/8" OD x 1/8" Thick (For use with 1 1/4" Blades)	052364 ⁵	1	
33	ARM WELDMENT, DRIVE SIDE BLADE GUIDE	034292	1	
34	BOLT, BLADE GUIDE VERTICAL ADJUSTMENT	035656	1	
35	WASHER, 1/2" SPLIT LOCK	F05011-9	2	
36	BOLT, 1/2-13 X 1 1/2" HEX HEAD GRADE 5	F05008-33	2	
	SHIM, .008" BLADE GUIDE BLOCK SPACER	035248	1	
37	WASHER, 5/16" SAE FLAT	F05011-17	2	
38	WASHER, 5/16" SPLIT LOCK	F05011-13	2	
39	BOLT, 5/16-18 X 1 1/2" HEX HEAD STAINLESS STEEL	F05006-119	2	
	ROLLER ASSEMBLY, BLADE GUIDE RELUBE (OPTIONAL FOR USE WITH 1 1/4" & 1 1/2" BLADES)	016568 ²	1	
	ROLLER ASSEMBLY, EXTENDED BLADE GUIDE RELUBE (OPTIONAL FOR USE WITH 1 1/2" BLADES)	057405 ²	1	

Blade Guide Rollers & Arm

Blade Guide Assembly, Drive Side

2

	Bearing Kit, Relube Blade Guide Rebuild	057407	1	
40	Washer, 5/8" White Felt	P04252	1	
41	Ring, 1 1/8" Interior Retaining	F04254-1	1	
42	Bearing, R8-2RS Blade Guide	015975 ⁶	2	◆
43	Washer, 5/8" Gray Felt	P06455	1	
44	Spacer, Blade Guide Bearing	035411	1	
	Instruction Sheet, Blade Guide Rebuild	057407-1507	1	
45	Roller, Flanged Blade Guide (Relube 1 1/4" & 1 1/2" blade)	035426	1	◆
	Roller, Flanged Blade Guide (Relube 1 1/2" blade)	057402	1	◆
	Instruction Sheet, Blade Guide Roller Replacement	A04925-364	1	
46	BOLT, BLADE GUIDE ROLLER (RELUBE ONLY)	036161	1	
47	FITTING, 1/4-28 GREASE (RELUBE ONLY)	P05060	1	

¹ 044050 Blade Guide Assembly replaced with 036812 Rev. A7.02 then 003925 Rev. A8.01 and no longer available. Use component parts to service or replace entire assembly with 003925. New assembly provides easier adjustment ([See Section 2.4](#)).

² The sawmill is equipped standard with non-greasable blade guide rollers that can be used with the standard 1 1/2" blade. The roller can also be used with 1 1/4" blades. Optional extended blade guide rollers are available for use with 1 1/2" blades. The extended rollers may provide more stability during difficult sawing, but will reduce the total amount of times the blade can be reused after sharpening. Optional relube versions of each roller configuration are also available.

³ Nord-Lock Washer F05011-125 available to replace Split Lock Washer F05011-9 to prevent loosening due to vibration (12/09).

⁴ Blade guide wear blocks 052309 & 052355 replace EZ-Glide block 036347 to improve wear life (Rev. A6.01). 052309 blocks for use with 1 1/2" blade provided as standard equipment. 052355 blocks available for optional use with 1 1/4" blades. EZ-Glide blocks 036347 are available for customers who prefer this block.

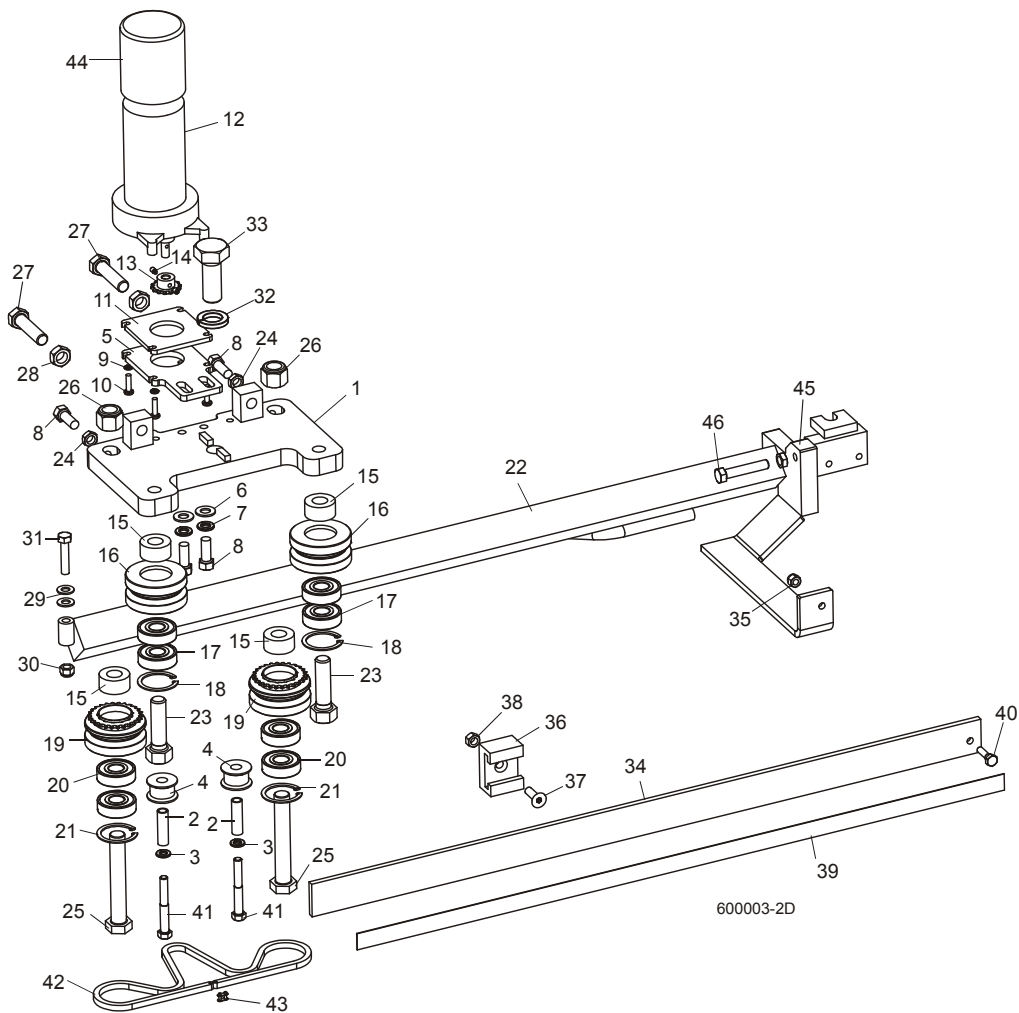
⁵ 1/8" thick spacer 052364 replaces 1/4" spacer 041626 to provide proper spacing of blade guide block when using 1 1/4" blades.

⁶ Bearing must be modified for use with relube roller assemblies. Remove one seal from each bearing, place open sides facing each other and place spacer 035411 between bearings.

2 Blade Guide Rollers & Arm

Blade Guide Arm Drive Assembly

2.7 Blade Guide Arm Drive Assembly



REF	DESCRIPTION (◆ Indicates Parts Available In Assemblies Only)	PART #	QTY.	
	ARM ASSEMBLY, IDLE SIDE BLADE GUIDE	034290	1	
1	Plate Weldment, Blade Guide Arm	034286	1	
2	Spacer, .322" x .44" x 1 1/2"	S09996	2	
3	Washer, 5/16" Split Lock	F05011-13	2	
4	Roller, Blade Guide Drive	S09999	2	
5	Plate, Blade Guide Motor Mount	033803	1	
6	Washer, 3/8" SAE Flat	F05011-3	2	
7	Washer, 3/8" Split Lock	F05011-4	2	
8	Bolt, 3/8-16 x 1" Hex Head	F05007-7	4	
9	Washer, #10 Split Lock	F05011-20	4	
10	Screw, #10-32 x 3/4" Phillips Head Machine	F05004-38	4	
11	Plate, Blade Guide Motor Mount Spacer	033805	1	
12	Motor, 1/30 HP 62RPM 12VDC 53:1 Gear	P09698-1	1	
	Housing, Klauber Motor End	P12756	1	

Blade Guide Rollers & Arm

Blade Guide Arm Drive Assembly

2

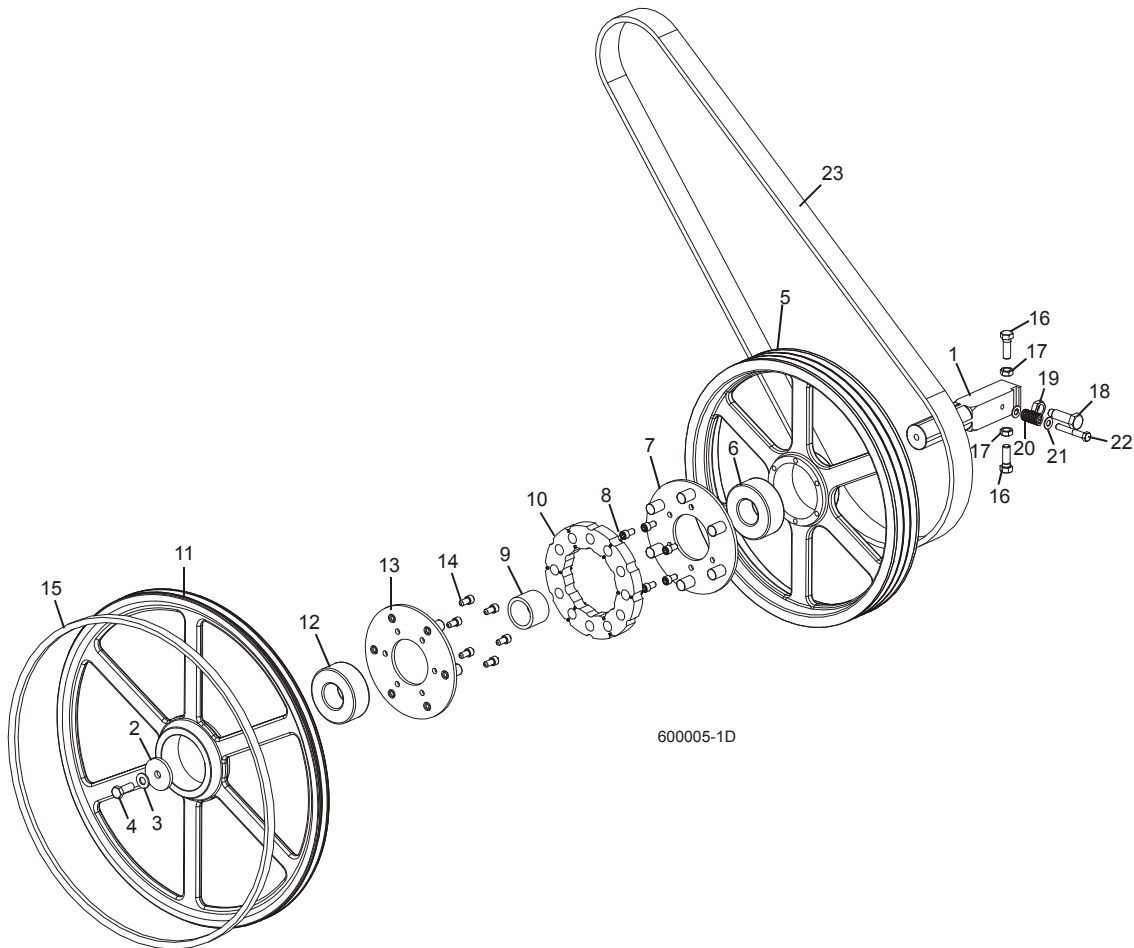
	Gear Kit, Klauber Motor Replacement	P12569	1	
	Brush Kit, Gear Motor Replacement	P12800	1	
	Shaft Kit, Klauber Gear Motor Replacement	009695	1	
13	Sprocket Assembly, 25B14 x .3130	036664 ¹	1	
14	Screw, #10-24 x 1/4" Full Dog Point Socket Set	F05004-274	2	
15	Spacer, Blade Guide Arm V-Roller	033913	4	
	Roller Assembly, Blade Guide Arm V Idle	042543	2	
16	Housing, 2 1/2" V-Groove	042536	1	
17	Bearing, 5/8" x 1.7548" x .4724"	P06030-1	2	
18	Ring, 1.575" ID Beveled 5002-156 Retaining	F04254-8	1	
	Roller Assembly, Blade Guide Arm V Drive	042542	2	
19	Housing, 2 1/2" V-Groove w/Sprocket	042541	1	
20	Bearing, 5/8" x 1.7548" x .4724"	P06030-1	2	
21	Ring, 1.575" ID Beveled 5002-156 Retaining	F04254-8	1	
22	Arm Weldment, Blade Guide	034289	1	
23	Bolt, 5/8-18 x 2 1/4" Hex Head Grade 5	F05009-80	2	
24	Nut, 3/8-16 Hex Jam	F05010-29	2	
25	Bolt, 5/8-18 x 3 1/4" Hex Head Grade 5	F05009-98	2	
26	Nut, 5/8-18 Hex Nylon Lock	F05010-71	2	
27	Bolt, 1/2-20 x 2" Hex Head Full Thread	F05008-126	2	
28	Nut, 1/2-20 Hex Jam	F05010-16	2	
29	Washer, 5/16" SAE Flat	F05011-17	2	
30	Nut, 5/16-18 Hex Nylon Lock	F05010-58	1	
31	Bolt, 5/16-18 x 1 1/2" Hex Head Grade 5	F05008-96	1	
32	Washer, 3/4" Split Lock	F05011-6	1	
33	Bolt, 3/4-16 x 2" Full Thread Hex Head	F05013-1	1	
34	Guard, Blade Guide Arm	014955	1	
35	Nut, 1/4-20 Hex Nylon Lock	F05010-69	1	
36	Bracket, Blade Guide Arm Guide	014882	1	
37	Bolt, 5/16-18 x 1" Flat Head Socket	F05006-124 ²	1	
38	Nut, 5/16-18 Hex Lock	F05010-6	1	
39	Decal, Blade Guide Arm Warning Stripe	015849	1	
40	Screw, 1/4-20 x 1" Hex Head	F05005-38	1	
41	Bolt, 5/16-18 x 2 1/2" Hex Head Grade 5	F05006-80	2	
42	Chain, #25 x 27 3/4"	036194	1	
43	Link, #25 Master	P09983	2	
44	Cap, 2.5" ID x 3" Rubber	023720	1	
45	Nut, 3/8-16 Hex Jam	F05010-29	1	
46	Bolt, 3/8-16 x 2" Hex Head Full Thread	F05007-16	1	

¹ Sprocket modified 6/11 with threaded holes to accept included set screws (replace 1/8" x 3/4" roll pin F05012-6). 14 Tooth Sprocket 036664 replaces 13 Tooth Sprocket P09970 to improve speed of blade guide arm operation (Rev. A5.00).

² 1" Bolt F05006-124 replaces 3/4" Bolt F05006-95 originally supplied before Rev. A6.00 to improve thread engagement.

SECTION 3 BLADE WHEELS & TENSIONER

3.1 Blade Drive Assembly



REF	DESCRIPTION (◆ Indicates Parts Available In Assemblies Only)	PART #	QTY.
	WHEEL ASSEMBLY, BLADE DRIVE	034359	1
1	Shaft, Blade Drive Wheel	033920	1
2	Washer, Blade Drive Wheel	033909	1
3	Washer, 1/2" SAE Flat	F05011-2	1
4	Bolt, 1/2-13 x 1 1/4" Hex Head Grade 5	F05008-37	1
	Pulley Assembly, 19" Blade Drive	034426	1
5	Pulley, Blade Drive	033809	1
6	Bearing, 5309-2RS	016014	1
7	Plate Assembly, Coupling	034424	1
8	Bolt, 3/8-24 x 3/4" Socket Head	F05007-154	6
9	Spacer, Drive Bearing	033921	1

Blade Wheel & Tensioner

Blade Drive Assembly

3

10	Ring, Drive Coupling	034418	1	
	Wheel Assembly, 24" Blade	017834	1	
11	Wheel, 24" Blade	034872	1	
12	Bearing, 5309-2RS	016014	1	
13	Plate Assembly, Coupling	034424	1	
14	Bolt, 3/8-24 x 3/4" Socket Head	F05007-154	6	
15	BELT, B72.5 BLADE WHEEL (NOT SHOWN)	017922-1 ¹	1	
16	BOLT, 1/2-20 X 1 1/2" HEX HEAD GRADE 5	F05008-53	2	
17	NUT, 1/2-20 HEX JAM	F05010-16	2	
18	BOLT, DRIVE WHEEL RETAINING	034360	1	
19	NUT, 5/8-18 HEX JAM	F05010-11	1	
20	SPRING, 3/4" OD X 1 1/2" LONG DIE	034430	1	
21	WASHER, 3/8" SAE FLAT	F05011-3	2	
22	BOLT, 3/8-16 X 2 1/2" HEX HEAD GRADE 5	F05007-125	1	
23	BELT, 3/5VFX950 DRIVE	045190	1	

¹ 017922-1 B72.5 Belt replaces 017922 supplied prior to 7/10. New belt provides longer service life.

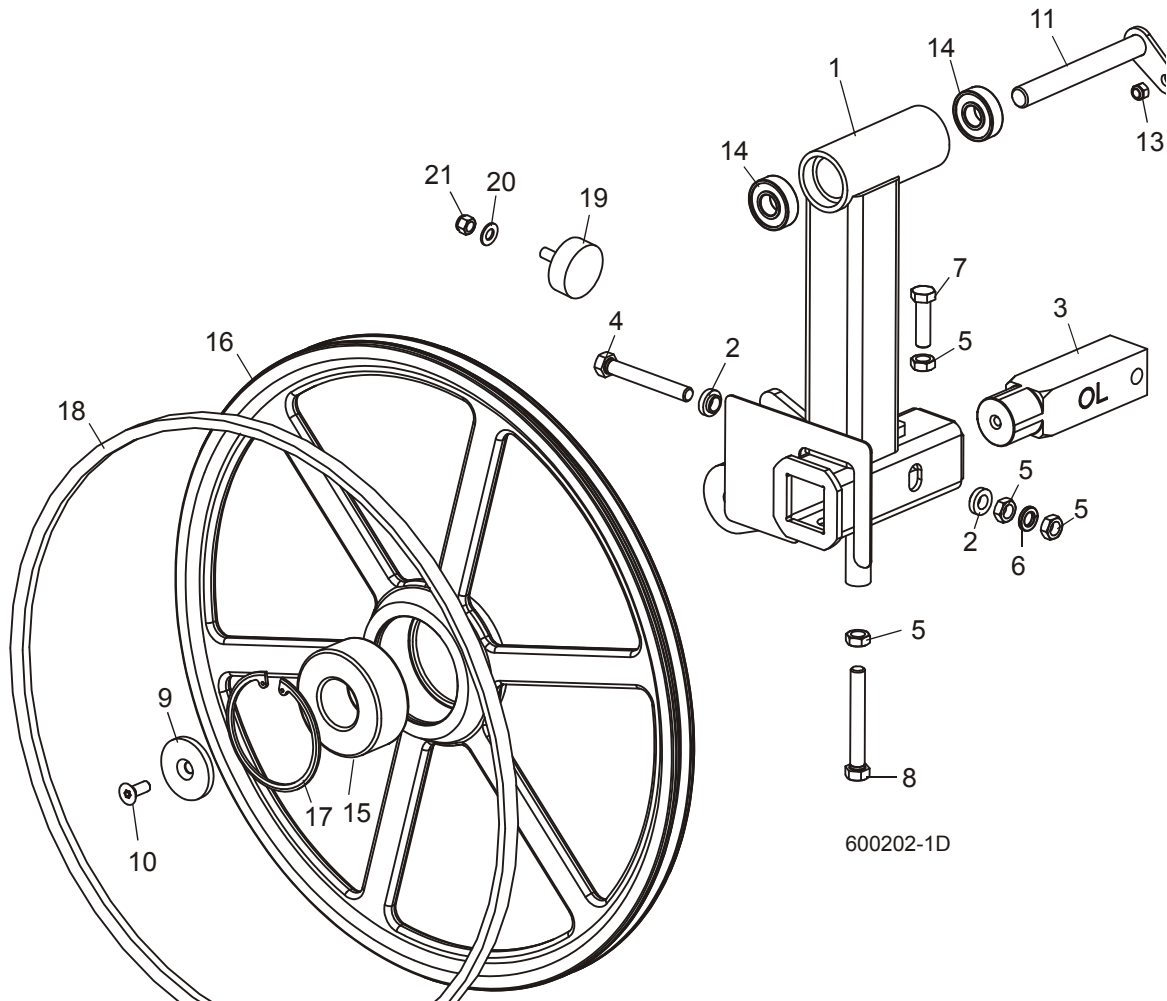
3 Blade Wheels & Tensioner

Idle Blade Wheel Assembly

3.2 Idle Blade Wheel Assembly

LT70HD Remote

Rev. A5.03 - B3.01



REF	DESCRIPTION (◆ Indicates Parts Available In Assemblies Only)	PART #	QTY.
	SHAFT ASSEMBLY, IDLE BLADE WHEEL (CAM TENSIONER)	036729	1
1	Tube Weldment, Idle Side Blade Wheel	048266 ¹	1
2	Spacer, .510" x .937" x .34"	S04253	2
3	Shaft, Idle Side Blade Wheel	017706	1
4	Bolt, 1/2-20 x 3 3/4" Hex Head Full Thread Grade 5	F05008-111	1
5	Nut, 1/2-20 Hex Jam	F05010-16	4
6	Washer, 1/2" Split Lock	F05011-9	1
7	Bolt, 1/2-20 x 1 3/4" Hex Head Full Thread	F05008-127	1
8	Bolt, 1/2-20 x 3 3/4" Hex Head Full Thread Grade 5	F05008-111 ¹	1
9	Washer, 3/32" ID x 2 1/4" OD x 1/4" Thick	016397	1
10	Bolt, 3/8-16 x 1" Flat Socket Head	F05007-64	1
11	Pin Weldment, Idle Wheel Pivot	034358	1
12	Bolt, 5/16-18 x 3/4" Hex Head	F05006-102	1

13	Nut, 5/16-18 Hex Nylon Lock	F05010-58	1	
14	Bearing, #465966	034470	2	
	WHEEL ASSEMBLY, 24" IDLE BLADE	017835	1	
15	Bearing, 5309-2RS	016014	1	
16	Wheel, 24" Blade	034871	1	
17	Ring, 100 mm Beveled Inside Retaining	F04254-28	1	
18	BELT, B72.5 BLADE WHEEL (NOT SHOWN)	017922-1 ²	1	
19	BUMPER, TABLE	034175	1	
20	WASHER, 3/8" FLAT SAE	F05011-3	1	
21	NUT, 3/8-16 HEX NYLON LOCK	F05010-10	1	

¹ Idler Tube Weldment 048266 modified with threaded extension to provide easier access to bottom adjustment bolt (Rev. A7.00).

3 3/4" Bolt F05008-111 replaces 1 1/2" Bolt F05008-53 originally supplied.

² 017922-1 B72.5 Belt replaces 017922 supplied prior to 7/10. New belt provides longer service life.

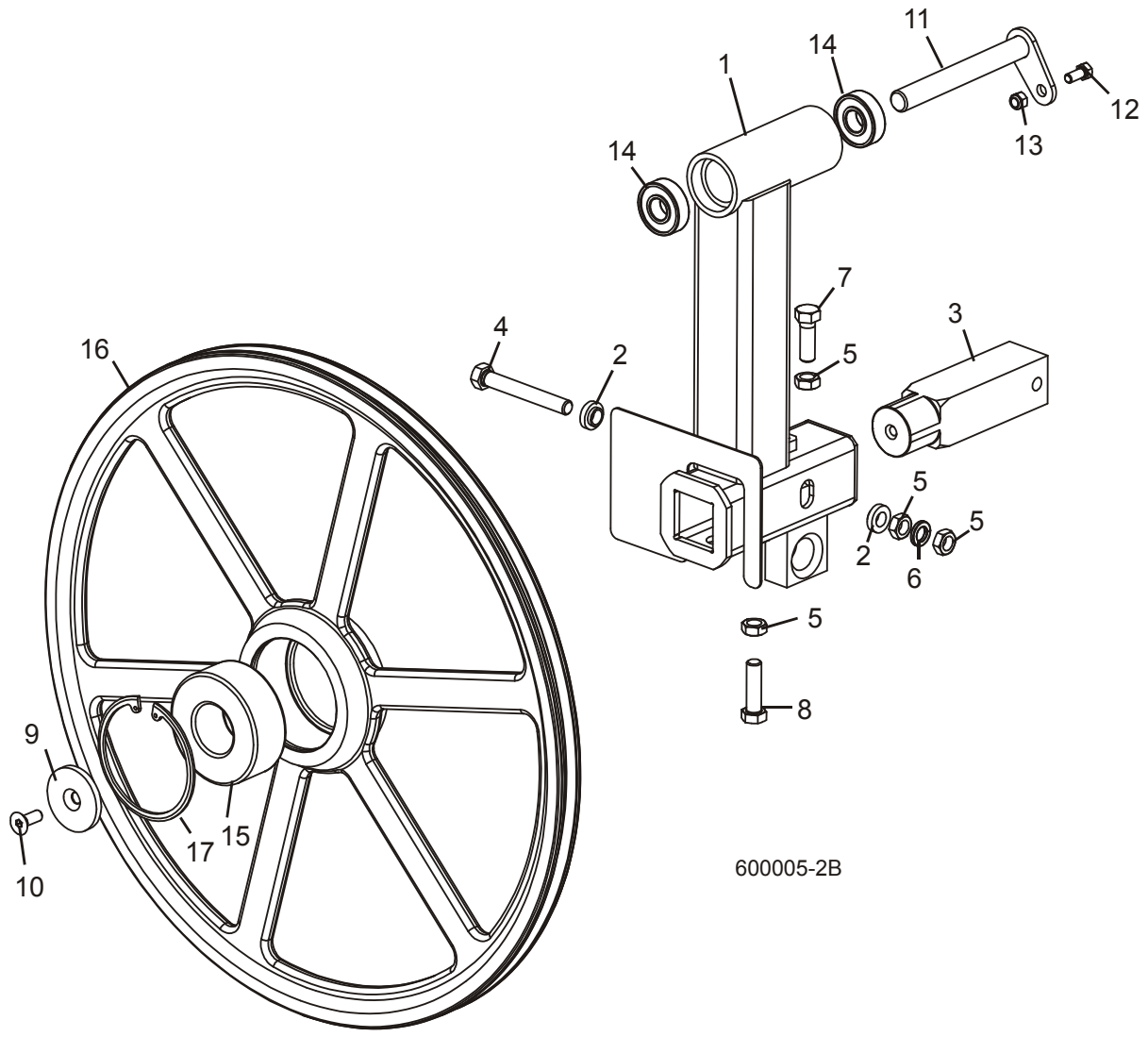
3 Blade Wheels & Tensioner

Idle Blade Wheel Assembly

3.3 Idle Blade Wheel Assembly

LT70HD Remote

Rev. A1.03 - A5.02



600005-2B

REF	DESCRIPTION (◆ Indicates Parts Available In Assemblies Only)	PART #	QTY.
	SHAFT ASSEMBLY, IDLE BLADE WHEEL	034356 ¹	1
1	Tube Weldment, Idle Side Blade Wheel	034296	1
2	Spacer, .510" x .937" x .34"	S04253	2
3	Shaft, Idle Side Blade Wheel	017706	1
4	Bolt, 1/2-20 x 3 3/4" Hex Head Full Thread Grade 5	F05008-111	1
5	Nut, 1/2-20 Hex Jam	F05010-16	4
6	Washer, 1/2" Split Lock	F05011-9	1
7	Bolt, 1/2-20 x 1 1/2" Hex Head Grade 5	F05008-53	1
8	Bolt, 1/2-20 x 1 3/4" Hex Head Full Thread	F05008-127	1

9	Washer, 3/32" ID x 2 1/4" OD x 1/4" Thick	016397	1	
10	Bolt, 3/8-16 x 1" Flat Socket Head	F05007-64	1	
11	Pin Weldment, Idle Wheel Pivot	034358	1	
12	Bolt, 5/16-18 x 3/4" Hex Head	F05006-102	1	
13	Nut, 5/16-18 Hex Nylon Lock	F05010-58	1	
14	Bearing, #465966	034470	2	
	WHEEL ASSEMBLY, 24" IDLE BLADE	017835	1	
15	Bearing, 5309-2RS	016014	1	
16	Wheel, 24" Blade	034871	1	
17	Ring, 100 mm Beveled Inside Retaining	F04254-28	1	
	BELT, B72.5 BLADE WHEEL (NOT SHOWN)	017922-1 ²	1	

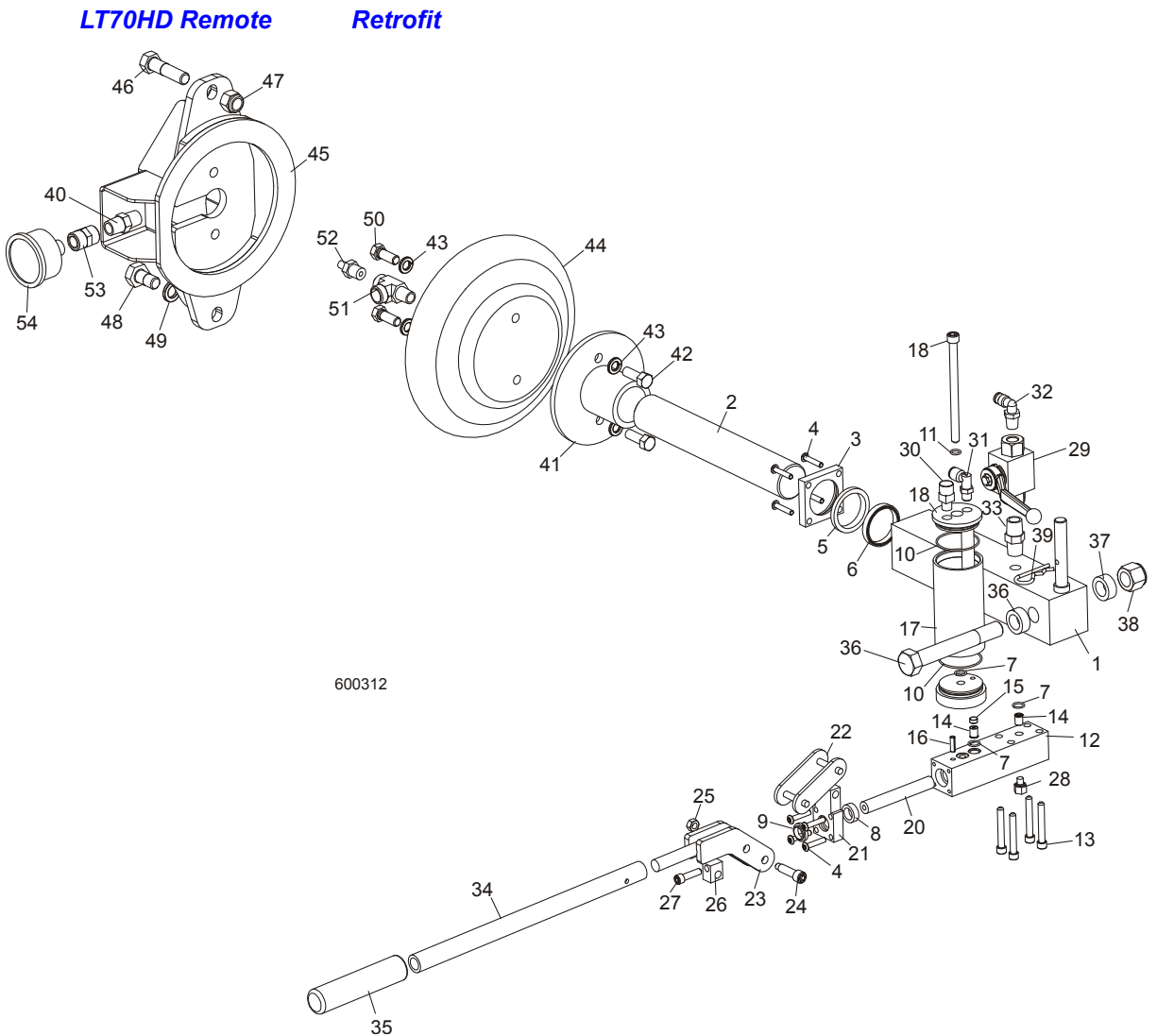
¹ Idle Blade Wheel Shaft Assembly 034356 replaced with 036729 Rev. A5.03 to accommodate new cam-style blade tensioner ([See Section 3.2](#)).

² 017922-1 B72.5 Belt replaces 017922 supplied prior to 7/10. New belt provides longer service life.

3 Blade Wheels & Tensioner

Hydraulic Blade Tensioner Assembly

3.4 Hydraulic Blade Tensioner Assembly



REF	DESCRIPTION (◆ Indicates Parts Available In Assemblies Only)	PART #	QTY.	
1-54	TENSIONER ASSEMBLY, LT70 HYDRAULIC BLADE	054844 ¹	1	◆
1-33	Block Kit, Hydraulic Tensioner Service	006529 ¹	1	
1-28	Block Assembly, Hydraulic Blade Tensioner	055315	1	◆
1	Block Weldment, Tensioner Cylinder	056809	1	
2	Rod, Tensioner Push	054848	1	
3	Block, Tensioner Push Rod Wiper	054846	1	
4	Screw, #10-24 x 1" Socket Button Head	F05004-43	8	
5-11	Seal Kit, Hydraulic Tensioner Service	006528	1	
5	Wiper, 1 1/2" Rod	056884	1	◆

Blade Wheels & Tensioner Hydraulic Blade Tensioner Assembly

3

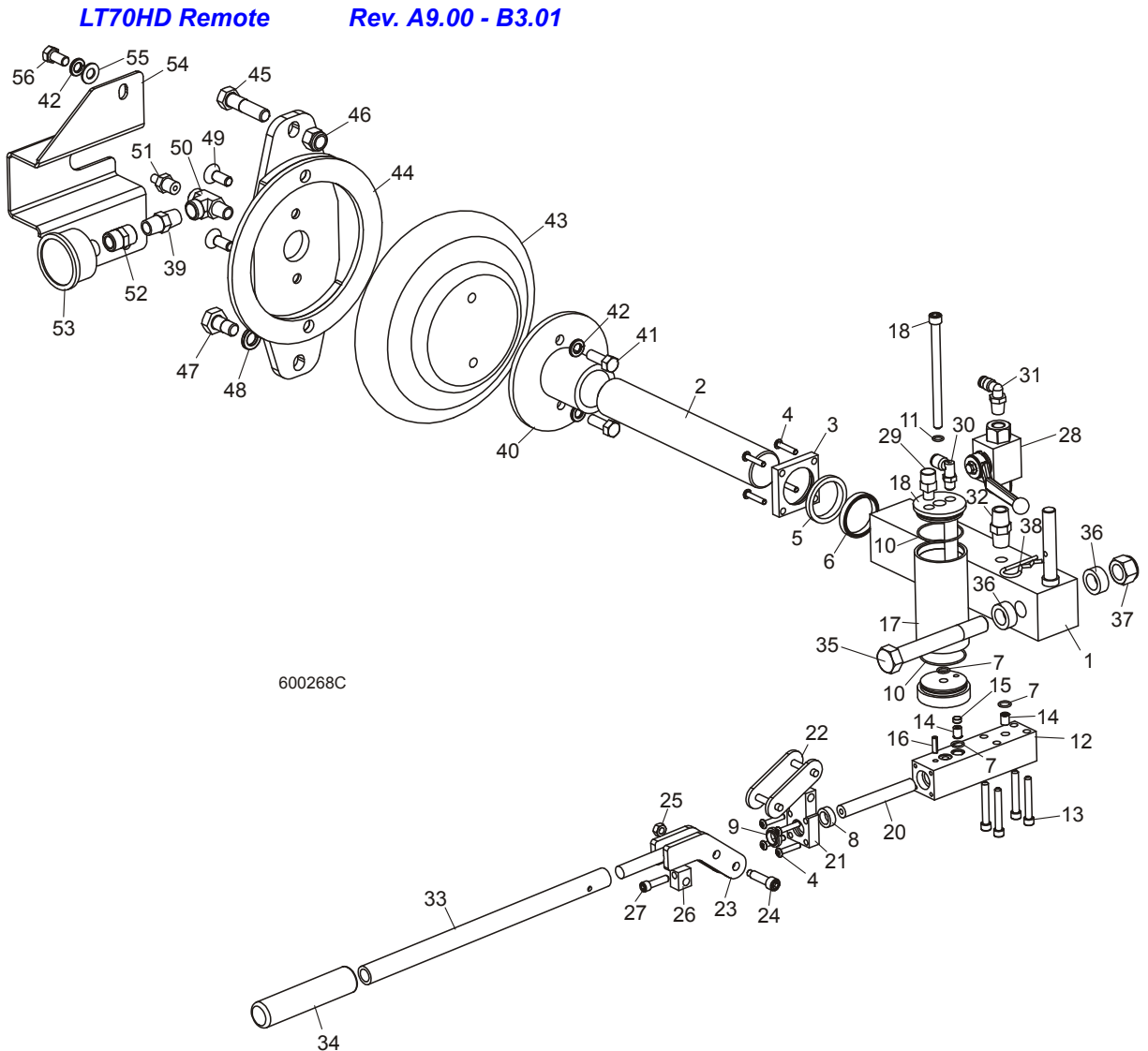
6	Seal, 1 1/2" Loaded Lip	056887	1	◆
7	O-Ring, 1/16" x 3/8" ID x 1/2" OD	056888	3	◆
8	Seal, 1/2" Loaded Lip	056886	1	◆
9	Wiper, 1/2" Rod	056885	1	◆
10	O-Ring, 1/16" x 1 5/8" ID x 1 3/4" OD	056889	2	◆
11	O-Ring, 5/16" ID x 7/16" OD #011	033477	1	◆
	Inst. Sheet, LT70 Hydraulic Blade Tensioner Seal Replacement	006825-1601	1	
12	Block, Tensioner Piston	054845	1	
13	Screw, 1/4-20 x 1 3/4" Socket Head	F05005-156	4	
14	Valve, 8mm Check	056883	2	
15	Screen, Hydraulic Cartridge	006274	1	
16	Pin, 3/16" x 5/8" Roll	F05012-22	1	
17	Tube, Hydraulic Fluid Tank	054837	1	
18	Cap Weldment, Hydraulic Reservoir	006366	1	
19	Screw, 5/16-18 x 4 1/2" Socket Head	F05006-135	1	
20	Rod, Tensioner Piston	054842	1	
21	Block, Tensioner Pivot Link	054843	1	
22	Link, C2080H Master	016796	1	
23	Link Weldment, Tensioner Pivot	055316	1	
24	Screw, 5/16" x 1" (1/4-20 Thread) Socket Head Shoulder	F05006-41	1	
25	Nut, 1/4-20 Hex Lock	F05010-21	1	
26	Block, Piston Link	054840	1	
27	Screw, 1/4-20 x 1" Socket Head	F05005-89	1	
28	Plug, 5/16-24 x 5/8" O-Ring	P10065	1	
29	Valve, 7250 PSI Hydraulic	056806	1	
30	Fitting, 1/8" NPT Protected Vent	056890	1	
31	Fitting, 1/4" NPT x 1/4" Tube 90° Elbow	P21519	1	
32	Fitting, 1/8" MPT x 1/4" Tube Swivel Elbow	P09736	1	
33	Fitting, 1/4" NPT Hex Nipple	P21524	1	
34	Tube, Tensioner Handle	055318	1	
35	Grip, 3/4" ID x 4 1/2" Handle	049031	1	
36	Bolt, 5/8-11 x 4 1/2" Hex Head Grade 5	F05009-10	1	
37	Spacer, 5/8" ID x 1" OD x 13/32"	056900	2	
38	Nut, 5/8-11 Hex Nylon Lock	F05010-34	1	
39	Pin, 1/8" x 1 13/16" Safety	P05059	1	
40	Fitting, 1/4" NPT Hex Nipple	P21524	1	
41	Tube Weldment, Tensioner	055317	1	
42	Bolt, 3/8-16 x 1" Hex Head	F05007-7	2	
43	Washer, 3/8" Split Lock	F05011-4	4	
44	Bag, Blade Tensioner Air	033984	1	
45	Plate Weldment, Air Bag Mount	034276	1	
46	Bolt, 1/2-13 x 2" Hex Head	F05008-76	1	
47	Nut, 1/2-13 Hex Nylon Lock	F05010-8	1	

3**Blade Wheels & Tensioner***Hydraulic Blade Tensioner Assembly*

48	Bolt, 1/2-13 x 1" Hex Head	F05008-50	1	
49	Washer, 1/2" Split Lock	F05011-9	1	
50	Bolt, 3/8-16 x 1" Hex Head Grade 5	F05007-87	2	
51	Fitting, 1/4" NPT x 1/4" JIC Male Run Tee	P09141	1	
52	Fitting, 1/4" NPT Air Valve	034285	1	
53	Fitting, 1/4" NPT Coupling	P03420	1	
54	Gauge, Liquid-Filled Air	034278	1	

¹ Tensioner Assembly 054844 modified Rev. B4.08. 006529 Hydraulic Tensioner Service Block Kit no longer available. Use 065538 Blade Tensioner Retrofit Kit including hydraulic pump, pump mount, hydraulic cylinder and additional hardware to retrofit blade tensioner.

3.5 Hydraulic Blade Tensioner Assembly



REF	DESCRIPTION (◆ Indicates Parts Available In Assemblies Only)	PART #	QTY.	
1-56	TENSIONER ASSEMBLY, LT60/LT70 HYDRAULIC BLADE	054844 ¹	1	◆
1-32	Block Kit, Hydraulic Tensioner Service	006529	1	
1-27	Block Assembly, Hydraulic Blade Tensioner	055315	1	◆
1	Block Weldment, Tensioner Cylinder	056809	1	
2	Rod, Tensioner Push	054848	1	
3	Block, Tensioner Push Rod Wiper	054846	1	
4	Screw, #10-24 x 1" Socket Button Head	F05004-43	8	
5-11	Seal Kit, Hydraulic Tensioner Service	006528	1	
5	Wiper, 1 1/2" Rod	056884	1	◆

3

Blade Wheels & Tensioner Hydraulic Blade Tensioner Assembly

6	Seal, 1 1/2" Loaded Lip	056887	1	◆
7	O-Ring, 1/16" x 3/8" ID x 1/2" OD	056888	3	◆
8	Seal, 1/2" Loaded Lip	056886	1	◆
9	Wiper, 1/2" Rod	056885	1	◆
10	O-Ring, 1/16" x 1 5/8" ID x 1 3/4" OD	056889	2	◆
11	O-Ring, 5/16" ID x 7/16" OD #011	033477 ²	1	◆
	Inst. Sheet, LT70 Hydraulic Blade Tensioner Seal Replacement	006825-1601	1	
12	Block, Tensioner Piston	054845 ²	1	
13	Screw, 1/4-20 x 1 3/4" Socket Head	F05005-156	4	
14	Valve, 8mm Check	056883	2	
15	Screen, Hydraulic Cartridge	006274	1	
16	Pin, 3/16" x 5/8" Roll	F05012-22	1	
17	Tube, Hydraulic Fluid Tank	054837	1	
18	Cap Weldment, Hydraulic Reservoir	006366	1	
19	Screw, 5/16-18 x 4 1/2" Socket Head	F05006-135	1	
20	Rod, Tensioner Piston	054842	1	
21	Block, Tensioner Pivot Link	054843	1	
22	Link, C2080H Master	016796	1	
23	Link Weldment, Tensioner Pivot	055316	1	
24	Screw, 5/16" x 1" (1/4-20 Thread) Socket Head Shoulder	F05006-41	1	
25	Nut, 1/4-20 Hex Lock	F05010-21	1	
26	Block, Piston Link	054840	1	
27	Screw, 1/4-20 x 1" Socket Head	F05005-89	1	
28	Valve, 7250 PSI Hydraulic	056806	1	
29	Fitting, 1/8" NPT Protected Vent	056890	1	
30	Fitting, 1/4" NPT x 1/4" Tube 90° Elbow	P21519	1	
31	Fitting, 1/8" MPT x 1/4" Tube Swivel Elbow	P09736	1	
32	Fitting, 1/4" NPT Hex Nipple	P21524	1	
33	Tube, Tensioner Handle	055318	1	
34	Grip, 3/4" ID x 4 1/2" Handle	049031	1	
35	Bolt, 5/8-11 x 4 1/2" Hex Head Grade 5	F05009-10	1	
36	Spacer, 5/8" ID x 1" OD x 13/32"	056900	2	
37	Nut, 5/8-11 Hex Nylon Lock	F05010-34	1	
38	Pin, 1/8" x 1 13/16" Safety	P05059	1	
39	Fitting, 1/4" NPT Hex Nipple	P21524	1	
40	Tube Weldment, Tensioner	055317	1	
41	Bolt, 3/8-16 x 1" Hex Head	F05007-7	2	
42	Washer, 3/8" Split Lock	F05011-4	4	
43	Bag, Blade Tensioner Air	033984	1	
44	Plate Weldment, Air Bag Mount	034276	1	
45	Bolt, 1/2-13 x 2" Hex Head	F05008-76	1	
46	Nut, 1/2-13 Hex Nylon Lock	F05010-8	1	
47	Bolt, 1/2-13 x 1" Hex Head	F05008-50	1	

48	Washer, 1/2" Split Lock	F05011-9	1	
49	Screw, 3/8-16 x 1" Flat Socket Head	F05007-64	2	
50	Fitting, 1/4" NPT x 1/4" JIC Male Run Tee	P09141	1	
51	Fitting, 1/4" NPT Air Valve	034285	1	
52	Fitting, 1/4" NPT Coupling	P03420	1	
53	Gauge, Liquid-Filled Air	034278	1	
54	Guard, Air Gauge	034245 ¹	1	
55	Washer, 3/8" SAE Flat	F05011-3	2	
56	Bolt, 3/8-16 x 3/4" Hex Head	F05007-27	2	

¹ Hydraulic Blade Tensioner provides improved durability and blade tensioning. Use kit 065697 to upgrade cam-style tensioner supplied on Rev. A5.03 - A8.01. Use kit 065696 to upgrade screw-style tensioner supplied on Rev. A3.01 - A5.02. Tensioner Assembly 054844 modified Rev. 4/10 ([See Section 3.4](#)). Tensioner Block Assembly 055315 includes modified Tensioner Block 054845 with access hole. Hole allows access to remove/service check valve. Plug for hole added to assembly. Air Bag Mount 034276 modified to include gauge guard and provide enough clearance for fittings Rev. 4/10 ([See Section 3.4](#)).

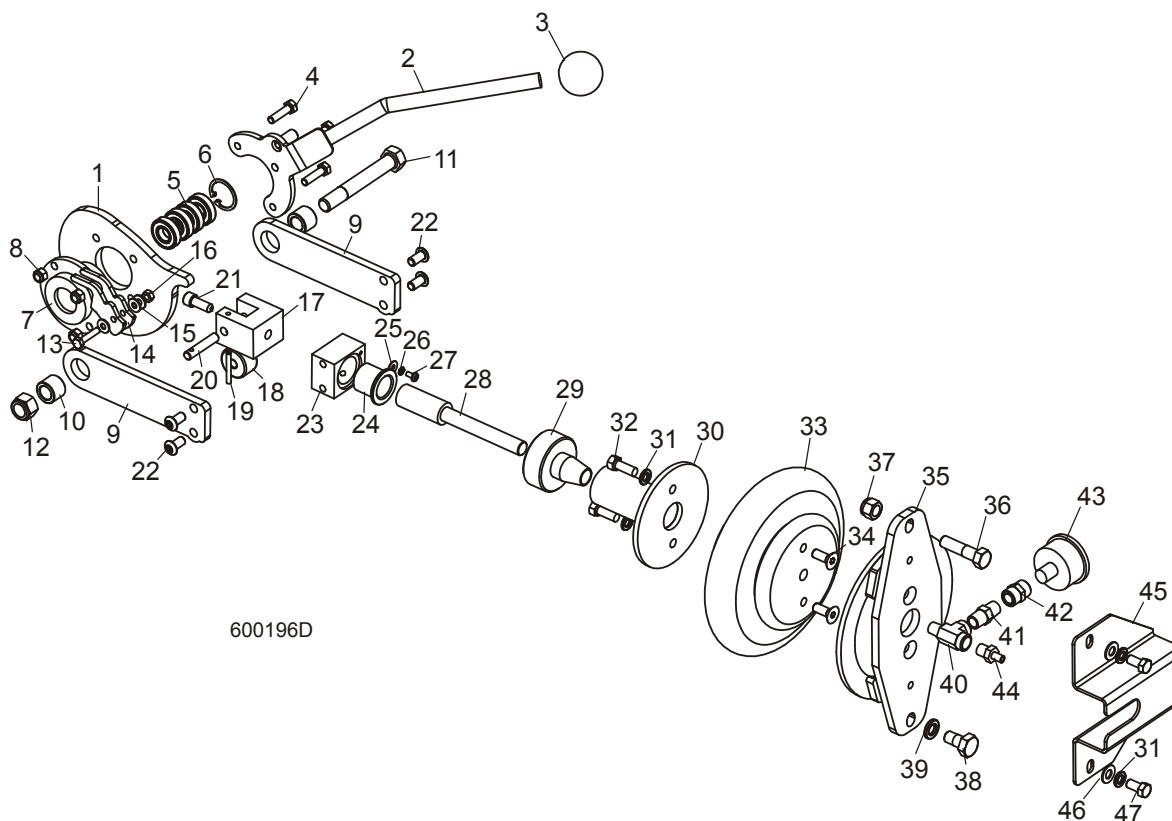
² O-Ring added 12/08 to seal water out. Requires modified Tensioner Block 054845. Tensioner Block Assembly 055315 includes modified Tensioner Block 054845 with access hole. Hole allows access to remove/service check valve. Plug for hole added to assembly ([See Section 3.4](#)).

3 Blade Wheels & Tensioner

Blade Tensioner Assembly

3.6 Blade Tensioner Assembly

LT70HD Remote Rev. A5.03 - A8.01



REF	DESCRIPTION (◆ Indicates Parts Available In Assemblies Only)	PART #	QTY.
	TENSIONER ASSEMBLY, LT70 BLADE	048268 ¹	1
	Handle Assembly, Blade Tensioner	048416	1
1	Cam, Blade Tensioner	047988	1
2	Handle Weldment, Blade Tensioner	048430 ²	1
3	Knob, 5/8-18 Ball	P04211	1
4	Bolt, 5/16-18 x 1 1/4" Hex Head Full Thread Grade 5	F05006-93 ³	3
5	Bearing, R-10	P04156	4
6	Ring, 1 3/8" Inside Retaining	F04254-11	1
7	Cam Weldment, Blade Tensioner	048212	1
8	Nut, 5/16-18 Hex Nylon Lock	F05010-58 ³	3
9	Plate, Blade Tensioner Link	048254	2
10	Spacer, 41/64" x 1" x 3/4"	015503	2
11	Bolt, 5/8-11 x 4 1/2" Hex Head Grade 5	F05009-10	1
12	Nut, 5/8-11 Hex Nylon Lock	F05010-34	1
13	Bolt, 1/4-20 x 1 1/4" Hex Head Grade 5	F05005-116	1

14	Plate, Blade Tensioner Cam Lock	048435 ²	2	
15	Washer, 1/4" SAE Flat	F05011-11	3	
16	Nut, 1/4-20 Hex Lock	F05010-21	1	
17	Block, Bearing Mount	047987	1	
18	Bearing, 3/8" x 1 3/8" x 13/16 Cam	048219	1	
19	Pin, 3/16" x 1 1/2" Roll	F05012-17	1	
20	Pin, Bearing Mount	048210	1	
21	Screw, 3/8-16 x 1" Socket Head	F05007-52	1	
22	Screw, 3/8-16 x 3/4" Socket Button Head	F05007-21	4	
23	Block, Blade Tensioner Link Mount	047989	1	
24	Bushing, 1" ID x 1 1/4" OD Flanged	P109	1	
25	Washer, #10 SAE Flat	F05011-18	1	
26	Washer, #10 Split Lock	F05011-20	1	
27	Screw, #10-24 x 3/8" Phillips Pan Head	F05004-3	1	
28	Rod Weldment, Threaded Blade Tensioner	036739	1	
29	Nut, Blade Tensioner Adjustment	048433	1	
30	Tube Weldment, Blade Tensioner	048414	1	
31	Washer, 3/8" Split Lock	F05011-4	4	
32	Bolt, 3/8-16 x 1" Hex Head	F05007-7	2	
33	Bag, Blade Tensioner Air	033984	1	
34	Screw, 3/8-16 x 1" Flat Socket Head	F05007-64	2	
35	Plate Weldment, Air Bag Mount	034276	1	
36	Bolt, 1/2-13 x 2" Hex Head	F05008-76	1	
37	Nut, 1/2-13 Hex Nylon Lock	F05010-8	1	
38	Bolt, 1/2-13 x 1" Hex Head	F05008-50	1	
39	Washer, 1/2" Split Lock	F05011-9	1	
40	Fitting, 1/4" NPT x 1/4" JIC Male Run Tee	P09141 ⁴	1	
41	Fitting, 1/4" NPT Nipple Hex	P21524	1	
42	Fitting, 1/4" NPT Coupling	P03420	1	
43	Gauge, Liquid-Filled Air	034278	1	
44	Fitting, 1/4" NPT Air Valve	034285	1	
45	Guard, Air Gauge	034245	1	
46	Washer, 3/8" SAE Flat	F05011-3	2	
47	Bolt, 3/8-16 x 3/4" Hex Head	F05007-27	2	

¹ Blade Tensioner 048268 replaced with Hydraulic Blade Tensioner 054844 Rev. A9.00 ([See Section 3.4](#)). Use kit 065697 to retrofit cam-style tensioner supplied after Rev. A5.03.

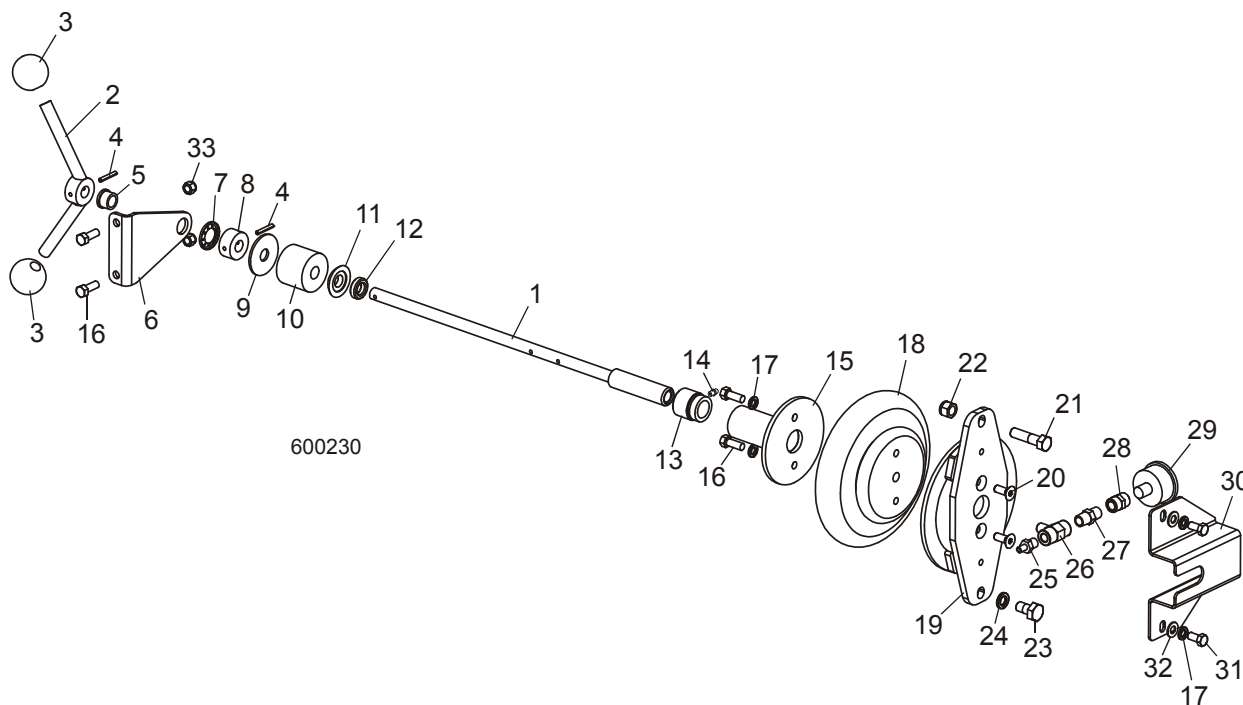
² Handle weldment and locking plates modified Rev. A7.01. Angled handle eliminates possible pinch point with blade guide motor when handle is disengaged. Lock plates modified to improve operation of lock when blade tension handle is engaged. Warning decal 049633 ([See Section 4.10](#)) added to warn customer to use two hands when operating the tensioner and to ensure locking plates engage when blade is tensioned. All previous revisions (A5.03 - A7.00) to be retrofitted with new handle, lock plates and decal (Kit #052432).

³ Third Bolt F05006-93 and Nut F05010-58 added 4/06 to prevent deflection of handle plate. Bolt can be added to previous revisions.

⁴ P09141 Male Run Tee replaces 015486 Branch Tee to provide better fit (Rev. A7.02).

3.7 Blade Tensioner Assembly

LT70HD Remote Rev. A3.01 - A5.02



REF	DESCRIPTION (◆ Indicates Parts Available In Assemblies Only)	PART #	QTY.
	TENSIONER ASSEMBLY, LT70 BLADE	034272 ¹	1
1	Shaft Weldment, Blade Tensioner	014846	1
2	Handle Weldment, Blade Tensioner	034271	1
3	Knob, 5/8-11 Ball	P04211	2
4	Pin, 3/16" x 1 1/4" Roll	F05012-16	2
5	Bushing, 5/8" ID x 7/8" OD x 1/2" Long Bronze	P05135	1
6	Plate, Tensioner Handle Support	033810	1
7	Washer, 7/8" Push Nut 5115-87	F04254-31	1
8	Hub, Tensioner Handle	014921	1
9	Washer, .66 x 2.25 x 11Ga	017711	1
10	Bushing, 11/16" x 2 1/8" x 1 3/4" Rubber	P12165	1
11	Pivot, Tension Thrust Bearing	034502	1
12	Bearing, 5/8" Thrust	P04214	1
13	Nut, 1-10 LH Stepped Acme	017707	1
14	Fitting, 1/4-28 Grease	P05060	1
15	Tube Weldment, Tensioner Nut	034275	1
16	Bolt, 3/8-16 x 1" Hex Head	F05007-7	4
17	Washer, 3/8" Split Lock	F05011-4	4
18	Bag, W01-358-7564 Air	033984	1

Blade Wheels & Tensioner

Blade Tensioner Assembly

3

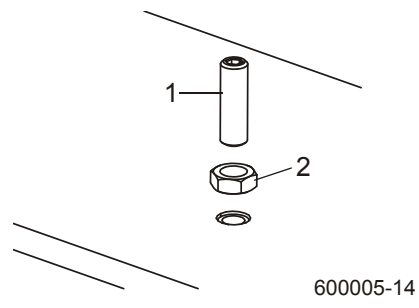
19	Plate Weldment, Air Bag Mount	034276	1	
20	Bolt, 3/8-16 x 1" Flat Socket Head	F05007-64	2	
21	Bolt, 1/2-13 x 2" Hex Head	F05008-76	1	
22	Nut, 1/2-13 Hex Nylon Lock	F05010-8	1	
23	Bolt, 1/2-13 x 1" Hex Head	F05008-50	1	
24	Washer, 1/2" Split Lock	F05011-9	1	
25	Fitting, 1/4" NPT Air Tank Valve	034285	1	
26	Fitting, 1/4" NPT Tee	015486	1	
27	Nipple, 1/4" NPT Hex	P21524	1	
28	Coupling, 1/4" NPT Steel	P03420	1	
29	Gauge, Liquid Filled Air	034278	1	
30	Guard, Air Gauge	034245	1	
31	Bolt, 3/8-16 x 3/4" Hex Head	F05007-27	2	
32	Washer, 3/8" SAE Flat	F05011-3	2	
33	Nut, 3/8-16 Hex Nylon Lock	F05010-10	2	

¹ Blade Tensioner 034272 no longer available. Use kit 065696 to upgrade to Hydraulic Blade Tensioner ([See Section 3.4](#)).

4 Saw Head
Middle Throat Screw

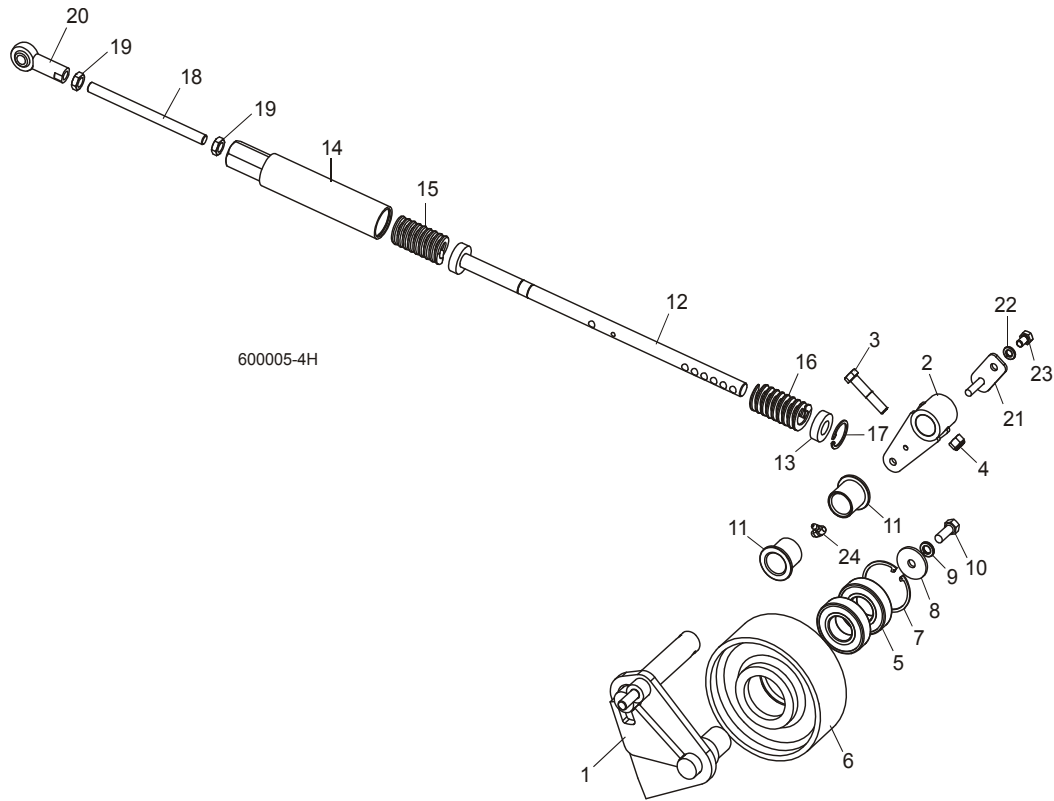
SECTION 4 SAW HEAD

4.1 Middle Throat Screw



REF	DESCRIPTION (◆ Indicates Parts Available In Assemblies Only)	PART #	QTY.	
1	SCREW, 3/8-16 X 1 1/2" OVAL POINT SOCKET SET	F05007-190	1	
2	NUT, 3/8-16 HEX JAM	F05010-29	1	

4.2 Belt Tensioner



REF	DESCRIPTION (◆ Indicates Parts Available In Assemblies Only)	PART #	QTY.
	TENSIONER ASSEMBLY, DRIVE BELT	034894	1
	Pivot Kit, Drive Belt Tensioner Retrofit	038934 ¹	1
1	Arm Weldment, Drive Belt Tensioner	034893 ²	1
2	Pivot Weldment, Drive Belt Tensioner	034593	1
	Instruction Sheet, Tensioner Pivot Retrofit	038934-1265	1
3	Bolt, 3/8-16 x 2" Hex Head Grade 5	F05007-124	1
4	Nut, 3/8-16 Hex Nylon Lock	F05010-10	1
5	Bearing, 6206 25" Idler	P11035	2
6	Idler, Drive Belt	033941	1
7	Ring, 62mm Inside Retaining	F04254-12	1
8	Washer, 3/8" x 1 1/2" x 1/8"	F05011-104	1
9	Washer, 3/8" Split Lock	F05011-4	1
10	Bolt, 3/8-16 x 1" Hex Head	F05007-7	1
11	Bushing, 1" ID x 1 1/4" OD Flanged	P109	2
	Rod Kit, Drive Belt Tensioner	003193 ³	1
12	Rod Weldment, Drive Belt Tensioner	017923	1
13	Washer, Tensioner	034674	1

4

Saw Head

Belt Tensioner

14	Tube Weldment, Drive Belt Tensioner	034689	1	
	Spring Kit, Belt Tensioner Retrofit	036501	1	
15	Spring, 1 1/4" OD x 2 1/2" Die, Heavy	036136	2	
16	Spring, 1 1/4" OD x 2 1/2" Die, Medium (Blue)	065242 ⁴	1	
	Instruction Sheet, Belt Tensioner Spring Retro	036501-1148	1	
17	Ring, 1 15/16" Inside Retaining	F04254-44	1	
18	Rod, 7/16-20 x 6" Threaded	017924	1	
19	Nut, 7/16-20 Hex Jam	F05010-38	2	
20	Rod End, 7/16-20 Right Hand Female	017925	1	
21	Pin Weldment, Drive Belt Tensioner	034673	1	
22	Washer, 5/16" Split Lock	F05011-13	1	
23	Bolt, 5/16-18 x 1/2" Hex Head Grade 5	F05006-15	1	
24	FITTING, 3/16" STRAIGHT GREASE	P04107 ⁵	1	

¹ Retrofit 038934 for Revs. prior to A7.07. Arm Weldment 034893 and Pivot Weldment 034593 modified to increase range of motion to reduce strain on gearbox.

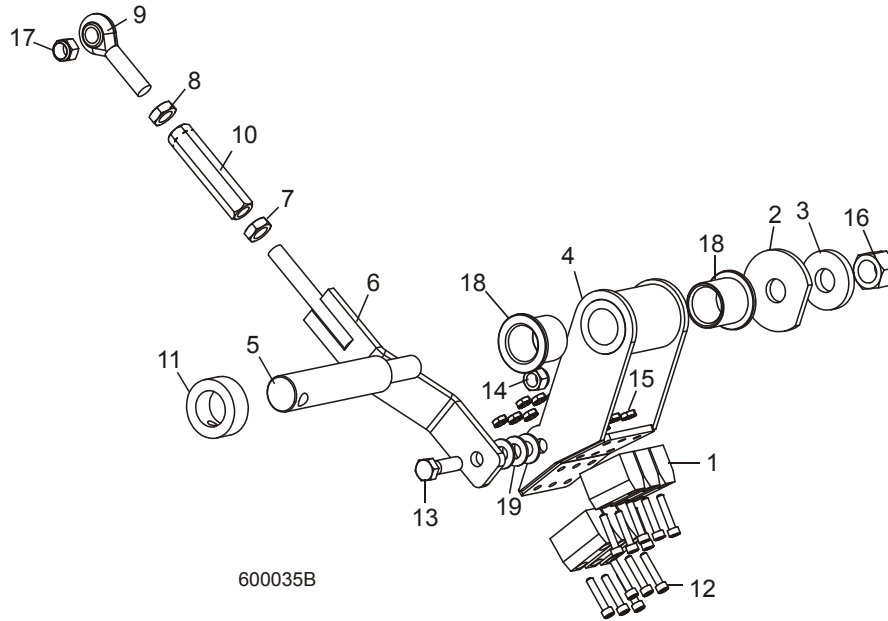
² Gussets added to arm to improve durability (Rev. A3.03).

³ Pre-Assembled Kit 003193 available 11/06 to provide easier customer replacement.

⁴ Added Rev. B4.04 to replace 1 1/4" OD x 2 1/2" Die Heavy Spring (036136).

⁵ Grease fitting added 4/06 to provide ability to grease belt tensioner pivot.

4.3 Brake Assembly (DC Only)



REF	DESCRIPTION (◆ Indicates Parts Available In Assemblies Only)	PART #	QTY.
	BRAKE ASSEMBLY, LT60/70	034886	1
1	Block, Blade Wheel Brake	016488	6
2	Washer, 21/32" x 2 1/4" x 3/16"	017838	1
3	Washer, 21/32" x 1 5/8" x 1/4"	034685	1
4	Arm Weldment, Pivot Brake	034883	1
5	Shaft, Pivot Brake	034885	1
	Linkage Assembly, Pivot Brake	034892	1
6	Arm Weldment, Pivot Brake Lik	034891	1
7	Nut, 7/16-20 Jam	F05010-38	1
8	Nut, 7/16-20 Left Hand Jam	F05010-87	1
9	Rod End, 7/16-20 Left Hand Male	P11578	1
10	Turnbuckle, 3" Adjustment	S11577	1
11	Collar, 1" Lock	038090	1
12	Bolt, #10-24 x 1" Socket Head	F05004-2	12
13	Bolt, 3/8-16 x 1 1/4" Hex Head Grade 5	F05007-123	1
14	Nut, 3/8-16 Hex Nylon Lock	F05010-10	1
15	Nut, #10-24 Self-Locking Hex	F05010-14	12
16	Nut, 5/8-18 Hex Nylon Lock	F05010-71	1
17	Nut, 7/16-20 Hex Nylon Lock	F05010-83	1
18	Bushing, 1" ID x 1 1/4" OD Flanged	P109	2
19	Washer, 3/8" SAE Flat	F05011-3	3

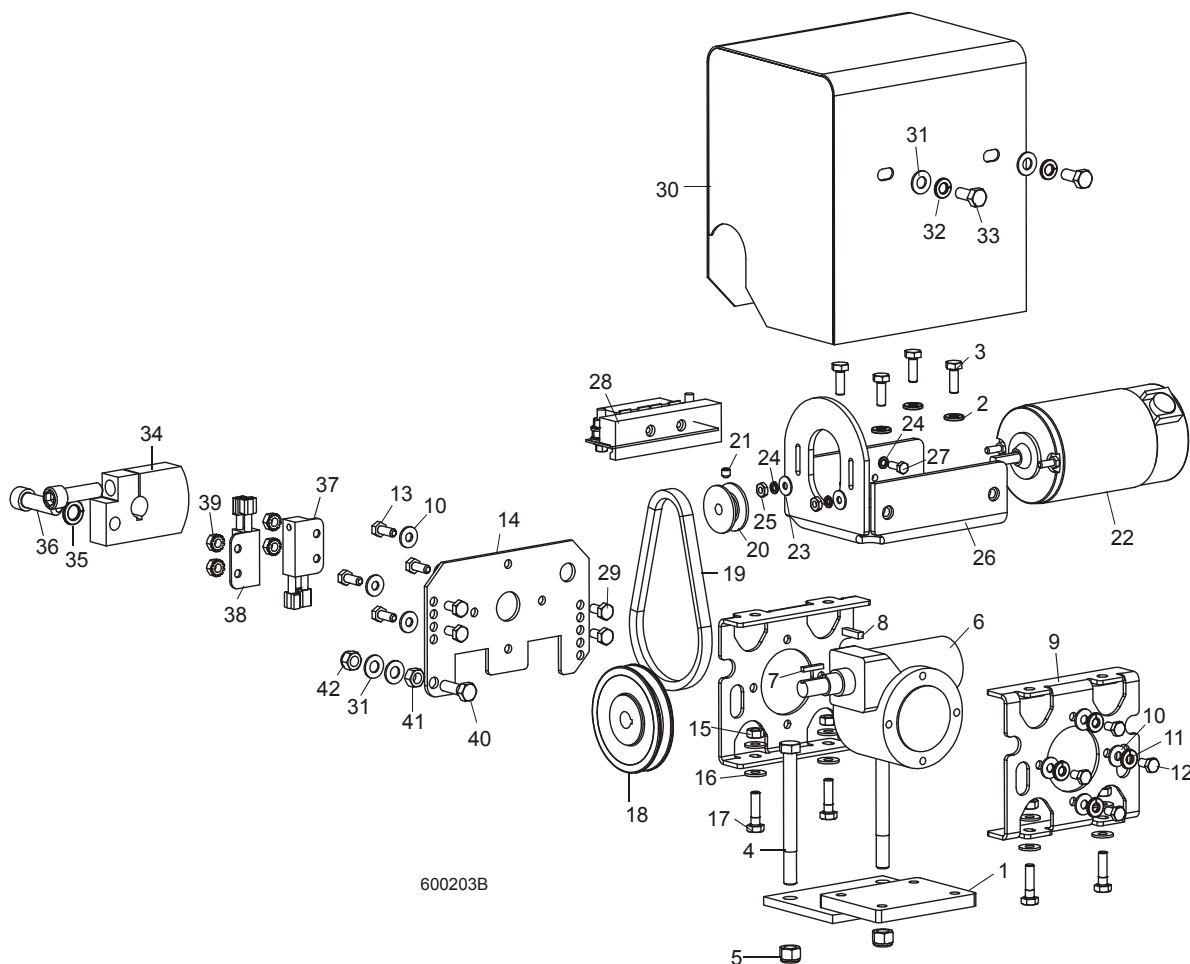
4 Saw Head

Autoclutch Assembly (DC Only)

4.4 Autoclutch Assembly (DC Only)

LT70HD Remote

Rev. A6.00 - B3.01



REF	DESCRIPTION (◆ Indicates Parts Available In Assemblies Only)	PART #	QTY.
	AUTOCLUTCH ASSEMBLY, LT60/70	034692	1
1	Plate Weldment, Autoclutch Mount	034678	1
2	Washer, 1/4" Split Lock	F05011-14	4
3	Bolt, 1/4-20 x 3/4" Hex Head Grade 5	F05005-123	4
4	Bolt, 3/8-16 x 4" Hex Head	F05007-4	2
5	Nut, 3/8-16 Hex Nylon Lock	F05010-10	2
	Gearbox Assy, LT60/70 Autoclutch	036787	1
6	Gearbox, 61:1 512 Reducer	036764	1
7	Key, 1/8" Sq. x 3/4" Long	036803	1
8	Key, 3/16" Sq. x 3/4" Long	S03060	1
9	Mount Weldment, Autoclutch Gearbox LT60/70	036794	2
10	Washer, 1/4" SAE Flat	F05011-11	8

11	Washer, 1/4" Split Lock	F05011-14	4	
12	Bolt, M6 x 12 Full Thread Grade 8.8 Hex Head	F05005-99	4	
13	Bolt, M6 x 1 x 16mm Hex Head	F05004-219	4	
14	Plate, Sensor Mount	036785	1	
15	Nut, 1/4-20 Hex Lock	F05010-21	4	
16	Washer, 1/4" SAE Flat	F05011-11	8	
17	Bolt, 1/4-20 x 1" Hex Head Grade 5	F05005-101	4	
18	Pulley, OK30 x 1/2" Special	015075	1	
19	Belt, 3L140	016219	1	
20	Pulley, 1.42" x .32" Motor	015074	1	
21	Screw, 1/4-28 x 1/4" Socket Head Cup Point Set	F05005-105	1	
22	Motor Assembly, Autoclutch Replacement	016021	1	
	Brush Kit, Leeson Motor External	034002	1	
23	Washer, #10 SAE Flat	F05011-18	2	
24	Washer, #10 Split Lock	F05011-20	4	
25	Nut, #10-32 Hex	F05010-27	2	
26	Bracket Weldment, Autoclutch Motor Mount	034670	1	
27	Bolt, #10-24 x 1/2" Hex Head	F05004-27	2	
	Module Kit, Autoclutch Upgrade	052791 ¹	1	
28	Module Assembly, Mosfet 4X Autoclutch	024618 ¹	1	◆
	Capacitor Assembly, 1000uF with 1/4" Ring Terminals	024163 ¹	1	
	Diode Assembly, Autoclutch Gate	061052	1	
	Tie Wrap, 3/16" x 6" Black UV	F05089-3	1	
	Instruction Sheet, Autoclutch Mosfet Installation	052791-1260	1	
29	Bolt, 1/4-20 x 1/2" Hex Head	F05005-15	4	
30	Guard Weldment, Autoclutch	034667	1	
31	Washer, 5/16" SAE Flat	F05011-17	4	
32	Washer, 5/16" Split Lock	F05011-13	2	
33	Bolt, 5/16-18 x 3/4" Hex Head	F05006-5	2	
34	Cam, Autoclutch	034675	1	
35	Washer, 7/16" Split Lock	F05011-48	1	
36	Bolt, 7/16-20 x 1 1/2" Socket Head	F05007-55	2	
37	Sensor Assembly, AutoClutch Engage	051337	1	
38	Sensor Assembly, Proximity Magnetic	024627	1	
39	Nut, 1/4-20 Hex Self-Locking	F05010-9	4	
40	Bolt, 5/16-18 x 1" Hex Head	F05006-1	1	
41	Nut, 5/16-18 Hex	F05010-17	1	
42	Nut, 5/16-18 Hex Nylon Lock	F05010-58	1	

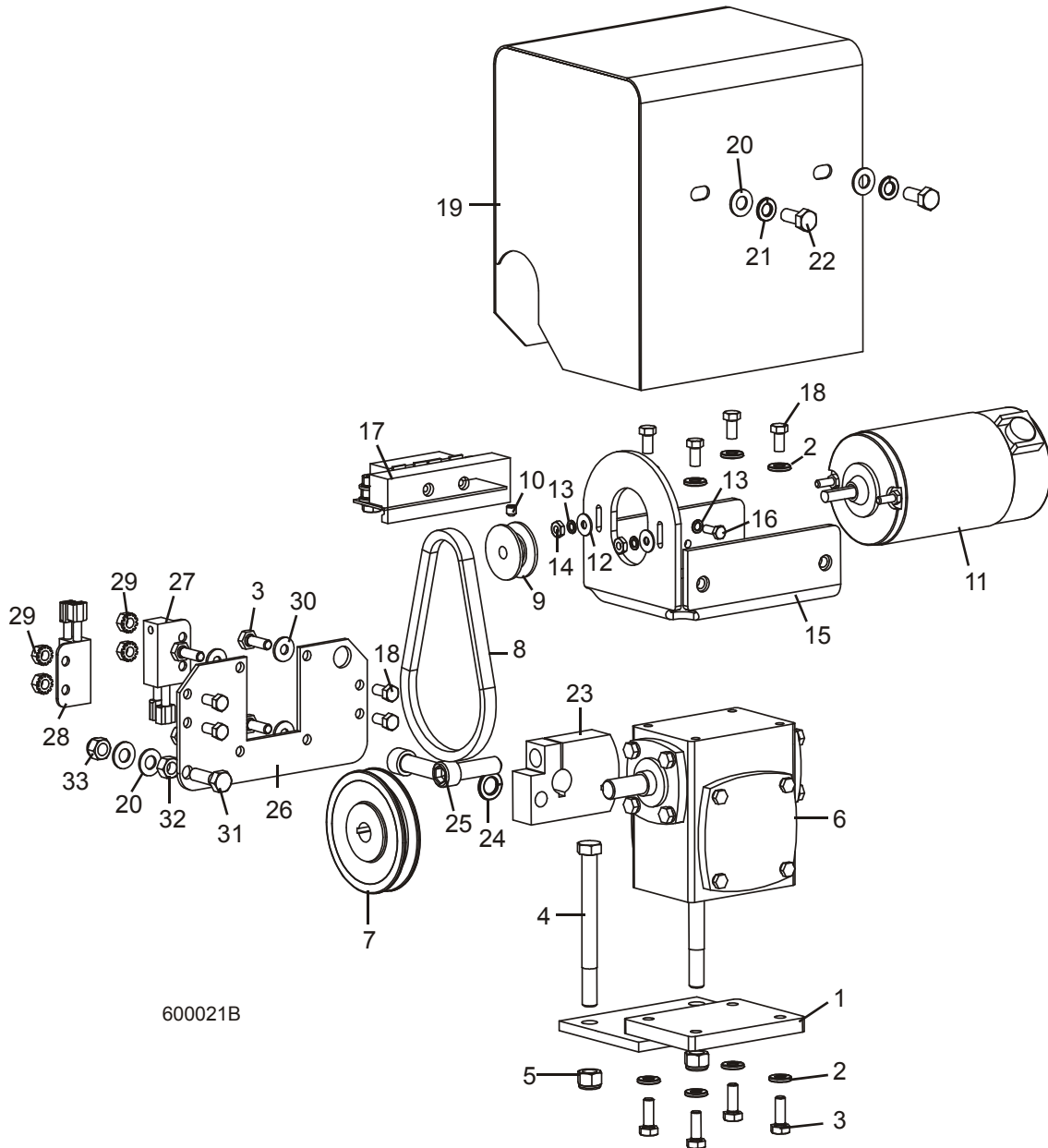
¹ Use Mosfet Module Upgrade Kit 052791 to replace original Mosfet Module 024618. Upgrade includes Capacitor Assembly 024163 and Mosfet Assembly with added diode supplied with Rev. A7.05 and later. This upgrade protects against inductive voltage spikes.

4 Saw Head Autoclutch Assembly (DC Only)

4.5 Autoclutch Assembly (DC Only)

LT70HD Remote

Rev. A3.01 - A5.03



REF	DESCRIPTION (◆ Indicates Parts Available In Assemblies Only)	PART #	QTY.
	AUTOCLUTCH ASSEMBLY, LT60/70	034692 ¹	1
1	Plate Weldment, Autoclutch Mount	034678	1
2	Washer, 1/4" Split Lock	F05011-14	8
3	Bolt, 1/4-20 x 3/4" Hex Head Full Thread	F05005-1	8
4	Bolt, 3/8-16 x 4" Hex Head	F05007-4	2

4

Saw Head

Autoclutch Assembly (DC Only)

5	Nut, 3/8-16 Hex Nylon Lock	F05010-10	2	
6	Gearbox, 60:1 I034	015067 ²	1	◆
7	Pulley, OK30 x 1/2" Special	015075	1	
8	Belt, 3L140	016219	1	
8	Belt, 3L140 Auto Clutch Sq Gearbox Only	016219 ³	1	
9	Pulley, 1.42" x .32" Motor	015074	1	
10	Screw, 1/4-28 x 1/4" Socket Head Cup Point Set	F05005-105	1	
11	Motor Assembly, Autoclutch Replacement	016021	1	
11	Motor, 12VDC Leeson TruTorq	016706 ⁴	1	
	Brush Kit, Leeson Motor External	034002	1	
12	Washer, #10 SAE Flat	F05011-18	2	
13	Washer, #10 Split Lock	F05011-20	4	
14	Nut, #10-32 Hex	F05010-27	2	
15	Bracket Weldment, Autoclutch Motor Mount	034670	1	
16	Bolt, #10-24 x 1/2" Hex Head	F05004-27	2	
	Module Kit, Autoclutch Upgrade	052791 ⁴	1	
17	Module Assembly, Mosfet 4X Autoclutch	024618 ⁴	1	◆
	Capacitor Assembly, 1000uF with 1/4" Ring Terminals	024163 ⁴	1	
	Diode Assembly, Autoclutch Gate	061052	1	
	Tie Wrap, 3/16" x 6" Black UV	F05089-3	1	
	Instruction Sheet, Autoclutch Mosfet Installation	052791-1260	1	
18	Bolt, 1/4-20 x 1/2" Hex Head	F05005-15	8	
19	Guard Weldment, Autoclutch	034667	1	
20	Washer, 5/16" SAE Flat	F05011-17	4	
21	Washer, 5/16" Split Lock	F05011-13	2	
22	Bolt, 5/16-18 x 3/4" Hex Head	F05006-5	2	
23	Cam, Autoclutch	034675	1	
24	Washer, 7/16" Split Lock	F05011-48	1	
25	Bolt, 7/16-20 x 1 1/2" Socket Head	F05007-55	2	
26	Plate, Sensor Mounting	016324	1	
27	Sensor Assembly, AutoClutch Engage (D51/D62)	051337 ¹	1	
	Sensor Assembly, Proximity Magnetic (D42)	024627 ¹	1	
28	Sensor Assembly, Proximity Magnetic	024627	1	
29	Nut, 1/4-20 Hex Self-Locking	F05010-9	4	
30	Washer, 1/4" SAE Flat	F05011-11	4	
31	Bolt, 5/16-18 x 1" Hex Head	F05006-1	1	
32	Nut, 5/16-18 Hex	F05010-17	1	
33	Nut, 5/16-18 Hex Nylon Lock	F05010-58	1	

¹ Autoclutch Assembly 034692 modified for use with Caterpillar engine options. If assembly to be used on sawmill with D42 Kubota engine, leave white wire from Engage Sensor 051337 unused. If replacing Engage Sensor, use 024627 for D42 and use 051337 for D51/D62.

² Gearbox 015067 replaced Rev. A6.00 to improve durability. Use Gearbox Assembly 036787 to retrofit previous revisions ([See Section 4.4](#)).

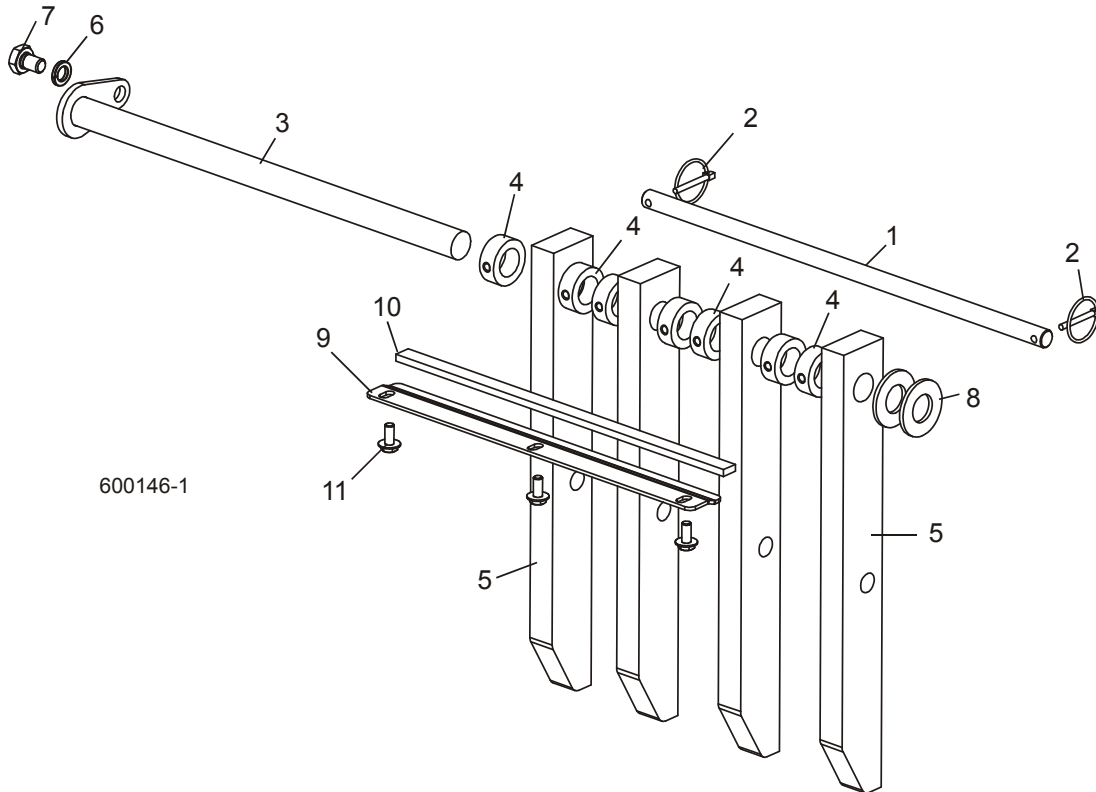
³ See task 140269.

⁴ Use Mosfet Module Upgrade Kit 052791 to replace original Mosfet Module 024618. Upgrade includes Capacitor Assembly 024163 and Mosfet Assembly with added diode supplied 5/06 and later. This upgrade protects against inductive voltage spikes.

4 Saw Head

Board Return Assembly

4.6 Board Return Assembly

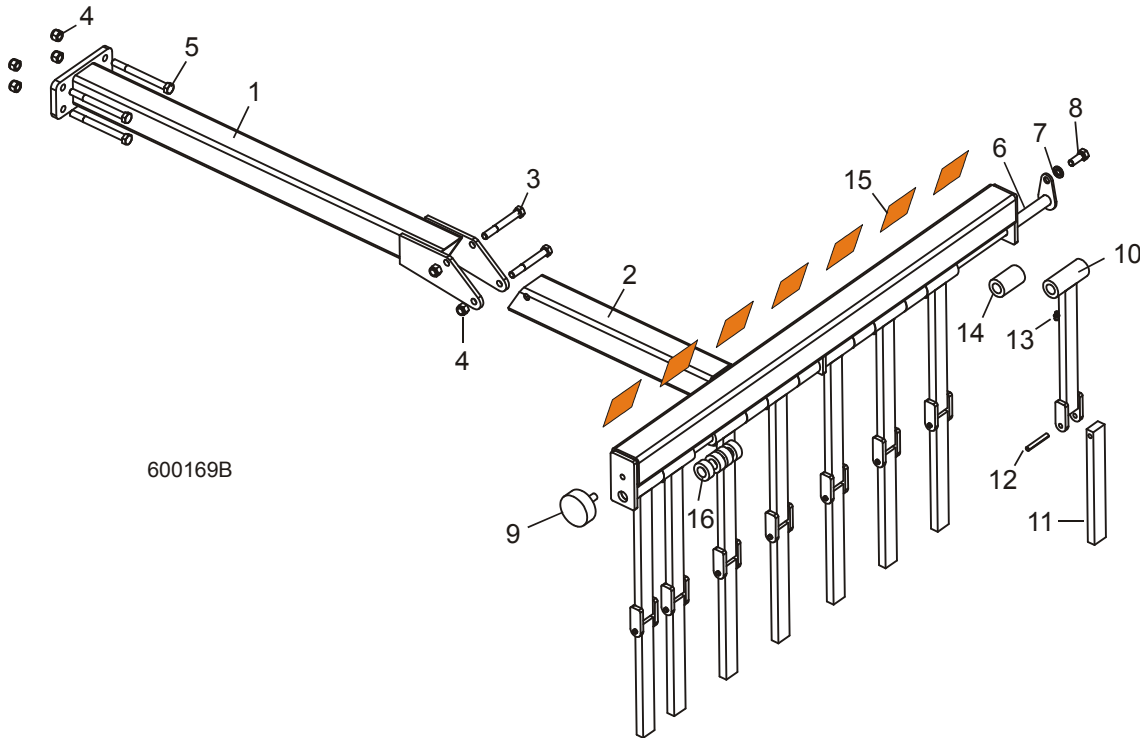


REF	DESCRIPTION (◆ Indicates Parts Available In Assemblies Only)	PART #	QTY.	
1	PIN, BOARD RETURN LOCK	034565	1	
2	PIN, 3/16" W/CHAIN	017604	2	
3	PIN WELDMENT, BOARD RETURN MOUNT	034567	1	
4	COLLAR, 1" LOCK	038090	7	
5	ARM, BOARD RETURN W/STOP	034561	4	
6	WASHER, 1/2" SPLIT LOCK	F05011-9	1	
7	BOLT, 1/2-13 X 3/4" HEX HEAD GRADE 5	F05008-101	1	
8	WASHER, 1" SAE	F05011-28	2	
9	BRACKET, BOARD RETURN BUMPER	017856	1	
10	BUMPER, BOARD RETURN	017857	1	
11	BOLT, 5/16-18 X 3/4" HEX WASHER HEAD	F05006-101	3	

4.7 Board Dragback

LT60HD/70HD

Rev. A4.00+



600169B

REF	DESCRIPTION (◆ Indicates Parts Available In Assemblies Only)	PART #	QTY.
	DRAGBACK ASSEMBLY, BOARD	034413	1
1	Tube Weldment, Board Dragback Mount	034411	1
2	Tube Weldment, Board Dragback	034331	1
3	Bolt, 3/8-16 x 3" Hex Head Grade 5	F05007-73	2
4	Nut, 3/8-16 Hex Nylon Lock	F05010-10	6
5	Bolt, 3/8-16 x 4" Hex Head Grade 5	F05007-126	4
6	Rod Weldment, Board Dragback	034408	1
7	Washer, 3/8" Split Lock	F05011-4	1
8	Bolt, 3/8-16 x 1" Hex Head Grade 5	F05007-87	1
9	Bumper, Table	034175	1
10	Bracket Weldment, Dragback Bar Mount	017823	8
11	Bar, Lower Board Dragback	036651	8
12	Pin, 1/4" x 1 3/4" Roll	F05012-53	8
13	Fitting, 1/4-28 Grease	P05060	8
14	Tube, .63" ID x 1.12" OD x 1.84" Long Spacer	017820	5
15	Decal, Warning Stripe	015849	1
16	Tube, .63" ID x 1.12" OD x .46" Long Spacer	003687	4

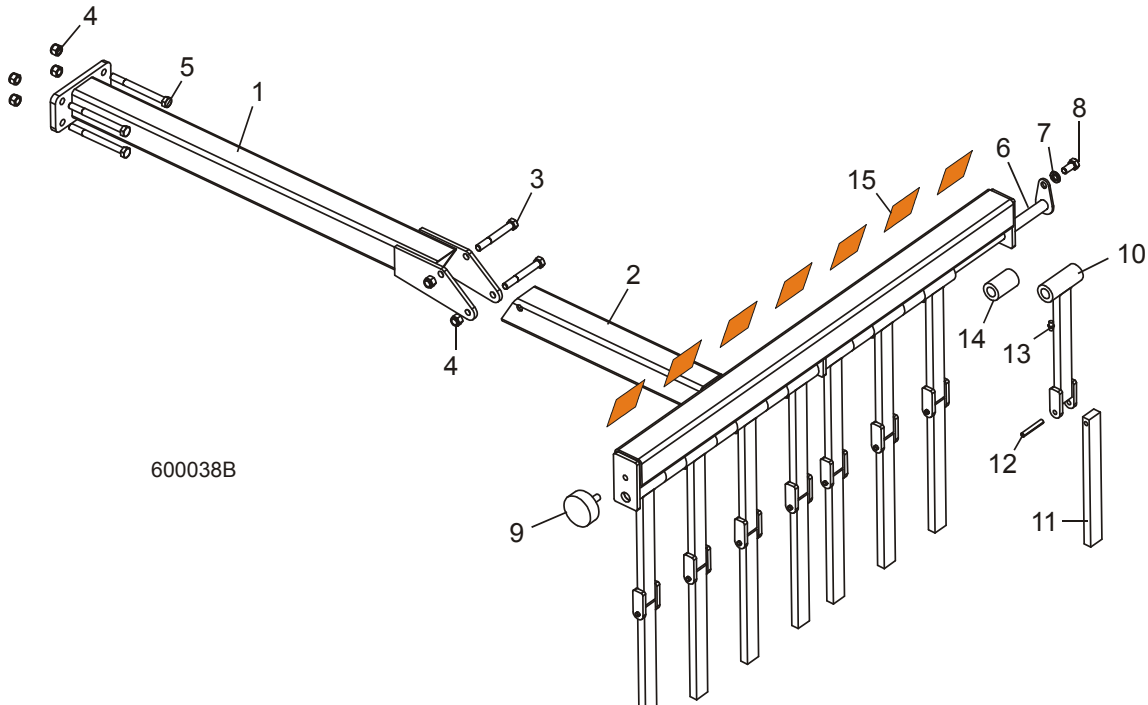
4 Saw Head

Board Dragback

4.8 Board Dragback

LT60HD/70HD

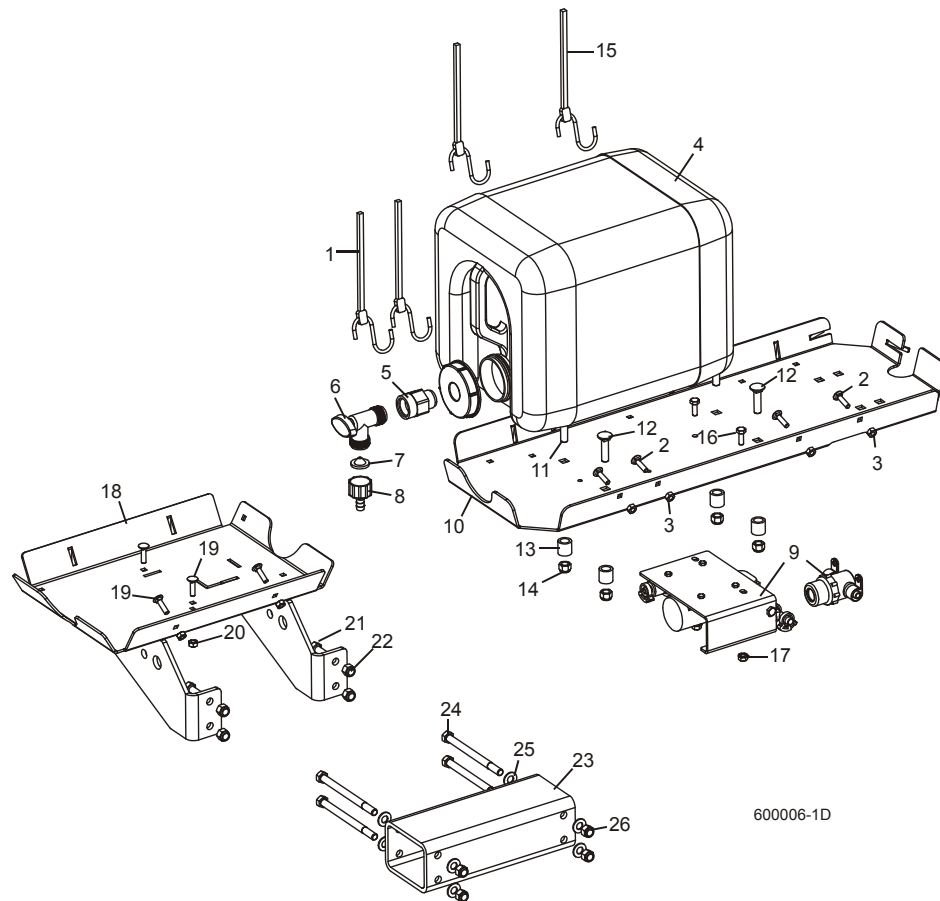
Rev. A3.01 - A3.03



REF	DESCRIPTION (◆ Indicates Parts Available In Assemblies Only)	PART #	QTY.
	DRAGBACK ASSEMBLY, BOARD	034413 ¹	1
1	Tube Weldment, Board Dragback Mount	034411	1
2	Tube Weldment, Board Dragback	034331	1
3	Bolt, 3/8-16 x 3" Hex Head Grade 5	F05007-73	2
4	Nut, 3/8-16 Hex Nylon Lock	F05010-10	6
5	Bolt, 3/8-16 x 4" Hex Head Grade 5	F05007-126	4
6	Rod Weldment, Board Dragback	034408	1
7	Washer, 3/8" Split Lock	F05011-4	1
8	Bolt, 3/8-16 x 1" Hex Head Grade 5	F05007-87	1
9	Bumper, Table	034175	1
10	Bracket Weldment, Dragback Bar Mount	034329 ¹	8
11	Bar, Board Dragback	034328 ¹	8
12	Pin, 1/4" x 1 3/4" Roll	F05012-53	8
13	Fitting, 1/4-28 Grease	P05060	8
14	Tube, .63" ID x 1.12" OD x 1.84" Long Spacer	017820	6
15	Decal, Warning Stripe	015849	1

¹ Dragback Bar Mount Weldment 017823 and Lower Dragback Bar 036651 replace 034329 and 034328 supplied prior to Rev. A4.00 to utilize common parts from other models. [See Section 4.7](#) for replacement parts for A4.00 and newer. Assembly 034413 modified with new spacer configuration to allow proper position of guide fingers to improve functionality ([See Section 4.7](#)).

4.9 Water Lube Assembly



REF	DESCRIPTION (◆ Indicates Parts Available In Assemblies Only)	PART #	QTY.
1	STRAP, 20" RUBBER	P11668	2
2	BOLT, 1/4-20 X 1" CARRIAGE HEAD	F05005-34	4
3	NUT, 1/4-20 HEX LOCK	F05010-21	4
4	BOTTLE ASSY, WATER LUBE W/CAP	014642 ¹	1
5	FITTING, 3/4FPT X 3/4MPT	014636	1
6	FITTING, WATER LUBE SHUTOFF VALVE	014100	1
7	FILTER, WATER LUBE	016086	1
8	FITTING, 5/8" NPT TO 3/8" HOSE BARB	014113	1
9	LUBEMIZER PARTS/HOSES (SEE LUBEMIZER OPTION MANUAL)		
10	TRAY, WATER LUBE/FUEL TANK MOUNT (GAS/DIESEL ONLY) ²	S11684	1
11	BOLT, 3/8-16 X 2" CARRIAGE HEAD FULL THREAD	F05007-22	1
12	BOLT, 3/8-16 X 1 1/2" CARRIAGE HEAD GRADE 5	F05007-85	3
13	SPACER, TANK TRAY	033911	4
14	NUT, 3/8-16 HEX NYLON LOCK	F05010-10	4

4

Saw Head*Water Lube Assembly*

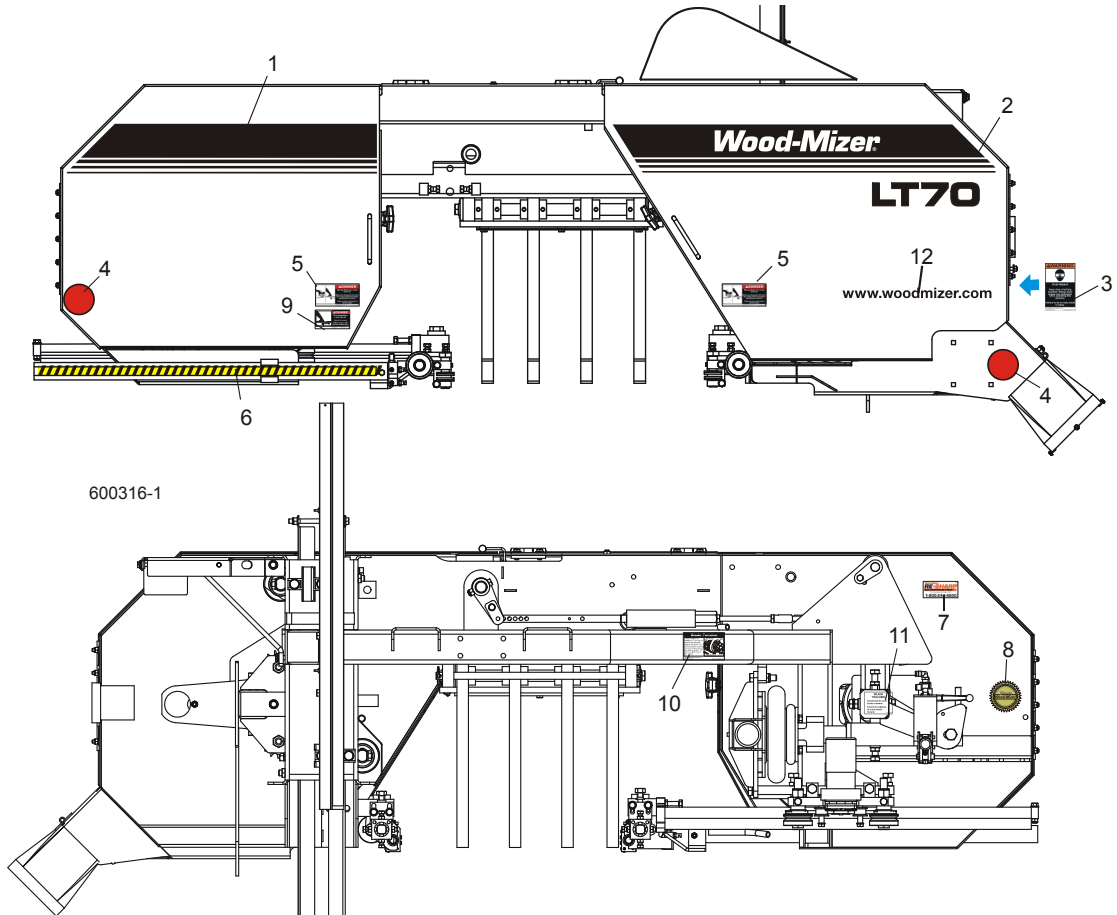
15	STRAP, 24" RUBBER (GAS/DIESEL ONLY)	P11258	2	
16	BOLT, 1/4-20 X 3/4" HEX HEAD FULL THREAD	F05005-1	2	
17	NUT, 1/4-20 HEX SELF-LOCKING	F05010-9	2	
18	TRAY WELDMENT, WATER LUBE MOUNT (E25/E30 ONLY)	034491	1	
19	BOLT, 1/4-20 X 1" CARRIAGE HEAD	F05005-34	4	
20	NUT, 1/4-20 HEX LOCK	F05010-21	4	
21	BOLT, 3/8-16 X 1" HEX HEAD	F05007-7	4	
22	NUT, 3/8-16 HEX NYLON LOCK	F05010-10	4	
23	TUBE, E30 WATERLUBE SPACER (E30 ONLY)	007660	1	
24	BOLT, 3/8-16 X 5" HEX HEAD	F05007-5	4	
25	WASHER, 3/8" SAE FLAT	F05011-3	8	
26	NUT, 3/8-16 HEX NYLON LOCK	F05010-10	4	

¹ Use Water Bottle Assembly w/Cap 014642 to service all bottle/cap combinations previously supplied. Bottle 014367, 61mm Cap 014773 and 70mm Cap 036744 no longer available separately.

² See Engine Option manual for fuel tank parts.

4.10 Saw Head Decals

LT70HD Remote Rev. A9.00 - B3.01



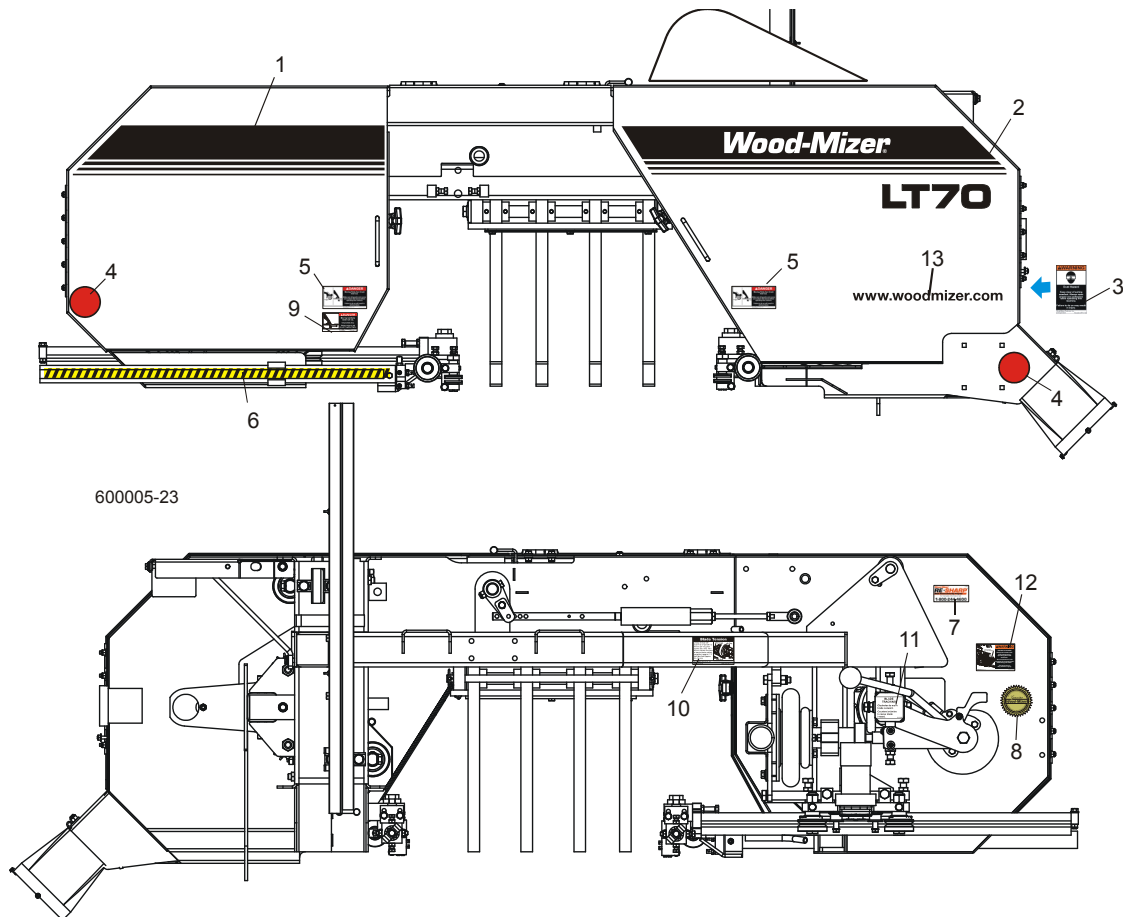
REF	DESCRIPTION (◆ Indicates Parts Available In Assemblies Only)	PART #	QTY.
1	DECAL, IDLE SIDE BLADE COVER	003249	1
2	DECAL, LT70 LOGO W/STRIPES	003248	1
3	DECAL, SAWDUST CHUTE WARNING	P11754	1
4	DECAL, RED REFLECTIVE 2" ROUND	P07452	2
5	DECAL, BLADE COVERS DANGER	033254	2
6	DECAL, BLADE GUIDE ARM STRIPE	015849	1
7	DECAL, BLADE RESHARP INFO	P12879	1
8	DECAL, WOOD-MIZER QUALITY	015930	1
9	DECAL, BLADE DANGER	S11752	1
10	DECAL, LT60/70 BLADE TENSION INFO	038596	1
11	DECAL, BLADE ALIGNMENT	P11789	1
12	DECAL, WOOD-MIZER WEBSITE	003235	1

4 Saw Head

Saw Head Decals

4.11 Saw Head Decals

LT70HD Remote Rev. A8.00 (1/08) - A8.01

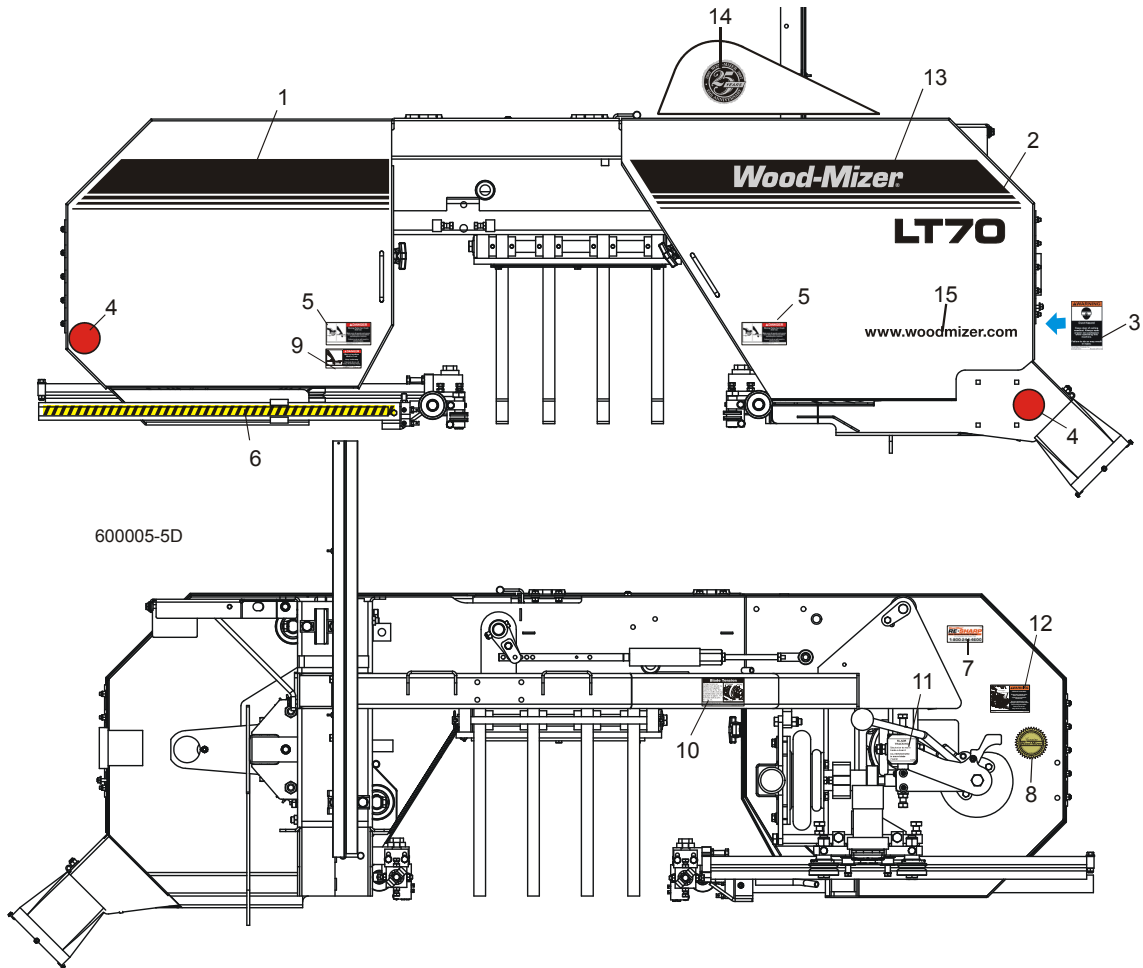


REF	DESCRIPTION (◆ Indicates Parts Available In Assemblies Only)	PART #	QTY.
1	DECAL, IDLE SIDE BLADE COVER	003249	1
2	DECAL, LT70 LOGO W/STRIPES	003248	1
3	DECAL, SAWDUST CHUTE WARNING	P11754	1
4	DECAL, RED REFLECTIVE 2" ROUND	P07452	2
5	DECAL, BLADE COVERS DANGER	033254	2
6	DECAL, BLADE GUIDE ARM STRIPE	015849	1
7	DECAL, BLADE RESHARP INFO	P12879	1
8	DECAL, WOOD-MIZER QUALITY	015930	1
9	DECAL, BLADE DANGER	S11752	1
10	DECAL, LT60/70 BLADE TENSION INFO	038596	1
11	DECAL, BLADE ALIGNMENT	P11789	1
12	DECAL, TENSION HANDLE WARNING	049366	1
13	DECAL, WOOD-MIZER WEBSITE	003235	1

4.12 Saw Head Decals

LT70HD Remote

Rev. A7.08 (1/07) - A8.00 (12/07)



REF	DESCRIPTION (◆ Indicates Parts Available In Assemblies Only)	PART #	QTY.
1	DECAL, IDLE SIDE BLADE COVER	003249 ¹	1
2	DECAL, LT70 LOGO W/STRIPES	003248 ¹	1
3	DECAL, SAWDUST CHUTE WARNING	P11754	1
4	DECAL, RED REFLECTIVE 2" ROUND	P07452	2
5	DECAL, BLADE COVERS DANGER	033254	2
6	DECAL, BLADE GUIDE ARM STRIPE	015849	1
7	DECAL, BLADE RESHARP INFO	P12879	1
8	DECAL, WOOD-MIZER QUALITY	015930	1
9	DECAL, BLADE DANGER	S11752	1
10	DECAL, LT60/70 BLADE TENSION INFO	038596	1
11	DECAL, BLADE ALIGNMENT	P11789	1
12	DECAL, TENSION HANDLE WARNING	049366	1
13	DECAL, SILVER WOOD-MIZER LOGO	003234 ¹	1

4 Saw Head

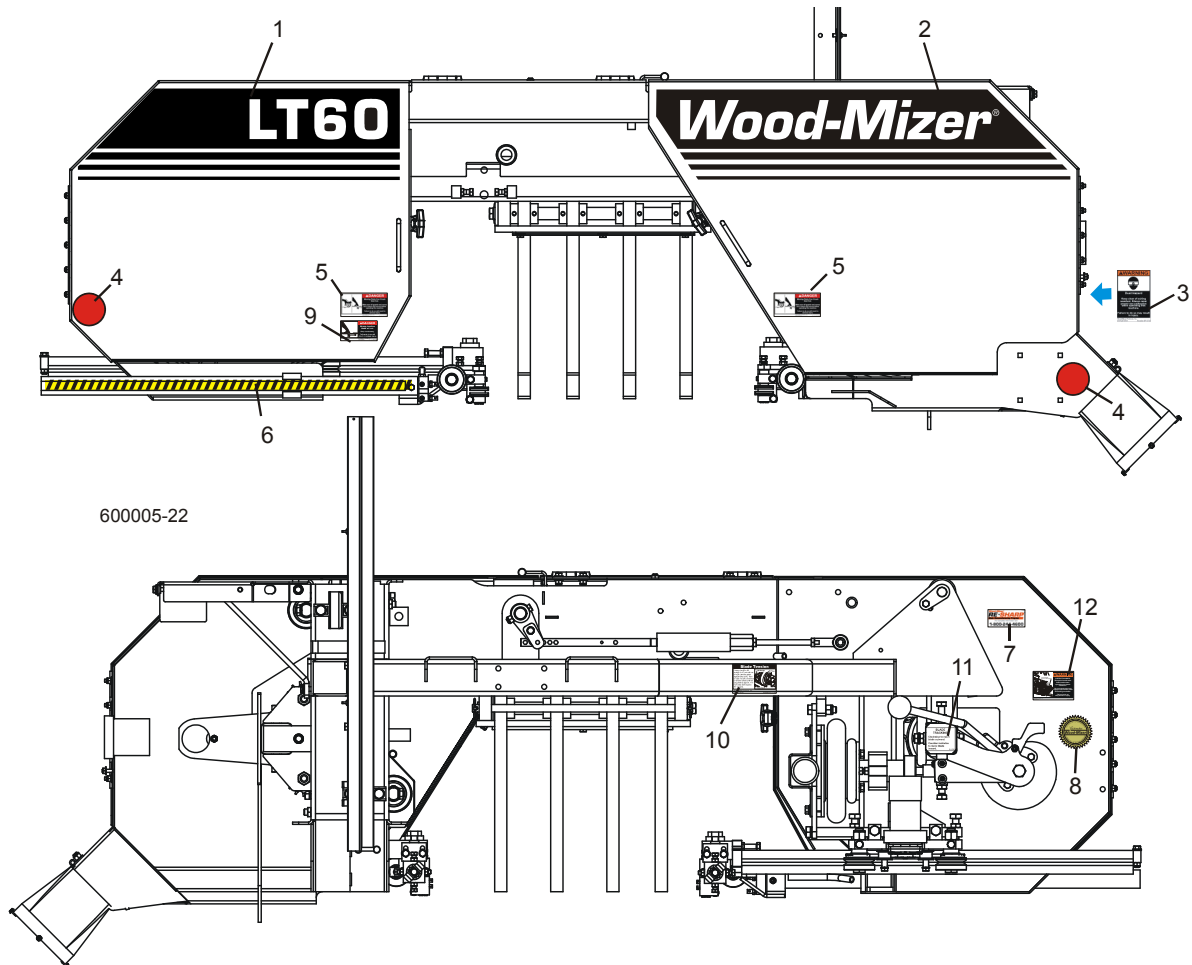
Saw Head Decals

14	DECAL, ANNIVERSARY LOGO	003236 ¹	1	
15	DECAL, WOOD-MIZER WEBSITE	003235 ¹	1	

¹ LT70 Logo Decal 017668 and Idle Side Cover Decal 017667 replaced with new logo decals 1/07.

4.13 Saw Head Decals

LT70HD Remote Rev. A3.01 - A7.08 (12/06)



REF	DESCRIPTION (◆ Indicates Parts Available In Assemblies Only)	PART #	QTY.
1	DECAL, LT70 LOGO	017667	1
2	DECAL, WOOD-MIZER LOGO	017668	1
3	DECAL, SAWDUST CHUTE WARNING	P11754	1
4	DECAL, RED REFLECTIVE 2" ROUND	P07452	2
5	DECAL, BLADE COVERS DANGER	033254	2
6	DECAL, BLADE GUIDE ARM STRIPE	015849	1
7	DECAL, BLADE RESHARP INFO	P12879	1
8	DECAL, WOOD-MIZER QUALITY	015930	1
9	DECAL, BLADE DANGER	S11752	1
10	DECAL, LT60/70 BLADE TENSION INFO	038596 ¹	1
	DECAL, LT60/70 BLADE TENSION INFO	014125 ¹	1
11	DECAL, BLADE ALIGNMENT	P11789	1
12	DECAL, TENSION HANDLE WARNING	049366 ²	1

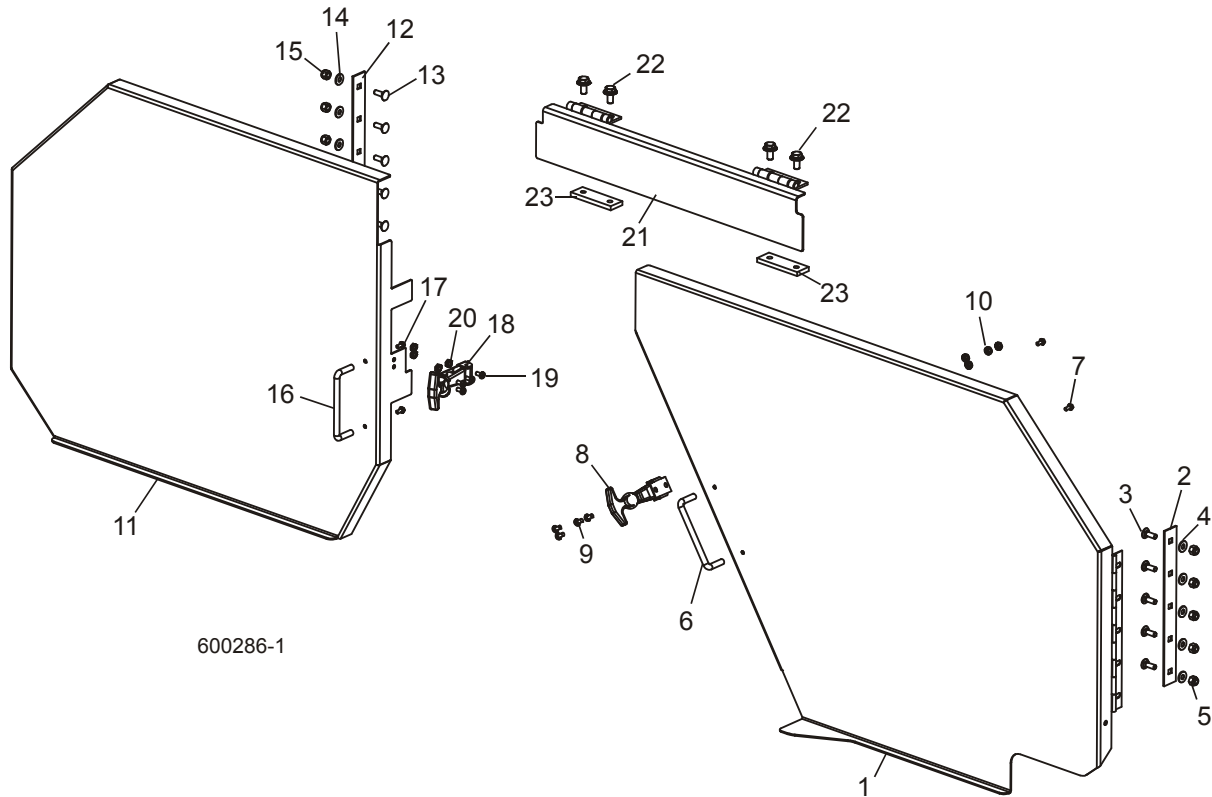
4**Saw Head***Saw Head Decals*

- ¹ Use Decal 038596 for Rev. A7.03 with tensioner stop plate. Use Decal 014125 for previous revisions with tensioner stop bolt. Decal 014125 revised for new tension specifications Rev. A6.01. Specifications apply to all revision LT60HD/70HD.
- ² Decal 049366 added to warn user to use both hands when operating tensioner and be sure lock plates engage when blade is tensioned (Rev. A7.01).

4.14 Blade Housing Covers

LT70HD Remote

Rev. B2.00 - B3.01



600286-1

REF	DESCRIPTION (◆ Indicates Parts Available In Assemblies Only)	PART #	QTY.
	COVER ASSEMBLY, DRIVE SIDE BLADE HOUSING	048409	1
1	Cover Weldment, Drive Side Blade Housing	048403	1
2	Plate, Hinge Backing	034251	1
3	Bolt, 1/4-20 x 3/4" Carriage Head	F05005-113	5
4	Washer, 1/4" SAE Flat	F05011-11	5
5	Nut, 1/4-20 Hex Nylon Lock	F05010-69	5
6	Handle, Blade Housing Cover	P08065	1
7	Screw, #8-32 x 3/8" Self-Tapping	F05015-8	2
8	Latch, Flexible Draw	014829	1
9	Screw, #10-24 x 3/8" Cross Slotted Pan Head	F05004-3	4
10	Nut, #10-24 Hex Self-Locking	F05010-14	4
	COVER ASSEMBLY, IDLE SIDE BLADE HOUSING	036178	1
11	Cover Weldment, Idle Side Blade Housing	036176	1
12	Plate, Hinge Backing	034251	1
13	Bolt, 1/4-20 x 3/4" Carriage Head	F05005-113	5
14	Washer, 1/4" SAE Flat	F05011-11	5
15	Nut, 1/4-20 Hex Nylon Lock	F05010-69	5

4

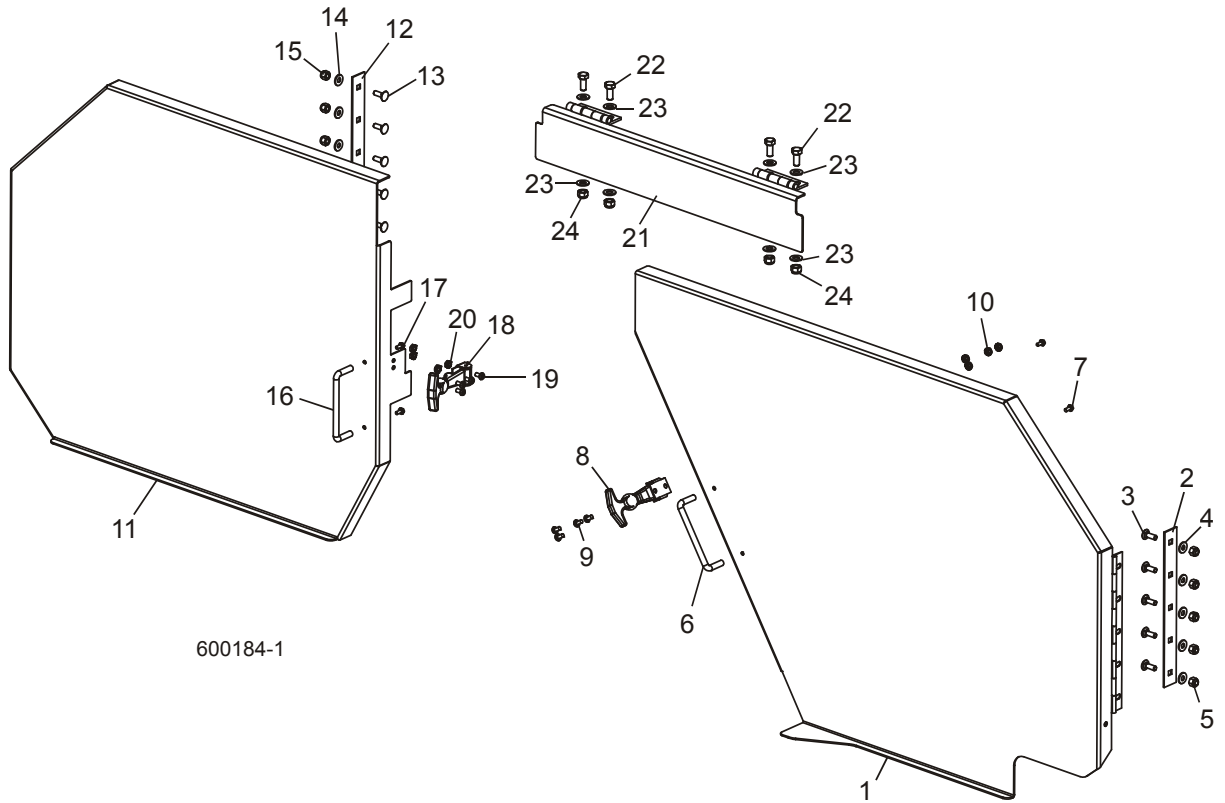
Saw Head*Blade Housing Covers*

16	Handle, Blade Housing Cover	P08065	1	
17	Screw, #8-32 x 3/8" Self-Tapping	F05015-8	2	
18	Latch, Flexible Draw	014829	1	
19	Screw, #10-24 x 3/8" Cross Slotted Pan Head	F05004-3	4	
20	Nut, #10-24 Hex Self-Locking	F05010-14	4	
21	COVER WELDMENT, MIDDLE BLADE HOUSING	034454	1	
22	BOLT, 5/16-18 X 3/4" HEX HEAD W/FLAT & LOCK WASHER	F05006-101	4	
23	NUT PLATE, MIDDLE COVER	006810	2	

4.15 Blade Housing Covers

LT70HD Remote

Rev. A5.00 - B1.00



REF	DESCRIPTION (◆ Indicates Parts Available In Assemblies Only)	PART #	QTY.
	COVER ASSEMBLY, DRIVE SIDE BLADE HOUSING	048409 ¹	1
1	Cover Weldment, Drive Side Blade Housing	048403	1
2	Plate, Hinge Backing	034251	1
3	Bolt, 1/4-20 x 3/4" Carriage Head	F05005-113	5
4	Washer, 1/4" SAE Flat	F05011-11	5
5	Nut, 1/4-20 Hex Nylon Lock	F05010-69	5
6	Handle, Blade Housing Cover	P08065	1
7	Screw, #8-32 x 3/8" Self-Tapping	F05015-8	2
8	Latch, Flexible Draw	014829	1
9	Screw, #10-24 x 3/8" Cross Slotted Pan Head	F05004-3	4
10	Nut, #10-24 Hex Self-Locking	F05010-14	4
	COVER ASSEMBLY, IDLE SIDE BLADE HOUSING	036178	1
11	Cover Weldment, Idle Side Blade Housing	036176	1
12	Plate, Hinge Backing	034251	1
13	Bolt, 1/4-20 x 3/4" Carriage Head	F05005-113	5
14	Washer, 1/4" SAE Flat	F05011-11	5
15	Nut, 1/4-20 Hex Nylon Lock	F05010-69	5

4

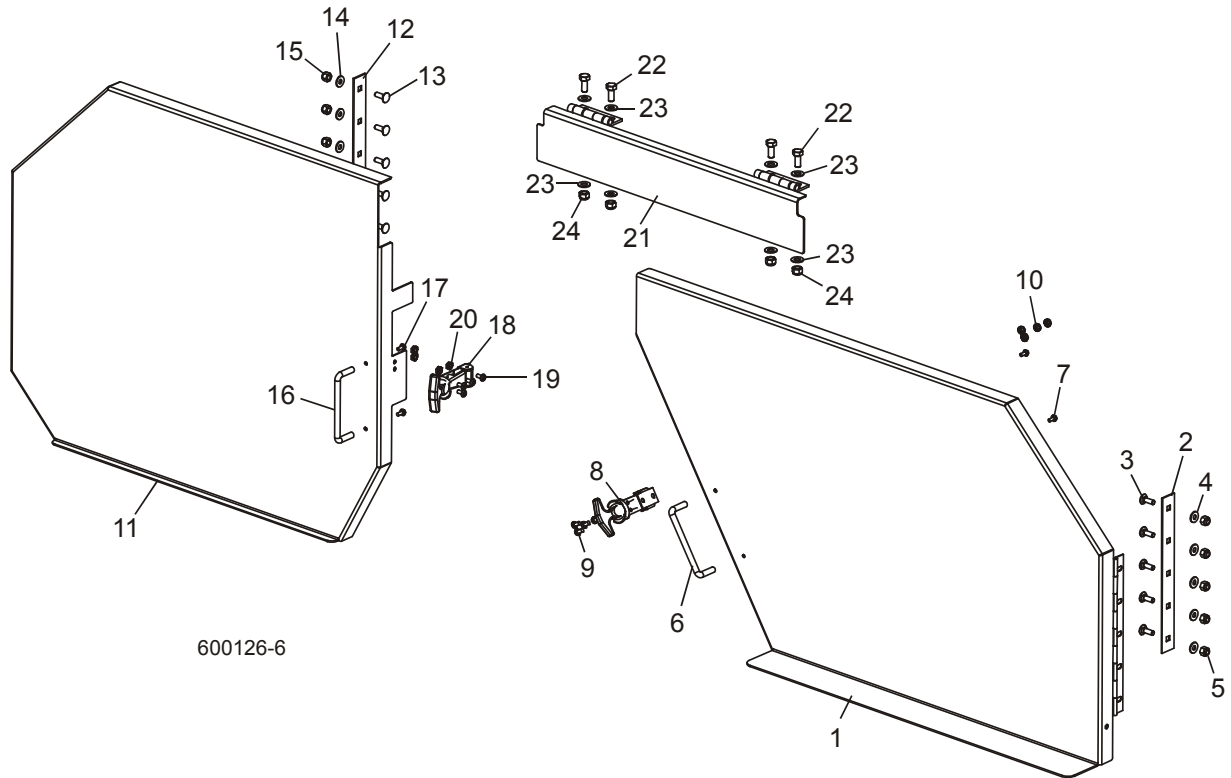
Saw Head*Blade Housing Covers*

16	Handle, Blade Housing Cover	P08065	1	
17	Screw, #8-32 x 3/8" Self-Tapping	F05015-8	2	
18	Latch, Flexible Draw	014829	1	
19	Screw, #10-24 x 3/8" Cross Slotted Pan Head	F05004-3	4	
20	Nut, #10-24 Hex Self-Locking	F05010-14	4	
21	COVER WELDMENT, MIDDLE BLADE HOUSING	034454	1	
22	BOLT, 5/16-18 X 3/4" HEX HEAD	F05006-102	4	
23	WASHER, 5/16" SAE FLAT	F05011-17	8	
24	NUT, 5/16-18 HEX NYLON LOCK	F05010-58	4	

¹ Drive blade wheel housing revised to prevent damage from blade breakage. New Drive Side Cover Assembly 048409 fits Rev. A5.00 and later only. [See Section 4.16](#) for previous revisions.

4.16 Blade Housing Covers

LT70HD Remote Rev. A3.01 - A4.01



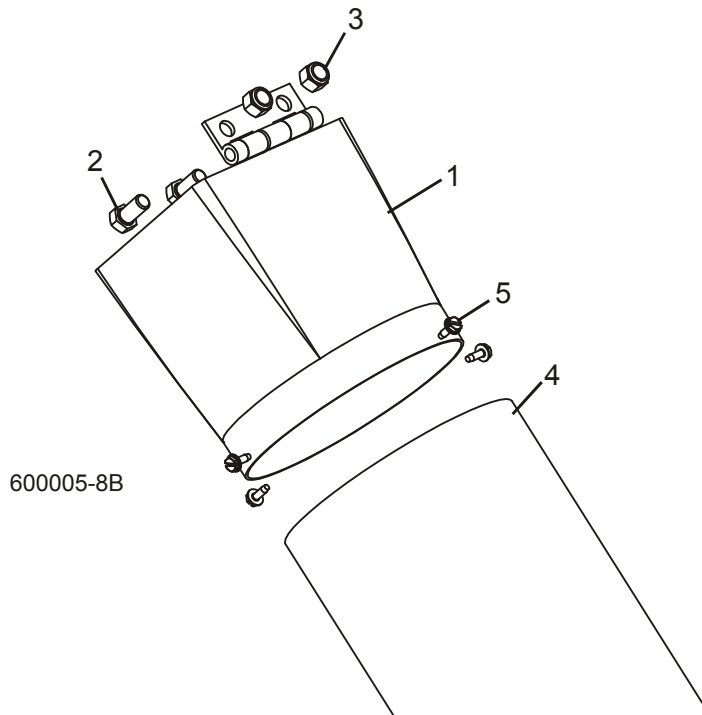
REF	DESCRIPTION (◆ Indicates Parts Available In Assemblies Only)	PART #	QTY.
	COVER ASSEMBLY, DRIVE SIDE BLADE HOUSING	036177	1
1	Cover Weldment, Drive Side Blade Housing	036175	1
2	Plate, Hinge Backing	034251	1
3	Bolt, 1/4-20 x 3/4" Carriage Head	F05005-113	5
4	Washer, 1/4" SAE Flat	F05011-11	5
5	Nut, 1/4-20 Hex Nylon Lock	F05010-69	5
6	Handle, Blade Housing Cover	P08065	1
7	Screw, #8-32 x 3/8" Self-Tapping	F05015-8	2
8	Latch, Flexible Draw	014829	1
9	Screw, #10-24 x 3/8" Cross Slotted Pan Head	F05004-3	4
10	Nut, #10-24 Hex Self-Locking	F05010-14	4
	COVER ASSEMBLY, IDLE SIDE BLADE HOUSING	036178	1
11	Cover Weldment, Idle Side Blade Housing	036176	1
12	Plate, Hinge Backing	034251	1
13	Bolt, 1/4-20 x 3/4" Carriage Head	F05005-113	5
14	Washer, 1/4" SAE Flat	F05011-11	5
15	Nut, 1/4-20 Hex Nylon Lock	F05010-69	5

4

Saw Head*Blade Housing Covers*

16	Handle, Blade Housing Cover	P08065	1	
17	Screw, #8-32 x 3/8" Self-Tapping	F05015-8	2	
18	Latch, Flexible Draw	014829	1	
19	Screw, #10-24 x 3/8" Cross Slotted Pan Head	F05004-3	4	
20	Nut, #10-24 Hex Self-Locking	F05010-14	4	
21	COVER WELDMENT, MIDDLE BLADE HOUSING	034454	1	
22	BOLT, 5/16-18 X 3/4" HEX HEAD	F05006-102	4	
23	WASHER, 5/16" SAE FLAT	F05011-17	8	
24	NUT, 5/16-18 HEX NYLON LOCK	F05010-58	4	

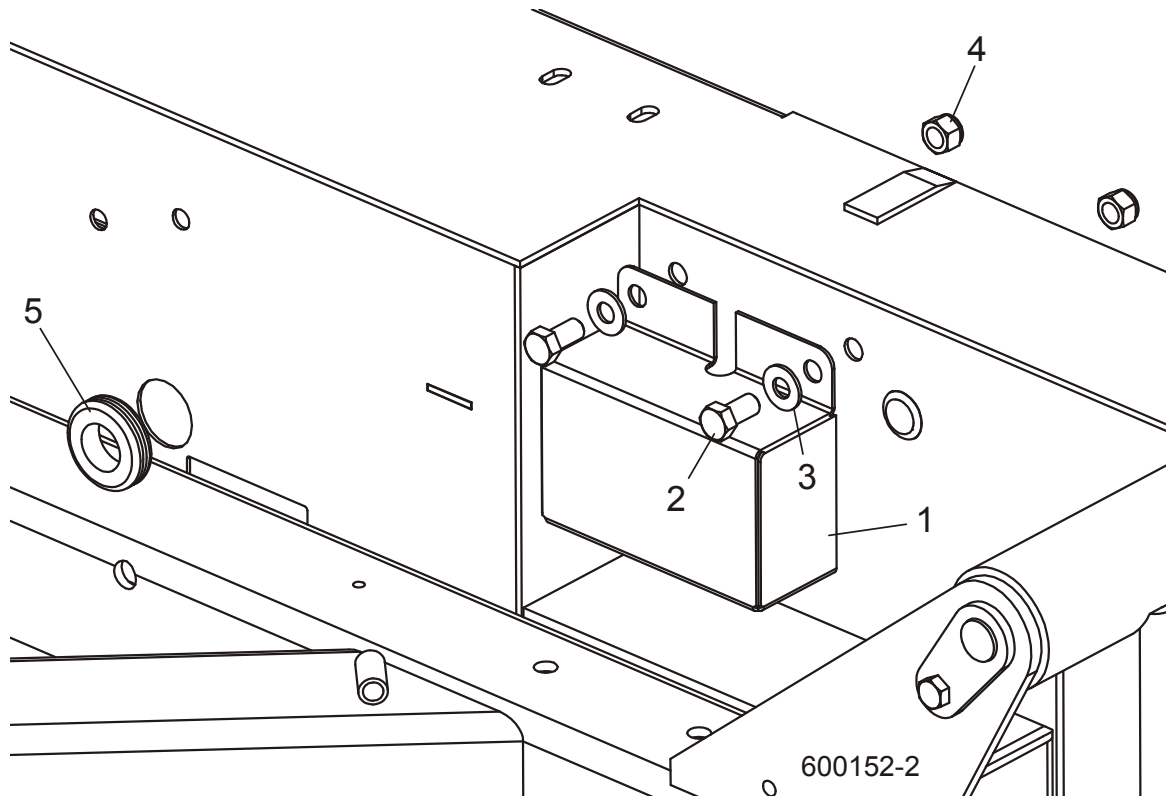
4.17 Sawdust Chute



REF	DESCRIPTION (◆ Indicates Parts Available In Assemblies Only)	PART #	QTY.	
1	CHUTE WELDMENT, SAWDUST	034396	1	
2	BOLT, 3/8-16 X 3/4" HEX HEAD GRADE 5	F05007-118	2	
3	NUT, 3/8-16 HEX NYLON LOCK	F05010-10	2	
4	TUBING, RUBBER SAWDUST	017829	2	
5	BOLT, #10-24 X 1/2" SELF-TAPPING	F05015-7	4	

4 Saw Head
 Debarker Wire Box/Grommet

4.18 Debarker Wire Box/Grommet



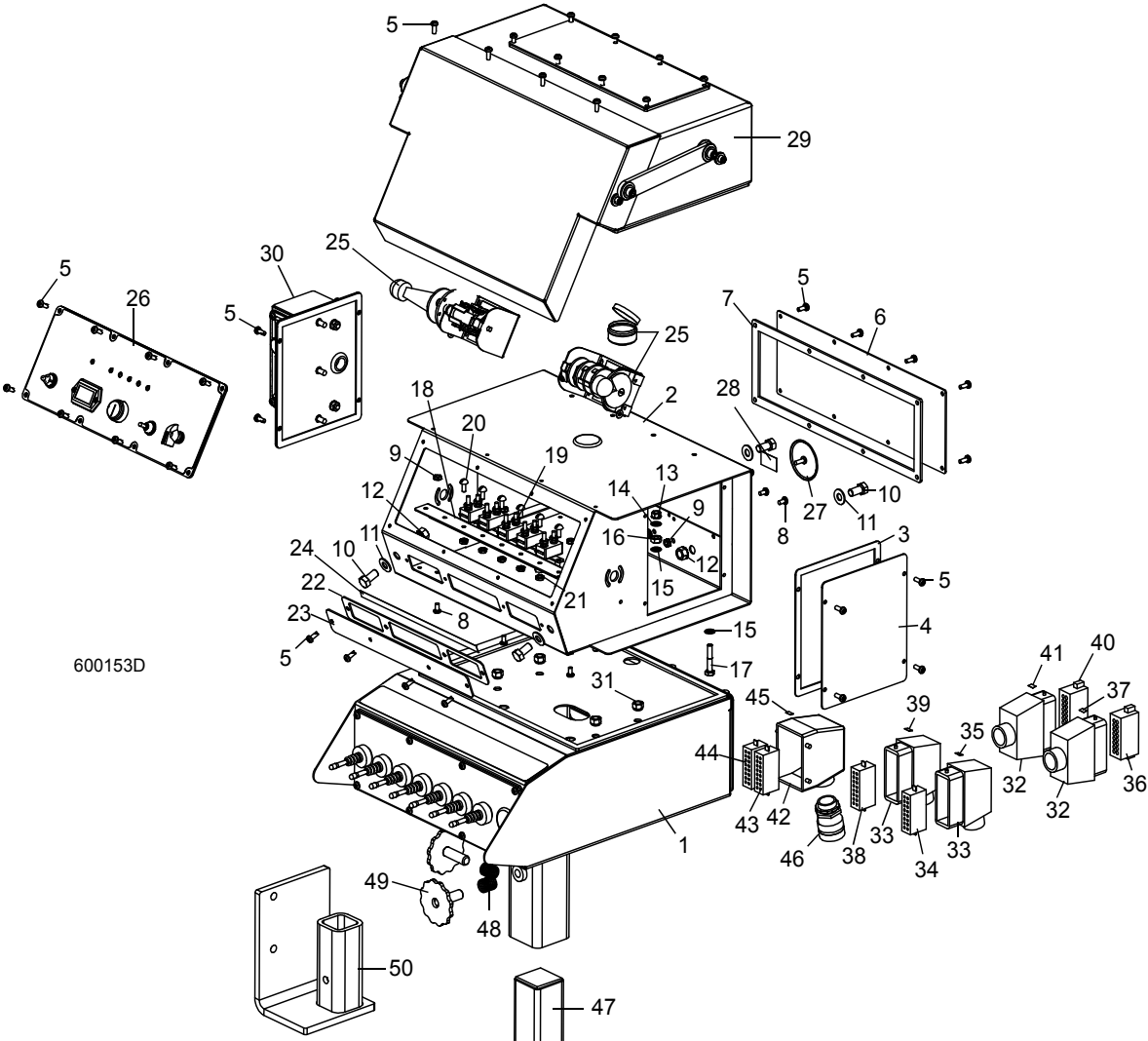
REF	DESCRIPTION (◆ Indicates Parts Available In Assemblies Only)	PART #	QTY.
1	BOX, DEBARKER WIRE STORAGE	023616	1
2	BOLT, 3/8-16 X 3/4" HEX HEAD	F05007-7	2
3	WASHER, 3/8" SAE FLAT	F05011-3	2
4	NUT, 3/8-16 HEX NYLON LOCK	F05010-10	2
5	GROMMET, 7/8" ID X 1 1/4" GROOVED OD	P702	1

SECTION 5 CONTROL & BATTERY BOXES

5.1 Control Assembly (DC)

LT70HD Remote

Rev. A4.00 - B3.01



600153D

REF	DESCRIPTION (◆ Indicates Parts Available In Assemblies Only)	PART #	QTY.	
	COVER, SAWMILL CONTROL CONSOLE W/ACCUSAT	036352	1	
	CONTROL BOX ASSEMBLY, LT70HD DIESEL REMOTE SOFTSTART (2008)	053068 ¹	1	
	CONTROL BOX ASSEMBLY, LT70HD DIESEL REMOTE SOFTSTART	051913 ¹	1	
1	Remote Hydraulic Control Parts (See Section 10.3) ¹			
2	Box Weldment, Control	016135	1	◆
3	Gasket, Side Panel Control 97	015274	1	
4	Panel Weldment, Side	015307	1	

5 Control & Battery Boxes

Control Assembly (DC)

5	Screw, #10-24 x 1/2" Pan Head	F05015-17	32	
6	Panel, Rear Mill Control 97	016230	1	
7	Gasket, Rear Panel 97	015278	1	
8	Screw, 10-24 x 3/8" Phillips Pan Head Machine	F05004-3	5	
9	Nut, #10-24 Self-Locking	F05010-14	5	
10	Bolt, 3/8-16 x 3/4" Hex Head	F05007-27	4	
11	Washer, 3/8" Flat	F05011-3	4	
12	Nut, 3/8-16 Self-Locking	F05010-19	4	
13	Nut, 1/4-20 Self-Locking	F05010-9	1	
14	Washer, 1/4 SAE Flat	F05011-11	2	
15	Washer, 1/4" Interior Star Lock (Heavy Duty)	F05011-69	2	
16	Nut, 1/4-20 Hex Jam (Heavy Duty)	F05010-129	1	
17	Bolt, 1/4-20 x 1 1/2" Hex Head Full Thread	F05005-31	1	
	Breaker Assembly, Remote Control Front	015621	1	
18	Rail, Circuit Breaker	015310	1	
19	Breaker, 15Amp Auto Reset	E20430	5	
20	Screw, #8-32 x 1/2" Slotted Head	F05004-12	10	
21	Nut, #8-32 Hex Self-Locking	F05010-41	10	
22	Gasket, Circuit Breaker Cover	015266	1	
23	Panel, Circuit Breaker Cover	015376	1	
24	Decal, Circuit Breaker Remote Control 97	024363	1	
25	Drum Switch Parts (See Section 5.4)			
26	Control Panel Parts (See Section 5.5)			
27	Plug, AS125 Oil Tight Painted	015673	1	
28	Decal, Circuit Breaker ID (Debarker In/Out)	024364	1	
29	Accuset Parts (See Accuset 2 Manual or See Accuset Manual) ¹			
30	LubeMizer Parts (See LubeMizer Manual)			
31	Nut, 5/16-18 Nylon Lock	F05010-58	4	
	HARNES ASSEMBLY, CAT TRACK LT70 D51/62 2008	053055 ¹	1	
	HARNES ASSEMBLY, CAT TRACK LT70 D42/51/62	050742 ¹	1	
32	Connector, 16 Pin Hood Single Lever	015658	2	
33	Connector, 16 Pin Hood Single Lever 90°	051499	2	
34	Insert, Female 10A 16 Pin Screw Terminal 1-16	E23106	1	
35	Decal, Connector ID P1A	038412	1	
36	Insert, Male 10A 16 Pin Screw Terminal 1-16	E23105	1	
37	Decal, Connector ID P1B	038417	1	
38	Insert, Female 10A 16 Pin Screw Terminal 17-32	015671	1	
39	Decal, Connector ID P2A	038413	1	
40	Insert, Male 10A 16 Pin Screw Terminal 17-32	015670	1	
41	Decal, Connector ID P2B	038418	1	
	HARNES ASSEMBLY, LT70 REMOTE HYDRAULIC JOYSTICK	050965	1	
42	Connector, 32 Pin Hood Dual Lever 90°	051500	1	
43	Insert, Female 10A 16 Pin Screw Terminal 1-16	E23106	1	

Control & Battery Boxes

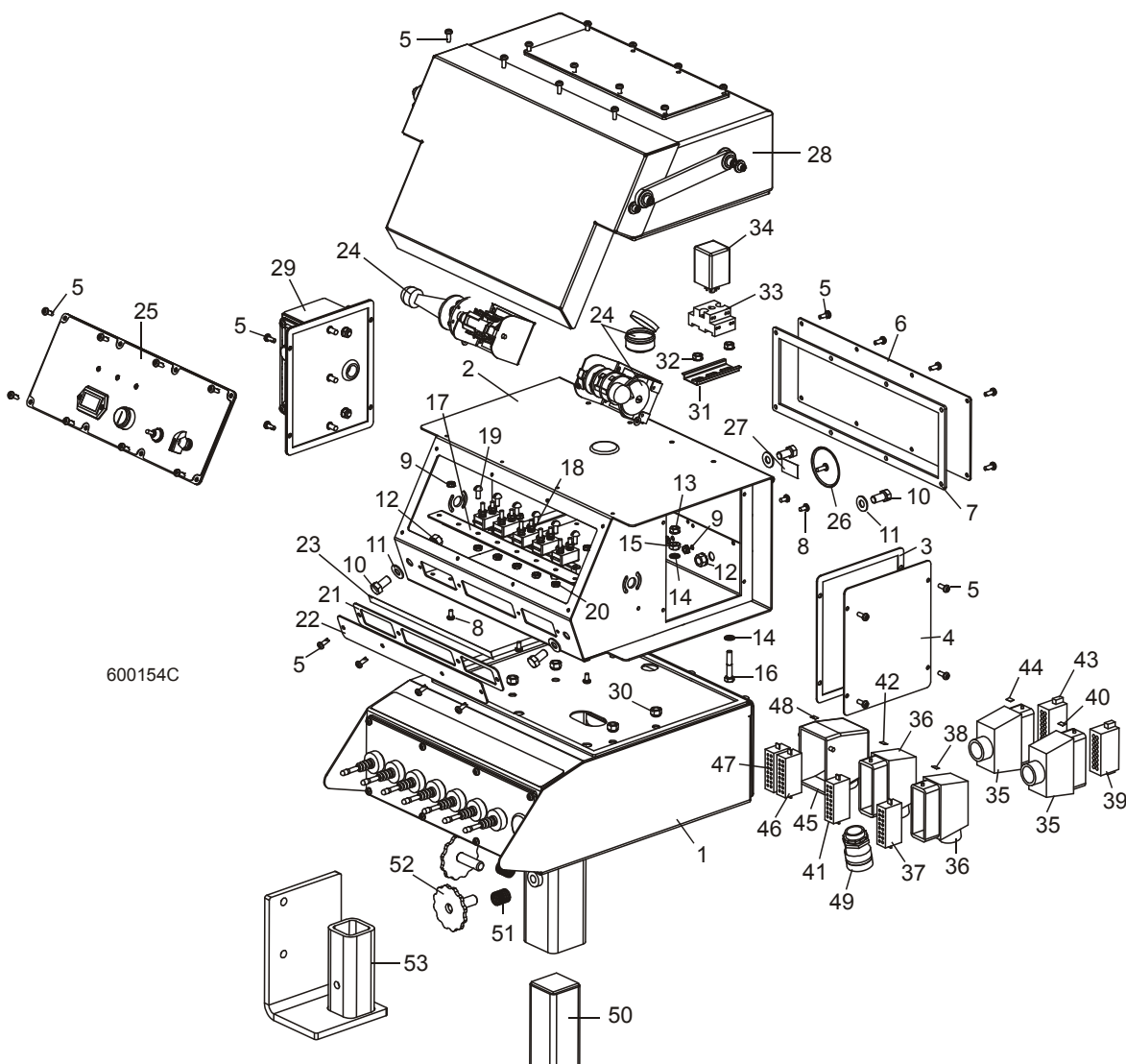
Control Assembly (DC)

5

44	Insert, Female 10A 16 Pin Screw Terminal 17-32	015671	1	
45	Decal, Connector ID P3A	038414	1	
46	Connector, Flex Strain .53 - .75 Cord 3/4" Hub	025186	1	
47	STAND WELDMENT, REMOTE CONTROL	034652	1	
48	SPRING, .72" X 1.5" X .067" STAINLESS STEEL COMPRESSION	P04282	2	
49	KNOB WELDMENT, LOCK	034658	2	
50	MOUNT WELDMENT, LT70 REMOTE CONTROL BOX STORAGE	046443	1	

¹ Operator Control Box 051913 replaced with 053068 Rev. A8.00. New control box includes new hydraulic command control assembly and Accuset 2. Control Harness 050742 replaced with 053055. 053055 revised 4/08 to include Accuset 2 wires to connect directly to up/down drum switch (replaces Bypass Cable 053039). 053039 still available for retrofit applications only.

5.2 Control Assembly (AC)



REF	DESCRIPTION (◆ Indicates Parts Available In Assemblies Only)	PART #	QTY.	
	COVER, SAWMILL CONTROL CONSOLE W/ACCUSER	036352	1	
	CONTROL BOX ASSEMBLY, LT70HD E25-R (2008)	053066 ¹	1	
	CONTROL BOX ASSEMBLY, LT70HD E25-R (2003)	050961 ¹	1	
1	Remote Hydraulic Control Parts (See Section 10.3)			
2	Box Weldment, Control	016135	1	◆
3	Gasket, Side Panel Control 97	015274	1	
4	Panel Weldment, Side	015307	1	
5	Screw, #10-24 x 1/2" Pan Head	F05015-17	32	
6	Panel, Rear Mill Control 97	016230	1	

7	Gasket, Rear Panel 97	015278	1	
8	Screw, 10-24 x 3/8" Phillips Pan Head Machine	F05004-3	5	
9	Nut, #10-24 Self-Locking	F05010-14	5	
10	Bolt, 3/8-16 x 3/4" Hex Head	F05007-27	4	
11	Washer, 3/8" Flat	F05011-3	4	
12	Nut, 3/8-16 Self-Locking	F05010-19	4	
13	Nut, 1/4-20 Self-Locking	F05010-9	1	
14	Washer, 1/4" Interior Star Lock (Heavy Duty)	F05011-69	2	
15	Nut, 1/4-20 Hex Jam (Heavy Duty)	F05010-129	1	
16	Bolt, 1/4-20 x 1 1/2" Hex Head Full Thread	F05005-31	1	
	Breaker Assembly, Remote AC Control Front	050916	1	
17	Rail, Circuit Breaker	015310	1	
18	Breaker, 15Amp Auto Reset	E20430	5	
19	Screw, #8-32 x 1/2" Slotted Head	F05004-12	6	
20	Nut, #8-32 Hex Self-Locking	F05010-41	6	
21	Gasket, Circuit Breaker Cover	015266	1	
22	Panel, Circuit Breaker Cover	015376	1	
23	Decal, Circuit Breaker LT60/70 AC	050917	1	
24	Drum Switch Parts (See Section 5.4)			
25	Control Panel Parts (See Section 5.5)			
26	Plug, AS125 Oil Tight Painted	015673	1	
27	Decal, Circuit Breaker ID (Debarker In/Out)	050918	1	
28	Accuset Parts (See Remote Accuset 2 Manual or See Remote Accuset option manual) ¹			
29	LubeMizer Parts (See LubeMizer Manual)			
30	Nut, 5/16-18 Nylon Lock	F05010-58	4	
31	Rail, 35mm x 7.5mm x 3" Steel DIN	024474-3	1	
32	Nut, 1/4-20 Self-Locking	F05010-9	2	
33	Socket, 8 Pin Relay	E10216	1	
34	Relay, DPDT 10A GP Tube Terminals	050300	1	
	HARNESS ASSEMBLY, CAT TRACK LT70 E25 2008	053178 ²	1	
	HARNESS ASSEMBLY, CAT TRACK LT70 E25	050743	1	
35	Connector, 16 Pin Hood Single Lever	015658	2	
36	Connector, 16 Pin Hood Single Lever 90°	051499	2	
37	Insert, Female 10A 16 Pin Screw Terminal 1-16	E23106	1	
38	Decal, Connector ID P1A	038412	1	
39	Insert, Male 10A 16 Pin Screw Terminal 1-16	E23105	1	
40	Decal, Connector ID P1B	038417	1	
41	Insert, Female 10A 16 Pin Screw Terminal 17-32	015671	1	
42	Decal, Connector ID P2A	038413	1	
43	Insert, Male 10A 16 Pin Screw Terminal 17-32	015670	1	
44	Decal, Connector ID P2B	038418	1	
	HARNESS ASSEMBLY, LT70 REMOTE HYDRAULIC JOYSTICK	050965	1	
45	Connector, 32 Pin Hood Dual Lever 90°	051500	1	

5 Control & Battery Boxes

Control Assembly (AC)

46	Insert, Female 10A 16 Pin Screw Terminal 1-16	E23106	1	
47	Insert, Female 10A 16 Pin Screw Terminal 17-32	015671	1	
48	Decal, Connector ID P3A	038414	1	
49	Connector, Flex Strain .53 - .75 Cord 3/4" Hub	025186	1	
50	STAND WELDMENT, REMOTE CONTROL	034652	1	
51	SPRING, .72" X 1.5" X .067" STAINLESS STEEL COMPRESSION	P04282	2	
52	KNOB WELDMENT, LOCK	034658	2	
53	MOUNT WELDMENT, LT70 REMOTE CONTROL BOX STORAGE	046443	1	

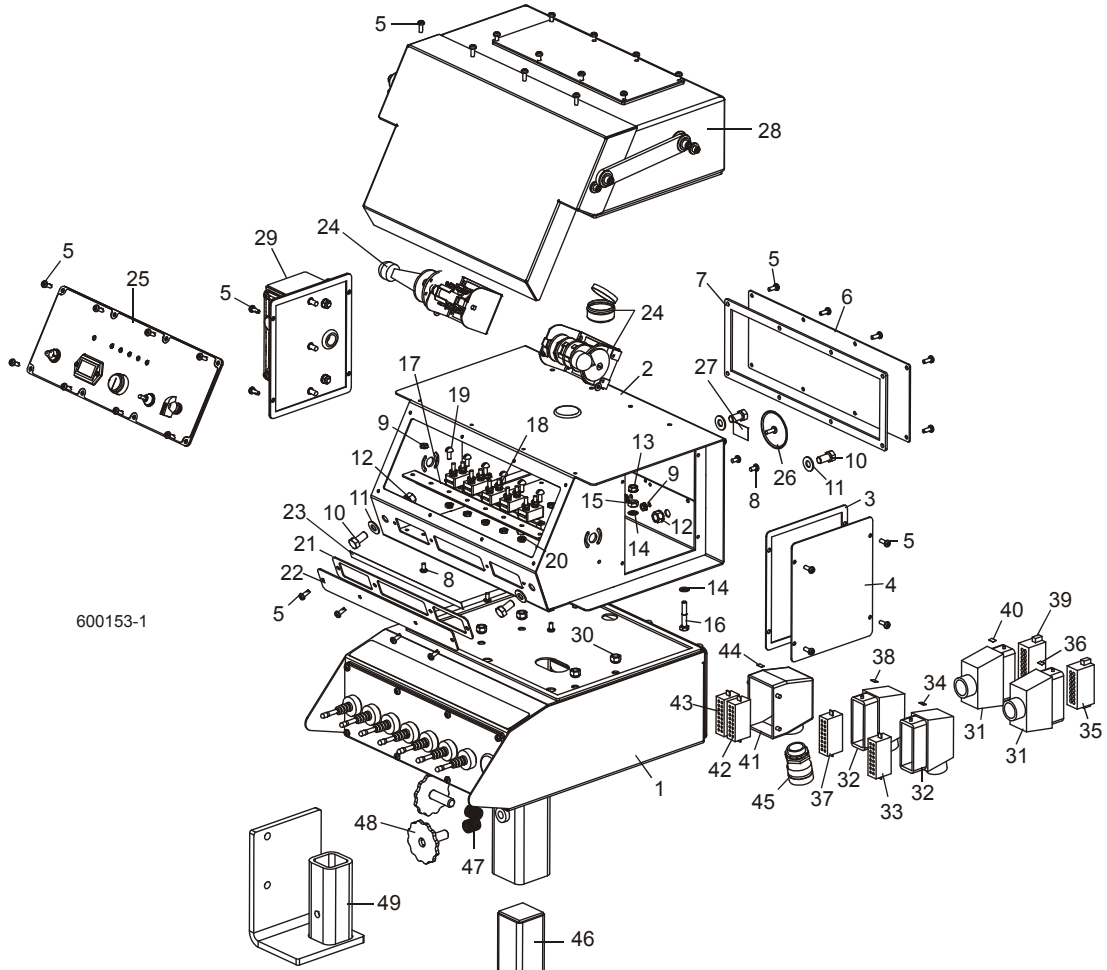
¹ Operator Control Box 050961 replaced with 053066 Rev. A9.00. New control box includes Accuset 2.

² Remote Control Harness 050743 replaced with 053178 Rev. A9.00 for Accuset 2.

5.3 Control Assembly (DC)

LT70HD Remote

Rev. A3.01 - A3.03



600153-1

REF	DESCRIPTION (◆ Indicates Parts Available In Assemblies Only)	PART #	QTY.	
	COVER, SAWMILL CONTROL CONSOLE W/ACCUNET	036352	1	
	CONTROL BOX ASSEMBLY, LT70HD DIESEL REMOTE	050960	1	
1	Remote Hydraulic Control Parts (See Section 10.3)			
2	Box Weldment, Control	016135	1	◆
3	Gasket, Side Panel Control 97	015274	1	
4	Panel Weldment, Side	015307	1	
5	Screw, #10-24 x 1/2" Pan Head	F05015-17	32	
6	Panel, Rear Mill Control 97	016230	1	
7	Gasket, Rear Panel 97	015278	1	
8	Screw, 10-24 x 3/8" Phillips Pan Head Machine	F05004-3	5	
9	Nut, #10-24 Self-Locking	F05010-14	5	
10	Bolt, 3/8-16 x 3/4" Hex Head	F05007-27	4	
11	Washer, 3/8" Flat	F05011-3	4	

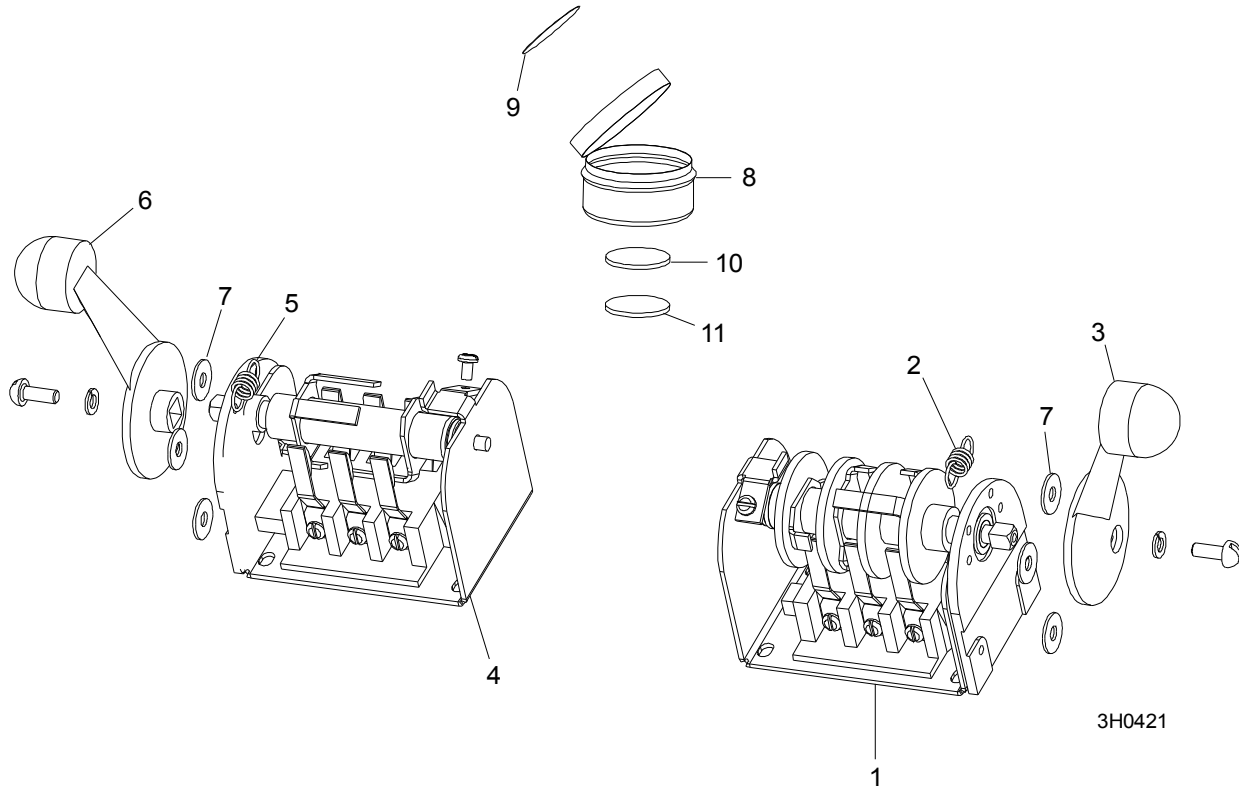
5

Control & Battery Boxes

Control Assembly (DC)

12	Nut, 3/8-16 Self-Locking	F05010-19	4	
13	Nut, 1/4-20 Self-Locking	F05010-9	1	
14	Washer, 1/4" Interior Star Lock (Heavy Duty)	F05011-69	2	
15	Nut, 1/4-20 Hex Jam (Heavy Duty)	F05010-129	1	
16	Bolt, 1/4-20 x 1 1/2" Hex Head Full Thread	F05005-31	1	
	Breaker Assembly, Remote Control Front	015621	1	
17	Rail, Circuit Breaker	015310	1	
18	Breaker, 15Amp Auto Reset	E20430	5	
19	Screw, #8-32 x 1/2" Slotted Head	F05004-12	10	
20	Nut, #8-32 Hex Self-Locking	F05010-41	10	
21	Gasket, Circuit Breaker Cover	015266	1	
22	Panel, Circuit Breaker Cover	015376	1	
23	Decal, Circuit Breaker Remote Control 97	024363	1	
24	Drum Switch Parts (See Section 5.4)			
25	Control Panel Parts (See Section 5.5)			
26	Plug, AS125 Oil Tight Painted	015673	1	
27	Decal, Circuit Breaker ID (Debarker In/Out)	024364	1	
28	Accuset Parts (See Accuset Manual)			
29	LubeMizer Parts (See LubeMizer Manual)			
30	Nut, 5/16-18 Nylon Lock	F05010-58	4	
	HARNES ASSEMBLY, CAT TRACK LT70 D42/51/62	050742	1	
31	Connector, 16 Pin Hood Single Lever	015658	2	
32	Connector, 16 Pin Hood Single Lever 90°	051499	2	
33	Insert, Female 10A 16 Pin Screw Terminal 1-16	E23106	1	
34	Decal, Connector ID P1A	038412	1	
35	Insert, Male 10A 16 Pin Screw Terminal 1-16	E23105	1	
36	Decal, Connector ID P1B	038417	1	
37	Insert, Female 10A 16 Pin Screw Terminal 17-32	015671	1	
38	Decal, Connector ID P2A	038413	1	
39	Insert, Male 10A 16 Pin Screw Terminal 17-32	015670	1	
40	Decal, Connector ID P2B	038418	1	
	HARNES ASSEMBLY, LT70 REMOTE HYDRAULIC JOYSTICK	050965	1	
41	Connector, 32 Pin Hood Dual Lever 90°	051500	1	
42	Insert, Female 10A 16 Pin Screw Terminal 1-16	E23106	1	
43	Insert, Female 10A 16 Pin Screw Terminal 17-32	015671	1	
44	Decal, Connector ID P3A	038414	1	
45	Connector, Flex Strain .53 - .75 Cord 3/4" Hub	025186	1	
46	STAND WELDMENT, REMOTE CONTROL	034652	1	
47	SPRING, .72" X 1.5" X .067" STAINLESS STEEL COMPRESSION	P04282	2	
48	KNOB WELDMENT, LOCK	034658	2	
49	MOUNT WELDMENT, LT70 REMOTE CONTROL BOX STORAGE	046443	1	

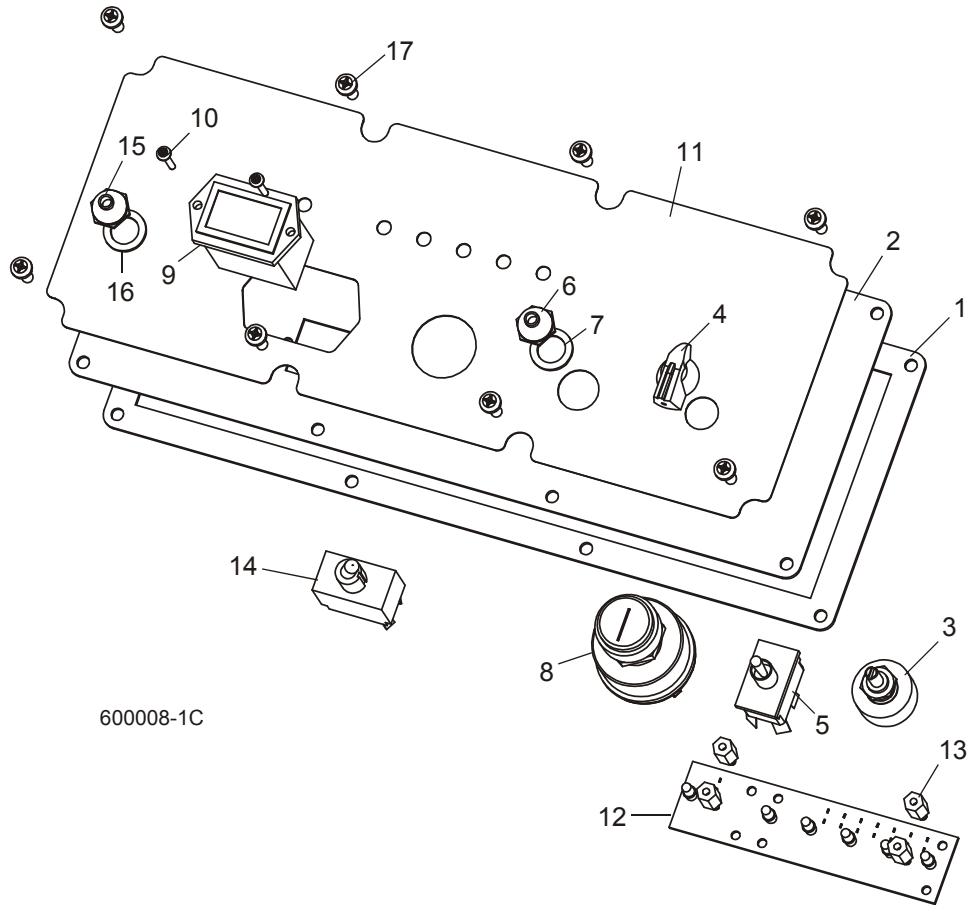
5.4 Drum Switches



REF	DESCRIPTION (◆ Indicates Parts Available In Assemblies Only)	PART #	QTY.	
	SWITCH ASSEMBLY, UP/DOWN DRUM	E20440	1	
1	Switch, S12 Bulk Drum	E20440-B	1	◆
2	Spring, Drum Switch	P12570	1	
3	Handle, Drum Switch Replacement	P12500	1	
	SWITCH ASSEMBLY, POWER FEED DRUM	E20439	1	
4	Switch, S11 Bulk Drum	E20439-B	1	◆
5	Spring, Drum Switch	P12570	1	
6	Handle, Drum Switch Replacement	P12500	1	
	SUPPRESSOR, 36V 1500W TVS	025053 ¹	1	
7	WASHER, #8 SAE FLAT	F05011-41	6	
	CUP ASSEMBLY, DRUM SWITCH GREASE	A20463	1	
8	Cup, Plastic Container	P20464	1	◆
9	Decal, Grease Cup Label	P20467	1	
10	Pad, Velcro Loop	P20466	1	◆
11	Pad, Velcro Hook	P20465	1	◆
	Grease, High Temp Drum Switch	P20468	.025 Lb	◆

¹ Suppressor 025053 used for Remote mills with SoftStart Power Feed Control (Rev. A4.00+) until 6/08.

5.5 Front Panel Assembly



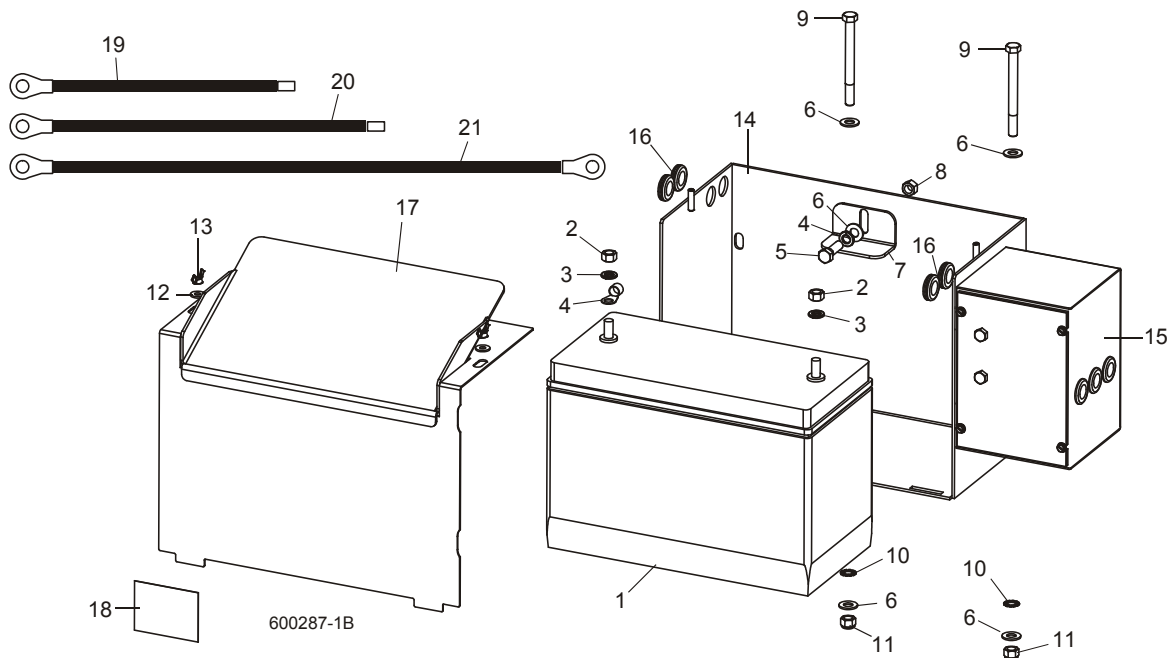
REF	DESCRIPTION (◆ Indicates Parts Available In Assemblies Only)	PART #	QTY.
	PANEL ASSEMBLY, CONTROL FRONT DIESEL REMOTE	024671	1
	PANEL ASSEMBLY, CONTROL FRONT E25-R	050299	1
1	Gasket, Front Panel	015270	1
2	Panel Weldment, Control	015302	1
3	Switch Assembly, Feed Rate	024450-1	1
4	Knob, Feed Rate With Set Screw	P06257	1
5	Switch, Toggle	024200	1
6	Boot, Toggle Switch Rubber	P02575	1
7	Washer, 1/2 x 3/4 x 1/16" Nylon	P05251-1	1
8	Switch, Key	P04350	1
9	Meter, Hour	015401	1
10	Screw, #6-32 x 3/4" Socket Button Head Cap Stainless Steel	F05004-93	2
11	Nut, #6-32 Self Locking	F05010-59	2
12	Decal, Control Panel (E25)	015271	1
	Decal, Control Panel (D42/D51/D55/D62)	015269	1

13	Board, LED Circuit (E25)	015416	1	
	Board, LED Circuit (D42/D51/D55/D62)	015409	1	
14	Spacer, 1/2"-#6 Threaded	023147	4	
DC Models Only:				
15	Switch, On/On Toggle SPDT	051346	1	
16	Boot, Toggle Switch Rubber	P02575	1	
17	Washer, 1/2 x 3/4 x 1/16" Nylon	P05251-1	1	
18	SCREW, #10-24 X 1/2" PAN HEAD	F05015-17	8	
	CONDUIT, 1 1/4" X 58" FLEX	050399	1	
	CONNECTOR, 1 1/4" STRAIGHT MALE METAL CONDUIT	024402	1	
	CONDUIT, 1/2" EXPANDABLE BLACK	R02374	41 in.	
	CONDUIT, 1/2" EXPANDABLE BLACK	R02374	42 in.	

5.6 Battery Box Assembly (DC Only)

LT70HD Remote

Rev. B3.00 - B3.01



REF	DESCRIPTION (◆ Indicates Parts Available In Assemblies Only)	PART #	QTY.	
1	BATTERY, 12 VOLT	015475	1	◆
	BOX ASSEMBLY, LT70 BATTERY	017674	1	
2	Nut, 3/8-16 Hex	F05010-1	2	
3	Washer, 3/8" Split Lock	F05011-4	3	
4	Terminal, 3/8 1-2 Ga Ring NI Loose	F05092-28	1	
5	Bolt, 3/8-16 x 1 1/4" Hex Head	F05007-2	1	
6	Washer, 3/8" SAE Flat	F05011-3	5	
7	Bracket, Battery Hold-Down	017725	1	
8	Nut, 3/8-16 Hex Lock	F05010-25	1	
9	Bolt, 3/8-16 x 4" Hex Head	F05007-4	2	
10	Washer, 3/8" External Star Lock	F05011-36	2	
11	Nut, 3/8" Hex Nylon Lock	F05010-10	2	
12	Washer, 1/4" SAE Flat	F05011-11	2	
13	Nut, 1/4-20 Wing	F05010-13	2	
14	Box Weldment, Battery	015191	1	
15	Fuse Box Parts (See Section 5.8)			
16	Grommet, 5/8" Rubber Wire	P11764	4	
17	LID WELDMENT, BATTERY BOX	033976	1	
18	DECAL, BATTERY BOX LID CAUTION	014774	1	
19	CABLE ASSEMBLY, 1 GA X 12" 150A FUSE TO BATTERY POSITIVE	036308	1	

Control & Battery Boxes
Battery Box Assembly (DC Only)

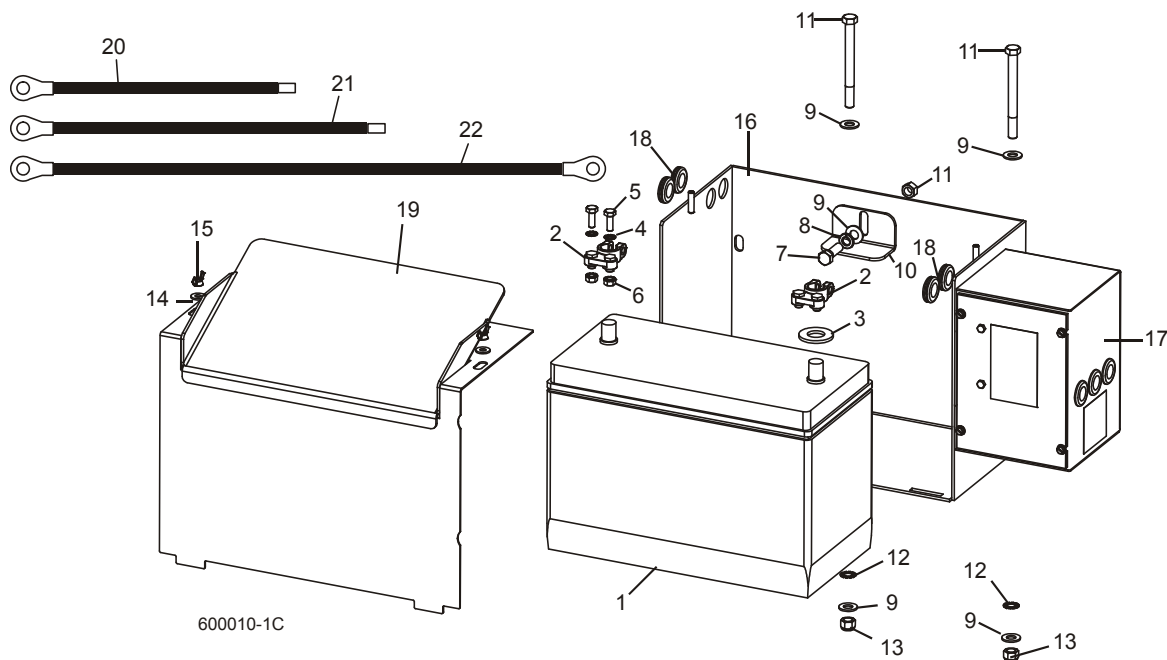
5

20	CABLE ASSEMBLY, 1 GA X 16" 225A FUSE TO BATTERY POSITIVE	036309	1	
21	CABLE ASSEMBLY, 1 GA X 26" BATTERY NEGATIVE TO NEG. CONTACT	036306	1	

5.7 Battery Box Assembly (DC Only)

LT70HD Remote

Rev. A3.01 - B2.00



REF	DESCRIPTION (◆ Indicates Parts Available In Assemblies Only)	PART #	QTY.	
1	BATTERY, 12 VOLT ¹	015475	1	◆
	BOX ASSEMBLY, LT70 BATTERY	017674 ²	1	
2	Terminal, Battery	P05085	2	
3	Washer, Battery Terminal	P12161	1	
4	Washer, 1/4" Exterior Star Lock	F05011-37	2	
5	Bolt, 1/4-20 x 3/4" Hex Head Full Thread	F05005-1	2	
6	Nut, 1/4-20 Self-Locking Hex	F05010-9	2	
7	Bolt, 3/8-16 x 1 1/4" Hex Head	F05007-2	1	
8	Washer, 3/8" Split Lock	F05011-4	1	
9	Washer, 3/8" SAE Flat	F05011-3	5	
10	Bracket, Battery Hold-Down	017725	1	
11	Nut, 3/8-16 Hex Lock	F05010-25	1	
12	Washer, 3/8" External Star Lock	F05011-36	2	
13	Nut, 3/8" Hex Nylon Lock	F05010-10	2	
14	Washer, 1/4" SAE Flat	F05011-11	2	
15	Nut, 1/4-20 Wing	F05010-13	2	
16	Box Weldment, Battery	015191	1	
17	Fuse Box Parts (See Section 5.8)			
18	Grommet, 5/8" Rubber Wire	P11764	4	
19	LID WELDMENT, BATTERY BOX	033976	1	

Control & Battery Boxes

Battery Box Assembly (DC Only)

5

20	CABLE ASSEMBLY, 1 GA X 12" 150A FUSE TO BATTERY POSITIVE	036308	1	
21	CABLE ASSEMBLY, 1 GA X 16" 225A FUSE TO BATTERY POSITIVE	036309	1	
22	CABLE ASSEMBLY, 1 GA X 26" BATTERY NEGATIVE TO NEG. CONTACT	036306 ³	1	

¹ Battery changed from Deka 1231PMF to Trojan C31-1000 Rev. A5.02. Battery changed back to Deka 1131XPMF due to discontinuation of Trojan battery.

² Battery Box Assembly 017674 modified to include new fuse block and mega fuse Rev. B3.00 ([See Section 5.8](#)).

³ Replaces 024676 originally supplied (duplicate parts).

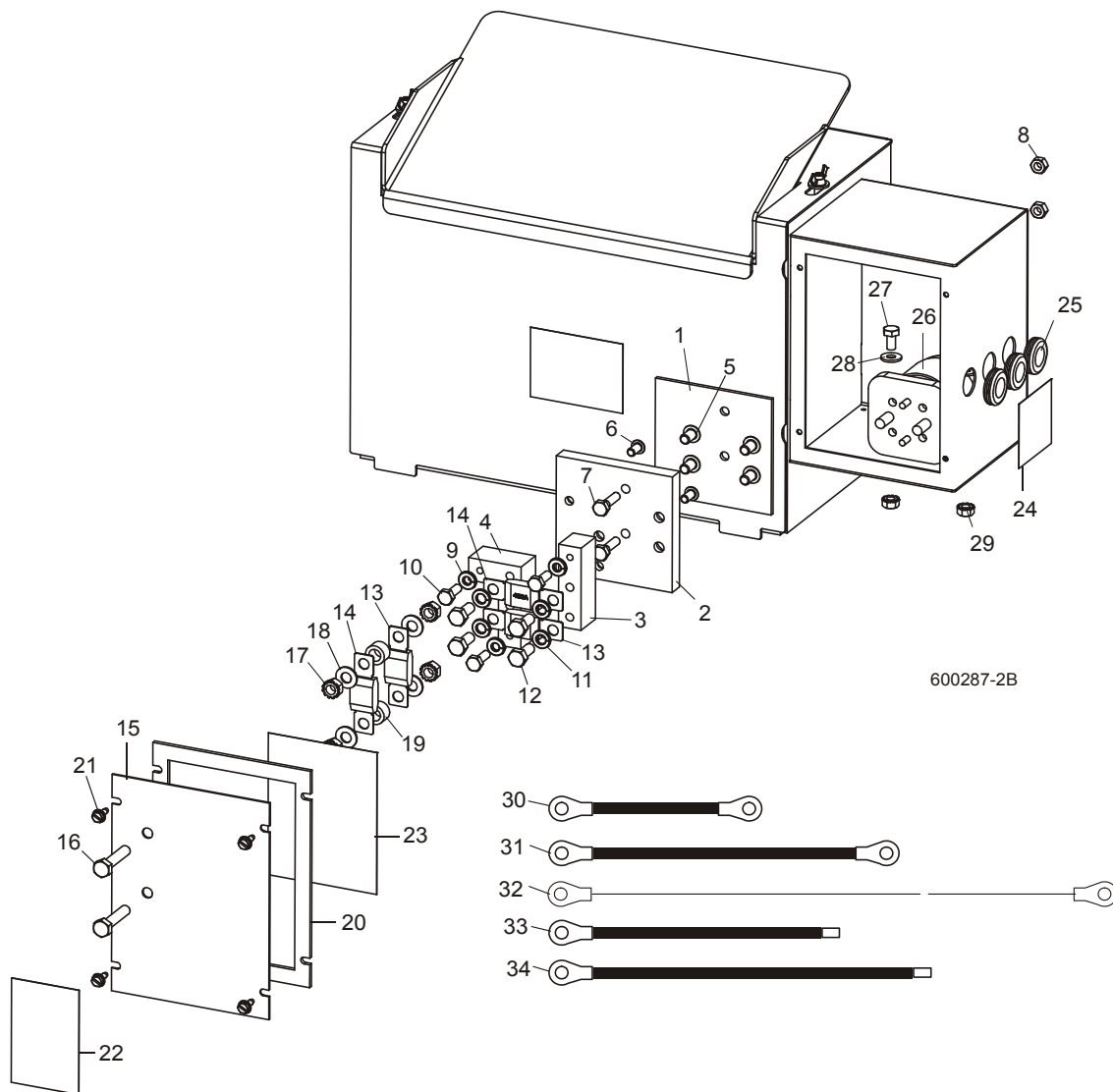
5 Control & Battery Boxes

Fuse Box Assembly (DC Only)

5.8 Fuse Box Assembly (DC Only)

LT70HD Remote

Rev. B3.00 - B3.01



REF	DESCRIPTION (◆ Indicates Parts Available In Assemblies Only)	PART #	QTY.	
	BLOCK ASSEMBLY, DOUBLE FUSE	006795	1	
1	Plate, Fuse Block Insulator	056999	1	
2	Block, Fuse Mount	056997	1	◆
3	Block, 3/4" Upper Fuse	056996	1	
4	Block, 3/4" Lower Fuse	056998	2	
5	Screw, 5/16-18 x 1/2" Socket Button Head	F05006-20	4	
6	Screw, 1/4-20 x 1/2" Socket Button Head	F05005-59	2	
7	Bolt, 1/4-20 x 1" Hex Head Grade 5	F05005-101	2	
8	Nut, 1/4-20 Hex Lock	F05010-21	2	

Control & Battery Boxes

Fuse Box Assembly (DC Only)

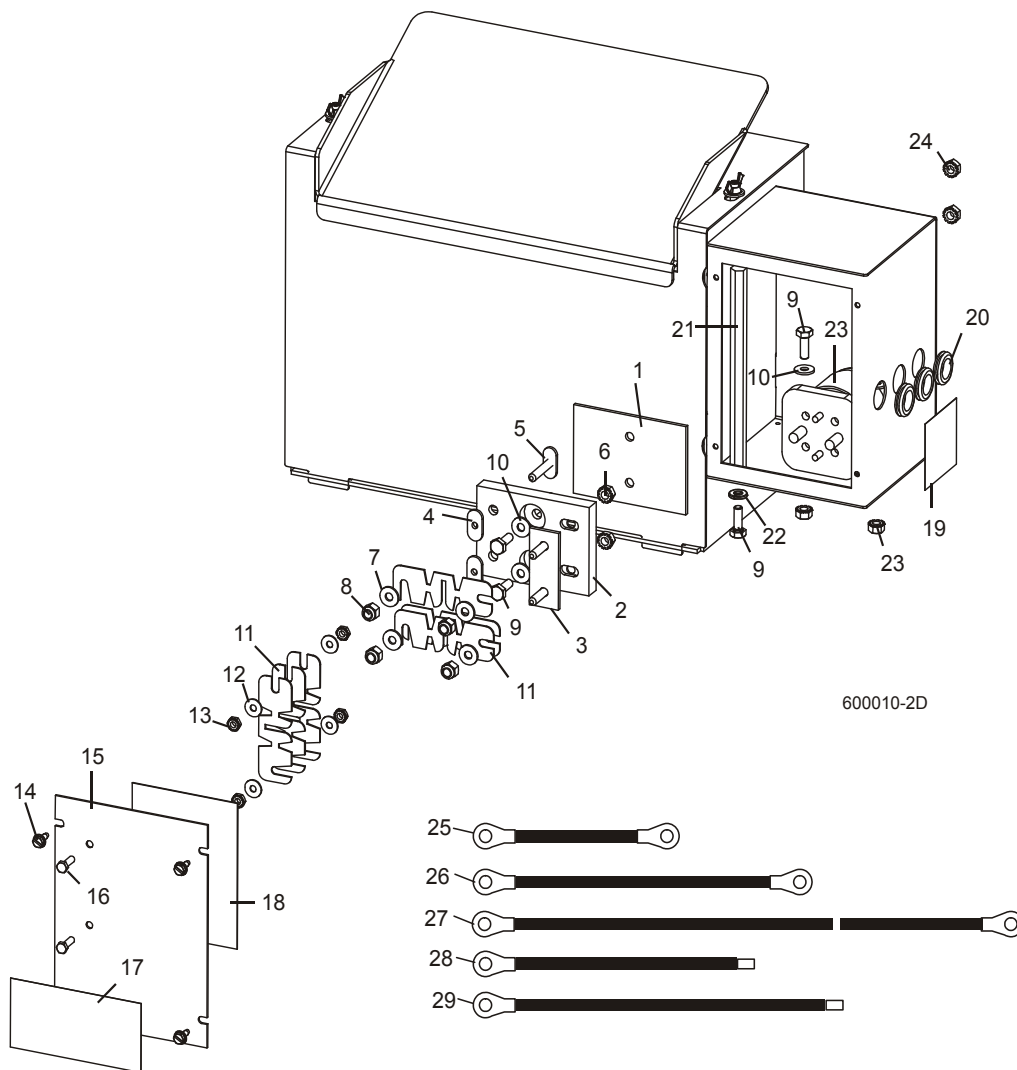
5

9	Washer, 1/4" Split Lock	F05011-14	3	
10	Bolt, 1/4-20 x 3/4" Hex Head Grade 5	F05005-123	3	
11	Washer, 5/16" Split Lock	F05011-13	4	
12	Bolt, 5/16-18 x 3/4" Hex Head Grade 5	F05006-102	4	
13	FUSE, 225A 32V MEGA	053339	2	
14	FUSE, 450A 32V MEGA	053340	2	
	COVER ASSEMBLY, DOUBLE FUSE BOX	006853	1	
15	Cover, Fuse Box	006851	1	
16	Bolt, 5/16-18 x 1 1/2" Hex Head Full Thread	F05006-2	2	
17	Nut, 5/16-18 Hex Self-Locking	F05010-20	4	
18	Washer, 5/16" SAE Flat	F05011-17	4	
19	Spacer, .39" x .625" x .39"	055323	2	
20	Gasket, Fuse Box Cover	050283	1	
21	SCREW, #10-24 X 1/2" SELF-TAPPING	F05015-7	4	
22	DECAL, 12 VOLT WARNING	P10364	1	
23	DECAL, 225/450A MEGA FUSE ID	006868	1	
24	DECAL, HYDRAULIC CONTACT CAUTION	P12960	1	
25	GROMMET, 5/8" RUBBER WIRE	P11764	3	
26	SOLENOID KIT, 200A 12V SPST CONT. DUTY	016371	1	
	Solenoid, 200A 12V SPST Cont. Duty	015470	1	◆
	Diode Assembly, Solenoid Coil Chassis Gnd	015426	1	
	WIRE ASSEMBLY, HYDRAULIC SOLENOID VOLTAGE DROP	024451	1	
27	BOLT, 1/4-20 X 1/2" HEX HEAD	F05005-15	2	
28	WASHER, 1/4" SAE FLAT	F05011-11	2	
29	NUT, 1/4-20 SELF-LOCKING HEX	F05010-9	4	
30	CABLE ASSEMBLY, 1 GA X 6 1/2" FUSE TO SOLENOID	036305	1	
31	CABLE ASSEMBLY, 1 GA X 14" SOLENOID TO POSITIVE CONTACT	036307	1	
32	CABLE ASSEMBLY, 1 GA X 26" BATT. NEGATIVE TO GROUND CONTACT	036306	1	
33	CABLE ASSEMBLY, 1 GA X 12" 150A FUSE TO BATTERY POSITIVE	036308	1	
34	CABLE ASSEMBLY, 1 GA X 16" 225A FUSE TO BATTERY POSITIVE	036309	1	

5.9 Fuse Box Assembly (DC Only)

LT70HD Remote

Rev. A3.01 - B2.00



REF	DESCRIPTION (◆ Indicates Parts Available In Assemblies Only)	PART #	QTY.	
1	PAD, FUSE BOX INSULATOR	015287	1	
	FUSE BLOCK ASSEMBLY	017665 ¹	1	
2	Block, Fuse Mount	017664	1	◆
3	Post Weldment, Fuse Mount	017663	1	
4	Nut, 1/4-20 Cadmium Plated Weld	S12392	2	
5	Stud Weldment, 1/4-20 Fuse	W12389	2	
6	Nut, 1/4-20 Self-Locking Hex	F05010-9	2	
7	Washer, 1/4" SAE Flat	F05011-11	4	
8	Nut, 1/4-20 Hex Lock	F05010-21 ²	4	

9	BOLT, 1/4-20 X 3/4" HEX HEAD FULL THREAD	F05005-1	5	
10	WASHER, 1/4" SAE FLAT	F05011-11	4	
11	FUSE LINK, 12 VOLT 225 AMP	P11550	6	
12	WASHER, #10 SAE FLAT	F05011-18	4	
13	NUT, #10-24 HEX SELF-LOCKING	F05010-14	4	
14	SCREW, #10-24 X 1/2" SELF-TAPPING	F05015-7	4	
15	COVER, FUSE BOX	015282	1	
16	SCREW, #10-24 X 5/8" HEX HEAD	F05004-18	2	
17	DECAL, 12 VOLT WARNING	P10364	1	
18	DECAL, FUSE LINK I.D. LT70	017681	1	
19	DECAL, HYDRAULIC CONTACT CAUTION	P12960	1	
20	GROMMET, 5/8" RUBBER WIRE	P11764	3	
21	TERMINAL, EXTENDED HEX STUD	015517	1	
22	WASHER, 1/4" SPLIT LOCK	F05011-14	1	
23	SOLENOID KIT, 200A 12V SPST CONT. DUTY	016371	1	
	Solenoid, 200A 12V SPST Cont. Duty	015470	1	◆
	Diode Assembly, Solenoid Coil Chassis Gnd	015426 ³	1	
	WIRE ASSEMBLY, HYDRAULIC SOLENOID VOLTAGE DROP	024451	1	
24	NUT, 1/4-20 SELF-LOCKING HEX	F05010-9	4	
25	CABLE ASSEMBLY, 1 GA X 6 1/2" FUSE TO SOLENOID	036305	1	
26	CABLE ASSEMBLY, 1 GA X 14" SOLENOID TO POSITIVE CONTACT	036307	1	
27	CABLE ASSEMBLY, 1 GA X 26" BATT. NEGATIVE TO GROUND CONTACT	036306	1	
28	CABLE ASSEMBLY, 1 GA X 12" 150A FUSE TO BATTERY POSITIVE	036308	1	
29	CABLE ASSEMBLY, 1 GA X 16" 225A FUSE TO BATTERY POSITIVE	036309	1	

¹ Battery Box Assembly modified to include new fuse block and mega fuse Rev. B3.00 ([See Section 5.8](#)). Use kit 006906 to retrofit (requires one 225A Mega-Fuse 053339 and one 450A Mega-Fuse 053340 sold separately).

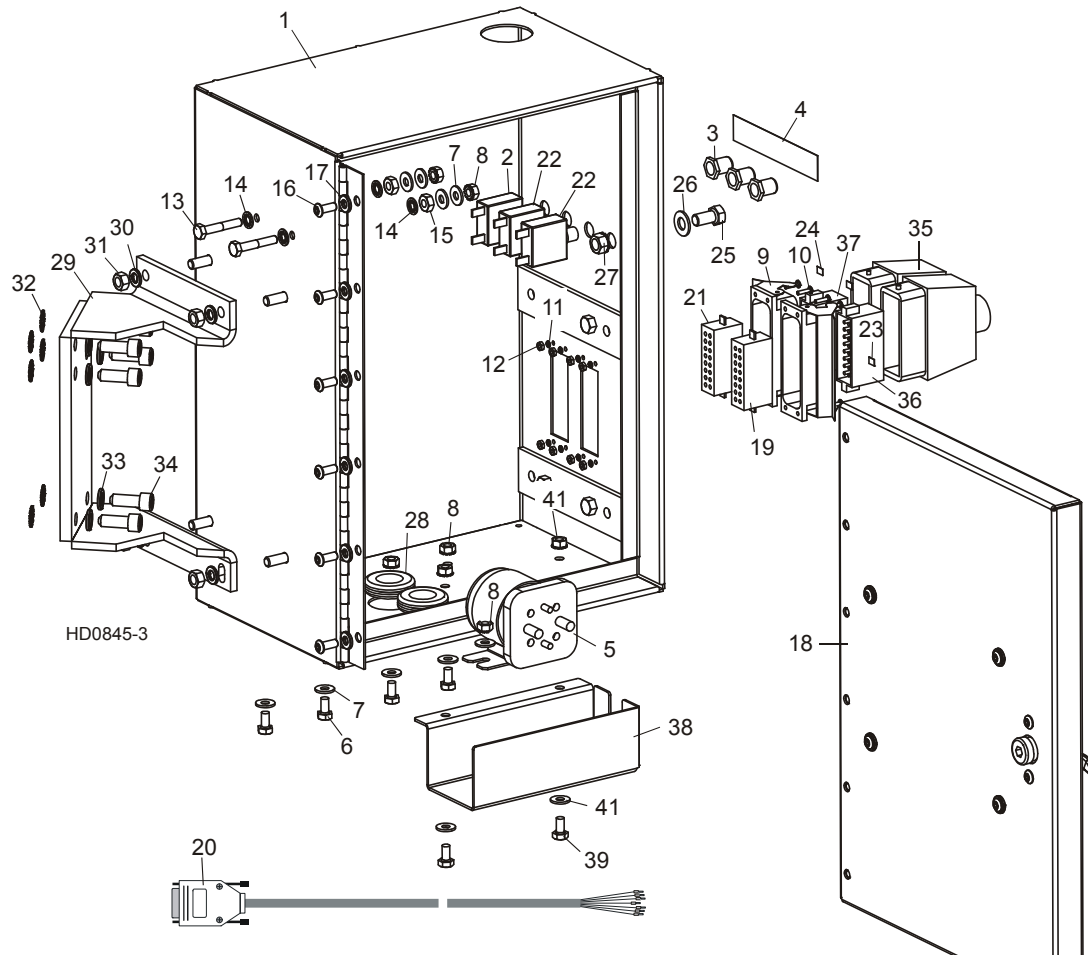
² Swaged lock nut F05010-21 replaces Nylon Lock Nut F05010-69 originally supplied prior to 7/08. Heat from the fuses can cause the nylon to melt and the nut to come loose. Nuts and washers added to fuse block kit 017665 11/08.

³ Diode Assembly 015426 added to prevent damage to hydraulic microswitch (Rev. A3.03).

5.10 Remote Power Box Assembly (DC)

LT70HD Remote

Rev. B3.00 - B3.01

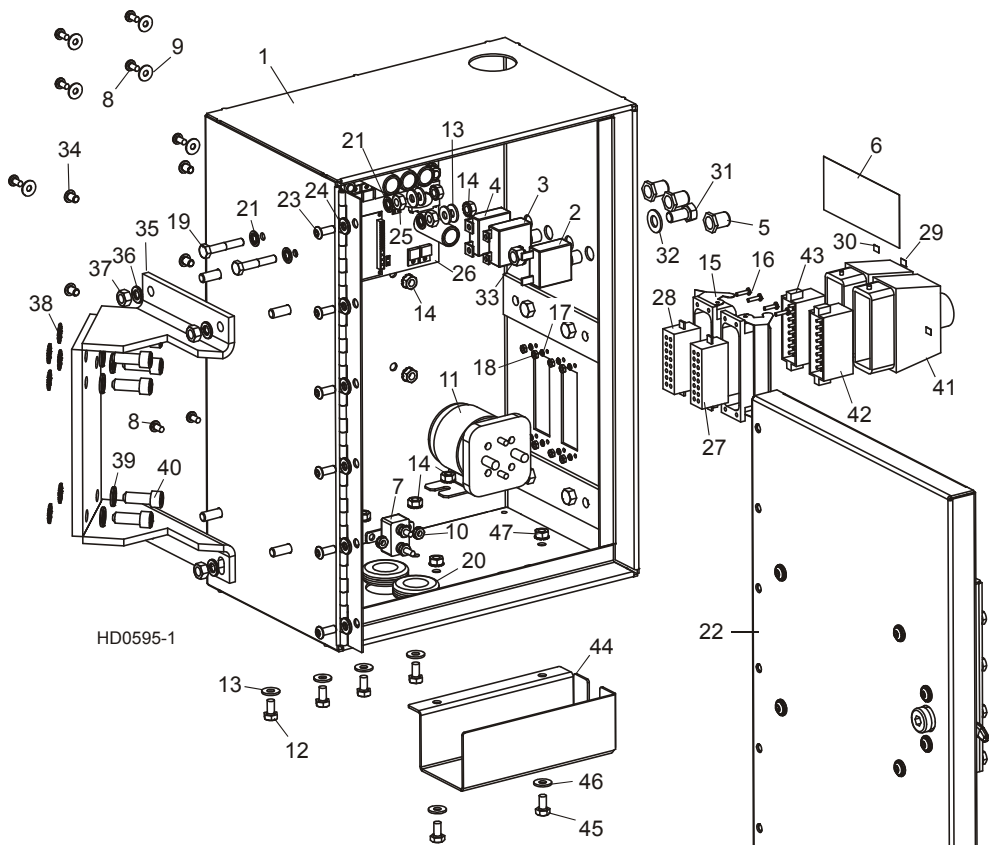


REF	DESCRIPTION (◆ Indicates Parts Available In Assemblies Only)	PART #	QTY.	
	BOX ASSEMBLY, D51/D62 REMOTE POWER W/DUAL-AXIS ACCUSET (2009)	053268	1	
	BOX ASSEMBLY, D55 REMOTE POWER W/DUAL-AXIS ACCUSET (2009)	053283	1	
1	Box Weldment, Remote Power 2008	006667	1	
2	Breaker, 70A Manual Reset Panel Mount	015527	1	
3	Boot, Circuit Breaker	021253	3	
4	Decal, Super/LT70 DC Remote Circuit Breaker ID 2008	053227	1	
5	Solenoid Kit, 200A 12V SPST Hydraulic Motor	016371	1	
	Solenoid, 200A 12V SPST Cont. Duty	015470	1	◆
	Diode Assembly, Solenoid Coil Chassis Gnd	015426	1	
	Resistor Assembly, 4.3Ohm 5W	051528	1	
6	Bolt, 1/4-20 x 1/2" Hex Head	F05005-15	4	
7	Washer, 1/4" SAE Flat	F05011-11	10	
8	Nut, 1/4-20 Self-Locking Hex	F05010-9	6	
9	Connector, 16-Pin Panel Mount Single Lever	E23103	2	

10	Screw, #4-40 x 1/2" Slotted Round Head	F05004-14	8	
11	Washer, #4 Split Lock	F05011-21	8	
12	Nut, #4-40 Hex	F05010-43	8	
13	Bolt, 1/4-20 x 1 1/2" Hex Head Full Thread	F05005-31	2	
14	Washer, 1/4" Heavy Duty Internal Star	F05011-69	4	
15	Nut, 1/4-20 Heavy Duty Hex Jam	F05010-129	2	
16	Bolt, 1/4-20 x 5/8" Button Socket Head	F05005-128	6	
17	Washer, 1/4" Split Lock	F05011-14	6	
18	Door Parts (See Section 5.16)			
	Harness Assembly, Remote Power Box 17-32 (2009)	053272	1	
19	Insert, Female 10A 16P Scr. Term. 17-32	015671	1	
20	Harness Assembly, Dual-Axis Motor Control Remote			
	Harness Assembly, Remote Power Box 1-16 (2009)	053271	1	
21	Insert, Female 10A 16P Scr. Term. 1-16	E23106	1	
22	Breaker, 30A Manual Reset Panel Mount	024246	2	
23	Decal, Connector ID (J1)	024368	2	
24	Decal, Connector ID (J2)	024369	2	
25	Bolt, 3/8-16 x 3/4" Hex Head	F05007-27	1	
26	Washer, 3/8" SAE Flat	F05011-3	1	
27	Nut, 3/8-16 Self-Locking Hex	F05010-19	1	
	Harness Assembly, D51/62 Remote Upper (2005)	052225	1	
	Harness Assembly, D55 Remote Upper	053284	1	
	Harness Assembly, Super Remote Lower (2004)	051900	1	
28	Grommet, 7/8" I.D. x 1 1/4" O.D. Grooved Rubber	P702	2	
29	BRACKET WELDMENT, REMOTE POWER BOX MOUNTING	015184	1	
30	WASHER, 5/16" SPLIT LOCK	F05011-13	4	
31	NUT, 5/16-18 HEX	F05010-17	4	
32	WASHER, 3/8" EXTERIOR STAR LOCK	F05011-36	6	
33	WASHER, 3/8" SPLIT LOCK	F05011-4	6	
34	BOLT, 3/8-16 X 1" SOCKET HEAD	F05007-52	6	
	SLEEVE, 2.5" X 29' VCN W/VELCRO CLOSURE HARNESS	050993	1	
35	CONNECTOR, 16-PIN HOOD SINGLE LEVER FRONT ENTRY	015658	2	
36	INSERT, MALE 10A 16P SCR. TERM. 1-16	E23105	1	
37	INSERT, MALE 10A 16P SCR. TERM. 17-32	015670	1	
	GUARD ASSEMBLY, LOWER POWER BOX WIRE	006021	1	
38	Guard, Lower Power Box Wire	006014	1	
39	Bolt, 1/4-20 x 1/2" Hex Head	F05005-15	2	
40	Washer, 1/4" SAE Flat	F05011-11	2	
41	Nut, 1/4-20 Self-Locking Hex	F05010-9	2	

5.11 Remote Power Box Assembly (DC)

LT70HD Remote Rev. A8.00 - B2.00



REF	DESCRIPTION (◆ Indicates Parts Available In Assemblies Only)	PART #	QTY.
	BOX ASSEMBLY, D51/D62 REMOTE POWER SOFTSTART (2008)	053069	1
1	Box Weldment, Remote Power	052121	1
2	Breaker, 30A Manual Reset Panel Mount	024246	1
3	Breaker, 70A Manual Reset Panel Mount	015527	1
4	Breaker, 70A Manual Reset Panel Mount	015527	1
5	Boot, Circuit Breaker	021253	3
6	Decal, LT70-R Circuit Breaker ID	052835	1
7	Breaker, 30A Manual Reset	E20431	1
8	Screw, #10-24 x 3/8" Cross-Slotted Pan Head	F05004-3	8
9	Washer, #10 SAE Flat	F05011-18	6
10	Nut, #10-24 Self-Locking Hex	F05010-14	2
11	Solenoid Kit, 200A 12V SPST Hydraulic Motor	016371	1
	Solenoid, 200A 12V SPST Cont. Duty	015470	1
	Diode Assembly, Solenoid Coil Chassis Gnd	015426	1
12	Bolt, 1/4-20 x 1/2" Hex Head	F05005-15	4
13	Washer, 1/4" SAE Flat	F05011-11	8
14	Nut, 1/4-20 Self-Locking Hex	F05010-9	10

15	Connector, 16-Pin Panel Mount Single Lever	E23103	2	
16	Screw, #4-40 x 1/2" Slotted Round Head	F05004-14	8	
17	Washer, #4 Split Lock	F05011-21	8	
18	Nut, #4-40 Hex	F05010-43	8	
19	Bolt, 1/4-20 x 1 1/2" Hex Head Full Thread	F05005-31	2	
20	Grommet, 7/8" I.D. Rubber	P702	2	
21	Washer, 1/4" Interior Heavy Duty Star Washer	F05011-69	4	
22	Door Parts (See Section 5.16)			
23	Bolt, 1/4-20 x 5/8" Stainless Button Socket Head	F05005-128	6	
24	Washer, 1/4-20 Split Lock	F05011-14	6	
25	Nut, 1/4-20 Heavy Duty Hex Jam	F05010-129	2	
26	Panel Assembly, Power Feed Remote	051899 ¹	1	◆
	Fuse Assembly, 2004 ATO w/Holder	051889	1	
	Fuse, 4A ATO Blade Pink	024150-4 ²	1	
	Harness Assembly, Remote Power Box 17-32 (2008)	053074	1	
27	Insert, Female 10A 16P Scr. Term. 17-32	015671	1	
	Harness Assembly, Remote Power Box 1-16	051903	1	
28	Insert, Female 10A 16P Scr. Term. 1-16	E23106	1	
	Harness Assembly, Super Remote Lower	051900	1	
29	Decal, Connector ID (J1B)	038415	1	
30	Decal, Connector ID (J2B)	038416	1	
31	Bolt, 3/8-16 x 3/4" Hex Head	F05007-27	1	
32	Washer, 3/8" SAE Flat	F05011-3	1	
33	Nut, 3/8-16 Self-Locking Hex	F05010-19	1	
	Harness Assembly, D51/D62 Remote Upper (2005)	052225	1	
34	Bolt, 1/4-20 x 3/8" Button Socket Head	F05005-62	4	
	SLEEVE, 2.5" X 29' VCN W/VELCRO CLOSURE HARNESS	050993	1	
35	BRACKET WELDMENT, REMOTE POWER BOX MOUNTING	015184	1	
36	WASHER, 5/16" SPLIT LOCK	F05011-13	4	
37	NUT, 5/16-18 HEX	F05010-17	4	
38	WASHER, 3/8" EXTERIOR STAR LOCK	F05011-36	6	
39	WASHER, 3/8" SPLIT LOCK	F05011-4	6	
40	BOLT, 3/8-16 X 1" SOCKET HEAD	F05007-52	6	
41	CONNECTOR, 16-PIN HOOD SINGLE LEVER FRONT ENTRY	015658	2	
42	INSERT, MALE 10A 16P SCR. TERM. 1-16	E23105	1	
43	INSERT, MALE 10A 16P SCR. TERM. 17-32	015670	1	
	GUARD ASSEMBLY, LOWER POWER BOX WIRE	006021	1	
44	Guard, Lower Power Box Wire	006014	1	
45	Bolt, 1/4-20 x 1/2" Hex Head	F05005-15	2	
46	Washer, 1/4" SAE Flat	F05011-11	2	
47	Nut, 1/4-20 Self-Locking Hex	F05010-9	2	

5**Control & Battery Boxes***Remote Power Box Assembly (DC)*

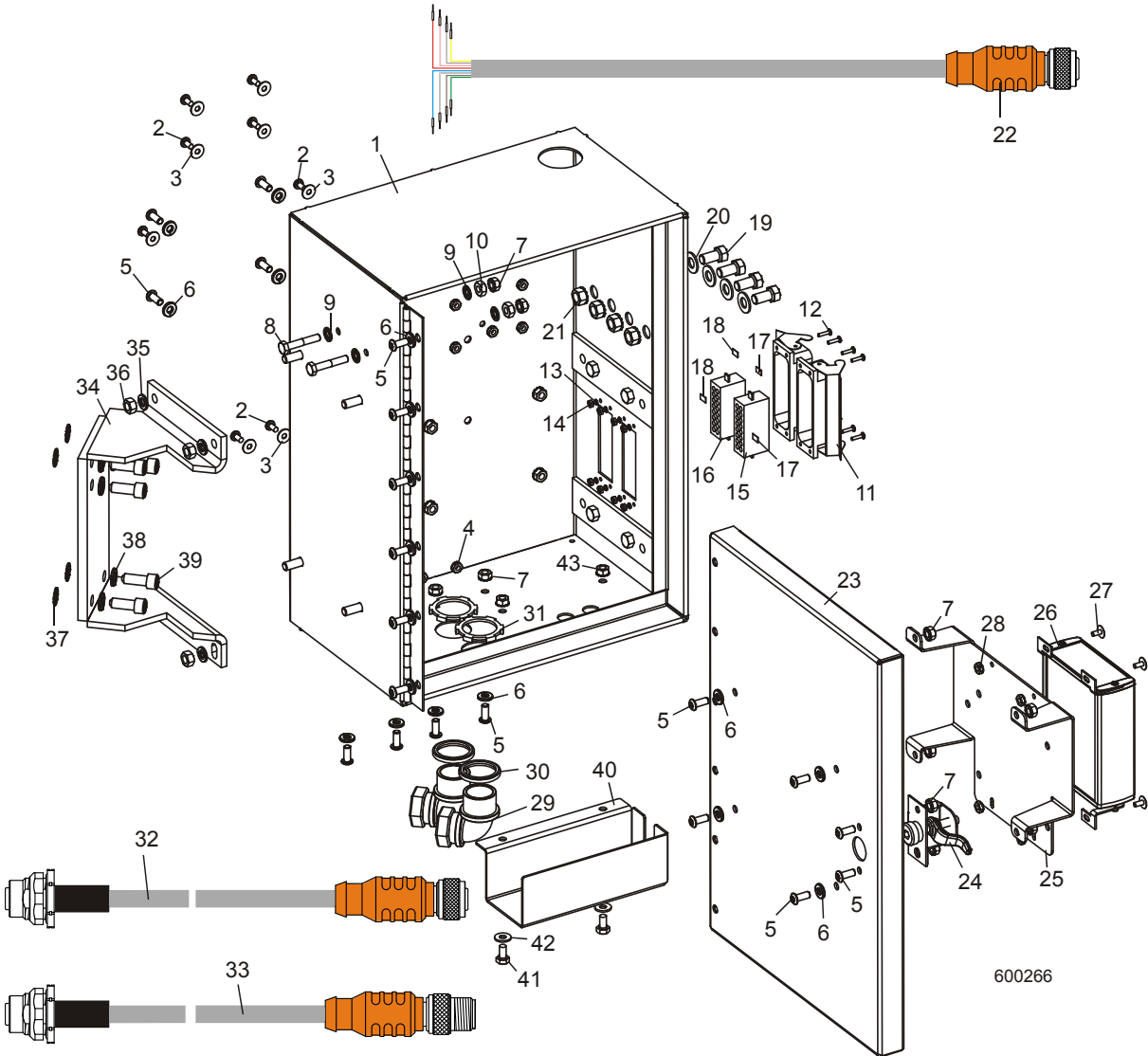
¹ Power Feed Module 051899 discontinued 12/10. Use kit 052973 if sawmill equipped with original Accuset to retrofit to Accuset 2. Once sawmill upgraded to Accuset 2, use kit 069458 to retrofit for dual-axis control of power feed motor. If Accuset 2 is older than Rev. B.00 with original part 052974 single-axis control module (No MOT2A or MOT2B terminal studs), a new dual-axis module 057821LS is required in addition to kit 069458.

² 4A fuse 024150-4 replaces 2A fuse 024150-2 to eliminate nuisance tripping (11/07).

5.12 Remote Junction Box (AC)

LT70HD Remote

Rev. A9.00 - B3.01



REF	DESCRIPTION (◆ Indicates Parts Available In Assemblies Only)	PART #	QTY.
	BOX ASSEMBLY, E25 REMOTE JUNCTION	053179	1
1	Box Weldment, Remote Power	006667 ¹	1
2	Screw, #10-24 x 3/8" Cross-Slotted Pan Head	F05004-3	8
3	Washer, #10 SAE Flat	F05011-18	8
4	Nut, #10-24 Self-Locking Hex	F05010-14	8
5	Bolt, 1/4-20 x 5/8" Button Socket Head	F05005-128	20
6	Washer, 1/4" Split Lock	F05011-14	18
7	Nut, 1/4-20 Self-Locking Hex	F05010-9	16

5 Control & Battery Boxes

Remote Junction Box (AC)

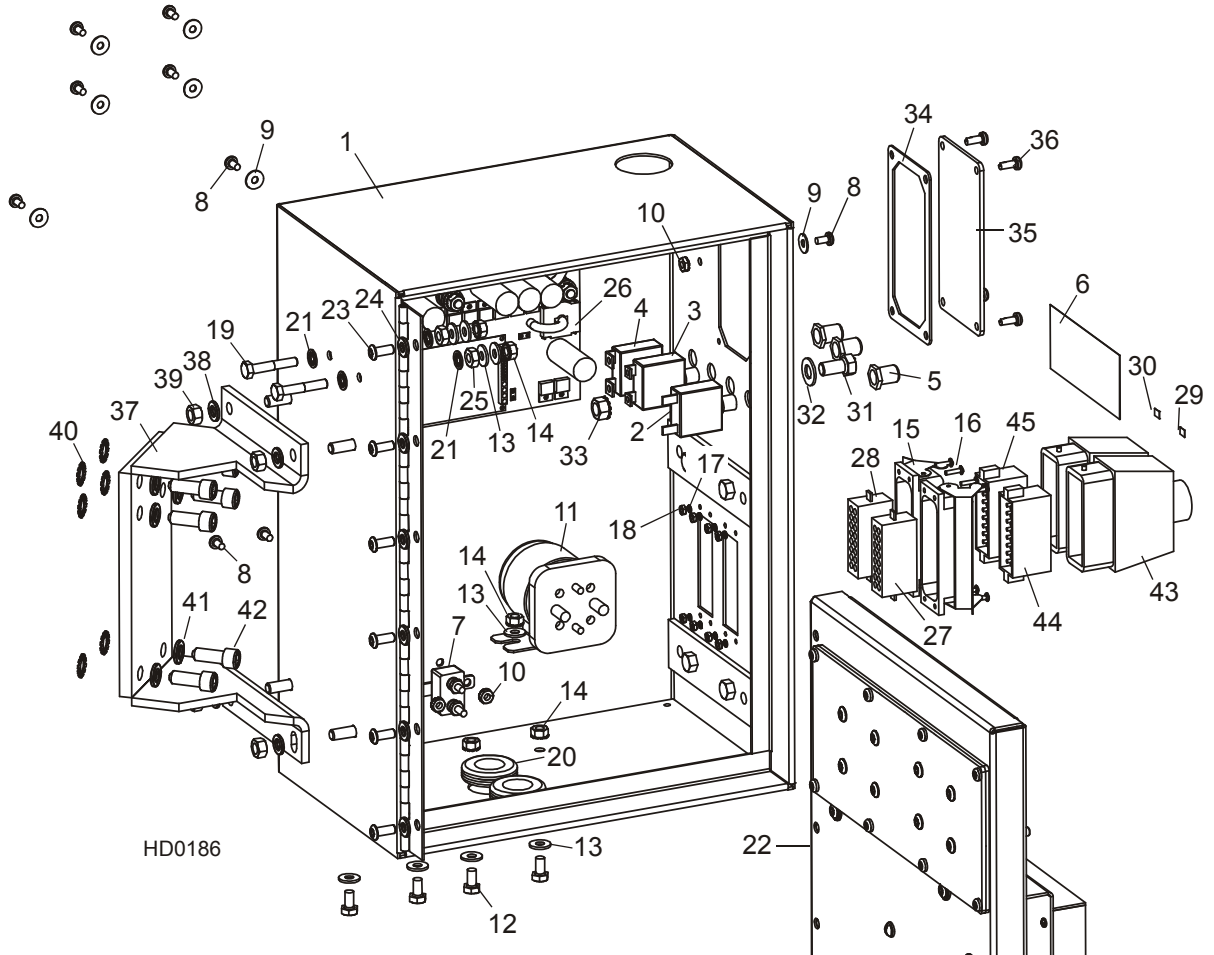
8	Bolt, 1/4-20 x 1 1/2" Hex Head Full Thread	F05005-31	2	
9	Washer, 1/4" Exterior Star Lock	F05011-69	4	
10	Nut, 1/4-20 Heavy-Duty Hex Jam	F05010-129	2	
11	Connector, 16-Pin Panel Mount Single Lever	E23103	2	
12	Screw, #4-40 x 1/2" Slotted Round Head	F05004-14	8	
13	Washer, #4 Split Lock	F05011-21	8	
14	Nut, #4-40 Hex	F05010-43	8	
15	Insert, Female 10A 16P Scr. Term. 1-16	E23106	1	
16	Insert, Female 10A 16P Scr. Term. 17-32	015671	1	
17	Decal, Connector ID (J1B)	038415	2	
18	Decal, Connector ID (J2B)	038416	2	
19	Bolt, 3/8-16 x 3/4" Hex Head	F05007-27	4	
20	Washer, 3/8" SAE Flat	F05011-3	4	
21	Nut, 3/8-16 Self-Locking Hex	F05010-19	4	
	Harness Assembly, E25 Remote Upper 2008	053177	1	
	Cable Assembly, AC LT70-R Power Feed Service	052858	1	
22	Cable Assembly, AC Drive Interface	053087	1	
23	Door Weldment, Remote Junction Box	003938	1	
24	Latch, Box Door	P20048	1	
	Module Assembly, Accuset 2 AC Interface w/Bracket	053194	1	
25	Plate, Accuset 2 Drive Mounting	056763	1	
26	Module, Accuset 2 AC Drive Interface	052892	1	
27	Screw, #8-32 x 3/8" Flanged Button Socket Head	F05005-186	4	
28	Nut, #8-32 Self-Locking Hex	F05010-41	4	
29	Connector, SR 1" 90° .375-.5 Cord Metal	051977	2	
30	Ring, 1" Sealing	024066	2	
31	Nut, 1" Steel Conduit Lock	024067	2	
32	Cable Assembly, Intermediate CANBus	053086	1	
33	Cable Assembly, Intermediate Transducer	053085	1	
	SLEEVE, 2.5" X 29' VCN W/VELCRO CLOSURE HARNESS	050993	1	
34	BRACKET WELDMENT, REMOTE POWER BOX MOUNTING	015184	1	
35	WASHER, 5/16" SPLIT LOCK	F05011-13	4	
36	NUT, 5/16-18 HEX	F05010-17	4	
37	WASHER, 3/8" EXTERIOR STAR LOCK	F05011-36	6	
38	WASHER, 3/8" SPLIT LOCK	F05011-4	6	
39	BOLT, 3/8-16 X 1" SOCKET HEAD	F05007-52	6	
	GUARD ASSEMBLY, LOWER POWER BOX WIRE	006021	1	
40	Guard, Lower Power Box Wire	006014	1	
41	Bolt, 1/4-20 x 1/2" Hex Head	F05005-15	2	
42	Washer, 1/4" SAE Flat	F05011-11	2	
43	Nut, 1/4-20 Self-Locking Hex	F05010-9	2	

¹ Replaced Box Weldment 052121 Rev. B3.00 to eliminate need for unnecessary fasteners to plug unused holes.

5.13 Remote Power Box Assembly (DC)

LT70HD Remote

Rev. A4.00 - A7.10



REF	DESCRIPTION (◆ Indicates Parts Available In Assemblies Only)	PART #	QTY.
	BOX ASSEMBLY, D51/D62 REMOTE POWER SOFTSTART (2005)	052226 ¹	1
	BOX ASSEMBLY, D51/D62 REMOTE POWER SOFTSTART	051895 ¹	1
	BOX ASSEMBLY, D42 REMOTE POWER SOFTSTART	051894	1
1	Box Weldment, Remote Power	052121 ²	1
2	Breaker, 30A Manual Reset Panel Mount	024246	1
3	Breaker, 70A Manual Reset Panel Mount	015527 ³	1
4	Breaker, 70A Manual Reset Panel Mount	015527	1
5	Boot, Circuit Breaker	021253	3
6	Decal, LT70-R Circuit Breaker ID	052835 ⁴	1
7	Breaker, 30A Manual Reset	E20431	1
8	Screw, #10-24 x 3/8" Cross-Slotted Pan Head	F05004-3	9
9	Washer, #10 SAE Flat	F05011-18	7
10	Nut, #10-24 Self-Locking Hex	F05010-14	3

5 Control & Battery Boxes

Remote Power Box Assembly (DC)

11	Solenoid Kit, 200A 12V SPST Hydraulic Motor	016371	2	
	Solenoid, 200A 12V SPST Cont. Duty	015470	1	◆
	Diode Assembly, Solenoid Coil Chassis Gnd	015426	1	
12	Bolt, 1/4-20 x 1/2" Hex Head	F05005-15	4	
13	Washer, 1/4" SAE Flat	F05011-11	10	
14	Nut, 1/4-20 Self-Locking Hex	F05010-9	6	
15	Connector, 16-Pin Panel Mount Single Lever	E23103	2	
16	Screw, #4-40 x 1/2" Slotted Round Head	F05004-14	8	
17	Washer, #4 Split Lock	F05011-21	8	
18	Nut, #4-40 Hex	F05010-43	8	
19	Bolt, 1/4-20 x 1 1/2" Hex Head Full Thread	F05005-31	2	
20	Grommet, 7/8" I.D. Rubber	P702	2	
21	Washer, 1/4" Interior Heavy Duty Star Washer	F05011-69	4	
22	Door Parts (See Section 5.18)			
23	Bolt, 1/4-20 x 5/8" Stainless Button Socket Head	F05005-128	6	
24	Washer, 1/4-20 Split Lock	F05011-14	6	
25	Nut, 1/4-20 Heavy Duty Hex Jam	F05010-129	2	
26	Panel Assembly, Power Feed Remote	051899 ⁵	1	◆
	Fuse Assembly, 2004 ATO w/Holder	051889	1	
	Fuse, 4A ATO Blade Pink	024150-4 ⁶	1	
	Harness Assembly, Remote Power Box 17-32	051904	1	
27	Insert, Female 10A 16P Scr. Term. 17-32	015671	1	
	Harness Assembly, Remote Power Box 1-16	051903	1	
28	Insert, Female 10A 16P Scr. Term. 1-16	E23106	1	
	Harness Assembly, Super Remote Lower	051900	1	
29	Decal, Connector ID (J1B)	038415	1	
30	Decal, Connector ID (J2B)	038416	1	
31	Bolt, 3/8-16 x 3/4" Hex Head	F05007-27	1	
32	Washer, 3/8" SAE Flat	F05011-3	1	
33	Nut, 3/8-16 Self-Locking Hex	F05010-19	1	
	Harness Assembly, D51/D62 Remote Upper (2005)	052225 ¹	1	
	Harness Assembly, D51/D62 Remote Upper	051910 ¹	1	
	Harness Assembly, D42 Remote Upper	051909	1	
34	Gasket, Pressure Lube Panel	033488 ²	1	
35	Plate, Pressure Lube Panel	033489 ²	1	
36	Bolt, #10-24 x 1/2" Pan Head	F05015-17 ²	4	
	SLEEVE, 2.5" X 29' VCN W/VELCRO CLOSURE HARNESS	050993	1	
37	BRACKET WELDMENT, REMOTE POWER BOX MOUNTING	015184	1	
38	WASHER, 5/16" SPLIT LOCK	F05011-13	4	
39	NUT, 5/16-18 HEX	F05010-17	4	
40	WASHER, 3/8" EXTERIOR STAR LOCK	F05011-36	6	
41	WASHER, 3/8" SPLIT LOCK	F05011-4	6	

42	BOLT, 3/8-16 X 1" SOCKET HEAD	F05007-52	6	
43	CONNECTOR, 16-PIN HOOD SINGLE LEVER FRONT ENTRY	015658	2	
44	INSERT, MALE 10A 16P SCR. TERM. 1-16	E23105	1	
45	INSERT, MALE 10A 16P SCR. TERM. 17-32	015670	1	

¹ 2005 Control Box 052226 includes harness 052225 for new Caterpillar engine connectors supplied after Rev. A5.03. Use Control Box 051895 with harness 051910 for previous revisions.

² Box Weldment 052121 replaces 050278 originally supplied prior to Rev. A5.00. LubeMizer is now mounted on operator control. Mounting hole, gasket, cover plate and screws removed from remote box.

³ 70A Breaker 015527 replaces 50A Breaker 021256 for Up/Down Circuit to reduce nuisance tripping (Rev. A7.08). Use kit 052867 to retrofit (includes Circuit Breaker ID decal 052835).

⁴ Replaces 024430 supplied prior to Rev. A7.08 for 50A Up/Down Circuit Breaker.

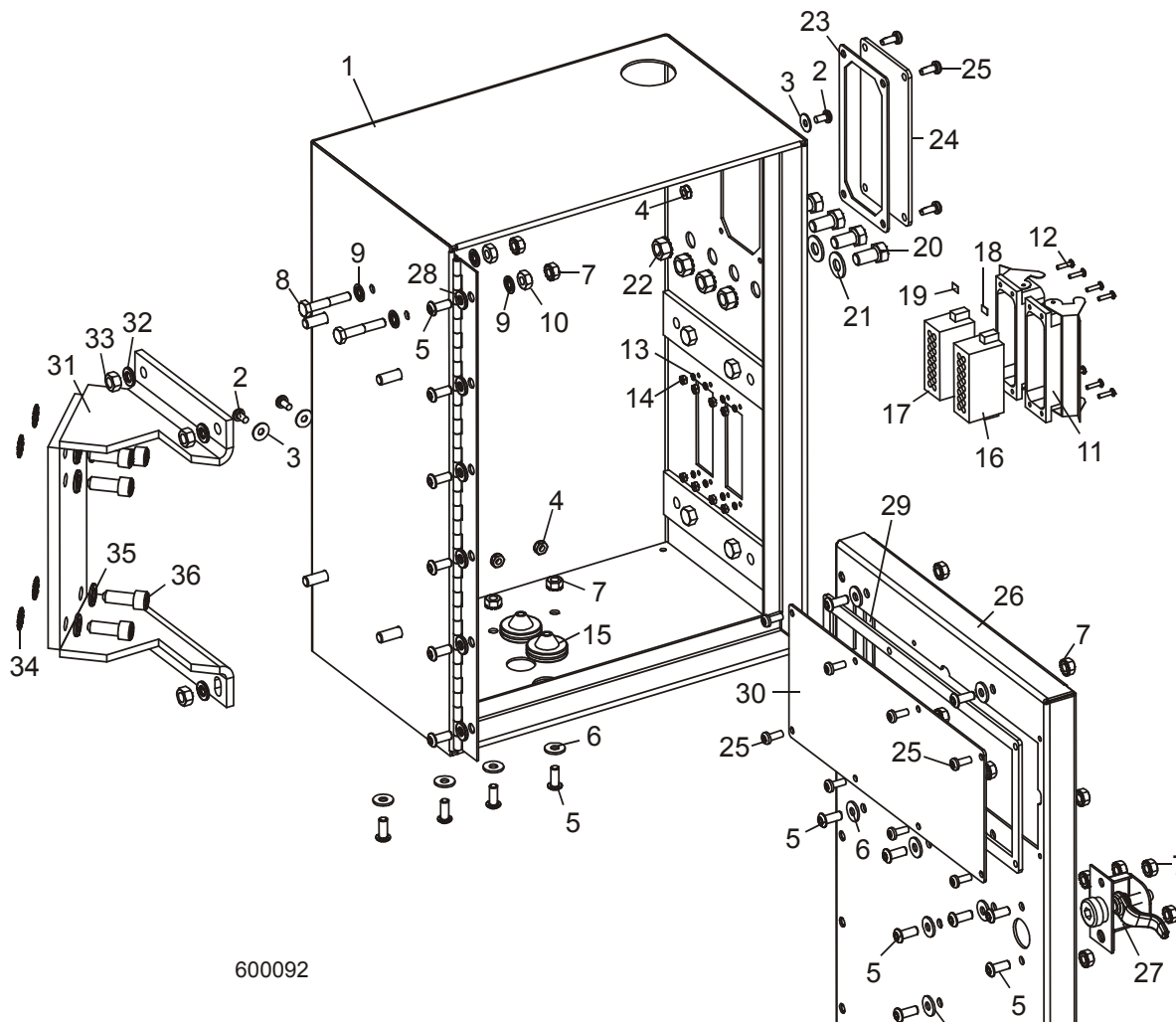
⁵ Power Feed Module 051899 discontinued 12/10. Use kit 052973 if sawmill equipped with original Accuset to retrofit to Accuset 2. Once sawmill upgraded to Accuset 2, use kit 069458 to retrofit for dual-axis control of power feed motor. If Accuset 2 is older than Rev. B.00 with original part 052974 single-axis control module (No MOT2A or MOT2B terminal studs), a new dual-axis module 057821LS is required in addition to kit 069458.

⁶ 4A fuse 024150-4 replaces 2A fuse 024150-2 to eliminate nuisance tripping (11/07).

5.14 Remote Junction Box (AC)

LT70HD Remote

Rev. A3.01 - A8.01



600092

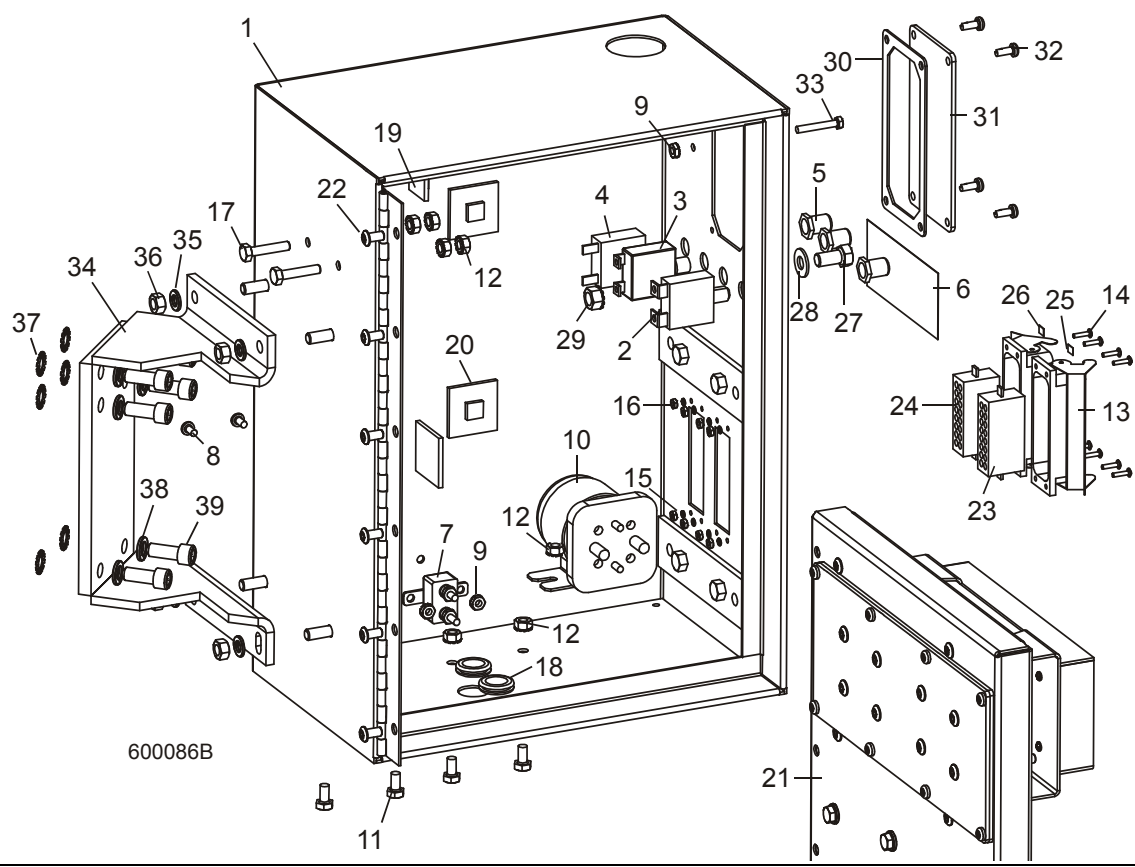
REF	DESCRIPTION (◆ Indicates Parts Available In Assemblies Only)	PART #	QTY.
	BOX ASSEMBLY, E25 REMOTE JUNCTION	050801	1
1	Box Weldment, Remote Power	052121 ¹	1
2	Screw, #10-24 x 3/8" Cross-Slotted Pan Head	F05004-3	3
3	Washer, #10 SAE Flat	F05011-18	3
4	Nut, #10-24 Self-Locking Hex	F05010-14	3
5	Bolt, 1/4-20 x 5/8" Button Socket Head	F05005-128	22
6	Washer, 1/4" SAE Flat	F05011-11	14
7	Nut, 1/4-20 Self-Locking Hex	F05010-9	18
8	Bolt, 1/4-20 x 1 1/2" Hex Head Full Thread	F05005-31	2
9	Washer, 1/4" Exterior Star Lock	F05011-69	4
10	Nut, 1/4-20 Heavy-Duty Hex Jam	F05010-129	2

11	Connector, 16-Pin Panel Mount Single Lever	E23103	2	
12	Screw, #4-40 x 1/2" Slotted Round Head	F05004-14	8	
13	Washer, #4 Split Lock	F05011-21	8	
14	Nut, #4-40 Hex	F05010-43	8	
15	Grommet, Rubber Nipple Sealed	P11945	2	
16	Insert, Female 10A 16P Scr. Term. 1-16	E23106	1	
17	Insert, Female 10A 16P Scr. Term. 17-32	015671	1	
18	Decal, Connector ID (J1B)	038415	1	
19	Decal, Connector ID (J2B)	038416	1	
20	Bolt, 3/8-16 x 3/4" Hex Head	F05007-27	4	
21	Washer, 3/8" SAE Flat	F05011-3	4	
22	Nut, 3/8-16 Self-Locking Hex	F05010-19	4	
	Harness Assembly, E25 Remote Upper	050740	1	
	Cable Assembly, AC LT70-R Power Feed Service	052858	1	
23	Gasket, Pressure Lube Panel	033488 ¹	1	
24	Plate, Pressure Lube Panel	033489 ¹	1	
25	Bolt, #10-24 x 1/2" Pan Head	F05015-17 ¹	12	
26	Door Weldment, Remote Junction Box	035430	1	
27	Latch, Box Door	P20048	1	
28	Washer, 1/4" Split Lock	F05011-14	6	
29	Gasket, Remote Accuset Panel	024869	1	
30	Panel, Remote Accuset	024879	1	
	SLEEVE, 2.5" X 29' VCN W/VELCRO CLOSURE HARNESS	050993	1	
31	BRACKET WELDMENT, REMOTE POWER BOX MOUNTING	015184	1	
32	WASHER, 5/16" SPLIT LOCK	F05011-13	4	
33	NUT, 5/16-18 HEX	F05010-17	4	
34	WASHER, 3/8" EXTERIOR STAR LOCK	F05011-36	6	
35	WASHER, 3/8" SPLIT LOCK	F05011-4	6	
36	BOLT, 3/8-16 X 1" SOCKET HEAD	F05007-52	6	

¹ Box Weldment 052121 replaces 050278 originally supplied prior to Rev. A5.00. LubeMizer is now mounted on operator control. Mounting hole, gasket, cover plate and screws removed from remote box.

5.15 Remote Power Box Assembly (DC)

LT70HD Remote Rev. A3.01 - A3.03



REF	DESCRIPTION (◆ Indicates Parts Available In Assemblies Only)	PART #	QTY.	
	BOX ASSEMBLY, D42 REMOTE POWER W/ACCUSER	050265	1	
	BOX ASSEMBLY, D51/D62 REMOTE POWER W/ACCUSER	051276	1	
1	Box Weldment, Remote Power	050278	1	
2	Breaker, 30A Manual Reset Panel Mount	024246	1	
3	Breaker, 50A Manual Reset Panel Mount	021256 ¹	1	
4	Breaker, 70A Manual Reset Panel Mount	015527	1	
5	Boot, Circuit Breaker	021253	3	
6	Decal, Super Remote Circuit Breaker ID	024430 ¹	1	
7	Breaker, 30A Manual Reset	E20431	1	
8	Screw, #10-24 x 3/8" Cross-Slotted Pan Head	F05004-3	2	
9	Nut, #10-24 Self-Locking Hex	F05010-14	3	
10	Solenoid Kit, 200A 12V SPST Hydraulic Motor	016371	1	
	Solenoid, 200A 12V SPST Cont. Duty	015470	1	◆
	Diode Assembly, Solenoid Coil Chassis Gnd	015426 ²	1	
11	Bolt, 1/4-20 x 1/2" Hex Head	F05005-15	4	

12	Nut, 1/4-20 Self-Locking Hex	F05010-9	8	
13	Connector, 16-Pin Panel Mount Single Lever	E23103	2	
14	Screw, #4-40 x 1/2" Slotted Round Head	F05004-14	8	
15	Washer, #4 Split Lock	F05011-21	8	
16	Nut, #4-40 Hex	F05010-43	8	
17	Bolt, 1/4-20 x 1 1/4" Hex Head	F05005-3	2	
18	Grommet, 5/8" I.D. Rubber	P11764	2	
19	Clip, Adhesive-Backed Wire Anchor	F05089-4	1	
20	Clip, Adhesive-Backed Wire Anchor	F05089-7	3	
21	Door Parts (See Section 5.19)			
22	Bolt, 14/-20 x 1/2" Button Socket Head	F05005-112	6	
	Harness Assembly, Remote Power Box 1-16	050781	1	
23	Insert, Female 10A 16P Scr. Term. 1-16	E23106	1	
	Harness Assembly, Remote Power Box 17-32	050782	1	
24	Insert, Female 10A 16P Scr. Term. 17-32	015671	1	
	Harness Assembly, Super Remote Lower	050681	1	
25	Decal, Connector ID (J1B)	038415	1	
26	Decal, Connector ID (J2B)	038416	1	
27	Bolt, 3/8-16 x 3/4" Hex Head	F05007-27	1	
28	Washer, 3/8" SAE Flat	F05011-3	1	
29	Nut, 3/8-16 Self-Locking Hex	F05010-19	1	
	Harness Assembly, D42 Remote Upper	050739	1	
	Harness Assembly, D51/D62 Remote Upper	051274	1	
30	Gasket, Pressure Lube Panel	033488	1	
31	Plate, Pressure Lube Panel	033489	1	
32	Bolt, #10-24 x 1/2" Pan Head	F05015-17	4	
33	Bolt, #10-24 x 1 1/4" Hex Head	F05004-19	1	
	SLEEVE, 2.5" X 29' VCN W/VELCRO CLOSURE HARNESS	050993	1	
34	BRACKET WELDMENT, REMOTE POWER BOX MOUNTING	015184	1	
35	WASHER, 5/16" SPLIT LOCK	F05011-13	4	
36	NUT, 5/16-18 HEX	F05010-17	4	
37	WASHER, 3/8" EXTERIOR STAR LOCK	F05011-36	6	
38	WASHER, 3/8" SPLIT LOCK	F05011-4	6	
39	BOLT, 3/8-16 X 1" SOCKET HEAD	F05007-52	6	

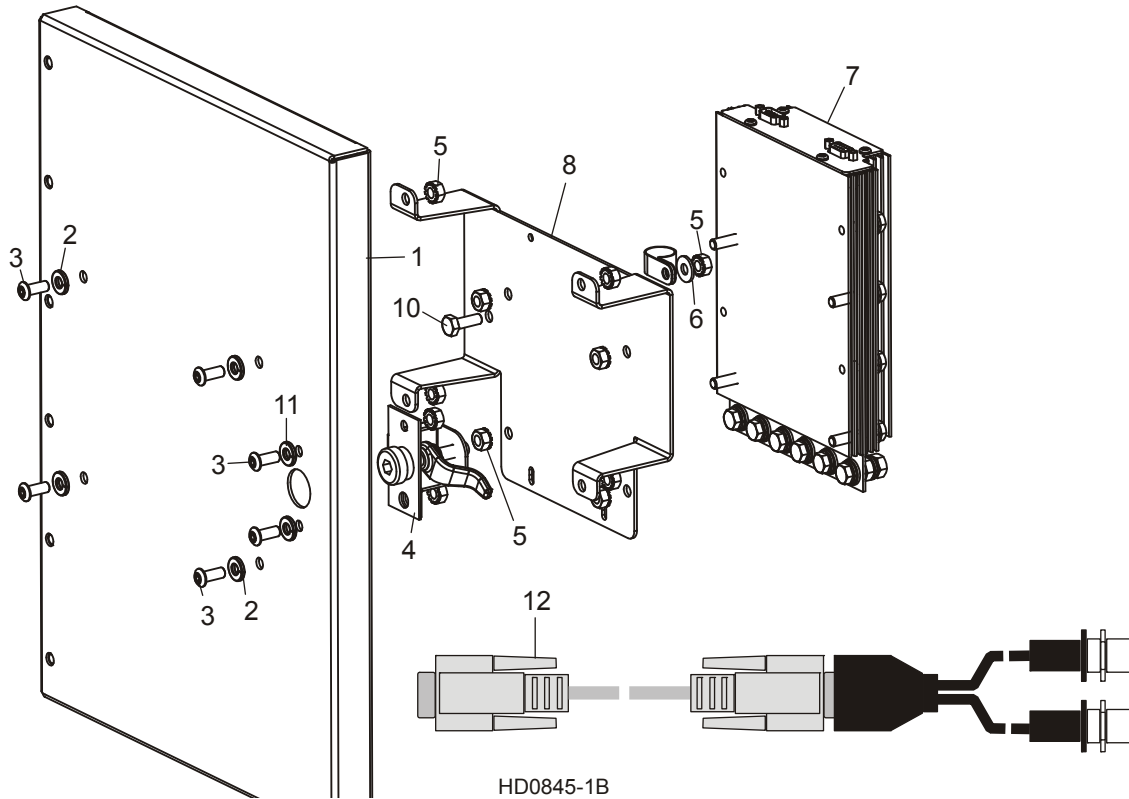
¹ 70A Breaker 015527 replaces 50A Breaker 021256 for Up/Down Circuit to reduce nuisance tripping (12/06). Use kit 052867 to retrofit (includes Circuit Breaker ID decal 052835).

² Diode Assembly 015426 added to prevent damage to hydraulic microswitch (Rev. A3.03)

5.16 Remote Power Box Door Assembly (DC Only)

LT70HD Remote

Rev. B3.00 - B3.01



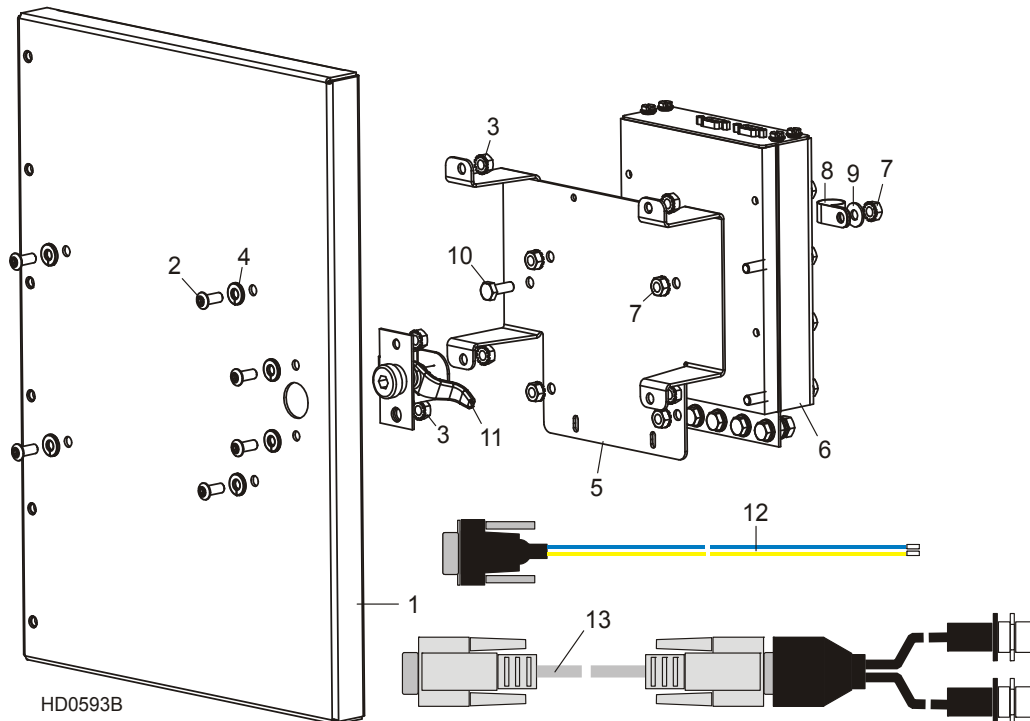
REF	DESCRIPTION (◆ Indicates Parts Available In Assemblies Only)	PART #	QTY.
	DOOR ASSEMBLY, REMOTE POWER BOX W/DUAL-AXIS ACCUSET	053228	1
1	Door Weldment, Remote Power Box	003998	1
2	Washer, 1/4" Split Lock	F05011-14	4
3	Bolt, 1/4-20 x 5/8" Button Socket Head	F05005-128	6
4	Latch, Power Box Door	P20048	1
5	Nut, 1/4-20 Self-Locking Hex	F05010-9	11
6	Washer, 1/4" SAE Flat	F05011-11	1
7	Control Assembly, Dual-Axis Motor	057821LS	1
8	Bracket, DCS Control Mount	056763	1
9	Clamp, 5/8" EMT Coated	010748	1
10	Bolt, 1/4-20 x 3/4" Hex Head Full Thread	F05005-1	1
11	Washer, 1/4" Split Lock	F05011-14	2
12	Cable Assembly, Dual M12 to D-Sub	053696 ¹	1

¹ Cable Assembly 053696 replaces Harness 052919 supplied prior to 3/10 (cost reduction).

5.17 Remote Power Box Door Assembly (DC Only)

LT70HD Remote

Rev. A8.00 - B2.00



REF	DESCRIPTION (◆ Indicates Parts Available In Assemblies Only)	PART #	QTY.
	DOOR ASSEMBLY, REMOTE POWER BOX W/ACCUSSET 2	053076	1
1	Door Weldment, Remote Power Box	003998	1
2	Bolt, 1/4-20 x 5/8" Button Socket Head	F05005-128	6
3	Nut, 1/4-20 Self-Locking Hex	F05010-9	6
4	Washer, 1/4" Split Lock	F05011-14	6
	Drive Assembly, Accuset 2 w/Bracket	053050	1
5	Plate, Control Board Mounting	056763	1
6	Control Assembly, Accuset 2 Motor	057821LS ¹	1
7	Nut, 1/4-20 Self-Locking Hex	F05010-9	5
8	Clamp, 5/8" Coated EMT	010748	1
9	Washer, 1/4" SAE Flat	F05011-11	1
10	Bolt, 1/4-20 x 3/4" Hex Head Full Thread	F05005-1	1
11	Latch, Power Box Door	P20048	1
12	Cable Assembly, LT40/70-R Bridge Bypass	053214 ²	1
13	Cable Assembly, Dual M12 to D-Sub	053696 ³	1

¹ Dual-Axis Control 057821LS replaces 052974 to reduce cost (12/08).

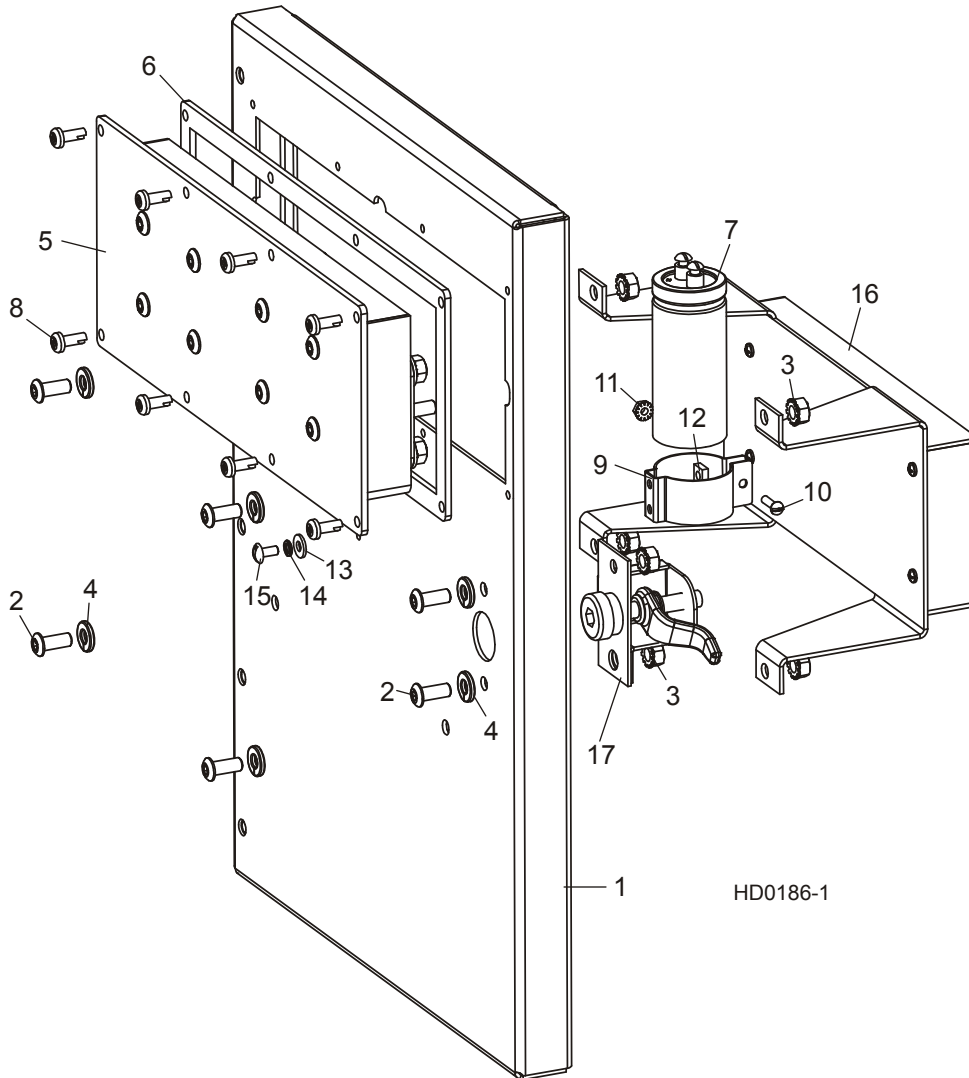
² Replaces Bypass Cable Assembly 053038 previously supplied. New wire assembly connects directly to harness connector assembly (4/08). 053038 still available for retrofit applications only.

³ Cable Assembly 053696 replaces Harness 052919 supplied prior to 3/10 (cost reduction).

5.18 Remote Power Box Door Assembly (DC Only)

LT70HD Remote

Rev. A4.00 - A7.10



REF	DESCRIPTION (◆ Indicates Parts Available In Assemblies Only)	PART #	QTY.	
	DOOR ASSEMBLY, REMOTE POWER BOX W/ACCUSET	051896	1	
1	Door Weldment, Remote Power Box	047996	1	
2	Bolt, 1/4-20 x 5/8" Button Socket Head	F05005-128	6	
3	Nut, 1/4-20 Self-Locking Hex	F05010-9	6	
4	Washer, 1/4" Split Lock	F05011-14	6	
5	Panel Assembly, Remote Accuset Mosfet	024768 ¹	1	◆
6	Gasket, Remote Accuset Mosfet Panel	024869	1	
7	Capacitor Assembly, 6.900uF AccuSet Power	051279	1	
8	Screw, #10-24 x 1/2" Phillips Head	F05015-17	8	

Control & Battery Boxes

Remote Power Box Door Assembly (DC Only)

5

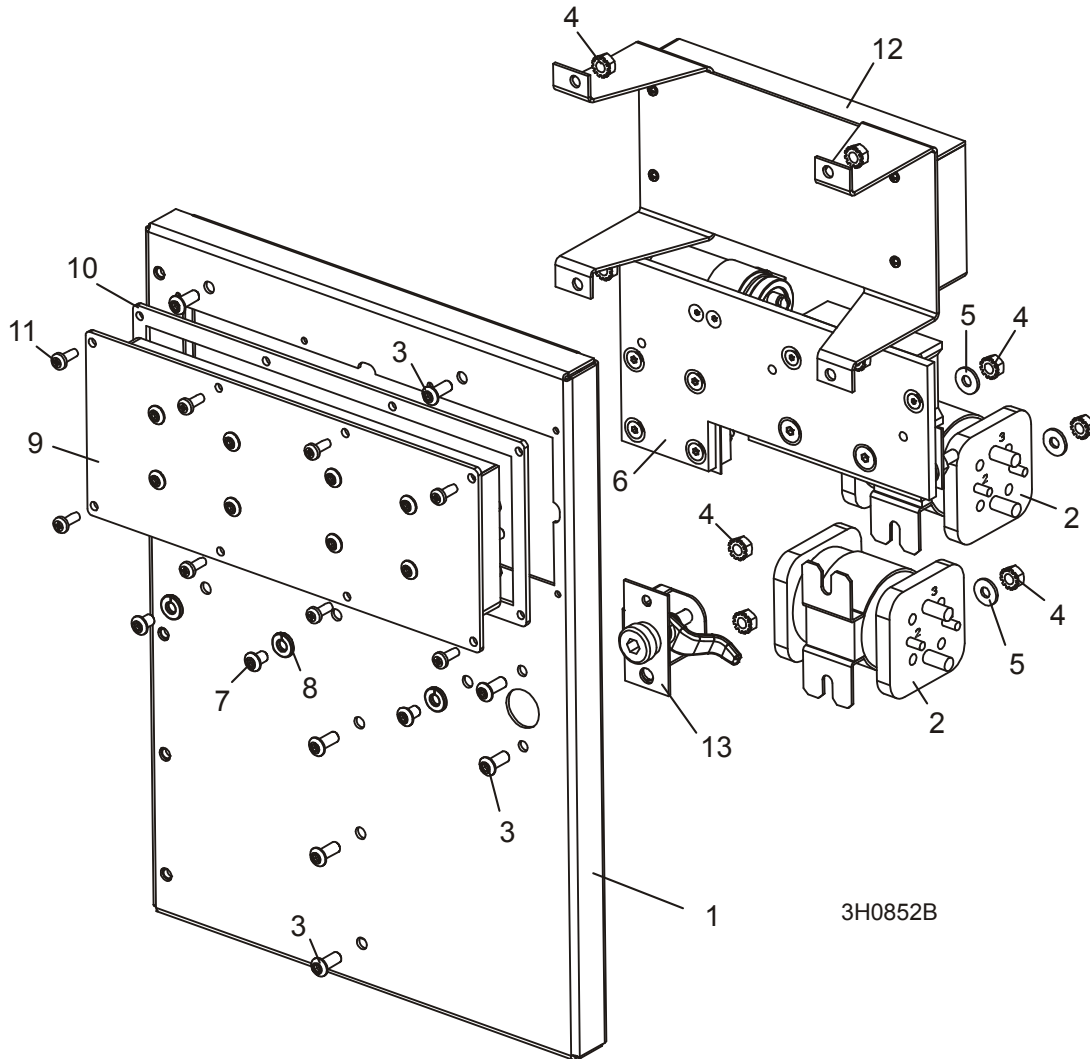
	Harness, Remote Accuset Power	025058	1	
9	Clamp, 1 3/8" Diameter	024410	1	
10	Screw, #6-32 x 1/2" Slotted Round Head	F05015-24	1	
11	Nut, #6-32 Self-Locking Hex	F05010-59	1	
12	Nut, #8-32 Square	F05010-153	1	
13	Washer, #8 SAE Flat	F05011-41	1	
14	Washer, #8 Split Lock	F05011-84	1	
15	Screw, #8-32 x 3/8" Round Head Grade 5	F05004-157	1	
16	Circuit Board Assembly, Remote Accuset	052884 ¹	1	◆
	Filter Assembly, Accuset Power	051260	1	
17	Latch, Power Box Door	P20048	1	

¹ 052884 Accuset Power Panel Kit and 024768 Mosfet Panel no longer available. Upgrade to Accuset 2 with kit 052973. 052884 Service Kit replaces 035572 Assembly supplied prior to 2/07. Motor Driver and Filter PCB panels are provided disconnected in kit to prevent damage during shipment.

5.19 Remote Power Box Door Assembly (DC Only)

LT70HD Remote

Rev. A3.01 - A3.03



REF	DESCRIPTION (◆ Indicates Parts Available In Assemblies Only)	PART #	QTY.
	DOOR ASSEMBLY, REMOTE POWER BOX W/ACCUSET	035571	1
1	Door Weldment, Remote Power Box	035430	1
2	Solenoid Kit, 200A 12V DPST	016370 ¹	2
	Solenoid, 200A 12 DPST	015417	1 ◆
	Diode Assembly, Solenoid Coil Chassis GND	015426	1
3	Bolt, 1/4-20 x 5/8" Button Socket Head	F05005-128	9
4	Nut, 1/4-20 Self-Locking Hex	F05010-9	9
5	Washer, 1/4" SAE Flat	F05011-11	3
6	Circuit Board Assembly, Remote Power Feed	024457	1

Control & Battery Boxes

Remote Power Box Door Assembly (DC Only)

5

	Control Module, Power Feed SMT	024396-1	1	
	Mosfet Module, Power Feed SMT	024387	1	
	Suppressor Assembly, Power Feed	052294 ²	1	
	Capacitor Assembly, Power Feed Filter	051571	1	
	Diode Assembly, Power Feed Replacement	052363	1	
7	Bolt, 1/4-20 x 3/8" Socket Button Head	F05005-62	3	
8	Washer, 1/4" Split Lock	F05011-14	3	
9	Panel Assembly, Remote Accuset Mosfet	024768 ³	1	◆
10	Gasket, Remote Accuset Mosfet Panel	024869	1	
11	Screw, #10-24 x 1/2" Phillips Head	F05015-17	8	
	Harness, Remote Accuset Power	025058	1	
12	Circuit Board Assembly, Remote Accuset	052884 ³	1	◆
	Filter Assembly, Accuset Power	051260	1	
13	Latch, Power Box Door	P20048	1	

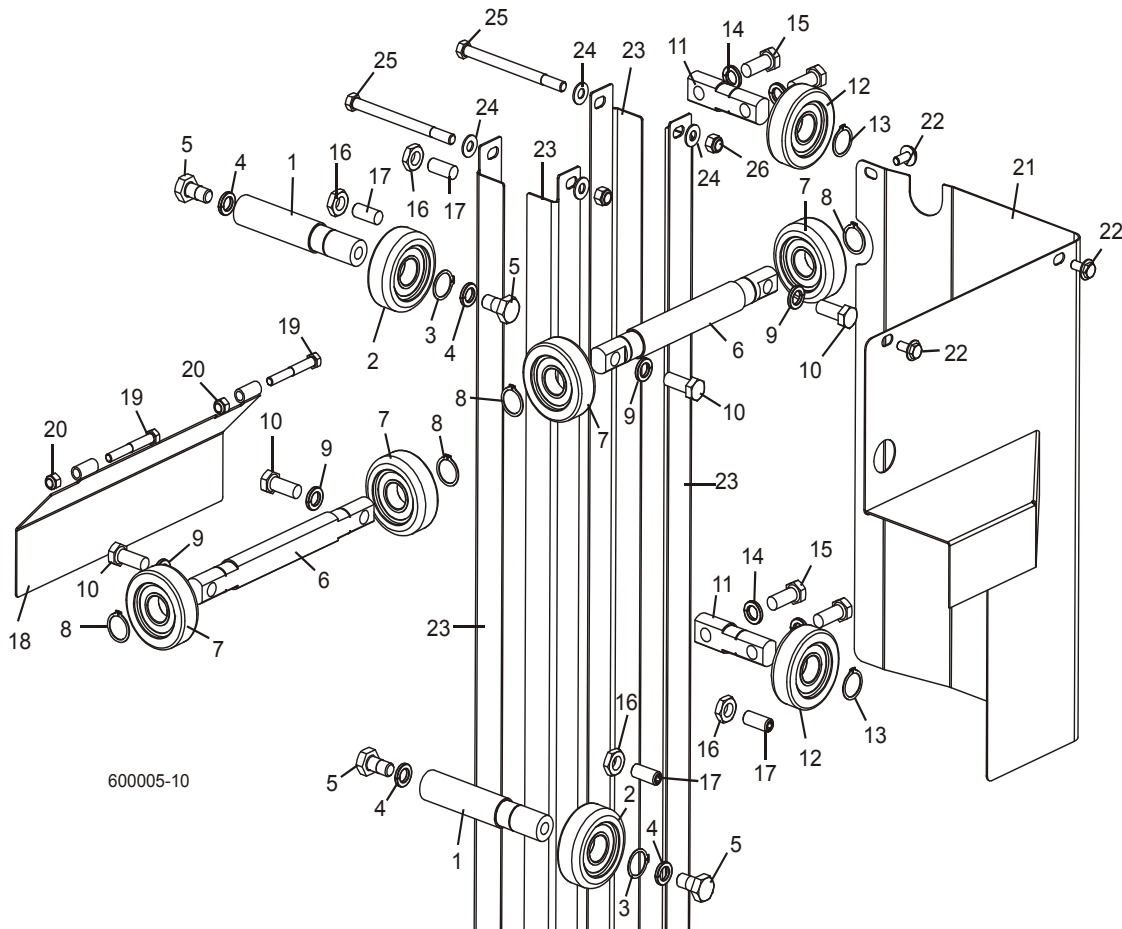
¹ Diode Wire Assembly 015426 added to Solenoid Kit 016370 (8/04).

² Suppressor Assembly 052294 added 6/05 to protect feed circuit.

³ 052884 Accuset Power Panel Kit and 024768 Mosfet Panel no longer available. Upgrade to Accuset 2 with kit 052973. 052884 Service Kit replaces 035572 Assembly supplied prior to 2/07. Motor Driver and Filter PCB panels are provided disconnected in kit to prevent damage during shipment.

SECTION 6 UP/DOWN SYSTEM

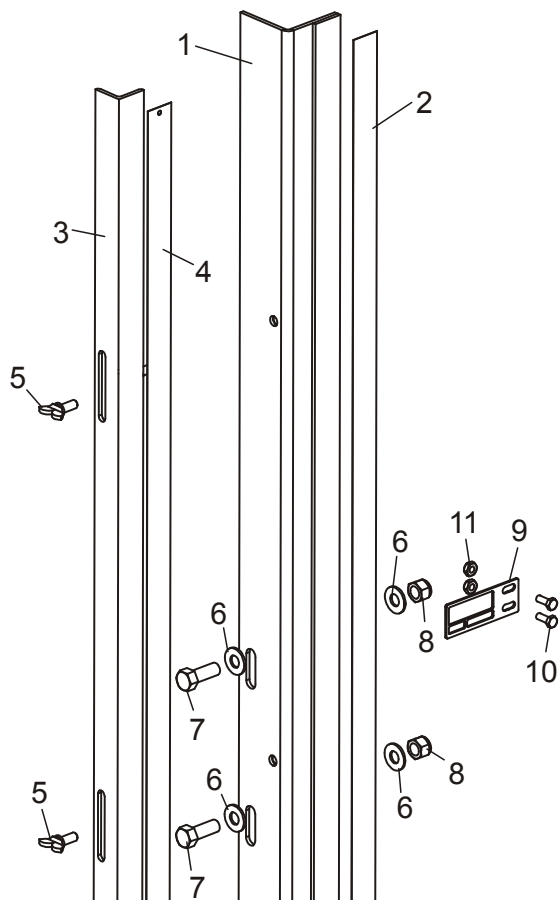
6.1 Up/Down Rollers & Covers



REF	DESCRIPTION (◆ Indicates Parts Available In Assemblies Only)	PART #	QTY.
	ROLLER ASSEMBLY, INSIDE UP/DOWN	034339	2
1	Shaft, Inside Up/Down Roller	033855	1
2	Bearing, MG305DDA	023857	1
3	Ring, 1" Outside Retaining	F04254-15	1
4	Washer, 1/2" Split Lock	F05011-9	2
5	Bolt, 1/2-13 x 1" Hex Head Grade 2	F05008-50	2
	ROLLER ASSEMBLY, LONG UP/DOWN	034337	2
6	Shaft, Long Up/Down Roller	033853	1
7	Bearing, MG305DDA	023857	2
8	Ring, 1" Outside Retaining	F04254-15	2
9	Washer, 1/2" Split Lock	F05011-9	2

10	Bolt, 1/2-13 x 1 1/4" Hex Head Grade 5	F05008-37	2	
	ROLLER ASSEMBLY, SHORT UP/DOWN	034338	2	
11	Shaft, Short Up/Down Roller	033854	1	
12	Bearing, MG305DDA	023857	1	
13	Ring, 1" Outside Retaining	F04254-15	1	
14	Washer, 1/2" Split Lock	F05011-9	2	
15	Bolt, 1/2-13 x 1 1/2" Hex Head Grade 5	F05008-33	2	
16	NUT, 1/2-13 HEX JAM	F05010-31	4	
17	SCREW, 1/2-13 X 1 1/4" BRASS TIP SET	F05008-18	4	
18	COVER WELDMENT, LOWER UP/DOWN ROLLER	034277	1	
19	BOLT, 5/16-18 X 2 1/2" HEX HEAD GRADE 5	F05006-80	2	
20	NUT, 5/16-18 NYLON LOCK	F05010-58	2	
21	COVER WELDMENT, UP/DOWN DRIVE (D42)	036182	1	
	COVER WELDMENT, UP/DOWN DRIVE (E25)	036184	1	
22	BOLT, 5/16-18 X 3/4" HEX WASHER HEAD	F05006-101	4	
23	ANGLE, MAST TUBE STAINLESS	033827	4	
24	WASHER, 3/8" SAE FLAT	F05011-3	8	
25	BOLT, 3/8-16 X 5" HEX HEAD	F05007-5	4	
26	NUT, 3/8-16 NYLON LOCK	F05010-10	4	

6.2 Blade Height & Quarter Scales

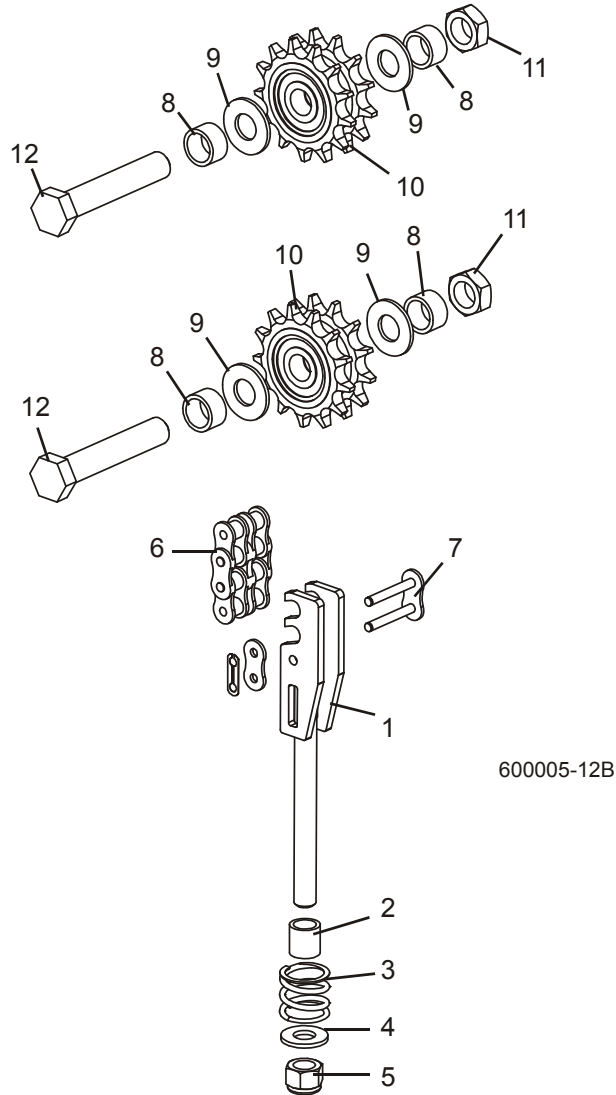


600123-2

REF	DESCRIPTION (◆ Indicates Parts Available In Assemblies Only)	PART #	QTY.
	SCALE ASSEMBLY, LT70	034372	1
1	Angle Weldment, Scale Mount	034370	1
2	Decal, Movable Inch Scale	S11773	1
	Scale Assembly, LT60/70 Quarter	034371	1
3	Angle, Quarter Scale Mount	034369	1
4	Decal, Movable Grade Quarter Scale	P12819 ¹	1
5	Screw, 1/4-20 x 5/8" Wing	F05005-64	2
6	Washer, 3/8" SAE Flat	F05011-3	4
7	Bolt, 3/8-16 x 1" Hex Head	F05007-7	2
8	Nut, 3/8-16 Hex Nylon Lock	F05010-10	2
9	INDICATOR, BLADE HEIGHT	017778	1
10	SCREW, #10-24 X 1/2" HEX HEAD STAINLESS STEEL	F05004-27	2
11	NUT, #10-24 SELF-LOCKING HEX	F05010-160	2

¹ Grade Quarter Scale Decal P12819 provided with sawmill. Standard Quarter Scale Decal S11774 available separately. Order Angle Mount 034369 and Standard Quarter Scale Decal S11774.

6.3 Up/Down Chain & Sprockets

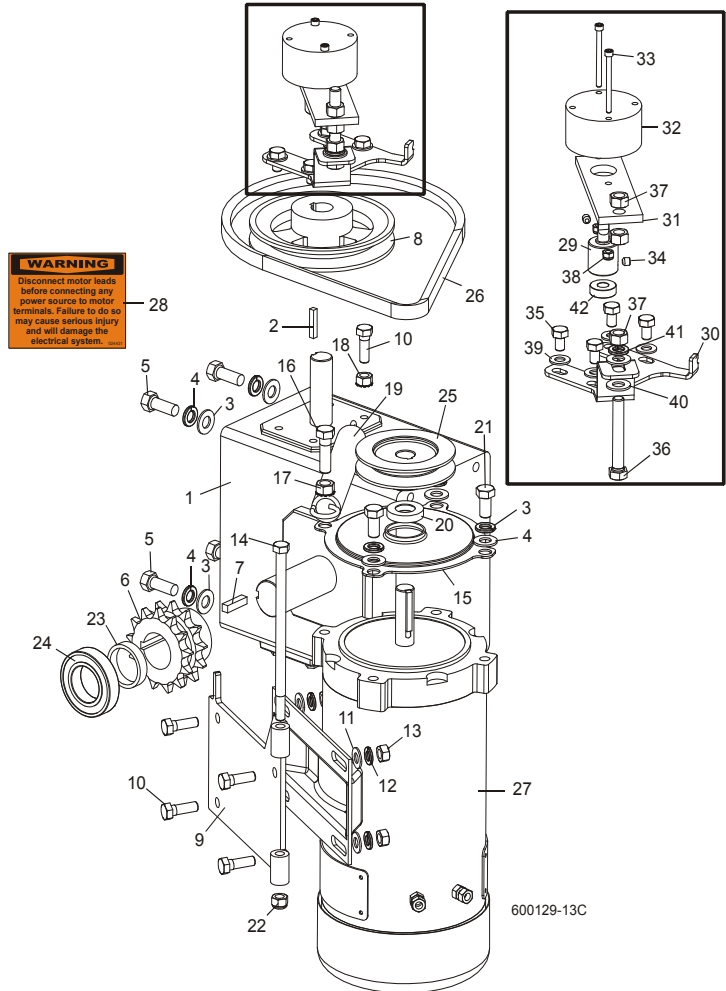


REF	DESCRIPTION (◆ Indicates Parts Available In Assemblies Only)	PART #	QTY.
	TENSIONER ASSEMBLY, LT70 UP/DOWN CHAIN	034238	1
1	Tensioner Weldment, Up/Down Chain	034236	1
2	Spacer, Up/Down Chain Tensioner	016515	1
3	Spring, 1" OD x 1" Long x .125 Wire Compression	016516	1
4	Washer, 1/2" SAE Flat	F05011-2	1
5	Nut, 1/2-13 Nylon Lock	F05010-8	1
6	CHAIN, LT70 UP/DOWN #50-2 X 73 1/8"	036197	1
7	LINK, #50-2 MASTER	015258	2

6**Up/Down System***Up/Down Chain & Sprockets*

8	SPACER, #50-2 IDLER	016018	4	
9	WASHER, 5/8" SAE FLAT	F05011-5	4	
10	SPROCKET ASSEMBLY, #50-2 UP/DOWN IDLER	016019	2	
11	NUT, 5/8-11 HEX NYLON LOCK JAM	F05010-96	2	
12	BOLT, 5/8-11 X 3 1/2" HEX HEAD GRADE 5	F05009-93	2	

6.4 Up/Down Drive Assembly



REF	DESCRIPTION (◆ Indicates Parts Available In Assemblies Only)	PART #	QTY.	
1	GEAR BOX, B226-60-2-1L	034908	1	
2	KEY, 3/16" SQUARE X 1" LONG	S31027	1	
3	WASHER, 3/8" SAE FLAT	F05011-3	7	
4	WASHER, 3/8" SPLIT LOCK	F05011-4	7	
5	BOLT, 3/8-16 X 1" HEX HEAD	F05007-7	4	
6	SPROCKET, DOUBLE 50-13 X 1 1/4"	036008	1	
7	KEY, 1/4" SQUARE X 1" LONG	S21486	1	
8	PULLEY, AK51 X 3/4" BORE	015256	1	
9	BRACKET WELDMENT, UP/DOWN MOTOR MOUNT	015198	1	
10	BOLT, 5/16-18 X 1" HEX HEAD	F05006-1	5	
11	WASHER, 5/16" SAE FLAT	F05011-17	4	
12	WASHER, 5/16" SPLIT LOCK	F05011-13	4	
13	NUT, 5/16-18 HEX	F05010-17	4	

6

Up/Down System

Up/Down Drive Assembly

14	BOLT, 5/16-18 X 6" HEX HEAD GRADE 5	F05006-73	1	
15	COVER, UP/DOWN MOTOR	034475	1	
16	BOLT, 3/8-16 X 1 1/4" HEX HEAD GRADE 5	F05007-123	1	
17	NUT, 3/8-16 HEX SELF-LOCKING	F05010-19	1	
18	NUT, 5/16-18 HEX SELF-LOCKING	F05010-20	1	
19	SPRING, 1" OD X 7" LONG X .148 WIRE EXTENSION	019303	1	
20	SEAL, CR6315	034501	1	
21	BOLT, 3/8-16 X 3/4" HEX HEAD	F05007-27	3	
22	NUT, 5/16-18 NYLON LOCK	F05010-58	1	
23	SPACER, UP/DOWN SPROCKET	036016	1	
24	BEARING, R20-2RS	036007	1	
25	PULLEY, AK20 X 5/8" BORE (DC WITHOUT UP/DOWN ASSIST AND ALL AC)	036179 ¹	1	
	PULLEY, AK34 X 5/8" BORE (DC WITH UP/DOWN ASSIST)	036675 ¹	1	
26	BELT, 4L300 (DC WITHOUT UP/DOWN ASSIST AND ALL AC)	021183 ¹	1	
	BELT, AX30 (DC WITH UP/DOWN ASSIST)	036682 ¹	1	
27	MOTOR, 3/4HP 12VDC (DC ONLY)	015174	1	
	Brush Kit, Power Feed Motor (Includes 2 Brushes and 2 Springs)	024167	1	
	Fan, 3/4 HP Leeson Motor Replacement	016087	1	
	Guard, Motor Fan	047998	1	
	Hub, Motor Fan Extension	047999	1	
	MOTOR, 1HP 230/460VAC 3P 1725RPM (AC ONLY)	050290	1	
28	DECAL, DISCONNECT MOTOR LEADS WARNING (DC ONLY)	024431	1	
	OIL, 8 OZ. MOBIL SHC634 BOTTLED SYNTHETIC GEAR	L04869-4 ²	1	
	BRAKE ASSEMBLY, LT70 UP/DOWN	065188 ³	1	
29	Shaft, Up/Down Brake	062511	1	
30	Plate, LT70 Up/Dn Brake Mount	062512	1	
31	Plate, Brake Mount	062513	1	
32	Brake, Up/Down	069519	1	
33	Bolt, #8-32 x 2" Socket Head Stainless Steel	F05004-273	2	
34	Screw, 1/4-20 x 1/4" Cup Point Socket Set	F05005-131	2	
35	Bolt, 5/16-18 x 1/2" Hex Head Grade 5	F05006-15	2	
36	Bolt, 3/8-16 x 2 1/2" Hex Head Full Thread	F05007-157	1	
37	Nut, 3/8-16 Hex	F05010-1	3	
38	Nut, #8-32 Hex Nylon Lock	F05010-169	2	
39	Washer, 5/16" SAE Flat	F05011-17	4	
40	Washer, 3/8" SAE Flat	F05011-3	2	
41	Washer, 3/8" Split Lock	F05011-4	1	
42	Bearing, R6-2NSL SRI-2 ABEC-1	P10688	1	

¹ Use 4L300 Belt 021183 and AK20 Pulley 036179 for DC sawmills prior to Rev. A5.00 without up/down assist and all AC sawmills. Use AX30 Belt 036682 and AK34 Pulley 036675 for DC sawmill Rev. A5.00 and later with up/down assist.

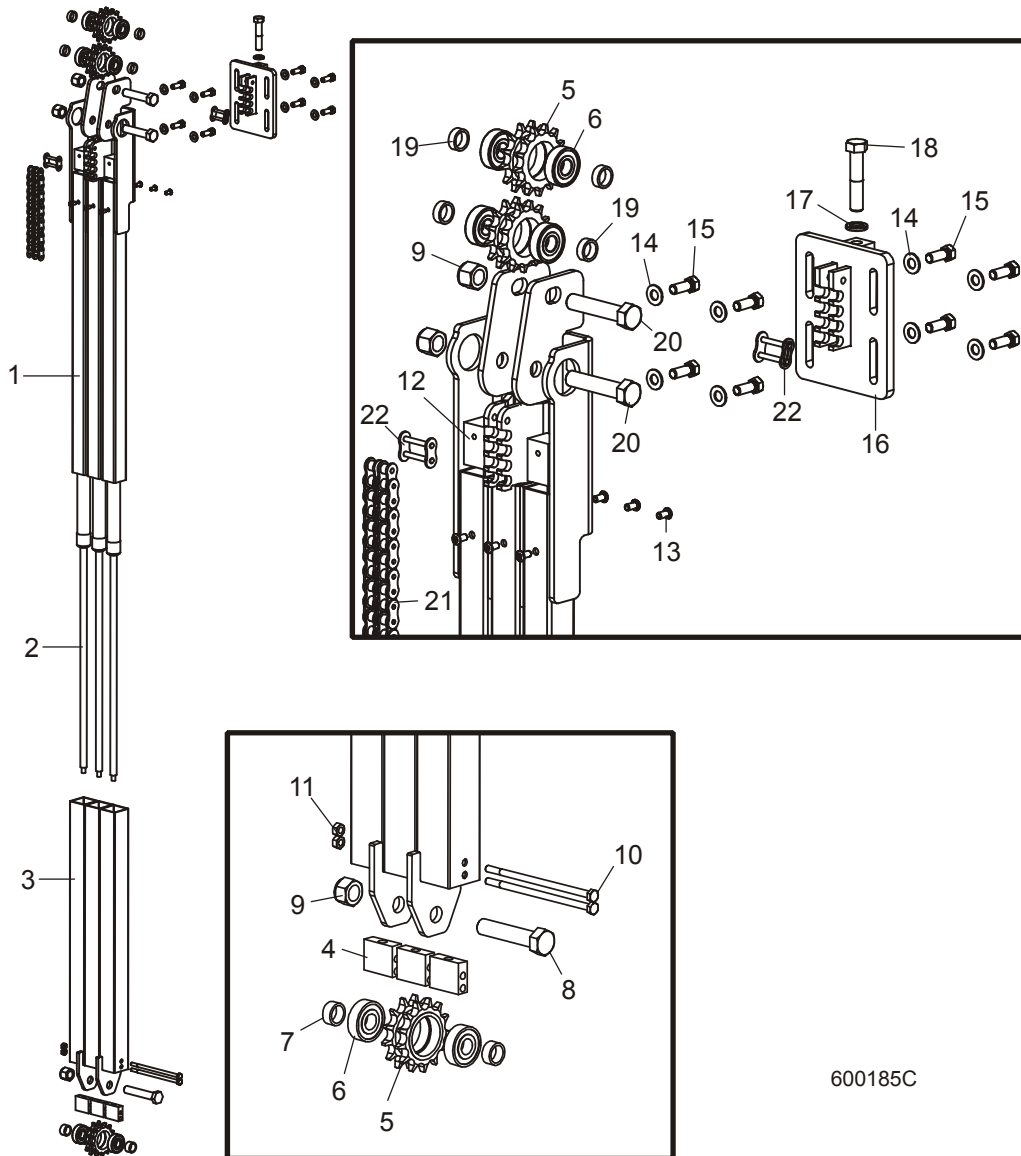
² 40 oz. required for complete oil replacement.

³ Brake added 2/11 to prevent saw head from drifting during sawing. Use retrofit kit 062566 to retrofit previous revisions.

6.5 Up/Down Assist Assembly

LT70HD Remote

Rev. A5.00 - B3.01



REF	DESCRIPTION (◆ Indicates Parts Available In Assemblies Only)	PART NUMBER	QTY.	
	ASSIST ASSEMBLY, LT70 UP/DOWN	047753	1	
1	Tube Weldment, Upper Assist	047754	1	
2	Spring Assembly, 562 Lb Gas w/Wiper	065410 ¹	3	
	Spring, Gas 562 Lb.	047737	1	◆
	Wiper, .542" Gas Spring Rubber	038628	1	
3	Tube Weldment, Lower Assist	047755	1	
4	Block, Lower Gas Spring Mount	048410	3	
	Sprocket Assembly, #50-2 Idler	016019	3	

6

Up/Down System*Up/Down Assist Assembly*

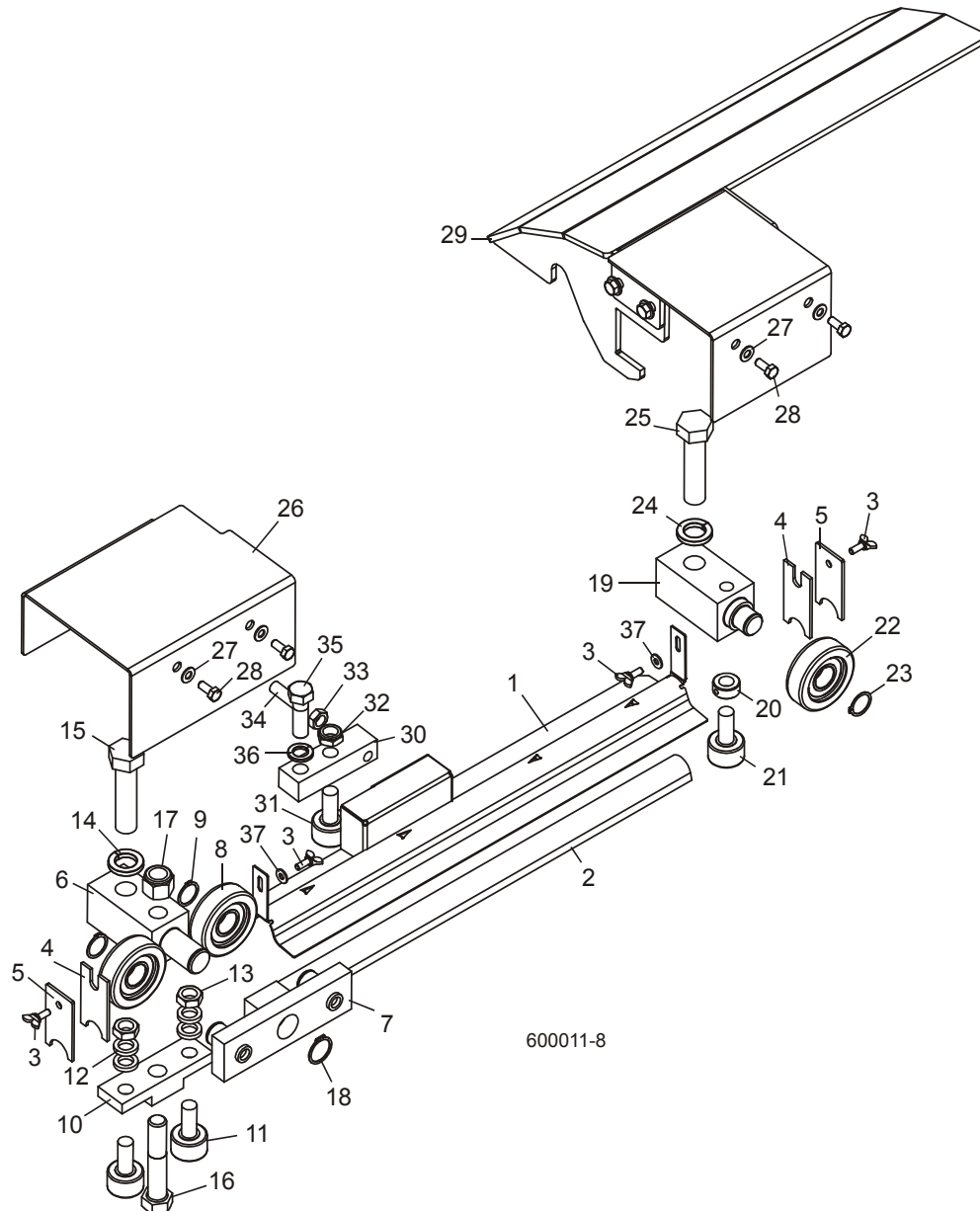
5	Sprocket, D50B13 Modified	015202	1	
6	Bearing, 5/8" ID x 1.7548" OD x .4724"	P06030-1	1	
7	Spacer, 50-2 Idler	016018	2	
8	Bolt, 5/8-11 x 3 1/2" Hex Head Grade 5	F05009-93	1	
9	Nut, 5/8-11 Hex Nylon Lock	F05010-34	3	
10	Bolt, 1/4-20 x 5 1/2" Hex Head Grade 5	F05005-82	2	
11	Nut, 1/4-20 Hex Lock	F05010-21	2	
12	Block, Upper Gas Spring Mount	047922	3	
13	Screw, 1/4-20 x 1/2" Button Socket Head	F05005-59	6	
14	Washer, 3/8" SAE Flat	F05011-3	8	
15	Bolt, 3/8-16 x 1" Hex Head Grade 5	F05007-87	8	
16	Mount Weldment, Up/Down Assist	047924	1	
17	Washer, 1/2" Split Lock	F05011-9	1	
18	Bolt, 1/2-13 x 2 1/2" Hex Head Grade 5	F05008-74	1	
19	Spacer, 50-2 Idler	047921	4	
20	Bolt, 5/8-11 x 3" Hex Head Grade 5	F05009-37	2	
21	Chain, #50-2 Up/Down Assist	036680	1	
22	Link, #50-2 Master	015258	2	
23	Wiper, .542" Gas Spring Rubber	038628 ²	3	

¹ 065410 Spring Assembly created to include 047737 Gas Spring and 038628 Gas Spring Rubber Wiper epoxyed together (6/11).

² Wipers added to assist assembly Rev. A7.07 to prevent sawdust buildup and improve spring durability. Wipers can be used to service previous gas springs.

SECTION 7 FEED SYSTEM & TRACK ROLLERS

7.1 Upper Track Rollers And Wipers



REF	DESCRIPTION (◆ Indicates Parts Available In Assemblies Only)	PART #	QTY.	
	WIPER ASSEMBLY, MIDDLE TRACK	017928	1	
1	Wiper Housing, Middle Track	017920	1	◆
2	Wiper, 3/16" x 2" x 23" Felt	S09915	1	
3	BOLT, 1/4-20 X 5/8" WING	F05005-64	4	

7

Feed System & Track Rollers

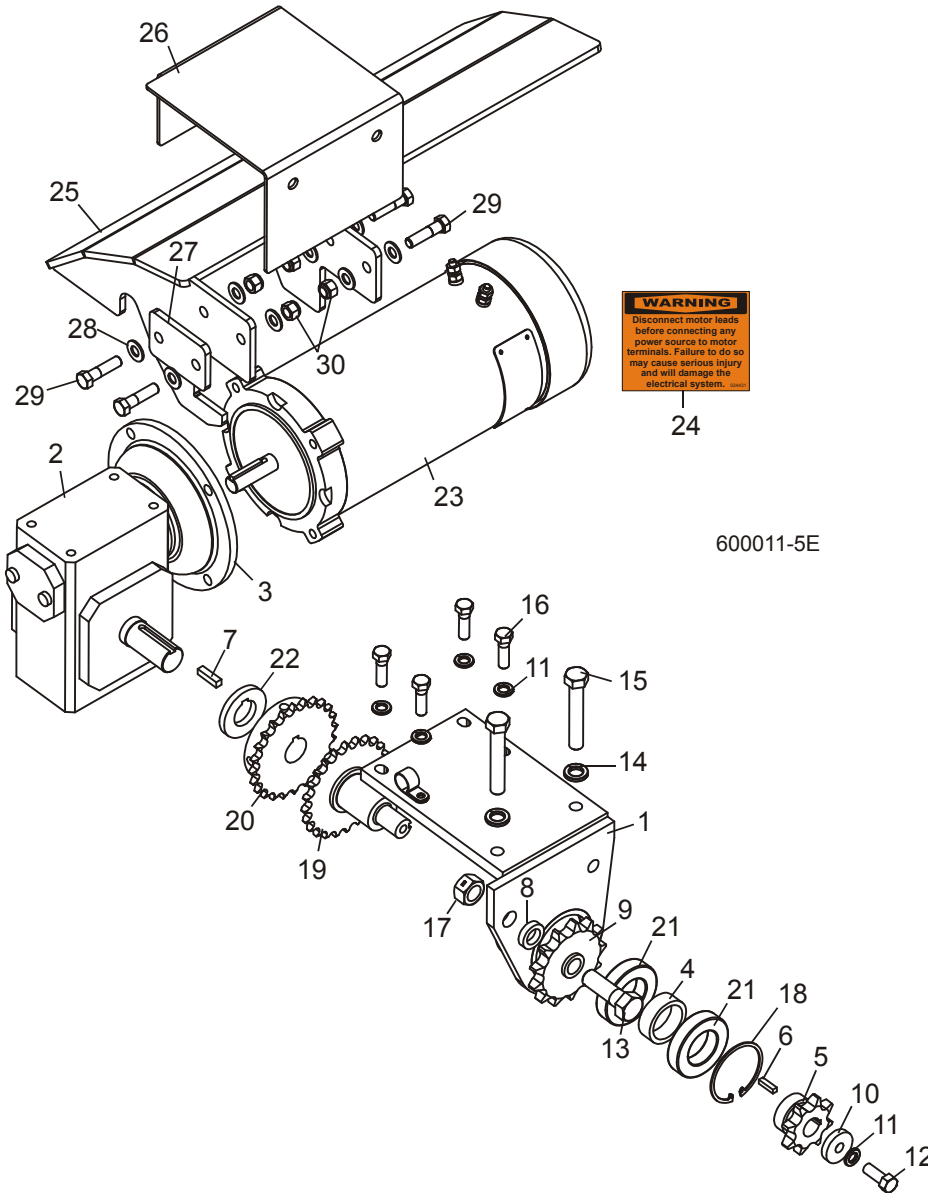
Upper Track Rollers And Wipers

4	WIPER, TOP RAIL	M04113	2	
5	PLATE, TRACK WIPER	034229	2	
	ROLLER ASSEMBLY, FRONT UPPER TRACK	042506	1	
6	Block, Upper Roller Mount	042505	1	
7	Block Assembly, Upper Roller	042507	1	
8	Bearing, MG305DDA	023857	2	
9	Ring, 1" Outer Retaining	F04254-15	2	
10	Block, Track Bearing Mount	042500	1	
11	Bearing, 1 1/2" Track	012797	2	
12	Spacer, 41/64" x 1" x 3/16"	S12480	4	
13	Nut, 5/8-18 Hex Jam	F05010-11	2	
14	Washer, 7/8" Split Lock	F05011-46	1	
15	Bolt, 7/8-14 x 3 1/2" Hex Head Grade 5	F05014-1	1	
16	Bolt, 3/4-10 x 4" Hex Head Grade 5	F05013-3	1	
17	Nut, 3/4-10 Hex Nylon Lock	F05010-103	1	
18	Ring, 1 1/8" Outer Retaining	F04254-36	1	
	ROLLER ASSEMBLY, REAR UPPER TRACK	034231	1	
19	Block, Upper Roller Mount	034230	1	
20	Collar, 5/8" ID Lock	P05035	1	
21	Bearing, 1 1/2" Track	012797	1	
22	Bearing, MG305DDA	023857	1	
23	Ring, 1" Outer Retaining	F04254-15	1	
24	Washer, 7/8" Split Lock	F05011-46	1	
25	Bolt, 7/8-14 x 3 1/2" Hex Head Grade 5	F05014-1	1	
26	COVER, FRONT UPPER TRACK ROLLER	033942	1	
27	WASHER, 5/16" SPLIT LOCK	F05011-17	4	
28	BOLT, 5/16-18 X 3/4" HEX HEAD	F05006-102	4	
29	POWER FEED MOTOR GUARD PARTS (See Section 7.2) ¹			
30	BLOCK, MIDDLE UPPER TRACK ROLLER MOUNT	017884	1	
31	BEARING, 1 1/2" TRACK	012797	1	
32	NUT, 5/8-18 NYLON HEX JAM	F05010-101	1	
33	NUT, 1/2-20 HEX JAM	F05010-16	1	
34	SCREW, 1/2-20 X 1 3/4" FLAT POINT SET	F05008-112	1	
35	BOLT, 5/8-11 X 2" HEX HEAD	F05009-2	1	
36	WASHER, 5/8" SPLIT LOCK GRADE 8	F05011-118 ²	1	

¹ Optional extended guard assembly now standard with Rev. A7.10 (replaces 033939 previously supplied).

² Grade 8 washer replaces F05011-27 originally supplied before 8/07 to improve durability.

7.2 Power Feed Assembly



REF	DESCRIPTION (◆ Indicates Parts Available In Assemblies Only)	PART #	QTY.
	POWER FEED ASSEMBLY	034860	1
1	Bracket Weldment, Power Feed Mount	034850	1
2	Gearbox, Power Feed	034843	1
3	Plate, Gearbox Adaptor	057444	1
4	Spacer, 1.185 x 1.5 x .428	034856	1
5	Sprocket, 60B8 x 3/4" Modified	017723	1
6	Key, 3/16" Square x 3/4" Long	S03060	2

7

Feed System & Track Rollers

Power Feed Assembly

7	Key, 1/4" Square x 1" Long	S21486	1	
8	Spacer, .63 x 1.00 x .226	017719	1	
9	Sprocket, 60BB13H x 5/8" Idler	034224	1	
10	Washer, 3/8" ID x 1 1/4" OD	S02779	1	
11	Washer, 3/8" Split Lock	F05011-4	5	
12	Bolt, 3/8-16 x 1" Hex Head	F05007-7	1	
13	Bolt, 5/8-11 x 2" Hex Head Gr2	F05009-2	1	
14	Washer, 1/2" Split Lock	F05011-9	2	
15	Bolt, 1/2-20 x 3" Hex Head Full Thread	F05008-62	2	
16	Bolt, 3/8-16 x 1 1/4" Hex Head Full Thread Grade 5	F05007-123	4	
17	Nut, 5/8-11 Swaged Hex	F05010-4	1	
18	Ring, 62mm IR	F04254-12	1	
19	Shaft Weldment, LT60/70 Power Feed	034855	1	
20	Sprocket, 40B24 x1	034851	1	
21	Bearing, 6007-2RS 35x62x14	034852	2	
22	Spacer, 1.03" ID x 2" OD x 3/8" Keyed	034857	1	
	Chain, Double #40 x 11 1/2"	036196	1	
	Link, #40 x 2 Connecting	017724	1	
	Oil, 8 Oz. Mobil SHC634 Bottled Synthetic Gear	L04869-4 ¹	1	
23	MOTOR, 1HP 12VDC POWER FEED (DC ONLY)	053679 ²	1	
	Guard, Motor Fan	047998	1	
	Hub, Motor Fan Extension	047999	1	
	Key, 3/16" Square x 1" Long	S31027	1	
	Brush Kit, 3/4HP 12V DC Leeson Motor	024167	1	
	MOTOR, 1.5HP 230/460VAC 3P 1725RPM POWER FEED (AC ONLY)	050291	1	
24	DECAL, DISCONNECT MOTOR LEADS WARNING (DC ONLY)	024431	1	
	GUARD ASSEMBLY, LT70 FEED MOTOR (OPTIONAL)	038878-A ³	1	
25	Guard Weldment, LT70 Feed Motor	038877	1	
26	Guard, Top Track Roller	038876	1	
27	Plate, LT70 Power Feed Guard Spacer	038874	1	
28	Washer, 3/8" SAE Flat	F05011-3	8	
29	Bolt, 3/8-16 x 1 1/2" Hex Head Grade 5	F05007-78	4	
30	Nut, 3/8-16 Hex Nylon Lock	F05010-10	4	

¹ 12 - 15 oz. required for complete oil replacement.

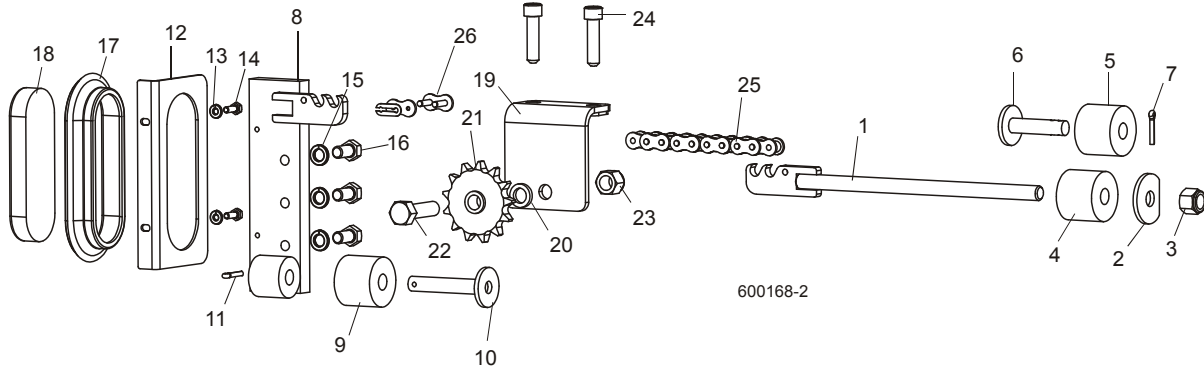
² Replaces 3/4HP 12VDC Power Feed Motor 024169 (Rev. B4.11). Power Feed Motor 024169 included Brush Kit 024167, Fan 016087, Fan Guard 047998, Fan Extension Hub 047999 and 3/16" Square x 1" Long Key S31027.

³ Optional feed motor guard available 12/06 to protect motor & gearbox from falling logs. Mounting holes pre-drilled on Rev. A7.08 and later. Drilling of mounting holes required for previous revisions. Guard supplied as standard equipment Rev. A7.10.

7.3 Feed Chain/Stop

LT670HD Remote

Rev. B1.00 - B1.03



REF	DESCRIPTION (◆ Indicates Parts Available In Assemblies Only)	PART #	QTY.
	STOP ASSEMBLY, FRONT POWER FEED	034556	1
1	Tensioner Weldment, Power Feed Chain	034421	1
2	Washer, 21/32" x 2 1/4" x 3/16" D	017838	1
3	Nut, 5/8-11 Nylon Lock	F05010-34	1
4	Stop, Rubber Carriage	P12165	1
	Stop Kit, Rubber Carriage	K09630	1
5	Stop, Rubber Carriage	P12165	1
6	Pin, Rubber Carriage Stop	W09293	1
7	Pin, 3/16" X 1" Cotter	F05012-21	1
	STOP ASSEMBLY, REAR POWER FEED W/LIGHT	006721	1
8	Stop Weldment, Rear Power Feed	036493	1
9	Stop, Rubber Carriage	P12165	1
10	Pin, Rear Carriage Stop	034423	1
11	Pin, 3/16" X 1" Cotter	F05012-21	1
12	Plate, Bed Tube End	057822	1
13	Washer, 1/4" Split Lock	F05011-14	2
14	Bolt, 1/4-20 x 3/4" Hex Head	F05005-1	2
15	Washer, 1/2" Split Lock	F05011-9	3
16	Bolt, 1/2-13 x 1" Hex Head Grade 8	F05008-128	3
17	Grommet, 6 1/2" Light Mounting	006688	1
18	Light, 8 Diode LED Tail	006391	1
	IDLER ASSEMBLY, #60 POWER FEED CHAIN	034228	1
19	Plate Weldment, Power Feed Idler	034227	1
20	Spacer, 41/64" x 1" x 3/16"	S12480	1
21	Sprocket, 60BB13H x 5/8" Idler	034224	1
22	Bolt, 5/8-18 x 2 1/4" Hex Head Grade 5	F05009-80	1
23	Nut, 5/8-18 Nylon Lock	F05010-71	1
24	Bolt, 1/2-13 x 2" Socket Head	F05008-133	2

7 Power Feed System

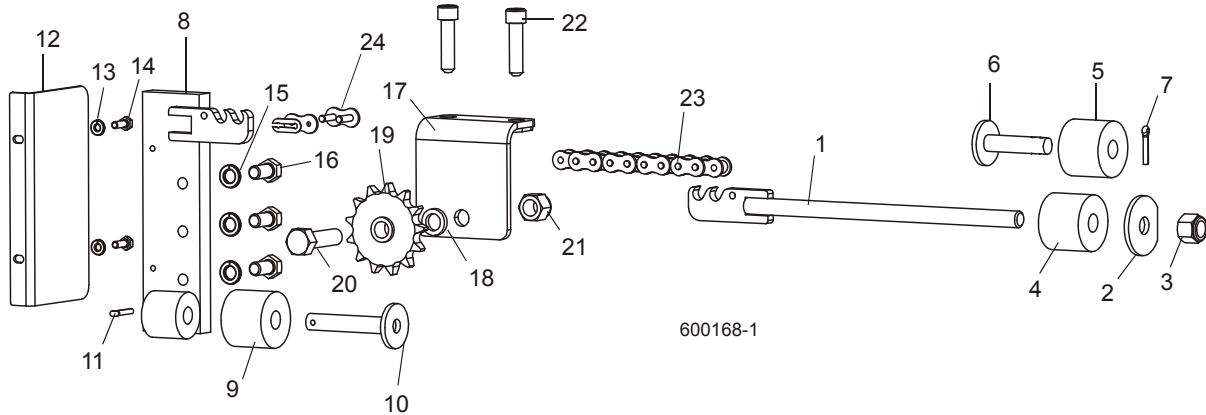
Feed Chain/Stop

25	CHAIN, #60 X 285" POWER FEED	003319	1	
26	LINK, #60 MASTER	042398	2	

7.4 Feed Chain/Stop

LT70HD Remote

Rev. A3.03 - A9.00



REF	DESCRIPTION (◆ Indicates Parts Available In Assemblies Only)	PART #	QTY.
	STOP ASSEMBLY, FRONT POWER FEED	034556	1
1	Tensioner Weldment, Power Feed Chain	034421	1
2	Washer, 21/32" x 2 1/4" x 3/16" D	017838	1
3	Nut, 5/8-11 Nylon Lock	F05010-34	1
4	Stop, Rubber Carriage	P12165	1
	Stop Kit, Rubber Carriage	K09630	1
5	Stop, Rubber Carriage	P12165	1
6	Pin, Rubber Carriage Stop	W09293	1
7	Pin, 3/16" X 1" Cotter	F05012-21	1
	STOP ASSEMBLY, REAR POWER FEED	034557 ¹	1
8	Stop Weldment, Rear Power Feed	036493 ¹	1
9	Stop, Rubber Carriage	P12165	1
10	Pin, Rear Carriage Stop	034423	1
11	Pin, 3/16" X 1" Cotter	F05012-21	1
12	Plate, Bed Tube End	036492 ¹	1
13	Washer, 5/16" Split Lock	F05011-13	2
14	Bolt, 5/16-18 x 3/4" Hex Head	F05006-5	2
15	Washer, 1/2" Split Lock	F05011-9	3
16	Bolt, 1/2-13 x 1" Hex Head Grade 8	F05008-128	3
	IDLER ASSEMBLY, #60 POWER FEED CHAIN	034228	1
17	Plate Weldment, Power Feed Idler	034227	1
18	Spacer, 41/64" x 1" x 3/16"	S12480	1
19	Sprocket, 60BB13H x 5/8" Idler	034224	1
20	Bolt, 5/8-18 x 2 1/4" Hex Head Grade 5	F05009-80	1
21	Nut, 5/8-18 Nylon Lock	F05010-71	1
22	Bolt, 1/2-13 x 2" Socket Head	F05008-133	2

7 Power Feed System

Feed Chain/Stop

23	CHAIN, #60 X 285" POWER FEED	003319 ²	1	
	CHAIN, #60 X 278 1/4' POWER FEED	036195 ²	1	
24	LINK, #60 MASTER	042398	2	

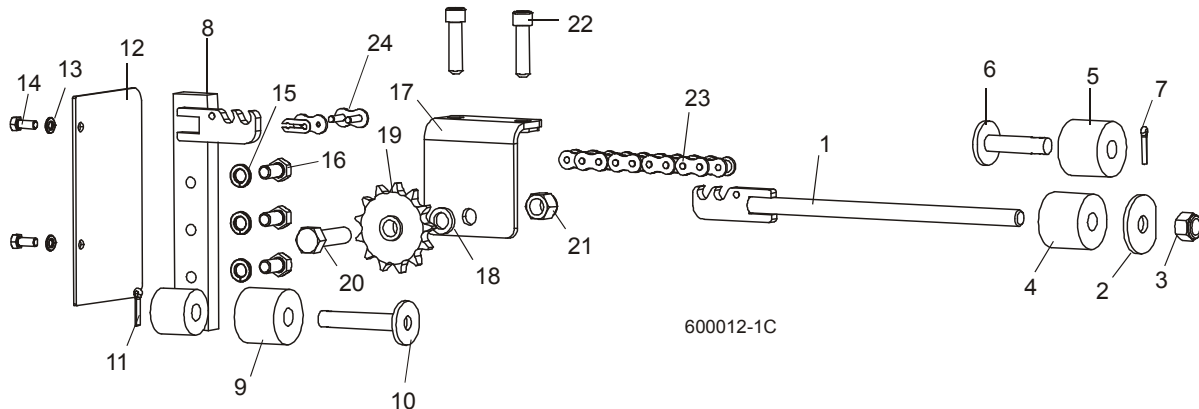
¹ Feed Stop Assembly 034557 modified Rev. A3.03 to make adjustable to accommodate various bed tube lengths. [See Section 7.5](#) for previous revisions.

² Use 003319 285" chain for Rev. A7.09 and later. Use 036195 278 1/4" chain for previous revisions.

7.5 Feed Chain/Stop

LT70HD Remote

Rev. A3.01 - A9.00



REF	DESCRIPTION (◆ Indicates Parts Available In Assemblies Only)	PART #	QTY.
	STOP ASSEMBLY, FRONT POWER FEED	034556	1
1	Tensioner Weldment, Power Feed Chain	034421	1
2	Washer, 21/32" x 2 1/4" x 3/16" D	017838	1
3	Nut, 5/8-11 Nylon Lock	F05010-34	1
4	Stop, Rubber Carriage	P12165	1
	Stop Kit, Rubber Carriage	K09630	2
5	Stop, Rubber Carriage	P12165	1
6	Pin, Rubber Carriage Stop	W09293	1
7	Pin, 3/16" X 1" Cotter	F05012-21	1
	STOP ASSEMBLY, REAR POWER FEED	034557 ¹	1
8	Stop Weldment, Rear Power Feed	034433 ¹	1
	Stop Kit, Rubber Carriage	K09630	2
9	Stop, Rubber Carriage	P12165	1
10	Pin, Rubber Carriage Stop	W09293	1
11	Pin, 3/16" X 1" Cotter	F05012-21	1
12	Plate, Bed Tube End	034455 ¹	1
13	Washer, 5/16" Split Lock	F05011-13	2
14	Bolt, 5/16-18 x 3/4" Hex Head	F05006-5	2
15	Washer, 1/2" Split Lock	F05011-9	3
16	Bolt, 1/2-13 x 1" Hex Head Grade 8	F05008-128	3
	IDLER ASSEMBLY, #60 POWER FEED CHAIN	034228	1
17	Plate Weldment, Power Feed Idler	034227	1
18	Spacer, 41/64" x 1" x 3/16"	S12480	1
19	Sprocket, 60BB13H x 5/8" Idler	034224	1
20	Bolt, 5/8-18 x 2 1/4" Hex Head Grade 5	F05009-80	1
21	Nut, 5/8-18 Nylon Lock	F05010-71	1

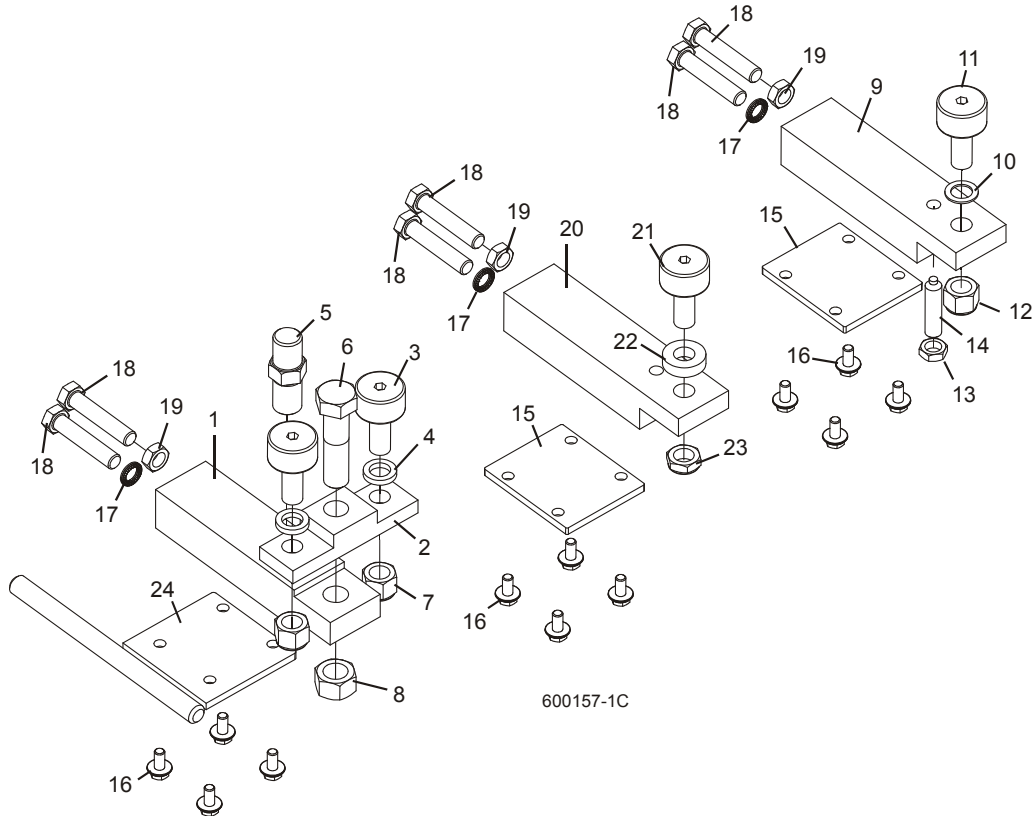
7 Power Feed System

Feed Chain/Stop

22	Bolt, 1/2-13 x 2" Socket Head	F05008-133	2	
23	CHAIN, #60 X 278 1/4' POWER FEED	036195	1	
24	LINK, #60 MASTER	042398	2	

¹ Feed Stop Assembly 034557 modified Rev. A3.03 to make adjustable to accommodate various bed tube lengths ([See Section 7.4](#)).

7.6 Lower Track Rollers



600157-1C

REF	DESCRIPTION (◆ Indicates Parts Available In Assemblies Only)	PART #	QTY.
	ROLLER ASSEMBLY, FRONT LOWER TRACK	036344	1
1	Block, Front Lower Track Roller Mount	036325	1
2	Block, Track Bearing Mount	042500	1
3	Bearing, 1 1/2" Track Roller	012797	2
4	Spacer, 41/64" x 1" x 3/16"	S12480	2
5	Pin, Safety Lock (Threaded)	036324	1
6	Bolt, 3/4-10 x 3" Hex Head Grade 5	F05013-5	1
7	Nut, 5/8-18 Hex Nylon Lock	F05010-101	2
8	Nut, 3/4-10 Hex Lock	F05010-80	1
	ROLLER ASSEMBLY, REAR LOWER TRACK	034232	1
9	Block, Rear Lower Track Roller Mount	034234	1
10	Shim, 5/8" x 1" x 1/16"	016510	1
11	Bearing, 1 1/2" Track Roller	012797	1
12	Nut, 5/8-18 Hex Jam	F05010-11	1
13	Nut, 1/2-13 Hex Jam	F05010-31	1
14	Screw, 1/2-13 x 2" Brass Tip Set	F05008-137	1
15	PLATE, LOWER TRACK ROLLER RETAINER	033880 ¹	2

7

Power Feed System*Lower Track Rollers*

16	BOLT, 5/16-18 X 3/4" HEX HEAD W/FLAT & LOCK WASHER	F05006-101 ²	12	
17	WASHER, 1/2" NORD-LOCK	F05011-125 ²	3	
18	BOLT, 1/2-20 X 2 1/2" HEX HEAD FULL THREAD GRADE 5	F05008-135	6	
19	NUT, 1/2-20 HEX JAM	F05010-16	3	
	ROLLER ASSEMBLY, MIDDLE LOWER TRACK	017887	1	
20	Block, Lower Track Roller Mount	034234	1	
21	Bearing, 1 1/2" Track Roller	012797	1	
22	Spacer	034674	1	
23	Nut, 5/8-18 Nylon Lock Jam	F05010-101	1	
24	PLATE WELDMENT, FRONT LOWER TRACK ROLLER W/DEFLECTOR	036473 ¹	1	

¹ One Retainer Plate 033880 replaced with Deflector Weldment 036473 at front track roller to prevent assembly from catching on remote cable chain (Rev. A3.02).

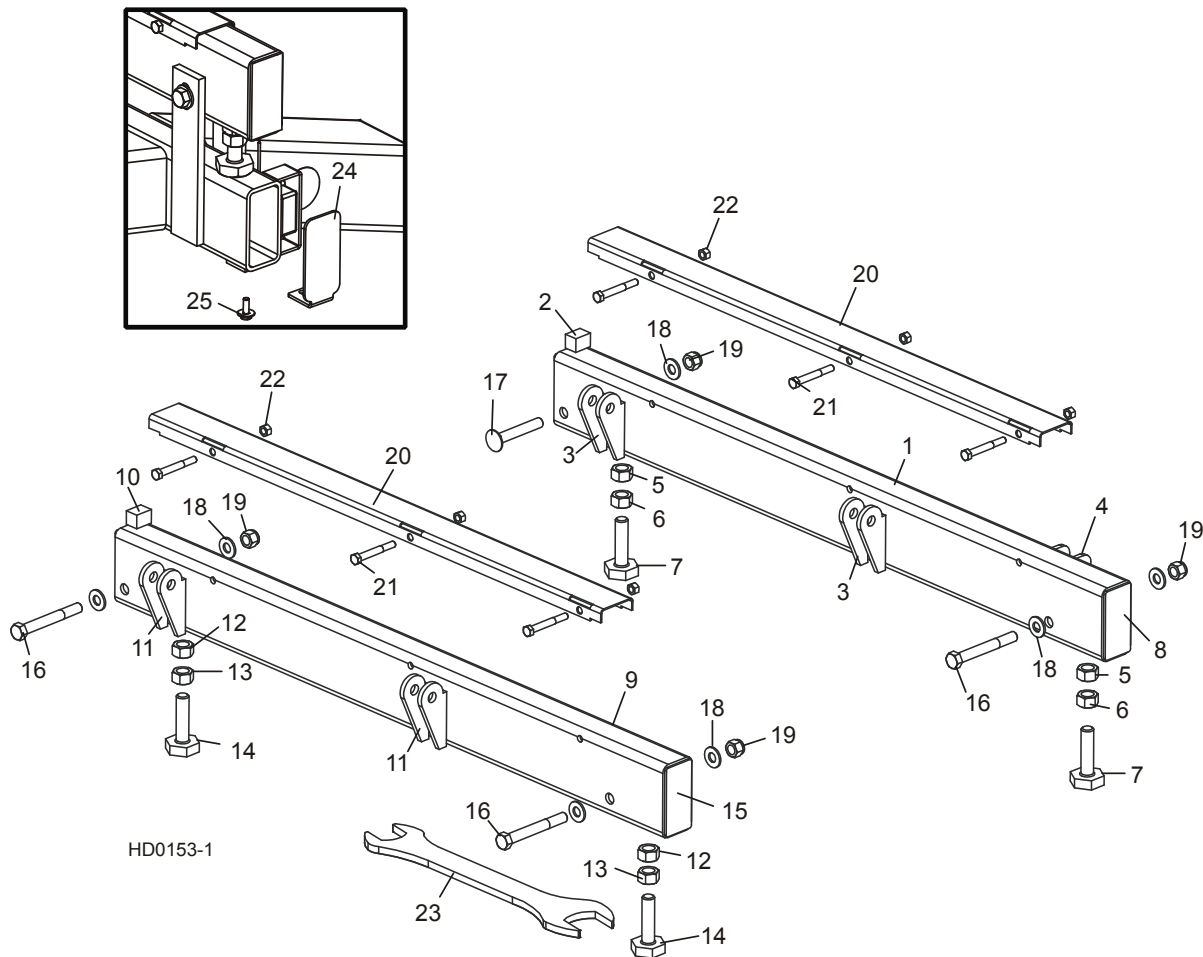
² Bolt with lock and flat washer F05006-101 replaces 5/16" Split Lock Washer F05011-13 and Hex Head Bolt F05006-102, Nord-Lock Washer F05011-125 replaces F05011-9 1/2" Split Lock Washer supplied prior to 4/10. Hardware changes with mast side plate revision provides increased fastener durability.

SECTION 8 BED FRAME ASSEMBLY

8.1 Bed Rail Assembly, Front And Rear

LT70HD Remote

Rev. A7.06 - B3.01



REF	DESCRIPTION (◆ Indicates Parts Available In Assemblies Only)	PART #	QTY.	
	BED RAIL ASSEMBLY, REAR PAINTED	014467	1	
1	Bed Rail Tube, Long	015974	1	◆
2	Block, Log Stop	S09034	1	
3	Bracket, Roller Toe Board Mount	S13021	4	◆
4	Bracket, Saw Head Rest Pin Mount	014150	2	◆
5	Nut, 5/8-11 Pilot Weld	F05010-84	2	
6	Nut, 5/8-11 Hex	F05010-5	2	
7	Bolt, Bed Rail Adjustment	S13006	2	
8	Plate, Bed Rail End Cap	S04058	2	◆
	BED RAIL ASSEMBLY, FRONT PAINTED	014455	1	

8

Bed Frame Assembly*Bed Rail Assembly, Front And Rear*

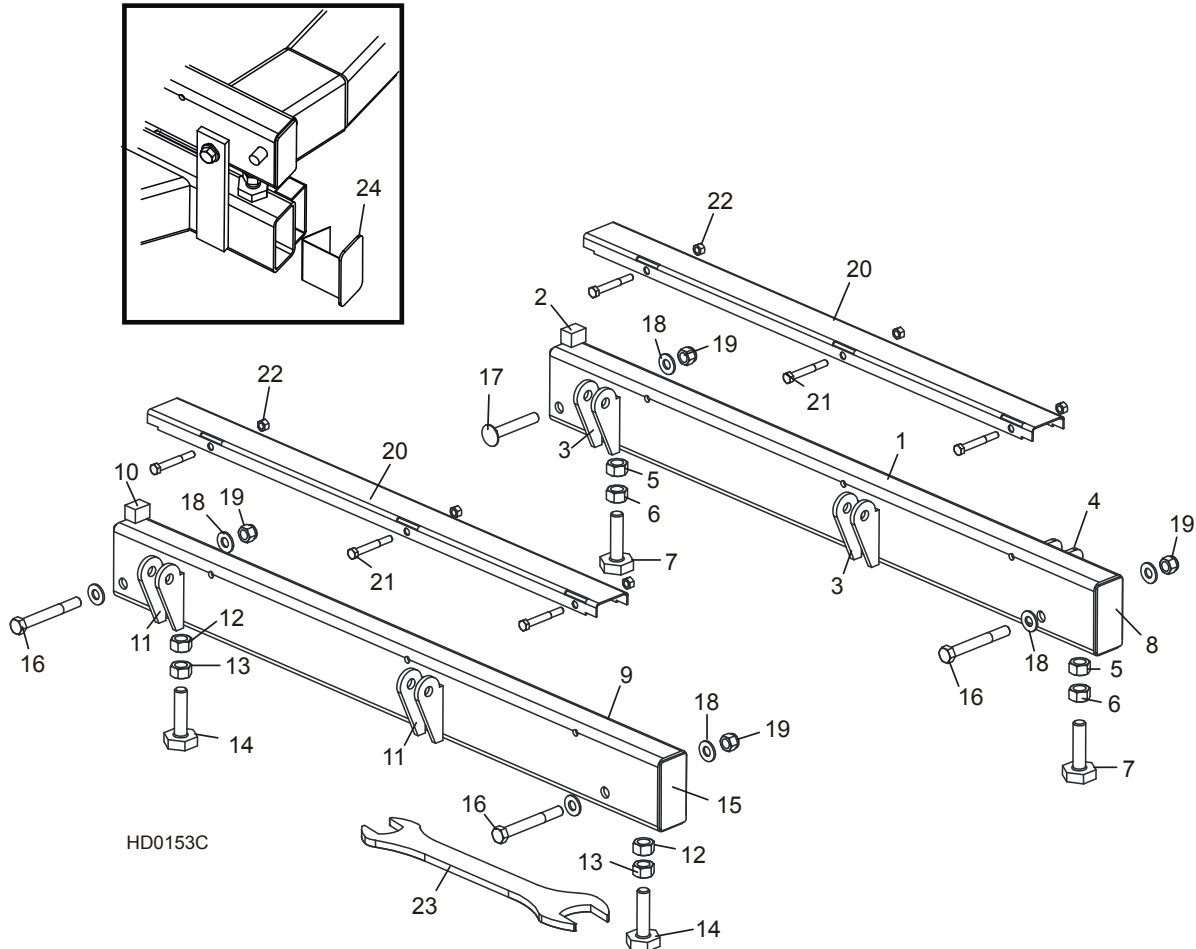
9	Bed Rail Tube, Long	015974	1	◆
10	Block, Log Stop	S09034	1	
11	Bracket, Roller Toe Board Mount	S13021	4	◆
12	Nut, 5/8-11 Pilot Weld	F05010-84	2	
13	Nut, 5/8-11 Hex	F05010-5	2	
14	Bolt, Bed Rail Adjustment	S13006	2	
15	Plate, Bed Rail End Cap	S04058	2	◆
16	BOLT, 1/2-13 X 4" HEX HEAD	F05008-78	3	
17	BOLT, 1/2-13 X 3 1/2" CARRIAGE	F05008-94 ¹	1	
18	WASHER, 1/2" SAE FLAT	F05011-2	7	
19	NUT, 1/2-13 NYLON LOCK	F05010-8	4	
20	COVER, STAINLESS STEEL BED RAIL	016898	2	
21	BOLT, 5/16-18 X 2 1/2" HEX HEAD	F05006-10	6	
22	NUT, 5/16-18 HEX LOCK	F05010-6	6	
23	WRENCH, BED RAIL ADJUSTMENT	015970	1	
24	CAP, BED RAIL REMOVABLE END	038843	2	
25	BOLT, 1/4-20 X 3/4" W/CONICAL WASHER HEAD	F05005-134	2	

¹ Used on rear bed rail to allow clearance for side support rollers.

8.2 Bed Rail Assembly, Front And Rear

LT70HD Remote

Rev. A3.01 - A7.05



REF	DESCRIPTION (◆ Indicates Parts Available In Assemblies Only)	PART #	QTY.	
	BED RAIL ASSEMBLY, REAR PAINTED	014467	1	
1	Bed Rail Tube, Long	015974	1	◆
2	Block, Log Stop	S09034	1	
3	Bracket, Roller Toe Board Mount	S13021	4	◆
4	Bracket, Saw Head Rest Pin Mount	014150	2	◆
5	Nut, 5/8-11 Pilot Weld	F05010-84	2	
6	Nut, 5/8-11 Hex	F05010-5	2	
7	Bolt, Bed Rail Adjustment	S13006	2	
8	Plate, Bed Rail End Cap	S04058	2	◆
	BED RAIL ASSEMBLY, FRONT PAINTED	014455	1	
9	Bed Rail Tube, Long	015974	1	◆
10	Block, Log Stop	S09034	1	
11	Bracket, Roller Toe Board Mount	S13021	4	◆

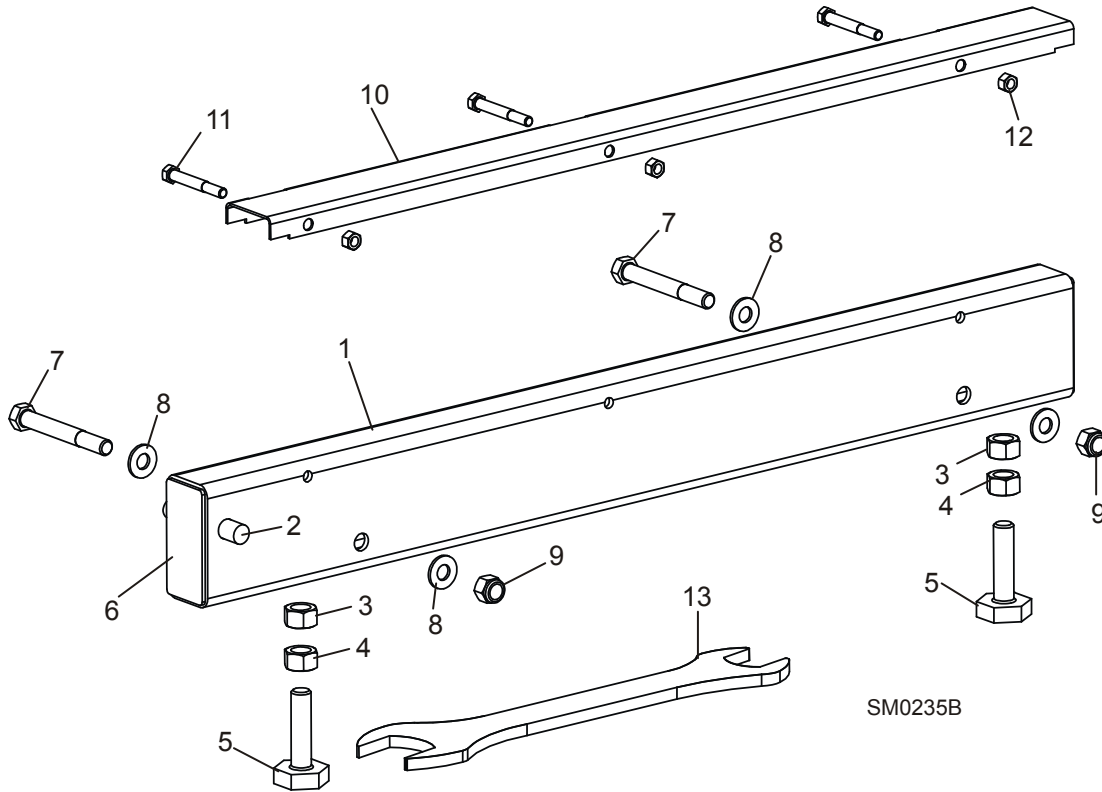
8

Bed Frame Assembly*Bed Rail Assembly, Front And Rear*

12	Nut, 5/8-11 Pilot Weld	F05010-84	2	
13	Nut, 5/8-11 Hex	F05010-5	2	
14	Bolt, Bed Rail Adjustment	S13006	2	
15	Plate, Bed Rail End Cap	S04058	2	◆
16	BOLT, 1/2-13 X 4" HEX HEAD	F05008-78	3	
17	BOLT, 1/2-13 X 3 1/2" CARRIAGE	F05008-94 ¹	1	
18	WASHER, 1/2" SAE FLAT	F05011-2	7	
19	NUT, 1/2-13 NYLON LOCK	F05010-8	4	
20	COVER, STAINLESS STEEL BED RAIL	016898	2	
21	BOLT, 5/16-18 X 2 1/2" HEX HEAD	F05006-10	6	
22	NUT, 5/16-18 HEX LOCK	F05010-6	6	
23	WRENCH, BED RAIL ADJUSTMENT	015970	1	
24	CAP WELDMENT, BED RAIL REMOVABLE END	014652	2	

¹ Used on rear bed rail to allow clearance for side support rollers.

8.3 Bed Rail Assembly, Middle Front

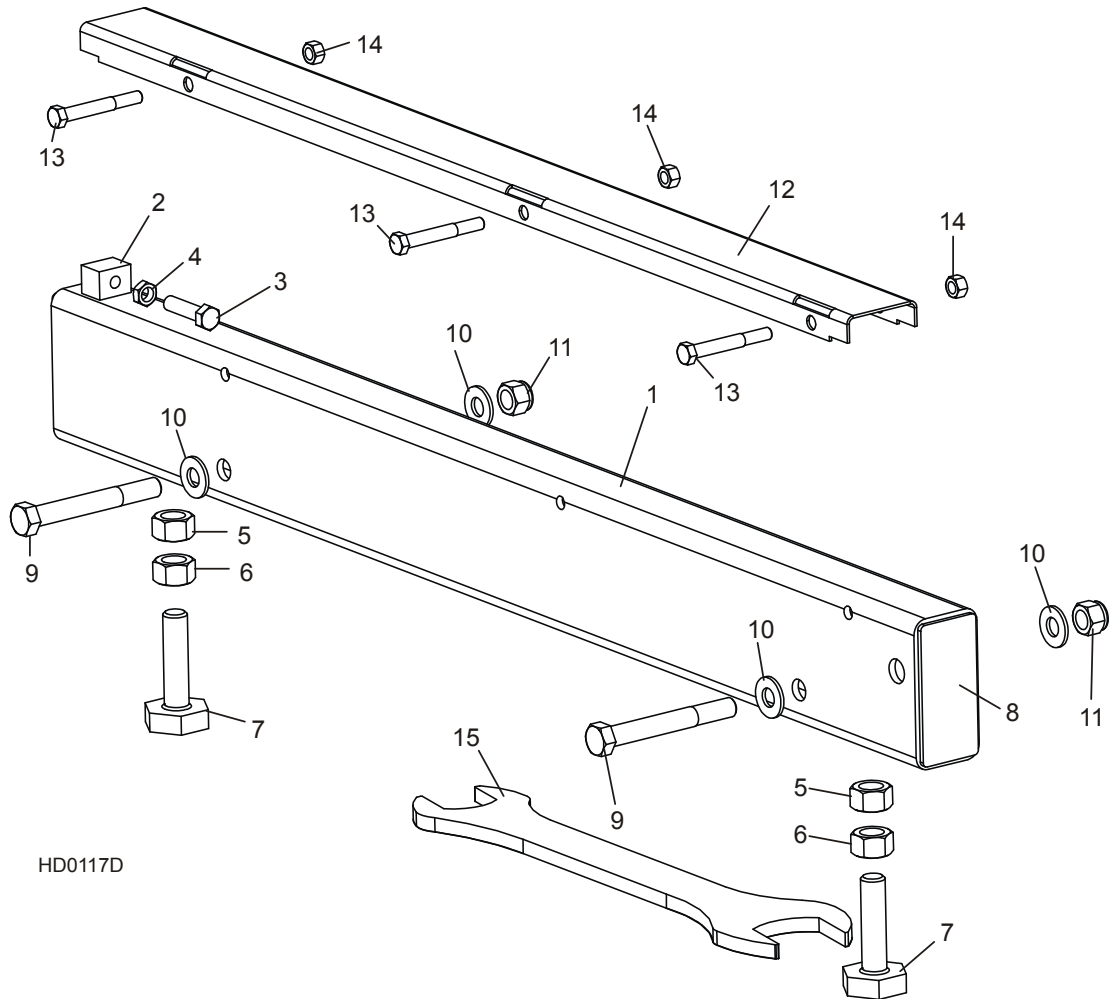


REF	DESCRIPTION (◆ Indicates Parts Available In Assemblies Only)	PART #	QTY.	
	BED RAIL ASSEMBLY, FRONT MIDDLE	A09566	1	
1	Bed Rail Tube, Short	S09103	1	◆
2	Pin, Ramp Mount	S04030	1	
3	Nut, 5/8-11 Pilot Weld	F05010-84	2	
4	Nut, 5/8-11 Hex	F05010-5	2	
5	Bolt, Bed Rail Adjustment	S13006	2	
6	Plate, Bed Rail End Cap	S04058	2	◆
7	BOLT, 1/2-13 X 4" HEX HEAD GRADE 5	F05008-78	2	
8	WASHER, 1/2" SAE FLAT	F05011-2	4	
9	NUT, 1/2-13 NYLON LOCK	F05010-8	2	
	COVER ASSEMBLY, STAINLESS STEEL BED RAIL (LONG)	A09956	1	
10	Cover, Stainless Steel Bed Rail	S09944	1	◆
11	Bolt, 5/16-18 X 2 1/2" Hex Head	F05006-10	3	
12	Nut, 5/16-18 Hex Lock	F05010-6	3	
13	WRENCH, BED RAIL ADJUSTMENT	015970	1	

8 Bed Frame Assembly

Bed Rail Assembly, Middle Rear

8.4 Bed Rail Assembly, Middle Rear



REF	DESCRIPTION (◆ Indicates Parts Available In Assemblies Only)	PART #	QTY.	
	BED RAIL ASSEMBLY, REAR MIDDLE PAINTED	015757	1	
1	Bed Rail Tube, Short	014640	1	◆
2	Block, Log Stop w/Threaded Hole	014639	1	◆
3	Bolt, 3/8-16 x 1 1/2 Full Thead Hex Head	F05007-17	1	
4	Nut, 3/8-16 Hex Jam	F05010-29	1	
5	Nut, 5/8-11 Square Pilot Weld	F05010-187	2	
6	Nut, 5/8-11 Hex	F05010-5	2	
7	Bolt, Bed Rail Adjustment	S13006	2	
8	Plate, Bed Rail End Cap	S04058	1	
9	BOLT, 1/2-13 X 4" HEX HEAD GRADE 5	F05008-78	2	
10	WASHER, 1/2" SAE FLAT	F05011-2	4	
11	NUT, 1/2-13 NYLON LOCK	F05010-8	2	

Bed Frame Assembly
Bed Rail Assembly, Middle Rear

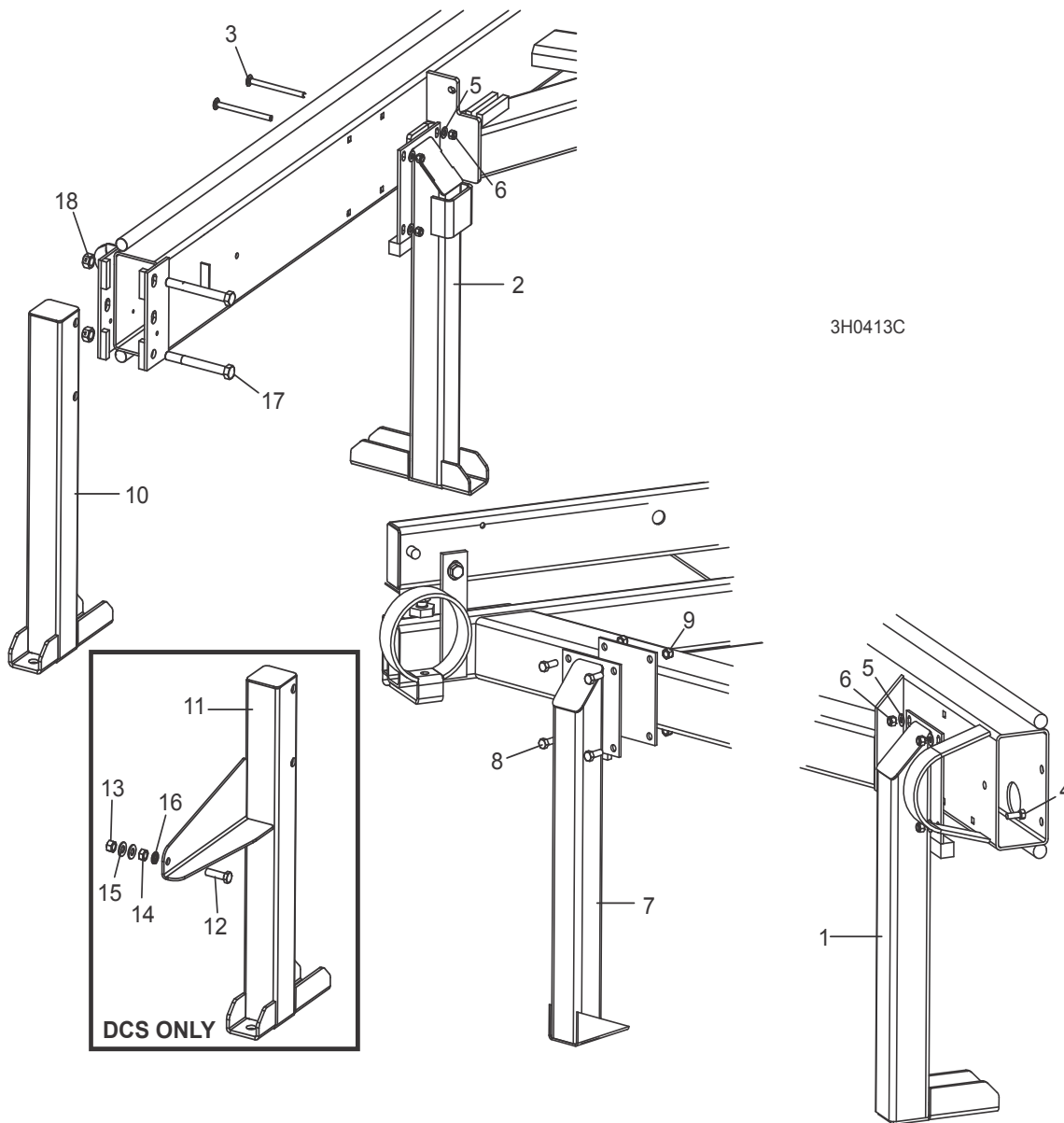
8

	COVER ASSEMBLY, STAINLESS STEEL BED RAIL (LONG)	A09956	1	
12	Cover, Stainless Steel Bed Rail	S09944	1	◆
13	Bolt, 5/16-18 X 2 1/2" Hex Head	F05006-10	3	
14	Nut, 5/16-18 Hex Lock	F05010-6	3	
15	WRENCH, BED RAIL ADJUSTMENT	015970	1	

8 Bed Frame Assembly

Leg Assembly (Stationary)

8.5 Leg Assembly (Stationary)



REF	DESCRIPTION (◆ Indicates Parts Available In Assemblies Only)	PART #	QTY.
1	LEG, LONG STATIONARY (1 REQ'D FOR LT60HD; 3 REQ'D FOR LT70HD)	W09513	1/3
2	LEG, LONG STATIONARY W/BOARD RETURN TABLE BRACKET	015091	1
3	BOLT, 3/8-16 X 5" CARRIAGE HEAD	F05007-113	8/12
4	BOLT, 3/8-16 X 1 1/4" HEX HEAD (REQ'D FOR REAR LT70HD ONLY)	F05007-2	4
5	WASHER, 3/8" SAE FLAT	F05011-3	8/16
6	NUT, 3/8-16 HEX NYLON LOCK	F05010-10	8/16

Bed Frame Assembly
Leg Assembly (Stationary)

8

7	LEG, SHORT STATIONARY	W09515	2	
8	BOLT, 3/8-16 X 1 1/4" HEX HEAD	F05007-2	8	
9	NUT, 3/8-16 HEX NYLON LOCK	F05010-10	8	
10	LEG, FRONT STATIONARY	W09517	1	
11	BOLT, 5/8-11 X 5 1/2" HEX HEAD GRADE 5	F05009-11	2	
12	NUT, 5/8-11 HEX LOCK	F05010-4	2	

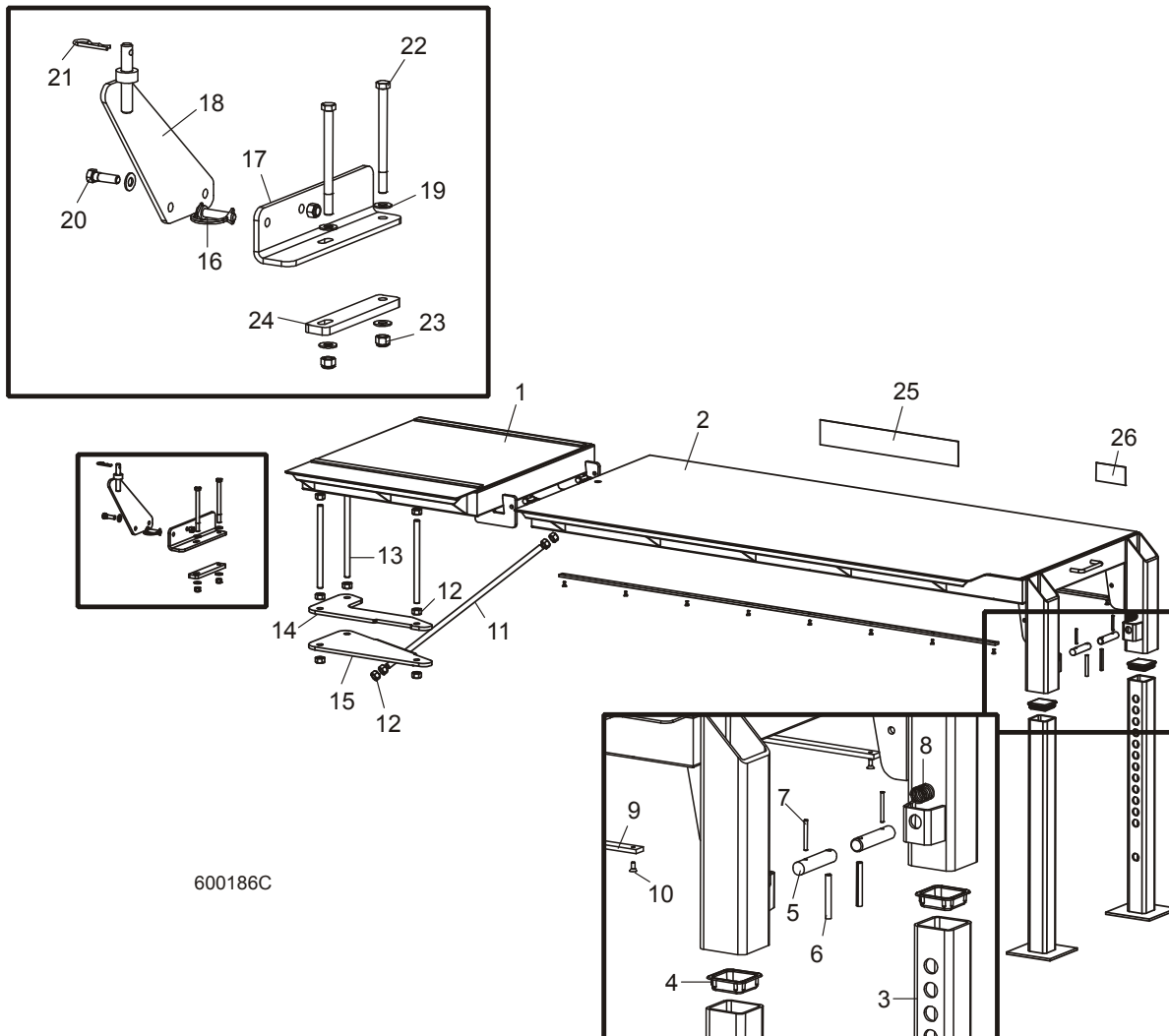
8 Bed Frame Assembly

Board Return Table Assembly

8.6 Board Return Table Assembly

LT70HD Remote

Rev. A5.00 - B3.01



600186C

REF	DESCRIPTION (◆ Indicates Parts Available In Assemblies Only)	PART #	QTY.
	TABLE ASSEMBLY, BOARD	BT1	1
1	Table Weldment, Short Board	045826	1
2	Table Weldment, Long Board	036670	1
3	Leg Weldment, Outrigger	W07537	2
4	Cap, Plastic Outrigger Leg	P09926	1
	Pin Assembly, Outrigger Pull	016148	2
5	Pin, 3/4" Outrigger Pull	016147	1
6	Pin, 5/16" x 2 1/2" Roll	F05012-47	1
7	Pin, 3/16" x 1 3/4" Roll	F05012-103	2
8	Spring, .92" x 1 1/2" x .079" Compression	016145	2

Bed Frame Assembly
Board Return Table Assembly

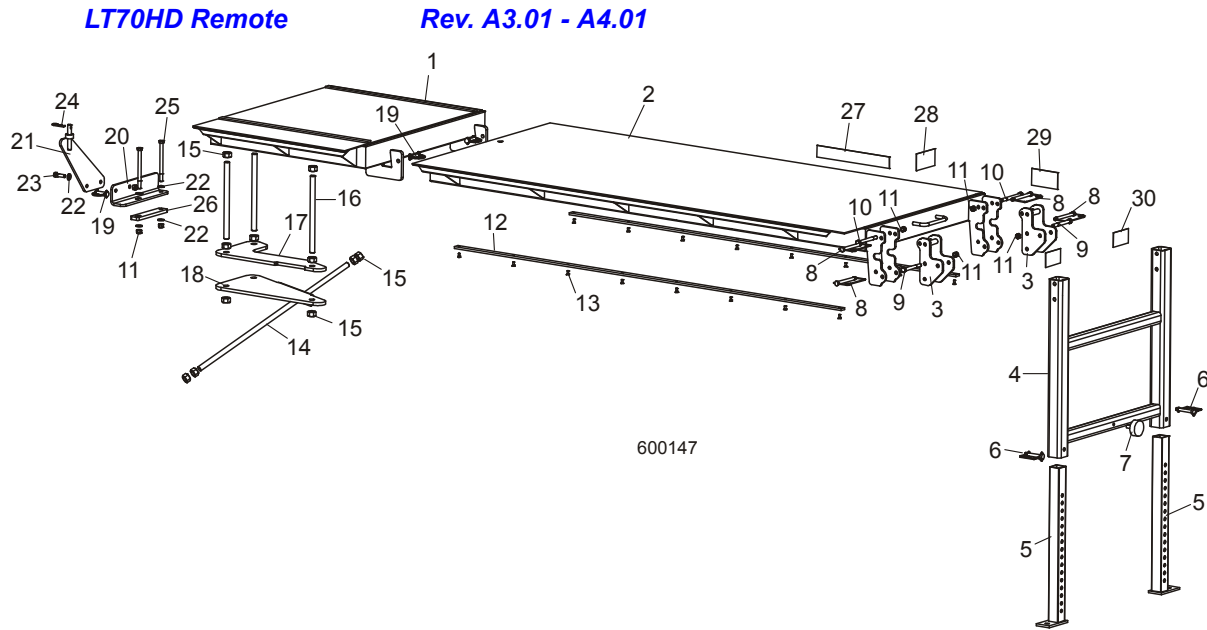
8

9	Strip, 1/4" x 3/4" x 60"	046400	2	
10	Screw, #10-24 x 1/2" Flat Socket Head	F05004-61	16	
11	Rod, 5/8-11 x 24 1/2" Threaded	046061	1	
12	Nut, 5/8-11 Hex	F05010-5	13	
13	Rod, 5/8-11x 10" Threaded	045844	3	
14	Plate, Upper Board Table Clamp	045832	1	
15	Plate, Lower Board Table Clamp	045833	1	
16	Pin, 3/8" x 1 3/8" Wire Lock	046412	3	
17	Bracket, Board Table Mount	046091	1	
18	Pin Weldment, Board Table Mount	046095	1	
19	Washer, 3/8" SAE Flat	F05011-3	5	
20	Bolt, 3/8-16 x 1 1/4" Hex Head Grade 5	F05007-123	1	
21	Pin, 1/8" x 1 13/16" Safety Retaining	P05059	1	
22	Bolt, 3/8-16 x 5" Hex Head Grade 5	F05007-86	2	
23	Nut, 3/8-16 Hex Nylon Lock	F05010-10	3	
24	Bracket, Lower Table Mount Clamp	046099	1	
25	Decal, Wood-Mizer Logo	S12281	1	
26	Decal, Board Return Danger	015365	1	

8 Bed Frame Assembly

Board Return Table Assembly

8.7 Board Return Table Assembly



REF	DESCRIPTION (◆ Indicates Parts Available In Assemblies Only)	PART #	QTY.
	TABLE ASSEMBLY, BOARD	BT1 ¹	1
1	Table Weldment, Short Board	045826	1
2	Table Weldment, Long Board	045827	1
3	Plate Weldment, Table Pivot	046088	2
4	Mount Weldment, Table Leg	045839	1
5	Leg Weldment, Board Table	016651	2
6	Pin, 3/8" x 2 1/4" Wire Lock	014151	2
7	Bumper, Board Table	034175	1
8	Pin, 3/8" x 3 1/2" Wire Lock	046411	4
9	Bolt, 3/8-16 x 3 1/2" Hex Head Grade 5	F05004-123	2
10	Bolt, 3/8-16 x 4" Hex Head Full Thread Grade 5	F05007-92	2
11	Nut, 3/8-16 Hex Nylon Lock	F05010-10	7
12	Strip, 1/4" x 3/4" x 60"	046400	2
13	Screw, #10-24 x 1/2" Flat Socket Head	F05004-61	16
14	Rod, Board Table Support	046061	1
15	Nut, 5/8-11 Hex	F05010-5	13
16	Rod, 5/8-11 Threaded	045844	3
17	Plate, Upper Board Table Clamp	045832	1
18	Plate, Lower Board Table Clamp	045833	1
19	Pin, 3/8" x 1 3/8" Wire Lock	046412	3
20	Bracket, Board Table Mount	046091	1
21	Pin Weldment, Board Table Mount	046095	1

Bed Frame Assembly

Board Return Table Assembly

8

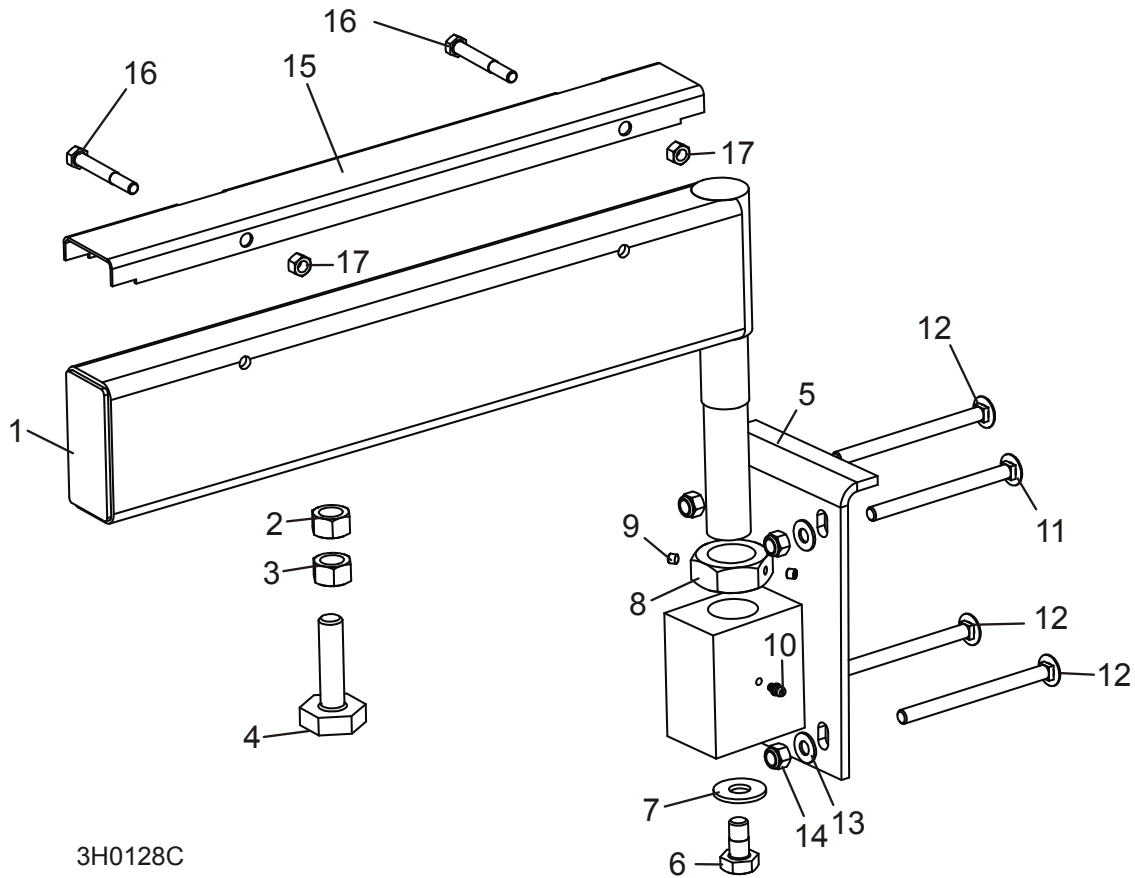
22	Washer, 3/8" SAE Flat	F05011-3	5	
23	Bolt, 3/8-16 x 1 1/4" Hex Head Grade 5	F05007-123	1	
24	Pin, 1/8" x 1 13/16" Safety Retaining	P05059	1	
25	Bolt, 3/8-16 x 5 Hex Head Grade 5	F05007-86	2	
26	Bracket, Lower Table Mount Clamp	046099	1	
27	Decal, Wood-Mizer Logo 1 1/2"	016991	1	
28	Decal, Secure Table Warning	046410	1	
29	Decal, Board Return Danger	015365	1	
30	Decal, Hand Pinch Point Warning	S12641	2	

¹ BT1 replaces 045825 originally supplied (part number change only). BT1 modified to reduce parts and cost 11/04 ([See Section 8.6](#)).

8 Bed Frame Assembly

Pivot Bed Rail Assembly

8.8 Pivot Bed Rail Assembly



3H0128C

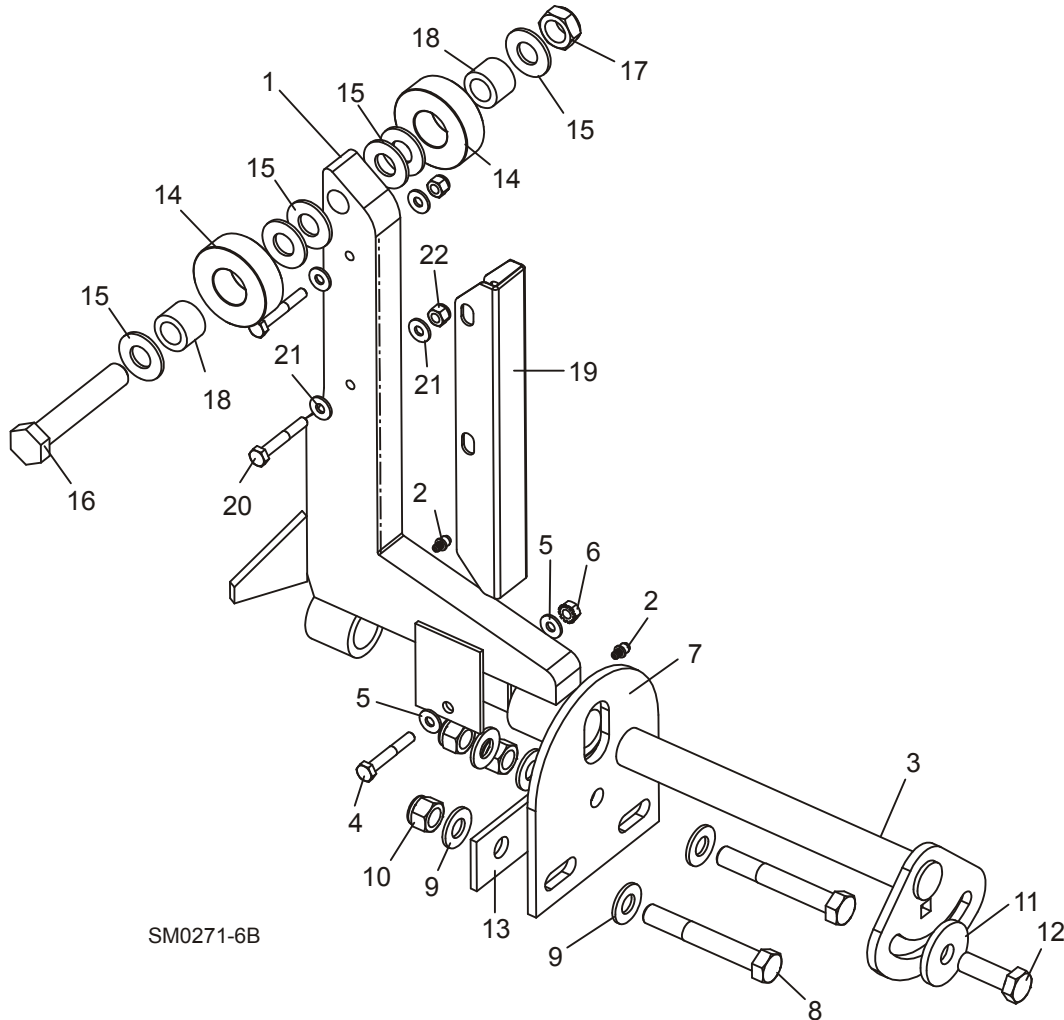
REF	DESCRIPTION (◆ Indicates Parts Available In Assemblies Only)	PART #	QTY.	
	PIVOT BED RAIL ASSEMBLYLT70HD	A13015	2	
1	Pivot Bed Rail Weldment LT70HD	W13014	1	◆
2	Nut, 5/8-11 Pilot Weld	F05010-84	2	
3	Nut, 5/8-11 Hex	F05010-5	2	
4	Bolt, Bed Rail Adjustment	S13006	2	
5	Bracket, Pivot Rail Mounting	W13090	1	
6	Bolt, 1/2-13 x 1" Hex Head Grade 2	F05008-50	1	
7	Washer, 9/16" SAE Flat	F05011-52	1	
8	Nut, Pivot Rail Adjustment	S13016	1	
9	Screw, 1/4-28 x 1/4" Brass Tip Set	F05005-42	2	
10	Fitting, 3/16" Grease	P04107	1	
11	BOLT, 3/8-16 X 4 3/4" CARRIAGE HEAD	F05007-114	2	
12	BOLT, 3/8-16 X 5" CARRIAGE HEAD	F05007-113	6	
13	WASHER, 3/8" SAE FLAT	F05011-3	8	

Bed Frame Assembly
Pivot Bed Rail Assembly

8

14	NUT, 3/8-16 NYLON LOCK	F05010-10	8	
	COVER KIT, PIVOT RAIL STAINLESS STEEL (LT70HD)	017710	2	
15	Cover, Stainless Steel Pivot Bed Rail (LT70HD)	S13012	1	
16	Bolt, 5/16-18 X 2 1/2" Hex Head	F05006-10	2	
17	Nut, 5/16-18 Hex Lock	F05010-6	2	
	WRENCH, BED RAIL ADJUSTMENT (See Section 8.1)	015970	1	

8.9 Log Side Support Assembly (Manual)



REF	DESCRIPTION (◆ Indicates Parts Available In Assemblies Only)	PART #	QTY.
1	SUPPORT, LOG SIDE	015235	2
2	Fitting, 3/16" Grease	P04107	2
	MOUNTING KIT, LOG SIDE SUPPORT	016559	2
3	Pin, Log Side Support Pivot	016544	1
4	Bolt, 1/4-20 X 1 1/2" Hex Head Grade 5	F05005-4	1
5	Washer, 1/4" SAE Flat	F05011-11	2
6	Nut, 1/4-20 Self Locking	F05010-9	1
7	Plate, Log Side Support End	016555	1
8	Bolt, 1/2-13 X 3 1/2" Hex Head Grade 5	F05008-61	2
9	Washer, 1/2" SAE Flat	F05011-2	5
10	Nut, 1/2-13 Hex Nylon Lock	F05010-8	3

11	Washer, .52" x 1.69"	014632 ¹	1	
12	Bolt, 1/2-13 X 1 1/2" Hex Head Grade 5	F05008-33	1	
13	Plate, Side Support Washer Clamp	016558	1	
	ROLLER KIT, SIDE SUPPORT (OPTIONAL)	016562	4	
14	Roller, Side Support	016561	2	
15	Washer, 5/8" SAE Flat	F05011-5 ²	6	
16	Bolt, 5/8-11 x 3 3/4" Hex Head Grade 5	F05009-118 ³	1	
17	Nut, 5/8-11 Hex Nylon Lock Jam	F05010-96	1	
18	Bushing, Bronze 5/8" x 1" x 3/4"	016560	2	
	Bolt, 1/2-13 x 3 1/2" Carriage Head	F05008-94	1	
	Instruction Sheet, Side Support Roller	016562-526	1	
	GUARD KIT, STAINLESS STEEL SIDE SUPPORT	016798	1	
19	Guard, Stainless Steel Side Support	016722	4	
20	Bolt, 1/4-20 x 1 3/4" Hex Head	F05005-4	8	
21	Washer, 1/4" SAE Flat	F05011-11	16	
	Washer, 5/8" SAE Flat	F05011-5 ²	4	
22	Nut, 1/4-20 Hex Nylon Lock	F05010-69	8	
	Instruction Sheet, Stainless Steel Side Support Guard Retro	016798-1005	1	

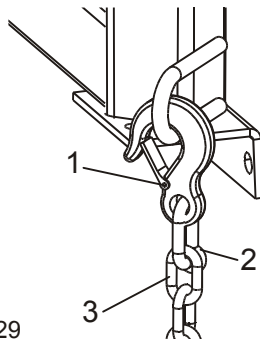
¹ Oversized Washer 014632 replaces 1/2" SAE Flat Washer F05011-2 to provide larger clamping area during adjustment (Rev. B3.01).

² Additional 5/8" SAE Flat Washer F05011-5 may be required on each side of side support to provide clearance for optional stainless steel side support guards. Extra washers are included in the stainless steel guard retrofit kit (016798).

³ Longer bolt replaces 3 1/2" F05009-93 used before 3/07.

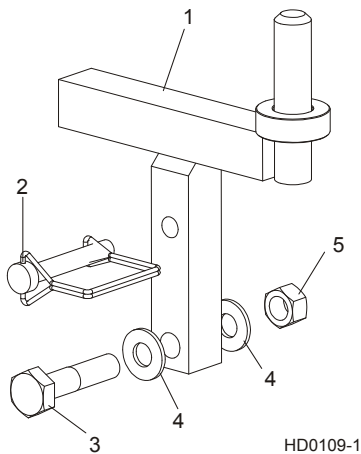
8 **Bed Frame Assembly**
Safety Chain Assembly

8.10 Safety Chain Assembly



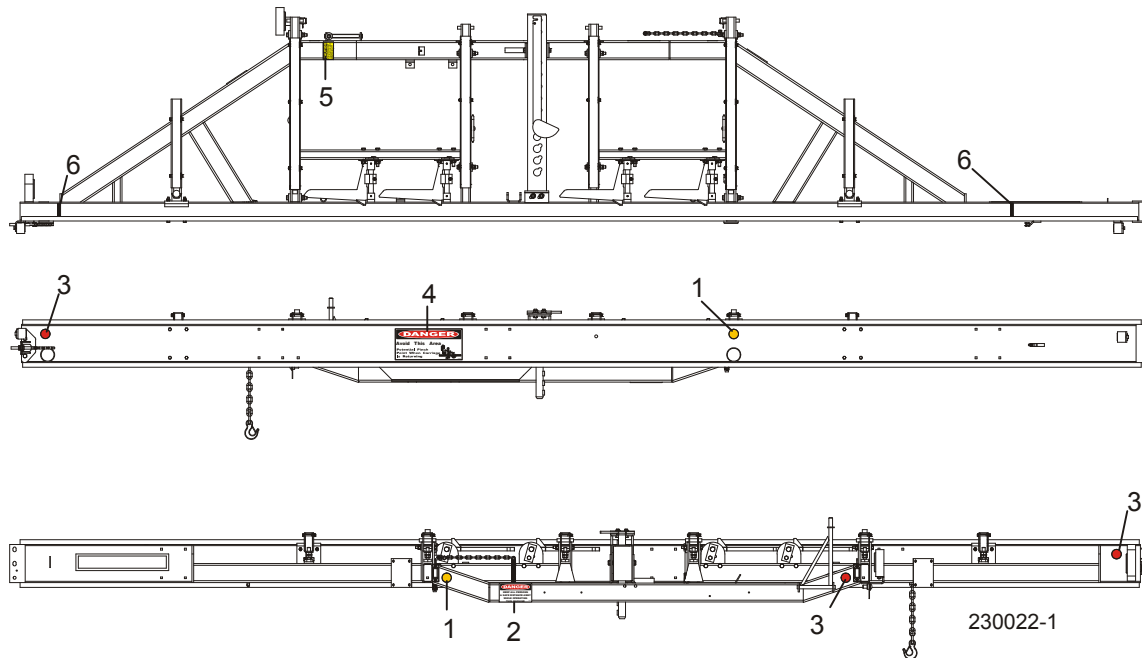
REF	DESCRIPTION (◆ Indicates Parts Available In Assemblies Only)	PART #	QTY.	
	CHAIN ASSEMBLY, TIE DOWN	A04376	1	
1	Hook, 5/8" Safety Chain	P12075	1	◆
2	Cold Shut, 3/8" Plain	P04772-2	1	◆
3	Chain, 5/16" Unplated	R02111	.938 ft.	◆

8.11 Saw Head Rest Pin Assembly



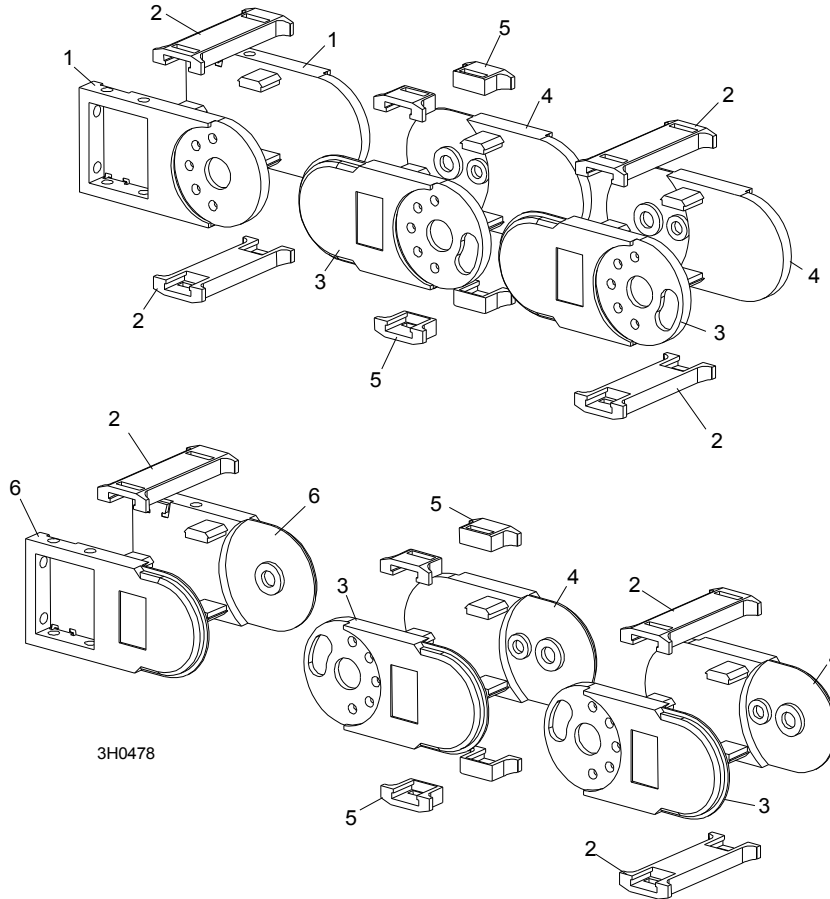
REF	DESCRIPTION (◆ Indicates Parts Available In Assemblies Only)	PART #	QTY.	
1	PIN, SAW HEAD REST	034442	1	
2	PIN, 3/8" X 2 1/4" SNAP RETAINER	014151	1	
3	BOLT, 1/2-13 X 2 1/4" HEX HEAD GRADE 5	F05008-10	1	
4	WASHER, 1/2" SAE FLAT	F05011-2	2	
5	NUT, 1/2-13 HEX LOCK	F05010-3	1	

8.12 Bed Frame Decals



REF	DESCRIPTION (◆ Indicates Parts Available In Assemblies Only)	PART #	QTY.
1	DECAL, AMBER REFLECTIVE 2" ROUND	P07453	2
2	DECAL, KEEP AWAY DANGER	S09851	1
3	DECAL, RED REFLECTIVE 2" ROUND	P07452	3
4	DECAL, PINCH POINT DANGER	P10287	1
5	DECAL, SAW HEAD REST CAUTION	S12581	1
6	DECAL, LOG LIMIT STRIPE	S12051	2

8.13 Cable Chain Assembly

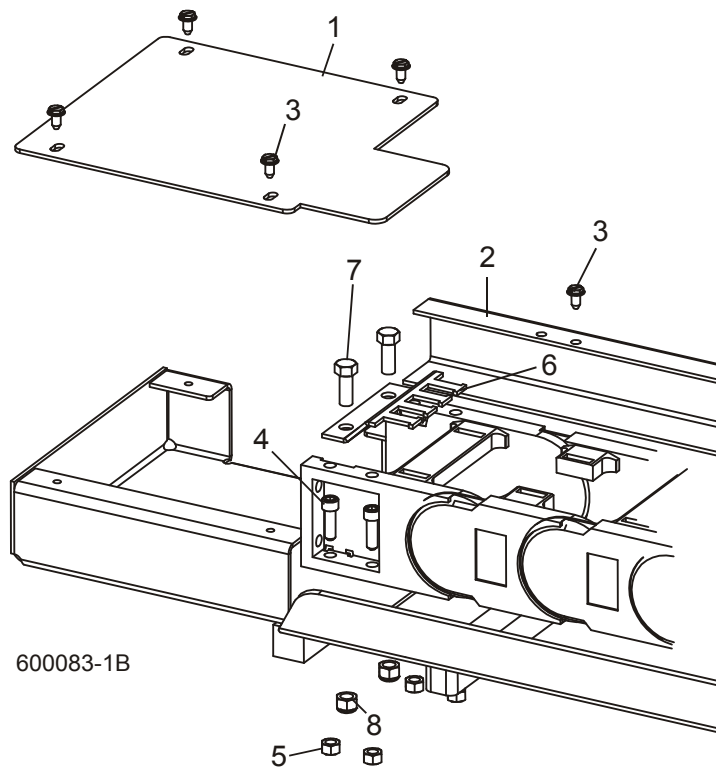


REF	DESCRIPTION (◆ Indicates Parts Available In Assemblies Only)	PART #	QTY.
	CHAIN ASSEMBLY, NYLON REMOTE 196" #4040C	042753	1
1	Link, Nylon Chain Top Mount	023612-3	2
2	Brace, Nylon Chain Long Cross	023612-4	55
3	Link, Nylon Chain Right Side #4040C	036217	52
4	Link, Nylon Chain Left Side #4040C	036218	52
5	Brace, Nylon Chain Short Cross	023612-5	104
6	Link, Nylon Chain Bottom Mount	023612-9	2

8 Bed Frame Assembly

Bottom Chain Mount Assembly

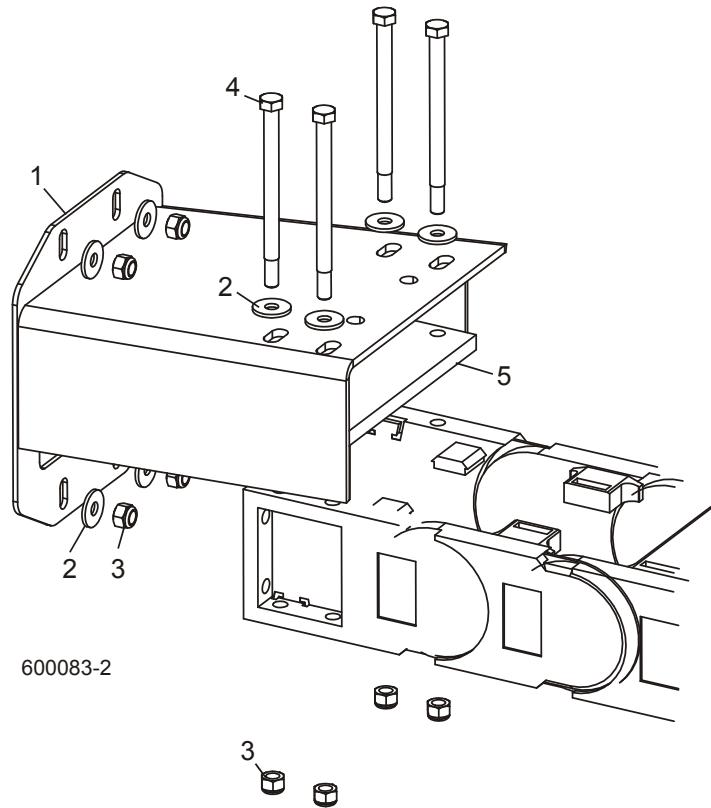
8.14 Bottom Chain Mount Assembly



REF	DESCRIPTION (◆ Indicates Parts Available In Assemblies Only)	PART #	QTY.
1	PLATE, CHAIN BOX COVER	015578	1
2	WIREWAY, 32 1/16" CABLE	017747	1
3	SCREW, 1/4-20 X 1/2" SLOTTED HEX HEAD	F05015-1	7
4	BOLT, 5/16-18 X 1" SOCKET HEAD	F05006-19 ¹	4
5	NUT, 5/16-18 HEX LOCK	F05010-6 ¹	4
6	BRACKET, WIRE ROUTING	023604	1
7	BOLT, 3/8-16 X 1" HEX HEAD	F05007-7	2
8	NUT, 3/8-16 NYLON LOCK	F05010-10	2

¹ Mounting hardware replaces F05006-82 5/16-18 x 4 1/2" Hex Head Bolt, F05011-16 Flat Washer and F05010-58 Nylon Lock Nut originally used prior to Rev. A3.02 to provide clearance for new track roller deflector ([See Section 7.4](#)).

8.15 Top Chain Mount Assembly



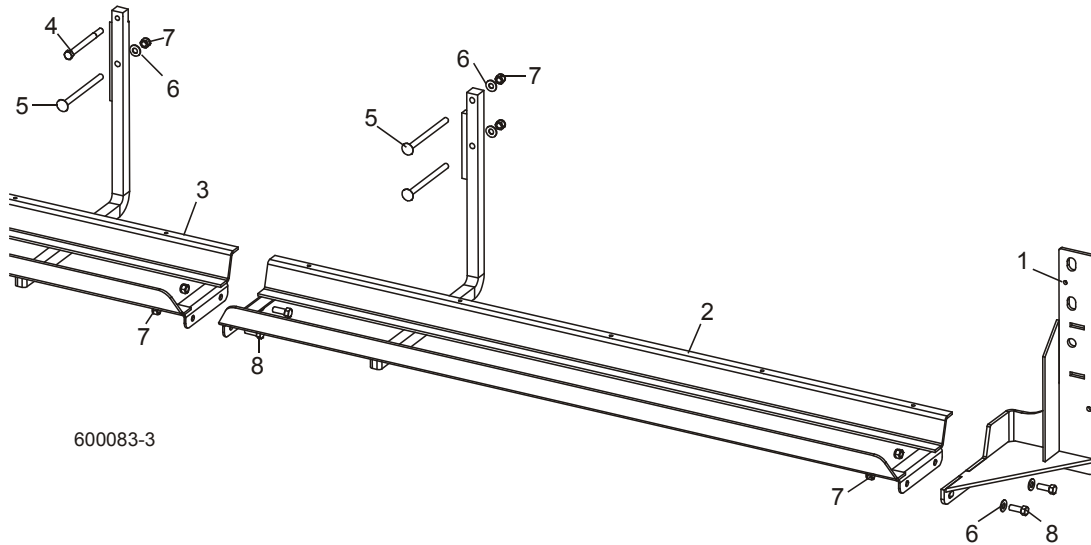
REF	DESCRIPTION (◆ Indicates Parts Available In Assemblies Only)	PART #	QTY.
1	BRACKET WELDMENT, TOP CABLE CHAIN MOUNTING	034387	1
2	WASHER, 5/16" STANDARD FLAT	F05011-16	8
3	NUT, 5/16-18 NYLON LOCK	F05010-58	8
4	BOLT, 5/16-18 X 4 1/2" HEX HEAD	F05006-82	4
5	PLATE, CABLE CHAIN SPACER	023606 ¹	1

¹ Spacer Plate 023606 added Rev. A3.02 to improve alignment of cable chain and mount.

8 Bed Frame Assembly

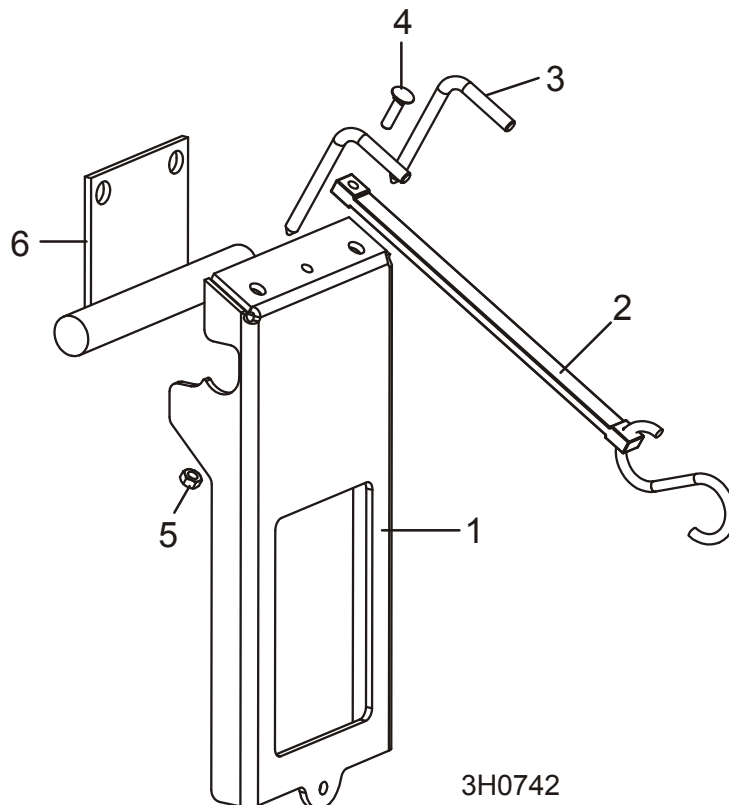
Front Tray Mount Assembly

8.16 Front Tray Mount Assembly



REF	DESCRIPTION (◆ Indicates Parts Available In Assemblies Only)	PART #	QTY.
1	BRACKET WELDMENT, LT70HD CABLE CHAIN	034875	1
2	TRAY WELDMENT, LT70HD 53 13/16" EXTENSION	042747	1
3	TRAY WELDMENT, LT70HD CABLE CHAIN	042746	1
4	BOLT, 3/8-16 X 4 1/2" HEX HEAD	F05007-35	1
5	BOLT, 3/8-16 X 5 1/2" CARRIAGE HEAD	F05007-31	9
6	WASHER, 3/8" SAE FLAT	F05011-3	11
7	NUT, 3/8-16 NYLON LOCK	F05010-10	13
8	BOLT, 3/8-16 X 1" HEX HEAD	F05007-7	4

8.17 Cable Chain Support Bracket

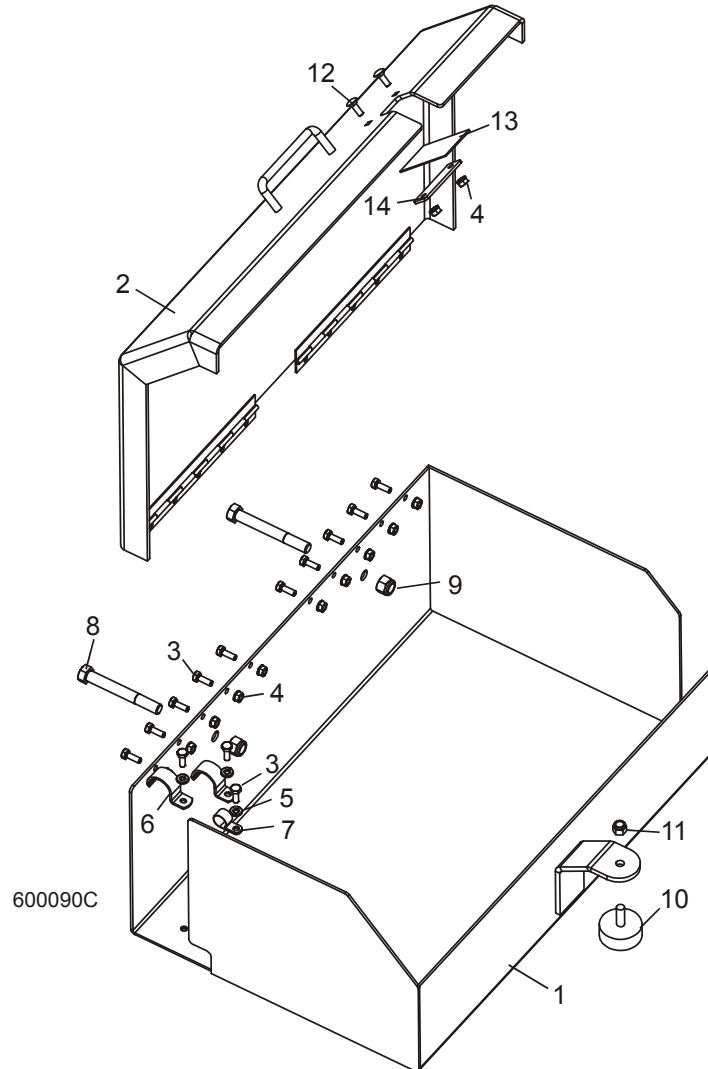


REF	DESCRIPTION (◆ Indicates Parts Available In Assemblies Only)	PART #	QTY.	
	BRACKET ASSEMBLY, REMOTE CABLE CHAIN SUPPORT	023586	1	
1	Bracket Weldment, Remote Cable Chain Support	023588	1	◆
2	Strap, 11 1/2" Rubber	012965	1	
3	Handle, Remote Cable Chain Support Lock	023602	2	
4	Bolt, 1/4-20 x 1" Carriage Head	F05005-34	1	
5	Nut, 1/4-20 Hex Lock	F05010-21	1	
6	BRACKET WELDMENT, CHAIN SUPPORT STORAGE	023589	1	

8 Bed Frame Assembly

Remote Cable Box

8.18 Remote Cable Box



REF	DESCRIPTION (◆ Indicates Parts Available In Assemblies Only)	PART #	QTY.	
	BOX ASSEMBLY, REMOTE CABLE	034792	1	
1	Box Weldment, Remote Cable	034790	1	◆
2	Lid Weldment, Remote Cable Box	034791	1	
3	Bolt, 1/4-20 x 3/4" Hex Head	F05005-1	13	
4	Nut, 1/4-20 Self-Locking	F05010-9	12	
5	Washer, 1/4" Split Lock	F05011-14	3	
6	Clamp, 1" EMT	P05436	2	
7	Clamp, 5/8" EMT	010748	1	
8	Bolt, 1/2-13 x 4" Hex Head Grade 5	F05008-78	2	
9	Nut, 1/2-13 Hex Nylon Lock	F05010-8	2	

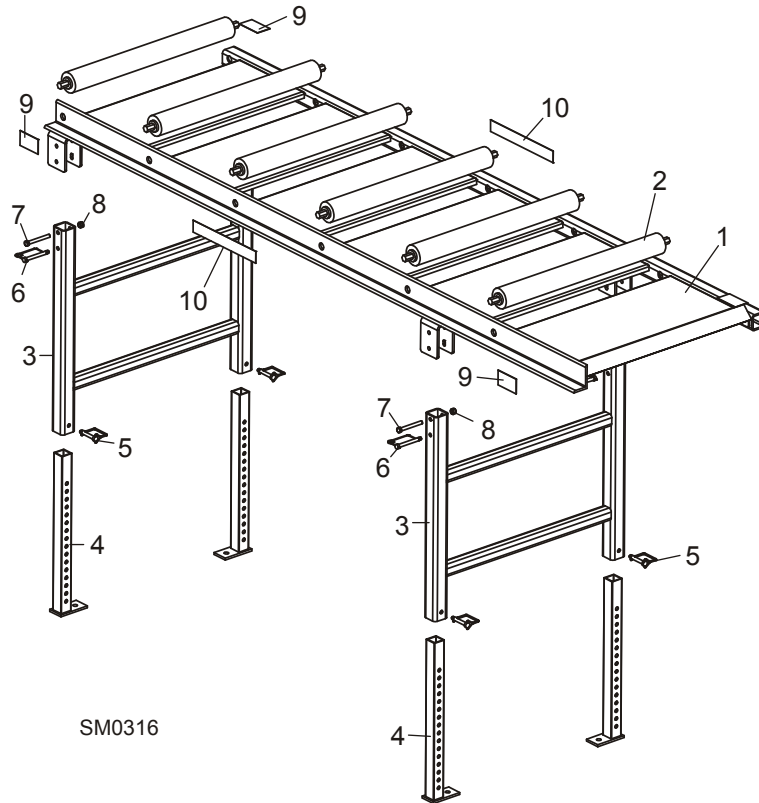
Bed Frame Assembly
Remote Cable Box

8

10	Bumper, Table	034175	1	
11	Nut, 3/8-16 Hex Nylon Lock	F05010-10	1	
12	Bolt, 1/4-20 x 3/4" Carriage Head	F05005-113	2	
13	Flap, 2" x 3 5/8" Rubber	017958	1	
14	Plate, 1" x 3"	017959	1	

8 **Bed Frame Assembly**
Board Outfeed Table (Optional)

8.19 Board Outfeed Table (Optional)



REF	DESCRIPTION (◆ Indicates Parts Available In Assemblies Only)	PART #	QTY.
	TABLE ASSEMBLY, BOARD OUTFEED	016652	1
1	Table Weldment, Board Outfeed	016606	1
2	Roller, 2 1/2" x 25"	038167	6
3	Mount Weldment, Outfeed Table Leg	016609	2
4	Leg Weldment, Outfeed Table	016651	4
5	Pin, 3/8" x 2 1/4" Square Wire Lock	014151	4
6	Pin, Snap - Coil Tension	016677	4
7	Bolt, 3/8-16 x 3 1/4" Hex Head	F05007-135	4
8	Nut, 3/8-16 Hex Nylon Lock	F05010-10	4
9	Decal, Hand Pinch Point Warning	S12641	4
10	Decal, 1 1/2" Wood-Mizer Logo	016991	2

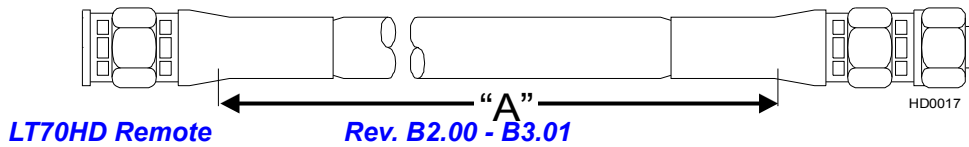
SECTION 9 MISCELLANEOUS

9.1 Replacement Manuals

REF	DESCRIPTION (◆ Indicates Parts Available In Assemblies Only)	PART #	QTY.
Wood-Mizer Product Information			
1	ALL-PRODUCTS CATALOG	PS750	1
Basic Sawmill Manuals			
2	TRU-SHARP BLADE HANDBOOK	M600	1
3	WOOD-MIZER GENERAL INFORMATION	M601	1
4	LT70HD REMOTE OPERATOR'S MANUAL	M1190	1
5	LT70HD REMOTE PARTS MANUAL	M1180	1
Power Option Manuals			
6	E25 MOTOR OPTION MANUAL	M1082	1
7	D42 ENGINE OPTION MANUAL	M1067	1
8	D51 ENGINE OPTION MANUAL	M1146	1
9	D55 ENGINE OPTION MANUAL	M1589	1
10	D62 ENGINE OPTION MANUAL	M1138	1
11	KUBOTA OPERATOR'S MANUAL	028555	1
12	KUBOTA SERVICE MANUAL	028566	1
13	KUBOTA PARTS MANUAL (1505TE)	028565	1
Trailer Option Manuals			
14	CLASS IV ELECTRIC BRAKE TRAILER OPTION (DIESEL REMOTE ONLY)	M1114	1
15	SUPER ELECTRIC BRAKE TRAILER OPTION	M797	1
16	SUPER SURGE BRAKE TRAILER OPTION	M795	1
Miscellaneous Option Manuals			
17	SHINGLE/LAPSIDER OPTION MANUAL	M621	1
18	RESAW ATTACHMENT OPTION MANUAL	M263	1
19	BED EXTENSION OPTION MANUAL	M294	1
20	DEBARKER OPTION MANUAL (DC)	M1059	1
21	DEBARKER OPTION MANUAL (AC)	M1105	1
22	REMOTE ACCUSET 2 OPTION MANUAL	M1523	1
23	REMOTE ACCUSET OPTION MANUAL	M1112	1
24	LASER SIGHT OPTION MANUAL	M1081	1
25	LUBE-MIZER OPTION MANUAL	M885	1
26	LATHE-MIZER OPTION MANUAL	M1337	1
Electrical Diagrams			
27	E25-H REMOTE ELECTRICAL INFORMATION	M1089	1
28	E25-L REMOTE ELECTRICAL INFORMATION	M1091	1
29	E25-C REMOTE ELECTRICAL INFORMATION	M1093	1
30	D42 REMOTE ELECTRICAL INFORMATION	M1103	1
31	D51/D62 REMOTE ELECTRICAL INFORMATION	M1140	1
32	D55 REMOTE ELECTRICAL INFORMATION	M1591	1

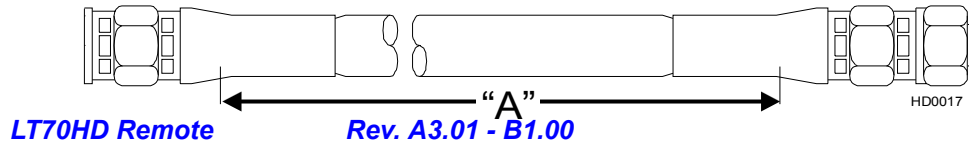
SECTION 10 HYDRAULIC SYSTEM

10.1 Hydraulic Hoses



ID	Color Code	LENGTH "A"	Application	HOSE PART #
H1	Purple	81"	1/4" Rear Toe Board Top	048306
H2	Black	87"	1/4" Rear Toe Board Base	048307
H3	Yellow	52"	1/4" Front Toe Board Top	048308
H4	Gray	56"	1/4" Front Toe Board Base	048309
H5	Green	43"	1/4" Clamp Up/Down Top	048310
H6	Yellow	32"	1/4" Clamp Up/Down Base	048311
H7	Red	22"	3/8" Loading Arm Base	048312
H8	Blue	22"	3/8" Loading Arm Top	048312
H9	Red	16"	3/8" Side Support Base	048313
H10	Pink	15"	3/8" Side Support Top	048314
H11	Orange	20"	3/8" Clamp In/Out Base	048315
H12	White	23"	3/8" Clamp In/Out Top	048316
H13	Green	74"	3/8" Loading Arm Branch Top	048317
H14	Green	34"	3/8" Loading Arm Branch Top	048318
H15	Yellow	77"	3/8" Loading Arm Branch Base	048298
H16	Yellow	34"	3/8" Loading Arm Branch Base	048318
H17	Plain	73"	3/8" Log Turner Base	048319
H18	Orange	65"	3/8" Log Turner Top	048320
H19	Purple	61"	3/8" Log Turner Motor (Nearest Frame)	006725
H20	Black	65"	3/8" Log Turner Motor (Furthest from Frame)	006726
H21	Plain	27"	1/4" Pump to Valve	036293
H22	Plain	38"	1/4" Pump to Valve	036294

10.2 Hydraulic Hoses

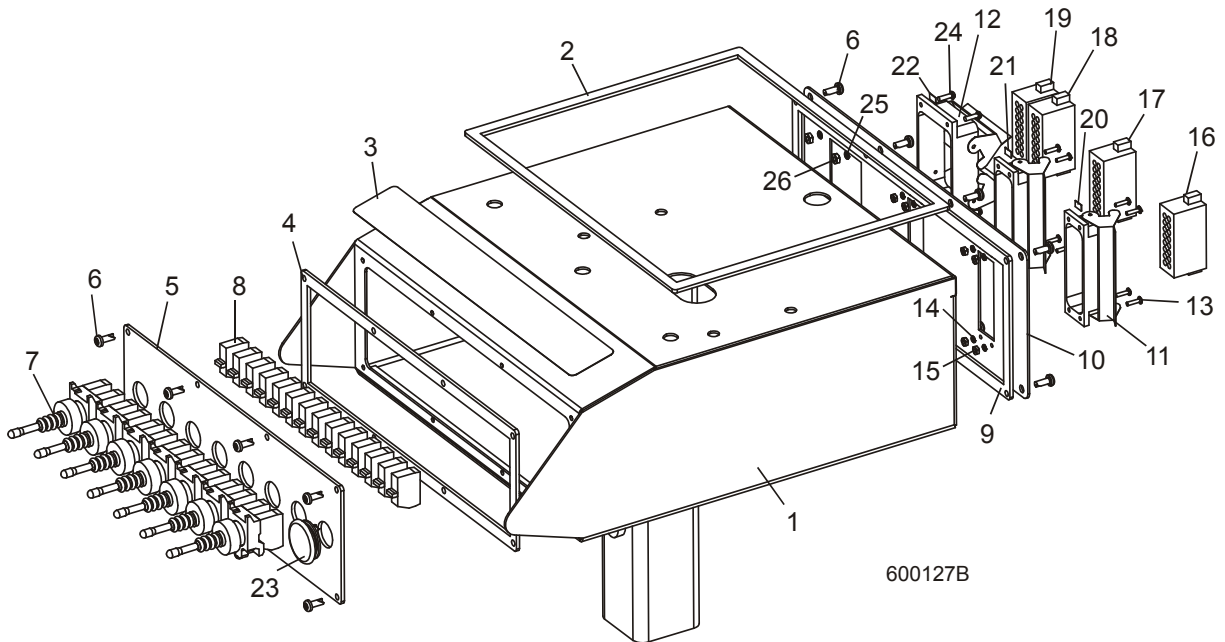


ID	Color Code	LENGTH "A"	Application	HOSE PART #
H1	Purple	81"	1/4" Rear Toe Board Top	048306
H2	Black	87"	1/4" Rear Toe Board Base	048307
H3	Yellow	52"	1/4" Front Toe Board Top	048308
H4	Gray	56"	1/4" Front Toe Board Base	048309
H5	Green	43"	1/4" Clamp Up/Down Top	048310
H6	Yellow	32"	1/4" Clamp Up/Down Base	048311 ¹
H7	Red	22"	3/8" Loading Arm Base	048312
H8	Blue	22"	3/8" Loading Arm Top	048312
H9	Red	16"	3/8" Side Support Base	048313 ²
H10	Pink	15"	3/8" Side Support Top	048314 ²
H11	Orange	20"	3/8" Clamp In/Out Base	048315 ²
H12	White	23"	3/8" Clamp In/Out Top	048316 ²
H13	Green	74"	3/8" Loading Arm Branch Top	048317 ²
H14	Green	34"	3/8" Loading Arm Branch Top	048318 ²
H15	Yellow	77"	3/8" Loading Arm Branch Base	048298 ²
H16	Yellow	34"	3/8" Loading Arm Branch Base	048318 ²
H17	Pink	73"	3/8" Log Turner Base	048319 ²
H18	Plain	65"	3/8" Log Turner Top	048320 ²
H19	Purple	67"	3/8" Log Turner Motor Top	048321
H20	Black	71"	3/8" Log Turner Motor Base	048322
H21	Plain	27"	1/4" Pump to Valve	036293
H22	Plain	38"	1/4" Pump to Valve	036294

¹ Hose extended 2" 2/07 to improve routing.

² Hose length changed 1-3" to improve routing to new 7-Section valve used for Remote models (Rev. A6.00).

10.3 Command Control



REF	DESCRIPTION (◆ Indicates Parts Available In Assemblies Only)	PART #	QTY.
	BOX ASSEMBLY, LT70 REMOTE DC HYDRAULIC CONTROL (2008)	053071 ¹	1
	BOX ASSEMBLY, LT70 REMOTE DC HYDRAULIC CONTROL	050962 ¹	1
	BOX ASSEMBLY, LT70 REMOTE AC HYDRAULIC CONTROL (2008)	053077 ²	1
	BOX ASSEMBLY, LT70 REMOTE AC HYDRAULIC CONTROL	050963 ²	1
1	Box Weldment, LT70 Remote Hydraulic Control	017891	1
2	Gasket, Top Hydraulic Control	045349	1
3	Decal, LT70 Remote Hydraulic Control	038407	1
4	Gasket, Front Hydraulic Control	045347	1
5	Panel, Front Hydraulic Control	034647	1
6	Screw, #10-24 x 1/2" Phillips Pan Head Type 23	F05015-17	16
7	Switch, Joystick w/2 NO Contacts	050766	7
8	Contact, NO ZD4 PA103	052075 ³	14
9	Gasket, Rear Hydraulic Control	045348	1
10	Panel, Rear Hydraulic Control	017927	1
11	Connector, 16 Pin Panel Mount Single Lever	E23103	2
12	Connector, 32 Pin Panel Mount Dual Lever	050828	1
13	Screw, #4-40 x 1/2" Slotted Round Head	F05004-14	8
14	Washer, #4 Split Lock	F05011-21	8
15	Nut, #4-40 Hex	F05010-43	8

	Connector Assembly, LT70D42-R 1-16 M	050779	1	
	Connector Assembly, LT70E25-R 1-16 M	050798	1	
16	Insert, Male 10A 16 Pin Screw Terminals 1-16	E23105	1	
	Connector Assembly, LT70D51/D62-R 17-32 M (2008)	053070 ¹	1	
	Connector Assembly, LT70D42/D51/D62-R 17-32 M	050780 ¹	1	
	Connector Assembly, LT70E25-R 17-32 M	053078 ²	1	
	Connector Assembly, LT70E25-R 17-32 M	050799 ²	1	
17	Insert, Male 10A 16 Pin Screw Terminals 17-32	015670	1	
	Connector Assembly, LT70 Remote Hydraulic	050964	1	
18	Insert, Male 10A 16 Pin Screw Terminals 17-32	015670	1	
19	Insert, Male 10A 16 Pin Screw Terminals 1-16	E23105	1	
20	Decal, Connector ID J1A	038409	1	
21	Decal, Connector ID J2A	038410	1	
22	Decal, Connector ID J3A	038411	1	
23	Plug, AS075 Oiltite Painted	024250	1	
24	Screw, #6-32 x 1/2" Slotted Round Head	F05015-24 ⁴	4	
25	Washer, #6 Split Lock	F05011-78	4	
26	Nut, #6-32 Hex	F05010-44	4	

¹ Control Box 050962 replaced with 053071 Rev. A8.00. New control box includes connector assembly 053070 (replaces 050780) for use with Accuset 2.

² Control Box 050963 replaced with 053077 Rev. A9.00. New control box includes connector assembly 053078 (replaces 050799) for use with Accuset 2.

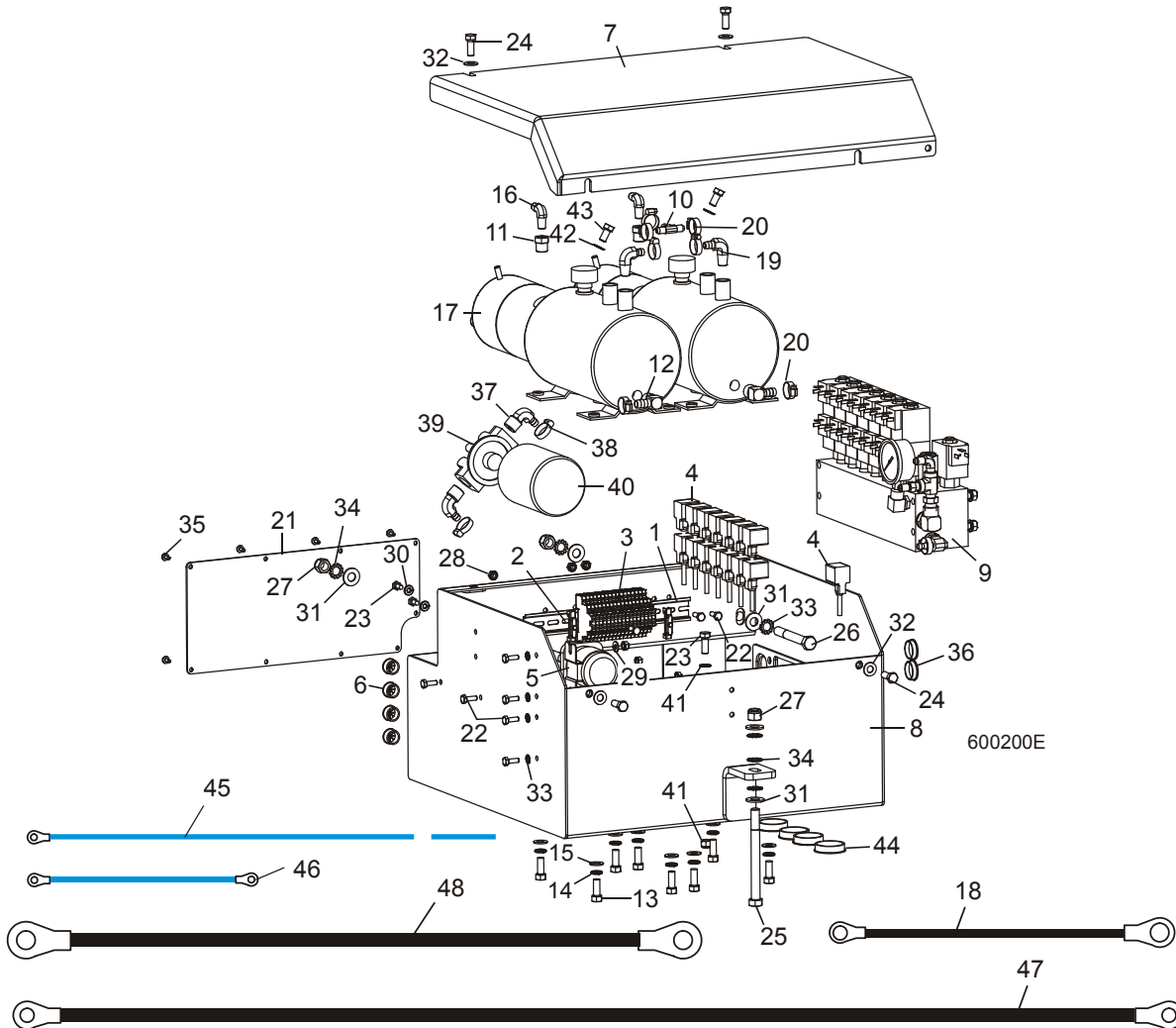
³ Contact 052075 replaces 050539 NO ZB4 BE101 originally supplied prior to Rev. A5.00.

⁴ #6 screws, washers & nuts replace #4 hardware previously used to mount 32-pin connector prior to 2/04.

10.4 Hydraulic Pump Box (DC)

LT70HD Remote

Rev. A6.00 - B3.01



REF	DESCRIPTION (◆ Indicates Parts Available In Assemblies Only)	PART #	QTY.	
	TERMINAL BLOCK ASSEMBLY, LT70 DC REMOTE HYDRAULIC	050794	1	
1	Rail, 35mm x 7.5mm x 11" Steel DIN	024474-11	1	
2	Clamp, Metal DIN Rail	E22707	2	
3	Terminal Block, 3-Tier	024908	18	
4	Plug Assembly, 2-Cond w/E GND DIN A 53950	050829	15	
	BOX ASSEMBLY, LT60/70 DC REMOTE HYDRAULIC PUMP	034638	1	
5	Solenoid Kit, 200A 12V SPST Hydraulic Motor	016371	2	
	Solenoid, 200A 12V SPST Cont. Duty	015470	1	◆
	Diode Assembly, Solenoid Coil Chassis Gnd	015426	1	
6	Grommet, 5/8" Wire	036778	4	
7	Plate, Hydraulic Pump Box Top	034636	1	

8	Box Weldment, Hydraulic Pump 2005	036777	1	
9	Valve Parts (See Section 10.13)			
	Pump Assembly, LT60/70 DC Remote Hydraulic	034654	1	
10	Fitting, 3/8" Hose Barb Tee	015485	1	
11	Fitting, 3/8" NPT x 1/4" NPT Reducer	015490	2	
12	Fitting, 1/2" NPT x 1/2" Hose Barb Elbow	015997	2	
13	Bolt, 3/8-16 x 1" Hex Head	F05007-7	8	
14	Washer, 3/8" SAE Flat	F05011-3	8	
15	Washer, 3/8" Split Lock	F05011-4	8	
16	Fitting, 1/4" NPT x 1/4" JIC Elbow	P09142	2	
17	Pump Kit, Hydraulic w/Motor	061764 ¹	2	
	Pump, Hydraulic Replacement Monarch Model #12070	016199	1	
	Motor Kit, Hydraulic Replacement	052807	1	
	Motor, 12 VDC Hydraulic Pump #08714 (Iskra)	038683 ²	1	◆
	Brush Kit, 4-Valve Hydraulic Pump Motor #08658-I (Iskra)	038682 ²	1	
	Brush Kit, 4-Valve Hydraulic Pump Motor #08658 (Bosch)	P09585 ²	1	◆
	Bearing, Base Motor #02318	P12513	1	
18	Wire Assembly, Motor Brush Ground	052806 ³	1	
	Cap, Hydraulic Pump Vented Fill #03171	P12817	1	
	O-Ring, Hydraulic Pump/Reservoir #02352	P10198	1	
	Seal, Hydraulic Pump/Motor #02330	P10315	1	
19	Fitting, 3/8" NPT x 3/8" Hose Barb Elbow	P12708	2	
20	Clamp, 11/16" Hose	P12739	7	
21	Plate, Hydraulic Pump Box Rear	034795	1	
22	Bolt, 1/4-20 x 3/4" Hex Head Full Thread	F05005-1	9	
23	Bolt, 1/4-20 x 1/2" Hex Head	F05005-15	2	
24	Bolt, 3/8-16 x 1" Hex Head Grade 5	F05007-87	5	
25	Bolt, 1/2-13 x 5 1/2" Hex Head Grade 5	F05008-28	1	
26	Bolt, 1/2-13 x 4" Hex Head Grade 5	F05008-78	2	
27	Nut, 1/2-13 Hex Nylon Lock	F05010-8	3	
28	Nut, 1/4-20 Hex Self-Locking	F05010-9	9	
29	Washer, 1/4" SAE Flat	F05011-11	4	
30	Washer, 1/4" Split Lock	F05011-14	2	
31	Washer, 1/2" SAE Flat	F05011-2	6	
32	Washer, 3/8" SAE Flat	F05011-3	4	
33	Washer, 1/4" Exterior Star Lock	F05011-37	4	
34	Washer, 1/2" Exterior Star Lock	F05011-39	7	
35	Bolt, #10-24 x 1/2" Self-Tapping	F05015-7	9	
36	Grommet, 1 3/32" ID Nylon	036778	2	
37	Fitting, 1/2" NPT x 3/8" Hose Barb Elbow	P12707	2	
38	Clamp, 11/16" Hose Clamp	P12739	2	
39	Manifold, Hydraulic Filter w/Cartridge	P22683	1	

10

Hydraulic System Hydraulic Pump Box (DC)

40	Filter, S28 Hydraulic Cartridge	P20301	1	
41	Nut, 3/8-16 Hex Nylon Lock	F05010-10	1	
42	Washer, 3/8" External Star Lock	F05011-36	3	
43	Bolt, 3/8-16 x 1" Hex Head	F05007-27	2	
44	Plug, 1 3/4" Dia. Plastic	016419 ⁴	4	
45	WIRE ASSEMBLY, 14 GA X 48" REMOTE SOLENOID	036316	2	
46	WIRE ASSEMBLY, 14 GA X 4" #10 RING TERMINALS	036314	1	
47	CABLE ASSEMBLY, 1 GA X 30" HYDRAULIC PUMP TO SOLENOID	036313	2	
48	CABLE ASSEMBLY, 1 GA X 16" HYDRAULIC PUMP GROUND	036312	2	

¹ Pump Kit 061764 replaces Pump P12701 1/09. Kit includes P12701 plus Brush Ground Wire Kit 052805 to insure adequate ground connection.

² Bosch motor P09955 replaced by vendor with Iskra motor 1/06. Brush kit P09585 no longer available to service Bosch motor. Replace motor using kit 052807. Use Brush Kit 038682 to service Iskra motor.

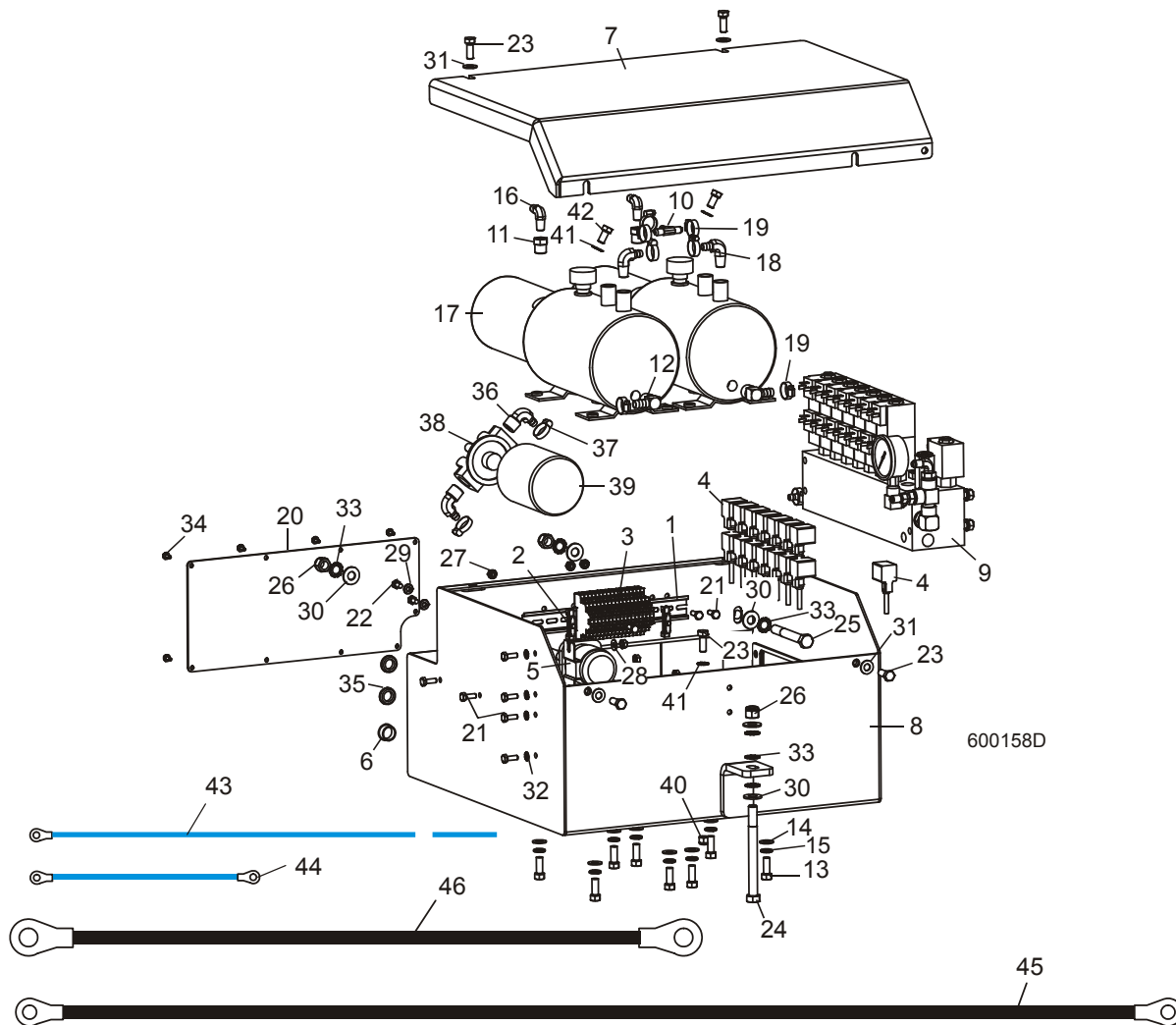
³ Brush Ground Wire 052806 added Rev. A7.06 to improve ground connection. Kit 052805 to be supplied to all customers who purchased sawmills with Iskra pump motors after 1/06. Kit includes wire, hardware and instructions (One kit required per pump).

⁴ Access holes with plastic plugs added 4/10 to allow access to check valves with socket wrench without having to remove the valve.

10.5 Hydraulic Pump Box (DC)

LT70HD Remote

Rev. A3.01 - A5.03



REF	DESCRIPTION (◆ Indicates Parts Available In Assemblies Only)	PART #	QTY.	
	TERMINAL BLOCK ASSEMBLY, LT70 DC REMOTE HYDRAULIC	050794	1	
1	Rail, 35mm x 7.5mm x 11" Steel DIN	024474-11	1	
2	Clamp, Metal DIN Rail	E22707	2	
3	Terminal Block, 3-Tier	024908	18	
4	Plug Assembly, 2-Cond w/E GND DIN A 53950	050829	15	
	BOX ASSEMBLY, LT60/70 DC REMOTE HYDRAULIC PUMP	034638 ¹	1	
5	Solenoid Kit, 200A 12V SPST Hydraulic Motor	016371	2	
	Solenoid, 200A 12V SPST Cont. Duty	015470	1	◆
	Diode Assembly, Solenoid Coil Chassis Gnd	015426 ²	1	
6	Plug, 7/8" Dia. Plastic	016424	1	

10

Hydraulic System Hydraulic Pump Box (DC)

7	Plate, Hydraulic Pump Box Top	034636	1	
8	Box Weldment, Hydraulic Pump	034637 ¹	1	
9	Valve Parts (See Section 10.14)			
	Pump Assembly, LT60/70 DC Remote Hydraulic	034654	1	
10	Fitting, 3/8" Hose Barb Tee	015485	1	
11	Fitting, 3/8" NPT x 1/4" NPT Reducer	015490	2	
12	Fitting, 1/2" NPT x 1/2" Hose Barb Elbow	015997	2	
13	Bolt, 3/8-16 x 1" Hex Head	F05007-7	8	
14	Washer, 3/8" SAE Flat	F05011-3	8	
15	Washer, 3/8" Split Lock	F05011-4	8	
16	Fitting, 1/4" NPT x 1/4" JIC Elbow	P09142	2	
17	Pump Kit, Hydraulic w/Motor	061764 ³	2	
	Pump, Hydraulic Replacement Monarch Model #12070	016199	1	
	Motor, 12 VDC Hydraulic Pump #08714 (Iskra)	038683 ⁴	1	◆
	Motor, 12 VDC Hydraulic Pump #08058 (Bosch)	P09955 ⁴	1	
	Brush Kit, 4-Valve Hydraulic Pump Motor #08658-I (Iskra)	038682 ⁴	1	
	Brush Kit, 4-Valve Hydraulic Pump Motor #08658 (Bosch)	P09585 ⁴	1	◆
	Bearing, Base Motor #02318	P12513	1	
	Cap, Hydraulic Pump Vented Fill #03171	P12817	1	
	O-Ring, Hydraulic Pump/Reservoir #02352	P10198	1	
	Seal, Hydraulic Pump/Motor #02330	P10315	1	
18	Fitting, 3/8" NPT x 3/8" Hose Barb Elbow	P12708	2	
19	Clamp, 11/16" Hose	P12739	7	
20	Plate, Hydraulic Pump Box Rear	034795	1	
21	Bolt, 1/4-20 x 3/4" Hex Head Full Thread	F05005-1	9	
22	Bolt, 1/4-20 x 1/2" Hex Head	F05005-15	2	
23	Bolt, 3/8-16 x 1" Hex Head Grade 5	F05007-87	5	
24	Bolt, 1/2-13 x 5 1/2" Hex Head Grade 5	F05008-28	1	
25	Bolt, 1/2-13 x 4" Hex Head Grade 5	F05008-78	2	
26	Nut, 1/2-13 Hex Nylon Lock	F05010-8	3	
27	Nut, 1/4-20 Hex Self-Locking	F05010-9	9	
28	Washer, 1/4" SAE Flat	F05011-11	4	
29	Washer, 1/4" Split Lock	F05011-14	2	
30	Washer, 1/2" SAE Flat	F05011-2 ⁵	6	
31	Washer, 3/8" SAE Flat	F05011-3	4	
32	Washer, 1/4" Exterior Star Lock	F05011-37	4	
33	Washer, 1/2" Exterior Star Lock	F05011-39 ⁵	7	
34	Bolt, #10-24 x 1/2" Self-Tapping	F05015-7	9	
35	Grommet, 5/8" ID Rubber	P11764	2	
36	Fitting, 1/2" NPT x 3/8" Hose Barb Elbow	P12707	2	
37	Clamp, 11/16" Hose Clamp	P12739	2	
38	Manifold, Hydraulic Filter w/Cartridge	P22683	1	

39	Filter, S28 Hydraulic Cartridge	P20301	1	
40	Nut, 3/8-16 Hex Nylon Lock	F05010-10	1	
41	Washer, 3/8" External Star Lock	F05011-36	3	
42	Bolt, 3/8-16 x 1" Hex Head	F05007-27	2	
43	WIRE ASSEMBLY, 14 GA X 48" REMOTE SOLENOID	036316	2	
44	WIRE ASSEMBLY, 14 GA X 4" #10 RING TERMINALS	036314	1	
45	CABLE ASSEMBLY, 1 GA X 30" HYDRAULIC PUMP TO SOLENOID	036313	2	
46	CABLE ASSEMBLY, 1 GA X 16" HYDRAULIC PUMP GROUND	036312	2	

¹ Pump Box Assembly 034638 modified Rev. A6.00 ([See Section 10.4](#)). 8-section valve replaced with 7-section valve. 8th valve for Log Deck option included with Log Deck installation kit (LD70-Rkit2).

² Diode Assembly 015426 added to prevent damage to hydraulic microswitch (Rev. A3.03)

³ Pump Kit 061764 replaces Pump P12701 1/09. Kit includes P12701 plus Brush Ground Wire Kit 052805 to insure adequate ground connection.

⁴ Bosch motor P09955 replaced by vendor with Iskra motor 1/06. Brush kit P09585 no longer available to service Bosch motor. Replace motor using kit 052807. Use Brush Kit 038682 to service Iskra motor.

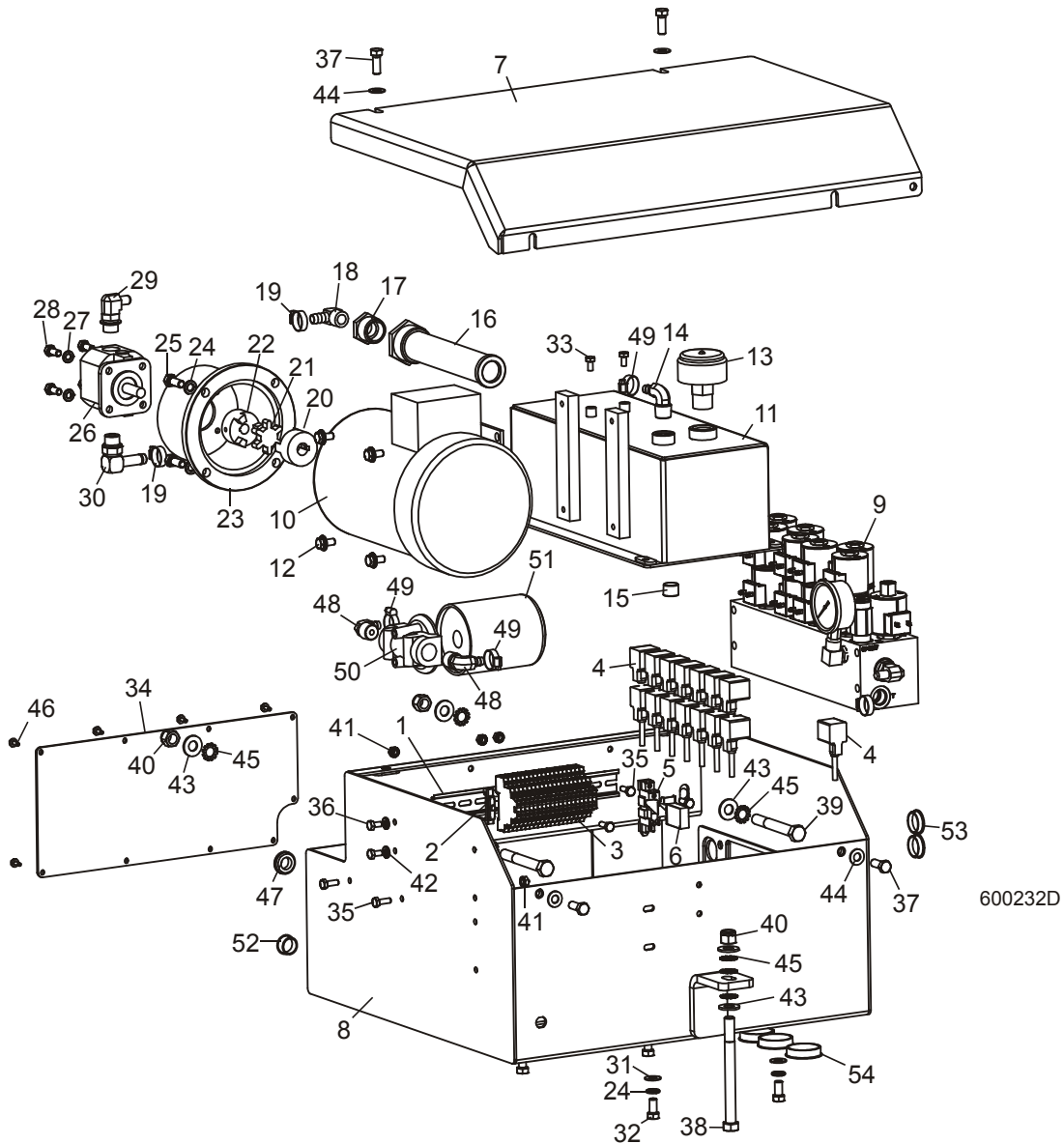
⁵ Four Star Washers F05011-39 and three Flat Washers F05011-2 added to improve electrical ground at mounting locations (Rev. A4.00).

10

Hydraulic System Hydraulic Pump Box (230/460V AC)

10.6 Hydraulic Pump Box (230/460V AC)

LT60HD/70HD Remote Rev. A7.09 - B3.01



REF	DESCRIPTION (◆ Indicates Parts Available In Assemblies Only)	PART #	QTY.
	TERMINAL BLOCK ASSEMBLY, LT70 AC REMOTE HYDRAULIC	050808	1
1	Rail, 35mm x 7.5mm x 11" Steel DIN	024474-11	1
2	Clamp, DIN Rail	E22707	2
3	Terminal Block, 3-Tier	024908	19
4	Plug Assembly, 2-Cond w/E GND DIN A 53950	050829	15
5	Relay Socket, DIN NR41	050897	1
6	Relay, SPDT Type R Miniature	050896	1

BOX ASSEMBLY, LT70 230/460V AC REMOTE HYDRAULIC PUMP (2005)				
		017880	1	
7	Plate, Hydraulic Pump Box Top	034636	1	
8	Box Weldment, Hydraulic Pump (2005)	036777	1	
9	Valve Parts (See Section 10.16)			
	Pump Assembly, 230/460V AC	054824	1	
10	Motor, 3HP 230/460V 56C 3450RPM	055312	1	
11	Tank Weldment, 70 Remote Hydraulic	054825	1	
12	Bolt, 5/16-18 x 3/4" Hex Head w/Flat & Lock Washer	F05006-101	4	
13	Cap, Hydraulic Breather/Filter	P20212	1	
14	Fitting, 1/2" NPT x 3/8" Hose Barb Elbow	P12707	1	
15	Fitting, 1/2" NPT Pipe Plug	P26258	1	
16	Filter, Hydraulic Tank Suction	P20210	1	
17	Fitting, 1/2" NPT x 1" NPT Bushing	P20239	1	
18	Fitting, 1/2" NPT x 1/2" Hose Barb Elbow	015997	1	
19	Clamp, 11/16" Hose	P12739	2	
20	Coupling Body, L075 x 5/8"	038951	1	
21	Coupling Spider, L075	P20218	1	
22	Coupling Body, L075 x 1/2"	P20217	1	
23	Adaptor, Hydraulic Motor to Pump	P20215	1	
24	Washer, 3/8" Split Lock	F05011-4	8	
25	Bolt, 3/8-16 x 1" Hex Head Grade 5	F05007-87	4	
26	Pump, Hydraulic	P20213	1	
27	Washer, 5/16" Split Lock	F05011-13	4	
28	Bolt, 5/16-18 x 3/4" Hex Head Grade 5	F05006-102	4	
29	Fitting, #8 SAE x #6JIC Tube	015907	1	
30	Fitting, #8 SAE x 1/2" Hose Barb Elbow	038949	1	
31	Washer, 3/8" SAE Flat	F05011-3	4	
32	Bolt, 3/8-16 x 3/4" Hex Head	F05007-27	4	
	Hose, 3/8" x 34" Hydraulic	003261	1	
	Hose, 1/2" ID Low Pressure Hydraulic	R02133	.67 ft.	
	Hose, 3/8" ID Low Pressure Hydraulic	R01892-1	3.5 ft.	
33	Plate, Hydraulic Pump Box Rear	034795	1	
34	Bolt, 1/4-20 x 3/4" Hex Head Full Thread	F05005-1	5	
35	Bolt, 1/4-20 x 1/2" Hex Head	F05005-15	2	
36	Bolt, 3/8-16 x 1" Hex Head Grade 5	F05007-87	4	
37	Bolt, 1/2-13 x 5 1/2" Hex Head Grade 5	F05008-28	1	
38	Bolt, 1/2-13 x 4" Hex Head Grade 5	F05008-78	2	
39	Nut, 1/2-13 Hex Nylon Lock	F05010-8	3	
40	Nut, 1/4-20 Hex Self-Locking	F05010-9	5	
41	Washer, 1/4" Split Lock	F05011-14	2	
42	Washer, 1/2" SAE Flat	F05011-2	6	
43	Washer, 3/8" SAE Flat	F05011-3	4	
44	Washer, 1/2" Exterior Star Lock	F05011-39	7	

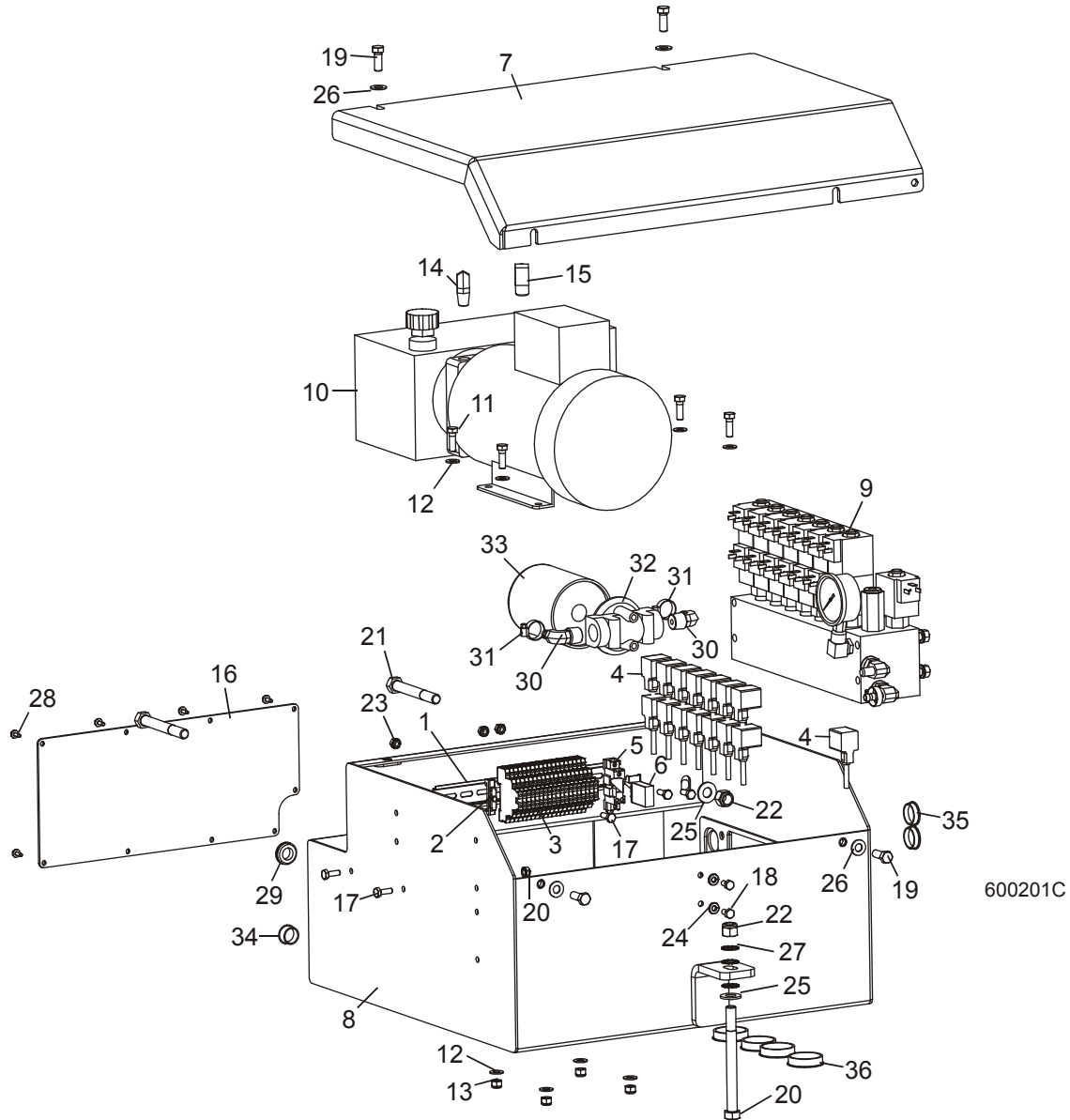
10**Hydraulic System***Hydraulic Pump Box (230/460V AC)*

45	Bolt, #10-24 x 1/2" Self-Tapping	F05015-7	9	
46	Grommet, 5/8" ID Rubber	P11764	1	
47	Fitting, 1/2" NPT x 3/8" Hose Barb Elbow	P12707	2	
48	Clamp, 11/16" Hose Clamp	P12739	3	
49	Manifold, Hydraulic Filter w/Cartridge	P22683	1	
50	Filter, S28 Hydraulic Cartridge	P20301	1	
51	Plug, 7/8" Dia. Plastic	016424	1	
52	Plug, 1 3/32" Dia. Nylon	036778	2	
53	Plug, 1 3/4" Dia. Plastic	016419 ¹	4	

¹ Access holes with plastic plugs added 4/10 to allow access to check valves with socket wrench without having to remove the valve.

10.7 Hydraulic Pump Box (575V AC)

LT60HD/70HD Remote Rev. A7.09 - B3.01



REF	DESCRIPTION (◆ Indicates Parts Available In Assemblies Only)	PART #	QTY.
	TERMINAL BLOCK ASSEMBLY, LT70 AC REMOTE HYDRAULIC	050808	1
1	Rail, 35mm x 7.5mm x 11" Steel DIN	024474-11	1
2	Clamp, DIN Rail	E22707	2
3	Terminal Block, 3-Tier	024908	19
4	Plug Assembly, 2-Cond w/E GND DIN A 53950	050829	15
5	Relay Socket, DIN NR41	050897	1
6	Relay, SPDT Type R Miniature	050896	1

10

Hydraulic System

Hydraulic Pump Box (575V AC)

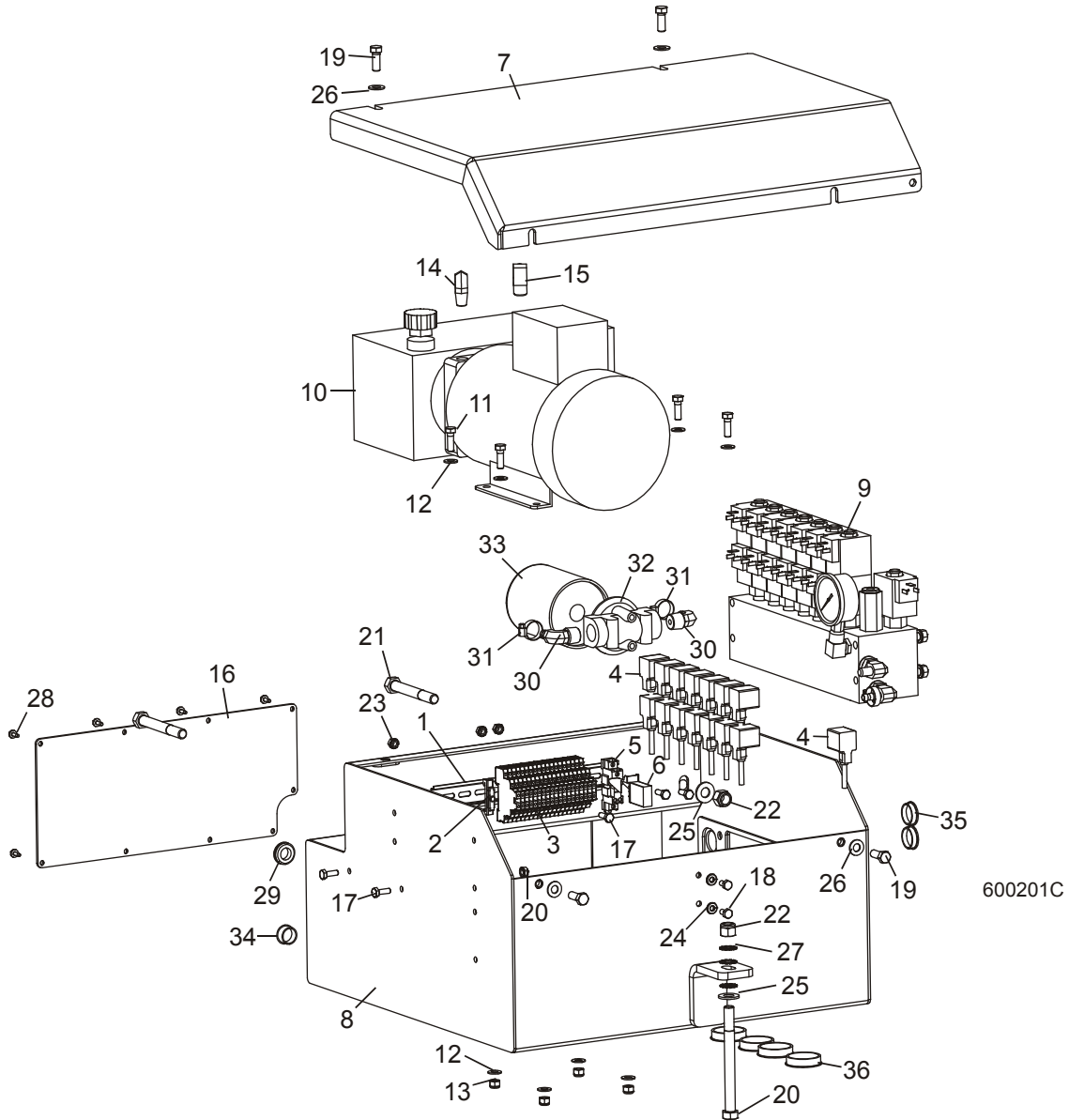
BOX ASSEMBLY, LT70 575V AC REMOTE HYDRAULIC PUMP		036439	1	
7	Plate, Hydraulic Pump Box Top	034636	1	
8	Box Weldment, Hydraulic Pump (2005)	036777	1	
9	Valve Parts (See Section 10.16)			
10	Pump, Hydraulic 575V AC w/Tank	034794	1	
11	Bolt, 5/16-18 x 1" Hex Head	F05006-1	4	
12	Washer, 5/16" SAE Flat	F05011-17	8	
13	Nut, 5/16-18 Nylon Lock	F05010-58	4	
14	Fitting, 3/8" NPT x 3/8" Hose Barb Elbow	P12708	1	
15	Fitting, 3/8" NPT x 3/8" JIC Elbow	016820	1	
16	Plate, Hydraulic Pump Box Rear	034795	1	
17	Bolt, 1/4-20 x 3/4" Hex Head Full Thread	F05005-1	5	
18	Bolt, 1/4-20 x 1/2" Hex Head	F05005-15	2	
19	Bolt, 3/8-16 x 1" Hex Head Grade 5	F05007-87	4	
20	Bolt, 1/2-13 x 5 1/2" Hex Head Grade 5	F05008-28	1	
21	Bolt, 1/2-13 x 4" Hex Head Grade 5	F05008-78	2	
22	Nut, 1/2-13 Hex Nylon Lock	F05010-8	3	
23	Nut, 1/4-20 Hex Self-Locking	F05010-9	5	
24	Washer, 1/4" Split Lock	F05011-14	2	
25	Washer, 1/2" SAE Flat	F05011-2	3	
26	Washer, 3/8" SAE Flat	F05011-3	4	
27	Washer, 1/2" Exterior Star Lock	F05011-39	3	
28	Bolt, #10-24 x 1/2" Self-Tapping	F05015-7	9	
29	Grommet, 5/8" ID Rubber	P11764	1	
30	Fitting, 1/2" NPT x 3/8" Hose Barb Elbow	P12707	2	
31	Clamp, 11/16" Hose Clamp	P12739	2	
32	Manifold, Hydraulic Filter w/Cartridge	P22683	1	
33	Filter, S28 Hydraulic Cartridge	P20301	1	
34	Plug, 7/8" Dia. Plastic	016424	1	
35	Plug, 1 3/32" Dia. Nylon	036778	2	
36	Plug, 1 3/4" Dia. Plastic	016419 ¹	4	

¹ Access holes with plastic plugs added 4/10 to allow access to check valves with socket wrench without having to remove the valve.

10.8 Hydraulic Pump Box (AC)

LT70HD Remote

Rev. A6.00 - A7.08



REF	DESCRIPTION (◆ Indicates Parts Available In Assemblies Only)	PART #	QTY.
	TERMINAL BLOCK ASSEMBLY, LT70 AC REMOTE HYDRAULIC	050808	1
1	Rail, 35mm x 7.5mm x 11" Steel DIN	024474-11	1
2	Clamp, DIN Rail	E22707	2
3	Terminal Block, 3-Tier	024908	19
4	Plug Assembly, 2-Cond w/E GND DIN A 53950	050829	15
5	Relay Socket, DIN NR41	050897	1
6	Relay, SPDT Type R Miniature	050896	1

10

Hydraulic System

Hydraulic Pump Box (AC)

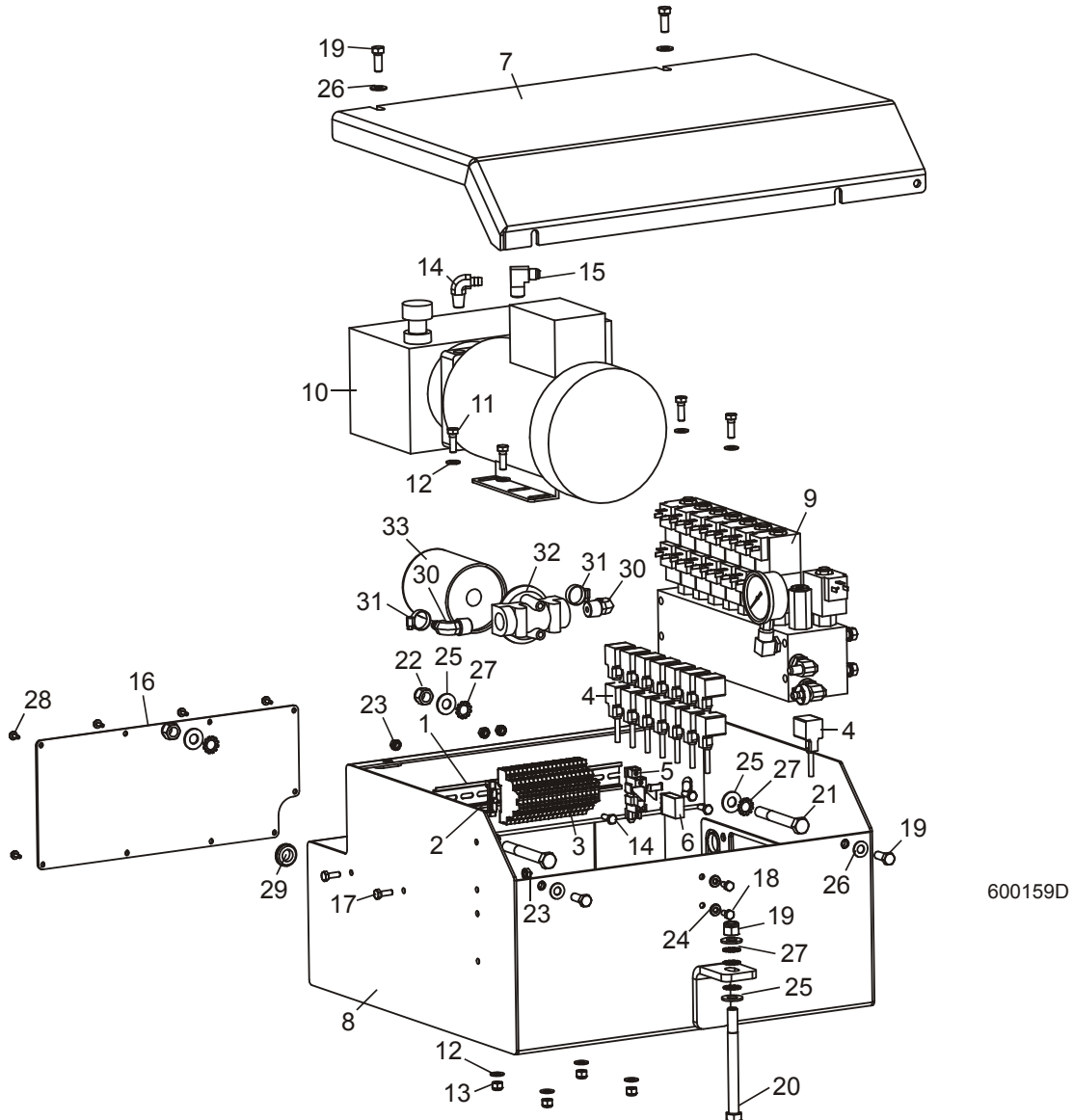
	BOX ASSEMBLY, LT70 230/460V AC REMOTE HYDRAULIC PUMP (2005)	017880	1	
	BOX ASSEMBLY, LT70 575V AC REMOTE HYDRAULIC PUMP	036439	1	
7	Plate, Hydraulic Pump Box Top	034636	1	
8	Box Weldment, Hydraulic Pump (2005)	036777	1	
9	Valve Parts (See Section 10.16)			
10	Pump, Hydraulic 230/460V AC w/Tank	034457 ¹	1	◆
	Pump, Hydraulic 575V AC w/Tank	034794	1	
11	Bolt, 5/16-18 x 1" Hex Head	F05006-1	4	
12	Washer, 5/16" SAE Flat	F05011-17	8	
13	Nut, 5/16-18 Nylon Lock	F05010-58	4	
14	Fitting, 3/8" NPT x 3/8" Hose Barb Elbow	P12708	1	
15	Fitting, 3/8" NPT x 3/8" JIC Elbow	016820	1	
16	Plate, Hydraulic Pump Box Rear	034795	1	
17	Bolt, 1/4-20 x 3/4" Hex Head Full Thread	F05005-1	5	
18	Bolt, 1/4-20 x 1/2" Hex Head	F05005-15	2	
19	Bolt, 3/8-16 x 1" Hex Head Grade 5	F05007-87	4	
20	Bolt, 1/2-13 x 5 1/2" Hex Head Grade 5	F05008-28	1	
21	Bolt, 1/2-13 x 4" Hex Head Grade 5	F05008-78	2	
22	Nut, 1/2-13 Hex Nylon Lock	F05010-8	3	
23	Nut, 1/4-20 Hex Self-Locking	F05010-9	5	
24	Washer, 1/4" Split Lock	F05011-14	2	
25	Washer, 1/2" SAE Flat	F05011-2	3	
26	Washer, 3/8" SAE Flat	F05011-3	4	
27	Washer, 1/2" Exterior Star Lock	F05011-39	3	
28	Bolt, #10-24 x 1/2" Self-Tapping	F05015-7	9	
29	Grommet, 5/8" ID Rubber	P11764	1	
30	Fitting, 1/2" NPT x 3/8" Hose Barb Elbow	P12707	2	
31	Clamp, 11/16" Hose Clamp	P12739	2	
32	Manifold, Hydraulic Filter w/Cartridge	P22683	1	
33	Filter, S28 Hydraulic Cartridge	P20301	1	
34	Plug, 7/8" Dia. Plastic	016424	1	
35	Plug, 1 3/32" Dia. Nylon	036778	2	

¹ Motor/Pump/Tank Assembly 034457 discontinued by vendor. Use assembly 054824 for service ([See Section 10.6](#)). Replacement requires modification or replacement of pump box 036777 with appropriate mounting holes ([See Form #1501](#)).

10.9 Hydraulic Pump Box (AC)

LT70HD Remote

Rev. A3.01 - A5.03



REF	DESCRIPTION (◆ Indicates Parts Available In Assemblies Only)	PART #	QTY.
	TERMINAL BLOCK ASSEMBLY, LT70 AC REMOTE HYDRAULIC	050808	1
1	Rail, 35mm x 7.5mm x 11" Steel DIN	024474-11	1
2	Clamp, DIN Rail	E22707	2
3	Terminal Block, 3-Tier	024908	19
4	Plug Assembly, 2-Cond w/E GND DIN A 53950	050829	15
5	Relay Socket, DIN NR41	050897	1
6	Relay, SPDT Type R Miniature	050896	1

10

Hydraulic System

Hydraulic Pump Box (AC)

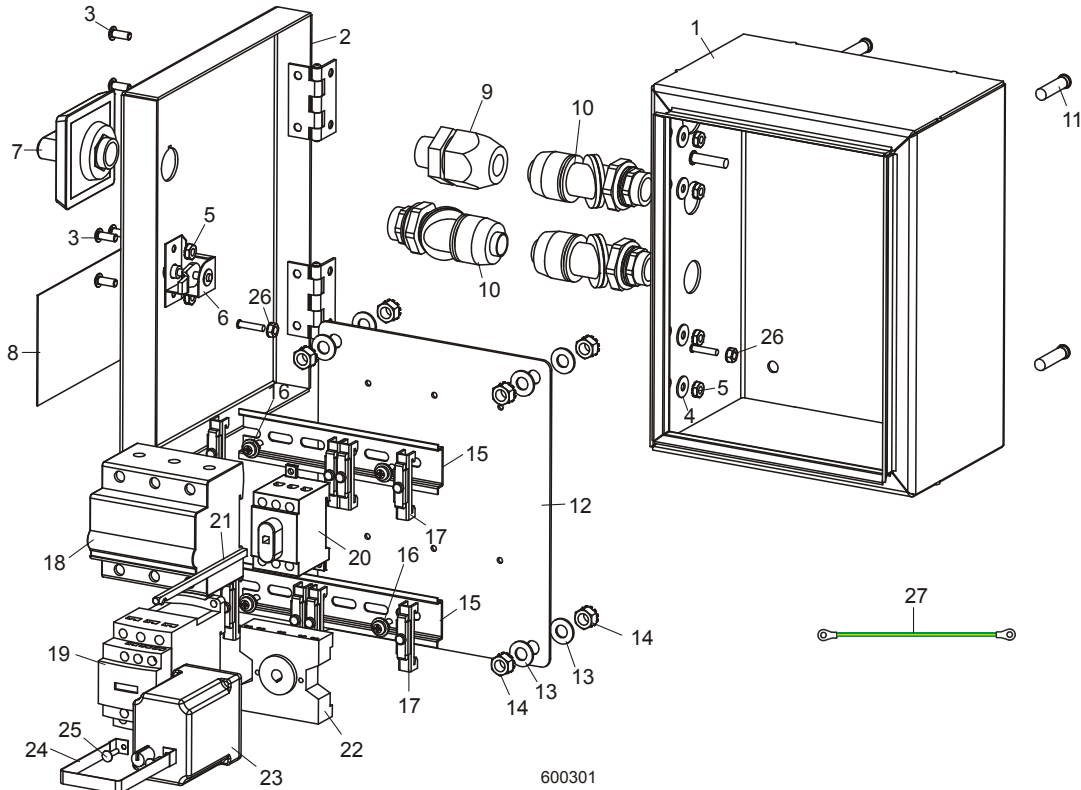
BOX ASSEMBLY, LT60/70 AC REMOTE HYDRAULIC PUMP		017880 ¹	1	
7	Plate, Hydraulic Pump Box Top	034636	1	
8	Box Weldment, Hydraulic Pump	034637	1	
9	Valve Parts (See Section 10.17)			
10	Pump, Hydraulic AC w/Tank	034457 ²	1	◆
11	Bolt, 5/16-18 x 1" Hex Head	F05006-1	4	
12	Washer, 5/16" SAE Flat	F05011-17	8	
13	Nut, 5/16-18 Nylon Lock	F05010-58	4	
14	Fitting, 3/8" NPT x 3/8" Hose Barb Elbow	P12708	1	
15	Fitting, 3/8" NPT x 3/8" JIC Elbow	016820	1	
16	Plate, Hydraulic Pump Box Rear	034795	1	
17	Bolt, 1/4-20 x 3/4" Hex Head Full Thread	F05005-1	5	
18	Bolt, 1/4-20 x 1/2" Hex Head	F05005-15	2	
19	Bolt, 3/8-16 x 1" Hex Head Grade 5	F05007-87	4	
20	Bolt, 1/2-13 x 5 1/2" Hex Head Grade 5	F05008-28	1	
21	Bolt, 1/2-13 x 4" Hex Head Grade 5	F05008-78	2	
22	Nut, 1/2-13 Hex Nylon Lock	F05010-8	3	
23	Nut, 1/4-20 Hex Self-Locking	F05010-9	5	
24	Washer, 1/4" Split Lock	F05011-14	2	
25	Washer, 1/2" SAE Flat	F05011-2 ³	6	
26	Washer, 3/8" SAE Flat	F05011-3	4	
27	Washer, 1/2" Exterior Star Lock	F05011-39 ³	7	
28	Bolt, #10-24 x 1/2" Self-Tapping	F05015-7	9	
29	Grommet, 5/8" ID Rubber	P11764	2	
30	Fitting, 1/2" NPT x 3/8" Hose Barb Elbow	P12707	2	
31	Clamp, 11/16" Hose Clamp	P12739	2	
32	Manifold, Hydraulic Filter w/Cartridge	P22683	1	
33	Filter, S28 Hydraulic Cartridge	P20301	1	

¹ Pump Box Assembly 017880 modified Rev. A6.00 ([See Section 10.6](#)). 8-section valve replaced with 7-section valve. 8th valve for Log Deck option included with Log Deck installation kit (LD70-Rkit2).

² Motor/Pump/Tank Assembly 034457 discontinued by vendor. Use assembly 054824 for service ([See Section 10.6](#)). Replacement requires modification or replacement of pump box 036777 with appropriate mounting holes ([See Form #1501](#)).

³ Four Star Washers F05011-39 and three Flat Washers F05011-2 added to improve electrical ground at mounting locations (Rev. A4.00).

10.10 Hydraulic Control Box (230/460V AC)



REF	DESCRIPTION (◆ Indicates Parts Available In Assemblies Only)	PART #	QTY.
	CONTROL ASSEMBLY, LT70 E25-L REMOTE HYDRAULIC	050900	1
	CONTROL ASSEMBLY, LT70 E25-H REMOTE HYDRAULIC	050899	1
1	Box Weldment, Hydraulic AC Control	050302	1
2	Door Weldment, Hydraulic AC Control Box	050307	1
3	Screw, #10-24 x 1/2" Socket Button Head Stainless	F05004-196	6
4	Washer, #10 SAE Flat	F05011-18	4
5	Nut, #10-24 Self-Locking Hex	F05010-14	6
6	Latch, Door	051978 ¹	1
7	Switch, Red/Yellow Disconnect 6mm	050883-1 ²	1
8	Decal, Electrical Hazard 2 Places	051948 ³	1
9	Connector, 1/2" Liquid-Tite Straight	E22721	1
10	Connector, 1/2" Liquid-Tite Swivel	051750 ⁴	3
11	Stud, 5/16-18 x 1 1/4" Type CH Clinch	F05006-113	4
12	Plate, LT70 AC Hydraulic Control Insert	050306	1
13	Washer, 5/16" SAE Flat	F05011-17	8
14	Nut, 5/16-18 Self-Locking Hex	F05010-20	8
15	Rail, 35mm x 7.5mm x 6" Steel DIN	024474-6	2

10

Hydraulic System

Hydraulic Control Box (230/460V AC)

16	Screw, #10-24 x 1/2" Phillips Head	F05004-186	4	
17	Clamp, Plastic DIN Rail	E22707	8	
18	Breaker, 16A 3P Curve D C60N (E25-L)	024904	1	
	Breaker, 8A 3P curve D C60N (E25-H)	050335	1	
19	Contactor, 18A 3P 12VDC Coil	050332	1	
20	Disconnect, 40A 3P Non-Fused 6mm	050903-1 ²	1	
21	Shaft, Disconnect Extension 6mm	050882-1 ²	1	
22	Socket, 11-Pin Relay	E22700	1	
23	Relay, .1-10s 12VDC Coil Timer Off Delay	050314	1	
24	Strap, Timer Relay Retaining	050967	1	
25	Rivet, 1/8" x 1/2" STI SS48D Pop	F04203-5	2	
26	Nut, #8-32 Self-Locking Hex	F05010-41	2	
27	Wire Assembly, 10" Ground	025187	1	

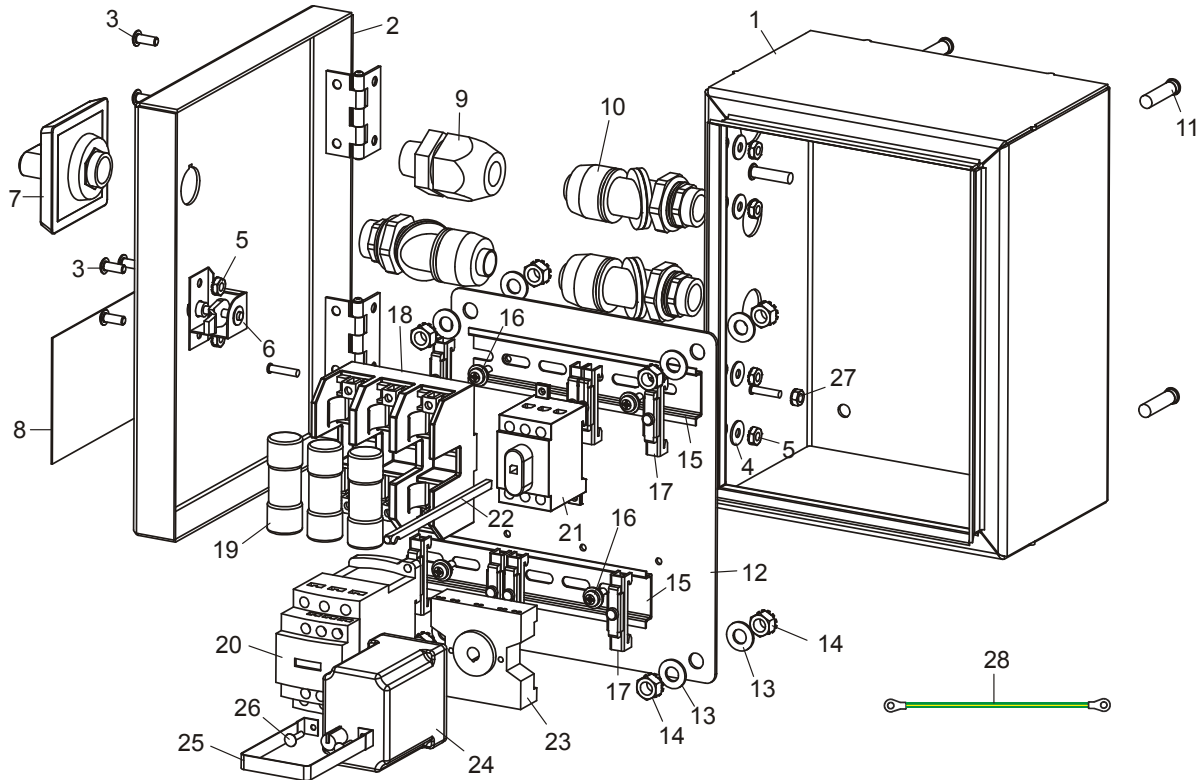
¹ Replaces Latch 050259 Rev. A5.01.

² 5mm Disconnect Shaft OXS5X120 replaced by vendor with 6mm shaft OXS6X120 (2/10). Replacement of any disconnect component requires replacement of disconnect, shaft and operator handle (050903-1, 050883-1 & 050882-1).

³ Decal Added Rev. A5.01.

⁴ Swivel Connector 051750 replaces Elbow Fitting E22722 4/04.

10.11 Hydraulic Control Box (575V AC)



600302

REF	DESCRIPTION (◆ Indicates Parts Available In Assemblies Only)	PART #	QTY.
	CONTROL ASSEMBLY, LT70 E25-C REMOTE HYDRAULIC	050901	1
1	Box Weldment, Hydraulic AC Control	050302	1
2	Door Weldment, Hydraulic AC Control Box	050307	1
3	Screw, #10-24 x 1/2" Socket Button Head Stainless	F05004-196	6
4	Washer, #10 SAE Flat	F05011-18	4
5	Nut, #10-24 Self-Locking Hex	F05010-14	6
6	Latch, Door	051978 ¹	1
7	Switch, Red/Yellow Disconnect 6mm	050883-1 ²	1
8	Decal, Electrical Hazard 2 Places	051948 ³	1
9	Connector, 1/2" Liquid-Tite Straight	E22721	1
10	Connector, 1/2" Liquid-Tite Swivel	051750 ⁴	3
11	Stud, 5/16-18 x 1 1/4" Type CH Clinch	F05006-113	4
12	Plate, LT70 AC Hydraulic Control Insert	050306	1
13	Washer, 5/16" SAE Flat	F05011-17	8
14	Nut, 5/16-18 Self-Locking Hex	F05010-20	8
15	Rail, 35mm x 7.5mm x 6" Steel DIN	024474-6	2

10**Hydraulic System***Hydraulic Control Box (575V AC)*

16	Screw, #10-24 x 1/2" Phillips Head	F05004-186	4	
17	Clamp, Plastic DIN Rail	E22707	8	
18	Fuse Block, 30A 600V 3P Class J	050345	1	
19	Fuse, 8A 600V Class J	E22715	3	
20	Contactor, 18A 3P 12VDC Coil	050332	1	
21	Disconnect, 40A 3P Non-Fused 6mm	050903-1 ²	1	
22	Shaft, Disconnect Extension 6mm	050882-1 ²	1	
23	Socket, 11-Pin Relay	E22700	1	
24	Relay, .1-10s 12VDC Coil Timer Off Delay	050314	1	
25	Strap, Timer Relay Retaining	050967	1	
26	Rivet, 1/8" x 1/2" STI SS48D Pop	F04203-5	2	
27	Nut, #8-32 Self-Locking Hex	F05010-41	2	
28	Wire Assembly, 10" Ground	025187	1	

¹ Replaces Latch 050259 Rev. A5.01.

² 5mm Disconnect Shaft OXS5X120 replaced by vendor with 6mm shaft OXS6X120 (2/10). Replacement of any disconnect component requires replacement of disconnect, shaft and operator handle (050903-1, 050883-1 & 050882-1).

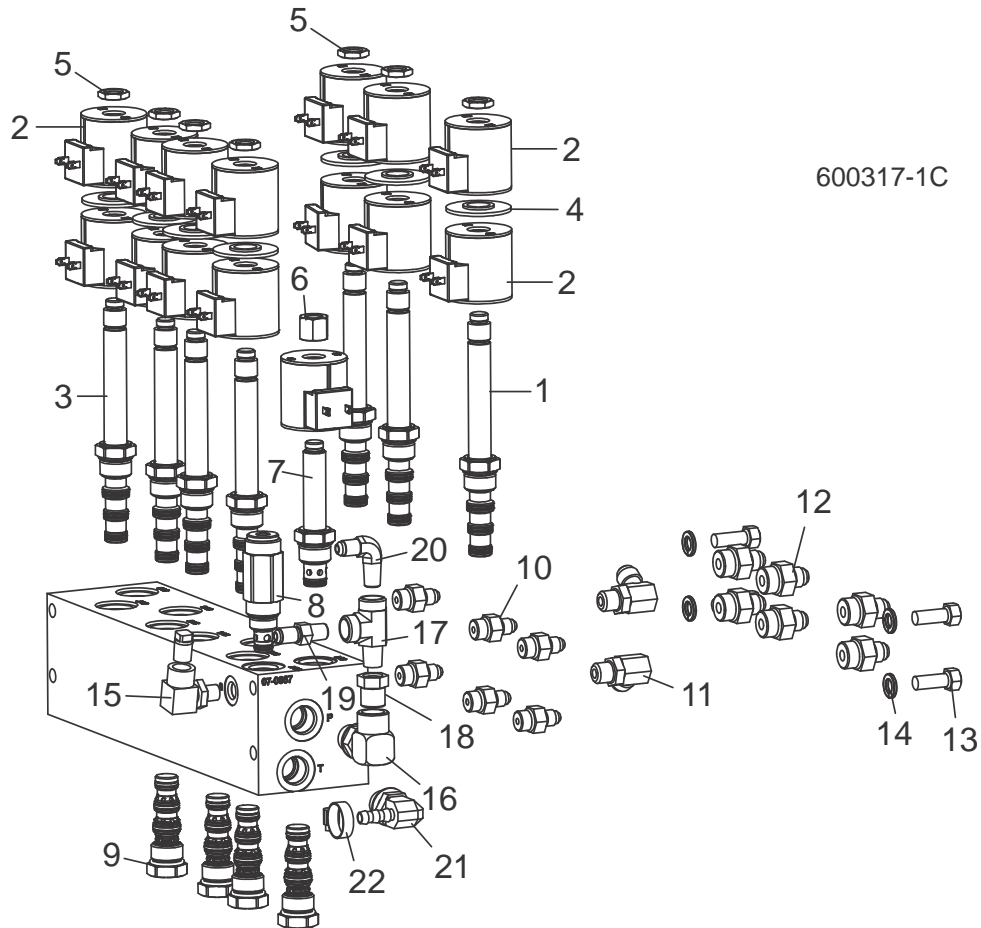
³ Decal Added Rev. A5.01.

⁴ Swivel Connector 051750 replaces Elbow Fitting E22722 4/04.

10.12 Hydraulic Valve (DC)

LT70HD Remote

Retrofit



REF	DESCRIPTION (◆ Indicates Parts Available In Assemblies Only)	PART #	QTY.
	VALVE ASSEMBLY, LT70 REMOTE HYDRAULIC EXPANDABLE	036760	1
	Valve, 7-Spool Expandable Hydraulic	025688	1
1	Valve, SV10-47C Hydraulic (Loader, Turner, Side Support)	025830	3
2	Coil, 12VDC Hydraulic Valve	025834	15
3	Valve, SV10-47D Hydraulic (Toe Boards, Clamp)	025829	4
4	Spacer, SV10-47 Valve Coil	025838	7
5	Nut, SV10-47 Valve Coil	025837	7
6	Nut, SV10-21 Valve Coil	025836	1
7	Valve, SV10-21 Hydraulic (Bypass)	025831	1
8	Valve, Relief	025833	1
9	Valve, Dual PO Check	025832	4
10	Fitting, 1/4" JIC x 3/8" O-Ring	P26284	6
11	Fitting, #6 SAE - 3/8" JIC Elbow	P12704	2

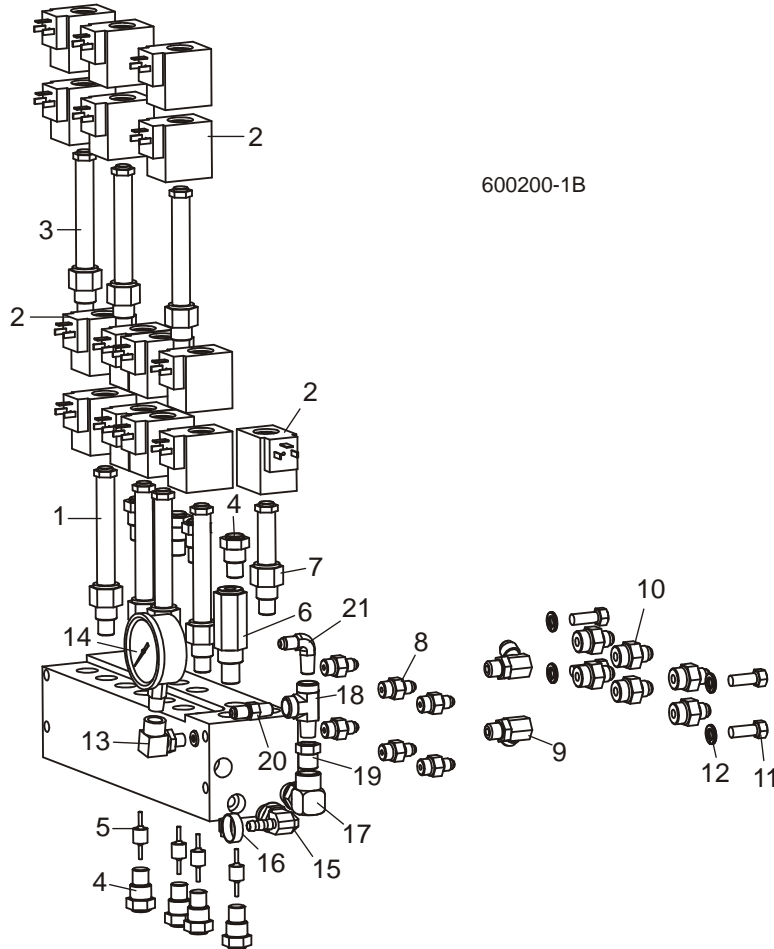
10**Hydraulic System***Hydraulic Valve (DC)*

12	Fitting, #8 SAE x #6 JIC	P12703	6	
13	Bolt, 3/8-16 x 1" Hex Head	F05007-7	4	
14	Washer, 3/8" Split Lock	F05011-4	4	
15	Fitting, 1/4" SAE x 1/4" NPT Elbow	017881	1	
16	Gauge, 5000 PSI Hydraulic Pressure	P10052	1	
17	Fitting, #8 SAE x 3/8" Hose Barb Elbow	034635	1	
18	Clamp, 11/16" Hose	P12739	1	
19	FITTING, #8 SAE X 3/8" NPT 90° ELBOW	036164	1	
20	FITTING, 1/4" NPT MALE RUN TEE	P09141	1	
21	FITTING, 3/8" NPT X 1/4" NPT REDUCER	015490	1	
22	FITTING, 1/4" NPT X 1/4" JIC	P09143	1	
23	FITTING, 1/4" NPT X 1/4" JIC ELBOW	P09142	1	

10.13 Hydraulic Valve (DC)

LT70HD Remote

Rev. A6.00 - B3.01



REF	DESCRIPTION (◆ Indicates Parts Available In Assemblies Only)	PART #	QTY.	
	VALVE ASSEMBLY, LT70 REMOTE HYDRAULIC EXPANDABLE	036760 ¹	1	
	Valve Assy, LT70 Remote Hydraulic Expandable	036730 ²	1	◆
1	Valve, 4-Way Sterling #GS04-54-0-0-NC (toe boards & clamp)	045820	4	
2	Coil, 12V Sterling #CAP-012D	045819	15	
3	Valve, 4-Way Sterling #GS04-52-0-0-NC (loader, turner & side supports)	051556	3	
4	Valve, Check Sterling #D020B2-2.IN	051559	8	
5	Piston, Pilot Sterling #PP02DP	051560	4	
6	Valve, Relief Sterling #208-1-B-0-A-C-200	051554	1	
7	Valve, 2-Way Sterling #GS04-26-0-0-NC (Bypass)	051555	1	
	Seal Kit, 7-Section Hydraulic Valve #PPC302000	006940	1	
8	Fitting, 1/4" JIC x 3/8" O-Ring	P26284	6	
9	Fitting, #6 SAE - 3/8" JIC Elbow	P12704	2	
10	Fitting, #8 SAE x #6 JIC	P12703	6	

10**Hydraulic System***Hydraulic Valve (DC)*

11	Bolt, 3/8-16 x 1" Hex Head	F05007-7	4	
12	Washer, 3/8" Split Lock	F05011-4	4	
13	Fitting, 1/4" SAE x 1/4" NPT Elbow	017881	1	
14	Gauge, 5000 PSI Hydraulic Pressure	P10052	1	
15	Fitting, #8 SAE x 3/8" Hose Barb Elbow	034635	1	
16	Clamp, 11/16" Hose	P12739	1	
17	FITTING, #8 SAE X 3/8" NPT 90° ELBOW	036164	1	
18	FITTING, 1/4" NPT MALE RUN TEE	P09141	1	
19	FITTING, 3/8" NPT X 1/4" NPT REDUCER	015490	1	
20	FITTING, 1/4" NPT X 1/4" JIC	P09143	1	
21	FITTING, 1/4" NPT X 1/4" JIC ELBOW	P09142	1	

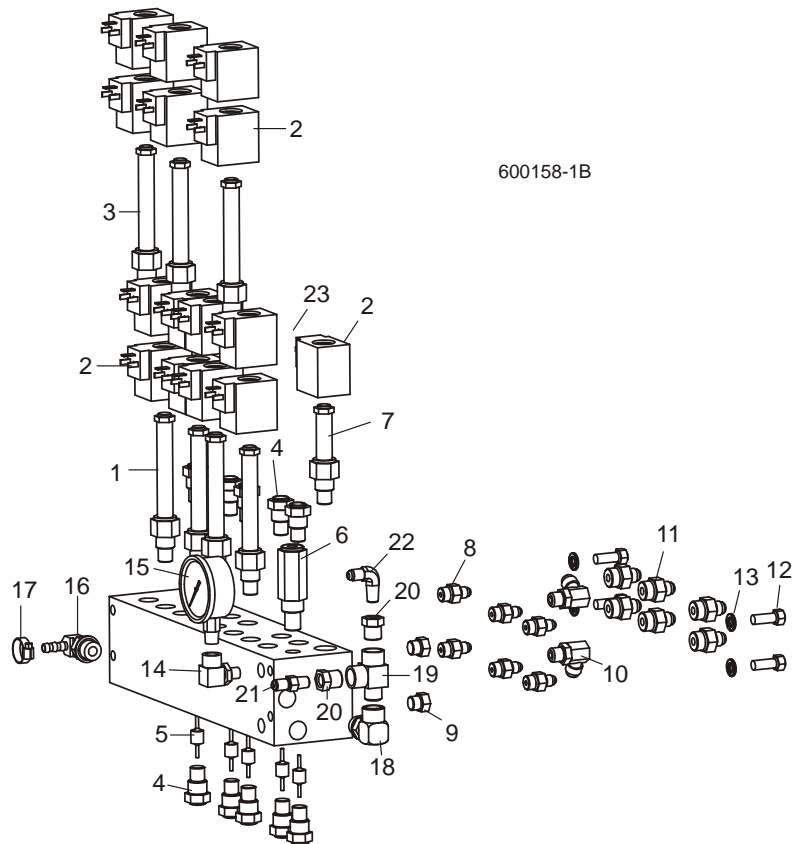
¹ Valve Assembly 036760 revised 8/10. New assembly includes new valve that requires different internal service parts ([See Section 10.12](#)).

² Valve 036730 no longer available. Use component parts to service or replace with Valve 025688 ([See Section 10.12](#)).

10.14 Hydraulic Valve (DC)

LT70HD Remote

Rev. A3.01 - A5.03



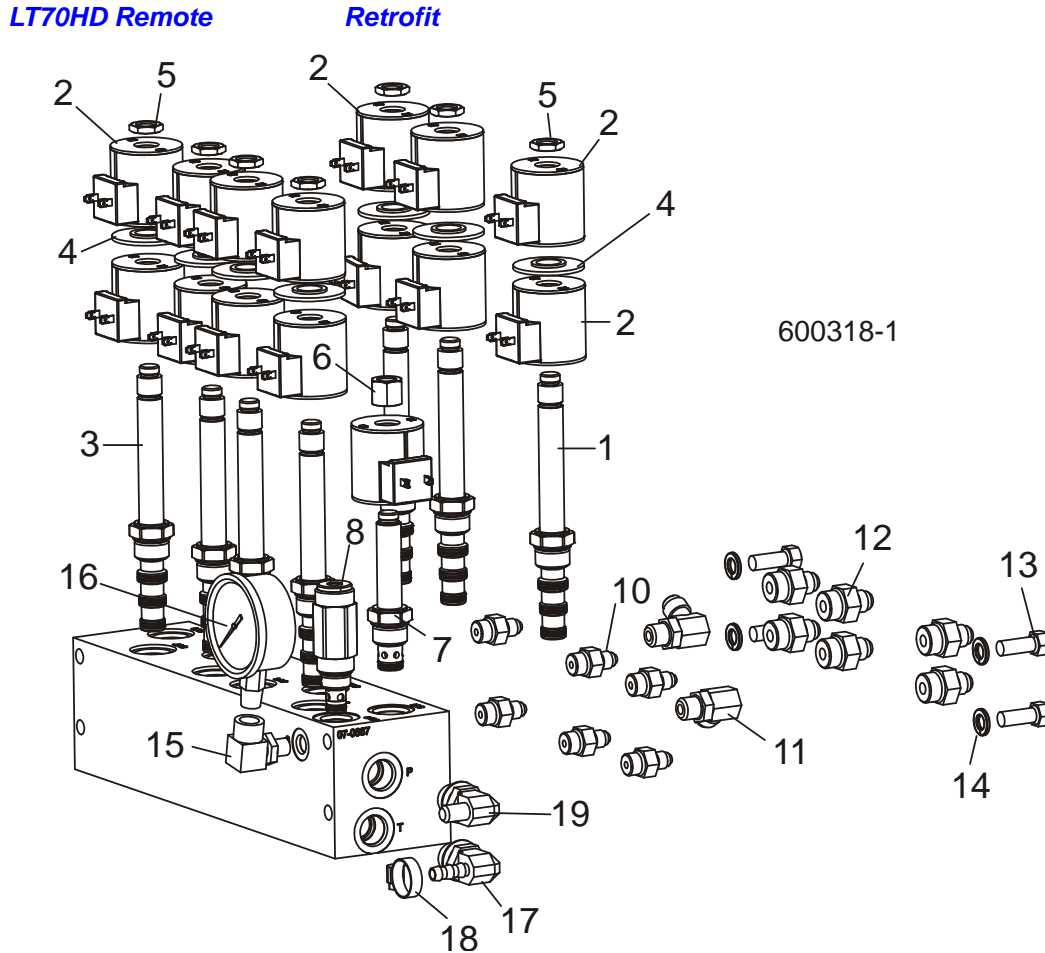
REF	DESCRIPTION (◆ Indicates Parts Available In Assemblies Only)	PART #	QTY.	
	VALVE ASSEMBLY, LT70 REMOTE HYDRAULIC	034640 ¹	1	◆
	Valve Assy, LT70 Remote Hydraulic	034639 ¹	1	◆
1	Valve, 4-Way Sterling #GS04-54-0-0-NC (toe boards & clamp)	045820	4	
2	Coil, 12V Sterling #CAP-012D	045819	15	
3	Valve, 4-Way Sterling #GS04-52-0-0-NC (loader, turner & side supports)	051556	3	
4	Valve, Check Sterling #D020B2-2.IN	051559	10	
5	Piston, Pilot Sterling #PP02DP	051560	5	
6	Valve, Relief Sterling #208-1-B-0-A-C-200	051554	1	
7	Valve, 2-Way Sterling #GS04-26-0-0-NC (Bypass)	051555	1	
8	Fitting, 1/4" JIC x 3/8" O-Ring	P26284	6	
9	Fitting, O-Ring Plug	P12741	2	
10	Fitting, #6 SAE - 3/8" JIC Elbow	P12704	2	
11	Fitting, #8 SAE x #6 JIC	P12703	6	
12	Bolt, 3/8-16 x 1" Hex Head	F05007-7	4	
13	Washer, 3/8" Split Lock	F05011-4	4	

10**Hydraulic System***Hydraulic Valve (DC)*

14	Fitting, 1/4" SAE x 1/4" NPT Elbow	017881	1	
15	Gauge, 5000 PSI Hydraulic Pressure	P10052	1	
16	Fitting, #8 SAE x 3/8" Hose Barb Elbow	034635	1	
17	Clamp, 11/16" Hose	P12739	1	
18	FITTING, #8 SAE X 3/8" NPT 90° ELBOW	036164	1	
19	FITTING, 3/8" NPT MALE RUN TEE	016822	1	
20	FITTING, 3/8" NPT X 1/4" NPT REDUCER	015490	2	
21	FITTING, 1/4" NPT X 1/4" JIC	P09143	1	
22	FITTING, 1/4" NPT X 1/4" JIC ELBOW	P09142	1	

¹ Valve and Valve Assembly obsolete. 7-Section valve used in production after Rev. A6.00. Use kit 036802 to retrofit to new 7-section valve. Use kit 036804 to retrofit valve with additional 8th valve for Log Deck option.

10.15 Hydraulic Valve (AC)



REF	DESCRIPTION (◆ Indicates Parts Available In Assemblies Only)	PART #	QTY.
	VALVE ASSEMBLY, LT70 REMOTE HYDRAULIC EXPANDABLE	036760	1
	Valve, 7-Spool Expandable Hydraulic	025688	1
1	Valve, SV10-47C Hydraulic (Loader, Turner, Side Support)	025830	3
2	Coil, 12VDC Hydraulic Valve	025835	15
3	Valve, SV10-47D Hydraulic (Toe Boards, Clamp)	025829	4
4	Spacer, SV10-47 Valve Coil	025838	7
5	Nut, SV10-47 Valve Coil	025837	7
6	Nut, SV10-21 Valve Coil	025836	1
7	Valve, SV10-21 Hydraulic (Bypass)	025831	1
8	Valve, Relief	025833	1
9	Valve, Dual PO Check	025832	4
10	Fitting, 1/4" JIC x 3/8" O-Ring	P26284	6
11	Fitting, #6 SAE - 3/8" JIC Elbow	P12704	2

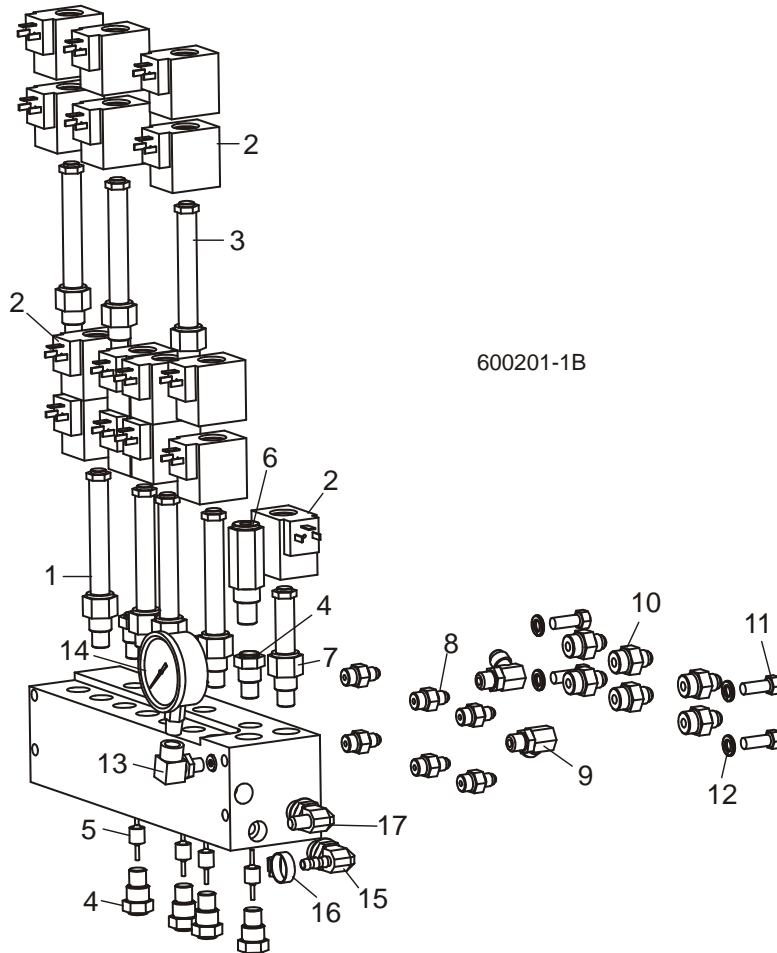
10**Hydraulic System***Hydraulic Valve (AC)*

12	Fitting, #8 SAE x #6 JIC	P12703	6	
13	Bolt, 3/8-16 x 1" Hex Head	F05007-7	4	
14	Washer, 3/8" Split Lock	F05011-4	4	
15	Fitting, 1/4" SAE x 1/4" NPT Elbow	017881	1	
16	Gauge, 5000 PSI Hydraulic Pressure	P10052	1	
17	Fitting, #8 SAE x 3/8" Hose Barb Elbow	034635	1	
18	Clamp, 11/16" Hose	P12739	1	
19	FITTING, #6 JIC - #8 SAE ELBOW	015907	1	

10.16 Hydraulic Valve (AC)

LT70HD Remote

Rev. A6.00 - B3.01



REF	DESCRIPTION (◆ Indicates Parts Available In Assemblies Only)	PART #	QTY.
	VALVE ASSEMBLY, LT70 REMOTE HYDRAULIC EXPANDABLE	036760 ¹	1
	Valve Assy, LT70 Remote Hydraulic Expandable	036730 ²	1
1	Valve, 4-Way Sterling #GS04-54-0-0-NC (toe boards & clamp)	045820	4
2	Coil, 12V Sterling #CAP-012D	045819	15
3	Valve, 4-Way Sterling #GS04-52-0-0-NC (loader, turner & side supports)	051556	3
4	Valve, Check Sterling #D020B2-2.IN	051559	8
5	Piston, Pilot Sterling #PP02DP	051560	4
6	Valve, Relief Sterling #208-1-B-0-A-C-200	051554	1
7	Valve, 2-Way Sterling #GS04-26-0-0-NC (Bypass)	051555	1
	Seal Kit, 7-Section Hydraulic Valve #PPC302000	006940	1
8	Fitting, 1/4" JIC x 3/8" O-Ring	P26284	6
9	Fitting, #6 SAE - 3/8" JIC Elbow	P12704	2
10	Fitting, #8 SAE x #6 JIC	P12703	6

10

Hydraulic System

Hydraulic Valve (AC)

11	Bolt, 3/8-16 x 1" Hex Head	F05007-7	4	
12	Washer, 3/8" Split Lock	F05011-4	4	
13	Fitting, 1/4" SAE x 1/4" NPT Elbow	017881	1	
14	Gauge, 5000 PSI Hydraulic Pressure	P10052	1	
15	Fitting, #8 SAE x 3/8" Hose Barb Elbow	034635	1	
16	Clamp, 11/16" Hose	P12739	1	
17	FITTING, #6 JIC - #8 SAE ELBOW	015907	1	

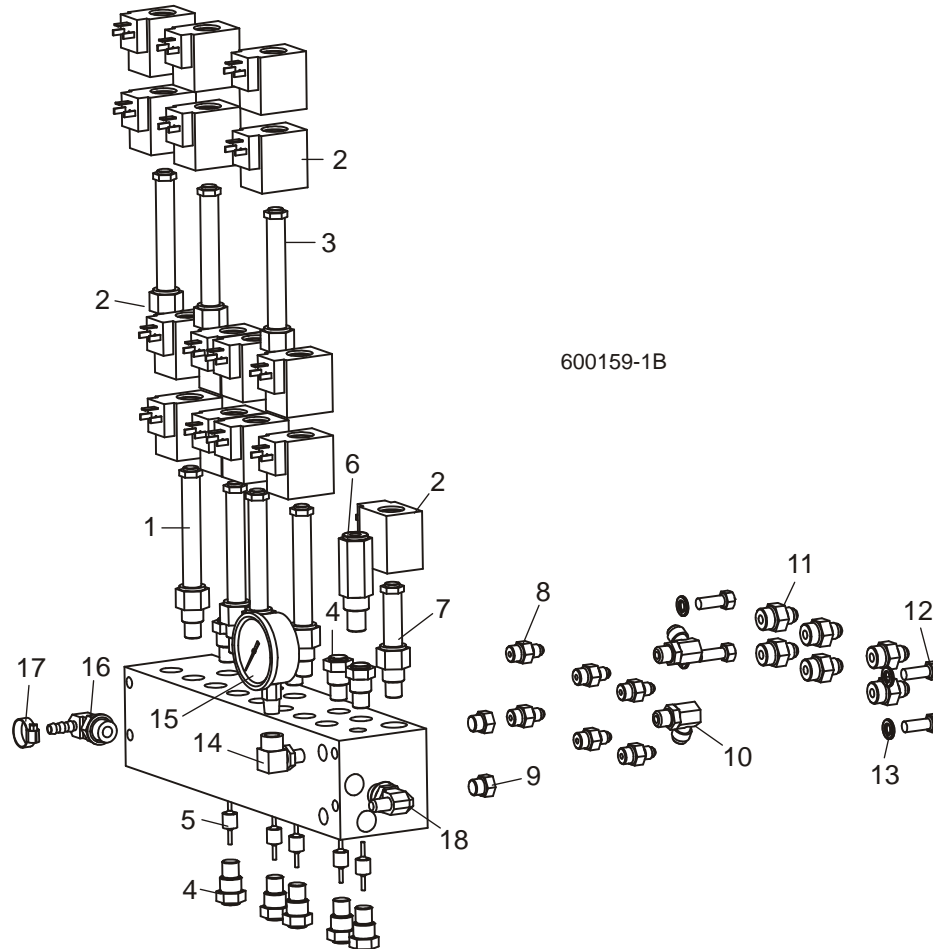
¹ Valve Assembly 036760 revised 8/10. New assembly includes new valve that requires different internal service parts ([See Section 10.15](#)).

² Valve 036730 no longer available. Use component parts to service or replace with Valve 025688 ([See Section 10.15](#)).

10.17 Hydraulic Valve (AC)

LT70HD Remote

Rev. A3.01 - A5.03



REF	DESCRIPTION (◆ Indicates Parts Available In Assemblies Only)	PART #	QTY.	
	VALVE ASSEMBLY, LT70 REMOTE HYDRAULIC	034640 ¹	1	◆
	Valve Assy, LT70 Remote Hydraulic	034639 ¹	1	◆
1	Valve, 4-Way Sterling #GS04-54-0-0-NC (toe boards & clamp)	045820	4	
2	Coil, 12V Sterling #CAP-012D	045819	15	
3	Valve, 4-Way Sterling #GS04-52-0-0-NC (loader, turner & side supports)	051556	3	
4	Valve, Check Sterling #D020B2-2.IN	051559	10	
5	Piston, Pilot Sterling #PP02DP	051560	5	
6	Valve, Relief Sterling #208-1-B-0-A-C-200	051554	1	
7	Valve, 2-Way Sterling #GS04-26-0-0-NC (Bypass)	051555	1	
8	Fitting, 1/4" JIC x 3/8" O-Ring	P26284	6	
9	Fitting, O-Ring Plug	P12741	2	
10	Fitting, #6 SAE - 3/8" JIC Elbow	P12704	2	
11	Fitting, #8 SAE x #6 JIC	P12703	6	

10

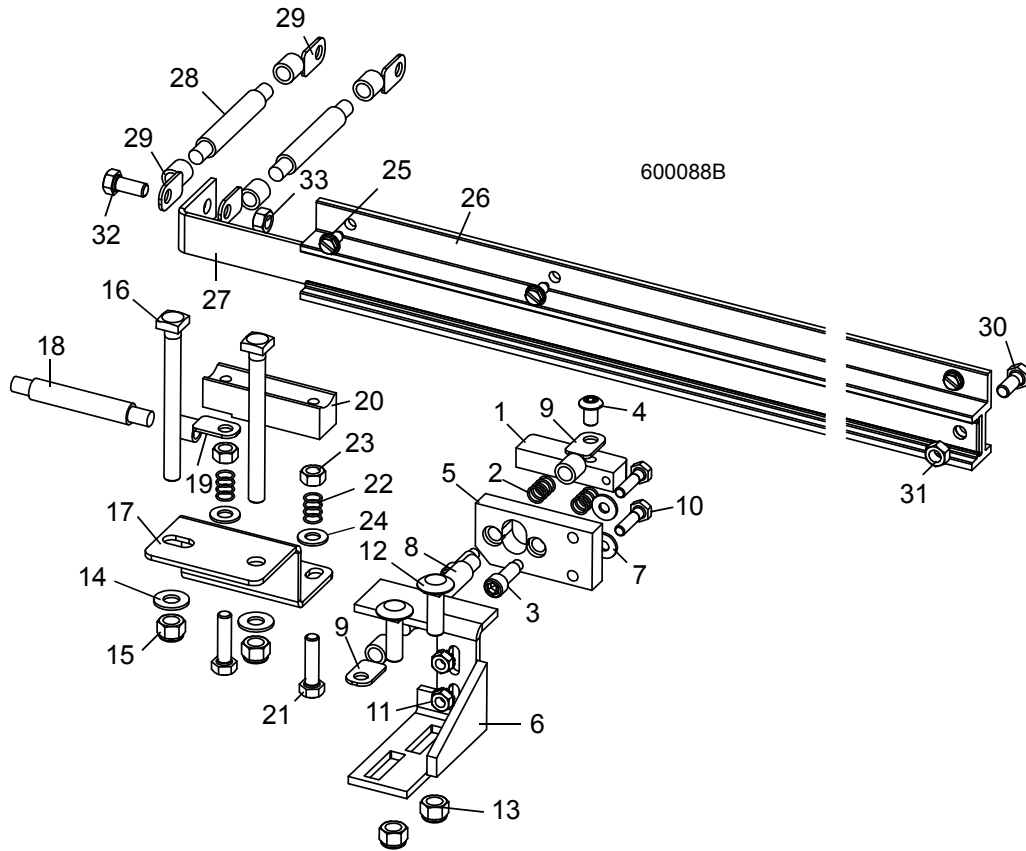
Hydraulic System

Hydraulic Valve (AC)

12	Bolt, 3/8-16 x 1" Hex Head	F05007-7	4	
13	Washer, 3/8" Split Lock	F05011-4	4	
14	Fitting, 1/4" SAE x 1/4" NPT Elbow	017881	1	
15	Gauge, 5000 PSI Hydraulic Pressure	P10052	1	
16	Fitting, #8 SAE x 3/8" Hose Barb Elbow	034635	1	
17	Clamp, 11/16" Hose	P12739	1	
18	FITTING, #6 JIC - #8 SAE ELBOW	015907	1	

¹ Valve and Valve Assembly obsolete. 7-Section valve used in production after Rev. A6.00. Use kit 036802 to retrofit to new 7-section valve. Use kit 036804 to retrofit valve with additional 8th valve for Log Deck option.

10.18 Hydraulic Power Supply Strip (DC Only)



REF	DESCRIPTION (◆ Indicates Parts Available In Assemblies Only)	PART #	QTY.	
	CONTACT ASSEMBLY, HYDRAULIC POWER SUPPLY (POSITIVE)	010103	1	
	Contact Kit, 97+ Hydraulic Power Supply Positive	007716	1	
1	Contact, Hydraulic Power Supply (Positive)	015253	1	
2	Spring, Positive Contact	P10077	2	
3	Bolt, 5/16" X 3/4" Shoulder (1/4-20 Thread) Stainless	F05006-143 ¹	2	
4	Bolt, 5/16-18 x 1/2" Socket Button Head	F05006-20	1	
5	Insulator, Positive Contact	S10072	1	
6	Bracket, Positive Contact Mounting	015324	1	
7	Washer, 1/4" SAE Flat	F05011-11	2	
8	Cable, #1 Weld	R01971 ²	1.17 Ft	◆
9	Terminal, 5/16" Ring #2 Gauge	F05092-16 ²	2	
10	Bolt, 1/4-20 X 1" Hex Head Grade 2	F05005-38	2	
11	Nut, 1/4-20 Hex Self-Locking	F05010-9	2	
12	Bolt, 3/8-16 X 1 1/4" Carriage Head	F05007-11	2	
13	Nut, 3/8-16 Hex Nylon Lock	F05010-10	2	

10

Hydraulic System

Hydraulic Power Supply Strip (DC Only)

	CONTACT KIT, HYDRAULIC POWER SUPPLY (GROUND)	017948	1	
14	Washer, 3/8" SAE Flat	F05011-3	2	
15	Nut, 3/8-16 Hex Nylon Lock	F05010-10	2	
16	Bolt, 3/8-16 X 4" Square Head	F05007-175	2	
17	Bracket, Ground Contact Mounting	017949	1	
18	Cable Assy, Hydraulic Negative Contact (Ground) #1 Weld	036306	1	
	Cable, #1 Weld	R01971	2.2 Ft	◆
19	Terminal, 5/16" Ring #2 Gauge	F05092-16	2	
	Contact Kit, Hydraulic Power Supply Ground	007717	1	
20	Contact, Hydraulic Power Supply (Ground)	015264	1	
21	Bolt, 5/16-18 X 1 1/4" Hex Head Full Thread Grade 5	F05006-93	2	
22	Spring, Ground Contact	P10077	2	
23	Nut, 5/16-18 Hex	F05010-17	2	
24	Washer, 5/16" SAE Flat	F05011-17	2	
	STRIP ASSEMBLY, LT70HD REMOTE DC	017860	1	
25	Screw, 1/4-20 X 1/2" Slotted Hex Head	F05015-1	8	
26	Housing, LT70HD Remote DC Contact Strip	017858	1	
	Strip, LT70HD Remote DC Contact w/Cables	N/A	1	
27	Strip, LT70HD Remote DC Contact	017859	1	
	Cable Assembly, LT70HD-R Contact Strip	052156	2	
	Cable, #1 Weld	R01971	5.34 Ft	◆
28	Terminal, 5/16" Ring #2 Gauge	F05092-16	2	
29	Bolt, 5/16-18 X 3/4" Hex Head Black Nylon	F05006-45	1	
30	Nut, 5/16-18 Hex Black Nylon	F05010-86	1	
31	Bolt, 5/16-18 x 3/4" Hex Head	F05006-5	1	
32	Nut, 5/16-18 Hex	F05010-17	1	

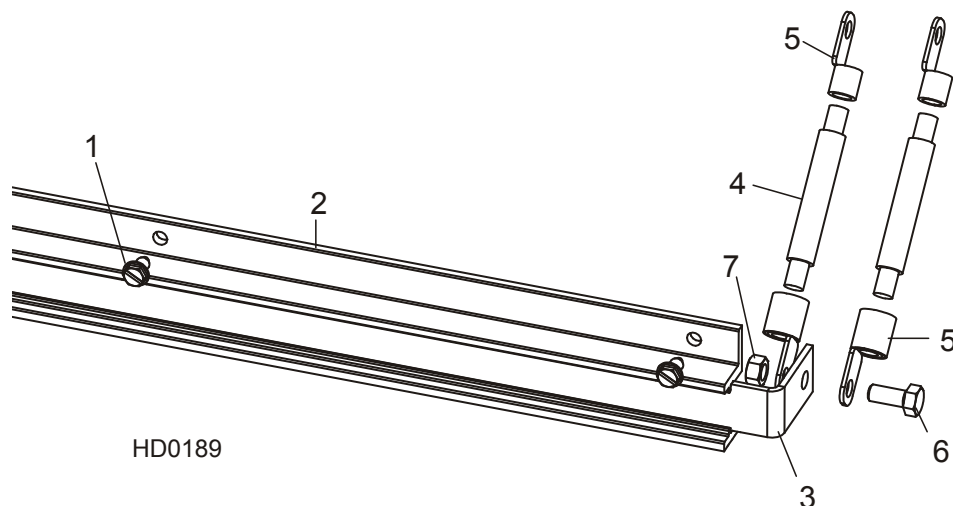
¹ Stainless Steel Bolt F05006-143 replaces F05006-44 to prevent corrosion (Rev. B3.01).

² See [Section 5.9](#) for pre-assembled cable service assemblies.

10.19 Rear Hydraulic Power Supply Strip (DC Only)

LT70HD Remote

Rev. A5.00 - B3.01

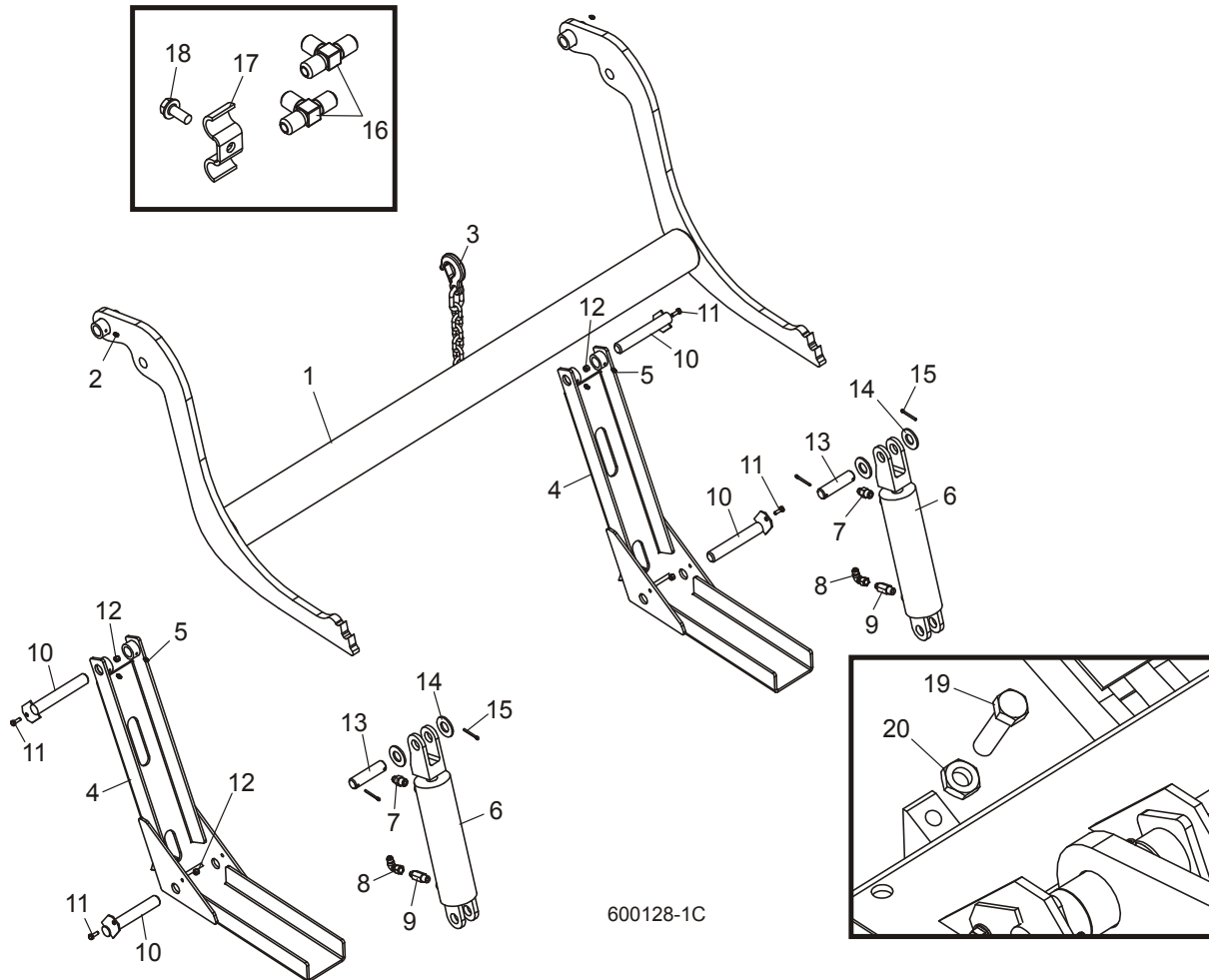


REF	DESCRIPTION (◆ Indicates Parts Available In Assemblies Only)	PART #	QTY.	
	STRIP ASSEMBLY, REAR HYDRAULIC POWER SUPPLY	036686	1	
1	Screw, 1/4-20 X 1/2" Slotted Hex Head	F05015-1	7	
2	Housing, Remote DC Rear Contact Strip	036687	1	
3	Strip, Remote DC Rear Contact	017859	1	
4	Cable Assembly, LT70HD-R Rear Contact Strip	052160	1	
5	Cable, #1 Weld	R01971	10 Ft	◆
6	Terminal, 5/16" Ring #2 Gauge	F05092-16	2	
	Tube, 5/8" Heat Shrink	R01950-5	.33 Ft	◆
7	Bolt, 5/16-18 x 3/4" Hex Head	F05006-5	1	
8	Nut, 5/16-18 Hex	F05010-17	1	

10.20 Hydraulic Log Loader

LT70HD Remote

Rev. A7.05 - B3.01



REF	DESCRIPTION (◆ Indicates Parts Available In Assemblies Only)	PART #	QTY.
	LOADER ASSEMBLY, HYDRAULIC LOG	034539	1
1	Arm, Hydraulic Log Loading	036416	1
2	Fitting, 3/16" Grease	P04107	2
3	Chain, Hydraulic Log Loader Safety	A04376	1
4	Channel, Hydraulic Log Loading Foot	W09444	2
5	Fitting, 3/16" Grease	P04107	4
	Cylinder Assembly, Hydraulic Log Loader	038735 ¹	2
6	Cylinder, 8" X 3" Hydraulic (3/8" NPT Ports)	042754	1
	Seal Kit, 8" x 3" Hydraulic Cylinder	P12956	1
7	Fitting, 3/8" NPT x 3/8" JIC Male Connector	016819	1
8	Fitting, 3/8" JIC 90° Swivel Elbow	042756	1

9	Fitting, 3/8NPT 6.5GPM Velocity Fuse	038734 ¹	1	
10	Pin, Loading Arm Mount	W09446	4	
11	Bolt, 1/4-20 x 3/4" Hex Head Full Thread	F05005-1	4	
12	Nut, 1/4-20 Hex Lock	F05010-69	4	
13	Pin, Loading Arm Cylinder Mount	S09251	2	
14	Washer, 1" SAE Flat	F05011-28	4	
15	Pin, 3/16" X 1 1/2" Cotter	F05012-23	4	
16	Fitting, 3/8" JIC Union 'T'	015487	1	
17	Clamp, 3/8" Hydraulic Hose	016041	6	
18	Bolt, 5/16-18 X 3/4" Hex Head Grade 5	F05006-102 ²	6	
19	BOLT, 1/2-13 X 3" HEX HEAD FULL THREAD GRADE 5	F05008-7	2	
20	NUT, 1/2-13 JAM	F05010-31	2	

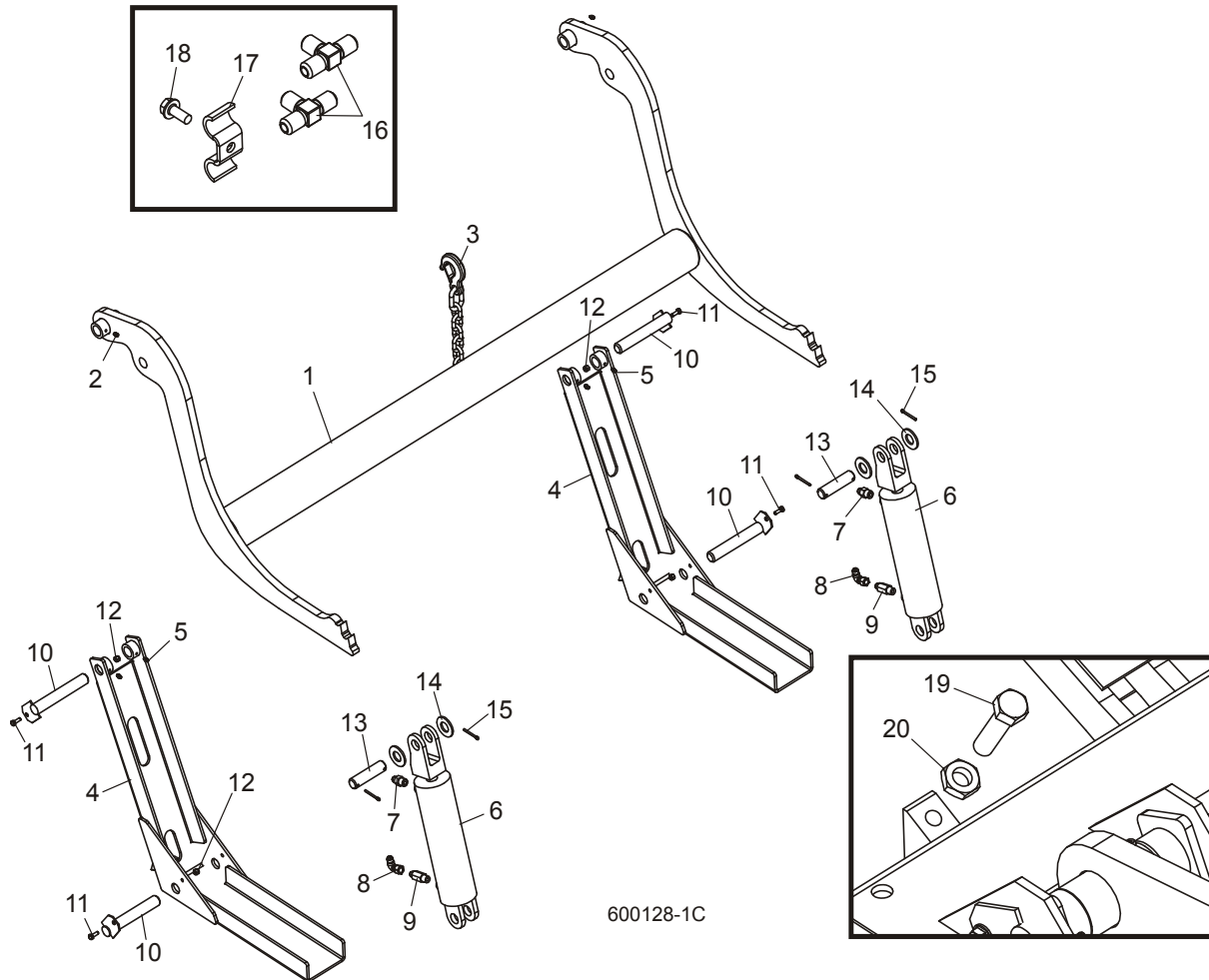
¹ Cylinder Assembly 038735 with 6.5GPM velocity fuse 038734 replaces Cylinder Assembly 017645 with 6.0GPM velocity fuse 042755 to prevent loading arm from locking up when fully extended (Rev. A7.05).

² Grade 5 Hex Head Bolt F05006-102 replaces self-tapping bolt F05006-30 to eliminate shearing of bolts head (4/08).

10.21 Hydraulic Log Loader

LT70HD Remote

Rev. A3.01 - A7.04



REF	DESCRIPTION (◆ Indicates Parts Available In Assemblies Only)	PART #	QTY.
	LOADER ASSEMBLY, HYDRAULIC LOG (LT60HD/70HD)	034539	1
1	Arm, Hydraulic Log Loading	036416 ¹	1
2	Fitting, 3/16" Grease	P04107	2
3	Chain, Hydraulic Log Loader Safety	A04376	1
4	Channel, Hydraulic Log Loading Foot	W09444	2
5	Fitting, 3/16" Grease	P04107	4
	Cylinder Assembly, Hydraulic Log Loader	017645	2
6	Cylinder, 8" X 3" Hydraulic (3/8" NPT Ports)	042754	1
	Seal Kit, 8" x 3" Hydraulic Cylinder	P12956	1
7	Fitting, 3/8" NPT x 3/8" JIC Male Connector	016819	1
8	Fitting, 3/8" JIC 90° Swivel Elbow	042756	1
9	Fitting, 3/8NPT 6.0GPM Velocity Fuse	042755	1

10	Pin, Loading Arm Mount	W09446	4	
11	Bolt, 1/4-20 x 3/4" Hex Head Full Thread	F05005-1	4	
12	Nut, 1/4-20 Hex Lock	F05010-69	4	
13	Pin, Loading Arm Cylinder Mount	S09251	2	
14	Washer, 1" SAE Flat	F05011-28	4	
15	Pin, 3/16" X 1 1/2" Cotter	F05012-23	4	
16	Fitting, 3/8" JIC Union 'T'	015487	1	
17	Clamp, 3/8" Hydraulic Hose	016041	6	
18	Bolt, 5/16-18 X 3/4" Hex Head Grade 5	F05006-102 ²	6	
19	BOLT, 1/2-13 X 3" HEX HEAD FULL THREAD GRADE 5	F05008-7	2	
20	NUT, 1/2-13 JAM	F05010-31	2	

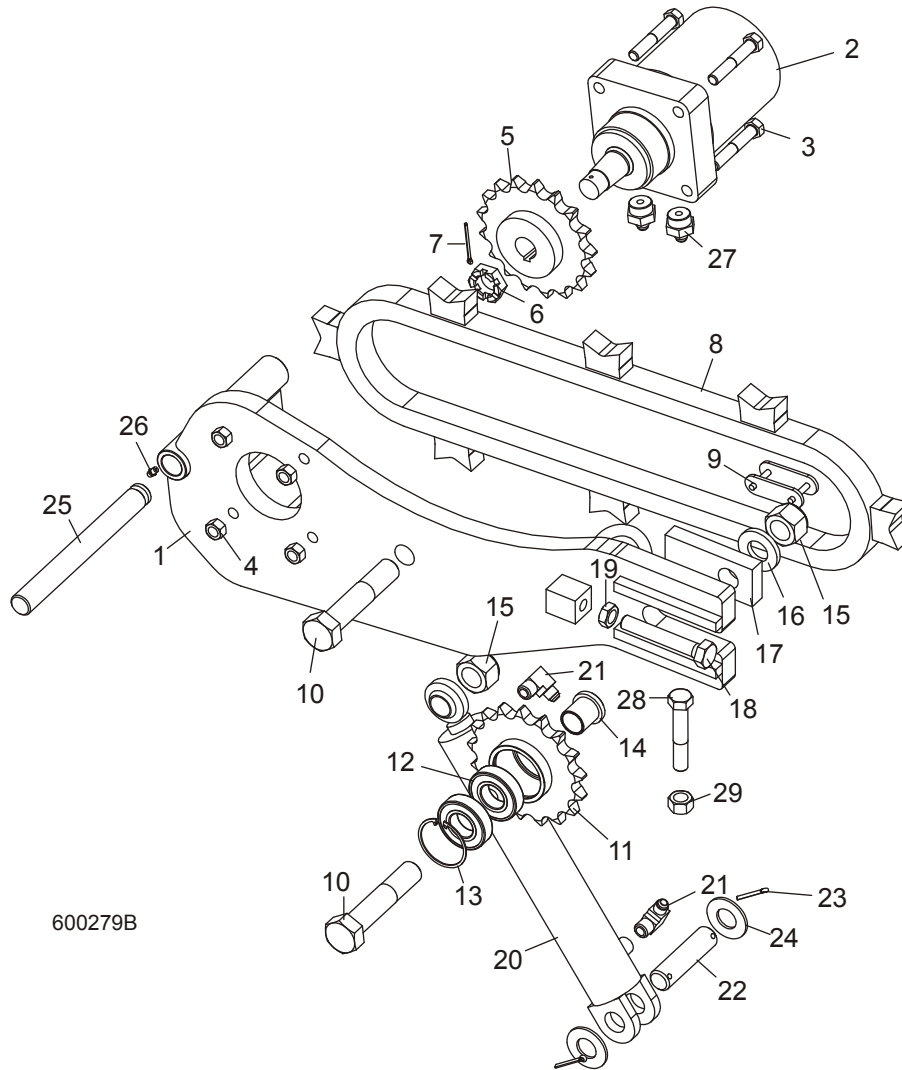
¹ Loading Arm Weldment 036416 replaces W11805 originally supplied prior to Rev. A3.02. Redesigned arm provided easier loading of logs onto arm.

² Grade 5 Hex Head Bolt F05006-102 replaces self-tapping bolt F05006-30 to eliminate shearing of bolts head (4/08).

10.22 Hydraulic Log Turner

LT70HD Remote

Rev. B2.00 - B3.01



REF	DESCRIPTION (◆ Indicates Parts Available In Assemblies Only)	PART #	QTY.
	ARM ASSEMBLY, HYDRAULIC LOG TURNER	006095	1
1	Arm Weldment, Hydraulic Log Turner	006471	1
2	Motor, Hydraulic Log Turner	007331 ¹	1
3	Bolt, 1/2-13 x 3" Hex Head Grade 5	F05008-23	4
4	Nut, 1/2-13 Hex Lock	F05010-3	4
5	Sprocket Weldment, Log Turner Drive	042192	1
6	Nut, Hydraulic Motor Castle	018741-2	1
7	Pin, 1/8" x 1 3/4" Cotter	F05012-43	1
8	Chain Weldment, Log Turner	006097	1
9	Link, #2080H Master	016796	1

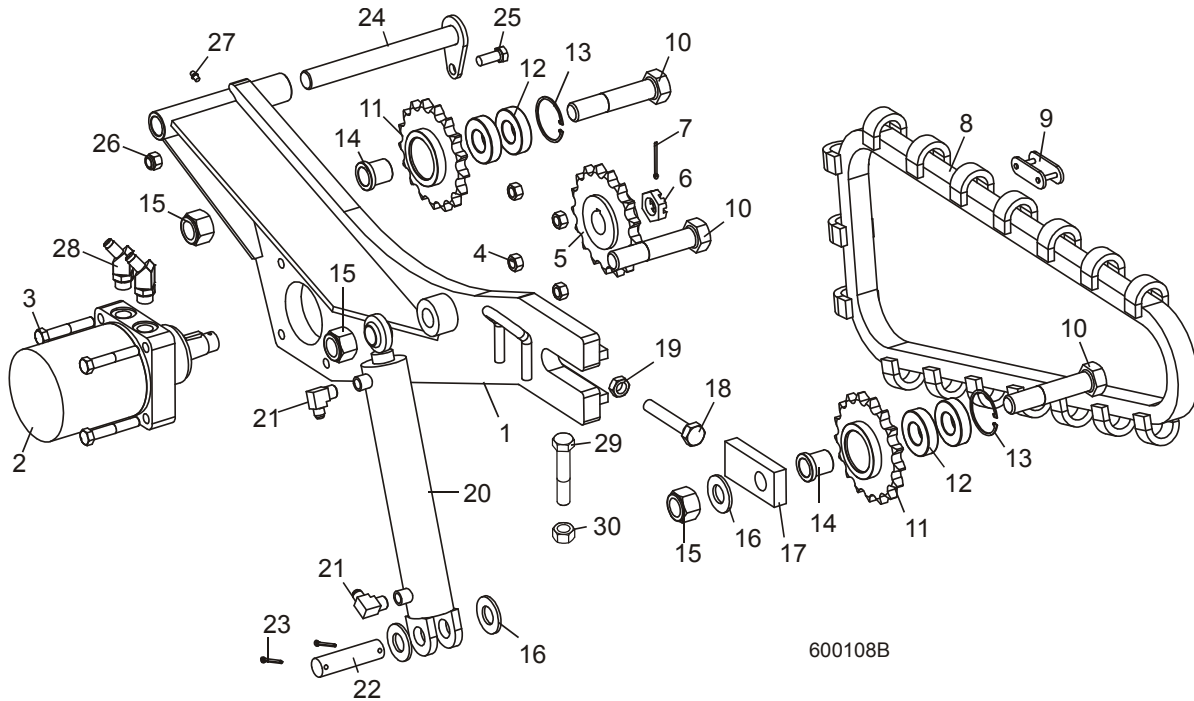
10	Bolt, 1-8 x 5" Hex Head Grade 8	F05004-132	2	
	Sprocket Assembly, Idler	042193	1	
11	Sprocket Weldment, Idler	042191	1	
12	Bearing, 6206 25 Idler	P11035	2	
13	Ring, 62mm #472 DIN Inside Retaining	F04254-12	1	
14	Spacer, Idler Sprocket	042187	2	
15	Nut, 1-8 Hex Lock	F05010-109	2	
16	Washer, 1" ID x 2" OD x 1/4"	038749	1	
17	Plate, Log Turner Chain Tensioner	042188	1	
18	Bolt, 5/8-11 x 4" Hex Head Full Thread Grade 5	F05009-31	1	
19	Nut, 5/8-11 Hex Jam	F05010-82	1	
20	Cylinder, 2" x 10" Welded Rod End Hydraulic	034267	1	
	Seal Kit, 2x10 Hydraulic Cylinder	003814	1	
21	Fitting, 3/8" NPT x 3/8" JIC 90° Elbow	016820	2	
22	Pin, 1" x 3.88"	S09251	1	
23	Pin, 3/16" x 1 1/2" Cotter	F05012-23	2	
24	Washer, 1" SAE Flat	F05011-28	2	
25	Rod, Grooved Turner Mount	006722	1	
26	Fitting, 1/4-28 Grease	P05060	1	
27	Fitting, #10 SAE x 3/8" JIC Straight	017640	2	
28	BOLT, 5/8-18 X 3 1/2" HEX HEAD BOLT FULL THREAD	F05009-16	1	
29	NUT, 5/8-18 HEX	F05010-50	1	

¹ Hydraulic Motor 007331 replaces 018741 originally supplied prior to 6/09. 018741 was changed by the vendor and no longer fits the hole in the log turner arm.

10.23 Hydraulic Log Turner

LT70HD Remote

Rev. A3.01 - B1.00



REF	DESCRIPTION (◆ Indicates Parts Available In Assemblies Only)	PART #	QTY.
	ARM ASSEMBLY, HYDRAULIC LOG TURNER	034537	1
1	Arm Weldment, Hydraulic Log Turner	016873	1
2	Motor, Hydraulic Log Turner	007331 ¹	1
3	Bolt, 1/2-13 x 3" Hex Head Grade 5	F05008-23	4
4	Nut, 1/2-13 Hex Lock	F05010-3	4
5	Sprocket Weldment, Log Turner Drive	042192	1
6	Nut, Hydraulic Motor Castle	018741-2	1
7	Pin, 1/8" x 1 3/4" Cotter	F05012-43	1
8	Chain Weldment, Log Turner	025655 ²	1
	Cog, Log Turner	042194 ³	17
	Chain, #2080 Log Turner	042195	1
9	Link, #2080H Master	016796	1
10	Bolt, 1-8 x 5" Hex Head Grade 8	F05004-132	3
	Sprocket Assembly, Idler	042193	2
11	Sprocket Weldment, Idler	042191	1
12	Bearing, 6206 25 Idler	P11035	2
13	Ring, 62mm #472 DIN Inside Retaining	F04254-12	1
14	Spacer, Idler Sprocket	042187	2
15	Nut, 1-8 Hex Lock	F05010-109	3

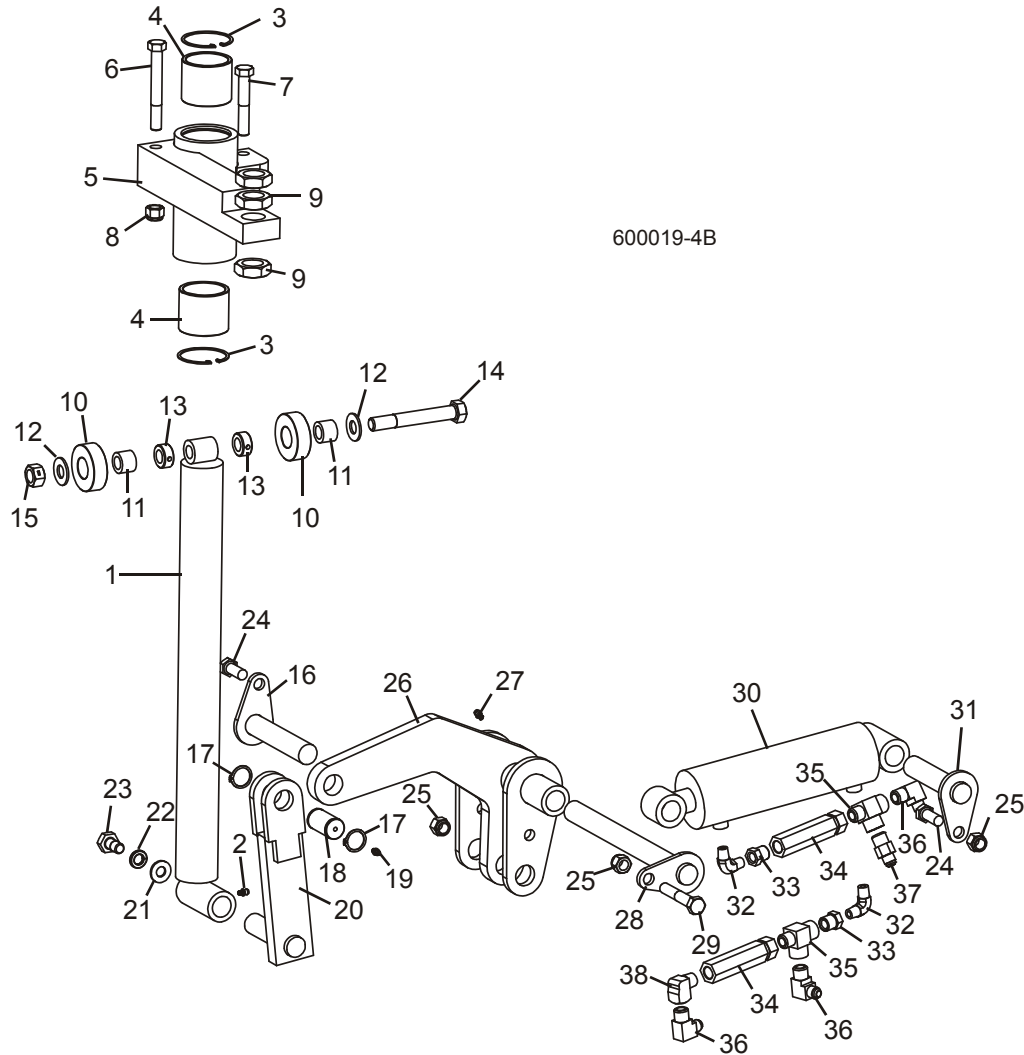
16	Washer, 1" SAE Flat	F05011-28	3	
17	Plate, Log Turner Chain Tensioner	042188	1	
18	Bolt, 5/8-11 x 4" Hex Head Full Thread Grade 5	F05009-31	1	
19	Nut, 5/8-11 Hex Jam	F05010-82	1	
20	Cylinder, 2" x 10" Welded Rod End Hydraulic	034267	1	
	Seal Kit, 2x10 Hydraulic Cylinder	003814	1	
21	Fitting, 3/8" NPT x 3/8" JIC 90° Elbow	016820	2	
22	Pin, 1" x 3.88"	S09251	1	
23	Pin, 3/16" x 1 1/2" Cotter	F05012-23	2	
24	Pin Weldment, Log Turner Mount	042331	1	
25	Bolt, 1/2-13 x 1 1/4" Hex Head Grade 5	F05008-37	1	
26	Nut, 1/2-13 Hex Nylon Lock	F05010-8	1	
27	Fitting, 1/4-28 Grease	P05060	1	
28	FITTING, #10 SAE X 3/8" JIC 45° ELBOW	034538	2	
29	BOLT, 5/8-18 X 3 1/2" HEX HEAD BOLT FULL THREAD	F05009-16	1	
30	NUT, 5/8-18 HEX	F05010-50	1	

¹ Hydraulic Motor 007331 replaces 018741 originally supplied prior to 6/09. 018741 was changed by the vendor and no longer fits the hole in the log turner arm.

² Turner Chain 025655 replaces original chain 042196 supplied prior to 4/10. New chain provides more aggressive log turning.

³ Applies to original Turner Chain 042196 only.

10.24 Hydraulic Log Side Supports (Front)

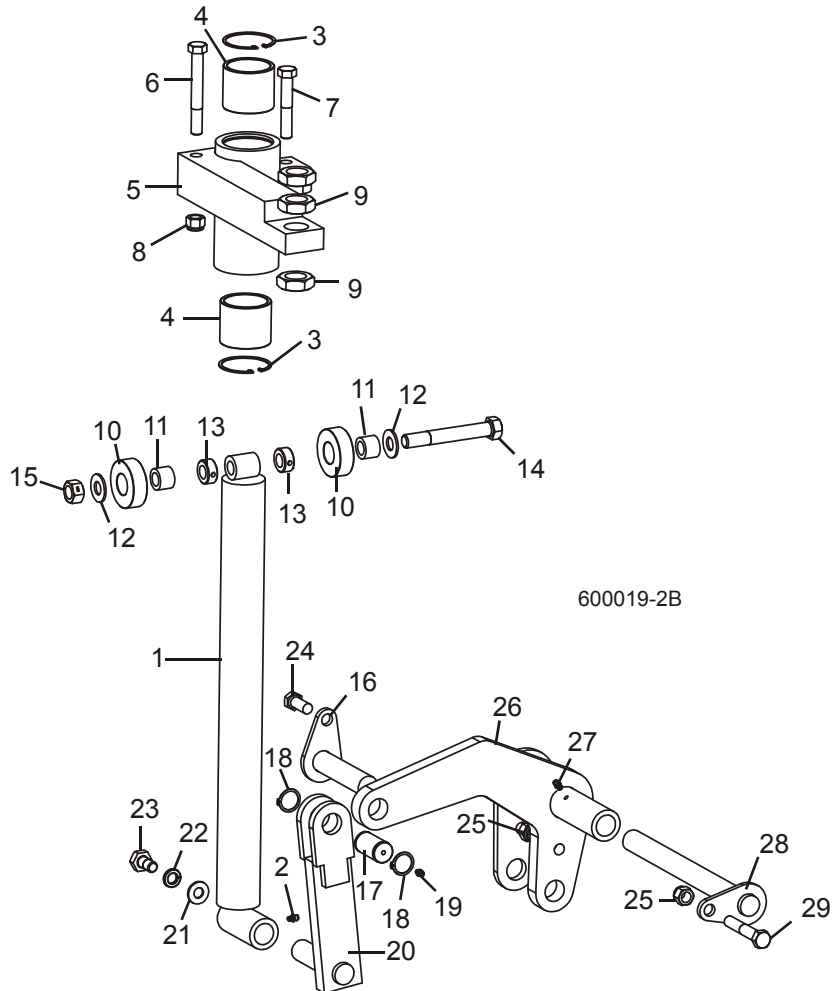


600019-4B

REF	DESCRIPTION (◆ Indicates Parts Available In Assemblies Only)	PART #	QTY.
	SUPPORT ASSEMBLY, VERTICAL HYDRAULIC SIDE	034732	1
1	Rod Weldment, Vertical Side Support	034704	1
2	Fitting, 3/16" Straight Grease	P04107	1
3	Ring, 62mm Din #472 Inside Retaining	F04254-12	2
4	Bushing, Side Support	042262	2
5	Mount Weldment, Vertical Side Support	034703	1
6	Bolt, 1/2-13 x 4" Hex Head Grade 5	F05008-78	1
7	Bolt, 1/2-13 x 3" Hex Head Grade 5	F05008-23	1
8	Nut, 1/2-13 Hex Nylon Lock	F05010-8	2
9	Nut, 1-14 Hex Jam	F05010-118	3
	Roller Kit, Side Support	034733	1

10	Roller, Side Support	016561	2	
11	Bushing, 5/8" x 1" x 3/4" Bronze	016560	2	
12	Washer, 5/8" SAE Flat	F05011-5	2	
13	Collar, 5/8" Lock	P05035	2	
14	Bolt, 5/8-11 x 4 1/2" Hex Head Grade 5	F05009-10	1	
15	Nut, 5/8-11 Hex Lock	F05010-4	1	
16	PIN WELDMENT, 5 1/4" PIVOT	034727	1	
	PIN ASSEMBLY, SIDE SUPPORT PIVOT	036053	1	
17	Pin, Grooved Pivot	034718	1	◆
18	Ring, 1" 3100-100 Outside Retaining	F04254-15	2	
19	Fitting, 3/16" Straight Grease	P04107	1	
20	PUSHER WELDMENT, LOWER SIDE SUPPORT	034711	1	
21	WASHER, 9/16" SAE FLAT	F05011-52	1	
22	WASHER, 1/2" SPLIT LOCK	F05011-9	1	
23	BOLT, 1/2-13 X 1" HEX HEAD	F05008-50	1	
24	BOLT, 1/2"-13 X 1 1/4" HEX HEAD GRADE 5	F05008-37	2	
25	NUT, 1/2-13 HEX NYLON LOCK	F05010-8	3	
26	ARM WELDMENT, VERTICAL SIDE SUPPORT FRONT LIFT	034715	1	
27	FITTING, 3/16" STRAIGHT GREASE	P04107	1	
28	PIN WELDMENT, 10 7/8" PIVOT	034728	1	
29	BOLT, 1/2-13 X 3" HEX HEAD GRADE 5	F05008-23	1	
30	CYLINDER, 2 1/2" X 6" X 1/4" NPT PORT HYDRAULIC	034736	1	
31	PIN WELDMENT, 4 3/8" PIVOT	034726	1	
32	FITTING, 1/4" NPT MALE PIPE ELBOW	P09140	2	
33	FITTING, 3/8" NPT X 1/4" NPT REDUCER	015490	2	
34	VALVE, SIDE SUPPORT SEQUENCE	015484	2	
35	FITTING, 3/8" NPT MALE RUN TEE	016822	2	
36	FITTING, 3/8" NPT X 3/8" JIC ELBOW	016820	3	
37	FITTING, 3/8" NPT X 3/8" JIC CONNECTOR	016819	1	
38	FITTING, 3/8" NPT STREET ELBOW	P05759	1	

10.25 Hydraulic Log Side Supports (Rear)



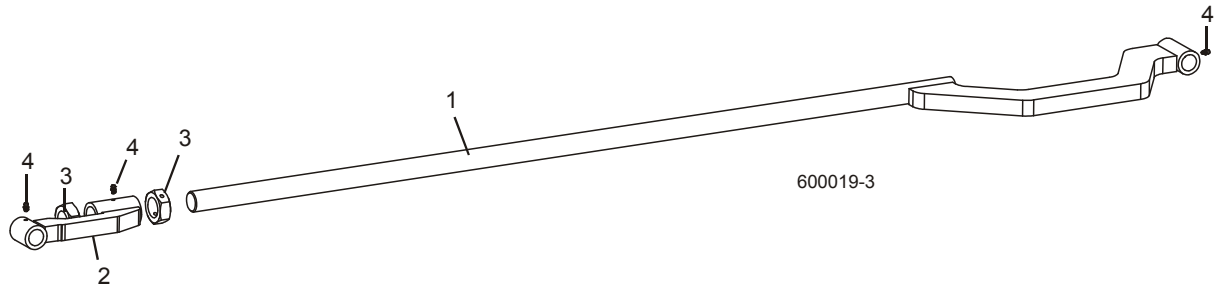
REF	DESCRIPTION (◆ Indicates Parts Available In Assemblies Only)	PART #	QTY.
	SUPPORT ASSEMBLY, VERTICAL HYDRAULIC SIDE	034732	1
1	Rod Weldment, Vertical Side Support	034704	1
2	Fitting, 3/16" Straight Grease	P04107	1
3	Ring, 62mm Din #472 Inside Retaining	F04254-12	2
4	Bushing, Side Support	042262	2
5	Mount Weldment, Vertical Side Support	034703	1
6	Bolt, 1/2-13 x 4" Hex Head Grade 5	F05008-78	1
7	Bolt, 1/2-13 x 3" Hex Head Grade 5	F05008-23	1
8	Nut, 1/2-13 Hex Nylon Lock	F05010-8	2
9	Nut, 1-14 Hex Jam	F05010-118	3
	Roller Kit, Side Support	034733	1
10	Roller, Side Support	016561	2
11	Bushing, 5/8" x 1" x 3/4" Bronze	016560	2

12	Washer, 5/8" SAE Flat	F05011-5	2	
13	Collar, 5/8" Lock	P05035	2	
14	Bolt, 5/8-11 x 4 1/2" Hex Head Grade 5	F05009-10	1	
15	Nut, 5/8-11 Hex Lock	F05010-4	1	
16	PIN WELDMENT, 4 3/8" PIVOT	034726	1	
	PIN ASSEMBLY, SIDE SUPPORT PIVOT	036053	1	
17	Pin, Grooved Pivot	034718	1	◆
18	Ring, 1" 3100-100 Outside Retaining	F04254-15	2	
19	Fitting, 3/16" Straight Grease	P04107	1	
20	PUSHER WELDMENT, LOWER SIDE SUPPORT	034711	1	
21	WASHER, 9/16" SAE FLAT	F05011-52	1	
22	WASHER, 1/2" SPLIT LOCK	F05011-9	1	
23	BOLT, 1/2-13 X 1" HEX HEAD	F05008-50	1	
24	BOLT, 1/2"-13 X 1 1/4" HEX HEAD GRADE 5	F05008-37	2	
25	NUT, 1/2-13 HEX NYLON LOCK	F05010-8	2	
26	ARM WELDMENT, VERTICAL SIDE SUPPORT REAR LIFT	034716	1	
27	FITTING, 3/16" STRAIGHT GREASE	P04107	1	
28	PIN WELDMENT, 10 7/8" PIVOT	034728	1	
29	BOLT, 1/2-13 X 3" HEX HEAD GRADE 5	F05008-23	1	

10 Hydraulic System

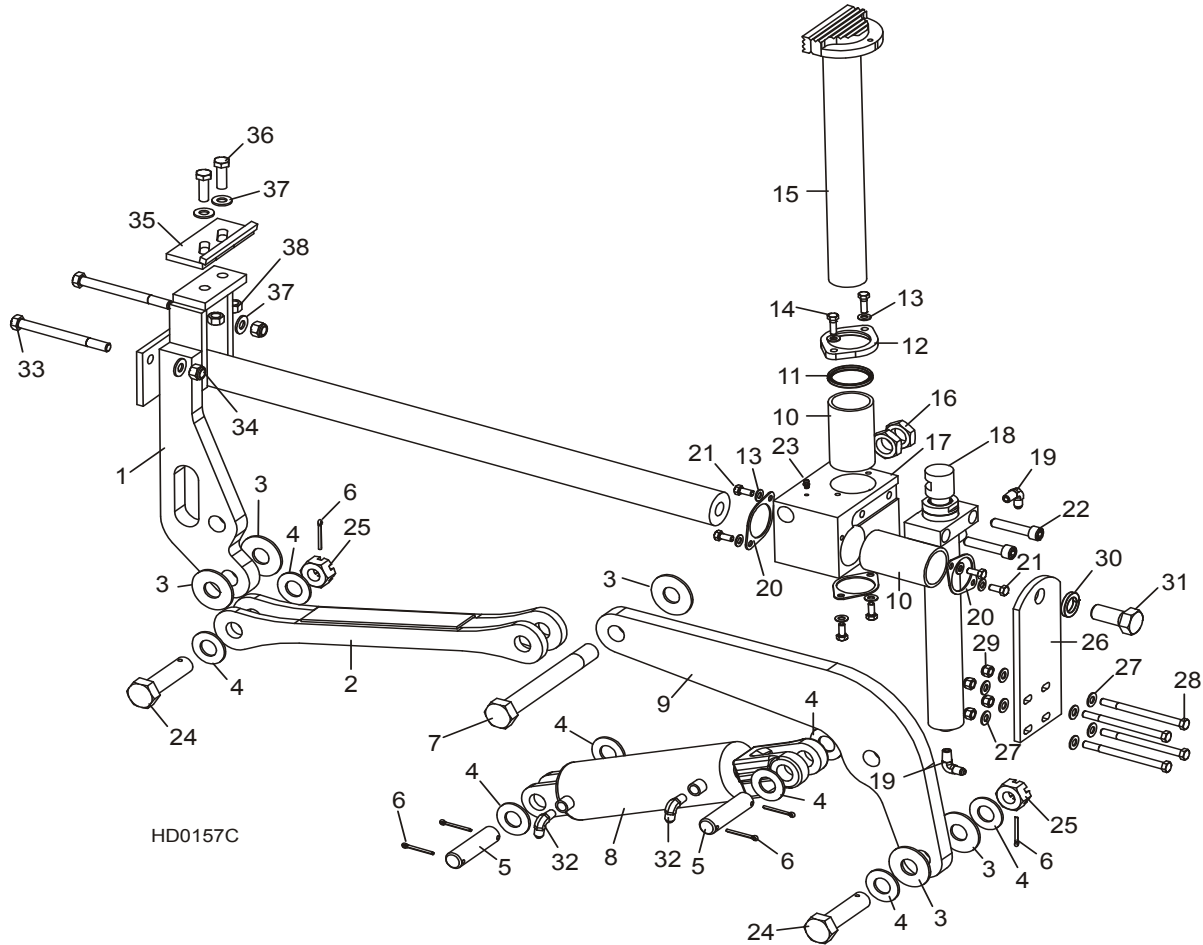
Hydraulic Log Side Supports (Link)

10.26 Hydraulic Log Side Supports (Link)



REF	DESCRIPTION (◆ Indicates Parts Available In Assemblies Only)	PART #	QTY.	
1	ROD WELDMENT, SIDE SUPPORT LINK	034725	1	
2	ARM WELDMENT, SIDE SUPPORT LINK	034724	1	
3	NUT, 1 1/4"-12 HEX JAM	F05010-100	2	
4	FITTING, 3/16" STRAIGHT GREASE	P04107	3	

10.27 Hydraulic Log Clamp



REF	DESCRIPTION (◆ Indicates Parts Available In Assemblies Only)	PART #	QTY.
	CLAMP ASSEMBLY, HYDRAULIC 2-PLANE	017264	1
1	Mount Weldment, Hydraulic Clamp Slide	017265	1
2	Link Weldment, Hydraulic Clamp	017267	1
3	Washer, 1/8" x 2 1/2" Hardened	015057	5
4	Washer, 1" SAE Flat	F05011-28	8
5	Pin, 1" x 3.88"	S09251	2
6	Pin, 3/16" x 1 1/2" Cotter	F05012-23	6
7	Bolt, 1-14 x 8 1/2" Hex Head Grade 8	015049	1
8	Cylinder, 3" x 7" Hydraulic	017275	1
	Seal Kit, Hydraulic Cylinder	P12956	1
9	Arm, Clamp Pivot	017274	1
10	Bushing, Clamp Slide	015088	2
	Wiper Assembly, Vertical Clamp Rod	017271	1
11	Wiper, Vertical Clamp Rod	017273	1

10

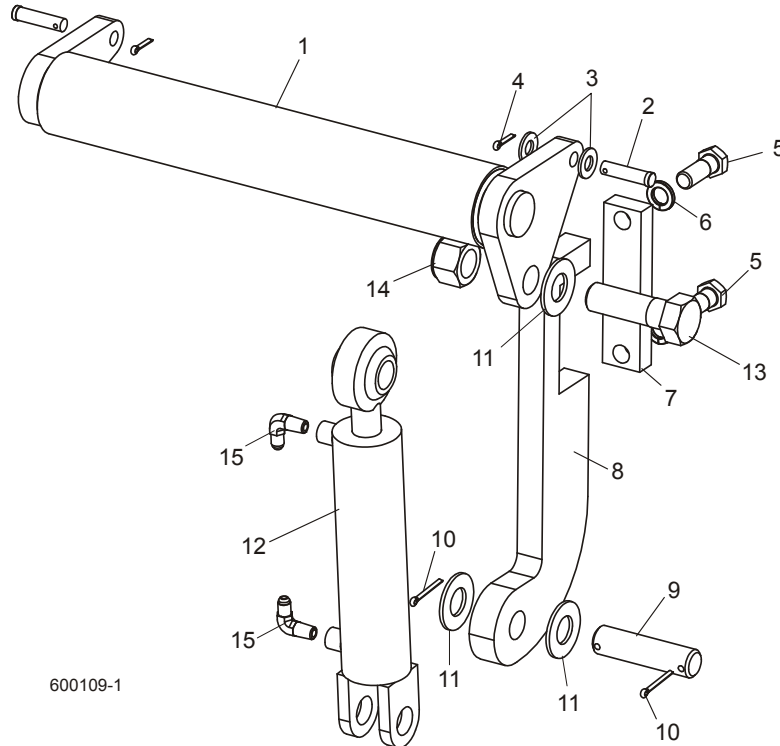
Hydraulic System

Hydraulic Log Clamp

12	Flange, Vertical Clamp Rod Wiper	017272	1	
13	Washer, 5/16" SAE Flat	F05011-17	8	
14	Bolt, 5/16-18 x 1" Hex Head	F05006-1	2	
15	Clamp Weldment, Vertical	015043	1	
16	Nut, 1-14 Hex Jam	F05010-118	2	
17	Block, Hydraulic Clamp Slide	017270	1	
18	Cylinder Weldment, Vertical Clamp Hydraulic	015050	1	
	Seal Kit, Hydraulic Cylinder	016204	1	
	Instruction Sheet, Vertical Clamp Seal Replacement	016204-1009	1	
19	Fitting, 1/4" NPT x 1/4" JIC Elbow	P09142	2	
20	Retainer, Clamp Bushing	017242	3	
21	Bolt, 5/16-18 x 3/4" Hex Head	F05006-5	6	
22	Bolt, 1/2-13 x 2 1/2" Socket Head	F05008-39	2	
23	Fitting, 3/16" Straight Grease	P04107	1	
24	Bolt, 1-14 x 3 3/4" Hex Head Grade 8 w/Hole	015072 ¹	2	
25	Nut, 1-14 Slotted Hex	F05010-163	2	
26	Plate, Log Clamp Mount	015068	1	
27	Washer, 3/8" SAE Flat	F05011-3	8	
28	Bolt, 3/8-16 x 5" Hex Head	F05007-5	4	
29	Nut, 3/8-16 Hex Nylon Lock	F05010-10	4	
30	Washer, 7/8" Split Lock	F05011-46	1	
31	Bolt, 7/8-14 x 2" Hex Head Grade 5	F05014-2	1	
32	Fitting, 1/4" NPT - 3/8" JIC Elbow	015491	2	
33	Bolt, 1/2-13 x 5 1/2" Hex Head Grade 5	F05008-28	2	
34	Nut, 1/2-13 Hex Nylon Lock	F05010-8	2	
	Clamp Stop Kit, Hydraulic Log	K09485	1	
35	Plate, Clamp Stop	W09404	1	
36	Bolt, 1/2-13 X 1 1/2" Hex Head Grade 5	F05008-33	2	
37	Washer, 1/2" SAE Flat	F05011-2	2	
38	Nut, 1/2-13 Hex Lock	F05010-3	2	

¹ Bolt shortened from 4" to 3 3/4" to reduce interference on LT60HD/60HD models. 4" bolts can be used on other models (1/04).

10.28 Hydraulic Toe Board



REF	DESCRIPTION (◆ Indicates Parts Available In Assemblies Only)	PART #	QTY.
1	TOE BOARD WELDMENT, HYDRAULIC	W13025	2
2	PIN, 1/2-1 3/4 CLEVIS	F05012-82	4
3	WASHER, 1/2" SAE FLAT	F05011-2	4
4	PIN, 1/8 X 3/4" COTTER	F05012-3	4
5	BOLT, 5/8-11 X 1 3/4" HEX HEAD	F05009-33	4
6	WASHER, 5/8" SPLIT LOCK	F05011-27	4
7	PLATE, HYDRAULIC TOEBOARD MOUNT	S13023	2
8	BRACKET, HYDRAULIC TOEBOARD MOUNT	S13022	2
9	PIN, CYLINDER MOUNT	S09251	2
10	PIN, 3/16" X 1 1/2" COTTER	F05012-23	4
11	WASHER, 1" SAE FLAT	F05011-28	6
12	CYLINDER, 1 1/2" X 6" HYDRAULIC TOE BOARD	014482	2
	Seal Kit, 1 1/2" x 6" Hydraulic Cylinder	014547	1
13	BOLT, 1-8 X 3 1/4" HEX HEAD GRADE 5	F05009-51	2
14	NUT, 1-8 HEX NYLON LOCK	F05010-109	2
15	FITTING, 1/4" NPT X 1/4" JIC MALE ELBOW	P09142 ¹	4

¹ Elbow fitting P09142 replaces straight fitting P09143 in top cylinder port to eliminate interference with frame (12/07).

INDEX

A

autoclutch assembly 4-5, 4-7

B

battery box 5-12, 5-14

bed rails

front/rear 8-1, 8-3

middle front 8-5

middle rear 8-6

pivot 8-14

belt tensioner 4-2

blade guide arm

drive 2-19

blade guides

drive side roller 2-10, 2-13, 2-16

idle side roller 2-1, 2-4, 2-7

throat screw 4-1

blade tensioner 3-7, 3-10, 3-15

blade wheels

drive side 3-1

idle side 3-3, 3-5

board dragback 4-10, 4-11

board return 4-9

board return table 8-10, 8-12

brake assembly 4-4

C

control box 5-1, 5-4, 5-7

drum switches 5-9

remote junction w/accuset (AC) 5-30

remote junction w/accuset 2 (AC) 5-25

remote power 5-32

remote power box door 5-34, 5-35, 5-36, 5-38

remote power w/accuset 5-22

remote power w/accuset (DC) 5-27, 5-32

remote power w/accuset 2 (DC) 5-20, 5-22

covers

blade housing 4-20, 4-22

D

debarker wire box/hole plugs 4-27

decals

frame 8-20

saw head 4-14, 4-15, 4-16, 4-18

F

feed chain 7-5, 7-7, 7-9

fuse box 5-16, 5-18

H

hydraulic

- command control 10-3
- control box (230/460V AC) 10-20
- control box (575V AC) 10-22
- hoses 10-1, 10-2
- log clamp 10-52
- log loader 10-39, 10-41
- log turner 10-43, 10-45
- power strip 10-36
- power strip (DC) 10-36
- pump box (230/460V AC) 10-11
- pump box (575V AC) 10-14
- pump box (AC) 10-16, 10-18
- pump box (DC) 10-5, 10-24, 10-26, 10-28
- rear power strip 10-38
- rear power strip (DC) 10-38
- side supports 10-47
- side supports (link) 10-51
- side supports (rear) 10-49
- toe board 10-54
- valve (AC) 10-30, 10-32, 10-34
- valve (DC) 10-24, 10-26, 10-28

M

- manuals 9-1

O

- outfeed table option 8-28

P

parts list

- how to use 1-1

- power feed 7-3

R

- remote cable box 8-26

remote cable chain 8-21

- bottom mount 8-22
- top mount 8-23
- tray & front pivot 8-24

- remote cable chain support bracket 8-25

- rest pin 8-19

S

- sawdust chute 4-26

- side supports 8-16

T

track rollers

- lower 7-11
- upper 7-1

U

up/down

- assist 6-8
- blade scales 6-3
- chain & sprockets 6-4
- drive 6-6
- saw head mount 6-1

W

water lube

- bottle/tray 4-12