

D35 Engine

Safety, Operation, Maintenance & Parts Manual

079324 Engine, D35 Diesel, Tier 4 rev. B

Safety is our #1 concern!

Form #1573

Used with *

| | LTxxD35: beginning revision - current revision |
|-----------------------|--|
| LT40 | rev. K1.03 - K5.03 |
| LT40HD | rev. K3.01 - K7.04 |
| LT40HD Super | rev. J9.02 - K4.02 |
| LT40HD Super Remote | rev. J9.02 - K4.02 |
| LT40HD Super Wireless | rev. J9.02 - K4.02 |
| LT50HD | rev. A5.10 - A6.01 |
| LT50HD Remote | rev. A5.10 - A6.01 |
| LT50HD Wireless | rev. A5.10 - A6.01 |

* Includes Wide and International versions, if available.



WARNING! Read and understand this manual before using this machine.

California
Proposition 65 Warning



WARNING: Breathing gas/diesel engine exhaust exposes you to chemicals known to the State of California to cause cancer and birth defects or other reproductive harm.

Always start and operate the engine in a well-ventilated area.
If in an enclosed area, vent the exhaust to the outside.
Do not modify or tamper with the exhaust system.
Do not idle the engine except as necessary.

For more information go to **www.P65warnings.ca.gov**.



WARNING: Drilling, sawing, sanding or machining wood products can expose you to wood dust, a substance known to the State of California to cause cancer. Avoid inhaling wood dust or use a dust mask or other safeguards for personal protection.

For more information go to **www.P65Warnings.ca.gov/wood**.

Active Patents assigned to Wood-Mizer, LLC

Wood-Mizer, LLC has received patents that protect our inventions which are a result of a dedication to research, innovation, development, and design. Learn more at: woodmizer.com/patents

©2023 Wood-Mizer LLC

Printed in the United States of America, all rights reserved. No part of this manual may be reproduced in any form by any photographic, electronic, mechanical or other means or used in any information storage and retrieval system without written permission from

Wood-Mizer, LLC
8180 West 10th Street
Indianapolis, Indiana 46214

SECTION 1 OPERATION

1.1 Starting The Engine 1-1

SECTION 2 MAINTENANCE

2.1 Safety 2-1
2.2 Engine Oil & Filter 2-1
2.3 Cooling System 2-2
2.4 Battery 2-2
2.5 Alternator Belt..... 2-2
2.6 Air Cleaner 2-2
2.7 RPM Adjustments 2-2

SECTION 3 REPLACEMENT PARTS

3.1 Fuel Tank (6/2017-present)..... 3-1
3.2 Fuel Tank (2008- 6/2017) 3-3
3.3 Engine Mount Assembly..... 3-4
3.4 Engine Assembly (6/2017 - present) Tier 4..... 3-5
3.5 Engine Assembly (7/08 - 6/17) 3-7
3.6 ECU & Relay/Fuse Assembly (6/17 - present)..... 3-9
3.7 Relay/Throttle Assembly (7/08-6/17) 3-10
3.8 Drive Assembly (06/17 - present)..... 3-12
3.9 Drive Assembly (7/08 - 6/17) 3-13
3.10 Radiator Assembly (6/2017 - present) 3-14
3.11 Radiator Assembly (7/08 - 6/17)..... 3-16
3.12 Alternator Assembly (6/17 - present)..... 3-18
3.13 Alternator Assembly (7/08 - 06/17)..... 3-19
3.14 Engine Pulley Guards (6/2017 - present)..... 3-21
3.15 Engine Pulley Guards (7/08 - 6/17) 3-22
3.16 Bearing Support (6/2017 - present)..... 3-23
3.17 Bearing Support (7/08 - 6/17) 3-24

SECTION 1 OPERATION

ABOUT THIS MANUAL

This manual is provided as a supplement to the equipment manufacturer's manuals. This manual provides information specific to the use of this equipment on the Wood-Mizer® sawmill. Refer to the sawmill operator's manual and manufacturer's manual before attempting to operate this equipment.

NOTICE Read the sawmill operator's manual and engine manufacturer's manual for instructions and safety precautions before operating this equipment.

The information and instructions given in this manual do not amend or extend the limited warranties for the equipment given at the time of purchase.

D35 Tier4 Engine -- For sale in the US and where requested

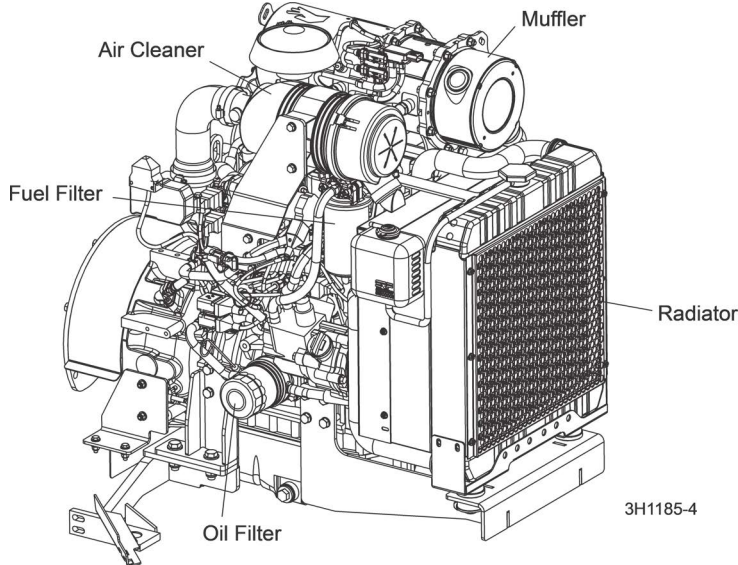
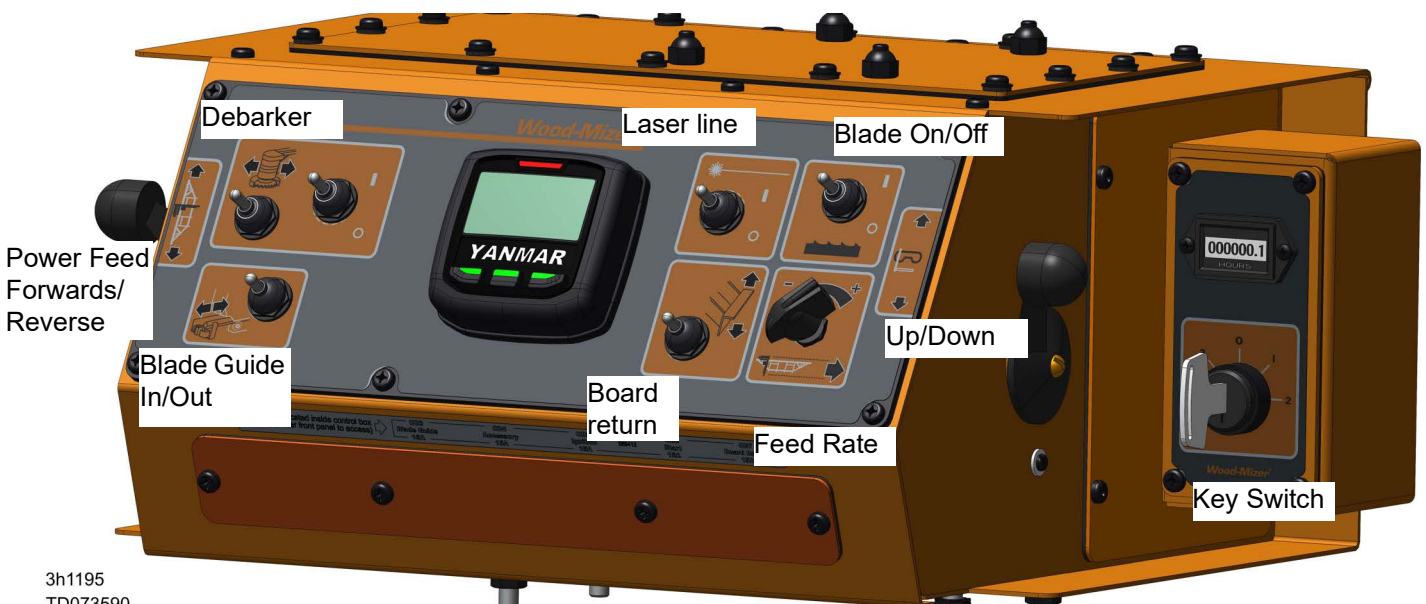


FIG. 1-1

1.1 Starting The Engine

Check the Manufacturer's Manual for the operation of the engine controller located on the sawmill control panel.



ENGINE START



DANGER! Disengage the blade and clear all persons are in the area before starting the engine. Failure to do so will result in serious injury.

DANGER! Operate your engine/machine only in well ventilated areas. The exhaust gases will cause death unless adequate ventilation is present.

DANGER! Never operate an engine with a fuel or oil leak.



WARNING! Set the power feed switch is in the neutral position before turning the key switch. This prevents accidental carriage movement which may cause serious injury or death.

WARNING! Do not operate engine without proper and operational spark arrester/muffler. Engine exhaust sparks could ignite surrounding materials.



CAUTION! Do not crank starter for more than 20 seconds at one time during starting attempts. Damage to the engine may result.

CAUTION! Let engine idle for 2 minutes before applying load to prevent engine damage.

1. See the engine manufacturer's manual for lubricating oil recommendations for specific temperature ranges.
2. Use #2 or better quality diesel fuel for above freezing starting; use a #1 quality diesel fuel for below freezing starting.
3. Turn the key switch on the control panel to the on (#1) position.
4. Wait the recommended glow plug time as listed in the manufacturer's manual.
5. Turn the key switch to the start (#2) position and release.

ENGINE SHUTOFF



CAUTION! A minimum 2 minute idle time is recommended to allow the battery charge to recover before the engine is shut off.

Turn the key switch to the off (#0) position.

SECTION 2 MAINTENANCE

Refer to the manufacturer's manual for maintenance intervals and procedures unless otherwise instructed in this manual. Follow the manufacturer's recommendations for dusty conditions.

NOTICE Refer to the manufacturer's manual for complete maintenance instructions. This manual only provides information about additional procedures or procedures to be performed at different time intervals than found in the manufacturer's manuals



.WARNING! Clean sawdust from all guards, vents, control boxes, or any area where sawdust may gather **after every shift**. Failure to do so may result in fire, causing death or serious injury.



2.1 Safety

Use caution when performing maintenance or service to the engine.



DANGER! Always be aware of and take proper protective measures against rotating shafts, pulleys, fans, etc. Always stay a safe distance from rotating members and make sure that loose clothing or long hair does not engage rotating members resulting in possible injury.

DANGER! Engine components can become very hot during operation. Avoid contact with any part of a hot engine. The exhaust components of your engine are especially hot during and following operation. Contact with hot engine components can cause serious burns. Therefore, never touch or perform service functions on a hot engine. Allow the engine to cool sufficiently before beginning any service function.



WARNING! Remove the blade before performing any engine service. Failure to do so may result in serious injury.

WARNING! Always wear proper and necessary safety equipment when performing service functions. Proper safety equipment includes eye protection, breathing protection, hand protection and foot protection.

2.2 Engine Oil & Filter

1. Check the oil level every 8 hours of operation.
2. Add oil as necessary.
3. See the engine manual for oil viscosity and grade recommendations.
4. Inspect the oil for indications of water in the oil.
 - a. If there is water present or the oil is cloudy, DO NOT start the engine.
 - b. Replace the oil and oil filter, run the engine at low idle for no more than 2 minutes and replace the oil and filter again.



CAUTION! Operating the engine with water in the engine oil will cause severe damage to the engine. Follow all maintenance procedures for checking oil level and oil/filter change intervals.

NOTICE The engine is equipped with a muffler rain cap to keep water out of the muffler and engine. If the sawmill is stored outside or transported during rainy weather, the muffler must be covered.

5. Change the engine oil and oil filter after the first 50 hours of operation, then every 250 hours of operation.

2.3 Cooling System

1. Clean the radiator fins every 8 hours of operation.
2. Spray the radiator with water from a hose or compressed air to clean sawdust from the radiator fins.
3. Do not use a pressure sprayer.



CAUTION! Failure to keep the radiator fins clear of sawdust and/or dirt may cause the engine to overheat resulting in damage to the engine.

2.4 Battery

Check the battery electrolyte level every 50 hours of operation. See manufacturer's manual for instructions.



DANGER! Batteries expel explosive gases. Keep sparks, flames, burning cigarettes, or other ignition sources away at all times. Always wear safety goggles and a face shield when working near batteries. Failure to do so will cause serious injury.



WARNING! Battery posts, terminals and related accessories contain lead and lead compounds, chemicals known to the State of California to cause cancer and reproductive harm. Wash hands after handling.

2.5 Alternator Belt

The alternator belt is self-tensioning and should not need adjustment.

If the battery continues to not charge properly or the belt continues to squeal after the initial belt adjustment, replace the belt.

1. Turn the key switch to OFF (0) and remove the key.
2. Release the blade tension and remove the blade from the sawmill if necessary.
3. Remove the drive belt cover and alternator cover.
4. Pry the belt idler up and remove the belt from the alternator and engine pulleys.
5. While holding the idler up, install the new belt around the alternator and engine pulleys.
6. Release the idler on top of the belt and reinstall the alternator and drive belt covers.

2.6 Air Cleaner

1. Replace the air cleaner cartridge every 200 hours of operation.
2. Change the cartridge more often if operating the sawmill in dirty conditions or if engine performance indicates a new cartridge is necessary.

2.7 RPM Adjustments



WARNING! Remove the blade before performing any engine service. Failure to do so may result in serious injury.

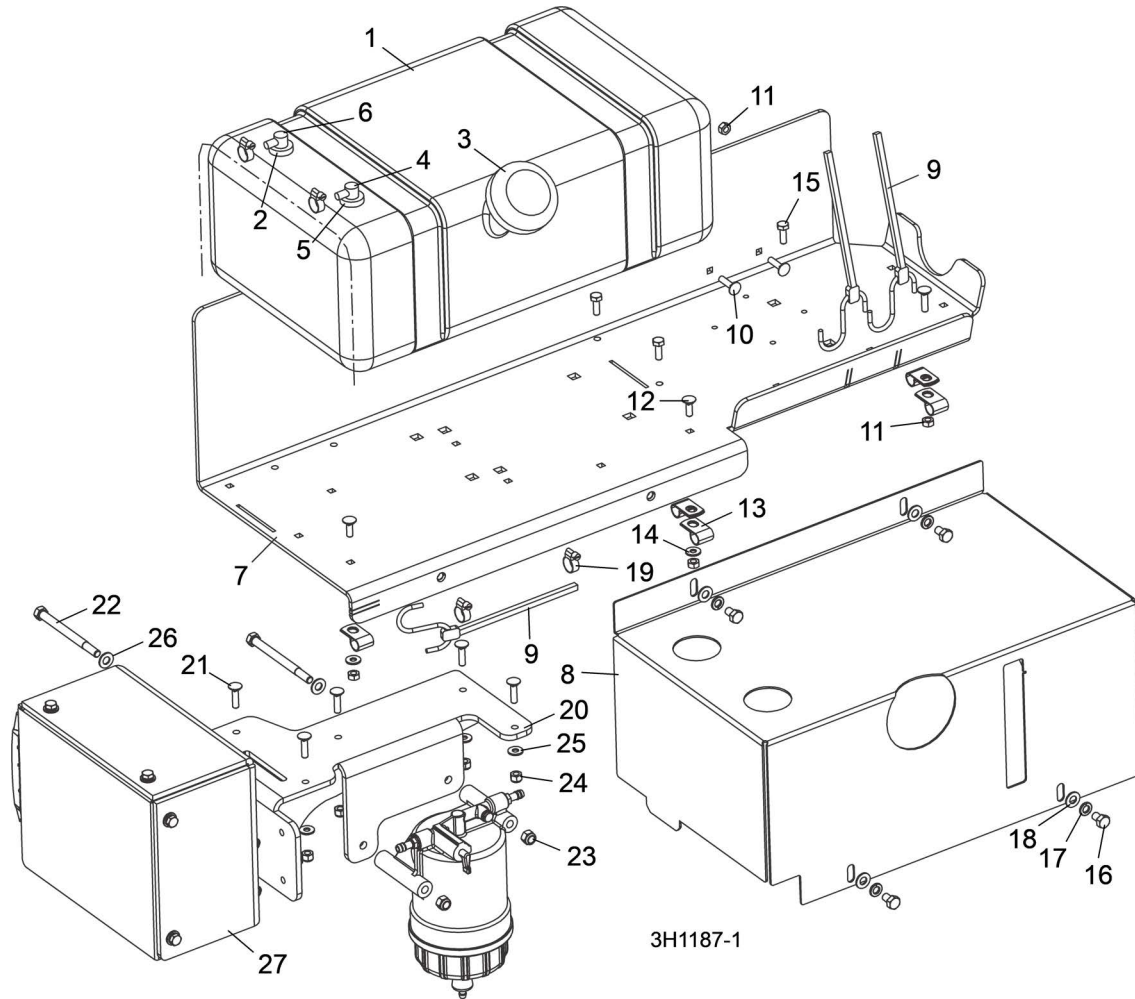
| Engine | High End RPM | Low End RPM |
|--------|--------------|-------------|
| D35 | 3000 | 1500 |

1. Check the RPM with a tachometer every 200 hours of operation
2. Before checking the RPM, make sure belt and brake strap tensions are correct (See Sawmill Maintenance).
3. Check oil, fuel, and coolant levels.
4. Check the Manufacturer's Manual to see if the RPM adjustment is necessary.

SECTION 3 REPLACEMENT PARTS

3.1 Fuel Tank (6/2017-present)

LT40 Rev. K5.00+
LT40HD Rev. K7.00+
LT40HD SuperRev. K4.00+
LT50HD Rev. A6.00+

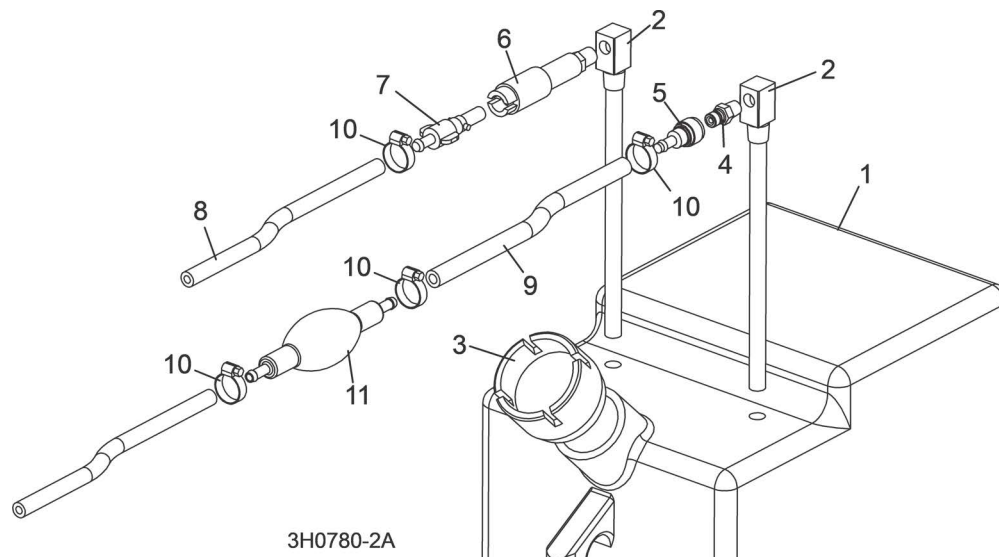


| REF | PART # | DESCRIPTION | COMMENTS | QTY. |
|-----------|-----------|---|----------|------|
| | 079637 | TRAY ASSEMBLY, LT40/50 TIER4 DIESEL TANK | | 1 |
| 1 | 103928 | Tank, 5 Gallon Low Pro Diesel | | 1 |
| 2 | 061250 | Grommet, Shut Off 046881 | | 1 |
| 3 | 061257 | Cap, Fuel Tank Diesel 080185BE | | 1 |
| 4 | 061256 | Fitting, Return/tube Diesel 468489 | | 1 |
| 5 | 061250 | Grommet, Shut Off 046881 | | 1 |
| 6 | 061255 | Fitting, Pick-Up/Tube Diesel 468871A | | 1 |
| 7 | 103943 | Tank Weldment, Fuel LT40/50 | | 1 |
| 8 | 103867 | Cover, Fuel Tank | | 1 |
| 9 | P11668 | Strap, 20" Rubber | | 3 |
| 10 | F05005-34 | Bolt, 1/4-20 X 1" Carriage Head | | 3 |

| REF | PART # | DESCRIPTION | COMMENTS | QTY. |
|-----|------------|--|-----------------------------------|-------|
| 11 | F05010-21 | Nut, 1/4-20 Hex Lock | | 5 |
| 12 | F05005-113 | Bolt, 1/4-20 x 3/4" Carriage | | 2 |
| 13 | P07584 | Clamp, 1/2" EMT Coated | | 6 |
| 14 | F05011-11 | Washer, 1/4" SAE Flat | | 2 |
| 15 | F05005-123 | Bolt, 1/4-20 x 3/4" Hex Head Grade 5 | | 3 |
| 16 | F05006-15 | Bolt, 5/16-18 x 1/2" Hex Head Grade 5 | | 4 |
| 17 | F05011-13 | Washer, 5/16" Split Lock | | 4 |
| 18 | F05011-17 | Washer, 5/16" SAE Flat | | 4 |
| 19 | P649 | Hose Clamp, 7/32in-5/8in | | 4 |
| | 079409 | Separator Assembly, D35 T4 ECU F/W | | 1 |
| 20 | 079471 | Mount Weldment, D35 T4 ECU F/W Separator | | 1 |
| 21 | F05005-34 | Bolt, 1/4-20x1 Carriage | | 5 |
| 22 | F05006-109 | Bolt, 5/16-18x4 Hex Head Grade 5 | | 2 |
| 23 | F05010-58 | Nut, 5/16-18 Nylok Hex | | 2 |
| 24 | F05010-69 | Nut, 1/4-20 Nylock | | 5 |
| 25 | F05011-11 | Washer, 1/4 SAE Flat | | 5 |
| 26 | F05011-17 | Washer, 5/16 SAE Flat | | 2 |
| 27 | 079422 | Relays/Fuse Assembly, D35 T4 ECU | (See Section 4.8) | 1 |
| | R02423-3 | Hose, Fuel 5/16" EPA 15G CARB | | 7.5Ft |
| | R02423-2 | Hose, Fuel 1/4" EPA 15G CARB | | 8 Ft. |

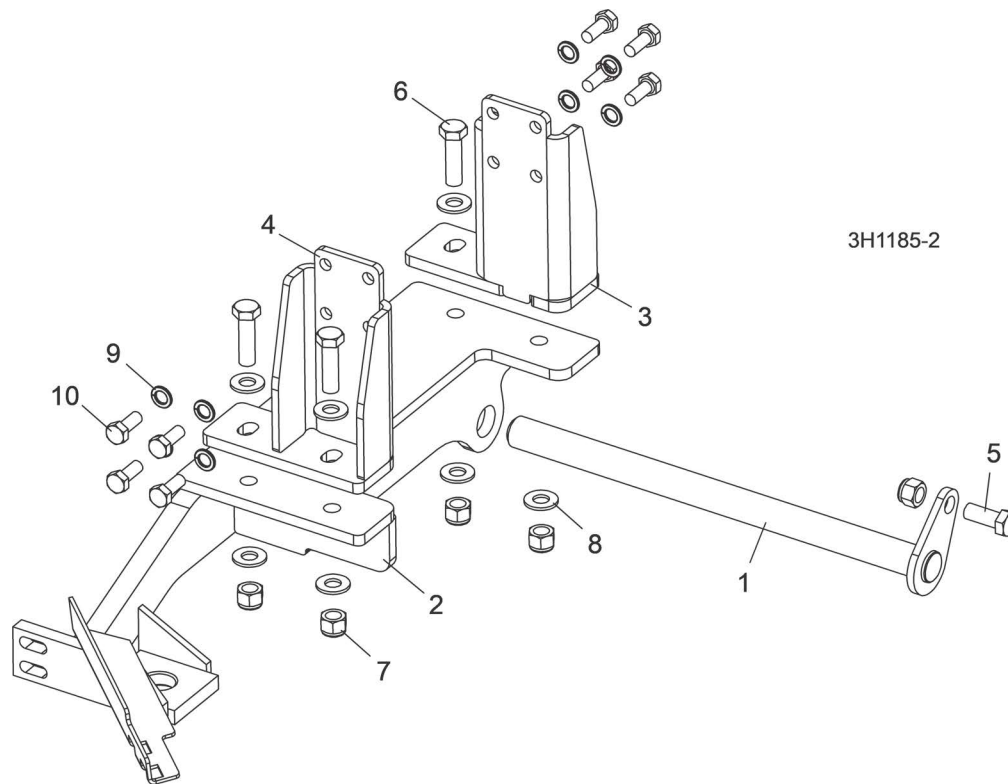
3.2 Fuel Tank (2008- 6/2017)

LT30 Rev. J9.03 - K3.01 (OBS)
 LT30HD Rev. K1.03 - K4.01 (OBS)
 LT40 Rev. K1.03 - K4.08
 LT40 Super Rev. J6.00 - J7.17
 LT40HD Rev. K3.01 - K6.09
 LT40HD SuperRev. K2.00 - K3.17
 LT50 Rev. A3.00 - A5.17



| REF | PART # | DESCRIPTION | COMMENTS | QTY. |
|-----|----------|---|--|------------|
| | A12132 | TANK ASSEMBLY, 5 GALLON DIESEL | | 1 |
| 1 | P12166 | Tank, 5 Gallon Fuel | Available in assemblies only. | 1 |
| 2 | P12172 | Pickup, 9" Fuel | | 2 |
| 3 | P09683 | Cap, 3/5 Gallon Fuel Tank | | 1 |
| 4 | 015583 | Fitting, 1/4" NPT Male Quick Disconnect | | 1 |
| 5 | 015582 | Fitting, Female Quick Disconnect Barb | | 1 |
| 6 | P12175 | Fitting, 1/4" NPT Plastic Female Disconnect | | 1 |
| 7 | P12176 | Fitting, 1/4" Barb Plastic Male Disconnect | | 1 |
| 8 | P642 | HOSE, 1/4" ID FUEL | | 7.17 Ft |
| 9 | R02423-3 | HOSE, FUEL 5/16" EPA 15G CARB | R02423-3 replaced 016338 with increased length of 12" after 1/22/2021 per ECN 37785. | 10 Ft. |
| | 016338 | HOSE, 5/16" ID FUEL | | 9 Ft. |
| 10 | P649 | CLAMP, 7/32 - 1/2 HOSE | Bulb 006687 and (2) P649 deleted after 1/22/2021 per ECN 37785. | 2 |
| 11 | 006687 | BULB, 5/16" FUEL LINE PRIMER | | 1 |
| | 004878 | ADDITIVE, DIESEL FUEL 16OZ BOTTLE | | 1 |
| | 061080 | BULB KIT, DIESEL PRIMER | | 1 |

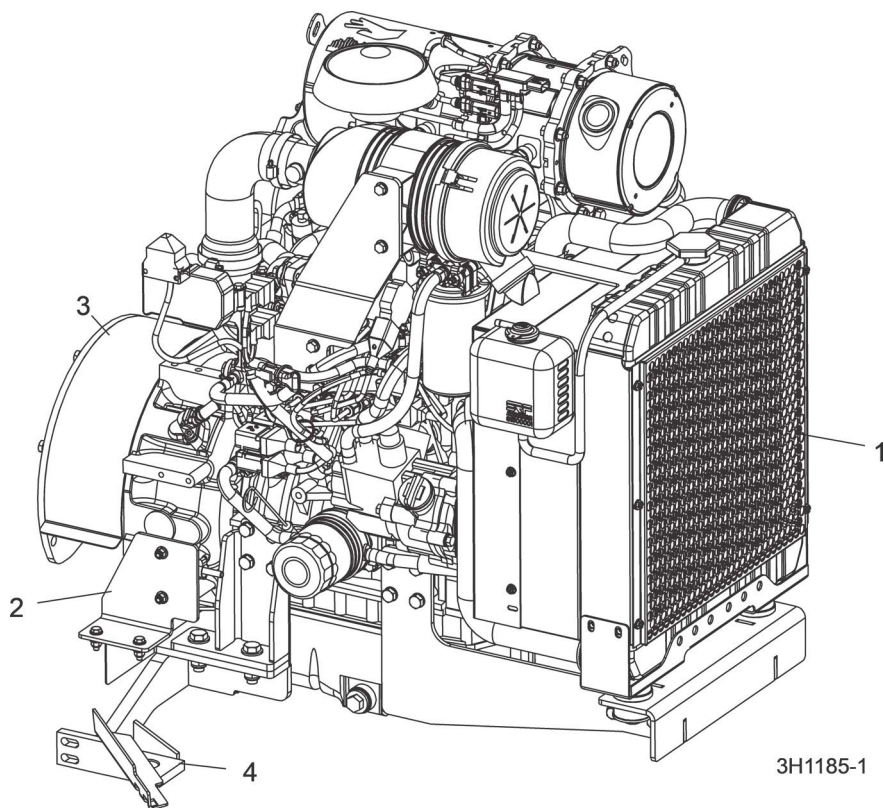
3.3 Engine Mount Assembly



| REF | PART # | DESCRIPTION | COMMENTS | QTY. |
|-----|-----------|---|----------|------|
| 1 | 015855 | Pin Weldment, Motor Pivot Kubota | | 1 |
| 2 | 079365 | Pivot Weldment, D35 T4 Engine Pivot | | 1 |
| 3 | 079372 | Mount Weldment, D35 T4 Left Engine Mount | | 1 |
| 4 | 079377 | Mount Weldment, D35 T4 Right Engine Mount | | 1 |
| 5 | F05008-37 | Bolt, 1/2-13x1 1/4 Hex Head Grade 5 | | 1 |
| 6 | F05008-88 | Bolt, 1/2-13x1 3/4 Hex Head Grade 5 FT | | 4 |
| 7 | F05010-8 | Nut, 1/2-13 Nylon Hex Lock | | 5 |
| 8 | F05011-2 | Washer, 1/2 SAE Flat | | 8 |
| 9 | F05011-88 | Washer, 10mm Split Lock | | 16 |
| 10 | F81003-11 | Bolt, M10-1.5x25mm Hex Head Grade 8.8 | | 16 |

3.4 Engine Assembly (6/2017 - present) Tier 4

LT40 Rev. K5.00+
 LT40HD Rev. K7.00+
 LT40HD Super Rev. K4.00+
 LT50HD Rev. A6.00+

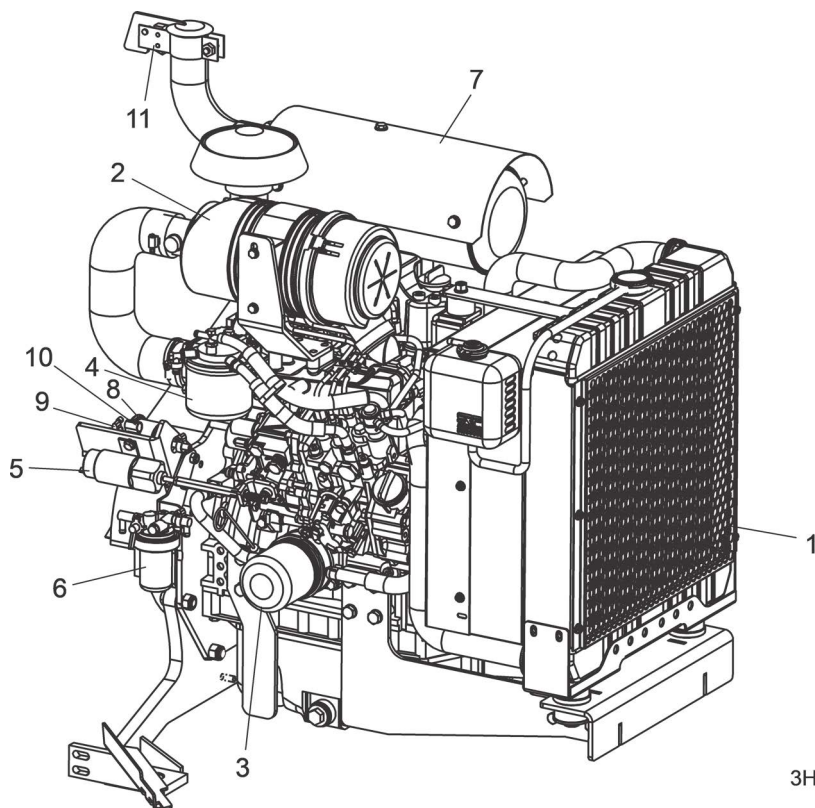


| REF | PART # | DESCRIPTION | COMMENTS | QTY. |
|----------|--------|--|-----------------------------------|------|
| | CED34 | Cover, Engine | | 1 |
| | 079323 | Engine, 35.9HP Yanmar Diesel (Tier4) | | 1 |
| 1 | n/a | Radiator Parts | (See Section 3.7) | 1 |
| | 006541 | Air Cleaner Assembly, 35.9HP Yanmar | | 1 |
| | 057948 | Air Filter, Yanmar 3TNV88 #129087-12510 | | 1 |
| | 061100 | Cap, Air Filter Assembly Yanmar | | 1 |
| | 057935 | Filter, Oil #129150-35170 | | 1 |
| | 061308 | Filter, Fuel #129A00-55800 | | 1 |
| | n/a | Throttle Solenoid/Relay Parts | (See Section 4.8) | 1 |
| | 061309 | Filter Assembly, Fuel/Water Separator #129A00-59700 | | 1 |
| | 006561 | Bracket, Fuel/Water Separator Mount | | 1 |
| | 061436 | Cup Assembly, Fuel/water Separator | | 1 |
| | 061318 | Seal, Fuel/water Separator | | 1 |
| | 061310 | Filter, Water Separator Yanmar #129A00-55730 | | 1 |
| | 006543 | Muffler Assembly, 35.9HP Yanmar Diesel | | 1 |
| 2 | 079418 | Assy, D35 T4 Fuel Feed Pump | | 1 |
| | 078705 | Pump, D35 T4 Fuel Feed | | 1 |

| REF | PART # | DESCRIPTION | COMMENTS | QTY. |
|----------|------------|--|------------------------------------|------|
| | 079417 | Plate, D35 T4 Fuel Feed Pump Mnt | | 1 |
| | F05005-101 | Bolt, 1/4-20x1 Hex Head Grade 5 | | 2 |
| | F05005-123 | Bolt, 1/4-20x3/4 Hex Head Grade 5 | | 2 |
| | F05010-69 | Nut, 1/4-20 Nylock | | 4 |
| | F05011-11 | Washer, 1/4 SAE Flat | | 8 |
| | P649 | Hose Clamp, 7/32in-5/8in | | 2 |
| | P649 | Hose Clamp, 7/32"-5/8" | | 4 |
| | P07584 | Clamp, 1/2" EMT Coated | | 1 |
| | 061304 | Cap, Rain D35 Tier 4 KDPF-1 | | 1 |
| 3 | n/a | Drive Parts | (See Section 4.10) | 1 |
| | n/a | Alternator Parts | (See Section 4.14) | 1 |
| 4 | n/a | Bearing Support Parts | (See Section 3.10) | 1 |
| 5 | n/a | Engine Mount Parts | (See Section 4.4) | 1 |
| | 061773 | Gasket, Yanmar Bonnet #129004-11310 | | 1 |
| | 057931 | Gasket Set, Yanmar Engine #719823-92960 | | 1 |
| | 057932 | Seal, Yanmar Front Main #119934-01800 | | 1 |
| | 078716 | Injector Assembly, Yanmar #129A00-53100 | | 1 |
| | 061245 | Switch, Yanmar Oil Pressure #119761-39450 | | 1 |
| | 061311 | Seal, Yanmar Rear Main #129795-01780 | | 1 |
| | 057937 | Starter Motor, Yanmar #129242-77010 | | 1 |
| | 057938 | Thermostat, Yanmar #129155-49801 | | 1 |
| | 061312 | Gasket, Thermostat #129150-49811 | | 1 |
| | 044652 | Gasket, Thermostat Cover #129795-49551 | | 1 |
| | 061313 | Pump, Yanmar Water #129A01-42000 | | 1 |
| | 057940 | Gasket, Yanmar Water Pump #129486-42021 | | 1 |
| | 061172 | Sender, Yanmar Water Temperature #129927-44900 | | 1 |
| | AP0114 | Fan, Engine 7 Blade 360mm #121267-44741 | | 1 |
| | 057943 | Plug, Yanmar Oil Drain #119640-01640 | | 1 |
| | 057944 | Seal, Yanmar Oil Drain and Water Temp Sensor #22190-120002 | | 1 |
| | 057945 | Plug, Yanmar Glow #129008-77800 | | 1 |
| | 057946 | Dip Stick, Yanmar Oil #129004-34802 | | 1 |
| | 044668 | Belt, Yanmar Fan #25132-003600 | | 1 |
| | 061078 | Heater, Yanmar Engine Block #171015-77900 | | 1 |
| | 061226 | Cable, Heater Engine Block D35/D47 | | 1 |
| | 061438 | Plug Assembly, Yanmar | | 1 |
| | 061439 | Float, Yanmar (red ring) | | 1 |

3.5 Engine Assembly (7/08 - 6/17)

LT40 Rev. K1.03 - K5.00
 LT40HD Rev. K3.01 - K7.00
 LT40HD Super Rev. K1.01 - K4.00
 LT50HD Rev. A2.02 - A6.00

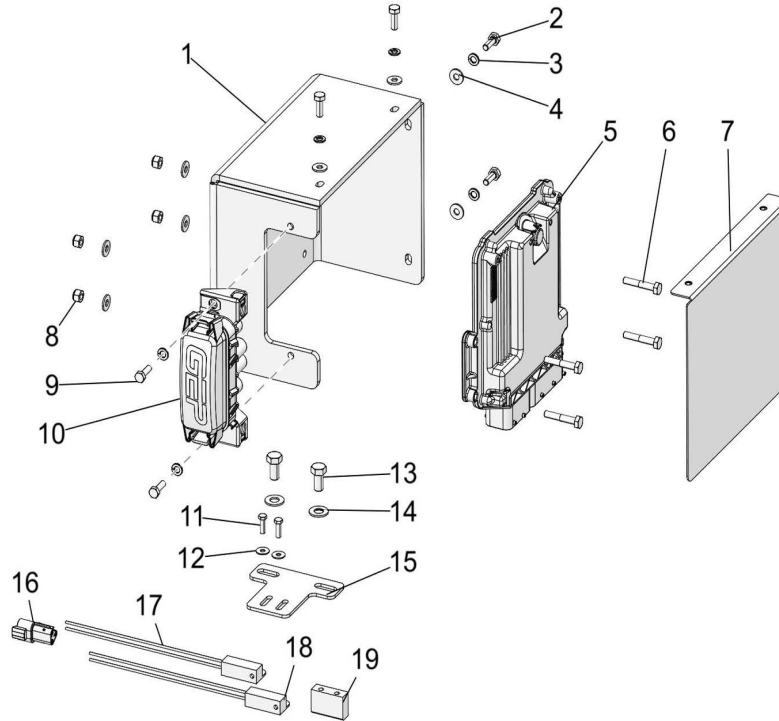


| REF | PART # | DESCRIPTION | COMMENTS | QTY. |
|-----------|--------|--|--|------|
| | CED34 | Cover, Engine | | 1 |
| | 074236 | Engine, 35.9HP Yanmar Diesel Tier 2 | Tier2 Engine For Outside U.S. Only as of 1/15 | 1 |
| 1 | | Radiator Parts | (See Section 3.8) | |
| 2 | 006541 | Air Cleaner Assembly, 35.9HP Yanmar | | 1 |
| | 028597 | Air Filter, E1 Primary Element Enginaire | | 1 |
| | 061100 | Cap, Air Filter Assembly Yanmar | | 1 |
| 3 | 057935 | Filter, Oil #129150-35153-12 | | 1 |
| 4 | 057933 | Filter, Fuel #119802-55801 | | 1 |
| 5 | | Throttle/Fuel Pump Parts | (See Section 4.9) | |
| 6 | 040345 | Filter Assembly, Fuel/Water Separator | | 1 |
| | 006561 | Bracket, Fuel/Water Separator Mount | | 1 |
| | 061099 | Filter, Water Separator Yanmar | | 1 |
| 7 | 006543 | Muffler Assembly, 35.9HP Yanmar Diesel | | 1 |
| 8 | 061074 | Pump, Yanmar Fuel Feed | | 1 |
| 9 | P649 | Hose Clamp, 7/32"-5/8" | | 4 |
| 10 | P07584 | Clamp, 1/2" EMT Coated | | 1 |
| 11 | 061073 | Cap, Yanmar D35 Rain #129087-13530 | | 1 |
| | | Drive Parts | (See Section 4.11) | |

| REF | PART # | DESCRIPTION | COMMENTS | QTY. |
|-----|--------|--|------------------------------------|------|
| | | Alternator Parts | (See Section 3.8) | |
| | | Bearing Support Parts | (See Section 3.10) | |
| | | Engine Mount Parts | (See Section 4.5) | |
| | 061773 | Gasket, Yanmar Bonnet #129004-11310 | | 1 |
| | 057931 | Gasket Set, Yanmar Engine #719823-92960 | | 1 |
| | 057932 | Seal, Yanmar Front Main #119934-01800 | | 1 |
| | 057934 | Injector Assembly, Yanmar #729604-53200 | | 1 |
| | 057936 | Switch, Yanmar Oil Pressure #114250-39450 | | 1 |
| | 057057 | Seal, Yanmar Rear Main #129120-01780 | | 1 |
| | 057937 | Starter Motor, Yanmar #129242-77010 | | 1 |
| | 057938 | Thermostat, Yanmar #129155-49801 | | 1 |
| | 044652 | Gasket, Yanmar Thermostat #129795-49551 | | 1 |
| | 057939 | Pump, Yanmar Water #129004-42001 | | 1 |
| | 057940 | Gasket, Yanmar Water Pump #129486-42021 | | 1 |
| | 044655 | Sender, Yanmar Water Temperature #121250-44901 | | 1 |
| | 044656 | Solenoid, Yanmar Fuel #119653-77950 | | 1 |
| | 044657 | Diode, Yanmar Solenoid Relay #119643-66900 | | 1 |
| | 057941 | Timer, Yanmar Air Heater #128300-77920 | | 1 |
| | AP0114 | Fan, Engine 7 Blade 360mm #121267-44741 | | 1 |
| | 057942 | Gasket, Yanmar Head #129001-01340 | | 1 |
| | 057943 | Plug, Yanmar Oil Drain #119640-01640 | | 1 |
| | 057944 | Seal, Yanmar Oil Drain #22190-220002 | | 1 |
| | 057945 | Plug, Yanmar Glow #129008-77800 | | 1 |
| | 057946 | Dip Stick, Yanmar Oil #129004-34802 | | 1 |
| | 044668 | Belt, Yanmar Fan #25132-003600 | | 1 |
| | 057947 | Pipe, Yanmar Fuel Return #129004-49610 | | 1 |
| | 061053 | Spring, Governor Yanmar #129573-61700 | | 1 |
| | 056587 | Strainer, Yanmar Fuel | | 1 |
| | 061078 | Heater, Yanmar Engine Block #171015-77900 | | 1 |
| | 061226 | Cable, Heater Engine Block D35/D47 | | 1 |

3.6 ECU & Relay/Fuse Assembly (6/17 - present)

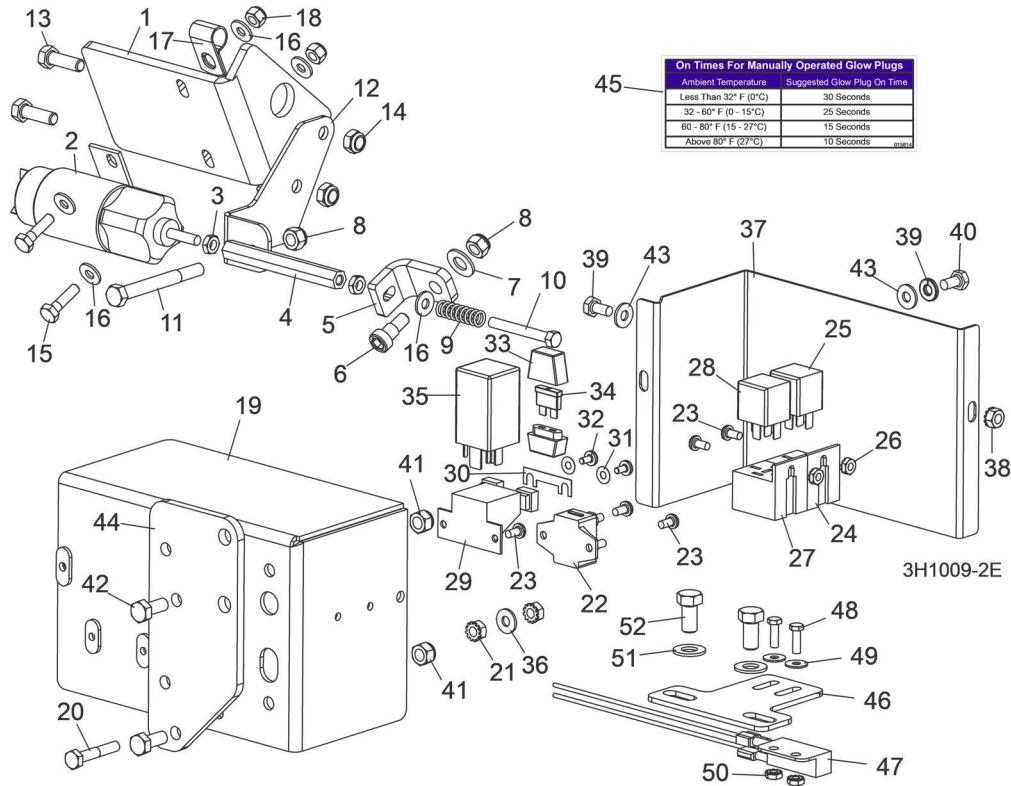
LT40 Rev. K5.00+
LT40HD Rev. K7.00+
LT40HD SuperRev. K4.00+
LT50HD Rev. A6.00+



| REF | PART # | DESCRIPTION | COMMENTS | QTY. |
|-----|------------|---|----------|------|
| | 079422 | Assembly, D35 T4 ECU & Relays/Fuse | | 1 |
| 1 | 079420 | Plate, D35 T4 ECU Mount Plate | | 1 |
| 2 | F05005-123 | Bolt, 1/4-20x3/4 HH Gr5 | | 4 |
| 3 | F05011-14 | Washer, 1/4 Split Lock | | 6 |
| 4 | F05011-11 | Washer, 1/4 SAE Flat | | 8 |
| 5 | 079267 | Yanmar T4 Final ECU | | 1 |
| 6 | F05005-124 | Bolt, 1/4-20x1 1/2 HH Gr5 | | 4 |
| 7 | 079428 | Weldment, D35 T4 Relays/Fuse Cover | | 1 |
| 8 | F05010-69 | Nut, 1/4-20 Nylock | | 4 |
| 9 | F05020-6 | Bolt, M6-1x20 HH Class 8 | | 2 |
| 10 | 079340 | Assembly, D46 T4 Fuse/Relay | | 1 |
| 11 | F05004-18 | Screw, 10-24x5/8 Unsl Indnt HH Machine | | 2 |
| 12 | F05011-18 | Washer, #10 SAE Flat | | 2 |
| 13 | F05007-27 | Bolt, 3/8-16x3/4 HH Gr2 | | 2 |
| 14 | F05011-3 | Washer, 3/8 Flat SAE | | 2 |
| 15 | 016617 | Plate, Sensor Bracket | | 1 |
| | 073599-1 | Switch Assembly, Tier 4 Magnetic Throttle | | 1 |
| 16 | 069474 | Connector, 3P Pin Trig DT Deutsch Male | | 1 |
| 17 | 114048 | Sensor, Proximity Magnetic Reed | | 1 |
| 18 | 024626 | Sensor, Proximity Magnetic Reed | | 1 |
| 19 | 130277 | Spacer, Throttle Sensor | | 1 |

3.7 Relay/Throttle Assembly (7/08-6/17)

LT40 rev. K1.03 - K4.12
 LT40HD rev. K3.01 - K6.14
 LT40HD Super rev. J9.02 - K3.22
 LT50HD rev. A5.10 - A5.23

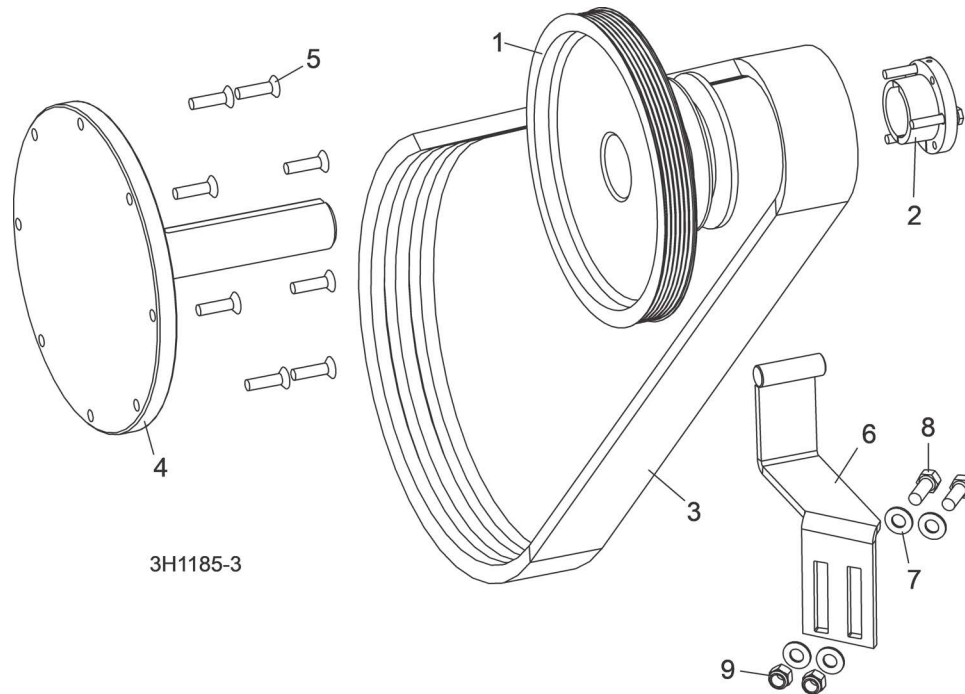


| REF | PART # | DESCRIPTION | COMMENTS | QTY. |
|-----|-------------|--|---------------|------|
| | 074248 | Pump Assembly, 35.9HP Throttle/Fuel | | 1 |
| 1 | 006566 | Plate, Yanmar Throttle Solenoid Mount | | 1 |
| | 074475 | Solenoid Kit, Throttle, Yanmar/Cat | Service Parts | 1 |
| 2 | 045848 | Solenoid, Throttle | | 1 |
| | 074475-2058 | Instruction Sheet, Solenoid Adjustment | | 1 |
| 3 | F05010-113 | Nut, 1/4-28 Hex Jam | | 2 |
| 4 | 045850 | Link, Throttle Actuator | | 1 |
| 5 | 006567 | Plate, Short Throttle Connecting | | 1 |
| 6 | F05007-159 | Bolt, 3/8" X 5/16-18" Socket Head Shoulder | | 1 |
| 7 | F05011-3 | Washer, 3/8" SAE Flat | | 1 |
| 8 | F05010-58 | Nut, 5/16-18 Hex Nylon Lock | | 2 |
| 9 | P11644 | Spring, .42" x 1.34" x .061" | | 1 |
| 10 | F05005-188 | Bolt, 1/4-28 x 2" Hex Head Grade 5 | | 1 |
| 11 | F05006-62 | Bolt, 5/16-18 x 3" Hex Head Grade 5 | | 1 |
| 12 | 006561 | Bracket, Fuel/Water Separator Mount | | 1 |
| 13 | F05004-40 | Bolt, M8-1.25 x 1mm Hex Head | | 2 |
| 14 | F05010-132 | Nut, M8 Hex Nylon Lock | | 2 |
| 15 | F05005-101 | Bolt, 1/4-20 x 1" Hex Head Grade 5 | | 2 |
| 16 | F05011-11 | Washer, 1/4" Sae Flat | | 5 |
| 17 | P07584 | Clamp, 1/2" EMT Coated | | 1 |

| REF | PART # | DESCRIPTION | COMMENTS | QTY. |
|-----|-----------|---|---|------|
| 18 | F05010-69 | Nut, 1/4-20 Hex Nylon Lock | | 2 |
| | 074232 | Relay Assembly, Yanmar w/Cover | | 1 |
| | 069625 | Bracket Assembly, Yanmar Relay (2012) | | 1 |
| 19 | 036269 | Bracket Weldment, Glow Plug Relay Mount | | 1 |
| 20 | F05005-31 | Bolt, 1/4-20 x 1 1/2" Hex Head Full Thread | | 1 |
| 21 | F05010-9 | Nut, 1/4-20 Self-Locking Hex | | 2 |
| 22 | E20430 | Breaker, 15A Manual Reset Circuit | | 1 |
| 23 | F05004-3 | Screw, #10-24 x 3/8" Phillips Head | | 6 |
| | 053234 | Relay Assembly, Yanmar Throttle (2008) | | 1 |
| 24 | 050033 | Socket, Relay Plug | | 1 |
| 25 | 051335 | Relay, ISO 12V Coil w/Diode | | 1 |
| 26 | F05010-14 | Nut, #10-24 Hex | | 2 |
| | 053233 | Relay Assembly, Yanmar Starter (2008) | | 1 |
| 27 | 050033 | Socket, Relay Plug | | 1 |
| 28 | 051335 | Relay, ISO 12V Coil w/Diode | | 1 |
| | 069624 | Relay Assembly, Yanmar Glow Plug (2012) | | 1 |
| 29 | 024554 | Socket, Glow Plug Relay w/Fuse Holder | | 1 |
| 30 | 024597 | Fuse Link, 50 Amp | | 1 |
| 31 | F81052-4 | Washer, M5 Wave | | 2 |
| 32 | F81000-14 | Screw, M5-0.8 x 8mm Phillips Head Black Oxide | | 2 |
| 33 | 024555 | Fuseholder, In-Line 3-20A ATC w/Cover | | 1 |
| 34 | 024150-4 | Fuse, 4A ATO Blade (Pink) | | 1 |
| | 052662 | Resistor Assembly, 3K Cat Glow Plug Wire | | 1 |
| 35 | 023359 | Relay, Diesel Glow Plug | | 1 |
| 36 | F05011-11 | Washer, 1/4" SAE Flat | | 1 |
| 37 | 045824 | Cover, Relay Assembly | | 1 |
| 38 | F05010-9 | Nut, 1/4-20 Self-Locking Hex | | 1 |
| 39 | F05011-14 | Washer, 1/4" Split Lock | | 1 |
| 40 | F05005-15 | Bolt, 1/4-20 X 1/2" Hex Head | | 2 |
| 41 | F05010-58 | Nut, 5/16-18 Hex Nylon Lock | | 2 |
| 42 | F05006-5 | Bolt, 5/16-18 x 3/4" Hex Head | | 2 |
| 43 | F05011-11 | Washer, 1/4" SAE Flat | | 2 |
| 44 | 006523 | Plate, Glow Plug Relay Mount Adaptor | | 1 |
| 45 | 015814 | Decal, Glow Plug Operation | | 1 |
| 46 | 016617 | Bracket, Sensor Mount | | 1 |
| 47 | 051436-1 | Sensor Assy, Throttle | 051436-1 replaced 051436 after 1/14/2021 per ECN 38178. | 1 |
| | 051436 | Sensor, Caterpillar Throttle | | 1 |
| 48 | F05004-18 | Bolt, #10-24 x 5/8" Hex Head | | 2 |
| 49 | F05011-18 | Washer, #10 SAE Flat | | 2 |
| 50 | F05010-14 | Nut, #10-24 Self-Locking Hex | | 2 |
| 51 | F05011-3 | Washer, 3/8" SAE Flat | | 2 |
| 52 | F05007-27 | Bolt, 3/8-16 x 3/4" Hex Head | | 2 |

3.8 Drive Assembly (06/17 - present)

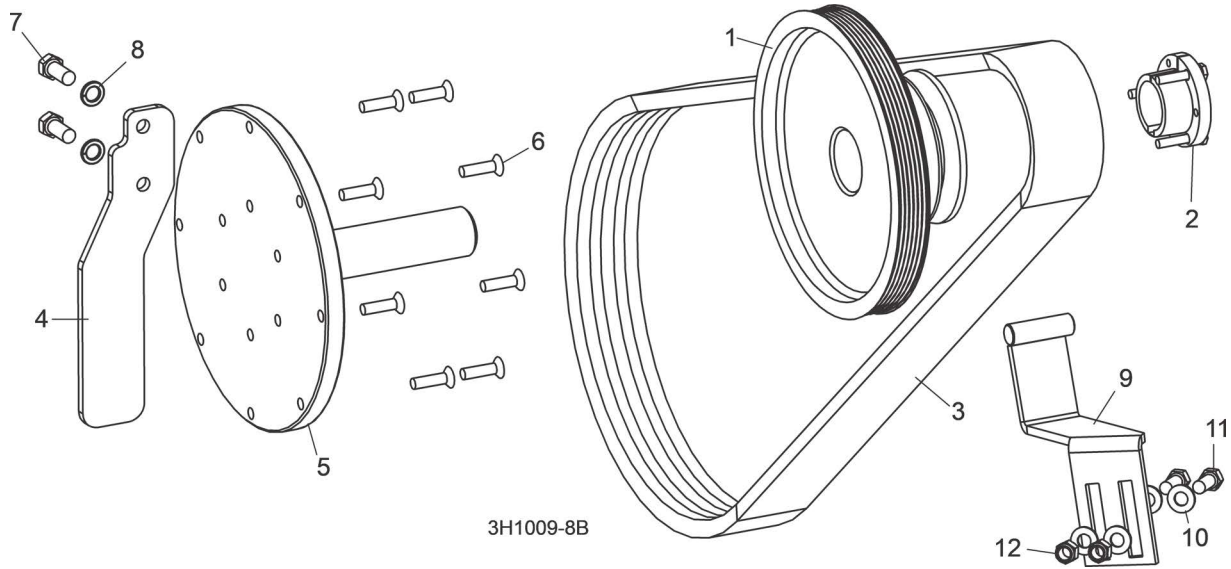
LT40 Rev. K5.00+
LT40HD Rev. K7.00+
LT40HD SuperRev. K4.00+
LT50HD Rev. A6.00+



| REF | PART # | DESCRIPTION | COMMENTS | QTY. |
|-----|------------|--|----------|------|
| 1 | 016533 | Sheave, 5V x 4.46" Poly V (Gas/Diesel) | | 1 |
| 2 | 016535 | Bushing, SH x 1 7/16" | | 1 |
| 3 | 110268 | Belt, 3/5VFL765 Kevlar | | 1 |
| 4 | 079481 | Shaft, D35 T4 Yanmar Large Stub | | 1 |
| 5 | F05004-245 | Bolt, M8-1.25 x 30mm Flat Socket Head | | 8 |
| 6 | 016364 | Bracket, Drive Belt Support | | 1 |
| 7 | F05011-3 | Washer, 3/8" SAE Flat | | 4 |
| 8 | F05007-7 | Bolt, 3/8-16 x 1" Hex Head | | 2 |
| 9 | F05010-10 | Nut, 3/8-16 Hex nylon Lock | | 2 |

3.9 Drive Assembly (7/08 - 6/17)

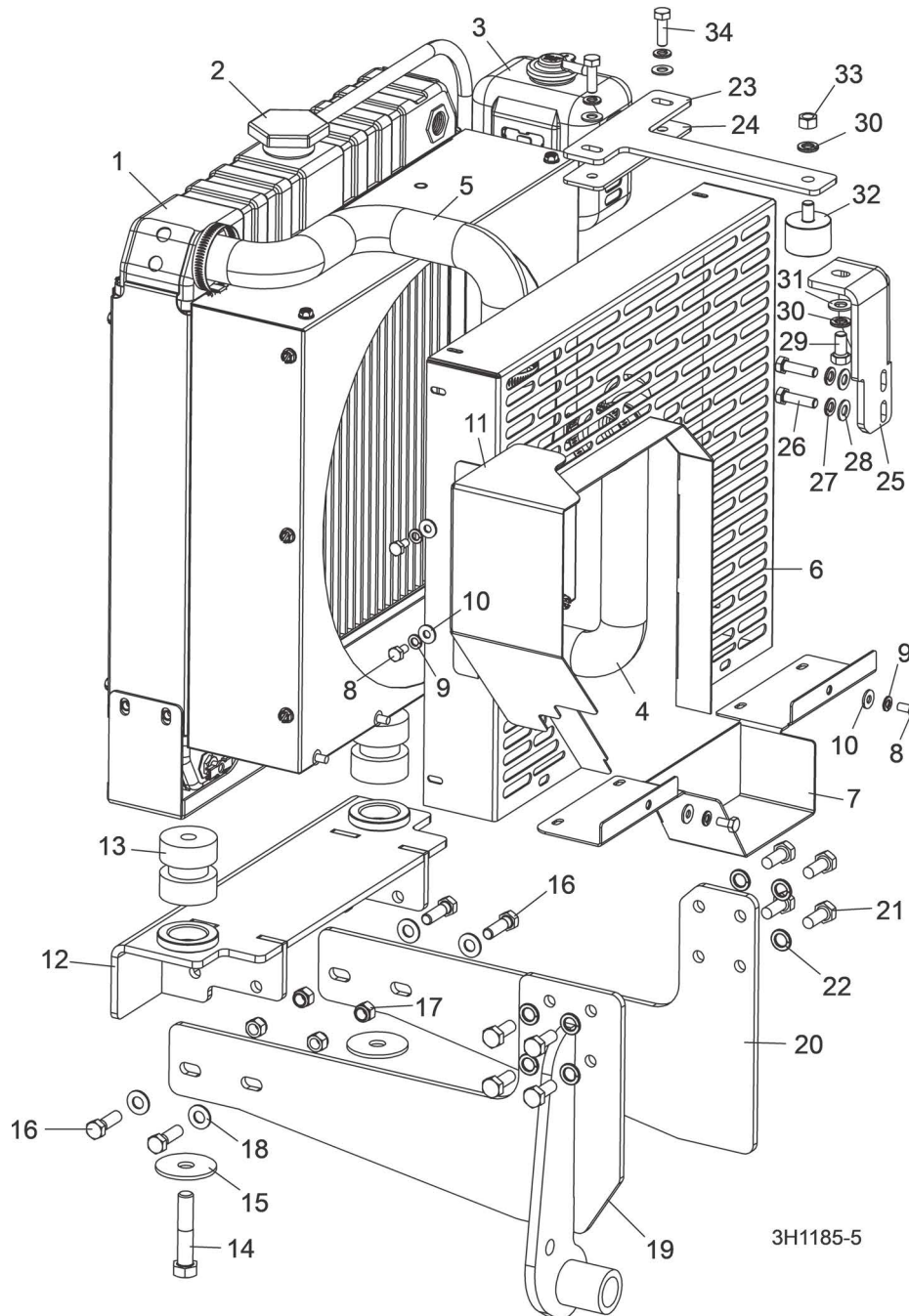
LT40 rev. K1.03 - K4.12
 LT40HD rev. K3.01 - K6.14
 LT40HD Super rev. J9.02 - K3.22
 LT50HD rev. A5.10 - A5.23



| REF | PART # | DESCRIPTION | COMMENTS | QTY. |
|-----|------------|--|----------|------|
| 1 | 016533 | Sheave, 5V x 4.46" Poly V (Gas/Diesel) | | 1 |
| 2 | 016535 | Bushing, SH x 1 7/16" | | 1 |
| 3 | 046571 | Belt, 3/5VL770 | | 1 |
| 4 | 006620 | Plate, Yanmar Engine Stop | | 1 |
| 5 | 071326 | Shaft, Yanmar Large Drive Stub (long) | | 1 |
| 6 | F05004-245 | Bolt, M8-1.25 x 30mm Flat Socket Head | | 8 |
| 7 | F81003-11 | Bolt, M10-1.5 x 25mm Head Head Grade 8.8 | | 2 |
| 8 | F05011-88 | Washer, 10mm Split Lock | | 2 |
| 9 | 016364 | Bracket, Drive Belt Support | | 1 |
| 10 | F05011-3 | Washer, 3/8" SAE Flat | | 4 |
| 11 | F05007-7 | Bolt, 3/8-16 x 1" Hex Head | | 2 |
| 12 | F05010-10 | Nut, 3/8-16 Hex nylon Lock | | 2 |

3.10 Radiator Assembly (6/2017 - present)

LT40 Rev. K5.00+
LT40HD Rev. K7.00+
LT40HD SuperRev. K4.00+
LT50HD Rev. A6.00+

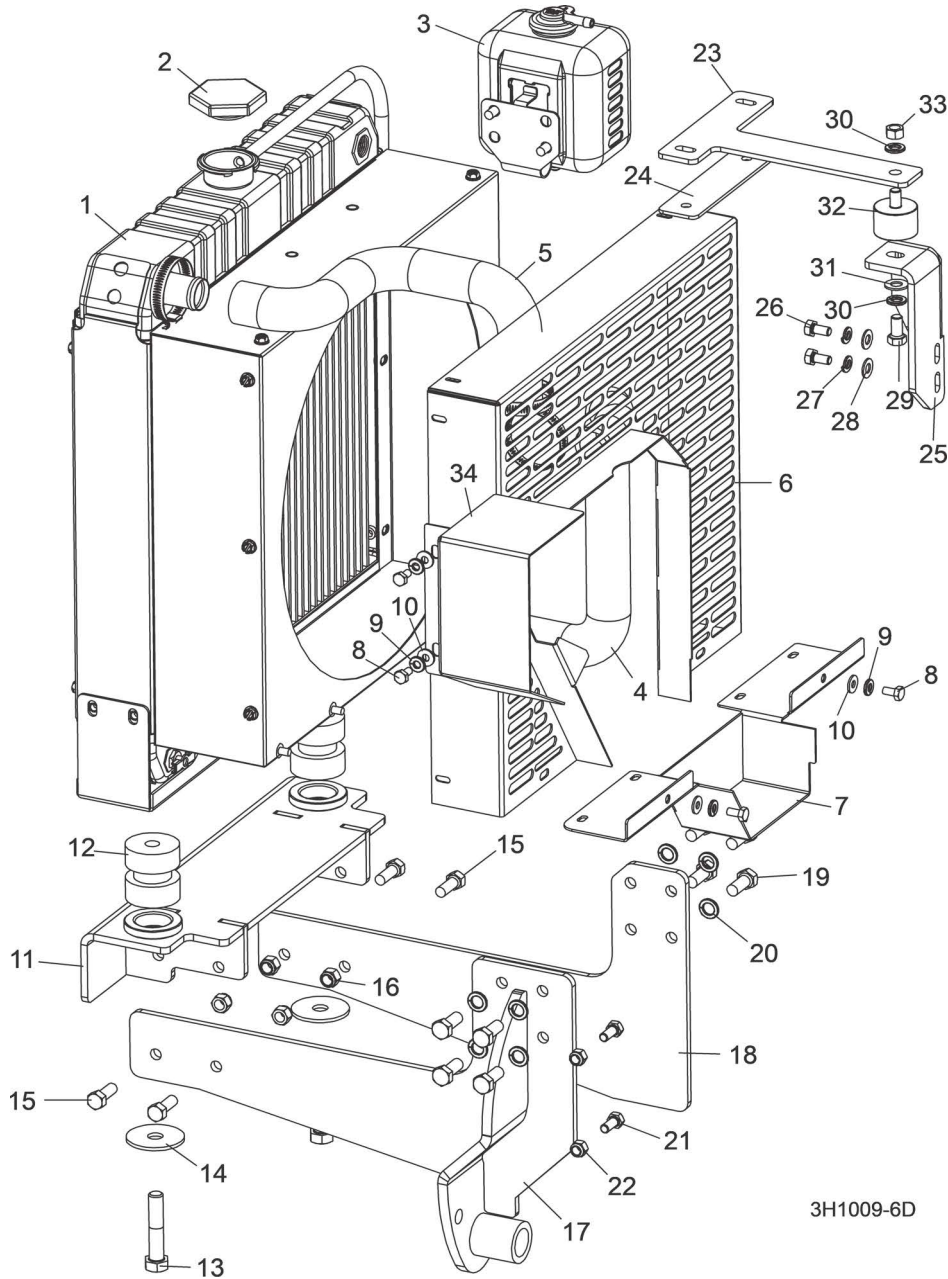


| REF | PART # | DESCRIPTION | COMMENTS | QTY. |
|-----|--------|--|----------|------|
| | 044804 | Radiator kit, Yanmar #KR2 | | 1 |
| 1 | 057949 | Radiator, Diesel Engines #129689-44510 | | 1 |
| 2 | 044660 | Cap, Yanmar Radiator #129987-44570 | | 1 |

| REF | PART # | DESCRIPTION | COMMENTS | QTY. |
|-----|------------|---|--|------|
| 3 | 040387 | Bottle Assembly, Yanmar #123987-43600 | | 1 |
| 4 | 057950 | Hose, Yanmar Lower Radiator #129689-49020 | | 1 |
| 5 | 057951 | Hose, Yanmar Upper Radiator #129687-49010 | | 1 |
| | 079627 | Cover Assembly, D35 T4 Radiator | | 1 |
| 6 | 079477 | Cover Weldment, D35 T4 Radiator | | 1 |
| 7 | 006604 | Cover Weldment, Radiator Lower | | 1 |
| 8 | F05005-15 | Bolt, 1/4-20 x 1/2" Hex Head | | 4 |
| 9 | F05011-14 | Washer, 1/4" Split lock | | 4 |
| 10 | F05011-11 | Washer, 1/4" SAE Flat | | 4 |
| 11 | 079478 | Plate, D35 T4 Yanmar Alt Cover | | 1 |
| | 074229 | Mount Assembly, Yanmar Lower Radiator | | 1 |
| 12 | 006530 | Mount Weldment, Yanmar Radiator | | 1 |
| 13 | 018734 | Bushing, Rubber Mount | | 2 |
| 14 | F05008-144 | Bolt, 1/2-13 x 2 3/4" Hex Head Grade 5 | F05008-144 replaced F05008-74 per ECN 38392 on 2/22/22 | 2 |
| 15 | 018751 | Washer, Engine Mount | | 2 |
| 16 | F05007-123 | Bolt, 3/8-16x1 1/4 FT Hex Head Grade 5 | | 4 |
| 17 | F05010-10 | Nut, 3/8-16 Hex Nylon Lock | | 4 |
| 18 | F05011-3 | Washer, 3/8 Flat SAE | | 4 |
| 19 | 079350 | Mount Weldment, D35 T4 Front Engine | | 1 |
| 20 | 058714 | Plate, Yanmar Front Engine Mount | | 1 |
| 21 | F81003-11 | Bolt, M10-1.5 x 25mm Hex Head Grade 8.8 | | 8 |
| 22 | F05011-88 | Washer, 10mm Split Lock | | 8 |
| | 074228 | Mount Assembly, 35.9HP Upper Radiator | | 1 |
| 23 | 006531 | Plate, Yanmar Top Radiator support | | 1 |
| 24 | 006557 | Plate, Top Radiator Mount Spacer | | 1 |
| 25 | 006558 | Plate, Yanmar Top Radiator Mount | | 1 |
| 26 | F05021-11 | Screw, M8-1.25x30 HHC | | 2 |
| 27 | F05011-45 | Washer, 8mm Split Lock | | 4 |
| 28 | F05011-17 | Washer, 5/16" SAE Flat | | 4 |
| 29 | F05007-27 | Bolt, 3/8-16 x 3/4" Hex Head Grade 2 | | 1 |
| 30 | F05011-4 | Washer, 3/8" Split Lock | | 2 |
| 31 | F05011-3 | Washer, 3/8" SAE Flat | | 1 |
| 32 | 028217 | Bushing, Rubber Radiator Mount | | 1 |
| 33 | F05010-1 | Nut, 3/8-16 Hex | | 1 |
| 34 | F05004-40 | Bolt, M8x1.25x25mm C/S 8.8 Din 933 HH | | 2 |

3.11 Radiator Assembly (7/08 - 6/17)

LT40 rev. K1.03 - K4.12
 LT40HD rev. K3.01 - K6.14
 LT40HD Super rev. J9.02 - K3.22
 LT50HD rev. A5.10 - A6.00

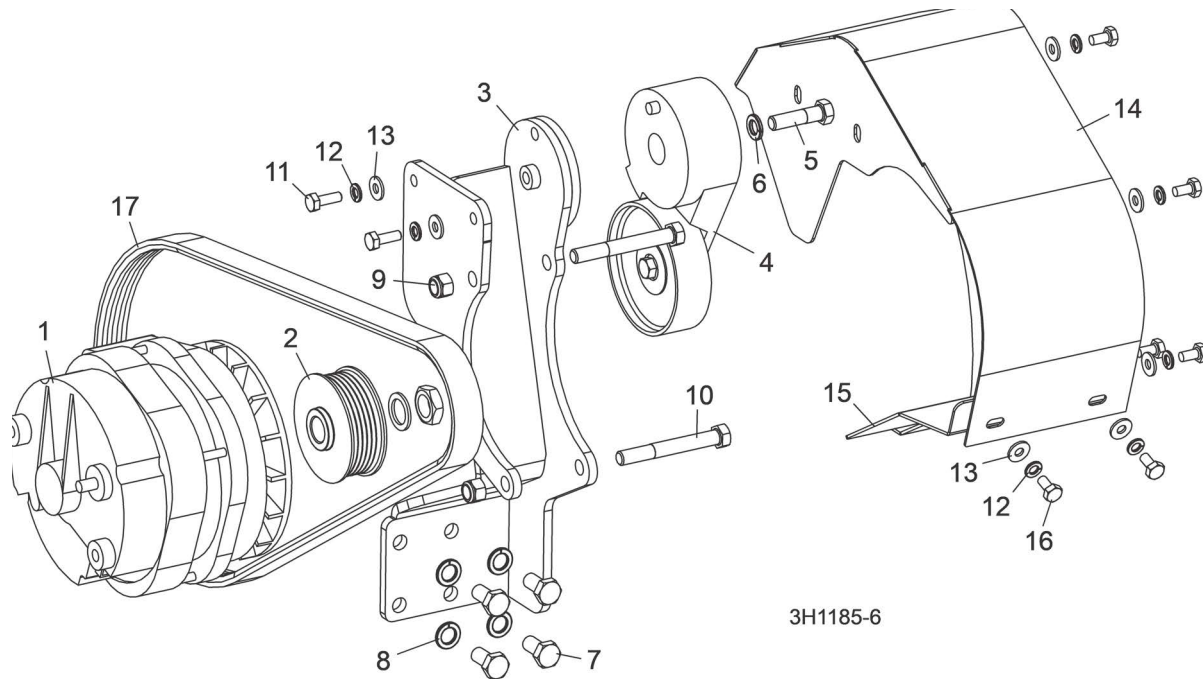


| REF | PART # | DESCRIPTION | COMMENTS | QTY. |
|-----|--------|---|----------|------|
| | 044804 | Radiator kit, Yanmar #KR2 | | 1 |
| 1 | 057949 | Radiator, Diesel Engines #129689-44510 | | 1 |
| 2 | 044660 | Cap, Yanmar Radiator #129987-44570 | | 1 |
| 3 | 040387 | Bottle Assembly, Yanmar #123987-43600 | | 1 |
| 4 | 057950 | Hose, Yanmar Lower Radiator #129689-49020 | | 1 |
| 5 | 057951 | Hose, Yanmar Upper Radiator #129687-49010 | | 1 |

| REF | PART # | DESCRIPTION | COMMENTS | QTY. |
|-----|------------|---|--|------|
| 6 | 006607 | Cover Weldment, Radiator | Cover Weldment 006607 modified 3/10 to accept new cover 008913 to provide sufficient guarding for Yanmar engine with new-style alternator. | 1 |
| 7 | 006604 | Cover Weldment, Radiator Lower | | 1 |
| 8 | F05005-15 | Bolt, 1/4-20 x 1/2" Hex Head | | 4 |
| 9 | F05011-14 | Washer, 1/4" Split lock | | 4 |
| 10 | F05011-11 | Washer, 1/4" SAE Flat | | 4 |
| | 074229 | Mount Assembly, Yanmar Lower Radiator | | 1 |
| 11 | 006530 | Mount Weldment, Yanmar Radiator | | 1 |
| 12 | 018734 | Bushing, Rubber Mount | | 2 |
| 13 | F05008-144 | Bolt, 1/2-13 x 2 3/4 Hex Head Grade 5 | F05008-144 replaced F05008-74 per ECN 38392 on 2/22/22 | 2 |
| 14 | 018751 | Washer, Engine Mount | | 2 |
| 15 | F05007-7 | Bolt, 3/8-16 x 1" Hex Head | | 4 |
| 16 | F05010-10 | Nut, 3/8-16 Hex Nylon Lock | | 4 |
| 17 | 058725 | Mount Weldment, Yanmar Front | | 1 |
| 18 | 058714 | Plate, Yanmar Front Engine Mount | | 1 |
| 19 | F81003-11 | Bolt, M10-1.5 x 25mm Hex Head Grade 8.8 | | 8 |
| 20 | F05011-88 | Washer, 10mm SPlit Lock | | 8 |
| 21 | F05006-5 | BOlt, 5/16-18 x 3/4" Hex Head | | 2 |
| 22 | F05010-58 | Nut, 5/16-18 Hex Nylon Lock | | 2 |
| | 074228 | Mount Assembly, 35.9HP Upper Radiator | | 1 |
| 23 | 006531 | Plate, Yanmar Top Radiator support | | 1 |
| 24 | 006557 | Plate, Top Radiator Mount Spacer | | 1 |
| 25 | 006558 | Plate, Yanmar Top Radiator Mount | | 1 |
| 26 | F05004-47 | Bolt, M8 x 125 x 16mm Hex Head | | 2 |
| 27 | F05011-45 | Washer, 8mm Split Lock | | 2 |
| 28 | F05011-17 | Washer, 5/16" SAE Flat | | 2 |
| 29 | F05007-27 | Bolt, 3/8-16 x 3/4" Hex Head Grade 2 | | 1 |
| 30 | F05011-4 | Washer, 3/8" Split Lock | | 2 |
| 31 | F05011-3 | Washer, 3/8" SAE Flat | | 1 |
| 32 | 028217 | Bushing, Rubber Radiator Mount | | 1 |
| 33 | F05010-1 | Nut, 3/8-16 Hex | | 1 |
| 34 | 008913 | Cover, Yanmar 35HP Alternator | Cover Weldment 006607 modified 3/10 to accept new cover 008913 to provide sufficient guarding for Yanmar engine with new-style alternator. | 1 |

3.12 Alternator Assembly (6/17 - present)

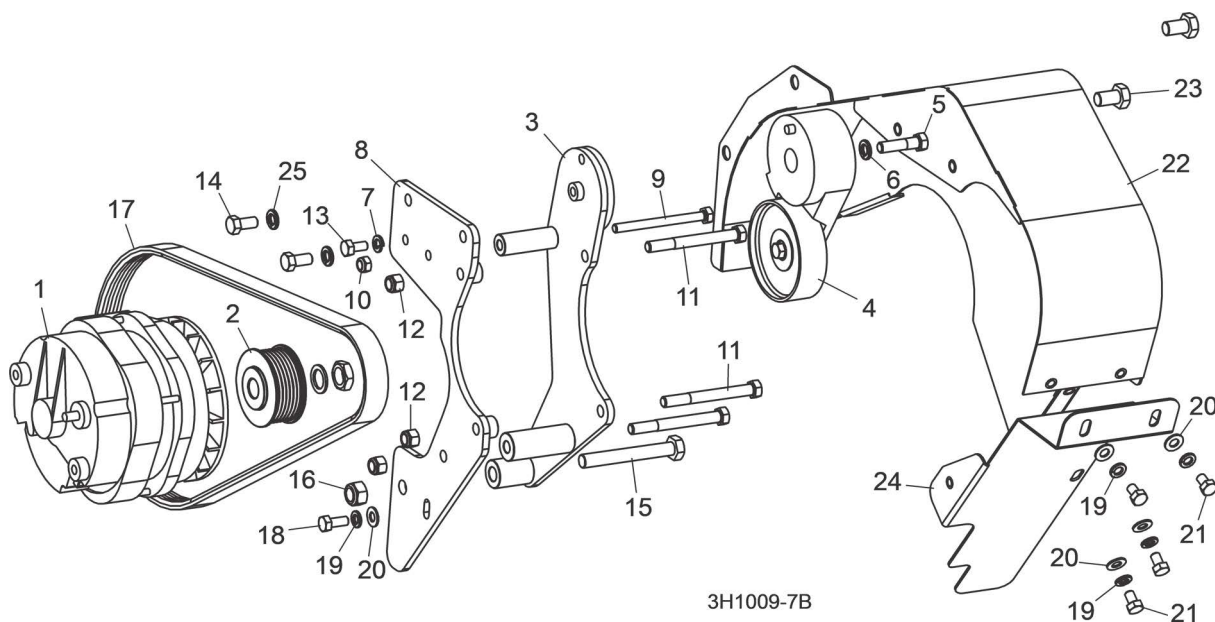
LT40 Rev. K5.00+
 LT40HD Rev. K7.00+
 LT40HD Super Rev. K4.00+
 LT50HD Rev. A6.00+



| REF | PART # | DESCRIPTION | COMMENTS | QTY. |
|-----|------------|--|-------------------------------|------|
| | 024308 | Wire Assembly, Starter to Alternator | | 1 |
| | 050941 | Wire Assembly, Engine to Alternator Ground | | 1 |
| | 079399 | Alternator Assembly, Yanmar | | 1 |
| | 046429 | Alternator Assembly, 140 Amp | Available in assemblies only. | 1 |
| 1 | 023695 | Alternator, 140 Amp | | 1 |
| 2 | 046402 | Pulley, 2 3/4" Dia. Alternator | | 1 |
| 3 | 079394 | Mount Weldment, D35 T4 Alternator | | 1 |
| 4 | 034464 | Tensioner, Alternator Belt | | 1 |
| 5 | F05007-78 | Bolt, 3/8-16 x 1 1/2" Hex Head Grade 5 | | 1 |
| 6 | F05011-4 | Washer, 3/8" Split Lock | | 1 |
| 7 | F05004-207 | Bolt, M10-1.50x20mm HH FT 8.8 | | 1 |
| 8 | F05011-88 | Washer, 10mm Split Lock | | 1 |
| 9 | F05010-10 | Nut, 3/8-16 Hex Nyloc | | 1 |
| 10 | F05007-73 | Bolt, 3/8-16x3 HH Gr5 | | 1 |
| | 079544 | Cover Assembly, D35 T4 Alternator | | 1 |
| 11 | F05005-1 | Bolt, 1/4-20x3/4 FT HHC | | 2 |
| 12 | F05011-14 | Washer, 1/4 Split Lock | | 10 |
| 13 | F05011-11 | Washer, 1/4 SAE Flat | | 10 |
| 14 | 079543 | Cover Weldment, D35 T4 Alternator | | 1 |
| 15 | 079576 | Cover Weldment, D35 T4 Lower Alt | | 1 |
| 16 | F05005-15 | Bolt, 1/4-20x1/2 Hex Head | | 8 |
| 17 | 006524 | Belt, 6PK1145 | | 1 |

3.13 Alternator Assembly (7/08 - 06/17)

LT40 rev. K1.03 - K4.12
 LT40HD rev. K3.01 - K6.14
 LT40HD Super rev. J9.02 - K3.22
 LT50HD rev. A5.10 - A5.23

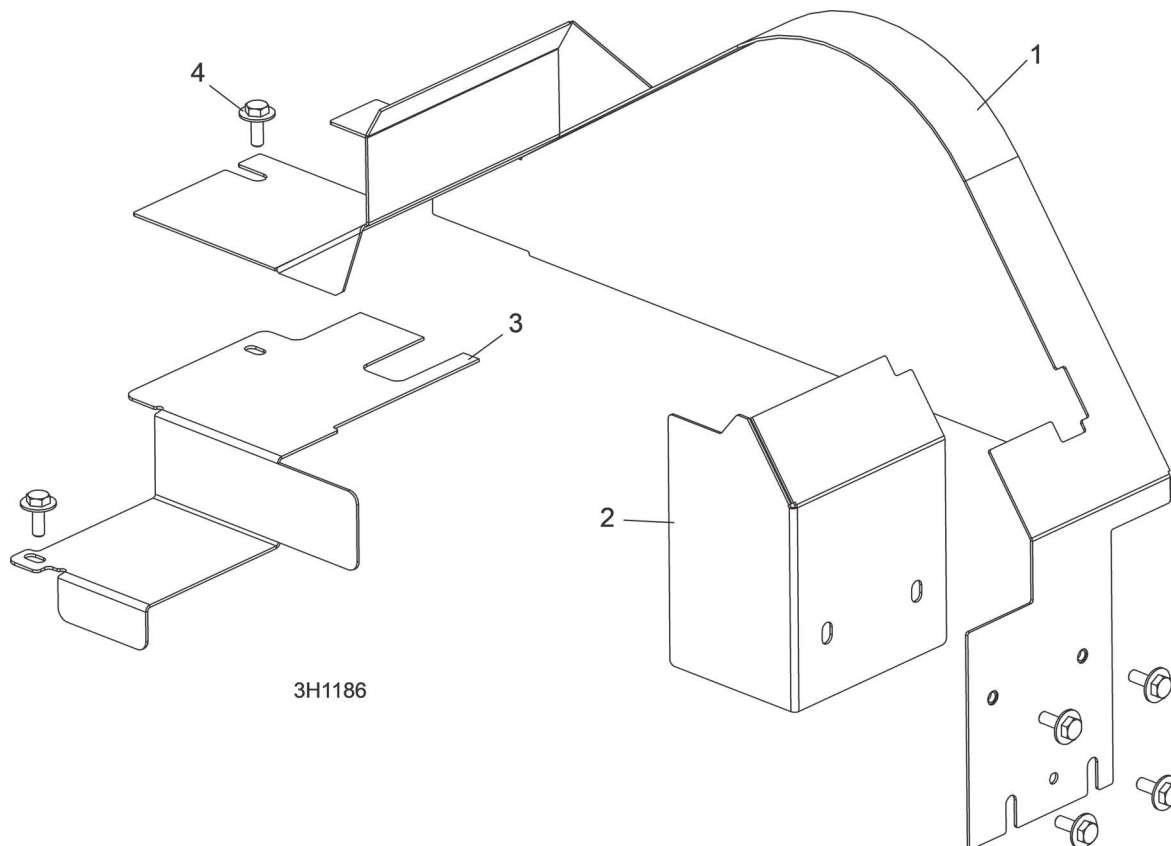


| REF | PART # | DESCRIPTION | COMMENTS | QTY. |
|-----------|------------|--|-------------------------------|------|
| | 024308 | Wire Assembly, Starter to Alternator | | 1 |
| | 050941 | Wire Assembly, Engine to Alternator Ground | | 1 |
| | 074234 | Alternator Assembly, Yanmar | | 1 |
| | 046429 | Alternator Assembly, 140 Amp | Available in assemblies only. | 1 |
| 1 | 023695 | Alternator, 140 Amp | | 1 |
| 2 | 046402 | Pulley, 2 3/4" Dia. Alternator | | 1 |
| 3 | 057493 | Mount Weldment, Yanmar Alternator Tensioner | | 1 |
| 4 | 034464 | Tensioner, Alternator Belt | | 1 |
| 5 | F05007-78 | Bolt, 3/8-16 x 1 1/2" Hex Head Grade 5 | | 1 |
| 6 | F05011-4 | Washer, 3/8" Split Lock | | 1 |
| 7 | F05011-45 | Washer, 8mm Split Lock | | 1 |
| 8 | 058708 | Mount Weldment, Yanmar Alternator | | 1 |
| 9 | F05004-247 | Bolt, M8 x 1.25 x 90mm Hex Head Full Thread | | 1 |
| 10 | F05010-132 | Nut, M8 Hex Nylon Lock | | 1 |
| 11 | F05004-123 | Bolt, 3/8-16 x 3 1/2" Hex Head Grade 5 | | 3 |
| 12 | F05010-10 | Nut, 3/8-16 Hex Nylon Lock | | 3 |
| 13 | F05004-47 | Bolt, M8 x 125 x 16mm Hex Head | | 1 |
| 14 | F05007-27 | Bolt, 3/8-16 x 3/4" Hex Head Grade 2 | | 2 |
| 15 | F05004-249 | Bolt, M12 x 1.75 x 90mm Hex Head Full Thread | | 1 |
| 16 | F05010-209 | Nut, M12 x 1.75 Hex Nylon Lock | | 1 |
| 17 | 006524 | Belt, 6PK1145 | | 1 |
| | 074233 | Cover Assembly, Yanmar Alternator | | 1 |
| 18 | F05006-5 | Bolt, 5/16-18 x 3/4" Hex Head | | 1 |

| REF | PART # | DESCRIPTION | COMMENTS | QTY. |
|-----|-----------|---|----------|------|
| 19 | F05011-13 | Washer, 5/16 Split Lock | | 5 |
| 20 | F05011-17 | Washer, 5/16 SAE Flat | | 5 |
| 21 | F05006-15 | Bolt, 5/16-18 x 1/2" Hex Head Grade 5 | | 4 |
| 22 | 058704 | Cover Weldment, Yanmar Alternator | | 1 |
| 23 | F05007-27 | Bolt, 3/8-16 x 3/4" Hex Head Grade 2 | | 2 |
| 24 | 058712 | Cover Weldment, Lower Yanmar Alternator | | 1 |
| 25 | F05011-4 | Washer, 3/8" Split Lock | | 2 |

3.14 Engine Pulley Guards (6/2017 - present)

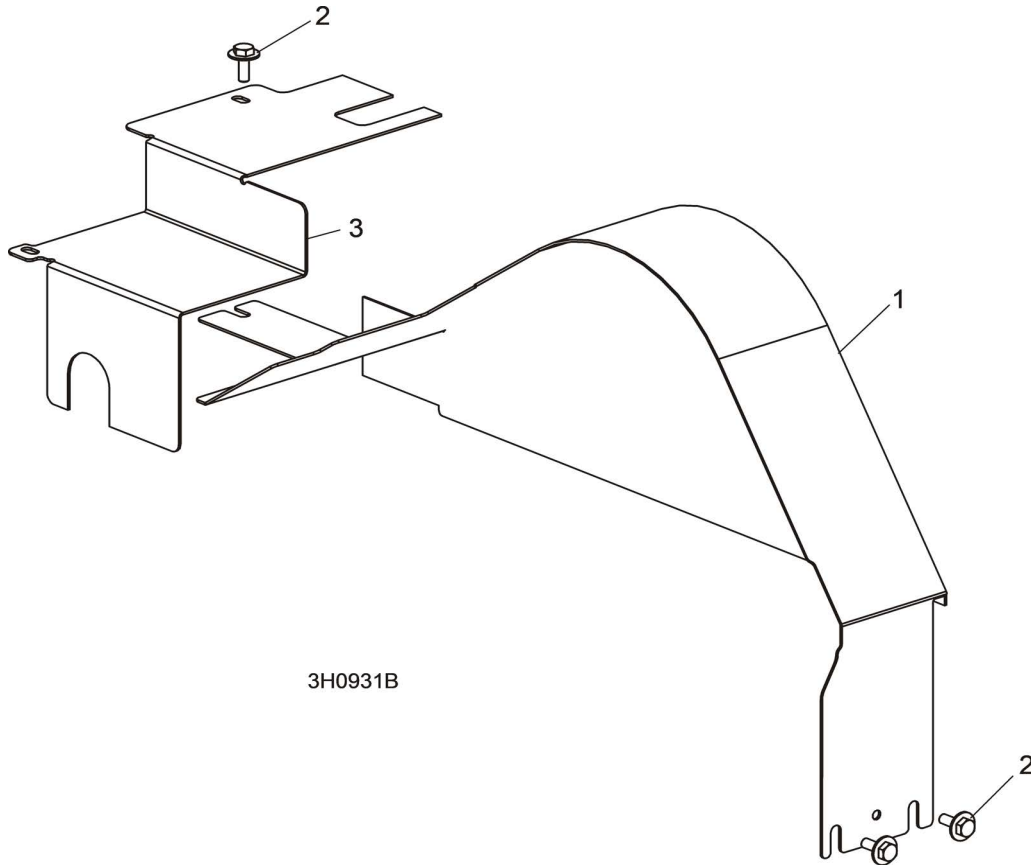
LT40 Rev. K5.00+
 LT40HD Rev. K7.00+
 LT40HD SuperRev. K4.00+
 LT50HD Rev. A6.00+



| REF | PART # | DESCRIPTION | COMMENTS | QTY. |
|-----|------------|--------------------------------------|----------|------|
| | 079718 | Cover Assembly, D35 T4 Top Pulley | | 1 |
| 1 | 079473 | Cover Weldment, D35 T4 Top Pulley | | 1 |
| 2 | 079707 | Plate, D35 T4 Cover | | 1 |
| 3 | 079714 | Plate, D35 T4 Side Guard | | 1 |
| 4 | F05005-134 | Bolt, 1/4-20x3/4 HH w/Conical Washer | | 6 |

3.15 Engine Pulley Guards (7/08 - 6/17)

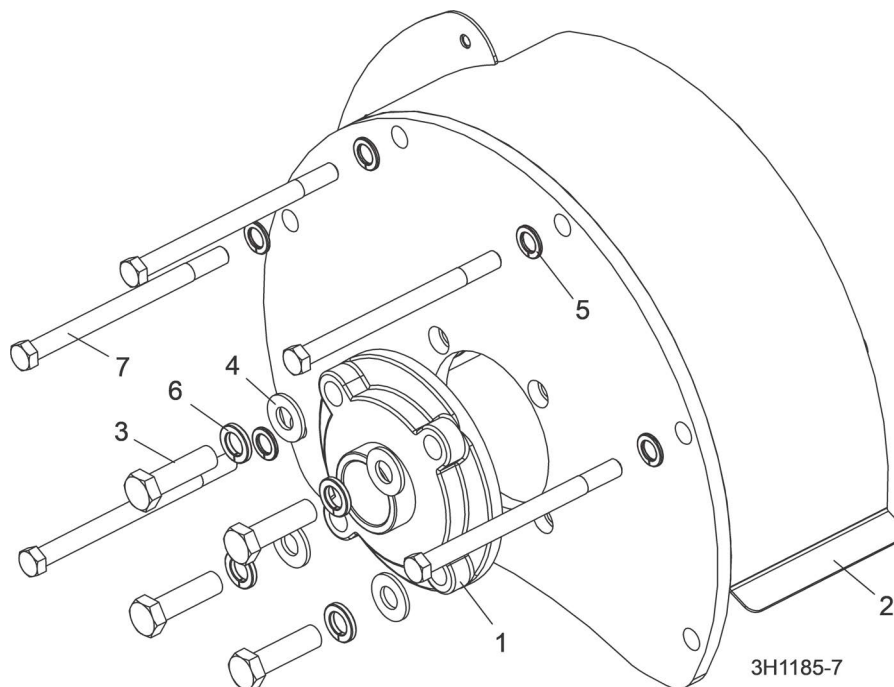
LT40 Rev. K1.03 - K4.04
 LT40HD Rev. K3.01 - K6.04
 LT40HD Super Rev. K1.01 - K3.12
 LT50HD Rev. A5.10 - A6.00



| REF | PART # | DESCRIPTION | COMMENTS | QTY. |
|-----|------------|--|----------|------|
| 1 | 046560 | Guard Weldment, Cat Engine Pulley | | 1 |
| 2 | F05005-134 | Bolt, 1/4-20 x 3/4" Hex Head With Conical Washer | | 3 |
| 3 | 016152 | Guard, Side Engine Pulley | | 1 |

3.16 Bearing Support (6/2017 - present)

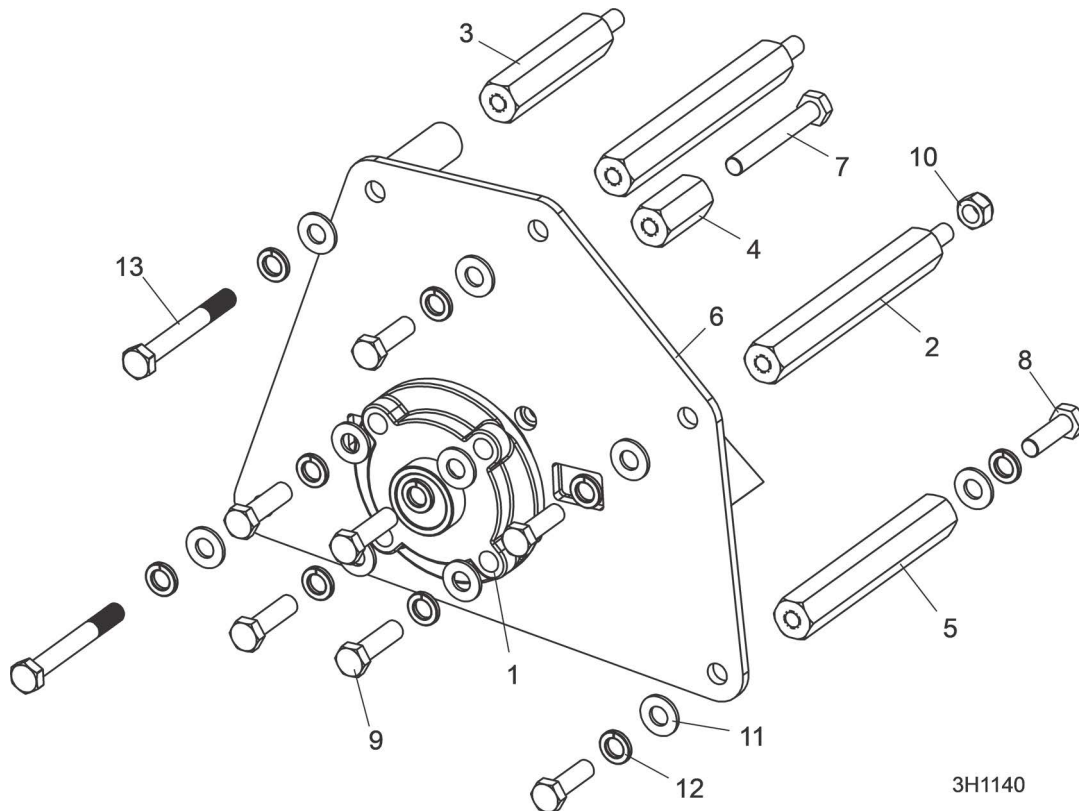
LT40 Rev. K5.00+
 LT40HD Rev. K7.00+
 LT40HD SuperRev. K4.00+
 LT50HD Rev. A6.00+



| REF | PART # | DESCRIPTION | COMMENTS | QTY. |
|-----|-----------|--|----------|------|
| | 079402 | Support Assembly, D35 T4 Final Bearing | | 1 |
| 1 | 071491 | Bearing, 1-7/16 4-Bolt Flange | | 1 |
| 2 | 079401 | Support Weldment, D35 T4 Final Bearing | | 1 |
| 3 | F05008-88 | Bolt, 1/2-13x1 3/4 Hex Head Grade 5 FT | | 4 |
| 4 | F05011-2 | Washer, 1/2 SAE Flat | | 4 |
| 5 | F05011-88 | Washer, 10mm Split Lock | | 5 |
| 6 | F05011-9 | Washer, 1/2 Split Lock | | 4 |
| 7 | F05022-21 | Bolt, M10-1.5x140 Hex Head FT | | 5 |

3.17 Bearing Support (7/08 - 6/17)

LT40 Rev. K1.03 - K4.04
 LT40HD Rev. K3.01 - K6.04
 LT40HD Super Rev. K1.01 - K3.12
 LT50HD Rev. A5.10 - A6.00



| REF | PART # | DESCRIPTION | COMMENTS | QTY. |
|-----|------------|--|---|------|
| | 074226 | Support Assembly, Yanmar Bearing | Yanmar Bearing Support introduced (1/14). Use 075707 Yanmar Bearing Support Kit to upgrade Yanmar engines supplied prior to 1/14. | 1 |
| 1 | 071491 | Bearing, 1-7/16 4-Bolt Flange | | 1 |
| 2 | 071493 | Spacer, 1 Hex x 7.31 | | 2 |
| 3 | 071499 | Spacer, 1 Hex x 4.38 | | 1 |
| 4 | 075103 | Spacer, 1 Hex x 2.03 | | 1 |
| 5 | 075104 | Spacer, 1 Hex x 6.63 | | 1 |
| 6 | 075538 | Weldment, Yanmar Bearing Support | | 1 |
| 7 | F05004-249 | Bolt, M12 x 1.75 x 90mm Hex Head Full Thread Cl10.9 Zinc | | 1 |
| 8 | F05004-250 | Bolt, M12 x 1.75 x 40mm Hex Head Full Thread Cl10.9 Zinc | | 4 |
| 9 | F05008-88 | Bolt, 1/2-13 x 1 3/4" Hex Head Grade 5 Full Thread | | 4 |
| 10 | F05010-209 | Nut, M12 x 1.75 Hex Nylock Zinc | | 1 |
| 11 | F05011-2 | Washer, 1/2" SAE Flat | | 10 |

3**Replacement Parts***Bearing Support (7/08 - 6/17)*

| REF | PART # | DESCRIPTION | COMMENTS | QTY. |
|-----|----------|---|----------|------|
| 12 | F05011-9 | Washer, 1/2" Split Lock | | 10 |
| 13 | F05023-7 | Bolt, M12-1.75 x 100 Grade 8.8 Hex Head | | 2 |