

G25 Engine Engine

Safety, Operation, Maintenance & Parts Manual

047740 Engine, LT15 Gas 25hp **rev. H**

Safety is our #1 concern!

Form #1204

**Used with
LT15
LT15W**

**rev. E4.03 - E8.14
rev. A1.00 - A2.00**



WARNING! Read and understand this manual before using this machine.

California
Proposition 65 Warning



WARNING: Breathing gas/diesel engine exhaust exposes you to chemicals known to the State of California to cause cancer and birth defects or other reproductive harm.

Always start and operate the engine in a well-ventilated area.
If in an enclosed area, vent the exhaust to the outside.
Do not modify or tamper with the exhaust system.
Do not idle the engine except as necessary.

For more information go to **www.P65warnings.ca.gov**.



WARNING: Drilling, sawing, sanding or machining wood products can expose you to wood dust, a substance known to the State of California to cause cancer. Avoid inhaling wood dust or use a dust mask or other safeguards for personal protection.

For more information go to **www.P65Warnings.ca.gov/wood**.

Active Patents assigned to Wood-Mizer, LLC

Wood-Mizer, LLC has received patents that protect our inventions which are a result of a dedication to research, innovation, development, and design. Learn more at: woodmizer.com/patents

©2023 Wood-Mizer LLC

Printed in the United States of America, all rights reserved. No part of this manual may be reproduced in any form by any photographic, electronic, mechanical or other means or used in any information storage and retrieval system without written permission from

Wood-Mizer, LLC
8180 West 10th Street
Indianapolis, Indiana 46214

SECTION 1 SAFETY

1.1 Safety 1-1

SECTION 2 OPERATION

2.1 Starting The Engine 2-1

SECTION 3 MAINTENANCE

3.1 Safety 3-1
3.2 Cooling System 3-1
3.3 Air Filter & Pre-Cleaner 3-1
3.4 Fuel Filter 3-1
3.5 Battery 3-1
3.6 RPM Adjustments 3-2
3.7 Miscellaneous Maintenance 3-2

SECTION 4 REPLACEMENT PARTS

4.1 Fuel Tank rev. E8.07+, W rev. A1.07+ 4-1
4.2 Fuel Tank rev. E8.04 - E8.06, W rev. A1.05 -A1.06 4-2
4.3 Fuel Tank rev. E4.03 - E8.03, W rev. A1.00 -A1.04 4-3
4.4 Engine Assembly 4-4
4.5 Throttle Assembly 4-6

SECTION 1 SAFETY

This manual is provided as a supplement to the equipment manufacturer's manuals.

This manual provides information specific to the use of this equipment on the Wood-Mizer® sawmill. Refer to the sawmill operator's manual and manufacturer's manual before attempting to operate this equipment.

NOTICE Read the sawmill operator's manual and engine manufacturer's manual for instructions and safety precautions before operating this equipment.

The information and instructions given in this manual do not amend or extend the limited warranties for the equipment given at the time of purchase.

Refer to the manufacturer's manual for maintenance intervals and procedures unless otherwise instructed in this manual. Follow the manufacturer's recommendations for dusty conditions.

NOTICE This manual only provides information about additional procedures or procedures to be performed at different time intervals than found in the manufacturer's manuals. Refer to the manufacturer's manual for complete maintenance instructions.



WARNING! Clean sawdust from all guards, vents, control boxes, or any area where sawdust may gather **after every shift**. Failure to do so may result in fire, causing death or serious injury.



1.1 Safety

Use caution when performing maintenance or service to the engine.



DANGER! Take proper protective measures against rotating shafts, pulleys, fans, etc.

Ensure loose clothing or long hair does not engage rotating members.

DANGER! Do not touch or perform service functions on a hot engine. Allow the engine to cool sufficiently before beginning any service function. Hot engine components will cause serious burns.



WARNING! Remove the blade before performing any engine service.

WARNING! Wear eye, hand, and foot protection equipment when performing service functions.

SECTION 2 OPERATION

2.1 Starting The Engine



DANGER! Ensure the blade is disengaged and all persons are out of the path of the blade before starting. Failure to do so will result in death or serious injury.

DANGER! Operate your engine only in well ventilated areas. The exhaust gases of your engine can cause nausea, delirium, and potentially death unless adequate ventilation is present.

DANGER! Never operate an engine with a fuel or oil leak. This is a fire hazard, which may cause serious injury or death.



WARNING! Do not operate engine without proper and operational spark arrester/muffler. Sparks emitted from the engine exhaust could ignite surrounding materials, causing serious injury or death.



CAUTION! EPA Compliant Gas Tanks Only: Always relieve all fuel pressure inside the tank prior to filling or connecting fuel fittings. Failure to do so may result in fuel spillage.

CAUTION! EPA Compliant Gas Tanks Only: Disconnect the fuel tank when not in use, or engine flooding or fuel spillage may result.

1. Close the engine choke by pulling the choke cable knob out.
2. Turn the key switch to the START position and release. Release the key switch to the RUN position after the engine starts.
3. When the engine starts, slowly push the choke cable knob in.

ENGINE SHUTOFF

1. Disengage the clutch handle to stop the blade if necessary.
2. Let the engine run for 15 seconds with no load, then turn the key switch to the OFF position.

SECTION 3 MAINTENANCE

Refer to the manufacturer's manual for maintenance intervals and procedures unless otherwise instructed in this manual. Follow the manufacturer's recommendations for dusty conditions.

NOTICE This manual only provides information about additional procedures or procedures to be performed at different time intervals than found in the manufacturer's manuals. Refer to the manufacturer's manual for complete maintenance instructions.



WARNING! Clean sawdust from all guards, vents, control boxes, or any area where sawdust may gather **after every shift**. Failure to do so may result in fire, causing death or serious injury.



3.1 Safety

Use caution when performing maintenance or service to the .



DANGER! Take proper protective measures against rotating shafts, pulleys, fans, etc.

Ensure loose clothing or long hair does not engage rotating members.



WARNING! Remove the blade before performing any engine service.

WARNING! Wear eye, hand, and foot protection equipment when performing service functions.

3.2 Cooling System

Wash the engine or brush off sawdust and debris every 50 hours of operation.

Clean the grass screen, cooling fins, and external surfaces.

Remove any dust, dirt, or oil.

See engine manual for further instructions.

3.3 Air Filter & Pre-Cleaner



WARNING! Always wear proper safety equipment when performing service functions, including eye protection, breathing protection, hand protection and foot protection.

Service the pre-cleaner every four hours of operation by gently shaking excess sawdust and debris from the foam piece.

Clean the air filter (air cleaner element) and pre-cleaner (element wrapper) every eight hours of operation.

Replace the air filter (cleaner) every 200 hours of operation.

Replace the pre-cleaner (element wrapper) every 2000 hours of operation.

See the engine manual for further instructions.

3.4 Fuel Filter

Replace the fuel filter every 100 hours of operation or as required for engine performance.

3.5 Battery

Check the battery electrolyte level every 50 hours of operation. See manufacturer's manual for instructions.



DANGER! Batteries expel explosive gases.

Keep sparks, flames, burning cigarettes, or other ignition sources away at all times.

Wear a face shield when working on batteries.



WARNING! Battery posts, terminals and related accessories contain lead and lead compounds. Wash hands after handling.

3.6 RPM Adjustments



WARNING! Remove the blade before performing any engine service. Failure to do so may result in serious injury.

Check the RPM with a tachometer every 200 hours of operation.

Engine	High End RPM	Low End RPM
G25	3600	1800

TABLE 3-1

Before checking the RPM, make sure belt and brake strap tensions are correct (See Sawmill Maintenance). Also check oil, fuel, and coolant levels.

Check that the cable spring, cable guide, cable, and throttle brackets are aligned.

NOTE: It is important that the above components are aligned. Proper alignment allows any slack in the cable (when engine is idling) to slide down into the cable spring. This maintains free operation of the cable and prevents the cable from kinking. Make sure the shoulder bolt does not rub against the crankcase vent tube.

1. Start the engine to measure the low-end RPM.
2. Refer to the engine manual to adjust the low-end RPM.
3. Engage the clutch handle to throttle the engine and measure the high-end RPM.

The high-end RPM is factory-set at 3600.

4. Readjust the throttle cable if necessary to increase or reduce the high-end engine speed.

The throttle cable should be tensioned just enough so that the engine revs as soon as the clutch/brake handle is engaged.

NOTE: A properly adjusted throttle will extend the cable spring 1/4" to 3/8" (6.4 - 9.5 mm) when running and have a slight amount of slack in the cable when idling.

3.7 Miscellaneous Maintenance

Clean and inspect the spark arresters every 50 hours of operation. Replace if damaged.



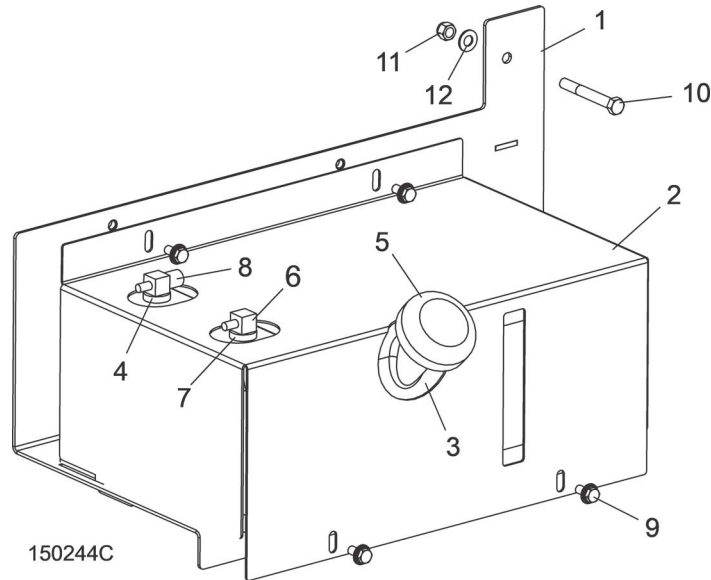
CAUTION! Do not remove the plug wire to check for electrical spark. Damage to the ignition circuit may result.

Inspect the spark plugs every 100 hours of operation. Remove any deposits and adjust gap if necessary. See engine manual for further information.

Review the manufacturer's engine manual for maintenance intervals.

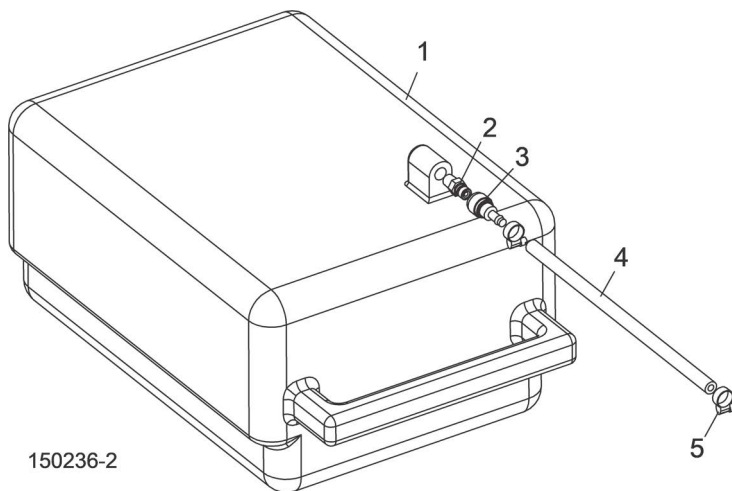
SECTION 4 REPLACEMENT PARTS

4.1 Fuel Tank rev. E8.07+, W rev. A1.07+



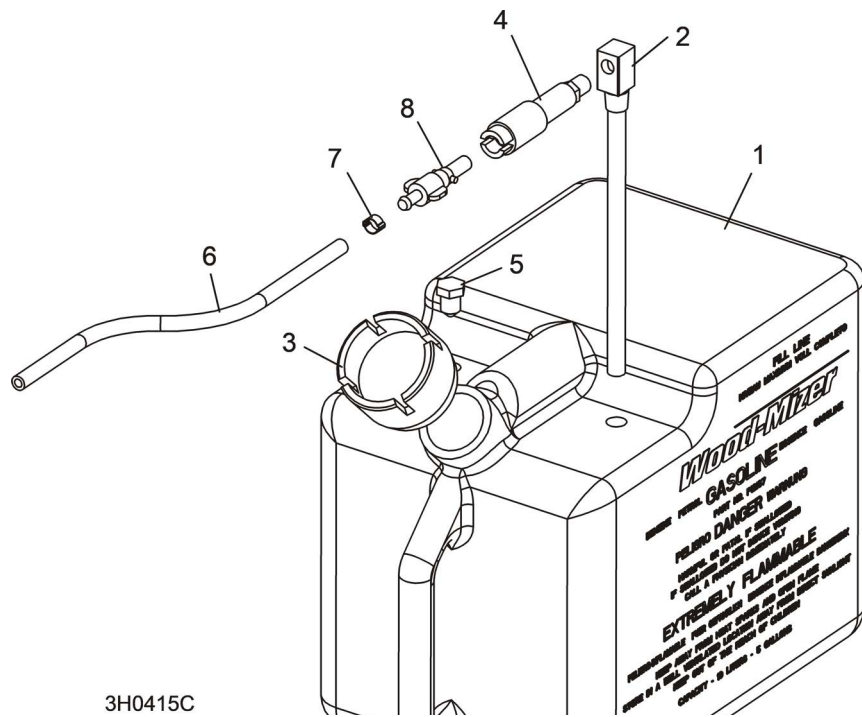
REF	PART #	DESCRIPTION	COMMENTS	QTY.
	103815	TRAY ASSEMBLY, LT15 FUEL TANK		1
1	103802	Weldment, Fuel Tank Tray		1
2	103867	Cover, Fuel Tank		1
3	103878	Tank, 5 Gallon Low Pro EPA Fuel	Fuel shut-off valve added to fuel tank to prevent possibility of fuel feeding back into engine during travel (LT15W Rev. A1.09/LT15 Rev. E8.09). Created service part 074943 Fuel Pick-Up with Shut-Off Fitting.	1
4	061250	Grommet, Shut Off		1
5	061251	Gas Cap, LT15		1
6	061252	Valve, Slosh		1
7	061253	Grommet, Slosh Valve		1
8	074943	Fitting, Fuel Pick-Up With Shut-Off		1
9	F05006-101	Bolt, 5/16-18 x 3/4" Hex Head w/Flat&Lock Washer		4
10	F05007-73	Bolt, 3/8-16 x 3" Hex Head Grade 5		2
11	F05010-10	Nut, 3/8-16 Hex Nyloc		2
12	F05011-3	Washer, 3/8" Flat SAE		2
	R02423-1	Hose, Fuel 3/16" EPA 15G CARB		8 Ft.
	R02423-2	Hose, Fuel 1/4" EPA 15G CARB		8 Ft.

4.2 Fuel Tank rev. E8.04 - E8.06, W rev. A1.05 -A1.06



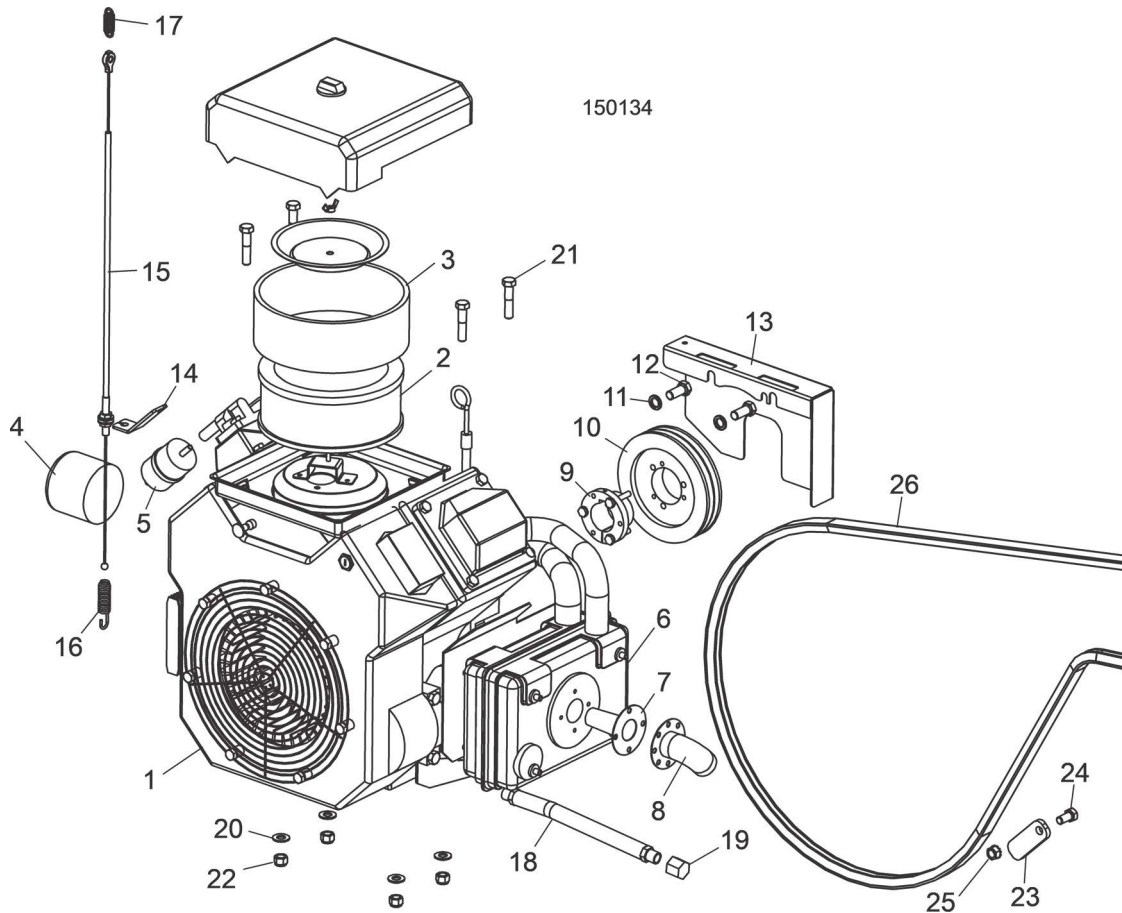
REF	PART #	DESCRIPTION	COMMENTS	QTY.
	074643	TANK ASSEMBLY, 6 GALLON GAS SERVICE		1
1	076478	Tank, Gas	Available in assemblies only.	1
2	015583	Fitting, 1/4" NPT Male Quick Disconnect		1
3	015582	FITTING, FEMALE QUICK DISCONNECT BARB		1
4	P642	HOSE, 1/4" ID FUEL		9.3 Ft
5	P649	CLAMP, 7/32" - 1/2" HOSE		2

4.3 Fuel Tank rev. E4.03 - E8.03, W rev. A1.00 -A1.04



REF	PART #	DESCRIPTION	COMMENTS	QTY.
	A12285	TANK ASSEMBLY, 5-GALLON RED GASOLINE	5 gallon gas can assemblies are available only for customers with sawmills and edgers manufactured prior to 2010. Customers with sawmills and edgers manufactured in 2010 and later need to use new EPA approved 3 or 6 gallon gas can assemblies (see technical bulletin TB150005 for more information).	1
1	P12167	Tank, 5-Gallon Red Fuel	Available in assemblies only.	1
2	P12172	Pickup, 9" Fuel		1
3	P09683	Cap, 3 or 5-Gallon Fuel Tank		1
4	P12175	Fitting, 1/4" NPT Plastic Female Disconnect		1
5	P10367	Fitting, 3/8" NPT Hex Plug		1
6	P642	HOSE, 1/4" ID FUEL		9.3 Ft
7	P649	CLAMP, 7/32 - 1/2 HOSE		2
8	P12176	FITTING, 1/4" NPT PLASTIC MALE DISCONNECT	Replacement requires qty. 1 hose clamp (P649).	1

4.4 Engine Assembly



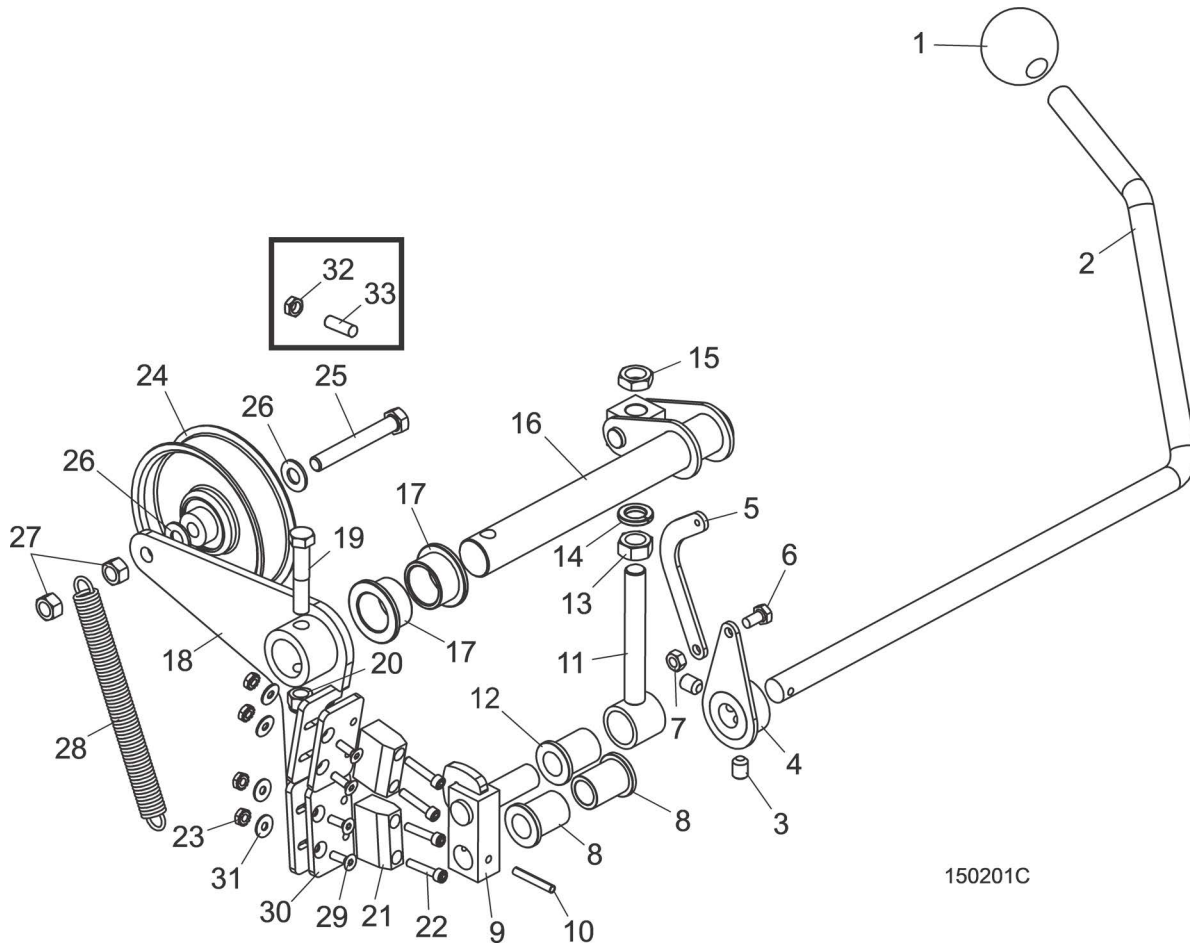
REF	PART #	DESCRIPTION	COMMENTS	QTY.
	015993	MANUAL, KOHLER CH25 OWNER'S		1
	015994	MANUAL, KOHLER CH25 SERVICE		1
	047740	Engine Assembly, LT15/28 G25		1
1	074351	Engine, 25HP Kohler Gas CH740 w/Key	074351 replaces 012832 25HP Kohler CH25 Spec PA 68600 Engine (4/14). 012832 Engine changed to Spec PA-CH730-0010 without muffler (2/07).	1
	016290	Gasket Kit, Kohler CH25 Head #24-757-31		1
2	P12734	Filter, 25Hp Kohler Air&PreClnr Kit		1
3	006931	Deleted	Parts 006907 and 006931 combined into P12734 (03/20).	1
	P12757	Plug, RC12YC Kohler Spark #12-132-02		2
	016079	Module Kit, Kohler Ignition #25-584-14-S		2
4	014717	Filter, Kohler Oil #52-050-02		1
5	P12758	Filter, Kohler Fuel #24-050-13	Kohler #24-050-13 9-12 micron filter replaces #240-050-10 8-10 micron filter originally supplied.	1
	061157	Kit, Valve Cover w/ Lift Pump 24 559 10S		1
	061371	Starter, Kohler Engine KH# 25 098 21S		1
	061150	Switch, Ignition G18/25		1

4 Replacement Parts

Engine Assembly

REF	PART #	DESCRIPTION	COMMENTS	QTY.
6	051569	Muffler Assembly, Kohler #24-786-19	Muffler, Deflector and Spark Arrestor no longer supplied with engine (2/07).	1
7	016495	Deflector, Kohler Muffler #12-755-28		1
8	016496	Arrestor, Kohler Spark #12-189-02		1
9	016535	Bushing, 1 7/16" SH		1
10	047742	Pulley, 3V5.6 x 2" SH		1
11	F05011-48	Washer, 7/16" Split Lock		2
12	F05007-145	Bolt, 7/16-14 x 1" Hex Head Grade 5		2
13	016493	Plate, Engine Guard		1
14	047750	Plate, Throttle Cable Mount		1
15	047749	Cable, LT15 G25 Throttle		1
16	016033	Spring, Throttle		1
17	015952	Spring, Throttle Extension		1
18	P10082	Hose, 3/8" NPT Oil Drain		1
19	P04332	Cap, Oil Drain Hose		1
	061303	Solenoid, Fuel Shut Off 24-757-01-S		1
	024718	Harness, Battery To Engine		1
20	F05011-3	Washer, 3/8" SAE Flat		4
21	F05007-119	Bolt, 3/8-16 x 1 3/4" Hex Head Grade 5		4
22	F05010-10	Nut, 3/8-16 Hex Nylon Lock		4
23	048237	Support Weldment, Drive Belt		1
24	F05007-118	Bolt, 3/8-16 x 3/4" Hex Head Grade 5		1
25	F05010-19	Nut, 3/8-16 Self-Locking Hex		1
26	047751	Belt, 2/3VFL900 Drive		1
	061324	Carb Kit, G25 De-icing 24 755 69S		1

4.5 Throttle Assembly



150201C

REF	PART #	DESCRIPTION	COMMENTS	QTY.
1	P04211	KNOB, 5/8-11 BALL		1
2	016487	HANDLE, LT15 CLUTCH		1
3	F05007-68	SCREW, 3/8-16 X 3/8 SOCKET HEAD CUP PT SET		2
4	034815	ACTUATOR WELDMENT, THROTTLE LT15D&G		1
5	034818	LINKAGE, THROTTLE LT15D&G		1
6	F05005-15	BOLT, 1/4-20 X 1/2" HEX HEAD		1
7	F05010-21	NUT, 1/4-20 SWAGED		1
8	016486	BUSHING, 5/8" ID X 7/8" OD X 1 1/8" LONG FLANGED BRONZE		2
9	065572	BLOCK WELDMENT, LINKAGE CLUTCH/BRAKE		1
10	F05012-16	PIN, 3/16 X 1 1/4 ROLL		1
11	034605	LINKAGE ASSEMBLY, W/BEARING		1
12	016486	Bushing, 5/8" ID x 7/8" OD x 1 1/8" Long Flanged Bronze		1
13	F05010-35	NUT, 1/2-13 FREE HEX, ZINC		1
14	F05011-9	WASHER, 1/2 SPLIT LOCK		1
15	F05010-31	NUT, 1/2-13 JAM		1
16	034608	PIVOT WELDMENT, CLUTCH/BRAKE		1
17	P737	BUSHING, 1 X 1 1/4 X 3/4 FLG BRONZE		2
	065874	BRAKE/CLUTCH ASSEMBLY, LT15		1
18	065873	Arm Weldment, Clutch/Brake LT15		1
19	F05007-124	Bolt, 3/8-16 x 2 Hex Head Gr5		1

4 Replacement Parts

Throttle Assembly

REF	PART #	DESCRIPTION	COMMENTS	QTY.
20	F05010-10	Nut, 3/8-16 Hex Nylon Lock		1
21	016488	Block, LT15 Brake		2
22	F05004-2	Screw, 10-24 x 1" Socket Head		4
23	F05010-14	Nut, #10-24 Keps		8
24	034602	Idler, 4" O.D. x 3/8 Bore		1
25	F05007-230	Bolt, 3/8-16 x 2-3/4" Hex Head Gr5 Full Thread		1
26	F05011-3	Washer, 3/8 Flat		2
27	F05010-25	Nut, 3/8-16 Swaged Lock		2
28	034810	Spring, Idler Arm LT15/D/E/G		1
29	F05004-282	Screw, 10-24 x 5/8" FSHC		4
30	065872	Plate, Brake Adjustment		2
31	F05011-18	Washer, #10 SAE Flat		4
32	F05010-29	NUT, 3/8-16 JAM		2
33	F05007-18	SCREW, 3/8-16X1 1/4 SHOP SET		2