

Wood-Mizer[®] Sawmill

Parts Manual

LT15
LT15W

rev. E6.06 - E8.13
rev. A1.00 - A1.14



Safety is our #1 concern! Read and understand all safety information and instructions before operating, setting up or maintaining this machine.

April 2010

Form #1640

California

Proposition 65 Warning



WARNING: Breathing gas/diesel engine exhaust exposes you to chemicals known to the State of California to cause cancer and birth defects or other reproductive harm.

Always start and operate the engine in a well-ventilated area.
If in an enclosed area, vent the exhaust to the outside.
Do not modify or tamper with the exhaust system.
Do not idle the engine except as necessary.

For more information go to www.P65warnings.ca.gov.



WARNING: Drilling, sawing, sanding or machining wood products can expose you to wood dust, a substance known to the State of California to cause cancer. Avoid inhaling wood dust or use a dust mask or other safeguards for personal protection.

For more information go to www.P65Warnings.ca.gov/wood.

©2019

Printed in the United States of America, all rights reserved. No part of this manual may be reproduced in any form by any photographic, electronic, mechanical or other means or used in any information storage and retrieval system without written permission from

Wood-Mizer
8180 West 10th Street
Indianapolis, Indiana 46214

Table of Contents

Section-Page

SECTION 1	GENERAL INFORMATION	1-1
1.1	How To Use The Parts List	1-1
1.2	Sample Assembly	1-1
SECTION 2	BLADE GUIDE ROLLERS & ARM	2-1
2.1	Blade Guide Assembly, Idle Side.....	2-1
2.2	Blade Guide Assembly, Drive Side.....	2-3
2.3	Blade Guide Arm.....	2-5
2.4	Blade Guide Arm (Wide Head Only).....	2-6
SECTION 3	BLADE WHEELS & TENSIONER	3-1
3.1	Blade Drive Assembly.....	3-1
3.2	Idle Blade Wheel Assembly	3-2
3.3	Blade Tensioner Assembly.....	3-4
	<i>LT15 Rev. E8.07+</i>	
	<i>LT15W Rev. A1.07+</i>	
3.4	Blade Tensioner Assembly.....	3-6
	<i>LT15 Rev. E5.00 - E8.06</i>	
	<i>LT15W Rev. A1.00 - A1.06</i>	
SECTION 4	SAW HEAD	4-1
4.1	Water Lube Assembly	4-1
4.2	Water Lube Assembly (D17/D19).....	4-3
	<i>LT15 Rev. E4.04 - E8.07</i>	
	<i>LT15W Rev. A1.00 - A1.07</i>	
4.3	Water Lube Assembly (G18/G25).....	4-5
	<i>LT15 Rev. E8.04 - E8.06</i>	
	<i>LT15W Rev. A1.05 - A1.06</i>	
4.4	Water Lube Assembly (G18/G25).....	4-7
	<i>LT15 Rev. E4.03 - E8.03</i>	
	<i>LT15W Rev. A1.00 -A1.04</i>	
4.5	Saw Head Decals	4-9
	<i>After 11/15/10</i>	
4.6	Saw Head Decals	4-11
	<i>Prior to 11/15/10</i>	
4.7	Blade Housing Covers & Wood Blocks.....	4-13
SECTION 5	ENGINE OPTIONS	5-1
	<i>LT15/LT15W</i>	
SECTION 6	OPTIONS & ADDITIONAL INCLUDED EQUIPMENT	6-1
	<i>LT15/LT15W</i>	

Table of Contents

Section-Page

SECTION 7	CONTROL & BATTERY BOXES	7-1
7.1	Battery Box Assembly.....	7-1
SECTION 8	UP/DOWN SYSTEM	8-1
8.1	Saw Head Mount.....	8-1
8.2	Manual Crank Assembly (E10, G13, G15 & D10).....	8-3
8.3	Manual Crank Assembly (D17/D19/G25).....	8-5
8.4	Manual Crank Assembly (E10/D17/G25) (Wide Head Only).....	8-7
8.5	Up/Down Reducer Assembly (Optional).....	8-9
8.6	Up/Down Assist Assembly.....	8-10
8.7	Up/Down Assist Assembly (Wide Head Only).....	8-12
	<i>LT15W Rev. A1.10+</i>	
8.8	Up/Down Assist Assembly (Wide Head Only).....	8-14
	<i>LT15W Rev. A1.00 - A1.09</i>	
SECTION 9	FEED SYSTEM & TRACK ROLLERS	9-1
9.1	Track Rail, Rollers, & Travel Pins.....	9-1
9.2	Track Rail, Rollers, & Travel Pins (Wide Head Only).....	9-3
9.3	Feed Rope, Pulleys & Brackets.....	9-5
9.4	Rail Wiper.....	9-6
	<i>LT15 E8.13+</i>	
	<i>LT15W A1.14+</i>	
9.5	Rail Wiper.....	9-7
	<i>LT15 A1.00 - E8.12</i>	
	<i>LT15W A1.00 - A1.13</i>	
9.6	Rail Wiper (Wide Head Only).....	9-8
	<i>LT15W A1.14+</i>	
9.7	Manual Feed Crank Handle.....	9-9
SECTION 10	BED FRAME ASSEMBLY	10-1
10.1	Log Wedge, Loading Ramps, & Cant Hook.....	10-1
10.2	Bed Section & Connecting Hardware.....	10-2
10.3	Bed Section & Connecting Hardware (Wide Head Only).....	10-3
10.4	Leg Assembly.....	10-4
10.5	Log Side Support Assembly.....	10-5
10.6	Log Clamp.....	10-6
	<i>LT15 Rev. E7.03+</i>	
10.7	Log Clamp (Wide Head Only).....	10-7
	<i>LT15W Rev. A1.00+</i>	
10.8	Log Clamp.....	10-8
	<i>LT15 Rev. E7.00- E7.02</i>	
10.9	Log Clamp.....	10-9
	<i>LT15 Rev. E6.06 - E6.10</i>	
SECTION 11	ACCESSORIES	11-10
	<i>LT15/LT15W</i>	

Table of Contents

Section-Page

SECTION 12 TRAILERS

12-1

LT15/LT15W

SECTION 13 MISCELLANEOUS

13-1

13.1 Replacement Manuals13-1

INDEX

I

SECTION 1 GENERAL INFORMATION

1.1 How To Use The Parts List

- Use the table of contents or index to locate the assembly that contains the part you need.
- Go to the appropriate section and locate the part in the illustration.
- Use the number pointing to the part to locate the correct part number and description in the table.
- Parts shown indented under another part are included with that part.
- Parts marked with a diamond (◆) are only available in the assembly listed above the part.

See the sample table below. Sample Part #A01111 includes part F02222-2 and subassembly A03333. Subassembly A03333 includes part S04444-4 and subassembly K05555. The diamond (◆) indicates that S04444-4 is not available except in subassembly A03333. Subassembly K05555 includes parts M06666 and F07777-77. The diamond (◆) indicates M06666 is not available except in subassembly K05555.

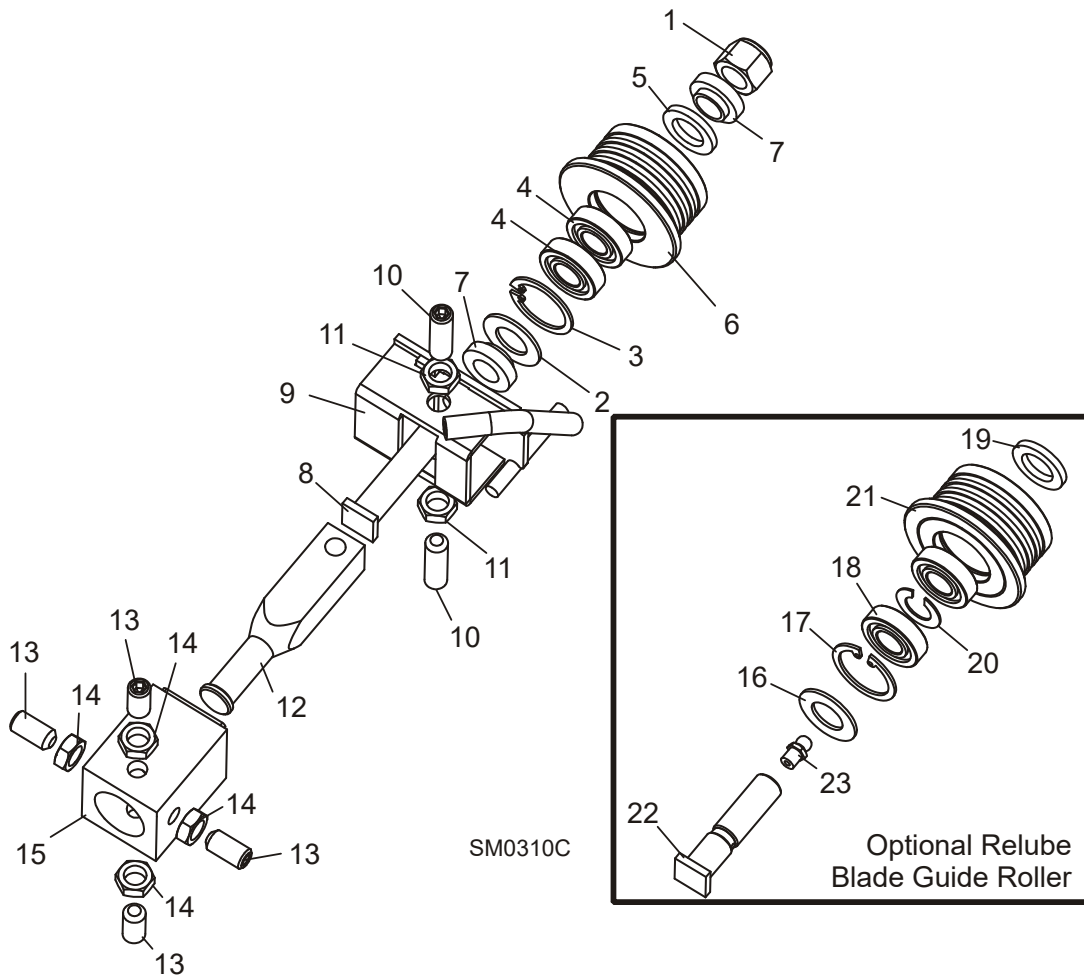
1.2 Sample Assembly				
REF	DESCRIPTION (◆ Indicates Parts Available In Assemblies Only)	PART #	QTY.	
	SAMPLE ASSEMBLY, COMPLETE (INCLUDES ALL INDENTED PARTS BELOW)	A01111	1	
1	Sample Part	F02222-22	1	
	Sample Subassembly (Includes All Indented Parts Below)	A03333	1	
2	Sample Part (◆ Indicates Part Is Only Available With A03333)	S04444-4	1	◆
	Sample Subassembly (Includes All Indented Parts Below)	K05555	1	
3	Sample Part (◆ Indicates Part Is Only Available With K05555)	M06666	2	◆
4	Sample Part	F07777-77	1	

To Order Parts:

- From the continental U.S., call **1-800-525-8100** to order parts. Have your customer number, vehicle identification number, and part numbers ready when you call.
- From other international locations, contact the Wood-Mizer distributor in your area for parts.

SECTION 2 BLADE GUIDE ROLLERS & ARM

2.1 Blade Guide Assembly, Idle Side



REF	DESCRIPTION (◆ Indicates Parts Available In Assemblies Only)	PART #	QTY.	
	BLADE GUIDE ASSEMBLY, COMPLETE IDLE SIDE	A08197	1	
1	Nut, 1/2-20 Hex Nylon Lock	F05010-15	1	
	Roller Assembly, Blade Guide (standard)	A04925	1	
	Bearing Kit, Blade Guide Rebuild	K07079	1	
2	Washer, 5/8" White Felt	P04252	1	
3	Ring, 1 1/8" Interior Retaining	F04254-1	1	
4	Bearing, R8-2RS Blade Guide	015975	2	◆
5	Washer, 5/8" Gray Felt	P06455	1	
	Screw, 1/4-28 x 1/4" Socket Head Cup Point Set Black Oxide	F05005-105	1	
	Instruction Sheet, Blade Guide Rebuild	057407-1507	1	

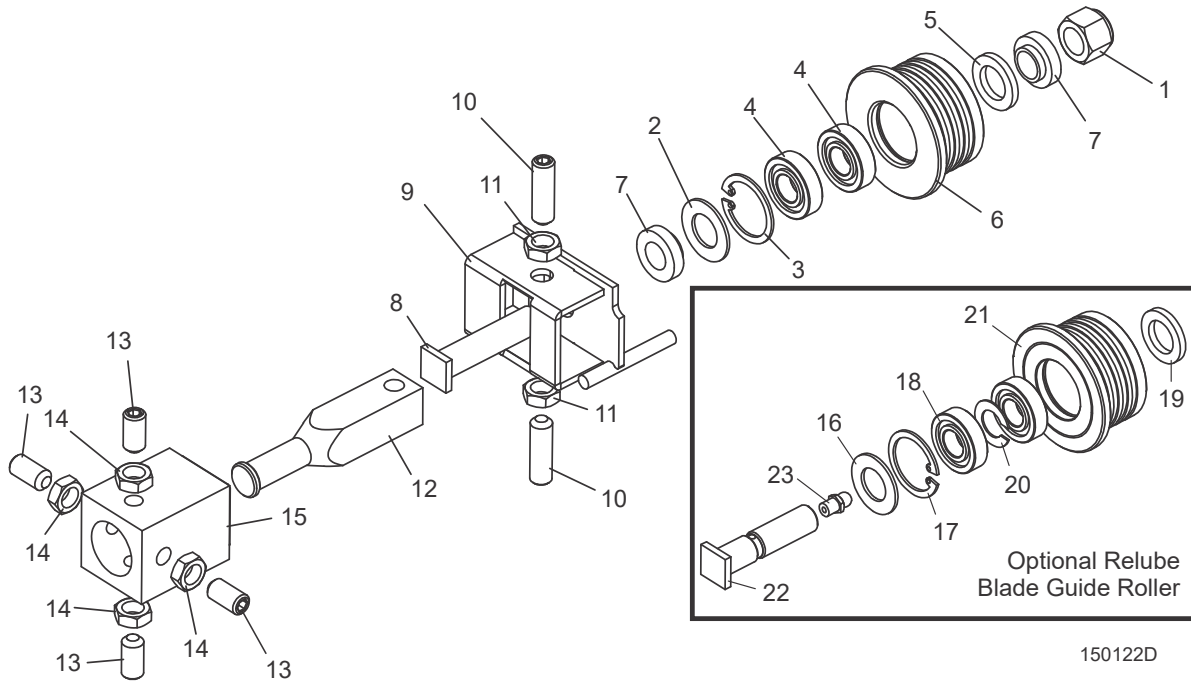
2

Blade Guide Rollers & Arm*Blade Guide Assembly, Idle Side*

6	Roller, Flanged Blade Guide	S04250	1	◆
	Instruction Sheet, Blade Guide Roller Replacement	A04925-364	1	
7	Spacer, Blade Guide	S04253	2	
8	Bolt, Blade Guide Roller	036373	1	
9	Bracket, Blade Guide Idle Side With Water Tube	W08495	1	
10	Screw, 3/8-24 X 1 1/4" Stainless Steel Socket Head Flat Point	F05007-96	2	
11	Nut, 3/8-24 Jam	F05010-22	2	
12	Shaft, Blade Guide Adjustment	S08196	1	
13	SCREW, 3/8-24 X 3/4" STAINLESS STEEL SOCKET HEAD FLAT POINT	F05007-95	4	
14	NUT, 3/8-24 JAM	F05010-22	4	
15	TUBE, BLADE GUIDE MOUNT (See Section 2.4)	W08159	1	
	ROLLER ASSEMBLY, BLADE GUIDE RELUBE (OPTIONAL)	016568	1	
	Bearing Kit, Relube Blade Guide Rebuild	057407	1	
16	Washer, 5/8" White Felt	P04252	1	
17	Ring, 1 1/8" Interior Retaining	F04254-1	1	
18	Bearing, R8-2RS Blade Guide	015975 ¹	2	◆
19	Washer, 5/8" Gray Felt	P06455	1	
	Instruction Sheet, Blade Guide Rebuild	057407-1507	1	
20	Spacer, Blade Guide Bearing	035411	1	
21	Roller, Flanged Blade Guide Relube	035426	1	◆
	Instruction Sheet, Blade Guide Roller Replacement	A04925-364	1	
22	BOLT, BLADE GUIDE ROLLER (RELUBE ONLY)	S08192	1	
23	FITTING, 1/4-28 GREASE (RELUBE ONLY)	P05060	1	

¹ Bearing must be modified for use with relube roller assemblies. Remove one seal from each bearing, place open sides facing each other and place spacer 035411 between bearings.

2.2 Blade Guide Assembly, Drive Side



REF	DESCRIPTION (◆ Indicates Parts Available In Assemblies Only)	PART #	QTY.	
	BLADE GUIDE ASSEMBLY, COMPLETE DRIVE SIDE	A08191	1	
1	Nut, 1/2-20 Hex Nylon Lock	F05010-15	1	
	Roller Assembly, Blade Guide (standard)	A04925	1	
	Bearing Kit, Blade Guide Rebuild	K07079	1	
2	Washer, 5/8" White Felt	P04252	1	
3	Ring, 1 1/8" Interior Retaining	F04254-1	1	
4	Bearing, R8-2RS Blade Guide	015975	2	◆
5	Washer, 5/8" Gray Felt	P06455	1	
	Screw, 1/4-28 x 1/4" Socket Head Cup Point Set Black Oxide	F05005-105	1	
	Instruction Sheet, Blade Guide Rebuild	057407-1507	1	
6	Roller, Flanged Blade Guide	S04250	1	◆
	Instruction Sheet, Blade Guide Roller Replacement	A04925-364	1	
7	Spacer, Blade Guide	S04253	2	
8	Bolt, Blade Guide Roller	036373	1	
9	Bracket, Blade Guide Drive Side	W08482	1	
10	Screw, 3/8-24 X 1 1/4" Stainless Steel Socket Head Flat Point	F05007-96	2	
11	Nut, 3/8-24 Jam	F05010-22	2	
12	Shaft, Blade Guide Adjustment	S08196	1	
13	SCREW, 3/8-24 X 3/4" STAINLESS STEEL SOCKET HEAD FLAT POINT SET	F05007-95	3	
14	NUT, 3/8-24 JAM	F05010-22	4	

2

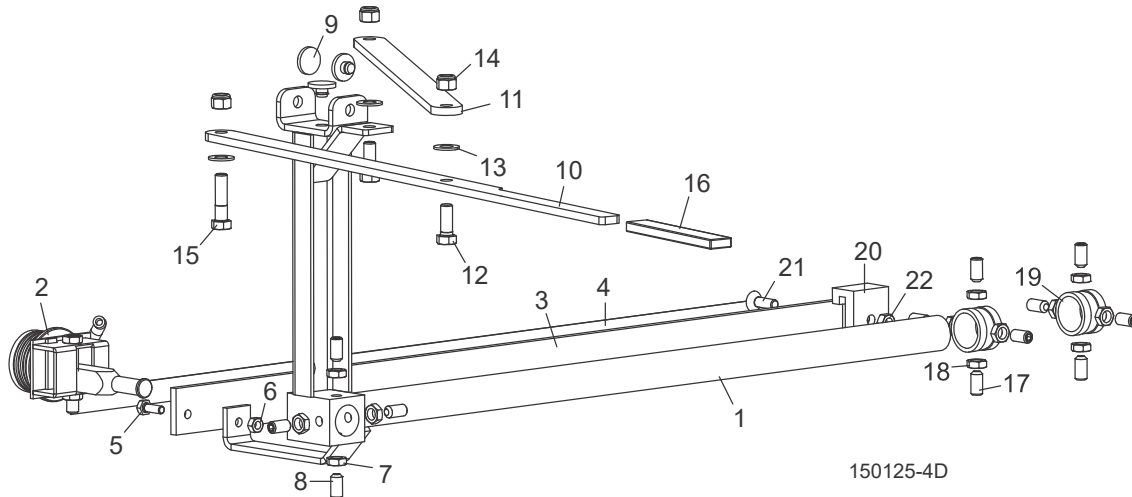
Blade Guide Rollers & Arm

Blade Guide Assembly, Drive Side

15	TUBE WELDMENT, BLADE GUIDE MOUNT (Part of saw frame weldment)	W08159	1	
	ROLLER ASSEMBLY, BLADE GUIDE RELUBE (OPTIONAL)	016568	1	
	Bearing Kit, Relube Blade Guide Rebuild	057407	1	
16	Washer, 5/8" White Felt	P04252	1	
17	Ring, 1 1/8" Interior Retaining	F04254-1	1	
18	Bearing, R8-2RS Blade Guide	015975 ¹	2	◆
19	Washer, 5/8" Gray Felt	P06455	1	
20	Spacer, Blade Guide Bearing	035411	1	
	Instruction Sheet, Blade Guide Rebuild	057407-1507	1	
21	Roller, Flanged Blade Guide Relube	035426	1	◆
	Instruction Sheet, Blade Guide Roller Replacement	A04925-364	1	
22	BOLT, BLADE GUIDE ROLLER (RELUBE ONLY)	S08192	1	
23	FITTING, 1/4-28 GREASE (RELUBE ONLY)	P05060	1	

¹ Bearing must be modified for use with relube roller assemblies. Remove one seal from each bearing, place open sides facing each other and place spacer 035411 between bearings.

2.3 Blade Guide Arm



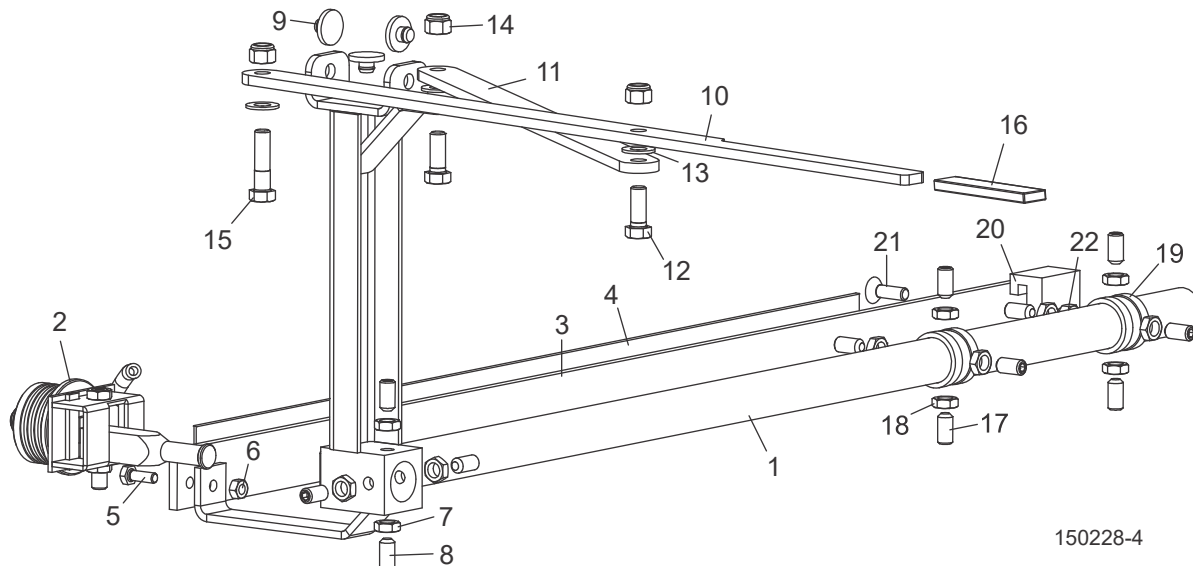
REF	DESCRIPTION (◆ Indicates Parts Available In Assemblies Only)	PART #	QTY.
	ARM ASSEMBLY, LT15 BLADE GUIDE (2004)	046966	1
1	Arm Weldment, LT15 Blade Guide (2004)	046965	1
2	Blade Guide Parts (See Section 2.1)		
3	Guard, LT15 Blade Guide Arm	014955	1
4	Decal, LT15 Blade Guide Arm	015849	1
5	Bolt, 1/4-20 x 3/4" Hex Head Full Thread	F05005-1	1
6	Nut, 1/4-20 Hex Lock	F05010-21	1
7	Nut, 3/8-24 Hex Jam	F05010-22	4
8	Screw, 3/8-24 x 3/4" Socket Head Flat Point Set	F05007-95	4
9	Pad, Blade Guide Slide	014973	3
10	PLATE, LT15 WIDE BLADE GUIDE ARM ADJUSTMENT	076118 ¹	1
11	PLATE, LT15 WIDE BLADE GUIDE ARM LINK	076117 ¹	1
12	BOLT, 3/8-16 X 1" HEX HEAD GRADE 5	F05007-87	2
13	WASHER, 3/8" SAE FLAT	F05011-3	3
14	NUT, 3/8-16 HEX NYLON LOCK	F05010-10	3
15	BOLT, 3/8-16 X 1 1/2" HEX HEAD GRADE 5	F05007-78	1
16	GRIP, FOAM FLAT 1/4 X 3/4	049008	1
17	SCREW, 3/8-24 X 3/4" STAINLESS SOCKET HEAD FLAT POINT SET	F05007-95	8
18	NUT, 3/8-24 HEX JAM	F05010-22	8
19	BUSHING, BLADE GUIDE ARM	015899	2
20	BRACKET, BLADE GUIDE ARM GUIDE	014882	1
21	BOLT, 5/16-18 X 1" FLAT HEAD SOCKET	F05006-124	1
22	NUT, 5/16-18 HEX LOCK	F05010-6	1

¹ Blade guide arm 076118 and link 076117 replaced blade guide arm 046827 and 046828 to improve operation (LT15 Rev. E8.06).

2

Blade Guide Rollers & Arm Blade Guide Arm (Wide Head Only)

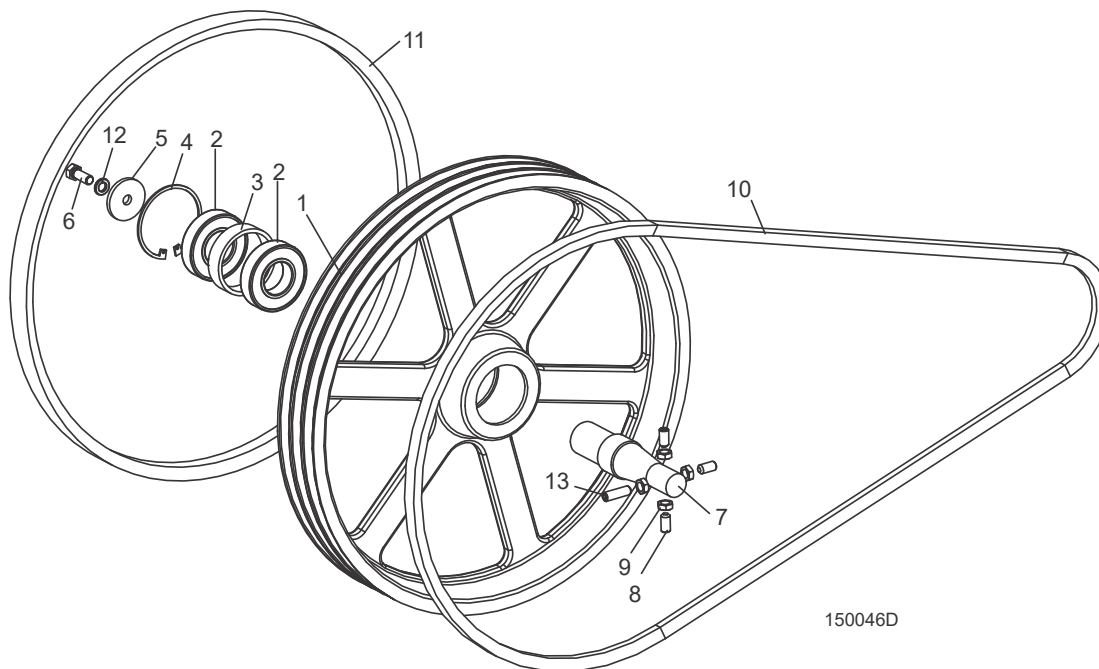
2.4 Blade Guide Arm (Wide Head Only)



REF	DESCRIPTION (◆ Indicates Parts Available In Assemblies Only)	PART #	QTY.
	ARM ASSEMBLY, LT15 BLADE GUIDE (WIDE HEAD ONLY)	076096	1
1	Arm Weldment, LT15 Wide Blade Guide	076094	1
2	Blade Guide Parts (See Section 2.1)		
3	Guard, LT15 Wide Blade Guide Arm	076095	1
4	Decal, LT15 Wide Blade Guide Arm	N/A	1
5	Bolt, 1/4-20 x 3/4" Hex Head Full Thread	F05005-1	1
6	Nut, 1/4-20 Hex Lock	F05010-21	1
7	Nut, 3/8-24 Hex Jam	F05010-22	4
8	Screw, 3/8-24 x 3/4" Socket Head Flat Point Set	F05007-95	4
9	Pad, Blade Guide Slide	014973	3
10	PLATE, LT15 WIDE BLADE GUIDE ARM ADJUSTMENT	076118	1
11	PLATE, LT15 WIDE BLADE GUIDE ARM LINK	076117	1
12	BOLT, 3/8-16 X 1" HEX HEAD GRADE 5	F05007-87	2
13	WASHER, 3/8" SAE FLAT	F05011-3	3
14	NUT, 3/8-16 HEX NYLON LOCK	F05010-10	3
15	BOLT, 3/8-16 X 1 1/2" HEX HEAD GRADE 5	F05007-78	1
16	GRIP, FOAM FLAT 1/4 X 3/4	049008	1
17	SCREW, 3/8-24 X 3/4" STAINLESS SOCKET HEAD FLAT POINT SET	F05007-95	8
18	NUT, 3/8-24 HEX JAM	F05010-22	8
19	BUSHING, BLADE GUIDE ARM	015899	2
20	BRACKET, BLADE GUIDE ARM GUIDE	014882	1
21	BOLT, 5/16-18 X 1" FLAT HEAD SOCKET	F05006-124	1
22	NUT, 5/16-18 HEX LOCK	F05010-6	1

SECTION 3 BLADE WHEELS & TENSIONER

3.1 Blade Drive Assembly



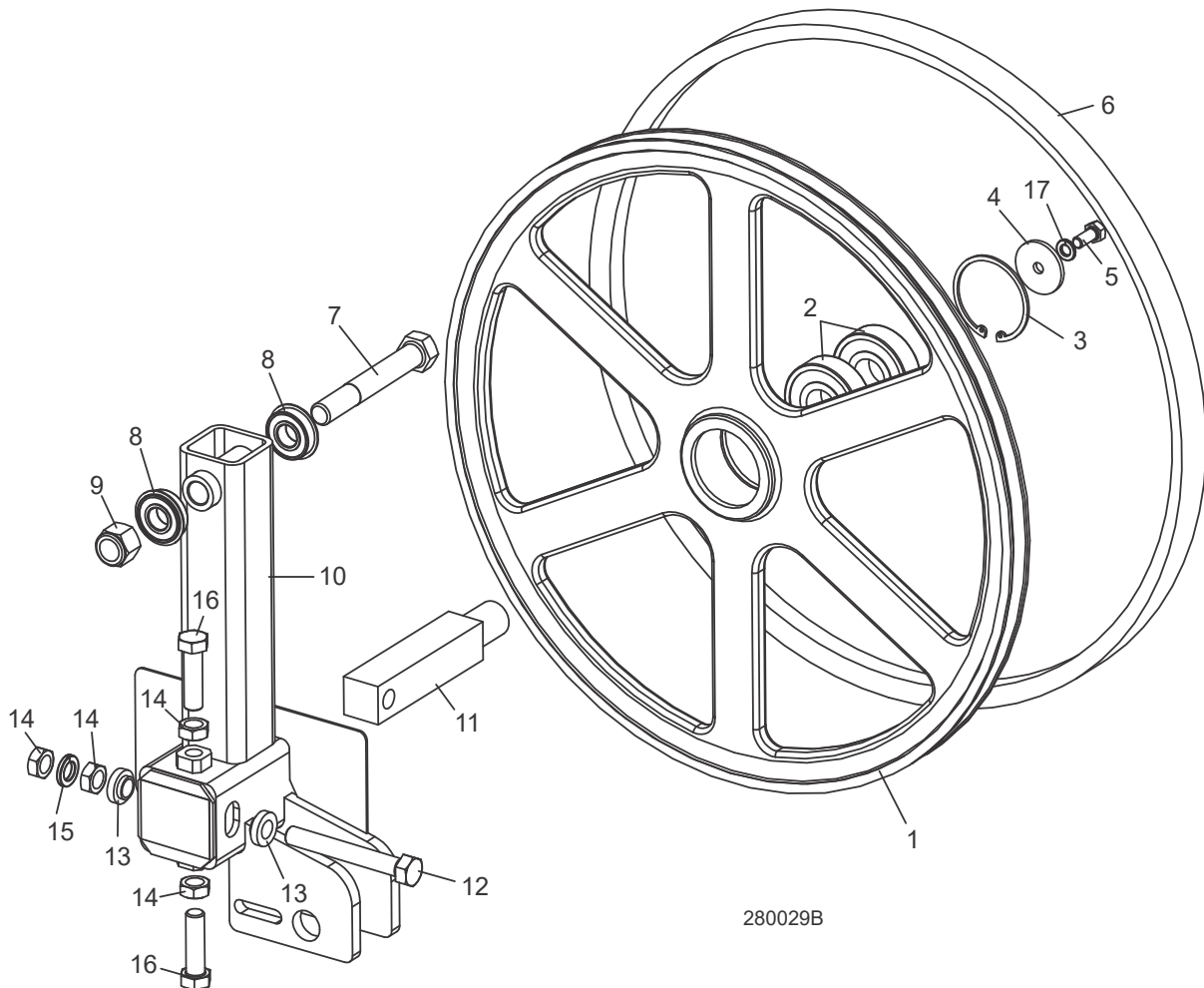
REF	DESCRIPTION (◆ Indicates Parts Available In Assemblies Only)	PART #	QTY.	
	BLADE WHEEL BRAKE PARTS (See Engine Manual)			
	WHEEL ASSEMBLY, DRIVE SIDE BLADE (E10, G13, G14, G15¹ & D10 ONLY)	014995	1	
	WHEEL ASSEMBLY, DRIVE SIDE BLADE (D17, D19, G18 & G25 ONLY)	036657	1	
1	Wheel, Drive Side Blade (E10, G13, G14, G15 & D10)	014727	1	
	Wheel, Drive Side Blade (D17, D19, G18 & G25)	047702	1	
2	Bearing, #6207 2RS	014811	2	
3	Spacer, Drive Bearing	014730	1	
4	Ring, 3.121 IR Beveled Retaining	F04254-30	1	
5	WASHER, DRIVE WHEEL RETAINING	014728	1	
6	BOLT, 3/8-16 X 1" HEX HEAD	F05007-87	1	
7	SHAFT, LT15 DRIVE SIDE BLADE WHEEL	014729	1	
8	SCREW, 3/8-24 X 3/4" FLAT POINT SOCKET HEAD	F05007-95	3	
9	NUT, 3/8-24 HEX JAM	F05010-22	4	
10	BELT, DRIVE (SEE ENGINE MANUAL FOR PART #)	SEE ENGINE OPTION	1	
11	BELT, B57	P04185	1	
12	WASHER, 3/8" SPLIT LOCK	F05011-4	1	
13	SCREW, 3/8-24 X 1 1/4" FLAT POINT SOCKET HEAD	F05007-96	1	

¹ G15 engine option no longer available (3/11). Use conversion kit (065379) to replace G15 with G18 engine option.

3 Blade Wheels & Tensioner

Idle Blade Wheel Assembly

3.2 Idle Blade Wheel Assembly



REF	DESCRIPTION (◆ Indicates Parts Available In Assemblies Only)	PART #	QTY.	
	WHEEL ASSEMBLY, IDLE SIDE BLADE	A08218	1	
1	Wheel, Idle Side Blade	P08125	1	◆
2	Bearing, Idle Side Blade Wheel #6305-AA, C3, ABEC-1, SRI-2 Grease	P08066	2	
3	Ring, 2 7/16" Internal Retaining	F04254-21	1	
4	WASHER, IDLE BLADE WHEEL RETAINER	S08220	1	
5	BOLT, 5/16-18 X 3/4" HEX HEAD	F05006-102	1	
6	BELT, BLADE WHEEL B57	P04185	1	
7	BOLT, 5/8-11 X 4 1/2" HEX HEAD	F05009-3	1	
8	BEARING, 5/8" I.D. W/SNAP RING	014834	2	
9	NUT, 5/8-11 HEX NYLON LOCK	F05010-34	1	
10	IDLER WELDMENT, BLADE WHEEL	049349	1	
11	SHAFT, IDLE WHEEL	S12565	1	
12	BOLT, 1/2-20 X 3 3/4" HEX HEAD FULL THREAD GRADE 2	F05008-111	1	
13	SPACER, 1/2" I.D. FLANGED	S04253	2	

Blade Wheels & Tensioner
Idle Blade Wheel Assembly

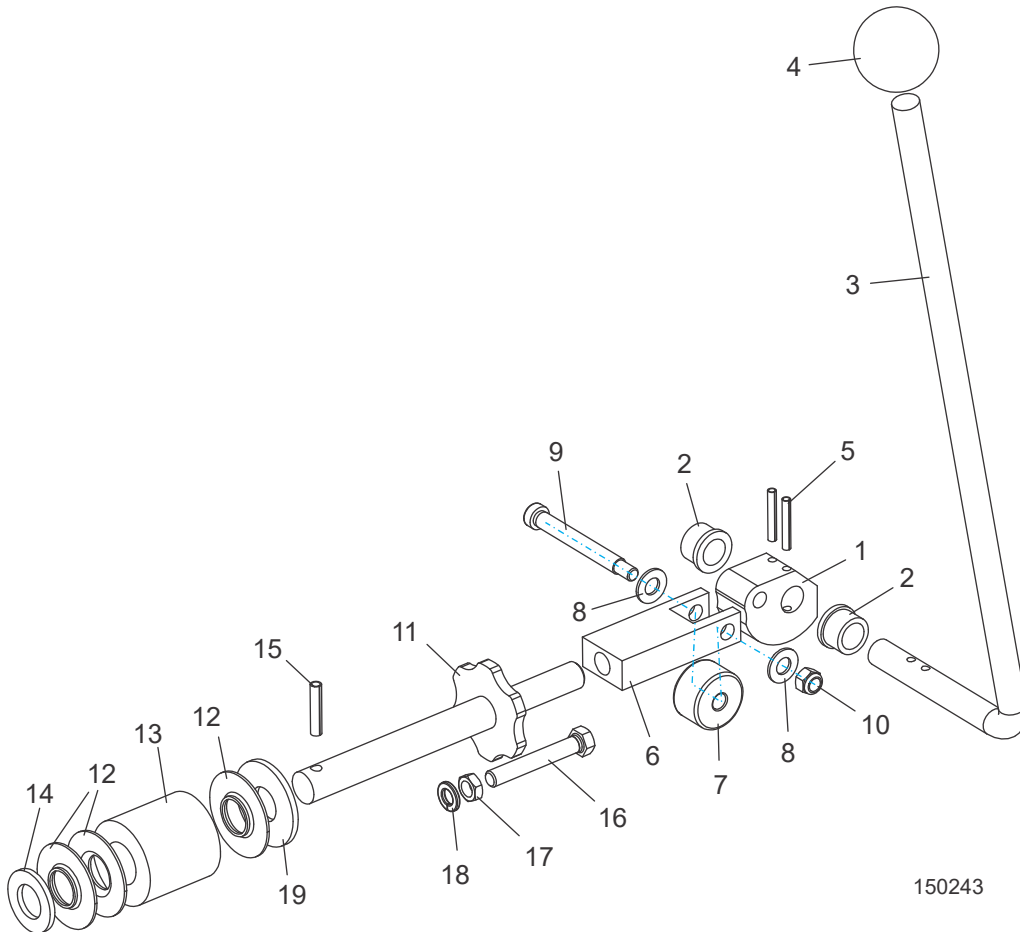
3

14	NUT, 1/2-20 HEX JAM	F05010-16	4	
15	WASHER, 1/2" SPLIT LOCK	F05011-9	1	
16	BOLT, 1/2-20 X 1 3/4" HEX HEAD GRADE 5	F05008-127	2	
17	WASHER, 5/16" SPLIT LOCK	F05011-13	1	

3.3 Blade Tensioner Assembly

LT15
LT15W

Rev. E8.07+
Rev. A1.07+



REF	DESCRIPTION (◆ Indicates Parts Available In Assemblies Only)	PART #	QTY.
	TENSION ASSEMBLY, CAM ACTUATED BLADE(LT15/28/35, HR120/130)	074801	1
1	Cam, Tension	049104	1
2	Bushing, 5/8" x 7/8" x 1/2" Bronze	P05135	2
3	Handle, Blade Tensioner, LT15/28/35	103801	1
4	Knob, 5/8-18 Ball	P04211	1
5	Pin, 3/16" x 1 1/4" Roll	F05012-16	2
6	Block, Tensioner Bearing Mount	049321	1
7	Cam Follower, 3/8" x 1 3/8" x 13/16"	048219	1
8	Washer, 3/8" SAE Flat	F05011-3	2
9	Bolt, 3/8 x 2 1/2" Socket Head Shoulder	F05007-202	1
10	Nut, 5/16-18 Hex Nylon Lock	F05010-58	1
11	Shaft Weldment, Blade Tension	038642	1

12	Guide, Tension Handle	014925	3	
13	Spring, Rubber Tensioner Blade	014828	1	
14	Washer, 3/4" SAE Flat	F05011-62	1	
15	Pin, 1/4" x 1 1/4" Roll	F05012-12	1	
16	Bolt, 3/8-16 x 2 1/2" Hex Head Full Thread	F05007-157	1	
17	Nut, 3/8-16 Jam	F05010-29	1	
18	Washer, 3/8" Split Lock	F05011-4	1	
19	Washer, 3/4" USS Flat	F05011-29	1	

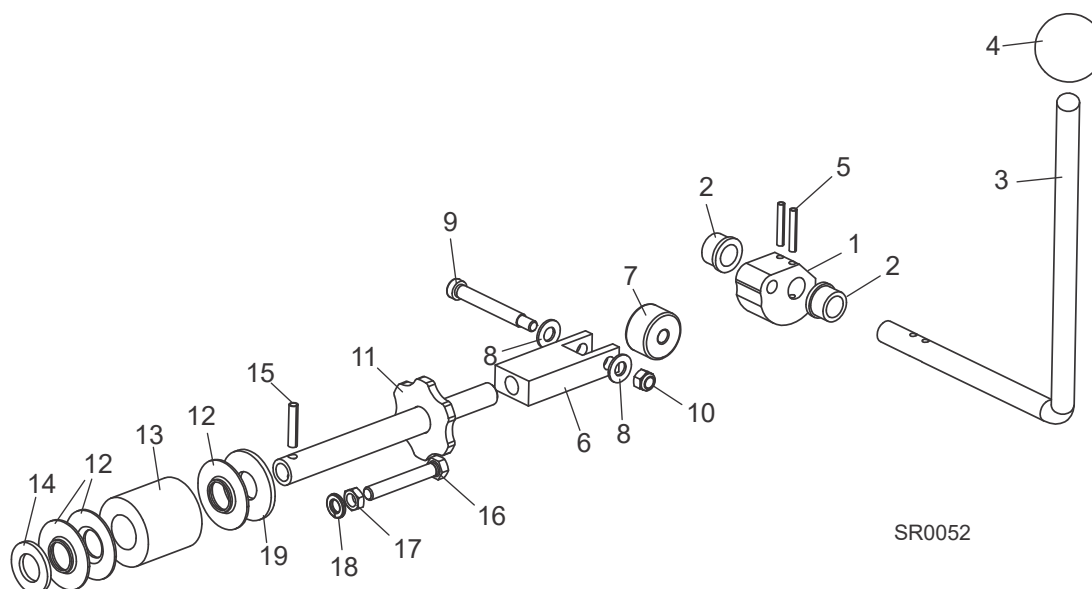
3 Blade Wheels & Tensioner

Blade Tensioner Assembly

3.4 Blade Tensioner Assembly

LT15
LT15W

Rev. E5.00 - E8.06
Rev. A1.00 - A1.06



REF	DESCRIPTION (◆ Indicates Parts Available In Assemblies Only)	PART #	QTY.
	TENSION ASSEMBLY, CAM ACTUATED BLADE	038643	1
1	Cam, Tension	049104	1
2	Bushing, 5/8" x 7/8" x 1/2" Bronze	P05135	2
3	Handle, Blade Tensioner	048804	1
4	Knob, 5/8-18 Ball	P04211	1
5	Pin, 3/16" x 1 1/4" Roll	F05012-16	2
6	Block, Tensioner Bearing Mount	049321	1
7	Cam Follower, 3/8" x 1 3/8" x 13/16"	048219	1
8	Washer, 3/8" SAE Flat	F05011-3	2
9	Bolt, 3/8 x 2 1/2" Socket Head Shoulder	F05007-202	1
10	Nut, 5/16-18 Hex Nylon Lock	F05010-58	1
11	Shaft Weldment, Blade Tension	038642	1
12	Guide, Tension Handle	014925	3
13	Spring, Rubber Tensioner Blade	014828	1
14	Washer, 3/4" SAE Flat	F05011-62	1
15	Pin, 1/4" x 1 1/4" Roll	F05012-12	1
16	Bolt, 3/8-16 x 2 1/2" Hex Head Full Thread	F05007-157	1

Blade Wheels & Tensioner
Blade Tensioner Assembly

3

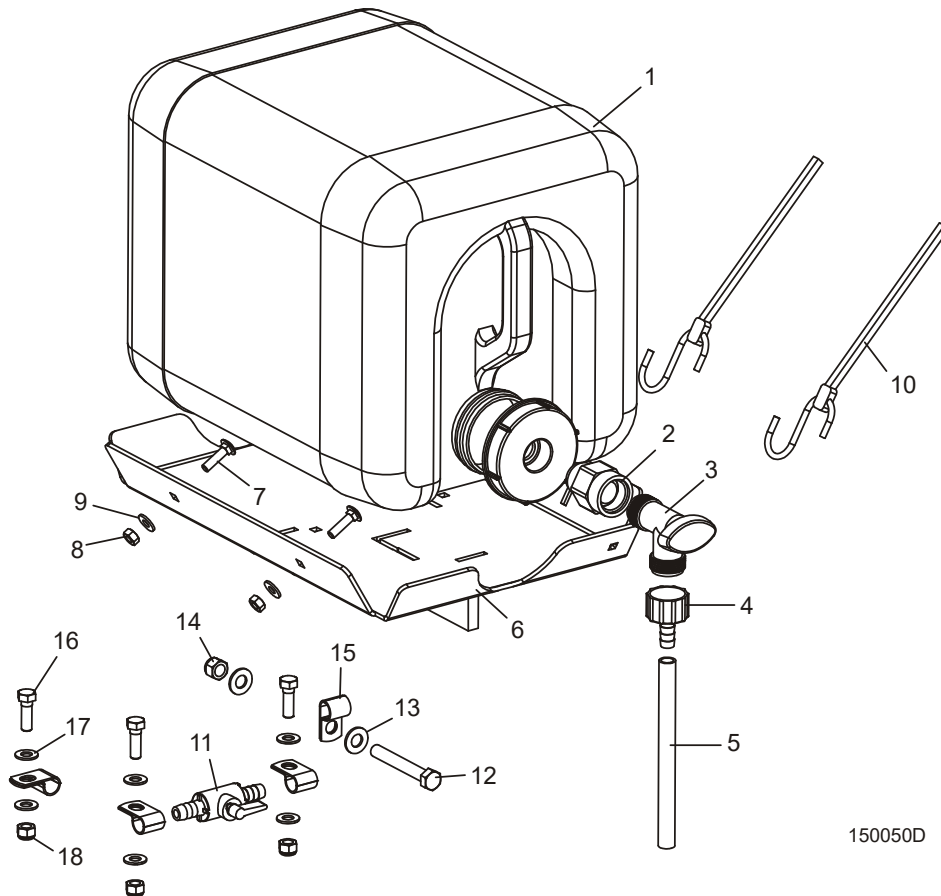
17	Nut, 3/8-16 Jam	F05010-29	1	
18	Washer, 3/8" Split Lock	F05011-4	1	
19	Washer, 3/4" USS Flat	F05011-29	1	

4 Saw Head

Water Lube Assembly

SECTION 4 SAW HEAD

4.1 Water Lube Assembly



150050D

REF	DESCRIPTION (◆ Indicates Parts Available In Assemblies Only)	PART #	QTY.
	WATER LUBE ASSEMBLY	015799	1
1	Bottle Assembly, Water Lube w/Cap	014642	1
	O-ring, Water Bottle Cap	061372 ¹	1
2	Fitting, 3/4FPT x 3/4MPT	014636	1
3	Fitting, Water Lube Shutoff Valve	014100	1
4	Fitting, 5/8" NPT to 3/8" Hose Barb	014113	1
5	Tubing, Water Lube 3/8" I.D.	R01885	12.8 ft.
6	Tray Weldment, LT15 Water Lube	015798	1
7	Bolt, 1/4-20 x 1" Carriage Head	F05005-34	2
8	Nut, 1/4-20 Hex Lock	F05010-21	2
9	Washer, 1/4" SAE Flat	F05011-11	2
10	Strap, 20" Rubber w/Hook	P11668	2

11	Valve, LT15 Water Shut Off	065635 ²	1	
12	Bolt, 3/8-16 x 2 3/4" Hex Head Full Thread Grade 5	F05007-230 ³	1	
13	Washer, 3/8" Flat SAE	F05011-3	2	
14	Nut, 3/8-16 Hex Nylon Lock	F05010-10	1	
15	Clamp, 1/2" EMT Coated	P07584	4	
16	Bolt, 5/16-18 x 1" Hex Head	F05006-1	3	
17	Washer, 5/16" SAE Flat	F05011-17	6	
18	Nut, 5/16-18 Nylok Hex	F05010-58	3	

¹ If the water bottle cap keeps leaking, add this o-ring to the cap. Leave the existing o-ring installed.

² Added to make the lube system easier to operate (Rev. E7.00).

³ F05007-230 replaced F05007-27 3/8-16 x 3/4" Hex Head Bolt. Also, removed F05011-4 3/8" Split Lock Washer and added (1) F05011-3 and (1) F05010-10 (5/12).

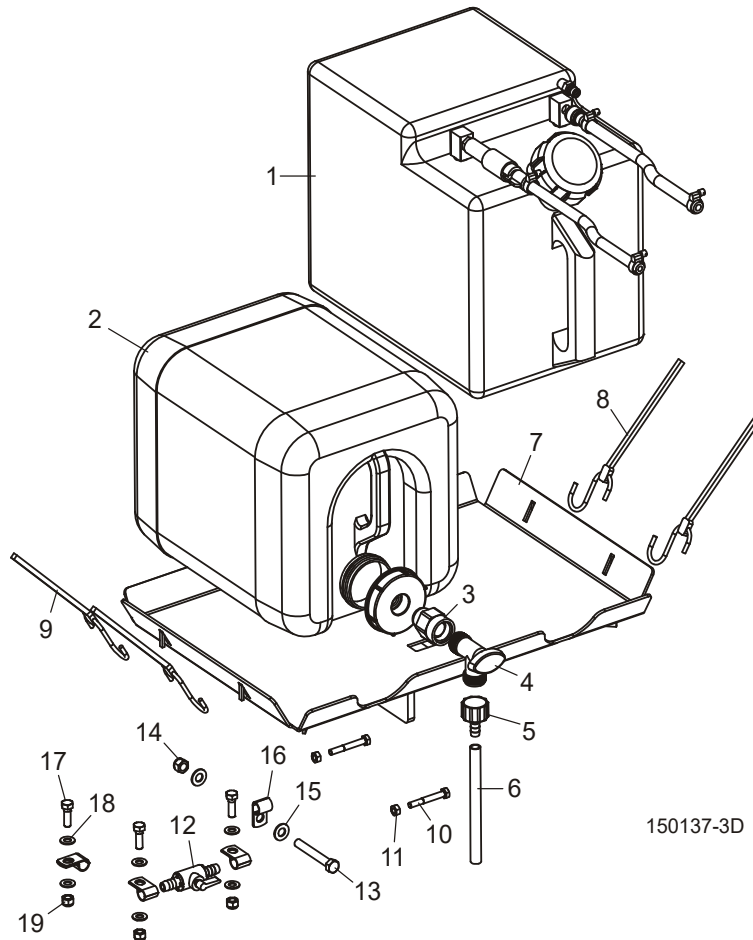
4 Saw Head

Water Lube Assembly (D17/D19)

4.2 Water Lube Assembly (D17/D19)

LT15
LT15W

Rev. E4.04 - E8.07
Rev. A1.00 - A1.07



REF	DESCRIPTION (◆ Indicates Parts Available In Assemblies Only)	PART #	QTY.	
	TRAY ASSEMBLY, LT15 WATER/DIESEL BOTTLE	038581	1	
1	Fuel Tank Parts (See Engine Manual)			
2	Bottle Assembly, Water Lube w/Cap	014642	1	
3	Fitting, 3/4FPT x 3/4MPT	014636	1	
4	Fitting, Water Lube Shutoff Valve	014100	1	
5	Fitting, 5/8" NPT to 3/8" Hose Barb	014113	1	
6	Tubing, Water Lube 3/8" I.D.	R01885	12.8 ft.	
7	Tray Weldment, LT15 Water Lube/Fuel Tank	047745	1	
8	Strap, 24" Rubber w/Hook	P11258	2	
9	Strap, 20" Rubber w/Hook	P11668	2	
10	Bolt, 1/4-20 x 2" Hex Head Grade 5	F05005-125	2	
11	Nut, 1/4-20 Hex Lock	F05010-21	2	

12	Valve, LT15 Water Shut Off	065635 ¹	1	
13	Bolt, 3/8-16 x 2 3/4" Hex Head Full Thread Grade 5	F05007-230 ²	1	
14	Nut, 3/8-16 Hex Nylon Lock	F05010-10	1	
15	Washer, 3/8" Flat SAE	F05011-3	2	
16	Clamp, 1/2" EMT Coated	P07584	4	
17	Bolt, 5/16-18 x 1" Hex Head	F05006-1	3	
18	Washer, 5/16" SAE Flat	F05011-17	6	
19	Nut, 5/16-18 Nylok Hex	F05010-58	3	
	COVER, 5 GAL. WATER BOTTLE OPTIONAL (NOT SHOWN)	CBOTTLE	1	

¹ Added to make the lube system easier to operate (Rev. E7.00).

² F05007-230 replaced F05007-27 3/8-16 x 3/4" Hex Head Bolt. Also, removed F05011-4 3/8" Split Lock Washer and added (1) F05011-3 and (1) F05010-10 (5/12).

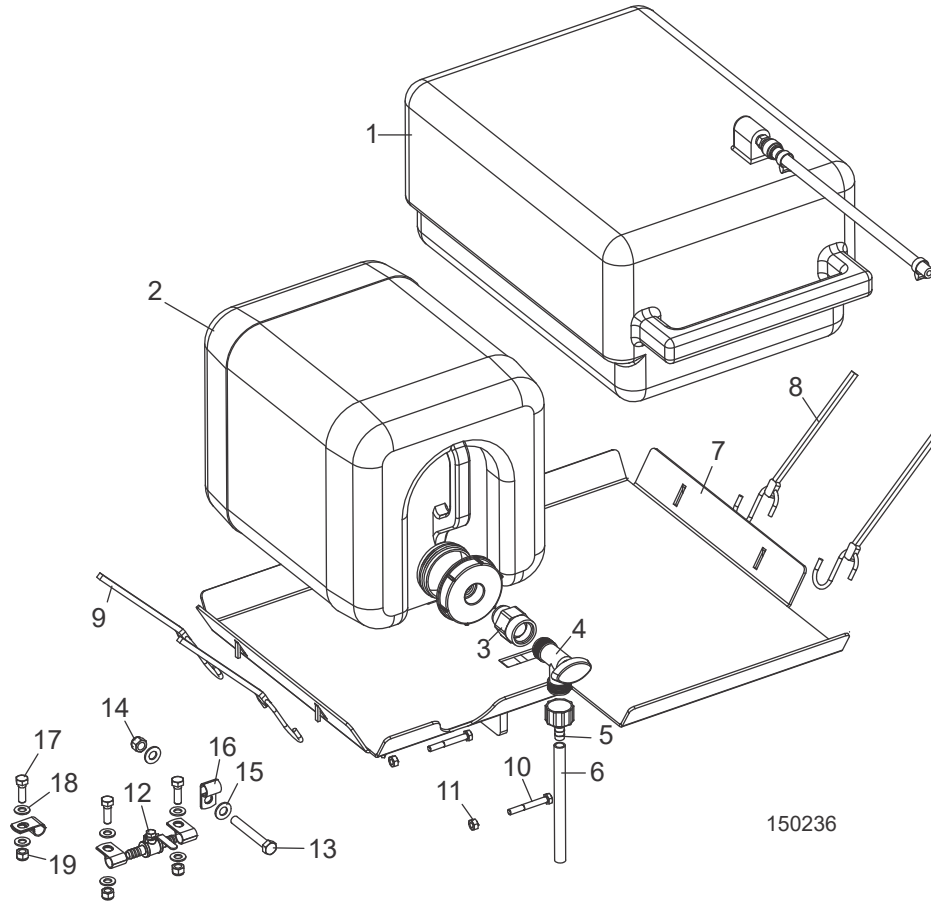
4 Saw Head

Water Lube Assembly (G18/G25)

4.3 Water Lube Assembly (G18/G25)

LT15
LT15W

Rev. E8.04 - E8.06
Rev. A1.05 - A1.06



150236

REF	DESCRIPTION (◆ Indicates Parts Available In Assemblies Only)	PART #	QTY.	
	WATER LUBE ASSEMBLY	076475	1	
1	Fuel Tank Parts (See Engine Manual)			
2	Bottle Assembly, Water Lube w/Cap	014637	1	
3	Fitting, 3/4FPT x 3/4MPT	014636	1	
4	Fitting, Water Lube Shutoff Valve	014100	1	
5	Fitting, 5/8" NPT to 3/8" Hose Barb	014113	1	
6	Tubing, Water Lube 3/8" I.D.	R01885	12.8 ft.	
7	Tray Weldment, LT15 Water Lube/Fuel Tank	076476	1	
8	Strap, 24" Rubber w/Hook	P11258	2	
9	Strap, 20" Rubber w/Hook	P11668	2	
10	Bolt, 1/4-20 x 2" Hex Head Grade 5	F05005-125	2	
11	Nut, 1/4-20 Hex Lock	F05010-21	2	
12	Valve, LT15 Water Shut Off	065635	1	

Saw Head 4
Water Lube Assembly (G18/G25)

13	Bolt, 3/8-16 x 2 3/4" Hex Head Full Thread Grade 5	F05007-230	1	
14	Nut, 3/8-16 Hex Nylon Lock	F05010-10	1	
15	Washer, 3/8" Flat SAE	F05011-3	2	
16	Clamp, 1/2" EMT Coated	P07584	4	
17	Bolt, 5/16-18 x 1" Hex Head	F05006-1	3	
18	Washer, 5/16" SAE Flat	F05011-17	6	
19	Nut, 5/16-18 Nylok Hex	F05010-58	3	
	COVER, 5 GAL. WATER BOTTLE OPTIONAL (NOT SHOWN)	CBOTTLE	1	

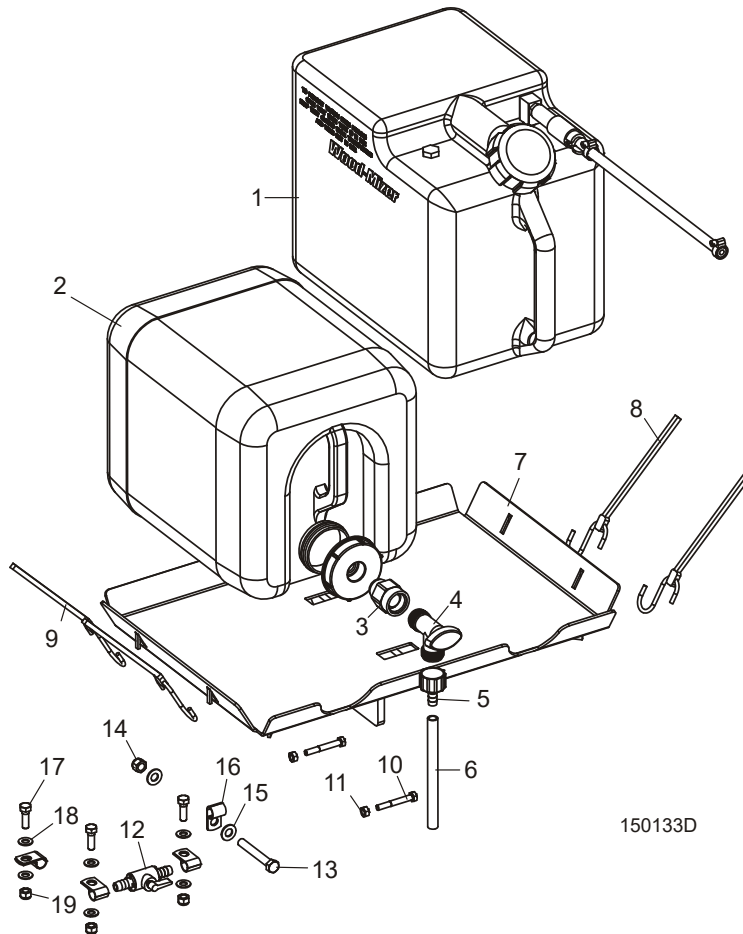
4 Saw Head

Water Lube Assembly (G18/G25)

4.4 Water Lube Assembly (G18/G25)

LT15
LT15W

Rev. E4.03 - E8.03
Rev. A1.00 -A1.04



REF	DESCRIPTION (◆ Indicates Parts Available In Assemblies Only)	PART #	QTY.	
	WATER LUBE ASSEMBLY	047744	1	
1	Fuel Tank Parts (See Engine Manual)			
2	Bottle Assembly, Water Lube w/Cap	014642	1	
3	Fitting, 3/4FPT x 3/4MPT	014636	1	
4	Fitting, Water Lube Shutoff Valve	014100	1	
5	Fitting, 5/8" NPT to 3/8" Hose Barb	014113	1	
6	Tubing, Water Lube 3/8" I.D.	R01885	12.8 ft.	
7	Tray Weldment, LT15 Water Lube/Fuel Tank	047745	1	
8	Strap, 24" Rubber w/Hook	P11258	2	
9	Strap, 20" Rubber w/Hook	P11668	2	
10	Bolt, 1/4-20 x 2" Hex Head Grade 5	F05005-125	2	
11	Nut, 1/4-20 Hex Lock	F05010-21	2	

Saw Head 4
Water Lube Assembly (G18/G25)

12	Valve, LT15 Water Shut Off	065635 ¹	1	
13	Bolt, 3/8-16 x 2 3/4" Hex Head Full Thread Grade 5	F05007-230 ²	1	
14	Nut, 3/8-16 Hex Nylon Lock	F05010-10	1	
15	Washer, 3/8" Flat SAE	F05011-3	2	
16	Clamp, 1/2" EMT Coated	P07584	4	
17	Bolt, 5/16-18 x 1" Hex Head	F05006-1	3	
18	Washer, 5/16" SAE Flat	F05011-17	6	
19	Nut, 5/16-18 Nylok Hex	F05010-58	3	
	COVER, 5 GAL. WATER BOTTLE OPTIONAL (NOT SHOWN)	CBOTTLE	1	

¹ Added to make the lube system easier to operate (Rev. E7.00).

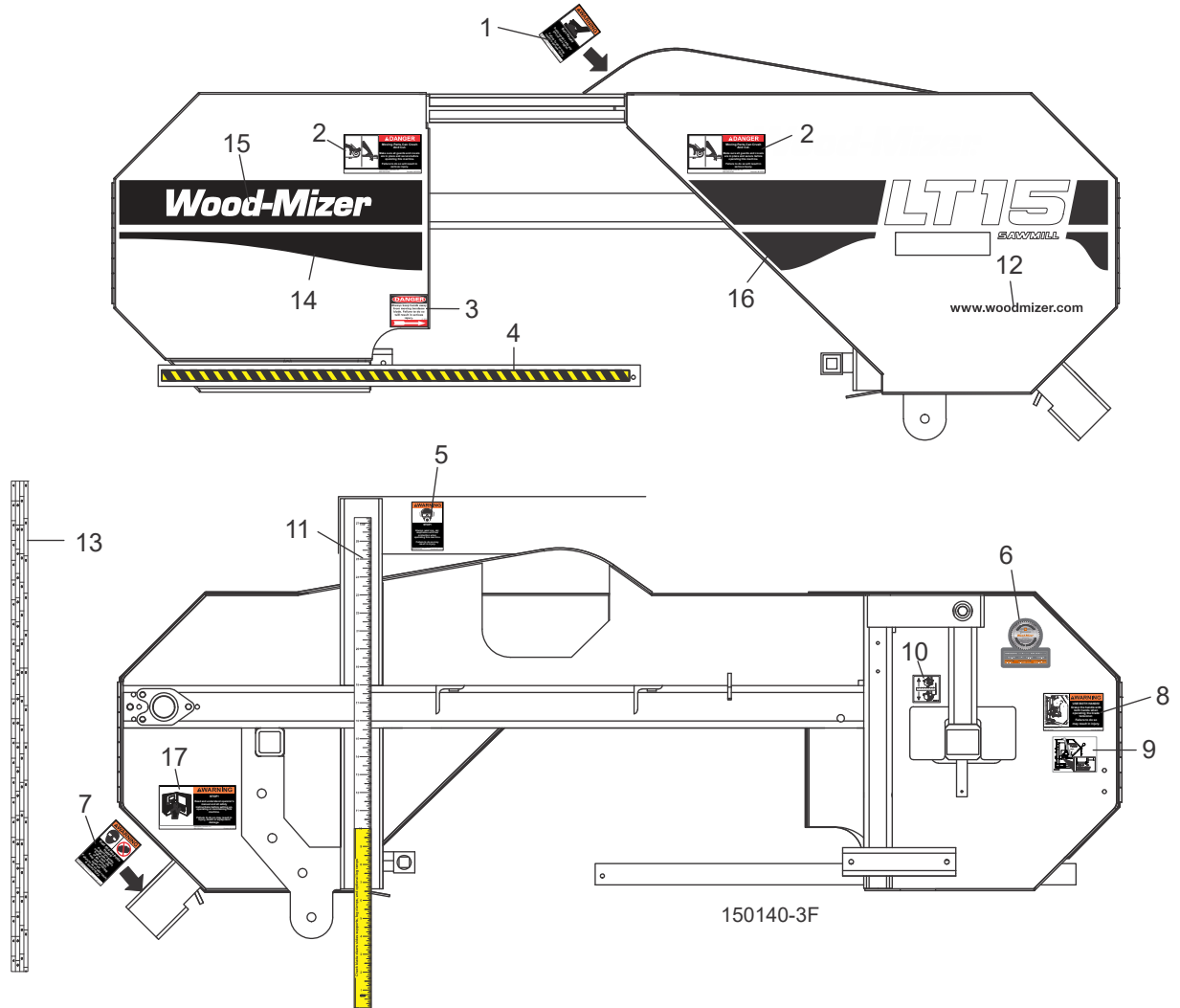
² F05007-230 replaced F05007-27 3/8-16 x 3/4" Hex Head Bolt. Also, removed F05011-4 3/8" Split Lock Washer and added (1) F05011-3 and (1) F05010-10 (5/12).

4 Saw Head

Saw Head Decals

4.5 Saw Head Decals

After 11/15/10



REF	DESCRIPTION (◆ Indicates Parts Available In Assemblies Only)	PART #	QTY.
1	DECAL, HOT ENGINE WARNING	014419	1
2	DECAL, MOVING PARTS DANGER	033254	2
3	DECAL, BLADE DANGER W/ARROW	S11752	1
4	DECAL, BLADE GUIDE ARM STRIPE	015849	1
5	DECAL, EYE/EAR PROTECTION WARNING	S11753	1
6	DECAL, WOOD-MIZER QUALITY & INFORMATION	079278 ¹	1
7	DECAL, SAWDUST CHUTE WARNING	P11754	1
8	DECAL, TENSIONER WARNING	049367	1
9	DECAL, BLADE TENSION INFO	049368	1
10	DECAL, BLADE TRACK INFO	P11789	1

11	DECAL, LT15 INCH SCALE	015784	1	
	DECAL, LT15 WIDE INCH SCALE	076131	1	
12	DECAL, WOOD-MIZER WEBSITE	003235	1	
13	DECAL, MAGNETIC QUARTER SCALE	016275	1	
14	DECAL, LT15/28/35 IDLE SIDE BLACK EURO STRIPE	065008	1	
15	DECAL, LT10/15/28/35 WHITE WOOD-MIZER LOGO	065002	1	
16	DECAL, LT15 DRIVE SIDE	011220-LT15	1	
	DECAL, LT15 WIDE DRIVE SIDE	011220-LT15W	1	
	DECAL, LT15 START DRIVE SIDE	011220-LT15S	1	
17	DECAL, READ MANUAL WARNING	016402	1	

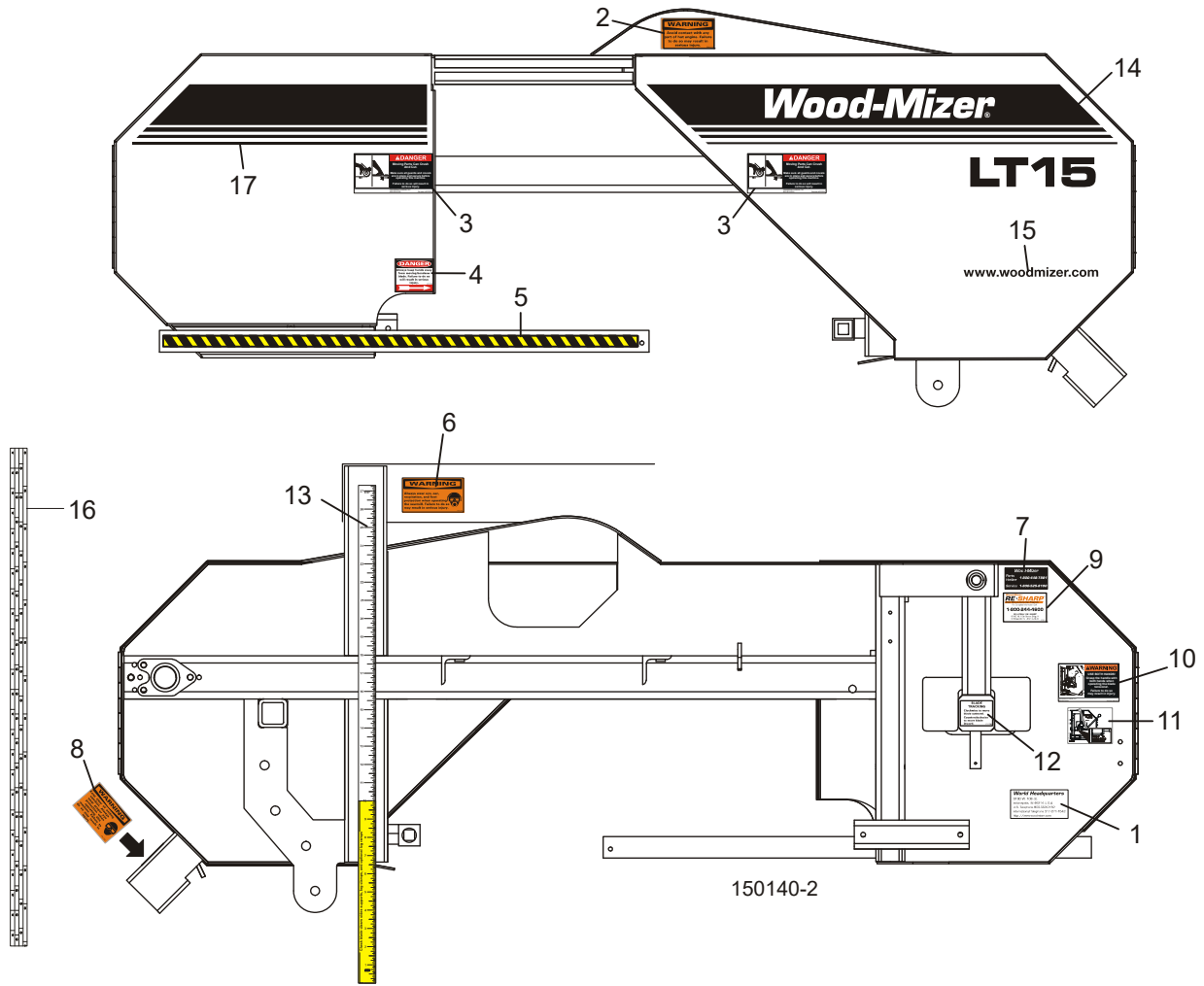
¹ Replaced 015840, S12117, and 065582 (9/18); 065582 had replaced 008780 MTM Decal (11/11).

4 Saw Head

Saw Head Decals

4.6 Saw Head Decals

Prior to 11/15/10



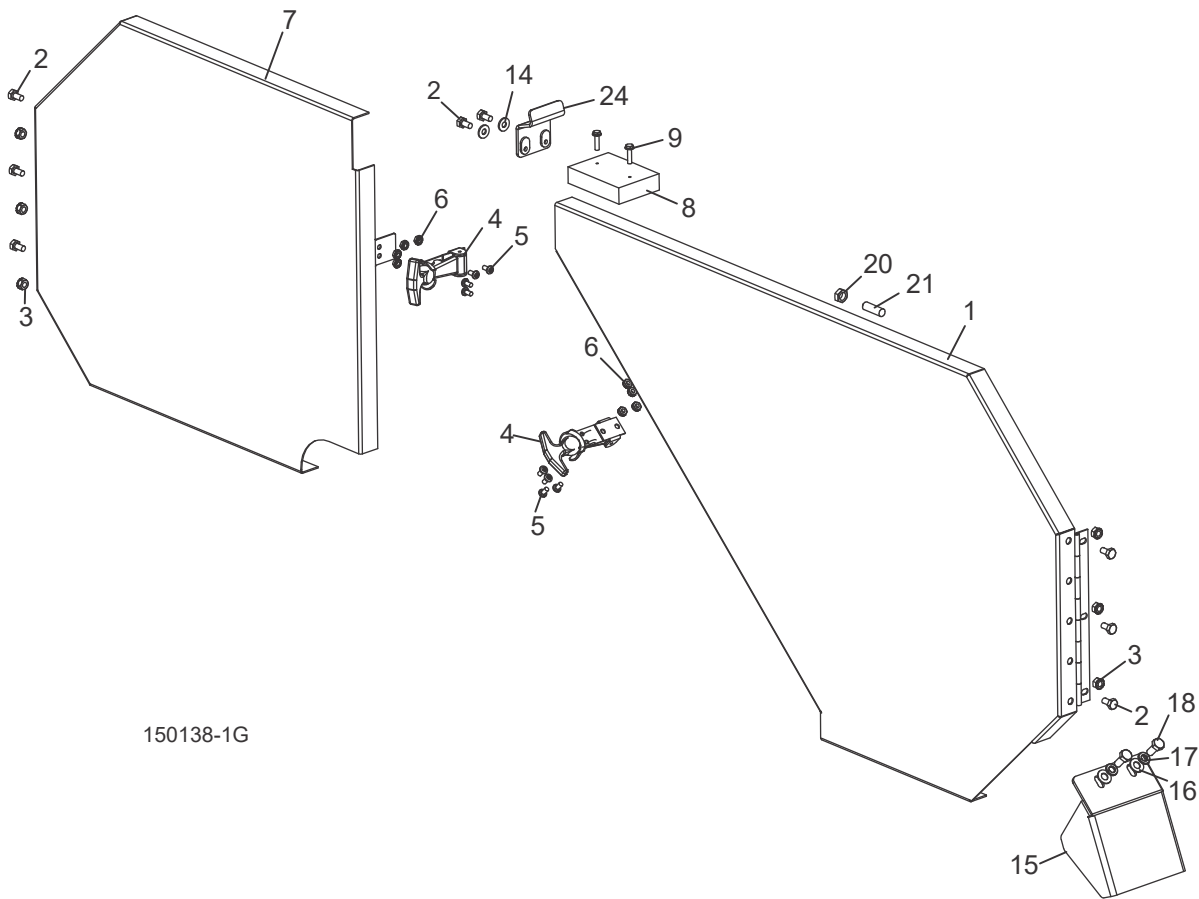
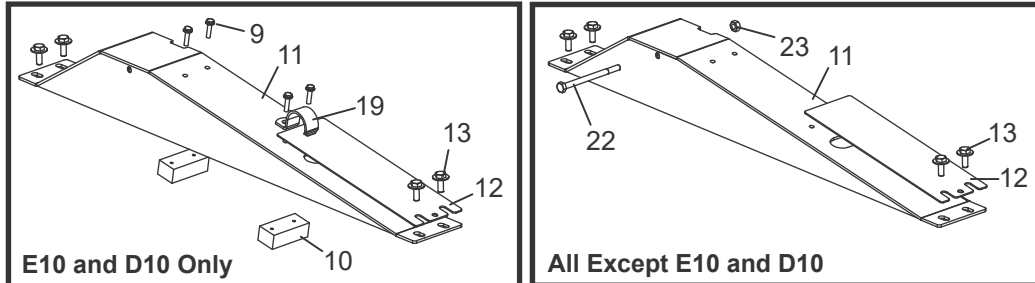
REF	DESCRIPTION (◆ Indicates Parts Available In Assemblies Only)	PART #	QTY.
1	DECAL, WORLD HEADQUARTERS ADDRESS	015840	1
2	DECAL, HOT ENGINE WARNING	014419	1
3	DECAL, MOVING PARTS DANGER	033254	2
4	DECAL, BLADE DANGER W/ARROW	S11752	1
5	DECAL, BLADE GUIDE ARM STRIPE	015849	1
6	DECAL, EYE/EAR PROTECTION WARNING	S11753	1
7	DECAL, TOLL FREE PARTS	S12117	1
8	DECAL, SAWDUST CHUTE WARNING	P11754	1
9	DECAL, TRUSHARP INFO	P12879	1
10	DECAL, TENSIONER WARNING	049367	1
11	DECAL, BLADE TENSION INFO	049368	1

12	DECAL, BLADE TRACK INFO	P11789	1	
13	DECAL, LT15 INCH SCALE	015784	1	
14	DECAL, LT15 LOGO W/STRIPES	003240	1	
15	DECAL, WOOD-MIZER WEBSITE	003235	1	
16	DECAL, MAGNETIC QUARTER SCALE	016275	1	
17	DECAL, LT15 IDLE SIDE	003241	1	

4 Saw Head

Blade Housing Covers & Wood Blocks

4.7 Blade Housing Covers & Wood Blocks



150138-1G

REF	DESCRIPTION (◆ Indicates Parts Available In Assemblies Only)	PART #	QTY.
1	COVER, DRIVE SIDE BLADE HOUSING (Includes Cover Decals - See Section 4.5)	014984	1
2	BOLT, 1/4-20 X 1/2" HEX HEAD	F05005-15	8
3	NUT, 1/4-20 KEPS	F05010-9	6
4	LATCH, FLEXIBLE DRAW	014829	2
5	SCREW, #10-24 X 3/8" CROSS SLOTTED ROUND HEAD	F05004-3	8
6	NUT, #10-24 SELF-LOCKING HEX	F05010-14	8
7	COVER, IDLE SIDE BLADE HOUSING (Includes Cover Decals - See Section 4.5)	014985	1

8	BLOCK, BLADE VIBRATION DAMPENING	015844	1	
9	BOLT, #10 X 3/4" SLOTTED HEX WASHER HEAD	F05015-33	6/2	
10	BLOCK, 3/4" X 1" X 2" WOOD (E10 AND D10 ONLY)	016506	2	
	COVER ASSEMBLY, TOP ENGINE PULLEY	038633 ¹	1	
11	Cover Weldment, LT15/28 Top Belt Cover	074574	1	
12	Plate, Belt Guard Cover	074546	1	
13	Bolt, 1/4-20 x 3/4" Hex Head w/Conical Washer	F05005-134	4	
14	WASHER, 1/4" SAE FLAT	F05011-11	2	
15	PLATE, SAWDUST DEFLECTOR	003811	1	
16	WASHER, 5/16" SAE FLAT	F05011-17	2	
17	WASHER, 5/16" SPLIT LOCK	F05011-13	2	
18	BOLT, 5/16-18 X 3/4" HEX HEAD	F05006-5	2	
19	CLAMP, 1" EMT (E10 ONLY)	P05436	1	
20	NUT, 3/8-16 JAM	F05010-29	1	
21	SCREW, 3/8-16 X 1 1/4 SHOP SET	F05007-18	1	
22	SCREW, 1/4-20 X 3 1/2" HEX HEAD (ALL EXCEPT E10 AND D10)	F05005-54	1	
23	NUT, 1/4-20 SWAGED (ALL EXCEPT E10 AND D10)	F05010-21	1	
24	BRACKET WELDMENT, LT15 BELT ENHANCE	074394 ²	1	

¹ Modified to add belt tension access opening and cover (4/15).

² Belt enhancement bracket added to the saw head (LT15 Rev. E8.02/LT15Wide Rev. A1.03).

SECTION 5 ENGINE OPTIONS

LT15/LT15W

REF	DESCRIPTION	MASTER	Elec. Info	
	D10 YANMAR ENGINE OPTION (SEE ENGINE OPTION MANUAL)	M1098	---	
	D17 KOHLER ENGINE OPTION (SEE ENGINE OPTION MANUAL)	M1631	---	
	D19 DEUTZ ENGINE OPTION (SEE ENGINE OPTION MANUAL)	M1355	---	
	E10 1-PHASE ENGINE OPTION (SEE ENGINE OPTION MANUAL)	M1128	M1129	
	E10 LINCOLN ENGINE OPTION (SEE ENGINE OPTION MANUAL)	M1100	M1102	
	G13 KOHLER ENGINE OPTION (SEE ENGINE OPTION MANUAL)	M884	---	
	G15 KOHLER ENGINE OPTION (SEE ENGINE OPTION MANUAL)	M940	---	
	G18 KOHLER ENGINE OPTION (SEE ENGINE OPTION MANUAL)	M1744	---	
	G25 KOHLER ENGINE OPTION (SEE ENGINE OPTION MANUAL)	M1204	---	

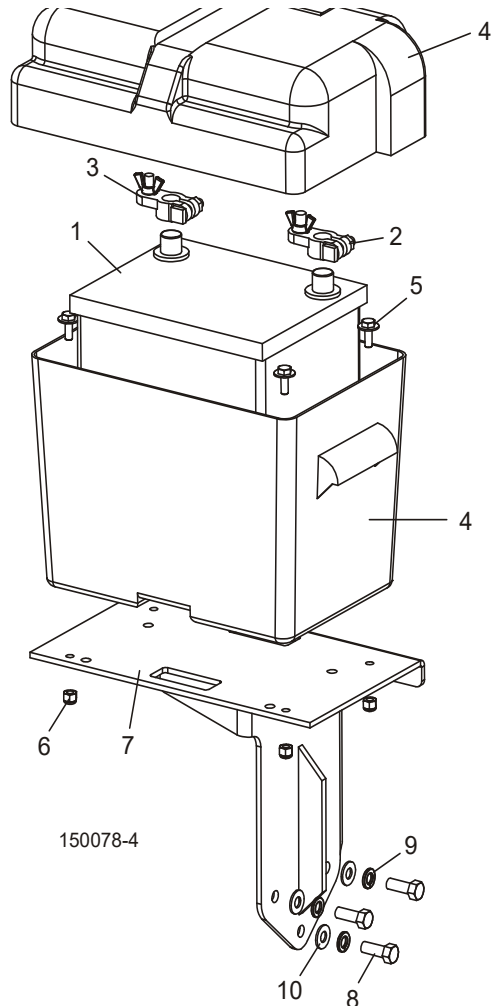
SECTION 6 OPTIONS & ADDITIONAL INCLUDED EQUIPMENT

LT15/LT15W

REF	DESCRIPTION	MASTER	
AVAILABLE OPTIONS			
	LT15 POWER FEED OPTION (SEE MANUAL)	M1567	

SECTION 7 CONTROL & BATTERY BOXES

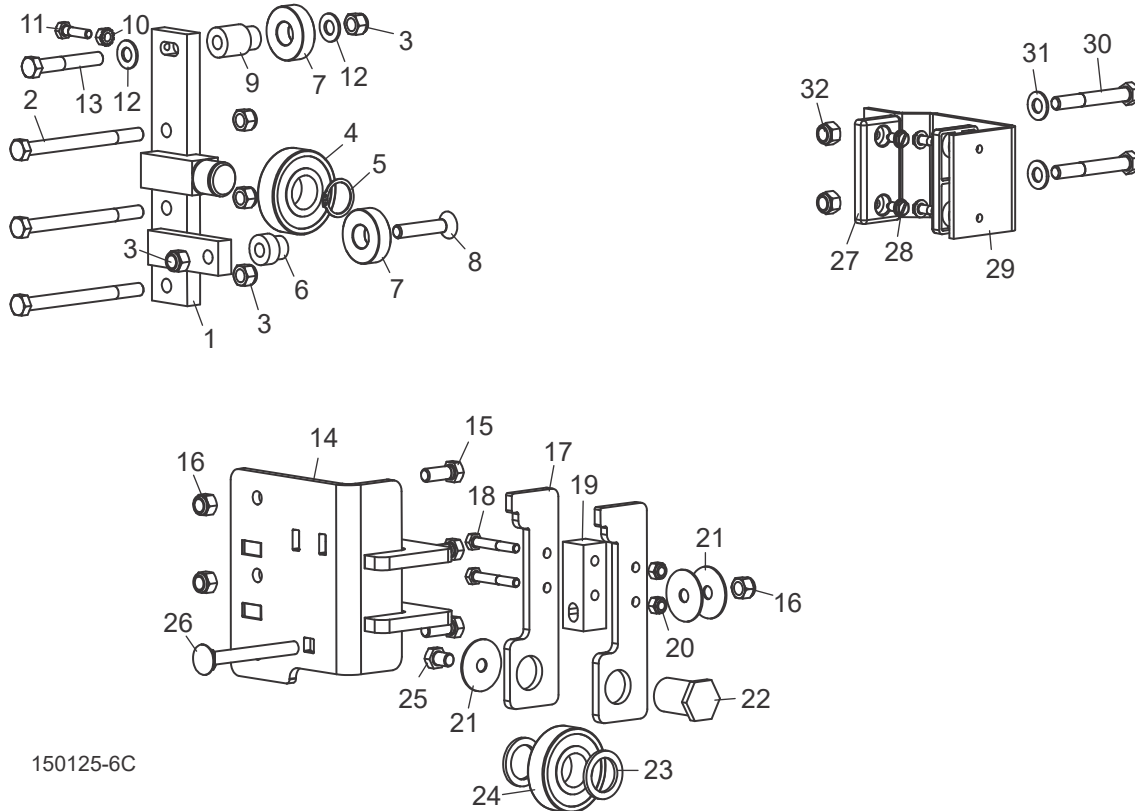
7.1 Battery Box Assembly



REF	DESCRIPTION (◆ Indicates Parts Available In Assemblies Only)	PART NUMBER	QTY.	
1	BATTERY, DEKA 12V 526MF 540CCA 665CA	028004	1	◆
2	TERMINAL, POSITIVE BATTERY	033358	1	
3	TERMINAL, NEGATIVE BATTERY	033359	1	
4	BOX ASSEMBLY, LT15 BATTERY	016413	1	
5	BOLT, 1/4-20X3/4 W/CONICAL WASHER	F05005-134	4	
6	NUT, 1/4-20 HEX NYLON LOCK	F05010-69	4	
7	MOUNT WELDMENT, BATTERY/CONTROL BOX	034899	1	
8	BOLT, 3/8-16X1 HH	F05007-7	3	
9	WASHER, 3/8 SPLIT	F05011-4	3	
10	WASHER, 3/8 FLAT	F05011-3	3	

SECTION 8 UP/DOWN SYSTEM

8.1 Saw Head Mount



150125-6C

REF	DESCRIPTION (◆ Indicates Parts Available In Assemblies Only)	PART #	QTY.
	BEARING ASSEMBLY, SAW HEAD MOUNT UPPER	046885 ¹	1
1	Bracket Weldment, Upper Saw Head Mount	046635	1
2	Bolt, 3/8-16 x 4 1/2" Hex Head	F05007-35	3
3	Nut, 3/8-16 Hex Nylon Lock	F05010-10	5
4	Bearing, .9843" x 2.4409" x .6693"	P08066	1
5	Ring, 25mm 5100-98 OR	F04254-26	1
6	Bushing, Saw Head Mount Bearing	046608	1
7	Bearing, 6203-2NSL 17mm SRI-2 ABEC-1	P06030-2	2
8	Bolt, 3/8-16 x 2" Flat Socket Head	F05007-198	1
9	Spacer, Bearing	074748	1
10	Nut, 1/4-20 Keps	F05010-9	2
11	Bolt, 1/4-20 x 1" Hex Head Grade 5	F05005-101	1
12	Washer, 3/8" SAE Flat	F05011-3	2
13	Bolt, 3/8-16 x 2 1/2" Hex Head Grade 5	F05007-125	1
	BEARING ASSEMBLY, SAW HEAD MOUNT LOWER	046886	1

8

Up/Down System

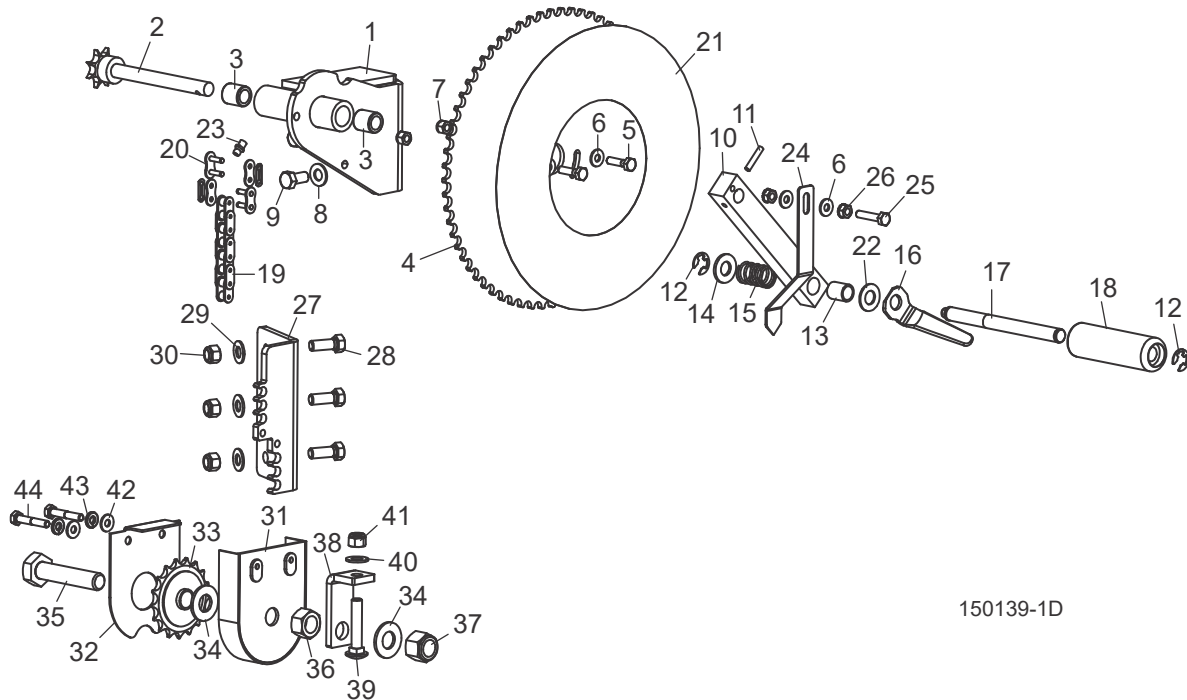
Saw Head Mount

14	Bracket Weldment, Lower Saw Head Mount	046969 ²	1	
15	Bolt, 3/8-16 x 1" Hex Head Grade 5	F05007-87	3	
16	Nut, 3/8-16 Hex Nylon Lock	F05010-10	4	
17	Plate, Bearing Cam	046604	2	
18	Block, Bearing Spacer	046607	1	
19	Bolt, 1/4-20 x 1 3/4" Hex Head Grade 5	F05005-68	2	
20	Nut, 1/40-20 Hex Nylon Lock	F05010-69	2	
21	Washer, 3/8" Fender	F05011-44	3	
22	Shaft, Bearing Mount	046606	1	
23	Washer, Spacer	046974	2	
24	Bearing, .9843" x 2.4409" x .6693"	P08066	1	
25	Bolt, 3/8-16 x 1/2" Hex Head Grade 5	F05004-124	1	
26	Bolt, 3/8-16 x 3 1/2" Carriage Head	F05007-161	1	
27	PAD, IDLE SIDE SLIDE	P13576	2	
28	BOLT, 1/4-20 X 1/2" SLOTTED HEX HEAD	F05015-1	4	
29	BRACKET, IDLE SIDE SLIDE PAD MOUNT	014905	1	
	BRACKET, WIDE IDLE SIDE SLIDE PAD MOUNT (WIDE HEAD ONLY)	076115	1	
30	BOLT, 3/8-16 X 2 3/4" HEX HEAD	F05007-29	2	
31	WASHER, 3/8" SAE FLAT	F05011-3	2	
32	NUT, 3/8-16 HEX NYLON LOCK	F05010-10	2	

¹ Modified to improve contact between roller bearings and up/down tube (LT15 Rev. E8.05/LT15W Rev. A1.06). Modifications include adding new parts as listed in parts table and removing (1) 014932 Saw Head Mount Bearing Shaft, (1) F04254-2 5/8" 5100-62 OR Ring, (1) P06030-1 5/8" x 1.7548" x .4724" Bearing and (1) F05007-87 3/8-16 x 1" Hex Head Bolt from top mount hole of upper bearing assembly.

² Bracket modified to improve durability (LT15 Rev. E8.03/LT15W Rev. A1.04).

8.2 Manual Crank Assembly (E10, G13, G15 & D10)



REF	DESCRIPTION (◆ Indicates Parts Available In Assemblies Only)	PART #	QTY.
	UP/DOWN ASSEMBLY, LT15 2006	046638	1
1	Bracket Weldment, LT15 Up/Down Mount	038649	1
2	Shaft Weldment, LT15 Up/Down Sprocket	046648	1
3	Bearing, Needle 1/2" x 3/4" Single Seal	049331	2
4	Plate, Up/Down Lock	046617	1
5	Bolt, 1/4-20 x 1" Hex Head Grade 5	F05005-101	2
6	Washer, 1/4" SAE Flat	F05011-11	4
7	Nut, 1/4-20 Hex Nylon Lock	F05010-69	2
8	Washer, 3/8" SAE Flat	F05011-3	3
9	Bolt, 3/8-16 x 3/4" Hex Head Grade 5	F05007-118	3
10	Block, LT15 Up/Down Handle	046627	1
11	Pin, 3/16" x 1" Roll	F05012-11	1
12	Ring, 1/2" E-Clip Retaining	P10649	2
13	Bushing, 1/2" x 5/8" x 3/4" Bronze	046976	1
14	Washer, 1/2" SAE Flat	F05011-2	1
15	Spring, .72" x .576" x 1.25" Compression	046975	1
16	Plate, Handle Lock Release	046867	1
17	Shaft, Up/Down Handle	046644	1
18	Handle, 33/64" x 1 1/4" x 4" Plastic	046647	1
19	Chain, #40 x 82 5/8" Roller	046983	1
20	Link, #40 Master	P04200	2

8

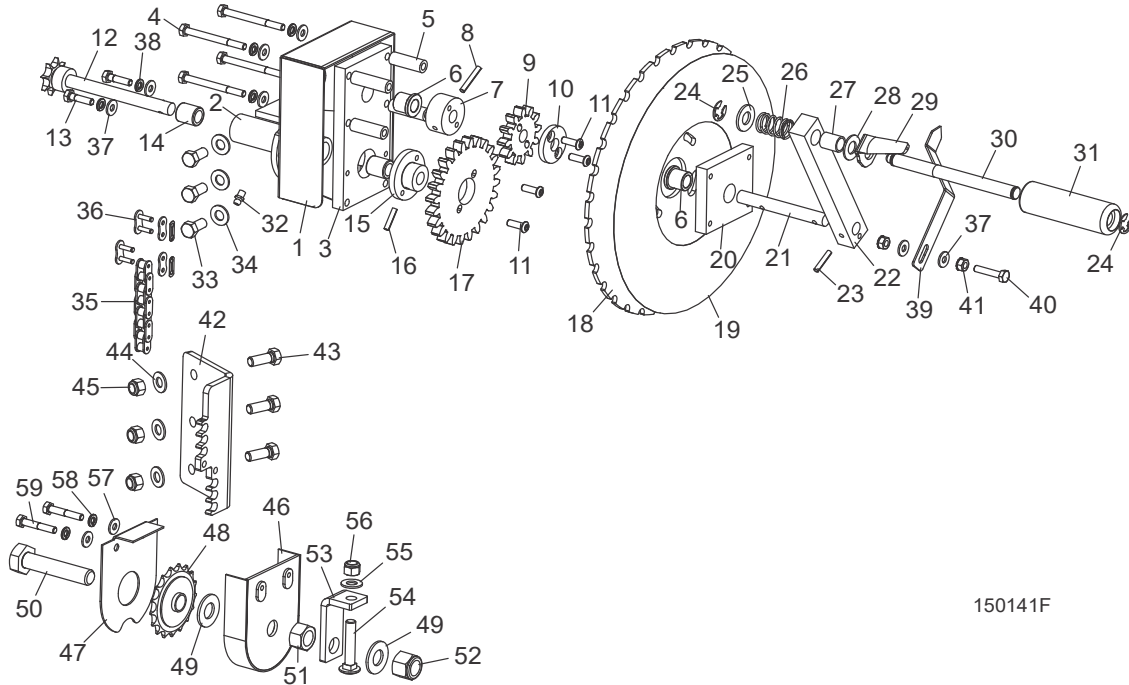
Up/Down System*Manual Crank Assembly (E10, G13, G15 & D10)*

21	Decal, LT15 Round Blade Height	047699	1	
22	Bearing, 1/2" ID x 1" OD x 1/16" Bronze Thrust	036597	1	
23	Fitting, 1/4-28 Grease	P05060	1	
24	Plate, Pointer Up/Down	048598	1	
25	Bolt, 1/4-20 x 1 1/4" Hex Head Full Thread Cap	F05005-3 ¹	1	
26	Nut, 1/4-20 Keps	F05010-9	2	
27	BRACKET, UP/DOWN CHAIN MOUNT	076108 ²	1	
28	BOLT, 3/8-16 X 1" HEX HEAD GRADE 5'	F05007-87	3	
29	WASHER, 3/8" SAE FLAT	F05011-3	3	
30	NUT, 3/8-16 HEX NYLON LOCK	F05010-10	3	
	IDLER ASSEMBLY, LT15 LOWER UP/DOWN	046980	1	
31	Guard Weldment, Chain Tension Sprocket	015860	1	
32	Cover, Chain Tension Sprocket Guard	015859	1	
33	Sprocket, #40 Idler 17T 5/8" ID	P04333	1	
34	Washer, 5/8" SAE Flat	F05011-5	1	
35	Bolt, 5/8-11 x 3" Hex Head Full Thread	F05009-1	1	
36	Nut, 5/8-11 Hex	F05010-5	1	
37	Nut, 5/8-11 Hex Nylon Lock	F05010-34	1	
38	Bracket, LT15 Up/Down Chain Tensioner	046981	1	
39	Bolt, 3/8-16 x 2" Carriage Head Full Thread	F05007-22	1	
40	Washer, 3/8" SAE Flat	F05011-3	1	
41	Nut, 3/8-16 Hex Nylon Lock	F05010-10	1	
42	Washer, 1/4" SAE Flat	F05011-11	2	
43	Washer, 1/4" Split Lock	F05011-14	2	
44	Bolt, 1/4-20 x 1 1/2" Hex Head	F05005-124	2	

¹ (1) F05005-3 hex head bolt, (2) F05010-9 keps nuts and (2) F05011-11 flat washers replaced F05005-64 1/4-20 x 5/8" Wing Stud (Rev. E7.00).

² Replaced 046876 Up/Down Chain Mount Bracket to improve adjustment (10/14).

8.3 Manual Crank Assembly (D17/D19/G25)



150141F

REF	DESCRIPTION (◆ Indicates Parts Available In Assemblies Only)	PART #	QTY.
	UP/DOWN ASSEMBLY, GEAR REDUCED LT15	038582	1
1	Guard, Gear Reducer	054610	1
2	Up/Down Weldment, LT15	038649	1
3	Plate, Rear Up/Down Reducer	049371	1
4	Bolt, 1/4-20 x 2 3/4" Hex Head	F05005-18	4
5	Spacer, Plate Mount	054587	4
6	Bushing, 1/2" x 3/4" Bronzed Flanged	P22317	2
7	Spacer, Small Gear	049394	1
8	Pin, 3/16" x 1 1/4" Roll	F05012-16	1
9	Gear, 12T Up/Down	074940 ¹	1
10	Spacer, Small Gear Lock	054589	1
11	Bolt, 1/4-20 x 3/4" Stainless Steel	F05005-60	4
12	Shaft Weldment, LT15 Up/Down	046648	1
13	Bolt, 1/4-20 x 1" Hex Head Grade 5	F05005-101	2
14	Bearing, Needle 1/2" x 3/4" Single Seal	049331	2
15	Bushing, Gear Mount	049373	1
16	Pin, 3/16" x 7/8" Roll	F05012-19	1
17	Gear, 24T Up/Down	074941 ¹	1
18	Plate, 2:1 Up/Down Lock	049395	1
19	Decal, Gear Reduced Blade Height	054588	1
20	Plate, Front Up/Down Reducer	049372	1

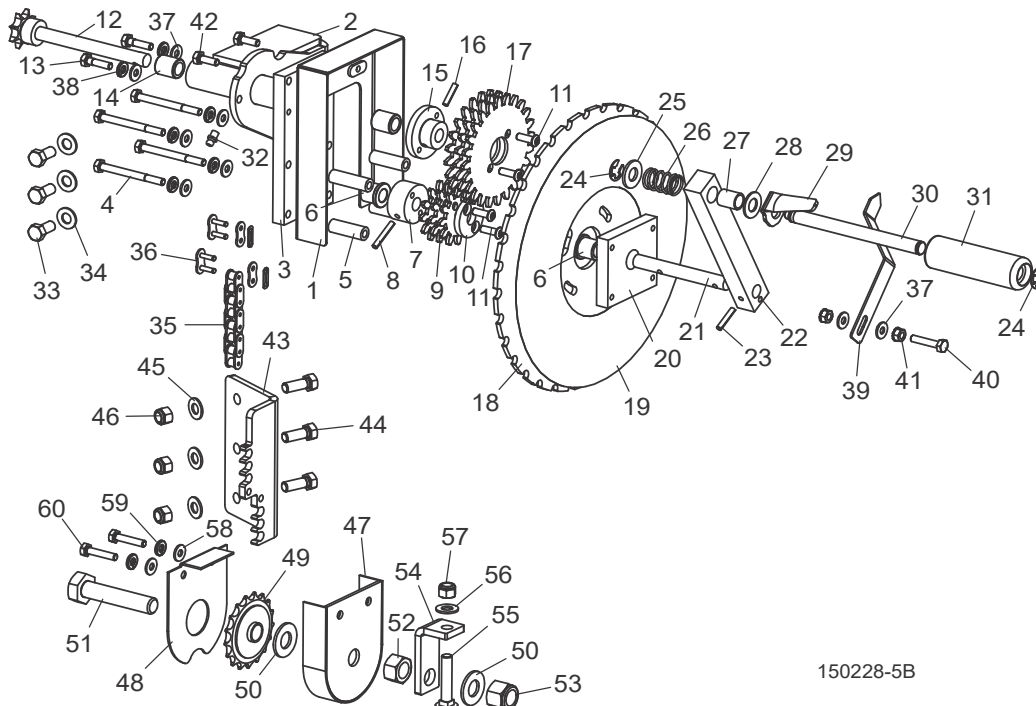
21	Shaft, Gear Reduced Up/Down	049377	1	
22	Block, Up/Down Handle	046627	1	
23	Pin, 3/16" x 1" Roll	F05012-11	1	
24	E-Clip, 1/2" Shaft	P10649	2	
25	Washer, 1/2" SAE Flat	F05011-2	1	
26	Spring, Compression .72" OD x .576" ID x 1.25" L	046975	1	
27	Bushing, Bronze 1/2" ID x 5/8" OD x 3/4" L	046976	1	
28	Bearing, 1/2" ID x 1" OD x 1/16" Bronze Thrust	036597	1	
29	Plate, Lock Release	046867	1	
30	Shaft, Up/Down Handle	046644	1	
31	Handle, 33/64" ID x 1 1/4" OD x 4" Plastic	046647	1	
32	Fitting, 1/4-28 Grease	P05060	1	
33	Bolt, 3/8-16 x 3/4" Hex Head Grade 5	F05007-118	3	
34	Washer, 3/8" Flat SAE	F05011-3	3	
35	Chain, #40 x 82-1/2" Roller	046983	1	
36	Link, #40 Master	P04200	2	
37	Washer, 1/4" SAE Flat	F05011-11	8	
38	Washer, 1/4" Split Lock	F05011-14	6	
39	Plate, Pointer Up/Down	048598	1	
40	Bolt, 1/4-20 x 1 1/4" Hex Head Full Thread Cap	F05005-3 ²	1	
41	Nut, 1/4-20 Keps	F05010-9	2	
42	BRACKET, UP/DOWN CHAIN MOUNT	076108 ³	1	
43	BOLT, 3/8-16 X 1" HEX HEAD GRADE 5	F05007-87	3	
44	WASHER, 3/8" SAE FLAT	F05011-3	3	
45	NUT, 3/8-16 HEX NYLON LOCK	F05010-10	3	
	IDLER ASSEMBLY, LT15 LOWER UP/DOWN	046980	1	
46	Guard Weldment, Chain Tension Sprocket	015860	1	
47	Cover, Chain Tension Sprocket Guard	015859	1	
48	Sprocket, #40 Idler 17T 5/8" ID	P04333	1	
49	Washer, 5/8" SAE Flat	F05011-5	1	
50	Bolt, 5/8-11 x 3" Hex Head Full Thread	F05009-1	1	
51	Nut, 5/8-11 Hex	F05010-5	1	
52	Nut, 5/8-11 Hex Nylon Lock	F05010-34	1	
53	Bracket, LT15 Up/Down Chain Tensioner	046981	1	
54	Bolt, 3/8-16 x 2" Carriage Head Full Thread	F05007-22	1	
55	Washer, 3/8" SAE Flat	F05011-3	1	
56	Nut, 3/8-16 Hex Nylon Lock	F05010-10	1	
57	Washer, 1/4" SAE Flat	F05011-11	2	
58	Washer, 1/4" Split Lock	F05011-14	2	
59	Bolt, 1/4-20 x 1 1/2" Hex Head	F05005-124	2	

¹ (1) 074940 replaced (3) 049375 and (1) 074941 replaced (3) 049374 to improve efficiency (4/16).

² (1) F05005-3 hex head bolt, (2) F05010-9 keps nuts and (2) F05011-11 flat washers replaced F05005-64 1/4-20 x 5/8" Wing Stud (Rev. E7.00).

³ Replaced 046876 Up/Down Chain Mount Bracket to improve adjustment (10/14).

8.4 Manual Crank Assembly (E10/D17/G25) (Wide Head Only)



REF	DESCRIPTION (◆ Indicates Parts Available In Assemblies Only)	PART #	QTY.
	UP/DOWN ASSEMBLY, GEAR REDUCED LT15 WIDE (WIDE HEAD ONLY)	076092	1
1	Guard Weldment, LT15 Wide Up/Down	074360 ¹	1
2	Up/Down Weldment, LT15	038649	1
3	Plate, Rear Up/Down Reducer	049371	1
4	Bolt, 1/4-20 x 2 3/4" Hex Head	F05005-18	4
5	Spacer, Plate Mount	054587	4
6	Bushing, 1/2" x 3/4" Bronzed Flanged	P22317	2
7	Spacer, Small Gear	049394	1
8	Pin, 3/16" x 1 1/4" Roll	F05012-16	1
9	Gear, 12" Up/Down	049375	3
10	Spacer, Small Gear Lock	054589	1
11	Bolt, 1/4-20 x 3/4" Stainless Steel	F05005-60	4
12	Shaft Wldmt, LT15 Up/Down	046648	1
13	Bolt, 1/4-20 x 1" Hex Head Grade 5	F05005-101	2
14	Bearing, Needle 1/2" x 3/4" Single Seal	049331	2
15	Bushing, Gear Mount	049373	1
16	Pin, 3/16" x 7/8" Roll	F05012-19	1
17	Gear, 24T Up/Down	049374	3
18	Plate, 2:1 Up/Down Lock	049395	1
19	Decal, Gear Reduced Blade Height	054588	1
20	Plate, Front Up/Down Reducer	049372	1

8

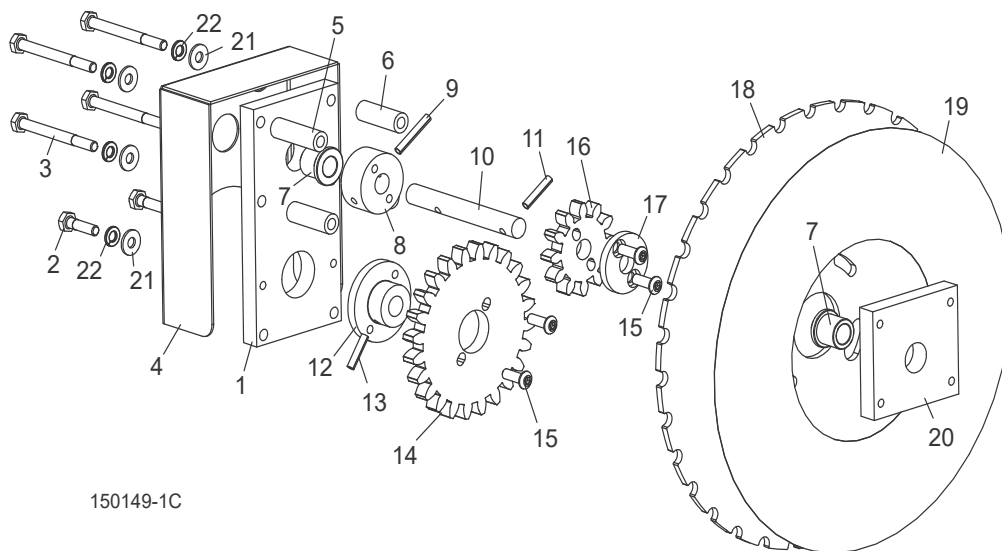
Up/Down System

Manual Crank Assembly (E10/D17/G25) (Wide Head Only)

21	Shaft, Gear Reduced Up/Down	049377	1	
22	Block, Up/Down Handle	046627	1	
23	Pin, 3/16" x 1" Roll	F05012-11	1	
24	E-Clip, 1/2" Shaft	P10649	2	
25	Washer, 1/2" SAE Flat	F05011-2	1	
26	Spring, Compression .72" OD x .576" ID x 1.25" L	046975	1	
27	Bushing, Bronze 1/2" ID x 5/8" OD x 3/4" L	046976	1	
28	Bearing, 1/2" ID x 1" OD x 1/16" Bronze Thrust	036597	1	
29	Plate, Lock Release	046867	1	
30	Shaft, Up/Down Handle	046644	1	
31	Handle, 33/64" ID x 1 1/4" OD x 4" Plastic	046647	1	
32	Fitting, 1/4-28 Grease	P05060	1	
33	Bolt, 3/8-16 x 3/4" Hex Head Grade 5	F05007-118	3	
34	Washer, 3/8" Flat SAE	F05011-3	3	
35	Chain, #40 x 94-1/2" Roller	076091	1	
36	Link, #40 Master	P04200	2	
37	Washer, 1/4" SAE Flat	F05011-11	8	
38	Washer, 1/4" Split Lock	F05011-14	6	
39	Plate, Pointer Up/Down	048598	1	
40	Bolt, 1/4-20 x 1 1/4" Hex Head Full Thread Cap	F05005-3	1	
41	Nut, 1/4-20 Keps	F05010-9	2	
42	Bolt, 1/4-20 x 3/4" Hex Head Full Thread	F05005-1	2	
43	BRACKET, LT15 WIDE UP/DOWN CHAIN MOUNT	076108	1	
44	BOLT, 3/8-16 X 1" HEX HEAD GRADE 5	F05007-87	3	
45	WASHER, 3/8" SAE FLAT	F05011-3	3	
46	NUT, 3/8-16 HEX NYLON LOCK	F05010-10	3	
	IDLER ASSEMBLY, LT15 LOWER UP/DOWN	046980	1	
47	Guard Weldment, Chain Tension Sprocket	015860	1	
48	Cover, Chain Tension Sprocket Guard	015859	1	
49	Sprocket, #40 Idler 17T 5/8" ID	P04333	1	
50	Washer, 5/8" SAE Flat	F05011-5	1	
51	Bolt, 5/8-11 x 3" Hex Head Full Thread	F05009-1	1	
52	Nut, 5/8-11 Hex	F05010-5	1	
53	Nut, 5/8-11 Hex Nylon Lock	F05010-34	1	
54	Bracket, LT15 Up/Down Chain Tensioner	046981	1	
55	Bolt, 3/8-16 x 2" Carriage Head Full Thread	F05007-22	1	
56	Washer, 3/8" SAE Flat	F05011-3	1	
57	Nut, 3/8-16 Hex Nylon Lock	F05010-10	1	
58	Washer, 1/4" SAE Flat	F05011-11	2	
59	Washer, 1/4" Split Lock	F05011-14	2	
60	Bolt, 1/4-20 x 1 1/2" Hex Head	F05005-124	2	

¹ Replaces 076132 LT15 Up/Down Weldment for easy of assembly/disassembly and proper clearance (LT15W Rev. A1.01 Only).

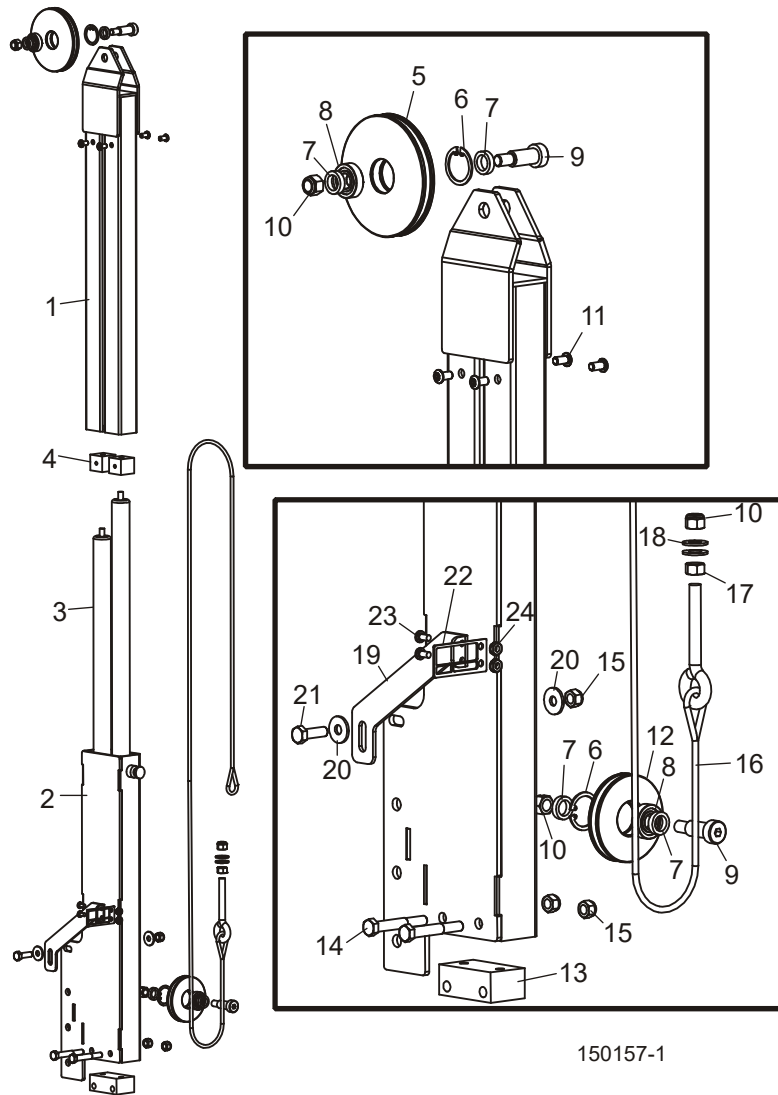
8.5 Up/Down Reducer Assembly (Optional)



REF	DESCRIPTION (◆ Indicates Parts Available In Assemblies Only)	PART #	QTY.
	REDUCER KIT, LT15 UP/DOWN	038871 ¹	1
1	Plate, Rear Up/Down Reducer	049371	1
2	Bolt, 1/4-20 x 1" Hex Head Grade 5	F05005-101	2
3	Bolt, 1/4-20 x 2 3/4" Hex Head	F05005-18	4
4	Guard, Gear Reducer	054610	1
5	Spacer, Plate Mount Long	049376	2
6	Spacer, Plate Mount	054587	2
7	Bushing, Flanged Bronze	P22317	2
8	Spacer, Small Sprocket	049394	1
9	Pin, 3/16" x 1 1/4" Roll	F05012-16	1
10	Shaft, Up/Down Reducer	049377	1
11	Pin, 3/16" x 1" Roll	F05012-11	1
12	Bushing, Gear Mount	049373	1
13	Pin, 3/16" x 7/8" Roll	F05012-19	1
14	Sprocket, 12T Up/Down Reducer Large	049374	3
15	Screw, 1/4-20 x 3/4" Socket Button Head	F05005-60	4
16	Sprocket, 12T Up/Down Reducer Small	049375	3
17	Plate, Small Sprocket Lock	054589	1
18	Plate, 2:1 Up/Down Dial	049395	1
19	Decal, 2:1 Up/Down Dial	054588	1
20	Plate, Front Up/Down Reducer	049372	1
21	Washer, 1/4" SAE Flat	F05011-11	6
22	Washer, 1/4" Split Lock	F05011-14	6

¹ Kit includes parts required to change the distance the saw head moves from 4" to 2" per revolution for easier up/down adjustment.
NOTE: LT15 models equipped with the D18/D19 or G25 engine package already include the reduction parts.

8.6 Up/Down Assist Assembly



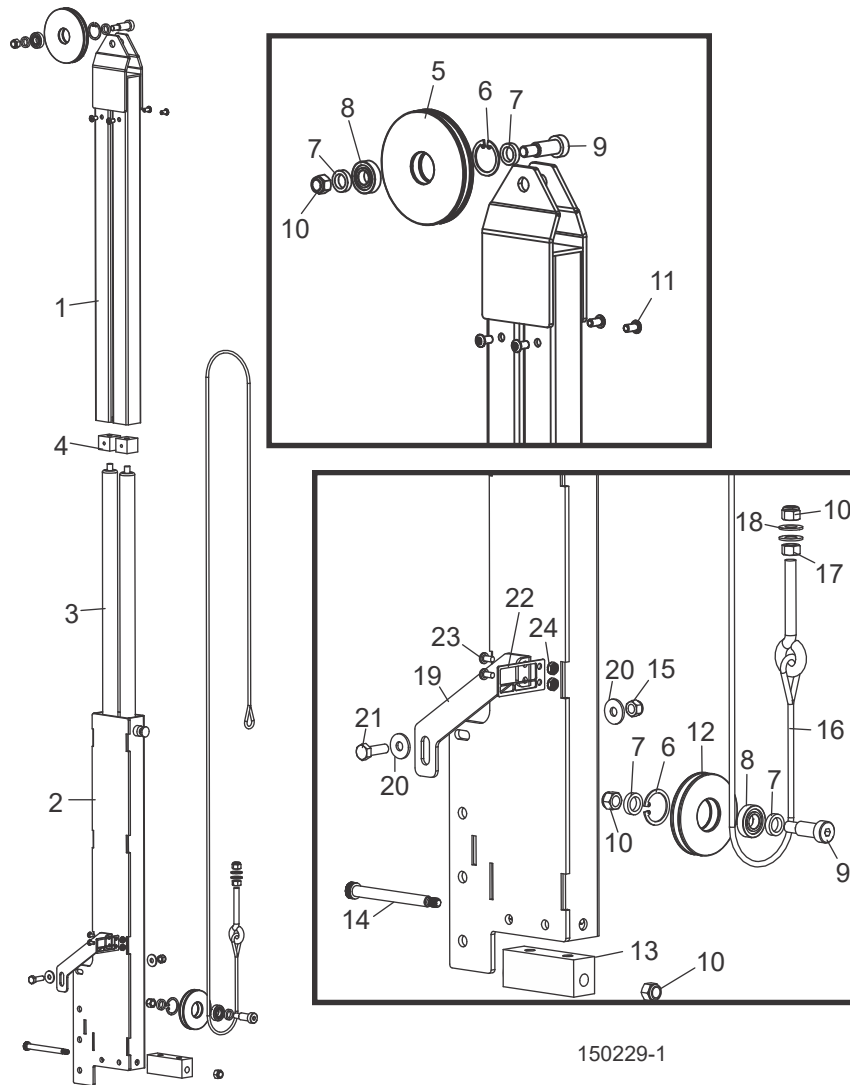
REF	DESCRIPTION (◆ Indicates Parts Available In Assemblies Only)	PART #	QTY.
	ASSIST ASSEMBLY, LT15 UP/DOWN	046595	1
1	Tube Weldment, Upper Assist	055504	1
2	Tube Weldment, Lower Assist	055500	1
3	Spring, Gas Charged	046982	2
	Wiper, .542" Gas Spring Rubber	038628	1
4	Block, Upper Spring Mount	046978	2
5	Pulley, Large Cable	046602	1
6	Ring, 1 1/8" Inside Retaining	F04254-1	2
7	Bushing, 3/16" Spacer	046986	4
8	Bearing, R8-2RS	015975	2

9	Bolt, 1/2" x 1" Shoulder	F05008-146	2	
10	Nut, 3/8-16 Hex Nylon Lock	F05010-10	3	
11	Screw, 1/4-20 x 1/2" Button Socket Head Stainless	F05005-59	4	
12	Pulley, Small Cable	046995	1	
13	Block, Lower Spring Mount	055505	1	
14	Bolt, 5/16-18 x 2 1/4" Hex Head	F05006-30	2	
15	Nut, 5/16-18 Hex Nylon Lock	F05010-58	3	
16	Cable Assembly, Up/Down Assist	046977	1	
17	Nut, 3/8-16 Hex	F05010-1	1	
18	Washer, 3/8" SAE Flat	F05011-3	2	
19	Bracket, LT15 Blade Height Indicator Mount	046963	1	
20	Washer, 5/16" Standard Flat	F05011-16	2	
21	Bolt, 5/16-18 x 1" Hex Head Grade 5	F05006-27	1	
22	Indicator, Blade Height	017805	1	
23	Screw, #10-24 x 3/8" Slotted Pan Head	F05004-3	2	
24	Nut, #10-24 Hex Self-Locking	F05010-14	2	

8.7 Up/Down Assist Assembly (Wide Head Only)

LT15W

Rev. A1.10+



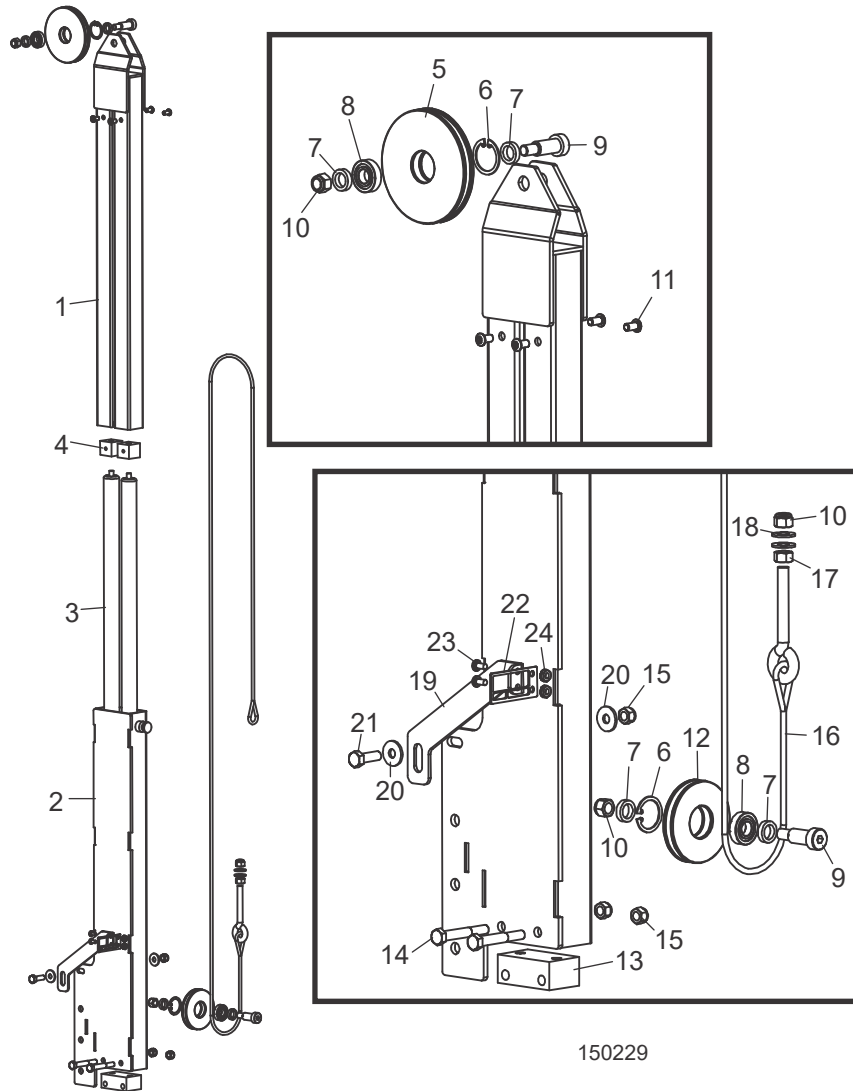
REF	DESCRIPTION (◆ Indicates Parts Available In Assemblies Only)	PART #	QTY.
	ASSIST ASSEMBLY, LT15 WIDE UP/DOWN (WIDE HEAD ONLY)	076121	1
1	Tube Weldment, LT15 Wide Upper Assist	076128	1
2	Tube Weldment, LT15 Lower Assist	076127	1
3	Wiper Assembly, Gas Spring	010022	2
4	Block, LT15 Wide Upper Spring Mount	076130	2
5	Pulley, Large Cable	046602	1
6	Ring, 1 1/8" Inside Retaining	F04254-1	2
7	Bushing, 3/16" Spacer	046986	4
8	Bearing, R8-2RS	015975	2
9	Bolt, 1/2" x 1" Shoulder	F05008-146	2

10	Nut, 3/8-16 Hex Nylon Lock	F05010-10	4	
11	Screw, 1/4-20 x 1/2" Button Socket Head Stainless	F05005-59	4	
12	Pulley, Small Cable	046995	1	
13	Block, LT15 Wide Lower Spring Mount	079103	1	
14	Bolt, 5/16-18 x 2 1/4" Hex Head	F05007-249	1	
15	Nut, 5/16-18 Hex Nylon Lock	F05010-58	1	
16	Cable Assembly, Up/Down Assist (LT15 Wide Head)	074320	1	
17	Nut, 3/8-16 Hex	F05010-1	1	
18	Washer, 3/8" SAE Flat	F05011-3	2	
19	Bracket, LT15 Blade Height Indicator Mount	046963	1	
20	Washer, 5/16" Standard Flat	F05011-16	2	
21	Bolt, 5/16-18 x 1" Hex Head Grade 5	F05006-27	1	
22	Indicator, Blade Height	017805	1	
23	Screw, #10-24 x 3/8" Slotted Pan Head	F05004-3	2	
24	Nut, #10-24 Hex Self-Locking	F05010-14	2	

8.8 Up/Down Assist Assembly (Wide Head Only)

LT15W

Rev. A1.00 - A1.09

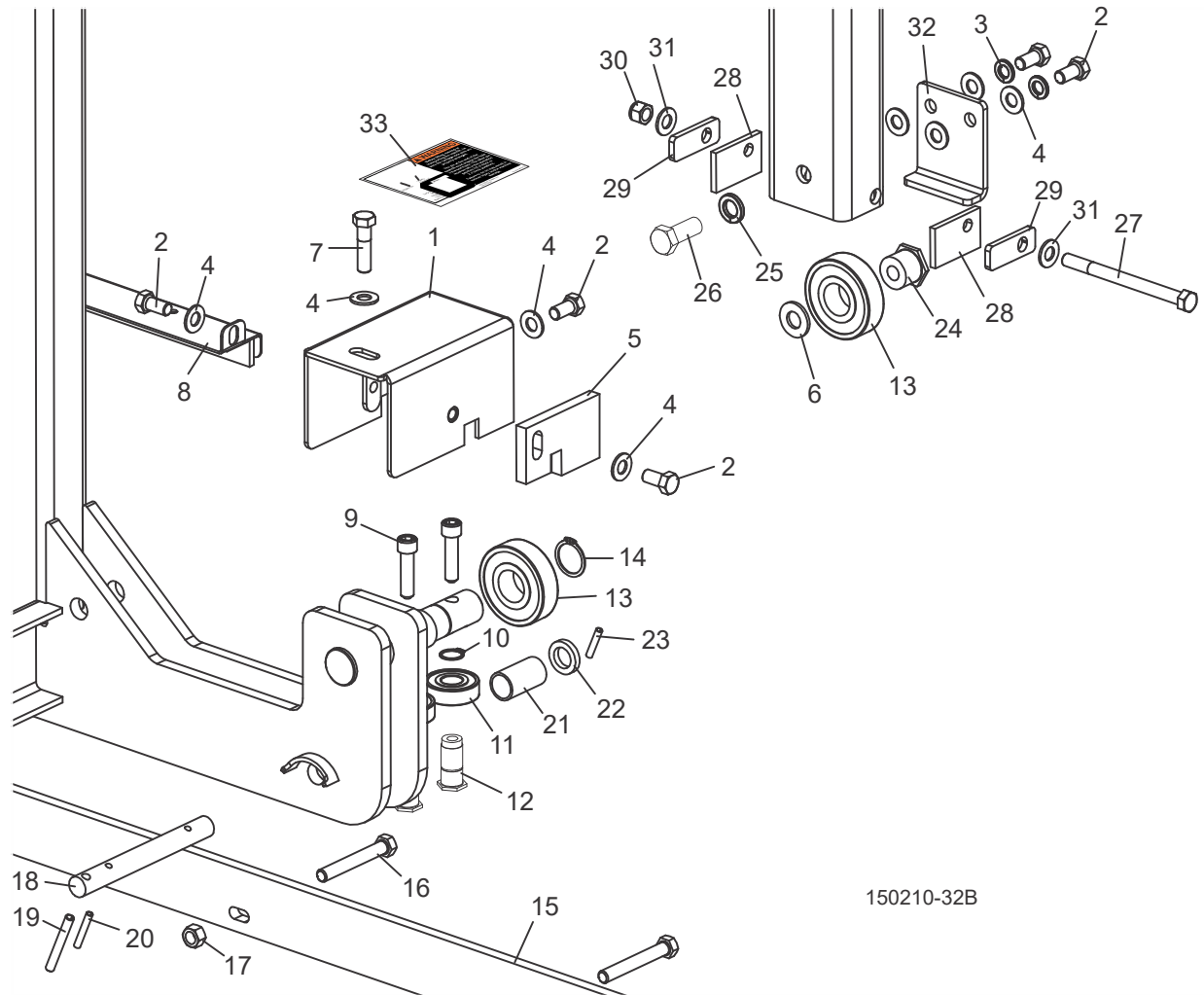


REF	DESCRIPTION (◆ Indicates Parts Available In Assemblies Only)	PART #	QTY.
	ASSIST ASSEMBLY, LT15 WIDE UP/DOWN (WIDE HEAD ONLY)	076121	1
1	Tube Weldment, LT15 Wide Upper Assist	076128	1
2	Tube Weldment, LT15 Lower Assist	076127	1
3	Wiper Assembly, Gas Spring	074804	2
4	Block, LT15 Wide Upper Spring Mount	076130	2
5	Pulley, Large Cable	046602	1
6	Ring, 1 1/8" Inside Retaining	F04254-1	2
7	Bushing, 3/16" Spacer	046986	4
8	Bearing, R8-2RS	015975	2
9	Bolt, 1/2" x 1" Shoulder	F05008-146	2

10	Nut, 3/8-16 Hex Nylon Lock	F05010-10	3	
11	Screw, 1/4-20 x 1/2" Button Socket Head Stainless	F05005-59	4	
12	Pulley, Small Cable	046995	1	
13	Block, LT15 Wide Lower Spring Mount	076129	1	
14	Bolt, 5/16-18 x 2 1/4" Hex Head	F05006-30	2	
15	Nut, 5/16-18 Hex Nylon Lock	F05010-58	3	
16	Cable Assembly, Up/Down Assist (LT15 Wide Head)	074320	1	
17	Nut, 3/8-16 Hex	F05010-1	1	
18	Washer, 3/8" SAE Flat	F05011-3	2	
19	Bracket, LT15 Blade Height Indicator Mount	046963	1	
20	Washer, 5/16" Standard Flat	F05011-16	2	
21	Bolt, 5/16-18 x 1" Hex Head Grade 5	F05006-27	1	
22	Indicator, Blade Height	017805	1	
23	Screw, #10-24 x 3/8" Slotted Pan Head	F05004-3	2	
24	Nut, #10-24 Hex Self-Locking	F05010-14	2	

SECTION 9 FEED SYSTEM & TRACK ROLLERS

9.1 Track Rail, Rollers, & Travel Pins



150210-32B

REF	DESCRIPTION (◆ Indicates Parts Available In Assemblies Only)	PART #	QTY.
1	COVER WELDMENT, TRACK ROLLER	015846	2
2	BOLT, 3/8-16 X 3/4" HEX HEAD	F05007-27	6
3	WASHER, 3/8" SPLIT LOCK	F05011-4	2
4	WASHER, 3/8" SAE FLAT	F05011-3	6
5	PLATE, TRACK WIPER	014906	2
6	WASHER, 1/2" SAE FLAT	F05011-2	1
7	BOLT, 3/8-16 X 1 1/2" HEX HEAD	F05007-78	2
8	COVER, MIDDLE TRACK WITH FELT (See Section 9.4)	110818 ¹	1
9	BOLT, 3/8-16 X 1 1/2" SOCKET HEAD	F05007-36	4

Feed System & Track Rollers

Track Rail, Rollers, & Travel Pins

9

10	RING, 5/8" (5100-62) OUTER RETAINING	F04254-2	4	
11	BEARING, 5/8" X 1.75" X .47"	P06030-1	4	
12	SHAFT, ROLLER UPRIGHT	110404	4	
13	BEARING, .98" X 2.44" X .67"	P08066	3	
14	RING, 25MM (5100-98) OUTER RETAINING	F04254-26	2	
15	RAIL, PINNED 80.5" LONG BED	016489	2	
16	BOLT, 3/8-16 X 2 3/4" HEX HEAD FULL THREAD	F05007-230	24	
17	NUT, 3/8-16 HEX LOCK	F05010-25	24	
18	PIN, TRAVEL LOCK	014899	2	
19	PIN, 1/4" X 2" ROLL	F05012-46	2	
20	PIN, 3/16" X 1 1/4" ROLL	F05012-16	2	
21	SPRING, 7/8" O.D. X 1 1/2" COMPRESSION	P07997	2	
22	WASHER, 41/64" ID X 1" OD X 3/16" THICK	S12480	2	
23	PIN, 3/16" X 1" ROLL	F05012-11	2	
24	SHAFT, IDLE SIDE ROLLER MOUNT	014974	1	
25	WASHER, 1/2" SPLIT LOCK	F05011-9	1	
26	BOLT, 1/2-13 X 1 1/4" HEX HEAD GRADE 5	F05008-37	1	
	BRACKET ASSEMBLY, IDLE WIPER	074251 ²	1	
27	Bolt, 3/8-16 x 4 1/2" Hex Head Grade 5	F05007-35	1	
28	Felt, Idle Wiper	074270	2	
29	Bracket, Left Idle Wiper	074250	2	
30	Nut, 3/8-16 Hex Nylon Lock	F05010-10	1	
31	Washer, 3/8" SAE Flat	F05011-3	2	
32	PLATE, IDLE SIDE GUIDE	014897	1	
33	DECAL, LOCK PIN WARNING	017926	2	

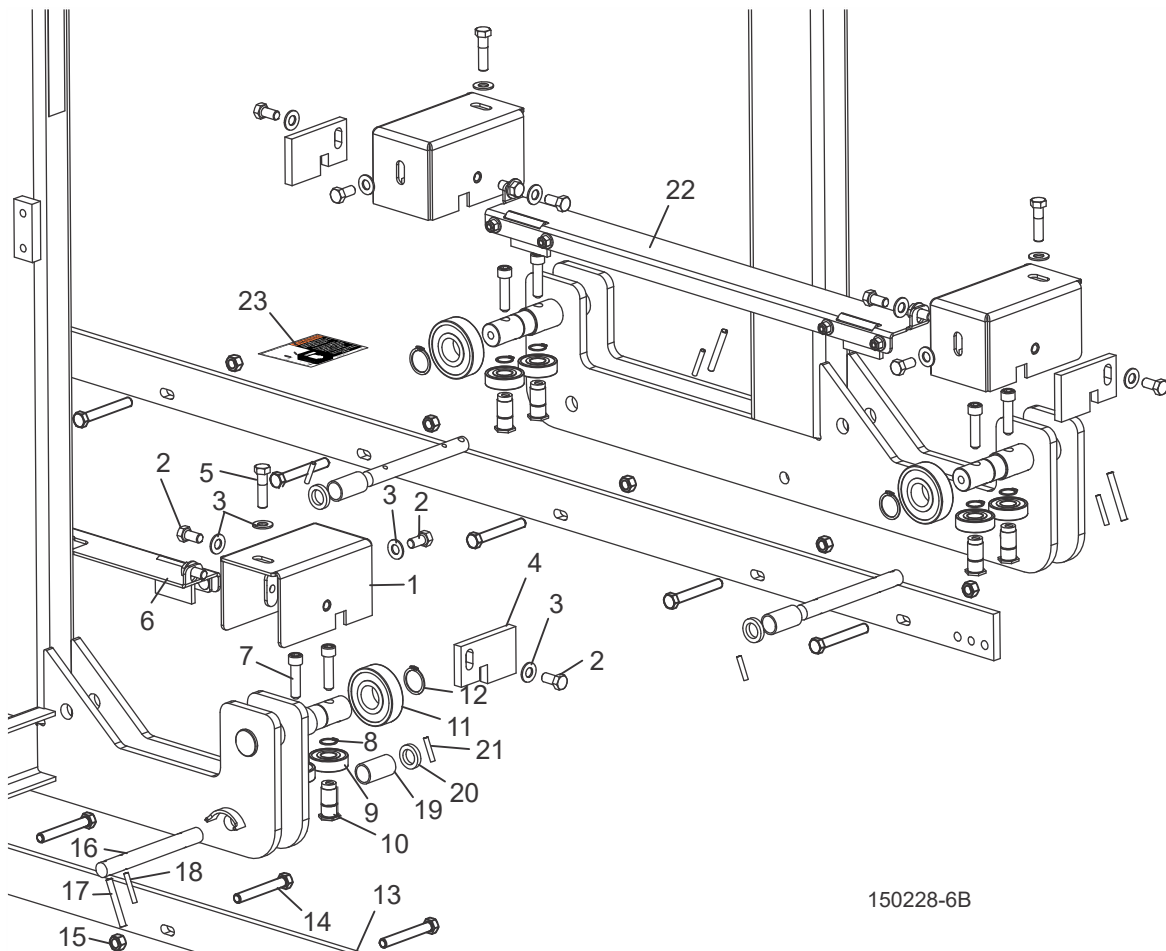
¹ Replaced 016052 with 110818 and 074298 with 110819 with rev A1.14. See Rail Wiper 7.3, 7.4, 7.5

² Replaced Left (016050) and Right (016051) Idle Side Wiper Bracket Assemblies (Rev. E7.04).

9 Feed System & Track Rollers

Track Rail, Rollers, & Travel Pins (Wide Head Only)

9.2 Track Rail, Rollers, & Travel Pins (Wide Head Only)



REF	DESCRIPTION (◆ Indicates Parts Available In Assemblies Only)	PART #	QTY.
1	COVER WELDMENT, TRACK ROLLER	015846	4
2	BOLT, 3/8-16 X 3/4" HEX HEAD	F05007-27	12
3	WASHER, 3/8" SAE FLAT	F05011-3	16
4	PLATE, TRACK WIPER	014906	4
5	BOLT, 3/8-16 X 1 1/2" HEX HEAD	F05007-78	4
6	COVER ASSY, MIDDLE TRACK, drive(See Section 9.4)	110818 ¹	1
7	BOLT, 3/8-16 X 1 1/2" SOCKET HEAD	F05007-36	8
8	RING, 5/8" (5100-62) OUTER RETAINING	F04254-2	8
9	BEARING, 5/8" X 1.75" X .47"	P06030-1	8
10	SHAFT, ROLLER UPRIGHT	110404	8
11	BEARING, .98" X 2.44" X .67"	P08066	4
12	RING, 25MM (5100-98) OUTER RETAINING	F04254-26	4
13	RAIL, PINNED 80.5" LONG BED	016489	6

Feed System & Track Rollers

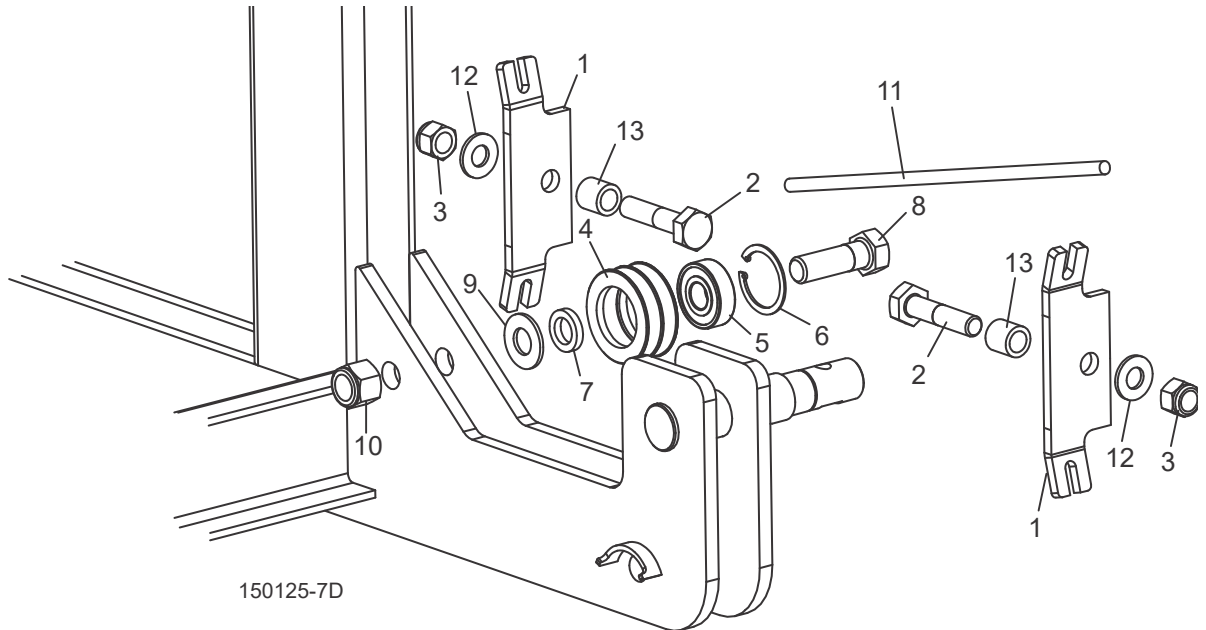
Track Rail, Rollers, & Travel Pins (Wide Head Only)

9

14	BOLT, 3/8-16 X 2 3/4" HEX HEAD FULL THREAD	F05007-230	48	
15	NUT, 3/8-16 HEX LOCK	F05010-25	48	
16	PIN, TRAVEL LOCK	014899	4	
17	PIN, 1/4" X 2" ROLL	F05012-46	4	
18	PIN, 3/16" X 1 1/4" ROLL	F05012-16	4	
19	SPRING, 7/8" O.D. X 1 1/2" COMPRESSION	P07997	4	
20	WASHER, 41/64" ID X 1" OD X 3/16" THICK	S12480	4	
21	PIN, 3/16" X 1" ROLL	F05012-11	4	
22	COVER ASSY, MIDDLE TRACK, Idle (LT15 Wide) See Section 9.6	110819 ¹	1	
23	DECAL, LOCK PIN WARNING	017926	2	

¹ Replaced 016052 with 110818 and 074298 with 110819 with rev A1.14. See Rail Wiper 7.3, 7.4, 7.5

9.3 Feed Rope, Pulleys & Brackets



REF	DESCRIPTION (◆ Indicates Parts Available In Assemblies Only)	PART #	QTY.
1	BRACKET, ROPE/STOP	074463 ¹	2
2	BOLT, 1/2-13 X 2 1/4" HEX HEAD GRADE 5	F05008-10	2
3	NUT, 1/2-13 HEX NYLON LOCK	F05010-8	2
	ROLLER ASSEMBLY, ROPE GUIDE WITH BEARING	046979	1
4	Roller, 2 1/4" Double Groove	046838	1 ◆
5	Bearing, 5/8" I.D. 6203-2NSL	P06030-1	1
6	Ring, 1.575" ID Beveled 5002-156 Retaining	F04254-8	1
7	Spacer, 41/64" x 1" x 3/16"	S12480	1
8	Bolt, 5/8-11 x 2" Hex Head	F05009-2	1
9	Washer, 5/8" SAE Flat	F05011-5	1
10	Nut, 5/8-11 Hex Nylon Lock	F05010-34	1
11	ROPE, 5/16" DIA. SOLID BRAIDED POLYESTER	R02080 ²	30 Ft.
	ROPE, 5/16" DIA. SOLID BRAIDED POLYESTER (LT15 WIDE HEAD)	R02080 ³	34 Ft.
12	WASHER, 1/2" SAE FLAT	F05011-2	2
13	SPACER, FEED MOUNT BRACKET	033911	2

¹ Replaces (1) 014957 Front and (1) 014958 Rear Rope Mount Brackets to simplify installation (9/14).

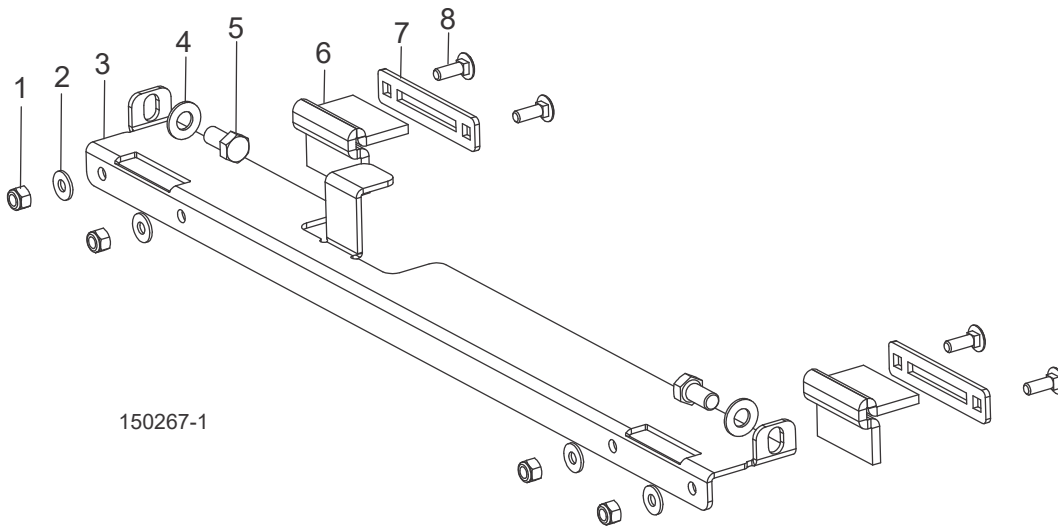
² 30-Foot section of rope used for LT15 with up to three bed sections. Add 6 feet for each additional bed section.

³ 34-Foot section of rope used for LT15Wide with up to three bed sections. Add 6 feet for each additional bed section.

9.4 Rail Wiper

LT15
 LT15W

E8.13+
 A1.14+



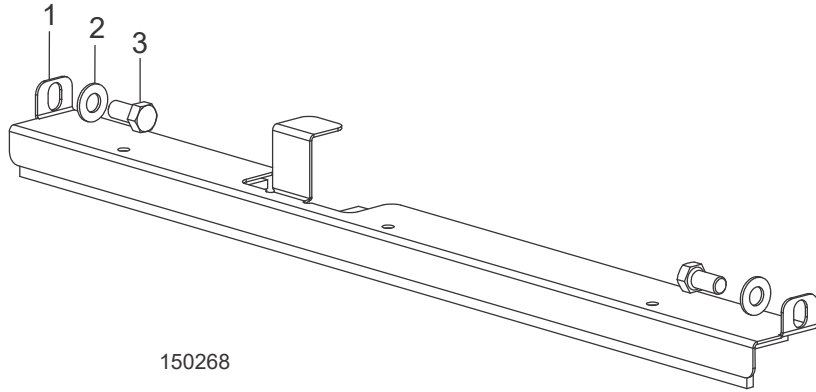
150267-1

REF	DESCRIPTION (♦ Indicates Parts Available in Assemblies Only)	PART #	QTY.
	COVER ASSY, MIDDLE TRACK	110818	1
1	Nut, 1/4-20 Nylock	F05010-69	4
2	Washer, 1/4 SAE Flat	F05011-11	4
3	Cover, LT15 Middle Track	110815	1
4	Washer, 3/8 Flat SAE	F05011-3	2
5	Bolt, 3/8-16x3/4 HH Gr2	F05007-27	2
6	Felt, LT15 Track Wiper	110820	2
7	Retainer, Felt Oiler	110783	2
8	Bolt, 1/4-20x3/4 Carriage	F05005-113	4

9.5 Rail Wiper

LT15
 LT15W

A1.00 - E8.12
 A1.00 - A1.13



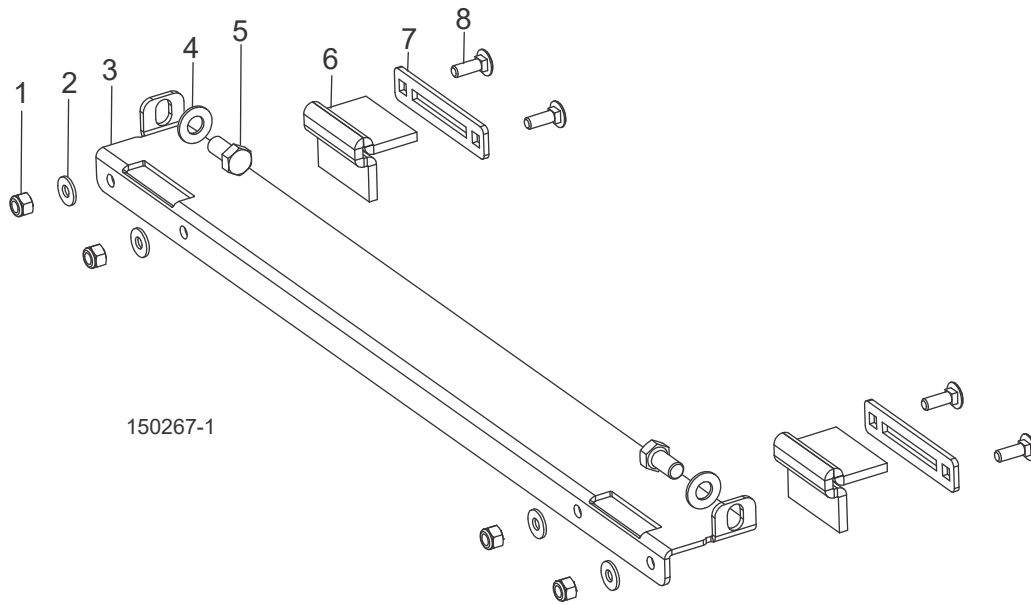
150268

REF	DESCRIPTION (♦ Indicates Parts Available in Assemblies Only)	PART #	QTY.	
	COVER ASSY, MIDDLE TRACK LT15 (WITH FELT)	016052	1	
	WASHER, 3/8" SAE FLAT	F05011-3	2	
	BOLT, 3/8-16 X 3/4" HEX HEAD	F05007-27	2	

9.6 Rail Wiper (Wide Head Only)

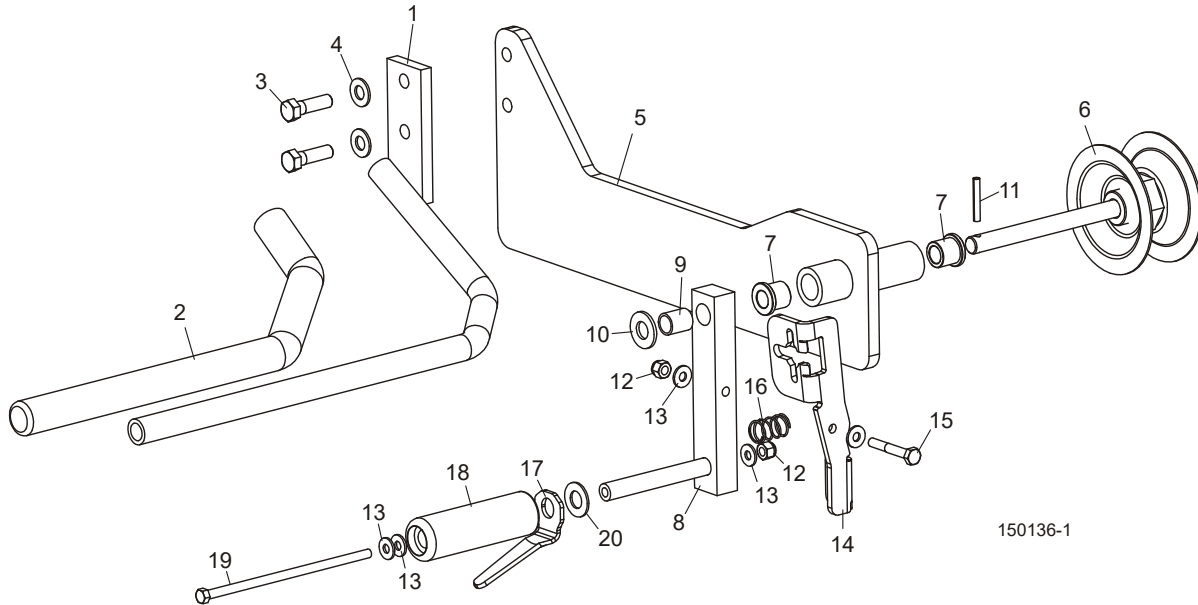
LT15W

A1.14+



REF	DESCRIPTION (♦ Indicates Parts Available in Assemblies Only)	PART #	QTY.
	COVER ASSY, MIDDLE TRACK IDLE LT15 WIDE	110819	1
7	Retainer, Felt Oiler	110783	2
3	Cover, Middle Track Idle LT15 Wide	110816	1
6	Felt, LT15 Track Wiper	110820	2
8	Bolt, 1/4-20x3/4 Carriage	F05005-113	4
5	Bolt, 3/8-16x3/4 HH Gr2	F05007-27	2
1	Nut, 1/4-20 Nylock	F05010-69	4
2	Washer, 1/4 SAE Flat	F05011-11	4
4	Washer, 3/8 Flat SAE	F05011-3	2

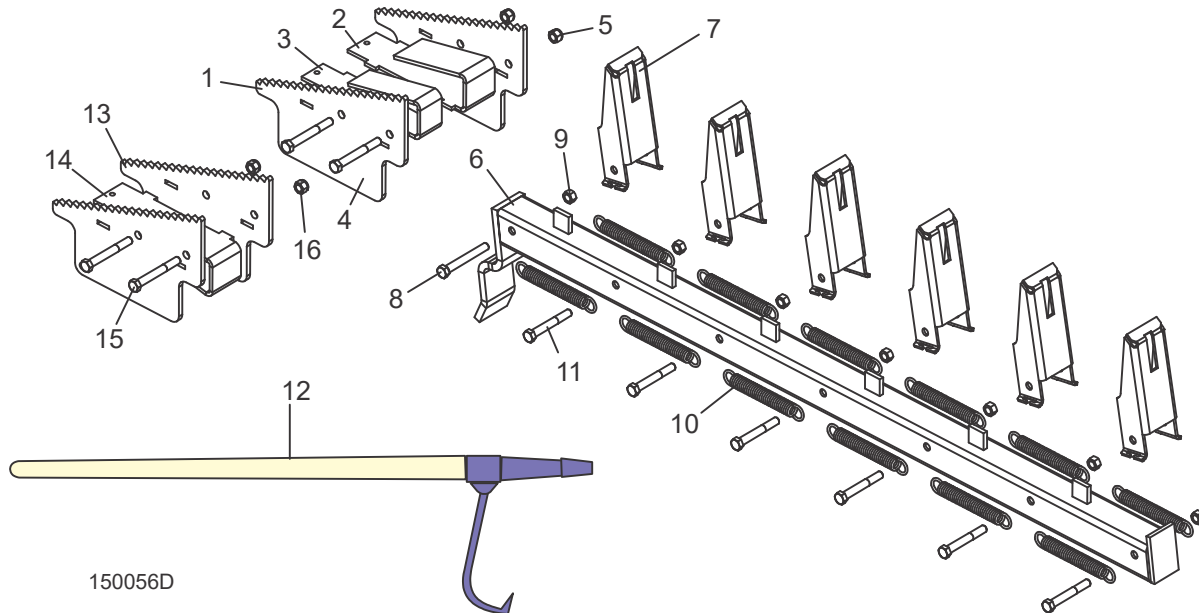
9.7 Manual Feed Crank Handle



REF	DESCRIPTION (◆ Indicates Parts Available In Assemblies Only)	PART #	QTY.
	HANDLE ASSEMBLY, LT15 PUSH	046889	1
1	Handle Weldment, LT15 Push	046857	1
2	Grip, Handle	028390	1
3	Bolt, 3/8-16 x 1 1/4" Hex Head Grade 5	F05007-123	2
4	Washer, 3/8" SAE Flat	F05011-3	2
	CRANK ASSEMBLY, FEED 2006	038624	1
5	Plate Weldment, Feed Mount	046832	1
6	Pulley Weldment, Feed	046854	1
7	Bushing, 1/2" x 3/4" Flanged Bronze	P22317	2
8	Handle Weldment, Feed	038625	1
9	Bushing, 1/2" x 5/8" x 3/4" Bronze	046976	1
10	Washer, 1/2" SAE Flat	F05011-2	1
11	Pin, 3/16" x 1 1/4" Roll	F05012-16	1
12	Nut, 1/4-20 Hex Nylon Lock	F05010-69	2
13	Washer, 1/4" SAE Flat	F05011-11	5
14	Bracket, Feed Handle Lock	038623	1
15	Bolt, 1/4-20 x 1 3/4" Hex Head Grade 5	F05005-68	1
16	Spring, .6" Dia. x 1" Long x .045" Wire Compression	049364	1
17	Plate, Lock Handle Release	046867	1
18	Handle, 33/64" x 1 1/4" x 4" Plastic	046647	1
19	Bolt, 1/4-20 x 6" Hex Head Grade 5	F05005-163	1
20	Bearing, 1/2" ID x 1" OD x 1/16" Bronze Thrust	036597	1

SECTION 10 BED FRAME ASSEMBLY

10.1 Log Wedge, Loading Ramps, & Cant Hook

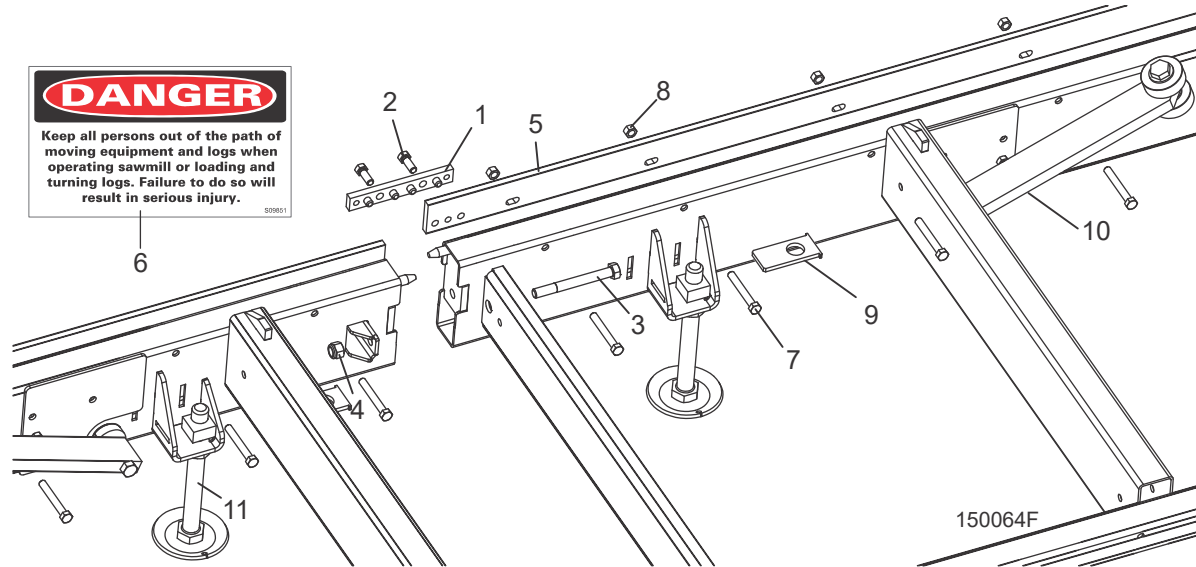


REF	DESCRIPTION (◆ Indicates Parts Available In Assemblies Only)	PART #	QTY.	
	WEDGE ASSY, LOG TAPER (Included with LT15OP & LT15OP-LR Optional Package)	015809	1	
1	Plate, LT15 Wedge	015807	2	◆
2	Bracket, LT15 Wedge (LT15BS Rev. G.00+)	007073	1	◆
3	Bracket, LT15 Wedge Bed Spacer (LT15BS Rev. A.00 - F.00)	015808	1	◆
4	Bolt, 3/8-16 x 3" Hex Head Grade 5	F05007-73	2	
5	Nut, 3/8-16 Hex Nylon Lock	F05010-10	2	
	RAMP ASSY, LOG LOADING (Included with LT15OP & LT15OP-LR Optional Package)	015804	2	
6	Ramp Weldment, Log Loading	015803	1	◆
7	Bracket, Log Loading Stop	S08329	6	
8	Bolt, 3/8-16 x 3" Hex Head Full Thread	F05007-1	1	
9	Nut, 3/8-16 Hex Nylon Lock	F05010-10	7	
10	Spring, .563" O.D. x .072" x 5" Extension	P04060	12	
11	Bolt, 3/8-16 x 2 3/4" Hex Head	F05007-29	6	
12	HOOK, WOOD HANDLE CANT (Included with LT15OP Optional Package)	CH	1	
	HOOK, ALUMINUM HANDLE CANT (Included with LT15OP-LR Optional Package)	CH048	1	
	WEDGE ASSEMBLY, LOG TAPER LT15 WIDE (Included with All LT15 Wide Head Only)	074403	1	
13	Plate, LT15 Wedge	015807	2	◆
14	Bracket, LT15 Wedge (LT15BS Rev. G.00+)	007073	1	◆
15	Bolt, 3/8-16 x 3" Hex Head Grade 5	F05007-73	2	
16	Nut, 3/8-16 Hex Nylon Lock	F05010-10	2	

1 Bed Frame Assembly

Bed Section & Connecting Hardware

10.2 Bed Section & Connecting Hardware

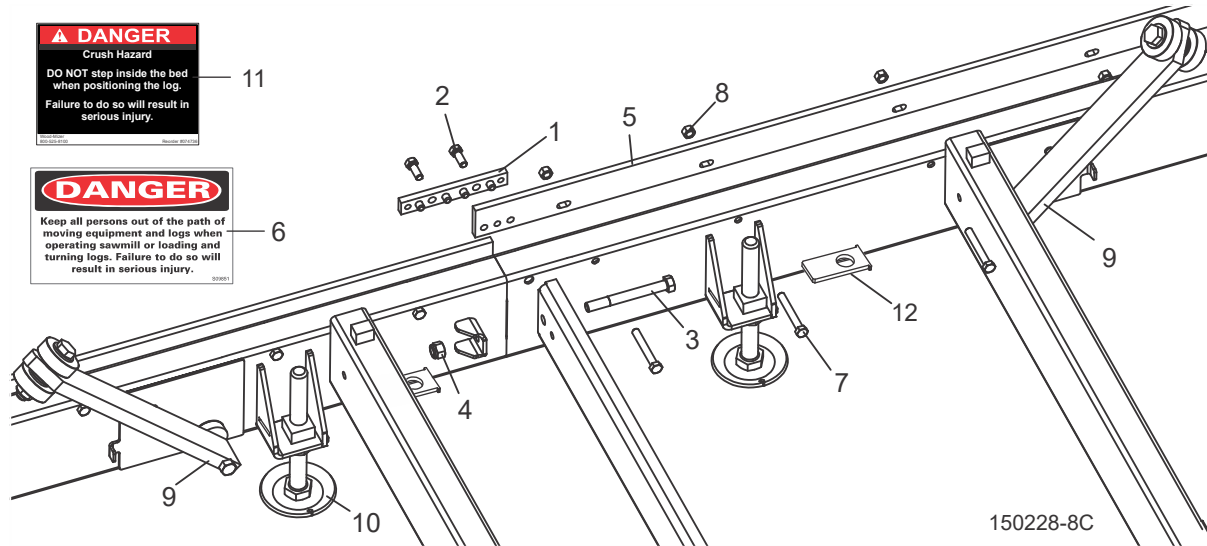


REF	DESCRIPTION (◆ Indicates Parts Available In Assemblies Only)	PART #	QTY.
	BED ASSEMBLY, 6'-8" LT15 EXTENSION	LT15BS ¹	2
1	Splice Assembly, Pinned Bed Rail	016170	1
2	Bolt, 3/8-16 X 1" Grade 5 Hex Head	F05007-87	2
3	Bolt, 1/2-13 X 5" Grade 5 Hex Head	F05008-66	4
4	Nut, 1/2-13 Hex Nylon Lock	F05010-8	4
5	Rail, Pinned 80.5" Long Bed	016489	1
6	Decal, Keep Away Danger	S09851	1
7	Bolt, 3/8-16 x 2 3/4" Hex Head Full Thread	F05007-230	8
8	Nut, 3/8-16 Swaged Lock	F05010-25	8
9	Plate, Outrigger Nut	110790 ²	4
10	Side Support Parts (See Section 10.5)	See Parts	1
11	Leg Parts (See Section 10.4)	See Parts	4
	Lock Pin Retrofit Parts (See Section 9.1)	See Parts	1

¹ Added holes to bed cross tubes to allow customers to mount 2012 log clamp (071053) in more locations (Rev. E7.02).

² Added after 5/19.

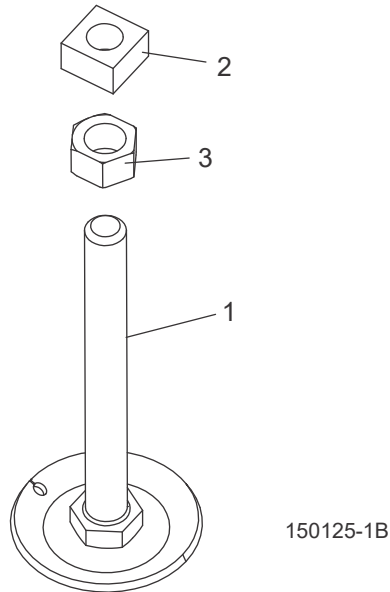
10.3 Bed Section & Connecting Hardware (Wide Head Only)



REF	DESCRIPTION (◆ Indicates Parts Available In Assemblies Only)	PART #	QTY.
	BED ASSEMBLY, 6'-8" LT15 EXTENSION (LT15 WIDE HEAD)	LT15BSW	3
1	Splice Assembly, Pinned Bed Rail	016170	2
2	Bolt, 3/8-16 X 1" Grade 5 Hex Head	F05007-87	4
3	Bolt, 1/2-13 X 5" Grade 5 Hex Head	F05008-66	4
4	Nut, 1/2-13 Hex Nylon Lock	F05010-8	4
5	Rail, Pinned 80.5" Long Bed	016489	2
6	Decal, Keep Away Danger	S09851	1
7	Bolt, 3/8-16 x 2 3/4" Hex Head Full Thread	F05007-230	16
8	Nut, 3/8-16 Swaged Lock	F05010-25	16
9	Side Support Parts (See Section 10.5)	See Parts	1
10	Leg Parts (See Section 10.4)	See Parts	4
	Lock Pin Retrofit Parts (See Section 9.2)	See Parts	1
11	Decal, LT15 Safety Bed	074736	3
12	Plate, Outrigger Nut	110790	12

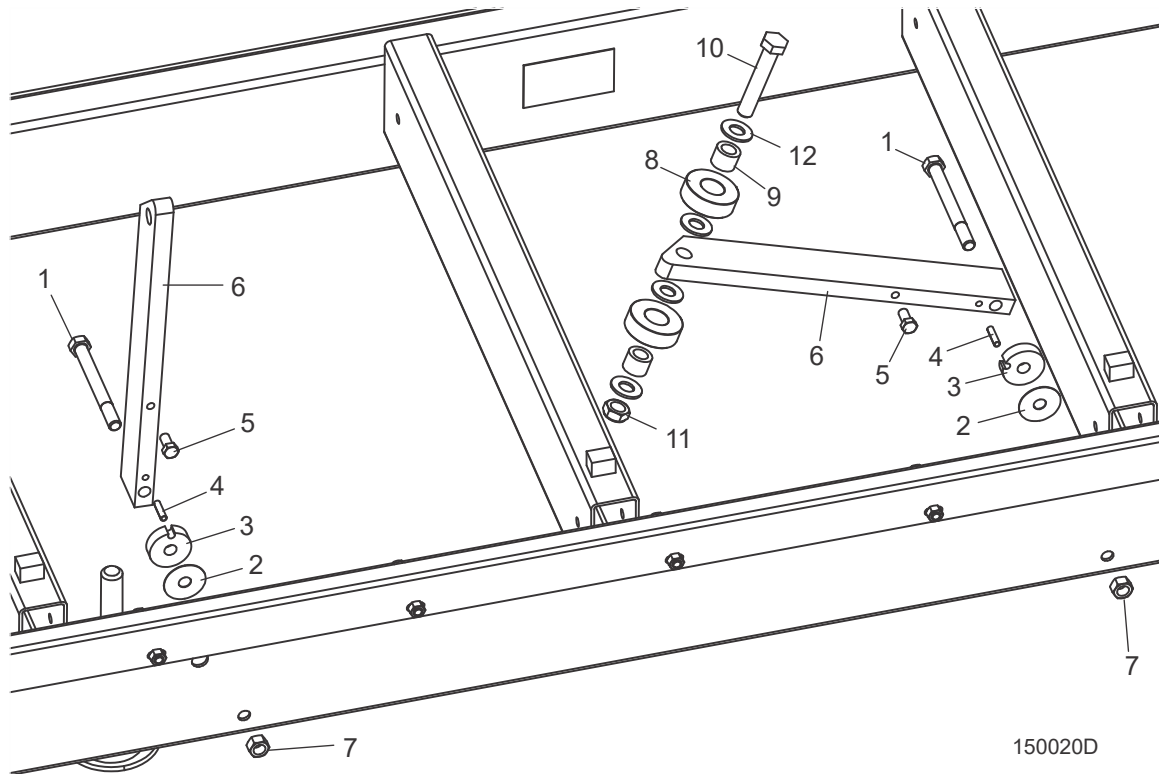
1 **Bed Frame Assembly**
Leg Assembly

10.4 Leg Assembly



REF	DESCRIPTION (◆ Indicates Parts Available In Assemblies Only)	PART #	QTY.	
1	LEG WELDMENT, LT15 2004	046615	4	
2	NUT, 7/8-9 SQUARE	F05010-186	4	
3	NUT, 7/8-9 HEX	F05010-136	4	

10.5 Log Side Support Assembly



150020D

REF	DESCRIPTION (◆ Indicates Parts Available In Assemblies Only)	PART #	QTY.
1	BOLT, 1/2-13 X 5 1/2" HEX HEAD CAP GRADE 5	F05008-28	2
2	WASHER, 33/64 X 1 3/4 X 1/32" NYLON	014972	2
3	WASHER, 1/2" LOG SIDE SUPPORT	025767 ¹	2
	WASHER, 3/8" LOG SIDE SUPPORT	014856 ¹	2
4	PIN, 1/4 X 1" ROLL	F05012-7	2
5	BOLT, 3/8-16 X 3/4" HEX HEAD GRADE 5 W/NYLON PATCH	F05007-168	2
6	SUPPORT, LOG SIDE	014855	2
7	NUT, 1/2-13 HEX LOCK	F05010-3	2
	ROLLER ASSEMBLY, LT15 SIDE SUPPORT	074276	1
8	Roller, Side Support	016561	2
9	Bushing, Bronze 5/8" x 1" x 3/4"	016560	2
10	Bolt, 5/8-11 x 3 1/2" Hex Head Grade 5	F05009-93	1
11	Nut, 5/8-11 Jam Nylon Lock	F05010-96	1
12	Washer, 5/8" SAE Flat	F05011-5	4

¹ Thicker 1/2" washer 025767 replaced 3/8" washer 014856 Rev. E6.07 (LT15BS Rev. G.02) to ensure side supports are positioned inside stop blocks on bed rails. Replace washers on older bed sections to ensure compatibility with current bed sections.

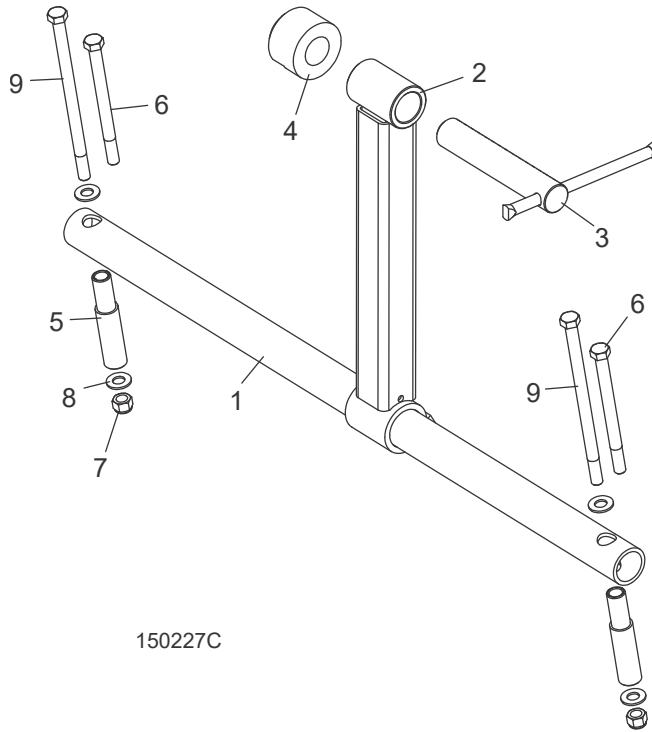
1 Bed Frame Assembly

Log Clamp

10.6 Log Clamp

LT15

Rev. E7.03+



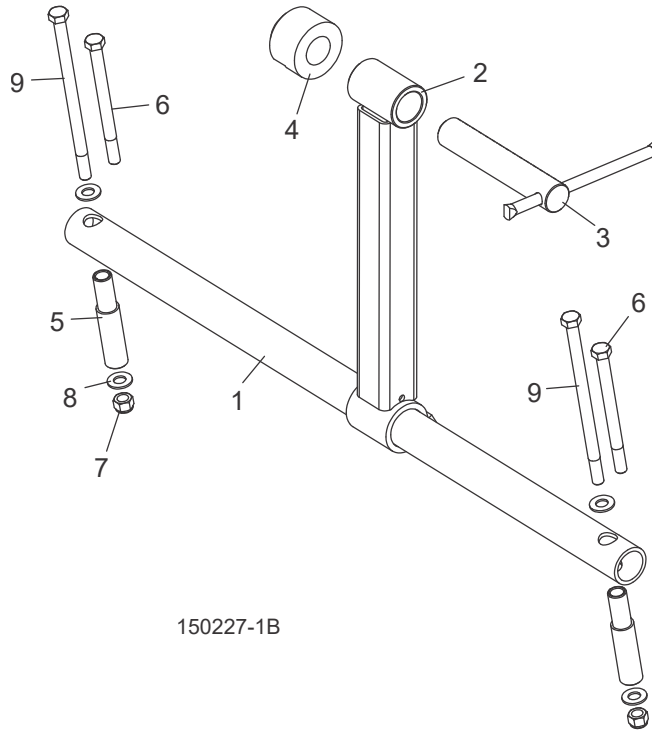
150227C

REF	DESCRIPTION (◆ Indicates Parts Available In Assemblies Only)	PART #	QTY.	
	CLAMP ASSEMBLY, LT10/15 RETRO	065661	1	
	Clamp Assembly, LT10/LT15 Log Pivoting	071347	1	◆
1	Tube, 2012 Clamp Main	071026	1	
	Clamp Kit, LT10/LT15	061101	1	
2	Tube Weldment, Clamp Post	071343	1	◆
3	Screw Assembly, Clamp	071350	1	
4	Block, Clamp Point	075295	1	
5	Spacer, 2012 Clamp Mount	071034	2	
6	Bolt, 3/8-16 x 4 3/4" Hex Head Grade 5 (Req'd for Bed Support Plate Installation)	F05007-109	2	
7	Nut, 3/8-16 Hex Nyloc	F05010-10	2	
8	Washer, 3/8" Flat SAE	F05011-3	4	
9	Bolt, 3/8-16 x 6 1/2" Hex Head Grade 5 (Req'd for Bed Cross Tube Installation)	F05007-205	2	
	Screw, 3/8-16 x 6" Hex Head	F05007-45	2	
	Instruction Sheet, LT10/15 Log Clamp	065661-1784	1	

10.7 Log Clamp (Wide Head Only)

LT15W

Rev. A1.00+



150227-1B

REF	DESCRIPTION (◆ Indicates Parts Available In Assemblies Only)	PART #	QTY.	
	CLAMP ASSEMBLY, LT15 LOG PIVOTING (LT15 WIDE HEAD ONLY)	071347W	1	
1	Tube, Clamp Main (LT15 Wide Head Only)	076097	1	
	Clamp Kit, LT10/LT15	061101	1	
2	Tube Weldment, Clamp Post	071343	1	◆
3	Screw Assembly, Clamp	071350	1	
4	Block, Clamp Point	075295	1	
5	Spacer, 2012 Clamp Mount	071034	2	
6	Bolt, 3/8-16 x 4 3/4" Hex Head Grade 5 (Req'd for Bed Support Plate Installation)	F05007-109	2	
7	Nut, 3/8-16 Hex Nyloc	F05010-10	2	
8	Washer, 3/8" Flat SAE	F05011-3	4	
9	Bolt, 3/8-16 x 6 1/2" Hex Head Grade 5 (Req'd for Bed Cross Tube Installation)	F05007-205	2	

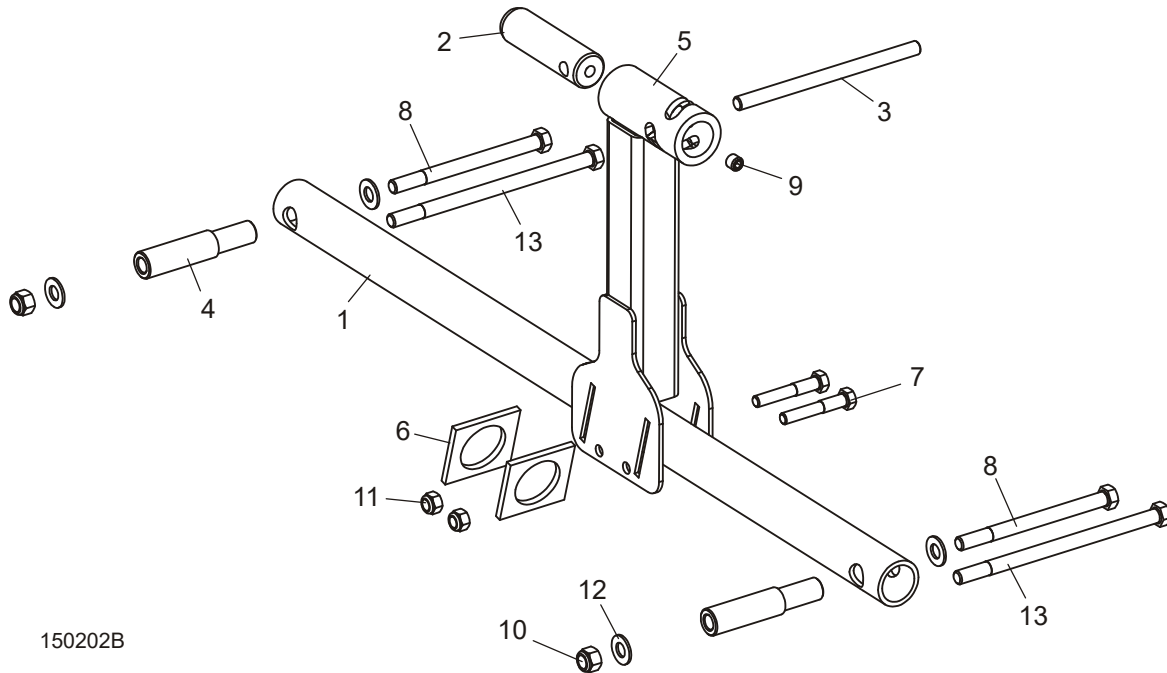
1 Bed Frame Assembly

Log Clamp

10.8 Log Clamp

LT15

Rev. E7.00- E7.02



150202B

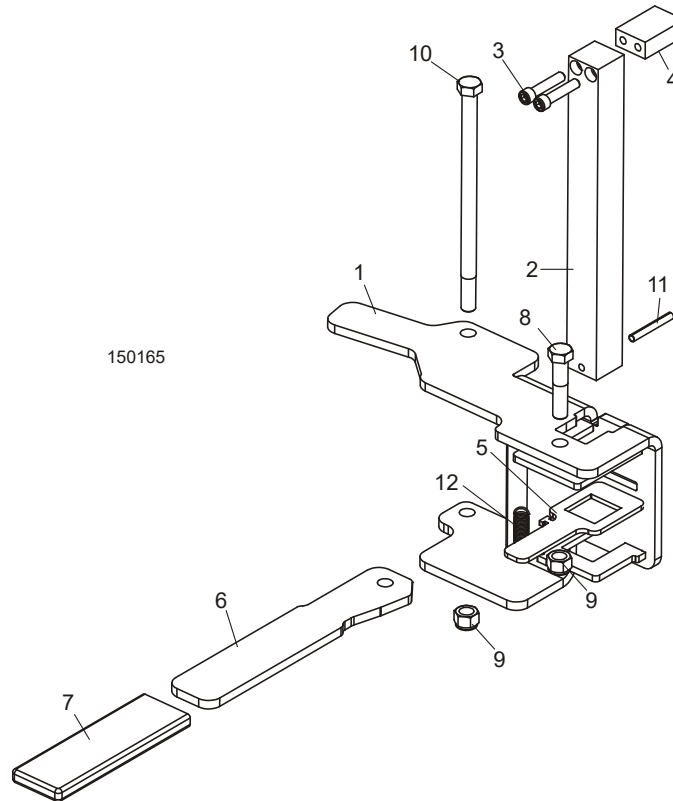
REF	DESCRIPTION (◆ Indicates Parts Available In Assemblies Only)	PART #	QTY.	
	CLAMP ASSEMBLY, 2012 LT10/LT15	071053 ¹	2	
1	Tube, 2012 Clamp Main	071026	1	
2	Pin, 2012 Clamp Lock	071030	1	
3	Rod, 2012 Clamp Handle	071031	1	
4	Spacer, 2012 Clamp Mount	071034	2	
5	Clamp Weldment, 2012	071035	1	
6	Plate, 2012 Clamp Lock	071037	2	
7	Bolt, 5/16-18 x 2" Hex Head Grade 5	F05006-79	2	
8	Bolt, 3/8-16 x 4 3/4" Hex Head Grade 5 (Req'd for Bed Support Plate Installation)	F05007-109	2	
9	Screw, 3/8-16 x 3/8" SH Cup Pt Set	F05007-68	1	
10	Nut, 3/8-16 Hex Nyloc	F05010-10	2	
11	Nut, 5/16-18 Nylok Hex	F05010-58	2	
12	Washer, 3/8" Flat SAE	F05011-3	4	
13	Bolt, 3/8-16 x 6 1/2" Hex Head Grade 5 (Req'd for Bed Cross Tube Installation)	F05007-205	2	

¹ This clamp can be retrofitted using Log Clamp Retrofit Kit 065661 that includes the log clamp kit, mounting hardware and installation instructions necessary to install the log clamp kit to LT10 Rev. A1.00 - B3.03 and LT15 Rev. A.00 and E6.10 sawmills.

10.9 Log Clamp

LT15

Rev. E6.06 - E6.10



REF	DESCRIPTION (◆ Indicates Parts Available In Assemblies Only)	PART #	QTY.	
	CLAMP ASSEMBLY, LT15 LOG 2009	006857 ¹	2	
1	Lock Weldment, LT15 Clamp 2009	061506	1	
	Post Assembly, LT15 Clamp	046619	1	
2	Post, Clamp	046585	1	◆
3	Bolt, 1/4-20 x 1 1/4" Socket Head	F05005-48	2	
4	Block, Horizontal Clamp	046605	1	◆
5	Plate, Clamp Lock	046587	1	
6	Plate, Cam Handle	046589	1	
7	Cover, LT15 Clamp Handle	016726	1	
8	Bolt, 3/8-16 x 1 3/4" Hex Head Grade 5	F05007-119	1	
9	Nut, 3/8-16 Hex Nylon Lock	F05010-10	2	
10	Bolt, 3/8-16 x 6 1/2" Hex Head Grade 5	F05007-205	1	
11	Pin, 3/16" x 1 1/2" Roll	F05012-17	1	
12	Spring, .375" OD x 1.25" Extension	046645	1	

¹ Log Clamp Retrofit Kit 065661 is now available for LT15 sawmills Rev. A.00 - E6.10. The kit includes the log clamp kit 071347, mounting hardware and installation instructions.

SECTION 11 ACCESSORIES

LT15/LT15W

REF	DESCRIPTION	MASTER	
	LATHE-MIZER (SEE MANUAL)	M1337	
	LATHE-MIZER TENON KIT (SEE MANUAL)	M1308	
	LOAD ASSIST KIT OPTION (SEE MANUAL)	M1540	
	RS2 RESAW (SEE MANUAL)	M1624	
	SHINGLE LAP SIDER (SEE MANUAL)	M903	

SECTION 12 TRAILERS

LT15/LT15W

REF	DESCRIPTION	MASTER	
	LT15TR TRAILER OPTION (SEE MANUAL)	M1012	
	LT15TRG TRAILER OPTION (SEE MANUAL)	M1729	
	LT15TRG2 TRAILER OPTION (SEE MANUAL)	M2068	

SECTION 13 MISCELLANEOUS

13.1 Replacement Manuals



REF	DESCRIPTION (◆ Indicates Parts Available In Assemblies Only)	PART #	QTY.
Wood-Mizer Product Information			
1	ALL-PRODUCTS CATALOG	PS750	1
Basic Sawmill Manuals			
2	TRU-SHARP BLADE HANDBOOK	M600	1
3	WOOD-MIZER GENERAL INFORMATION	M601	1
4	LT15 OPERATOR'S MANUAL	M1641	1
5	LT15 PARTS MANUAL	M1640	1
Power Option Manuals			
6	G13 ENGINE OPTION MANUAL	M884	1
7	G15 ENGINE OPTION MANUAL ¹	M940	1
8	G18 ENGINE OPTION MANUAL	M1744	1
9	G25 ENGINE OPTION MANUAL	M1204	1
10	D10 ENGINE OPTION MANUAL	M1098	1
11	D17 ENGINE OPTION MANUAL	M1631	1
12	D19 ENGINE OPTION MANUAL	M1355	1
13	E10 ENGINE OPTION MANUAL	M1100	1
14	E10SP ENGINE OPTION MANUAL	M1128	1
Trailer Option Manuals			
15	LT15TR TRAILER OPTION MANUAL	M1012	1
Miscellaneous Option Manuals			
16	SHINGLE/LAPSIDER OPTION MANUAL	M621	1
17	LATHE-MIZER OPTION MANUAL	M1337	1
18	LT15 POWER FEED OPTION MANUAL	M1539	1
19	LT15 LOAD ASSIST KIT OPTION MANUAL	M1540	1

¹ G15 engine option no longer available (3/11). Use conversion kit (065379) to replace G15 with G18 engine option.

INDEX

B

bed section/connecting hardware 10-2, 10-3

blade guide arm 2-5, 2-6

blade guides
drive side 2-3
idle side 2-1

blade tensioner 3-6

blade vibration block 4-13

blade wheels
drive side 3-1
idle side 3-2

C

cant hook 10-1

covers
blade housing 4-13

D

decals
saw head 4-9, 4-11

E

engine options 5-1

F

feed system
crank handle 9-9
rope/pulleys 9-5, 9-6
track rollers 9-1, 9-3
travel lock pins 9-1

L

leg assembly 10-4

loading ramps 10-1

log clamp 10-6, 10-7, 10-9

log wedge 10-1

M

manuals 13-1

O

options, accessories and trailers 6-1, 11-10, 12-1

P

parts list
how to use 1-1

S

side supports 10-5

T

track rollers
upper 9-1, 9-3

U

up/down
assist 8-10, 8-12
saw head mount 8-1

up/down system

crank assembly 8-3, 8-5, 8-7

reducer assembly 8-9

W

water lube

bottle/tray (D10, E10, G13 & G15) 4-1

bottle/tray (D18/D19) 4-3

bottle/tray (G25) 4-5, 4-7