

G18 Engine

Safety, Operation, Maintenance & Parts Manual

1996 LT30
1996 LT40

rev. F4 - F6.01
rev. F5 - F7.01



Safety is our #1 concern! Read and understand all safety information and instructions before operating, setting up or maintaining this machine.

July 1996

Form #597

See page 31 for 1967 revisions

LT30 rev. F7.00 - G2.02

LT40 rev. F8.00 - G3.02

Table of Contents

Section-Page

SECTION 1	SAFETY & GENERAL INFORMATION	1-1
1.1	Refueling	1-1
1.2	Engine Operation.....	1-1
1.3	Battery Handling	1-2
SECTION 2	OPERATION	2-1
2.1	Starting The Engine.....	2-1
SECTION 3	MAINTENANCE	3-1
3.1	Air Filter & Pre-Cleaner.....	3-2
3.2	Engine Oil.....	3-3
3.3	Air Cooling System	3-4
3.4	Fuel Filter	3-5
3.5	Battery	3-6
3.6	Drive Belt Adjustment.....	3-7
3.7	Miscellaneous Maintenance	3-9
3.8	RPM Adjustments	3-10
SECTION 4	REPLACEMENT PARTS	4-1
4.1	How To Use The Parts List	4-1
4.2	Sample Assembly	4-1
4.3	5-Gallon Fuel Tank.....	4-2
4.4	Engine Assembly.....	4-3
	<i>LT30</i> <i>Rev. F6 - F6.01</i>	
	<i>LT40</i> <i>Rev. F7 - F7.01</i>	
4.5	Engine Assembly.....	4-7
	<i>LT30</i> <i>Rev. F4 - F5</i>	
	<i>LT40</i> <i>Rev. F5 - F6</i>	

Table of Contents

Section-Page

SECTION 5		ELECTRICAL INFORMATION	5-1
5.1	Electrical Symbol Diagram, G18		5-1
	<i>LT30</i>	<i>F4723 - F6.01</i>	
	<i>LT40</i>	<i>F5588 - F7.01</i>	
5.2	Electrical Symbol Diagram, G18		5-2
	<i>LT30</i>	<i>F4710 - F4722</i>	
	<i>LT40</i>	<i>F5565 - F5587, 592</i>	
5.3	Electrical Components, G18 LT30.....		5-3
	<i>LT30</i>	<i>F4723 - F6.01</i>	
	<i>LT40</i>	<i>F5588 - F7.01</i>	
5.4	Electrical Components, G18 LT30.....		5-4
	<i>LT30</i>	<i>F4710 - F4722</i>	
	<i>LT40</i>	<i>F5565 - F5587, 592</i>	
5.5	Battery Specifications, G18 LT30/LT40.....		5-5
5.6	Wiring Diagram, G18 LT30.....		5-6
	<i>LT30</i>	<i>F4723 - F6.01</i>	
	<i>LT40</i>	<i>F5588 - F7.01</i>	
5.7	Wiring Diagram, G18 LT30.....		5-7
	<i>LT30</i>	<i>F4710 - F4722</i>	
	<i>LT40</i>	<i>F5565 - F5587, 592</i>	

SECTION 1 SAFETY & GENERAL INFORMATION



This symbol calls your attention to instructions concerning your personal safety. Be sure to observe and follow these instructions. This symbol accompanies a signal word. The word **DANGER** refers to hazards that can cause death or serious, irreversible personal injury. The word **WARNING** suggests a safety hazard that can cause personal injury. **CAUTION** refers to hazards that can cause damage to the equipment or property only.

Read all safety instructions before operating this equipment and observe all safety warnings! Read the manufacturer's operation manual and observe any additional safety warnings applicable to the specific make and model you have purchased.

1.1 Refueling



WARNING! Store gasoline away from sawdust and other flammable materials.

WARNING! Do not store gasoline near hot or burning materials.

WARNING! Do not smoke near gasoline storage tank or during refueling.

1.2 Engine Operation



DANGER! Do not operate engine in enclosed areas. Carbon Monoxide poisoning may occur.

DANGER! Do not operate engine without proper and operational spark arrester/muffler.



WARNING! The engine exhaust from this product contains chemicals known to the State of California to cause cancer, birth defects or other reproductive harm.

1.3 Battery Handling



WARNING! Batteries can explode when charging or boosting. Always wear eye protection.

WARNING! Keep cigarettes, flames or sparks away from battery.


WARNING! Charge the battery in a well-ventilated area. Do not attempt to charge a frozen battery.




CAUTION! Place a rag over battery vent holes when handling to avoid electrolyte squirting from holes.

SECTION 2 OPERATION


2.1 Starting The Engine

 **DANGER!** Do not start the engine when the clutch/brake lever is in the engaged (down) position. Always be sure the blade is disengaged and all persons are away from the blade before starting the engine.

 **WARNING!** Make sure the carriage fwd/rev switch is in the neutral position before turning the key switch to the ON or ACC position. This will prevent unintended carriage movement.

Engine Control Lights

See **Figure 2-1**. The following indicator lights are located on the sawmill control panel. See the manufacturer's engine manual for troubleshooting tips.

 *Key Switch Indicator:* Lights up when the key is in either the ON or ACC (#1 or #3) position.
●

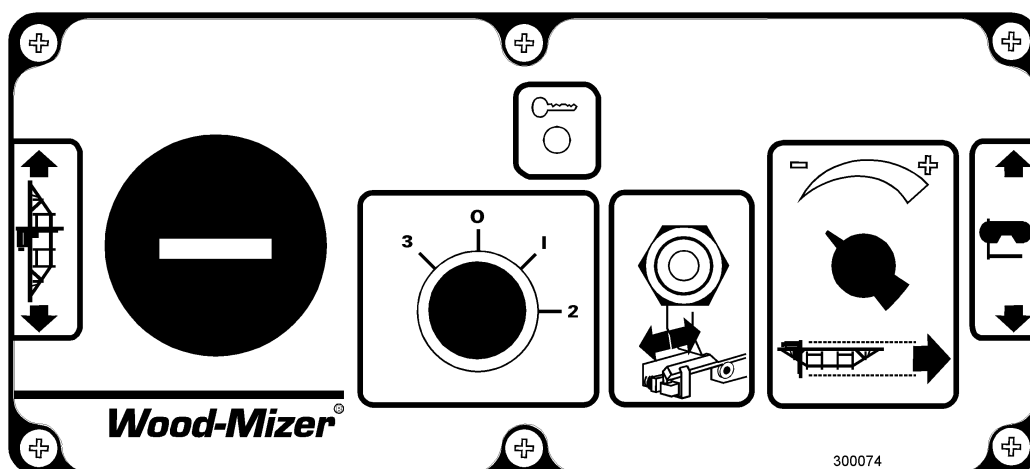


FIG. 2-1

Engine Start

Turn the key switch to the START (#2) position and release.

If the engine needs choking to start, pull the choke wire out until the engine starts. Push the choke wire in after the engine starts.

For more information, see the engine manufacturer's operation manual.

If the fuel tank was recently filled or replaced, squeeze the primer bulb once or twice before trying to start the engine. **NOTE:** If pumping problems are experienced, make sure the out-flow end of the hose line is connected to the carburetor. If pumping problems are still experienced, hold the primer bulb in a vertical position while squeezing. This allows the fuel check valve to operate properly.

Engine Shutoff

Turn the key switch to the OFF (#0) position.

SECTION 3 MAINTENANCE



IMPORTANT! The Wood-Mizer maintenance schedule takes into account the specific use of engines in the Wood-Mizer sawmill. Therefore, the schedule may require certain procedures be performed at different time intervals than found in the engine manufacturer's manuals. Refer to the [manufacturer's manual](#) if you need more information on how to perform a procedure or on the engine itself.



This symbol identifies the interval (hours of operation) which each maintenance procedure should be performed. "AR" signifies maintenance procedures which should be performed as required.

3.1 Air Filter & Pre-Cleaner



Service the pre-cleaner every four hours of operation. Service by gently shaking excess sawdust and debris from the foam piece.



Clean the air filter (air cleaner element) and pre-cleaner (element wrapper) every eight hours of operation. See the engine manual for further instructions.



Replace the air filter (cleaner) every 200 hours of operation.



Replace the pre-cleaner (element wrapper) every 2000 hours of operation.

3.2 Engine Oil



Check the oil level every 8 hours of operation. Add oil as necessary. See the engine manual for oil viscosity and grade recommendations.



IMPORTANT! During initial break-in, change the oil after the first 5 hours and every 50 hours thereafter. Continue to check oil level every 8 hours of operation and refill as necessary.



3.3 Air Cooling System

50

Wash the engine or brush off sawdust and debris every 50 hours of operation. Clean the spark arresters, breather pipe, cylinder head and cylinder cooling fins. Remove any dust, dirt or oil. See engine manual for further instructions.

3.4 Fuel Filter

100

Replace the fuel filter every 100 hours of operation.

3.5 Battery

50

Check the battery electrolyte level every 50 hours of operation. See manufacturer's manual for instructions.



WARNING! Batteries contain explosive gases. Always wear eye protection and keep face away when charging or boosting battery. Charge battery in well-ventilated area. Keep battery away from hot or burning materials. Avoid spilling electrolyte when handling.

3.6 Drive Belt Adjustment

50

See Figure 3-1. Check the drive belt tension after the first 20 hours, and every 50 hours thereafter. The drive belt should have 7/16" (11 mm) deflection with a 14 lb. deflection force. To adjust the drive belt, remove the two belt covers located underneath the engine. Loosen the turnbuckle jam nuts. Turn the turnbuckle counterclockwise (as viewed from the top) to tighten the belts, clockwise to loosen the belts. Retighten the jam nuts. Replace the belt covers.

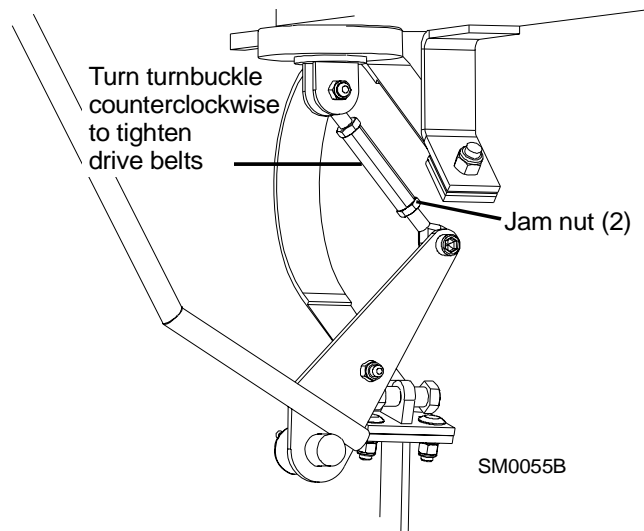


FIG. 3-1

AR

Periodically check all belts for wear. Replace any damaged or worn belts as needed.

AR

Adjust the drive belt support as needed. The drive belt support is designed to extend belt life. The support bracket should be adjusted to NOT touch the drive belt when the clutch handle is engaged (down position), AND to hold the drive belt away from the engine pulley when the clutch handle is disengaged (up position).



DANGER! Do not for any reason adjust the drive belt support with the motor running. Always stop the motor before reaching or looking into the drive belt area.

See Figure 3-2. To adjust:

1. Make sure the motor is not running. Loosen the adjustment bolt.

3

Maintenance

Drive Belt Adjustment

2. Position the support bracket so it does not touch the drive belt with the clutch handle engaged, and does hold the drive belt away from the motor pulley with the clutch handle disengaged.
3. Retighten the adjustment bolt to 25-27 pound feet (34-37 newton meters).

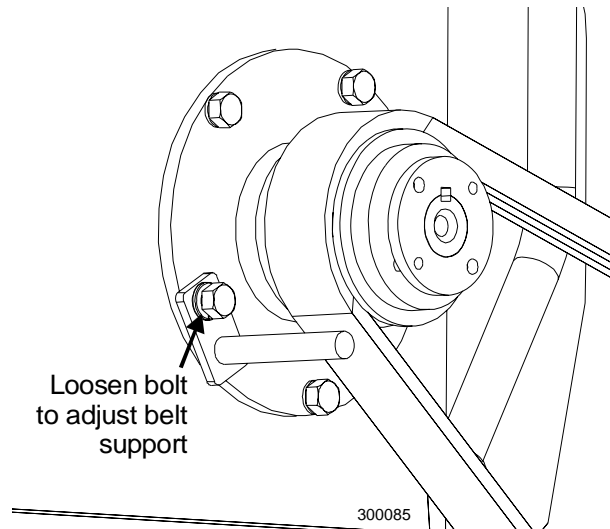


FIG. 3-2

3.7 Miscellaneous Maintenance

- 50 Clean and inspect the spark arresters every 50 hours of operation. Replace if damaged.
- 100 Inspect the spark plugs every 100 hour of operation. Remove any deposits and adjust gap if necessary. See engine manual for further information.
- 500 Adjust the valve clearance every 500 hours of operation. See engine manual for further details.
- 1000 Clean carbon and lead deposits from the cylinder head every 1000 hours of operation. See engine manual for further details.

3.8 RPM Adjustments



DANGER! Remove the blade from the sawmill before checking engine RPM.



Check the RPM with a tachometer after the first 20 hours of operation and every 200 hours thereafter. High-end RPM should be 3400-3600RPM and low-end RPM should be 1800 (± 100).

Before checking the RPM, make sure belt and brake strap tension are correct (See Sawmill Maintenance).

1. Start the engine to measure the low-end RPM.

See Figure 3-3. Make sure that the throttle linkage is not affecting the engine RPM while the clutch/brake handle is disengaged.

Make sure the cable is not bent or kinked. If necessary, rotate the clamp on bracket B until the cable spring, cable guide, cable, and throttle brackets are aligned. **NOTE:** It is important that the above components are aligned. Proper alignment allows any slack in the cable (when engine is idling) to slide down into the cable spring. This maintains free operation of the cable and prevents the cable from kinking. Make sure the shoulder bolt does not rub against the crankcase vent tube.

2. Refer to the engine manual to adjust the low-end RPM.

SECTION 4 REPLACEMENT PARTS

4.1 How To Use The Parts List

- Use the table of contents or index to locate the assembly that contains the part you need.
- Go to the appropriate section and locate the part in the illustration.
- Use the number pointing to the part to locate the correct part number and description in the table.
- Parts shown indented under another part are included with that part.
- Parts marked with a diamond (◆) are only available in the assembly listed above the part.

See the sample table below. Sample Part #A01111 includes part F02222-2 and subassembly A03333. Subassembly A03333 includes part S04444-4 and subassembly K05555. The diamond (◆) indicates that S04444-4 is not available except in subassembly A03333. Subassembly K05555 includes parts M06666 and F07777-77. The diamond (◆) indicates M06666 is not available except in subassembly K05555.

4.2 Sample Assembly				
REF	DESCRIPTION (◆ Indicates Parts Available In Assemblies Only)	PART #	QTY.	
	SAMPLE ASSEMBLY, COMPLETE (INCLUDES ALL INDENTED PARTS BELOW)	A01111	1	
1	Sample Part	F02222-22	1	
	Sample Subassembly (Includes All Indented Parts Below)	A03333	1	
2	Sample Part (◆ Indicates Part Is Only Available With A03333)	S04444-4	1	◆
	Sample Subassembly (Includes All Indented Parts Below)	K05555	1	
3	Sample Part (◆ Indicates Part Is Only Available With K05555)	M06666	2	◆
4	Sample Part	F07777-77	1	

To Order Parts:

- From the continental U.S., call **1-800-525-8100** to order parts. Have your customer number, vehicle identification number, and part numbers ready when you call.
- From other international locations, contact the Wood-Mizer distributor in your area for parts.

4

Replacement Parts

5-Gallon Fuel Tank

REF	DESCRIPTION (◆ Indicates Parts Available In Assemblies Only)	PART #	QTY.	
	TANK ASSEMBLY, 5 GALLON RED GASOLINE	A12285	1	
1	Tank, 5 Gallon Red Fuel	P12167	1	◆
2	Pickup, 9" Fuel	P12172	1	
3	Cap, 3/5 Gallon Fuel Tank	P09683	1	
4	Fitting, 1/4" NPT Plastic Female Disconnect	P12175 ¹	1	
5	Fitting, 3/8" NPT Hex Pipe Plug	P10367 ²	1	
	HOSE, FUEL LINE WITH PRIMER BULB	014497 ³	1	
	Bulb Kit, Fuel Primer Replacement	014496 ³	1	
6	Bulb, Fuel Primer	014481	1	◆
7	Clamp, 7/32 - 1/2 Hose	P649 ³	2	
	Instruction Sheet, Fuel Primer Bulb Replacement	014496-590	1	
8	Hose, 1/4" ID Fuel	P642 ³	6.5 Ft	
9	Clamp, 7/32 - 1/2 Hose	P649 ³	2	
10	FITTING, 1/4" NPT PLASTIC MALE DISCONNECT	P12176 ¹	1	

¹ Replacement requires qty. 1 hose clamp (P649).

² Plug fitting P10367 added 11/03. Hole added to fuel tank to accommodate return line for fuel injected engines.

³ Fuel Line Assembly w/Primer Bulb replaces P10083 originally supplied on LT30 rev F5779, LT40 rev F6688, LT30 Super F4014, LT40 Super F5006, LT30HD rev F8534, LT40HD rev F8715, LT30HD Super rev F8015, LT40HD Super rev F8227 and later. UV-resistant primer bulb kit 014496 available separately. Fuel Line P642 replaces R01890-1 originally supplied. Hose Clamp P649 replaces plastic clamp P12374 and 015584 previously supplied.

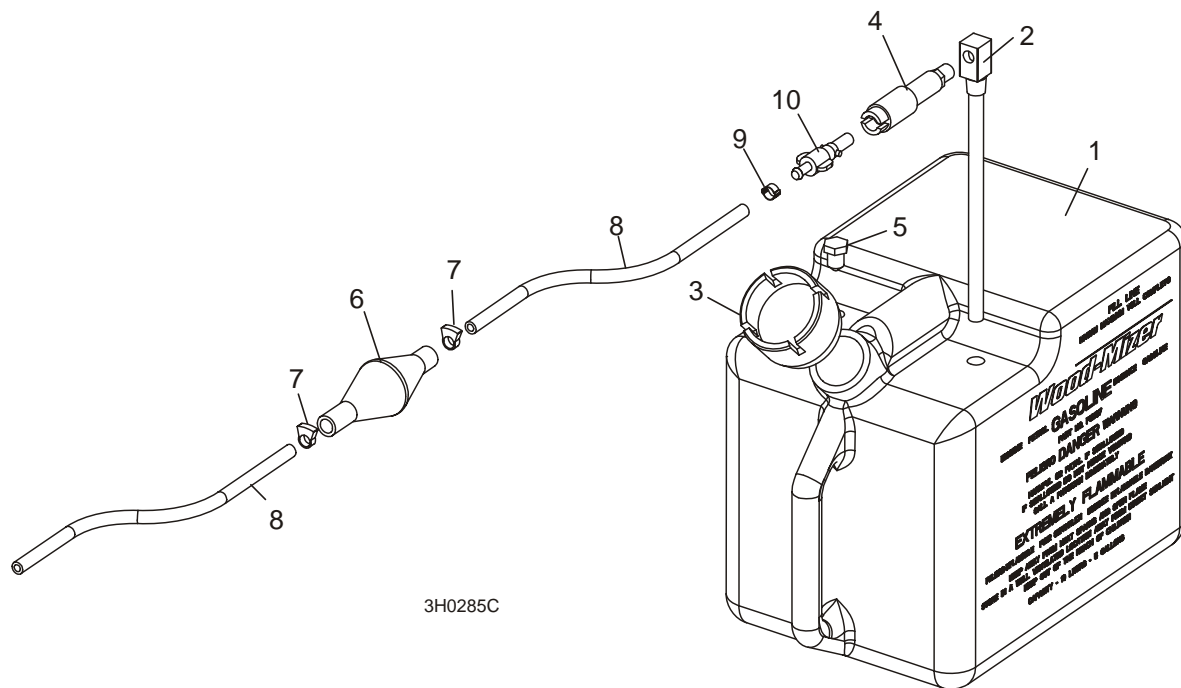


FIG. 4-1

4.4 Engine Assembly				
<i>LT30</i>		<i>Rev. F6 - F6.01</i>		
<i>LT40</i>		<i>Rev. F7 - F7.01</i>		
REF	DESCRIPTION (◆ Indicates Parts Available In Assemblies Only)	PART #	QTY.	
	ENGINE ASSEMBLY, 18HP ONAN	A12936	1	
1	Engine, Onan P218-I (See Form #202 for complete list of parts)	P12924	1	◆
2	Filter, Onan Air	P07566	1	
3	Pre-Cleaner, Onan Air	P07961	1	
4	Plug, Onan Spark (Champion #RS17YX)	P06819	2	
5	Filter, Onan Oil	P09881	1	
6	Pump, Onan Fuel	P07978	1	
7	Filter, In-Line Fuel	P07570	1	
8	Starter Motor, Onan	P06830	1	
	Muffler Kit, Onan w/Exhaust Tube	K12747	1	
	Muffler Kit, Onan	K12748	1	
9	Muffler, Onan	P12505	1	◆
10	Spark Arrester, Onan	P12506	1	
11	Tube, Exhaust	P12507	2	
12	Regulator, 18HP Onan	P07932 ¹	1	
13	Oil Fill, Extended W/Dipstick Replacement	P12371	1	
14	Guard, Onan Engine	P11936	1	
15	Screw, #10-24 x 1" Phillips Head Type 23	F05015-27	4	
16	Coil, Onan Ignition	055005 ²	1	
17	Spring, Onan Governor	P04497	1	
18	Cable Assembly, Onan Throttle	P12313 ³	1	
	Spring, Throttle	016033	1	
19	Cable Assembly, Onan Choke	P12916	1	
20	Bracket, Choke Cable Mount	S12937	1	◆
21	Bolt, 1/4-20 x 3/4" Hex Head Full Thread	F05005-1	2	
22	Washer, 1/4" Split Lock	F05011-14	2	
23	Bracket, Throttle Cable Mount	S12312	1	
24	Screw, 1/4-20 x 1/2" Slotted Hex Head	F05015-1	1	
25	Bolt, 1/4" x 3/8" Shoulder (#10-24 Thread)	F05004-57	1	◆
26	Washer, 1/4" SAE Flat	F05011-11	1	
27	Nut, #10-24 Self-Locking	F05010-14	1	
28	Linkage Assembly, 24HP P224 Onan Throttle	P12329	1	
	Nut, 1/4-20 Self-Locking (for shipping purposes only)	F05010-9	2	
	Nut, #10-32 Self-Locking (for shipping purposes only)	F05010-27	2	
29	Linkage Assembly, Onan Front Pull Choke 541-0190	P12952	1	
30	Hose, 7" Oil Drain	P10082	1	
31	Cap, Oil Drain 3/8" Pipe	P04332	1	
	Oil, 10W30 Type CD	L04869-1	.5 Gal.	◆

4

Replacement Parts

Engine Assembly

32	Pulley, 2BK-34H	P04853	1	
	Key, 1/4" x 1/4" x 1 11/16"	S04124 ⁴	1	
33	Bushing, 1 1/8" Split Taper	P04306	1	
34	Bolt, 3/8-16 x 1" Hex Head	F05007-7	1	
35	Nut, 3/8-16 Hex Nylon Lock	F05010-10	1	
36	Nut, 3/8-16 Self-Locking	F05010-19	1	
37	Washer, 3/8" Flat	F05011-3	4	
	BRACKET ASSEMBLY, DRIVE BELT SUPPORT SINGLE-PRONG	A12243	1	
38	Bracket, Drive Belt Support Single-Prong	W12237	1	◆
39	Washer, 3/8" Split Lock	F05011-4	1	
	Instruction Sheet, Drive Belt Support Single-Prong	A12243-420	1	◆
40	BELT, DRIVE 2BX72 DOUBLE BACKED NOTCHED V	P09555-2	1	
	MOUNT KIT, GAS ENGINE	016319 ⁵	1	
41	Plate, Motor Mount	014514	1	◆
	BUSHING ASSEMBLY, MOTOR MOUNT PIVOT	A04127 ⁶	3	◆
42	Bushing, Rubber Motor Mount Pivot	P12164	1	
43	Spacer, Motor Mount Pivot	P05041	1	
44	PLATE, MOTOR MOUNT PIVOT BUSHING	014031	3	
45	BOLT, 3/8-16 X 1" HEX HEAD	F05007-7	6	
46	NUT, 3/8-16 HEX NYLON LOCK	F05010-10	6	
47	BOLT, 1/2-13 X 1 1/4" HEX HEAD GRADE 5	F05008-37	1	
48	PIN WELDMENT, ENGINE MOUNT PIVOT	014154	1	
49	NUT, 1/2-13 NYLON LOCK	F05010-8	1	
50	BOLT, 3/8-16 X 1 1/2" HEX HEAD GRADE 2	F05007-3	4	
51	WASHER, 3/8" SAE FLAT	F05011-3	12	
52	NUT, 3/8-16 HEX NYLON LOCK	F05010-10	4	

¹ Replaced P12963 1/97 (Duplicate Parts).

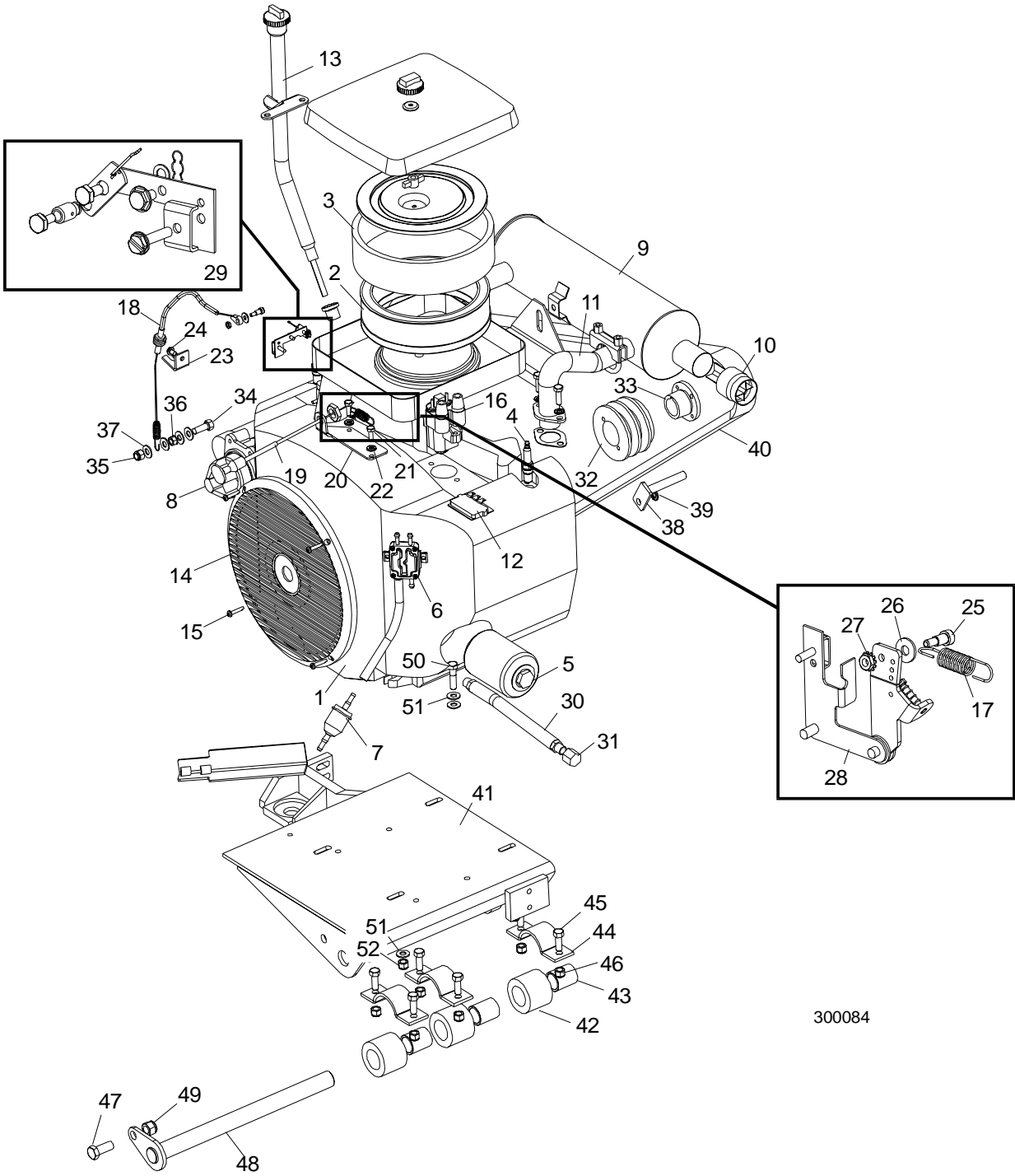
² Coil kit P06827 no longer available from vendor. If replacing original coil, order mount parts: Screw 055000, Nut 055001, Screw 055002, Clamp 055003 & Bracket 055004 in addition to Coil 055005. If coil is mounted on top of manifold, order coil 055005 only.

³ Cable revised to include heavier spring (LT30 rev. F6.01+, LT40 rev. F7.01+).

⁴ 1-11/16" key replaces 1 1/4" or 2" key originally supplied.

⁵ Mount Kit 016319 includes new rubber clutch handle mount bushings and hardware standard after 6/99.

⁶ A04127 no longer available. Purchase individual component parts P12164 and P05041 or upgrade to aluminum bushing assembly 016380.



300084

FIG. 4-2

4.5 Engine Assembly				
	<i>LT30</i>	<i>Rev. F4 - F5</i>		
	<i>LT40</i>	<i>Rev. F5 - F6</i>		
REF	DESCRIPTION (◆ Indicates Parts Available In Assemblies Only)	PART #	QTY.	
	ENGINE ASSEMBLY, 18HP ONAN	A12936	1	
1	Engine, Onan P218G-I (See Form #202 for complete list of parts)	P12924	1	◆
2	Filter, Onan Air	P07566	1	
3	Pre-Cleaner, Onan Air	P07961	1	
4	Plug, Onan Spark (Champion #RS17YX)	P06819	2	
5	Filter, Onan Oil	P09881	1	
6	Pump, Onan Fuel	P07978	1	
7	Filter, In-Line Fuel	P07570	1	
8	Starter Motor, Onan	P06830	1	
	Muffler Kit, Onan w/Exhaust Tube	K12747	1	
	Muffler Kit, Onan	K12748	1	
9	Muffler, Onan	P12505	1	◆
10	Spark Arrester, Onan	P12506	1	
11	Tube, Exhaust	P12507	2	
12	Regulator, 18HP Onan	P07932 ¹	1	
13	Oil Fill, Extended W/Dipstick Replacement	P12371	1	
14	Guard, Onan Engine	P11936	1	
15	Screw, #10-24 x 1" Phillips Head Type 23	F05015-27	4	
16	Coil, Onan Ignition	055005 ²	1	
17	Spring, Onan Governor	P04497	1	
18	Cable Assembly, Onan Throttle	P12313	1	
	Spring, Throttle	016033	1	
19	Cable Assembly, Onan Choke	P12916	1	
20	Bracket, Choke Cable Mount	S12937	1	◆
21	Bolt, 1/4-20 x 3/4" Hex Head Full Thread	F05005-1	2	
22	Washer, 1/4" Split Lock	F05011-14	2	
23	Bracket, Throttle Cable Mount	S12312	1	
24	Screw, 1/4-20 x 1/2" Slotted Hex Head	F05015-1	1	
25	Bolt, 1/4" x 3/8" Shoulder (#10-24 Thread)	F05004-57	1	◆
26	Washer, 1/4" SAE Flat	F05011-11	1	
27	Nut, #10-24 Self-Locking	F05010-14	1	
28	Linkage Assembly, 24HP P224 Onan Throttle	P12329	1	
	Nut, 1/4-20 Self-Locking (for shipping purposes only)	F05010-9	2	
	Nut, #10-32 Self-Locking (for shipping purposes only)	F05010-27	2	
29	Linkage Assembly, Onan Front Pull Choke 541-0190	P12952	1	
30	Hose, 7" Oil Drain	P10082	1	
31	Cap, Oil Drain 3/8" Pipe	P04332	1	
	Oil, 10W30 Type CD	L04869-1	.5 Gal.	◆

4

Replacement Parts

Engine Assembly

32	Pulley, 2BK-34H	P04853	1	
33	Key, 1/4" x 1/4" x 1 11/16"	S04124 ³	1	
34	Bushing, 1 1/8" Split Taper	P04306	1	
35	Bolt, 3/8-16 x 1" Hex Head	F05007-7	1	
36	Nut, 3/8-16 Hex Nylon Lock	F05010-10	1	
37	Nut, 3/8-16 Self-Locking	F05010-19	1	
38	Washer, 3/8" Flat	F05011-3	4	
	BRACKET ASSEMBLY, DRIVE BELT SUPPORT SINGLE-PRONG	A12243	1	
39	Bracket, Drive Belt Support Single-Prong	W12237	1	◆
40	Washer, 3/8" Split Lock	F05011-4	1	
	Instruction Sheet, Drive Belt Support Single-Prong	A12243-420	1	◆
41	BELT, 2BXF71 DRIVE	036163 ⁴	1	
	BELT, 2BX72 DRIVE (G20 TO G18 CONVERSION KIT ONLY)	P09555-2	1	
42	PLATE, MOTOR MOUNT	W11543	1	
	BUSHING ASSEMBLY, MOTOR MOUNT PIVOT	A04127 ⁵	2	◆
43	Bushing, Rubber Motor Mount Pivot	P12164	1	
44	Spacer, Motor Mount Pivot	P05041	1	
45	PLATE, MOTOR MOUNT PIVOT BUSHING	S04403	2	
46	BOLT, 5/16-18 X 2 1/2" 'U'	P05039	2	
47	NUT, 5/16-18 HEX LOCK	F05010-6	2	
48	BOLT, 3/8-16 X 1 1/2" HEX HEAD GRADE 2	F05007-3	4	
49	WASHER, 3/8" SAE FLAT	F05011-3	8	
50	NUT, 3/8-16 HEX NYLON LOCK	F05010-10	4	

¹ Replaced P12963 1/97 (Duplicate Parts).

² Coil kit P06827 no longer available from vendor. If replacing original coil, order mount parts: Screw 055000, Nut 055001, Screw 055002, Clamp 055003 & Bracket 055004 in addition to Coil 055005. If coil is mounted on top of manifold, order coil 055005 only.

³ 1-11/16" key replaces 1 1/4" or 2" key originally supplied.

⁴ 036163 Kevlar 2BXF71 belt replaces P12949 2BX71 belt supplied prior to 9/03. Kevlar belt reduces stretch and provides greater range of adjustment.

⁵ A04127 no longer available. Purchase individual component parts P12164 and P05041.

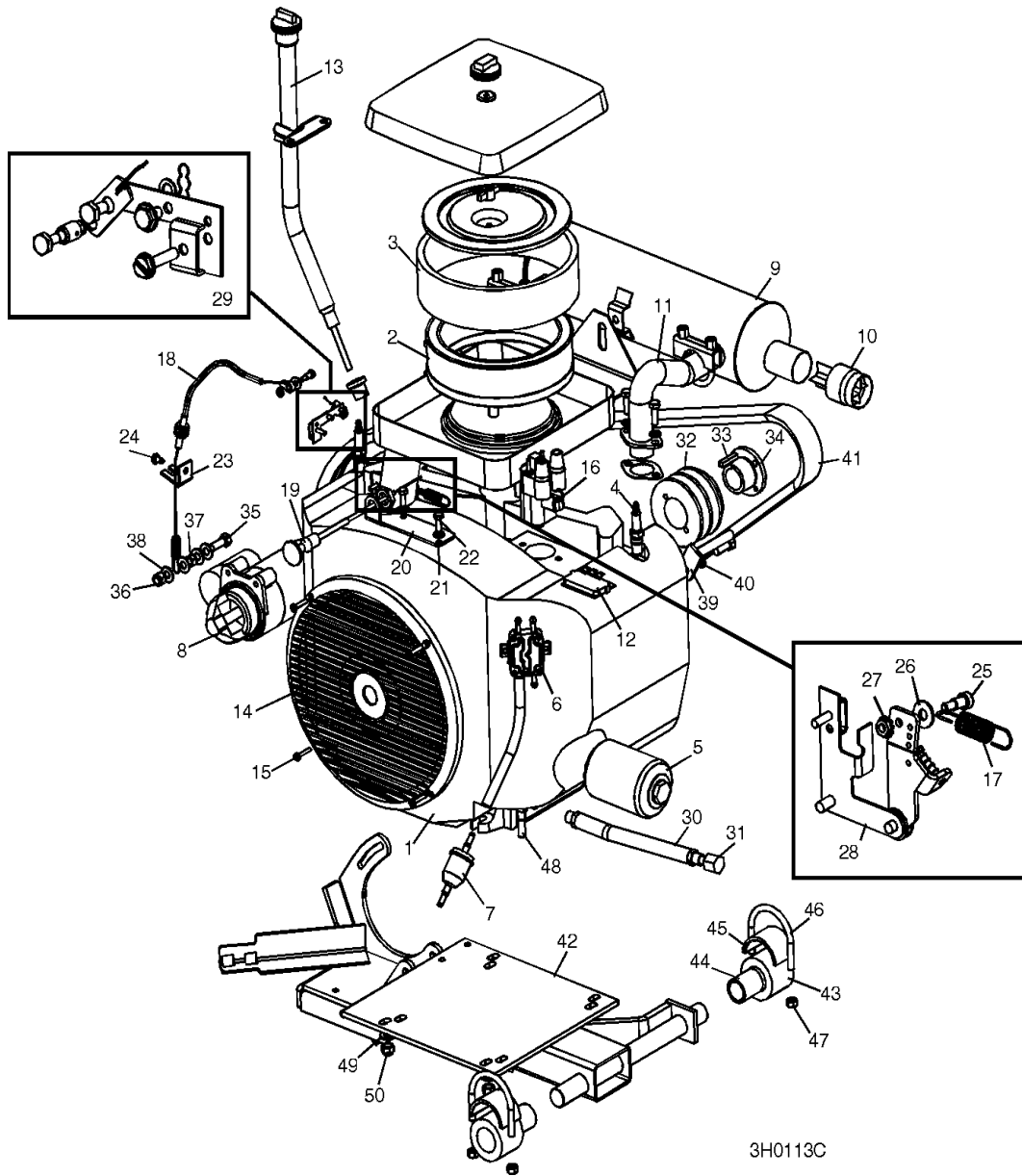


FIG. 4-3

Form #202

Onan Engine Service Parts (● indicates part is applicable to specified model)

Description	WM Part No.	Onan Part No.	18HP P218G	20HP B48G	20HP P220G	24HP T260G	24HP P224G
Cap, Crankcase Breather	P06828	123-0954	●	N/A	●	●	●
Carburetor, Onan	P06825	146-0662	146-659	146-0495 (Spec B-C) 146-0660 (Spec D+)	146-0660	●	●
Carburetor Kit, Onan Repair	P06826	146-0500	● (Spec A-F) 146-0657 (Spec G+)	146-0292 (Spec B-C) 146-0356 (Spec D+)	● (Spec A-F)	●	● (Spec A-F) 146-0657 (Spec G+)
Cleaner, Onan 4C Carburetor	014385	326-5278	●	●	●	●	●
Clip, Onan Linkage #004	P09580	518-0004	●	●	●	●	●
Clip, Onan Linkage #406	P09581	518-0406	●	●	●	●	●
Coil, Onan Ignition	P10358	166-0772	N/A	●	N/A	● (Spec A-E)	N/A
Coil, Onan Ignition (Electronic)	055005 ^a	166-0820	●	N/A	●	● (Spec F+)	●
Condenser, Onan Elec. Ignition	P06820	312-0256	●	N/A	●	312-0255 (Spec F+)	●
Condenser, Kit w/Points	K12503	160-1183/312-0246	N/A	●	N/A	● (Spec A-E)	N/A
Filter, Onan Air	P07566	140-2628-01	●	●	●	●	●
Filter, Onan Air Pre-Cleaning	P07961	140-1496-01	●	●	●	●	●
Filter, Onan Inline Fuel	P07570	149-2206-01	●	●	●	●	●
Filter, Onan Oil	P09881	122-0469	●	●	●	●	●
Gasket Kit, Complete Engine	P06815	168-0191	168-0187	168-0187	168-0187	●	●
Gasket Kit, B48/P218/P220 Decarbon	014629	168-0189	●	●	●	N/A	N/A
Gasket Kit, T260/P224 Decarbon	P06822	168-0190	N/A	N/A	N/A	●	●
Gasket Kit, T260/P224 Valve Adjust	014604	110-3575/154-2219/ 154-2747 (2 ea)	N/A	N/A	N/A	●	●
Jet, P218 High Altitude Carburetor	014630	146-0652	●	N/A	N/A	N/A	N/A
Jet P224 High Altitude Carburator	014631	146-0695	N/A	N/A	N/A	N/A	●
Jet, Onan Carburetor Idle	P09624	146-0426	●	146-0337	●	●	● (Spec A-G)
Plug, RS17YC Spark	P06819	167-0272	●	●	●	●	●
Pump, Onan Fuel	P07978	149-1982	●	●	●	●	149-2187-02
Regulator, 20 Amp	P07932	191-2106	●	●	●	N/A	N/A
Regulator, 35 Amp	P09679	191-1847	N/A	N/A	N/A	●	N/A

Spring, Onan Governor	P04497	150-1214	●	●	●	N/A	●
Spring, Onan Governor (T260)	014610	150-1831	N/A	N/A	N/A	●	N/A
Spring, Onan Governor Rod	014311	N/A	N/A	N/A	N/A	N/A	●
Spring, Onan Governor Surge	014541	150-1755	N/A	N/A	N/A	150-2550	●
Starter, Onan Engine	P06830	191-1949-04	●	191-1567	●	191-1949-01	●

^a Coil kit P06827 (541-0523) no longer available from vendor. If replacing original coil, order mount parts: Screw 055000, Nut 055001, Screw 055002, Clamp 055003 & Bracket 055004 in addition to Coil 055005. If coil is mounted on top of manifold, order coil 055005 only.

SECTION 5 ELECTRICAL INFORMATION

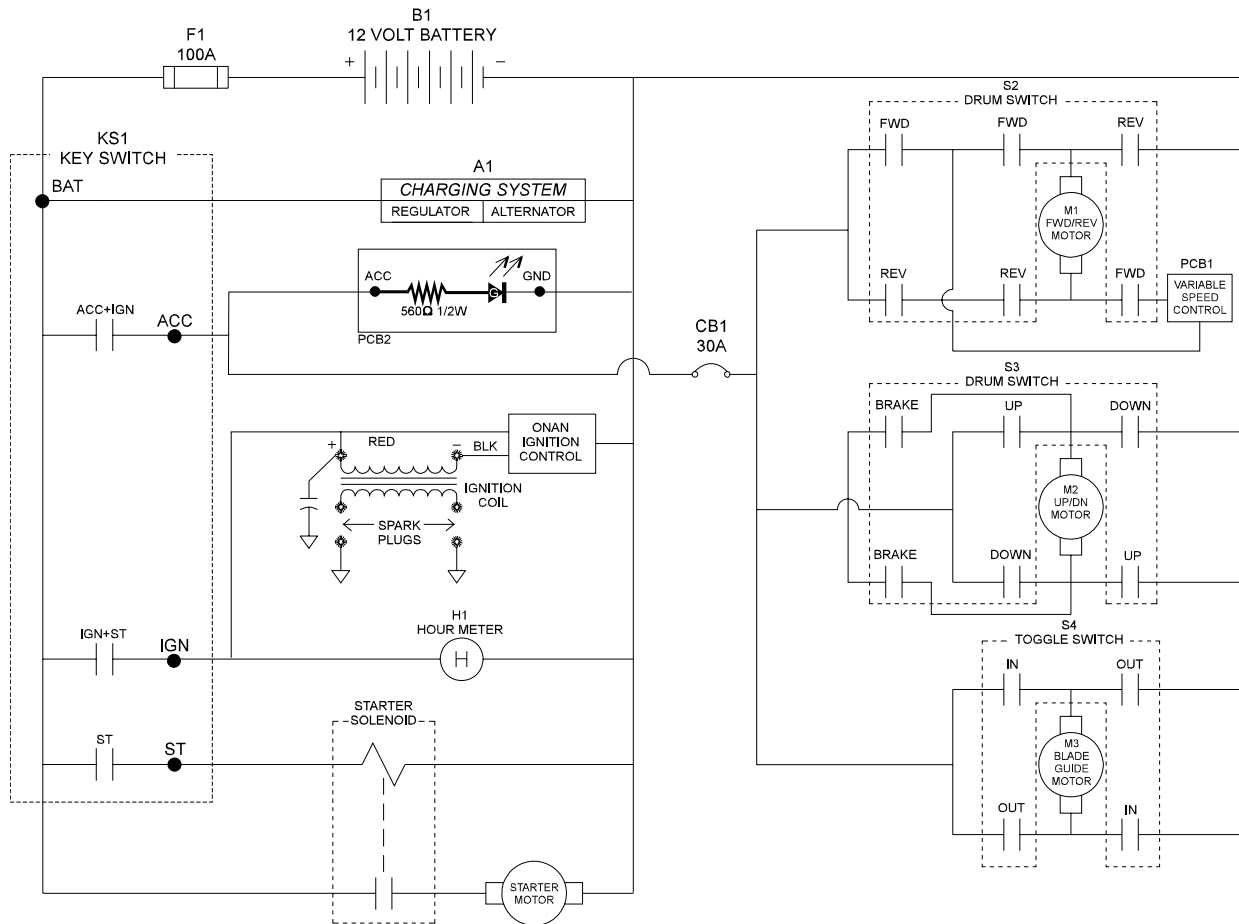
5.1 Electrical Symbol Diagram, G18

LT30

F4723 - F6.01

LT40

F5588 - F7.01¹



300005C

FIG. 5-1

¹ Except LT40 Rev. F5592 (See Section 5.2).

5.2 Electrical Symbol Diagram, G18

LT30
 LT40

F4710 - F4722
 F5565 - F5587, 592

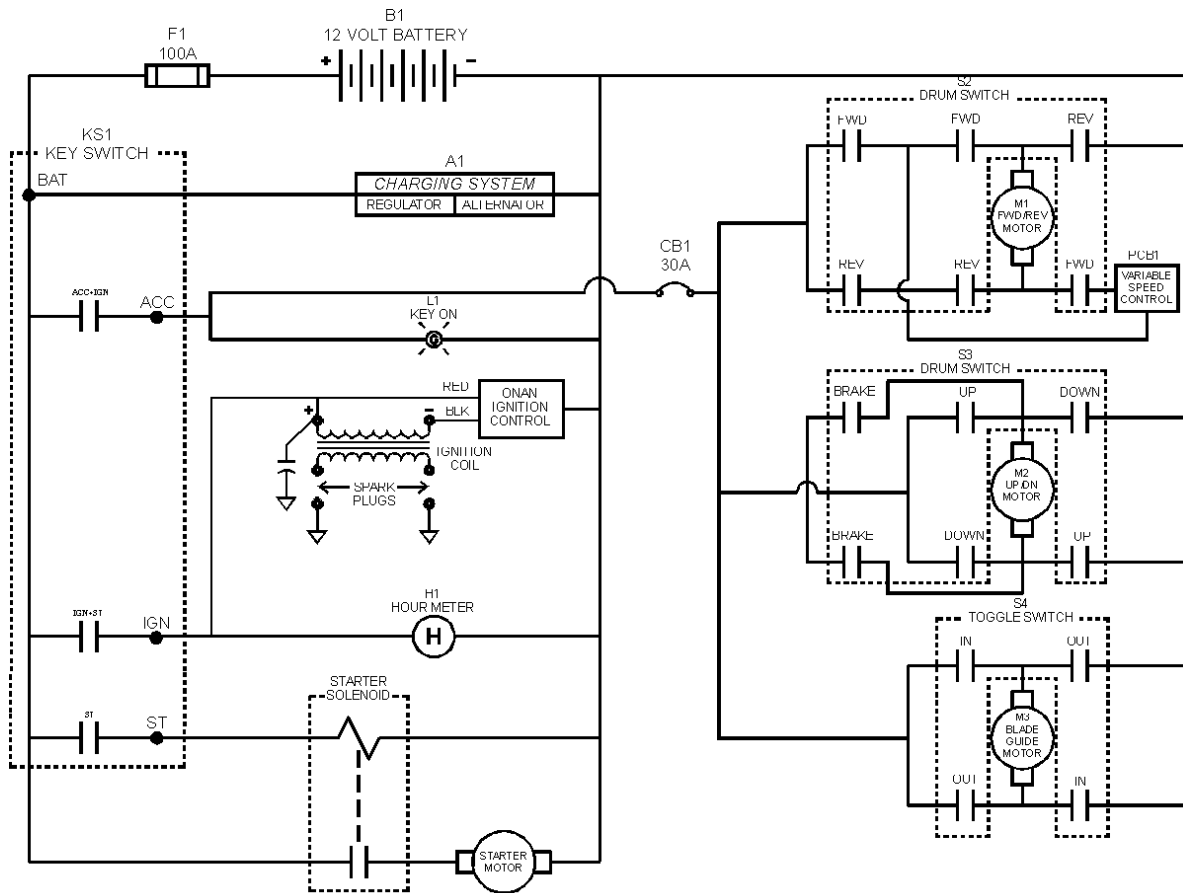


FIG. 5-2

5.3 Electrical Components, G18 LT30

LT30
LT40

F4723 - F6.01
F5588 - F7.01¹

Component	Manufacturer Part No.	Manufacturer	Wood-Mizer Part No.	Description
B1	524MFD	Deka	P09725-1	Battery, 12 Volt LT30/40 (See Section 5.5)
CB1	30128-30	Cole-Hersee	E20486	Circuit Breaker, 30 Amp, 12 Volt, For Power Feed Motor, Auto Reset
F1	RL-100	Gould	P11549	Fuse Link, 100 Amp, 250 Volt For Main + 12 Volt Starter, Alternator
H1	T40 Series	ENM Corp.	P09631	Hour Meter, 12 Volt, Low Power T40 Series
KS1	121801	General	P04350	Key Switch, 4-position (Accessory, Off, Ignition, Start)
M1	1149-001	Current App.	006747 ¹	Motor, 12 Volt Power Feed
M2	N/A	Leeson ²	A04367	Motor, 12 Volt Up/Down
M3	P09698-1	Klauber	A10365	Motor, 12 Volt Blade Guide Arm 53:1 Gear
PCB1	024495	Wood-Mizer	024495 ³	Circuit Board, Power Feed
PCB2	023039	Wood-Mizer	023039	Board, LED Circuit (G18)
S5	2601-AF2-S11	Square D	E20439	Drum Switch, U.S., Power Feed Fwd/Reverse Motor
S6	2601-AF2-S12	Square D	E20440	Drum Switch, Up/Down Motor
S7	1121-0004	McGill	P10006	Toggle Switch, Blade Guide In/Out Motor

¹ Motor 006747 replaced 014359 supplied until 11/08. .25HP motor directly replaces .49HP motor P04140 (Owosso #PR-4P07Q). Requires two rubber boots (P03807) to protect external motor terminals.

² Replaces Leeson motor #S.I. 2917-A (10/01) and Owosso motor #PV-28147Q originally supplied (12/00).

³ Replaces A20428 originally supplied before 4/99. New assembly includes LED indicator lights for easier troubleshooting. Modularized components and surface mount technology improve durability and power capability.

¹ Except LT40 Rev. F5592 ([See Section 5.4](#)).

5 Electrical Information

Electrical Components, G18 LT30

5.4 Electrical Components, G18 LT30

LT30
LT40

F4710 - F4722
F5565 - F5587, 592

Component	Manufacturer Part No.	Manufacturer	Wood-Mizer Part No.	Description
B1	524MFD	Deka	P09725-1	Battery, 12 Volt LT30/40 (See Section 5.5)
CB1	30128-30	Cole-Hersee	E20486	Circuit Breaker, 30 Amp, 12 Volt, For Power Feed Motor, Auto Reset
F1	RL-100	Gould	P11549	Fuse Link, 100 Amp, 250 Volt For Main + 12 Volt Starter, Alternator
H1	T40 Series	ENM Corp.	P09631	Hour Meter, 12 Volt, Low Power T40 Series
KS1	121801	General	P04350	Key Switch, 4-position (Accessory, Off, Ignition, Start)
L2	2129	General	P20436	Light, Green Indicator, For Key Switch In Acc Or Ign Position
M1	1149-001	Current App.	006747 ¹	Motor, 12 Volt Power Feed
M2	N/A	Leeson ²	A04367	Motor, 12 Volt Up/Down
M3	P09698-1	Klauber	A10365	Motor, 12 Volt Blade Guide Arm 53:1 Gear
PCB1	024495	Wood-Mizer	024495 ³	Circuit Board, Power Feed
S5	2601-AF2-S11	Square D	E20439	Drum Switch, U.S., Power Feed Fwd/Reverse Motor
S6	2601-AF2-S12	Square D	E20440	Drum Switch, Up/Down Motor
S7	1121-0004	McGill	P10006	Toggle Switch, Blade Guide In/Out Motor

¹ Motor 006747 replaced 014359 supplied until 11/08. .25HP motor directly replaces .49HP motor P04140 (Owosso #PR-4P07Q). Requires two rubber boots (P03807) to protect external motor terminals.

² Replaces Leeson motor #S.I. 2917-A (10/01) and Owosso motor #PV-28147Q originally supplied (12/00).

³ Replaces A20428 originally supplied before 4/99. New assembly includes LED indicator lights for easier troubleshooting. Modularized components and surface mount technology improve durability and power capability.

5.5 Battery Specifications, G18 LT30/LT40

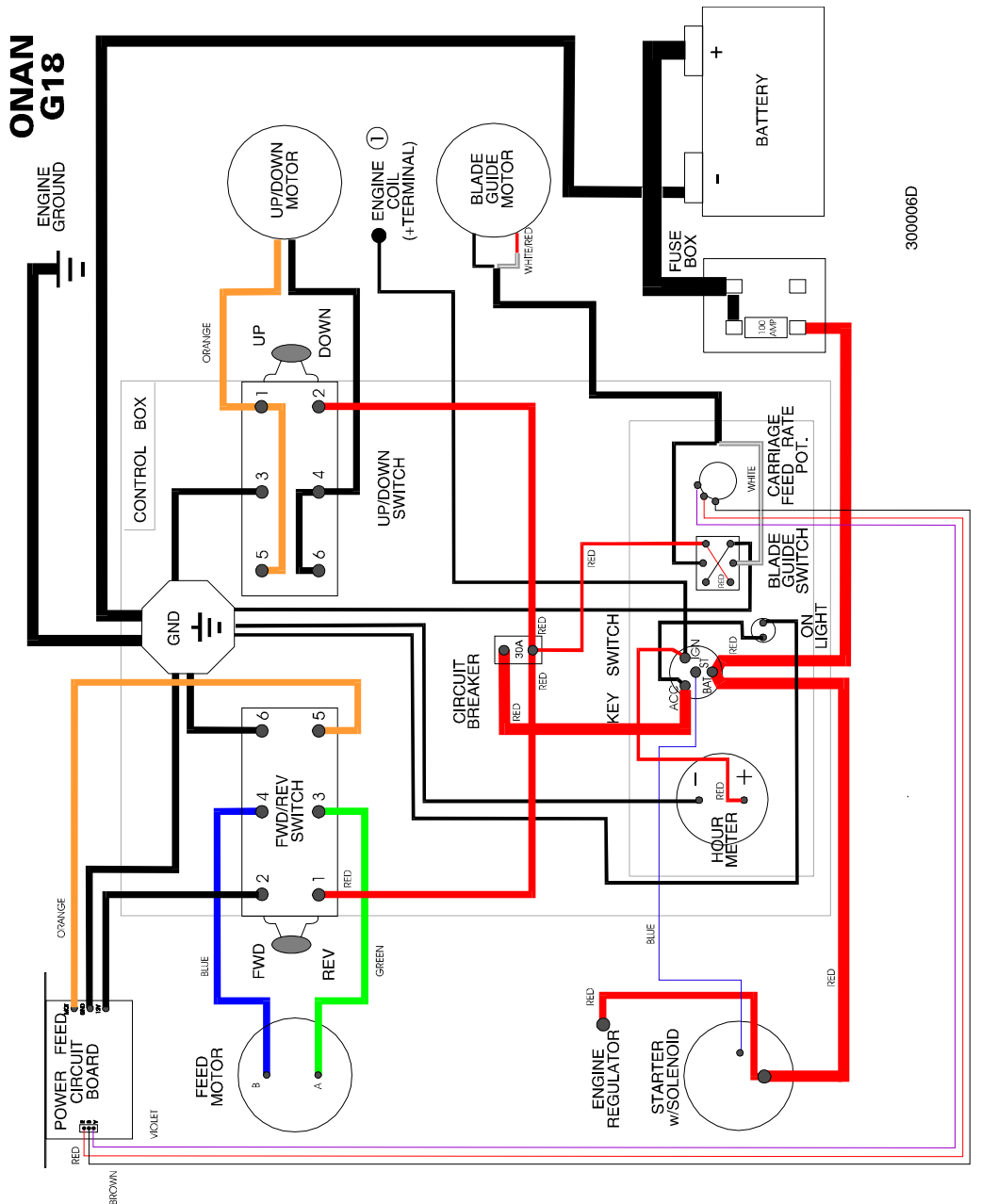
Group No.	Type No.	Performance Level		Approximate Weight	Maximum Overall Dimensions		
		Cranking Performance	Reserve Capacity	Wet	Length	Width	Height
24	524MFD	535CC	90	35.5 lb. (16.1 kg)	10.25 in. (260 mm)	6.75 in. (171 mm)	9.0 in. (229 mm)

TABLE 5-1

5.7 Wiring Diagram, G18 LT30

LT30
 LT40

F4710 - F4722
 F5565 - F5587, 592



300006D

① WARNING: Incorrect connection will damage ignition module.
 NOTE: Black Wires Not Labeled With Color Designations

FIG. 5-4

G18 Engine

Safety, Operation, Maintenance & Parts Manual

LT30
LT40

rev. F7.00 - G2.02
rev. F8.00 - G3.02



Safety is our #1 concern! Read and understand all safety information and instructions before operating, setting up or maintaining this machine.

June 1997

Form #769

Table of Contents

Section-Page

SECTION 1	SAFETY & GENERAL INFORMATION	1-1
1.1	Refueling	1-1
1.2	Engine Operation.....	1-2
1.3	Battery Handling	1-3
SECTION 2	OPERATION	2-1
2.1	Starting The Engine.....	2-1
SECTION 3	MAINTENANCE	3-1
3.1	Air Filter & Pre-Cleaner.....	3-1
3.2	Fuel Filter	3-2
3.3	Battery	3-2
3.4	Miscellaneous Maintenance	3-2
3.5	Drive Belt Adjustment.....	3-3
3.6	Clutch Handle Adjustment	3-5
3.7	RPM Adjustments	3-6
SECTION 4	REPLACEMENT PARTS	4-1
4.1	How To Use The Parts List	4-1
4.2	Sample Assembly	4-1
4.3	Fuel Tank Assembly.....	4-2
4.4	Engine Assembly.....	4-3
4.5	Engine Pulley Guards.....	4-6
SECTION 5	ELECTRICAL INFORMATION	5-1
5.1	Electrical Symbol Diagram, G18 LT30/LT40.....	5-1
5.2	Electrical Components, G18 LT30/LT40.....	5-2
5.3	Battery Specifications, G18 LT30/LT40.....	5-3
5.4	Wiring Diagram, G18 LT30/LT40.....	5-4

SECTION 1 SAFETY & GENERAL INFORMATION



IMPORTANT! This manual is provided as a supplement to the equipment manufacturer's manuals. This manual takes into account the specific use of engines on the Wood-Mizer sawmill. Only safety, maintenance, and operating procedures that are not provided by the manufacturer are supplied in this manual. Refer to the manufacturer's manual before attempting to operate this equipment.



This symbol calls your attention to instructions concerning your personal safety. Be sure to observe and follow these instructions. This symbol accompanies a signal word. The word **DANGER** indicates an imminently hazardous situation which, if not avoided, will result in death or serious injury. **WARNING** suggests a potentially hazardous situation which, if not avoided, could result in death or serious injury. **CAUTION** refers to potentially hazardous situations which, if not avoided, may result in minor or moderate injury to persons or equipment. Read all safety instructions before operating this equipment and observe all safety warnings!

1.1 Refueling



WARNING! Store gasoline away from sawdust and other flammable materials. Failure to do so may result in serious injury.

1.2 Engine Operation



DANGER! Always be sure the blade is disengaged and all persons are out of the path of the blade before starting the engine or motor. Failure to do so will result in serious injury.



WARNING! Remove the blade before performing any engine service. Failure to do so may result in serious injury.

WARNING! Always wear proper and necessary safety equipment when performing service functions. Proper safety equipment includes eye protection, breathing protection, hand protection and foot protection.

WARNING! Do not for any reason adjust the engine drive belts or belt support bracket with the engine running. Doing so may result in serious injury.

WARNING! Do not operate engine without proper and operational spark arrester/muffler. Sparks emitted from the engine exhaust could ignite surrounding materials, causing serious injury or death.

WARNING! Do not operate engine without proper and operational spark arrester/muffler. Sparks emitted from the engine exhaust could ignite surrounding materials, causing severe injury or death.

WARNING! Be sure the power feed switch is in the neutral position before turning the key switch to the on (#1) or accessory (#3) position. This prevents accidental carriage movement, which may cause serious injury or death.



IMPORTANT! Always dispose of coolant, oil, fuel, oil filters and fuel filters in a responsible manner and in conformance with local, state and federal regulations.

1.3 Battery Handling



DANGER! Batteries expel explosive gases. Keep sparks, flames, burning cigarettes, or other ignition sources away at all times. Always wear safety goggles and a face shield when working near batteries. Failure to do so will cause serious injury.¹



WARNING! Charge the battery in a well ventilated area. Do not attempt to charge a frozen battery.

WARNING! Use extreme care to avoid spilling or splashing electrolyte (which is dilute sulfuric acid) as it can destroy clothing and burn the skin. If electrolyte is spilled or splashed on clothing or the body, it should be neutralized immediately and then rinsed with clean water. A solution of baking soda, or household ammonia, and water may be used as a neutralizer.

Electrolyte splashed into the eyes is extremely dangerous. If this should happen, force the eye open and flood it with cool, clean water for approximately fifteen minutes. A doctor should be called immediately when the accident occurs and “on-the-spot” medical attention given if possible. If a doctor cannot come to the scene of the accident immediately, follow his instructions concerning actions to take. Do not add eye drops or other medication unless advised to do so by the doctor. Do not place a battery or acid within the reach of children. If acid (electrolyte) is taken internally drink large quantities of water or milk. Follow with milk of magnesia, beaten egg or vegetable oil. Call a physician immediately.

If electrolyte is spilled or splashed on any surface of the machine, it should be neutralized and rinsed with clean water.¹

1. Battery Council International, copyright 1987

SECTION 2 OPERATION

2.1 Starting The Engine

Engine Control Lights

See **Figure 2-1**. The following indicator lights are located on the sawmill control panel. See the manufacturer's engine manual for troubleshooting tips.



Alternator Charge Indicator: This light is not used for the G18 application.



Key Switch Indicator: Lights up when the key is in either the on (#1) or accessory (#3) position.

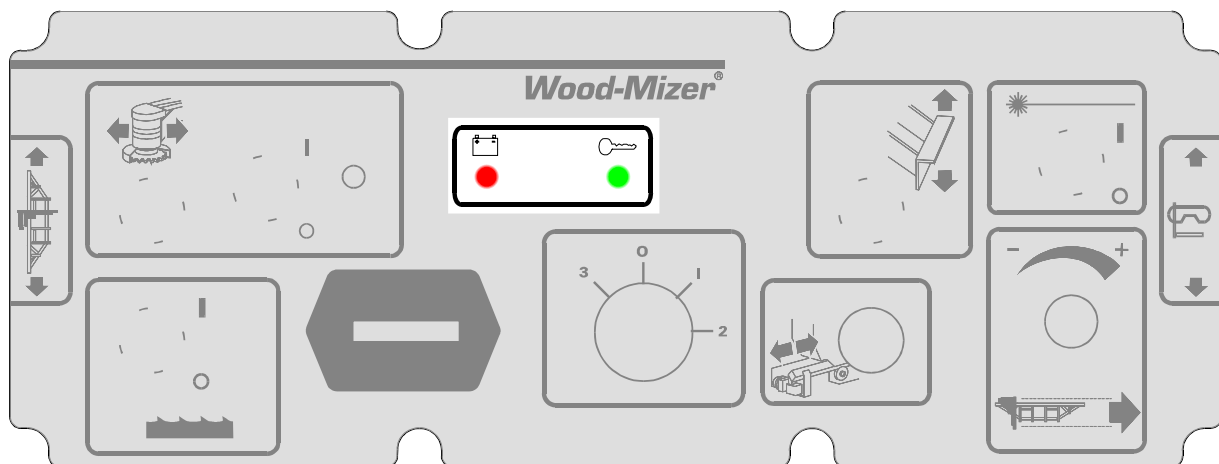


FIG. 2-1

Engine Start



DANGER! Always be sure the blade is disengaged and all persons are out of the path of the blade before starting the engine or motor. Failure to do so will result in serious injury.



WARNING! Be sure the power feed switch is in the neutral position before turning the key switch to the on (#1) or accessory (#3) position. This prevents accidental carriage movement, which may cause serious injury or death.

Turn the key switch to the start (#2) position and release.

If the engine needs choking to start, pull the choke wire out until the engine starts. Push the choke wire in after the engine starts.

For more information, see the engine manufacturer's operation manual.

If the fuel tank was recently filled or replaced, squeeze the primer bulb once or twice before trying to start the engine. **NOTE:** If pumping problems are experienced, make sure the out-flow end of the hose line is connected to the carburetor. If pumping problems are still experienced, hold the primer bulb in a vertical position while squeezing. This allows the fuel check valve to operate properly.

Engine Shutoff

Turn the key switch to the off (#0) position.

SECTION 3 MAINTENANCE



IMPORTANT! This manual only provides information about additional procedures or procedures to be performed at different time intervals than found in the engine manufacturer's manuals. Refer to the [manufacturer's manual](#) for complete maintenance instructions.



WARNING! Remove the blade before performing any engine service. Failure to do so may result in serious injury.



This symbol identifies the interval (hours of operation) at which each maintenance procedure should be performed. "AR" signifies maintenance procedures which should be performed as required.

3.1 Air Filter & Pre-Cleaner



WARNING! Always wear proper and necessary safety equipment when performing service functions. Proper safety equipment includes eye protection, breathing protection, hand protection and foot protection.



Service the pre-cleaner every four hours of operation. Service by gently shaking excess sawdust and debris from the foam piece.



Clean the air filter (air cleaner element) and pre-cleaner (element wrapper) every eight hours of operation. See the engine manual for further instructions.



Replace the pre-cleaner (element wrapper) every 2000 hours of operation.

3 Maintenance

Fuel Filter

3.2 Fuel Filter



Replace the fuel filter every 100 hours of operation.

3.3 Battery



Check the battery electrolyte level every 50 hours of operation. See manufacturer's manual for instructions.



DANGER! Batteries expel explosive gases. Keep sparks, flames, burning cigarettes, or other ignition sources away at all times. Always wear safety goggles and a face shield when working near batteries. Failure to do so will cause serious injury.¹

3.4 Miscellaneous Maintenance



Clean and inspect the spark arresters every 50 hours of operation. Replace if damaged.



Inspect the spark plugs every 100 hours of operation. Remove any deposits and adjust gap if necessary. See engine manual for further information.

1. Battery Council International, copyright 1987

3.5 Drive Belt Adjustment



WARNING! Do not for any reason adjust the engine drive belts or belt support bracket with the engine running. Doing so may result in serious injury.

50

Check the drive belt tension after the first 20 hours, and every 50 hours thereafter. When engaged, the drive belt should have 7/16" (11 mm) deflection with a 8 lb. deflection force.

To adjust the drive belt:

1. Remove the two belt covers located underneath the engine.
2. Loosen the drive belt turnbuckle jam nuts. Turn the turnbuckle counterclockwise (as viewed from the top) to tighten the belts, clockwise to loosen the belts.

See Figure 3-1.

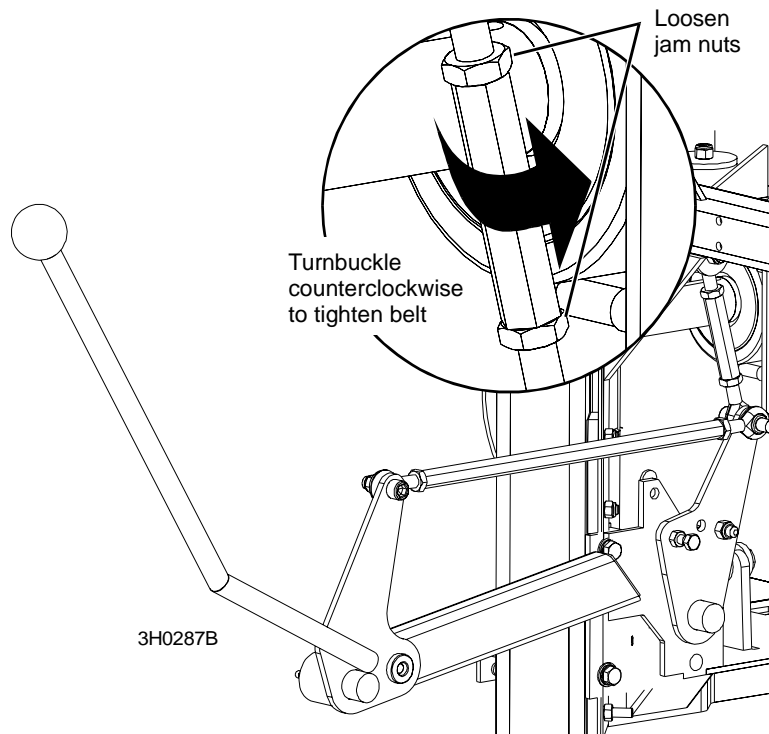


FIG. 3-1

AR

Periodically check all belts for wear. Replace any damaged or worn belts as needed.

3

Maintenance

Drive Belt Adjustment



Adjust the drive belt support as needed. The drive belt support is designed to extend belt life. The support bracket should be adjusted to NOT touch the drive belt when the clutch handle is engaged (down position), AND to hold the drive belt away from the engine pulley when the clutch handle is disengaged (up position).

See **Figure 3-2**. To adjust:

1. Make sure the motor is not running. Loosen the adjustment bolt.
2. Position the support bracket so it does not touch the drive belt with the clutch handle engaged, and does hold the drive belt away from the motor pulley with the clutch handle disengaged.
3. Retighten the adjustment bolt to 25-27 pound feet (34-37 newton meters).

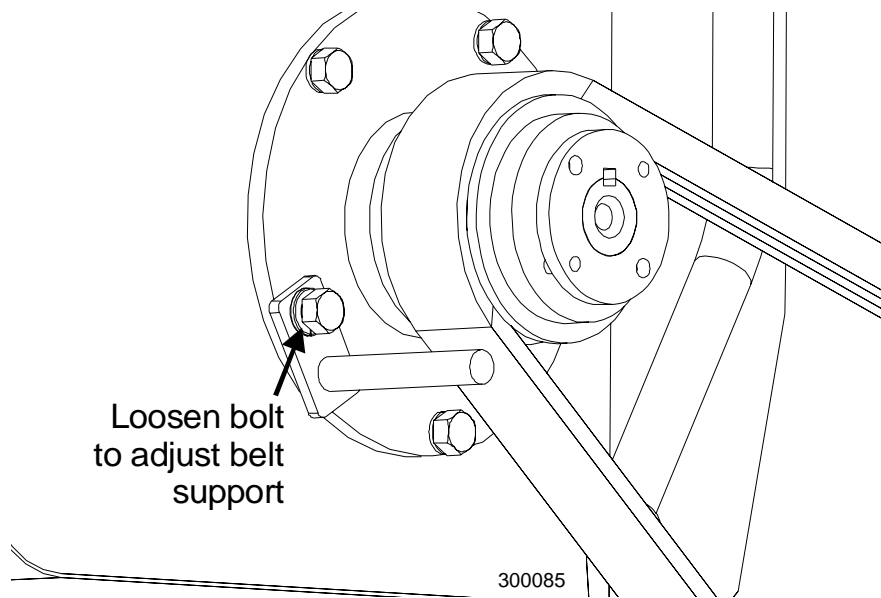


FIG. 3-2

3.6 Clutch Handle Adjustment

After the drive belts and brake strap are properly adjusted, the clutch handle should lock in the down position when the drive belts are engaged. If the clutch handle does not stay locked, adjust the handle turnbuckle. Remove the blade from the sawmill.

4. Remove the inner belt guard and engage the clutch handle.
5. Hold a straight edge between the bottom and top pivot centers and measure the distance to the middle pivot.
6. Adjust the clutch handle turnbuckle until the center of the middle pivot is $7/16$ " from the straight edge.

See Figure 3-3.

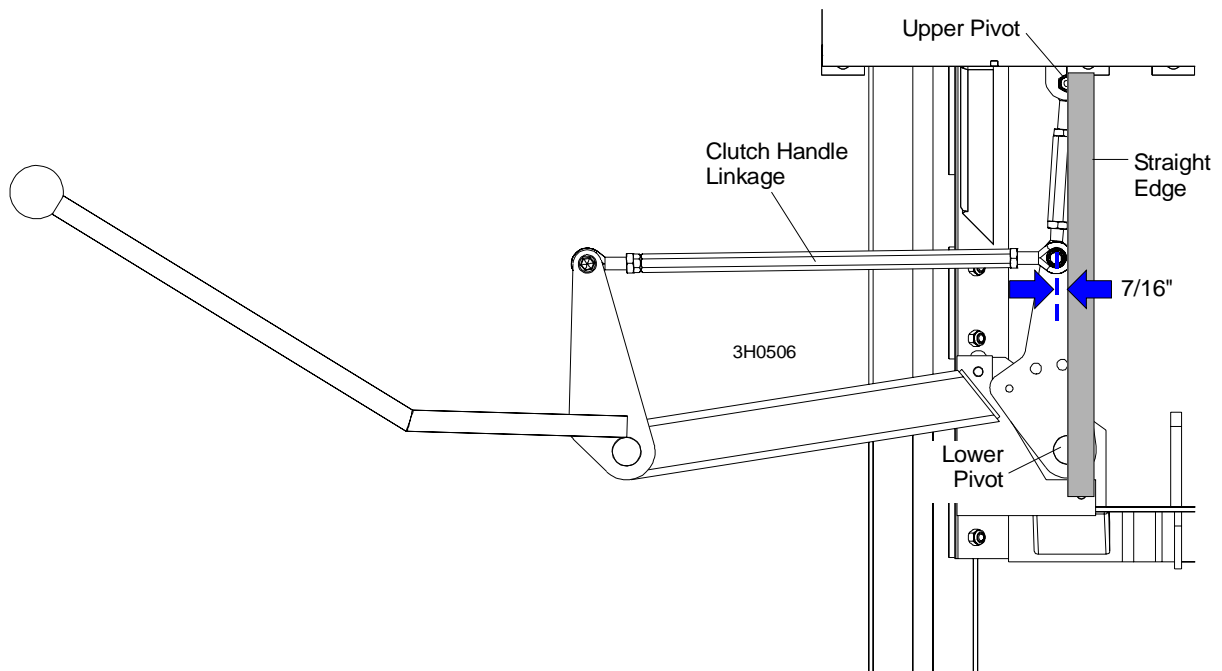


FIG. 3-3

3.7 RPM Adjustments



WARNING! Remove the blade before performing any engine service. Failure to do so may result in serious injury.

200

Check the RPM with a tachometer after the first 20 hours of operation and every 200 hours thereafter. High-end RPM should be 3400-3600RPM and low-end RPM should be 1800 (± 100).

Before checking the RPM, make sure belt and brake strap tension are correct (See Saw-mill Maintenance).

1. Start the engine to measure the low-end RPM.

Make sure that the throttle linkage is not affecting the engine RPM while the clutch/brake handle is disengaged. Make sure the cable is not bent or kinked. If necessary, rotate the clamp on bracket B until the cable spring, cable guide, cable, and throttle brackets are aligned. **NOTE:** It is important that the above components are aligned. Proper alignment allows any slack in the cable (when engine is idling) to slide down into the cable spring. This maintains free operation of the cable and prevents the cable from kinking. Make sure the shoulder bolt does not rub against the crankcase vent tube.

2. Refer to the engine manual to adjust the low-end RPM.
3. Engage the clutch handle to throttle the engine and measure the high-end RPM.

See **Figure 3-4**. To adjust the high-end RPM, lower or raise the cable guide in the throttle cable bracket until the cable spring extends $1/4"$ - $3/8"$ (6.4 - 9.5 mm) when the engine is at 3400-3600 RPM. Bend the high speed stop on bracket B down until it touches bracket A. This will prevent over-revving the engine when tightening the belt adjustment. To adjust for low-end RPM, adjust the idle screw on bracket B until the RPM is 1800 (± 100). **NOTE:** A properly adjusted throttle will extend the cable spring $1/4"$ to $3/8"$ (6.4 - 9.5 mm) when running and have a slight amount of slack in the cable when idling.

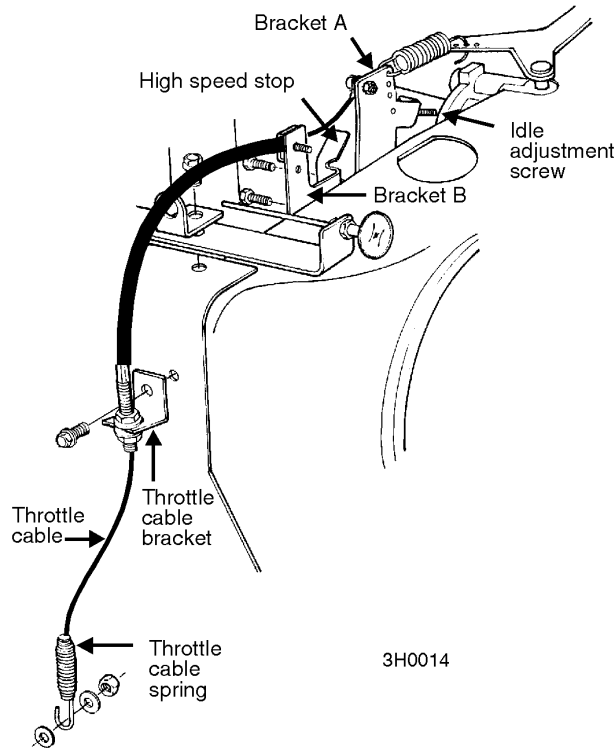


FIG. 3-4

SECTION 4 REPLACEMENT PARTS

4.1 How To Use The Parts List

- Use the table of contents or index to locate the assembly that contains the part you need.
- Go to the appropriate section and locate the part in the illustration.
- Use the number pointing to the part to locate the correct part number and description in the table.
- Parts shown indented under another part are included with that part.
- Parts marked with a diamond (◆) are only available in the assembly listed above the part.

See the sample table below. Sample Part #A01111 includes part F02222-2 and subassembly A03333. Subassembly A03333 includes part S04444-4 and subassembly K05555. The diamond (◆) indicates that S04444-4 is not available except in subassembly A03333. Subassembly K05555 includes parts M06666 and F07777-77. The diamond (◆) indicates M06666 is not available except in subassembly K05555.

4.2 Sample Assembly				
REF	DESCRIPTION (◆ Indicates Parts Available In Assemblies Only)	PART #	QTY.	
	SAMPLE ASSEMBLY, COMPLETE (INCLUDES ALL INDENTED PARTS BELOW)	A01111	1	
1	Sample Part	F02222-22	1	
	Sample Subassembly (Includes All Indented Parts Below)	A03333	1	
2	Sample Part (◆ Indicates Part Is Only Available With A03333)	S04444-4	1	◆
	Sample Subassembly (Includes All Indented Parts Below)	K05555	1	
3	Sample Part (◆ Indicates Part Is Only Available With K05555)	M06666	2	◆
4	Sample Part	F07777-77	1	

To Order Parts:

- From the continental U.S., call **1-800-525-8100** to order parts. Have your customer number, vehicle identification number, and part numbers ready when you call.
- From other international locations, contact the Wood-Mizer distributor in your area for parts.

4

Replacement Parts

Fuel Tank Assembly

4.3 Fuel Tank Assembly

REF	DESCRIPTION (◆ Indicates Parts Available In Assemblies Only)	PART #	QTY.	
	TANK ASSEMBLY, 5 GALLON RED GASOLINE	A12285	1	
1	Tank, 5 Gallon Red Fuel	P12167	1	◆
2	Pickup, 9" Fuel	P12172	1	
3	Cap, 3/5 Gallon Fuel Tank	P09683	1	
4	Fitting, 1/4" NPT Plastic Female Disconnect	P12175	1	
	HOSE, FUEL LINE WITH PRIMER BULB	014497	1	
	Bulb Kit, Fuel Primer Replacement	014496	1	
5	Bulb, Fuel Primer	014481	1	◆
6	Clamp, 7/32 - 1/2 Hose	P649 ¹	2	
	Instruction Sheet, Fuel Primer Bulb Replacement	014496-590	1	
7	Hose, 1/4" ID Fuel	P642 ¹	6.5 Ft	
8	Clamp, 7/32 - 1/2 Hose	P649 ¹	2	
9	FITTING, 1/4" NPT PLASTIC MALE DISCONNECT	P12176 ²	1	

¹ Fuel Line P642 replaces R01890-1 originally supplied. Hose Clamp P649 replaces plastic clamp P12374 and 015584 previously supplied.

² Replacement requires qty. 1 hose clamp (P649).

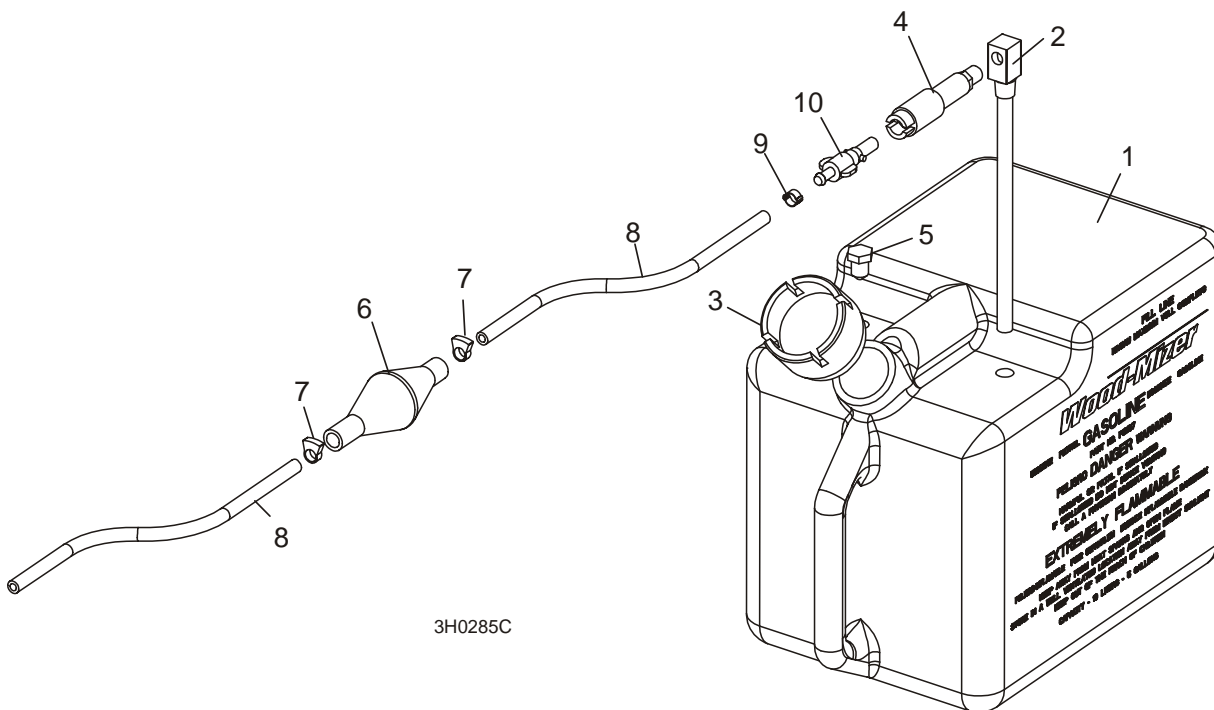


FIG. 4-1

4.4 Engine Assembly				
REF	DESCRIPTION (◆ Indicates Parts Available In Assemblies Only)	PART #	QTY.	
	ENGINE ASSEMBLY, 18HP ONAN	A12936	1	
1	Engine, Onan P218-I (See Form #202.fm for complete list of parts)	P12924	1	◆
2	Filter, Onan Air	P07566	1	
3	Pre-Cleaner, Onan Air	P07961	1	
4	Plug, Onan Spark (Champion #RS17YX)	P06819	2	
5	Filter, Onan Oil	P09881	1	
6	Pump, Onan Fuel	P07978	1	
7	Filter, In-Line Fuel	P07570	1	
8	Starter Motor, Onan	P06830	1	
	Muffler Kit, Onan w/Exhaust Tube	K12747	1	
	Muffler Kit, Onan	K12748	1	
9	Muffler, Onan	P12505	1	◆
10	Spark Arrester, Onan	P12506	1	
11	Tube, Exhaust	P12507	2	
12	Regulator, 18HP Onan	P12963	1	
13	Oil Fill, Extended W/Dipstick Replacement	P12371	1	
14	Guard, Onan Engine	P11936	1	
15	Screw, #10-24 x 1" Phillips Head Type 23	F05015-27	4	
16	Coil, Onan Ignition	P06827	1	
17	Spring, Onan Governor	P04497	1	
18	Cable Assembly, Onan Throttle	P12313	1	
	Spring, Throttle	016033	1	
19	Cable Assembly, Onan Choke	P12916	1	
20	Bracket, Choke Cable Mount	S12937	1	◆
21	Bolt, 1/4-20 x 3/4" Hex Head Full Thread	F05005-1	2	
22	Washer, 1/4" Split Lock	F05011-14	2	
23	Bracket, Throttle Cable Mount	S12312	1	
24	Screw, 1/4-20 x 1/2" Slotted Hex Head	F05015-1	1	
25	Bolt, 1/4" x 3/8" Shoulder (#10-24 Thread)	F05004-57	1	◆
26	Washer, 1/4" SAE Flat	F05011-11	1	
27	Nut, #10-24 Self-Locking	F05010-14	1	
28	Linkage Assembly, 24HP P224 Onan Throttle	P12329	1	
	Nut, 1/4-20 Self-Locking (for shipping purposes only)	F05010-9	2	
	Nut, #10-32 Self-Locking (for shipping purposes only)	F05010-27	2	
29	Linkage Assembly, Onan Front Pull Choke 541-0190	P12952	1	
30	Hose, 7" Oil Drain	P10082	1	
31	Cap, Oil Drain 3/8" Pipe	P04332	1	
	Oil, 10W30 Type CD	L04869-1	.5 Gal.	◆
32	Pulley, 2BK-34H	P04853	1	
	Key, 1/4" x 1/4" x 1 11/16"	S04124 ¹	1	

4

Replacement Parts

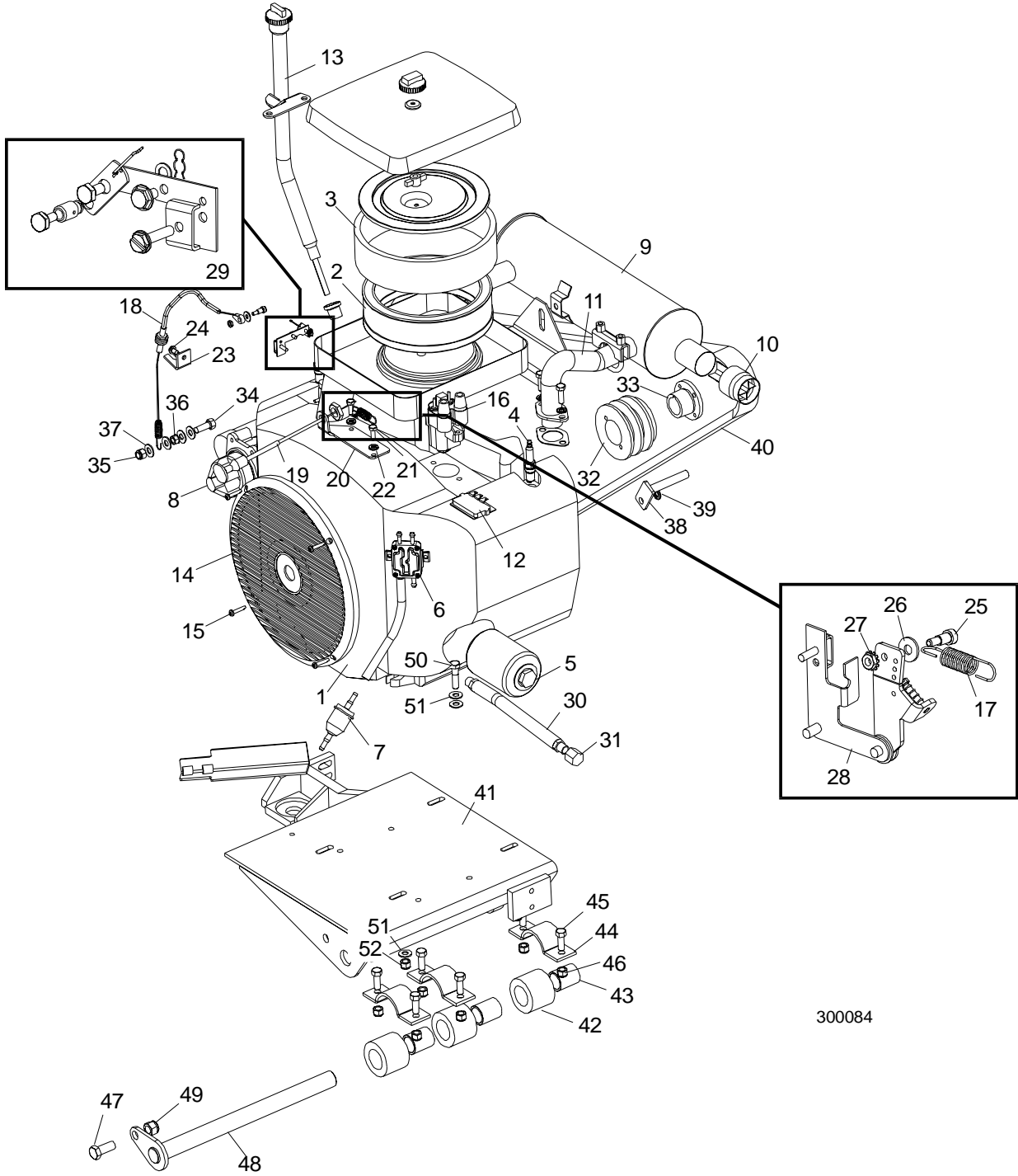
Engine Assembly

33	Bushing, 1 1/8" Split Taper	P04306	1	
34	Bolt, 3/8-16 x 1" Hex Head	F05007-7	1	
35	Nut, 3/8-16 Hex Nylon Lock	F05010-10	1	
36	Nut, 3/8-16 Self-Locking	F05010-19	1	
37	Washer, 3/8" Flat	F05011-3	4	
	BRACKET ASSEMBLY, DRIVE BELT SUPPORT SINGLE-PRONG	A12243	1	
38	Bracket, Drive Belt Support Single-Prong	W12237	1	◆
39	Washer, 3/8" Split Lock	F05011-4	1	
	Instruction Sheet, Drive Belt Support Single-Prong	A12243-420	1	◆
40	BELT, 2BXF71 DRIVE	036163 ²	1	
41	PLATE, MOTOR MOUNT	014514	1	
	BUSHING ASSEMBLY, MOTOR MOUNT PIVOT	A04127 ³	3	◆
42	Bushing, Rubber Motor Mount Pivot	P12164	1	
43	Spacer, Motor Mount Pivot	P05041	1	
44	CLAMP WLDMT, MOTOR MOUNT PIVOT BUSHING	014540	3	
45	BOLT, 3/8-16 X 1" HEX HEAD	F05007-7	3	
46	NUT, 3/8-16 HEX NYLON LOCK	F05010-10	6	
47	BOLT, 1/2-13 X 1 1/4" HEX HEAD GRADE 5	F05008-37	1	
48	PIN WELDMENT, ENGINE MOUNT PIVOT	014154	1	
49	NUT, 1/2-13 NYLON LOCK	F05010-8	1	
50	BOLT, 3/8-16 X 1 1/2" HEX HEAD GRADE 2	F05007-3	4	
51	WASHER, 3/8" SAE FLAT	F05011-3	12	
52	NUT, 3/8-16 HEX NYLON LOCK	F05010-10	4	

¹ 1-11/16" key replaces 1 1/4" or 2" key originally supplied.

² 036163 Kevlar 2BXF71 belt replaces P12949 2BX71 belt supplied prior to 9/03. Kevlar belt reduces stretch and provides greater range of adjustment.

³ A04127 no longer available. Purchase individual component parts P12164 and P05041.



300084

FIG. 4-2

4

Replacement Parts

Engine Pulley Guards

4.5 Engine Pulley Guards				
REF	DESCRIPTION (◆ Indicates Parts Available In Assemblies Only)	PART #	QTY.	
1	GUARD WELDMNT, G18 ENGINE PULLEY	015343	1	
2	GUARD, G18 SIDE ENGINE PULLEY	015570	1	
3	WASHER, 1/4" SAE FLAT	F05011-11	4	
4	BOLT, 1/4-20 X 3/4" HEX HEAD FULL THREAD	F05005-1	4	
5	GROMMET, 5/8" WIRE	P04137	1	

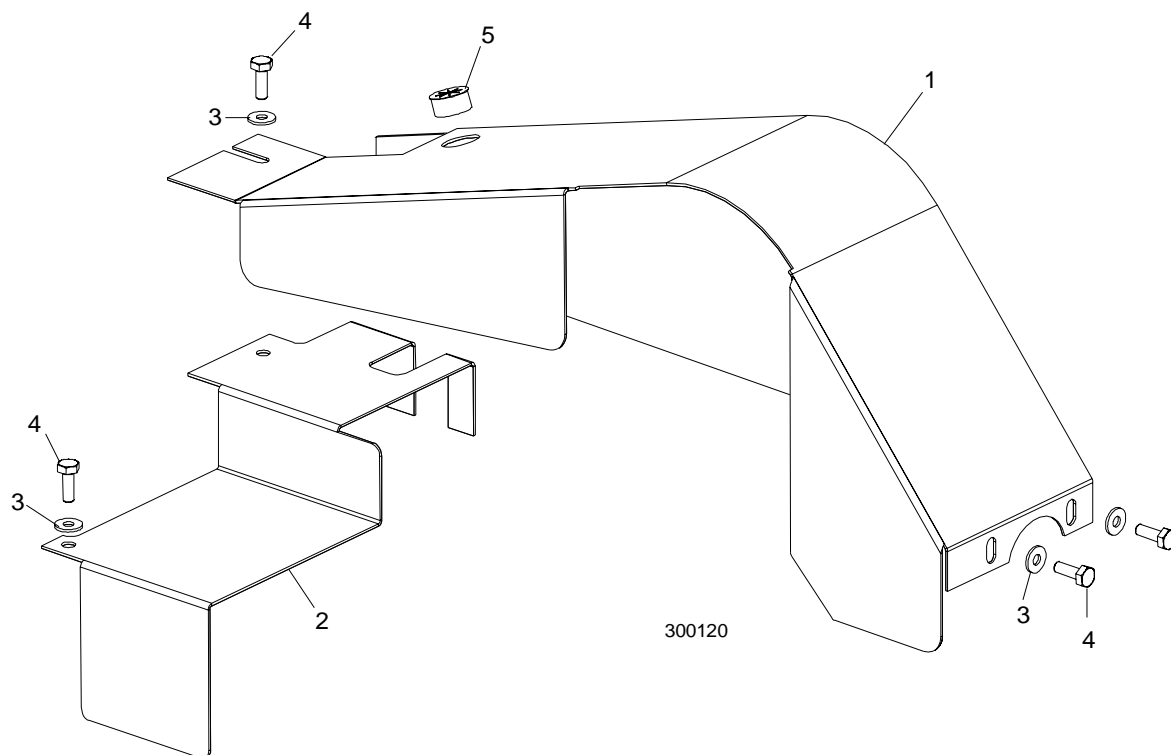


FIG. 4-3

Form #202

Onan Engine Service Parts (● indicates part is applicable to specified model)

Description	WM Part No.	Onan Part No.	18HP P218G	20HP B48G	20HP P220G	24HP T260G	24HP P224G
Cap, Crankcase Breather	P06828	123-0954	●	N/A	●	●	●
Carburetor, Onan	P06825	146-0662	146-659	146-0495 (Spec B-C) 146-0660 (Spec D+)	146-0660	●	●
Carburetor Kit, Onan Repair	P06826	146-0500	● (Spec A-F) 146-0657 (Spec G+)	146-0292 (Spec B-C) 146-0356 (Spec D+)	● (Spec A-F)	●	● (Spec A-F) 146-0657 (Spec G+)
Cleaner, Onan 4C Carburetor	014385	326-5278	●	●	●	●	●
Clip, Onan Linkage #004	P09580	518-0004	●	●	●	●	●
Clip, Onan Linkage #406	P09581	518-0406	●	●	●	●	●
Coil, Onan Ignition	P10358	166-0772	N/A	●	N/A	● (Spec A-E)	N/A
Coil, Onan Ignition (Electronic)	055005 ^a	166-0820	●	N/A	●	● (Spec F+)	●
Condenser, Onan Elec. Ignition	P06820	312-0256	●	N/A	●	312-0255 (Spec F+)	●
Condenser, Kit w/Points	K12503	160-1183/312-0246	N/A	●	N/A	● (Spec A-E)	N/A
Filter, Onan Air	P07566	140-2628-01	●	●	●	●	●
Filter, Onan Air Pre-Cleaning	P07961	140-1496-01	●	●	●	●	●
Filter, Onan Inline Fuel	P07570	149-2206-01	●	●	●	●	●
Filter, Onan Oil	P09881	122-0469	●	●	●	●	●
Gasket Kit, Complete Engine	P06815	168-0191	168-0187	168-0187	168-0187	●	●
Gasket Kit, B48/P218/P220 Decarbon	014629	168-0189	●	●	●	N/A	N/A
Gasket Kit, T260/P224 Decarbon	P06822	168-0190	N/A	N/A	N/A	●	●
Gasket Kit, T260/P224 Valve Adjust	014604	110-3575/154-2219/ 154-2747 (2 ea)	N/A	N/A	N/A	●	●
Jet, P218 High Altitude Carburetor	014630	146-0652	●	N/A	N/A	N/A	N/A
Jet P224 High Altitude Carburetor	014631	146-0695	N/A	N/A	N/A	N/A	●
Jet, Onan Carburetor Idle	P09624	146-0426	●	146-0337	●	●	● (Spec A-G)
Plug, RS17YC Spark	P06819	167-0272	●	●	●	●	●
Pump, Onan Fuel	P07978	149-1982	●	●	●	●	149-2187-02
Regulator, 20 Amp	P07932	191-2106	●	●	●	N/A	N/A
Regulator, 35 Amp	P09679	191-1847	N/A	N/A	N/A	●	N/A
Spring, Onan Governor	P04497	150-1214	●	●	●	N/A	●
Spring, Onan Governor (T260)	014610	150-1831	N/A	N/A	N/A	●	N/A

Spring, Onan Governor Rod	014311	N/A	N/A	N/A	N/A	N/A	●
Spring, Onan Governor Surge	014541	150-1755	N/A	N/A	N/A	150-2550	●
Starter, Onan Engine	P06830	191-1949-04	●	191-1567	●	191-1949-01	●

^a Coil kit P06827 (541-0523) no longer available from vendor. If replacing original coil, order mount parts: Screw 055000, Nut 055001, Screw 055002, Clamp 055003 & Bracket 055004 in addition to Coil 055005. If coil is mounted on top of manifold, order coil 055005 only.

SECTION 5 ELECTRICAL INFORMATION

5.1 Electrical Symbol Diagram, G18 LT30/LT40

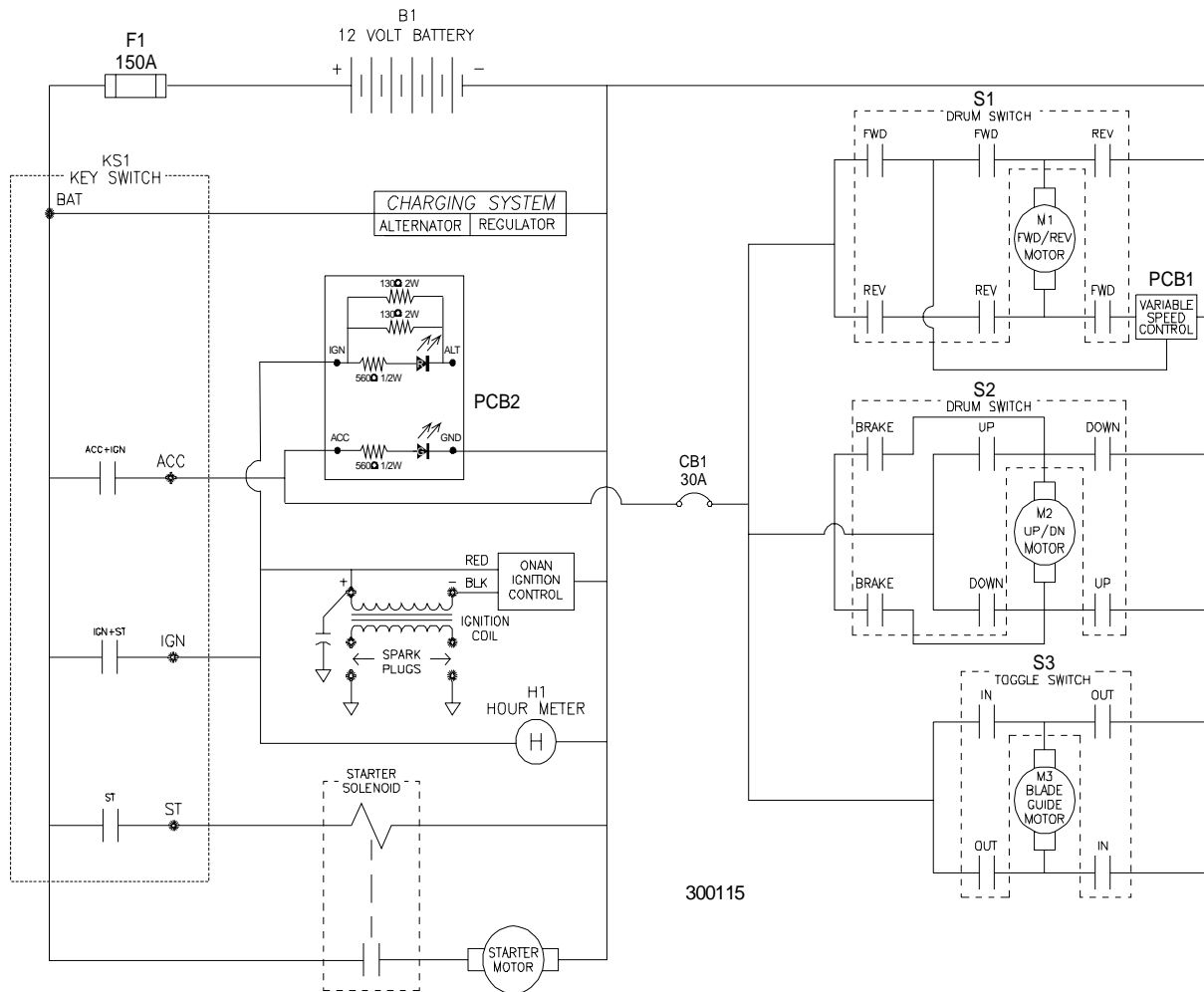


FIG. 5-1

5.2 Electrical Components, G18 LT30/LT40

Item	Manufacturer Part No.	Manufacturer	Wood-Mizer Part No.	Description
B1	DP24M ¹	Deka	P09853-1	Battery, 12 Volt LT30/40 (See Section 5.3)
CB1	30128-30	Cole-Hersee	E20486	Circuit Breaker, 30 Amp, 12 Volt, For Power Feed Motor, Auto Reset
F1	RL-150	Gould	023361	Fuse Link, 150 Amp, 250 Volt For Main + 12 Volt Starter, Alternator
H1	T14BH517BC9	ENM Corp.	015401	Hour Meter, 12 Volt, Low Power T14 Series
KS1	121801	General	P04350	Key Switch, 4-position (Accessory, Off, Ignition, Start)
M1	1149-001	Current App.	006747 ²	Motor, 12 Volt Power Feed
M2	1149-001	Current App.	006747 ³	Motor, 12 Volt Up/Down
M3	P09698-1	Klauber	A10365	Motor, 12 Volt Blade Guide Arm 53:1 Gear
PCB1	015410	Wood-Mizer	015410	Circuit Board, Control Box
PCB2	015416	Wood-Mizer	015416	Circuit Board, LED Circuit (Gas/Elec)
S1	2601-AF2-S11	Square D	E20439	Drum Switch, U.S., Power Feed Fwd/Reverse Motor
S2	2601-AF2-S12	Square D	E20440	Drum Switch, Up/Down Motor
S3	34-591Q	Pollak	024200	Toggle Switch, Blade Guide In/Out Motor

TABLE 5-1

¹ Replaces 8T24 originally supplied.

² Motor 006747 replaced 014359 supplied until 11/08.

³ Motor 006747 replaced P04140 and Service Kit A07974 supplied until 5/09.

5.3 Battery Specifications, G18 LT30/LT40

Group No.	Type No.	Performance Level		Approximate Weight	Maximum Overall Dimensions		
		Cranking Performance	Reserve Capacity	Wet	Length	Width	Height
24	DP24M ¹	515CC	---	39.0 lb. (17.7 kg)	10.75 in. (273 mm)	6.75 in. (171 mm)	9.875 in. (251 mm)

TABLE 5-2

¹ Replaces 8T24 originally supplied.

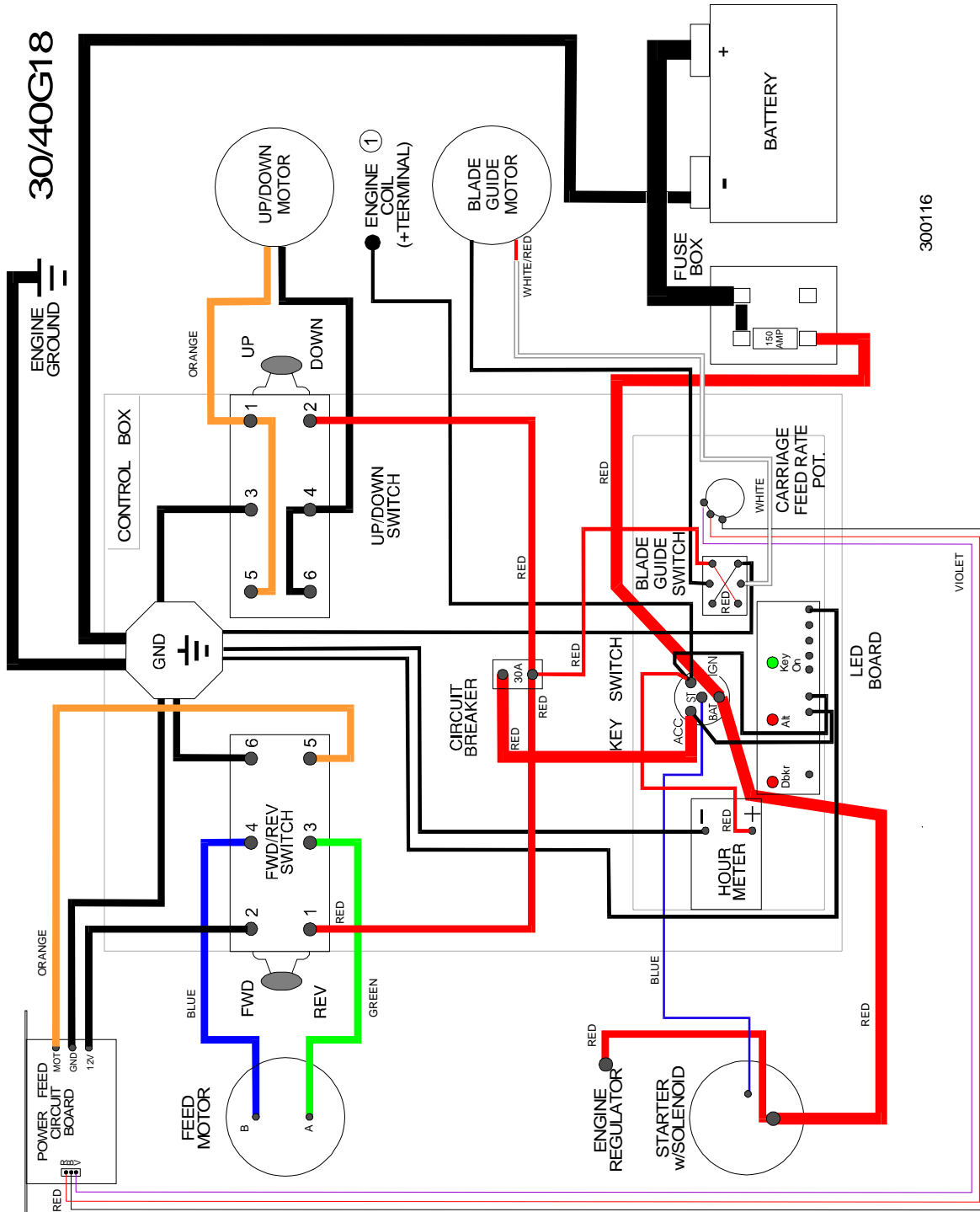
5.3 Battery Specifications, G18 LT30/LT40

Group No.	Type No.	Performance Level		Approximate Weight	Maximum Overall Dimensions		
		Cranking Performance	Reserve Capacity	Wet	Length	Width	Height
24	DP24M ¹	515CC	---	39.0 lb. (17.7 kg)	10.75 in. (273 mm)	6.75 in. (171 mm)	9.875 in. (251 mm)

TABLE 5-2

¹ Replaces 8T24 originally supplied.

5.4 Wiring Diagram, G18 LT30/LT40



300116

① WARNING: Incorrect connection will damage ignition module.

NOTE: Black Wires Not Labeled With Color Designations

FIG. 5-2