

# E30 LT70 Motor

## Safety, Operation, Maintenance & Parts Manual

---

007664 LT70 E30 460VAC ONLY rev. B

---

**Safety is our #1 concern!**

*November 2011*

*Form #1778*

**Used with:**

LT70HDE30-H	rev. B4.02 - B8.03
LT70HDE30W-H	rev. B4.02 - B8.03
LT70HDEC30-RD	rev. B4.02 - B8.03
LT70HDEC30W-RD	rev. B4.02 - B8.03
LT70HDE30-RXH OBS	rev. B4.02 - B4.04
LT70HDE30W-RXH OBS	rev. B4.02 - B4.04
LT70HDE30-WRH OBS	rev. B4.02 -B4.08
LT70HDE30W-WRH OBS	rev. B4.02 -B4.08



**WARNING! Read and understand this manual before using this machine.**

## California

### Proposition 65 Warning



**WARNING:** Breathing gas/diesel engine exhaust exposes you to chemicals known to the State of California to cause cancer and birth defects or other reproductive harm.

Always start and operate the engine in a well-ventilated area.  
If in an enclosed area, vent the exhaust to the outside.  
Do not modify or tamper with the exhaust system.  
Do not idle the engine except as necessary.

For more information go to [www.P65warnings.ca.gov](http://www.P65warnings.ca.gov).



**WARNING:** Drilling, sawing, sanding or machining wood products can expose you to wood dust, a substance known to the State of California to cause cancer. Avoid inhaling wood dust or use a dust mask or other safeguards for personal protection.

For more information go to [www.P65Warnings.ca.gov/wood](http://www.P65Warnings.ca.gov/wood).

### Active Patents assigned to Wood-Mizer, LLC

Wood-Mizer, LLC has received patents that protect our inventions which are a result of a dedication to research, innovation, development, and design. Learn more at: [woodmizer.com/patents](http://woodmizer.com/patents)

### ©2023 Wood-Mizer LLC

Printed in the United States of America, all rights reserved. No part of this manual may be reproduced in any form by any photographic, electronic, mechanical or other means or used in any information storage and retrieval system without written permission from

**Wood-Mizer, LLC**  
**8180 West 10th Street**  
**Indianapolis, Indiana 46214**

<b>SECTION 1</b>	<b>ABOUT THIS MANUAL</b>	<b>1-IV</b>
<b>SECTION 2</b>	<b>OPERATION</b>	<b>2-1</b>
2.1	Starting The Motor.....	2-1
<b>SECTION 3</b>	<b>MAINTENANCE</b>	<b>3-1</b>
3.1	Safety .....	3-1
<b>SECTION 4</b>	<b>REPLACEMENT PARTS</b>	<b>4-1</b>
4.1	Motor Assembly.....	4-1
3.2	AC Cabinet Assembly .....	3-1
3.3	Motor Pulley Guards.....	3-2
3.4	Drive Belt Guard Assembly.....	3-3

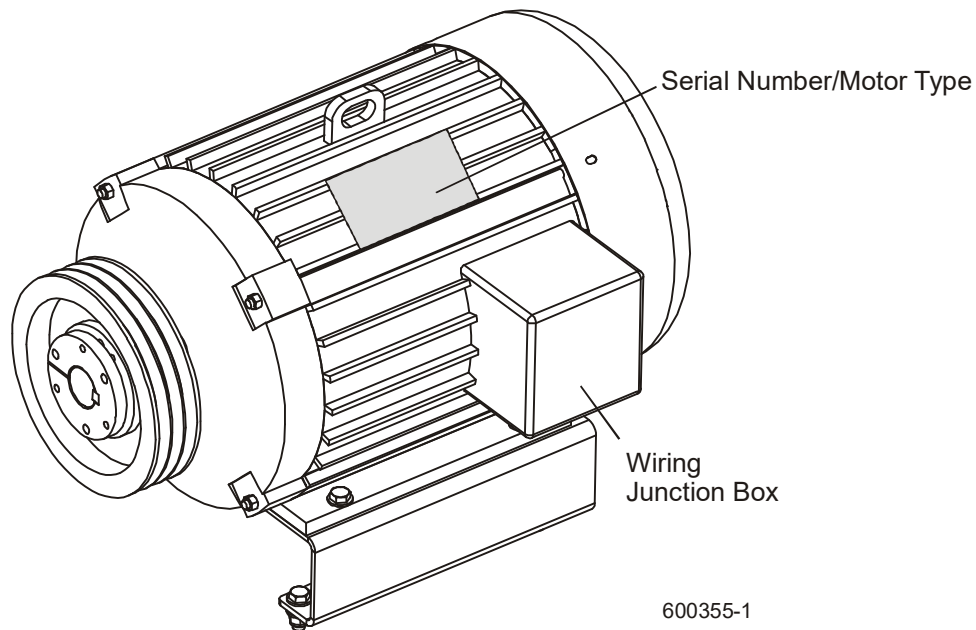
## SECTION 1 ABOUT THIS MANUAL

This manual is provided as a supplement to the equipment manufacturer's manuals. This manual provides information specific to the use of this equipment on the Wood-Mizer® sawmill. Refer to the sawmill operator's manual and manufacturer's manual before attempting to operate this equipment.

**NOTICE** Read the sawmill operator's manual and engine manufacturer's manual for instructions and safety precautions before operating this equipment.

The information and instructions given in this manual do not amend or extend the limited warranties for the equipment given at the time of purchase.

For electric sawmill installation instructions and power requirements, [see Form 1084](#).



**FIG. 1-1**

## SECTION 2 OPERATION

### 2.1 Starting The Motor

#### MOTOR CONTROL LIGHTS



*Battery Charge Indicator.* Not used.



*Key Switch Indicator:* Lights up when the key is in either the on or accessory (#1 or #3) position.

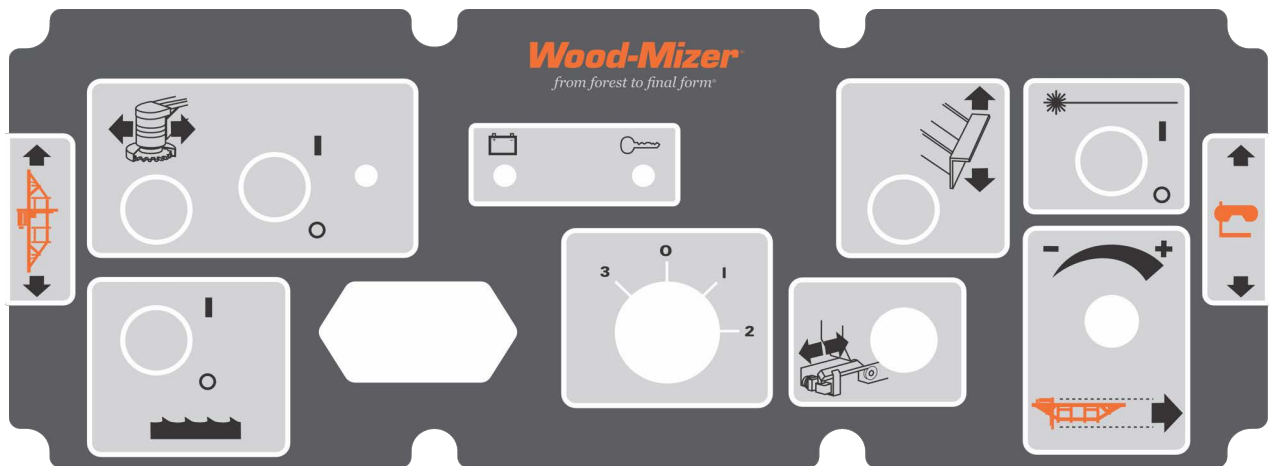


FIG. 2-1

#### MOTOR START



**WARNING!** Be sure the power feed switch is in the neutral position before turning the key switch to the on (#1) or accessory (#3) position. This prevents accidental carriage movement, which may cause serious injury or death.

Turn the key switch to the start (#2) position and release.

#### MOTOR SHUTOFF

Turn the key switch to the off (#0) position.

## SECTION 3 MAINTENANCE

Refer to the manufacturer's manual for maintenance intervals and procedures unless otherwise instructed in this manual. Follow the manufacturer's recommendations for dusty conditions.

**NOTICE** This manual only provides information about additional procedures or procedures to be performed at different time intervals than found in the manufacturer's manuals. Refer to the manufacturer's manual for complete maintenance instructions.



**WARNING!** Clean sawdust from all guards, vents, control boxes, or any area where sawdust may gather **after every shift**. Failure to do so may result in fire, causing death or serious injury.



### 3.1 Safety

Use caution when performing maintenance or service to the engine.



**DANGER!** Always be aware of and take proper protective measures against rotating shafts, pulleys, fans, etc.

Stay a safe distance from rotating members making sure that loose clothing or long hair do not engage rotating members resulting in possible injury.

Avoid contact with any part of a hot motor. Allow the motor to cool sufficiently before beginning any service function.

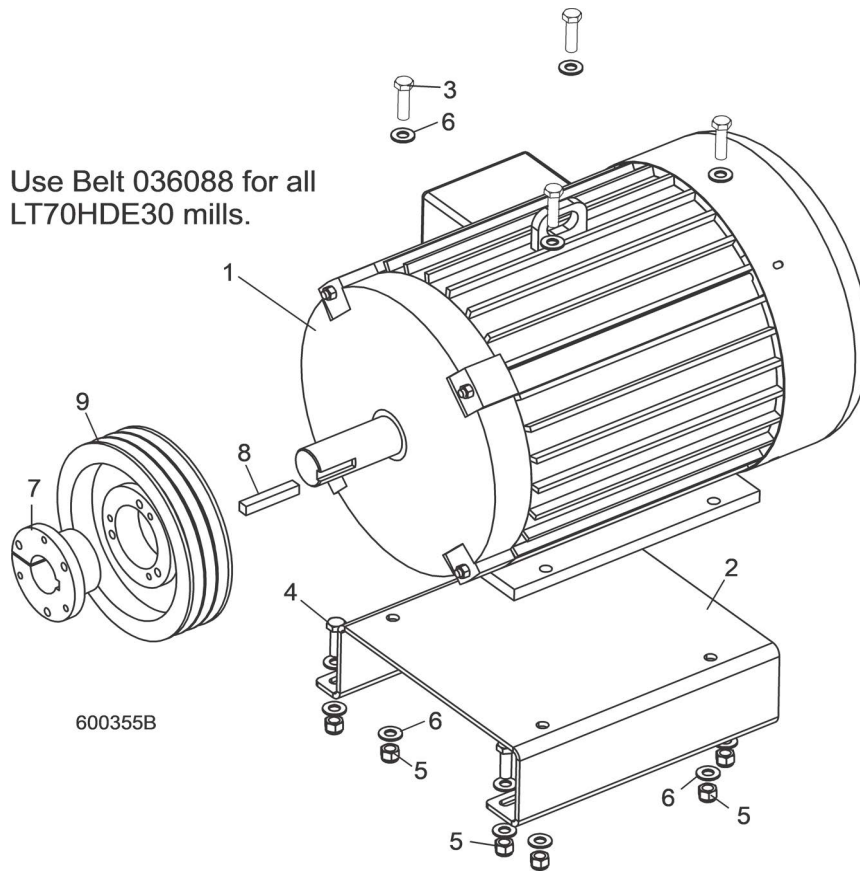


**WARNING!** Remove the blade before performing any engine service. Failure to do so may result in serious injury.

Always wear proper safety equipment (eye, breathing, hand, and foot) when performing service functions.

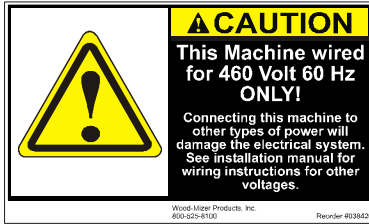
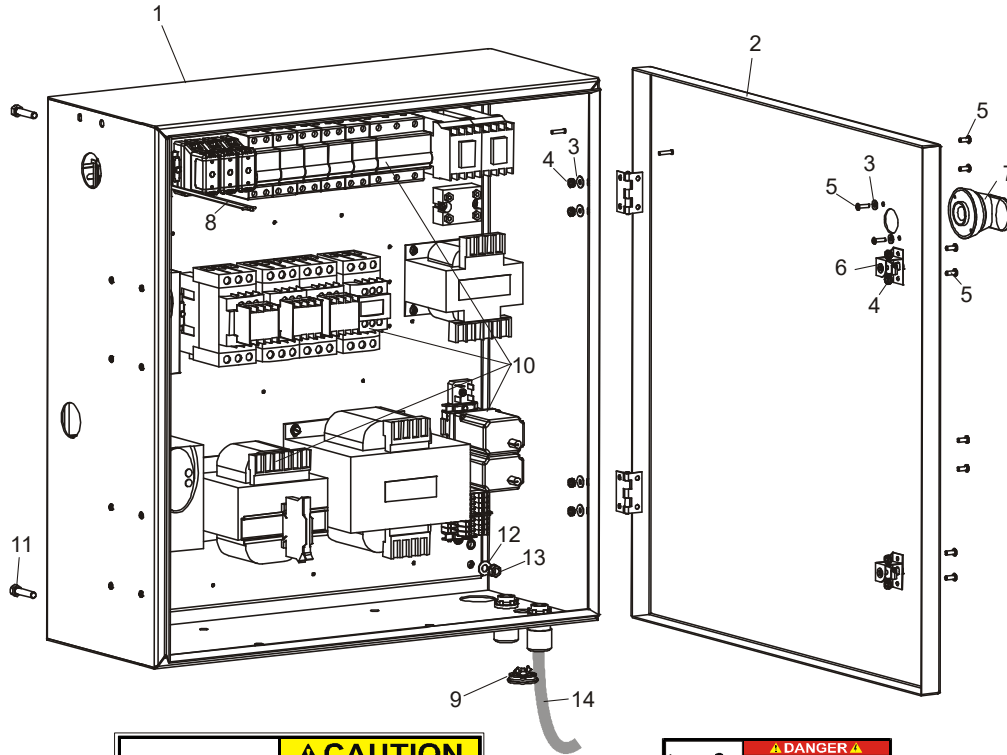
## SECTION 4 REPLACEMENT PARTS

### 4.1 Motor Assembly



REF	PART #	DESCRIPTION	COMMENTS	QTY.
	P12393	Cover, Engine		1
	007664	Motor Assembly, E30		1
1	042301	Motor, 30HP 1800RPM		1
2	006192	Plate, E30 Motor Mount		1
3	F05008-88	Bolt, 1/2-13 x 1 3/4" Hex Head Grade 5		4
4	F05008-33	Bolt, 1/2-13 x 1 1/2" Hex Head Grade 5		4
5	F05010-8	Nut, 1/2-13 Hex Nylon Lock		8
6	F05011-2	Washer, 1/2" SAE Flat		8
7	039266	Bushing, SF x 1 7/8"		1
8	S12249	Key, 1/2" x 1/2" x 3"		1
9	036929	Pulley, 3/5V4x9.75SF Motor		1
	036088	Belt, 5VFLX1000 Drive		1

### 3.2 AC Cabinet Assembly

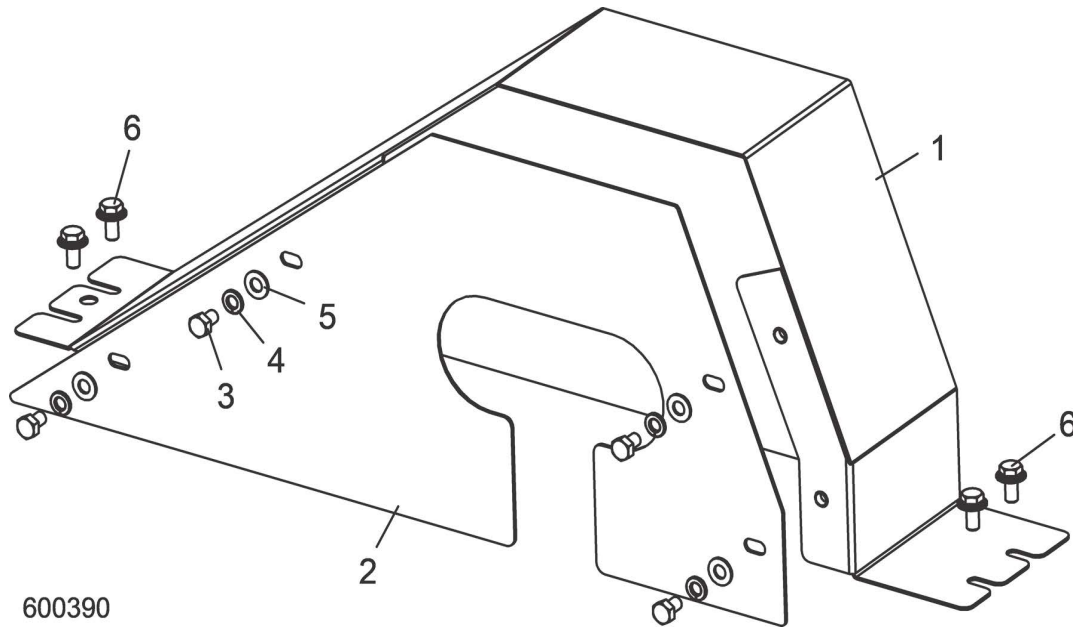


600356

REF	PART #	DESCRIPTION	COMMENTS	QTY.
	069561	Control Assembly, E30H 380-480VAC	Available in assemblies only.	1
	069600	Control Assembly, EC30 380-480VAC DCS	<b>DCS mills only</b>	1
<b>1</b>	050096	Box Weldment, LT70 AC		1
<b>2</b>	050097	Door Weldment, LT70 AC Box		1
<b>3</b>	F05011-41	Washer, #8 SAE Flat		6
<b>4</b>	F05010-169	Nut, #8-32 Hex Nylon Lock		8
<b>5</b>	F05004-91	Screw, #8-32 x 5/7" Button Socket Head SS		10
<b>6</b>	051978	Latch, Compression Door		2
<b>7</b>	050907-1	Handle, Pistol Grip Operator		1
<b>8</b>	050908-1	Shaft, 265mm Pistol Grip		1
<b>9</b>	024250	Plug, AS075 Oiltite Painted		1
<b>10</b>		Electrical Components	See Electrical Information	
<b>11</b>	F05006-76	Bolt, 5/16-18 x 1 1/2" Hex Head Grade 5 Full Thread		4
<b>12</b>	F05011-17	Washer, 5/16" SAE Flat		8
<b>13</b>	F05010-20	Nut, 5/16-18 Self-Locking Hex		8
<b>14</b>	052860	Cable Assembly, AC LT70 Up/Down Service		1
<b>15</b>	038420	Decal, Electrical Connection (460V)		1
<b>16</b>	051948	Decal, Two Electrical Sources Danger		1
	073517	Cable Assembly, LT70		1
	<b>HARNES ASSEMBLY, UPPER</b> (Includes AC LT70 Power Feed Cable) See Front Panel Harnesses (Non-Remote) or Remote Junction Box (Remote)			

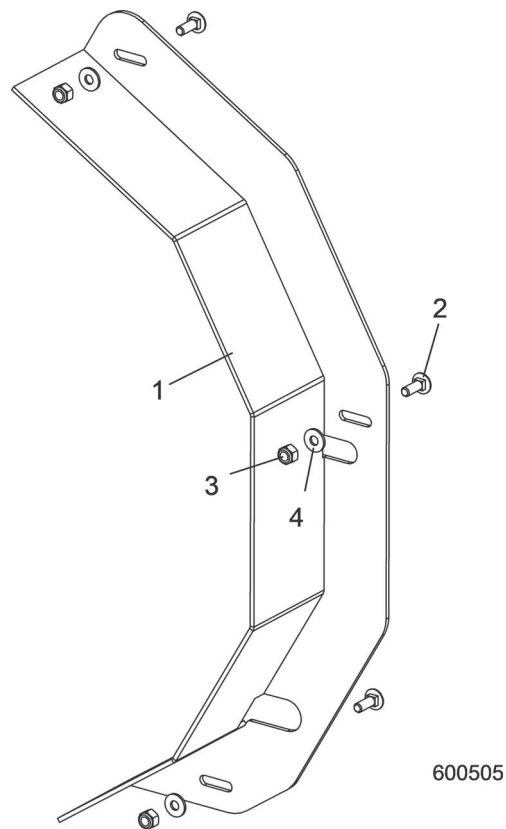


### 3.3 Motor Pulley Guards



REF	PART #	DESCRIPTION	COMMENTS	QTY.
	074055	Cover Assembly, E30 Top Pulley		1
1	006273	Cover Weldment, E30 Top Pulley	Modified 006273 Cover Weldment now part of 074055 Cover Assembly (5/13).	1
2	074053	Plate, Inside Belt Cover		1
3	F05006-15	Bolt, 5/16-18 x 1/2" Hex Head Grade 5		4
4	F05011-13	Washer, 5/16" Split Lock		4
5	F05011-17	Washer, 5/16" SAE Flat		4
6	F05006-101	Bolt, 5/16-18 x 3/4" Hex Head with washers		4

### 3.4 Drive Belt Guard Assembly



REF	PART #	DESCRIPTION	COMMENTS	QTY.
	079141	Guard Assembly, LT70 Drive Belt	Located inside the sawhead	1
1	079132	Guard Weldment, LT70 Drive Belt Guard		1
2	F05005-113	Bolt, 1/4-20x3/4 Carriage		3
3	F05010-69	Nut, 1/4-20 Nylock		3
4	F05011-11	Washer, 1/4 SAE Flat		3