



Wood-Mizer[®] Sawmill

Parts Manual

LT30
LT40

rev. F7.00 - J6.00
rev. F8.00 - J7.00



Safety is our #1 concern! Read and understand all safety information and instructions before operating, setting up or maintaining this machine.

January 1999

Form #764

Table of Contents

Section-Page

SECTION 1	GENERAL INFORMATION	1-1
1.1	How To Use The Parts List	1-1
1.2	Sample Assembly	1-1
SECTION 2	BLADE GUIDE ROLLERS & ARM	2-1
2.1	Blade Guide Assembly, Idle Side.....	2-1
	<i>LT30</i> <i>Retrofit</i>	
	<i>LT40</i> <i>Retrofit</i>	
2.2	Blade Guide Assembly, Idle Side.....	2-4
	<i>LT30</i> <i>Rev. J5.00 - J6.00</i>	
	<i>LT40</i> <i>Rev. J6.00 - J7.00</i>	
2.3	Blade Guide Assembly, Idle Side.....	2-7
	<i>LT30</i> <i>Rev. H6.00 - J4.07</i>	
	<i>LT40</i> <i>Rev. H7.00 - J5.07</i>	
2.4	Blade Guide Assembly, Idle Side.....	2-10
	<i>LT30</i> <i>Rev. F7.00 - H5.01</i>	
	<i>LT40</i> <i>Rev. F8.00 - H6.01</i>	
2.5	Blade Guide Assembly, Drive Side.....	2-12
	<i>LT30</i> <i>Retrofit</i>	
	<i>LT40</i> <i>Retrofit</i>	
2.6	Blade Guide Assembly, Drive Side.....	2-15
	<i>LT30</i> <i>Rev. J5.00 - J6.00</i>	
	<i>LT40</i> <i>Rev. J6.00 - J7.00</i>	
2.7	Blade Guide Assembly, Drive Side.....	2-18
	<i>LT30</i> <i>Rev. H6.00 - J4.07</i>	
	<i>LT40</i> <i>Rev. H7.00 - J5.07</i>	
2.8	Blade Guide Assembly, Drive Side.....	2-21
	<i>LT30</i> <i>Rev. F7.00 - H5.01</i>	
	<i>LT40</i> <i>Rev. F8.00 - H6.01</i>	
2.9	Blade Guide Arm Drive Assembly.....	2-23
2.10	Blade Guide Arm.....	2-25
SECTION 3	BLADE WHEELS & TENSIONER	3-1
3.1	Blade Drive Assembly.....	3-1
	<i>LT30 D33</i> <i>Rev. H5.00 - J6.00</i>	
	<i>LT40 D33</i> <i>Rev. H6.00 - J7.00</i>	
	<i>LT30 G36</i> <i>Rev. H7.00 - J6.00</i>	
	<i>LT40 G36</i> <i>Rev. H8.00 - J7.00</i>	
3.2	Blade Drive Assembly.....	3-3
	<i>LT30 G18/G20/G25</i> <i>Rev. H3.00 - J7.00</i>	
	<i>LT40 G18/G20/G25</i> <i>Rev. H4.00 - J8.00</i>	
	<i>LT30 D33</i> <i>Rev. H3.00 - H4.00</i>	
	<i>LT40 D33</i> <i>Rev. H4.00 - H5.00</i>	
3.3	Blade Drive Assembly.....	3-5
	<i>LT30</i> <i>Rev. G4.00 - H2.00</i>	
	<i>LT40</i> <i>Rev. G5.00 - H3.00</i>	
3.4	Blade Drive Assembly.....	3-7
	<i>LT30</i> <i>Rev. F7.00 - G3.06</i>	

Table of Contents

Section-Page

3.5	<i>LT40</i> <i>Rev. F8.00 - G4.06</i> Idle Blade Wheel Assembly	3-9
	<i>LT30</i> <i>Rev. H3.00 - J6.00</i> <i>LT40</i> <i>Rev. H4.00 - J7.00</i>	
3.6	Idle Blade Wheel Assembly	3-11
	<i>LT30</i> <i>Rev. G4.00 - H2.00</i> <i>LT40</i> <i>Rev. G5.00 - H3.00</i>	
3.7	Idle Blade Wheel Assembly	3-13
	<i>LT30</i> <i>Rev. F7.00 - G3.06</i> <i>LT40</i> <i>Rev. F8.00 - G4.06</i>	
3.8	Hydraulic Blade Tensioner Assembly.....	3-15

SECTION 4 SAW HEAD

4-1

4.1	Middle Throat Screw	4-1
4.2	Clutch/Brake Lever Assembly (D33/G36).....	4-2
	<i>LT30</i> <i>Rev. H5.00 - J6.00</i> <i>LT40</i> <i>Rev. H6.00 - J7.00</i>	
4.3	Clutch/Brake Lever Assembly (D33).....	4-4
	<i>LT30</i> <i>Rev. G9.00 - H4.00</i> <i>LT40</i> <i>Rev. H1.00 - H5.00</i>	
4.4	Clutch/Brake Lever Assembly (G18/G20/G25).....	4-6
	<i>LT30</i> <i>Rev. G9.00 - J6.00</i> <i>LT40</i> <i>Rev. H1.00 - J7.00</i>	
4.5	Clutch/Brake Lever Assembly	4-8
	<i>LT30</i> <i>Rev. F7.00 - G8.00</i> <i>LT40</i> <i>Rev. F8.00 - G9.00</i>	
4.6	Clutch Mount Assembly.....	4-10
	<i>LT30</i> <i>Rev. G9.00 - J6.00</i> <i>LT40</i> <i>Rev. H1.00 - J7.00</i>	
4.7	Clutch Mount Assembly.....	4-11
	<i>LT30</i> <i>Rev. F7.00 - G8.00</i> <i>LT40</i> <i>Rev. F8.00 - G9.00</i>	
4.8	Brake Assembly.....	4-12
4.9	Water Lube Assembly	5-1
4.10	Saw Head Decals	5-3
4.11	Blade Housing Covers.....	5-4
	<i>LT30</i> <i>Rev. G1.00 - J6.00</i> <i>LT40</i> <i>Rev. G2.00 - J7.00</i>	
4.12	Blade Housing Covers.....	5-6
	<i>LT30</i> <i>Rev. F7.00 - F9.00</i> <i>LT40</i> <i>Rev. F8.00 - G1.00</i>	
4.13	Drive Belt Covers	5-8
4.14	Sawdust Chute	5-9
	<i>LT30</i> <i>Rev. F8.00 - J6.00</i> <i>LT40</i> <i>Rev. F9.00 - J7.00</i>	

Table of Contents

Section-Page

4.15	Sawdust Chute	5-10
	<i>LT30</i> <i>Rev. F7.00</i>	
	<i>LT40</i> <i>Rev. F8.00</i>	
4.16	Debarker Wire Box/Hole Plugs.....	5-11
SECTION 5	CONTROL & BATTERY BOXES	6-1
5.1	Control Assembly.....	6-1
	<i>LT30</i> <i>Rev. J4.00 - J6.00</i>	
	<i>LT40</i> <i>Rev. J5.00 - J7.00</i>	
5.2	Control Assembly.....	6-3
	<i>LT30</i> <i>Rev. G3.00 - J3.00</i>	
	<i>LT40</i> <i>Rev. G4.00 - J4.00</i>	
5.3	Control Assembly.....	6-6
	<i>LT30</i> <i>Rev. F7.00 - G2.02</i>	
	<i>LT40</i> <i>Rev. F8.00 - G3.02</i>	
5.4	Drum Switches	6-9
5.5	Circuit Breakers.....	6-10
	<i>LT30</i> <i>Rev. G3.00 - J6.00</i>	
	<i>LT40</i> <i>Rev. G4.00 - J7.00</i>	
5.6	Front Panel Assembly & Harnesses	6-11
	<i>LT30</i> <i>Rev. J4.00 - J6.00</i>	
	<i>LT40</i> <i>Rev. J5.00 - J7.00</i>	
5.7	Front Panel Assembly & Harnesses	6-13
	<i>LT30</i> <i>Rev. F9.00 - J3.00</i>	
	<i>LT40</i> <i>Rev. G1.00 - J4.00</i>	
5.8	Front Panel Assembly & Harnesses	6-15
	<i>LT30</i> <i>Rev. F7.00 - F8.04</i>	
	<i>LT40</i> <i>Rev. F8.00 - F9.04</i>	
5.9	Battery Box Assembly.....	6-17
	<i>LT30</i> <i>Rev. J4.00 - J6.00</i>	
	<i>LT40</i> <i>Rev. J5.00 - J7.00</i>	
5.10	Battery Box Assembly.....	6-19
	<i>LT30</i> <i>Rev. F7.00 - J3.00</i>	
	<i>LT40</i> <i>Rev. F8.00 - J4.00</i>	
SECTION 6	UP/DOWN SYSTEM	7-1
6.1	Saw Head Mount.....	7-1
6.2	Blade Height & Quarter Scales	7-2
6.3	Up/Down Chain & Sprockets.....	7-4
	<i>LT30</i> <i>Rev. G4.01 - J6.00</i>	

Table of Contents

Section-Page

6.4	<i>LT40</i> <i>Rev. G5.01 - J7.00</i> Up/Down Chain & Sprockets.....	7-6
	<i>LT30</i> <i>Rev. G3.00 - G4.00</i>	
	<i>LT40</i> <i>Rev. G4.00 - G5.00</i>	
6.5	Up/Down Chain & Sprockets.....	7-8
	<i>LT30</i> <i>Rev. F7.00 - G2.02</i>	
	<i>LT40</i> <i>Rev. F8.00 - G3.02</i>	
6.6	Up/Down Assembly, G18/G24/G20/G25	7-10
6.7	Up/Down Assembly, D33/G36	7-12
	<i>LT30</i> <i>Rev. J5.00 - J6.00</i>	
	<i>LT40</i> <i>Rev. J6.00 - J7.00</i>	
6.8	Up/Down Assembly, D30/D33/G36	7-14
	<i>LT30</i> <i>Rev. F7.00 - J4.07</i>	
	<i>LT40</i> <i>Rev. F8.00 - J5.07</i>	

SECTION 7 FEED SYSTEM & TRACK ROLLERS

8-1

7.1	Upper Track Rollers And Wipers.....	8-1
	<i>LT30</i> <i>Rev. G8.00 - J6.00</i>	
	<i>LT40</i> <i>Rev. G9.00 - J7.00</i>	
7.2	Upper Track Rollers And Wipers.....	8-3
	<i>LT30</i> <i>Rev. F7.00 - G7.00</i>	
	<i>LT40</i> <i>Rev. F8.00 - G8.00</i>	
7.3	Power Feed Assembly	8-4
7.4	Feed Chain/Stop	8-6
	<i>LT30</i> <i>Rev. G6.00 - J6.00</i>	
	<i>LT40</i> <i>Rev. G7.00 - J7.00</i>	
7.5	Feed Chain/Stop	8-8
	<i>LT30</i> <i>Rev. G3.00 - G5.00</i>	
	<i>LT40</i> <i>Rev. G4.00 - G6.00</i>	
7.6	Feed Chain/Stop	8-10
	<i>LT30</i> <i>Rev. F7.00 - G2.02</i>	
	<i>LT40</i> <i>Rev. F8.00 - G3.02</i>	
7.7	Lower Track Rollers.....	8-12
	<i>LT30</i> <i>Rev. H4.00 - J6.00</i>	
	<i>LT40</i> <i>Rev. H5.00 - J7.00</i>	
7.8	Lower Track Rollers.....	8-13
	<i>LT30</i> <i>Rev. F7.00 - H3.02</i>	
	<i>LT40</i> <i>Rev. F8.00 - H4.02</i>	

SECTION 8 BED FRAME ASSEMBLY

9-1

8.1	Bed Rail Assembly, Front And Rear.....	9-1
8.2	Bed Rail Assembly, Middle Front.....	9-3
8.3	Bed Rail Assembly, Middle Rear.....	9-4
8.4	Leg Assembly (Stationary).....	9-6
	<i>LT15BS</i> <i>Rev. E.00+</i>	
8.5	Pivot Bed Rail Assembly.....	9-8
8.6	Log Side Support Assembly.....	9-10
	<i>LT30</i> <i>Rev. H5.00 - J6.00</i>	
	<i>LT40</i> <i>Rev. H6.00 - J7.00</i>	

Table of Contents

Section-Page

8.7	Log Side Support Assembly	9-12	
	<i>LT30</i> <i>Rev. F7.00 - H4.00</i>		
	<i>LT40</i> <i>Rev. F8.00 - H5.00</i>		
8.8	Safety Chain Assembly	9-14	
8.9	Bed Frame Decals.....	9-15	
8.10	Log Clamp	9-16	
8.11	Log Loading Ramps	9-18	
SECTION 9	MISCELLANEOUS		10-1
9.1	Replacement Manuals	10-1	
	INDEX		I

Table of Contents

Section-Page

SECTION 1 GENERAL INFORMATION

1.1 How To Use The Parts List

- Use the table of contents or index to locate the assembly that contains the part you need.
- Go to the appropriate section and locate the part in the illustration.
- Use the number pointing to the part to locate the correct part number and description in the table.
- Parts shown indented under another part are included with that part.
- Parts marked with a diamond (◆) are only available in the assembly listed above the part.

See the sample table below. Sample Part #A01111 includes part F02222-2 and subassembly A03333. Subassembly A03333 includes part S04444-4 and subassembly K05555. The diamond (◆) indicates that S04444-4 is not available except in subassembly A03333. Subassembly K05555 includes parts M06666 and F07777-77. The diamond (◆) indicates M06666 is not available except in subassembly K05555.

1.2 Sample Assembly				
REF	DESCRIPTION (◆ Indicates Parts Available In Assemblies Only)	PART #	QTY.	
	SAMPLE ASSEMBLY, COMPLETE (INCLUDES ALL INDENTED PARTS BELOW)	A01111	1	
1	Sample Part	F02222-22	1	
	Sample Subassembly (Includes All Indented Parts Below)	A03333	1	
2	Sample Part (◆ Indicates Part Is Only Available With A03333)	S04444-4	1	◆
	Sample Subassembly (Includes All Indented Parts Below)	K05555	1	
3	Sample Part (◆ Indicates Part Is Only Available With K05555)	M06666	2	◆
4	Sample Part	F07777-77	1	

To Order Parts:

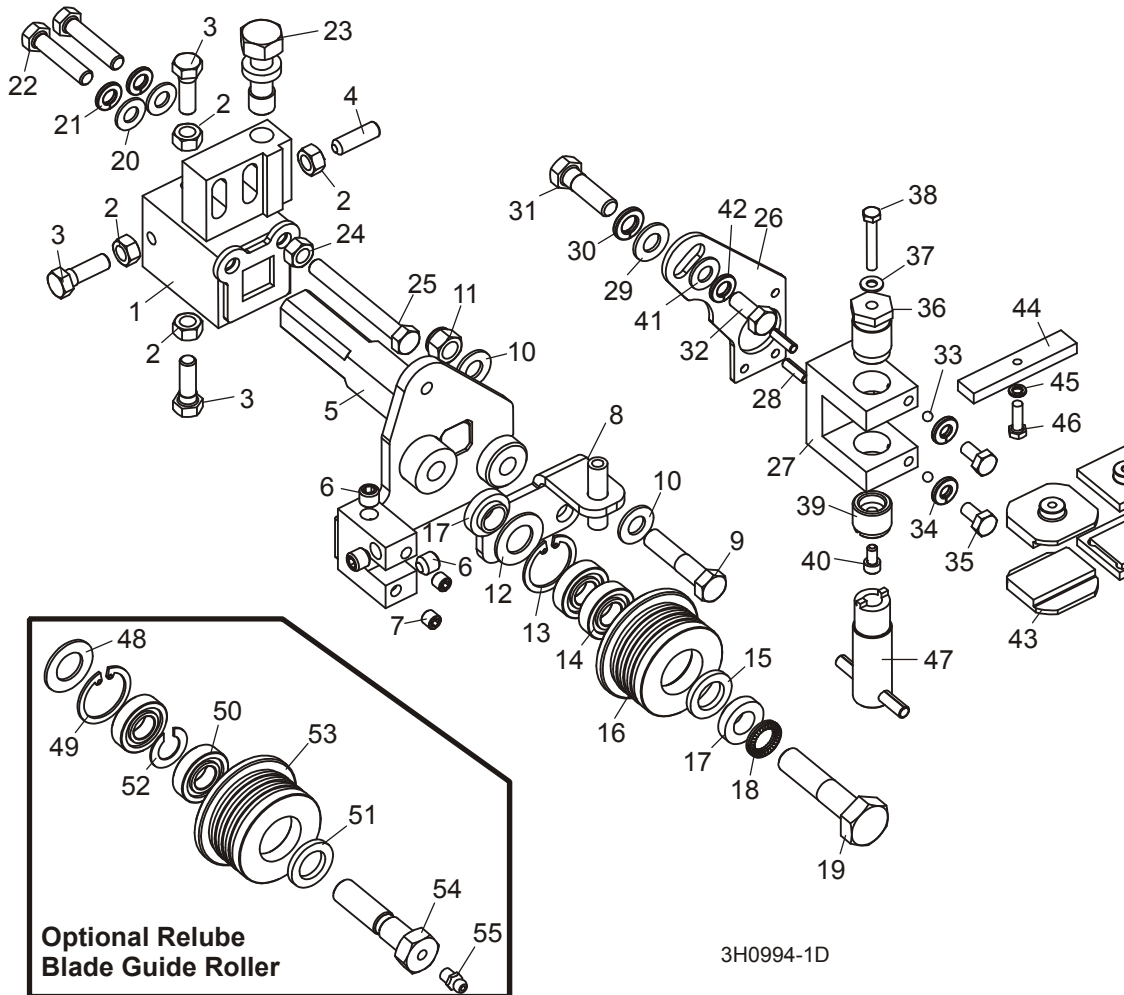
- From the continental U.S., call **1-800-525-8100** to order parts. Have your customer number, vehicle identification number, and part numbers ready when you call.
- From other international locations, contact the Wood-Mizer distributor in your area for parts.

SECTION 2 BLADE GUIDE ROLLERS & ARM

2.1 Blade Guide Assembly, Idle Side

LT30
LT40

Retrofit
Retrofit



REF	DESCRIPTION (◆ Indicates Parts Available In Assemblies Only)	PART #	QTY.
	GUIDE ASSEMBLY, IDLE SIDE BLADE ROLLER	003992	1
	Block Assembly, Idle Side Blade Guide Mount	003920	1
1	Block Weldment, Blade Guide Mount	003921	1 ◆
2	Nut, 5/16-18 Hex	F05010-17	4
3	Bolt, 5/16-18 x 1" Hex Head Stainless Steel	F05006-88	3
4	Screw, 5/16-18 x 1" Socket Head Flat Point Stainless Steel Set	F05006-122	1
5	Shaft Weldment, IdleSide Guide	003924 ¹	1
6	Fitting, 1/8" NPT Socket Pipe Plug	P30127	3

2

Blade Guide Rollers & Arm

Blade Guide Assembly, Idle Side

7	Fitting, 1/16" NPT Socket Pipe Plug	007734 ¹	2	
8	Bracket Weldment, Idle Side Water Lube	006322	1	
9	Bolt, 3/8-16UNF-2A x 1 3/4" Grade 5	F05007-119	1	
10	Washer, 3/8" SAE Flat	F05011-3	2	
11	Nut, 3/8-16 Hex Nylon Lock	F05010-10	1	
	Roller Assembly, Blade Guide (standard)	A04925	1	
	Bearing Kit, Blade Guide Rebuild	K07079	1	
12	Washer, 5/8" White Felt	P04252	1	
13	Ring, 1 1/8" Interior Retaining	F04254-1	1	
14	Bearing, R8-2RS Blade Guide	015975	2	◆
15	Washer, 5/8" Gray Felt	P06455	1	
	Screw, 1/4-28 x 1/4" Socket Head Cup Point Set Black Oxide	F05005-105	1	
	Instruction Sheet, Blade Guide Rebuild	057407-1507	1	
16	Roller, Flanged Blade Guide	S04250	1	◆
	Instruction Sheet, Blade Guide Roller Replacement	A04925-364	1	
17	Spacer, Blade Guide	S04253	2	
18	Washer, 1/2" Nord-Lock	F05011-125 ²	1	
19	Bolt, 1/2-13 x 2 1/4" Hex Head Grade 5	F05008-10	1	
20	Washer, 5/16" SAE Flat	F05011-17	2	
21	Washer, 5/16" Split Lock	F05011-13	2	
22	Bolt, 5/16-18 x 1 1/2" Hex Head	F05006-76	2	
23	Bolt, Blade Guide Vertical Adjustment	035656	1	
24	Nut, 5/16-18 Hex	F05010-17	1	
25	Bolt, 5/16-18 x 2 1/4" Hex Head Full Thread	F05006-16	1	
	BLOCK ASSEMBLY, IDLE SIDE BLADE GUIDE	003928	1	
26	Plate, Block Tilt Adjustment	003915	1	
27	Block, Guide Block Mount	003909	1	
28	Pin, 3/16" x 5/8" Roll	F05012-22	2	
29	Washer, 3/8" SAE Flat	F05011-3	1	
30	Washer, 3/8" Split Lock	F05011-4	1	
31	Bolt, 3/8-16 x 1 1/4" Hex Head Grade 5	F05007-123	1	
32	Bolt, 5/16-18 x 3/4" Hex Head w/Flat & Lock Washer	F05006-101	1	
33	Ball, 3/16" Dia. Nylon	003914	2	
34	Washer, 1/4" Split Lock	F05011-14	2	
35	Bolt, 1/4-20 x 1/2" Hex Head	F05005-15	2	
36	Bolt, Blade Guide Block Mount	003994	1	
37	Washer, #10 Brass	042867	1	
38	Bolt, #10-32 x 1 1/4" Hex Head Stainless Steel	F05004-240	1	
39	Screw, Lower Block Adjustment	044057	1	
40	Screw, #10-32 x 3/8" Socket Head Stainless Steel	F05004-200	1	
41	BLOCK, BLADE GUIDE WEAR (STANDARD FOR 1 1/4" BLADES)	052355 ³	2	
	BLOCK ASSEMBLY, 1" SQ. EZ-GLIDE WEAR	036347 ³	2	
42	BLOCK, BLADE GUIDE ALIGNMENT	035799	1	

Blade Guide Rollers & Arm

Blade Guide Assembly, Idle Side

2

43	WASHER, #10 SPLIT LOCK	F05011-20	1	
44	SCREW, #10-32 X 5/8" HEX HEAD	F05004-152	1	
45	ADJUSTMENT TOOL, LOWER GUIDE BLOCK	044064	1	
	SHIM, .008" BLADE GUIDE BLOCK SPACER	035248	1	
	ROLLER ASSEMBLY, BLADE GUIDE RELUBE (OPTIONAL)	016568	1	
	Bearing Kit, Relube Blade Guide Rebuild	057407	1	
46	Washer, 5/8" White Felt	P04252	1	
47	Ring, 1 1/8" Interior Retaining	F04254-1	1	
48	Bearing, R8-2RS Blade Guide	015975 ⁴	2	◆
49	Washer, 5/8" Gray Felt	P06455	1	
50	Spacer, Blade Guide Bearing	035411	1	
	Instruction Sheet, Blade Guide Rebuild	057407-1507	1	
51	Roller, Flanged Blade Guide (Relube)	035426	1	◆
	Instruction Sheet, Blade Guide Roller Replacement	A04925-364	1	
52	BOLT, BLADE GUIDE ROLLER (RELUBE ONLY)	036161	1	
53	FITTING, 1/4-28 GREASE (RELUBE ONLY)	P05060	1	

¹ Shaft Weldment 003924 modified to provide more clearance for adjustment bolts and to prevent water leaks (12/09). New shaft requires two 1/16" NPT Pipe Plugs 007734.

² Nord-Lock Washer F05011-125 replaced Split Lock Washer F05011-9 to prevent loosening due to vibration (12/09).

³ 052355 blocks for use with 1 1/4" blade provided as standard equipment. EZ-Glide blocks 036347 are available for customers who prefer this block.

⁴ Bearing must be modified for use with relube roller assemblies. Remove one seal from each bearing, place open sides facing each other and place spacer 035411 between bearings.

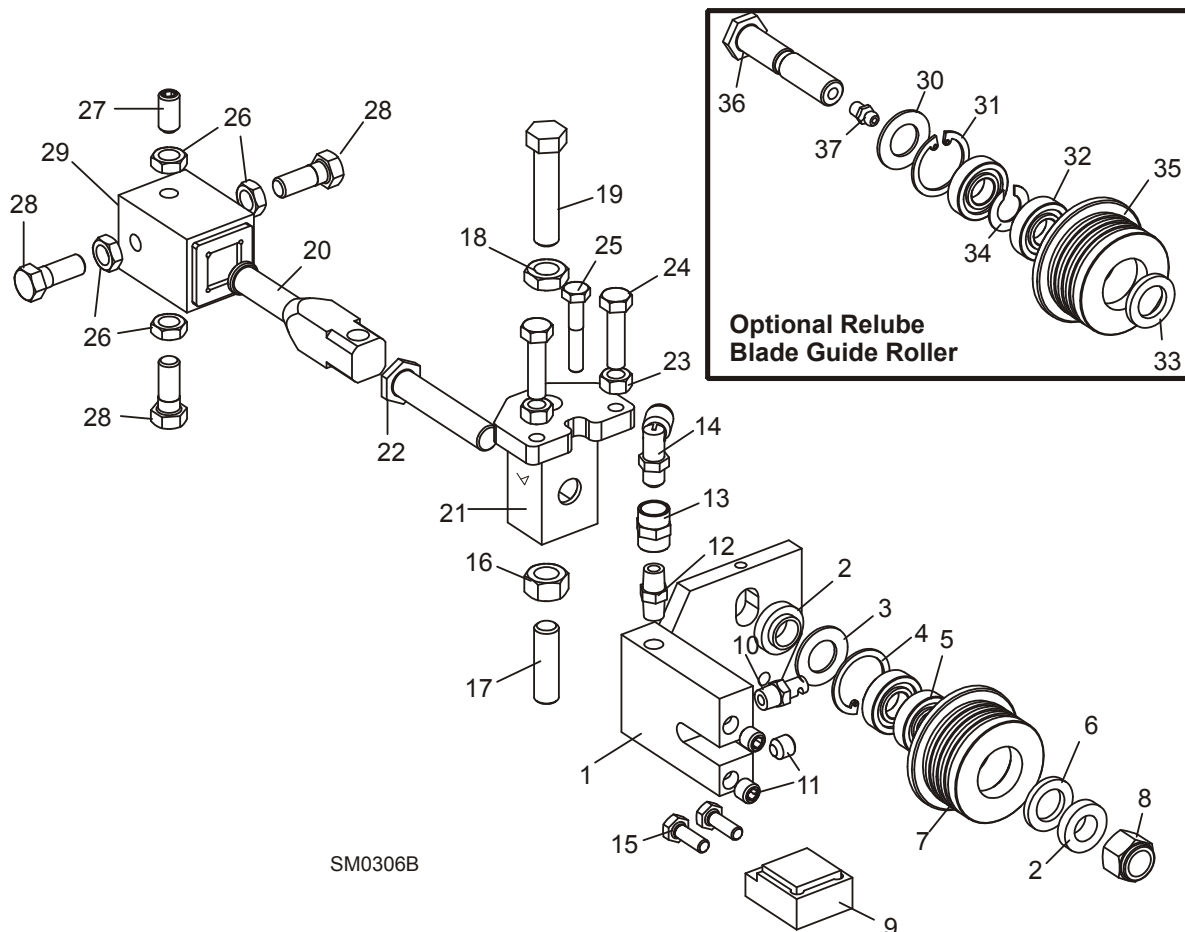
2 Blade Guide Rollers & Arm

Blade Guide Assembly, Idle Side

2.2 Blade Guide Assembly, Idle Side

LT30
LT40

Rev. J5.00 - J6.00
Rev. J6.00 - J7.00



SM0306B

REF	DESCRIPTION (◆ Indicates Parts Available In Assemblies Only)	PART #	QTY.
	ROLLER/BLOCK ASSEMBLY, IDLE SIDE (OUTER)	035405 ¹	1
1	Nozzle Block Weldment, Idle Side	035404	1
2	Spacer, .510 x .937 x .34	S04253	2
	Roller Assembly, Blade Guide (standard)	A04925	1
	Bearing Kit, Blade Guide Rebuild	K07079	1
3	Washer, 5/8" White Felt	P04252	1
4	Ring, 1 1/8" Interior Retaining	F04254-1	1
5	Bearing, R8-2RS Blade Guide	015975	2
6	Washer, 5/8" Gray Felt	P06455	1
	Screw, 1/4-28 x 1/4" Socket Head Cup Point Set Black Oxide	F05005-105	1
	Instruction Sheet, Blade Guide Rebuild	057407-1507	1
7	Roller, Flanged Blade Guide (1 1/4" & 1 1/2" blade)	S04250	1

Blade Guide Rollers & Arm

Blade Guide Assembly, Idle Side

2

	Instruction Sheet, Blade Guide Roller Replacement	A04925-364	1	
8	Nut, 1/2-20 Nylon Hex Lock	F05010-15	1	
9	Block Assembly, 1 1/4" Blade EZ-Glide Wear	036247 ²	1	
	Block, 1 1/4" Blade Guide Wear	052367 ²	1	
10	Nozzle, Blade Water Lube Spray (For use with standard bottle water lube)	016637 ³	1	
11	Fitting, 1/8" NPT Socket Pipe Plug	P30127	3	
12	Fitting, 1/8" Dry Seal Nipple	P02764	1	
13	Fitting, 1/8" FPT Coupling	P05748	1	
14	Fitting, 1/8" MPT x 1/4" Tube 90° Elbow Swivel	P09736	1	
15	Bolt, 1/4-20 x 3/4" Hex Head Grade 5	F05005-123	2	
	Shaft Kit, Blade Guide Adjust Retrofit	038971 ⁴	1	
16	Nut, 7/16-20 Hex	F05010-202 ⁵	1	
17	Screw, 7/16-20 x 1 1/2" Socket Head Cup Point Stainless Steel	F05007-217 ⁶	1	
18	Nut, 7-16-20 Hex Jam	F05010-38	1	
19	Bolt, 7/16-20 x 2" Hex Head Full Thread Grade 8	F05007-215	1	
20	Shaft, Blade Guide Mount	054966	1	
21	Block Weldment, Roller Guide Adjuster	054969	1	
22	Bolt, Blade Guide Roller	036374	1	
23	Nut, 5/16-24 Hex	F05010-28	2	
24	Bolt, 5/16-24 x 1 1/4" Hex Head Full Thread Grade 5	F05006-107	2	
25	Bolt, 1/4-28 x 1 1/2" Hex Head Grade 5	F05005-143	1	
	SHIM, .008" CERAMIC INSERT SPACER	035248	1	
26	NUT, 3/8-24 HEX JAM	F05010-22	4	
27	SCREW, 3/8-24 X 3/4" STAINLESS STEEL SOCKET HEAD FLAT POINT	F05007-95	1	
28	BOLT, 3/8-24 X 1" STAINLESS STEEL HEX HEAD	F05007-99	3	
29	TUBE, BLADE GUIDE MOUNT (See Section 2.4)	W08159	1	
	ROLLER ASSEMBLY, BLADE GUIDE RELUBE (OPTIONAL)	016568	1	
	Bearing Kit, Relube Blade Guide Rebuild	057407	1	
30	Washer, 5/8" White Felt	P04252	1	
31	Ring, 1 1/8" Interior Retaining	F04254-1	1	
32	Bearing, R8-2RS Blade Guide	015975 ⁷	2	◆
33	Washer, 5/8" Gray Felt	P06455	1	
34	Spacer, Blade Guide Bearing	035411	1	
	Instruction Sheet, Blade Guide Rebuild	057407-1507	1	
35	Roller, Flanged Blade Guide (Relube)	035426	1	◆
	Instruction Sheet, Blade Guide Roller Replacement	A04925-364	1	
36	BOLT, BLADE GUIDE ROLLER (RELUBE ONLY)	035412	1	
37	FITTING, 1/4-28 GREASE (RELUBE ONLY)	P05060	1	

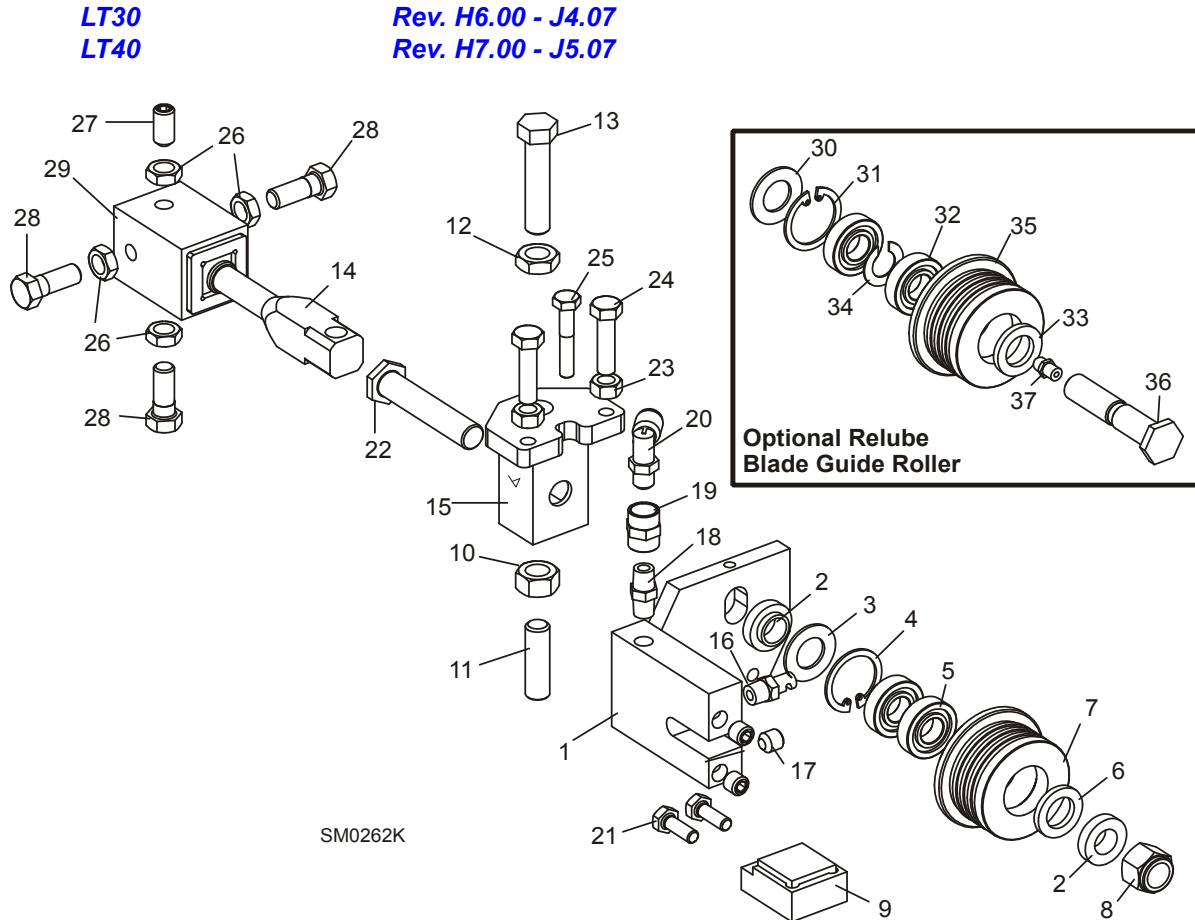
2

Blade Guide Rollers & Arm

Blade Guide Assembly, Idle Side

- ¹ Blade Guide Assembly 035405 upgraded with new Block Weldment and Shaft to accommodate 7/16" adjustment hardware to improve durability (12/06) and non-greasable sealed blade guide roller bearings (1/04). See optional relube parts for greasable blade guide roller parts. Use kit 038971 to retrofit previous revisions with 7/16" adjustment hardware. New blade guide assembly available ([See Section 2.1](#)). Upgrade requires mounting arms, belt covers and LMS option. If sawmill not equipped with Board Return option, use kit 006328 to retrofit both blade guide assemblies. If sawmill equipped with Board Return option, use kit 006329 to retrofit. If sawmill not already equipped with LMS option, add kit LMS-A.
- ² Wear Block 052367 available 10/07 and provided as standard 4/09. EZ-Glide Block 036247 available for customers who prefer this block.
- ³ Use two Blade Lube Fittings 033479 if sawmill is equipped with LubeMizer blade lube system. These fittings are supplied with the LMS option.
- ⁴ Mount Shaft 035427, Adjuster Block 035408, 3/8" Set Screws F05007-162 & 3/8" Jam Nuts F05010-22 replaced with 7/16" adjustment hardware. Mount Shaft 035427 & Adjuster Block 035408 no longer available. Use kit 038971 to retrofit original parts.
- ⁵ Lower jam nut F05010-38 replaced with hex nut F05010-202 (3/07).
- ⁶ Stainless Set Screw replaces Zinc plated screw F05007-213 used prior to 6/07 to eliminate screw shearing.
- ⁷ Bearing must be modified for use with relube roller assemblies. Remove one seal from each bearing, place open sides facing each other and place spacer 035411 between bearings.

2.3 Blade Guide Assembly, Idle Side



REF	DESCRIPTION (◆ Indicates Parts Available In Assemblies Only)	PART #	QTY.
	ROLLER/BLOCK ASSEMBLY, IDLE SIDE (OUTER)	035405 ¹	1
1	Nozzle Block Weldment, Idle Side	035404	1
2	Spacer, .510 x .937 x .34	S04253	2
	Roller Assembly, Blade Guide	A04925	1
	Bearing Kit, Blade Guide Rebuild	K07079	1
3	Washer, 5/8" White Felt	P04252	1
4	Ring, 1 1/8" Interior Retaining	F04254-1	1
5	Bearing, R8-2RS Blade Guide	015975	2
6	Washer, 5/8" Gray Felt	P06455	1
	Screw, 1/4-28 x 1/4" Socket Head Cup Point Set Black Oxide	F05005-105	1
	Instruction Sheet, Blade Guide Rebuild	057407-1507	1
7	Roller, Flanged Blade Guide	S04250	1
	Instruction Sheet, Blade Guide Roller Replacement	A04925-364	1
8	Nut, 1/2-20 Nylon Hex Lock	F05010-15	1

2

Blade Guide Rollers & Arm*Blade Guide Assembly, Idle Side*

9	Block Assembly, 1 1/4" Blade EZ-Glide Wear	036247 ²	1	
	Block, 1 1/4" Blade Guide Wear	052367 ²	1	
	Shaft Kit, Blade Guide Adjust Retrofit	038971 ³	1	
10	Nut, 7/16-20 Hex	F05010-202 ⁴	1	
11	Screw, 7/16-20 x 1 1/2" Socket Head Cup Point Stainless Steel	F05007-217 ⁵	1	
12	Nut, 7-16-20 Hex Jam	F05010-38	1	
13	Bolt, 7/16-20 x 2" Hex Head Full Thread Grade 8	F05007-215	1	
14	Shaft, Blade Guide Mount	054966	1	
15	Block Weldment, Roller Guide Adjuster	054969	1	
16	Nozzle, Blade Water Lube Spray (For use with standard bottle water lube)	016637 ⁶	1	
17	Fitting, 1/8" NPT Socket Pipe Plug	P30127	3	
18	Fitting, 1/8" Dry Seal Nipple	P02764 ⁷	1	
19	Fitting, 1/8" FPT Coupling	P05748 ⁷	1	
20	Fitting, 1/8" MPT x 1/4" Tube 90° Elbow Swivel	P09736	1	
21	Bolt, 1/4-20 x 3/4" Hex Head Grade 5	F05005-123	2	
22	Bolt, Blade Guide Roller	036374	1	
23	Nut, 5/16-24 Hex	F05010-28	2	
24	Bolt, 5/16-24 x 1 1/4" Hex Head Full Thread Grade 5	F05006-107	2	
25	Bolt, 1/4-28 x 1 1/2" Hex Head Grade 5	F05005-143	1	
	SHIM, .008" CERAMIC INSERT SPACER	035248	1	
26	NUT, 3/8-24 HEX JAM	F05010-22	4	
27	SCREW, 3/8-24 X 3/4" STAINLESS STEEL SOCKET HEAD FLAT POINT	F05007-95	1	
28	BOLT, 3/8-24 X 1" STAINLESS STEEL HEX HEAD	F05007-99 ⁸	3	
29	TUBE, BLADE GUIDE MOUNT (See Section 2.4)	W08159	1	
	ROLLER ASSEMBLY, BLADE GUIDE RELUBE (OPTIONAL)	016568 ¹	1	
	Bearing Kit, Relube Blade Guide Rebuild	057407	1	
30	Washer, 5/8" White Felt	P04252	1	
31	Ring, 1 1/8" Interior Retaining	F04254-1	1	
32	Bearing, R8-2RS Blade Guide	015975 ⁹	2	◆
33	Washer, 5/8" Gray Felt	P06455	1	
34	Spacer, Blade Guide Bearing	035411	1	
	Instruction Sheet, Blade Guide Rebuild	057407-1507	1	
35	Roller, Flanged Blade Guide (Relube)	035426	1	◆
	Instruction Sheet, Blade Guide Roller Replacement	A04925-364	1	
36	BOLT, BLADE GUIDE ROLLER (RELUBE ONLY)	035412	1	
37	FITTING, 1/4-28 GREASE (RELUBE ONLY)	P05060	1	

¹ Blade Guide Assembly 035405 upgraded with new Block Weldment and Shaft to accommodate 7/16" adjustment hardware to improve durability (12/06). Use kit 038971 to retrofit previous revisions. New blade guide assembly available ([See Section 2.1](#)). Upgrade requires mounting arms, belt covers and LMS option. If sawmill not equipped with Board Return option, use kit 006328 to retrofit both blade guide assemblies. If sawmill equipped with Board Return option, use kit 006329 to retrofit. If sawmill not already equipped with LMS option, add kit LMS-A.

² Wear Block 052367 available 10/07 and provided as standard 4/09. Use to replace ceramic guide block 035222, screw F05004-71 & mount block 035235 originally supplied. EZ-Glide Block 036247 available for customers who prefer this block.

-
- ³ Mount Shaft 035427, Adjuster Block 035408, 3/8" Set Screws F05007-162 & 3/8" Jam Nuts F05010-22 replaced with 7/16" adjustment hard ware. Mount Shaft 035427 & Adjuster Block 035408 no longer available. Use kit 038971 to retrofit original parts.
- ⁴ Lower jam nut F05010-38 replaced with hex nut F05010-202 (3/07).
- ⁵ Stainless Set Screw replaces Zinc plated screw F05007-213 used prior to 6/07 to eliminate screw shearing.
- ⁶ Use two Blade Lube Fittings 033479 if sawmill is equipped with LubeMizer blade lube system. These fittings are supplied with the LMS option.
- ⁷ Fittings added to raise water lube hose to eliminate interference with blade guide arm (LT30 Rev. J3.00 and LT40 Rev. J4.00).
- ⁸ Hex head bolts replace F05007-95 set screws originally supplied prior to LT30 Rev. J3.00 and LT40 Rev. J4.00.
- ⁹ Bearing must be modified for use with relube roller assemblies. Remove one seal from each bearing, place open sides facing each other and place spacer 035411 between bearings.

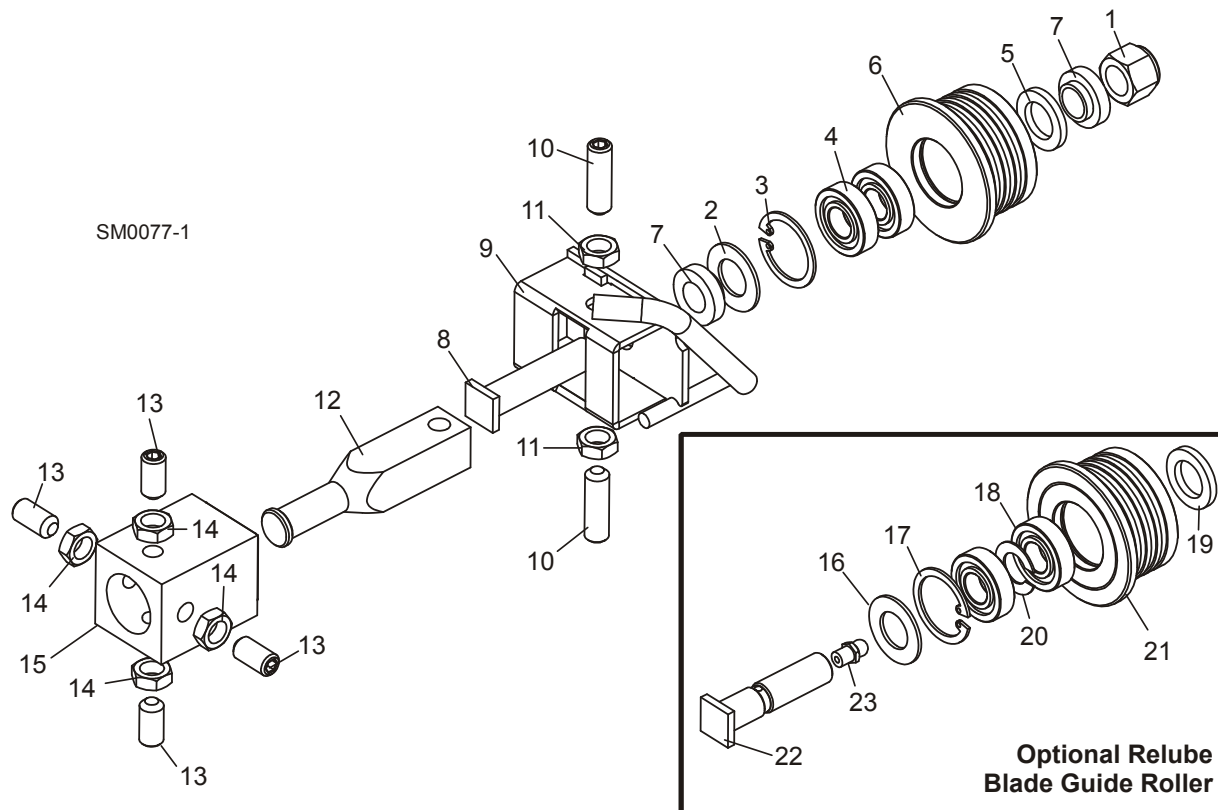
2 Blade Guide Rollers & Arm

Blade Guide Assembly, Idle Side

2.4 Blade Guide Assembly, Idle Side

LT30
LT40

Rev. F7.00 - H5.01
Rev. F8.00 - H6.01



REF	DESCRIPTION (◆ Indicates Parts Available In Assemblies Only)	PART #	QTY.	
	BLADE GUIDE ASSEMBLY, COMPLETE IDLE SIDE	A08197 ¹	1	
1	Nut, 1/2-20 Nylon Hex Lock	F05010-15	1	
	Roller Assembly, Blade Guide	A04925	1	
	Bearing Kit, Blade Guide Rebuild	K07079	1	
2	Washer, 5/8" White Felt	P04252	1	
3	Ring, 1 1/8" Interior Retaining	F04254-1	1	
4	Bearing, R8-2RS Blade Guide	015975	2	◆
5	Washer, 5/8" Gray Felt	P06455	1	
	Screw, 1/4-28 x 1/4" Socket Head Cup Point Set Black Oxide	F05005-105	1	
	Instruction Sheet, Blade Guide Rebuild	057407-1507	1	
6	Roller, Flanged Blade Guide	S04250	1	◆
	Instruction Sheet, Blade Guide Roller Replacement	A04925-364	1	
7	Spacer, Blade Guide	S04253	2	
8	Bolt, Blade Guide Roller	036373	1	

Blade Guide Rollers & Arm

Blade Guide Assembly, Idle Side

2

9	Bracket, Blade Guide Idle Side With Water Tube	W08495	1	
10	Screw, 3/8-24 X 1 1/4" Stainless Steel Socket Head Flat Point	F05007-96	2	
11	Nut, 3/8-24 Jam	F05010-22	2	
12	Shaft, Blade Guide Adjustment	S08196	1	
13	SCREW, 3/8-24 X 3/4" STAINLESS STEEL SOCKET HEAD FLAT POINT	F05007-95	4	
14	NUT, 3/8-24 JAM	F05010-22	4	
15	TUBE, BLADE GUIDE MOUNT (See Section 2.10)	W08159	1	
	ROLLER ASSEMBLY, BLADE GUIDE RELUBE (OPTIONAL)	016568	1	
	Bearing Kit, Relube Blade Guide Rebuild	057407	1	
16	Washer, 5/8" White Felt	P04252	1	
17	Ring, 1 1/8" Interior Retaining	F04254-1	1	
18	Bearing, R8-2RS Blade Guide	015975 ²	2	◆
19	Washer, 5/8" Gray Felt	P06455	1	
20	Spacer, Blade Guide Bearing	035411	1	
	Instruction Sheet, Blade Guide Rebuild	057407-1507	1	
21	Roller, Flanged Blade Guide (Relube)	035426	1	◆
	Instruction Sheet, Blade Guide Roller Replacement	A04925-364	1	
22	BOLT, BLADE GUIDE ROLLER (RELUBE ONLY)	S08192	1	
23	FITTING, 1/4-28 GREASE (RELUBE ONLY)	P05060	1	

¹ Complete blade guide assembly A08197 includes roller with non-greaseable bearings A04925. See optional parts for Relube guide assemblies. New high-performance blade guide assemblies available. Dual-block assembly available for LT30 Rev. H5.00 and LT40 Rev. H6.00 and later with bolt-on drive-side blade guide ([See Section 2.1](#)). If sawmill not equipped with Board Return option, use kit 006328 to retrofit both blade guide assemblies. If sawmill equipped with Board Return option, use kit 006329 to retrofit. Single-block assembly available for sawmills prior to LT30 Rev. H5.00 and LT40 Rev. H6.00 without bolt-on drive-side blade guide ([See Section 2.2](#)). Order blade guide assemblies 035405, 035410, instruction sheet 016567-941 and blade guide arm W10005 separately to update (replaces upgrade kit 016567 no longer available). Either high-performance blade guide system requires the LubeMizer option. If sawmill not already equipped with LMS option, add kit LMS-ALMS-RA.

² Bearing must be modified for use with relube roller assemblies. Remove one seal from each bearing, place open sides facing each other and place spacer 035411 between bearings.

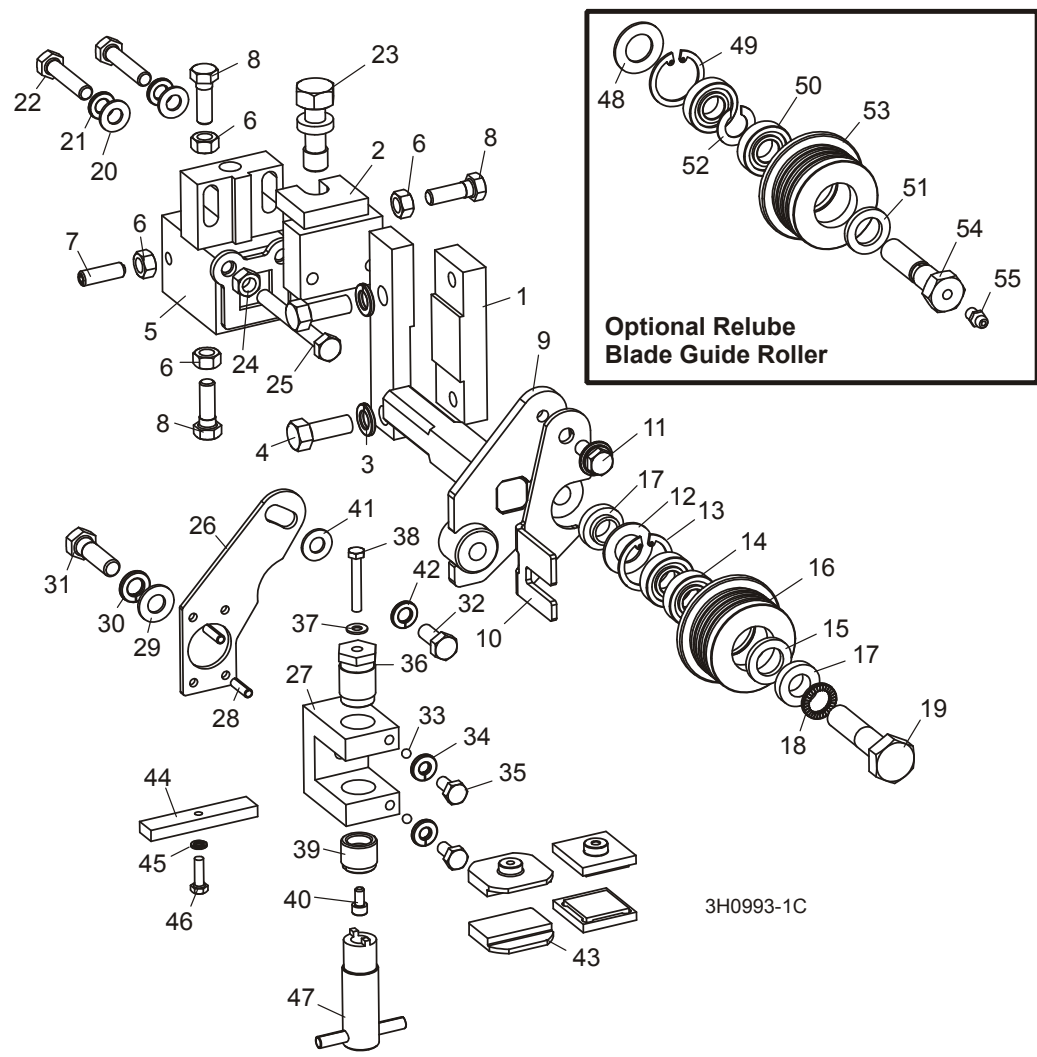
2 Blade Guide Rollers & Arm

Blade Guide Assembly, Drive Side

2.5 Blade Guide Assembly, Drive Side

LT30
LT40

Retrofit
Retrofit



3H0993-1C

REF	DESCRIPTION (◆ Indicates Parts Available In Assemblies Only)	PART #	QTY.
1	BLOCK, BOLT ON BLADE GUIDE MOUNT	016548	1
2	BRACKET WELDMENT, INNER BLADE GUIDE MOUNT	003964	1
3	WASHER, 3/8" SPLIT LOCK	F05011-4	2
4	BOLT, 3/8-16 X 1" HEX HEAD	F05007-7	2
	GUIDE ASSEMBLY, DRIVE SIDE BLADE ROLLER	003905	1
	Block Assembly, Blade Guide Mount	003910	1
5	Block Weldment, Blade Guide Mount	003911	1
6	Nut, 5/16-18 Hex	F05010-17	4

Blade Guide Rollers & Arm

Blade Guide Assembly, Drive Side

2

7	Screw, 5/16-18 x 1" Socket Head Flat Point Stainless Steel Set	F05006-122	1	
8	Bolt, 5/16-18 x 1" Hex Head Stainless Steel	F05006-88	3	
9	Shaft Weldment, Drive Side Guide	003913	1	
10	Plate, Blade Guide Deflector	003916	1	
11	Bolt, 5/16-18 x 3/4" Hex Head w/Flat & Lock Washer	F05006-101	1	
	Roller Assembly, Blade Guide (standard)	A04925	1	
	Bearing Kit, Blade Guide Rebuild	K07079	1	
12	Washer, 5/8" White Felt	P04252	1	
13	Ring, 1 1/8" Interior Retaining	F04254-1	1	
14	Bearing, R8-2RS Blade Guide	015975	2	◆
15	Washer, 5/8" Gray Felt	P06455	1	
	Screw, 1/4-28 x 1/4" Socket Head Cup Point Set Black Oxide	F05005-105	1	
	Instruction Sheet, Blade Guide Rebuild	057407-1507	1	
16	Roller, Flanged Blade Guide	S04250	1	◆
	Instruction Sheet, Blade Guide Roller Replacement	A04925-364	1	
17	Spacer, Blade Guide	S04253	2	
18	Washer, 1/2" Nord-Lock	F05011-125 ¹	1	
19	Bolt, 1/2-13 x 2 1/4" Hex Head Grade 5	F05008-10	1	
20	Washer, 5/16" SAE Flat	F05011-17	2	
21	Washer, 5/16" Split Lock	F05011-13	2	
22	Bolt, 5/16-18 x 1 1/2" Hex Head	F05006-76	2	
23	Bolt, Blade Guide Vertical Adjustment	035656	1	
24	Nut, 5/16-18 Hex	F05010-17	1	
25	Bolt, 5/16-18 x 2 1/4" Hex Head Full Thread	F05006-16	1	
	BLOCK ASSEMBLY, DRIVE SIDE BLADE GUIDE	003927	1	
26	Plate, Block Tilt Adjustment	003915	1	
27	Block, Guide Block Mount	003909	1	
28	Pin, 3/16" x 5/8" Roll	F05012-22	2	
29	Washer, 3/8" SAE Flat	F05011-3	1	
30	Washer, 3/8" Split Lock	F05011-4	1	
31	Bolt, 3/8-16 x 1 1/4" Hex Head Grade 5	F05007-123	1	
32	Bolt, 5/16-18 x 3/4" Hex Head w/Flat & Lock Washer	F05006-101	1	
33	Ball, 3/16" Dia. Nylon	003914	2	
34	Washer, 1/4" Split Lock	F05011-14	2	
35	Bolt, 1/4-20 x 1/2" Hex Head	F05005-15	2	
36	Bolt, Blade Guide Block Mount	003994	1	
37	Washer, #10 Brass	042867	1	
38	Bolt, #10-32 x 1 1/4" Hex Head Stainless Steel	F05004-240	1	
39	Screw, Lower Block Adjustment	044057	1	
40	Screw, #10-32 x 3/8" Socket Head Stainless Steel	F05004-200	1	
41	BLOCK, BLADE GUIDE WEAR (STANDARD FOR 1 1/4" BLADES)	052355 ²	2	
	BLOCK ASSEMBLY, 1" SQ. EZ-GLIDE WEAR	036347 ²	2	
42	BLOCK, BLADE GUIDE ALIGNMENT	035799	1	

2

Blade Guide Rollers & Arm*Blade Guide Assembly, Drive Side*

43	WASHER, #10 SPLIT LOCK	F05011-20	1	
44	SCREW, #10-32 X 5/8" HEX HEAD	F05004-152	1	
45	ADJUSTMENT TOOL, LOWER GUIDE BLOCK	044064	1	
	SHIM, .008" BLADE GUIDE BLOCK SPACER	035248	1	
	ROLLER ASSEMBLY, BLADE GUIDE RELUBE (OPTIONAL)	016568	1	
	Bearing Kit, Relube Blade Guide Rebuild	057407	1	
46	Washer, 5/8" White Felt	P04252	1	
47	Ring, 1 1/8" Interior Retaining	F04254-1	1	
48	Bearing, R8-2RS Blade Guide	015975 ³	2	◆
49	Washer, 5/8" Gray Felt	P06455	1	
50	Spacer, Blade Guide Bearing	035411	1	
	Instruction Sheet, Blade Guide Rebuild	057407-1507	1	
51	Roller, Flanged Blade Guide (Relube)	035426	1	◆
	Instruction Sheet, Blade Guide Roller Replacement	A04925-364	1	
52	BOLT, BLADE GUIDE ROLLER (RELUBE ONLY)	036161	1	
53	FITTING, 1/4-28 GREASE (RELUBE ONLY)	P05060	1	

¹ Nord-Lock Washer F05011-125 replaced Split Lock Washer F05011-9 to prevent loosening due to vibration (12/09).

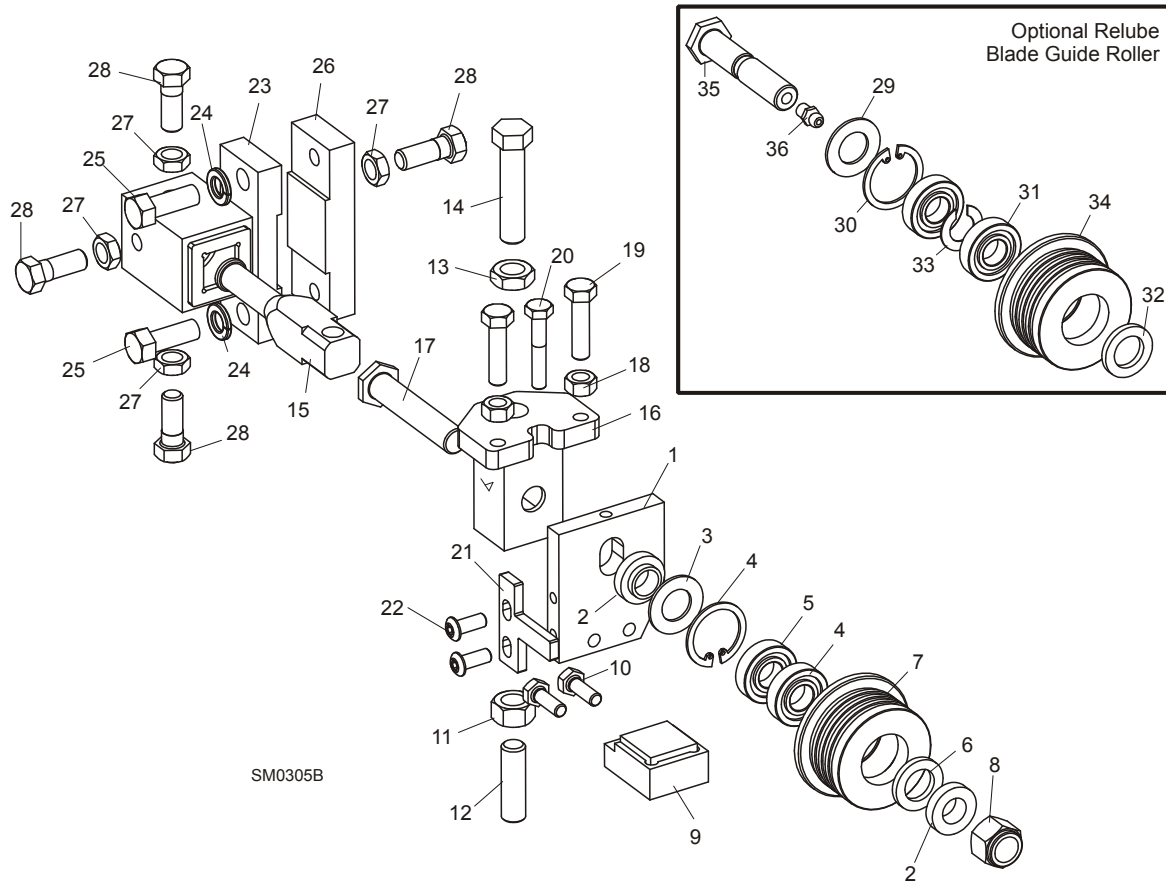
² 052355 blocks for use with 1 1/4" blade provided as standard equipment. EZ-Glide blocks 036347 are available for customers who prefer this block.

³ Bearing must be modified for use with relube roller assemblies. Remove one seal from each bearing, place open sides facing each other and place spacer 035411 between bearings.

2.6 Blade Guide Assembly, Drive Side

LT30
LT40

Rev. J5.00 - J6.00
Rev. J6.00 - J7.00



REF	DESCRIPTION (◆ Indicates Parts Available In Assemblies Only)	PART #	QTY.
	ROLLER/BLOCK ASSEMBLY, DRIVE SIDE (INNER)	035410 ¹	1
1	Plate, Blade Guide Back Mounting	035409	1
2	Spacer, .510 x .937 x .34	S04253	2
	Roller Assembly, Blade Guide (standard)	A04925	1
	Bearing Kit, Blade Guide Rebuild	K07079	1
3	Washer, 5/8" White Felt	P04252	1
4	Ring, 1 1/8" Interior Retaining	F04254-1	1
5	Bearing, R8-2RS Blade Guide	015975	2
6	Washer, 5/8" Gray Felt	P06455	1
	Screw, 1/4-28 x 1/4" Socket Head Cup Point Set Black Oxide	F05005-105	1
	Instruction Sheet, Blade Guide Rebuild	057407-1507	1
7	Roller, Flanged Blade Guide	S04250	1

2

Blade Guide Rollers & Arm

Blade Guide Assembly, Drive Side

	Instruction Sheet, Blade Guide Roller Replacement	A04925-364	1	
8	Nut, 1/2-20 Nylon Hex Lock	F05010-15	1	
9	Block Assembly, 1 1/4" Blade EZ-Glide Wear	036247 ²	1	
	Block, 1 1/4" Blade Guide Wear	052367 ²	1	
10	Bolt, 1/4-20 x 3/4" Hex Head Grade 5	F05005-123	2	
	Shaft Kit, Blade Guide Adjust Retrofit	038971 ³	1	
11	Nut, 7/16-20 Hex	F05010-202 ⁴	1	
12	Screw, 7/16-20 x 1 1/2" Socket Head Cup Point Stainless Steel	F05007-217 ⁵	1	
13	Nut, 7-16-20 Hex Jam	F05010-38	1	
14	Bolt, 7/16-20 x 2" Hex Head Full Thread Grade 8	F05007-215	1	
15	Shaft, Blade Guide Mount	054966	1	
16	Block Weldment, Roller Guide Adjuster	054969	1	
17	Bolt, Blade Guide Roller	036374	1	
18	Nut, 5/16-24 Hex	F05010-28	2	
19	Bolt, 5/16-24 x 1 1/4" Hex Head Full Thread Stainless	F05006-107	2	
20	Bolt, 1/4-28 x 1 1/2" Hex Head Stainless	F05005-143	1	
21	Guard, Drive Roller	035490	1	
22	Screw, 1/4-20 x 5/8" Button Head Socket Cap Grade 2	F05005-128	2	
	SHIM, .008" BLADE GUIDE BLOCK SPACER	035248	1	
	BLOCK KIT, DRIVE SIDE BLADE GUIDE BOLT ON	016566	1	
23	Block Weldment, Drive Side Blade Guide Bolt On	016550	1	
24	Washer, 3/8" Split Lock	F05011-4	2	
25	Bolt, 3/8-16 x 1" Hex Head	F05007-7	2	
26	Block, Bolt On Blade Guide Mount	016548	1	
27	Nut, 3/8-24 Jam	F05010-22	4	
28	Bolt, 3/8-24 X 1" Stainless Steel Hex Head	F05007-99	4	
	ROLLER ASSEMBLY, BLADE GUIDE RELUBE (OPTIONAL)	016568	1	
	Bearing Kit, Relube Blade Guide Rebuild	057407	1	
29	Washer, 5/8" White Felt	P04252	1	
30	Ring, 1 1/8" Interior Retaining	F04254-1	1	
31	Bearing, R8-2RS Blade Guide	015975 ⁶	2	◆
32	Washer, 5/8" Gray Felt	P06455	1	
33	Spacer, Blade Guide Bearing	035411	1	
	Instruction Sheet, Blade Guide Rebuild	057407-1507	1	
34	Roller, Flanged Blade Guide (Relube)	035426	1	◆
	Instruction Sheet, Blade Guide Roller Replacement	A04925-364	1	
35	BOLT, BLADE GUIDE ROLLER (RELUBE ONLY)	035412	1	
36	FITTING, 1/4-28 GREASE (RELUBE ONLY)	P05060	1	

- ¹ Blade Guide Assembly 035410 upgraded with new Block Weldment and Shaft to accommodate 7/16" adjustment hardware to improve durability (12/06) and non-greasable sealed blade guide roller bearings (1/04). See optional relube parts for greasable blade guide roller parts. Use kit 038971 to retrofit previous revisions with 7/16" adjustment hardware. New blade guide assembly available ([See Section 2.5](#)). Upgrade requires mounting arms, belt covers and LMS option. If sawmill not equipped with Board Return option, use kit 006328 to retrofit both blade guide assemblies. If sawmill equipped with Board Return option, use kit 006329 to retrofit. If sawmill not already equipped with LMS option, add kit LMS-A.
- ² Wear Block 052367 available 10/07 and provided as standard 4/09. EZ-Glide Block 036247 available for customers who prefer this block.
- ³ Mount Shaft 035427, Adjuster Block 035408, 3/8" Set Screws F05007-162 & 3/8" Jam Nuts F05010-22 replaced with 7/16" adjustment hardware. Mount Shaft 035427 & Adjuster Block 035408 no longer available. Use kit 038971 to retrofit original parts.
- ⁴ Lower jam nut F05010-38 replaced with hex nut F05010-202 (3/07).
- ⁵ Stainless Set Screw replaces Zinc plated screw F05007-213 used prior to 6/07 to eliminate screw shearing.
- ⁶ Bearing must be modified for use with relube roller assemblies. Remove one seal from each bearing, place open sides facing each other and place spacer 035411 between bearings.

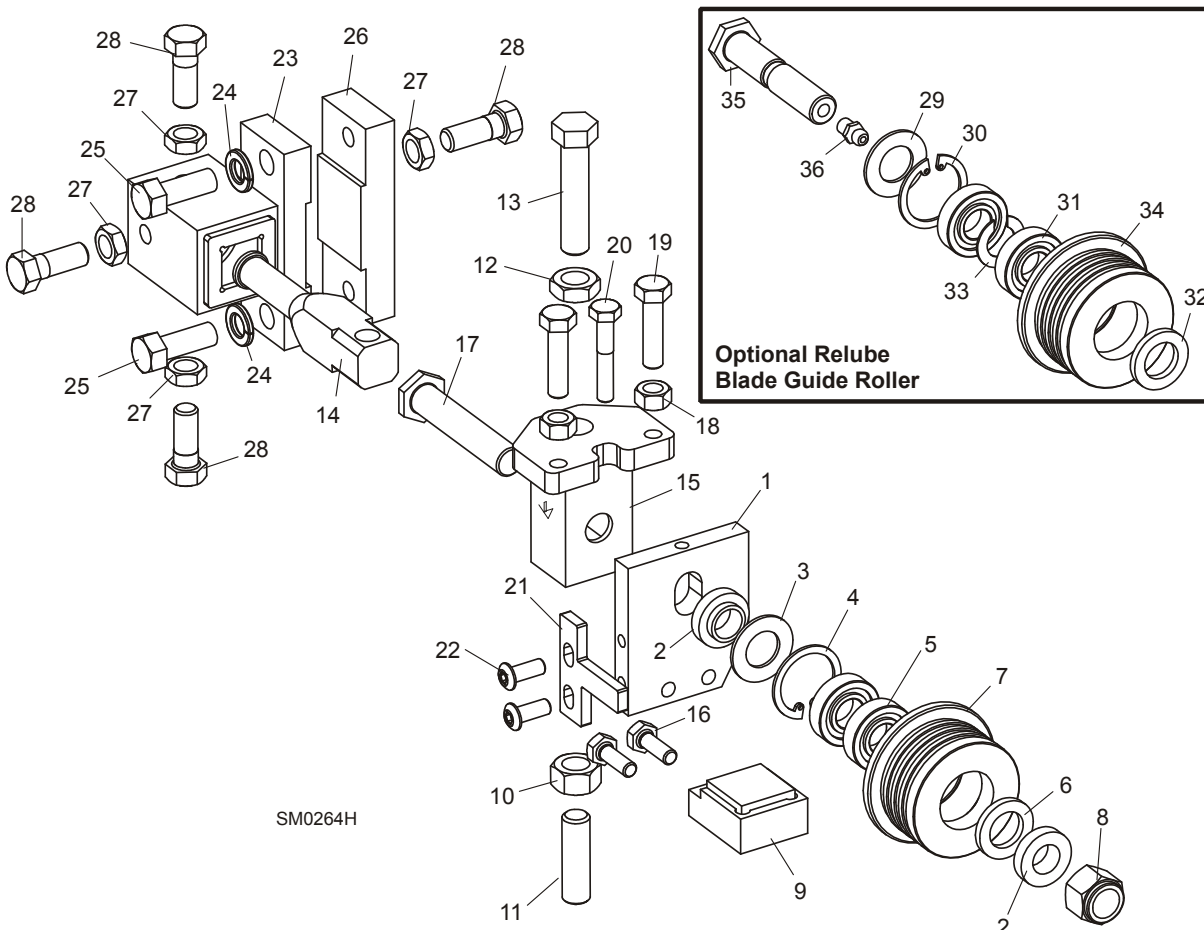
2 Blade Guide Rollers & Arm

Blade Guide Assembly, Drive Side

2.7 Blade Guide Assembly, Drive Side

LT30
LT40

Rev. H6.00 - J4.07
Rev. H7.00 - J5.07



REF	DESCRIPTION (◆ Indicates Parts Available In Assemblies Only)	PART #	QTY.	
	ROLLER/BLOCK ASSEMBLY, DRIVE SIDE (INNER)	035410 ¹	1	
1	Plate, Blade Guide Back Mounting	035409	1	
2	Spacer, .510 x .937 x .34	S04253	2	
	Roller Assembly, Blade Guide	A04925	1	
	Bearing Kit, Blade Guide Rebuild	K07079	1	
3	Washer, 5/8" White Felt	P04252	1	
4	Ring, 1 1/8" Interior Retaining	F04254-1	1	
5	Bearing, R8-2RS Blade Guide	015975	2	◆
6	Washer, 5/8" Gray Felt	P06455	1	
	Screw, 1/4-28 x 1/4" Socket Head Cup Point Set Black Oxide	F05005-105	1	
	Instruction Sheet, Blade Guide Rebuild	057407-1507	1	
7	Roller, Flanged Blade Guide	S04250	1	◆

	Instruction Sheet, Blade Guide Roller Replacement	A04925-364	1	
8	Nut, 1/2-20 Nylon Hex Lock	F05010-15	1	
9	Block Assembly, 1 1/4" Blade EZ-Glide Wear	036247 ²	1	
	Block, 1 1/4" Blade Guide Wear	052367 ²	1	
	Shaft Kit, Blade Guide Adjust Retrofit	038971 ³	1	
10	Nut, 7/16-20 Hex	F05010-202 ⁴	1	
11	Screw, 7/16-20 x 1 1/2" Socket Head Cup Point Stainless Steel	F05007-217 ⁵	1	
12	Nut, 7-16-20 Hex Jam	F05010-38	1	
13	Bolt, 7/16-20 x 2" Hex Head Full Thread Grade 8	F05007-215	1	
14	Shaft, Blade Guide Mount	054966	1	
15	Block Weldment, Roller Guide Adjuster	054969	1	
16	Bolt, 1/4-20 x 3/4" Hex Head Grade 5	F05005-123	2	
17	Bolt, Blade Guide Roller	036374	1	
18	Nut, 5/16-24 Hex	F05010-28	2	
19	Bolt, 5/16-24 x 1 1/4" Hex Head Full Thread Stainless	F05006-107	2	
20	Bolt, 1/4-28 x 1 1/2" Hex Head Stainless	F05005-143	1	
21	Guard, Drive Roller	035490	1	
22	Screw, 1/4-20 x 55/8" Button Head Socket Cap Grade 2	F05005-128	2	
	SHIM, .008" BLADE GUIDE BLOCK SPACER	035248	1	
	BLOCK KIT, DRIVE SIDE BLADE GUIDE BOLT ON	016566	1	
23	Block Weldment, Drive Side Blade Guide Bolt On	016550	1	
24	Washer, 3/8" Split Lock	F05011-4	2	
25	Bolt, 3/8-16 x 1" Hex Head	F05007-7	2	
26	Block, Bolt On Blade Guide Mount	016548	1	
27	Nut, 3/8-24 Jam	F05010-22	4	
28	Bolt, 3/8-24 X 1" Stainless Steel Hex Head	F05007-99 ⁶	4	
	ROLLER ASSEMBLY, BLADE GUIDE RELUBE (OPTIONAL)	016568	1	
	Bearing Kit, Relube Blade Guide Rebuild	057407	1	
29	Washer, 5/8" White Felt	P04252	1	
30	Ring, 1 1/8" Interior Retaining	F04254-1	1	
31	Bearing, R8-2RS Blade Guide	015975 ⁷	2	◆
32	Washer, 5/8" Gray Felt	P06455	1	
33	Spacer, Blade Guide Bearing	035411	1	
	Instruction Sheet, Blade Guide Rebuild	057407-1507	1	
34	Roller, Flanged Blade Guide (Relube)	035426	1	◆
	Instruction Sheet, Blade Guide Roller Replacement	A04925-364	1	
35	BOLT, BLADE GUIDE ROLLER (RELUBE ONLY)	035412	1	
36	FITTING, 1/4-28 GREASE (RELUBE ONLY)	P05060	1	

¹ Blade Guide Assembly 035410 upgraded with new Block Weldment and Shaft to accommodate 7/16" adjustment hardware to improve durability (12/06). Use kit 038971 to retrofit previous revisions. New blade guide assembly available ([See Section 2.5](#)). Upgrade requires mounting arms, belt covers and LMS option. If sawmill not equipped with Board Return option, use kit 006328 to retrofit both blade guide assemblies. If sawmill equipped with Board Return option, use kit 006329 to retrofit. If sawmill not already equipped with LMS option, add kit LMS-A.

2

Blade Guide Rollers & Arm

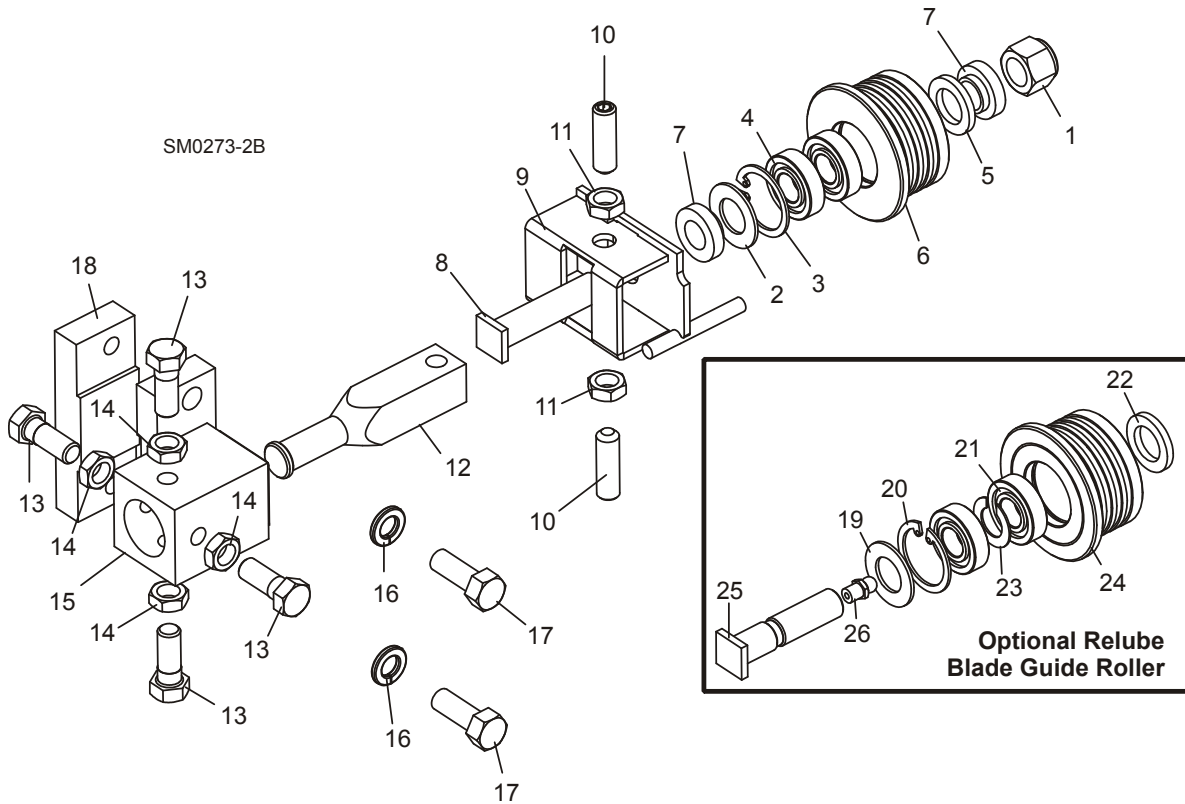
Blade Guide Assembly, Drive Side

- ² Wear Block 052367 available 10/07 and provided as standard 4/09. Use to replace ceramic guide block 035222, screw F05004-71 & mount block 035235 originally supplied. EZ-Glide Block 036247 available for customers who prefer this block.
- ³ Mount Shaft 035427, Adjuster Block 035408, 3/8" Set Screws F05007-162 & 3/8" Jam Nuts F05010-22 replaced with 7/16" adjustment hard ware. Mount Shaft 035427 & Adjuster Block 035408 no longer available. Use kit 038971 to retrofit original parts.
- ⁴ Lower jam nut F05010-38 replaced with hex nut F05010-202 (3/07).
- ⁵ Stainless Set Screw replaces Zinc plated screw F05007-213 used prior to 6/07 to eliminate screw shearing.
- ⁶ Hex head bolts replace F05007-95 set screws originally supplied prior to LT30 Rev. J3.00 and LT40 Rev. J4.00.
- ⁷ Bearing must be modified for use with relube roller assemblies. Remove one seal from each bearing, place open sides facing each other and place spacer 035411 between bearings.

2.8 Blade Guide Assembly, Drive Side

LT30
LT40

Rev. F7.00 - H5.01
Rev. F8.00 - H6.01



REF	DESCRIPTION (◆ Indicates Parts Available In Assemblies Only)	PART #	QTY.	
	BLADE GUIDE ASSEMBLY, COMPLETE DRIVE SIDE	A08191 ¹	1	
1	Nut, 1/2-20 Hex Nylon Lock	F05010-15	1	
	Roller Assembly, Blade Guide	A04925	1	
	Bearing Kit, Blade Guide Rebuild	K07079	1	
2	Washer, 5/8" White Felt	P04252	1	
3	Ring, 1 1/8" Interior Retaining	F04254-1	1	
4	Bearing, R8-2RS Blade Guide	015975	2	◆
5	Washer, 5/8" Gray Felt	P06455	1	
	Screw, 1/4-28 x 1/4" Socket Head Cup Point Set Black Oxide	F05005-105	1	
	Instruction Sheet, Blade Guide Rebuild	057407-1507	1	
6	Roller, Flanged Blade Guide	S04250	1	◆
	Instruction Sheet, Blade Guide Roller Replacement	A04925-364	1	
7	Spacer, Blade Guide	S04253	2	
8	Bolt, Blade Guide Roller	036373	1	
9	Bracket, Blade Guide Drive Side	W08482	1	
10	Screw, 3/8-24 X 1 1/4" Stainless Steel Socket Head Flat Point	F05007-96	2	

2

Blade Guide Rollers & Arm

Blade Guide Assembly, Drive Side

11	Nut, 3/8-24 Jam	F05010-22	2	
12	Shaft, Blade Guide Adjustment	S08196	1	
	BLOCK KIT, DRIVE SIDE BLADE GUIDE BOLT ON	016566 ²	1	
13	Screw, 3/8-24 X 3/4" Stainless Steel Socket Head Flat Point Set	F05007-99 ³	4	
14	Nut, 3/8-24 Jam	F05010-22	4	
15	Block Weldment, Drive Side Blade Guide Bolt On	016550	1	
16	Washer, 3/8" Split Lock	F05011-4	2	
17	Bolt, 3/8-16 x 1" Hex Head	F05007-7	2	
18	Block, Bolt On Blade Guide Mount	016548	1	
	ROLLER ASSEMBLY, BLADE GUIDE RELUBE (OPTIONAL)	016568	1	
	Bearing Kit, Relube Blade Guide Rebuild	057407	1	
19	Washer, 5/8" White Felt	P04252	1	
20	Ring, 1 1/8" Interior Retaining	F04254-1	1	
21	Bearing, R8-2RS Blade Guide	015975 ⁴	2	◆
22	Washer, 5/8" Gray Felt	P06455	1	
23	Spacer, Blade Guide Bearing	035411	1	
	Instruction Sheet, Blade Guide Rebuild	057407-1507	1	
24	Roller, Flanged Blade Guide (Relube)	035426	1	◆
	Instruction Sheet, Blade Guide Roller Replacement	A04925-364	1	
25	BOLT, BLADE GUIDE ROLLER (RELUBE ONLY)	S08192	1	
26	FITTING, 1/4-28 GREASE (RELUBE ONLY)	P05060	1	

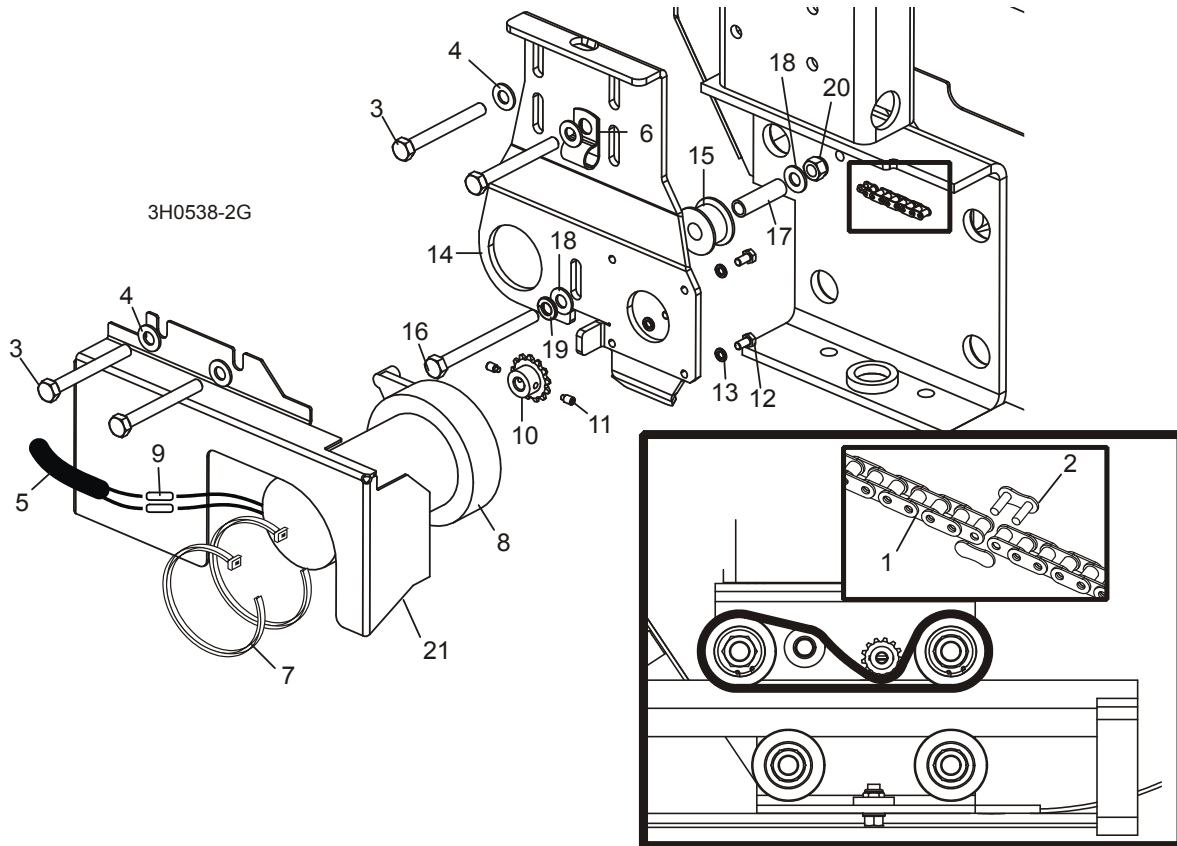
¹ Complete blade guide assembly A08191 includes roller with non-greaseable bearings A04925. See optional parts for Relube guide assemblies. New high-performance blade guide assemblies available. Dual-block assembly available for LT30 Rev. H5.00 and LT40 Rev. H6.00 and later with bolt-on drive-side blade guide ([See Section 2.5](#)). If sawmill not equipped with Board Return option, use kit 006328 to retrofit both blade guide assemblies. If sawmill equipped with Board Return option, use kit 006329 to retrofit. Single-block assembly available for sawmills prior to LT30 Rev. H5.00 and LT40 Rev. H6.00 without bolt-on drive-side blade guide ([See Section 2.6](#)). Order blade guide assemblies 035405, 035410, instruction sheet 016567-941 and blade guide arm W10005 separately to update (replaces upgrade kit 016567 no longer available). Either high-performance blade guide system requires the LubeMizer option. If sawmill not already equipped with LMS option, add kit LMS-ALMS-RA.

² Bolt-On blade guide block replaces block welded to saw frame prior to LT30 Rev. H5.00 and LT40 Rev. H6.00. Bolt-On block is easier to replace when necessary. Previous revisions can be retrofitted (requires kit 016566).

³ Hex head bolts replace F05007-95 set screws originally supplied.

⁴ Bearing must be modified for use with relube roller assemblies. Remove one seal from each bearing, place open sides facing each other and place spacer 035411 between bearings.

2.9 Blade Guide Arm Drive Assembly



REF	DESCRIPTION (◆ Indicates Parts Available In Assemblies Only)	PART #	QTY.
1	CHAIN, #25 X 20 1/4"	P09984	1
2	LINK, #25 MASTER	P09983	1
3	BOLT, 5/16-18 X 2 3/4" HEX HEAD GRADE 5	F05006-28	4
4	WASHER, 5/16" SAE FLAT	F05011-17	4
5	TUBE, 3/8" X 1/2" NEOPRENE	R01897	2.5ft
6	CLAMP, 1/2" COATED EMT	P07584	2
7	WRAP, 1/4" X 6" TIE	F05089-1	2
	DRIVE ASSEMBLY, BLADE GUIDE ARM	015989 ¹	1
	Motor Assembly, Blade Guide Arm Replacement	A10353 ²	1
8	Motor, Blade Guide Arm 53:1 Gear	P09698-1	1
	Housing, Klauber Motor End	P12756	1
	Gear Kit, Klauber Motor Replacement	P12569	1
	Brush Kit, Gear Motor Replacement	P12800	1
	Shaft Kit, Klauber Gear Motor Replacement	009695	1
9	Connector, 14 Gauge Butt	F04875-1	2

2

Blade Guide Rollers & Arm Blade Guide Arm Drive Assembly

10	Sprocket, Gear Motor #25 14-Tooth	P09970 ³	1	
11	Screw, #10-24 x 1/4" Full Dog Point Socket Set	F05004-274	2	
12	Screw, #10-32 x 1/2" Hex Head	F05004-60	4	
13	Washer, #10 Split Lock	F05011-20	4	
	Instruction Sheet, Blade Guide Arm Motor	A10353-296	1	
14	Bracket, Blade Guide Arm Motor Mount	015939 ¹	1	
15	Roller, Blade Guide Arm Chain Idler	S09999	1	
16	Bolt, 5/16-18 X 3 1/2" Hex Head Full Thread	F05006-3	1	
17	Spacer, 5/16" I.D. X 1 1/2"	S09996	1	
18	Washer, 5/16" SAE Flat	F05011-17	2	
19	Washer, 5/16" Split Lock	F05011-13	1	
20	Nut, 5/16-18 Hex Nylon Lock	F05010-58 ⁴	1	
21	COVER, BLADE GUIDE ARM MOTOR	S11617	1	
	GUARD, BLADE GUIDE ARM (G.S. ONLY)	S12029	1	

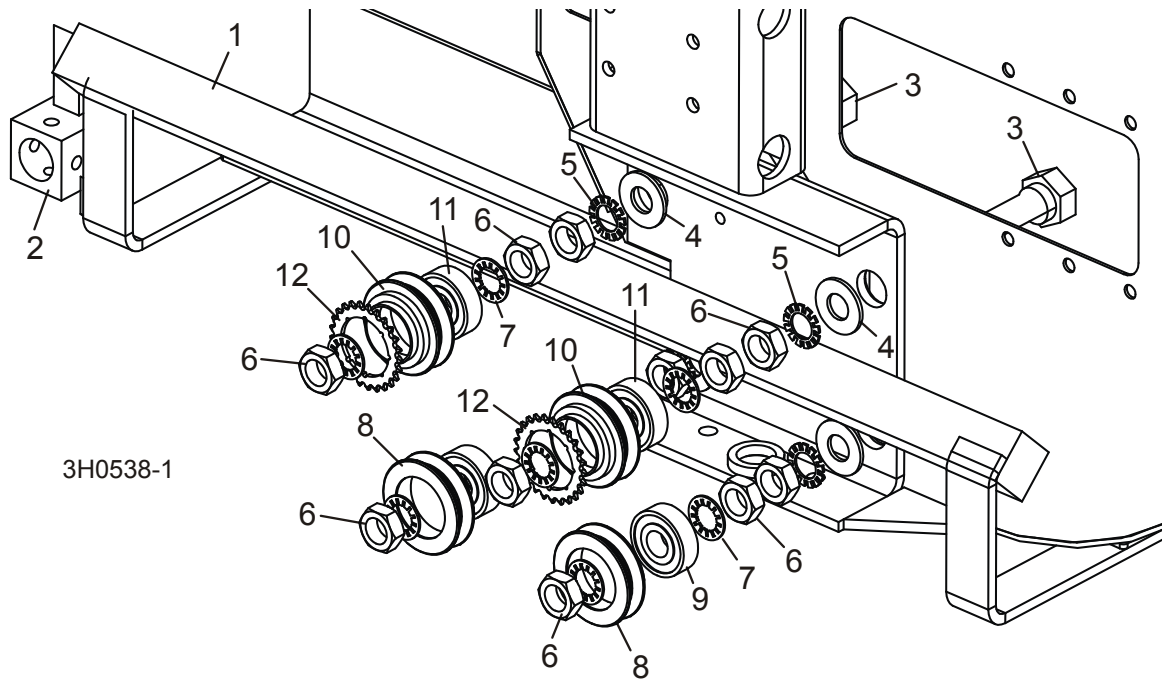
¹ Replaces drive assembly A09974 on all 1997 models. New bracket 015939 replaces S09934 originally supplied until LT30 Rev. G3.00 and LT40 Rev. G4.00. New bracket eliminates possible deformation of 3x5 sawframe tube when drive assembly bolts are tightened. Tab added to 015939 7/00 to provide a positive stop for the blade guide.

² Weather Boot 023720 removed LT30 Rev. G8.00 and LT40 Rev. G9.00 because water could seep under boot and damage the motor. Boot was added on LT30 Rev. G4.00 and LT40 Rev. G5.00.

³ Sprocket modified 6/11 with threaded holes to accept included set screws (replace 1/8" x 3/4" roll pin F05012-6).

⁴ Replaces F05010-6 Swaged Lock Nut supplied prior to 10/01 to prevent stripping of threads.

2.10 Blade Guide Arm



3H0538-1

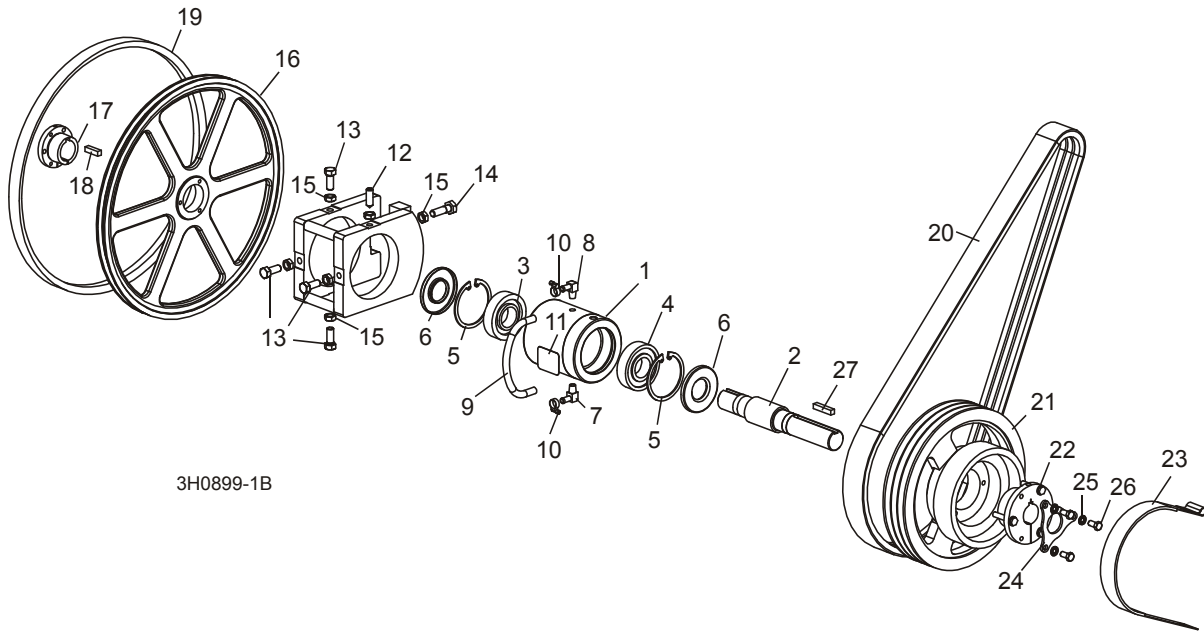
REF	DESCRIPTION (◆ Indicates Parts Available In Assemblies Only)	PART #	QTY.	
1	BLADE GUIDE ARM WELDMENT (U.S. 28 5/8" [72.7 CM])	W10005	1	
	BLADE GUIDE ARM WELDMENT (G.S. 37 1/8" [94.2 CM])	W10429	1	
2	Tube, Blade Guide Mount (U.S. - Welded to Blade Guide Arm)	W08159	1	
	Tube, Blade Guide Mount (G.S. - Bolted to Blade Guide Arm)	W10426	1	
3	BOLT, BLADE GUIDE ARM ROLLER CAM	W09067	4	
4	WASHER, 5/8" SAE FLAT	F05011-5	4	
5	WASHER, 5/8" EXTERNAL STAR	F05011-26	4	
6	NUT, 5/8-18 HEX JAM	F05010-11	12	
7	WASHER, 5/8" INTERNAL STAR	F05011-25	8	
	ROLLER ASSEMBLY, BLADE GUIDE ARM WITH BEARING	A09059 ¹	2	
8	Roller, Blade Guide Arm V-Groove	S07989	1	◆
9	Bearing, 6203-2NSL 5/8" I.D.	P06030-1	1	◆
	Ring, 1.575" ID Beveled 5002-156 Retaining	F04254-8 ¹	1	
	ROLLER ASSEMBLY, BLADE GUIDE ARM WITH BEARING AND SPROCKET	A09932 ¹	2	
10	Roller, Blade Guide Arm Drive	S09930	1	◆
11	Bearing, 6203-2NSL 5/8" I.D.	P06030-1	1	◆
12	Sprocket, #25 26-Tooth	S09931	1	◆
	Ring, 1.575" ID Beveled 5002-156 Retaining	F04254-8 ¹	1	

¹ Roller assemblies changed to bearing secured with retaining ring to insure proper fit. Directly interchangeable with all previous rollers supplied prior to 2/00.

SECTION 3 BLADE WHEELS & TENSIONER

3.1 Blade Drive Assembly

LT30 D33 Rev. H5.00 - J6.00
 LT40 D33 Rev. H6.00 - J7.00
 LT30 G36 Rev. H7.00 - J6.00
 LT40 G36 Rev. H8.00 - J7.00



REF	DESCRIPTION (◆ Indicates Parts Available In Assemblies Only)	PART #	QTY.	
	BEARING ASSEMBLY, BLADE WHEEL DRIVE	016393	1	
	Bearing Assembly, Cylindrical Drive	016392	1	◆
1	Housing, Blade Wheel Drive Bearing	016391	1	◆
2	Shaft, Blade Wheel Drive	014005	1	◆
3	Bearing, Blade Wheel Drive #MU1308TV	P10205	1	◆
4	Bearing, Blade Wheel Drive #6308 C3 Open	016055	1	◆
5	Ring, 90mm Interior Retaining #117	F04254-17	2	
6	Seal, Drive Bearing #CR15890	P10206-K	2	
7	Fitting, 1/4" NPT x 3/8" Hose Barb Elbow	016330	1	
8	Fitting, 1/4" NPT x 3/8" Hose Barb Vented Elbow	016331	1	
9	Hose, Oil Level Viewer	016394	1	
10	Clamp, 7/32-5/8" Hose	P649	2	
11	Decal, Oil Level Gauge	017470	1	
	Instruction Sheet, Drive Bearing Replacement	016393-555	1	
12	SCREW, 1/2-20 X 1 1/2" CONE POINT SET	F05004-170	1	

Blade Wheel & Tensioner

Blade Drive Assembly

3

13	BOLT, 1/2-20 X 1 1/4" HEX HEAD GRADE 5	F05008-108	4	
14	BOLT, 1/2-20 X 1 3/4" HEX HEAD GRADE 5	F05008-49 ¹	1	
15	NUT, 1/2-20 HEX JAM	F05010-16	6	
	WHEEL KIT, DRIVE SIDE BLADE	014562	1	
16	Wheel, Drive Side Blade	016284	1	◆
17	Bushing, Modified 1 9/16" SD	016270	1	
18	Key, 3/8" x 3/8" x 1 5/8"	S12892	1	
	Instruction Sheet, Drive Side Blade Wheel Replacement	K12987-488	1	
19	BELT, BLADE WHEEL B57	P04185	1	
20	BELT, 3/5VL750 DRIVE (G36/D33)	006672 ²	1	
21	SHEAVE, 5V12.5X3 BRAKE COMBO	016531	1	
22	BUSHING, SF X 1 9/16"	016532	1	
23	STRAP, METAL-BACKED BRAKE	014391	1	
24	PLATE, BUSHING KEY RETAINER	017953 ³	1	
25	WASHER, 3/8" SPLIT LOCK	F05011-4	3	
26	BOLT, 3/8-16 X 3/4" HEX HEAD	F05007-27	3	
27	KEY, 3/8" X 3/8" X 1 7/8"	014693	1	

¹ Replaces F05008-108 1/2-20 x 1 1/4" Hex Head Grade 5 Bolt supplied prior to LT30 Rev. H8.00 & LT40 Rev. H9.00. Longer bolt improves thread engagement for adjustment.

² Cog-style belt 006672 replaces 016556 originally supplied prior to 7/08 to reduce slippage. If sawmill equipped with 3 3/4" turnbuckle supplied prior to 9/03, replace with a revised 3 1/2" turnbuckle assembly A11576 to allow proper tensioning of belt ([See Section 4.2](#)).

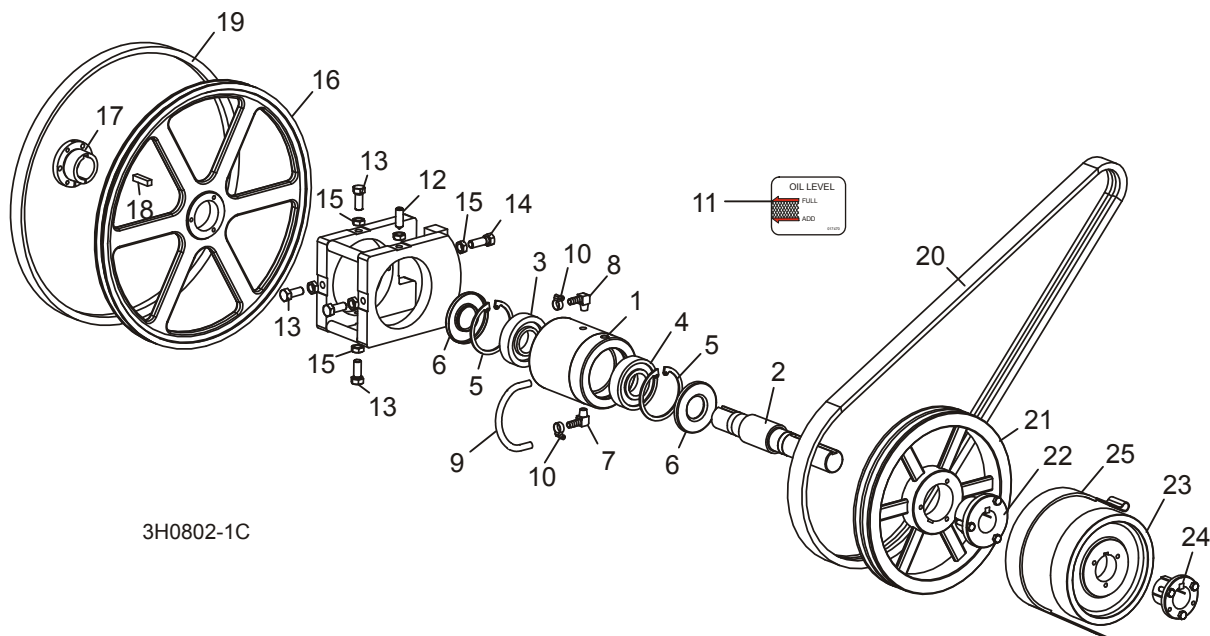
³ Retainer Plate 017953 added LT30 Rev. J4.01 & LT40 Rev. J5.01.

3 Blade Wheel & Tensioner

Blade Drive Assembly

3.2 Blade Drive Assembly

LT30 G18/G20/G25 Rev. H3.00 - J7.00
 LT40 G18/G20/G25 Rev. H4.00 - J8.00
 LT30 D33 Rev. H3.00 - H4.00
 LT40 D33 Rev. H4.00 - H5.00



3H0802-1C

REF	DESCRIPTION (◆ Indicates Parts Available In Assemblies Only)	PART #	QTY.	
	BEARING ASSEMBLY, BLADE WHEEL DRIVE	016393	1	
	Bearing Assembly, Cylindrical Drive	016392	1	◆
1	Housing, Blade Wheel Drive Bearing	016391	1	◆
2	Shaft, Blade Wheel Drive	014005	1	◆
3	Bearing, Blade Wheel Drive #MU1308TV	P10205	1	◆
4	Bearing, Blade Wheel Drive #6308 C3 Open	016055	1	◆
5	Ring, 90mm Interior Retaining #117	F04254-17	2	
6	Seal, Drive Bearing #CR15890	P10206-K	2	
7	Fitting, 1/4" NPT x 3/8" Hose Barb Elbow	016330	1	
8	Fitting, 1/4" NPT x 3/8" Hose Barb Vented Elbow	016331	1	
9	Hose, Oil Level Viewer	016394	1	
10	Clamp, 7/32-5/8" Hose	P649	2	
11	Decal, Oil Level Gauge	017470	1	
	Instruction Sheet, Drive Bearing Replacement	016393-555	1	
12	SCREW, 1/2-20 X 1 1/2" CONE POINT SET	F05004-170	1	
13	BOLT, 1/2-20 X 1 1/4" HEX HEAD GRADE 5	F05008-108 ¹	4	
14	BOLT, 1/2-20 X 1 3/4" HEX HEAD GRADE 5	F05008-49 ²	1	

15	NUT, 1/2-20 HEX JAM	F05010-16	6	
	WHEEL KIT, DRIVE SIDE BLADE	014562	1	
16	Wheel, Drive Side Blade	016284	1	◆
17	Bushing, Modified 1 9/16" SD	016270	1	
18	Key, 3/8" x 3/8" x 1 5/8"	S12892	1	
	Instruction Sheet, Drive Side Blade Wheel Replacement	K12987-488	1	
19	BELT, BLADE WHEEL B57	P04185	1	
20	BELT, 2BXF71 DRIVE (G18/G20/G25)	036163 ³	1	
	BELT, 3BX72 DRIVE (D33)	014085	1	
	PULLEY KIT, 2B124SK DRIVE (G18/G20/G25)	014692	1	
	PULLEY KIT, 3B124SK DRIVE (D33)	014691	1	
21	Pulley, 2B124SK Drive (G18/G20/G25)	014689	1	◆
	Pulley, 3B124SK Drive (D33)	014688	1	◆
22	Bushing, 1 9/16" Type 'SK'	014690	1	
	Key, 3/8" x 3/8" x 1 7/8"	014693	1	
23	WHEEL, BRAKE	014000	1	
24	BUSHING, 1 9/16" P1	014003	1	
25	STRAP, METAL-BACKED BRAKE	014391	1	

¹ Five 1/2-20 x 1 1/4" Hex Head Bolts replace four 1/2-20 x 1 1/4" Set Screws (F05008-109) and one 1/2-20 x 1 1/2" Hex Head Bolt (F05008-53) supplied prior to LT30 Rev. H4.00 & LT40 Rev. H5.00.

² Replaces F05008-108 1/2-20 x 1 1/4" Hex Head Grade 5 Bolt supplied prior to LT30 Rev. H8.00 & LT40 Rev. H9.00. Longer bolt improves thread engagement for adjustment.

³ 036163 Kevlar 2BXF71 belt replaces P12949 2BX71 belt supplied prior to 9/03. Kevlar belt reduces stretch and provides greater range of adjustment.

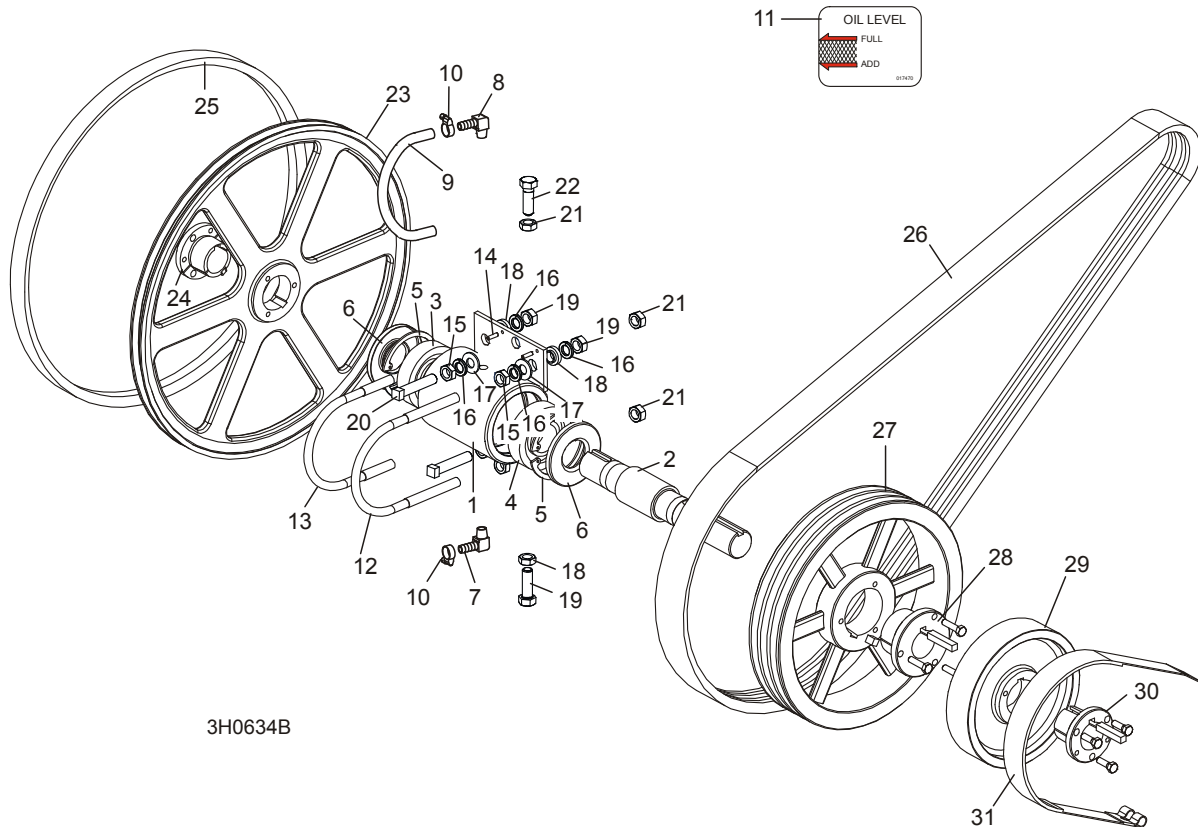
3 Blade Wheel & Tensioner

Blade Drive Assembly

3.3 Blade Drive Assembly

LT30
LT40

Rev. G4.00 - H2.00
Rev. G5.00 - H3.00



REF	DESCRIPTION (◆ Indicates Parts Available In Assemblies Only)	PART #	QTY.	
	BEARING ASSEMBLY, BLADE WHEEL DRIVE	014561	1	
	Bearing Assembly, Drive	014560	1	◆
1	Housing, Blade Wheel Drive Bearing	W10201	1	◆
2	Shaft, Blade Wheel Drive	014005	1	◆
3	Bearing, Blade Wheel Drive #MU1308TV	P10205	1	◆
4	Bearing, Blade Wheel Drive #6308 C3 Open	016055	1	◆
5	Ring, 90mm Interior Retaining #17	F04254-17	2	
6	Seal, Drive Bearing #CR15890	P10206-K	2	
7	Fitting, 1/4" NPT x 3/8" Hose Barb Elbow	016330 ¹	1	
8	Fitting, 1/4" NPT x 3/8" Hose Barb Vented Elbow	016331 ¹	1	
9	Hose, Oil Level Viewer	016337 ¹	1	
10	Clamp, 7/32-5/8" Hose	P649 ¹	2	
11	Decal, Oil Level Gauge	017470 ¹	1	
12	Bolt, 1/2-13 Long U	S10207-1	1	

13	Bolt, 1/2-13 Short U	S10207-2	1	
14	Pin, 3/16" X 5/8" Roll	F05012-22	2	
15	Nut, 1/2-20 Hex Jam	F05010-16	4	
16	Washer, 1/2" Split Lock	F05011-9	8	
17	Washer, 1/2" SAE Flat	F05011-2	4	
18	Spacer, .510" x .937" x .34"	S04253	4	
19	Nut, 1/2-13 Hex	F05010-35	4	
20	Screw, 1/2-20 x 2 1/2" Square Head Full Thread Set	F05008-110	2	
21	Nut, 1/2-13 Hex Nylon Lock	F05010-8	4	
22	Bolt, 1/2-20 x 1 1/2" Hex Head Grade 5	F05008-53	2	
	Instruction Sheet, Bearing Retrofit	K10200-275	1	
	WHEEL KIT, DRIVE SIDE BLADE	014562 ²	1	
23	Wheel, Drive Side Blade	016284 ²	1	◆
24	Bushing, Modified 1 9/16" SD	016270 ²	1	
	Key, 3/8" x 3/8" x 1 5/8"	S12892 ²	1	
	Instruction Sheet, Drive Side Blade Wheel Replacement	K12987-488	1	
25	BELT, BLADE WHEEL B57	P04185	1	
26	BELT, 3BX72 DRIVE (D30/D33)	014085	1	
	BELT, 2BXF71 DRIVE (G25)	036163 ³	1	
	PULLEY KIT, 3B124SK DRIVE (D30/D33)	014691 ⁴	1	
	PULLEY KIT, 2B124SK DRIVE (G25)	014692 ⁵	1	
27	Pulley, 3B124SK Drive (D30/D33)	014688	1	◆
	Pulley, 2B124SK Drive (G25)	014689	1	◆
28	Bushing, 1 9/16" Type 'SK'	014690	1	
	Key, 3/8" x 3/8" x 1 7/8"	014693	1	
29	WHEEL, BRAKE	014000	1	
30	BUSHING, 1 9/16" P1	014003	1	
31	STRAP, METAL-BACKED BRAKE	014391	1	

¹ Oil level viewer added 6/99 (LT30 rev. G9.00 and LT40 rev. H1.00). New fittings replace P05498 1/4" NPT Pipe Plug and P12868 1/4" NPT Vented Pipe Plug supplied prior to 6/99 (and P11757 1/4" NPT Square Head Pipe Plug supplied prior to 12/98).

² SD type wheel and bushing replace P1 style wheel (P12891) and bushing (014098) supplied before LT30 Rev. G8.00 and LT40 Rev. G9.00 to reduce wheel wobble. Use P1 bushing 014098 for original wheel.

³ 036163 Kevlar 2BXF71 belt replaces P12949 2BX71 belt supplied prior to 9/03. Kevlar belt reduces stretch and provides greater range of adjustment.

⁴ 014691 Drive Pulley Kit replaces 014001 Pulley, 014002 Bushing, and S12892 Key originally supplied before LT30D33 Rev. H1.00 and LT40D33 Rev. H2.00.

⁵ 014692 Drive Pulley Kit replaces 014416 Pulley, 014002 Bushing, and S12892 Key originally supplied before LT30G25 Rev. H2.00 and LT40G25 Rev. H3.00.

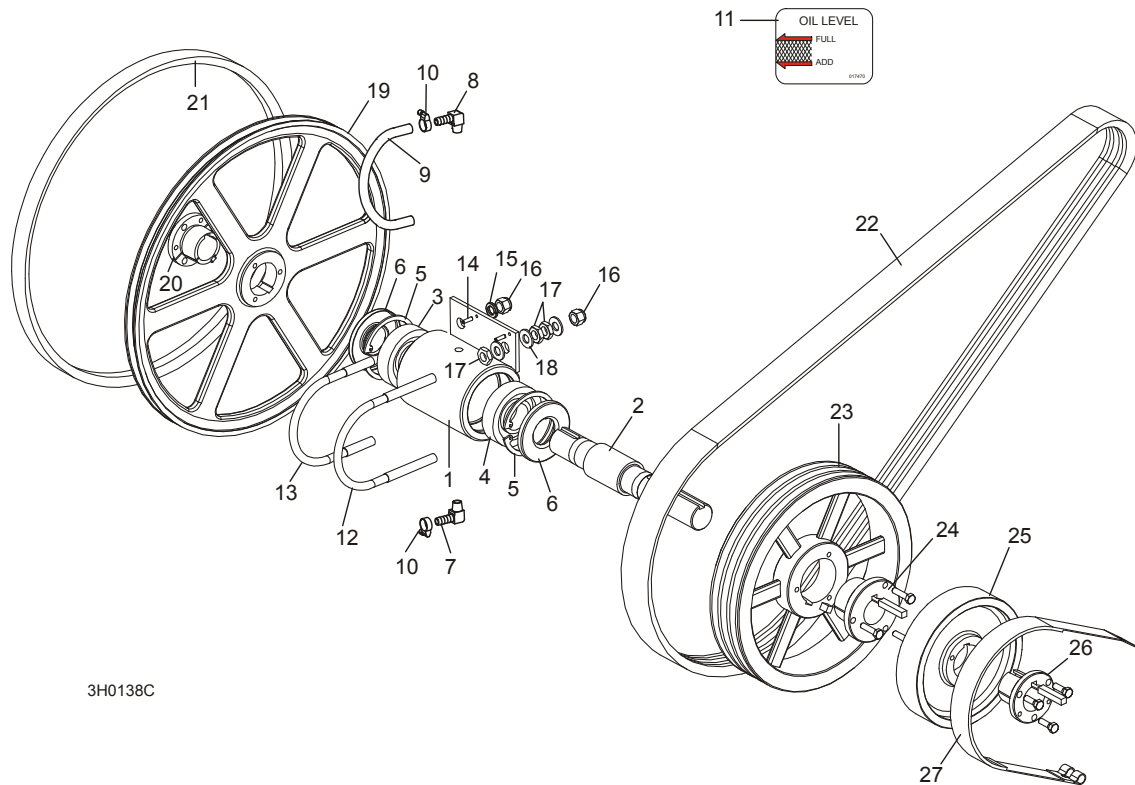
3 Blade Wheel & Tensioner

Blade Drive Assembly

3.4 Blade Drive Assembly

LT30
LT40

Rev. F7.00 - G3.06
Rev. F8.00 - G4.06



3H0138C

REF	DESCRIPTION (◆ Indicates Parts Available In Assemblies Only)	PART #	QTY.	
	BEARING ASSEMBLY, BLADE WHEEL DRIVE	014561 ¹	1	
	Bearing Assembly, Drive	014560	1	◆
1	Housing, Blade Wheel Drive Bearing	W10201	1	◆
2	Shaft, Blade Wheel Drive	014005	1	◆
3	Bearing, Blade Wheel Drive #MU1308TV	P10205	1	◆
4	Bearing, Blade Wheel Drive #6308 C3 Open	016055 ²	1	◆
5	Ring, 90mm Interior Retaining #I17	F04254-17	2	
6	Seal, Drive Bearing #CR15890	P10206-K	2	
7	Fitting, 1/4" NPT x 3/8" Hose Barb Elbow	016330 ³	1	
8	Fitting, 1/4" NPT x 3/8" Hose Barb Vented Elbow	016331 ³	1	
9	Hose, Oil Level Viewer	016337 ³	1	
10	Clamp, 7/32-5/8" Hose	P649 ³	2	
11	Decal, Oil Level Gauge	017470 ³	1	
12	Bolt, 1/2-13 Long U	S10207-1	1	

13	Bolt, 1/2-13 Short U	S10207-2	1	
14	Pin, 3/16" X 5/8" Roll	F05012-22	2	
15	Washer, 1/2" Split Lock	F05011-9	2	
16	Nut, 1/2-13 Hex Nylon Lock	F05010-8	4	
17	Nut, 1/2-13 Hex Jam	F05010-31	6	
18	Washer, 1/2" SAE Flat	F05011-2	6	
	Instruction Sheet, Bearing Retrofit	K10200-275	1	
	PLATE, DRIVE BEARING MOUNT	016116	1	
	BAR, BEARING PLATE BRACE	016113	1	
	BLOCK, BEARING PLATE BRACE	016112	1	
	SCREW, 1/2-20 X 2 1/2" SQUARE HEAD FULL THREAD SET	F05008-110	1	
	WHEEL KIT, DRIVE SIDE BLADE	014562 ⁴	1	
19	Wheel, Drive Side Blade	016284 ⁴	1	◆
20	Bushing, Modified 1 9/16" SD	016270 ⁴	1	
	Key, 3/8" x 3/8" x 1 5/8"	S12892 ⁴	1	
	Instruction Sheet, Drive Side Blade Wheel Replacement	K12987-488	1	
21	BELT, BLADE WHEEL B57	P04185	1	
22	BELT, 3BX72 DRIVE (D30)	014085	1	
	BELT, 2BX71 DRIVE (G18 ⁵/G25)	036163 ⁶		
	BELT, 2BX74 DRIVE (G24 ⁷)	P10277-2	1	
23	PULLEY, 3B5V124 SPECIAL DRIVE (D30)	014001 ⁸	1	◆
	PULLEY, 2B5V124 SPECIAL (G18 ⁵/G24 ⁷/G25)	014416 ⁹	1	◆
24	BUSHING, 1 9/16" SPLIT TAPER "B"	014002	1	
25	WHEEL, BRAKE	014000	1	
26	BUSHING, 1 9/16" SPLIT TAPER "P1"	014003	1	
27	STRAP, METAL-BACKED BRAKE	014391	1	

¹ Optional Drive Side Bearing Brace Add-On Kit (016121) available 6/98. Allows for easier and more precise adjustment of drive side bearing housing. Includes 016111 Bearing Plate Brace, needed hardware, and installation instructions.

² Replaces P10205 Blade Wheel Drive Bearing #MU1308TV 6/98.

³ Oil level viewer added 6/99. New fittings replace P05498 1/4" NPT Pipe Plug and P12868 1/4" NPT Vented Pipe Plug supplied prior to 6/99 (and P11757 1/4" NPT Square Head Pipe Plug supplied prior to 12/98).

⁴ SD type wheel and bushing replace P1 style wheel (P12891) and bushing (014098) originally supplied to reduce wheel wobble. Use P1 bushing 014098 for original wheel.

⁵ G18 engine option available for mills prior to LT30 Rev. G3.00 and LT40 Rev. G4.00 only.

⁶ 036163 Kevlar 2BXF71 belt replaces P12949 2BX71 belt supplied prior to 9/03. Kevlar belt reduces stretch and provides greater range of adjustment.

⁷ G24 engine option available for mills prior to LT30 Rev. G3.00 and LT40 Rev. G4.00 only.

⁸ Use Pulley Kit 014691 to replace 014001 Pulley, 014002 Bushing, and S12892 Key originally supplied ([See Section 3.4](#)).

⁹ Use Pulley Kit 014692 to replace 014416 Pulley, 014002 Bushing, and S12892 Key originally supplied ([See Section 3.4](#)).

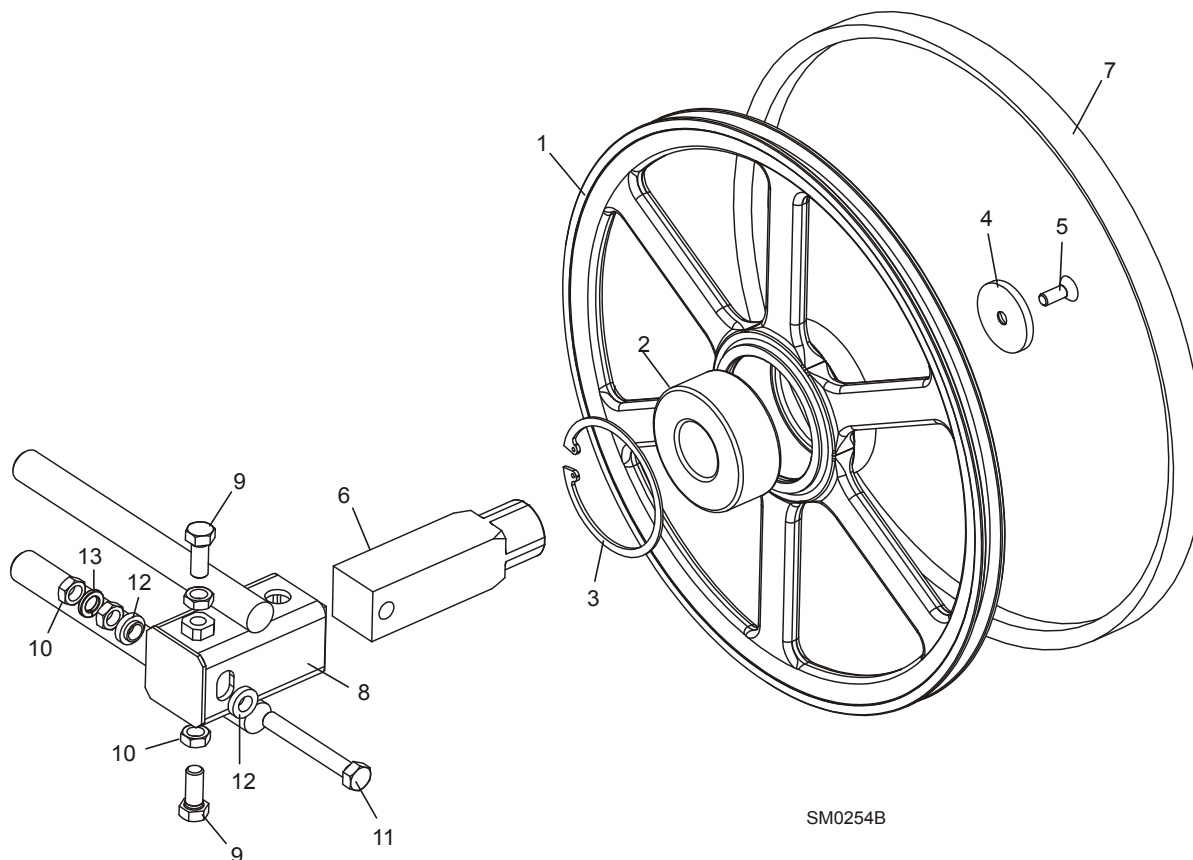
3 Blade Wheels & Tensioner

Idle Blade Wheel Assembly

3.5 Idle Blade Wheel Assembly

LT30
LT40

Rev. H3.00 - J6.00
Rev. H4.00 - J7.00



REF	DESCRIPTION (◆ Indicates Parts Available In Assemblies Only)	PART #	QTY.	
	WHEEL ASSEMBLY, IDLE SIDE BLADE	016120	1	
1	Wheel, Idle Side Blade	016013	1	◆
2	Bearing, Idle Side Blade Wheel #5309-2RS, C3, SRI-2 Grease	016014	1	
3	Ring, 100mm Internal Retaining Beveled	F04254-28	1	
	SHAFT KIT, IDLE BLADE WHEEL	016441 ¹	1	
4	Washer, 13/32" I.D. x 2 3/16 O.D. x 1/4"	016397	1	
5	Bolt, 3/8-16 x 1" Flat Head Socket	F05007-64	1	
6	Shaft, Idle Side Blade Wheel	016398	1	
7	BELT, BLADE WHEEL B57	P04185	1	
8	HOUSING, IDLE BLADE WHEEL SHAFT	016103	1	
9	SCREW, 1/2-20 X 1 1/4" HEX HEAD GRADE 5	F05008-108 ²	2	
10	NUT, 1/2-20 HEX JAM	F05010-16	4	
11	BOLT, 1/2-20 X 3 3/4" HEX HEAD FULL THREAD GRADE 2	F05008-111	1	

Blade Wheels & Tensioner
Idle Blade Wheel Assembly

3

12	SPACER, 1/2" I.D. FLANGED	S04253	2	
13	WASHER, 1/2" SPLIT LOCK	F05011-9	1	

¹ Shaft Kit 016441 includes new shaft and 3/8" hardware (replaces 016092 with 5/16" hardware previously supplied).

² Replaces 1/2-20 x 1 1/4" Flat Point Set Screw (F05008-109) supplied prior to LT30 Rev. H4.00 & LT40 Rev. H5.00.

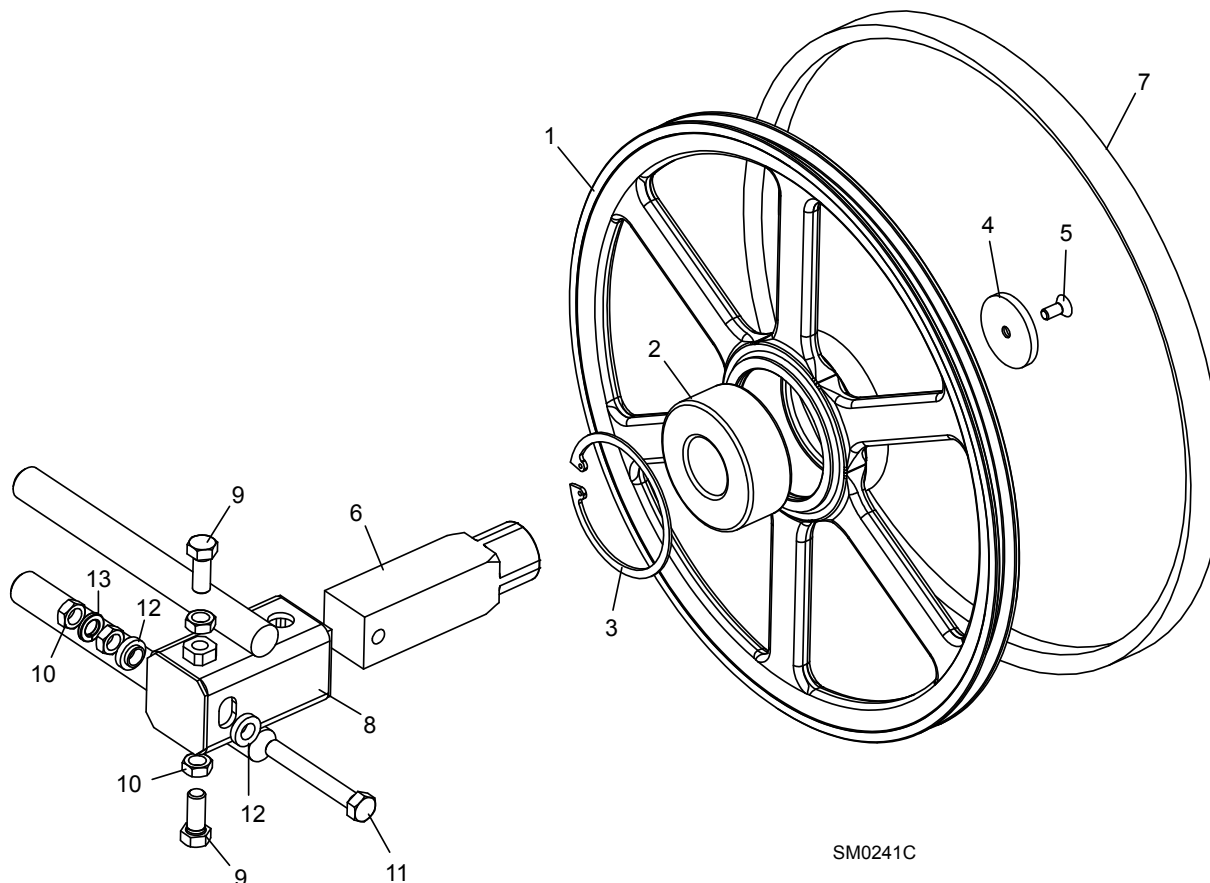
3 Blade Wheels & Tensioner

Idle Blade Wheel Assembly

3.6 Idle Blade Wheel Assembly

LT30
LT40

Rev. G4.00 - H2.00
Rev. G5.00 - H3.00



REF	DESCRIPTION (◆ Indicates Parts Available In Assemblies Only)	PART #	QTY.	
	WHEEL ASSEMBLY, IDLE SIDE BLADE	016120 ¹	1	
1	Wheel, Idle Side Blade	016013	1	◆
2	Bearing, Idle Side Blade Wheel #5309-2RS, C3, SRI-2 Grease	016014 ¹	1	
3	Ring, 100mm Internal Retaining Beveled	F04254-28 ¹	1	
4	WASHER, 2 3/16 X 1/4"	016095 ¹	1	
5	BOLT, 5/16-18 X 3/4" FLAT HEAD SOCKET	F05006-95 ¹	1	
6	SHAFT, IDLE SIDE BLADE WHEEL	016092 ²	1	◆
7	BELT, BLADE WHEEL B57	P04185	1	
8	HOUSING, IDLE BLADE WHEEL SHAFT	016103	1	
9	SCREW, 1/2-20 X 1 1/4" HEX HEAD GRADE 5	F05008-108 ³	2	
10	NUT, 1/2-20 HEX JAM	F05010-16	4	

Blade Wheels & Tensioner

Idle Blade Wheel Assembly

3

11	BOLT, 1/2-20 X 3 3/4" HEX HEAD FULL THREAD GRADE 2	F05008-111	1	
12	SPACER, 1/2" I.D. FLANGED	S04253	2	
13	WASHER, 1/2" SPLIT LOCK	F05011-9	1	

¹ Blade Wheel Assembly 016120, Idle Shaft 016092, Retaining Washer 016095, Shaft Housing Weldment 016103, and Socket Head Bolt F05006-95 new on LT30 Rev. G4.00 and LT40 Rev. G5.00. Use Wheel Assembly Upgrade Kit 016189 with Retrofit Shaft 016180 for previous revisions ([See Section 3.7](#)).

² Use Kit 016441 to replace shaft 016092. Kit includes new shaft and 3/8" mounting hardware ([See Section 3.5](#)).

³ Replaces 1/2-20 x 1 1/4" Flat Point Set Screw (F05008-109) originally supplied.

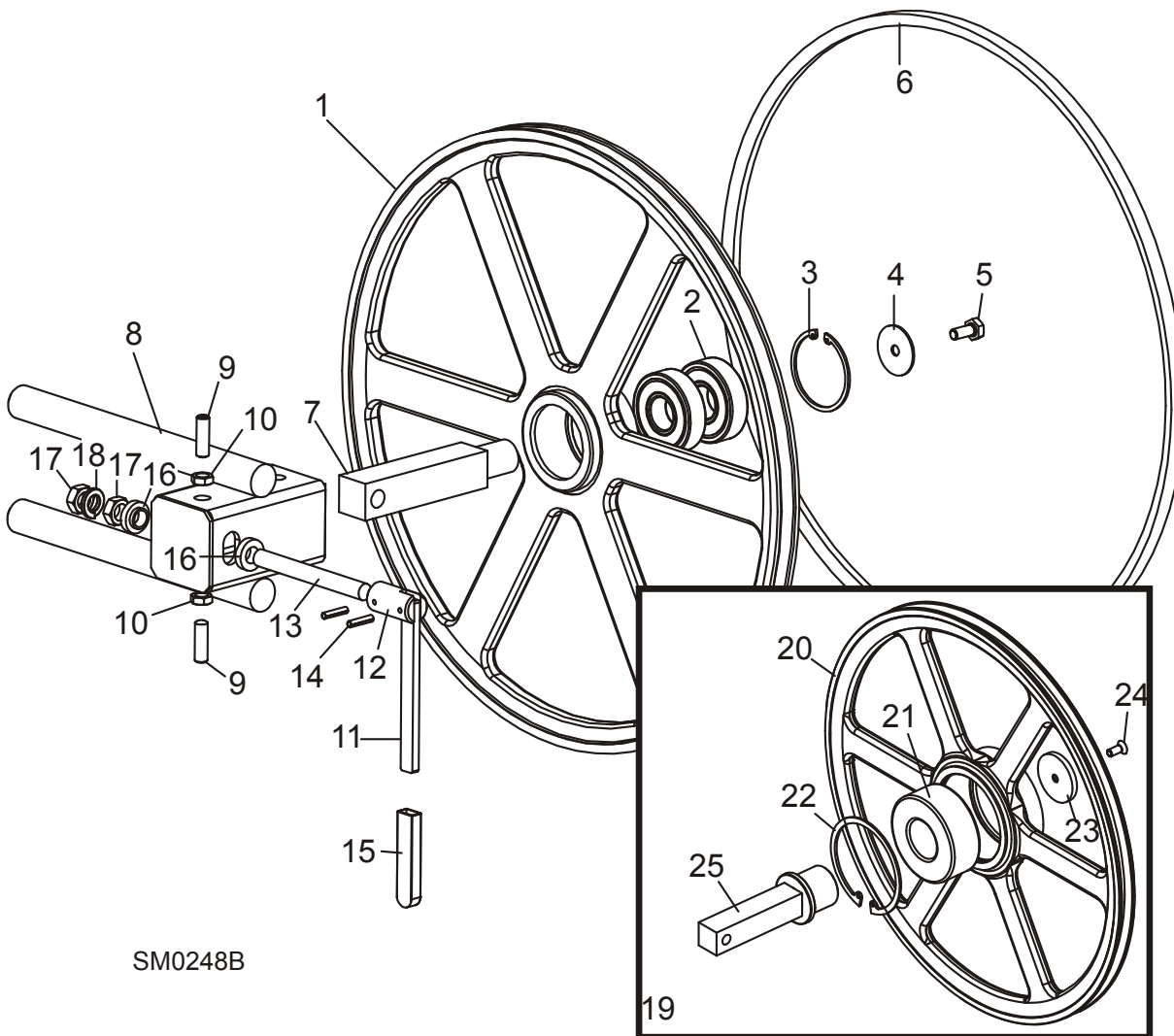
3 Blade Wheels & Tensioner

Idle Blade Wheel Assembly

3.7 Idle Blade Wheel Assembly

LT30
LT40

Rev. F7.00 - G3.06
Rev. F8.00 - G4.06



REF	DESCRIPTION (◆ Indicates Parts Available In Assemblies Only)	PART #	QTY.	
	WHEEL ASSEMBLY, IDLE SIDE BLADE	A08218 ¹	1	
1	Wheel, Idle Side Blade	P08125	1	◆
2	Bearing, Idle Side Blade Wheel #6305-AA, C3, ABEC-1, SRI-2 Grease	P08066 ¹	2	
3	Ring, 2 7/16" Internal Retaining	F04254-21 ¹	1	
4	WASHER, IDLE BLADE WHEEL RETAINER	S08220 ¹	1	
5	BOLT, 5/16-18 X 3/4" HEX HEAD	F05006-5 ¹	1	
6	BELT, BLADE WHEEL B57	P04185	1	

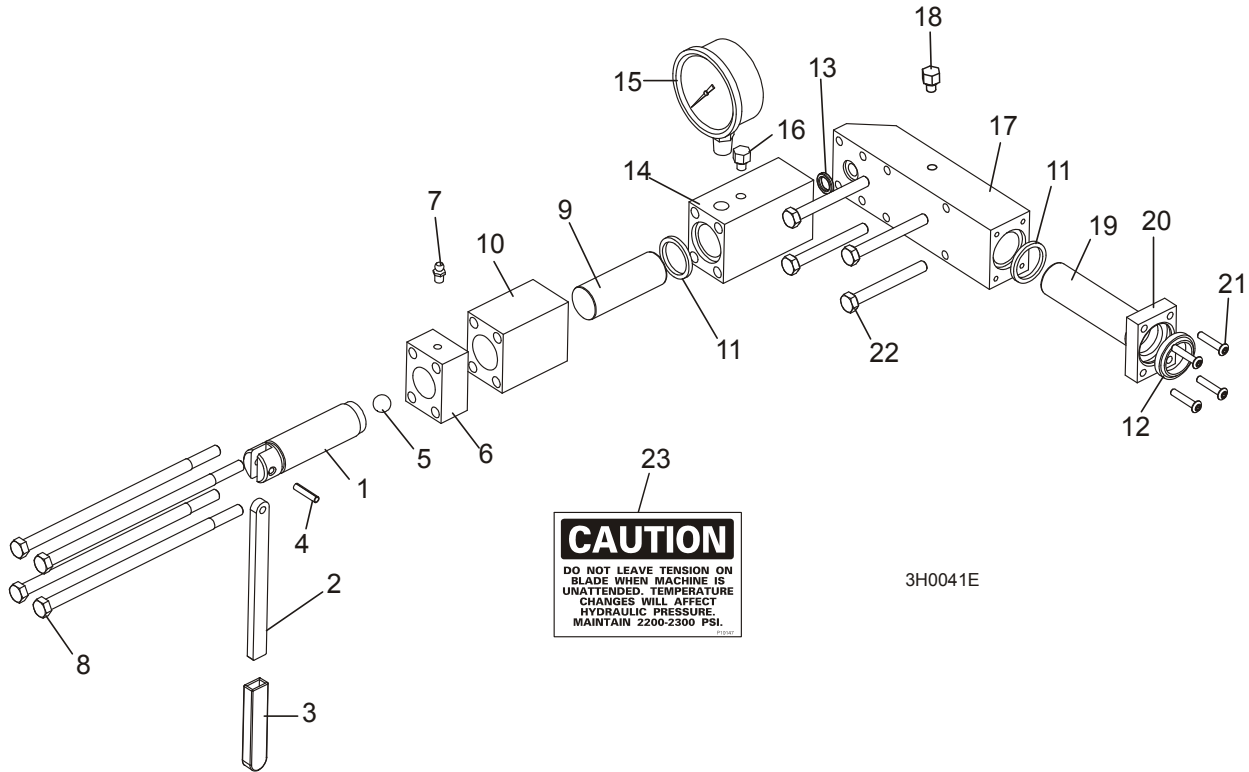
7	SHAFT, IDLE BLADE WHEEL	S12565 ¹	1	
8	HOUSING, IDLE BLADE WHEEL SHAFT	W10157	1	
9	SCREW, 3/8-16 X 1 1/4" SOCKET HEAD OVAL POINT	F05007-18	2	
10	NUT, 3/8-16 HEX JAM	F05010-29	2	
	HANDLE ASSEMBLY, IDLE SIDE PULLEY TILT	A09357	1	
11	Handle, Tilt Adjustment Screw	S08174	1	◆
12	Driver, Tilt Adjustment Screw	S09405	1	◆
13	Rod, Threaded Tilt Adjustment Screw	S09358	1	◆
14	Pin, 3/16" x 7/8" Roll	F05012-19	2	
15	SLEEVE, PLASTIC HANDLE	P08072	1	
16	SPACER, 1/2" I.D. FLANGED	S04253	2	
17	NUT, 1/2-20 HEX JAM	F05010-16	2	
18	WASHER, 1/2" SPLIT LOCK	F05011-9	1	
19	WHEEL KIT, IDLE SIDE BLADE UPGRADE	016189 ¹	1	
	Wheel Assembly, Idle Side Blade	016120	1	
20	Wheel, Idle Side Blade	016013	1	◆
21	Bearing, Idle Side Blade Wheel #5309-2RS, C3, SRI-2 Grease	016014	1	
22	Ring, 100mm Internal Retaining Beveled	F04254-28	1	
23	Washer, 2 3/16 x 1/4"	016095	1	
24	Bolt, 5/16-18 X 3/4" Flat Head Socket	F05006-95	1	
25	Shaft, Idle Side Blade Wheel Retrofit	016180	1	

¹ Upgrade kit 016189 including blade wheel with larger diameter bearing and retrofit shaft 016180 available. [See Item #19](#) for upgrade parts.

3 Blade Wheels & Tensioner

Hydraulic Blade Tensioner Assembly

3.8 Hydraulic Blade Tensioner Assembly



REF	DESCRIPTION (◆ Indicates Parts Available In Assemblies Only)	PART #	QTY.	
	HYDRAULIC BLADE TENSIONER ASSEMBLY	A10136	1	
	Handle Assembly, Hydraulic Blade Tensioner Screw	A12294	1	
1	Screw, Hydraulic Blade Tensioner	S10056	1	◆
2	Handle, Hydraulic Tensioner Screw	S08174	1	
3	Sleeve, Plastic Handle	P08072	1	
4	Pin, 3/16" x 7/8" Roll	F05012-19	1	
5	Ball, 1/2" Steel	P02720	1	
6	Block, Threaded Tensioner End	S10062	1	◆
7	Fitting, 1/4-28 Grease	P05060	1	
	Instruction Sheet, Tensioner Screw	A12294-518	1	
8	Bolt, 5/16-18 X 7 1/2" Hex Head Grade 5	F05006-43	4	
9	Piston, Hydraulic Tensioner Front 2 3/4" Long	S10060	1	
10	Block, Piston Guide	S10061	1	
	Seal Kit, Hydraulic Tensioner	003224	1	
5	Ball, 1/2" Steel	P02720	1	
11	Seal, 1" Diameter	P10051	2	
12	Wiper, 1" Diameter	P10053	1	
13	Ring, 5/8" X 3/32" Square "O"	P10377	1	

Blade Wheels & Tensioner

Hydraulic Blade Tensioner Assembly

3

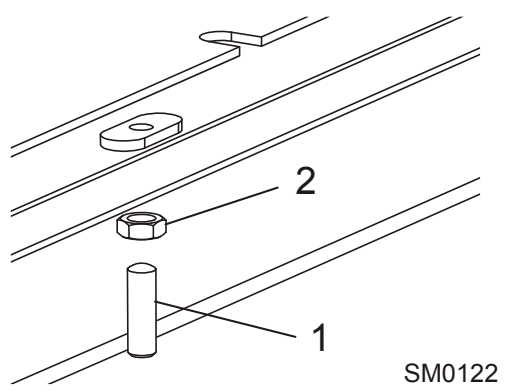
14	Block, Hydraulic Tensioner Gauge Mounting	S10140	1	
15	Gauge, 5000 P.S.I.	P10052	1	
16	Plug, Hydraulic Tensioner Fill	P10065	1	
	Block Assembly, Rear Tensioner Piston	016329	1	
17	Block, Rear Tensioner Piston	S10142 ¹	1	◆
18	Plug, Hydraulic Tensioner Fill	P10065	1	
19	Piston, Hydraulic Tensioner Rear 3 5/8" Long	S10059	1	
20	Block, Rear Piston End	S10089	1	
21	Bolt, #10-24 X 1" Socket Button Head	F05004-43	4	
22	Bolt, 5/16-18 X 2 3/4" Hex Head Grade 5	F05006-28	4	
23	Decal, Hydraulic Tension Caution	P10147	1	
	Instruction Sheet, Hydraulic Tensioner Installation	A10136-272	1	

¹ Plug added to S10142 Rear Tensioner Piston Block 6/99 (LT30 rev. G9.00 and LT40 rev. H1.00).

4 Saw Head
Middle Throat Screw

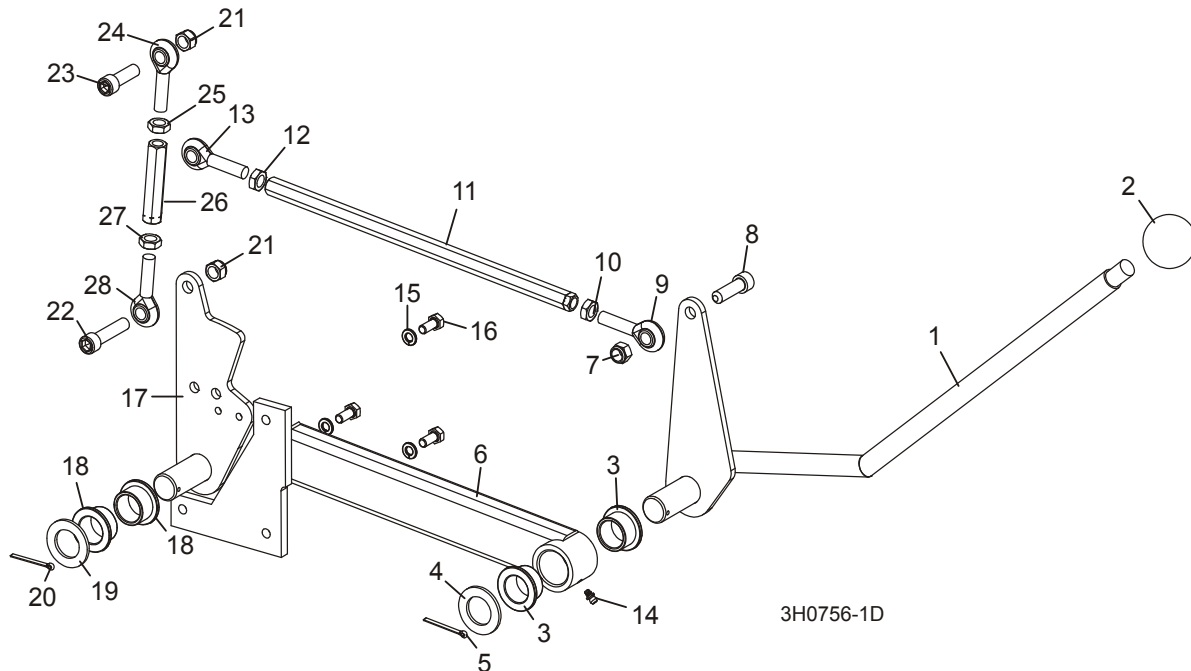
SECTION 4 SAW HEAD

4.1 Middle Throat Screw



REF	DESCRIPTION (◆ Indicates Parts Available In Assemblies Only)	PART #	QTY.	
1	SCREW, 3/8-16 X 1 1/4" OVAL POINT SOCKET SET	F05007-18	1	
2	NUT, 3/8-16 HEX JAM	F05010-29	1	

4.2 Clutch/Brake Lever Assembly (D33/G36)

LT30
LT40Rev. H5.00 - J6.00
Rev. H6.00 - J7.00

REF	DESCRIPTION (◆ Indicates Parts Available In Assemblies Only)	PART #	QTY.	
	HANDLE ASSEMBLY, EXTENDED CLUTCH/BRAKE	016317	1	
1	Lever, Clutch/Brake	016295	1	◆
2	Knob, Plastic Round	P04211	1	
3	Bushing, Clutch/Brake Pivot	P737	2	
4	Washer, Clutch/Brake Pivot	P116	1	
5	Pin, 1/8" X 1 1/2" Cotter	F05012-49	1	
6	Extension Weldment, Clutch Handle	015241	1	
7	Nut, 7/16-20 Nylon Lock	F05010-83	1	
8	Screw, 7/16-20 x 1 1/2" Socket Head	F05007-55	1	
9	Rod End, 7/16-20 Left Hand Thread	P11578	1	
10	Nut, 7/16-20 Hex Jam Left Hand Thread	F05010-87	1	
11	Rod, Clutch Extension	015073	1	
12	Nut, 7/16-20 Hex Jam	F05010-38	1	
13	Rod End, 7/16-20 Right Hand Thread	P11579	1	
14	Fitting, 3/16" Straight Grease	P04107	1	
15	WASHER, 5/16" SPLIT LOCK	F05011-13	3	
16	BOLT, 5/16-18 X 3/4" HEX HEAD	F05006-5	3	
17	PLATE WELDMENT, CLUTCH PIVOT	016296	1	
18	BUSHING, CLUTCH/BRAKE PIVOT	P737	2	

4

Saw Head*Clutch/Brake Lever Assembly (D33/G36)*

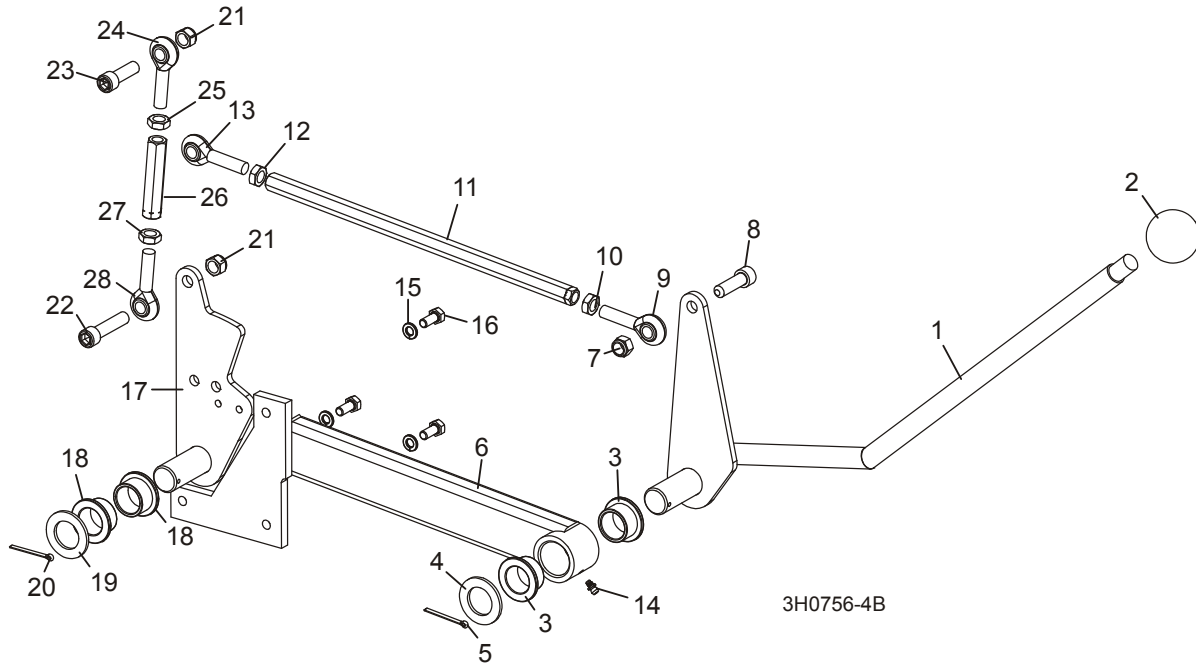
19	WASHER, CLUTCH/BRAKE PIVOT	P116	1	
20	PIN, 1/8" X 1 1/2" COTTER	F05012-49	1	
21	NUT, 7/16-20 HEX NYLON LOCK	F05010-83	2	
22	BOLT, 7/16-20 X 2" SOCKET HEAD	F05007-120	1	
23	BOLT, 7/16-20 X 1 1/2" SOCKET HEAD	F05007-55	1	
	TURNBUCKLE ASSEMBLY, 3 1/2" CLUTCH/BRAKE LEVER	A11576 ¹	1	
24	Rod End, 7/16-20 Right Hand Thread	P11579	1	
25	Nut, 7/16-20 Hex Jam	F05010-38	1	
26	Turnbuckle, 3 1/2" Clutch/Brake Lever	S12262 ¹	1	◆
27	Nut, 7/16-20 Hex Jam Left Hand Thread	F05010-87	1	
28	Rod End, 7/16-20 Left Hand Thread	P11578	1	

¹ Turnbuckle revised from 3 3/4" to 3 1/2" to provide increased adjustment (9/03).

4.3 Clutch/Brake Lever Assembly (D33)

LT30
LT40

Rev. G9.00 - H4.00
Rev. H1.00 - H5.00



3H0756-4B

REF	DESCRIPTION (◆ Indicates Parts Available In Assemblies Only)	PART #	QTY.	
	HANDLE ASSEMBLY, EXTENDED CLUTCH/BRAKE	016317	1	
1	Lever, Clutch/Brake	016295	1	◆
2	Knob, Plastic Round	P04211	1	
3	Bushing, Clutch/Brake Pivot	P737	2	
4	Washer, Clutch/Brake Pivot	P116	1	
5	Pin, 1/8" X 1 1/2" Cotter	F05012-49 ¹	1	
6	Extension Weldment, Clutch Handle	015241	1	
7	Nut, 7/16-20 Nylon Lock	F05010-83	1	
8	Screw, 7/16-20 x 1 1/2" Socket Head	F05007-55	1	
9	Rod End, 7/16-20 Left Hand Thread	P11578	1	
10	Nut, 7/16-20 Hex Jam Left Hand Thread	F05010-87	1	
11	Rod, Clutch Extension	015073	1	
12	Nut, 7/16-20 Hex Jam	F05010-38	1	
13	Rod End, 7/16-20 Right Hand Thread	P11579	1	
14	Fitting, 3/16" Straight Grease	P04107	1	
15	WASHER, 5/16" SPLIT LOCK	F05011-13	3	
16	BOLT, 5/16-18 X 3/4" HEX HEAD	F05006-5	3	
17	PLATE WELDMENT, CLUTCH PIVOT	016296	1	

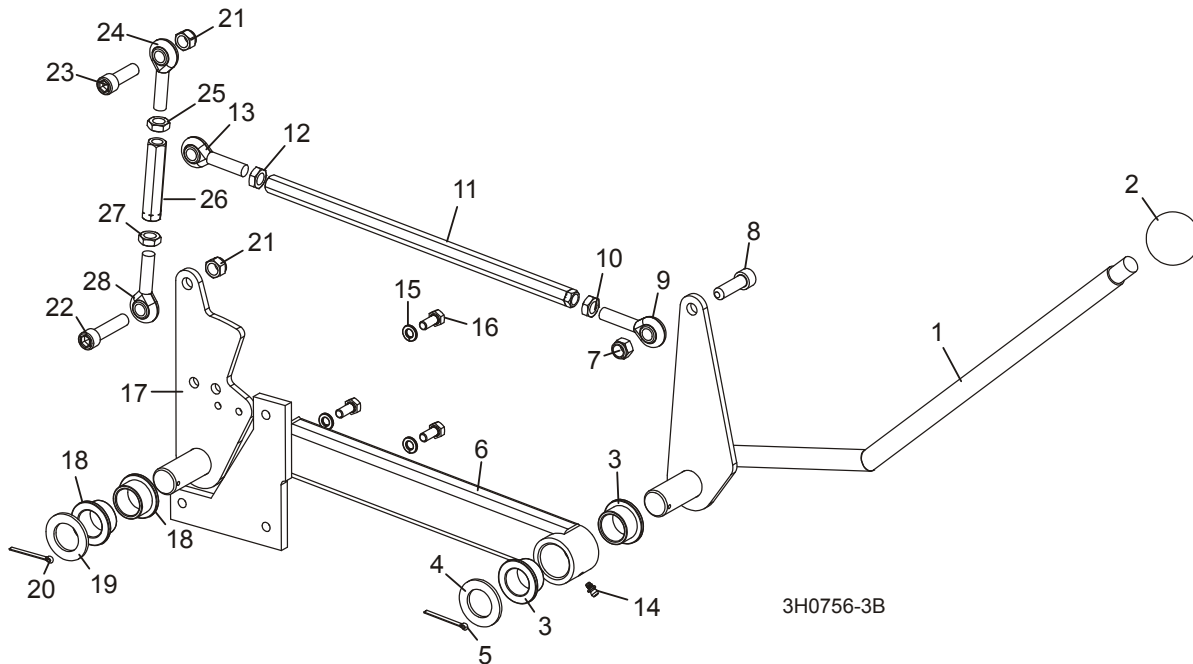
4

Saw Head*Clutch/Brake Lever Assembly (D33)*

18	BUSHING, CLUTCH/BRAKE PIVOT	P737	2	
19	WASHER, CLUTCH/BRAKE PIVOT	P116	1	
20	PIN, 1/8" X 1 1/2" COTTER	F05012-49 ¹	1	
21	NUT, 7/16-20 HEX NYLON LOCK	F05010-83	2	
22	BOLT, 7/16-20 X 2" SOCKET HEAD	F05007-120	1	
23	BOLT, 7/16-20 X 1 1/2" SOCKET HEAD	F05007-55	1	
	TURNBUCKLE ASSEMBLY, 3" CLUTCH/BRAKE LEVER	A12304	1	
24	Rod End, 7/16-20 Right Hand Thread	P11579	1	
25	Nut, 7/16-20 Hex Jam	F05010-38	1	
26	Turnbuckle, 3" Clutch/Brake Lever	S11577	1	◆
27	Nut, 7/16-20 Hex Jam Left Hand Thread	F05010-87	1	
28	Rod End, 7/16-20 Left Hand Thread	P11578	1	

¹ Replaces F05012-43 1/8" x 1 3/4" Cotter Pin used prior to LT30 Rev. H3.00 and LT40 Rev. H4.00 to accommodate common parts.

4.4 Clutch/Brake Lever Assembly (G18/G20/G25)

LT30
LT40Rev. G9.00 - J6.00
Rev. H1.00 - J7.00

REF	DESCRIPTION (◆ Indicates Parts Available In Assemblies Only)	PART #	QTY.	
	HANDLE ASSEMBLY, EXTENDED CLUTCH/BRAKE	016317	1	
1	Lever, Clutch/Brake	016295	1	◆
2	Knob, Plastic Round	P04211	1	
3	Bushing, Clutch/Brake Pivot	P737	2	
4	Washer, Clutch/Brake Pivot	P116	1	
5	Pin, 1/8" X 1 1/2" Cotter	F05012-49 ¹	1	
6	Extension Weldment, Clutch Handle	015241	1	
7	Nut, 7/16-20 Nylon Lock	F05010-83	1	
8	Screw, 7/16-20 x 1 1/2" Socket Head	F05007-55	1	
9	Rod End, 7/16-20 Left Hand Thread	P11578	1	
10	Nut, 7/16-20 Hex Jam Left Hand Thread	F05010-87	1	
11	Rod, Clutch Extension	015073	1	
12	Nut, 7/16-20 Hex Jam	F05010-38	1	
13	Rod End, 7/16-20 Right Hand Thread	P11579	1	
14	Fitting, 3/16" Straight Grease	P04107	1	
15	WASHER, 5/16" SPLIT LOCK	F05011-13	3	
16	BOLT, 5/16-18 X 3/4" HEX HEAD	F05006-5	3	
17	PLATE WELDMENT, CLUTCH PIVOT	016296	1	

4

Saw Head*Clutch/Brake Lever Assembly (G18/G20/G25)*

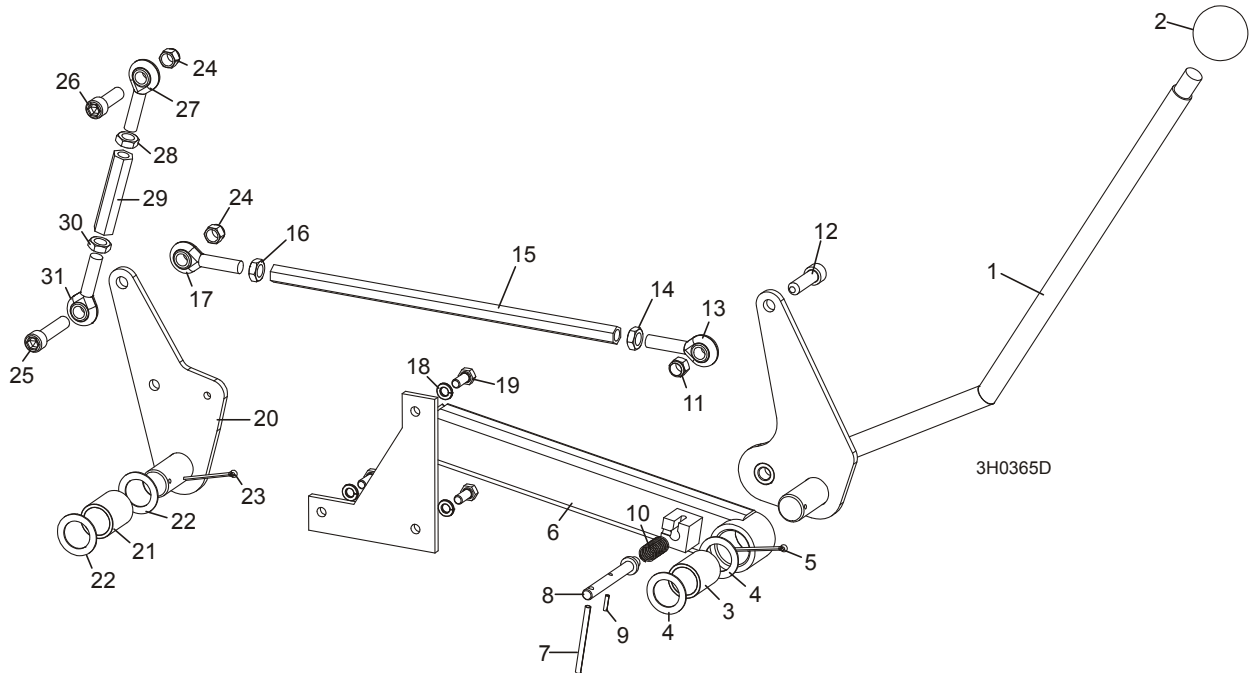
18	BUSHING, CLUTCH/BRAKE PIVOT	P737	2	
19	WASHER, CLUTCH/BRAKE PIVOT	P116	1	
20	PIN, 1/8" X 1 1/2" COTTER	F05012-49 ¹	1	
21	NUT, 7/16-20 HEX NYLON LOCK	F05010-83	2	
22	BOLT, 7/16-20 X 2" SOCKET HEAD	F05007-120	1	
23	BOLT, 7/16-20 X 1 1/2" SOCKET HEAD	F05007-55	1	
	TURNBUCKLE ASSEMBLY, 3" CLUTCH/BRAKE LEVER	A12304	1	
24	Rod End, 7/16-20 Right Hand Thread	P11579	1	
25	Nut, 7/16-20 Hex Jam	F05010-38	1	
26	Turnbuckle, 3" Clutch/Brake Lever	S11577	1	◆
27	Nut, 7/16-20 Hex Jam Left Hand Thread	F05010-87	1	
28	Rod End, 7/16-20 Left Hand Thread	P11578	1	

¹ Replaces F05012-43 1/8" x 1 3/4" Cotter Pin used prior to LT30 Super Rev. H2.00 and LT40 Super Rev. H3.00 to accommodate common parts.

4.5 Clutch/Brake Lever Assembly

LT30
LT40

Rev. F7.00 - G8.00
Rev. F8.00 - G9.00



REF	DESCRIPTION (◆ Indicates Parts Available In Assemblies Only)	PART #	QTY.	
	HANDLE ASSEMBLY, EXTENDED CLUTCH/BRAKE	015273	1	
1	Lever, Clutch/Brake	015245	1	◆
2	Knob, Plastic Round	P04211	1	
3	Bushing, Clutch/Brake Pivot	P05041	1	
4	Washer, Clutch/Brake Pivot	S11570	2	
5	Pin, 1/8" X 1 1/2" Cotter	F05012-49 ¹	1	
6	Extension Weldment, Clutch Handle	015241	1	
7	Pin, 3/16 x 2 1/2" Roll	F05012-27	1	
8	Pin, Clutch Detent	015275 ²	1	◆
9	Pin, 1/8" x 9/16" Roll	F05012-30	1	
10	Spring, .58" OD x 1 1/8"	021243	1	
11	Nut, 7/16-20 Nylon Lock	F05010-83	1	
12	Screw, 7/16-20 x 1 1/2" Socket Head	F05007-55	1	
13	Rod End, 7/16-20 Left Hand Thread	P11578	1	
14	Nut, 7/16-20 Hex Jam Left Hand Thread	F05010-87	1	
15	Rod, Clutch Extension	015073	1	
16	Nut, 7/16-20 Hex Jam	F05010-38	1	
17	Rod End, 7/16-20 Right Hand Thread	P11579	1	

4

Saw Head*Clutch/Brake Lever Assembly*

18	WASHER, 5/16" SPLIT LOCK	F05011-13	3	
19	BOLT, 5/16-18 X 3/4" HEX HEAD	F05006-5	3	
20	PLATE WELDMENT, CLUTCH PIVOT	015240	1	
21	BUSHING, CLUTCH/BRAKE PIVOT	P05041	1	
22	WASHER, CLUTCH/BRAKE PIVOT	S11570	2	
23	PIN, 1/8" X 1 1/2" COTTER	F05012-49 ¹	1	
24	NUT, 7/16-20 HEX NYLON LOCK	F05010-83	2	
25	SCREW, 7/16-20 X 2" SOCKET HEAD	F05007-120	1	
26	SCREW, 7/16-20 X 1 1/2" SOCKET HEAD	F05007-55	1	
	TURNBUCKLE ASSEMBLY, 3" CLUTCH/BRAKE LEVER	A12304	1	
27	Rod End, 7/16-20 Right Hand Thread	P11579	1	
28	Nut, 7/16-20 Hex Jam	F05010-38	1	
29	Turnbuckle, 3" Clutch/Brake Lever	S11577	1	◆
30	Nut, 7/16-20 Hex Jam Left Hand Thread	F05010-87	1	
31	Rod End, 7/16-20 Left Hand Thread	P11578	1	

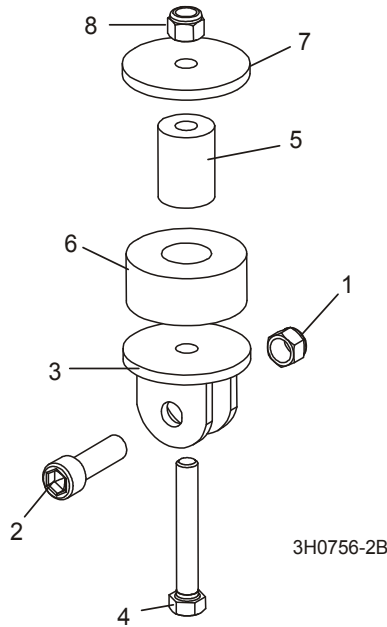
¹ Replaces F05012-43 1/8" x 1 3/4" Cotter Pin originally supplied to accommodate common parts.

² Detent pin removed LT30 Rev. F8.04 and LT40 Rev. F9.04. Detent pin should be removed from previous revision mills to prevent possible injury caused by unintended use of the detent pin (such as using the pin to enable the blade to be spun by hand during blade tracking). See bulletin #970053LR for pin removal instructions.

4.6 Clutch Mount Assembly

LT30
LT40

Rev. G9.00 - J6.00
Rev. H1.00 - J7.00



REF	DESCRIPTION (◆ Indicates Parts Available In Assemblies Only)	PART #	QTY.	
1	NUT, 7/16-20 HEX NYLON LOCK	F05010-83	1	
2	BOLT, 7/16-20 X 1 1/2" SOCKET HEAD	F05007-55	1	
3	BRACKET, CLUTCH MOUNT	W12411	1	
4	BOLT, 3/8-16 X 2 1/2" HEX HEAD	F05007-157	1	
5	SPACER, MOTOR MOUNT VIBRATION BUSHING	016316	1	
6	BUSHING, MOTOR MOUNT VIBRATION	P05032	1	
7	WASHER, .40" I.D. X 1.44" O.D. X .18" THICK	021276 ¹	1	
8	NUT, 3/8-16 NYLON LOCK	F05010-10	1	

¹ Replaces S12412 3/8"x2 1/4"x3/16" Washer supplied prior to LT30 Rev. H3.00 and LT40 Rev. H4.00. Smaller washer eliminates interference with motor mount.

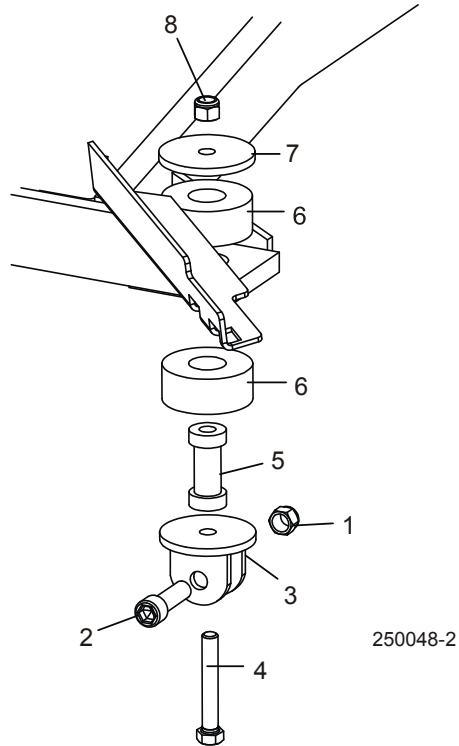
4 Saw Head

Clutch Mount Assembly

4.7 Clutch Mount Assembly

LT30
LT40

Rev. F7.00 - G8.00
Rev. F8.00 - G9.00

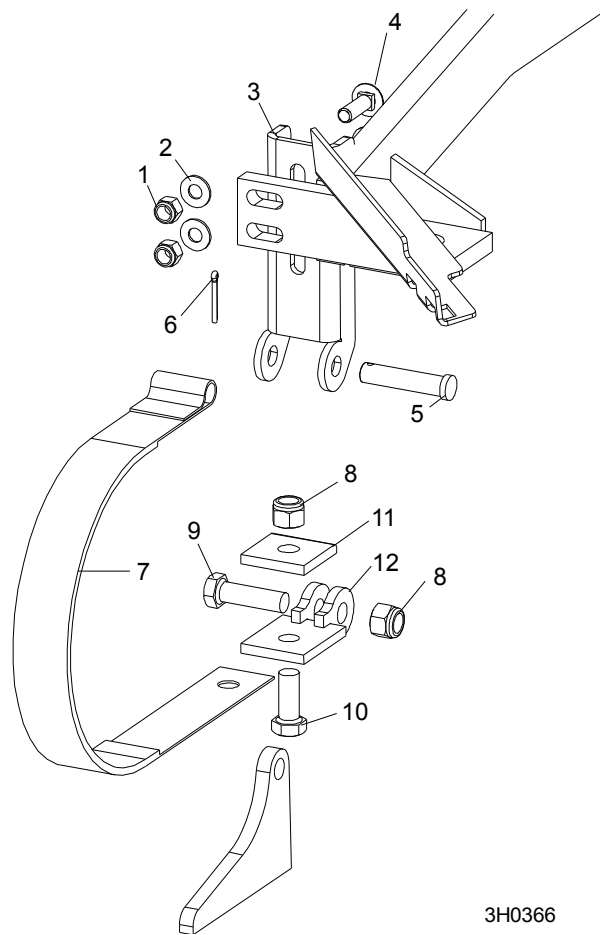


REF	DESCRIPTION (◆ Indicates Parts Available In Assemblies Only)	PART #	QTY.
1	NUT, 7/16-20 HEX NYLON LOCK	F05010-83	1
2	BOLT, 7/16-20 X 1 1/2" SOCKET HEAD	F05007-55	1
3	BRACKET, CLUTCH MOUNT	W12411	1
4	BOLT, 3/8-16 X 2 3/4" HEX HEAD	F05007-29	1
5	SPACER, MOTOR MOUNT VIBRATION BUSHING	S12410 ¹	1
6	BUSHING, MOTOR MOUNT VIBRATION	P05032 ¹	2
7	WASHER, .40" I.D. X 1.44" O.D. X .18" THICK	021276 ²	1
8	NUT, 3/8-16 NYLON LOCK	F05010-10	1

¹ Motor Mount Bushing parts may be upgraded to single-bushing style to reduce vibration ([See Section 4.6](#)). Use Motor Mount Kit 016319 (G25) or 016321 (D30) to upgrade motor mount and bushing parts.

² Replaces S12412 3/8"x2 14"x3/16" Washer originally supplied. Smaller washer eliminates interference with motor mount.

4.8 Brake Assembly

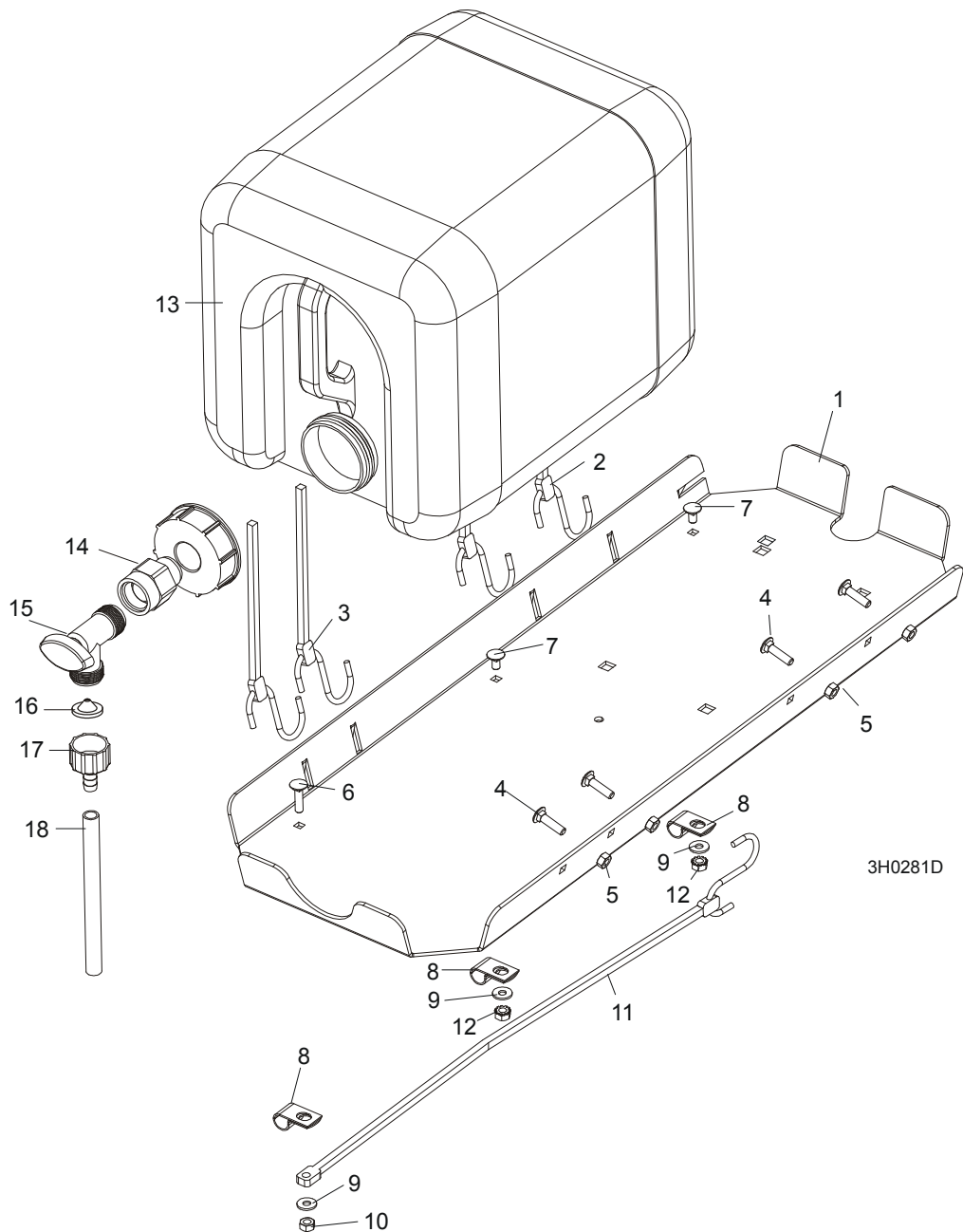


3H0366

REF	DESCRIPTION (◆ Indicates Parts Available In Assemblies Only)	PART #	QTY.
	STRAP RETROFIT, SUPER BRAKE	014441	1
1	Nut, 3/8-16 Nylon Lock	F05010-10	2
2	Washer, 3/8" SAE Flat	F05011-3	2
3	Bracket, Upper Super Brake Strap Mount	014395	1
4	Bolt, 3/8-16 x 1 1/4" Carriage Head Grade 5	F05007-127	2
5	Pin, 1/2" x 2 1/4" Clevis	F05012-81 ¹	1
6	Pin, 1/8" x 1" Cotter	F05012-1	1
7	Strap, Upper Pivot Metal Brake	014391	1
8	Nut, 1/2-13 Nylon Lock	F05010-8	2
9	Bolt, 1/2-13 x 1 3/4" Hex Head Grade 5	F05008-88	1
10	Bolt, 1/2-13 x 1 1/4" Hex Head Grade 5	F05008-37	1
11	Plate, Brake Strap Clamp	S04195	1
12	Bracket, Lower Super Brake Strap Mount	014392	1

¹ Replaces 014396 originally supplied (duplicate parts).

4.9 Water Lube Assembly



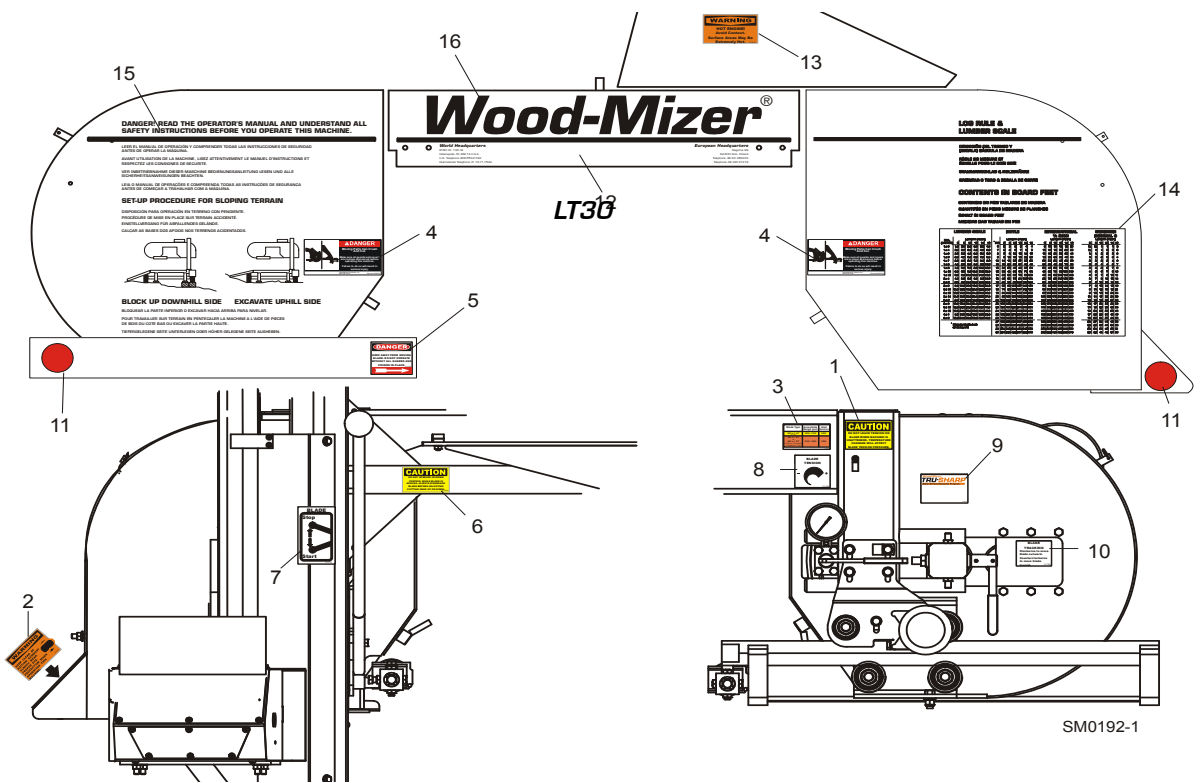
REF	DESCRIPTION (◆ Indicates Parts Available In Assemblies Only)	PART #	QTY.	
	TRAY ASSEMBLY, FUEL TANK/WATER BOTTLE	A11685	1	
1	Tray, Fuel Tank/Water Bottle	S11684	1	◆
2	Strap, 24" Rubber (For Fuel Tank - See Engine Manual)	P11258	2	
3	Strap, 20" Rubber	P11668	2	

4	Bolt, 1/4-20 X 1" Carriage Head	F05005-34	4	
5	Nut, 1/4-20 Hex Lock	F05010-21	4	
6	BOLT, 1/4-20 X 1" CARRIAGE HEAD	F05005-34	1	
7	BOLT, 1/4-20 X 1/2" CARRIAGE HEAD	F05005-33	2	
8	CLAMP, 1/2" EMT HOSE	P07584	3	
9	WASHER, 1/4" SAE FLAT	F05011-11	3	
10	NUT, 1/4-20 HEX LOCK	F05010-21	1	
11	STRAP, 15" RUBBER	P07461	1	
12	NUT, 1/4-20 SELF-LOCKING	F05010-9	2	
13	BOTTLE ASSY, WATER LUBE W/CAP	014642 ¹	1	
14	FITTING, 3/4FPT X 3/4MPT	014636	1	
15	FITTING, WATER LUBE SHUTOFF VALVE	014100	1	
16	FILTER, WATER LUBE	016086 ²	1	
17	FITTING, 5/8" NPT TO 3/8" HOSE BARB	014113	1	
18	TUBING, WATER LUBE 3/8" I.D.	R01885	7 ft.	

¹ Use Water Bottle Assembly w/Cap 014642 to service all bottle/cap combinations previously supplied. Bottle 014367, 61mm Cap 014773 and 70mm Cap 036744 no longer available separately. Replaces 015499 bottle kit. Fittings removed from kit 6/98. Order fittings separately.

² Filter recommended for Super models to prevent debris from entering water lube solenoid valve.

4.10 Saw Head Decals



REF	DESCRIPTION (◆ Indicates Parts Available In Assemblies Only)	PART #	QTY.
1	DECAL, BLADE TENSION CAUTION	P10147	1
2	DECAL, SAWDUST CHUTE WARNING	P11754	1
3	DECAL, BLADE TENSION RANGES	P12373	1
4	DECAL, BLADE COVERS DANGER	033254 ¹	2
5	DECAL, BLADE DANGER ARROW RIGHT	S11752	1
6	DECAL, UP/DOWN CAUTION	S11762	1
7	DECAL, BLADE START/STOP	P11779	1
8	DECAL, BLADE TENSION INFO	P11790	1
9	DECAL, TRU-SHARP INFO	P12879	1
10	DECAL, BLADE ALIGNMENT INFO	P11789	1
11	DECAL, RED REFLECTIVE 2" ROUND	P07452	2
12	DECAL, LT30	S12586	1
	DECAL, LT40	S12593	1
13	DECAL, HOT ENGINE WARNING	014419	1
14	DECAL, BLADE HOUSING COVER (DRIVE SIDE)	016243 ²	1
15	DECAL, BLADE HOUSING COVER (IDLE SIDE)	016242 ²	1
16	DECAL, BLADE HOUSING COVER (MIDDLE)	016244 ²	1

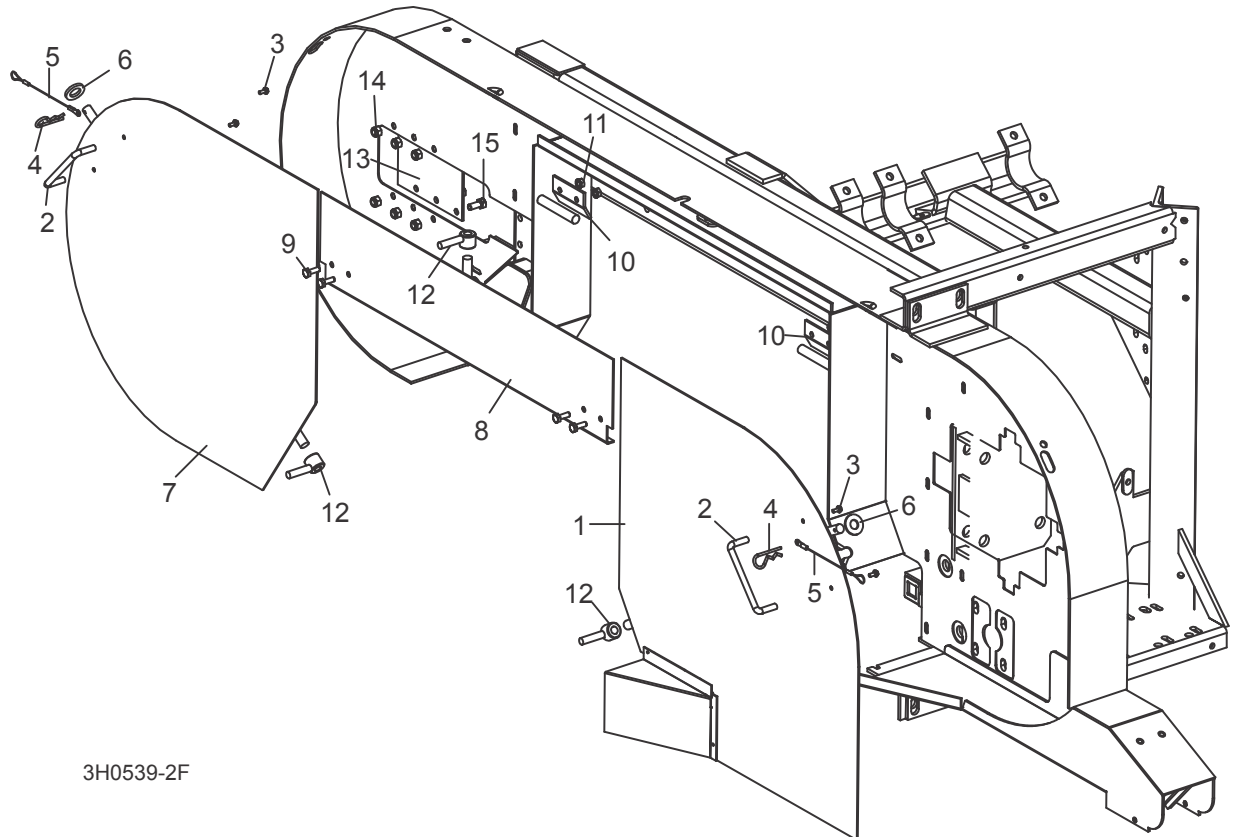
¹ Replaces S20039 decal originally supplied (5/00).

² Decal replaces silkscreen on blade housing covers beginning with LT30 Rev. G7.00 and LT40 Rev. G8.00.

4.11 Blade Housing Covers

LT30
LT40

Rev. G1.00 - J6.00
Rev. G2.00 - J7.00



3H0539-2F

REF	DESCRIPTION (◆ Indicates Parts Available In Assemblies Only)	PART #	QTY.	
	COVER ASSEMBLY, DRIVE SIDE BLADE HOUSING WITH HANDLE	015937 ¹	1	
1	Cover, Drive Side Blade Housing (Includes Cover Decal - See Section 4.10)	015911	1	◆
2	Handle, Blade Housing Cover	P08065	1	
3	Screw, #8-32 X 3/8" Self-Tap	F05015-8	2	
	Pin Assembly, Cover Retainer	A12812 ²	1	
4	Pin, Safety Retainer	P05059	1	
5	Cable, 3/64" x 6" Lanyard	016030	1	
6	Washer, 1/2" ID x 1 1/8" OD x .093" Rubber	F05011-87 ³	1	
	COVER, IDLE SIDE BLADE HOUSING WITH HANDLE	A09419	1	
7	Cover, Idle Side Blade Housing (Includes Cover Decal - See Section 4.10)	W09351	1	◆
2	Handle, Blade Housing Cover	P08065	1	
3	Screw, #8-32 X 3/8" Self-Tap	F05015-8	2	
	Pin Assembly, Cover Retainer	A12812 ²	1	

5 Saw Head

Blade Housing Covers

4	Pin, Safety Retainer	P05059	1	
5	Cable, 3/64" x 6" Lanyard	016030	1	
6	Washer, 1/2" ID x 1 1/8" OD x .093" Rubber	F05011-87 ³	1	
8	COVER, MIDDLE BLADE HOUSING	W07409	1	
9	BOLT, 1/4-20 X 3/4" HEX HEAD	F05005-1	18	
10	HINGE, MIDDLE BLADE HOUSING COVER	S07522	2	
11	NUT, 1/4-20 SELF-LOCKING HEX	F05010-9	4	
12	NUT, COVER TURN	021145	3	
13	PLATE, IDLE BLADE WHEEL GUARD	S04433	1	
14	NUT, 5/16-18 HEX NYLON LOCK	F05010-58	6	
15	BOLT, 5/16-18 X 3/4" HEX HEAD GRADE 2	F05006-5	6	

¹ Removed (1) 015734 Sawdust Exit Funnel and (7) F04203-8 1/8" x 1/8" Aluminum Pop Rivet and changed to welded funnel to improve durability (LT40 Rev. K4.06).

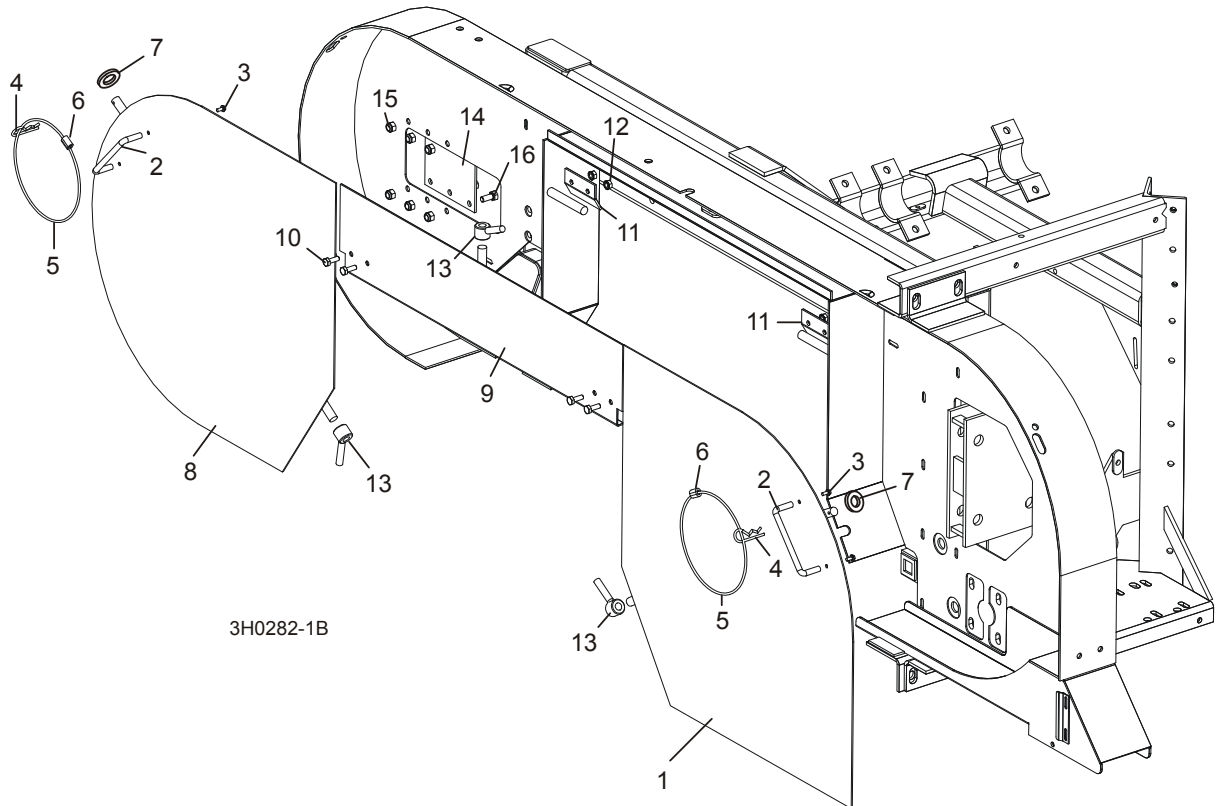
² 016030 cable replaces R02075 cable and P11803 cable clamp originally supplied prior to LT30 Rev. G3.02 and LT40 Rev. G4.02.

³ Added LT30 Rev. G9.00 and LT40 Rev. H1.00.

4.12 Blade Housing Covers

LT30
LT40

Rev. F7.00 - F9.00
Rev. F8.00 - G1.00



REF	DESCRIPTION (◆ Indicates Parts Available In Assemblies Only)	PART #	QTY.	
	COVER, DRIVE SIDE BLADE HOUSING WITH HANDLE	A09420	1	
1	Cover, Drive Side Blade Housing (Includes Cover Decal - See Section 4.10)	W07948	1	◆
2	Handle, Blade Housing Cover	P08065	1	
3	Screw, #8-32 X 3/8" Self-Tap	F05015-8	2	
	Pin Assembly, Cover Retainer	A12812 ¹	1	
4	Pin, Safety Retainer	P05059	1	
5	Cable, 1/8" O.D. Coated Nylon	R02075	.92 Ft.	◆
6	Clamp, 1/8" Dual Cable	P11830	1	◆
7	Washer, 1/2" ID x 1 1/8" OD x .093" Rubber	F05011-87 ²	1	
	COVER, IDLE SIDE BLADE HOUSING WITH HANDLE	A09419	1	
8	Cover, Idle Side Blade Housing (Includes Cover Decal - See Section 4.10)	W09351	1	◆
2	Handle, Blade Housing Cover	P08065	1	
3	Screw, #8-32 X 3/8" Self-Tap	F05015-8	2	
	Pin Assembly, Cover Retainer	A12812 ¹	1	

5

Saw Head

Blade Housing Covers

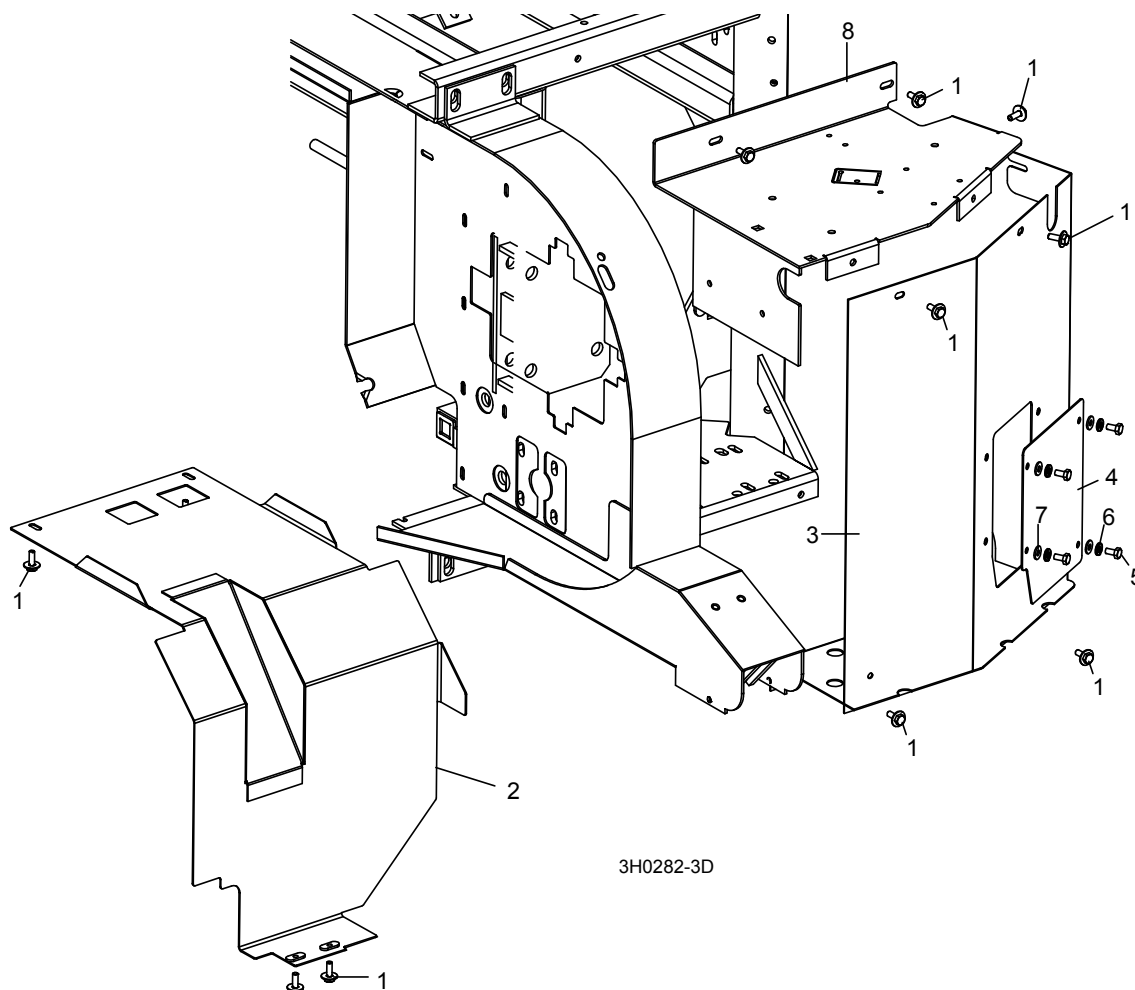
4	Pin, Safety Retainer	P05059	1	
5	Cable, 1/8" O.D. Coated Nylon	R02075	.92 Ft.	
6	Clamp, 1/8" Dual Cable	P11830	1	
7	Washer, 1/2" ID x 1 1/8" OD x .093" Rubber	F05011-87 ²	1	
9	COVER, MIDDLE BLADE HOUSING	W07409	1	
10	BOLT, 1/4-20 X 3/4" HEX HEAD	F05005-1	18	
11	HINGE, MIDDLE BLADE HOUSING COVER	S07522	2	
12	NUT, 1/4-20 SELF-LOCKING HEX	F05010-9	4	
13	NUT, COVER TURN	021145 ³	3	
14	PLATE, IDLE BLADE WHEEL GUARD	S04433	1	
15	NUT, 5/16-18 HEX NYLON LOCK	F05010-58	6	
16	BOLT, 5/16-18 X 3/4" HEX HEAD GRADE 2	F05006-5	6	

¹ Cable R02075 and cable clamp P11830 obsolete. Replacement assembly A12812 includes new cable 016030 ([See Section 4.11](#)).

² Added 6/99.

³ Directly replaces W07511 nut weldment (8/97).

4.13 Drive Belt Covers



REF	DESCRIPTION (◆ Indicates Parts Available In Assemblies Only)	PART #	QTY.
1	BOLT, 1/4-20 X 3/4" HEX HEAD WITH CONICAL WASHER	F05005-134 ¹	11
2	GUARD, STANDARD LOWER DRIVE BELT	014241 ²	1
3	GUARD, DRIVE PULLEY SIDE	W11537 ³	1
4	PLATE, DRIVE PULLEY GUARD COVER	006870 ³	1
5	BOLT, 1/4-20 X 1/2" HEX HEAD	F05005-15	4
6	WASHER, 1/4" SPLIT LOCK	F05011-14	4
7	WASHER, 1/4" SAE FLAT	F05011-11	4
8	GUARD, DRIVE PULLEY TOP	W11750	1

¹ Replaces 1/4-20 x 3/4" hex head bolt (F05005-1) and 1/4" SAE flat washer (F05011-11) LT30 rev. G6.00 and LT40 rev. G7.00 and later.

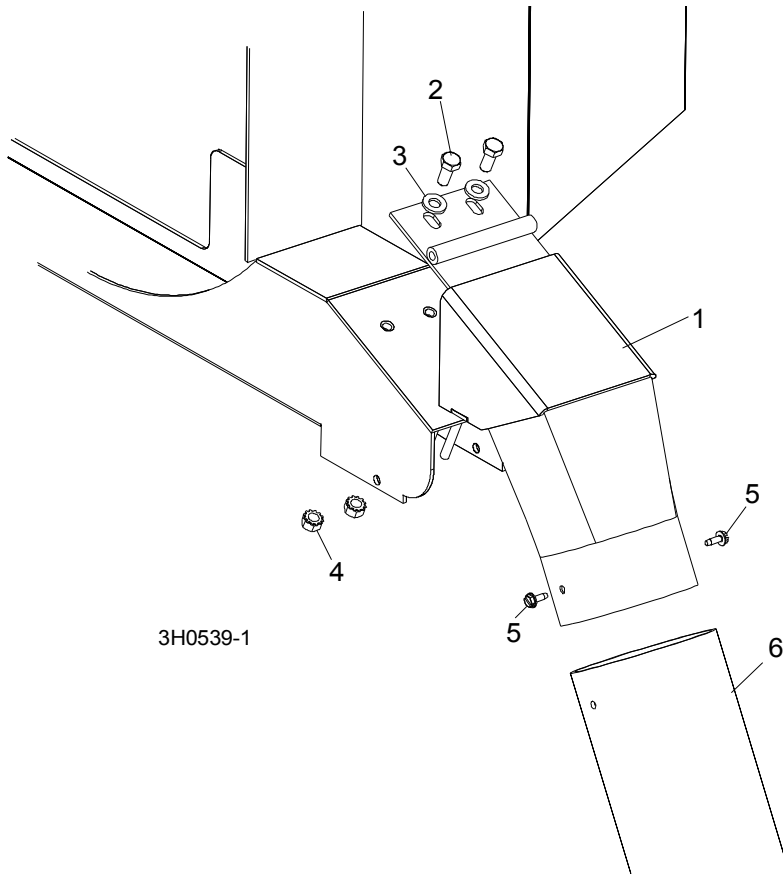
² For sawmills equipped with standard manual clutch handle only. See Autoclutch Option manual for alternate guards.

³ Guard W11537 modified 3/09. Cutout added to accommodate Simple Set encoder sensor. Plate 006870 added to cover cutout on sawmills without Simple Set. Plate 006870 modified 10/09 to accommodate Super model covers.

4.14 Sawdust Chute

LT30
LT40

Rev. F8.00 - J6.00
Rev. F9.00 - J7.00



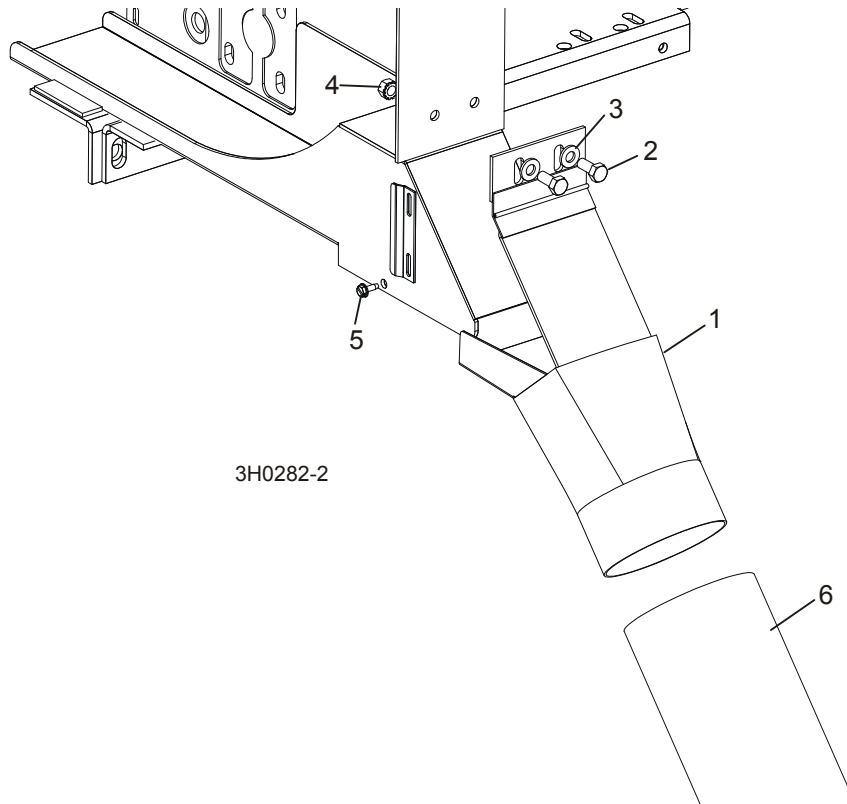
REF	DESCRIPTION (◆ Indicates Parts Available In Assemblies Only)	PART #	QTY.
1	CHUTE WELDMENT, SAWDUST	015466	1
2	BOLT, 5/16-18 X 3/4" HEX HEAD GRADE 2	F05006-5	2
3	WASHER, 5/16" SAE FLAT	F05011-17	2
4	NUT, 5/16-18 SELF-LOCKING HEX	F05010-20	2
5	BOLT, #10-24 X 1/2" SELF-TAPPING	F05015-7	2
6	TUBING, RUBBER SAWDUST	016727 ¹	1
	STRAP, 20" RUBBER W/HOOK	P11668	1
	BOLT, 1/4-20 X 1 1/4" HEX HEAD FULL THREAD	F05005-3	1
	WASHER, 1/4" SAE FLAT	F05011-11	1
	NUT, 1/4-20 LOCK	F05010-21	1

¹ Sawdust Chute 016727 replaces 4 ft. R02336 originally supplied prior to 1/01. New chute is cut at an angle to help prevent clogging.

4.15 Sawdust Chute

LT30
LT40

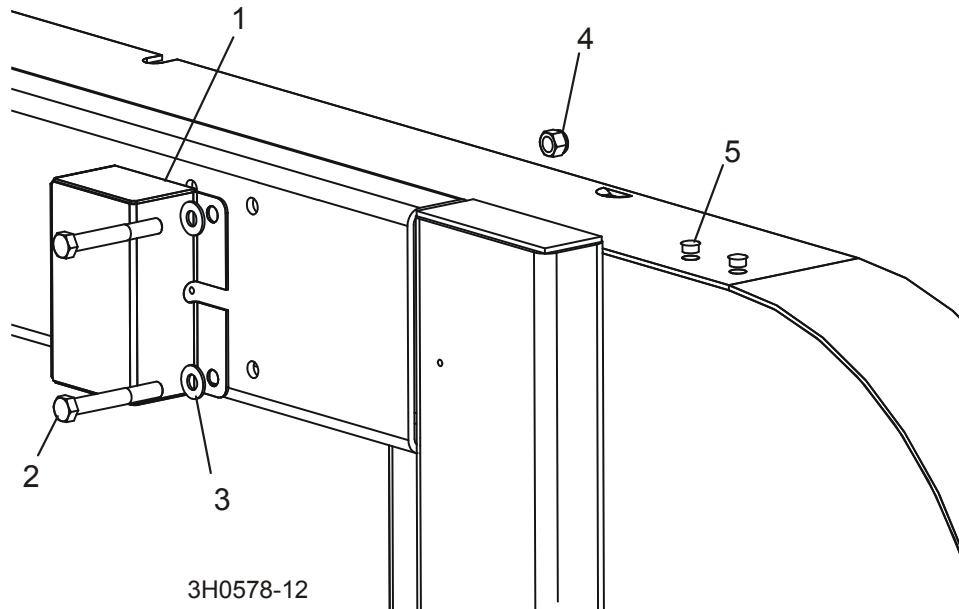
Rev. F7.00
Rev. F8.00



REF	DESCRIPTION (◆ Indicates Parts Available In Assemblies Only)	PART #	QTY.
1	CHUTE WELDMENT, SAWDUST	W12296	1
2	BOLT, 5/16-18 X 3/4" HEX HEAD GRADE 2	F05006-5	2
3	WASHER, 5/16" SAE FLAT	F05011-17	2
4	NUT, 5/16-18 SELF-LOCKING HEX	F05010-20	2
5	BOLT, #10-24 X 1/2" SELF-TAPPING	F05015-7	2
6	TUBING, RUBBER SAWDUST	016727 ¹	2 ft.
	STRAP, 20" RUBBER W/HOOK	P11668	1
	BOLT, 1/4-20 X 1 1/4" HEX HEAD FULL THREAD	F05005-3	1
	WASHER, 1/4" SAE FLAT	F05011-11	1
	NUT, 1/4-20 LOCK	F05010-21	1

¹ Sawdust Chute 016727 replaces 4 ft. R02336 originally supplied prior to 1/01. New chute is cut at an angle to help prevent clogging.

4.16 Debarker Wire Box/Hole Plugs



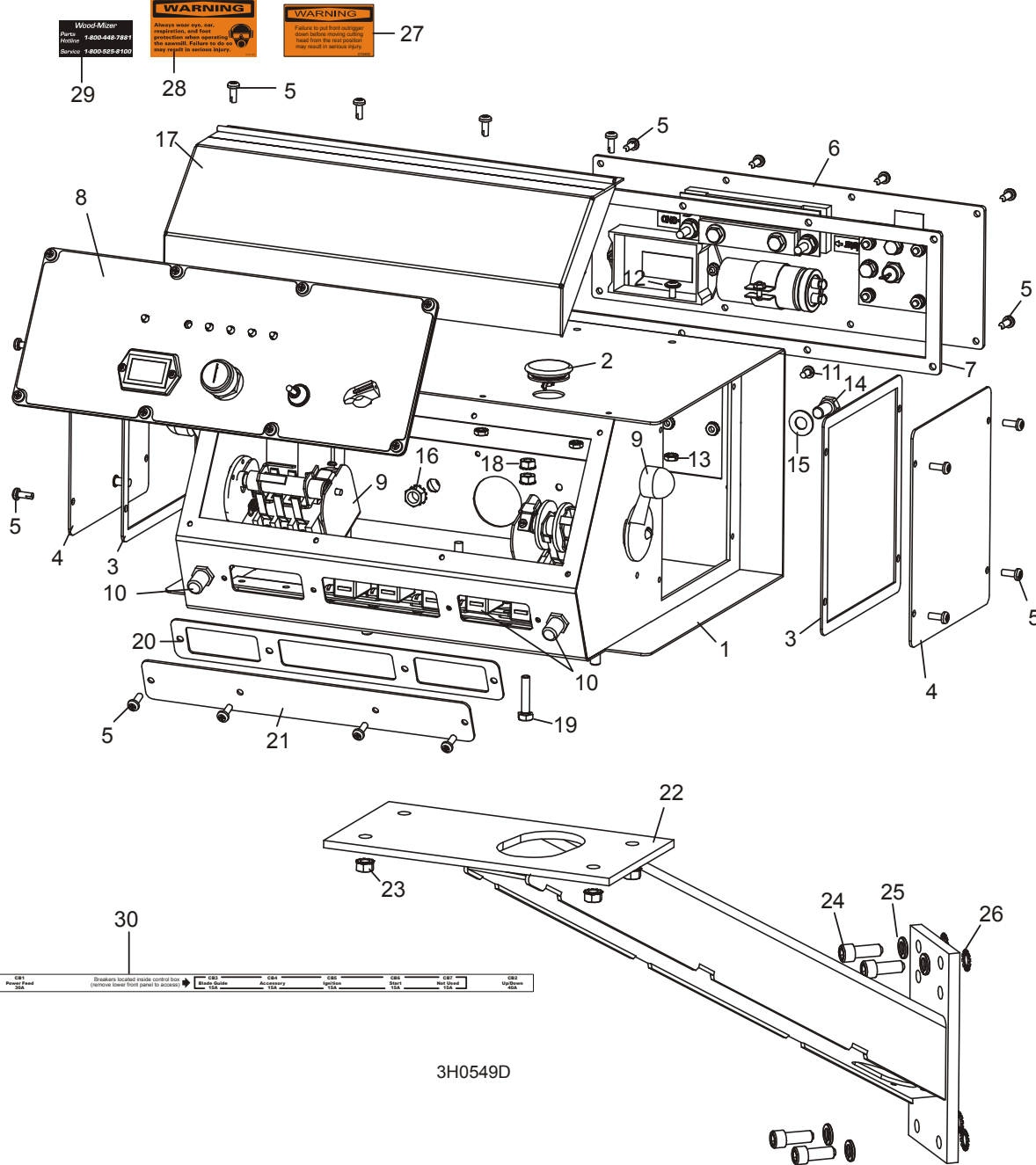
REF	DESCRIPTION (◆ Indicates Parts Available In Assemblies Only)	PART #	QTY.
1	BOX, DEBARKER WIRE STORAGE	023616	1
2	BOLT, 3/8-16 X 2 3/4" HEX HEAD	F05007-29	2
3	WASHER, 3/8" SAE FLAT	F05011-3	2
4	NUT, 3/8-16 HEX NYLON LOCK	F05010-10	2
5	PLUG, 13/32" PLASTIC HOLE	014537	2

SECTION 5 CONTROL & BATTERY BOXES

5.1 Control Assembly

LT30
LT40

Rev. J4.00 - J6.00
Rev. J5.00 - J7.00



6

Control & Battery Boxes

Control Assembly

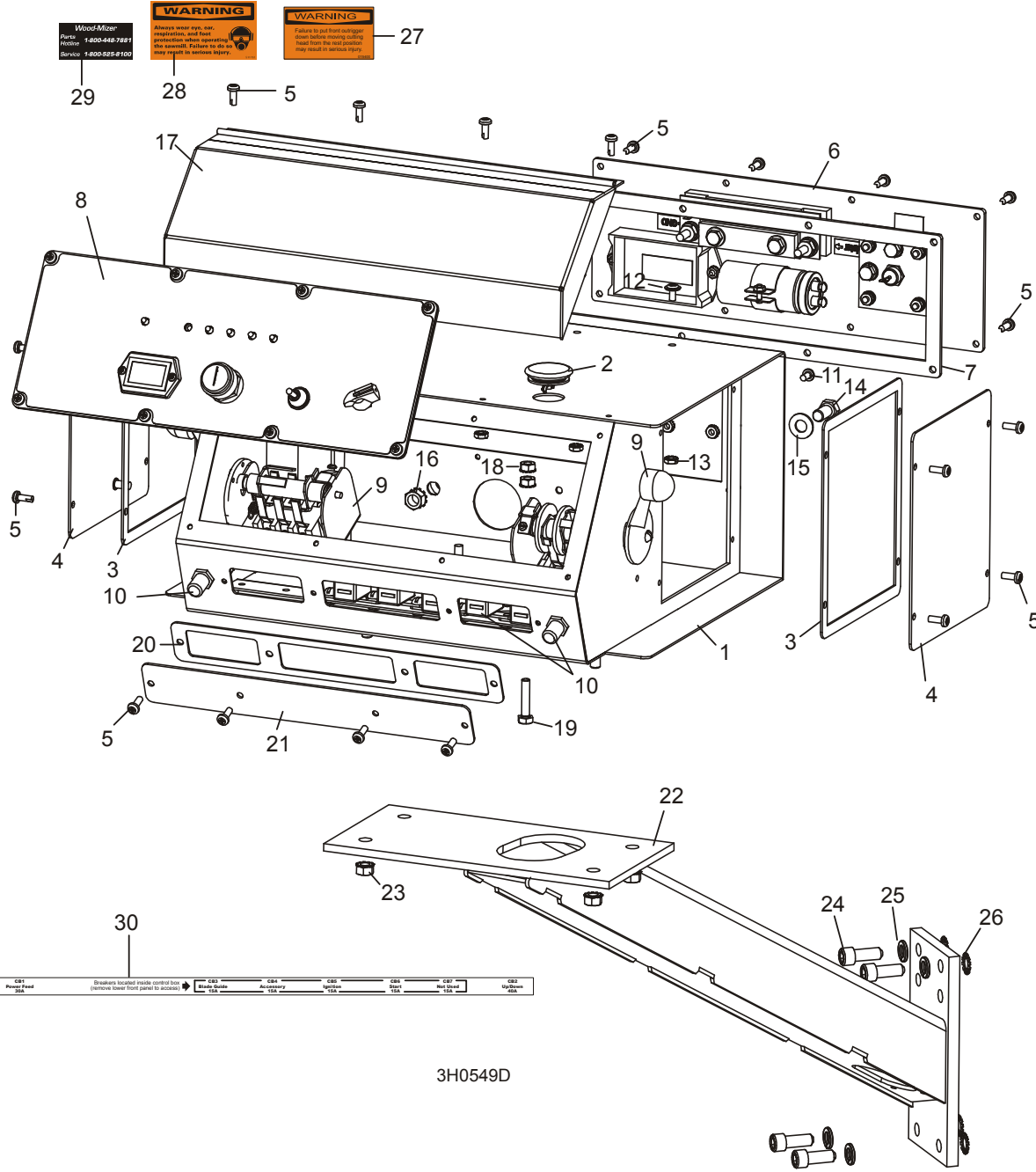
REF	DESCRIPTION (◆ Indicates Parts Available In Assemblies Only)	PART #	QTY.	
	CONTROL BOX ASSEMBLY, G18	050687	1	
	CONTROL BOX ASSEMBLY, G28	051415	1	
	CONTROL BOX ASSEMBLY, G25	050686	1	
	CONTROL BOX ASSEMBLY, G36	050684	1	
	CONTROL BOX ASSEMBLY, D33	050685	1	
1	Box Weldment, Sawmill Control	016135	1	◆
2	Plug, AS075 Oiltite Painted	024250	1	
3	Gasket, Control Box Side Access	015274	2	
4	Panel Weldment, Control Box Side Access	015307	2	
5	Screw, #10-24 x 1/2" Pan Head	F05015-17	24	
6	Panel Assembly, Power Feed Control	024458	1	
	Control Module, Power Feed SMT	024396-1	1	
	Mosfet Module, Power Feed SMT	024387	1	
	Suppressor Assembly, Power Feed	052294 ¹	1	
	Capacitor Assembly, Power Feed Filter	051571	1	
	Diode Assembly, Power Feed Replacement	052363	1	
7	Gasket, Rear Access Panel	015278	1	
8	Front Control Panel & Wiring Harnesses (Section 5.6)			
9	Drum Switches (Section 5.4)			
10	Circuit Breakers (Section 5.5)			
11	Screw, #10-24 x 3/8" Phillips Pan Head	F05004-3	2	
12	Screw, #10-24 x 3/8" Phillips Pan Head Machine with Neo Washer	F05004-148	4	
13	Nut, #10-24 Self Locking	F05010-14	6	
14	Bolt, 3/8-16 x 3/4" Hex Head	F05007-27	2	
15	Washer, 3/8" SAE Flat	F05011-3	2	
16	Nut, 3/8" Lock Nut	F05010-19	2	
17	Cover, Control Box Hinged	015304	1	
18	Nut, 1/4-20 Self Locking	F05010-9	2	
19	Bolt, 1/4-20 x 1 1/2" Hex Head	f05005-5	1	
20	Gasket, Front Access Panel	015266	1	
21	Panel, Control Box Front Access	015376	1	
	Relay Assembly, G18/G20 Kill	050164	1	
22	MOUNT WELDMENT, STANDARD CONTROL BOX	015236	1	
23	NUT, 5/16-18 SELF-LOCKING HEX	F05010-20	4	
24	BOLT, 3/8-16 X 1" SOCKET HEAD	F05007-52	4	
25	WASHER, 3/8" SPLIT LOCK	F05011-4	4	
26	WASHER, 3/8" EXTERIOR STAR LOCK	F05011-36	4	
27	DECAL, FRONT OUTRIGGER WARNING	015400	1	
28	DECAL, EAR/EYE PROTECTION WARNING	S11753	1	
29	DECAL, 800 NUMBER	S12117	1	
30	DECAL, CIRCUIT BREAKER ID ('98 STD)	024361	1	

¹ Suppressor Assembly 052294 added 6/05 to protect feed circuit.

5.2 Control Assembly

LT30
LT40

Rev. G3.00 - J3.00
Rev. G4.00 - J4.00



3H0549D

6

Control & Battery Boxes

Control Assembly

REF	DESCRIPTION (◆ Indicates Parts Available In Assemblies Only)	PART #	QTY.	
	CONTROL BOX ASSEMBLY, G18/G20	050165	1	
	CONTROL BOX ASSEMBLY, G25	024306	1	
	CONTROL BOX ASSEMBLY, G36	016647	1	
	CONTROL BOX ASSEMBLY, D33	024601	1	
	CONTROL BOX ASSEMBLY, D30	015402	1	
1	Box Weldment, Sawmill Control	016135 ¹	1	◆
2	Plug, AS075 Oilite Painted	024250 ²	1	
3	Gasket, Control Box Side Access	015274	2	
4	Panel Weldment, Control Box Side Access	015307	2	
5	Screw, #10-24 x 1/2" Pan Head	F05015-17	24	
6	Panel Assembly, Power Feed Control	024458 ³	1	
	Control Module, Power Feed SMT	024396-1	1	
	Mosfet Module, Power Feed SMT	024387	1	
	Suppressor Assembly, Power Feed	052294 ⁴	1	
	Capacitor Assembly, Power Feed Filter	051571	1	
	Diode Assembly, Power Feed Replacement	052363	1	
7	Gasket, Rear Access Panel	015278	1	
8	Front Control Panel & Wiring Harnesses (Section 5.7)			
9	Drum Switches (Section 5.4)			
10	Circuit Breakers (Section 5.5)			
11	Screw, #10-24 x 3/8" Phillips Pan Head	F05004-3	2	
12	Screw, #10-24 x 3/8" Phillips Pan Head Machine with Neo Washer	F05004-148	4	
13	Nut, #10-24 Self Locking	F05010-14	6	
14	Bolt, 3/8-16 x 3/4" Hex Head	F05007-27	2	
15	Washer, 3/8" SAE Flat	F05011-3	2	
16	Nut, 3/8" Lock Nut	F05010-19	2	
17	Cover, Control Box Hinged	015304	1	
18	Nut, 1/4-20 Self Locking	F05010-9	2	
19	Bolt, 1/4-20 x 1 1/2" Hex Head	f05005-5	1	
20	Gasket, Front Access Panel	015266	1	
21	Panel, Control Box Front Access	015376	1	
	Relay Assembly, G18/G20 Kill	050164	1	
22	MOUNT WELDMENT, STANDARD CONTROL BOX	015236	1	
23	NUT, 5/16-18 SELF-LOCKING HEX	F05010-20	4	
24	BOLT, 3/8-16 X 1" SOCKET HEAD	F05007-52	4	
25	WASHER, 3/8" SPLIT LOCK	F05011-4	4	
26	WASHER, 3/8" EXTERIOR STAR LOCK	F05011-36	4	
27	DECAL, FRONT OUTRIGGER WARNING	015400	1	
28	DECAL, EAR/EYE PROTECTION WARNING	S11753	1	
29	DECAL, 800 NUMBER	S12117	1	
30	DECAL, CIRCUIT BREAKER ID ('98 STD)	024361	1	

¹ Directly replaces control box weldment 015351 (2/99).

² Replaces E20570 unpainted plug.

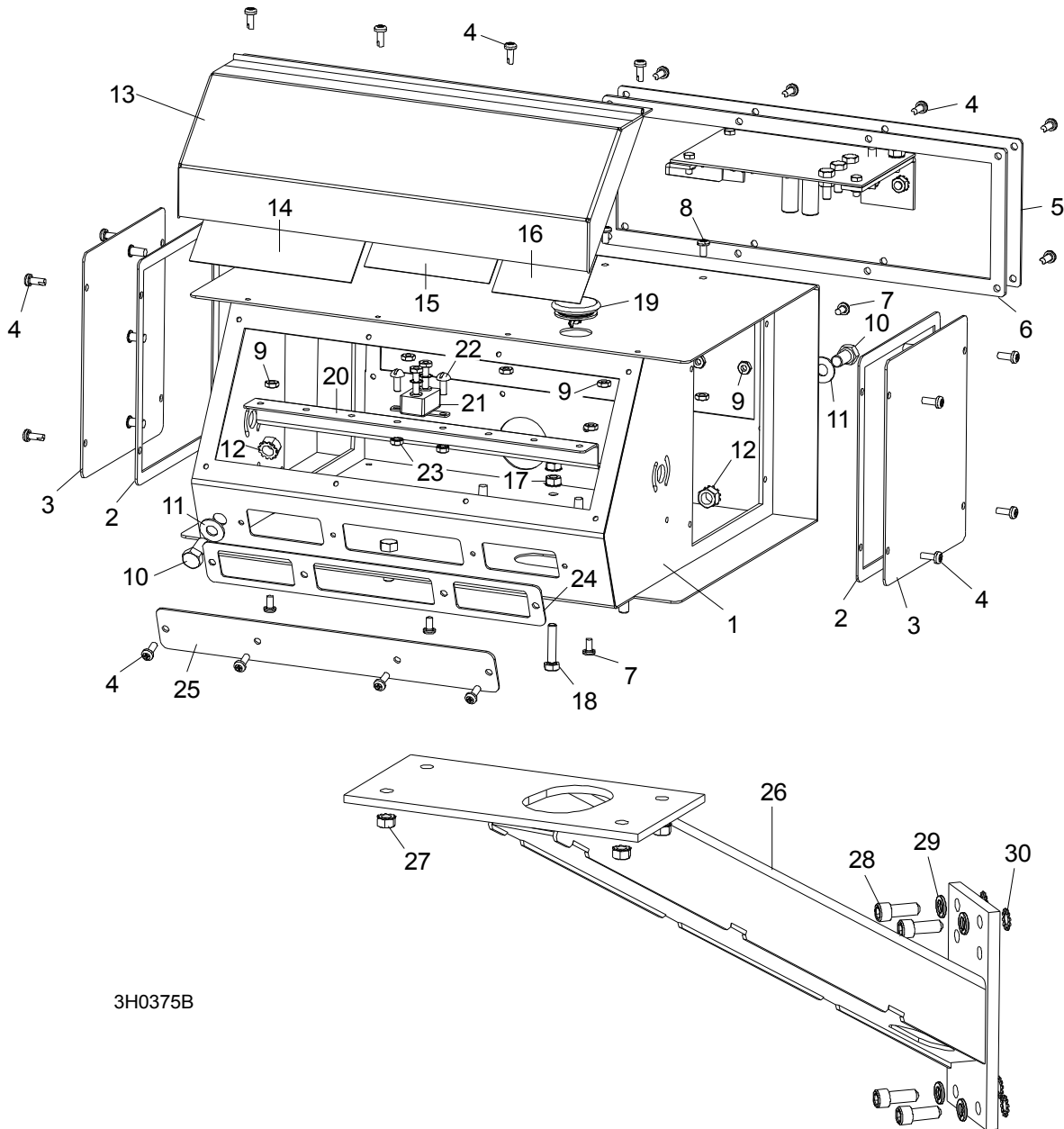
³ 024458 Power Feed Control Panel Assembly replaces 015410 originally supplied prior to LT30 Rev. G6.00 and LT40 Rev. G7.00 .
New assembly features modularized components and surface mount technology to improve durability and power capability.

⁴ Suppressor Assembly 052294 added 6/05 to protect feed circuit.

5.3 Control Assembly

LT30
LT40

Rev. F7.00 - G2.02
Rev. F8.00 - G3.02



3H0375B

REF	DESCRIPTION (◆ Indicates Parts Available In Assemblies Only)	PART #	QTY.	
	CONTROL BOX ASSEMBLY, G25 (Includes Parts In Section 5.4 & Section 5.8)	024306 ¹	1	
	CONTROL BOX ASSEMBLY, G18/G24 (Includes Parts In Section 5.4 & Section 5.8)	015404	1	
	CONTROL BOX ASSEMBLY, D30 (Includes Parts In Section 5.4 & Section 5.8)	015402 ¹	1	
1	Box Weldment, Sawmill Control	016135 ²	1	◆
2	Gasket, Control Box Side Access	015274	2	
3	Panel Weldment, Control Box Side Access	015307	2	
4	Screw, #10-24 x 1/2" Pan Head	F05015-17	24	
5	Panel Assembly, Power Feed Control	024458 ³	1	
	Control Module, Power Feed SMT	024396-1	1	
	Mosfet Module, Power Feed SMT	024387	1	
	Suppressor Assembly, Power Feed	052294 ⁴	1	
	Capacitor Assembly, Power Feed Filter	051571	1	
	Diode Assembly, Power Feed Replacement	052363	1	
6	Gasket, Rear Access Panel	015278	1	
7	Screw, #10-24 x 3/8" Phillips Pan Head	F05004-3	5	
8	Screw, #10-24 x 3/8" Phillips Pan Head Machine with Neo Washer	F05004-148 ⁵	4	
9	Nut, #10-24 Self Locking	F05010-14	9	
10	Bolt, 3/8-16 x 3/4" Hex Head	F05007-27	2	
11	Washer, 3/8" SAE Flat	F05011-3	2	
12	Nut, 3/8" Lock Nut	F05010-19	2	
13	Cover, Control Box Hinged	015304	1	
14	Decal, Keep Away Hydraulic Warning (LT30HD/40HD Only)	P12961	1	
15	Decal, Ear/Eye Protection Warning	S11753	1	
16	Decal, Front Outrigger Warning	015400	1	
17	Nut, 1/4-20 Self Locking	F05010-9	2	
18	Bolt, 1/4-20 x 1 1/2" Hex Head	f05005-5	1	
19	Plug, AS075 Oiltite Painted	024250 ⁶	1	
	Breaker Assembly, Sawmill Control Circuit	015412 ¹	1	
20	Rail, Circuit Breaker	015310	1	
21	Breaker, 30 Amp Auto Reset	E20486	1	
22	Screw, #8-32 X 1/2" Slotted Head	F05004-12	2	
23	Nut, #8-32 Hex Self-Locking	F05010-41	2	
24	Gasket, Front Access Panel	015266	1	
25	Panel, Control Box Front Access	015376	1	
26	MOUNT WELDMENT, STANDARD CONTROL BOX	015236	1	
27	NUT, 5/16-18 SELF-LOCKING HEX	F05010-20	4	
28	BOLT, 3/8-16 X 1" SOCKET HEAD	F05007-52	4	
29	WASHER, 3/8" SPLIT LOCK	F05011-4	4	
30	WASHER, 3/8" EXTERIOR STAR LOCK	F05011-36	4	

¹ Control box revised with manual reset circuit breakers for each circuit branch on LT30 Rev. G3.00 and LT40 Rev. G4.00. Front panel, drum switch, and harnesses updated for new circuit breakers ([See Section 5.1](#)).

6 Control & Battery Boxes

Control Assembly

² Directly replaces control box weldment 015351 (2/99).

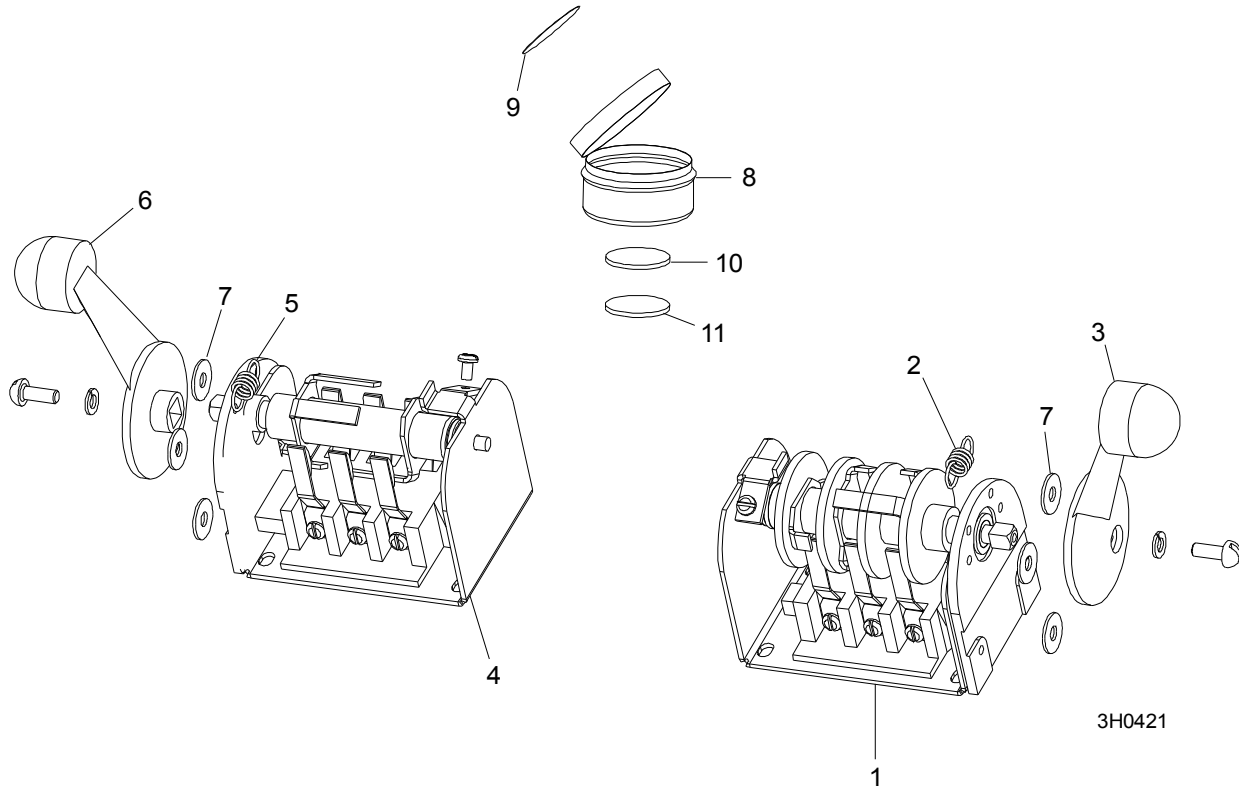
³ 024458 Power Feed Control Panel Assembly replaces 015410 originally supplied. New assembly features modularized components and surface mount technology to improve durability and power capability.

⁴ Suppressor Assembly 052294 added 6/05 to protect feed circuit.

⁵ New screw includes rubber washer to better seal holes; directly replaces F05004-3 (1/98).

⁶ Replaces E20570 unpainted plug.

5.4 Drum Switches

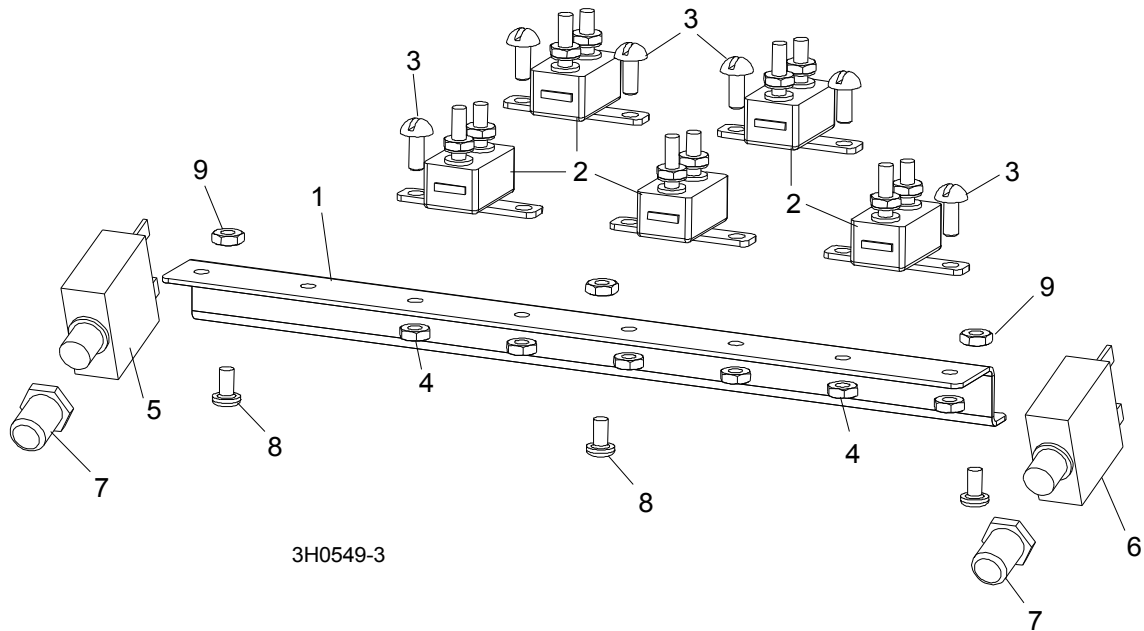


REF	DESCRIPTION (◆ Indicates Parts Available In Assemblies Only)	PART #	QTY.	
	SWITCH ASSEMBLY, UP/DOWN DRUM	E20440	1	
1	Switch, S12 Bulk Drum	E20440-B	1	◆
2	Spring, Drum Switch	P12570	1	
3	Handle, Drum Switch Replacement	P12500	1	
	SWITCH ASSEMBLY, POWER FEED DRUM	E20439	1	
4	Switch, S11 Bulk Drum	E20439-B	1	◆
5	Spring, Drum Switch	P12570	1	
6	Handle, Drum Switch Replacement	P12500	1	
7	WASHER, #8 SAE FLAT	F05011-41	6	
	CUP ASSEMBLY, DRUM SWITCH GREASE	A20463	1	
8	Cup, Plastic Container	P20464	1	◆
9	Decal, Grease Cup Label	P20467	1	
10	Pad, Velcro Loop	P20466	1	◆
11	Pad, Velcro Hook	P20465	1	◆
	Grease, High Temp Drum Switch	P20468	.025 Lb	◆

5.5 Circuit Breakers

LT30
LT40

Rev. G3.00 - J6.00
Rev. G4.00 - J7.00



REF	DESCRIPTION (◆ Indicates Parts Available In Assemblies Only)	PART #	QTY.
	BREAKER ASSEMBLY, SAWMILL CONTROL CIRCUIT (DC)	015621 ¹	1
1	Rail, Circuit Breaker	015310	1
2	Breaker, 15 Amp Manual Reset	E20430	5
3	Screw, #8-32 X 1/2" Slotted Head	F05004-12	6
4	Nut, #8-32 Hex Self-Locking	F05010-41	6
5	BREAKER, 40 AMP MANUAL RESET PANEL MOUNT	051981 ²	1
6	BREAKER, 40 AMP MANUAL RESET PANEL MOUNT	051981 ³	1
7	BOOT, CIRCUIT BREAKER	021253	2
8	SCREW, #10-24 X 3/8" PHILLIPS PAN HEAD	F05004-3	3
9	NUT, #10-24 SELF LOCKING	F05010-14	3

¹ Circuit Breaker Assembly modified 12/06. New rail 052826 used to accept #10-24 x 1/2" Self-Tapping Screws F05015-7.

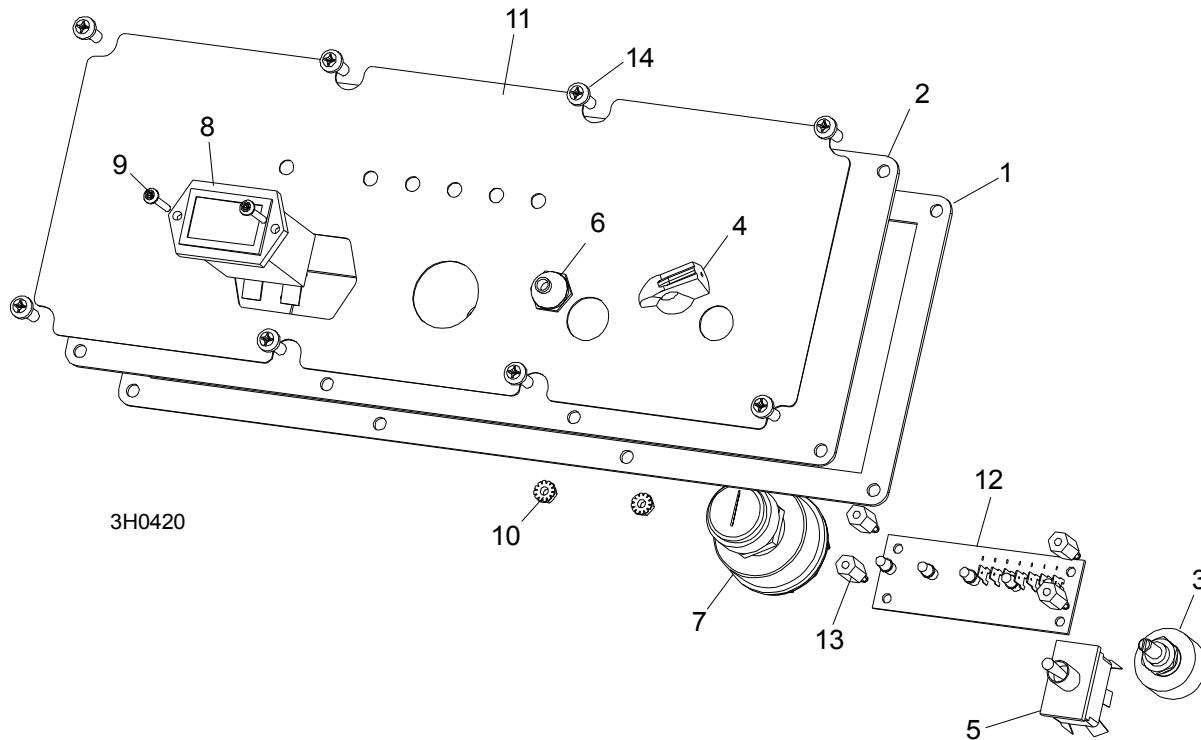
² 40A Breaker 051981 replaces 30A Breaker 024246 for Fwd/Rev Circuit to reduce nuisance tripping (1/05).

³ 40A Breaker 051981 replaces 30A Breaker 024246 for Up/Down Circuit to reduce nuisance tripping (9/04).

5.6 Front Panel Assembly & Harnesses

LT30
LT40

Rev. J4.00 - J6.00
Rev. J5.00 - J7.00



REF	DESCRIPTION (◆ Indicates Parts Available In Assemblies Only)	PART #	QTY.	
	PANEL ASSEMBLY, CONTROL FRONT (G18/G25/G28)	024210	1	◆
	PANEL ASSEMBLY, CONTROL FRONT (D33/G36)	024211	1	◆
1	Gasket, Front Panel	015270	1	
2	Panel Weldment, Control	015302	1	
3	Switch Assembly, Feed Rate	024450-1	1	
4	Knob, Feed Rate With Set Screw	P06257	1	
5	Switch, Toggle	024200	1	
6	Boot, Toggle Switch Rubber	P02575	1	
7	Switch, Key	P04350	1	
8	Meter, Hour	015401	1	
9	Screw, 6-42 x 3/4" Socket Button Head Cap Stainless Steel	F05004-93	2	
10	Nut, 6-23 Self Locking	F05010-59	2	
11	Decal, Control Panel (G18/G25)	015271	1	
	Decal, Control Panel (D33)	015269	1	
12	Board, LED Circuit (G18/G25)	015416	1	
	Board, LED Circuit (D33)	015409	1	
13	Spacer, 1/2"-#6 Threaded	023147	4	

6

Control & Battery Boxes

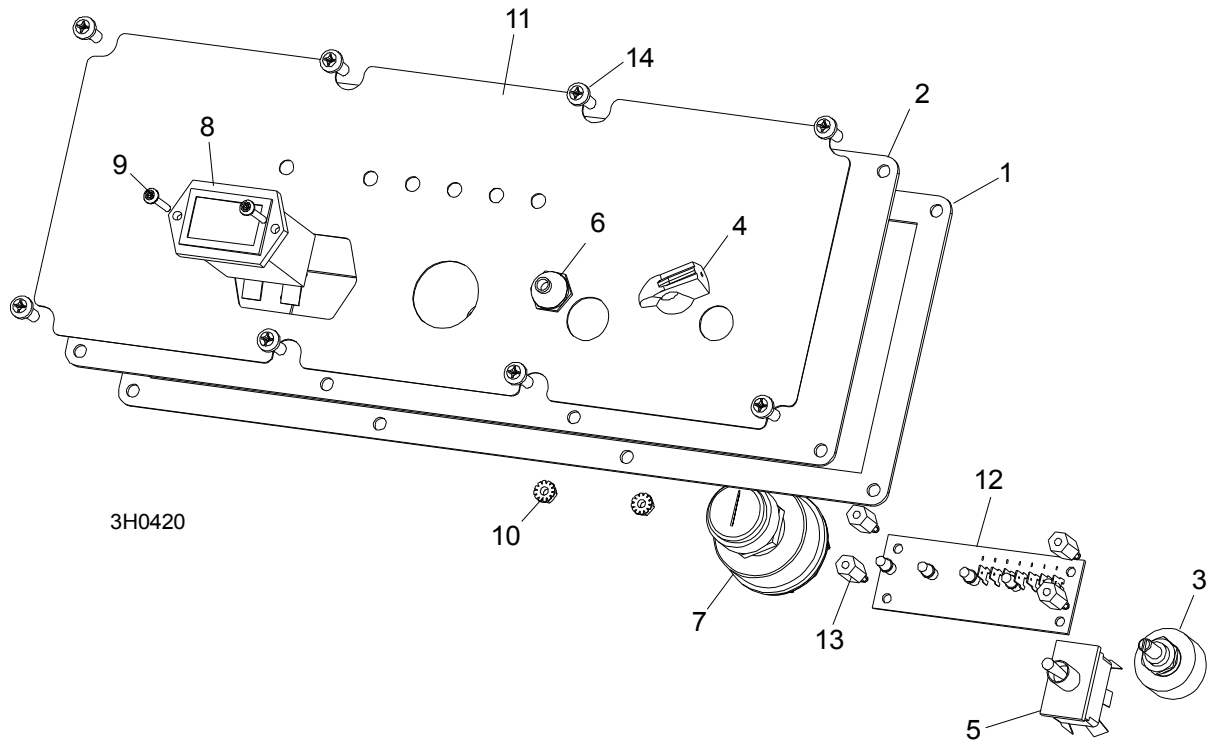
Front Panel Assembly & Harnesses

14	SCREW, #10-24 X 1/2" PAN HEAD	F05015-17	8	
	HARNESS ASSEMBLY, UPPER WIRING (G36)	024886	1	
	HARNESS ASSEMBLY, UPPER WIRING (G28)	051414	1	
	HARNESS ASSEMBLY, UPPER WIRING (G25)	024307	1	
	HARNESS ASSEMBLY, UPPER WIRING (G18)	050166	1	
	HARNESS ASSEMBLY, UPPER WIRING (D33)	024602	1	
	Conduit, 1 1/4" x 58" Flex	050399	1	
	Connector, 1 1/4" Straight Male Metal Conduit	024402	1	
	HARNESS ASSEMBLY, LOWER WIRING (G18/G25/G28)	050679	1	
	HARNESS ASSEMBLY, LOWER WIRING (D33/G36)	050678	1	
	Conduit, 1/2" Expandable Black	R02374	41 in.	
	Conduit, 1/2" Expandable Black	R02374	42 in.	

5.7 Front Panel Assembly & Harnesses

LT30
LT40

Rev. F9.00 - J3.00
Rev. G1.00 - J4.00



REF	DESCRIPTION (◆ Indicates Parts Available In Assemblies Only)	PART #	QTY.	
	PANEL ASSEMBLY, CONTROL FRONT (G18/G24/G20/G25)	024210 ¹	1	◆
	PANEL ASSEMBLY, CONTROL FRONT (D30/D33/G36)	024211 ¹	1	◆
1	Gasket, Front Panel	015270	1	
2	Panel Weldment, Control	015302	1	
3	Switch Assembly, Feed Rate	024450-1 ²	1	
4	Knob, Feed Rate With Set Screw	P06257	1	
5	Switch, Toggle	024200	1	
6	Boot, Toggle Switch Rubber	P02575	1	
7	Switch, Key	P04350	1	
8	Meter, Hour	015401	1	
9	Screw, 6-42 x 3/4" Socket Button Head Cap Stainless Steel	F05004-93	2	
10	Nut, 6-23 Self Locking	F05010-59	2	
11	Decal, Control Panel (G18/G20/G25)	015271	1	
	Decal, Control Panel (D30/D33)	015269	1	
12	Board, LED Circuit (G18/G24/G20/G25)	015416	1	
	Board, LED Circuit (D30/D33)	015409	1	
13	Spacer, 1/2"-#6 Threaded	023147	4	

6

Control & Battery Boxes

Front Panel Assembly & Harnesses

14	SCREW, #10-24 X 1/2" PAN HEAD	F05015-17	8	
	HARNESS ASSEMBLY, UPPER WIRING (G36)	024886	1	
	HARNESS ASSEMBLY, UPPER WIRING (G25)	024307 ³	1	
	HARNESS ASSEMBLY, UPPER WIRING (G18 (2001)/G20)	050166	1	
	HARNESS ASSEMBLY, UPPER WIRING (G18 (1997)/G24)	024215 ³	1	
	HARNESS ASSEMBLY, UPPER WIRING (D30)	024217 ³	1	
	HARNESS ASSEMBLY, UPPER WIRING (D33)	024602	1	
	Conduit, 1 1/4" x 58" Flex	050399	1	
	Connector, 1 1/4" Straight Male Metal Conduit	024402	1	
	HARNESS ASSEMBLY, LOWER WIRING (G18/G24/G20/G25)	015421	1	
	HARNESS ASSEMBLY, LOWER WIRING (D30/D33/G36)	015414	1	
	Conduit, 1/2" Expandable Black	R02374	41 in.	
	Conduit, 1/2" Expandable Black	R02374	42 in.	

¹ Control box revised with manual reset circuit breakers for each circuit branch on LT30 Rev. G3.00 and LT40 Rev. G4.00. Front panel, drum switch, and harnesses updated for new circuit breakers ([See Section 5.2](#)).

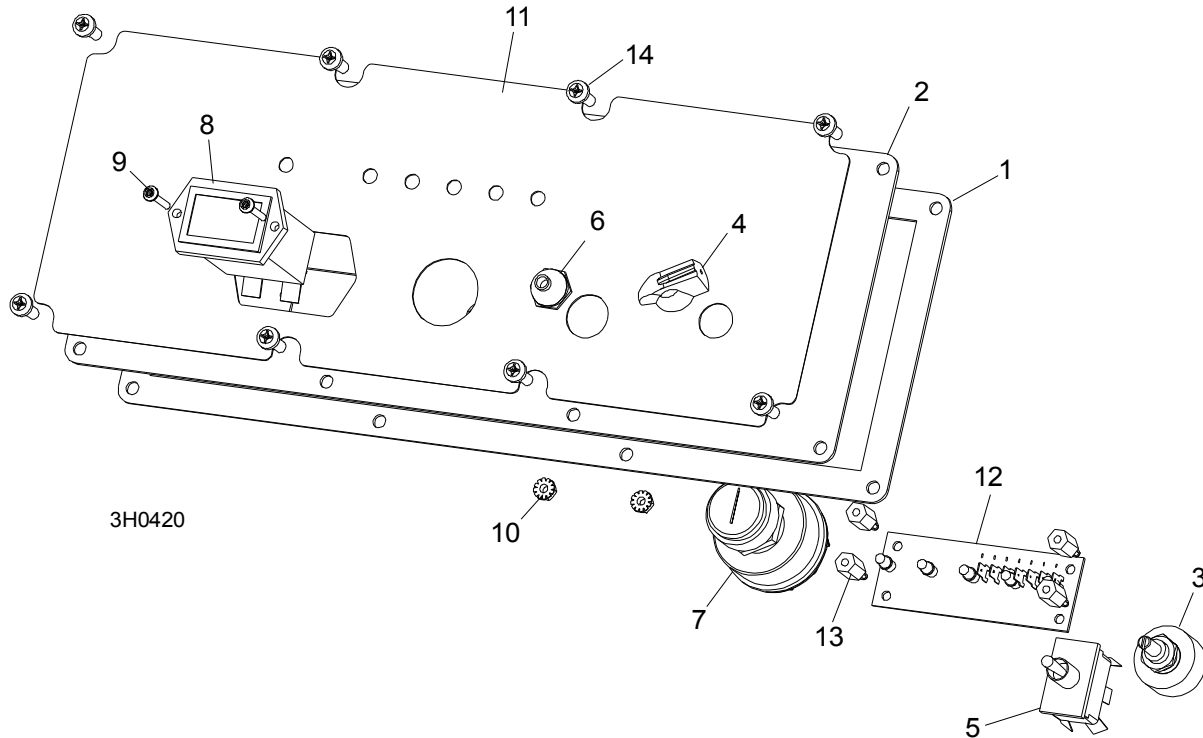
² 024450-1 Feed Rate Switch Assembly replaces 015408 originally supplied prior to LT30 Rev. G6.00 and LT40 Rev. G7.00.

³ Harness 1 1/4" Maxiflex conduit R01633 replaced with 024401 1 1/4" PMA Flex to provide better flexibility in subzero temperatures. Plastic connector 014447 replaced with metal connector 024402 to avoid stripping of connector threads. Harness changes effective with LT30 Rev. G3.05 and LT40 Rev. G4.05. New harness conduit and connector may be used to replace components of previous revision sawmills.

5.8 Front Panel Assembly & Harnesses

LT30
LT40

Rev. F7.00 - F8.04
Rev. F8.00 - F9.04



REF	DESCRIPTION (◆ Indicates Parts Available In Assemblies Only)	PART #	QTY.	
	PANEL ASSEMBLY, CONTROL FRONT (G18/G24)	015415 ¹	1	◆
	PANEL ASSEMBLY, CONTROL FRONT (D30)	015407	1	◆
1	Gasket, Front Panel	015270	1	
2	Panel Weldment, Control	015302	1	
3	Switch Assembly, Feed Rate	024450-1 ²	1	
4	Knob, Feed Rate With Set Screw	P06257	1	
5	Switch, Toggle	P10006 ¹	1	
6	Boot, Toggle Switch Rubber	P02575	1	
7	Switch, Key	P04350	1	
8	Meter, Hour	015401	1	
9	Screw, 6-42 x 3/4" Socket Button Head Cap Stainless Steel	F05004-93	2	
10	Nut, 6-23 Self Locking	F05010-59	2	
11	Decal, Control Panel (G18/G24)	015271	1	
	Decal, Control Panel (D30)	015269	1	
12	Board, LED Circuit (G18/G24)	015416	1	
	Board, LED Circuit (D30)	015409	1	
13	Spacer, 1/2"-#6 Threaded	023147	4	

6

Control & Battery Boxes Front Panel Assembly & Harnesses

14	SCREW, #10-24 X 1/2" PAN HEAD	F05015-17	8	
	HARNESS ASSEMBLY, UPPER WIRING (G18/G24)	015420 ¹	1	
	HARNESS ASSEMBLY, UPPER WIRING (D30)	015413 ¹	1	
	Conduit, 1 1/4" x 58" Flex	050399	1	
	Connector, 1 1/4" Straight Male Metal Conduit	024402	1	
	HARNESS ASSEMBLY, LOWER WIRING (G18/G24)	015421	1	
	HARNESS ASSEMBLY, LOWER WIRING (D30)	015414	1	
	Conduit, 1/2" Expandable Black	R02374	41 in.	
	Conduit, 1/2" Expandable Black	R02374	42 in.	

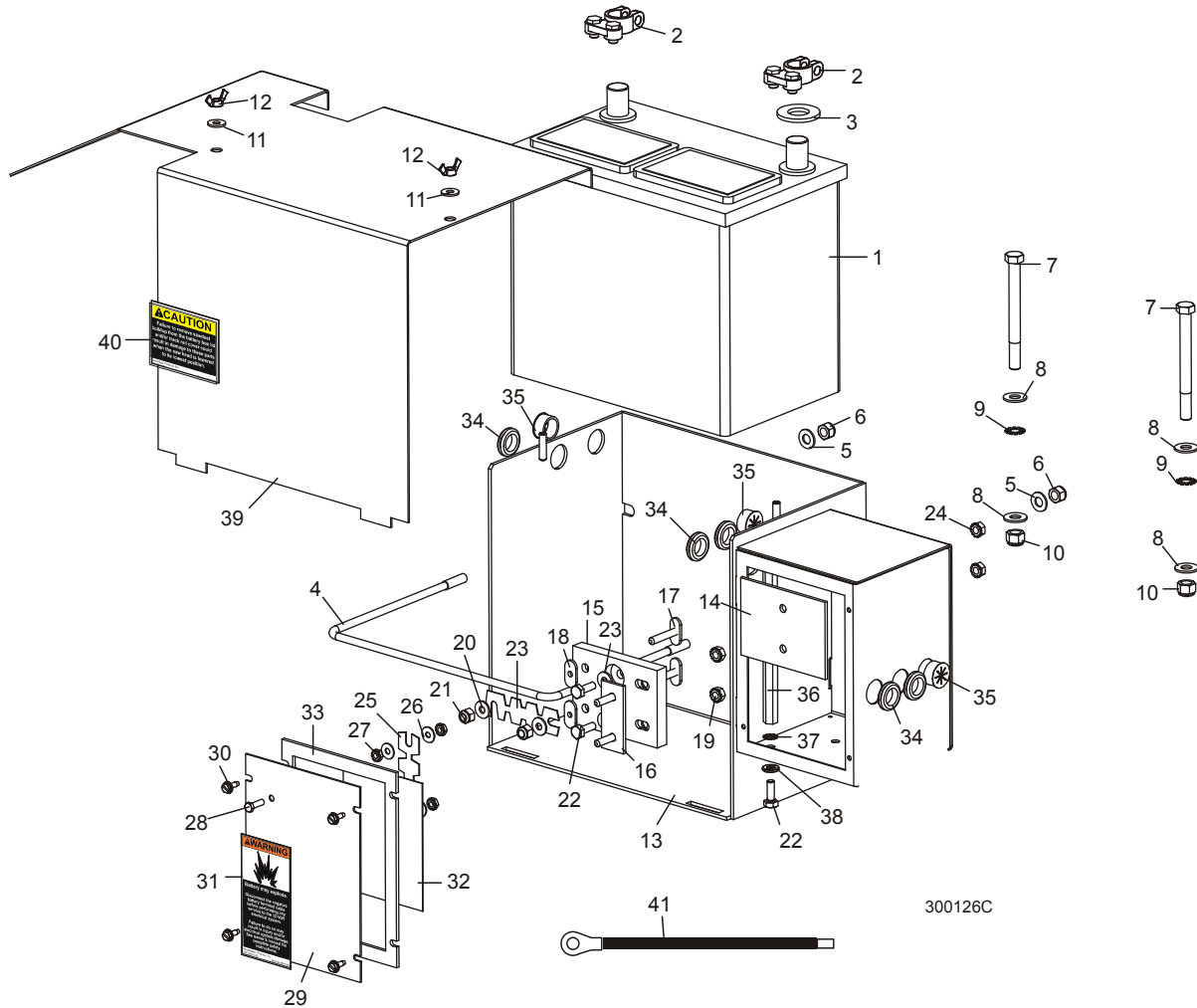
¹ Front panel and upper wiring harnesses replaced with new panel with quick connect blade guide toggle switch on LT30 Rev. F9.00 and LT40 Rev. G1.00 ([See Section 5.6](#)). Use toggle switch P10006 for original panel/harness with screw terminals.

² 024450-1 Feed Rate Switch Assembly replaces 015408 originally supplied.

5.9 Battery Box Assembly

LT30
LT40

Rev. J4.00 - J6.00
Rev. J5.00 - J7.00



300126C

REF	DESCRIPTION (◆ Indicates Parts Available In Assemblies Only)	PART NUMBER	QTY.	
1	BATTERY, 12 VOLT 8T24 (G18/G25) DRY	P09853-1	1	
	BATTERY, 12 VOLT 8800MF (D33/G36)	P12315	1	◆
	BOX ASSEMBLY, LT30/LT40 BATTERY	014667 ¹	1	
2	Terminal, Battery	P05085	2	
3	Washer, Battery Terminal	P12161	1	
4	Retainer Loop, Battery	P09790	1	
5	Washer, 5/16" SAE Flat	F05011-17	2	
6	Nut, 5/16-18 Hex Nylon Lock	F05010-58	2	
7	Bolt, 3/8-16 X 4" Hex Head Grade 2	F05007-4	2	

6

Control & Battery Boxes

Battery Box Assembly

8	Washer, 3/8" SAE Flat	F05011-3	2	
9	Washer, 3/8" External Star	F05011-36	2	
10	Nut, 3/8" Hex Nylon Lock	F05010-10	2	
11	Washer, 1/4" SAE Flat	F05011-11	2	
12	Nut, 1/4-20 Wing	F05010-13	2	
13	Box Weldment, Battery	015472	1	
14	Pad, Fuse Box Insulator	015287	1	
	Fuse Block Assembly	017665 ¹	1	
15	Block, Fuse Mount	017664	1	◆
16	Post Weldment, Fuse Mount	017663	1	
17	Nut, 1/4-20 Cadmium Plated Weld	S12392	2	
18	Stud Weldment, 1/4-20 Fuse	W12389	2	
19	Nut, 1/4-20 Self-Locking Hex	F05010-9	2	
20	Washer, 1/4" SAE Flat	F05011-11	4	
21	Nut, 1/4-20 Hex Lock	F05010-21 ²	4	
22	Bolt, 1/4-20 X 3/4" Hex Head Full Thread	F05005-1	3	
23	Washer, 1/4" SAE Flat	F05011-11	2	
24	Nut, 1/4-20 Hex Self-Locking	F05010-9	2	
25	Fuse Link, 12 Volt 150 Amp	023361	2	
26	Washer, #10 SAE Flat	F05011-18	4	
27	Nut, #10-24 Hex Self-Locking	F05010-14	4	
28	Screw, #10-24 x 5/8" Hex Head	F05004-18	2	
29	Cover, Fuse Box	015282	1	
30	Screw, #10-24 X 1/2" Self-Tapping	F05015-7	4	
31	Decal, 12 Volt Warning	P10364	1	
32	Decal, Fuse Link 150A I.D.	015369	1	
33	Gasket, Fuse Box Cover	050283	1	
34	Grommet, 5/8" Rubber Wire	P11764	5	
35	Grommet, 5/8" Wire	P04137	3	
36	Terminal, Extended Hex Stud	015517	1	
37	Washer, 1/4" Exterior Star	F05011-37	1	
38	Washer, 1/4" Split Lock	F05011-14	1	
39	LID WELDMENT, BATTERY BOX STANDARD	015774	1	
40	DECAL, BATTERY BOX LID CAUTION	014774	1	
41	CABLE ASSEMBLY, 1 GA X 12" 150A FUSE TO BATTERY POSITIVE	036308	1	

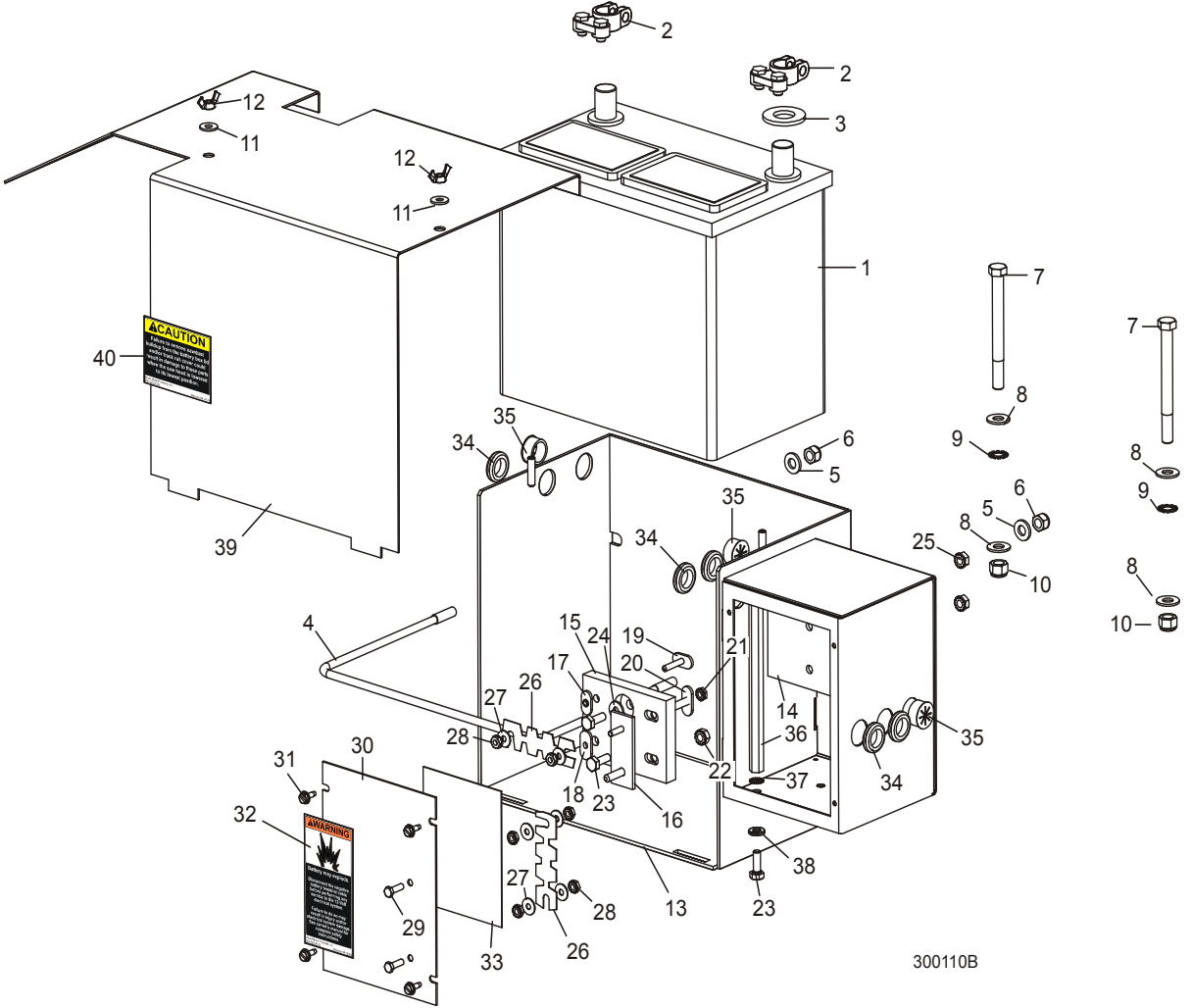
¹ Battery Box Assembly 014667 modified to include new fuse block and mega fuse 1/09. Use kit 006906 to retrofit (requires one 150A Mega-Fuse 052370-150 sold separately). If sawmill equipped with optional hydraulic log loader, one additional 225A Mega-Fuse 053339 also required.

² Swaged lock nut F05010-21 replaces Nylon Lock Nut F05010-69 originally supplied prior to 7/08. Heat from the fuses can cause the nylon to melt and the nut to come loose. Nuts and washers added to fuse block kit 017665 11/08.

5.10 Battery Box Assembly

LT30
LT40

Rev. F7.00 - J3.00
Rev. F8.00 - J4.00



REF	DESCRIPTION (◆ Indicates Parts Available In Assemblies Only)	PART NUMBER	QTY.	
1	BATTERY, 12 VOLT 8T24 (G18/G24/G20/G25) DRY	P09853-1	1	
	BATTERY, 12 VOLT 8800MF (D33/G36)	P12315	1	◆
	BOX ASSEMBLY, LT30/LT40 BATTERY	014667 ¹	1	
2	Terminal, Battery	P05085	2	
3	Washer, Battery Terminal	P12161	1	
4	Retainer Loop, Battery	P09790	1	
5	Washer, 5/16" SAE Flat	F05011-17	2	
6	Nut, 5/16-18 Hex Nylon Lock	F05010-58	2	
7	Bolt, 3/8-16 X 4" Hex Head Grade 2	F05007-4	2	

6

Control & Battery Boxes

Battery Box Assembly

8	Washer, 3/8" SAE Flat	F05011-3	2	
9	Washer, 3/8" External Star	F05011-36	2	
10	Nut, 3/8" Hex Nylon Lock	F05010-10	2	
11	Washer, 1/4" SAE Flat	F05011-11	2	
12	Nut, 1/4-20 Wing	F05010-13	2	
13	Box Weldment, Battery	015472	1	
14	Pad, Fuse Box Insulator	015287	1	
	Fuse Block Assembly	015288 ¹	1	◆
15	Block, Fuse Mount	015286	1	◆
16	Buss Weldment, Fuse Mount	015289	1	
17	Nut, #10-24 Cadmium Plated Weld	S12391	1	
18	Nut, 1/4-20 Cadmium Plated Weld	S12392	1	
19	Stud Weldment, 1/4-20 Fuse	W12389	1	
20	Stud Weldment, #10-24 Fuse	W12390	1	
21	Nut, #10-24 Self-Locking Hex	F05010-14	1	
22	Nut, 1/4029 Self-Locking Hex	F05010-9	1	
23	Bolt, 1/4-20 X 3/4" Hex Head Full Thread	F05005-1	3	
24	Washer, 1/4" SAE Flat	F05011-11	2	
25	Nut, 1/4-20 Hex Self-Locking	F05010-9	2	
26	Fuse Link, 12 Volt 150 Amp	023361	2	
27	Washer, #10 SAE Flat	F05011-18 ²	6	
28	Nut, #10-24 Hex Self-Locking	F05010-14 ²	6	
29	Screw, #10-24 x 5/8" Hex Head	F05004-18 ²	2	
30	Cover, Fuse Box	015282 ²	1	
31	Screw, #10-24 X 1/2" Self-Tapping	F05015-7	4	
32	Decal, 12 Volt Warning	P10364	1	
33	Decal, Fuse Link 150A I.D.	015369	1	
34	Grommet, 5/8" Rubber Wire	P11764	5	
35	Grommet, 5/8" Wire	P04137	3	
36	Terminal, Extended Hex Stud	015517 ³	1	
37	Washer, 1/4" Exterior Star	F05011-37	1	
38	Washer, 1/4" Split Lock	F05011-14	1	
39	LID WELDMENT, BATTERY BOX STANDARD	015774 ⁴	1	
40	DECAL, BATTERY BOX LID CAUTION	014774	1	

¹ Battery Box Assembly 014667 modified to include new fuse block and mega fuse 1/09. Replace Fuse Block Assembly 015288 with Mega-Fuse Block Assembly 006906 (replaces High-Amp Fuse Block Retro 017665). New fuse block requires one 150A Mega-Fuse 052370-150 sold separately. If sawmill equipped with optional hydraulic log loader, one additional 225A Mega-Fuse 053339 also required. New fuse block requires replacement of ring terminal for 150A fuse (F05092-18R).

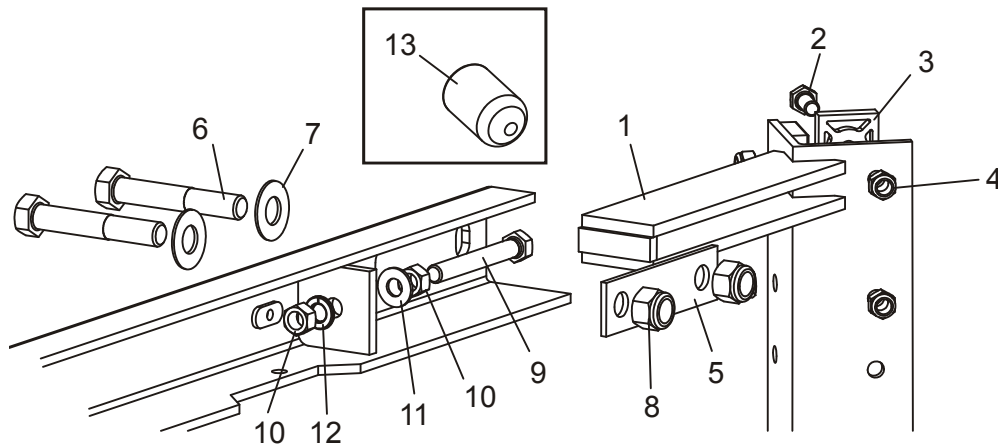
² 015282 Fuse Box Cover revised with additional hole to accept second set of hardware to secure spare fuses (1/00). Additional (1) F05004-18 #10-24 x 5/8" Hex Head Screw, (2) F05011-18 #10 SAE Flat Washers and (2) F05010-16 #10-24 Self-Locking Nuts added to assembly.

³ Terminal Extension Stud added 3/97.

⁴ Replaces S10447 (LT30 rev. F9, LT40 rev. G1).

SECTION 6 UP/DOWN SYSTEM

6.1 Saw Head Mount



SM0080D

REF	DESCRIPTION (◆ Indicates Parts Available In Assemblies Only)	PART #	QTY.
1	V-BRACE, SAW HEAD MOUNT	W04099	1
2	BOLT, 5/16-18 X 3/4" HEX HEAD GRADE 5	F05006-5	12
	BOLT, 5/16-18 X 1 1/4" HEX HEAD FULL THREAD	F05006-1 ¹	2
	BOLT, 5/16-18 X 1 1/4" HEX HEAD FULL THREAD GRADE 5	F05006-93	4
3	PAD, PLASTIC SLIDE	M04096 ²	6
	PAD, PLASTIC SLIDE LOWER W/CHAMFER	016241	2
4	NUT, 5/16-18 NYLON LOCK	F05010-58	16
5	PLATE, V-BRACE WASHER	S07935	2
6	BOLT, 1/2-13 X 3 1/2" HEX HEAD GRADE 5	F05008-61	4
7	WASHER, 1/2" SAE FLAT	F05011-2	4
8	NUT, 1/2-13 NYLON LOCK	F05010-8	4
9	BOLT, 3/8-16 X 2" FULL THREAD	F05007-17 ³	2
10	NUT, 3/8-16 HEX	F05010-1	4
11	WASHER, 3/8" SAE FLAT	F05011-3	2
12	WASHER, 3/8" SPLIT LOCK	F05011-4	2
13	CAP, .281" X 1/2" BLACK VINYL	017715 ⁴	3

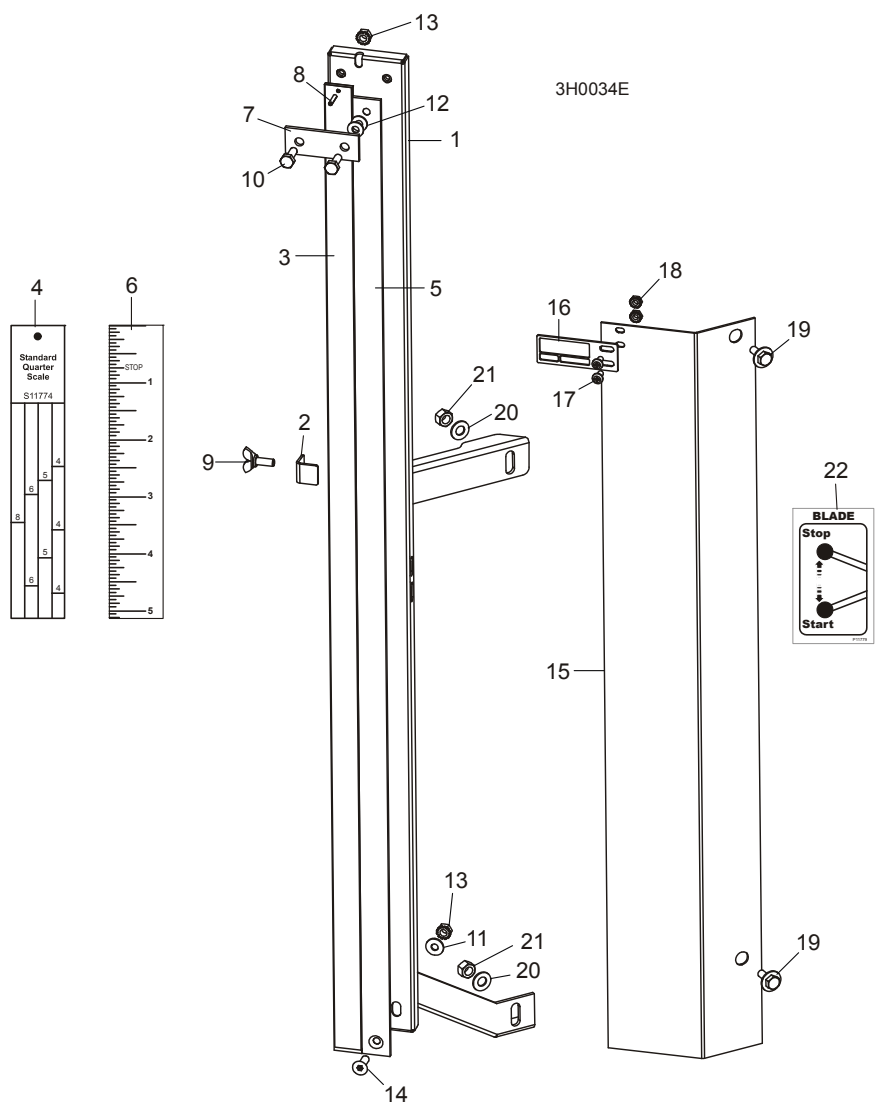
¹ Longer bolts used to mount G24 engine throttle cable prior to 11/97.

² Eight pads removed from middle positions (LT30 Rev. G8.00 and LT40 Rev. G9.00). Only uppermost and lowermost pads are required. Middle pads were not providing any function.

³ 2" Bolt F05007-17 replaces 3" Bolt F05007-1 originally supplied prior to LT30 Rev. H1.00 and LT40 Rev. H2.00.

⁴ Vinyl caps added to protect drive-side blade housing cover when being removed/replaced (LT30 Rev. J3.00 and LT40 Rev. J4.00).

6.2 Blade Height & Quarter Scales



REF	DESCRIPTION (◆ Indicates Parts Available In Assemblies Only)	PART #	QTY.	
	SCALE RETROFIT, FIXED WITH POINTER	A12030	1	
	Scale Kit, Fixed With Pointer	K11998	1	◆
	Scale Assembly, Fixed	A12022	1	◆
1	Bracket, Scale Mounting	W11996 ¹	1	
2	Plate, Movable Scale Stop	036666 ¹	1	
3	Scale, 35" Quarter	S11989	1	
4	Decal, 35" Standard Quarter Scale	S11774	1	
	Decal, 35" Grade Hardwood Quarter Scale	P12819	1	
5	Scale, 35" Inch	S11988	1	

6	Decal, 35" Inch	S11773	1	
7	Strap, Scale Hold-Down	S04805	1	
8	Pin, 1/8" X 5/8" Roll	F05012-14	1	
9	Screw, 1/4-20 X 5/8" Wing	F05005-64	1	
10	Bolt, 1/4-20 x 1/2" Hex Head	F05005-1	2	
11	Washer, 1/4" SAE Flat	F05011-11	1	
12	Washer, 1/4" X .020 Thick Nylon Flat	F05011-22	2	
13	Nut, 1/4-20 Hex Self-Locking	F05010-9	2	
14	Screw, 1/4-20 X 3/4" Flat Socket Head	F05005-70	1	
	Pointer Assembly, Fixed Scale	A12023 ²	1	
15	Bracket, Fixed Scale Pointer Mount	S12245	1	◆
16	Pointer, Fixed Scale (Non-Accuset Only ³)	017778	1	
17	Screw, #10-24 X 3/8" Phillips Head	F05004-3	2	
18	Nut, #10-24 Hex Self-Locking	F05010-14	2	
19	Bolt, 1/4-20 x 3/4" with Conical Washer	F05005-134 ⁴	2	
20	Washer, 5/16" SAE Flat	F05011-17	2	
21	Nut, 5/16-18 Hex Lock	F05010-6	2	
	Bolt, 1/4-20 X 1/2" Hex Head Grade 2	F05005-15	1	
	Instruction Sheet, Fixed Scale Retrofit	A12030-370	1	
	DECAL KIT, METRIC SCALE	K12064	1	
	Decal, Metric	S11711	1	
	Decal, Metric 16-40mm	P12040-1	1	
	Decal, Metric 45-63mm	P12040-2	1	
22	DECAL, CLUTCH HANDLE OPERATION	P11779	1	

¹ Wing screw moved to side of scale mount and bracket 036666 added to eliminate possible interference with pointer (11/04). Use W11996 to service mount weldment (includes new bracket 036666).

² Scale Assembly A12023 modified with steel pointer (LT30 Rev. J4.00 and LT40 Rev. J5.00). 017778 replaces M07267-N pointer.

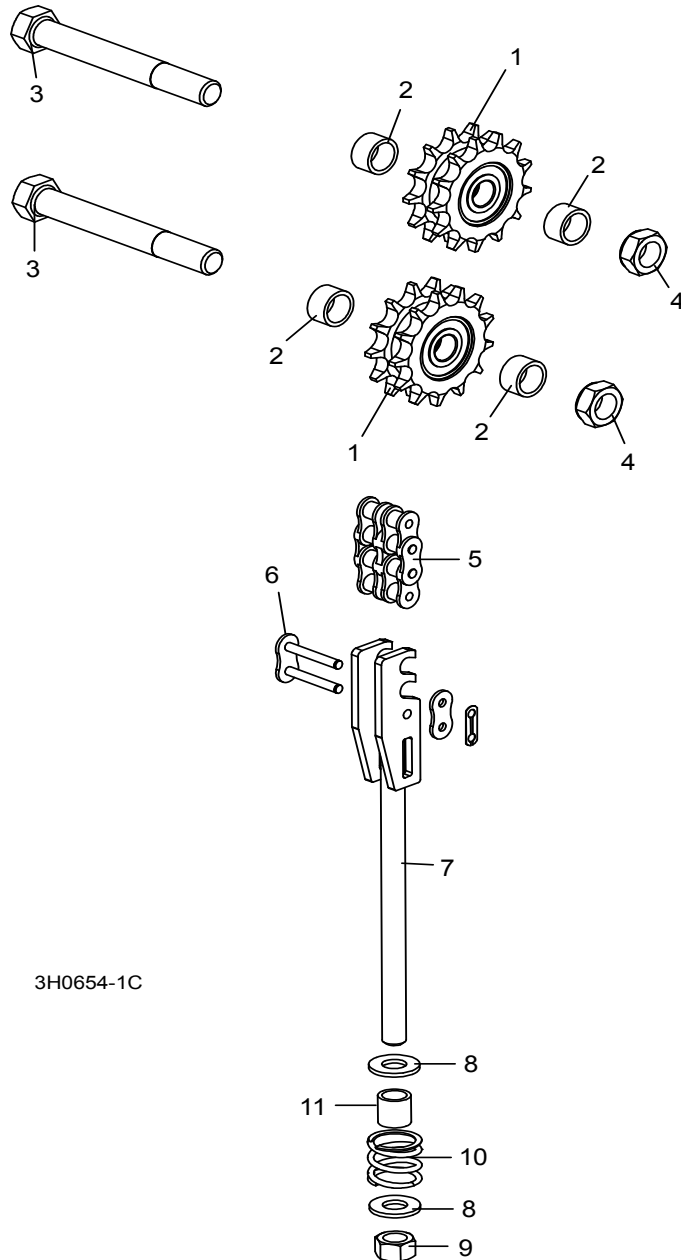
³ Use 017805 pointer for sawmills equipped with Accuset control (Steel pointer replaces 035447).

⁴ Replaces 1/4" SAE Flat Washer (F05011-11) and 1/4-20 X 3/4" Full Thread Hex Head Cap Bolt (F05005-1) LT30 rev. G7.00, LT40 rev. G8.00.

6.3 Up/Down Chain & Sprockets

LT30
LT40

Rev. G4.01 - J6.00
Rev. G5.01 - J7.00



REF	DESCRIPTION (◆ Indicates Parts Available In Assemblies Only)	PART #	QTY.
	SPROCKET KIT, UP/DOWN IDLER #50-2	016020	1
1	Sprocket, Up/Down Idler '98	016019	2
2	Spacer, 50-2 Idler '98	016018	4

	Instruction Sheet, Up/Down Idler Retrofit	016020-541	1	
3	BOLT, 5/8-11 X 5" HEX HEAD GRADE 2	F05009-6	2	
4	NUT, 5/8-11 JAM NYLON LOCK	F05010-96 ¹	2	
5	CHAIN, #50-2 X 75.625" UP/DOWN	015259	1	
6	LINK, #50-2 MASTER	015258	2	
	TENSIONER ASSEMBLY, UP/DOWN CHAIN	015456 ²	1	
7	Bracket, Up/Down #50 Chain Tensioner	015188	1	◆
8	Washer, 1/2" SAE Flat	F05011-2	2	
9	Nut, 1/2-13 Nylon Hex Lock	F05010-8	1	
10	Spring, 1" OD x 1" Long x .125" Wire Compression	016516	1	
11	Spacer, Up/Dn Chain Tensioner	016515	1	

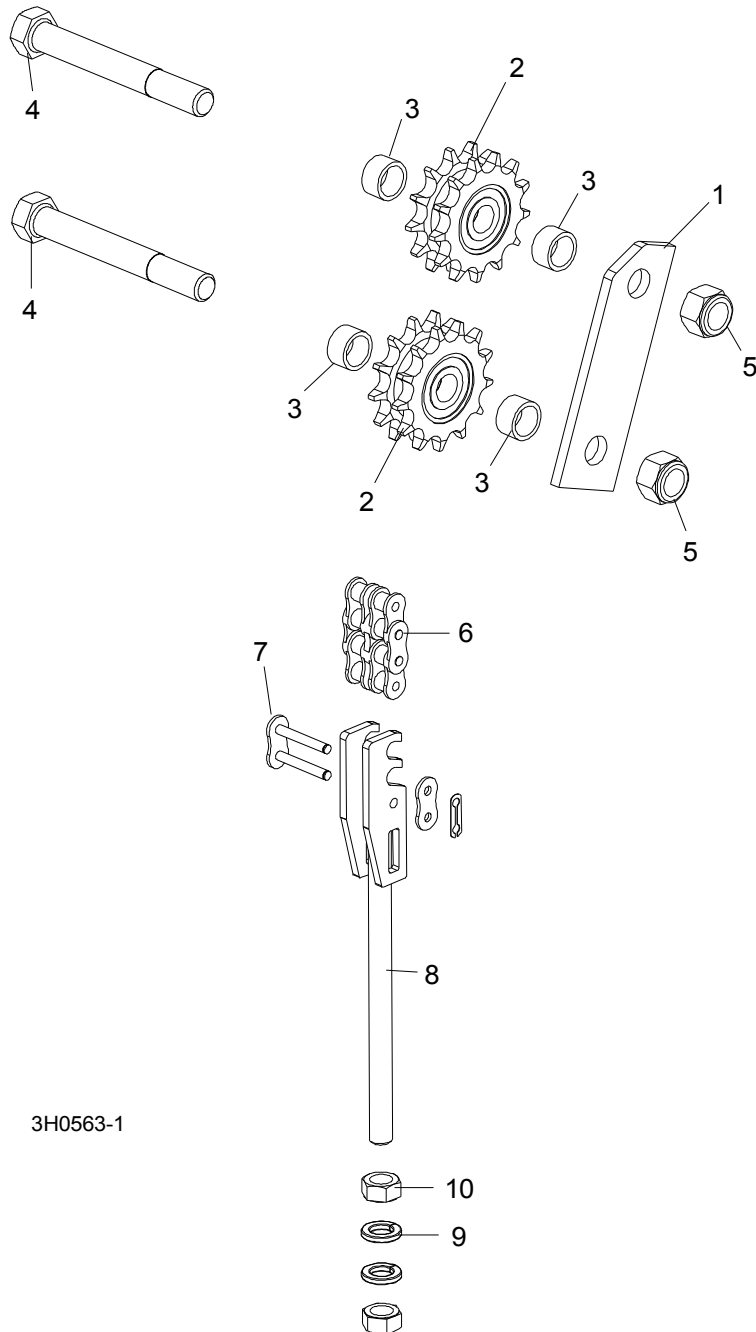
¹ Replaces 5/8-11 Hex Nylon Lock Nut (F05010-34) LT30 rev. G7.00, LT40 rev. G8.00.

² Spring, spacer and hardware replaces original split lock washers and jam nuts supplied prior to LT30 Rev. H4.00 and LT40 Rev. H5.00. New assembly requires less frequent adjustment and prevents damage to the up/down system. [See Section 6.4](#) for hardware used on previous revisions.

6.4 Up/Down Chain & Sprockets

LT30
LT40

Rev. G3.00 - G4.00
Rev. G4.00 - G5.00



3H0563-1

REF	DESCRIPTION (◆ Indicates Parts Available In Assemblies Only)	PART #	QTY.
1	PLATE, UP/DOWN IDLER SPROCKET	S09084	1

	SPROCKET KIT, UP/DOWN IDLER #50-2	016020 ¹	1	
2	Sprocket, Up/Down Idler '98	016019	2	
3	Spacer, 50-2 Idler '98	016018	4	
	Instruction Sheet, Up/Down Idler Retrofit	016020-541	1	
4	BOLT, 5/8-11 X 5" HEX HEAD GRADE 2	F05009-6	2	
5	NUT, 5/8-11 JAM NYLON LOCK	F05010-96 ²	2	
6	CHAIN, #50-2 X 75.625" UP/DOWN	015259	1	
7	LINK, #50-2 MASTER	015258	2	
	TENSIONER ASSEMBLY, UP/DOWN CHAIN	015456 ³	1	
8	Bracket, Up/Down #50 Chain Tensioner	015188	1	◆
9	Washer, 1/2" Split Lock	F05011-9	2	
10	Nut, 1/2-13 Hex	F05010-35	2	

¹ Use sprocket kit to retrofit previous revision sawmills. New design sprockets and spacers eliminate preloading of the bearings.

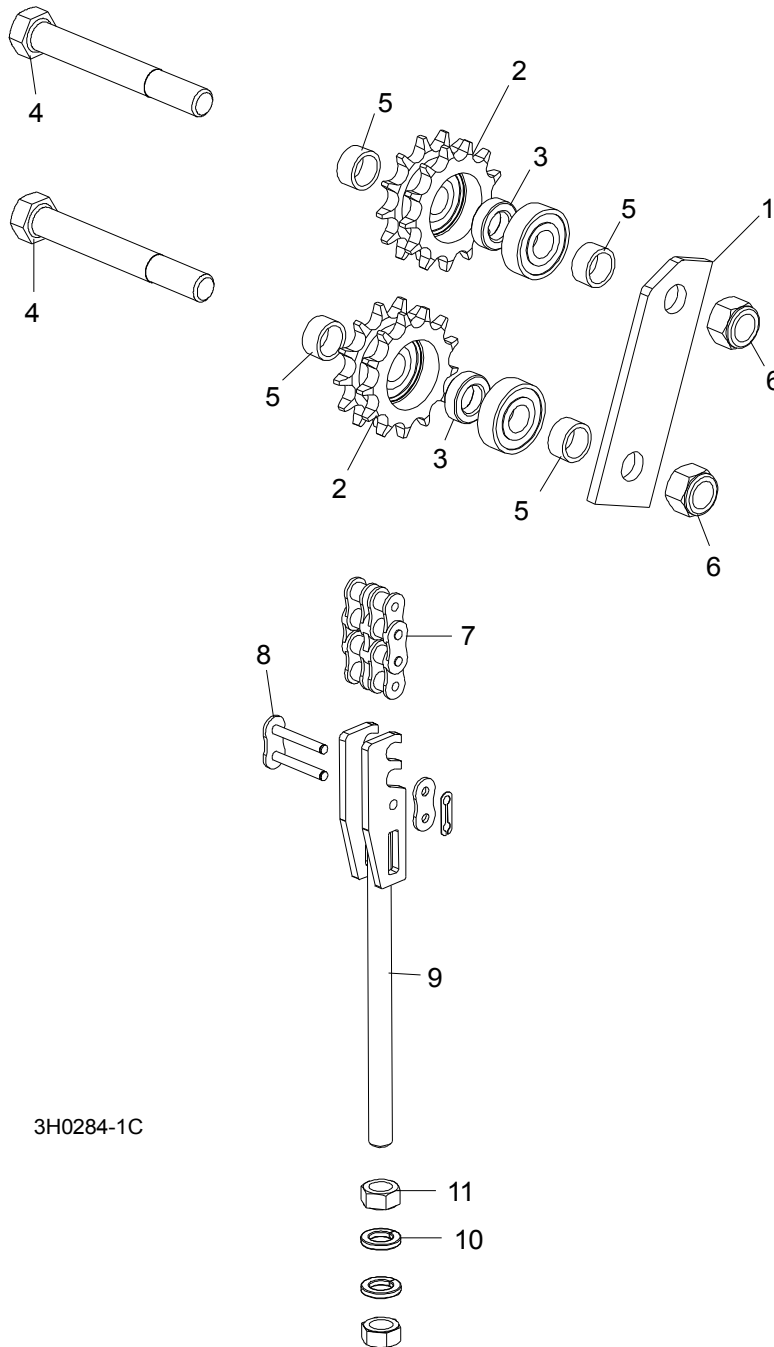
² Replaces 5/8-11 Hex Nylon Lock Nut (F05010-34) LT30 rev. G7.00, LT40 rev. G8.00.

³ Assembly includes new spring and hardware ([See Section 6.3](#)). New assembly requires less frequent adjustment and prevents damage to the up/down system.

6.5 Up/Down Chain & Sprockets

LT30
LT40

Rev. F7.00 - G2.02
Rev. F8.00 - G3.02



REF	DESCRIPTION (◆ Indicates Parts Available In Assemblies Only)	PART #	QTY.
-----	--	--------	------

1	PLATE, UP/DOWN IDLER SPROCKET	S09084	1	
2	SPROCKET ASSEMBLY W/BEARING, UP/DOWN IDLER #50 CHAIN	015455 ¹	2	◆
3	SPACER, 1.09" O.D. X .63" I.D. X .35" LONG	015965 ¹	2	◆
4	BOLT, 5/8-11 X 5" HEX HEAD GRADE 2	F05009-6	2	
5	SPACER, 50-2 IDLER SPROCKET	014724 ¹	4	◆
6	NUT, 5/8-11 JAM NYLON LOCK	F05010-96 ²	2	
7	CHAIN, #50-2 X 75.625" UP/DOWN	015259	1	
8	LINK, #50-2 MASTER	015258	2	
	TENSIONER ASSEMBLY, UP/DOWN CHAIN	015456 ³	1	
9	Bracket, Up/Down #50 Chain Tensioner	015188	1	◆
10	Washer, 1/2" Split Lock	F05011-9	2	
11	Nut, 1/2-13 Hex	F05010-35	2	

¹ Use kit 016020 to replace all idler sprockets and spacers ([See Section 6.3](#)). Sprocket kit replaces 015455 or 015202 sprockets, 015965 interior spacers, P06030-1 bearings and 014724 exterior spacers originally supplied on previous revisions. New design sprockets and spacers eliminate preloading of the bearings.

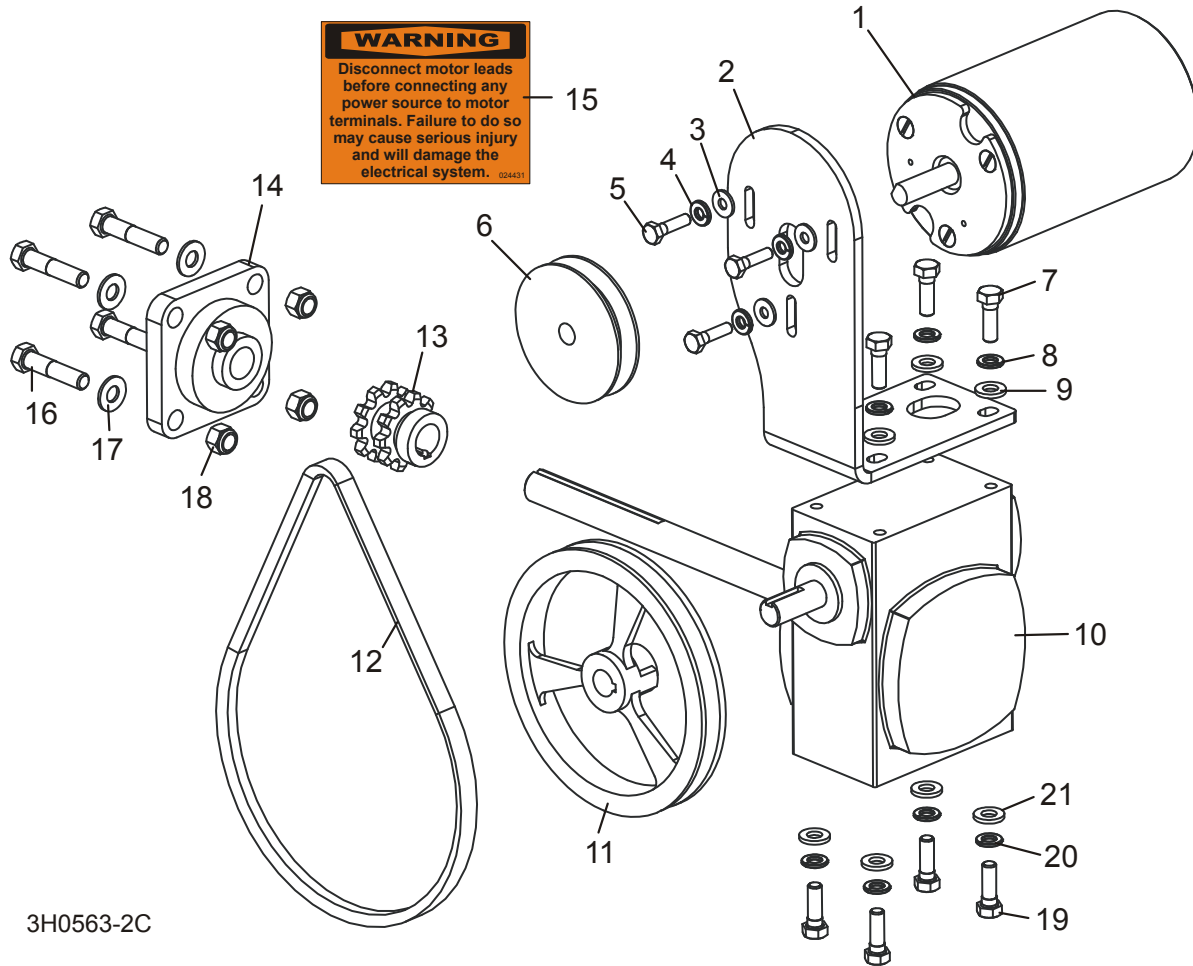
² Replaces 5/8-11 Hex Nylon Lock Nut (F05010-34) LT30 rev. G7.00, LT40 rev. G8.00.

³ Assembly includes new spring and hardware ([See Section 6.3](#)). New assembly requires less frequent adjustment and prevents damage to the up/down system.

7 Up/Down System

Up/Down Assembly, G18/G24/G20/G25

6.6 Up/Down Assembly, G18/G24/G20/G25



REF	DESCRIPTION (◆ Indicates Parts Available In Assemblies Only)	PART #	QTY.	
	UP/DOWN DRIVE ASSEMBLY (G18/G24/G20/G25)	014669 ¹	1	◆
1	Motor, Drive	006747 ²	1	
	Brush Kit, 12V Motor (2009)	061794 ²	1	
	Brush Kit, 12V Motor (2007)	006619 ²	1	
	Brush Kit, 12V Motor	A09086 ²	1	
	Brush Holder, Motor	034000 ²	1	◆
2	Bracket, Up/Down Motor Mount	014529	1	
3	Washer, 1/4" SAE Flat	F05011-11	3	
4	Washer, 1/4" Split Lock	F05011-14	3	
5	Bolt, 1/4-20 X 1" Hex Head Grade 2	F05005-38	3	
6	Pulley, AK 32Up/Down Motor	014087	1	
7	Bolt, 5/16-18 x 1" Hex Head	F05006-1	4	

8	Washer, 5/16" Split Lock	F05011-13	4	
9	Washer, 5/16" SAE Flat	F05011-17	4	
10	Reducer, Gear Box	016622 ¹	1	◆
11	Pulley, Up/Down	014528	1	
12	Belt, 4L280	P04031	1	
13	Sprocket, Up/Down Dual #50 Chain	015346	1	
14	Bearing, Flanged Up/Down	P11600	1	
15	Decal, Disconnect Motor Leads Warning	024431	1	
16	BOLT, 3/8-16 X 1 1/2" HEX HEAD	F05007-3	4	
17	WASHER, 3/8" SAE FLAT	F05011-3	4	
18	NUT, 3/8-16 HEX NYLON LOCK	F05010-10	4	
19	BOLT, 5/16-18 X 3/4" HEX HEAD	F05006-5	4	
20	WASHER, 5/16" SPLIT LOCK	F05011-13	4	
21	WASHER, 5/16" SAE FLAT	F05011-17	4	
	OIL, 8 OZ. MOBIL SHC634 BOTTLED SYNTHETIC GEAR	L04869-4 ³	1	

¹ 014669 assembly with 016622 gearbox replaced with heavy-duty system due to availability from vendor ([See Section 6.7](#)). Use kit 038560 to retrofit gearbox originally supplied. Kit includes gearbox, pulleys, belt and mounting hardware. 016622 replaced P11692 gear box supplied prior to LT30 Rev. H8.01 and LT40 Rev. H9.01. New gear box features alloy shaft to provide better durability.

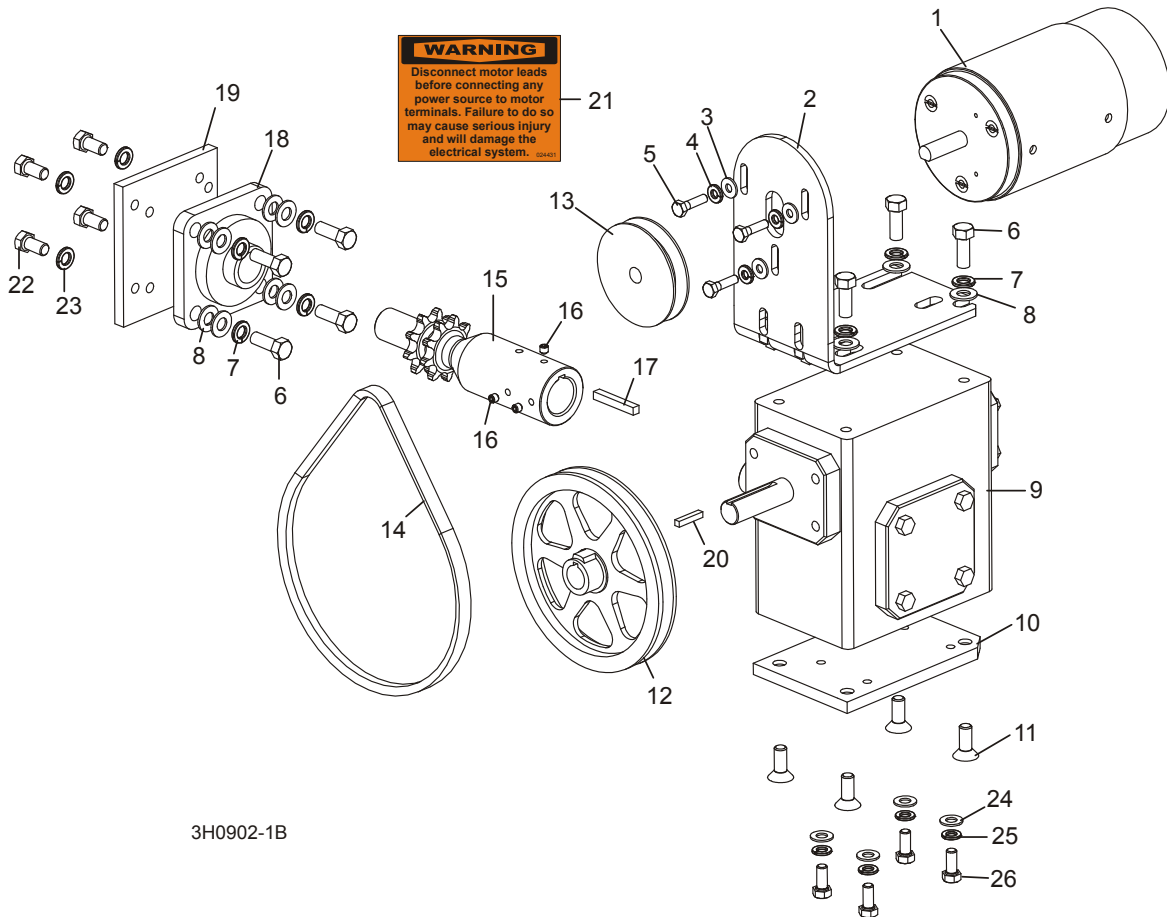
² Motor 006747 replaces Motor 014359 supplied until 11/08. Order brush kit Part No. A09086 for sawmills built prior to 7/2007 equipped with motors that do not have red and black terminals and are not labeled "Current Applications". Order brush kit Part No. 006619 for sawmills built between 8/2007 and 11/2008 with motors equipped with red and black terminals and not labeled "Current Applications". Order brush kit Part No. 061794 for sawmills built after 11/2008 and/or equipped with motors labeled "Current Applications". Brush Holder 034000 applies only to original 014359 motor and is no longer available (vendor discontinued 3/09).

³ 8 - 11 oz. required for complete oil replacement.

6.7 Up/Down Assembly, D33/G36

LT30
LT40

Rev. J5.00 - J6.00
Rev. J6.00 - J7.00



REF	DESCRIPTION (◆ Indicates Parts Available In Assemblies Only)	PART #	QTY.	
	UP/DOWN DRIVE ASSEMBLY (D33/G36)	036208	1	
1	Motor, Drive	006747 ¹	1	
	Brush Kit, 12V Motor (2009)	061794 ¹	1	
	Brush Kit, 12V Motor (2007)	006619 ¹	1	
	Brush Kit, 12V Motor	A09086 ¹	1	
	Brush Holder, Motor	034000 ¹	1	◆
2	Bracket, Up/Down Motor Mount	014073	1	
3	Washer, 1/4" SAE Flat	F05011-11	3	
4	Washer, 1/4" Split Lock	F05011-14	3	
5	Bolt, 1/4-20 X 1" Hex Head Grade 5	F05005-101	3	

6	Bolt, 3/8-16 x 1" Hex Head	F05007-7	8	
7	Washer, 3/8" Split Lock	F05011-4	8	
8	Washer, 3/8" SAE Flat	F05011-3	12	
9	Reducer, Gear Box	014074	1	
10	Plate, Gear Box Spacer	014158	1	
11	Bolt, 3/8-16 x 1" Flat Socket Head	F05007-64	4	
12	Pulley, Up/Down	014088	1	
	Belt/Pulley Kit, Standard D33/G36 Up/Down	036213	1	
13	Pulley, AK22 x 1/2"	036204	1	
14	Belt, 4L270	014089	1	
	Shaft Kit, Up/Down Drive	016094	1	
15	Shaft, Up/Down Sprocket	016031	1	◆
16	Screw, 1/4-28 x 1/4" Socket Head Cup Point	F05005-105 ²	3	
17	Key, 1/4" Square x 1 11/16" Long	S04124	1	
18	Bearing, Flanged Up/Down	014090	1	
19	Plate, Bearing Spacer	014108	1	
20	Key, 3/16" Square x 1" Long	S31027	1	
21	Decal, Disconnect Motor Leads Warning	024431	1	
22	BOLT, 3/8-16 X 3/4" HEX HEAD	F05007-27	4	
23	WASHER, 3/8" SPLIT LOCK	F05011-4	4	
24	WASHER, 5/16" SAE FLAT	F05011-17	4	
25	WASHER, 5/16" SPLIT LOCK	F05011-13	4	
26	BOLT, 5/16-18 X 3/4" HEX HEAD GRADE 5	F05006-102	4	
	OIL, 8 OZ. MOBIL SHC634 BOTTLED SYNTHETIC GEAR	L04869-4 ³	1	

¹ Motor 006747 replaces Motor 014359 supplied until 11/08. Order brush kit Part No. A09086 for sawmills built prior to 7/2007 equipped with motors that do not have red and black terminals and are not labeled "Current Applications". Order brush kit Part No. 006619 for sawmills built between 8/2007 and 11/2008 with motors equipped with red and black terminals and not labeled "Current Applications". Order brush kit Part No. 061794 for sawmills built after 11/2008 and/or equipped with motors labeled "Current Applications". Brush Holder 034000 applies only to original 014359 motor and is no longer available (vendor discontinued 3/09).

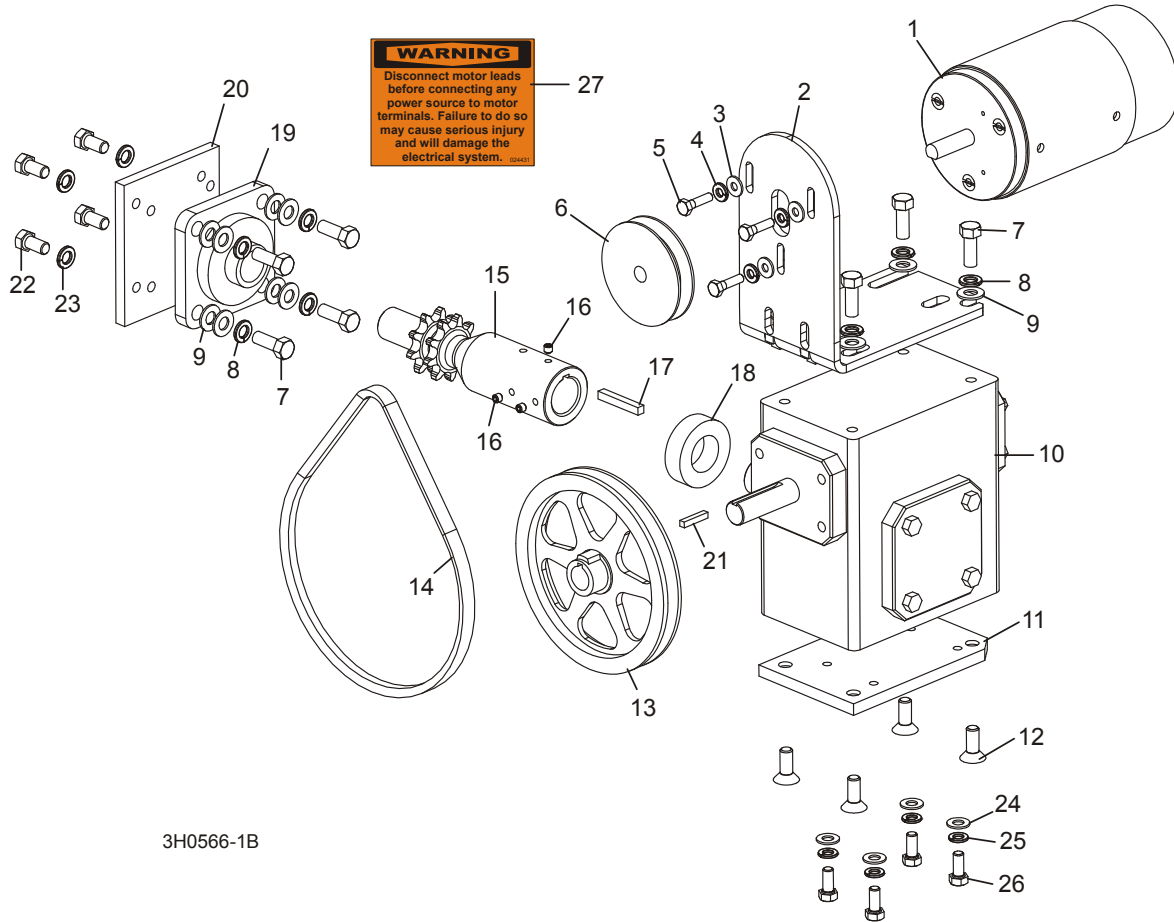
² One F05005-105 replaces two F05004-76 #10-24 x 3/8" Cup Point Set Screws supplied prior to 7/07.

³ 24 oz. required for complete oil replacement.

6.8 Up/Down Assembly, D30/D33/G36

LT30
LT40

Rev. F7.00 - J4.07
Rev. F8.00 - J5.07



3H0566-1B

REF	DESCRIPTION (◆ Indicates Parts Available In Assemblies Only)	PART #	QTY.	
	UP/DOWN DRIVE ASSEMBLY (D30/D33/G36)	015458	1	
1	Motor, Drive	006747 ¹	1	
	Brush Kit, 12V Motor (2009)	061794 ¹	1	
	Brush Kit, 12V Motor (2007)	006619 ¹	1	
	Brush Kit, 12V Motor	A09086 ¹	1	
	Brush Holder, Motor	034000 ¹	1	◆
2	Bracket, Up/Down Motor Mount	014073	1	
3	Washer, 1/4" SAE Flat	F05011-11	3	
4	Washer, 1/4" Split Lock	F05011-14	3	

5	Bolt, 1/4-20 X 1" Hex Head Grade 2	F05005-38	3	
6	Pulley, AK32 Up/Down Motor	014087 ²	1	
7	Bolt, 3/8-16 x 1" Hex Head	F05007-7	8	
8	Washer, 3/8" Split Lock	F05011-4	8	
9	Washer, 3/8" SAE Flat	F05011-3	12	
10	Reducer, Gear Box	014074	1	
11	Plate, Gear Box Spacer	014158	1	
12	Bolt, 3/8-16 x 1" Flat Socket Head	F05007-64 ³	4	
13	Pulley, Up/Down	014088	1	
14	Belt, 4L280	P04031 ²	1	
	Shaft Kit, Up/Down Drive	016094 ⁴	1	
15	Shaft, Up/Down Sprocket	016031	1	◆
16	Screw, 1/4-28 x 1/4" Socket Head Cup Point	F05005-105 ⁵	3	
17	Key, 1/4" Square x 1 11/16" Long	S04124	1	
18	Spacer, Up/Down Shaft	016032 ⁶	1	
19	Bearing, Flanged Up/Down	014090	1	
20	Plate, Bearing Spacer	014108	1	
21	Key, 3/16" Square x 1" Long	S31027 ⁷	1	
22	BOLT, 3/8-16 X 3/4" HEX HEAD	F05007-27	4	
23	WASHER, 3/8" SPLIT LOCK	F05011-4	4	
24	WASHER, 5/16" SAE FLAT	F05011-17	4	
25	WASHER, 5/16" SPLIT LOCK	F05011-13	4	
26	BOLT, 5/16-18 X 3/4" HEX HEAD GRADE 5	F05006-102 ⁸	4	
	OIL, 8 OZ. MOBILE SHC634 BOTTLED SYNTHETIC GEAR	L04869-4 ⁹	1	
27	DECAL, DISCONNECT MOTOR LEADS WARNING	024431	1	

¹ Motor 006747 replaces Motor 014359 supplied until 11/08. Order brush kit Part No. A09086 for sawmills built prior to 7/2007 equipped with motors that do not have red and black terminals and are not labeled "Current Applications". Order brush kit Part No. 006619 for sawmills built between 8/2007 and 11/2008 with motors equipped with red and black terminals and not labeled "Current Applications". Order brush kit Part No. 061794 for sawmills built after 11/2008 and/or equipped with motors labeled "Current Applications". Brush Holder 034000 applies only to original 014359 motor and is no longer available (vendor discontinued 3/09).

² If sawmill equipped with Accuset option, use up/down pulley and belt supplied with kit 036213. Kit includes AK22 pulley 036204 and 4L270 belt 014089. An optional speed reduction kit is available to reduce the speed of the up/down system to enable the operator to more easily align blade height with the blade height scale. Kit (015919) includes AK25 pulley (015917) and 4L240 belt (015918) and instructions (015919-338). Available 10/97.

³ Replaces F05007-110 originally supplied to accommodate common parts.

⁴ Use shaft kit 016094 to replace two-piece shaft/coupler 015201 and 014159 and 3" key 014099 originally supplied prior to LT30 Rev. G3.06 and LT40 Rev. G4.06.

⁵ One F05005-105 replaces two F05004-76 #10-24 x 3/8" Cup Point Set Screws supplied prior to 7/07.

⁶ Removed from assembly; no longer needed (9/98).

⁷ 1" long key S31027 replaces S03060 3/4" long key originally supplied prior to LT30 Rev. G3.05 and LT40 Rev. G4.05.

⁸ Grade 5 Bolt replaces F05006-5 Grade 2 Bolt originally supplied to improve durability.

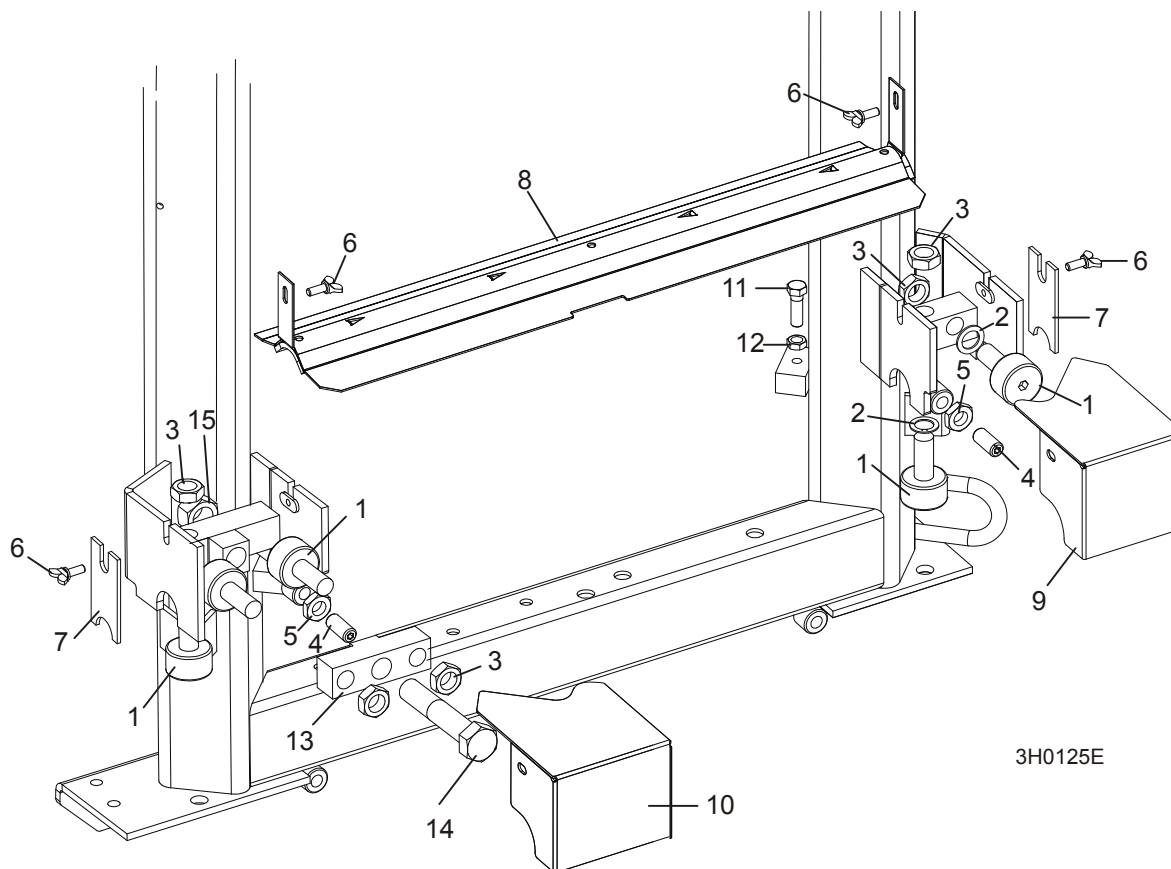
⁹ 24 oz. required for complete oil replacement.

SECTION 7 FEED SYSTEM & TRACK ROLLERS

7.1 Upper Track Rollers And Wipers

LT30
LT40

Rev. G8.00 - J6.00
Rev. G9.00 - J7.00



REF	DESCRIPTION (◆ Indicates Parts Available In Assemblies Only)	PART #	QTY.	
1	ROLLER, TRACK CAM BEARING	012797 ¹	5	
2	SHIM, 5/8" X 1" X .062"	016510 ²	2	
3	NUT, 5/8-18 HEX JAM	F05010-11	5	
4	SCREW, 1/2-13 X 1 1/4" OVAL POINT SET	F05008-5	2	
5	NUT, 1/2-13 HEX JAM	F05010-31	2	
6	SCREW, 1/4-20 X 5/8" THUMB	F05005-64	4	
7	WIPER, PLASTIC TRACK	M04113	2	
8	COVER, MIDDLE TRACK OILER ASSEMBLY	A09918	1	
	Cover, Middle Track Oiler	S09917	1	◆
	Wiper, Middle Track Felt	S09915	1	
9	HOUSING, UPPER TRACK ROLLER REAR	012999	1	

Feed System & Track Rollers

Upper Track Rollers And Wipers

8

10	HOUSING, UPPER TRACK ROLLER FRONT	016285	1	
11	BOLT, 3/8-16 X 1 1/4" HEX HEAD	F05007-2	2	
12	NUT, 3/8-16 HEX JAM	F05010-29	2	
13	BLOCK, UPPER ROLLER PIVOT	016501 ³	1	
	BLOCK, UPPER ROLLER PIVOT	015728 ³	1	
14	BOLT, 3/4-10 X 4" HEX HEAD GRADE 5	F05013-3	1	
15	NUT, 3/4-10 SELF LOCKING	F05010-80	1	

¹ McGill unit directly replaces P12843 RBC unit originally supplied (1/00).

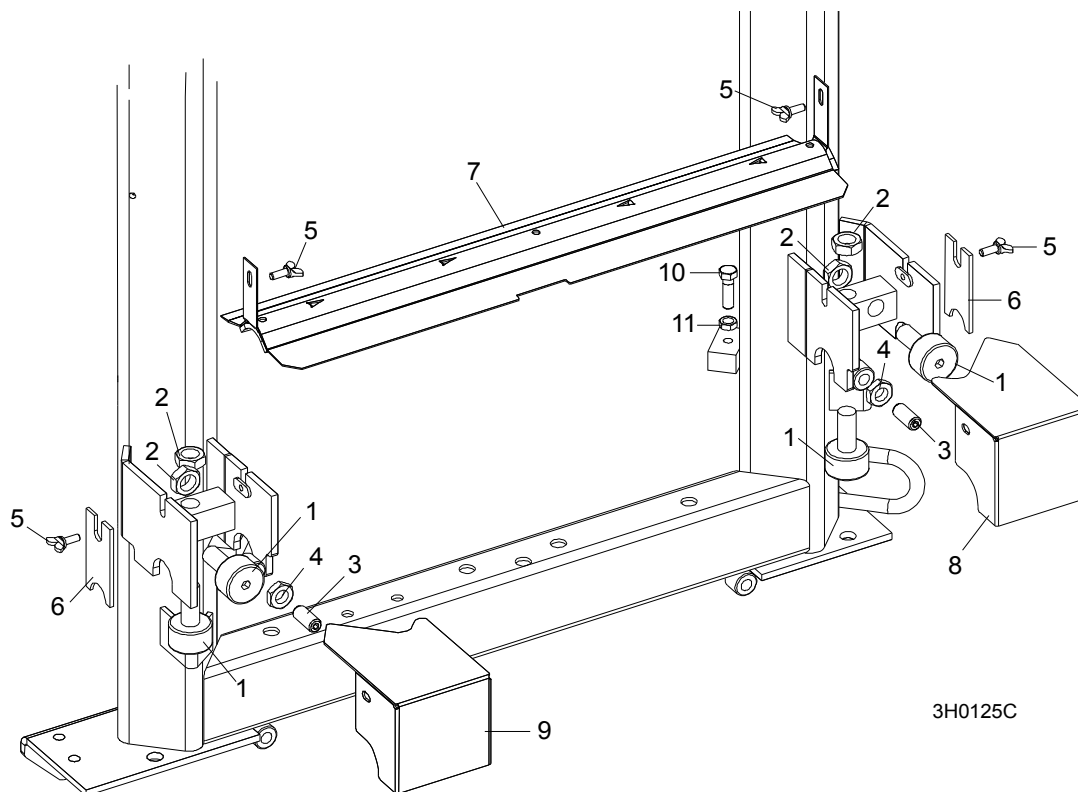
² Shims added LT30 Rev. H4.00 and LT40 Rev. H5.00.

³ Use 016501 pivot block for LT30 Rev. H4.00+ and LT40 Rev. H5.00+. Use 015728 pivot block for prior revision mills.

7.2 Upper Track Rollers And Wipers

LT30
LT40

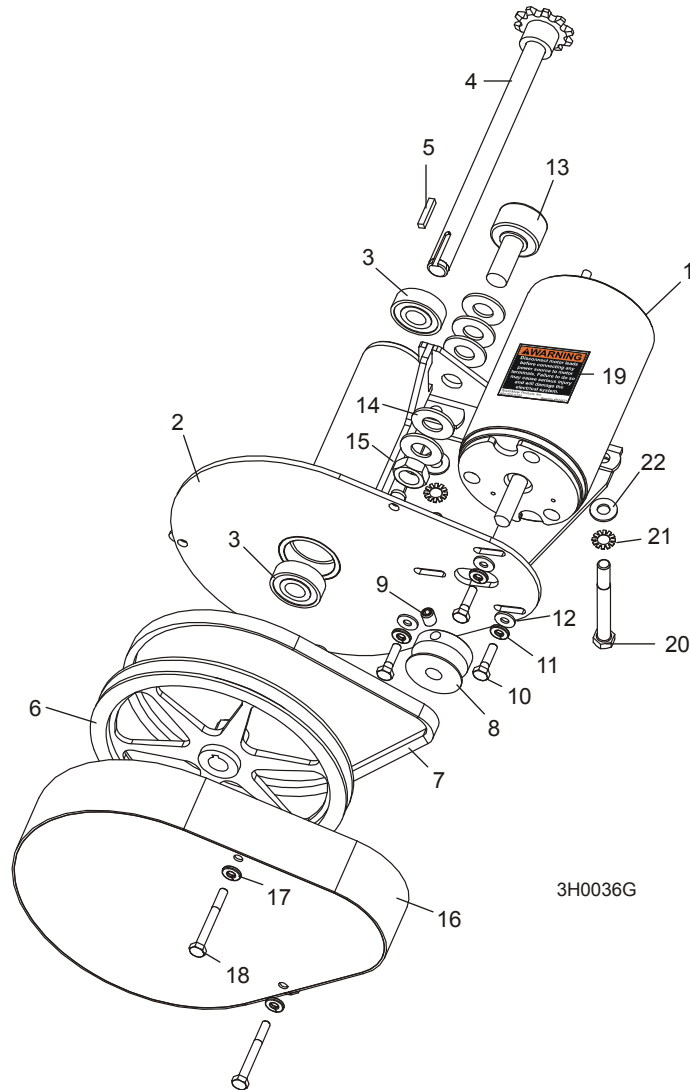
Rev. F7.00 - G7.00
Rev. F8.00 - G8.00



REF	DESCRIPTION (◆ Indicates Parts Available In Assemblies Only)	PART #	QTY.	
1	ROLLER, TRACK CAM BEARING	012797 ¹	4	
2	NUT, 5/8-18 HEX JAM	F05010-11	4	
3	SCREW, 1/2-13 X 1 1/4" OVAL POINT SET	F05008-5	2	
4	NUT, 1/2-13 HEX JAM	F05010-31	2	
5	SCREW, 1/4-20 X 5/8" THUMB	F05005-64	4	
6	WIPER, PLASTIC TRACK	M04113	2	
7	COVER, MIDDLE TRACK OILER ASSEMBLY	A09918	1	
	Cover, Middle Track Oiler	S09917	1	◆
	Wiper, Middle Track Felt	S09915	1	
8	HOUSING, UPPER TRACK ROLLER FRONT	012999	1	
9	HOUSING, UPPER TRACK ROLLER REAR	012998	1	
10	BOLT, 3/8-16 X 1 1/4" HEX HEAD	F05007-2	2	
11	NUT, 3/8-16 HEX JAM	F05010-29	2	

¹ McGill unit directly replaces P12843 RBC unit originally supplied (1/00).

7.3 Power Feed Assembly



REF	DESCRIPTION (◆ Indicates Parts Available In Assemblies Only)	PART #	QTY.
	POWER FEED ASSEMBLY	A11603	1
1	Motor, Power Feed	006747 ¹	1
	Brush Kit, 12V Motor (2008)	061794 ¹	1
	Brush Kit, 12V Motor (2007)	006619 ¹	1
	Brush Kit, 12V Motor	A09086 ¹	1
	Brush Holder, Motor	034000 ¹	1
	Screw, 5/16-18 x 3/8" Socket Head Set Oval Point	F05006-40	2
2	Bracket, Power Feed Mount	W11605	1

8

Feed System & Track Rollers

Power Feed Assembly

3	Bearing, 5/8" 6203-2NSL	P06030-1	2	
	Shaft Assembly, Power Feed with Key	016067 ²	1	
4	Shaft, Power Feed With Sprocket	W11610	1	◆
5	Key, 3/16" Square x 1" Long	S31027	1	
6	Pulley, 8" Power Feed	P04343	1	
7	Belt, 4L280 V	P04031	1	
8	Pulley, Power Feed Motor	S09579	1	
9	Screw, 3/8-16 X 1/2" Cup Point Socket Set	F05007-12	1	
10	Bolt, 1/4-20 X 1" Hex Head Grade 5	F05005-101	3	
11	Washer, 1/4" Split Lock	F05011-14	3	
12	Washer, 1/4" SAE Flat	F05011-11	3	
13	Bearing, 1 1/2" Cam Follower	012797 ³	1	
14	Washer, 5/8" SAE Flat	F05011-5	6	
15	Nut, 5/8-11 Hex Jam	F05010-11	1	
16	Guard, Power Feed Belt	W11613	1	
17	Washer, 1/4" Split Lock	F05011-14	2	
18	Bolt, 1/4-20 X 2 1/4" Hex Head Grade 2	F05005-32	2	
19	Decal, Disconnect Motor Leads Warning	024431	1	
20	Bolt, 3/8-16 X 3 1/2" Hex Head Grade 8	F05007-6 ⁴	2	
21	Washer, 3/8" Star Lock	F05011-36 ⁴	2	
22	Washer, 3/8" SAE Flat	F05011-3 ⁴	2	

¹ Motor 006747 replaces Motor 014359 supplied until 11/08. Order brush kit Part No. A09086 for sawmills built prior to 7/2007 equipped with motors that do not have red and black terminals and are not labeled "Current Applications". Order brush kit Part No. 006619 for sawmills built between 8/2007 and 11/2008 with motors equipped with red and black terminals and not labeled "Current Applications". Order brush kit Part No. 061794 for sawmills built after 11/2008 and/or equipped with motors labeled "Current Applications". Brush Holder 034000 applies only to original 014359 motor and is no longer available (vendor discontinued 3/09).

² Square key replaces P04101-1 #606 Woodruff key. Shaft weldment modified to accommodate key change (LT30 rev. G3.04 and LT40 rev. G4.04).

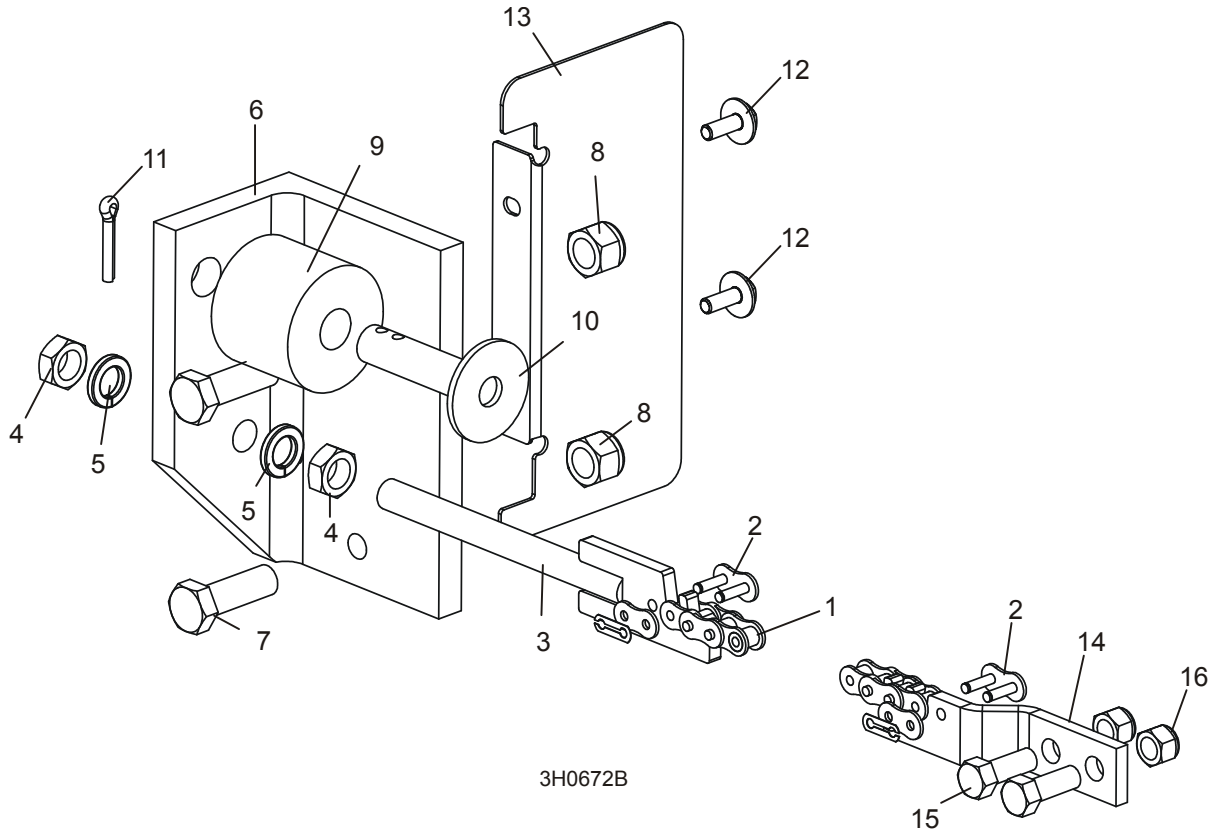
³ Replaces P12843 originally supplied.

⁴ Mounting hardware included in power feed assembly. Star Washer F05011-36 replaces Split Lock Washer F05011-4 originally supplied (11/03),

7.4 Feed Chain/Stop

LT30
LT40

Rev. G6.00 - J6.00
Rev. G7.00 - J7.00



REF	DESCRIPTION (◆ Indicates Parts Available In Assemblies Only)	PART #	QTY.
1	CHAIN, #40 X 215.5" LT30 FEED	014744	1
	CHAIN, #40 X 267.5" LT40 FEED	014745	1
2	LINK, #40 MASTER	P04200	2
3	TENSIONER WELDMENT, POWER FEED CHAIN	015721	1
4	NUT, 1/2-20 HEX JAM	F05010-16	2
5	WASHER, 1/2" SPLIT LOCK	F05011-9	2
6	BRACKET, 4 X 8 END CAP	016165	1
7	BOLT, 1/2-13 X 1 1/2" HEX HEAD GRADE 5	F05008-33	2
8	NUT, 1/2-13 HEX NYLON LOCK	F05010-8	2
	STOP KIT, RUBBER CARRIAGE	K09630	2
9	Stop, Rubber Carriage	P12165	1
10	Pin, Rubber Carriage Stop	W09293	1
11	Pin, 3/16" X 1" Cotter	F05012-21	1

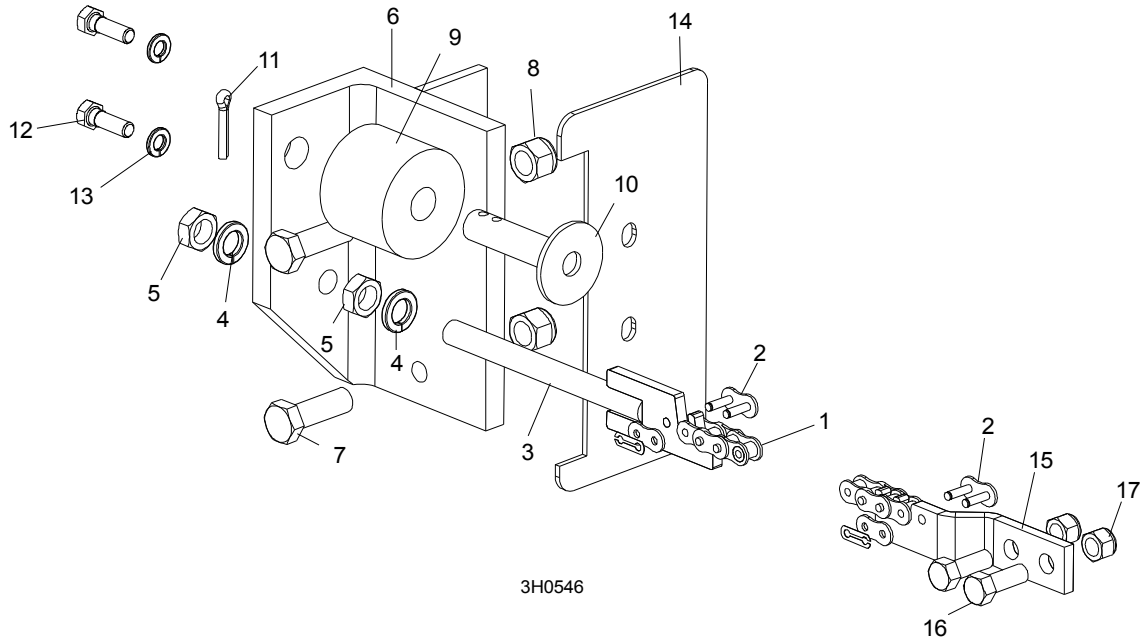
8**Power Feed System***Feed Chain/Stop*

12	BOLT, 1/4-20 X 3/4" WITH CONICAL WASHER	F05005-134	2	
13	CAP, 4 X 8" REAR FORMED	016164	1	
14	BRACKET, FRONT FEED CHAIN MOUNT	015008	1	
15	BOLT, 3/8-16 X 1" HEX HEAD	F05007-7	2	
16	NUT, 3/8-16 HEX NYLON LOCK	F05010-10	2	

7.5 Feed Chain/Stop

LT30
 LT40

Rev. G3.00 - G5.00
 Rev. G4.00 - G6.00



REF	DESCRIPTION (◆ Indicates Parts Available In Assemblies Only)	PART #	QTY.
1	CHAIN, #40 X 215.5" LT30 FEED	014744	1
	CHAIN, #40 X 208.5" LT30 FEED	P10407 ¹	1
	CHAIN, #40 X 267.5" LT40 FEED	014745	1
	CHAIN, #40 X 260.5" LT40 FEED	P10409 ¹	1
2	LINK, #40 MASTER	P04200	2
3	TENSIONER WELDMENT, POWER FEED CHAIN	015721	1
4	NUT, 1/2-20 HEX JAM	F05010-16	2
5	WASHER, 1/2" SPLIT LOCK	F05011-9	2
6	BRACKET, FEED CHAIN REAR MOUNT	015626 ²	1
7	BOLT, 1/2-13 X 1 1/2" HEX HEAD GRADE 5	F05008-33	2
8	NUT, 1/2-13 HEX NYLON LOCK	F05010-8	2
	STOP KIT, RUBBER CARRIAGE	K09630	2
9	Stop, Rubber Carriage	P12165	1
10	Pin, Rubber Carriage Stop	W09293	1
11	Pin, 3/16" X 1" Cotter	F05012-21	1
12	BOLT, 5/16-18 X 1" HEX HEAD	F05006-1	2
13	WASHER, 5/16" SPLIT LOCK	F05011-13	2
14	PLATE, 4 X 8 TUBE COVER	015956 ²	1
15	BRACKET, FRONT FEED CHAIN MOUNT	015008	1

8 Power Feed System

Feed Chain/Stop

16	BOLT, 3/8-16 X 1" HEX HEAD	F05007-7	2	
17	NUT, 3/8-16 HEX NYLON LOCK	F05010-10	2	

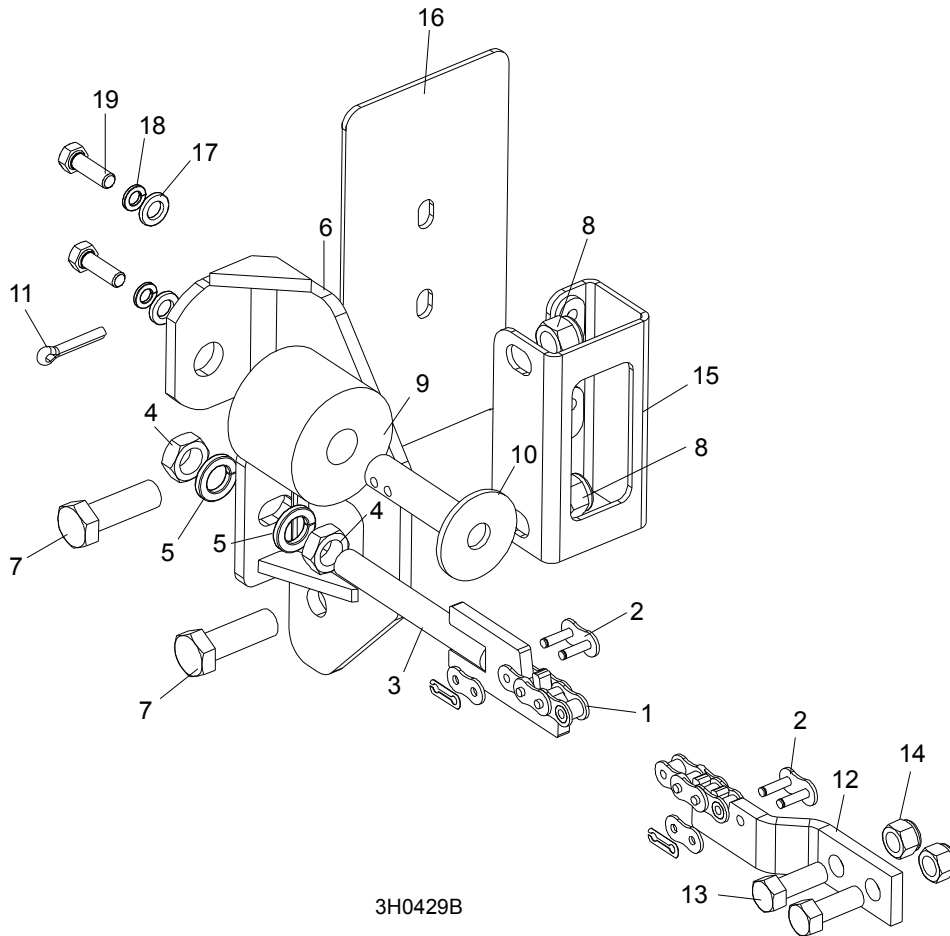
¹ Use on Standard mills prior to LT30 Rev. G3.05, LT40 Rev. G4.05.

² Stop bracket and tube cover plate redesigned for easier manufacturability and common usage for standard and super model mills.

7.6 Feed Chain/Stop

LT30
LT40

Rev. F7.00 - G2.02
Rev. F8.00 - G3.02



3H0429B

REF	DESCRIPTION (◆ Indicates Parts Available In Assemblies Only)	PART #	QTY.
	CHAIN KIT, LT30 FEED	K10408	1
	CHAIN KIT, LT40 FEED	K10410	1
1	Chain, #40 X 208.5" LT30 Feed	P10407	1
	Chain, #40 X 260.5" LT40 Feed	P10409	1
2	Link, #40 Master	P04200	2
3	Tensioner Weldment, Power Feed Chain	015520 ¹	1
4	Nut, 1/2-20 Hex Jam	F05010-16	2
5	Washer, 1/2" Split Lock	F05011-9	2
6	BRACKET, FEED CHAIN REAR MOUNT	015262	1
7	BOLT, 1/2-13 X 1 1/2" HEX HEAD GRADE 5	F05008-33	2
8	NUT, 1/2-13 HEX NYLON LOCK	F05010-8	2

8

Power Feed System*Feed Chain/Stop*

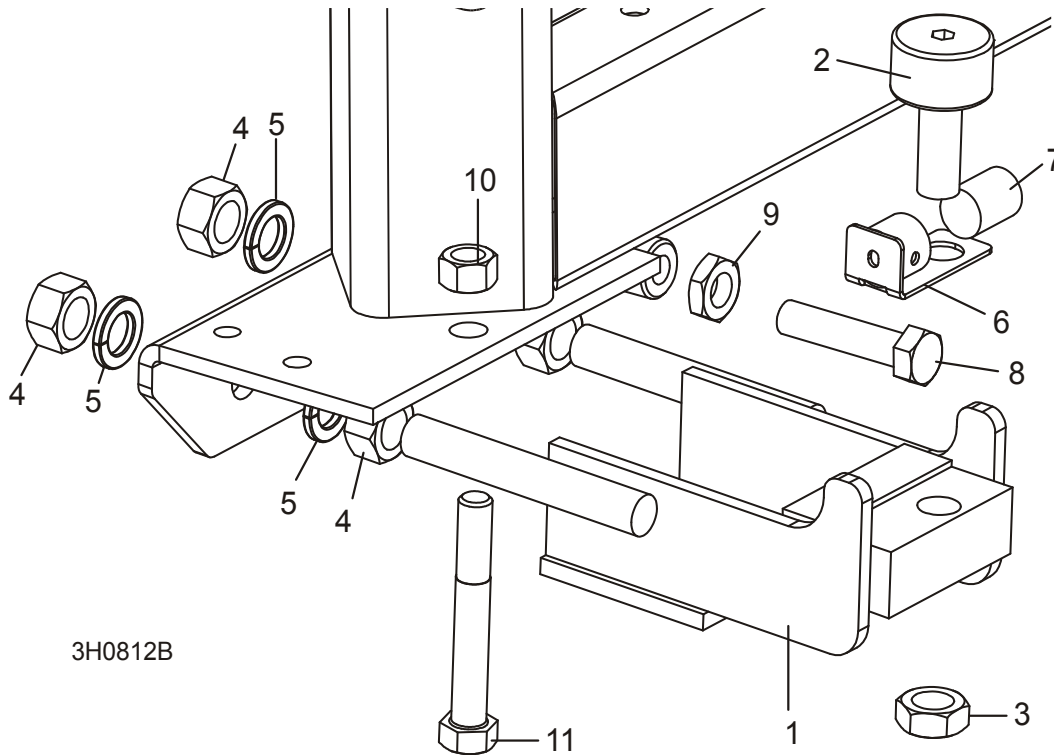
	STOP KIT, RUBBER CARRIAGE	K09630	2	
9	Stop, Rubber Carriage	P12165	1	
10	Pin, Rubber Carriage Stop	W09293	1	
11	Pin, 3/16" X 1" Cotter	F05012-21	1	
12	BRACKET, FRONT FEED CHAIN MOUNT	015008	1	
13	BOLT, 3/8-16 X 1" HEX HEAD	F05007-7	2	
14	NUT, 3/8-16 HEX NYLON LOCK	F05010-10	2	
15	BRACKET WELDMENT, REAR MAIN TUBE COVER MOUNT	015021	1	
16	COVER, REAR MAIN TUBE	015023	1	
17	WASHER, 5/16" SAE FLAT	F05011-17	2	
18	WASHER, 5/16" SPLIT LOCK	F05011-13	2	
19	BOLT, 5/16-18 X 1" HEX HEAD	F05006-1	2	

¹ Replaces S09569 tensioner rod originally supplied prior to LT30 rev. F8.01, LT40 rev. F9.01.

7.7 Lower Track Rollers

LT30
LT40

Rev. H4.00 - J6.00
Rev. H5.00 - J7.00



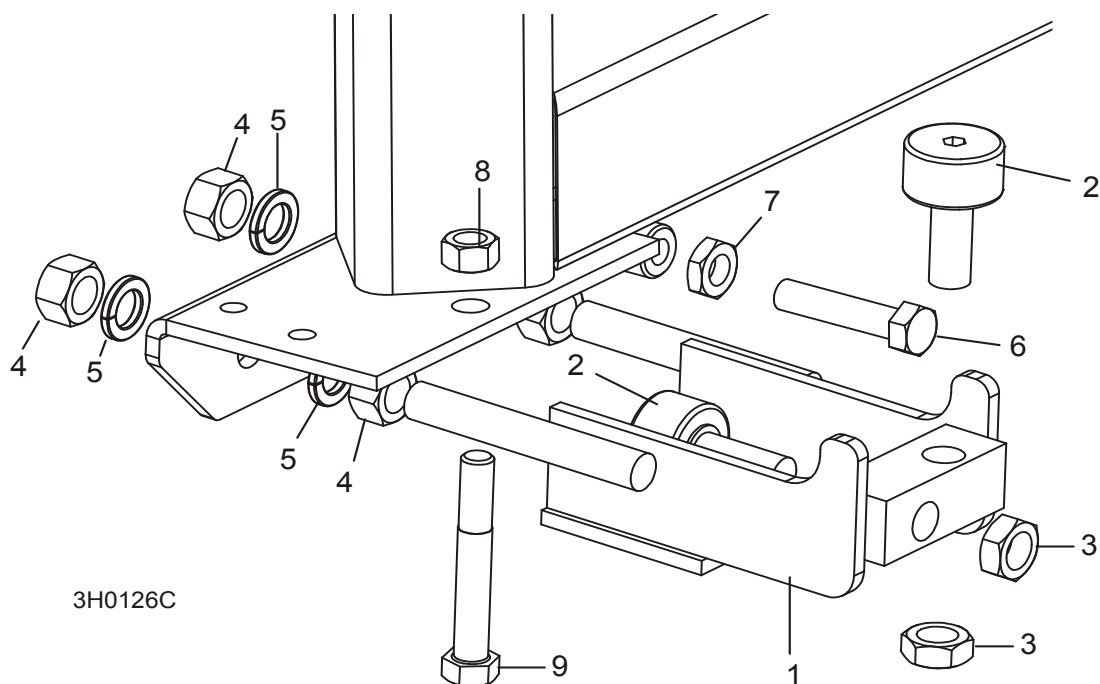
REF	DESCRIPTION (◆ Indicates Parts Available In Assemblies Only)	PART #	QTY.	
	ROLLER ASSEMBLY, LOWER TRACK	012995	2	
1	Bracket, Lower Track Roller Mounting	012982	1	◆
2	Roller, Track Cam Bearing	012797	1	
3	Nut, 5/8-18 Hex Jam	F05010-11	1	
4	Nut, 5/8-11 Hex	F05010-5	4	
5	Washer, 5/8" Split Lock Grade 8	F05011-118 ¹	4	
6	Bracket Weldment, Lower Track Roller Wiper	033374	1	
7	Wiper, Round Gray Felt	033375	1	
8	BOLT, 1/2-13 X 2 1/4" HEX HEAD FULL THREAD	F05008-2	2	
9	NUT, 1/2-13 HEX JAM	F05010-31	2	
10	NUT, 1/2-13 HEX LOCK	F05010-3	2	
11	BOLT, 1/2-13 X 3 1/2" HEX HEAD GRADE 5	F05008-61	2	

¹ Grade 8 washers replace F05011-27 originally supplied to improve durability.

7.8 Lower Track Rollers

LT30
LT40

Rev. F7.00 - H3.02
Rev. F8.00 - H4.02



REF	DESCRIPTION (◆ Indicates Parts Available In Assemblies Only)	PART #	QTY.	
	ROLLER ASSEMBLY, LOWER TRACK	012995 ¹	2	
1	Bracket, Lower Track Roller Mounting	012982	1	◆
2	Roller, Track Cam Bearing	012797 ²	2	
3	Nut, 5/8-18 Hex Jam	F05010-11	2	
4	Nut, 5/8-11 Hex	F05010-5 ³	4	
5	Washer, 5/8" Split Lock Grade 8	F05011-118 ³	4	
6	BOLT, 1/2-13 X 2 1/4" HEX HEAD FULL THREAD	F05008-2	2	
7	NUT, 1/2-13 HEX JAM	F05010-31	2	
8	NUT, 1/2-13 HEX LOCK	F05010-3	2	
9	BOLT, 1/2-13 X 3 1/2" HEX HEAD GRADE 5	F05008-61	2	

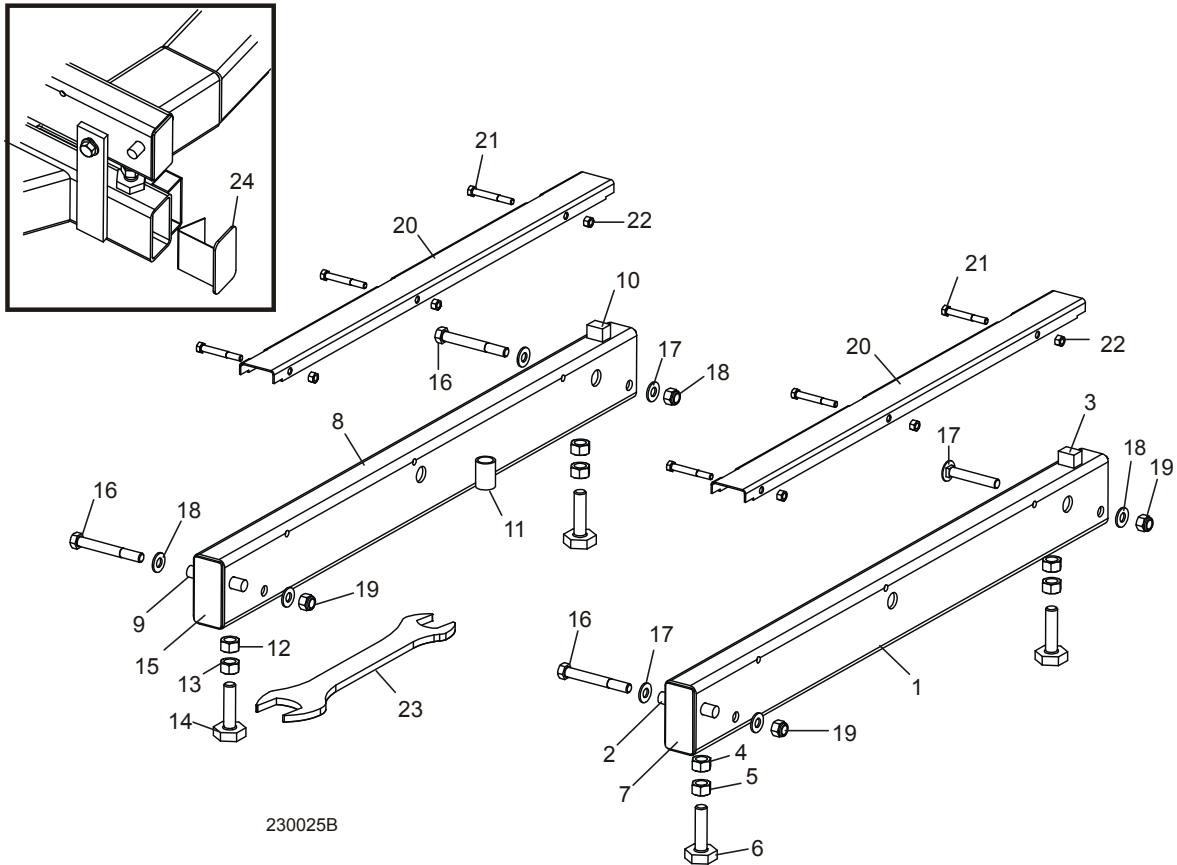
¹ Lower track roller mounting bracket revised to accommodate new wiper assembly added LT30 H4.00 & LT40 Rev. H5.00. Bracket includes stop block which replaces the bottom track roller ([See Section 7.7](#)).

² McGill unit directly replaces P12843 RBC unit originally supplied (1/00).

³ Each of two F05010-4 self locking nuts originally supplied prior to LT30 Rev. G1.00 & LT40 Rev. G2.00 has been replaced by a F05011-27 split lock washer and a F05010-5 hex nut to ensure lock retention after repeated adjustments. Grade 8 washers replace F05011-27 originally supplied to improve durability.

SECTION 8 BED FRAME ASSEMBLY

8.1 Bed Rail Assembly, Front And Rear



REF	DESCRIPTION (◆ Indicates Parts Available In Assemblies Only)	PART #	QTY.	
	BED RAIL ASSEMBLY, REAR PAINTED	A09774	1	
1	Bed Rail Tube, Long	S09102	1	◆
2	Pin, Ramp Mount	S04030	1	
3	Block, Log Stop	S09034	1	
4	Nut, 5/8-11 Pilot Weld	F05010-84 ¹	2	
5	Nut, 5/8-11 Hex	F05010-5 ¹	2	
6	Bolt, Bed Rail Adjustment	S13006 ¹	2	
7	Plate, Bed Rail End Cap	S04058	2	◆
	BED RAIL ASSEMBLY, FRONT PAINTED	A09564	1	
8	Bed Rail Tube, Long	S09102	1	◆
9	Pin, Ramp Mount	S04030	1	
10	Block, Log Stop	S09034	1	
11	Tube, Ramp Retainer Mount	S09334	1	◆

9 Bed Frame Assembly

Bed Rail Assembly, Front And Rear

12	Nut, 5/8-11 Pilot Weld	F05010-84 ¹	2	
13	Nut, 5/8-11 Hex	F05010-5 ¹	2	
14	Bolt, Bed Rail Adjustment	S13006 ¹	2	
15	Plate, Bed Rail End Cap	S04058	2	◆
16	BOLT, 1/2-13 X 4" HEX HEAD GRADE 5	F05008-78 ²	3	
17	BOLT, 1/2-13 X 3 1/2" CARRIAGE	F05008-94 ³	1	
18	WASHER, 1/2" SAE FLAT	F05011-2	7	
19	NUT, 1/2-13 NYLON LOCK	F05010-8	4	
20	COVER, STAINLESS STEEL BED RAIL	016898 ⁴	2	
21	BOLT, 5/16-18 X 2 1/2" HEX HEAD	F05006-10	6	
22	NUT, 5/16-18 HEX LOCK	F05010-6	6	
23	WRENCH, BED RAIL ADJUSTMENT	015970	1	
24	CAP WELDMENT, BED RAIL REMOVABLE END	014652	2	

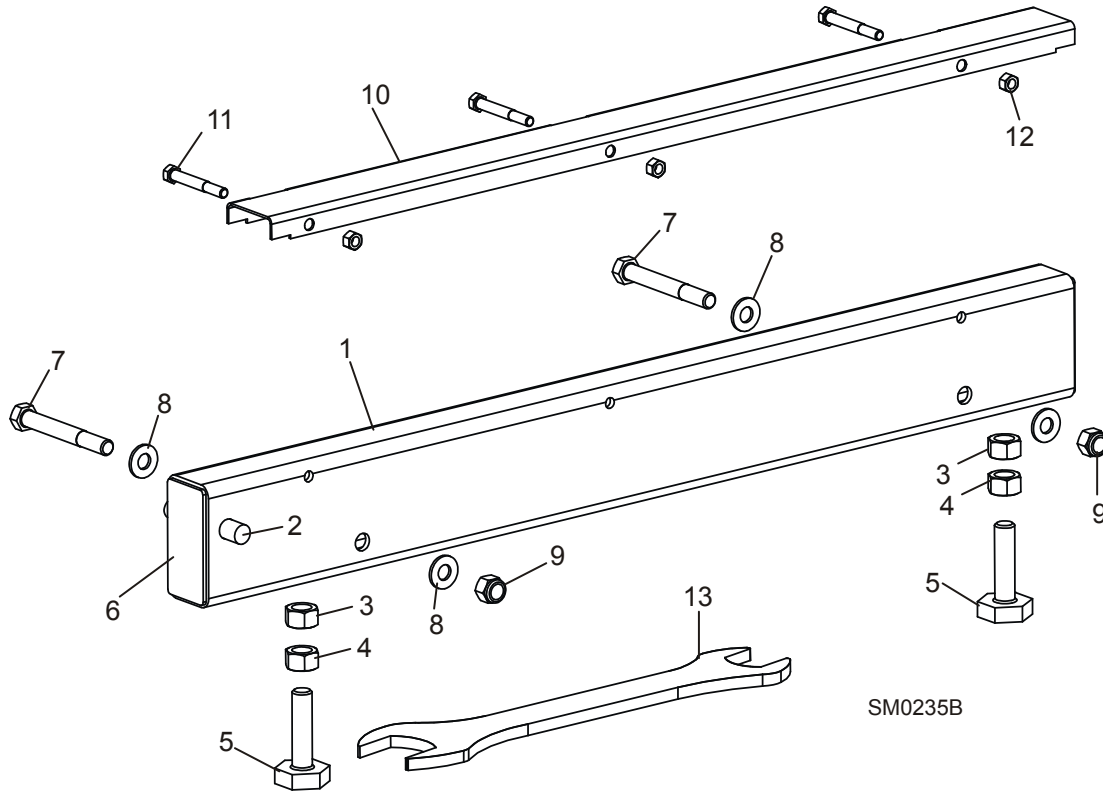
¹ Bed Rail Adjustment Bolt S13006 zinc-plated 11/99. Two unplated 5/8-11 Hex Nuts F05010-54 replaced with one 5/8-11 Pilot Weld Nut F05010-84 and one 5/8-11 Zinc-Plated Hex Nut. Component parts replace assembly A09775 previously supplied.

² F05008-78 Grade 5 bolt replaces F05008-26 bolt originally supplied prior to 5/03.

³ Used on rear bed rail to allow clearance for optional side support rollers.

⁴ Longer rail cover 016898 replaces S09944 supplied prior to LT30 Rev. J3.00 and LT40 Rev. J4.00.

8.2 Bed Rail Assembly, Middle Front



REF	DESCRIPTION (◆ Indicates Parts Available In Assemblies Only)	PART #	QTY.	
	BED RAIL ASSEMBLY, FRONT MIDDLE	A09566	1	
1	Bed Rail Tube, Short	S09103	1	◆
2	Pin, Ramp Mount	S04030	1	
3	Nut, 5/8-11 Pilot Weld	F05010-84 ¹	2	
4	Nut, 5/8-11 Hex	F05010-5 ¹	2	
5	Bolt, Bed Rail Adjustment	S13006 ¹	2	
6	Plate, Bed Rail End Cap	S04058	2	◆
7	BOLT, 1/2-13 X 4" HEX HEAD GRADE 5	F05008-78 ²	2	
8	WASHER, 1/2" SAE FLAT	F05011-2	4	
9	NUT, 1/2-13 NYLON LOCK	F05010-8	2	
	COVER ASSEMBLY, STAINLESS STEEL BED RAIL (LONG)	A09956	1	
10	Cover, Stainless Steel Bed Rail	S09944	1	◆
11	Bolt, 5/16-18 X 2 1/2" Hex Head	F05006-10	3	
12	Nut, 5/16-18 Hex Lock	F05010-6	3	
13	WRENCH, BED RAIL ADJUSTMENT	015970	1	

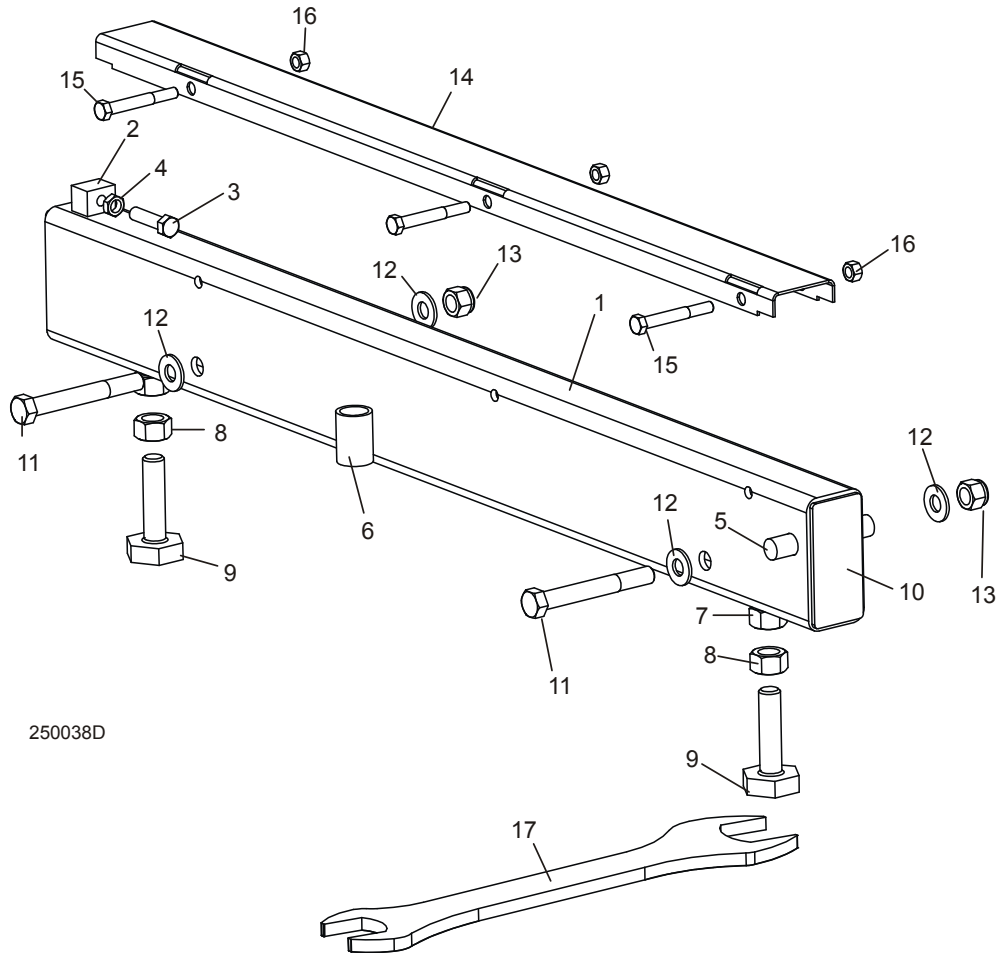
¹ Bed Rail Adjustment Bolt S13006 zinc-plated 11/99. Two unplated 5/8-11 Hex Nuts F05010-54 replaced with one 5/8-11 Pilot Weld Nut F05010-84 and one 5/8-11 Zinc-Plated Hex Nut. Component parts replace assembly A09775 previously supplied.

² F05008-78 Grade 5 bolt replaces F05008-26 bolt originally supplied prior to 5/03.

9 Bed Frame Assembly

Bed Rail Assembly, Middle Rear

8.3 Bed Rail Assembly, Middle Rear



REF	DESCRIPTION (◆ Indicates Parts Available In Assemblies Only)	PART #	QTY.	
	BED RAIL ASSEMBLY, REAR MIDDLE	A09565	1	
1	Bed Rail Tube, Short	014640	1	◆
2	Block, Log Stop w/Threaded Hole	014639	1	◆
3	Bolt, 3/8-16 x 1 1/2 Full Thread Hex Head	F05007-17	1	
4	Nut, 3/8-16 Hex Jam	F05010-29	1	
5	Pin, Ramp Mount	S04030	1	
6	Tube, Ramp Retainer Mount	S09334	1	◆
7	Nut, 5/8-11 Pilot Weld	F05010-84 ¹	2	
8	Nut, 5/8-11 Hex	F05010-5 ¹	2	
9	Bolt, Bed Rail Adjustment	S13006 ¹	2	
10	Plate, Bed Rail End Cap	S04058	2	◆
11	BOLT, 1/2-13 X 4" HEX HEAD GRADE 5	F05008-78 ²	2	
12	WASHER, 1/2" SAE FLAT	F05011-2	4	

Bed Frame Assembly 9

Bed Rail Assembly, Middle Rear

13	NUT, 1/2-13 NYLON LOCK	F05010-8	2	
	COVER ASSEMBLY, STAINLESS STEEL BED RAIL (LONG)	A09956	1	
14	Cover, Stainless Steel Bed Rail	S09944	1	◆
15	Bolt, 5/16-18 X 2 1/2" Hex Head	F05006-10	3	
16	Nut, 5/16-18 Hex Lock	F05010-6	3	
17	WRENCH, BED RAIL ADJUSTMENT	015970	1	

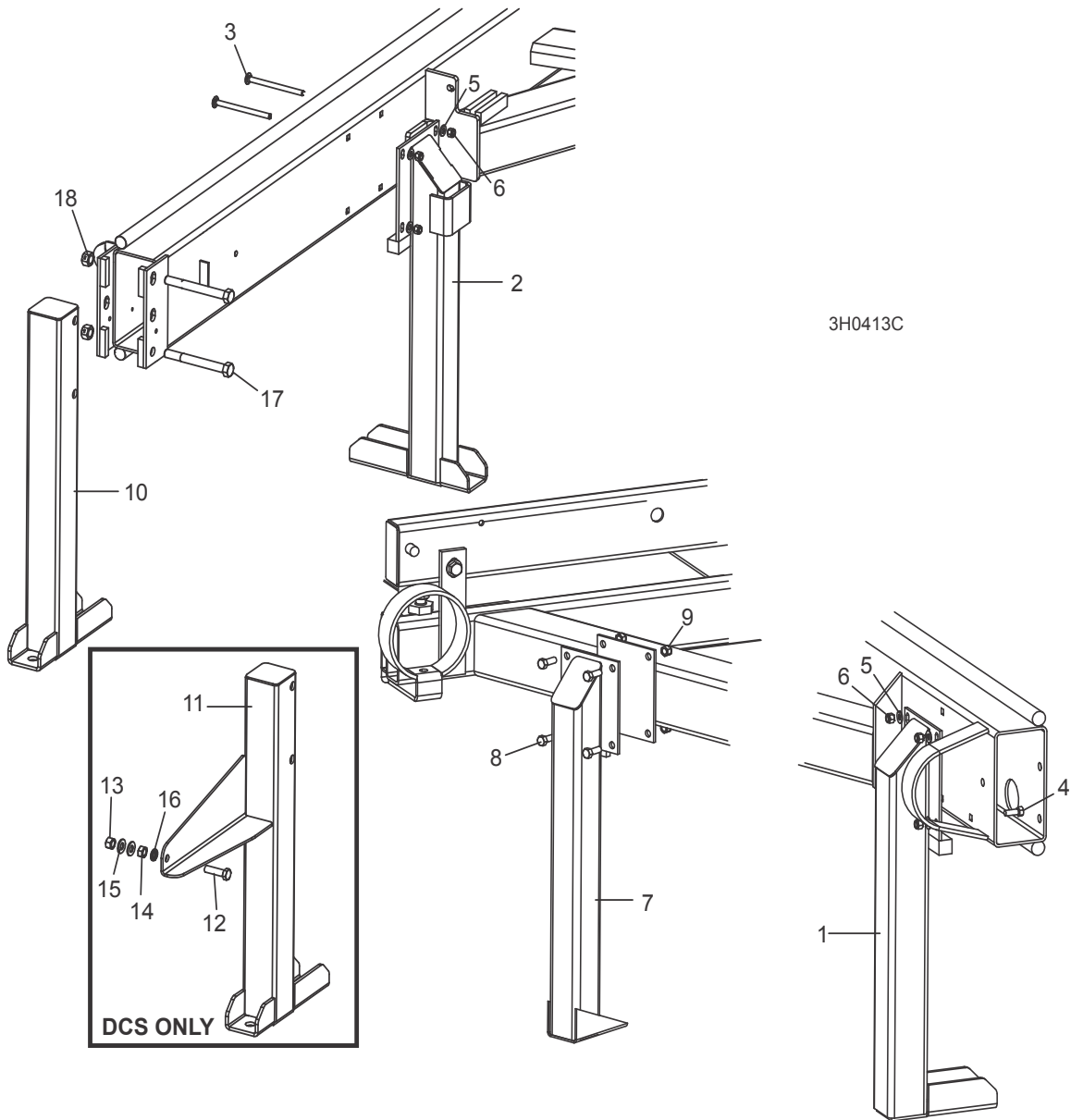
¹ Bed Rail Adjustment Bolt S13006 zinc-plated 11/99. Two unplated 5/8-11 Hex Nuts F05010-54 replaced with one 5/8-11 Pilot Weld Nut F05010-84 and one 5/8-11 Zinc-Plated Hex Nut. Component parts replace assembly A09775 previously supplied.

² F05008-78 Grade 5 bolt replaces F05008-26 bolt originally supplied prior to 5/03.

9 **Bed Frame Assembly**
Leg Assembly (Stationary)

8.4 Leg Assembly (Stationary)

LT15BS Rev. E.00+



REF	DESCRIPTION (◆ Indicates Parts Available In Assemblies Only)	PART #	QTY.
1	LEG, LONG STATIONARY (1 REQ'D FOR LT30; 3 REQ'D FOR LT40)	W09513 ¹	1/3
2	LEG, LONG STATIONARY W/BOARD RETURN TABLE BRACKET	015091 ¹	1
3	BOLT, 3/8-16 X 5" CARRIAGE HEAD	F05007-113	8/12
4	BOLT, 3/8-16 X 1 1/4" HEX HEAD (REQ'D FOR REAR LT40 ONLY)	F05007-2 ²	4
5	WASHER, 3/8" SAE FLAT	F05011-3 ³	8/16

Bed Frame Assembly
Leg Assembly (Stationary)

9

6	NUT, 3/8-16 HEX NYLON LOCK	F05010-10	8/16	
7	LEG, SHORT STATIONARY	W09515	2	
8	BOLT, 3/8-16 X 1 1/4" HEX HEAD	F05007-2 ²	8	
9	NUT, 3/8-16 HEX NYLON LOCK	F05010-10	8	
10	LEG, FRONT STATIONARY	W09517 ¹	1	
11	BOLT, 5/8-11 X 5 1/2" HEX HEAD GRADE 5	F05009-11	2	
12	NUT, 5/8-11 HEX LOCK	F05010-4	2	

¹ Leg base plate changed to 1/4" steel and lengthened to improve stability (LT30 Rev G3.05 and LT40 Rev. G4.05).

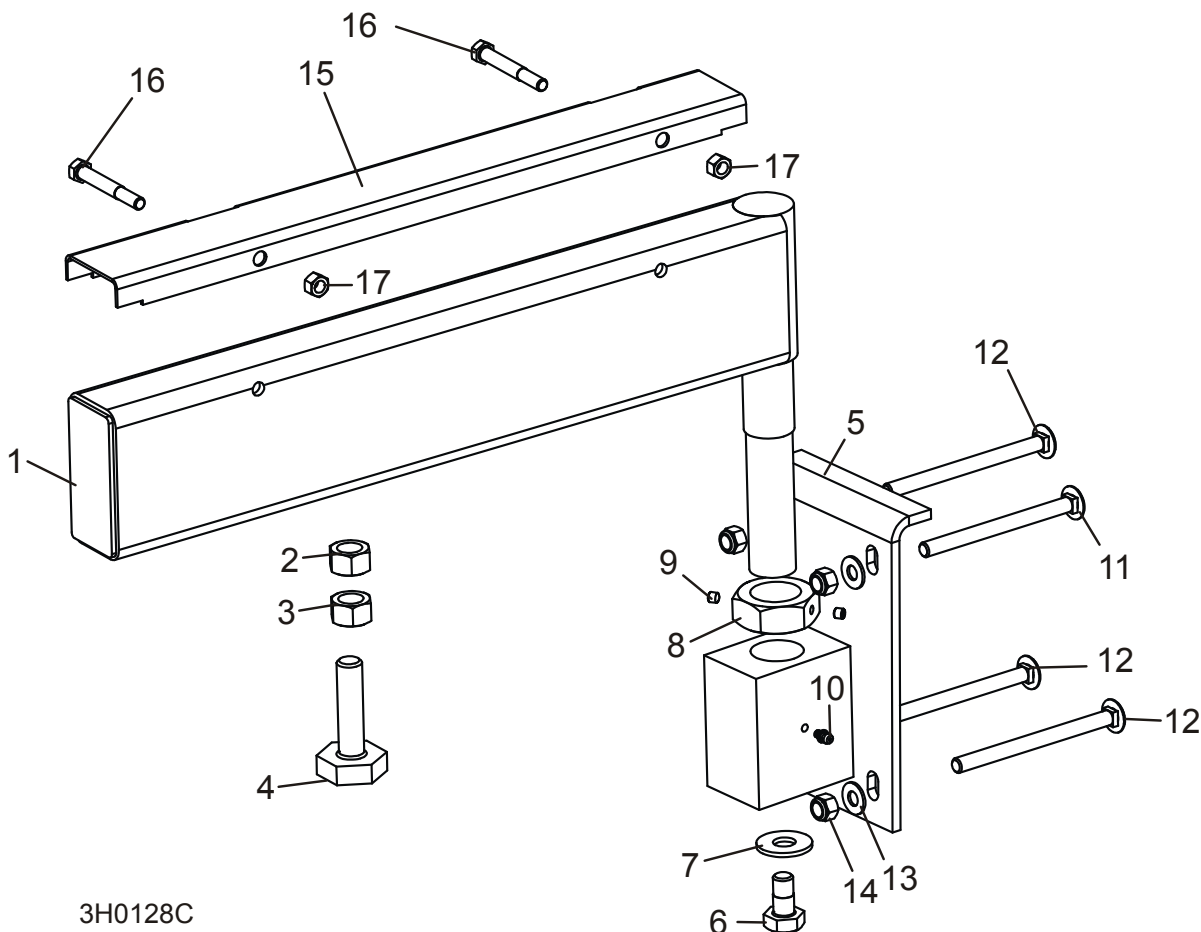
² Replaces 3/8-16 x 1" Hex Head Grade 2 Bolt (F05007-7) to secure legs with thicker 1/4" mounting plate provided after LT30 Rev H3.00 and LT40 Rev. H4.00.

³ Washers added on LT30 Rev. G3.06 and LT40 G4.06.

9 Bed Frame Assembly

Pivot Bed Rail Assembly

8.5 Pivot Bed Rail Assembly



3H0128C

REF	DESCRIPTION (◆ Indicates Parts Available In Assemblies Only)	PART #	QTY.	
	PIVOT BED RAIL ASSEMBLY (LT40)	A13015	2	
	PIVOT BED RAIL ASSEMBLY (LT30)	012993	2	
1	Pivot Bed Rail Weldment (LT40)	W13014	1	◆
	Pivot Bed Rail Weldment (LT30)	012992	1	◆
2	Nut, 5/8-11 Pilot Weld	F05010-84 ¹	2	
3	Nut, 5/8-11 Hex	F05010-5 ¹	2	
4	Bolt, Bed Rail Adjustment	S13006 ¹	2	
5	Bracket, Pivot Rail Mounting	W13090	1	
6	Bolt, 1/2-13 x 1" Hex Head Grade 2	F05008-50	1	
7	Washer, 9/16" SAE Flat	F05011-52	1	
8	Nut, Pivot Rail Adjustment	S13016	1	
9	Screw, 1/4-28 x 1/4" Brass Tip Set	F05005-42	2	
10	Fitting, 3/16" Grease	P04107	1	

11	BOLT, 3/8-16 X 4 3/4" CARRIAGE HEAD	F05007-114	2	
12	BOLT, 3/8-16 X 5" CARRIAGE HEAD	F05007-113	6	
13	WASHER, 3/8" SAE FLAT	F05011-3 ²	8	
14	NUT, 3/8-16 NYLON LOCK	F05010-10	8	
	COVER KIT, PIVOT RAIL STAINLESS STEEL (LT40)	017710	2	
	COVER KIT, PIVOT RAIL STAINLESS STEEL (LT30)	015926	2	
15	Cover, Stainless Steel Pivot Bed Rail (LT40)	S13012	1	
	Cover, Stainless Steel Pivot Bed Rail (LT30)	012994	1	
16	Bolt, 5/16-18 X 2 1/2" Hex Head	F05006-10	2	
17	Nut, 5/16-18 Hex Lock	F05010-6	2	
	WRENCH, BED RAIL ADJUSTMENT (See Section 8.1)	015970	1	

¹ Bed Rail Adjustment Bolt S13006 zinc-plated 11/99. Two unplated 5/8-11 Hex Nuts F05010-54 replaced with one 5/8-11 Pilot Weld Nut F05010-84 and one 5/8-11 Zinc-Plated Hex Nut. Component parts replace assembly A09775 previously supplied.

² Washers added on LT30 Rev. G3.06 and LT40 G4.06.

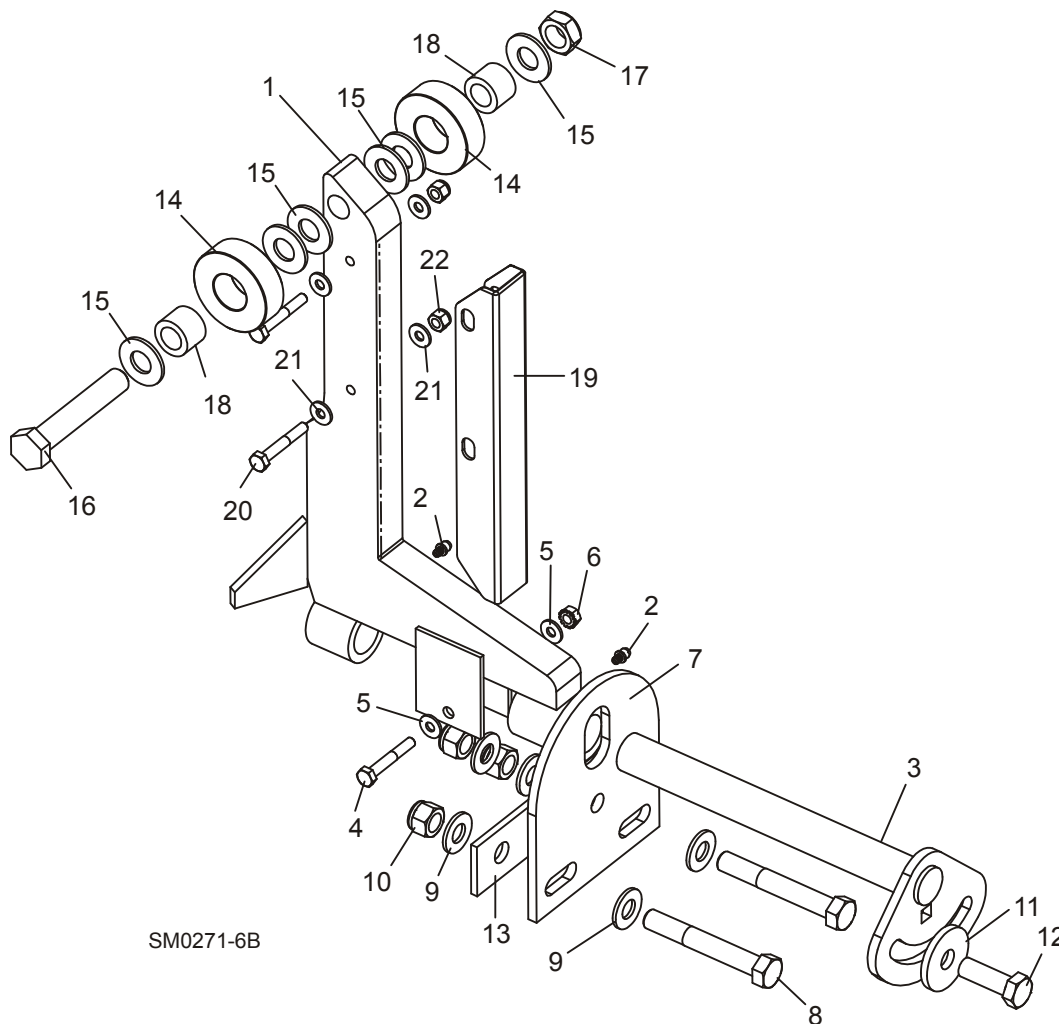
9 Bed Frame Assembly

Log Side Support Assembly

8.6 Log Side Support Assembly

LT30
LT40

Rev. H5.00 - J6.00
Rev. H6.00 - J7.00



SM0271-6B

REF	DESCRIPTION (◆ Indicates Parts Available In Assemblies Only)	PART #	QTY.
1	SUPPORT, LOG SIDE	015235	4
2	Fitting, 3/16" Grease	P04107	2
	MOUNTING KIT, LOG SIDE SUPPORT	016559 ¹	4
3	Pin, Log Side Support Pivot	016544	1
4	Bolt, 1/4-20 X 1 1/2" Hex Head Grade 5	F05005-4	1
5	Washer, 1/4" SAE Flat	F05011-11	2
6	Nut, 1/4-20 Self Locking	F05010-9	1
7	Plate, Log Side Support End	016555	1
8	Bolt, 1/2-13 X 3 1/2" Hex Head Grade 5	F05008-61	2

9	Washer, 1/2" SAE Flat	F05011-2	5	
10	Nut, 1/2-13 Hex Nylon Lock	F05010-8	3	
11	Washer, .52" x 1.69"	014632 ²	1	
12	Bolt, 1/2-13 X 1 1/2" Hex Head Grade 5	F05008-33	1	
13	Plate, Side Support Washer Clamp	016558	1	
	ROLLER KIT, SIDE SUPPORT (OPTIONAL)	016562 ³	4	
14	Roller, Side Support	016561	2	
15	Washer, 5/8" SAE Flat	F05011-5 ⁴	6	
16	Bolt, 5/8-11 x 3 3/4" Hex Head Grade 5	F05009-118 ⁵	1	
17	Nut, 5/8-11 Hex Nylon Lock Jam	F05010-96 ⁶	1	
18	Bushing, Bronze 5/8" x 1" x 3/4"	016560	2	
	Bolt, 1/2-13 x 3 1/2" Carriage Head	F05008-94 ³	1	
	Instruction Sheet, Side Support Roller	016562-526	1	
	GUARD KIT, STAINLESS STEEL SIDE SUPPORT (OPTIONAL)	016798 ⁷	1	
19	Guard, Stainless Steel Side Support	016722	4	
20	Bolt, 1/4-20 x 1 3/4" Hex Head	F05005-4	8	
21	Washer, 1/4" SAE Flat	F05011-11	16	
	Washer, 5/8" SAE Flat	F05011-5 ⁴	4	
22	Nut, 1/4-20 Hex Nylon Lock	F05010-69	8	
	Instruction Sheet, Stainless Steel Side Support Guard Retro	016798-1005	1	

¹ Mounting Kit 016559 replaces kit K09344 supplied prior to LT30 Rev. H5.00 & LT40 Rev. H6.00. New mounting pin, plate and clamp plate improve stability of side support adjustment.

² Oversized Washer 014632 replaces 1/2" SAE Flat Washer F05011-2 to provide larger clamping area during adjustment (12/09). Flat Washer F05011-2 replaced F05011-90 .5" x 1.63" Serrated Washer supplied prior to LT30 Rev. H5.01 & LT40 Rev. H6.01. Serrated Washer no longer required with current side support mount arrangement.

³ Roller Kit 016562 replaces kit 015109 supplied prior to LT30 Rev. H5.00 & LT40 Rev. H6.00. Carriage bolt supplied to replace bed rail mounting bolt to allow clearance for side support roller hardware when side support is adjusted down.

⁴ Additional 5/8" SAE Flat Washer F05011-5 may be required on each side of side support to provide clearance for optional stainless steel side support guards. Extra washers are included in the stainless steel guard retrofit kit (016798).

⁵ Longer bolt replaces 3 1/2" F05009-93 used before 3/07.

⁶ Replaces F05010-4 Hex Lock Nut used prior to 9/06 for ease of assembly.

⁷ Stainless Steel Guards added LT30 Rev. H8.00 & LT40 Rev. H9.00. Guards prevent staining of lumber and reduce wear to side support. Guard revised with thicker steel and second mounting hole (LT30 Rev. J4.00 & LT40 Rev. J5.00).

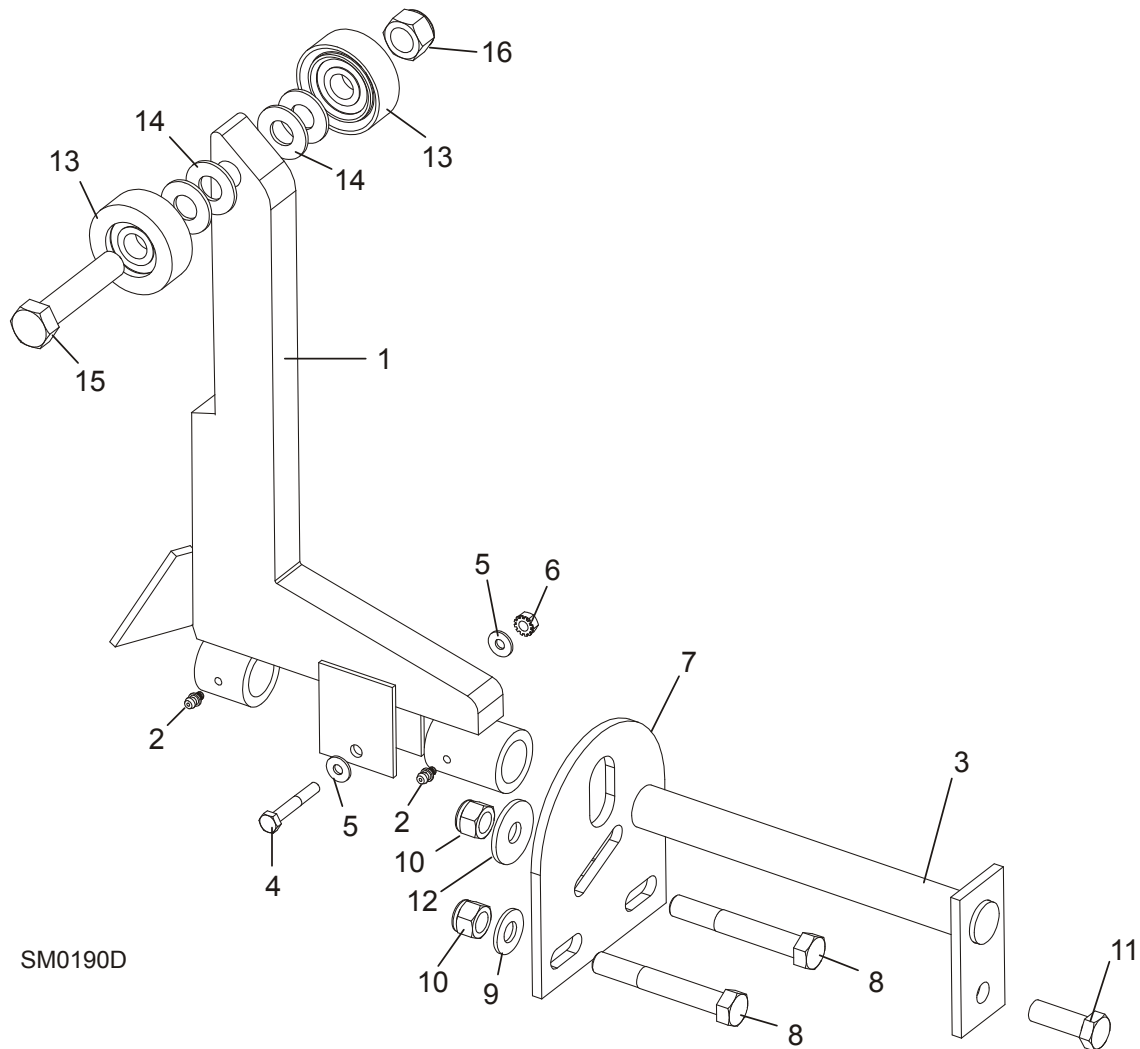
9 Bed Frame Assembly

Log Side Support Assembly

8.7 Log Side Support Assembly

LT30
LT40

Rev. F7.00 - H4.00
Rev. F8.00 - H5.00



REF	DESCRIPTION (◆ Indicates Parts Available In Assemblies Only)	PART #	QTY.
1	SUPPORT, LOG SIDE	015235 ¹	4
2	Fitting, 3/16" Grease	P04107	2
	MOUNTING KIT, LOG SIDE SUPPORT	K09440 ²	4
3	Pin, Log Side Support Pivot	W09238	1
4	Bolt, 1/4-20 X 1 1/2" Hex Head Grade 5	F05005-4	1
5	Washer, 1/4" SAE Flat	F05011-11	2
6	Nut, 1/4-20 Self Locking	F05010-9	1
7	Plate, Log Side Support End	S09148	1
8	Bolt, 1/2-13 X 3 1/2" Hex Head	F05008-61	2

9	Washer, 1/2" SAE Flat	F05011-2	4	
10	Nut, 1/2-13 Hex Nylon Lock	F05010-8	3	
11	Bolt, 1/2-13 X 1 1/2" Hex Head	F05008-33	1	
12	WASHER, .5" X 1.63" SERRATED	F05011-90 ³	1	
	ROLLER KIT, SIDE SUPPORT (OPTIONAL)	015109 ⁴	4	◆
13	Roller Assembly, Side Support	015014	2	◆
14	Washer, 5/8" SAE Flat	F05011-5	4	
15	Bolt, 5/8-11 x 3" Hex Head Grade 5	F05009-37	1	
16	Nut, 5/8-11 Nylon Lock	F05010-34	1	
	Instruction Sheet, Side Support Roller	015109-526	1	◆

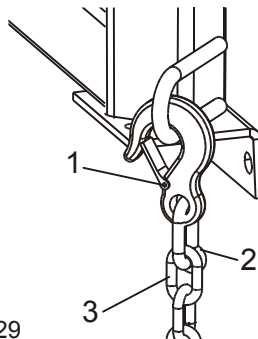
¹ Revised for added strength LT30 Rev. G3.00 and LT40 Rev. G4.00 and later.

² Upgrade mounting kit 016559 also available. Replaces Pin Weldment and Mounting Plate to new design to improve stability of side support adjustment ([See Section 8.6](#)).

³ Replaces 014632 provided prior to LT30 Rev. H3.00 and LT40 Rev. H4.00. Serrated washer helps maintain side support adjustment. Also replaces S09225 1/2" I.D. X 1 1/2" O.D. X .1196" Washer (12/97).

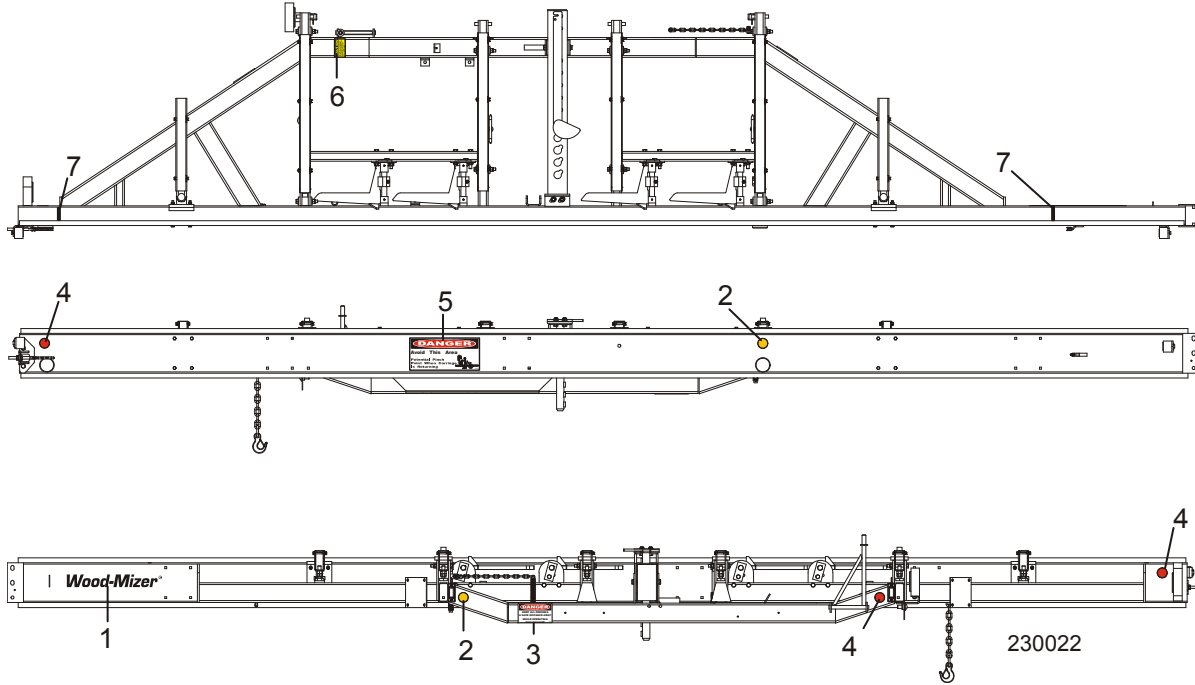
⁴ Roller kit replaced by new kit 016562 ([See Section 8.6](#)).

8.8 Safety Chain Assembly



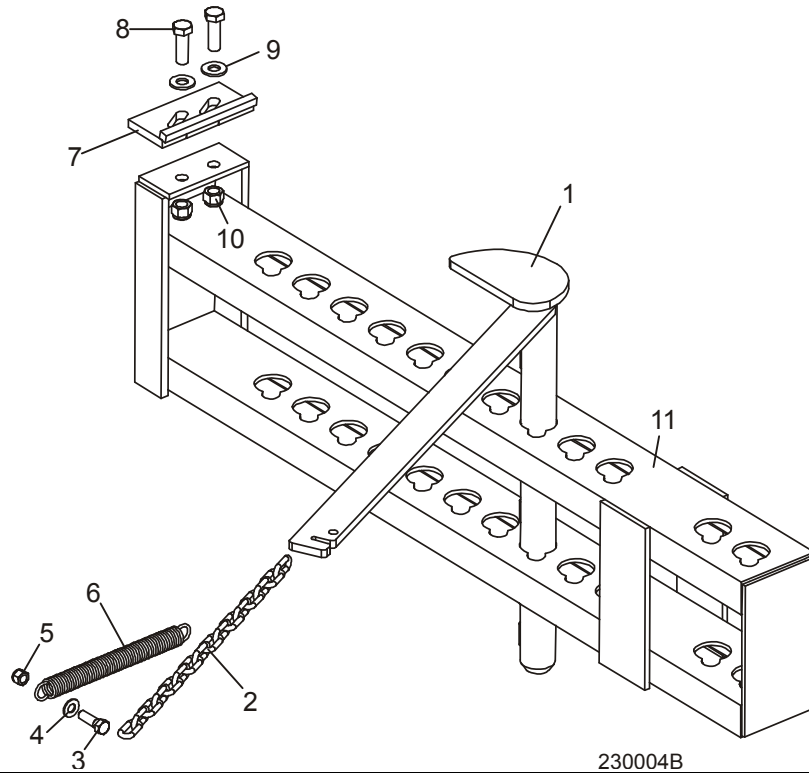
REF	DESCRIPTION (◆ Indicates Parts Available In Assemblies Only)	PART #	QTY.	
	CHAIN ASSEMBLY, TIE DOWN	A04376	1	
1	Hook, 5/8" Safety Chain	P12075	1	◆
2	Cold Shut, 3/8" Plain	P04772-2	1	◆
3	Chain, 5/16" Unplated	R02111	.938 ft.	◆

8.9 Bed Frame Decals

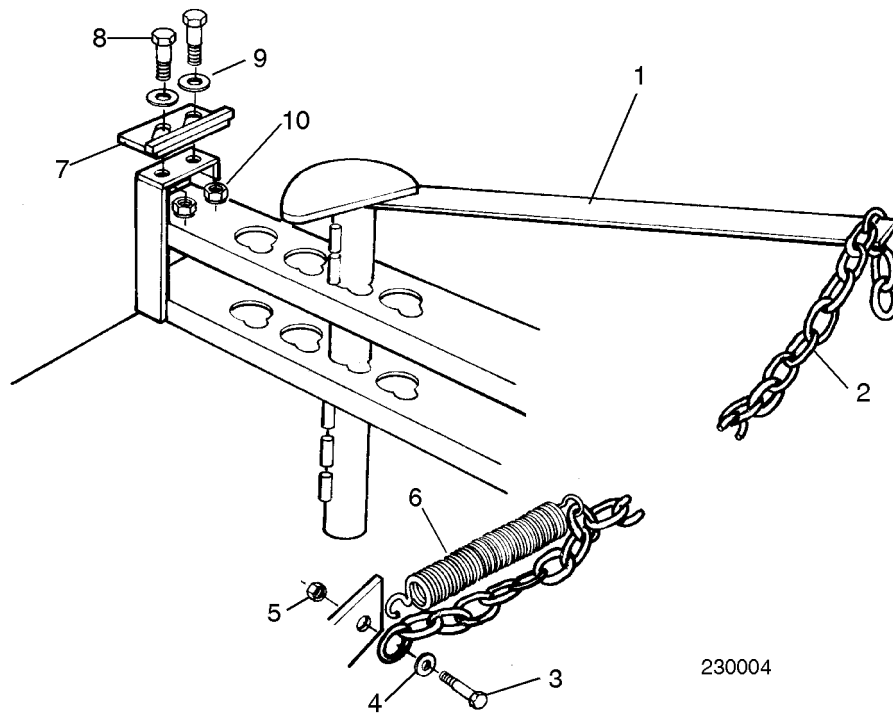


REF	DESCRIPTION (◆ Indicates Parts Available In Assemblies Only)	PART #	QTY.
1	DECAL, WOOD-MIZER LOGO	S12281	1
2	DECAL, AMBER REFLECTIVE 2" ROUND	P07453	2
3	DECAL, KEEP AWAY DANGER	S09851	1
4	DECAL, RED REFLECTIVE 2" ROUND	P07452	3
5	DECAL, PINCH POINT DANGER	P10287	1
6	DECAL, SAW HEAD REST CAUTION	S12581	1
7	DECAL, LOG LIMIT STRIPE	S12051	2

8.10 Log Clamp



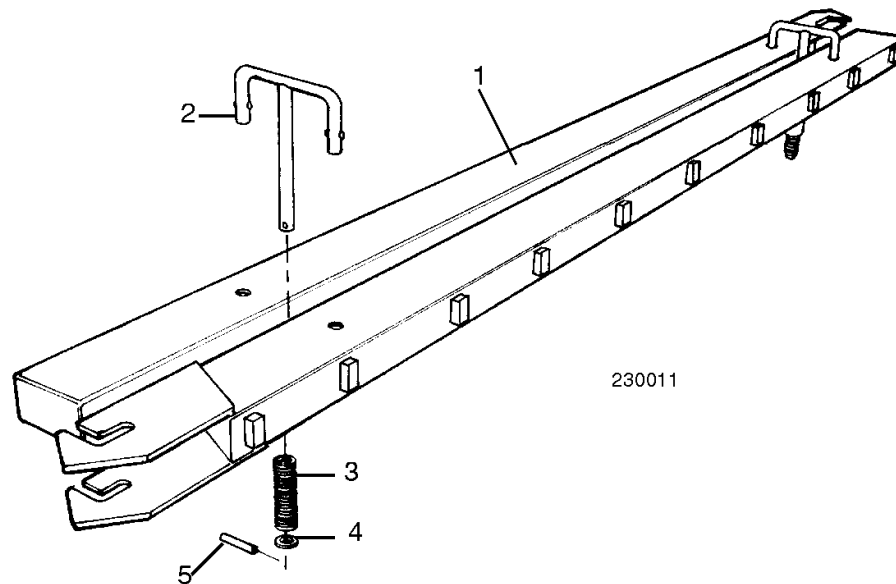
REF	DESCRIPTION (◆ Indicates Parts Available In Assemblies Only)	PART #	QTY.
1	CLAMP, LOG	W09412	1
2	CHAIN, LOG CLAMP	M04311	1
3	BOLT, 3/8-16 X 1 1/4" HEX HEAD GRADE 2	F05007-2	1
4	WASHER, 3/8" STANDARD FLAT	F05011-3	2
5	NUT, 3/8-16 HEX NYLON LOCK	F05010-10	1
6	SPRING, LOG CLAMP CHAIN	P09136	1
7	PLATE, LOG CLAMP STOP	W09404	1
8	BOLT, 1/2-13 X 1 1/2" HEX HEAD GRADE 5	F05008-33	2
9	WASHER, 1/2" SAE FLAT	F05011-2	2
10	NUT, 1/2-13 HEX NYLON LOCK	F05010-8	2
11	CHANNEL WELDMENT, MANUAL LOG CLAMP	W09310	1



230004

REF	DESCRIPTION (◆ Indicates Parts Available In Assemblies Only)	PART #	QTY.
1	CLAMP, LOG	W09412	1
2	CHAIN, LOG CLAMP	M04311	1
3	BOLT, 3/8-16 X 1 1/4" HEX HEAD GRADE 2	F05007-2	1
4	WASHER, 3/8" STANDARD FLAT	F05011-3	2
5	NUT, 3/8-16 HEX NYLON LOCK	F05010-10	1
6	SPRING, LOG CLAMP CHAIN	P09136	1
7	PLATE, LOG CLAMP STOP	W09404	1
8	BOLT, 1/2-13 X 1 1/2" HEX HEAD GRADE 5	F05008-33	2
9	WASHER, 1/2" SAE FLAT	F05011-2	2
10	NUT, 1/2-13 HEX NYLON LOCK	F05010-8	2

8.11 Log Loading Ramps



REF	DESCRIPTION (◆ INDICATES PARTS AVAILABLE IN ASSEMBLIES ONLY)	PART #	QTY.	
	RAMP KIT, LOG LOADING WITH RETAINERS	K09466	1	
1	Ramp, Log Loading	W09014	2	
	Retainer Kit, Log Ramp	K09810	2	
2	Retainer, Log Ramp	W09413	1	◆
3	Spring, Log Ram Retainer	P09335	1	
4	Washer, 5/8" I.D. x .100" Thick Nylon	F05011-19	1	
5	Pin, 3/16" x 1" Roll	F05012-11	1	

SECTION 9 MISCELLANEOUS

9.1 Replacement Manuals

REF	DESCRIPTION (◆ Indicates Parts Available In Assemblies Only)	PART #	QTY.
Wood-Mizer Product Information			
1	ALL-PRODUCTS CATALOG	PS750	1
Basic Sawmill Manuals			
2	TRU-SHARP BLADE HANDBOOK	M600	1
3	WOOD-MIZER GENERAL INFORMATION	M601	1
4	LT30/LT40 OPERATOR'S MANUAL	M763	1
5	LT30/LT40 PARTS MANUAL	M764	1
Power Option Manuals			
6	G18 ENGINE OPTION MANUAL	M1048	1
7	G20 ENGINE OPTION MANUAL	M1026	1
8	G18 ENGINE OPTION MANUAL	M769	1
9	G24 ENGINE OPTION MANUAL	M768	1
10	ONAN P218/P220/P224 ENGINE SERVICE MANUAL	P12163	1
11	G25 ENGINE OPTION MANUAL	M825	1
12	G28 ENGINE OPTION MANUAL	M1159	1
13	KOHLER CH20/CH25 OWNER'S MANUAL	015993	1
14	KOHLER 20/CH25 SERVICE MANUAL	015994	1
15	D33 ENGINE OPTION MANUAL	M915	1
16	D30 ENGINE OPTION MANUAL	M774	1
17	LOMBARDINI DIESEL ENGINE WORKSHOP MANUAL	014282	1
18	KUBOTA OPERATOR'S MANUAL	028555	1
19	KUBOTA SERVICE MANUAL	028566	1
20	KUBOTA PARTS MANUAL (1505B)	028564	1
21	G36 ENGINE OPTION MANUAL	M974	1
22	NISSAN ENGINE SERVICE MANUAL		1
23	NISSAN ENGINE PARTS MANUAL		1
Trailer Option Manuals			
24	STANDARD TRAILER OPTION	M793	1
Miscellaneous Option Manuals			
25	MANUAL WINCH OPTION MANUAL	M619-23	1
26	LOG TURNER OPTION MANUAL	M620	1
27	MANUAL TOE BOARD OPTION MANUAL	M627	1
28	SHINGLE/LAPSIDER OPTION MANUAL	M621	1
29	OPERATOR'S SEAT OPTION MANUAL	M613	1
30	RESAW ATTACHMENT OPTION MANUAL	M263	1
31	BED EXTENSION OPTION MANUAL	M294	1
32	MKI DEBARKER ATTACHMENT OPTION MANUAL	M545	1

10**Miscellaneous**
Replacement Manuals

33	MKII DEBARKER ATTACHMENT OPTION MANUAL	M546	1
34	ACCUSET OPTION MANUAL	M987	1
35	SETWORKS OPTION MANUAL	M711	1
36	LASER SIGHT OPTION MANUAL	M679	1
37	AUTOCLUTCH OPTION MANUAL	M549	1
38	LUBE-MIZER OPTION MANUAL	M885	1
Electrical Diagrams			
39	G20 ELECTRICAL INFORMATION	M1027	1
40	G25 ELECTRICAL INFORMATION	M865	1
41	G28 ELECTRICAL INFORMATION	M1154	1
42	G36 ELECTRICAL INFORMATION	M977	1
43	D33 ELECTRICAL INFORMATION	M918	1
44	D30 ELECTRICAL INFORMATION	M864	1
45	D51 ELECTRICAL INFORMATION	M1164	1

INDEX

B

battery box 6-17, 6-19

bed rails

- front/rear 9-1
- middle front 9-3
- middle rear 9-4
- pivot 9-8

blade guide arm 2-25

drive 2-23

blade guides

- drive side roller 2-12, 2-15, 2-18, 2-21
- idle side roller 2-1, 2-7, 2-10
- throat screw 4-1

blade tensioner 3-15

blade wheels

- drive side 3-1, 3-3, 3-5, 3-7
- idle side 3-9, 3-11, 3-13

brake assembly 4-12

C

clutch lever 4-2, 4-4, 4-10

Clutch/Brake Assembly (D33D42) 4-4

control box 6-1, 6-3

- circuit breakers 6-10
- drum switches 6-9
- front panel & harnesses 6-11

covers

- blade housing 5-4
 - drive belt 5-8
-

D

debarker wire box/hole plugs 5-11

decals

- frame 9-15
 - saw head 5-3
-

F

feed chain 8-6, 8-8

L

legs

- stationary 9-6

log clamp 9-16

log loading ramps 9-18

M

manuals 10-1

P

parts list

- how to use 1-1

power feed 8-4

- chain & stop 8-10
-

S

sawdust chute 5-9

side supports 9-10, 9-12

T

track rollers

- lower 8-12, 8-13
 - upper 8-1, 8-3
-

U

up/down

blade scales [7-2](#)

chain & sprockets [7-4](#), [7-6](#), [7-8](#)

drive (diesel) [7-12](#)

drive (gas) [7-10](#)

saw head mount [7-1](#)

sprocket drive [7-10](#)

W

water lube

bottle/tray [5-1](#)