

Wood-Mizer[®] Sawmill

Parts Manual

1982 LT30

rev. A - N

1982 LT40

rev. A - Q



Safety is our #1 concern! Read and understand all safety information and instructions before operating, setting up or maintaining this machine.

January 1982

Form #633

Table of Contents

Section-Page

SECTION 1	GENERAL INFORMATION	1-1
1.1	How To Use The Parts List	1-1
1.2	Sample Assembly	1-1
SECTION 2	BLADE DRIVE & GUIDES	2-1
2.1	Blade Guide Assembly, Drive Side.....	2-2
	<i>LT30 Rev. J - N</i>	
	<i>LT40 Rev. J - Q</i>	
2.2	Blade Guide Assembly, Drive Side.....	2-4
	<i>LT30 Rev. L - H</i>	
	<i>LT40 Rev. A - H</i>	
2.3	Blade Guide Assembly, Drive Side.....	2-6
	<i>LT30 Rev. A - K</i>	
2.4	Blade Guide Assembly, Idle Side.....	2-8
	<i>LT30 Rev. J - N</i>	
	<i>LT40 Rev. J - Q</i>	
2.5	Blade Guide Assembly, Idle Side.....	2-10
	<i>LT30 Rev. L - H</i>	
	<i>LT40 Rev. A - H</i>	
2.6	Blade Guide Assembly, Idle Side.....	2-12
	<i>LT30 Rev. A - K</i>	
2.7	Blade Drive Assembly.....	2-14
	<i>Retrofit</i>	
2.8	Blade Drive Assembly.....	2-16
	<i>LT30 Rev. A - N</i>	
	<i>LT40 Rev. A - Q</i>	
2.9	Blade Drive Assembly.....	2-18
	<i>LT30 Prior to Rev. A</i>	
2.10	Idle Blade Wheel Assembly	2-20
	<i>Retrofit</i>	
2.11	Idle Blade Wheel Assembly	2-23
	<i>LT30 Rev. M - N</i>	
	<i>LT40 Rev. N - Q</i>	
2.12	Idle Blade Wheel Assembly	2-25
	<i>LT30 Rev. A - L</i>	
	<i>LT40 Rev. A - M</i>	
2.13	Idle Blade Wheel Assembly	2-27
	<i>LT30 Prior to Rev. A</i>	
2.14	Blade Tensioner Assembly.....	2-29
	<i>Retrofit</i>	
2.15	Blade Tensioner Assembly.....	2-31
	<i>LT30 Rev. M - N</i>	
	<i>LT40 Rev. N - Q</i>	
2.16	Blade Guide Arm Assembly.....	2-33
	<i>LT30 Rev. J - N</i>	
	<i>LT40 Rev. J - Q</i>	
2.17	Blade Guide Arm Assembly.....	2-35
	<i>LT30 Rev. A - H</i>	
	<i>LT40 Rev. A - H</i>	

Table of Contents

Section-Page

2.18	Clutch/Brake Lever Assembly	2-37	
	<i>LT30 Rev. A - N</i>		
	<i>LT40 Rev. A - Q</i>		
2.19	Water Lube Assembly	2-39	
	<i>LT30</i> <i>Retrofit</i>		
	<i>LT40</i> <i>Retrofit</i>		
2.20	Water Lube Assembly	2-41	
	<i>LT30</i> <i>Rev. A - N</i>		
	<i>LT40</i> <i>Rev. A - Q</i>		
2.21	Middle Throat Bearing	2-43	
	<i>LT30 Rev. A - N</i>		
	<i>LT40 Rev. A - Q</i>		
SECTION 3 SAW HEAD COVERS			3-1
3.1	Saw Head Covers	3-2	
	<i>LT30 Rev. A - N</i>		
	<i>LT40 Rev. A - Q</i>		
SECTION 4 BATTERY BOX AND INSTRUMENT PANEL			4-1
4.1	Battery Box Assembly.....	4-2	
	<i>LT30 Rev. A - N</i>		
	<i>LT40 Rev. A - Q</i>		
4.2	Instrument Panel (20HP).....	4-4	
	<i>LT40 Rev. N - Q</i>		
4.3	Instrument Panel (14HP/16HP).....	4-6	
	<i>LT30 Rev. H - N</i>		
	<i>LT40 Rev. A - Q</i>		
SECTION 5 UP/DOWN SYSTEM & SCALES			5-1
5.1	Saw Head V-Brace Mount.....	5-2	
	<i>LT30 Rev. A - N</i>		
	<i>LT40 Rev. A - Q</i>		
5.2	Blade Height Scale	5-4	
	<i>LT30 Rev. A - N</i>		
	<i>LT40 Rev. A - Q</i>		

Table of Contents

Section-Page

5.3	Up/Down Drive Assembly	5-6
	<i>LT30 Rev. A - N</i>	
	<i>LT40 Rev. A - Q</i>	
5.4	Up/Down Chain Assembly.....	5-8
	<i>LT30 Rev. J - N</i>	
	<i>LT40 Rev. J - Q</i>	
5.5	Up/Down Chain Assembly.....	5-10
	<i>LT30 Rev. A - H</i>	
	<i>LT40 Rev. A - H</i>	
SECTION 6 POWER FEED & TRACK ROLLERS		6-1
6.1	Upper Track Rollers And Wipers.....	6-2
	<i>LT30 Rev. A - N</i>	
	<i>LT40 Rev. A - Q</i>	
6.2	Lower Track Rollers.....	6-4
	<i>LT30 Rev. A - N</i>	
	<i>LT40 Rev. A - Q</i>	
6.3	Power Feed Drive Assembly	6-5
	<i>LT30 Rev. A - N</i>	
	<i>LT40 Rev. A - Q</i>	
6.4	Power Feed Chain.....	6-9
	<i>Retrofit</i>	
6.5	Power Feed Chain.....	6-11
	<i>LT30 Rev. I - N</i>	
	<i>LT40 Rev. I - Q</i>	
6.6	Power Feed Chain.....	6-13
	<i>LT30 Rev. A - H</i>	
	<i>LT40 Rev. Q - H</i>	
SECTION 7 BED FRAME ASSEMBLY		7-1
7.1	Bed Rail Assembly, Front	7-2
	<i>LT30 Rev. AF - N</i>	
	<i>LT40 Rev. K - Q</i>	
7.2	Bed Rail Assembly, Middle	7-3
	<i>LT30 Rev. A - N</i>	
	<i>LT40 Rev. A - Q</i>	
7.3	Pivot Bed Rail Assembly.....	7-4
	<i>Retrofit</i>	
7.4	Sliding End Support Assembly	7-5
	<i>LT30 Rev. A - N</i>	
	<i>LT40 Rev. A - Q</i>	
7.5	Log Side Support Assembly.....	7-6
	<i>LT30 Rev. A - N</i>	
	<i>LT40 Rev. A - Q</i>	
7.6	Leg, Stationary	7-7
	<i>LT30 Rev. A - N</i>	
	<i>LT40 Rev. A - Q</i>	

Table of Contents

Section-Page

SECTION 8 LOG CLAMP **8-1**

8.1 Log Clamp.....8-1
 LT30 Rev. A - N
 LT40 Rev. A - Q

Table of Contents

Section-Page

SECTION 1 GENERAL INFORMATION

1.1 How To Use The Parts List

- Use the table of contents or index to locate the assembly that contains the part you need.
- Go to the appropriate section and locate the part in the illustration.
- Use the number pointing to the part to locate the correct part number and description in the table.
- Parts shown indented under another part are included with that part.
- Parts marked with a diamond (◆) are only available in the assembly listed above the part.

See the sample table below. Sample Part #A01111 includes part F02222-2 and subassembly A03333. Subassembly A03333 includes part S04444-4 and subassembly K05555. The diamond (◆) indicates that S04444-4 is not available except in subassembly A03333. Subassembly K05555 includes parts M06666 and F07777-77. The diamond (◆) indicates M06666 is not available except in subassembly K05555.

1.2 Sample Assembly				
REF	DESCRIPTION (◆ Indicates Parts Available In Assemblies Only)	PART #	QTY.	
	SAMPLE ASSEMBLY, COMPLETE (INCLUDES ALL INDENTED PARTS BELOW)	A01111	1	
1	Sample Part	F02222-22	1	
	Sample Subassembly (Includes All Indented Parts Below)	A03333	1	
2	Sample Part (◆ Indicates Part Is Only Available With A03333)	S04444-4	1	◆
	Sample Subassembly (Includes All Indented Parts Below)	K05555	1	
3	Sample Part (◆ Indicates Part Is Only Available With K05555)	M06666	2	◆
4	Sample Part	F07777-77	1	

To Order Parts:

- From the continental U.S., call **1-800-525-8100** to order parts. Have your customer number, vehicle identification number, and part numbers ready when you call.
- From other international locations, contact the Wood-Mizer distributor in your area for parts.

1 **General Information**
Sample Assembly

SECTION 2 BLADE DRIVE & GUIDES

2.1 Blade Guide Assembly, Drive Side				
<i>LT30 Rev. J - N</i>				
<i>LT40 Rev. J - Q</i>				
REF	DESCRIPTION (◆ Indicates Parts Available In Assemblies Only)	PART #	QTY.	
	BLADE GUIDE ASSEMBLY, COMPLETE DRIVE SIDE (W/LUBE)	A12085 ¹	1	
	BLADE GUIDE ASSEMBLY, COMPLETE DRIVE SIDE (W/O LUBE)	A08191 ¹	1	
1	Nut, 1/2-20 Hex Nylon Lock	F05010-15	1	
	Roller Assembly, Blade Guide (standard)	A04925	1	
	Bearing Kit, Blade Guide Rebuild	K07079	1	
2	Washer, 5/8" White Felt	P04252	1	
3	Ring, 1 1/8" Interior Retaining	F04254-1	1	
4	Bearing, R8-2RS Blade Guide	015975	2	◆
5	Washer, 5/8" Gray Felt	P06455	1	
	Screw, 1/4-28 x 1/4" Socket Head Cup Point Set Black Oxide	F05005-105	1	
	Instruction Sheet, Blade Guide Rebuild	057407-1507	1	
6	Roller, Flanged Blade Guide	S04250	1	◆
	Instruction Sheet, Blade Guide Roller Replacement	A04925-364	1	
7	Spacer, Blade Guide	S04253 ²	2	
8	Bolt, Blade Guide Roller	036373	1	
9	Bracket, Blade Guide Drive Side (w/Lube)	W12086 ¹	1	
10	Bracket, Blade Guide Drive Side (w/o Lube)	W08482 ¹	1	
11	Screw, 3/8-24 X 1 1/4" Stainless Steel Socket Head Flat Point	F05007-96 ³	2	
12	Nut, 3/8-24 Jam	F05010-22	2	
13	Shaft, Blade Guide Adjustment	S08196	1	
14	SCREW, 3/8-24 X 3/4" STAINLESS STEEL SOCKET HEAD FLAT POINT	F05007-95 ⁴	4	
15	NUT, 3/8-24 JAM	F05010-22	4	
16	TUBE, BLADE GUIDE MOUNT (Part of Saw Frame Weldment)	W08159	1	
	ROLLER ASSEMBLY, BLADE GUIDE RELUBE (OPTIONAL)	016568	1	
	Bearing Kit, Relube Blade Guide Rebuild	057407	1	
17	Washer, 5/8" White Felt	P04252	1	
18	Ring, 1 1/8" Interior Retaining	F04254-1	1	
19	Bearing, R8-2RS Blade Guide	015975 ⁵	2	◆
20	Washer, 5/8" Gray Felt	P06455	1	
21	Spacer, Blade Guide Bearing	035411	1	
	Instruction Sheet, Blade Guide Rebuild	057407-1507	1	
22	Roller, Flanged Blade Guide Relube	035426	1	◆
	Instruction Sheet, Blade Guide Roller Replacement	A04925-364	1	
23	BOLT, BLADE GUIDE ROLLER (RELUBE ONLY)	S08192	1	
24	FITTING, 1/4-28 GREASE (RELUBE ONLY)	P05060	1	

¹ Use A08191 to replace assembly without waterlube tube on bracket (W08482). Use A12085 to replace assembly with water tube on drive side blade guide bracket (W12086). Complete blade guide assemblies include roller with non-greaseable bearings A04925. See optional parts for Relube guide assemblies.

- ² Replaces S04297-W Bolt Spacer originally supplied.
- ³ Stainless screw replaces F05007-51 originally supplied. Two set screws replace F05007-23 3/8-24 x 2" Hex Head Full Thread Bolt and 1/4-28 x 1/2" Brass Set Screw originally supplied.
- ⁴ Stainless screw replaces F05007-20 originally supplied.
- ⁵ Bearing must be modified for use with relube roller assemblies. Remove one seal from each bearing, place open sides facing each other and place spacer 035411 between bearings.

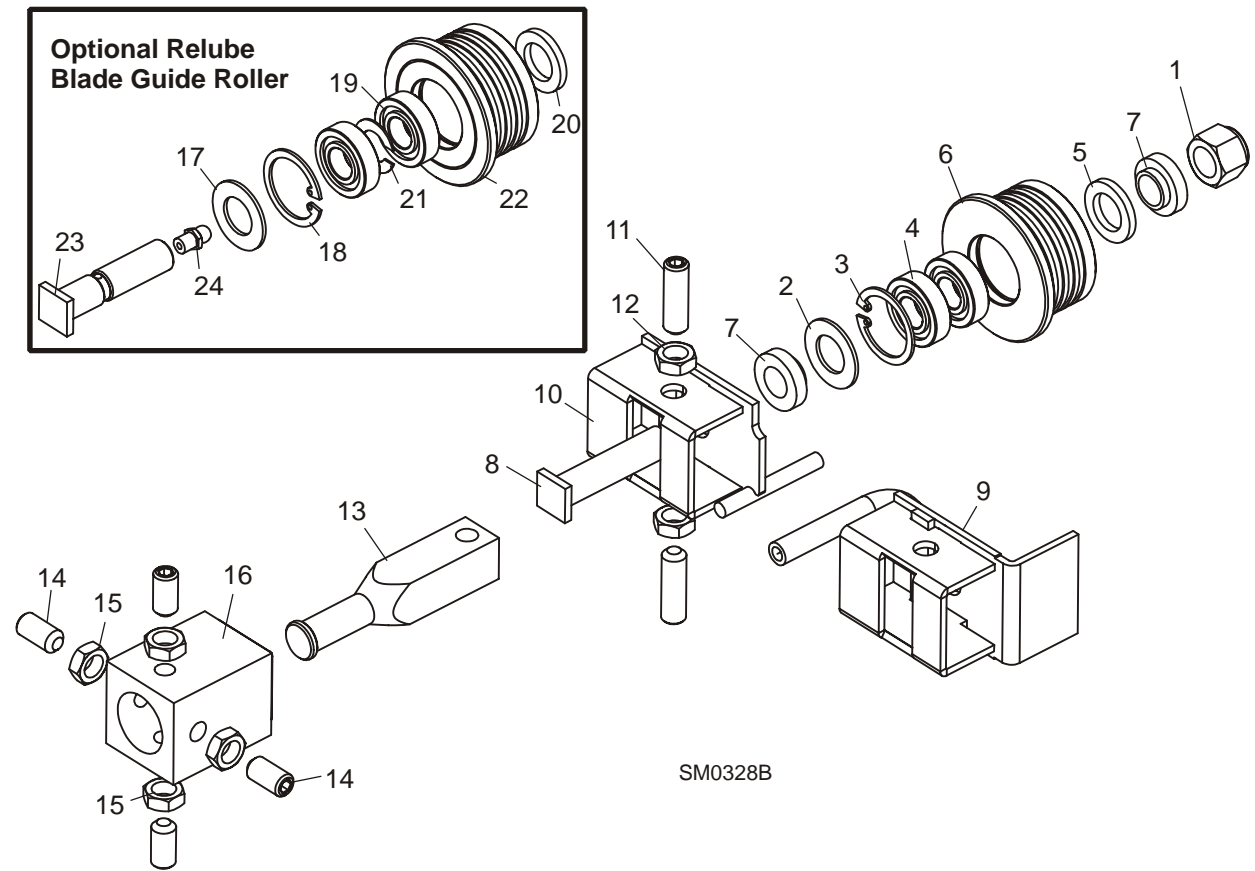


FIG. 2-1

2

Blade Drive & Guides

Blade Guide Assembly, Drive Side

2.2 Blade Guide Assembly, Drive Side				
<i>LT30 Rev. L - H</i>				
<i>LT40 Rev. A - H</i>				
REF	DESCRIPTION (◆ Indicates Parts Available In Assemblies Only)	PART #	QTY.	
	BLADE GUIDE ASSEMBLY, COMPLETE DRIVE SIDE	K07712 ¹	1	
1	Nut, 1/2-20 Jam Nylon Lock	F05010-79 ²	1	
	Roller Assembly, Blade Guide (standard)	A04925	1	
	Bearing Kit, Blade Guide Rebuild	K07079	1	
2	Washer, 5/8" White Felt	P04252	1	
3	Ring, 1 1/8" Interior Retaining	F04254-1	1	
4	Bearing, R8-2RS Blade Guide	015975	2	◆
5	Washer, 5/8" Gray Felt	P06455	1	
	Screw, 1/4-28 x 1/4" Socket Head Cup Point Set Black Oxide	F05005-105	1	
	Instruction Sheet, Blade Guide Rebuild	057407-1507	1	
6	Roller, Flanged Blade Guide	S04250	1	◆
	Instruction Sheet, Blade Guide Roller Replacement	A04925-364	1	
7	Spacer, Blade Guide	S04253 ³	2	
8	Bolt, Blade Guide Roller	036373	2	
9	Bracket, Blade Guide Drive Side With Water Tube	W09013	1	
10	Plate, Blade Guide Washer	S07519	1	
11	Nut, 1/2-20 Hex Jam	F05010-16	2	
12	Washer, 1/2" SAE Flat	F05011-2	2	
13	Nut, 1/2-20 Nylon Lock	F05010-15	2	
	ROLLER ASSEMBLY, BLADE GUIDE RELUBE (OPTIONAL)	016568	1	
	Bearing Kit, Relube Blade Guide Rebuild	057407	1	
14	Washer, 5/8" White Felt	P04252	1	
15	Ring, 1 1/8" Interior Retaining	F04254-1	1	
16	Bearing, R8-2RS Blade Guide	015975 ⁴	2	◆
17	Washer, 5/8" Gray Felt	P06455	1	
18	Spacer, Blade Guide Bearing	035411	1	
	Instruction Sheet, Blade Guide Rebuild	057407-1507	1	
19	Roller, Flanged Blade Guide Relube	035426	1	◆
	Instruction Sheet, Blade Guide Roller Replacement	A04925-364	1	
20	BOLT, BLADE GUIDE ROLLER (RELUBE ONLY)	S08192	1	
21	FITTING, 1/4-28 GREASE (RELUBE ONLY)	P05060	1	

¹ Kit includes upper blade guide roller only. Lower roller A04926 removed after Rev. BE. The upper roller should deflect the blade guide down, eliminating the need for the lower roller. Complete blade guide assemblies include roller with non-greaseable bearings A04925. See optional parts for Relube guide assemblies.

² Replaces F05010-12 1/2-20 Hex Lock Nut originally supplied.

³ Replaces S04297-W Bolt Spacer originally supplied.

⁴ Bearing must be modified for use with relube roller assemblies. Remove one seal from each bearing, place open sides facing each other and place spacer 035411 between bearings.

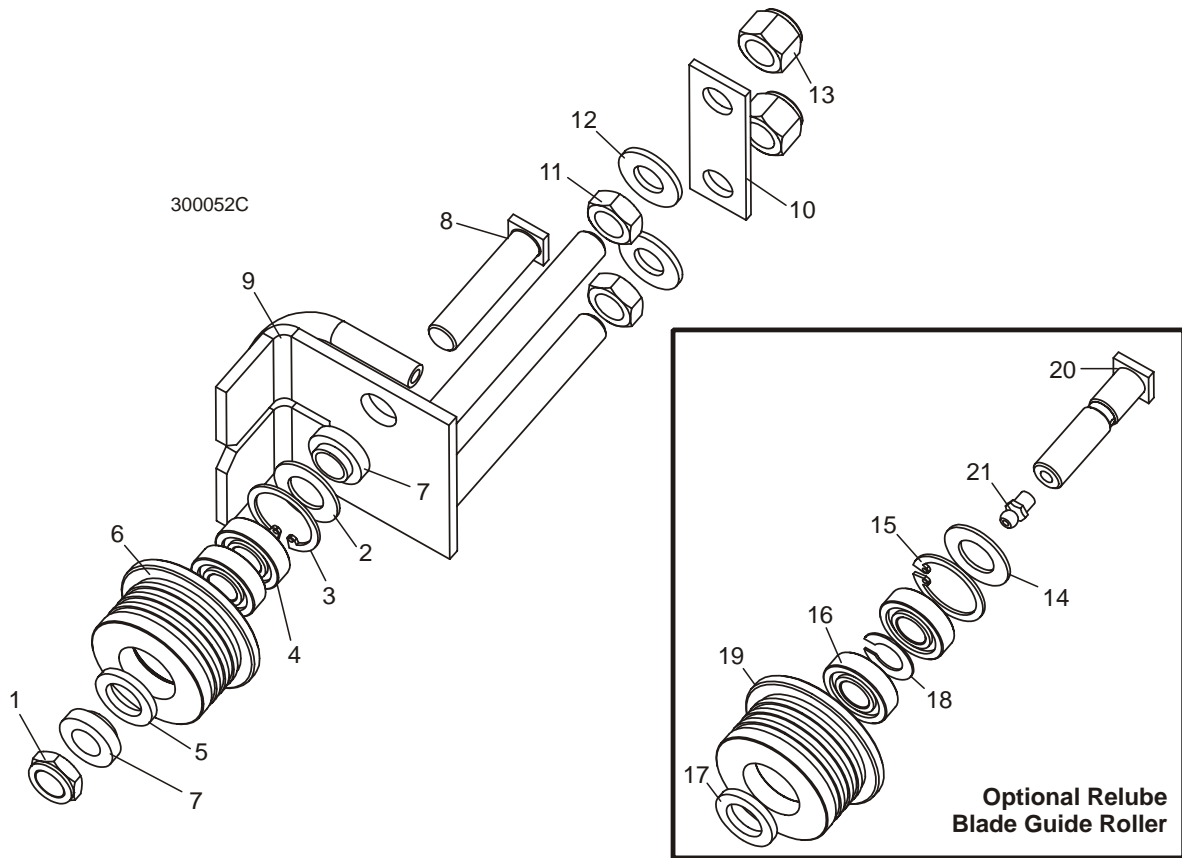


FIG. 2-2

2 Blade Drive & Guides

Blade Guide Assembly, Drive Side

2.3 Blade Guide Assembly, Drive Side				
<i>LT30 Rev. A - K</i>				
REF	DESCRIPTION (◆ Indicates Parts Available In Assemblies Only)	PART #	QTY.	
	BLADE GUIDE ASSEMBLY, COMPLETE DRIVE SIDE	A04217 ¹	1	◆
1	Nut, 1/2-20 Jam Nylon Lock	F05010-79 ²	1	
	Roller Assembly, Blade Guide (standard)	A04925	1	
	Bearing Kit, Blade Guide Rebuild	K07079	1	
2	Washer, 5/8" White Felt	P04252	1	
3	Ring, 1 1/8" Interior Retaining	F04254-1	1	
4	Bearing, R8-2RS Blade Guide	015975	2	◆
5	Washer, 5/8" Gray Felt	P06455	1	
	Screw, 1/4-28 x 1/4" Socket Head Cup Point Set Black Oxide	F05005-105	1	
	Instruction Sheet, Blade Guide Rebuild	057407-1507	1	
6	Roller, Flanged Blade Guide	S04250	1	◆
	Instruction Sheet, Blade Guide Roller Replacement	A04925-364	1	
	Roller, Lower Blade Guide With Bearings	A04926 ³	1	◆
7	Roller, Flanged Blade Guide	S04251 ³	1	◆
3	Ring, 1 1/8" Interior Retaining	F04254-1	1	
4	Bearing, Modified R8	M04902	2	◆
8	Spacer, Blade Guide	S04253 ⁴	2	
9	Rod, Threaded Blade Guide	P04248 ⁵	2	◆
10	Bracket, Blade Guide Mount	S04249 ⁶	1	◆
11	Nut, 1/2-20 Nylon Lock	F05010-15	2	
12	Washer, 1/2" SAE Flat	F05011-2	4	
13	Nut, 1/2-20 Hex Jam	F05010-16	4	
	ROLLER ASSEMBLY, BLADE GUIDE RELUBE (OPTIONAL)	016568	1	
	Bearing Kit, Relube Blade Guide Rebuild	057407	1	
14	Washer, 5/8" White Felt	P04252	1	
15	Ring, 1 1/8" Interior Retaining	F04254-1	1	
16	Bearing, R8-2RS Blade Guide	015975 ⁷	2	◆
17	Washer, 5/8" Gray Felt	P06455	1	
18	Spacer, Blade Guide Bearing	035411	1	
	Instruction Sheet, Blade Guide Rebuild	057407-1507	1	
19	Roller, Flanged Blade Guide Relube	035426	1	◆
	Instruction Sheet, Blade Guide Roller Replacement	A04925-364	1	
20	FITTING, 1/4-28 GREASE (RELUBE ONLY)	P05060	1	

¹ Assembly not available. Upgrade assembly with bracket upgrade kit K07710 or complete guide assembly K07712 ([See Section 2.2](#)). Upgrade kit includes drive and idle side brackets and all mounting hardware. Complete blade guide assemblies include roller with non-greaseable bearings A04925. See optional parts for Relube guide assemblies.

² Replaces F05010-15 1/2-20 Nylon Lock Nut originally supplied.

³ Lower roller assembly originally supplied on Rev. A - H no longer available. The upper roller should deflect the blade guide down, eliminating the need for the lower roller.

⁴ Replaces S04297-W Bolt Spacer originally supplied.

- ⁵ Shaft originally supplied not available. Brackets and shafts should be retrofitted to offset design (K07710). [See Section 2.2.](#)
- ⁶ Bracket originally supplied not available. Brackets and shafts should be retrofitted to offset design (K07710). [See Section 2.2.](#)
- ⁷ Bearing must be modified for use with relube roller assemblies. Remove one seal from each bearing, place open sides facing each other and place spacer 035411 between bearings.

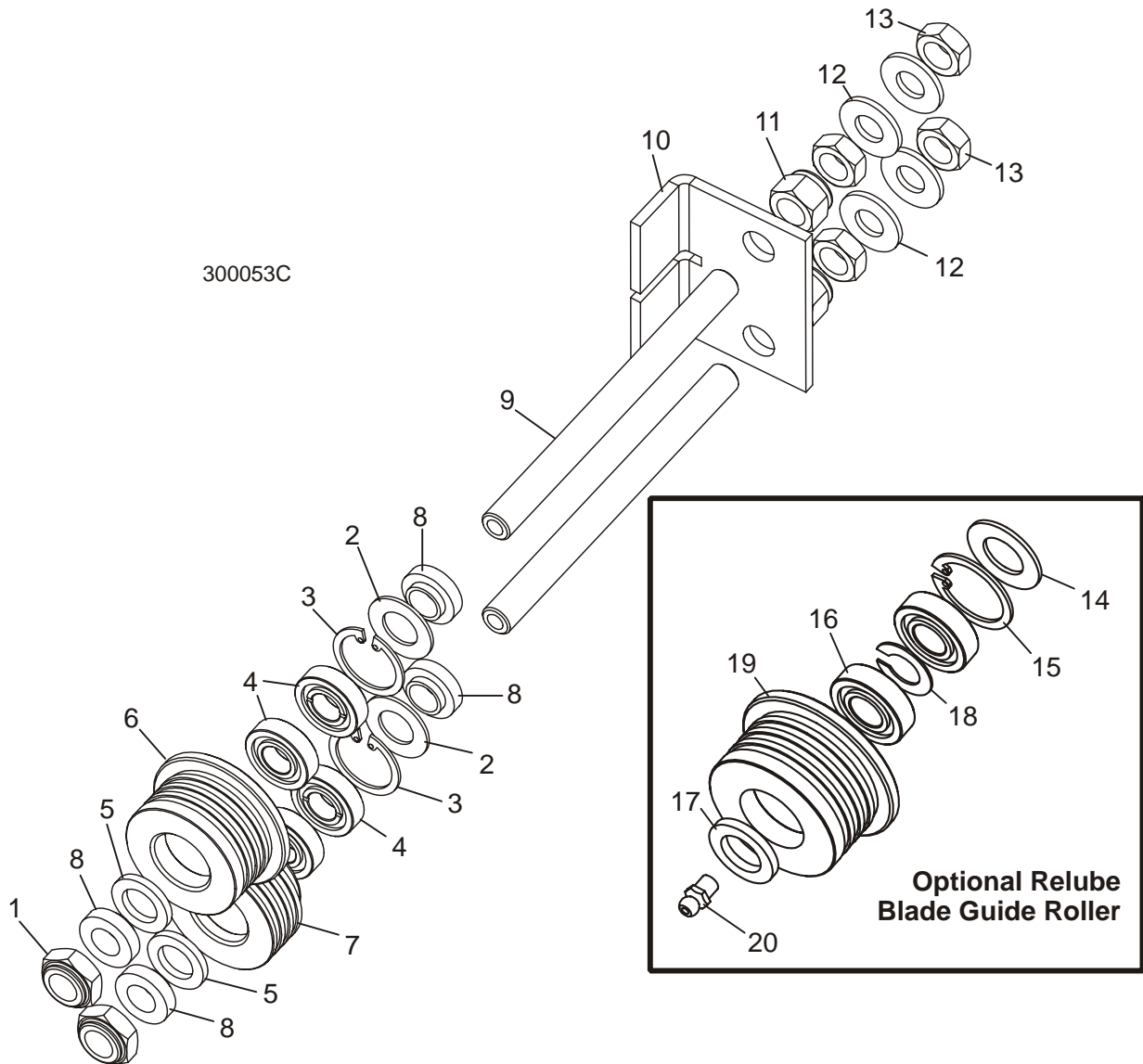


FIG. 2-3

2

Blade Drive & Guides

Blade Guide Assembly, Idle Side

2.4 Blade Guide Assembly, Idle Side				
<i>LT30 Rev. J - N</i>				
<i>LT40 Rev. J - Q</i>				
REF	DESCRIPTION (◆ Indicates Parts Available In Assemblies Only)	PART #	QTY.	
	BLADE GUIDE ASSEMBLY, COMPLETE IDLE SIDE (W/LUBE)	A08197 ¹	1	
	BLADE GUIDE ASSEMBLY, COMPLETE IDLE SIDE (W/O LUBE)	A08191 ¹	1	
1	Nut, 1/2-20 Hex Nylon Lock	F05010-15	1	
	Roller Assembly, Blade Guide (standard)	A04925	1	
	Bearing Kit, Blade Guide Rebuild	K07079	1	
2	Washer, 5/8" White Felt	P04252	1	
3	Ring, 1 1/8" Interior Retaining	F04254-1	1	
4	Bearing, R8-2RS Blade Guide	015975	2	◆
5	Washer, 5/8" Gray Felt	P06455	1	
	Screw, 1/4-28 x 1/4" Socket Head Cup Point Set Black Oxide	F05005-105	1	
	Instruction Sheet, Blade Guide Rebuild	057407-1507	1	
6	Roller, Flanged Blade Guide	S04250	1	◆
	Instruction Sheet, Blade Guide Roller Replacement	A04925-364	1	
7	Spacer, Blade Guide	S04253 ²	2	
8	Bolt, Blade Guide Mounting	036373	1	
9	Bracket, Blade Guide Idle Side (w/Lube)	W08495 ¹	1	
10	Bracket, Blade Guide Idle Side (w/o Lube)	W08482 ¹	1	
11	Screw, 3/8-24 X 1 1/4" Stainless Steel Socket Head Flat Point	F05007-96 ³	2	
12	Nut, 3/8-24 Jam	F05010-22	2	
13	Shaft, Blade Guide Adjustment	S08196	1	
14	SCREW, 3/8-24 X 3/4" STAINLESS STEEL SOCKET HEAD FLAT POINT	F05007-95 ⁴	3	
15	BOLT, 3/8-24 X 1" STAINLESS STEEL HEX HEAD	F05007-99 ⁵	1	
16	NUT, 3/8-24 JAM	F05010-22	4	
17	TUBE, BLADE GUIDE MOUNT (See Section 2.16 Blade Guide Arm Assembly).	W08159	1	
	ROLLER ASSEMBLY, BLADE GUIDE RELUBE (OPTIONAL)	016568	1	
	Bearing Kit, Relube Blade Guide Rebuild	057407	1	
18	Washer, 5/8" White Felt	P04252	1	
19	Ring, 1 1/8" Interior Retaining	F04254-1	1	
20	Bearing, R8-2RS Blade Guide	015975 ⁶	2	◆
21	Washer, 5/8" Gray Felt	P06455	1	
22	Spacer, Blade Guide Bearing	035411	1	
	Instruction Sheet, Blade Guide Rebuild	057407-1507	1	
23	Roller, Flanged Blade Guide Relube	035426	1	◆
	Instruction Sheet, Blade Guide Roller Replacement	A04925-364	1	
24	BOLT, BLADE GUIDE ROLLER (RELUBE ONLY)	S08192	1	
25	FITTING, 1/4-28 GREASE (RELUBE ONLY)	P05060	1	

- ¹ Use A08191 to replace assembly without water tube on idle side blade guide bracket (W08482). Use A08197 to replace assembly with water tube on idle side blade guide bracket (W08495). Complete blade guide assemblies include roller with non-greaseable bearings A04925. See optional parts for Relube guide assemblies.
- ² Replaces S04297-W Bolt Spacer originally supplied.
- ³ Stainless screw replaces F05007-51 originally supplied. Two set screws replace F05007-23 3/8-24 x 2" Hex Head Full Thread Bolt and 1/4-28 x 1/2" Brass Set Screw originally supplied.
- ⁴ Stainless screw replaces F05007-20 originally supplied.
- ⁵ Stainless bolt replaces F05007-95 (12/94).
- ⁶ Bearing must be modified for use with relube roller assemblies. Remove one seal from each bearing, place open sides facing each other and place spacer 035411 between bearings.

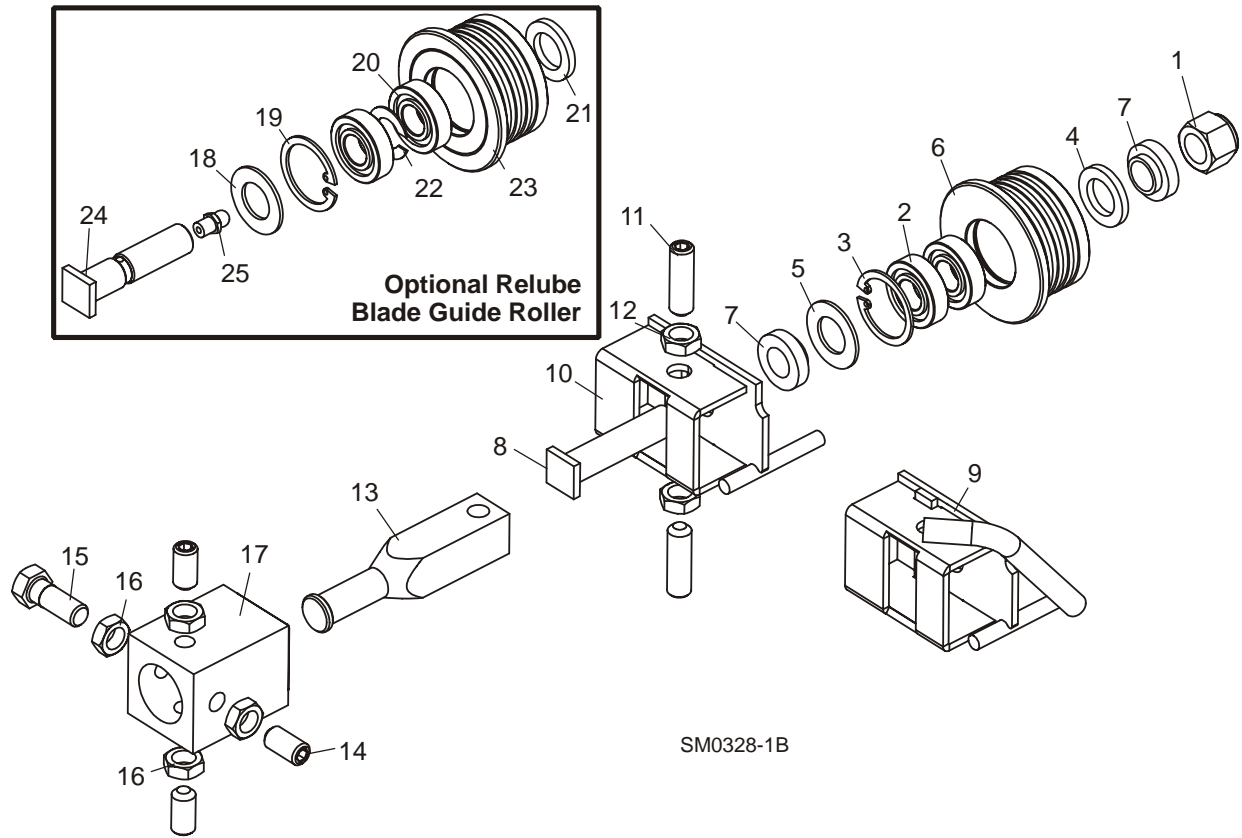


FIG. 2-4

2 Blade Drive & Guides

Blade Guide Assembly, Idle Side

2.5 Blade Guide Assembly, Idle Side				
<i>LT30 Rev. L - H</i> <i>LT40 Rev. A - H</i>				
REF	DESCRIPTION (◆ Indicates Parts Available In Assemblies Only)	PART #	QTY.	
	BLADE GUIDE ASSEMBLY, COMPLETE IDLE SIDE	K07713 ¹	1	
1	Nut, 1/2-20 Jam Nylon Lock	F05010-79 ²	1	
	Roller Assembly, Blade Guide (standard)	A04925	1	
	Bearing Kit, Blade Guide Rebuild	K07079	1	
2	Washer, 5/8" White Felt	P04252	1	
3	Ring, 1 1/8" Interior Retaining	F04254-1	1	
4	Bearing, R8-2RS Blade Guide	015975	2	◆
5	Washer, 5/8" Gray Felt	P06455	1	
	Screw, 1/4-28 x 1/4" Socket Head Cup Point Set Black Oxide	F05005-105	1	
	Instruction Sheet, Blade Guide Rebuild	057407-1507	1	
6	Roller, Flanged Blade Guide	S04250	1	◆
	Instruction Sheet, Blade Guide Roller Replacement	A04925-364	1	
7	Spacer, Blade Guide	S04253 ³	2	
8	Bracket, Blade Guide Idle Side	W09005	1	
9	Bolt, Blade Guide Roller	036373	1	
10	Plate, Blade Guide Washer	S07519	1	
11	Nut, 1/2-20 Hex Jam	F05010-16	2	
12	Washer, 1/2" SAE Flat	F05011-2	2	
13	Nut, 1/2-20 Nylon Lock	F05010-15	2	
	ROLLER ASSEMBLY, BLADE GUIDE RELUBE (OPTIONAL)	016568	1	
	Bearing Kit, Relube Blade Guide Rebuild	057407	1	
14	Washer, 5/8" White Felt	P04252	1	
15	Ring, 1 1/8" Interior Retaining	F04254-1	1	
16	Bearing, R8-2RS Blade Guide	015975 ⁴	2	◆
17	Washer, 5/8" Gray Felt	P06455	1	
18	Spacer, Blade Guide Bearing	035411	1	
	Instruction Sheet, Blade Guide Rebuild	057407-1507	1	
19	Roller, Flanged Blade Guide Relube	035426	1	◆
	Instruction Sheet, Blade Guide Roller Replacement	A04925-364	1	
20	BOLT, BLADE GUIDE ROLLER (RELUBE ONLY)	S08192	1	
21	FITTING, 1/4-28 GREASE (RELUBE ONLY)	P05060	1	

¹ Kit includes upper blade guide roller only. Lower roller A04926 removed after Rev. BE. The upper roller should deflect the blade guide down, eliminating the need for the lower roller. Complete blade guide assemblies include roller with non-greaseable bearings A04925. See optional parts for Relube guide assemblies.

² Replaces F05010-12 1/2-20 Hex Lock Nut originally supplied.

³ Replaces S04297-W Bolt Spacer originally supplied.

⁴ Bearing must be modified for use with relube roller assemblies. Remove one seal from each bearing, place open sides facing each other and place spacer 035411 between bearings.

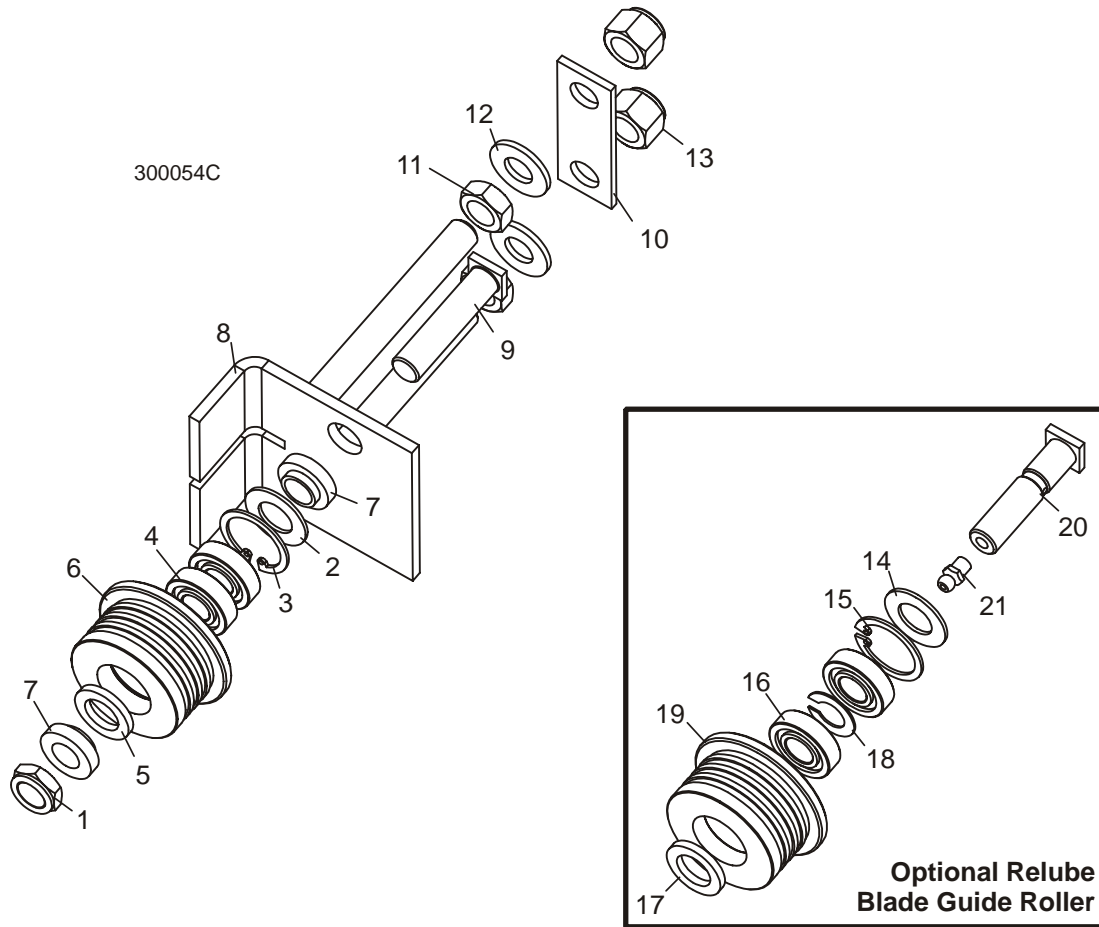


FIG. 2-5

2.6 Blade Guide Assembly, Idle Side				
<i>LT30 Rev. A - K</i>				
REF	DESCRIPTION (◆ Indicates Parts Available In Assemblies Only)	PART #	QTY.	
	BLADE GUIDE ASSEMBLY, COMPLETE IDLE SIDE	A04217 ¹	1	
1	Nut, 1/2-20 Jam Nylon Lock	F05010-79 ²	1	
	Roller Assembly, Blade Guide (standard)	A04925	1	
	Bearing Kit, Blade Guide Rebuild	K07079	1	
2	Washer, 5/8" White Felt	P04252	1	
3	Ring, 1 1/8" Interior Retaining	F04254-1	1	
4	Bearing, R8-2RS Blade Guide	015975	2	◆
5	Washer, 5/8" Gray Felt	P06455	1	
	Screw, 1/4-28 x 1/4" Socket Head Cup Point Set Black Oxide	F05005-105	1	
	Instruction Sheet, Blade Guide Rebuild	057407-1507	1	
6	Roller, Flanged Blade Guide	S04250	1	◆
	Instruction Sheet, Blade Guide Roller Replacement	A04925-364	1	
	Roller, Lower Blade Guide With Bearings	A04926 ³	1	◆
7	Roller, Flanged Blade Guide	S04251 ³	1	◆
3	Ring, 1 1/8" Interior Retaining	F04254-1	1	
4	Bearing, Modified R8	M04902	2	◆
8	Spacer, Blade Guide	S04253 ⁴	2	
9	Rod, Threaded Blade Guide	P04248 ⁵	2	◆
10	Bracket, Blade Guide Mount	S04249 ⁶	1	◆
11	Nut, 1/2-20 Nylon Lock	F05010-15	2	
12	Washer, 1/2" SAE Flat	F05011-2	4	
13	Nut, 1/2-20 Hex Jam	F05010-16	4	
	ROLLER ASSEMBLY, BLADE GUIDE RELUBE (OPTIONAL)	016568	1	
	Bearing Kit, Relube Blade Guide Rebuild	057407	1	
14	Washer, 5/8" White Felt	P04252	1	
15	Ring, 1 1/8" Interior Retaining	F04254-1	1	
16	Bearing, R8-2RS Blade Guide	015975 ⁷	2	◆
17	Washer, 5/8" Gray Felt	P06455	1	
18	Spacer, Blade Guide Bearing	035411	1	
	Instruction Sheet, Blade Guide Rebuild	057407-1507	1	
19	Roller, Flanged Blade Guide Relube	035426	1	◆
	Instruction Sheet, Blade Guide Roller Replacement	A04925-364	1	
20	FITTING, 1/4-28 GREASE (RELUBE ONLY)	P05060	1	

¹ Assembly not available. Upgrade assembly with bracket upgrade kit K07710 or complete guide assembly K07713 ([See Section 2.5](#)). Upgrade kit includes drive and idle side brackets and all mounting hardware. Complete blade guide assemblies include roller with non-greaseable bearings A04925. See optional parts for Relube guide assemblies.

² Replaces F05010-15 1/2-20 Nylon Lock Nut originally supplied.

³ Lower roller assembly originally supplied on Rev. A - H no longer available. The upper roller should deflect the blade guide down, eliminating the need for the lower roller.

⁴ Replaces S04297-W Bolt Spacer originally supplied.

- ⁵ Shaft originally supplied not available. Brackets and shafts should be retrofitted to offset design (K07710). [See Section 2.5.](#)
- ⁶ Bracket originally supplied not available. Brackets and shafts should be retrofitted to offset design (K07710). [See Section 2.5.](#)
- ⁷ Bearing must be modified for use with relube roller assemblies. Remove one seal from each bearing, place open sides facing each other and place spacer 035411 between bearings.

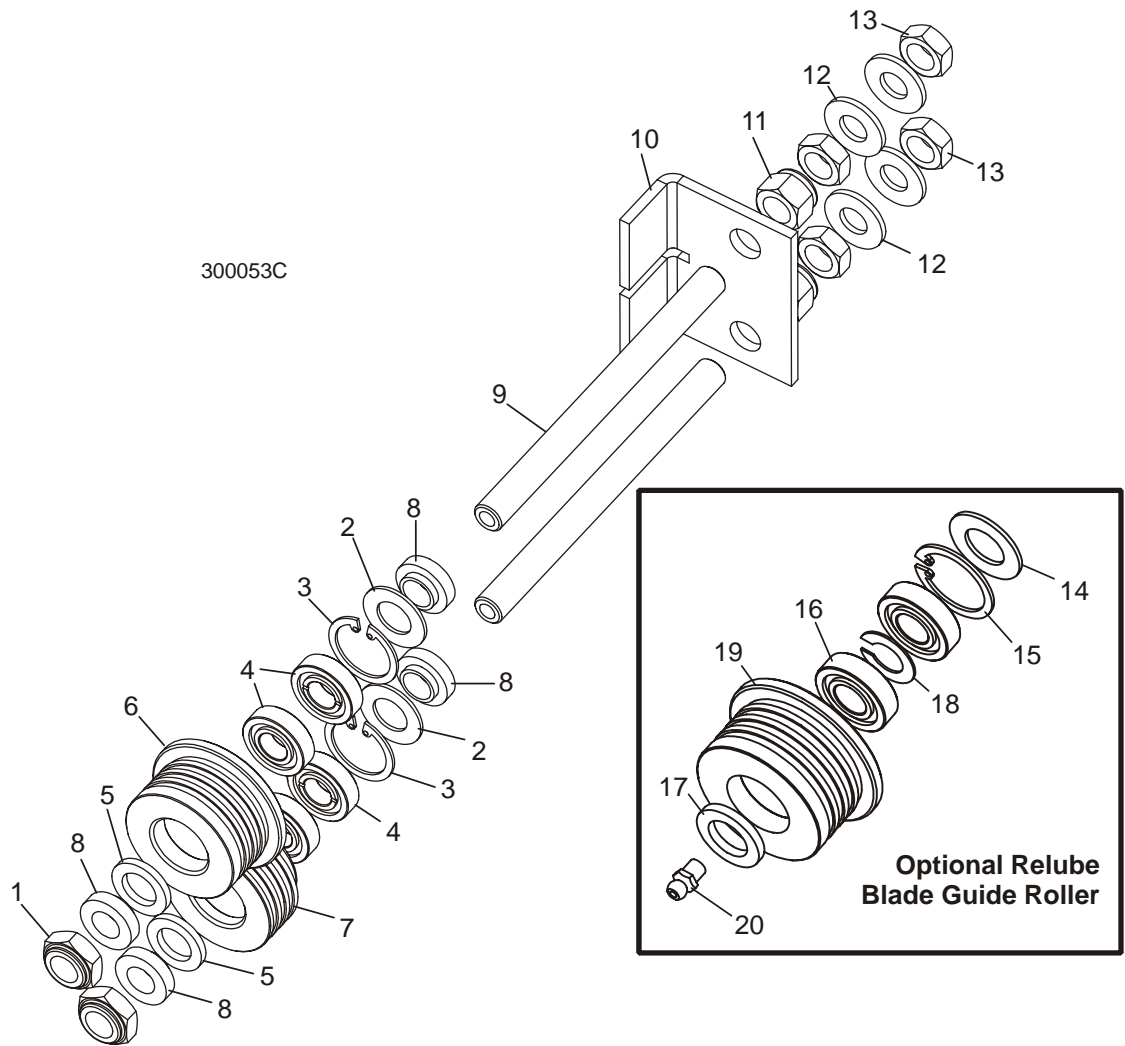


FIG. 2-6

2 Blade Drive & Guides

Blade Drive Assembly

2.7 Blade Drive Assembly				
<i>Retrofit</i>				
REF	DESCRIPTION (◆ Indicates Parts Available In Assemblies Only)	PART #	QTY.	
	BEARING ASSEMBLY, BLADE WHEEL DRIVE	K10200 ¹	1	
	Bearing Assembly, Drive Painted	A10199	1	◆
1	Housing, Blade Wheel Drive Bearing	W10201	1	◆
2	Shaft, Blade Wheel Drive	S10204	1	◆
3	Bearing, Blade Wheel Drive #MU1308TV	P10205	1	◆
4	Bearing, Blade Wheel Drive #6308 C3 Open	016055 ²	1	◆
5	Ring, 90mm Interior Retaining #I17	F04254-17	2	
6	Seal, Drive Bearing #cr15890	P10206-K	2	
7	Fitting, 1/4" NPT x 3/8" Hose Barb Elbow	016330 ³	1	
8	Fitting, 1/4" NPT x 3/8" Hose Barb Vented Elbow	016331	1	
9	Hose, Oil Level Viewer	016337	1	
10	Clamp, 7/32-5/8" Hose	P649	2	
11	Decal, Oil Level Gauge	017470	1	
12	Bolt, 1/2-13 Long U	S10207-1	1	
13	Bolt, 1/2-13 Short U	S10207-2	1	
14	Spacer, 1/2" I.D. Flanged	S04253	2	
15	Washer, 1/2" SAE Flat	F05011-2	8	
16	Washer, 1/2" Split Lock	F05011-9	4	
17	Nut, 1/2-13 Hex	F05010-35	4	
18	Nut, 1/2-13 Hex Jam	F05010-31	6	
19	Pin, 3/16" X 5/8" Roll	F05012-22	2	
20	Bushing, 1 7/16" Type 'H' Thick Flange	P12962 ⁴	3	
	Instruction Sheet, Bearing Replacement	K10200-275	1	
	WHEEL KIT, DRIVE SIDE BLADE	K12897 ⁵	1	
21	Bushing, 1 7/16" Type 'SD'	016098 ⁵	1	
22	Key, .375" x .360"	S12893 ⁶	1	
	Key, .375" x .375"	S12892 ⁶	1	
23	Wheel, Drive Side Blade	016284	1	◆
	Drive Side Blade Wheel Replacement Instruction Sheet	K12897-488	1	
24	BELT, BLADE WHEEL B57	P04185	1	
25	BELT, (20HP B48 ONAN GAS ENGINE)	P04857-2 ⁷	1	
	BELT, B69 DRIVE (14HP & 16HP KOHLER GAS ENGINES & 7.5/10HP BALDOR ELECTRIC MOTOR)	P04190 ⁸	2	
	BELT, 2BX72 DRIVE (16HP BRIGGS & 20HP ONAN P220 GAS ENGINE)	P09555-2 ⁹	1	
26	PULLEY, 2BK130H DRIVE	P04854	1	
	WHEEL ASSEMBLY, BRAKE	A09953 ¹⁰	1	
27	Wheel, Brake	014000 ¹¹	1	◆
28	Bushing, 1 7/16" Type 'P1' Split Taper	014460 ¹²	1	

29	STRAP, BRAKE	M07484	1	
-----------	---------------------	--------	---	--

- ¹ Can be retrofitted to All LT30 & LT40 Rev. A+ (Requires idle side blade wheel and hydraulic blade tensioner upgrade A12251 - [See Section 2.10](#) - to provide enough adjustment of idle side blade wheel to allow blade installation). Shipped without oil after 4/95. Customer should source ATF fluid to add to bearing after installation.
- ² Replaces P10205 Blade Wheel Drive Bearing #MU1308TV 6/98.
- ³ Oil level viewer added 6/99. New fitting replaces P05498 1/4" NPT Pipe Plug and P12868 1/4" NPT Vented Pipe Plug supplied prior to 6/99 (and P11757 1/4" NPT Square Head Pipe Plug supplied prior to 12/98).
- ⁴ Replaces P05152 1 7/16" type 'H' standard bushing originally supplied.
- ⁵ Replaces P04883 and S09948 drive blade wheels. Use P12962 'H' Bushing for original pulley. Use 016098 'SD' Bushing if wheel upgraded with K12897 wheel kit.
- ⁶ Only one key required; key size will depend on keyway size in drive shaft.
- ⁷ One Double-Belt replaces two P04857 single belts.
- ⁸ If electric motor is retrofitted with alternator, replace two P04857 belts with one P04857-2.
- ⁹ One Double-Belt replaces two P09555 single belts.
- ¹⁰ Replaces P04122 Brake Wheel originally supplied.
- ¹¹ Replaces 014339 and W09953 Brake Wheels (4/96). NOTE: Change from W09953 to 014339 was a part number change only.
- ¹² Use P12962 'H' Bushing for original brake pulley. Use 014460 'P1" Bushing if wheel upgraded with 014000 brake wheel.

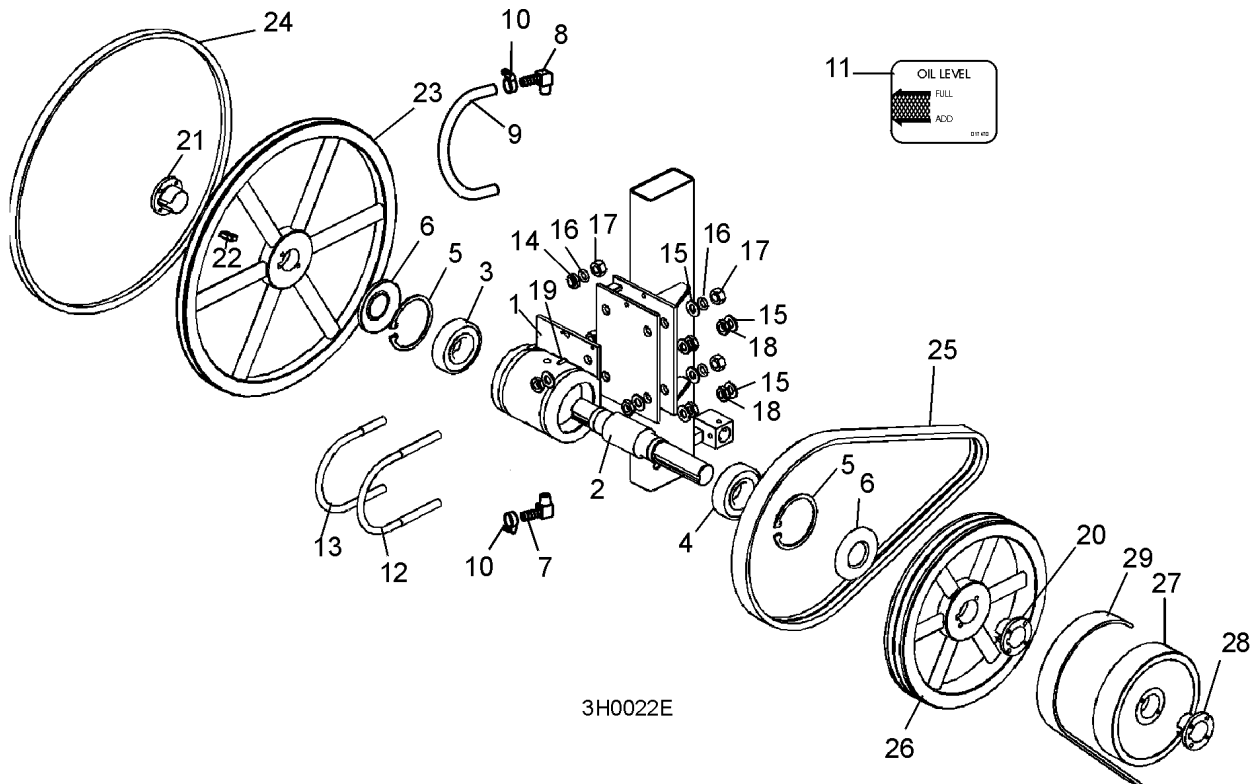


FIG. 2-7

2 Blade Drive & Guides

Blade Drive Assembly

2.8 Blade Drive Assembly				
<i>LT30 Rev. A - N</i>				
<i>LT40 Rev. A - Q</i>				
REF	DESCRIPTION (◆ Indicates Parts Available In Assemblies Only)	PART #	QTY.	
	BEARING KIT, LT30/40 PILLOW BLOCK (3 3/4" BOLT SPACING)	K04891 ¹	1	
1	Bearing Assembly, Drive Side Pillow Block	A10182 ²	1	◆
	Bearing, 1 7/16" Pillow Block w/Hole	P07981 ³	2	◆
	Shaft, Drive Side Pillow Block	S04411	1	◆
2	Bushing, 1 7/16" Type 'H' Thick Flange	P12962 ⁴	3	
3	Bolt, 1/2-13 x 2 1/4" Hex Head Full Thread	F05008-27 ⁵	2	
4	Bolt, 1/2-13 x 3 1/2" Hex Head Full Thread	F05008-11	2	
5	Nut, 1/2-13 Nylon Lock	F05010-8	4	
6	Nut, 1/2-13 Hex Jam	F05010-31	4	
7	Washer, 1/2" SAE Flat	F05011-2	8	
8	Pin, 3/16" x 1 1/4" Roll	F05012-16	2	
9	Spacer, 1/2" x 5/8" x 3/4" Flanged	S04253 ⁶	2	
	Instruction Sheet, Pillow Block Replacement	K04891-958	1	
	WHEEL KIT, DRIVE SIDE BLADE 1 1/4" DRIVE SHAFT	K12910 ⁷	1	
	WHEEL KIT, DRIVE SIDE BLADE 1 7/16" DRIVE SHAFT	K12897 ⁷	1	
10	Bushing, 1 7/16" Type 'SD'	016098 ⁷	1	
	Bushing, 1 1/4" Type 'SD'	016100 ⁷	1	
11	Key, .375" x .360"	S12893 ⁸	1	
	Key, .375" x .375"	S12892 ⁸	1	
	Key, #808 Woodruff (1 1/4" Shaft)	P04101-2	1	
12	Wheel, Drive Side Blade	016284 ⁹	1	◆
	Drive Side Blade Wheel Replacement Instruction Sheet	K12897-488	1	
13	BELT, BLADE WHEEL B57	P04185	1	
14	BELT, 2BX70 (20HP B48 ONAN GAS ENGINE)	P04857-2 ¹⁰	1	
	BELT, B69 DRIVE (14HP & 16HP KOHLER GAS ENGINES & 7.5/10HP BALDOR ELECTRIC MOTOR)	P04190 ¹¹	2	
	BELT, 2BX72 DRIVE (16HP BRIGGS & 20HP ONAN P220 GAS ENGINE)	P09555-2 ¹²	1	
15	PULLEY, 2BK130H DRIVE	P04854	1	
	WHEEL ASSEMBLY, BRAKE	A09953 ¹³	1	
16	Wheel, Brake	014000 ¹⁴	1	◆
17	Bushing, 1 7/16" Type 'P1' Split Taper	014460 ¹⁵	1	
18	STRAP, BRAKE	M07484	1	

¹ Use K10200 cylinder style bearing assembly ([See Section 2.7](#)) to service drive assembly if idle side blade wheel upgraded with hub bearings and hydraulic tensioner ([See Section 2.10](#)). Cylindrical bearing will provide durability required when using hydraulic tensioner. Drive bearing upgrade requires A12251 idle side blade wheel and hydraulic tensioner upgrade ([See Section 2.10](#)) to provide enough adjustment of idle side blade wheel to allow blade installation.

² Replaces A07428 or A04881 originally supplied. Assembly includes new bearings and 1 7/16" dia. shaft.

- ³ Replaces P04856 1 7/16" Bearings and P04118 1 1/4" Bearings originally supplied.
- ⁴ Replaces P04884 1 1/4" Type 'H' bushing & P05152 1 7/16" type 'H' standard bushing originally supplied.
- ⁵ Plated bolt F05008-27 replaces unplated bolt F05008-2 originally supplied.
- ⁶ Replaces S04297-W bolt spacer originally supplied.
- ⁷ Replaces P04883 and S09948 drive blade wheels. NOTE: Use K12910 for 1 1/4" drive shaft; use K12897 for 1 7/16" drive shaft. Required kit will depend on originally supplied and/or retrofitted drive shaft size. Use P04884 'H' Bushing for original pulley on 1 1/4" shaft or P12962 'H' Bushing for original pulley on 1 7/16" shaft. Use 016100 'SD' Bushing on 1 1/4" shaft or 016098 'SD' Bushing on 1 7/16" if wheel upgraded with K12910 or K12897 wheel kit.
- ⁸ Only one key required; key size will depend on keyway size in the originally-supplied or retrofitted drive shaft.
- ⁹ Replaces P12891 blade wheel originally supplied prior to 2/00. New wheel requires 016100 SD bushing for 1 1/4" drive shaft or 016098 SD bushing for 1 7/16" drive shaft.
- ¹⁰ One Double-Belt replaces two P04857 single belts.
- ¹¹ If electric motor is retrofitted with alternator, replace two P04857 belts with one P04857-2.
- ¹² One Double-Belt replaces two P09555 single belts.
- ¹³ Replaces brake wheel M04963 originally supplied.
- ¹⁴ Replaces 014339 and W09953 Brake Wheels (4/96). NOTE: Change from W09953 to 014339 was a part number change only.
- ¹⁵ Use P12962 'H' Bushing for original brake pulley. Use 014460 'P1" Bushing if wheel upgraded with 014000 brake wheel.

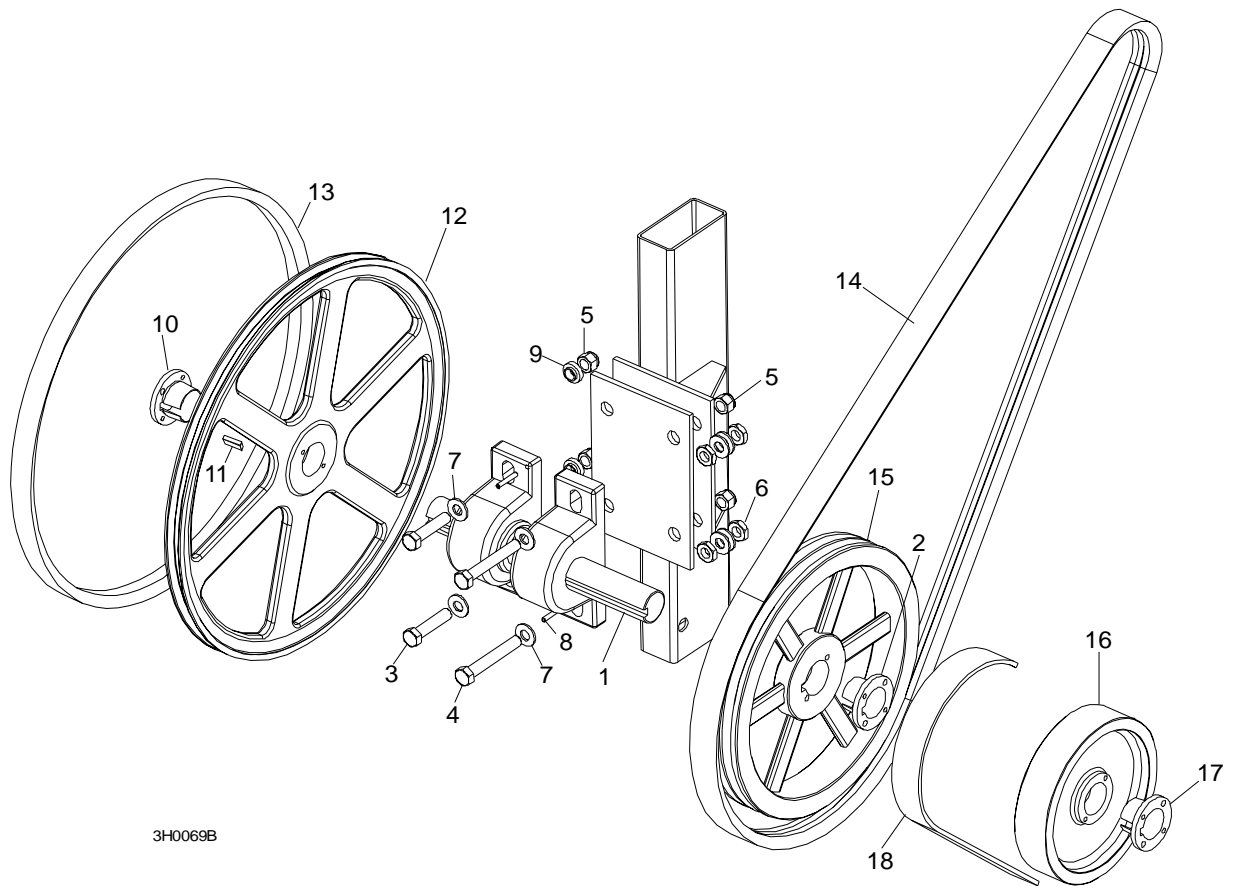


FIG. 2-8

2 Blade Drive & Guides

Blade Drive Assembly

2.9 Blade Drive Assembly				
<i>LT30 Prior to Rev. A</i>				
REF	DESCRIPTION (◆ Indicates Parts Available In Assemblies Only)	PART #	QTY.	
1	BEARING ASSEMBLY, LT30 PRE-5/83 DRIVE SIDE	A07541	1	
	Bearing, 1 1/4" Pillow Block	P04118	2	◆
	Shaft, Pillow Block Drive	S04119	1	◆
	Screw, 1/4-28 x 3/8" Socket Head Cup Point Set	F05005-24	2	
2	Key, #808 Woodruff	P04101-2	3	
3	BOLT, 1/2-13 X 2 1/4" HEX HEAD FULL THREAD GRADE 5	F05008-10	2	
4	BOLT, 1/2-13 X 3 1/2" HEX HEAD FULL THREAD	F05008-11	2	
5	NUT, 1/2-13 NYLON LOCK	F05010-8	4	
6	NUT, 1/2-13 HEX JAM	F05010-31	4	
7	WASHER, 1/2" SAE FLAT	F05011-2	12	
8	PIN, 3/16" X 1" ROLL	F05012-11	2	
9	BUSHING, 1 1/4" TYPE-H SPLIT TAPER	P04884	3	
	WHEEL KIT, DRIVE SIDE BLADE	K12910 ¹	1	
10	Bushing, 1 1/4" Type 'SD'	016100 ¹	1	
11	Key, #808 Woodruff	P04101-2	1	
12	Wheel, Drive Side Blade	016284 ²	1	◆
	Drive Side Blade Wheel Replacement Instruction Sheet	K12897-488	1	
13	BELT, BLADE WHEEL B57	P04185	1	
14	BELT, B69 DRIVE (14HP KOHLER GAS ENGINES & 7.5/10HP BALDOR ELECTRIC MOTOR)	P04190 ³	2	
15	PULLEY, 2BK130H DRIVE	P04854	1	
	WHEEL ASSEMBLY, BRAKE	A09953 ⁴	1	
16	Wheel, Brake	014000 ⁵	1	◆
9	Bushing, 1 7/16" Type 'P1' Split Taper	014460 ⁶	1	
17	STRAP, BRAKE	M07484	1	

¹ Replaces P04883 and S09948 drive blade wheels. Use P04884 'H' Bushing for original pulley on 1 1/4" shaft. Use 016100 'SD' Bushing on 1 1/4" shaft if wheel upgraded with K12910 wheel kit.

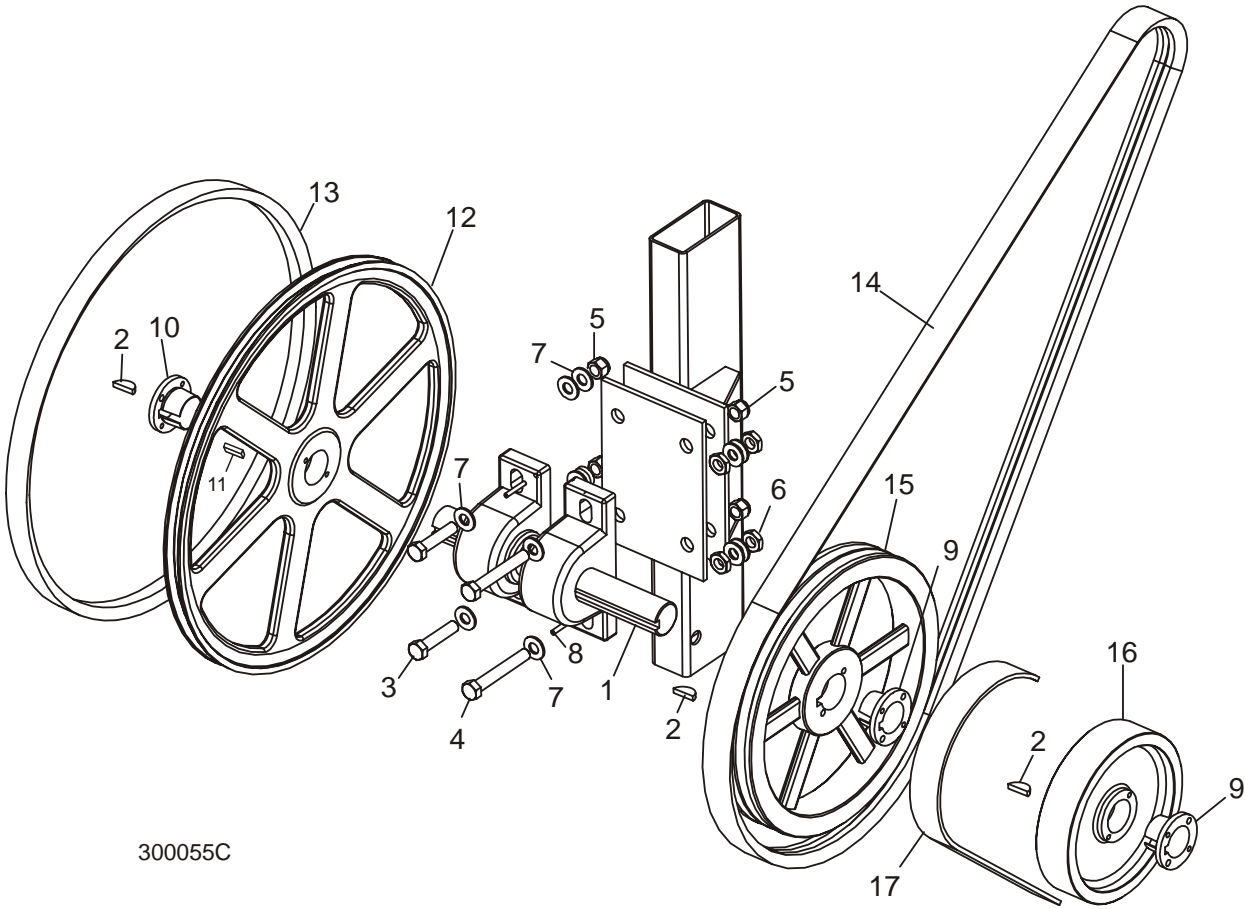
² Replaces P12891 blade wheel originally supplied prior to 2/00. New wheel requires 016100 SD bushing for 1 1/4" drive shaft.

³ If electric motor is retrofitted with alternator, replace two P04857 belts with one P04857-2.

⁴ Replaces brake wheel M04963 originally supplied.

⁵ Replaces 014339 and W09953 Brake Wheels (4/96). NOTE: Change from W09953 to 014339 was a part number change only.

⁶ Use 014460 'P1' Bushing for 1 7/16" shaft with 014000 brake wheel only. Use P04884 'H' Bushing for original brake pulley on 1 1/4" shaft. Use S12909 "H" Bushing for 1 1/4" shaft with 014000 brake wheel.



300055C

FIG. 2-9

2 Blade Drive & Guides

Idle Blade Wheel Assembly

2.10 Idle Blade Wheel Assembly				
<i>Retrofit</i>				
REF	DESCRIPTION (◆ Indicates Parts Available In Assemblies Only)	PART #	QTY.	
	WHEEL/TENSIONER RETROFIT, PRE-87 IDLE SIDE BLADE	A12251 ¹	1	
1	Wheel Kit, Idle Side Blade Upgrade	016189 ²	1	
	Wheel Assembly, Idle Side Blade	016120 ²	1	
	Wheel, Idle Side Blade	016013	1	◆
2	Bearing, Idle Side Blade Wheel #5309-2RS, C3, SRI-2 Grease	016014 ²	1	
3	Ring, 100mm Internal Retaining Beveled	F04254-28 ²	1	
4	Washer, 2 3/16 x 1/4"	016095 ²	1	
5	Bolt, 5/16-18 X 3/4" Flat Head Socket	F05006-95 ²	1	
6	Shaft, Idle Side Blade Wheel Retrofit	016180 ²	1	
7	Housing, Idle Blade Wheel Shaft	W12253	1	
8	Screw, 3/8-16 X 1 1/4" Socket Head Oval Point	F05007-18	2	
9	Nut, 3/8-16 Hex Jam	F05010-29	2	
	Handle Assembly, Idle Side Pulley Tilt	A09357	1	
10	Handle, Tilt Adjustment Screw	S08174	1	◆
11	Driver, Tilt Adjustment Screw	S09405	1	◆
12	Rod, Threaded Tilt Adjustment Screw	S09358	1	◆
13	Pin, 3/16" X 7/8" Roll	F05012-19	2	
14	Sleeve, Plastic Handle	P08072	1	
15	Spacer, 1/2" I.D. Flanged	S04253	2	
16	Nut, 1/2-20 Hex Jam	F05010-16	2	
17	Washer, 1/2" Split Lock	f05011-9	1	
	Tensioner, Hydraulic Blade (Pre-87)	A12256	1	
	Handle Assembly, Hydraulic Blade Tensioner Screw	A12294	1	
18	Screw, Hydraulic Blade Tensioner	S10056 ³	1	◆
19	Handle, Hydraulic Tensioner Screw	S08174	1	
20	Sleeve, Plastic Handle	P08072	1	
21	Pin, 3/16" x 7/8" Roll	F05012-19	1	
22	Ball, 1/2" Steel	P02720	1	
23	Block, Threaded Tensioner End	S10062 ³	1	◆
24	Fitting, 1/4-28 Grease	P05060	1	
	Instruction Sheet, Tensioner Screw	A12294	1	
25	Bolt, 5/16-18 X 7 1/2" Hex Head Grade 5	F05006-43	4	
26	Piston, Hydraulic Tensioner Front 2 3/4" Long	S10060	1	
27	Block, Piston Guide	S10061 ³	1	
	Seal Kit, Hydraulic Tensioner	003224	1	
22	Ball, 1/2" Steel	P02720	1	
28	Seal, 1" Diameter	P10051	2	
29	Wiper, 1" Diameter	P10053	1	

30	Ring, 5/8" X 3/32" Square "O"	P10377	1	
31	Block, Hydraulic Tensioner Gauge Mounting	S10140 ³	1	
32	Gauge, 5000 P.S.I.	P10052	1	
33	Fitting, 1/4" NPT 90° Elbow	P05383	2	
34	Plug, Hydraulic Tensioner Fill	P10065	1	
	Block Assembly, Rear Tensioner Piston	016329	1	
35	Block, Rear Tensioner Piston	S10142 ³	1	◆
36	Plug, Hydraulic Tensioner Fill	P10065 ⁴	1	
37	Piston, Hydraulic Tensioner Rear 3 5/8" Long	S10059 ³	1	
38	Block, Rear Piston End	S10089 ³	1	
39	Bolt, #10-24 X 1" Socket Button Head	F05004-43	4	
40	Bolt, 5/16-18 x 2 3/4" Hex Head Grade 5 Full Thread	F05006-28	4	
41	Washer, 5/16" Split Lock	F05011-13	4	
42	Guard, Idle Blade Wheel Housing	S12258	1	
43	Bolt, 1/4-20 x 3/4" Hex Head Full Thread	F05005-1	4	
44	Washer, 1/4" SAE Flat	F05011-11	4	
45	Nut, 1/4-20 Self-Locking Hex	F05010-9	4	
	Instruction Sheet, Pre-87 Idle Blade Wheel/Tensioner Upgrade	A12251-516	1	

¹ Retrofit will upgrade LT30 Rev. A - L & LT40 Rev. A - M to idle blade wheel hub bearing and hydraulic blade tensioner. Requires drive side pillow block bearings be upgraded to cylinder style bearing to provide durability required when using hydraulic blade tensioner ([See Section 2.7](#)).

² Wheel kit replaces A08218 wheel assembly, P08066 bearings, F04254-51 retainer ring, S12565 shaft, S08220 washer and F05006-5 bolt originally supplied prior to 3/99. New wheel features larger diameter bearings and shaft.

³ Replaces part number with "-W" suffix. Part number change only.

⁴ Plug added to S10142 Rear Tensioner Piston Block 6/99.

2

Blade Drive & Guides Idle Blade Wheel Assembly

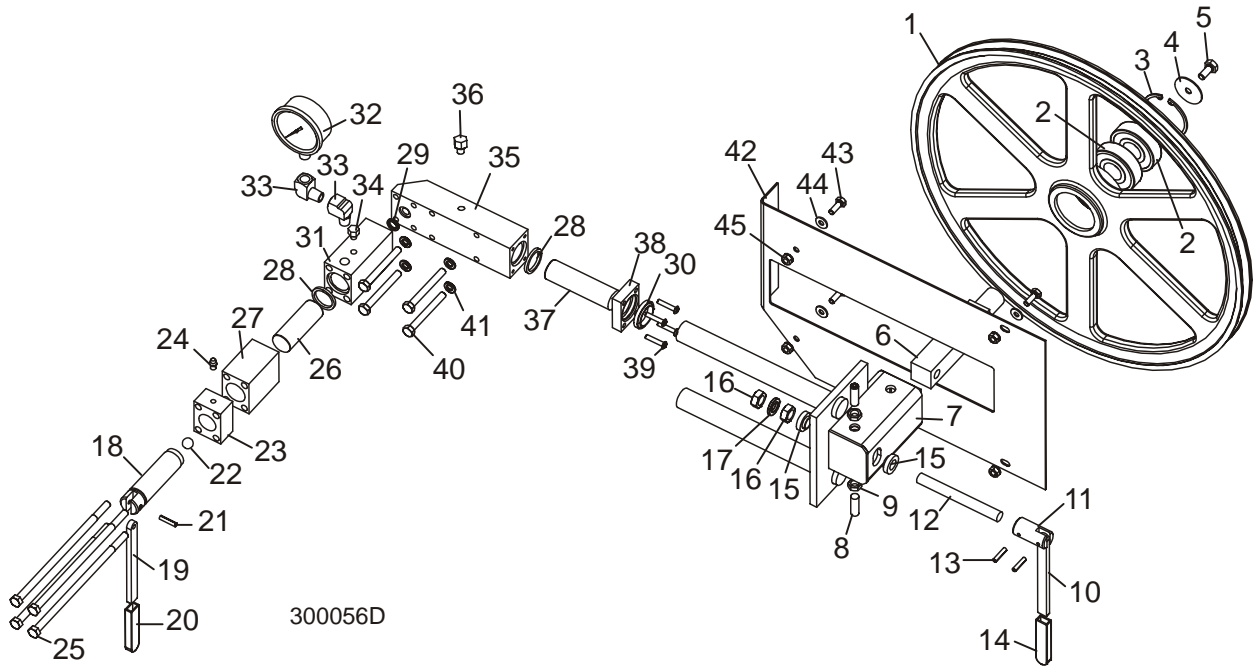


FIG. 2-10

2.11 Idle Blade Wheel Assembly				
<i>LT30 Rev. M - N</i> <i>LT40 Rev. N - Q</i>				
REF	DESCRIPTION (◆ Indicates Parts Available In Assemblies Only)	PART #	QTY.	
	WHEEL ASSEMBLY, IDLE SIDE BLADE	A08218 ¹	1	
1	Wheel, Idle Side Blade	P08125	1	◆
2	Bearing, Idle Side Blade Wheel #6305-AA, C3, ABEC-1, SRI-2 Grease	P08066 ²	2	
3	Retainer Plate, Bearing	S08490 ³	1	◆
	Bolt Kit, Idle Wheel Retaining	A09933	1	
4	Nut, 1/4-20 Hex Lock	F05010-21	3	
5	Bolt, 1/4-20 X 1 3/4" Hex Head Grade 5	F05005-68 ⁴	3	
6	Washer, 1/4" SAE Flat	F05011-11	3	
7	Nut, 1/4-20 Square	S09937	3	
	Instruction Sheet, Retainer Bolt Kit	A09933-273	1	
8	WASHER, IDLE BLADE WHEEL RETAINER	S08220	1	
9	BOLT, 5/16-18 X 3/4" HEX HEAD	F05006-5	1	
10	BELT, BLADE WHEEL B57	P04185	1	
11	SHAFT, IDLE BLADE WHEEL	S04434-W ⁵	1	
12	HOUSING, IDLE BLADE WHEEL SHAFT	W04421 ⁵	1	◆
13	SCREW, 3/8-16 X 1 1/4" SOCKET HEAD OVAL POINT	F05007-18	2	
14	NUT, 3/8-16 HEX JAM	F05010-29	2	
	HANDLE ASSEMBLY, IDLE SIDE PULLEY TILT	A09357	1	
15	Handle, Tilt Adjustment Screw	S08174	1	◆
16	Driver, Tilt Adjustment Screw	S09405	1	◆
17	Rod, Threaded Tilt Adjustment Screw	S09358	1	◆
18	Pin, 3/16" X 7/8" Roll	F05012-19	2	
19	SLEEVE, PLASTIC HANDLE	P08072	1	
20	SPACER, 1/2" I.D. BRONZE FLANGED	P08060	1	
21	WASHER, 1/2" SAE FLAT	F05011-2	2	
22	NUT, 1/2-20 HEX JAM	F05010-16	2	
23	WASHER, 1/2" SPLIT LOCK	F05011-9	1	

¹ Replacement assembly A08218 includes upgraded wheel with hub and retaining ring. Blade wheel kit 016189 with larger diameter bearing and retrofit hardware also available (requires hydraulic blade tensioner).

² C3 Clearance bearing replaces C0 clearance supplied until 3/96.

³ Replace with thicker retainer S10159 and three F05005-66 1/4-20 x 1 1/4" flat head screws.

⁴ Replaces F05005-4 originally supplied.

⁵ See [Section 2.14](#) if tensioner retrofitted to 2" spring system. See [Section 2.10](#) if tensioner retrofitted to hydraulic system.

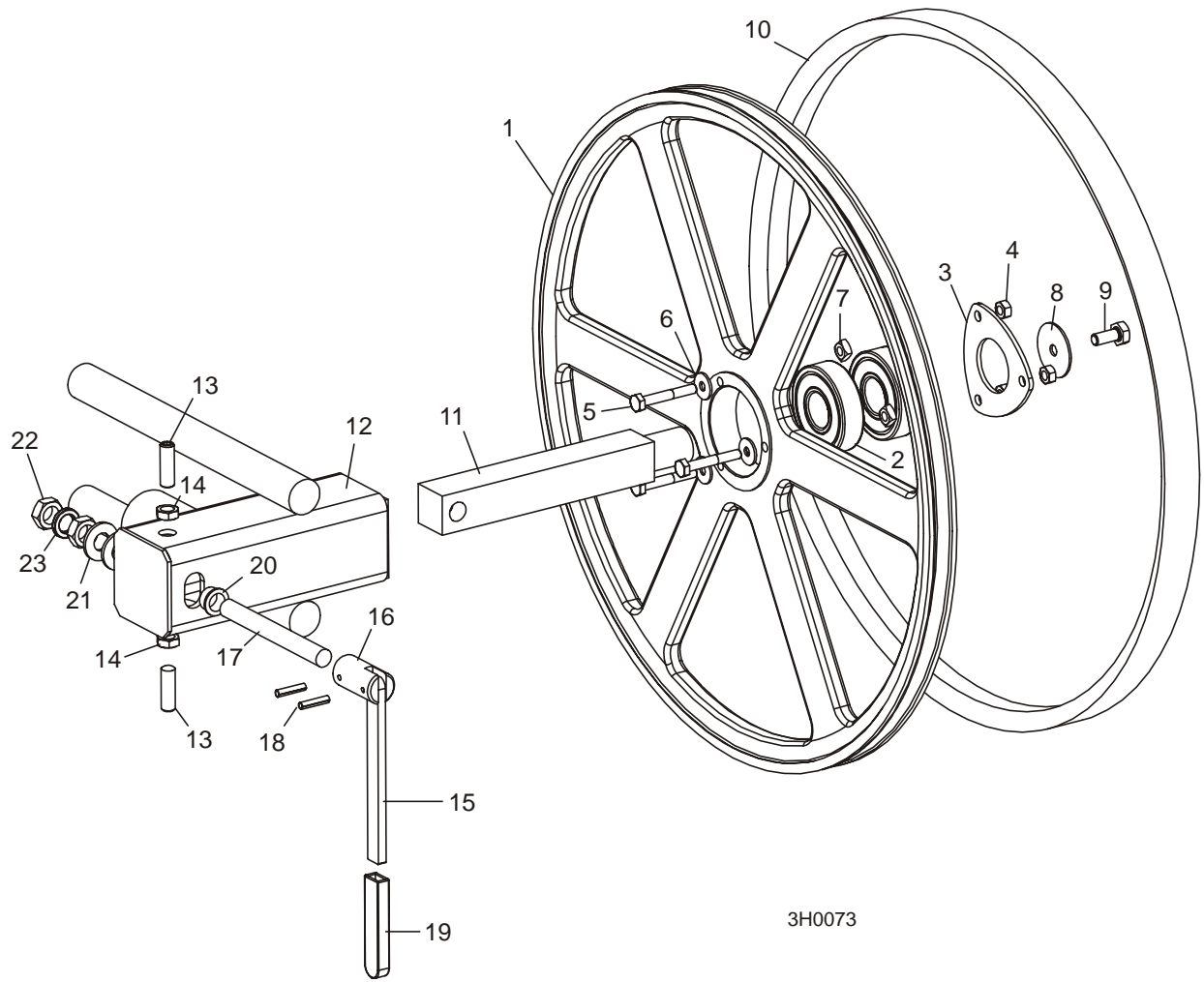


FIG. 2-11

2.12 Idle Blade Wheel Assembly

LT30 Rev. A - L
LT40 Rev. A - M

REF	DESCRIPTION (◆ Indicates Parts Available In Assemblies Only)	PART #	QTY.	
	BEARING KIT, IDLE SIDE PILLOW BLOCK	K04893 ¹	1	
1	Bearing Assembly, Idle Side Pillow Block	A04880 ²	1	◆
	Bearing, 1 7/16" Pillow Block w/Hole	P07981 ³	2	◆
	Shaft, Idle Side Pillow Block	S04412	1	◆
2	Bushing, 1 7/16" Type 'H' Thick Flange	P12962 ⁴	1	
	Instruction Sheet, Idle Side Pillow Block Replacement	K04893-246	1	
3	PLATE, IDLE PILLOW BLOCK MOUNT	S04234	1	
4	NUT, 1/2-13 NYLON LOCK	F05010-8	4	
5	WASHER, 1/2" SAE FLAT	F05011-2	6	
6	SPACER, 1/2" I.D. FLANGED	S04253 ⁵	2	
7	BOLT, 1/2-13 X 2 1/4" HEX HEAD GRADE 5	F05008-10	4	
8	BOLT, 1/2-13 X 2 1/4" HEX HEAD FULL THREAD	F05008-2	2	
9	WASHER, 1/2" SAE FLAT	F05011-2	10	
10	PLATE WELDMENT, PILLOW BLOCK MOUNT	W04139	1	
11	NUT, 1/2-13 HEX	F05010-2	2	
12	WHEEL KIT, DRIVE SIDE BLADE 1 1/4" DRIVE SHAFT	K12910 ⁶	1	
	WHEEL KIT, DRIVE SIDE BLADE 1 7/16" DRIVE SHAFT	K12897 ⁷	1	
	Bushing, 1 7/16" Type 'SD'	016098 ⁷	1	
	Bushing, 1 1/4" Type 'SD'	016100 ⁷	1	
	Key, .375" x .360"	S12893 ⁷	1	
	Key, .375" x .375"	S12892 ⁸	1	
	Key, #808 Woodruff (1 1/4" Shaft)	P04101-2	1	
	Wheel, Drive Side Blade	016284 ⁸	1	◆
	Drive Side Blade Wheel Replacement Instruction Sheet	K12897-488	1	
13	BELT, B57 V	P04185	1	
14	GUARD, IDLE PULLEY SHAFT	S05036	1	
15	BOLT, 1/4-20 X 3/4" HEX HEAD FULL THREAD	F05005-1	2	
16	NUT, 1/4-20 SELF-LOCKING	F05010-9	2	
	HANDLE ASSEMBLY, BLADE TENSION COMPLETE	A07433	1	
	Handle Assembly, Blade Tension 'T'	A05071	1	◆
17	Handle, Blade Tension 'T'	W04213	1	◆
18	Nut, 5/8" Round Acme	F05072-1	1	
19	Pin, 1/8" x 1" Roll	F05012-2	1	
20	Bearing, 5/8" Thrust	P04214	1	
21	Washer, 5/8" SAE Flat	F05011-5	1	
22	Nut, Tension Drive	W07513	1	
23	Bearing, 5/8" Flanged Bronze	P04652	1	

2

Blade Drive & Guides

Idle Blade Wheel Assembly

24	SPRING, 3" TENSION DIE	P04235	1	
	HANDLE ASSEMBLY, IDLE WHEEL TILT	A07970	1	
25	Handle, Blade Wheel Tilt 'T'	W09009	1	
26	Nut, Tilt T-Handle Drive	W07510	1	
27	Bushing, 5/8" Flanged Bronze	P04652	1	

¹ 1 7/16" shaft/bearing assembly replaces A07412 and A07416 1 1/4" shaft/bearing assemblies originally supplied. Upgrade A12251 to hub style idle side bearings and hydraulic blade tensioner available ([See Section 2.10](#)). Requires drive side pillow block bearings be upgraded to cylinder style bearing to provide durability required when using hydraulic blade tensioner ([See Section 2.7](#)).

² Assembly A04880 modified 12/02 to include only shaft and bearings. Other parts available separately.

³ Replaces P04856 bearing originally supplied.

⁴ Replaces P04884 1 1/4" Type 'H' bushing & P05152 1 7/16" type 'H' standard bushing originally supplied ⁶.

⁵ Replaces S04297-W originally supplied.

⁶ Replaces P04883 and S09948 drive blade wheels. NOTE: Use K12910 for 1 1/4" drive shaft; use K12897 for 1 7/16" drive shaft. Required kit will depend on originally supplied and/or retrofitted drive shaft size. Use P04884 'H' Bushing for original pulley on 1 1/4" shaft or P12962 'H' Bushing for original pulley on 1 7/16" shaft. Use 016100 'SD' Bushing on 1 1/4" shaft or 016098 'SD' Bushing on 1 7/16" if wheel upgraded with K12910 or K12897 wheel kit.

⁷ Only one key required; key size will depend on keyway size in the originally-supplied or retrofitted drive shaft.

⁸ Replaces P12891 blade wheel originally supplied prior to 2/00. New wheel requires 016100 SD bushing for 1 1/4" drive shaft or 016098 SD bushing for 1 7/16" drive shaft.

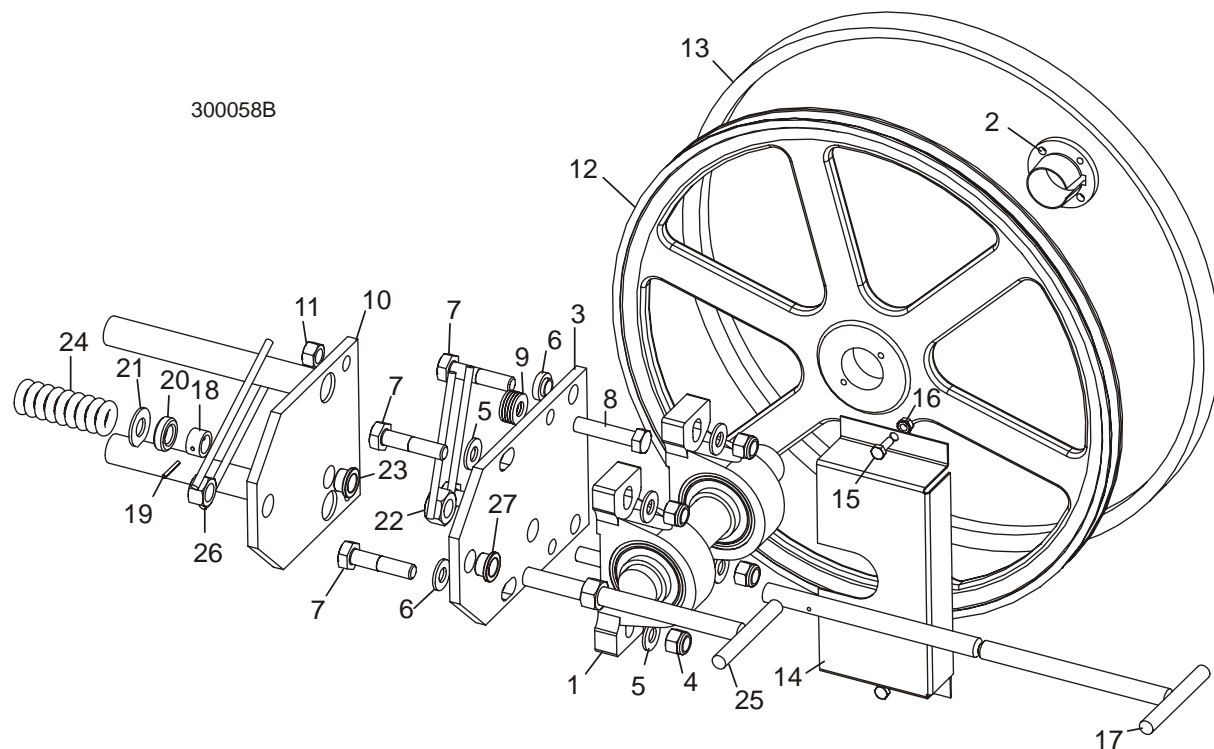


FIG. 2-12

2.13 Idle Blade Wheel Assembly				
<i>LT30 Prior to Rev. A</i>				
REF	DESCRIPTION (◆ Indicates Parts Available In Assemblies Only)	PART #	QTY.	
1	BEARING ASSEMBLY, LT30 PRE-5/83 IDLE SIDE	A07542	1	
	Bearing, 1 1/4" Pillow Block	P04118	2	◆
	Shaft, Pillow Block Idle	S04117	1	◆
2	NUT, 1/2-13 NYLON LOCK	F05010-8	4	
3	WASHER, 1/2" SAE FLAT	F05011-2	12	
4	BOLT, 1/2-13 X 2 1/4" HEX HEAD GRADE 5	F05008-10	4	
5	BUSHING, 1 1/4" SPLIT TAPER	P04884 ¹	1	
6	PLATE, IDLE PILLOW BLOCK MOUNT	S04234	1	
7	BOLT, 1/2-13 X 2 1/4 HEX HEAD FULL THREAD	F05008-2	2	
8	WASHER, 1/2" SAE FLAT	F05011-2	10	
9	PLATE WELDMENT, PILLOW BLOCK MOUNT	W04139	1	
10	NUT, 1/2-13 HEX	F05010-2	2	
11	WHEEL KIT, DRIVE SIDE BLADE	K12910 ¹	1	
	Bushing, 1 1/4" Type 'SD'	016100 ¹	1	
	Key, #808 Woodruff	P04101-2	1	
	Wheel, Drive Side Blade	016284 ²	1	◆
	Drive Side Blade Wheel Replacement Instruction Sheet	K12897-488	1	
12	BELT, B57 V	P04185	1	
13	GUARD, IDLE PULLEY SHAFT	S05036	1	
14	BOLT, 1/4-20 X 3/4" HEX HEAD FULL THREAD	F05005-1	2	
15	NUT, 1/4-20 SELF-LOCKING	F05010-9	2	
	HANDLE ASSEMBLY, BLADE TENSION COMPLETE	A07433	1	
	Handle Assembly, Blade Tension 'T'	A05071	1	◆
16	Handle, Blade Tension 'T'	W04213	1	◆
17	Nut, 5/8" Round Acme	F05072-1	1	
18	Pin, 1/8" x 1" Roll	F05012-2	1	
19	Bearing, 5/8" Thrust	P04214	1	
20	Washer, 5/8" SAE Flat	F05011-5	1	
21	Nut, Tension Drive	W07513	1	
22	Bearing, 5/8" Flanged Bronze	P04652	1	
23	SPRING, 3" TENSION DIE	P04235	1	
	HANDLE ASSEMBLY, IDLE WHEEL TILT	A07970	1	
24	Handle, Blade Wheel Tilt 'T'	W09009	1	
25	Nut, Tilt T-Handle Drive	W07510	1	
26	Bushing, 5/8" Flanged Bronze	P04652	1	

¹ Replaces P04883 and S09948 drive blade wheels. Use P04884 'H' Bushing for original pulley on 1 1/4" shaft. Use 016100 'SD' Bushing on 1 1/4" shaft if wheel upgraded with K12910 wheel kit.

² Replaces P12891 blade wheel originally supplied prior to 2/00. New wheel requires 016100 SD bushing for 1 1/4" drive shaft.

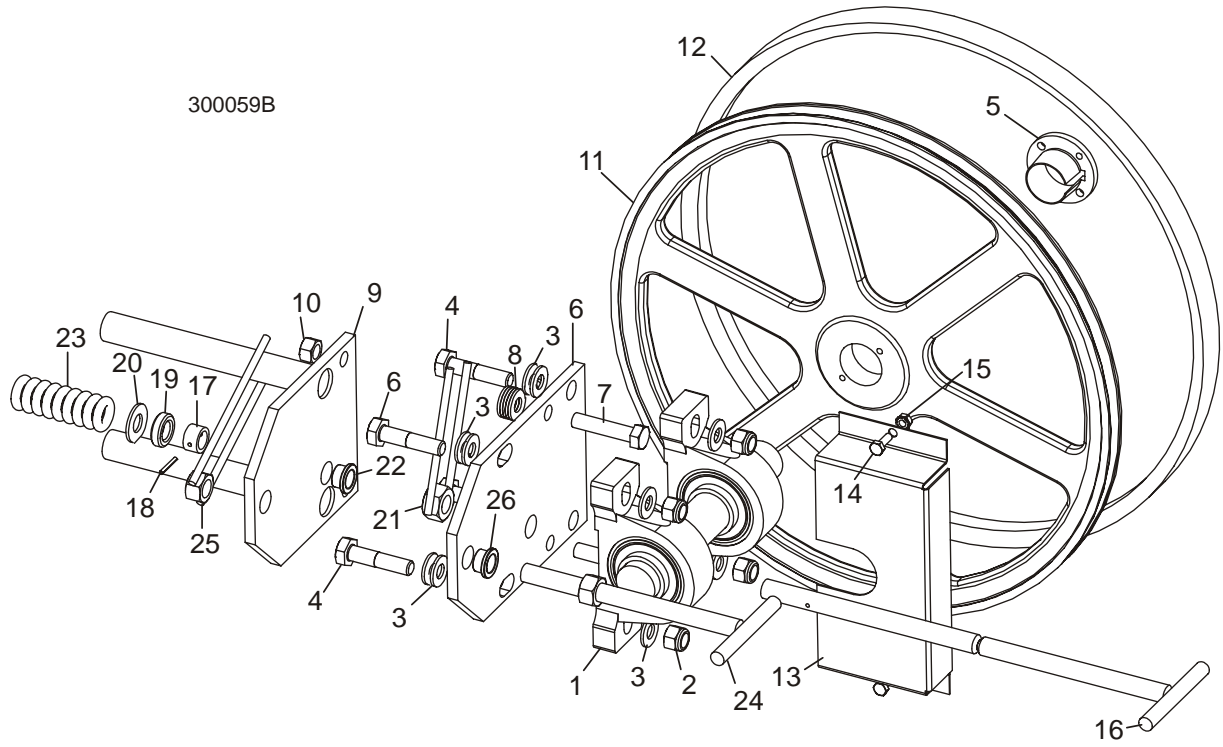


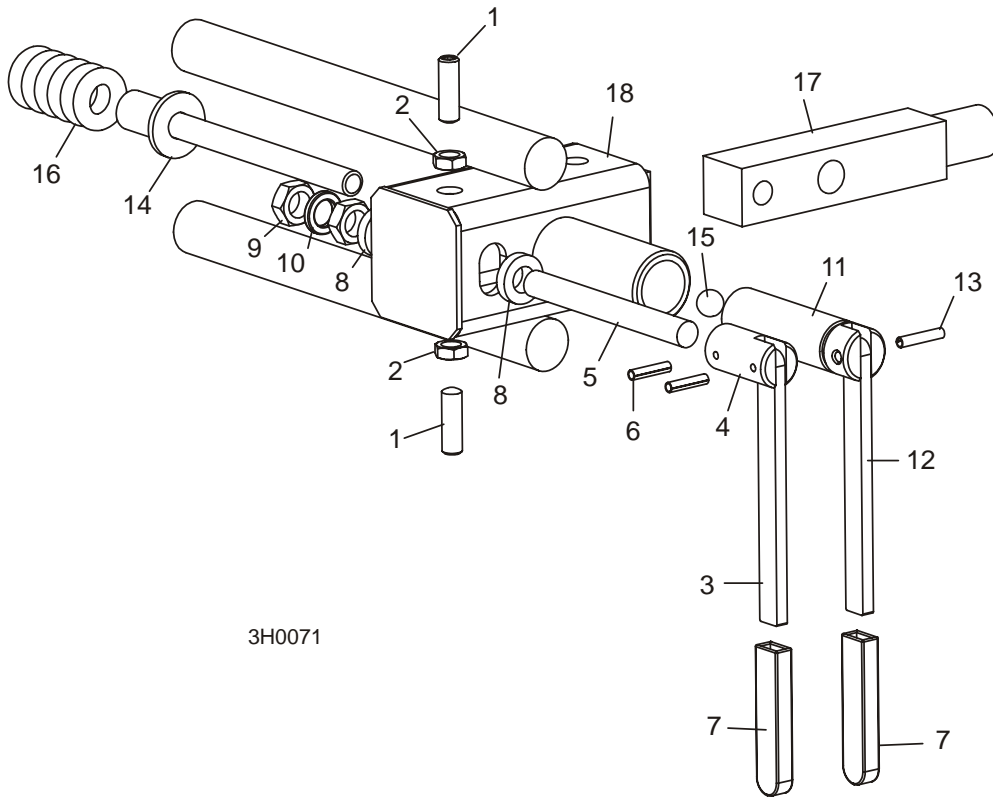
FIG. 2-13

2.14 Blade Tensioner Assembly				
<i>Retrofit</i>				
REF	DESCRIPTION (◆ Indicates Parts Available In Assemblies Only)	PART #	QTY.	
1	SCREW, 3/8-16 X 1 1/4" SOCKET HEAD OVAL POINT	F05007-18	2	
2	NUT, 3/8-16 HEX JAM	F05010-29	2	
	HANDLE ASSEMBLY, IDLE SIDE PULLEY TILT	A09357	1	
3	Handle, Tilt Adjustment Screw	S08174	1	◆
4	Driver, Tilt Adjustment Screw	S09405	1	◆
5	Rod, Threaded Tilt Adjustment Screw	S09358	1	◆
6	Pin, 3/16" X 7/8" Roll	F05012-19	2	
7	SLEEVE, PLASTIC HANDLE	P08072	2	
8	SPACER, 1/2" I.D. FLANGED	S04253 ¹	2	
9	NUT, 1/2-20 HEX JAM	F05010-16	2	
10	WASHER, 1/2" SPLIT LOCK	F05011-9	1	
	TENSIONER UPGRADE ASSEMBLY, 2" SPRING	K09903 ²	1	◆
	Rod Assembly, Threaded Tensioner	A09883	1	
11	Rod, Tensioner Threaded	S09892	1	
12	Handle, Tensioner Screw	S08174	1	
13	Pin, 3/16" x 1" Roll	F05012-11	1	
14	Rod Assembly, Tensioner Plunger	A09891	1	
	End, Tensioner Plunger	S09890	1	◆
	Rod, Tensioner Plunger	S09888	1	◆
15	Ball, 1/2" Dia. Steel	P02720	1	
16	Spring, 2" Tension Die	P09884	1	
17	Shaft, Idle Blade Wheel	S09893	1	
18	Housing, Idle Blade Wheel Shaft	W09885 ³	1	◆

¹ Replaces S04297-W spacer originally supplied.

² Tensioner kit obsolete. Upgrade to hydraulic system A10136 ([See Section 2.10](#)).

³ Housing replaced by W12253 with hydraulic tensioner ([See Section 2.10](#)).



3H0071

FIG. 2-14

2.15 Blade Tensioner Assembly				
<i>LT30 Rev. M - N</i> <i>LT40 Rev. N - Q</i>				
REF	DESCRIPTION (◆ Indicates Parts Available In Assemblies Only)	PART #	QTY.	
1	SHAFT, IDLE BLADE WHEEL	S04434-W ¹	1	
2	HOUSING, IDLE BLADE WHEEL SHAFT	W04421 ¹	1	◆
3	SCREW, 3/8-16 X 1 1/4" SOCKET HEAD OVAL POINT	F05007-18	2	
4	NUT, 3/8-16 HEX JAM	F05010-29	2	
	HANDLE ASSEMBLY, IDLE SIDE PULLEY TILT	A09357	1	
5	Handle, Tilt Adjustment Screw	S08174	1	◆
6	Driver, Tilt Adjustment Screw	S09405	1	◆
7	Rod, Threaded Tilt Adjustment Screw	S09358	1	◆
8	Pin, 3/16" X 7/8" Roll	F05012-19	2	
9	SLEEVE, PLASTIC HANDLE	P08072	1	
10	SPACER, 1/2" I.D. BRONZE FLANGED	P08060	1	
11	WASHER, 1/2" SAE FLAT	F05011-2	2	
12	NUT, 1/2-20 HEX JAM	F05010-16	2	
13	WASHER, 1/2" SPLIT LOCK	F05011-9	1	
14	SPRING, 3" TENSION DIE	P04235 ¹	1	
	TENSIONER ASSEMBLY, 3" SPRING	A09407	1	◆
15	Bushing, 5/8" I.D. x 3/4"	S04431	1	
16	Washer, 5/8" SAE Flat	F05011-5	1	
17	Bearing, 5/8" Thrust	P04214	1	
18	Bearing, Tension Trunnion	S04427	1	
19	Pin, 1/8" x 1" Roll	F05012-2	1	
20	Sleeve, Plastic Handle	P08072	1	
	Rod Assembly, Threaded Tensioner	A04430	1	◆
21	Nut, 5/8" Round Acme	F05072-1	1	
22	Rod Weldment, Tensioner	W04429	1	◆
23	Pin, 1/8" x 7/8" Roll	F05012-19	1	
24	Handle, Tensioner	S08174	1	
25	BRACKET, TENSIONER TRUNNION YOKE	W04416	1	
26	NUT, 1/2-13 NYLON LOCK	F05010-8	1	

¹ See Section 2.14 if tensioner retrofitted to 2" spring system. See Section 2.10 if tensioner retrofitted to hydraulic system.

2 Blade Drive & Guides

Blade Tensioner Assembly

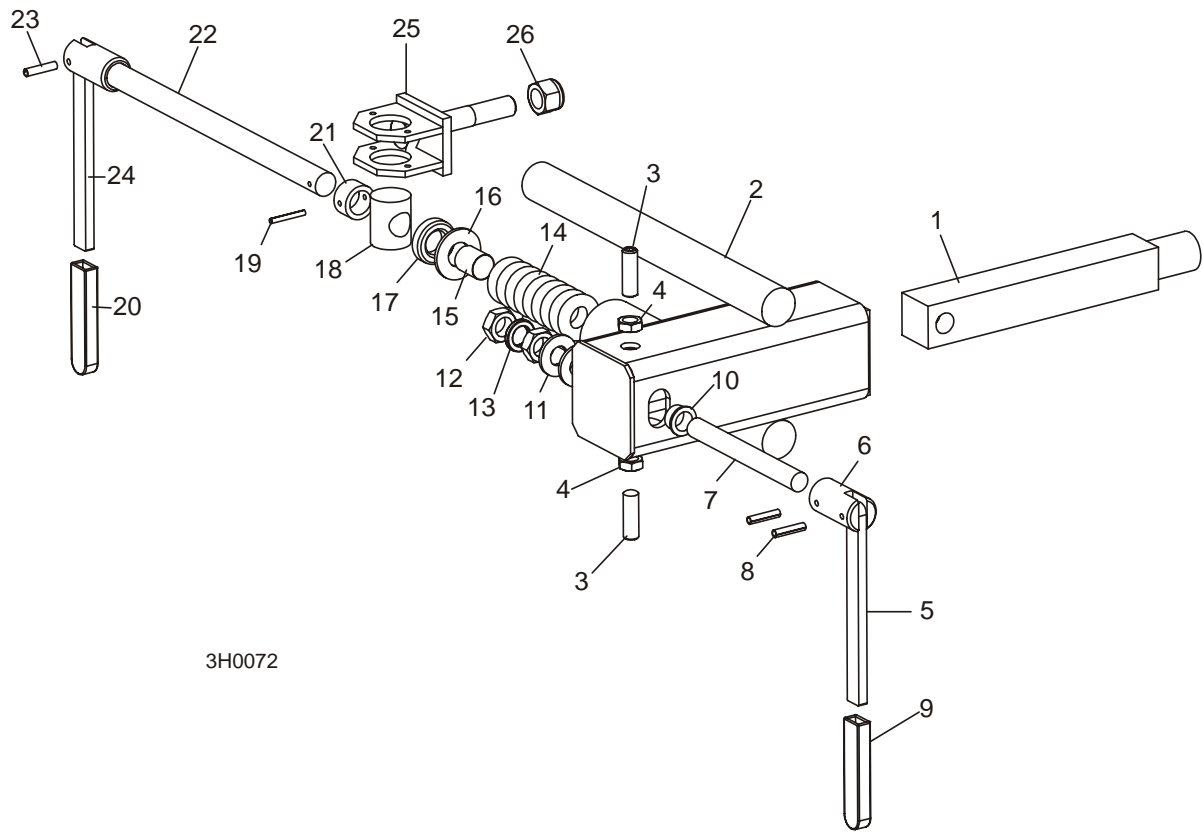
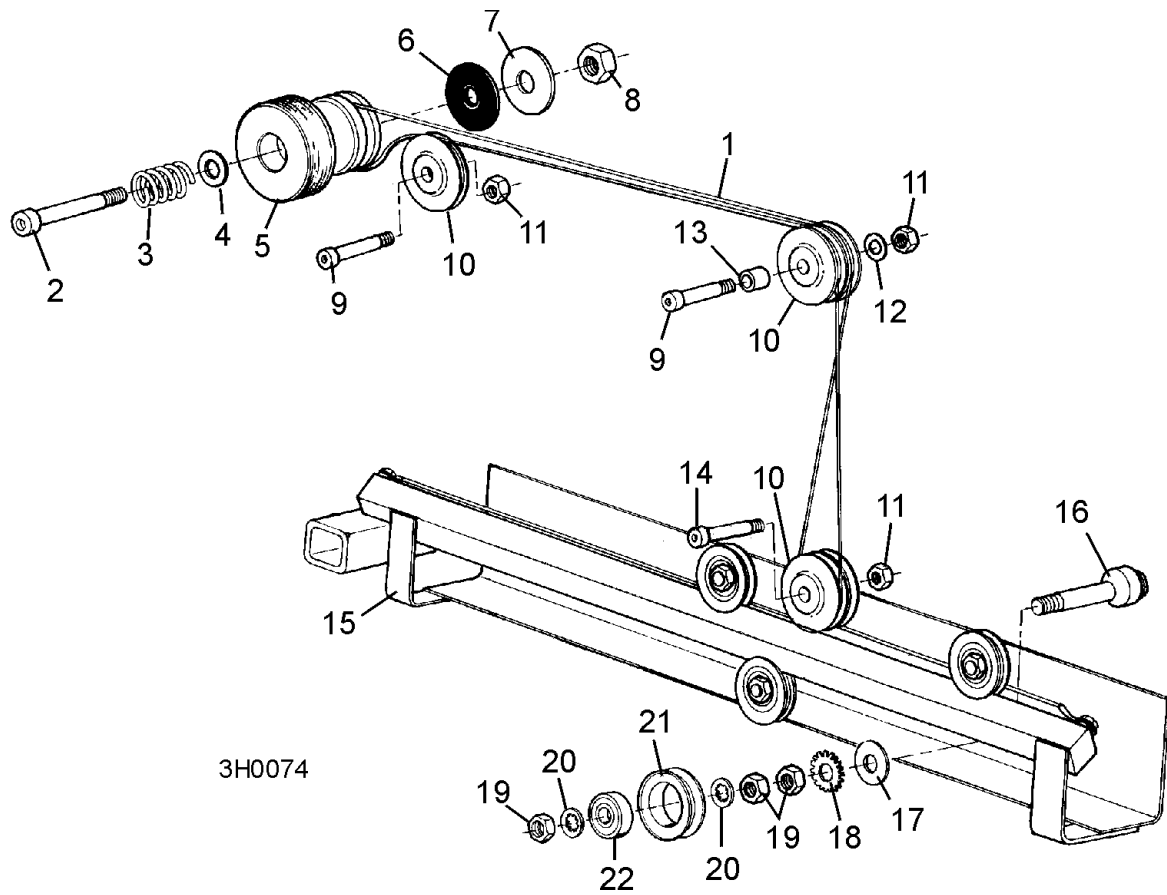


FIG. 2-15

2.16 Blade Guide Arm Assembly				
<i>LT30 Rev. J - N</i>				
<i>LT40 Rev. J - Q</i>				
REF	DESCRIPTION (◆ Indicates Parts Available In Assemblies Only)	PART #	QTY.	
	CABLE DRIVE KIT	K09069	1	◆
1	Cable w/Mounts, Replacement Blade Guide Arm	K09794 ¹	1	
2	Bolt, 1/2-13 x 1 3/4" Shoulder	F05008-24	1	
3	Spring, 7/8" O.D. x 1 1/2"	P07997	1	
4	Washer, 5/8" Nylon	F05011-19	1	
5	Knob Assembly, Blade Guide Arm Cable	A09070	1	
	Knob, Blade Guide Arm Cable	S07988-W	1	◆
	Bushing, 5/8" x 1 " Flanged Bronze	P08058	1	
6	Washer, Rubber	P08362	1	
7	Washer, Nylon	M08378	1	
8	Nut, 1/2-13 Hex Lock	F05010-3	1	
9	Bolt, 5/16-18 x 1" Shoulder	F05006-25	2	
10	Pulley, 2 1/2" Nylon 'V'	P07996	5	
11	Nut, 5/16-18 Hex Locknut	F05010-6	2	
12	Washer, 5/16" Pulley	S09050	2	
13	Spacer, 3/8" x 5/8"	S07995-W	1	
14	Bolt, 5/16-18 x 2" Shoulder	F05006-26	1	
15	BLADE GUIDE ARM WELDMENT	W09353	1	
	Tube, Blade Guide Mount	W08159	1	
16	BOLT, BLADE GUIDE ARM ROLLER CAM	W09067	4	
17	WASHER, 5/8" SAE FLAT	F05011-5	4	
18	WASHER, 5/8" EXTERNAL STAR	F05011-26	4	
19	NUT, 5/8-18 HEX JAM	F05010-11	12	
20	WASHER, 5/8" INTERNAL STAR	F05011-25	8	
	ROLLER ASSEMBLY, BLADE GUIDE ARM WITH BEARING	A09059	4	
21	Roller, Blade Guide Arm V-Groove	S07989	1	◆
22	Bearing, 6203-2NSL 5/8" I.D.	P06030-1	1	

¹ Replaces A04382 originally supplied.

2 Blade Drive & Guides
Blade Guide Arm Assembly



2.17 Blade Guide Arm Assembly

LT30 Rev. A - H
LT40 Rev. A - H

REF	DESCRIPTION (◆ Indicates Parts Available In Assemblies Only)	PART #	QTY.	
1	ARM ASSEMBLY, BLADE GUIDE	W09023	1	
2	NUT, 3/8-16 HEX NYLON LOCK	F05010-10	1	
3	BOLT, 3/8-16 X 1 1/4" HEX HEAD	F05007-2	1	
4	HANDLE, BLADE GUIDE ARM LOCK 'T'	W09022	1	
5	BLOCK, BLADE GUIDE ARM T-HANDLE ACME	S07502	1	
6	SCREW, 1/2-13 X 1 1/4" BRASS TIP SET	F05008-18	2	

2

Blade Drive & Guides

Blade Guide Arm Assembly

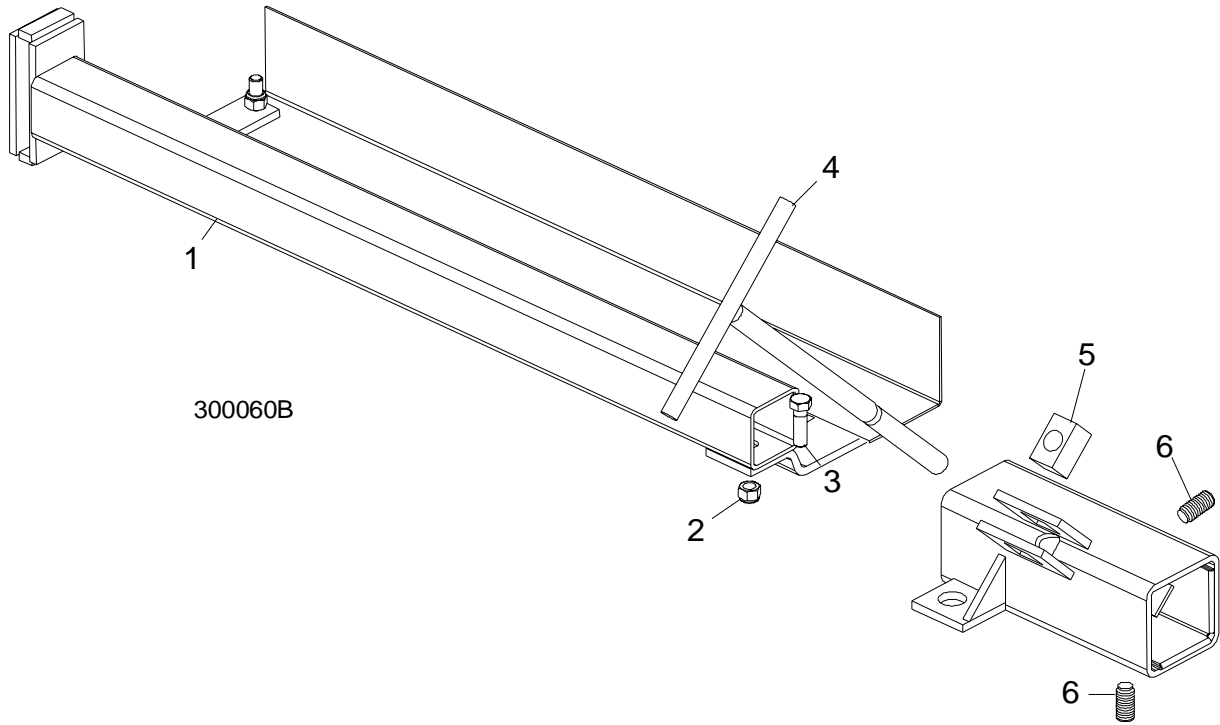


FIG. 2-17

2.18 Clutch/Brake Lever Assembly				
<i>LT30 Rev. A - N</i>				
<i>LT40 Rev. A - Q</i>				
REF	DESCRIPTION (◆ Indicates Parts Available In Assemblies Only)	PART #	QTY.	
	LEVER ASSEMBLY, CLUTCH/BRAKE	A07415	1	
1	Lever, Clutch/brake	W05034	1	◆
2	Knob, Plastic Round	P04211	1	
3	BOLT, 1/2-13 X 2 1/4 HEX HEAD GRADE 5	F05008-10	2	
4	NUT, 1/2-13 HEX NYLON LOCK	F05010-8	2	
5	BLOCK, CLUTCH HANDLE MOUNT	S04934 ¹	1	
6	BLOCK, CLUTCH HANDLE MOUNT ROUNDED	S04415-W	1	
7	BLOCK, CLUTCH HANDLE ADJUSTABLE	S04414-W	1	
8	FITTING, 3/16" GREASE	P04107	3	
9	COLLAR, 5/8" I.D.	P05035	1	
	COLLAR W/WATER SHUTOFF, 5/8" I.D.	A09921 ²	1	
10	BRACKET, THREADED MOTOR MOUNT HANGER	W05025	1	
11	WASHER, 1/2" SPLIT LOCK	F05011-6	2	
12	NUT, 3/4-10 HEX	F05010-7	2	
13	BOLT, 1/2-13 X 1 1/2 HEX HEAD	F05008-4	1	
14	NUT, 1/2-13 HEX LOCK	F05010-3	1	
15	BOLT, 1/2-13 X 1 1/2" HEX HEAD	F05008-4	1	
16	PLATE, UPPER BRAKE STRAP CLAMP	S04195	1	
17	NUT, 1/2-13 HEX NYLON LOCK	F05010-8	1	
18	STRAP, COTTON BRAKE	M07484 ³	1	
19	NUT, 3/8-16 HEX NYLON LOCK	F05010-10	2	
20	PLATE, LOWER BRAKE STRAP CLAMP	S04123	1	
21	BOLT, 3/8-16 X 1 1/4" CARRIAGE HEAD	F05007-11	2	

¹ Block may also be replaced with S04415-W rounded block.

² Replaces P05035 on mills equipped with Auto-Shutoff Waterlube.

³ Replaces leather brake strap originally supplied.

2 Blade Drive & Guides
Clutch/Brake Lever Assembly

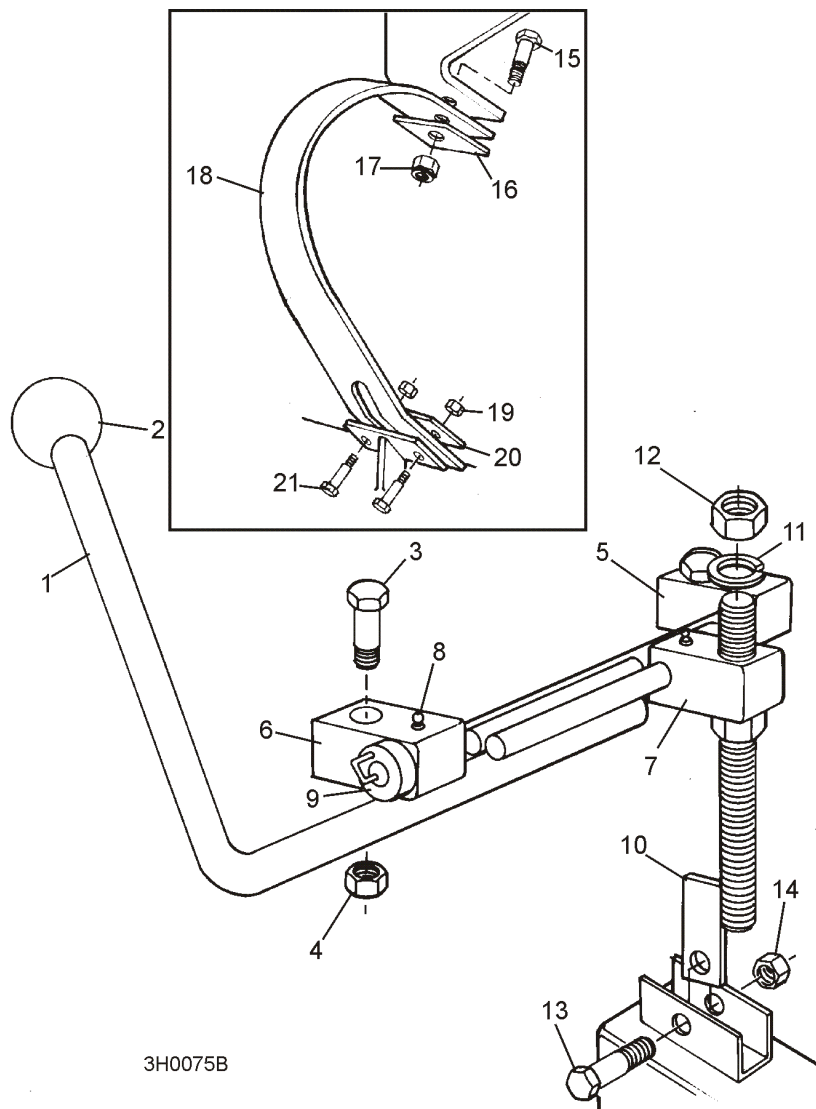


FIG. 2-18

2.19 Water Lube Assembly				
	<i>LT30</i>	<i>Retrofit</i>		
	<i>LT40</i>	<i>Retrofit</i>		
REF	DESCRIPTION (◆ Indicates Parts Available In Assemblies Only)	PART #	QTY.	
1	BOTTLE ASSY, WATER LUBE W/CAP	014642 ¹	1	
2	FITTING, 3/4FPT X 3/4 MPT	014636 ²	1	
3	FITTING, WATER LUBE SHUTOFF VALVE	014100 ²	1	
4	FITTING, 5/8" NPT TO 3/8" HOSE BARB	014113 ²	1	
5	TUBING, WATER LUBE 3/8" I.D.	R01885	7 ft.	
6	TRAY WELDMENT, WATER BOTTLE	W04729	1	
7	SCREW, #10-24 X 2 3/4" SLOTTED ROUND HEAD	F05004-99 ³	1	
8	NUT, #10-24 SELF-LOCKING HEX	F05010-9	1	

¹ Use Water Bottle Assembly w/Cap 014642 to service all bottle/cap combinations previously supplied. Bottle 014367, 61mm Cap 014773 and 70mm Cap 036744 no longer available separately. 014642 Bottle Kit replaces P04357 bottle & P09088 cap originally supplied (requires fittings 014636, 014113, and valve 014100).

² Fittings apply only to retrofit bottle supplied after 3/97. [See Section 2.20](#) for original bottle replacement parts.

³ Longer screw F05004-99 replaces F05004-5 when original bottle P04357 replaced with 014642. New bottle size requires longer clamping screw.

2 Blade Drive & Guides

Water Lube Assembly

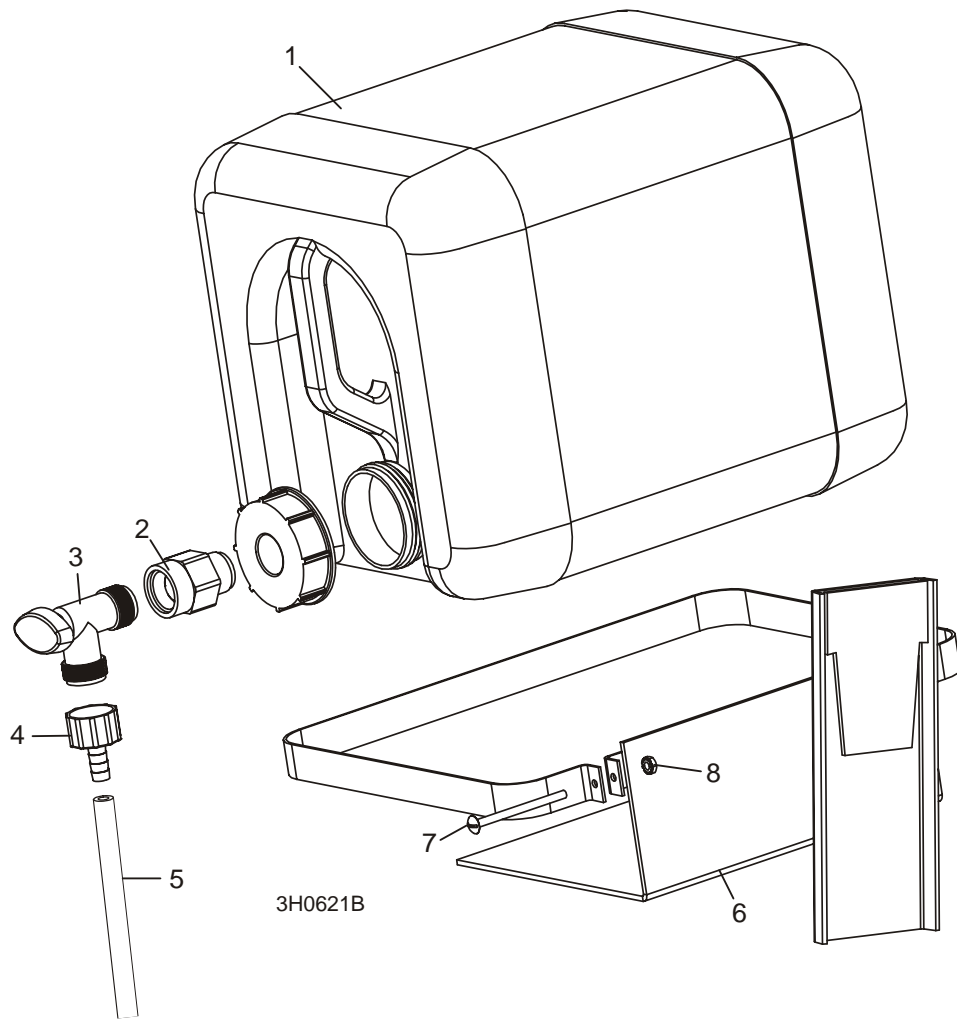


FIG. 2-19

2.20 Water Lube Assembly				
<i>LT30</i>		<i>Rev. A - N</i>		
<i>LT40</i>		<i>Rev. A - Q</i>		
REF	DESCRIPTION (◆ Indicates Parts Available In Assemblies Only)	PART #	QTY.	
1	BOTTLE, 5 GALLON WATER	P04357 ¹	1	◆
2	Cap, 5 Gallon Water Bottle	P09088 ¹	1	◆
3	FITTING, 3/4" TO 1/4" REDUCER	P04695 ²	1	
4	VALVE, WATER FLOW	P04669 ²	1	
5	FITTING, 3/8" HOSE BARB	P04730 ²	1	
6	HOSE, PLASTIC WATER LUBE	R01885	6.5 Ft	
7	TRAY WELDMENT, WATER BOTTLE	W04729	1	
8	SCREW, #10-24 X 3/4" SLOTTED ROUND HEAD	F05004-5 ²	1	
9	NUT, #10-24 SELF-LOCKING HEX	F05010-9	1	

¹ Use Water Bottle Assembly w/Cap 014642 to service all bottle/cap combinations previously supplied. Bottle 014367, 61mm Cap 014773 and 70mm Cap 036744 no longer available separately. Bottle P04357 & Cap P09088 no longer available. New bottle 014642 available 3/97 provides higher UV resistance ([See Section 2.19](#)).

² Fittings, valve and screw apply only to original P04357 bottle. [See Section 2.19](#) for replacement parts if bottle replaced after 3/97.

2 Blade Drive & Guides

Water Lube Assembly

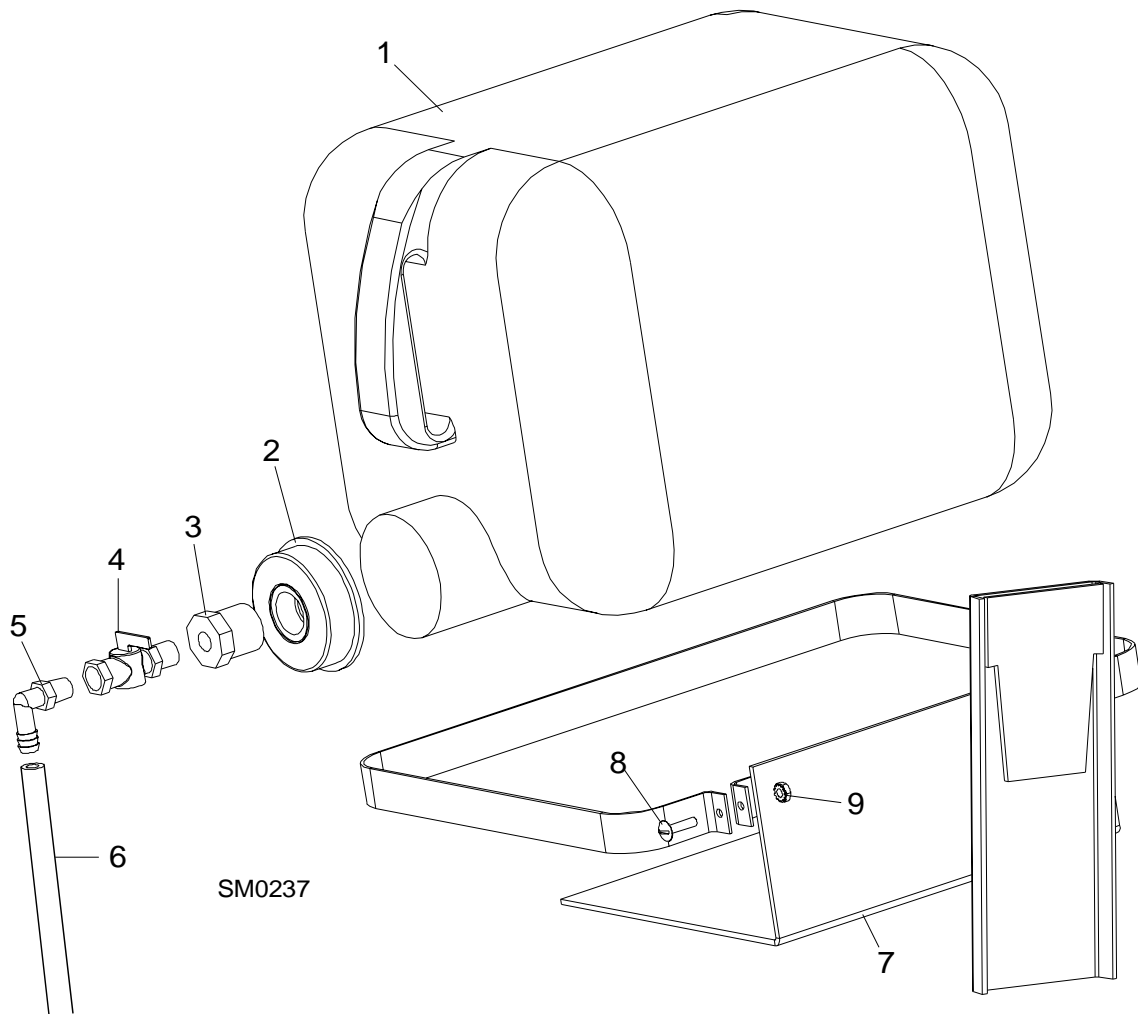


FIG. 2-20

2.21 Middle Throat Bearing				
LT30 Rev. A - N LT40 Rev. A - Q				
REF	DESCRIPTION (◆ Indicates Parts Available In Assemblies Only)	PART #	QTY.	
	BEARING KIT, MIDDLE THROAT	A07539	1	
	Bearing Assembly, Middle Throat	A04244	1	
1	Bracket, Middle Throat Bearing Mount	W04245	1	
2	Nut, 5/8-11 Hex Lock	F05010-4	1	
3	Bearing, R10	P04156	1	
4	Nut, 5/8-11 Nylon Lock	F05010-34	1	
5	Bolt, 1/2-13 x 3" Hex Head Full Thread	F05008-7	1	
6	Washer, 1/2" SAE Flat	F05011-2	1	
7	Nut, 1/2-13 Nylon Lock	F05010-8	1	
8	Nut, 3/8-16 Hex	F05010-1	2	
9	Washer, 3/8" Split Lock	F05011-4	1	
10	Bolt, 3/8-16 x 2 Hex Head Full Thread	F05007-16	1	

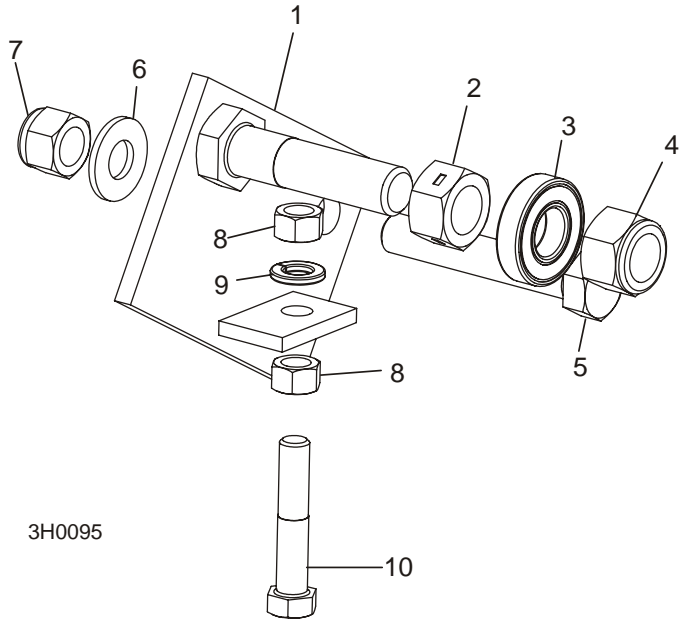


FIG. 2-21

2

Blade Drive & Guides

Middle Throat Bearing

SECTION 3 SAW HEAD COVERS

3 Saw Head Covers

Saw Head Covers

3.1 Saw Head Covers				
<i>LT30 Rev. A - N</i>				
<i>LT40 Rev. A - Q</i>				
REF	DESCRIPTION (◆ Indicates Parts Available In Assemblies Only)	PART #	QTY.	
	COVER, DRIVE SIDE BLADE HOUSING WITH HANDLE	A09420	1	
1	Cover, Drive Side Blade Housing	W07948	1	◆
2	Handle, Blade Housing Cover	P08065	1	
3	Screw, #8-32 X 3/8" Self-Tap	F05015-8	2	
	Pin Assembly, Cover Retainer	A12812 ¹	1	
4	Pin, Safety Retainer	P05059	1	
	Cable, 1/8" O.D. Coated Nylon	R02075	.92 Ft.	
	Clamp, 1/8" Dual Cable	P11830	1	
5	COVER, IDLE SIDE BLADE HOUSING (LT30 REV. A - L/LT40 REV. A - M)	W07947	1	
	COVER, IDLE SIDE BLADE HOUSING WITH HANDLE (LT30 REV. M+/LT40 N+)	A09419	1	
	Cover, Idle Side Blade Housing	W09351	1	◆
2	Handle, Blade Housing Cover	P08065	1	
3	Screw, #8-32 X 3/8" Self-Tap	F05015-8	2	
	Pin Assembly, Cover Retainer	A12812 ¹	1	
4	Pin, Safety Retainer	P05059	1	
	Cable, 1/8" O.D. Coated Nylon	R02075	.92 Ft.	
	Clamp, 1/8" Dual Cable	P11830	1	
6	COVER, MIDDLE BLADE HOUSING	W07409 ²	1	
	DECAL, LT30G18	S12586	1	
	DECAL, LT30G24	S12587	1	
	DECAL, LT30E15	S12585	1	
	DECAL, LT40G18	S12593	1	
	DECAL, LT40G24	S12594	1	
	DECAL, LT40E15	S12592	1	
7	BOLT, 1/4-20 X 3/4" HEX HEAD	F05005-1	4	
8	HINGE, MIDDLE BLADE HOUSING COVER	S07522	2	
9	NUT, COVER TURN	021145 ³	3	
	GUARD KIT, LOWER BELT	K07500	1	
10	Guard, Lower Belt	S07512	1	
11	Bolt, 1/4-20 x 3/4" Hex Head	F05005-1	4	
12	Nut, 1/4-20 Self-Locking	F05010-9	4	
	GUARD KIT, DRIVE PULLEY	K07229	1	
13	Guard, Drive Pulley	W09003	1	
14	Bolt, 1/4-20 x 3/4" Hex Head	F05005-1	4	
15	Nut, 1/4-20 Self-Locking	F05010-9	4	
16	Washer, 1/4" SAE Flat	F05011-11	4	
17	Clamp, 1/2" Plastic Wire	F05114-1	2	
18	Screw, #10-24 x 1/2" Slotted	F05004-1	2	

19	Nut, #10-24 Self-Locking	F05010-14	2	
20	GUARD, MOTOR PULLEY (KOHLER ENGINE/ONAN B48G)	W04191	1	
	GUARD, MOTOR PULLEY (BRIGGS ENGINE/ELECTRIC MOTOR/ONAN P220)	W09010	1	
21	BOLT, 1/4-20 X 3/4" HEX HEAD	F05005-1	2	
22	NUT, 1/4-20 SELF-LOCKING	F05010-9	2	
23	COVER, 2X4 TUBE	S09055	1	
24	SCREW, 1/4-20 X 3/8" SELF-TAPPING	F05005-44	2	

¹ Hole must be drilled in cover pin to accept retainer pin. Retainer secures cover while traveling.

² Replaces W09467. Order appropriate model decal for cover label.

³ Directly replaces W07511 nut weldment (8/97).

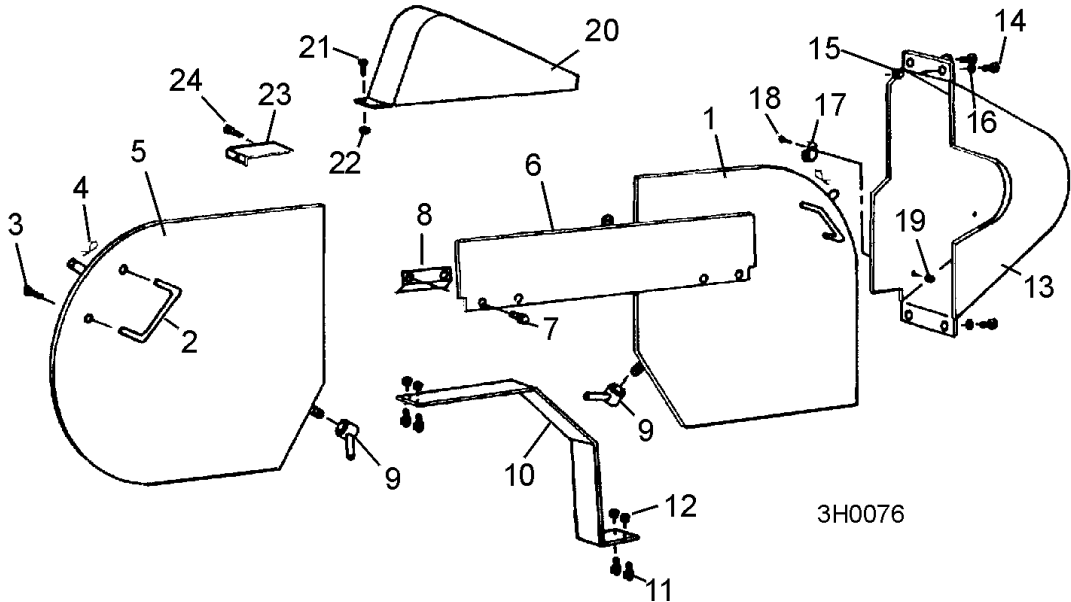


FIG. 3-1

SECTION 4 BATTERY BOX AND INSTRUMENT PANEL

4

Battery Box and Instrument Panel

Battery Box Assembly

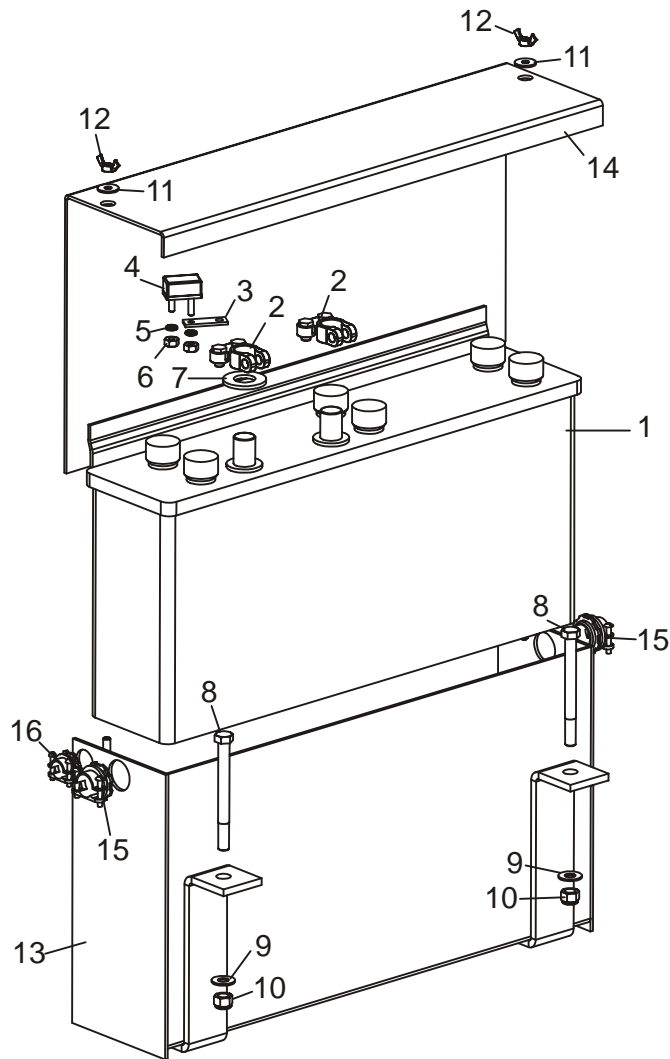
4.1 Battery Box Assembly				
<i>LT30 Rev. A - N</i> <i>LT40 Rev. A - Q</i>				
REF	DESCRIPTION (◆ Indicates Parts Available In Assemblies Only)	PART NUMBER	QTY.	
	BOX ASSEMBLY, 12 VOLT BATTERY	K07303 ¹	1	◆
1	Battery, Deka 12 Volt Dry	P04325 ²	1	
	Box Assembly, Battery	A07973 ¹	1	◆
2	Terminal, Battery	P05085	2	
3	Washer, Battery Terminal	P12161 ³	1	
4	Bracket, Circuit Breaker Mount	S09538 ⁴	1	
	Breaker Assembly, 50 Amp Circuit	A04706 ⁴	1	
5	Breaker, 50 Amp Circuit	P05086	1	
6	Washer, #10 Split Lock	F05011-20	2	
7	Nut, #10-24 Hex	F05010-27	2	
8	Bolt, 3/8-16 X 4" Hex Head Grade 2	F05007-4	2	
9	Washer, 3/8" SAE Flat	F05011-3	2	
10	Nut, 3/8" Hex Nylon Lock	F05010-10	2	
11	Washer, 1/4" SAE Flat	F05011-11	2	
12	Nut, 1/4-20 Wing	F05010-13	2	
13	Box Weldment, Battery	W09017	1	
14	Lid, Battery Box	W09004	1	
15	Fitting, 3/4" Cable Clamp	P05065-1	2	

¹ Battery kit K07303 and assembly A07973 obsolete. Use components to service.

² Battery supplied is dry. Wood-Mizer is not able to ship batteries containing electrolyte.

³ Protective terminal washer added to positive battery terminal after 5/92 to prevent corrosion.

⁴ Circuit breaker moved to instrument panel after LT30 Rev. AJ & LT40 Rev. AH. Replace bracket with S09855. See Section 4.2 for recommended position.



3H0078

FIG. 4-1

4

Battery Box and Instrument Panel

Instrument Panel (20HP)

4.2 Instrument Panel (20HP)				
<i>LT40 Rev. N - Q</i>				
REF	DESCRIPTION (◆ Indicates Parts Available In Assemblies Only)	PART NUMBER	QTY.	
	INSTRUMENT PANEL ASSEMBLY, 20HP ONAN ENGINE	A07476 ¹	1	
	Panel Assembly	A07920	1	◆
1	Panel, Instrument Mounting	S07514	1	◆
2	Gauge, Amp Meter	P04270	1	
3	Gauge, Hour Meter	P09631 ²	1	
4	Switch, On/Off Key	P04350	1	
5	Light Assembly, Red Indicator	P04986	1	
6	Fitting, 3/4" Cable Clamp	P05065-1	2	
7	Fitting, 3/8" Cable Clamp	P05065-2	1	
8	Grommet, Heyco Wire	P04137	1	
9	Wire, Switch to Hour Meter	A07929	1	
10	Bracket, Circuit Breaker Mount	S09855	1	
	Breaker Assembly, 50 Amp Circuit	A04706 ³	1	
11	Breaker, 50 Amp Circuit	P05086	1	
	Washer, #10 Split Lock	F05011-20	2	
	Nut, #10-24 Hex	F05010-27	2	
12	Harness, Upper Wire	A07470	1	
13	Harness, Lower Wire	A07245	1	
14	Wire, Switch to Amp Meter	A07248	1	
15	Wire, Switch to Starter	A09540	1	
16	BOLT, 1/4-20 X 3/4" HEX HEAD FULL THREAD	F05005-1	2	

¹ Use A10000-W if engine retrofitted with external alternator.

² Replaces P04296. Requires modification of mounting hole.

³ Circuit breaker moved from battery terminal.

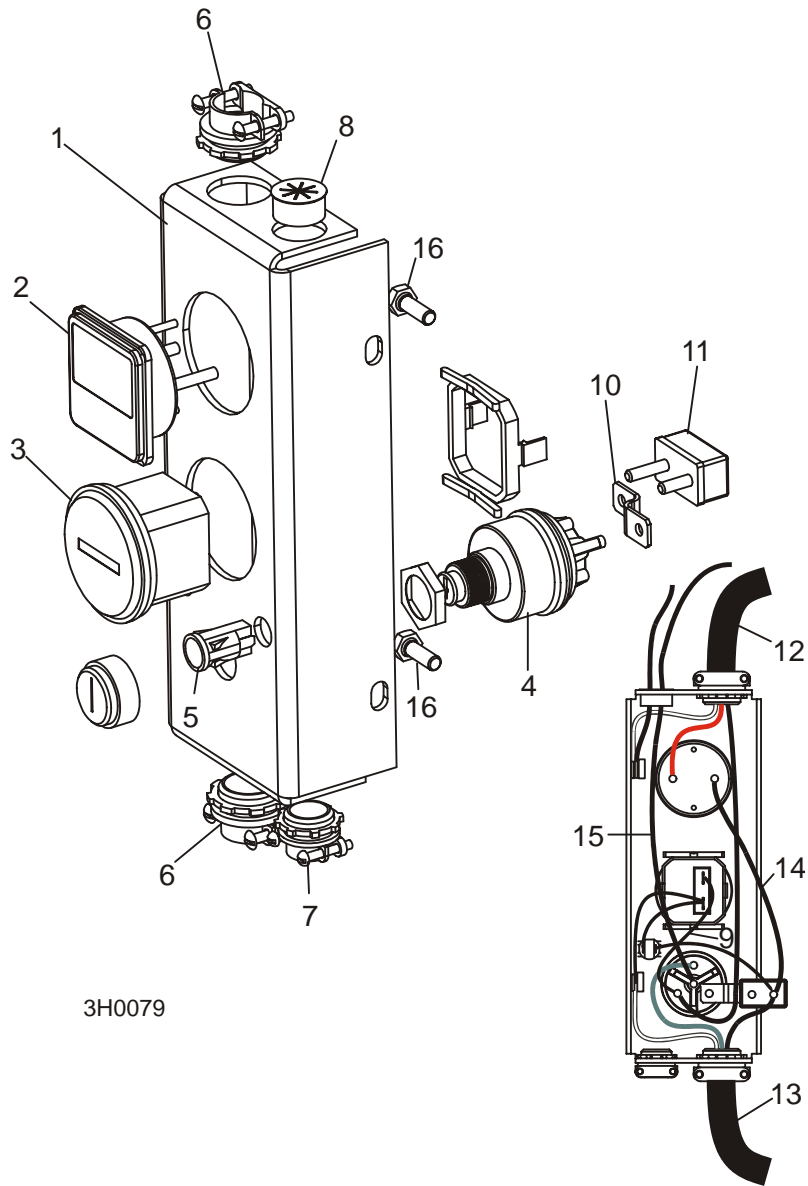


FIG. 4-2

4

Battery Box and Instrument Panel*Instrument Panel (14HP/16HP)*

4.3 Instrument Panel (14HP/16HP)				
<i>LT30 Rev. H - N</i>				
<i>LT40 Rev. A - Q</i>				
REF	DESCRIPTION (◆ Indicates Parts Available In Assemblies Only)	PART NUMBER	QTY.	
	INSTRUMENT PANEL ASSEMBLY, 14HP/16HP ENGINE	A07921 ¹	1	
	Panel Assembly	A07920	1	◆
1	Panel, Instrument Mounting	S07514	1	◆
2	Gauge, Amp Meter	P04270	1	
3	Gauge, Hour Meter	P09631 ²	1	
4	Switch, On/Off Key	P04350	1	
5	Light Assembly, Red Indicator	P04986	1	
6	Fitting, 3/4" Cable Clamp	P05065-1	2	
7	Fitting, 3/8" Cable Clamp	P05065-2	1	
8	Grommet, Heyco Wire	P04137	1	
9	Wire, Switch to Hour Meter	A07929	1	
10	Bracket, Circuit Breaker Mount	S09855	1	
	Breaker Assembly, 50 Amp Circuit	A04706 ³	1	
11	Breaker, 50 Amp Circuit	P05086	1	
	Washer, #10 Split Lock	F05011-20	2	
	Nut, #10-24 Hex	F05010-27	2	
12	Harness, Upper Wire	A07922	1	
13	Harness, Lower Wire	A07245	1	
14	Wire, Switch to Amp Meter	A07248	1	
15	Wire, Switch to Starter	A07472	1	
16	Switch, Engine Kill	P07915 ⁴	1	◆
17	Wire, Kill Switch	A07930 ⁴	1	
18	BOLT, 1/4-20 X 3/4" HEX HEAD FULL THREAD	F05005-1	2	

¹ Replaces A04897 originally supplied with 14HP & 16HP Kohler engine. Instrument panel relocated from under engine to vertical mast after Rev. AK. Instrument panel may be retrofitted to sawmills before Rev. H not originally equipped with an instrument panel.

² Replaces P04296. Requires modification of mounting hole.

³ Circuit breaker moved from battery terminal.

⁴ Kohler 16HP Magnum and Briggs 16HP only. Part is obsolete and no longer available. Customer should be able to source locally.

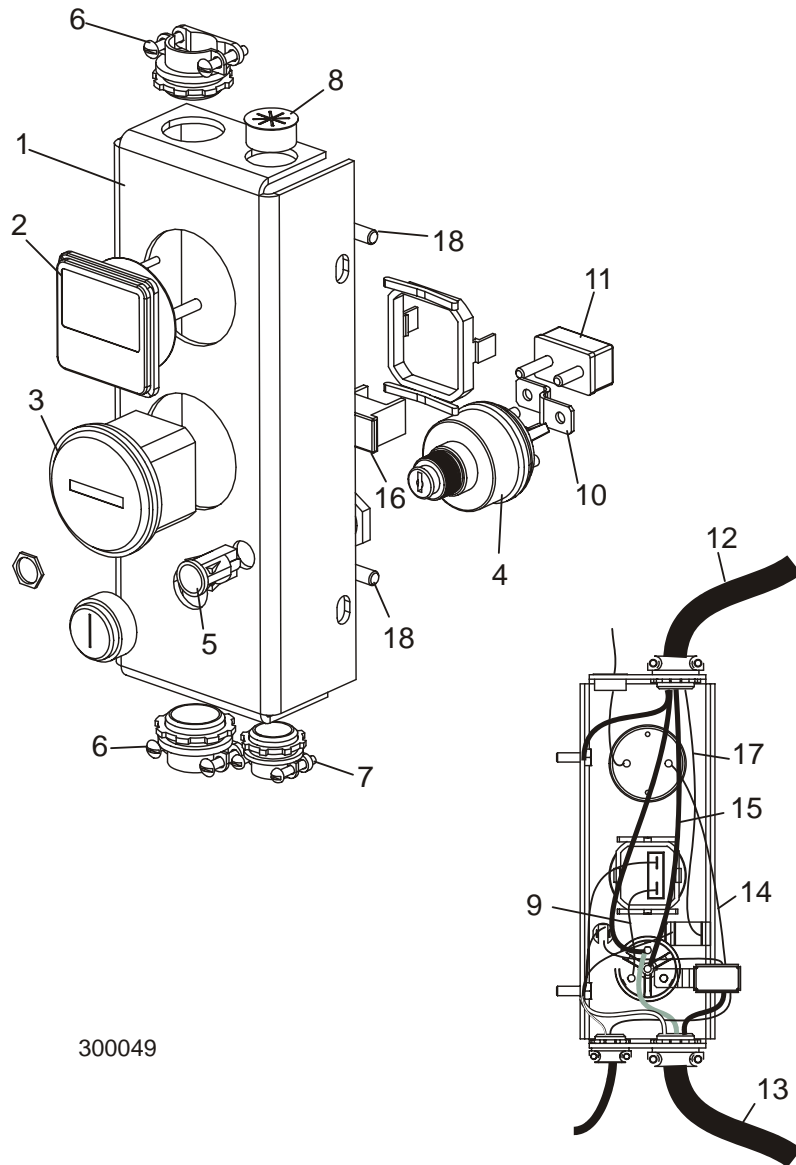


FIG. 4-3

SECTION 5 UP/DOWN SYSTEM & SCALES

5 Up/Down System & Scales

Saw Head V-Brace Mount

5.1 Saw Head V-Brace Mount				
<i>LT30 Rev. A - N</i>				
<i>LT40 Rev. A - Q</i>				
REF	DESCRIPTION (◆ Indicates Parts Available In Assemblies Only)	PART #	QTY.	
1	V-BRACE, SAW HEAD MOUNT	W04099	1	
2	BOLT, 5/16-18 X 3/4" HEX HEAD GRADE 5	F05006-5	11	
3	BOLT, 5/16-18 X 1 1/4" HEX HEAD FULL THREAD	F05006-18	5	
4	PAD, PLASTIC SLIDE	M04096	8	
5	NUT, 5/16-18 NYLON LOCK	F05010-58	16	
6	NUT, 5/16-18 HEX	F05010-17	5	
7	PLATE, V-BRACE WASHER	S07935	4	
8	BOLT, 1/2-13 X 3" HEX HEAD	F05008-1	4	
9	NUT, 1/2-13 NYLON LOCK	F05010-8	4	
10	BOLT, 3/8-16 X 3" FULL THREAD	F05007-1	2	
11	NUT, 3/8-16 HEX	F05010-1	4	
12	WASHER, 3/8" SAE FLAT	F05011-3	2	
13	WASHER, 3/8" SPLIT LOCK	F05011-4	2	
	SIGHT GAUGE KIT	A10087 ¹	1	
	Sight Gauge Assembly	A09997	1	◆
14	Bracket, Sight Gauge Mount	S09998	1	◆
15	Spring, Sight Gauge	S10031	1	
16	Bolt, 3/8-16 X 2" Hex Head Full Thread	F05007-16	1	
17	Nut, 3/8-16 Hex Lock	F05010-25	1	
18	Washer, 5/16" SAE Flat	F05011-17	2	
19	Nut, 5/16-18 Hex Lock	F05010-6	2	
	Instruction Sheet, Sight Gauge	A10087-257	1	

¹ Sight gauge assembly can be retrofitted to all sawmills to accurately set cutting height of blade.

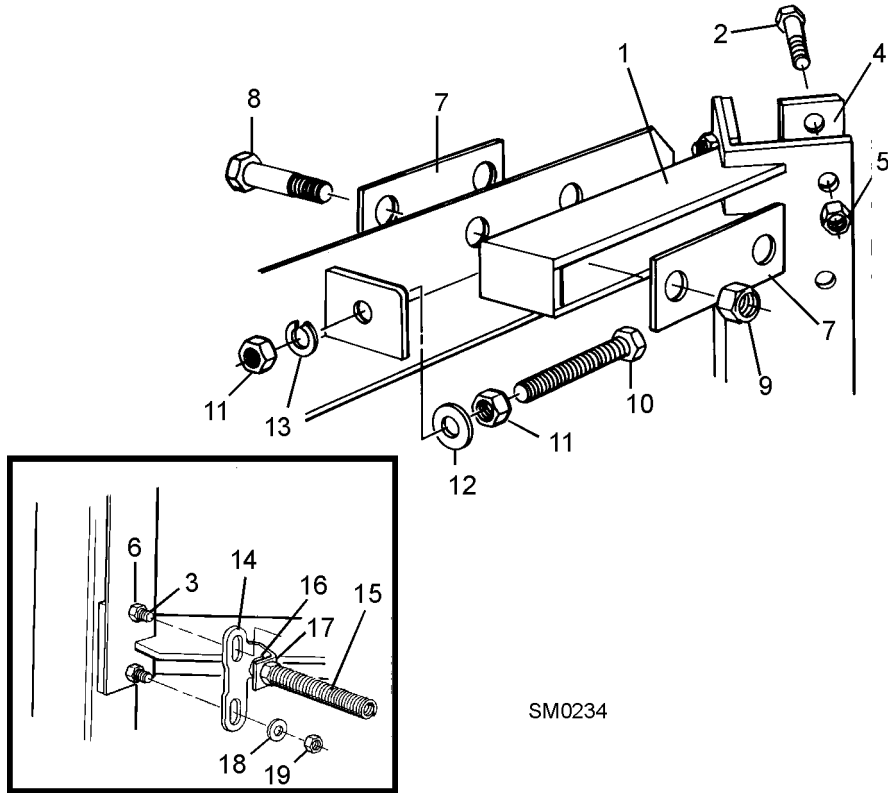


FIG. 5-1

5 Up/Down System & Scales

Blade Height Scale

5.2 Blade Height Scale				
<i>LT30 Rev. A - N</i>				
<i>LT40 Rev. A - Q</i>				
REF	DESCRIPTION (◆ Indicates Parts Available In Assemblies Only)	PART #	QTY.	
	SCALE KIT, 30" BLADE HEIGHT	K04810 ¹	1	
1	Scale, 30" Quarter	S09363-W ²	1	
	Decal, 35" Quarter Scale	P11039 ³	1	
	Decal, Grade Hardwood Quarter Scale	P12912	1	
	Decal, Quarter Scale w/o Shrinkage	P09473	1	
2	Scale, 30" Inch	S09362-W	1	
	Decal, 35" Inch (See Optional Metric Scale Below)	P11038 ³	1	
3	Strap, Scale Hold-Down	S04805	2	
4	Screw, 1/4-20 X 5/8" Wing	F05005-64	2	
5	Screw, 1/4-20 x 1/2" Slotted Hex Head Self-Tapping	F05015-1	3	
6	Washer, 1/4" X .020 Thick Nylon Flat	F05011-22	2	
	Instruction Sheet, Sliding Scale Retrofit	K04810-198	1	
	INDICATOR KIT, BLADE HEIGHT	K07709	1	
7	Bolt, 1/4-20 X 3/4" Hex Head Full Thread	F05005-1	2	
8	Washer, 1/4" SAE Flat	F05011-11	2	
9	Indicator Assembly, Blade Height	A07377 ⁴	1	◆
	Indicator, Plastic Blade Height	M07267-N ⁵	1	
	Bracket, Blade Height Indicator Mount	S07503	1	
	Screw, #10-24 x 3/8" Phillips Head	F05004-3	2	
	Nut, #10-24 Self-Locking	F05010-14	2	
10	Plate, Indicator Washer	S07527	1	
	DECAL, METRIC 88 MM	S11670 ³	1	

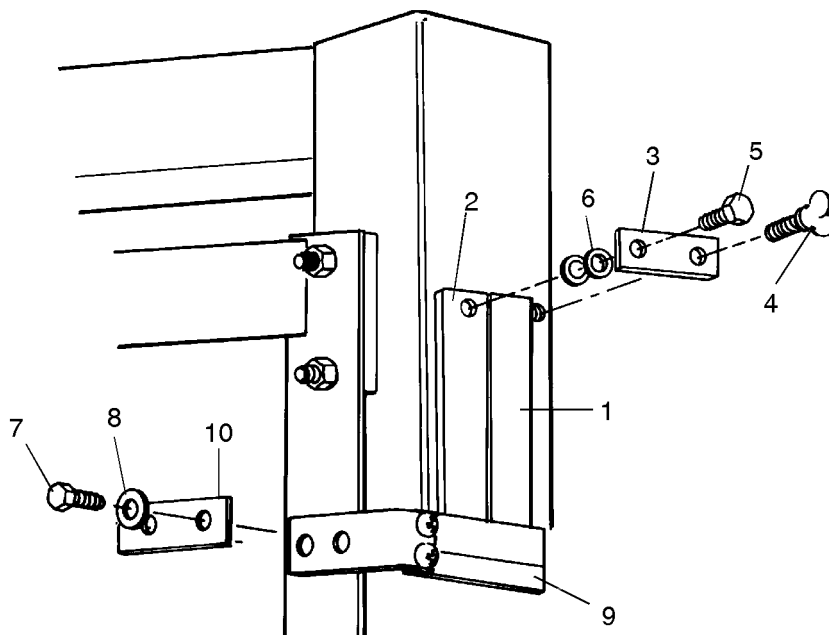
¹ Kit includes instructions to retrofit LT30 Rev. A - Z not originally equipped with sliding quarter scale.

² Sliding quarter scale added after Rev. AA.

³ Modify decal to fit 30" scale.

⁴ Clear plastic indicator replaces steel pointer originally supplied on Rev. A - AP.

⁵ Replaces W07267. Part Number change only.



3H0059

FIG. 5-2

5 Up/Down System & Scales

Up/Down Drive Assembly

5.3 Up/Down Drive Assembly				
<i>LT30 Rev. A - N</i>				
<i>LT40 Rev. A - Q</i>				
REF	DESCRIPTION (◆ Indicates Parts Available In Assemblies Only)	PART #	QTY.	
	MOTOR, UP/DOWN REPLACEMENT	A04367	1	
1	Motor, Up/Down External Brush	016706 ¹	1	◆
	Brush Kit, Up/Down Leeson Motor External	034002 ²	1	
	Brush Kit, Up/Down Owosso Motor External	A12198 ²	1	
	Brush Kit, Up/Down Motor Internal	A07969 ²	1	
2	Pulley, Up/Down Motor	S04338	1	
3	Screw, 1/4-28 X 3/8" Cup Point Set	F05005-24	1	
4	CLAMP, 3 1/4" DIA. SCREW	P11456	2	
5	BELT, 3L290 RIBBED V	P04349	1	
6	PULLEY, 8" UP/DOWN	P04343	1	
7	REDUCER, 60:1 GEAR	P07977 ³	1	
8	BOLT, 5/16-18 X 1 1/2" HEX HEAD FULL THREAD (FOR P04345 GEAR REDUCER)	F05006-2	4	
	BOLT, 5/16-18 X 1" HEX HEAD GRADE 5 (FOR P07977 GEAR REDUCER)	F05006-27	4	
9	BRACKET, UP/DOWN MOTOR MOUNT	S09077 ⁴	1	
	SWITCH KIT, UP/DOWN DRUM	A11758 ⁵	1	
10	Switch, Up/Down Drum	P11535	1	◆
11	Handle, Drum Switch	P12500	1	
	Decal, Up/Down	P08384	1	
12	Screw, #10-24 x 5/8" Hex Head	F05004-18 ⁶	2	
13	Washer, #10 SAE Flat	F05011-18	2	
14	Nut, #10-24 Self-Locking	F05010-14 ⁷	2	
	Instruction Sheet, Up/Down Switch Replacement	A11758-300	1	
	Instruction Sheet, Switch Greasing Information	A11758-416	1	
15	SPROCKET, UP/DOWN #40 DUAL	S07976 ⁸	1	
	SPROCKET, UP/DOWN #40 B10	P02750 ⁹	1	
16	PLATE, REDUCER SPACER	S09052	1	
17	PLATE, UP/DOWN MOUNTING	S09080	1	
18	COVER, UP/DOWN PULLEY	S09082 ⁸	1	
	COVER, UP/DOWN PULLEY	S07504 ⁹	1	
19	HANDLE, UP/DOWN MANUAL CRANK (FOR P07977 GEAR REDUCER)	W09062	1	
	HANDLE, UP/DOWN MANUAL CRANK (FOR P04345 GEAR REDUCER)	W09025	1	
20	HANDLE, UP/DOWN LOCK	W07517	1	
21	BOLT, 5/16-18 X 1 1/2" HEX HEAD FULL THREAD	F05006-2	1	
22	NUT, 5/16-18 HEX	F05010-17	2	
23	WASHER, 5/16" SPLIT LOCK	F05011-13	1	
24	NUT, 5/16-18 HEX LOCK	F05010-6	1	
	OIL, 8 OZ. BOTTLED SYNTHETIC GEAR	L04869-4 ¹⁰	1	

- ¹ Motor kit A04367 revised 10/01. Leeson motor 016706 replaces Leeson motor 034001 (12/00) and Owosso motor P12093 originally supplied.
- ² Use 034002 Brush Kit for Leeson motor supplied after 12/00. Use A12198 Brush Kit for Owosso motor supplied from 6/92-12/00. Use A07969 if sawmill equipped with original internal brush up/down motor.
- ³ Replaces P04345 originally supplied prior to Rev. J. Requires new mounting plate S09080, spacer plate S09052, and four F05006-27 5/16-18 x 1" GR5 mounting bolts when replacing single-chain gear reducer. New gear reducer eliminates need for hold-down bracket S07983 and U-Bolt S07984 supplied on Rev. H.
- ⁴ Replaces S07524 originally supplied prior to Rev. J.
- ⁵ Replaces A04705 Drum Switch Assembly w/Spring. Replacement spring P04020 still available for old drum switch.
- ⁶ Replaces F05005-1 1/4-20 x 1" Hex Bolt used to mount original drum switch.
- ⁷ Replaces F05010-9 1/4-20 Self-Locking Nut used to mount original drum switch.
- ⁸ Use on LT30 Rev. J - N and LT40 Rev. J - Q with dual up/down chain.
- ⁹ Use on LT30 Rev. A - H and LT40 Rev. A - H with single up/down chain. P02750 replaces P04344 originally supplied (duplicate parts).
- ¹⁰ 8 - 11 oz. required for complete oil replacement.

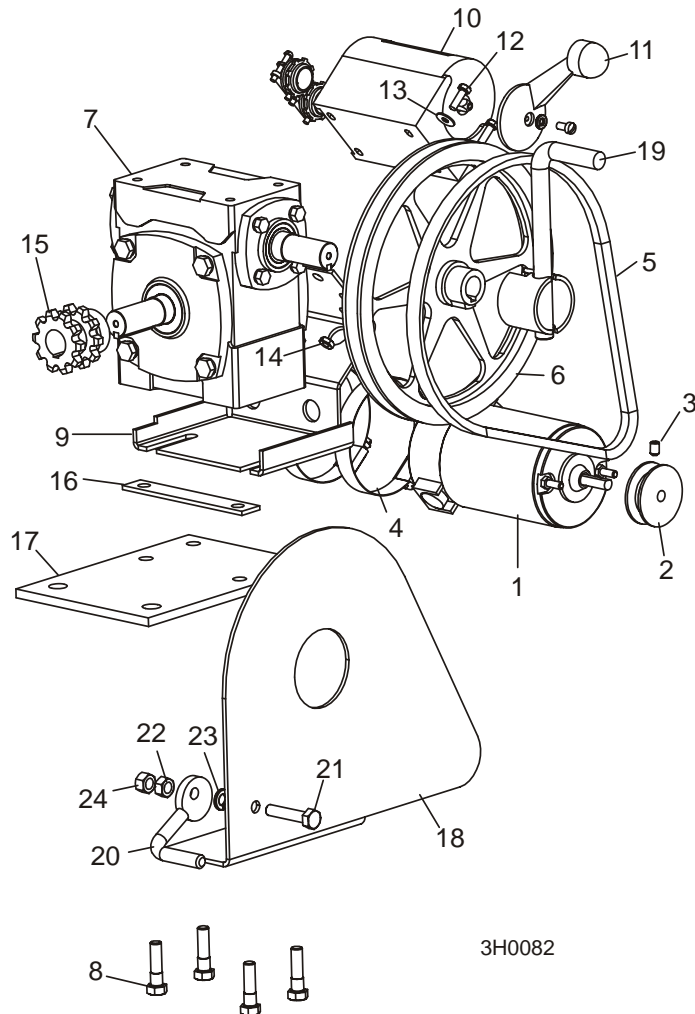


FIG. 5-3

5 Up/Down System & Scales

Up/Down Chain Assembly

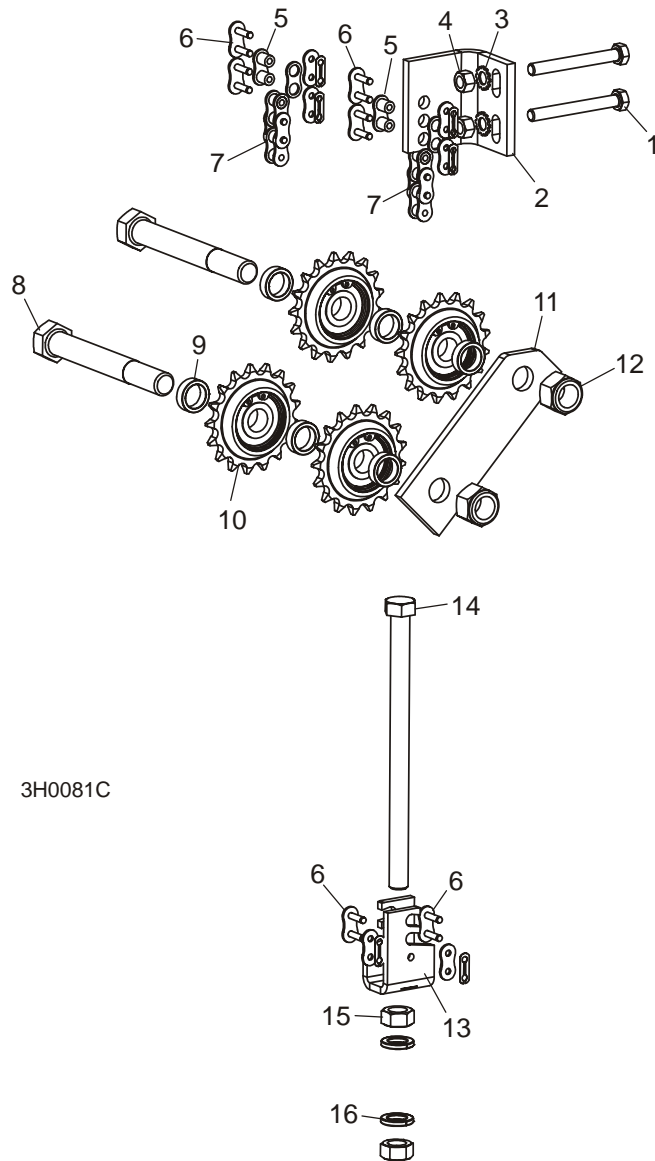
5.4 Up/Down Chain Assembly				
<i>LT30 Rev. J - N</i>				
<i>LT40 Rev. J - Q</i>				
REF	DESCRIPTION (◆ Indicates Parts Available In Assemblies Only)	PART #	QTY.	
1	BOLT, 5/16-18 X 2 3/4" HEX HEAD GRADE 5	F05006-28	2	
2	BRACKET, UPPER UP/DOWN CHAIN	S09051	1	
3	WASHER, 5/16" EXTERIOR TOOTH LOCK	F05011-33	2	
4	NUT, 5/16-18 HEX LOCK	F05010-6	2	
	CHAIN KIT, UP/DOWN REPLACEMENT	014487	1	
5	Link, #40 Roller	P09607	2	
6	Link, #40 Master	P04200	6	
7	Chain, #40 X 85.5" Up/Down	P04199	2	
	Instruction Sheet, Up/Down Chain Replacement	014487-492	1	
8	BOLT, 5/8-11 X 5" HEX HEAD GRADE 2	F05009-6	2	
9	SPACER, 7/8" OD X .65" ID	016433 ¹	6	
10	SPROCKET ASSY, #40/#41 CHAIN, 17T	016366 ¹	4	
11	PLATE, UP/DOWN IDLER SPROCKET	S09084	1	
12	NUT, 5/8-11 HEX NYLON LOCK	F05010-34	2	
	BRACKET, UP/DOWN SPROCKET MOUNT	W04066	1	
	TENSIONER ASSEMBLY, UP/DOWN CHAIN	A09046 ²	1	
13	Bracket, Up/Down Chain Tensioner	014216 ³	1	◆
14	Bolt, 1/2-13 x 7 1/2" Hex Head Full Thread	F05008-87 ⁴	1	◆
15	Nut, 1/2-13 Hex	F05010-35	2	
16	Washer, 1/2" Split Lock	F05011-9	2	

¹ Sprocket Assemblies 016433 and Spacers 016433 replace P04333 Sprockets and F05011-5 5/8" SAE Flat Washers originally supplied.

² Assembly includes new bolt F05008-87 and bracket 014216. Assembly replaces original rod S04201, bracket S09053, roll pin F05012-11, and bracket retrofit kit A12037 originally supplied until 2/96.

³ Replaces original chain tensioner bracket S09053 originally supplied.

⁴ Replaces 014233 threaded rod/nut weldment and S04201 rod previously supplied.



3H0081C

FIG. 5-4

5 Up/Down System & Scales

Up/Down Chain Assembly

5.5 Up/Down Chain Assembly				
LT30 Rev. A - H				
LT40 Rev. A - H				
REF	DESCRIPTION (◆ Indicates Parts Available In Assemblies Only)	PART #	QTY.	
1	LINK, #40 MASTER	P04200	3	
2	CHAIN, #40 X 85.5" UP/DOWN	P04199	1	
	SPROCKET ASSEMBLY, UP/DOWN	A07971 ¹	1	
3	Bolt, 5/8-11 x 2" Hex Head Grade 2	F05009-2	2	
4	Washer, 5/8" SAE Flat	F05011-5	4	
5	Sprocket, Up/Down Idler G1-40-41-17 5/8" Bore 17 Tooth	P04333	2	
6	Plate, Up/Down Idler Sprocket	S04074	1	
7	Nut, 5/8-11 Hex Nylon Lock	F05010-4	2	
	Bracket, Up/Down Sprocket Mount	W04066	1	
8	ROD, UP/DOWN TENSIONER	S04201	1	
9	NUT, 1/2-13 HEX JAM	F05010-31	2	
10	WASHER, 1/2" SPLIT LOCK	F05011-9	2	

¹ Kit includes sprockets and mounting hardware for single up/down chain. Use for sawmills originally equipped with bearings instead of sprockets (Rev. A - Q).

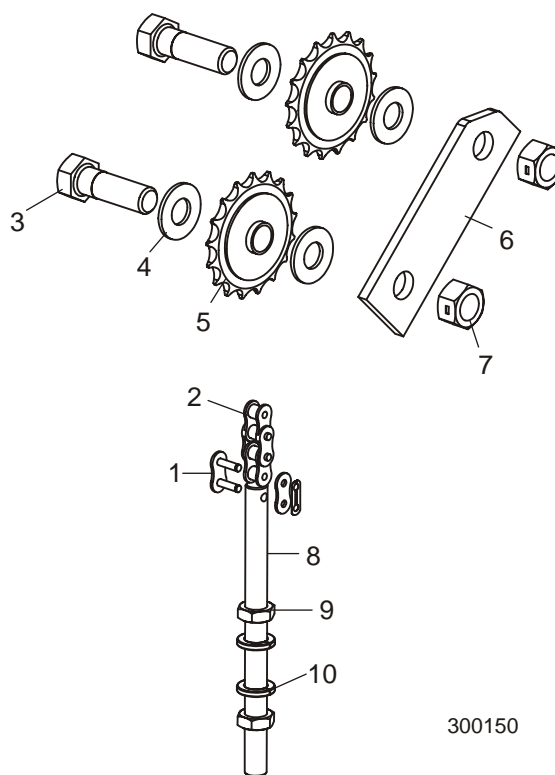


FIG. 5-5

SECTION 6 POWER FEED & TRACK ROLLERS

6

Power Feed & Track Rollers*Upper Track Rollers And Wipers*

6.1 Upper Track Rollers And Wipers				
<i>LT30 Rev. A - N</i>				
<i>LT40 Rev. A - Q</i>				
REF	DESCRIPTION (◆ Indicates Parts Available In Assemblies Only)	PART #	QTY.	
1	ROLLER, TRACK CAM BEARING	012797 ¹	1	
	FITTING, 3/16" 45° GREASE (FOR A05044 GREASABLE ROLLERS ONLY)	P05045	1	
2	ROLLER, TRACK CAM BEARING	012797 ²	1	
	FITTING, 3/16" STRAIGHT GREASE (FOR A05043 GREASABLE ROLLERS ONLY)	P04107	1	
3	NUT, 5/8-18 HEX JAM	F05010-11	4	
4	COVER, MIDDLE TRACK OILER ASSEMBLY	A09918 ³	1	
	Cover, Middle Track Oiler	S09917	1	◆
	Wiper, Middle Track Felt	S09915	1	
5	SCREW, 1/4-20 X 5/8" THUMB	F05005-64 ⁴	4	
6	HOUSING, UPPER TRACK ROLLER	W07526	2	
7	COVER, UPPER TRACK ROLLER REAR	S07521	1	
8	COVER, UPPER TRACK ROLLER FRONT	S07520	1	
9	WIPER, PLASTIC TRACK	M04113	2	

¹ Use 012797 to replace P12843 or A05044 greasable rollers originally supplied.

² Use 012797 to replace P12843 or A05043 greasable rollers originally supplied.

³ Replaces S07505 originally supplied. Cover redesigned with "dual-flange" to prevent sawdust buildup (3/97).

⁴ Replaces F05005-1 1/4-20 x 3/4" Hex Bolt and F05015-1 1/4-20 x 1/2" Hex Screw originally supplied.

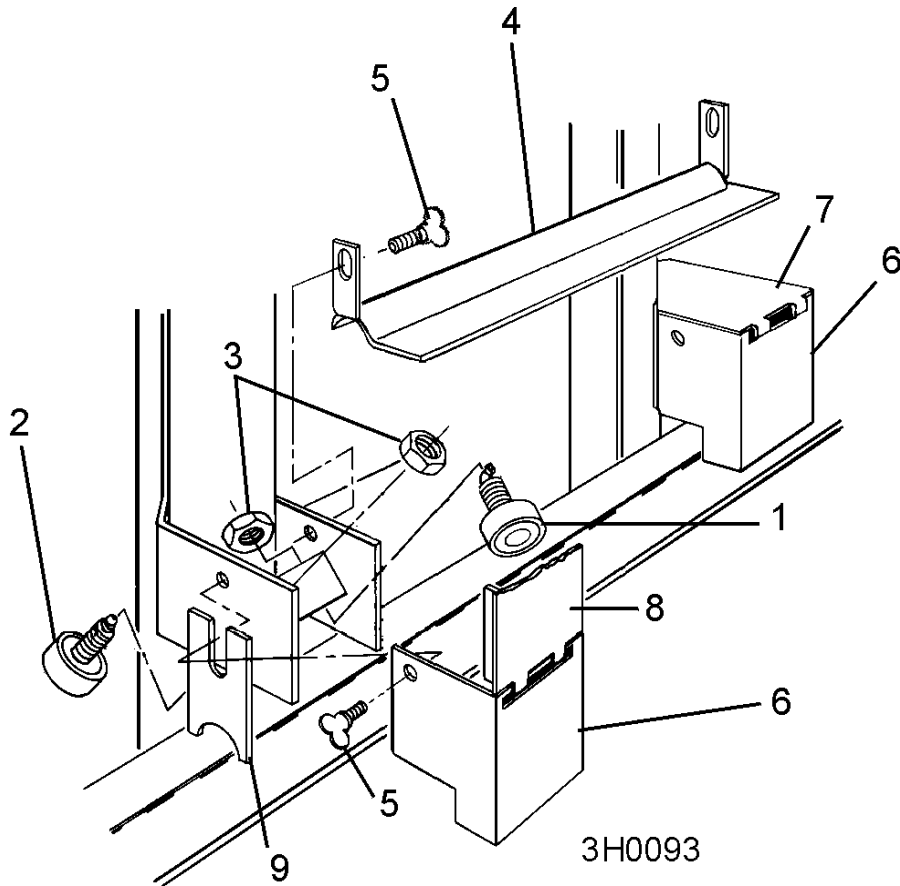


FIG. 6-1

6

Power Feed & Track Rollers

Lower Track Rollers

6.2 Lower Track Rollers

LT30 Rev. A - N

LT40 Rev. A - Q

REF	DESCRIPTION (◆ Indicates Parts Available In Assemblies Only)	PART #	QTY.	
	ROLLER KIT, LOWER TRACK	K07278	1	
	Roller Assembly, Lower Track	A04938	2	
1	Bracket, Lower Track Roller Mounting	W09001 ¹	1	◆
2	Roller, Track Cam Bearing	012797 ²	1 ³	
3	Fitting, 3/16" Straight Grease (For A05043 Greasable Rollers Only)	P04107	1	
4	Nut, 5/8-18 Hex Jam	F05010-11	1	
5	Nut, 5/8-11 Hex	F05010-5	2	
6	Washer, 5/8" Split Lock Grade 8	F05011-118 ⁴	2	
7	Nut, 5/8-11 Hex Lock	F05010-4	2	
8	Bolt, 1/2-13 x 3 1/2" Hex Head Grade 5	F05008-61 ⁵	1	
	Bolt, 3/8-16 x 3 1/2" Hex Head Grade 8	F05007-6 ⁶	1	
9	Nut, 1/2-13 Hex Lock	F05010-3 ⁵	1	
	Nut, 3/8-16 Hex Lock	F05010-10 ⁶	1	

¹ Replaces original bracket supplied.

² Use 012797 to replace P12843 or A05043 greasable rollers originally supplied.

³ Two rollers required on Rev. A - AG with original bracket.

⁴ Grade 8 washers replace F05011-27 originally supplied to improve durability.

⁵ Use 1/2" bolt and nut if bracket replaced with new design.

⁶ Use 3/8" bolt and nut on original bracket.

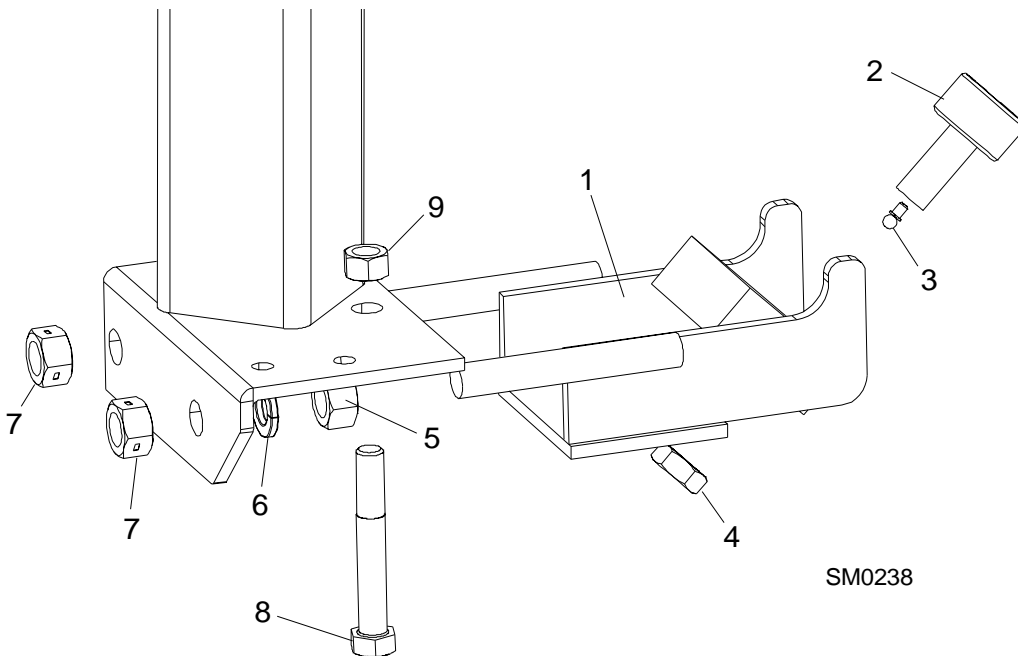


FIG. 6-2

6.3 Power Feed Drive Assembly				
<i>LT30 Rev. A - N</i>				
<i>LT40 Rev. A - Q</i>				
REF	DESCRIPTION (◆ Indicates Parts Available In Assemblies Only)	PART #	QTY.	
	POWER FEED ASSEMBLY	A09572	1	◆
	POWER FEED ASSEMBLY	A05069 ¹	1	◆
	Motor, Power Feed Replacement	A07974	1	
1	Motor, Power Feed	006877 ²	1	◆
	Brush Kit, 12V Motor (2008)	061794 ²	1	
	Brush Kit, 12V Motor (2007)	006619 ²	1	
	Brush Kit, 12V Motor	A09086 ²	1	
	Brush Holder, Motor	034000 ²	1	◆
2	Pin, 1/8" x 1" Roll	F05012-2	2	
3	Pulley, Power Feed Motor	S09579 ³	1	
	Pulley, Power Feed Motor Double-Groove	S04347-W ¹	1	
4	Screw, 3/8-16 X 1/2" Cup Point Socket Set	F05007-12	1	
5	Belt, 4L280 V	P04031	1	
6	Belt, 3L290 V	P04349	1	
7	Belt, 3L320 V (High-Speed Return)	P04348 ¹	1	
8	Pulley, 8" Power Feed	P04343	1	
9	Pulley, 2-3-4 Step	P04100	1	
10	Pulley, 4-5-6 Step	P04103	1	
	Pulley Assembly, High-Speed Return	A09546 ¹	1	
11	Pulley, 4.5" O.D.	P04346	1	
12	Guard, High-Speed Return Belt	S09438	1	
13	Screw, #8 X 3/8" Self-Tapping Hex Washer Head	F05015-20	5	
	Handle Assembly, High-Speed Return	A05116 ¹	1	
14	Handle Weldment, High-Speed Return	W09007	1	◆
15	Bracket, Handle Roller Mount	W09006	1	
16	Pin, 1 1/2" Clevis	F05012-18	1	
17	Roller, Nylon	P05586	2	
18	Washer, 5/16" Standard Flat	F05011-16	1	
19	Pin, 3/32" x 3/4" Cotter	F05012-9	1	
20	Screw, 1/4-28 x 3/8" Cup Point Socket Set	F05005-24	2	
21	Ball, Plastic Round	P04211	1	
22	Spring, Power Feed	P04060	2	
	Spring, Power Feed (High-Speed Return)	P09591 ¹	2	
23	Pin, 1/8" x 1" Cotter	F05012-1	3/4 ¹	
24	Bracket, Lower Power Feed Mount	W09018	1	
25	Bearing, R10	P04156	4	

6

Power Feed & Track Rollers*Power Feed Drive Assembly*

26	Shaft, Lower Power Feed With Sprocket	W09577	1	
	Shaft, Lower Power Feed With Sprocket (High-Speed Return)	W04102 ¹	1	
27	Key, #606 Woodruff	P04101-1	3/4 ¹	
28	Washer, 5/8" I.D. Nylon	F05011-19	4	
29	Washer, Nylon Power Feed	S09090	1	
30	Bolt, 5/16-24 X 1" Hex Head	F05006-11	2	
31	Washer, 5/16" Split Lock	F05011-13	6	
32	Nut, 5/16-24 Hex	F05010-28	2	
33	Roller, Feed Chain	012797 ⁴	1	
34	Fitting, 3/16" x 45° Grease (For A05044 Greasable roller only)	P05045	1	
35	Washer, 5/8" SAE Flat	F05011-5	10	
36	Nut, 5/8-11 Hex Jam	F05010-11	1	
37	Guard, Power Feed Belt	W09015	1	
38	Bracket, Upper Power Feed Mounting	W09008	1	
39	Shaft, Upper Power Feed	S04097	1	
40	Nut, 5/16-18 Hex	F05010-17	4	
41	Bolt, 5/16-18 x 1 1/2" Hex Head Full Thread	F05006-2	2	
42	Bolt, 5/16-18 x 2" Hex Head Full Thread	F05006-13	1	
	Control Assembly, Power Feed/Drum Switch	A07800-W ⁵	1	
	Switch Assembly, Replacement Power Feed Drum	A07799 ⁶	1	
43	Switch, S14 Power Feed Drum	E20445	1	◆
44	Handle, Drum Switch	P12500	1	
	Decal, Forward/Reverse Switch	P08386	1	
45	Screw, #10-24 x 5/8" Hex	F05004-18 ⁷	2	
46	Washer, #10 SAE Flat	F05011-18	2	
47	Nut, #10-24 Self-Locking	F05010-14 ⁸	2	
	Instruction Sheet, Drum Switch Lubrication	A07799-416	1	
	Module Assembly, MOSFET Power	A06963	1	
	Circuit Board, Power Feed	A07751	1	
	Diode Assembly, Power Feed (Pre-92)	024756	1	
	Potentiometer, Power Feed	A07793	1	
48	Knob, Power Feed Control w/Set Screw	P06257	1	
49	Grommet, Heyco Wire	P04137	3	
	Terminal Kit, Power Feed Control Service	A12950	1	
50	Bolt, #10-24 x 1 1/4" Hex Head	F05004-19	1	
51	Bushing, Flanged Insulator	P07769	1	◆
52	Bushing, Nylon Spacer	P05694	1	◆
53	Washer, #10 SAE Flat	F05011-18	1	
54	Nut, #10-24 Self-Locking	F05010-14	1	
55	Bolt, 1/4-20 x 3/4" Hex Head Full Thread	F05005-1	1	
56	Nut, 1/4-20 Self-Locking	F05010-9	2	
57	Bolt, 1/4-20 x 1/2" Hex Head	F05005-15	2	

58	Nut, 1/4-20 Self-Locking	F05010-9	2	
59	Lid/Insulation Assembly, Control Box	A07756	1	
60	Screw, #8 x 1/2" Cross-Slotted Round Head	F05015-13	4	
61	Plate, Power Feed Control Mount	S07518	1	
62	BOLT, 3/8-16 X 3 1/2" HEX HEAD GRADE 8	F05007-6	1	
63	BOLT, 3/8-16 X 1 1/4" HEX HEAD	F05007-2	1	
64	WASHER, 3/8" SAE FLAT	F05011-3	2	
65	NUT, 3/8-16 HEX NYLON LOCK	F05010-10	2	

¹ Alternate part for units equipped with high-speed return handle (Rev. A).

² Motor 006877 replaces P04140 originally supplied before 1/09. Use brush kit 061794 for new motor. Motor P04140 changed by vendor 7/07. Use brush kit A09086 for original motor supplied prior to 7/07. Use brush kit 006619 for newer P09140 motor (identified by red & black motor terminal spacers). Brush Holder 034000 applies only to original P04140 motor and is no longer available (vendor discontinued 3/09).

³ Replaces S09579-W originally supplied (part number change only).

⁴ Use 012797 to replace P12843 or A05044 greasable rollers originally supplied.

⁵ Use K09623 Power Feed Retrofit to replace A04364 Six-Speed control and A04135 coil originally supplied on LT30 Rev. A - BL and LT40 Rev. A - BN.

⁶ Replaces M04237 Drum Switch originally supplied.

⁷ Replaces F05005-15 1/4-20 x 1" Hex Bolt used to mount original drum switch.

⁸ Replaces F05010-9 1/4-20 Self-Locking Nut used to mount original drum switch.

6 Power Feed & Track Rollers
Power Feed Drive Assembly

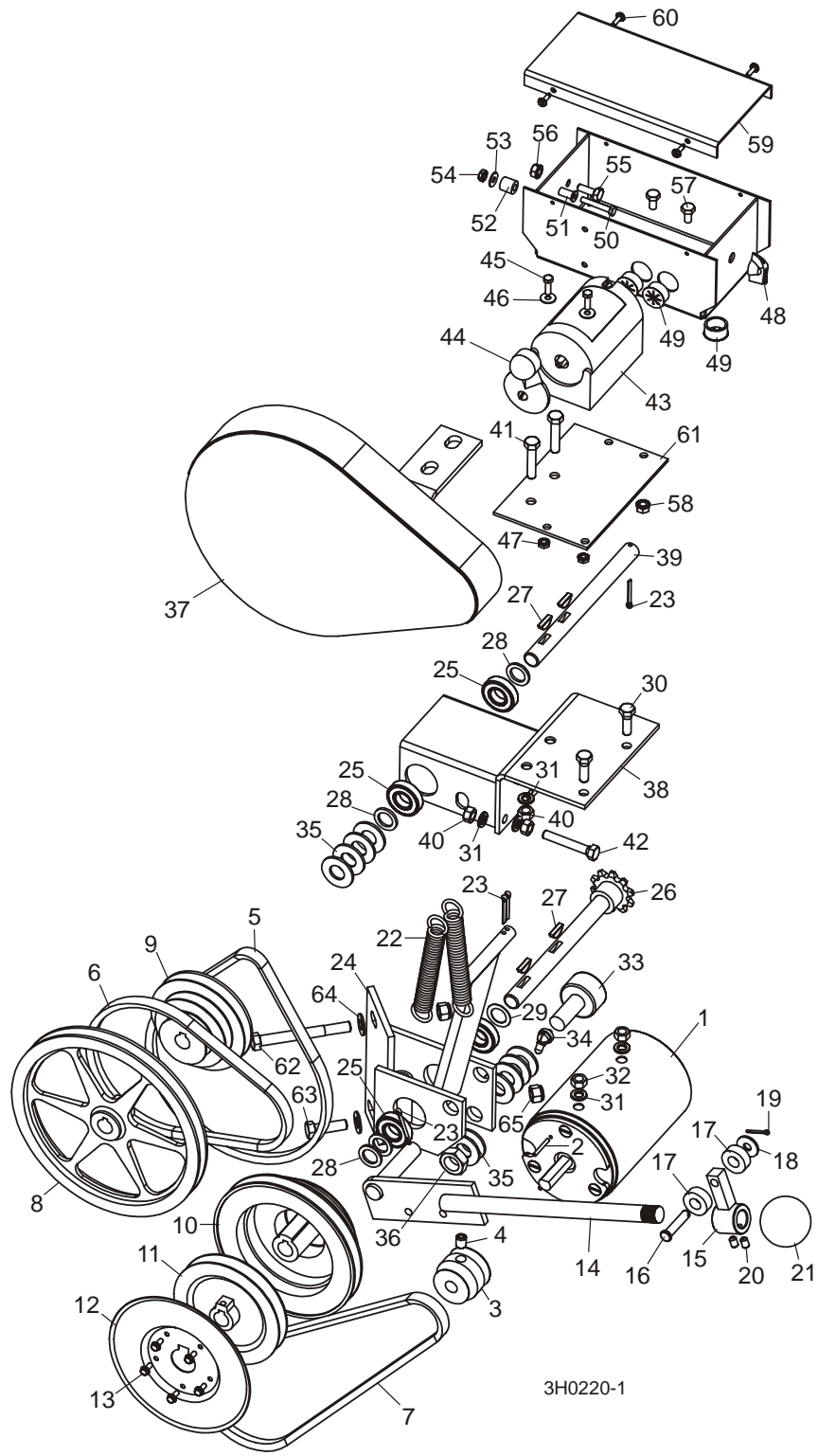


FIG. 6-3

6.4 Power Feed Chain				
<i>Retrofit</i>				
REF	DESCRIPTION (◆ Indicates Parts Available In Assemblies Only)	PART #	QTY.	
1	CHAIN, #41 X 462.5" LT30 FEED	P04175 ¹	1	
	CHAIN, #41 X 567.5" LT40 FEED	P04978 ²	1	
2	LINK, #41 MASTER	P04176	1	
3	SCREW, #10-24 X 1 1/2" SOCKET HEAD	F05004-31	3	
4	WASHER, #10 SAE FLAT	F05011-18	3	
5	NUT, #10-24 SELF-LOCKING	F05010-14	3	
6	SHAFT/SPROCKET WELDMENT, LT30 FRONT POWER FEED	W04308	1	
	SHAFT/SPROCKET WELDMENT, LT40 FRONT POWER FEED	W04972	1	
	HANDLE ASSEMBLY, MANUAL FEED CRANK	A07714	1	
7	Handle Weldment, Manual Feed Crank	W04171	1	◆
8	Handle, Wood Crank	M05057	1	◆
9	Bolt, 3/8-16 x 5" Hex Head	F05007-5	1	
10	Washer, 3/8" SAE Flat Washer	F05011-3	2	
11	Nut, 3/8-16 Hex	F05010-1	2	
12	Washer, 3/8" Split Lock	F05011-4	1	
13	Bolt, 1/4-20 x 1 1/4" Hex Head Full Thread	F05005-3	1	
14	Nut, 1/4-20 Self-Locking	F05010-9	1	
15	BEARING, R10	P04156	2	
16	WASHER, 5/8" I.D. NYLON	F05011-19	4	
17	PIN, 1/8" X 1" COTTER	F05012-1	1	
	GUARD RETROFIT, POWER FEED CHAIN	K12933 ³	1	
	Tensioner Assembly, Guarded Rear Feed Chain	A12958	1	◆
18	Tensioner Weldment, Rear Feed Chain	W12926	1	◆
19	Bracket, Rear Tensioner Guard	S12928	1	
20	Screw, 1/2-20 x 3/4" Wing	F05004-59	1	
21	Decal, Chain Guard Danger	S12957	1	
22	Washer, 1/2" Split Lock	F05011-9	2	
23	Nut, 1/2-13 Hex	F05010-35 ⁴	2	
24	Washer, 5/16" Split Lock	F05011-13	3	
25	Bolt, 5/16-18 x 3/4" Hex Head	F05006-5	3	
26	Guard, Front Feed Chain Sprocket	W12929	1	◆
	Instruction Sheet, Feed Chain Guard Retrofit	K12933-261	1	
	Drill Bit, .261" "G"	P12935	1	
	Tap, 5/16-18	P12946	1	
	CHAIN RETROFIT, POWER FEED STATIONARY	K09622 ⁵	1	
27	Shaft, Feed Chain Mount	W09618	1	
28	Collar, 5/8" I.D. Lock	P05035	1	
29	Bearing, R10	P04156	2	
30	Link, #41 Master	P04176	2	

6

Power Feed & Track Rollers

Power Feed Chain

31	Rod, Rear Feed Chain 1/2-20 Tensioner	S09569 ⁶	1	
32	Washer, 1/2" Split Lock	F05011-9	2	
33	Nut, 1/2-20 Hex Jam	F05010-16	2	
	Instruction Sheet, Stationary Chain Retrofit	K09622-243	1	
34	CHAIN, #40 X 232.5" LT30 FEED	P09575	1	
	CHAIN, #40 X 284.5" LT40 FEED	P09574	1	
	LINK, #40 MASTER	P04200	2	

¹ Use P09575 #40 x 232.5" Chain if feed chain is retrofitted to stationary type chain. [See Item 34](#). Two P04200 #40 Master Links also required.

² Use P09574 #40 x 284.5" Chain if feed chain is retrofitted to stationary type chain. [See Item 34](#). Two P04200 #40 Master Links also required.

³ Guard kit available to retrofit all sawmills with original loop-style feed chain.

⁴ Use F05010-16 1/2-20 Hex Jam Nut if tensioner rod retrofitted with S09569 1/2-20 Tensioner Rod. [See Item 31](#).

⁵ Kit replaces loop-style feed chain, front and rear sprockets originally supplied. Solid-state power feed control required.

⁶ Replaces S09615 1/2-13 Tensioner Rod originally supplied. Requires two F05010-16 1/2-20 Jam Nuts.

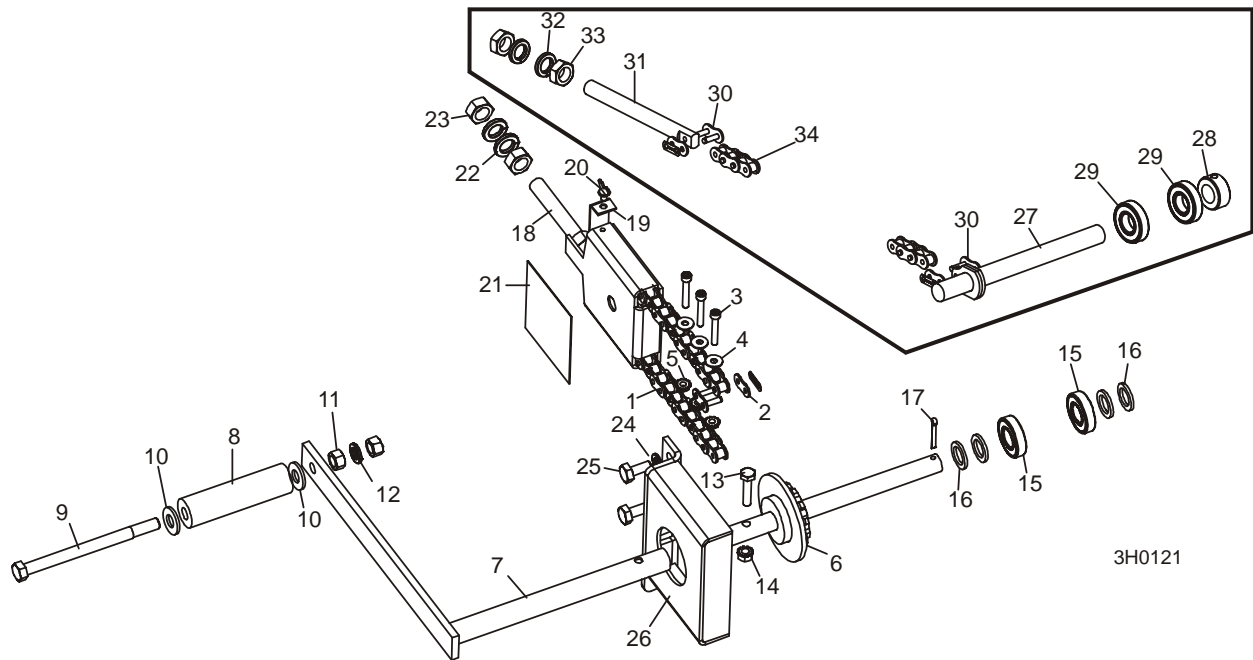


FIG. 6-4

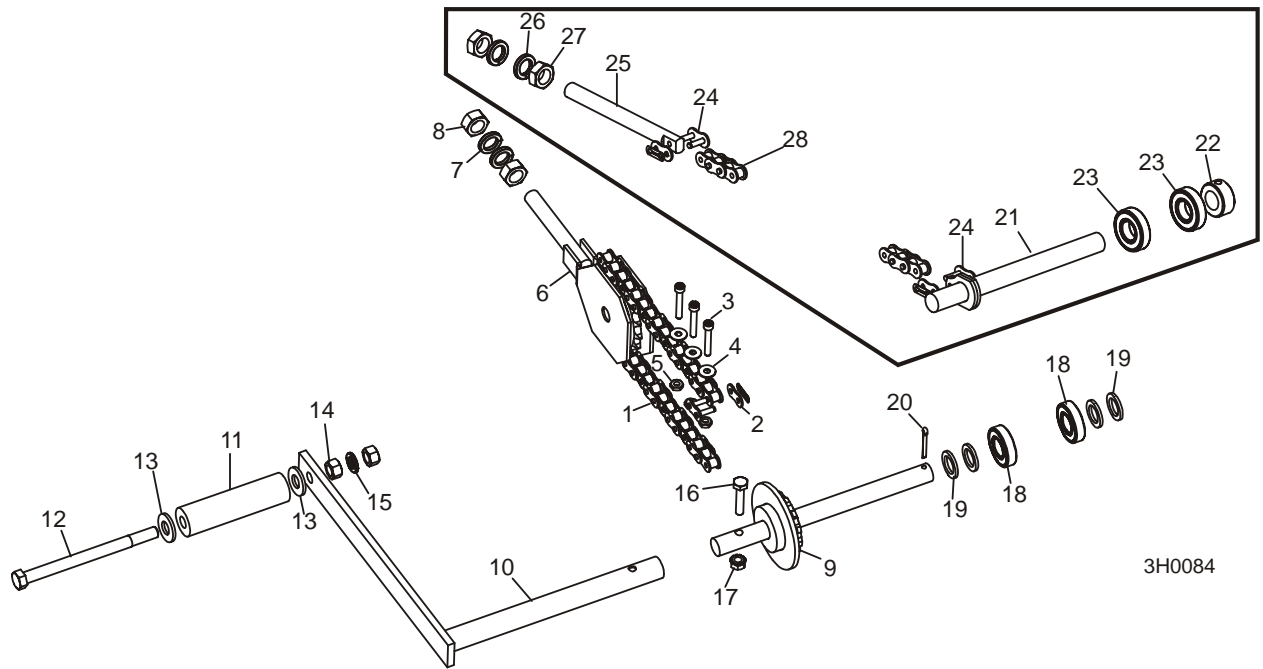
6.5 Power Feed Chain				
LT30 Rev. I - N LT40 Rev. I - Q				
REF	DESCRIPTION (◆ Indicates Parts Available In Assemblies Only)	PART #	QTY.	
1	CHAIN, #41 X 462.5" LT30 FEED	P04175 ¹	1	
	CHAIN, #41 X 567.5" LT40 FEED	P04978 ²	1	
2	LINK, #41 MASTER	P04176	1	
3	SCREW, #10-24 X 1 1/2" SOCKET HEAD	F05004-31	3	
4	WASHER, #10 SAE FLAT	F05011-18	3	
5	NUT, #10-24 SELF-LOCKING	F05010-14	3	
6	TENSIONER, REAR SPROCKET CHAIN	W09021 ³	1	◆
7	WASHER, 1/2" SPLIT LOCK	F05011-9	2	
8	NUT, 1/2-13 HEX	F05010-35 ⁴	2	
9	SHAFT/SPROCKET WELDMENT, LT30 FRONT POWER FEED	W04308	1	
	SHAFT/SPROCKET WELDMENT, LT40 FRONT POWER FEED	W04972	1	
	HANDLE ASSEMBLY, MANUAL FEED CRANK	A07714	1	
10	Handle Weldment, Manual Feed Crank	W04171	1	◆
11	Handle, Wood Crank	M05057	1	◆
12	Bolt, 3/8-16 x 5" Hex Head	F05007-5	1	
13	Washer, 3/8" SAE Flat Washer	F05011-3	2	
14	Nut, 3/8-16 Hex	F05010-1	2	
15	Washer, 3/8" Split Lock	F05011-4	1	
16	Bolt, 1/4-20 x 1 1/4" Hex Head Full Thread	F05005-3	1	
17	Nut, 1/4-20 Self-Locking	F05010-9	1	
18	BEARING, R10	P04156	2	
19	WASHER, 5/8" I.D. NYLON	F05011-19	4	
20	PIN, 1/8" X 1" COTTER	F05012-1	1	
	CHAIN RETROFIT, POWER FEED STATIONARY	K09622 ⁵	1	
21	Shaft, Feed Chain Mount	W09618	1	
22	Collar, 5/8" I.D. Lock	P05035	1	
23	Bearing, R10	P04156	2	
24	Link, #41 Master	P04176	2	
25	Rod, Rear Feed Chain 1/2-20 Tensioner	S09569 ⁶	1	
26	Washer, 1/2" Split Lock	F05011-9	2	
27	Nut, 1/2-20 Hex Jam	F05010-16	2	
	Instruction Sheet, Stationary Chain Retrofit	K09622-243	1	
28	CHAIN, #40 X 232.5" LT30 FEED	P09575	1	
	CHAIN, #40 X 284.5" LT40 FEED	P09574	1	
	LINK, #40 MASTER	P04200	2	

¹ Use P09575 #40 x 232.5" Chain if feed chain is retrofitted to stationary type chain. [See Item 28](#). Two P04200 #40 Master Links also required.

6 Power Feed & Track Rollers

Power Feed Chain

- ² Use P09574 #40 x 284.5" Chain if feed chain is retrofitted to stationary type. [See Item 28](#). Two P04200 #40 Master Links also required.
- ³ Rear tensioner W09021 replaced by guarded tensioner in retrofit K12933. See Section 6.4.
- ⁴ Use F05010-16 1/2-20 Hex Jam Nut if tensioner rod retrofitted with S09569 1/2-20 Tensioner Rod. [See Item 25](#).
- ⁵ Kit replaces loop-style feed chain, front and rear sprockets originally supplied. Solid-state power feed control required.
- ⁶ Replaces S09615 1/2-13 Tensioner Rod originally supplied. Requires two F05010-16 1/2-20 Jam Nuts.



3H0084

FIG. 6-5

6.6 Power Feed Chain				
<i>LT30 Rev. A - H</i>				
<i>LT40 Rev. Q - H</i>				
REF	DESCRIPTION (◆ Indicates Parts Available In Assemblies Only)	PART #	QTY.	
1	CHAIN, #41 X 462.5" LT30 FEED	P04175 ¹	1	
	CHAIN, #41 X 567.5" LT40 FEED	P04978 ²	1	
2	LINK, #41 MASTER	P04176	1	
3	SCREW, #10-24 X 1 1/2" SOCKET HEAD	F05004-31	3	
4	WASHER, #10 SAE FLAT	F05011-18	3	
5	NUT, #10-24 SELF-LOCKING	F05010-14	3	
6	TENSIONER, REAR SPROCKET CHAIN	W04177 ³	1	◆
7	WASHER, 1/2" SPLIT LOCK	F05011-9	2	
8	NUT, 1/2-13 HEX	F05010-35 ⁴	2	
9	SHAFT/SPROCKET WELDMENT, LT30 FRONT POWER FEED	W04308	1	
	HANDLE ASSEMBLY, MANUAL FEED CRANK	A07714	1	
10	Handle Weldment, Manual Feed Crank	W04171	1	◆
11	Handle, Wood Crank	M05057	1	◆
12	Bolt, 3/8-16 x 5" Hex Head	F05007-5	1	
13	Washer, 3/8" SAE Flat Washer	F05011-3	2	
14	Nut, 3/8-16 Hex	F05010-1	2	
15	Washer, 3/8" Split Lock	F05011-4	1	
16	Bolt, 1/4-20 x 1 1/4" Hex Head Full Thread	F05005-3	1	
17	Nut, 1/4-20 Self-Locking	F05010-9	1	
18	BEARING, R10	P04156	2	
19	WASHER, 5/8" I.D. NYLON	F05011-19	4	
20	PIN, 1/8" X 1" COTTER	F05012-1	1	
	CHAIN RETROFIT, POWER FEED STATIONARY	K09622 ⁵	1	
21	Shaft, Feed Chain Mount	W09618	1	
22	Collar, 5/8" I.D. Lock	P05035	1	
23	Bearing, R10	P04156	2	
24	Link, #41 Master	P04176	2	
25	Rod, Rear Feed Chain 1/2-20 Tensioner	S09569 ⁶	1	
26	Washer, 1/2" Split Lock	F05011-9	2	
27	Nut, 1/2-20 Hex Jam	F05010-16	2	
	Instruction Sheet, Stationary Chain Retrofit	K09622-243	1	
28	CHAIN, #40 X 232.5" LT30 FEED	P09575	1	
	CHAIN, #40 X 284.5" LT40 FEED	P09574	1	
	LINK, #40 MASTER	P04200	2	

¹ Use P09575 #40 x 232.5" Chain if feed chain is retrofitted to stationary type. [See Item 28](#). Two P04200 #40 Master Links also required.

² Use P09574 #40 x 284.5" Chain if feed chain is retrofitted to stationary type. [See Item 28](#). Two P04200 #40 Master Links also required.

³ Rear tensioner W04177 replaced by guarded tensioner in retrofit K12933. [See Section 6.4](#).

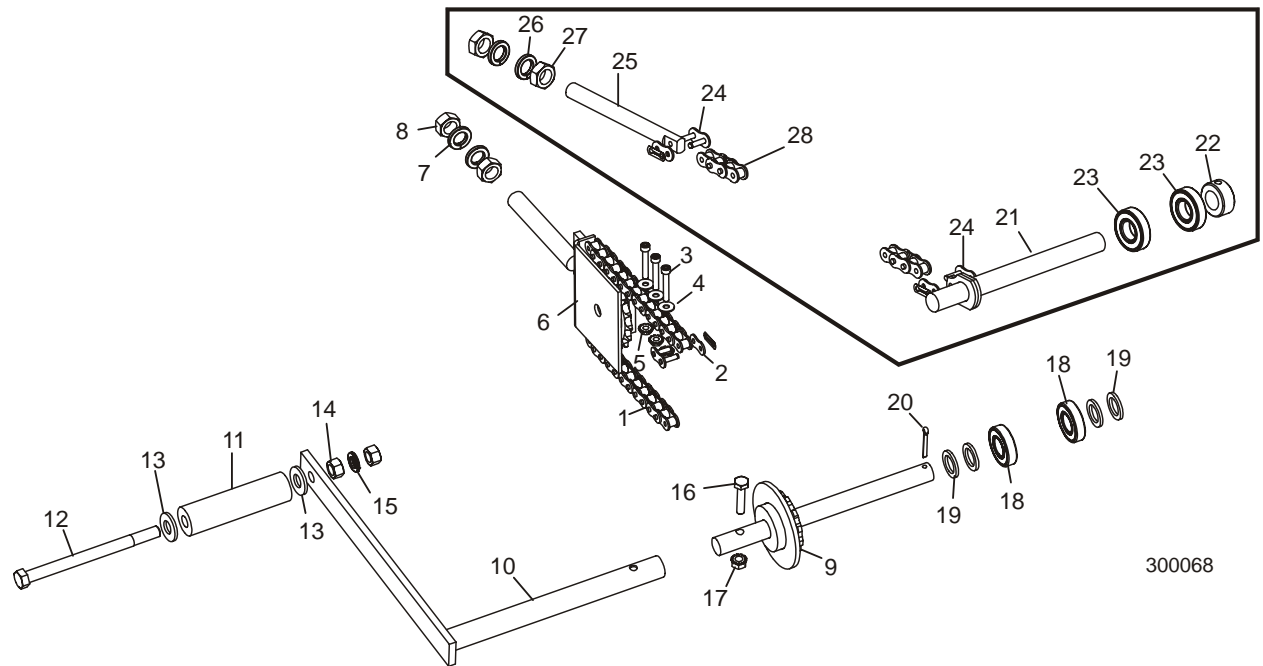
6 Power Feed & Track Rollers

Power Feed Chain

⁴ Use F05010-16 1/2-20 Hex Jam Nut if tensioner rod retrofitted with S09569 1/2-20 Tensioner Rod. [See Item 25.](#)

⁵ Kit replaces loop-style feed chain, front and rear sprockets originally supplied.

⁶ Replaces S09615 1/2-13 Tensioner Rod originally supplied. Requires two F05010-16 1/2-20 Jam Nuts.



300068

FIG. 6-6

SECTION 7 BED FRAME ASSEMBLY

7 Bed Frame Assembly

Bed Rail Assembly, Front

7.1 Bed Rail Assembly, Front				
LT30 Rev. AF - N				
LT40 Rev. K - Q				
REF	DESCRIPTION (◆ Indicates Parts Available In Assemblies Only)	PART #	QTY.	
1	BED RAIL ASSEMBLY, FRONT PAINTED	W07378	1	
2	BOLT, 3/8-16 X 3" HEX HEAD FULL THREAD	F05007-1	4	
3	WASHER, 3/8" SAE FLAT	F05011-3	8	
4	NUT, 3/8-16 HEX LOCK	F05010-25	4	

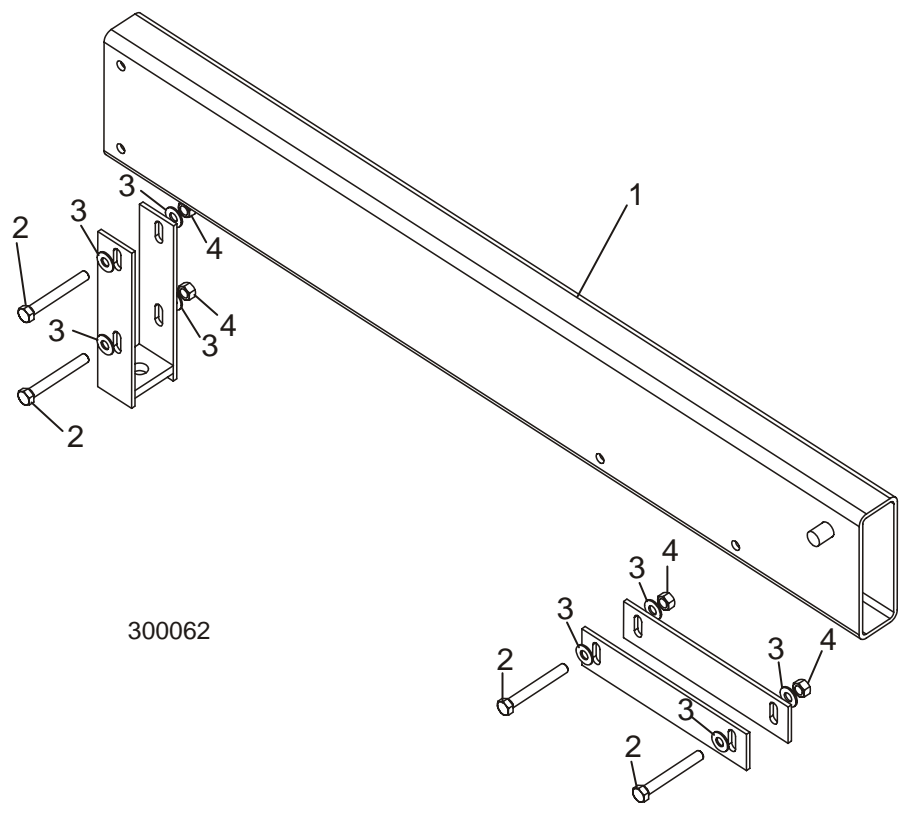


FIG. 7-1

7.2 Bed Rail Assembly, Middle				
LT30 Rev. A - N LT40 Rev. A - Q				
REF	DESCRIPTION (◆ Indicates Parts Available In Assemblies Only)	PART #	QTY.	
	RAIL ASSEMBLY, LT30 FRONT MIDDLE	A07941	1	
	RAIL ASSEMBLY, LT40 FRONT MIDDLE	A07939	1	
1	Rail Weldment, LT30 Front Middle	W04161	1	◆
	Rail Weldment, LT40 Front Middle	W04973	1	◆
2	Collar, Threaded Rod Adjustment	W07849	2	
3	Washer, 3/8" Split Lock	F05011-4	2	
4	Nut, 3/8-16 Hex	F05010-1	4	
	RAIL ASSEMBLY, LT30 REAR MIDDLE	A07942	1	
	RAIL ASSEMBLY, LT40 REAR MIDDLE	A07940		
5	Rail Weldment, LT30 Rear Middle	W04162	1	◆
	Rail Weldment, LT40 Rear Middle	W04930	1	◆
6	Collar, Threaded Rod Adjustment	W07849	2	
7	Washer, 3/8" Split Lock	F05011-4	2	
8	Nut, 3/8-16 Hex	F05010-1	4	
	COLLAR, 3/4" ID LOCK	P04146	2	

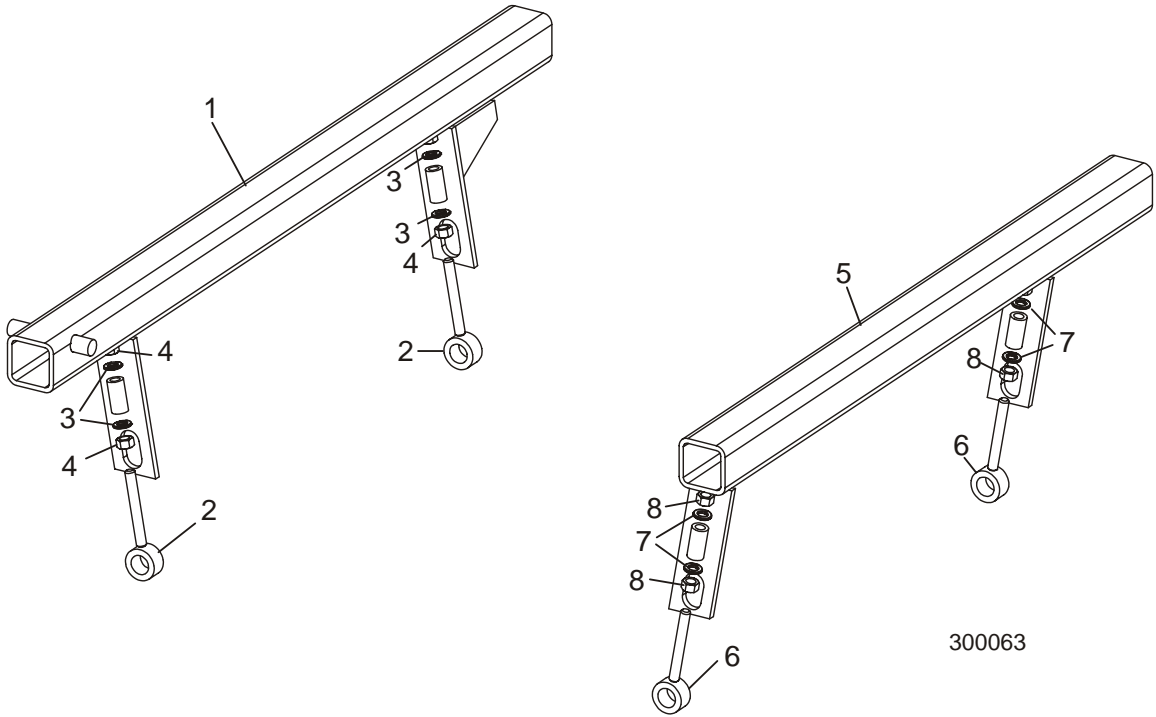


FIG. 7-2

7 Bed Frame Assembly

Pivot Bed Rail Assembly

7.3 Pivot Bed Rail Assembly				
Retrofit				
REF	DESCRIPTION (◆ Indicates Parts Available In Assemblies Only)	PART #	QTY.	
	PIVOT BED RAIL COMPLETE KIT	K06896 ¹	2	
	Pivot Bed Rail Assembly	A09435	1	◆
1	Pivot Bed Rail Weldment	W09320	1	◆
2	Bolt, 1/2-13 X 2 1/4" Hex Head Full Thread	F05008-2	1	
3	Washer, 1/2" Split Lock	F05011-9	1	
4	Nut, 1/2-13 Hex	F05010-35	1	
	Bag Assembly, Pivot Bed Rail	A06894	1	◆
5	Screw, 1/2-13 X 1 1/2" Socket Head Flat Point	F05008-31	3	
6	Bolt, 1/2-13 x 1 1/4" Hex Head Grade 5	F05008-37	1	
7	Nut, 1/2-13 Hex Jam	F05010-31	3	
	Instruction Sheet, Pivot Bed Rail	K06896-268	1	
8	Bolt, 3/8-16 X 5" Hex Head	F05007-5 ²	4	
	Bolt, 3/8-16 x 6" Hex Head	F05007-45 ³	4	
9	Nut, 3/8-16 Nylon Lock	F05010-10	4	
10	Bar, Pre-87 Pivot Rail Spacer	S06895	2	

¹ Pivot bed rails may be installed to sawmills originally equipped with sliding end supports.
² Use to mount pivot support to LT30 main tube.
³ Use to mount pivot support to LT40 main tube.

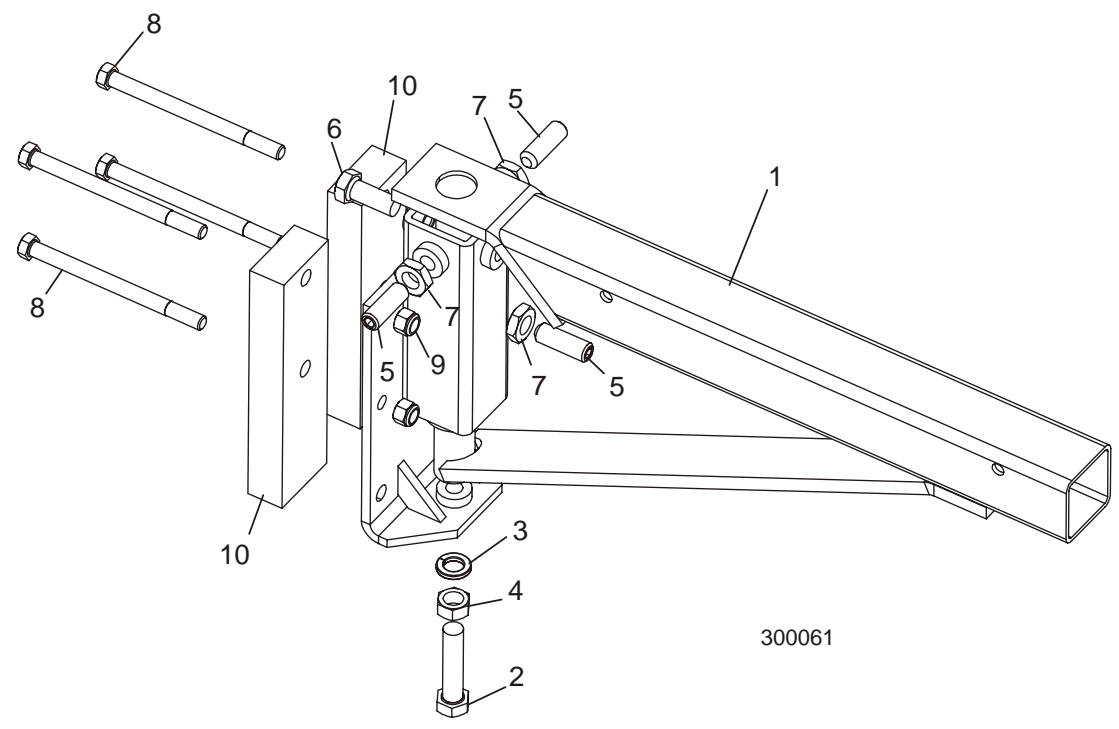


FIG. 7-3

7.4 Sliding End Support Assembly

LT30 Rev. A - N
LT40 Rev. A - Q

REF	DESCRIPTION (◆ Indicates Parts Available In Assemblies Only)	PART #	QTY.	
	END SUPPORT ASSEMBLY, AUXILLIARY SLIDING	K07273 ¹	2	◆
	Support Assembly, Sliding End	A07987 ¹	1	◆
1	Support Weldment, Sliding End	W09016 ¹	1	◆
2	Bolt, 3/8-16 x 1 1/2" Hex Head	F05007-28	2	
3	Nut, 3/8-16 Hex	F05010-1	4	
4	Washer, 3/8" Split Lock	F05011-4	2	
5	Bolt, 3/8-16 x 3 Hex Head Full Thread	F05007-1	1	
6	Nut, 3/8-16 Nylon Lock	F05010-10	1	

¹ Replace supports with pivoting end rails. See Section 7.3.

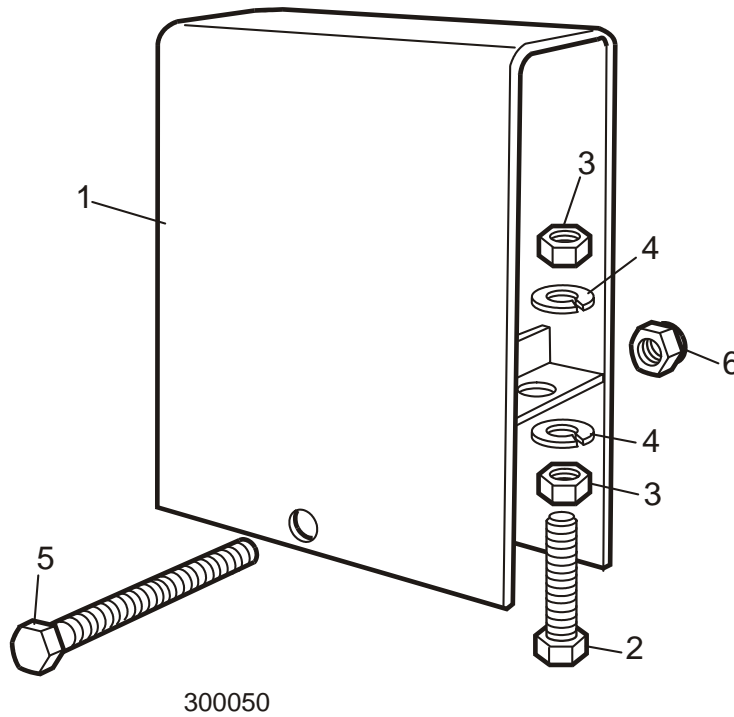


FIG. 7-4

7 **Bed Frame Assembly**
Log Side Support Assembly

7.5 Log Side Support Assembly				
<i>LT30 Rev. A - N</i>				
<i>LT40 Rev. A - Q</i>				
REF	DESCRIPTION (◆ Indicates Parts Available In Assemblies Only)	PART #	QTY.	
1	SIDE SUPPORT, LT30 LOG	W04158	4	
	SIDE SUPPORT, LT40 LOG	W04929	4	
2	BRACKET, ADJUSTABLE SIDE SUPPORT MOUNT	W04852	4	
3	BRACKET, SIDE SUPPORT MOUNT	S04018	4	
4	BOLT, 3/8-16 X 1 3/4" HEX HEAD FULL THREAD	F05007-19	8	
5	WASHER, 3/8" SAE FLAT	F05011-3	24	
6	BOLT, 3/8-16 X 1" HEX HEAD	F05007-7	8	
7	NUT, 3/8-16 HEX NYLON LOCK	F05010-10	16	

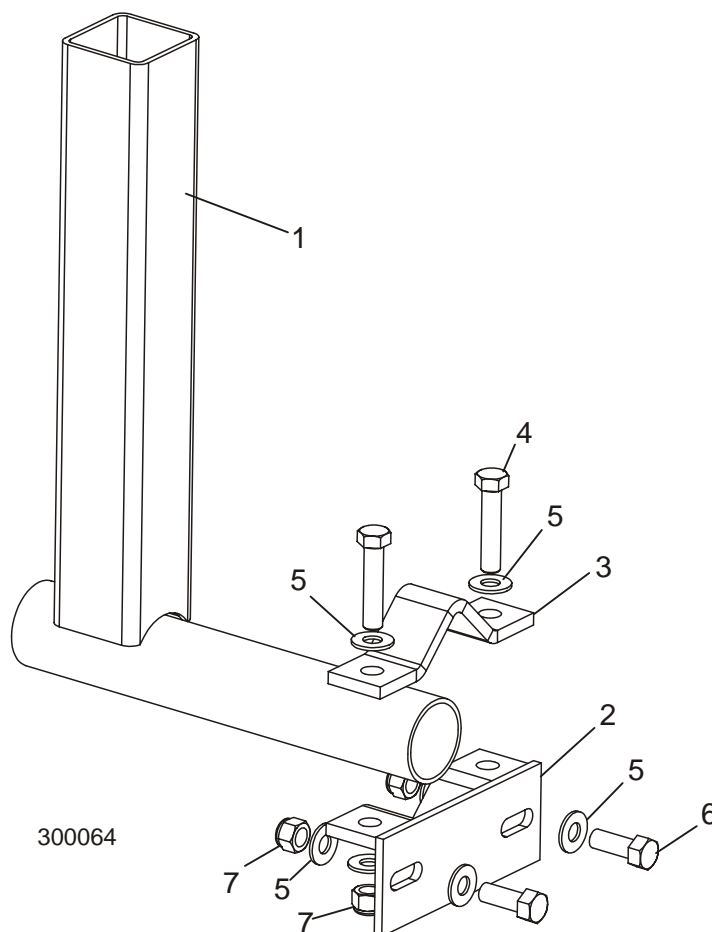


FIG. 7-5

7.6 Leg, Stationary				
LT30 Rev. A - N LT40 Rev. A - Q				
REF	DESCRIPTION (◆ Indicates Parts Available In Assemblies Only)	PART #	QTY.	
1	LEG, LONG STATIONARY	W09026 ¹	2/3	◆
2	BOLT, 3/8-16 X 4" HEX HEAD GRADE 2	F05007-4	8	
	BOLT, 3/8-16 X 5" HEX HEAD GRADE 2	F05007-5	12	
3	NUT, 3/8-16 HEX NYLON LOCK	F05010-10	8/12	
4	LEG, SHORT STATIONARY	W09027	2	◆
5	BOLT, 3/8-16 X 1 1/4" HEX HEAD GRADE 2	F05007-2	6	
6	NUT, 3/8-16 HEX NYLON LOCK	F05010-10	6	
7	BOLT, 3/8-16 X 1" HEX HEAD GRADE 2	F05007-2	2	
8	WASHER, 3/8" SPLIT LOCK	F05011-4	2	

¹Original legs no longer available. Replace all legs with set of new legs. LT30 requires two W09513 Long legs and two W09515 short legs. LT40 requires three W09513 long legs and two W09515 short legs. W09517 front leg also available for LT40. Use two F05009-11 5/8-11 x 5 1/2" Grade 5 Hex Bolts and two F05010-4 5/8-11 Hex LockNuts to mount front leg to LT40 hitch bracket.

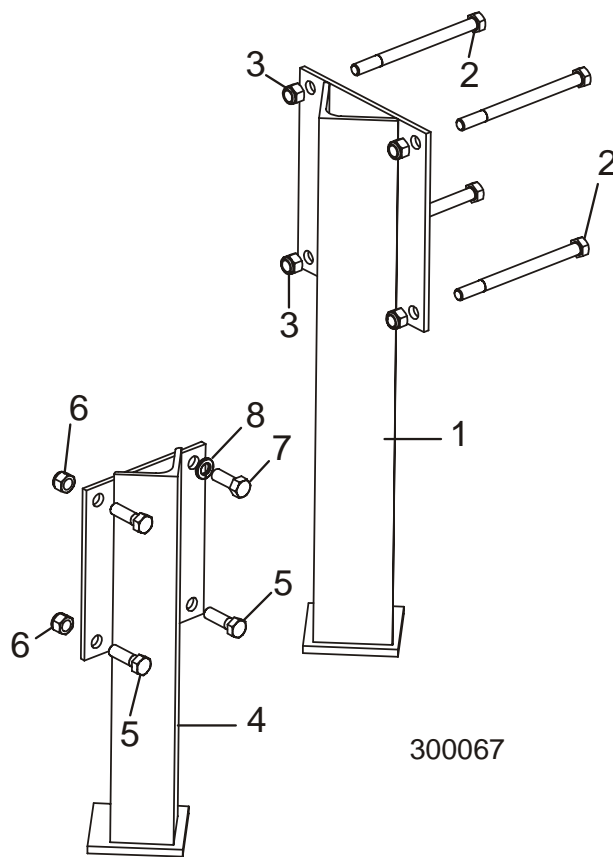


FIG. 7-6

SECTION 8 LOG CLAMP

8.1 Log Clamp				
LT30 Rev. A - N LT40 Rev. A - Q				
REF	DESCRIPTION (◆ Indicates Parts Available In Assemblies Only)	PART #	QTY.	
1	CLAMP, LOG	W09412 ¹	1	
2	CHAIN, LOG CLAMP	M04311	1	
3	BOLT, 3/8-16 X 1 1/4" HEX HEAD GRADE 2	F05007-2	1	
4	WASHER, 3/8" STANDARD FLAT	F05011-3	2	
5	NUT, 3/8-16 HEX NYLON LOCK	F05010-10	1	
6	SPRING, LOG CLAMP CHAIN	P09136 ²	1	
7	PLATE, LOG CLAMP STOP	W09404	1	
8	BOLT, 1/2-13 X 1 1/2" HEX HEAD GRADE 5	F05008-33	2	
9	WASHER, 1/2" SAE FLAT	F05011-2	2	
10	NUT, 1/2-13 HEX NYLON LOCK	F05010-8	2	
11	CHANNEL, CLAMP MOUNT EXTENSION	S07454 ³	1	
12	CHANNEL WELDMENT, MANUAL LOG CLAMP	W09310	1	

¹ Replaces W09002 originally supplied.

² Spring added to keep locking chain tight.

³ May be welded to frames of Rev. A - BJ sawmills to increase log diameter clamping capacity.

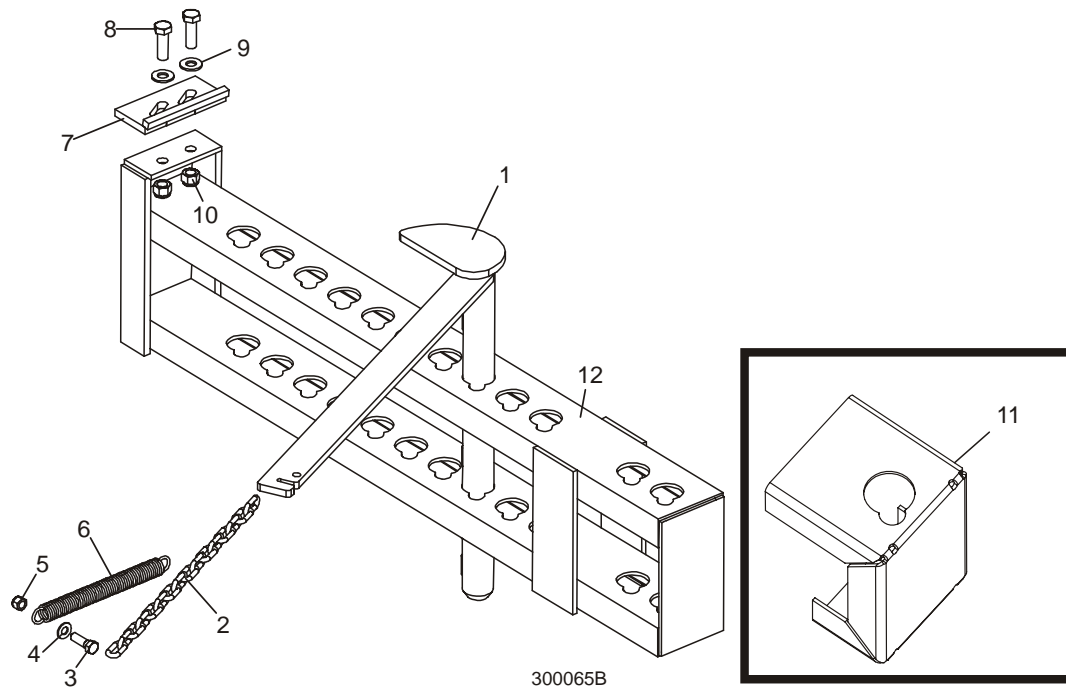


FIG. 8-1

INDEX

B

battery box 4-2

bed rails

front/rear 7-2

middle 7-3

pivot 7-4, 7-5

blade guide

drive side 2-2, 2-4, 2-6

idle side 2-8, 2-10, 2-12

throat bearing 2-43

blade guide arm 2-33, 2-35

blade tensioner 2-31

blade wheel

drive side 2-14, 2-16, 2-18

idle side 2-20, 2-23, 2-25, 2-27

C

clamp 8-1

clutch/brake lever 2-37, 2-39

covers 3-2

L

legs

stationary 7-7

P

parts list

how to use 1-1

power feed 6-5

S

scale

blade height 5-4

side supports 7-6

sight gauge 5-2

T

track rollers

lower 6-4

upper 6-2

U

up/down 5-6, 5-8, 5-10

v-brace mount 5-2