



# Wood-Mizer<sup>®</sup> Sawmill

## Parts Manual

---

**LT30HD Super Remote rev. J7.01 - J8.09**  
**LT40HD Super Remote rev. J7.01 - K3.02**

---



**Safety is our #1 concern!** Read and understand all safety information and instructions before operating, setting up or maintaining this machine.

*January 2007*

*Form #1176*

# Table of Contents

# Section-Page

<b>SECTION 1</b>	<b>GENERAL INFORMATION</b>	<b>1-1</b>
1.1	How To Use The Parts List .....	1-1
1.2	Sample Assembly .....	1-1
<b>SECTION 2</b>	<b>BLADE GUIDE ROLLERS &amp; ARM</b>	<b>2-1</b>
2.1	Blade Guide Assembly, Idle Side.....	2-1
	<i>LT40HD Super Remote Rev. K1.01 - K3.02</i>	
2.2	Blade Guide Assembly, Idle Side.....	2-4
	<i>LT40HD Super Remote Rev. J9.00 - K1.00</i>	
2.3	Blade Guide Assembly, Idle Side.....	2-7
	<i>LT30HD Super Remote Rev. J7.01 - J8.09</i>	
	<i>LT40HD Super Remote Rev. J7.01 - J8.12</i>	
2.4	Blade Guide Assembly, Drive Side.....	2-10
	<i>LT40HD Super Remote Rev. K1.01 - K3.02</i>	
2.5	Blade Guide Assembly, Drive Side.....	2-13
	<i>LT40HD Super Remote Rev. J9.00 - K1.00</i>	
2.6	Blade Guide Assembly, Drive Side.....	2-16
	<i>LT30HD Super Remote Rev. J7.01 - J8.09</i>	
	<i>LT40HD Super Remote Rev. J7.01 - J8.12</i>	
2.7	Blade Guide Arm Drive Assembly.....	2-19
2.8	Blade Guide Arm.....	2-21
	<i>LT40HD Super Remote Rev. K1.01 - K3.02</i>	
2.9	Blade Guide Arm.....	2-22
	<i>LT30HD Super Remote Rev. J7.01 - J8.09</i>	
	<i>LT40HD Super Remote Rev. J7.01 - K1.00</i>	
<b>SECTION 3</b>	<b>BLADE WHEELS &amp; TENSIONER</b>	<b>3-1</b>
3.1	Blade Drive Assembly.....	3-1
3.2	Idle Blade Wheel Assembly .....	3-3
3.3	Hydraulic Blade Tensioner Assembly.....	3-4
<b>SECTION 4</b>	<b>SAW HEAD</b>	<b>4-1</b>
4.1	Middle Throat Screw .....	4-1
4.2	Water Lube Solenoid Valve .....	4-2
4.3	Clutch Pivot .....	4-3
4.4	Clutch Mount Assembly.....	4-4
4.5	Brake Assembly.....	4-5
4.6	Board Return Assembly .....	4-6
4.7	Water Lube Assembly .....	4-8
4.8	Saw Head Decals.....	4-10
	<i>LT40HD Super Remote Rev. K1.00 (1/08+) - K3.02</i>	

## Table of Contents

## Section-Page

4.9	Saw Head Decals.....	4-11
	<i>LT40HD Super Remote Rev. J9.00 (1/07) - K1.00 (12/07)</i>	
4.10	Saw Head Decals.....	4-12
	<i>LT40HD Super Remote Rev. J7.01 - J9.00 (12/06)</i>	
4.11	Blade Housing Covers.....	4-13
4.12	Drive Belt Covers.....	4-15
	<i>LT40HD Super Remote Rev. K1.01 - K3.02</i>	
4.13	Drive Belt Covers.....	4-16
	<i>LT30HD Super Remote Rev. J7.01 - J8.09</i>	
	<i>LT40HD Super Remote Rev. J7.01 - K1.00</i>	
4.14	Sawdust Chute.....	4-18
4.15	Debarker Wire Box/Hole Plugs.....	4-19
<b>SECTION 5</b>	<b>CONTROL &amp; BATTERY BOXES</b>	<b>5-1</b>
5.1	Control Assembly.....	5-1
	<i>LT30HD Super Remote Rev. J8.00 - J8.09</i>	
	<i>LT40HD Super Remote Rev. J8.00 - K3.02</i>	
5.2	Control Assembly.....	5-4
	<i>LT30HD Super Remote Rev. J7.01 - J7.03</i>	
	<i>LT40HD Super Remote Rev. J7.01 - J7.03</i>	
5.3	Drum Switches.....	5-6
5.4	Front Panel Assembly.....	5-7
5.5	Battery Box Assembly.....	5-9
	<i>LT40HD Super Remote Rev. K3.00 - K3.02</i>	
5.6	Battery Box Assembly.....	5-11
	<i>LT40HD Super Remote Rev. J7.01 - K2.00</i>	
5.7	Fuse Box Assembly.....	5-13
	<i>LT40HD Super Remote Rev. K3.00 - K3.02</i>	
5.8	Fuse Box Assembly.....	5-15
	<i>LT40HD Super Remote Rev. J7.01 - K2.00</i>	
5.9	Remote Power Box Assembly.....	5-17
	<i>LT40HD Super Remote Rev. K3.00 - K3.02</i>	
5.10	Remote Power Box Assembly.....	5-19
	<i>LT40HD Super Remote Rev. K1.00 - K2.00</i>	
5.11	Remote Power Box Assembly.....	5-22
	<i>LT40HD Super Remote Rev. J8.00 - J9.02</i>	
5.12	Remote Power Box Assembly.....	5-25
	<i>LT30HD Super Remote Rev. J7.01 - J7.03</i>	
	<i>LT40HD Super Remote Rev. J7.01 - J7.03</i>	
5.13	Remote Power Box Door Assembly.....	5-28
	<i>LT40HD Super Remote Rev. K3.00 - K3.02</i>	
5.14	Remote Power Box Door Assembly.....	5-29
	<i>LT40HD Super Remote Rev. K1.00 - K2.00</i>	
5.15	Remote Power Box Door Assembly.....	5-30
	<i>LT30HD Super Remote Rev. J8.00 - J8.09</i>	
	<i>LT40HD Super Remote Rev. J8.00 - J9.02</i>	
5.16	Remote Power Box Door Assembly.....	5-32
	<i>LT30HD Super Remote Rev. J7.01 - J7.03</i>	

# Table of Contents

# Section-Page

*LT40HD Super Remote Rev. J7.01 - J7.03*

<b>SECTION 6</b>	<b>UP/DOWN SYSTEM</b>	<b>6-1</b>
6.1	Saw Head Mount.....	6-1
6.2	Blade Height & Quarter Scales.....	6-2
	<i>LT40HD Super Remote Rev. J8.09 - K3.02</i>	
6.3	Blade Height & Quarter Scales.....	6-4
	<i>LT40HD Super Remote Rev. J7.01 - J8.08</i>	
6.4	Up/Down Chain & Sprockets.....	6-6
6.5	Up/Down Motor Assembly.....	6-8
6.6	Up/Down Drive Assembly.....	6-9
<b>SECTION 7</b>	<b>FEED SYSTEM &amp; TRACK ROLLERS</b>	<b>7-1</b>
7.1	Upper Track Rollers And Wipers.....	7-1
7.2	Power Feed Assembly.....	7-3
7.3	Feed Chain/Stop.....	7-5
	<i>LT40HD Super Remote Rev. K2.00 - K3.02</i>	
7.4	Feed Chain/Stop.....	7-6
	<i>LT30HD Super Remote Rev. J7.01 - J8.09</i>	
	<i>LT40HD Super Remote Rev. J7.01 - K1.02</i>	
7.5	Lower Track Rollers.....	7-7
<b>SECTION 8</b>	<b>BED FRAME ASSEMBLY</b>	<b>8-1</b>
8.1	Bed Rail Assembly, Front And Rear.....	8-1
	<i>LT40HD Super Remote Rev. J8.12 - K3.02</i>	
8.2	Bed Rail Assembly, Front And Rear.....	8-3
	<i>LT40HD Super Remote Rev. J7.01 - J8.11</i>	
8.3	Bed Rail Assembly, Middle Front.....	8-5
8.4	Bed Rail Assembly, Middle Rear.....	8-6
8.5	Log Side Support Assembly (Manual).....	8-8
	<i>LT40HD Super Remote Rev. J7.01 - J8.03</i>	
8.6	Leg Assembly (Stationary).....	8-10
8.7	Board Return Table Assembly.....	8-12
	<i>LT40HD Super Remote Rev. J9.01 - K3.02</i>	
8.8	Board Return Table Assembly.....	8-13
	<i>LT30HD Super Remote Rev. J7.01 - J8.09</i>	
	<i>LT40HD Super Remote Rev. J7.01 - J9.00</i>	

## Table of Contents

## Section-Page

8.9	Pivot Bed Rail Assembly.....	8-15
8.10	Safety Chain Assembly .....	8-17
8.11	Saw Head Rest Pin Assembly .....	8-18
8.12	Bed Frame Decals.....	8-19
	<i>LT40HD Super Remote Rev. K1.00 (1/08) - K3.02</i>	
8.13	Bed Frame Decals.....	8-20
	<i>LT40HD Super Remote Rev. J7.01 - K1.00 (12/07)</i>	
8.14	Cable Chain Assembly .....	8-21
8.15	Bottom Chain Mount Assembly .....	8-22
8.16	Top Chain Mount Assembly .....	8-23
8.17	Front Tray Mount Assembly .....	8-24
8.18	Cable Chain Support Bracket .....	8-25
8.19	Board Outfeed Table (Optional).....	8-26
<b>SECTION 9 MISCELLANEOUS</b>		<b>9-1</b>
9.1	Replacement Manuals .....	9-1
<b>SECTION 10 HYDRAULIC SYSTEM</b>		<b>10-1</b>
10.1	Hydraulic Hoses .....	10-1
10.2	Command Control .....	10-2
	<i>LT40HD Super Remote Rev. J9.01 - K3.02</i>	
10.3	Command Control .....	10-4
	<i>LT30HD Super Remote Rev. J7.01 - J8.09</i>	
	<i>LT40HD Super Remote Rev. J7.01 - J9.00</i>	
10.4	Hydraulic Pump Box .....	10-6
10.5	Hydraulic Power Supply Strip.....	10-9
10.6	Hydraulic Log Loader .....	10-11
10.7	Hydraulic Log Turner.....	10-13
10.8	Hydraulic Log Side Supports (Front/Rear) .....	10-15
	<i>LT40HD Super Remote Rev. J8.04 - K3.02</i>	
10.9	Hydraulic Log Side Supports .....	10-17
	<i>LT40HD Super Remote Rev. J7.01 - J8.03</i>	
10.10	Hydraulic Log Side Supports (Middle).....	10-19
	<i>LT40HD Super Remote Rev. J8.04 - K3.02</i>	
10.11	Hydraulic Log Clamp .....	10-20
10.12	Hydraulic Toe Board .....	10-22
<b>INDEX</b>		<b>I</b>

## SECTION 1 GENERAL INFORMATION

### 1.1 How To Use The Parts List

- Use the table of contents or index to locate the assembly that contains the part you need.
- Go to the appropriate section and locate the part in the illustration.
- Use the number pointing to the part to locate the correct part number and description in the table.
- Parts shown indented under another part are included with that part.
- Parts marked with a diamond (◆) are only available in the assembly listed above the part.

See the sample table below. Sample Part #A01111 includes part F02222-2 and subassembly A03333. Subassembly A03333 includes part S04444-4 and subassembly K05555. The diamond (◆) indicates that S04444-4 is not available except in subassembly A03333. Subassembly K05555 includes parts M06666 and F07777-77. The diamond (◆) indicates M06666 is not available except in subassembly K05555.

<b>1.2 Sample Assembly</b>				
REF	DESCRIPTION (◆ Indicates Parts Available In Assemblies Only)	PART #	QTY.	
	<b>SAMPLE ASSEMBLY, COMPLETE (INCLUDES ALL INDENTED PARTS BELOW)</b>	A01111	1	
1	Sample Part	F02222-22	1	
	Sample Subassembly (Includes All Indented Parts Below)	A03333	1	
2	Sample Part (◆ Indicates Part Is Only Available With A03333)	S04444-4	1	◆
	Sample Subassembly (Includes All Indented Parts Below)	K05555	1	
3	Sample Part (◆ Indicates Part Is Only Available With K05555)	M06666	2	◆
4	Sample Part	F07777-77	1	

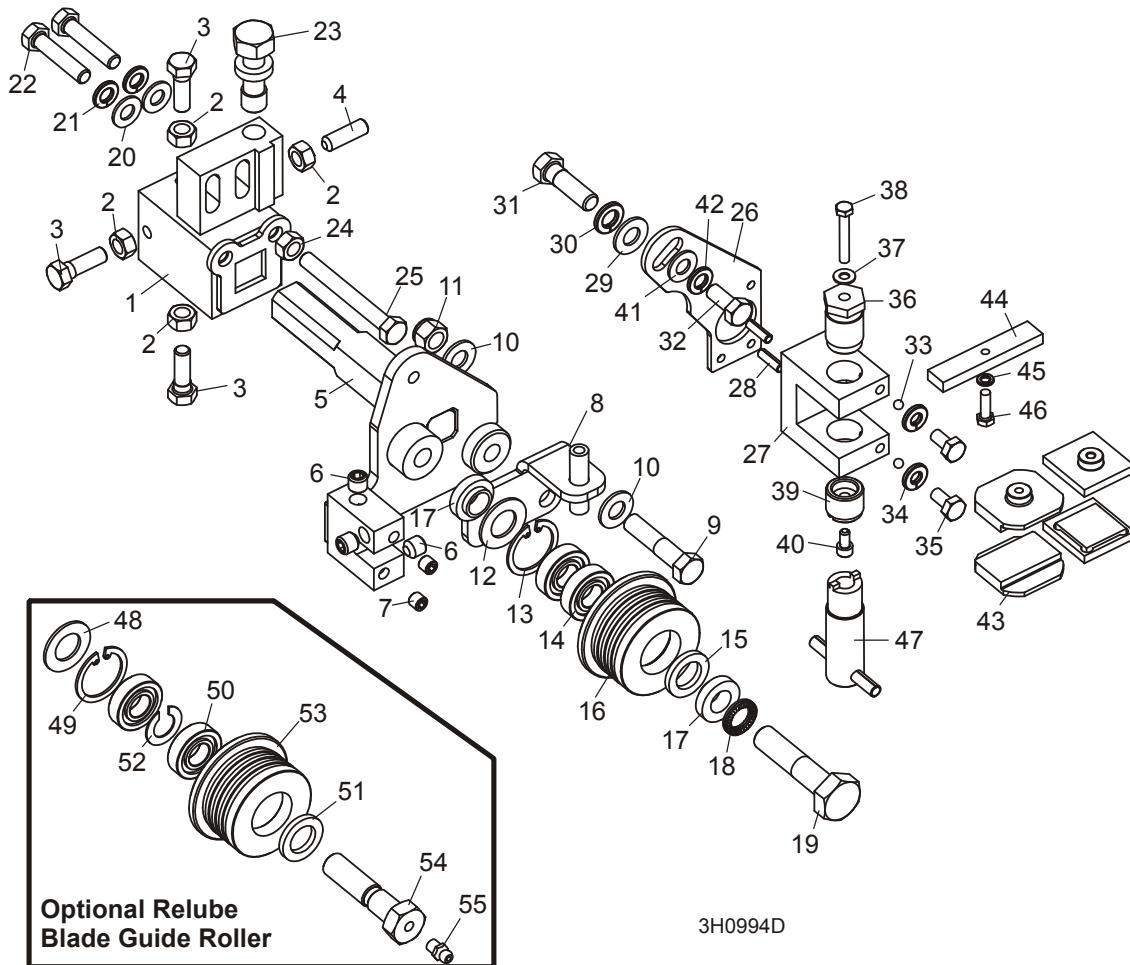
#### To Order Parts:

- From the continental U.S., call **1-800-525-8100** to order parts. Have your customer number, vehicle identification number, and part numbers ready when you call.
- From other international locations, contact the Wood-Mizer distributor in your area for parts.

## SECTION 2 BLADE GUIDE ROLLERS & ARM

### 2.1 Blade Guide Assembly, Idle Side

LT40HD Super Remote Rev. K1.01 - K3.02



3H0994D

REF	DESCRIPTION (◆ Indicates Parts Available In Assemblies Only)	PART #	QTY.	
	<b>GUIDE ASSEMBLY, IDLE SIDE BLADE ROLLER</b>	003992	1	
	Block Assembly, Idle Side Blade Guide Mount	003920	1	
1	Block Weldment, Blade Guide Mount	003921	1	◆
2	Nut, 5/16-18 Hex	F05010-17	4	
3	Bolt, 5/16-18 x 1" Hex Head Stainless Steel	F05006-88	3	
4	Screw, 5/16-18 x 1" Socket Head Flat Point Stainless Steel Set	F05006-122	1	
5	Shaft Weldment, Idle Side Guide	003924 <sup>1</sup>	1	
6	Fitting, 1/8" NPT Socket Pipe Plug	P30127	3	
7	Fitting, 1/16" NPT Socket Pipe Plug	007734 <sup>1</sup>	2	

# 2

## Blade Guide Rollers & Arm

### Blade Guide Assembly, Idle Side

8	Bracket Weldment, Idle Side Water Lube	006322	1	
9	Bolt, 3/8-16UNF-2A x 1 3/4" Grade 5	F05007-119	1	
10	Washer, 3/8" SAE Flat	F05011-3	2	
11	Nut, 3/8-16 Hex Nylon Lock	F05010-10	1	
	Roller Assembly, Blade Guide (standard for use with 1 1/4" & 1 1/2" blades)	A04925 <sup>2</sup>	1	
	Roller Assembly, Extended Blade Guide (optional for use with 1 1/2" blades)	014299 <sup>2</sup>	1	
	Bearing Kit, Blade Guide Rebuild	K07079	1	
12	Washer, 5/8" White Felt	P04252	1	
13	Ring, 1 1/8" Interior Retaining	F04254-1	1	
14	Bearing, R8-2RS Blade Guide	015975	2	◆
15	Washer, 5/8" Gray Felt	P06455	1	
	Screw, 1/4-28 x 1/4" Socket Head Cup Point Set Black Oxide	F05005-105	1	
	Instruction Sheet, Blade Guide Rebuild	057407-1507	1	
16	Roller, Flanged Blade Guide (1 1/4" & 1 1/2" blade)	S04250	1	◆
	Roller, Flanged Blade Guide (1 1/2" blade)	014298	1	◆
	Instruction Sheet, Blade Guide Roller Replacement	A04925-364	1	
17	Spacer, Blade Guide	S04253	2	
18	Washer, 1/2" Nord-Lock	F05011-125 <sup>3</sup>	1	
19	Bolt, 1/2-13 x 2 1/4" Hex Head Grade 5	F05008-10	1	
20	Washer, 5/16" SAE Flat	F05011-17	2	
21	Washer, 5/16" Split Lock	F05011-13	2	
22	Bolt, 5/16-18 x 1 1/2" Hex Head	F05006-76	2	
23	Bolt, Blade Guide Vertical Adjustment	035656	1	
24	Nut, 5/16-18 Hex	F05010-17	1	
25	Bolt, 5/16-18 x 2 3/4" Hex Head Full Thread	F05006-136	1	
	<b>GUIDE KIT, HIGH-PERFORMANCE BLADE GUIDE (OPTIONAL)</b>	006325 <sup>4</sup>	1	
	Block Assembly, Idle Side Blade Guide	003928	1	
26	Plate, Block Tilt Adjustment	003915	1	
27	Block, Guide Block Mount	003909	1	
28	Pin, 3/16" x 5/8" Roll	F05012-22	2	
29	Washer, 3/8" SAE Flat	F05011-3	1	
30	Washer, 3/8" Split Lock	F05011-4	1	
31	Bolt, 3/8-16 x 1 1/4" Hex Head Grade 5	F05007-123	1	
32	Bolt, 5/16-18 x 3/4" Hex Head w/Flat & Lock Washer	F05006-101	1	
33	Ball, 3/16" Dia. Nylon	003914	2	
34	Washer, 1/4" Split Lock	F05011-14	2	
35	Bolt, 1/4-20 x 1/2" Hex Head	F05005-15	2	
36	Bolt, Blade Guide Block Mount	003994	1	
37	Washer, #10 Brass	042867	1	
38	Bolt, #10-32 x 1 1/4" Hex Head Stainless Steel	F05004-240	1	
39	Screw, Lower Block Adjustment	044057	1	
40	Screw, #10-32 x 3/8" Socket Head Stainless Steel	F05004-200	1	
41	Washer, 5/16" SAE Flat	F05011-17	1	



42	Washer, 5/16" Split Lock	F05011-13	1	
43	Block, Blade Guide Wear (Standard for 1 1/4" Blades)	052355 <sup>5</sup>	2	
	Block, Blade Guide Wear (Optional for 1 1/2" Blades)	052309 <sup>5</sup>	2	
	Block Assembly, 1" Sq. EZ-Glide Wear	036347 <sup>5</sup>	2	
44	Block, Blade Guide Alignment	035799	1	
45	Washer, #10 Split Lock	F05011-20	1	
46	Screw, #10-32 x 5/8" Hex Head	F05004-152	1	
47	Adjustment Tool, Lower Guide Block	044064	1	
	Shim, .008" Blade Guide Block Spacer	035248	1	
Drive Side Blade Guide Parts ( <a href="#">See Section 2.1</a> )				
	<b>ROLLER ASSEMBLY, BLADE GUIDE RELUBE (OPTIONAL FOR USE WITH 1 1/4" OR 1 1/2" BLADES)</b>	016568 <sup>2</sup>	1	
	<b>ROLLER ASSEMBLY, EXTENDED BLADE GUIDE RELUBE (OPTIONAL FOR USE WITH 1 1/2" BLADES)</b>	057405 <sup>2</sup>	1	
	Bearing Kit, Relube Blade Guide Rebuild	057407	1	
48	Washer, 5/8" White Felt	P04252	1	
49	Ring, 1 1/8" Interior Retaining	F04254-1	1	
50	Bearing, R8-2RS Blade Guide	015975 <sup>6</sup>	2	◆
51	Washer, 5/8" Gray Felt	P06455	1	
52	Spacer, Blade Guide Bearing	035411	1	
	Instruction Sheet, Blade Guide Rebuild	057407-1507	1	
53	Roller, Flanged Blade Guide (Relube 1 1/4" & 1 1/2" blade)	035426	1	◆
	Roller, Flanged Blade Guide (Relube 1 1/2" blade)	057402	1	◆
	Instruction Sheet, Blade Guide Roller Replacement	A04925-364	1	
54	<b>BOLT, BLADE GUIDE ROLLER (RELUBE ONLY)</b>	036161	1	
55	<b>FITTING, 1/4-28 GREASE (RELUBE ONLY)</b>	P05060	1	

<sup>1</sup> Shaft Weldment 003924 modified to provide more clearance for adjustment bolts and to prevent water leaks (Rev. K3.02). New shaft requires two 1/16" NPT Pipe Plugs 007734.

<sup>2</sup> The sawmill is equipped standard with non-greasable blade guide rollers that can be used with the standard 1 1/4" blade or 1 1/2" blades. Optional extended blade guide rollers are available for use with 1 1/2" blades. The extended rollers may provide more stability during difficult sawing, but will reduce the total amount of times the blade can be reused after sharpening. Use kit 006382 to convert the rollers and guide blocks for both blade guides for 1 1/2" blades. Optional relube versions of each roller configuration are also available.

<sup>3</sup> Nord-Lock Washer F05011-125 replaced Split Lock Washer F05011-9 to prevent loosening due to vibration (Rev. K3.02).

<sup>4</sup> High-Performance Blade Guide Kit requires LMS blade lube system. Use kit 006325 to upgrade both drive and idle side blade guides to High-Performance. If sawmill not already equipped with LMS, add kit LMS-RA.

<sup>5</sup> 052355 blocks for use with 1 1/4" blade provided as standard equipment. 052309 blocks available for optional use with 1 1/2" blades. Use kit 006382 to convert the rollers and guide blocks for both blade guides for 1 1/2" blades. EZ-Glide blocks 036347 are available for customers who prefer this block.

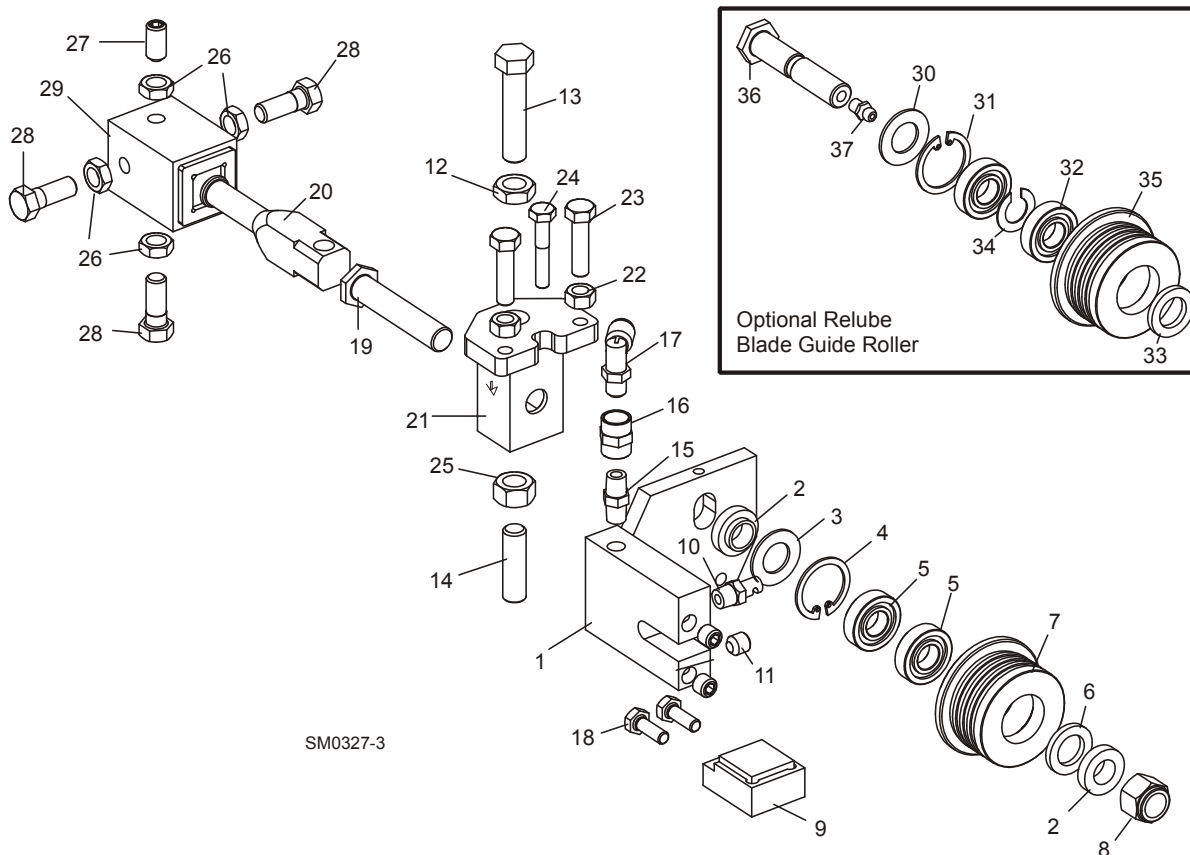
<sup>6</sup> Bearing must be modified for use with relube roller assemblies. Remove one seal from each bearing, place open sides facing each other and place spacer 035411 between bearings.

# 2 Blade Guide Rollers & Arm

## Blade Guide Assembly, Idle Side

### 2.2 Blade Guide Assembly, Idle Side

LT40HD Super Remote Rev. J9.00 - K1.00



SM0327-3

REF	DESCRIPTION (◆ Indicates Parts Available In Assemblies Only)	PART #	QTY.	
	<b>ROLLER/BLOCK ASSEMBLY, IDLE SIDE (OUTER)</b>	035405 <sup>1</sup>	1	
1	Nozzle Block Weldment, Idle Side	035404	1	
2	Spacer, .510 x .937 x .34	S04253	2	
	Roller Assembly, Blade Guide (standard for use with 1 1/4" & 1 1/2" blades)	A04925 <sup>2</sup>	1	
	Roller Assembly, Extended Blade Guide (optional for use with 1 1/2" blades)	014299 <sup>2</sup>	1	
	Bearing Kit, Blade Guide Rebuild	K07079	1	
3	Washer, 5/8" White Felt	P04252	1	
4	Ring, 1 1/8" Interior Retaining	F04254-1	1	
5	Bearing, R8-2RS Blade Guide	015975	2	◆
6	Washer, 5/8" Gray Felt	P06455	1	
	Screw, 1/4-28 x 1/4" Socket Head Cup Point Set Black Oxide	F05005-105	1	
	Instruction Sheet, Blade Guide Rebuild	057407-1507	1	
7	Roller, Flanged Blade Guide (1 1/4" & 1 1/2" blade)	S04250	1	◆
	Roller, Flanged Blade Guide (1 1/2" blade)	014298	1	◆

## Blade Guide Rollers & Arm

*Blade Guide Assembly, Idle Side*

2

	Instruction Sheet, Blade Guide Roller Replacement	A04925-364	1	
8	Nut, 1/2-20 Nylon Hex Lock	F05010-15	1	
9	Block Assembly, 1 1/4" Blade EZ-Glide Wear	036247 <sup>3</sup>	1	
	Block, 1 1/4" Blade Guide Wear	052367 <sup>3</sup>	1	
	Block, 1 1/2" Blade Guide Wear	052366 <sup>3</sup>	1	
10	Nozzle, Blade Water Lube Spray (For use with standard bottle water lube)	016637 <sup>4</sup>	1	
11	Fitting, 1/8" NPT Socket Pipe Plug	P30127	3	
12	Nut, 7/16-20 Hex Jam	F05010-38 <sup>5</sup>	1	
13	Bolt, 7/16-20 x 2" Hex Head Full Thread Grade 8	F05007-215	1	
14	Screw, 7/16-20 x 1 1/2" Socket Head Flat Point Stainless Set	F05007-217 <sup>6</sup>	1	
15	Fitting, 1/8" Dry Seal Nipple	P02764	1	
16	Fitting, 1/8" FPT Coupling	P05748	1	
17	Fitting, 1/8" MPT x 1/4" Tube 90° Elbow Swivel	P09736	1	
18	Bolt, 1/4-20 x 3/4" Hex Head Grade 5	F05005-123	2	
19	Bolt, Blade Guide Roller	036374	1	
20	Shaft, Blade Guide Mount	054966	1	
21	Block, Roller Guide Adjuster	054969	1	
22	Nut, 5/16-24 Hex	F05010-28	2	
23	Bolt, 5/16-24 x 1 1/4" Hex Head Full Thread Grade 5	F05006-107	2	
24	Bolt, 1/4-28 x 1 1/2" Hex Head Grade 5	F05005-143	1	
25	Nut, 7/16-20 Hex	F05010-202 <sup>5</sup>	1	
	<b>SHIM, .008" BLADE GUIDE BLOCK SPACER</b>	035248	1	
26	<b>NUT, 3/8-24 HEX JAM</b>	F05010-22	4	
27	<b>SCREW, 3/8-24 X 3/4" STAINLESS STEEL SOCKET HEAD FLAT POINT</b>	F05007-95	1	
28	<b>BOLT, 3/8-24 X 1" STAINLESS STEEL HEX HEAD</b>	F05007-99	3	
29	<b>TUBE, BLADE GUIDE MOUNT (<a href="#">See Section 2.8</a>)</b>	W08159	1	
	<b>ROLLER ASSEMBLY, BLADE GUIDE RELUBE (OPTIONAL FOR USE WITH 1 1/4" OR 1 1/2" BLADES)</b>	016568	1	
	<b>ROLLER ASSEMBLY, EXTENDED BLADE GUIDE RELUBE (OPTIONAL FOR USE WITH 1 1/2" BLADES)</b>	057405 <sup>2</sup>	1	
	Bearing Kit, Relube Blade Guide Rebuild	057407	1	
30	Washer, 5/8" White Felt	P04252	1	
31	Ring, 1 1/8" Interior Retaining	F04254-1	1	
32	Bearing, R8-2RS Blade Guide	015975 <sup>7</sup>	2	◆
33	Washer, 5/8" Gray Felt	P06455	1	
34	Spacer, Blade Guide Bearing	035411	1	
	Instruction Sheet, Blade Guide Rebuild	057407-1507	1	
35	Roller, Flanged Blade Guide (Relube 1 1/4" & 1 1/2" blade)	035426	1	◆
	Roller, Flanged Blade Guide (Relube 1 1/2" blade)	057402	1	◆
	Instruction Sheet, Blade Guide Roller Replacement	A04925-364	1	
36	<b>BOLT, BLADE GUIDE ROLLER (RELUBE ONLY)</b>	035412	1	
37	<b>FITTING, 1/4-28 GREASE (RELUBE ONLY)</b>	P05060	1	

## 2

## Blade Guide Rollers & Arm

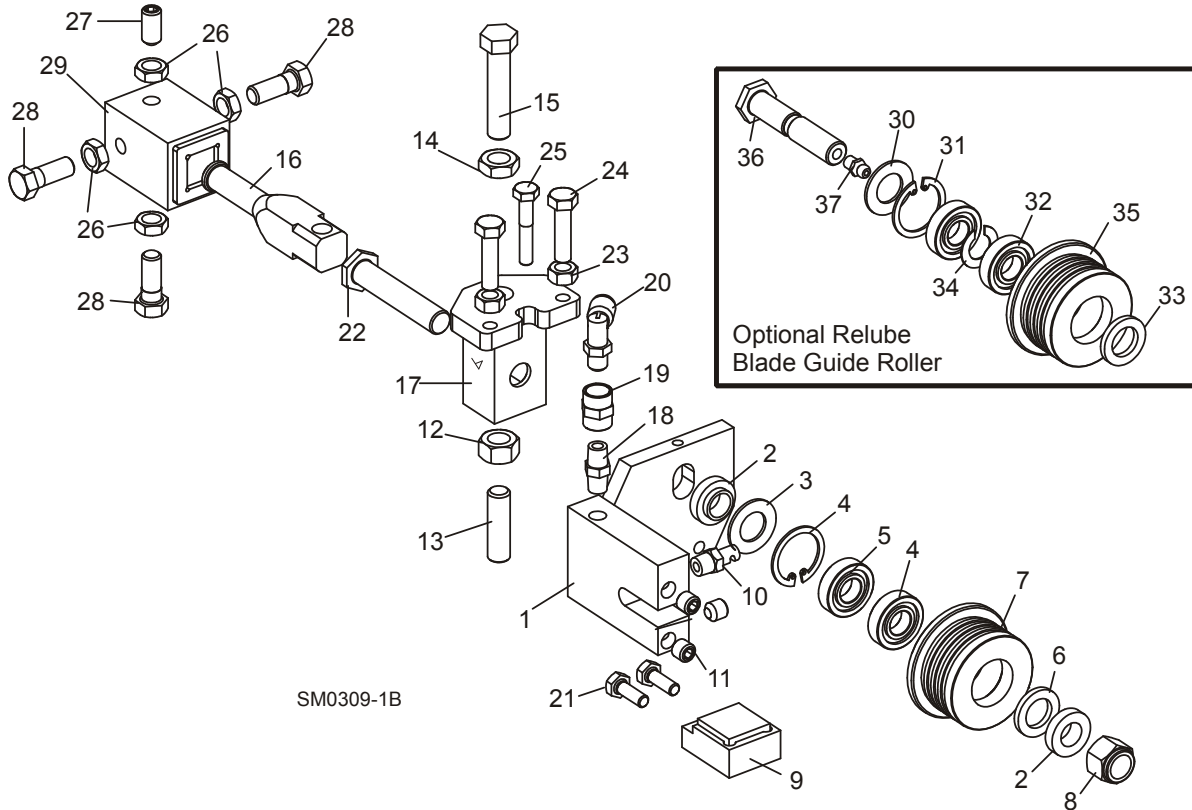
### *Blade Guide Assembly, Idle Side*

---

- <sup>1</sup> New blade guide assembly available ([See Section 2.1](#)). Upgrade requires mounting arms, belt covers and LMS option. Use kit 006329 to retrofit (includes all parts necessary to retrofit both blade guide assemblies). If sawmill not already equipped with LMS option, add kit LMS-RA.
- <sup>2</sup> The sawmill is equipped standard with non-greasable blade guide rollers that can be used with the standard 1 1/4" blade or 1 1/2" blades. Optional extended blade guide rollers are available for use with 1 1/2" blades. The extended rollers may provide more stability during difficult sawing, but will reduce the total amount of times the blade can be reused after sharpening. Optional relube versions of each roller configuration are also available.
- <sup>3</sup> Wear Block 052367 available 10/07 and provided as standard 4/09. EZ-Glide Block 036247 available for customers who prefer this block. Wear Block 052366 available for optional use with 1 1/2" blades.
- <sup>4</sup> Use two Blade Lube Fittings 033479 if sawmill is equipped with LubeMizer blade lube system. These fittings are supplied with the LMS option.
- <sup>5</sup> Lower jam nut F05010-38 replaced with hex nut F05010-202 (3/07).
- <sup>6</sup> Stainless Set Screw replaces Zinc plated screw F05007-213 used prior to 6/07 to eliminate screw shearing.
- <sup>7</sup> Bearing must be modified for use with relube roller assemblies. Remove one seal from each bearing, place open sides facing each other and place spacer 035411 between bearings.

## 2.3 Blade Guide Assembly, Idle Side

LT30HD Super Remote Rev. J7.01 - J8.09  
LT40HD Super Remote Rev. J7.01 - J8.12



SM0309-1B

REF	DESCRIPTION (◆ Indicates Parts Available In Assemblies Only)	PART #	QTY.
	<b>ROLLER/BLOCK ASSEMBLY, IDLE SIDE (OUTER)</b>	035405 <sup>1</sup>	1
1	Nozzle Block Weldment, Idle Side	035404	1
2	Spacer, .510 x .937 x .34	S04253	2
	Roller Assembly, Blade Guide (standard for use with 1 1/4" & 1 1/2" blades)	A04925 <sup>2</sup>	1
	Roller Assembly, Extended Blade Guide (optional for use with 1 1/2" blades)	014299 <sup>2</sup>	1
	Bearing Kit, Blade Guide Rebuild	K07079	1
3	Washer, 5/8" White Felt	P04252	1
4	Ring, 1 1/8" Interior Retaining	F04254-1	1
5	Bearing, R8-2RS Blade Guide	015975	2
6	Washer, 5/8" Gray Felt	P06455	1
	Screw, 1/4-28 x 1/4" Socket Head Cup Point Set Black Oxide	F05005-105	1
	Instruction Sheet, Blade Guide Rebuild	057407-1507	1
7	Roller, Flanged Blade Guide (1 1/4" & 1 1/2" blade)	S04250	1
	Roller, Flanged Blade Guide (1 1/2" blade)	014298	1
	Instruction Sheet, Blade Guide Roller Replacement	A04925-364	1

## 2

**Blade Guide Rollers & Arm***Blade Guide Assembly, Idle Side*

8	Nut, 1/2-20 Nylon Hex Lock	F05010-15	1	
9	Block Assembly, 1 1/4" Blade EZ-Glide Wear	036247 <sup>3</sup>	1	
	Block, 1 1/4" Blade Guide Wear	052367 <sup>3</sup>	1	
	Block, 1 1/2" Blade Guide Wear	052366 <sup>3</sup>	1	
10	Nozzle, Blade Water Lube Spray (For use with standard bottle water lube)	016637 <sup>4</sup>	1	
11	Fitting, 1/8" NPT Socket Pipe Plug	P30127	3	
	Shaft Kit, Blade Guide Adjust Retrofit	038971 <sup>5</sup>	1	
12	Nut, 7/16-20 Hex	F05010-202 <sup>6</sup>	1	
13	Screw, 7/16-20 x 1 1/2" Socket Head Cup Point Stainless Steel	F05007-217 <sup>7</sup>	1	
14	Nut, 7-16-20 Hex Jam	F05010-38	1	
15	Bolt, 7/16-20 x 2" Hex Head Full Thread Grade 8	F05007-215	1	
16	Shaft, Blade Guide Mount	054966	1	
17	Block Weldment, Roller Guide Adjuster	054969	1	
18	Fitting, 1/8" Dry Seal Nipple	P02764	1	
19	Fitting, 1/8" FPT Coupling	P05748	1	
20	Fitting, 1/8" MPT x 1/4" Tube 90° Elbow Swivel	P09736	1	
21	Bolt, 1/4-20 x 3/4" Hex Head Grade 5	F05005-123	2	
22	Bolt, Blade Guide Roller	036374	1	
23	Nut, 5/16-24 Hex	F05010-28	2	
24	Bolt, 5/16-24 x 1 1/4" Hex Head Full Thread Grade 5	F05006-107	2	
25	Bolt, 1/4-28 x 1 1/2" Hex Head Grade 5	F05005-143	1	
	<b>SHIM, .008" BLADE GUIDE BLOCK SPACER</b>	035248	1	
26	<b>NUT, 3/8-24 HEX JAM</b>	F05010-22	4	
27	<b>SCREW, 3/8-24 X 3/4" STAINLESS STEEL SOCKET HEAD FLAT POINT</b>	F05007-95	1	
28	<b>BOLT, 3/8-24 X 1" STAINLESS STEEL HEX HEAD</b>	F05007-99	3	
29	<b>TUBE, BLADE GUIDE MOUNT (See Section 2.9)</b>	W08159	1	
	<b>ROLLER ASSEMBLY, BLADE GUIDE RELUBE (OPTIONAL FOR USE WITH 1 1/4" OR 1 1/2" BLADES)</b>	016568 <sup>2</sup>	1	
	<b>ROLLER ASSEMBLY, EXTENDED BLADE GUIDE RELUBE (OPTIONAL FOR USE WITH 1 1/2" BLADES)</b>	057405 <sup>2</sup>	1	
	Bearing Kit, Relube Blade Guide Rebuild	057407	1	
30	Washer, 5/8" White Felt	P04252	1	
31	Ring, 1 1/8" Interior Retaining	F04254-1	1	
32	Bearing, R8-2RS Blade Guide	015975 <sup>8</sup>	2	◆
33	Washer, 5/8" Gray Felt	P06455	1	
34	Spacer, Blade Guide Bearing	035411	1	
	Instruction Sheet, Blade Guide Rebuild	057407-1507	1	
35	Roller, Flanged Blade Guide (Relube 1 1/4" & 1 1/2" blade)	035426	1	◆
	Roller, Flanged Blade Guide (Relube 1 1/2" blade)	057402	1	◆
	Instruction Sheet, Blade Guide Roller Replacement	A04925-364	1	
36	<b>BOLT, BLADE GUIDE ROLLER (RELUBE ONLY)</b>	035412	1	
37	<b>FITTING, 1/4-28 GREASE (RELUBE ONLY)</b>	P05060	1	

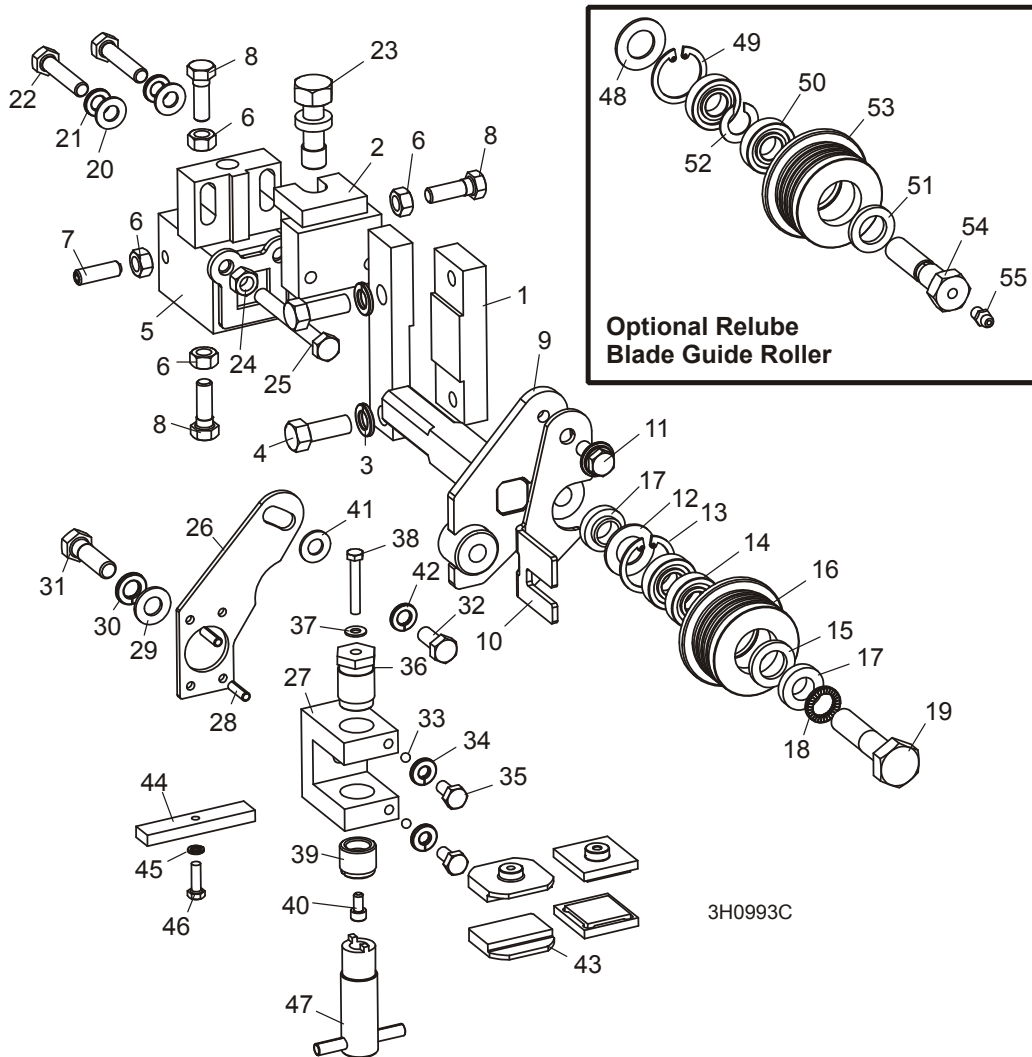
- <sup>1</sup> Blade Guide Assembly 035405 upgraded with new Block Weldment and Shaft to accommodate 7/16" adjustment hardware to improve durability (12/06). Use kit 038971 to retrofit previous revisions. New blade guide assembly available ([See Section 2.1](#)). Upgrade requires mounting arms, belt covers and LMS option. Use kit 006329 to retrofit (includes all parts necessary to retrofit both blade guide assemblies). If sawmill not already equipped with LMS option, add kit LMS-RA.
- <sup>2</sup> The sawmill is equipped standard with non-greasable blade guide rollers that can be used with the standard 1 1/4" blade or 1 1/2" blades. Optional extended blade guide rollers are available for use with 1 1/2" blades. The extended rollers may provide more stability during difficult sawing, but will reduce the total amount of times the blade can be reused after sharpening. Optional relube versions of each roller configuration are also available.
- <sup>3</sup> Wear Block 052367 available 10/07 and provided as standard 4/09. EZ-Glide Block 036247 available for customers who prefer this block. Wear Block 052366 available for optional use with 1 1/2" blades.
- <sup>4</sup> Use two Blade Lube Fittings 033479 if sawmill is equipped with LubeMizer blade lube system. These fittings are supplied with the LMS option.
- <sup>5</sup> Mount Shaft 035427, Adjuster Block 035408, 3/8" Set Screws F05007-162 & 3/8" Jam Nuts F05010-22 replaced with 7/16" adjustment hardware. Mount Shaft 035427 & Adjuster Block 035408 no longer available. Use kit 038971 to retrofit original parts.
- <sup>6</sup> Lower jam nut F05010-38 replaced with hex nut F05010-202 (3/07).
- <sup>7</sup> Stainless Set Screw replaces Zinc plated screw F05007-213 used prior to 6/07 to eliminate screw shearing.
- <sup>8</sup> Bearing must be modified for use with relube roller assemblies. Remove one seal from each bearing, place open sides facing each other and place spacer 035411 between bearings.

# 2 Blade Guide Rollers & Arm

Blade Guide Assembly, Drive Side

## 2.4 Blade Guide Assembly, Drive Side

LT40HD Super Remote Rev. K1.01 - K3.02



REF	DESCRIPTION (◆ Indicates Parts Available In Assemblies Only)	PART #	QTY.
1	BLOCK, BOLT ON BLADE GUIDE MOUNT	016548	1
2	BRACKET WELDMENT, INNER BLADE GUIDE MOUNT	003964	1
3	WASHER, 3/8" SPLIT LOCK	F05011-4	2
4	BOLT, 3/8-16 X 1" HEX HEAD	F05007-7	2
	GUIDE ASSEMBLY, DRIVE SIDE BLADE ROLLER	003905	1
	Block Assembly, Blade Guide Mount	003910	1
5	Block Weldment, Blade Guide Mount	003911	1
6	Nut, 5/16-18 Hex	F05010-17	4
7	Screw, 5/16-18 x 1" Socket Head Flat Point Stainless Steel Set	F05006-122	1



## Blade Guide Rollers & Arm

*Blade Guide Assembly, Drive Side*

2

8	Bolt, 5/16-18 x 1" Hex Head Stainless Steel	F05006-88	3	
9	Shaft Weldment, Drive Side Guide	003913	1	
10	Plate, Blade Guide Deflector	003916	1	
11	Bolt, 5/16-18 x 3/4" Hex Head w/Flat & Lock Washer	F05006-101	1	
	Roller Assembly, Blade Guide (standard for use with 1 1/4" & 1 1/2" blades)	A04925 <sup>1</sup>	1	
	Roller Assembly, Extended Blade Guide (optional for use with 1 1/2" blades)	014299 <sup>1</sup>	1	
	Bearing Kit, Blade Guide Rebuild	K07079	1	
12	Washer, 5/8" White Felt	P04252	1	
13	Ring, 1 1/8" Interior Retaining	F04254-1	1	
14	Bearing, R8-2RS Blade Guide	015975	2	◆
15	Washer, 5/8" Gray Felt	P06455	1	
	Screw, 1/4-28 x 1/4" Socket Head Cup Point Set Black Oxide	F05005-105	1	
	Instruction Sheet, Blade Guide Rebuild	057407-1507	1	
16	Roller, Flanged Blade Guide (1 1/4" & 1 1/2" blade)	S04250	1	◆
	Roller, Flanged Blade Guide (1 1/2" blade)	014298	1	◆
	Instruction Sheet, Blade Guide Roller Replacement	A04925-364	1	
17	Spacer, Blade Guide	S04253	2	
18	Washer, 1/2" Nord-Lock	F05011-125 <sup>2</sup>	1	
19	Bolt, 1/2-13 x 2 1/4" Hex Head Grade 5	F05008-10	1	
20	Washer, 5/16" SAE Flat	F05011-17	2	
21	Washer, 5/16" Split Lock	F05011-13	2	
22	Bolt, 5/16-18 x 1 1/2" Hex Head	F05006-76	2	
23	Bolt, Blade Guide Vertical Adjustment	035656	1	
24	Nut, 5/16-18 Hex	F05010-17	1	
25	Bolt, 5/16-18 x 2 3/4" Hex Head Full Thread	F05006-136	1	
	<b>GUIDE KIT, HIGH-PERFORMANCE BLADE GUIDE (OPTIONAL)</b>	006325 <sup>3</sup>	1	
	Block Assembly, Drive Side Blade Guide	003927	1	
26	Plate, Block Tilt Adjustment	003915	1	
27	Block, Guide Block Mount	003909	1	
28	Pin, 3/16" x 5/8" Roll	F05012-22	2	
29	Washer, 3/8" SAE Flat	F05011-3	1	
30	Washer, 3/8" Split Lock	F05011-4	1	
31	Bolt, 3/8-16 x 1 1/4" Hex Head Grade 5	F05007-123	1	
32	Bolt, 5/16-18 x 3/4" Hex Head w/Flat & Lock Washer	F05006-101	1	
33	Ball, 3/16" Dia. Nylon	003914	2	
34	Washer, 1/4" Split Lock	F05011-14	2	
35	Bolt, 1/4-20 x 1/2" Hex Head	F05005-15	2	
36	Bolt, Blade Guide Block Mount	003994	1	
37	Washer, #10 Brass	042867	1	
38	Bolt, #10-32 x 1 1/4" Hex Head Stainless Steel	F05004-240	1	
39	Screw, Lower Block Adjustment	044057	1	
40	Screw, #10-32 x 3/8" Socket Head Stainless Steel	F05004-200	1	
41	Washer, 5/16" SAE Flat	F05011-17	1	

# 2

## Blade Guide Rollers & Arm

### Blade Guide Assembly, Drive Side

42	Washer, 5/16" Split Lock	F05011-13	1	
43	Block, Blade Guide Wear (Standard for 1 1/4" Blades)	052355 <sup>4</sup>	2	
	Block, Blade Guide Wear (Optional for 1 1/2" Blades)	052309 <sup>4</sup>	2	
	Block Assembly, 1" Sq. EZ-Glide Wear	036347 <sup>4</sup>	2	
44	Block, Blade Guide Alignment	035799	1	
45	Washer, #10 Split Lock	F05011-20	1	
46	Screw, #10-32 x 5/8" Hex Head	F05004-152	1	
47	Adjustment Tool, Lower Guide Block	044064	1	
	Shim, .008" Blade Guide Block Spacer	035248	1	
Idle Side Blade Guide Parts ( <a href="#">See Section 2.1</a> )				
	<b>ROLLER ASSEMBLY, BLADE GUIDE RELUBE (OPTIONAL FOR USE WITH 1 1/4" OR 1 1/2" BLADES)</b>	016568 <sup>1</sup>	1	
	<b>ROLLER ASSEMBLY, EXTENDED BLADE GUIDE RELUBE (OPTIONAL FOR USE WITH 1 1/2" BLADES)</b>	057405 <sup>1</sup>	1	
	Bearing Kit, Relube Blade Guide Rebuild	057407	1	
48	Washer, 5/8" White Felt	P04252	1	
49	Ring, 1 1/8" Interior Retaining	F04254-1	1	
50	Bearing, R8-2RS Blade Guide	015975 <sup>5</sup>	2	◆
51	Washer, 5/8" Gray Felt	P06455	1	
52	Spacer, Blade Guide Bearing	035411	1	
	Instruction Sheet, Blade Guide Rebuild	057407-1507	1	
53	Roller, Flanged Blade Guide (Relube 1 1/4" & 1 1/2" blade)	035426	1	◆
	Roller, Flanged Blade Guide (Relube 1 1/2" blade)	057402	1	◆
	Instruction Sheet, Blade Guide Roller Replacement	A04925-364	1	
54	<b>BOLT, BLADE GUIDE ROLLER (RELUBE ONLY)</b>	036161	1	
55	<b>FITTING, 1/4-28 GREASE (RELUBE ONLY)</b>	P05060	1	

<sup>1</sup> The sawmill is equipped standard with non-greasable blade guide rollers that can be used with the standard 1 1/4" blade or 1 1/2" blades. Optional extended blade guide rollers are available for use with 1 1/2" blades. The extended rollers may provide more stability during difficult sawing, but will reduce the total amount of times the blade can be reused after sharpening. Use kit 006382 to convert the rollers and guide blocks for both blade guides for 1 1/2" blades. Optional relube versions of each roller configuration are also available.

<sup>2</sup> Nord-Lock Washer F05011-125 replaced Split Lock Washer F05011-9 to prevent loosening due to vibration (Rev. K3.02).

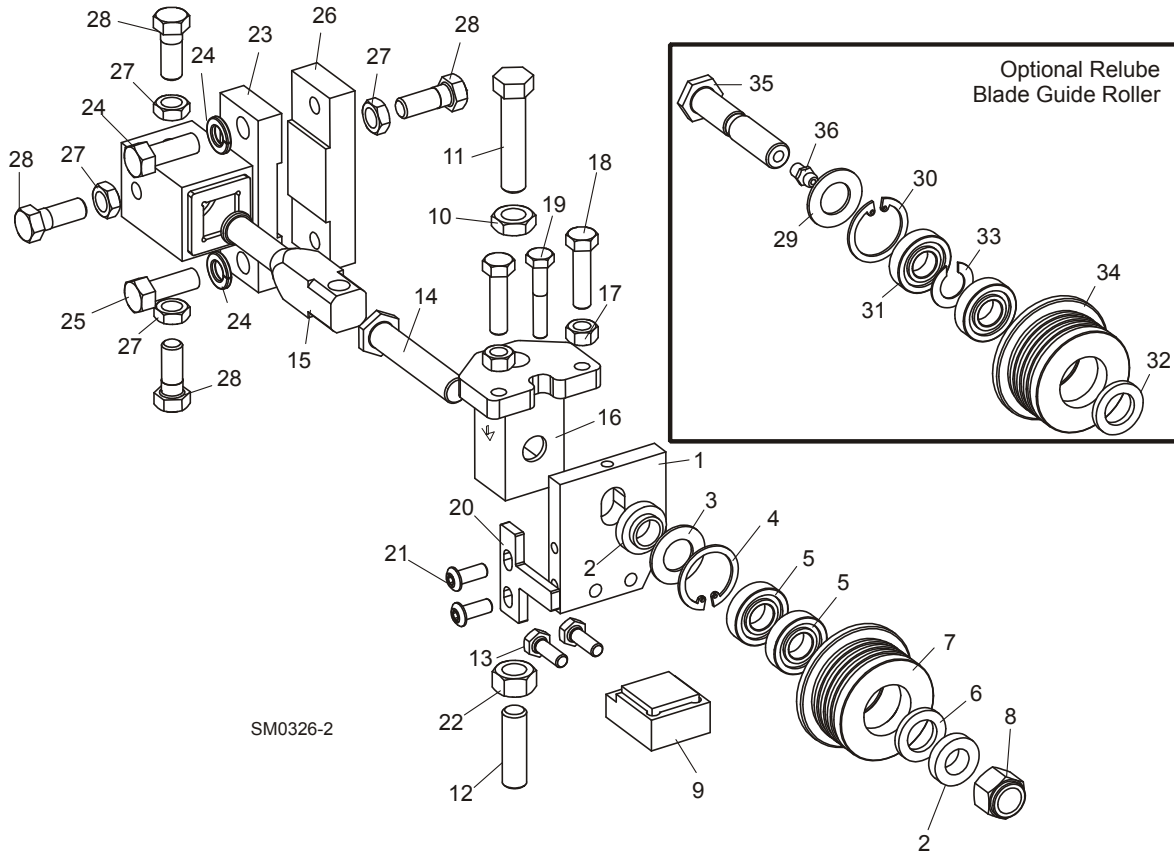
<sup>3</sup> High-Performance Blade Guide Kit requires LMS blade lube system. Use kit 006325 to upgrade both drive and idle side blade guides to High-Performance. If sawmill not already equipped with LMS, add kit LMS-RA.

<sup>4</sup> 052355 blocks for use with 1 1/4" blade provided as standard equipment. 052309 blocks available for optional use with 1 1/2" blades. Use kit 006382 to convert the rollers and guide blocks for both blade guides for 1 1/2" blades. EZ-Glide blocks 036347 are available for customers who prefer this block.

<sup>5</sup> Bearing must be modified for use with relube roller assemblies. Remove one seal from each bearing, place open sides facing each other and place spacer 035411 between bearings.

## 2.5 Blade Guide Assembly, Drive Side

LT40HD Super Remote Rev. J9.00 - K1.00



SM0326-2

REF	DESCRIPTION (◆ Indicates Parts Available In Assemblies Only)	PART #	QTY.
	<b>ROLLER/BLOCK ASSEMBLY, DRIVE SIDE (INNER)</b>	035410 <sup>1</sup>	1
1	Plate, Blade Guide Back Mounting	035409	1
2	Spacer, .510 x .937 x .34	S04253	2
	Roller Assembly, Blade Guide (standard for use with 1 1/4" & 1 1/2" blades)	A04925 <sup>2</sup>	1
	Roller Assembly, Extended Blade Guide (optional for use with 1 1/2" blades)	014299 <sup>2</sup>	1
	Bearing Kit, Blade Guide Rebuild	K07079	1
3	Washer, 5/8" White Felt	P04252	1
4	Ring, 1 1/8" Interior Retaining	F04254-1	1
5	Bearing, R8-2RS Blade Guide	015975	2
6	Washer, 5/8" Gray Felt	P06455	1
	Screw, 1/4-28 x 1/4" Socket Head Cup Point Set Black Oxide	F05005-105	1
	Instruction Sheet, Blade Guide Rebuild	057407-1507	1

# 2

## Blade Guide Rollers & Arm

### Blade Guide Assembly, Drive Side

7	Roller, Flanged Blade Guide (1 1/4" & 1 1/2" blade)	S04250	1	◆
	Roller, Flanged Blade Guide (1 1/2" blade)	014298	1	◆
	Instruction Sheet, Blade Guide Roller Replacement	A04925-364	1	
8	Nut, 1/2-20 Nylon Hex Lock	F05010-15	1	
9	Block Assembly, 1 1/4" Blade EZ-Glide Wear	036247 <sup>3</sup>	1	
	Block, 1 1/4" Blade Guide Wear	052367 <sup>3</sup>	1	
	Block, 1 1/2" Blade Guide Wear	052366 <sup>3</sup>	1	
10	Nut, 7/16-20 Hex Jam	F05010-38 <sup>4</sup>	1	
11	Bolt, 7/16-20 x 2" Hex Head Full Thread Grade 8	F05007-215	1	
12	Screw, 7/16-20 x 1 1/2" Socket Head Flat Point Stainless Set	F05007-217 <sup>5</sup>	1	
13	Bolt, 1/4-20 x 3/4" Hex Head Grade 5	F05005-123	2	
14	Bolt, Blade Guide Roller	036374	1	
15	Shaft, Blade Guide Mount	054966	1	
16	Block Weldment, Roller Guide Adjuster	054969	1	
17	Nut, 5/16-24 Hex	F05010-28	2	
18	Bolt, 5/16-24 x 1 1/4" Hex Head Full Thread Stainless	F05006-107	2	
19	Bolt, 1/4-28 x 1 1/2" Hex Head Stainless	F05005-143	1	
20	Guard, Drive Roller	035490	1	
21	Screw, 1/4-20 x 55/8" Button Head Socket Cap Grade 2	F05005-128	2	
22	Nut, 7/16-20 Hex	F05010-202 <sup>4</sup>	1	
	<b>SHIM, .008" BLADE GUIDE BLOCK SPACER</b>	035248	1	
	<b>BLOCK KIT, DRIVE SIDE BLADE GUIDE BOLT ON</b>	016566	1	
23	Block Weldment, Drive Side Blade Guide Bolt On	016550	1	
24	Washer, 3/8" Split Lock	F05011-4	2	
25	Bolt, 3/8-16 x 1" Hex Head	F05007-7	2	
26	Block, Bolt On Blade Guide Mount	016548	1	
27	Nut, 3/8-24 Jam	F05010-22	4	
28	Bolt, 3/8-24 X 1" Stainless Steel Hex Head	F05007-99	4	
	<b>ROLLER ASSEMBLY, BLADE GUIDE RELUBE (OPTIONAL FOR USE WITH 1 1/4" OR 1 1/2" BLADES)</b>	016568 <sup>2</sup>	1	
	<b>ROLLER ASSEMBLY, EXTENDED BLADE GUIDE RELUBE (OPTIONAL FOR USE WITH 1 1/2" BLADES)</b>	057405 <sup>2</sup>	1	
	Bearing Kit, Relube Blade Guide Rebuild	057407	1	
29	Washer, 5/8" White Felt	P04252	1	
30	Ring, 1 1/8" Interior Retaining	F04254-1	1	
31	Bearing, R8-2RS Blade Guide	015975 <sup>6</sup>	2	◆
32	Washer, 5/8" Gray Felt	P06455	1	
33	Spacer, Blade Guide Bearing	035411	1	
	Instruction Sheet, Blade Guide Rebuild	057407-1507	1	
34	Roller, Flanged Blade Guide (Relube 1 1/4" & 1 1/2" blade)	035426	1	◆
	Roller, Flanged Blade Guide (Relube 1 1/2" blade)	057402	1	◆
	Instruction Sheet, Blade Guide Roller Replacement	A04925-364	1	
35	<b>BOLT, BLADE GUIDE ROLLER (RELUBE ONLY)</b>	035412	1	

<b>36</b>	<b>FITTING, 1/4-28 GREASE (RELUBE ONLY)</b>	P05060	1	
-----------	---	--------	---	--

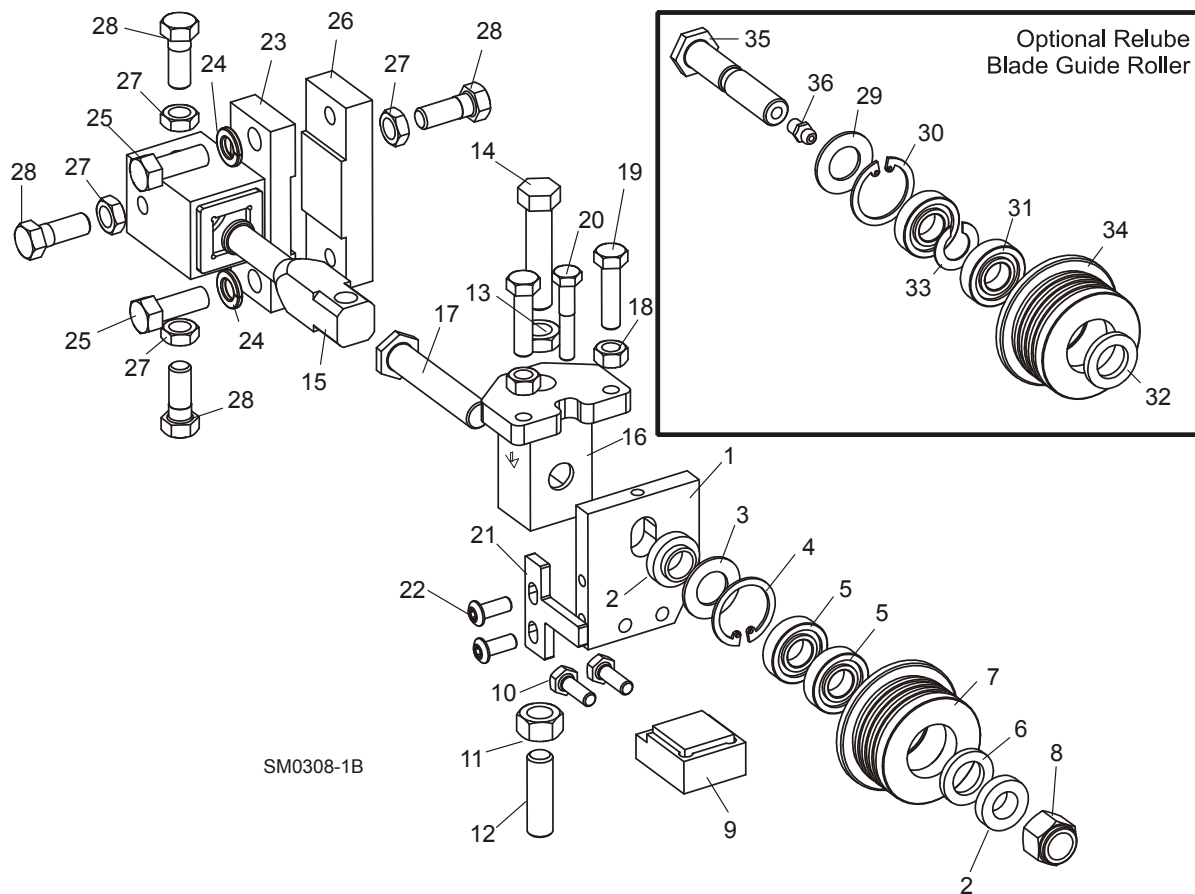
- <sup>1</sup> New blade guide assembly available ([See Section 2.4](#)). Upgrade requires mounting arms, belt covers and LMS option. Use kit 006329 to retrofit (includes all parts necessary to retrofit both blade guide assemblies). If sawmill not already equipped with LMS option, add kit LMS-RA.
- <sup>2</sup> The sawmill is equipped standard with non-greasable blade guide rollers that can be used with the standard 1 1/4" blade or 1 1/2" blades. Optional extended blade guide rollers are available for use with 1 1/2" blades. The extended rollers may provide more stability during difficult sawing, but will reduce the total amount of times the blade can be reused after sharpening. Optional relube versions of each roller configuration are also available.
- <sup>3</sup> Wear Block 052367 available 10/07 and provided as standard 4/09. EZ-Glide Block 036247 available for customers who prefer this block. Wear Block 052366 available for optional use with 1 1/2" blades.
- <sup>4</sup> Lower jam nut F05010-38 replaced with hex nut F05010-202 (3/07).
- <sup>5</sup> Stainless Set Screw replaces Zinc plated screw F05007-213 used prior to 6/07 to eliminate screw shearing.
- <sup>6</sup> Bearing must be modified for use with relube roller assemblies. Remove one seal from each bearing, place open sides facing each other and place spacer 035411 between bearings.

# 2 Blade Guide Rollers & Arm

Blade Guide Assembly, Drive Side

## 2.6 Blade Guide Assembly, Drive Side

LT30HD Super Remote Rev. J7.01 - J8.09  
 LT40HD Super Remote Rev. J7.01 - J8.12



SM0308-1B

REF	DESCRIPTION (◆ Indicates Parts Available In Assemblies Only)	PART #	QTY.
	<b>ROLLER/BLOCK ASSEMBLY, DRIVE SIDE (INNER)</b>	035410 <sup>1</sup>	1
1	Plate, Blade Guide Back Mounting	035409	1
2	Spacer, .510 x .937 x .34	S04253	2
	Roller Assembly, Blade Guide (standard for use with 1 1/4" & 1 1/2" blades)	A04925 <sup>2</sup>	1
	Roller Assembly, Extended Blade Guide (optional for use with 1 1/2" blades)	014299 <sup>2</sup>	1
	Bearing Kit, Blade Guide Rebuild	K07079	1
3	Washer, 5/8" White Felt	P04252	1
4	Ring, 1 1/8" Interior Retaining	F04254-1	1
5	Bearing, R8-2RS Blade Guide	015975	2 ◆
6	Washer, 5/8" Gray Felt	P06455	1
	Screw, 1/4-28 x 1/4" Socket Head Cup Point Set Black Oxide	F05005-105	1
	Instruction Sheet, Blade Guide Rebuild	057407-1507	1

## Blade Guide Rollers & Arm

*Blade Guide Assembly, Drive Side*

2

7	Roller, Flanged Blade Guide (1 1/4" & 1 1/2" blade)	S04250	1	◆
	Roller, Flanged Blade Guide (1 1/2" blade)	014298	1	◆
	Instruction Sheet, Blade Guide Roller Replacement	A04925-364	1	
8	Nut, 1/2-20 Nylon Hex Lock	F05010-15	1	
9	Block Assembly, 1 1/4" Blade EZ-Glide Wear	036247 <sup>3</sup>	1	
	Block, 1 1/4" Blade Guide Wear	052367 <sup>3</sup>	1	
	Block, 1 1/2" Blade Guide Wear	052366 <sup>3</sup>	1	
10	Bolt, 1/4-20 x 3/4" Hex Head Grade 5	F05005-123	2	
	Shaft Kit, Blade Guide Adjust Retrofit	038971 <sup>4</sup>	1	
11	Nut, 7/16-20 Hex	F05010-202 <sup>5</sup>	1	
12	Screw, 7/16-20 x 1 1/2" Socket Head Cup Point Stainless Steel	F05007-217 <sup>6</sup>	1	
13	Nut, 7-16-20 Hex Jam	F05010-38	1	
14	Bolt, 7/16-20 x 2" Hex Head Full Thread Grade 8	F05007-215	1	
15	Shaft, Blade Guide Mount	054966	1	
16	Block Weldment, Roller Guide Adjuster	054969	1	
17	Bolt, Blade Guide Roller	036374	1	
18	Nut, 5/16-24 Hex	F05010-28	2	
19	Bolt, 5/16-24 x 1 1/4" Hex Head Full Thread Stainless	F05006-107	2	
20	Bolt, 1/4-28 x 1 1/2" Hex Head Stainless	F05005-143	1	
21	Guard, Drive Roller	035490	1	
22	Screw, 1/4-20 x 5/8" Button Head Socket Cap Grade 2	F05005-128	2	
	<b>SHIM, .008" BLADE GUIDE BLOCK SPACER</b>	035248	1	
	<b>BLOCK KIT, DRIVE SIDE BLADE GUIDE BOLT ON</b>	016566	1	
23	Block Weldment, Drive Side Blade Guide Bolt On	016550	1	
24	Washer, 3/8" Split Lock	F05011-4	2	
25	Bolt, 3/8-16 x 1" Hex Head	F05007-7	2	
26	Block, Bolt On Blade Guide Mount	016548	1	
27	Nut, 3/8-24 Jam	F05010-22	4	
28	Bolt, 3/8-24 X 1" Stainless Steel Hex Head	F05007-99	4	
	<b>ROLLER ASSEMBLY, BLADE GUIDE RELUBE (OPTIONAL FOR USE WITH 1 1/4" OR 1 1/2" BLADES)</b>	016568 <sup>2</sup>	1	
	<b>ROLLER ASSEMBLY, EXTENDED BLADE GUIDE RELUBE (OPTIONAL FOR USE WITH 1 1/2" BLADES)</b>	057405 <sup>2</sup>	1	
	Bearing Kit, Relube Blade Guide Rebuild	057407	1	
29	Washer, 5/8" White Felt	P04252	1	
30	Ring, 1 1/8" Interior Retaining	F04254-1	1	
31	Bearing, R8-2RS Blade Guide	015975 <sup>7</sup>	2	◆
32	Washer, 5/8" Gray Felt	P06455	1	
33	Spacer, Blade Guide Bearing	035411	1	
	Instruction Sheet, Blade Guide Rebuild	057407-1507	1	
34	Roller, Flanged Blade Guide (Relube 1 1/4" & 1 1/2" blade)	035426	1	◆
	Roller, Flanged Blade Guide (Relube 1 1/2" blade)	057402	1	◆
	Instruction Sheet, Blade Guide Roller Replacement	A04925-364	1	

# 2

## Blade Guide Rollers & Arm

### Blade Guide Assembly, Drive Side

35	BOLT, BLADE GUIDE ROLLER (RELUBE ONLY)	035412	1	
36	FITTING, 1/4-28 GREASE (RELUBE ONLY)	P05060	1	

<sup>1</sup> Blade Guide Assembly 035410 upgraded with new Block Weldment and Shaft to accommodate 7/16" adjustment hardware to improve durability (12/06). New blade guide assembly available ([See Section 2.4](#)). Upgrade requires mounting arms, belt covers and LMS option. Use kit 006329 to retrofit (includes all parts necessary to retrofit both blade guide assemblies). If sawmill not already equipped with LMS option, add kit LMS-RA.

<sup>2</sup> The sawmill is equipped standard with non-greasable blade guide rollers that can be used with the standard 1 1/4" blade or 1 1/2" blades. Optional extended blade guide rollers are available for use with 1 1/2" blades. The extended rollers may provide more stability during difficult sawing, but will reduce the total amount of times the blade can be reused after sharpening. Optional relube versions of each roller configuration are also available.

<sup>3</sup> Wear Block 052367 available 10/07 and provided as standard 4/09. EZ-Glide Block 036247 available for customers who prefer this block. Wear Block 052366 available for optional use with 1 1/2" blades.

<sup>4</sup> Mount Shaft 035427, Adjuster Block 035408, 3/8" Set Screws F05007-162 & 3/8" Jam Nuts F05010-22 replaced with 7/16" adjustment hardware. Mount Shaft 035427 & Adjuster Block 035408 no longer available. Use kit 038971 to retrofit original parts.

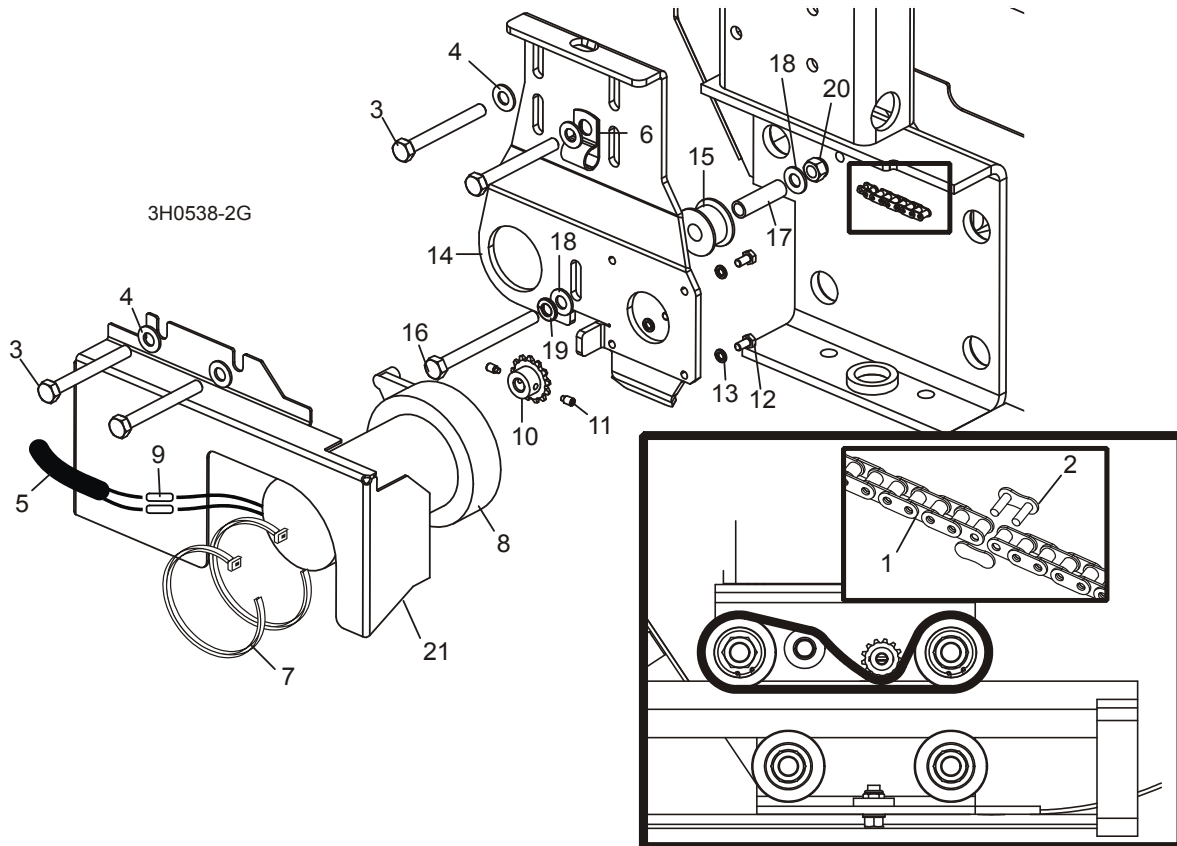
<sup>5</sup> Lower jam nut F05010-38 replaced with hex nut F05010-202 (3/07).

<sup>6</sup> Stainless Set Screw replaces Zinc plated screw F05007-213 used prior to 6/07 to eliminate screw shearing.

<sup>7</sup> Bearing must be modified for use with relube roller assemblies. Remove one seal from each bearing, place open sides facing each other and place spacer 035411 between bearings.



## 2.7 Blade Guide Arm Drive Assembly



REF	DESCRIPTION (◆ Indicates Parts Available In Assemblies Only)	PART #	QTY.
1	CHAIN, #25 X 20 1/4"	P09984	1
2	LINK, #25 MASTER	P09983	1
3	BOLT, 5/16-18 X 2 3/4" HEX HEAD GRADE 5	F05006-28	4
4	WASHER, 5/16" SAE FLAT	F05011-17	4
5	TUBE, 3/8" X 1/2" NEOPRENE	R01897	2.5ft
6	CLAMP, 1/2" COATED EMT	P07584	2
7	WRAP, 1/4" X 6" TIE	F05089-1	2
	<b>DRIVE ASSEMBLY, BLADE GUIDE ARM</b>	015989	1
	Motor Assembly, Blade Guide Arm Replacement	A10353	1
8	Motor, Blade Guide Arm 53:1 Gear	P09698-1	1
	Housing, Klauber Motor End	P12756	1
	Gear Kit, Klauber Motor Replacement	P12569	1
	Brush Kit, Gear Motor Replacement	P12800	1
	Shaft Kit, Klauber Gear Motor Replacement	009695	1
9	Connector, 14 Gauge Butt	F04875-1	2
10	Sprocket, Gear Motor #25 14-Tooth	P09970 <sup>1</sup>	1
11	Screw, #10-24 x 1/4" Full Dog Point Socket Set	F05004-274	2

# 2

## Blade Guide Rollers & Arm

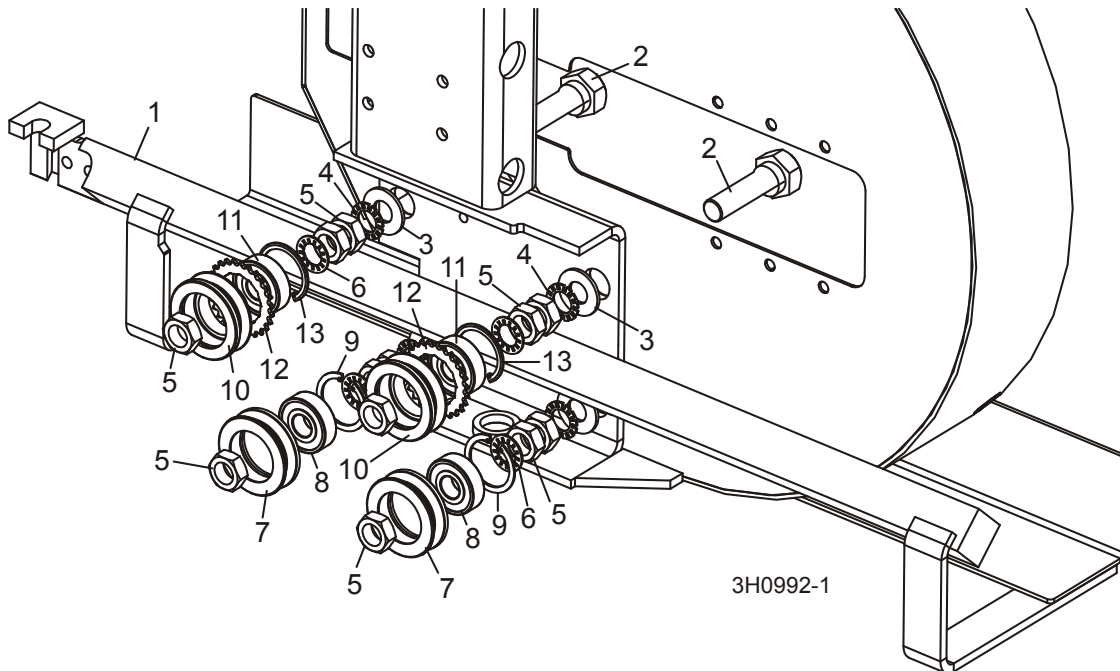
### Blade Guide Arm Drive Assembly

12	Screw, #10-32 x 1/2" Hex Head	F05004-60	4	
13	Washer, #10 Split Lock	F05011-20	4	
	Instruction Sheet, Blade Guide Arm Motor	A10365-296	1	
14	Bracket, Blade Guide Arm Motor Mount	015939	1	
15	Roller, Blade Guide Arm Chain Idler	S09999	1	
16	Bolt, 5/16-18 X 3 1/2" Hex Head Full Thread	F05006-3	1	
17	Spacer, 5/16" I.D. X 1 1/2"	S09996	1	
18	Washer, 5/16" SAE Flat	F05011-17	2	
19	Washer, 5/16" Split Lock	F05011-13	1	
20	Nut, 5/16-18 Hex Nylon Lock	F05010-58	1	
21	<b>COVER, BLADE GUIDE ARM MOTOR</b>	S11617	1	
	<b>GUARD, BLADE GUIDE ARM (G.S. ONLY)</b>	S12029	1	

<sup>1</sup> Sprocket modified 6/11 with threaded holes to accept included set screws (replace 1/8" x 3/4" roll pin F05012-6).

## 2.8 Blade Guide Arm

LT40HD Super Remote Rev. K1.01 - K3.02



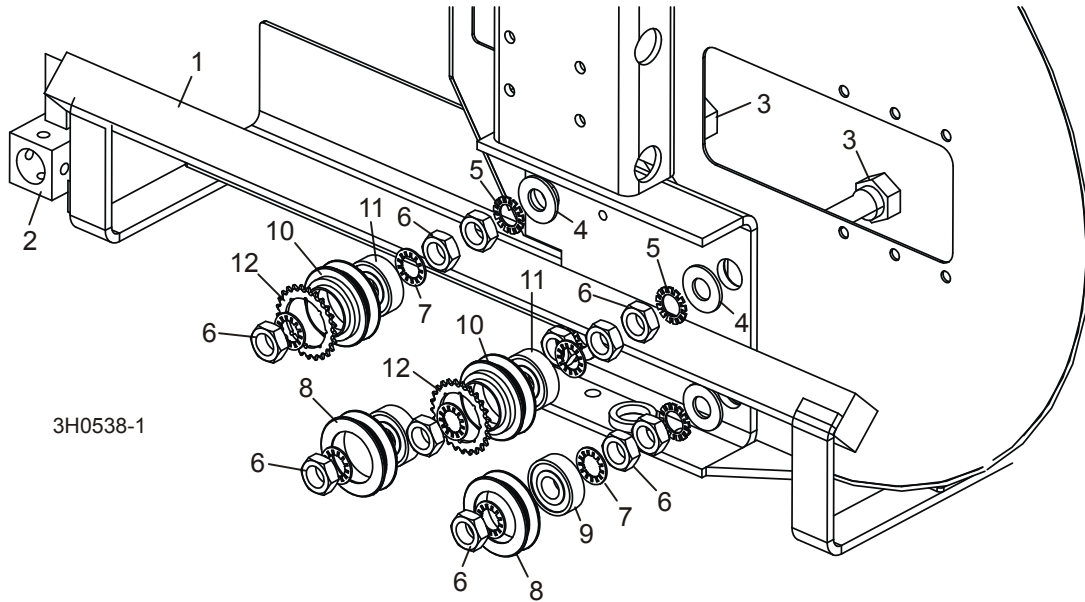
REF	DESCRIPTION (◆ Indicates Parts Available In Assemblies Only)	PART #	QTY.	
1	<b>BLADE GUIDE ARM WELDMENT</b>	003972	1	
2	<b>BOLT, BLADE GUIDE ARM ROLLER CAM</b>	W09067	4	
3	<b>WASHER, 5/8" SAE FLAT</b>	F05011-5	4	
4	<b>WASHER, 5/8" EXTERNAL STAR</b>	F05011-26	4	
5	<b>NUT, 5/8-18 HEX JAM</b>	F05010-11	12	
6	<b>WASHER, 5/8" INTERNAL STAR</b>	F05011-25	8	
	<b>ROLLER ASSEMBLY, BLADE GUIDE ARM WITH BEARING</b>	A09059	2	
7	Roller, Blade Guide Arm V-Groove	S07989	1	◆
8	Bearing, 6203-2NSL 5/8" I.D.	P06030-1	1	◆
9	Ring, 1.575" ID Beveled 5002-156 Retaining	F04254-8	1	
	<b>ROLLER ASSEMBLY, BLADE GUIDE ARM WITH BEARING AND SPROCKET</b>	A09932	2	
10	Roller, Blade Guide Arm Drive	S09930	1	◆
11	Bearing, 6203-2NSL 5/8" I.D.	P06030-1	1	◆
12	Sprocket, #25 26-Tooth	S09931	1	◆
13	Ring, 1.575" ID Beveled 5002-156 Retaining	F04254-8	1	

## 2 Blade Guide Rollers & Arm

### Blade Guide Arm

### 2.9 Blade Guide Arm

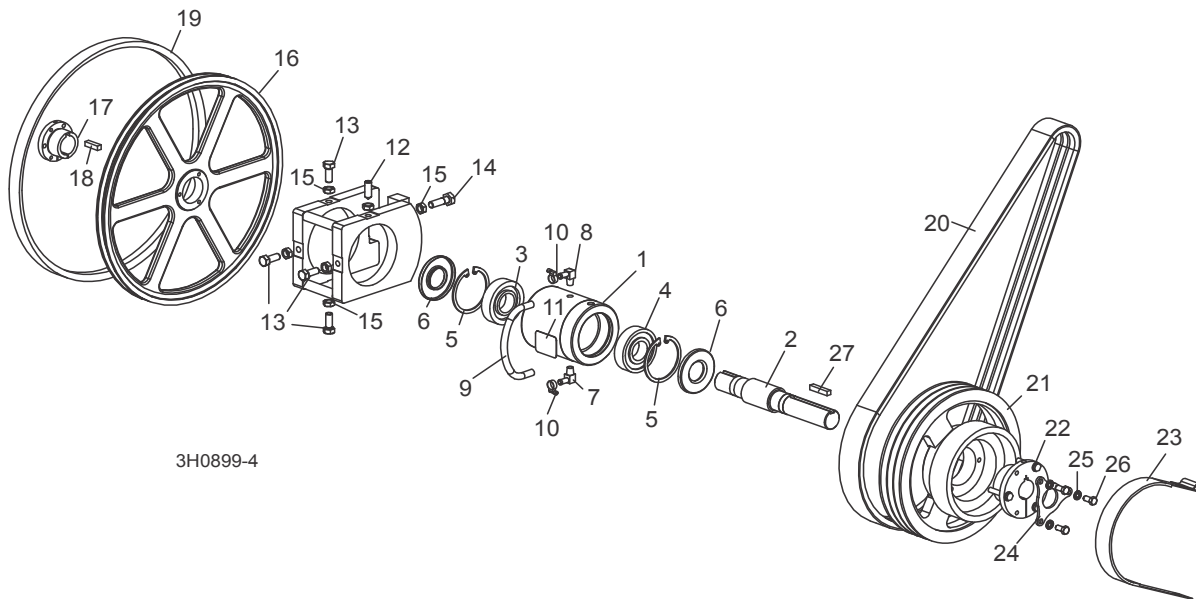
LT30HD Super Remote Rev. J7.01 - J8.09  
 LT40HD Super Remote Rev. J7.01 - K1.00



REF	DESCRIPTION (◆ Indicates Parts Available In Assemblies Only)	PART #	QTY.	
1	BLADE GUIDE ARM WELDMENT (U.S. 28 5/8" [72.7 CM])	W10005	1	
	BLADE GUIDE ARM WELDMENT (G.S. 37 1/8" [94.2 CM])	W10429	1	
2	Tube, Blade Guide Mount (U.S. - Welded to Blade Guide Arm)	W08159	1	
	Tube, Blade Guide Mount (G.S. - Bolted to Blade Guide Arm)	W10426	1	
3	BOLT, BLADE GUIDE ARM ROLLER CAM	W09067	4	
4	WASHER, 5/8" SAE FLAT	F05011-5	4	
5	WASHER, 5/8" EXTERNAL STAR	F05011-26	4	
6	NUT, 5/8-18 HEX JAM	F05010-11	12	
7	WASHER, 5/8" INTERNAL STAR	F05011-25	8	
	ROLLER ASSEMBLY, BLADE GUIDE ARM WITH BEARING	A09059	2	
8	Roller, Blade Guide Arm V-Groove	S07989	1	◆
9	Bearing, 6203-2NSL 5/8" I.D.	P06030-1	1	◆
	Ring, 1.575" ID Beveled 5002-156 Retaining	F04254-8	1	
	ROLLER ASSEMBLY, BLADE GUIDE ARM WITH BEARING AND SPROCKET	A09932	2	
10	Roller, Blade Guide Arm Drive	S09930	1	◆
11	Bearing, 6203-2NSL 5/8" I.D.	P06030-1	1	◆
12	Sprocket, #25 26-Tooth	S09931	1	◆
	Ring, 1.575" ID Beveled 5002-156 Retaining	F04254-8	1	

## SECTION 3 BLADE WHEELS & TENSIONER

### 3.1 Blade Drive Assembly



3H0899-4

REF	DESCRIPTION (◆ Indicates Parts Available In Assemblies Only)	PART #	QTY.	
	<b>BEARING ASSEMBLY, BLADE WHEEL DRIVE</b>	016393	1	
	Bearing Assembly, Cylindrical Drive	016392	1	◆
1	Housing, Blade Wheel Drive Bearing	016391	1	◆
2	Shaft, Blade Wheel Drive	014005	1	◆
3	Bearing, Blade Wheel Drive #MU1308TV	P10205	1	◆
4	Bearing, Blade Wheel Drive #6308 C3 Open	016055	1	◆
5	Ring, 90mm Interior Retaining #I17	F04254-17	2	
6	Seal, Drive Bearing #CR15890	P10206-K	2	
7	Fitting, 1/4" NPT x 3/8" Hose Barb Elbow	016330	1	
8	Fitting, 1/4" NPT x 3/8" Hose Barb Vented Elbow	016331	1	
9	Hose, Oil Level Viewer	016394	1	
10	Clamp, 7/32-5/8" Hose	P649	2	
11	Decal, Oil Level Gauge	017470	1	
	Instruction Sheet, Drive Bearing Replacement	016393-555	1	
12	<b>SCREW, 1/2-20 X 1 1/2" CONE POINT SET</b>	F05004-170	1	
13	<b>BOLT, 1/2-20 X 1 1/4" HEX HEAD GRADE 5</b>	F05008-108	4	
14	<b>BOLT, 1/2-20 X 1 3/4" HEX HEAD GRADE 5</b>	F05008-49	1	
15	<b>NUT, 1/2-20 HEX JAM</b>	F05010-16	6	
	<b>WHEEL KIT, DRIVE SIDE BLADE</b>	014562	1	

# 3

## Blade Wheel & Tensioner

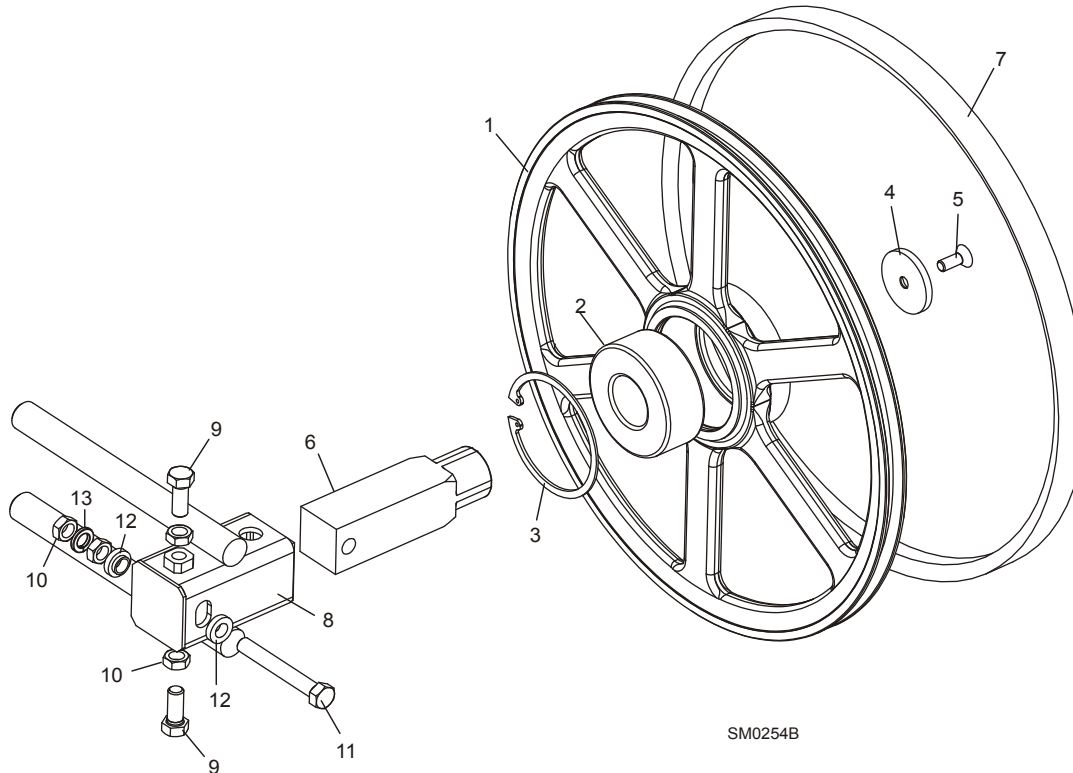
### Blade Drive Assembly

16	Wheel, Drive Side Blade	016284	1	◆
17	Bushing, Modified 1 9/16" SD	016270	1	
18	Key, 3/8" x 3/8" x 1 5/8"	S12892	1	
	Instruction Sheet, Drive Side Blade Wheel Replacement	K12897-488	1	
19	<b>BELT, BLADE WHEEL B57</b>	P04185	1	
20	<b>BELT, 3/5VL750 DRIVE (G36/D42/G38/E25 60HZ)</b>	006672 <sup>1</sup>	1	
	<b>BELT, 3/5VL770 DRIVE (D47/D51)</b>	046571	1	
	<b>BELT, 3/5VL760 DRIVE (E25 50HZ <sup>2</sup>)</b>	016557	1	
21	<b>SHEAVE, 5V12.5X3 BRAKE COMBO</b>	016531	1	
22	<b>BUSHING, SF X 1 9/16"</b>	016532	1	
23	<b>STRAP, METAL-BACKED BRAKE</b>	014391	1	
24	<b>PLATE, BUSHING KEY RETAINER</b>	017953	1	
25	<b>WASHER, 3/8" SPLIT LOCK</b>	F05011-4	3	
26	<b>BOLT, 3/8-16 X 3/4" HEX HEAD</b>	F05007-27	3	
27	<b>KEY, 3/8" X 3/8" X 1 7/8"</b>	014693	1	

<sup>1</sup> Cog-style belt 006672 replaces 016556 originally supplied prior to Rev. K1.02 to reduce slippage.

<sup>2</sup> Alternate parts for 50Hz Electric operation. Complete conversion kit available (Part Number 015863).

### 3.2 Idle Blade Wheel Assembly



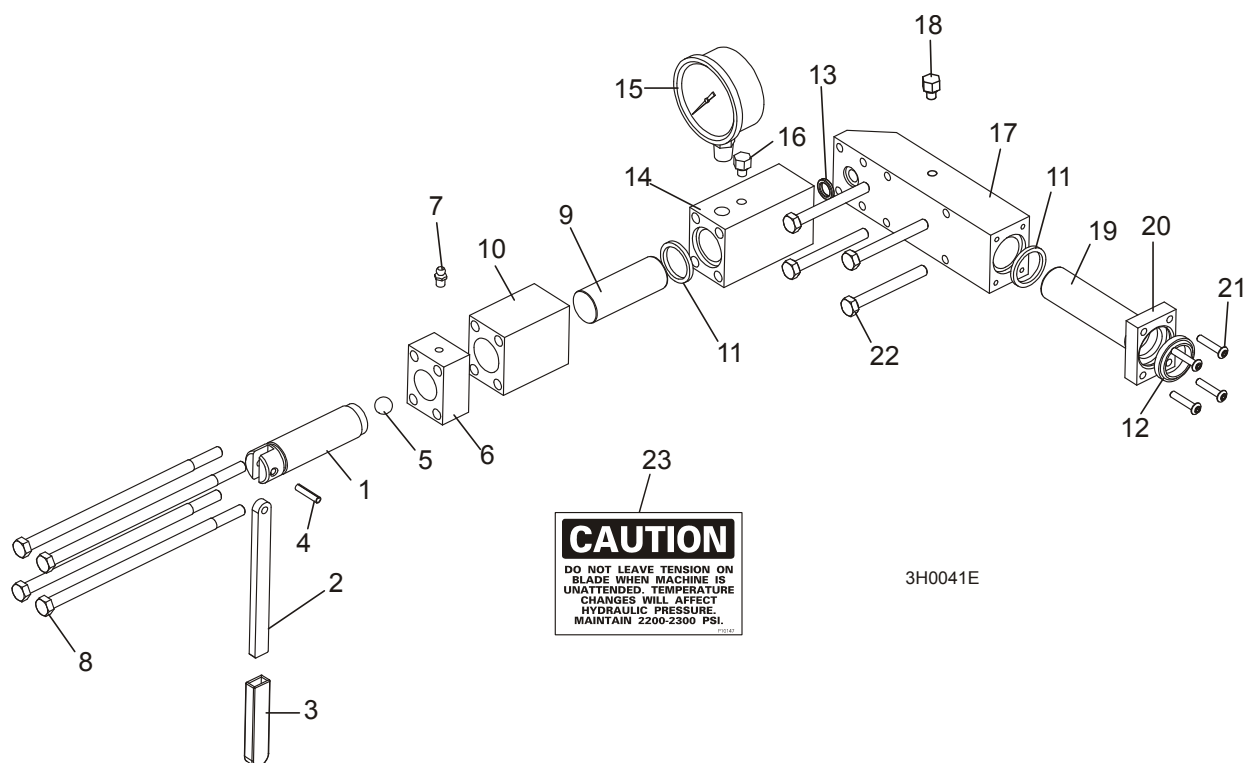
REF	DESCRIPTION (◆ Indicates Parts Available In Assemblies Only)	PART #	QTY.	
	<b>WHEEL ASSEMBLY, IDLE SIDE BLADE</b>	016120	1	
1	Wheel, Idle Side Blade	016013	1	◆
2	Bearing, Idle Side Blade Wheel #5309-2RS, C3, SRI-2 Grease	016014	1	
3	Ring, 100mm Internal Retaining Beveled	F04254-28	1	
	<b>SHAFT KIT, IDLE BLADE WHEEL</b>	016441	1	
4	Washer, 13/32" I.D. x 2 3/16 O.D. x 1/4"	016397	1	
5	Bolt, 3/8-16 x 1" Flat Head Socket	F05007-64	1	
6	Shaft, Idle Side Blade Wheel	016398	1	
7	<b>BELT, BLADE WHEEL B57</b>	P04185	1	
8	<b>HOUSING, IDLE BLADE WHEEL SHAFT</b>	016103	1	
9	<b>BOLT, 1/2-20 X 1 1/2" HEX HEAD GRADE 5</b>	F05008-53 <sup>1</sup>	2	
10	<b>NUT, 1/2-20 HEX JAM</b>	F05010-16	4	
11	<b>BOLT, 1/2-20 X 3 3/4" HEX HEAD FULL THREAD GRADE 2</b>	F05008-111	1	
12	<b>SPACER, 1/2" I.D. FLANGED</b>	S04253	2	
13	<b>WASHER, 1/2" SPLIT LOCK</b>	F05011-9	1	

<sup>1</sup> Replaces 1 1/4" Bolt F05008-108 originally supplied to allow for more tilt adjustment. Requires trimming of blade guide arm drive cover and mount channel to provide clearance for longer bolt (LT40 Super Hydraulic Rev. J9.02).

# 3 Blade Wheels & Tensioner

## Hydraulic Blade Tensioner Assembly

### 3.3 Hydraulic Blade Tensioner Assembly



REF	DESCRIPTION (◆ Indicates Parts Available In Assemblies Only)	PART #	QTY.	
	<b>HYDRAULIC BLADE TENSIONER ASSEMBLY</b>	A10136	1	
	Handle Assembly, Hydraulic Blade Tensioner Screw	A12294	1	
1	Screw, Hydraulic Blade Tensioner	S10056	1	◆
2	Handle, Hydraulic Tensioner Screw	S08174	1	
3	Sleeve, Plastic Handle	P08072	1	
4	Pin, 3/16" x 7/8" Roll	F05012-19	1	
5	Ball, 1/2" Steel	P02720	1	
6	Block, Threaded Tensioner End	S10062	1	◆
7	Fitting, 1/4-28 Grease	P05060	1	
	Instruction Sheet, Tensioner Screw	A12294-518	1	
8	Bolt, 5/16-18 X 7 1/2" Hex Head Grade 5	F05006-43	4	
9	Piston, Hydraulic Tensioner Front 2 3/4" Long	S10060	1	
10	Block, Piston Guide	S10061	1	
	Seal Kit, Hydraulic Tensioner	003224	1	
5	Ball, 1/2" Steel	P02720	1	
11	Seal, 1" Diameter	P10051	2	
12	Wiper, 1" Diameter	P10053	1	
13	Ring, 5/8" X 3/32" Square "O"	P10377	1	



## Blade Wheels & Tensioner

### *Hydraulic Blade Tensioner Assembly*

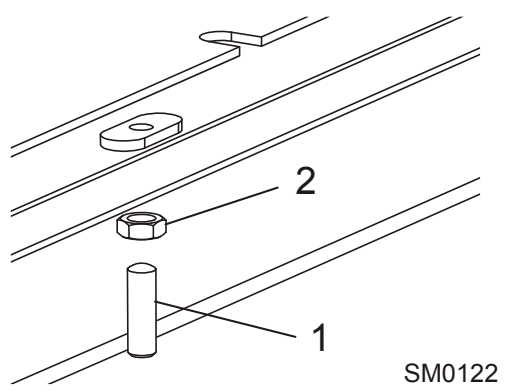
3

14	Block, Hydraulic Tensioner Gauge Mounting	S10140	1	
15	Gauge, 5000 P.S.I.	P10052	1	
16	Plug, Hydraulic Tensioner Fill	P10065	1	
	Block Assembly, Rear Tensioner Piston	016329	1	
17	Block, Rear Tensioner Piston	S10142	1	◆
18	Plug, Hydraulic Tensioner Fill	P10065	1	
19	Piston, Hydraulic Tensioner Rear 3 5/8" Long	S10059	1	
20	Block, Rear Piston End	S10089	1	
21	Bolt, #10-24 X 1" Socket Button Head	F05004-43	4	
22	Bolt, 5/16-18 X 2 3/4" Hex Head Grade 5	F05006-28	4	
23	Decal, Hydraulic Tension Caution	P10147	1	
	Instruction Sheet, Hydraulic Tensioner Installation	A10136-272	1	

**4** Saw Head  
*Middle Throat Screw*

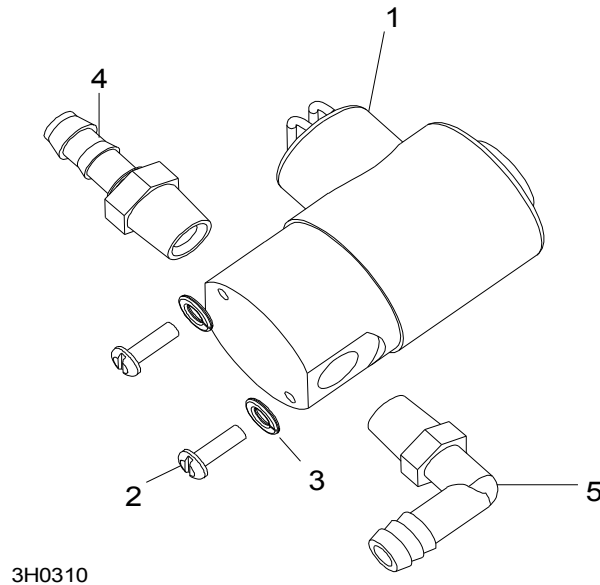
**SECTION 4 SAW HEAD**

**4.1 Middle Throat Screw**



REF	DESCRIPTION (◆ Indicates Parts Available In Assemblies Only)	PART #	QTY.	
1	SCREW, 3/8-16 X 1 1/4" OVAL POINT SOCKET SET	F05007-18	1	
2	NUT, 3/8-16 HEX JAM	F05010-29	1	

## 4.2 Water Lube Solenoid Valve

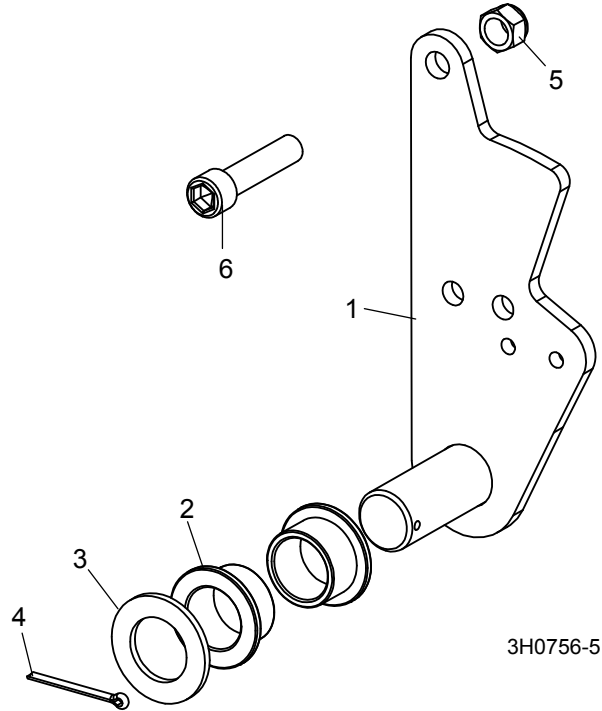


REF	DESCRIPTION (◆ Indicates Parts Available In Assemblies Only)	PART #	QTY.	
	<b>VALVE KIT, WATER LUBE SOLENOID</b>	016280	1	
1	Valve, Water Lube Solenoid	016140	1	◆
2	Screw, #10-32 x 1/2" Slotted Round Head	F05004-55	2	
3	Washer, #10 Split Lock	F05011-20	2	
4	<b>FITTING, 1/4" MALE NPT 3/8" HOSE BARB</b>	P04682	1	
5	<b>FITTING, 1/4" MALE NPT 3/8" HOSE BARB ELBOW</b>	P04730	1	

# 4 Saw Head

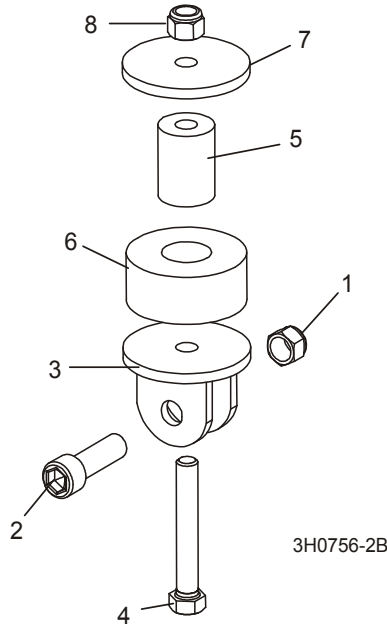
## Clutch Pivot

### 4.3 Clutch Pivot



REF	DESCRIPTION (◆ Indicates Parts Available In Assemblies Only)	PART #	QTY.	
1	PLATE WELDMENT, CLUTCH PIVOT	016296	1	
2	BUSHING, CLUTCH/BRAKE PIVOT	P737	2	
3	WASHER, CLUTCH/BRAKE PIVOT	P116	1	
4	PIN, 1/8" X 1 1/2" COTTER	F05012-49	1	
5	NUT, 7/16-20 HEX NYLON LOCK	F05010-83	1	
6	BOLT, 7/16-20 X 2" SOCKET HEAD	F05007-120	1	

### 4.4 Clutch Mount Assembly

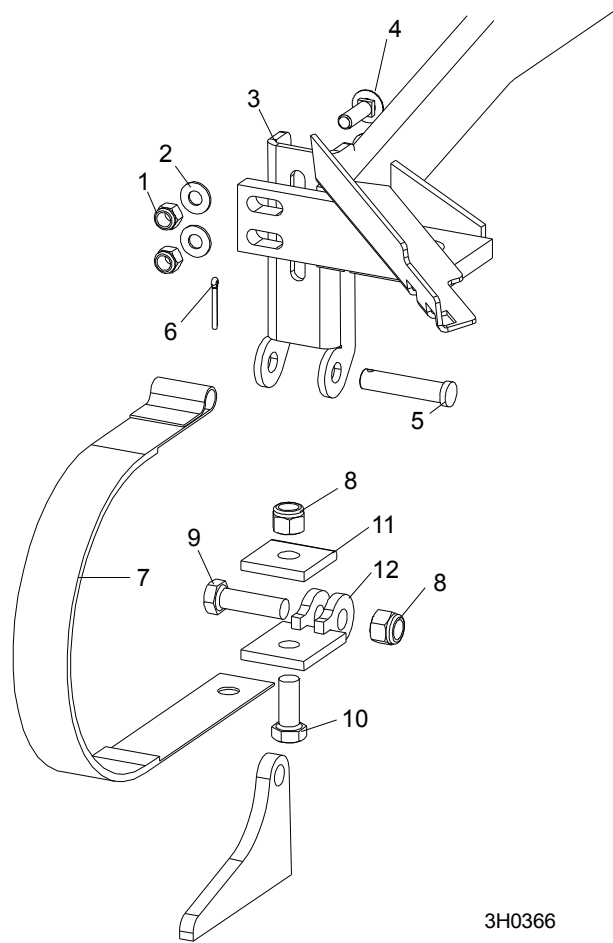


REF	DESCRIPTION (◆ Indicates Parts Available In Assemblies Only)	PART #	QTY.
1	NUT, 7/16-20 HEX NYLON LOCK	F05010-83	1
2	BOLT, 7/16-20 X 1 1/2" SOCKET HEAD	F05007-55	1
3	BRACKET, CLUTCH MOUNT	W12411	1
4	BOLT, 3/8-16 X 2 1/2" HEX HEAD	F05007-157	1
5	SPACER, MOTOR MOUNT VIBRATION BUSHING	016316	1
6	BUSHING, MOTOR MOUNT VIBRATION	P05032	1
7	WASHER, .40" I.D. X 1.44" O.D. X .18" THICK	021276	1
8	NUT, 3/8-16 NYLON LOCK	F05010-10	1

# 4 Saw Head

## Brake Assembly

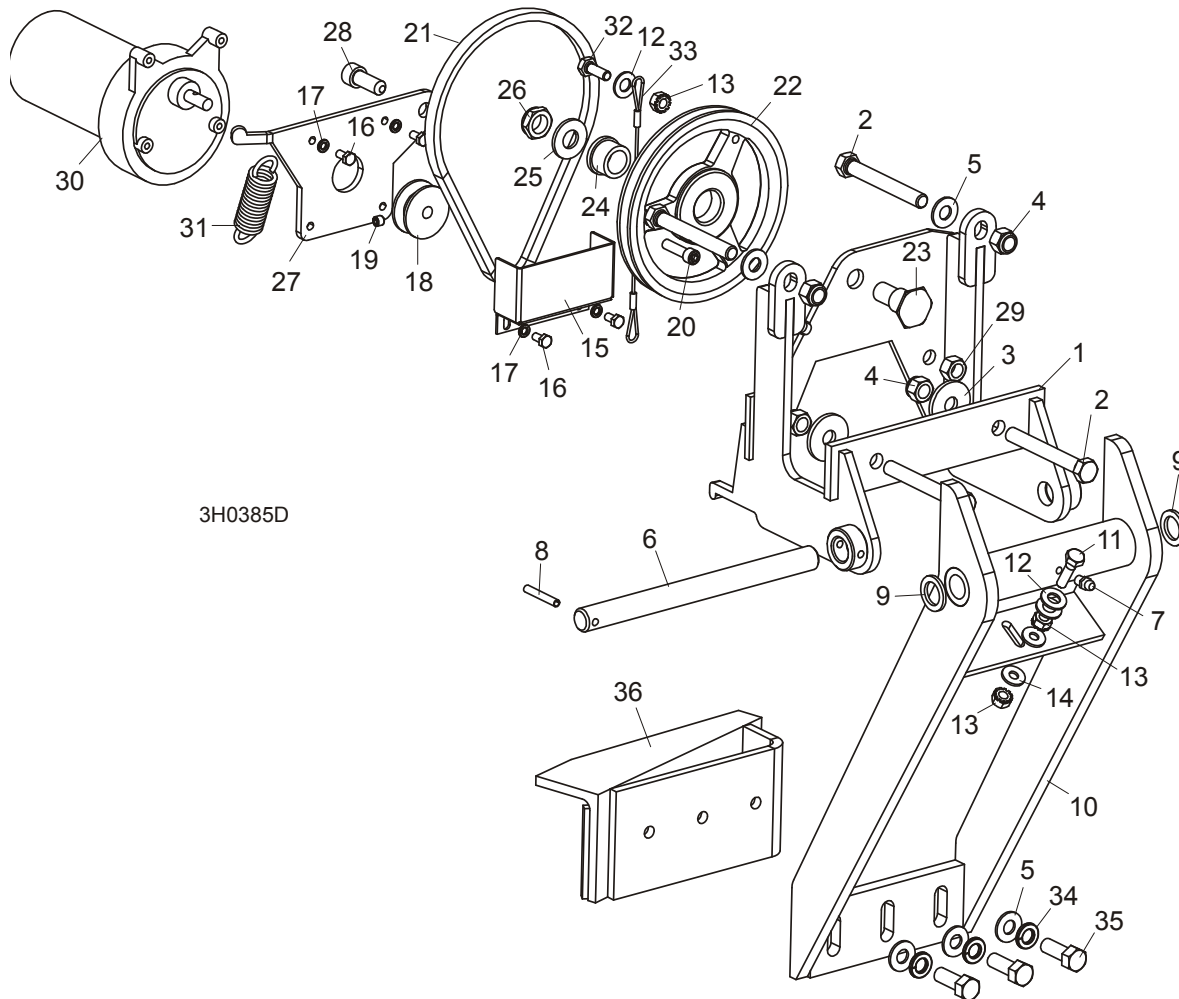
### 4.5 Brake Assembly



3H0366

REF	DESCRIPTION (◆ Indicates Parts Available In Assemblies Only)	PART #	QTY.
	<b>STRAP RETROFIT, SUPER BRAKE</b>	014441	1
1	Nut, 3/8-16 Nylon Lock	F05010-10	2
2	Washer, 3/8" SAE Flat	F05011-3	2
3	Bracket, Upper Super Brake Strap Mount	014395	1
4	Bolt, 3/8-16 x 1 1/4" Carriage Head Grade 5	F05007-127	2
5	Pin, 1/2" x 2 1/4" Clevis	F05012-81	1
6	Pin, 1/8" x 1" Cotter	F05012-1	1
7	Strap, Upper Pivot Metal Brake	014391	1
8	Nut, 1/2-13 Nylon Lock	F05010-8	2
9	Bolt, 1/2-13 x 1 3/4" Hex Head Grade 5	F05008-88	1
10	Bolt, 1/2-13 x 1 1/4" Hex Head Grade 5	F05008-37	1
11	Plate, Brake Strap Clamp	S04195	1
12	Bracket, Lower Super Brake Strap Mount	014392	1

### 4.6 Board Return Assembly



REF	DESCRIPTION (◆ Indicates Parts Available In Assemblies Only)	PART #	QTY.
	<b>RETURN ASSEMBLY, BOARD</b>	015209	1
1	Mount Weldment, Board Return	015215	1
2	Bolt, 3/8-16 x 3" Full Thread Hex Head	F05007-1	4
3	Washer, 1/8" x 1 1/4"	015336	2
4	Nut, 3/8-16 Hex Nylon Lock	F05010-10	4
5	Washer, 3/8" Flat	F05011-3	5
6	Rod Kit, Board Return Replacement Pivot	016272	1
7	Fitting, 1/4-28 Grease	P05060	1
8	Pin, 3/16 x 1 1/4" Roll	F05012-16	1
9	Washer, 5/8" x 15/16" x .094 Nylon	F05011-19	2
10	Arm Weldment, Board Return	015210	1
11	Screw, 1/4-20 x 3/4" Full Thread Hex Head	F05005-1	1

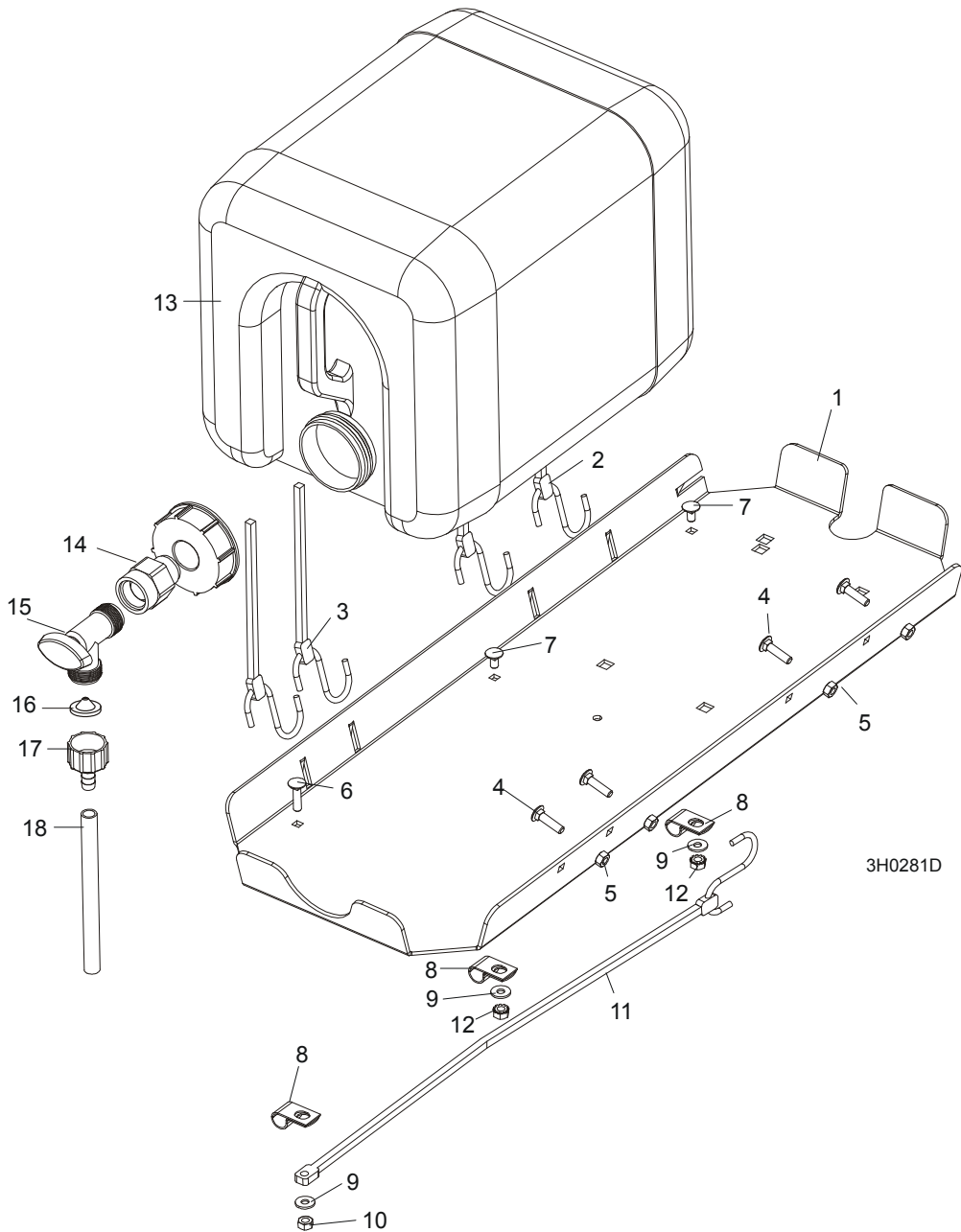
## 4

**Saw Head***Board Return Assembly*

12	Washer, 5/16" SAE Flat	F05011-17	3	
13	Nut, 1/4-20 Self-Locking	F05010-9	3	
14	Washer, 1/4" SAE Flat	F05011-11	2	
15	Guard, Board Return Belt	015007	1	
16	Screw, #10-32 x 1/2" Hex Head Machine	F05004-60	4	
17	Washer, #10 Split Lock	F05011-20	4	
18	Pulley, 1.42" x .32"	015074	1	
19	Screw, 1/4-28 x 1/4" Socket Head Cup Point Set	F05005-105	1	
20	Bolt, 1/4-20 x 1" Socket Head	F05005-89	1	
21	Belt, 3L190	015477	1	
22	Pulley, OK50 x 1/2" Modified	015224	1	
23	Bolt, Idler Pulley Pivot	015221	1	
24	Bushing, 5/8" x 7/8" x 1/2" Bronze	P05135	1	
25	Washer, 1/2" SAE Flat	F05011-2	1	
26	Nut, 1/2-20 Nylon Lock Jam	F05010-79	1	
27	Plate, Motor Pivot	015220	1	
28	Bolt, 3/8-16 x 1" Socket Head	F05007-52	1	
29	Nut, 3/8-16 Self-Locking	F05010-25	1	
30	Motor, 53:1 ASA Gear	P09698-1	1	
	Housing, Klauber Motor End	P12756	1	
	Gear Kit, Klauber Motor Replacement	P12569	1	
	Brush Kit, Gear Motor Replacement	P12800	1	
	Shaft Kit, Klauber Gear Motor Replacement	009695	1	
31	Spring, 3/4" x 2 7/8" x 12 Gauge	015479	1	
32	Bolt, 1/4-20 x 1" Hex Head Grade 5	F05005-101	1	
33	Cable, Board Return	016090	1	
34	Washer, 3/8" Split	F05011-4	3	
35	Bolt, 3/8-16 x 1" Hex Head	F05007-7	3	
36	Angle, Board Return	015652	1	



### 4.7 Water Lube Assembly



REF	DESCRIPTION (◆ Indicates Parts Available In Assemblies Only)	PART #	QTY.	
	<b>TRAY ASSEMBLY, FUEL TANK/WATER BOTTLE</b>	A11685	1	
1	Tray, Fuel Tank/Water Bottle	S11684	1	◆
2	Strap, 24" Rubber (For Fuel Tank - See Engine Manual)	P11258	2	
3	Strap, 20" Rubber	P11668	2	

## 4

**Saw Head***Water Lube Assembly*

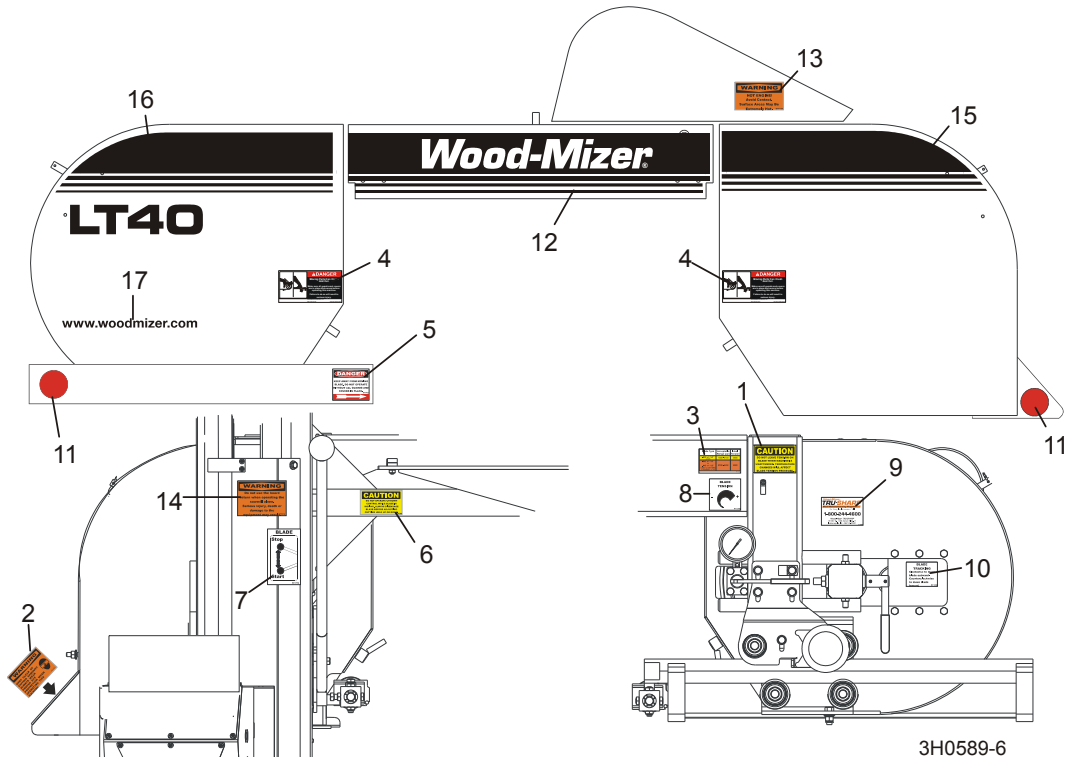
4	Bolt, 1/4-20 X 1" Carriage Head	F05005-34	4	
5	Nut, 1/4-20 Hex Lock	F05010-21	4	
6	<b>BOLT, 1/4-20 X 1" CARRIAGE HEAD</b>	F05005-34	1	
7	<b>BOLT, 1/4-20 X 1/2" CARRIAGE HEAD</b>	F05005-33	2	
8	<b>CLAMP, 1/2" EMT HOSE</b>	P07584	3	
9	<b>WASHER, 1/4" SAE FLAT</b>	F05011-11	3	
10	<b>NUT, 1/4-20 HEX LOCK</b>	F05010-21	1	
11	<b>STRAP, 15" RUBBER</b>	P07461	1	
12	<b>NUT, 1/4-20 SELF-LOCKING</b>	F05010-9	2	
13	<b>BOTTLE ASSY, WATER LUBE W/CAP</b>	014642 <sup>1</sup>	1	
14	<b>FITTING, 3/4FPT X 3/4MPT</b>	014636	1	
15	<b>FITTING, WATER LUBE SHUTOFF VALVE</b>	014100	1	
16	<b>FILTER, WATER LUBE</b>	016086 <sup>2</sup>	1	
17	<b>FITTING, 5/8" NPT TO 3/8" HOSE BARB</b>	014113	1	
18	<b>TUBING, WATER LUBE 3/8" I.D.</b>	R01885	7 ft.	

<sup>1</sup> Use Water Bottle Assembly w/Cap 014642 to service all bottle/cap combinations previously supplied. Bottle 014367, 61mm Cap 014773 and 70mm Cap 036744 no longer available separately.

<sup>2</sup> Filter recommended for Super models to prevent debris from entering water lube solenoid valve.

## 4.8 Saw Head Decals

LT40HD Super Remote Rev. K1.00 (1/08+) - K3.02



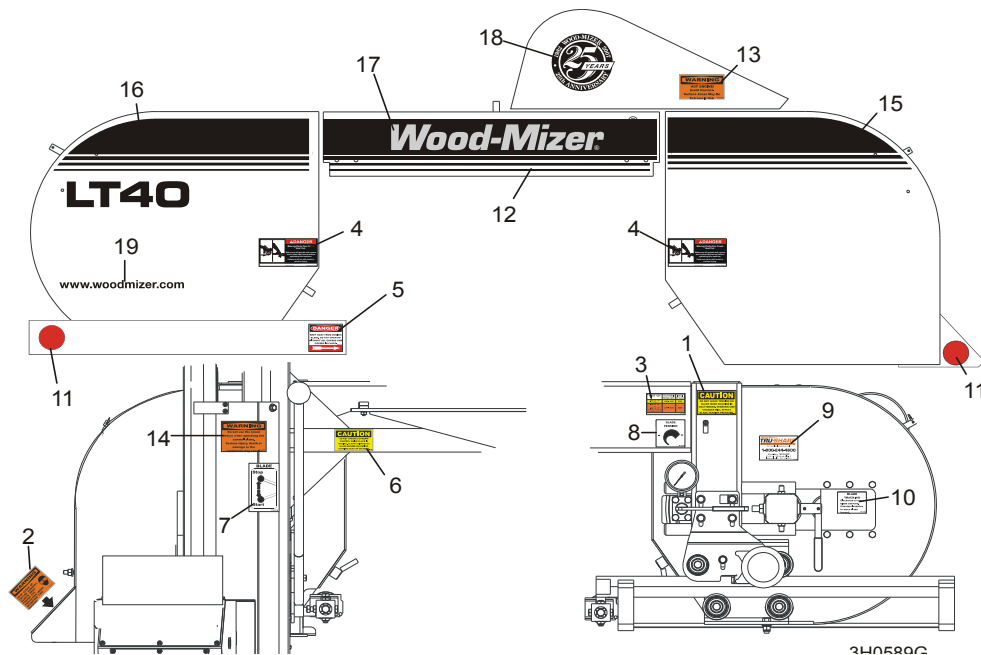
3H0589-6

REF	DESCRIPTION (◆ Indicates Parts Available In Assemblies Only)	PART #	QTY.
1	DECAL, BLADE TENSION CAUTION	P10147	1
2	DECAL, SAWDUST CHUTE WARNING	P11754	1
3	DECAL, BLADE TENSION RANGES	P12373	1
4	DECAL, BLADE COVERS DANGER	033254	2
5	DECAL, BLADE DANGER ARROW RIGHT	S11752	1
6	DECAL, UP/DOWN CAUTION	S11762	1
7	DECAL, BLADE START/STOP	P11779	1
8	DECAL, BLADE TENSION INFO	P11790	1
9	DECAL, TRU-SHARP INFO	P12879	1
10	DECAL, BLADE ALIGNMENT INFO	P11789	1
11	DECAL, RED REFLECTIVE 2" ROUND	P07452	2
12	DECAL, MIDDLE COVER	003244	1
13	DECAL, HOT ENGINE WARNING	014419	1
14	DECAL, BOARD RETURN OPERATOR WARNING	016072	1
15	DECAL, BLADE HOUSING COVER (DRIVE SIDE)	003243	1
16	DECAL, BLADE HOUSING COVER (IDLE SIDE LT30)	003245	1
	DECAL, BLADE HOUSING COVER (IDLE SIDE LT40)	003246	1
17	DECAL, WOOD-MIZER WEBSITE	003235	1

# 4 Saw Head Saw Head Decals

## 4.9 Saw Head Decals

LT40HD Super Remote Rev. J9.00 (1/07) - K1.00 (12/07)

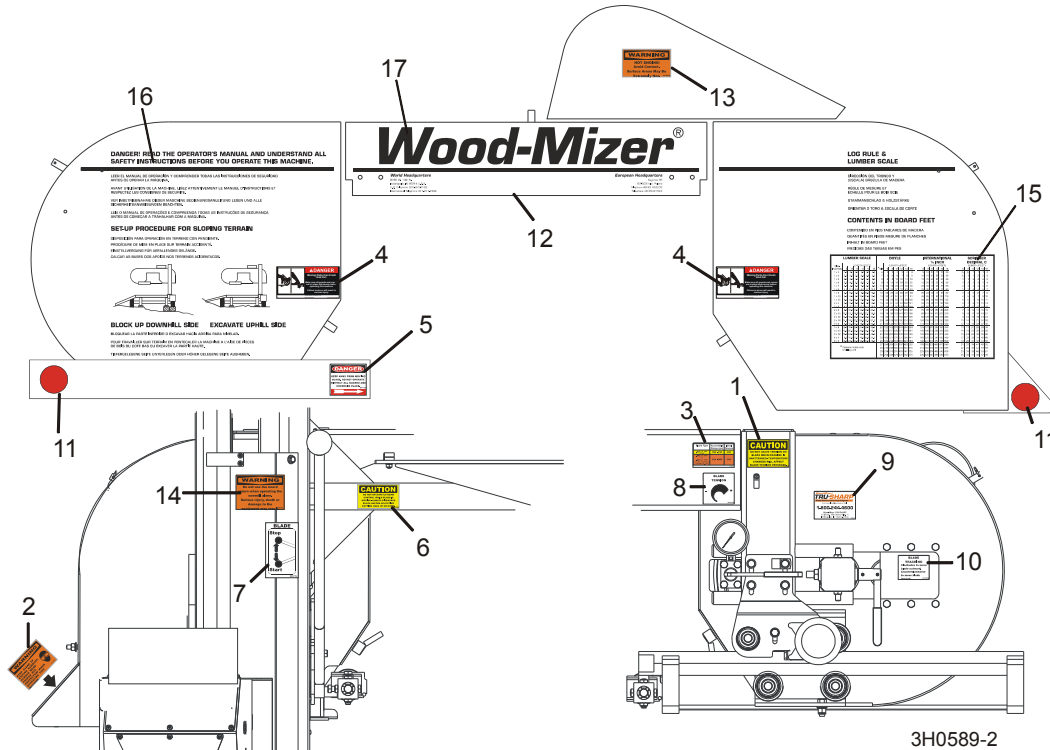


REF	DESCRIPTION (◆ Indicates Parts Available In Assemblies Only)	PART #	QTY.
1	DECAL, BLADE TENSION CAUTION	P10147	1
2	DECAL, SAWDUST CHUTE WARNING	P11754	1
3	DECAL, BLADE TENSION RANGES	P12373	1
4	DECAL, BLADE COVERS DANGER	033254	2
5	DECAL, BLADE DANGER ARROW RIGHT	S11752	1
6	DECAL, UP/DOWN CAUTION	S11762	1
7	DECAL, BLADE START/STOP	P11779	1
8	DECAL, BLADE TENSION INFO	P11790	1
9	DECAL, TRU-SHARP INFO	P12879	1
10	DECAL, BLADE ALIGNMENT INFO	P11789	1
11	DECAL, RED REFLECTIVE 2" ROUND	P07452	2
12	DECAL, MIDDLE COVER	003244 <sup>1</sup>	1
13	DECAL, HOT ENGINE WARNING	014419	1
14	DECAL, BOARD RETURN OPERATOR WARNING	016072	1
15	DECAL, BLADE HOUSING COVER (DRIVE SIDE)	003243 <sup>1</sup>	1
16	DECAL, BLADE HOUSING COVER (IDLE SIDE LT30)	003245 <sup>1</sup>	1
	DECAL, BLADE HOUSING COVER (IDLE SIDE LT40)	003246 <sup>1</sup>	1
17	DECAL, SILVER WOOD-MIZER LOGO	003234 <sup>1</sup>	1
18	DECAL, ANNIVERSARY LOGO	003236 <sup>1</sup>	1
19	DECAL, WOOD-MIZER WEBSITE	003235	1

<sup>1</sup> Log Scale Decal 016243, Sawmill Setup Decal 016242, & Super Hydraulic Logo Decal 014167 replaced with new logo decals 1/07.

### 4.10 Saw Head Decals

LT40HD Super Remote Rev. J7.01 - J9.00 (12/06)



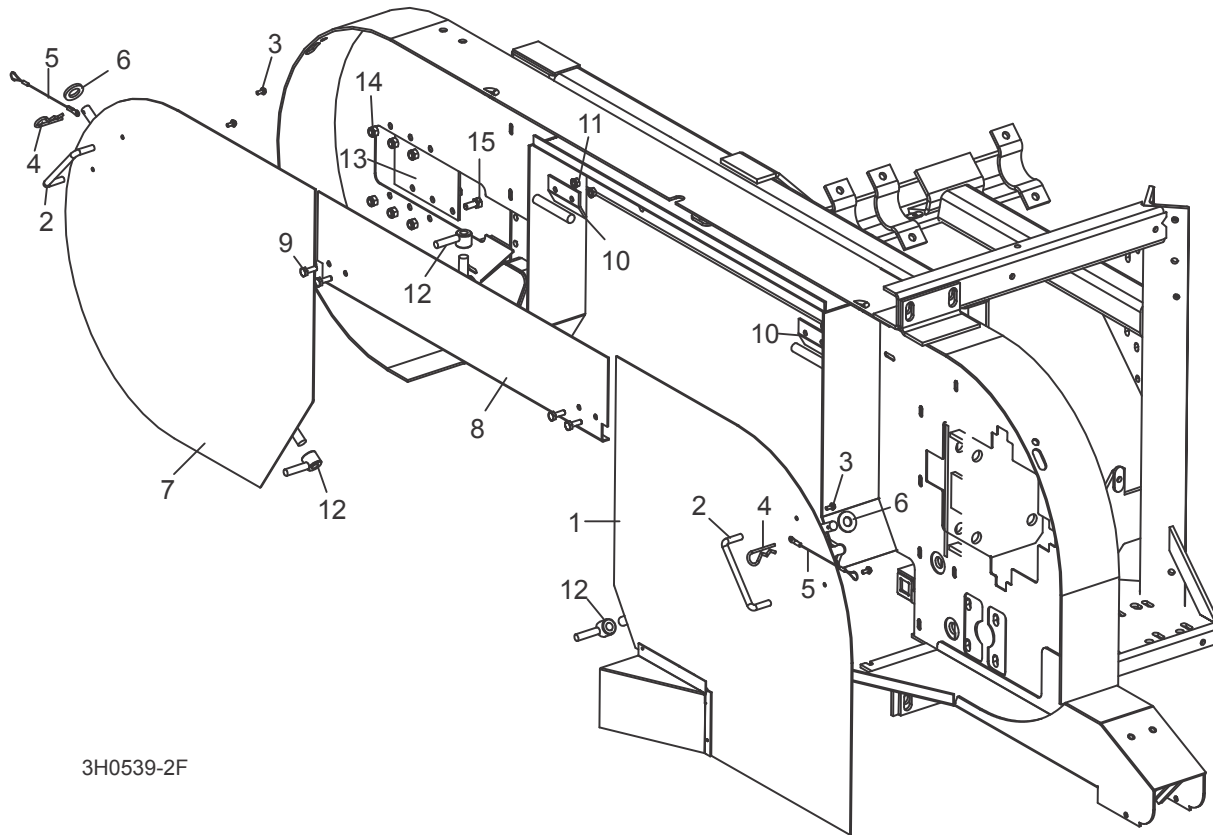
3H0589-2

REF	DESCRIPTION (◆ Indicates Parts Available In Assemblies Only)	PART #	QTY.
1	DECAL, BLADE TENSION CAUTION	P10147	1
2	DECAL, SAWDUST CHUTE WARNING	P11754	1
3	DECAL, BLADE TENSION RANGES	P12373	1
4	DECAL, BLADE COVERS DANGER	033254	2
5	DECAL, BLADE DANGER ARROW RIGHT	S11752	1
6	DECAL, UP/DOWN CAUTION	S11762	1
7	DECAL, BLADE START/STOP	P11779	1
8	DECAL, BLADE TENSION INFO	P11790	1
9	DECAL, TRU-SHARP INFO	P12879	1
10	DECAL, BLADE ALIGNMENT INFO	P11789	1
11	DECAL, RED REFLECTIVE 2" ROUND	P07452	2
12	DECAL, SUPER HYDRAULIC	014167	1
13	DECAL, HOT ENGINE WARNING	014419	1
14	DECAL, BOARD RETURN OPERATOR WARNING	016072	1
15	DECAL, BLADE HOUSING COVER (DRIVE SIDE)	016243	1
16	DECAL, BLADE HOUSING COVER (IDLE SIDE)	016242	1
17	DECAL, BLADE HOUSING COVER (MIDDLE)	016244	1

# 4 Saw Head

## Blade Housing Covers

### 4.11 Blade Housing Covers



3H0539-2F

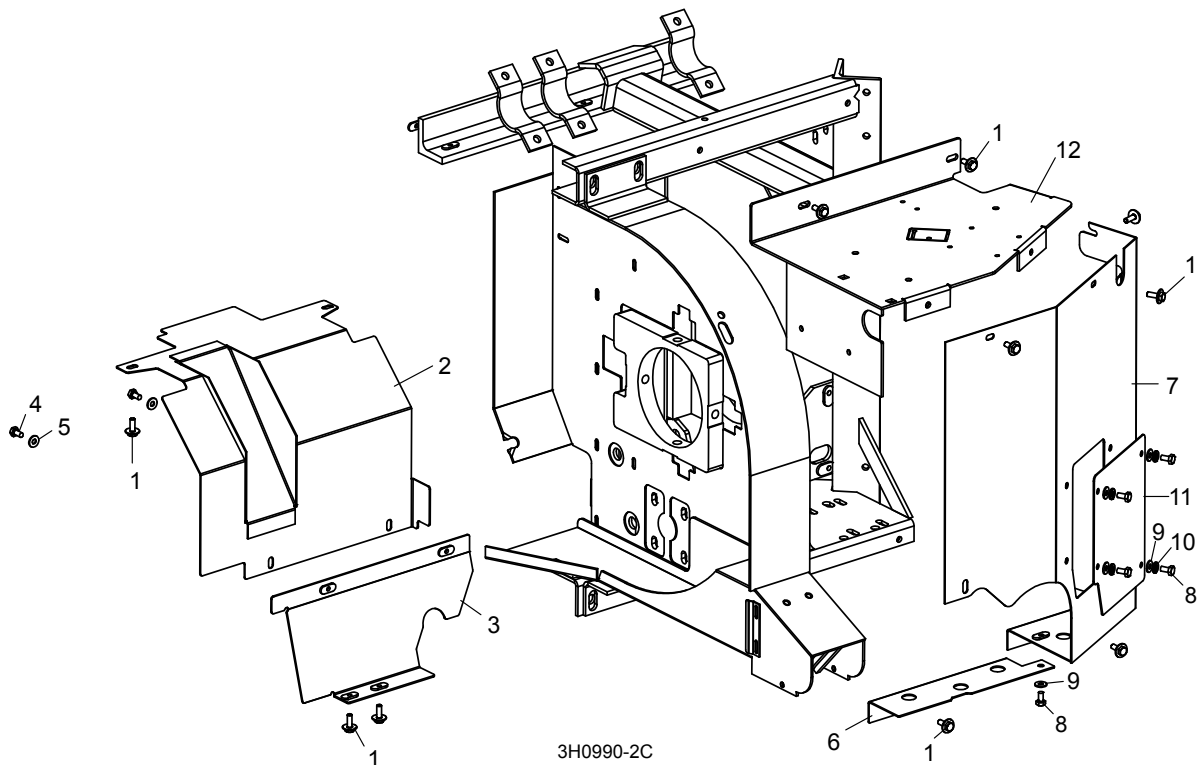
REF	DESCRIPTION (◆ Indicates Parts Available In Assemblies Only)	PART #	QTY.	
	<b>COVER ASSEMBLY, DRIVE SIDE BLADE HOUSING WITH HANDLE</b>	015937 <sup>1</sup>	1	
1	Cover, Drive Side Blade Housing (Includes Cover Decal - <a href="#">See Section 4.8</a> )	015911	1	◆
2	Handle, Blade Housing Cover	P08065	1	
3	Screw, #8-32 X 3/8" Self-Tap	F05015-8	2	
	Pin Assembly, Cover Retainer	A12812	1	
4	Pin, Safety Retainer	P05059	1	
5	Cable, 3/64" x 6" Lanyard	016030	1	
6	Washer, 1/2" ID x 1 1/8" OD x .093" Rubber	F05011-87	1	
	<b>COVER, IDLE SIDE BLADE HOUSING WITH HANDLE</b>	A09419	1	
7	Cover, Idle Side Blade Housing (Includes Cover Decal - <a href="#">See Section 4.8</a> )	W09351	1	◆
2	Handle, Blade Housing Cover	P08065	1	
3	Screw, #8-32 X 3/8" Self-Tap	F05015-8	2	
	Pin Assembly, Cover Retainer	A12812	1	
4	Pin, Safety Retainer	P05059	1	
5	Cable, 3/64" x 6" Lanyard	016030	1	

6	Washer, 1/2" ID x 1 1/8" OD x .093" Rubber	F05011-87	1	
8	<b>COVER, MIDDLE BLADE HOUSING</b>	W07409	1	
9	<b>BOLT, 1/4-20 X 3/4" HEX HEAD</b>	F05005-1	18	
10	<b>HINGE, MIDDLE BLADE HOUSING COVER</b>	S07522	2	
11	<b>NUT, 1/4-20 SELF-LOCKING HEX</b>	F05010-9	4	
12	<b>NUT, COVER TURN</b>	021145	3	
13	<b>PLATE, IDLE BLADE WHEEL GUARD</b>	S04433	1	
14	<b>NUT, 5/16-18 HEX NYLON LOCK</b>	F05010-58	6	
15	<b>BOLT, 5/16-18 X 3/4" HEX HEAD GRADE 2</b>	F05006-5	6	

<sup>1</sup> Removed (1) 015734 Sawdust Exit Funnel and (7) F04203-8 1/8" x 1/8" Aluminum Pop Rivet and changed to welded funnel to improve durability (LT40HD Super Rev. K3.15).

## 4.12 Drive Belt Covers

LT40HD Super Remote Rev. K1.01 - K3.02



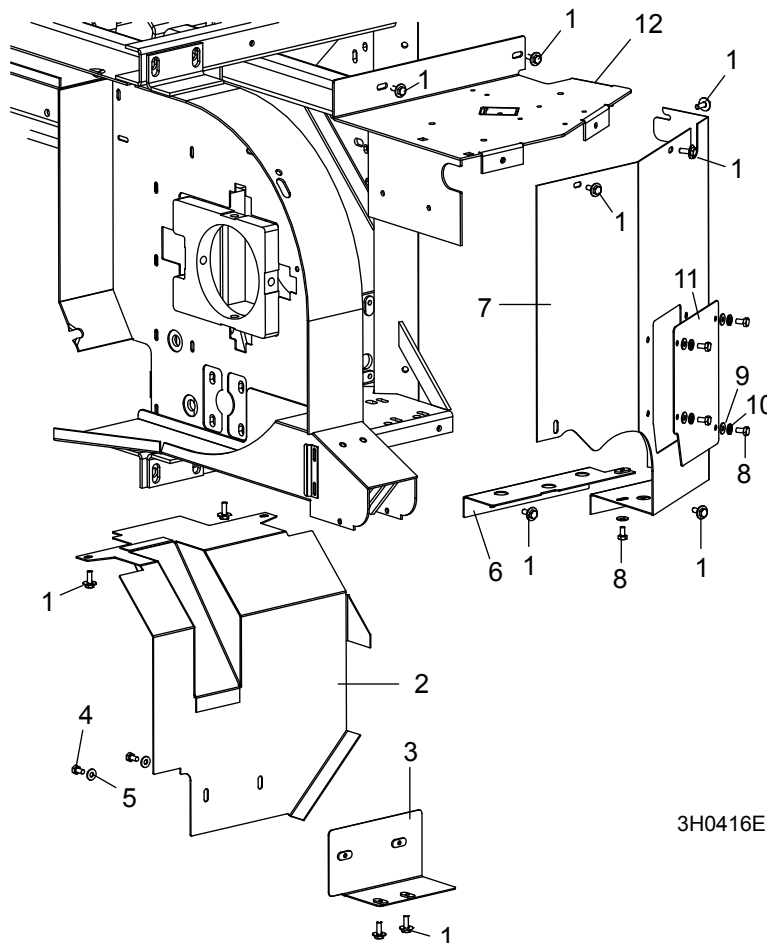
REF	DESCRIPTION (◆ Indicates Parts Available In Assemblies Only)	PART #	QTY.	
1	<b>BOLT, 1/4-20 X 3/4" HEX HEAD WITH CONICAL WASHER</b>	F05005-134	11	
2	<b>GUARD WELDMENT, SUPER/REMOTE LOWER DRIVE BELT</b>	006026	1	
3	<b>MOUNT WELDMENT, LOWER DRIVE BELT</b>	006025	1	
4	<b>BOLT, 1/4-20 X 1/2" HEX HEAD</b>	F05005-15	2	
5	<b>WASHER, 1/4" SAE FLAT</b>	F05011-11	2	
	<b>GUARD ASSEMBLY, DRIVE PULLEY SIDE</b>	015155 <sup>1</sup>	1	
6	Guard Weldment, Lower Up/Down	015654	1	
7	Guard Weldment, C-Frame Enclosure '97	015655 <sup>1</sup>	1	◆
8	Bolt, 1/4-20 x 1/2" Hex Head	F05005-15	5	
9	Washer, 1/4" SAE Flat	F05011-11	5	
10	Washer, 1/4" Split Lock	F05011-14	4	
11	Plate, Belt Cover Enclosure	006870	1	
12	<b>GUARD, DRIVE PULLEY TOP</b>	W11750	1	

<sup>1</sup> Guard Assembly 015155 includes Guard Weldment 015655 modified Rev. K3.01. Cutout added to accommodate Simple Set encoder sensor. Plate 006870 added to cover cutout on sawmills without Simple Set.



### 4.13 Drive Belt Covers

*LT30HD Super Remote*    *Rev. J7.01 - J8.09*  
*LT40HD Super Remote*    *Rev. J7.01 - K1.00*



3H0416E

REF	DESCRIPTION (◆ Indicates Parts Available In Assemblies Only)	PART #	QTY.	
1	<b>BOLT, 1/4-20 X 3/4" HEX HEAD WITH CONICAL WASHER</b>	F05005-134	11	
	<b>GUARD ASSEMBLY, AUTOCLUTCH LOWER DRIVE BELT</b>	015248	1	
2	Guard Weldment, Autoclutch Lower Drive Belt	015656	1	
3	Mount Weldment, Lower Drive Belt	015678	1	
4	Bolt, 1/4-20 x 1/2" Hex Head	F05005-15	2	
5	Washer, 1/4" SAE Flat	F05011-11	2	
	<b>GUARD ASSEMBLY, DRIVE PULLEY SIDE</b>	015155 <sup>1</sup>	1	
6	Guard Weldment, Lower Up/Down	015654	1	
7	Guard Weldment, C-Frame Enclosure '97	015655 <sup>1</sup>	1	
8	Bolt, 1/4-20 x 1/2" Hex Head	F05005-15	5	
9	Washer, 1/4" SAE Flat	F05011-11	5	

## 4 Saw Head

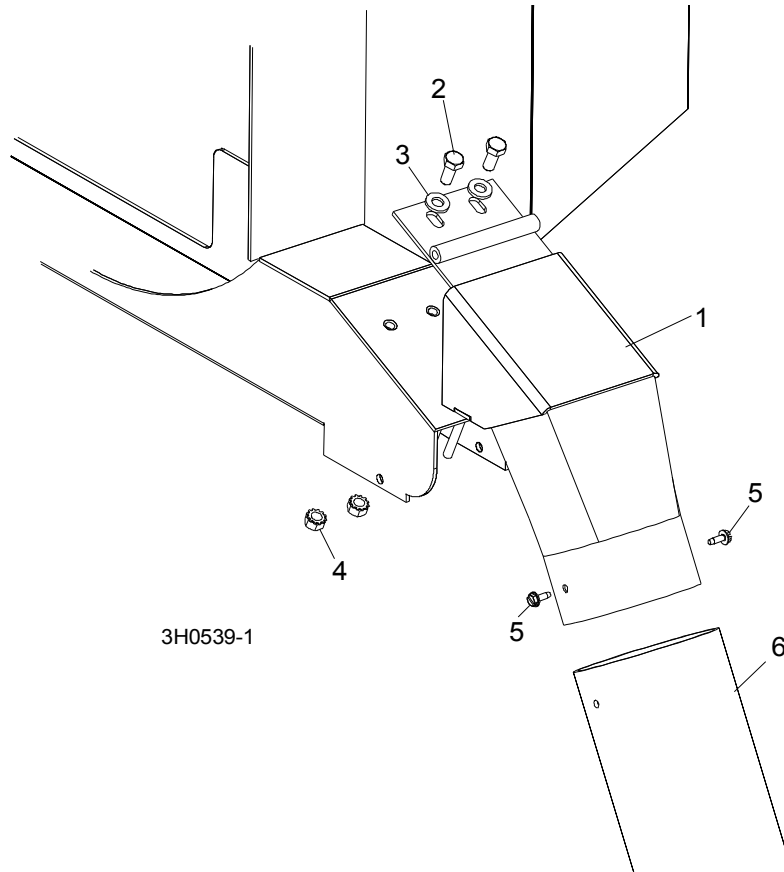
### *Drive Belt Covers*

---

10	Washer, 1/4" Split Lock	F05011-14	4	
11	Plate, Belt Cover Enclosure	006870	1	
12	<b>GUARD, DRIVE PULLEY TOP</b>	W11750	1	

<sup>1</sup> Guard Assembly 015155 includes Guard Weldment 015655 modified 10/09. Cutout added to accommodate Simple Set encoder sensor. Plate 006870 added to cover cutout on sawmills without Simple Set.

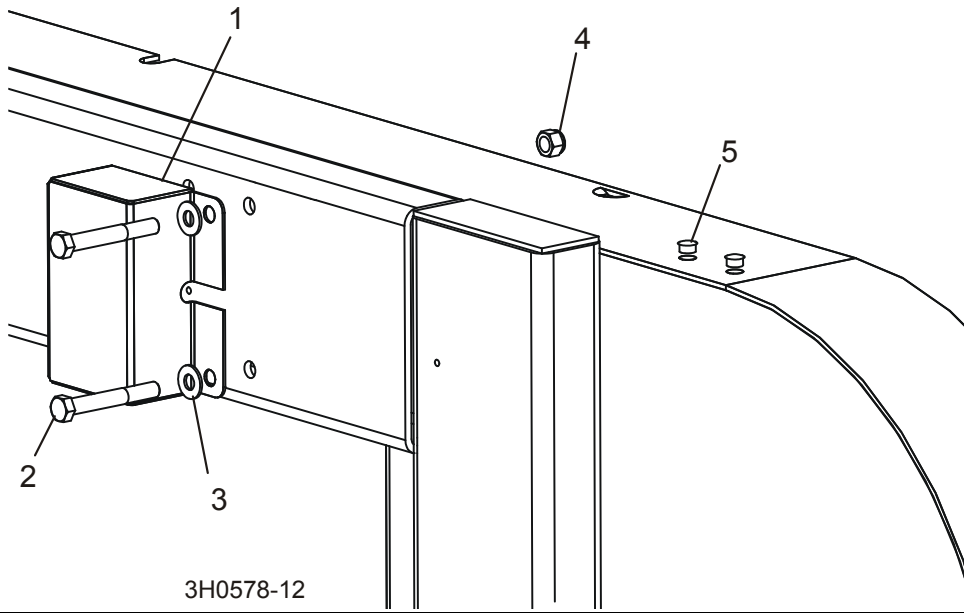
### 4.14 Sawdust Chute



REF	DESCRIPTION (◆ Indicates Parts Available In Assemblies Only)	PART #	QTY.
1	CHUTE WELDMENT, SAWDUST	015466	1
2	BOLT, 5/16-18 X 3/4" HEX HEAD GRADE 2	F05006-5	2
3	WASHER, 5/16" SAE FLAT	F05011-17	2
4	NUT, 5/16-18 SELF-LOCKING HEX	F05010-20	2
5	BOLT, #10-24 X 1/2" SELF-TAPPING	F05015-7	2
6	TUBING, RUBBER SAWDUST	016727	1
	STRAP, 20" RUBBER W/HOOK	P11668	1
	BOLT, 1/4-20 X 1 1/4" HEX HEAD FULL THREAD	F05005-3	1
	WASHER, 1/4" SAE FLAT	F05011-11	1
	NUT, 1/4-20 LOCK	F05010-21	1

**4** Saw Head  
*Debarker Wire Box/Hole Plugs*

**4.15 Debarker Wire Box/Hole Plugs**



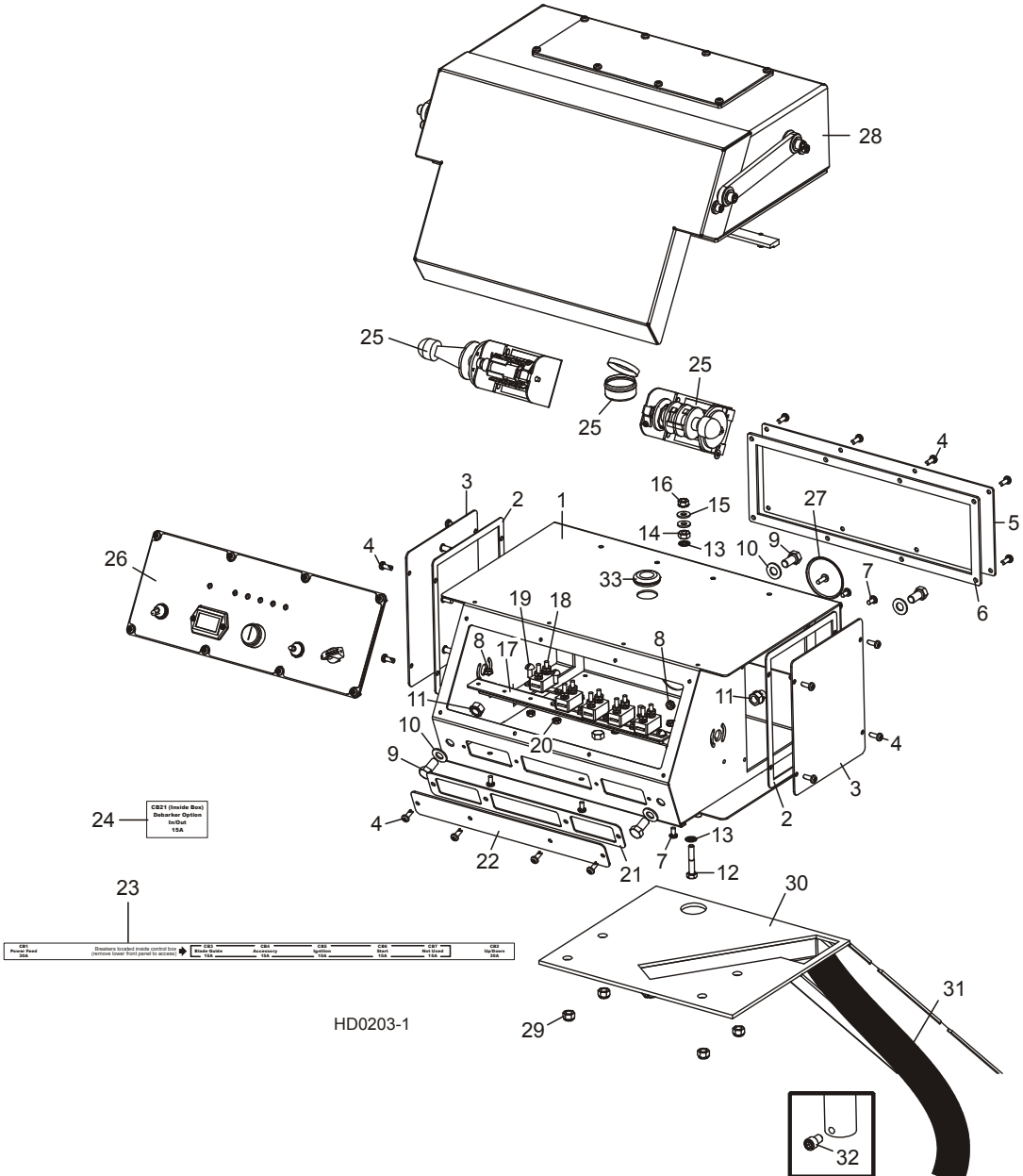
REF	DESCRIPTION (◆ Indicates Parts Available In Assemblies Only)	PART #	QTY.
1	BOX, DEBARKER WIRE STORAGE	023616	1
2	BOLT, 3/8-16 X 2 3/4" HEX HEAD	F05007-29	2
3	WASHER, 3/8" SAE FLAT	F05011-3	2
4	NUT, 3/8-16 HEX NYLON LOCK	F05010-10	2
5	PLUG, 13/32" PLASTIC HOLE	014537	2

# SECTION 5 CONTROL & BATTERY BOXES

## 5.1 Control Assembly

LT30HD Super Remote Rev. J8.00 - J8.09

LT40HD Super Remote Rev. J8.00 - K3.02



REF	DESCRIPTION (◆ Indicates Parts Available In Assemblies Only)	PART #	QTY.
	COVER, SAWMILL CONTROL CONSOLE W/ACCUSET	036352	1

# 5 Control & Battery Boxes

## Control Assembly

	<b>CONTROL BOX ASSEMBLY, G38/D47/D51 REMOTE SOFTSTART (2008)</b>	053058 <sup>1</sup>	1	
	<b>CONTROL BOX ASSEMBLY, D42/G38/D51/G36 REMOTE SOFTSTART</b>	051911 <sup>1</sup>	1	
	<b>CONTROL BOX ASSEMBLY, E25 REMOTE SOFTSTART (2008)</b>	053061 <sup>2</sup>	1	
	<b>CONTROL BOX ASSEMBLY, E25 REMOTE SOFTSTART</b>	051912 <sup>2</sup>	1	
1	Box Weldment, Control	016135	1	◆
2	Gasket, Side Panel Control 97	015274	2	
3	Panel Weldment, Side	015307	2	
4	Screw, #10-24 x 1/2" Pan Head	F05015-17	20	
5	Panel, Rear Mill Control 97	016230	1	
6	Gasket, Rear Panel 97	015278	1	
7	Screw, 10-24 x 3/8" Phillips Pan Head Machine	F05004-3	5	
8	Nut, #10-24 Self Locking	F05010-14	5	
9	Bolt, 3/8-16 x 3/4" Hex Head	F05007-27	4	
10	Washer, 3/8" Flat	F05011-3	4	
11	Nut, 3/8-16 Self Locking	F05010-19	4	
12	Bolt, 1/4-20 x 1 1/2" Hex Head Tap	F05005-31	1	
13	Washer, 1/4" Heavy-Duty Interior Star Lock	F05011-69	2	
14	Nut, 1/4-20 Heavy-Duty Hex Jam	F05010-129	1	
15	Washer, 1/4" SAE Flat	F05011-11	2	
16	Nut, 1/4-20 Hex Self-Locking	F05010-9	1	
	Breaker Assembly, Remote Control Front	015621	1	
17	Rail, Circuit Breaker	015310	1	
18	Breaker, 15Amp Auto Reset	E20430	5	
19	Screw, #8-32 x 1/2" Slotted Head	F05004-12	10	
20	Nut, #8-32 Hex Self-Locking	F05010-41	10	
21	Gasket, Circuit Breaker Cover	015266	1	
22	Panel, Circuit Breaker Cover	015376	1	
23	Decal, Circuit Breaker Remote Control	024363	1	
24	Decal, Debarker In/Out Circuit Breaker ID	024364	1	
25	Drum Switch Parts ( <a href="#">See Section 5.3</a> )			
26	Control Panel Parts ( <a href="#">See Section 5.4</a> )			
27	Plug, AS125 Oil Tight Painted	015673	1	
28	Accuset Parts ( <a href="#">See Accuset 2 Manual</a> or <a href="#">See Accuset Manual</a> )			
29	Nut, 5/16-18 Nylon Hex	F05010-58	4	
30	Pedestal Weldment, Remote	016192	1	
31	Harness Assembly, Cat Track Remote Control	053054 <sup>3</sup>	1	
	Harness Assembly, Cat Track Rmote Ctr 2002	050420 <sup>3</sup>	1	
	Connector Parts ( <a href="#">See Section 5.7</a> )			
32	<b>SCREW, 5/16-18 X 1/2" SOCKET HEAD CAP BLACK OXIDE</b>	F05006-39	1	
33	<b>GROMMET, 11/16" X 1" X 1 5/16" RUBBER</b>	015460	1	

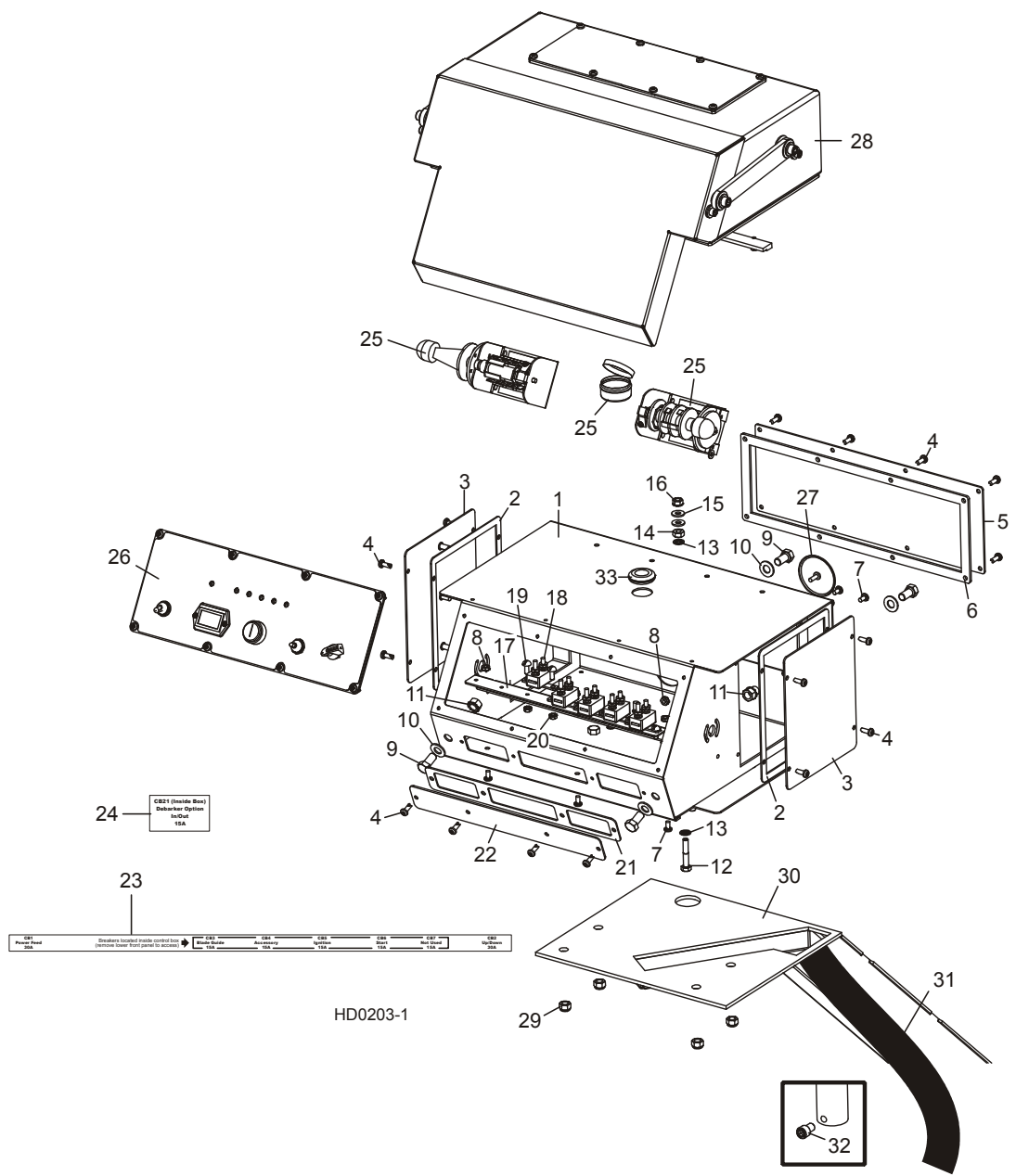
<sup>1</sup> Operator Control Box 051911 replaced with 053058 Rev. K1.00. New control box includes Accuset 2 and remote harness assembly 053054 (replaces 050420).

- <sup>2</sup> Operator Control Box 051912 replaced with 053061 Rev. K1.00. New control box includes Accuset 2 and remote harness assembly 053054 (replaces 050420).
- <sup>3</sup> Use 053054 harness for sawmill equipped with Accuset 2 after Rev. K1.00. Use 050420 for Accuset originally supplied prior to Rev. K1.00. 053054 revised 4/08 to include Accuset 2 wires to connect directly to up/down drum switch (replaces Bypass Cable 053039). 053039 still available for retrofit applications only.

## 5.2 Control Assembly

LT30HD Super Remote Rev. J7.01 - J7.03

LT40HD Super Remote Rev. J7.01 - J7.03

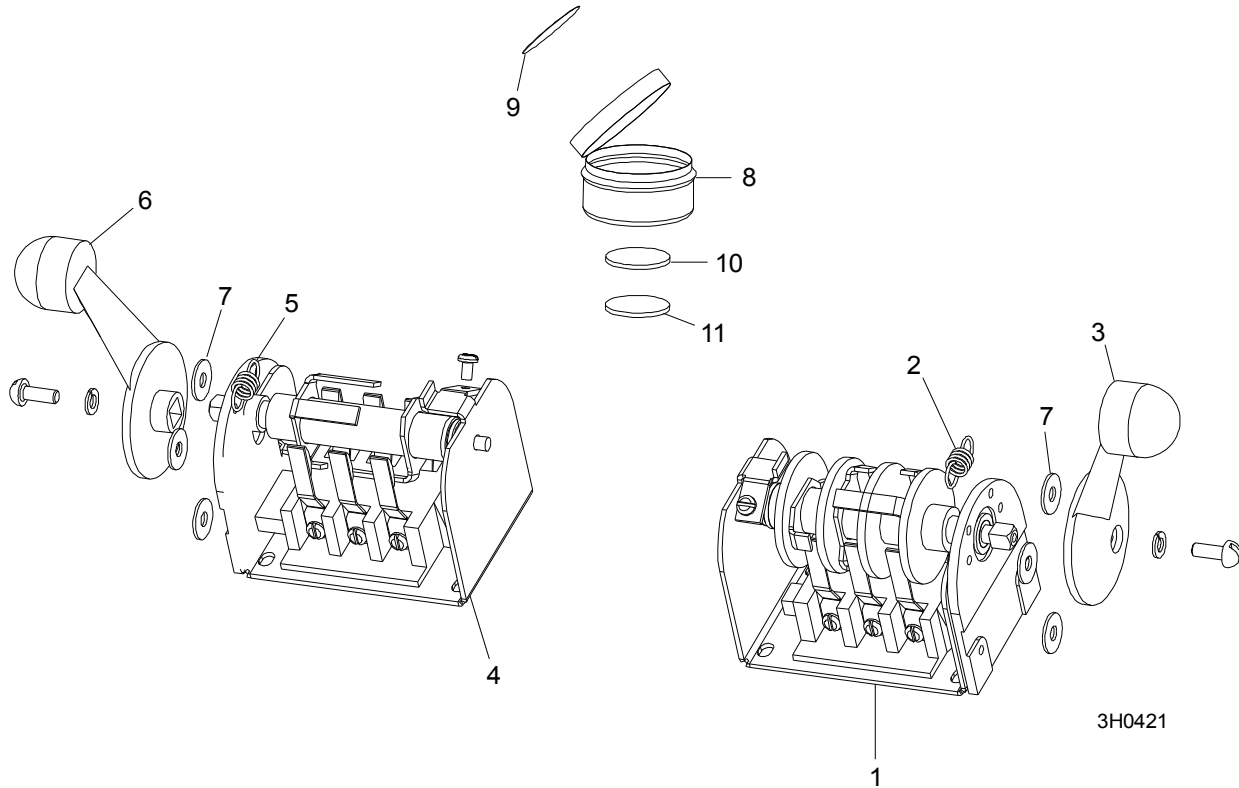


REF	DESCRIPTION (◆ Indicates Parts Available In Assemblies Only)	PART #	QTY.
	COVER, SAWMILL CONTROL CONSOLE W/ACCUSET	036352	1



	<b>CONTROL BOX ASSEMBLY, D42/D51/G36 REMOTE W/ACCUSET</b>	050956	1	
	<b>CONTROL BOX ASSEMBLY, E25 REMOTE W/ACCUSET</b>	050958	1	
	Control Box Assembly, D42/D51/G36 Remote	015619	1	
	Control Box Assembly, E25 Remote	015668	1	
1	Box Weldment, Control	016135	1	◆
2	Gasket, Side Panel Control 97	015274	2	
3	Panel Weldment, Side	015307	2	
4	Screw, #10-24 x 1/2" Pan Head	F05015-17	20	
5	Panel, Rear Mill Control 97	016230	1	
6	Gasket, Rear Panel 97	015278	1	
7	Screw, 10-24 x 3/8" Phillips Pan Head Machine	F05004-3	5	
8	Nut, #10-24 Self Locking	F05010-14	5	
9	Bolt, 3/8-16 x 3/4" Hex Head	F05007-27	4	
10	Washer, 3/8" Flat	F05011-3	4	
11	Nut, 3/8-16 Self Locking	F05010-19	4	
12	Bolt, 1/4-20 x 1 1/2" Hex Head Tap	F05005-31	1	
13	Washer, 1/4" Heavy-Duty Interior Star Lock	F05011-69	2	
14	Nut, 1/4-20 Heavy-Duty Hex Jam	F05010-129	1	
15	Washer, 1/4" SAE Flat	F05011-11	2	
16	Nut, 1/4-20 Hex Self-Locking	F05010-9	1	
	Breaker Assembly, Remote Control Front	015621	1	
17	Rail, Circuit Breaker	015310	1	
18	Breaker, 15Amp Auto Reset	E20430	5	
19	Screw, #8-32 x 1/2" Slotted Head	F05004-12	10	
20	Nut, #8-32 Hex Self-Locking	F05010-41	10	
21	Gasket, Circuit Breaker Cover	015266	1	
22	Panel, Circuit Breaker Cover	015376	1	
23	Decal, Circuit Breaker Remote Control	015664	1	
24	Decal, Debarker In/Out Circuit Breaker ID	024364	1	
25	Drum Switch Parts ( <a href="#">See Section 5.3</a> )			
26	Control Panel Parts ( <a href="#">See Section 5.4</a> )			
27	Plug, AS125 Oil Tight Painted	015673	1	
28	Accuset Parts ( <a href="#">See Accuset Manual</a> )			
29	Nut, 5/16-18 Nylon Hex	F05010-58	4	
30	Pedestal Weldment, Remote	016192	1	
31	Harness Assembly, Cat Track Rmote Ctr 2002	050420	1	
	Connector Parts ( <a href="#">See Section 5.7</a> )			
32	<b>SCREW, 5/16-18 X 1/2" SOCKET HEAD CAP BLACK OXIDE</b>	F05006-39	1	
33	<b>GROMMET, 11/16" X 1" X 1 5/16" RUBBER</b>	015460	1	

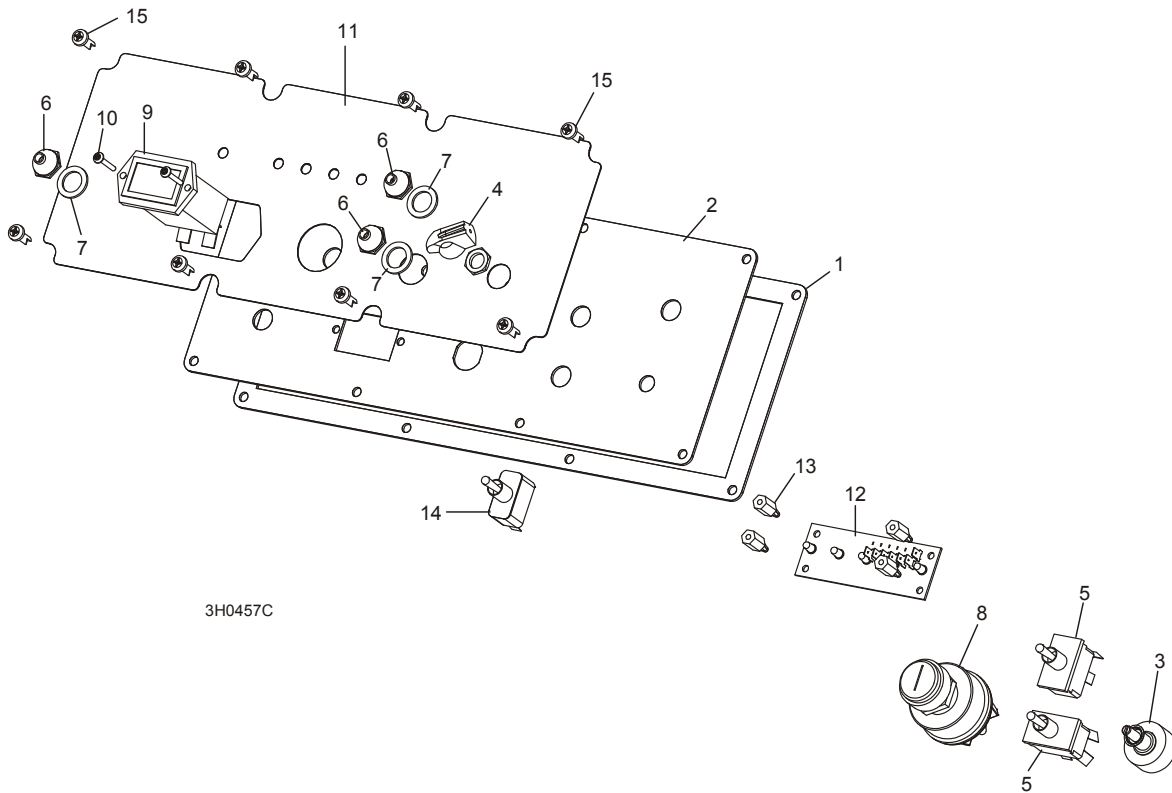
### 5.3 Drum Switches



REF	DESCRIPTION (◆ Indicates Parts Available In Assemblies Only)	PART #	QTY.	
	<b>SWITCH ASSEMBLY, UP/DOWN DRUM</b>	E20440	1	
1	Switch, S12 Bulk Drum	E20440-B	1	◆
2	Spring, Drum Switch	P12570	1	
3	Handle, Drum Switch Replacement	P12500	1	
	<b>SWITCH ASSEMBLY, POWER FEED DRUM</b>	E20439	1	
4	Switch, S11 Bulk Drum	E20439-B	1	◆
5	Spring, Drum Switch	P12570	1	
6	Handle, Drum Switch Replacement	P12500	1	
	<b>SUPPRESSOR, 36V 1500W TVS</b>	025053 <sup>1</sup>	1	
7	<b>WASHER, #8 SAE FLAT</b>	F05011-41	6	
	<b>CUP ASSEMBLY, DRUM SWITCH GREASE</b>	A20463	1	
8	Cup, Plastic Container	P20464	1	◆
9	Decal, Grease Cup Label	P20467	1	
10	Pad, Velcro Loop	P20466	1	◆
11	Pad, Velcro Hook	P20465	1	◆
	Grease, High Temp Drum Switch	P20468	.025 Lb	◆

<sup>1</sup> Suppressor 025053 used for Remote mills with SoftStart Power Feed Control (Rev. J8.00+) until 6/08.

### 5.4 Front Panel Assembly



3H0457C

REF	DESCRIPTION (◆ Indicates Parts Available In Assemblies Only)	PART #	QTY.
	<b>PANEL ASSEMBLY, CONTROL FRONT G38/D42/D47/D51 REMOTE</b>	015620	1
	<b>PANEL ASSEMBLY, CONTROL FRONT E25 REMOTE</b>	015669	1
1	Gasket, Front Panel	015270	1
2	Panel Weldment, Control	015302	1
3	Switch Assembly, Feed Rate	024450-1	1
4	Knob, Feed Rate With Set Screw	P06257	1
5	Switch, Toggle	024200	2
6	Boot, Toggle Switch Rubber	P02575	2
7	Washer, 1/2 x 3/4 x 1/16" Nylon	P05251-1	3
8	Switch, Key	P04350	1
9	Meter, Hour	015401	1
10	Screw, #6-32 x 3/4" Socket Button Head Cap Stainless Steel	F05004-93	2
11	Nut, #6-32 Self Locking	F05010-59	2
12	Decal, Control Panel (E25)	015271	1
	Decal, Control Panel (D42/G38/D47/D51)	015269	1
13	Board, LED Circuit (E25)	015416	1
	Board, LED Circuit (D42/G38/D47/D51)	015409	1

# 5 Control & Battery Boxes

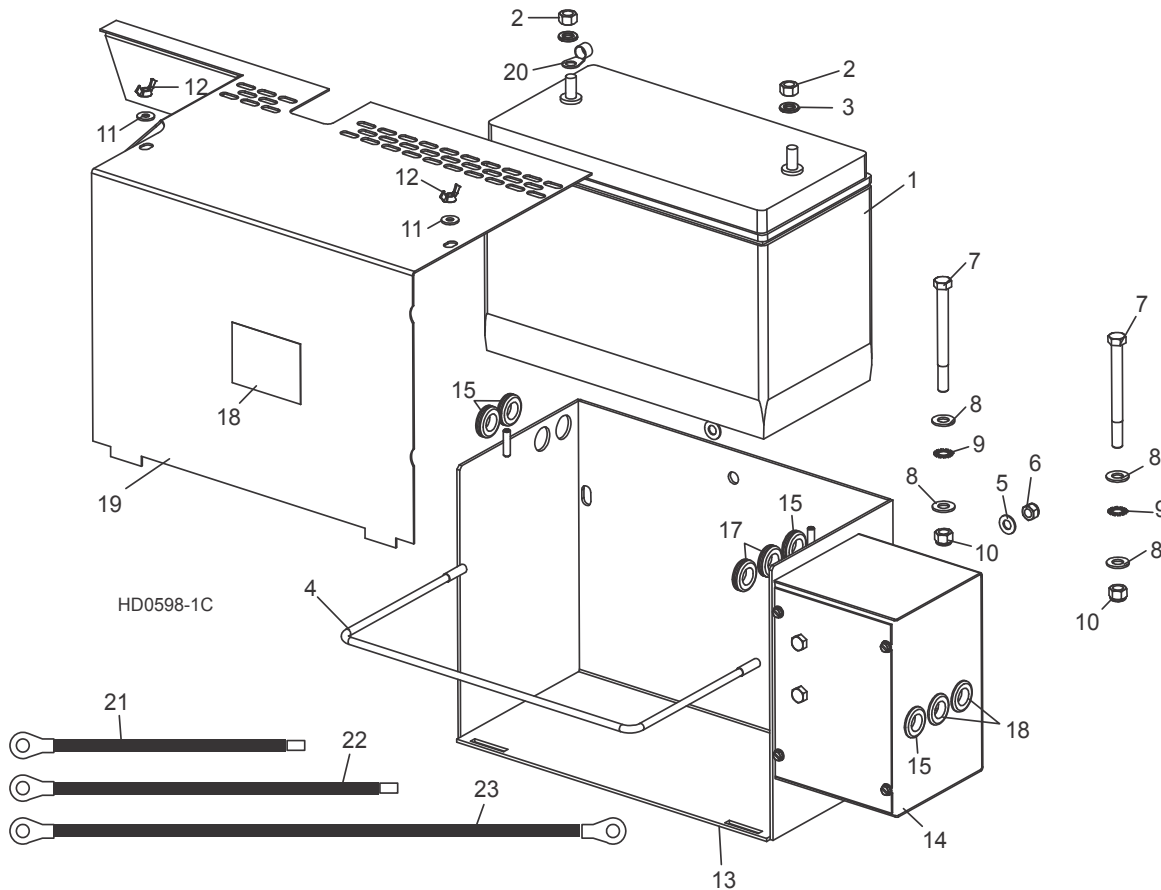
## Front Panel Assembly

---

14	Spacer, 1/2" -#6 Threaded	023147	4	
15	Switch, On/On Toggle SPDT	051346	1	
16	<b>SCREW, #10-24 X 1/2" PAN HEAD</b>	F05015-17	8	
	<b>CONDUIT, 1 1/4" X 58" FLEX</b>	050399	1	
	<b>CONNECTOR, 1 1/4" STRAIGHT MALE METAL CONDUIT</b>	024402	1	
	<b>CONDUIT, 1/2" EXPANDABLE BLACK</b>	R02374	41 in.	
	<b>CONDUIT, 1/2" EXPANDABLE BLACK</b>	R02374	42 in.	

## 5.5 Battery Box Assembly

LT40HD Super Remote Rev. K3.00 - K3.02



REF	DESCRIPTION (◆ Indicates Parts Available In Assemblies Only)	PART #	QTY.	
1	<b>BATTERY, 12 VOLT 8A31DTM AGM</b>	025841 <sup>1</sup>	1	◆
	<b>BOX ASSEMBLY, SUPER HYDRAULIC BATTERY</b>	015565 <sup>2</sup>	1	
2	Nut, 3/8-16 Hex	F05010-1	2	
3	Washer, 3/8" Split Lock	F05011-4	2	
4	Retainer Loop, Battery	015194	1	
5	Washer, 5/16" SAE Flat	F05011-17	2	
6	Nut, 5/16-18 Hex Nylon Lock	F05010-58	2	
7	Bolt, 3/8-16 X 4" Hex Head Grade 2	F05007-4	2	
8	Washer, 3/8" SAE Flat	F05011-3	2	
9	Washer, 3/8" External Star	F05011-36	2	
10	Nut, 3/8" Hex Nylon Lock	F05010-10	2	
11	Washer, 1/4" SAE Flat	F05011-11	2	

## 5 Control & Battery Boxes

### Battery Box Assembly

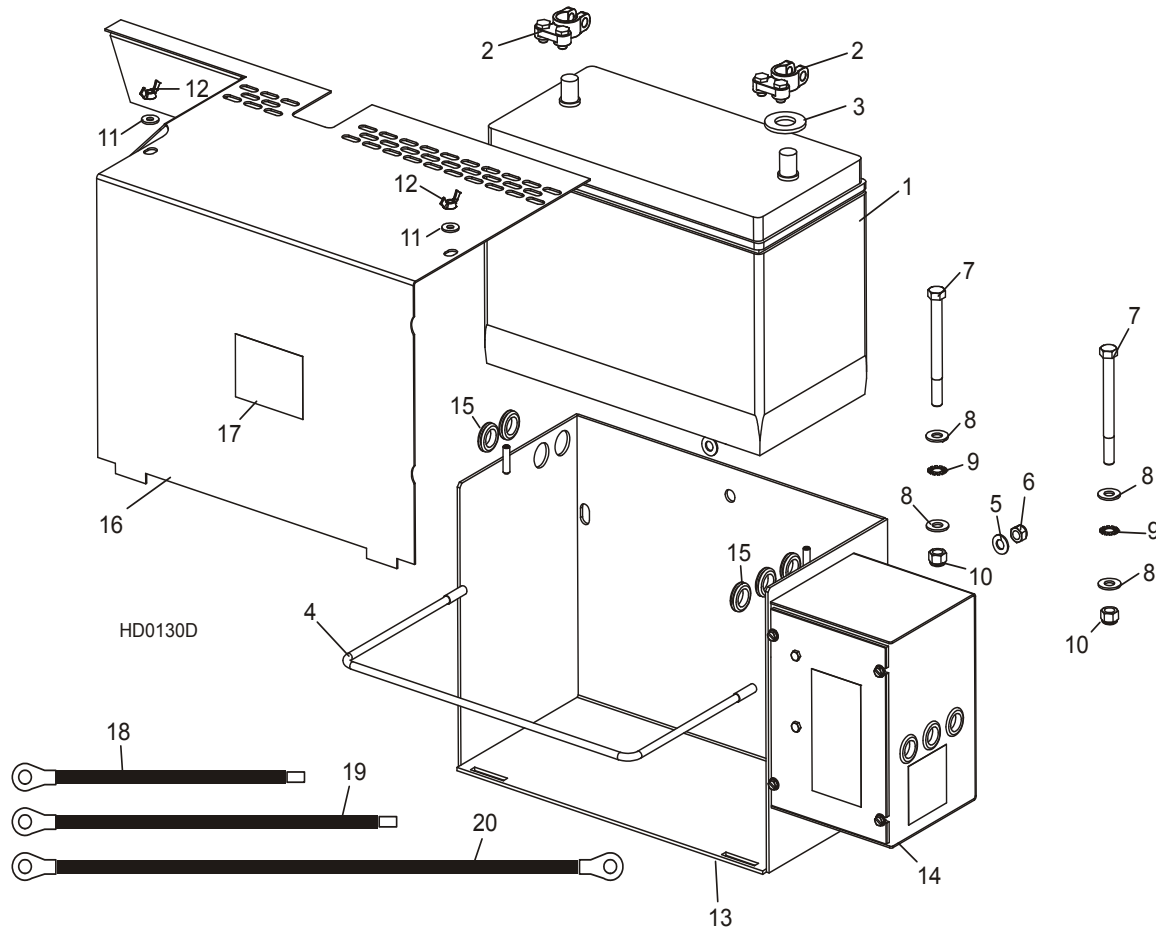
12	Nut, 1/4-20 Wing	F05010-13	2	
13	Box Weldment, Battery	015191	1	
14	Fuse Box Parts ( <a href="#">See Section 5.6</a> )			
15	Grommet, 5/8" Rubber Wire	P11764	3	
16	Terminal, 3/8 1-2 Ga Ring NI Loose	F05092-28	1	
17	Grommet, 3/4" ID 11 Gauge Thickness	074198	1	
18	Grommet, 3/4" ID 16 Gauge Thickness	074199	2	
	Hydraulic Positive Contact Parts ( <a href="#">See Section 10.6</a> )			
19	<b>LID WELDMENT, BATTERY BOX SUPER</b>	015771	1	
20	<b>DECAL, BATTERY BOX LID CAUTION</b>	014774	1	
21	<b>CABLE ASSEMBLY, 1 GA X 12" 150A FUSE TO BATTERY POSITIVE</b>	036308	1	
22	<b>CABLE ASSEMBLY, 1 GA X 16" 225A FUSE TO BATTERY POSITIVE</b>	036309	1	
23	<b>CABLE ASSEMBLY, 1 GA X 26" BATTERY NEGATIVE TO NEG. CONTACT</b>	036306	1	

<sup>1</sup> Replaces 12 Volt Battery (015475) supplied prior to . 12 Volt Battery (015475) changed to be equipped with one threaded stud (5/11).

<sup>2</sup> Battery terminals (P05085), washer (P12161), 1/4" exterior star washer (F05011-37) and 1/4-20 hex self-locking nut (F05010-9) replaced with ring terminals and fasteners for batteries with threaded studs (5/11).

## 5.6 Battery Box Assembly

LT40HD Super Remote Rev. J7.01 - K2.00



REF	DESCRIPTION (◆ Indicates Parts Available In Assemblies Only)	PART #	QTY.	
1	<b>BATTERY, 12 VOLT <sup>1</sup></b>	015475	1	◆
	<b>BOX ASSEMBLY, SUPER HYDRAULIC BATTERY</b>	015565 <sup>2</sup>	1	
2	Terminal, Battery	P05085	2	
3	Washer, Battery Terminal	P12161	1	
4	Retainer Loop, Battery	015194	1	
5	Washer, 5/16" SAE Flat	F05011-17	2	
6	Nut, 5/16-18 Hex Nylon Lock	F05010-58	2	
7	Bolt, 3/8-16 X 4" Hex Head Grade 2	F05007-4	2	
8	Washer, 3/8" SAE Flat	F05011-3	2	
9	Washer, 3/8" External Star	F05011-36	2	
10	Nut, 3/8" Hex Nylon Lock	F05010-10	2	
11	Washer, 1/4" SAE Flat	F05011-11	2	

## 5 Control & Battery Boxes

### Battery Box Assembly

12	Nut, 1/4-20 Wing	F05010-13	2	
13	Box Weldment, Battery	015191	1	
14	Fuse Box Parts ( <a href="#">See Section 5.7</a> )			
15	Grommet, 5/8" Rubber Wire	P11764	5	
	Hydraulic Positive Contact Parts ( <a href="#">See Section 10.5</a> )			
16	<b>LID WELDMENT, BATTERY BOX SUPER</b>	015771	1	
17	<b>DECAL, BATTERY BOX LID CAUTION</b>	014774	1	
18	<b>CABLE ASSEMBLY, 1 GA X 12" 150A FUSE TO BATTERY POSITIVE</b>	036308	1	
19	<b>CABLE ASSEMBLY, 1 GA X 16" 225A FUSE TO BATTERY POSITIVE</b>	036309	1	
20	<b>CABLE ASSEMBLY, 1 GA X 26" BATTERY NEGATIVE TO NEG. CONTACT</b>	036306 <sup>3</sup>	1	

<sup>1</sup> Battery changed from Deka 1231PMF to Trojan C31-1000 Rev. J8.03. Battery changed back to Deka 1131XPMF due to discontinuation of Trojan battery.

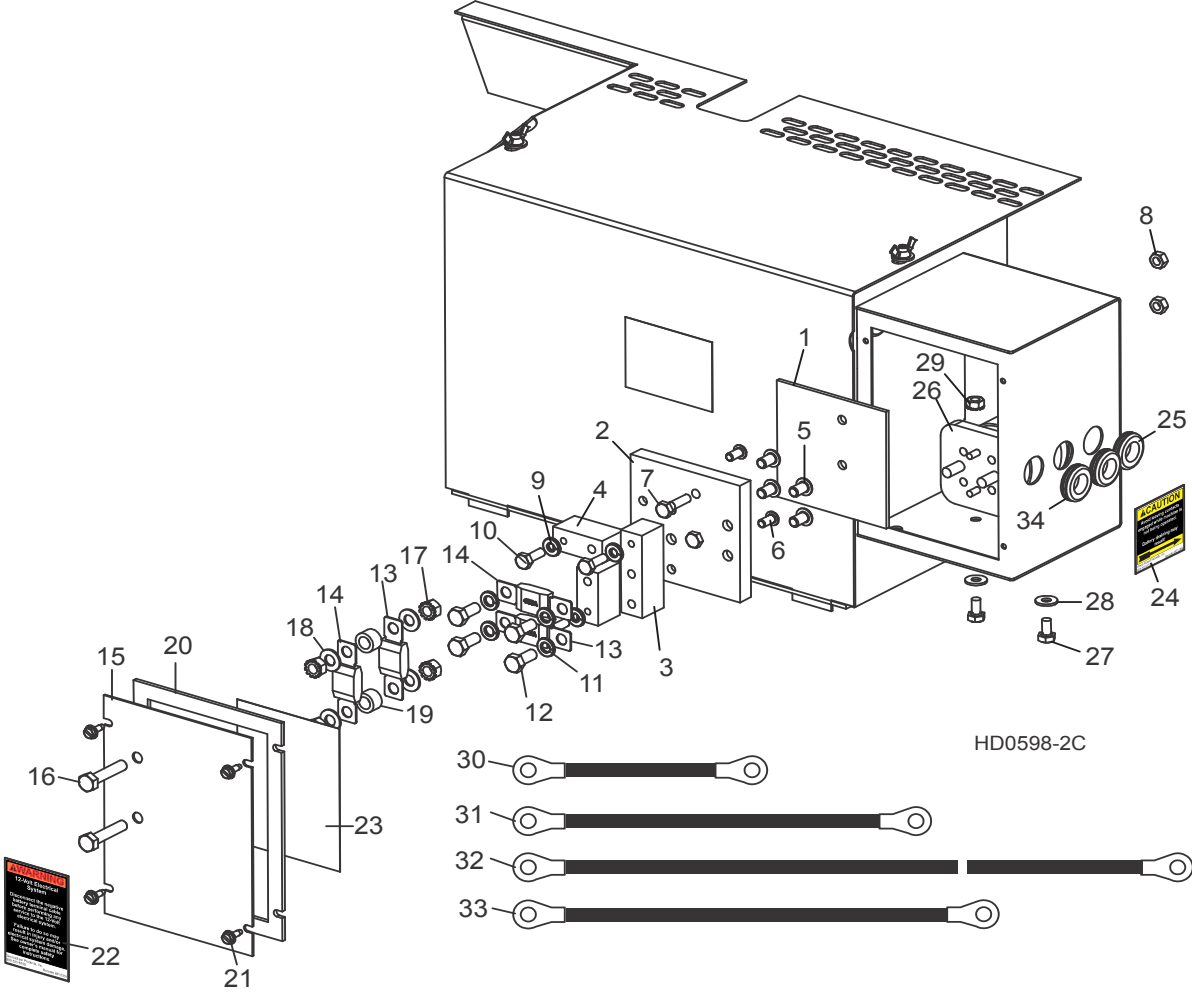
<sup>2</sup> Battery Box Assembly 015565 modified to include new fuse block and mega fuse Rev. K3.00 ([See Section 5.7](#)).

<sup>3</sup> Replaces 024676 originally supplied (duplicate parts).



5.7 Fuse Box Assembly

LT40HD Super Remote Rev. K3.00 - K3.02



REF	DESCRIPTION (◆ Indicates Parts Available In Assemblies Only)	PART #	QTY.	
	<b>BLOCK ASSEMBLY, DOUBLE FUSE</b>	006795	1	
1	Plate, Fuse Block Insulator	056999	1	
2	Block, Fuse Mount	056997	1	◆
3	Block, 3/4" Upper Fuse	056996	1	
4	Block, 3/4" Lower Fuse	056998	2	
5	Screw, 5/16-18 x 1/2" Socket Button Head	F05006-20	4	
6	Screw, 1/4-20 x 1/2" Socket Button Head	F05005-59	2	
7	Bolt, 1/4-20 x 1" Hex Head Grade 5	F05005-101	2	
8	Nut, 1/4-20 Hex Lock	F05010-21	2	

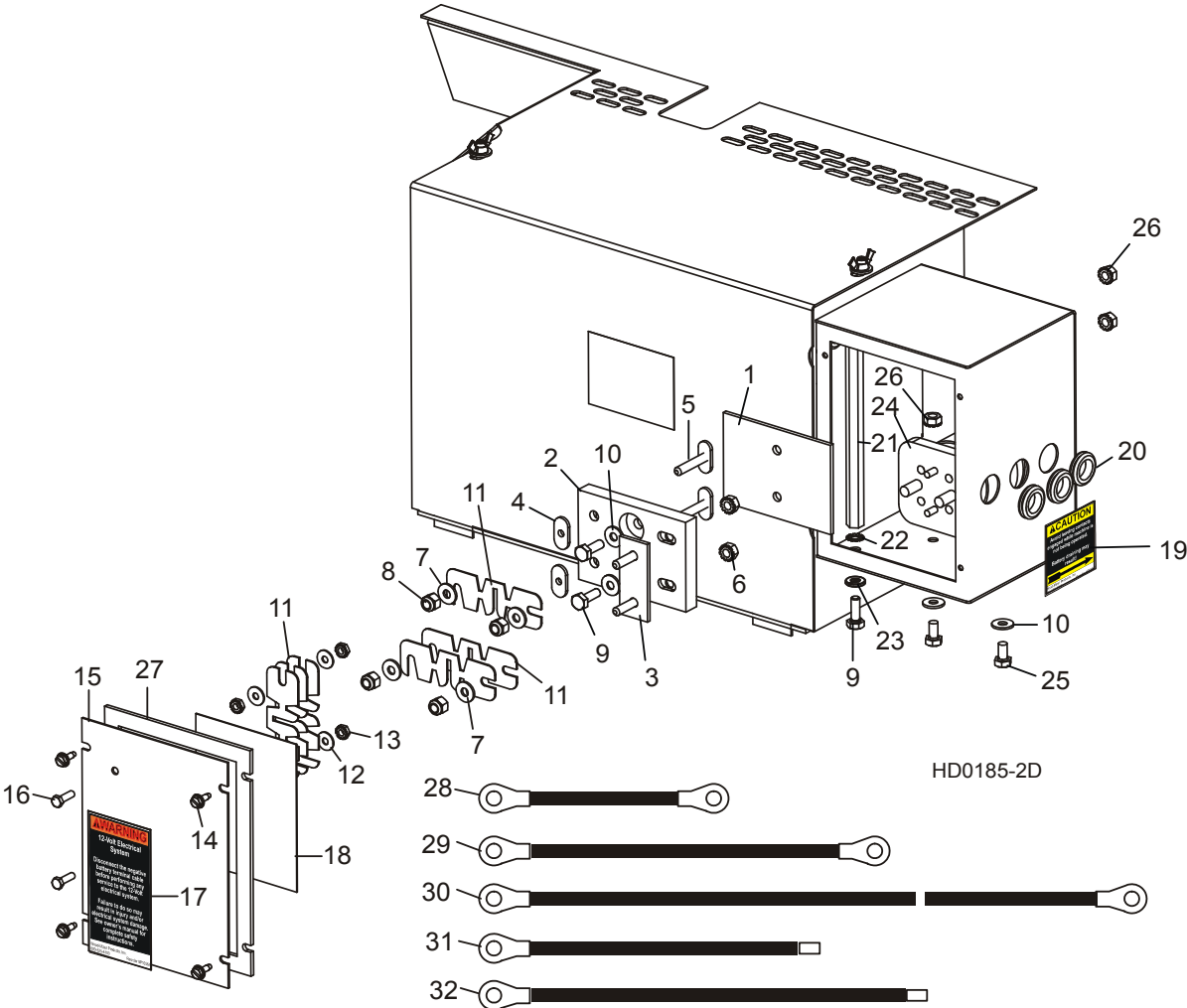
## 5

**Control & Battery Boxes***Fuse Box Assembly*

9	Washer, 1/4" Split Lock	F05011-14	3	
10	Bolt, 1/4-20 x 3/4" Hex Head Grade 5	F05005-123	3	
11	Washer, 5/16" Split Lock	F05011-13	4	
12	Bolt, 5/16-18 x 3/4" Hex Head Grade 5	F05006-102	4	
13	<b>FUSE, 225A 32V MEGA</b>	053339	2	
14	<b>FUSE, 450A 32V MEGA</b>	053340	2	
	<b>COVER ASSEMBLY, DOUBLE FUSE BOX</b>	006853	1	
15	Cover, Fuse Box	006851	1	
16	Bolt, 5/16-18 x 1 1/2" Hex Head Full Thread	F05006-2	2	
17	Nut, 5/16-18 Hex Self-Locking	F05010-20	4	
18	Washer, 5/16" SAE Flat	F05011-17	4	
19	Spacer, .39" x .625" x .39"	055323	2	
20	Gasket, Fuse Box Cover	050283	1	
21	<b>SCREW, #10-24 X 1/2" SELF-TAPPING</b>	F05015-7	4	
22	<b>DECAL, 12 VOLT WARNING</b>	P10364	1	
23	<b>DECAL, 225/450A MEGA FUSE ID</b>	006868	1	
24	<b>DECAL, HYDRAULIC CONTACT CAUTION</b>	P12960	1	
25	<b>GROMMET, 5/8" RUBBER WIRE</b>	P11764	3	
26	<b>SOLENOID KIT, 200A 12V SPST CONT. DUTY</b>	016371	1	
	Solenoid, 200A 12V SPST Cont. Duty	015470	1	◆
	Diode Assembly, Solenoid Coil Chassis Gnd	015426	1	
	<b>WIRE ASSEMBLY, HYDRAULIC SOLENOID VOLTAGE DROP</b>	024451	1	
27	<b>BOLT, 1/4-20 X 1/2" HEX HEAD</b>	F05005-15	2	
28	<b>WASHER, 1/4" SAE FLAT</b>	F05011-11	2	
29	<b>NUT, 1/4-20 SELF-LOCKING HEX</b>	F05010-9	2	
30	<b>CABLE ASSEMBLY, 1 GA X 6 1/2" FUSE TO SOLENOID</b>	036305	1	
31	<b>CABLE ASSEMBLY, 1 GA X 14" SOLENOID TO POSITIVE CONTACT</b>	036307	1	
32	<b>CABLE ASSEMBLY, 1 GA X 26" BATT. NEGATIVE TO GROUND CONTACT</b>	036306	1	
33	<b>CABLE ASSEMBLY, 1 GA X 12" FUSE TO BATTERY POSITIVE</b>	036308	1	
34	<b>CABLE ASSEMBLY, 1 GA X 16" FUSE TO BATTERY POSITIVE</b>	036309	1	

5.8 Fuse Box Assembly

LT40HD Super Remote Rev. J7.01 - K2.00



REF	DESCRIPTION (◆ Indicates Parts Available In Assemblies Only)	PART #	QTY.	
1	PAD, FUSE BOX INSULATOR	015287	1	
	<b>FUSE BLOCK ASSEMBLY</b>	017665 <sup>1</sup>	1	
2	Block, Fuse Mount	017664	1	◆
3	Post Weldment, Fuse Mount	017663	1	
4	Nut, 1/4-20 Cadmium Plated Weld	S12392	2	
5	Stud Weldment, 1/4-20 Fuse	W12389	2	
6	Nut, 1/4-20 Self-Locking Hex	F05010-9	2	
7	Washer, 1/4" SAE Flat	F05011-11	4	
8	Nut, 1/4-20 Hex Lock	F05010-21 <sup>2</sup>	4	

# 5 Control & Battery Boxes

## Fuse Box Assembly

9	BOLT, 1/4-20 X 3/4" HEX HEAD FULL THREAD	F05005-1	3	
10	WASHER, 1/4" SAE FLAT	F05011-11	4	
11	FUSE LINK, 12 VOLT 225 AMP	P11550	6	
12	WASHER, #10 SAE FLAT	F05011-18	4	
13	NUT, #10-24 HEX SELF-LOCKING	F05010-14	4	
14	SCREW, #10-24 X 1/2" SELF-TAPPING	F05015-7	4	
15	COVER, FUSE BOX	015282	1	
16	SCREW, #10-24 X 5/8" HEX HEAD	F05004-18	2	
17	DECAL, 12 VOLT WARNING	P10364	1	
18	DECAL, FUSE LINK 225/225A I.D.	017681	1	
19	DECAL, HYDRAULIC CONTACT CAUTION	P12960	1	
20	GROMMET, 5/8" RUBBER WIRE	P11764	3	
21	TERMINAL, EXTENDED HEX STUD	015517	1	
22	WASHER, 1/4" EXTERIOR STAR	F05011-37	1	
23	WASHER, 1/4" SPLIT LOCK	F05011-14	1	
24	SOLENOID KIT, 200A 12V SPST CONT. DUTY	016371	1	
	Solenoid, 200A 12V SPST Cont. Duty	015470	1	◆
	Diode Assembly, Solenoid Coil Chassis Gnd	015426 <sup>3</sup>	1	
	WIRE ASSEMBLY, HYDRAULIC SOLENOID VOLTAGE DROP	024451	1	
25	BOLT, 1/4-20 X 1/2" HEX HEAD	F05005-15	2	
26	NUT, 1/4-20 SELF-LOCKING HEX	F05010-9	4	
27	GASKET, FUSE BOX COVER	050283	1	
28	CABLE ASSEMBLY, 1 GA X 6 1/2" FUSE TO SOLENOID	036305	1	
29	CABLE ASSEMBLY, 1 GA X 14" SOLENOID TO POSITIVE CONTACT	036307	1	
30	CABLE ASSEMBLY, 1 GA X 26" BATT. NEGATIVE TO GROUND CONTACT	036306	1	
31	CABLE ASSEMBLY, 1 GA X 12" 150A FUSE TO BATTERY POSITIVE	036308	1	
32	CABLE ASSEMBLY, 1 GA X 16" 225A FUSE TO BATTERY POSITIVE	036309	1	

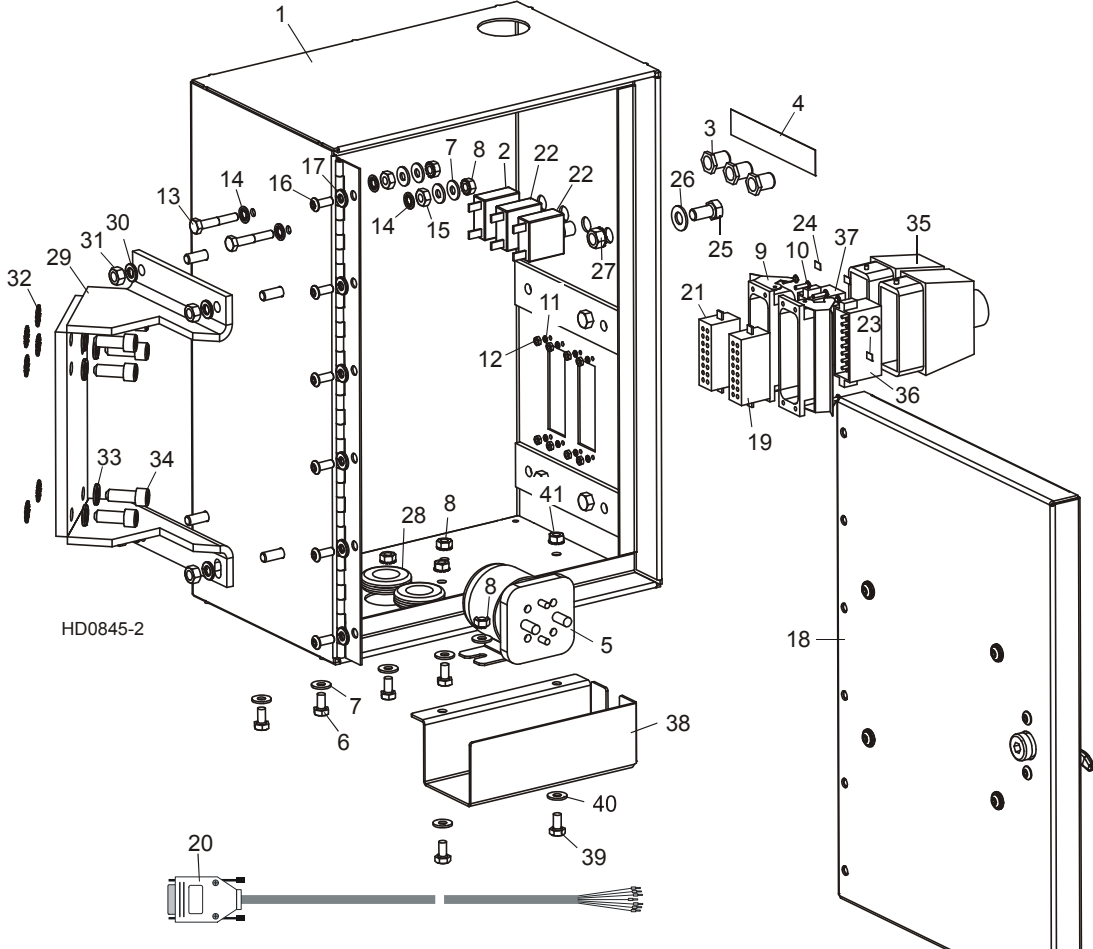
<sup>1</sup> Battery Box Assembly modified to include new fuse block and mega fuse LT40HD Super Rev. K3.00 ([See Section 5.7](#)). Use kit 006906 to retrofit (requires two 225A Mega-Fuse 053339 and two 450A Mega-Fuse 053340 sold separately).

<sup>2</sup> Swaged lock nut F05010-21 replaces Nylon Lock Nut F05010-69 originally supplied prior to 7/08. Heat from the fuses can cause the nylon to melt and the nut to come loose. Nuts and washers added to fuse block kit 017665 11/08.

<sup>3</sup> Diode Assembly 015426 added to prevent damage to hydraulic microswitch (LT30HD/LT40HD Super Rev. J7.03).

5.9 Remote Power Box Assembly

LT40HD Super Remote Rev. K3.00 - K3.02



REF	DESCRIPTION (◆ Indicates Parts Available In Assemblies Only)	PART #	QTY.	
	<b>BOX ASSEMBLY, D47 REMOTE POWER W/DUAL-AXIS ACCUSET (2009)</b>	053278	1	
	<b>BOX ASSEMBLY, G38 REMOTE POWER W/DUAL-AXIS ACCUSET (2009)</b>	053267	1	
	<b>BOX ASSEMBLY, E25 REMOTE POWER W/DUAL-AXIS ACCUSET (2009)</b>	053266	1	
	<b>BOX ASSEMBLY, D51 REMOTE POWER W/DUAL-AXIS ACCUSET (2009)</b>	053229	1	
1	Box Weldment, Remote Power 2008	006667	1	
2	Breaker, 70A Manual Reset Panel Mount	015527	1	
3	Boot, Circuit Breaker	021253	3	
4	Decal, Super/LT70 DC Remote Circuit Breaker ID 2008	053227	1	
5	Solenoid Kit, 200A 12V SPST Hydraulic Motor	016371	1	
	Solenoid, 200A 12V SPST Cont. Duty	015470	1	◆
	Diode Assembly, Solenoid Coil Chassis Gnd	015426	1	
	Resistor Assembly, 4.3Ohm 5W	051528	1	
6	Bolt, 1/4-20 x 1/2" Hex Head	F05005-15	4	
7	Washer, 1/4" SAE Flat	F05011-11	10	

## 5

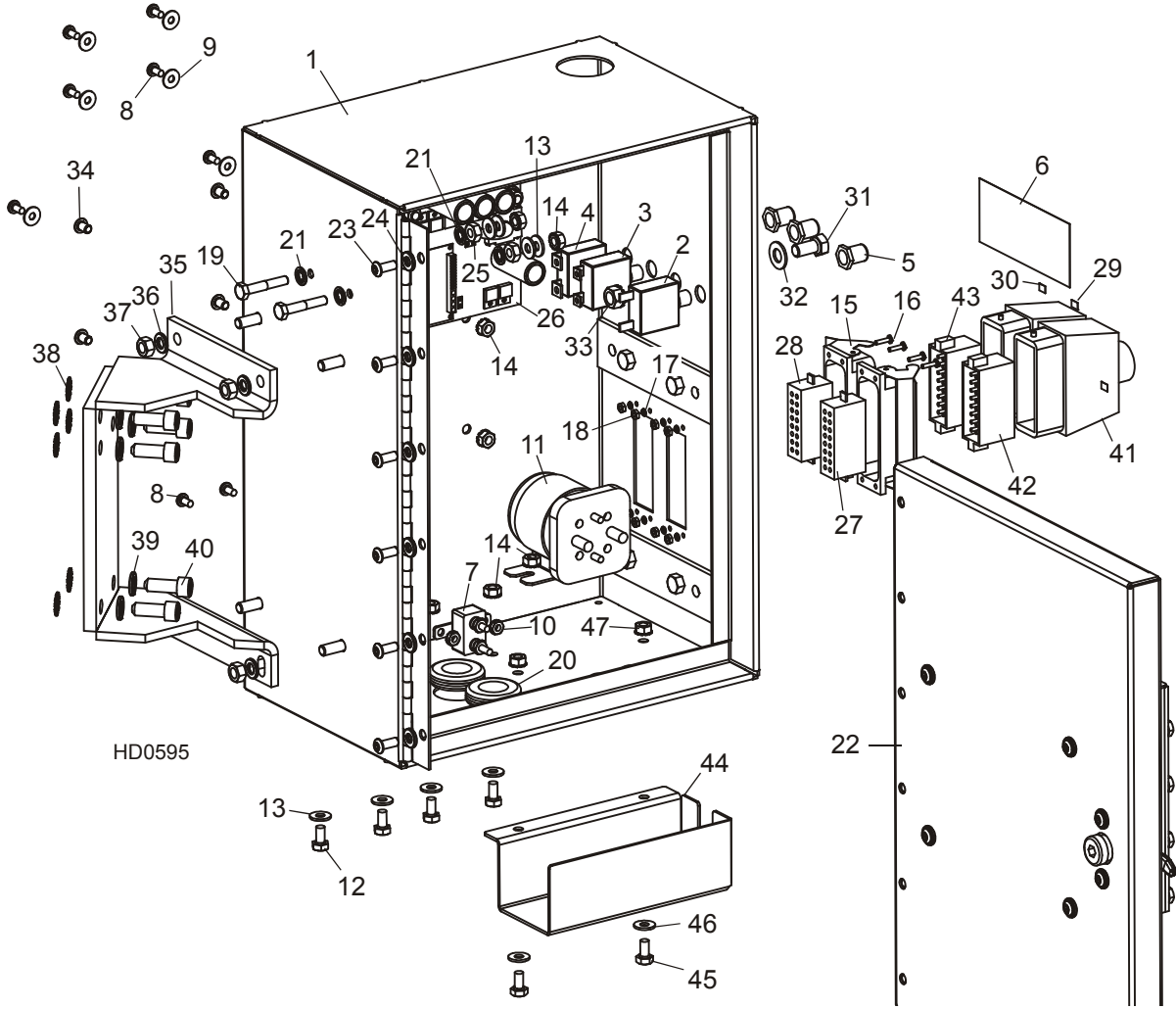
## Control &amp; Battery Boxes

## Remote Power Box Assembly

8	Nut, 1/4-20 Self-Locking Hex	F05010-9	6	
9	Connector, 16-Pin Panel Mount Single Lever	E23103	2	
10	Screw, #4-40 x 1/2" Slotted Round Head	F05004-14	8	
11	Washer, #4 Split Lock	F05011-21	8	
12	Nut, #4-40 Hex	F05010-43	8	
13	Bolt, 1/4-20 x 1 1/2" Hex Head Full Thread	F05005-31	2	
14	Washer, 1/4" Heavy Duty Internal Star	F05011-69	4	
15	Nut, 1/4-20 Heavy Duty Hex Jam	F05010-129	2	
16	Bolt, 1/4-20 x 5/8" Button Socket Head	F05005-128	6	
17	Washer, 1/4" Split Lock	F05011-14	6	
18	Door Parts ( <a href="#">See Section 5.13</a> )			
	Harness Assembly, Remote Power Box 17-32 (2009)	053231	1	
19	Insert, Female 10A 16P Scr. Term. 17-32	015671	1	
20	Harness Assembly, Dual-Axis Motor Control Remote		053222	1
	Harness Assembly, Remote Power Box 1-16 (2009)		053230	1
21	Insert, Female 10A 16P Scr. Term. 1-16	E23106	1	
22	Breaker, 30A Manual Reset Panel Mount	024246	2	
23	Decal, Connector ID (J1)	024368	2	
24	Decal, Connector ID (J2)	024369	2	
25	Bolt, 3/8-16 x 3/4" Hex Head	F05007-27	1	
26	Washer, 3/8" SAE Flat	F05011-3	1	
27	Nut, 3/8-16 Self-Locking Hex	F05010-19	1	
	Harness Assembly, D47 Remote Upper (2009)	053279	1	
	Harness Assembly, G38 Remote Upper (2007)	052877	1	
	Harness Assembly, E25 Remote Upper (2004)	051907	1	
	Harness Assembly, D51 Remote Upper (2005)	052223	1	
	Harness Assembly, Super Remote Lower	051900	1	
28	Grommet, 7/8" I.D. x 1 1/4" O.D. Grooved Rubber	P702	2	
29	<b>BRACKET WELDMENT, REMOTE POWER BOX MOUNTING</b>	015184	1	
30	<b>WASHER, 5/16" SPLIT LOCK</b>	F05011-13	4	
31	<b>NUT, 5/16-18 HEX</b>	F05010-17	4	
32	<b>WASHER, 3/8" EXTERIOR STAR LOCK</b>	F05011-36	6	
33	<b>WASHER, 3/8" SPLIT LOCK</b>	F05011-4	6	
34	<b>BOLT, 3/8-16 X 1" SOCKET HEAD</b>	F05007-52	6	
35	<b>CONNECTOR, 16-PIN HOOD SINGLE LEVER FRONT ENTRY</b>	015658	2	
36	<b>INSERT, MALE 10A 16P SCR. TERM. 1-16</b>	E23105	1	
37	<b>INSERT, MALE 10A 16P SCR. TERM. 17-32</b>	015670	1	
	<b>GUARD ASSEMBLY, LOWER POWER BOX WIRE</b>	006021	1	
38	Guard, Lower Power Box Wire	006014	1	
39	Bolt, 1/4-20 x 1/2" Hex Head	F05005-15	2	
40	Washer, 1/4" SAE Flat	F05011-11	2	
41	Nut, 1/4-20 Self-Locking Hex	F05010-9	2	

5.10 Remote Power Box Assembly

LT40HD Super Remote Rev. K1.00 - K2.00



REF	DESCRIPTION (◆ Indicates Parts Available In Assemblies Only)	PART #	QTY.
	<b>BOX ASSEMBLY, D51 REMOTE POWER SOFTSTART (2008)</b>	053059	1
	<b>BOX ASSEMBLY, D47 REMOTE POWER</b>	053278	1
	<b>BOX ASSEMBLY, G38 REMOTE POWER SOFTSTART (2008)</b>	053060	1
	<b>BOX ASSEMBLY, E25 REMOTE POWER SOFTSTART (2008)</b>	053062	1
1	Box Weldment, Remote Power	052121	1
2	Breaker, 30A Manual Reset Panel Mount	024246	1
3	Breaker, 50A Manual Reset Panel Mount	021256	1
4	Breaker, 70A Manual Reset Panel Mount	015527	1
5	Boot, Circuit Breaker	021253	3
6	Decal, Super Remote Circuit Breaker ID	024430	1
7	Breaker, 30A Manual Reset	E20431	1

## 5

## Control &amp; Battery Boxes

## Remote Power Box Assembly

8	Screw, #10-24 x 3/8" Cross-Slotted Pan Head	F05004-3	8	
9	Washer, #10 SAE Flat	F05011-18	6	
10	Nut, #10-24 Self-Locking Hex	F05010-14	2	
11	Solenoid Kit, 200A 12V SPST Hydraulic Motor	016371	1	
	Solenoid, 200A 12V SPST Cont. Duty	015470	1	◆
	Diode Assembly, Solenoid Coil Chassis Gnd	015426	1	
12	Bolt, 1/4-20 x 1/2" Hex Head	F05005-15	4	
13	Washer, 1/4" SAE Flat	F05011-11	8	
14	Nut, 1/4-20 Self-Locking Hex	F05010-9	10	
15	Connector, 16-Pin Panel Mount Single Lever	E23103	2	
16	Screw, #4-40 x 1/2" Slotted Round Head	F05004-14	8	
17	Washer, #4 Split Lock	F05011-21	8	
18	Nut, #4-40 Hex	F05010-43	8	
19	Bolt, 1/4-20 x 1 1/2" Hex Head Full Thread	F05005-31	2	
20	Grommet, 7/8" I.D. Rubber	P702	2	
21	Washer, 1/4" Interior Heavy Duty Star Washer	F05011-69	4	
22	Door Parts ( <a href="#">See Section 5.13</a> )			
23	Bolt, 1/4-20 x 5/8" Stainless Button Socket Head	F05005-128	6	
24	Washer, 1/4-20 Split Lock	F05011-14	6	
25	Nut, 1/4-20 Heavy Duty Hex Jam	F05010-129	2	
26	Panel Assembly, Power Feed Remote	051899 <sup>1</sup>	1	◆
	Fuse Assembly, 2004 ATO w/Holder	051889	1	
	Fuse, 4A ATO Blade Pink	024150-4 <sup>2</sup>	1	
	Harness Assembly, Remote Power Box 17-32 (2008)	053073	1	
27	Insert, Female 10A 16P Scr. Term. 17-32	015671	1	
	Harness Assembly, Remote Power Box 1-16	051901	1	
28	Insert, Female 10A 16P Scr. Term. 1-16	E23106	1	
	Harness Assembly, Super Remote Lower	051900	1	
29	Decal, Connector ID (J1)	024368	2	
30	Decal, Connector ID (J2)	024369	2	
31	Bolt, 3/8-16 x 3/4" Hex Head	F05007-27	1	
32	Washer, 3/8" SAE Flat	F05011-3	1	
33	Nut, 3/8-16 Self-Locking Hex	F05010-19	1	
	Harness Assembly, D51 Remote Upper (2005)	052223	1	
	Harness Assembly, D47 Remote Upper	053279	1	
	Harness Assembly, G38 Remote Upper	052877	1	
	Connector Assembly, Kohler Engine	052903	1	
	Harness Assembly, E25 Remote Upper	051907	1	
34	Bolt, 1/4-20 x 3/8" Button Socket Head	F05005-62	4	
35	<b>BRACKET WELDMENT, REMOTE POWER BOX MOUNTING</b>	015184	1	
36	<b>WASHER, 5/16" SPLIT LOCK</b>	F05011-13	4	
37	<b>NUT, 5/16-18 HEX</b>	F05010-17	4	
38	<b>WASHER, 3/8" EXTERIOR STAR LOCK</b>	F05011-36	6	



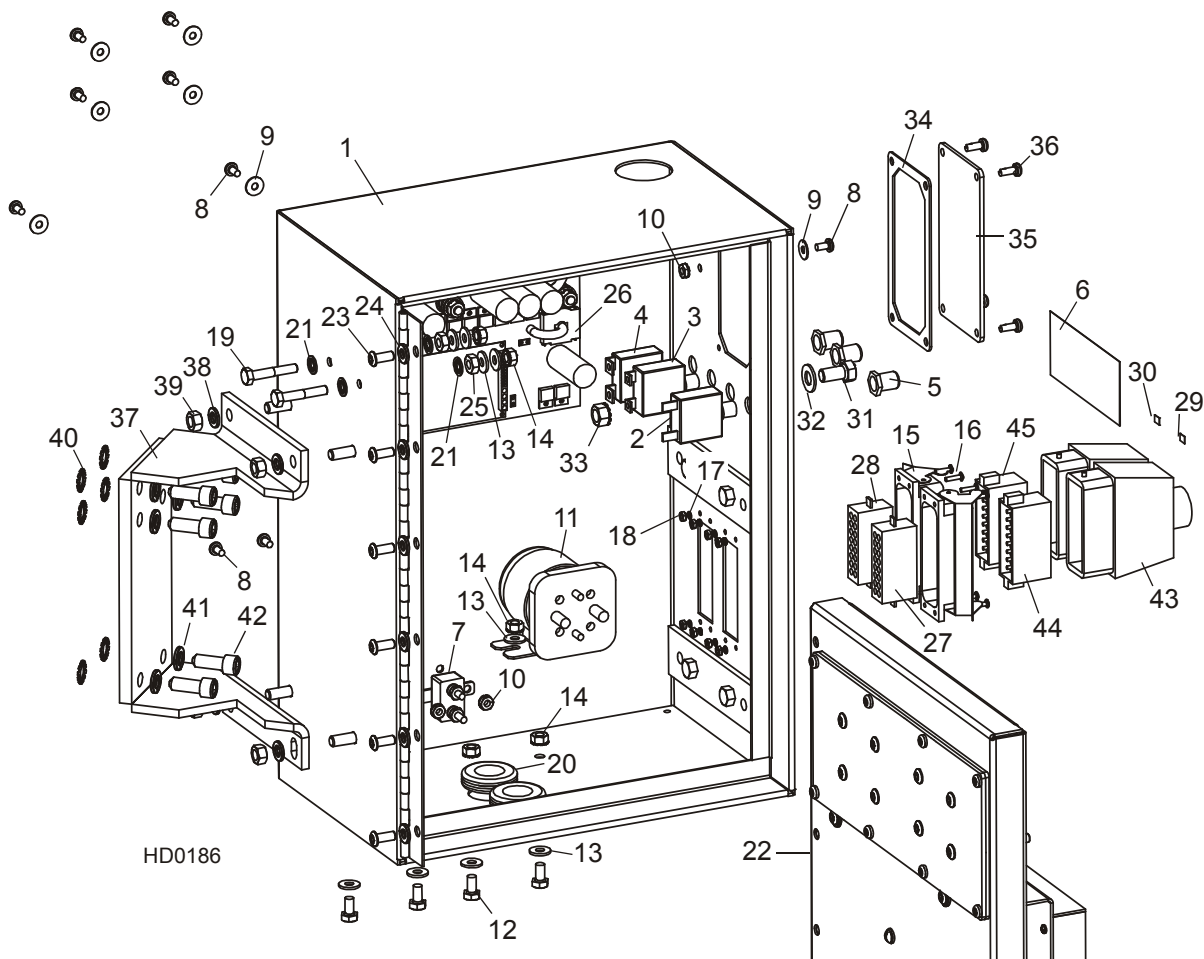
<b>39</b>	<b>WASHER, 3/8" SPLIT LOCK</b>	F05011-4	6	
<b>40</b>	<b>BOLT, 3/8-16 X 1" SOCKET HEAD</b>	F05007-52	6	
<b>41</b>	<b>CONNECTOR, 16-PIN HOOD SINGLE LEVER FRONT ENTRY</b>	015658	2	
<b>42</b>	<b>INSERT, MALE 10A 16P SCR. TERM. 1-16</b>	E23105	1	
<b>43</b>	<b>INSERT, MALE 10A 16P SCR. TERM. 17-32</b>	015670	1	
	<b>GUARD ASSEMBLY, LOWER POWER BOX WIRE</b>	006021	1	
<b>44</b>	Guard, Lower Power Box Wire	006014	1	
<b>45</b>	Bolt, 1/4-20 x 1/2" Hex Head	F05005-15	2	
<b>46</b>	Washer, 1/4" SAE Flat	F05011-11	2	
<b>47</b>	Nut, 1/4-20 Self-Locking Hex	F05010-9	2	

<sup>1</sup> Power Feed Module 051899 discontinued 12/10. Use kit 052971 if sawmill equipped with original Accuset to retrofit to Accuset 2. Once sawmill upgraded to Accuset 2, use kit 069458 to retrofit for dual-axis control of power feed motor. If Accuset 2 is older than Rev. B.00 with original part 052974 single-axis control module (No MOT2A or MOT2B terminal studs), a new dual-axis module 057821LS is required in addition to kit 069458.

<sup>2</sup> 4A fuse 024150-4 replaces 2A fuse 024150-2 to eliminate nuisance tripping (11/07).

### 5.11 Remote Power Box Assembly

LT40HD Super Remote Rev. J8.00 - J9.02



REF	DESCRIPTION (◆ Indicates Parts Available In Assemblies Only)	PART #	QTY.
	<b>BOX ASSEMBLY, D51 REMOTE POWER SOFTSTART (2005)</b>	052224 <sup>1</sup>	1
	<b>BOX ASSEMBLY, G38 REMOTE POWER SOFTSTART</b>	052878	1
	<b>BOX ASSEMBLY, D51 REMOTE POWER SOFTSTART</b>	051891 <sup>1</sup>	1
	<b>BOX ASSEMBLY, D42 REMOTE POWER SOFTSTART</b>	051890	1
	<b>BOX ASSEMBLY, G36 REMOTE POWER SOFTSTART</b>	051893	1
	<b>BOX ASSEMBLY, E25 REMOTE POWER SOFTSTART</b>	051892	1
1	Box Weldment, Remote Power	052121 <sup>2</sup>	1
2	Breaker, 30A Manual Reset Panel Mount	024246	1
3	Breaker, 50A Manual Reset Panel Mount	021256	1
4	Breaker, 70A Manual Reset Panel Mount	015527	1
5	Boot, Circuit Breaker	021253	3
6	Decal, Super Remote Circuit Breaker ID	024430	1
7	Breaker, 30A Manual Reset	E20431	1

8	Screw, #10-24 x 3/8" Cross-Slotted Pan Head	F05004-3	9	
9	Washer, #10 SAE Flat	F05011-18	7	
10	Nut, #10-24 Self-Locking Hex	F05010-14	3	
11	Solenoid Kit, 200A 12V SPST Hydraulic Motor	016371	2	
	Solenoid, 200A 12V SPST Cont. Duty	015470	1	◆
	Diode Assembly, Solenoid Coil Chassis Gnd	015426	1	
12	Bolt, 1/4-20 x 1/2" Hex Head	F05005-15	4	
13	Washer, 1/4" SAE Flat	F05011-11	10	
14	Nut, 1/4-20 Self-Locking Hex	F05010-9	6	
15	Connector, 16-Pin Panel Mount Single Lever	E23103	2	
16	Screw, #4-40 x 1/2" Slotted Round Head	F05004-14	8	
17	Washer, #4 Split Lock	F05011-21	8	
18	Nut, #4-40 Hex	F05010-43	8	
19	Bolt, 1/4-20 x 1 1/2" Hex Head Full Thread	F05005-31	2	
20	Grommet, 7/8" I.D. Rubber	P702	2	
21	Washer, 1/4" Interior Heavy Duty Star Washer	F05011-69	4	
22	Door Parts ( <a href="#">See Section 5.15</a> )			
23	Bolt, 1/4-20 x 5/8" Stainless Button Socket Head	F05005-128	6	
24	Washer, 1/4-20 Split Lock	F05011-14	6	
25	Nut, 1/4-20 Heavy Duty Hex Jam	F05010-129	2	
26	Panel Assembly, Power Feed Remote	051899 <sup>3</sup>	1	◆
	Fuse Assembly, 2004 ATO w/Holder	051889	1	
	Fuse, 4A ATO Blade Pink	024150-4 <sup>4</sup>	1	
	Harness Assembly, Remote Power Box 17-32	051902	1	
27	Insert, Female 10A 16P Scr. Term. 17-32	015671	1	
	Harness Assembly, Remote Power Box 1-16	051901	1	
28	Insert, Female 10A 16P Scr. Term. 1-16	E23106	1	
	Harness Assembly, Super Remote Lower	051900	1	
29	Decal, Connector ID (J1)	024368	2	
30	Decal, Connector ID (J2)	024369	2	
31	Bolt, 3/8-16 x 3/4" Hex Head	F05007-27	1	
32	Washer, 3/8" SAE Flat	F05011-3	1	
33	Nut, 3/8-16 Self-Locking Hex	F05010-19	1	
	Harness Assembly, D51 Remote Upper (2005)	052223 <sup>1</sup>	1	
	Harness Assembly, D51 Remote Upper	051906 <sup>1</sup>	1	
	Harness Assembly, G38 Remote Upper	052877	1	
	Connector Assembly, Kohler Engine	052903	1	
	Harness Assembly, D42 Remote Upper	051905	1	
	Harness Assembly, G36 Remote Upper	051908	1	
	Harness Assembly, E25 Remote Upper	051907	1	
34	Gasket, Pressure Lube Panel	033488 <sup>2</sup>	1	
35	Plate, Pressure Lube Panel	033489 <sup>2</sup>	1	

## 5 Control & Battery Boxes

### Remote Power Box Assembly

36	Bolt, #10-24 x 1/2" Pan Head	F05015-17 <sup>2</sup>	4	
37	<b>BRACKET WELDMENT, REMOTE POWER BOX MOUNTING</b>	015184	1	
38	<b>WASHER, 5/16" SPLIT LOCK</b>	F05011-13	4	
39	<b>NUT, 5/16-18 HEX</b>	F05010-17	4	
40	<b>WASHER, 3/8" EXTERIOR STAR LOCK</b>	F05011-36	6	
41	<b>WASHER, 3/8" SPLIT LOCK</b>	F05011-4	6	
42	<b>BOLT, 3/8-16 X 1" SOCKET HEAD</b>	F05007-52	6	
43	<b>CONNECTOR, 16-PIN HOOD SINGLE LEVER FRONT ENTRY</b>	015658	2	
44	<b>INSERT, MALE 10A 16P SCR. TERM. 1-16</b>	E23105	1	
45	<b>INSERT, MALE 10A 16P SCR. TERM. 17-32</b>	015670	1	

<sup>1</sup> 2005 Control Box 052224 includes harness 052223 for new Caterpillar engine connectors supplied after Rev. J8.04. Use Control Box 051891 with harness 051906 for previous revisions.

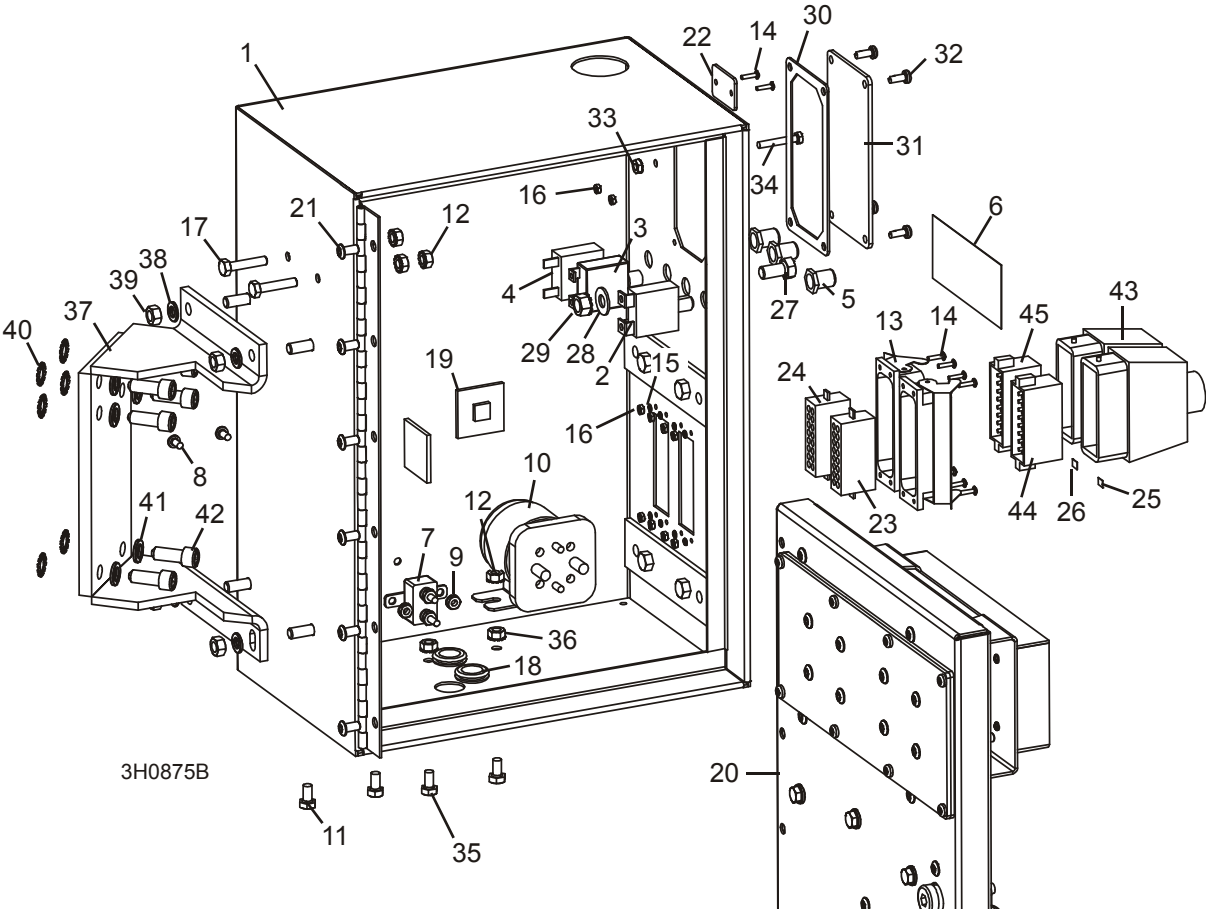
<sup>2</sup> Box Weldment 052121 replaces 050278 originally supplied prior to Rev. J8.02. LubeMizer is now mounted on operator control. Mounting hole, gasket, cover plate and screws removed from remote box.

<sup>3</sup> Power Feed Module 051899 discontinued 12/10. Use kit 052971 if sawmill equipped with original Accuset to retrofit to Accuset 2. Once sawmill upgraded to Accuset 2, use kit 069458 to retrofit for dual-axis control of power feed motor. If Accuset 2 is older than Rev. B.00 with original part 052974 single-axis control module (No MOT2A or MOT2B terminal studs), a new dual-axis module 057821LS is required in addition to kit 069458.

<sup>4</sup> 4A fuse 024150-4 replaces 2A fuse 024150-2 to eliminate nuisance tripping (11/07).

5.12 Remote Power Box Assembly

LT30HD Super Remote Rev. J7.01 - J7.03  
 LT40HD Super Remote Rev. J7.01 - J7.03



REF	DESCRIPTION (◆ Indicates Parts Available In Assemblies Only)	PART #	QTY.
	<b>BOX ASSEMBLY, D42 REMOTE POWER W/ACCUSET</b>	050696	1
	<b>BOX ASSEMBLY, D51 REMOTE POWER W/ACCUSET</b>	051412	1
	<b>BOX ASSEMBLY, G36 REMOTE POWER W/ACCUSET</b>	050694	1
	<b>BOX ASSEMBLY, E25 REMOTE POWER W/ACCUSET</b>	050695	1
	Box Assembly, Remote Power Super W/Accuset	050691	1
1	Box Weldment, Remote Power	050278	1
2	Breaker, 30A Manual Reset Panel Mount	024246	1
3	Breaker, 50A Manual Reset Panel Mount	021256	1
4	Breaker, 70A Manual Reset Panel Mount	015527	1
5	Boot, Circuit Breaker	021253	3
6	Decal, Super Remote Circuit Breaker ID	024430	1
7	Breaker, 30A Manual Reset	E20431	1
8	Screw, #10-24 x 3/8" Cross-Slotted Pan Head	F05004-3	2

# 5 Control & Battery Boxes

## Remote Power Box Assembly

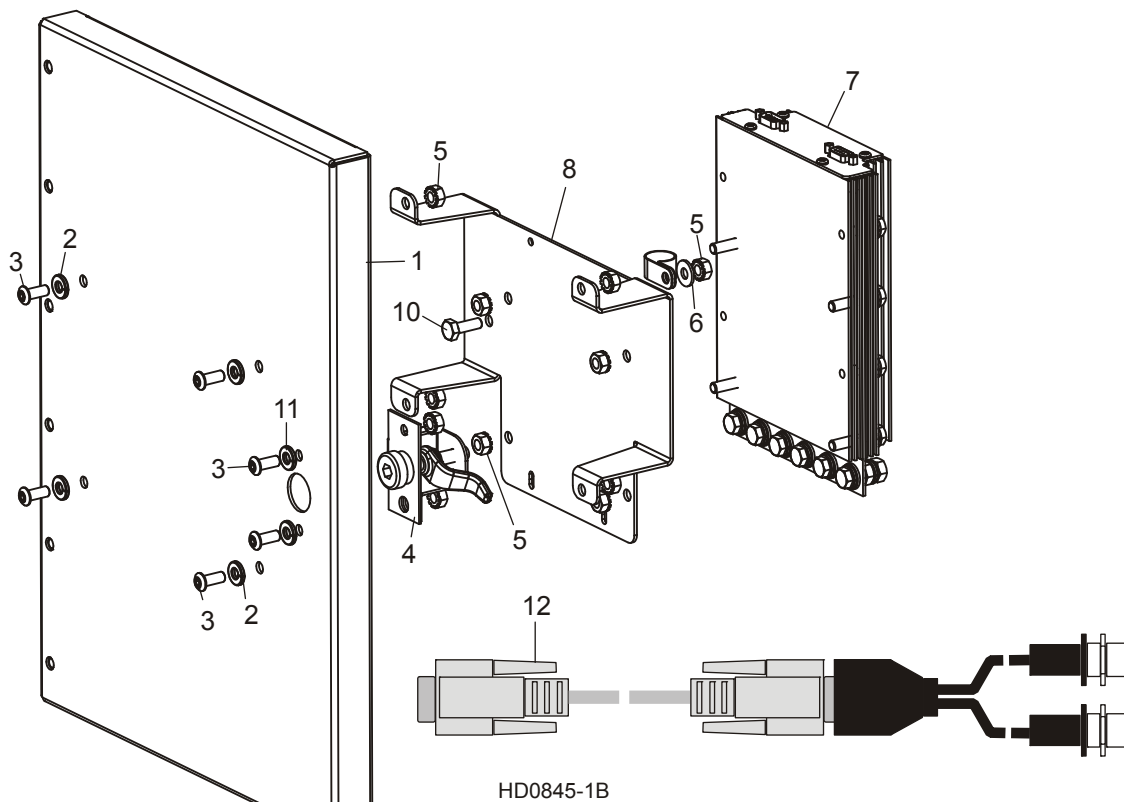
9	Nut, #10-24 Self-Locking Hex	F05010-14	2	
10	Solenoid Kit, 200A 12V SPST Hydraulic Motor	016371	2	
	Solenoid, 200A 12V SPST Cont. Duty	015470	1	◆
	Diode Assembly, Solenoid Coil Chassis Gnd	015426 <sup>1</sup>	1	
11	Bolt, 1/4-20 x 1/2" Hex Head	F05005-15	2	
12	Nut, 1/4-20 Self-Locking Hex	F05010-9	6	
13	Connector, 16-Pin Panel Mount Single Lever	E23103	2	
14	Screw, #4-40 x 1/2" Slotted Round Head	F05004-14	10	
15	Washer, #4 Split Lock	F05011-21	8	
16	Nut, #4-40 Hex	F05010-43	10	
17	Bolt, 1/4-20 x 1 1/4" Hex Head	F05005-3	2	
18	Grommet, 5/8" I.D. Rubber	P11764	2	
19	Clip, Adhesive-Backed Wire Anchor	F05089-4	3	
20	Door Parts ( <a href="#">See Section 5.16</a> )			
21	Bolt, 1/4-20 x 1/2" Button Socket Head	F05005-112	6	
22	Plate, Encoder Cable Mount Hole Cover	025016	1	
	Harness Assembly, Remote Power Box 17-32	050225	1	
23	Insert, Female 10A 16P Scr. Term. 17-32	015671	1	
	Harness Assembly, Remote Power Box 1-16	050224	1	
24	Insert, Female 10A 16P Scr. Term. 1-16	E23106	1	
	Harness Assembly, Super Remote Lower	050681	1	
25	Decal, Connector ID (J1)	024368	1	
26	Decal, Connector ID (J2)	024369	1	
27	Bolt, 3/8-16 x 3/4" Hex Head	F05007-27	1	
28	Washer, 3/8" SAE Flat	F05011-3	1	
29	Nut, 3/8-16 Self-Locking Hex	F05010-19	1	
	Harness Assembly, D42 Remote Upper	024604	1	
	Harness Assembly, D51 Remote Upper	051411	1	
	Harness Assembly, G36 Remote Upper	024889	1	
	Harness Assembly, E25 Remote Upper	024480	1	
30	Gasket, Pressure Lube Panel	033488	1	
31	Plate, Pressure Lube Panel	033489	1	
32	Bolt, #10-24 x 1/2" Pan Head	F05015-17	4	
33	Nut, #10-24 Self-Locking	F05010-14	5	
34	Bolt, 10-24 x 1 1/4" Hex Head	F05004-19	1	
35	Bolt, 1/4-20 x 1/2" Hex Head	F05005-15	2	
36	Nut, 1/4-20 Self-Locking Hex	F05010-9	2	
37	<b>BRACKET WELDMENT, REMOTE POWER BOX MOUNTING</b>	015184	1	
38	<b>WASHER, 5/16" SPLIT LOCK</b>	F05011-13	4	
39	<b>NUT, 5/16-18 HEX</b>	F05010-17	4	
40	<b>WASHER, 3/8" EXTERIOR STAR LOCK</b>	F05011-36	6	
41	<b>WASHER, 3/8" SPLIT LOCK</b>	F05011-4	6	
42	<b>BOLT, 3/8-16 X 1" SOCKET HEAD</b>	F05007-52	6	

<b>43</b>	<b>CONNECTOR, 16-PIN HOOD SINGLE LEVER FRONT ENTRY</b>	015658	2	
<b>44</b>	<b>INSERT, MALE 10A 16P SCR. TERM. 1-16</b>	E23105	1	
<b>45</b>	<b>INSERT, MALE 10A 16P SCR. TERM. 17-32</b>	015670	1	

<sup>1</sup> Diode Assembly 015426 added to prevent damage to hydraulic microswitch (Rev. A3.03)

### 5.13 Remote Power Box Door Assembly

LT40HD Super Remote Rev. K3.00 - K3.02



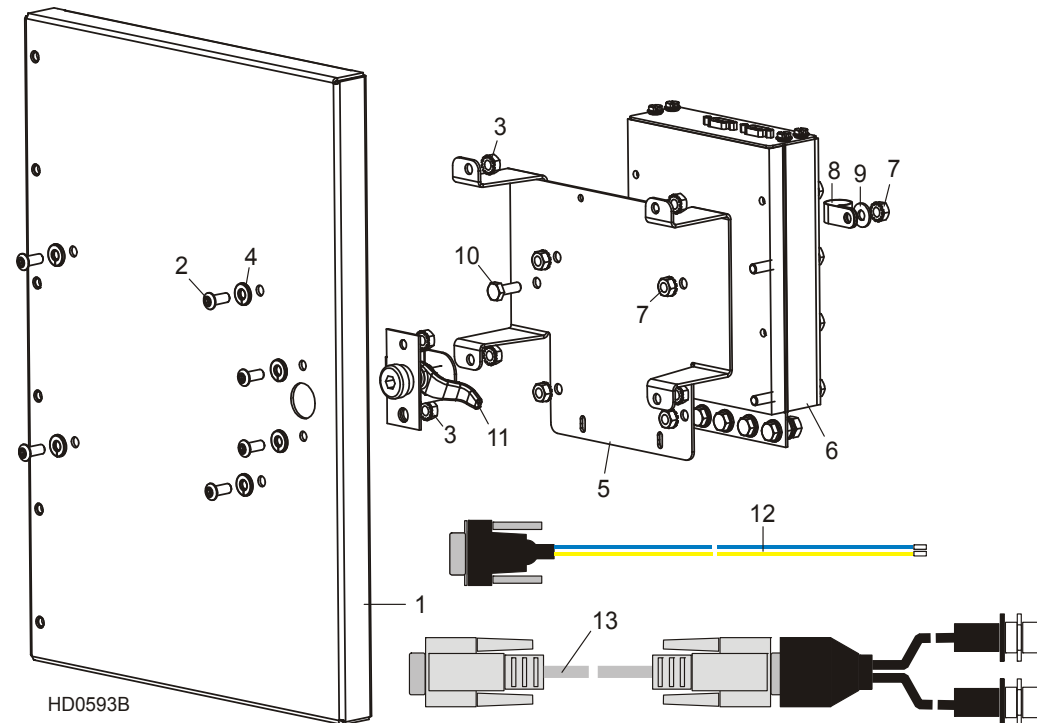
REF	DESCRIPTION (◆ Indicates Parts Available In Assemblies Only)	PART #	QTY.
	<b>DOOR ASSEMBLY, REMOTE POWER BOX W/DUAL-AXIS ACCUSET</b>	053228	1
1	Door Weldment, Remote Power Box	003998	1
2	Washer, 1/4" Split Lock	F05011-14	4
3	Bolt, 1/4-20 x 5/8" Button Socket Head	F05005-128	6
4	Latch, Power Box Door	P20048	1
5	Nut, 1/4-20 Self-Locking Hex	F05010-9	11
6	Washer, 1/4" SAE Flat	F05011-11	1
7	Control Assembly, Dual-Axis Motor	057821LS	1
8	Bracket, DCS Control Mount	056763	1
9	Clamp, 5/8" EMT Coated	010748	1
10	Bolt, 1/4-20 x 3/4" Hex Head Full Thread	F05005-1	1
11	Washer, 1/4" Split Lock	F05011-14	2
12	Cable Assembly, Dual M12 to D-Sub	053696 <sup>1</sup>	1

<sup>1</sup> Cable Assembly 053696 replaces Harness 052919 supplied prior to 3/10 (cost reduction).



## 5.14 Remote Power Box Door Assembly

LT40HD Super Remote Rev. K1.00 - K2.00



REF	DESCRIPTION (◆ Indicates Parts Available In Assemblies Only)	PART #	QTY.
	<b>DOOR ASSEMBLY, REMOTE POWER BOX W/ACCUSET 2</b>	053076	1
1	Door Weldment, Remote Power Box	003998	1
2	Bolt, 1/4-20 x 5/8" Button Socket Head	F05005-128	6
3	Nut, 1/4-20 Self-Locking Hex	F05010-9	6
4	Washer, 1/4" Split Lock	F05011-14	6
	Drive Assembly, Accuset 2 w/Bracket	053050	1
5	Plate, Control Board Mounting	056763	1
6	Control Assembly, Accuset 2 Motor	057821LS <sup>1</sup>	1
7	Nut, 1/4-20 Self-Locking Hex	F05010-9	5
8	Clamp, 5/8" Coated EMT	010748	1
9	Washer, 1/4" SAE Flat	F05011-11	1
10	Bolt, 1/4-20 x 3/4" Hex Head Full Thread	F05005-1	1
11	Latch, Power Box Door	P20048	1
12	Cable Assembly, LT40/70-R Bridge Bypass	053214 <sup>2</sup>	1
13	Cable Assembly, Dual M12 to D-Sub	053696 <sup>3</sup>	1

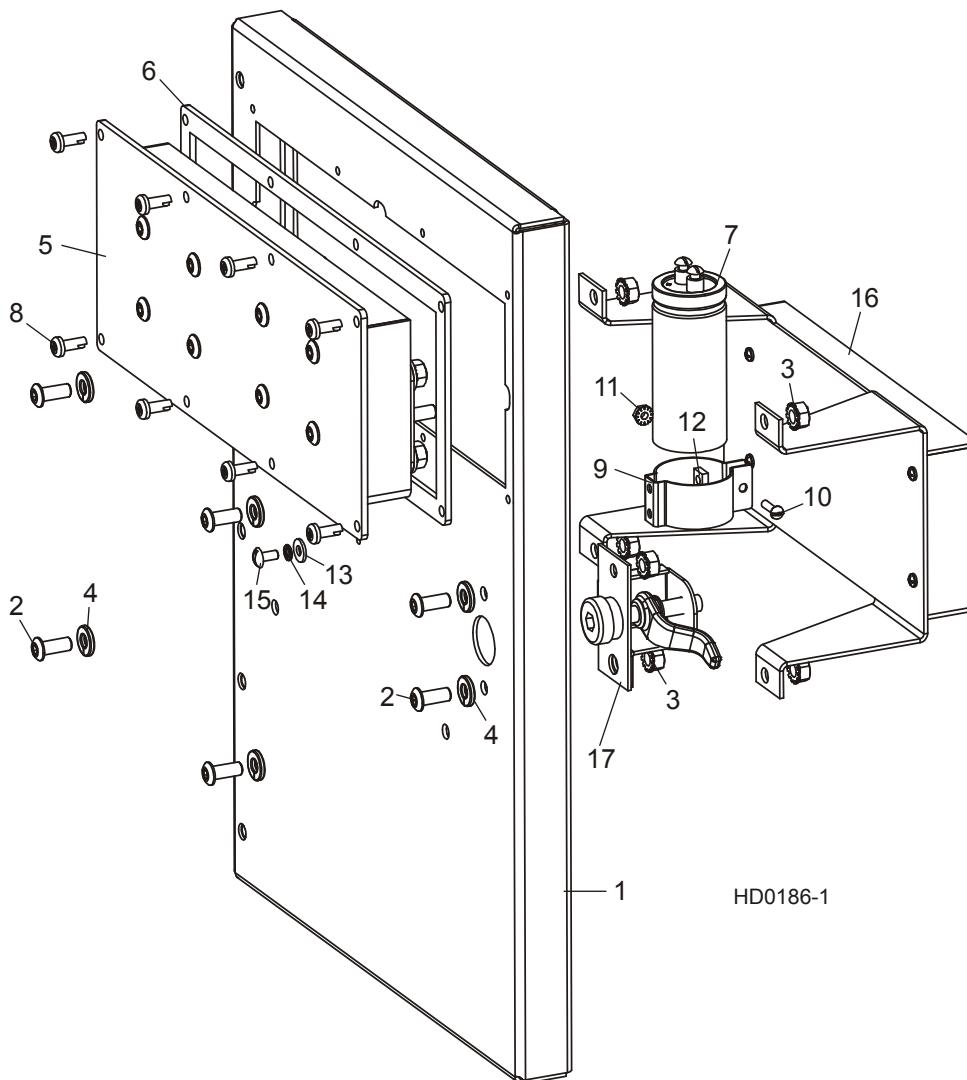
<sup>1</sup> Dual-Axis Control 057821LS replaces 052974 to reduce cost (12/08).

<sup>2</sup> Replaces Bypass Cable Assembly 053038 previously supplied. New wire assembly connects directly to harness connector assembly (4/08). 053038 still available for retrofit applications only.

<sup>3</sup> Cable Assembly 053696 replaces Harness 052919 supplied prior to 3/10 (cost reduction).

### 5.15 Remote Power Box Door Assembly

LT30HD Super Remote Rev. J8.00 - J8.09  
LT40HD Super Remote Rev. J8.00 - J9.02



REF	DESCRIPTION (◆ Indicates Parts Available In Assemblies Only)	PART #	QTY.	
	<b>DOOR ASSEMBLY, REMOTE POWER BOX W/ACCUSET</b>	051896	1	
1	Door Weldment, Remote Power Box	047996	1	
2	Bolt, 1/4-20 x 5/8" Button Socket Head	F05005-128	6	
3	Nut, 1/4-20 Self-Locking Hex	F05010-9	6	
4	Washer, 1/4" Split Lock	F05011-14	6	
5	Panel Assembly, Remote Accuset Mosfet	024768 <sup>1</sup>	1	◆
6	Gasket, Remote Accuset Mosfet Panel	024869	1	
7	Capacitor Assembly, 6.900uF AccuSet Power	051279	1	

## Control & Battery Boxes

### *Remote Power Box Door Assembly*

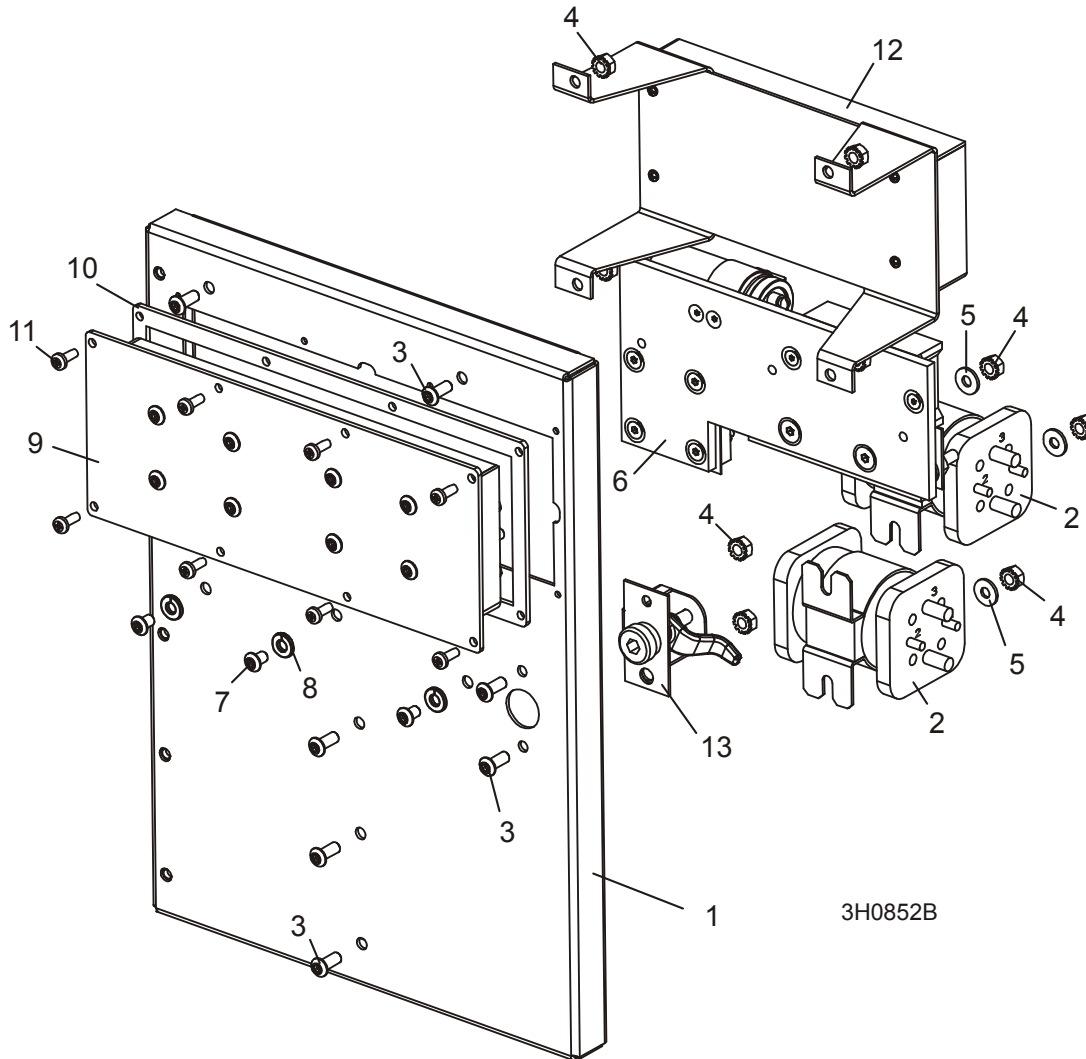
5

8	Screw, #10-24 x 1/2" Phillips Head	F05015-17	8	
	Harness, Remote Accuset Power	025058	1	
9	Clamp, 1 3/8" Diameter	024410	1	
10	Screw, #6-32 x 1/2" Slotted Round Head	F05015-24	1	
11	Nut, #6-32 Self-Locking Hex	F05010-59	1	
12	Nut, #8-32 Square	F05010-153	1	
13	Washer, #8 SAE Flat	F05011-41	1	
14	Washer, #8 Split Lock	F05011-84	1	
15	Screw, #8-32 x 3/8" Round Head Grade 5	F05004-157	1	
16	Circuit Board Assembly, Remote Accuset	052884 <sup>1</sup>	1	◆
	Filter Assembly, Accuset Power	051260	1	
17	Latch, Power Box Door	P20048	1	

<sup>1</sup> 052884 Accuset Power Panel Kit and 024768 Mosfet Panel no longer available. Upgrade to Accuset 2 with kit 052971. 052884 Service Kit replaces 035572 Assembly supplied prior to 2/07. Motor Driver and Filter PCB panels are provided disconnected in kit to prevent damage during shipment.

### 5.16 Remote Power Box Door Assembly

LT30HD Super Remote Rev. J7.01 - J7.03  
LT40HD Super Remote Rev. J7.01 - J7.03



REF	DESCRIPTION (◆ Indicates Parts Available In Assemblies Only)	PART #	QTY.	
	<b>DOOR ASSEMBLY, REMOTE POWER BOX W/ACCUSER</b>	035571	1	
1	Door Weldment, Remote Power Box	035430	1	
2	Solenoid Kit, 200A 12V DPST	016370 <sup>1</sup>	2	
	Solenoid, 200A 12 DPST	015417	1	◆
	Diode Assembly, Solenoid Coil Chassis GND	015426	1	
3	Bolt, 1/4-20 x 5/8" Button Socket Head	F05005-128	9	
4	Nut, 1/4-20 Self-Locking Hex	F05010-9	9	
5	Washer, 1/4" SAE Flat	F05011-11	3	

## Control & Battery Boxes

### Remote Power Box Door Assembly

5

6	Circuit Board Assembly, Remote Power Feed	024457	1	
	Control Module, Power Feed SMT	024396-1	1	
	Mosfet Module, Power Feed SMT	024387	1	
	Suppressor Assembly, Power Feed	052294 <sup>2</sup>	1	
	Capacitor Assembly, Power Feed Filter	051571	1	
	Diode Assembly, Power Feed Replacement	052363	1	
7	Bolt, 1/4-20 x 3/8" Socket Button Head	F05005-62	3	
8	Washer, 1/4" Split Lock	F05011-14	3	
9	Panel Assembly, Remote Accuset Mosfet	024768 <sup>3</sup>	1	◆
10	Gasket, Remote Accuset Mosfet Panel	024869	1	
11	Screw, #10-24 x 1/2" Phillips Head	F05015-17	8	
	Harness, Remote Accuset Power	025058	1	
12	Circuit Board Assembly, Remote Accuset	052884 <sup>3</sup>	1	◆
	Filter Assembly, Accuset Power	051260	1	
13	Latch, Power Box Door	P20048	1	

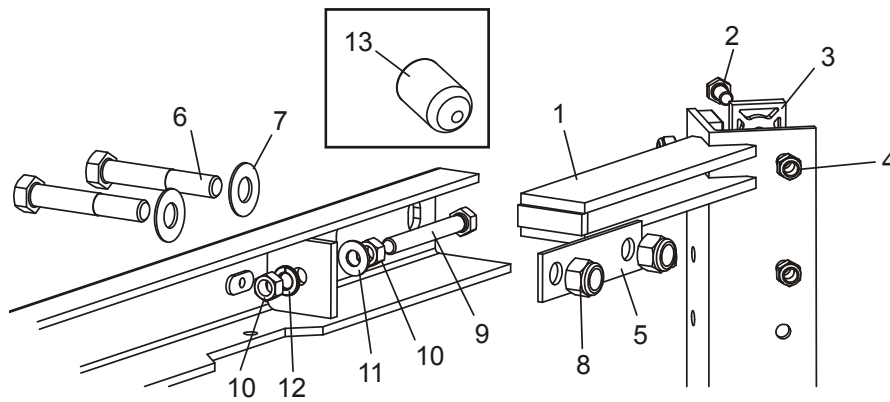
<sup>1</sup> Diode Wire Assembly 015426 added to Solenoid Kit 016370 (8/04).

<sup>2</sup> Suppressor Assembly 052294 added 6/05 to protect feed circuit.

<sup>3</sup> 052884 Accuset Power Panel Kit and 024768 Mosfet Panel no longer available. Upgrade to Accuset 2 with kit 052971. 052884 Service Kit replaces 035572 Assembly supplied prior to 2/07. Motor Driver and Filter PCB panels are provided disconnected in kit to prevent damage during shipment.

## SECTION 6 UP/DOWN SYSTEM

### 6.1 Saw Head Mount

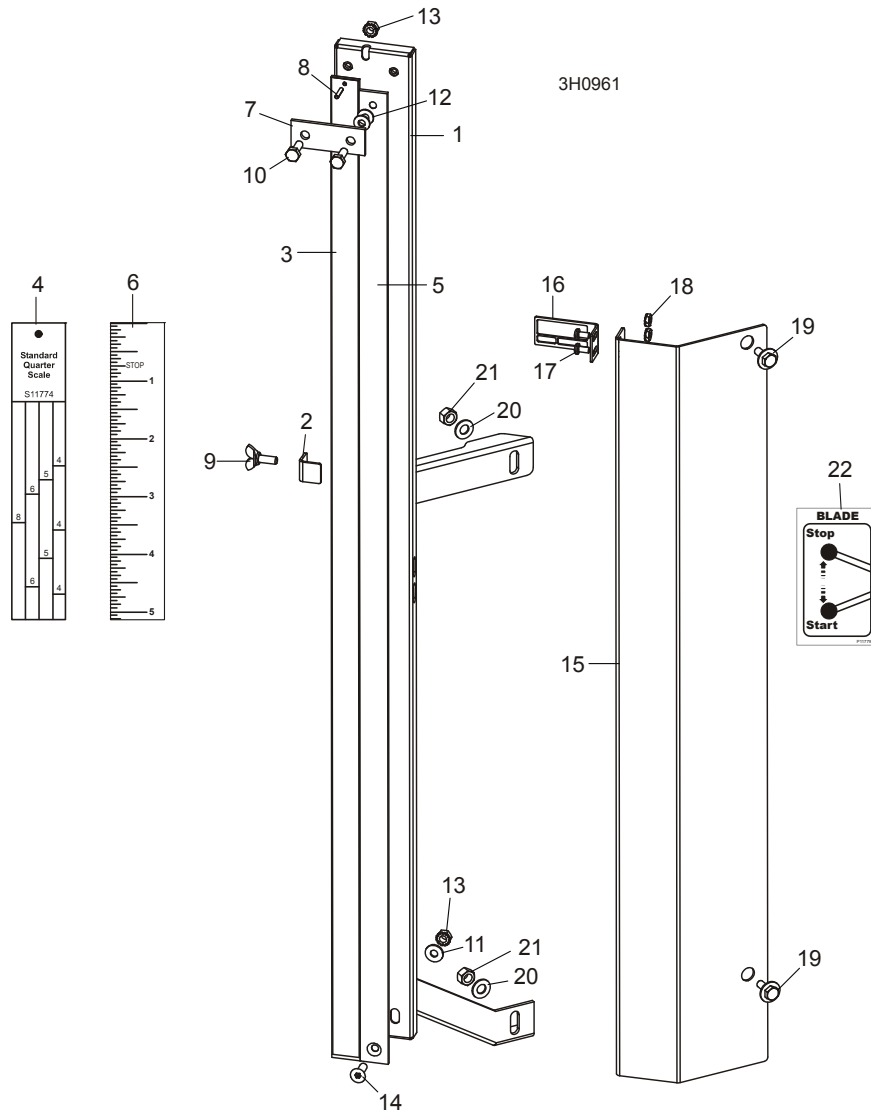


SM0080D

REF	DESCRIPTION (◆ Indicates Parts Available In Assemblies Only)	PART #	QTY.
1	V-BRACE, SAW HEAD MOUNT	W04099	1
2	BOLT, 5/16-18 X 3/4" HEX HEAD GRADE 5	F05006-5	12
	BOLT, 5/16-18 X 1 1/4 HEX HEAD FULL THREAD GRADE 5	F05006-93	4
3	PAD, PLASTIC SLIDE	M04096	6
	PAD, PLASTIC SLIDE LOWER W/CHAMFER	016241	2
4	NUT, 5/16-18 NYLON LOCK	F05010-58	16
5	PLATE, V-BRACE WASHER	S07935	2
6	BOLT, 1/2-13 X 3 1/2" HEX HEAD GRADE 5	F05008-61	4
7	WASHER, 1/2" SAE FLAT	F05011-2	4
8	NUT, 1/2-13 NYLON LOCK	F05010-8	4
9	BOLT, 3/8-16 X 2" FULL THREAD	F05007-17	2
10	NUT, 3/8-16 HEX	F05010-1	4
11	WASHER, 3/8" SAE FLAT	F05011-3	2
12	WASHER, 3/8" SPLIT LOCK	F05011-4	2
13	CAP, .281" X 1/2" BLACK VINYL	017715	3

## 6.2 Blade Height & Quarter Scales

*LT40HD Super Remote Rev. J8.09 - K3.02*



REF	DESCRIPTION (◆ Indicates Parts Available In Assemblies Only)	PART #	QTY.	
	<b>SCALE RETROFIT, FIXED WITH POINTER</b>	A12030	1	
	Scale Kit, Fixed With Pointer	K11998	1	◆
	Scale Assembly, Fixed	A12022	1	◆
1	Bracket, Scale Mounting	W11996	1	
2	Plate, Movable Scale Stop	036666	1	
3	Scale, 35" Quarter	S11989	1	
4	Decal, 35" Standard Quarter Scale	S11774	1	
	Decal, 35" Grade Hardwood Quarter Scale	P12819	1	
5	Scale, 35" Inch	S11988	1	

## 6

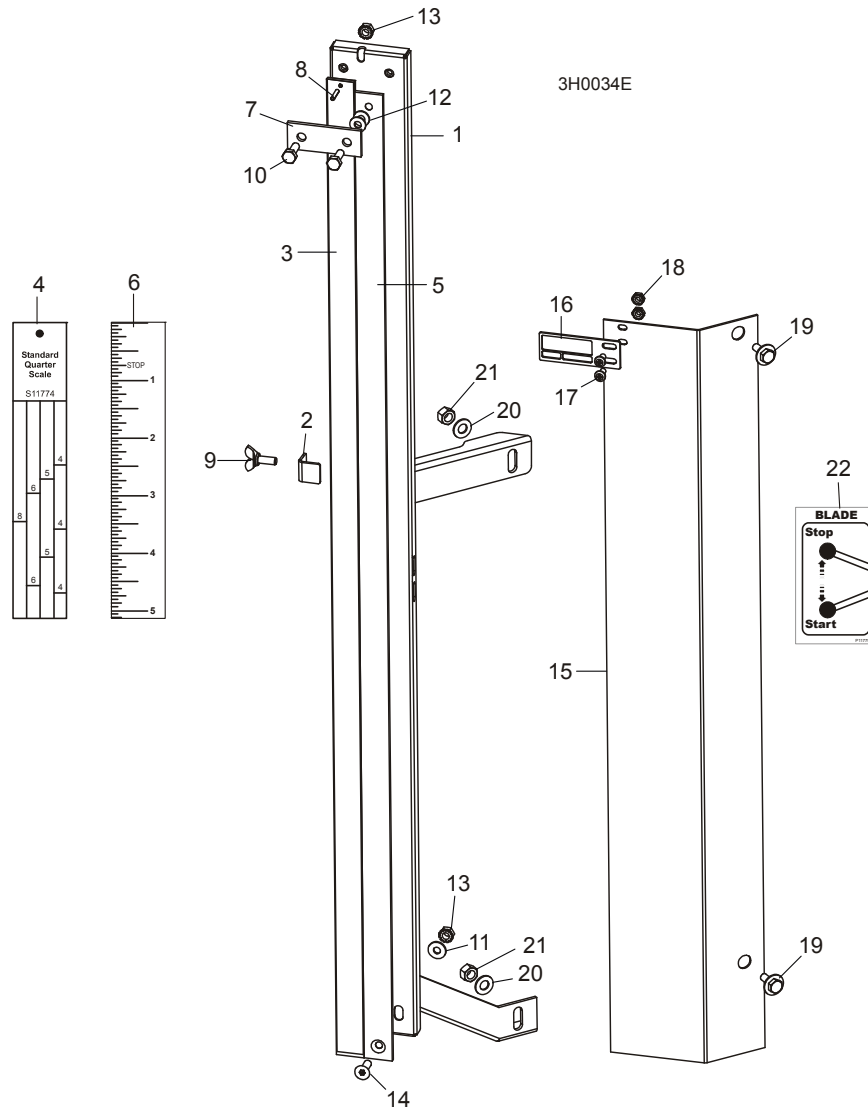
**Saw Head Mount & Scales***Blade Height & Quarter Scales*

6	Decal, 35" Inch	S11773	1	
7	Strap, Scale Hold-Down	S04805	1	
8	Pin, 1/8" X 5/8" Roll	F05012-14	1	
9	Screw, 1/4-20 X 5/8" Wing	F05005-64	1	
10	Bolt, 1/4-20 x 1/2" Hex Head	F05005-1	2	
11	Washer, 1/4" SAE Flat	F05011-11	1	
12	Washer, 1/4" X .020 Thick Nylon Flat	F05011-22	2	
13	Nut, 1/4-20 Hex Self-Locking	F05010-9	2	
14	Screw, 1/4-20 X 3/4" Flat Socket Head	F05005-70	1	
	Pointer Assembly, Fixed Scale	038591	1	
15	Bracket, Fixed Scale Pointer Mount	038586	1	
16	Pointer, Fixed Scale	038585	1	
17	Screw, #10-24 X 3/8" Phillips Head	F05004-3	2	
18	Nut, #10-24 Hex Self-Locking	F05010-14	2	
19	Bolt, 1/4-20 x 3/4" with Conical Washer	F05005-134	2	
20	Washer, 5/16" SAE Flat	F05011-17	2	
21	Nut, 5/16-18 Hex Lock	F05010-6	2	
	Bolt, 1/4-20 X 1/2" Hex Head Grade 2	F05005-15	1	
	Instruction Sheet, Fixed Scale Retrofit	A12030-370	1	
	<b>DECAL KIT, METRIC SCALE</b>	K12064	1	
	Decal, Metric	S11711	1	
	Decal, Metric 16-40mm	P12040-1	1	
	Decal, Metric 45-63mm	P12040-2	1	
22	<b>DECAL, CLUTCH HANDLE OPERATION</b>	P11779	1	



### 6.3 Blade Height & Quarter Scales

LT40HD Super Remote Rev. J7.01 - J8.08



REF	DESCRIPTION (◆ Indicates Parts Available In Assemblies Only)	PART #	QTY.	
	<b>SCALE RETROFIT, FIXED WITH POINTER</b>	A12030	1	
	Scale Kit, Fixed With Pointer	K11998	1	◆
	Scale Assembly, Fixed	A12022	1	◆
1	Bracket, Scale Mounting	W11996 <sup>1</sup>	1	
2	Plate, Movable Scale Stop	036666 <sup>1</sup>	1	
3	Scale, 35" Quarter	S11989	1	
4	Decal, 35" Standard Quarter Scale	S11774	1	
	Decal, 35" Grade Hardwood Quarter Scale	P12819	1	

## 6

**Saw Head Mount & Scales***Blade Height & Quarter Scales*

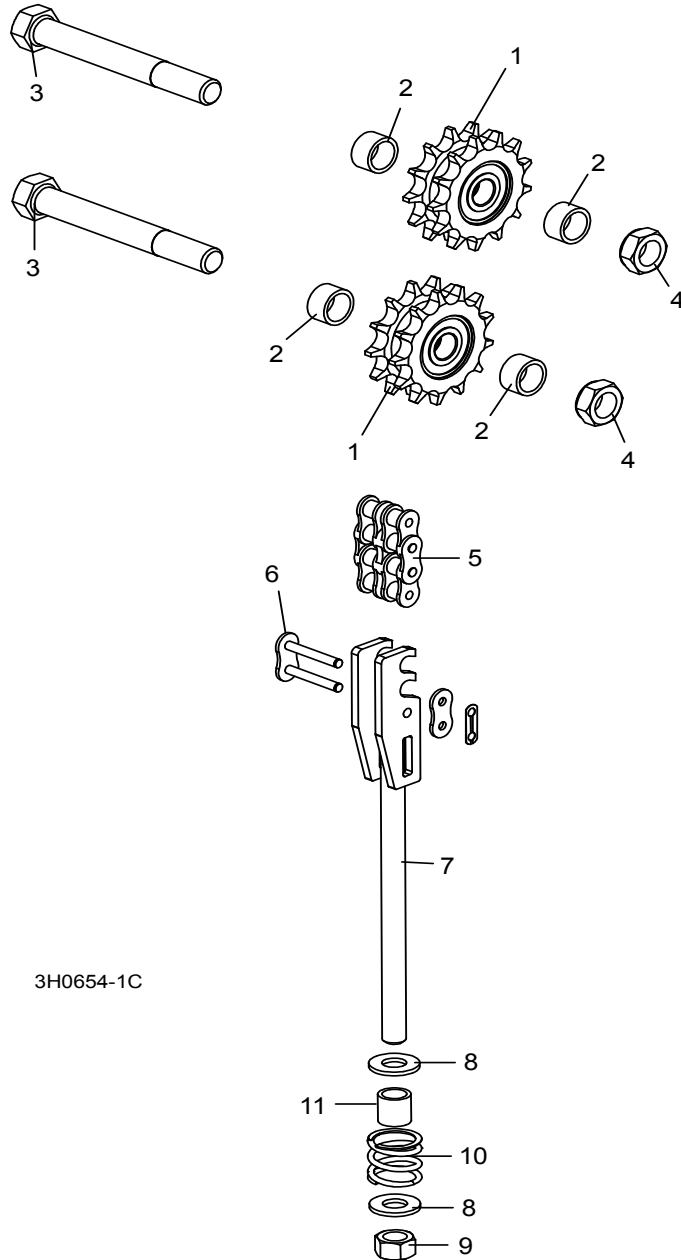
5	Scale, 35" Inch	S11988	1	
6	Decal, 35" Inch	S11773	1	
7	Strap, Scale Hold-Down	S04805	1	
8	Pin, 1/8" X 5/8" Roll	F05012-14	1	
9	Screw, 1/4-20 X 5/8" Wing	F05005-64	1	
10	Bolt, 1/4-20 x 1/2" Hex Head	F05005-1	2	
11	Washer, 1/4" SAE Flat	F05011-11	1	
12	Washer, 1/4" X .020 Thick Nylon Flat	F05011-22	2	
13	Nut, 1/4-20 Hex Self-Locking	F05010-9	2	
14	Screw, 1/4-20 X 3/4" Flat Socket Head	F05005-70	1	
	Pointer Assembly, Fixed Scale	A12023 <sup>2</sup>	1	
15	Bracket, Fixed Scale Pointer Mount	S12245	1	◆
16	Pointer, Fixed Scale (Non-Accuset Only <sup>3</sup> )	017778	1	
17	Screw, #10-24 X 3/8" Phillips Head	F05004-3	2	
18	Nut, #10-24 Hex Self-Locking	F05010-14	2	
19	Bolt, 1/4-20 x 3/4" with Conical Washer	F05005-134	2	
20	Washer, 5/16" SAE Flat	F05011-17	2	
21	Nut, 5/16-18 Hex Lock	F05010-6	2	
	Bolt, 1/4-20 X 1/2" Hex Head Grade 2	F05005-15	1	
	Instruction Sheet, Fixed Scale Retrofit	A12030-370	1	
	<b>DECAL KIT, METRIC SCALE</b>	K12064	1	
	Decal, Metric	S11711	1	
	Decal, Metric 16-40mm	P12040-1	1	
	Decal, Metric 45-63mm	P12040-2	1	
22	<b>DECAL, CLUTCH HANDLE OPERATION</b>	P11779	1	

<sup>1</sup> Wing screw moved to side of scale mount and bracket 036666 added to eliminate possible interference with pointer (LT30HD/40HD Super Rev. J8.02). Use W11996 to service mount weldment (includes new bracket 036666).

<sup>2</sup> Pointer Assembly A12023 replaced with bent pointer to provide adjustment of distance between scale and pointer (LT30HD Super Rev. J8.08 and LT40HD Super Rev. J8.09). Use assembly 038591 to retrofit previous revisions ([See Section 6.2](#)).

<sup>3</sup> Use 017805 pointer for sawmills equipped with Accuset control or use assembly 038591 to retrofit ([See Section 6.2](#)).

## 6.4 Up/Down Chain & Sprockets



REF	DESCRIPTION (◆ Indicates Parts Available In Assemblies Only)	PART #	QTY.
	<b>SPROCKET KIT, UP/DOWN IDLER #50-2</b>	016020	1
1	Sprocket, Up/Down Idler '98	016019	2
2	Spacer, 50-2 Idler '98	016018	4
	Instruction Sheet, Up/Down Idler Retrofit	016020-541	1
3	<b>BOLT, 5/8-11 X 5" HEX HEAD GRADE 2</b>	F05009-6	2

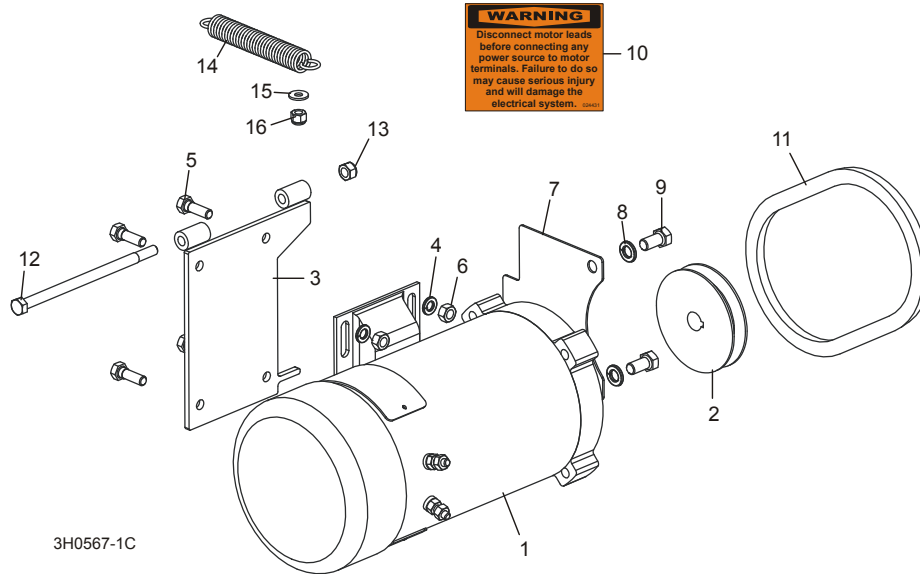
## 6 Up/Down System

### Up/Down Chain & Sprockets

4	<b>NUT, 5/8-11 JAM NYLON LOCK</b>	F05010-96	2	
5	<b>CHAIN, #50-2 X 75.625" UP/DOWN</b>	015259	1	
6	<b>LINK, #50-2 MASTER</b>	015258	2	
	<b>TENSIONER ASSEMBLY, UP/DOWN CHAIN</b>	015456	1	
7	Bracket, Up/Down #50 Chain Tensioner	015188	1	◆
8	Washer, 1/2" SAE Flat	F05011-2	2	
9	Nut, 1/2-13 Hex Lock	F05010-3 <sup>1</sup>	1	
10	Spring, 1" OD x 1" Long x .125" Wire Compression	016516	1	
11	Spacer, Up/Dn Chain Tensioner	016515	1	

<sup>1</sup> Swaged lock nut F05010-3 has always been used in production instead of Nylon Lock Nut F05010-8 (9/09).

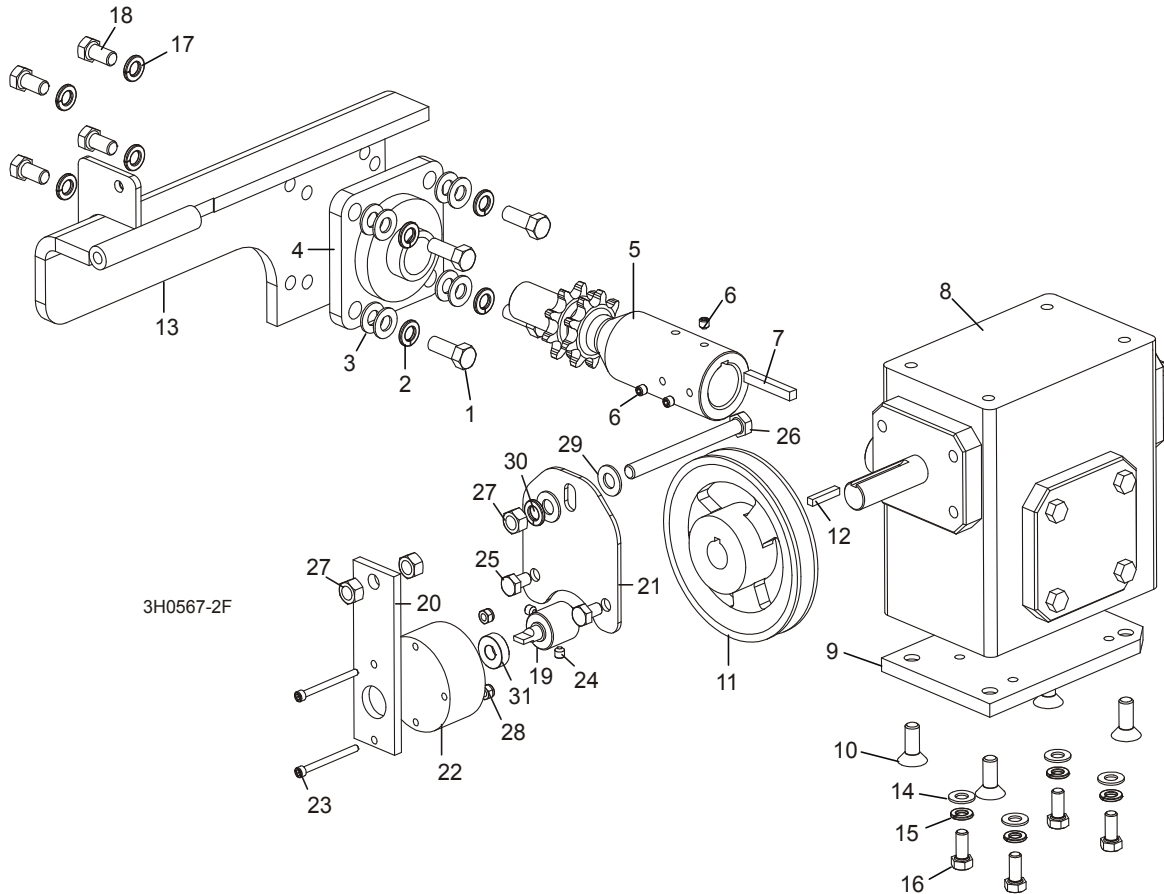
## 6.5 Up/Down Motor Assembly



REF	DESCRIPTION (◆ Indicates Parts Available In Assemblies Only)	PART #	QTY.
	<b>UP/DOWN MOTOR ASSEMBLY</b>	036209	1
1	Motor, 3/4 HP Electric	015174	1
	Brush Kit, Power Feed Motor (Includes 2 Brushes and 2 Springs)	024167	1
	Fan, 3/4 HP Leeson Motor Replacement	016087	1
	Guard, Motor Fan	047998	1
2	Pulley, AK28 x 5/8"	033852 <sup>1</sup>	1
3	Bracket, Up/Down Motor Mount	015198	1
4	Washer, 5/16" Split Lock	F05011-13	4
5	Bolt, 5/16-18 x 1" Hex Head	F05006-1	4
6	Nut, 5/16-18 Hex	F05010-17	4
7	Guard, Up/Down Sprocket	015016	1
8	Washer, 3/8" Split Lock	F05011-4	2
9	Bolt, 3/8-16 x 3/4" Hex Head	F05007-27	2
10	Decal, Disconnect Motor Leads Warning	024431	1
11	<b>BELT, 4L245 NOTCHED</b>	038459 <sup>1</sup>	1
12	<b>BOLT, 5/16-18 X 6" HEX HEAD GRADE 5</b>	F05006-73	1
13	<b>NUT, 5/16-18 HEX NYLON LOCK</b>	F05010-65	1
14	<b>SPRING, .75" X 3 3/4" X .092" EXTENSION</b>	015569	1
15	<b>WASHER, 1/4" SAE FLAT</b>	F05011-11	1
16	<b>NUT, 1/4-20 NYLON LOCK HEX</b>	F05010-69	1

<sup>1</sup> AK28 pulley 033852 and 4L245 belt 038459 replace AK20 036179 and 4L230 belt 036205 originally supplied prior to LT30HD Super Rev. J8.06 and LT40HD Super Rev. J8.07. Pulley and belt change provides faster up/down speeds with Accuset Rev. E.00 with version 4.05 software. Use kit 036212 to convert pulley/belt on sawmills prior to this revision if retrofitting sawmill with Accuset or SimpleSet option.

## 6.6 Up/Down Drive Assembly



REF	DESCRIPTION (◆ Indicates Parts Available In Assemblies Only)	PART #	QTY.
	<b>UP/DOWN DRIVE ASSEMBLY</b>	015176	1
1	Bolt, 3/8-16 x 1" Hex Head	F05007-7	4
2	Washer, 3/8" Split Lock	F05011-4	4
3	Washer, 3/8" SAE Flat	F05011-3	8
4	Bearing, Flanged Up/Down	014090	1
	Shaft Kit, Up/Down Drive	016094	1
5	Shaft, Up/Down Sprocket	016031	1 ◆
6	Screw, 1/4-28 x 1/4" Socket Head Cup Point	F05005-105 <sup>1</sup>	3
7	Key, 1/4" Square x 1 11/16" Long	S04124	1
8	Reducer, Gear Box	014074	1
9	Plate, Gear Box Spacer	014158	1
10	Bolt, 3/8-16 x 1" Flat Socket Head	F05007-64	4
11	Pulley, Up/Down	015256	1
12	Key, 3/16" Square x 1" Long	S31027	1
13	Bracket, Up/Down Motor Mount	015195	1

14	<b>WASHER, 5/16" SAE FLAT</b>	F05011-17	4	
15	<b>WASHER, 5/16" SPLIT LOCK</b>	F05011-13	4	
16	<b>BOLT, 5/16-18 X 3/4" HEX HEAD GRADE 5</b>	F05006-102	4	
17	<b>WASHER, 3/8" SPLIT LOCK</b>	F05011-4	4	
18	<b>BOLT, 3/8-16 X 3/4" HEX HEAD</b>	F05007-27	4	
	<b>OIL, 8 OZ. MOBIL SHC634 BOTTLED SYNTHETIC GEAR</b>	L04869-4 <sup>2</sup>	1	
	<b>BRAKE ASSEMBLY, SUPER UP/DOWN</b>	065187 <sup>3</sup>	1	
19	Shaft, Up/Down Brake	062567	1	
20	Plate, Brake Mount	062513	1	
21	Plate, Super Up/Dn Brake Mount	065190	1	
	Brake Assembly, LT40/50/70 Up/Down Replacement	065907	1	
22	Brake, Klauber Gearmotor #K01134D300	069519	1	◆
	Terminal, 3/16" 18-22 Ga Quick Male	F05708-26	2	
23	Bolt, #8-32 x 2" Socket Head Stainless Steel	F05004-273	2	
24	Screw, 1/4-20 x 1/4" Cup Point Socket Set	F05005-131	2	
25	Bolt, 5/16-18 x 1/2" Hex Head Grade 5	F05006-15	2	
26	Bolt, 3/8-16 x 4" Hex Head Full Thread Grade 5	F05007-92	1	
27	Nut, 3/8-16 Hex	F05010-1	3	
28	Nut, #8-32 Hex Nylon Lock	F05010-169	2	
29	Washer, 3/8" SAE Flat	F05011-3	2	
30	Washer, 3/8" Split Lock	F05011-4	1	
31	Bearing, R6-2NSL SRI-2 ABEC-1	P10688	1	

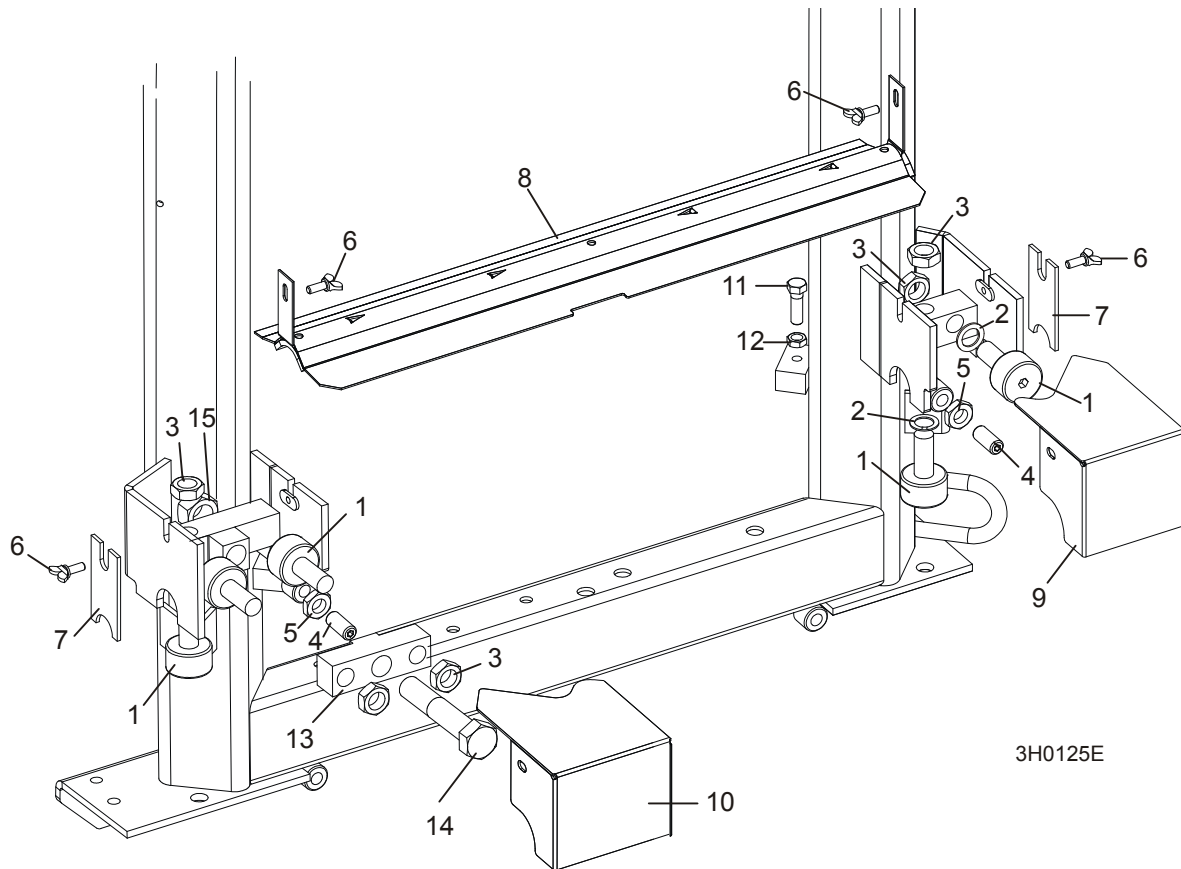
<sup>1</sup> One F05005-105 replaces two F05004-76 #10-24 x 3/8" Cup Point Set Screws supplied prior to 7/07.

<sup>2</sup> 24 oz. required for complete oil replacement.

<sup>3</sup> Brake added 2/11 to prevent saw head from drifting during sawing. Use retrofit kit 062570 to retrofit previous revisions.

## SECTION 7 FEED SYSTEM & TRACK ROLLERS

### 7.1 Upper Track Rollers And Wipers



REF	DESCRIPTION (◆ Indicates Parts Available In Assemblies Only)	PART #	QTY.	
1	ROLLER, TRACK CAM BEARING	012797	5	
2	SHIM, 5/8" X 1" X .062"	016510	2	
3	NUT, 5/8-18 HEX JAM	F05010-11	5	
4	SCREW, 1/2-13 X 1 1/4" OVAL POINT SET	F05008-5	2	
5	NUT, 1/2-13 HEX JAM	F05010-31	2	
6	SCREW, 1/4-20 X 5/8" THUMB	F05005-64	4	
7	WIPER, PLASTIC TRACK	M04113	2	
8	COVER, MIDDLE TRACK OILER ASSEMBLY	A09918	1	
	Cover, Middle Track Oiler	S09917	1	◆
	Wiper, Middle Track Felt	S09915	1	
9	HOUSING, UPPER TRACK ROLLER REAR	012999	1	
10	HOUSING, UPPER TRACK ROLLER FRONT	016285	1	
11	BOLT, 3/8-16 X 1 1/4" HEX HEAD	F05007-2	2	
12	NUT, 3/8-16 HEX JAM	F05010-29	2	



## Feed System & Track Rollers

*Upper Track Rollers And Wipers*

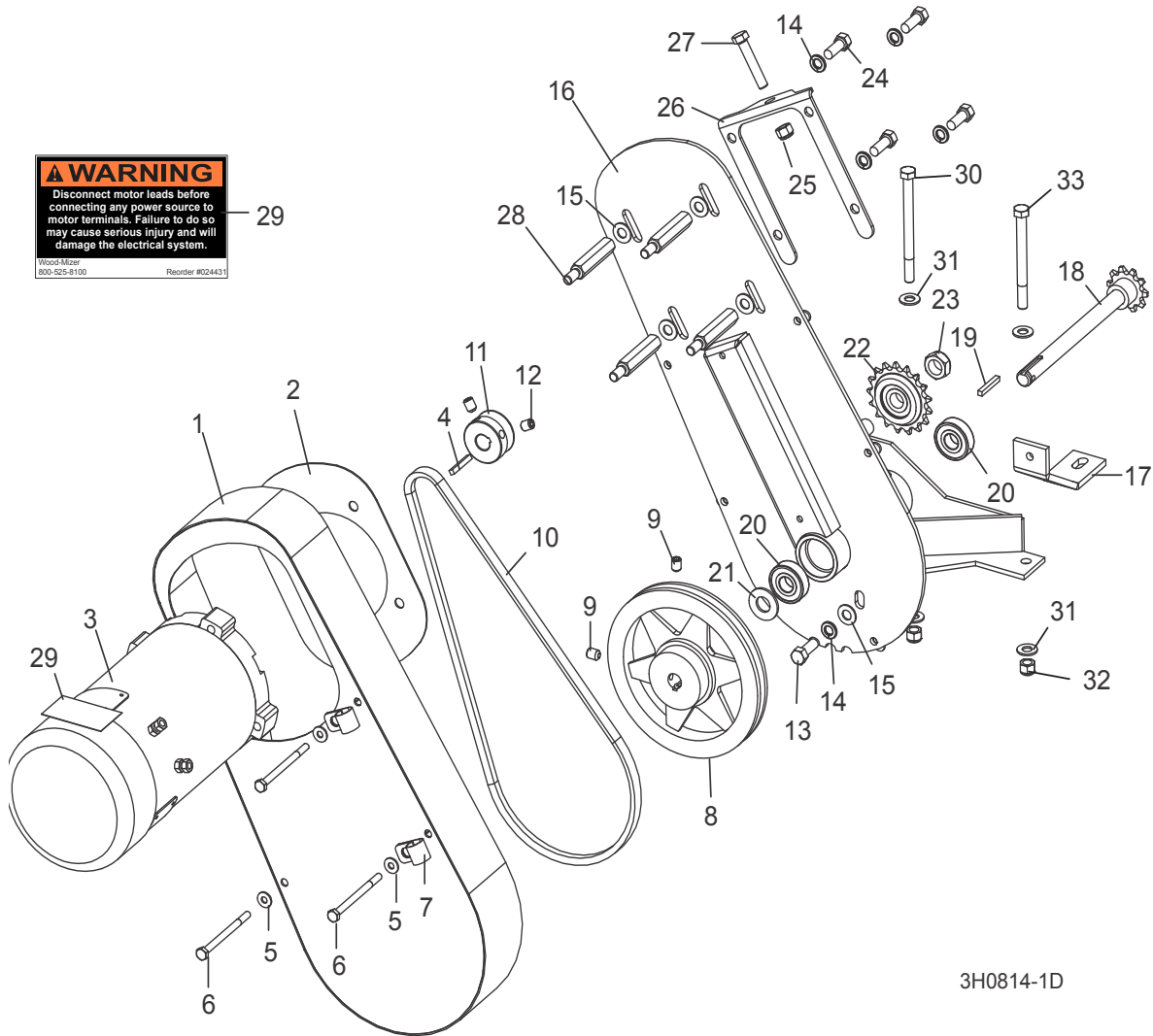
7

13	BLOCK, UPPER ROLLER PIVOT	016501	1	
14	BOLT, 3/4-10 X 4" HEX HEAD GRADE 5	F05013-3	1	
15	NUT, 3/4-10 SELF LOCKING	F05010-80	1	

# 7 Feed System & Track Rollers

## Power Feed Assembly

### 7.2 Power Feed Assembly



3H0814-1D

REF	DESCRIPTION (◆ Indicates Parts Available In Assemblies Only)	PART #	QTY.
	<b>POWER FEED ASSEMBLY</b>	015125	1
1	Cover Weldment, Top Power Feed	015126	1
2	Plate, Power Feed Motor	015133	1
3	Motor, 3/4HP Power Feed Painted	024169	1
	Brush Kit, Leeson 3/4HP Motor (Includes 2 Brushes and 2 Springs)	024167	1
	Fan, 3/4 HP Leeson Motor Replacement	016087	1
	Guard, Motor Fan	047998	1
	Hub, Motor Fan Extension	047999	1
4	Key, 3/16" Square x 1" Long	S31027	1
5	Washer, 1/4" SAE Flat	F05011-11	4
6	Bolt, 1/4-20 X 3 1/2" Hex Head Grade 2	F05005-54	4

## Feed System & Track Rollers

*Power Feed Assembly*

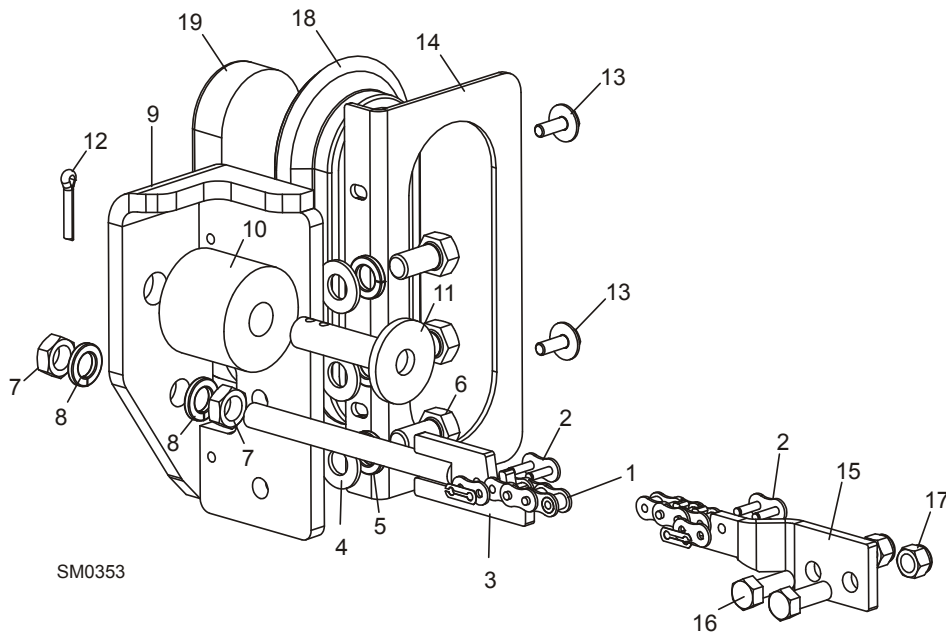
7

7	Clamp, 5/8" EMT Coated	010748	2	
8	Sheave, AK71 x 5/8" Power Feed (200ft./min.)	016088 <sup>1</sup>	1	
9	Screw, 5/16-18 x 3/4" Cup Point Set	F05006-32	2	
10	Belt, AX36 (200ft./min.)	016083 <sup>1</sup>	1	
11	Sheave, 1 3/4" Feed Motor	015135	1	
12	Screw, 3/8"-16 x 1/2" Cup Point Set	F05007-12	1	
13	Bolt, 3/8-16 x 1" Hex Head	F05007-7	1	
14	Washer, 3/8" Split Lock	F05011-4	5	
15	Washer, 3/8" Flat	F05011-3	5	
16	Bracket, Power Feed Mount	015162	1	
17	Brace, Power Feed Mounting	015132	1	
	Shaft Assembly, Power Feed with Key	016066	1	
18	Shaft Weldment, Power Feed	015129	1	◆
19	Key, 3/16" Square x 1 3/8" Long	016108	1	
20	Bearing, 5/8" 6203-2NSL	P06030-1	2	
21	Washer, 5/8" x 15/16" x .094" Nylon	F05011-19	1	
22	Sprocket, #40/41 Idler 17T 5/8" ID w/Bearing	016366	1	
23	Nut, 5/8-11 Nylon Lock Jam	F05010-96	1	
24	Bolt, 3/8-16 x 3/4" Hex Head	F05007-27	4	
25	Nut, 3/8-16 Hex Nylon Lock	F05010-10	1	
26	Plate, Belt Tensioner	015134	1	
27	Bolt, 3/8-16 x 2" Full Thread Hex Head	F05007-16	1	
28	Spacer, Power Feed Motor	015136	4	
29	Decal, Disconnect Motor Leads Warning	024431	1	
30	<b>BOLT, 3/8-16 X 4 1/2" HEX HEAD</b>	F05007-35	1	
31	<b>WASHER, 3/8" SAE FLAT</b>	F05011-3	4	
32	<b>NUT, 3/8-16 HEX NYLON LOCK</b>	F05010-10	2	
33	<b>BOLT, 3/8-16 X 4" FULL THREAD HEX HEAD TAP GRADE 5</b>	F05007-4	1	

<sup>1</sup> To increase feed return rate to 220 ft./min. replace with AK64 sheave 016114 and AX35 belt 015175 (replaces kit 016085). Kit 016070, AL84 x 5/8" Sheave 016115 and AX38 Belt 016068 to reduce feed return rate to 183 ft./min. no longer available.

### 7.3 Feed Chain/Stop

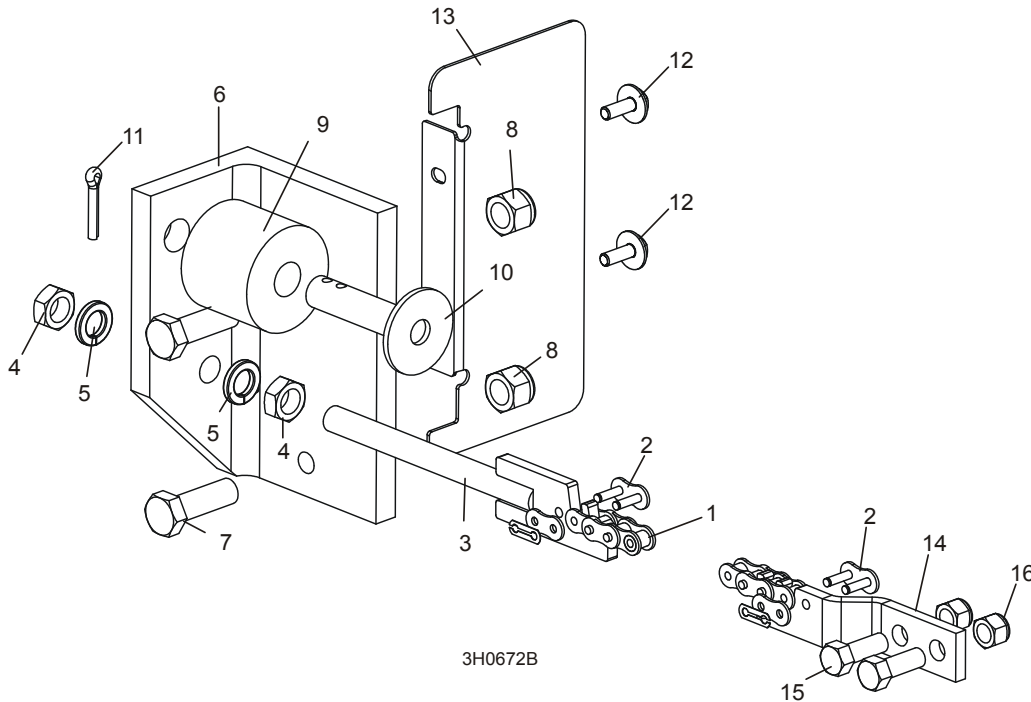
LT40HD Super Remote Rev. K2.00 - K3.02



REF	DESCRIPTION (◆ Indicates Parts Available In Assemblies Only)	PART #	QTY.
1	CHAIN, #40 X 215.5" LT30 FEED	014744	1
1	CHAIN, #40 X 267.5" LT40 FEED	014745	1
2	LINK, #40 MASTER	P04200	2
3	TENSIONER WELDMENT, POWER FEED CHAIN	015721	1
4	WASHER, 1/2" SAE FLAT	F05011-2	3
5	WASHER, 1/2" SPLIT LOCK	F05011-9	3
6	BOLT, 1/2-13 X 1" HEX HEAD GRADE 8	F05008-128	3
7	NUT, 1/2-20 HEX JAM	F05010-16	2
8	WASHER, 1/2" SPLIT LOCK	F05011-9	2
9	BRACKET WELDMENT, REAR FEED STOP	006686	1
	STOP KIT, RUBBER CARRIAGE	K09630	2
10	Stop, Rubber Carriage	P12165	1
11	Pin, Rubber Carriage Stop	W09293	1
12	Pin, 3/16" X 1" Cotter	F05012-21	1
13	BOLT, 1/4-20 X 3/4" WITH CONICAL WASHER	F05005-134	1
14	PLATE, BED TUBE END W/LIGHT MOUNT	057822	1
15	BRACKET, FRONT FEED CHAIN MOUNT	015008	1
16	BOLT, 3/8-16 X 1" HEX HEAD	F05007-7	2
17	NUT, 3/8-16 HEX NYLON LOCK	F05010-10	2
18	GROMMET, 6 1/2" LIGHT MOUNTING	006688	1
19	LIGHT, 8 DIODE LED TAIL	006391	1

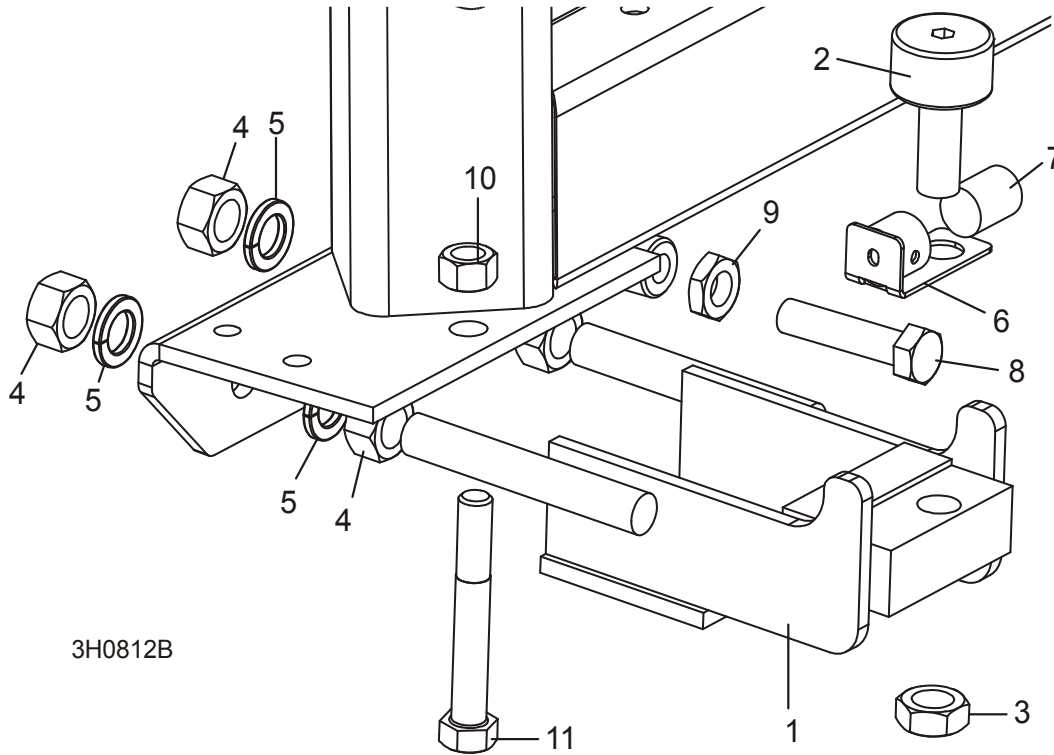
## 7.4 Feed Chain/Stop

LT30HD Super Remote Rev. J7.01 - J8.09  
LT40HD Super Remote Rev. J7.01 - K1.02



REF	DESCRIPTION (◆ Indicates Parts Available In Assemblies Only)	PART #	QTY.
1	CHAIN, #40 X 215.5" LT30 FEED	014744	1
1	CHAIN, #40 X 267.5" LT40 FEED	014745	1
2	LINK, #40 MASTER	P04200	2
3	TENSIONER WELDMENT, POWER FEED CHAIN	015721	1
4	NUT, 1/2-20 HEX JAM	F05010-16	2
5	WASHER, 1/2" SPLIT LOCK	F05011-9	2
6	BRACKET, 4 X 8 END CAP	016165	1
7	BOLT, 1/2-13 X 1 1/2" HEX HEAD GRADE 5	F05008-33	2
8	NUT, 1/2-13 HEX NYLON LOCK	F05010-8	2
	STOP KIT, RUBBER CARRIAGE	K09630	2
9	Stop, Rubber Carriage	P12165	1
10	Pin, Rubber Carriage Stop	W09293	1
11	Pin, 3/16" X 1" Cotter	F05012-21	1
12	BOLT, 1/4-20 X 3/4" WITH CONICAL WASHER	F05005-134	1
13	CAP, 4 X 8" REAR FORMED	016164	1
14	BRACKET, FRONT FEED CHAIN MOUNT	015008	1
15	BOLT, 3/8-16 X 1" HEX HEAD	F05007-7	2
16	NUT, 3/8-16 HEX NYLON LOCK	F05010-10	2

## 7.5 Lower Track Rollers



3H0812B

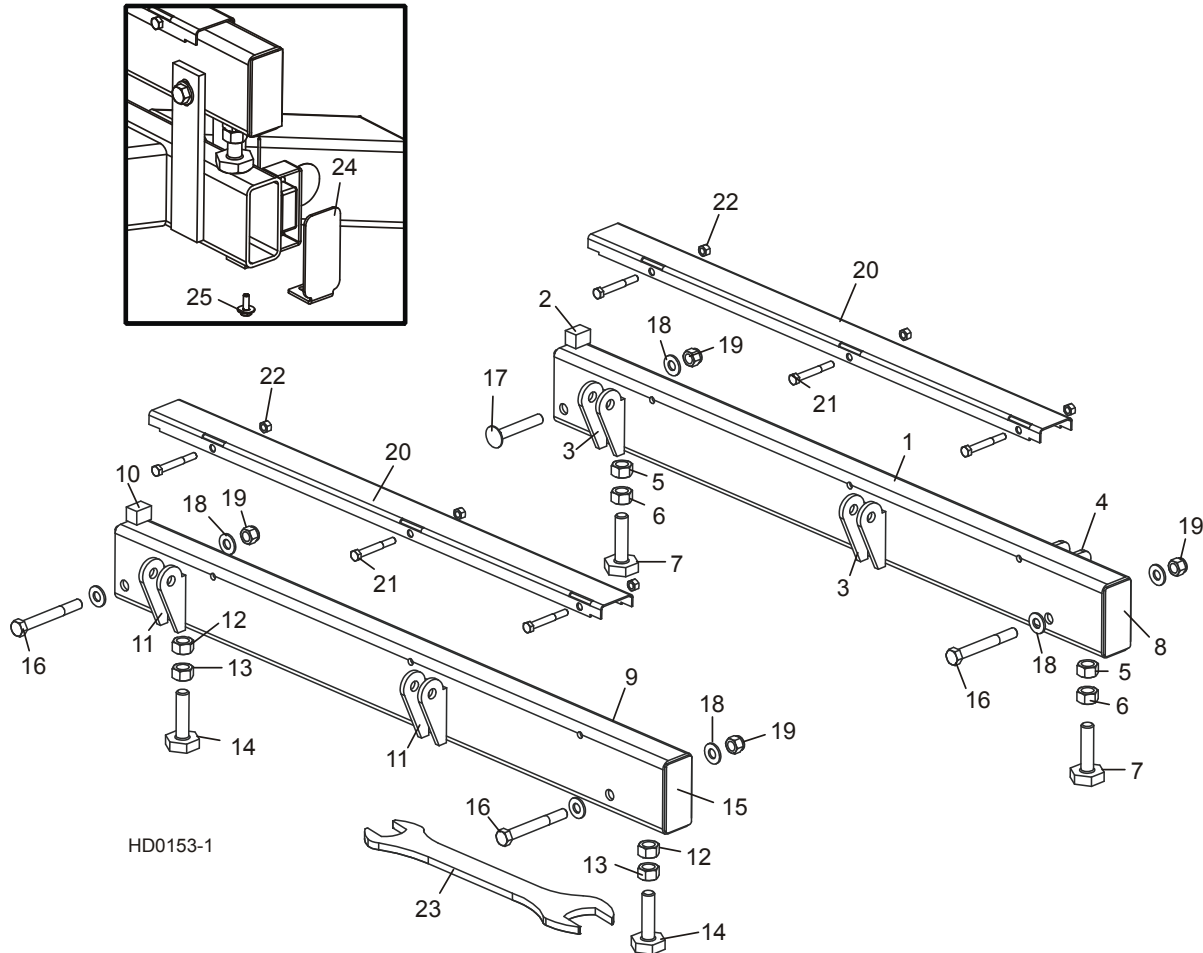
REF	DESCRIPTION (◆ Indicates Parts Available In Assemblies Only)	PART #	QTY.	
	<b>ROLLER ASSEMBLY, LOWER TRACK</b>	012995	2	
1	Bracket, Lower Track Roller Mounting	012982	1	◆
2	Roller, Track Cam Bearing	012797	1	
3	Nut, 5/8-18 Hex Jam	F05010-11	1	
4	Nut, 5/8-11 Hex	F05010-5	4	
5	Washer, 5/8" Split Lock Grade 8	F05011-118 <sup>1</sup>	4	
6	Bracket Weldment, Lower Track Roller Wiper	033374	1	
7	Wiper, Round Gray Felt	033375	1	
8	<b>BOLT, 1/2-13 X 2 1/4" HEX HEAD FULL THREAD</b>	F05008-2	2	
9	<b>NUT, 1/2-13 HEX JAM</b>	F05010-31	2	
10	<b>NUT, 1/2-13 HEX LOCK</b>	F05010-3	2	
11	<b>BOLT, 1/2-13 X 3 1/2" HEX HEAD GRADE 5</b>	F05008-61	2	

<sup>1</sup> Grade 8 washers replace F05011-27 originally supplied before 8/07 to improve durability.

## SECTION 8 BED FRAME ASSEMBLY

### 8.1 Bed Rail Assembly, Front And Rear

LT40HD Super Remote Rev. J8.12 - K3.02



REF	DESCRIPTION (◆ Indicates Parts Available In Assemblies Only)	PART #	QTY.	
	<b>BED RAIL ASSEMBLY, REAR PAINTED</b>	014467	1	
1	Bed Rail Tube, Long	015974	1	◆
2	Block, Log Stop	S09034	1	
3	Bracket, Roller Toe Board Mount	S13021	4	◆
4	Bracket, Saw Head Rest Pin Mount	014150	2	◆
5	Nut, 5/8-11 Pilot Weld	F05010-84	2	
6	Nut, 5/8-11 Hex	F05010-5	2	
7	Bolt, Bed Rail Adjustment	S13006	2	
8	Plate, Bed Rail End Cap	S04058	2	◆
	<b>BED RAIL ASSEMBLY, FRONT PAINTED</b>	014455	1	

## 8

**Bed Frame Assembly***Bed Rail Assembly, Front And Rear*

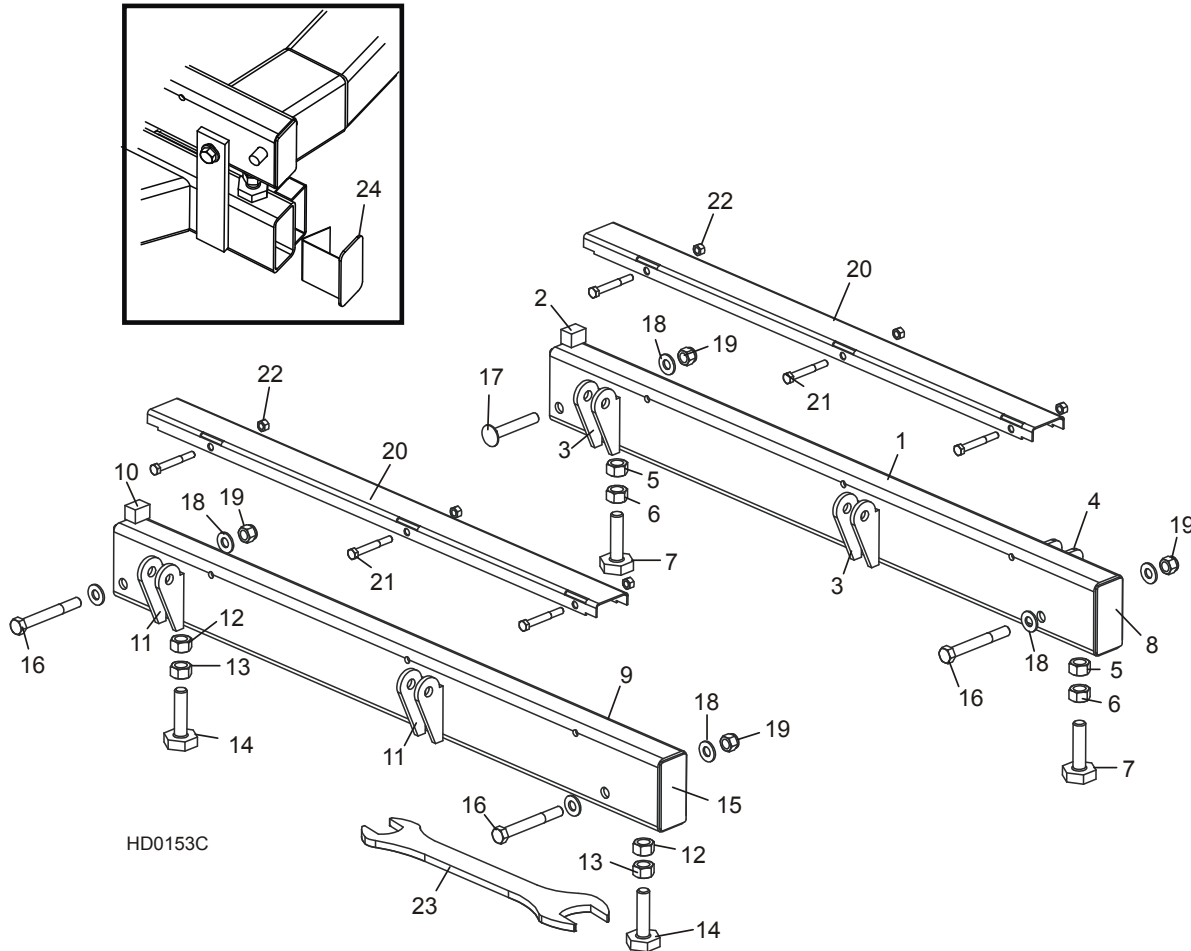
9	Bed Rail Tube, Long	015974	1	◆
10	Block, Log Stop	S09034	1	
11	Bracket, Roller Toe Board Mount	S13021	4	◆
12	Nut, 5/8-11 Pilot Weld	F05010-84	2	
13	Nut, 5/8-11 Hex	F05010-5	2	
14	Bolt, Bed Rail Adjustment	S13006	2	
15	Plate, Bed Rail End Cap	S04058	2	◆
16	<b>BOLT, 1/2-13 X 4" HEX HEAD</b>	F05008-78	3	
17	<b>BOLT, 1/2-13 X 3 1/2" CARRIAGE</b>	F05008-94 <sup>1</sup>	1	
18	<b>WASHER, 1/2" SAE FLAT</b>	F05011-2	7	
19	<b>NUT, 1/2-13 NYLON LOCK</b>	F05010-8	4	
20	<b>COVER, STAINLESS STEEL BED RAIL</b>	016898	2	
21	<b>BOLT, 5/16-18 X 2 1/2" HEX HEAD</b>	F05006-10	6	
22	<b>NUT, 5/16-18 HEX LOCK</b>	F05010-6	6	
23	<b>WRENCH, BED RAIL ADJUSTMENT</b>	015970	1	
24	<b>CAP, BED RAIL REMOVABLE END</b>	038843	2	
25	<b>BOLT, 1/4-20 X 3/4" W/CONICAL WASHER HEAD</b>	F05005-134	2	

<sup>1</sup> Used on rear bed rail to allow clearance for side support rollers.



## 8.2 Bed Rail Assembly, Front And Rear

LT40HD Super Remote Rev. J7.01 - J8.11



HD0153C

REF	DESCRIPTION (◆ Indicates Parts Available In Assemblies Only)	PART #	QTY.	
	<b>BED RAIL ASSEMBLY, REAR PAINTED</b>	014467	1	
1	Bed Rail Tube, Long	015974	1	◆
2	Block, Log Stop	S09034	1	
3	Bracket, Roller Toe Board Mount	S13021	4	◆
4	Bracket, Saw Head Rest Pin Mount	014150	2	◆
5	Nut, 5/8-11 Pilot Weld	F05010-84	2	
6	Nut, 5/8-11 Hex	F05010-5	2	
7	Bolt, Bed Rail Adjustment	S13006	2	
8	Plate, Bed Rail End Cap	S04058	2	◆
	<b>BED RAIL ASSEMBLY, FRONT PAINTED</b>	014455	1	
9	Bed Rail Tube, Long	015974	1	◆
10	Block, Log Stop	S09034	1	

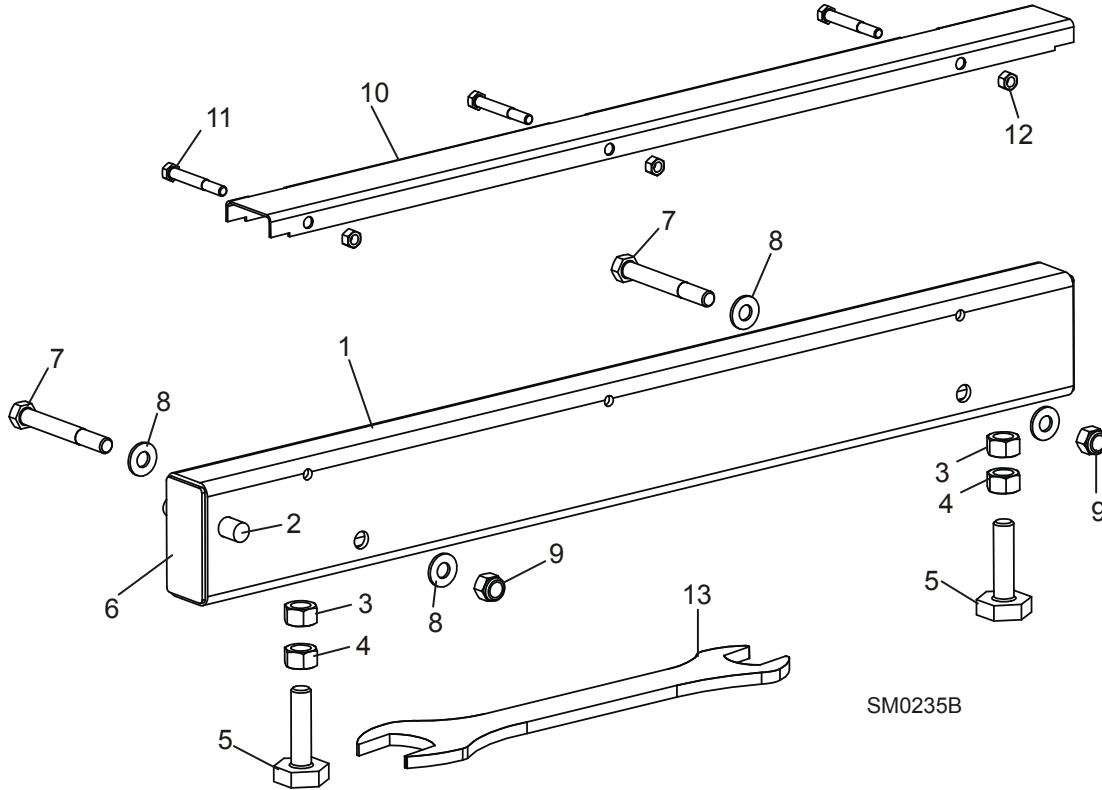
## 8

**Bed Frame Assembly***Bed Rail Assembly, Front And Rear*

11	Bracket, Roller Toe Board Mount	S13021	4	◆
12	Nut, 5/8-11 Pilot Weld	F05010-84	2	
13	Nut, 5/8-11 Hex	F05010-5	2	
14	Bolt, Bed Rail Adjustment	S13006	2	
15	Plate, Bed Rail End Cap	S04058	2	◆
16	<b>BOLT, 1/2-13 X 4" HEX HEAD</b>	F05008-78	3	
17	<b>BOLT, 1/2-13 X 3 1/2" CARRIAGE</b>	F05008-94 <sup>1</sup>	1	
18	<b>WASHER, 1/2" SAE FLAT</b>	F05011-2	7	
19	<b>NUT, 1/2-13 NYLON LOCK</b>	F05010-8	4	
20	<b>COVER, STAINLESS STEEL BED RAIL</b>	016898	2	
21	<b>BOLT, 5/16-18 X 2 1/2" HEX HEAD</b>	F05006-10	6	
22	<b>NUT, 5/16-18 HEX LOCK</b>	F05010-6	6	
23	<b>WRENCH, BED RAIL ADJUSTMENT</b>	015970	1	
24	<b>CAP WELDMENT, BED RAIL REMOVABLE END</b>	014652	2	

<sup>1</sup> Used on rear bed rail to allow clearance for side support rollers.

### 8.3 Bed Rail Assembly, Middle Front

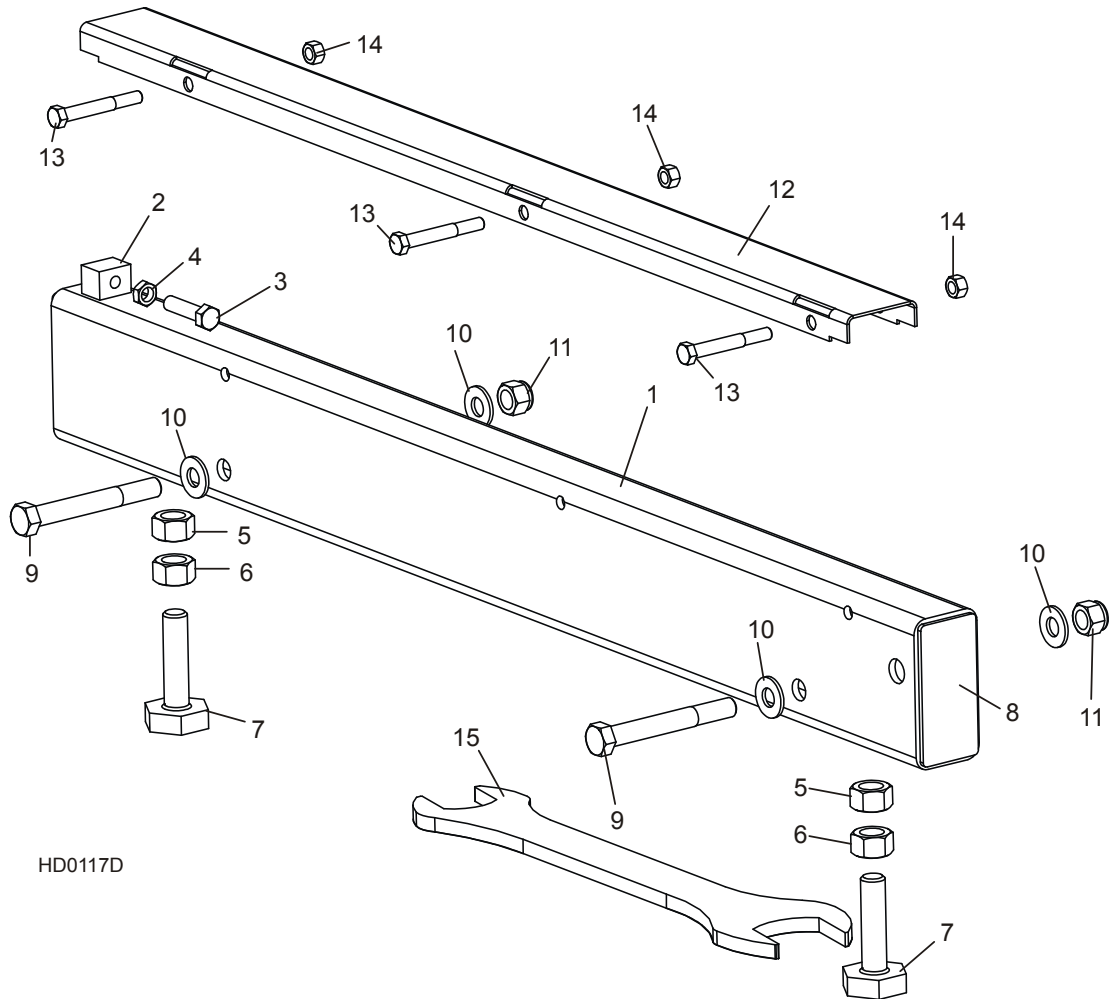


REF	DESCRIPTION (◆ Indicates Parts Available In Assemblies Only)	PART #	QTY.	
	<b>BED RAIL ASSEMBLY, FRONT MIDDLE</b>	A09566	1	
1	Bed Rail Tube, Short	S09103	1	◆
2	Pin, Ramp Mount	S04030	1	
3	Nut, 5/8-11 Pilot Weld	F05010-84	2	
4	Nut, 5/8-11 Hex	F05010-5	2	
5	Bolt, Bed Rail Adjustment	S13006	2	
6	Plate, Bed Rail End Cap	S04058	2	◆
7	<b>BOLT, 1/2-13 X 4" HEX HEAD GRADE 5</b>	F05008-78	2	
8	<b>WASHER, 1/2" SAE FLAT</b>	F05011-2	4	
9	<b>NUT, 1/2-13 NYLON LOCK</b>	F05010-8	2	
	<b>COVER ASSEMBLY, STAINLESS STEEL BED RAIL (LONG)</b>	A09956	1	
10	Cover, Stainless Steel Bed Rail	S09944	1	◆
11	Bolt, 5/16-18 X 2 1/2" Hex Head	F05006-10	3	
12	Nut, 5/16-18 Hex Lock	F05010-6	3	
13	<b>WRENCH, BED RAIL ADJUSTMENT</b>	015970	1	

# 8 Bed Frame Assembly

## Bed Rail Assembly, Middle Rear

### 8.4 Bed Rail Assembly, Middle Rear



REF	DESCRIPTION (◆ Indicates Parts Available In Assemblies Only)	PART #	QTY.	
	<b>BED RAIL ASSEMBLY, REAR MIDDLE PAINTED</b>	015757	1	
1	Bed Rail Tube, Short	014640	1	◆
2	Block, Log Stop w/Threaded Hole	014639	1	◆
3	Bolt, 3/8-16 x 1 1/2 Full Thead Hex Head	F05007-17	1	
4	Nut, 3/8-16 Hex Jam	F05010-29	1	
5	Nut, 5/8-11 Square Pilot Weld	F05010-187	2	
6	Nut, 5/8-11 Hex	F05010-5	2	
7	Bolt, Bed Rail Adjustment	S13006	2	
8	Plate, Bed Rail End Cap	S04058	1	
9	<b>BOLT, 1/2-13 X 4" HEX HEAD GRADE 5</b>	F05008-78	2	
10	<b>WASHER, 1/2" SAE FLAT</b>	F05011-2	4	
11	<b>NUT, 1/2-13 NYLON LOCK</b>	F05010-8	2	

**Bed Frame Assembly**  
*Bed Rail Assembly, Middle Rear*

8

	<b>COVER ASSEMBLY, STAINLESS STEEL BED RAIL (LONG)</b>	A09956	1	
<b>12</b>	Cover, Stainless Steel Bed Rail	S09944	1	◆
<b>13</b>	Bolt, 5/16-18 X 2 1/2" Hex Head	F05006-10	3	
<b>14</b>	Nut, 5/16-18 Hex Lock	F05010-6	3	
<b>15</b>	<b>WRENCH, BED RAIL ADJUSTMENT</b>	015970	1	

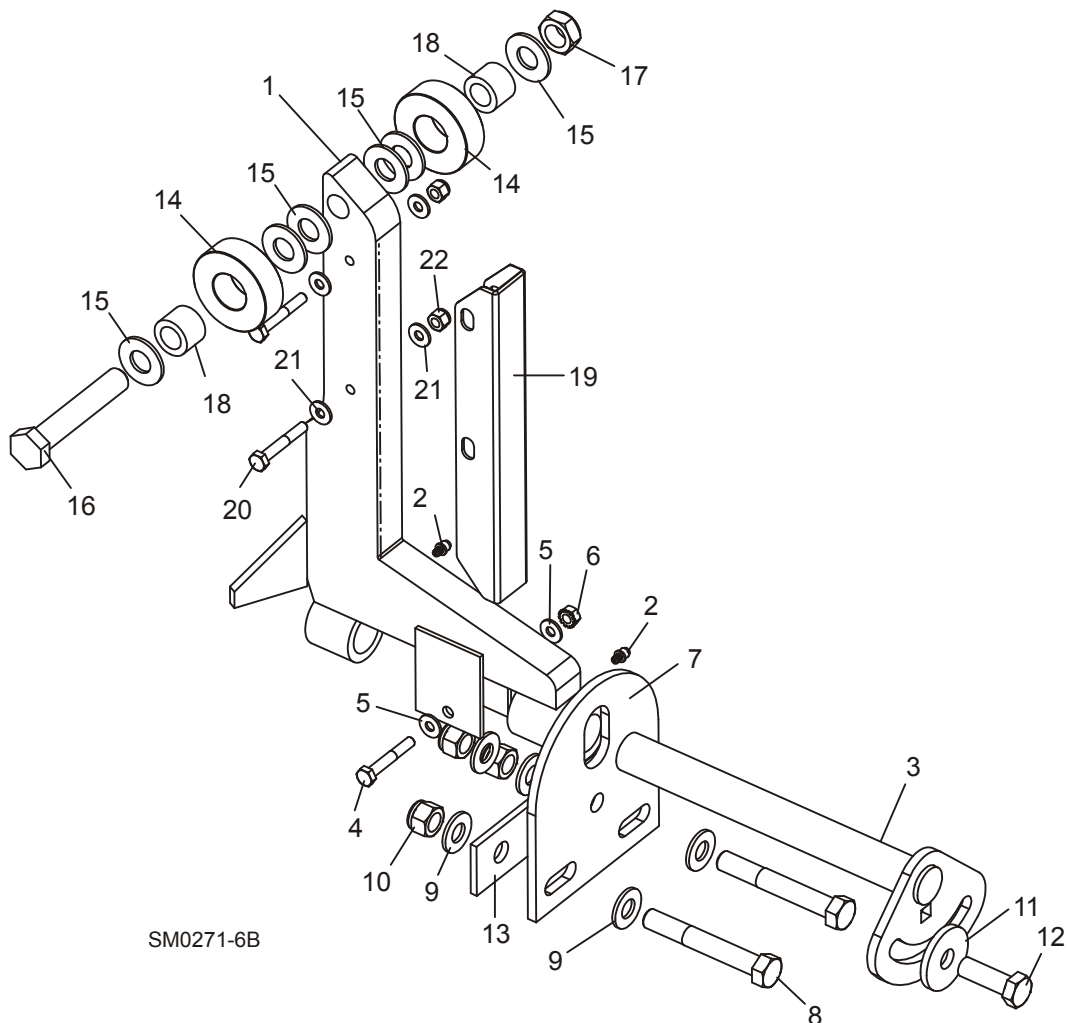
# 8 Bed Frame Assembly

## Log Side Support Assembly (Manual)

### 8.5 Log Side Support Assembly (Manual)

[See Section 10.8](#) for hydraulic side supports

LT40HD Super Remote Rev. J7.01 - J8.03



REF	DESCRIPTION (◆ Indicates Parts Available In Assemblies Only)	PART #	QTY.
1	<b>SUPPORT, LOG SIDE</b>	015235 <sup>1</sup>	2
2	Fitting, 3/16" Grease	P04107	2
	<b>MOUNTING KIT, LOG SIDE SUPPORT</b>	016559	2
3	Pin, Log Side Support Pivot	016544	1
4	Bolt, 1/4-20 X 1 1/2" Hex Head Grade 5	F05005-4	1
5	Washer, 1/4" SAE Flat	F05011-11	2
6	Nut, 1/4-20 Self Locking	F05010-9	1
7	Plate, Log Side Support End	016555	1
8	Bolt, 1/2-13 X 3 1/2" Hex Head Grade 5	F05008-61	2

<b>9</b>	Washer, 1/2" SAE Flat	F05011-2	5	
<b>10</b>	Nut, 1/2-13 Hex Nylon Lock	F05010-8	3	
<b>11</b>	Washer, .52" x 1.69"	014632 <sup>2</sup>	1	
<b>12</b>	Bolt, 1/2-13 X 1 1/2" Hex Head Grade 5	F05008-33	1	
<b>13</b>	Plate, Side Support Washer Clamp	016558	1	
	<b>ROLLER KIT, SIDE SUPPORT</b>	016562	4	
<b>14</b>	Roller, Side Support	016561	2	
<b>15</b>	Washer, 5/8" SAE Flat	F05011-5 <sup>3</sup>	6	
<b>16</b>	Bolt, 5/8-11 x 3 3/4" Hex Head Grade 5	F05009-118 <sup>4</sup>	1	
<b>17</b>	Nut, 5/8-11 Hex Nylon Lock Jam	F05010-96	1	
<b>18</b>	Bushing, Bronze 5/8" x 1" x 3/4"	016560	2	
	Bolt, 1/2-13 x 3 1/2" Carriage Head	F05008-94	1	
	Instruction Sheet, Side Support Roller	016562-526	1	
	<b>GUARD KIT, STAINLESS STEEL SIDE SUPPORT</b>	016798	1	
<b>19</b>	Guard, Stainless Steel Side Support	016722	4	
<b>20</b>	Bolt, 1/4-20 x 1 3/4" Hex Head	F05005-4	8	
<b>21</b>	Washer, 1/4" SAE Flat	F05011-11	16	
	Washer, 5/8" SAE Flat	F05011-5 <sup>3</sup>	4	
<b>22</b>	Nut, 1/4-20 Hex Nylon Lock	F05010-69	8	
	Instruction Sheet, Stainless Steel Side Support Guard Retro	016798-1005	1	

<sup>1</sup> Manual Side Supports replaced with Hydraulic Side Supports (Rev. J8.04). Use retro kit HSS-A to convert to 4-Link Hydraulic Side Supports.

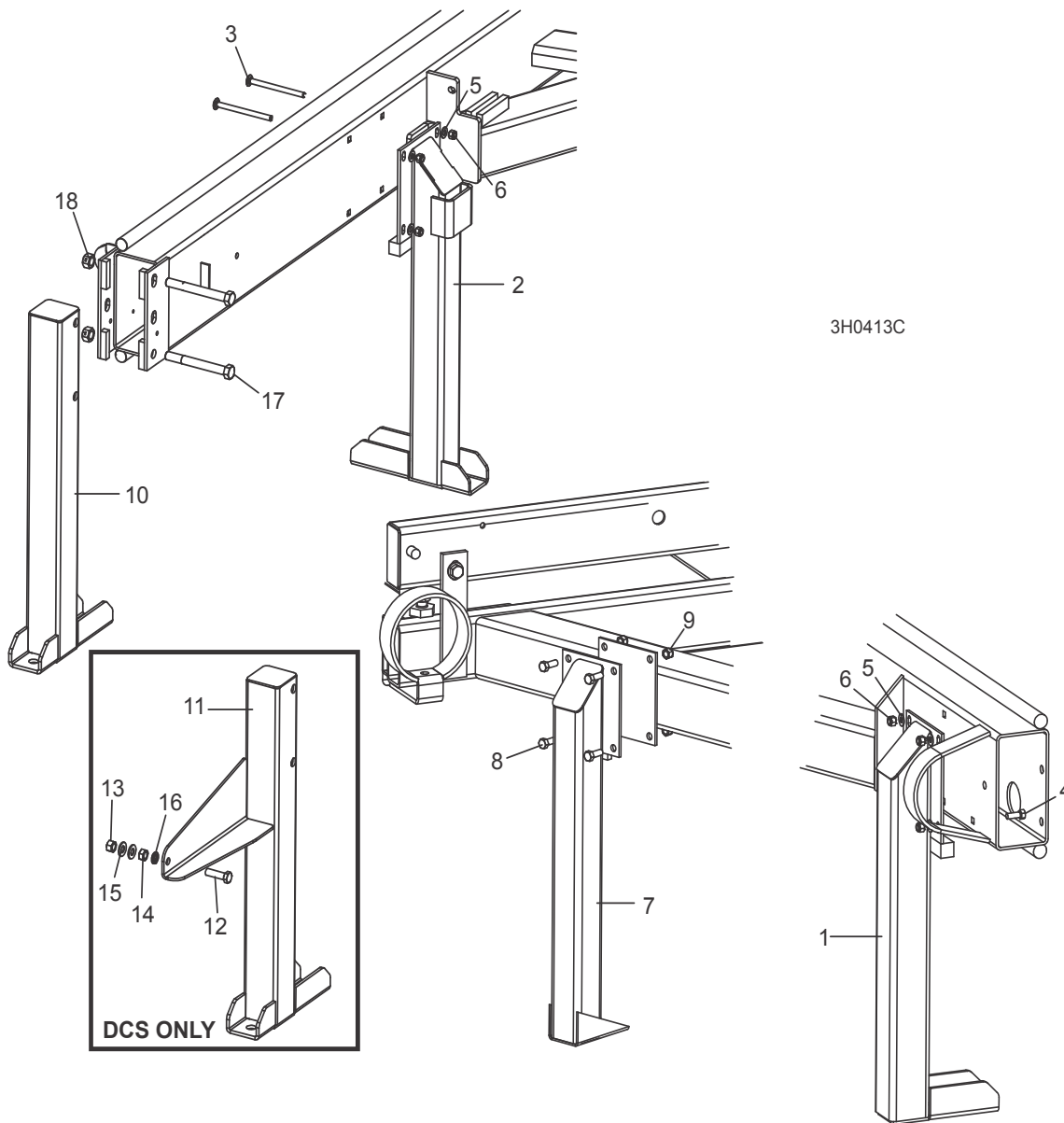
<sup>2</sup> Oversized Washer 014632 replaces 1/2" SAE Flat Washer F05011-2 to provide larger clamping area during adjustment (12/09).

<sup>3</sup> Additional 5/8" SAE Flat Washer F05011-5 may be required on each side of side support to provide clearance for optional stainless steel side support guards. Extra washers are included in the stainless steel guard retrofit kit (016798).

<sup>4</sup> Longer bolt replaces 3 1/2" F05009-93 used before 3/07.

**8** **Bed Frame Assembly**  
*Leg Assembly (Stationary)*

**8.6 Leg Assembly (Stationary)**



REF	DESCRIPTION (◆ Indicates Parts Available In Assemblies Only)	PART #	QTY.
1	LEG, LONG STATIONARY (1 REQ'D FOR LT30HD; 3 REQ'D FOR LT40HD)	W09513	1/3
2	LEG, LONG STATIONARY W/BOARD RETURN TABLE BRACKET	015091	1
3	BOLT, 3/8-16 X 5" CARRIAGE HEAD	F05007-113	8/12
4	BOLT, 3/8-16 X 1 1/4" HEX HEAD (REQ'D FOR REAR LT40HD ONLY)	F05007-2	4
5	WASHER, 3/8" SAE FLAT	F05011-3	8/16
6	NUT, 3/8-16 HEX NYLON LOCK	F05010-10	8/16



**Bed Frame Assembly**  
*Leg Assembly (Stationary)*

**8**

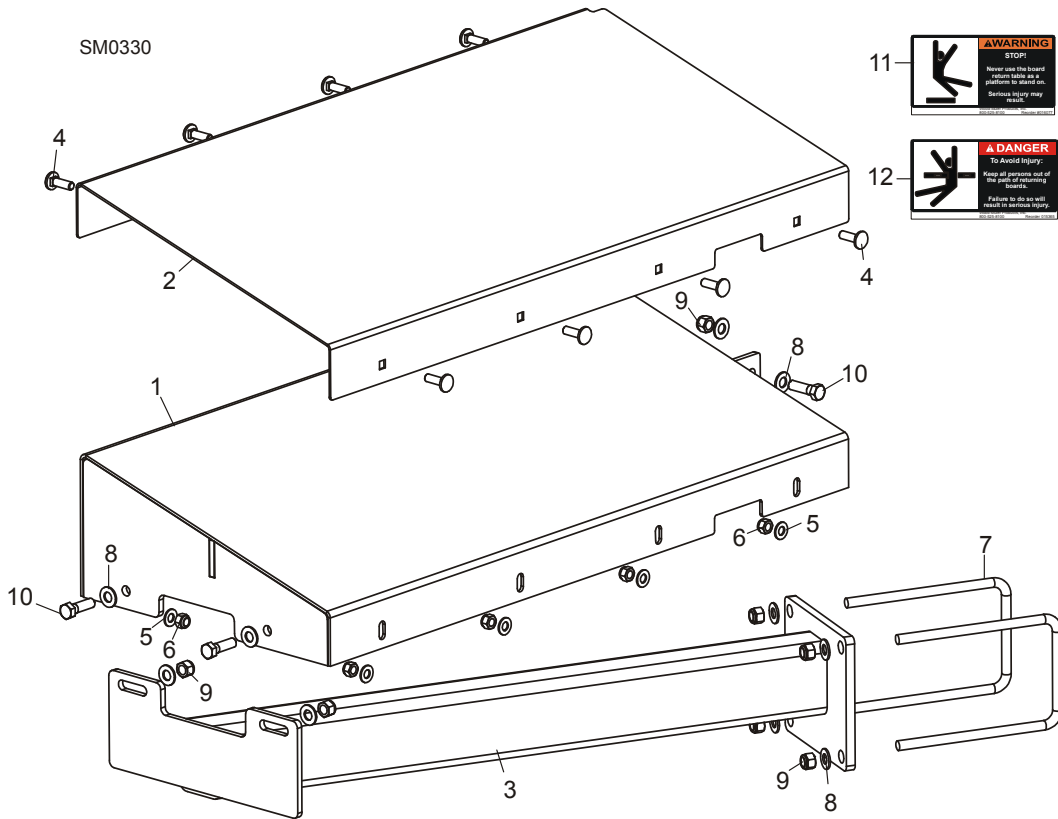
7	LEG, SHORT STATIONARY	W09515	2	
8	BOLT, 3/8-16 X 1 1/4" HEX HEAD	F05007-2	8	
9	NUT, 3/8-16 HEX NYLON LOCK	F05010-10	8	
10	LEG, FRONT STATIONARY	W09517	1	
11	BOLT, 5/8-11 X 5 1/2" HEX HEAD GRADE 5	F05009-11	2	
12	NUT, 5/8-11 HEX LOCK	F05010-4	2	

# 8 Bed Frame Assembly

## Board Return Table Assembly

### 8.7 Board Return Table Assembly

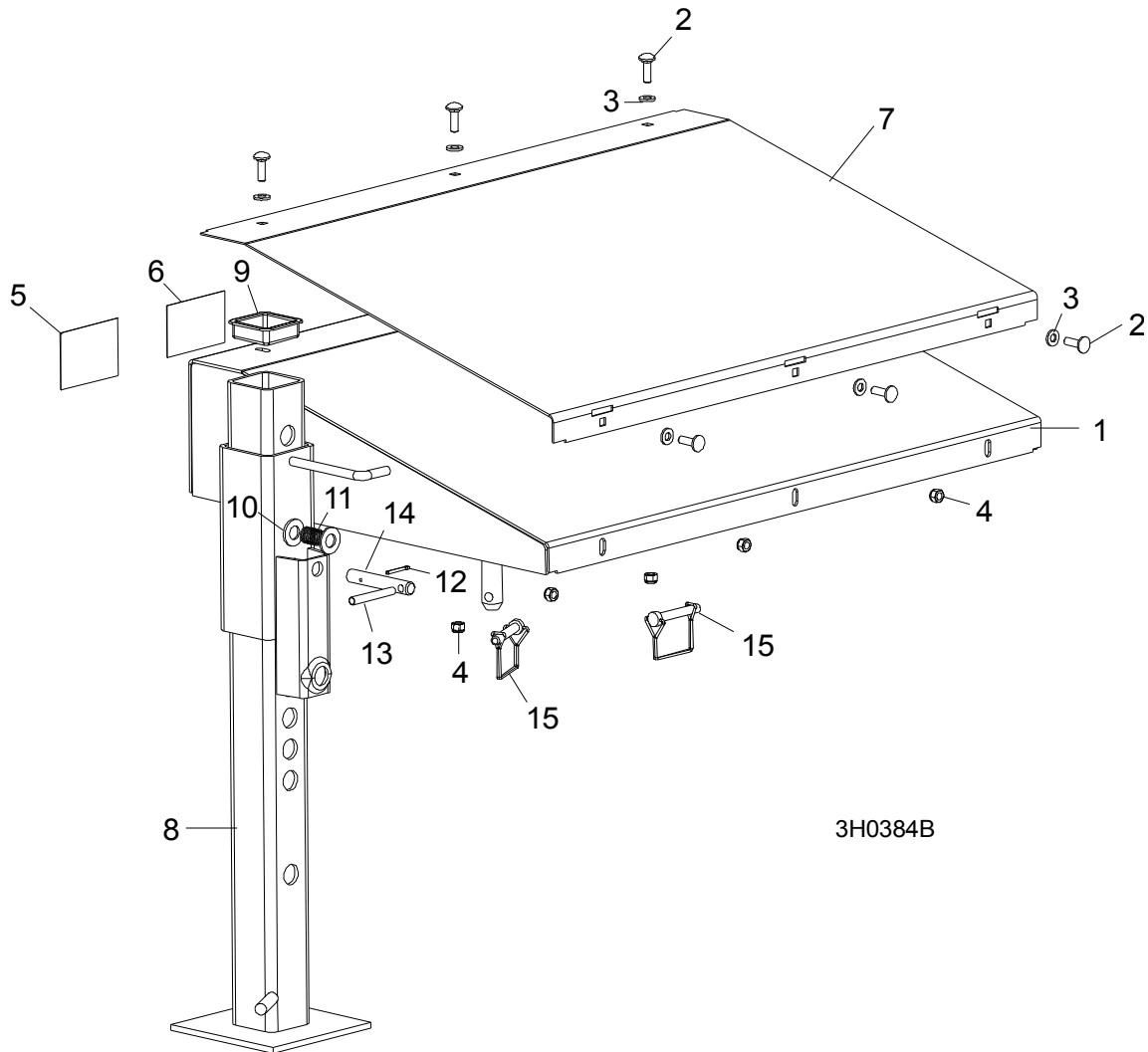
LT40HD Super Remote Rev. J9.01 - K3.02



REF	DESCRIPTION (◆ Indicates Parts Available In Assemblies Only)	PART #	QTY.
	<b>TABLE ASSEMBLY, BOARD RETURN (LT40)</b>	003264	1
	<b>TABLE ASSEMBLY, BOARD RETURN (LT30)</b>	003270	1
1	Table Weldment, Board Return	055515	1
2	Cover, Board Return Table	003259	1
3	Mount Weldment, Board Return Table (LT40)	055533	1
	Mount Weldment, Board Return Table (LT30)	038992	1
4	Bolt, 5/16-18 x 1" Carriage Head	F05006-9	8
5	Washer, 5/16" SAE Flat	F05011-17	8
6	Nut, 5/16-18 Nylon Lock	F05010-58	8
7	Bolt, 3/8-16 x 4" x 5" 'U'	003207	2
8	Washer, 3/8" SAE Flat	F05011-3	10
9	Nut, 3/8-16 Hex Nylon Lock	F05010-10	7
10	Bolt, 3/8-16 x 1 1/4" Hex Head Grade 5	F05007-123	3
11	Decal, Board Return Table Warning	016077	1
12	Decal, Board Return Danger	015365	1

## 8.8 Board Return Table Assembly

LT30HD Super Remote Rev. J7.01 - J8.09  
LT40HD Super Remote Rev. J7.01 - J9.00



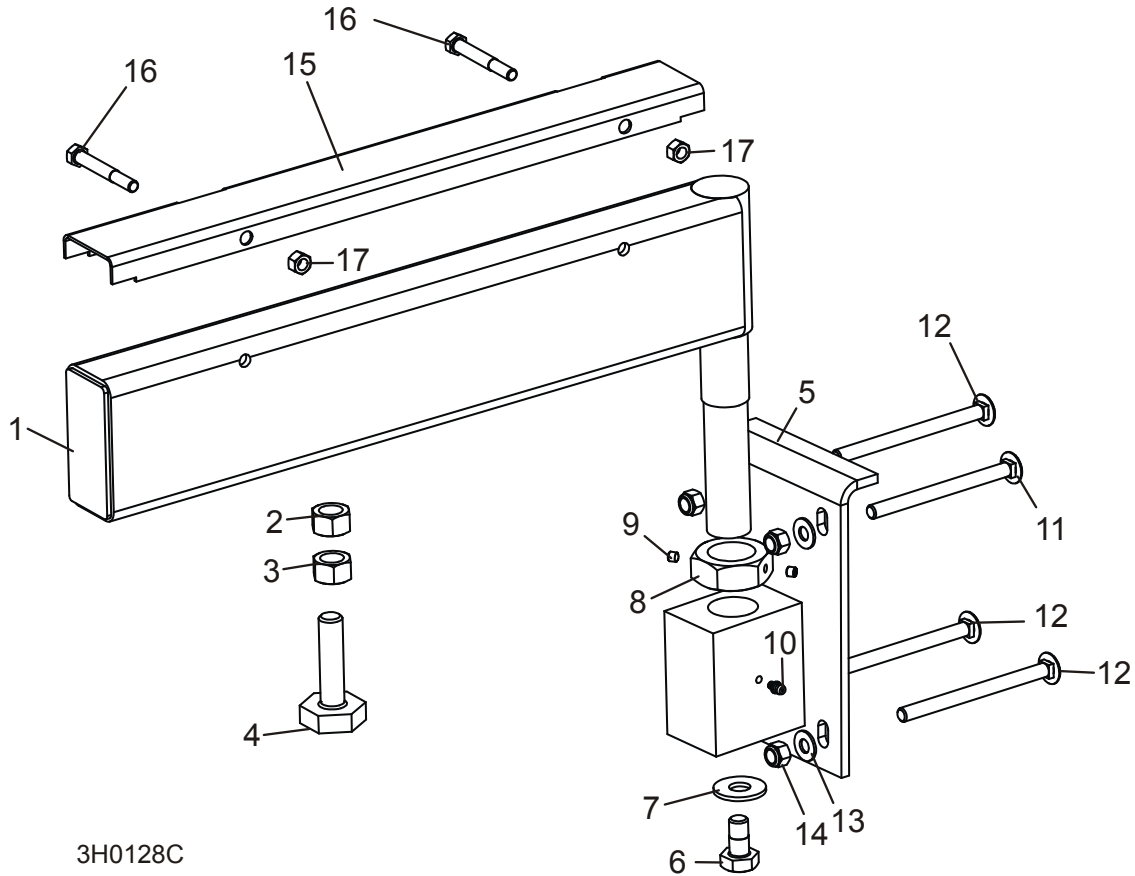
REF	DESCRIPTION (◆ Indicates Parts Available In Assemblies Only)	PART #	QTY.	
	<b>TABLE ASSEMBLY, BOARD RETURN</b>	015792	1	
1	Table Weldment, Board Return	015790	1	◆
2	Bolt, 5/16-18 x 1" Carriage Head	F05006-9	6	
3	Washer, 5/16" SAE Flat	F05011-17	6	
4	Nut, 5/16-18 Nylon Lock	F05010-58	6	
5	Decal, Board Return Danger	015365	1	
6	Decal, Board Return Table Warning	016077	1	
7	Plate, Return Table Stainless Steel	015791	1	

**8****Bed Frame Assembly***Board Return Table Assembly*

---

<b>8</b>	Leg Weldment, Painted Outrigger	W07537	1	
<b>9</b>	Cap, Outrigger Leg	P09926	1	
<b>10</b>	Washer, 3/4" SAE Flat	F05011-62	2	
<b>11</b>	Spring, Outrigger Pin	016145	1	
<b>12</b>	Pin, 1/8" X 1 1/4" Cotter	F05012-59	1	
	Pin Kit, 3/4" Outrigger Pull	016148	1	
<b>13</b>	Pin, 5/16" X 2 1/2" Roll	F05012-47	1	
<b>14</b>	Pin, 3/4" Outrigger Pull	016147	1	◆
<b>15</b>	Pin, 3/8 X 2 1/4" Square Wire Lock	014151	2	

### 8.9 Pivot Bed Rail Assembly



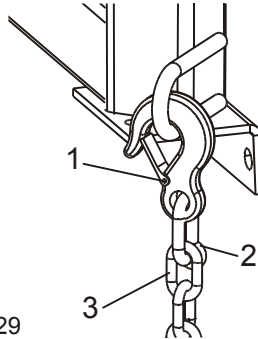
REF	DESCRIPTION (◆ Indicates Parts Available In Assemblies Only)	PART #	QTY.	
	<b>PIVOT BED RAIL ASSEMBLY (LT40HD)</b>	A13015	2	
	<b>PIVOT BED RAIL ASSEMBLY (LT30HD)</b>	012993	2	
1	Pivot Bed Rail Weldment (LT40HD)	W13014	1	◆
	Pivot Bed Rail Weldment (LT30HD)	012992	1	◆
2	Nut, 5/8-11 Pilot Weld	F05010-84	2	
3	Nut, 5/8-11 Hex	F05010-5	2	
4	Bolt, Bed Rail Adjustment	S13006	2	
5	Bracket, Pivot Rail Mounting	W13090	1	
6	Bolt, 1/2-13 x 1" Hex Head Grade 2	F05008-50	1	
7	Washer, 9/16" SAE Flat	F05011-52	1	
8	Nut, Pivot Rail Adjustment	S13016	1	
9	Screw, 1/4-28 x 1/4" Brass Tip Set	F05005-42	2	
10	Fitting, 3/16" Grease	P04107	1	
11	<b>BOLT, 3/8-16 X 4 3/4" CARRIAGE HEAD</b>	F05007-114	2	

## 8

**Bed Frame Assembly***Pivot Bed Rail Assembly*

12	<b>BOLT, 3/8-16 X 5" CARRIAGE HEAD</b>	F05007-113	6	
13	<b>WASHER, 3/8" SAE FLAT</b>	F05011-3	8	
14	<b>NUT, 3/8-16 NYLON LOCK</b>	F05010-10	8	
	<b>COVER KIT, PIVOT RAIL STAINLESS STEEL (LT40HD)</b>	017710	2	
	<b>COVER KIT, PIVOT RAIL STAINLESS STEEL (LT30HD)</b>	015926	2	
15	Cover, Stainless Steel Pivot Bed Rail ( <b>LT40HD</b> )	S13012	1	
	Cover, Stainless Steel Pivot Bed Rail ( <b>LT30HD</b> )	012994	1	
16	Bolt, 5/16-18 X 2 1/2" Hex Head	F05006-10	2	
17	Nut, 5/16-18 Hex Lock	F05010-6	2	
	<b>WRENCH, BED RAIL ADJUSTMENT (<a href="#">See Section 8.1</a>)</b>	015970	1	

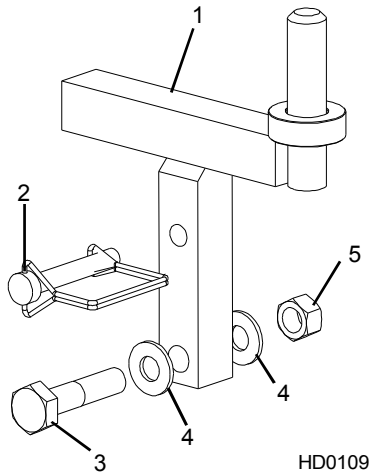
## 8.10 Safety Chain Assembly



REF	DESCRIPTION (◆ Indicates Parts Available In Assemblies Only)	PART #	QTY.	
	<b>CHAIN ASSEMBLY, TIE DOWN</b>	A04376	1	
1	Hook, 5/8" Safety Chain	P12075	1	◆
2	Cold Shut, 3/8" Plain	P04772-2	1	◆
3	Chain, 5/16" Unplated	R02111	.938 ft.	◆

**8** **Bed Frame Assembly**  
*Saw Head Rest Pin Assembly*

**8.11 Saw Head Rest Pin Assembly**

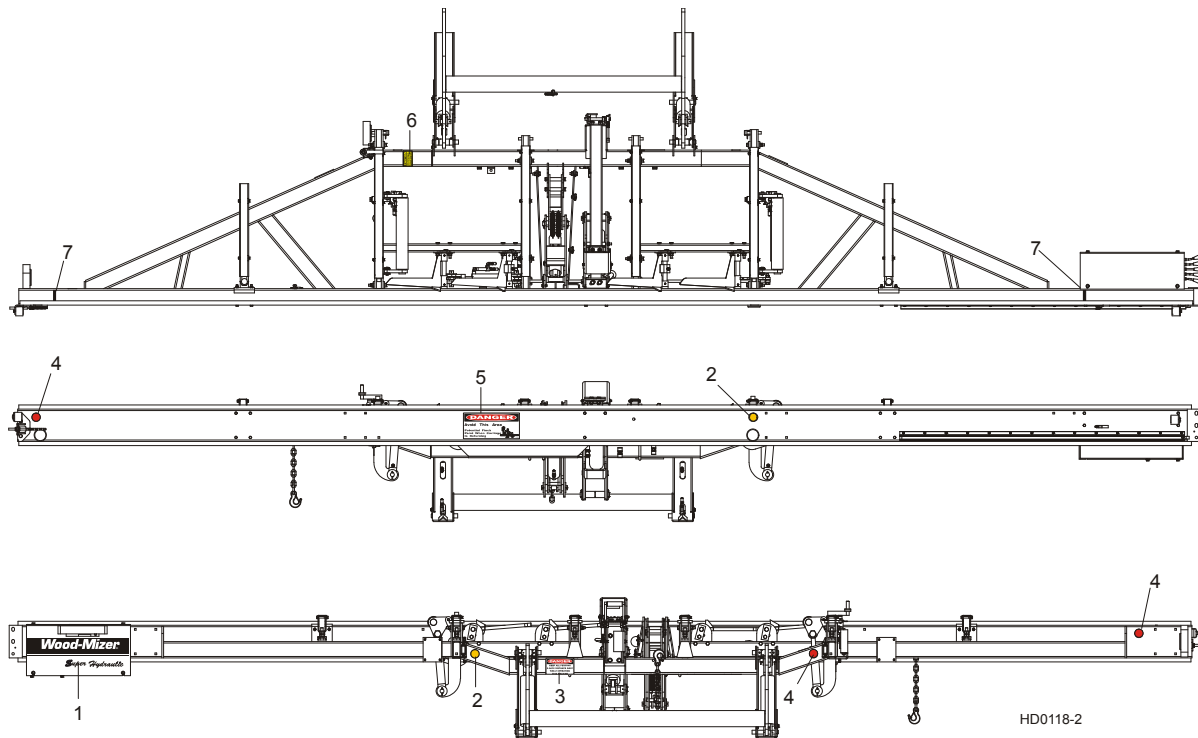


REF	DESCRIPTION (◆ Indicates Parts Available In Assemblies Only)	PART #	QTY.	
1	PIN, SAW HEAD REST	014102	1	
2	PIN, 3/8" X 2 1/4" SNAP RETAINER	014151	1	
3	BOLT, 1/2-13 X 2 1/4" HEX HEAD GRADE 5	F05008-10	1	
4	WASHER, 1/2" SAE FLAT	F05011-2	2	
5	NUT, 1/2-13 HEX LOCK	F05010-3	1	



## 8.12 Bed Frame Decals

LT40HD Super Remote Rev. K1.00 (1/08) - K3.02



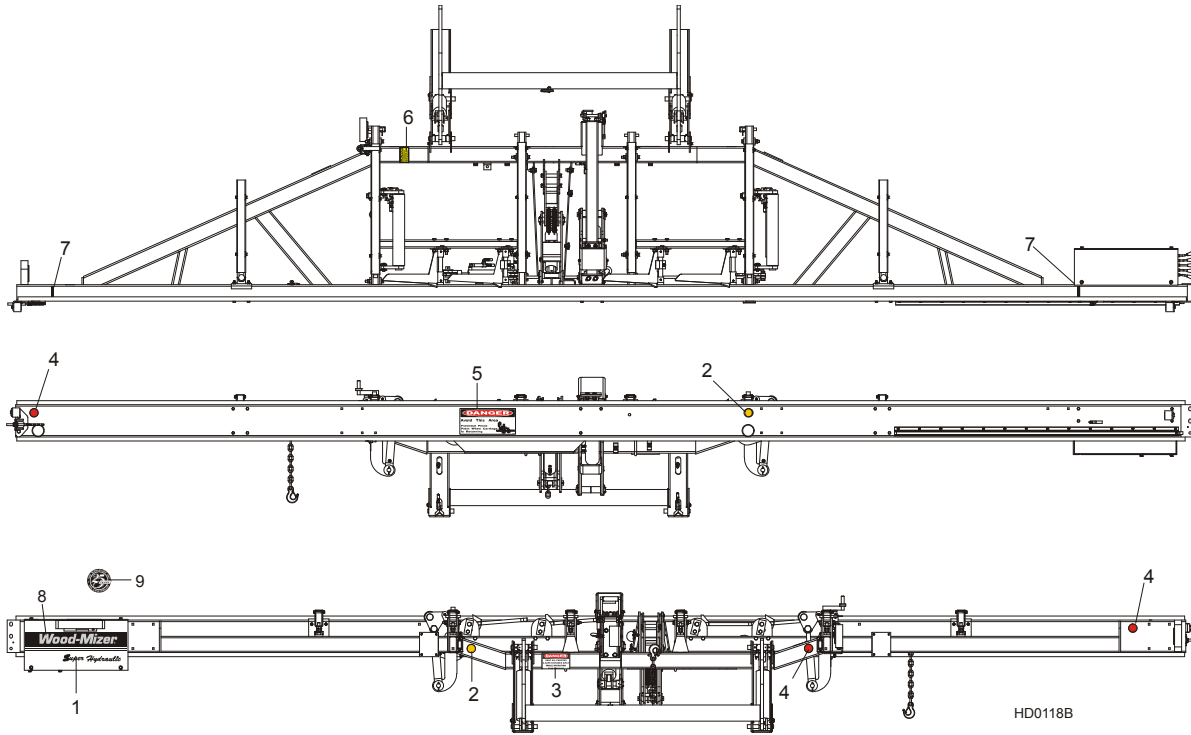
REF	DESCRIPTION (◆ Indicates Parts Available In Assemblies Only)	PART #	QTY.
1	DECAL, SUPER HYDRAULIC LOGO W/STRIPES	003250	1
2	DECAL, AMBER REFLECTIVE 2" ROUND	P07453	2
3	DECAL, KEEP AWAY DANGER	S09851	1
4	DECAL, RED REFLECTIVE 2" ROUND	P07452	3
5	DECAL, PINCH POINT DANGER	P10287	1
6	DECAL, SAW HEAD REST CAUTION	S12581	1
7	DECAL, LOG LIMIT STRIPE	S12051	2

# 8 Bed Frame Assembly

## Bed Frame Decals

### 8.13 Bed Frame Decals

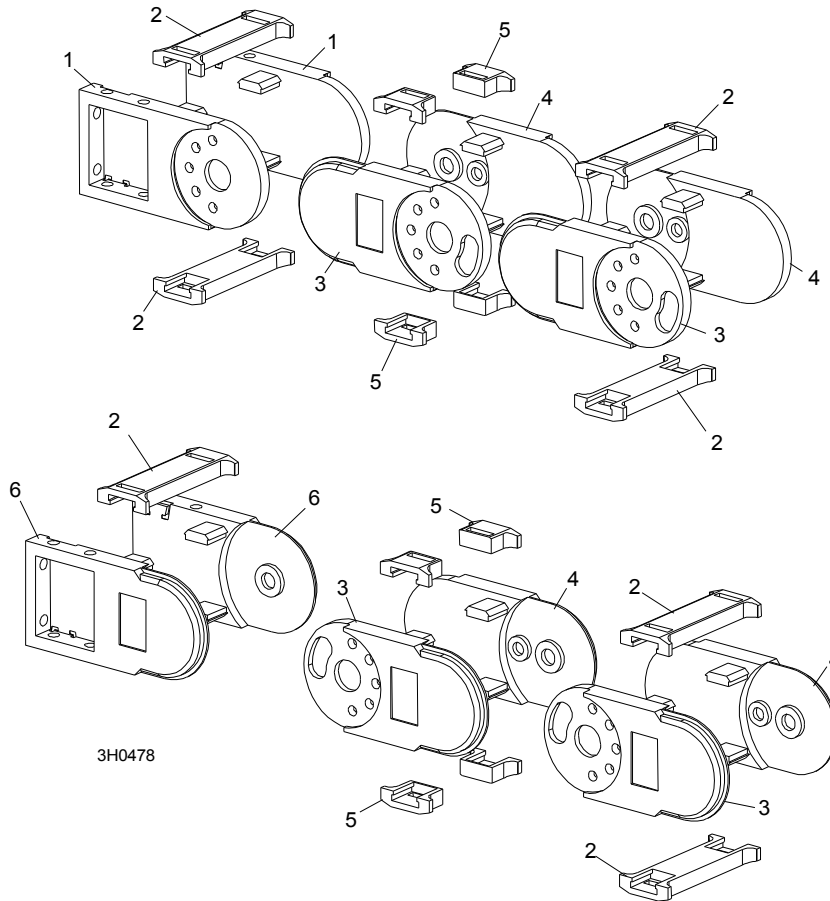
LT40HD Super Remote Rev. J7.01 - K1.00 (12/07)



REF	DESCRIPTION (◆ Indicates Parts Available In Assemblies Only)	PART #	QTY.
1	DECAL, SUPER HYDRAULIC LOGO W/STRIPES	003250 <sup>1</sup>	1
2	DECAL, AMBER REFLECTIVE 2" ROUND	P07453	2
3	DECAL, KEEP AWAY DANGER	S09851	1
4	DECAL, RED REFLECTIVE 2" ROUND	P07452	3
5	DECAL, PINCH POINT DANGER	P10287	1
6	DECAL, SAW HEAD REST CAUTION	S12581	1
7	DECAL, LOG LIMIT STRIPE	S12051	2
8	DECAL, SILVER WOOD-MIZER LOGO	003234 <sup>1</sup>	1
9	DECAL, ANNIVERSARY LOGO	003237 <sup>1</sup>	1

<sup>1</sup> Super Hydraulic Logo Decal 014168 replaced with new logo decals 1/07.

### 8.14 Cable Chain Assembly

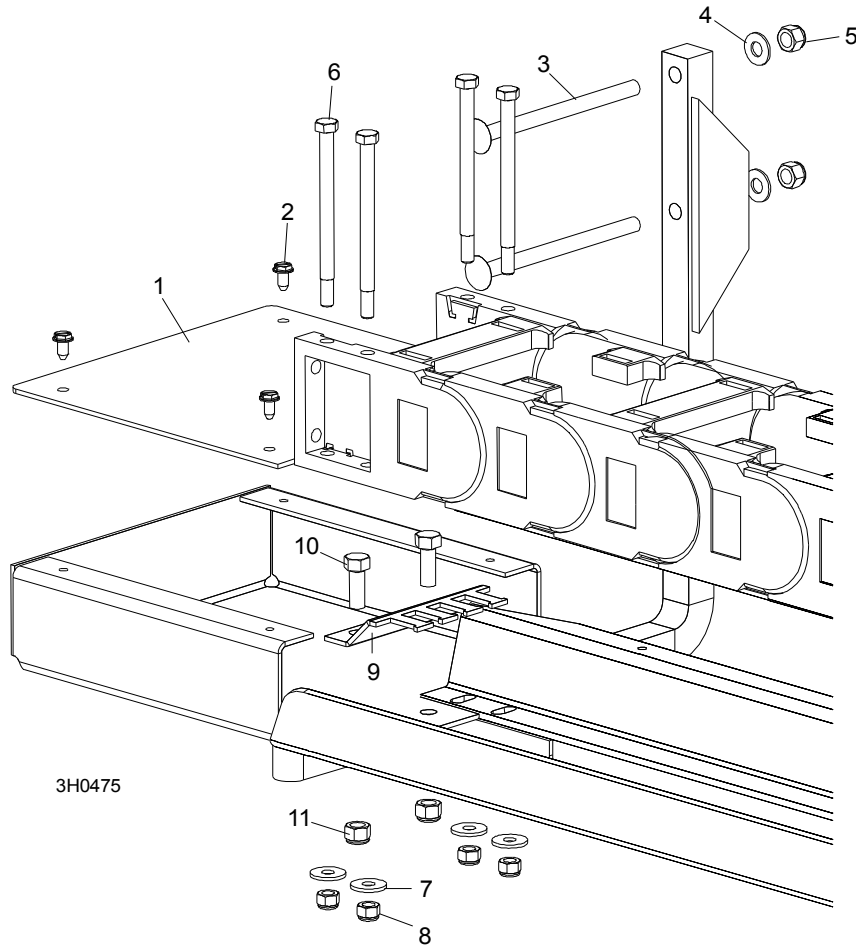


REF	DESCRIPTION (◆ Indicates Parts Available In Assemblies Only)	PART #	QTY.
	<b>CHAIN ASSEMBLY, NYLON REMOTE 196" #4040C</b>	042753	1
1	Link, Nylon Chain Top Mount	023612-3	2
2	Brace, Nylon Chain Long Cross	023612-4	55
3	Link, Nylon Chain Right Side #4040C.01.150	036217	52
4	Link, Nylon Chain Left Side #4040C.02.150	036218	52
5	Brace, Nylon Chain Short Cross	023612-5	104
6	Link, Nylon Chain Bottom Mount	023612-9	2

# 8 Bed Frame Assembly

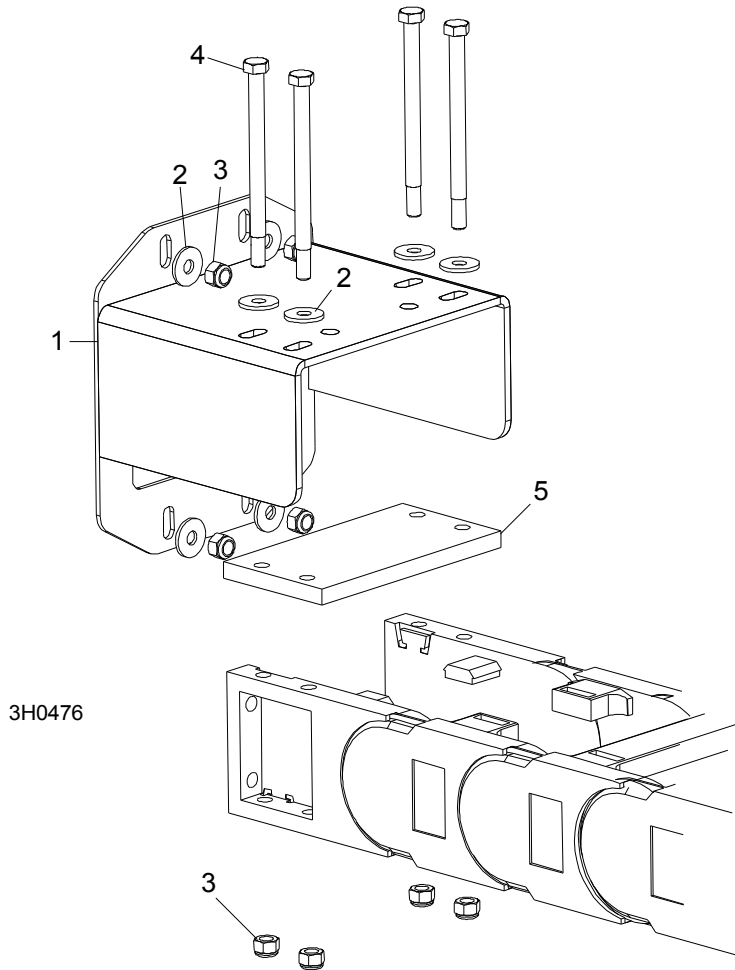
## Bottom Chain Mount Assembly

### 8.15 Bottom Chain Mount Assembly



REF	DESCRIPTION (◆ Indicates Parts Available In Assemblies Only)	PART #	QTY.
1	PLATE, CHAIN BOX COVER	015578	1
2	SCREW, 1/4-20 X 1/2" SLOTTED HEX HEAD	F05015-1	4
3	BOLT, 3/8 X 5 1/2" CARRIAGE	F05007-31	8
4	WASHER, 3/8" FLAT	F05011-3	8
5	NUT, 3/8-16 NYLON LOCK	F05010-10	8
6	BOLT, 5/16-18 X 4 1/2" HEX HEAD	F05006-82	4
7	WASHER, 5/16" STANDARD FLAT	F05011-16	4
8	NUT, 5/16-18 NYLON LOCK	F05010-58	4
9	BRACKET, WIRE ROUTING	023604	1
10	BOLT, 3/8-16 X 1" HEX HEAD	F05007-7	2
11	NUT, 3/8-16 NYLON LOCK	F05010-10	2

### 8.16 Top Chain Mount Assembly



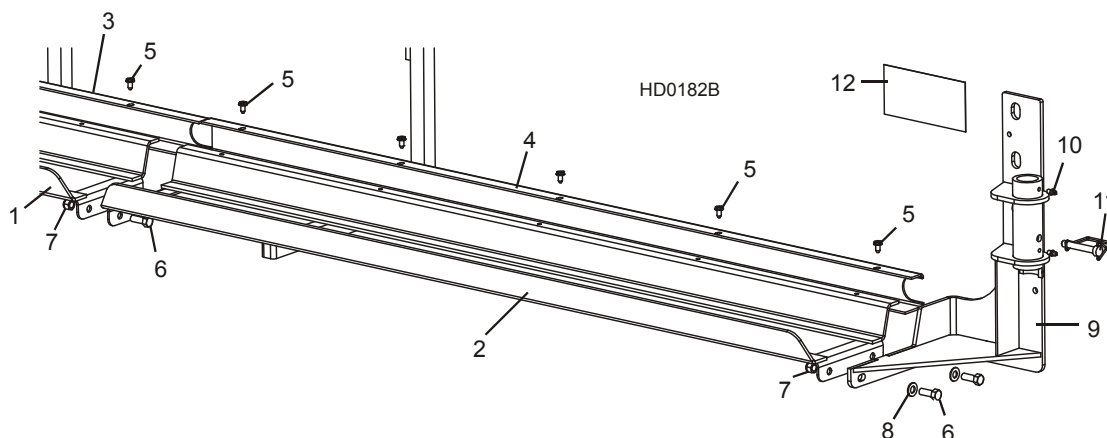
REF	DESCRIPTION (◆ Indicates Parts Available In Assemblies Only)	PART #	QTY.
1	<b>BRACKET WELDMENT, TOP CABLE CHAIN MOUNTING</b>	023610	1
2	<b>WASHER, 5/16" STANDARD FLAT</b>	F05011-16	8
3	<b>NUT, 5/16-18 NYLON LOCK</b>	F05010-58	8
4	<b>BOLT, 5/16-18 X 4 1/2" HEX HEAD</b>	F05006-82	4
5	<b>PLATE, CABLE CHAIN SPACER</b>	023606 <sup>1</sup>	1

<sup>1</sup> Spacer Plate 023606 added Rev. J7.02 to improve alignment of cable chain and mount.

# 8 Bed Frame Assembly

## Front Tray Mount Assembly

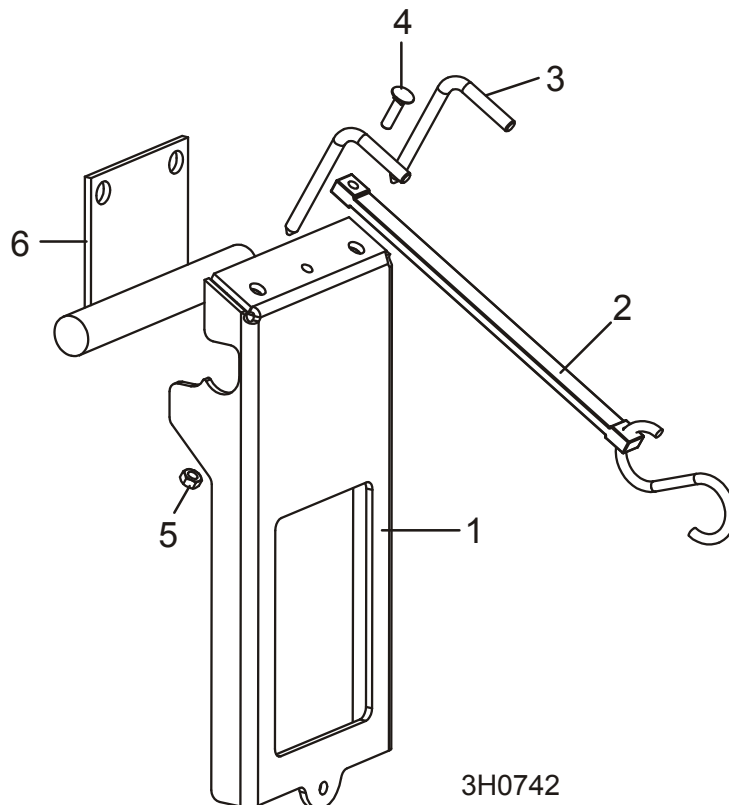
### 8.17 Front Tray Mount Assembly



REF	DESCRIPTION (◆ Indicates Parts Available In Assemblies Only)	PART #	QTY.
1	TRAY WELDMENT, LT40HD CABLE CHAIN	042746	1
	TRAY WELDMENT, LT30HD CABLE CHAIN	017748	1
2	TRAY WELDMENT, LT40HD 53 13/16" EXTENSION	042747	1
	TRAY WELDMENT, LT30HD 32 1/16" EXTENSION	017749	1
3	WIREFWAY WELDMENT, LONG	015599	1
4	WIREFWAY WELDMENT, LT40HD 53 13/16"	042750	1
	WIREFWAY WELDMENT, LT30HD 32 1/16"	017747	1
5	SCREW, 1/4-20 X 1/2" SLOTTED HEX HEAD	F05015-1	15/17
6	BOLT, 3/8-16 X 1" HEX HEAD	F05007-7	6
7	NUT, 3/8-16 NYLON LOCK	F05010-10	6
8	WASHER, 3/8" SAE FLAT	F05011-3	2
9	HANGER WELDMENT, REMOTE PIVOT	016193 <sup>1</sup>	1
10	FITTING, 1/4-28 GREASE	P05060 <sup>1</sup>	2
11	PIN, 3/8" X 2 1/4" SQUARE WIRE LOCK	014151	1
12	DECAL, KEEP AWAY DANGER	S09851	1

<sup>1</sup> Second hole added to pivot weldment 8/06 to accept second grease fitting. Improved grease dispersal prevents pivot from binding.

### 8.18 Cable Chain Support Bracket

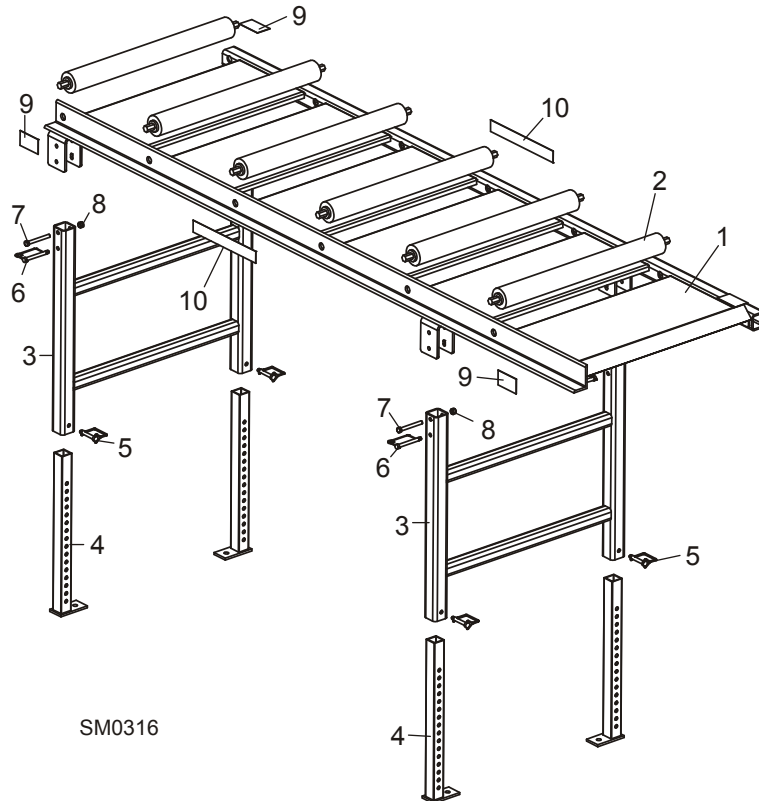


REF	DESCRIPTION (◆ Indicates Parts Available In Assemblies Only)	PART #	QTY.	
	<b>BRACKET ASSEMBLY, REMOTE CABLE CHAIN SUPPORT</b>	023586	1	
1	Bracket Weldment, Remote Cable Chain Support	023588	1	◆
2	Strap, 11 1/2" Rubber	012965 <sup>1</sup>	1	
3	Handle, Remote Cable Chain Support Lock	023602	2	
4	Bolt, 1/4-20 x 1" Carriage Head	F05005-34	1	
5	Nut, 1/4-20 Hex Lock	F05010-21	1	
6	<b>BRACKET WELDMENT, CHAIN SUPPORT STORAGE</b>	023589	1	

<sup>1</sup> Replaces 023587 originally supplied prior to 7/99 (duplicate parts).

**8** **Bed Frame Assembly**  
*Board Outfeed Table (Optional)*

**8.19 Board Outfeed Table (Optional)**



REF	DESCRIPTION (◆ Indicates Parts Available In Assemblies Only)	PART #	QTY.
	<b>TABLE ASSEMBLY, BOARD OUTFEED</b>	016652	1
1	Table Weldment, Board Outfeed	016606	1
2	Roller, 2 1/2" x 25"	038167	6
3	Mount Weldment, Outfeed Table Leg	016609	2
4	Leg Weldment, Outfeed Table	016651	4
5	Pin, 3/8" x 2 1/4" Square Wire Lock	014151	4
6	Pin, Snap - Coil Tension	016677	4
7	Bolt, 3/8-16 x 3 1/4" Hex Head	F05007-135	4
8	Nut, 3/8-16 Hex Nylon Lock	F05010-10	4
9	Decal, Hand Pinch Point Warning	S12641	4
10	Decal, 1 1/2" Wood-Mizer Logo	016991	2



## SECTION 9 MISCELLANEOUS

### 9.1 Replacement Manuals

REF	DESCRIPTION (◆ Indicates Parts Available In Assemblies Only)	PART #	QTY.
<b>Wood-Mizer Product Information</b>			
1	ALL-PRODUCTS CATALOG	PS750	1
<b>Basic Sawmill Manuals</b>			
2	TRU-SHARP BLADE HANDBOOK	M600	1
3	WOOD-MIZER GENERAL INFORMATION	M601	1
4	LT30HD/LT40HD SUPER REMOTE OPERATOR'S MANUAL	M1181	1
5	LT30HD/LT40HD SUPER REMOTE PARTS MANUAL	M1176	1
<b>Power Option Manuals</b>			
6	E25 MOTOR OPTION MANUAL	M772	1
7	D42 ENGINE OPTION MANUAL	M917	1
8	G38 ENGINE OPTION MANUAL	M1305	1
9	D47 ENGINE OPTION MANUAL	M1584	1
10	D51 ENGINE OPTION MANUAL	M1163	1
11	KUBOTA OPERATOR'S MANUAL	028555	1
12	KUBOTA SERVICE MANUAL	028566	1
13	KUBOTA PARTS MANUAL (1505TE)	028565	1
14	G36 ENGINE OPTION MANUAL	M974	1
15	NISSAN ENGINE SERVICE MANUAL		1
16	NISSAN ENGINE PARTS MANUAL		1
<b>Trailer Option Manuals</b>			
17	SUPER ELECTRIC BRAKE TRAILER OPTION	M797	1
18	SUPER SURGE BRAKE TRAILER OPTION	M795	1
<b>Miscellaneous Option Manuals</b>			
19	SHINGLE/LAPSIDER OPTION MANUAL	M621	1
20	RESAW ATTACHMENT OPTION MANUAL	M263	1
21	BED EXTENSION OPTION MANUAL	M294	1
22	MKII DEBARKER ATTACHMENT OPTION MANUAL	M546	1
23	REMOTE ACCUSET 2 OPTION MANUAL	M1519	1
24	REMOTE ACCUSET OPTION MANUAL	M995	1
25	LASER SIGHT OPTION MANUAL	M679	1
26	AUTOCLUTCH OPTION MANUAL	M883	1
27	LUBE-MIZER OPTION MANUAL	M885	1
28	LATHE-MIZER OPTION MANUAL	M1337	1
<b>Electrical Diagrams</b>			
29	G36 SUPER REMOTE ELECTRICAL INFORMATION	M980	1
30	G38 REMOTE ELECTRICAL INFORMATION	M1307	1
31	D42 REMOTE ELECTRICAL INFORMATION	M999	1
32	E25 REMOTE ELECTRICAL INFORMATION	M1001	1
33	D47 REMOTE ELECTRICAL INFORMATION	M1586	1



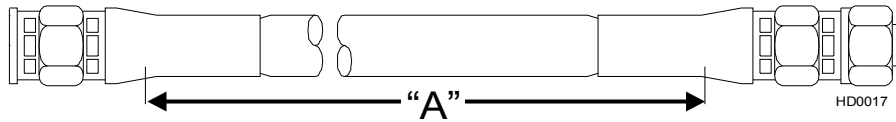
**Miscellaneous**  
*Replacement Manuals*

---

34	D51 REMOTE ELECTRICAL INFORMATION	M1165	1
----	-----------------------------------	-------	---

## SECTION 10 HYDRAULIC SYSTEM

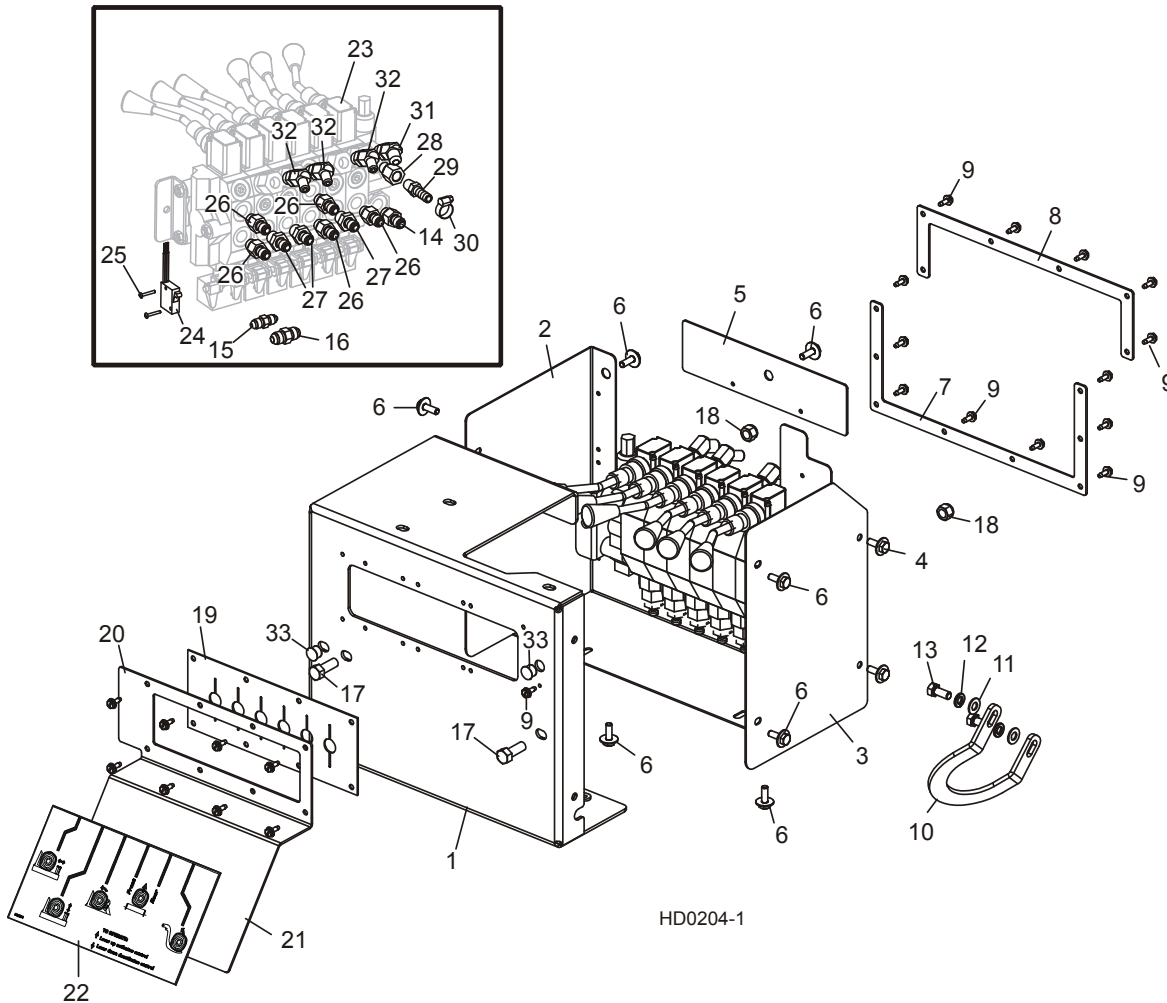
### 10.1 Hydraulic Hoses



REF	COLOR	LENGTH "A"	DESCRIPTION	PART #	QTY.
H1-H2	None	18"	1/4" Hydraulic Pump To Gauge	015704	2
H3	Plain	24"	3/8" Log Turner Base	014796	1
H4	Orange	18"	3/8" Log Turner Top	014795	1
H5	Yellow	180"	1/4" Front Toe Board Top (LT40HD Super)	018024	1
		159"	1/4" Front Toe Board Top (LT30HD Super)	018023	1
H6	Gray	180"	1/4" Front Toe Board Base (LT40HD Super)	018024	1
		159"	1/4" Front Toe Board Base (LT30HD Super)	018023	1
H7	Pink	244"	3/8" Side Support Base (LT40HD Super)	018018	1
		222"	3/8" Side Support Base (LT30HD Super)	018016	1
H8	Plain	244"	3/8" Side Support Top (LT40HD Super)	018018	1
		222"	3/8" Side Support Top (LT30HD Super)	018016	1
H9	White	219"	3/8" Clamp In/Out Top (LT40HD Super)	018015	1
		196"	3/8" Clamp In/Out Top (LT30HD Super)	018013	1
H10	Dark Orange	240"	3/8" Clamp In/Out Base (LT40HD Super)	018014	1
		218"	3/8" Clamp In/Out Base (LT30HD Super)	018012	1
H11	Purple	282"	1/4" Rear Toe Board Top (LT40HD Super)	018034	1
		260"	1/4" Rear Toe Board Top (LT30HD Super)	018032	1
H12	Black	282"	1/4" Rear Toe Board Base (LT40HD Super)	018034	1
		260"	1/4" Rear Toe Board Base (LT30HD Super)	018032	1
H13	Green	62"	3/8" Loading Arm Branch Top	014797	2
H14	Yellow	64"	3/8" Loading Arm Branch Base	014798	2
H15	Blue	249"	3/8" Loading Arm Top (LT40HD Super)	018019	1
		227"	3/8" Loading Arm Top (LT30HD Super)	018017	1
H16	Red	249"	3/8" Loading Arm Bottom (LT40HD Super)	018019	1
		227"	3/8" Loading Arm Bottom (LT30HD Super)	018017	1
H17	Green	267"	1/4" Clamp Up/Down Top (LT40HD Super)	018033	1
		245"	1/4" Clamp Up/Down Top (LT30HD Super)	018029	1
H18	Yellow	256"	1/4" Clamp Up/Down Base (LT40HD Super)	018031	1
		234"	1/4" Clamp Up/Down Base (LT30HD Super)	018027	1
H19	None	76"	3/8" Hydraulic Gauge To Valve	018011	1
			Grommet, 2 1/2" Diameter Rubber	085614	2
			Grommet, 1 x 1 3/4" Oval Rubber	085613	2

### 10.2 Command Control

LT40HD Super Remote Rev. J9.01 - K3.02

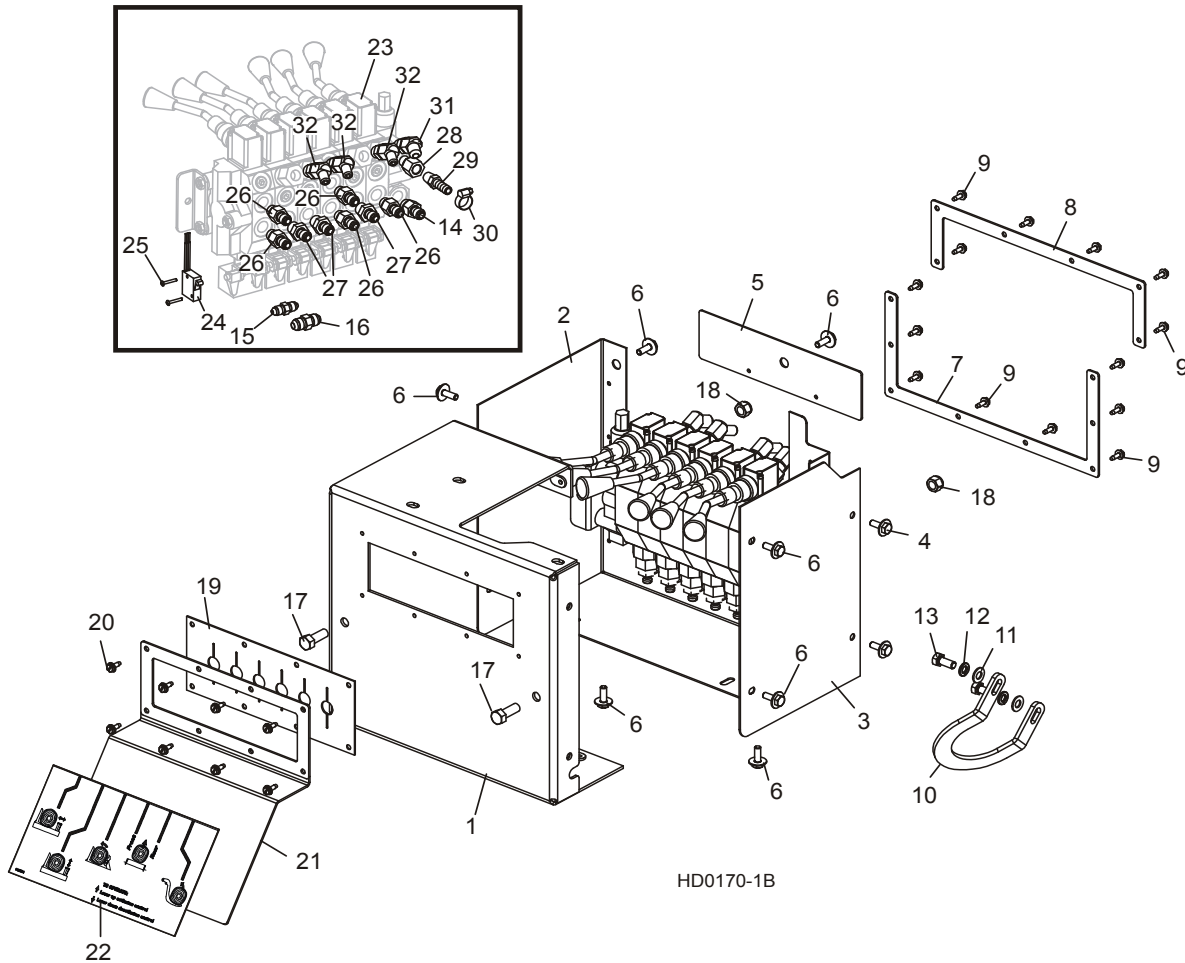


REF	DESCRIPTION (◆ Indicates Parts Available In Assemblies Only)	PART #	QTY.
1	<b>COVER WELDMENT, COMMAND CONTROL FRONT</b>	003283	1
	<b>COVER ASSEMBLY, COMMAND CONTROL REAR</b>	003279	1
2	Cover Weldment, Command Control Rear	003281	1
3	Cover Plate, Command Control Rear	003280	1
4	Bolt, 1/4-20 x 3/8" Conical Washer Head	F05005-134	2
5	<b>PLATE, COMMAND CONTROL REAR</b>	016527	1
6	<b>BOLT, 1/4-20 X 3/4" CONICAL WASHER HEAD</b>	F05005-134	8
7	<b>BRACKET, BOOT MOUNT BOTTOM</b>	016528	1
8	<b>BRACKET, BOOT MOUNT TOP</b>	016526	1
	<b>BOOT, COMMAND CONTROL HOSE</b>	016538	1
9	<b>SCREW, #10-24 X 1/2" SELF-TAPPING</b>	F05015-7	19
10	<b>BRACKET, HOSE HANGER</b>	016525	1

11	WASHER, 5/16" SAE FLAT	F05011-17	2	
12	WASHER, 5/16" SPLIT LOCK	F05011-13	2	
13	BOLT, 5/16-18 X 3/4" HEX HEAD GRADE 5	F05006-102	2	
14	FITTING, 3/8" O-RING X 3/8" JIC	014687	1	
	SLEEVE, 9 1/2" X 59" ZIPPERED	036755	1	
15	FITTING, 1/4" JIC X 1/4" JIC SMALL HEX UNION (FOR 1/4" EXTENSION HOSES)	016539	6	
16	FITTING, 3/8" JIC X 3/8" JIC SMALL HEX UNION (FOR 3/8" EXTENSION HOSES)	016540	7	
17	BOLT, 3/8-16 X 1" HEX HEAD	F05007-7	2	
18	NUT, 3/8-16 HEX NYLON LOCK	F05010-10	2	
19	SEAL, RUBBER VALVE HANDLE	015079	1	
20	SCREW, #10-24 X 1/2 SLOTTED HEX SELF-TAPPING	F05015-7	8	
21	PLATE, VALVE HANDLE DECAL	015078	1	
22	DECAL, 1997 HYDRAULIC CONTROL BOX	015364	1	
23	VALVE, HYDRAULIC 6 SECTION ( <a href="#">See Form 575</a> For Valve Service Parts)	015260	1	
24	SWITCH, HYDRAULIC VALVE ELECTRIC	024198	1	
25	SCREW, #4-40 X 3/4" SLOTTED	F05004-13	2	
26	FITTING, 3/8" O-RING - 3/8" JIC	014687	5	
27	FITTING, 3/8" O-RING - 1/4" JIC	P26284	3	
28	FITTING, #6 SAE MALE - 1/4" NPT FEMALE	014686	1	
29	FITTING, 1/4" NPT X 3/8" HOSE BARB	014685	1	
30	CLAMP, 11/16" HOSE	P12739	1	
31	FITTING, #6 SAE - 3/8" JIC 45° ELBOW	015489	1	
32	FITTING, #6 SAE - 1/4" JIC 45° ELBOW	015488	3	
33	PLUG, 1/2" HOLE	036244	2	

### 10.3 Command Control

LT30HD Super Remote Rev. J7.01 - J8.09  
 LT40HD Super Remote Rev. J7.01 - J9.00



HD0170-1B

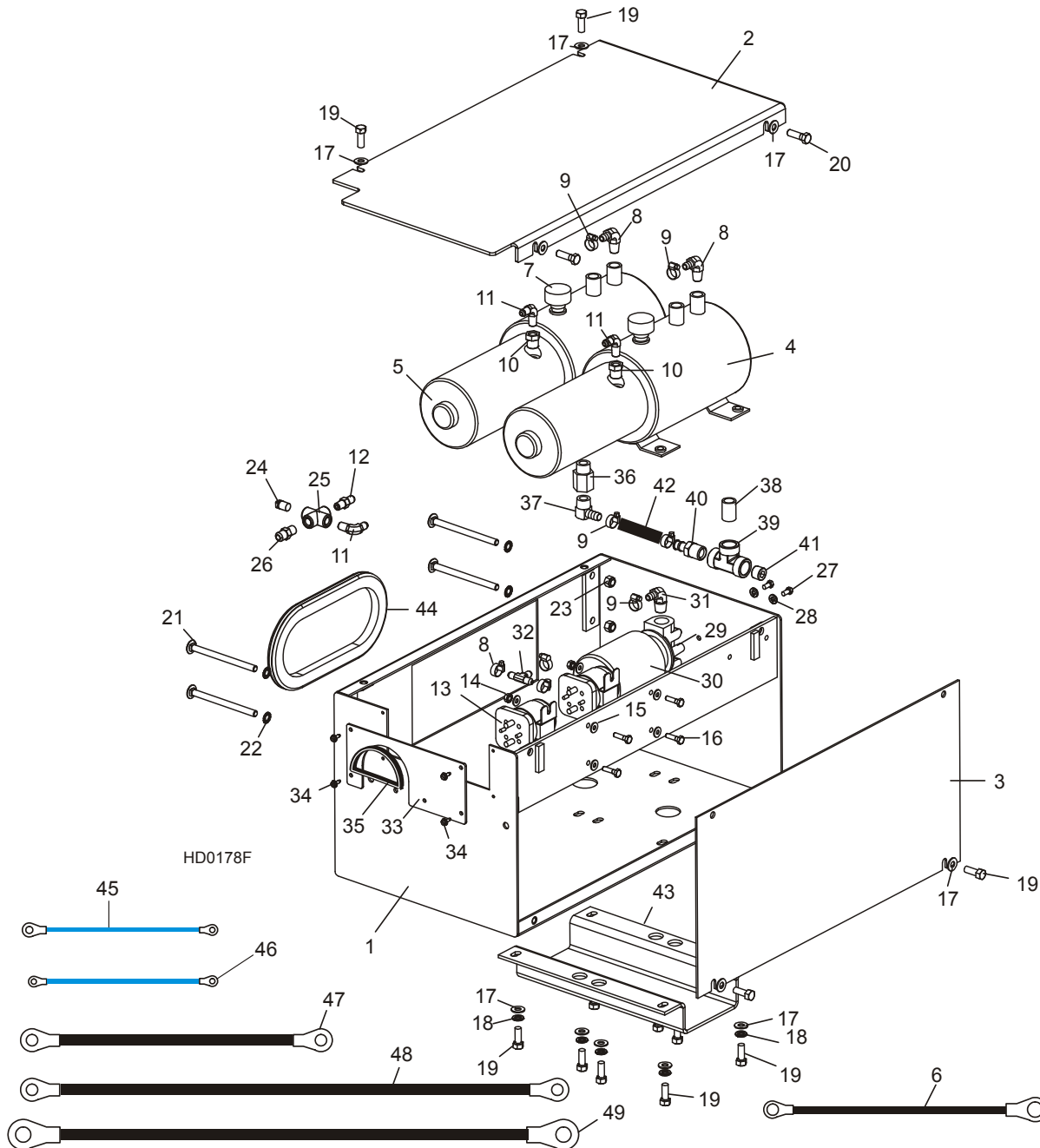
REF	DESCRIPTION (◆ Indicates Parts Available In Assemblies Only)	PART #	QTY.
1	<b>COVER WELDMENT, COMMAND CONTROL FRONT</b>	016521	1
	<b>COVER ASSEMBLY, COMMAND CONTROL REAR</b>	016522	1
2	Cover Weldment, Command Control Rear	017839	1
3	Cover Plate, Command Control Rear	017837	1
4	Bolt, 1/4-20 x 3/8" Conical Washer Head	F05005-134	2
5	<b>PLATE, COMMAND CONTROL REAR</b>	016527	1
6	<b>BOLT, 1/4-20 X 3/4" CONICAL WASHER HEAD</b>	F05005-134	8
7	<b>BRACKET, BOOT MOUNT BOTTOM</b>	016528	1
8	<b>BRACKET, BOOT MOUNT TOP</b>	016526	1
	<b>BOOT, COMMAND CONTROL HOSE</b>	016538	1
9	<b>SCREW, #10-24 X 1/2" SELF-TAPPING</b>	F05015-7	19

10	BRACKET, HOSE HANGER	016525	1	
11	WASHER, 5/16" SAE FLAT	F05011-17	2	
12	WASHER, 5/16" SPLIT LOCK	F05011-13	2	
13	BOLT, 5/16-18 X 3/4" HEX HEAD GRADE 5	F05006-102	2	
14	FITTING, 3/8" O-RING X 3/8" JIC	014687	1	
	SLEEVE, 9 1/2" X 59" ZIPPERED	036755 <sup>1</sup>	1	
15	FITTING, 1/4" JIC X 1/4" JIC SMALL HEX UNION (FOR 1/4" EXTENSION HOSES)	016539	6	
16	FITTING, 3/8" JIC X 3/8" JIC SMALL HEX UNION (FOR 3/8" EXTENSION HOSES)	016540	7	
17	BOLT, 3/8-16 X 1" HEX HEAD	F05007-7	2	
18	NUT, 3/8-16 HEX NYLON LOCK	F05010-10	2	
19	SEAL, RUBBER VALVE HANDLE	015079	1	
20	SCREW, #10-24 X 1/2 SLOTTED HEX SELF-TAPPING	F05015-7	8	
21	PLATE, VALVE HANDLE DECAL	015078 <sup>2</sup>	1	
22	DECAL, 1997 HYDRAULIC CONTROL BOX	015364	1	
23	VALVE, HYDRAULIC 6 SECTION ( <a href="#">See Form 575</a> For Valve Service Parts)	015260	1	
24	SWITCH, HYDRAULIC VALVE ELECTRIC	024198	1	
25	SCREW, #4-40 X 3/4" SLOTTED	F05004-13	2	
26	FITTING, 3/8" O-RING - 3/8" JIC	014687	5	
27	FITTING, 3/8" O-RING - 1/4" JIC	P26284	3	
28	FITTING, #6 SAE MALE - 1/4" NPT FEMALE	014686	1	
29	FITTING, 1/4" NPT X 3/8" HOSE BARB	014685	1	
30	CLAMP, 11/16" HOSE	P12739	1	
31	FITTING, #6 SAE - 3/8" JIC 45° ELBOW	015489	1	
32	FITTING, #6 SAE - 1/4" JIC 45° ELBOW	015488	3	

<sup>1</sup> 036755 9 1/2" x 59" Sleeve replaces 016728 8" x 55" Sleeve to accommodate larger hoses used on Super models (Rev. J8.04).

<sup>2</sup> Plate modified with protrusion to accommodate larger box used after Rev. J9.01 ([See Section 10.2](#)).

10.4 Hydraulic Pump Box





REF	DESCRIPTION (◆ Indicates Parts Available In Assemblies Only)	PART #	QTY.	
1	<b>BOX WELDMENT, SUPER HYDRAULIC PUMP HOUSING</b>	015027	1	
2	<b>COVER, SUPER HYDRAULIC PUMP HOUSING TOP</b>	015228	1	
3	<b>COVER, SUPER HYDRAULIC PUMP HOUSING SIDE</b>	015227	1	
4	<b>PUMP KIT, HYDRAULIC W/MOTOR</b>	061764 <sup>1</sup>	2	
	Pump, Hydraulic Replacement Monarch Model #12070	016199	1	
	Motor Kit, Hydraulic Replacement	052807	1	
5	Motor, 12 VDC Hydraulic Pump #08714 (Iskra)	038683 <sup>2</sup>	1	◆
	Brush Kit, 4-Valve Hydraulic Pump Motor #08658-I (Iskra)	038682 <sup>2</sup>	1	
	Brush Kit, 4-Valve Hydraulic Pump Motor #08658 (Bosch)	P09585 <sup>2</sup>	1	◆
	Bearing, Base Motor #02318	P12513	1	
6	Wire Assembly, Motor Brush Ground	052806 <sup>3</sup>	1	
7	Cap, Hydraulic Pump Vented Fill #03171	P12817	1	
	O-Ring, Hydraulic Pump/Reservoir #02352	P10198	1	
	Seal, Hydraulic Pump/Motor #02330	P10315	1	
8	<b>FITTING, #6-6 (3/8" NPT) - 3/8" HOSE BARB ELBOW</b>	P12708	2	
9	<b>CLAMP, 11/16" HOSE</b>	P12739	9	
10	<b>FITTING, 3/8" NPT - 1/4" NPT REDUCER</b>	015490	2	
11	<b>FITTING, 1/4" NPT - 1/4" JIC ELBOW</b>	P09142	3	
12	<b>FITTING, 1/4" NPT - 1/4" JIC</b>	P09143	1	
13	<b>SOLENOID KIT, 200A 12V SPST HYDRAULIC PUMP MOTOR</b>	016371	2	
	Solenoid, 200A 12V SPST Cont. Duty	015470	1	◆
	Diode Assembly, Solenoid Coil Chassis Gnd	015426 <sup>4</sup>	1	
14	<b>NUT, #1/4-20 SELF LOCKING</b>	F05010-9	4	
15	<b>WASHER, 1/4" SAE FLAT</b>	F05011-11	8	
16	<b>BOLT, #1/4-20 X 1" HEX HEAD</b>	F05005-38	4	
	<b>FLUID, 1-QUART DEXRON III HYDRAULIC</b>	P12742	2 1/4 gal.	
	<b>FLUID, 1-GALLON CONOCO MV32</b>	006397 <sup>5</sup>	2 1/4 gal.	
	<b>FLUID, 1-GALLON EXXON UNIVIS HVI 13 HYDRAULIC</b>	P12822	2 1/4 gal.	
	<b>DECAL, HYDRAULIC FLUID REPLACEMENT</b>	S12825	1	
17	<b>WASHER, 3/8" SAE FLAT</b>	F05011-3	14	
18	<b>WASHER, 3/8" SPLIT LOCK</b>	F05011-4	8	
19	<b>BOLT, 3/8-16 X 1" HEX HEAD GRADE 5</b>	F05007-87	12	
20	<b>BOLT, 3/8-16 X 1 1/4" HEX HEAD</b>	F05007-2	2	
21	<b>BOLT, 3/8-16 X 5" CARRIAGE HEAD</b>	F05007-113	4	
22	<b>WASHER, 3/8" EXTERNAL STAR LOCK</b>	F05011-36	4	
23	<b>NUT, 3/8-16 HEX NYLON LOCK</b>	F05010-10	4	
24	<b>GAUGE, 5000 PSI HYDRAULIC</b>	P10052	1	
25	<b>FITTING, 1/4" NPT CROSS</b>	P22311	1	
26	<b>FITTING, 1/4" NPT X 3/8" JIC STRAIGHT</b>	015560	1	
27	<b>BOLT, 1/4-20 X 1/2" HEX HEAD</b>	F05005-15	2	
28	<b>WASHER, 1/4" SPLIT LOCK</b>	F05011-14	2	

# 10

## Hydraulic System

### Hydraulic Pump Box

29	<b>MANIFOLD, HYDRAULIC CARTRIDGE FILTER</b>	P22683	1	
30	Filter, S28 Hydraulic Cartridge	P20301	1	
31	<b>FITTING, #6-8 (1/2" NPT) - 3/8" HOSE BARB ELBOW</b>	P12707	2	
32	<b>FITTING, 3/8" HOSE BARB T</b>	015485	1	
33	<b>PLATE, HYDRAULIC CONTROL BOX COVER</b>	016523	1	
34	<b>SCREW, #10 X 1/2 SLOTTED HEX SELF-TAPPING</b>	F05015-7	5	
35	<b>EDGING, 3/8" X 1/2" BLACK RUBBER</b>	014548	1.69 ft.	
36	<b>FITTING, 1/2" NPT - 1/2" NPT ADAPTOR</b>	015995	1	
37	<b>FITTING, 1/2" NPT - 1/2" HOSE BARB 90° ELBOW</b>	015997	1	
38	<b>FITTING, 1/2" NPT NIPPLE</b>	016795	1	
39	<b>FITTING, 1/2" NPT FEMALE T</b>	016793	1	
40	<b>FITTING, 1/2" NPT - 1/2" HOSE BARB STRAIGHT</b>	016794	1	
41	<b>FITTING, 1/2" NPT PIPE PLUG</b>	P26258	1	
42	<b>HOSE, 1/2" ID HYDRAULIC LOW PRESSURE</b>	R02133	.33 ft	
43	<b>GUARD, HYDRAULIC CROSSOVER</b>	015992	1	
44	<b>GROMMET, RUBBER 4 3/8" X 10" OVAL</b>	085759	1	
45	<b>WIRE ASSEMBLY, 14 GA X 4" #10 &amp; 5/16" RING TERMINALS</b>	036315	2	
46	<b>WIRE ASSEMBLY, 14 GA X 4" #10 RING TERMINALS</b>	036314	1	
47	<b>CABLE ASSEMBLY, 1 GA X 6" HYDRAULIC PUMP TO SOLENOID</b>	036311	1	
48	<b>CABLE ASSEMBLY, 1 GA X 16" HYDRAULIC PUMP TO SOLENOID</b>	036310	1	
49	<b>CABLE ASSEMBLY, 1 GA X 16" HYDRAULIC PUMP GROUND</b>	036312	2	
	<b>WASHER, 3/8" STAR EXTERNAL</b>	F05011-36	3	

<sup>1</sup> Pump Kit 061764 replaces Pump P12701 1/09. Kit includes P12701 plus Brush Ground Wire Kit 052805 to insure adequate ground connection.

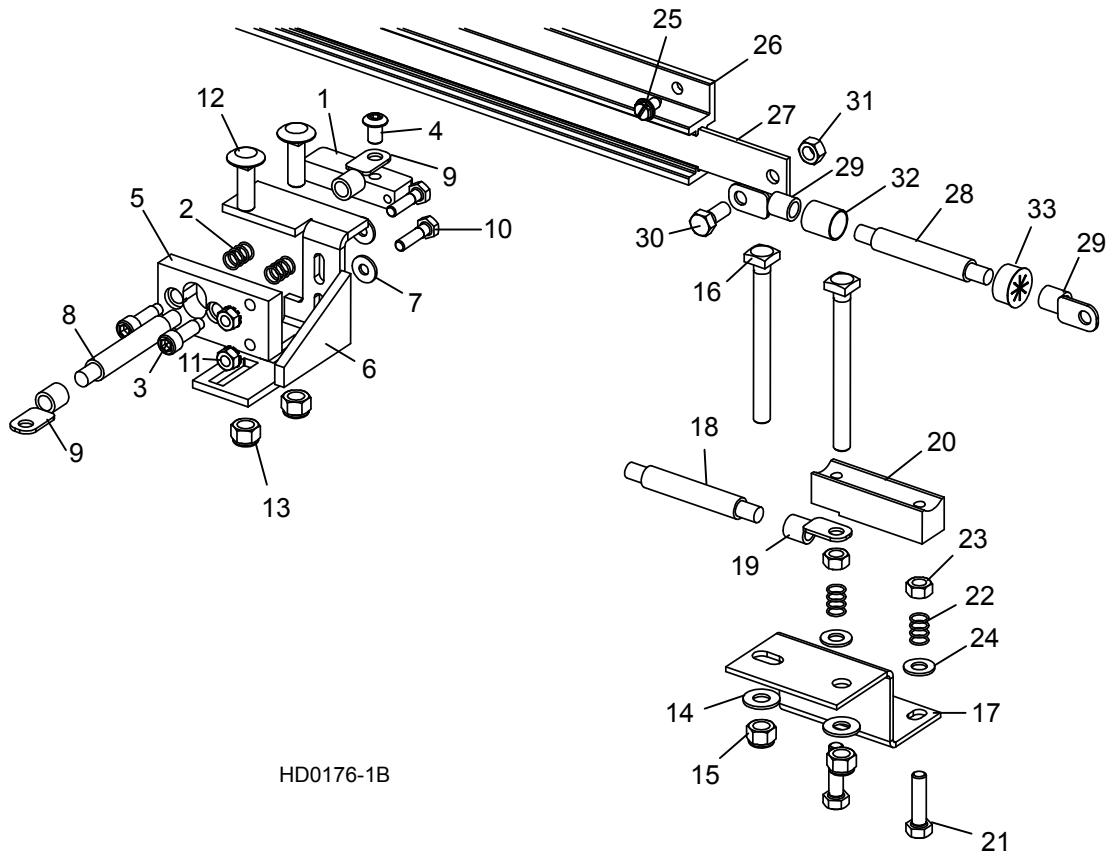
<sup>2</sup> Bosch motor P09955 replaced by vendor with Iskra motor 1/06. Brush kit P09585 no longer available to service Bosch motor. Replace motor using kit 052807. Use Brush Kit 038682 to service Iskra motor.

<sup>3</sup> Brush Ground Wire 052806 added Rev. J8.12 to improve ground connection. Kit 052805 to be supplied to all customers who purchased sawmills with Iskra pump motors after 1/06. Kit includes wire, hardware and instructions (One kit required per pump).

<sup>4</sup> Diode Assembly 015426 added to prevent damage to hydraulic microswitch (LT30HD/LT40HD Super Rev. J7.03)

<sup>5</sup> Conoco MV32 Fluid 006397 replaces Univis HVI 26 Fluid P12823 used prior to 1/08. Fluids are interchangeable.

## 10.5 Hydraulic Power Supply Strip



REF	DESCRIPTION (◆ Indicates Parts Available In Assemblies Only)	PART #	QTY.	
	<b>CONTACT ASSEMBLY, HYDRAULIC POWER SUPPLY (POSITIVE)</b>	010103	1	
	Contact Kit, 97+ Hydraulic Power Supply Positive	007716	1	
1	Contact, Hydraulic Power Supply (Positive)	015253	1	
2	Spring, Positive Contact	P10077	2	
3	Bolt, 5/16" X 3/4" Shoulder (1/4-20 Thread) Stainless	F05006-143 <sup>1</sup>	2	
4	Bolt, 5/16-18 x 1/2" Socket Button Head	F05006-20	1	
5	Insulator, Positive Contact	S10072	1	
6	Bracket, Positive Contact Mounting	015324	1	
7	Washer, 1/4" SAE Flat	F05011-11	2	
8	Cable, #1 Weld	R01971 <sup>2</sup>	1.17 Ft	◆
9	Terminal, 5/16" Ring #2 Gauge	F05092-16 <sup>2</sup>	2	
10	Bolt, 1/4-20 X 1" Hex Head Grade 2	F05005-38	2	
11	Nut, 1/4-20 Hex Self-Locking	F05010-9	2	
12	Bolt, 3/8-16 X 1 1/4" Carriage Head	F05007-11	2	
13	Nut, 3/8-16 Hex Nylon Lock	F05010-10	2	

# 10

## Hydraulic System

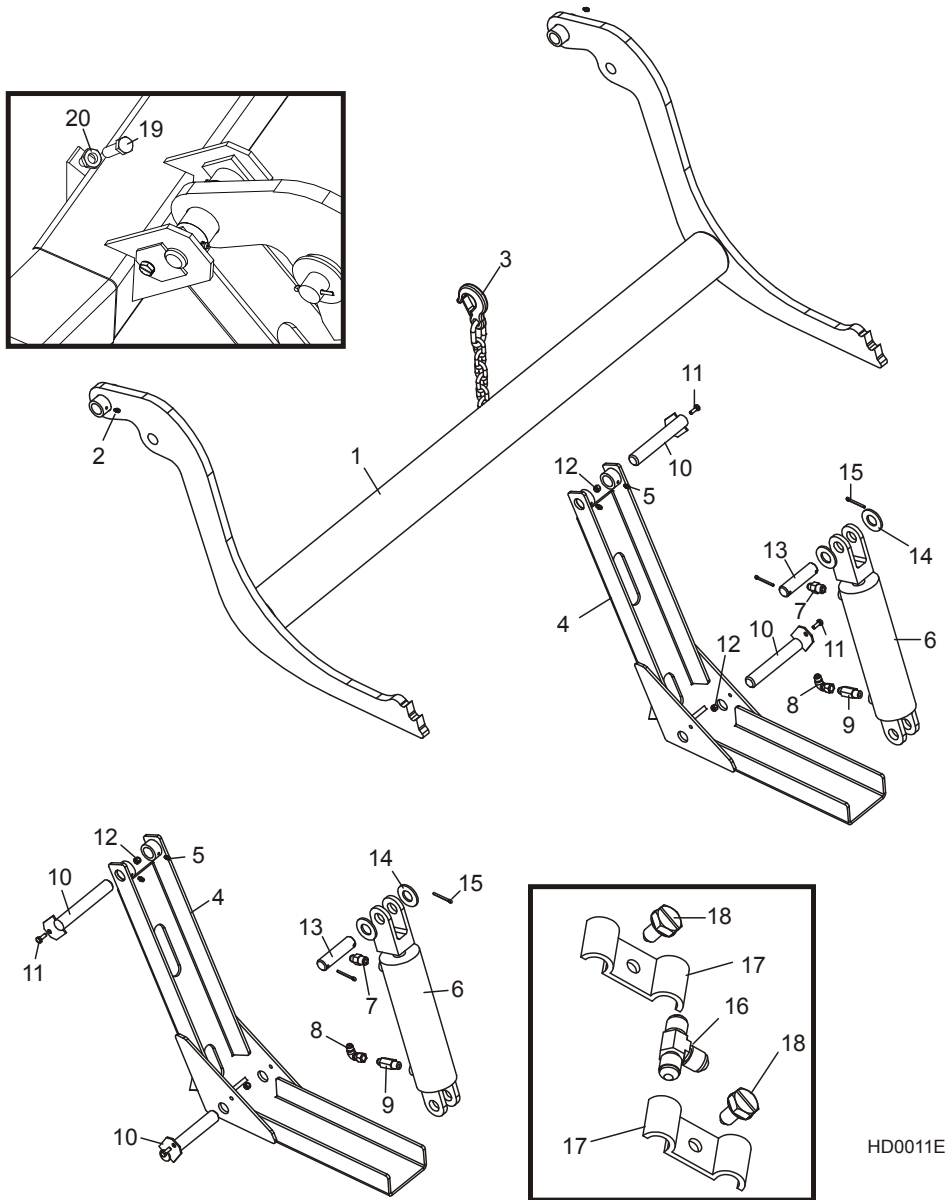
### Hydraulic Power Supply Strip

	<b>CONTACT KIT, HYDRAULIC POWER SUPPLY (GROUND)</b>	010104	1	
14	Washer, 3/8" SAE Flat	F05011-3	2	
15	Nut, 3/8-16 Hex Nylon Lock	F05010-10	2	
16	Bolt, 3/8-16 X 4" Square Head	F05007-175	2	
17	Bracket, Ground Contact Mounting	016792	1	
18	Cable Assy, Hydraulic Negative Contact (Ground) #1 Weld	036306	1	
	Cable, #1 Weld	R01971	2.2 Ft	◆
19	Terminal, 5/16" Ring #2 Gauge	F05092-16	2	
	Contact Kit, Hydraulic Power Supply Ground	007717	1	
20	Contact, Hydraulic Power Supply (Ground)	015264	1	
21	Bolt, 5/16-18 X 1 1/4" Hex Head Full Thread Grade 5	F05006-93	2	
22	Spring, Ground Contact	P10077	2	
23	Nut, 5/16-18 Hex	F05010-17	2	
24	Washer, 5/16" SAE Flat	F05011-17	2	
	<b>STRIP ASSEMBLY, 6' HYDRAULIC POWER SUPPLY W/2 3FT. CABLES</b>	015564	1	
25	Screw, 1/4-20 X 1/2" Slotted Hex Head	F05015-1	8	
26	Housing, 6' Contact Strip	P11976	1	
	Strip, 6' Contact With 2Cables	015886	1	
27	Strip, 6' Contact	S10075	1	◆
28	Cable Assembly, Hydraulic Contact Strip	052161	2	
	Cable, #1 Weld	R01971	3 Ft	◆
29	Terminal, 5/16" Ring #2 Gauge	F05092-16	2	
30	Bolt, 5/16-18 X 3/4" Hex Head Black Nylon	F05006-45	1	
31	Nut, 5/16-18 Hex Black Nylon	F05010-86	1	
32	Tube, 5/8" Heat Shrink	R01950-5	.33 Ft	◆
33	Grommet, 5/8" Wire	P04137	1	

<sup>1</sup> Stainless Steel Bolt F05006-143 replaces F05006-44 to prevent corrosion (Rev. K3.02).

<sup>2</sup> [See Section 5.8](#) for pre-assembled cable service assemblies.

## 10.6 Hydraulic Log Loader



REF	DESCRIPTION (◆ Indicates Parts Available In Assemblies Only)	PART #	QTY.
	<b>LOADER KIT, HYDRAULIC LOG (LT30HD SUPER)</b>	LTHDLA-30S	1
	<b>LOADER KIT, HYDRAULIC LOG (LT40HD SUPER)</b>	LTHDLA-40S	1
1	Arm, Hydraulic Log Loading	036416 <sup>1</sup>	1
2	Fitting, 3/16" Grease	P04107	2
3	Chain, Hydraulic Log Loader Safety	A04376	1
4	Channel, Hydraulic Log Loading Foot	W09444	2

# 10

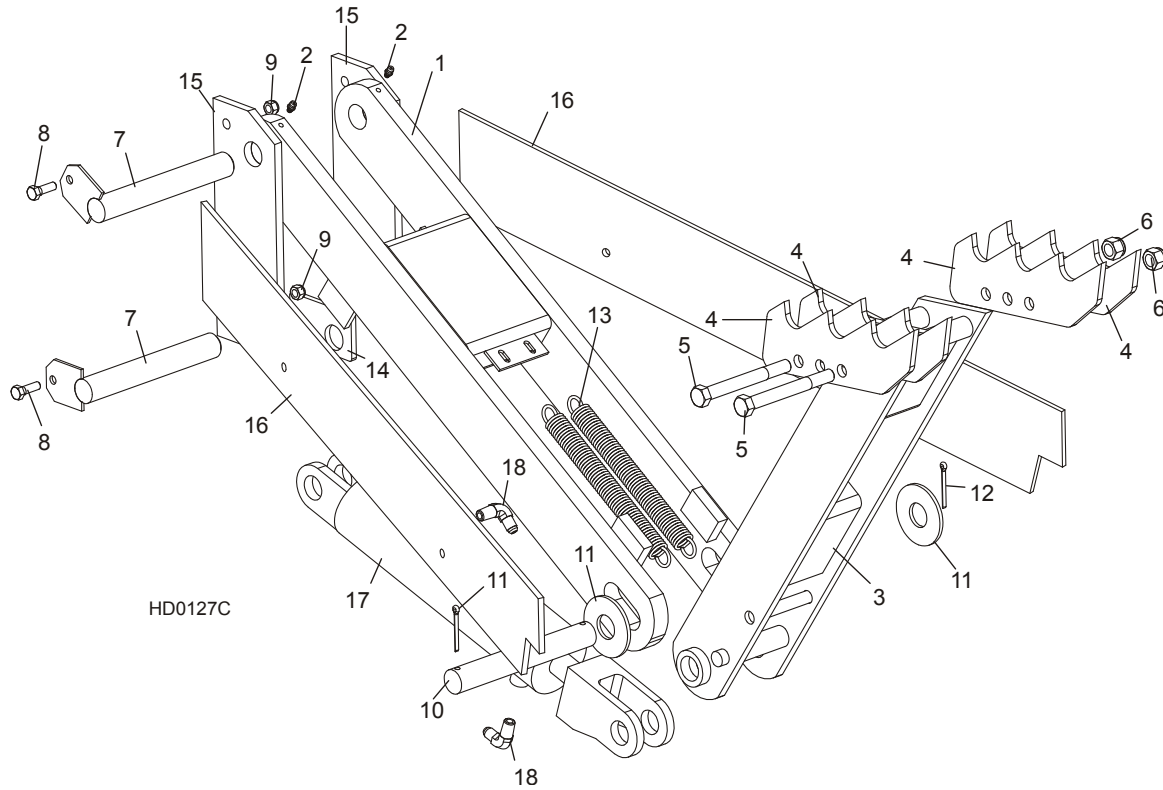
## Hydraulic System Hydraulic Log Loader

5	Fitting, 3/16" Grease	P04107	4	
	Cylinder Assembly, Super Hydraulic Log Loading Arm	015562	2	◆
6	Cylinder, 8" X 3" Hydraulic	P12847	1	
	Seal Kit, 8" x 3" Hydraulic Cylinder	P12956	1	
7	Fitting, 1/4 NPT - 3/8" JIC Straight	015560	2	
8	Fitting, 0455x4x4 90° Swivel Elbow	P12199	1	
	Fitting Kit, 1/4NPT 5.0GPM Velocity Fuse	015832	1	
9	Fitting, 1/4NPT 5.0GPM Velocity Fuse	015750	2	◆
	Instruction Sheet, Velocity Fuse Replacement	015832-255	1	
10	Pin, Loading Arm Mount	W09446	4	
11	Bolt, 1/4-20 x 3/4" Hex Head Full Thread	F05005-1	4	
12	Nut, 1/4-20 Hex Lock	F05010-69	4	
13	Pin, Loading Arm Cylinder Mount	S09251	2	
14	Washer, 1" SAE Flat	F05011-28	4	
15	Pin, 3/16" X 1 1/2" Cotter	F05012-23	4	
16	Fitting, 3/8" JIC Union 'T'	015487	1	
17	Clamp, 3/8" Hydraulic Hose	016041	6	
18	Bolt, 5/16-18 X 3/4" Hex Head Grade 5	F05006-102 <sup>2</sup>	6	
19	<b>BOLT, 1/2-13 X 2" HEX HEAD FULL THREAD GRADE 5</b>	F05008-116	2	
20	<b>NUT, 1/2-13 JAM</b>	F05010-31	2	

<sup>1</sup> Loading Arm Weldment 036416 replaces W11805 originally supplied prior to LT30HD/LT40HD Super Rev. J7.02. Redesigned arm provided easier loading of logs onto arm.

<sup>2</sup> Grade 5 Hex Head Bolt F05006-102 replaces self-tapping bolt F05006-30 to eliminate shearing of bolts head (4/08).

## 10.7 Hydraulic Log Turner



REF	DESCRIPTION (◆ Indicates Parts Available In Assemblies Only)	PART #	QTY.	
1	ARM, HYDRAULIC LOG TURNER LINK	015231	1	
2	Fitting, 3/16" Grease	P04107	2	
3	ARM, HYDRAULIC LOG TURNER PAINTED	015233	1	
4	CLAW, HYDRAULIC LOG TURNER	014675	4	
5	BOLT, 1/2-13 X 5" HEX HEAD GRADE 5	F05008-66	2	
6	NUT, 1/2-13 HEX LOCK	F05010-3	2	
7	PIN, LOG TURNER MOUNT	015085	2	
8	BOLT, 5/16-18 X 1" HEX HEAD GRADE 2	F05006-1	2	
9	NUT, 5/16-18 HEX LOCK	F05010-6	2	
10	PIN, LOG TURNER PIVOT	S09246	1	
11	WASHER, 1" SAE FLAT	F05011-28	2	
12	PIN, 3/16" X 1 1/2" COTTER	F05012-23	2	
13	SPRING, HYDRAULIC LOG TURNER	015718	2	
14	PLATE, LOG TURNER CYLINDER MOUNT	S09155	1	
15	PLATE, LOG TURNER MOUNT	S09109	2	
16	PLATE, LOG TURNER BRACE	S09605	2	
	CYLINDER ASSEMBLY, SUPER HYDRAULIC LOG TURNER	015563	1	
17	Cylinder, 8" X 2 1/2" Hydraulic	P12846	1	◆

**10****Hydraulic System***Hydraulic Log Turner*

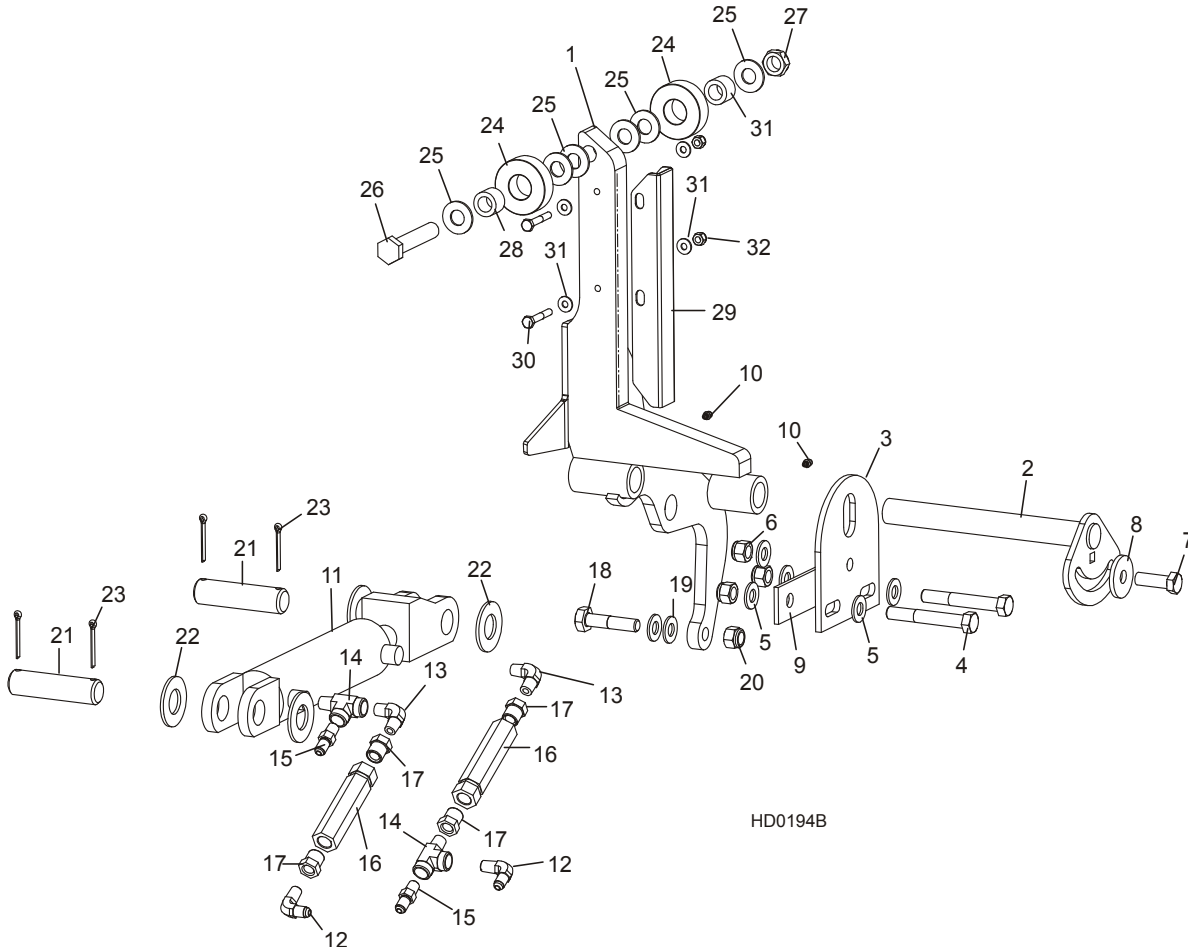
---

	Seal Kit, 8" x 2 1/2" Hydraulic Cylinder	P12955	1	
<b>18</b>	Fitting, 1/4" NPT - 3/8 JIC Elbow	015491	2	
	<b>WASHER, 1/2" SAE FLAT</b>	F05011-2	4	



## 10.8 Hydraulic Log Side Supports (Front/Rear)

*LT40HD Super Remote Rev. J8.04 - K3.02*



REF	DESCRIPTION (◆ Indicates Parts Available In Assemblies Only)	PART #	QTY.
1	<b>SUPPORT, HYDRAULIC LOG SIDE</b>	W12339	2
	<b>MOUNTING KIT, HYDRAULIC LOG SIDE SUPPORT</b>	016559	2
2	Pin, Log Side Support Pivot	016544	1
3	Plate, Log Side Support End	016555	1
4	Bolt, 1/2-13 X 3 1/2" Hex Head Grade 5	F05008-61	2
5	Washer, 1/2" SAE Flat	F05011-2	5
6	Nut, 1/2-13 Hex Nylon Lock	F05010-8	3
7	Bolt, 1/2-13 X 1 1/2" Hex Head Grade 5	F05008-33	1
8	Washer, .52" x 1.69"	014632 <sup>1</sup>	1
9	Plate, Side Support Washer Clamp	016558	1
10	<b>FITTING, 3/16" GREASE</b>	P04107	4
	<b>CYLINDER ASSEMBLY, SUPER HYDRAULIC LOG SIDE SUPPORT</b>	015561	1
11	Cylinder, 6" X 2" Hydraulic	P12845	1

# 10

## Hydraulic System

### Hydraulic Log Side Supports (Front/Rear)

	Seal Kit, 6" x 2" Hydraulic Cylinder	P12954	1	
12	Fitting, 3/8" JIC - 1/4" NPT Elbow	015491	2	
13	Fitting, C3529x4 90° Pipe	P09140	2	
14	Fitting, C3759x4 Male 'T'	P09141	2	
15	Fitting, 3/8" JIC - 1/4" NPT	015560	2	
16	Valve, Hydraulic Sequence	015484	2	
17	Fitting, 3/8" NPT - 1/4" NPT Reducer	015490	4	
18	<b>BOLT, 1/2-13 X 2 1/4" HEX HEAD GRADE 5</b>	F05008-10	2	
19	<b>WASHER, 1/2" SAE FLAT</b>	F05011-2	4	
20	<b>NUT, 1/2-13 HEX NYLON LOCK</b>	F05010-8	2	
21	<b>PIN, CYLINDER MOUNT</b>	S09251	2	
22	<b>WASHER, 1" SAE FLAT</b>	F05011-28	4	
23	<b>PIN, 3/16" X 1 1/2" COTTER</b>	F05012-23	4	
	<b>ROLLER KIT, SIDE SUPPORT</b>	016562	2	
24	Roller, Side Support	016561	2	
25	Washer, 5/8" SAE Flat	F05011-5 <sup>2</sup>	6	
26	Bolt, 5/8-11 x 3 3/4" Hex Head Grade 5	F05009-118 <sup>3</sup>	1	
27	Nut, 5/8-11 Hex Nylon Lock Jam	F05010-96	1	
28	Bushing, Bronze 5/8" x 1" x 3/4"	016560	2	
	Bolt, 1/2-13 x 3 1/2" Carriage Head	F05008-94	1	
	Instruction Sheet, Side Support Roller	016562-526	1	
	<b>GUARD KIT, STAINLESS STEEL SIDE SUPPORT</b>	016798	1	
29	Guard, Stainless Steel Side Support	016722	4	
30	Bolt, 1/4-20 x 1 3/4" Hex Head	F05005-4	8	
31	Washer, 1/4" SAE Flat	F05011-11	16	
	Washer, 5/8" SAE Flat	F05011-5 <sup>2</sup>	4	
32	Nut, 1/4-20 Hex Nylon Lock	F05010-69	8	
	Instruction Sheet, Stainless Steel Side Support Guard Retro	016798-1005	1	

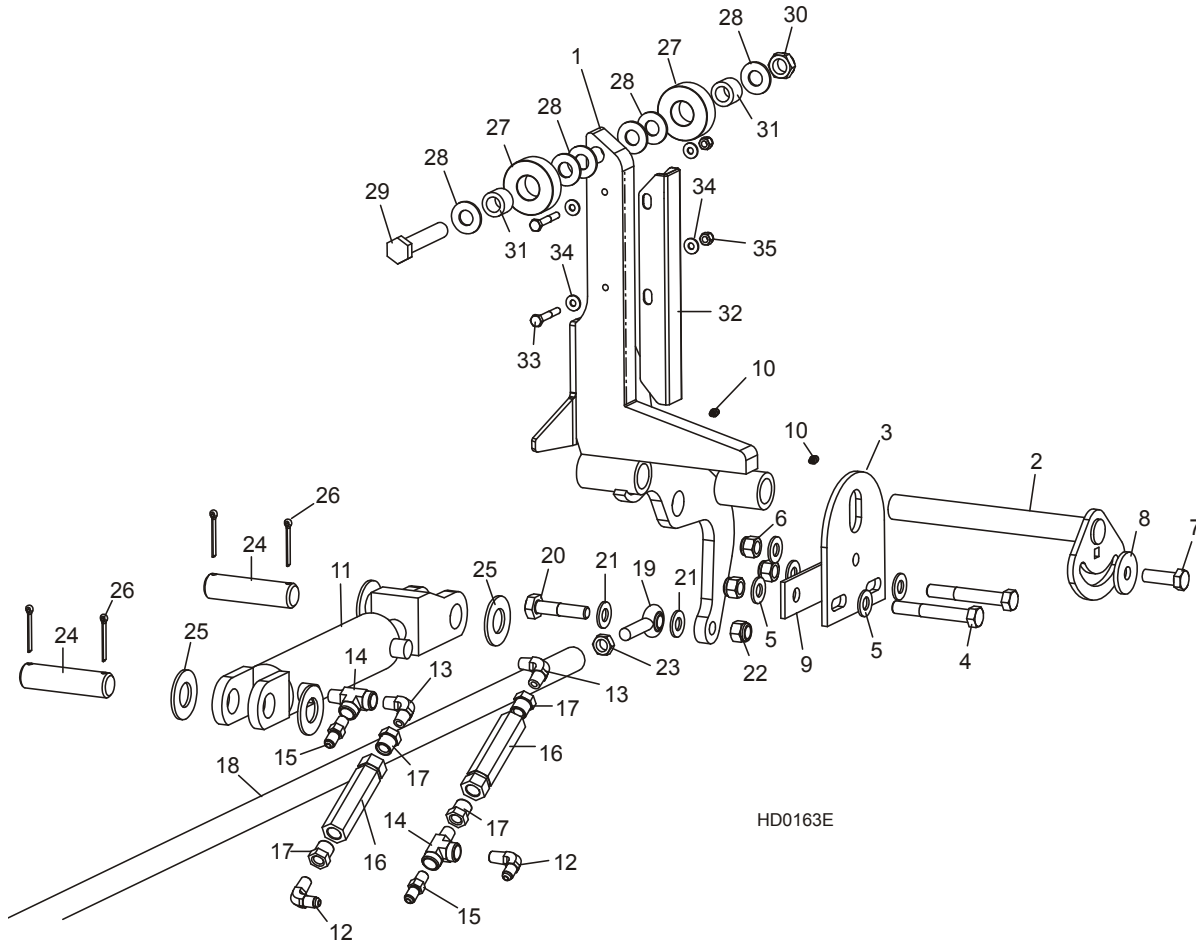
<sup>1</sup> Oversized Washer 014632 replaces 1/2" SAE Flat Washer F05011-2 to provide larger clamping area during adjustment (Rev. K3.02).

<sup>2</sup> Additional 5/8" SAE Flat Washer F05011-5 may be required on each side of side support to provide clearance for optional stainless steel side support guards. Extra washers are included in the stainless steel guard retrofit kit (016798).

<sup>3</sup> Longer bolt replaces 3 1/2" F05009-93 used before 3/07.

## 10.9 Hydraulic Log Side Supports

LT40HD Super Remote Rev. J7.01 - J8.03



REF	DESCRIPTION (◆ Indicates Parts Available In Assemblies Only)	PART #	QTY.
<b>1</b>	<b>SUPPORT, HYDRAULIC LOG SIDE</b>	W12339	2
	<b>MOUNTING KIT, HYDRAULIC LOG SIDE SUPPORT</b>	016559	2
<b>2</b>	Pin, Log Side Support Pivot	016544	1
<b>3</b>	Plate, Log Side Support End	016555	1
<b>4</b>	Bolt, 1/2-13 X 3 1/2" Hex Head Grade 5	F05008-61	2
<b>5</b>	Washer, 1/2" SAE Flat	F05011-2	5
<b>6</b>	Nut, 1/2-13 Hex Nylon Lock	F05010-8	3
<b>7</b>	Bolt, 1/2-13 X 1 1/2" Hex Head Grade 5	F05008-33	1
<b>8</b>	Washer, .52" x 1.69"	014632 <sup>1</sup>	1
<b>9</b>	Plate, Side Support Washer Clamp	016558	1
<b>10</b>	<b>FITTING, 3/16" GREASE</b>	P04107	4
	<b>CYLINDER ASSEMBLY, SUPER HYDRAULIC LOG SIDE SUPPORT</b>	015561	1
<b>11</b>	Cylinder, 6" X 2" Hydraulic	P12845	1

# 10

## Hydraulic System

### Hydraulic Log Side Supports

	Seal Kit, 6" x 2" Hydraulic Cylinder	P12954	1	
12	Fitting, 3/8" JIC - 1/4" NPT Elbow	015491	2	
13	Fitting, C3529x4 90° Pipe	P09140	2	
14	Fitting, C3759x4 Male 'T'	P09141	2	
15	Fitting, 3/8" JIC - 1/4" NPT	015560	2	
16	Valve, Hydraulic Sequence	015484	2	
17	Fitting, 3/8" NPT - 1/4" NPT Reducer	015490	4	
18	<b>ROD, HYDRAULIC SIDE SUPPORT LINK</b> ( <a href="#">See Section 10.7</a> if equipped with HSS Option)	015026	1	
19	<b>END, 1/2" ROD</b>	P09137	2	
20	<b>BOLT, 1/2-13 X 2 1/4" HEX HEAD GRADE 5</b>	F05008-10	2	
21	<b>WASHER, 1/2" SAE FLAT</b>	F05011-2	4	
22	<b>NUT, 1/2-13 HEX NYLON LOCK</b>	F05010-8	2	
23	<b>NUT, 1/2-20 HEX JAM</b>	F05010-16	1	
24	<b>PIN, CYLINDER MOUNT</b>	S09251	2	
25	<b>WASHER, 1" SAE FLAT</b>	F05011-28	4	
26	<b>PIN, 3/16" X 1 1/2" COTTER</b>	F05012-23	4	
	<b>ROLLER KIT, SIDE SUPPORT</b>	016562	2	
27	Roller, Side Support	016561	2	
28	Washer, 5/8" SAE Flat	F05011-5 <sup>2</sup>	6	
29	Bolt, 5/8-11 x 3 3/4" Hex Head Grade 5	F05009-118 <sup>3</sup>	1	
30	Nut, 5/8-11 Hex Nylon Lock Jam	F05010-96	1	
31	Bushing, Bronze 5/8" x 1" x 3/4"	016560	2	
	Bolt, 1/2-13 x 3 1/2" Carriage Head	F05008-94	1	
	Instruction Sheet, Side Support Roller	016562-526	1	
	<b>GUARD KIT, STAINLESS STEEL SIDE SUPPORT</b>	016798	1	
32	Guard, Stainless Steel Side Support	016722	4	
33	Bolt, 1/4-20 x 1 3/4" Hex Head	F05005-4	8	
34	Washer, 1/4" SAE Flat	F05011-11	16	
	Washer, 5/8" SAE Flat	F05011-5 <sup>2</sup>	4	
35	Nut, 1/4-20 Hex Nylon Lock	F05010-69	8	
	Instruction Sheet, Stainless Steel Side Support Guard Retro	016798-1005	1	

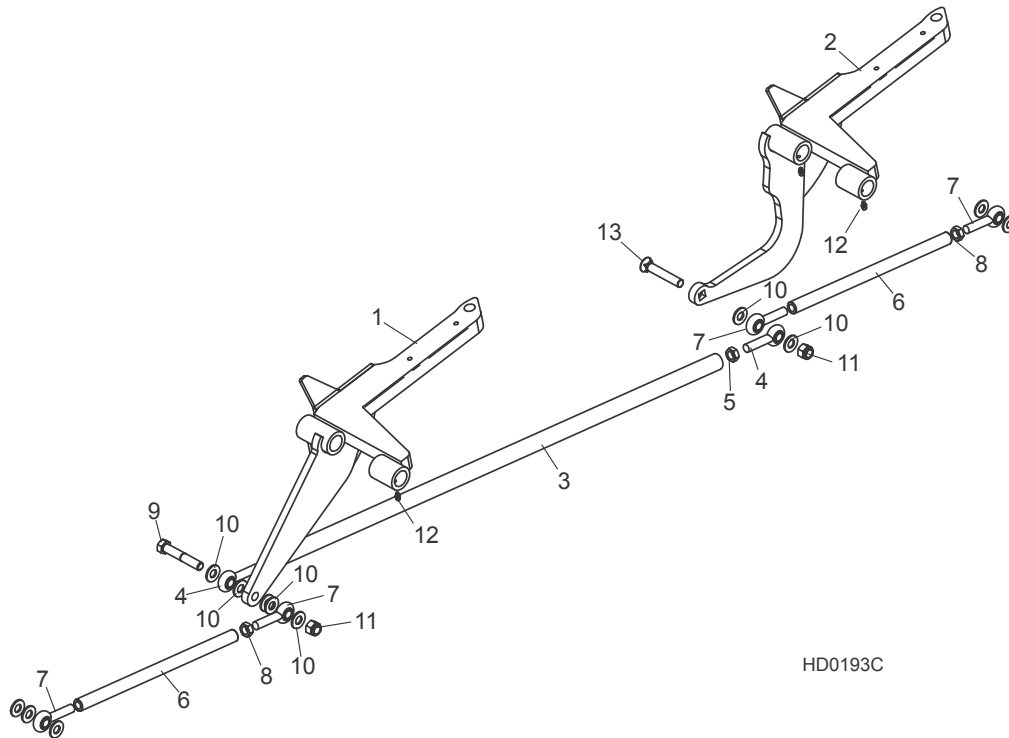
<sup>1</sup> Oversized Washer 014632 replaces 1/2" SAE Flat Washer F05011-2 to provide larger clamping area during adjustment (12/09).

<sup>2</sup> Additional 5/8" SAE Flat Washer F05011-5 may be required on each side of side support to provide clearance for optional stainless steel side support guards. Extra washers are included in the stainless steel guard retrofit kit (016798).

<sup>3</sup> Longer bolt replaces 3 1/2" F05009-93 used before 3/07.

## 10.10 Hydraulic Log Side Supports (Middle)

*LT40HD Super Remote Rev. J8.04 - K3.02*

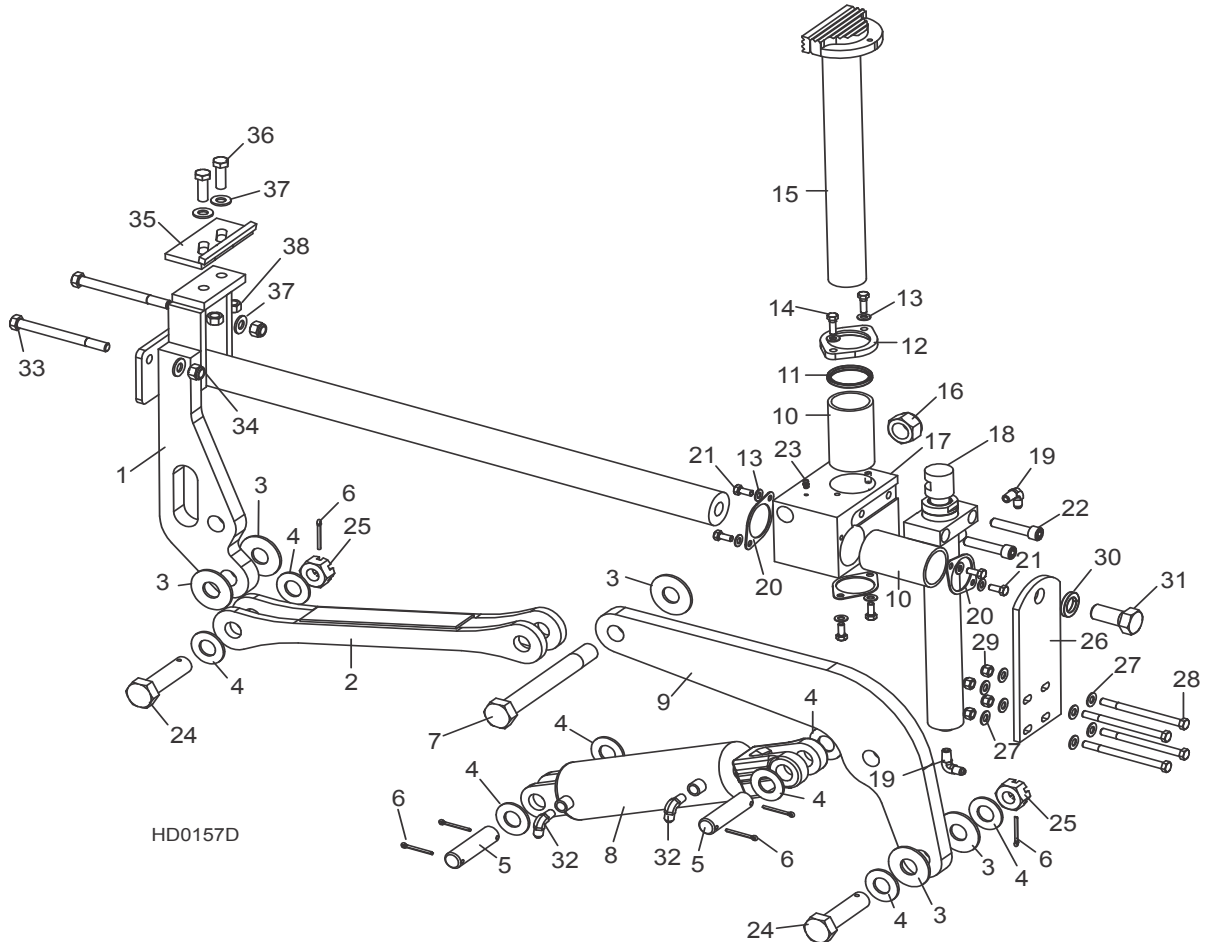


REF	DESCRIPTION (◆ Indicates Parts Available In Assemblies Only)	PART #	QTY.
	<b>SUPPORT ASSEMBLY, HYDRAULIC 4-LINK SIDE</b>	HSS-A <sup>1</sup>	1
1	Support Weldment, Front Log Side	048436	1
2	Support Weldment, Rear Log Side	048438 <sup>2</sup>	1
3	Rod, 4-Link Side Support	048537	1
4	Rod End, 1/2 Male	P09137	2
5	Nut, 1/2-20 Hex Jam	F05010-16	1
	Rod Assembly, 4-Link Side Support Short	048247	2
6	Rod, 4-Link Connecting	048246	1
7	Rod End, 1/2 Male	P09137	2
8	Nut, 1/2-20 Hex Jam	F05010-16	1
9	Bolt, 1/2-13 x 3" Hex Head Grade 5	F05008-23	1
10	Washer, 1/2" SAE Flat	F05011-2	6
11	Nut, 1/2-13 Nylon Hex Lock	F05010-8	2
12	Fitting, 3/16 x 3/16 Straight Grease	P04107	4
13	Bolt, 1/2-13 x 3" Flat Head Plow Grade 5	F05008-158 <sup>2</sup>	1

<sup>1</sup> HSS 4-Link Side Supports standard on Super models 2/05. HSS-A may be used to retrofit previous revisions to make all four sides supports hydraulically operated.

<sup>2</sup> Flat Head Bolt F05008-158 replaces welded stud on Rear Side Support 048438 to improve durability (9/05).

10.11 Hydraulic Log Clamp

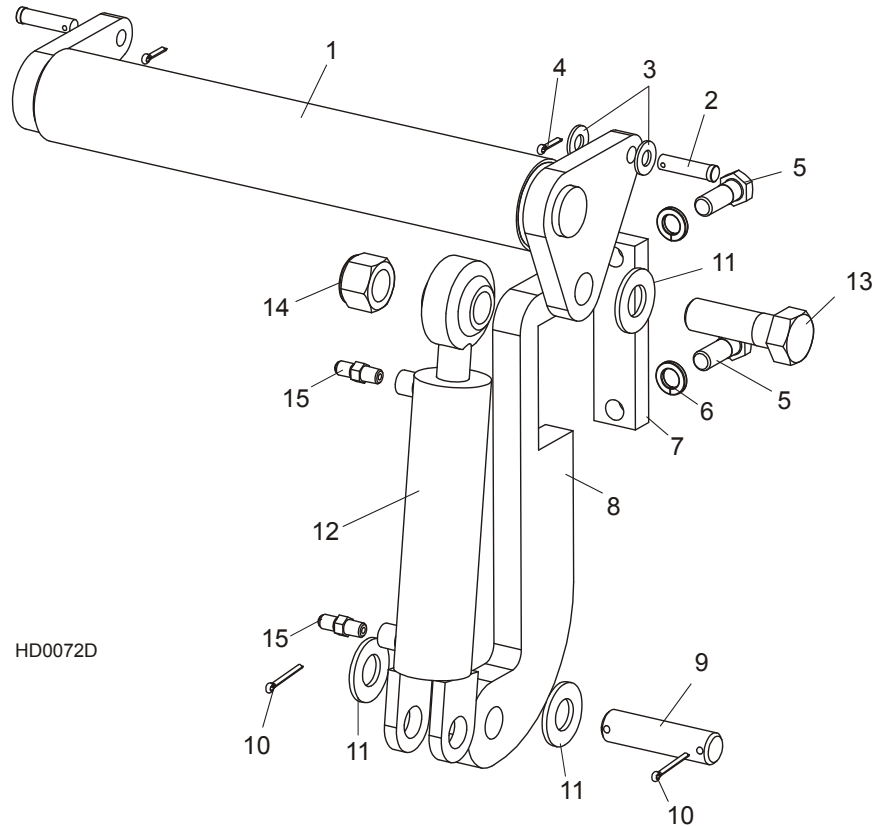


REF	DESCRIPTION (◆ Indicates Parts Available In Assemblies Only)	PART #	QTY.
	<b>CLAMP ASSEMBLY, HYDRAULIC 2-PLANE</b>	017264	1
1	Mount Weldment, Hydraulic Clamp Slide	017265	1
2	Link Weldment, Hydraulic Clamp	017267	1
3	Washer, 1/8" x 2 1/2" Hardened	015057	5
4	Washer, 1" SAE Flat	F05011-28	8
5	Pin, 1" x 3.88"	S09251	2
6	Pin, 3/16" x 1 1/2" Cotter	F05012-23	6
7	Bolt, 1-14 x 8 1/2" Hex Head Grade 8	015049	1
8	Cylinder, 3" x 7" Hydraulic	017275	1
	Seal Kit, Hydraulic Cylinder	P12956	1
9	Arm, Clamp Pivot	017274	1
10	Bushing, Clamp Slide	015088	2
	Wiper Assembly, Vertical Clamp Rod	017271	1
11	Wiper, Vertical Clamp Rod	017273	1

12	Flange, Vertical Clamp Rod Wiper	017272	1	
13	Washer, 5/16" SAE Flat	F05011-17	8	
14	Bolt, 5/16-18 x 1" Hex Head	F05006-1	2	
15	Clamp Weldment, Vertical	015043	1	
16	Nut, 1-14 Hex Jam	F05010-118	2	
17	Block, Hydraulic Clamp Slide	017270	1	
18	Cylinder Weldment, Vertical Clamp Hydraulic	015050	1	
	Seal Kit, Hydraulic Cylinder	016204	1	
	Instruction Sheet, Vertical Clamp Seal Replacement	016204-1009	1	
19	Fitting, 1/4" NPT x 1/4" JIC Elbow	P09142	2	
20	Retainer, Clamp Bushing	017242	3	
21	Bolt, 5/16-18 x 3/4" Hex Head	F05006-5	6	
22	Bolt, 1/2-13 x 2 1/2" Socket Head	F05008-39	2	
23	Fitting, 3/16" Straight Grease	P04107	1	
24	Bolt, 1-14 x 3 3/4" Hex Head Grade 8 w/Hole	015072 <sup>1</sup>	2	
25	Nut, 1-14 Slotted Hex	F05010-163	2	
26	Plate, Log Clamp Mount	015068	1	
27	Washer, 3/8" SAE Flat	F05011-3	8	
28	Bolt, 3/8-16 x 5" Hex Head	F05007-5	4	
29	Nut, 3/8-16 Hex Nylon Lock	F05010-10	4	
30	Washer, 7/8" Split Lock	F05011-46	1	
31	Bolt, 7/8-14 x 2" Hex Head Grade 5	F05014-2	1	
32	Fitting, 1/4" NPT - 3/8" JIC Elbow	015491	2	
33	Bolt, 1/2-13 x 5 1/2" Hex Head Grade 5	F05008-28	2	
34	Nut, 1/2-13 Hex Nylon Lock	F05010-8	2	
	Clamp Stop Kit, Hydraulic Log	K09485	1	
35	Plate, Clamp Stop	W09404	1	
36	Bolt, 1/2-13 X 1 1/2" Hex Head Grade 5	F05008-33	2	
37	Washer, 1/2" SAE Flat	F05011-2	2	
38	Nut, 1/2-13 Hex Lock	F05010-3	2	

<sup>1</sup> Bolt shortened from 4" to 3 3/4" to reduce interference on LT60HD/60HD models. 4" bolts can be used on other models (1/04).

### 10.12 Hydraulic Toe Board



REF	DESCRIPTION (◆ Indicates Parts Available In Assemblies Only)	PART #	QTY.
1	TOE BOARD WELDMENT, HYDRAULIC	W13025	2
2	PIN, 1/2-1 3/4 CLEVIS	F05012-82	4
3	WASHER, 1/2" SAE FLAT	F05011-2	4
4	PIN, 1/8 X 3/4" COTTER	F05012-3	4
5	BOLT, 5/8-11 X 1 3/4" HEX HEAD	F05009-33	4
6	WASHER, 5/8" SPLIT LOCK	F05011-27	4
7	PLATE, HYDRAULIC TOEBOARD MOUNT	S13023	2
8	BRACKET, HYDRAULIC TOEBOARD MOUNT	S13022	2
9	PIN, CYLINDER MOUNT	S09251	2
10	PIN, 3/16" X 1 1/2" COTTER	F05012-23	4
11	WASHER, 1" SAE FLAT	F05011-28	6
12	CYLINDER, 1 1/2" X 6" HYDRAULIC TOE BOARD	014482	2
	Seal Kit, 1 1/2" x 6" Hydraulic Cylinder	014547	1
13	BOLT, 1-8 X 3 1/4" HEX HEAD GRADE 5	F05009-51	2
14	NUT, 1-8 HEX NYLON LOCK	F05010-109	2
15	FITTING, 1/4" NPT X 1/4" JIC MALE	P09143	4



# INDEX

---

## B

- battery box 5-9, 5-11
  - bed rails
    - front/rear 8-1, 8-3
    - middle front 8-5
    - middle rear 8-6
    - pivot 8-15
  - blade guide arm 2-21, 2-22
    - drive 2-19
  - blade guides
    - drive side roller 2-10, 2-13, 2-16
    - idle side roller 2-1, 2-4, 2-7
    - throat screw 4-1
  - blade tensioner 3-4
  - blade wheels
    - drive side 3-1
    - idle side 3-3
  - board return 4-6
  - board return table 8-12, 8-13
  - brake assembly 4-5
- 

## C

- clutch mount 4-4
  - clutch pivot 4-3
  - control box 5-1, 5-4
    - drum switches 5-6
    - front panel & harnesses 5-7
    - remote power 5-25
    - remote power box door 5-28, 5-29, 5-30, 5-32
    - remote power w/accuset 5-17, 5-19, 5-22, 5-25
  - covers
    - blade housing 4-13
    - drive belt 4-15, 4-16
- 

---

## D

- debarker wire box/hole plugs 4-19
  - decals
    - frame 8-19, 8-20
    - saw head 4-10, 4-11, 4-12
- 

## F

- feed chain 7-5, 7-6
  - fuse box 5-13, 5-15
- 

## H

- hydraulic
    - command control 10-2, 10-4
    - hoses 10-1
    - log clamp 10-20
    - log loader 10-11
    - log turner 10-13
    - power strip 10-9
    - pump box 10-6
    - side supports 10-15, 10-17
    - side supports (middle) 10-19
    - toe board 10-22
- 

## L

- legs
    - stationary 8-10
- 

## M

- manuals 9-1
- 

## O

- outfeed table option 8-26
-

---

## P

parts list  
    how to use 1-1

power feed 7-3

---

## R

remote cable chain 8-21  
    bottom mount 8-22  
    top mount 8-23  
    tray & front pivot 8-24

remote cable chain support bracket 8-25

rest pin 8-18

---

## S

sawdust chute 4-18

side supports 8-8

---

## T

track rollers  
    lower 7-7  
    upper 7-1

---

## U

up/down  
    blade scales 6-2, 6-4  
    chain & sprockets 6-6  
    drive 6-9  
    motor 6-8  
    saw head mount 6-1

---

## W

water lube  
    bottle/tray 4-8  
    valve 4-2