



# Wood-Mizer<sup>®</sup> Sawmill

## Parts Manual

---

LT40HD Remote

rev. J8.01 - K5.03

---



**Safety is our #1 concern!** Read and understand all safety information and instructions before operating, setting up or maintaining this machine.

*January 2007*

*Form #1175*

# Table of Contents

# Section-Page

<b>SECTION 1</b>	<b>GENERAL INFORMATION</b>	<b>1-1</b>
1.1	How To Use The Parts List .....	1-1
1.2	Sample Assembly .....	1-1
<b>SECTION 2</b>	<b>BLADE GUIDE ROLLERS &amp; ARM</b>	<b>2-1</b>
2.1	Blade Guide Assembly, Idle Side..... <i>LT40HD Remote Rev. K3.01 - K5.03</i>	2-1
2.2	Blade Guide Assembly, Idle Side..... <i>LT40HD Remote Rev. K2.00 - K3.00</i>	2-4
2.3	Blade Guide Assembly, Idle Side..... <i>LT40HD Remote Rev. J8.01 - K1.04</i>	2-7
2.4	Blade Guide Assembly, Drive Side..... <i>LT40HD Remote Rev. K3.01 - K5.03</i>	2-10
2.5	Blade Guide Assembly, Drive Side..... <i>LT40HD Remote Rev. K2.00 - K3.00</i>	2-13
2.6	Blade Guide Assembly, Drive Side..... <i>LT40HD Remote Rev. J8.01 - K1.04</i>	2-16
2.7	Blade Guide Arm Drive Assembly.....	2-19
2.8	Blade Guide Arm..... <i>LT40HD Remote Rev. K3.01 - K5.03</i>	2-21
2.9	Blade Guide Arm..... <i>LT40HD Remote Rev. J8.01 - K3.00</i>	2-22
<b>SECTION 3</b>	<b>BLADE WHEELS &amp; TENSIONER</b>	<b>3-1</b>
3.1	Blade Drive Assembly..... <i>LT40HD D33/D34/D35/D36 Remote</i> <i>LT40HD G36 Remote</i>	3-1
3.2	Blade Drive Assembly..... <i>LT40HD G25/G28 Remote</i>	3-3
3.3	Idle Blade Wheel Assembly .....	3-5
3.4	Hydraulic Blade Tensioner Assembly.....	3-6
<b>SECTION 4</b>	<b>SAW HEAD</b>	<b>4-1</b>
4.1	Middle Throat Screw .....	4-1
4.2	Clutch Pivot .....	4-2
4.3	Clutch Mount Assembly.....	4-3
4.4	Brake Assembly.....	4-4
4.5	Water Lube Assembly .....	4-5
4.6	Saw Head Decals..... <i>LT40HD Remote Rev. K3.00 (1/08+) - K5.03</i>	4-7

## Table of Contents

## Section-Page

4.7	Saw Head Decals.....	4-8
	<i>LT40HD Remote Rev. K2.00 (1/07) - K3.00 (12/07)</i>	
4.8	Saw Head Decals.....	4-10
	<i>LT40HD Remote Rev. J8.01 - K2.00 (12/06)</i>	
4.9	Blade Housing Covers.....	4-11
4.10	Drive Belt Covers.....	4-13
	<i>LT40HD Remote Rev. K3.01 - K5.03</i>	
4.11	Drive Belt Covers.....	4-14
	<i>LT40HD Remote Rev. J8.01 - K3.00</i>	
4.12	Sawdust Chute.....	4-16
4.13	Debarker Wire Box/Hole Plugs.....	4-17
4.14	Board Return Assembly (Optional).....	4-18
	<i>LT40HD Remote Rev. K2.01 - K5.03</i>	
4.15	Board Return (Optional).....	4-20
	<i>LT40HD Remote Rev. J8.01 - K2.00</i>	
<b>SECTION 5 CONTROL &amp; BATTERY BOXES</b>		<b>5-1</b>
5.1	Control Assembly.....	5-1
5.2	Drum Switches.....	5-4
5.3	Front Panel Assembly.....	5-5
5.4	Battery Box Assembly.....	5-7
	<i>LT40HD Remote Rev. K5.00 - K5.03</i>	
5.5	Battery Box Assembly.....	5-9
	<i>LT40HD Remote Rev. J8.01 - K4.01</i>	
5.6	Fuse Box Assembly.....	5-11
	<i>LT40HD Remote Rev. K5.00 - K5.03</i>	
5.7	Fuse Box Assembly.....	5-13
	<i>LT40HD Remote Rev. J8.01 - K4.01</i>	
5.8	Remote Power Box Assembly.....	5-15
	<i>LT40HD Remote Rev. K5.00 - K5.03</i>	
5.9	Remote Power Box Assembly.....	5-17
	<i>LT40HD Remote Rev. K3.00 - K4.01</i>	
5.10	Remote Power Box Assembly.....	5-20
	<i>LT40HD Remote Rev. J9.04 - K2.02</i>	
5.11	Remote Power Box Assembly.....	5-22
	<i>LT40HD Remote Rev. J9.00 - J9.03</i>	
5.12	Remote Power Box Assembly.....	5-25
	<i>LT40HD Remote Rev. J8.01 - J8.03</i>	
5.13	Remote Power Box Door Assembly.....	5-28
	<i>LT40HD Remote Rev. K5.00 - K5.03</i>	
5.14	Remote Power Box Door Assembly.....	5-29
	<i>LT40HD Remote Rev. K3.00 - K4.01</i>	
5.15	Remote Power Box Door Assembly.....	5-30
	<i>LT40HD Remote Rev. J8.01 - K2.02</i>	
<b>SECTION 6 UP/DOWN SYSTEM</b>		<b>6-1</b>
6.1	Saw Head Mount.....	6-1

## Table of Contents

## Section-Page

6.2	Blade Height & Quarter Scales .....	6-2
	<i>LT40HD Remote Rev. K1.01 - K5.03</i>	
6.3	Blade Height & Quarter Scales .....	6-4
	<i>LT40HD Remote Rev. J8.01 - K1.00</i>	
6.4	Up/Down Chain & Sprockets .....	6-6
6.5	Up/Down Assembly .....	6-8
	<i>LT40HD Remote Rev. K1.00 - K5.03</i>	
6.6	Up/Down Assembly, G25/G28 .....	6-10
	<i>LT40HD Remote Rev. J8.01 - J9.07</i>	
6.7	Up/Down Assembly, D33/D34/G36 .....	6-12
	<i>LT40HD Remote Rev. J8.01 - J9.07</i>	
<b>SECTION 7 FEED SYSTEM &amp; TRACK ROLLERS</b>		<b>7-1</b>
7.1	Upper Track Rollers And Wipers.....	7-1
7.2	Power Feed Assembly .....	7-3
7.3	Feed Chain/Stop .....	7-5
	<i>LT40HD Remote Rev. K4.00 - K5.03</i>	
7.4	Feed Chain/Stop .....	7-6
	<i>LT40HD Remote Rev. J8.01 - K3.01</i>	
7.5	Lower Track Rollers.....	7-7
<b>SECTION 8 BED FRAME ASSEMBLY</b>		<b>8-1</b>
8.1	Bed Rail Assembly, Front And Rear .....	8-1
	<i>LT40HD Remote Rev. K1.04 - K5.03</i>	
8.2	Bed Rail Assembly, Front And Rear .....	8-3
	<i>LT40HD Remote Rev. J8.01 - K1.03</i>	
8.3	Bed Rail Assembly, Middle Front.....	8-5
8.4	Bed Rail Assembly, Middle Rear .....	8-6
8.5	Leg Assembly (Stationary).....	8-8
8.6	Pivot Bed Rail Assembly.....	8-10
8.7	Log Side Support Assembly (Manual).....	8-12
8.8	Safety Chain Assembly .....	8-14
8.9	Saw Head Rest Pin Assembly .....	8-15
8.10	Bed Frame Decals.....	8-16
	<i>LT40HD Remote Rev. K3.00 (1/08) - K5.03</i>	
8.11	Bed Frame Decals.....	8-17
	<i>LT40HD Remote Rev. J8.01 - K3.00 (12/07)</i>	
8.12	Cable Chain Assembly .....	8-18
8.13	Bottom Chain Mount Assembly .....	8-19
8.14	Top Chain Mount Assembly .....	8-20
8.15	Front Tray Mount Assembly .....	8-21
8.16	Cable Chain Support Bracket .....	8-22
8.17	Board Return Table Assembly (Optional).....	8-23
	<i>LT40HD Remote Rev. K2.01 - K5.03</i>	
8.18	Board Return Table Assembly (Optional).....	8-24
	<i>LT40HD Remote Rev. J8.01 - K2.00</i>	
8.19	Board Outfeed Table (Optional).....	8-26

# Table of Contents

# Section-Page

## **SECTION 9 MISCELLANEOUS**

**9-1**

9.1 Replacement Manuals .....9-1

## **SECTION 10 HYDRAULIC SYSTEM**

**10-1**

10.1 Hydraulic Hoses .....10-1

10.2 Command Control .....10-2

10.3 Hydraulic Pump Box .....10-4

10.4 Hydraulic Power Supply Strip.....10-7

10.5 Hydraulic Log Loader .....10-9

10.6 Hydraulic Log Turner .....10-11

10.7 Hydraulic Log Side Supports (Front/Rear) .....10-13

10.8 Hydraulic Log Side Supports (Middle - Optional).....10-15

10.9 Hydraulic Log Clamp .....10-16

10.10 Hydraulic Toe Board .....10-18

## **INDEX**

**I**

## SECTION 1 GENERAL INFORMATION

### 1.1 How To Use The Parts List

- Use the table of contents or index to locate the assembly that contains the part you need.
- Go to the appropriate section and locate the part in the illustration.
- Use the number pointing to the part to locate the correct part number and description in the table.
- Parts shown indented under another part are included with that part.
- Parts marked with a diamond (◆) are only available in the assembly listed above the part.

See the sample table below. Sample Part #A01111 includes part F02222-2 and subassembly A03333. Subassembly A03333 includes part S04444-4 and subassembly K05555. The diamond (◆) indicates that S04444-4 is not available except in subassembly A03333. Subassembly K05555 includes parts M06666 and F07777-77. The diamond (◆) indicates M06666 is not available except in subassembly K05555.

<b>1.2 Sample Assembly</b>				
REF	DESCRIPTION (◆ Indicates Parts Available In Assemblies Only)	PART #	QTY.	
	<b>SAMPLE ASSEMBLY, COMPLETE (INCLUDES ALL INDENTED PARTS BELOW)</b>	A01111	1	
1	Sample Part	F02222-22	1	
	Sample Subassembly (Includes All Indented Parts Below)	A03333	1	
2	Sample Part (◆ Indicates Part Is Only Available With A03333)	S04444-4	1	◆
	Sample Subassembly (Includes All Indented Parts Below)	K05555	1	
3	Sample Part (◆ Indicates Part Is Only Available With K05555)	M06666	2	◆
4	Sample Part	F07777-77	1	

#### To Order Parts:

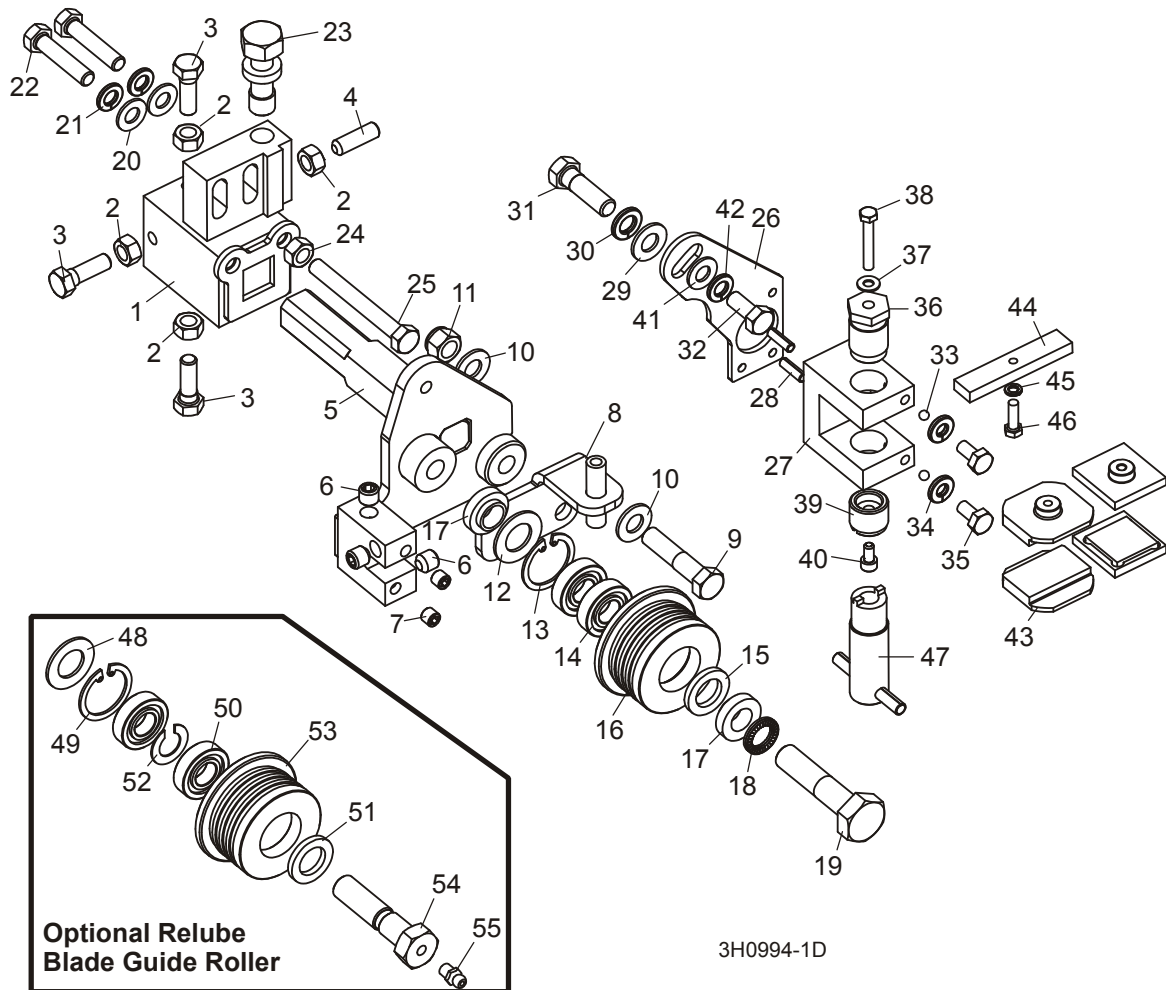
- From the continental U.S., call **1-800-525-8100** to order parts. Have your customer number, vehicle identification number, and part numbers ready when you call.
- From other international locations, contact the Wood-Mizer distributor in your area for parts.

## SECTION 2 BLADE GUIDE ROLLERS & ARM

### 2.1 Blade Guide Assembly, Idle Side

LT40HD Remote

Rev. K3.01 - K5.03



REF	DESCRIPTION (◆ Indicates Parts Available In Assemblies Only)	PART #	QTY.	
	<b>GUIDE ASSEMBLY, IDLE SIDE BLADE ROLLER</b>	003992	1	
	Block Assembly, Idle Side Blade Guide Mount	003920	1	
1	Block Weldment, Blade Guide Mount	003921	1	◆
2	Nut, 5/16-18 Hex	F05010-17	4	
3	Bolt, 5/16-18 x 1" Hex Head Stainless Steel	F05006-88	3	
4	Screw, 5/16-18 x 1" Socket Head Flat Point Stainless Steel Set	F05006-122	1	
5	Shaft Weldment, Idle Side Guide	003924 <sup>1</sup>	1	
6	Fitting, 1/8" NPT Socket Pipe Plug	P30127	3	
7	Fitting, 1/16" NPT Socket Pipe Plug	007734 <sup>1</sup>	2	

# 2

## Blade Guide Rollers & Arm

### Blade Guide Assembly, Idle Side

8	Bracket Weldment, Idle Side Water Lube	006322	1	
9	Bolt, 3/8-16UNF-2A x 1 3/4" Grade 5	F05007-119	1	
10	Washer, 3/8" SAE Flat	F05011-3	2	
11	Nut, 3/8-16 Hex Nylon Lock	F05010-10	1	
	Roller Assembly, Blade Guide (standard)	A04925	1	
	Bearing Kit, Blade Guide Rebuild	K07079	1	
12	Washer, 5/8" White Felt	P04252	1	
13	Ring, 1 1/8" Interior Retaining	F04254-1	1	
14	Bearing, R8-2RS Blade Guide	015975	2	◆
15	Washer, 5/8" Gray Felt	P06455	1	
	Screw, 1/4-28 x 1/4" Socket Head Cup Point Set Black Oxide	F05005-105	1	
	Instruction Sheet, Blade Guide Rebuild	057407-1507	1	
16	Roller, Flanged Blade Guide	S04250	1	◆
	Instruction Sheet, Blade Guide Roller Replacement	A04925-364	1	
17	Spacer, Blade Guide	S04253	2	
18	Washer, 1/2" Nord-Lock	F05011-125 <sup>2</sup>	1	
19	Bolt, 1/2-13 x 2 1/4" Hex Head Grade 5	F05008-10	1	
20	Washer, 5/16" SAE Flat	F05011-17	2	
21	Washer, 5/16" Split Lock	F05011-13	2	
22	Bolt, 5/16-18 x 1 1/2" Hex Head	F05006-76	2	
23	Bolt, Blade Guide Vertical Adjustment	035656	1	
24	Nut, 5/16-18 Hex	F05010-17	1	
25	Bolt, 5/16-18 x 2 3/4" Hex Head Full Thread	F05006-136	1	
	<b>GUIDE KIT, HIGH-PERFORMANCE BLADE GUIDE (OPTIONAL)</b>	006325 <sup>3</sup>	1	
	Block Assembly, Idle Side Blade Guide	003928	1	
26	Plate, Block Tilt Adjustment	003915	1	
27	Block, Guide Block Mount	003909	1	
28	Pin, 3/16" x 5/8" Roll	F05012-22	2	
29	Washer, 3/8" SAE Flat	F05011-3	1	
30	Washer, 3/8" Split Lock	F05011-4	1	
31	Bolt, 3/8-16 x 1 1/4" Hex Head Grade 5	F05007-123	1	
32	Bolt, 5/16-18 x 3/4" Hex Head w/Flat & Lock Washer	F05006-101	1	
33	Ball, 3/16" Dia. Nylon	003914	2	
34	Washer, 1/4" Split Lock	F05011-14	2	
35	Bolt, 1/4-20 x 1/2" Hex Head	F05005-15	2	
36	Bolt, Blade Guide Block Mount	003994	1	
37	Washer, #10 Brass	042867	1	
38	Bolt, #10-32 x 1 1/4" Hex Head Stainless Steel	F05004-240	1	
39	Screw, Lower Block Adjustment	044057	1	
40	Screw, #10-32 x 3/8" Socket Head Stainless Steel	F05004-200	1	
41	Washer, 5/16" SAE Flat	F05011-17	1	
42	Washer, 5/16" Split Lock	F05011-13	1	



<b>43</b>	Block, Blade Guide Wear (Standard for 1 1/4" Blades)	052355 <sup>4</sup>	2	
	Block Assembly, 1" Sq. EZ-Glide Wear	036347 <sup>4</sup>	2	
<b>44</b>	Block, Blade Guide Alignment	035799	1	
<b>45</b>	Washer, #10 Split Lock	F05011-20	1	
<b>46</b>	Screw, #10-32 x 5/8" Hex Head	F05004-152	1	
<b>47</b>	Adjustment Tool, Lower Guide Block	044064	1	
	Shim, .008" Blade Guide Block Spacer	035248	1	
Drive Side Blade Guide Parts ( <a href="#">See Section 2.1</a> )				
<b>ROLLER ASSEMBLY, BLADE GUIDE RELUBE (OPTIONAL)</b>		016568	1	
	Bearing Kit, Relube Blade Guide Rebuild	057407	1	
<b>48</b>	Washer, 5/8" White Felt	P04252	1	
<b>49</b>	Ring, 1 1/8" Interior Retaining	F04254-1	1	
<b>50</b>	Bearing, R8-2RS Blade Guide	015975 <sup>5</sup>	2	◆
<b>51</b>	Washer, 5/8" Gray Felt	P06455	1	
<b>52</b>	Spacer, Blade Guide Bearing	035411	1	
	Instruction Sheet, Blade Guide Rebuild	057407-1507	1	
<b>53</b>	Roller, Flanged Blade Guide (Relube)	035426	1	◆
	Instruction Sheet, Blade Guide Roller Replacement	A04925-364	1	
<b>54</b>	<b>BOLT, BLADE GUIDE ROLLER (RELUBE ONLY)</b>	036161	1	
<b>55</b>	<b>FITTING, 1/4-28 GREASE (RELUBE ONLY)</b>	P05060	1	

<sup>1</sup> Shaft Weldment 003924 modified to provide more clearance for adjustment bolts and to prevent water leaks (Rev. K5.03). New shaft requires two 1/16" NPT Pipe Plugs 007734.

<sup>2</sup> Nord-Lock Washer F05011-125 replaced Split Lock Washer F05011-9 to prevent loosening due to vibration (K5.03).

<sup>3</sup> High-Performance Blade Guide Kit requires LMS blade lube system. Use kit 006325 to upgrade both drive and idle side blade guides to High-Performance. If sawmill not already equipped with LMS, add kit LMS-RA.

<sup>4</sup> 052355 blocks for use with 1 1/4" blade provided as standard equipment. EZ-Glide blocks 036347 are available for customers who prefer this block.

<sup>5</sup> Bearing must be modified for use with relube roller assemblies. Remove one seal from each bearing, place open sides facing each other and place spacer 035411 between bearings.

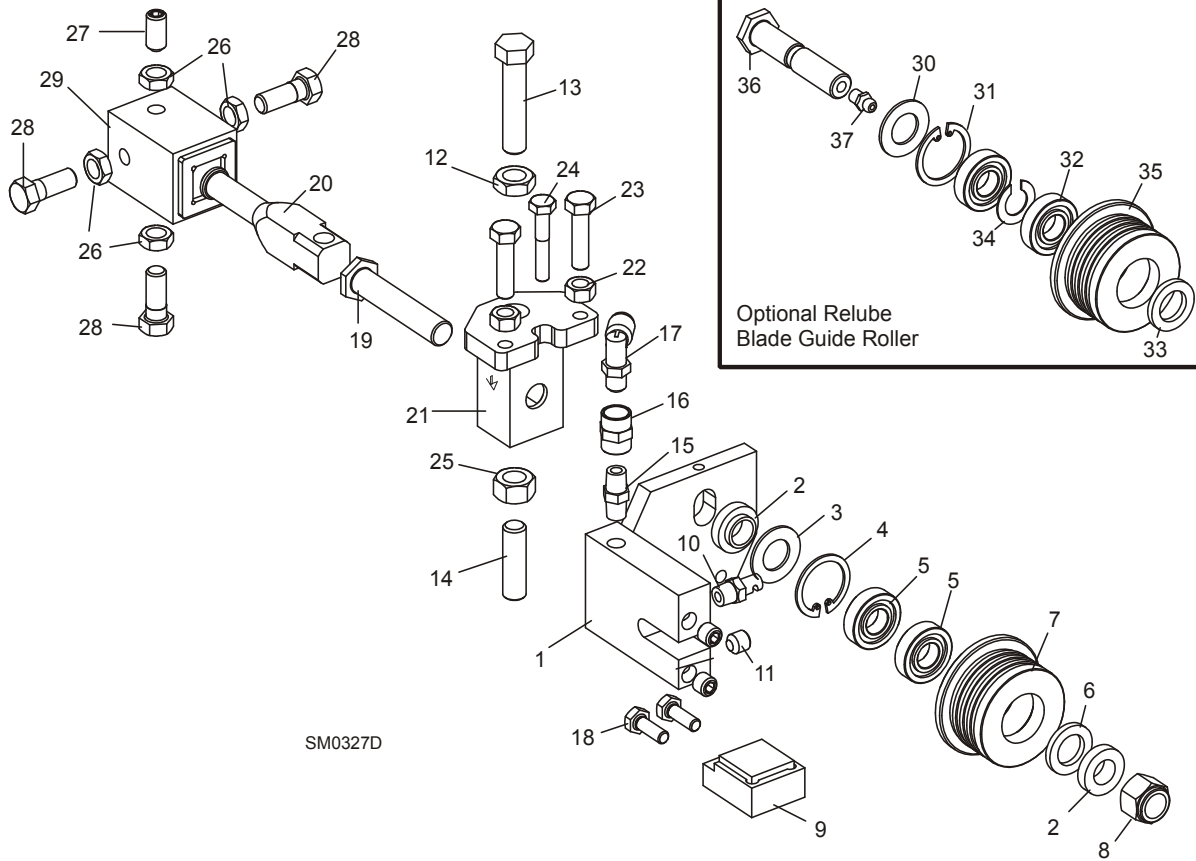
# 2 Blade Guide Rollers & Arm

## Blade Guide Assembly, Idle Side

### 2.2 Blade Guide Assembly, Idle Side

LT40HD Remote

Rev. K2.00 - K3.00



SM0327D

REF	DESCRIPTION (◆ Indicates Parts Available In Assemblies Only)	PART #	QTY.
	<b>ROLLER/BLOCK ASSEMBLY, IDLE SIDE (OUTER)</b>	035405 <sup>1</sup>	1
1	Nozzle Block Weldment, Idle Side	035404	1
2	Spacer, .510 x .937 x .34	S04253	2
	Roller Assembly, Blade Guide (standard)	A04925 <sup>2</sup>	1
	Bearing Kit, Blade Guide Rebuild	K07079	1
3	Washer, 5/8" White Felt	P04252	1
4	Ring, 1 1/8" Interior Retaining	F04254-1	1
5	Bearing, R8-2RS Blade Guide	015975	2
6	Washer, 5/8" Gray Felt	P06455	1
	Screw, 1/4-28 x 1/4" Socket Head Cup Point Set Black Oxide	F05005-105	1
	Instruction Sheet, Blade Guide Rebuild	057407-1507	1
7	Roller, Flanged Blade Guide	S04250	1
	Instruction Sheet, Blade Guide Roller Replacement	A04925-364	1
8	Nut, 1/2-20 Nylon Hex Lock	F05010-15	1

## Blade Guide Rollers & Arm

*Blade Guide Assembly, Idle Side*

2

9	Block Assembly, 1 1/4" Blade EZ-Glide Wear	036247 <sup>3</sup>	1	
	Block, 1 1/4" Blade Guide Wear	052367 <sup>3</sup>	1	
10	Nozzle, Blade Water Lube Spray (For use with standard bottle water lube)	016637 <sup>4</sup>	1	
11	Fitting, 1/8" NPT Socket Pipe Plug	P30127	3	
12	Nut, 7/16-20 Hex Jam	F05010-38 <sup>5</sup>	1	
13	Bolt, 7/16-20 x 2" Hex Head Full Thread Grade 8	F05007-215	1	
14	Screw, 7/16-20 x 1 1/2" Socket Head Flat Point Stainless Set	F05007-217 <sup>6</sup>	1	
15	Fitting, 1/8" Dry Seal Nipple	P02764	1	
16	Fitting, 1/8" FPT Coupling	P05748	1	
17	Fitting, 1/8" MPT x 1/4" Tube 90° Elbow Swivel	P09736	1	
18	Bolt, 1/4-20 x 3/4" Hex Head Grade 5	F05005-123	2	
19	Bolt, Blade Guide Roller	036374	1	
20	Shaft, Blade Guide Mount	054966	1	
21	Block, Roller Guide Adjuster	054969	1	
22	Nut, 5/16-24 Hex	F05010-28	2	
23	Bolt, 5/16-24 x 1 1/4" Hex Head Full Thread Grade 5	F05006-107	2	
24	Bolt, 1/4-28 x 1 1/2" Hex Head Grade 5	F05005-143	1	
25	Nut, 7/16-20 Hex	F05010-202 <sup>5</sup>	1	
	<b>SHIM, .008" BLADE GUIDE BLOCK SPACER</b>	035248	1	
26	<b>NUT, 3/8-24 HEX JAM</b>	F05010-22	4	
27	<b>SCREW, 3/8-24 X 3/4" STAINLESS STEEL SOCKET HEAD FLAT POINT</b>	F05007-95	1	
28	<b>BOLT, 3/8-24 X 1" STAINLESS STEEL HEX HEAD</b>	F05007-99	3	
29	<b>TUBE, BLADE GUIDE MOUNT</b> ( <a href="#">See Section 2.8</a> )	W08159	1	
	<b>ROLLER ASSEMBLY, BLADE GUIDE RELUBE (OPTIONAL)</b>	016568	1	
	Bearing Kit, Relube Blade Guide Rebuild	057407	1	
30	Washer, 5/8" White Felt	P04252	1	
31	Ring, 1 1/8" Interior Retaining	F04254-1	1	
32	Bearing, R8-2RS Blade Guide	015975 <sup>7</sup>	2	◆
33	Washer, 5/8" Gray Felt	P06455	1	
34	Spacer, Blade Guide Bearing	035411	1	
	Instruction Sheet, Blade Guide Rebuild	057407-1507	1	
35	Roller, Flanged Blade Guide (Relube)	035426	1	◆
	Instruction Sheet, Blade Guide Roller Replacement	A04925-364	1	
36	<b>BOLT, BLADE GUIDE ROLLER (RELUBE ONLY)</b>	035412	1	
37	<b>FITTING, 1/4-28 GREASE (RELUBE ONLY)</b>	P05060	1	

<sup>1</sup> New blade guide assembly available ([See Section 2.1](#)). Upgrade requires mounting arms, belt covers and LMS option. If sawmill not equipped with Board Return option, use kit 006328 to retrofit both blade guide assemblies. If sawmill equipped with Board Return option, use kit 006329 to retrofit. If sawmill not already equipped with LMS option, add kit LMS-RA.

<sup>2</sup> The sawmill is equipped standard with non-greasable blade guide rollers that can be used with the standard 1 1/4" blade or 1 1/2" blades. Optional extended blade guide rollers are available for use with 1 1/2" blades. The extended rollers may provide more stability during difficult sawing, but will reduce the total amount of times the blade can be reused after sharpening. Optional relube versions of each roller configuration are also available.

<sup>3</sup> Wear Block 052367 available 10/07 and provided as standard 4/09. EZ-Glide Block 036247 available for customers who prefer this block.

# 2

## Blade Guide Rollers & Arm

### *Blade Guide Assembly, Idle Side*

---

<sup>4</sup> Use two Blade Lube Fittings 033479 if sawmill is equipped with LubeMizer blade lube system. These fittings are supplied with the LMS option.

<sup>5</sup> Lower jam nut F05010-38 replaced with hex nut F05010-202 (3/07).

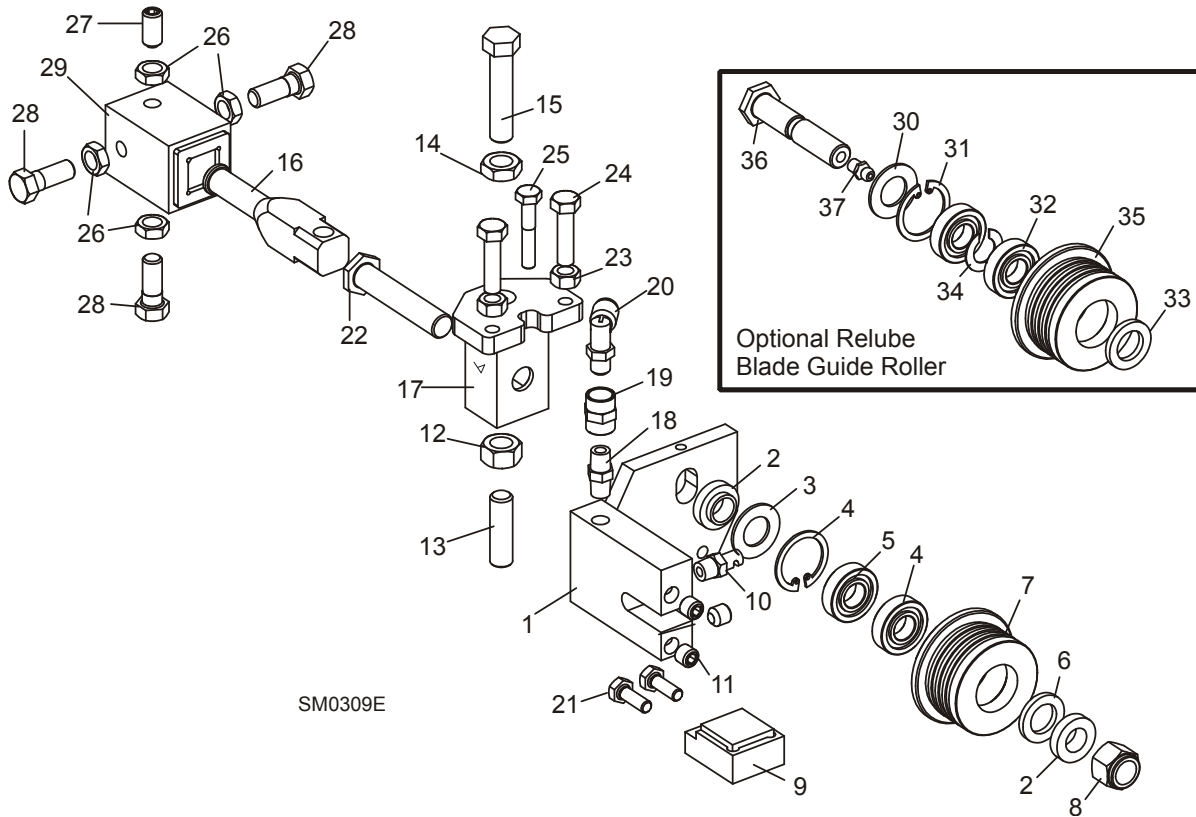
<sup>6</sup> Stainless Set Screw replaces Zinc plated screw F05007-213 used prior to 6/07 to eliminate screw shearing.

<sup>7</sup> Bearing must be modified for use with relube roller assemblies. Remove one seal from each bearing, place open sides facing each other and place spacer 035411 between bearings.

### 2.3 Blade Guide Assembly, Idle Side

LT40HD Remote

Rev. J8.01 - K1.04



SM0309E

REF	DESCRIPTION (◆ Indicates Parts Available In Assemblies Only)	PART #	QTY.
	<b>ROLLER/BLOCK ASSEMBLY, IDLE SIDE (OUTER)</b>	035405 <sup>1</sup>	1
1	Nozzle Block Weldment, Idle Side	035404	1
2	Spacer, .510 x .937 x .34	S04253	2
	Roller Assembly, Blade Guide (standard)	A04925 <sup>2</sup>	1
	Bearing Kit, Blade Guide Rebuild	K07079	1
3	Washer, 5/8" White Felt	P04252	1
4	Ring, 1 1/8" Interior Retaining	F04254-1	1
5	Bearing, R8-2RS Blade Guide	015975	2
6	Washer, 5/8" Gray Felt	P06455	1
	Screw, 1/4-28 x 1/4" Socket Head Cup Point Set Black Oxide	F05005-105	1
	Instruction Sheet, Blade Guide Rebuild	057407-1507	1
7	Roller, Flanged Blade Guide	S04250	1
	Instruction Sheet, Blade Guide Roller Replacement	A04925-364	1
8	Nut, 1/2-20 Nylon Hex Lock	F05010-15	1

# 2

## Blade Guide Rollers & Arm

### Blade Guide Assembly, Idle Side

9	Block Assembly, 1 1/4" Blade EZ-Glide Wear	036247 <sup>3</sup>	1	
	Block, 1 1/4" Blade Guide Wear	052367 <sup>3</sup>	1	
10	Nozzle, Blade Water Lube Spray (For use with standard bottle water lube)	016637 <sup>4</sup>	1	
11	Fitting, 1/8" NPT Socket Pipe Plug	P30127	3	
	Shaft Kit, Blade Guide Adjust Retrofit	038971 <sup>5</sup>	1	
12	Nut, 7/16-20 Hex	F05010-202 <sup>6</sup>	1	
13	Screw, 7/16-20 x 1 1/2" Socket Head Cup Point Stainless Steel	F05007-217 <sup>7</sup>	1	
14	Nut, 7-16-20 Hex Jam	F05010-38	1	
15	Bolt, 7/16-20 x 2" Hex Head Full Thread Grade 8	F05007-215	1	
16	Shaft, Blade Guide Mount	054966	1	
17	Block Weldment, Roller Guide Adjuster	054969	1	
18	Fitting, 1/8" Dry Seal Nipple	P02764	1	
19	Fitting, 1/8" FPT Coupling	P05748	1	
20	Fitting, 1/8" MPT x 1/4" Tube 90° Elbow Swivel	P09736	1	
21	Bolt, 1/4-20 x 3/4" Hex Head Grade 5	F05005-123	2	
22	Bolt, Blade Guide Roller	036374	1	
23	Nut, 5/16-24 Hex	F05010-28	2	
24	Bolt, 5/16-24 x 1 1/4" Hex Head Full Thread Grade 5	F05006-107	2	
25	Bolt, 1/4-28 x 1 1/2" Hex Head Grade 5	F05005-143	1	
	<b>SHIM, .008" BLADE GUIDE BLOCK SPACER</b>	035248	1	
26	<b>NUT, 3/8-24 HEX JAM</b>	F05010-22	4	
27	<b>SCREW, 3/8-24 X 3/4" STAINLESS STEEL SOCKET HEAD FLAT POINT</b>	F05007-95	1	
28	<b>BOLT, 3/8-24 X 1" STAINLESS STEEL HEX HEAD</b>	F05007-99	3	
29	<b>TUBE, BLADE GUIDE MOUNT</b> ( <a href="#">See Section 2.9</a> )	W08159	1	
	<b>ROLLER ASSEMBLY, BLADE GUIDE RELUBE (OPTIONAL)</b>	016568 <sup>2</sup>	1	
	Bearing Kit, Relube Blade Guide Rebuild	057407	1	
30	Washer, 5/8" White Felt	P04252	1	
31	Ring, 1 1/8" Interior Retaining	F04254-1	1	
32	Bearing, R8-2RS Blade Guide	015975 <sup>8</sup>	2	◆
33	Washer, 5/8" Gray Felt	P06455	1	
34	Spacer, Blade Guide Bearing	035411	1	
	Instruction Sheet, Blade Guide Rebuild	057407-1507	1	
35	Roller, Flanged Blade Guide (Relube)	035426	1	◆
	Instruction Sheet, Blade Guide Roller Replacement	A04925-364	1	
36	<b>BOLT, BLADE GUIDE ROLLER (RELUBE ONLY)</b>	035412	1	
37	<b>FITTING, 1/4-28 GREASE (RELUBE ONLY)</b>	P05060	1	

<sup>1</sup> Blade Guide Assembly 035405 upgraded with new Block Weldment and Shaft to accommodate 7/16" adjustment hardware to improve durability (12/06). Use kit 038971 to retrofit previous revisions. New blade guide assembly available ([See Section 2.1](#)). Upgrade requires mounting arms, belt covers and LMS option. If sawmill not equipped with Board Return option, use kit 006328 to retrofit both blade guide assemblies. If sawmill equipped with Board Return option, use kit 006329 to retrofit. If sawmill not already equipped with LMS option, add kit LMS-RA.

<sup>2</sup> The sawmill is equipped standard with non-greasable blade guide rollers that can be used with the standard 1 1/4" blade. Optional relube are also available.

- 
- <sup>3</sup> Wear Block 052367 available 10/07 and provided as standard 4/09. EZ-Glide Block 036247 available for customers who prefer this block.
- <sup>4</sup> Use two Blade Lube Fittings 033479 if sawmill is equipped with LubeMizer blade lube system. These fittings are supplied with the LMS option.
- <sup>5</sup> Mount Shaft 035427, Adjuster Block 035408, 3/8" Set Screws F05007-162 & 3/8" Jam Nuts F05010-22 replaced with 7/16" adjustment hard ware. Mount Shaft 035427 & Adjuster Block 035408 no longer available. Use kit 038971 to retrofit original parts.
- <sup>6</sup> Lower jam nut F05010-38 replaced with hex nut F05010-202 (3/07).
- <sup>7</sup> Stainless Set Screw replaces Zinc plated screw F05007-213 used prior to 6/07 to eliminate screw shearing.
- <sup>8</sup> Bearing must be modified for use with relube roller assemblies. Remove one seal from each bearing, place open sides facing each other and place spacer 035411 between bearings.

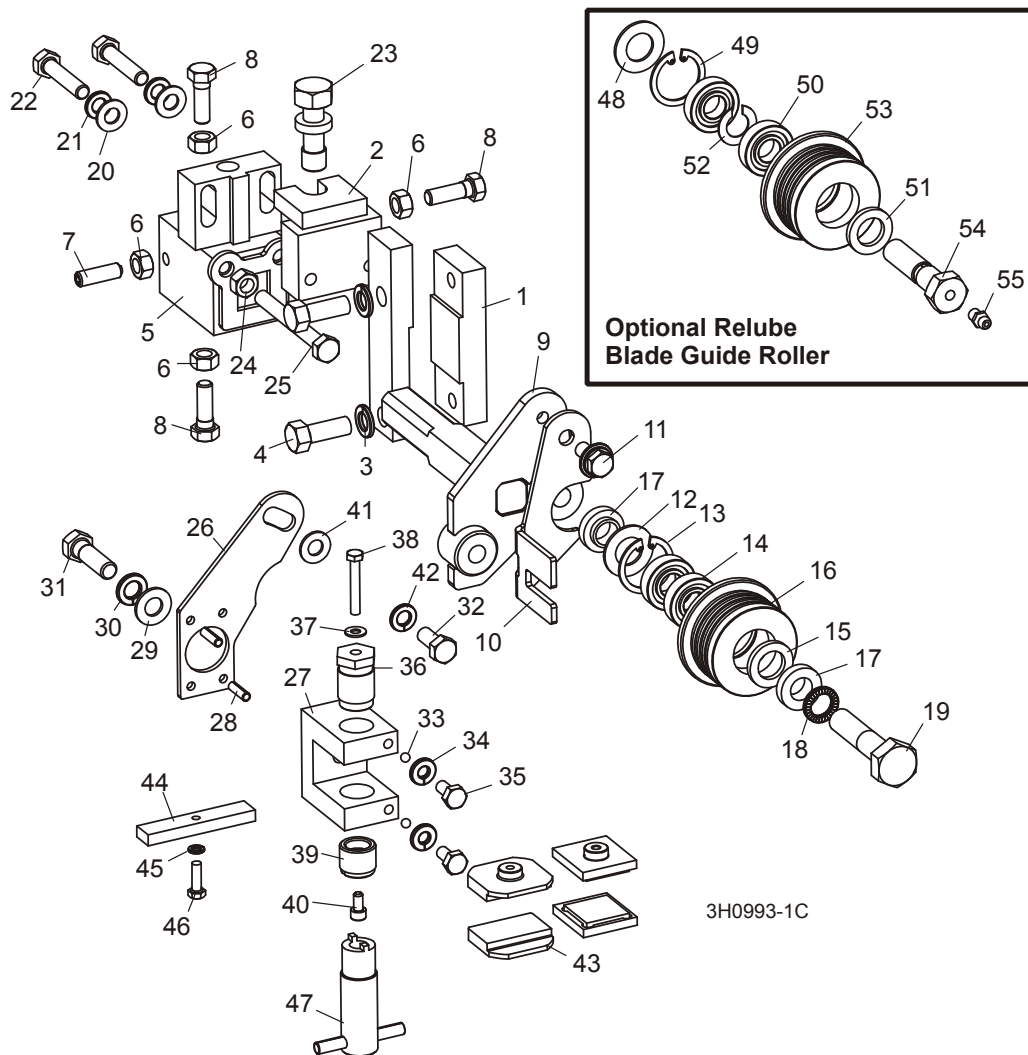
# 2 Blade Guide Rollers & Arm

Blade Guide Assembly, Drive Side

## 2.4 Blade Guide Assembly, Drive Side

LT40HD Remote

Rev. K3.01 - K5.03



REF	DESCRIPTION (◆ Indicates Parts Available In Assemblies Only)	PART #	QTY.
1	BLOCK, BOLT ON BLADE GUIDE MOUNT	016548	1
2	BRACKET WELDMENT, INNER BLADE GUIDE MOUNT	003964	1
3	WASHER, 3/8" SPLIT LOCK	F05011-4	2
4	BOLT, 3/8-16 X 1" HEX HEAD	F05007-7	2
	GUIDE ASSEMBLY, DRIVE SIDE BLADE ROLLER	003905	1
	Block Assembly, Blade Guide Mount	003910	1
5	Block Weldment, Blade Guide Mount	003911	1
6	Nut, 5/16-18 Hex	F05010-17	4
7	Screw, 5/16-18 x 1" Socket Head Flat Point Stainless Steel Set	F05006-122	1



## Blade Guide Rollers & Arm

*Blade Guide Assembly, Drive Side*

2

8	Bolt, 5/16-18 x 1" Hex Head Stainless Steel	F05006-88	3	
9	Shaft Weldment, Drive Side Guide	003913	1	
10	Plate, Blade Guide Deflector	003916	1	
11	Bolt, 5/16-18 x 3/4" Hex Head w/Flat & Lock Washer	F05006-101	1	
	Roller Assembly, Blade Guide (standard)	A04925	1	
	Bearing Kit, Blade Guide Rebuild	K07079	1	
12	Washer, 5/8" White Felt	P04252	1	
13	Ring, 1 1/8" Interior Retaining	F04254-1	1	
14	Bearing, R8-2RS Blade Guide	015975	2	◆
15	Washer, 5/8" Gray Felt	P06455	1	
	Screw, 1/4-28 x 1/4" Socket Head Cup Point Set Black Oxide	F05005-105	1	
	Instruction Sheet, Blade Guide Rebuild	057407-1507	1	
16	Roller, Flanged Blade Guide	S04250	1	◆
	Instruction Sheet, Blade Guide Roller Replacement	A04925-364	1	
17	Spacer, Blade Guide	S04253	2	
18	Washer, 1/2" Nord-Lock	F05011-125 <sup>1</sup>	1	
19	Bolt, 1/2-13 x 2 1/4" Hex Head Grade 5	F05008-10	1	
20	Washer, 5/16" SAE Flat	F05011-17	2	
21	Washer, 5/16" Split Lock	F05011-13	2	
22	Bolt, 5/16-18 x 1 1/2" Hex Head	F05006-76	2	
23	Bolt, Blade Guide Vertical Adjustment	035656	1	
24	Nut, 5/16-18 Hex	F05010-17	1	
25	Bolt, 5/16-18 x 2 3/4" Hex Head Full Thread	F05006-136	1	
	<b>GUIDE KIT, HIGH-PERFORMANCE BLADE GUIDE (OPTIONAL)</b>	006325 <sup>2</sup>	1	
	Block Assembly, Drive Side Blade Guide	003927	1	
26	Plate, Block Tilt Adjustment	003915	1	
27	Block, Guide Block Mount	003909	1	
28	Pin, 3/16" x 5/8" Roll	F05012-22	2	
29	Washer, 3/8" SAE Flat	F05011-3	1	
30	Washer, 3/8" Split Lock	F05011-4	1	
31	Bolt, 3/8-16 x 1 1/4" Hex Head Grade 5	F05007-123	1	
32	Bolt, 5/16-18 x 3/4" Hex Head w/Flat & Lock Washer	F05006-101	1	
33	Ball, 3/16" Dia. Nylon	003914	2	
34	Washer, 1/4" Split Lock	F05011-14	2	
35	Bolt, 1/4-20 x 1/2" Hex Head	F05005-15	2	
36	Bolt, Blade Guide Block Mount	003994	1	
37	Washer, #10 Brass	042867	1	
38	Bolt, #10-32 x 1 1/4" Hex Head Stainless Steel	F05004-240	1	
39	Screw, Lower Block Adjustment	044057	1	
40	Screw, #10-32 x 3/8" Socket Head Stainless Steel	F05004-200	1	
41	Washer, 5/16" SAE Flat	F05011-17	1	
42	Washer, 5/16" Split Lock	F05011-13	1	

# 2

## Blade Guide Rollers & Arm

### Blade Guide Assembly, Drive Side

43	Block, Blade Guide Wear (Standard for 1 1/4" Blades)	052355 <sup>3</sup>	2	
	Block Assembly, 1" Sq. EZ-Glide Wear	036347 <sup>3</sup>	2	
44	Block, Blade Guide Alignment	035799	1	
45	Washer, #10 Split Lock	F05011-20	1	
46	Screw, #10-32 x 5/8" Hex Head	F05004-152	1	
47	Adjustment Tool, Lower Guide Block	044064	1	
	Shim, .008" Blade Guide Block Spacer	035248	1	
Idle Side Blade Guide Parts ( <a href="#">See Section 2.1</a> )				
<b>ROLLER ASSEMBLY, BLADE GUIDE RELUBE (OPTIONAL)</b>		016568	1	
	Bearing Kit, Relube Blade Guide Rebuild	057407	1	
48	Washer, 5/8" White Felt	P04252	1	
49	Ring, 1 1/8" Interior Retaining	F04254-1	1	
50	Bearing, R8-2RS Blade Guide	015975 <sup>4</sup>	2	◆
51	Washer, 5/8" Gray Felt	P06455	1	
52	Spacer, Blade Guide Bearing	035411	1	
	Instruction Sheet, Blade Guide Rebuild	057407-1507	1	
53	Roller, Flanged Blade Guide (Relube)	035426	1	◆
	Instruction Sheet, Blade Guide Roller Replacement	A04925-364	1	
54	<b>BOLT, BLADE GUIDE ROLLER (RELUBE ONLY)</b>	036161	1	
55	<b>FITTING, 1/4-28 GREASE (RELUBE ONLY)</b>	P05060	1	

<sup>1</sup> Nord-Lock Washer F05011-125 replaced Split Lock Washer F05011-9 to prevent loosening due to vibration (Rev. K5.03).

<sup>2</sup> High-Performance Blade Guide Kit requires LMS blade lube system. Use kit 006325 to upgrade both drive and idle side blade guides to High-Performance. If sawmill not already equipped with LMS, add kit LMS-RA.

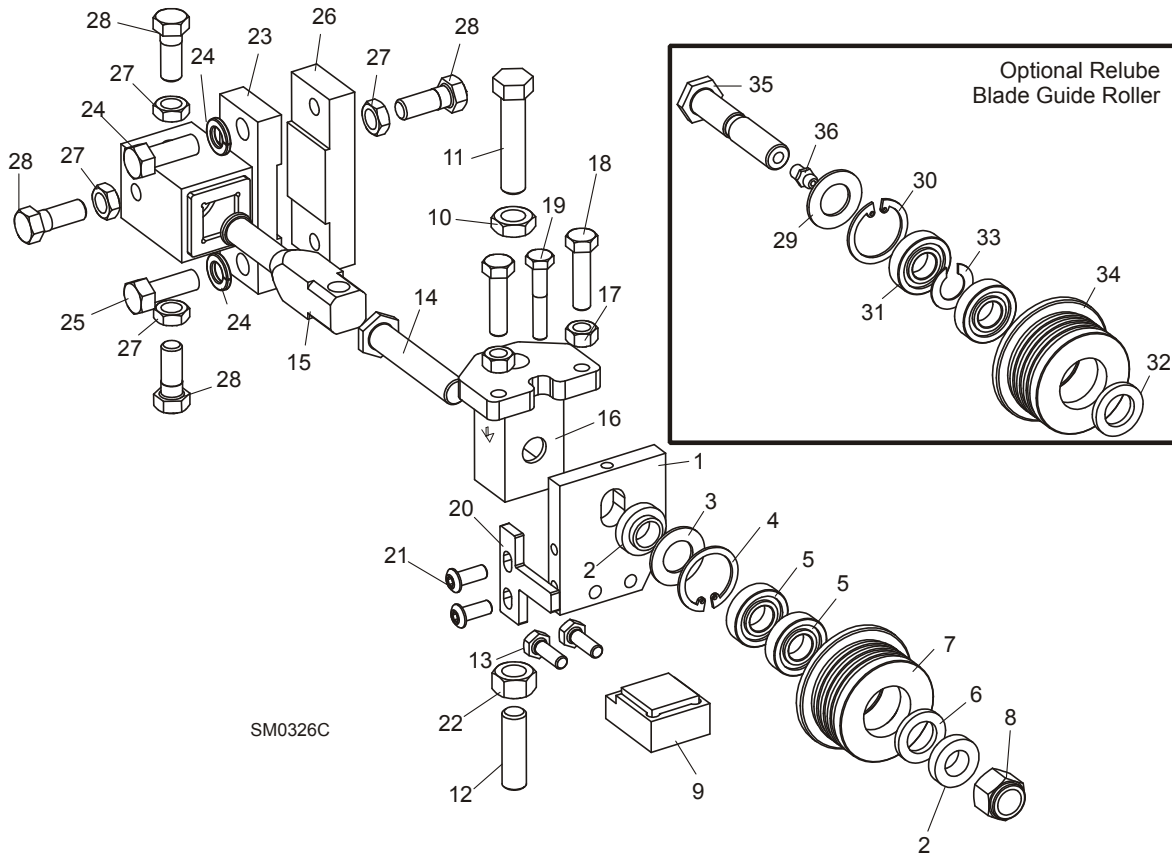
<sup>3</sup> 052355 blocks for use with 1 1/4" blade provided as standard equipment. EZ-Glide blocks 036347 are available for customers who prefer this block.

<sup>4</sup> Bearing must be modified for use with relube roller assemblies. Remove one seal from each bearing, place open sides facing each other and place spacer 035411 between bearings.

## 2.5 Blade Guide Assembly, Drive Side

LT40HD Remote

Rev. K2.00 - K3.00



REF	DESCRIPTION (◆ Indicates Parts Available In Assemblies Only)	PART #	QTY.
	<b>ROLLER/BLOCK ASSEMBLY, DRIVE SIDE (INNER)</b>	035410 <sup>1</sup>	1
1	Plate, Blade Guide Back Mounting	035409	1
2	Spacer, .510 x .937 x .34	S04253	2
	Roller Assembly, Blade Guide (standard)	A04925 <sup>2</sup>	1
	Bearing Kit, Blade Guide Rebuild	K07079	1
3	Washer, 5/8" White Felt	P04252	1
4	Ring, 1 1/8" Interior Retaining	F04254-1	1
5	Bearing, R8-2RS Blade Guide	015975	2
6	Washer, 5/8" Gray Felt	P06455	1
	Screw, 1/4-28 x 1/4" Socket Head Cup Point Set Black Oxide	F05005-105	1
	Instruction Sheet, Blade Guide Rebuild	057407-1507	1
7	Roller, Flanged Blade Guide	S04250	1
	Instruction Sheet, Blade Guide Roller Replacement	A04925-364	1

# 2

## Blade Guide Rollers & Arm

### Blade Guide Assembly, Drive Side

8	Nut, 1/2-20 Nylon Hex Lock	F05010-15	1	
9	Block Assembly, 1 1/4" Blade EZ-Glide Wear	036247 <sup>3</sup>	1	
	Block, 1 1/4" Blade Guide Wear	052367 <sup>3</sup>	1	
10	Nut, 7/16-20 Hex Jam	F05010-38 <sup>4</sup>	1	
11	Bolt, 7/16-20 x 2" Hex Head Full Thread Grade 8	F05007-215	1	
12	Screw, 7/16-20 x 1 1/2" Socket Head Flat Point Stainless Set	F05007-217 <sup>5</sup>	1	
13	Bolt, 1/4-20 x 3/4" Hex Head Grade 5	F05005-123	2	
14	Bolt, Blade Guide Roller	036374	1	
15	Shaft, Blade Guide Mount	054966	1	
16	Block Weldment, Roller Guide Adjuster	054969	1	
17	Nut, 5/16-24 Hex	F05010-28	2	
18	Bolt, 5/16-24 x 1 1/4" Hex Head Full Thread Stainless	F05006-107	2	
19	Bolt, 1/4-28 x 1 1/2" Hex Head Stainless	F05005-143	1	
20	Guard, Drive Roller	035490	1	
21	Screw, 1/4-20 x 55/8" Button Head Socket Cap Grade 2	F05005-128	2	
22	Nut, 7/16-20 Hex	F05010-202 <sup>4</sup>	1	
	<b>SHIM, .008" BLADE GUIDE BLOCK SPACER</b>	035248	1	
	<b>BLOCK KIT, DRIVE SIDE BLADE GUIDE BOLT ON</b>	016566	1	
23	Block Weldment, Drive Side Blade Guide Bolt On	016550	1	
24	Washer, 3/8" Split Lock	F05011-4	2	
25	Bolt, 3/8-16 x 1" Hex Head	F05007-7	2	
26	Block, Bolt On Blade Guide Mount	016548	1	
27	Nut, 3/8-24 Jam	F05010-22	4	
28	Bolt, 3/8-24 X 1" Stainless Steel Hex Head	F05007-99	4	
	<b>ROLLER ASSEMBLY, BLADE GUIDE RELUBE (OPTIONAL)</b>	016568 <sup>2</sup>	1	
	Bearing Kit, Relube Blade Guide Rebuild	057407	1	
29	Washer, 5/8" White Felt	P04252	1	
30	Ring, 1 1/8" Interior Retaining	F04254-1	1	
31	Bearing, R8-2RS Blade Guide	015975 <sup>6</sup>	2	◆
32	Washer, 5/8" Gray Felt	P06455	1	
33	Spacer, Blade Guide Bearing	035411	1	
	Instruction Sheet, Blade Guide Rebuild	057407-1507	1	
34	Roller, Flanged Blade Guide (Relube)	035426	1	◆
	Instruction Sheet, Blade Guide Roller Replacement	A04925-364	1	
35	<b>BOLT, BLADE GUIDE ROLLER (RELUBE ONLY)</b>	035412	1	
36	<b>FITTING, 1/4-28 GREASE (RELUBE ONLY)</b>	P05060	1	

<sup>1</sup> New blade guide assembly available ([See Section 2.4](#)). Upgrade requires mounting arms, belt covers and LMS option. If sawmill not equipped with Board Return option, use kit 006328 to retrofit both blade guide assemblies. If sawmill equipped with Board Return option, use kit 006329 to retrofit. If sawmill not already equipped with LMS option, add kit LMS-RA.

<sup>2</sup> The sawmill is equipped standard with non-greasable blade guide rollers that can be used with the standard 1 1/4" blades. Optional relube versions available.

<sup>3</sup> Wear Block 052367 available 10/07 and provided as standard 4/09. EZ-Glide Block 036247 available for customers who prefer this block.

<sup>4</sup> Lower jam nut F05010-38 replaced with hex nut F05010-202 (3/07).

<sup>5</sup> Stainless Set Screw replaces Zinc plated screw F05007-213 used prior to 6/07 to eliminate screw shearing.

<sup>6</sup> Bearing must be modified for use with relube roller assemblies. Remove one seal from each bearing, place open sides facing each other and place spacer 035411 between bearings.

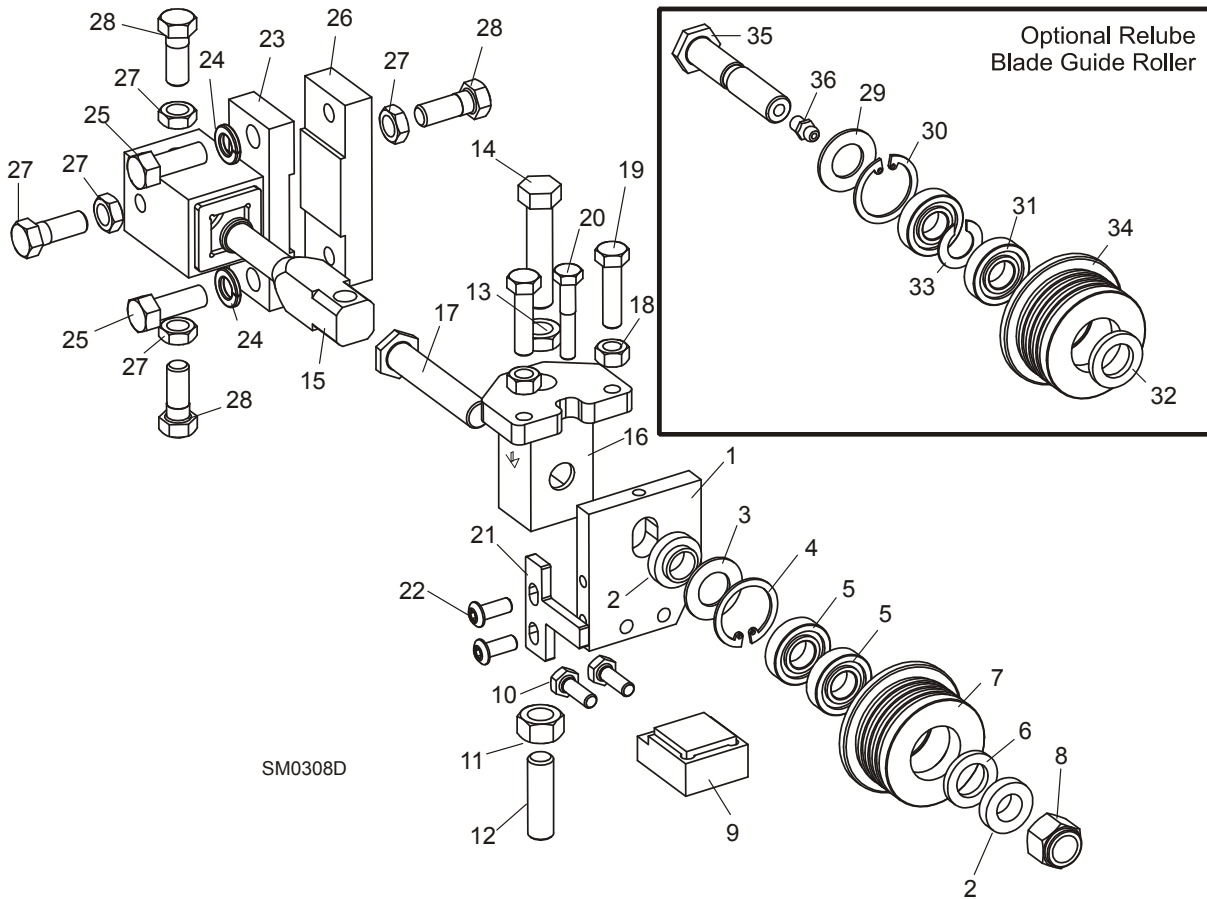
# 2 Blade Guide Rollers & Arm

Blade Guide Assembly, Drive Side

## 2.6 Blade Guide Assembly, Drive Side

LT40HD Remote

Rev. J8.01 - K1.04



REF	DESCRIPTION (◆ Indicates Parts Available In Assemblies Only)	PART #	QTY.
	<b>ROLLER/BLOCK ASSEMBLY, DRIVE SIDE (INNER)</b>	035410 <sup>1</sup>	1
1	Plate, Blade Guide Back Mounting	035409	1
2	Spacer, .510 x .937 x .34	S04253	2
	Roller Assembly, Blade Guide (standard)	A04925	1
	Bearing Kit, Blade Guide Rebuild	K07079	1
3	Washer, 5/8" White Felt	P04252	1
4	Ring, 1 1/8" Interior Retaining	F04254-1	1
5	Bearing, R8-2RS Blade Guide	015975	2
6	Washer, 5/8" Gray Felt	P06455	1
	Screw, 1/4-28 x 1/4" Socket Head Cup Point Set Black Oxide	F05005-105	1
	Instruction Sheet, Blade Guide Rebuild	057407-1507	1
7	Roller, Flanged Blade Guide	S04250	1
	Instruction Sheet, Blade Guide Roller Replacement	A04925-364	1

## Blade Guide Rollers & Arm

*Blade Guide Assembly, Drive Side*

2

8	Nut, 1/2-20 Nylon Hex Lock	F05010-15	1	
9	Block Assembly, 1 1/4" Blade EZ-Glide Wear	036247 <sup>2</sup>	1	
	Block, 1 1/4" Blade Guide Wear	052367 <sup>2</sup>	1	
10	Bolt, 1/4-20 x 3/4" Hex Head Grade 5	F05005-123	2	
	Shaft Kit, Blade Guide Adjust Retrofit	038971 <sup>3</sup>	1	
11	Nut, 7/16-20 Hex	F05010-202 <sup>4</sup>	1	
12	Screw, 7/16-20 x 1 1/2" Socket Head Cup Point Stainless Steel	F05007-217 <sup>5</sup>	1	
13	Nut, 7-16-20 Hex Jam	F05010-38	1	
14	Bolt, 7/16-20 x 2" Hex Head Full Thread Grade 8	F05007-215	1	
15	Shaft, Blade Guide Mount	054966	1	
16	Block Weldment, Roller Guide Adjuster	054969	1	
17	Bolt, Blade Guide Roller	036374	1	
18	Nut, 5/16-24 Hex	F05010-28	2	
19	Bolt, 5/16-24 x 1 1/4" Hex Head Full Thread Stainless	F05006-107	2	
20	Bolt, 1/4-28 x 1 1/2" Hex Head Stainless	F05005-143	1	
21	Guard, Drive Roller	035490	1	
22	Screw, 1/4-20 x 5/8" Button Head Socket Cap Grade 2	F05005-128	2	
	<b>SHIM, .008" BLADE GUIDE BLOCK SPACER</b>	035248	1	
	<b>BLOCK KIT, DRIVE SIDE BLADE GUIDE BOLT ON</b>	016566	1	
23	Block Weldment, Drive Side Blade Guide Bolt On	016550	1	
24	Washer, 3/8" Split Lock	F05011-4	2	
25	Bolt, 3/8-16 x 1" Hex Head	F05007-7	2	
26	Block, Bolt On Blade Guide Mount	016548	1	
27	Nut, 3/8-24 Jam	F05010-22	4	
28	Bolt, 3/8-24 X 1" Stainless Steel Hex Head	F05007-99	4	
	<b>ROLLER ASSEMBLY, BLADE GUIDE RELUBE (OPTIONAL)</b>	016568	1	
	Bearing Kit, Relube Blade Guide Rebuild	057407	1	
29	Washer, 5/8" White Felt	P04252	1	
30	Ring, 1 1/8" Interior Retaining	F04254-1	1	
31	Bearing, R8-2RS Blade Guide	015975 <sup>6</sup>	2	◆
32	Washer, 5/8" Gray Felt	P06455	1	
33	Spacer, Blade Guide Bearing	035411	1	
	Instruction Sheet, Blade Guide Rebuild	057407-1507	1	
34	Roller, Flanged Blade Guide (Relube)	035426	1	◆
	Instruction Sheet, Blade Guide Roller Replacement	A04925-364	1	
35	<b>BOLT, BLADE GUIDE ROLLER (RELUBE ONLY)</b>	035412	1	
36	<b>FITTING, 1/4-28 GREASE (RELUBE ONLY)</b>	P05060	1	

<sup>1</sup> Blade Guide Assembly 035410 upgraded with new Block Weldment and Shaft to accommodate 7/16" adjustment hardware to improve durability (12/06). New blade guide assembly available ([See Section 2.4](#)). Upgrade requires mounting arms, belt covers and LMS option. If sawmill not equipped with Board Return option, use kit 006328 to retrofit both blade guide assemblies. If sawmill equipped with Board Return option, use kit 006329 to retrofit. If sawmill not already equipped with LMS option, add kit LMS-RA.

<sup>2</sup> Wear Block 052367 available 10/07 and provided as standard 4/09. EZ-Glide Block 036247 available for customers who prefer this block.

## 2

## Blade Guide Rollers & Arm

### *Blade Guide Assembly, Drive Side*

---

<sup>3</sup> Mount Shaft 035427, Adjuster Block 035408, 3/8" Set Screws F05007-162 & 3/8" Jam Nuts F05010-22 replaced with 7/16" adjustment hard ware. Mount Shaft 035427 & Adjuster Block 035408 no longer available. Use kit 038971 to retrofit original parts.

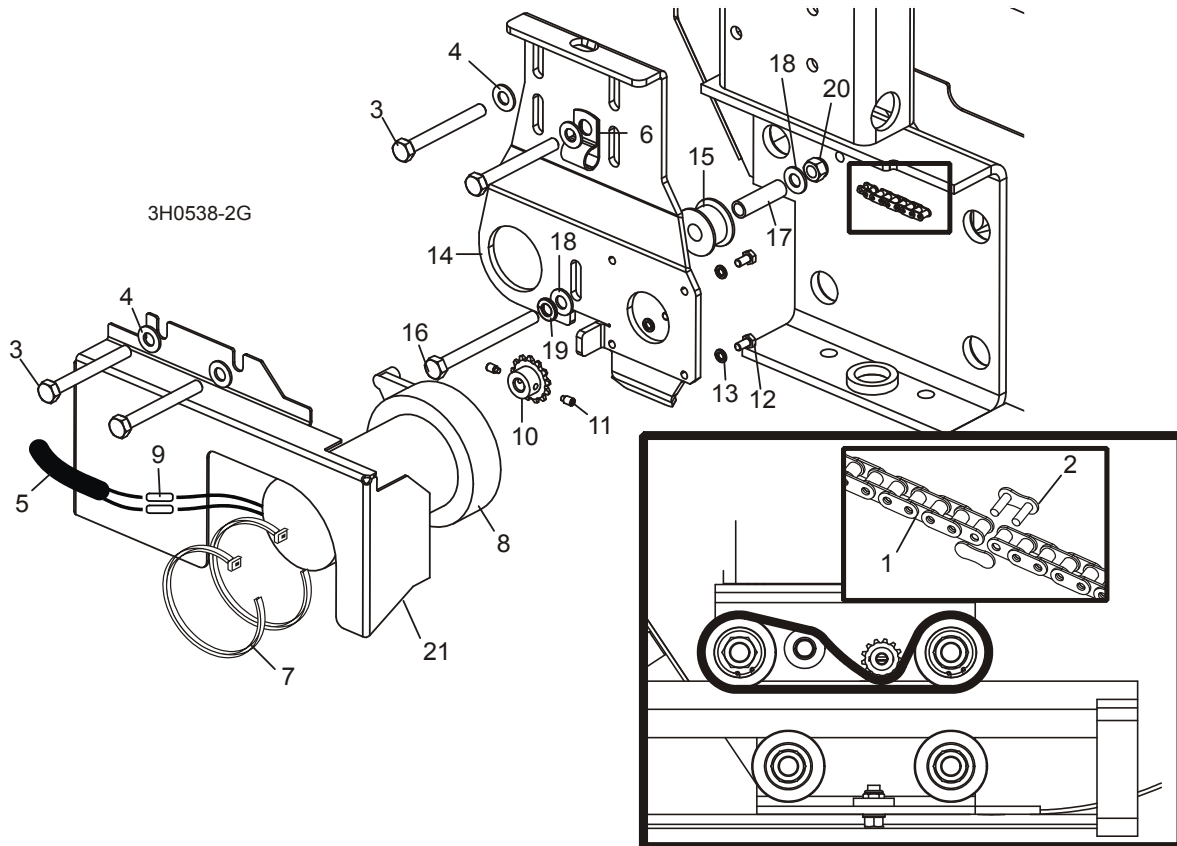
<sup>4</sup> Lower jam nut F05010-38 replaced with hex nut F05010-202 (3/07).

<sup>5</sup> Stainless Set Screw replaces Zinc plated screw F05007-213 used prior to 6/07 to eliminate screw shearing.

<sup>6</sup> Bearing must be modified for use with relube roller assemblies. Remove one seal from each bearing, place open sides facing each other and place spacer 035411 between bearings.



## 2.7 Blade Guide Arm Drive Assembly



REF	DESCRIPTION (◆ Indicates Parts Available In Assemblies Only)	PART #	QTY.
1	CHAIN, #25 X 20 1/4"	P09984	1
2	LINK, #25 MASTER	P09983	1
3	BOLT, 5/16-18 X 2 3/4" HEX HEAD GRADE 5	F05006-28	4
4	WASHER, 5/16" SAE FLAT	F05011-17	4
5	TUBE, 3/8" X 1/2" NEOPRENE	R01897	2.5ft
6	CLAMP, 1/2" COATED EMT	P07584	2
7	WRAP, 1/4" X 6" TIE	F05089-1	2
	<b>DRIVE ASSEMBLY, BLADE GUIDE ARM</b>	015989	1
	Motor Assembly, Blade Guide Arm Replacement	A10353	1
8	Motor, Blade Guide Arm 53:1 Gear	P09698-1	1
	Housing, Klauber Motor End	P12756	1
	Gear Kit, Klauber Motor Replacement	P12569	1
	Brush Kit, Gear Motor Replacement	P12800	1
	Shaft Kit, Klauber Gear Motor Replacement	009695	1
9	Connector, 14 Gauge Butt	F04875-1	2
10	Sprocket, Gear Motor #25 14-Tooth	P09970 <sup>1</sup>	1
11	Screw, #10-24 x 1/4" Full Dog Point Socket Set	F05004-274	2

# 2

## Blade Guide Rollers & Arm

### Blade Guide Arm Drive Assembly

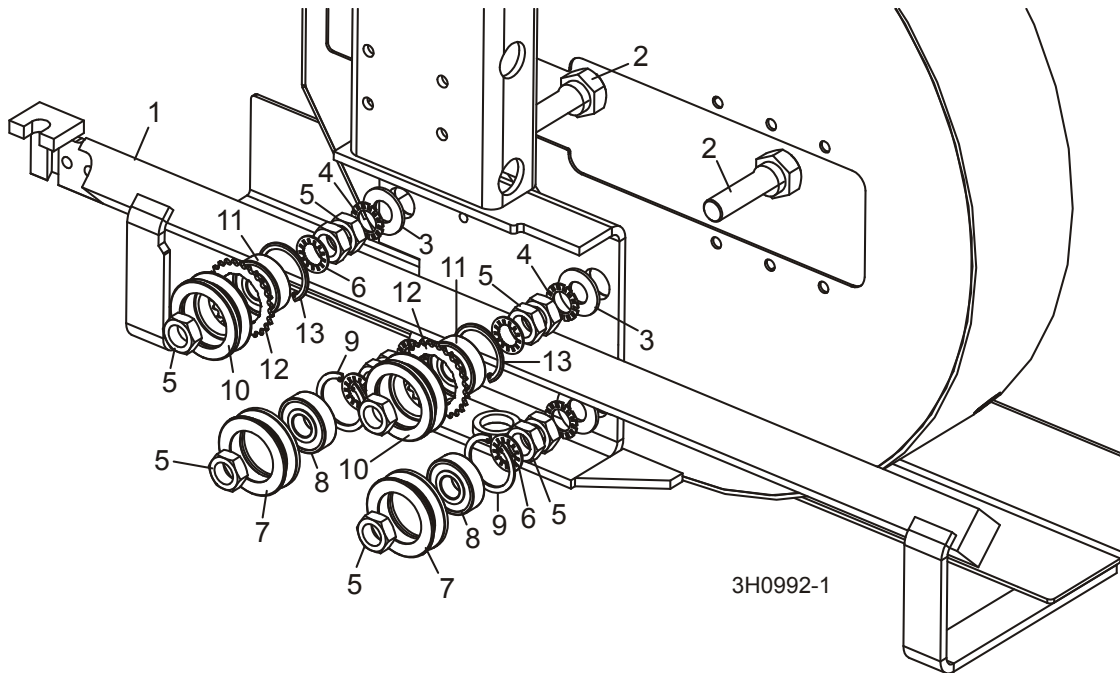
12	Screw, #10-32 x 1/2" Hex Head	F05004-60	4	
13	Washer, #10 Split Lock	F05011-20	4	
	Instruction Sheet, Blade Guide Arm Motor	A10365-296	1	
14	Bracket, Blade Guide Arm Motor Mount	015939	1	
15	Roller, Blade Guide Arm Chain Idler	S09999	1	
16	Bolt, 5/16-18 X 3 1/2" Hex Head Full Thread	F05006-3	1	
17	Spacer, 5/16" I.D. X 1 1/2"	S09996	1	
18	Washer, 5/16" SAE Flat	F05011-17	2	
19	Washer, 5/16" Split Lock	F05011-13	1	
20	Nut, 5/16-18 Hex Nylon Lock	F05010-58	1	
21	<b>COVER, BLADE GUIDE ARM MOTOR</b>	S11617	1	
	<b>GUARD, BLADE GUIDE ARM (G.S. ONLY)</b>	S12029	1	

<sup>1</sup> Sprocket modified 6/11 with threaded holes to accept included set screws (replace 1/8" x 3/4" roll pin F05012-6).

## 2.8 Blade Guide Arm

LT40HD Remote

Rev. K3.01 - K5.03



REF	DESCRIPTION (◆ Indicates Parts Available In Assemblies Only)	PART #	QTY.	
1	<b>BLADE GUIDE ARM WELDMENT</b>	003972	1	
2	<b>BOLT, BLADE GUIDE ARM ROLLER CAM</b>	W09067	4	
3	<b>WASHER, 5/8" SAE FLAT</b>	F05011-5	4	
4	<b>WASHER, 5/8" EXTERNAL STAR</b>	F05011-26	4	
5	<b>NUT, 5/8-18 HEX JAM</b>	F05010-11	12	
6	<b>WASHER, 5/8" INTERNAL STAR</b>	F05011-25	8	
	<b>ROLLER ASSEMBLY, BLADE GUIDE ARM WITH BEARING</b>	A09059	2	
7	Roller, Blade Guide Arm V-Groove	S07989	1	◆
8	Bearing, 6203-2NSL 5/8" I.D.	P06030-1	1	◆
9	Ring, 1.575" ID Beveled 5002-156 Retaining	F04254-8	1	
	<b>ROLLER ASSEMBLY, BLADE GUIDE ARM WITH BEARING AND SPROCKET</b>	A09932	2	
10	Roller, Blade Guide Arm Drive	S09930	1	◆
11	Bearing, 6203-2NSL 5/8" I.D.	P06030-1	1	◆
12	Sprocket, #25 26-Tooth	S09931	1	◆
13	Ring, 1.575" ID Beveled 5002-156 Retaining	F04254-8	1	

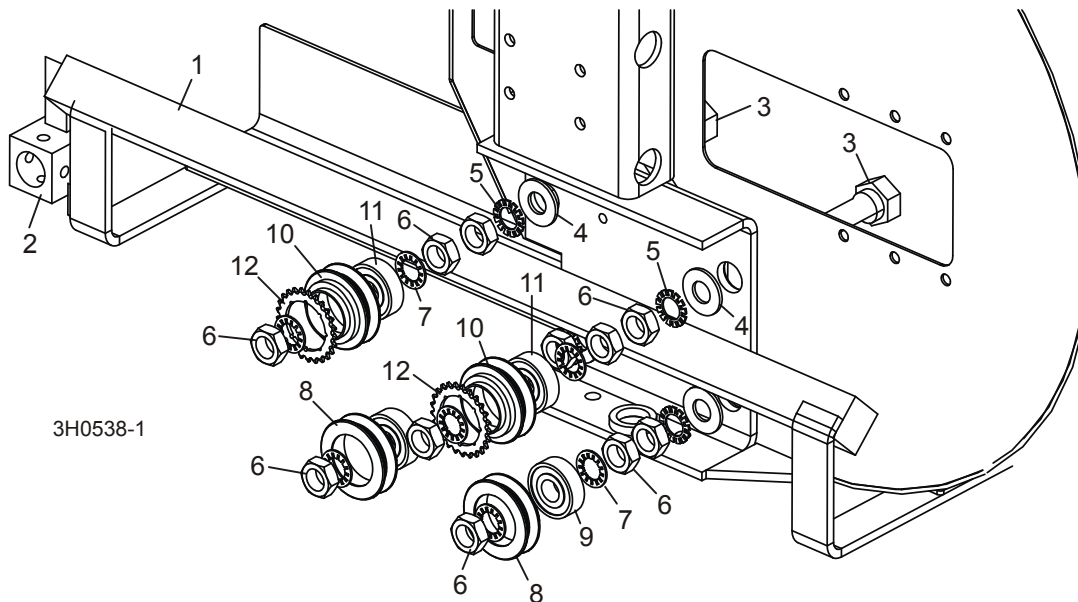
# 2 Blade Guide Rollers & Arm

## Blade Guide Arm

### 2.9 Blade Guide Arm

LT40HD Remote

Rev. J8.01 - K3.00

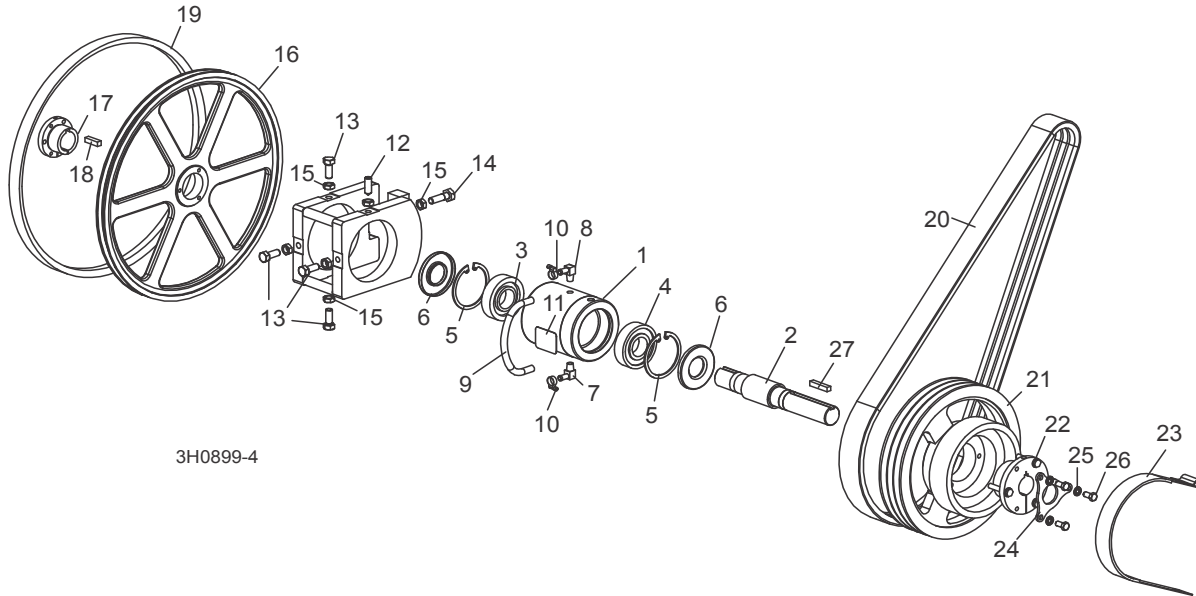


REF	DESCRIPTION (◆ Indicates Parts Available In Assemblies Only)	PART #	QTY.	
1	BLADE GUIDE ARM WELDMENT (U.S. 28 5/8" [72.7 CM])	W10005	1	
	BLADE GUIDE ARM WELDMENT (G.S. 37 1/8" [94.2 CM])	W10429	1	
2	Tube, Blade Guide Mount (U.S. - Welded to Blade Guide Arm)	W08159	1	
	Tube, Blade Guide Mount (G.S. - Bolted to Blade Guide Arm)	W10426	1	
3	BOLT, BLADE GUIDE ARM ROLLER CAM	W09067	4	
4	WASHER, 5/8" SAE FLAT	F05011-5	4	
5	WASHER, 5/8" EXTERNAL STAR	F05011-26	4	
6	NUT, 5/8-18 HEX JAM	F05010-11	12	
7	WASHER, 5/8" INTERNAL STAR	F05011-25	8	
	ROLLER ASSEMBLY, BLADE GUIDE ARM WITH BEARING	A09059	2	
8	Roller, Blade Guide Arm V-Groove	S07989	1	◆
9	Bearing, 6203-2NSL 5/8" I.D.	P06030-1	1	◆
	Ring, 1.575" ID Beveled 5002-156 Retaining	F04254-8	1	
	ROLLER ASSEMBLY, BLADE GUIDE ARM WITH BEARING AND SPROCKET	A09932	2	
10	Roller, Blade Guide Arm Drive	S09930	1	◆
11	Bearing, 6203-2NSL 5/8" I.D.	P06030-1	1	◆
12	Sprocket, #25 26-Tooth	S09931	1	◆
	Ring, 1.575" ID Beveled 5002-156 Retaining	F04254-8	1	

## SECTION 3 BLADE WHEELS & TENSIONER

### 3.1 Blade Drive Assembly

LT40HD D33/D34/D35/D36 Remote  
LT40HD G36 Remote



3H0899-4

REF	DESCRIPTION (◆ Indicates Parts Available In Assemblies Only)	PART #	QTY.	
	<b>BEARING ASSEMBLY, BLADE WHEEL DRIVE</b>	016393	1	
	Bearing Assembly, Cylindrical Drive	016392	1	◆
1	Housing, Blade Wheel Drive Bearing	016391	1	◆
2	Shaft, Blade Wheel Drive	014005	1	◆
3	Bearing, Blade Wheel Drive #MU1308TV	P10205	1	◆
4	Bearing, Blade Wheel Drive #6308 C3 Open	016055	1	◆
5	Ring, 90mm Interior Retaining #117	F04254-17	2	
6	Seal, Drive Bearing #CR15890	P10206-K	2	
7	Fitting, 1/4" NPT x 3/8" Hose Barb Elbow	016330	1	
8	Fitting, 1/4" NPT x 3/8" Hose Barb Vented Elbow	016331	1	
9	Hose, Oil Level Viewer	016394	1	
10	Clamp, 7/32-5/8" Hose	P649	2	
11	Decal, Oil Level Gauge	017470	1	
	Instruction Sheet, Drive Bearing Replacement	016393-555	1	
12	<b>SCREW, 1/2-20 X 1 1/2" CONE POINT SET</b>	F05004-170	1	
13	<b>BOLT, 1/2-20 X 1 1/4" HEX HEAD GRADE 5</b>	F05008-108	4	
14	<b>BOLT, 1/2-20 X 1 3/4" HEX HEAD GRADE 5</b>	F05008-49	1	

# 3

## Blade Wheel & Tensioner

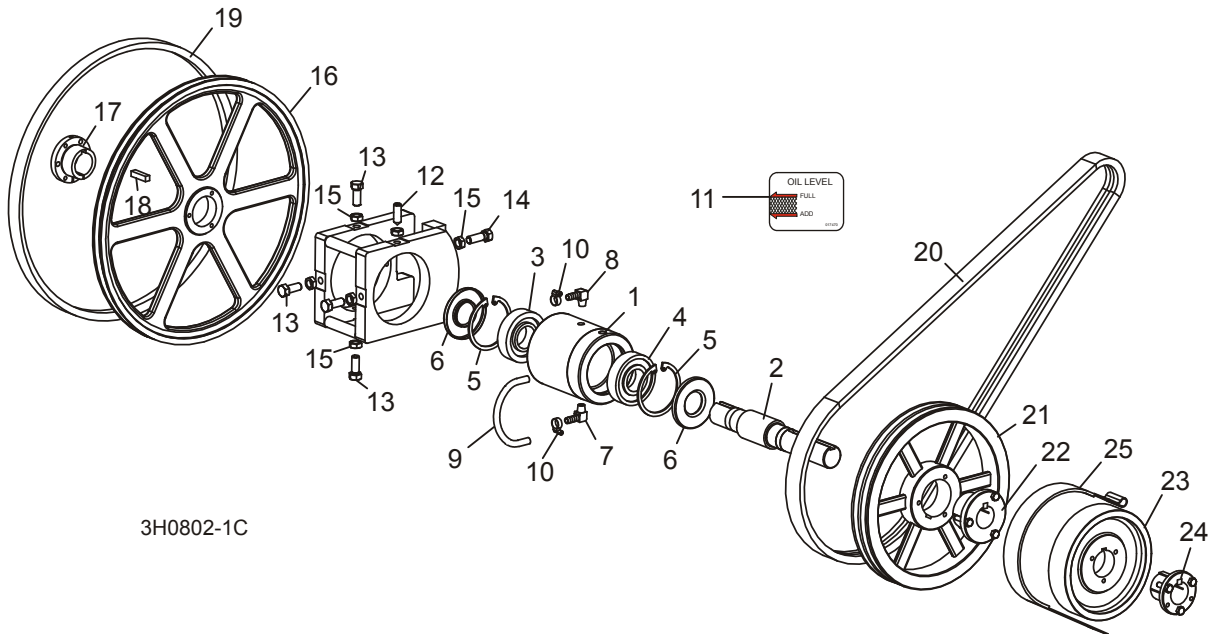
### Blade Drive Assembly

15	NUT, 1/2-20 HEX JAM	F05010-16	6	
	<b>WHEEL KIT, DRIVE SIDE BLADE</b>	014562	1	
16	Wheel, Drive Side Blade	016284	1	◆
17	Bushing, Modified 1 9/16" SD	016270	1	
18	Key, 3/8" x 3/8" x 1 5/8"	S12892	1	
	Instruction Sheet, Drive Side Blade Wheel Replacement	K12897-488	1	
19	<b>BELT, BLADE WHEEL B57</b>	P04185	1	
20	<b>BELT, 3/5VL770 DRIVE (D34/D35/D36)</b>	046571	1	
	<b>BELT, 3/5VL750 DRIVE (G38/G36/D33)</b>	006672 <sup>1</sup>	1	
21	<b>SHEAVE, 5V12.5X3 BRAKE COMBO</b>	016531	1	
22	<b>BUSHING, SF X 1 9/16"</b>	016532	1	
23	<b>STRAP, METAL-BACKED BRAKE</b>	014391	1	
24	<b>PLATE, BUSHING KEY RETAINER</b>	017953	1	
25	<b>WASHER, 3/8" SPLIT LOCK</b>	F05011-4	3	
26	<b>BOLT, 3/8-16 X 3/4" HEX HEAD</b>	F05007-27	3	
27	<b>KEY, 3/8" X 3/8" X 1 7/8"</b>	014693	1	

<sup>1</sup> Cog-style belt 006672 replaces 016556 originally supplied prior to 7/08 to reduce slippage.

### 3.2 Blade Drive Assembly

**LT40HD G25/G28 Remote**



3H0802-1C

REF	DESCRIPTION (◆ Indicates Parts Available In Assemblies Only)	PART #	QTY.	
	<b>BEARING ASSEMBLY, BLADE WHEEL DRIVE</b>	016393	1	
	Bearing Assembly, Cylindrical Drive	016392	1	◆
1	Housing, Blade Wheel Drive Bearing	016391	1	◆
2	Shaft, Blade Wheel Drive	014005	1	◆
3	Bearing, Blade Wheel Drive #MU1308TV	P10205	1	◆
4	Bearing, Blade Wheel Drive #6308 C3 Open	016055	1	◆
5	Ring, 90mm Interior Retaining #I17	F04254-17	2	
6	Seal, Drive Bearing #CR15890	P10206-K	2	
7	Fitting, 1/4" NPT x 3/8" Hose Barb Elbow	016330	1	
8	Fitting, 1/4" NPT x 3/8" Hose Barb Vented Elbow	016331	1	
9	Hose, Oil Level Viewer	016394	1	
10	Clamp, 7/32-5/8" Hose	P649	2	
11	Decal, Oil Level Gauge	017470	1	
	Instruction Sheet, Drive Bearing Replacement	016393-555	1	
12	<b>SCREW, 1/2-20 X 1 1/2" CONE POINT SET</b>	F05004-170	1	
13	<b>BOLT, 1/2-20 X 1 1/4" HEX HEAD GRADE 5</b>	F05008-108	4	
14	<b>BOLT, 1/2-20 X 1 3/4" HEX HEAD GRADE 5</b>	F05008-49	1	
15	<b>NUT, 1/2-20 HEX JAM</b>	F05010-16	6	
	<b>WHEEL KIT, DRIVE SIDE BLADE</b>	014562	1	
16	Wheel, Drive Side Blade	016284	1	◆
17	Bushing, Modified 1 9/16" SD	016270	1	

# 3

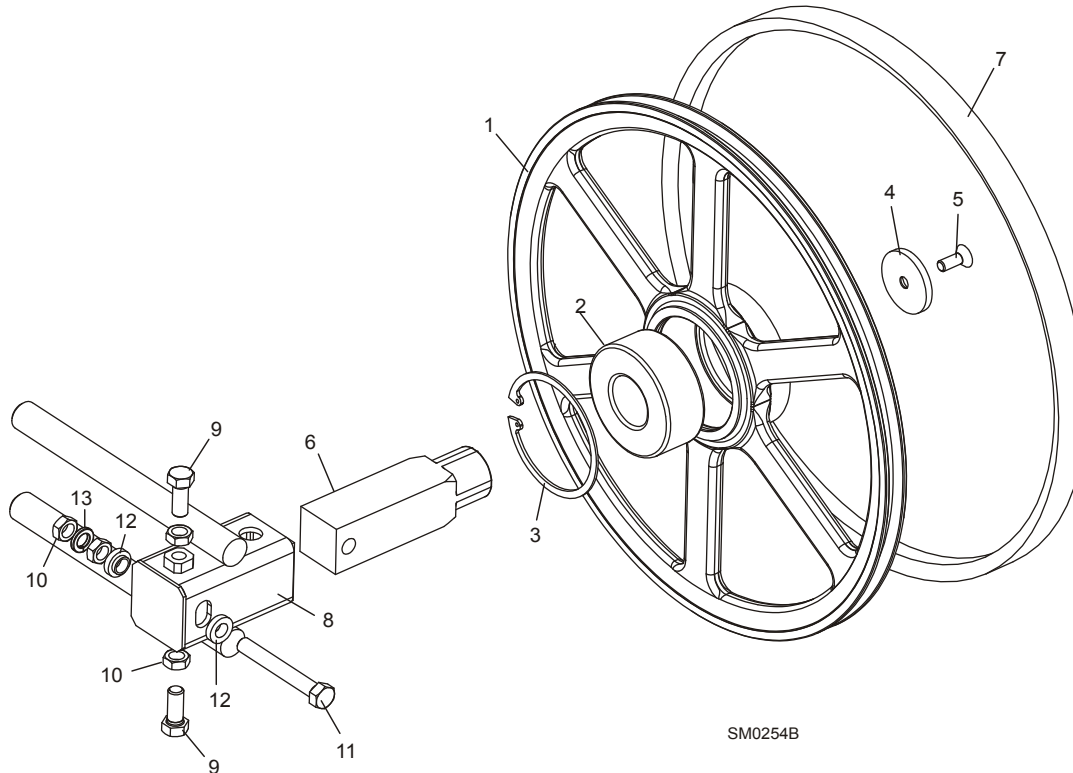
## Blade Wheel & Tensioner

### Blade Drive Assembly

18	Key, 3/8" x 3/8" x 1 5/8"	S12892	1	
	Instruction Sheet, Drive Side Blade Wheel Replacement	K12897-488	1	
19	<b>BELT, BLADE WHEEL B57</b>	P04185	1	
20	<b>BELT, 2BXF71 DRIVE (G25/G28)</b>	036163	1	
	<b>PULLEY KIT, 2B124SK DRIVE (G25/G28)</b>	014692	1	
21	Pulley, 2B124SK Drive (G25/G28)	014689	1	◆
22	Bushing, 1 9/16" Type 'SK'	014690	1	
	Key, 3/8" x 3/8" x 1 7/8"	014693	1	
23	<b>WHEEL, BRAKE</b>	014000	1	
24	<b>BUSHING, 1 9/16" P1</b>	014003	1	
25	<b>STRAP, METAL-BACKED BRAKE</b>	014391	1	



### 3.3 Idle Blade Wheel Assembly



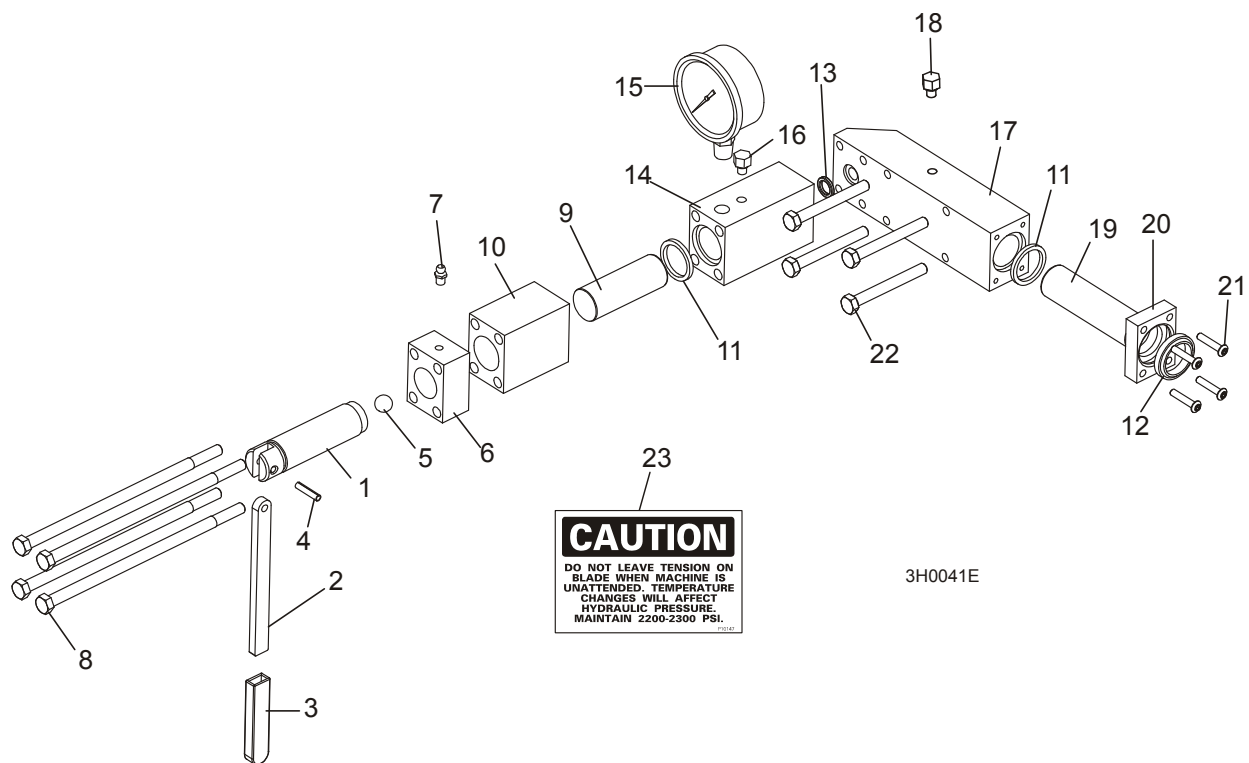
REF	DESCRIPTION (◆ Indicates Parts Available In Assemblies Only)	PART #	QTY.	
	<b>WHEEL ASSEMBLY, IDLE SIDE BLADE</b>	016120	1	
1	Wheel, Idle Side Blade	016013	1	◆
2	Bearing, Idle Side Blade Wheel #5309-2RS, C3, SRI-2 Grease	016014	1	
3	Ring, 100mm Internal Retaining Beveled	F04254-28	1	
	<b>SHAFT KIT, IDLE BLADE WHEEL</b>	016441	1	
4	Washer, 13/32" I.D. x 2 3/16 O.D. x 1/4"	016397	1	
5	Bolt, 3/8-16 x 1" Flat Head Socket	F05007-64	1	
6	Shaft, Idle Side Blade Wheel	016398	1	
7	<b>BELT, BLADE WHEEL B57</b>	P04185	1	
8	<b>HOUSING, IDLE BLADE WHEEL SHAFT</b>	016103	1	
9	<b>BOLT, 1/2-20 X 1 1/2" HEX HEAD GRADE 5</b>	F05008-53 <sup>1</sup>	2	
10	<b>NUT, 1/2-20 HEX JAM</b>	F05010-16	4	
11	<b>BOLT, 1/2-20 X 3 3/4" HEX HEAD FULL THREAD GRADE 2</b>	F05008-111	1	
12	<b>SPACER, 1/2" I.D. FLANGED</b>	S04253	2	
13	<b>WASHER, 1/2" SPLIT LOCK</b>	F05011-9	1	

<sup>1</sup> Replaces 1 1/4" Bolt F05008-108 originally supplied to allow for more tilt adjustment. Requires trimming of blade guide arm drive cover and mount channel to provide clearance for longer bolt (LT30HD Rev. K1.02 & LT40HD Rev. K2.02).

# 3 Blade Wheels & Tensioner

## Hydraulic Blade Tensioner Assembly

### 3.4 Hydraulic Blade Tensioner Assembly



REF	DESCRIPTION (◆ Indicates Parts Available In Assemblies Only)	PART #	QTY.	
	<b>HYDRAULIC BLADE TENSIONER ASSEMBLY</b>	A10136	1	
	Handle Assembly, Hydraulic Blade Tensioner Screw	A12294	1	
1	Screw, Hydraulic Blade Tensioner	S10056	1	◆
2	Handle, Hydraulic Tensioner Screw	S08174	1	
3	Sleeve, Plastic Handle	P08072	1	
4	Pin, 3/16" x 7/8" Roll	F05012-19	1	
5	Ball, 1/2" Steel	P02720	1	
6	Block, Threaded Tensioner End	S10062	1	◆
7	Fitting, 1/4-28 Grease	P05060	1	
	Instruction Sheet, Tensioner Screw	A12294-518	1	
8	Bolt, 5/16-18 X 7 1/2" Hex Head Grade 5	F05006-43	4	
9	Piston, Hydraulic Tensioner Front 2 3/4" Long	S10060	1	
10	Block, Piston Guide	S10061	1	
	Seal Kit, Hydraulic Tensioner	003224	1	
5	Ball, 1/2" Steel	P02720	1	
11	Seal, 1" Diameter	P10051	2	
12	Wiper, 1" Diameter	P10053	1	
13	Ring, 5/8" X 3/32" Square "O"	P10377	1	

## Blade Wheels & Tensioner

### *Hydraulic Blade Tensioner Assembly*

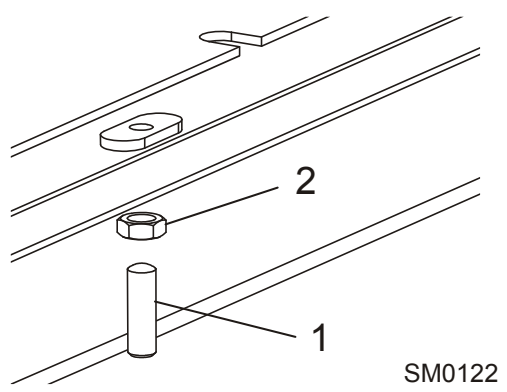
3

<b>14</b>	Block, Hydraulic Tensioner Gauge Mounting	S10140	1	
<b>15</b>	Gauge, 5000 P.S.I.	P10052	1	
<b>16</b>	Plug, Hydraulic Tensioner Fill	P10065	1	
	Block Assembly, Rear Tensioner Piston	016329	1	
<b>17</b>	Block, Rear Tensioner Piston	S10142	1	◆
<b>18</b>	Plug, Hydraulic Tensioner Fill	P10065	1	
<b>19</b>	Piston, Hydraulic Tensioner Rear 3 5/8" Long	S10059	1	
<b>20</b>	Block, Rear Piston End	S10089	1	
<b>21</b>	Bolt, #10-24 X 1" Socket Button Head	F05004-43	4	
<b>22</b>	Bolt, 5/16-18 X 2 3/4" Hex Head Grade 5	F05006-28	4	
<b>23</b>	Decal, Hydraulic Tension Caution	P10147	1	
	Instruction Sheet, Hydraulic Tensioner Installation	A10136-272	1	

**4** Saw Head  
*Middle Throat Screw*

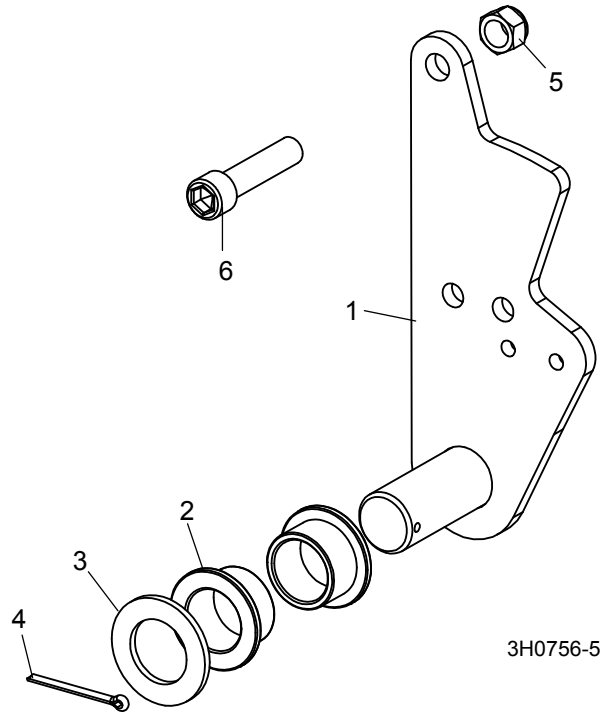
**SECTION 4 SAW HEAD**

**4.1 Middle Throat Screw**



REF	DESCRIPTION (◆ Indicates Parts Available In Assemblies Only)	PART #	QTY.	
1	SCREW, 3/8-16 X 1 1/4" OVAL POINT SOCKET SET	F05007-18	1	
2	NUT, 3/8-16 HEX JAM	F05010-29	1	

## 4.2 Clutch Pivot

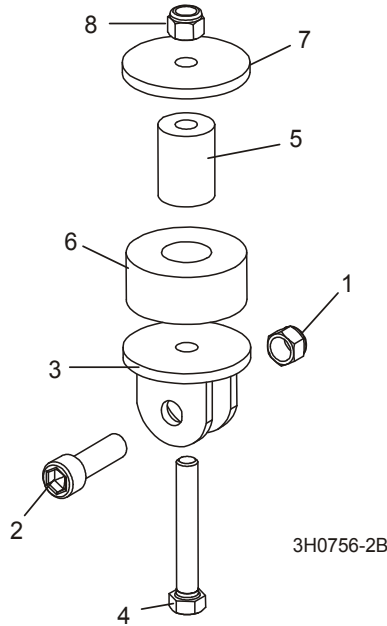


REF	DESCRIPTION (◆ Indicates Parts Available In Assemblies Only)	PART #	QTY.	
1	PLATE WELDMENT, CLUTCH PIVOT	016296	1	
2	BUSHING, CLUTCH/BRAKE PIVOT	P737	2	
3	WASHER, CLUTCH/BRAKE PIVOT	P116	1	
4	PIN, 1/8" X 1 1/2" COTTER	F05012-49	1	
5	NUT, 7/16-20 HEX NYLON LOCK	F05010-83	1	
6	BOLT, 7/16-20 X 2" SOCKET HEAD	F05007-120	1	

# 4 Saw Head

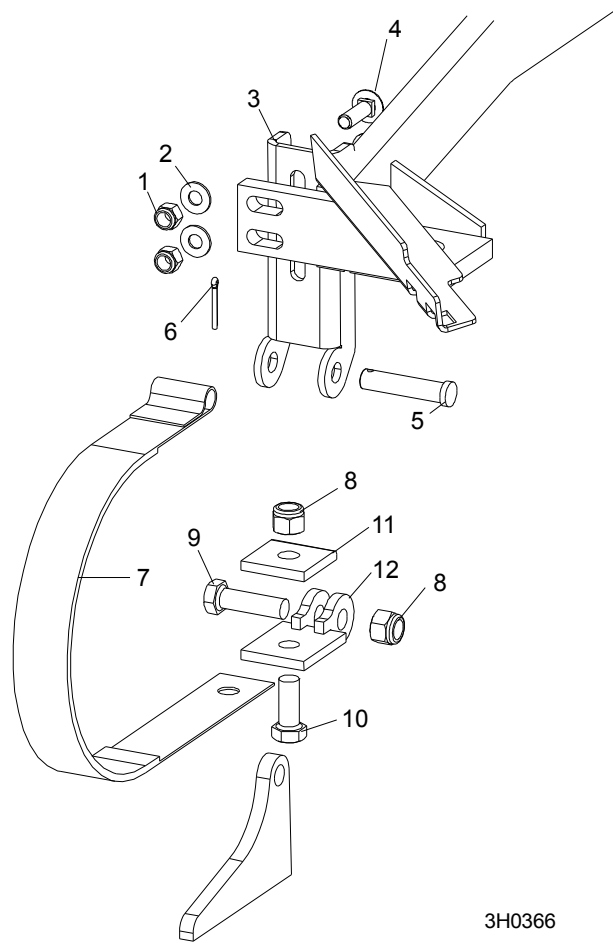
## Clutch Mount Assembly

### 4.3 Clutch Mount Assembly



REF	DESCRIPTION (◆ Indicates Parts Available In Assemblies Only)	PART #	QTY.
1	NUT, 7/16-20 HEX NYLON LOCK	F05010-83	1
2	BOLT, 7/16-20 X 1 1/2" SOCKET HEAD	F05007-55	1
3	BRACKET, CLUTCH MOUNT	W12411	1
4	BOLT, 3/8-16 X 2 1/2" HEX HEAD	F05007-157	1
5	SPACER, MOTOR MOUNT VIBRATION BUSHING	016316	1
6	BUSHING, MOTOR MOUNT VIBRATION	P05032	1
7	WASHER, .40" I.D. X 1.44" O.D. X .18" THICK	021276	1
8	NUT, 3/8-16 NYLON LOCK	F05010-10	1

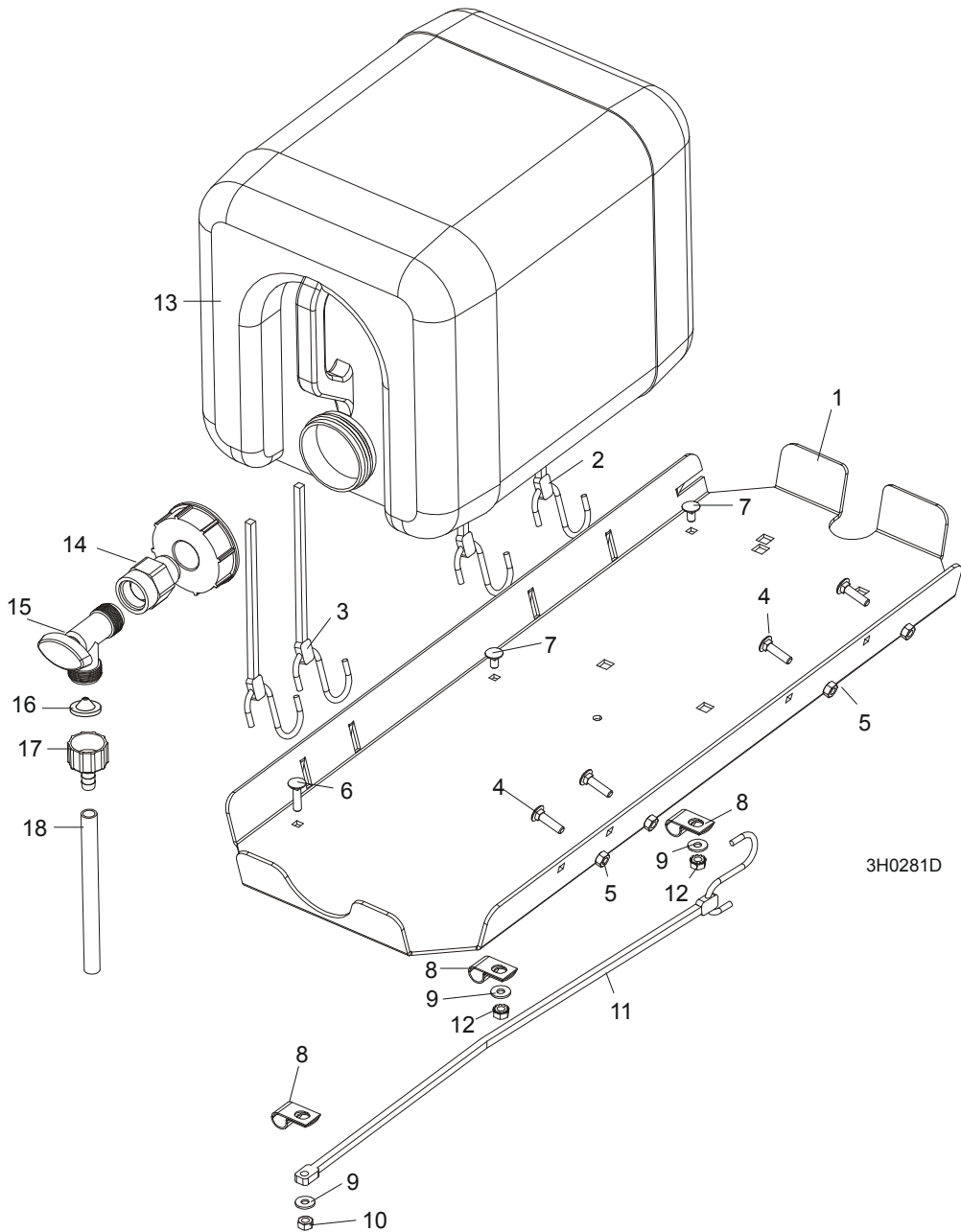
### 4.4 Brake Assembly



3H0366

REF	DESCRIPTION (◆ Indicates Parts Available In Assemblies Only)	PART #	QTY.
	<b>STRAP RETROFIT, SUPER BRAKE</b>	014441	1
1	Nut, 3/8-16 Nylon Lock	F05010-10	2
2	Washer, 3/8" SAE Flat	F05011-3	2
3	Bracket, Upper Super Brake Strap Mount	014395	1
4	Bolt, 3/8-16 x 1 1/4" Carriage Head Grade 5	F05007-127	2
5	Pin, 1/2" x 2 1/4" Clevis	F05012-81	1
6	Pin, 1/8" x 1" Cotter	F05012-1	1
7	Strap, Upper Pivot Metal Brake	014391	1
8	Nut, 1/2-13 Nylon Lock	F05010-8	2
9	Bolt, 1/2-13 x 1 3/4" Hex Head Grade 5	F05008-88	1
10	Bolt, 1/2-13 x 1 1/4" Hex Head Grade 5	F05008-37	1
11	Plate, Brake Strap Clamp	S04195	1
12	Bracket, Lower Super Brake Strap Mount	014392	1

### 4.5 Water Lube Assembly



REF	DESCRIPTION (◆ Indicates Parts Available In Assemblies Only)	PART #	QTY.	
	<b>TRAY ASSEMBLY, FUEL TANK/WATER BOTTLE</b>	A11685	1	
1	Tray, Fuel Tank/Water Bottle	S11684	1	◆
2	Strap, 24" Rubber (For Fuel Tank - See Engine Manual)	P11258	2	
3	Strap, 20" Rubber	P11668	2	



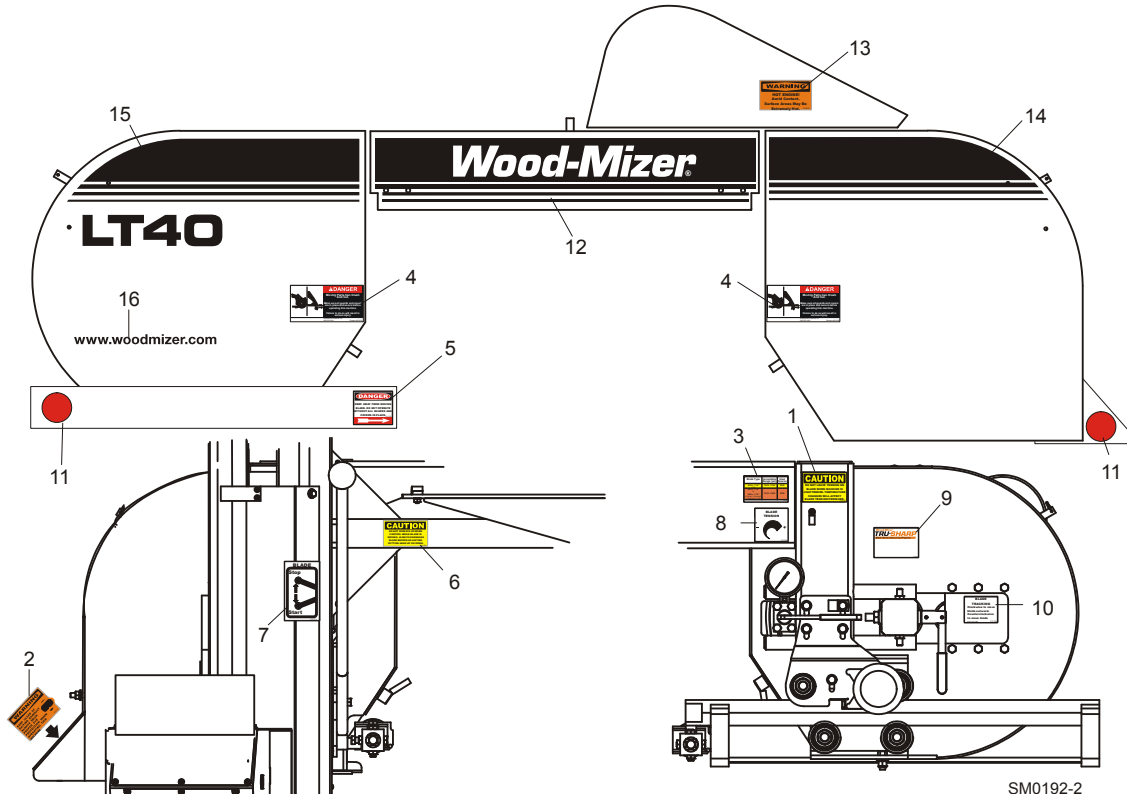
4	Bolt, 1/4-20 X 1" Carriage Head	F05005-34	4	
5	Nut, 1/4-20 Hex Lock	F05010-21	4	
6	<b>BOLT, 1/4-20 X 1" CARRIAGE HEAD</b>	F05005-34	1	
7	<b>BOLT, 1/4-20 X 1/2" CARRIAGE HEAD</b>	F05005-33	2	
8	<b>CLAMP, 1/2" EMT HOSE</b>	P07584	3	
9	<b>WASHER, 1/4" SAE FLAT</b>	F05011-11	3	
10	<b>NUT, 1/4-20 HEX LOCK</b>	F05010-21	1	
11	<b>STRAP, 15" RUBBER</b>	P07461	1	
12	<b>NUT, 1/4-20 SELF-LOCKING</b>	F05010-9	2	
13	<b>BOTTLE ASSY, WATER LUBE W/CAP</b>	014642 <sup>1</sup>	1	
14	<b>FITTING, 3/4FPT X 3/4MPT</b>	014636	1	
15	<b>FITTING, WATER LUBE SHUTOFF VALVE</b>	014100	1	
16	<b>FILTER, WATER LUBE</b>	016086	1	
17	<b>FITTING, 5/8" NPT TO 3/8" HOSE BARB</b>	014113	1	
18	<b>TUBING, WATER LUBE 3/8" I.D.</b>	R01885	7 ft.	

<sup>1</sup> Use Water Bottle Assembly w/Cap 014642 to service all bottle/cap combinations previously supplied. Bottle 014367, 61mm Cap 014773 and 70mm Cap 036744 no longer available separately.

# 4 Saw Head Saw Head Decals

## 4.6 Saw Head Decals

LT40HD Remote Rev. K3.00 (1/08+) - K5.03



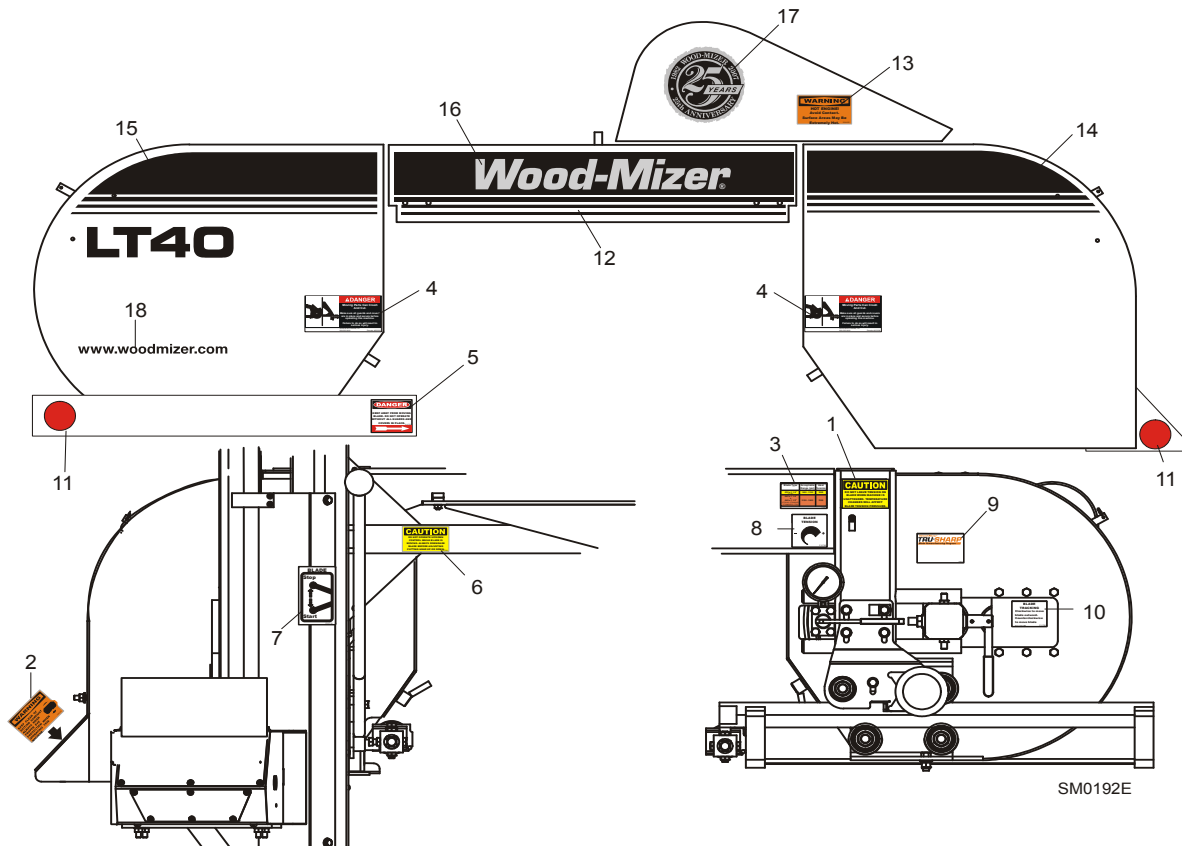
SM0192-2

REF	DESCRIPTION (◆ Indicates Parts Available In Assemblies Only)	PART #	QTY.
1	DECAL, BLADE TENSION CAUTION	P10147	1
2	DECAL, SAWDUST CHUTE WARNING	P11754	1
3	DECAL, BLADE TENSION RANGES	P12373	1
4	DECAL, BLADE COVERS DANGER	033254	2
5	DECAL, BLADE DANGER ARROW RIGHT	S11752	1
6	DECAL, UP/DOWN CAUTION	S11762	1
7	DECAL, BLADE START/STOP	P11779	1
8	DECAL, BLADE TENSION INFO	P11790	1
9	DECAL, TRU-SHARP INFO	P12879	1
10	DECAL, BLADE ALIGNMENT INFO	P11789	1
11	DECAL, RED REFLECTIVE 2" ROUND	P07452	2
12	DECAL, MIDDLE COVER	003244	1
13	DECAL, HOT ENGINE WARNING	014419	1
14	DECAL, BLADE HOUSING COVER (DRIVE SIDE)	003243	1
15	DECAL, BLADE HOUSING COVER (IDLE SIDE LT30)	003245	1
	DECAL, BLADE HOUSING COVER (IDLE SIDE LT40)	003246	1
16	DECAL, WOOD-MIZER WEBSITE	003235	1

## 4.7 Saw Head Decals

LT40HD Remote

Rev. K2.00 (1/07) - K3.00 (12/07)



REF	DESCRIPTION (◆ Indicates Parts Available In Assemblies Only)	PART #	QTY.
1	DECAL, BLADE TENSION CAUTION	P10147	1
2	DECAL, SAWDUST CHUTE WARNING	P11754	1
3	DECAL, BLADE TENSION RANGES	P12373	1
4	DECAL, BLADE COVERS DANGER	033254	2
5	DECAL, BLADE DANGER ARROW RIGHT	S11752	1
6	DECAL, UP/DOWN CAUTION	S11762	1
7	DECAL, BLADE START/STOP	P11779	1
8	DECAL, BLADE TENSION INFO	P11790	1
9	DECAL, TRU-SHARP INFO	P12879	1
10	DECAL, BLADE ALIGNMENT INFO	P11789	1
11	DECAL, RED REFLECTIVE 2" ROUND	P07452	2
12	DECAL, MIDDLE COVER	003244 <sup>1</sup>	1
13	DECAL, HOT ENGINE WARNING	014419	1
14	DECAL, BLADE HOUSING COVER (DRIVE SIDE)	003243 <sup>1</sup>	1
15	DECAL, BLADE HOUSING COVER (IDLE SIDE LT30)	003245 <sup>1</sup>	1
	DECAL, BLADE HOUSING COVER (IDLE SIDE LT40)	003246 <sup>1</sup>	1

## **4** Saw Head

### *Saw Head Decals*

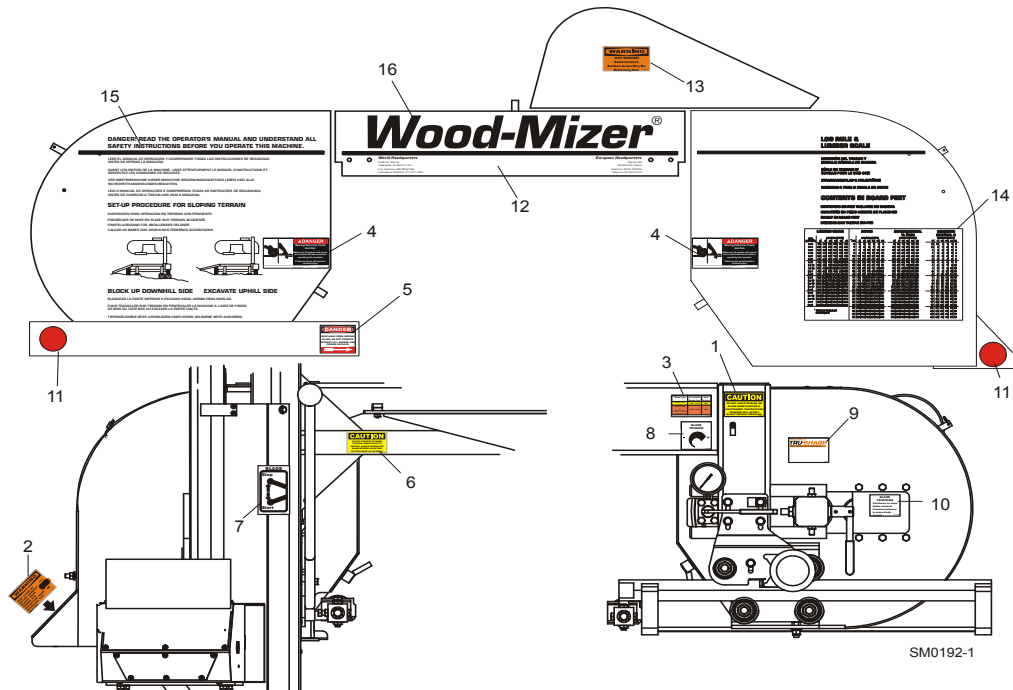
---

<b>16</b>	<b>DECAL, SILVER WOOD-MIZER LOGO</b>	003234 <sup>1</sup>	1	
<b>17</b>	<b>DECAL, ANNIVERSARY LOGO</b>	003236 <sup>1</sup>	1	
<b>18</b>	<b>DECAL, WOOD-MIZER WEBSITE</b>	003235	1	

<sup>1</sup> Log Scale Decal 016243, Sawmill Setup Decal 016242, & Hydraulic Logo Decal S12590 replaced with new logo decals 1/07.

## 4.8 Saw Head Decals

LT40HD Remote Rev. J8.01 - K2.00 (12/06)

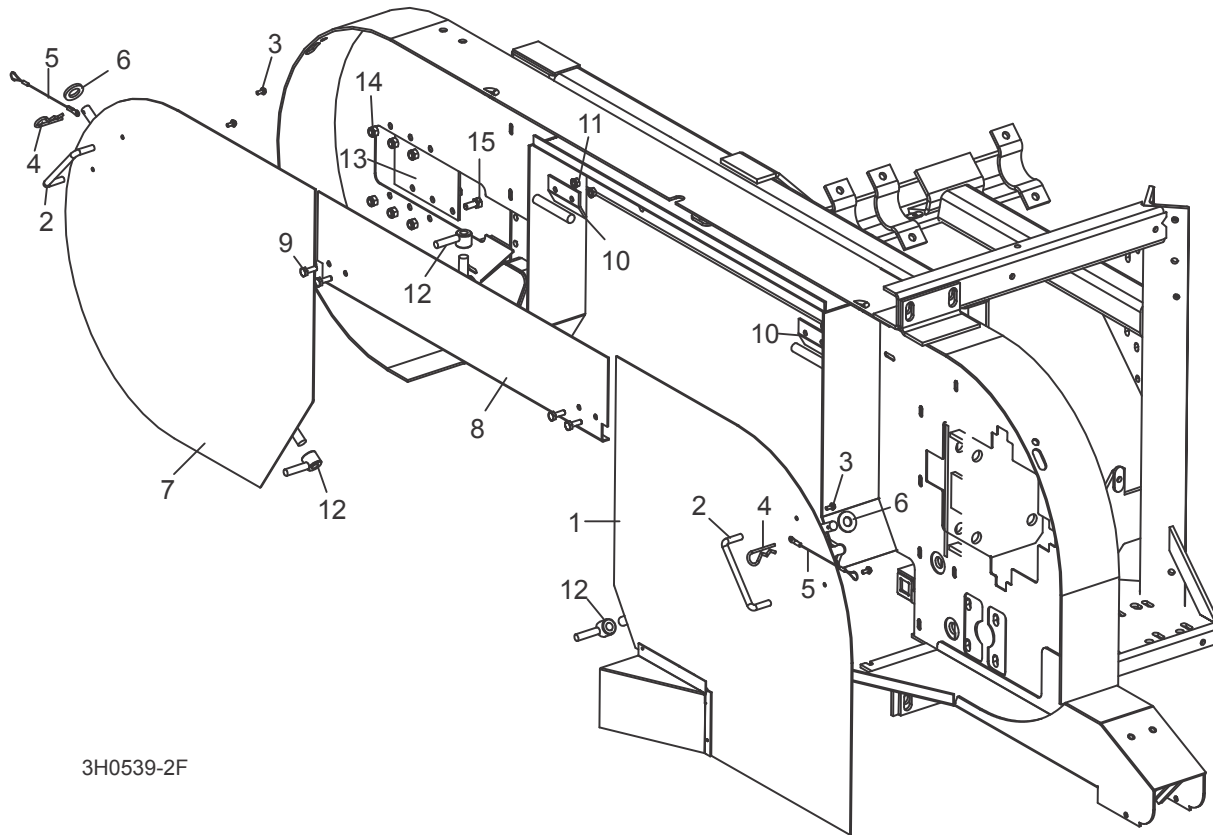


REF	DESCRIPTION (◆ Indicates Parts Available In Assemblies Only)	PART #	QTY.
1	DECAL, BLADE TENSION CAUTION	P10147	1
2	DECAL, SAWDUST CHUTE WARNING	P11754	1
3	DECAL, BLADE TENSION RANGES	P12373	1
4	DECAL, BLADE COVERS DANGER	033254	2
5	DECAL, BLADE DANGER ARROW RIGHT	S11752	1
6	DECAL, UP/DOWN CAUTION	S11762	1
7	DECAL, BLADE START/STOP	P11779	1
8	DECAL, BLADE TENSION INFO	P11790	1
9	DECAL, TRU-SHARP INFO	P12879	1
10	DECAL, BLADE ALIGNMENT INFO	P11789	1
11	DECAL, RED REFLECTIVE 2" ROUND	P07452	2
12	DECAL, HYDRAULIC	S12590	1
13	DECAL, HOT ENGINE WARNING	014419	1
14	DECAL, BLADE HOUSING COVER (DRIVE SIDE)	016243	1
15	DECAL, BLADE HOUSING COVER (IDLE SIDE)	016242	1
16	DECAL, BLADE HOUSING COVER (MIDDLE)	016244	1

# 4 Saw Head

## Blade Housing Covers

### 4.9 Blade Housing Covers



3H0539-2F

REF	DESCRIPTION (◆ Indicates Parts Available In Assemblies Only)	PART #	QTY.	
	<b>COVER ASSEMBLY, DRIVE SIDE BLADE HOUSING WITH HANDLE</b>	015937 <sup>1</sup>	1	
1	Cover, Drive Side Blade Housing (Includes Cover Decal - <a href="#">See Section 4.6</a> )	015911	1	◆
2	Handle, Blade Housing Cover	P08065	1	
3	Screw, #8-32 X 3/8" Self-Tap	F05015-8	2	
	Pin Assembly, Cover Retainer	A12812	1	
4	Pin, Safety Retainer	P05059	1	
5	Cable, 3/64" x 6" Lanyard	016030	1	
6	Washer, 1/2" ID x 1 1/8" OD x .093" Rubber	F05011-87	1	
	<b>COVER, IDLE SIDE BLADE HOUSING WITH HANDLE</b>	A09419	1	
7	Cover, Idle Side Blade Housing (Includes Cover Decal - <a href="#">See Section 4.6</a> )	W09351	1	◆
2	Handle, Blade Housing Cover	P08065	1	
3	Screw, #8-32 X 3/8" Self-Tap	F05015-8	2	
	Pin Assembly, Cover Retainer	A12812	1	
4	Pin, Safety Retainer	P05059	1	
5	Cable, 3/64" x 6" Lanyard	016030	1	

6	Washer, 1/2" ID x 1 1/8" OD x .093" Rubber	F05011-87	1	
8	<b>COVER, MIDDLE BLADE HOUSING</b>	W07409	1	
9	<b>BOLT, 1/4-20 X 3/4" HEX HEAD</b>	F05005-1	18	
10	<b>HINGE, MIDDLE BLADE HOUSING COVER</b>	S07522	2	
11	<b>NUT, 1/4-20 SELF-LOCKING HEX</b>	F05010-9	4	
12	<b>NUT, COVER TURN</b>	021145	3	
13	<b>PLATE, IDLE BLADE WHEEL GUARD</b>	S04433	1	
14	<b>NUT, 5/16-18 HEX NYLON LOCK</b>	F05010-58	6	
15	<b>BOLT, 5/16-18 X 3/4" HEX HEAD GRADE 2</b>	F05006-5	6	

<sup>1</sup> Removed (1) 015734 Sawdust Exit Funnel and (7) F04203-8 1/8" x 1/8" Aluminum Pop Rivet and changed to welded funnel to improve durability (LT40HD Rev. K6.07).

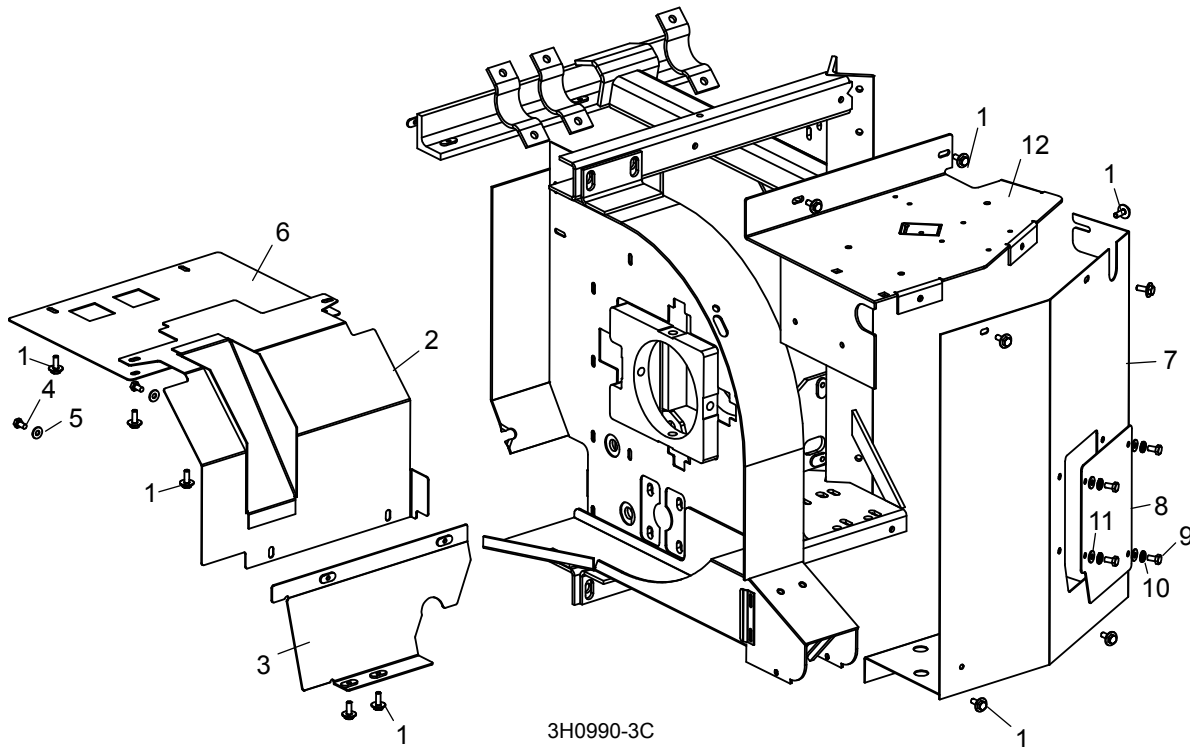
# 4 Saw Head

## Drive Belt Covers

### 4.10 Drive Belt Covers

LT40HD Remote

Rev. K3.01 - K5.03



REF	DESCRIPTION (◆ Indicates Parts Available In Assemblies Only)	PART #	QTY.
1	BOLT, 1/4-20 X 3/4" HEX HEAD WITH CONICAL WASHER	F05005-134	11
2	GUARD WELDMENT, SUPER/REMOTE LOWER DRIVE BELT	006026	1
3	MOUNT WELDMENT, LOWER DRIVE BELT	006025	1
4	BOLT, 1/4-20 X 1/2" HEX HEAD	F05005-15	2
5	WASHER, 1/4" SAE FLAT	F05011-11	2
6	PLATE, AUTOCLUTCH AUXILIARY	016089	1
7	GUARD, DRIVE PULLEY SIDE	W11537 <sup>1</sup>	1
8	PLATE, BELT COVER ENCLOSURE	006870 <sup>1</sup>	1
9	BOLT, 1/4-20 X 1/2" HEX HEAD	F05005-15	4
10	WASHER, 1/4" SPLIT LOCK	F05011-14	4
11	WASHER, 1/4" SAE FLAT	F05011-11	4
12	GUARD, DRIVE PULLEY TOP	W11750	1

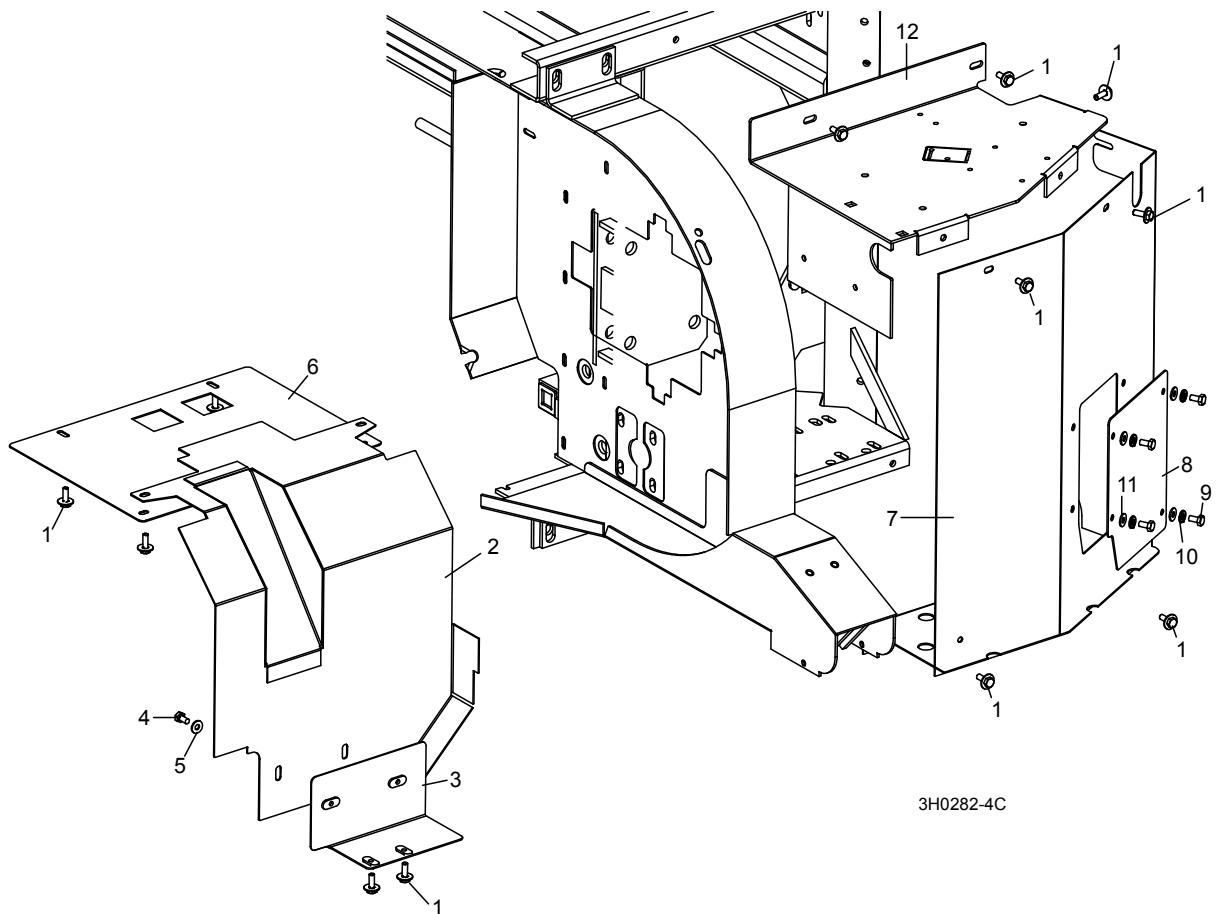
<sup>1</sup> Guard W11537 modified LT40HD Rev. K5.01. Cutout added to accommodate Simple Set encoder sensor. Plate 006870 added to cover cutout on sawmills without Simple Set. Plate 006870 modified 10/09 to accommodate Super model covers.



## 4.11 Drive Belt Covers

LT40HD Remote

Rev. J8.01 - K3.00



REF	DESCRIPTION (◆ Indicates Parts Available In Assemblies Only)	PART #	QTY.	
1	<b>BOLT, 1/4-20 X 3/4" HEX HEAD WITH CONICAL WASHER</b>	F05005-134	11	
	<b>GUARD ASSEMBLY, AUTOCLUTCH LOWER DRIVE BELT</b>	015248	1	
2	Guard Weldment, Autoclutch Lower Drive Belt	015656	1	
3	Mount Weldment, Lower Drive Belt	015678	1	
4	Bolt, 1/4-20 x 1/2" Hex Head	F05005-15	2	
5	Washer, 1/4" SAE Flat	F05011-11	2	
6	<b>PLATE, AUTOCLUTCH AUXILIARY</b>	016089	1	
7	<b>GUARD, DRIVE PULLEY SIDE</b>	W11537 <sup>1</sup>	1	
8	<b>PLATE, BELT COVER ENCLOSURE</b>	006870 <sup>1</sup>	1	
9	<b>BOLT, 1/4-20 X 1/2" HEX HEAD</b>	F05005-15	4	

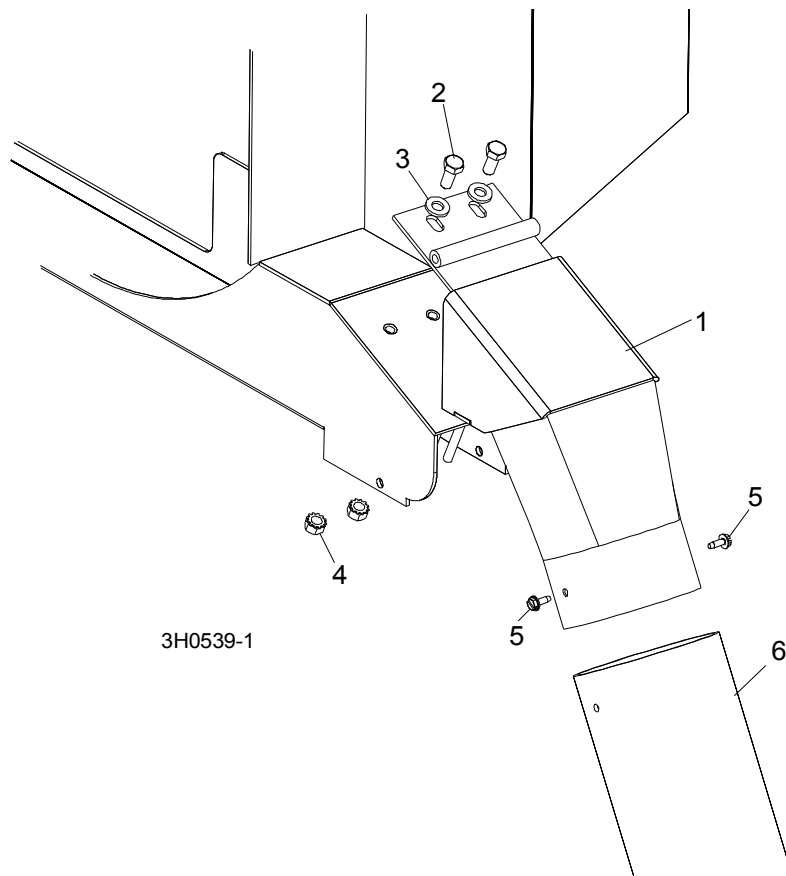
**4****Saw Head***Drive Belt Covers*

---

<b>10</b>	<b>WASHER, 1/4" SPLIT LOCK</b>	F05011-14	4	
<b>11</b>	<b>WASHER, 1/4" SAE FLAT</b>	F05011-11	4	
<b>12</b>	<b>GUARD, DRIVE PULLEY TOP</b>	W11750	1	

<sup>1</sup> Guard W11537 modified 3/09. Cutout added to accommodate Simple Set encoder sensor. Plate 006870 added to cover cutout on sawmills without Simple Set. Plate 006870 modified 10/09 to accommodate Super model covers.

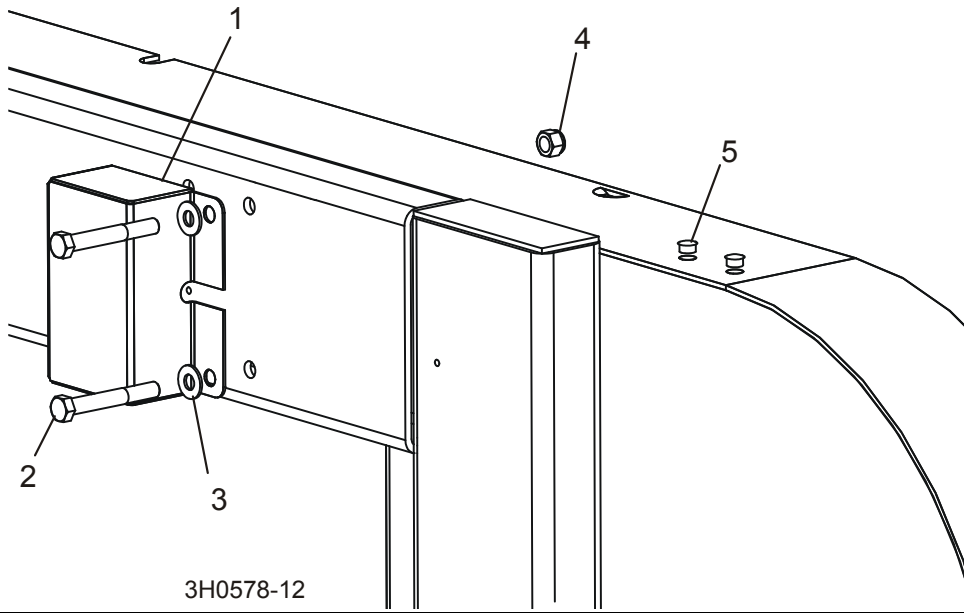
### 4.12 Sawdust Chute



REF	DESCRIPTION (◆ Indicates Parts Available In Assemblies Only)	PART #	QTY.
1	CHUTE WELDMENT, SAWDUST	015466	1
2	BOLT, 5/16-18 X 3/4" HEX HEAD GRADE 2	F05006-5	2
3	WASHER, 5/16" SAE FLAT	F05011-17	2
4	NUT, 5/16-18 SELF-LOCKING HEX	F05010-20	2
5	BOLT, #10-24 X 1/2" SELF-TAPPING	F05015-7	2
6	TUBING, RUBBER SAWDUST	016727	1
	STRAP, 20" RUBBER W/HOOK	P11668	1
	BOLT, 1/4-20 X 1 1/4" HEX HEAD FULL THREAD	F05005-3	1
	WASHER, 1/4" SAE FLAT	F05011-11	1
	NUT, 1/4-20 LOCK	F05010-21	1

**4** Saw Head  
*Debarker Wire Box/Hole Plugs*

**4.13 Debarker Wire Box/Hole Plugs**

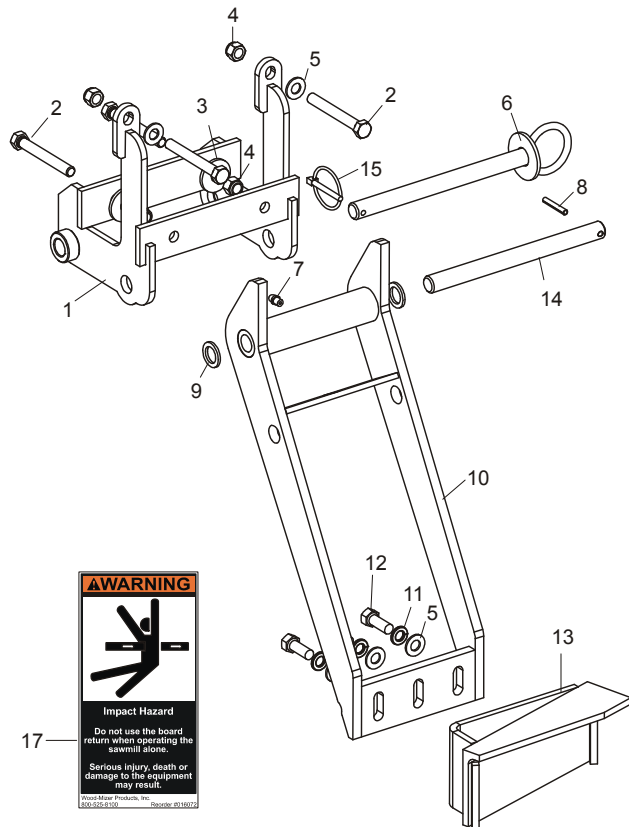
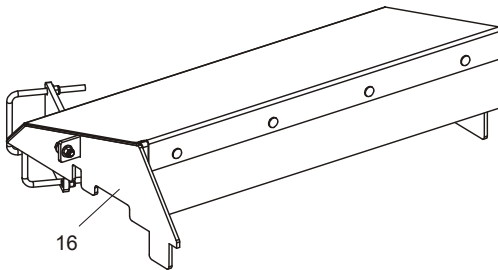
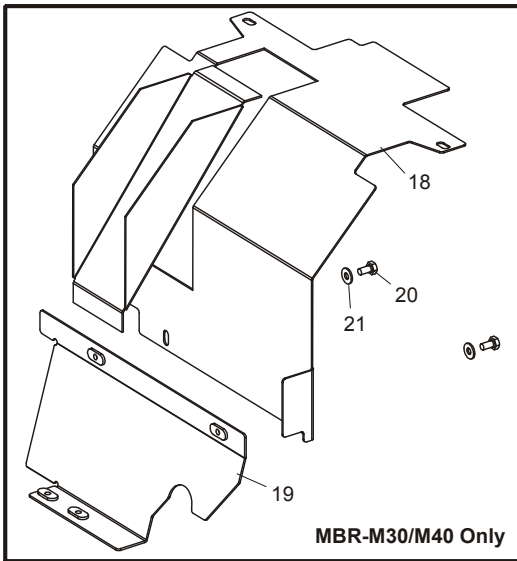


REF	DESCRIPTION (◆ Indicates Parts Available In Assemblies Only)	PART #	QTY.
1	BOX, DEBARKER WIRE STORAGE	023616	1
2	BOLT, 3/8-16 X 2 3/4" HEX HEAD	F05007-29	2
3	WASHER, 3/8" SAE FLAT	F05011-3	2
4	NUT, 3/8-16 HEX NYLON LOCK	F05010-10	2
5	PLUG, 13/32" PLASTIC HOLE	014537	2

### 4.14 Board Return Assembly (Optional)

LT40HD Remote

Rev. K2.01 - K5.03



REF	DESCRIPTION (◆ Indicates Parts Available In Assemblies Only)	PART #	QTY.
	RETURN OPTION, NON-SUPER BOARD (MANUAL CLUTCH, LT30)	MBR-M30 <sup>1</sup>	1
	RETURN OPTION, NON-SUPER BOARD (MANUAL CLUTCH, LT40)	MBR-M40 <sup>1</sup>	1
	RETURN OPTION, NON-SUPER BOARD (AUTOCLUTCH, LT30)	MBR-A30 <sup>1</sup>	1
	RETURN OPTION, NON-SUPER BOARD (AUTOCLUTCH, LT40)	MBR-A40 <sup>1</sup>	1
	Return Assembly, Optional Non-Super Board	036693	1
1	Mount Weldment, Board Return	036691	1
2	Bolt, 3/8-16 x 3" Full Thread Hex Head	F05007-1	4
3	Washer, 1/8" x 1 1/4"	015336	2
4	Nut, 3/8-16 Hex Nylon Lock	F05010-10	4
5	Washer, 3/8" Flat	F05011-3	5
6	Pin Weldment, Board Return Arm Support	036692	1
7	Fitting, 1/4-28 Grease	P05060	1
8	Pin, 3/16 x 1 1/4" Roll	F05012-16	1

# 4

## Saw Head

### Board Return Assembly (Optional)

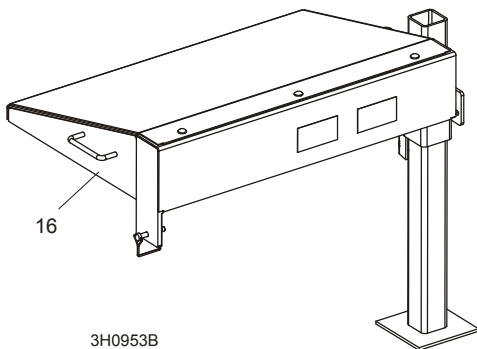
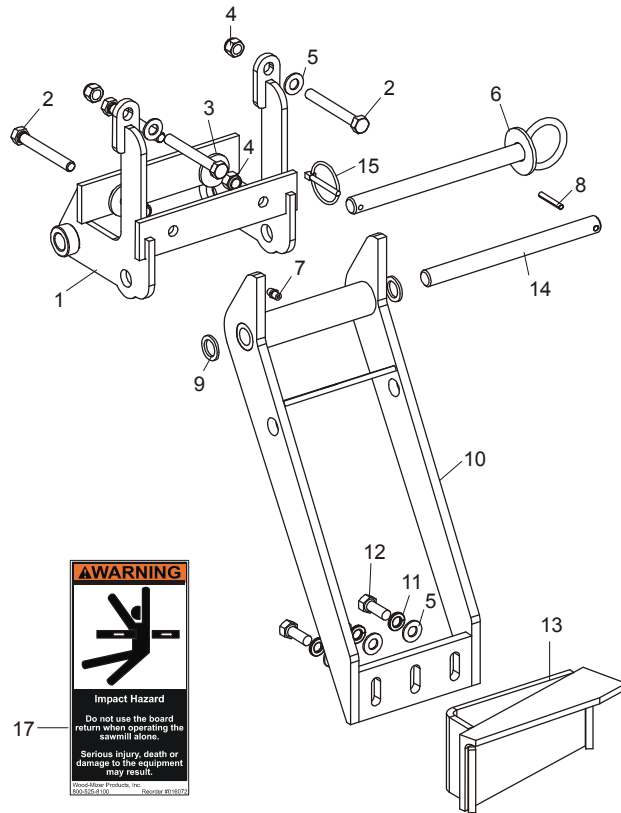
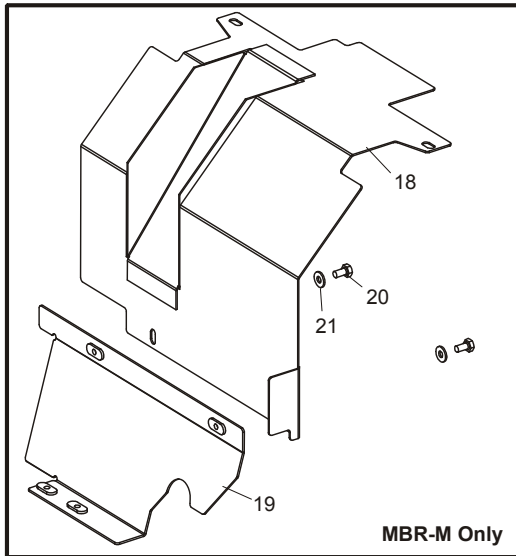
9	Washer, 5/8" x 15/16" x .094 Nylon	F05011-19	2	
10	Arm Weldment, Board Return	015210	1	
11	Washer, 3/8" Split	F05011-4	3	
12	Bolt, 3/8-16 x 1" Hex Head	F05007-7	3	
13	Bracket Weldment, Board Return	015652	1	
14	Rod, 5/8" x 7 5/8"	015225	1	
15	Pin, 3/16" Retaining w/Chain	017604	1	
16	Board Return Table Parts ( <a href="#">See Section 8.17</a> )			
17	Decal, Board Return Warning	016072	1	
<b>Parts Listed Below Included in MBR-M30/M40 for Sawmills with Manual Clutch Lever Only:</b>				
18	Guard Weldment, Clutch Handle	006026 <sup>1</sup>	1	
19	Mount Weldment, Clutch Handle Guard	006025 <sup>1</sup>	1	
20	Bolt, 1/4-20 x 1/2" Hex Head	F05005-15	2	
21	Washer, 1/4" SAE Flat	F05011-11	2	

<sup>1</sup> Factory-Installed Mechanical Board Return Options MBR-M (for manual clutch) and MBR-A (for Autoclutch) available 1/07. Use kit 003266 (LT30) or 003268 (LT40) to retrofit '07+ sawmills equipped with manual clutch. Use kit 003267 (LT30) or 003269 (LT40) to retrofit '07+ sawmills equipped with Autoclutch. Kits for sawmills with manual clutch handle updated with new guard and guard mount to accommodate new blade guide design available 2/08. 006026 Guard Weldment & 006025 Guard Mount Weldment replace 015657 & 015678.

### 4.15 Board Return (Optional)

LT40HD Remote

Rev. J8.01 - K2.00



REF	DESCRIPTION (◆ Indicates Parts Available In Assemblies Only)	PART #	QTY.	
	<b>RETURN OPTION, NON-SUPER BOARD (MANUAL CLUTCH)</b>	MBR-M <sup>1</sup>	1	◆
	<b>RETURN OPTION, NON-SUPER BOARD (AUTOCLUTCH)</b>	MBR-A <sup>1</sup>	1	◆
	Return Assembly, Optional Non-Super Board	036693	1	
1	Mount Weldment, Board Return	036691	1	
2	Bolt, 3/8-16 x 3" Full Thread Hex Head	F05007-1	4	
3	Washer, 1/8" x 1 1/4"	015336	2	
4	Nut, 3/8-16 Hex Nylon Lock	F05010-10	4	
5	Washer, 3/8" Flat	F05011-3	5	
6	Pin Weldment, Board Return Arm Support	036692	1	
7	Fitting, 1/4-28 Grease	P05060	1	
8	Pin, 3/16 x 1 1/4" Roll	F05012-16	1	

# 4

## Saw Head

### Board Return (Optional)

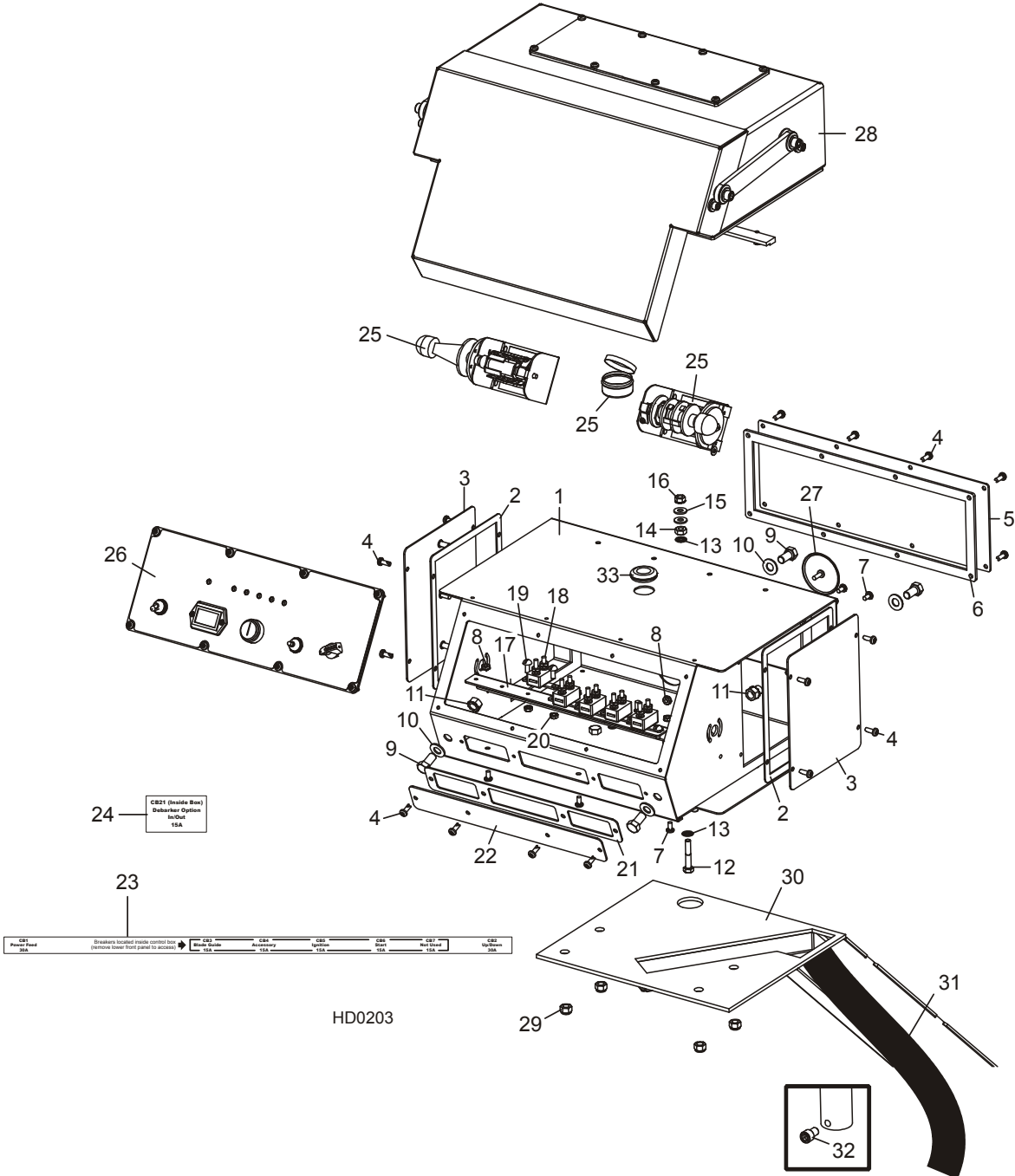
9	Washer, 5/8" x 15/16" x .094 Nylon	F05011-19	2	
10	Arm Weldment, Board Return	015210	1	
11	Washer, 3/8" Split	F05011-4	3	
12	Bolt, 3/8-16 x 1" Hex Head	F05007-7	3	
13	Bracket Weldment, Board Return	015652	1	
14	Rod, 5/8" x 7 5/8"	015225	1	
15	Pin, 3/16" Retaining w/Chain	017604	1	
16	Board Return Table Parts ( <a href="#">See Section 8.18</a> )			
17	Decal, Board Return Warning	016072	1	
<b>Parts Listed Below Included in MBR-M for Sawmills with Manual Clutch Lever Only:</b>				
18	Guard Weldment, Clutch Handle	006026 <sup>1</sup>	1	
19	Mount Weldment, Clutch Handle Guard	006025 <sup>1</sup>	1	
20	Bolt, 1/4-20 x 1/2" Hex Head	F05005-15	2	
21	Washer, 1/4" SAE Flat	F05011-11	2	

<sup>1</sup> Factory-Installed Mechanical Board Return Options MBR-M (for manual clutch) and MBR-A (for Autoclutch) obsolete. Use kit 036667 to retrofit 97-06 sawmills equipped with manual clutch. Use kit 036668 to retrofit 97-06 sawmills equipped with Autoclutch. Kits for sawmills with manual clutch handle updated with new guard and guard mount to accommodate new blade guide design available 2/08. 006026 Guard Weldment & 006025 Guard Mount Weldment replace 015657 & 015678.



SECTION 5 CONTROL & BATTERY BOXES

5.1 Control Assembly



HD0203

REF	DESCRIPTION (◆ Indicates Parts Available In Assemblies Only)	PART #	QTY.
	COVER, SAWMILL CONTROL CONSOLE W/ACCUSSET	036352	1

# 5 Control & Battery Boxes

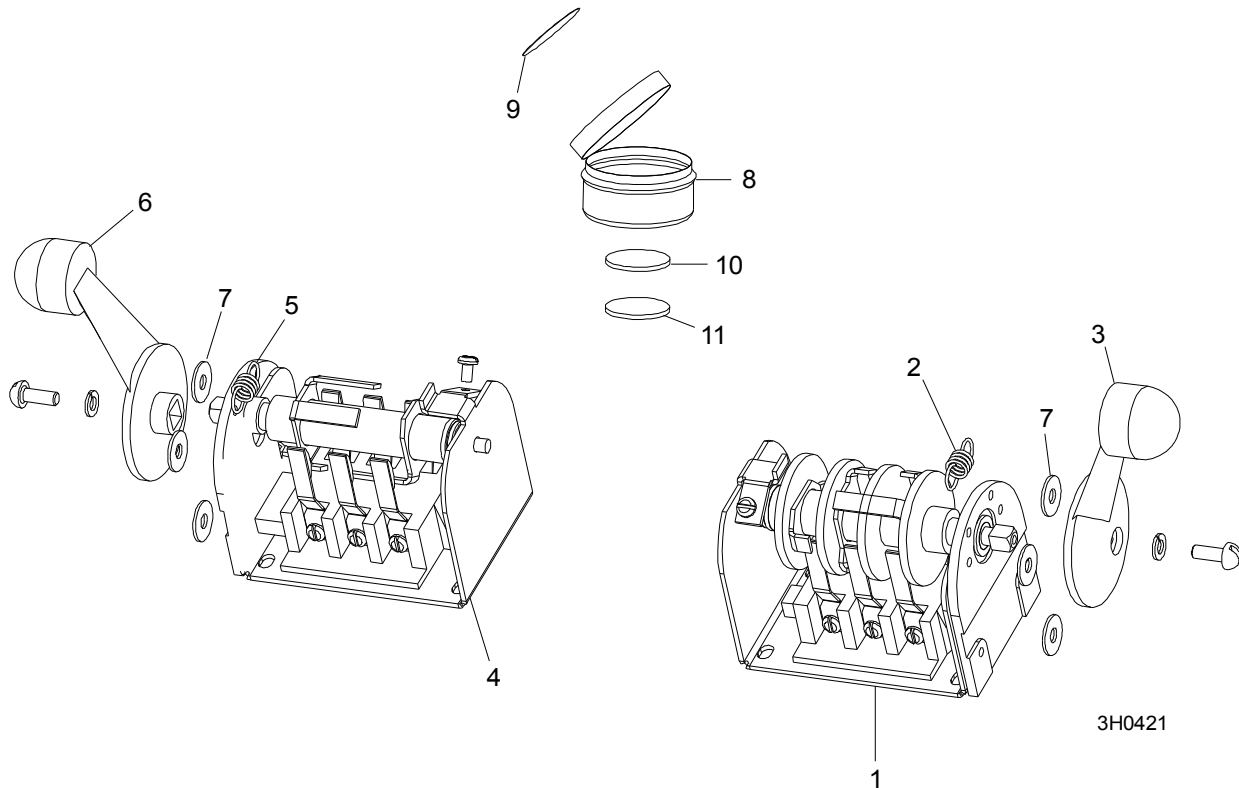
## Control Assembly

	<b>CONTROL BOX ASSEMBLY, D34/D35/D36 REMOTE W/ACCUSET 2 (2008)</b>	053056 <sup>1</sup>	1	
	<b>CONTROL BOX ASSEMBLY, D33/D34/G36 REMOTE W/ACCUSET</b>	050957 <sup>1</sup>	1	
	<b>CONTROL BOX ASSEMBLY, G28 REMOTE W/ACCUSET 2 (2008)</b>	053063 <sup>2</sup>	1	
	<b>CONTROL BOX ASSEMBLY, G25/G28 REMOTE W/ACCUSET</b>	050959 <sup>2</sup>	1	
1	Box Weldment, Control	016135	1	◆
2	Gasket, Side Panel Control 97	015274	2	
3	Panel Weldment, Side	015307	2	
4	Screw, #10-24 x 1/2" Pan Head	F05015-17	20	
5	Panel, Rear Mill Control 97	016230	1	
6	Gasket, Rear Panel 97	015278	1	
7	Screw, 10-24 x 3/8" Phillips Pan Head Machine	F05004-3	5	
8	Nut, #10-24 Self Locking	F05010-14	5	
9	Bolt, 3/8-16 x 3/4" Hex Head	F05007-27	4	
10	Washer, 3/8" Flat	F05011-3	4	
11	Nut, 3/8-16 Self Locking	F05010-19	4	
12	Bolt, 1/4-20 x 1 1/2" Hex Head Tap	F05005-31	1	
13	Washer, 1/4" Heavy-Duty Interior Star Lock	F05011-69	2	
14	Nut, 1/4-20 Heavy-Duty Hex Jam	F05010-129	1	
15	Washer, 1/4" SAE Flat	F05011-11	2	
16	Nut, 1/4-20 Hex Self-Locking	F05010-9	1	
	Breaker Assembly, Remote Control Front	015621	1	
17	Rail, Circuit Breaker	015310	1	
18	Breaker, 15Amp Auto Reset	E20430	5	
19	Screw, #8-32 x 1/2" Slotted Head	F05004-12	10	
20	Nut, #8-32 Hex Self-Locking	F05010-41	10	
21	Gasket, Circuit Breaker Cover	015266	1	
22	Panel, Circuit Breaker Cover	015376	1	
23	Decal, Circuit Breaker Remote Control	024658	1	
24	Decal, Debarker In/Out Circuit Breaker ID	024364	1	
25	Drum Switch Parts ( <a href="#">See Section 5.3</a> )			
26	Control Panel Parts ( <a href="#">See Section 5.4</a> )			
27	Plug, AS125 Oil Tight Painted	015673	1	
28	Accuset Parts ( <a href="#">See Accuset 2 Manual</a> )			
29	Nut, 5/16-18 Nylon Hex	F05010-58	4	
30	Pedestal Weldment, Remote	016192	1	
31	Harness Assembly, Remote (2008)	053054 <sup>3</sup>	1	
	Harness Assembly, Remote	050420 <sup>3</sup>	1	
	Connector Parts ( <a href="#">See Section 5.7</a> )			
32	<b>SCREW, 5/16-18 X 1/2" SOCKET HEAD CAP BLACK OXIDE</b>	F05006-39	1	
33	<b>GROMMET, 11/16" X 1" X 1 5/16" RUBBER</b>	015460	1	

<sup>1</sup> Operator Control Box 050957 replaced with 053056 Rev. K3.00. New control box includes Accuset 2 and remote harness assembly 053054 (replaces 050420).

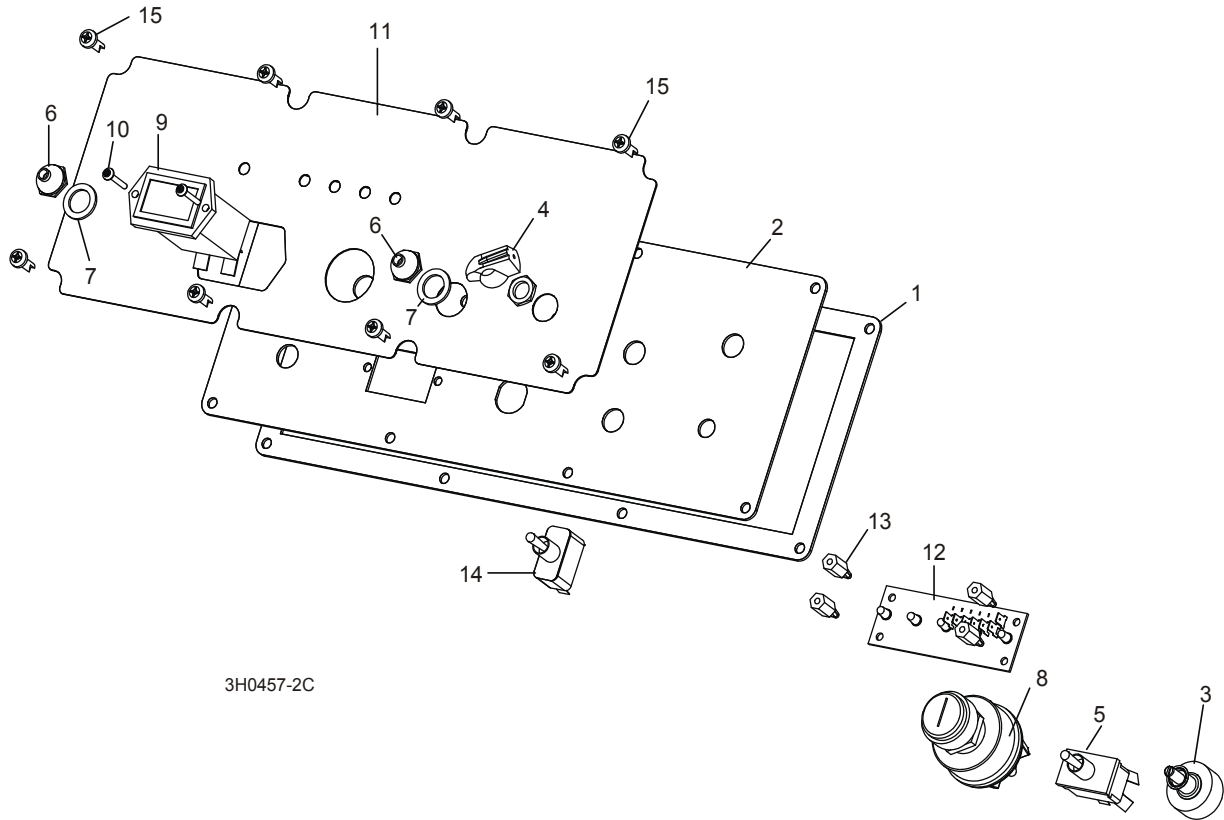
- <sup>2</sup> Operator Control Box 050959 replaced with 053063 Rev. K3.00. New control box includes Accuset 2 and remote harness assembly 053054 (replaces 050420).
- <sup>3</sup> Use 053054 harness for sawmill equipped with Accuset 2 after Rev. K3.00. Use 050420 for Accuset originally supplied prior to Rev. K3.00. 053054 revised 4/08 to include Accuset 2 wires to connect directly to up/down drum switch (replaces Bypass Cable 053039). 053039 still available for retrofit applications only.

## 5.2 Drum Switches



REF	DESCRIPTION (◆ Indicates Parts Available In Assemblies Only)	PART #	QTY.	
	<b>SWITCH ASSEMBLY, UP/DOWN DRUM</b>	E20440	1	
1	Switch, S12 Bulk Drum	E20440-B	1	◆
2	Spring, Drum Switch	P12570	1	
3	Handle, Drum Switch Replacement	P12500	1	
	<b>SWITCH ASSEMBLY, POWER FEED DRUM</b>	E20439	1	
4	Switch, S11 Bulk Drum	E20439-B	1	◆
5	Spring, Drum Switch	P12570	1	
6	Handle, Drum Switch Replacement	P12500	1	
7	<b>WASHER, #8 SAE FLAT</b>	F05011-41	6	
	<b>CUP ASSEMBLY, DRUM SWITCH GREASE</b>	A20463	1	
8	Cup, Plastic Container	P20464	1	◆
9	Decal, Grease Cup Label	P20467	1	
10	Pad, Velcro Loop	P20466	1	◆
11	Pad, Velcro Hook	P20465	1	◆
	Grease, High Temp Drum Switch	P20468	.025 Lb	◆

### 5.3 Front Panel Assembly



3H0457-2C

REF	DESCRIPTION (◆ Indicates Parts Available In Assemblies Only)	PART #	QTY.
	<b>PANEL ASSEMBLY, CONTROL FRONT D33/D34/D35 REMOTE</b>	024671	1
	<b>PANEL ASSEMBLY, CONTROL FRONT G25/G28 REMOTE</b>	024673	1
1	Gasket, Front Panel	015270	1
2	Panel Weldment, Control	015302	1
3	Switch Assembly, Feed Rate	024450-1	1
4	Knob, Feed Rate With Set Screw	P06257	1
5	Switch, Toggle	024200	1
6	Boot, Toggle Switch Rubber	P02575	2
7	Washer, 1/2 x 3/4 x 1/16" Nylon	P05251-1	2
8	Switch, Key	P04350	1
9	Meter, Hour	015401	1
10	Screw, #6-32 x 3/4" Socket Button Head Cap Stainless Steel	F05004-93	2
11	Nut, #6-32 Self Locking	F05010-59	2
12	Decal, Control Panel (G25/G28)	015271	1
	Decal, Control Panel (D33/D34/D35)	015269	1

## 5 Control & Battery Boxes

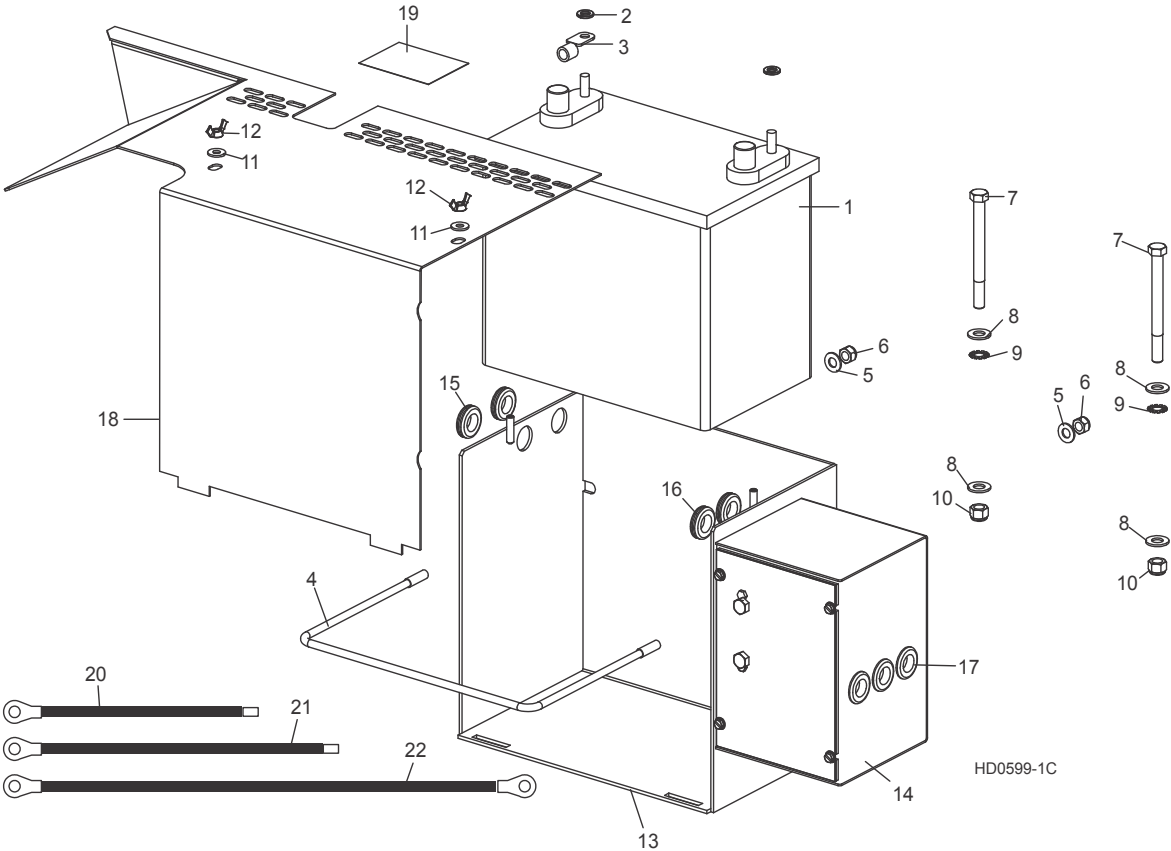
### Front Panel Assembly

13	Board, LED Circuit (G25/G28)	015416	1	
	Board, LED Circuit (D33/D34/D35)	015409	1	
14	Spacer, 1/2"-#6 Threaded	023147	4	
15	Switch, On/On Toggle SPDT	051346	1	
16	<b>SCREW, #10-24 X 1/2" PAN HEAD</b>	F05015-17	8	
	<b>CONDUIT, 1 1/4" X 58" FLEX</b>	050399	1	
	<b>CONNECTOR, 1 1/4" STRAIGHT MALE METAL CONDUIT</b>	024402	1	
	<b>CONDUIT, 1/2" EXPANDABLE BLACK</b>	R02374	41 in.	
	<b>CONDUIT, 1/2" EXPANDABLE BLACK</b>	R02374	42 in.	

5.4 Battery Box Assembly

LT40HD Remote

Rev. K5.00 - K5.03



HD0599-1C

REF	DESCRIPTION (◆ Indicates Parts Available In Assemblies Only)	PART NUMBER	QTY.	
1	<b>BATTERY, 12 VOLT 8800MF</b>	P12315 <sup>1</sup>	1	◆
	<b>BOX ASSEMBLY, LT30HD/LT40HD BATTERY</b>	015471 <sup>2</sup>	1	
2	Washer, 5/16" Split Lock	F05011-13	2	
3	Terminal, 5/16 1-2 Ga Ring NI Loose	F05092-16	1	
4	Retainer Loop, Battery	P09790	1	
5	Washer, 5/16" SAE Flat	F05011-17	2	
6	Nut, 5/16-18 Hex Nylon Lock	F05010-58	2	
7	Bolt, 3/8-16 X 4" Hex Head Grade 2	F05007-4	2	
8	Washer, 3/8" SAE Flat	F05011-3	2	
9	Washer, 3/8" External Star	F05011-36	2	
10	Nut, 3/8" Hex Nylon Lock	F05010-10	2	
11	Washer, 1/4" SAE Flat	F05011-11	2	
12	Nut, 1/4-20 Wing	F05010-13	2	

# 5 Control & Battery Boxes

## Battery Box Assembly

13	Box Weldment, Battery	015472	1	
14	Fuse Box Parts ( <a href="#">See Section 5.6</a> )			
	Hydraulic Positive Contact Parts ( <a href="#">See Section 10.6</a> )			
15	Grommet, 5/8" Rubber Wire	P11764	2	
16	Grommet, 3/4" ID 11 Gauge Thickness	074198	1	
17	Grommet, 3/4" ID 16 Gauge Thickness	074199	2	
18	<b>LID WELDMENT, BATTERY BOX STANDARD</b>	015774	1	
19	<b>DECAL, BATTERY BOX LID CAUTION</b>	014774	1	
20	<b>CABLE ASSEMBLY, 1 GA X 12" FUSE TO BATTERY POSITIVE</b>	036308	1	
21	<b>CABLE ASSEMBLY, 1 GA X 16" FUSE TO BATTERY POSITIVE</b>	036309	1	
22	<b>CABLE ASSEMBLY, 1 GA X 26" BATTERY NEGATIVE TO NEG. CONTACT</b>	036306	1	

<sup>1</sup> Battery changed to be equipped with two threaded studs (5/11).

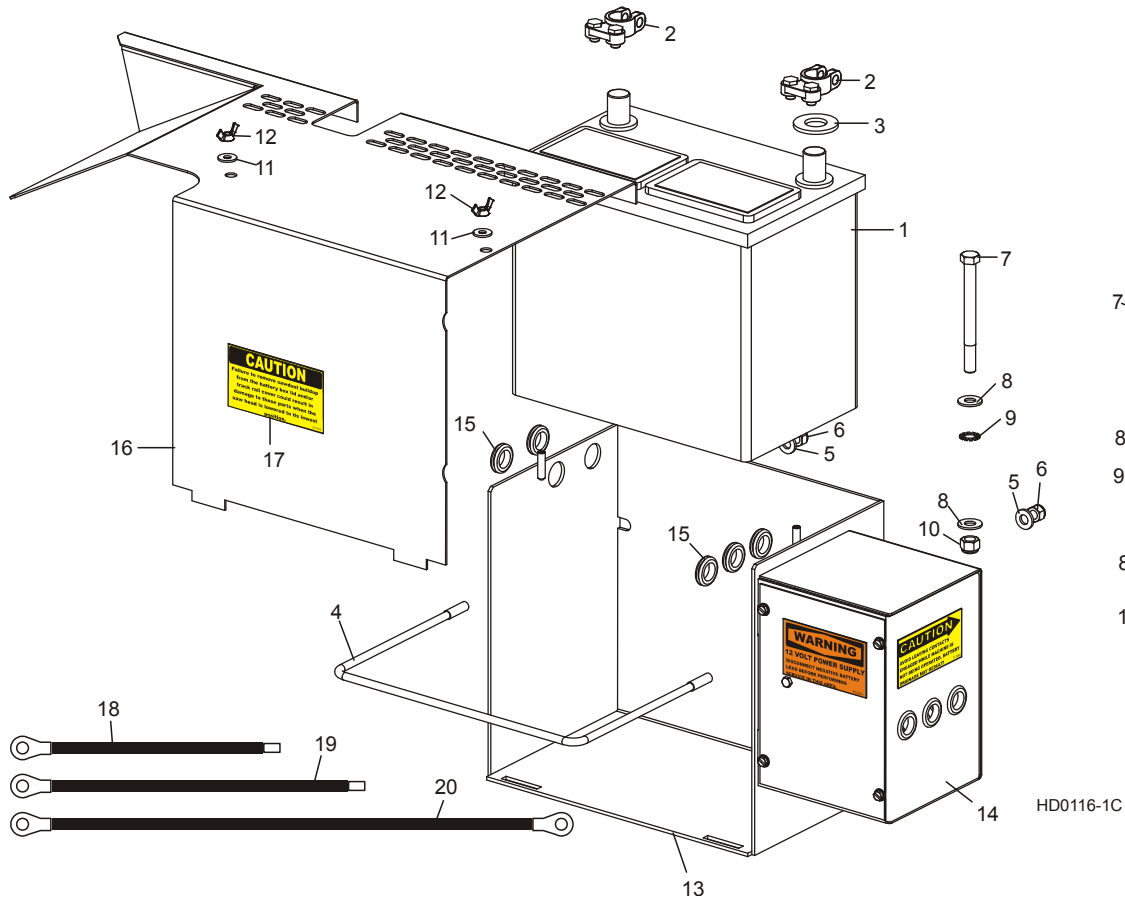
<sup>2</sup> Battery terminals (P05085), washer (P12161), 1/4" exterior star washer (F05011-37) and 1/4-20 hex self-locking nut (F05010-9) replaced with ring terminals and fasteners for batteries with threaded studs (5/11).



## 5.5 Battery Box Assembly

LT40HD Remote

Rev. J8.01 - K4.01



REF	DESCRIPTION (◆ Indicates Parts Available In Assemblies Only)	PART NUMBER	QTY.	
1	<b>BATTERY, 12 VOLT 8800MF</b>	P12315	1	◆
	<b>BOX ASSEMBLY, LT30HD/LT40HD BATTERY</b>	015471 <sup>1</sup>	1	
2	Terminal, Battery	P05085	2	
3	Washer, Battery Terminal	P12161	1	
4	Retainer Loop, Battery	P09790	1	
5	Washer, 5/16" SAE Flat	F05011-17	2	
6	Nut, 5/16-18 Hex Nylon Lock	F05010-58	2	
7	Bolt, 3/8-16 X 4" Hex Head Grade 2	F05007-4	2	
8	Washer, 3/8" SAE Flat	F05011-3	2	
9	Washer, 3/8" External Star	F05011-36	2	
10	Nut, 3/8" Hex Nylon Lock	F05010-10	2	
11	Washer, 1/4" SAE Flat	F05011-11	2	
12	Nut, 1/4-20 Wing	F05010-13	2	

## 5 Control & Battery Boxes

### Battery Box Assembly

13	Box Weldment, Battery	015472	1	
14	Fuse Box Parts ( <a href="#">See Section 5.6</a> )			
	Hydraulic Positive Contact Parts ( <a href="#">See Section 10.4</a> )			
15	Grommet, 5/8" Rubber Wire	P11764	5	
16	<b>LID WELDMENT, BATTERY BOX STANDARD</b>	015774	1	
17	<b>DECAL, BATTERY BOX LID CAUTION</b>	014774	1	
18	<b>CABLE ASSEMBLY, 1 GA X 12" 150A FUSE TO BATTERY POSITIVE</b>	036308	1	
19	<b>CABLE ASSEMBLY, 1 GA X 16" 225A FUSE TO BATTERY POSITIVE</b>	036309	1	
20	<b>CABLE ASSEMBLY, 1 GA X 26" BATTERY NEGATIVE TO NEG. CONTACT</b>	036306 <sup>2</sup>	1	

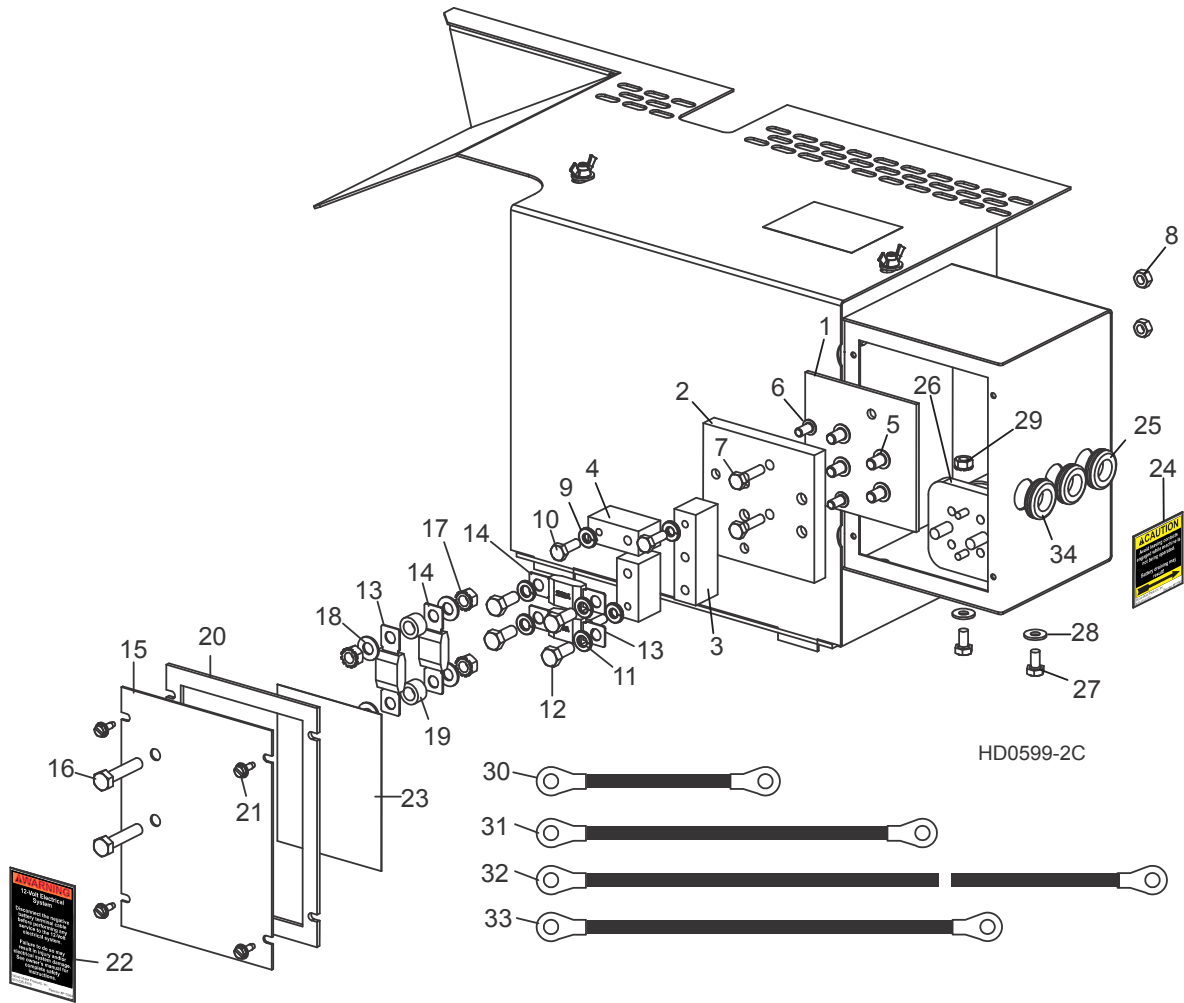
<sup>1</sup> Battery Box Assembly 015471 modified to include new fuse block and mega fuse Rev. K5.00 ([See Section 5.6](#)).

<sup>2</sup> Replaces 024676 originally supplied (duplicate parts).

## 5.6 Fuse Box Assembly

LT40HD Remote

Rev. K5.00 - K5.03



REF	DESCRIPTION (◆ Indicates Parts Available In Assemblies Only)	PART #	QTY.	
	<b>BLOCK ASSEMBLY, DOUBLE FUSE</b>	006795	1	
1	Plate, Fuse Block Insulator	056999	1	
2	Block, Fuse Mount	056997	1	◆
3	Block, 3/4" Upper Fuse	056996	1	
4	Block, 3/4" Lower Fuse	056998	2	
5	Screw, 5/16-18 x 1/2" Socket Button Head	F05006-20	4	
6	Screw, 1/4-20 x 1/2" Socket Button Head	F05005-59	2	
7	Bolt, 1/4-20 x 1" Hex Head Grade 5	F05005-101	2	
8	Nut, 1/4-20 Hex Lock	F05010-21	2	

# 5

## Control & Battery Boxes

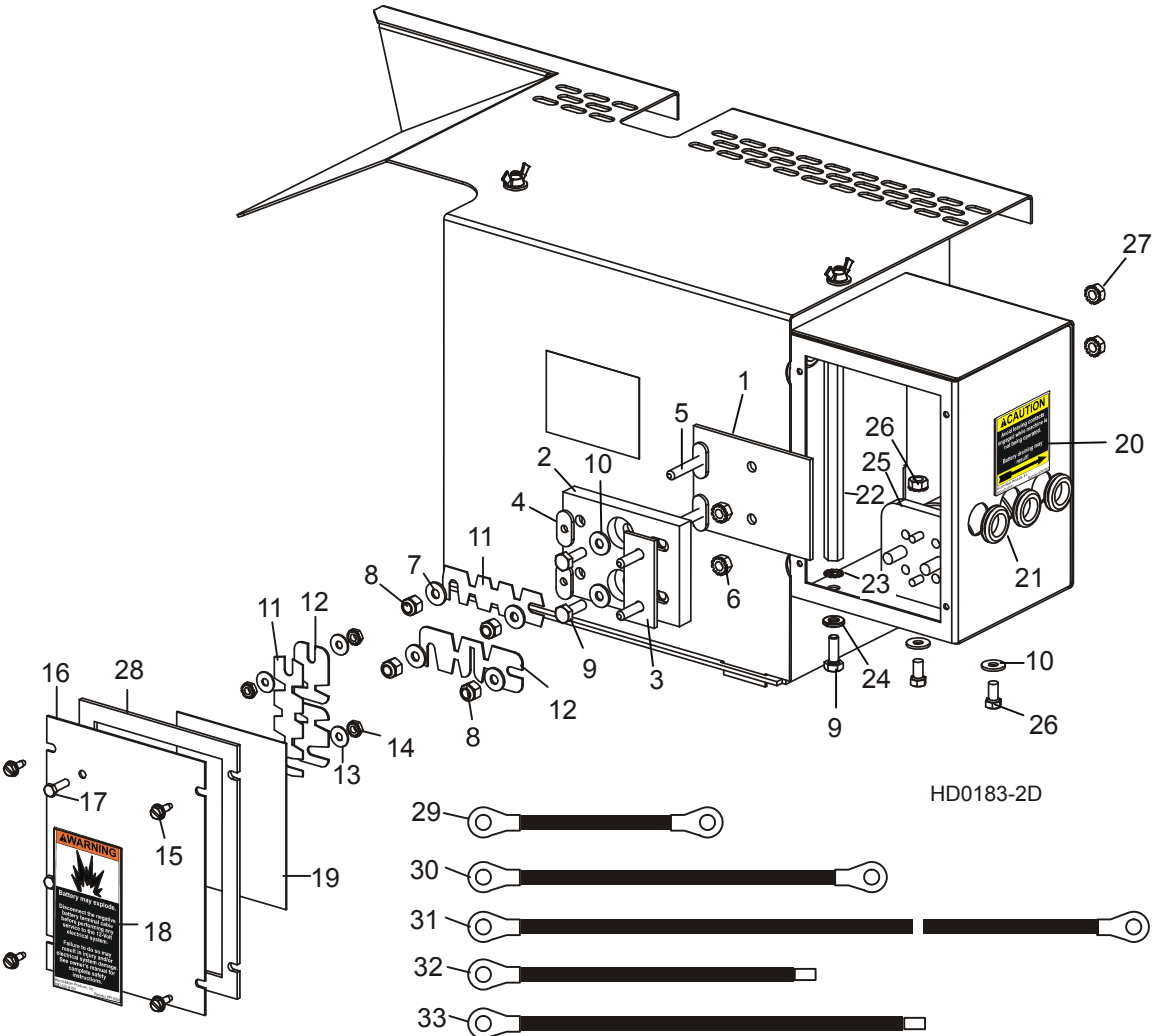
### Fuse Box Assembly

9	Washer, 1/4" Split Lock	F05011-14	3	
10	Bolt, 1/4-20 x 3/4" Hex Head Grade 5	F05005-123	3	
11	Washer, 5/16" Split Lock	F05011-13	4	
12	Bolt, 5/16-18 x 3/4" Hex Head Grade 5	F05006-102	4	
13	<b>FUSE, 150A MEGA</b>	052370-150	2	
14	<b>FUSE, 225A 32V MEGA</b>	053339	2	
	<b>COVER ASSEMBLY, DOUBLE FUSE BOX</b>	006853	1	
15	Cover, Fuse Box	006851	1	
16	Bolt, 5/16-18 x 1 1/2" Hex Head Full Thread	F05006-2	2	
17	Nut, 5/16-18 Hex Self-Locking	F05010-20	4	
18	Washer, 5/16" SAE Flat	F05011-17	4	
19	Spacer, .39" x .625" x .39"	055323	2	
20	Gasket, Fuse Box Cover	050283	1	
21	<b>SCREW, #10-24 X 1/2" SELF-TAPPING</b>	F05015-7	4	
22	<b>DECAL, 12 VOLT WARNING</b>	P10364	1	
23	<b>DECAL, 150/225A MEGA FUSE ID</b>	006867	1	
24	<b>DECAL, HYDRAULIC CONTACT CAUTION</b>	P12960	1	
25	<b>GROMMET, 5/8" RUBBER WIRE</b>	P11764	3	
26	<b>SOLENOID KIT, 200A 12V SPST CONT. DUTY</b>	016371	1	
	Solenoid, 200A 12V SPST Cont. Duty	015470	1	◆
	Diode Assembly, Solenoid Coil Chassis Gnd	015426	1	
	<b>WIRE ASSEMBLY, HYDRAULIC SOLENOID VOLTAGE DROP</b>	024451	1	
27	<b>BOLT, 1/4-20 X 1/2" HEX HEAD</b>	F05005-15	2	
28	<b>WASHER, 1/4" SAE FLAT</b>	F05011-11	2	
29	<b>NUT, 1/4-20 SELF-LOCKING HEX</b>	F05010-9	2	
30	<b>CABLE ASSEMBLY, 1 GA X 6 1/2" FUSE TO SOLENOID</b>	036305	1	
31	<b>CABLE ASSEMBLY, 1 GA X 14" SOLENOID TO POSITIVE CONTACT</b>	036307	1	
32	<b>CABLE ASSEMBLY, 1 GA X 26" BATT. NEGATIVE TO GROUND CONTACT</b>	036306	1	
33	<b>CABLE ASSEMBLY, 1 GA X 12" FUSE TO BATTERY POSITIVE</b>	036308	1	
34	<b>CABLE ASSEMBLY, 1 GA X 16" FUSE TO BATTERY POSITIVE</b>	036309	1	

5.7 Fuse Box Assembly

LT40HD Remote

Rev. J8.01 - K4.01



REF	DESCRIPTION (◆ Indicates Parts Available In Assemblies Only)	PART #	QTY.	
1	PAD, FUSE BOX INSULATOR	015287	1	
	FUSE BLOCK ASSEMBLY	017665 <sup>1</sup>	1	
2	Block, Fuse Mount	017664	1	◆
3	Post Weldment, Fuse Mount	017663	1	
4	Nut, 1/4-20 Cadmium Plated Weld	S12392	2	
5	Stud Weldment, 1/4-20 Fuse	W12389	2	
6	Nut, 1/4-20 Self-Locking Hex	F05010-9	2	
7	Washer, 1/4" SAE Flat	F05011-11	4	
8	Nut, 1/4-20 Hex Lock	F05010-21 <sup>2</sup>	4	

# 5 Control & Battery Boxes

## Fuse Box Assembly

9	BOLT, 1/4-20 X 3/4" HEX HEAD FULL THREAD	F05005-1	3	
10	WASHER, 1/4" SAE FLAT	F05011-11	4	
11	FUSE LINK, 12 VOLT 150 AMP	023361	2	
12	FUSE LINK, 12 VOLT 225 AMP	P11550	2	
13	WASHER, #10 SAE FLAT	F05011-18	4	
14	NUT, #10-24 HEX SELF-LOCKING	F05010-14	4	
15	SCREW, #10-24 X 1/2" SELF-TAPPING	F05015-7	4	
16	COVER, FUSE BOX	015282	1	
17	SCREW, #10-24 X 5/8" HEX HEAD	F05004-18	2	
18	DECAL, 12 VOLT WARNING	P10364	1	
19	DECAL, FUSE LINK 225/225A I.D.	017681	1	
20	DECAL, HYDRAULIC CONTACT CAUTION	P12960	1	
21	GROMMET, 5/8" RUBBER WIRE	P11764	3	
22	TERMINAL, EXTENDED HEX STUD	015517	1	
23	WASHER, 1/4" EXTERIOR STAR	F05011-37	1	
24	WASHER, 1/4" SPLIT LOCK	F05011-14	1	
25	SOLENOID KIT, 200A 12V SPST CONT. DUTY	016371	1	
	Solenoid, 200A 12V SPST Cont. Duty	015470	1	◆
	Diode Assembly, Solenoid Coil Chassis Gnd	015426	1	
	WIRE ASSEMBLY, HYDRAULIC SOLENOID VOLTAGE DROP	024451	1	
26	BOLT, 1/4-20 X 1/2" HEX HEAD	F05005-15	2	
27	NUT, 1/4-20 SELF-LOCKING HEX	F05010-9	4	
28	GASKET, FUSE BOX COVER	050283	1	
29	CABLE ASSEMBLY, 1 GA X 6 1/2" FUSE TO SOLENOID	036305	1	
30	CABLE ASSEMBLY, 1 GA X 14" SOLENOID TO POSITIVE CONTACT	036307	1	
31	CABLE ASSEMBLY, 1 GA X 26" BATT. NEGATIVE TO GROUND CONTACT	036306	1	
32	CABLE ASSEMBLY, 1 GA X 12" 150A FUSE TO BATTERY POSITIVE	036308	1	
33	CABLE ASSEMBLY, 1 GA X 16" 225A FUSE TO BATTERY POSITIVE	036309	1	

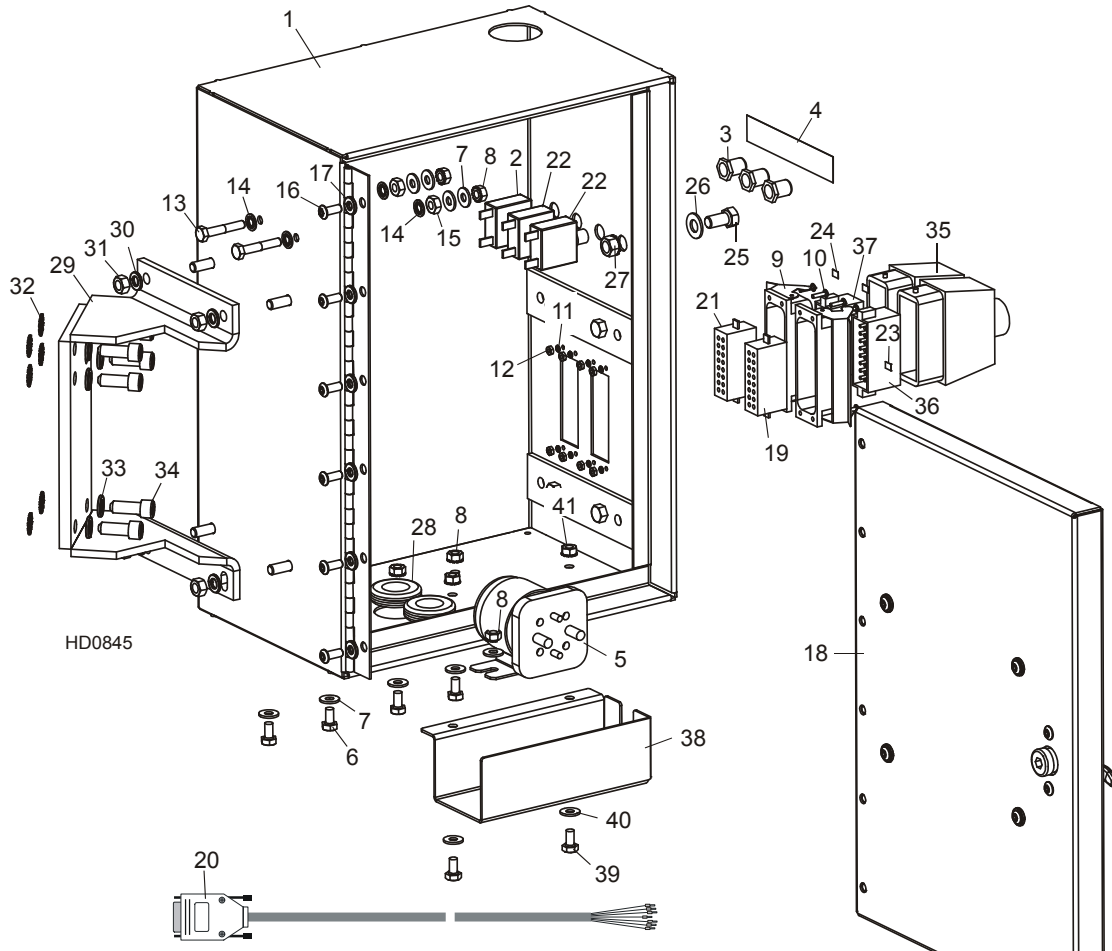
<sup>1</sup> Battery Box Assembly modified to include new fuse block and mega fuse LT40HD Rev. K5.00 ([See Section 5.6](#)). Use kit 006906 to retrofit (requires two 150A Mega-Fuse 052370-150 and two 225A Mega-Fuse 053339 sold separately).

<sup>2</sup> Swaged lock nut F05010-21 replaces Nylon Lock Nut F05010-69 originally supplied prior to 7/08. Heat from the fuses can cause the nylon to melt and the nut to come loose. Nuts and washers added to fuse block kit 017665 11/08.

## 5.8 Remote Power Box Assembly

LT40HD Remote

Rev. K5.00 - K5.03



REF	DESCRIPTION (◆ Indicates Parts Available In Assemblies Only)	PART #	QTY.	
	<b>BOX ASSEMBLY, D35 REMOTE POWER W/DUAL-AXIS ACCUSET (2009)</b>	053352	1	
	<b>BOX ASSEMBLY, D36 REMOTE POWER W/DUAL-AXIS ACCUSET (2009)</b>	053353	1	
	<b>BOX ASSEMBLY, G28 REMOTE POWER W/DUAL-AXIS ACCUSET(2009)</b>	053269	1	
1	Box Weldment, Remote Power 2008	006667	1	
2	Breaker, 40A Manual Reset Panel Mount	051981	1	
3	Boot, Circuit Breaker	021253	3	
4	Decal, Standard Remote Circuit Breaker ID 2008	053226	1	
5	Solenoid Kit, 200A 12V SPST Hydraulic Motor	016371	1	
	Solenoid, 200A 12V SPST Cont. Duty	015470	1	◆
	Diode Assembly, Solenoid Coil Chassis Gnd	015426	1	
	Resistor Assembly, 4.3Ohm 5W	051528	1	
6	Bolt, 1/4-20 x 1/2" Hex Head	F05005-15	4	
7	Washer, 1/4" SAE Flat	F05011-11	10	
8	Nut, 1/4-20 Self-Locking Hex	F05010-9	6	

## 5

## Control &amp; Battery Boxes

## Remote Power Box Assembly

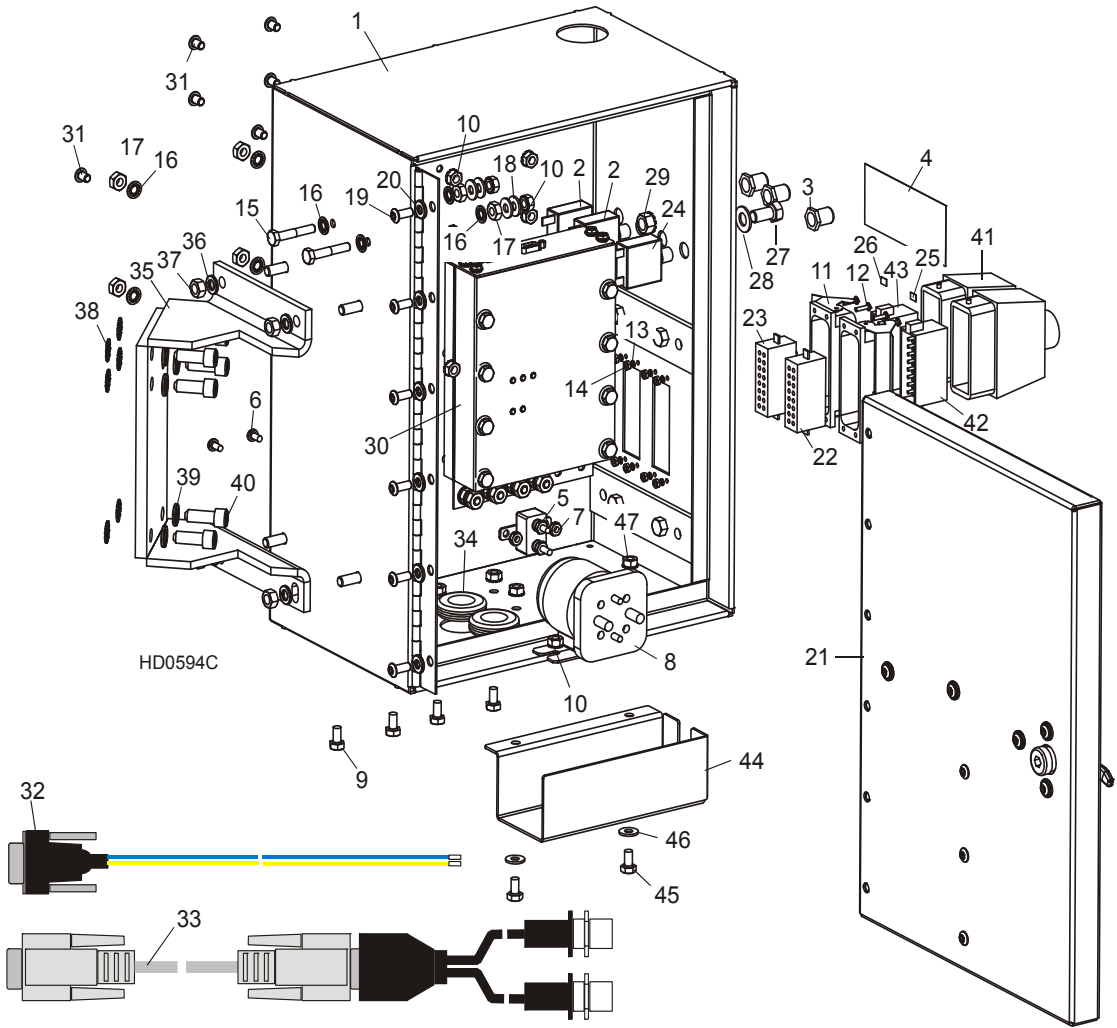
9	Connector, 16-Pin Panel Mount Single Lever	E23103	2	
10	Screw, #4-40 x 1/2" Slotted Round Head	F05004-14	8	
11	Washer, #4 Split Lock	F05011-21	8	
12	Nut, #4-40 Hex	F05010-43	8	
13	Bolt, 1/4-20 x 1 1/2" Hex Head Full Thread	F05005-31	2	
14	Washer, 1/4" Heavy Duty Internal Star	F05011-69	4	
15	Nut, 1/4-20 Heavy Duty Hex Jam	F05010-129	2	
16	Bolt, 1/4-20 x 5/8" Button Socket Head	F05005-128	6	
17	Washer, 1/4" Split Lock	F05011-14	6	
18	Door Parts ( <a href="#">See Section 5.13</a> )			
	Harness Assembly, Remote Power Box 17-32 (2009)	053231	1	
19	Insert, Female 10A 16P Scr. Term. 17-32	015671	1	
20	Harness Assembly, Dual-Axis Motor Control Remote			
	Harness Assembly, Remote Power Box 1-16 (2009)	053230	1	
21	Insert, Female 10A 16P Scr. Term. 1-16	E23106	1	
22	Breaker, 30A Manual Reset Panel Mount	024246	2	
23	Decal, Connector ID (J1)	024368	2	
24	Decal, Connector ID (J2)	024369	2	
25	Bolt, 3/8-16 x 3/4" Hex Head	F05007-27	1	
26	Washer, 3/8" SAE Flat	F05011-3	1	
27	Nut, 3/8-16 Self-Locking Hex	F05010-19	1	
	Harness Assembly, D35 Remote Upper (2008)	053238	1	
	Harness Assembly, D34/D36 Remote Upper (2005)	052233	1	
	Harness Assembly, G28 Remote Upper (2004)	052000	1	
	Harness Assembly, D35 Remote Lower	051900	1	
	Harness Assembly, D34/D36 Remote Lower	050682	1	
	Harness Assembly, G28 Remote Lower (2002)	050683	1	
28	Grommet, 7/8" I.D. x 1 1/4" O.D. Grooved Rubber	P702	2	
29	<b>BRACKET WELDMENT, REMOTE POWER BOX MOUNTING</b>	015184	1	
30	<b>WASHER, 5/16" SPLIT LOCK</b>	F05011-13	4	
31	<b>NUT, 5/16-18 HEX</b>	F05010-17	4	
32	<b>WASHER, 3/8" EXTERIOR STAR LOCK</b>	F05011-36	6	
33	<b>WASHER, 3/8" SPLIT LOCK</b>	F05011-4	6	
34	<b>BOLT, 3/8-16 X 1" SOCKET HEAD</b>	F05007-52	6	
35	<b>CONNECTOR, 16-PIN HOOD SINGLE LEVER FRONT ENTRY</b>	015658	2	
36	<b>INSERT, MALE 10A 16P SCR. TERM. 1-16</b>	E23105	1	
37	<b>INSERT, MALE 10A 16P SCR. TERM. 17-32</b>	015670	1	
	<b>GUARD ASSEMBLY, LOWER POWER BOX WIRE</b>			
38	Guard, Lower Power Box Wire	006014	1	
39	Bolt, 1/4-20 x 1/2" Hex Head	F05005-15	2	
40	Washer, 1/4" SAE Flat	F05011-11	2	
41	Nut, 1/4-20 Self-Locking Hex	F05010-9	2	



5.9 Remote Power Box Assembly

LT40HD Remote

Rev. K3.00 - K4.01



REF	DESCRIPTION (◆ Indicates Parts Available In Assemblies Only)	PART #	QTY.
	<b>BOX ASSEMBLY, D35 REMOTE POWER W/ACCUSSET 2 (2008)</b>	053239	1
	<b>BOX ASSEMBLY, D34 REMOTE POWER W/ACCUSSET 2 (2008)</b>	053057	1
	<b>BOX ASSEMBLY, G28 REMOTE POWER W/ACCUSSET 2 (2008)</b>	053064	1
1	Box Weldment, Remote Power	052121	1
2	Breaker, 40A Manual Reset Panel Mount	051981	2
3	Boot, Circuit Breaker	021253	3
4	Decal, Standard Remote Circuit Breaker ID	051997	1
5	Breaker, 30A Manual Reset	E20431	1
6	Screw, #10-24 x 3/8" Cross-Slotted Pan Head	F05004-3	2

# 5 Control & Battery Boxes

## Remote Power Box Assembly

7	Nut, #10-24 Self-Locking Hex	F05010-14	2	
8	Solenoid Kit, 200A 12V SPST Hydraulic Motor	016371	2	
	Solenoid, 200A 12V SPST Cont. Duty	015470	1	◆
	Diode Assembly, Solenoid Coil Chassis Gnd	015426	1	
9	Bolt, 1/4-20 x 1/2" Hex Head	F05005-15	4	
10	Nut, 1/4-20 Self-Locking Hex	F05010-9	10	
11	Connector, 16-Pin Panel Mount Single Lever	E23103	2	
12	Screw, #4-40 x 1/2" Slotted Round Head	F05004-14	8	
13	Washer, #4 Split Lock	F05011-21	8	
14	Nut, #4-40 Hex	F05010-43	8	
15	Bolt, 1/4-20 x 1 1/2" Hex Head Full Thread	F05005-31	2	
16	Washer, 1/4" Heavy Duty Internal Star	F05011-69	8	
17	Nut, 1/4-20 Heavy Duty Hex Jam	F05010-129	8	
18	Washer, 1/4" SAE Flat	F05011-11	4	
19	Bolt, 1/4-20 x 5/8" Button Socket Head	F05005-128	6	
20	Washer, 1/4" Split Lock	F05011-14	6	
21	Door Parts ( <a href="#">See Section 5.13</a> )			
	Harness Assembly, Remote Power Box 17-32 (2008)	053072	1	
22	Insert, Female 10A 16P Scr. Term. 17-32	015671	1	
	Harness Assembly, Remote Power Box 1-16	050224	1	
23	Insert, Female 10A 16P Scr. Term. 1-16	E23106	1	
24	Breaker, 30A Manual Reset Panel Mount	024246	1	
25	Decal, Connector ID (J1)	024368	1	
26	Decal, Connector ID (J2)	024369	1	
27	Bolt, 3/8-16 x 3/4" Hex Head	F05007-27	1	
28	Washer, 3/8" SAE Flat	F05011-3	1	
29	Nut, 3/8-16 Self-Locking Hex	F05010-19	1	
30	Control Assembly, Accuset 2 Motor	057821LS <sup>1</sup>	1	
31	Screw, 1/4-20 x 3/8" Socket Button Head	F05005-62	6	
32	Cable Assembly, LT40/70-R Bridge Bypass	053214 <sup>2</sup>	1	
33	Cable Assembly, Dual M12 to D-Sub	053696 <sup>3</sup>	1	
	Harness Assembly, D35 Remote Upper (2008)	053238	1	
	Harness Assembly, D34 Remote Upper (2005)	052233	1	
	Harness Assembly, G28 Remote Upper	052000	1	
	Harness Assembly, D34/D35 Remote Lower	050682	1	
	Harness Assembly, G28 Remote Lower	050683	1	
34	Grommet, 5/8" I.D. Rubber	P11764	2	
35	<b>BRACKET WELDMENT, REMOTE POWER BOX MOUNTING</b>	015184	1	
36	<b>WASHER, 5/16" SPLIT LOCK</b>	F05011-13	4	
37	<b>NUT, 5/16-18 HEX</b>	F05010-17	4	
38	<b>WASHER, 3/8" EXTERIOR STAR LOCK</b>	F05011-36	6	
39	<b>WASHER, 3/8" SPLIT LOCK</b>	F05011-4	6	
40	<b>BOLT, 3/8-16 X 1" SOCKET HEAD</b>	F05007-52	6	

<b>41</b>	<b>CONNECTOR, 16-PIN HOOD SINGLE LEVER FRONT ENTRY</b>	015658	2	
<b>42</b>	<b>INSERT, MALE 10A 16P SCR. TERM. 1-16</b>	E23105	1	
<b>43</b>	<b>INSERT, MALE 10A 16P SCR. TERM. 17-32</b>	015670	1	
	<b>GUARD ASSEMBLY, LOWER POWER BOX WIRE</b>	006021	1	
<b>44</b>	Guard, Lower Power Box Wire	006014	1	
<b>45</b>	Bolt, 1/4-20 x 1/2" Hex Head	F05005-15	2	
<b>46</b>	Washer, 1/4" SAE Flat	F05011-11	2	
<b>47</b>	Nut, 1/4-20 Self-Locking Hex	F05010-9	2	

<sup>1</sup> Dual-Axis Control 057821LS replaces 052974 to reduce cost (12/08).

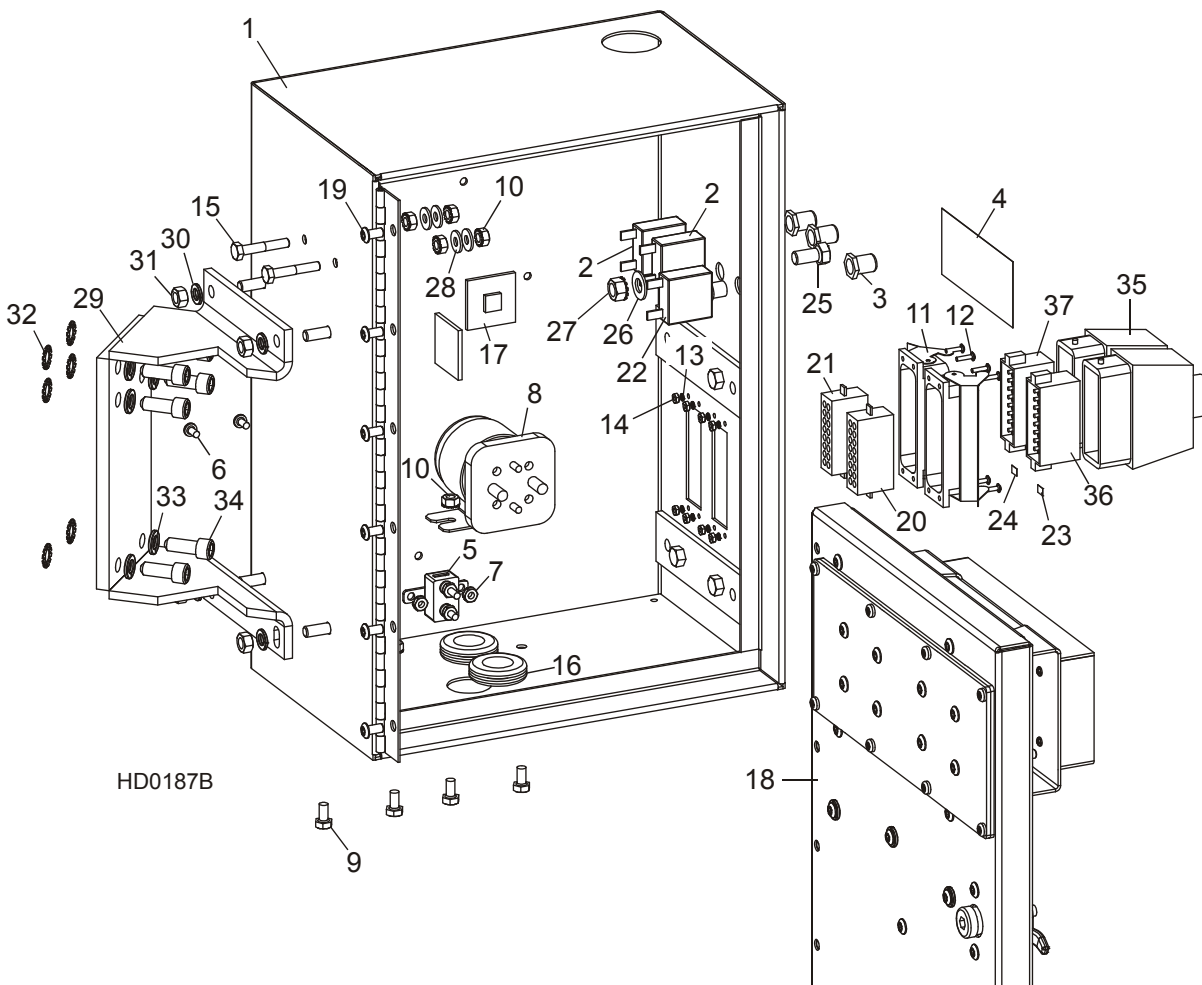
<sup>2</sup> Replaces Bypass Cable Assembly 053038 previously supplied. New wire assembly connects directly to harness connector assembly (4/08). 053038 still available for retrofit applications only.

<sup>3</sup> Cable Assembly 053696 replaces Harness 052919 supplied prior to 3/10 (cost reduction).

## 5.10 Remote Power Box Assembly

LT40HD Remote

Rev. J9.04 - K2.02



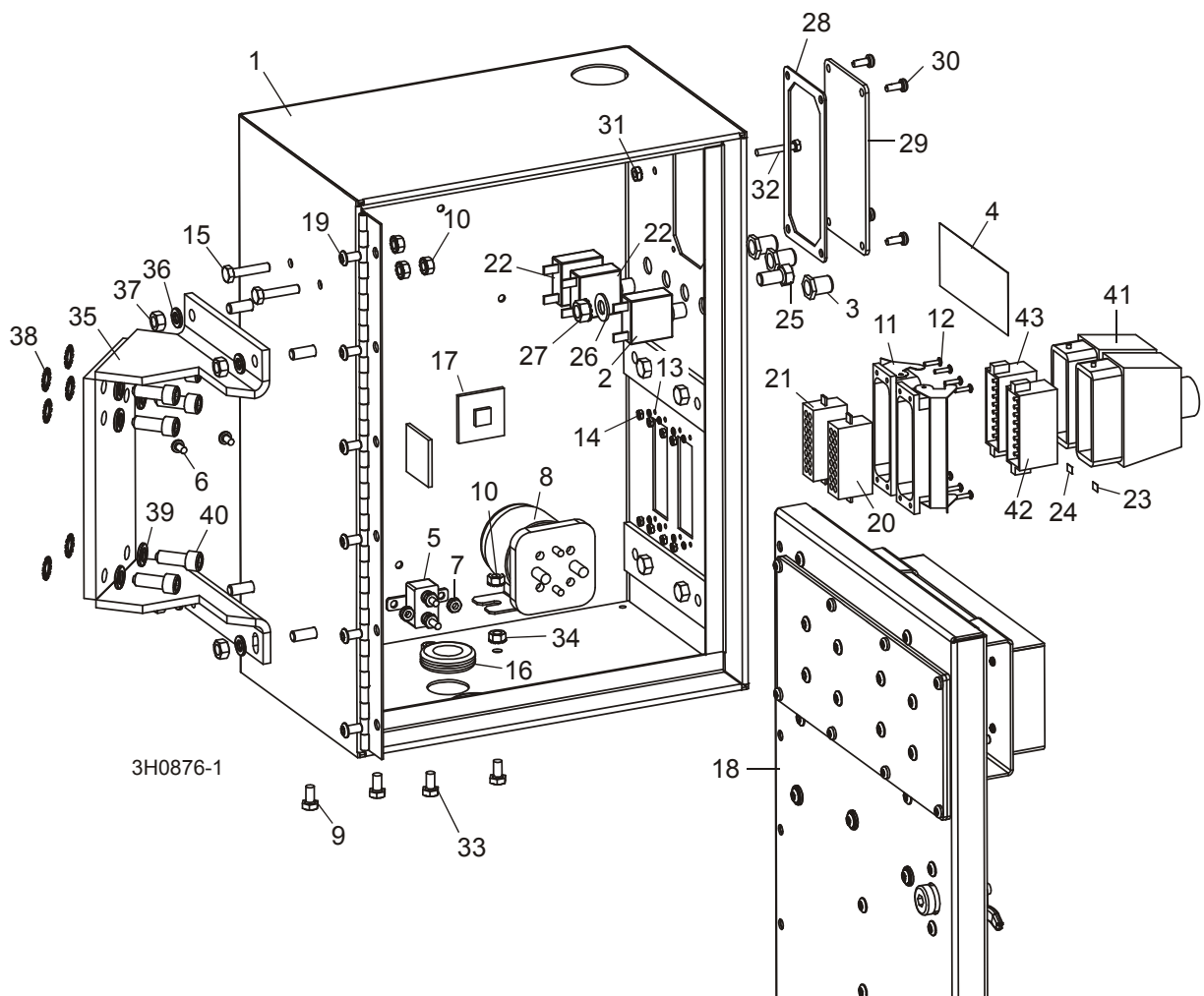
REF	DESCRIPTION (◆ Indicates Parts Available In Assemblies Only)	PART #	QTY.	
	<b>BOX ASSEMBLY, D34 REMOTE POWER W/ACCUSSET</b>	052234	1	
	<b>BOX ASSEMBLY, G28 REMOTE POWER W/ACCUSSET</b>	051417	1	
1	Box Weldment, Remote Power	052121	1	
2	Breaker, 40A Manual Reset Panel Mount	051981	2	
3	Boot, Circuit Breaker	021253	3	
4	Decal, Standard Remote Circuit Breaker ID	051997	1	
5	Breaker, 30A Manual Reset	E20431	1	
6	Screw, #10-24 x 3/8" Cross-Slotted Pan Head	F05004-3	2	
7	Nut, #10-24 Self-Locking Hex	F05010-14	2	
8	Solenoid Kit, 200A 12V SPST Hydraulic Motor	016371	2	
	Solenoid, 200A 12V SPST Cont. Duty	015470	1	◆
	Diode Assembly, Solenoid Coil Chassis Gnd	015426	1	

9	Bolt, 1/4-20 x 1/2" Hex Head	F05005-15	4	
10	Nut, 1/4-20 Self-Locking Hex	F05010-9	8	
11	Connector, 16-Pin Panel Mount Single Lever	E23103	2	
12	Screw, #4-40 x 1/2" Slotted Round Head	F05004-14	8	
13	Washer, #4 Split Lock	F05011-21	8	
14	Nut, #4-40 Hex	F05010-43	8	
15	Bolt, 1/4-20 x 1 1/2" Hex Head Full Thread	F05005-31	2	
16	Grommet, 5/8" I.D. Rubber	P11764	2	
17	Clip, Adhesive-Backed Wire Anchor	F05089-7	2	
18	Door Parts ( <a href="#">See Section 5.15</a> )			
19	Bolt, 1/4-20 x 1/2" Button Socket Head	F05005-112	6	
	Harness Assembly, Remote Power Box 17-32	050225	1	
20	Insert, Female 10A 16P Scr. Term. 17-32	015671	1	
	Harness Assembly, Remote Power Box 1-16	050224	1	
21	Insert, Female 10A 16P Scr. Term. 1-16	E23106	1	
22	Breaker, 40A Manual Reset Panel Mount	051981 <sup>3</sup>	1	
23	Decal, Connector ID (J1)	024368	1	
24	Decal, Connector ID (J2)	024369	1	
25	Bolt, 3/8-16 x 3/4" Hex Head	F05007-27	1	
26	Washer, 3/8" SAE Flat	F05011-3	1	
27	Nut, 3/8-16 Self-Locking Hex	F05010-19	1	
	Harness Assembly, D34 Remote Upper (2005)	052233	1	
	Harness Assembly, G28 Remote Upper	052000	1	
	Harness Assembly, D34 Remote Lower	050682	1	
	Harness Assembly, G28 Remote Lower	050683	1	
28	<b>BRACKET WELDMENT, REMOTE POWER BOX MOUNTING</b>	015184	1	
29	<b>WASHER, 5/16" SPLIT LOCK</b>	F05011-13	4	
30	<b>NUT, 5/16-18 HEX</b>	F05010-17	4	
31	<b>WASHER, 3/8" EXTERIOR STAR LOCK</b>	F05011-36	6	
32	<b>WASHER, 3/8" SPLIT LOCK</b>	F05011-4	6	
33	<b>BOLT, 3/8-16 X 1" SOCKET HEAD</b>	F05007-52	6	
34	<b>CONNECTOR, 16-PIN HOOD SINGLE LEVER FRONT ENTRY</b>	015658	2	
35	<b>INSERT, MALE 10A 16P SCR. TERM. 1-16</b>	E23105	1	
36	<b>INSERT, MALE 10A 16P SCR. TERM. 17-32</b>	015670	1	

## 5.11 Remote Power Box Assembly

LT40HD Remote

Rev. J9.00 - J9.03



REF	DESCRIPTION (◆ Indicates Parts Available In Assemblies Only)	PART #	QTY.
	<b>BOX ASSEMBLY, G36 REMOTE POWER W/ACCUSET</b>	050697 <sup>1</sup>	1
	<b>BOX ASSEMBLY, D33 REMOTE POWER W/ACCUSET</b>	050692 <sup>1</sup>	1
	<b>BOX ASSEMBLY, D34 REMOTE POWER W/ACCUSET</b>	052110 <sup>1</sup>	1
	<b>BOX ASSEMBLY, G28 REMOTE POWER W/ACCUSET</b>	051417 <sup>1</sup>	1
	<b>BOX ASSEMBLY, G25 REMOTE POWER W/ACCUSET</b>	050693 <sup>1</sup>	1
1	Box Weldment, Remote Power	052121 <sup>2</sup>	1
2	Breaker, 30A Manual Reset Panel Mount	024246 <sup>3</sup>	1
3	Boot, Circuit Breaker	021253	3
4	Decal, Standard Remote Circuit Breaker ID	051997 <sup>4</sup>	1
5	Breaker, 30A Manual Reset	E20431	1

6	Screw, #10-24 x 3/8" Cross-Slotted Pan Head	F05004-3	2	
7	Nut, #10-24 Self-Locking Hex	F05010-14	2	
8	Solenoid Kit, 200A 12V SPST Hydraulic Motor	016371	2	
	Solenoid, 200A 12V SPST Cont. Duty	015470	1	◆
	Diode Assembly, Solenoid Coil Chassis Gnd	015426	1	
9	Bolt, 1/4-20 x 1/2" Hex Head	F05005-15	2	
10	Nut, 1/4-20 Self-Locking Hex	F05010-9	6	
11	Connector, 16-Pin Panel Mount Single Lever	E23103	2	
12	Screw, #4-40 x 1/2" Slotted Round Head	F05004-14	8	
13	Washer, #4 Split Lock	F05011-21	8	
14	Nut, #4-40 Hex	F05010-43	8	
15	Bolt, 1/4-20 x 1 1/2" Hex Head Full Thread	F05005-31	2	
16	Grommet, 5/8" I.D. Rubber	P11764	2	
17	Clip, Adhesive-Backed Wire Anchor	F05089-7	2	
18	Door Parts ( <a href="#">See Section 5.15</a> )			
19	Bolt, 1/4-20 x 1/2" Button Socket Head	F05005-112	6	
	Harness Assembly, Remote Power Box 17-32	050225 <sup>1</sup>	1	
20	Insert, Female 10A 16P Scr. Term. 17-32	015671	1	
	Harness Assembly, Remote Power Box 1-16	050224	1	
21	Insert, Female 10A 16P Scr. Term. 1-16	E23106	1	
22	Breaker, 40A Manual Reset Panel Mount	051981 <sup>2</sup>	2	
23	Decal, Connector ID (J1)	024368	1	
24	Decal, Connector ID (J2)	024369	1	
25	Bolt, 3/8-16 x 3/4" Hex Head	F05007-27	1	
26	Washer, 3/8" SAE Flat	F05011-3	1	
27	Nut, 3/8-16 Self-Locking Hex	F05010-19	1	
	Harness Assembly, D34 Remote Upper	052109 <sup>1</sup>	1	
	Harness Assembly, D33 Remote Upper	051998 <sup>1</sup>	1	
	Harness Assembly, G36 Remote Upper	052001 <sup>1</sup>	1	
	Harness Assembly, G28 Remote Upper	052000 <sup>1</sup>	1	
	Harness Assembly, G25 Remote Upper	051999 <sup>1</sup>	1	
	Harness Assembly, D33/D34/G36 Remote Lower	050682	1	
	Harness Assembly, G25/G28 Remote Lower	050683	1	
28	Gasket, Pressure Lube Panel	033488 <sup>2</sup>	1	
29	Plate, Pressure Lube Panel	033489 <sup>2</sup>	1	
30	Bolt, #10-24 x 1/2" Pan Head	F05015-17 <sup>2</sup>	4	
31	Nut, #10-24 Self-Locking Hex	F05010-14	1	
32	Bolt, #10-24 x 1 1/4" Hex Head	F05004-19	1	
33	Bolt, 1/4-20 x 1/2" Hex Head	F05005-15	2	
34	Nut, 1/4-20 Self-Locking Hex	F05010-9	2	
35	<b>BRACKET WELDMENT, REMOTE POWER BOX MOUNTING</b>	015184	1	
36	<b>WASHER, 5/16" SPLIT LOCK</b>	F05011-13	4	

# 5 Control & Battery Boxes

## Remote Power Box Assembly

37	NUT, 5/16-18 HEX	F05010-17	4	
38	WASHER, 3/8" EXTERIOR STAR LOCK	F05011-36	6	
39	WASHER, 3/8" SPLIT LOCK	F05011-4	6	
40	BOLT, 3/8-16 X 1" SOCKET HEAD	F05007-52	6	
41	CONNECTOR, 16-PIN HOOD SINGLE LEVER FRONT ENTRY	015658	2	
42	INSERT, MALE 10A 16P SCR. TERM. 1-16	E23105	1	
43	INSERT, MALE 10A 16P SCR. TERM. 17-32	015670	1	

<sup>1</sup> Control boxes modified to accommodate installation of LubeMizer option to Operator Control instead of Remote Box (Rev. J9.00). Connector Assembly 17-32 modified and new upper harnesses created.

<sup>2</sup> Box Weldment 052121 replaces 050278 originally supplied prior to Rev. J9.01. LubeMizer is now mounted on operator control. Mounting hole, gasket, cover plate and screws removed from box.

<sup>3</sup> 40A Breaker 051981 replaces 30A Breaker 024246 for Fwd/Rev Circuit to reduce nuisance tripping (Rev. J9.02).

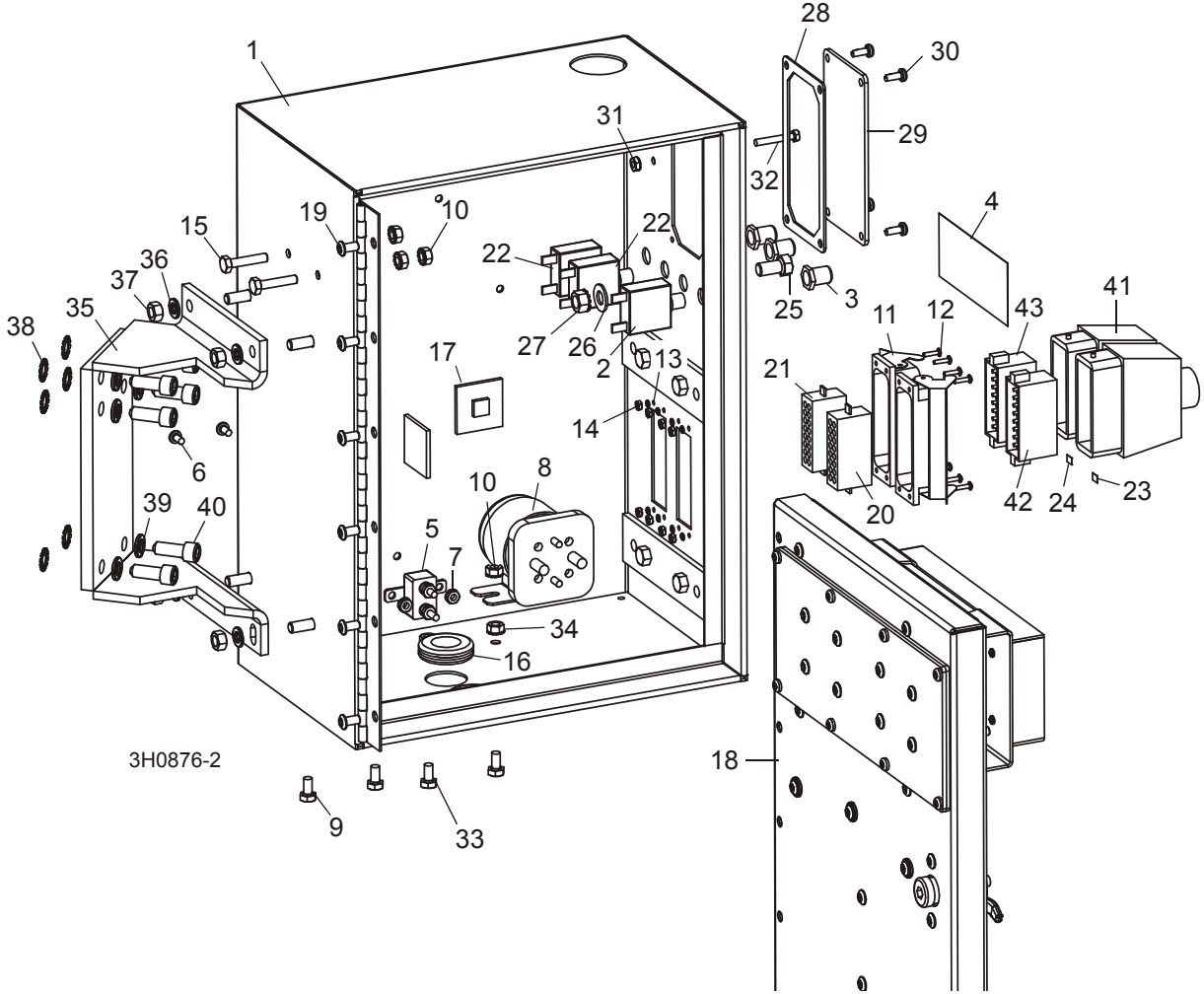
<sup>4</sup> Decal modified with 40A Fwd/Rev label (Rev. J9.02).



5.12 Remote Power Box Assembly

LT40HD Remote

Rev. J8.01 - J8.03



REF	DESCRIPTION (◆ Indicates Parts Available In Assemblies Only)	PART #	QTY.
	<b>BOX ASSEMBLY, G36 REMOTE POWER W/ACCUSET</b>	050697 <sup>1</sup>	1
	<b>BOX ASSEMBLY, D33 REMOTE POWER W/ACCUSET</b>	050692 <sup>1</sup>	1
	<b>BOX ASSEMBLY, G28 REMOTE POWER W/ACCUSET</b>	051417 <sup>1</sup>	1
	<b>BOX ASSEMBLY, G25 REMOTE POWER W/ACCUSET</b>	050693 <sup>1</sup>	1
1	Box Weldment, Remote Power	050278	1
2	Breaker, 30A Manual Reset Panel Mount	024246	1
3	Boot, Circuit Breaker	021253	3
4	Decal, Standard Remote Circuit Breaker ID (w/30A Up/Down & Fwd/Rev Breaker)	024657 <sup>2</sup>	1
	Decal, Standard Remote Circuit Breaker ID (w/40A Up/Down & Fwd/Rev Breaker)	051997 <sup>2</sup>	1
5	Breaker, 30A Manual Reset	E20431	1

# 5 Control & Battery Boxes

## Remote Power Box Assembly

6	Screw, #10-24 x 3/8" Cross-Slotted Pan Head	F05004-3	2	
7	Nut, #10-24 Self-Locking Hex	F05010-14	2	
8	Solenoid Kit, 200A 12V SPST Hydraulic Motor	016371	2	
	Solenoid, 200A 12V SPST Cont. Duty	015470	1	◆
	Diode Assembly, Solenoid Coil Chassis Gnd	015426 <sup>3</sup>	1	
9	Bolt, 1/4-20 x 1/2" Hex Head	F05005-15	2	
10	Nut, 1/4-20 Self-Locking Hex	F05010-9	6	
11	Connector, 16-Pin Panel Mount Single Lever	E23103	2	
12	Screw, #4-40 x 1/2" Slotted Round Head	F05004-14	8	
13	Washer, #4 Split Lock	F05011-21	8	
14	Nut, #4-40 Hex	F05010-43	8	
15	Bolt, 1/4-20 x 1 1/4" Hex Head	F05005-3	2	
16	Grommet, 5/8" I.D. Rubber	P11764	2	
17	Clip, Adhesive-Backed Wire Anchor	F05089-7	2	
18	Door Parts ( <a href="#">See Section 5.15</a> )			
19	Bolt, 1/4-20 x 1/2" Button Socket Head	F05005-112	6	
	Harness Assembly, Remote Power Box 17-32	050225 <sup>1</sup>	1	
20	Insert, Female 10A 16P Scr. Term. 17-32	015671	1	
	Harness Assembly, Remote Power Box 1-16	050224	1	
21	Insert, Female 10A 16P Scr. Term. 1-16	E23106	1	
22	Breaker, 40A Manual Reset Panel Mount	051981 <sup>2</sup>	2	
23	Decal, Connector ID (J1)	024368	1	
24	Decal, Connector ID (J2)	024369	1	
25	Bolt, 3/8-16 x 3/4" Hex Head	F05007-27	1	
26	Washer, 3/8" SAE Flat	F05011-3	1	
27	Nut, 3/8-16 Self-Locking Hex	F05010-19	1	
	Harness Assembly, D33 Remote Upper	024666 <sup>1</sup>	1	
	Harness Assembly, G36 Remote Upper	024888 <sup>1</sup>	1	
	Harness Assembly, G28 Remote Upper	051416 <sup>1</sup>	1	
	Harness Assembly, G25 Remote Upper	024668 <sup>1</sup>	1	
	Harness Assembly, D33/G36 Remote Lower	050682	1	
	Harness Assembly, G25 Remote Lower	050683	1	
28	Gasket, Pressure Lube Panel	033488	1	
29	Plate, Pressure Lube Panel	033489	1	
30	Bolt, #10-24 x 1/2" Pan Head	F05015-17	4	
31	Nut, #10-24 Self-Locking Hex	F05010-14	1	
32	Bolt, #10-24 x 1 1/4" Hex Head	F05004-19	1	
33	Bolt, 1/4-20 x 1/2" Hex Head	F05005-15	2	
34	Nut, 1/4-20 Self-Locking Hex	F05010-9	2	
35	<b>BRACKET WELDMENT, REMOTE POWER BOX MOUNTING</b>	015184	1	
36	<b>WASHER, 5/16" SPLIT LOCK</b>	F05011-13	4	
37	<b>NUT, 5/16-18 HEX</b>	F05010-17	4	

# Control & Battery Boxes

## Remote Power Box Assembly

5

38	WASHER, 3/8" EXTERIOR STAR LOCK	F05011-36	6	
39	WASHER, 3/8" SPLIT LOCK	F05011-4	6	
40	BOLT, 3/8-16 X 1" SOCKET HEAD	F05007-52	6	
41	CONNECTOR, 16-PIN HOOD SINGLE LEVER FRONT ENTRY	015658	2	
42	INSERT, MALE 10A 16P SCR. TERM. 1-16	E23105	1	
43	INSERT, MALE 10A 16P SCR. TERM. 17-32	015670	1	

<sup>1</sup> Control boxes modified to accommodate installation of LubeMizer option to Operator Control instead of Remote Box ([See Section 5.8](#)).

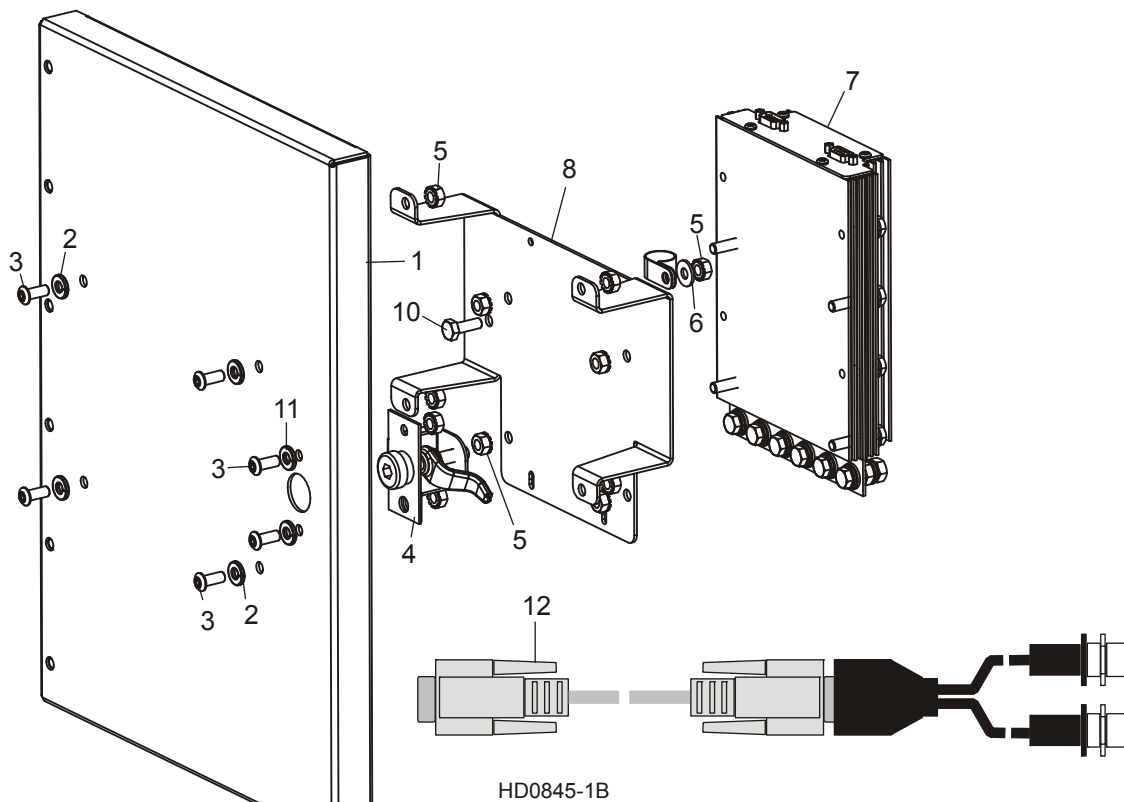
<sup>2</sup> 40A Breaker 051981 replaces 30A Breaker 024246 for Up/Down Circuit to reduce nuisance tripping (Rev. J9.00). 40A Breaker 051981 replaces 30A Breaker 024246 for Fwd/Rev Circuit to reduce nuisance tripping (Rev. J9.02).

<sup>3</sup> Diode Assembly 015426 added to prevent damage to hydraulic microswitch (Rev. J8.03)

### 5.13 Remote Power Box Door Assembly

LT40HD Remote

Rev. K5.00 - K5.03



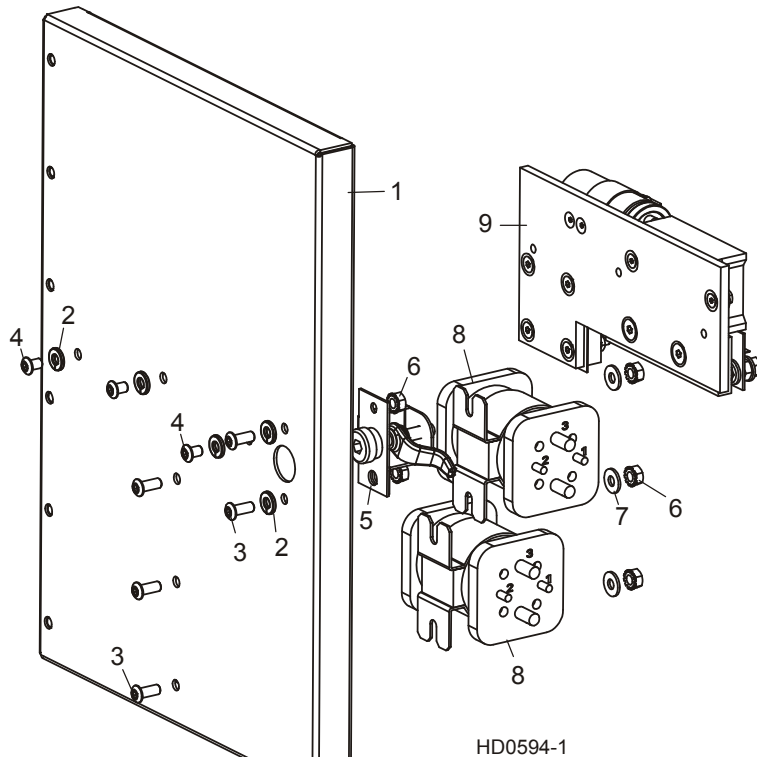
REF	DESCRIPTION (◆ Indicates Parts Available In Assemblies Only)	PART #	QTY.
	<b>DOOR ASSEMBLY, REMOTE POWER BOX W/DUAL-AXIS ACCUSET</b>	053228	1
1	Door Weldment, Remote Power Box	003998	1
2	Washer, 1/4" Split Lock	F05011-14	4
3	Bolt, 1/4-20 x 5/8" Button Socket Head	F05005-128	6
4	Latch, Power Box Door	P20048	1
5	Nut, 1/4-20 Self-Locking Hex	F05010-9	11
6	Washer, 1/4" SAE Flat	F05011-11	1
7	Control Assembly, Dual-Axis Motor	057821LS	1
8	Bracket, DCS Control Mount	056763	1
9	Clamp, 5/8" EMT Coated	010748	1
10	Bolt, 1/4-20 x 3/4" Hex Head Full Thread	F05005-1	1
11	Washer, 1/4" Split Lock	F05011-14	2
12	Cable Assembly, Dual M12 to D-Sub	053696 <sup>1</sup>	1

<sup>1</sup> Cable Assembly 053696 replaces Harness 052919 supplied prior to 3/10 (cost reduction).

## 5.14 Remote Power Box Door Assembly

LT40HD Remote

Rev. K3.00 - K4.01

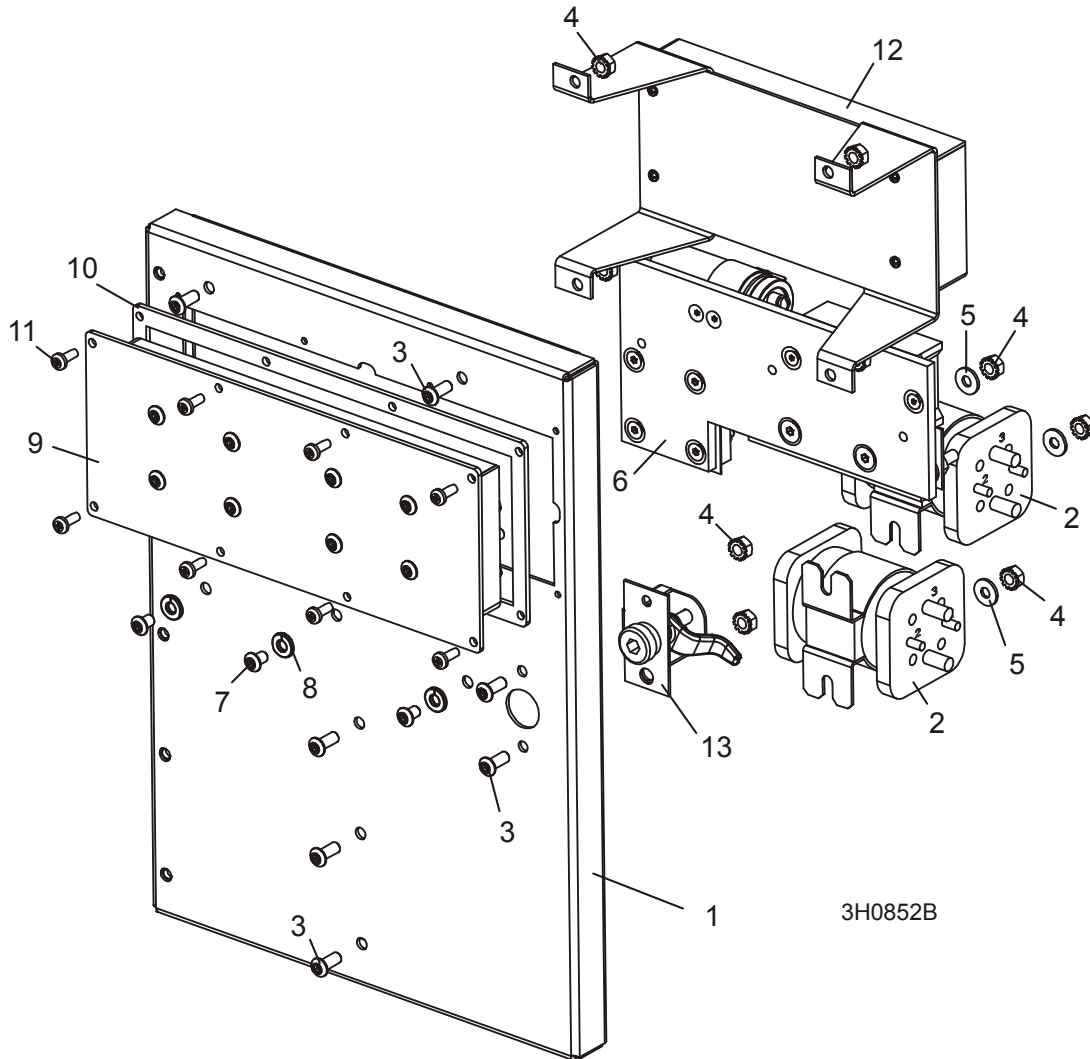


REF	DESCRIPTION (◆ Indicates Parts Available In Assemblies Only)	PART #	QTY.	
	<b>DOOR ASSEMBLY, REMOTE POWER BOX W/ACCUSE2 2</b>	053075	1	
1	Door Weldment, Remote Power Box	003996	1	
2	Washer, 1/4" Split Lock	F05011-14	5	
3	Bolt, 1/4-20 x 5/8" Button Socket Head	F05005-128	5	
4	Bolt, 1/4-20 x 3/8" Button Socket Head	F05005-62	3	
5	Latch, Power Box Door	P20048	1	
6	Nut, 1/4-20 Self-Locking Hex	F05010-9	5	
7	Washer, 1/4" SAE Flat	F05011-11	3	
8	Solenoid Kit, 200A 12V DPST	016370	2	
	Solenoid, 200A 12 DPST	015417	1	◆
	Diode Assembly, Solenoid Coil Chassis GND	015426	1	
9	Circuit Board Assembly, Remote Power Feed	024457	1	
	Control Module, Power Feed SMT	024396-1	1	
	Mosfet Module, Power Feed SMT	024387	1	
	Suppressor Assembly, Power Feed	052294	1	
	Capacitor Assembly, Power Feed Filter	051571	1	
	Diode Assembly, Power Feed Replacement	052363	1	

## 5.15 Remote Power Box Door Assembly

LT40HD Remote

Rev. J8.01 - K2.02



REF	DESCRIPTION (◆ Indicates Parts Available In Assemblies Only)	PART #	QTY.	
	<b>DOOR ASSEMBLY, REMOTE POWER BOX W/ACCUSET</b>	035571	1	
1	Door Weldment, Remote Power Box	035430	1	
2	Solenoid Kit, 200A 12V DPST	016370 <sup>1</sup>	2	
	Solenoid, 200A 12V DPST	015417	1	◆
	Diode Assembly, Solenoid Coil Chassis GND	015426	1	
3	Bolt, 1/4-20 x 5/8" Button Socket Head	F05005-128	9	
4	Nut, 1/4-20 Self-Locking Hex	F05010-9	9	
5	Washer, 1/4" SAE Flat	F05011-11	3	
6	Circuit Board Assembly, Remote Power Feed	024457	1	

## Control & Battery Boxes

### *Remote Power Box Door Assembly*

5

	Control Module, Power Feed SMT	024396-1	1	
	Mosfet Module, Power Feed SMT	024387	1	
	Suppressor Assembly, Power Feed	052294 <sup>2</sup>	1	
	Capacitor Assembly, Power Feed Filter	051571	1	
	Diode Assembly, Power Feed Replacement	052363	1	
<b>7</b>	Bolt, 1/4-20 x 3/8" Socket Button Head	F05005-62	3	
<b>8</b>	Washer, 1/4" Split Lock	F05011-14	3	
<b>9</b>	Panel Assembly, Remote Accuset Mosfet	024768 <sup>3</sup>	1	◆
<b>10</b>	Gasket, Remote Accuset Mosfet Panel	024869	1	
<b>11</b>	Screw, #10-24 x 1/2" Phillips Head	F05015-17	8	
	Harness, Remote Accuset Power	025058	1	
<b>12</b>	Circuit Board Assembly, Remote Accuset	052884 <sup>3</sup>	1	◆
	Filter Assembly, Accuset Power	051260	1	
<b>13</b>	Latch, Power Box Door	P20048	1	

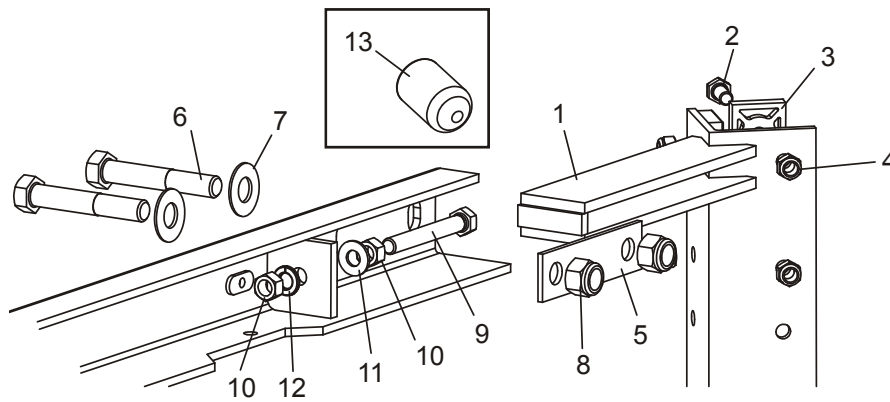
<sup>1</sup> Diode Wire Assembly 015426 added to Solenoid Kit 016370 (8/04).

<sup>2</sup> Suppressor Assembly 052294 added LT30HD Rev. J8.06 and LT40HD Rev. J9.06 to protect feed circuit.

<sup>3</sup> 052884 Accuset Power Panel Kit and 024768 Mosfet Panel no longer available. Upgrade to Accuset 2 with kit 052971. 052884 Service Kit replaces 035572 Assembly supplied prior to 2/07. Motor Driver and Filter PCB panels are provided disconnected in kit to prevent damage during shipment.

## SECTION 6 UP/DOWN SYSTEM

### 6.1 Saw Head Mount



SM0080D

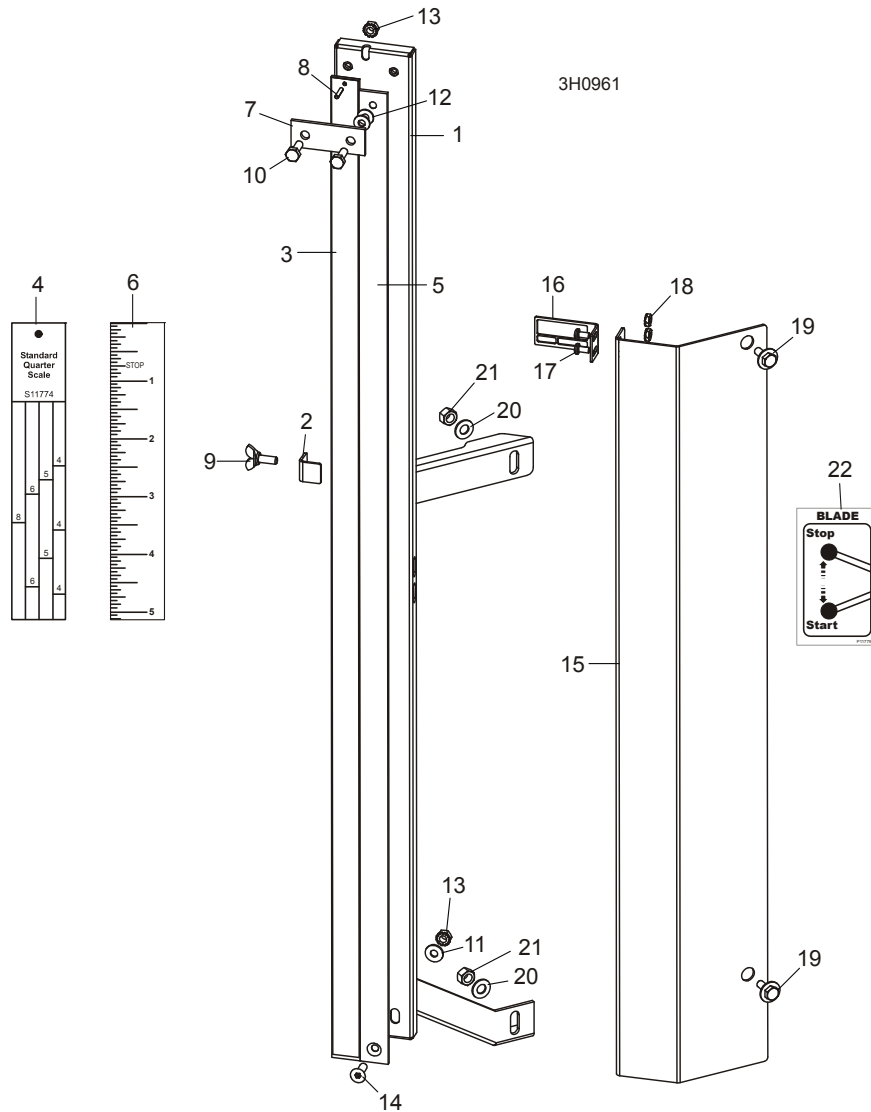
REF	DESCRIPTION (◆ Indicates Parts Available In Assemblies Only)	PART #	QTY.
1	V-BRACE, SAW HEAD MOUNT	W04099	1
2	BOLT, 5/16-18 X 3/4" HEX HEAD GRADE 5	F05006-5	12
	BOLT, 5/16-18 X 1 1/4 HEX HEAD FULL THREAD GRADE 5	F05006-93	4
3	PAD, PLASTIC SLIDE	M04096	6
	PAD, PLASTIC SLIDE LOWER W/CHAMFER	016241	2
4	NUT, 5/16-18 NYLON LOCK	F05010-58	16
5	PLATE, V-BRACE WASHER	S07935	2
6	BOLT, 1/2-13 X 3 1/2" HEX HEAD GRADE 5	F05008-61	4
7	WASHER, 1/2" SAE FLAT	F05011-2	4
8	NUT, 1/2-13 NYLON LOCK	F05010-8	4
9	BOLT, 3/8-16 X 2" FULL THREAD	F05007-17	2
10	NUT, 3/8-16 HEX	F05010-1	4
11	WASHER, 3/8" SAE FLAT	F05011-3	2
12	WASHER, 3/8" SPLIT LOCK	F05011-4	2
13	CAP, .281" X 1/2" BLACK VINYL	017715	3



## 6.2 Blade Height & Quarter Scales

LT40HD Remote

Rev. K1.01 - K5.03



REF	DESCRIPTION (◆ Indicates Parts Available In Assemblies Only)	PART #	QTY.	
	<b>SCALE RETROFIT, FIXED WITH POINTER</b>	A12030	1	
	Scale Kit, Fixed With Pointer	K11998	1	◆
	Scale Assembly, Fixed	A12022	1	◆
1	Bracket, Scale Mounting	W11996	1	
2	Plate, Movable Scale Stop	036666	1	
3	Scale, 35" Quarter	S11989	1	
4	Decal, 35" Standard Quarter Scale	S11774	1	
	Decal, 35" Grade Hardwood Quarter Scale	P12819	1	
5	Scale, 35" Inch	S11988	1	

## 6

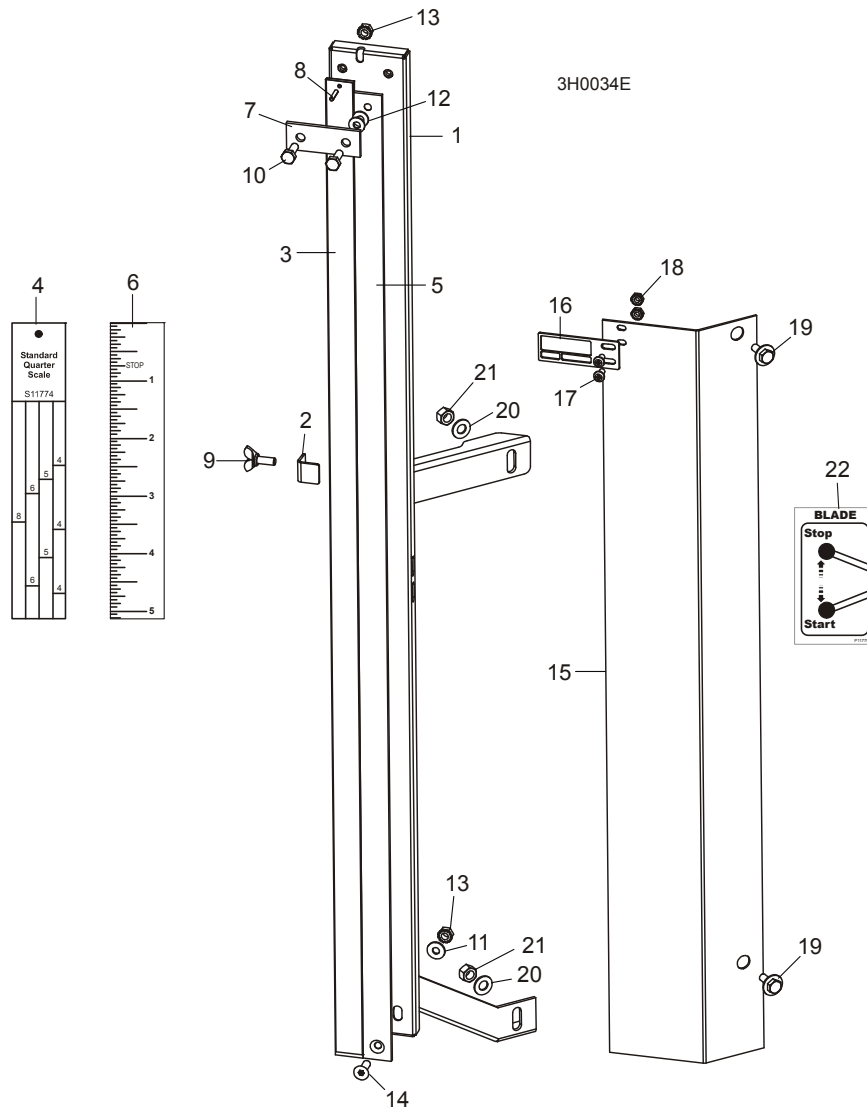
**Saw Head Mount & Scales***Blade Height & Quarter Scales*

6	Decal, 35" Inch	S11773	1	
7	Strap, Scale Hold-Down	S04805	1	
8	Pin, 1/8" X 5/8" Roll	F05012-14	1	
9	Screw, 1/4-20 X 5/8" Wing	F05005-64	1	
10	Bolt, 1/4-20 x 1/2" Hex Head	F05005-1	2	
11	Washer, 1/4" SAE Flat	F05011-11	1	
12	Washer, 1/4" X .020 Thick Nylon Flat	F05011-22	2	
13	Nut, 1/4-20 Hex Self-Locking	F05010-9	2	
14	Screw, 1/4-20 X 3/4" Flat Socket Head	F05005-70	1	
	Pointer Assembly, Fixed Scale	038591	1	
15	Bracket, Fixed Scale Pointer Mount	038586	1	
16	Pointer, Fixed Scale	038585	1	
17	Screw, #10-24 X 3/8" Phillips Head	F05004-3	2	
18	Nut, #10-24 Hex Self-Locking	F05010-14	2	
19	Bolt, 1/4-20 x 3/4" with Conical Washer	F05005-134	2	
20	Washer, 5/16" SAE Flat	F05011-17	2	
21	Nut, 5/16-18 Hex Lock	F05010-6	2	
	Bolt, 1/4-20 X 1/2" Hex Head Grade 2	F05005-15	1	
	Instruction Sheet, Fixed Scale Retrofit	A12030-370	1	
	<b>DECAL KIT, METRIC SCALE</b>	K12064	1	
	Decal, Metric	S11711	1	
	Decal, Metric 16-40mm	P12040-1	1	
	Decal, Metric 45-63mm	P12040-2	1	
22	<b>DECAL, CLUTCH HANDLE OPERATION</b>	P11779	1	

### 6.3 Blade Height & Quarter Scales

LT40HD Remote

Rev. J8.01 - K1.00



REF	DESCRIPTION (◆ Indicates Parts Available In Assemblies Only)	PART #	QTY.	
	<b>SCALE RETROFIT, FIXED WITH POINTER</b>	A12030	1	
	Scale Kit, Fixed With Pointer	K11998	1	◆
	Scale Assembly, Fixed	A12022	1	◆
1	Bracket, Scale Mounting	W11996 <sup>1</sup>	1	
2	Plate, Movable Scale Stop	036666 <sup>1</sup>	1	
3	Scale, 35" Quarter	S11989	1	
4	Decal, 35" Standard Quarter Scale	S11774	1	
	Decal, 35" Grade Hardwood Quarter Scale	P12819	1	

## 6

**Saw Head Mount & Scales***Blade Height & Quarter Scales*

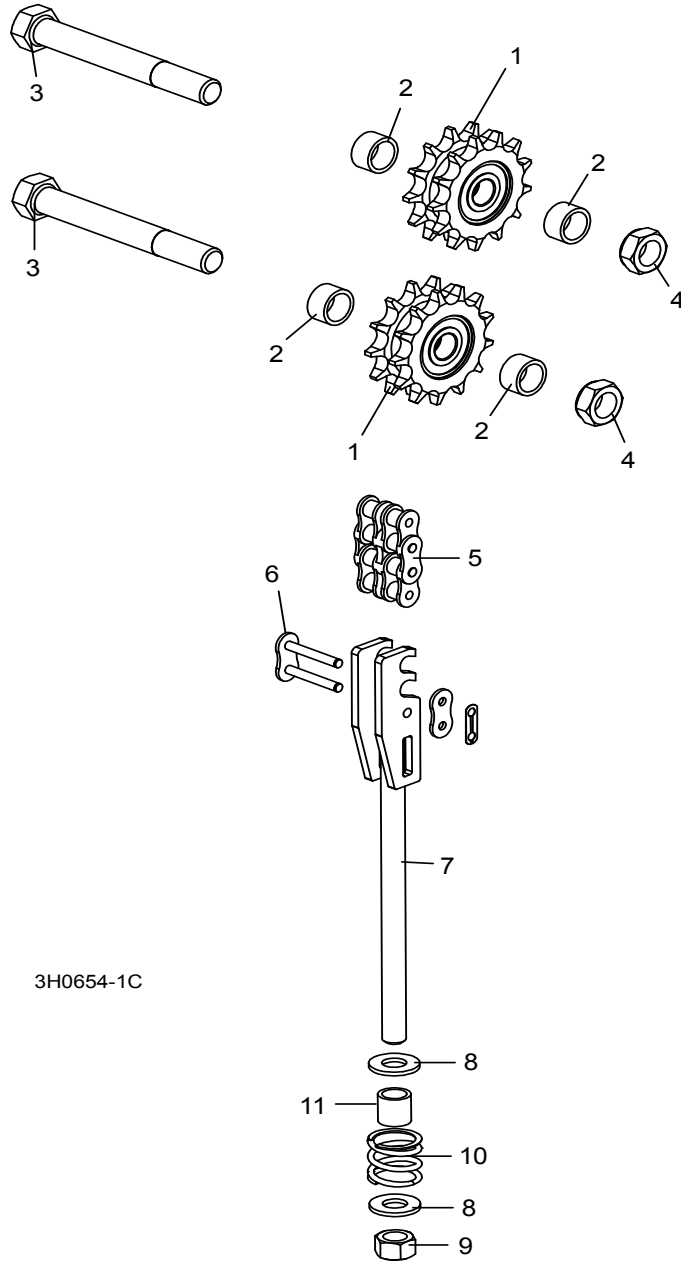
5	Scale, 35" Inch	S11988	1	
6	Decal, 35" Inch	S11773	1	
7	Strap, Scale Hold-Down	S04805	1	
8	Pin, 1/8" X 5/8" Roll	F05012-14	1	
9	Screw, 1/4-20 X 5/8" Wing	F05005-64	1	
10	Bolt, 1/4-20 x 1/2" Hex Head	F05005-1	2	
11	Washer, 1/4" SAE Flat	F05011-11	1	
12	Washer, 1/4" X .020 Thick Nylon Flat	F05011-22	2	
13	Nut, 1/4-20 Hex Self-Locking	F05010-9	2	
14	Screw, 1/4-20 X 3/4" Flat Socket Head	F05005-70	1	
	Pointer Assembly, Fixed Scale	A12023 <sup>2</sup>	1	
15	Bracket, Fixed Scale Pointer Mount	S12245	1	◆
16	Pointer, Fixed Scale (Non-Accuset Only <sup>3</sup> )	017778	1	
17	Screw, #10-24 X 3/8" Phillips Head	F05004-3	2	
18	Nut, #10-24 Hex Self-Locking	F05010-14	2	
19	Bolt, 1/4-20 x 3/4" with Conical Washer	F05005-134	2	
20	Washer, 5/16" SAE Flat	F05011-17	2	
21	Nut, 5/16-18 Hex Lock	F05010-6	2	
	Bolt, 1/4-20 X 1/2" Hex Head Grade 2	F05005-15	1	
	Instruction Sheet, Fixed Scale Retrofit	A12030-370	1	
	<b>DECAL KIT, METRIC SCALE</b>	K12064	1	
	Decal, Metric	S11711	1	
	Decal, Metric 16-40mm	P12040-1	1	
	Decal, Metric 45-63mm	P12040-2	1	
22	<b>DECAL, CLUTCH HANDLE OPERATION</b>	P11779	1	

<sup>1</sup> Wing screw moved to side of scale mount and bracket 036666 added to eliminate possible interference with pointer (LT30HD Rev. J8.01 and LT40HD Rev. J9.01). Use W11996 to service mount weldment (includes new bracket 036666).

<sup>2</sup> Pointer Assembly A12023 replaced with bent pointer to provide adjustment of distance between scale and pointer (LT30HD Rev. J9.01 and LT40HD Rev. K1.01). Use assembly 038591 to retrofit previous revisions ([See Section 6.2](#)).

<sup>3</sup> Use 017805 pointer for sawmills equipped with Accuset control or use assembly 038591 to retrofit ([See Section 6.2](#)).

## 6.4 Up/Down Chain & Sprockets



REF	DESCRIPTION (◆ Indicates Parts Available In Assemblies Only)	PART #	QTY.
	<b>SPROCKET KIT, UP/DOWN IDLER #50-2</b>	016020	1
1	Sprocket, Up/Down Idler '98	016019	2
2	Spacer, 50-2 Idler '98	016018	4
	Instruction Sheet, Up/Down Idler Retrofit	016020-541	1
3	<b>BOLT, 5/8-11 X 5" HEX HEAD GRADE 2</b>	F05009-6	2

## 6

**Up/Down System***Up/Down Chain & Sprockets*

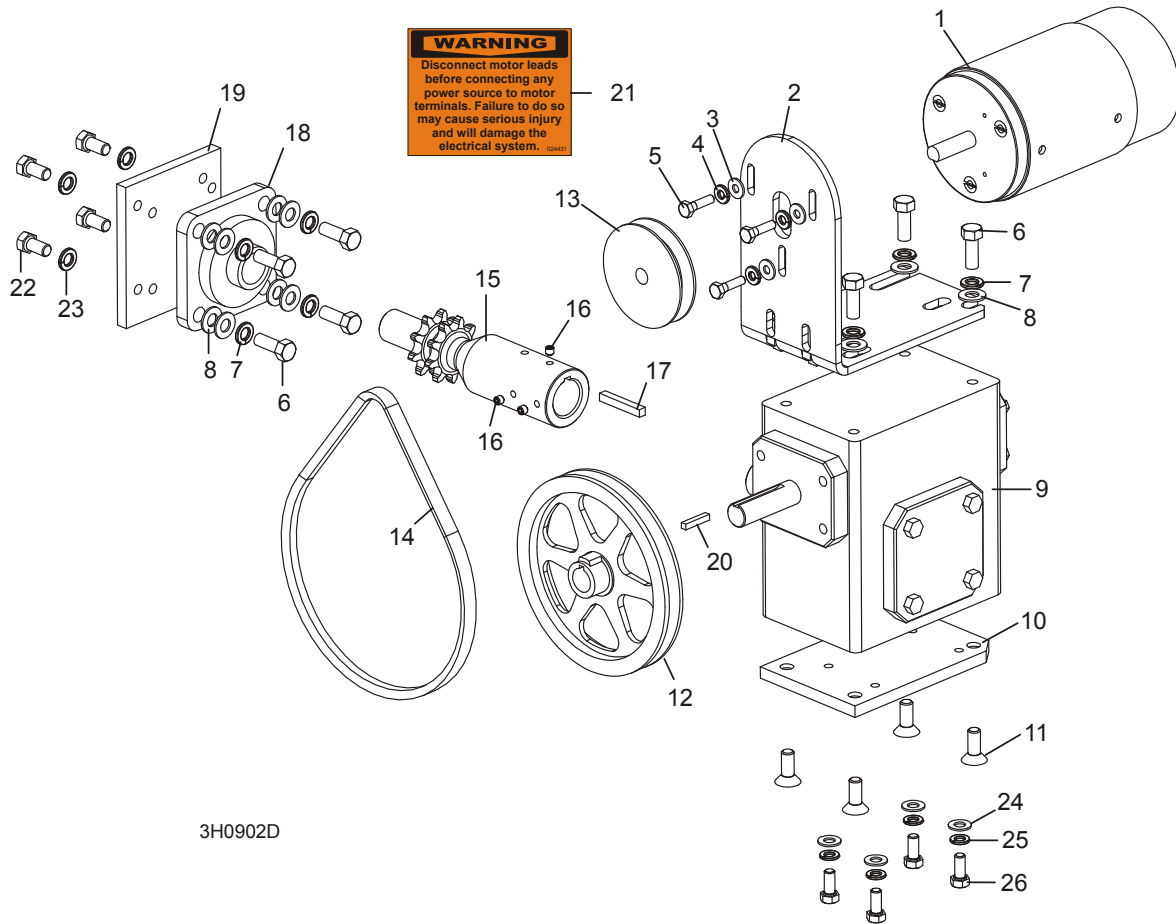
4	<b>NUT, 5/8-11 JAM NYLON LOCK</b>	F05010-96	2	
5	<b>CHAIN, #50-2 X 75.625" UP/DOWN</b>	015259	1	
6	<b>LINK, #50-2 MASTER</b>	015258	2	
	<b>TENSIONER ASSEMBLY, UP/DOWN CHAIN</b>	015456	1	
7	Bracket, Up/Down #50 Chain Tensioner	015188	1	◆
8	Washer, 1/2" SAE Flat	F05011-2	2	
9	Nut, 1/2-13 Hex Lock	F05010-3 <sup>1</sup>	1	
10	Spring, 1" OD x 1" Long x .125" Wire Compression	016516	1	
11	Spacer, Up/Dn Chain Tensioner	016515	1	

<sup>1</sup> Swaged lock nut F05010-3 has always been used in production instead of Nylon Lock Nut F05010-8 (9/09).

## 6.5 Up/Down Assembly

LT40HD Remote

Rev. K1.00 - K5.03



3H0902D

REF	DESCRIPTION (◆ Indicates Parts Available In Assemblies Only)	PART #	QTY.	
	<b>UP/DOWN DRIVE ASSEMBLY</b>	036208	1	
1	Motor, Power Feed	006747 <sup>1</sup>	1	
	Brush Kit, 12V Motor (2008)	061794 <sup>1</sup>	1	
	Brush Kit, 12V Motor (2007)	006619 <sup>1</sup>	1	
	Brush Kit, Power Feed Motor	A09086 <sup>1</sup>	1	
	Brush Holder, Motor	034000 <sup>1</sup>	1	◆
2	Bracket, Up/Down Motor Mount	014073	1	
3	Washer, 1/4" SAE Flat	F05011-11	3	
4	Washer, 1/4" Split Lock	F05011-14	3	
5	Bolt, 1/4-20 X 1" Hex Head Grade 5	F05005-101	3	
6	Bolt, 3/8-16 x 1" Hex Head	F05007-7	8	

## 6

## Up/Down System

## Up/Down Assembly

7	Washer, 3/8" Split Lock	F05011-4	8	
8	Washer, 3/8" SAE Flat	F05011-3	12	
9	Reducer, Gear Box	014074	1	
10	Plate, Gear Box Spacer	014158	1	
11	Bolt, 3/8-16 x 1" Flat Socket Head	F05007-64	4	
12	Pulley, Up/Down	014088	1	
	Belt/Pulley Kit, Standard Up/Down	036213	1	
13	Pulley, AK22 x 1/2"	036204	1	
14	Belt, 4L270	014089	1	
	Shaft Kit, Up/Down Drive	016094	1	
15	Shaft, Up/Down Sprocket	016031	1	◆
16	Screw, 1/4-28 x 1/4" Socket Head Cup Point	F05005-105 <sup>2</sup>	3	
17	Key, 1/4" Square x 1 11/16" Long	S04124	1	
18	Bearing, Flanged Up/Down	014090	1	
19	Plate, Bearing Spacer	014108	1	
20	Key, 3/16" Square x 1" Long	S31027	1	
21	Decal, Disconnect Motor Leads Warning	024431	1	
22	<b>BOLT, 3/8-16 X 3/4" HEX HEAD</b>	F05007-27	4	
23	<b>WASHER, 3/8" SPLIT LOCK</b>	F05011-4	4	
24	<b>WASHER, 5/16" SAE FLAT</b>	F05011-17	4	
25	<b>WASHER, 5/16" SPLIT LOCK</b>	F05011-13	4	
26	<b>BOLT, 5/16-18 X 3/4" HEX HEAD GRADE 5</b>	F05006-102	4	
	<b>OIL, 8 OZ. MOBIL SHC634 BOTTLED SYNTHETIC GEAR</b>	L04869-4	1 <sup>3</sup>	

<sup>1</sup> Motor 006747 replaces Motor 014359 supplied until 11/08. Order brush kit Part No. A09086 for sawmills built prior to 7/2007 equipped with motors that do not have red and black terminals and are not labeled "Current Applications". Order brush kit Part No. 006619 for sawmills built between 8/2007 and 11/2008 with motors equipped with red and black terminals and not labeled "Current Applications". Order brush kit Part No. 061794 for sawmills built after 11/2008 and/or equipped with motors labeled "Current Applications". Brush Holder 034000 applies only to original 014359 motor and is no longer available (vendor discontinued 3/09).

<sup>2</sup> One F05005-105 replaces two F05004-76 #10-24 x 3/8" Cup Point Set Screws supplied prior to 7/07.

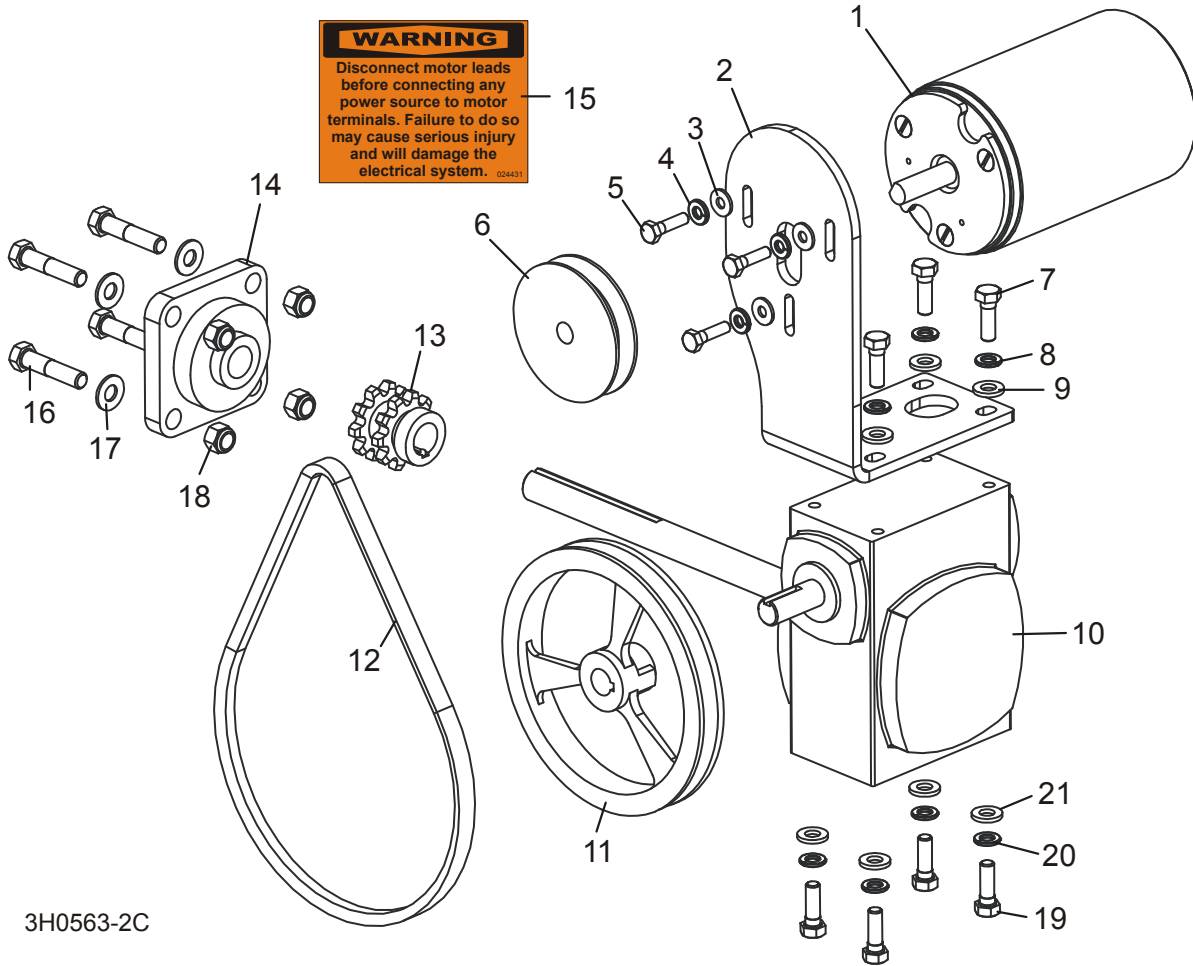
<sup>3</sup> 24 oz. required for complete oil replacement.



## 6.6 Up/Down Assembly, G25/G28

LT40HD Remote

Rev. J8.01 - J9.07



3H0563-2C

REF	DESCRIPTION (◆ Indicates Parts Available In Assemblies Only)	PART #	QTY.	
	<b>UP/DOWN DRIVE ASSEMBLY (G18/G24/G20/G25/G28)</b>	014669 <sup>1</sup>	1	◆
1	Motor, Power Feed	006747 <sup>2</sup>	1	
	Brush Kit, 12V Motor (2008)	061794 <sup>2</sup>	1	
	Brush Kit, 12V Motor (2007)	006619 <sup>2</sup>	1	
	Brush Kit, Power Feed Motor	A09086 <sup>2</sup>	1	
	Brush Holder, Motor	034000 <sup>2</sup>	1	◆
2	Bracket, Up/Down Motor Mount	014529	1	
3	Washer, 1/4" SAE Flat	F05011-11	3	
4	Washer, 1/4" Split Lock	F05011-14	3	
5	Bolt, 1/4-20 X 1" Hex Head Grade 2	F05005-38	3	
6	Pulley, Up/Down Motor	014087	1	

## 6

## Up/Down System

## Up/Down Assembly, G25/G28

7	Bolt, 5/16-18 x 1" Hex Head	F05006-1	4	
8	Washer, 5/16" Split Lock	F05011-13	4	
9	Washer, 5/16" SAE Flat	F05011-17	4	
10	Reducer, Gear Box	016622 <sup>1</sup>	1	◆
11	Pulley, Up/Down	014528	1	
12	Belt, 4L280	P04031	1	
13	Sprocket, Up/Down Dual #50 Chain	015346	1	
14	Bearing, Flanged Up/Down	P11600	1	
15	Decal, Disconnect Motor Leads Warning	024431	1	
16	<b>BOLT, 3/8-16 X 1 1/2" HEX HEAD</b>	F05007-3	4	
17	<b>WASHER, 3/8" SAE FLAT</b>	F05011-3	4	
18	<b>NUT, 3/8-16 HEX NYLON LOCK</b>	F05010-10	4	
19	<b>BOLT, 5/16-18 X 3/4" HEX HEAD</b>	F05006-5	4	
20	<b>WASHER, 5/16" SPLIT LOCK</b>	F05011-13	4	
21	<b>WASHER, 5/16" SAE FLAT</b>	F05011-17	4	
	<b>OIL, 8 OZ. MOBIL SHC634 BOTTLED SYNTHETIC GEAR</b>	L04869-4	1 <sup>3</sup>	

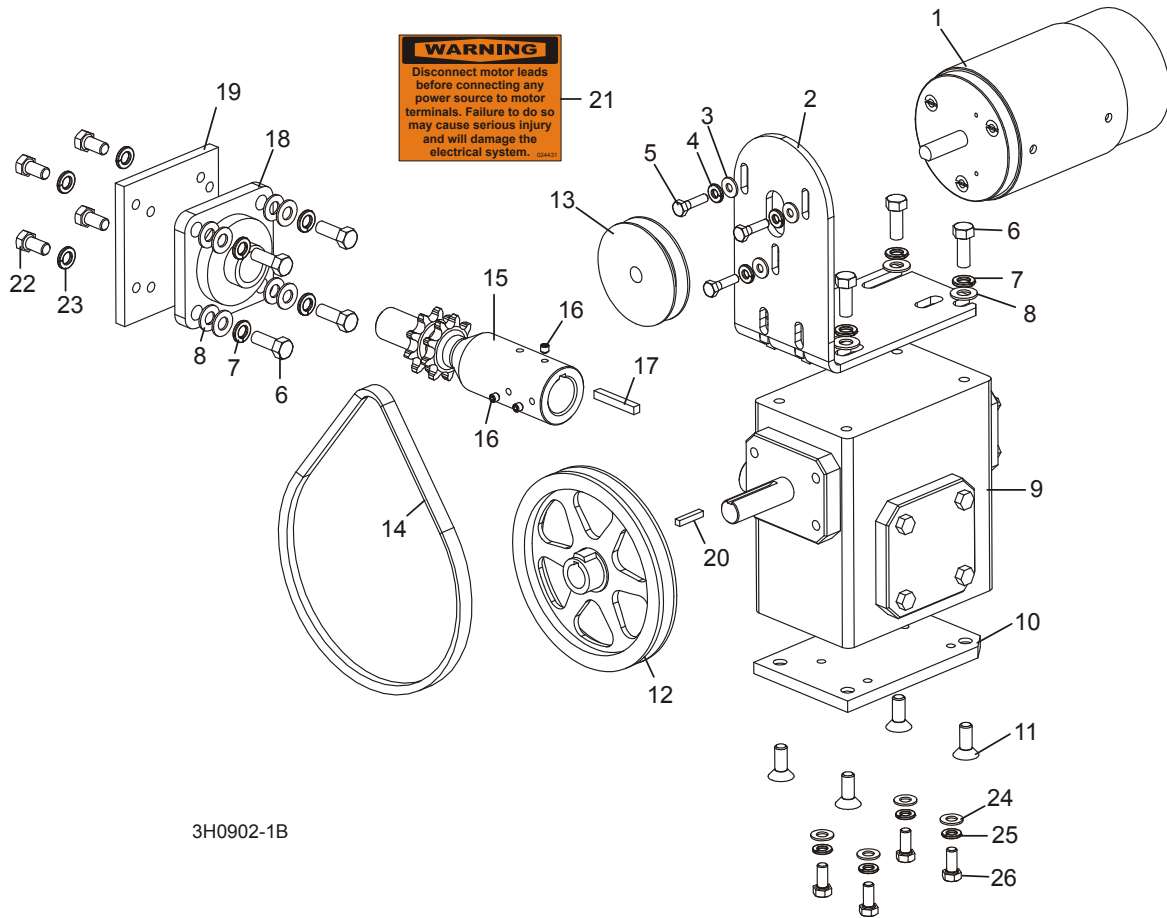
<sup>1</sup> 014669 assembly with 016622 gearbox replaced with heavy-duty system due to availability from vendor ([See Section 6.5](#)). Use kit 038560 to retrofit gearbox originally supplied. Kit includes gearbox, pulleys, belt and mounting hardware.

<sup>2</sup> Motor 006747 replaces Motor 014359 supplied until 11/08. Order brush kit Part No. A09086 for sawmills built prior to 7/2007 equipped with motors that do not have red and black terminals and are not labeled "Current Applications". Order brush kit Part No. 006619 for sawmills built between 8/2007 and 11/2008 with motors equipped with red and black terminals and not labeled "Current Applications". Order brush kit Part No. 061794 for sawmills built after 11/2008 and/or equipped with motors labeled "Current Applications". Brush Holder 034000 applies only to original 014359 motor and is no longer available (vendor discontinued 3/09).

<sup>3</sup> 8 - 11 oz. required for complete oil replacement.

## 6.7 Up/Down Assembly, D33/D34/G36

*LT40HD Remote*      *Rev. J8.01 - J9.07*



3H0902-1B

REF	DESCRIPTION (◆ Indicates Parts Available In Assemblies Only)	PART #	QTY.	
	<b>UP/DOWN DRIVE ASSEMBLY (D33/D34/G36)</b>	036208	1	
1	Motor, Power Feed	006747 <sup>1</sup>	1	
	Brush Kit, 12V Motor (2008)	061794 <sup>1</sup>	1	
	Brush Kit, 12V Motor (2007)	006619 <sup>1</sup>	1	
	Brush Kit, Power Feed Motor	A09086 <sup>1</sup>	1	
	Brush Holder, Motor	034000 <sup>1</sup>	1	◆
2	Bracket, Up/Down Motor Mount	014073	1	
3	Washer, 1/4" SAE Flat	F05011-11	3	
4	Washer, 1/4" Split Lock	F05011-14	3	
5	Bolt, 1/4-20 X 1" Hex Head Grade 5	F05005-101	3	
6	Bolt, 3/8-16 x 1" Hex Head	F05007-7	8	

## 6

## Up/Down System

## Up/Down Assembly, D33/D34/G36

7	Washer, 3/8" Split Lock	F05011-4	8	
8	Washer, 3/8" SAE Flat	F05011-3	12	
9	Reducer, Gear Box	014074	1	
10	Plate, Gear Box Spacer	014158	1	
11	Bolt, 3/8-16 x 1" Flat Socket Head	F05007-64	4	
12	Pulley, Up/Down	014088	1	
	Belt/Pulley Kit, Standard D33/D34/G36 Up/Down	036213	1	
13	Pulley, AK22 x 1/2"	036204	1	
14	Belt, 4L270	014089	1	
	Shaft Kit, Up/Down Drive	016094	1	
15	Shaft, Up/Down Sprocket	016031	1	◆
16	Screw, 1/4-28 x 1/4" Socket Head Cup Point	F05005-105 <sup>2</sup>	3	
17	Key, 1/4" Square x 1 11/16" Long	S04124	1	
18	Bearing, Flanged Up/Down	014090	1	
19	Plate, Bearing Spacer	014108	1	
20	Key, 3/16" Square x 1" Long	S31027	1	
21	Decal, Disconnect Motor Leads Warning	024431	1	
22	<b>BOLT, 3/8-16 X 3/4" HEX HEAD</b>	F05007-27	4	
23	<b>WASHER, 3/8" SPLIT LOCK</b>	F05011-4	4	
24	<b>WASHER, 5/16" SAE FLAT</b>	F05011-17	4	
25	<b>WASHER, 5/16" SPLIT LOCK</b>	F05011-13	4	
26	<b>BOLT, 5/16-18 X 3/4" HEX HEAD GRADE 5</b>	F05006-102	4	
	<b>OIL, 8 OZ. MOBIL SHC634 BOTTLED SYNTHETIC GEAR</b>	L04869-4	1 <sup>3</sup>	

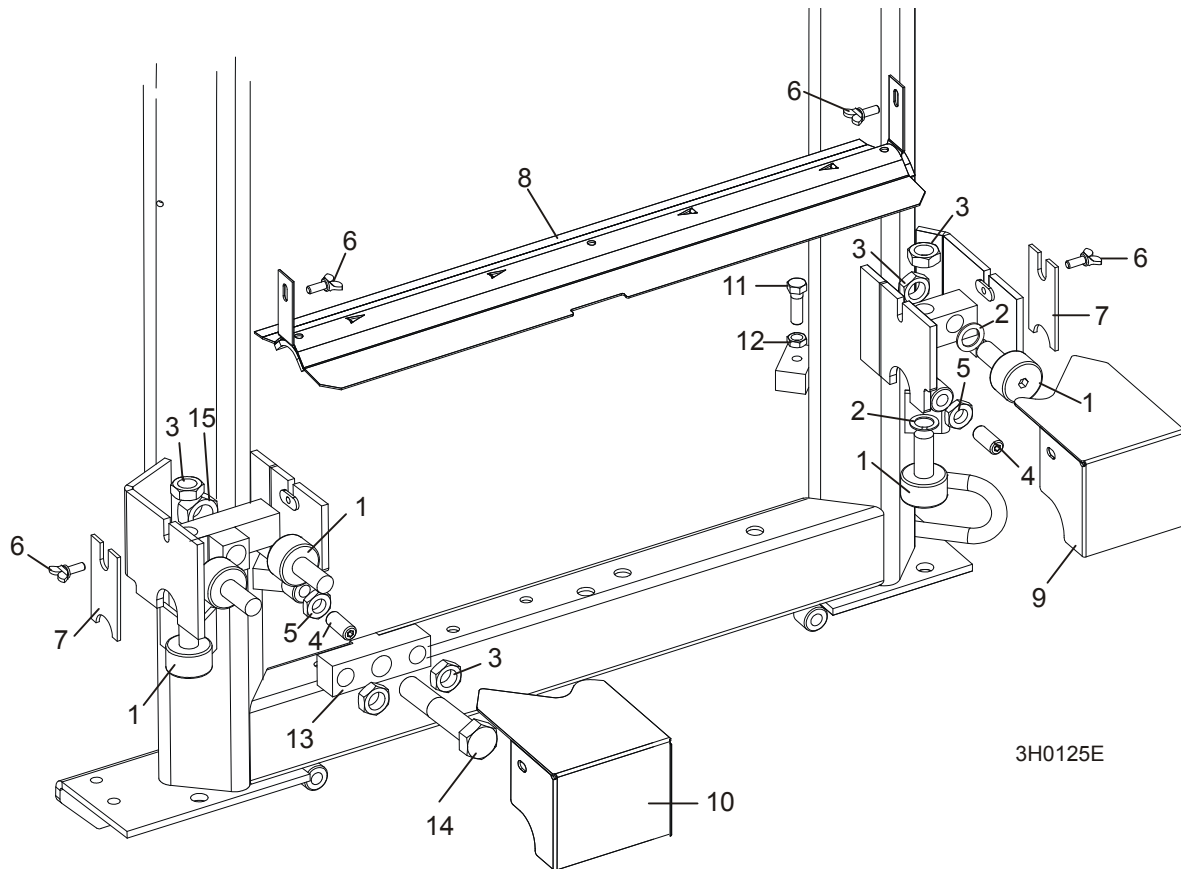
<sup>1</sup> Motor 006747 replaces Motor 014359 supplied until 11/08. Order brush kit Part No. A09086 for sawmills built prior to 7/2007 equipped with motors that do not have red and black terminals and are not labeled "Current Applications". Order brush kit Part No. 006619 for sawmills built between 8/2007 and 11/2008 with motors equipped with red and black terminals and not labeled "Current Applications". Order brush kit Part No. 061794 for sawmills built after 11/2008 and/or equipped with motors labeled "Current Applications". Brush Holder 034000 applies only to original 014359 motor and is no longer available (vendor discontinued 3/09).

<sup>2</sup> One F05005-105 replaces two F05004-76 #10-24 x 3/8" Cup Point Set Screws supplied prior to 7/07.

<sup>3</sup> 24 oz. required for complete oil replacement.

## SECTION 7 FEED SYSTEM & TRACK ROLLERS

### 7.1 Upper Track Rollers And Wipers



REF	DESCRIPTION (◆ Indicates Parts Available In Assemblies Only)	PART #	QTY.	
1	ROLLER, TRACK CAM BEARING	012797	5	
2	SHIM, 5/8" X 1" X .062"	016510	2	
3	NUT, 5/8-18 HEX JAM	F05010-11	5	
4	SCREW, 1/2-13 X 1 1/4" OVAL POINT SET	F05008-5	2	
5	NUT, 1/2-13 HEX JAM	F05010-31	2	
6	SCREW, 1/4-20 X 5/8" THUMB	F05005-64	4	
7	WIPER, PLASTIC TRACK	M04113	2	
8	COVER, MIDDLE TRACK OILER ASSEMBLY	A09918	1	
	Cover, Middle Track Oiler	S09917	1	◆
	Wiper, Middle Track Felt	S09915	1	
9	HOUSING, UPPER TRACK ROLLER REAR	012999	1	
10	HOUSING, UPPER TRACK ROLLER FRONT	016285	1	
11	BOLT, 3/8-16 X 1 1/4" HEX HEAD	F05007-2	2	
12	NUT, 3/8-16 HEX JAM	F05010-29	2	

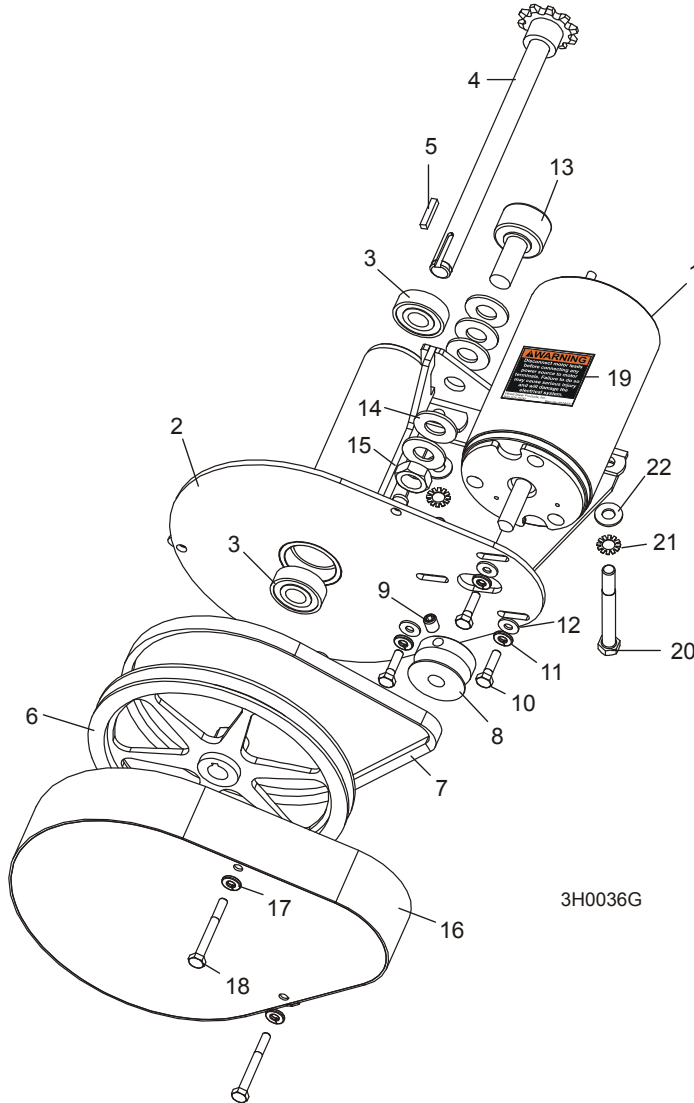
## **7** Feed System & Track Rollers

*Upper Track Rollers And Wipers*

---

13	BLOCK, UPPER ROLLER PIVOT	016501	1	
14	BOLT, 3/4-10 X 4" HEX HEAD GRADE 5	F05013-3	1	
15	NUT, 3/4-10 SELF LOCKING	F05010-80	1	

## 7.2 Power Feed Assembly



REF	DESCRIPTION (◆ Indicates Parts Available In Assemblies Only)	PART #	QTY.	
	<b>POWER FEED ASSEMBLY</b>	A11603	1	
1	Motor, Power Feed	006747 <sup>1</sup>	1	
	Brush Kit, 12V Motor (2008)	061794 <sup>1</sup>	1	
	Brush Kit, 12V Motor (2007)	006619 <sup>1</sup>	1	
	Brush Kit, Power Feed Motor	A09086 <sup>1</sup>	1	
	Brush Holder, Motor	034000 <sup>1</sup>	1	◆
	Screw, 5/16-18 x 3/8" Socket Head Set Oval Point	F05006-40	2	
2	Bracket, Power Feed Mount	W11605	1	
3	Bearing, 5/8" 6203-2NSL	P06030-1	2	

## 7

**Feed System & Track Rollers***Power Feed Assembly*

	Shaft Assembly, Power Feed with Key	016067	1	
4	Shaft, Power Feed With Sprocket	W11610	1	◆
5	Key, 3/16" Square x 1" Long	S31027	1	
6	Pulley, 8" Power Feed	P04343	1	
7	Belt, 4L280 V	P04031	1	
8	Pulley, Power Feed Motor	S09579	1	
9	Screw, 3/8-16 X 1/2" Cup Point Socket Set	F05007-12	1	
10	Bolt, 1/4-20 X 1" Hex Head Grade 5	F05005-101	3	
11	Washer, 1/4" Split Lock	F05011-14	3	
12	Washer, 1/4" SAE Flat	F05011-11	3	
13	Bearing, 1 1/2" Cam Follower	012797	1	
14	Washer, 5/8" SAE Flat	F05011-5	6	
15	Nut, 5/8-11 Hex Jam	F05010-11	1	
16	Guard, Power Feed Belt	W11613	1	
17	Washer, 1/4" Split Lock	F05011-14	2	
18	Bolt, 1/4-20 X 2 1/4" Hex Head Grade 2	F05005-32	2	
19	Decal, Disconnect Motor Leads Warning	024431	1	
20	Bolt, 3/8-16 X 3 1/2" Hex Head Grade 8	F05007-6	2	
21	Washer, 3/8" Star Lock	F05011-36	2	
22	Washer, 3/8" SAE Flat	F05011-3	2	

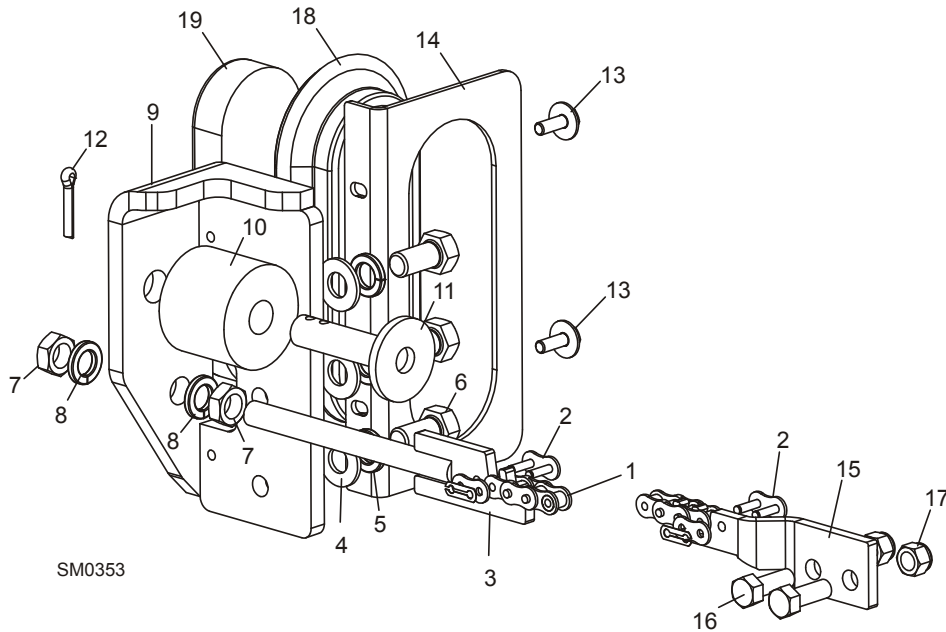
<sup>1</sup> Motor 006747 replaces Motor 014359 supplied until 11/08. Order brush kit Part No. A09086 for sawmills built prior to 7/2007 equipped with motors that do not have red and black terminals and are not labeled "Current Applications". Order brush kit Part No. 006619 for sawmills built between 8/2007 and 11/2008 with motors equipped with red and black terminals and not labeled "Current Applications". Order brush kit Part No. 061794 for sawmills built after 11/2008 and/or equipped with motors labeled "Current Applications". Brush Holder 034000 applies only to original 014359 motor and is no longer available (vendor discontinued 3/09).



### 7.3 Feed Chain/Stop

LT40HD Remote

Rev. K4.00 - K5.03

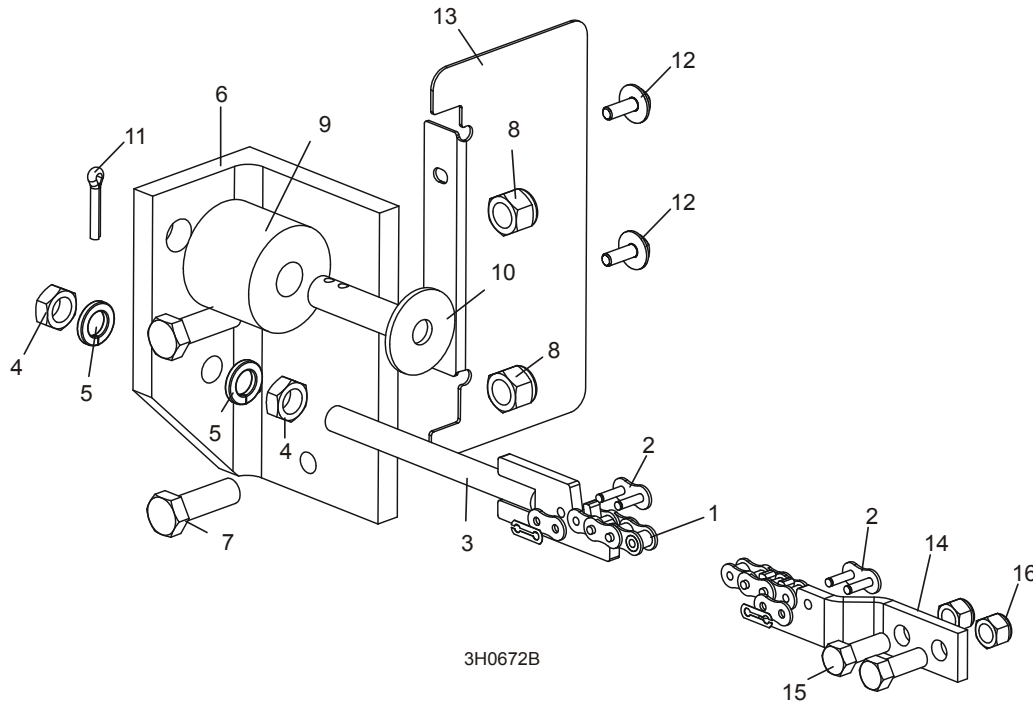


REF	DESCRIPTION (◆ Indicates Parts Available In Assemblies Only)	PART #	QTY.
1	CHAIN, #40 X 215.5" LT30 FEED	014744	1
1	CHAIN, #40 X 267.5" LT40 FEED	014745	1
2	LINK, #40 MASTER	P04200	2
3	TENSIONER WELDMENT, POWER FEED CHAIN	015721	1
4	WASHER, 1/2" SAE FLAT	F05011-2	3
5	WASHER, 1/2" SPLIT LOCK	F05011-9	3
6	BOLT, 1/2-13 X 1" HEX HEAD GRADE 8	F05008-128	3
7	NUT, 1/2-20 HEX JAM	F05010-16	2
8	WASHER, 1/2" SPLIT LOCK	F05011-9	2
9	BRACKET WELDMENT, REAR FEED STOP	006686	1
	STOP KIT, RUBBER CARRIAGE	K09630	2
10	Stop, Rubber Carriage	P12165	1
11	Pin, Rubber Carriage Stop	W09293	1
12	Pin, 3/16" X 1" Cotter	F05012-21	1
13	BOLT, 1/4-20 X 3/4" WITH CONICAL WASHER	F05005-134	1
14	PLATE, BED TUBE END W/LIGHT MOUNT	057822	1
15	BRACKET, FRONT FEED CHAIN MOUNT	015008	1
16	BOLT, 3/8-16 X 1" HEX HEAD	F05007-7	2
17	NUT, 3/8-16 HEX NYLON LOCK	F05010-10	2
18	GROMMET, 6 1/2" LIGHT MOUNTING	006688	1
19	LIGHT, 8 DIODE LED TAIL	006391	1

## 7.4 Feed Chain/Stop

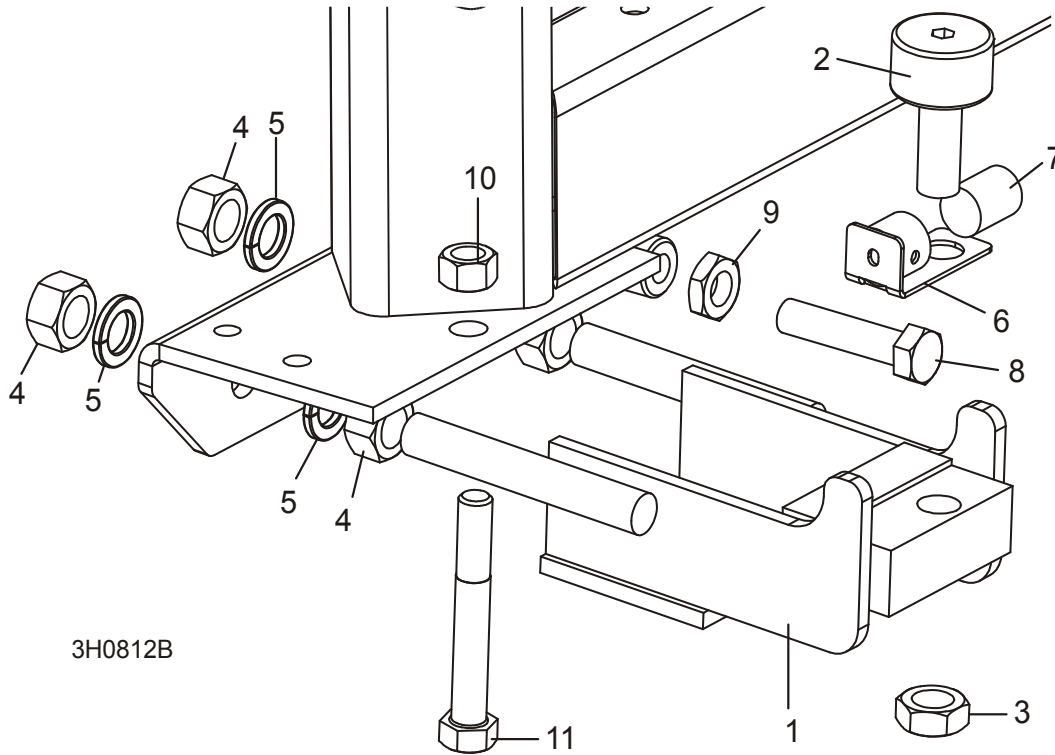
LT40HD Remote

Rev. J8.01 - K3.01



REF	DESCRIPTION (◆ Indicates Parts Available In Assemblies Only)	PART #	QTY.
1	CHAIN, #40 X 215.5" LT30 FEED	014744	1
1	CHAIN, #40 X 267.5" LT40 FEED	014745	1
2	LINK, #40 MASTER	P04200	2
3	TENSIONER WELDMENT, POWER FEED CHAIN	015721	1
4	NUT, 1/2-20 HEX JAM	F05010-16	2
5	WASHER, 1/2" SPLIT LOCK	F05011-9	2
6	BRACKET, 4 X 8 END CAP	016165	1
7	BOLT, 1/2-13 X 1 1/2" HEX HEAD GRADE 5	F05008-33	2
8	NUT, 1/2-13 HEX NYLON LOCK	F05010-8	2
	STOP KIT, RUBBER CARRIAGE	K09630	2
9	Stop, Rubber Carriage	P12165	1
10	Pin, Rubber Carriage Stop	W09293	1
11	Pin, 3/16" X 1" Cotter	F05012-21	1
12	BOLT, 1/4-20 X 3/4" WITH CONICAL WASHER	F05005-134	1
13	CAP, 4 X 8" REAR FORMED	016164	1
14	BRACKET, FRONT FEED CHAIN MOUNT	015008	1
15	BOLT, 3/8-16 X 1" HEX HEAD	F05007-7	2
16	NUT, 3/8-16 HEX NYLON LOCK	F05010-10	2

## 7.5 Lower Track Rollers



3H0812B

REF	DESCRIPTION (◆ Indicates Parts Available In Assemblies Only)	PART #	QTY.	
	<b>ROLLER ASSEMBLY, LOWER TRACK</b>	012995	2	
1	Bracket, Lower Track Roller Mounting	012982	1	◆
2	Roller, Track Cam Bearing	012797	1	
3	Nut, 5/8-18 Hex Jam	F05010-11	1	
4	Nut, 5/8-11 Hex	F05010-5	4	
5	Washer, 5/8" Split Lock Grade 8	F05011-118 <sup>1</sup>	4	
6	Bracket Weldment, Lower Track Roller Wiper	033374	1	
7	Wiper, Round Gray Felt	033375	1	
8	<b>BOLT, 1/2-13 X 2 1/4" HEX HEAD FULL THREAD</b>	F05008-2	2	
9	<b>NUT, 1/2-13 HEX JAM</b>	F05010-31	2	
10	<b>NUT, 1/2-13 HEX LOCK</b>	F05010-3	2	
11	<b>BOLT, 1/2-13 X 3 1/2" HEX HEAD GRADE 5</b>	F05008-61	2	

<sup>1</sup> Grade 8 washers replace F05011-27 originally supplied before 8/07 to improve durability.

# 8 Bed Frame Assembly

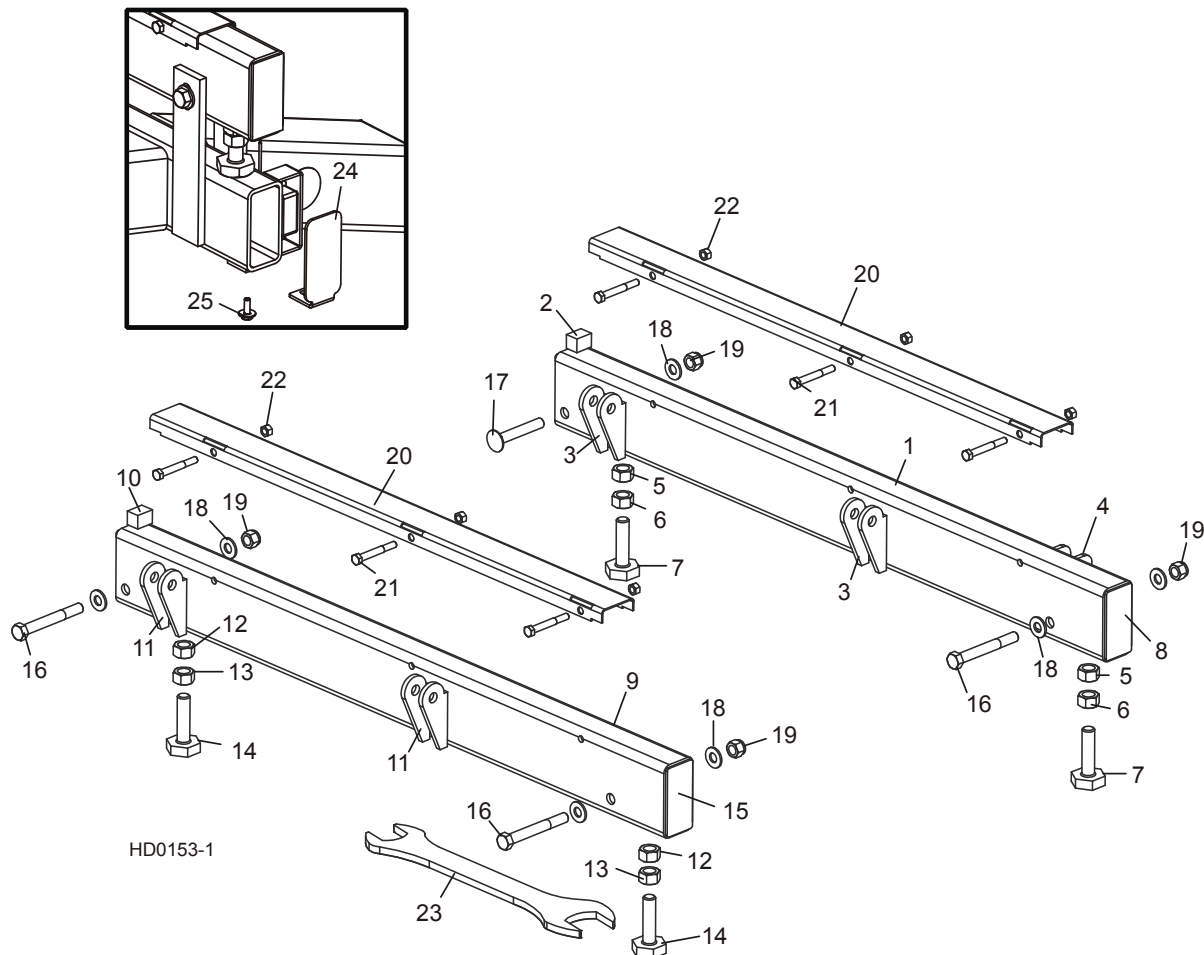
## Bed Rail Assembly, Front And Rear

### SECTION 8 BED FRAME ASSEMBLY

#### 8.1 Bed Rail Assembly, Front And Rear

LT40HD Remote

Rev. K1.04 - K5.03



REF	DESCRIPTION (◆ Indicates Parts Available In Assemblies Only)	PART #	QTY.	
	<b>BED RAIL ASSEMBLY, REAR PAINTED</b>	014467	1	
1	Bed Rail Tube, Long	015974	1	◆
2	Block, Log Stop	S09034	1	
3	Bracket, Roller Toe Board Mount	S13021	4	◆
4	Bracket, Saw Head Rest Pin Mount	014150	2	◆
5	Nut, 5/8-11 Pilot Weld	F05010-84	2	
6	Nut, 5/8-11 Hex	F05010-5	2	
7	Bolt, Bed Rail Adjustment	S13006	2	
8	Plate, Bed Rail End Cap	S04058	2	◆
	<b>BED RAIL ASSEMBLY, FRONT PAINTED</b>	014455	1	

## Bed Frame Assembly 8

*Bed Rail Assembly, Front And Rear*

9	Bed Rail Tube, Long	015974	1	◆
10	Block, Log Stop	S09034	1	
11	Bracket, Roller Toe Board Mount	S13021	4	◆
12	Nut, 5/8-11 Pilot Weld	F05010-84	2	
13	Nut, 5/8-11 Hex	F05010-5	2	
14	Bolt, Bed Rail Adjustment	S13006	2	
15	Plate, Bed Rail End Cap	S04058	2	◆
16	<b>BOLT, 1/2-13 X 4" HEX HEAD</b>	F05008-78	3	
17	<b>BOLT, 1/2-13 X 3 1/2" CARRIAGE</b>	F05008-94 <sup>1</sup>	1	
18	<b>WASHER, 1/2" SAE FLAT</b>	F05011-2	7	
19	<b>NUT, 1/2-13 NYLON LOCK</b>	F05010-8	4	
20	<b>COVER, STAINLESS STEEL BED RAIL</b>	016898	2	
21	<b>BOLT, 5/16-18 X 2 1/2" HEX HEAD</b>	F05006-10	6	
22	<b>NUT, 5/16-18 HEX LOCK</b>	F05010-6	6	
23	<b>WRENCH, BED RAIL ADJUSTMENT</b>	015970	1	
24	<b>CAP, BED RAIL REMOVABLE END</b>	038843	2	
25	<b>BOLT, 1/4-20 X 3/4" W/CONICAL WASHER HEAD</b>	F05005-134	2	

<sup>1</sup> Used on rear bed rail to allow clearance for optional side support rollers.

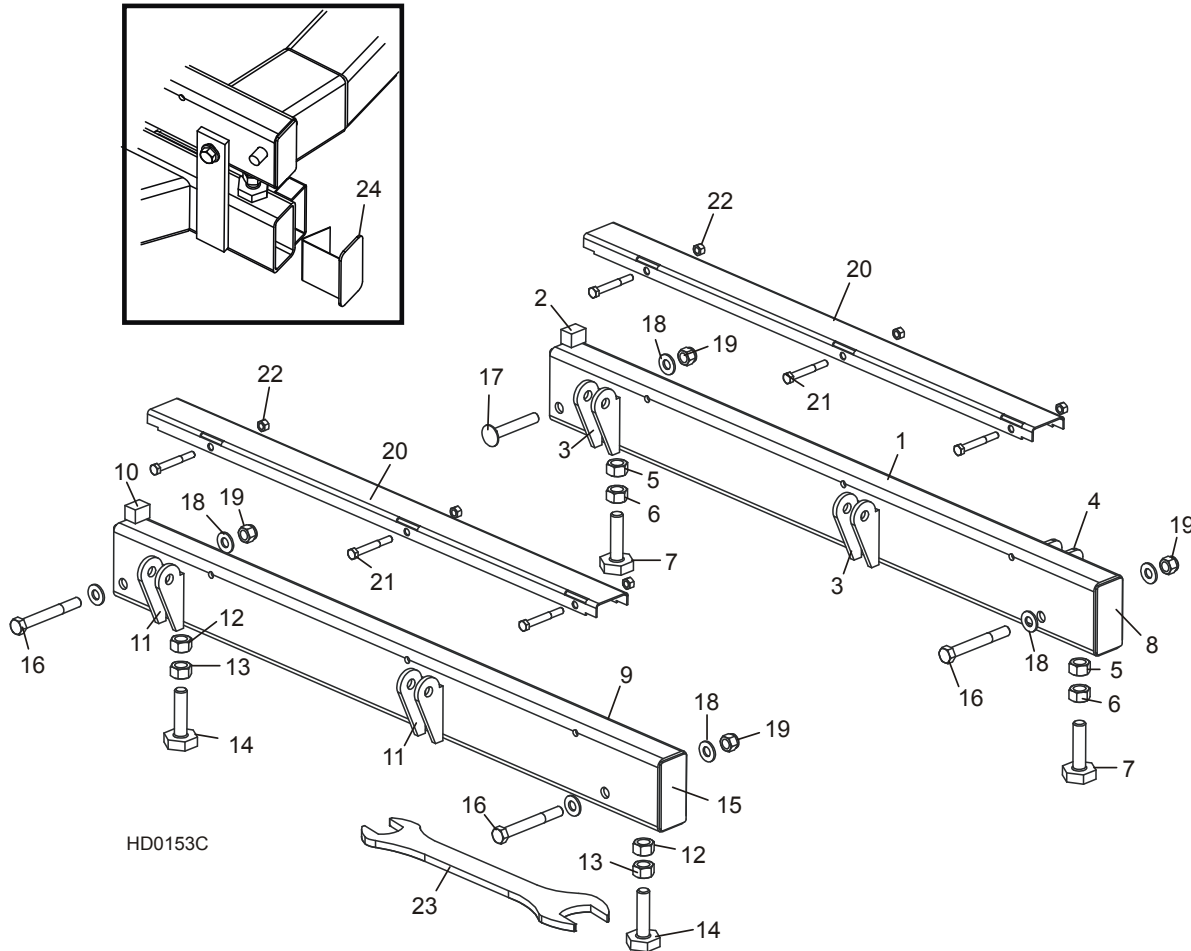
# 8 Bed Frame Assembly

## Bed Rail Assembly, Front And Rear

### 8.2 Bed Rail Assembly, Front And Rear

LT40HD Remote

Rev. J8.01 - K1.03



REF	DESCRIPTION (◆ Indicates Parts Available In Assemblies Only)	PART #	QTY.	
	<b>BED RAIL ASSEMBLY, REAR PAINTED</b>	014467	1	
1	Bed Rail Tube, Long	015974	1	◆
2	Block, Log Stop	S09034	1	
3	Bracket, Roller Toe Board Mount	S13021	4	◆
4	Bracket, Saw Head Rest Pin Mount	014150	2	◆
5	Nut, 5/8-11 Pilot Weld	F05010-84	2	
6	Nut, 5/8-11 Hex	F05010-5	2	
7	Bolt, Bed Rail Adjustment	S13006	2	
8	Plate, Bed Rail End Cap	S04058	2	◆
	<b>BED RAIL ASSEMBLY, FRONT PAINTED</b>	014455	1	
9	Bed Rail Tube, Long	015974	1	◆
10	Block, Log Stop	S09034	1	

## Bed Frame Assembly 8

### *Bed Rail Assembly, Front And Rear*

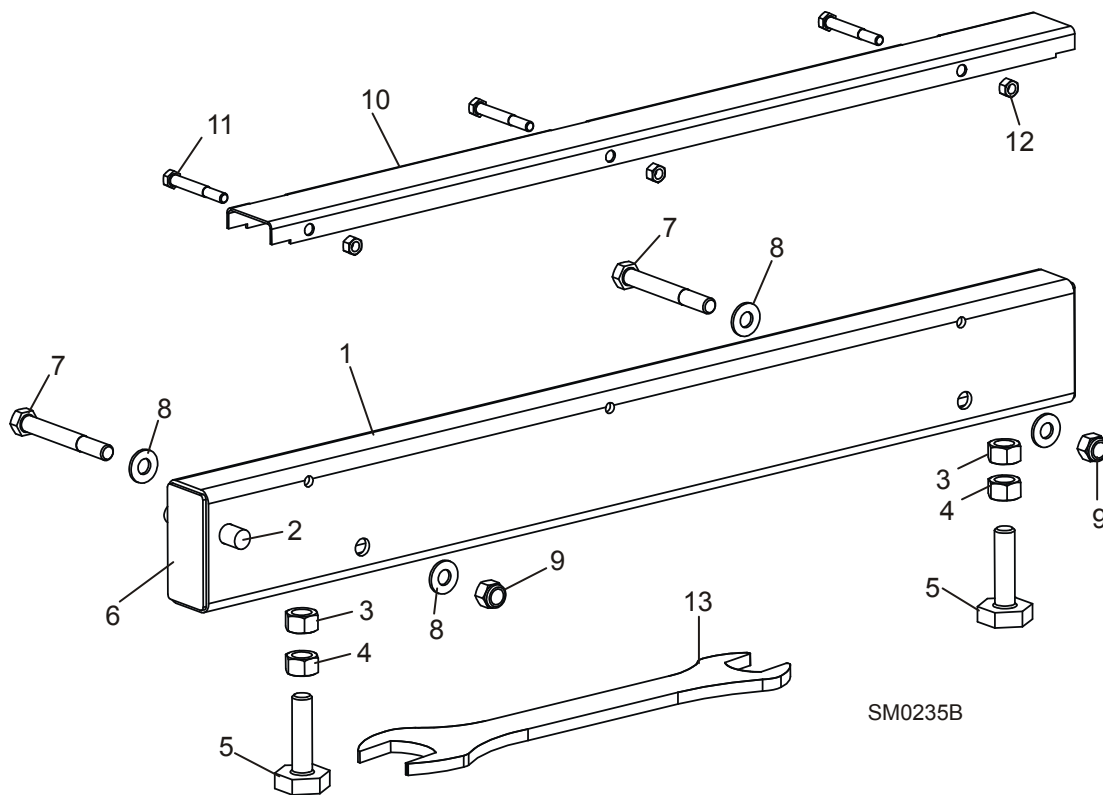
11	Bracket, Roller Toe Board Mount	S13021	4	◆
12	Nut, 5/8-11 Pilot Weld	F05010-84	2	
13	Nut, 5/8-11 Hex	F05010-5	2	
14	Bolt, Bed Rail Adjustment	S13006	2	
15	Plate, Bed Rail End Cap	S04058	2	◆
16	<b>BOLT, 1/2-13 X 4" HEX HEAD</b>	F05008-78	3	
17	<b>BOLT, 1/2-13 X 3 1/2" CARRIAGE</b>	F05008-94 <sup>1</sup>	1	
18	<b>WASHER, 1/2" SAE FLAT</b>	F05011-2	7	
19	<b>NUT, 1/2-13 NYLON LOCK</b>	F05010-8	4	
20	<b>COVER, STAINLESS STEEL BED RAIL</b>	016898	2	
21	<b>BOLT, 5/16-18 X 2 1/2" HEX HEAD</b>	F05006-10	6	
22	<b>NUT, 5/16-18 HEX LOCK</b>	F05010-6	6	
23	<b>WRENCH, BED RAIL ADJUSTMENT</b>	015970	1	
24	<b>CAP WELDMENT, BED RAIL REMOVABLE END</b>	014652	2	

<sup>1</sup> Used on rear bed rail to allow clearance for optional side support rollers.

# 8 Bed Frame Assembly

## Bed Rail Assembly, Middle Front

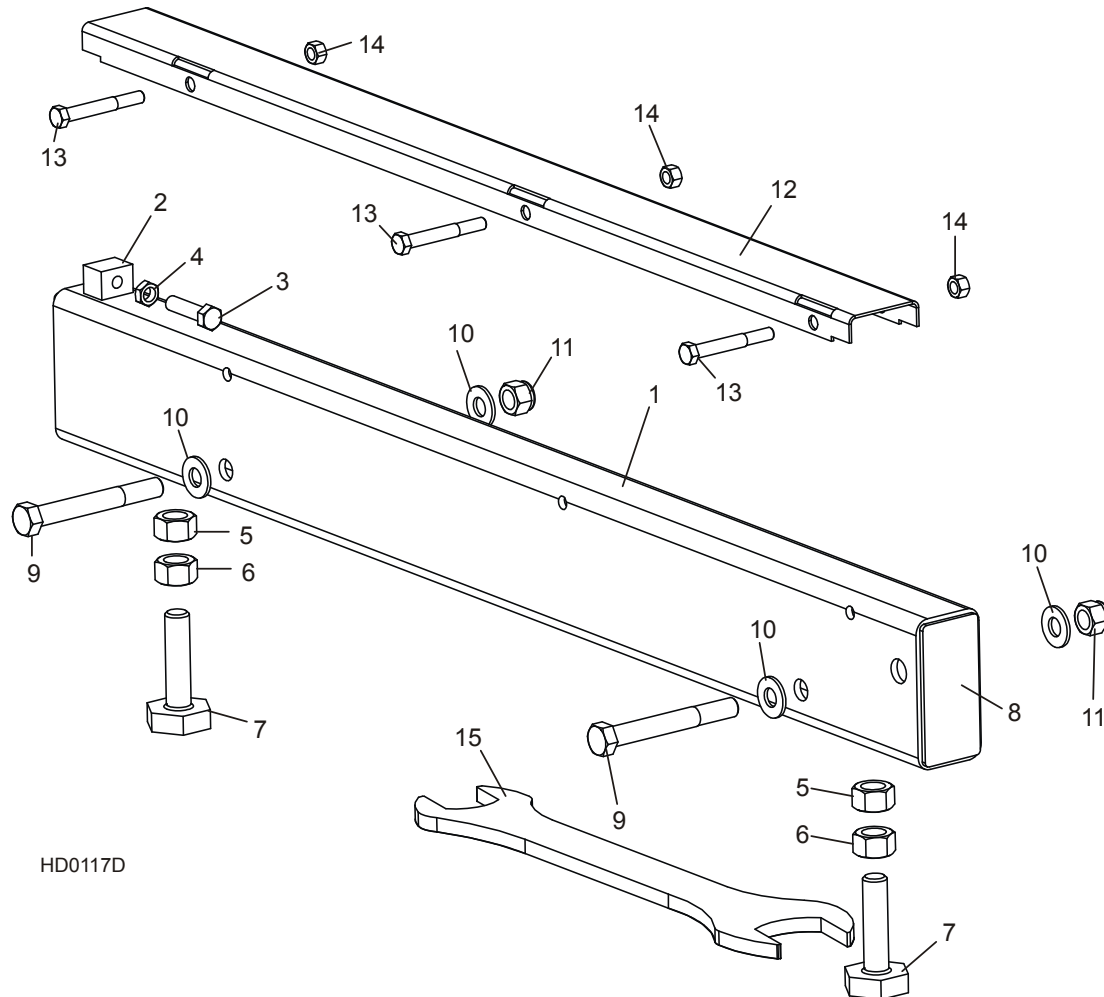
### 8.3 Bed Rail Assembly, Middle Front



REF	DESCRIPTION (◆ Indicates Parts Available In Assemblies Only)	PART #	QTY.	
	<b>BED RAIL ASSEMBLY, FRONT MIDDLE</b>	A09566	1	
1	Bed Rail Tube, Short	S09103	1	◆
2	Pin, Ramp Mount	S04030	1	
3	Nut, 5/8-11 Pilot Weld	F05010-84	2	
4	Nut, 5/8-11 Hex	F05010-5	2	
5	Bolt, Bed Rail Adjustment	S13006	2	
6	Plate, Bed Rail End Cap	S04058	2	◆
7	<b>BOLT, 1/2-13 X 4" HEX HEAD GRADE 5</b>	F05008-78	2	
8	<b>WASHER, 1/2" SAE FLAT</b>	F05011-2	4	
9	<b>NUT, 1/2-13 NYLON LOCK</b>	F05010-8	2	
	<b>COVER ASSEMBLY, STAINLESS STEEL BED RAIL (LONG)</b>	A09956	1	
10	Cover, Stainless Steel Bed Rail	S09944	1	◆
11	Bolt, 5/16-18 X 2 1/2" Hex Head	F05006-10	3	
12	Nut, 5/16-18 Hex Lock	F05010-6	3	
13	<b>WRENCH, BED RAIL ADJUSTMENT</b>	015970	1	



### 8.4 Bed Rail Assembly, Middle Rear



REF	DESCRIPTION (◆ Indicates Parts Available In Assemblies Only)	PART #	QTY.	
	<b>BED RAIL ASSEMBLY, REAR MIDDLE PAINTED</b>	015757	1	
1	Bed Rail Tube, Short	014640	1	◆
2	Block, Log Stop w/Threaded Hole	014639	1	◆
3	Bolt, 3/8-16 x 1 1/2 Full Thead Hex Head	F05007-17	1	
4	Nut, 3/8-16 Hex Jam	F05010-29	1	
5	Nut, 5/8-11 Square Pilot Weld	F05010-187	2	
6	Nut, 5/8-11 Hex	F05010-5	2	
7	Bolt, Bed Rail Adjustment	S13006	2	
8	Plate, Bed Rail End Cap	S04058	1	
9	<b>BOLT, 1/2-13 X 4" HEX HEAD GRADE 5</b>	F05008-78	2	
10	<b>WASHER, 1/2" SAE FLAT</b>	F05011-2	4	
11	<b>NUT, 1/2-13 NYLON LOCK</b>	F05010-8	2	

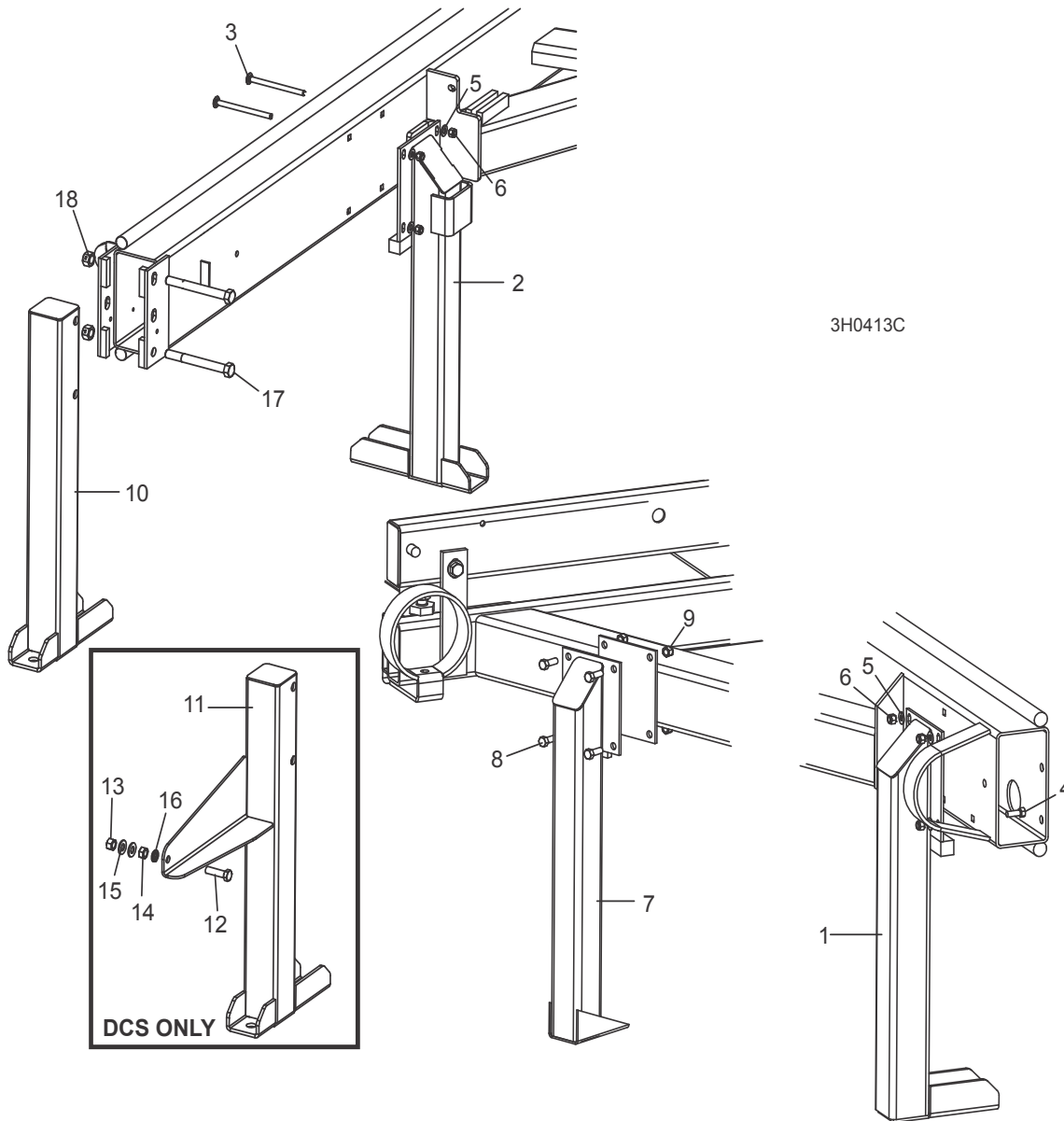
## 8

**Bed Frame Assembly***Bed Rail Assembly, Middle Rear*

---

	<b>COVER ASSEMBLY, STAINLESS STEEL BED RAIL (LONG)</b>	A09956	1	
12	Cover, Stainless Steel Bed Rail	S09944	1	◆
13	Bolt, 5/16-18 X 2 1/2" Hex Head	F05006-10	3	
14	Nut, 5/16-18 Hex Lock	F05010-6	3	
15	<b>WRENCH, BED RAIL ADJUSTMENT</b>	015970	1	

### 8.5 Leg Assembly (Stationary)



REF	DESCRIPTION (◆ Indicates Parts Available In Assemblies Only)	PART #	QTY.
1	LEG, LONG STATIONARY (1 REQ'D FOR LT30HD; 3 REQ'D FOR LT40HD)	W09513	1/3
2	LEG, LONG STATIONARY W/BOARD RETURN TABLE BRACKET	015091	1
3	BOLT, 3/8-16 X 5" CARRIAGE HEAD	F05007-113	8/12
4	BOLT, 3/8-16 X 1 1/4" HEX HEAD (REQ'D FOR REAR LT40HD ONLY)	F05007-2	4
5	WASHER, 3/8" SAE FLAT	F05011-3	8/16
6	NUT, 3/8-16 HEX NYLON LOCK	F05010-10	8/16

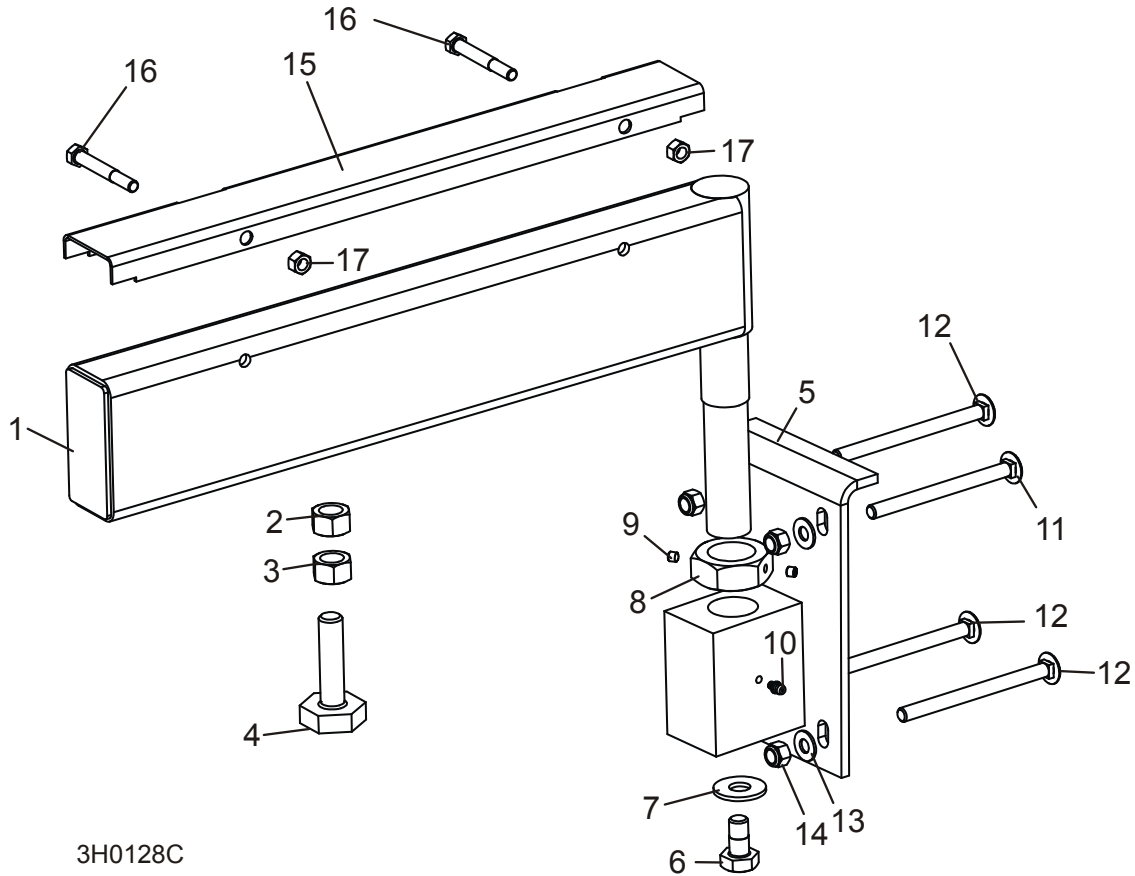
# 8 Bed Frame Assembly

*Leg Assembly (Stationary)*

---

7	LEG, SHORT STATIONARY	W09515	2	
8	BOLT, 3/8-16 X 1 1/4" HEX HEAD	F05007-2	8	
9	NUT, 3/8-16 HEX NYLON LOCK	F05010-10	8	
10	LEG, FRONT STATIONARY	W09517	1	
11	BOLT, 5/8-11 X 5 1/2" HEX HEAD GRADE 5	F05009-11	2	
12	NUT, 5/8-11 HEX LOCK	F05010-4	2	

### 8.6 Pivot Bed Rail Assembly



3H0128C

REF	DESCRIPTION (◆ Indicates Parts Available In Assemblies Only)	PART #	QTY.
	<b>PIVOT BED RAIL ASSEMBLY (LT40HD)</b>	A13015	2
1	Pivot Bed Rail Weldment (LT40HD)	W13014	1 ◆
2	Nut, 5/8-11 Pilot Weld	F05010-84	2
3	Nut, 5/8-11 Hex	F05010-5	2
4	Bolt, Bed Rail Adjustment	S13006	2
5	Bracket, Pivot Rail Mounting	W13090	1
6	Bolt, 1/2-13 x 1" Hex Head Grade 2	F05008-50	1
7	Washer, 9/16" SAE Flat	F05011-52	1
8	Nut, Pivot Rail Adjustment	S13016	1
9	Screw, 1/4-28 x 1/4" Brass Tip Set	F05005-42	2
10	Fitting, 3/16" Grease	P04107	1
11	<b>BOLT, 3/8-16 X 4 3/4" CARRIAGE HEAD</b>	F05007-114	2
12	<b>BOLT, 3/8-16 X 5" CARRIAGE HEAD</b>	F05007-113	6
13	<b>WASHER, 3/8" SAE FLAT</b>	F05011-3	8

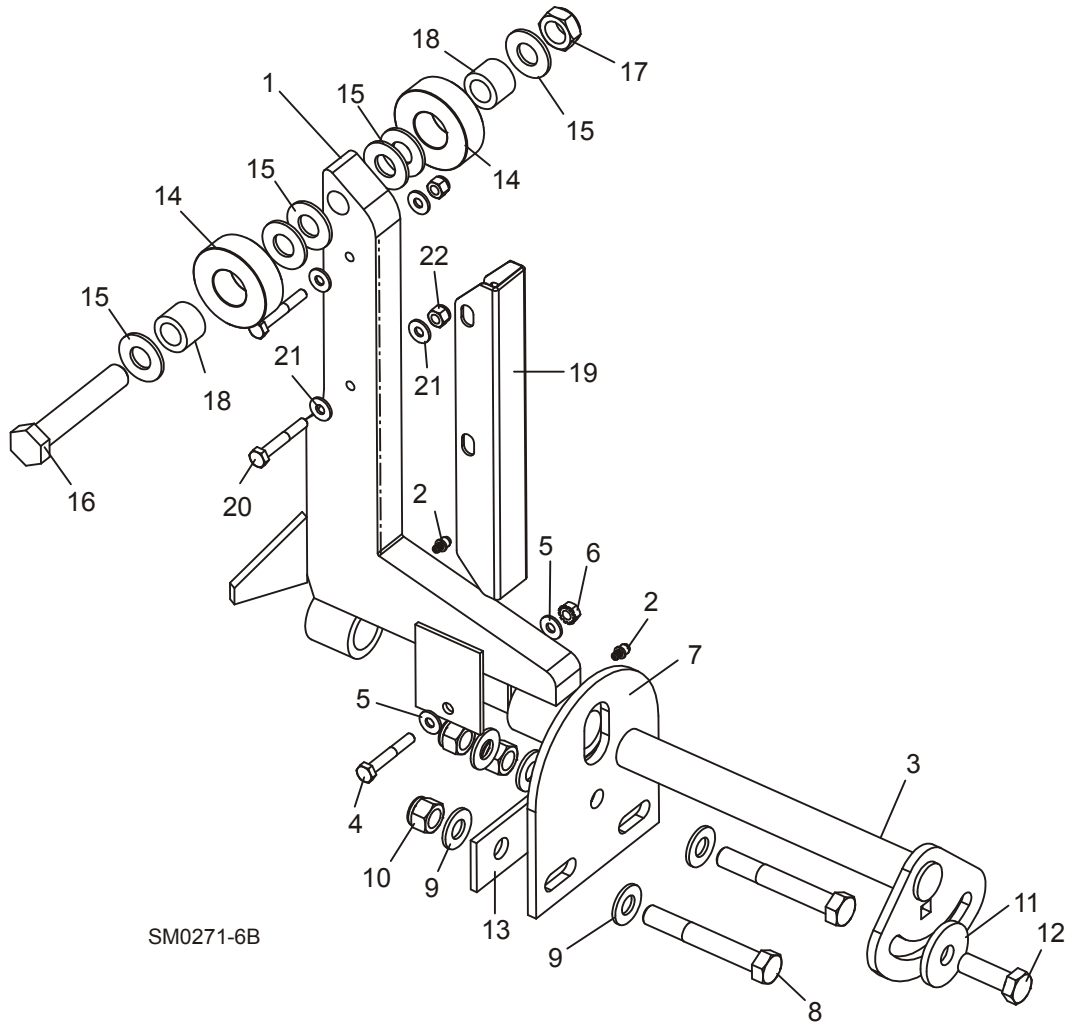
**8****Bed Frame Assembly***Pivot Bed Rail Assembly*

---

<b>14</b>	<b>NUT, 3/8-16 NYLON LOCK</b>	F05010-10	8	
	<b>COVER KIT, PIVOT RAIL STAINLESS STEEL (LT40HD)</b>	017710	2	
<b>15</b>	Cover, Stainless Steel Pivot Bed Rail ( <b>LT40HD</b> )	S13012	1	
<b>16</b>	Bolt, 5/16-18 X 2 1/2" Hex Head	F05006-10	2	
<b>17</b>	Nut, 5/16-18 Hex Lock	F05010-6	2	
	<b>WRENCH, BED RAIL ADJUSTMENT (<a href="#">See Section 8.1</a>)</b>	015970	1	

## 8.7 Log Side Support Assembly (Manual)

[See Section 10.7](#) for hydraulic side supports



REF	DESCRIPTION (◆ Indicates Parts Available In Assemblies Only)	PART #	QTY.
1	<b>SUPPORT, LOG SIDE</b>	015235 <sup>1</sup>	2
2	Fitting, 3/16" Grease	P04107	2
	<b>MOUNTING KIT, LOG SIDE SUPPORT</b>	016559	2
3	Pin, Log Side Support Pivot	016544	1
4	Bolt, 1/4-20 X 1 1/2" Hex Head Grade 5	F05005-4	1
5	Washer, 1/4" SAE Flat	F05011-11	2
6	Nut, 1/4-20 Self Locking	F05010-9	1
7	Plate, Log Side Support End	016555	1
8	Bolt, 1/2-13 X 3 1/2" Hex Head Grade 5	F05008-61	2

## 8

**Bed Frame Assembly***Log Side Support Assembly (Manual)*

9	Washer, 1/2" SAE Flat	F05011-2	5	
10	Nut, 1/2-13 Hex Nylon Lock	F05010-8	3	
11	Washer, .52" x 1.69"	014632 <sup>2</sup>	1	
12	Bolt, 1/2-13 X 1 1/2" Hex Head Grade 5	F05008-33	1	
13	Plate, Side Support Washer Clamp	016558	1	
	<b>ROLLER KIT, SIDE SUPPORT</b>	016562	4	
14	Roller, Side Support	016561	2	
15	Washer, 5/8" SAE Flat	F05011-5 <sup>3</sup>	6	
16	Bolt, 5/8-11 x 3 3/4" Hex Head Grade 5	F05009-118 <sup>4</sup>	1	
17	Nut, 5/8-11 Hex Nylon Lock Jam	F05010-96	1	
18	Bushing, Bronze 5/8" x 1" x 3/4"	016560	2	
	Bolt, 1/2-13 x 3 1/2" Carriage Head	F05008-94	1	
	Instruction Sheet, Side Support Roller	016562-526	1	
	<b>GUARD KIT, STAINLESS STEEL SIDE SUPPORT (OPTIONAL)</b>	016798	1	
19	Guard, Stainless Steel Side Support	016722	4	
20	Bolt, 1/4-20 x 1 3/4" Hex Head	F05005-4	8	
21	Washer, 1/4" SAE Flat	F05011-11	16	
	Washer, 5/8" SAE Flat	F05011-5 <sup>3</sup>	4	
22	Nut, 1/4-20 Hex Nylon Lock	F05010-69	8	
	Instruction Sheet, Stainless Steel Side Support Guard Retro	016798-1005	1	

<sup>1</sup> HSS-A kit available to retrofit manual sides supports to 4-Link Hydraulic Side Supports.

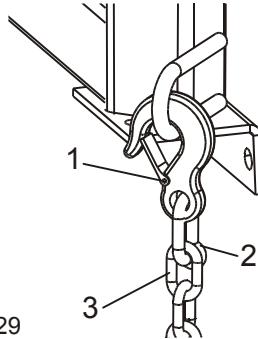
<sup>2</sup> Oversized Washer 014632 replaces 1/2" SAE Flat Washer F05011-2 to provide larger clamping area during adjustment (Rev. K5.03).

<sup>3</sup> Additional 5/8" SAE Flat Washer F05011-5 may be required on each side of side support to provide clearance for optional stainless steel side support guards. Extra washers are included in the stainless steel guard retrofit kit (016798).

<sup>4</sup> Longer bolt replaces 3 1/2" F05009-93 used before 3/07.



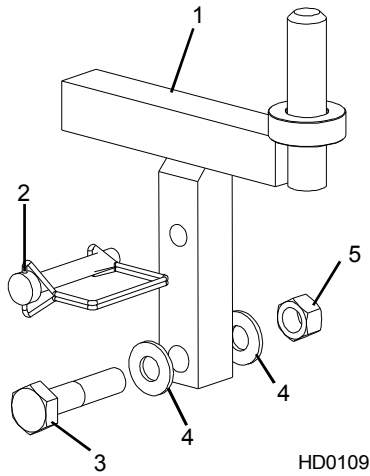
## 8.8 Safety Chain Assembly



REF	DESCRIPTION (◆ Indicates Parts Available In Assemblies Only)	PART #	QTY.	
	<b>CHAIN ASSEMBLY, TIE DOWN</b>	A04376	1	
1	Hook, 5/8" Safety Chain	P12075	1	◆
2	Cold Shut, 3/8" Plain	P04772-2	1	◆
3	Chain, 5/16" Unplated	R02111	.938 ft.	◆

**8** **Bed Frame Assembly**  
*Saw Head Rest Pin Assembly*

**8.9 Saw Head Rest Pin Assembly**

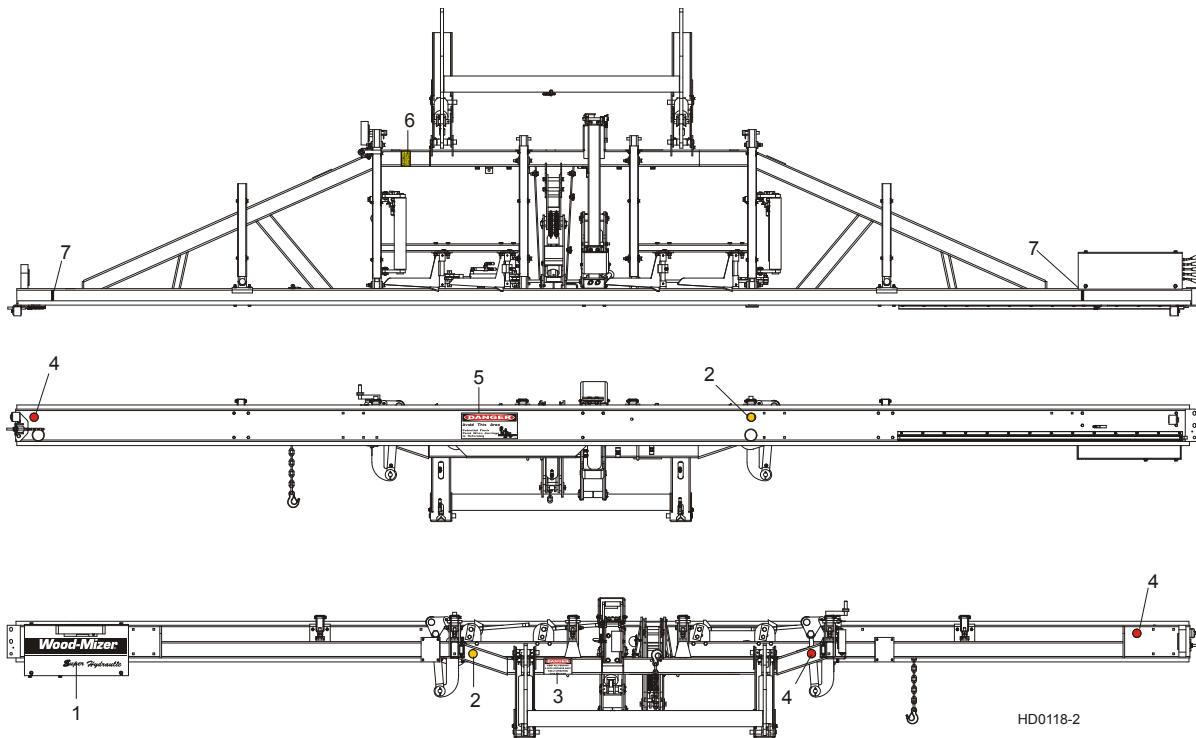


REF	DESCRIPTION (◆ Indicates Parts Available In Assemblies Only)	PART #	QTY.	
1	PIN, SAW HEAD REST	014102	1	
2	PIN, 3/8" X 2 1/4" SNAP RETAINER	014151	1	
3	BOLT, 1/2-13 X 2 1/4" HEX HEAD GRADE 5	F05008-10	1	
4	WASHER, 1/2" SAE FLAT	F05011-2	2	
5	NUT, 1/2-13 HEX LOCK	F05010-3	1	

## 8.10 Bed Frame Decals

*LT40HD Remote*

*Rev. K3.00 (1/08) - K5.03*



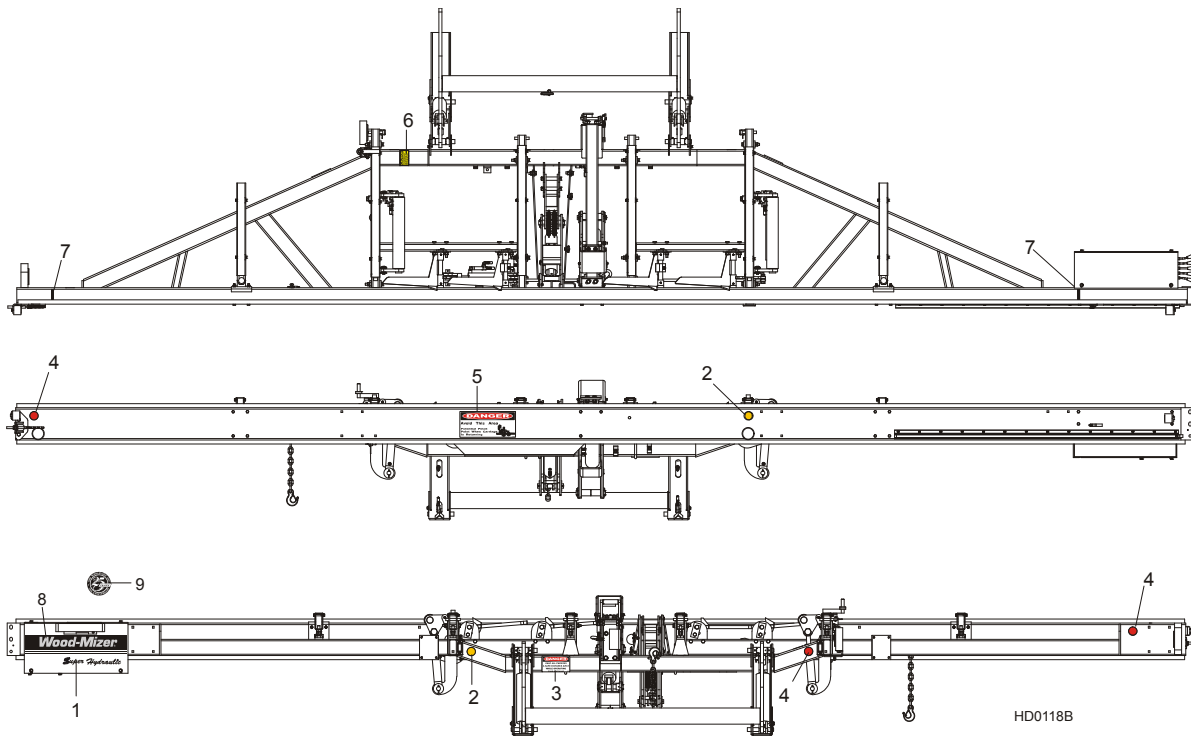
REF	DESCRIPTION (◆ Indicates Parts Available In Assemblies Only)	PART #	QTY.
1	DECAL, HYDRAULIC LOGO W/STRIPES	003251	1
2	DECAL, AMBER REFLECTIVE 2" ROUND	P07453	2
3	DECAL, KEEP AWAY DANGER	S09851	1
4	DECAL, RED REFLECTIVE 2" ROUND	P07452	3
5	DECAL, PINCH POINT DANGER	P10287	1
6	DECAL, SAW HEAD REST CAUTION	S12581	1
7	DECAL, LOG LIMIT STRIPE	S12051	2

# 8 Bed Frame Assembly

## Bed Frame Decals

### 8.11 Bed Frame Decals

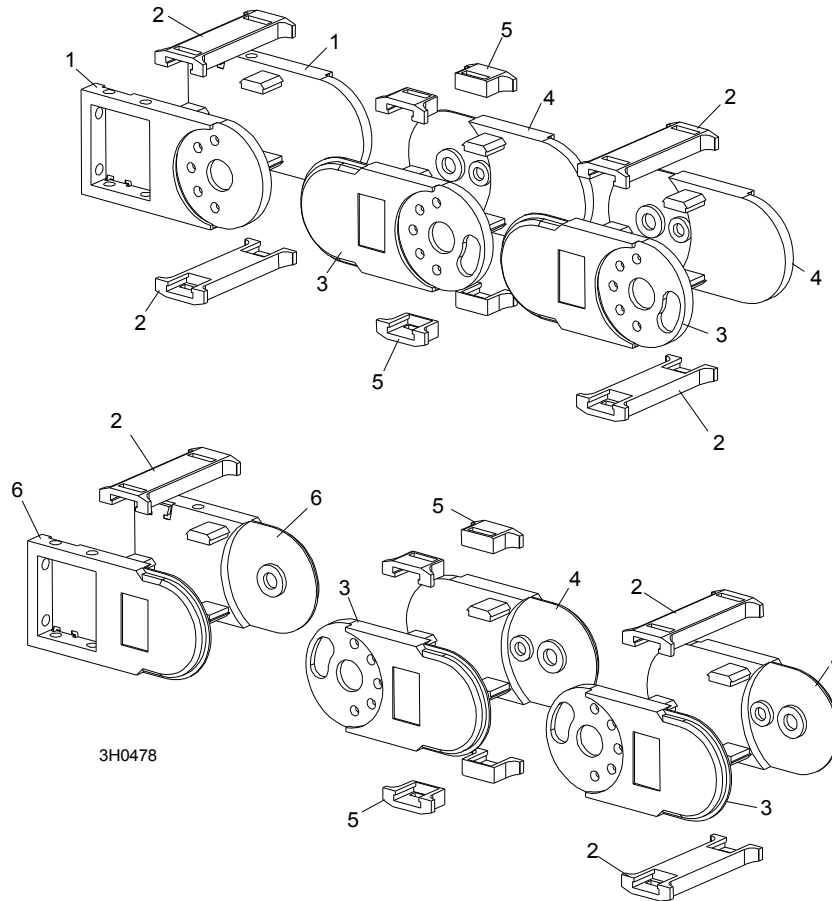
LT40HD Remote Rev. J8.01 - K3.00 (12/07)



REF	DESCRIPTION (◆ Indicates Parts Available In Assemblies Only)	PART #	QTY.
1	DECAL, HYDRAULIC LOGO W/STRIPES	003251 <sup>1</sup>	1
2	DECAL, AMBER REFLECTIVE 2" ROUND	P07453	2
3	DECAL, KEEP AWAY DANGER	S09851	1
4	DECAL, RED REFLECTIVE 2" ROUND	P07452	3
5	DECAL, PINCH POINT DANGER	P10287	1
6	DECAL, SAW HEAD REST CAUTION	S12581	1
7	DECAL, LOG LIMIT STRIPE	S12051	2
8	DECAL, SILVER WOOD-MIZER LOGO	003234 <sup>1</sup>	1
9	DECAL, ANNIVERSARY LOGO	003237 <sup>1</sup>	1

<sup>1</sup> Hydraulic Logo Decal S12573 replaced with new logo decals 1/07.

### 8.12 Cable Chain Assembly



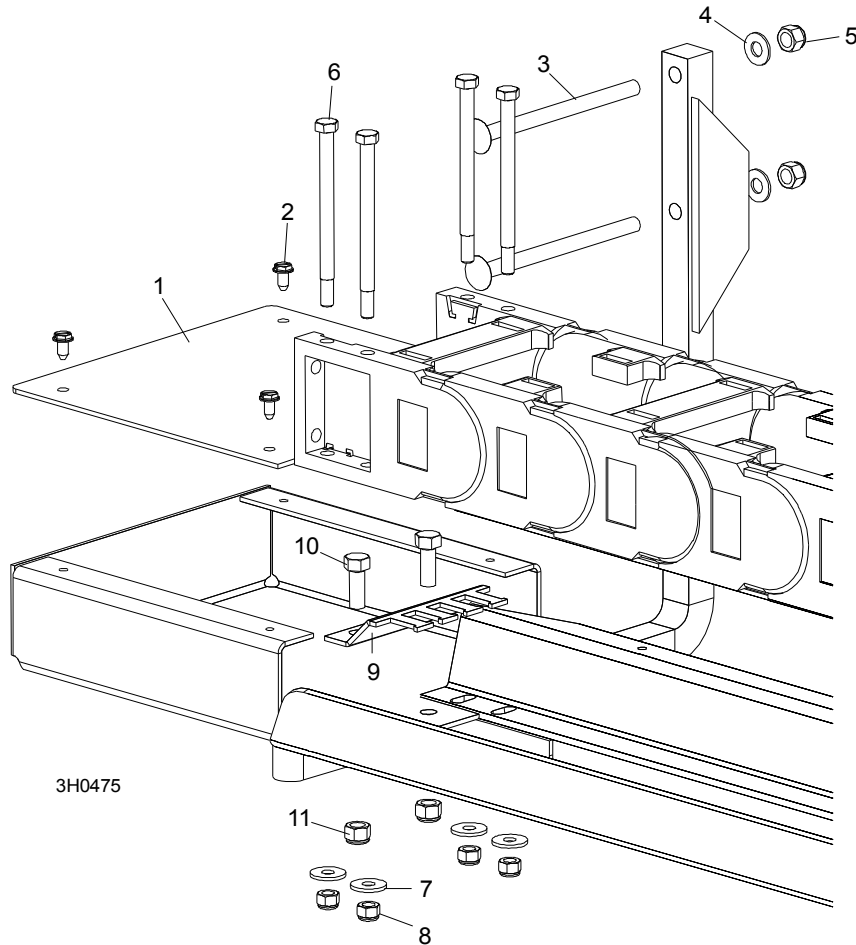
3H0478

REF	DESCRIPTION (◆ Indicates Parts Available In Assemblies Only)	PART #	QTY.
	<b>CHAIN ASSEMBLY, NYLON REMOTE 196" #4040C</b>	042753	1
1	Link, Nylon Chain Top Mount	023612-3	2
2	Brace, Nylon Chain Long Cross	023612-4	55
3	Link, Nylon Chain Right Side #4040C.01.150	036217	52
4	Link, Nylon Chain Left Side #4040C.02.150	036218	52
5	Brace, Nylon Chain Short Cross	023612-5	104
6	Link, Nylon Chain Bottom Mount	023612-9	2

# 8 Bed Frame Assembly

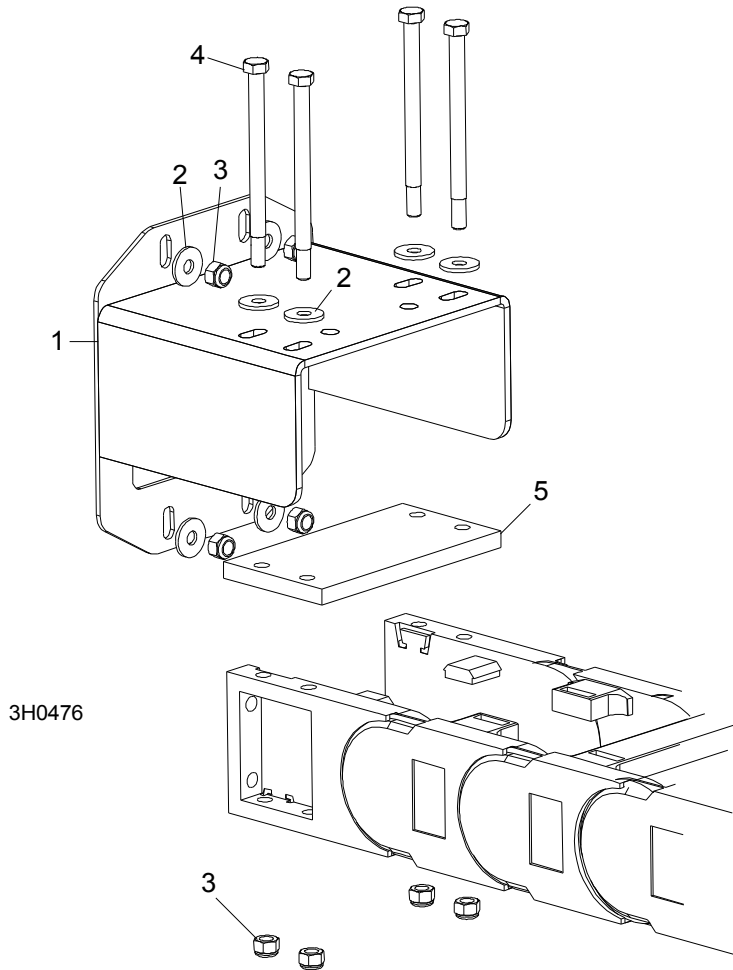
## Bottom Chain Mount Assembly

### 8.13 Bottom Chain Mount Assembly



REF	DESCRIPTION (◆ Indicates Parts Available In Assemblies Only)	PART #	QTY.
1	PLATE, CHAIN BOX COVER	015578	1
2	SCREW, 1/4-20 X 1/2" SLOTTED HEX HEAD	F05015-1	4
3	BOLT, 3/8 X 5 1/2" CARRIAGE	F05007-31	8
4	WASHER, 3/8" FLAT	F05011-3	8
5	NUT, 3/8-16 NYLON LOCK	F05010-10	8
6	BOLT, 5/16-18 X 4 1/2" HEX HEAD	F05006-82	4
7	WASHER, 5/16" STANDARD FLAT	F05011-16	4
8	NUT, 5/16-18 NYLON LOCK	F05010-58	4
9	BRACKET, WIRE ROUTING	023604	1
10	BOLT, 3/8-16 X 1" HEX HEAD	F05007-7	2
11	NUT, 3/8-16 NYLON LOCK	F05010-10	2

### 8.14 Top Chain Mount Assembly



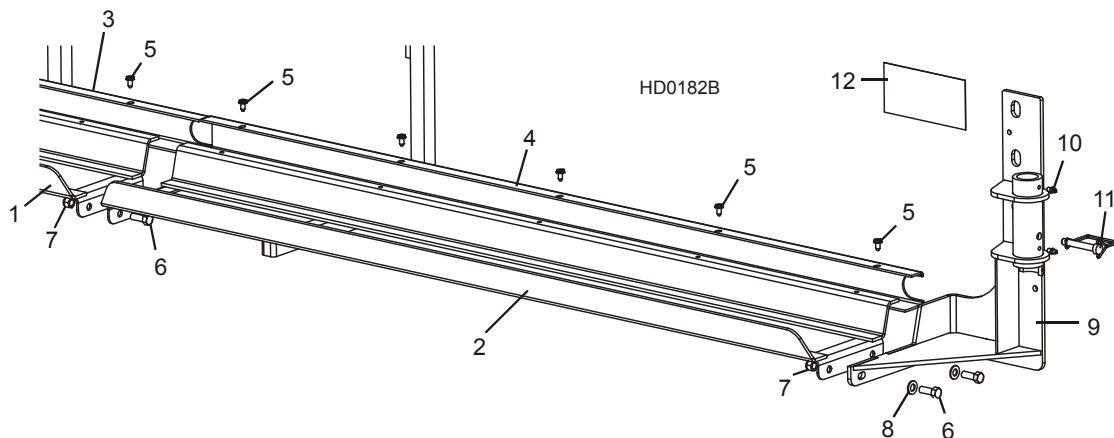
REF	DESCRIPTION (◆ Indicates Parts Available In Assemblies Only)	PART #	QTY.
1	BRACKET WELDMENT, TOP CABLE CHAIN MOUNTING	023610	1
2	WASHER, 5/16" STANDARD FLAT	F05011-16	8
3	NUT, 5/16-18 NYLON LOCK	F05010-58	8
4	BOLT, 5/16-18 X 4 1/2" HEX HEAD	F05006-82	4
5	PLATE, CABLE CHAIN SPACER	023606 <sup>1</sup>	1

<sup>1</sup> Spacer Plate 023606 added Rev. J8.02 to improve alignment of cable chain and mount.

# 8 Bed Frame Assembly

## Front Tray Mount Assembly

### 8.15 Front Tray Mount Assembly

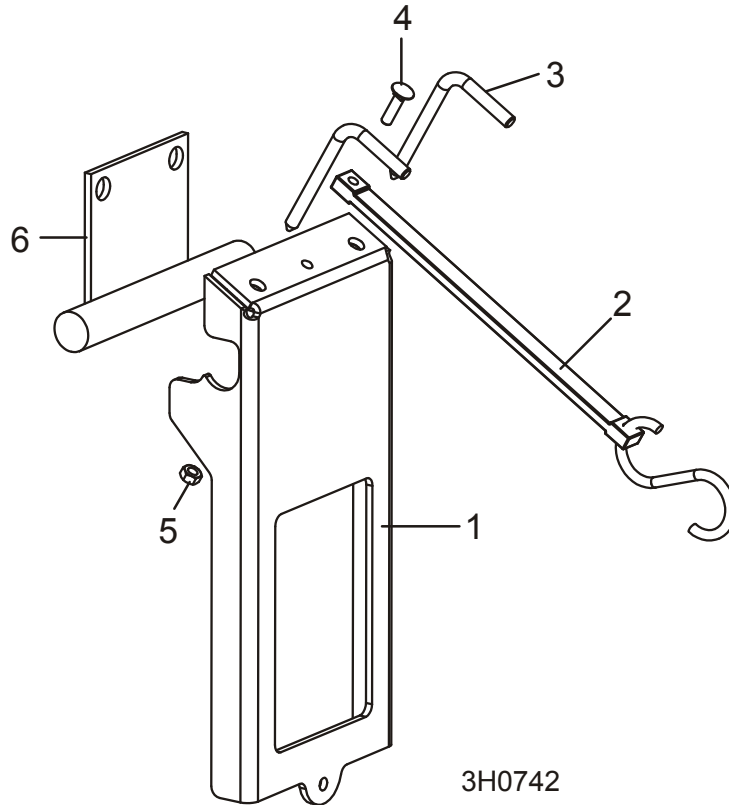


REF	DESCRIPTION (◆ Indicates Parts Available In Assemblies Only)	PART #	QTY.
1	TRAY WELDMENT, LT40HD CABLE CHAIN	042746	1
2	TRAY WELDMENT, LT40HD 53 13/16" EXTENSION	042747	1
3	WIREWAY WELDMENT, LONG	015599	1
4	WIREWAY WELDMENT, LT40HD 53 13/16"	042750	1
5	SCREW, 1/4-20 X 1/2" SLOTTED HEX HEAD	F05015-1	15/17
6	BOLT, 3/8-16 X 1" HEX HEAD	F05007-7	6
7	NUT, 3/8-16 NYLON LOCK	F05010-10	6
8	WASHER, 3/8" SAE FLAT	F05011-3	2
9	HANGER WELDMENT, REMOTE PIVOT	016193 <sup>1</sup>	1
10	FITTING, 1/4-28 GREASE	P05060 <sup>1</sup>	2
11	PIN, 3/8" X 2 1/4" SQUARE WIRE LOCK	014151	1
12	DECAL, KEEP AWAY DANGER	S09851	1

<sup>1</sup> Second hole added to pivot weldment 8/06 to accept second grease fitting. Improved grease dispersal prevents pivot from binding.



### 8.16 Cable Chain Support Bracket



REF	DESCRIPTION (◆ Indicates Parts Available In Assemblies Only)	PART #	QTY.	
	<b>BRACKET ASSEMBLY, REMOTE CABLE CHAIN SUPPORT</b>	023586	1	
1	Bracket Weldment, Remote Cable Chain Support	023588	1	◆
2	Strap, 11 1/2" Rubber	012965 <sup>1</sup>	1	
3	Handle, Remote Cable Chain Support Lock	023602	2	
4	Bolt, 1/4-20 x 1" Carriage Head	F05005-34	1	
5	Nut, 1/4-20 Hex Lock	F05010-21	1	
6	<b>BRACKET WELDMENT, CHAIN SUPPORT STORAGE</b>	023589	1	

<sup>1</sup> Replaces 023587 originally supplied prior to 7/99 (duplicate parts).

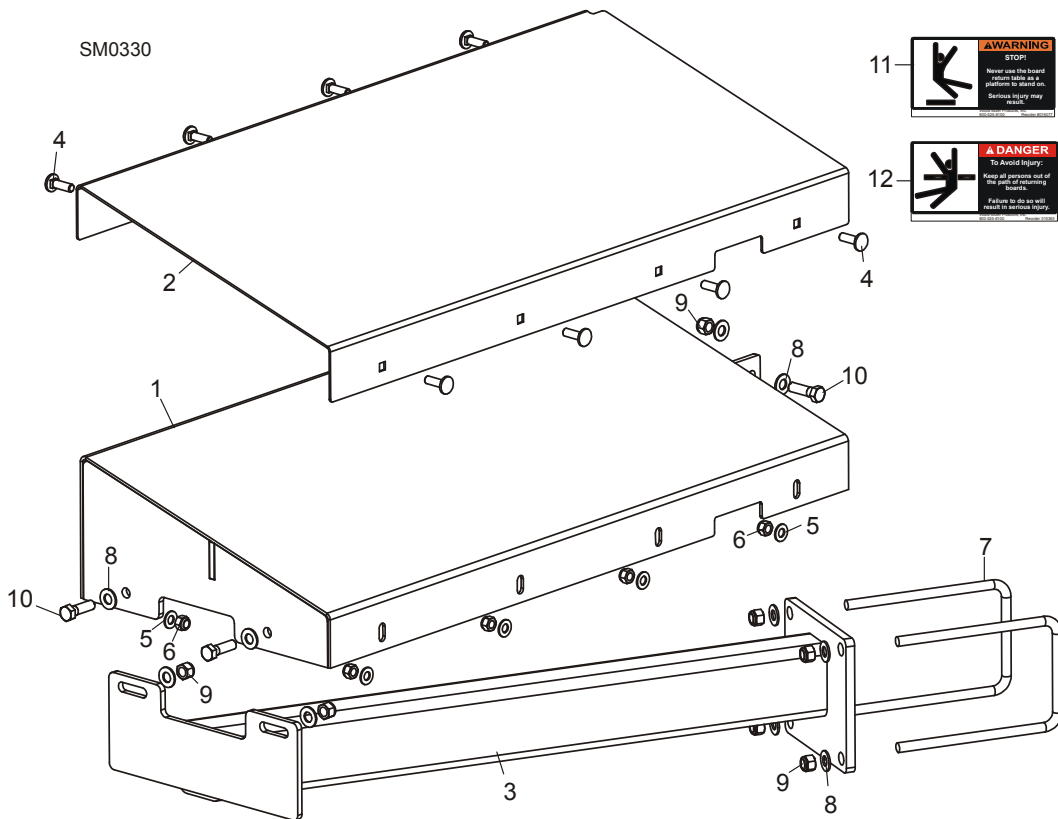
# 8 Bed Frame Assembly

## Board Return Table Assembly (Optional)

### 8.17 Board Return Table Assembly (Optional)

LT40HD Remote

Rev. K2.01 - K5.03

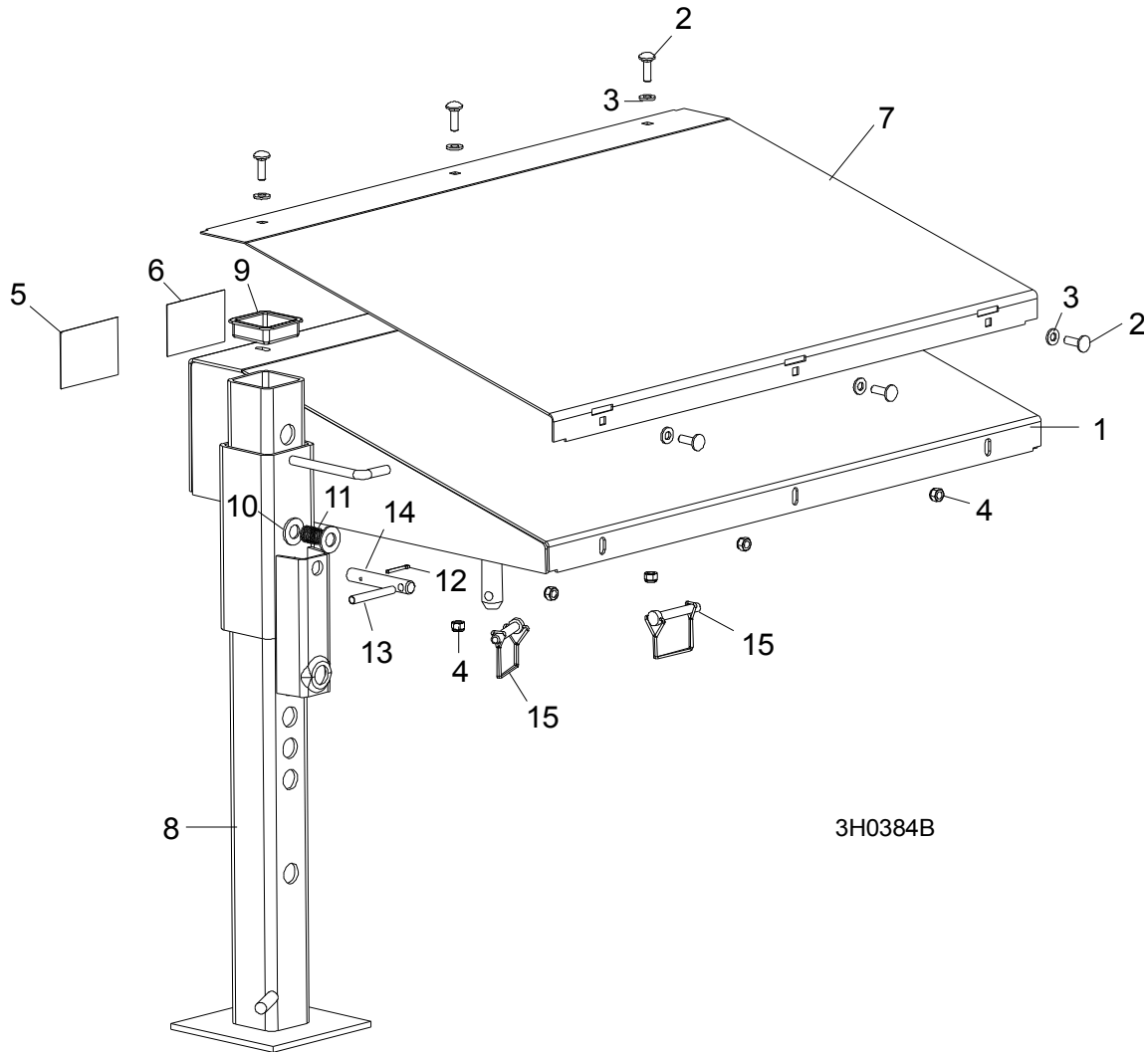


REF	DESCRIPTION (◆ Indicates Parts Available In Assemblies Only)	PART #	QTY.
	<b>TABLE ASSEMBLY, BOARD RETURN (LT40)</b>	003264	1
	<b>TABLE ASSEMBLY, BOARD RETURN (LT30)</b>	003270	1
1	Table Weldment, Board Return	055515	1
2	Cover, Board Return Table	003259	1
3	Mount Weldment, Board Return Table (LT40)	055533	1
	Mount Weldment, Board Return Table (LT30)	038992	1
4	Bolt, 5/16-18 x 1" Carriage Head	F05006-9	8
5	Washer, 5/16" SAE Flat	F05011-17	8
6	Nut, 5/16-18 Nylon Lock	F05010-58	8
7	Bolt, 3/8-16 x 4" x 5" 'U'	003207	2
8	Washer, 3/8" SAE Flat	F05011-3	10
9	Nut, 3/8-16 Hex Nylon Lock	F05010-10	7
10	Bolt, 3/8-16 x 1 1/4" Hex Head Grade 5	F05007-123	3
11	Decal, Board Return Table Warning	016077	1
12	Decal, Board Return Danger	015365	1

## 8.18 Board Return Table Assembly (Optional)

*LT40HD Remote*

*Rev. J8.01 - K2.00*



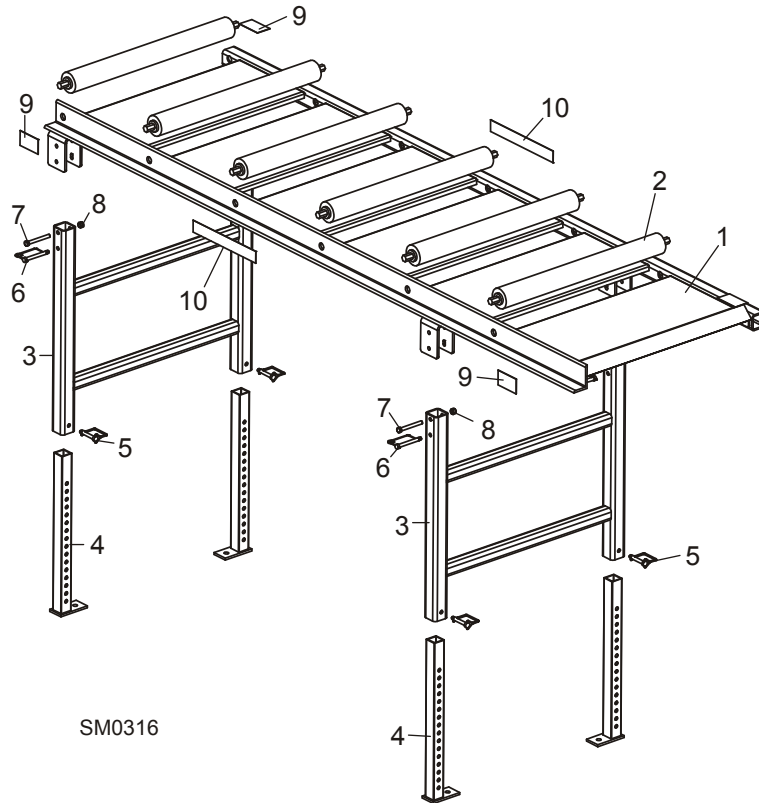
REF	DESCRIPTION (◆ Indicates Parts Available In Assemblies Only)	PART #	QTY.	
	<b>TABLE ASSEMBLY, BOARD RETURN</b>	015792	1	
1	Table Weldment, Board Return	015790	1	◆
2	Bolt, 5/16-18 x 1" Carriage Head	F05006-9	6	
3	Washer, 5/16" SAE Flat	F05011-17	6	
4	Nut, 5/16-18 Nylon Lock	F05010-58	6	
5	Decal, Board Return Danger	015365	1	
6	Decal, Board Return Table Warning	016077	1	
7	Plate, Return Table Stainless Steel	015791	1	
8	Leg Weldment, Painted Outrigger	W07537	1	

**8****Bed Frame Assembly***Board Return Table Assembly (Optional)*

---

<b>9</b>	Cap, Outrigger Leg	P09926	1	
<b>10</b>	Washer, 3/4" SAE Flat	F05011-62	2	
<b>11</b>	Spring, Outrigger Pin	016145	1	
<b>12</b>	Pin, 1/8" X 1 1/4" Cotter	F05012-59	1	
	Pin Kit, 3/4" Outrigger Pull	016148	1	
<b>13</b>	Pin, 5/16" X 2 1/2" Roll	F05012-47	1	
<b>14</b>	Pin, 3/4" Outrigger Pull	016147	1	◆
<b>15</b>	Pin, 3/8 X 2 1/4" Square Wire Lock	014151	2	

### 8.19 Board Outfeed Table (Optional)



REF	DESCRIPTION (◆ Indicates Parts Available In Assemblies Only)	PART #	QTY.
	<b>TABLE ASSEMBLY, BOARD OUTFEED</b>	016652	1
1	Table Weldment, Board Outfeed	016606	1
2	Roller, 2 1/2" x 25"	038167	6
3	Mount Weldment, Outfeed Table Leg	016609	2
4	Leg Weldment, Outfeed Table	016651	4
5	Pin, 3/8" x 2 1/4" Square Wire Lock	014151	4
6	Pin, Snap - Coil Tension	016677	4
7	Bolt, 3/8-16 x 3 1/4" Hex Head	F05007-135	4
8	Nut, 3/8-16 Hex Nylon Lock	F05010-10	4
9	Decal, Hand Pinch Point Warning	S12641	4
10	Decal, 1 1/2" Wood-Mizer Logo	016991	2

## SECTION 9 MISCELLANEOUS

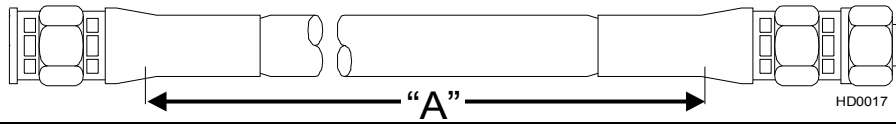
### 9.1 Replacement Manuals

REF	DESCRIPTION (◆ Indicates Parts Available In Assemblies Only)	PART #	QTY.
<b>Wood-Mizer Product Information</b>			
1	ALL-PRODUCTS CATALOG	PS750	1
<b>Basic Sawmill Manuals</b>			
2	TRU-SHARP BLADE HANDBOOK	M600	1
3	WOOD-MIZER GENERAL INFORMATION	M601	1
4	LT40HD REMOTE OPERATOR'S MANUAL	M1182	1
5	LT40HD REMOTE PARTS MANUAL	M1175	1
<b>Power Option Manuals</b>			
6	G25 ENGINE OPTION MANUAL	M825	1
7	G28 ENGINE OPTION MANUAL	M1159	1
8	KOHLER CH25 OWNER'S MANUAL	015993	1
9	KOHLER CH25 SERVICE MANUAL	015994	1
10	D33 ENGINE OPTION MANUAL	M915	1
11	D34 ENGINE OPTION MANUAL	M1215	1
12	D35 ENGINE OPTION MANUAL	M1573	1
13	D36 ENGINE OPTION MANUAL	M1598	1
14	KUBOTA PARTS MANUAL (1505B)	028564	1
15	G36 ENGINE OPTION MANUAL	M974	1
16	NISSAN ENGINE SERVICE MANUAL		1
17	NISSAN ENGINE PARTS MANUAL		1
<b>Trailer Option Manuals</b>			
18	ELECTRIC BRAKE TRAILER OPTION	M796	1
19	SURGE BRAKE TRAILER OPTION	M794	1
20	SUPER ELECTRIC BRAKE TRAILER OPTION	M797	1
21	SUPER SURGE BRAKE TRAILER OPTION	M795	1
<b>Miscellaneous Option Manuals</b>			
22	SHINGLE/LAPSIDER OPTION MANUAL	M621	1
23	RESAW ATTACHMENT OPTION MANUAL	M263	1
24	BED EXTENSION OPTION MANUAL	M294	1
25	MKII DEBARKER ATTACHMENT OPTION MANUAL	M546	1
26	REMOTE ACCUSET 2 OPTION MANUAL	M1519	1
27	REMOTE ACCUSET OPTION MANUAL	M995	1
28	LASER SIGHT OPTION MANUAL	M679	1
29	AUTOCLUTCH OPTION MANUAL	M883	1
30	LUBE-MIZER OPTION MANUAL	M885	1
31	LATHE-MIZER OPTION MANUAL	M1337	1
<b>Electrical Diagrams</b>			
32	G25 REMOTE ELECTRICAL INFORMATION	M744	1
33	G28 REMOTE ELECTRICAL INFORMATION	M1155	1

34	G36 REMOTE ELECTRICAL INFORMATION	M979	1
35	D33 REMOTE ELECTRICAL INFORMATION	M743	1
36	D34 REMOTE ELECTRICAL INFORMATION	M1217	1
37	D35 REMOTE ELECTRICAL INFORMATION	M1575	1
38	D36 REMOTE ELECTRICAL INFORMATION	M1596	1

## SECTION 10 HYDRAULIC SYSTEM

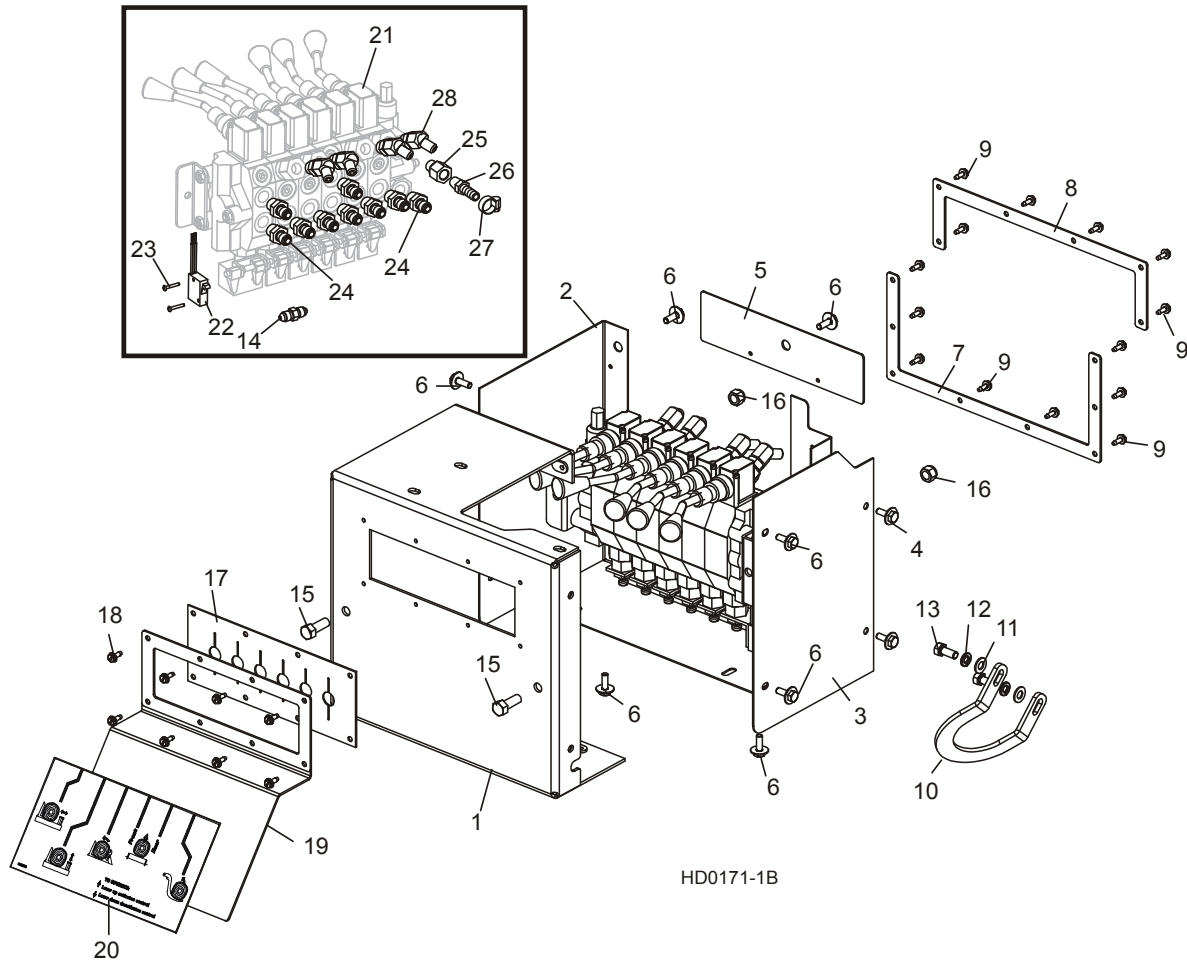
### 10.1 Hydraulic Hoses



REF	COLOR	LENGTH "A"	DESCRIPTION	PART #	QTY.
H1	None	72"	1/4" HYDRAULIC PUMP TO VALVE	018022	1
H2	Plain	27"	1/4" LOG TURNER BASE	P12535	1
H3	Orange	18"	1/4" LOG TURNER TOP	015704	1
H4	Yellow	180"	1/4" FRONT TOE BOARD TOP (LT40HD)	018024	1
H5	Gray	180"	1/4" FRONT TOE BOARD BASE (LT40HD)	018024	1
H6	Pink	244"	1/4" SIDE SUPPORT BASE (LT40HD)	018028	1
H7	Plain	244"	1/4" SIDE SUPPORT TOP (LT40HD)	018028	1
H8	White	219"	1/4" CLAMP IN/OUT TOP (LT40HD)	018026	1
H9	Dark Orange	210"	1/4" CLAMP IN/OUT BASE (LT40HD)	018025	1
H10	Purple	282"	1/4" REAR TOE BOARD TOP (LT40HD)	018034	1
H11	Black	282"	1/4" REAR TOE BOARD BASE (LT40HD)	018034	1
H12	Green	62"	1/4" LOADING ARM BRANCH TOP	018020	2
H13	Yellow	64"	1/4" LOADING ARM BRANCH BASE	018021	2
H14	Blue	249"	1/4" LOADING ARM TOP (LT40HD)	018030	1
H15	Red	249"	1/4" LOADING ARM BOTTOM (LT40HD)	018030	1
H16	Green	267"	1/4" CLAMP UP/DOWN TOP (LT40HD)	018033	1
H17	Yellow	256"	1/4" CLAMP UP/DOWN BASE (LT40HD)	018031	1
			GROMMET, 2 1/2" DIAMETER RUBBER	085614	2
			GROMMET, 1 X 1 3/4" OVAL RUBBER	085613	2



## 10.2 Command Control



REF	DESCRIPTION (◆ Indicates Parts Available In Assemblies Only)	PART #	QTY.
1	<b>COVER WELDMENT, COMMAND CONTROL FRONT</b>	016521	1
	<b>COVER ASSEMBLY, COMMAND CONTROL REAR</b>	016522	1
2	Cover Weldment, Command Control Rear	017839	1
3	Cover Plate, Command Control Rear	017837	1
4	Bolt, 1/4-20 x 3/8" Conical Washer Head	F05005-134	2
5	<b>PLATE, COMMAND CONTROL REAR</b>	016527	1
6	<b>BOLT, 1/4-20 X 3/4" CONICAL WASHER HEAD</b>	F05005-134	8
7	<b>BRACKET, BOOT MOUNT BOTTOM</b>	016528	1
8	<b>BRACKET, BOOT MOUNT TOP</b>	016526	1
	<b>BOOT, COMMAND CONTROL HOSE</b>	016538	1
9	<b>SCREW, #10-24 X 1/2" SELF-TAPPING</b>	F05015-7	19
10	<b>BRACKET, HOSE HANGER</b>	016525	1

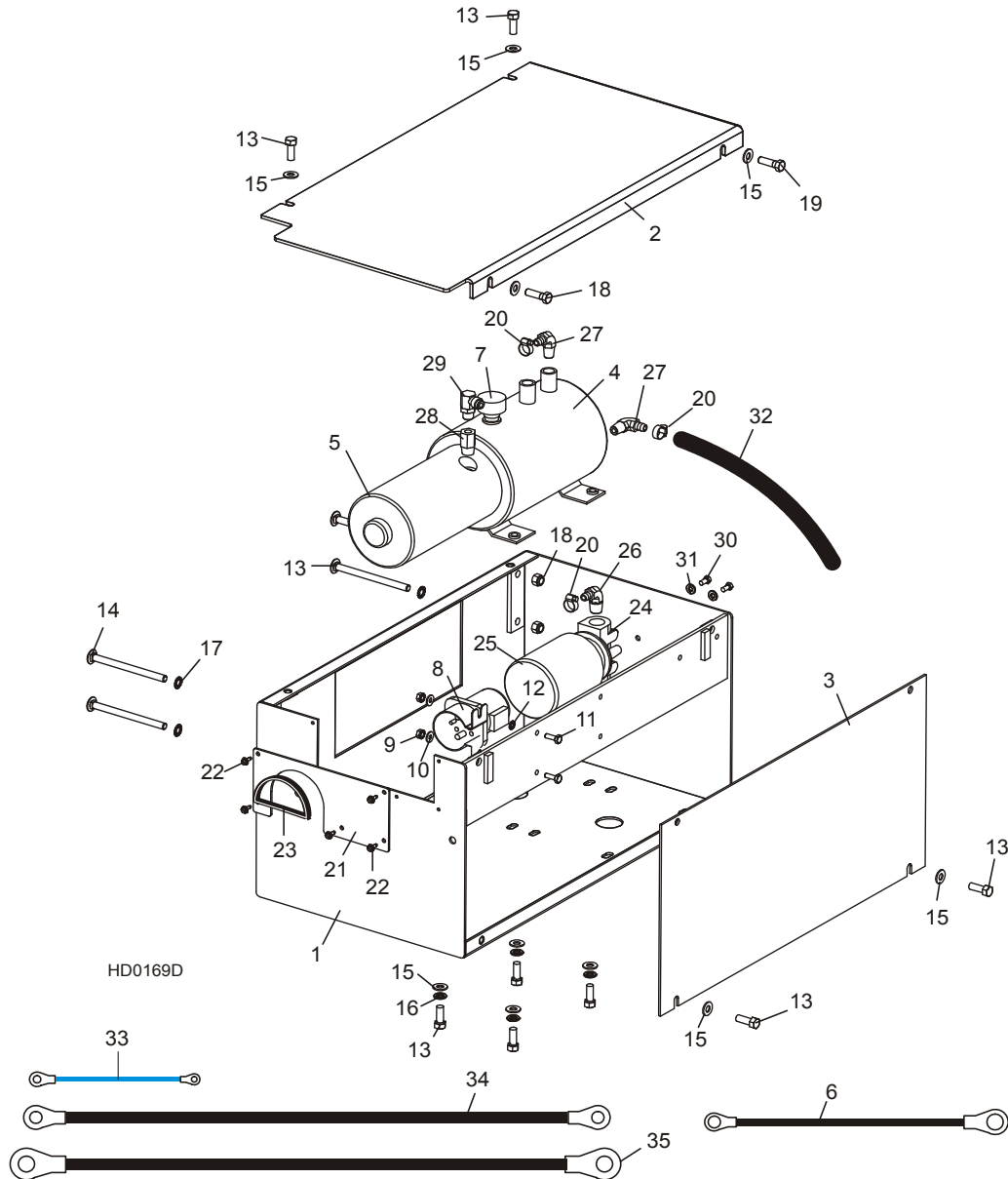
# 10

## Hydraulic System

### Command Control

11	WASHER, 5/16" SAE FLAT	F05011-17	2	
12	WASHER, 5/16" SPLIT LOCK	F05011-13	2	
13	BOLT, 5/16-18 X 3/4" HEX HEAD GRADE 5	F05006-102	2	
	SLEEVE, 8 1/2" X 55" ZIPPERED	016728	1	
14	FITTING, 1/4" JIC X 1/4" JIC SMALL HEX UNION (FOR 1/4" EXTENSION HOSES)	016539	13	
15	BOLT, 3/8-16 X 1" HEX HEAD	F05007-7	2	
16	NUT, 3/8-16 HEX NYLON LOCK	F05010-10	2	
17	SEAL, RUBBER VALVE HANDLE	015079	1	
18	SCREW, #10-24 X 1/2 SLOTTED HEX SELF-TAPPING	F05015-7	8	
19	PLATE, VALVE HANDLE DECAL	015078	1	
20	DECAL, 1997 HYDRAULIC CONTROL BOX	015364	1	
21	VALVE, HYDRAULIC 6 SECTION ( <a href="#">See Form 575</a> For Valve Service Parts)	015260	1	
22	SWITCH, HYDRAULIC VALVE ELECTRIC	024198	1	
23	SCREW, #4-40 X 3/4" SLOTTED	F05004-13	2	
24	FITTING, 3/8" O-RING - 1/4" JIC	P26284	9	
25	FITTING, #6 SAE MALE - 1/4" NPT FEMALE	014686	1	
26	FITTING, 1/4" NPT X 3/8" HOSE BARB	014685	1	
27	CLAMP, 11/16" HOSE	P12739	1	
28	FITTING, #6 SAE - 1/4" JIC 45° ELBOW	015488	4	

### 10.3 Hydraulic Pump Box



REF	DESCRIPTION (◆ Indicates Parts Available In Assemblies Only)	PART #	QTY.	
1	BOX WELDMENT, SUPER HYDRAULIC PUMP HOUSING	015027	1	
2	COVER, SUPER HYDRAULIC PUMP HOUSING TOP	015228	1	
3	COVER, SUPER HYDRAULIC PUMP HOUSING SIDE	015227	1	
4	PUMP KIT, HYDRAULIC W/MOTOR	061764 <sup>1</sup>	1	
	Pump, Hydraulic Replacement Monarch Model #12070	016199	1	
	Motor Kit, Hydraulic Replacement	052807	1	
5	Motor, 12 VDC Hydraulic Pump #08714 (Iskra)	038683 <sup>2</sup>	1	◆

# 10 Hydraulic System

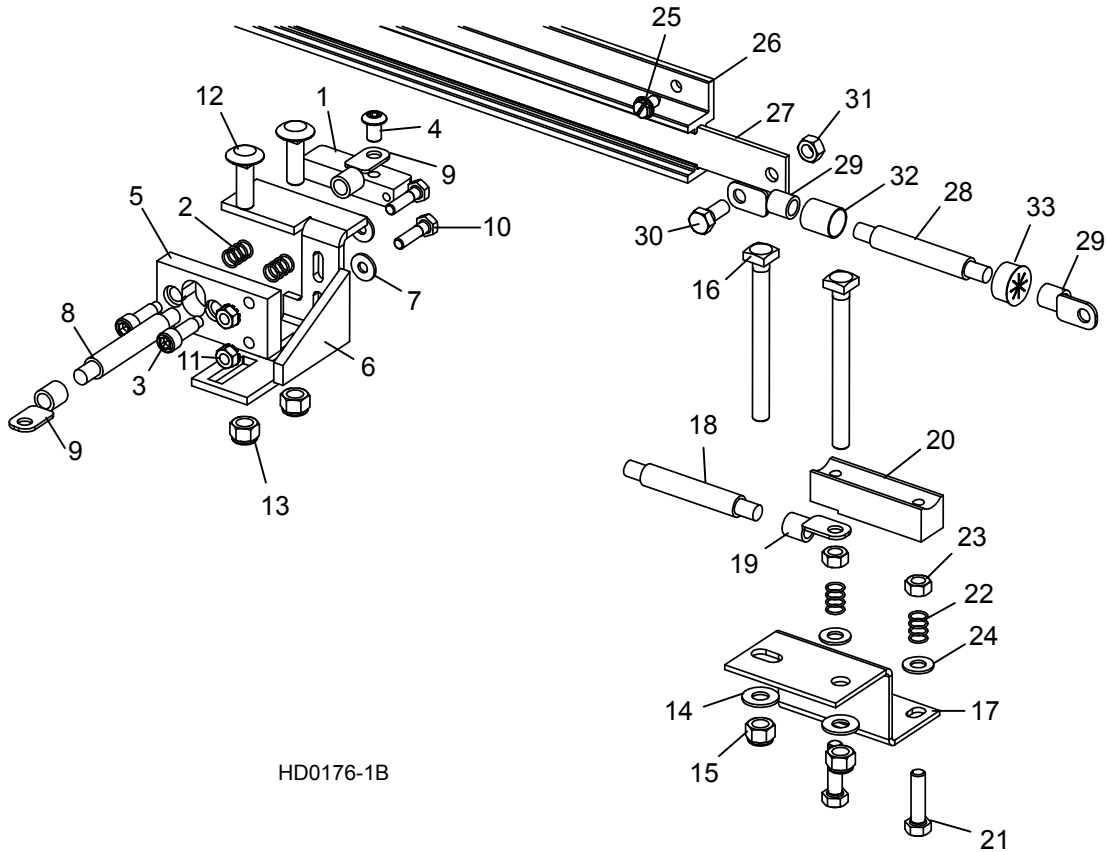
## Hydraulic Pump Box

	Brush Kit, 4-Valve Hydraulic Pump Motor #08658-I (Iskra)	038682 <sup>2</sup>	1	
	Brush Kit, 4-Valve Hydraulic Pump Motor #08658 (Bosch)	P09585 <sup>2</sup>	1	◆
	Bearing, Base Motor #02318	P12513	1	
6	Wire Assembly, Motor Brush Ground	052806 <sup>3</sup>	1	
7	Cap, Hydraulic Pump Vented Fill #03171	P12817	1	
	O-Ring, Hydraulic Pump/Reservoir #02352	P10198	1	
	Seal, Hydraulic Pump/Motor #02330	P10315	1	
8	<b>SOLENOID KIT, 200A 12V SPST HYDRAULIC PUMP MOTOR</b>	016371	1	
	Solenoid, 200A 12V SPST Cont. Duty	015470	1	◆
	Diode Assembly, Solenoid Coil Chassis Gnd	015426 <sup>4</sup>	1	
9	<b>NUT, 1/4-20 SELF-LOCKING HEX</b>	F05010-9	2	
10	<b>WASHER, 1/4" SAE FLAT</b>	F05011-11	2	
11	<b>BOLT, #1/4-20 X 3/4" HEX HEAD FULL THREAD</b>	F05005-1	2	
12	<b>WASHER, 1/4" EXTERIOR STAR LOCK</b>	F05011-37	2	
	<b>FLUID, 1-QUART DEXRON III HYDRAULIC</b>	P12742	2 1/4 gal.	
	<b>FLUID, 1-GALLON CONOCO MV32</b>	006397 <sup>5</sup>	2 1/4 gal.	
	<b>FLUID, 1-GALLON EXXON UNIVIS HVI 13 HYDRAULIC</b>	P12822	2 1/4 gal.	
13	<b>BOLT, 3/8-16 X 1" HEX HEAD GRADE 5</b>	F05007-87	8	
14	<b>BOLT, 3/8-16 X 5" CARRIAGE HEAD</b>	F05007-113	4	
15	<b>WASHER, 3/8" SAE FLAT</b>	F05011-3	10	
16	<b>WASHER, 3/8" SPLIT LOCK</b>	F05011-4	4	
17	<b>WASHER, 3/8" EXTERNAL STAR LOCK</b>	F05011-36	4	
18	<b>NUT, 3/8-16 HEX NYLON LOCK</b>	F05010-10	4	
19	<b>BOLT, 3/8-16 X 1 1/4" HEX HEAD</b>	F05007-2	2	
20	<b>CLAMP, 1 1/16" HOSE</b>	P12739	4	
21	<b>PLATE, HYDRAULIC BOX COVER</b>	016523	1	
22	<b>SCREW, #10-24 X 1/2 SLOTTED HEX SELF-TAPPING</b>	F05015-7	5	
23	<b>EDGING, 3/8" X 1/2" BLACK RUBBER</b>	014548	1.46 ft.	
24	<b>MANIFOLD, HYDRAULIC CARTRIDGE FILTER</b>	P22683	1	
25	Filter, S28 Hydraulic Cartridge	P20301	1	
26	<b>FITTING, #6-8 (1/2" NPT) - 3/8" HOSE BARB ELBOW</b>	P12707	2	
27	<b>FITTING, #6-6 (3/8" NPT) - 3/8" HOSE BARB ELBOW</b>	P12708	2	
28	<b>FITTING, 3/8" NPT MALE - 1/4" NPT FEMALE</b>	015490	1	
29	<b>FITTING, 1/4" NPT - 1/4" JIC ELBOW</b>	P09142	1	
30	<b>BOLT, 1/4-20 X 1/2" HEX HEAD</b>	F05005-15	2	
31	<b>WASHER, 1/4" SPLIT LOCK</b>	F05011-14	2	
32	<b>HOSE, 3/8" LOW PRESSURE HYDRAULIC</b>	R01892-1	A/R	
33	<b>WIRE ASSEMBLY, 14 GA X 4" #10 &amp; 5/16" RINGS</b>	036315	1	
34	<b>CABLE ASSEMBLY, 1 GA X 16" HYDRAULIC PUMP TO SOLENOID</b>	036310	1	
35	<b>CABLE ASSEMBLY, 1 GA X 16" HYDRAULIC PUMP GROUND</b>	036312	1	
	<b>WASHER, 3/8" STAR EXTERNAL</b>	F05011-36	2	

<sup>1</sup> Pump Kit 061764 replaces Pump P12701 1/09. Kit includes P12701 plus Brush Ground Wire Kit 052805 to insure adequate ground connection.

- <sup>2</sup> Bosch motor P09955 replaced by vendor with Iskra motor 1/06. Brush kit P09585 no longer available to service Bosch motor. Replace motor using kit 052807. Use Brush Kit 038682 to service Iskra motor.
- <sup>3</sup> Brush Ground Wire 052806 added Rev. K1.04 to improve ground connection. Kit 052805 to be supplied to all customers who purchased sawmills with Iskra pump motors after 1/06. Kit includes wire, hardware and instructions.
- <sup>4</sup> Diode Assembly 015426 added to prevent damage to hydraulic microswitch (LT30HD Rev. J7.03 & LT40HD Rev. J8.03)
- <sup>5</sup> Conoco MV32 Fluid 006397 replaces Univis HVI 26 Fluid P12823 used prior to 1/08. Fluids are interchangeable.

### 10.4 Hydraulic Power Supply Strip



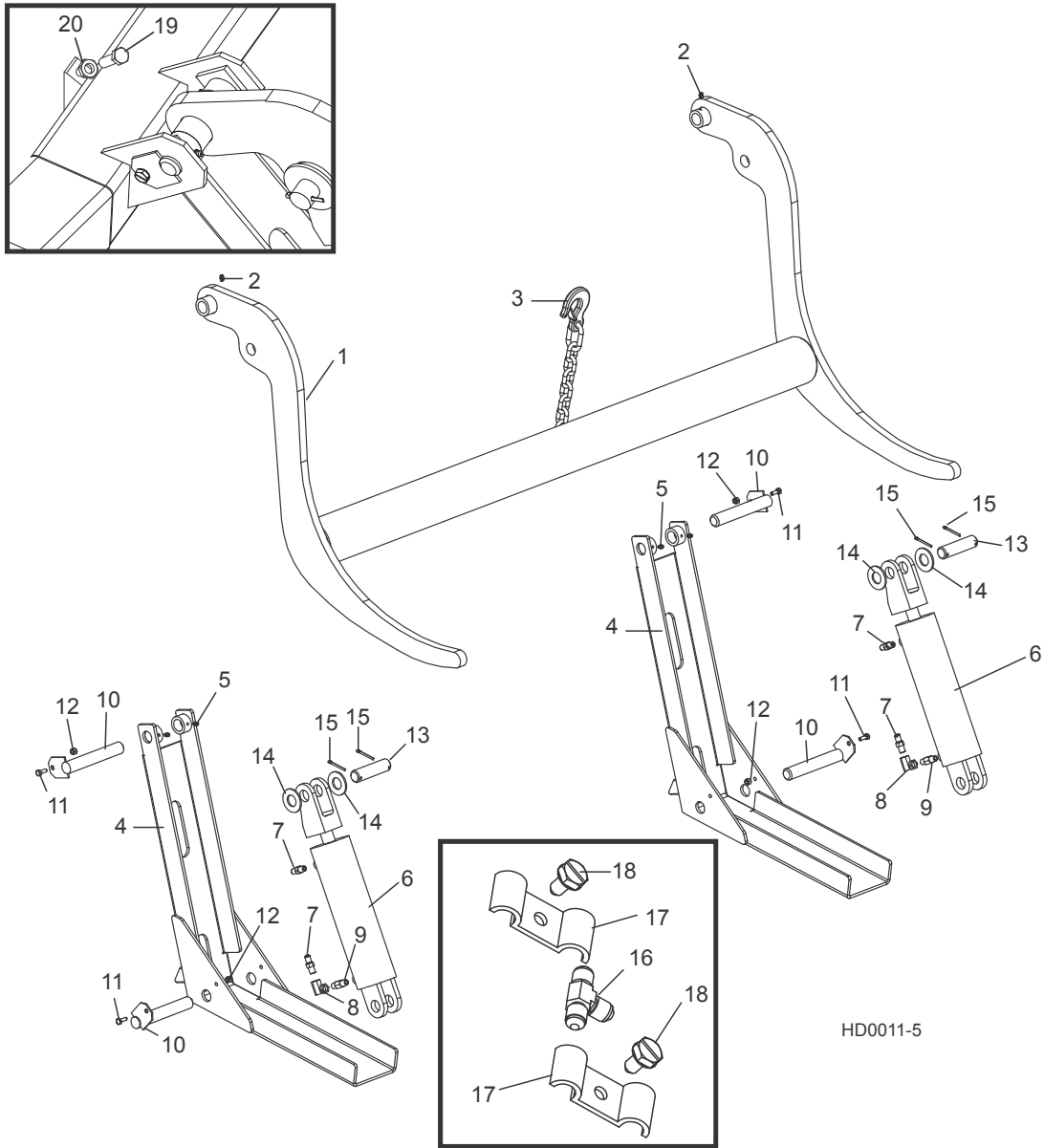
REF	DESCRIPTION (◆ Indicates Parts Available In Assemblies Only)	PART #	QTY.	
	<b>CONTACT ASSEMBLY, HYDRAULIC POWER SUPPLY (POSITIVE)</b>	010103	1	
	Contact Kit, 97+ Hydraulic Power Supply Positive	007716	1	
1	Contact, Hydraulic Power Supply (Positive)	015253	1	
2	Spring, Positive Contact	P10077	2	
3	Bolt, 5/16" X 3/4" Shoulder (1/4-20 Thread) Stainless	F05006-143 <sup>1</sup>	2	
4	Bolt, 5/16-18 x 1/2" Socket Button Head	F05006-20	1	
5	Insulator, Positive Contact	S10072	1	
6	Bracket, Positive Contact Mounting	015324	1	
7	Washer, 1/4" SAE Flat	F05011-11	2	
8	Cable, #1 Weld	R01971 <sup>2</sup>	1.17 Ft	◆
9	Terminal, 5/16" Ring #2 Gauge	F05092-16 <sup>2</sup>	2	
10	Bolt, 1/4-20 X 1" Hex Head Grade 2	F05005-38	2	
11	Nut, 1/4-20 Hex Self-Locking	F05010-9	2	
12	Bolt, 3/8-16 X 1 1/4" Carriage Head	F05007-11	2	
13	Nut, 3/8-16 Hex Nylon Lock	F05010-10	2	

	<b>CONTACT KIT, HYDRAULIC POWER SUPPLY (GROUND)</b>	010104	1	
14	Washer, 3/8" SAE Flat	F05011-3	2	
15	Nut, 3/8-16 Hex Nylon Lock	F05010-10	2	
16	Bolt, 3/8-16 X 4" Square Head	F05007-175	2	
17	Bracket, Ground Contact Mounting	016792	1	
18	Cable Assy, Hydraulic Negative Contact (Ground) #1 Weld	036306	1	
	Cable, #1 Weld	R01971	2.2 Ft	◆
19	Terminal, 5/16" Ring #2 Gauge	F05092-16	2	
	Contact Kit, Hydraulic Power Supply Ground	007717	1	
20	Contact, Hydraulic Power Supply (Ground)	015264	1	
21	Bolt, 5/16-18 X 1 1/4" Hex Head Full Thread Grade 5	F05006-93	2	
22	Spring, Ground Contact	P10077	2	
23	Nut, 5/16-18 Hex	F05010-17	2	
24	Washer, 5/16" SAE Flat	F05011-17	2	
	<b>STRIP ASSEMBLY, 6' HYDRAULIC POWER SUPPLY W/3 FT. CABLE</b>	A11977	1	
25	Screw, 1/4-20 X 1/2" Slotted Hex Head	F05015-1	8	
26	Housing, 6' Contact Strip	P11976	1	
	Strip, 6' Contact With Cable	A12043-N	1	
27	Strip, 6' Contact	S10075	1	◆
28	Cable Assembly, Hydraulic Contact Strip	052161	1	
	Cable, #1 Weld	R01971	3 Ft	◆
29	Terminal, 5/16" Ring #2 Gauge	F05092-16	2	
30	Bolt, 5/16-18 X 3/4" Hex Head Black Nylon	F05006-45	1	
31	Nut, 5/16-18 Hex Black Nylon	F05010-86	1	
32	Tube, 5/8" Heat Shrink	R01950-5	.10 Ft	◆
33	Grommet, 5/8" Wire	P04137	1	

<sup>1</sup> Stainless Steel Bolt F05006-143 replaces F05006-44 to prevent corrosion (Rev. K5.03).

<sup>2</sup> See [Section 5.7](#) for pre-assembled cable service assemblies.

10.5 Hydraulic Log Loader



REF	DESCRIPTION (◆ Indicates Parts Available In Assemblies Only)	PART #	QTY.
	<b>LOADER KIT, HYDRAULIC LOG (LT40HD)</b>	LTHDLA	1
1	Arm, Hydraulic Log Loading	036416 <sup>1</sup>	1
2	Fitting, 3/16" Grease	P04107	2
3	Chain, Hydraulic Log Loader Safety	A04376	1
4	Channel, Hydraulic Log Loading Foot	W09444	2
5	Fitting, 3/16" Grease	P04107	4

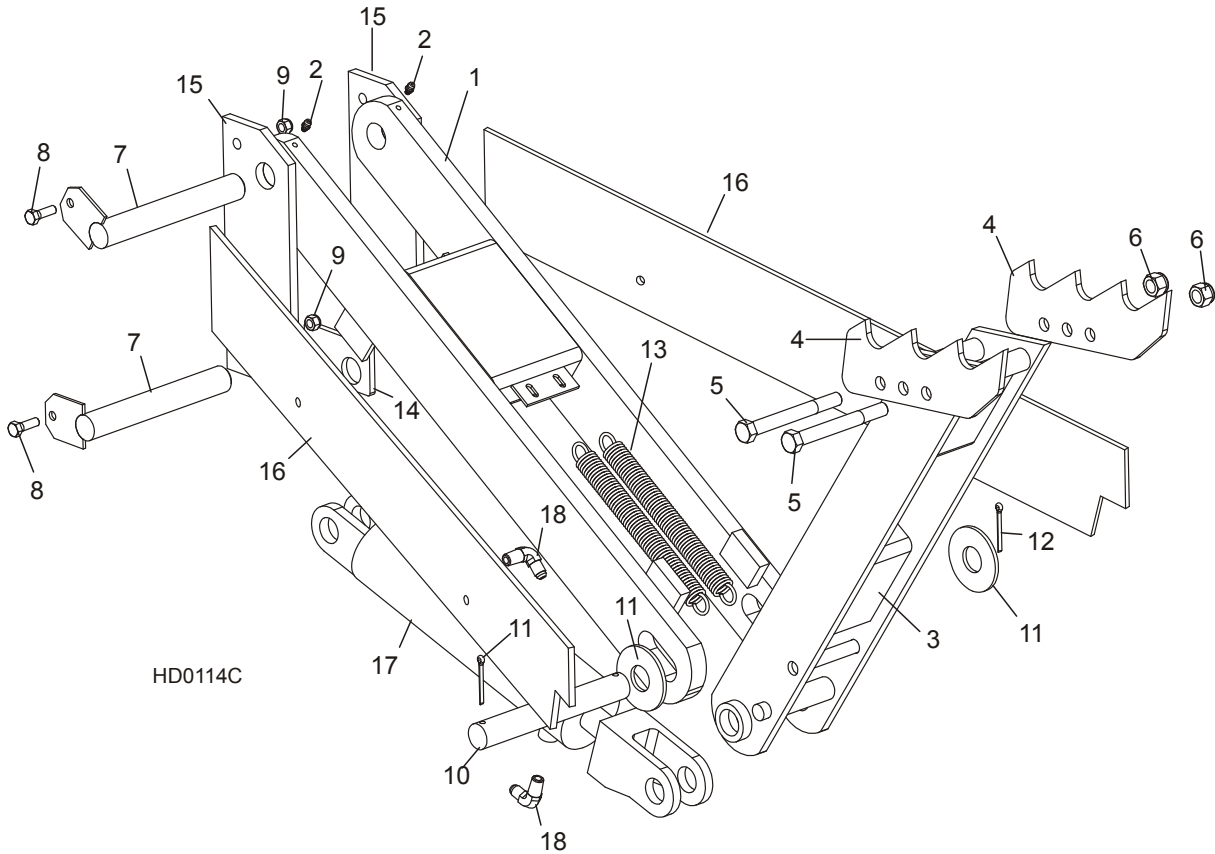


	Cylinder Assembly, Hydraulic Log Loading Arm	A09284	2	◆
<b>6</b>	Cylinder, 8" X 3" Hydraulic	P12847	1	
	Seal Kit, 8" x 3" Hydraulic Cylinder	P12956	1	
<b>7</b>	Fitting, C5205x4x4 Male Connector	P09143	2	
<b>8</b>	Fitting, 0455x4x4 90° Swivel Elbow	P12199	1	
	Fitting Kit, 1/4NPT 5.0GPM Velocity Fuse	015832	1	
<b>9</b>	Fitting, 1/4NPT 5.0GPM Velocity Fuse	015750	2	◆
	Instruction Sheet, Velocity Fuse Replacement	015832-255	1	
<b>10</b>	Pin, Loading Arm Mount	W09446	4	
<b>11</b>	Bolt, 1/4-20 x 3/4" Hex Head Full Thread	F05005-1	4	
<b>12</b>	Nut, 1/4-20 Hex Lock	F05010-69	4	
<b>13</b>	Pin, Loading Arm Cylinder Mount	S09251	2	
<b>14</b>	Washer, 1" SAE Flat	F05011-28	4	
<b>15</b>	Pin, 3/16" X 1 1/2" Cotter	F05012-23	4	
<b>16</b>	Fitting, C5705x5x4 Union 'T'	P09145	2	
<b>17</b>	Clamp, 1/4" Hydraulic Hose	S09245	6	
<b>18</b>	Bolt, 5/16-18 X 3/4" Hex Head Grade 5	F05006-102 <sup>2</sup>	6	
<b>19</b>	<b>BOLT, 1/2-13 X 2" HEX HEAD FULL THREAD GRADE 5</b>	F05008-116	2	
<b>20</b>	<b>NUT, 1/2-13 JAM</b>	F05010-31	2	

<sup>1</sup> Loading Arm Weldment 036416 replaces W11805 originally supplied prior to LT40HD Rev. J8.02. Redesigned arm provided easier loading of logs onto arm.

<sup>2</sup> Grade 5 Hex Head Bolt F05006-102 replaces self-tapping bolt F05006-30 to eliminate shearing of bolts head (4/08).

### 10.6 Hydraulic Log Turner



REF	DESCRIPTION (◆ Indicates Parts Available In Assemblies Only)	PART #	QTY.
1	ARM, HYDRAULIC LOG TURNER LINK	015231	1
2	Fitting, 3/16" Grease	P04107	2
3	ARM, HYDRAULIC LOG TURNER PAINTED	015233	1
4	CLAW, HYDRAULIC LOG TURNER	014675	2
5	BOLT, 1/2-13 X 5" HEX HEAD GRADE 5	F05008-66	2
6	NUT, 1/2-13 HEX LOCK	F05010-3	2
7	PIN, LOG TURNER MOUNT	015085	2
8	BOLT, 5/16-18 X 1" HEX HEAD GRADE 2	F05006-1	2
9	NUT, 5/16-18 HEX LOCK	F05010-6	2
10	PIN, LOG TURNER PIVOT	S09246	1
11	WASHER, 1" SAE FLAT	F05011-28	2
12	PIN, 3/16" X 1 1/2" COTTER	F05012-23	2
13	SPRING, HYDRAULIC LOG TURNER	015718	2
14	PLATE, LOG TURNER CYLINDER MOUNT	S09155	1
15	PLATE, LOG TURNER MOUNT	S09109	2
16	PLATE, LOG TURNER BRACE	S09605	2

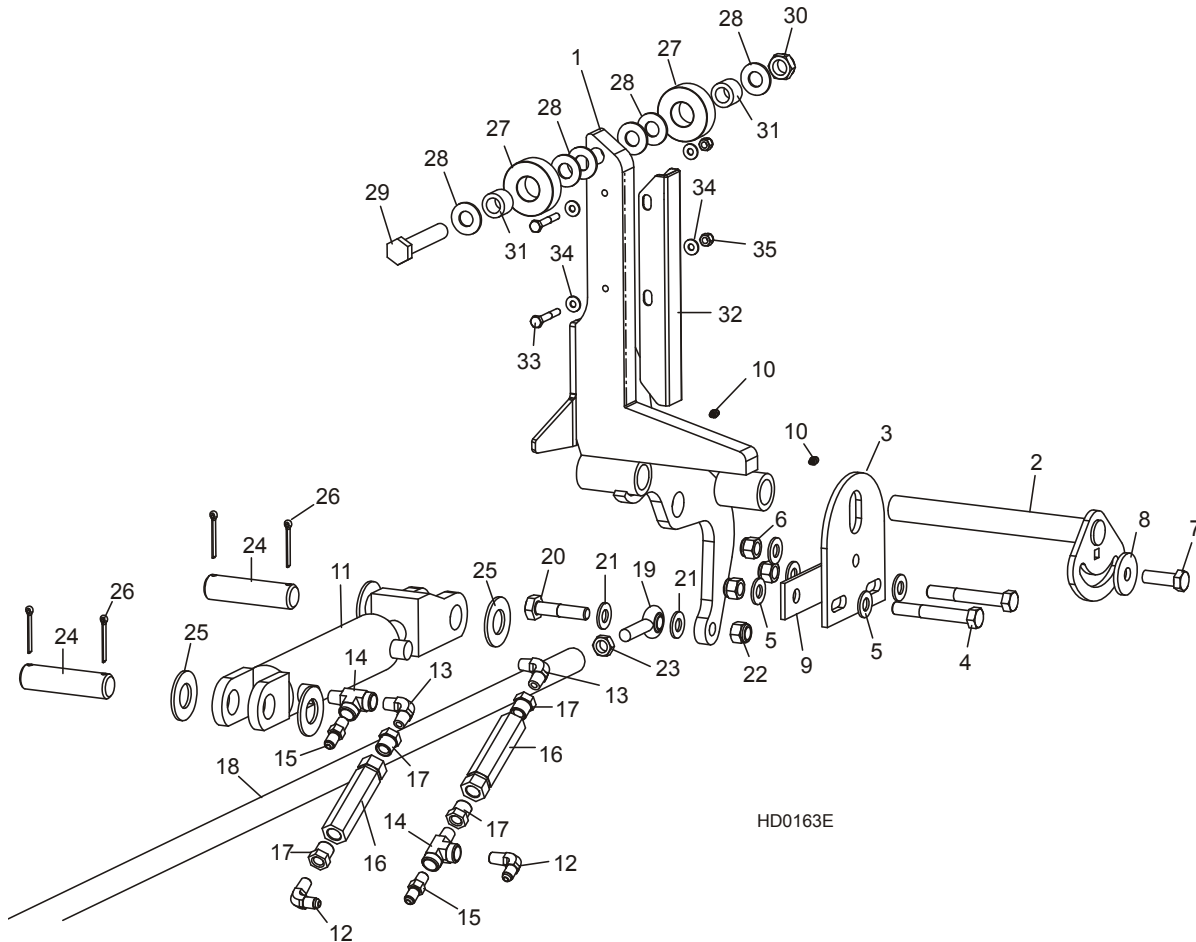
	<b>CYLINDER ASSEMBLY, HYDRAULIC LOG TURNER</b>	A09286	1	
<b>17</b>	Cylinder, 8" X 2 1/2" Hydraulic	P12846	1	◆
	Seal Kit, 8" x 2 1/2" Hydraulic Cylinder	P12955	1	
<b>18</b>	Fitting, 90° Male Elbow	P09142	2	
	<b>WASHER, 1/2" SAE FLAT</b>	F05011-2	4	

# 10

## Hydraulic System

### Hydraulic Log Side Supports (Front/Rear)

#### 10.7 Hydraulic Log Side Supports (Front/Rear)



REF	DESCRIPTION (◆ Indicates Parts Available In Assemblies Only)	PART #	QTY.
1	<b>SUPPORT, HYDRAULIC LOG SIDE</b>	W12339	2
	<b>MOUNTING KIT, HYDRAULIC LOG SIDE SUPPORT</b>	016559	2
2	Pin, Log Side Support Pivot	016544	1
3	Plate, Log Side Support End	016555	1
4	Bolt, 1/2-13 X 3 1/2" Hex Head Grade 5	F05008-61	2
5	Washer, 1/2" SAE Flat	F05011-2	5
6	Nut, 1/2-13 Hex Nylon Lock	F05010-8	3
7	Bolt, 1/2-13 X 1 1/2" Hex Head Grade 5	F05008-33	1
8	Washer, .52" x 1.69"	014632 <sup>1</sup>	1
9	Plate, Side Support Washer Clamp	016558	1
10	<b>FITTING, 3/16" GREASE</b>	P04107	4
	<b>CYLINDER ASSEMBLY, HYDRAULIC LOG SIDE SUPPORT</b>	A09283	1
11	Cylinder, 6" X 2" Hydraulic	P12845	1
	Seal Kit, 6" x 2" Hydraulic Cylinder	P12954	1

12	Fitting, 90° Male Elbow	P09142	2	
13	Fitting, C3529x4 90° Pipe	P09140	2	
14	Fitting, C3759x4 Male 'T'	P09141	2	
15	Fitting, C5205x4x4 Male Connector	P09143	2	
16	Valve, Hydraulic Sequence	015484	2	
17	Fitting, 3/8" NPT - 1/4" NPT Reducer	015490	4	
18	<b>ROD, HYDRAULIC SIDE SUPPORT LINK</b> ( <a href="#">See Section 10.7</a> if equipped with HSS Option)	015026	1	
19	<b>END, 1/2" ROD</b>	P09137	2	
20	<b>BOLT, 1/2-13 X 2 1/4" HEX HEAD GRADE 5</b>	F05008-10	2	
21	<b>WASHER, 1/2" SAE FLAT</b>	F05011-2	4	
22	<b>NUT, 1/2-13 HEX NYLON LOCK</b>	F05010-8	2	
23	<b>NUT, 1/2-20 HEX JAM</b>	F05010-16	1	
24	<b>PIN, CYLINDER MOUNT</b>	S09251	2	
25	<b>WASHER, 1" SAE FLAT</b>	F05011-28	4	
26	<b>PIN, 3/16" X 1 1/2" COTTER</b>	F05012-23	4	
	<b>ROLLER KIT, SIDE SUPPORT</b>	016562	2	
27	Roller, Side Support	016561	2	
28	Washer, 5/8" SAE Flat	F05011-5 <sup>2</sup>	6	
29	Bolt, 5/8-11 x 3 3/4" Hex Head Grade 5	F05009-118 <sup>3</sup>	1	
30	Nut, 5/8-11 Hex Nylon Lock Jam	F05010-96	1	
31	Bushing, Bronze 5/8" x 1" x 3/4"	016560	2	
	Bolt, 1/2-13 x 3 1/2" Carriage Head	F05008-94	1	
	Instruction Sheet, Side Support Roller	016562-526	1	
	<b>GUARD KIT, STAINLESS STEEL SIDE SUPPORT (OPTIONAL)</b>	016798	1	
32	Guard, Stainless Steel Side Support	016722	4	
33	Bolt, 1/4-20 x 1 3/4" Hex Head	F05005-4	8	
34	Washer, 1/4" SAE Flat	F05011-11	16	
	Washer, 5/8" SAE Flat	F05011-5 <sup>2</sup>	4	
35	Nut, 1/4-20 Hex Nylon Lock	F05010-69	8	
	Instruction Sheet, Stainless Steel Side Support Guard Retro	016798-1005	1	

<sup>1</sup> Oversized Washer 014632 replaces 1/2" SAE Flat Washer F05011-2 to provide larger clamping area during adjustment (Rev. K5.03).

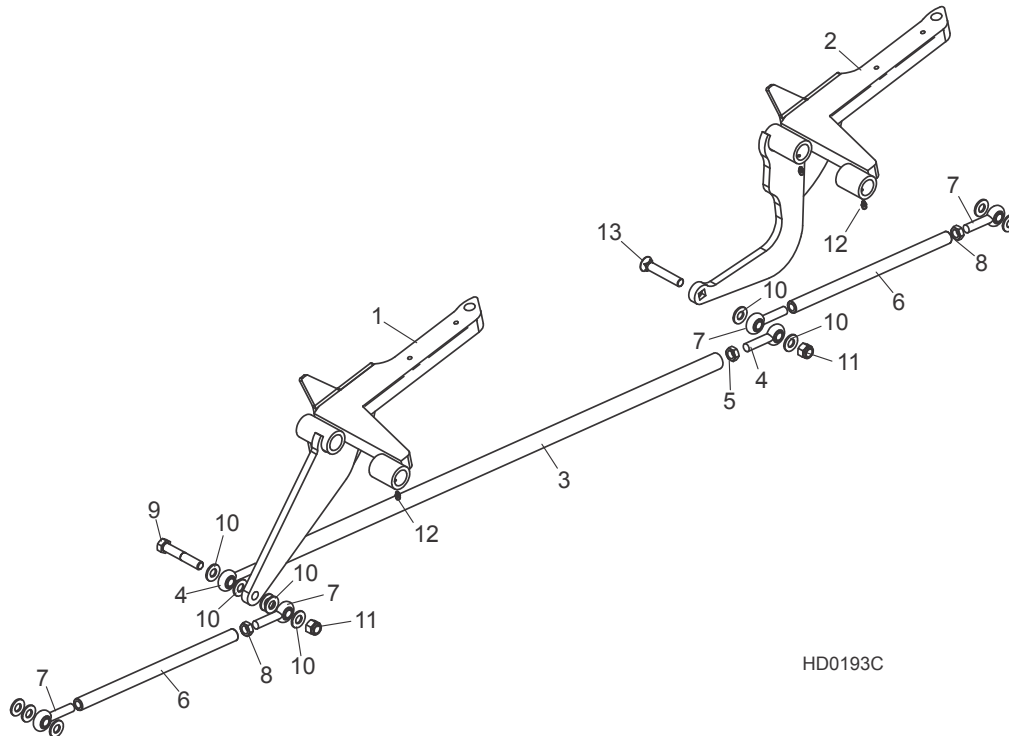
<sup>2</sup> Additional 5/8" SAE Flat Washer F05011-5 may be required on each side of side support to provide clearance for optional stainless steel side support guards. Extra washers are included in the stainless steel guard retrofit kit (016798).

<sup>3</sup> Longer bolt replaces 3 1/2" F05009-93 used before 3/07.

# 10 Hydraulic System

## Hydraulic Log Side Supports (Middle - Optional)

### 10.8 Hydraulic Log Side Supports (Middle - Optional)

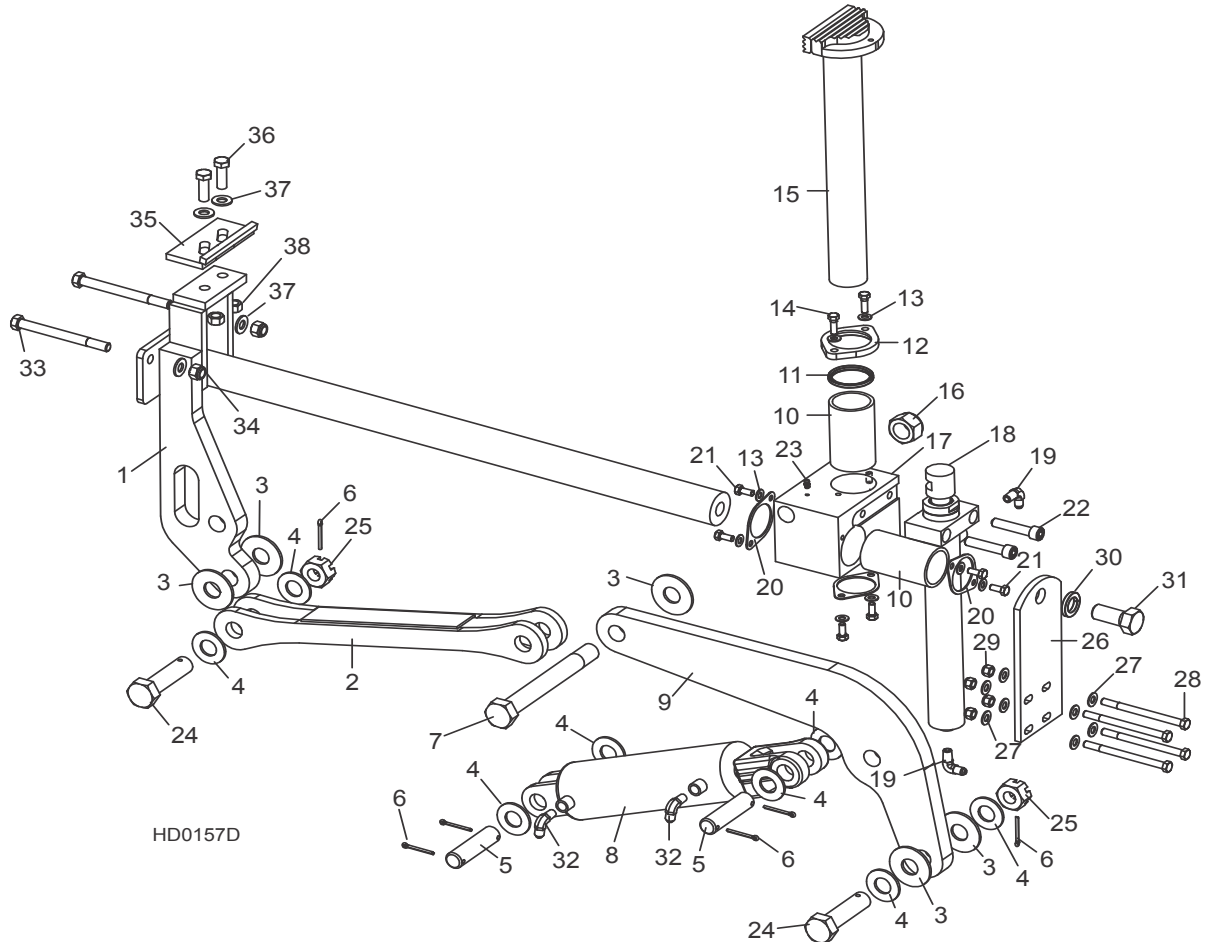


REF	DESCRIPTION (◆ Indicates Parts Available In Assemblies Only)	PART #	QTY.
	<b>SUPPORT ASSEMBLY, HYDRAULIC 4-LINK SIDE</b>	HSS-A <sup>1</sup>	1
1	Support Weldment, Front Log Side	048436	1
2	Support Weldment, Rear Log Side	048438 <sup>2</sup>	1
3	Rod, 4-Link Side Support	048537	1
4	Rod End, 1/2 Male	P09137	2
5	Nut, 1/2-20 Hex Jam	F05010-16	1
	Rod Assembly, 4-Link Side Support Short	048247	2
6	Rod, 4-Link Connecting	048246	1
7	Rod End, 1/2 Male	P09137	2
8	Nut, 1/2-20 Hex Jam	F05010-16	1
9	Bolt, 1/2-13 x 3" Hex Head Grade 5	F05008-23	1
10	Washer, 1/2" SAE Flat	F05011-2	6
11	Nut, 1/2-13 Nylon Hex Lock	F05010-8	2
12	Fitting, 3/16 x 3/16 Straight Grease	P04107	4
13	Bolt, 1/2-13 x 3" Flat Head Plow Grade 5	F05008-158 <sup>2</sup>	1

<sup>1</sup> HSS 4-Link Side Supports option available 2/05. HSS-A may be used to retrofit previous revisions to make all four sides supports hydraulically operated.

<sup>2</sup> Flat Head Bolt F05008-158 replaces welded stud on Rear Side Support 048438 to improve durability (9/05).

## 10.9 Hydraulic Log Clamp



REF	DESCRIPTION (◆ Indicates Parts Available In Assemblies Only)	PART #	QTY.
	<b>CLAMP ASSEMBLY, HYDRAULIC 2-PLANE</b>	017264	1
1	Mount Weldment, Hydraulic Clamp Slide	017265	1
2	Link Weldment, Hydraulic Clamp	017267	1
3	Washer, 1/8" x 2 1/2" Hardened	015057	5
4	Washer, 1" SAE Flat	F05011-28	8
5	Pin, 1" x 3.88"	S09251	2
6	Pin, 3/16" x 1 1/2" Cotter	F05012-23	6
7	Bolt, 1-14 x 8 1/2" Hex Head Grade 8	015049	1
8	Cylinder, 3" x 7" Hydraulic	017275	1
	Seal Kit, Hydraulic Cylinder	P12956	1
9	Arm, Clamp Pivot	017274	1
10	Bushing, Clamp Slide	015088	2
	Wiper Assembly, Vertical Clamp Rod	017271	1
11	Wiper, Vertical Clamp Rod	017273	1

# 10

## Hydraulic System

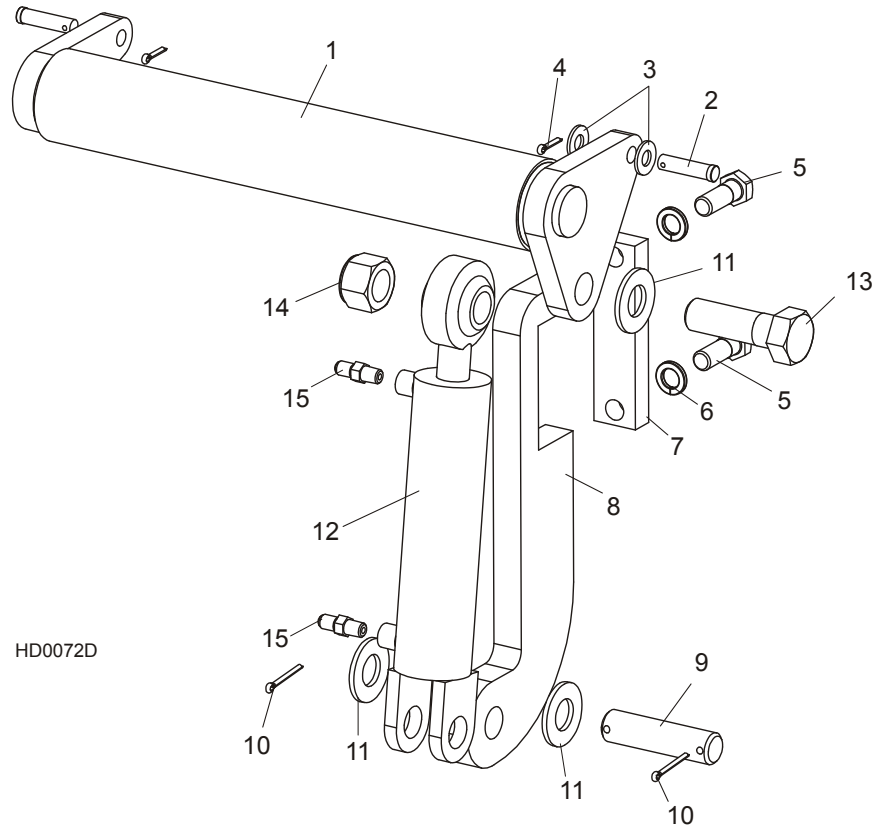
### Hydraulic Log Clamp

12	Flange, Vertical Clamp Rod Wiper	017272	1	
13	Washer, 5/16" SAE Flat	F05011-17	8	
14	Bolt, 5/16-18 x 1" Hex Head	F05006-1	2	
15	Clamp Weldment, Vertical	015043	1	
16	Nut, 1-14 Hex Jam	F05010-118	2	
17	Block, Hydraulic Clamp Slide	017270	1	
18	Cylinder Weldment, Vertical Clamp Hydraulic	015050	1	
	Seal Kit, Hydraulic Cylinder	016204	1	
	Instruction Sheet, Vertical Clamp Seal Replacement	016204-1009	1	
19	Fitting, 1/4" NPT x 1/4" JIC Elbow	P09142	2	
20	Retainer, Clamp Bushing	017242	3	
21	Bolt, 5/16-18 x 3/4" Hex Head	F05006-5	6	
22	Bolt, 1/2-13 x 2 1/2" Socket Head	F05008-39	2	
23	Fitting, 3/16" Straight Grease	P04107	1	
24	Bolt, 1-14 x 3 3/4" Hex Head Grade 8 w/Hole	015072 <sup>1</sup>	2	
25	Nut, 1-14 Slotted Hex	F05010-163	2	
26	Plate, Log Clamp Mount	015068	1	
27	Washer, 3/8" SAE Flat	F05011-3	8	
28	Bolt, 3/8-16 x 5" Hex Head	F05007-5	4	
29	Nut, 3/8-16 Hex Nylon Lock	F05010-10	4	
30	Washer, 7/8" Split Lock	F05011-46	1	
31	Bolt, 7/8-14 x 2" Hex Head Grade 5	F05014-2	1	
32	Fitting, 1/4" NPT - 3/8" JIC Elbow	015491	2	
33	Bolt, 1/2-13 x 5 1/2" Hex Head Grade 5	F05008-28	2	
34	Nut, 1/2-13 Hex Nylon Lock	F05010-8	2	
	Clamp Stop Kit, Hydraulic Log	K09485	1	
35	Plate, Clamp Stop	W09404	1	
36	Bolt, 1/2-13 X 1 1/2" Hex Head Grade 5	F05008-33	2	
37	Washer, 1/2" SAE Flat	F05011-2	2	
38	Nut, 1/2-13 Hex Lock	F05010-3	2	

<sup>1</sup> Bolt shortened from 4" to 3 3/4" to reduce interference on LT60HD/60HD models. 4" bolts can be used on other models (1/04).



### 10.10 Hydraulic Toe Board



REF	DESCRIPTION (◆ Indicates Parts Available In Assemblies Only)	PART #	QTY.
1	TOE BOARD WELDMENT, HYDRAULIC	W13025	2
2	PIN, 1/2-1 3/4 CLEVIS	F05012-82	4
3	WASHER, 1/2" SAE FLAT	F05011-2	4
4	PIN, 1/8 X 3/4" COTTER	F05012-3	4
5	BOLT, 5/8-11 X 1 3/4" HEX HEAD	F05009-33	4
6	WASHER, 5/8" SPLIT LOCK	F05011-27	4
7	PLATE, HYDRAULIC TOEBOARD MOUNT	S13023	2
8	BRACKET, HYDRAULIC TOEBOARD MOUNT	S13022	2
9	PIN, CYLINDER MOUNT	S09251	2
10	PIN, 3/16" X 1 1/2" COTTER	F05012-23	4
11	WASHER, 1" SAE FLAT	F05011-28	6
12	CYLINDER, 1 1/2" X 6" HYDRAULIC TOE BOARD	014482	2
	Seal Kit, 1 1/2" x 6" Hydraulic Cylinder	014547	1
13	BOLT, 1-8 X 3 1/4" HEX HEAD GRADE 5	F05009-51	2
14	NUT, 1-8 HEX NYLON LOCK	F05010-109	2
15	FITTING, 1/4" NPT X 1/4" JIC MALE	P09143	4

# INDEX

---

## B

- battery box 5-7, 5-9
- bed rails
  - front/rear 8-1, 8-3
  - middle front 8-5
  - middle rear 8-6
  - pivot 8-10
- blade guide arm 2-21, 2-22
  - drive 2-19
- blade guides
  - drive side roller 2-10, 2-13, 2-16
  - idle side roller 2-1, 2-4, 2-7
  - throat screw 4-1
- blade tensioner 3-6
- blade wheels
  - drive side 3-1, 3-3
  - idle side 3-5
- board return 4-18, 4-20
- board return table 8-23, 8-24
- brake assembly 4-4

---

## C

- clutch mount 4-3
- clutch pivot 4-2
- control box 5-1
  - drum switches 5-4
  - front panel & harnesses 5-5
  - remote power box door 5-28, 5-29, 5-30
  - remote power w/accuset 5-15, 5-17, 5-20, 5-22
- covers
  - blade housing 4-11
  - drive belt 4-13, 4-14

---

## D

- debarker wire box/hole plugs 4-17
- decals
  - frame 8-16, 8-17
  - saw head 4-7, 4-8, 4-10

---

## F

- feed chain 7-5, 7-6
- fuse box 5-11, 5-13

---

## H

- hydraulic
  - command control 10-2
  - hoses 10-1
  - log clamp 10-16
  - log loader 10-9
  - log turner 10-11
  - power strip 10-7
  - pump box 10-4
  - side supports 10-13
  - side supports (middle) 10-15
  - toe board 10-18

---

## M

- manuals 9-1

---

## O

- outfeed table option 8-26

---

## P

- parts list
  - how to use 1-1

power feed 7-3

---

## R

remote cable chain 8-18

    bottom mount 8-19

    top mount 8-20

    tray & front pivot 8-21

remote cable chain support bracket 8-22

rest pin 8-15

---

## S

sawdust chute 4-16

side supports 8-12

---

## T

track rollers

    lower 7-7

    upper 7-1

---

## U

up/down

    blade scales 6-2, 6-4

    chain & sprockets 6-6

    drive 6-8

    drive (diesel) 6-12

    drive (gas) 6-10

    saw head mount 6-1

    sprocket drive 6-10

---

## W

water lube

    bottle/tray 4-5