

Wood-Mizer[®] Sawmill

Parts Manual

LT40 Super

rev. J7.20



Safety is our #1 concern! Read and understand all safety information and instructions before operating, setting up or maintaining this machine.

Form #534

MODELS EFFECTED:

LT40E25
LT40SE25

California
Proposition 65 Warning



WARNING: Breathing gas/diesel engine exhaust exposes you to chemicals known to the State of California to cause cancer and birth defects or other reproductive harm.

- Always start and operate the engine in a well-ventilated area.
- If in an enclosed area, vent the exhaust to the outside.
- Do not modify or tamper with the exhaust system.
- Do not idle the engine except as necessary.

For more information go to **www.P65warnings.ca.gov**.



WARNING: Drilling, sawing, sanding or machining wood products can expose you to wood dust, a substance known to the State of California to cause cancer. Avoid inhaling wood dust or use a dust mask or other safeguards for personal protection.

For more information go to **www.P65Warnings.ca.gov/wood**.

Active Patents assigned to Wood-Mizer, LLC

Wood-Mizer, LLC has received patents that protect our inventions which are a result of a dedication to research, innovation, development, and design. Learn more at: woodmizer.com/patents

©2022 Wood-Mizer LLC

Printed in the United States of America, all rights reserved. No part of this manual may be reproduced in any form by any photographic, electronic, mechanical or other means or used in any information storage and retrieval system without written permission from

Wood-Mizer, LLC
8180 West 10th Street
Indianapolis, Indiana 46214

Table of Contents

Section-Page

SECTION 1	GENERAL INFORMATION	1-1
1.1	How To Use The Parts List	1-1
1.2	Sample Assembly	1-1
SECTION 2	BLADE GUIDE ROLLERS & ARM	2-1
2.1	Blade Guide Assembly, Idle Side.....	2-1
2.2	Blade Guide Assembly, Drive Side.....	2-4
2.3	Blade Guide Arm Drive Assembly.....	2-7
2.4	Blade Guide Arm.....	2-9
SECTION 3	BLADE WHEELS & TENSIONER	3-1
3.1	Blade Drive Assembly.....	3-1
3.2	Idle Blade Wheel Assembly	3-3
3.3	Hydraulic Blade Tensioner Assembly.....	3-4
SECTION 4	SAW HEAD FRAME	4-1
4.1	Middle Throat Screw	4-1
4.2	Water Lube Solenoid Valve	4-2
4.3	Clutch/Brake Lever Assembly (D47/D51).....	4-3
4.4	Clutch/Brake Lever Assembly (E25)	4-5
4.5	Clutch Mount Assembly.....	4-7
4.6	Brake Assembly.....	4-8
4.7	Board Return Assembly	4-9
4.8	Water Lube Assembly (Gas Only)	4-11
4.9	Water Lube Assembly (Diesel & Electric Only).....	4-12
4.10	Saw Head Decals.....	4-14
4.11	Blade Housing Covers.....	4-15
4.12	Drive Belt Covers	4-17
4.13	Sawdust Chute	4-18
4.14	Debarker Wire Box/Hole Plugs.....	4-19
SECTION 5	CONTROL & BATTERY BOXES	5-1
5.1	Control Assembly	5-1
5.2	Drum Switches	5-3
5.3	Circuit Breakers.....	5-4
5.4	Front Panel Assembly & Harnesses	5-5
5.5	Battery Box Assembly.....	5-7
SECTION 6	UP/DOWN SYSTEM	6-1
6.1	Saw Head Mount	6-1
6.2	Blade Height & Quarter Scales	6-2
6.3	Up/Down Chain & Sprockets.....	6-4
6.4	Up/Down Motor Assembly	6-6
6.5	Up/Down Drive Assembly	6-7

Table of Contents

Section-Page

SECTION 7	FEED SYSTEM & TRACK ROLLERS	7-1
7.1	Upper Track Rollers And Wipers.....	7-1
7.2	Power Feed Assembly.....	7-3
7.3	Feed Chain/Stop.....	7-5
7.4	Lower Track Rollers.....	7-6
SECTION 8	BED FRAME ASSEMBLY	8-1
8.1	Bed Rail Assembly, Front And Rear.....	8-1
8.2	Bed Rail Assembly, Middle Front.....	8-3
8.3	Bed Rail Assembly, Middle Rear.....	8-4
8.4	Leg Assembly (Stationary).....	8-6
8.5	Board Return Table Assembly.....	8-8
8.6	Pivot Bed Rail Assembly.....	8-9
8.7	Log Side Support Assembly (Manual).....	8-11
8.8	Safety Chain Assembly.....	8-13
8.9	Bed Frame Decals.....	8-14
8.10	Log Clamp.....	8-15
8.11	Log Loading Ramps.....	8-16
8.12	Board Outfeed Table (Optional).....	8-17
SECTION 9	MISCELLANEOUS	9-1
9.1	Replacement Manuals.....	9-1
9.2	Tools.....	9-3
SECTION 10	BED HYDRAULIC LOG LOADER & TURNER (OPTIONAL)	10-1
10.1	Hydraulic Hoses.....	10-1
10.2	Hydraulic Loader/Turner Control Box.....	10-2
10.3	Hydraulic Power Supply Strip.....	10-4
10.4	Hydraulic Log Loader (Optional).....	10-6
10.5	Hydraulic Log Turner (Optional).....	10-8
10.6	Hydraulic Log Side Supports (Optional).....	10-10
10.7	Miscellaneous Loader & Turner Parts.....	10-12

INDEX

I

California
Proposition 65 Warning



WARNING: Breathing gas/diesel engine exhaust exposes you to chemicals known to the State of California to cause cancer and birth defects or other reproductive harm.

- Always start and operate the engine in a well-ventilated area.
- If in an enclosed area, vent the exhaust to the outside.
- Do not modify or tamper with the exhaust system.
- Do not idle the engine except as necessary.

For more information go to **www.P65warnings.ca.gov**.



WARNING: Drilling, sawing, sanding or machining wood products can expose you to wood dust, a substance known to the State of California to cause cancer. Avoid inhaling wood dust or use a dust mask or other safeguards for personal protection.

For more information go to **www.P65Warnings.ca.gov/wood**.

Active Patents assigned to Wood-Mizer, LLC

Wood-Mizer, LLC has received patents that protect our inventions which are a result of a dedication to research, innovation, development, and design. Learn more at: woodmizer.com/patents

©2022 Wood-Mizer LLC

Printed in the United States of America, all rights reserved. No part of this manual may be reproduced in any form by any photographic, electronic, mechanical or other means or used in any information storage and retrieval system without written permission from

Wood-Mizer, LLC
8180 West 10th Street
Indianapolis, Indiana 46214

Table of Contents

Section-Page

SECTION 1	GENERAL INFORMATION	1-1
1.1	How To Use The Parts List	1-1
1.2	Sample Assembly	1-1
SECTION 2	BLADE GUIDE ROLLERS & ARM	2-1
2.1	Blade Guide Assembly, Idle Side.....	2-1
2.2	Blade Guide Assembly, Drive Side.....	2-4
2.3	Blade Guide Arm Drive Assembly.....	2-7
2.4	Blade Guide Arm.....	2-9
SECTION 3	BLADE WHEELS & TENSIONER	3-1
3.1	Blade Drive Assembly.....	3-1
3.2	Idle Blade Wheel Assembly	3-3
3.3	Hydraulic Blade Tensioner Assembly.....	3-4
SECTION 4	SAW HEAD FRAME	4-1
4.1	Middle Throat Screw	4-1
4.2	Water Lube Solenoid Valve	4-2
4.3	Clutch/Brake Lever Assembly (D47/D51).....	4-3
4.4	Clutch/Brake Lever Assembly (E25)	4-5
4.5	Clutch Mount Assembly.....	4-7
4.6	Brake Assembly.....	4-8
4.7	Board Return Assembly	4-9
4.8	Water Lube Assembly (Gas Only)	4-11
4.9	Water Lube Assembly (Diesel & Electric Only).....	4-12
4.10	Saw Head Decals.....	4-14
4.11	Blade Housing Covers.....	4-15
4.12	Drive Belt Covers	4-17
4.13	Sawdust Chute	4-18
4.14	Debarker Wire Box/Hole Plugs.....	4-19
SECTION 5	CONTROL & BATTERY BOXES	5-1
5.1	Control Assembly	5-1
5.2	Drum Switches	5-3
5.3	Circuit Breakers.....	5-4
5.4	Front Panel Assembly & Harnesses	5-5
5.5	Battery Box Assembly.....	5-7
SECTION 6	UP/DOWN SYSTEM	6-1
6.1	Saw Head Mount	6-1
6.2	Blade Height & Quarter Scales	6-2
6.3	Up/Down Chain & Sprockets.....	6-4
6.4	Up/Down Motor Assembly	6-6
6.5	Up/Down Drive Assembly	6-7

Table of Contents

Section-Page

SECTION 7	FEED SYSTEM & TRACK ROLLERS	7-1
7.1	Upper Track Rollers And Wipers.....	7-1
7.2	Power Feed Assembly.....	7-3
7.3	Feed Chain/Stop.....	7-5
7.4	Lower Track Rollers.....	7-6
SECTION 8	BED FRAME ASSEMBLY	8-1
8.1	Bed Rail Assembly, Front And Rear.....	8-1
8.2	Bed Rail Assembly, Middle Front.....	8-3
8.3	Bed Rail Assembly, Middle Rear.....	8-4
8.4	Leg Assembly (Stationary).....	8-6
8.5	Board Return Table Assembly.....	8-8
8.6	Pivot Bed Rail Assembly.....	8-9
8.7	Log Side Support Assembly (Manual).....	8-11
8.8	Safety Chain Assembly.....	8-13
8.9	Bed Frame Decals.....	8-14
8.10	Log Clamp.....	8-15
8.11	Log Loading Ramps.....	8-16
8.12	Board Outfeed Table (Optional).....	8-17
SECTION 9	MISCELLANEOUS	9-1
9.1	Replacement Manuals.....	9-1
9.2	Tools.....	9-3
SECTION 10	BED HYDRAULIC LOG LOADER & TURNER (OPTIONAL)	10-1
10.1	Hydraulic Hoses.....	10-1
10.2	Hydraulic Loader/Turner Control Box.....	10-2
10.3	Hydraulic Power Supply Strip.....	10-4
10.4	Hydraulic Log Loader (Optional).....	10-6
10.5	Hydraulic Log Turner (Optional).....	10-8
10.6	Hydraulic Log Side Supports (Optional).....	10-10
10.7	Miscellaneous Loader & Turner Parts.....	10-12

INDEX

I

SECTION 1 REPLACEMENT PARTS

1.1 How To Use The Parts List

- Use the table of contents to locate the assembly that contains the part you need.
- Go to the appropriate section and locate the part in the illustration.
- Use the number pointing to the part to locate the correct part number and description in the table.
- Parts shown indented under another part are included with that part.

To Order Parts

- From the continental US, call **1-800-525-8100** to order parts. Have your customer number, vehicle identification number, and part numbers ready when you call.
- From other international locations, contact the Wood-Mizer distributor in your area for parts.

1.2 Sample Assembly

REF	PART #	DESCRIPTION	COMMENTS	QTY.
	012345	SAMPLE ASSEMBLY, COMPLETE	INCLUDES ITEMS 1-6	1
1	F02222-22	Sample Part		1
2	F03333-33	Sample Part		2
	098765	Sample Subassembly	Includes items 3-6	1
3	S04444-44	Subassembly Sample Part		1
4	K55555	Subassembly Sample Part		1
	054321	Sample Sub-Subassembly	Includes items 5-6	2
5	022222	Sub-Subassembly Sample Part		1
6	F10234-56	Sub-Subassembly Sample Part		1

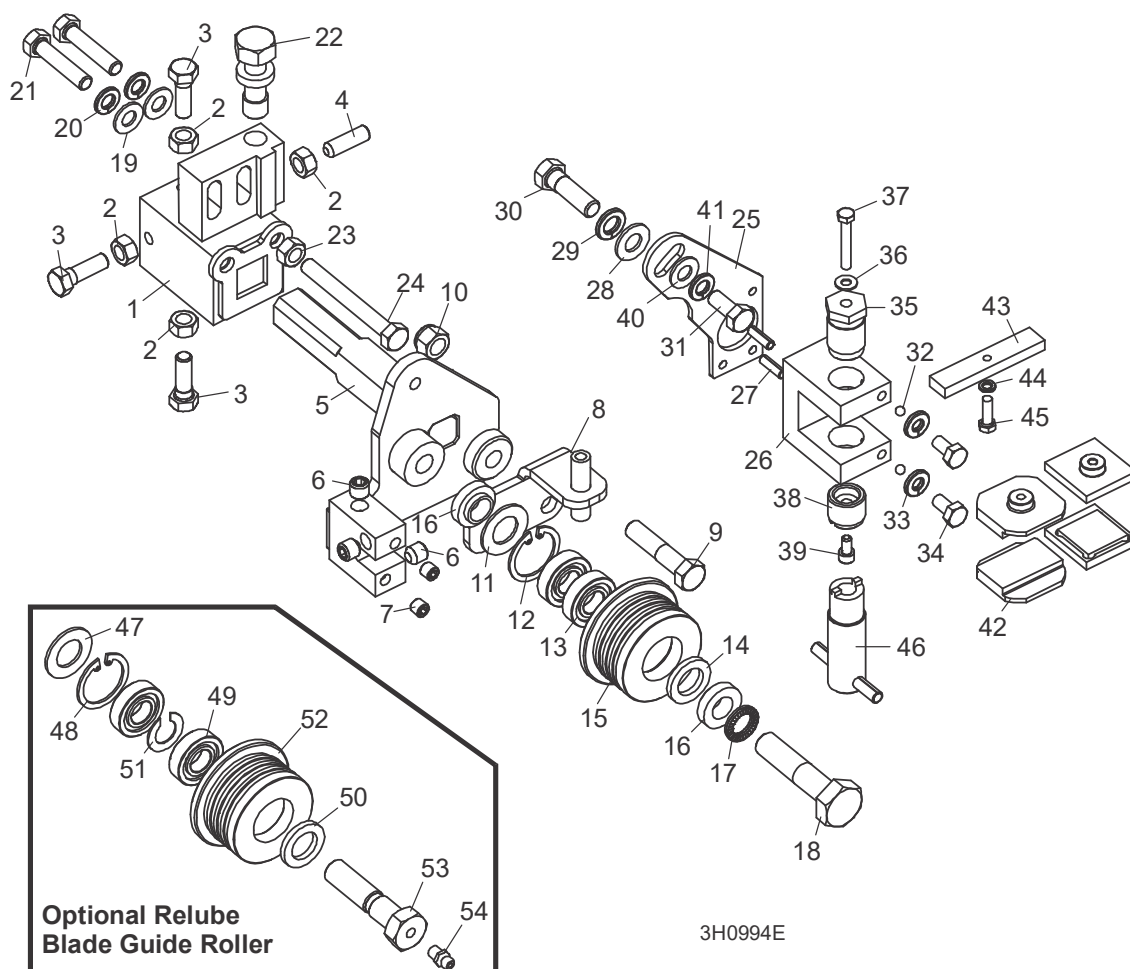
The Sample Assembly, Complete, part number 012345 (top level assembly) includes two parts (F0222-22 and F0333-33) and the 098765 subassembly.

Subassembly 098765 contains two parts(S04444-44 and K55555) and two copies of sub-subassembly 054321.

Each sub-subassembly 054321 contains two parts (022222 and F10234-56).

SECTION 2 BLADE GUIDE ROLLERS & ARM

2.1 Blade Guide Assembly, Idle Side



REF	PART #	DESCRIPTION	COMMENTS	QTY.
	003992	GUIDE ASSEMBLY, IDLE SIDE BLADE ROLLER		1
	003920	Block Assembly, Idle Side Blade Guide Mount		1
1	003921	Block Weldment, Blade Guide Mount	Available in assemblies only.	1
2	F05010-17	Nut, 5/16-18 Hex		4
3	F05006-88	Bolt, 5/16-18 x 1" Hex Head Stainless Steel		3
4	F05006-122	Screw, 5/16-18 x 1" Socket Head Flat Point Stainless Steel Set		1
5	003924	Shaft Weldment, Idle Side Guide		1
6	P30127	Fitting, 1/8" NPT Socket Pipe Plug		3
7	007734	Fitting, 1/16" NPT Socket Pipe Plug		2
8	006322	Bracket Weldment, Idle Side Water Lube		1
9	F05007-78	Bolt, 3/8-16x1 1/2 Hex Head Grade 5		1
10	F05010-10	Nut, 3/8-16 Hex Nylon Lock		1

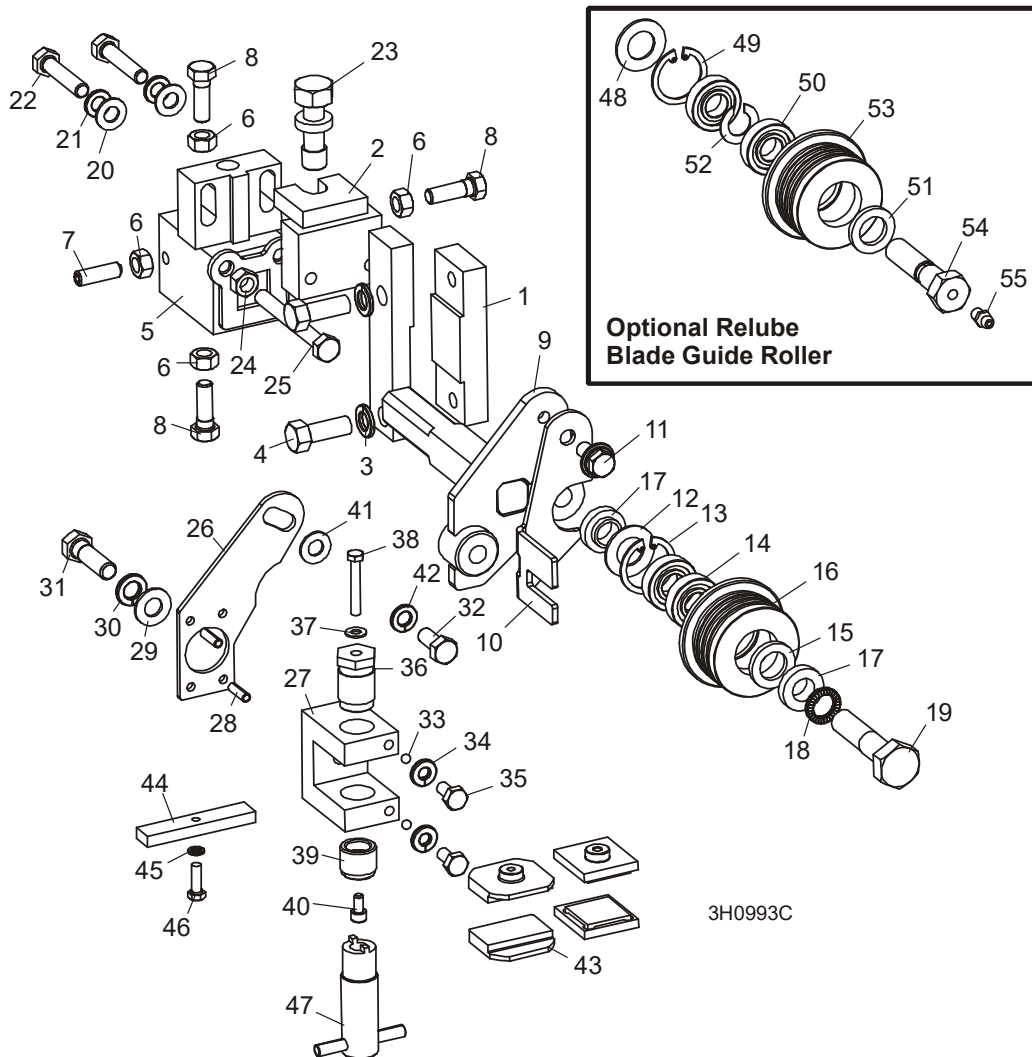
REF	PART #	DESCRIPTION	COMMENTS	QTY.
	A04925	Roller Assembly, Blade Guide (standard for use with 1 1/4" & 1 1/2" blades)	Use kit 006382 to convert rollers and guide blocks for both blade guides for 1 1/2" blades. Optional relube versions of each roller configuration also available.	1
	014299	Roller Assembly, Extended Blade Guide (optional for use with 1 1/2" blades)		1
	K07079	Bearing Kit, Blade Guide Rebuild		1
11	P04252	Washer, 5/8" White Felt		1
12	F04254-1	Ring, 1 1/8" Interior Retaining		1
13	015975	Bearing, R8-2RS Blade Guide	Available in assemblies only.	2
14	P06455	Washer, 5/8" Gray Felt		1
	F05005-105	Screw, 1/4-28 x 1/4" Socket Head Cup Point Set Black Oxide		1
	057407-1507	Instruction Sheet, Blade Guide Rebuild		1
15	S04250	Roller, Flanged Blade Guide (1 1/4" & 1 1/2" blade)	Available in assemblies only.	1
	014298	Roller, Flanged Blade Guide (1 1/2" blade)	Available in assemblies only.	1
	A04925-364	Instruction Sheet, Blade Guide Roller Replacement		1
16	S04253	Spacer, Blade Guide		2
17	F05011-125	Washer, 1/2" Nord-Lock		1
18	F05008-10	Bolt, 1/2-13 x 2 1/4" Hex Head Grade 5		1
19	F05011-17	Washer, 5/16" SAE Flat		2
20	F05011-13	Washer, 5/16" Split Lock		2
21	F05006-76	Bolt, 5/16-18 x 1 1/2" Hex Head		2
22	035656	Bolt, Blade Guide Vertical Adjustment		1
23	F05010-17	Nut, 5/16-18 Hex		1
24	F05006-136	Bolt, 5/16-18 x 2 3/4" Hex Head Full Thread		1
	006325	GUIDE KIT, HIGH-PERFORMANCE BLADE GUIDE (OPTIONAL)	High-Performance Blade Guide Kit requires LMS blade lube system. If sawmill not already equipped with LMS, add kit .	1
	003928	Block Assembly, Idle Side Blade Guide		1
25	003915	Plate, Block Tilt Adjustment		1
26	003909	Block, Guide Block Mount		1
27	F05012-22	Pin, 3/16" x 5/8" Roll		2
28	F05011-3	Washer, 3/8" SAE Flat		1
29	F05011-4	Washer, 3/8" Split Lock		1
30	F05007-123	Bolt, 3/8-16 x 1 1/4" Hex Head Grade 5		1
31	F05006-102	Bolt, 5/16-18 x 3/4" Hex Head		1
32	003914	Ball, 3/16" Dia. Nylon		2
33	F05011-14	Washer, 1/4" Split Lock		2
34	F05005-15	Bolt, 1/4-20 x 1/2" Hex Head		2
35	003994	Bolt, Blade Guide Block Mount		1
36	042867	Washer, #10 Brass		1
37	F05004-240	Bolt, #10-32 x 1 1/4" Hex Head Stainless Steel		1
38	044057	Screw, Lower Block Adjustment		1
39	F05004-200	Screw, #10-32 x 3/8" Socket Head Stainless Steel		1
40	F05011-17	Washer, 5/16" SAE Flat		1

2 Blade Guide Rollers & Arm

Blade Guide Assembly, Idle Side

REF	PART #	DESCRIPTION	COMMENTS	QTY.
41	F05011-13	Washer, 5/16" Split Lock		1
42	052355	Block, Blade Guide Wear (Standard for 1 1/4" Blades)	Use kit 006382 to convert rollers and guide blocks for both blade guides for 1 1/2" blades. EZ-Glide blocks 036347 are available.	2
	052309	Block, Blade Guide Wear (Optional for 1 1/2" Blades)		2
	036347	Block Assembly, 1" Sq. EZ-Glide Wear		2
43	035799	Block, Blade Guide Alignment		1
44	F05011-20	Washer, #10 Split Lock		1
45	F05004-152	Screw, #10-32 x 5/8" Hex Head		1
46	044064	Adjustment Tool, Lower Guide Block		1
	035248	Shim, .008" Blade Guide Block Spacer		1
		Drive Side Blade Guide Parts	(See Section 2.1)	
	016568	ROLLER ASSEMBLY, BLADE GUIDE RELUBE	(OPTIONAL FOR USE WITH 1 1/4" OR 1 1/2" BLADES)	1
	057405	ROLLER ASSEMBLY, EXTENDED BLADE GUIDE RELUBE	(OPTIONAL FOR USE WITH 1 1/2" BLADES)	1
	057407	Bearing Kit, Relube Blade Guide Rebuild		1
47	P04252	Washer, 5/8" White Felt		1
48	F04254-1	Ring, 1 1/8" Interior Retaining		1
49	015975	Bearing, R8-2RS Blade Guide	Available in assemblies only. Bearing must be modified for use with relube roller assemblies. Remove (1) seal from each bearing, place open sides facing each other and place spacer 035411 between bearings.	2
50	P06455	Washer, 5/8" Gray Felt		1
51	035411	Spacer, Blade Guide Bearing		1
	057407-1507	Instruction Sheet, Blade Guide Rebuild		1
52	035426	Roller, Flanged Blade Guide (Relube 1 1/4" & 1 1/2" blade)	Available in assemblies only.	1
	057402	Roller, Flanged Blade Guide (Relube 1 1/2" blade)	Available in assemblies only.	1
	A04925-364	Instruction Sheet, Blade Guide Roller Replacement		1
53	036161	BOLT, BLADE GUIDE ROLLER (RELUBE ONLY)		1
54	P05060	FITTING, 1/4-28 GREASE (RELUBE ONLY)		1

2.2 Blade Guide Assembly, Drive Side



3H0993C

REF	PART #	DESCRIPTION	COMMENTS	QTY.
1	016548	BLOCK, BOLT ON BLADE GUIDE MOUNT		1
2	003964	BRACKET WELDMENT, INNER BLADE GUIDE MOUNT		1
3	F05011-4	WASHER, 3/8" SPLIT LOCK		2
4	F05007-7	BOLT, 3/8-16 X 1" HEX HEAD		2
	003905	GUIDE ASSEMBLY, DRIVE SIDE BLADE ROLLER		1
	003910	Block Assembly, Blade Guide Mount		1
5	003911	Block Weldment, Blade Guide Mount	Available in assemblies only.	1
6	F05010-17	Nut, 5/16-18 Hex		4
7	F05006-122	Screw, 5/16-18 x 1" Socket Head Flat Point Stainless Steel Set		1
8	F05006-88	Bolt, 5/16-18 x 1" Hex Head Stainless Steel		3
9	003913	Shaft Weldment, Drive Side Guide		1
10	003916	Plate, Blade Guide Deflector		1
11	F05006-101	Bolt, 5/16-18 x 3/4" Hex Head w/Flat & Lock Washer		1

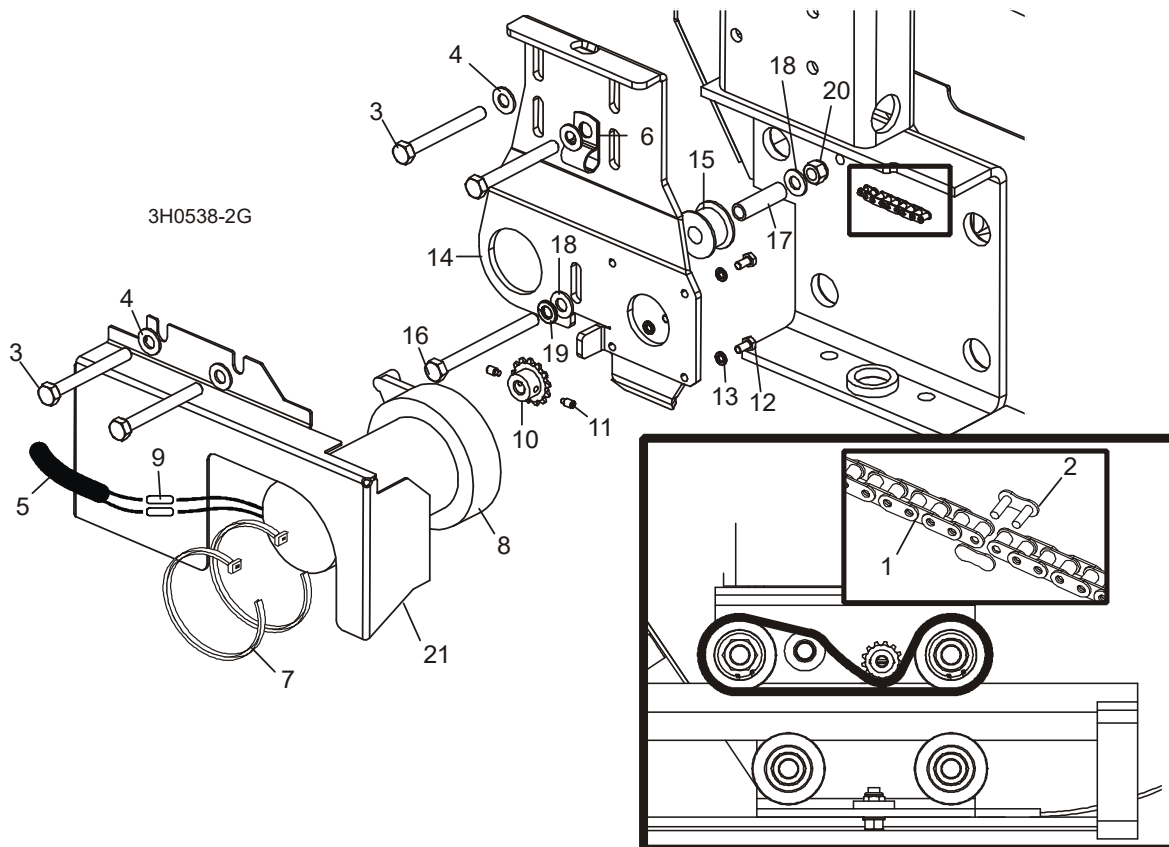
2 Blade Guide Rollers & Arm

Blade Guide Assembly, Drive Side

REF	PART #	DESCRIPTION	COMMENTS	QTY.
	A04925	Roller Assembly, Blade Guide (standard for use with 1 1/4" & 1 1/2" blades)	Use kit 006382 to convert the rollers and guide blocks for both blade guides for 1 1/2" blades. Optional relube versions of each roller configuration are also available.	1
	014299	Roller Assembly, Extended Blade Guide (optional for use with 1 1/2" blades)		1
	K07079	Bearing Kit, Blade Guide Rebuild		1
12	P04252	Washer, 5/8" White Felt		1
13	F04254-1	Ring, 1 1/8" Interior Retaining		1
14	015975	Bearing, R8-2RS Blade Guide	Available in assemblies only.	2
15	P06455	Washer, 5/8" Gray Felt		1
	F05005-105	Screw, 1/4-28 x 1/4" Socket Head Cup Point Set Black Oxide		1
	057407-1507	Instruction Sheet, Blade Guide Rebuild		1
16	S04250	Roller, Flanged Blade Guide (1 1/4" & 1 1/2" blade)	Available in assemblies only.	1
	014298	Roller, Flanged Blade Guide (1 1/2" blade)	Available in assemblies only.	1
	A04925-364	Instruction Sheet, Blade Guide Roller Replacement		1
17	S04253	Spacer, Blade Guide		2
18	F05011-125	Washer, 1/2" Nord-Lock		1
19	F05008-10	Bolt, 1/2-13 x 2 1/4" Hex Head Grade 5		1
20	F05011-17	Washer, 5/16" SAE Flat		2
21	F05011-13	Washer, 5/16" Split Lock		2
22	F05006-93	Bolt, 5/16-18 x 1 1/4" Hex Head		2
23	035656	Bolt, Blade Guide Vertical Adjustment		1
24	F05010-17	Nut, 5/16-18 Hex		1
25	F05006-136	Bolt, 5/16-18 x 2 3/4" Hex Head Full Thread		1
	006325	GUIDE KIT, HIGH-PERFORMANCE BLADE GUIDE (OPTIONAL)	Requires LMS blade lube system. Use kit 006325 to upgrade to High-Performance. If not already equipped add LMS kit.	1
	003927	Block Assembly, Drive Side Blade Guide		1
26	003915	Plate, Block Tilt Adjustment		1
27	003909	Block, Guide Block Mount		1
28	F05012-22	Pin, 3/16" x 5/8" Roll		2
29	F05011-3	Washer, 3/8" SAE Flat		1
30	F05011-4	Washer, 3/8" Split Lock		1
31	F05007-123	Bolt, 3/8-16 x 1 1/4" Hex Head Grade 5		1
32	F05006-102	Bolt, 5/16-18 x 3/4" Hex Head		1
33	003914	Ball, 3/16" Dia. Nylon		2
34	F05011-14	Washer, 1/4" Split Lock		2
35	F05005-15	Bolt, 1/4-20 x 1/2" Hex Head		2
36	003994	Bolt, Blade Guide Block Mount		1
37	042867	Washer, #10 Brass		1
38	F05004-240	Bolt, #10-32 x 1 1/4" Hex Head Stainless Steel		1
39	044057	Screw, Lower Block Adjustment		1
40	F05004-200	Screw, #10-32 x 3/8" Socket Head Stainless Steel		1
41	F05011-17	Washer, 5/16" SAE Flat		1

REF	PART #	DESCRIPTION	COMMENTS	QTY.
42	F05011-13	Washer, 5/16" Split Lock		1
43	052355	Block, Blade Guide Wear (Standard for 1 1/4" Blades)	Use kit 006382 to convert the rollers and guide blocks for both blade guides for 1 1/2" blades. Optional relube versions of each roller configuration are also available.	2
	052309	Block, Blade Guide Wear (Optional for 1 1/2" Blades)		2
	036347	Block Assembly, 1" Sq. EZ-Glide Wear		2
44	035799	Block, Blade Guide Alignment		1
45	F05011-20	Washer, #10 Split Lock		1
46	F05004-152	Screw, #10-32 x 5/8" Hex Head		1
47	044064	Adjustment Tool, Lower Guide Block		1
	035248	Shim, .008" Blade Guide Block Spacer		1
		Idle Side Blade Guide Parts	(See Section 2.1)	
	016568	ROLLER ASSEMBLY, BLADE GUIDE RELUBE (OPTIONAL FOR USE WITH 1 1/4" OR 1 1/2" BLADES)	Use kit 006382 to convert the rollers and guide blocks for both blade guides for 1 1/2" blades. Optional relube versions of each roller configuration are also available.	1
	057405	ROLLER ASSEMBLY, EXTENDED BLADE GUIDE RELUBE (OPTIONAL FOR USE WITH 1 1/2" BLADES)		1
	057407	Bearing Kit, Relube Blade Guide Rebuild		1
48	P04252	Washer, 5/8" White Felt		1
49	F04254-1	Ring, 1 1/8" Interior Retaining		1
50	015975	Bearing, R8-2RS Blade Guide	Available in assemblies only. Bearing must be modified for use with relube roller assemblies. Remove one seal from each bearing, place open sides facing each other and place spacer 035411 between bearings.	2
51	P06455	Washer, 5/8" Gray Felt		1
52	035411	Spacer, Blade Guide Bearing		1
	057407-1507	Instruction Sheet, Blade Guide Rebuild		1
53	035426	Roller, Flanged Blade Guide (Relube 1 1/4" & 1 1/2" blade)	Available in assemblies only.	1
	057402	Roller, Flanged Blade Guide (Relube 1 1/2" blade)	Available in assemblies only.	1
	A04925-364	Instruction Sheet, Blade Guide Roller Replacement		1
54	036161	BOLT, BLADE GUIDE ROLLER (RELUBE ONLY)		1
55	P05060	FITTING, 1/4-28 GREASE (RELUBE ONLY)		1

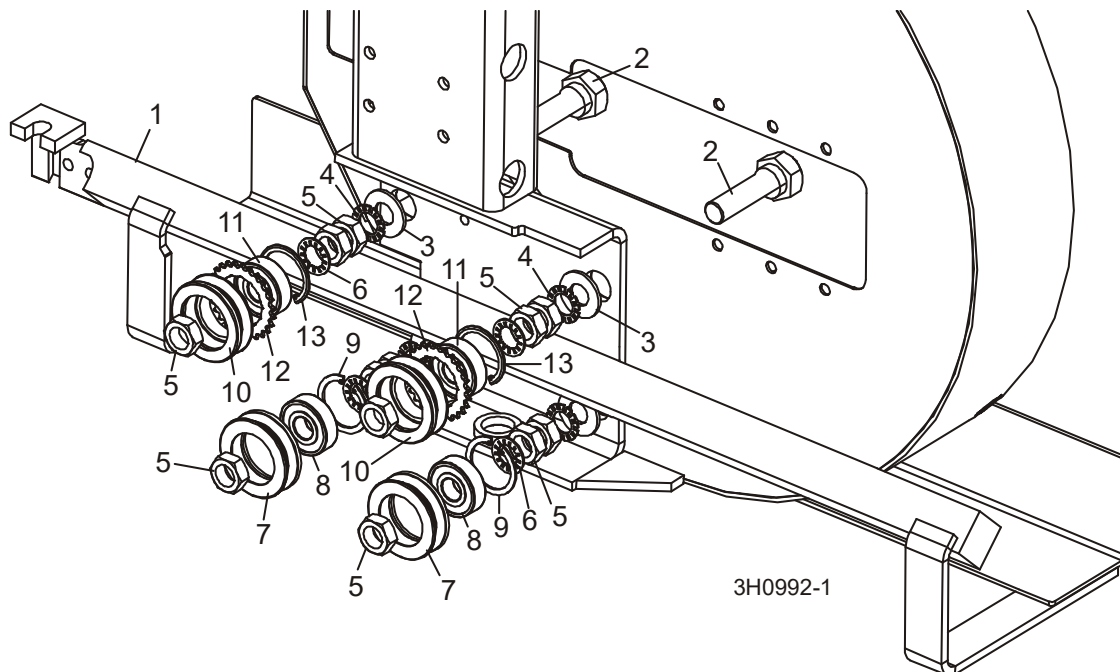
2.3 Blade Guide Arm Drive Assembly



REF	PART #	DESCRIPTION	COMMENTS	QTY.
1	P09984	CHAIN, #25 X 20 1/4"		1
2	P09983	LINK, #25 MASTER		1
3	F05006-28	BOLT, 5/16-18 X 2 3/4" HEX HEAD GRADE 5		4
4	F05011-17	WASHER, 5/16" SAE FLAT		4
5	R01897	TUBE, 3/8" X 1/2" NEOPRENE		2.5ft
6	P07584	CLAMP, 1/2" COATED EMT		2
7	F05089-1	WRAP, 1/4" X 6" TIE		2
	015989	DRIVE ASSEMBLY, BLADE GUIDE ARM		1
	079215	Motor Assembly, Blade Guide Arm Replacement		1
8	079214	Motor, Current Applications 1/30HP 12VDC Gear		1
	061232	Gear Kit, Motor Replacement (Current Application)		1
	061234	Brush Kit, Gear Motor Replacement (Current Application)		1
	061233	Shaft Kit, Gear Motor Replacement (Current Application)		1
9	F04875-1	Connector, 14 Gauge Butt		2
10	P09970	Sprocket, Gear Motor #25 14-Tooth		1
11	F05004-274	Screw, #10-24 x 1/4" Full Dog Point Socket Set		2
12	F05004-60	Screw, #10-32 x 1/2" Hex Head		4
13	F05011-20	Washer, #10 Split Lock		4
	A10365-296	Instruction Sheet, Blade Guide Arm Motor		1

REF	PART #	DESCRIPTION	COMMENTS	QTY.
14	015939	Bracket, Blade Guide Arm Motor Mount		1
15	S09999	Roller, Blade Guide Arm Chain Idler		1
16	F05006-3	Bolt, 5/16-18 X 3 1/2" Hex Head Full Thread		1
17	S09996	Spacer, 5/16" I.D. X 1 1/2"		1
18	F05011-17	Washer, 5/16" SAE Flat		2
19	F05011-13	Washer, 5/16" Split Lock		1
20	F05010-58	Nut, 5/16-18 Hex Nylon Lock		1
21	S11617	COVER, BLADE GUIDE ARM MOTOR		1
	S12029	GUARD, BLADE GUIDE ARM (G.S. ONLY)		1

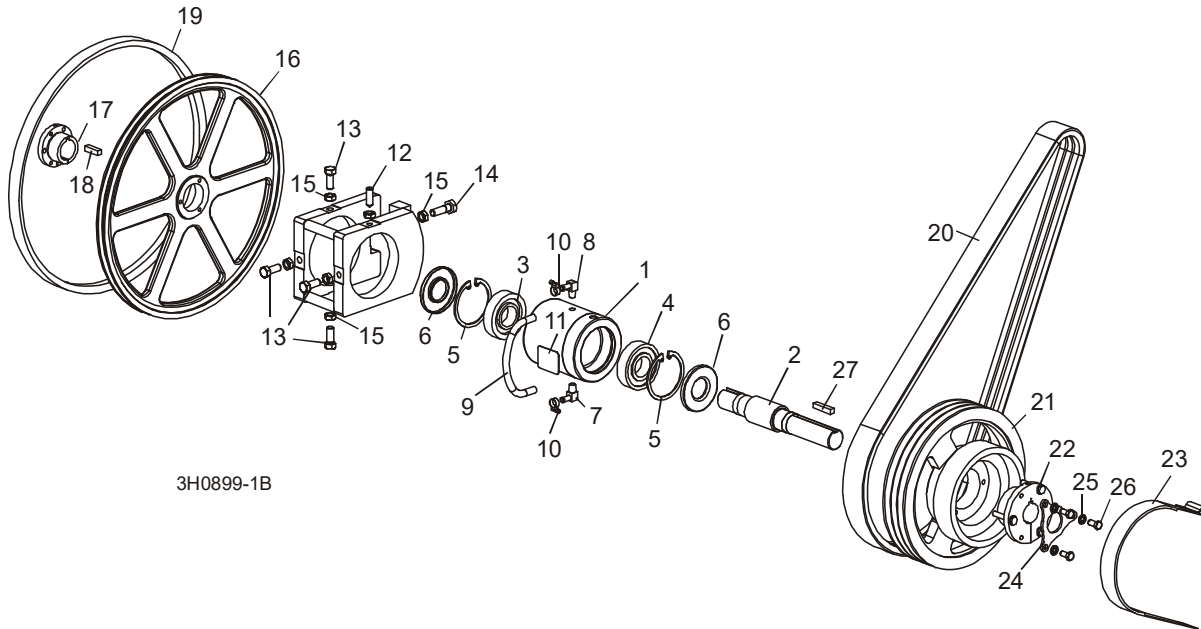
2.4 Blade Guide Arm



REF	PART #	DESCRIPTION	COMMENTS	QTY.
1	003972	BLADE GUIDE ARM WELDMENT		1
	007040	BLADE GUIDE ARM WELDMENT (WIDE HEAD ONLY)		1
2	W09067	BOLT, BLADE GUIDE ARM ROLLER CAM		4
3	F05011-5	WASHER, 5/8" SAE FLAT		4
4	F05011-26	WASHER, 5/8" EXTERNAL STAR		4
5	F05010-11	NUT, 5/8-18 HEX JAM		12
6	F05011-25	WASHER, 5/8" INTERNAL STAR		8
	A09059	ROLLER ASSEMBLY, BLADE GUIDE ARM WITH BEARING		2
7	S07989	Roller, Blade Guide Arm V-Groove	Available in assemblies only.	1
8	P06030-1	Bearing, 6203-2NSL 5/8" I.D.	Available in assemblies only.	1
9	F04254-8	Ring, 1.575" ID Beveled 5002-156 Retaining		1
	A09932	ROLLER ASSEMBLY, BLADE GUIDE ARM WITH BEARING AND SPROCKET		2
10	S09930	Roller, Blade Guide Arm Drive	Available in assemblies only.	1
11	P06030-1	Bearing, 6203-2NSL 5/8" I.D.	Available in assemblies only.	1
12	S09931	Sprocket, #25 26-Tooth	Available in assemblies only.	1
13	F04254-8	Ring, 1.575" ID Beveled 5002-156 Retaining		1

SECTION 3 BLADE WHEELS & TENSIONER

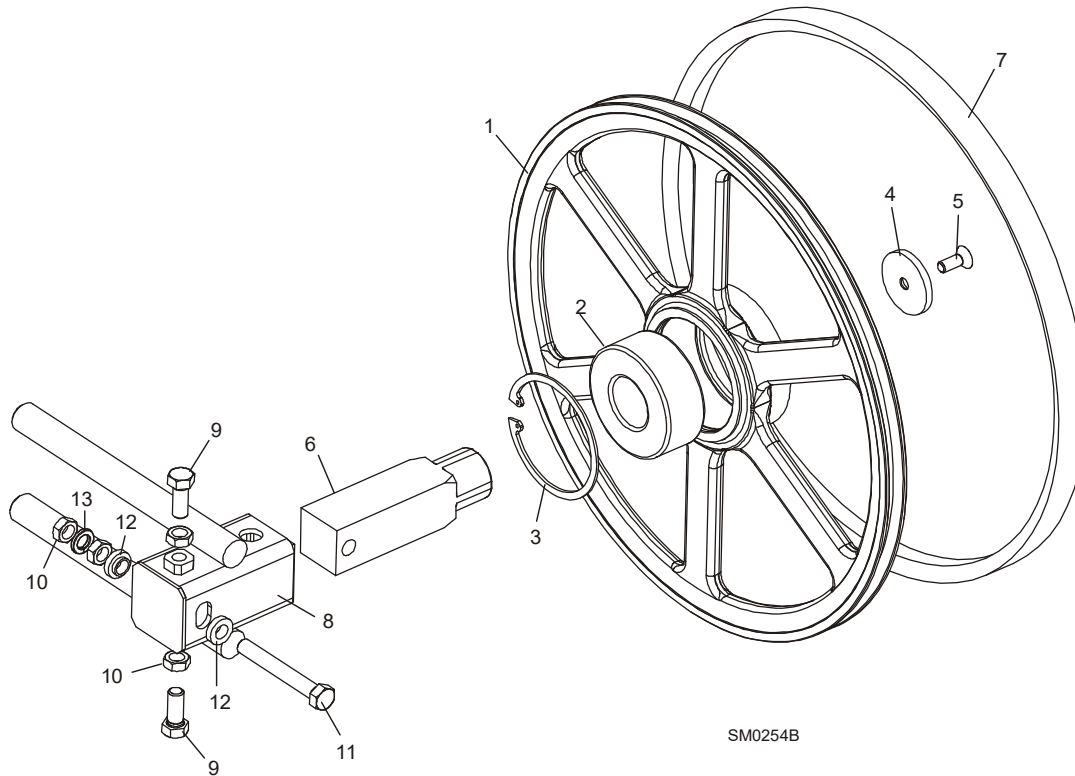
3.1 Blade Drive Assembly



REF	PART #	DESCRIPTION	COMMENTS	QTY.
	016393	BEARING ASSEMBLY, BLADE WHEEL DRIVE		1
	016392	Bearing Assembly, Cylindrical Drive	Available in assemblies only.	1
1	016391	Housing, Blade Wheel Drive Bearing	Available in assemblies only.	1
2	014005	Shaft, Blade Wheel Drive	Available in assemblies only.	1
3	P10205	Bearing, Blade Wheel Drive #MU1308TV		1
4	016055	Bearing, Blade Wheel Drive #6308 C3 Open		1
5	F04254-17	Ring, 90mm Interior Retaining #I17		2
6	P10206	Seal, Drive Bearing #CR15890		2
7	016330	Fitting, 1/4" NPT x 3/8" Hose Barb Elbow		1
8	016331	Fitting, 1/4" NPT x 3/8" Hose Barb Vented Elbow		1
9	016394	Hose, Oil Level Viewer		1
10	P649	Clamp, 7/32-5/8" Hose		2
11	017470	Decal, Oil Level Gauge		1
	016393-555	Instruction Sheet, Drive Bearing Replacement		1
12	F05004-170	SCREW, 1/2-20 X 1 1/2" CONE POINT SET		1
13	F05008-108	BOLT, 1/2-20 X 1 1/4" HEX HEAD GRADE 5		4
14	F05008-49	BOLT, 1/2-20 X 1 3/4" HEX HEAD GRADE 5		1
15	F05010-16	NUT, 1/2-20 HEX JAM		6
	014562	WHEEL KIT, DRIVE SIDE BLADE		1
16	016284	Wheel, Drive Side Blade	Available in assemblies only.	1
17	016270	Bushing, Modified 1 9/16" SD		1
18	S12892	Key, 3/8" x 3/8" x 1 5/8"		1

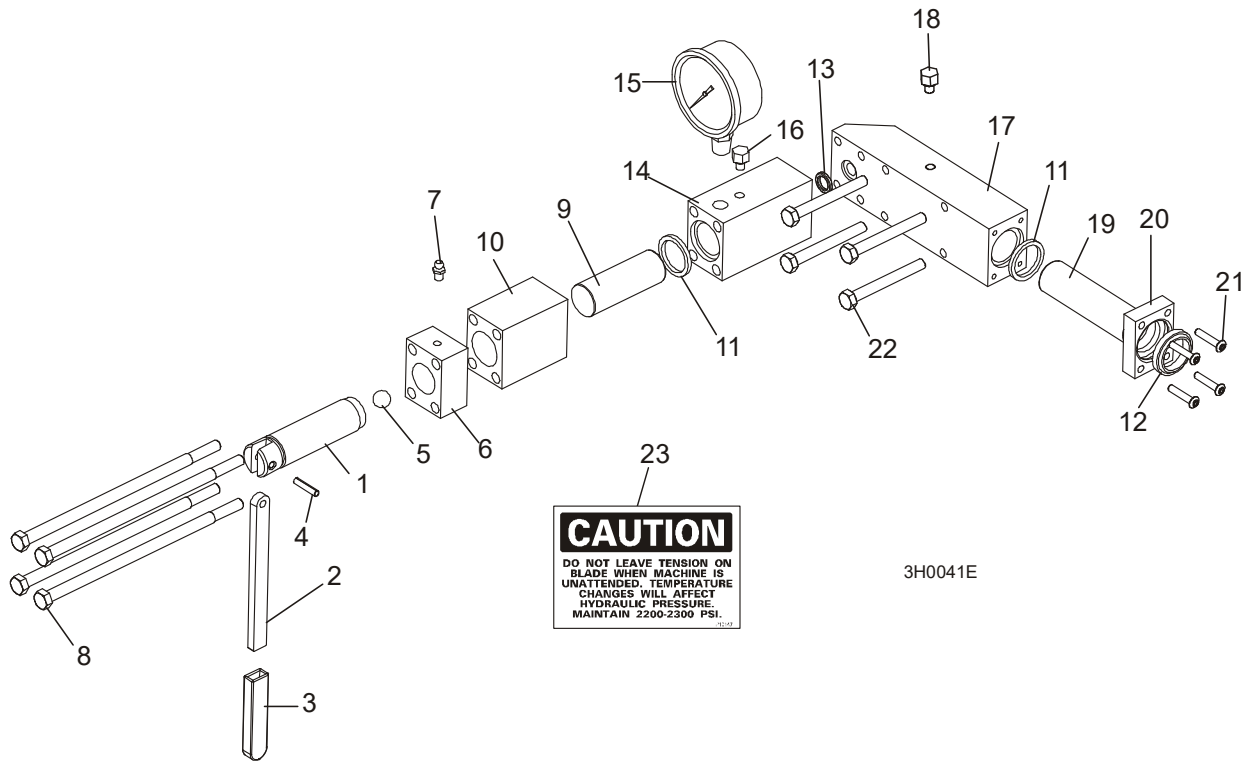
REF	PART #	DESCRIPTION	COMMENTS	QTY.
	K12897-488	Instruction Sheet, Drive Side Blade Wheel Replacement		1
19	P04185	BELT, BLADE WHEEL B57		1
20		BELT, DRIVE	(See Section 5) FOR PART #	
21	016531	SHEAVE, 5V12.5X3 BRAKE COMBO		1
22	016532	BUSHING, SF X 1 9/16"		1
23	014391	STRAP, METAL-BACKED BRAKE		1
24	017953	PLATE, BUSHING KEY RETAINER		1
25	F05011-4	WASHER, 3/8" SPLIT LOCK		3
26	F05007-27	BOLT, 3/8-16 X 3/4" HEX HEAD		3
27	014693	KEY, 3/8" X 3/8" X 1 7/8"		1

3.2 Idle Blade Wheel Assembly



REF	PART #	DESCRIPTION	COMMENTS	QTY.
	016120	WHEEL ASSEMBLY, IDLE SIDE BLADE		1
1	016013	Wheel, Idle Side Blade	Available in assemblies only.	1
2	016014	Bearing, Idle Side Blade Wheel #5309-2RS, C3, SRI-2 Grease		1
3	F04254-28	Ring, 100mm Internal Retaining Beveled		1
	016441	SHAFT KIT, IDLE BLADE WHEEL		1
4	016397	Washer, 13/32" I.D. x 2 3/16 O.D. x 1/4"		1
5	F05007-64	Bolt, 3/8-16 x 1" Flat Head Socket		1
6	016398	Shaft, Idle Side Blade Wheel		1
7	P04185	BELT, BLADE WHEEL B57		1
8	016103	HOUSING, IDLE BLADE WHEEL SHAFT		1
9	F05008-53	BOLT, 1/2-20 X 1 1/2" HEX HEAD GRADE 5		2
10	F05010-16	NUT, 1/2-20 HEX JAM		4
11	F05008-111	BOLT, 1/2-20 X 3 3/4" HEX HEAD FULL THREAD GRADE 2		1
12	S04253	SPACER, 1/2" I.D. FLANGED		2
13	F05011-9	WASHER, 1/2" SPLIT LOCK		1

3.3 Hydraulic Blade Tensioner Assembly

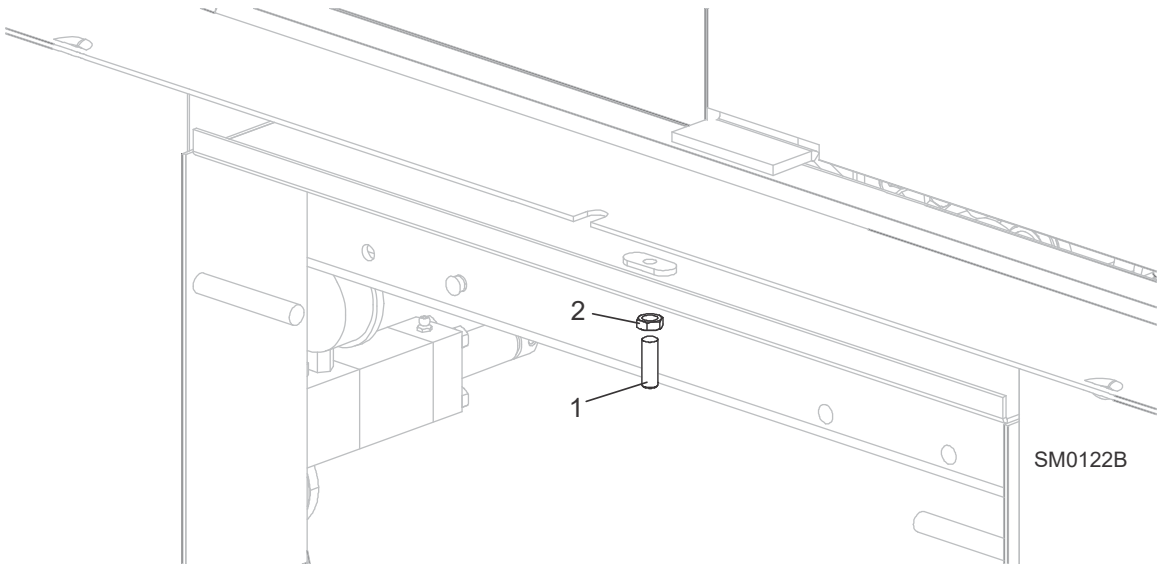


REF	PART #	DESCRIPTION	COMMENTS	QTY.
	A10136	HYDRAULIC BLADE TENSIONER ASSEMBLY		1
	A12294	Handle Assembly, Hydraulic Blade Tensioner Screw		1
1	S10056	Screw, Hydraulic Blade Tensioner	Available in assemblies only.	1
2	S08174	Handle, Hydraulic Tensioner Screw		1
3	P08072	Sleeve, Plastic Handle		1
4	F05012-19	Pin, 3/16" x 7/8" Roll		1
5	P02720	Ball, 1/2" Steel		1
6	S10062	Block, Threaded Tensioner End	Available in assemblies only.	1
7	P05060	Fitting, 1/4-28 Grease		1
	A12294-518	Instruction Sheet, Tensioner Screw		1
8	F05006-43	Bolt, 5/16-18 X 7 1/2" Hex Head Grade 5		4
9	S10060	Piston, Hydraulic Tensioner Front 2 3/4" Long		1
10	S10061	Block, Piston Guide		1
	003224	Seal Kit, Hydraulic Tensioner		1
5	P02720	Ball, 1/2" Steel		1
11	P10051	Seal, 1" Diameter		2
12	P10053	Wiper, 1" Diameter		1
13	P10377	Ring, 5/8" X 3/32" Square "O"		1
14	S10140	Block, Hydraulic Tensioner Gauge Mounting		1
15	P10052	Gauge, 3000 P.S.I. Hydraulic		1
16	P10065	Plug, Hydraulic Tensioner Fill		1
	016329	Block Assembly, Rear Tensioner Piston		1
17	S10142	Block, Rear Tensioner Piston	Available in assemblies only.	1
18	P10065	Plug, Hydraulic Tensioner Fill		1

REF	PART #	DESCRIPTION	COMMENTS	QTY.
19	S10059	Piston, Hydraulic Tensioner Rear 3 5/8" Long		1
20	S10089	Block, Rear Piston End		1
21	F05004-43	Bolt, #10-24 X 1" Socket Button Head		4
22	F05006-28	Bolt, 5/16-18 X 2 3/4" Hex Head Grade 5		4
23	P10147	Decal, Hydraulic Tension Caution		1
	A10136-272	Instruction Sheet, Hydraulic Tensioner Installation		1

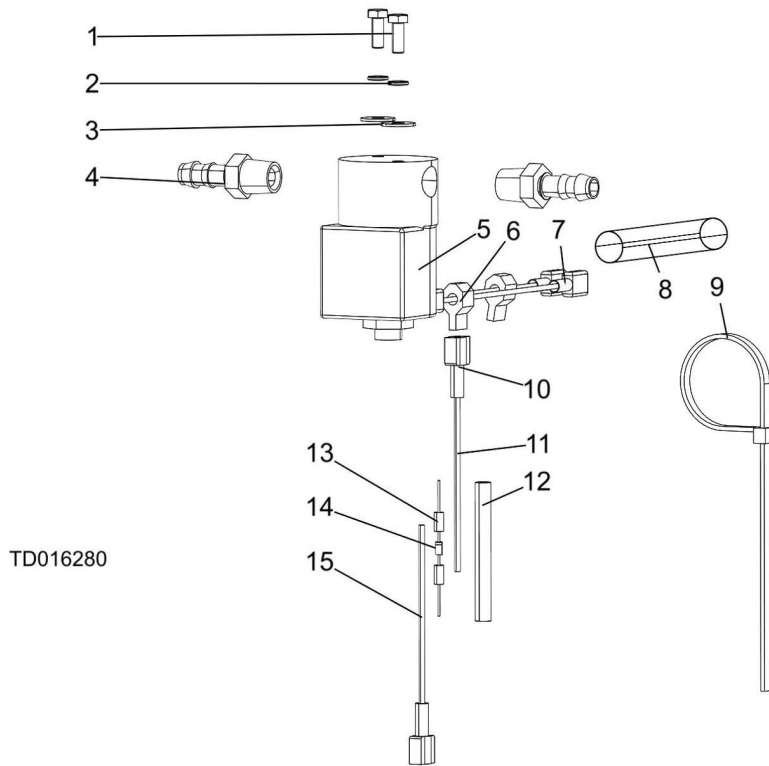
SECTION 4 SAW HEAD FRAME

4.1 Middle Throat Screw



REF	PART #	DESCRIPTION	COMMENTS	QTY.
1	F05007-18	SCREW, 3/8-16 X 1 1/4" OVAL POINT SOCKET SET		1
2	F05010-29	NUT, 3/8-16 HEX JAM		1

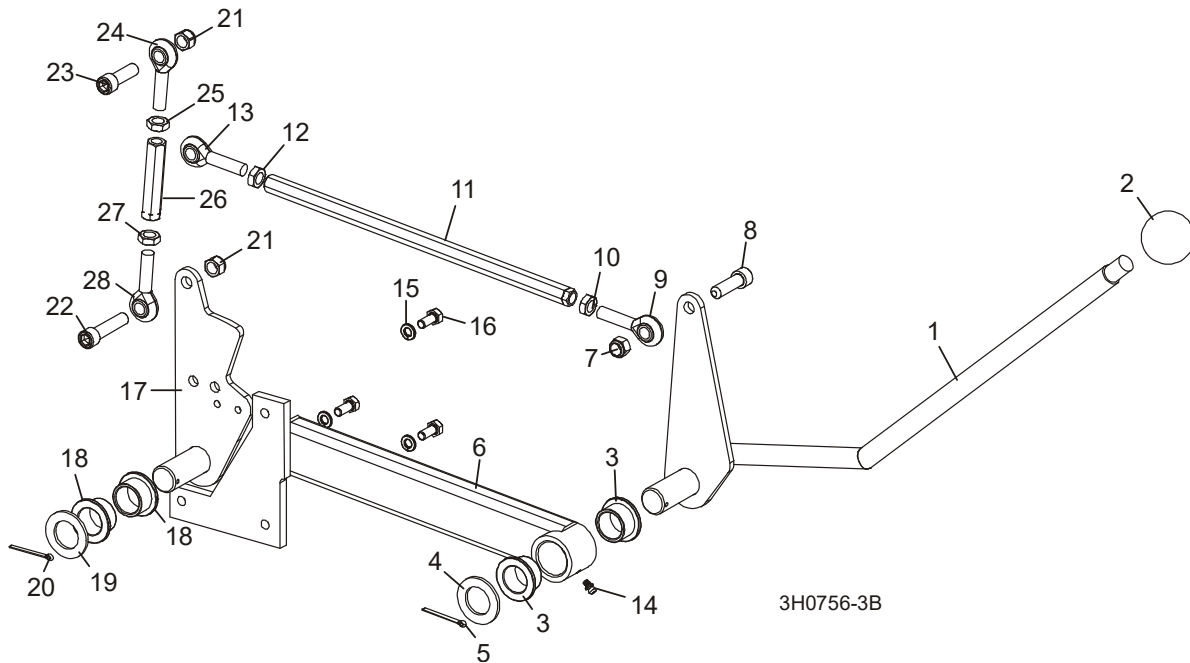
4.2 Water Lube Solenoid Valve



REF	PART #	DESCRIPTION	COMMENTS	QTY.
	016280	Solenoid Valve, Water Lube Kit		1
1	F05004-60	Bolt, #10-32x1/2 HH		2
2	F05011-20	Washer, #10 Split Lock		2
3	F05011-18	Washer, #10 SAE Flat		2
4	P04682	Fitting, 3/8 Barb 1/4NPT Male		2
	133071	Assy, Water Lube Solenoid Electrical		1
5	016140	Solenoid Valve, 2-Way NC 1/4 Port 12 VDC		1
6	F04875-13	Connector, TT-Tap 14-16Awg		2
7	F05708-21R	Terminal, 1/4 18-22Ga Quick Female FI		2
8	R02374	Conduit, 1/2" Flex Loom		1
9	F05089-3	Tie Wrap, 3/16x5 1/2 UV Blk		1
	024123	Diode Assy, Inductive Kick Protection		1
10	F05708-22R	Terminal, 1/4 18-22 Ga Qk Male FI Reel		2
11	R01915-3_3	Wire, 18AWG Stranded Red GXL		1
12	R01950-4_2_14	Tubing, 1/4" IDx2.25 Heat Shrink		1
13	024032	Conn, 14-16 AWG Parallel Splice		2
14	E05909	DIODE, 1N4003		1
15	R01915-0_3	Wire, 18AWG Stranded Black		1

REF	PART #	DESCRIPTION	COMMENTS	QTY.
20	F05012-49	PIN, 1/8" X 1 1/2" COTTER		1
21	F05010-83	NUT, 7/16-20 HEX NYLON LOCK		2
22	F05007-120	BOLT, 7/16-20 X 2" SOCKET HEAD		1
23	F05007-55	BOLT, 7/16-20 X 1 1/2" SOCKET HEAD		1
	A11576	TURNBUCKLE ASSEMBLY, 3 1/2" CLUTCH/BRAKE LEVER		1
24	P11579	Rod End, 7/16-20 Right Hand Thread		1
25	F05010-38	Nut, 7/16-20 Hex Jam		1
26	S12262	Turnbuckle, 3 1/2" Clutch/Brake Lever	Available in assemblies only.	1
27	F05010-87	Nut, 7/16-20 Hex Jam Left Hand Thread		1
28	P11578	Rod End, 7/16-20 Left Hand Thread		1

4.4 Clutch/Brake Lever Assembly (E25)



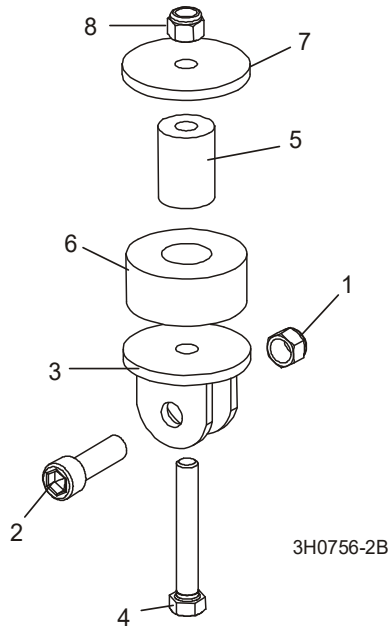
REF	PART #	DESCRIPTION	COMMENTS	QTY.
	016317	HANDLE ASSEMBLY, EXTENDED CLUTCH/BRAKE		1
1	016295	Lever, Clutch/Brake	Available in assemblies only.	1
2	P04211	Knob, Plastic Round		1
3	P737	Bushing, Clutch/Brake Pivot		2
4	P116	Washer, Clutch/Brake Pivot		1
5	F05012-49	Pin, 1/8" X 1 1/2" Cotter		1
6	015241	Extension Weldment, Clutch Handle		1
7	F05010-83	Nut, 7/16-20 Nylon Lock		1

4

Saw Head*Clutch/Brake Lever Assembly (E25)*

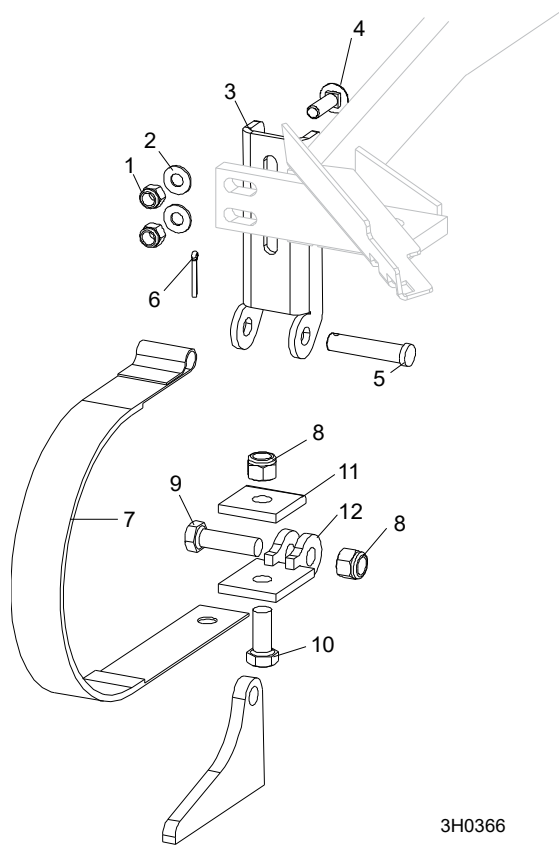
REF	PART #	DESCRIPTION	COMMENTS	QTY.
8	F05007-55	Screw, 7/16-20 x 1 1/2" Socket Head		1
9	P11578	Rod End, 7/16-20 Left Hand Thread		1
10	F05010-87	Nut, 7/16-20 Hex Jam Left Hand Thread		1
11	015073	Rod, Clutch Extension		1
12	F05010-38	Nut, 7/16-20 Hex Jam		1
13	P11579	Rod End, 7/16-20 Right Hand Thread		1
14	P04107	Fitting, 3/16" Straight Grease		1
15	F05011-13	WASHER, 5/16" SPLIT LOCK		3
16	F05006-5	BOLT, 5/16-18 X 3/4" HEX HEAD		3
17	016296	PLATE WELDMENT, CLUTCH PIVOT		1
18	P737	BUSHING, CLUTCH/BRAKE PIVOT		2
19	P116	WASHER, CLUTCH/BRAKE PIVOT		1
20	F05012-49	PIN, 1/8" X 1 1/2" COTTER		1
21	F05010-83	NUT, 7/16-20 HEX NYLON LOCK		2
22	F05007-120	BOLT, 7/16-20 X 2" SOCKET HEAD		1
23	F05007-55	BOLT, 7/16-20 X 1 1/2" SOCKET HEAD		1
	A12304	TURNBUCKLE ASSEMBLY, 3" CLUTCH/BRAKE LEVER		1
	A11576	TURNBUCKLE ASSEMBLY, 3 1/2" CLUTCH/BRAKE LEVER (50HZ ELECTRIC ONLY)	Alternate parts for 50Hz Electric operation. Complete conversion kit available (Part Number 015863).	1
24	P11579	Rod End, 7/16-20 Right Hand Thread		1
25	F05010-38	Nut, 7/16-20 Hex Jam		1
26	S11577	Turnbuckle, 3" Clutch/Brake Lever	Available in assemblies only.	1
	S12262	Turnbuckle, 3 1/2" Clutch/Brake Lever (50Hz Electric Only)	Available in assemblies only. Alternate parts for 50Hz Electric operation. Complete conversion kit available (Part Number 015863).	1
27	F05010-87	Nut, 7/16-20 Hex Jam Left Hand Thread		1
28	P11578	Rod End, 7/16-20 Left Hand Thread		1

4.5 Clutch Mount Assembly



REF	PART #	DESCRIPTION	COMMENTS	QTY.
1	F05010-83	Nut, 7/16-20 Hex Nylon Lock		1
2	F05007-55	Bolt, 7/16-20 X 1 1/2" Socket Head		1
3	W12411	Bracket, Clutch Mount		1
4	F05007-157	Bolt, 3/8-16 x 2 1/2" Hex Head		1
5	016316	Spacer, Motor Mount Vibration Bushing		1
6	P05032	Bushing, Motor Mount Vibration		1
7	021276	Washer, .40" I.d. X 1.44" O.d. X .18" Thick		1
8	F05010-10	Nut, 3/8-16 Nylon Lock		1

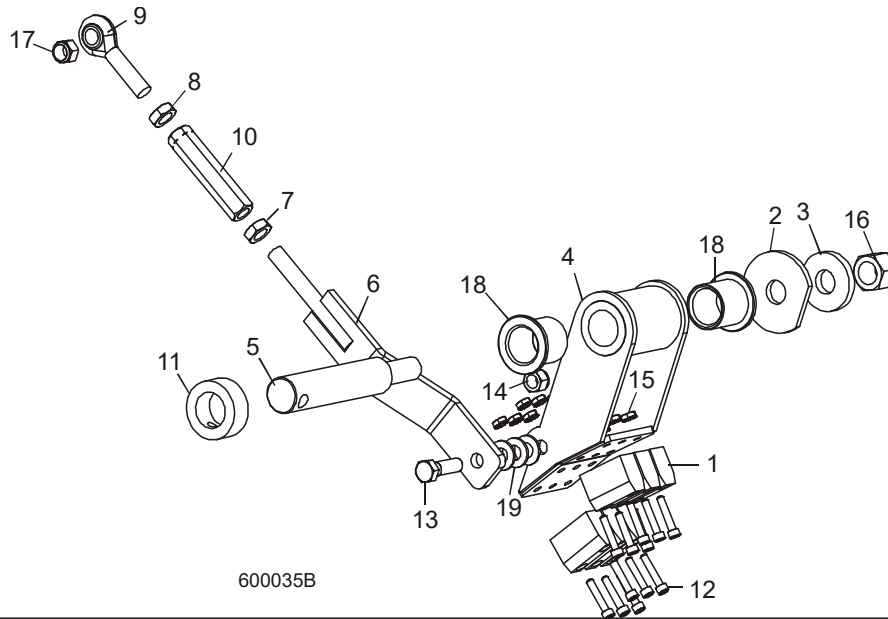
4.6 Brake Assembly



3H0366

REF	PART #	DESCRIPTION	COMMENTS	QTY.
	014441	Strap Retrofit, Super Brake	Service Kit	1
1	F05010-10	Nut, 3/8-16 Nylon Lock		2
2	F05011-3	Washer, 3/8" SAE Flat		2
3	014395	Bracket, Upper Super Brake Strap Mount		1
4	F05007-127	Bolt, 3/8-16 x 1 1/4" Carriage Head Grade 5		2
5	F05012-81	Pin, 1/2" x 2 1/4" Clevis		1
6	F05012-1	Pin, 1/8" x 1" Cotter		1
7	014391	Strap, Upper Pivot Metal Brake		1
8	F05010-8	Nut, 1/2-13 Nylon Lock		2
9	F05008-33	Bolt, 1/2-13x1 1/2 HH Gr5		1
10	F05008-37	Bolt, 1/2-13 x 1 1/4" Hex Head Grade 5		1
11	S04195	Plate, Brake Strap Clamp		1
12	014392	Bracket, Lower Super Brake Strap Mount		1

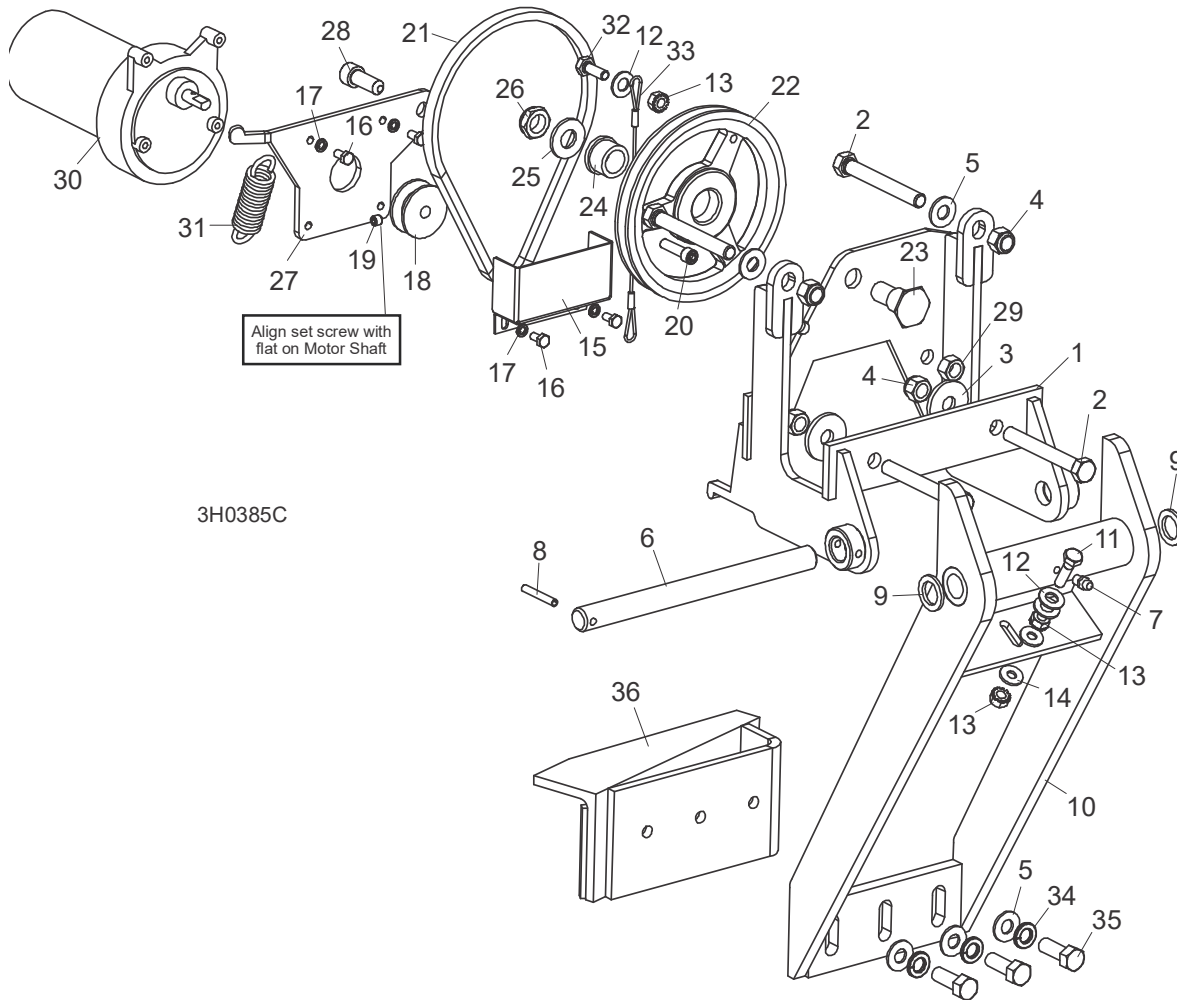
4.7 Brake Assembly (DC Only)



600035B

REF	PART #	DESCRIPTION	COMMENTS	QTY.
	034886	BRAKE ASSEMBLY, LT60/70		1
1	016488	Block, Blade Wheel Brake		6
2	017838	Washer, 21/32" x 2 1/4" x 3/16"		1
3	034685	Washer, 21/32" x 1 5/8" x 1/4"		1
4	034883	Arm Weldment, Pivot Brake		1
5	034885	Shaft, Pivot Brake		1
	034892	Linkage Assembly, Pivot Brake		1
6	034891	Arm Weldment, Pivot Brake Lik		1
7	F05010-38	Nut, 7/16-20 Jam		1
8	F05010-87	Nut, 7/16-20 Left Hand Jam		1
9	P11578	Rod End, 7/16-20 Left Hand Male		1
10	S11577	Turnbuckle, 3" Adjustment		1
11	038090	Collar, 1" Lock		1
12	F05004-2	Bolt, #10-24 x 1" Socket Head		12
13	F05007-123	Bolt, 3/8-16 x 1 1/4" Hex Head Grade 5		1
14	F05010-10	Nut, 3/8-16 Hex Nylon Lock		1
15	F05010-14	Nut, #10-24 Self-Locking Hex		12
16	F05010-71	Nut, 5/8-18 Hex Nylon Lock		1
17	F05010-83	Nut, 7/16-20 Hex Nylon Lock		1
18	P109	Bushing, 1" ID x 1 1/4" OD Flanged		2
19	F05011-3	Washer, 3/8" SAE Flat		3

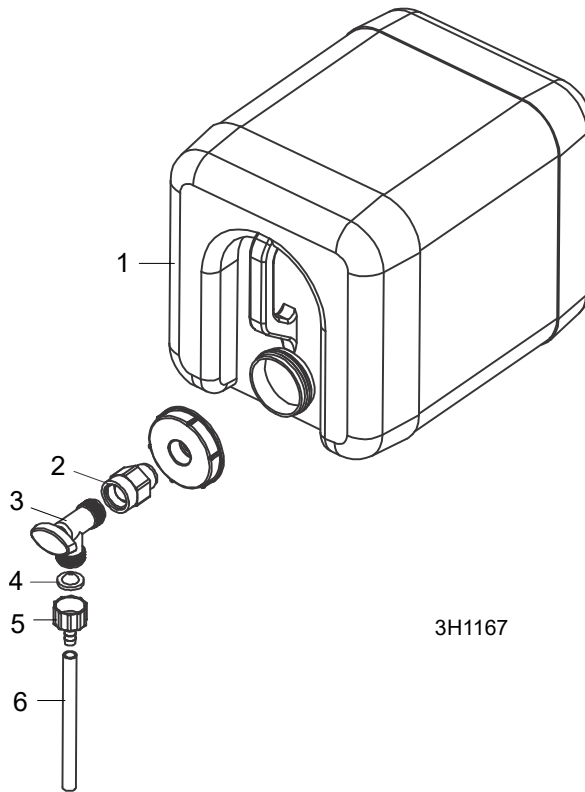
4.8 Board Return Assembly



REF	PART #	DESCRIPTION	COMMENTS	QTY.
	015209	RETURN ASSEMBLY, BOARD		1
1	015215	Mount Weldment, Board Return		1
2	F05007-1	Bolt, 3/8-16 x 3" Full Thread Hex Head		4
3	015336	Washer, 1/8" x 1 1/4"		2
4	F05010-10	Nut, 3/8-16 Hex Nylon Lock		4
5	F05011-3	Washer, 3/8" Flat		5
6	016272	Rod Kit, Board Return Replacement Pivot		1
7	P05060	Fitting, 1/4-28 Grease		1
8	F05012-16	Pin, 3/16 x 1 1/4" Roll		1
9	F05011-19	Washer, 5/8" x 15/16" x .094 Nylon		2
10	015210	Arm Weldment, Board Return		1
11	F05005-1	Screw, 1/4-20 x 3/4" Full Thread Hex Head		1
12	F05011-17	Washer, 5/16" SAE Flat		3
13	F05010-9	Nut, 1/4-20 Self-Locking		3
14	F05011-11	Washer, 1/4" SAE Flat		2
15	015007	Guard, Board Return Belt		1
16	F05004-60	Screw, #10-32 x 1/2" Hex Head Machine		4
17	F05011-20	Washer, #10 Split Lock		4
18	015074	Pulley, 1.42" x .32"		1

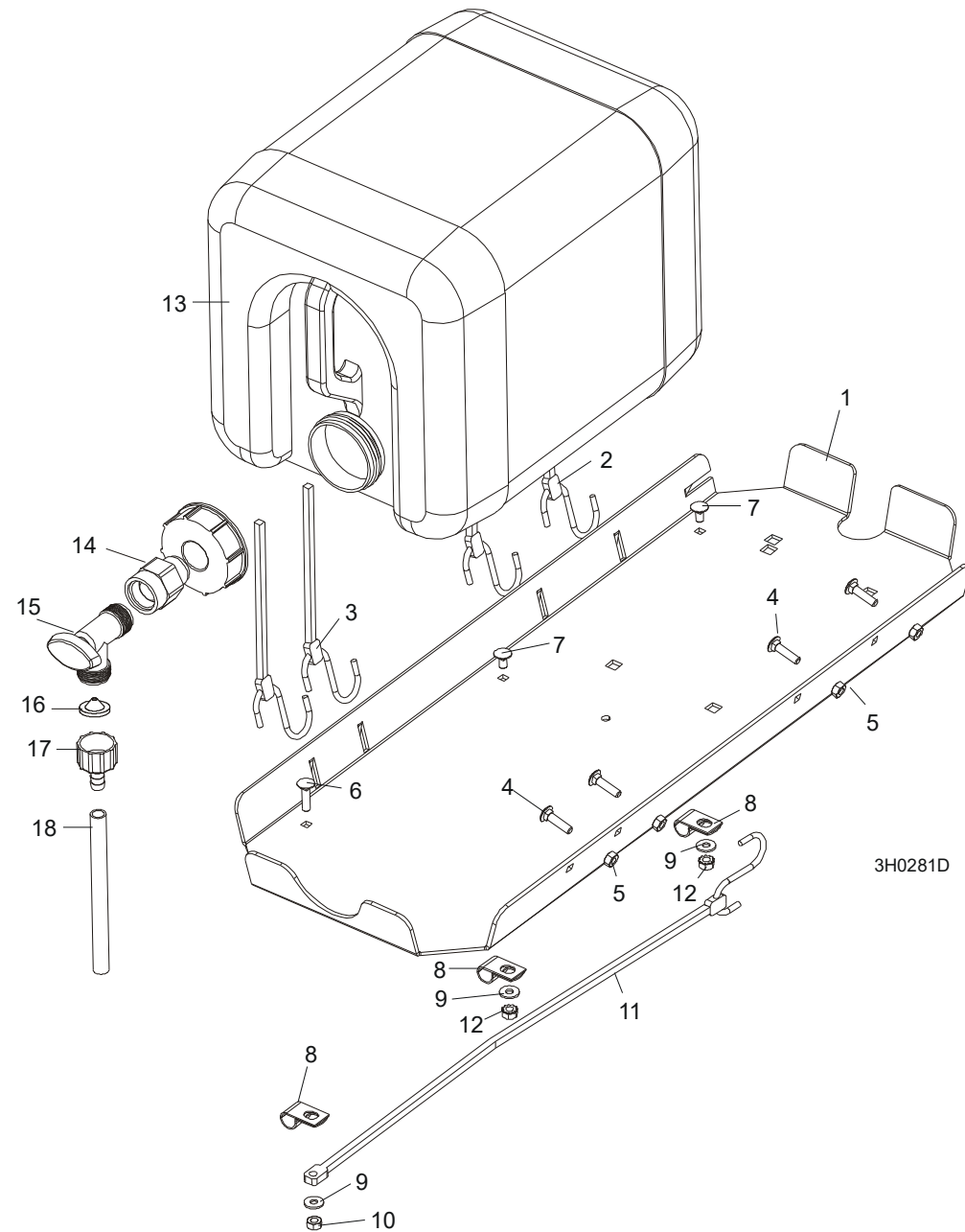
REF	PART #	DESCRIPTION	COMMENTS	QTY.
19	F05005-105	Screw, 1/4-28 x 1/4" Socket Head Cup Point Set		1
20	F05005-89	Bolt, 1/4-20 x 1" Socket Head		1
21	015477	Belt, 3L190		1
22	015224	Pulley, OK50 x 1/2" Modified		1
23	015221	Bolt, Idler Pulley Pivot		1
24	P05135	Bushing, 5/8" x 7/8" x 1/2" Bronze		1
25	F05011-2	Washer, 1/2" SAE Flat		1
26	F05010-79	Nut, 1/2-20 Nylon Lock Jam		1
27	015220	Plate, Motor Pivot		1
28	F05007-52	Bolt, 3/8-16 x 1" Socket Head		1
29	F05010-25	Nut, 3/8-16 Self-Locking		1
30	079214	Motor, Current Applications 1/30HP 12VDC Gear		1
	061232	Gear Kit, Motor Replacement		1
	061234	Brush Kit, Gear Motor Replacement		1
	061233	Shaft Kit, Gear Motor Replacement		1
31	015479	Spring, 3/4" x 2 7/8" x 12 Gauge		1
32	F05005-101	Bolt, 1/4-20 x 1" Hex Head Grade 5		1
33	016090	Cable, Board Return		1
34	F05011-4	Washer, 3/8" Split		3
35	F05007-7	Bolt, 3/8-16 x 1" Hex Head		3
36	015652	Angle, Board Return		1

4.9 Water Lube Assembly (Gas Only)



REF	PART #	DESCRIPTION	COMMENTS	QTY.
1	014642	BOTTLE ASSEMBLY, WATER LUBE W/CAP		1
	061372	O-ring, Water Bottle Cap	If the water bottle cap keeps leaking, add this o-ring to the cap. Leave the existing o-ring installed.	1
2	014636	FITTING, 3/4FPT X 3/4MPT		1
3	014100	FITTING, WATER LUBE SHUTOFF VALVE		1
4	016086	FILTER, WATER LUBE	Filter recommended for LT50-Super models to prevent debris from entering water lube solenoid valve.	1
5	014113	FITTING, 5/8" NPT TO 3/8" HOSE BARB		1
6	R01885	TUBING, WATER LUBE 3/8" I.D.		7 ft.
	CBOTTLE	COVER, 5 GAL. WATER BOTTLE OPTIONAL (NOT SHOWN)		1

4.10 Water Lube Assembly (Diesel & Electric Only)

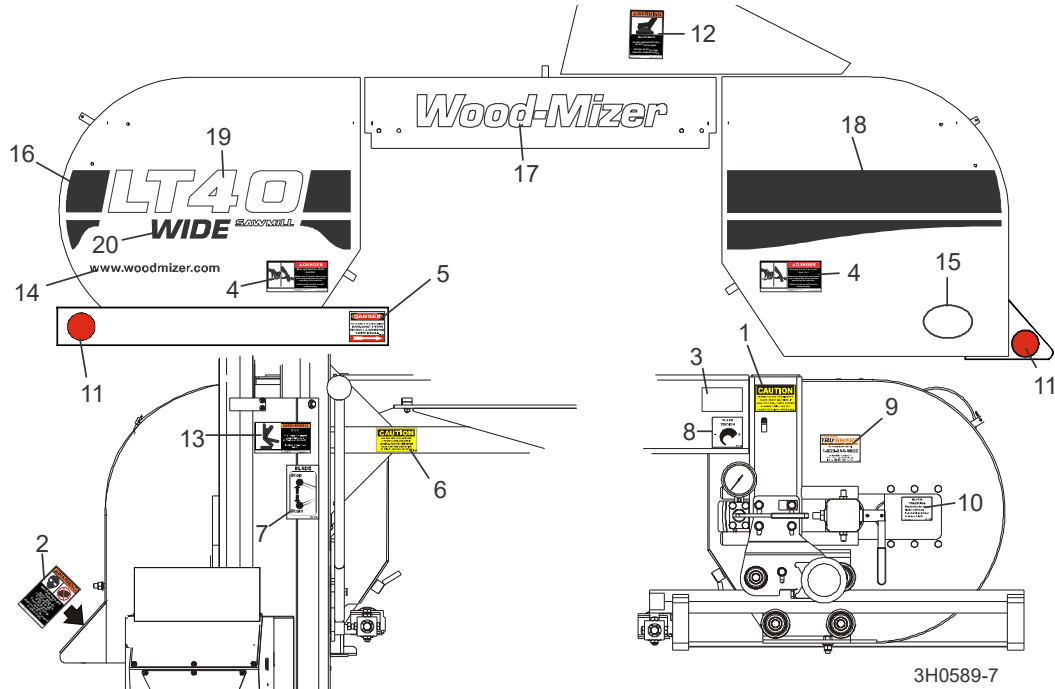


REF	PART #	DESCRIPTION	COMMENTS	QTY.
	A11685	TRAY ASSEMBLY, FUEL TANK/WATER BOTTLE		1
1	S11684	Tray, Fuel Tank/Water Bottle		1
2	P11258	Strap, 24" Rubber (For Fuel Tank - See Engine Manual)		2
3	P11668	Strap, 20" Rubber		2
4	F05005-34	Bolt, 1/4-20 X 1" Carriage Head		4
5	F05010-21	Nut, 1/4-20 Hex Lock		4
6	F05005-34	BOLT, 1/4-20 X 1" CARRIAGE HEAD		1
7	F05005-33	BOLT, 1/4-20 X 1/2" CARRIAGE HEAD		2
8	P07584	CLAMP, 1/2" EMT HOSE		3
9	F05011-11	WASHER, 1/4" SAE FLAT		3

4 **Saw Head**
Water Lube Assembly (Diesel & Electric Only)

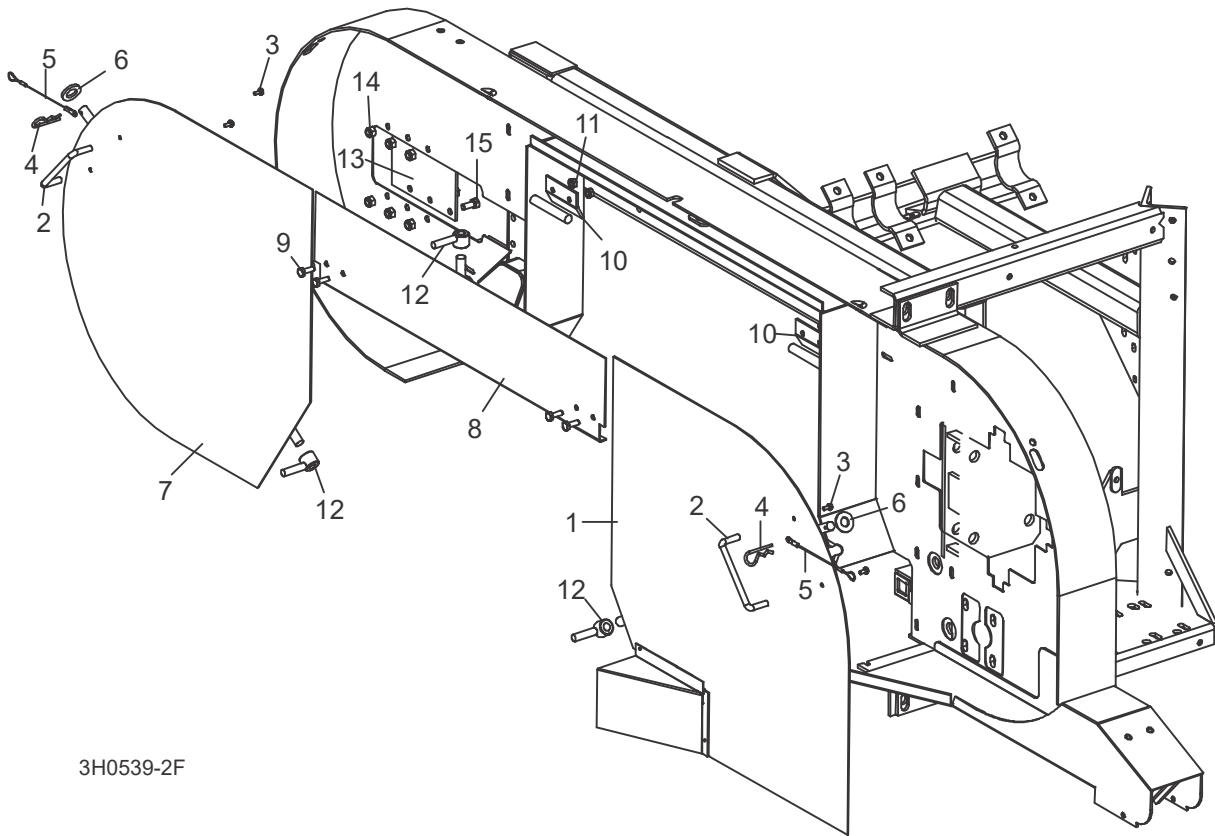
REF	PART #	DESCRIPTION	COMMENTS	QTY.
10	F05010-21	NUT, 1/4-20 HEX LOCK		1
11	P07461	STRAP, 15" RUBBER		1
12	F05010-9	NUT, 1/4-20 SELF-LOCKING		2
13	014642	BOTTLE ASSEMBLY, WATER LUBE W/CAP		1
	061372	O-ring, Water Bottle Cap	If the water bottle cap keeps leaking, add this o-ring to the cap. Leave the existing o-ring installed.	1
14	014636	FITTING, 3/4FPT X 3/4MPT		1
15	014100	FITTING, WATER LUBE SHUTOFF VALVE		1
16	016086	FILTER, WATER LUBE		1
17	014113	FITTING, 5/8" NPT TO 3/8" HOSE BARB		1
18	R01885	TUBING, WATER LUBE 3/8" I.D.		7 ft.

4.11 Saw Head Decals



REF	PART #	DESCRIPTION	COMMENTS	QTY.
1	P10147	DECAL, BLADE TENSION CAUTION		1
2	P11754	DECAL, SAWDUST CHUTE WARNING		1
3	P12373	DECAL, BLADE TENSION RANGES		1
4	033254	DECAL, BLADE COVERS DANGER		2
5	S11752	DECAL, BLADE DANGER ARROW RIGHT		1
6	S11762	DECAL, UP/DOWN CAUTION		1
7	P11779	DECAL, BLADE START/STOP		1
8	P11790	DECAL, BLADE TENSION INFO		1
9	P12879	DECAL, TRU-SHARP INFO		1
10	P11789	DECAL, BLADE ALIGNMENT INFO		1
11	P07452	DECAL, RED REFLECTIVE 2" ROUND		2
12	014419	DECAL, HOT ENGINE WARNING		1
13	016072	DECAL, BOARD RETURN OPERATOR WARNING		1
14	003235	DECAL, WOOD-MIZER WEBSITE		1
15	065582	DECAL, 30 YEAR LOGO		1
16	065023	DECAL, LT40 IDLE SIDE BLACK EURO STRIPE		1
17	065025	DECAL, LT40/50 WHITE WOOD-MIZER LOGO		1
18	065026	DECAL, LT40/50 DRIVE SIDE BLACK EURO STRIPE		1
19	065024	DECAL, LT40 WHITE EURO LOGO		1
20	074335	DECAL, LT15/70 WIDE LOGO (WIDE HEAD ONLY)		1

4.12 Blade Housing Covers



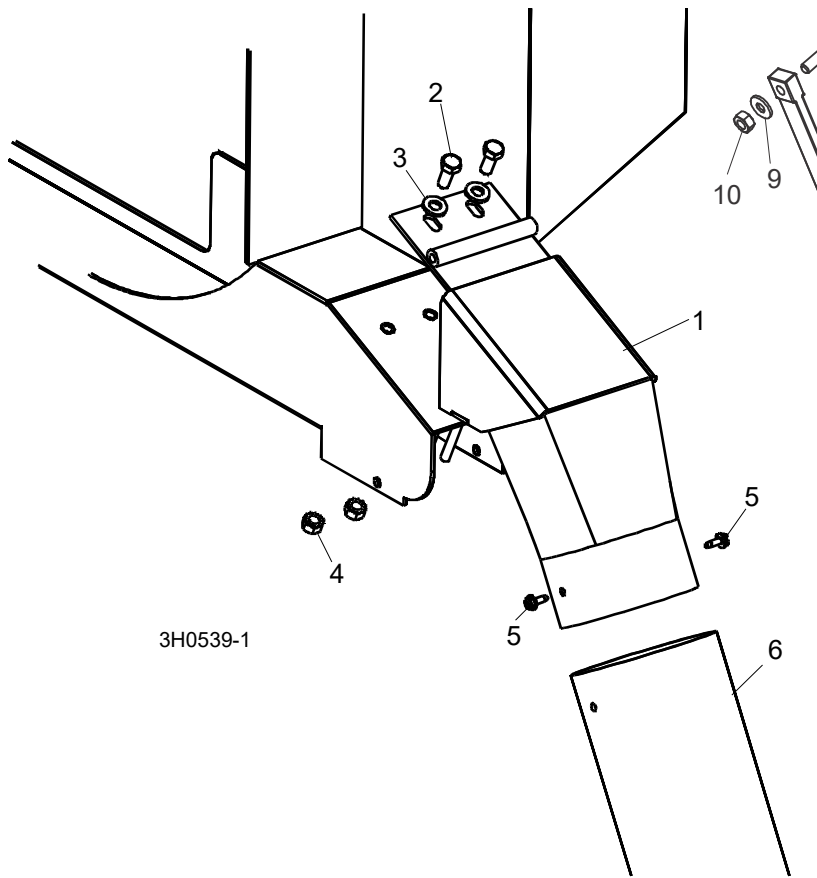
3H0539-2F

REF	PART #	DESCRIPTION	COMMENTS	QTY.
	015937	COVER ASSEMBLY, DRIVE SIDE BLADE HOUSING WITH HANDLE		1
1	015911	Cover, Drive Side Blade Housing	Available in assemblies only. (Includes Cover Decal - (See Section 4.11))	1
2	P08065	Handle, Blade Housing Cover		1
3	F05015-8	Screw, #8-32 X 3/8" Self-Tap		2
	A12812	Pin Assembly, Cover Retainer		1
4	P05059	Pin, Safety Retainer		1
5	016030	Cable, 3/64" x 6" Lanyard		1
6	F05011-87	Washer, 1/2" ID x 1 1/8" OD x .093" Rubber		1
	A09419	COVER, IDLE SIDE BLADE HOUSING WITH HANDLE		1
7	W09351	Cover, Idle Side Blade Housing	Available in assemblies only. (Includes Cover Decal - (See Section 4.11))	1
2	P08065	Handle, Blade Housing Cover		1
3	F05015-8	Screw, #8-32 X 3/8" Self-Tap		2
	A12812	Pin Assembly, Cover Retainer		1
4	P05059	Pin, Safety Retainer		1
5	016030	Cable, 3/64" x 6" Lanyard		1
6	F05011-87	Washer, 1/2" ID x 1 1/8" OD x .093" Rubber		1
8	W07409	COVER, MIDDLE BLADE HOUSING		1
	079509	COVER, MIDDLE BLADE HOUSING (WIDE HEAD ONLY)		1

REF	PART #	DESCRIPTION	COMMENTS	QTY.
9	F05005-1	BOLT, 1/4-20 X 3/4" HEX HEAD		18
10	S07522	HINGE, MIDDLE BLADE HOUSING COVER		2
11	F05010-9	NUT, 1/4-20 SELF-LOCKING HEX		4
12	021145	NUT, COVER TURN		3
13	S04433	PLATE, IDLE BLADE WHEEL GUARD		1
14	F05010-58	NUT, 5/16-18 HEX NYLON LOCK		6
15	F05006-5	BOLT, 5/16-18 X 3/4" HEX HEAD GRADE 2		6

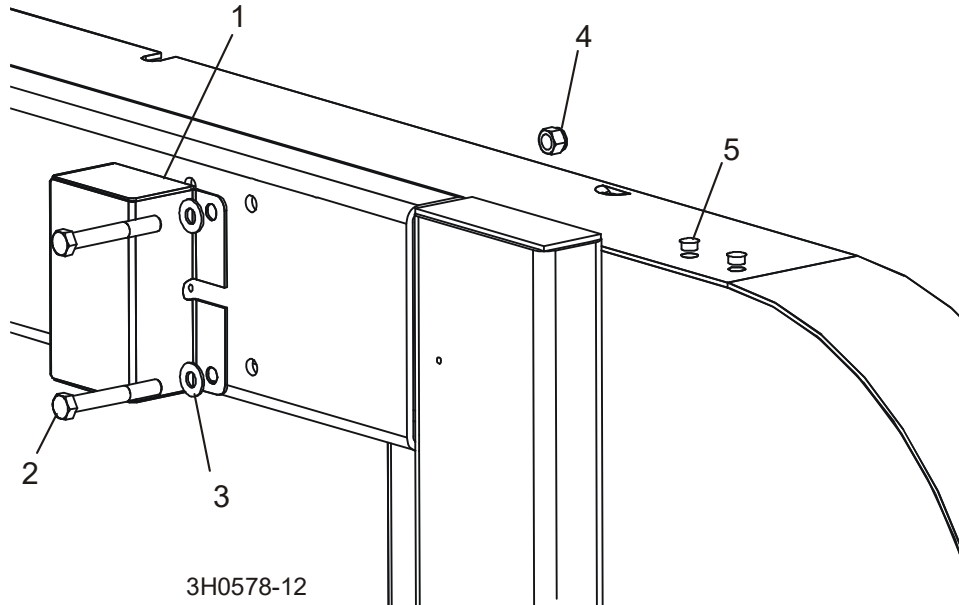
4.13 Drive Belt Covers

4.14 Sawdust Chute



REF	PART #	DESCRIPTION	COMMENTS	QTY.
1	015466	CHUTE WELDMENT, SAWDUST		1
2	F05006-5	BOLT, 5/16-18 X 3/4" HEX HEAD GRADE 2		2
3	F05011-17	WASHER, 5/16" SAE FLAT		2
4	F05010-20	NUT, 5/16-18 SELF-LOCKING HEX		2
5	F05015-7	BOLT, #10-24 X 1/2" SELF-TAPPING		2
6	016727	TUBING, RUBBER SAWDUST		1
	P11668	STRAP, 20" RUBBER W/HOOK		1
	F05005-3	BOLT, 1/4-20 X 1 1/4" HEX HEAD FULL THREAD		1
	F05011-11	WASHER, 1/4" SAE FLAT		1
	F05010-21	NUT, 1/4-20 LOCK		1

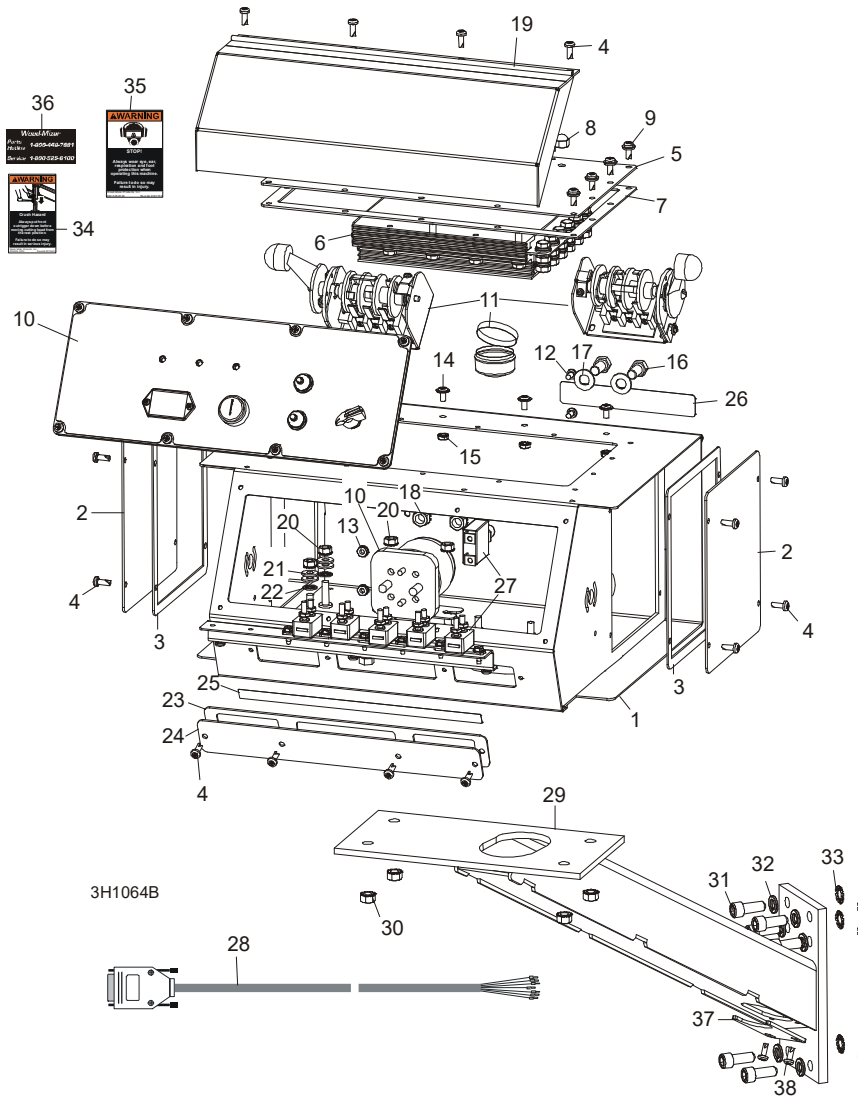
4.15 Debarker Wire Box/Hole Plugs



REF	PART #	DESCRIPTION	COMMENTS	QTY.
1	023616	BOX, DEBARKER WIRE STORAGE		1
2	F05007-29	BOLT, 3/8-16 X 2 3/4" HEX HEAD		2
3	F05011-3	WASHER, 3/8" SAE FLAT		2
4	F05010-10	NUT, 3/8-16 HEX NYLON LOCK		2
5	014537	PLUG, 13/32" PLASTIC HOLE		2

SECTION 5 CONTROL & BATTERY BOXES

5.1 Control Assembly



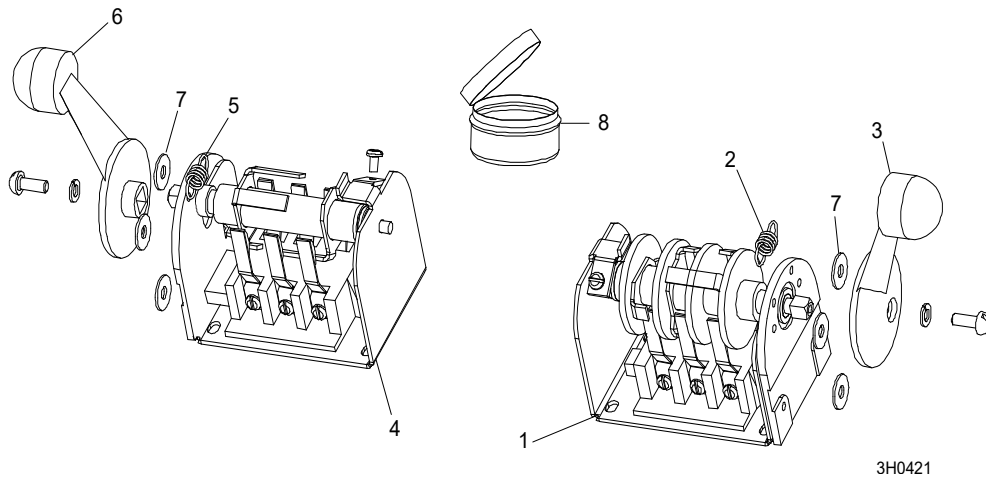
REF	PART #	DESCRIPTION	COMMENTS	QTY.
	015764	COVER, SAWMILL CONTROL CONSOLE		1
	036352	COVER, SAWMILL CONTROL CONSOLE W/ACCUSET		1
	069426	CONTROL BOX ASSEMBLY, E25 DUAL-AXIS		1
	069422	CONTROL BOX ASSEMBLY, D35/D47 DUAL-AXIS (EXPORT ONLY)		1
1	025823	Box Weldment, Sawmill Control	Available in assemblies only.	1
2	006473	Panel, Control Box Side		2
3	015274	Gasket, Side Panel Control		2
4	F05015-17	Screw, #10-24 x 1/2" Pan Head		16
	069415	Drive Assembly, Super NR Dual-Axis	Available in assemblies only.	1
5	059648	Plate, Super NR Dual-Axis Mounting		1
6	057821LS-FR	Control Assembly, Dual-Axis Motor		1

5 Control & Battery Boxes

Control Assembly

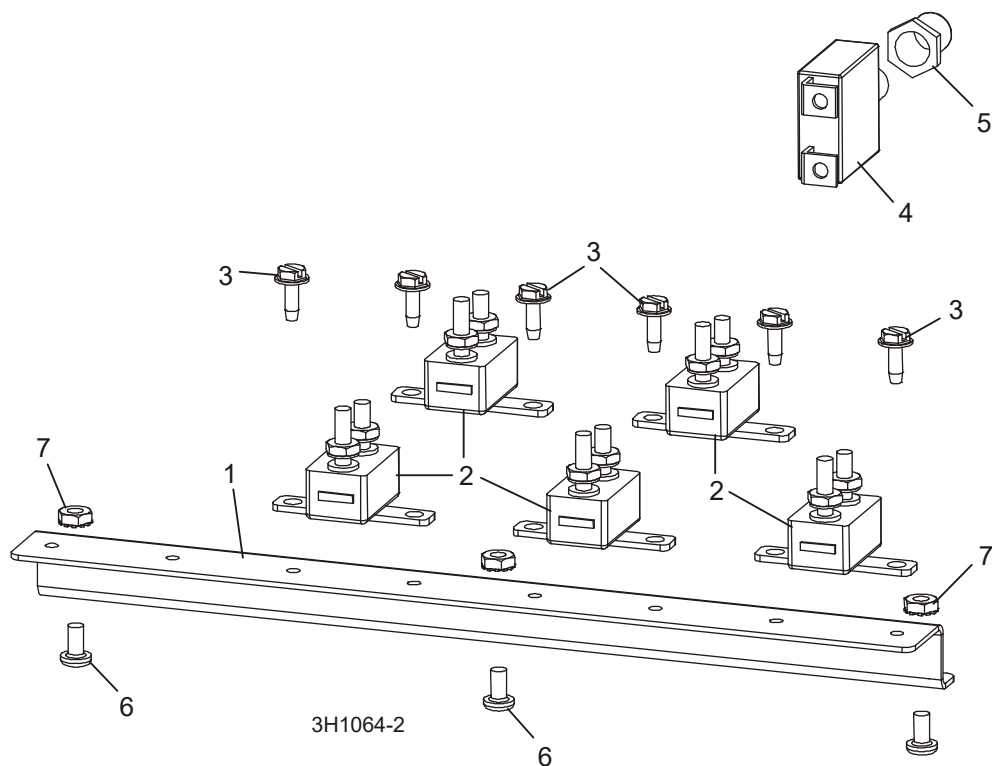
REF	PART #	DESCRIPTION	COMMENTS	QTY.
	069556	PCB Assembly, Transient Voltage Suppression		1
7	069413	Gasket, Dual-Axis Mounting Plate		1
8	F05010-204	Nut, 1/4-20 18-8 Stainless Acorn		4
9	F05004-186	Screw, #10-24 x 1/2" Phillips Head		14
10	N/A	Front Control Panel & Wiring Harnesses (See Section 5.4)		1
11	N/A	Drum Switches (See Section 5.2)		1
12	F05004-3	Screw, #10-24 x 3/8" Phillips Pan Head		2
13	F05010-14	Nut, #10-24 Self Locking		2
14	F05004-148	Screw, #10-24 x 3/8" Phillips Pan Head Machine with Neo Washer		4
15	F05010-14	Nut, #10-24 Self-Locking Hex		4
16	F05007-27	Bolt, 3/8-16 x 3/4" Hex Head		2
17	F05011-3	Washer, 3/8" SAE Flat		2
18	F05010-19	Nut, 3/8" Lock Nut		2
19	015304	Cover, Control Box Hinged		1
20	F05010-9	Nut, 1/4-20 Self Locking		4
21	F05011-11	Washer, 1/4" SAE Flat		4
22	F05011-69	Washer, 1/4" Interior Star Heavy Duty Lock		2
23	015266	Gasket, Front Access Panel		1
24	015376	Panel, Control Box Front Access		1
25	069412	Decal, Front Circuit Breaker ID (Super NR Dual-Axis)		1
26	069414	Decal, Rear Circuit Breaker ID (Super NR Dual-Axis)		1
27	N/A	Circuit Breakers (See Section 5.3)		1
28	053355	Harness Assembly, Dual-Axis Motor Control Non-Remote		1
29	015236	MOUNT WELDMENT, STANDARD CONTROL BOX		1
30	F05010-20	NUT, 5/16-18 SELF-LOCKING HEX		4
31	F05007-52	BOLT, 3/8-16 X 1" SOCKET HEAD		6
32	F05011-4	WASHER, 3/8" SPLIT LOCK		6
33	F05011-36	WASHER, 3/8" EXTERIOR STAR LOCK		6
34	015400	DECAL, FRONT OUTRIGGER WARNING		1
35	S11753	DECAL, EAR/EYE PROTECTION WARNING		1
36	S12117	DECAL, 800 NUMBER		1
37	036381	PLATE, PEDESTAL COVER		1
38	F05015-17	SCREW, #10-24 X 1/2" PAN HEAD		2

5.2 Drum Switches



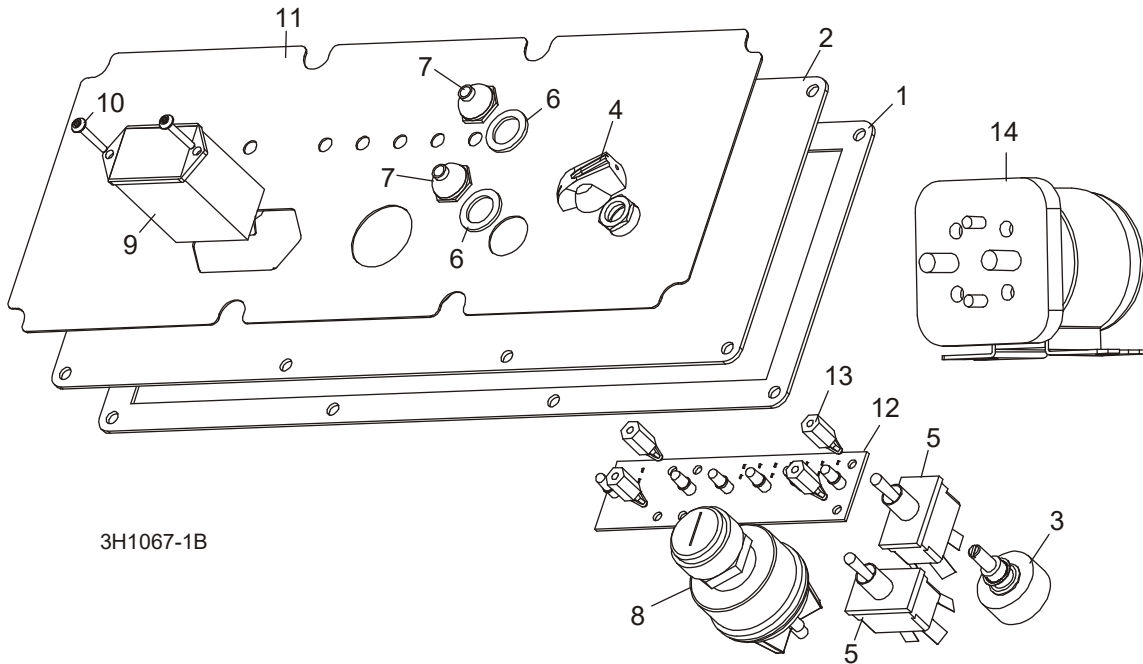
REF	PART #	DESCRIPTION	COMMENTS	QTY.
	E20440	SWITCH ASSEMBLY, UP/DOWN DRUM		1
1	E20440-B	Switch, S12 Bulk Drum	Available in assemblies only.	1
2	P12570	Spring, Drum Switch		1
3	P12500	Handle, Drum Switch Replacement		1
	E20439	SWITCH ASSEMBLY, POWER FEED DRUM		1
4	E20439-B	Switch, S11 Bulk Drum	Available in assemblies only.	1
5	P12570	Spring, Drum Switch		1
6	P12500	Handle, Drum Switch Replacement		1
7	F05011-41	WASHER, #8 SAE FLAT		6
8	A20463	CUP ASSEMBLY, DRUM SWITCH GREASE		1

5.3 Circuit Breakers



REF	PART #	DESCRIPTION	COMMENTS	QTY.
	015621	BREAKER ASSEMBLY, SAWMILL CONTROL CIRCUIT		1
1	052826	Rail, Circuit Breaker		1
2	E20430	Breaker, 15 Amp Manual Reset		5
3	F05015-7	Screw, #10-24 x 1/2" Self-Tapping		6
4	015527	BREAKER, 70 AMP MANUAL RESET PANEL MOUNT		1
5	021253	BOOT, CIRCUIT BREAKER		1
6	F05004-3	SCREW, #10-24 X 3/8" PHILLIPS PAN HEAD		3
7	F05010-14	NUT, #10-24 SELF LOCKING		3

5.4 Front Panel Assembly & Harnesses



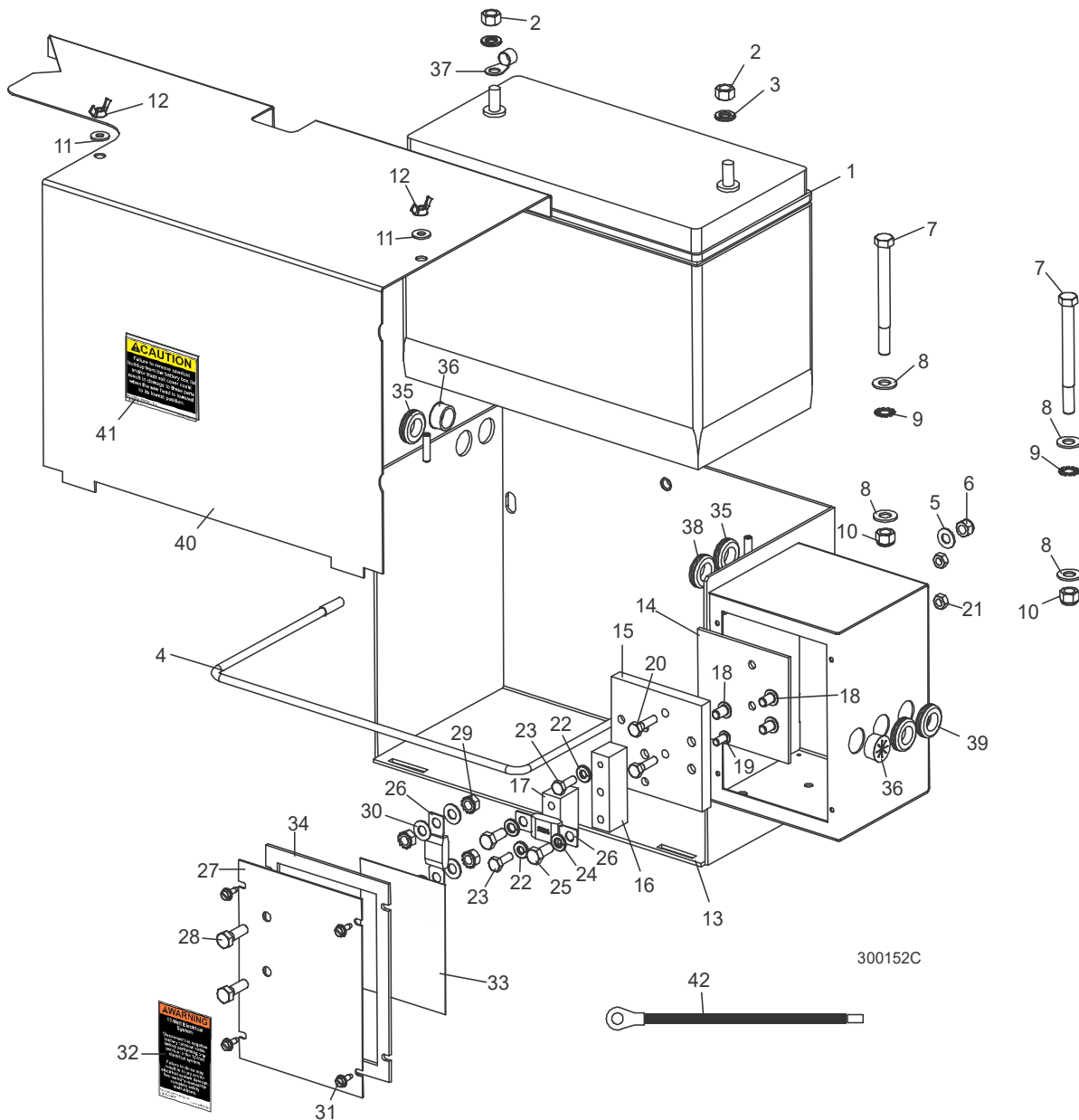
3H1067-1B

REF	PART #	DESCRIPTION	COMMENTS	QTY.
	069417	PANEL ASSEMBLY, CONTROL FRONT (E25)		1
	069416	PANEL ASSEMBLY, CONTROL FRONT (D47) (EXPORT ONLY)		1
1	015270	Gasket, Front Panel		1
2	015302	Panel Weldment, Control		1
3	024450-1	Switch Assembly, Feed Rate		1
4	P06257	Knob, Feed Rate With Set Screw		1
5	024200	Switch, Toggle		2
6	P02575	Boot, Toggle Switch Rubber		2
7	P05251-1	Washer, 1/2 x 3/4 x 1/16 Nylon		2
8	P04350	Switch, Key		1
9	015401	Meter, Hour		1
10	F05015-28	Screw, #6-32 x 1/2" Plain PH T23		2
11	015271	Decal, Control Panel (E25/E30)		1
	015269	Decal, Control Panel (Diesel)		1
12	015416	Board, LED Circuit (E25/E30)		1
	015409	Board, LED Circuit (Diesel)		1
13	023147	Spacer, 1/2"-#6 Threaded		4
14	016371	Solenoid Kit, 200A 12V SPST Cont. Duty		1
	015470	Solenoid, 200A 12V SPST Cont. Duty	Available in assemblies only.	1
	015426	Diode Assembly, Solenoid Coil Chassis Gnd		1
	069343	HARNESS ASSEMBLY, UPPER WIRING (E25 2010)		1
	069309	HARNESS ASSEMBLY, UPPER WIRING (D47 2010)		1
	050399	Conduit, 1 1/4" x 58" Flex		1
	024402	Connector, 1 1/4" Straight Male Metal Conduit		1
	051872	HARNESS ASSEMBLY, LOWER WIRING		1

5 **Control & Battery Boxes**
Front Panel Assembly & Harnesses

REF	PART #	DESCRIPTION	COMMENTS	QTY.
	R02374	Conduit, 1/2" Expandable Black		41 in.
	R02374	Conduit, 1/2" Expandable Black		42 in.

5.5 Battery Box Assembly



REF	PART #	DESCRIPTION	COMMENTS	QTY.
1	025841	BATTERY, 12 VOLT 8A31DTM AGM	Available in assemblies only.	1
	015476	BOX ASSEMBLY, LT30/LT40 SUPER BATTERY		1
2	F05010-1	Nut, 3/8-16 Hex		2
3	F05011-4	Washer, 3/8" Split Lock		2
4	015194	Retainer Loop, Battery		1
5	F05011-17	Washer, 5/16" SAE Flat		2
6	F05010-58	Nut, 5/16-18 Hex Nylon Lock		2
7	F05007-4	Bolt, 3/8-16 X 4" Hex Head Grade 2		2
8	F05011-3	Washer, 3/8" SAE Flat		4
9	F05011-36	Washer, 3/8" External Star		2
10	F05010-10	Nut, 3/8" Hex Nylon Lock		2
11	F05011-11	Washer, 1/4" SAE Flat		2

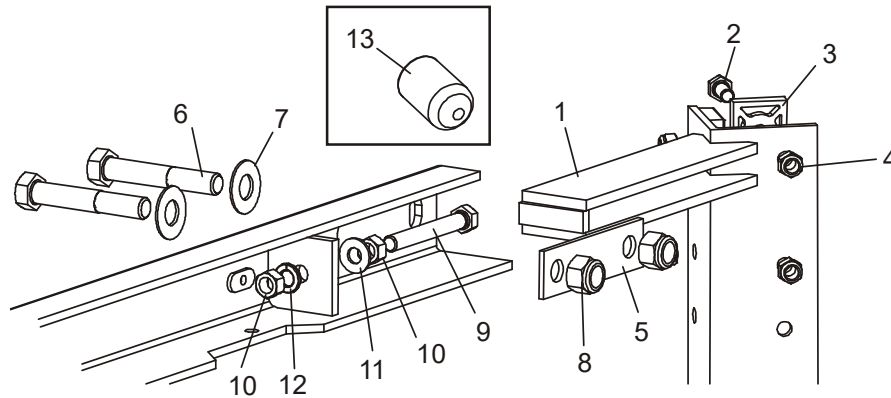
5 Control & Battery Boxes

Battery Box Assembly

REF	PART #	DESCRIPTION	COMMENTS	QTY.
12	F05010-13	Nut, 1/4-20 Wing		2
13	015191	Box Weldment, Battery		1
	006850	Block Assembly, Single Fuse		1
14	056999	Plate, Fuse Block Insulator		1
15	056997	Block, Fuse Mount	Available in assemblies only.	1
16	056996	Block, 3/4" Upper Fuse		1
17	056998	Block, 3/4" Lower Fuse		1
18	F05006-20	Screw, 5/16-18 x 1/2" Socket Button Head		3
19	F05005-59	Screw, 1/4-20 x 1/2" Socket Button Head		1
20	F05005-101	Bolt, 1/4-20 x 1" Hex Head Grade 5		2
21	F05010-21	Nut, 1/4-20 Hex Lock		2
22	F05011-14	Washer, 1/4" Split Lock		2
23	F05005-123	Bolt, 1/4-20 x 3/4" Hex Head Grade 5		2
24	F05011-13	Washer, 5/16" Split Lock		2
25	F05006-102	Bolt, 5/16-18 x 3/4" Hex head Grade 5		2
26	053339	Fuse, 225A 32V Mega		2
	006854	Plate Assembly, Fuse Box Cover		1
27	006851	Cover, Fuse Box		1
28	F05006-1	Bolt, 5/16-18 x 1" Hex Head		2
29	F05010-20	Nut, 5/16-18 Hex Self-Locking		4
30	F05011-17	Washer, 5/16" SAE Flat		4
31	F05015-7	Screw, #10-24 X 1/2" Self-Tapping		4
32	P10364	Decal, 12 Volt Warning		1
33	006866	Decal, 225A Mega Fuse Link ID		1
34	050283	Gasket, Fuse Box Cover		1
35	P11764	Grommet, 5/8" Rubber Wire		2
36	P04137	Grommet, 5/8" Wire		2
37	F05092-28	Terminal, 3/8 1-2 Ga Ring NI Loose		2
38	074198	Grommet, 3/4" ID 11 Gauge Thickness		2
39	074199	Grommet, 3/4" ID 16 Gauge Thickness		2
40	015771	LID WELDMENT, BATTERY BOX SUPER		1
41	014774	DECAL, BATTERY BOX LID CAUTION		1
42	036308	CABLE ASSEMBLY, 1 GA X 12" FUSE TO BATTERY POSITIVE		1

SECTION 6 UP/DOWN SYSTEM

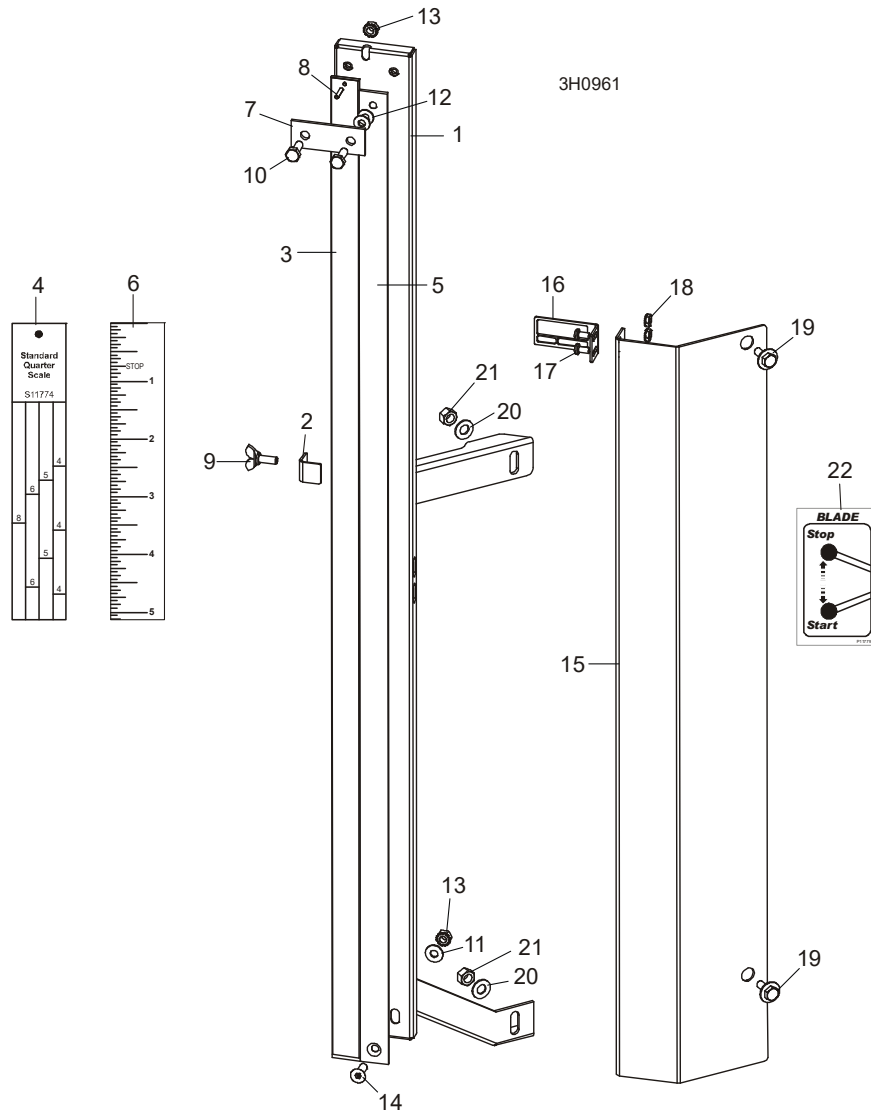
6.1 Saw Head Mount



SM0080D

REF	PART #	DESCRIPTION	COMMENTS	QTY.
1	W04099	V-BRACE, SAW HEAD MOUNT		1
2	F05006-5	BOLT, 5/16-18 X 3/4" HEX HEAD GRADE 5		12
	F05006-93	BOLT, 5/16-18 X 1 1/4 HEX HEAD FULL THREAD GRADE 5		4
3	M04096	PAD, PLASTIC SLIDE		6
	016241	PAD, PLASTIC SLIDE LOWER W/CHAMFER		2
4	F05010-58	NUT, 5/16-18 NYLON LOCK		16
5	S07935	PLATE, V-BRACE WASHER		2
6	F05008-61	BOLT, 1/2-13 X 3 1/2" HEX HEAD GRADE 5		4
7	F05011-2	WASHER, 1/2" SAE FLAT		4
8	F05010-8	NUT, 1/2-13 NYLON LOCK		4
9	F05007-17	BOLT, 3/8-16 X 2" FULL THREAD		2
10	F05010-1	NUT, 3/8-16 HEX		4
11	F05011-3	WASHER, 3/8" SAE FLAT		2
12	F05011-4	WASHER, 3/8" SPLIT LOCK		2
13	017715	CAP, .281" X 1/2" BLACK VINYL		3

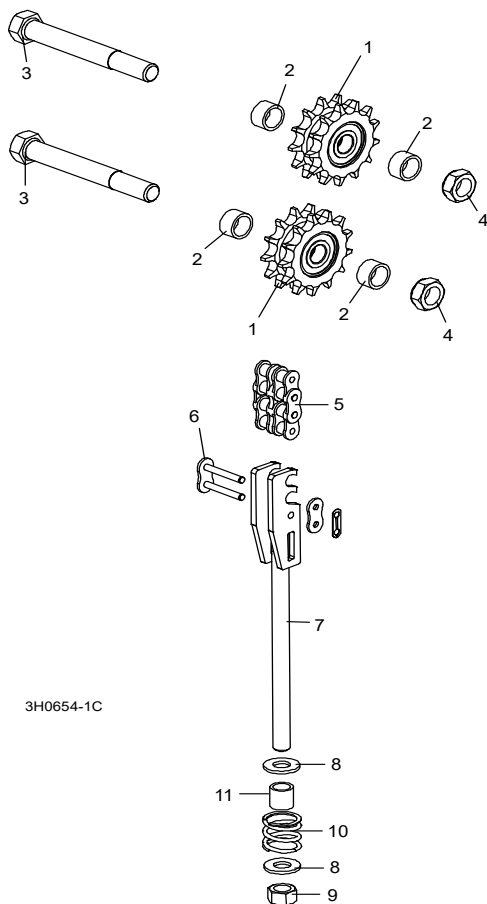
6.2 Blade Height & Quarter Scales



REF	PART #	DESCRIPTION	COMMENTS	QTY.
	K11998	Scale Kit, Fixed With Pointer	Service kit	1
	A12022	Scale Assembly, Fixed	Available in assemblies only.	1
1	W11996	Bracket, Scale Mounting		1
2	036666	Plate, Movable Scale Stop		1
3	S11989	Scale, 35" Quarter		1
4	S11774	Decal, 35" Standard Quarter Scale		1
	P12819	Decal, 35" Grade Hardwood Quarter Scale		1
5	S11988	Scale, 35" Inch		1
6	S11773	Decal, 35" Inch		1
7	S04805	Strap, Scale Hold-Down		1
8	F05012-14	Pin, 1/8" X 5/8" Roll		1
9	F05005-64	Screw, 1/4-20 X 5/8" Wing		1
10	F05005-1	Bolt, 1/4-20 x 1/2" Hex Head		2
11	F05011-11	Washer, 1/4" SAE Flat		1
12	F05011-22	Washer, 1/4" X .020 Thick Nylon Flat		2
13	F05010-9	Nut, 1/4-20 Hex Self-Locking		2

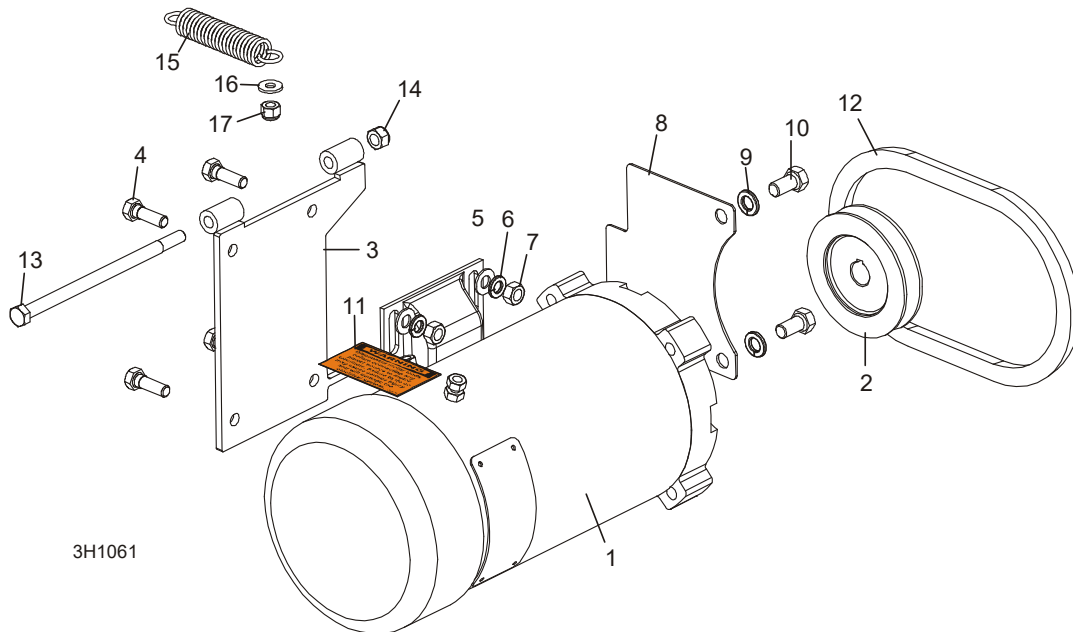
REF	PART #	DESCRIPTION	COMMENTS	QTY.
14	F05005-70	Screw, 1/4-20 X 3/4" Flat Socket Head		1
	038591	Pointer Assembly, Fixed Scale		1
15	038586	Bracket, Fixed Scale Pointer Mount		1
16	038585	Pointer, Fixed Scale		1
17	F05004-3	Screw, #10-24 X 3/8" Phillips Head		2
18	F05010-14	Nut, #10-24 Hex Self-Locking		2
19	F05005-134	Bolt, 1/4-20 x 3/4" with Conical Washer		2
20	F05011-17	Washer, 5/16" SAE Flat		2
21	F05010-6	Nut, 5/16-18 Hex Lock		2
	F05005-15	Bolt, 1/4-20 X 1/2" Hex Head Grade 2		1
	A12030-370	Instruction Sheet, Fixed Scale Retrofit		1
	K12064	Decal Kit, Metric Scale		1
	S11711	Decal, Metric		1
	P12040-1	Decal, Metric 16-40mm		1
	P12040-2	Decal, Metric 45-63mm		1
22	P11779	Decal, Clutch Handle Operation		1

6.3 Up/Down Chain & Sprockets



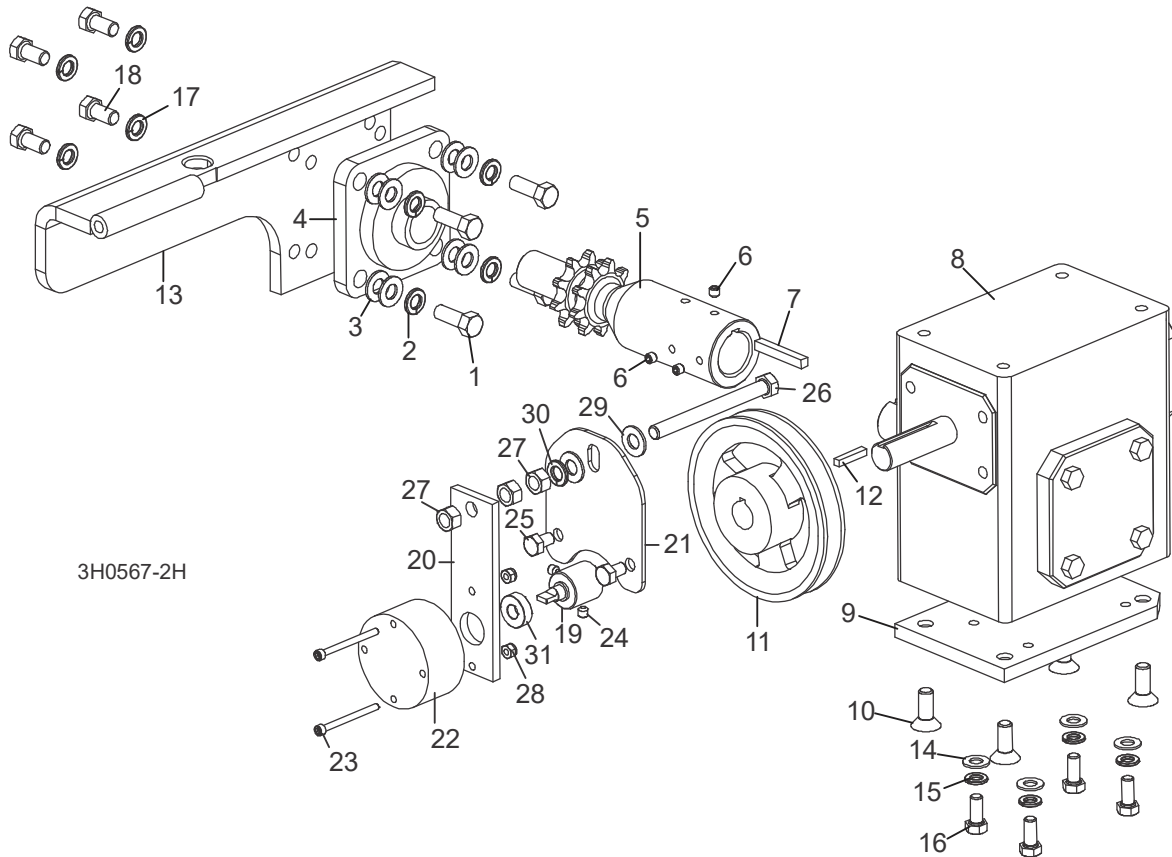
REF	PART #	DESCRIPTION	COMMENTS	QTY.
	016020	SPROCKET KIT, UP/DOWN IDLER #50-2		1
1	016019	Sprocket, Up/Down Idler '98		2
2	016018	Spacer, 50-2 Idler '98		4
	016020-541	Instruction Sheet, Up/Down Idler Retrofit		1
3	F05009-6	BOLT, 5/8-11 X 5" HEX HEAD GRADE 2		2
4	F05010-96	NUT, 5/8-11 JAM NYLON LOCK		2
5	015259	CHAIN, #50-2 X 75.625" UP/DOWN		1
6	015258	LINK, #50-2 MASTER		2
	015456	TENSIONER ASSEMBLY, UP/DOWN CHAIN		1
7	015188	Bracket, Up/Down #50 Chain Tensioner	Available in assemblies only.	1
8	F05011-2	Washer, 1/2" SAE Flat		2
9	F05010-8	Nut, 1/2-13 Hex Nylon Lock		1
10	016516	Spring, 1" OD x 1" Long x .125" Wire Compr.		1
11	016515	Spacer, Up/Dn Chain Tensioner		1

6.4 Up/Down Motor Assembly



REF	PART #	DESCRIPTION	COMMENTS	QTY.
1 - 11	008779	UP/DOWN MOTOR ASSEMBLY		1
1	053682	Motor, 1HP 12VDC Electric		1
	053682-BK	Brush Kit, Leeson 1HP Motor		1
2	008999	Pulley, AK32 x 5/8"		1
3	015198	Bracket, Up/Down Motor Mount		1
4	F05006-1	Bolt, 5/16-18 x 1" Hex Head		4
5	F05011-17	Washer, 5/16" SAE Flat		4
6	F05011-13	Washer, 5/16" Split Lock		4
7	F05010-17	Nut, 5/16-18 Hex		4
8	015016	Guard, Up/Down Sprocket		1
9	F05011-4	Washer, 3/8" Split Lock		2
10	F05007-27	Bolt, 3/8-16 x 3/4" Hex Head		2
11	024431	Decal, Disconnect Motor Leads Warning		1
12	038459	BELT, 4L245 NOTCHED		1
13	F05006-73	BOLT, 5/16-18 X 6" HEX HEAD GRADE 5		1
14	F05010-65	NUT, 5/16-18 HEX NYLON LOCK		1
15	015569	SPRING, .75" X 3 3/4" X .092" EXTENSION		1
16	F05011-11	WASHER, 1/4" SAE FLAT		1
17	F05010-69	NUT, 1/4-20 NYLON LOCK HEX		1

6.5 Up/Down Drive Assembly



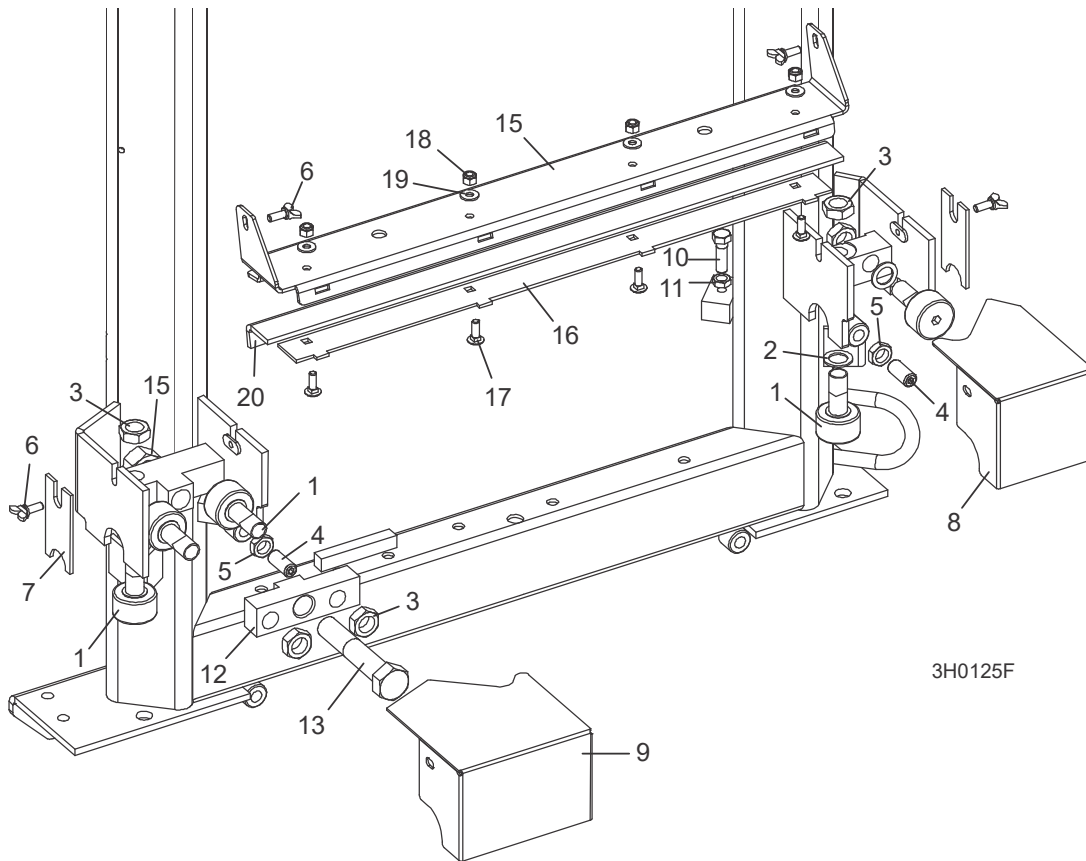
3H0567-2H

REF	PART #	DESCRIPTION	COMMENTS	QTY.
	015176	UP/DOWN DRIVE ASSEMBLY		1
1	F05007-7	Bolt, 3/8-16 x 1" Hex Head		4
2	F05011-4	Washer, 3/8" Split Lock		4
3	F05011-3	Washer, 3/8" SAE Flat		8
4	014090	Bearing, Flanged Up/Down		1
	016094	Shaft Kit, Up/Down Drive		1
5	016031	Shaft, Up/Down Sprocket	Available in assemblies only.	1
6	F05005-105	Screw, 1/4-28 x 1/4" Socket Head Cup Point		3
7	S04124	Key, 1/4" Square x 1 11/16" Long		1
8	074124	Gear Box, Up/Down Grove		1
9	014158	Plate, Gear Box Spacer		1
10	F05007-64	Bolt, 3/8-16 x 1" Flat Socket Head		4
11	015256	Pulley, Up/Down		1
12	S31027	Key, 3/16" Square x 1" Long		1
13	015195	Bracket, Up/Down Motor Mount		1
14	F05011-17	WASHER, 5/16" SAE FLAT		4
15	F05011-13	WASHER, 5/16" SPLIT LOCK		4
16	F05006-102	BOLT, 5/16-18 X 3/4" HEX HEAD GRADE 5		4
17	F05011-4	WASHER, 3/8" SPLIT LOCK		4
18	F05007-27	BOLT, 3/8-16 X 3/4" HEX HEAD		4
	L04869-4	OIL, 8 OZ. MOBIL SHC634 BOTTLED SYN-THETIC GEAR	24 oz. required for complete oil replacement.	1

REF	PART #	DESCRIPTION	COMMENTS	QTY.
	065187	BRAKE ASSEMBLY, SUPER UP/DOWN		1
19	062511	Shaft, Up/Down Brake LT70 3/4"		1
20	062513	Plate, Brake Mount		1
21	065190	Plate, Super Up/Down Brake Mount		1
	065907	Brake Assembly, LT40/50/70 Up/Down Replacement		1
22	069519	Brake, Klauber Gearmotor #K01134D300	Available in assemblies only.	1
	F05708-26	Terminal, 3/16" 18-22 Ga Quick Male		2
23	F05004-273	Bolt, #8-32 x 2" Socket Head Stainless Steel		2
24	F05005-131	Screw, 1/4-20 x 1/4" Cup Point Socket Set		2
25	F05006-15	Bolt, 5/16-18 x 1/2" Hex Head Grade 5		2
26	F05007-92	Bolt, 3/8-16 x 4" Hex Head Full Thread Grade 5		1
27	F05010-1	Nut, 3/8-16 Hex		3
28	F05010-169	Nut, #8-32 Hex Nylon Lock		2
29	F05011-3	Washer, 3/8" SAE Flat		2
30	F05011-4	Washer, 3/8" Split Lock		1
31	P10688	Bearing, R6-2NSL SRI-2 ABEC-1		1
	069678-S-FR	Diode OR Assembly, Up/Down Brake LT40/50		1

SECTION 7 FEED SYSTEM & TRACK ROLLERS

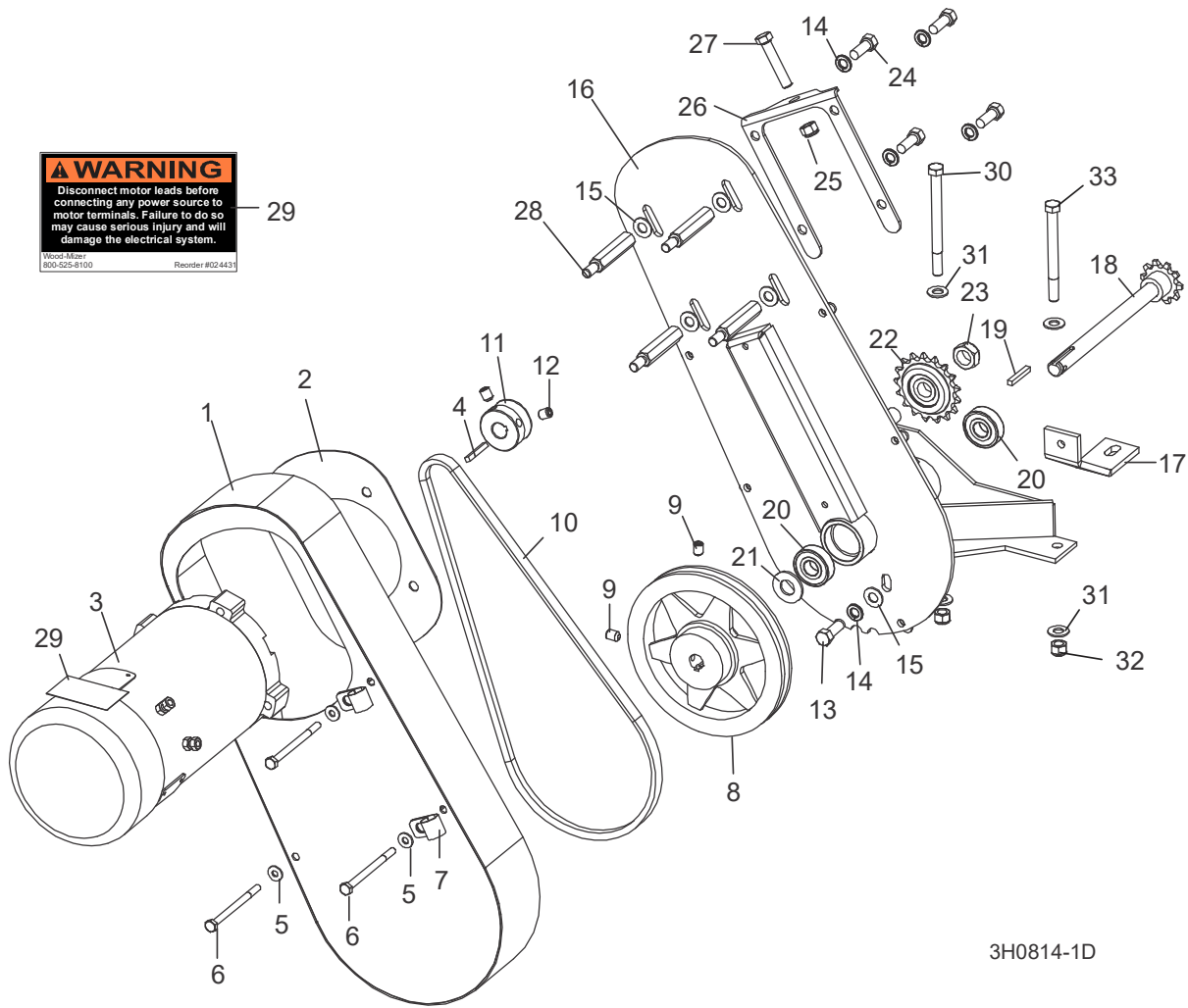
7.1 Upper Track Rollers And Wipers



3H0125F

REF	PART #	DESCRIPTION	COMMENTS	QTY.
1	012797	ROLLER, TRACK CAM BEARING		5
2	016510	SHIM, 5/8" X 1" X .062"		2
3	F05010-11	NUT, 5/8-18 HEX JAM		5
4	F05008-5	SCREW, 1/2-13 X 1 1/4" OVAL POINT SET		2
5	F05010-31	NUT, 1/2-13 HEX JAM		2
6	F05005-64	SCREW, 1/4-20 X 5/8" THUMB		4
7	M04113	WIPER, PLASTIC TRACK		2
8	012999	HOUSING, UPPER TRACK ROLLER REAR		1
9	016285	HOUSING, UPPER TRACK ROLLER FRONT		1
10	F05007-2	BOLT, 3/8-16 X 1 1/4" HEX HEAD		2
11	F05010-29	NUT, 3/8-16 HEX JAM		2
12	016501	BLOCK, UPPER ROLLER PIVOT		1
13	F05013-3	BOLT, 3/4-10 X 4" HEX HEAD GRADE 5		1
14	F05010-80	NUT, 3/4-10 SELF LOCKING		1
	110612	COVER ASSEMBLY, LT40 TRACK		1
15	110609	Cover, Middle Track, LT40	Available in assemblies only.	1
16	110611	Retainer, Felt Oiler	Available in assemblies only.	1
17	F05005-113	Bolt, 1/4-20x3/4 Carriage		4
18	F05010-69	Nut, 1/4-20 Nylock		4
19	F05011-11	Washer, 1/4 SAE Flat		4
20	S09915	Felt, Middle Track Oiler LT40/50/70		1

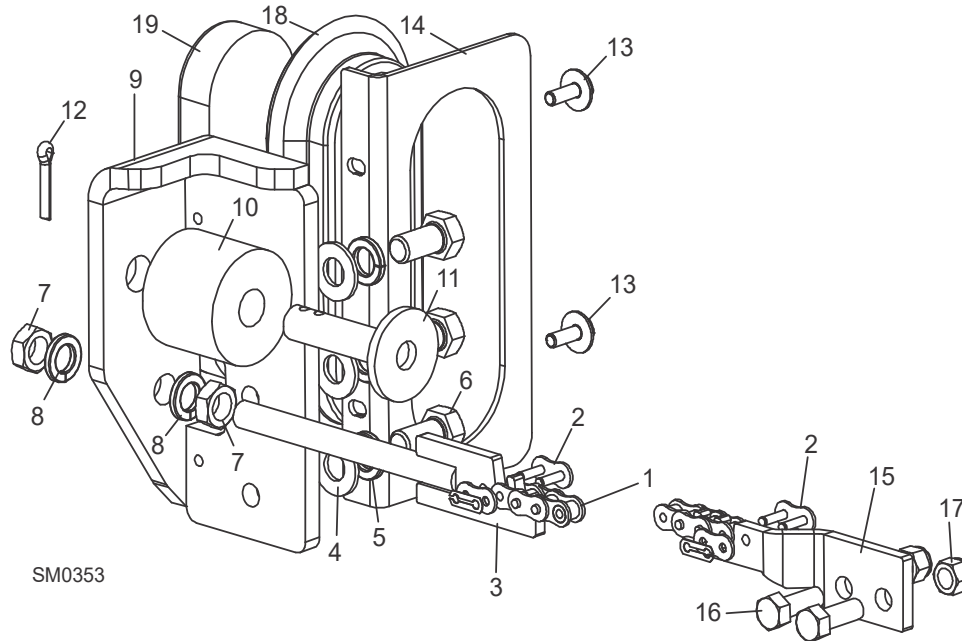
7.2 Power Feed Assembly



REF	PART #	DESCRIPTION	COMMENTS	QTY.
	015125	POWER FEED ASSEMBLY		1
1	015126	Cover Weldment, Top Power Feed		1
2	015133	Plate, Power Feed Motor		1
3	024169	Motor, 3/4HP Power Feed Painted		1
	024167	Brush Kit, Leeson 3/4HP Motor (Includes 2 Brushes and 2 Springs)		1
	016087	Fan, 3/4 HP Leeson Motor Replacement		1
	061146	Guard, Motor Fan Leeson 3/4HP		1
4	S31027	Key, 3/16" Square x 1" Long		1
5	F05011-11	Washer, 1/4" SAE Flat		4
6	F05005-54	Bolt, 1/4-20 X 3 1/2" Hex Head Grade 2		4
7	010748	Clamp, 5/8" EMT Coated		2
8	016088	Sheave, AK71 x 5/8" Power Feed (200ft./min.)	To increase feed return rate to 220 ft./min. replace with AK64 sheave 016114 and AX35 belt 015175 (replaces kit 016085). Kit 016070, AL84 x 5/8" Sheave 016115 and AX38 Belt 016068 to reduce feed return rate to 183 ft./min. no longer available.	1

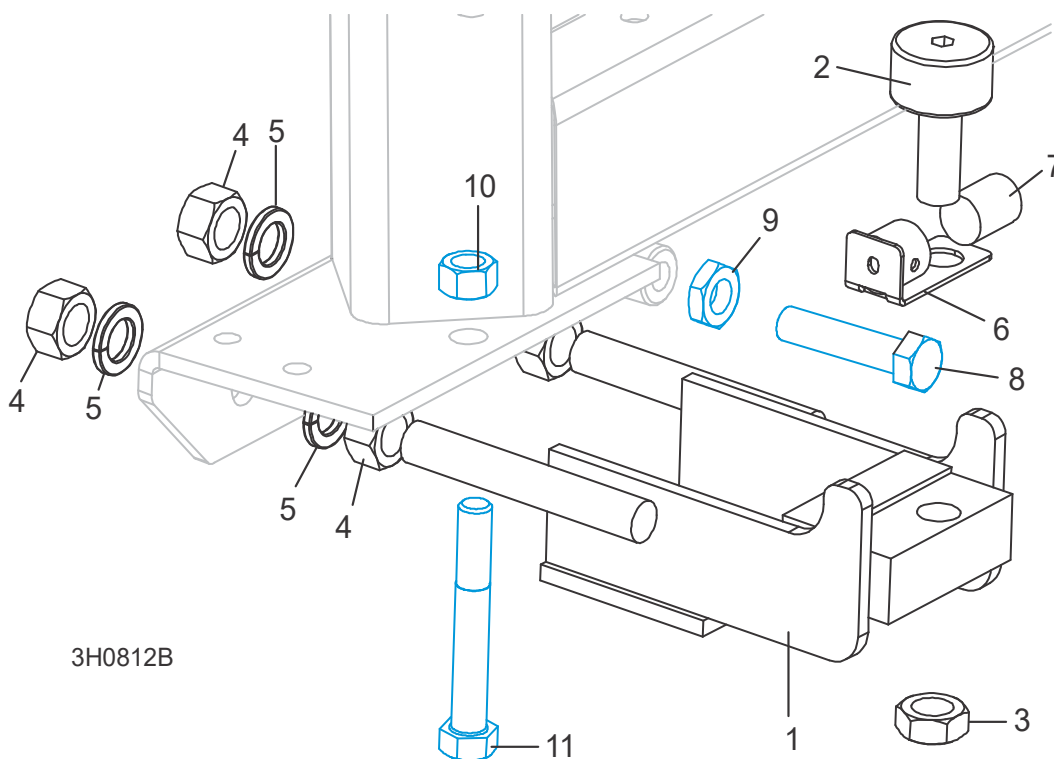
REF	PART #	DESCRIPTION	COMMENTS	QTY.
9	F05006-32	Screw, 5/16-18 x 3/4" Cup Point Set		2
10	016083	Belt, AX36 (200ft./min.)	To increase feed return rate to 220 ft./min. replace with AK64 sheave 016114 and AX35 belt 015175 (replaces kit 016085). Kit 016070, AL84 x 5/8" Sheave 016115 and AX38 Belt 016068 to reduce feed return rate to 183 ft./min. no longer available.	1
11	015135	Sheave, 1 3/4" Feed Motor		1
12	F05007-12	Screw, 3/8"-16 x 1/2" Cup Point Set		2
13	F05007-7	Bolt, 3/8-16 x 1" Hex Head		1
14	F05011-4	Washer, 3/8" Split Lock		5
15	F05011-3	Washer, 3/8" Flat		5
16	015162	Bracket, Power Feed Mount		1
17	015132	Brace, Power Feed Mounting		1
	016066	Shaft Assembly, Power Feed with Key		1
18	015129	Shaft Weldment, Power Feed	Available in assemblies only.	1
19	016108	Key, 3/16" Square x 1 3/8" Long		1
20	P06030-1	Bearing, 5/8" 6203-2NSL		2
21	F05011-19	Washer, 5/8" x 15/16" x .094" Nylon		1
22	016366	Sprocket, #40/41 Idler 17T 5/8" ID w/Bearing		1
23	F05010-96	Nut, 5/8-11 Nylon Lock Jam		1
24	F05007-27	Bolt, 3/8-16 x 3/4" Hex Head		4
25	F05010-10	Nut, 3/8-16 Hex Nylon Lock		1
26	015134	Plate, Belt Tensioner		1
27	F05007-16	Bolt, 3/8-16 x 2" Full Thread Hex Head		1
28	015136	Spacer, Power Feed Motor		4
29	024431	Decal, Disconnect Motor Leads Warning		1
30	F05007-35	BOLT, 3/8-16 X 4 1/2" HEX HEAD		1
31	F05011-3	WASHER, 3/8" SAE FLAT		4
32	F05010-10	NUT, 3/8-16 HEX NYLON LOCK		2
33	F05007-4	BOLT, 3/8-16 X 4" FULL THREAD HEX HEAD TAP GRADE 5		1

7.3 Feed Chain/Stop



REF	PART #	DESCRIPTION	COMMENTS	QTY.
1	014744	CHAIN, #40 X 215.5" LT30 FEED		1
	014745	CHAIN, #40 X 267.5" LT40 FEED		1
2	P04200	LINK, #40 MASTER		2
3	015721	TENSIONER WELDMENT, POWER FEED CHAIN		1
4	F05011-2	WASHER, 1/2" SAE FLAT		3
5	F05011-9	WASHER, 1/2" SPLIT LOCK		3
6	F05008-128	BOLT, 1/2-13 X 1" HEX HEAD GRADE 8		3
7	F05010-16	NUT, 1/2-20 HEX JAM		2
8	F05011-9	WASHER, 1/2" SPLIT LOCK		2
9	006686	BRACKET WELDMENT, REAR FEED STOP		1
	K09630	STOP KIT, RUBBER CARRIAGE		2
10	P12165	Stop, Rubber Carriage		1
11	W09293	Pin, Rubber Carriage Stop		1
12	F05012-21	Pin, 3/16" X 1" Cotter		1
13	F05005-134	BOLT, 1/4-20 X 3/4" WITH CONICAL WASHER		1
14	057822	PLATE, BED TUBE END W/LIGHT MOUNT		1
15	015008	BRACKET, FRONT FEED CHAIN MOUNT		1
16	F05007-87	BOLT, 3/8-16 X 1" HEX HEAD GRADE 5		2
17	F05010-10	NUT, 3/8-16 HEX NYLON LOCK		2
18	006688	GROMMET, 6 1/2" LIGHT MOUNTING		1
19	006391	LIGHT, 8 DIODE LED TAIL		1

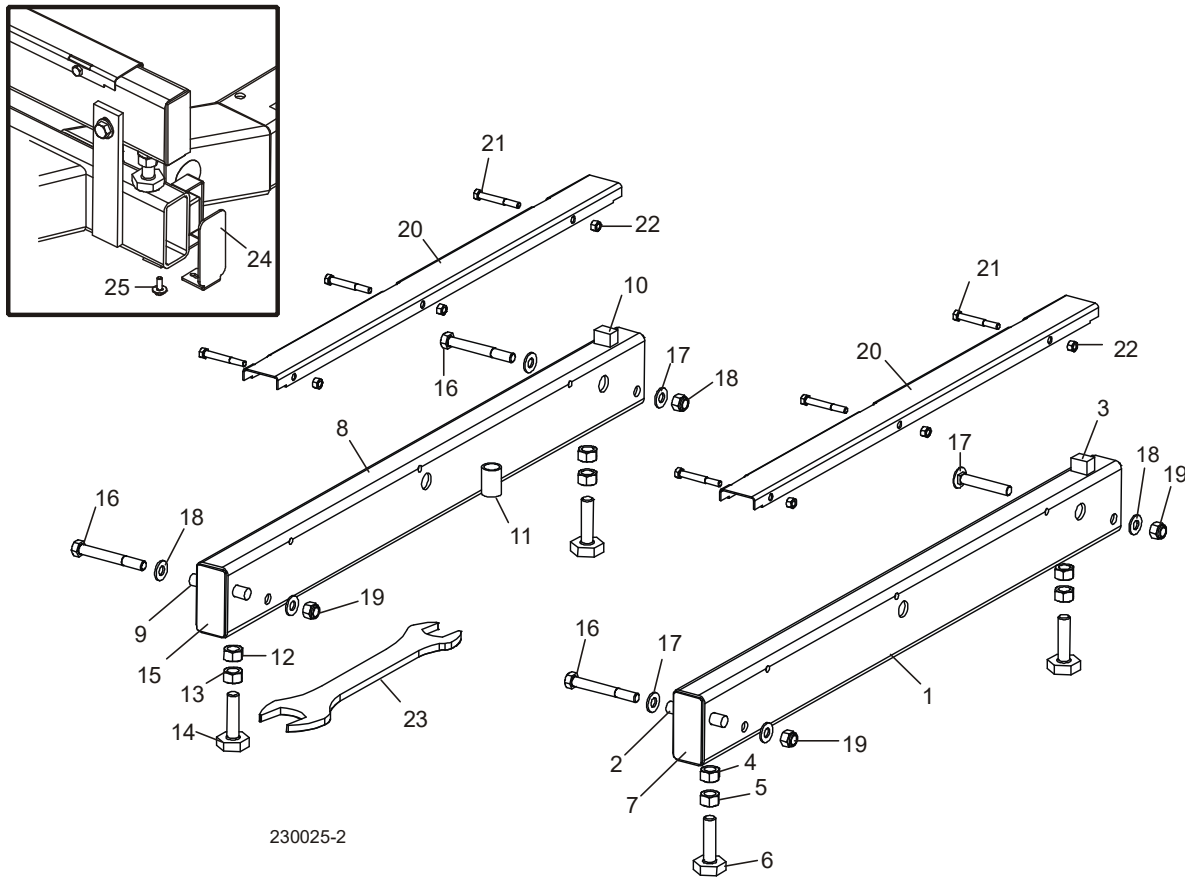
7.4 Lower Track Rollers



REF	PART #	DESCRIPTION	COMMENTS	QTY.
	012995	ROLLER ASSEMBLY, LOWER TRACK		2
1	012982	Bracket, Lower Track Roller Mounting	Available in assemblies only.	1
2	012797	Roller, Track Cam Bearing		1
3	F05010-11	Nut, 5/8-18 Hex Jam		1
4	F05010-5	Nut, 5/8-11 Hex		4
5	F05011-118	Washer, 5/8" Split Lock Grade 8		4
6	033374	Bracket Weldment, Lower Track Roller Wiper		1
7	033375	Wiper, Round Gray Felt		1
8	F05008-2	BOLT, 1/2-13 X 2 1/4" HEX HEAD FULL THREAD		2
9	F05010-31	NUT, 1/2-13 HEX JAM		2
10	F05010-3	NUT, 1/2-13 HEX LOCK		2
11	F05008-61	BOLT, 1/2-13 X 3 1/2" HEX HEAD GRADE 5		2

SECTION 8 BED FRAME ASSEMBLY

8.1 Bed Rail Assembly, Front And Rear



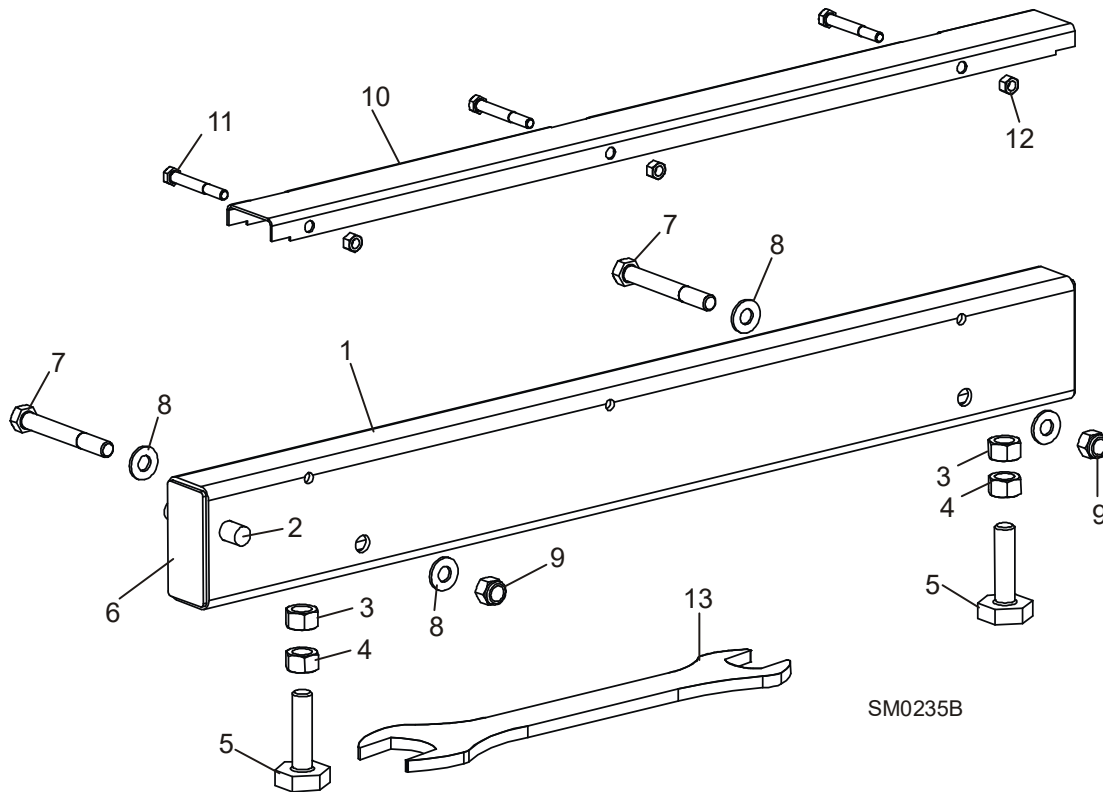
230025-2

REF	PART #	DESCRIPTION	COMMENTS	QTY.
	A09774	BED RAIL ASSEMBLY, REAR PAINTED		1
1	S09102	Bed Rail Tube, Long	Available in assemblies only.	1
2	S04030	Pin, Ramp Mount		1
3	S09034	Block, Log Stop		1
4	F05010-84	Nut, 5/8-11 Pilot Weld		2
5	F05010-5	Nut, 5/8-11 Hex		2
6	S13006	Bolt, Bed Rail Adjustment		2
7	S04058	Plate, Bed Rail End Cap	Available in assemblies only.	2
	A09564	BED RAIL ASSEMBLY, FRONT PAINTED		1
8	S09102	Bed Rail Tube, Long	Available in assemblies only.	1
9	S04030	Pin, Ramp Mount		1
10	S09034	Block, Log Stop		1
11	S09334	Tube, Ramp Retainer Mount	Available in assemblies only.	1
12	F05010-84	Nut, 5/8-11 Pilot Weld		2
13	F05010-5	Nut, 5/8-11 Hex		2
14	S13006	Bolt, Bed Rail Adjustment		2
15	S04058	Plate, Bed Rail End Cap	Available in assemblies only.	2
16	F05008-78	BOLT, 1/2-13 X 4" HEX HEAD GRADE 5		3

8 **Bed Frame Assembly**
Bed Rail Assembly, Front And Rear

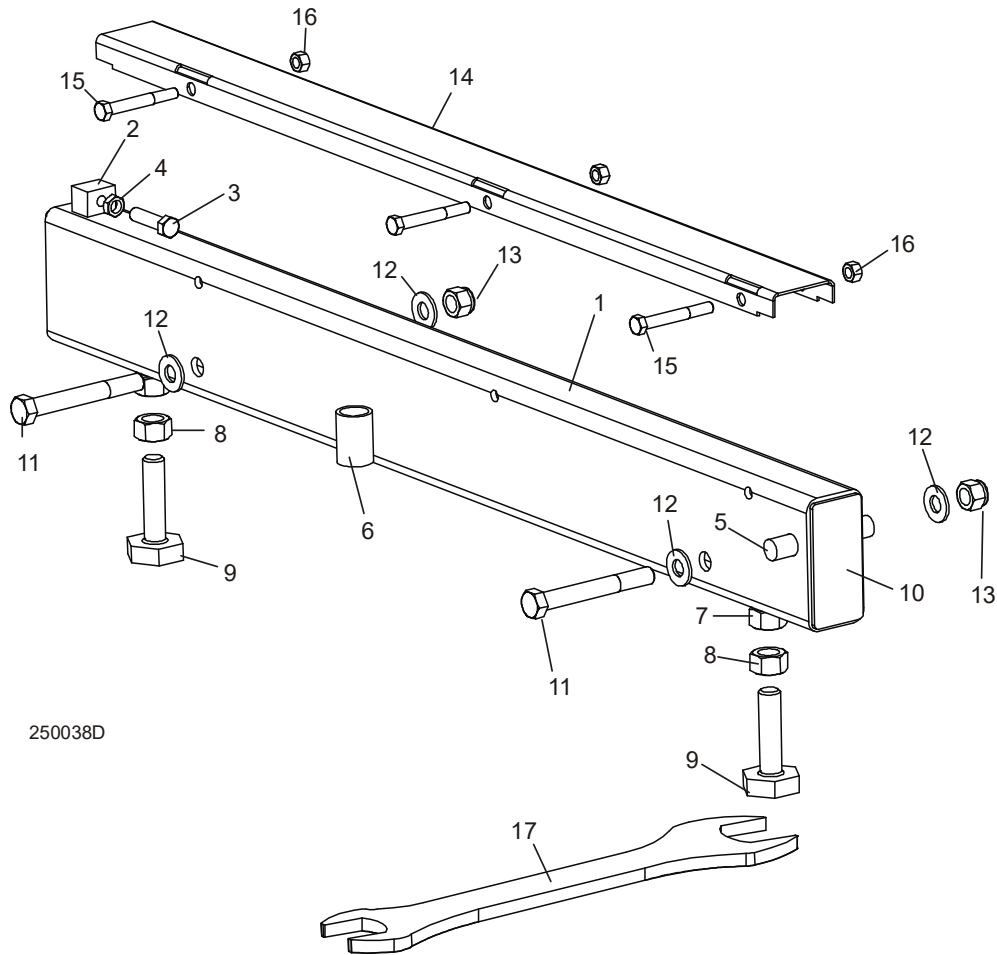
REF	PART #	DESCRIPTION	COMMENTS	QTY.
17	F05008-94	BOLT, 1/2-13 X 3 1/2" CARRIAGE	Used on rear bed rail to allow clearance for optional side support rollers.	1
18	F05011-2	WASHER, 1/2" SAE FLAT		7
19	F05010-8	NUT, 1/2-13 NYLON LOCK		4
	079144	COVER KIT, FRONT/REAR BED RAIL SS		2
20	016898	Cover, Stainless Steel Bed Rail		1
21	F05006-10	Bolt, 5/16-18 X 2 1/2" Hex Head		3
22	F05010-6	Nut, 5/16-18 Hex Lock		3
23	015970	WRENCH, BED RAIL ADJUSTMENT	OPTIONAL	1
24	038843	CAP, BED RAIL REMOVABLE END		2
25	F05005-134	BOLT, 1/4-20 X 3/4" W/CONICAL WASHER HEAD		2

8.2 Bed Rail Assembly, Middle Front



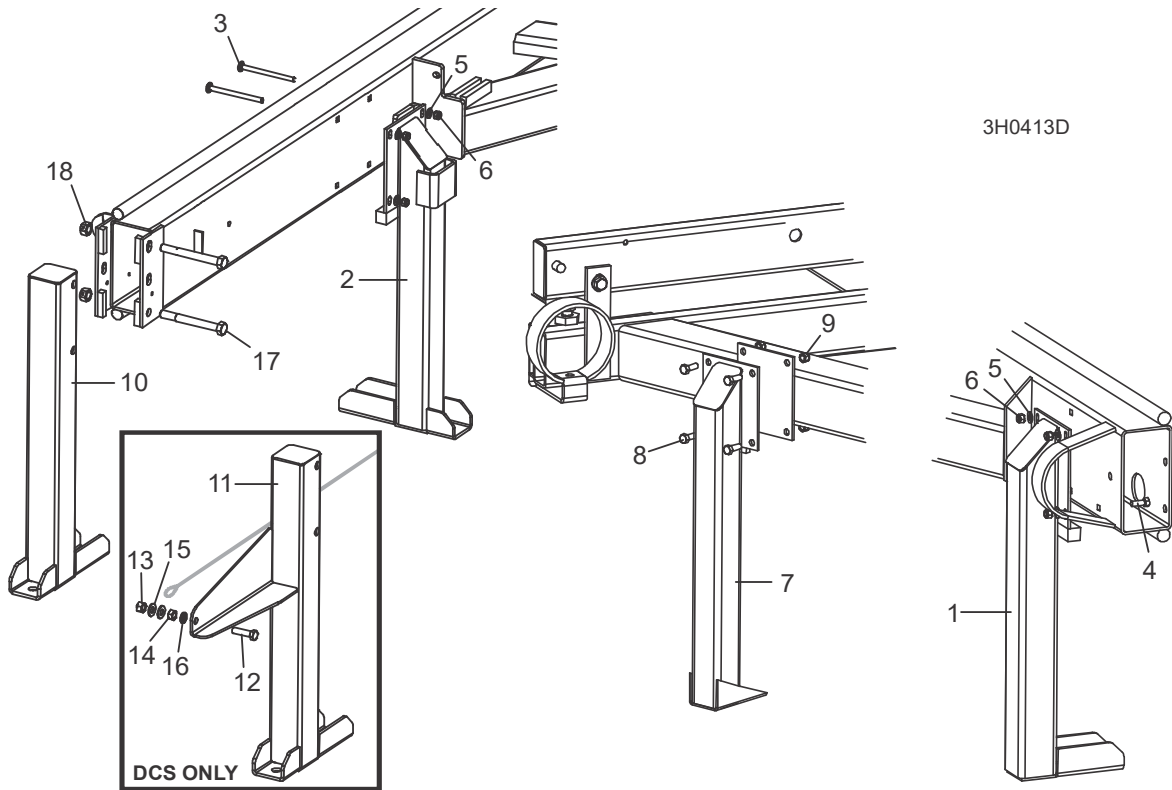
REF	PART #	DESCRIPTION	COMMENTS	QTY.
	A09566	BED RAIL ASSEMBLY, FRONT MIDDLE		1
1	S09103	Bed Rail Tube, Short	Available in assemblies only.	1
2	S04030	Pin, Ramp Mount		1
3	F05010-84	Nut, 5/8-11 Pilot Weld		2
4	F05010-5	Nut, 5/8-11 Hex		2
5	S13006	Bolt, Bed Rail Adjustment		2
6	S04058	Plate, Bed Rail End Cap	Available in assemblies only.	2
7	F05008-78	BOLT, 1/2-13 X 4" HEX HEAD GRADE 5		2
8	F05011-2	WASHER, 1/2" SAE FLAT		4
9	F05010-8	NUT, 1/2-13 NYLON LOCK		2
	A09956	COVER ASSEMBLY, STAINLESS STEEL BED RAIL (LONG)		1
10	S09944	Cover, Stainless Steel Bed Rail	Available in assemblies only.	1
11	F05006-10	Bolt, 5/16-18 X 2 1/2" Hex Head		3
12	F05010-6	Nut, 5/16-18 Hex Lock		3
13	015970	WRENCH, BED RAIL ADJUSTMENT		1

8.3 Bed Rail Assembly, Middle Rear



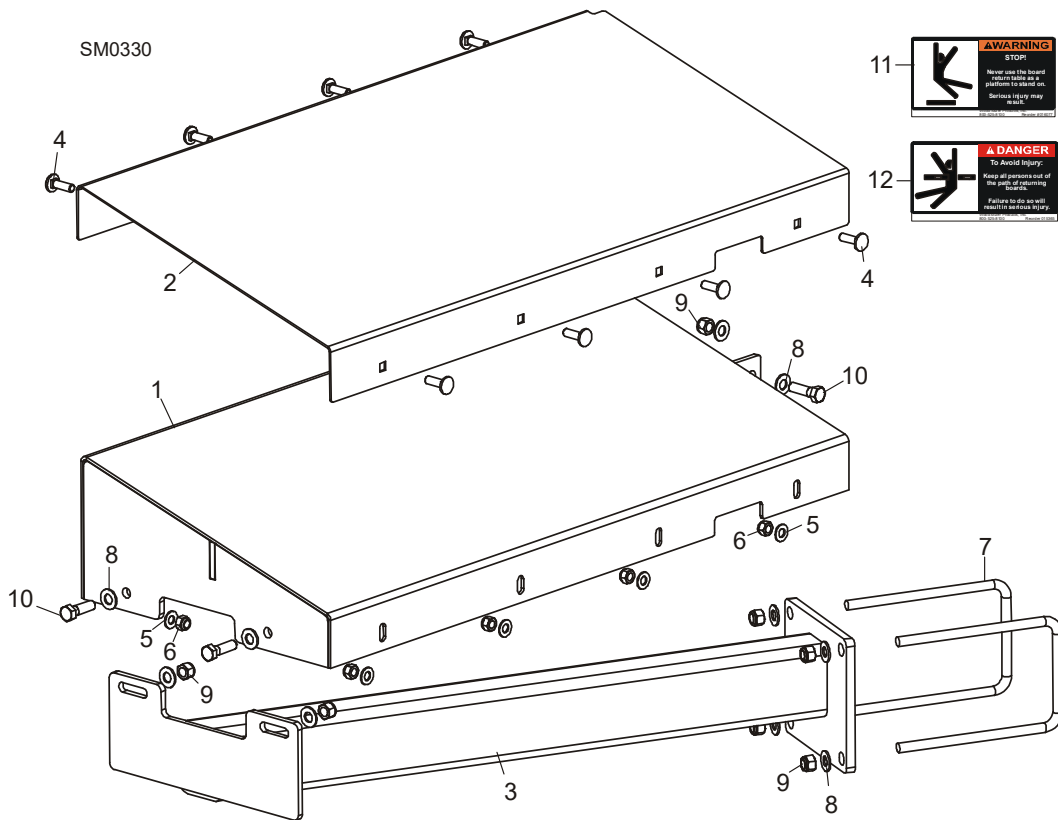
REF	PART #	DESCRIPTION	COMMENTS	QTY.
	A09565	BED RAIL ASSEMBLY, REAR MIDDLE		1
1	014640	Bed Rail Tube, Short	Available in assemblies only.	1
2	014639	Block, Log Stop w/Threaded Hole	Available in assemblies only.	1
3	F05007-17	Bolt, 3/8-16 x 1 1/2 Full Thead Hex Head		1
4	F05010-29	Nut, 3/8-16 Hex Jam		1
5	S04030	Pin, Ramp Mount		1
6	S09334	Tube, Ramp Retainer Mount	Available in assemblies only.	1
7	F05010-84	Nut, 5/8-11 Pilot Weld		2
8	F05010-5	Nut, 5/8-11 Hex		2
9	S13006	Bolt, Bed Rail Adjustment		2
10	S04058	Plate, Bed Rail End Cap	Available in assemblies only.	2
11	F05008-78	BOLT, 1/2-13 X 4" HEX HEAD GRADE 5		2
12	F05011-2	WASHER, 1/2" SAE FLAT		4
13	F05010-8	NUT, 1/2-13 NYLON LOCK		2
	A09956	COVER ASSEMBLY, STAINLESS STEEL BED RAIL (LONG)		1
14	S09944	Cover, Stainless Steel Bed Rail	Available in assemblies only.	1
15	F05006-10	Bolt, 5/16-18 X 2 1/2" Hex Head		3
16	F05010-6	Nut, 5/16-18 Hex Lock		3
17	015970	WRENCH, BED RAIL ADJUSTMENT		1

8.4 Optional Legs Assembly (Stationary)



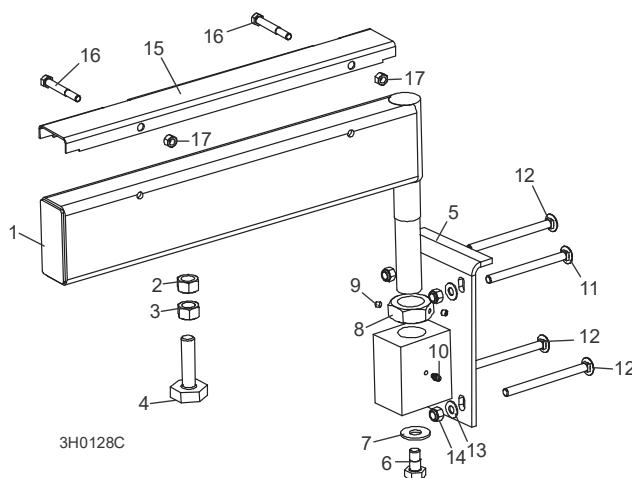
REF	PART #	DESCRIPTION	COMMENTS	QTY.
		See Form #847 or diagram below for stationary sawmill foot anchor locations		
		See Form #359 for stationary sawmill w/bed extension foot anchor locations		
1	W09513	LEG, LONG STATIONARY (1 REQ'D FOR LT30; 3 REQ'D FOR LT40)		1/3
2	015091	LEG, LONG STATIONARY W/BOARD RETURN TABLE BRACKET		1
3	F05007-113	BOLT, 3/8-16 X 5" CARRIAGE HEAD		8/12
4	F05007-2	BOLT, 3/8-16 X 1 1/4" HEX HEAD (REQ'D FOR REAR LT40 ONLY)		4
5	F05011-3	WASHER, 3/8" SAE FLAT		8/16
6	F05010-10	NUT, 3/8-16 HEX NYLON LOCK		8/16
7	W09515	LEG, SHORT STATIONARY		2
8	F05007-2	BOLT, 3/8-16 X 1 1/4" HEX HEAD		8
9	F05010-10	NUT, 3/8-16 HEX NYLON LOCK		8
10	W09517	LEG, FRONT STATIONARY		1
11	065935	Leg Weldment, Festoon Stationary Front		1
12	F05008-88	Bolt, 1/2-13 x 1 3/4" Full Thread Hex Head Grade 5		1
13	F05010-3	Nut, 1/2-13 Swaged Hex		1
14	F05010-35	Nut, 1/2-13 Free Hex		1
15	F05011-2	Washer, 1/2" SAW Flat		2
16	F05011-9	Washer, 1/2" Split Lock		1
17	F05009-11	BOLT, 5/8-11 X 5 1/2" HEX HEAD GRADE 5		2
18	F05010-4	NUT, 5/8-11 HEX LOCK		2

8.5 Board Return Table Assembly



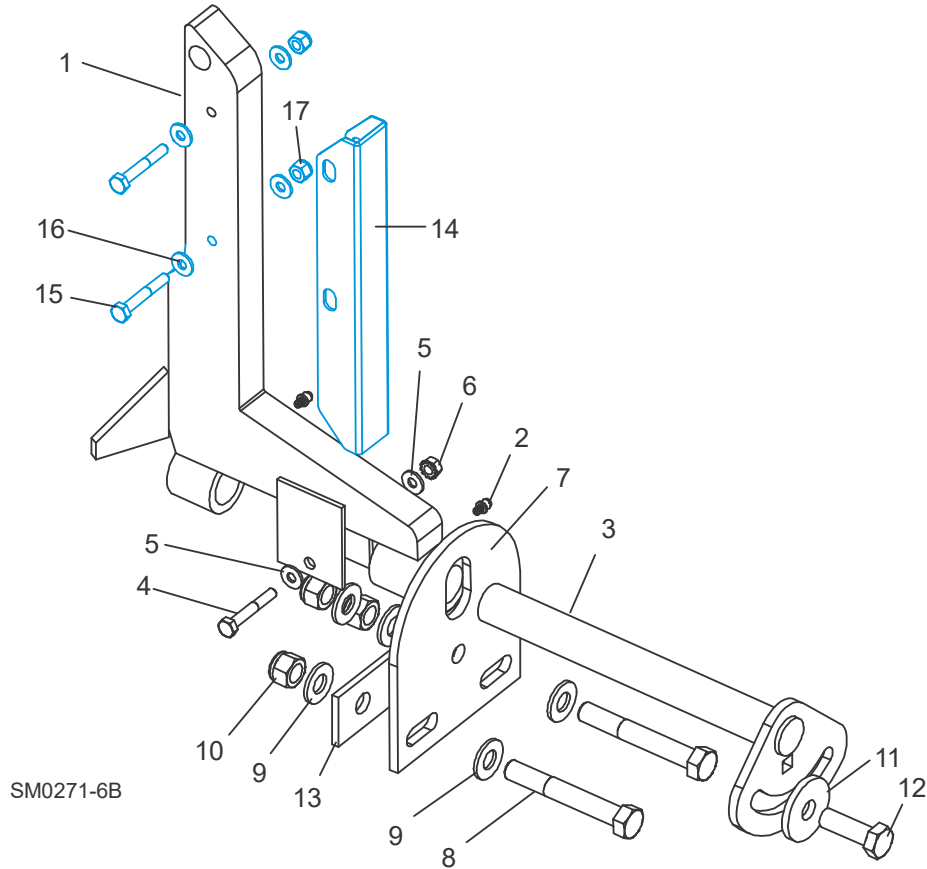
REF	PART #	DESCRIPTION	COMMENTS	QTY.
	003264	TABLE ASSEMBLY, BOARD RETURN (LT40)		1
	003270	TABLE ASSEMBLY, BOARD RETURN (LT30)		1
1	055515	Table Weldment, Board Return		1
2	003259	Cover, Board Return Table		1
3	055533	Mount Weldment, Board Return Table (LT40)		1
	038992	Mount Weldment, Board Return Table (LT30)		1
4	F05006-9	Bolt, 5/16-18 x 1" Carriage Head		8
5	F05011-17	Washer, 5/16" SAE Flat		8
6	F05010-58	Nut, 5/16-18 Nylon Lock		8
7	003207	Bolt, 3/8-16 x 4" x 5" 'U'		2
8	F05011-3	Washer, 3/8" SAE Flat		10
9	F05010-10	Nut, 3/8-16 Hex Nylon Lock		7
10	F05007-123	Bolt, 3/8-16 x 1 1/4" Hex Head Grade 5		3
11	016077	Decal, Board Return Table Warning		1
12	015365	Decal, Board Return Danger		1

8.6 Pivot Bed Rail Assembly



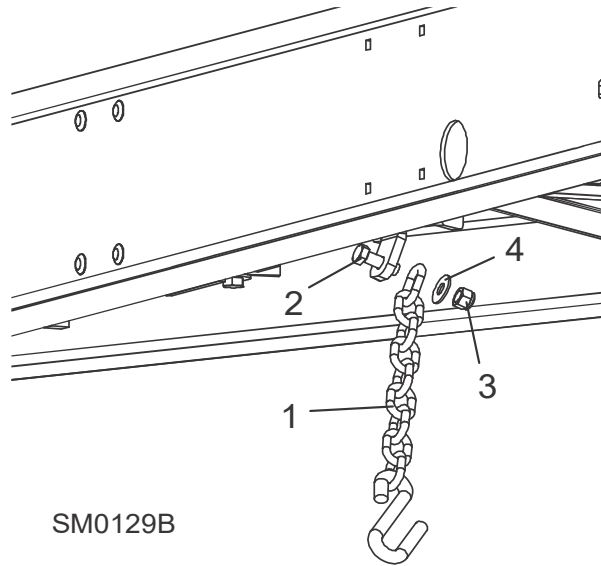
REF	PART #	DESCRIPTION	COMMENTS	QTY.
	A13015	PIVOT BED RAIL ASSEMBLY (LT40)		2
	012993	PIVOT BED RAIL ASSEMBLY (LT30)		2
1	W13014	Pivot Bed Rail Weldment (LT40)	Available in assemblies only.	1
	012992	Pivot Bed Rail Weldment (LT30)	Available in assemblies only.	1
2	F05010-84	Nut, 5/8-11 Pilot Weld		2
3	F05010-5	Nut, 5/8-11 Hex		2
4	S13006	Bolt, Bed Rail Adjustment		2
5	W13090	Bracket, Pivot Rail Mounting		1
6	F05008-50	Bolt, 1/2-13 x 1" Hex Head Grade 2		1
7	F05011-52	Washer, 9/16" SAE Flat		1
8	S13016	Nut, Pivot Rail Adjustment		1
9	F05005-42	Screw, 1/4-28 x 1/4" Brass Tip Set		2
10	P04107	Fitting, 3/16" Grease		1
11	F05007-114	BOLT, 3/8-16 X 4 3/4" CARRIAGE HEAD		2
12	F05007-113	BOLT, 3/8-16 X 5" CARRIAGE HEAD		6
13	F05011-3	WASHER, 3/8" SAE FLAT		8
14	F05010-10	NUT, 3/8-16 NYLON LOCK		8
	017710	COVER KIT, PIVOT RAIL STAINLESS STEEL (LT40)		2
	015926	COVER KIT, PIVOT RAIL STAINLESS STEEL (LT30)		2
15	S13012	Cover, Stainless Steel Pivot Bed Rail (LT40)		1
	012994	Cover, Stainless Steel Pivot Bed Rail (LT30)		1
16	F05006-10	Bolt, 5/16-18 X 2 1/2" Hex Head		2
17	F05010-6	Nut, 5/16-18 Hex Lock		2
	015970	WRENCH, BED RAIL ADJUSTMENT	(See Section 8.1)	1

8.7 Log Side Support Assembly (Manual)



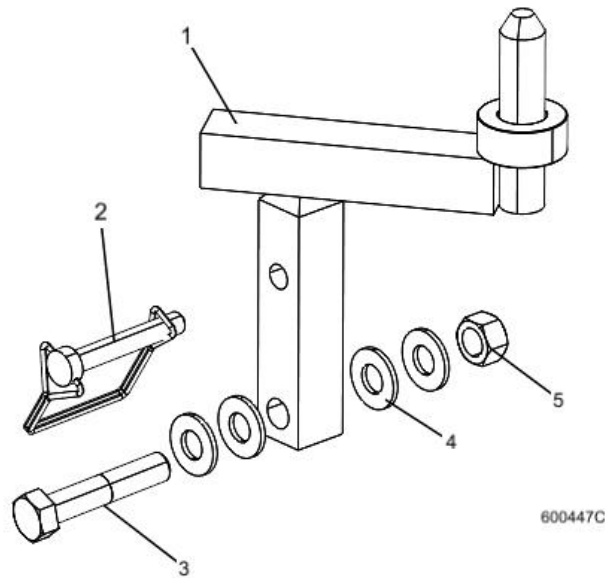
REF	PART #	DESCRIPTION	COMMENTS	QTY.
1	015235	SUPPORT, LOG SIDE		4
2	P04107	Fitting, 3/16" Grease		2
	016559	MOUNTING KIT, LOG SIDE SUPPORT		4
3	016544	Pin, Log Side Support Pivot		1
4	F05005-4	Bolt, 1/4-20 X 1 1/2" Hex Head Grade 5		1
5	F05011-11	Washer, 1/4" SAE Flat		2
6	F05010-9	Nut, 1/4-20 Self Locking		1
7	016555	Plate, Log Side Support End		1
8	F05008-61	Bolt, 1/2-13 X 3 1/2" Hex Head Grade 5		2
9	F05011-2	Washer, 1/2" SAE Flat		5
10	F05010-8	Nut, 1/2-13 Hex Nylon Lock		3
11	014632	Washer, .52" x 1.69"		1
12	F05008-33	Bolt, 1/2-13 X 1 1/2" Hex Head Grade 5		1
13	016558	Plate, Side Support Washer Clamp		1
	016798	GUARD KIT, STAINLESS STEEL SIDE SUPPORT		1
14	016722	Guard, Stainless Steel Side Support		4
15	F05005-4	Bolt, 1/4-20 x 1 3/4" Hex Head		8
	F05011-11	Washer, 1/4" SAE Flat		16
	F05011-5	Washer, 5/8" SAE Flat		4
17	F05010-69	Nut, 1/4-20 Hex Nylon Lock		8
	016798-1005	Instruction Sheet		1
	016562	ROLLER KIT, SIDE SUPPORT	(OPTIONAL FOR MANUAL)	2

8.8 Safety Chain Assembly



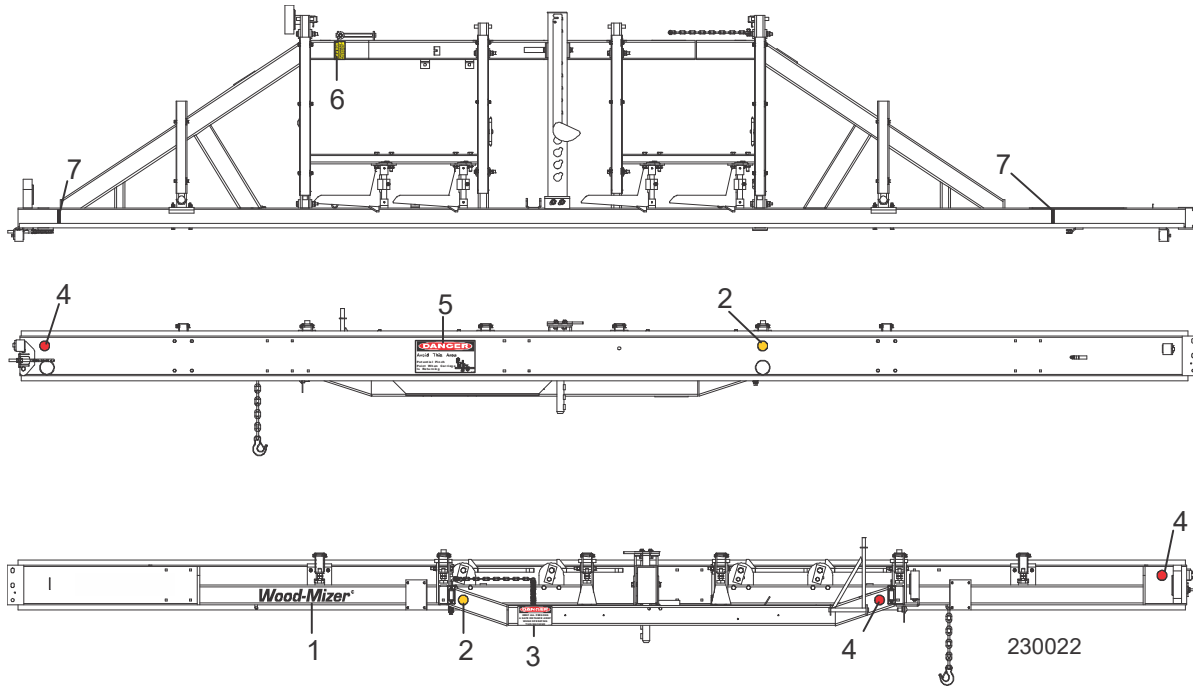
REF	PART #	DESCRIPTION	COMMENTS	QTY.
1	107972	CHAIN, 15 INCH SAFETY		1
2	F05008-33	BOLT, 1/2-13X1 1/2 HEX HEAD GRADE 5		1
3	F05010-8	NUT, 1/2-13 NYLON HEX LOCK		1
4	F05011-35	WASHER, 7/16 STANDARD FLAT		1

8.9 Saw Head Rest Pin Assembly



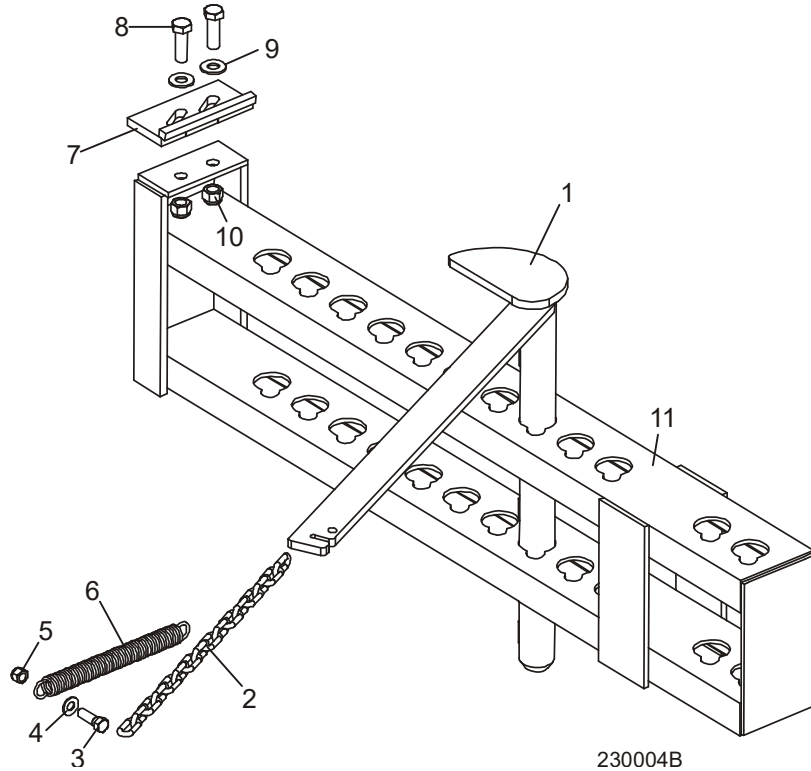
REF	PART #	DESCRIPTION	COMMENTS	QTY.
	079485	Pin Assy, Rest, 40/50		
	079511	Pin Assy, Rest, 40/50 Hyd Wide		
1	014102	Pin Weldment, C-Frame Rest 96 Hyd		1
	079510	Pin Wldmt, Rest, 40/50 Hyd Wide		1
2	014151	Pin, 3/8x2 1/4 Sq Wire Lock		1
3	F05008-74	Bolt, 1/2-13 x 2 1/2" Hex Head Grade 5	F05008-74 was F05008-10; two washers added after 5/14/2021, ECN 37840.	1
4	F05011-2	Washer, 1/2 SAE Flat		4
5	F05010-3	Nut, 1/2-13 Swaged Hex		1

8.10 Bed Frame Decals



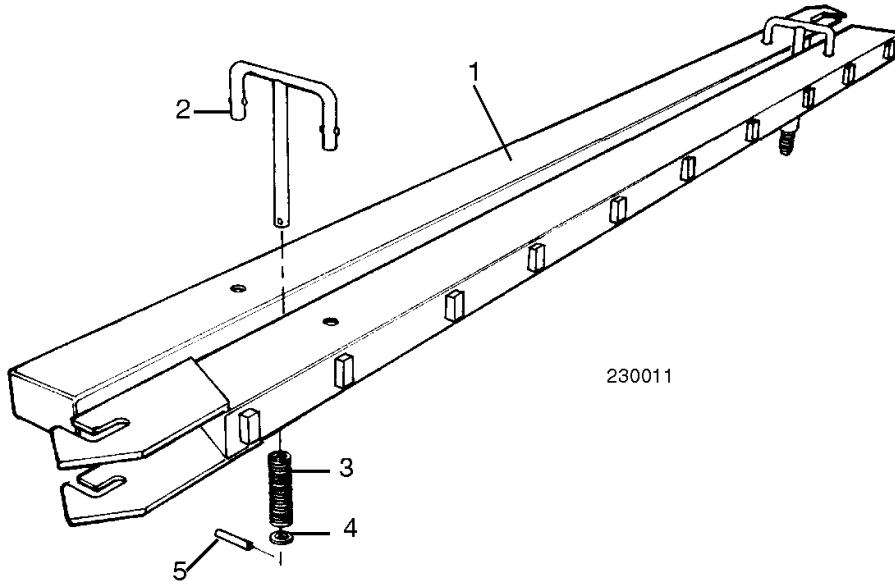
REF	PART #	DESCRIPTION	COMMENTS	QTY.
1	S12281	DECAL, WOOD-MIZER LOGO		1
1	014751	DECAL, WOOD-MIZER SUPER LOGO		1
2	P07453	DECAL, AMBER REFLECTIVE 2" ROUND		2
3	S09851	DECAL, KEEP AWAY DANGER		1
4	P07452	DECAL, RED REFLECTIVE 2" ROUND		3
5	P10287	DECAL, PINCH POINT DANGER		1
6	S12581	DECAL, SAW HEAD REST CAUTION		1
7	S12051	DECAL, LOG LIMIT STRIPE		2

8.11 Log Clamp



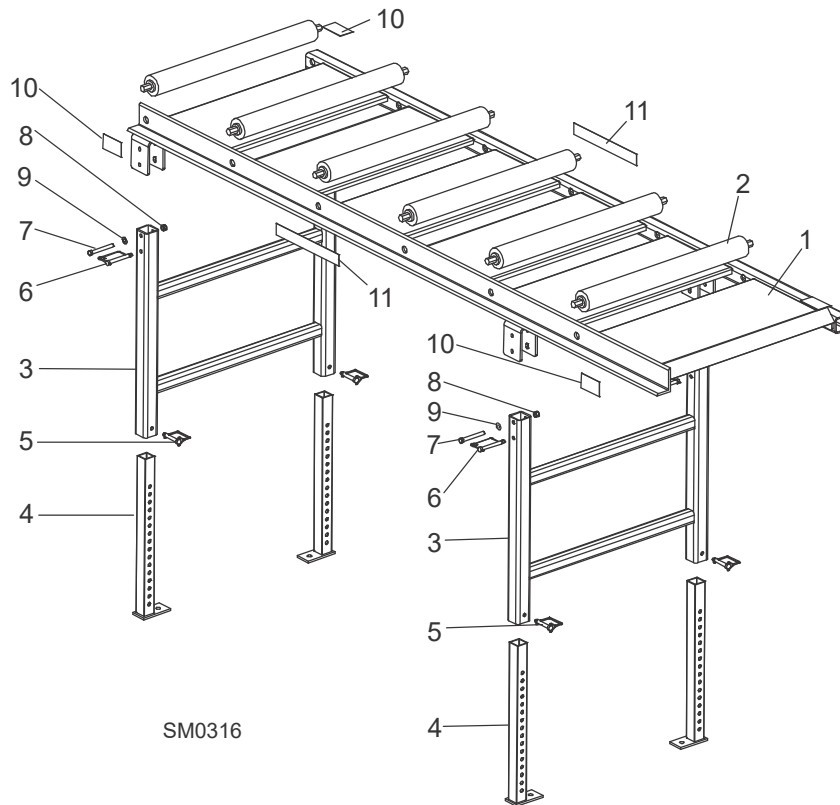
REF	PART #	DESCRIPTION	COMMENTS	QTY.
1	W09412	CLAMP, LOG		1
2	M04311	CHAIN, LOG CLAMP		1
3	F05007-2	BOLT, 3/8-16 X 1 1/4" HEX HEAD GRADE 2		1
4	F05011-3	WASHER, 3/8" STANDARD FLAT		2
5	F05010-10	NUT, 3/8-16 HEX NYLON LOCK		1
6	P09136	SPRING, LOG CLAMP CHAIN		1
7	W09404	PLATE, LOG CLAMP STOP		1
8	F05008-33	BOLT, 1/2-13 X 1 1/2" HEX HEAD GRADE 5		2
9	F05011-2	WASHER, 1/2" SAE FLAT		2
10	F05010-8	NUT, 1/2-13 HEX NYLON LOCK		2
11	W09310	CHANNEL WELDMENT, MANUAL LOG CLAMP		1

8.12 Log Loading Ramps



REF	PART #	DESCRIPTION	COMMENTS	QTY.
	K09466	RAMP KIT, LOG LOADING WITH RETAINERS		1
1	W09014	Ramp, Log Loading		2
	K09810	Retainer Kit, Log Ramp		2
2	W09413	Retainer, Log Ramp	Available in assemblies only.	1
3	P09335	Spring, Log Ram Retainer		1
4	F05011-19	Washer, 5/8" I.D. x .100" Thick Nylon		1
5	F05012-11	Pin, 3/16" x 1" Roll		1

8.13 Board Outfeed Table (Optional)



REF	PART #	DESCRIPTION	COMMENTS	QTY.
	016652	TABLE ASSEMBLY, BOARD OUTFEED		1
1	016606	Table Weldment, Board Outfeed		1
2	038167	Roller, 2 1/2" x 25"		6
3	016609	Mount Weldment, Outfeed Table Leg		2
4	016651	Leg Weldment, Outfeed Table		4
5	014151	Pin, 3/8" x 2 1/4" Square Wire Lock		4
6	016677	Pin, Snap - Coil Tension		4
7	F05004-123	Bolt, 3/8-16x3 1/2 HH Gr5		4
8	F05010-222	Nut, 3/8-16 Flanged Hex Nylock		4
9	F05011-3	Washer, 3/8 Flat SAE		4
10	S12641	Decal, Hand Pinch Point Warning		4
11	015882	Decal, Wood-Mizer Logo 10.25"		2

SECTION 9 MISCELLANEOUS

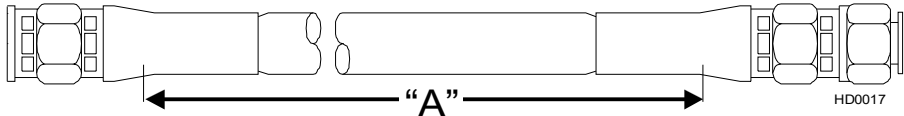
9.1 Replacement Manuals



REF	DESCRIPTION (◆ Indicates Parts Available In Assemblies Only)	PART #	QTY.
Wood-Mizer Product Information			
1	ALL-PRODUCTS CATALOG	PS750	1
Basic Sawmill Manuals			
2	TRU-SHARP BLADE HANDBOOK	M600	1
3	WOOD-MIZER GENERAL INFORMATION	M601	1
4	LT40 SUPER OPERATOR'S MANUAL	M1647	1
5	LT40 SUPER PARTS MANUAL	M1646	1
Power Option Manuals			
6	E25 MOTOR OPTION MANUAL	M772	1
Trailer Option Manuals			
7	ELECTRIC BRAKE TRAILER OPTION	M796	1
8	SURGE BRAKE TRAILER OPTION	M794	1
Miscellaneous Option Manuals			
9	MANUAL WINCH OPTION MANUAL	M619-23	1
10	LOG TURNER OPTION MANUAL	M620	1
11	MANUAL TOE BOARD OPTION MANUAL	M627	1
12	SHINGLE/LAPSIDER OPTION MANUAL	M621	1
13	OPERATOR'S SEAT OPTION MANUAL	M613	1
14	RESAW ATTACHMENT OPTION MANUAL	M263	1
15	BED EXTENSION OPTION MANUAL	M294	1
16	MKII DEBARKER ATTACHMENT OPTION MANUAL	M546	1
17	ACCUSET 2 OPTION MANUAL	M1517	1
18	LASER SIGHT OPTION MANUAL	M679	1
19	AUTOCLUTCH OPTION MANUAL	M883	1
20	LUBE-MIZER OPTION MANUAL	M885	1
21	LATHE-MIZER OPTION MANUAL	M1337	1
Electrical Diagrams			
22	E25 ELECTRICAL INFORMATION	M863	1

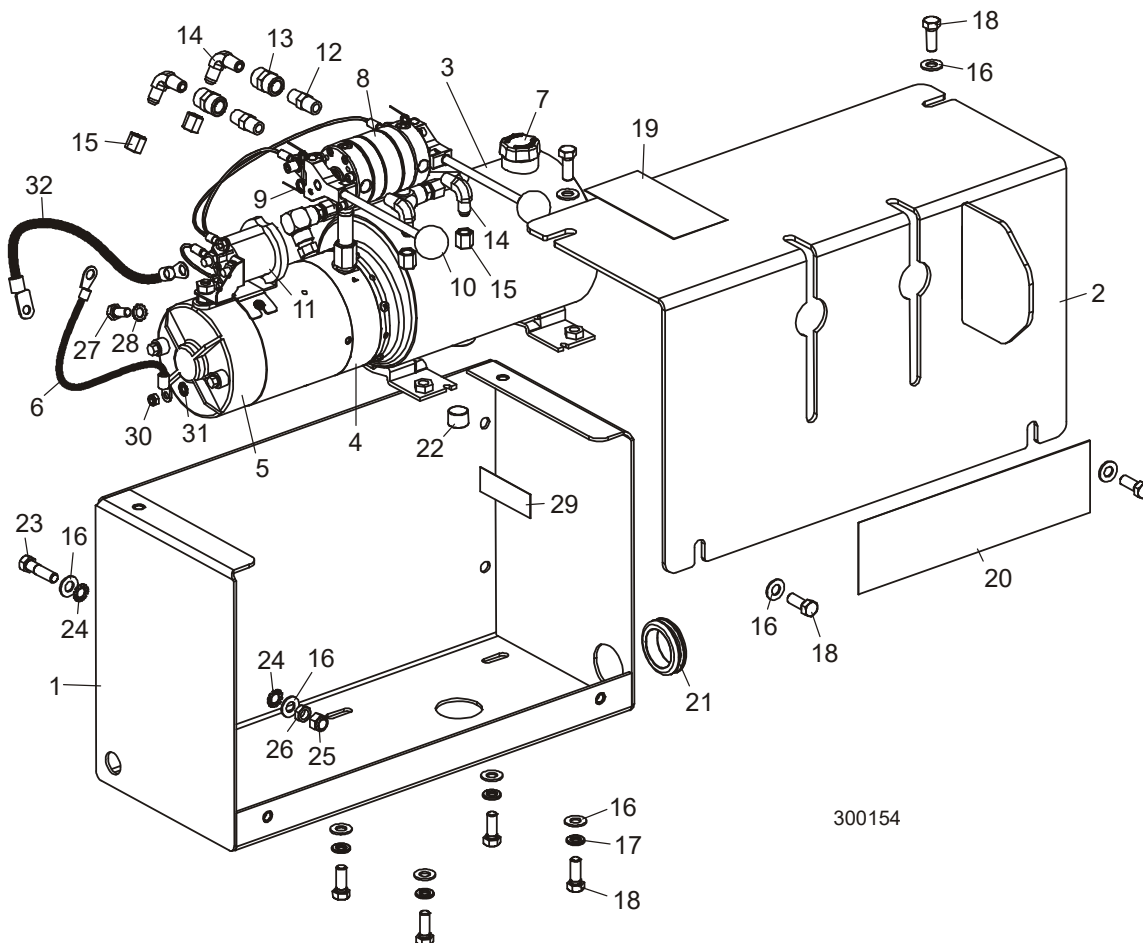
SECTION 10 BED HYDRAULIC LOG LOADER & TURNER (OPTIONAL)

10.1 Hydraulic Hoses



COLOR	LENGTH "A"	DESCRIPTION (NOTE: See Hydraulic Information Section in Operator's Manual for Hydraulic Schematics)	PART #	QTY.
Green	62"	LOADING ARM BRANCH TOP	079000-62	2
Yellow	64"	LOADING ARM BRANCH BASE	079000-64	2
Blue	148"	LOADING ARM TOP	079000-148	1
Red	158"	LOADING ARM BOTTOM	079000-158	1
Plain	27"	LOG TURNER BASE	079000-27	1
Orange	18"	LOG TURNER TOP	079000-18	1
Plain	220"	SIDE SUPPORT TOP	079000-220	1
Pink	206"	SIDE SUPPORT BASE	079000-206	1

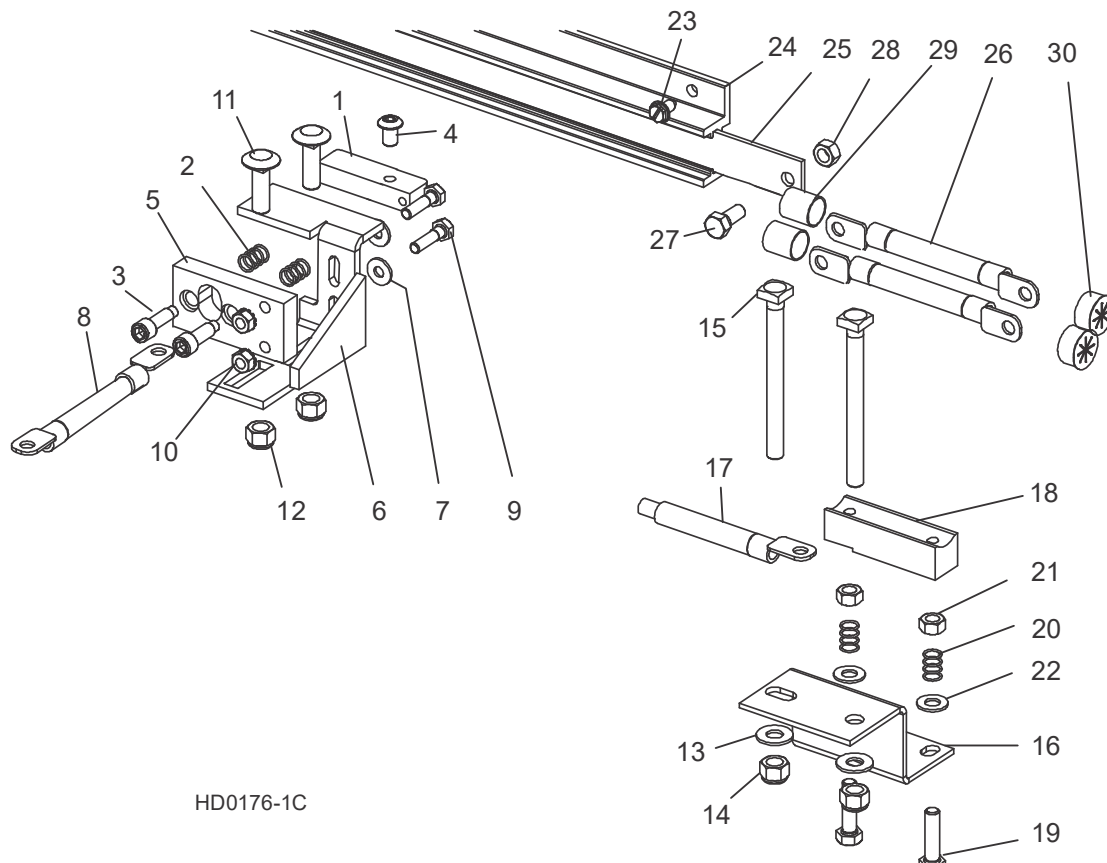
10.2 Hydraulic Loader/Turner Control Box



REF	PART #	DESCRIPTION	COMMENTS	QTY.
	025717	BOX ASSEMBLY, HYDRAULIC DUAL FUNCTION CONTROL		1
1	025716	Box Weldment, Hydraulic Dual Function Control		1
2	025714	Cover Weldment, Hydraulic Dual Function Control		1
3	025713	Pump/Valve Assembly, Hydraulic Dual Function #M-500 4W/4W		1
4		Pump, Hydraulic Replacement Monarch Model #12171-250		1
	052807	Motor Kit, Hydraulic Replacement		1
5	038683	Motor, 12 VDC Hydraulic Pump #08714 (Iskra)	Available in assemblies only.	1
	038682	Brush Kit, 4-Valve Hydraulic Pump Motor #08658-I (Iskra)		1
	P12513	Bearing, Base Motor #02318		1
6	052806	Wire Assembly, Motor Brush Ground		1
7	P09596	Cap, Hydraulic Pump Vented Fill #01143		1
8		Valve Assembly, 4-Way Monarch #19760		2
9	025818	Spring, Hydraulic Pump Valve Contact #00015		4

REF	PART #	DESCRIPTION	COMMENTS	QTY.
10		Handle Assembly, Hydraulic Pump Valve #		2
	P09753	Spring, Hydraulic Pump Valve Handle #00018		2
11		Solenoid, 12 VDC Motor Starter #17744		1
12	P05389	Fitting, 1/4" NPT Hex Nipple		2
13	P03420	Fitting, 1/4" NPT Coupling		2
14	P09142	Fitting, 1/4" NPT x 1/4" JIC Male Elbow		4
15	016815	Fitting, 1/4" JIC Cap		4
16	F05011-3	Washer, 3/8" SAE Flat		10
17	F05011-4	Washer, 3/8" Split Lock		4
18	F05007-87	Bolt, 3/8-16 X 1" Hex Head Grade 5		8
19	P12961	Decal, Keep Away Hydraulic Warning		1
20	036720	Decal, Hydraulic Logo		1
21	043405	Grommet, 1 1/2" x 3/16"		1
22	P26258	Fitting, 1/2" NPT Plug		1
23	F05007-78	Bolt, 3/8-16 x 1 1/2" Hex Head Grade 5		1
24	F05011-36	Washer, 3/8" External Star Lock		2
25	F05010-10	Nut, 3/8-16 Hex Nylon Lock		1
26	F05010-29	Nut, 3/8-16 Hex Jam		1
27	F05006-5	Bolt, 5/16-18 x 3/4" Hex Head		1
28	F05011-33	Washer, 5/16" External Star Lock		1
29	S12825	Decal, Hydraulic Fluid		1
30	F05010-200	Nut, M6-1.0 Hex Nylon Lock		1
31	F05011-37	Washer, 1/4" Exterior Star Lock		1
32		Cable Assembly, 10" Pump To Solenoid		1
	P12742	FLUID, 1-QUART DEXRON III HYDRAULIC		4
	006397	FLUID, 1-GALLON CONOCO MV32		1
	P12822	FLUID, 1-GALLON EXXON UNIVIS HVI 13 HYDRAULIC		1

10.3 Hydraulic Power Supply Strip

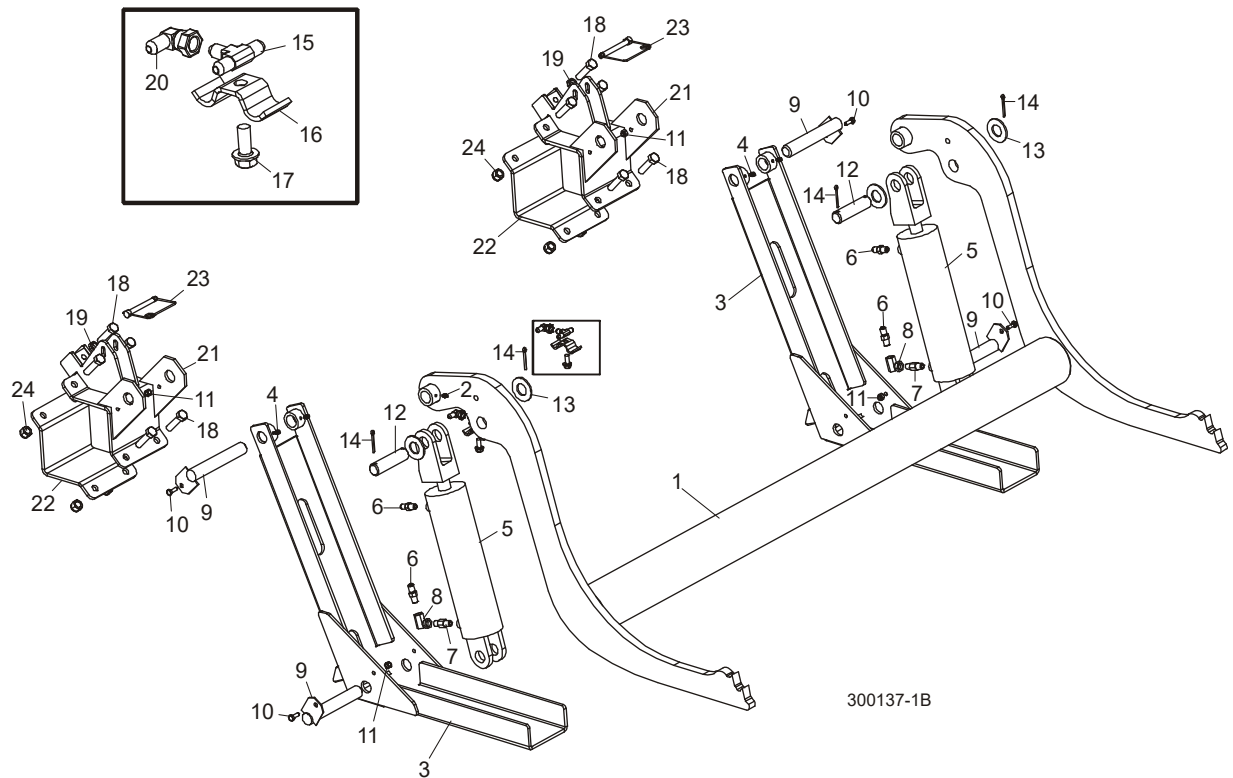


HD0176-1C

REF	PART #	DESCRIPTION	COMMENTS	QTY.
	010103	CONTACT ASSEMBLY, HYDRAULIC POWER SUPPLY (POSITIVE)		1
	007716	Contact Kit, 97+ Hydraulic Power Supply Positive		1
1	015253	Contact, Hydraulic Power Supply (Positive)	Available in assemblies only.	1
2	P10077	Spring, Positive Contact		2
3	F05006-143	Bolt, 5/16" X 3/4" Shoulder (1/4-20 Thread) Stainless		2
4	F05006-20	Bolt, 5/16-18 x 1/2" Socket Button Head		1
5	S10072	Insulator, Positive Contact		1
6	015324	Bracket, Positive Contact Mounting		1
7	F05011-11	Washer, 1/4" SAE Flat		2
8	128088	Cable Assembly, Hydraulic Positive Contact	Cable assemblies replaced R01971 and F05092-16 after 9/17/2019 per ECN 37793.	1
	R01971	Cable, #1 Weld	Available in assemblies only.	1.17 Ft
	F05092-16	Terminal, 5/16" Ring #2 Gauge		2
9	F05005-38	Bolt, 1/4-20 X 1" Hex Head Grade 2		2
10	F05010-9	Nut, 1/4-20 Hex Self-Locking		2
11	F05007-11	Bolt, 3/8-16 X 1 1/4" Carriage Head		2
12	F05010-10	Nut, 3/8-16 Hex Nylon Lock		2

REF	PART #	DESCRIPTION	COMMENTS	QTY.
	017948	CONTACT KIT, HYDRAULIC POWER SUPPLY (GROUND)		1
13	F05011-3	Washer, 3/8" SAE Flat		2
14	F05010-10	Nut, 3/8-16 Hex Nylon Lock		2
15	F05007-175	Bolt, 3/8-16 X 4" Square Head		2
16	017949	Bracket, Ground Contact Mounting		1
17	017673	Cable Assy, 1AWG Blk x26-1/2	Cable assemblies replaced R01971 and F05092-16 after 9/17/2019 per ECN 37793.	1
	R01971	Cable, #1 Weld	Available in assemblies only.	2.2 Ft
	F05092-16	Terminal, 5/16" Ring #2 Gauge		2
	007717	Contact Kit, Hydraulic Power Supply Ground		1
18	015264	Contact, Hydraulic Power Supply (Ground)	Available in assemblies only.	1
19	F05006-93	Bolt, 5/16-18 X 1 1/4" Hex Head Full Thread Grade 5		2
20	P10077	Spring, Ground Contact		2
21	F05010-17	Nut, 5/16-18 Hex		2
22	F05011-17	Washer, 5/16" SAE Flat		2
	015564	STRIP ASSEMBLY, 6' HYDRAULIC POWER SUPPLY W/2 3FT. CABLES		1
23	F05015-1	Screw, 1/4-20 X 1/2" Slotted Hex Head		8
24	P11976	Housing, 6' Contact Strip		1
	015886	Strip, 6' Contact With 2 Cables		1
25	S10075	Strip, 6' Contact	Available in assemblies only.	1
26	052161	Cable Assembly, Hydraulic Contact Strip	Cable assemblies replaced R01971 and F05092-16 after 9/17/2019 per ECN 37793.	1
	R01971	Cable, #1 Weld	Available in assemblies only.	3 Ft
	F05092-16	Terminal, 5/16" Ring #2 Gauge		2
27	F05006-45	Bolt, 5/16-18 X 3/4" Hex Head Black Nylon		1
28	F05010-86	Nut, 5/16-18 Hex Black Nylon		1
29	R01950-8	Tube, 5/8" Heat Shrink w/Adhesive ID	Available in assemblies only.	.33 Ft
30	P04137	Grommet, 5/8" Wire		1

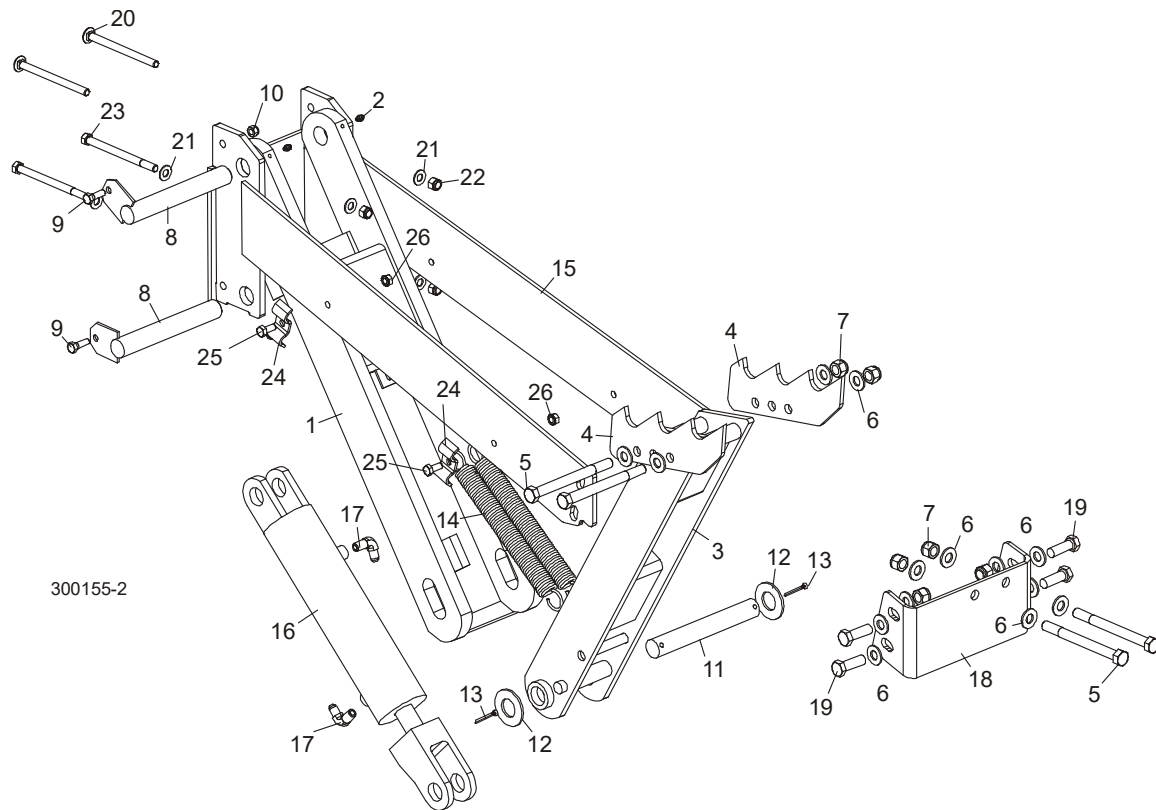
10.4 Hydraulic Log Loader (Optional)



REF	PART #	DESCRIPTION	COMMENTS	QTY.
	LTHDLA-M	LOADER KIT, HYDRAULIC LOG (MANUAL SAW-MILL OPTION)		1
1	036722	Arm, Hydraulic Log Loading		1
2	P04107	Fitting, 3/16" Grease		2
3	W09444	Channel, Hydraulic Log Loading Foot		2
4	P04107	Fitting, 3/16" Grease		4
	A09284	Cylinder Assembly, Hydraulic Log Loading Arm	Available in assemblies only.	2
5	P12847	Cylinder, 8" X 3" Hydraulic		1
	P12956	Seal Kit, 8" x 3" Hydraulic Cylinder		1
6	P09143	Fitting, C5205x4x4 Male Connector		2
7	P12199	Fitting, 0455x4x4 90° Swivel Elbow		1
	015832	Fitting Kit, 1/4NPT 5.0GPM Velocity Fuse		1
8	015750	Fitting, 1/4NPT 5.0GPM Velocity Fuse	Available in assemblies only.	2
	015832-255	Instruction Sheet, Velocity Fuse Replacement		1
9	W09446	Pin, Loading Arm Mount		4
10	F05005-1	Bolt, 1/4-20 x 3/4" Hex Head Full Thread		4
11	F05010-69	Nut, 1/4-20 Hex Lock		4
12	S09251	Pin, Loading Arm Cylinder Mount		2
13	F05011-28	Washer, 1" SAE Flat		4
14	F05012-23	Pin, 3/16" X 1 1/2" Cotter		4
15	P09145	Fitting, C5705x5x4 Union 'T'		2

REF	PART #	DESCRIPTION	COMMENTS	QTY.
16	S09245	Clamp, 1/4" Hydraulic Hose		
17	F05006-102	Bolt, 5/16-18 X 3/4" Hex Head Grade 5		
18	F05008-116	BOLT, 1/2-13 X 2" HEX HEAD FULL THREAD GRADE 5		
19	F05010-31	NUT, 1/2-13 JAM		2
20	036715	FITTING, 1/4" JIC X 1/4" JIC ELBOW		2
21	048270	MOUNT WELDMENT, LOADER ARM		2
22	036737	PLATE WELDMENT, LOADER ARM MOUNT		2
23	038472	PIN ASSEMBLY, 3/8" X 3" WIRE LOCK		2
24	F05010-8	NUT, 1/2-13 HEX NYLON LOCK		8

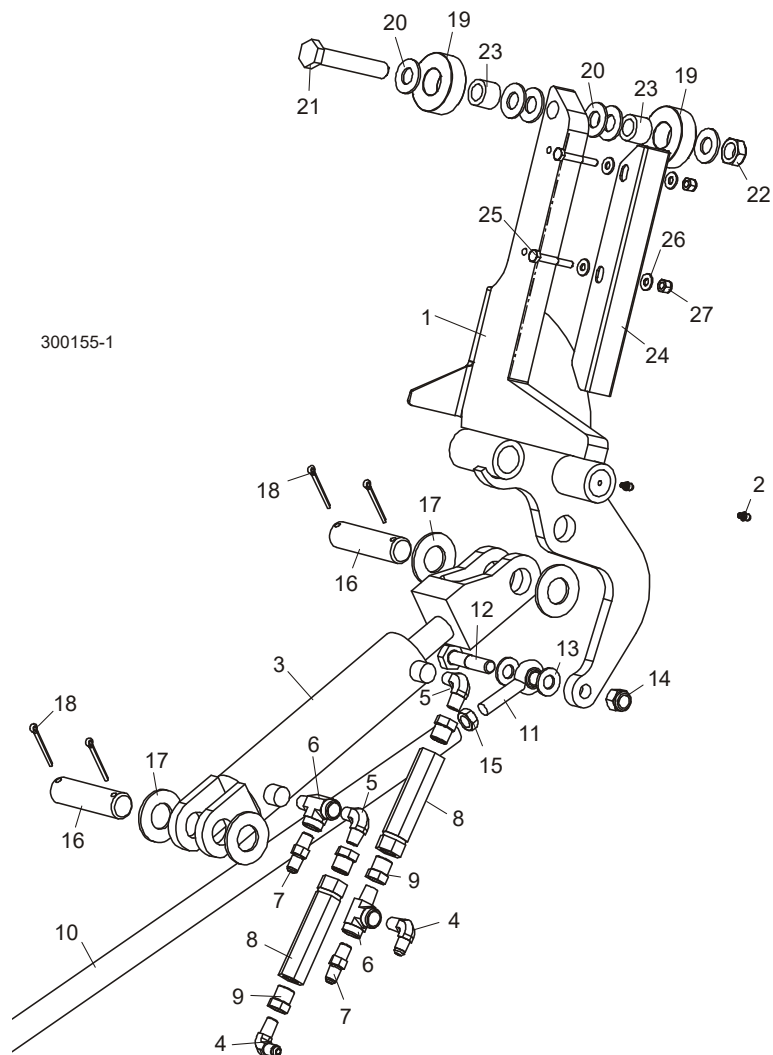
10.5 Hydraulic Log Turner (Optional)



REF	PART #	DESCRIPTION	COMMENTS	QTY.
	007069	ARM ASSEMBLY, MANUAL MILL HYDRAULIC TURNER		1
1	015231	Arm, Hydraulic Log Turner Link		1
2	P04107	Fitting, 3/16" Grease		2
3	015233	Arm, Hydraulic Log Turner Painted		1
4	014675	Claw, Hydraulic Log Turner		2
5	F05008-28	Bolt, 1/2-13 X 5 1/2" Hex Head Grade 5		4
6	F05011-2	Washer, 1/2" SAE Flat		16
7	F05010-8	Nut, 1/2-13 Hex Nylon Lock		8
8	015085	Pin, Log Turner Mount		2
9	F05006-1	Bolt, 5/16-18 X 1" Hex Head Grade 2		2
10	F05010-58	Nut, 5/16-18 Hex Nylon Lock		2
11	S09246	Pin, Log Turner Pivot		1
12	F05011-28	Washer, 1" SAE Flat		2
13	F05012-23	Pin, 3/16" X 1 1/2" Cotter		2
14	015718	Spring, Hydraulic Log Turner		2
15	006999	Mount Weldment, Manual Mill Hydraulic Log Turner		1
	A09286	Cylinder Assembly, Hydraulic Log Turner		1
16	P12846	Cylinder, 8" X 2 1/2" Hydraulic	Available in assemblies only.	1
	P12955	Seal Kit, 8" x 2 1/2" Hydraulic Cylinder		1

REF	PART #	DESCRIPTION	COMMENTS	QTY.
17	P09142	Fitting, 1/4" NPT x 1/4" JIC 90° Male Elbow		2
18	007048	Plate, Manual Mill Hydraulic Log Turner Mount		1
19	F05008-33	Bolt, 1/2-13 x 1 1/2" Hex Head Grade 5		4
20	F05007-113	Bolt, 3/8-16 x 5" Carriage Head		2
21	F05011-3	Washer, 3/8" SAE Flat		6
22	F05010-10	Nut, 3/8-16 Hex Nylon Lock		4
23	F05007-5	Bolt, 3/8-16 x 5" Hex Head		2
24	S09245	Plate, 1/4" Hose Clamp		2
25	F05006-102	Bolt, 5/16-18 x 3/4" Hex Head Grade 5		2
26	F05010-20	Nut, 5/16-18 Hex Self-Locking		2

10.6 Hydraulic Log Side Supports (Optional)



REF	PART #	DESCRIPTION	COMMENTS	QTY.
1	W12339	SUPPORT, HYDRAULIC LOG SIDE		2
2	P04107	Fitting, 3/16" Straight Grease		2
	A09283	CYLINDER ASSEMBLY, HYDRAULIC LOG SIDE SUPPORT		1
3	P12845	Cylinder, 6" X 2" Hydraulic		1
	P12954	Seal Kit, 6" x 2" Hydraulic Cylinder		1
4	P09142	Fitting, 1/4" NPT x 1/4" JIC 90° Male Elbow		2
5	P09140	Fitting, 1/4" NPT 90° Male Elbow		2
6	P09141	Fitting, 1/4" NPT x 1/4" JIC Male Run 'T'		2
7	P09143	Fitting, 1/4" NPT x 1/4" JIC Male Connector		2
8	015484	Valve, Hydraulic Sequence		2
9	015490	Fitting, 3/8" NPT - 1/4" NPT Reducer		4
10	015026	ROD, HYDRAULIC SIDE SUPPORT LINK		1
11	P09137	END, 1/2" ROD		2
12	F05008-10	BOLT, 1/2-13 X 2 1/4" HEX HEAD GRADE 5		2
13	F05011-2	WASHER, 1/2" SAE FLAT		4
14	F05010-8	NUT, 1/2-13 HEX NYLON LOCK		2
15	F05010-16	NUT, 1/2-20 HEX JAM		1

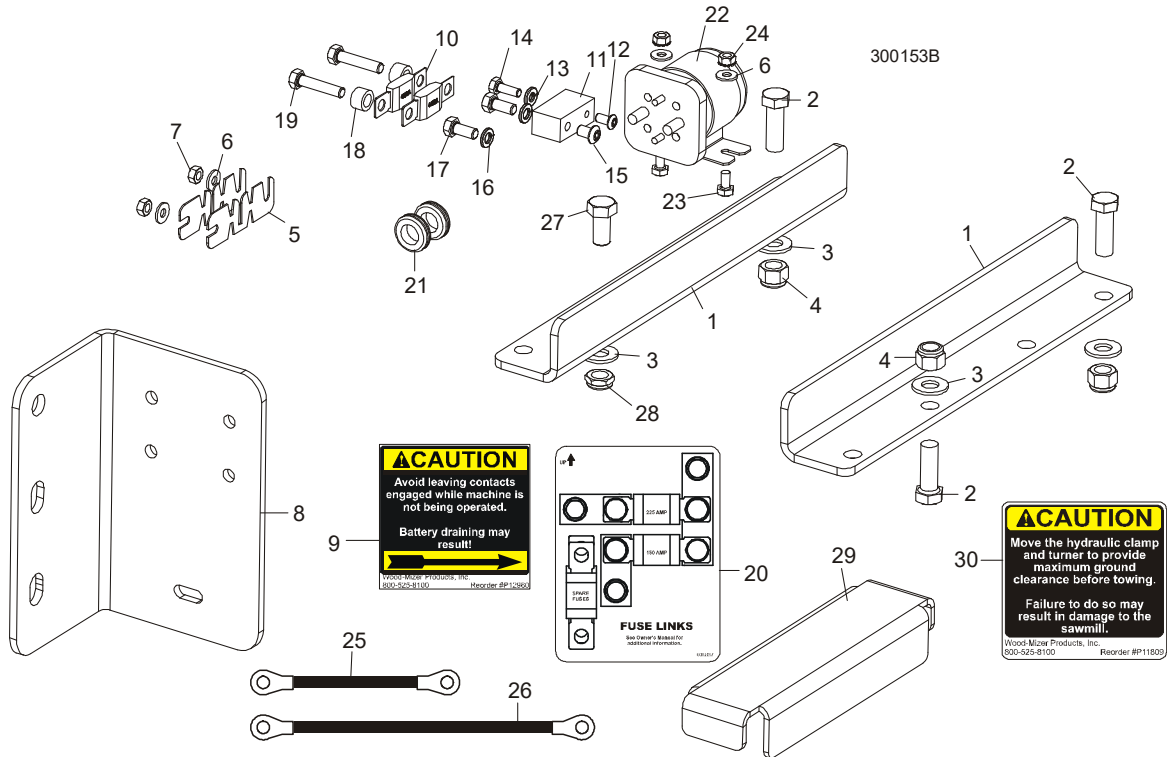
REF	PART #	DESCRIPTION	COMMENTS	QTY.
16	S09251	PIN, CYLINDER MOUNT		2
17	F05011-28	WASHER, 1" SAE FLAT		4
18	F05012-23	PIN, 3/16" X 1 1/2" COTTER		4
	016562	ROLLER KIT, SIDE SUPPORT (OPTIONAL)		2
19	016561	Roller, Side Support		2
20	F05011-5	Washer, 5/8" SAE Flat	Additional 5/8" SAE Flat Washer F05011-5 may be required on each side of side support to provide clearance for optional stainless steel side support guards. Extra washers are included in the stainless steel guard retrofit kit (016798).	6
21	F05009-118	Bolt, 5/8-11 x 3 3/4" Hex Head Grade 5		1
22	F05010-96	Nut, 5/8-11 Hex Nylon Lock Jam		1
23	016560	Bushing, Bronze 5/8" x 1" x 3/4"		2
	F05008-94	Bolt, 1/2-13 x 3 1/2" Carriage Head		1
	016562-526	Instruction Sheet, Side Support Roller		1
	016798	Guard Kit, Stainless Steel Side Support (OPTIONAL)		1
24	016722	Guard, Stainless Steel Side Support		4
25	F05005-4	Bolt, 1/4-20 x 1 3/4" Hex Head		8
26	F05011-11	Washer, 1/4" SAE Flat		16
	F05011-5	Washer, 5/8" SAE Flat	Additional 5/8" SAE Flat Washer F05011-5 may be required on each side of side support to provide clearance for optional stainless steel side support guards. Extra washers are included in the stainless steel guard retrofit kit (016798).	4
27	F05010-69	Nut, 1/4-20 Hex Nylon Lock		8
	016798-1005	Instruction Sheet, Stainless Steel Side Support Guard Retro		1

10

Hydraulic Log Loader & Turner (Optional)

Miscellaneous Loader & Turner Parts

10.7 Miscellaneous Loader & Turner Parts



REF	PART #	DESCRIPTION	COMMENTS	QTY.
1	048269	PLATE, AXLE MOUNT		2
2	F05008-33	BOLT, 1/2-13 X 1 1/2" HEX HEAD GRADE 5		3
3	F05011-2	WASHER, 1/2" SAE FLAT		4
4	F05010-8	NUT, 1/2" HEX NYLON LOCK		3
5	P11550	FUSE, 225A 12V		2
6	F05011-11	WASHER, 1/4" SAE FLAT		4
7	F05010-21	NUT, 1/4-20 HEX LOCK		2
8	048426	BRACKET, WINCH MOUNT		1
9	P12960	DECAL, HYDRAULIC CONTACT CAUTION		1
10	053339	FUSE, 225A 32V MEGA		2
11	056998	BLOCK, 3/4" LOWER FUSE		1
12	F05005-59	SCREW, 1/4-20 X 1/2" SOCKET BUTTON HEAD		1
13	F05011-14	WASHER, 1/4" SPLIT LOCK		1
14	F05005-123	BOLT, 1/4-20 X 3/4" HEX HEAD GRADE 5		1
15	F05006-20	SCREW, 5/16-18 X 1/2" SOCKET BUTTON HEAD		1
16	F05011-13	WASHER, 5/16" SPLIT LOCK		2
17	F05006-102	BOLT, 5/16-18 X 3/4" HEX HEAD GRADE 5		2
18	055323	SPACER, .39" X .625" X .39"		2

Hydraulic Log Loader & Turner (Optional)

Miscellaneous Loader & Turner Parts

10

REF	PART #	DESCRIPTION	COMMENTS	QTY.
19	F05006-2	BOLT, 5/16-18 X 1 1/2" HEX HEAD FULL THREAD		2
20	006867	DECAL, 150A/225A MEGA FUSE ID		1
21	P11764	GROMMET, 5/8" ID RUBBER		2
22	016371	SOLENOID KIT, 200A 12V SPST CONT. DUTY		1
	015470	Solenoid, 200A 12V SPST Cont. Duty	Available in assemblies only.	1
	015426	Diode Assembly, Solenoid Coil Chassis Gnd		1
	024451	WIRE ASSEMBLY, HYDRAULIC SOLENOID VOLTAGE DROP		1
23	F05005-15	BOLT, 1/4-20 X 1/2" HEX HEAD		2
24	F05010-9	NUT, 1/4-20 SELF-LOCKING HEX		2
25	036305	CABLE ASSEMBLY, 1 GA X 6 1/2" FUSE TO SOLENOID		1
26	036307	CABLE ASSEMBLY, 1 GA X 14" SOLENOID TO POSITIVE CONTACT		1
27	F05008-128	BOLT, 1/2-13 X 1" HEX HEAD GRADE 8		1
28	F05010-127	NUT, 1/2-13 HEX NYLON HALF NUT		1
29	025745	PLATE, HLT TRAVEL		1
30	P11809	DECAL, BEFORE TOWING CAUTION		1

INDEX

B

- battery box 5-7
- bed rails
 - front/rear 8-1
 - middle front 8-3
 - middle rear 8-4
 - pivot 8-8
- blade guide arm 2-9
 - drive 2-7
- blade guides
 - drive side 2-4
 - idle side 2-1
 - throat screw 4-1
- blade wheels
 - drive side 3-1
 - idle side 3-3
- board return 4-9
- board return table 8-7
- brake assembly 4-7

C

- clutch lever 4-3
- clutch mount 4-6
- control box 5-1, 5-2
 - circuit breakers 5-4
 - drum switches 5-3
 - front panel & harnesses 5-5
- covers
 - blade housing 4-15
 - drive belt 4-17

D

- debarker wire box/hole plugs 4-19
- decals
 - frame 8-12
 - saw head 4-14

F

- feed chain 7-4

H

- hydraulic
 - control box 10-2
 - hoses 10-1
 - loader/turner misc. 10-12
 - power strip 10-4

L

- legs
 - stationary 8-5
- log clamp 8-13
- log loading ramps 8-14

M

- manuals 9-1

O

- outfeed table option 8-15

P

- power feed 7-2

R

rest pin 8-11

S

sawdust chute 4-18

side supports 8-9

T

tensor de hoja 3-4

track rollers
 lower 7-5
 upper 7-1

U

up/down
 chain & sprockets 6-4
 drive 6-6
 motor 6-5
 saw head mount 6-1

W

water lube
 bottle/tray 4-11, 4-12