

Wood-Mizer[®] Sawmill

Parts Manual

LT35HD

rev. A1.00 - A6.13



Safety is our #1 concern! Read and understand all safety information and instructions before operating, setting up or maintaining this machine.

October 2010

Form #1722

California
Proposition 65 Warning



WARNING: Breathing gas/diesel engine exhaust exposes you to chemicals known to the State of California to cause cancer and birth defects or other reproductive harm.

Always start and operate the engine in a well-ventilated area.
If in an enclosed area, vent the exhaust to the outside.
Do not modify or tamper with the exhaust system.
Do not idle the engine except as necessary.

For more information go to **www.P65warnings.ca.gov**.



WARNING: Drilling, sawing, sanding or machining wood products can expose you to wood dust, a substance known to the State of California to cause cancer. Avoid inhaling wood dust or use a dust mask or other safeguards for personal protection.

For more information go to **www.P65Warnings.ca.gov/wood**.

©2020

Printed in the United States of America, all rights reserved. No part of this manual may be reproduced in any form by any photographic, electronic, mechanical or other means or used in any information storage and retrieval system without written permission from

Wood-Mizer
8180 West 10th Street
Indianapolis, Indiana 46214

Table of Contents

Section-Page

SECTION 1	GENERAL INFORMATION	1-1
1.1	How To Use The Parts List	1-1
1.2	Sample Assembly	1-1
SECTION 2	BLADE GUIDE ROLLERS & ARM	2-1
2.1	Blade Guide Assembly, Idle Side.....	2-1
2.2	Blade Guide Assembly, Drive Side.....	2-3
2.3	Blade Guide Arm.....	2-5
SECTION 3	BLADE WHEELS & TENSIONER	3-1
3.1	Blade Drive Assembly.....	3-1
3.2	Idle Blade Wheel Assembly	3-2
3.3	Blade Tensioner Assembly.....	3-4
	<i>LT35HD Rev. A6.06+</i>	
3.4	Blade Tensioner Assembly.....	3-6
	<i>LT35HD Rev. A1.00 - A6.05</i>	
SECTION 4	SAW HEAD	4-1
4.1	Water Lube Assembly	4-1
4.2	Saw Head Decals	4-2
4.3	Blade Housing Covers.....	4-4
4.4	Sawdust Chute	4-5
SECTION 5	ENGINE OPTIONS	5-1
	<i>LT35/LT35HD</i>	
SECTION 6	OPTIONS & ADDITIONAL INCLUDED EQUIPMENT	6-1
	<i>LT35HD</i>	
SECTION 7	CONTROL & BATTERY BOXES	7-1
7.1	Control Assembly.....	7-1
	<i>LT35 Rev. A5.00+</i>	
	<i>LT35HD Rev. A5.00+</i>	
7.2	Control Assembly.....	7-3
	<i>LT35 Rev. A4.00 - A4.01</i>	
	<i>LT35HD Rev. A4.00 - A4.01</i>	
7.3	Control Assembly.....	7-6
	<i>LT35 Rev. A1.00 - A3.00</i>	
	<i>LT35HD Rev. A1.00 - A3.00</i>	
7.4	Drum Switches	7-8

Table of Contents

Section-Page

7.5	Front Panel Assembly.....	7-9
	<i>LT35</i> <i>Rev. A5.00+</i>	
	<i>LT35HD</i> <i>Rev. A5.00+</i>	
7.6	Front Panel Assembly.....	7-10
	<i>LT35</i> <i>Rev. A4.00 - A4.01</i>	
	<i>LT35HD</i> <i>Rev. A4.00 - A4.01</i>	
7.7	Front Panel Assembly.....	7-11
	<i>LT35</i> <i>Rev. A1.00 - A3.00</i>	
	<i>LT35HD</i> <i>Rev. A1.00 - A3.00</i>	
7.8	Battery Box Assembly.....	7-12
SECTION 8	UP/DOWN SYSTEM	8-1
8.1	Saw Head Mount.....	8-1
8.2	Up/Down Assembly.....	8-3
	<i>LT35</i> <i>Rev. A5.00+</i>	
	<i>LT35HD</i> <i>Rev. A5.00+</i>	
8.3	Up/Down Assembly.....	8-5
	<i>LT35</i> <i>Rev. A3.00 - A4.01</i>	
	<i>LT35HD</i> <i>Rev. A3.00 - A4.01</i>	
8.4	Up/Down Assembly.....	8-8
	<i>LT35</i> <i>Rev. A2.00 - A2.01</i>	
	<i>LT35HD</i> <i>Rev. A2.00 - A2.01</i>	
8.5	Up/Down Assembly.....	8-11
	<i>LT35</i> <i>Rev. A1.00 - A1.02</i>	
	<i>LT35HD</i> <i>Rev. A1.00 - A1.03</i>	
8.6	Magnetic Position Sensor Assembly.....	8-14
	<i>LT35</i> <i>Rev. A5.00+</i>	
	<i>LT35HD</i> <i>Rev. A5.00+</i>	
8.7	Simple Set Sensor Assembly.....	8-16
	<i>LT35</i> <i>Rev. A3.00 - A4.01</i>	
	<i>LT35HD</i> <i>Rev. A3.00 - A4.01</i>	
8.8	Simple Set Sensor Assembly.....	8-18
	<i>LT35</i> <i>Rev. A2.00 - A2.01</i>	
	<i>LT35HD</i> <i>Rev. A2.00 - A2.01</i>	
SECTION 9	FEED SYSTEM & TRACK ROLLERS	9-1
9.1	Track Rollers And Wipers.....	9-1
9.2	Power Feed Assembly.....	9-3
	<i>LT35</i> <i>Rev. A4.00+</i>	
	<i>LT35HD</i> <i>Rev. A4.00+</i>	
9.3	Power Feed Assembly.....	9-5
	<i>LT35</i> <i>Rev. A1.00 - A3.00</i>	
	<i>LT35HD</i> <i>Rev. A1.00 - A3.00</i>	
9.4	Feed Chain/Stop.....	9-6
SECTION 10	BED FRAME ASSEMBLY	10-1
10.1	Bed Rail Assembly, Front And Rear.....	10-1
10.2	Bed Rail Assembly, Middle Front.....	10-3
10.3	Bed Rail Assembly, Middle Rear.....	10-4

Table of Contents

Section-Page

10.4	Leg Assembly	10-6
10.5	Pivot Bed Rail Assembly.....	10-8
10.6	Log Side Support Assembly	10-9
10.7	Safety Chain Assembly	10-11
10.8	Saw Head Rest Pin Assembly	10-12
10.9	Bed Frame Decals.....	10-13
10.10	Board Outfeed Table (Optional).....	10-14
SECTION 11 BED HYDRAULIC SYSTEM		11-1
11.1	Hydraulic Hoses	11-1
11.2	Hydraulic Control Box	11-3
11.3	Hydraulic Power Supply Strip.....	11-6
11.4	Hydraulic Log Loader	11-8
11.5	Hydraulic Log Turner.....	11-10
11.6	Hydraulic Log Side Supports (Front/Rear)	11-12
11.7	Hydraulic Log Side Supports (Middle - Optional).....	11-14
11.8	Hydraulic Log Clamp	11-15
11.9	Hydraulic Toe Board	11-17
SECTION 12 ACCESSORIES		12-18
<i>LT35HD</i>		
SECTION 13 TRAILERS		13-1
<i>LT35HD</i>		
SECTION 14 MISCELLANEOUS		14-1
14.1	Replacement Manuals	14-1
14.2	Tools	14-2
INDEX		I

SECTION 1 GENERAL INFORMATION

1.1 How To Use The Parts List

- Use the table of contents or index to locate the assembly that contains the part you need.
- Go to the appropriate section and locate the part in the illustration.
- Use the number pointing to the part to locate the correct part number and description in the table.
- Parts shown indented under another part are included with that part.
- Parts marked with a diamond (◆) are only available in the assembly listed above the part.

See the sample table below. Sample Part #A01111 includes part F02222-2 and subassembly A03333. Subassembly A03333 includes part S04444-4 and subassembly K05555. The diamond (◆) indicates that S04444-4 is not available except in subassembly A03333. Subassembly K05555 includes parts M06666 and F07777-77. The diamond (◆) indicates M06666 is not available except in subassembly K05555.

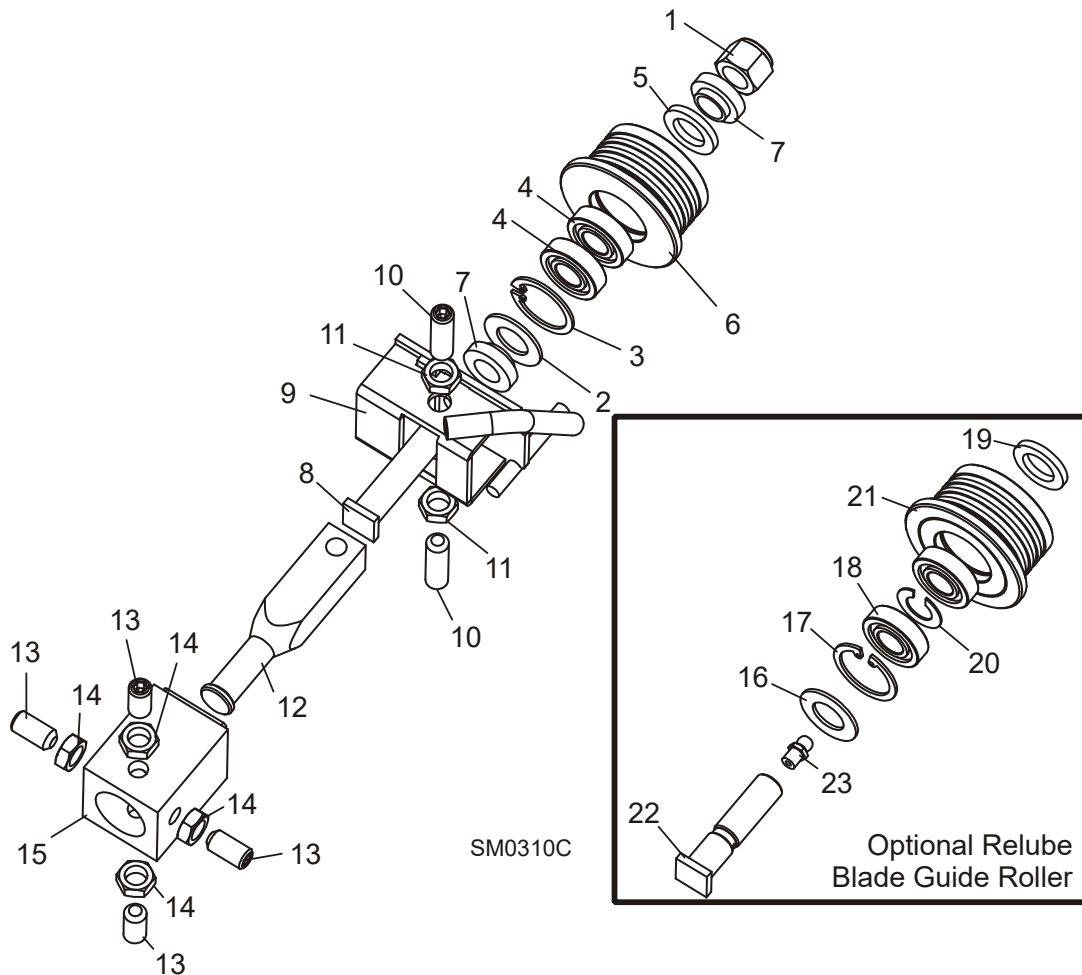
1.2 Sample Assembly				
REF	DESCRIPTION (◆ Indicates Parts Available In Assemblies Only)	PART #	QTY.	
	SAMPLE ASSEMBLY, COMPLETE (INCLUDES ALL INDENTED PARTS BELOW)	A01111	1	
1	Sample Part	F02222-22	1	
	Sample Subassembly (Includes All Indented Parts Below)	A03333	1	
2	Sample Part (◆ Indicates Part Is Only Available With A03333)	S04444-4	1	◆
	Sample Subassembly (Includes All Indented Parts Below)	K05555	1	
3	Sample Part (◆ Indicates Part Is Only Available With K05555)	M06666	2	◆
4	Sample Part	F07777-77	1	

To Order Parts:

- From the continental U.S., call **1-800-525-8100** to order parts. Have your customer number, vehicle identification number, and part numbers ready when you call.
- From other international locations, contact the Wood-Mizer distributor in your area for parts.

SECTION 2 BLADE GUIDE ROLLERS & ARM

2.1 Blade Guide Assembly, Idle Side



REF	DESCRIPTION (◆ Indicates Parts Available In Assemblies Only)	PART #	QTY.	
	BLADE GUIDE ASSEMBLY, COMPLETE IDLE SIDE	A08197	1	
1	Nut, 1/2-20 Hex Nylon Lock	F05010-15	1	
	Roller Assembly, Blade Guide (standard)	A04925	1	
	Bearing Kit, Blade Guide Rebuild	K07079	1	
2	Washer, 5/8" White Felt	P04252	1	
3	Ring, 1 1/8" Interior Retaining	F04254-1	1	
4	Bearing, R8-2RS Blade Guide	015975	2	◆
5	Washer, 5/8" Gray Felt	P06455	1	

2

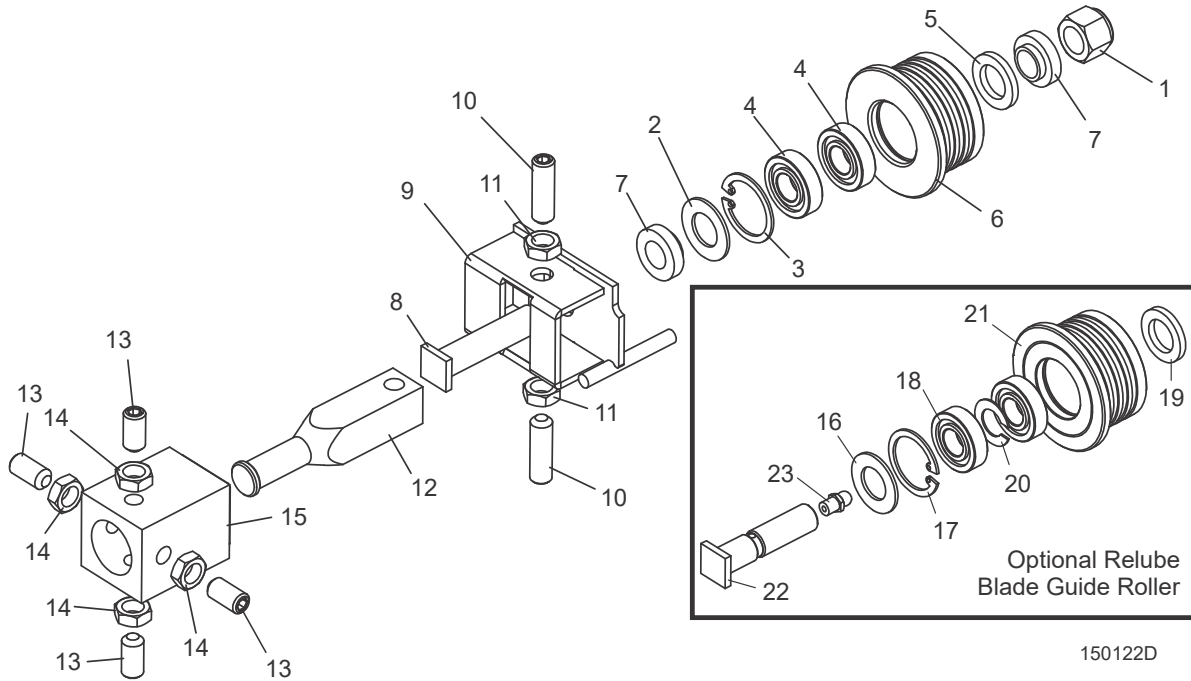
Blade Guide Rollers & Arm

Blade Guide Assembly, Idle Side

	Screw, 1/4-28 x 1/4" Socket Head Cup Point Set Black Oxide	F05005-105	1	
	Instruction Sheet, Blade Guide Rebuild	057407-1507	1	
6	Roller, Flanged Blade Guide	S04250	1	◆
	Instruction Sheet, Blade Guide Roller Replacement	A04925-364	1	
7	Spacer, Blade Guide	S04253	2	
8	Bolt, Blade Guide Roller	036373	1	
9	Bracket, Blade Guide Idle Side With Water Tube	W08495	1	
10	Screw, 3/8-24 X 1 1/4" Stainless Steel Socket Head Flat Point	F05007-96	2	
11	Nut, 3/8-24 Jam	F05010-22	2	
12	Shaft, Blade Guide Adjustment	S08196	1	
13	SCREW, 3/8-24 X 3/4" STAINLESS STEEL SOCKET HEAD FLAT POINT	F05007-95	4	
14	NUT, 3/8-24 JAM	F05010-22	4	
15	TUBE, BLADE GUIDE MOUNT (See Section 2.3)	W08159	1	
	ROLLER ASSEMBLY, BLADE GUIDE RELUBE (OPTIONAL)	016568	1	
	Bearing Kit, Relube Blade Guide Rebuild	057407	1	
16	Washer, 5/8" White Felt	P04252	1	
17	Ring, 1 1/8" Interior Retaining	F04254-1	1	
18	Bearing, R8-2RS Blade Guide	015975 ¹	2	◆
19	Washer, 5/8" Gray Felt	P06455	1	
	Instruction Sheet, Blade Guide Rebuild	057407-1507	1	
20	Spacer, Blade Guide Bearing	035411	1	
21	Roller, Flanged Blade Guide Relube	035426	1	◆
	Instruction Sheet, Blade Guide Roller Replacement	A04925-364	1	
22	BOLT, BLADE GUIDE ROLLER (RELUBE ONLY)	S08192	1	
23	FITTING, 1/4-28 GREASE (RELUBE ONLY)	P05060	1	

¹ Bearing must be modified for use with relube roller assemblies. Remove one seal from each bearing, place open sides facing each other and place spacer 035411 between bearings.

2.2 Blade Guide Assembly, Drive Side



REF	DESCRIPTION (◆ Indicates Parts Available In Assemblies Only)	PART #	QTY.
	BLADE GUIDE ASSEMBLY, COMPLETE DRIVE SIDE	A08191	1
1	Nut, 1/2-20 Hex Nylon Lock	F05010-15	1
	Roller Assembly, Blade Guide (standard)	A04925	1
	Bearing Kit, Blade Guide Rebuild	K07079	1
2	Washer, 5/8" White Felt	P04252	1
3	Ring, 1 1/8" Interior Retaining	F04254-1	1
4	Bearing, R8-2RS Blade Guide	015975	2
5	Washer, 5/8" Gray Felt	P06455	1
	Screw, 1/4-28 x 1/4" Socket Head Cup Point Set Black Oxide	F05005-105	1
	Instruction Sheet, Blade Guide Rebuild	057407-1507	1
6	Roller, Flanged Blade Guide	S04250	1
	Instruction Sheet, Blade Guide Roller Replacement	A04925-364	1
7	Spacer, Blade Guide	S04253	2
8	Bolt, Blade Guide Roller	036373	1
9	Bracket, Blade Guide Drive Side	W08482	1
10	Screw, 3/8-24 X 1 1/4" Stainless Steel Socket Head Flat Point	F05007-96	2
11	Nut, 3/8-24 Jam	F05010-22	2
12	Shaft, Blade Guide Adjustment	S08196	1
13	SCREW, 3/8-24 X 3/4" STAINLESS STEEL SOCKET HEAD FLAT POINT SET	F05007-95	3
14	NUT, 3/8-24 JAM	F05010-22	4

2

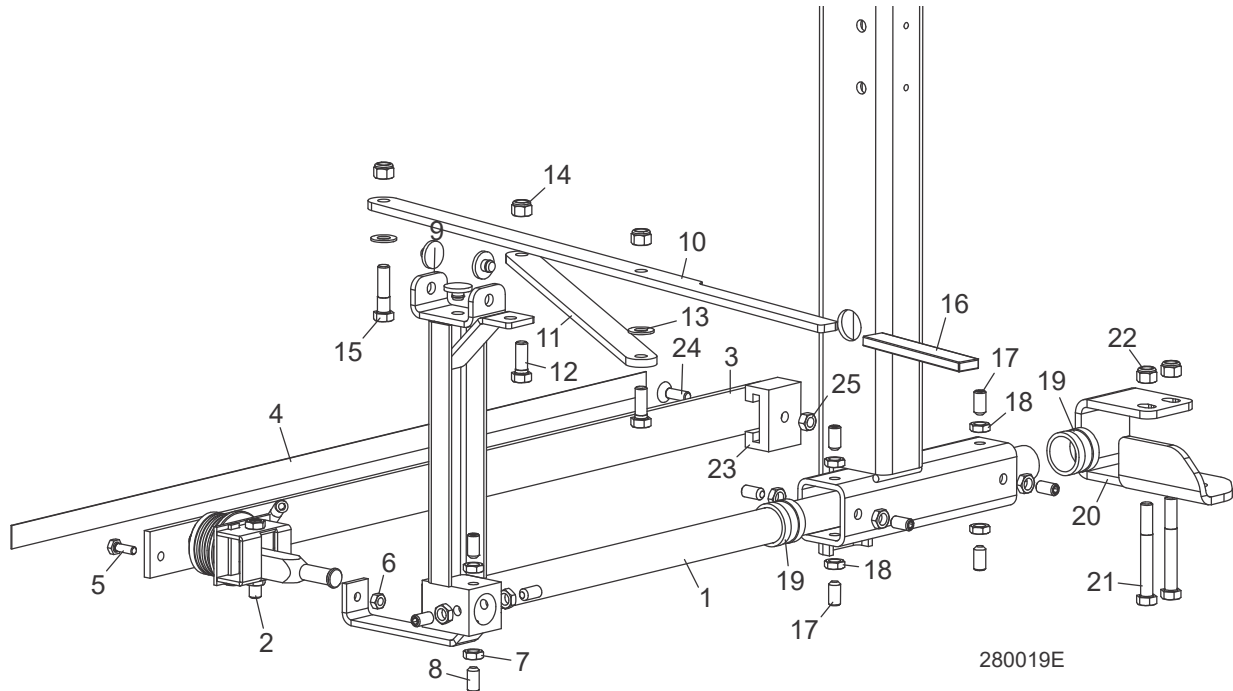
Blade Guide Rollers & Arm

Blade Guide Assembly, Drive Side

15	TUBE WELDMENT, BLADE GUIDE MOUNT (Part of saw frame weldment)	W08159	1	
	ROLLER ASSEMBLY, BLADE GUIDE RELUBE (OPTIONAL)	016568	1	
	Bearing Kit, Relube Blade Guide Rebuild	057407	1	
16	Washer, 5/8" White Felt	P04252	1	
17	Ring, 1 1/8" Interior Retaining	F04254-1	1	
18	Bearing, R8-2RS Blade Guide	015975 ¹	2	◆
19	Washer, 5/8" Gray Felt	P06455	1	
20	Spacer, Blade Guide Bearing	035411	1	
	Instruction Sheet, Blade Guide Rebuild	057407-1507	1	
21	Roller, Flanged Blade Guide Relube	035426	1	◆
	Instruction Sheet, Blade Guide Roller Replacement	A04925-364	1	
22	BOLT, BLADE GUIDE ROLLER (RELUBE ONLY)	S08192	1	
23	FITTING, 1/4-28 GREASE (RELUBE ONLY)	P05060	1	

¹ Bearing must be modified for use with relube roller assemblies. Remove one seal from each bearing, place open sides facing each other and place spacer 035411 between bearings.

2.3 Blade Guide Arm



280019E

REF	DESCRIPTION (◆ Indicates Parts Available In Assemblies Only)	PART #	QTY.
	ARM ASSEMBLY, LT15 BLADE GUIDE (2004)	046966	1
1	Arm Weldment, LT15 Blade Guide (2004)	046965	1
2	Blade Guide Parts (See Section 2.1)		
3	Guard, LT15 Blade Guide Arm	014955	1
4	Decal, LT15 Blade Guide Arm	015849	1
5	Bolt, 1/4-20 x 3/4" Hex Head Full Thread	F05005-1	1
6	Nut, 1/4-20 Hex Lock	F05010-21	1
7	Nut, 3/8-24 Hex Jam	F05010-22	4
8	Screw, 3/8-24 x 3/4" Socket Head Flat Point Set	F05007-95	4
9	Pad, Blade Guide Slide	014973	3
10	PLATE, LT15 WIDE BLADE GUIDE ARM ADJUSTMENT	076118 ¹	1
11	PLATE, LT15 WIDE BLADE GUIDE ARM LINK	076117 ¹	1
12	BOLT, 3/8-16 X 1" HEX HEAD GRADE 5	F05007-87	2
13	WASHER, 3/8" SAE FLAT	F05011-3	3
14	NUT, 3/8-16 HEX NYLON LOCK	F05010-10	3
15	BOLT, 3/8-16 X 1 1/2" HEX HEAD GRADE 5	F05007-78	1
16	GRIP, 5/8" ID RUBBER HANDLE	049008	1
17	SCREW, 3/8-24 X 3/4" STAINLESS SOCKET HEAD FLAT POINT SET	F05007-95	8
18	NUT, 3/8-24 HEX JAM	F05010-22	8
19	BUSHING, BLADE GUIDE ARM	015899	2
20	BRACKET, SAW HEAD REST	049141	1

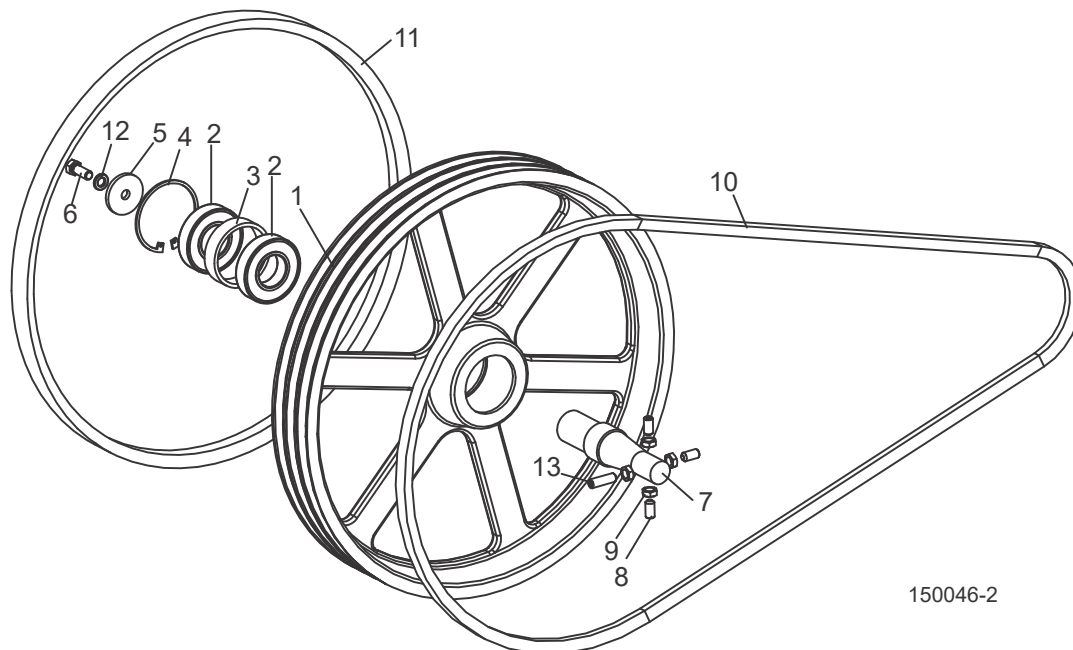
2**Blade Guide Rollers & Arm***Blade Guide Arm*

21	BOLT, 3/8-16 X 3" HEX HEAD GRADE 5	F05007-73	2	
22	NUT, 3/8-16 HEX NYLON LOCK	F05010-10	2	
23	BRACKET, BLADE GUIDE ARM GUIDE	014882	1	
24	BOLT, 5/16-18 X 1" FLAT HEAD SOCKET	F05006-124	1	
25	NUT, 5/16-18 HEX LOCK	F05010-6	1	

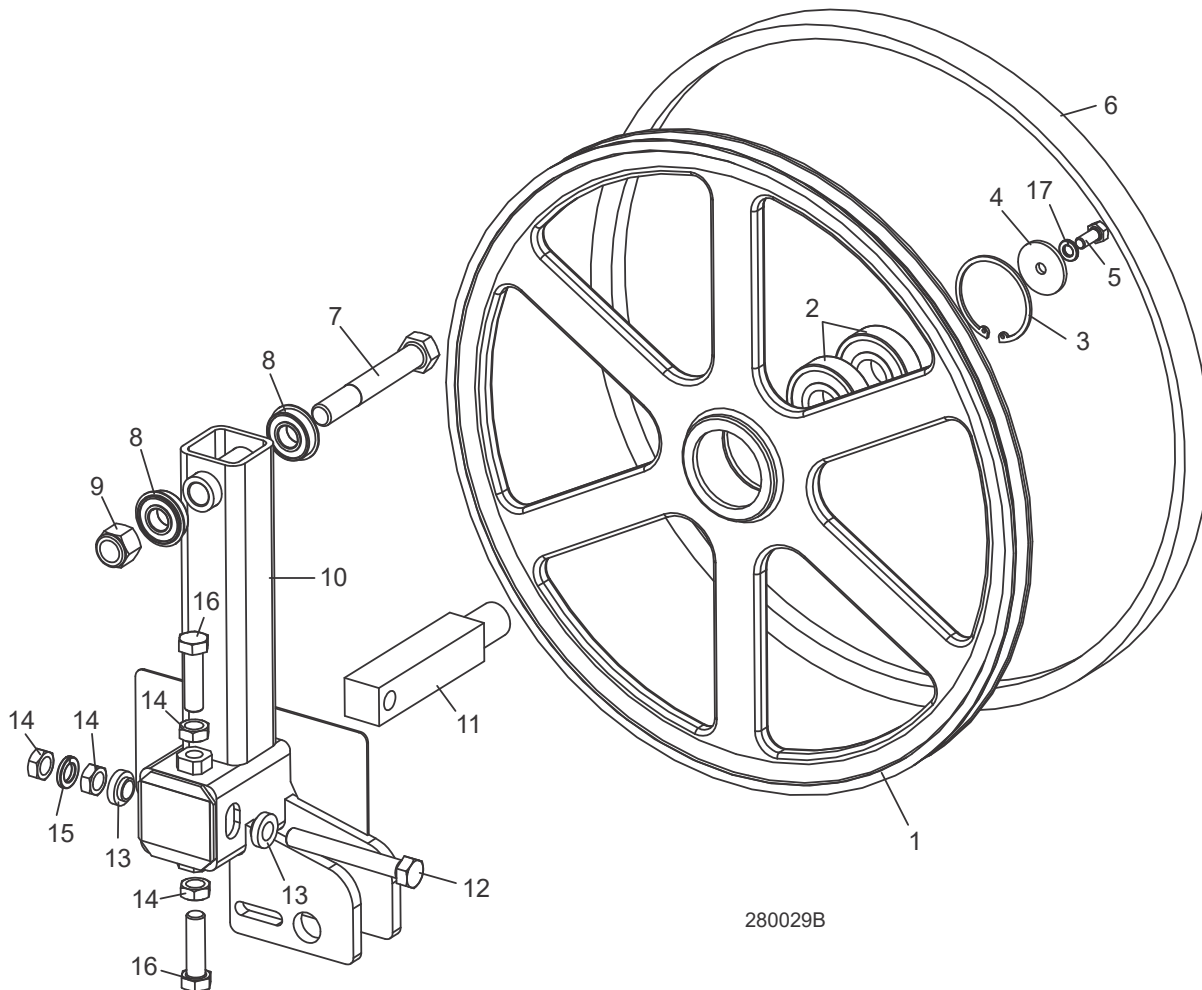
¹ Blade guide arm 076118 and link 076117 replaced blade guide arm 046827 and 046828 to improve operation (LT35 Rev. A6.04/LT35HD Rev. A6.05). 049008 replaced 004742 5/8" ID Rubber Handle Grip (10/13). Previously, Link Handle 046828 and Grip 004742 replaced 048605 and 049008 originally supplied prior to Rev. A3.00. New handle provided clearance to allow operator access to logs or lumber on the sawmill bed.

SECTION 3 BLADE WHEELS & TENSIONER

3.1 Blade Drive Assembly



REF	DESCRIPTION (◆ Indicates Parts Available In Assemblies Only)	PART #	QTY.
	BLADE WHEEL BRAKE PARTS, D17 (See Engine Manual)		
	BLADE WHEEL BRAKE PARTS, G25 (See Engine Manual)		
	WHEEL ASSEMBLY, DRIVE SIDE BLADE	036657	1
1	Wheel, Drive Side Blade	047702	1
2	Bearing, #6207 2RS	014811	2
3	Spacer, Drive Bearing	014730	1
4	Ring, 3.121 IR Beveled Retaining	F04254-30	1
5	WASHER, DRIVE WHEEL RETAINING	014728	1
6	BOLT, 3/8-16 X 1" HEX HEAD	F05007-87	1
7	SHAFT, LT15 DRIVE SIDE BLADE WHEEL	014729	1
8	SCREW, 3/8-24 X 3/4" FLAT POINT SOCKET HEAD	F05007-95	3
9	NUT, 3/8-24 HEX JAM	F05010-22	4
10	BELT, DRIVE (SEE ENGINE MANUAL FOR PART #)	SEE ENGINE OPTION	1
11	BELT, B57	P04185	1
12	WASHER, 3/8" SPLIT LOCK	F05011-4	1
13	SCREW, 3/8-24 X 1 1/4" FLAT POINT SOCKET HEAD	F05007-96	1

3.2 Idle Blade Wheel Assembly

REF	DESCRIPTION (◆ Indicates Parts Available In Assemblies Only)	PART #	QTY.	
	WHEEL ASSEMBLY, IDLE SIDE BLADE	A08218	1	
1	Wheel, Idle Side Blade	P08125	1	◆
2	Bearing, Idle Side Blade Wheel #6305-AA, C3, ABEC-1, SRI-2 Grease	P08066	2	
3	Ring, 2 7/16" Internal Retaining	F04254-21	1	
4	WASHER, IDLE BLADE WHEEL RETAINER	S08220	1	
5	BOLT, 5/16-18 X 3/4" HEX HEAD	F05006-102	1	
6	BELT, BLADE WHEEL B57	P04185	1	
7	BOLT, 5/8-11 X 4 1/2" HEX HEAD	F05009-3	1	
8	BEARING, 5/8" I.D. W/SNAP RING	014834	2	
9	NUT, 5/8-11 HEX NYLON LOCK	F05010-34	1	
10	IDLER WELDMENT, BLADE WHEEL	049349	1	
11	SHAFT, IDLE WHEEL	S12565	1	
12	BOLT, 1/2-20 X 3 3/4" HEX HEAD FULL THREAD GRADE 2	F05008-111	1	
13	SPACER, 1/2" I.D. FLANGED	S04253	2	

Blade Wheels & Tensioner
Idle Blade Wheel Assembly

3

14	NUT, 1/2-20 HEX JAM	F05010-16	4	
15	WASHER, 1/2" SPLIT LOCK	F05011-9	1	
16	BOLT, 1/2-20 X 1 3/4" HEX HEAD GRADE 5	F05008-127	2	
17	WASHER, 5/16" SPLIT LOCK	F05011-13	1	

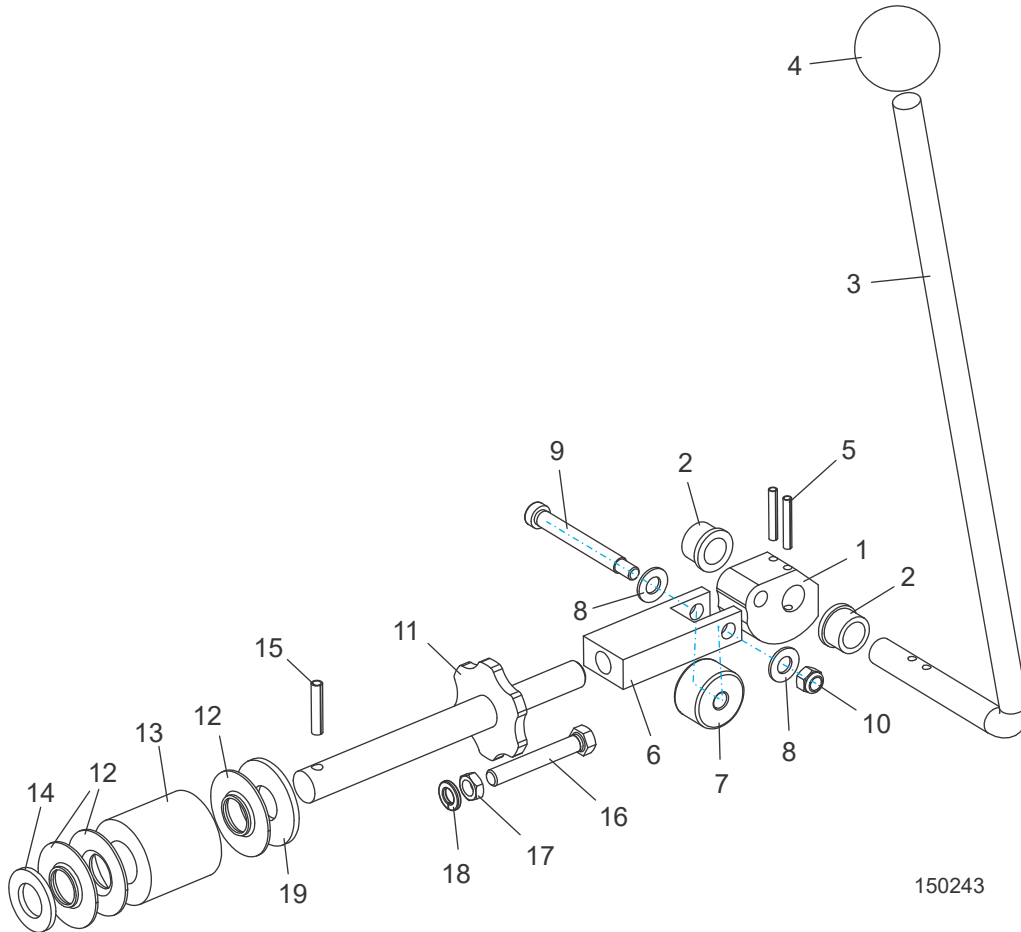
3 Blade Wheels & Tensioner

Blade Tensioner Assembly

3.3 Blade Tensioner Assembly

LT35HD

Rev. A6.06+



REF	DESCRIPTION (◆ Indicates Parts Available In Assemblies Only)	PART #	QTY.
	TENSION ASSEMBLY, CAM ACTUATED BLADE(LT15/28/35, HR120/130)	074801	1
1	Cam, Tension	049104	1
2	Bushing, 5/8" x 7/8" x 1/2" Bronze	P05135	2
3	Handle, Blade Tensioner, LT15/28/35	103801	1
4	Knob, 5/8-18 Ball	P04211	1
5	Pin, 3/16" x 1 1/4" Roll	F05012-16	2
6	Block, Tensioner Bearing Mount	128072 ¹	1
7	Cam Follower, 3/8" x 1 3/8" x 13/16"	048219	1
8	Washer, 3/8" SAE Flat	F05011-3	2
9	Bolt, 3/8 x 2 1/2" Socket Head Shoulder	F05007-202	1
10	Nut, 5/16-18 Hex Nylon Lock	F05010-58	1
11	Shaft Weldment, Blade Tension	038642	1

Blade Wheels & Tensioner

Blade Tensioner Assembly

3

12	Guide, Tension Handle	014925	3	
13	Spring, Rubber Tensioner Blade	014828	1	
14	Washer, 3/4" SAE Flat	F05011-62	1	
15	Pin, 1/4" x 1 1/4" Roll	F05012-12	1	
16	Bolt, 3/8-16 x 2 1/2" Hex Head Full Thread	F05007-157	1	
17	Nut, 3/8-16 Jam	F05010-29	1	
18	Washer, 3/8" Split Lock	F05011-4	1	
19	Washer, 3/4" USS Flat	F05011-29	1	

¹ Bearing Mount 049321 was replaced with 128072 on 10/16/2019 per ECN 36137.

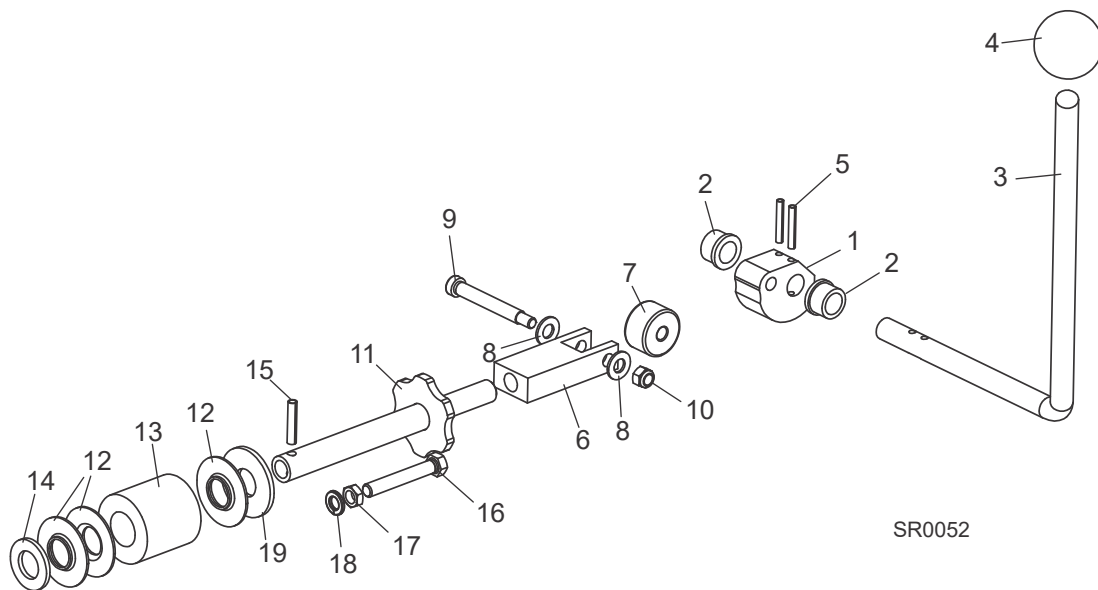
3 Blade Wheels & Tensioner

Blade Tensioner Assembly

3.4 Blade Tensioner Assembly

LT35HD

Rev. A1.00 - A6.05



REF	DESCRIPTION (◆ Indicates Parts Available In Assemblies Only)	PART #	QTY.
	TENSION ASSEMBLY, CAM ACTUATED BLADE	038643	1
1	Cam, Tension	049104	1
2	Bushing, 5/8" x 7/8" x 1/2" Bronze	P05135	2
3	Handle, Blade Tensioner	048804	1
4	Knob, 5/8-18 Ball	P04211	1
5	Pin, 3/16" x 1 1/4" Roll	F05012-16	2
6	Block, Tensioner Bearing Mount	049321	1
7	Cam Follower, 3/8" x 1 3/8" x 13/16"	048219	1
8	Washer, 3/8" SAE Flat	F05011-3	2
9	Bolt, 3/8 x 2 1/2" Socket Head Shoulder	F05007-202	1
10	Nut, 5/16-18 Hex Nylon Lock	F05010-58	1
11	Shaft Weldment, Blade Tension	038642	1
12	Guide, Tension Handle	014925	3
13	Spring, Rubber Tensioner Blade	014828	1
14	Washer, 3/4" SAE Flat	F05011-62	1
15	Pin, 1/4" x 1 1/4" Roll	F05012-12	1
16	Bolt, 3/8-16 x 2 1/2" Hex Head Full Thread	F05007-157	1
17	Nut, 3/8-16 Jam	F05010-29	1

Blade Wheels & Tensioner
Blade Tensioner Assembly

3

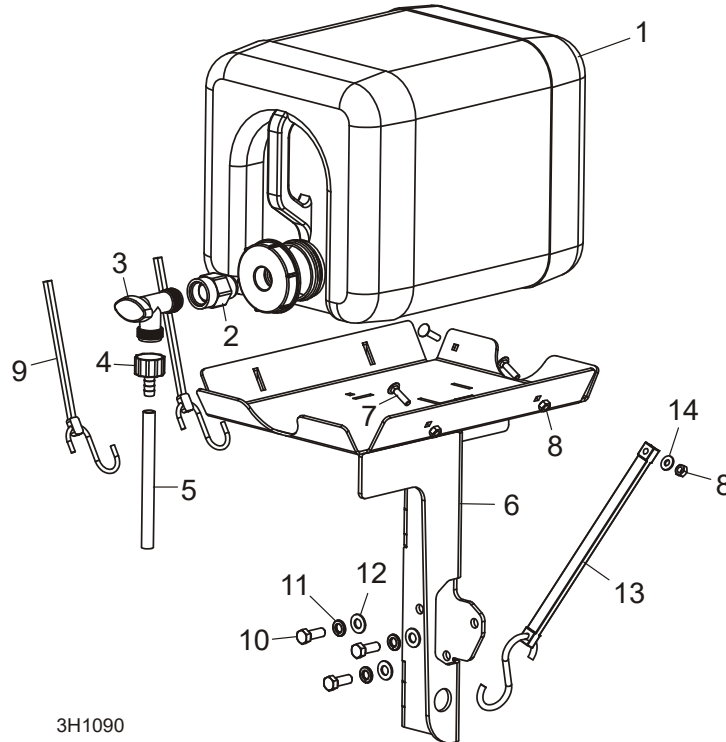
18	Washer, 3/8" Split Lock	F05011-4	1	
19	Washer, 3/4" USS Flat	F05011-29	1	

4 Saw Head

Water Lube Assembly

SECTION 4 SAW HEAD

4.1 Water Lube Assembly

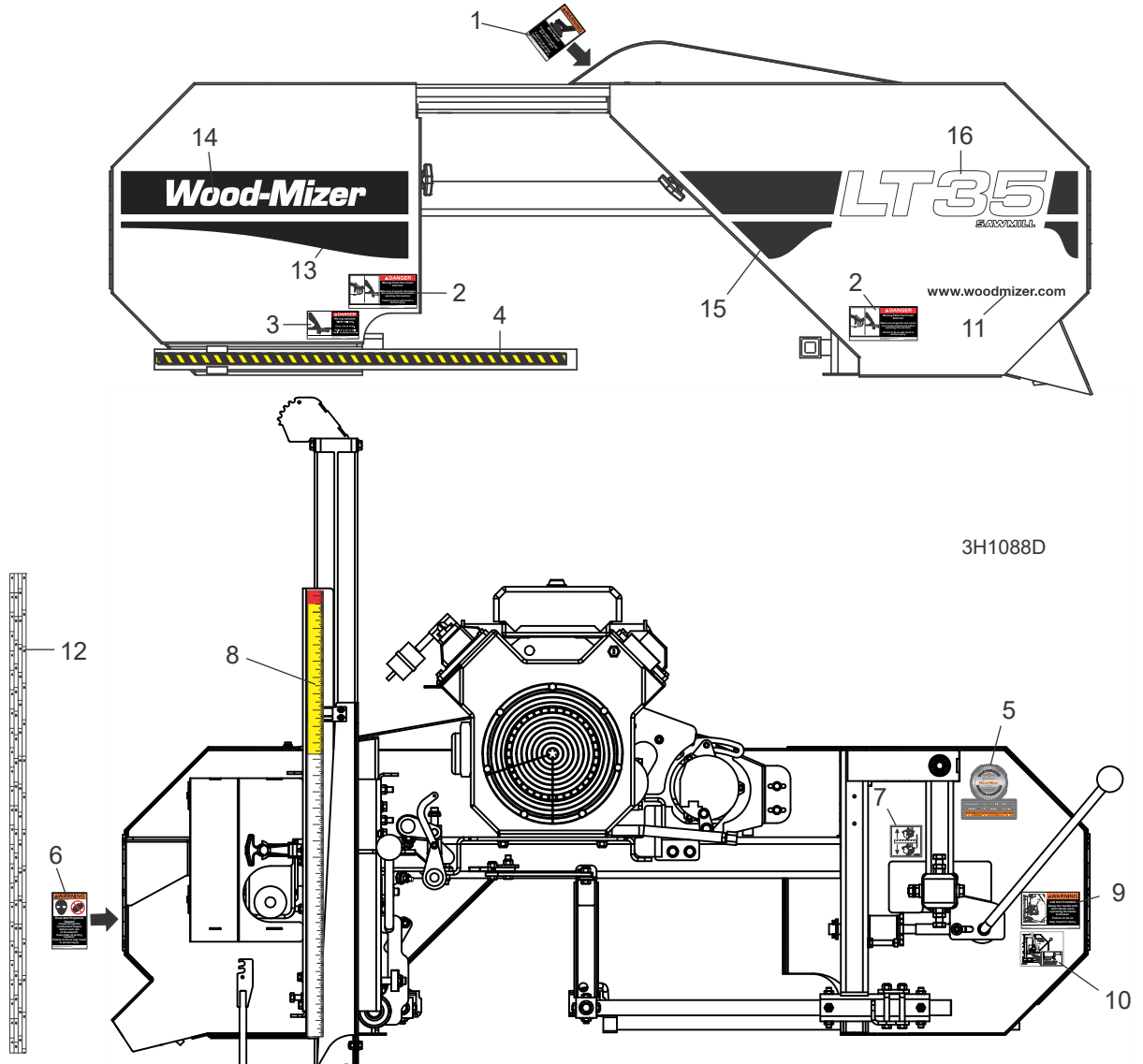


3H1090

REF	DESCRIPTION (◆ Indicates Parts Available In Assemblies Only)	PART #	QTY.
	TRAY ASSEMBLY, LT35 WATER LUBE BOTTLE	065063	1
1	Bottle, 5-Gallon Water Lube w/Cap	014642	1
	O-ring, Water Bottle Cap	061372 ¹	1
2	Fitting, 3/4FPT x 3/4MPT	014636	1
3	Fitting, Water Lube Shutoff Valve	014100	1
4	Fitting, 5/8" NPT to 3/8" Hose Barb	014113	1
5	Tubing, Water Lube 3/8" I.D.	R01885	7 ft.
6	Tray Weldment, LT35 Water	062530	1
7	Bolt, 1/4-20 x 1" Carriage Head	F05005-34	3
8	Nut, 1/4-20 Hex Lock	F05010-21	3
9	Strap, 20" Rubber w/Hook	P11668	2
10	Screw, 3/8-16 x 1" Hex Head Grade 5	F05007-87	3
11	Washer, 3/8" Split Lock	F05011-4	3
12	Washer, 3/8" SAE Flat	F05011-3	3
13	Strap, 9" Rubber With Hooks	012965	1
14	Washer, 1/4" SAE Flat	F05011-11	1

¹ If the water bottle cap keeps leaking, add this o-ring to the cap. Leave the existing o-ring installed.

4.2 Saw Head Decals



REF	DESCRIPTION (◆ Indicates Parts Available In Assemblies Only)	PART #	QTY.
1	DECAL, HOT ENGINE WARNING	014419	1
2	DECAL, MOVING PARTS DANGER	033254	2
3	DECAL, BLADE DANGER W/ARROW	S11752	1
4	DECAL, BLADE GUIDE ARM STRIPE	015849	1
5	DECAL, WOOD-MIZER QUALITY & INFORMATION	079278 ¹	1
6	DECAL, SAWDUST CHUTE WARNING	P11754	1
7	DECAL, BLADE TRACK INFO	P11789	1
8	DECAL, INCH SCALE	S11773 ²	1

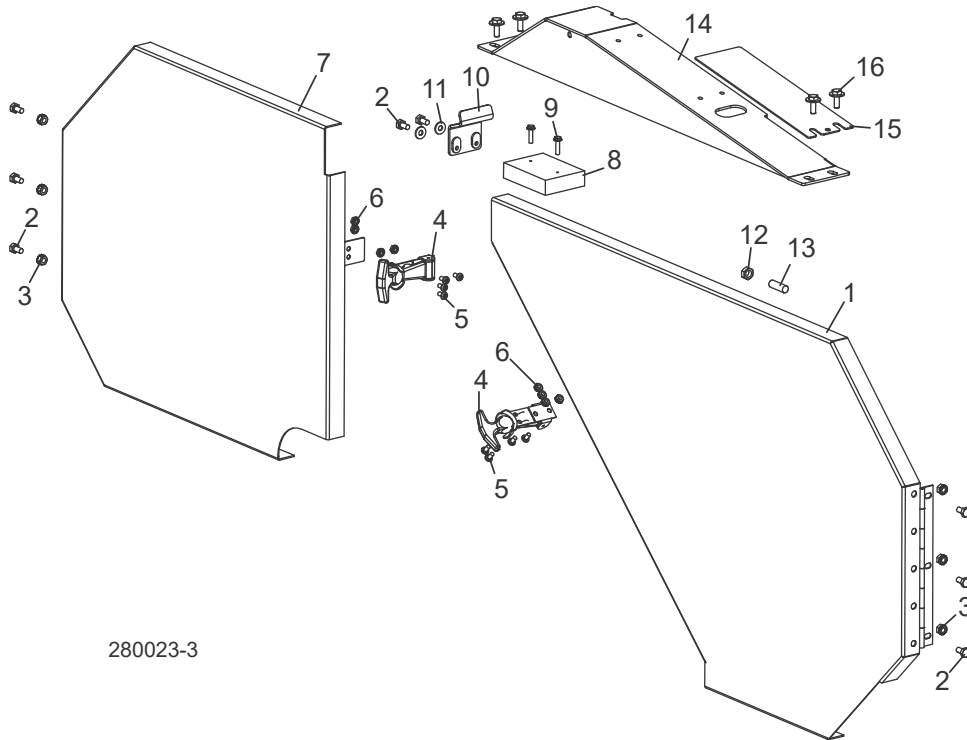
4**Saw Head**
Saw Head Decals

9	DECAL, TENSIONER WARNING	049367	1	
10	DECAL, BLADE TENSION INFO	049368	1	
11	DECAL, WOOD-MIZER WEBSITE	003235	1	
12	DECAL, MAGNETIC QUARTER SCALE	016275	1	
13	DECAL, LT15/28/35 IDLE SIDE BLACK EURO STRIPE	065008	1	
14	DECAL, LT10/15/28/35 WHITE WOOD-MIZER LOGO	065002	1	
15	DECAL, LT28/35 DRIVE SIDE BLACK EURO STRIPE	065010	1	
16	DECAL, LT35 WHITE EURO LOGO	065022	1	

¹ Replaced 015840, S12117, and 065582 (9/18).

² Modified to add red color under 1" for a visual warning to improve up/down operation (LT35HD Rev. A1.02). Use LT35 Up/Down Safety Campaign Kit 065728 to upgrade LT35HD sawmills prior to Rev. A1.02.

4.3 Blade Housing Covers



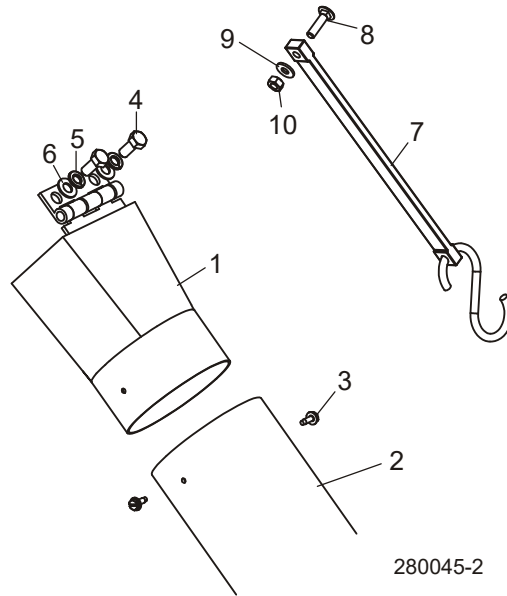
280023-3

REF	DESCRIPTION (◆ Indicates Parts Available In Assemblies Only)	PART #	QTY.
1	COVER, LT35 DRIVE SIDE BLADE HOUSING (Includes Cover Decals - See Section 4.2)	065067	1
2	BOLT, 1/4-20 X 1/2" HEX HEAD	F05005-15	8
3	NUT, 1/4-20 KEPS	F05010-9	6
4	LATCH, FLEXIBLE DRAW	014829	2
5	SCREW, #10-24 X 3/8" CROSS SLOTTED ROUND HEAD	F05004-3	8
6	NUT, #10-24 SELF-LOCKING HEX	F05010-14	8
7	COVER, LT35 IDLE SIDE BLADE HOUSING (Includes Cover Decals - See Section 4.2)	065068	1
8	BLOCK, BLADE VIBRATION DAMPENING	015844	1
9	BOLT, #10 X 3/4" SLOTTED HEX WASHER HEAD	F05015-33	2
10	BRACKET WELDMENT, LT15 BELT ENHANCE	074394	1
11	WASHER, 1/4" SAE FLAT	F05011-11	2
12	NUT, 3/8-16 JAM	F05010-29	1
13	SCREW, 3/8-16 X 1 1/4 SHOP SET	F05007-18	1
	COVER ASSEMBLY, TOP ENGINE PULLEY	038633	1
14	Cover Weldment, LT15/28 Top Belt Cover	074574	1
15	Plate, Belt Guard Cover	074546	1
16	Bolt, 1/4-20 x 3/4" Hex Head w/Conical Washer	F05005-134	4

4 Saw Head

Sawdust Chute

4.4 Sawdust Chute



REF	DESCRIPTION (◆ Indicates Parts Available In Assemblies Only)	PART #	QTY.
1-6	CHUTE ASSEMBLY, LT28 SAWDUST	038747	1
1	Chute Wldmt, LT28 Sawdust	038746	1
2	Chute, Rubber Sawdust	016727	1
3	Bolt, #10-24x1/2 Self Tap	F05015-7	2
4	Bolt, 5/16-18x3/4 HHC	F05006-5	2
5	Washer, 5/16 Split Lock	F05011-13	2
6	Washer, 5/16 SAE Flat	F05011-17	2
7	STRAP, 9IN RUBBER WITH HOOKS	012965	1
8	BOLT, 1/4-20X1 CARRIAGE	F05005-34	1
9	WASHER, 1/4 SAE FLAT	F05011-11	1
10	NUT, 1/4-20 SWAGED	F05010-21	1

SECTION 5 ENGINE OPTIONS

LT35/LT35HD

REF	DESCRIPTION	MASTER	Elec. Info	
	D17 KOHLER ENGINE OPTION (SEE ENGINE OPTION MANUAL)	M1724	D17	
	D24 KOHLER ENGINE OPTION (SEE ENGINE OPTION MANUAL)	M2208	D24	
	G25 KOHLER ENGINE OPTION (SEE ENGINE OPTION MANUAL)	M1726	G25	

6 Options

SECTION 6 OPTIONS & ADDITIONAL INCLUDED EQUIPMENT

LT35HD

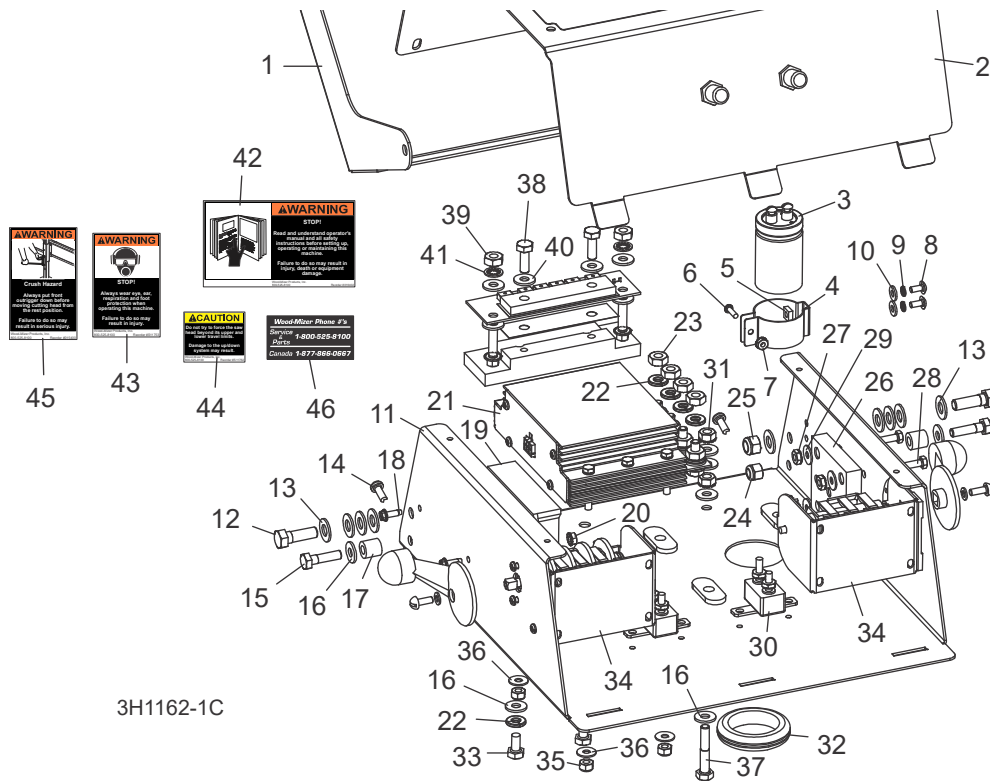
REF	DESCRIPTION	MASTER	
AVAILABLE OPTIONS			
	BED EXTENSION (SEE MANUAL)	M530	
	DEBARKER (076030) (SEE MANUAL)	M2048	
	FINE ADJUST OUTRIGGERS (2008) (SEE MANUAL)	M1524	

SECTION 7 CONTROL & BATTERY BOXES

7.1 Control Assembly

LT35
LT35HD

Rev. A5.00+
Rev. A5.00+



REF	DESCRIPTION (◆ Indicates Parts Available In Assemblies Only)	PART #	QTY.
	CONTROL ASSEMBLY, LT35D17/G25 POWER FEED	073542	1
	CONTROL ASSEMBLY, LT35D24 POWER FEED	073559	1
1	Plate, LT35 Control Box Cover	071337	1
2	LT35 Operator Panel Parts (See Section 7.5)	N/A	1
3	Capacitor Assembly, PF Filter	052365	1
4	Clamp, Capacitor Metal 1-3/8 Cylindrical	024410	1
5	Nut, #8-32 Square	F05010-153	2
6	Screw, #6-32 x 1/2" SI RH	F05015-24	1
7	Nut, #6-32 Keps	F05010-59	1
8	Screw, #8-32 x 3/8" Round Hd Mach Grade 5	F05004-157	2
9	Washer, #8 Split Lock	F05011-84	2
10	Washer, #8 SAE Flat	F05011-41	2
11	Box Weldment, LT35 Control Bottom	071335	1
12	Bolt, 5/16-18 x 1" Hex Head	F05006-1	2
13	Washer, 5/16" SAE Flat	F05011-17	10
14	Bolt, #10-24 x 1/2 Ph Pan Hd, Type 23	F05015-17	7

7 Control & Battery Boxes

Control Assembly

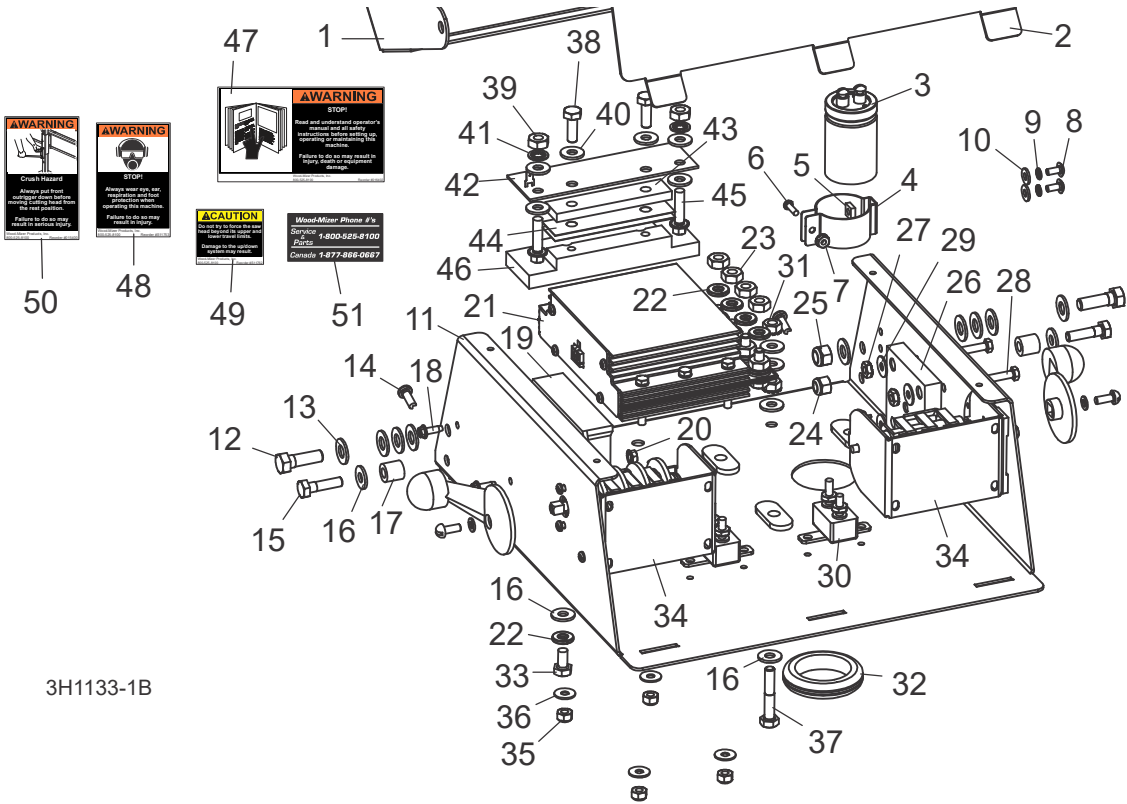
15	Bolt, 1/4-20 x 1" Hex Head Grade 5	F05005-101	2	
16	Washer, 1/4" SAE Flat	F05011-11	8	
17	Bushing, 1/4" IDx1/2" OD Nylon	076008	2	
18	Bolt, #8-32 x 1/2" SI Hex Head	F05015-18	2	
19	Control Module, Power Feed SMT	024396-1	1	
	Suppressor Assembly, 92+ Power Feed	052294	1	
20	Nut, #8-32 Keps	F05010-41	2	
21	H-Bridge Assembly, SimpleSet	053373	1	
22	Washer, 1/4" Split Lock	F05011-14	4	
23	Nut, 1/4-20 Jam Heavy Duty	F05010-129	4	
24	Nut, 1/4-20 Nylock	F05010-69	2	
25	Nut, 5/16-18 Nylok Hex	F05010-58	2	
26	Block, Diode Heat Sink	024404	1	
	Pad, Diode Block Insulating	024403	1	
	Insulator, Nylon Screw #10 1/2in	024409	4	
27	Nut, #10-24 Keps	F05010-14	4	
28	Bolt, #10-24 x1 Unslotted Hex Head Grade 2	F05004-156	4	
29	Washer, #10 SAE Flat	F05011-18	4	
30	Breaker, 10A Manual Reset	053464	2	
31	Nut, 1/4-20 Keps	F05010-9	2	
32	Grommet, 25Pk 1-1/2" ID Rubber	053784	1	
33	Bolt, 1/4-20 x 1/2" Hex Head	F05005-15	2	
34	Drum Switch Parts (See Section 7.4)	N/A	2	
35	Nut, 10-24 Hex Nylock	F05010-160	4	
36	Washer, #10 SAE Flat	F05011-18	4	
37	Bolt, 1/4-20x1 1/2 HH FT	F05005-31	1	
	Module Assembly, Mosfet SMT 97+ P/F	024387	1	
38	Bolt, 1/4-20x3/4 FT HHC	F05005-1	2	
39	Nut, 1/4-20 Jam Heavy Duty	F05010-129	2	
40	Washer, 1/4" SAE Flat	F05011-11	6	
41	Washer, 1/4" Int Star Heavy Duty	F05011-69	2	
	Harness Assembly, LT35 Simple Set Drum Switch	073778	1	
	Harness Assembly, LT35 Upper (D17/G25 Only)	073502 ¹	1	
	Harness Assembly, LT35 Upper (D24 Only)	073558	1	
	Cable Assembly, Remote SimpleSet Sensor	053632-FR	1	
	Diode Assembly, 96+ PF Replacement	052363	1	
42	DECAL, READ MANUAL WARNING	016402	1	
43	DECAL, EYE/EAR PROTECTION WARNING	S11753	1	
44	DECAL, UP/DOWN CAUTION	S11762	1	
45	DECAL, FRONT OUTRIGGER WARNING	015400	1	
46	DECAL, 800 NUMBER	S12117	1	

¹ Upper harness modified to add ignition and start wires allowing to use key switch in control box to start engine (LT35/LT35HD Rev. A6.00).

7.2 Control Assembly

LT35
LT35HD

Rev. A4.00 - A4.01
Rev. A4.00 - A4.01



3H1133-1B

REF	DESCRIPTION (◆ Indicates Parts Available In Assemblies Only)	PART #	QTY.
	CONTROL ASSEMBLY, LT35D17 POWER FEED	071334	1
1	Plate, LT35 Control Box Cover	071337	1
2	LT35 Operator Panel Parts (See Section 7.6)	N/A	1
3	Capacitor Assembly, PF Filter	052365	1
4	Clamp, Capacitor Metal 1-3/8 Cylindrical	024410	1
5	Nut, #8-32 Square	F05010-153	2
6	Screw, #6-32 x 1/2" SI RH	F05015-24	1
7	Nut, #6-32 Keps	F05010-59	1
8	Screw, #8-32 x 3/8" Round Hd Mach Grade 5	F05004-157	2
9	Washer, #8 Split Lock	F05011-84	2
10	Washer, #8 SAE Flat	F05011-41	2
11	Box Weldment, LT35 Control Bottom	071335	1
12	Bolt, 5/16-18 x 1" Hex Head	F05006-1	2
13	Washer, 5/16" SAE Flat	F05011-17	10
14	Bolt, #10-24 x 1/2 Ph Pan Hd, Type 23	F05015-17	7
15	Bolt, 1/4-20 x 1" Hex Head Grade 5	F05005-101	2

7 Control & Battery Boxes

Control Assembly

16	Washer, 1/4" SAE Flat	F05011-11	8	
17	Bushing, 1/4" IDx1/2" OD Nylon	076008	2	
18	Bolt, #8-32 x 1/2" SI Hex Head	F05015-18	2	
19	Control Module, Power Feed SMT	024396-1	1	
20	Nut, #8-32 Keps	F05010-41	2	
21	H-Bridge Assembly, SimpleSet	053373	1	
22	Washer, 1/4" Split Lock	F05011-14	4	
23	Nut, 1/4-20 Jam Heavy Duty	F05010-129	4	
24	Nut, 1/4-20 Nylock	F05010-69	2	
25	Nut, 5/16-18 Nylok Hex	F05010-58	2	
26	Block, Diode Heat Sink	024404	1	
	Pad, Diode Block Insulating	024403	1	
	Insulator, Nylon Screw #10 1/2in	024409	4	
27	Nut, #10-24 Keps	F05010-14	4	
28	Bolt, #10-24 x1 Unslotted Hex Head Grade 2	F05004-156	4	
29	Washer, #10 SAE Flat	F05011-18	4	
30	Breaker, 10A Manual Reset	053464	2	
31	Nut, 1/4-20 Keps	F05010-9	2	
32	Grommet, 25Pk 1-1/2" ID Rubber	053784	1	
33	Bolt, 1/4-20 x 1/2" Hex Head	F05005-15	2	
34	Drum Switch Parts (See Section 7.4)	N/A	2	
35	Nut, 10-24 Hex Nylock	F05010-160	4	
36	Washer, #10 SAE Flat	F05011-18	4	
37	Bolt, 1/4-20x1 1/2 HH FT	F05005-31	1	
	Module Assembly, Mosfet SMT 97+ P/F	024387	1	
38	Bolt, 1/4-20x3/4 FT HHC	F05005-1	2	
39	Nut, 1/4-20 Jam Heavy Duty	F05010-129	2	
40	Washer, 1/4" SAE Flat	F05011-11	6	
41	Washer, 1/4" Int Star Heavy Duty	F05011-69	2	
42	PCB Assy, MOSFET Module SMT	024502	1	
43	Block, Mosfet Module 6x SMT Clamp	024386	1	
44	Pad, Mosfet Module 6x SMT	024388	2	
45	Screw, 1/4-20 x 1" Hex Flange Serrated SC	F05005-136	2	
46	Block, Mosfet Module 6x SMT	024385	1	
	Harness Assembly, LT35 Simple Set Drum Switch	073778	1	
	Harness Assembly, LT35 Upper	073502 ¹	1	
	Cable Assembly, Remote SimpleSet Sensor	053632-FR	1	
	Diode Assembly, 96+ PF Replacement	052363	1	
47	DECAL, READ MANUAL WARNING	016402	1	
48	DECAL, EYE/EAR PROTECTION WARNING	S11753	1	
49	DECAL, UP/DOWN CAUTION	S11762	1	
50	DECAL, FRONT OUTRIGGER WARNING	015400	1	
51	DECAL, 800 NUMBER	S12117	1	

¹ Upper harness modified to add ignition and start wires allowing to use key switch in control box to start engine (LT35/LT35HD Rev. A6.00).

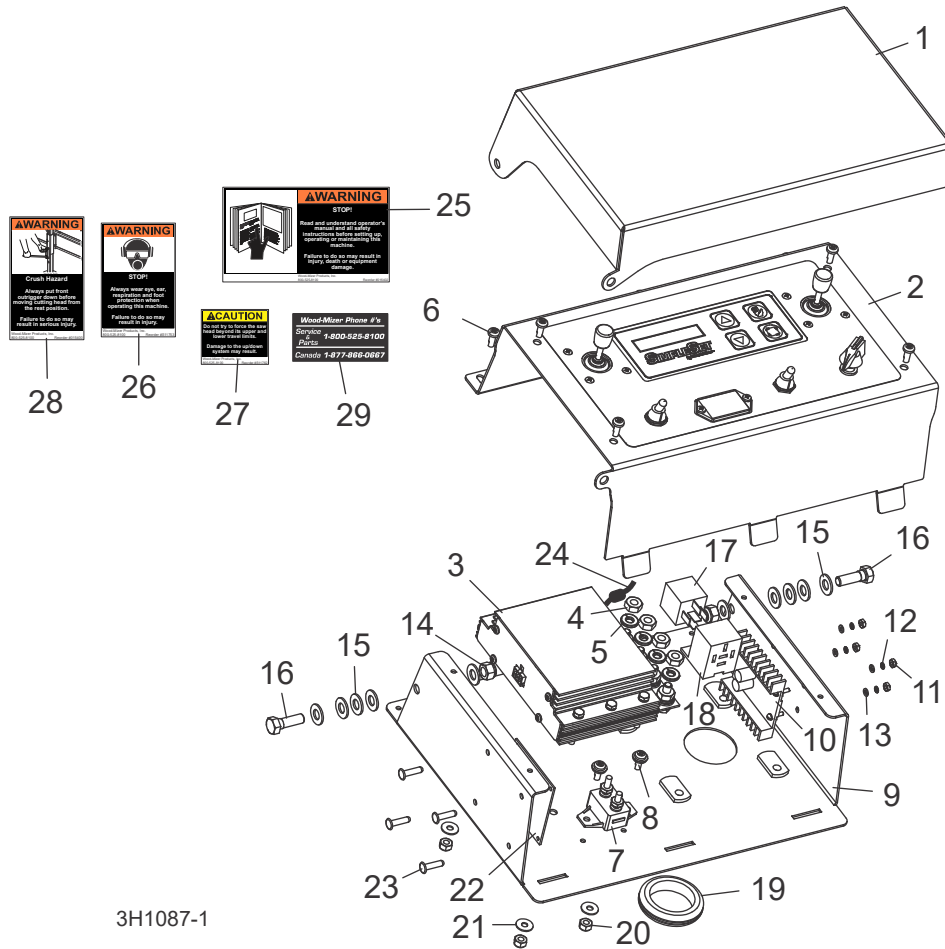
7 Control & Battery Boxes

Control Assembly

7.3 Control Assembly

LT35
LT35HD

Rev. A1.00 - A3.00
Rev. A1.00 - A3.00



3H1087-1

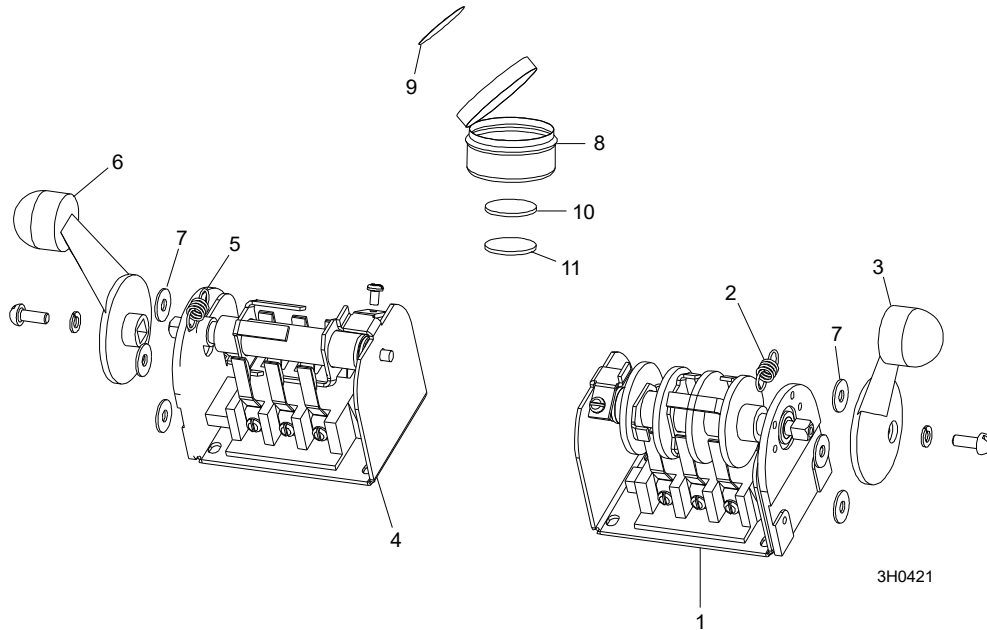
REF	DESCRIPTION (◆ Indicates Parts Available In Assemblies Only)	PART #	QTY.
	CONTROL ASSEMBLY, LT35G25 POWER FEED	062521	1
	CONTROL ASSEMBLY, LT35D17 POWER FEED	053788	1
1	Plate, LT35 Control Box Cover	062525	1
2	LT35G25 Operator Panel Parts (See Section 7.7)	053786	1
	LT35D17 Operator Panel Parts (See Section 7.7)	053789	1
3	H-Bridge Assembly, SimpleSet	053373	1
4	Nut, 1/4-20 Jam Heavy Duty	F05010-129	4
5	Washer, 1/4" Split Lock	F05011-14	4
6	Bolt, #10-24 x 1/2" Ph Pan Hd Type 23	F05015-17	7
7	Breaker, 25A 12V Auto Reset	053781	1
8	Screw, #10-24 x 1/2" Phil	F05004-186	3
9	Control Box Weldment, LT35 Bottom	065052	1
10	Driver Assembly, LT35 PF	057829	1

11	Nut, #4-40 Hex	F05010-43	4	
12	Washer, #4 Split Lock	F05011-21	4	
13	Washer, #4 Flat	F05011-10	4	
14	Nut, 5/16-18 Nylok Hex	F05010-58	2	
15	Washer, 5/16" SAE Flat	F05011-17	10	
16	Bolt, 5/16-18 x 1" Hex Head	F05006-1	2	
17	Relay, 40A 12VDC Automotive	050436	1	
18	Socket, 5 Pos Std Relay	053699	1	
19	Grommet, 1-1/2" ID Rubber	053784	1	
20	Nut, 10-24 Hex Nylock	F05010-160	4	
21	Washer, #10 SAE Flat	F05011-18	4	
22	PCB Assembly, LT35 Relay	053772	1	
23	Standoff, PC Board 3/8	P10489	4	
24	Fuseholder Assembly, LT35 2A	053776	1	
	Harness Assembly, LT35 Main Relay	053775	1	
	Harness Assembly, LT35 Simple Set	053778	1	
	Harness Assembly, LT35G25 Upper	053779	1	
	Harness Assembly, LT35D17 Upper	053787	1	
	Cable Assembly, Remote SimpleSet Sensor	053632	1	
25	DECAL, READ MANUAL WARNING	016402	1	
26	DECAL, EYE/EAR PROTECTION WARNING	S11753	1	
27	DECAL, UP/DOWN CAUTION	S11762	1	
28	DECAL, FRONT OUTRIGGER WARNING	015400	1	
29	DECAL, 800 NUMBER	S12117	1	

7 Control & Battery Boxes

Drum Switches

7.4 Drum Switches

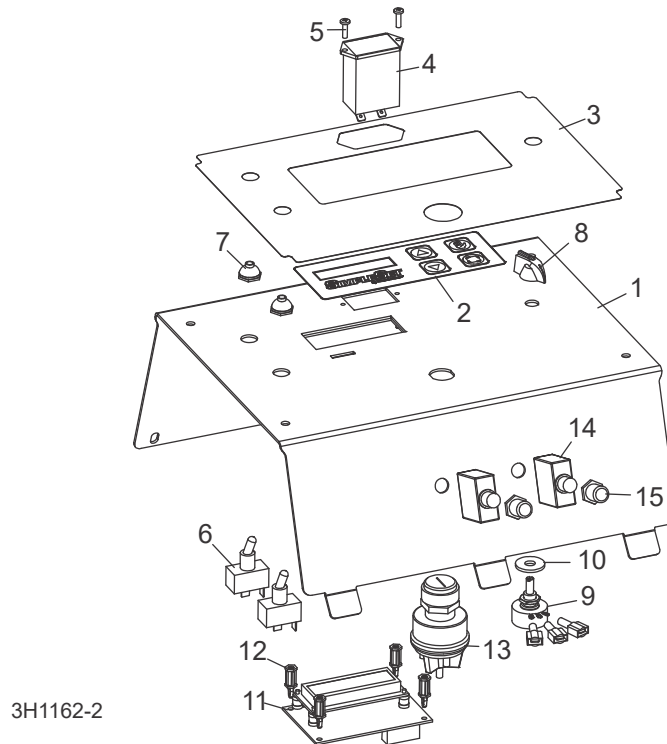


REF	DESCRIPTION (◆ Indicates Parts Available In Assemblies Only)	PART #	QTY.	
	SWITCH ASSEMBLY, UP/DOWN DRUM	E20440	1	
1	Switch, S12 Bulk Drum	E20440-B	1	◆
2	Spring, Drum Switch	P12570	1	
3	Handle, Drum Switch Replacement	P12500	1	
	SWITCH ASSEMBLY, POWER FEED DRUM	E20439	1	
4	Switch, S11 Bulk Drum	E20439-B	1	◆
5	Spring, Drum Switch	P12570	1	
6	Handle, Drum Switch Replacement	P12500	1	
7	WASHER, #8 SAE FLAT	F05011-41	6	
	CUP ASSEMBLY, DRUM SWITCH GREASE	A20463	1	
8	Cup, Plastic Container	P20464	1	◆
9	Decal, Grease Cup Label	P20467	1	
10	Pad, Velcro Loop	P20466	1	◆
11	Pad, Velcro Hook	P20465	1	◆
	Grease, High Temp Drum Switch	P20468	.025 lb	◆

7.5 Front Panel Assembly

LT35
LT35HD

Rev. A5.00+
Rev. A5.00+

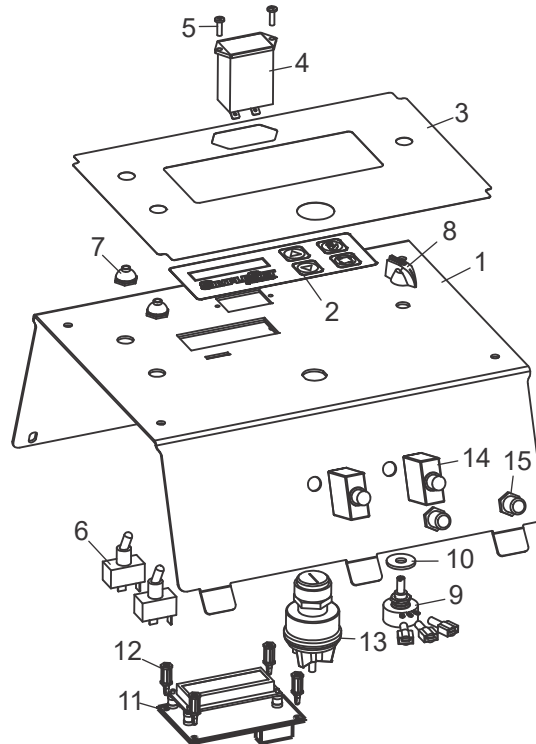


REF	DESCRIPTION (◆ Indicates Parts Available In Assemblies Only)	PART #	QTY.
	PANEL ASSEMBLY, LT35 OPERATOR	073541	1
1	Top Weldment, LT35 Control Box	071339	1
2	Membrane, SimpleSet Switch	053347	1
3	Decal LT35 Control Box	071341	1
4	Meter, Hour	015401	1
5	Screw, #6-32 x 1/2" Plain PH T23	F05015-28	2
6	Switch, SPST On/Off 15A .25 Tabs Toggle	P03027	2
7	Boot, Toggle Switch	P02575	2
8	Knob, Speed Control	P06257	1
9	Pot Assembly, w/Terminals	076050	1
10	Washer, 5/16" Standard Flat	F05011-16	1
11	SimpleSet Controller, LT35 (Field Replacement)	073540-FR	1
12	Standoff, 5/8" Threaded PCB	053385	4
13	Switch, Key	P04350	1
14	Breaker, 50A Manual Reset Panel Mount	021256	2
15	Boot, Circuit Breaker	021253	2
	Foam, 3/16x1/2 Adhesive Back Rubber	R02309	2 ft.

7.6 Front Panel Assembly

LT35
 LT35HD

Rev. A4.00 - A4.01
 Rev. A4.00 - A4.01

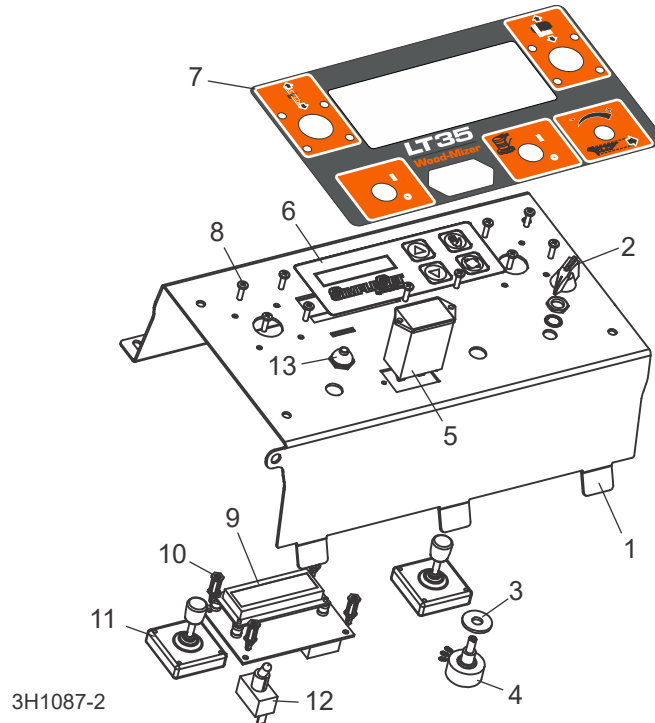


REF	DESCRIPTION (◆ Indicates Parts Available In Assemblies Only)	PART #	QTY.
	PANEL ASSEMBLY, LT35 OPERATOR	071338	1
1	Top Weldment, LT35 Control Box	071339	1
2	Membrane, SimpleSet Switch	053347	1
3	Decal LT35 Control Box	071341	1
4	Meter, Hour	015401	1
5	Screw, #6-32 x 1/2" Plain PH T23	F05015-28	2
6	Switch, SPST On/Off 15A .25 Tabs Toggle	P03027	2
7	Boot, Toggle Switch	P02575	2
8	Knob, Speed Control	P06257	1
9	Pot Assembly, w/Terminals	076050	1
10	Washer, 5/16" Standard Flat	F05011-16	1
11	SimpleSet Controller, (Field Replacement)	053774-FR	1
12	Standoff, 5/8" Threaded PCB	053385	4
13	Switch, Key	P04350	1
14	Breaker, 50A Manual Reset Panel Mount	021256	2
15	Boot, Circuit Breaker	021253	2
	Foam, 3/16x1/2 Adhesive Back Rubber	R02309	2 ft.

7.7 Front Panel Assembly

LT35
LT35HD

Rev. A1.00 - A3.00
Rev. A1.00 - A3.00

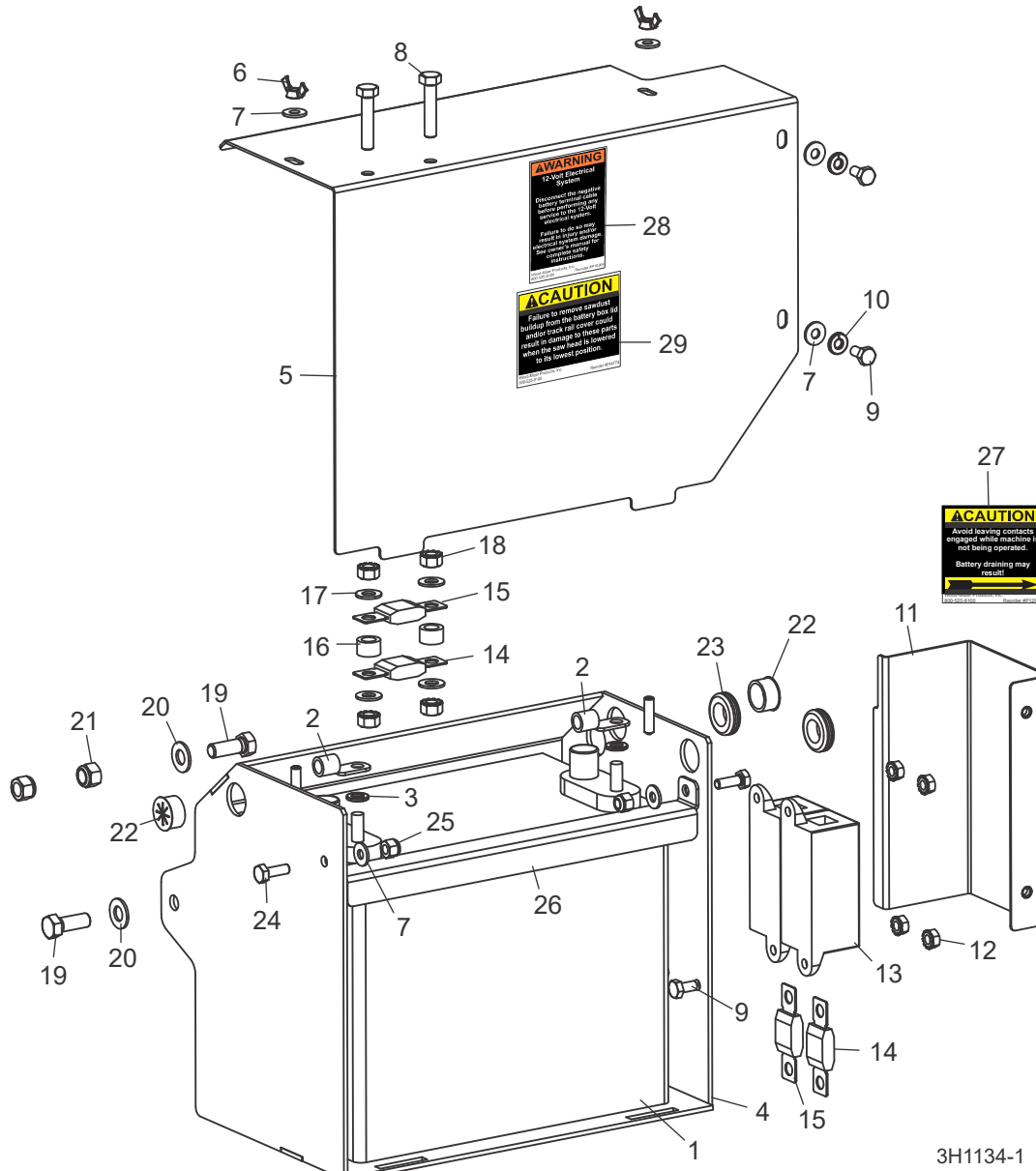


REF	DESCRIPTION (◆ Indicates Parts Available In Assemblies Only)	PART #	QTY.
	PANEL ASSEMBLY, LT35G25 OPERATOR	053786	1
	PANEL ASSEMBLY, LT35D17 OPERATOR	053789	1
1	Control Box Weldment, LT35 Top	062522	1
2	Knob, Speed Control	P06257	1
3	Washer, 5/16" Standard Flat	F05011-16	1
4	Pot Assembly, Feed Rate Control Pre-92	A07793	1
5	Meter, Hour Digital w/Gasket (G25 Only)	015401	1
	Plate, Hour Meter Cover (D17 Only)	065186	1
6	Membrane, SimpleSet Switch	053347	1
7	Decal, LT35 Operator	062540	1
8	Screw, #6-32 x 1/2" Plain PH T23	F05015-28	10
9	SimpleSet Controller, (Field Replacement)	053774-FR	1
10	Standoff, 5/8" Threaded PCB	053385	4
11	Switch Assembly, 4 Pos Joystick	053771	2
12	Switch, SPST On/Off 15A .25 Tabs Toggle	P03027	1
13	Boot, Toggle Switch	P02575	1
	Foam, 3/16x1/2 Adhesive Back Rubber	R02309	2 ft.

7 Control & Battery Boxes

Battery Box Assembly

7.8 Battery Box Assembly



3H1134-1

REF	DESCRIPTION (◆ Indicates Parts Available In Assemblies Only)	PART NUMBER	QTY.
	BATTERY BOX ASSEMBLY, LT35HD	062541	1
1	Battery, Deka 12V, 24M77 800CCA 1000CA	P12315	1
2	Terminal, 5/16 1-2 Ga Ring NI Loose	F05092-16	2
3	Washer, 5/16" Star	F05011-33	2
4	Box Weldment, LT35 Battery	062542	1
5	Cover, LT35 Battery	062546	1
6	Nut, 1/4-20 Wing	F05010-13	2

Control & Battery Boxes

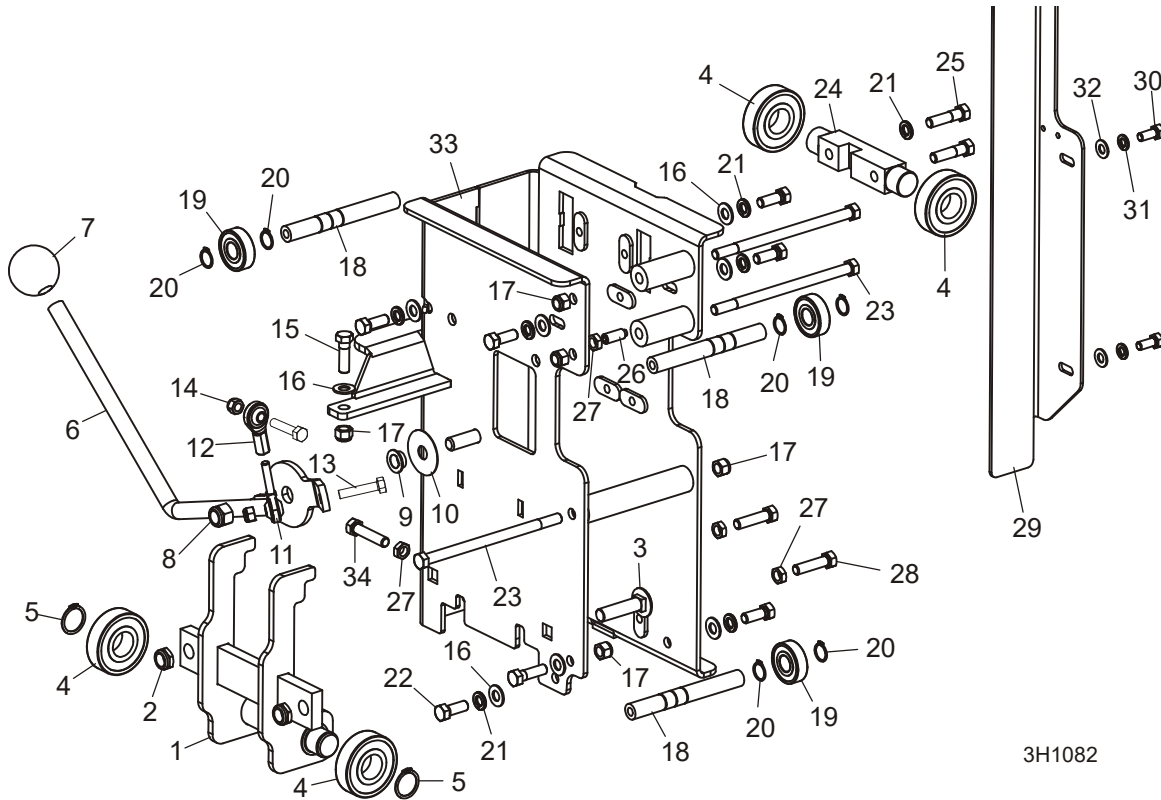
Battery Box Assembly

7

7	Washer, 1/4" SAE Flat	F05011-11	6	
8	Bolt, 5/16-18 X 1 1/2" Full Thread Hex Head Tap	F05006-2	2	
9	Bolt, 1/4-20 x 1/2" Hex Head	F05005-15	6	
10	Washer, 1/4" Split Lock	F05011-14	2	
11	Cover Weldment, Lt35 Fuse	065040	1	
12	Nut, 1/4-20 Keps	F05010-9	4	
13	Fuseholder, Mega Fuse	052371	2	
14	Fuse, 225A 32V Mega	053339	2	
15	Fuse, 150A Mega	052370-150	2	
16	Spacer, .39" x .625" x .39	055323	2	
17	Washer, 5/16" SAE Flat	F05011-17	4	
18	Nut, 5/16-18 Keps	F05010-20	4	
19	Bolt, 3/8-16 x 1" Hex Head Grade 5	F05007-87	2	
20	Washer, 3/8" Flat Sae	F05011-3	2	
21	Nut, 3/8-16 Hex Nyloc	F05010-10	2	
22	Grommet, 5/8" Wire	P04137	2	
23	Grommet, 5/8" ID Rubber	P11764	2	
24	Bolt, 1/4-20 x 3/4" Hex Head Grade 5	F05005-123	2	
25	Nut, 1/4-20 Nylock	F05010-69	2	
26	Plate, Battery Hold Down	065082	1	
	Wire Assembly, LT35 Fuse Jumper	065103	1	
27	Decal, Hydraulic Contact Caution	P12960	1	
28	Decal, 12V Warning	P10364	1	
29	Decal, Battery Box Lid Caution	014774	1	
	Hydraulic Positive Contact Parts (See Section 11.3)			

SECTION 8 UP/DOWN SYSTEM

8.1 Saw Head Mount



REF	DESCRIPTION (◆ Indicates Parts Available In Assemblies Only)	PART #	QTY.
	BOX ASSEMBLY, LT35 MAST	062519 ¹	1
1	Adjustment Weldment, Head LT28	048562	1
2	Nut, 1/2-13 Half Nylon Lock	F05010-127	2
3	Bolt, 1/2-13x2 Carriage	F05008-132	2
4	Bearing, .9843" x 2.4409" x .6693"	P08066	4
5	Ring, 25mm 5100-98 OR	F04254-26	1
6	Plate, Clutch Handle	003327	1
7	Knob, 5/8-18 Ball	P04211	1
8	Nut, 1/2-13 Nylon Hex Lock	F05010-8	1
9	Bearing, SF1260-6 Bronze	P08060	1
10	Washer, 33/64 x 1 3/4 x 1/32 Nylon	014972	1
11	Rod, 5/16-24 Male End	P09814	1
12	Rod, 5/16-24 Female End	P09813	1
13	Bolt, 5/16-18 x 1 1/2" Hex Head	F05008-96	2
14	Nut, 5/16-18 Nylon Lock	F05010-58	2
15	Bolt, 3/8-16 x 1 1/4" Hex Head Grade 5	F05007-123	1

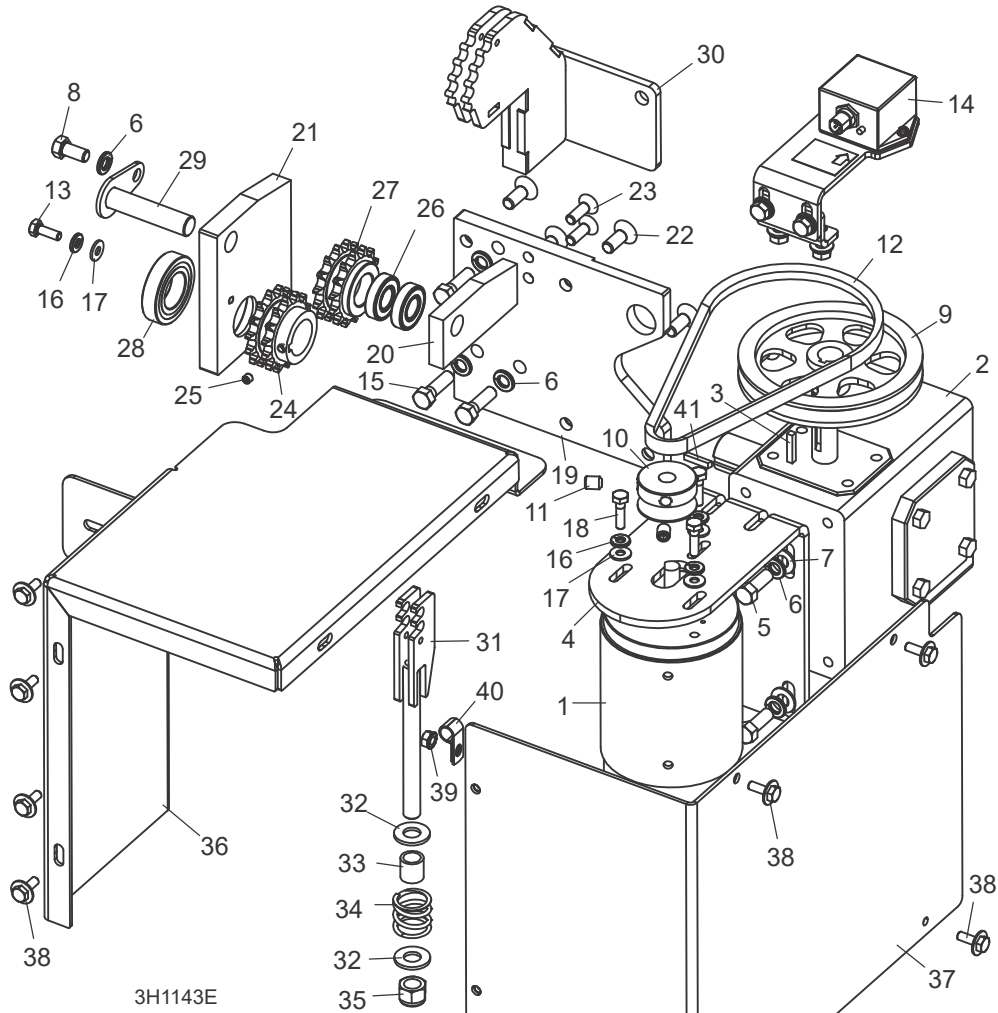
16	Washer, 3/8" SAE Flat	F05011-3	6	
17	Nut, 3/8-16 Hex Nylon Lock	F05010-10	5	
18	Shaft, Bearing Mount	048559	3	
19	Bearing, 5/8" x 1.7548" x .4724"	P06030-1	3	
20	Ring, 5/8" OR 5100-62	F04254-2	6	
21	Washer, 3/8" Split Lock	F05011-4	7	
22	Bolt, 3/8-16 x 1" Hex Head Grade 5	F05007-87	5	
23	Bolt, 3/8-16 X 6 1/2" Hex Head Grade 5	F05007-205	3	
24	Shaft, Fixed Mount	048560	1	
25	Bolt, 3/8-16 x 1 1/2" Hex Head Grade 5	F05007-78	2	
26	Screw, 3/8-16x1 Scoket Head Set Brass Tip	F05007-88	2	
27	Nut, 3/8-16 Jam	F05010-29	2	
28	Bolt, 3/8-16 x 1 1/2" Hex Head Full Thread	F05007-17	2	
29	Plate, Scale Mount	049133	1	
30	Bolt, 5/16-18 x 3/4" Hex Head	F05006-102	2	
31	Washer, 5/16" Split Lock	F05011-13	2	
32	Washer, 5/16" SAE Flat	F05011-17	2	
33	Box Weldment, LT35 Mast	062516	1	
34	Bolt, 3/8-16 x 1 3/4" Hex Head Full Thread	F05007-19	1	
35	Screw, 3/8-16 x 1" Zinc & Bake FSHC	F05007-64	1	

¹ Modified to make access to blade guide jam nut easier for adjustments (LT35 Rev. A6.02/LT35HD Rev. A6.02).

8.2 Up/Down Assembly

LT35
LT35HD

Rev. A5.00+
Rev. A5.00+



REF	DESCRIPTION (◆ Indicates Parts Available In Assemblies Only)	PART #	QTY.
	MAST ASSEMBLY, LT35	062515	1
	Up/Down Assembly, LT35	066799	1
1	Motor, 1/2HP 12VDC	006747	1
	Brush Kit, 12V Motor	061794	1
2	Gear Box, Up/Down Groove	074166	1
	Gear Box, Up/Down Groove	076149	1
	Gear Oil, ISO 460 Synthetic Bulk	L04869-3	1
3	Key, 3/16" x 1" Square	S31027	1
4	Bracket, Up/Down Motor 3/4HP	008721	1
5	Bolt, 3/8-16 x 1" Hex Head Cap	F05007-7	4
6	Washer, 3/8" Split Lock	F05011-4	8

7	Washer, 3/8" SAE Flat	F05011-3	4	
8	Bolt, 3/8-16 x 3/4" Hex Head Grade 5	F05007-118	1	
9	Sheave, 5.45 OD 3/4 Bore 4L	066781	1	
10	Sheave, 1 3/4" Feed Motor	S09579	1	
11	Screw, 3/8-16 x 1/2" SH Cup Pt Set	F05007-12	2	
12	Belt, 4L245 Notched	038459	1	
13	Bolt, 1/4-20 x 3/4" Full Thread Hex Head Cap	F05005-1	1	
14	Magnetic Position Sensor Parts (See Section 8.6)			
15	Bolt, 3/8-16 x 1 1/4" Hex Head Grade 5	F05007-123	3	
16	Washer, 1/4" Split Lock	F05011-14	4	
17	Washer, 1/4" SAE Flat	F05011-11	4	
18	Screw, 1/4-20 x 1" Hex Head Cap	F05005-38	3	
19	Plate, LT35 Up/Down Mounting	066797	1	
20	Plate, Up/Down Sprocket Support	066789	1	
21	Plate, Up/Down Bearing Mount	066795	1	
22	Screw, 3/8-16 x 1" Zinc & Bake FSHC	F05007-64	5	
23	Bolt, 5/16-18 x 1" FHS	F05006-22	2	
24	Sprocket, D40B14 x 1-1/8" Keyed Bore	066794	1	
25	Screw, 1/4-20 x 1/4" SH Cup Pt Set	F05005-131	1	
	Sprocket Assembly, D40B14 Idler	074932 ¹	1	
26	Bearing, 6202-16mm-2RLD	074931	2	
27	Sprocket, D40B14x1.376 Bore	074930	1	
28	Bearing, 1-1/8 Bore R18-2Rs	066798	1	
29	Pin Weldment, 5/8" x 2 3/4"	066783	1	
30	Mount Weldment, LT35 Upper Chain	062526 ²	1	
	Tensioner Assembly, LT35 Up/Down Chain	062527	1	
31	Tensioner Weldment, LT35 Up/Down Chain	062528	1	
32	Washer, 1/2" SAE Flat	F05011-2	2	
33	Spacer, Up/Down Chain Tensioner	016515	1	
34	Spring, 1" OD x 1" Long x .125 Wire Comp	016516	1	
35	Nut, 1/2-13 Hex Nylon Lock	F05010-8	1	
	Chain, Double #40x 117 Pitches(58-1/2")	074022	1	
	Link, #40 Double, Connecting	017724	2	
36	GUARD WELDMENT, LT35 UP/DOWN	076152	1	
37	COVER WELDMENT, LT35 UP/DOWN GUARD	076153	1	
38	BOLT, 1/4-20 X 1/2" HEX HEAD	F05005-134	7	
39	NUT, 1/4-20 KEPS	F05010-9	1	
40	CLAMP, 3/8" EMT COATED	071229	1	
41	KEY, 1/4" X 1 11/16"	S04124	1	

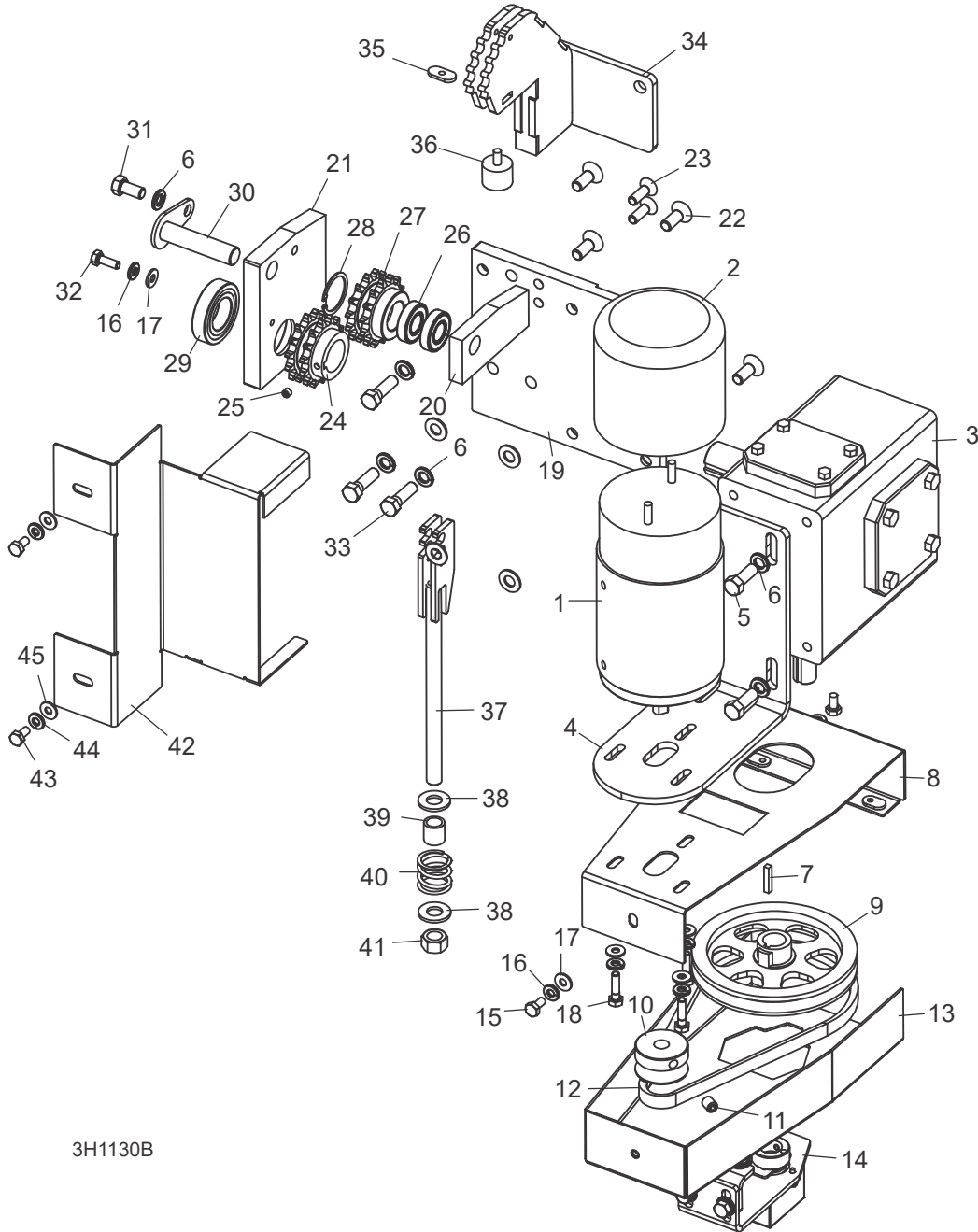
¹ Replaces 066792 D40B14 Idler Sprocket Assembly equipped with P04156 Bearing, 066796 Sprocket and F04254-11 1 3/8" IR 3000x137 Retaining Ring (4/16).

² 062526 Mount Weldment replaced 065723 Mount Assembly including 062526 Mount Weldment, S12392 1/4-20 Weld Nut and 065717 Rubber Bumper (LT35 Rev. A6.06/LT35HD Rev. A6.07).

8.3 Up/Down Assembly

LT35
LT35HD

Rev. A3.00 - A4.01
Rev. A3.00 - A4.01



3H1130B

REF	DESCRIPTION (◆ Indicates Parts Available In Assemblies Only)	PART #	QTY.
	MAST ASSEMBLY, LT35	062515	1
	Up/Down Assembly, LT35	066799	1

1	Motor, 1/2HP 12VDC	006747	1	
	Brush Kit, 12V Motor	061794	1	
2	Boot, LT35 Debarker Motor Rubber	065732	1	
3	Gear Box, Up/Down Grove GR8245953.00	074124 ¹	1	
	Gear Oil, ISO 460 Synthetic Bulk	L04869-3	1	
4	Bracket, Up/Down Motor 3/4HP	008721	1	
5	Bolt, 3/8-16 x 1" Hex Head Cap	F05007-7	4	
6	Washer, 3/8" Split Lock	F05011-4	8	
7	Key, 3/16" x 1" Square	S31027	1	
8	Mount, LT35 Up/Down Guard	074170 ²	1	
9	Sheave, 5.45 OD 3/4 Bore 4L	066781	1	
10	Sheave, 1 3/4" Feed Motor	S09579	1	
11	Screw, 3/8-16 x 1/2" SH Cup Pt Set	F05007-12	1	
12	Belt, 4L245 Notched	038459	1	
13	Guard, LT35 Up/Down Weldment	074173 ²	1	
14	Position Sensor Parts (See Section 8.7)			
15	Bolt, 1/4-20 x 1/2" Hex Head	F05005-15	3	
16	Washer, 1/4" Split Lock	F05011-14	7	
17	Washer, 1/4" SAE Flat	F05011-11	7	
18	Screw, 1/4-20 x 1" Hex Head Cap	F05005-38	3	
19	Plate, LT35 Up/Down Mounting	066797	1	
20	Plate, Up/Down Sprocket Support	066789	1	
21	Plate, Up/Down Bearing Mount	066795	1	
22	Screw, 3/8-16 x 1" Zinc & Bake FSHC	F05007-64	5	
23	Bolt, 5/16-18 x 1" FHS	F05006-22	2	
24	Sprocket, D40B14 x 1-1/8" Keyed Bore	066794	1	
25	Screw, 1/4-20 x 1/4" SH Cup Pt Set	F05005-131	1	
	Sprocket Assembly, D40B14 Idler	066792	1	
26	Bearing, R-10	P04156	2	
27	Sprocket, D40B14 Modified	066796	1	
28	Ring, 1 3/8" IR 3000x137 Retaining	F04254-11	1	
29	Bearing, 1-1/8 Bore R18-2Rs	066798	1	
30	Pin Weldment, 5/8" x 2 3/4"	066783	1	
31	Bolt, 3/8-16 x 3/4" Hex Head Grade 5	F05007-118	1	
32	Bolt, 1/4-20 x 3/4" Full Thread Hex Head Cap	F05005-1	1	
33	Bolt, 3/8-16 x 1 1/4" Hex Head Grade 5	F05007-123	3	
	Mount Assembly, LT35 Upper Chain	065723	1	
34	Weldment, LT35 Upper Chain Mount	062526	1	
35	Nut, 1/4-20 Weld Plated	S12392	1	
36	Bumper, 1" x 3/4" Hard Silicone Rubber	065717	1	
	Tensioner Assembly, LT35 Up/Down Chain	062527	1	
37	Tensioner Weldment, LT35 Up/Down Chain	062528	1	
38	Washer, 1/2" SAE Flat	F05011-2	2	

8 Up/Down System

Up/Down Assembly

39	Spacer, Up/Down Chain Tensioner	016515	1	
40	Spring, 1" OD x 1" Long x .125 Wire Comp	016516	1	
41	Nut, 1/2-13 Hex Nylon Lock	F05010-8	1	
	Chain, Double #40x 117 Pitches(58-1/2")	074022	1	
	Link, #40 Double, Connecting	017724	2	
42	GUARD, LT35 UP/DOWN SPROCKET	074013	1	
43	BOLT, 1/4-20 X 1/2" HEX HEAD	F05005-15	2	
44	WASHER, 1/4" SPLIT LOCK	F05011-14	2	
45	WASHER, 1/4" FLAT	F05011-11	2	

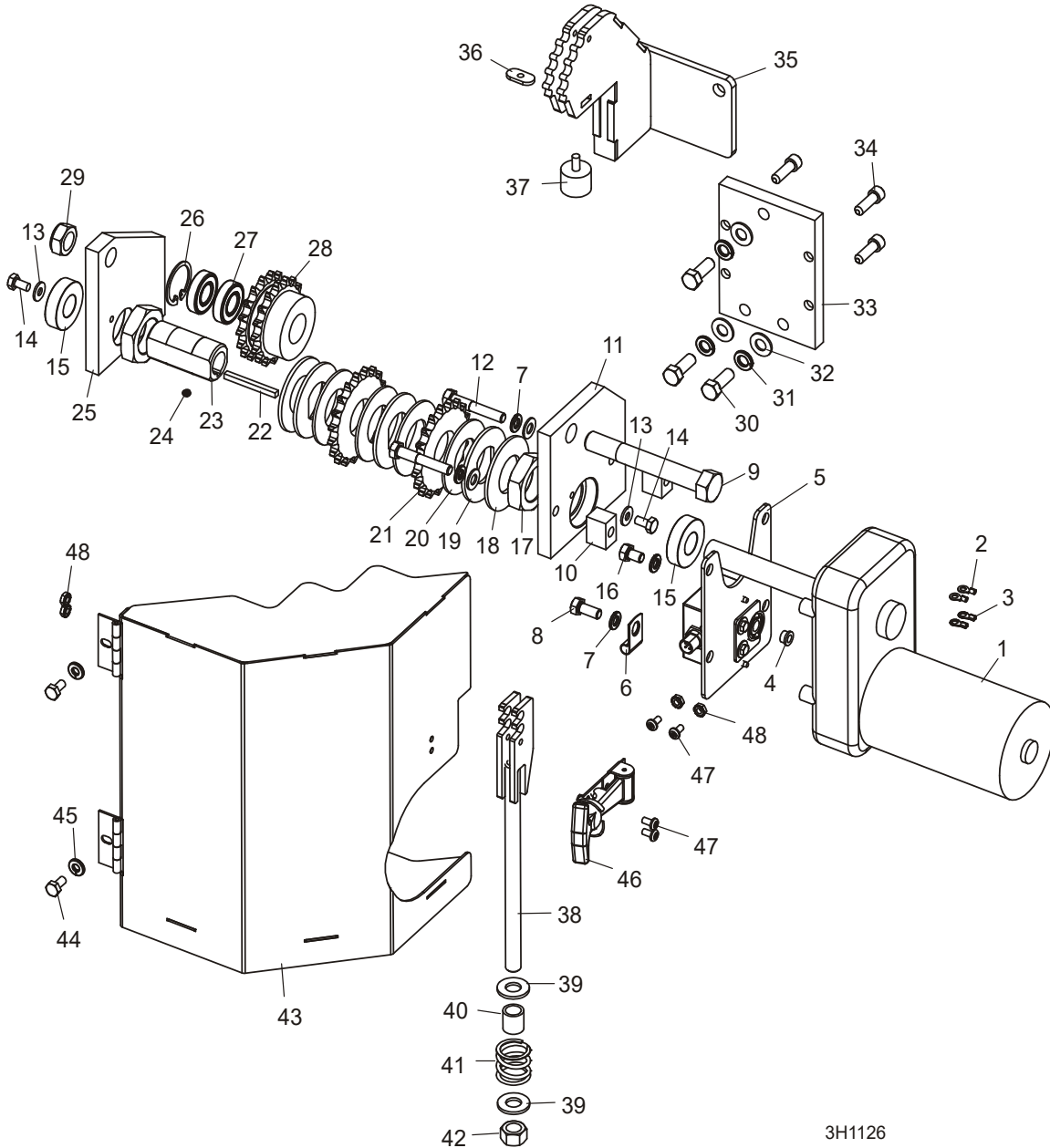
¹ Replaces 014074 Gear Box Reducer to help eliminate head drift (LT35HD Rev. A4.01).

² 074170 replaces 074014 LT35 Up/Down Guard Mount and 074173 replaces 074011 LT35 Up/Down Weldment Guard to improve fit and provide more clearance between components (LT35HD Rev. A4.01).

8.4 Up/Down Assembly

LT35
LT35HD

Rev. A2.00 - A2.01
Rev. A2.00 - A2.01



3H1126

REF	DESCRIPTION (◆ Indicates Parts Available In Assemblies Only)	PART #	QTY.	
	MAST ASSEMBLY, LT35	062515	1	
	Up/Down Assembly, LT35 w/Clutch	071100	1	
	Gearmotor Assembly, 6RPM w/Brake	065849	1	
1	Motor, 6RPM w/Brake Gear	071096	1	◆

8

Up/Down System

Up/Down Assembly

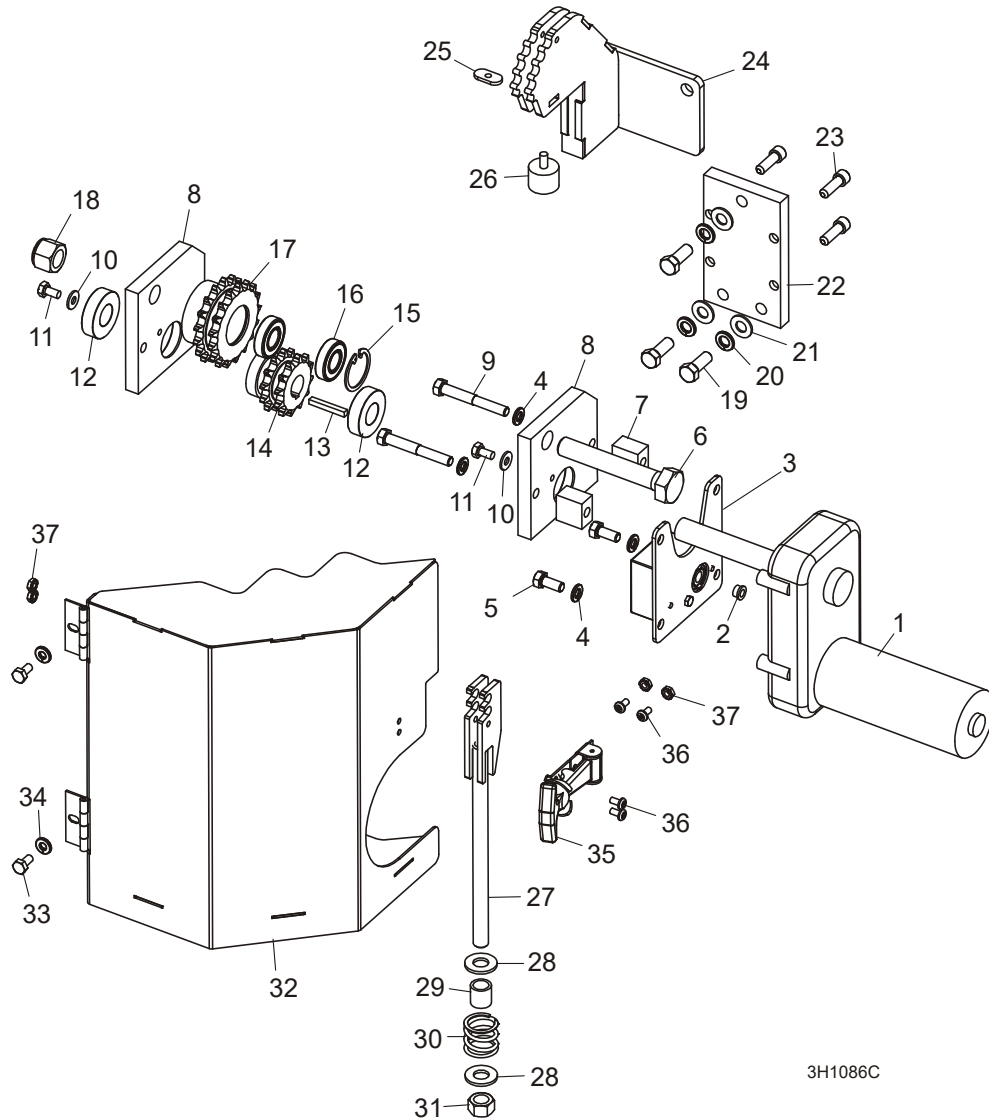
	Brake Assembly, LT35 Up/Down Replacement	065908	1	
	Brake, Klauber Gearmotor #K01134D300	069519	1	◆
	Terminal, #10 18-22AWG Ring	F05703-7	2	
2	Terminal, #10 14-16Ga Ring NI Loose	F05092-9	2	
3	Terminal, #10 18-22AWG Ring NI Loose	F05703-7	2	
	Conduit, 1/2" Expandable Black	R02374	1	
4	Bushing, Flange 1/4" ID x 1/4" Lg	049018	1	
5	Position Sensor Parts (See Section 8.8)			
6	Clamp, 1/4" Wire 13/32" Mtg Hole	024155	1	
7	Washer, 5/16" Split Lock	F05011-13	4	
8	Bolt, 5/16-18 x 3/4" Hex Head Grade 5	F05006-102	1	
9	Bolt, 5/8-11 x 4 1/2" Hex Head Grade 5	F05009-10	1	
10	Spacer, 5/8" x 3/4" x 1"	071102	2	
11	Plate, LT35 Up/Down Gearmotor Mount	071101	1	
12	Bolt, 5/16-18 x 2" Hex Head Grade 5	F05006-79	2	
13	Washer, 1/4" SAE Flat	F05011-11	2	
14	Bolt, 1/4-20 x 1/2" Hex Head	F05005-15	2	
15	Bearing, R12-2NSL	P32044	2	
16	Bolt, 5/16-18 x 1/2" Hex Head Grade 5	F05006-15	1	
17	Nut, LT35 Up/Down Brake Adjustment	071097	2	
18	Washer, 1 1/4" x 2 1/2" x .120 Belleville	F05011-135	2	
19	Plate, LT35 Up/Down Brake Backer	071095	3	
20	Pad, LT35 Up/Down Friction	071093	4	
21	Sprocket, 40A19 x 1.253	071091	2	
22	Key, 3/16" Sq x 2"	065848	1	
23	Shaft, LT35 Up/Down Sprocket Mount	071092	1	
24	Screw, 1/4-20 x 1/8" SH BO Hollow Lock Set	F05005-197	1	
25	Plate, LT35 Up/Down Bearing Mount	071098	1	
	Sprocket Assembly, D40B17 Idler	065108	1	
26	Ring, 1 3/8" IR 3000x137 Retaining	F04254-11	1	
27	Bearing, R-10	P04156	2	
28	Sprocket, D40B17 Modified	065107	1	
29	Nut, 5/8-11 Jam Nylon Lock	F05010-96	1	
30	Bolt, 3/8-16 x 1" Hex Head Grade 5	F05007-87	3	
31	Washer, 3/8" Split Lock	F05011-4	3	
32	Washer, 3/8" Flat SAE	F05011-3	3	
33	Plate, LT35 Up/Down w/Clutch Mount	071088	1	
34	Bolt, 5/16-18 x 1" Socket Head Cap B/O	F05006-19	4	
	Mount Assembly, LT35 Upper Chain	065723	1	
35	Weldment, LT35 Upper Chain Mount	062526	1	
36	Nut, 1/4-20 Weld Plated	S12392	1	
37	Bumper, 1" x 3/4" Hard Silicone Rubber	065717	1	
	Chain, Double #40 x 121 Pitches (60-1/2")	065850	1	

	Link, #40 Double Connecting	017724	2	
	Tensioner Assembly, LT35 Up/Down Chain	062527	1	
38	Tensioner Weldment, LT35 Up/Down Chain	062528	1	
39	Washer, 1/2" SAE Flat	F05011-2	2	
40	Spacer, Up/Down Chain Tensioner	016515	1	
41	Spring, 1" OD x 1" Long x .125 Wire Comp	016516	1	
42	Nut, 1/2-13 Swaged Hex	F05010-3	1	
43	WELDMENT, LT35 DRIVE SIDE UP/DOWN COVER	062532	1	
44	BOLT, 1/4-20 X 1/2" HEX HEAD	F05005-15	2	
45	WASHER, 1/4" SPLIT LOCK	F05011-14	2	
46	LATCH, FLEXIBLE DRAW	014829	1	
47	SCREW, #10-24 X 3/8" PHILLIPS PH MACHINE	F05004-3	4	
48	NUT, #10-24 KEPS	F05010-14	4	

8.5 Up/Down Assembly

LT35
LT35HD

Rev. A1.00 - A1.02
Rev. A1.00 - A1.03



REF	DESCRIPTION (◆ Indicates Parts Available In Assemblies Only)	PART #	QTY.	
	MAST ASSEMBLY, LT35	062515	1	
	Up/Down Assembly, LT35	059639	1	
	Gearmotor Assembly, LT35 Up/Down	065746 ¹	1	
1	Motor, Gear 250:1 w/Brake	062510	1	◆
	Brake Assembly, LT35 Up/Down Replacement	065908	1	
	Brake, Klauber Gearmotor #K01134D300	069519	1	◆
	Terminal, #10 18-22AWG Ring	F05703-7	2	
	Terminal, 1/4" 10-12Ga Quick Male FI	F05708-15	2	

	Conduit, 1/2" Expandable Black	R02374	1	
2	Bushing, Flange 1/4" ID x 1/4" Lg	049018	1	
3	Sensor Assembly, LT35 Position	065061	1	
4	Washer, 5/16" Split Lock	F05011-13	4	
5	Bolt, 5/16-18 x 3/4" Hex Head	F05006-5	2	
6	Bolt, 5/8-11 x 3 3/4" Hex Head Grade 5	F05009-118	1	
7	Spacer, 5/8" x 1" x 1"	065062	2	
8	Plate, Bearing Mount	062481	2	
9	Bolt, 5/16-18 x 2 1/2" Hex Head Grade 5	F05006-80	2	
10	Washer, 1/4" SAE Flat	F05011-11	2	
11	Bolt, 1/4-20 x 1/2" Hex Head	F05005-15	2	
12	Bearing, R12-2NSL	P32044	2	
13	Key, 3/16" SQ. x 1 3/8"	016108	1	
14	Sprocket, D40B12 x 3/4"	062549	1	
	Sprocket Assembly, D40B17 Idler	065108	1	
15	Ring, 1 3/8" IR 3000x137 Retaining	F04254-11	1	
16	Bearing, R-10	P04156	2	
17	Sprocket, D40B17 Modified	065107	1	
18	Nut, 5/8-11 Jam Nylon Lock	F05010-96	1	
19	Bolt, 3/8-16 x 1" Hex Head Grade 5	F05007-87	3	
20	Washer, 3/8" Split Lock	F05011-4	3	
21	Washer, 3/8" Flat SAE	F05011-3	3	
22	Plate, LT35 Up/Down Mount	062482	1	
23	Bolt, 5/16-18 x 1" Socket Head Cap B/O	F05006-19	4	
	Mount Assembly, LT35 Upper Chain	065723 ¹	1	
24	Weldment, LT35 Upper Chain Mount	062526	1	
25	Nut, 1/4-20 Weld Plated	S12392	1	
26	Bumper, 1" x 3/4" Hard Silicone Rubber	065717	1	
	Chain, Double #40 x 111 Pitches (55-1/2")	065059	1	
	Link, #40 Double, Connecting	017724	2	
	Tensioner Assembly, LT35 Up/Down Chain	062527	1	
27	Tensioner Weldment, LT35 Up/Down Chain	062528	1	
28	Washer, 1/2" SAE Flat	F05011-2	2	
29	Spacer, Up/Down Chain Tensioner	016515	1	
30	Spring, 1" OD x 1" Long x .125 Wire Comp	016516	1	
31	Nut, 1/2-13 Swaged Hex	F05010-3	1	
32	WELDMENT, LT35 DRIVE SIDE UP/DOWN COVER	062532	1	
33	BOLT, 1/4-20 X 1/2" HEX HEAD	F05005-15	2	
34	WASHER, 1/4" SPLIT LOCK	F05011-14	2	
35	LATCH, FLEXIBLE DRAW	014829	1	
36	SCREW, #10-24 X 3/8" PHILLIPS PH MACHINE	F05004-3	4	
37	NUT, #10-24 KEPS	F05010-14	4	

8 Up/Down System

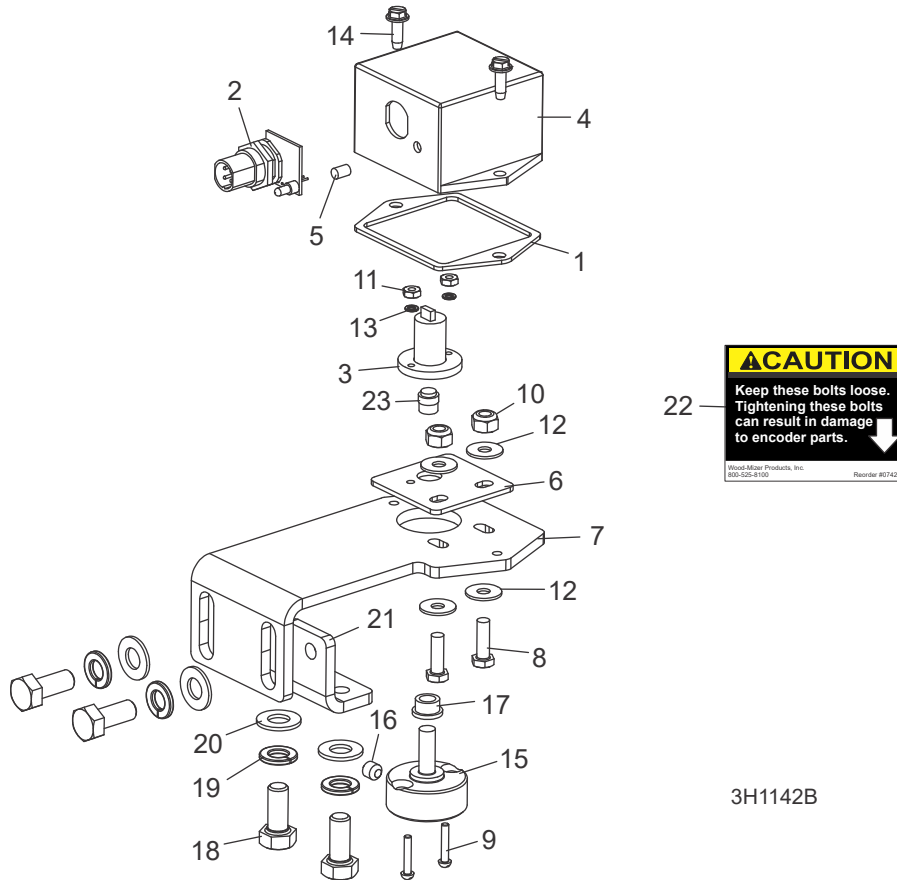
Up/Down Assembly

¹ 065746 Up/Down Gearmotor Assembly modified to include “tougher” gears and 065723 Upper Chain Mount Assembly replaced 062526 Upper Chain Mount Weldment to improve up/down operation (LT35 Rev. A1.01 and LT35HD Rev. A1.02). Use LT35 Up/Down Upgrade Kit 074029 for service. LT35 Up/Down Safety Campaign Kit 065728 used to upgrade sawmills prior to LT35 Rev. A1.02 and LT35HD Rev. A1.03 is no longer available.

8.6 Magnetic Position Sensor Assembly

LT35
LT35HD

Rev. A5.00+
Rev. A5.00+



CAUTION
Keep these bolts loose.
Tightening these bolts
can result in damage
to encoder parts.

Wood-Mizer Products, Inc.
800-525-8100 Recorder #074201

3H1142B

REF	DESCRIPTION (◆ Indicates Parts Available In Assemblies Only)	PART #	QTY.	
	SENSOR ASSEMBLY, MAGNETIC POSITION	053369	1	
1	Gasket, Encoder	006864	1	
2	PCB Assembly, Encoder Sensor	053376	1	◆
3	Sensor Kit, Magnetic Encoder	053387	1	
4	Enclosure, Position Sensor	053399	1	
5	Lens, LED T1 Clear	053400	1	
6	Plate, SimpleSet Encoder Slide	057853	1	
7	Plate, SimpleSet Encoder Mount	061518	1	
8	Screw, 10-24 x 5/8" Unsl Indent Hex Head Machine	F05004-18	2	
9	Screw, #4-40 x 5/8" SI Rnd Head Machine	F05004-49	2	
10	Nut, 10-24 Hex Nylock	F05010-160	2	
11	Nut, #4-40 Hex	F05010-43	2	
12	Washer, #10 SAE Flat	F05011-18	4	
13	Washer, #4 Split Lock	F05011-21	2	

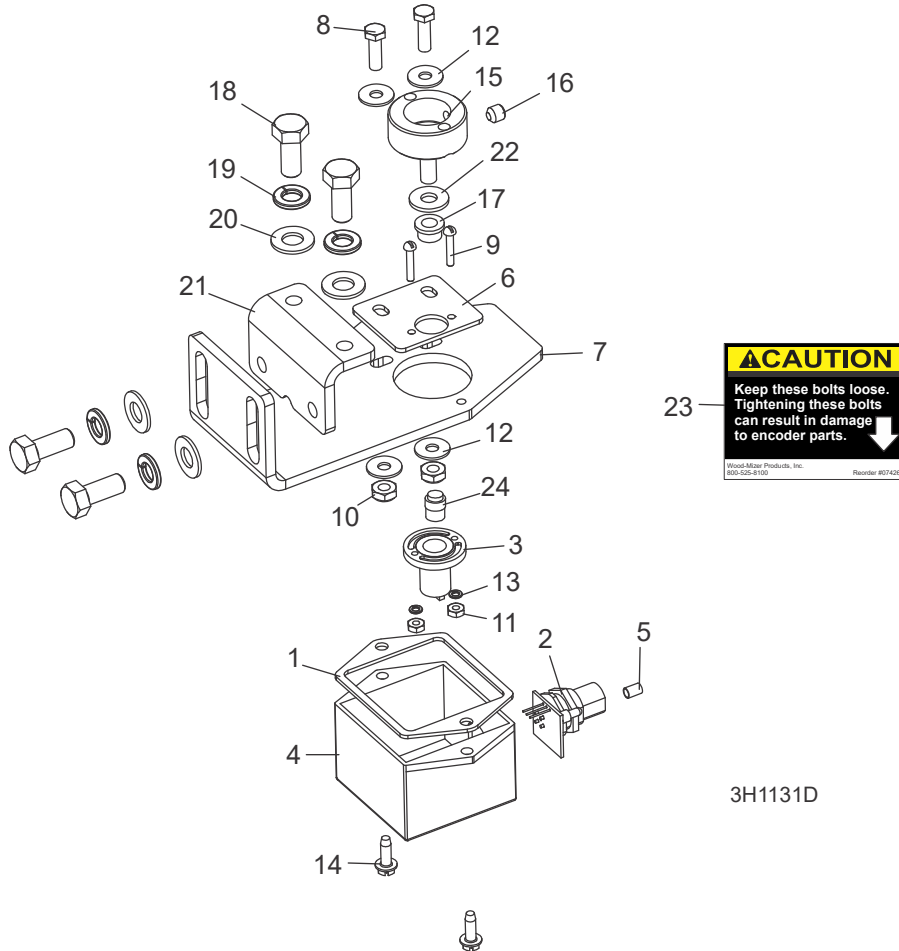
8**Up/Down System**
Magnetic Position Sensor Assembly

14	Bolt, #8-32 x 1/2" SI Hex Head S	F05015-18	2	
15	Extension, SimpleSet Gearbox Shaft	057852	1	
16	Screw, 1/4-20 x 1/4" SH Cup Pt Set	F05005-131	1	
17	Bushing, Flange 1/4" ID x 1/4" Lg	049018	1	
18	Bolt, 5/16-18 x 3/4" Hex Head Cap	F05006-5	4	
19	Washer, 5/16" Split Lock	F05011-13	4	
20	Washer, 5/16" SAE Flat	F05011-17	4	
21	Plate, SimpleSet Mount	057872	1	
22	Decal, Encoder Bolt Warning	074269	1	
23	Magnet Assembly, Simple Set Encoder w/Hub	065890	1	

8.7 Simple Set Sensor Assembly

LT35
LT35HD

Rev. A3.00 - A4.01
Rev. A3.00 - A4.01



CAUTION
Keep these bolts loose.
Tightening these bolts
can result in damage
to encoder parts.

Wood-Mizer Products, Inc.
800-526-3100
Reorder #074299

3H1131D

REF	DESCRIPTION (◆ Indicates Parts Available In Assemblies Only)	PART #	QTY.	
	SENSOR ASSEMBLY, LT35 SIMPLE SET MAGNETIC POSITION	074021	1	
1	Gasket, Encoder	006864	1	
2	PCB Assembly, Encoder Sensor	053376	1	◆
3	Sensor Kit, Magnetic Encoder	053387	1	
4	Enclosure, Position Sensor	053399	1	
5	Lens, LED T1 Clear	053400	1	
6	Plate, LT35 Simple Set Encoder	059691	1	
7	Plate, LT35 Encoder Mount	074012	1	
8	Screw, 10-24 x 5/8" Unsl Indent HH Machine	F05004-18	2	
9	Screw, #4-40 x 5/8" Sl Rnd Head Machine	F05004-49	2	
10	Nut, 10-24 Hex Nylock	F05010-160	2	
11	Nut, #4-40 Hex	F05010-43	2	

8

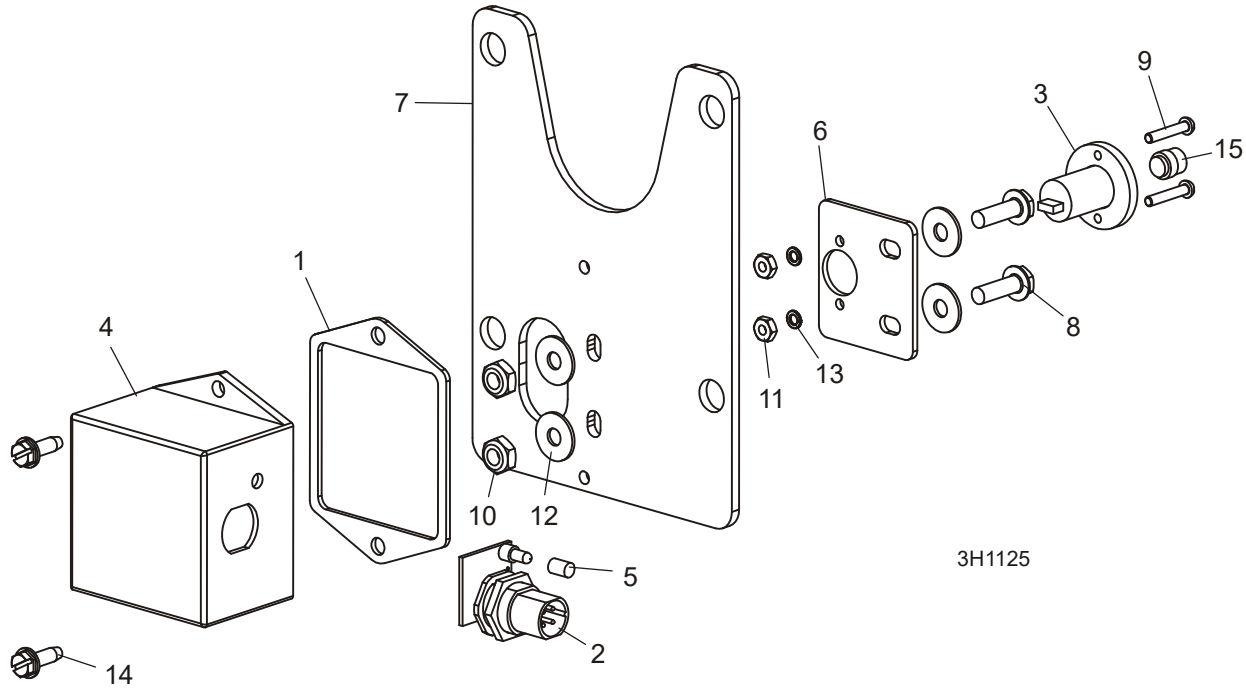
Up/Down System
Simple Set Sensor Assembly

12	Washer, #10 SAE Flat	F05011-18	4	
13	Washer, #4 Split Lock	F05011-21	2	
14	Bolt, #8-32 x 1/2" SI HH S	F05015-18	2	
15	Extension, SimpleSet Gearbox Shaft	057852	1	
16	Screw, 1/4-20 x 1/4" SH Cup Pt Set	F05005-131	1	
17	Bushing, Flange 1/4" ID x 1/4" Lg	049018	1	
18	Bolt, 5/16-18 x 3/4" Hex Head Cap	F05006-5	4	
19	Washer, 5/16" Split Lock	F05011-13	4	
20	Washer, 5/16" SAE Flat	F05011-17	4	
21	Plate, SimpleSet Mount	057872	1	
22	Washer, 1/4" SAE Flat	F05011-11	1	
23	Decal, Encoder Bolt Warning	074269	1	
24	Magnet Assembly, Simple Set Encoder w/Hub	065890	1	

8.8 Simple Set Sensor Assembly

LT35
LT35HD

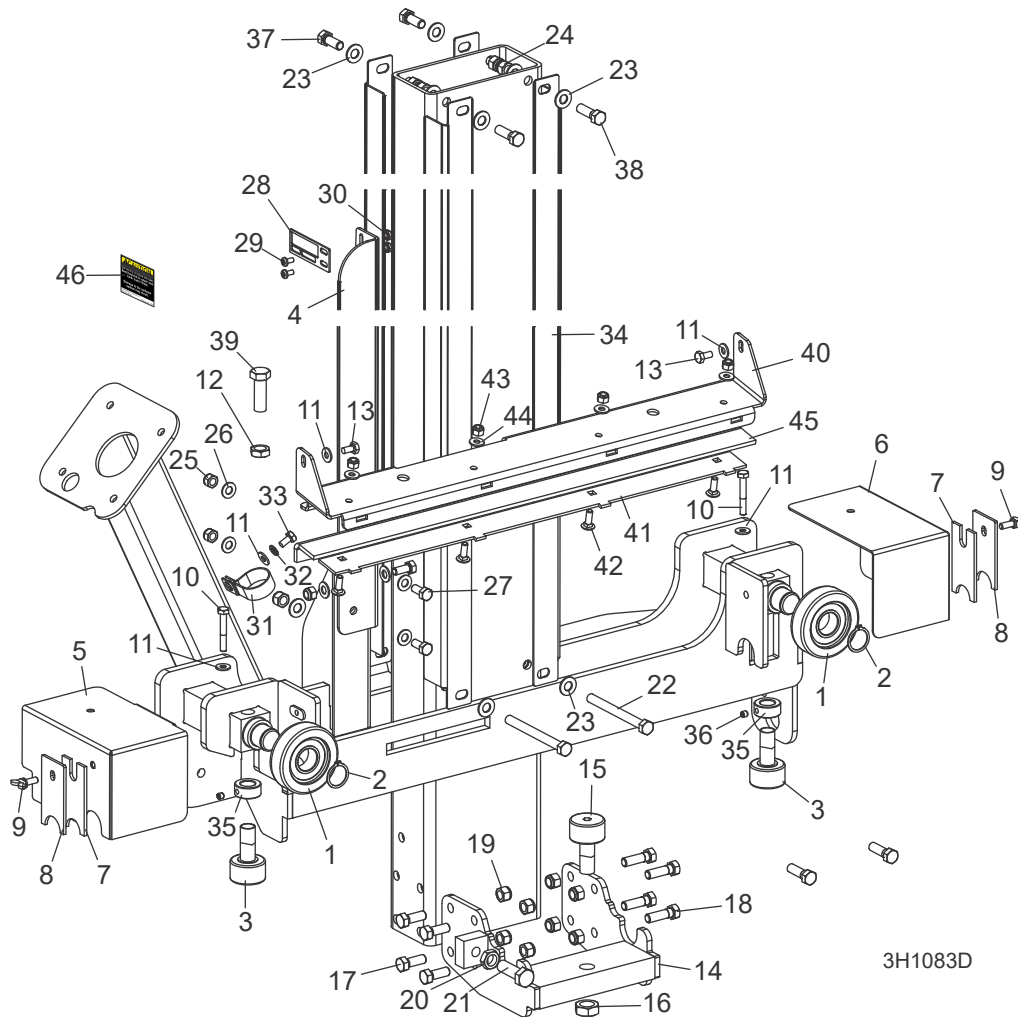
Rev. A2.00 - A2.01
Rev. A2.00 - A2.01



REF	DESCRIPTION (◆ Indicates Parts Available In Assemblies Only)	PART #	QTY.	
	SENSOR ASSEMBLY, LT35 SIMPLE SET	071103	1	
1	Gasket, Encoder	006864	1	
2	PCB Assembly, Encoder Sensor	053376	1	◆
3	Sensor Kit, Magnetic Encoder	053387	1	
4	Enclosure, Position Sensor	053399	1	
5	Lens, LED T1 Clear	053400	1	
6	Plate, LT35 Simple Set Encoder	059691	1	
7	Plate, LT35 Simple Set Encoder Mount	071099	1	
8	Screw, 10-24 x 5/8" Unsl Indent HH Machine	F05004-18	2	
9	Screw, #4-40 x 5/8" SI Rnd Head Machine	F05004-49	2	
10	Nut, 10-24 Hex Nylock	F05010-160	2	
11	Nut, #4-40 Hex	F05010-43	2	
12	Washer, #10 SAE Flat	F05011-18	2	
13	Washer, #4 Split Lock	F05011-21	2	
14	Bolt, #8-32 x 1/2" SI HH S	F05015-18	2	
15	Magnet Assembly, Simple Set Encoder w/Hub	065890	1	

SECTION 9 FEED SYSTEM & TRACK ROLLERS

9.1 Track Rollers And Wipers



REF	DESCRIPTION (◆ Indicates Parts Available In Assemblies Only)	PART #	QTY.
	UPRIGHT ASSEMBLY, LT35	062514	1
1	Bearing, MG305DDA	023857	2
2	Ring, 1" Outer Retaining	F04254-15	2
3	Bearing, Cam Follower 1 1/2" (McGill)	012797	2
4	Plate, LT35 Pointer Mount	062537	1
5	Cover Weldment, Rear Bearing	049342	1
6	Cover Weldment, Front Bearing	049341	1
7	Wiper, Top Rail	M04113	2
8	Plate, Track Wiper	034229	2
9	Stud, 1/4-20 x 5/8" Wing	F05005-64	2

Feed System & Track Rollers

Track Rollers And Wipers

9

10	Bolt, 1/4-20 x 1 3/4" Hex Head Grade 5	F05005-68	2	
11	Washer, 1/4" SAE Flat	F05011-11	5	
12	Nut, 1/2-13 Jam	F05010-31 ¹	1	
13	Bolt, 1/4-20 x 1/2" Hex Head	F05005-15	2	
	Bearing Assembly, Lower LT28	048547	1	
14	Bearing Weldment, LT28 Lower Cam	048548	1	
15	Bearing, Cam Follower 1 1/2 (McGill)	012797	1	
16	Nut, 5/8-18 Hex Jam	F05010-11	1	
17	Bolt, 3/8-16 x 1" Hex Head Grade 5	F05007-87	4	
18	Bolt, 3/8-16 x 1 1/4" Hex Head Grade 5	F05007-123	4	
19	Nut, 3/8-16 Hex Nylon Lock	F05010-10	8	
20	Nut, 1/2-13 Hex Jam	F05010-31	1	
21	Bolt, 1/2-13 x 1 1/2" Hex Head Grade 5	F05008-33	1	
22	Bolt, 3/8-16 x 4" Hex Head Full Thread Grade 5	F05007-92	2	
23	Washer, 3/8" SAE Flat	F05011-3	12	
24	Nut, 3/8-16 Hex Nylon Lock	F05010-10	10	
25	Nut, 5/16-18 Nylok Hex	F05010-58	3	
26	Washer, 5/16" SAE Flat	F05011-17	6	
27	Bolt, 5/16-18 x 3/4" Hex Head	F05006-5	3	
28	Pointer, Scale Height	017778	1	
29	Bolt, #10-24 x 3/8" CrSI PH	F05004-3	2	
30	Nut, #10-24 Keps	F05010-14	2	
31	Clamp, 1-1/4 Carbon Steel Conduit	038482	1	
32	Washer, 1/4" Split Lock	F05011-14	1	
33	Bolt, 1/4-20 x 1/2" Hex Head	F05005-15	1	
34	Angle, LT28 Mast Tube Stainless	048614	4	
	Collar, 5/8" x 1-1/8" Lock	P05035	2	
35	Collar, 5/8" x 1-1/8" Lock	P05035-1	1	
36	Screw, 1/4-28 x 1/4" BO SH Cup Set	F05005-105	1	
37	Bolt, 3/8-16 x 1" Hex Head Grade 5	F05007-87	2	
38	Bolt, 3/8-16 x 1 1/4" Hex Head Grade 5	F05007-123	2	
39	Bolt, 1/2-13 x 1 1/2" Hex Head Grade 5	F05008-33 ¹	1	
	Cover Assembly, LT28/35/70 Track	110614 ²	1	
40	Cover, Mid Track, LT28, LT35, LT70	110610	1	
41	Retainer, Felt Oiler	110611	1	
42	Bolt, 1/4-20x3/4 Carriage	F05005-113	4	
43	Nut, 1/4-20 Nylock	F05010-69	4	
44	Washer, 1/4 SAE Flat	F05011-11	4	
45	Felt, Middle Track Oiler LT40/50/70	S09915	1	
46	DECAL, SAW HEAD UP/DOWN CAUTION	S11762	1	

¹ Replaced 065724 Lower Stop Spring Retainer Pin, 036713 Spring and F05012-9 Cotter Pin used on LT35 Rev. A1.01-A6.05/LT35HD Rev. A1.02-A6.06 (LT35 Rev. A6.06/LT35HD Rev. A6.07).

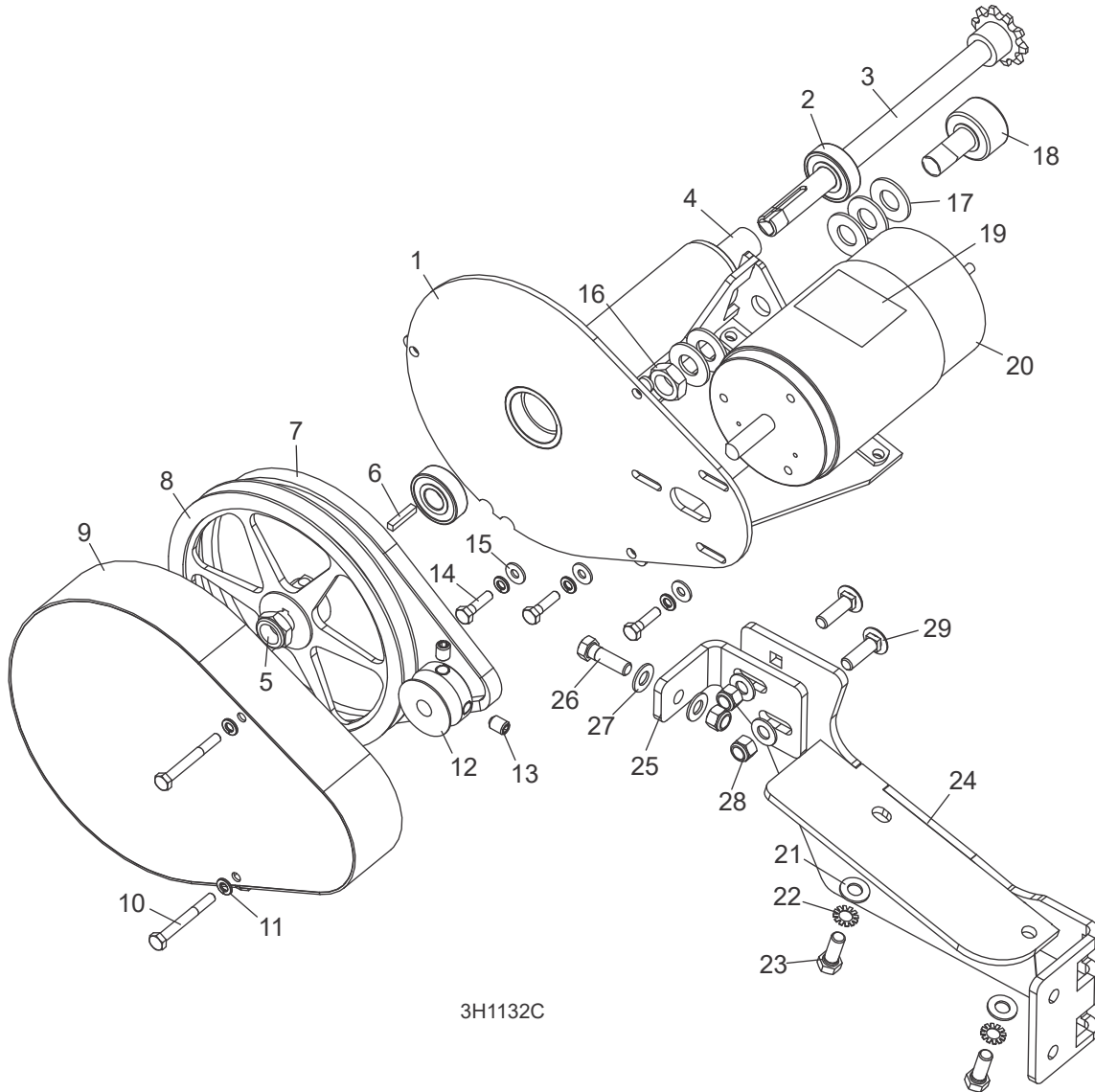
² Replaced 049135 Wiper Assembly with S09915 Felt (12/18).



9.2 Power Feed Assembly

LT35
 LT35HD

Rev. A4.00+
 Rev. A4.00+



3H1132C

REF	DESCRIPTION (◆ Indicates Parts Available In Assemblies Only)	PART #	QTY.	
	POWER FEED ASSEMBLY, LT35	066999	1	
	Feed Assembly, LT35 Saw Head Power	066990	1	
1	Mount Weldment, LT35 Power Feed	066991	1	
2	Bearing, 5/8" x 1.5748 x .4724	P06030-1	2	
	Shaft Upgrade, Power Feed	079800 ¹	1	
3	Shaft Weldment, Power Feed, Threaded	079798	1	◆
4	Spacer, Bearing, Power Feed	079799	1	

Feed System & Track Rollers

Power Feed Assembly

9

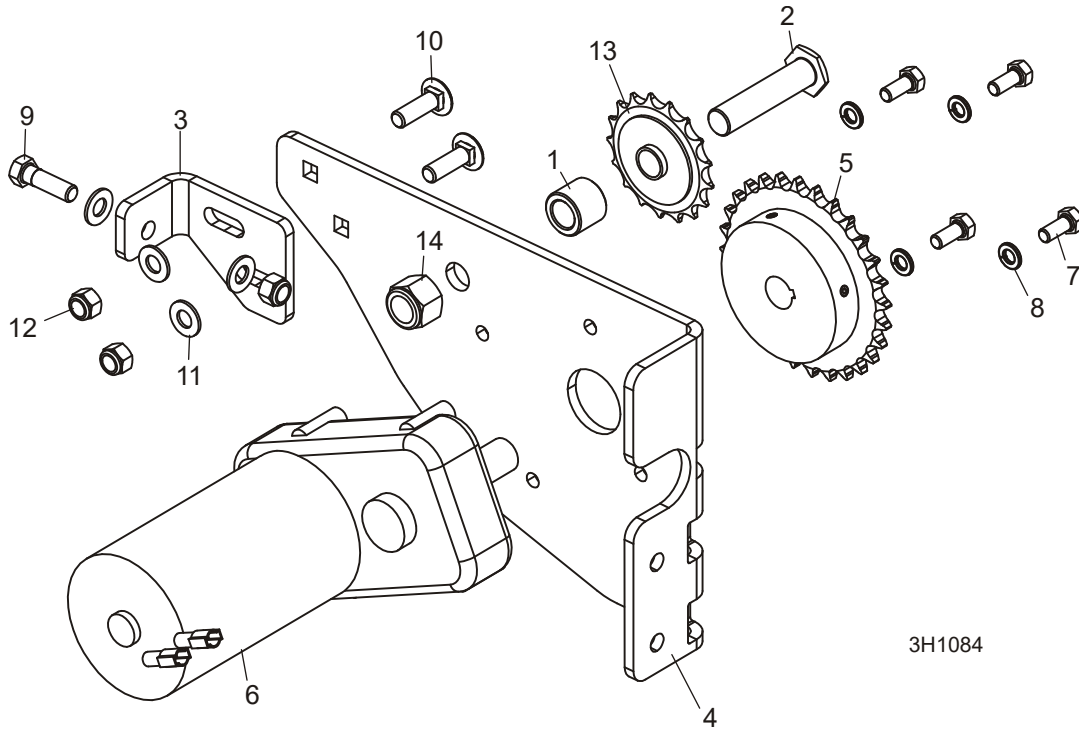
5	Nut, 5/8-18 Nyl Jam	F05010-101	1	
6	Key, 3/16" Square x 1" Long	S31027	1	
7	Belt, 4L280	P04031	1	
8	Sheave, 8A x 5/8"	P04343	1	
9	Cover Weldment, Power Feed	W11613	1	
10	Screw, 1/4-20 x 2 1/4" Hex Head	F05005-32	2	
11	Washer, 1/4" Split Lock	F05011-14	5	
12	Shave, 1 3/4" Feed Motor	S09579	1	
13	Screw, 3/8-16 x 1/2" SH Cup	F05007-12	2	
14	Bolt, 1/4-20 x 1" Hex Head Grade 5	F05005-101	1	
15	Washer, 1/4" SAE Flat	F05011-11	3	
16	Nut, 5/8-18 Hex Jam	F05010-11	1	
17	Washer, 5/8" SAE Flat	F05011-5	6	
18	Bearing, Cam Follower 1 1/2"	012797	1	
19	Decal, Disconnect Motor Leads Warning	024431	1	
20	Motor, 1/2HP 12VDC	006747	1	
	Brush Kit, 12V Motor	061794	1	
21	Washer, 3/8" Sae Flat	F05011-3	2	
22	Washer, 3/8" Star External	F05011-36	2	
23	Bolt, 3/8-16 x 1" Hex Head Grade 8	F05007-82	2	
24	Mount Weldment, Power Feed Motor	066995	1	
25	Plate, Power Feed Drive	066998	1	
26	Bolt, 3/8-16 x 1 1/4" Hex Head Grade 5	F05007-123	1	
27	Washer, 3/8" Sae Flat	F05011-3	4	
28	Nut, 3/8-16 Hex Nylon Lock	F05010-10	3	
29	Bolt, 3/8-16 x 1 1/4" Carriage Head Grade 5	F05007-127	2	

¹ 079800 replaced 016067 Power Feed Shaft Assembly with S31027 Key to improve durability (LT35 Rev. A6.11/LT35HD Rev. A6.13). Modified 079798 Power Feed Shaft with threaded end and added (1) F05010-101 Jam Nut and (1) 079799 Spacer.

9.3 Power Feed Assembly

LT35
LT35HD

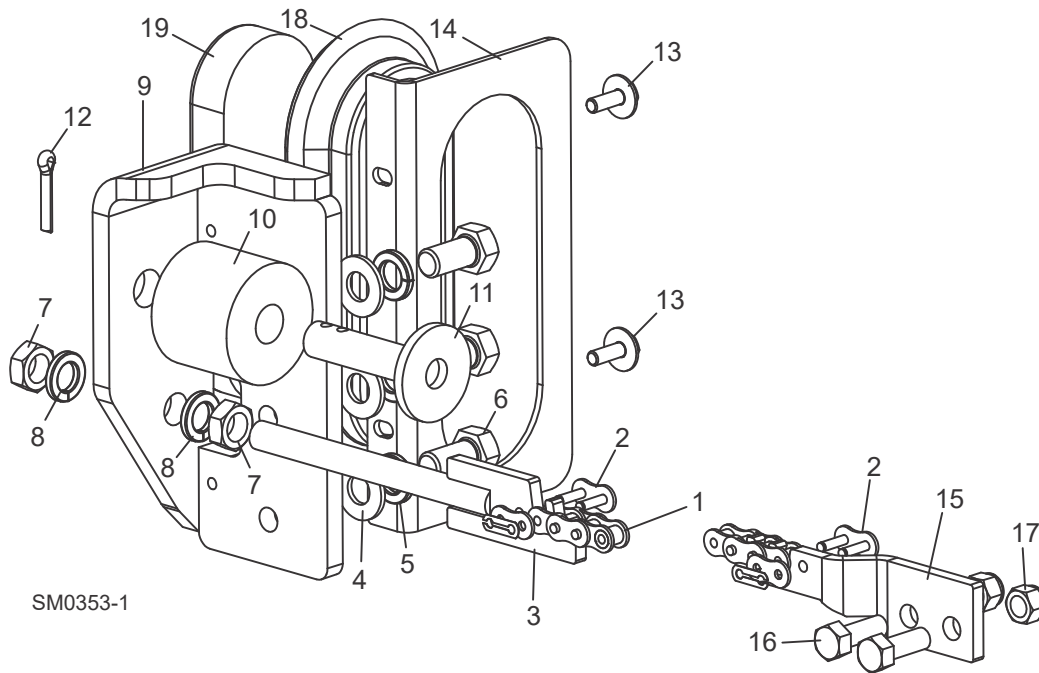
Rev. A1.00 - A3.00
Rev. A1.00 - A3.00



3H1084

REF	DESCRIPTION (◆ Indicates Parts Available In Assemblies Only)	PART #	QTY.
	POWER FEED ASSEMBLY, LT35	065078	1
1	Boss, .63" ID X 1" OD X .85"	008958	1
2	Bolt, Idler Sprocket Retaining	008959	1
3	Bracket, Power Feed Drive Mount	008973	1
4	Plate, Power Feed Drive Mount	059593	1
5	Sprocket, 40B28 x 3/4" Bore	059594	1
6	Motor Assembly, LT28 Power Feed	069361	1
	Brush Kit, Klauber 33:1 Gearmotor Endbell	065182	1
7	Bolt, 5/16-18 x 3/4" Hex Head Grade 5	F05006-102	4
8	Washer, 5/16" Split Lock	F05011-13	4
9	Bolt, 3/8-16 x 1 1/4" Hex Head Grade 5	F05007-123	1
10	Bolt, 3/8-16 x 1 1/4" Carriage Head Grade 5	F05007-127	2
11	Washer, 3/8" Sae Flat	F05011-3	4
12	Nut, 3/8-16 Hex Nylon Lock	F05010-10	3
13	Sprocket, #40 17T x 5/8" Bore Idler	P04333	1
14	Nut, 5/8-11 Hex Nylon Lock	F05010-34	1

9.4 Feed Chain/Stop



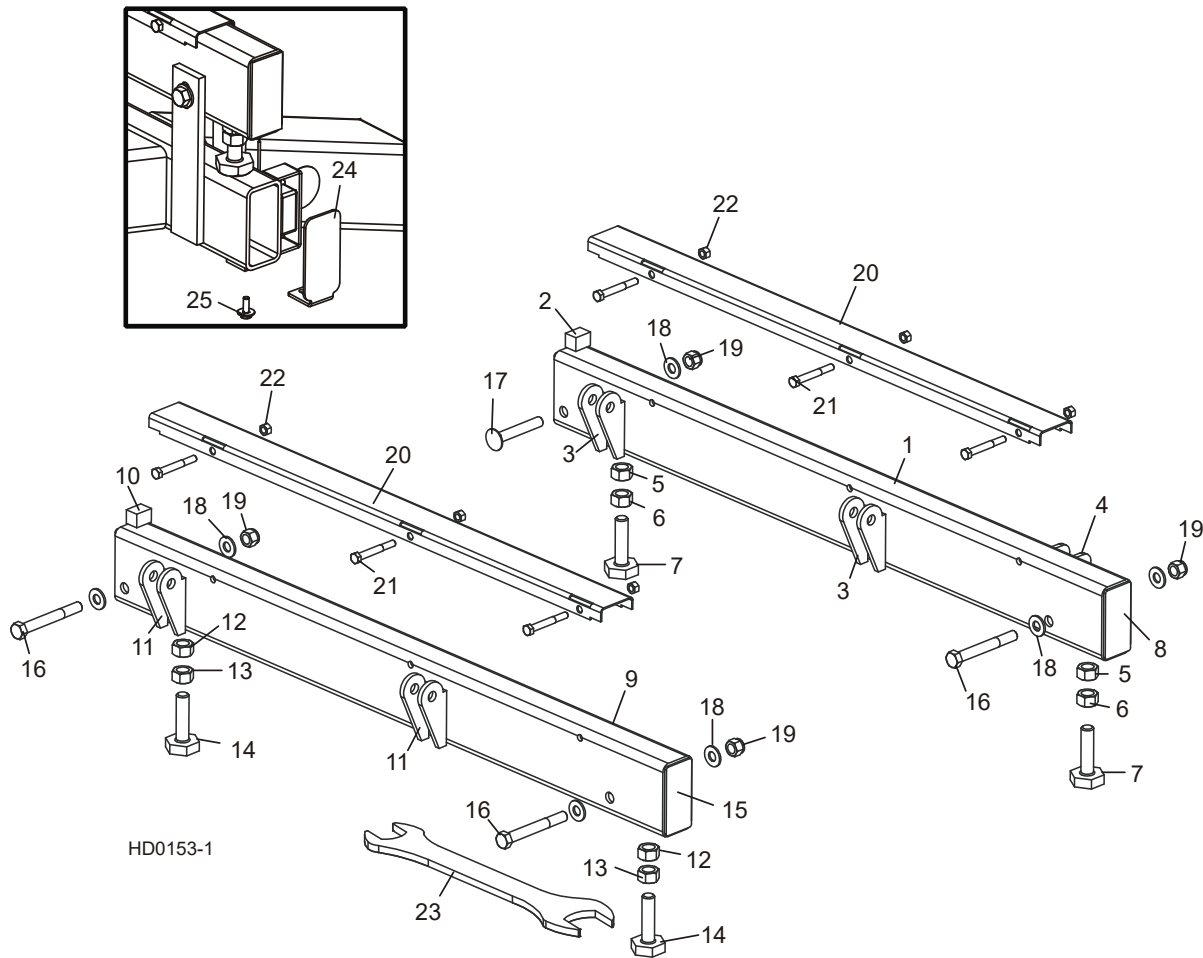
REF	DESCRIPTION (◆ Indicates Parts Available In Assemblies Only)	PART #	QTY.
1	CHAIN, #40 X 267.5" LT40 FEED	014745	1
2	LINK, #40 MASTER	P04200	2
3	TENSIONER WELDMENT, POWER FEED CHAIN	015721	1
4	WASHER, 1/2" SAE FLAT	F05011-2	3
5	WASHER, 1/2" SPLIT LOCK	F05011-9	3
6	BOLT, 1/2-13 X 1" HEX HEAD GRADE 8	F05008-128	3
7	NUT, 1/2-20 HEX JAM	F05010-16	2
8	WASHER, 1/2" SPLIT LOCK	F05011-9	2
9	BRACKET WELDMENT, REAR FEED STOP	006686	1
10	Stop, Rubber Carriage	P12165	1
11	Pin, Rubber Carriage Stop	W09293	1
12	Pin, 3/16" X 1" Cotter	F05012-21	1
13	BOLT, 1/4-20 X 3/4" WITH CONICAL WASHER	F05005-134	1
14	PLATE, BED TUBE END W/LIGHT MOUNT	057822	1
15	BRACKET, FRONT FEED CHAIN MOUNT	015008	1
16	BOLT, 3/8-16 X 1" HEX HEAD GRADE 5	F05007-87	2
17	NUT, 3/8-16 HEX NYLON LOCK	F05010-10	2
18	GROMMET, 6 1/2" LIGHT MOUNTING	006688	1
19	LIGHT, 8 DIODE LED TAIL	006391	1

10

Bed Frame Assembly Bed Rail Assembly, Front And Rear

SECTION 10 BED FRAME ASSEMBLY

10.1 Bed Rail Assembly, Front And Rear



REF	DESCRIPTION (◆ Indicates Parts Available In Assemblies Only)	PART #	QTY.	
	BED RAIL ASSEMBLY, REAR PAINTED	014467	1	
1	Bed Rail Tube, Long	015974	1	◆
2	Block, Log Stop	S09034	1	
3	Bracket, Roller Toe Board Mount	S13021	4	◆
4	Bracket, Saw Head Rest Pin Mount	014150	2	◆
5	Nut, 5/8-11 Pilot Weld	F05010-84	2	
6	Nut, 5/8-11 Hex	F05010-5	2	
7	Bolt, Bed Rail Adjustment	S13006	2	
8	Plate, Bed Rail End Cap	S04058	2	◆
	BED RAIL ASSEMBLY, FRONT PAINTED	014455	1	
9	Bed Rail Tube, Long	015974	1	◆

Bed Frame Assembly

Bed Rail Assembly, Front And Rear

10

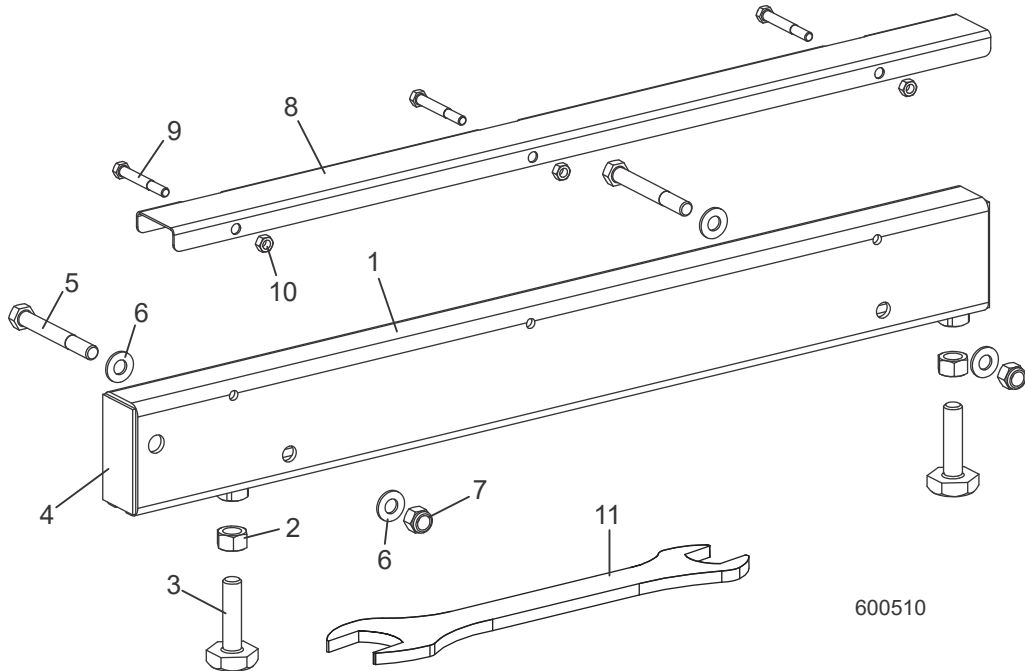
10	Block, Log Stop	S09034	1	
11	Bracket, Roller Toe Board Mount	S13021	4	◆
12	Nut, 5/8-11 Pilot Weld	F05010-84	2	
13	Nut, 5/8-11 Hex	F05010-5	2	
14	Bolt, Bed Rail Adjustment	S13006	2	
15	Plate, Bed Rail End Cap	S04058	2	◆
16	BOLT, 1/2-13 X 4" HEX HEAD	F05008-78	3	
17	BOLT, 1/2-13 X 3 1/2" CARRIAGE	F05008-94 ¹	1	
18	WASHER, 1/2" SAE FLAT	F05011-2	7	
19	NUT, 1/2-13 NYLON LOCK	F05010-8	4	
	COVER KIT, FRONT/REAR BED RAIL SS	079144	2	
20	Cover, Stainless Steel Bed Rail	016898	1	
21	Bolt, 5/16-18 X 2 1/2" Hex Head	F05006-10	3	
22	Nut, 5/16-18 Hex Lock	F05010-6	3	
23	WRENCH, BED RAIL ADJUSTMENT	015970	1	
24	CAP, BED RAIL REMOVABLE END	038843	2	
25	BOLT, 1/4-20 X 3/4" W/CONICAL WASHER HEAD	F05005-134	2	

¹ Used on rear bed rail to allow clearance for side support rollers.

10

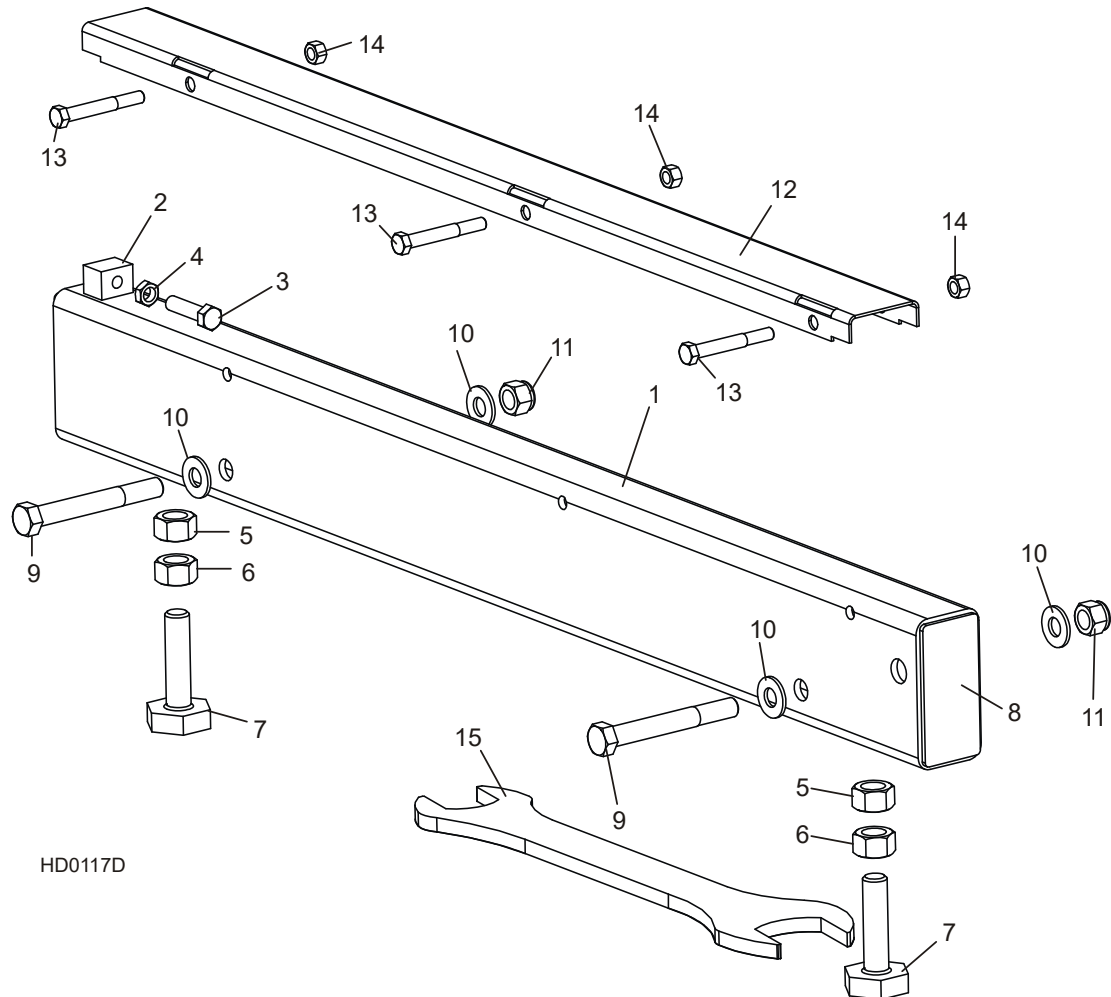
Bed Frame Assembly Bed Rail Assembly, Middle Front

10.2 Bed Rail Assembly, Middle Front



REF	DESCRIPTION (◆ Indicates Parts Available In Assemblies Only)	PART #	QTY.	
	BED RAIL ASSEMBLY, FRONT MIDDLE (LT60/70 BED 2)	034549	1	
1	Bed Rail Tube, Short	034545	1	◆
2	Nut, 5/8-11 Hex	F05010-5	2	
3	Bolt, Bed Rail Adjustment	S13006	2	
4	Plate, Bed Rail End Cap	S04058	2	◆
5	Bolt, 1/2-13 X 4" Hex Head Grade 5	F05008-78	2	
6	Washer, 1/2" SAE Flat	F05011-2	4	
7	Nut, 1/2-13 Nylon Lock	F05010-8	2	
	Cover Assembly, Stainless Steel Bed Rail (Long)	A09956	1	
8	Cover, Stainless Steel Bed Rail	S09944	1	◆
9	Bolt, 5/16-18 X 2 1/2" Hex Head	F05006-10	3	
10	Nut, 5/16-18 Hex Lock	F05010-6	3	
11	WRENCH, BED RAIL ADJUSTMENT	015970	1	

10.3 Bed Rail Assembly, Middle Rear



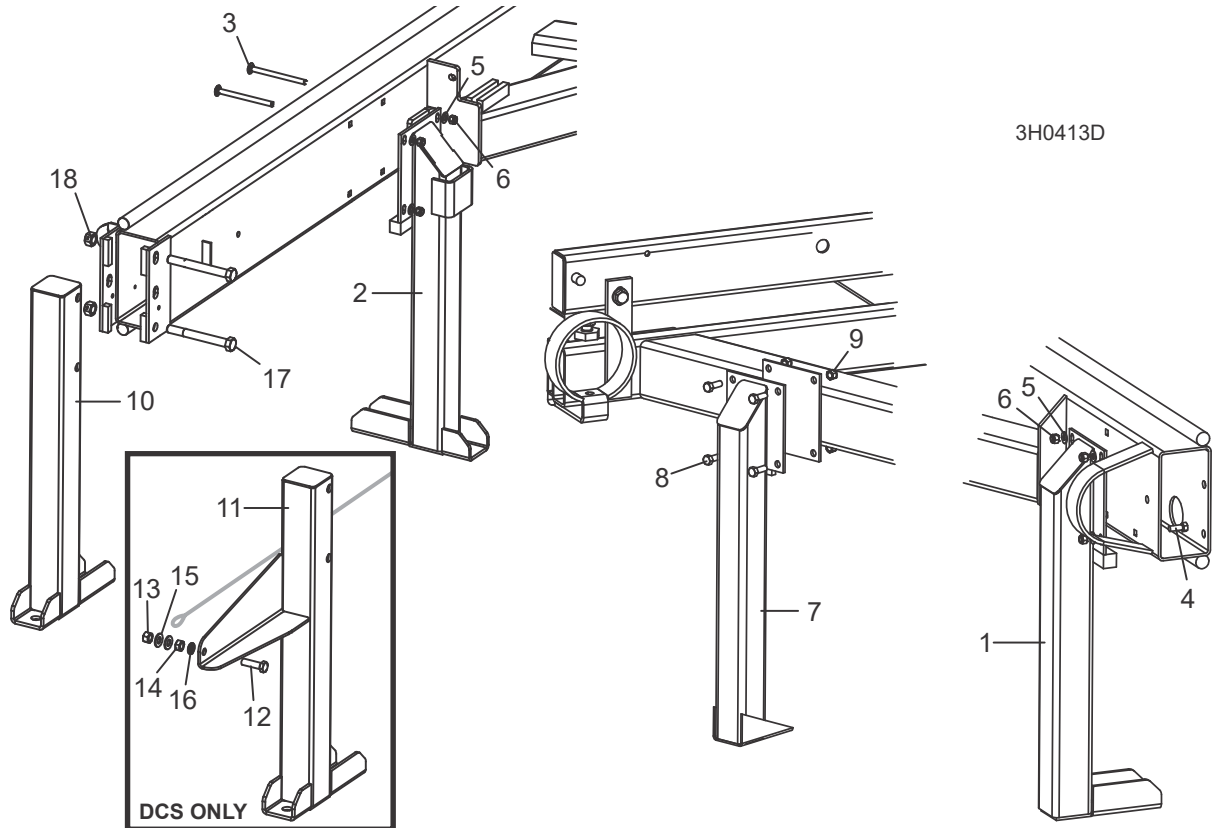
HD0117D

REF	DESCRIPTION (◆ Indicates Parts Available In Assemblies Only)	PART #	QTY.	
	BED RAIL ASSEMBLY, REAR MIDDLE PAINTED	015757	1	
1	Bed Rail Tube, Short	014640	1	◆
2	Block, Log Stop w/Threaded Hole	014639	1	◆
3	Bolt, 3/8-16 x 1 1/2 Full Thead Hex Head	F05007-17	1	
4	Nut, 3/8-16 Hex Jam	F05010-29	1	
5	Nut, 5/8-11 Square Pilot Weld	F05010-187	2	
6	Nut, 5/8-11 Hex	F05010-5	2	
7	Bolt, Bed Rail Adjustment	S13006	2	
8	Plate, Bed Rail End Cap	S04058	1	
9	BOLT, 1/2-13 X 4" HEX HEAD GRADE 5	F05008-78	2	
10	WASHER, 1/2" SAE FLAT	F05011-2	4	
11	NUT, 1/2-13 NYLON LOCK	F05010-8	2	

10**Bed Frame Assembly***Bed Rail Assembly, Middle Rear*

	COVER ASSEMBLY, STAINLESS STEEL BED RAIL (LONG)	A09956	1	
12	Cover, Stainless Steel Bed Rail	S09944	1	◆
13	Bolt, 5/16-18 X 2 1/2" Hex Head	F05006-10	3	
14	Nut, 5/16-18 Hex Lock	F05010-6	3	
15	WRENCH, BED RAIL ADJUSTMENT	015970	1	

10.4 Leg Assembly



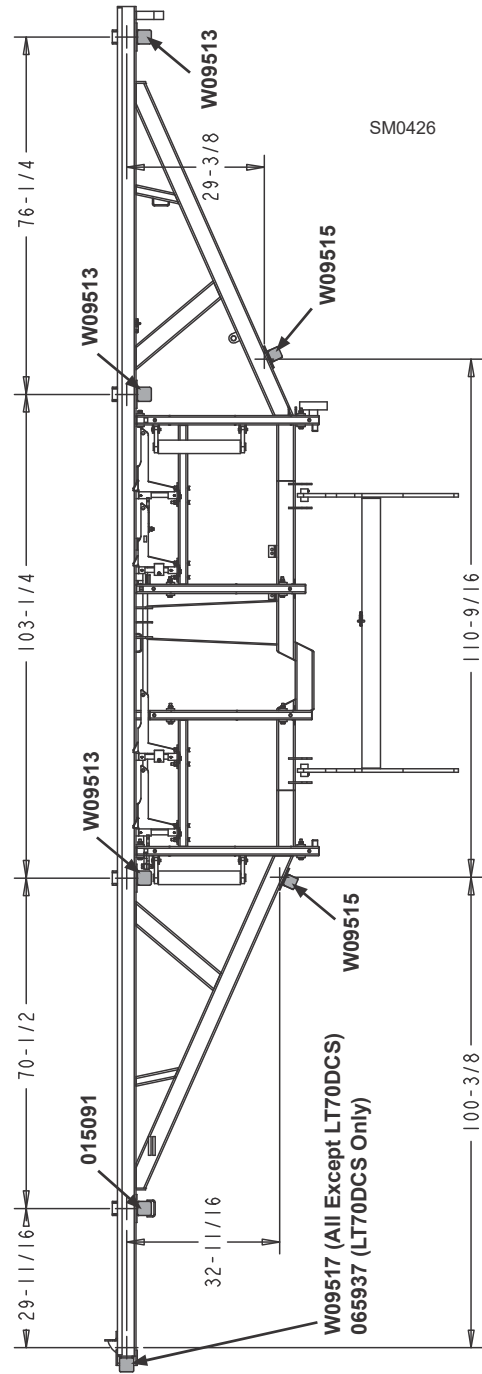
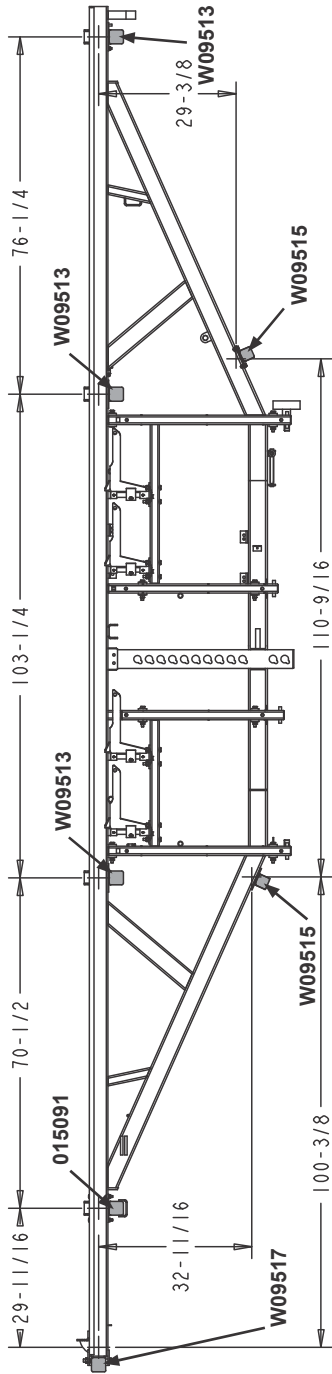
REF	DESCRIPTION (◆ Indicates Parts Available In Assemblies Only)	PART #	QTY.
	See Form #847 or diagram below for stationary sawmill foot anchor locations		
	See Form #359 for stationary sawmill w/bed extension foot anchor locations		
1	LEG, LONG STATIONARY	W09513	3
2	LEG, LONG STATIONARY W/BOARD RETURN TABLE BRACKET	015091	1
3	BOLT, 3/8-16 X 5" CARRIAGE HEAD	F05007-113	12
4	BOLT, 3/8-16 X 1 1/4" HEX HEAD	F05007-2	4
5	WASHER, 3/8" SAE FLAT	F05011-3	16
6	NUT, 3/8-16 HEX NYLON LOCK	F05010-10	16
7	LEG, SHORT STATIONARY	W09515	2
8	BOLT, 3/8-16 X 1 1/4" HEX HEAD	F05007-2	8
9	NUT, 3/8-16 HEX NYLON LOCK	F05010-10	8
10	LEG, FRONT STATIONARY (ALL EXCEPT LT70DCS)	W09517	1
	LEG ASSEMBLY, FESTOON FRONT STATIONARY (LT70DCS ONLY)	065937	1
11	Leg Weldment, Festoon Stationary Front	065935	1
12	Bolt, 1/2-13 x 1 3/4" Full Thread Hex Head Grade 5	F05008-88	1
13	Nut, 1/2-13 Swaged Hex	F05010-3	1
14	Nut, 1/2-13 Free Hex	F05010-35	1

10

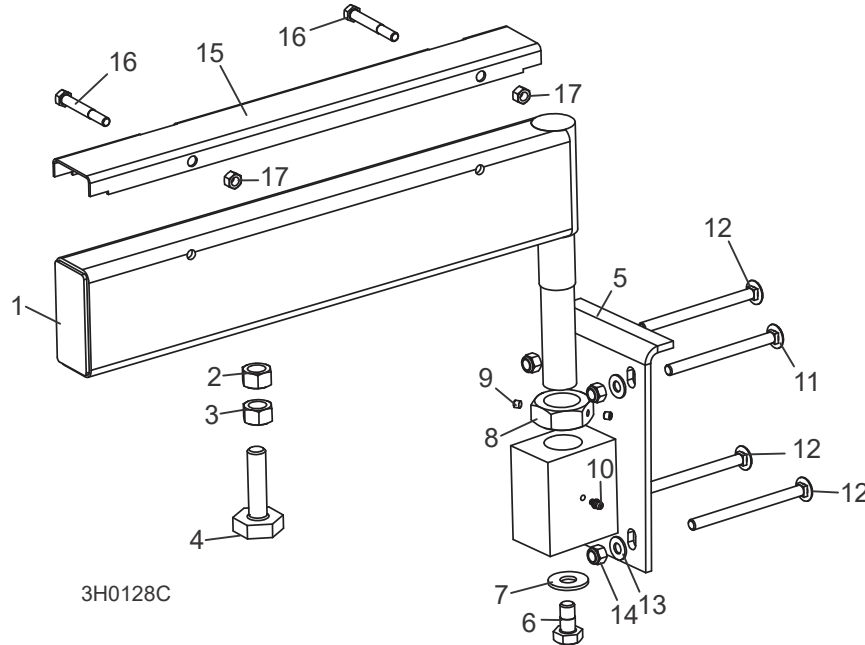
Bed Frame Assembly

Leg Assembly

15	Washer, 1/2" SAW Flat	F05011-2	2	
16	Washer, 1/2" Split Lock	F05011-9	1	
17	BOLT, 5/8-11 X 5 1/2" HEX HEAD GRADE 5 (ALL EXCEPT LT70DCS)	F05009-11	2	
18	NUT, 5/8-11 HEX LOCK (ALL EXCEPT LT70DCS)	F05010-4	2	

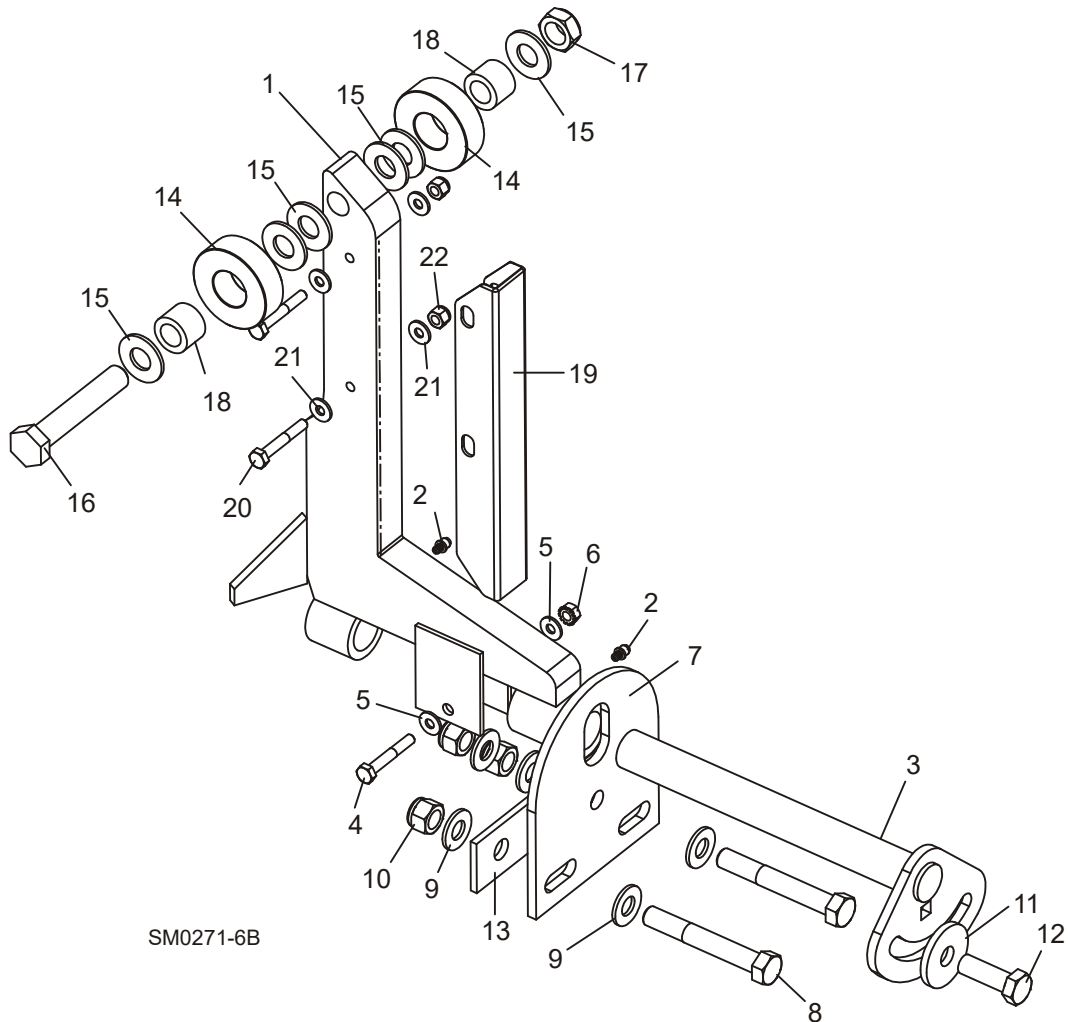


10.5 Pivot Bed Rail Assembly



REF	DESCRIPTION (◆ Indicates Parts Available In Assemblies Only)	PART #	QTY.	
	PIVOT BED RAIL ASSEMBLY ()	A13015		
1	Pivot Bed Rail Weldment ()	W13014	1	◆
2	Nut, 5/8-11 Pilot Weld	F05010-84	2	
3	Nut, 5/8-11 Hex	F05010-5	2	
4	Bolt, Bed Rail Adjustment	S13006	2	
5	Bracket, Pivot Rail Mounting	W13090	1	
6	Bolt, 1/2-13 x 1" Hex Head Grade 2	F05008-50	1	
7	Washer, 9/16" SAE Flat	F05011-52	1	
8	Nut, Pivot Rail Adjustment	S13016	1	
9	Screw, 1/4-28 x 1/4" Brass Tip Set	F05005-42	2	
10	Fitting, 3/16" Grease	P04107	1	
11	BOLT, 3/8-16 X 4 3/4" CARRIAGE HEAD	F05007-114	2	
12	BOLT, 3/8-16 X 5" CARRIAGE HEAD	F05007-113	6	
13	WASHER, 3/8" SAE FLAT	F05011-3	8	
14	NUT, 3/8-16 NYLON LOCK	F05010-10	8	
	COVER KIT, PIVOT RAIL STAINLESS STEEL ()	017710	2	
15	Cover, Stainless Steel Pivot Bed Rail ()	S13012	1	
16	Bolt, 5/16-18 X 2 1/2" Hex Head	F05006-10	2	
17	Nut, 5/16-18 Hex Lock	F05010-6	2	
	WRENCH, BED RAIL ADJUSTMENT (See Section 10.1)	015970	1	

10.6 Log Side Support Assembly



REF	DESCRIPTION (◆ Indicates Parts Available In Assemblies Only)	PART #	QTY.
1	SUPPORT, LOG SIDE	015235	2
2	Fitting, 3/16" Grease	P04107	2
	MOUNTING KIT, LOG SIDE SUPPORT	016559	2
3	Pin, Log Side Support Pivot	016544	1
4	Bolt, 1/4-20 X 1 1/2" Hex Head Grade 5	F05005-4	1
5	Washer, 1/4" SAE Flat	F05011-11	2
6	Nut, 1/4-20 Self Locking	F05010-9	1
7	Plate, Log Side Support End	016555	1
8	Bolt, 1/2-13 X 3 1/2" Hex Head Grade 5	F05008-61	2
9	Washer, 1/2" SAE Flat	F05011-2	5
10	Nut, 1/2-13 Hex Nylon Lock	F05010-8	3
11	Washer, .52" x 1.69"	014632	1

12	Bolt, 1/2-13 X 1 1/2" Hex Head Grade 5	F05008-33	1	
13	Plate, Side Support Washer Clamp	016558	1	
	ROLLER KIT, SIDE SUPPORT	016562	4	
14	Roller, Side Support	016561	2	
15	Washer, 5/8" SAE Flat	F05011-5 ¹	6	
16	Bolt, 5/8-11 x 3 3/4" Hex Head Grade 5	F05009-118	1	
17	Nut, 5/8-11 Hex Nylon Lock Jam	F05010-96	1	
18	Bushing, Bronze 5/8" x 1" x 3/4"	016560	2	
	Bolt, 1/2-13 x 3 1/2" Carriage Head	F05008-94	1	
	Instruction Sheet, Side Support Roller	016562-526	1	
	GUARD KIT, STAINLESS STEEL SIDE SUPPORT	016798	1	
19	Guard, Stainless Steel Side Support	016722	4	
20	Bolt, 1/4-20 x 1 3/4" Hex Head	F05005-4	8	
21	Washer, 1/4" SAE Flat	F05011-11	16	
	Washer, 5/8" SAE Flat	F05011-5 ¹	4	
22	Nut, 1/4-20 Hex Nylon Lock	F05010-69	8	
	Instruction Sheet, Stainless Steel Side Support Guard Retro	016798-1005	1	

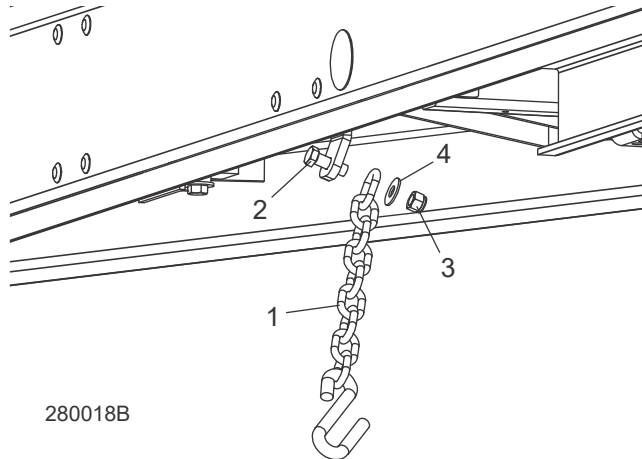
¹ Additional 5/8" SAE Flat Washer F05011-5 may be required on each side of side support to provide clearance for optional stainless steel side support guards. Extra washers are included in the stainless steel guard retrofit kit (016798).

10

Bed Frame Assembly

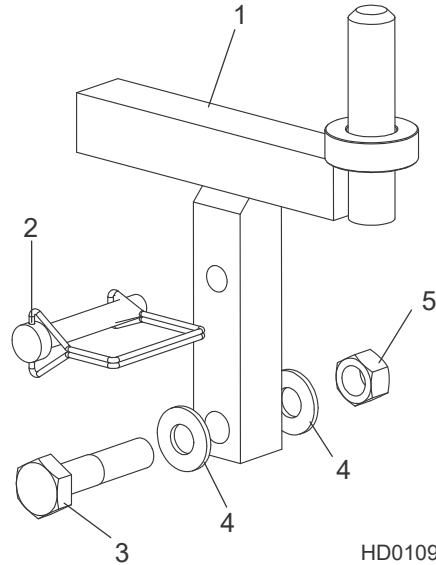
Safety Chain Assembly

10.7 Safety Chain Assembly



REF	DESCRIPTION (◆ Indicates Parts Available In Assemblies Only)	PART #	QTY.	
1	CHAIN, 15 INCH SAFETY	107972	1	
2	BOLT, 1/2-13X1 1/2 HEX HEAD GRADE 5	F05008-33	1	
3	NUT, 1/2-13 NYLON HEX LOCK	F05010-8	1	
4	WASHER, 7/16 STANDARD FLAT	F05011-35	1	

10.8 Saw Head Rest Pin Assembly



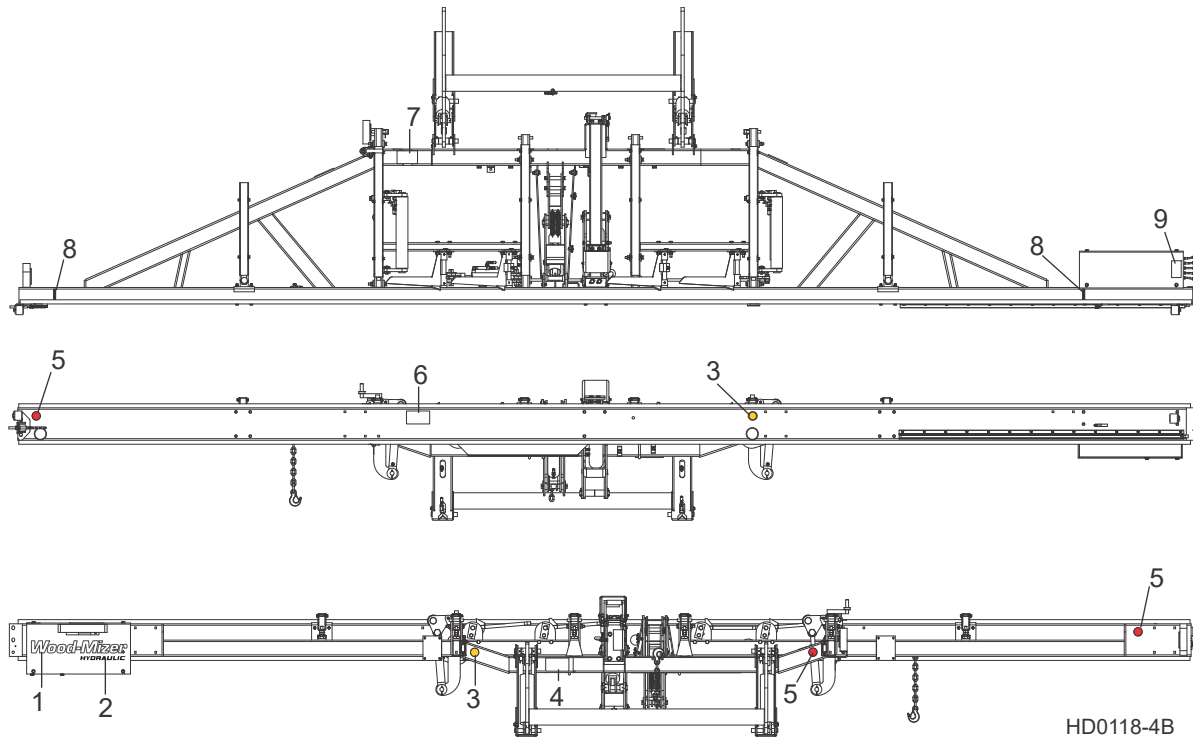
REF	DESCRIPTION (◆ Indicates Parts Available In Assemblies Only)	PART #	QTY.	
1	PIN WELDMENT, SAW HEAD REST	014102 ¹	1	
	PIN WELDMENT, SAW HEAD REST (WIDE HEAD ONLY)	079510	1	
2	PIN, 3/8" X 2 1/4" SNAP RETAINER	014151	1	
3	BOLT, 1/2-13 X 2 1/4" HEX HEAD GRADE 5	F05008-10	1	
4	WASHER, 1/2" SAE FLAT	F05011-2	2	
5	NUT, 1/2-13 HEX LOCK	F05010-3	1	

¹ Replaced 025999 LT35 C-Frame Rest Pin to increase distance between saw head and outrigger (LT35HD Rev. A6.04).

10 Bed Frame Assembly

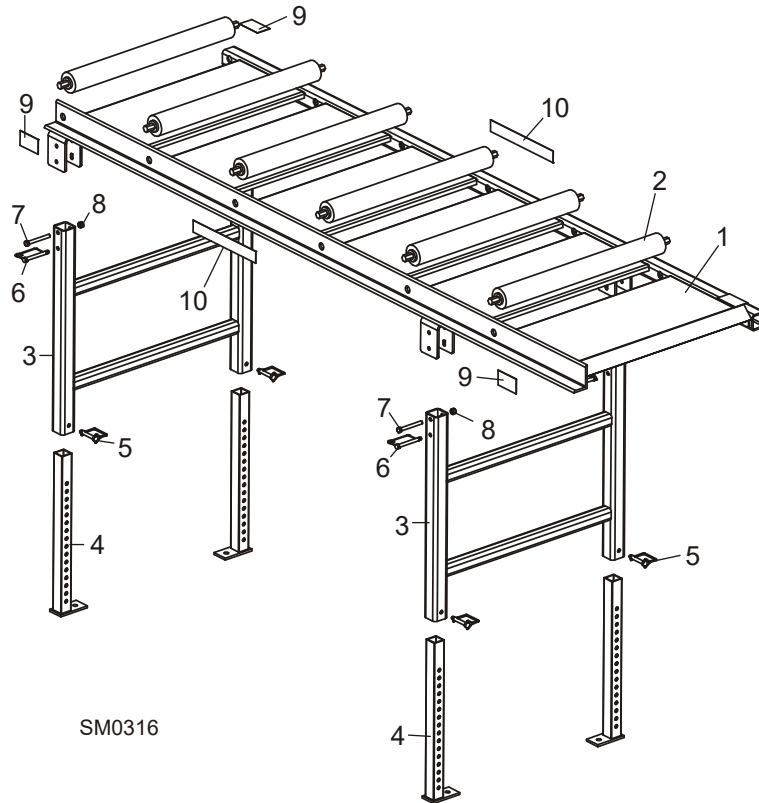
Bed Frame Decals

10.9 Bed Frame Decals



REF	DESCRIPTION (◆ Indicates Parts Available In Assemblies Only)	PART #	QTY.
1	DECAL, WHITE WOOD-MIZER EURO LOGO	065034	1
2	DECAL, HYDRAULIC EURO LOGO BLACK STD.	065035	1
3	DECAL, AMBER REFLECTIVE 2" ROUND	P07453	2
4	DECAL, KEEP AWAY DANGER	S09851	1
5	DECAL, RED REFLECTIVE 2" ROUND	P07452	3
6	DECAL, PINCH POINT DANGER	P10287	1
7	DECAL, SAW HEAD REST CAUTION	S12581	1
8	DECAL, LOG LIMIT STRIPE	S12051	2
9	DECAL, KEEP AWAY HYDRAULIC WARNING	P12961	1

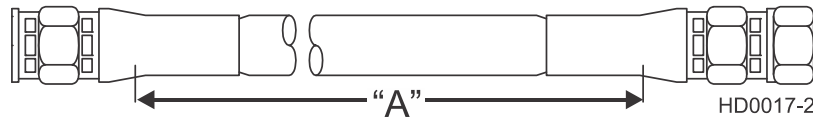
10.10 Board Outfeed Table (Optional)



REF	DESCRIPTION (◆ Indicates Parts Available In Assemblies Only)	PART #	QTY.
	TABLE ASSEMBLY, BOARD OUTFEED	016652	1
1	Table Weldment, Board Outfeed	016606	1
2	Roller, 2 1/2" x 25"	038167	6
3	Mount Weldment, Outfeed Table Leg	016609	2
4	Leg Weldment, Outfeed Table	016651	4
5	Pin, 3/8" x 2 1/4" Square Wire Lock	014151	4
6	Pin, Snap - Coil Tension	016677	4
7	Bolt, 3/8-16 x 3 1/4" Hex Head	F05007-135	4
8	Nut, 3/8-16 Hex Nylon Lock	F05010-10	4
9	Decal, Hand Pinch Point Warning	S12641	4
10	Decal, 1 1/2" Wood-Mizer Logo	016991	2

SECTION 11 BED HYDRAULIC SYSTEM

11.1 Hydraulic Hoses



REF	COLOR	LENGTH "A"		DESCRIPTION (NOTE: See Hydraulic Information Section in Operator's Manual for Hydraulic Schematics)	PART #	QTY.
		MFG SPEC	ACTUAL PART			
H1	None	9"	9"	1/4" HYDRAULIC PUMP TO VALVE	079000-9	1
H2	Plain	27"	27"	LOG TURNER BASE	079000-27	1
H3	Orange	18"	18"	LOG TURNER TOP	079000-18	1
H4	Yellow	95"	95"	FRONT TOE BOARD TOP (LT30HD)	079000-95	1
		117"	117"	FRONT TOE BOARD TOP (LT40HD)	079000-117	1
H5	Gray	95"	95"	FRONT TOE BOARD BASE (LT30HD)	079000-95	1
		117"	117"	FRONT TOE BOARD BASE (LT40HD)	079000-117	1
H6	Pink	159"	159"	SIDE SUPPORT BASE (LT30HD)	079000-159	1
		181"	181"	SIDE SUPPORT BASE (LT40HD)	079000-181	1
H7	Plain	159"	159"	SIDE SUPPORT TOP (LT30HD)	079000-159	1
		181"	181"	SIDE SUPPORT TOP (LT40HD)	079000-181	1
H8	White	133"	135"	CLAMP IN/OUT TOP (LT30HD)	079000-135	1
		155"	157"	CLAMP IN/OUT TOP (LT40HD)	079000-157	1
H9	Dark Orange	125"	125"	CLAMP IN/OUT BASE (LT30HD)	079000-125	1
		147"	151"	CLAMP IN/OUT BASE (LT40HD)	079000-151	1
H10	Purple	197"	196"	REAR TOE BOARD TOP (LT30HD)	079000-196	1
		219"	219"	REAR TOE BOARD TOP (LT40HD)	079000-219	1
H11	Black	197"	196"	REAR TOE BOARD BASE (LT30HD)	079000-196	1
		219"	219"	REAR TOE BOARD BASE (LT40HD)	079000-219	1
H12	Green	62"	62"	LOADING ARM BRANCH TOP	079000-62	2
H13	Yellow	64"	64"	LOADING ARM BRANCH BASE	079000-64	2
H14	Blue	164"	164"	LOADING ARM TOP (LT30HD)	079000-164	1
		186"	186"	LOADING ARM TOP (LT40HD)	079000-186	1
H15	Red	164"	164"	LOADING ARM BOTTOM (LT30HD)	079000-164	1
		186"	186"	LOADING ARM BOTTOM (LT40HD)	079000-186	1
H16	Green	182"	181"	1/4" CLAMP UP/DOWN TOP (LT30HD)	079000-181	1
		204"	204"	1/4" CLAMP UP/DOWN TOP (LT40HD)	079000-204	1
H17	Yellow	171"	173"	1/4" CLAMP UP/DOWN BASE (LT30HD)	079000-173	1
		193"	194"	1/4" CLAMP UP/DOWN BASE (LT40HD)	079000-194	1
				GROMMET, 2 1/2" DIAMETER RUBBER	085614	2

Bed Hydraulic System
Hydraulic Hoses

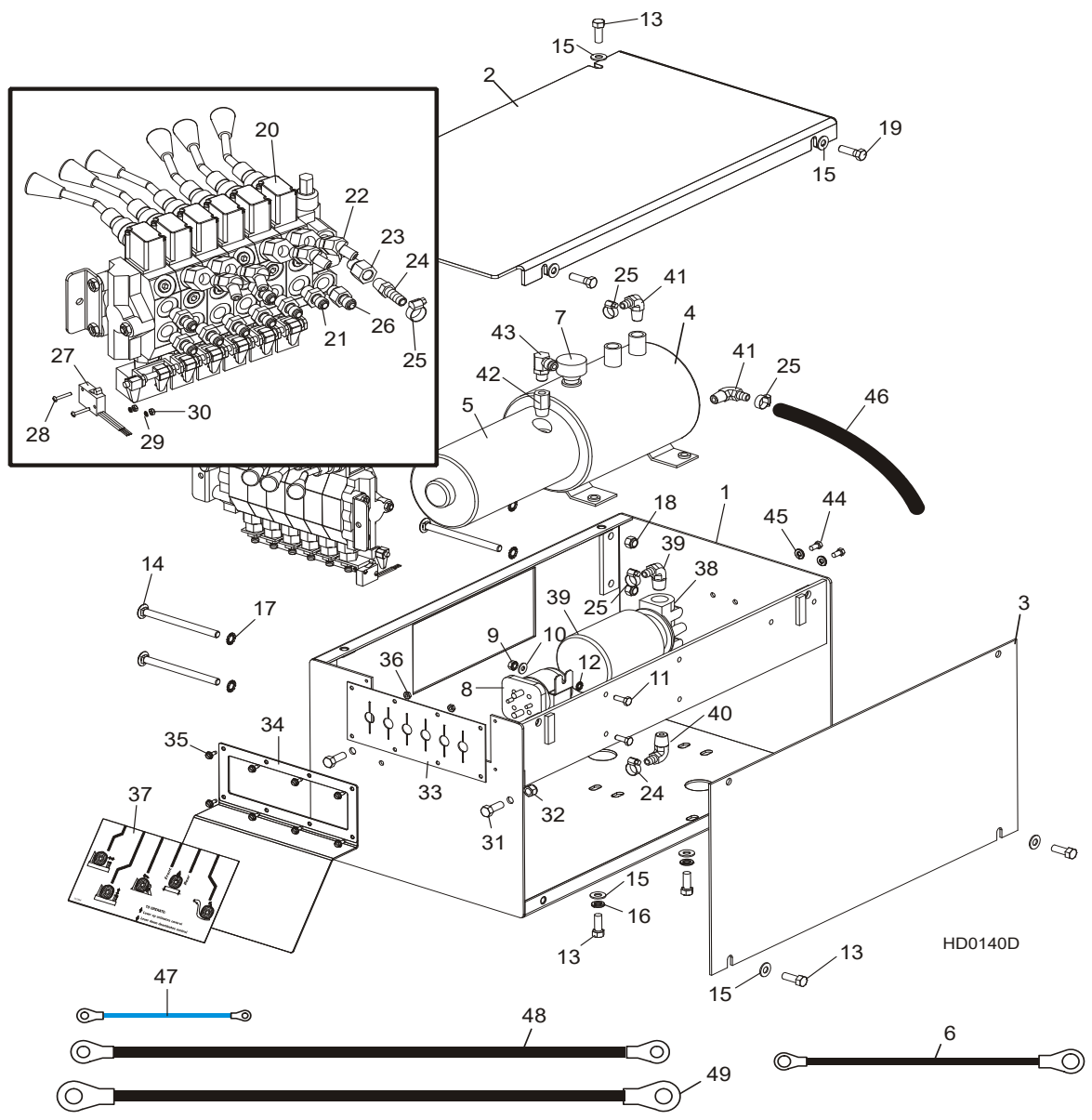
11

				GROMMET, 1 X 1 3/4" OVAL RUBBER	085613	2
--	--	--	--	--	--------	---

11 Bed Hydraulic System

Hydraulic Control Box

11.2 Hydraulic Control Box



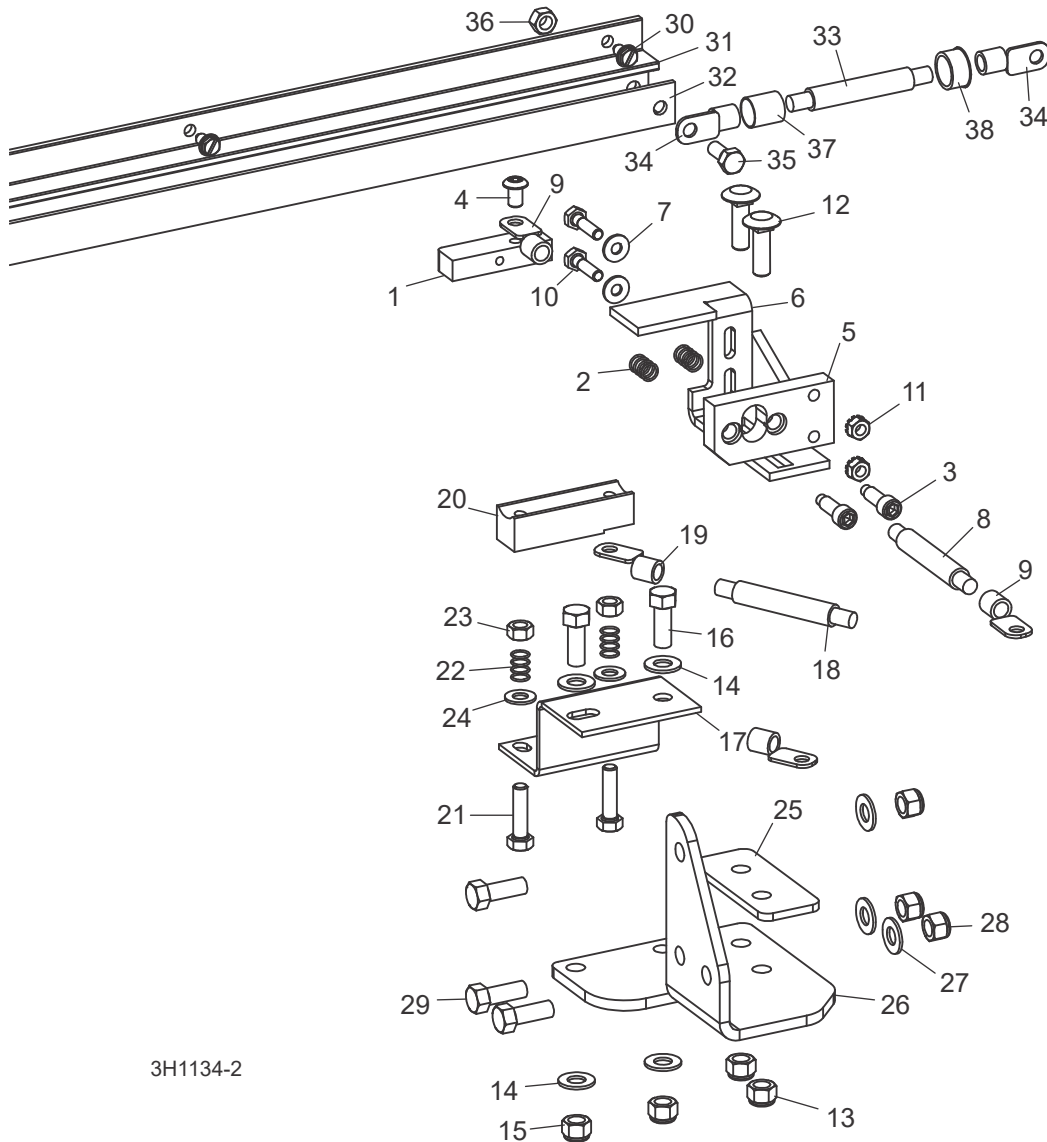
REF	DESCRIPTION (◆ Indicates Parts Available In Assemblies Only)	PART #	QTY.
1	BOX WELDMENT, SUPER HYDRAULIC PUMP HOUSING	015027	1
2	COVER, SUPER HYDRAULIC PUMP HOUSING TOP	015228	1
3	COVER, SUPER HYDRAULIC PUMP HOUSING SIDE	015227	1
4	PUMP KIT, HYDRAULIC W/MOTOR	061764	1
	Pump, Hydraulic Replacement Monarch Model #12070	016199	1
	Motor Kit, Hydraulic Replacement	052807	1

5	Motor, 12 VDC Hydraulic Pump #08714 (Iskra)	038683	1	◆
	Brush Kit, 4-Valve Hydraulic Pump Motor #08658-I (Iskra)	038682	1	
	Bearing, Base Motor #02318	P12513	1	
6	Wire Assembly, Motor Brush Ground	052806	1	
7	Cap, Hydraulic Pump Vented Fill #03171	P12817	1	
	O-Ring, Hydraulic Pump/Reservoir #02352	P10198	1	
	Seal, Hydraulic Pump/Motor #02330	P10315	1	
8	SOLENOID KIT, 200A 12V SPST HYDRAULIC PUMP MOTOR	016371	1	
	Solenoid, 200A 12V SPST Cont. Duty	015470	1	◆
	Diode Assembly, Solenoid Coil Chassis Gnd	015426	1	
9	NUT, 1/4-20 SELF-LOCKING HEX	F05010-9	2	
10	WASHER, 1/4" SAE FLAT	F05011-11	2	
11	BOLT, #1/4-20 X 3/4" HEX HEAD FULL THREAD	F05005-1	2	
12	WASHER, 1/4" EXTERIOR STAR LOCK	F05011-37	2	
	FLUID, 1-QUART DEXRON III HYDRAULIC	P12742	2 1/4 gal.	
	FLUID, 1-GALLON CONOCO MV32	006397	2 1/4 gal.	
	FLUID, 1-GALLON EXXON UNIVIS HVI 13HYDRAULIC	P12822	2 1/4 gal.	
13	BOLT, 3/8-16 X 1" HEX HEAD GRADE 5	F05007-87	8	
14	BOLT, 3/8-16 X 5" CARRIAGE HEAD	F05007-113	4	
15	WASHER, 3/8" SAE FLAT	F05011-3	10	
16	WASHER, 3/8" SPLIT LOCK	F05011-4	4	
17	WASHER, 3/8" EXTERNAL STAR LOCK	F05011-36	4	
18	NUT, 3/8-16 HEX NYLON LOCK	F05010-10	4	
19	BOLT, 3/8-16 X 1 1/4" HEX HEAD	F05007-2	2	
20	VALVE, HYDRAULIC 6 SECTION (See Form 575 For Valve Service Parts)	015260	1	
21	FITTING, 3/8" O-RING - 1/4" JIC	P26284	8	
22	FITTING, #6 SAE - 1/4" JIC 45° ELBOW	015488	4	
23	FITTING, #6 SAE MALE - 1/4" NPT FEMALE	014686	1	
24	FITTING, 1/4" NPT X 3/8" HOSE BARB	014685	1	
25	CLAMP, 11/16" HOSE	P12739	5	
26	FITTING, 3/8" O-RING - 1/4" JIC	P26284	1	
27	SWITCH, HYDRAULIC VALVE ELECTRIC	024198	1	
28	SCREW, #4-40 X 3/4" SLOTTED	F05004-13	2	
29	WASHER, #4 SPLIT LOCK	F05011-21	2	
30	NUT, #4-40 HEX	F05010-43	2	
31	BOLT, 3/8-16 X 1" HEX HEAD	F05007-7	2	
32	NUT, 3/8-16 HEX NYLON LOCK	F05010-10	2	
33	SEAL, RUBBER VALVE HANDLE	015079	1	
34	PLATE, VALVE HANDLE DECAL	015078	1	
35	SCREW, #10-24 X 1/2 SLOTTED HEX SELF-TAPPING	F05015-7	8	
36	NUT, #10-24 SELF-LOCKING HEX	F05010-14	2	
37	DECAL, 1997 HYDRAULIC CONTROL BOX	015364	1	
38	MANIFOLD, HYDRAULIC CARTRIDGE FILTER	P22683	1	

11**Bed Hydraulic System***Hydraulic Control Box*

39	Filter, S28 Hydraulic Cartridge	P20301	1	
40	FITTING, #6-8 (1/2" NPT) - 3/8" HOSE BARB ELBOW	P12707	2	
41	FITTING, #6-6 (3/8" NPT) - 3/8" HOSE BARB ELBOW	P12708	2	
42	FITTING, 3/8" NPT MALE - 1/4" NPT FEMALE	015490	1	
43	FITTING, 1/4" NPT - 1/4" JIC ELBOW	P09142	1	
44	BOLT, 1/4-20 X 1/2" HEX HEAD	F05005-15	2	
45	WASHER, 1/4" SPLIT LOCK	F05011-14	2	
46	HOSE, 3/8" LOW PRESSURE HYDRAULIC	R01892-1	A/R	
47	WIRE ASSEMBLY, 14 GA X 4" #10 & 5/16" RINGS	036315	1	
48	CABLE ASSEMBLY, 1 GA X 16" HYDRAULIC PUMP TO SOLENOID	036310	1	
49	CABLE ASSEMBLY, 1 GA X 16" HYDRAULIC PUMP GROUND	036312	1	
	WASHER, 3/8" STAR EXTERNAL	F05011-36	2	

11.3 Hydraulic Power Supply Strip



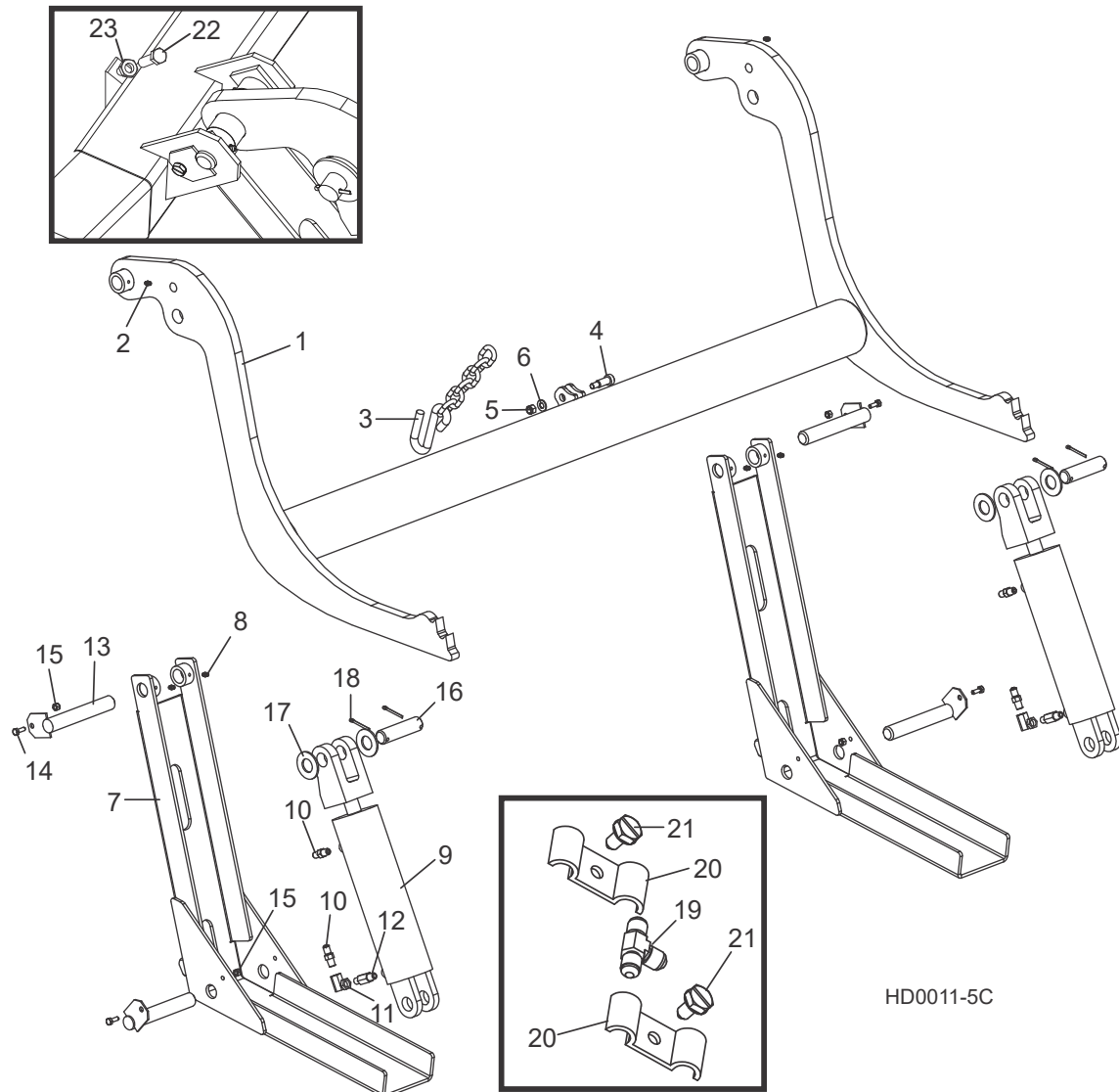
3H1134-2

REF	DESCRIPTION (◆ Indicates Parts Available In Assemblies Only)	PART #	QTY.	
	CONTACT ASSEMBLY, HYDRAULIC POWER SUPPLY (POSITIVE)	010103	1	
	Contact Kit, 97+ Hydraulic Power Supply Positive	007716	1	
1	Contact, Hydraulic Power Supply (Positive)	015253	1	◆
2	Spring, Positive Contact	P10077	2	
3	Bolt, 5/16" x 3/4" Shoulder (1/4-20 Thread) Stainless	F05006-143	2	
4	Bolt, 5/16-18 x 1/2" Socket Button Head	F05006-20	1	
5	Insulator, Positive Contact	S10072	1	

6	Bracket, Positive Contact Mounting	015324	1	
7	Washer, 1/4" SAE Flat	F05011-11	2	
8	Cable, #1 Weld	R01971	1 Ft	◆
9	Terminal, 5/16" Ring #2 Gauge	F05092-16	2	
10	Bolt, 1/4-20 x 1" Hex Head Grade 2	F05005-38	2	
11	Nut, 1/4-20 Hex Self-Locking	F05010-9	2	
12	Bolt, 3/8-16 x 1 1/4" Carriage Head	F05007-11	2	
13	Nut, 3/8-16 Hex Nylon Lock	F05010-10	2	
	CONTACT ASSEMBLY, LT35 HYDRAULIC POWER SUPPLY (GROUND)	065081	1	
14	Washer, 3/8" SAE Flat	F05011-3	4	
15	Nut, 3/8-16 Hex Nylon Lock	F05010-10	2	
16	Bolt, 3/8-16 x 4" Square Head	F05007-7	2	
17	Bracket, Ground Contact Mounting	016792	1	
18	Cable, #1 Weld	R01971	1 Ft	◆
19	Terminal, 5/16" Ring #2 Gauge	F05092-16	1	
	Contact Kit, Hydraulic Ground 1997+	007717	1	
20	Contact, Hydraulic Power Supply (Ground)	015264	1	◆
21	Bolt, 5/16-18 x 1 1/2" Hex Head Grade 5	F05008-96	2	
22	Spring, Ground Contact	P10077	2	
23	Nut, 5/16-18 Hex	F05010-17	2	
24	Washer, 5/16" SAE Flat	F05011-17	2	
25	PLATE, LT35 POSITIVE CONTACT SPACER	025964	1	
26	PLATE, LT35 CONTACT MOUNT	059636	1	
27	WASHER, 3/8" SAE FLAT	F05011-3	3	
28	NUT, 3/8-16 HEX NYLON LOCK	F05010-10	3	
29	BOLT, 3/8-16x1 HHC	F05007-7	3	
	STRIP ASSEMBLY, 6 FT. CONTACT	A11977 ¹	1	
30	Bolt, 1/4-20 x 1/2" Self Tap HH	F05015-1	2	
31	Housing, Contact Strip	P11976	1	
	Strip, Hydraulic Contact w/Cable	A12043-N	1	
32	Strip, 1/8" x 1" x 69-13/16" Contact	S10075	1	◆
33	Cable, 1AWG SO Welding	R01971	1	◆
34	Terminal, 5/16" 1-2Ga Ring NI Loose	F05092-16	2	
35	Screw, 5/16-18 x 3/4" Black Nylon HHC	F05006-45	1	
36	Nut, 5/16-18 Black Nylon Hex	F05010-86	1	
37	Tubing, 5/8" Heat Shrink w/Adhesive ID	R01950-8	1	
	Instruction Sheet, Strip Replacement	A12043-406	1	
38	Grommet, 5/8" Wire	P04137	1	

¹ Replaces 065046 Short Contact Strip Assembly including 065044 Contact Strip Housing and 065045 1/8" x 1" x 15-13/16" Contact Strip (Rev. A4.00). Use 065046 Short Contact Strip Assembly to service LT35/LT35HD prior to Rev. A4.00. (NOTE: A11977 Contact Strip Assembly is too long and cannot be used on LT35/LT35HD prior to Rev. A4.00. Damage to sawmill may result.)

11.4 Hydraulic Log Loader



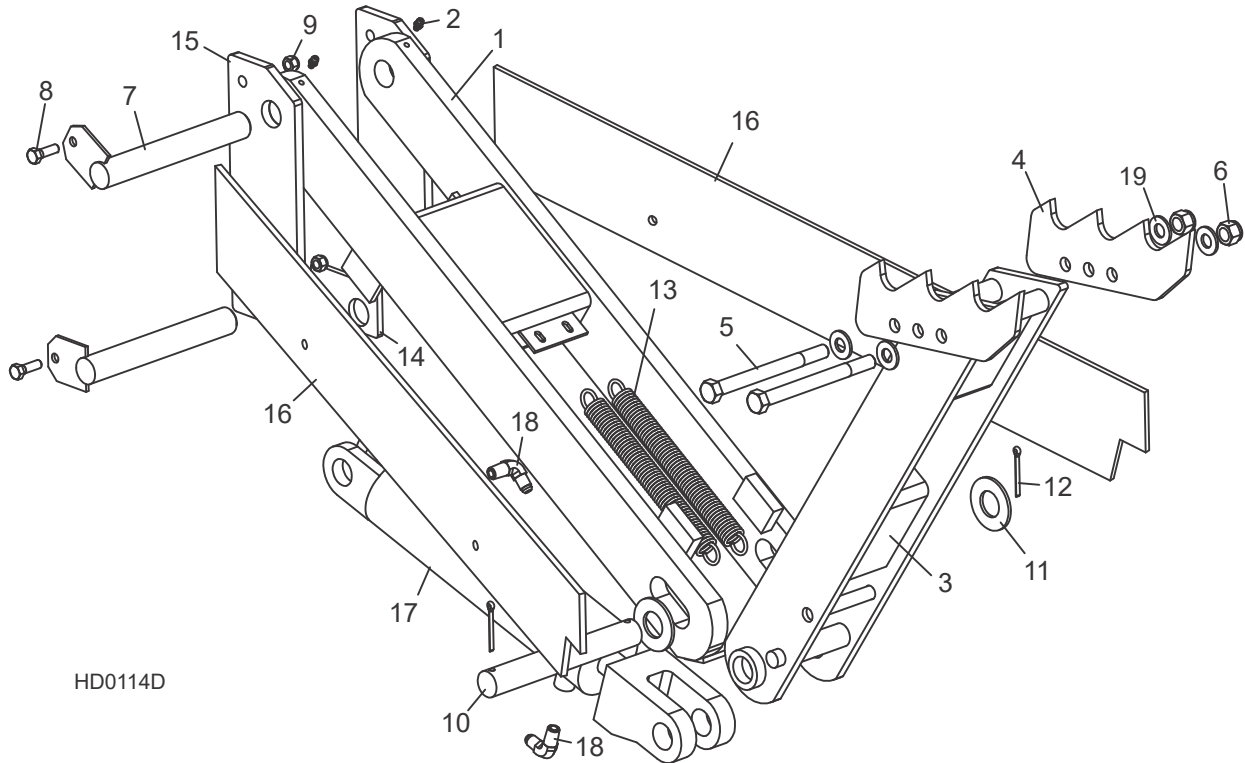
REF	DESCRIPTION (◆ Indicates Parts Available In Assemblies Only)	PART #	QTY.
	LOADER KIT, HYDRAULIC LOG (LT30HD ONLY)	LTHDLA-30H	1
	LOADER KIT, HYDRAULIC LOG (LT35HD & LT40HD ONLY)	LTHDLA	1
	Arm Assembly, Hydraulic Log Loading	036416	1
1	Arm Weldment, Log Loading	110372	1
2	Fitting, 3/16" Grease	P04107	2
3	Chain, 12-1/2 Inch Safety	110472	1
4	Bolt, 1/2 x 1 Shoulder Socket	F05008-146	1
5	Nut, 3/8-16 Hex Nyloc	F05010-10	1

11

Bed Hydraulic System Hydraulic Log Loader

6	Washer, 3/8 Flat SAE	F05011-3	1	
7	Channel, Hydraulic Log Loading Foot	W09444	2	
8	Fitting, 3/16" Grease	P04107	4	
	Cylinder Assembly, Hydraulic Log Loading Arm	A09284	2	◆
9	Cylinder, 8" X 3" Hydraulic	P12847	1	
	Seal Kit, 8" x 3" Hydraulic Cylinder	P12956	1	
10	Fitting, C5205x4x4 Male Connector	P09143	2	
11	Fitting, 0455x4x4 90° Swivel Elbow	P12199	1	
	Fitting Kit, 1/4NPT 5.0GPM Velocity Fuse	015832	1	
12	Fitting, 1/4NPT 5.0GPM Velocity Fuse	015750	2	◆
	Instruction Sheet, Velocity Fuse Replacement	015832-255	1	
13	Pin, Loading Arm Mount	W09446	4	
14	Bolt, 1/4-20 x 3/4" Hex Head Full Thread	F05005-1	4	
15	Nut, 1/4-20 Hex Lock	F05010-69	4	
16	Pin, Loading Arm Cylinder Mount	S09251	2	
17	Washer, 1" SAE Flat	F05011-28	4	
18	Pin, 3/16" X 1 1/2" Cotter	F05012-23	4	
19	Fitting, C5705x5x4 Union 'T'	P09145	2	
20	Clamp, 1/4" Hydraulic Hose	S09245	6	
21	Bolt, 5/16-18 X 3/4" Hex Head Grade 5	F05006-102	6	
22	BOLT, 1/2-13 X 2" HEX HEAD FULL THREAD GRADE 5	F05008-116	2	
23	NUT, 1/2-13 JAM	F05010-31	2	

11.5 Hydraulic Log Turner



REF	DESCRIPTION (◆ Indicates Parts Available In Assemblies Only)	PART #	QTY.	
1	ARM, HYDRAULIC LOG TURNER LINK	015231	1	
2	Fitting, 3/16" Grease	P04107	2	
3	ARM, HYDRAULIC LOG TURNER PAINTED	015233	1	
4	CLAW, HYDRAULIC LOG TURNER	014675	2	
5	BOLT, 1/2-13 X 5 1/2" HEX HEAD GRADE 5	F05008-28	2	
6	NUT, 1/2-13 NYLON HEX LOCK	F05010-8	2	
7	PIN, LOG TURNER MOUNT	015085	2	
8	BOLT, 5/16-18 X 1" HEX HEAD GRADE 2	F05006-1	2	
9	NUT, 5/16-18 HEX LOCK	F05010-6	2	
10	PIN, LOG TURNER PIVOT	S09246	1	
11	WASHER, 1" SAE FLAT	F05011-28	2	
12	PIN, 3/16" X 1 1/2" COTTER	F05012-23	2	
13	SPRING, HYDRAULIC LOG TURNER	015718	2	
14	PLATE, LOG TURNER CYLINDER MOUNT	S09155	1	
15	PLATE, LOG TURNER MOUNT	S09109	2	
16	PLATE, LOG TURNER BRACE	S09605	2	
	CYLINDER ASSEMBLY, HYDRAULIC LOG TURNER	A09286	1	
17	Cylinder, 8" X 2 1/2" Hydraulic	P12846	1	◆

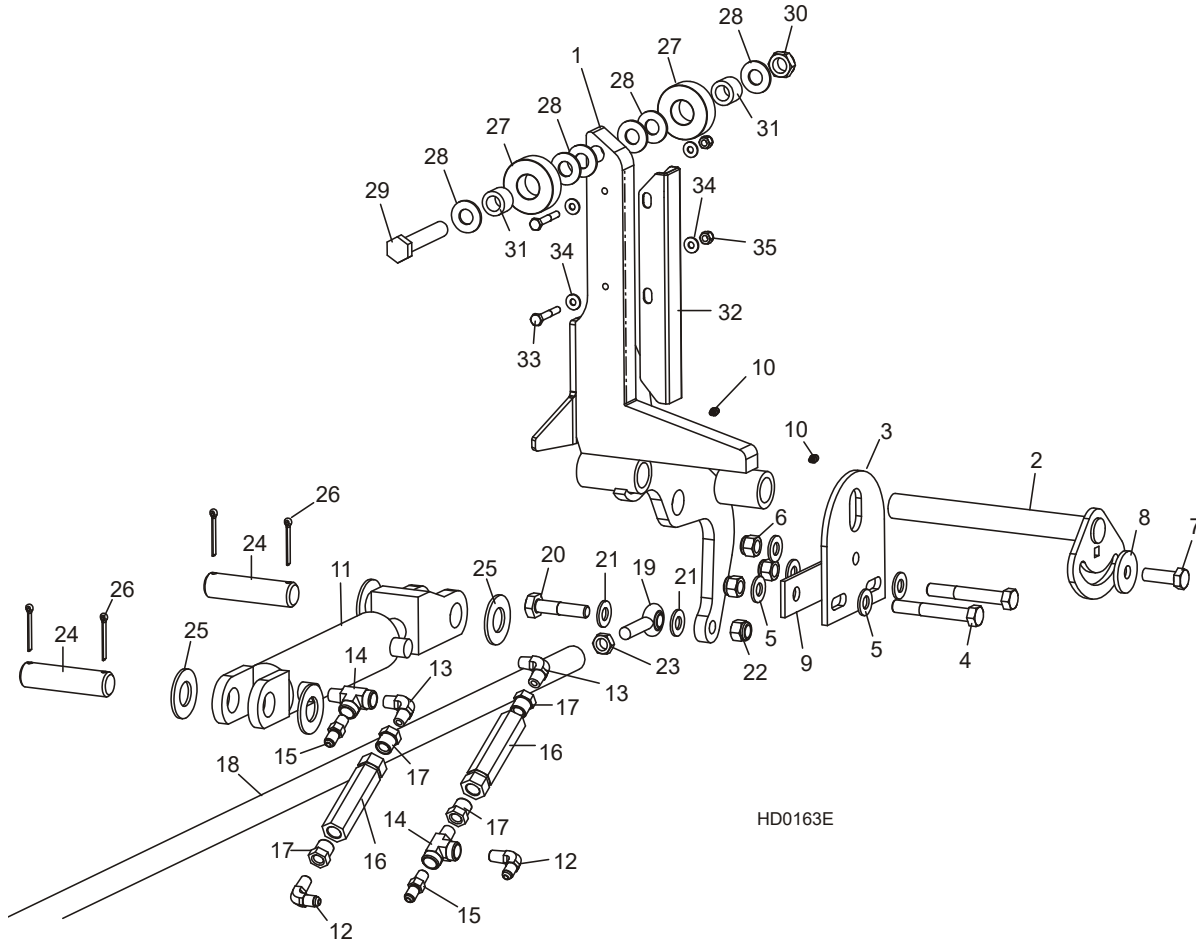
11

Bed Hydraulic System

Hydraulic Log Turner

	Seal Kit, 8" x 2 1/2" Hydraulic Cylinder	P12955	1	
18	Fitting, 90° Male Elbow	P09142	2	
19	WASHER, 1/2" SAE FLAT	F05011-2	4	

11.6 Hydraulic Log Side Supports (Front/Rear)



REF	DESCRIPTION (◆ Indicates Parts Available In Assemblies Only)	PART #	QTY.
1	SUPPORT, HYDRAULIC LOG SIDE	W12339	2
	MOUNTING KIT, HYDRAULIC LOG SIDE SUPPORT	016559	2
2	Pin, Log Side Support Pivot	016544	1
3	Plate, Log Side Support End	016555	1
4	Bolt, 1/2-13 X 3 1/2" Hex Head Grade 5	F05008-61	2
5	Washer, 1/2" SAE Flat	F05011-2	5
6	Nut, 1/2-13 Hex Nylon Lock	F05010-8	3
7	Bolt, 1/2-13 X 1 1/2" Hex Head Grade 5	F05008-33	1
8	Washer, .52" x 1.69"	014632	1
9	Plate, Side Support Washer Clamp	016558	1
10	FITTING, 3/16" GREASE	P04107	4
	CYLINDER ASSEMBLY, HYDRAULIC LOG SIDE SUPPORT	A09283	1
11	Cylinder, 6" X 2" Hydraulic	P12845	1
	Seal Kit, 6" x 2" Hydraulic Cylinder	P12954	1

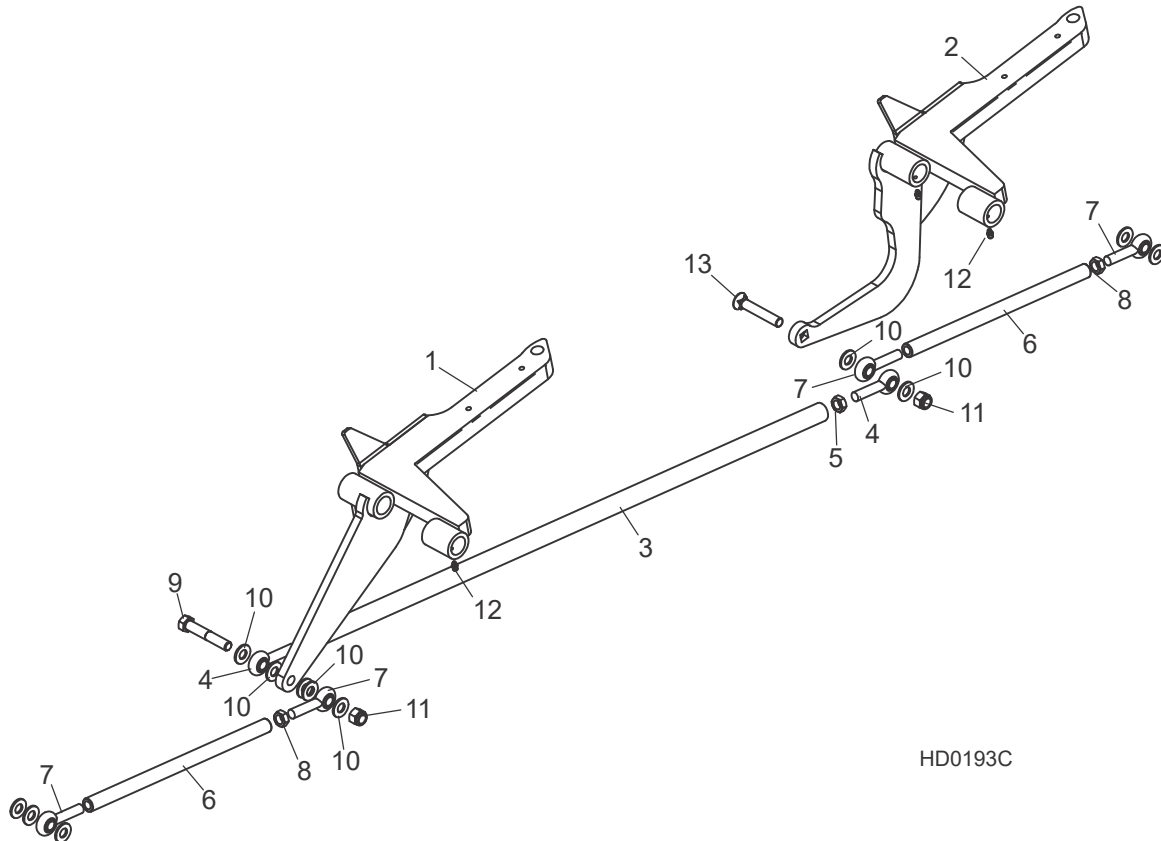
11

Bed Hydraulic System Hydraulic Log Side Supports (Front/Rear)

12	Fitting, 90° Male Elbow	P09142	2	
13	Fitting, C3529x4 90° Pipe	P09140	2	
14	Fitting, C3759x4 Male 'T'	P09141	2	
15	Fitting, C5205x4x4 Male Connector	P09143	2	
16	Valve, Hydraulic Sequence	015484	2	
17	Fitting, 3/8" NPT - 1/4" NPT Reducer	015490	4	
18	ROD, HYDRAULIC SIDE SUPPORT LINK (See Section 11.7 if equipped with HSS Option)	015026	1	
19	END, 1/2" ROD	P09137	2	
20	BOLT, 1/2-13 X 2 1/4" HEX HEAD GRADE 5	F05008-10	2	
21	WASHER, 1/2" SAE FLAT	F05011-2	4	
22	NUT, 1/2-13 HEX NYLON LOCK	F05010-8	2	
23	NUT, 1/2-20 HEX JAM	F05010-16	1	
24	PIN, CYLINDER MOUNT	S09251	2	
25	WASHER, 1" SAE FLAT	F05011-28	4	
26	PIN, 3/16" X 1 1/2" COTTER	F05012-23	4	
	ROLLER KIT, SIDE SUPPORT	016562	2	
27	Roller, Side Support	016561	2	
28	Washer, 5/8" SAE Flat	F05011-5 ¹	6	
29	Bolt, 5/8-11 x 3 3/4" Hex Head Grade 5	F05009-118	1	
30	Nut, 5/8-11 Hex Nylon Lock Jam	F05010-96	1	
31	Bushing, Bronze 5/8" x 1" x 3/4"	016560	2	
	Bolt, 1/2-13 x 3 1/2" Carriage Head	F05008-94	1	
	Instruction Sheet, Side Support Roller	016562-526	1	
	GUARD KIT, STAINLESS STEEL SIDE SUPPORT (OPTIONAL)	016798	1	
32	Guard, Stainless Steel Side Support	016722	4	
33	Bolt, 1/4-20 x 1 3/4" Hex Head	F05005-4	8	
34	Washer, 1/4" SAE Flat	F05011-11	16	
	Washer, 5/8" SAE Flat	F05011-5 ¹	4	
35	Nut, 1/4-20 Hex Nylon Lock	F05010-69	8	
	Instruction Sheet, Stainless Steel Side Support Guard Retro	016798-1005	1	

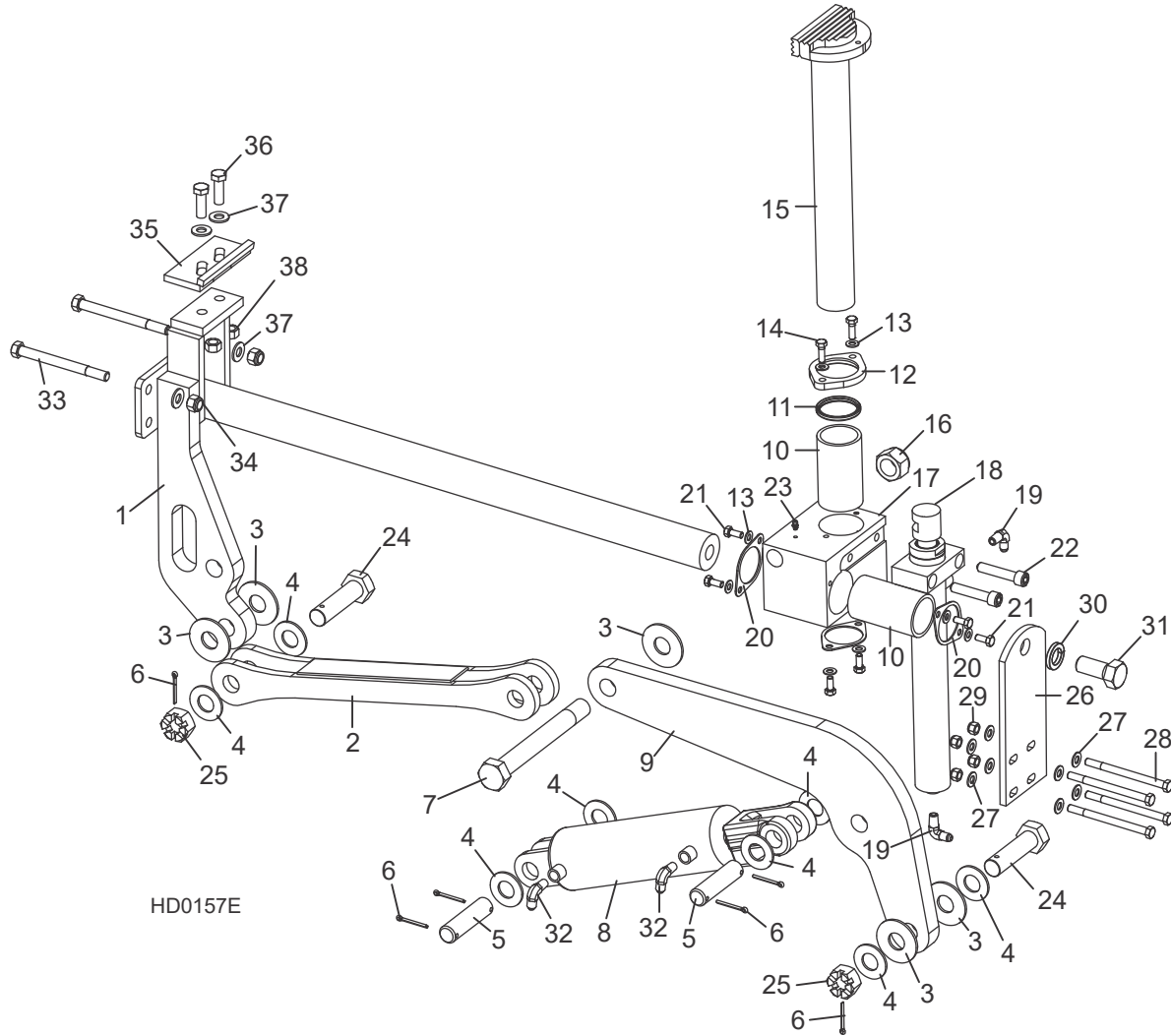
¹ Additional 5/8" SAE Flat Washer F05011-5 may be required on each side of side support to provide clearance for optional stainless steel side support guards. Extra washers are included in the stainless steel guard retrofit kit (016798).

11.7 Hydraulic Log Side Supports (Middle - Optional)



REF	DESCRIPTION (◆ Indicates Parts Available In Assemblies Only)	PART #	QTY.
	SUPPORT ASSEMBLY, HYDRAULIC 4-LINK SIDE	HSS-A	1
1	Support Weldment, Front Log Side	048436	1
2	Support Weldment, Rear Log Side	048438	1
3	Rod, 4-Link Side Support	048537	1
4	Rod End, 1/2 Male	P09137	2
5	Nut, 1/2-20 Hex Jam	F05010-16	1
	Rod Assembly, 4-Link Side Support Short	048247	2
6	Rod, 4-Link Connecting	048246	1
7	Rod End, 1/2 Male	P09137	2
8	Nut, 1/2-20 Hex Jam	F05010-16	1
9	Bolt, 1/2-13 x 3" Hex Head Grade 5	F05008-23	1
10	Washer, 1/2" SAE Flat	F05011-2	12
11	Nut, 1/2-13 Nylon Hex Lock	F05010-8	2
12	Fitting, 3/16 x 3/16 Straight Grease	P04107	4
13	Bolt, 1/2-13 x 3" Flat Head Plow Grade 5	F05008-158	1

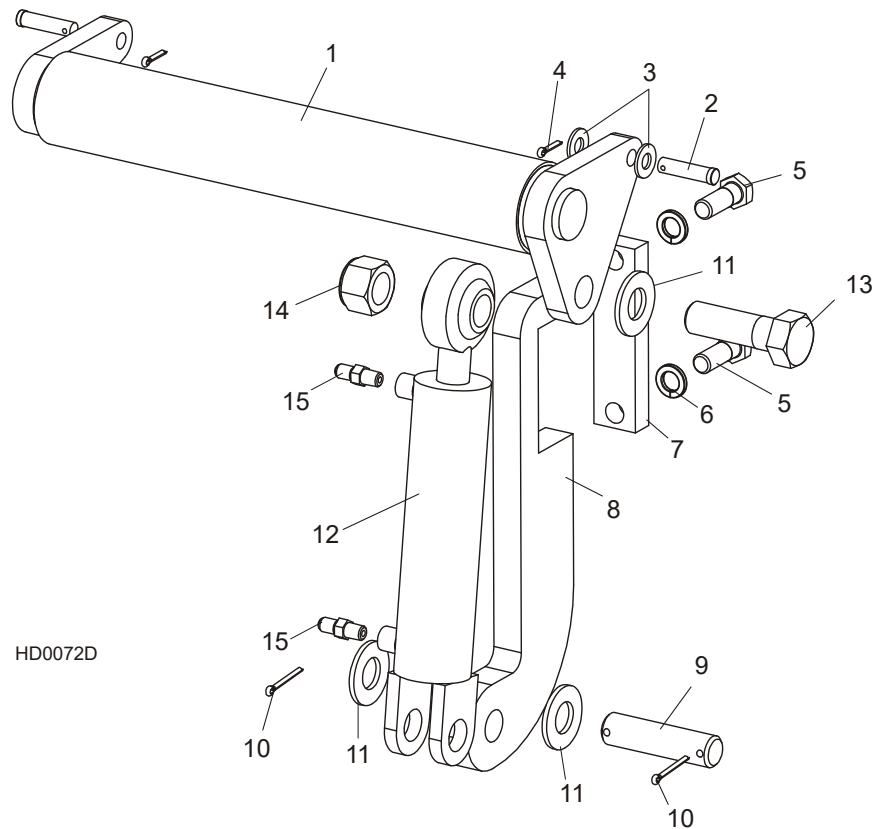
11.8 Hydraulic Log Clamp



REF	DESCRIPTION (◆ Indicates Parts Available In Assemblies Only)	PART #	QTY.
	CLAMP ASSEMBLY, HYDRAULIC 2-PLANE	017264	1
1	Mount Weldment, Hydraulic Clamp Slide	017265	1
2	Link Weldment, Hydraulic Clamp	017267	1
3	Washer, 1/8" x 2 1/2" Hardened	015057	5
4	Washer, 1" SAE Flat	F05011-28	8
5	Pin, 1" x 3.88"	S09251	2
6	Pin, 3/16" x 1 1/2" Cotter	F05012-23	6
7	Bolt, 1-14 x 8 1/2" Hex Head Grade 8	015049	1
8	Cylinder, 3" x 7" Hydraulic	017275	1
	Seal Kit, Hydraulic Cylinder	P12956	1
9	Arm, Clamp Pivot	017274	1

10	Bushing, Clamp Slide	015088	2	
	Wiper Assembly, Vertical Clamp Rod	017271	1	
11	Wiper, Vertical Clamp Rod	017273	1	
12	Flange, Vertical Clamp Rod Wiper	017272	1	
13	Washer, 5/16" SAE Flat	F05011-17	8	
14	Bolt, 5/16-18 x 1" Hex Head	F05006-1	2	
15	Clamp Weldment, Vertical	015043	1	
16	Nut, 1-14 Nylon Lock	F05010-141	1	
17	Block, Hydraulic Clamp Slide	017270	1	
18	Cylinder Weldment, Vertical Clamp Hydraulic	015050	1	
	Seal Kit, Hydraulic Cylinder	016204	1	
	Instruction Sheet, Vertical Clamp Seal Replacement	016204-1009	1	
19	Fitting, 1/4" NPT x 1/4" JIC Elbow	P09142	2	
20	Retainer, Clamp Bushing	017242	3	
21	Bolt, 5/16-18 x 3/4" Hex Head	F05006-5	6	
22	Bolt, 1/2-13 x 2 1/2" Socket Head	F05008-39	2	
23	Fitting, 3/16" Straight Grease	P04107	1	
24	Bolt, 1-14 x 3 3/4" Hex Head Grade 8 w/Hole	015072	2	
25	Nut, 1-14 Slotted Hex	F05010-163	2	
26	Plate, Log Clamp Mount	015068	1	
27	Washer, 3/8" SAE Flat	F05011-3	8	
28	Bolt, 3/8-16 x 5" Hex Head	F05007-5	4	
29	Nut, 3/8-16 Hex Nylon Lock	F05010-10	4	
30	Washer, 7/8" Split Lock	F05011-46	1	
31	Bolt, 7/8-14 x 2" Hex Head Grade 5	F05014-2	1	
32	Fitting, 1/4" NPT - 3/8" JIC Elbow	015491	2	
33	Bolt, 1/2-13 x 5 1/2" Hex Head Grade 5	F05008-28	2	
34	Nut, 1/2-13 Hex Nylon Lock	F05010-8	2	
	Clamp Stop Kit, Hydraulic Log	K09485	1	
35	Plate, Clamp Stop	W09404	1	
36	Bolt, 1/2-13 X 1 1/2" Hex Head Grade 5	F05008-33	2	
37	Washer, 1/2" SAE Flat	F05011-2	2	
38	Nut, 1/2-13 Hex Lock	F05010-3	2	

11.9 Hydraulic Toe Board



REF	DESCRIPTION (◆ Indicates Parts Available In Assemblies Only)	PART #	QTY.
1	TOE BOARD ASSEMBLY, HYDRAULIC	074842	2
2	PIN, 1/2-1 3/4 CLEVIS	F05012-82	4
3	WASHER, 1/2" SAE FLAT	F05011-2	4
4	PIN, 1/8 X 3/4" COTTER	F05012-3	4
5	BOLT, 5/8-11 X 1 3/4" HEX HEAD	F05009-33	4
6	WASHER, 5/8" SPLIT LOCK	F05011-27	4
7	PLATE, HYDRAULIC TOEBOARD MOUNT	S13023	2
8	BRACKET, HYDRAULIC TOEBOARD MOUNT	S13022	2
9	PIN, CYLINDER MOUNT	S09251	2
10	PIN, 3/16" X 1 1/2" COTTER	F05012-23	4
11	WASHER, 1" SAE FLAT	F05011-28	6
12	CYLINDER, 1 1/2" X 6" HYDRAULIC TOE BOARD	014482	2
	Seal Kit, 1 1/2" x 6" Hydraulic Cylinder	014547	1
13	BOLT, 1-8 X 3 1/4" HEX HEAD GRADE 5	F05009-51	2
14	NUT, 1-8 HEX NYLON LOCK	F05010-109	2
15	FITTING, 1/4" NPT X 1/4" JIC MALE	P09143	4

SECTION 12 ACCESSORIES

LT35HD

REF	DESCRIPTION	MASTER	
	LATHE-MIZER (SEE MANUAL)	M1337	
	LATHE-MIZER TENON KIT (SEE MANUAL)	M1308	
	RS2 RESAW (SEE MANUAL)	M1624	
	SHINGLE LAP SIDER (SEE MANUAL)	M903	

13 Trailers

SECTION 13 TRAILERS

LT35HD

REF	DESCRIPTION	MASTER	
	ELECTRIC BRAKE TRAILER OPTION (SEE MANUAL)	M796	
	SURGE BRAKE TRAILER OPTION (SEE MANUAL)	M794	

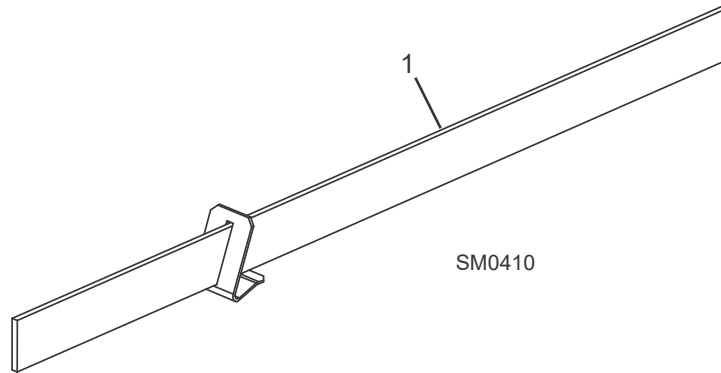
SECTION 14 MISCELLANEOUS

14.1 Replacement Manuals



REF	DESCRIPTION (◆ Indicates Parts Available In Assemblies Only)	PART #	QTY.
Wood-Mizer Product Information			
1	ALL-PRODUCTS CATALOG	PS750	1
Basic Sawmill Manuals			
2	TRU-SHARP BLADE HANDBOOK	M600	1
3	WOOD-MIZER GENERAL INFORMATION	M601	1
4	LT35HD OPERATOR'S MANUAL	M1719	1
5	LT35HD PARTS MANUAL	M1721	1
Power Option Manuals			
6	D17 ENGINE OPTION MANUAL (LT35)	M1723	1
7	G25 ENGINE OPTION MANUAL (LT35)	M1725	1
Trailer Option Manuals			
8	ELECTRIC BRAKE TRAILER OPTION	M796	1
9	SURGE BRAKE TRAILER OPTION	M794	1
Miscellaneous Option Manuals			
10	SHINGLE/LAPSIDER OPTION MANUAL	M621	1
11	RESAW ATTACHMENT OPTION MANUAL	M263	1
12	BED EXTENSION OPTION MANUAL	M294	1
13	LATHE-MIZER OPTION MANUAL	M1337	1

14.2 Tools



REF	DESCRIPTION (◆ Indicates Parts Available In Assemblies Only)	PART #	QTY.	
1	ALIGNMENT TOOL, BLADE GUIDE	LTBGAT	1	

INDEX

B

bed rails
 front/rear 10-1
 middle front 10-3
 middle rear 10-4
 pivot 10-8

blade guide arm 2-5

blade guides
 drive side 2-3
 idle side 2-1

blade tensioner 3-6

blade wheels
 drive side 3-1
 idle side 3-2

C

control box 7-3, 7-6
 drum switches 7-8
 front panel & harnesses 7-9, 7-10, 7-11

covers
 blade housing 4-4

D

decals
 frame 10-13
 saw head 4-2

E

engine options 5-1

F

feed chain 9-6

H

hydraulic
 hoses 11-1
 log clamp 11-15
 log loader 11-8
 power strip 11-6
 side supports (middle) 11-14
 toe board 11-17

M

manuals 14-1, 14-2

O

options, accessories and trailers 6-1, 12-18, 13-1

outfeed table option 10-14

P

parts list
 how to use 1-1

power feed 9-3, 9-5

R

rest pin 10-12

S

sawdust chute 4-5

side supports 10-9

T

tensor de hoja 3-4

track rollers
upper 9-1

U

up/down
drive 8-3, 8-11
saw head mount 8-1
Simple Set sensor 8-14, 8-16, 8-18

W

water lube
bottle/tray 4-1
bottle/tray (D10, E10, G13 & G15) 4-1