

Wood-Mizer[®] Sawmill

Parts Manual

LT70HD Remote

rev. B3.02 - B7.00



Safety is our #1 concern! Read and understand all safety information and instructions before operating, setting up or maintaining this machine.

January 2010

Form #1670

California
Proposition 65 Warning



WARNING: Breathing gas/diesel engine exhaust exposes you to chemicals known to the State of California to cause cancer and birth defects or other reproductive harm.

- Always start and operate the engine in a well-ventilated area.
- If in an enclosed area, vent the exhaust to the outside.
- Do not modify or tamper with the exhaust system.
- Do not idle the engine except as necessary.

For more information go to **www.P65warnings.ca.gov**.



WARNING: Drilling, sawing, sanding or machining wood products can expose you to wood dust, a substance known to the State of California to cause cancer. Avoid inhaling wood dust or use a dust mask or other safeguards for personal protection.

For more information go to **www.P65Warnings.ca.gov/wood**.

©2019

Printed in the United States of America, all rights reserved. No part of this manual may be reproduced in any form by any photographic, electronic, mechanical or other means or used in any information storage and retrieval system without written permission from

Wood-Mizer
8180 West 10th Street
Indianapolis, Indiana 46214

Table of Contents

Section-Page

SECTION 1	GENERAL INFORMATION	1-1
1.1	How To Use The Parts List	1-1
1.2	Sample Assembly	1-1
SECTION 2	BLADE GUIDE ROLLERS & ARM	2-1
2.1	Blade Guide Assembly, Idle Side..... <i>LT70HD Remote Rev. B4.11+</i>	2-1
2.2	Blade Guide Assembly, Idle Side..... <i>LT70HD Remote Rev. B3.02 - B4.10</i>	2-4
2.3	Blade Guide Assembly, Drive Side..... <i>LT70HD Remote Rev. B4.11+</i>	2-7
2.4	Blade Guide Assembly, Drive Side..... <i>LT70HD Remote Rev. B3.02 - B4.10</i>	2-10
2.5	Blade Guide Arm Drive Assembly.....	2-13
SECTION 3	BLADE WHEELS & TENSIONER	3-1
3.1	Blade Drive Assembly.....	3-1
3.2	Idle Blade Wheel Assembly	3-3
3.3	Hydraulic Blade Tensioner Assembly..... <i>LT70HD Remote Rev. B6.05+</i> <i>LT70HD Super Rev. A4.01+</i>	3-5
3.4	Hydraulic Blade Tensioner Assembly..... <i>LT70HD Remote Rev. B4.08 - B6.04</i> <i>LT70HD Super Rev. A1.00 - A4.00</i>	3-7
3.5	Hydraulic Blade Tensioner Assembly..... <i>LT70HD Remote Rev. B4.00 - B4.07</i>	3-9
3.6	Hydraulic Blade Tensioner Assembly..... <i>LT70HD Remote Rev. B3.02</i>	3-12
SECTION 4	SAW HEAD FRAME	4-1
4.1	Middle Throat Screw	4-1
4.2	Belt Tensioner	4-2
4.3	Brake Assembly (DC Only)	4-4
4.4	Autoclutch Assembly (DC Only)..... <i>LT70HD Remote Rev. B4.00+</i>	4-5
4.5	Autoclutch Assembly (DC Only)..... <i>LT70HD Remote Rev. B3.02</i>	4-7
4.6	Board Return Assembly	4-9
4.7	Board Dragback.....	4-10
4.8	Water Lube Assembly	4-11
4.9	Saw Head Decals..... <i>After 11/15/10</i>	4-13
4.10	Saw Head Decals..... <i>Prior to 11/15/10</i>	4-15
4.11	Blade Housing Covers.....	4-16

Table of Contents

Section-Page

4.12	Sawdust Chute	4-18
4.13	Debarker Wire Box/Grommet	4-19
SECTION 5	ENGINE OPTIONS	5-1
	<i>LT70HD Remote</i>	
	<i>LT70HD DCS</i>	
	<i>LT70HD Super</i>	
SECTION 6	OPTIONS & ADDITIONAL INCLUDED EQUIPMENT	6-1
	<i>LT70HD Super</i>	
	<i>LT70HD DCS</i>	
	<i>LT70HD Remote</i>	
SECTION 7	DEBARKER	7-1
7.1	Debarker Assembly (DC Complete)	7-1
	<i>MKIII LT70 A.00+</i>	
7.2	Debarker Assembly (DC Complete)	7-2
	<i>MKII LT70 A.00 - B.03</i>	
7.3	Debarker Assembly (AC Complete)	8-1
	<i>MKIII LT70 A.00+</i>	
7.4	Debarker Assembly (AC Complete)	8-2
	<i>MKII LT70 A.00 - B.03</i>	
7.5	Frame Assembly	8-3
	<i>MKIII LT70 A.00+</i>	
7.6	Frame Assembly	8-5
	<i>MKII LT70 A.00 - B.03</i>	
7.7	In/Out Motor Drive Assembly	8-7
	<i>MKIII LT70 A.00+</i>	
7.8	In/Out Motor Drive Assembly	8-9
	<i>MKII LT70 A.00 - B.03</i>	
7.9	Cutter Head Assembly (DC)	8-11
	<i>MKIII LT70 A.00+</i>	
7.10	Cutter Head Assembly (DC)	8-12
	<i>MKII LT70 A.00 - B.03</i>	
7.11	Cutter Head Assembly (AC)	8-14
	<i>MKIII LT70 A.00+</i>	
7.12	Cutter Head Assembly (AC)	8-15
	<i>MKII LT70 A.00 - B.03</i>	
7.13	Blade Housing Assembly	8-17
	<i>MKIII LT70 A.00+</i>	
7.14	Blade Housing Assembly	8-18
	<i>MKII LT70 A.00 - B.03</i>	
7.15	Spring Arm Assembly	8-20
	<i>MKII LT70 A.00 - B.03</i>	

Table of Contents

Section-Page

SECTION 8	CONTROL & BATTERY BOXES	9-1
8.1	Control Assembly (DC).....	9-1
8.2	Control Assembly (AC).....	9-4
8.3	Drum Switches	9-7
8.4	Front Panel Assembly.....	9-8
8.5	Battery Box Assembly (DC Only)	9-10
8.6	Fuse Box Assembly (DC Only).....	9-12
8.7	Remote Power Box Assembly (DC).....	9-14
	<i>LT70HD Remote Rev. B4.00+</i>	
8.8	Remote Junction Box (AC)	9-16
8.9	Remote Power Box Assembly (DC).....	9-18
	<i>LT70HD Remote Rev. B3.02</i>	
8.10	Remote Power Box Door Assembly (DC Only)	9-20
SECTION 9	UP/DOWN SYSTEM	10-1
9.1	Up/Down Rollers & Covers	10-1
9.2	Blade Height & Quarter Scales	10-3
9.3	Up/Down Chain & Sprockets	10-4
9.4	Up/Down Drive Assembly	10-5
9.5	Up/Down Assist Assembly (DC Only)	10-7
SECTION 10	FEED SYSTEM & TRACK ROLLERS	11-1
10.1	Upper Track Rollers And Wipers.....	11-1
10.2	Power Feed Assembly	11-3
10.3	Feed Chain/Stop	11-5
10.4	Lower Track Rollers.....	11-6
SECTION 11	BED FRAME ASSEMBLY	12-1
11.1	Bed Rail Assembly, Front And Rear.....	12-1
11.2	Bed Rail Assembly, Middle Front.....	12-3
11.3	Bed Rail Assembly, Middle Rear.....	12-4
11.4	Leg Assembly (Stationary).....	12-5
11.5	Board Return Table Assembly	12-7
11.6	Pivot Bed Rail Assembly.....	12-9
11.7	Taper Roller Pivot Assembly	12-10
11.8	Log Side Support Assembly (Manual)	12-11
11.9	Safety Chain Assembly	12-13
11.10	Saw Head Rest Pin Assembly	12-14
11.11	Bed Frame Decals.....	12-15
11.12	Cable Chain Assembly	12-16
11.13	Bottom Chain Mount Assembly	12-17
11.14	Top Chain Mount Assembly	12-18
11.15	Front Tray Mount Assembly	12-19
11.16	Cable Chain Support Bracket	12-20
11.17	Remote Cable Box.....	12-21
11.18	Board Outfeed Table (Optional).....	12-23

Table of Contents

Section-Page

SECTION 12	BED HYDRAULIC SYSTEM	13-1
12.1	Hydraulic Hoses	13-1
12.2	Command Control	13-2
12.3	Hydraulic Pump Box (DC)..... <i>LT70HD Remote Rev. B3.02 - B4.03</i>	13-4
12.4	Hydraulic Pump Box (230/460V AC)..... <i>LT70HD Remote Rev. B3.02 - B4.04</i>	13-7
12.5	Hydraulic Pump Box (575V AC)..... <i>LT70 Remote Rev. B3.02 - B4.04</i>	13-10
12.6	Hydraulic Control Box (230/460V AC).....	13-12
12.7	Hydraulic Control Box (575V AC)..... <i>LT70 Remote Rev. B3.02 - B4.04</i>	13-14
12.8	Hydraulic Valve (DC)	13-16
	<i>LT70HD Remote Rev. B4.02+</i>	
12.9	Hydraulic Valve (DC)	13-18
	<i>LT70HD Remote Rev. B3.02 - B4.01</i>	
12.10	Hydraulic Valve (AC)	13-20
	<i>LT70HD Remote Rev. B4.02+</i>	
12.11	Hydraulic Valve (AC)	13-22
	<i>LT70HD Remote Rev. B3.02 - B4.01</i>	
12.12	Hydraulic Power Supply Strip (DC Only)..... <i>LT70HD Remote Rev. B3.02 - B4.03</i>	13-24
12.13	Rear Hydraulic Power Supply Strip (DC Only).....	13-26
12.14	Hydraulic Log Loader	13-27
12.15	Hydraulic Log Turner.....	13-29
12.16	Hydraulic Log Side Supports (Front).....	13-31
12.17	Hydraulic Log Side Supports (Rear).....	13-33
12.18	Hydraulic Log Side Supports (Link).....	13-35
12.19	Hydraulic Log Clamp.....	13-36
12.20	Hydraulic Toe Board.....	13-38
SECTION 13	ACCESSORIES	14-39
	<i>LT70HD Super</i>	
	<i>LT70HD DCS</i>	
	<i>LT70HD Remote</i>	
SECTION 14	TRAILERS	15-1
	<i>LT70HD Super</i>	
	<i>LT70HD DCS</i>	
	<i>LT70HD Remote</i>	
SECTION 15	MISCELLANEOUS	16-1
15.1	Replacement Manuals	16-1
15.2	Tools.....	16-3

INDEX

I

SECTION 1 GENERAL INFORMATION

1.1 How To Use The Parts List

- Use the table of contents or index to locate the assembly that contains the part you need.
- Go to the appropriate section and locate the part in the illustration.
- Use the number pointing to the part to locate the correct part number and description in the table.
- Parts shown indented under another part are included with that part.
- Parts marked with a diamond (◆) are only available in the assembly listed above the part.

See the sample table below. Sample Part #A01111 includes part F02222-2 and subassembly A03333. Subassembly A03333 includes part S04444-4 and subassembly K05555. The diamond (◆) indicates that S04444-4 is not available except in subassembly A03333. Subassembly K05555 includes parts M06666 and F07777-77. The diamond (◆) indicates M06666 is not available except in subassembly K05555.

1.2 Sample Assembly				
REF	DESCRIPTION (◆ Indicates Parts Available In Assemblies Only)	PART #	QTY.	
	SAMPLE ASSEMBLY, COMPLETE (INCLUDES ALL INDENTED PARTS BELOW)	A01111	1	
1	Sample Part	F02222-22	1	
	Sample Subassembly (Includes All Indented Parts Below)	A03333	1	
2	Sample Part (◆ Indicates Part Is Only Available With A03333)	S04444-4	1	◆
	Sample Subassembly (Includes All Indented Parts Below)	K05555	1	
3	Sample Part (◆ Indicates Part Is Only Available With K05555)	M06666	2	◆
4	Sample Part	F07777-77	1	

To Order Parts:

- From the continental U.S., call **1-800-525-8100** to order parts. Have your customer number, vehicle identification number, and part numbers ready when you call.
- From other international locations, contact the Wood-Mizer distributor in your area for parts.

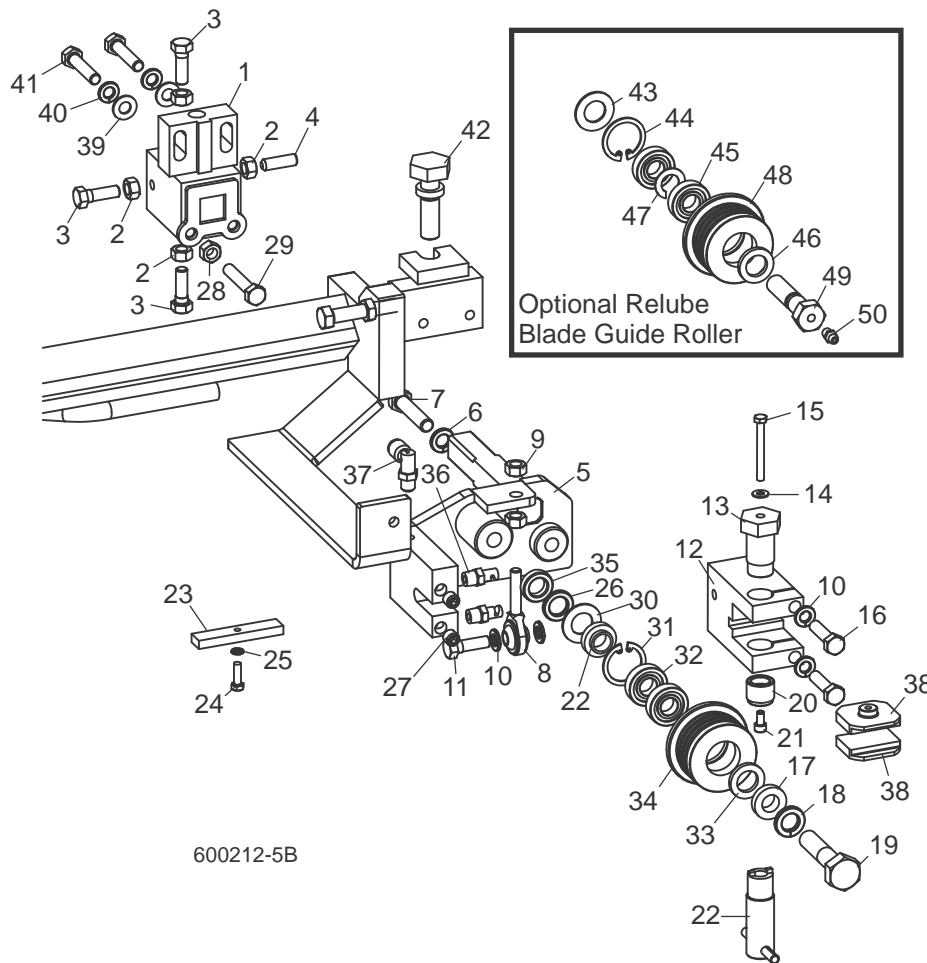
2 Blade Guide Rollers & Arm

Blade Guide Assembly, Idle Side

SECTION 2 BLADE GUIDE ROLLERS & ARM

2.1 Blade Guide Assembly, Idle Side

LT70HD Remote Rev. B4.11+



600212-5B

REF	DESCRIPTION (◆ Indicates Parts Available In Assemblies Only)	PART #	QTY.	
	ROLLER/BLOCK ASSEMBLY, IDLE SIDE (OUTER)	036818	1	
	Block Assembly, Blade Guide Mount	036872	1	
1	Block Weldment, Blade Guide Mount	036868	1	◆
2	Nut, 5/16-18 Hex	F05010-17	4	
3	Bolt, 5/16-18 x 1" Hex Head Stainless Steel	F05006-88	3	
4	Screw, 5/16-18 x 1" Socket Head Flat Point Stainless Steel Set	F05006-122	1	
5	Shaft Weldment, Idle Side Guide	036866	1	
6	Washer, 3/8" Split Lock	F05011-4	1	
7	Bolt, 3/8-16 x 1 3/4" Hex Head Grade 5	F05007-119	1	

Blade Guide Rollers & Arm

Blade Guide Assembly, Idle Side

2

8	Rod End, 5/16-24 Male	P09814	1	
9	Nut, 5/16-24 Hex Jam	F05010-28	2	
10	Washer, 5/16" Split Lock	F05011-13	4	
11	Bolt, 5/16-18 x 1" Hex Head Stainless Steel	F05006-88	1	
12	Block, Guide Block Mount	036814	1	
13	Bolt, Blade Guide Block Mount	035216	1	
14	Washer, #10 Brass	042867	1	
15	Bolt, #10-32 x 1 3/4" Hex Head Stainless Steel	F05004-178	1	
16	Bolt, 5/16-18 x 1 1/4" Hex Head Stainless Steel	F05006-118	2	
17	Spacer, Blade Guide	S04253	2	
18	Washer, 1/2" Split Lock	F05011-9 ¹	1	
19	Bolt, 1/2-13 x 2 1/4" Hex Head Grade 5	F05008-10	1	
20	Screw, Lower Block Adjustment	044057	1	
21	Screw, #10-32 x 3/8" Socket Head Stainless Steel	F05004-200	1	
22	Tool, Lower Block Adjustment	044064	1	
23	Block, Blade Guide Alignment	035799	1	
24	Screw, #10-32 x 5/8" Hex Head	F05004-152	1	
25	Washer, #10 Split Lock	F05011-20	1	
26	Spacer, 1/2" ID x 7/8" OD x 1/8" Thick	052364 ³	1	
27	Fitting, 1/8" NPT Socket Pipe Plug	P30127	2	
28	Nut, 5/16-18 Hex	F05010-17	1	
29	Bolt, 5/16-18 x 1 3/4" Hex Head Full Thread Grade 5	F05006-81	1	
	ROLLER ASSEMBLY, BLADE GUIDE (STANDARD FOR USE WITH 1 1/4" & 1 1/2" BLADES)	A04925 ²	1	
	ROLLER ASSEMBLY, EXTENDED BLADE GUIDE (OPTIONAL FOR USE WITH 1 1/2" BLADES)	014299 ²	1	
	Bearing Kit, Blade Guide Rebuild	K07079	1	
30	Washer, 5/8" White Felt	P04252	1	
31	Ring, 1 1/8" Interior Retaining	F04254-1	1	
32	Bearing, R8-2RS Blade Guide	015975	2	◆
33	Washer, 5/8" Gray Felt	P06455	1	
	Screw, 1/4-28 x 1/4" Socket Head Cup Point Set Black Oxide	F05005-105	1	
	Instruction Sheet, Blade Guide Rebuild	057407-1507	1	
34	Roller, Flanged Blade Guide (1 1/4" & 1 1/2" blade)	S04250	1	◆
	Roller, Flanged Blade Guide (1 1/2" blade)	014243	1	◆
	Instruction Sheet, Blade Guide Roller Replacement	A04925-364	1	
35	SPACER, 1/2" ID X 7/8" OD X 1/4" (FOR USE WITH 1 1/4" BLADES ONLY)	041626 ³	1	
36	FITTING, BLADE LUBE SPRAY NOZZLE	033479 ⁴	2	
37	FITTING, 1/8" MPT X 1/4" TUBE SWIVEL ELBOW	P09736 ⁴	1	
38	BLOCK, BLADE GUIDE WEAR (STANDARD FOR 1 1/2" BLADES)	052309 ⁵	2	
	BLOCK, BLADE GUIDE WEAR (OPTIONAL FOR 1 1/4" BLADES)	052355	2	
	BLOCK ASSEMBLY, 1" SQ. EZ-GLIDE WEAR	036347	2	
	SHIM, .008" BLADE GUIDE BLOCK SPACER	035248	1	

2

Blade Guide Rollers & Arm

Blade Guide Assembly, Idle Side

39	WASHER, 5/16" SAE FLAT	F05011-17	2	
40	WASHER, 5/16" SPLIT LOCK	F05011-13	2	
41	BOLT, 5/16-18 X 1 1/2" HEX HEAD GRADE 5 FULL THREAD	F05006-76	2	
42	BOLT, BLADE GUIDE VERTICAL ADJUSTMENT	035656	1	
	ROLLER ASSEMBLY, BLADE GUIDE RELUBE (OPTIONAL FOR USE WITH 1 1/4" & 1 1/2" BLADES)	016568 ²	1	
	ROLLER ASSEMBLY, EXTENDED BLADE GUIDE RELUBE (OPTIONAL FOR USE WITH 1 1/2" BLADES)	057405 ²	1	
	Bearing Kit, Relube Blade Guide Rebuild	057407	1	
43	Washer, 5/8" White Felt	P04252	1	
44	Ring, 1 1/8" Interior Retaining	F04254-1	1	
45	Bearing, R8-2RS Blade Guide (modified)	015975 ⁶	2	◆
46	Washer, 5/8" Gray Felt	P06455	1	
47	Spacer, Blade Guide Bearing	035411	1	
	Instruction Sheet, Blade Guide Rebuild	057407-1507	1	
48	Roller, Flanged Blade Guide (Relube 1 1/4" & 1 1/2" blade)	035426	1	◆
	Roller, Flanged Blade Guide (Relube 1 1/2" blade)	057402	1	◆
	Instruction Sheet, Blade Guide Roller Replacement	A04925-364	1	
49	BOLT, BLADE GUIDE ROLLER (RELUBE ONLY)	036161	1	
50	FITTING, 1/4-28 GREASE (RELUBE ONLY)	P05060	1	

¹ Nord-Lock Washer F05011-125 available to replace Split Lock Washer F05011-9 to prevent loosening due to vibration (12/09).

² The sawmill is equipped standard with non-greasable blade guide rollers that can be used with the standard 1 1/2" blade. The roller can also be used with 1 1/4" blades (requires spacer 041626 & wear blocks 052355). Optional extended blade guide rollers are available for use with 1 1/2" blades. The extended rollers may provide more stability during difficult sawing, but will reduce the total amount of times the blade can be reused after sharpening. Optional relube versions of each roller configuration are also available.

³ Use 1/8" spacer 052364 with 1 1/2" blade provided as standard equipment. Use 1/4" spacer 041626 for optional 1 1/4" blades.

⁴ Fittings removed from blade guide assembly BOM to allow structuring of blade guide assembly in various equipment (11/05).

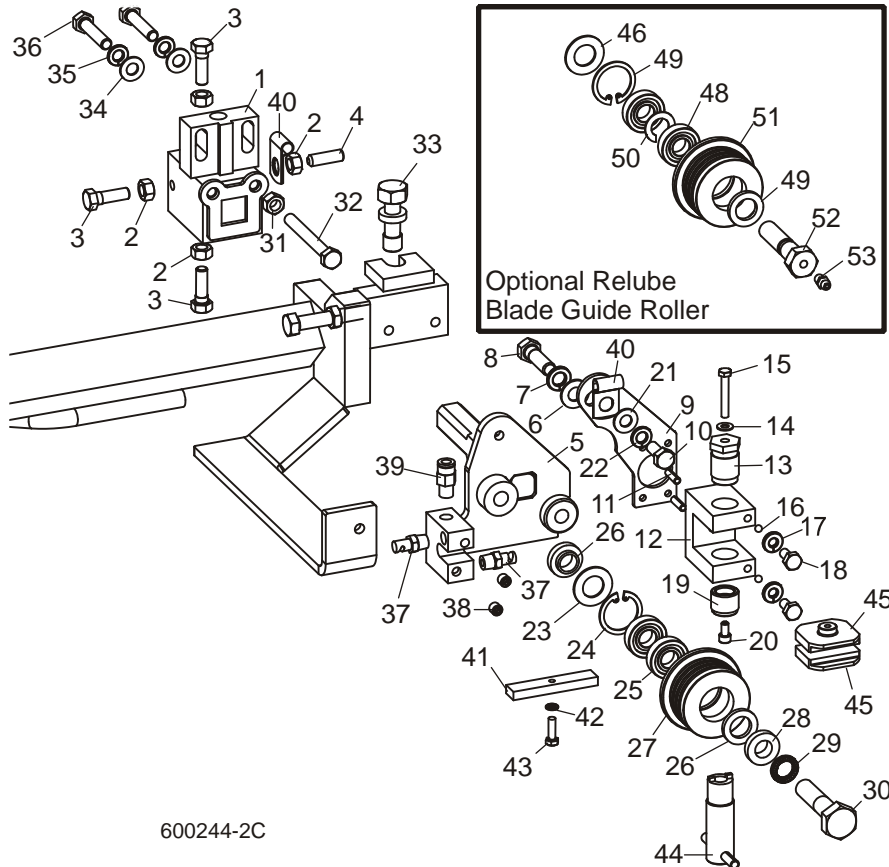
⁵ 052309 blocks for use with 1 1/2" blade provided as standard equipment. 052355 blocks available for optional use with 1 1/4" blades. EZ-Glide blocks 036347 are available for customers who prefer this block.

⁶ Bearing must be modified for use with relube roller assemblies. Remove one seal from each bearing, place open sides facing each other and place spacer 035411 between bearings.

2.2 Blade Guide Assembly, Idle Side

LT70HD Remote

Rev. B3.02 - B4.10



600244-2C

REF	DESCRIPTION (◆ Indicates Parts Available In Assemblies Only)	PART #	QTY.	
	ROLLER/BLOCK ASSEMBLY, IDLE SIDE (OUTER)	003926 ¹	1	
	Block Assembly, Blade Guide Mount	065677	1	
1	Block Weldment, Blade Guide Mount	003911	1	◆
2	Nut, 5/16-18 Hex	F05010-17	4	
3	Bolt, 5/16-18 x 1" Hex Head Stainless Steel	F05006-88	3	
4	Screw, 5/16-18 x 1" Socket Head Flat Point Stainless Steel Set	F05006-122	1	
5	Shaft Weldment, Idle Side Guide	003924	1	
	Mount Assembly, Blade Guide Block Idle	003928	1	
6	Washer, 3/8" SAE Flat	F05011-3	1	
7	Washer, 3/8" Split Lock	F05011-4	1	
8	Bolt, 3/8-16 x 1 1/4" Hex Head Grade 5	F05007-123	1	
9	Plate, Block Tilt Adjustment	003915	1	
10	Bolt, 5/16-18 x 3/4" Hex Head	F05006-102	1	
11	Pin, 3/16" x 5/8" Roll	F05012-22	2	

2 Blade Guide Rollers & Arm

Blade Guide Assembly, Idle Side

12	Block, Guide Block Mount	003909	1	
13	Bolt, Blade Guide Block Mount	003994	1	
14	Washer, #10 Brass	042867	1	
15	Bolt, #10-32 x 1 1/4" Hex Head Stainless Steel	F05004-240	1	
16	Ball, 3/16" Dia. Nylon	003914	2	
17	Washer, 1/4" Split Lock	F05011-14	2	
18	Bolt, 1/4-20 x 1/2" Hex Head	F05005-15	2	
19	Screw, Lower Block Adjustment	044057	1	
20	Screw, #10-32 x 3/8" Socket Head Stainless Steel	F05004-200	1	
21	Washer, 5/16" SAE Flat	F05011-17	1	
22	Washer, 5/16" Split Lock	F05011-13	1	
	Roller Assembly, Blade Guide (standard for use with 1 1/4" & 1 1/2" blades)	A04925 ²	1	
	Roller Assembly, Extended Blade Guide (optional for use with 1 1/2" blades)	014299 ²	1	
	Bearing Kit, Blade Guide Rebuild	K07079	1	
23	Washer, 5/8" White Felt	P04252	1	
24	Ring, 1 1/8" Interior Retaining	F04254-1	1	
25	Bearing, R8-2RS Blade Guide	015975	2	◆
26	Washer, 5/8" Gray Felt	P06455	1	
	Screw, 1/4-28 x 1/4" Socket Head Cup Point Set Black Oxide	F05005-105	1	
	Instruction Sheet, Blade Guide Rebuild	057407-1507	1	
27	Roller, Flanged Blade Guide (1 1/4" & 1 1/2" blade)	S04250	1	◆
	Roller, Flanged Blade Guide (1 1/2" blade)	014243	1	◆
	Instruction Sheet, Blade Guide Roller Replacement	A04925-364	1	
28	Spacer, Blade Guide	S04253	2	
29	Washer, 1/2" Nord-Lock	F05011-125	1	
30	Bolt, 1/2-13 x 2 1/4" Hex Head Grade 5	F05008-10	1	
31	Nut, 5/16-18 Hex	F05010-17	1	
32	Bolt, 5/16-18 x 2 3/4" Hex Head Full Thread	F05006-136	1	
33	Bolt, Blade Guide Vertical Adjustment	035656	1	
34	Washer, 5/16" SAE Flat	F05011-17	2	
35	Washer, 5/16" Split Lock	F05011-13	2	
36	Bolt, 5/16-18 x 1 1/2" Hex Head Grade 5 Full Thread	F05006-76	2	
37	Fitting, Blade Lube Spray Nozzle	033479	2	
38	Fitting, 1/16" NPT Socket Pipe Plug	007734	2	
39	Fitting, 1/8" NPT x 1/4" Tube	P03078	1	
40	Clamp, 1/4" Wire 13/32" Mounting Hole	024155	2	
41	BLOCK, BLADE GUIDE ALIGNMENT	035799	1	
42	SCREW, #10-32 X 5/8" HEX HEAD	F05004-152	1	
43	WASHER, #10 SPLIT LOCK	F05011-20	1	
44	TOOL, LOWER BLOCK ADJUSTMENT	044064	1	
45	BLOCK, BLADE GUIDE WEAR (STANDARD FOR 1 1/2" BLADES)	052309 ³	2	
	BLOCK, BLADE GUIDE WEAR (OPTIONAL FOR 1 1/4" BLADES)	052355	2	
	BLOCK ASSEMBLY, 1" SQ. EZ-GLIDE WEAR	036347	2	

	SHIM, .008" BLADE GUIDE BLOCK SPACER	035248	1	
	ROLLER ASSEMBLY, BLADE GUIDE RELUBE (OPTIONAL FOR USE WITH 1 1/4" & 1 1/2" BLADES)	016568 ²	1	
	ROLLER ASSEMBLY, EXTENDED BLADE GUIDE RELUBE (OPTIONAL FOR USE WITH 1 1/2" BLADES)	057405 ²	1	
	Bearing Kit, Relube Blade Guide Rebuild	057407	1	
46	Washer, 5/8" White Felt	P04252	1	
47	Ring, 1 1/8" Interior Retaining	F04254-1	1	
48	Bearing, R8-2RS Blade Guide (modified)	015975 ⁴	2	◆
49	Washer, 5/8" Gray Felt	P06455	1	
50	Spacer, Blade Guide Bearing	035411	1	
	Instruction Sheet, Blade Guide Rebuild	057407-1507	1	
51	Roller, Flanged Blade Guide (Relube 1 1/4" & 1 1/2" blade)	035426	1	◆
	Roller, Flanged Blade Guide (Relube 1 1/2" blade)	057402	1	◆
	Instruction Sheet, Blade Guide Roller Replacement	A04925-364	1	
52	BOLT, BLADE GUIDE ROLLER (RELUBE ONLY)	036161	1	
53	FITTING, 1/4-28 GREASE (RELUBE ONLY)	P05060	1	

¹ 003926 Blade Guide Assembly replaced with 036818 Rev. B4.11. New assembly provides easier adjustment ([See Section 2.1](#))

² The sawmill is equipped standard with non-greasable blade guide rollers that can be used with the standard 1 1/2" blade. The roller can also be used with 1 1/4" blades. Optional extended blade guide rollers are available for use with 1 1/2" blades. The extended rollers may provide more stability during difficult sawing, but will reduce the total amount of times the blade can be reused after sharpening. Optional relube versions of each roller configuration are also available.

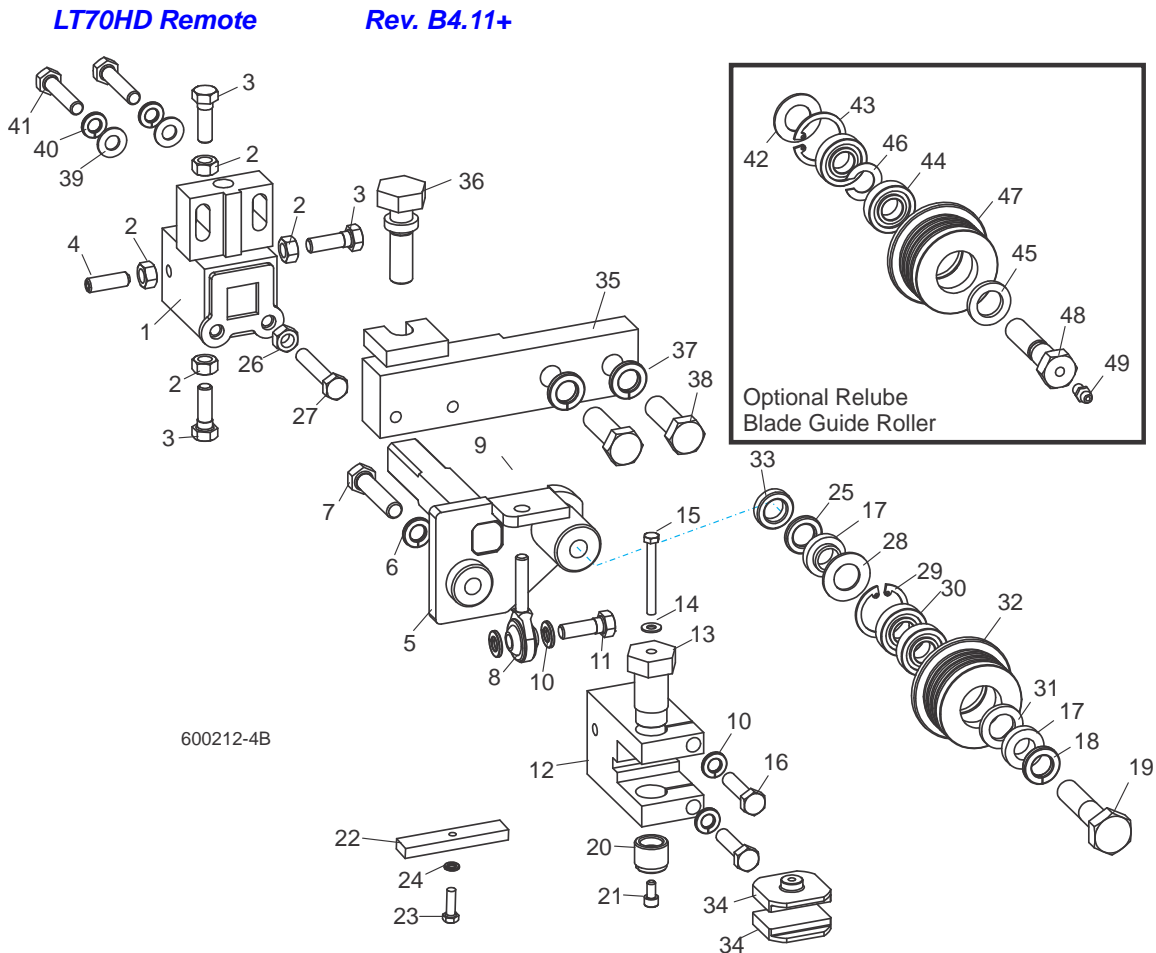
³ 052309 blocks for use with 1 1/2" blade provided as standard equipment. 052355 blocks available for optional use with 1 1/4" blades. EZ-Glide blocks 036347 are available for customers who prefer this block.

⁴ Bearing must be modified for use with relube roller assemblies. Remove one seal from each bearing, place open sides facing each other and place spacer 035411 between bearings.

2 Blade Guide Rollers & Arm

Blade Guide Assembly, Drive Side

2.3 Blade Guide Assembly, Drive Side



REF	DESCRIPTION (◆ Indicates Parts Available In Assemblies Only)	PART #	QTY.	
	ROLLER/BLOCK ASSEMBLY, DRIVE SIDE (INNER)	036812	1	
	Block Assembly, Blade Guide Mount	036867	1	
1	Block Weldment, Blade Guide Mount	036868	1	◆
2	Nut, 5/16-18 Hex	F05010-17	4	
3	Bolt, 5/16-18 x 1" Hex Head Stainless Steel	F05006-88	3	
4	Screw, 5/16-18 x 1" Socket Head Flat Point Stainless Steel Set	F05006-122	1	
5	Shaft Weldment, Drive Side Guide	036865	1	
6	Washer, 3/8" Split Lock	F05011-4	1	
7	Bolt, 3/8-16 x 1 3/4" Hex Head Grade 5	F05007-119	1	
8	Rod End, 5/16-24 Male	P09814	1	
9	Nut, 5/16-24 Hex Jam	F05010-28	2	
10	Washer, 5/16" Split Lock	F05011-13	4	
11	Bolt, 5/16-18 x 1" Hex Head Stainless Steel	F05006-88	1	
12	Block, Guide Block Mount	036814	1	

Blade Guide Rollers & Arm

Blade Guide Assembly, Drive Side

2

13	Bolt, Blade Guide Block Mount	035216	1	
14	Washer, #10 Brass	042867	1	
15	Bolt, #10-32 x 1 3/4" Hex Head Stainless Steel	F05004-178	1	
16	Bolt, 5/16-18 x 1 1/4" Hex Head Stainless Steel	F05006-118	2	
17	Spacer, Blade Guide	S04253	2	
18	Washer, 1/2" Split Lock	F05011-9 ¹	1	
19	Bolt, 1/2-13 x 2 1/4" Hex Head Grade 5	F05008-10	1	
20	Screw, Lower Block Adjustment	044057	1	
21	Screw, #10-32 x 3/8" Socket Head Stainless Steel	F05004-200	1	
22	Block, Blade Guide Alignment	035799	1	
23	Screw, #10-32 x 5/8" Hex Head	F05004-152	1	
24	Washer, #10 Split Lock	F05011-20	1	
25	Spacer, 1/2" ID x 7/8" OD x 1/8" Thick	052364 ³	1	
26	Nut, 5/16-18 Hex	F05010-17	1	
27	Bolt, 5/16-18 x 1 3/4" Hex Head Full Thread Grade 5	F05006-81	1	
	ROLLER ASSEMBLY, BLADE GUIDE (STANDARD FOR USE WITH 1 1/4" & 1 1/2" BLADES)	A04925 ²	1	
	ROLLER ASSEMBLY, EXTENDED BLADE GUIDE (OPTIONAL FOR USE WITH 1 1/2" BLADES)	014299 ²	1	
	Bearing Kit, Blade Guide Rebuild	K07079	1	
28	Washer, 5/8" White Felt	P04252	1	
29	Ring, 1 1/8" Interior Retaining	F04254-1	1	
30	Bearing, R8-2RS Blade Guide	015975	2	◆
31	Washer, 5/8" Gray Felt	P06455	1	
	Screw, 1/4-28 x 1/4" Socket Head Cup Point Set Black Oxide	F05005-105	1	
	Instruction Sheet, Blade Guide Rebuild	057407-1507	1	
32	Roller, Flanged Blade Guide (1 1/4" & 1 1/2" blade)	S04250	1	◆
	Roller, Flanged Blade Guide (1 1/2" blade)	014243	1	◆
	Instruction Sheet, Blade Guide Roller Replacement	A04925-364	1	
33	SPACER, 1/2" ID X 7/8" OD X 1/4" (FOR USE WITH 1 1/4" BLADES ONLY)	041626 ³	1	
34	BLOCK, BLADE GUIDE WEAR (STANDARD FOR 1 1/2" BLADES)	052309 ⁴	2	
	BLOCK, BLADE GUIDE WEAR (OPTIONAL FOR 1 1/4" BLADES)	052355	2	
	BLOCK ASSEMBLY, 1" SQ. EZ-GLIDE WEAR	036347	2	
35	ARM WELDMENT, DRIVE SIDE BLADE GUIDE	034292	1	
36	BOLT, BLADE GUIDE VERTICAL ADJUSTMENT	035656	1	
37	WASHER, 1/2" SPLIT LOCK	F05011-9	2	
38	BOLT, 1/2-13 X 1 1/2" HEX HEAD GRADE 5	F05008-33	2	
	SHIM, .008" BLADE GUIDE BLOCK SPACER	035248	1	
39	WASHER, 5/16" SAE FLAT	F05011-17	2	
40	WASHER, 5/16" SPLIT LOCK	F05011-13	2	
41	BOLT, 5/16-18 X 1 1/2" HEX HEAD STAINLESS STEEL	F05006-119	2	

2

Blade Guide Rollers & Arm

Blade Guide Assembly, Drive Side

	ROLLER ASSEMBLY, BLADE GUIDE RELUBE (OPTIONAL FOR USE WITH 1 1/4" & 1 1/2" BLADES)	016568 ²	1	
	ROLLER ASSEMBLY, EXTENDED BLADE GUIDE RELUBE (OPTIONAL FOR USE WITH 1 1/2" BLADES)	057405 ²	1	
	Bearing Kit, Relube Blade Guide Rebuild	057407	1	
42	Washer, 5/8" White Felt	P04252	1	
43	Ring, 1 1/8" Interior Retaining	F04254-1	1	
44	Bearing, R8-2RS Blade Guide	015975 ⁵	2	◆
45	Washer, 5/8" Gray Felt	P06455	1	
46	Spacer, Blade Guide Bearing	035411	1	
	Instruction Sheet, Blade Guide Rebuild	057407-1507	1	
47	Roller, Flanged Blade Guide (Relube 1 1/4" & 1 1/2" blade)	035426	1	◆
	Roller, Flanged Blade Guide (Relube 1 1/2" blade)	057402	1	◆
	Instruction Sheet, Blade Guide Roller Replacement	A04925-364	1	
48	BOLT, BLADE GUIDE ROLLER (RELUBE ONLY)	036161	1	
49	FITTING, 1/4-28 GREASE (RELUBE ONLY)	P05060	1	

¹ Nord-Lock Washer F05011-125 available to replace Split Lock Washer F05011-9 to prevent loosening due to vibration (12/09).

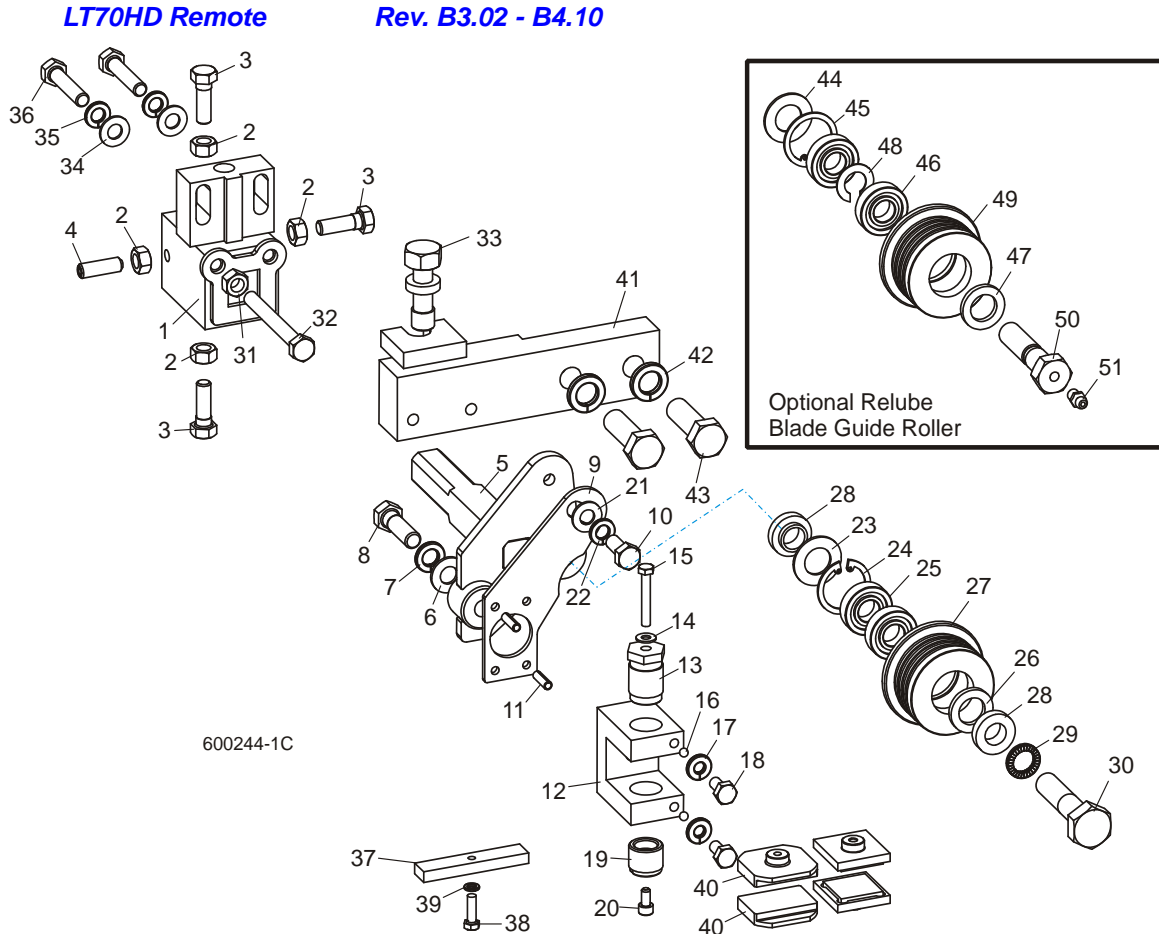
² The sawmill is equipped standard with non-greasable blade guide rollers that can be used with the standard 1 1/2" blade (requires spacer 052364). The roller can also be used with 1 1/4" blades (requires spacer 041626 & wear blocks 052355). Optional extended blade guide rollers are available for use with 1 1/2" blades (no spacer required). The extended rollers may provide more stability during difficult sawing, but will reduce the total amount of times the blade can be reused after sharpening. Optional relube versions of each roller configuration are also available.

³ Use 1/8" spacer 052364 with 1 1/2" blade provided as standard equipment. Use 1/4" spacer 041626 for optional 1 1/4" blades.

⁴ 052309 blocks for use with 1 1/2" blade provided as standard equipment. 052355 blocks available for optional use with 1 1/4" blades. EZ-Glide blocks 036347 are available for customers who prefer this block.

⁵ Bearing must be modified for use with relube roller assemblies. Remove one seal from each bearing, place open sides facing each other and place spacer 035411 between bearings.

2.4 Blade Guide Assembly, Drive Side



REF	DESCRIPTION (◆ Indicates Parts Available In Assemblies Only)	PART #	QTY.	
	ROLLER/BLOCK ASSEMBLY, DRIVE SIDE (INNER)	003925 ¹	1	
	Block Assembly, Blade Guide Mount	003910	1	
1	Block Weldment, Blade Guide Mount	003911	1	◆
2	Nut, 5/16-18 Hex	F05010-17	4	
3	Bolt, 5/16-18 x 1" Hex Head Stainless Steel	F05006-88	3	
4	Screw, 5/16-18 x 1" Socket Head Flat Point Stainless Steel Set	F05006-122	1	
5	Shaft Weldment, Drive Side Guide	003913	1	
	Mount Assembly, Blade Guide Block Drive	003927	1	
6	Washer, 3/8" SAE Flat	F05011-3	1	
7	Washer, 3/8" Split Lock	F05011-4	1	
8	Bolt, 3/8-16 x 1 1/4" Hex Head Grade 5	F05007-123	1	
9	Plate, Block Tilt Adjustment	003915	1	
10	Bolt, 5/16-18 x 3/4" Hex Head	F05006-102	1	
11	Pin, 3/16" x 5/8" Roll	F05012-22	2	

2

Blade Guide Rollers & Arm

Blade Guide Assembly, Drive Side

12	Block, Guide Block Mount	003909	1	
13	Bolt, Blade Guide Block Mount	003994	1	
14	Washer, #10 Brass	042867	1	
15	Bolt, #10-32 x 1 1/4" Hex Head Stainless Steel	F05004-240	1	
16	Ball, 3/16" Dia. Nylon	003914	2	
17	Washer, 1/4" Split Lock	F05011-14	2	
18	Bolt, 1/4-20 x 1/2" Hex Head	F05005-15	2	
19	Screw, Lower Block Adjustment	044057	1	
20	Screw, #10-32 x 3/8" Socket Head Stainless Steel	F05004-200	1	
21	Washer, 5/16" SAE Flat	F05011-17	1	
22	Washer, 5/16" Split Lock	F05011-13	1	
	Roller Assembly, Blade Guide (standard for use with 1 1/4" & 1 1/2" blades)	A04925 ²	1	
	Roller Assembly, Extended Blade Guide (optional for use with 1 1/2" blades)	014299 ²	1	
	Bearing Kit, Blade Guide Rebuild	K07079	1	
23	Washer, 5/8" White Felt	P04252	1	
24	Ring, 1 1/8" Interior Retaining	F04254-1	1	
25	Bearing, R8-2RS Blade Guide	015975	2	◆
26	Washer, 5/8" Gray Felt	P06455	1	
	Screw, 1/4-28 x 1/4" Socket Head Cup Point Set Black Oxide	F05005-105	1	
	Instruction Sheet, Blade Guide Rebuild	057407-1507	1	
27	Roller, Flanged Blade Guide (1 1/4" & 1 1/2" blade)	S04250	1	◆
	Roller, Flanged Blade Guide (1 1/2" blade)	014243	1	◆
	Instruction Sheet, Blade Guide Roller Replacement	A04925-364	1	
28	Spacer, Blade Guide	S04253	2	
29	Washer, 1/2" Nord-Lock	F05011-125	1	
30	Bolt, 1/2-13 x 2 1/4" Hex Head Grade 5	F05008-10	1	
31	Nut, 5/16-18 Hex	F05010-17	1	
32	Bolt, 5/16-18 x 2 3/4" Hex Head Full Thread	F05006-136	1	
33	Bolt, Blade Guide Vertical Adjustment	035656	1	
34	Washer, 5/16" SAE Flat	F05011-17	2	
35	Washer, 5/16" Split Lock	F05011-13	2	
36	Bolt, 5/16-18 x 1 1/2" Hex Head	F05006-76	2	
37	BLOCK, BLADE GUIDE ALIGNMENT	035799	1	
38	SCREW, #10-32 X 5/8" HEX HEAD	F05004-152	1	
39	WASHER, #10 SPLIT LOCK	F05011-20	1	
40	BLOCK, BLADE GUIDE WEAR (STANDARD FOR 1 1/2" BLADES)	052309 ³	2	
	BLOCK, BLADE GUIDE WEAR (OPTIONAL FOR 1 1/4" BLADES)	052355 ³	2	
	BLOCK ASSEMBLY, 1" SQ. EZ-GLIDE WEAR	036347 ³	2	
41	ARM WELDMENT, DRIVE SIDE BLADE GUIDE	034292	1	
42	WASHER, 1/2" SPLIT LOCK	F05011-9	2	
43	BOLT, 1/2-13 X 1 1/2" HEX HEAD GRADE 5	F05008-33	2	
	SHIM, .008" BLADE GUIDE BLOCK SPACER	035248	1	

	ROLLER ASSEMBLY, BLADE GUIDE RELUBE (OPTIONAL FOR USE WITH 1 1/4" & 1 1/2" BLADES)	016568 ²	1	
	ROLLER ASSEMBLY, EXTENDED BLADE GUIDE RELUBE (OPTIONAL FOR USE WITH 1 1/2" BLADES)	057405 ²	1	
	Bearing Kit, Relube Blade Guide Rebuild	057407	1	
44	Washer, 5/8" White Felt	P04252	1	
45	Ring, 1 1/8" Interior Retaining	F04254-1	1	
46	Bearing, R8-2RS Blade Guide	015975 ⁴	2	◆
47	Washer, 5/8" Gray Felt	P06455	1	
48	Spacer, Blade Guide Bearing	035411	1	
	Instruction Sheet, Blade Guide Rebuild	057407-1507	1	
49	Roller, Flanged Blade Guide (Relube 1 1/4" & 1 1/2" blade)	035426	1	◆
	Roller, Flanged Blade Guide (Relube 1 1/2" blade)	057402	1	◆
	Instruction Sheet, Blade Guide Roller Replacement	A04925-364	1	
50	BOLT, BLADE GUIDE ROLLER (RELUBE ONLY)	036161	1	
51	FITTING, 1/4-28 GREASE (RELUBE ONLY)	P05060	1	

¹ 003925 Blade Guide Assembly replaced with 036812 Rev. B4.11. New assembly provides easier adjustment ([See Section 2.3](#)).

² The sawmill is equipped standard with non-greasable blade guide rollers that can be used with the standard 1 1/2" blade. The roller can also be used with 1 1/4" blades. Optional extended blade guide rollers are available for use with 1 1/2" blades. The extended rollers may provide more stability during difficult sawing, but will reduce the total amount of times the blade can be reused after sharpening. Optional relube versions of each roller configuration are also available.

³ 052309 blocks for use with 1 1/2" blade provided as standard equipment. 052355 blocks available for optional use with 1 1/4" blades. EZ-Glide blocks 036347 are available for customers who prefer this block.

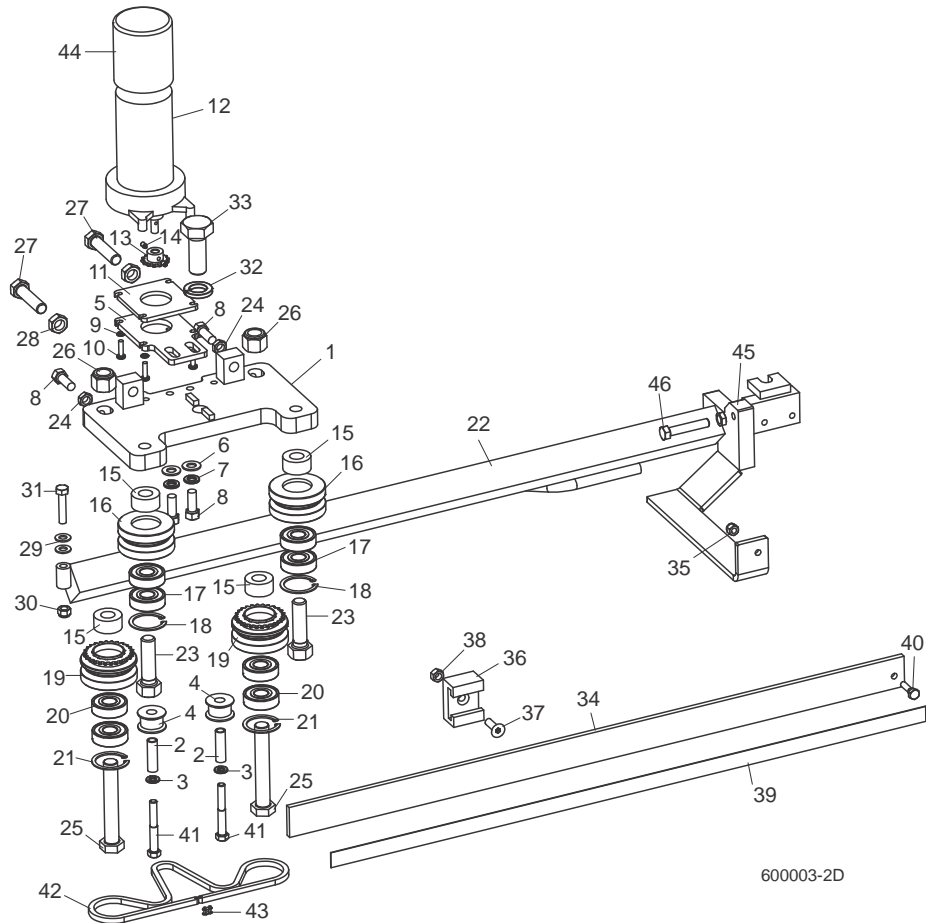
⁴ Bearing must be modified for use with relube roller assemblies. Remove one seal from each bearing, place open sides facing each other and place spacer 035411 between bearings.



Blade Guide Rollers & Arm

Blade Guide Arm Drive Assembly

2.5 Blade Guide Arm Drive Assembly



600003-2D

REF	DESCRIPTION (◆ Indicates Parts Available In Assemblies Only)	PART #	QTY.	
	ARM ASSEMBLY, IDLE SIDE BLADE GUIDE	034290	1	
	ARM ASSEMBLY, IDLE SIDE BLADE GUIDE (WIDE HEAD)	006163	1	
1	Plate Weldment, Blade Guide Arm	034286	1	
2	Spacer, .322" x .44" x 1 1/2"	S09996	2	
3	Washer, 5/16" Split Lock	F05011-13	2	
4	Roller, Blade Guide Drive	S09999	2	
5	Plate, Blade Guide Motor Mount	033803	1	
6	Washer, 3/8" SAE Flat	F05011-3	2	
7	Washer, 3/8" Split Lock	F05011-4	2	
8	Bolt, 3/8-16 x 1" Hex Head	F05007-7	4	
9	Washer, #10 Split Lock	F05011-20	4	
10	Screw, #10-32 x 3/4" Phillips Head Machine	F05004-38	4	
11	Plate, Blade Guide Motor Mount Spacer	033805	1	
12	Motor, Current Applications 1/30HP 12VDC Gear	079214 ¹	1	
	Gear Kit, Motor Replacement	061232	1	
	Brush Kit, Gear Motor Replacement	061234	1	

Blade Guide Rollers & Arm

Blade Guide Arm Drive Assembly

2

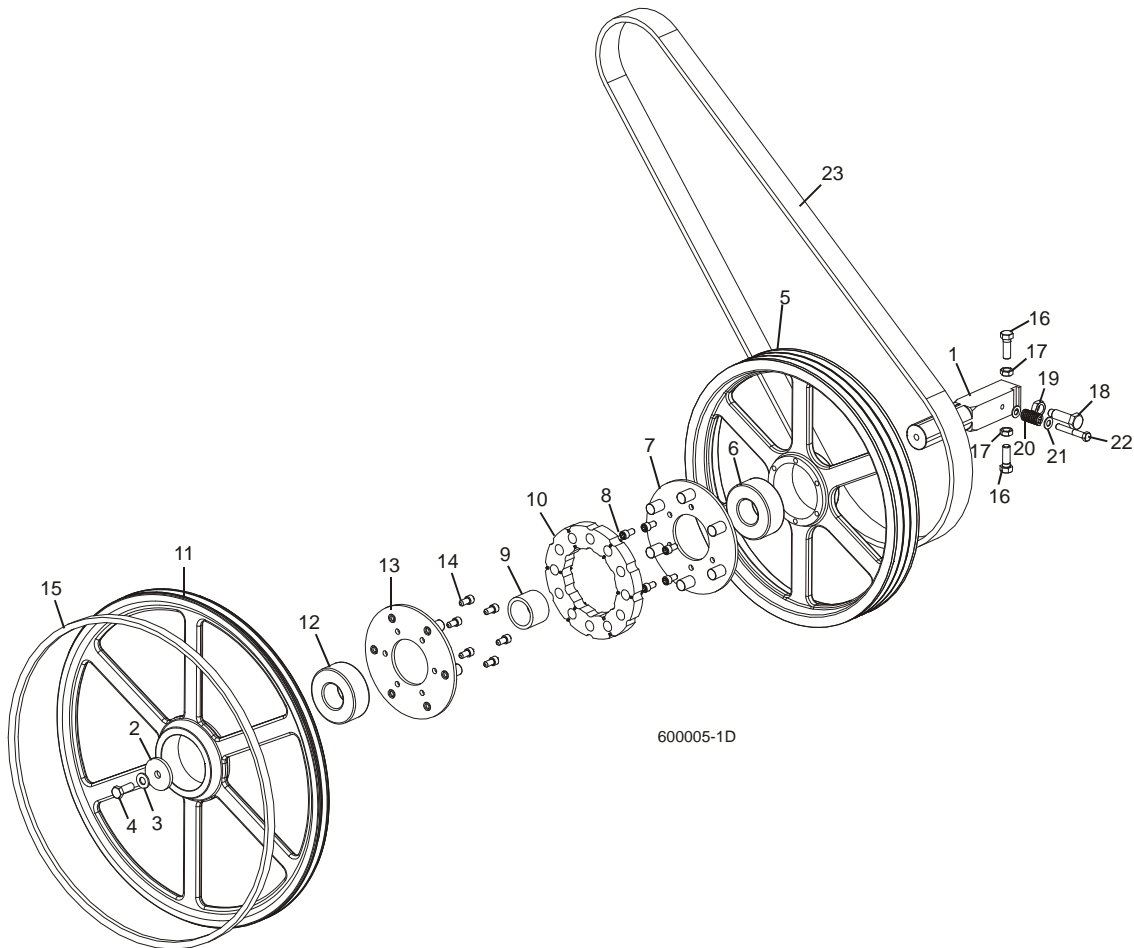
	Shaft Kit, Gear Motor Replacement	061233	1	
13	Sprocket Assembly, 25B14 x .3130	036664 ²	1	
14	Screw, #10-24 x 1/4" Full Dog Point Socket Set	F05004-274	2	
15	Spacer, Blade Guide Arm V-Roller	033913	4	
	Roller Assembly, Blade Guide Arm V Idle	042543	2	
16	Housing, 2 1/2" V-Groove	042536	1	
17	Bearing, 5/8" x 1.7548" x .4724"	P06030-1	2	
18	Ring, 1.575" ID Beveled 5002-156 Retaining	F04254-8	1	
	Roller Assembly, Blade Guide Arm V Drive	042542	2	
19	Housing, 2 1/2" V-Groove w/Sprocket	042541	1	
20	Bearing, 5/8" x 1.7548" x .4724"	P06030-1	2	
21	Ring, 1.575" ID Beveled 5002-156 Retaining	F04254-8	1	
22	Arm Weldment, Blade Guide	034289	1	
	Arm Weldment, Blade Guide (Wide Head)	006158	1	
23	Bolt, 5/8-18 x 2 1/4" Hex Head Grade 5	F05009-80	2	
24	Nut, 3/8-16 Hex Jam	F05010-29	2	
25	Bolt, 5/8-18 x 3 1/4" Hex Head Grade 5	F05009-98	2	
26	Nut, 5/8-18 Hex Nylon Lock	F05010-71	2	
27	Bolt, 1/2-20 x 2" Hex Head Full Thread	F05008-126	2	
28	Nut, 1/2-20 Hex Jam	F05010-16	2	
29	Washer, 5/16" SAE Flat	F05011-17	2	
30	Nut, 5/16-18 Hex Nylon Lock	F05010-58	1	
31	Bolt, 5/16-18 x 1 1/2" Hex Head Grade 5	F05008-96	1	
32	Washer, 3/4" Split Lock	F05011-6	1	
33	Bolt, 3/4-16 x 2" Full Thread Hex Head	F05013-1	1	
34	Guard, Blade Guide Arm	014955	1	
	Guard, Blade Guide Arm (Wide Head)	006266	1	
35	Nut, 1/4-20 Hex Nylon Lock	F05010-69	1	
36	Bracket, Blade Guide Arm Guide	014882	1	
37	Bolt, 5/16-18 x 1" Flat Head Socket	F05006-124	1	
38	Nut, 5/16-18 Hex Lock	F05010-6	1	
39	Decal, Blade Guide Arm Warning Stripe	015849	1	
40	Screw, 1/4-20 x 1" Hex Head	F05005-38	1	
41	Bolt, 5/16-18 x 2 1/2" Hex Head Grade 5	F05006-80	2	
42	Chain, #25 x 27 3/4"	036194	1	
43	Link, #25 Master	P09983	2	
44	Cap, 2.5" ID x 3" Rubber	023720	1	
45	Nut, 3/8-16 Hex Jam	F05010-29	1	
46	Bolt, 3/8-16 x 2" Hex Head Full Thread	F05007-16	1	

¹ Replaced P09698-1 1/30 HP 62RPM 12VDC 53:1 Gear Motor with P12756 End Housing, P12569 Gear Kit, P12800 Brush Kit and 009695 Shaft Kit (LT70 Rev. B6.12).

² Sprocket modified 6/11 with threaded holes to accept included set screws (replace 1/8" x 3/4" roll pin F05012-6).

SECTION 3 BLADE WHEELS & TENSIONER

3.1 Blade Drive Assembly



REF	DESCRIPTION (◆ Indicates Parts Available In Assemblies Only)	PART #	QTY.
	WHEEL ASSEMBLY, BLADE DRIVE	034359	1
1	Shaft, Blade Drive Wheel	033920	1
2	Washer, Blade Drive Wheel	033909	1
3	Washer, 1/2" SAE Flat	F05011-2	1
4	Bolt, 1/2-13 x 1 1/4" Hex Head Grade 5	F05008-37	1
	Pulley Assembly, 19" Blade Drive	034426	1
5	Pulley, Blade Drive	033809	1
6	Bearing, 5309-2RS	016014	1
7	Plate Assembly, Coupling	034424	1
8	Bolt, 3/8-24 x 3/4" Socket Head	F05007-154	6
9	Spacer, Drive Bearing	033921	1

Blade Wheel & Tensioner

Blade Drive Assembly

3

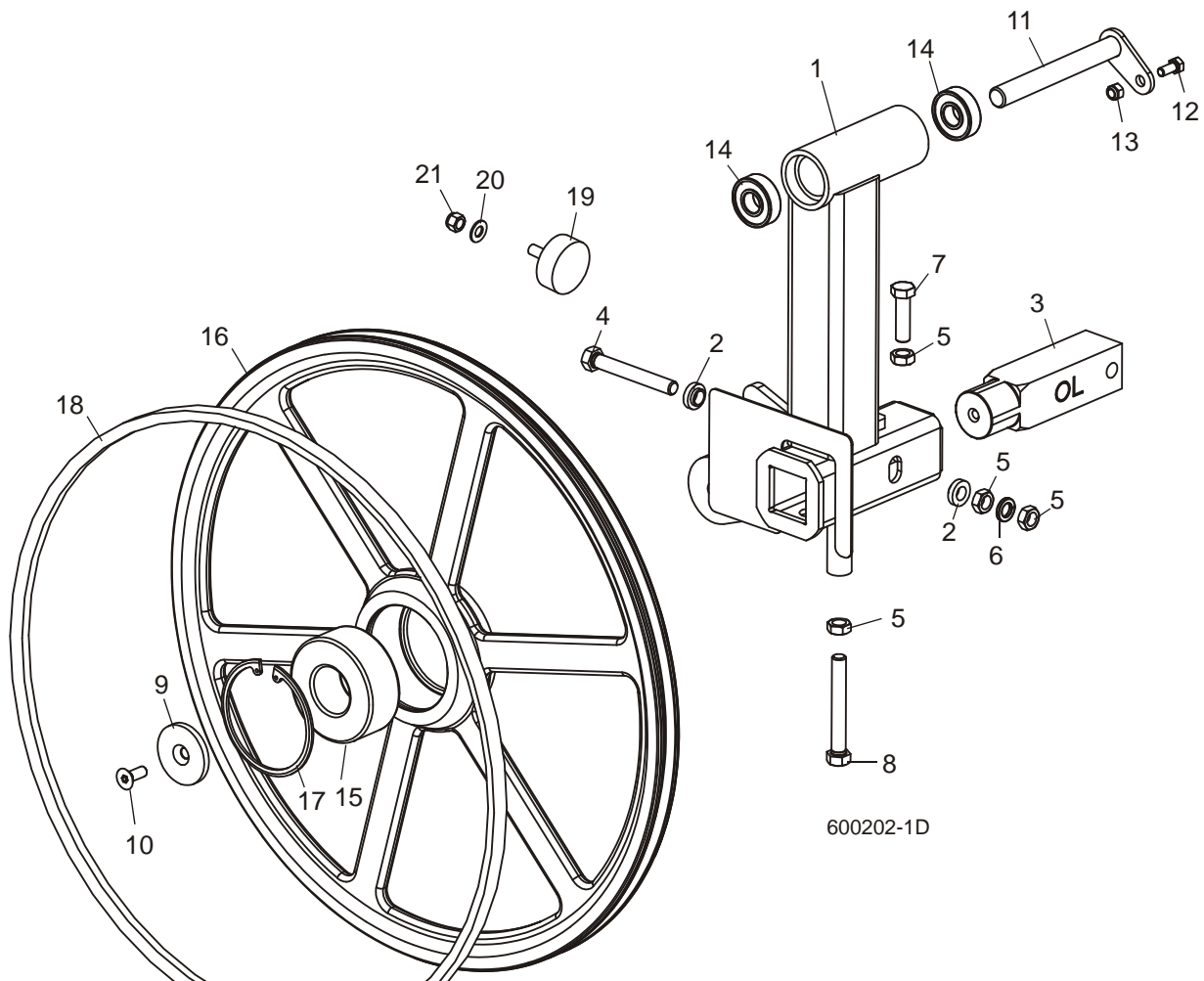
10	Ring, Drive Coupling	034418	1	
	Wheel Assembly, 24" Blade	017834	1	
11	Wheel, 24" Blade	034872	1	
12	Bearing, 5309-2RS	016014	1	
13	Plate Assembly, Coupling	034424	1	
14	Bolt, 3/8-24 x 3/4" Socket Head	F05007-154	6	
15	BELT, B72.5 BLADE WHEEL	017922-1 ¹	1	
16	BOLT, 1/2-20 X 1 1/2" HEX HEAD GRADE 5	F05008-53	2	
17	NUT, 1/2-20 HEX JAM	F05010-16	2	
18	BOLT, DRIVE WHEEL RETAINING	034360	1	
19	NUT, 5/8-18 HEX JAM	F05010-11	1	
20	SPRING, 3/4" OD X 1 1/2" LONG DIE	034430	1	
21	WASHER, 3/8" SAE FLAT	F05011-3	2	
22	BOLT, 3/8-16 X 2 1/2" HEX HEAD GRADE 5	F05007-125	1	
23	BELT, DRIVE (SEE ENGINE MANUAL FOR PART #)	<u>SEE ENGINE OPTION</u>	1	

¹ 017922-1 B72.5 Belt replaces 017922 supplied prior to Rev. B4.01. New belt provides longer service life.

3 Blade Wheels & Tensioner

Idle Blade Wheel Assembly

3.2 Idle Blade Wheel Assembly



REF	DESCRIPTION (◆ Indicates Parts Available In Assemblies Only)	PART #	QTY.
	SHAFT ASSEMBLY, IDLE BLADE WHEEL (CAM TENSIONER)	036729	1
1	Tube Weldment, Idle Side Blade Wheel	048266	1
2	Spacer, .510" x .937" x .34"	S04253	2
3	Shaft, Idle Side Blade Wheel	017706	1
4	Bolt, 1/2-20 x 3 3/4" Hex Head Full Thread Grade 5	F05008-111	1
5	Nut, 1/2-20 Hex Jam	F05010-16	4
6	Washer, 1/2" Split Lock	F05011-9	1
7	Bolt, 1/2-20 x 1 3/4" Hex Head Full Thread	F05008-127	1
8	Bolt, 1/2-20 x 3 3/4" Hex Head Full Thread Grade 5	F05008-111	1
9	Washer, 3/32" ID x 2 1/4" OD x 1/4" Thick	016397	1
10	Bolt, 3/8-16 x 1" Flat Socket Head	F05007-64	1
11	Pin Weldment, Idle Wheel Pivot	034358	1
12	Bolt, 5/16-18 x 3/4" Hex Head	F05006-102	1
13	Nut, 5/16-18 Hex Nylon Lock	F05010-58	1

Blade Wheels & Tensioner

Idle Blade Wheel Assembly

3

14	Bearing, #465966	034470	2	
	WHEEL ASSEMBLY, 24" IDLE BLADE	017835	1	
15	Bearing, 5309-2RS	016014	1	
16	Wheel, 24" Blade	034871	1	
17	Ring, 100 mm Beveled Inside Retaining	F04254-28	1	
18	BELT, B72.5 BLADE WHEEL	017922-1 ¹	1	
19	BUMPER, TABLE	034175	1	
20	WASHER, 3/8" FLAT SAE	F05011-3	1	
21	NUT, 3/8-16 HEX NYLON LOCK	F05010-10	1	

¹ 017922-1 B72.5 Belt replaces 017922 supplied prior to Rev. B4.01. New belt provides longer service life.

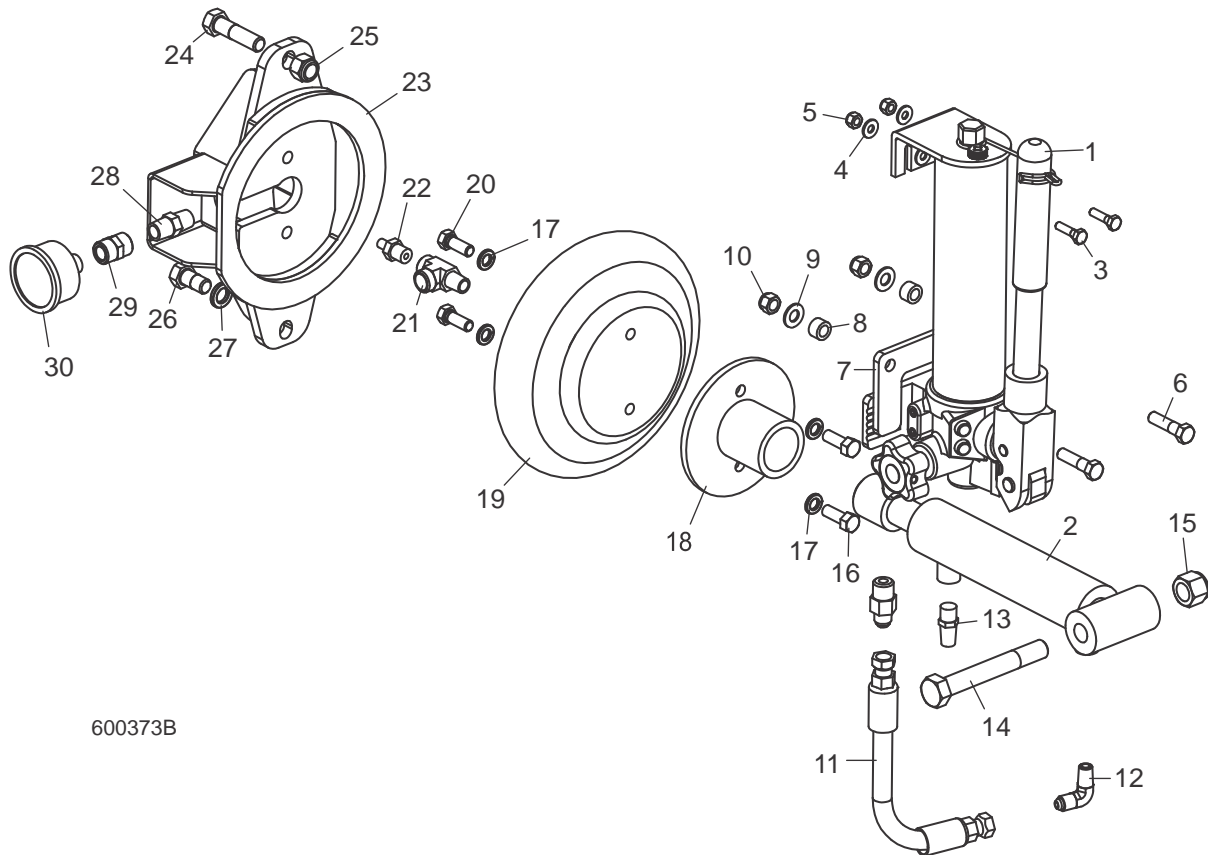
3 Blade Wheels & Tensioner

Hydraulic Blade Tensioner Assembly

3.3 Hydraulic Blade Tensioner Assembly

LT70HD Remote
LT70HD Super

Rev. B6.05+
Rev. A4.01+



600373B

REF	DESCRIPTION (◆ Indicates Parts Available In Assemblies Only)	PART #	QTY.	
1-30	TENSIONER ASSEMBLY, LT70 HYDRAULIC BLADE	054844	1	◆
1-13	Tensioner Assembly, LT70 Hydraulic Hand Pump	074809	1	
1	Pump, 2850 PSI 20cu in Hydraulic Hand	074749	1	
	Kit, Seal Hyd Blade Tensioner LT70 P20	061287	1	
	Knob, Tensioner Pressure Release LT70P20	061288	1	
	Screw, Release Knob Set	061289	1	
2	Cylinder, 1 1/2" x 6" In-Line Ports	065478	1	
3	Bolt, 1/4-20 x 1" Hex Head Grade 5	F05005-101	2	
4	Washer, 1/4" SAE Flat	F05011-11	4	
5	Nut, 1/4-20 Nylock	F05010-69	2	
6	Bolt, 3/8-16 x 1 1/2" Hex Head Grade 5	F05007-78	2	
7	Plate, Hand Pump Brace	074808	1	
8	Spacer, .39x.625x.39	055323	2	
9	Washer, 3/8" Flat SAE	F05011-3	2	

Blade Wheels & Tensioner

Hydraulic Blade Tensioner Assembly

3

10	Nut, 3/8-16 Hex Nyloc	F05010-10	2	
11	Hose, 3/8x9 Hyd w/2 St Swivel Fittings	079001-9	1	
12	Fitting, 3/8" JIC-1/4" NPT 90L	015491	1	
13	Muffler, 1/4" NPT Air	P20904	1	
14	Bolt, 5/8-11 x 4 1/2" Hex Head Grade 5	F05009-10	1	
15	Nut, 5/8-11 Hex Nylon Lock	F05010-34	1	
16	Bolt, 3/8-16 x 1" Hex Head	F05007-7	2	
17	Washer, 3/8" Split Lock	F05011-4	4	
18	Tube Weldment, Tensioner	055317	1	
19	Bag, Blade Tensioner Air	033984	1	
20	Bolt, 3/8-16 x 1" Hex Head Grade 5	F05007-87	2	
21	Fitting, 1/4" NPT x 1/4" JIC Male Run Tee	P09141	1	
22	Fitting, 1/4" NPT Air Valve	034285	1	
23	Plate Weldment, Air Bag Mount	034276	1	
24	Bolt, 1/2-13 x 2" Hex Head	F05008-76	1	
25	Nut, 1/2-13 Hex Nylon Lock	F05010-8	1	
26	Bolt, 1/2-13 x 1" Hex Head	F05008-50	1	
27	Washer, 1/2" Split Lock	F05011-9	1	
28	Fitting, 1/4" NPT Hex Nipple	P21524	1	
29	Fitting, 1/4" NPT Coupling	P03420	1	
30	Gauge, Liquid-Filled Air	034278	1	

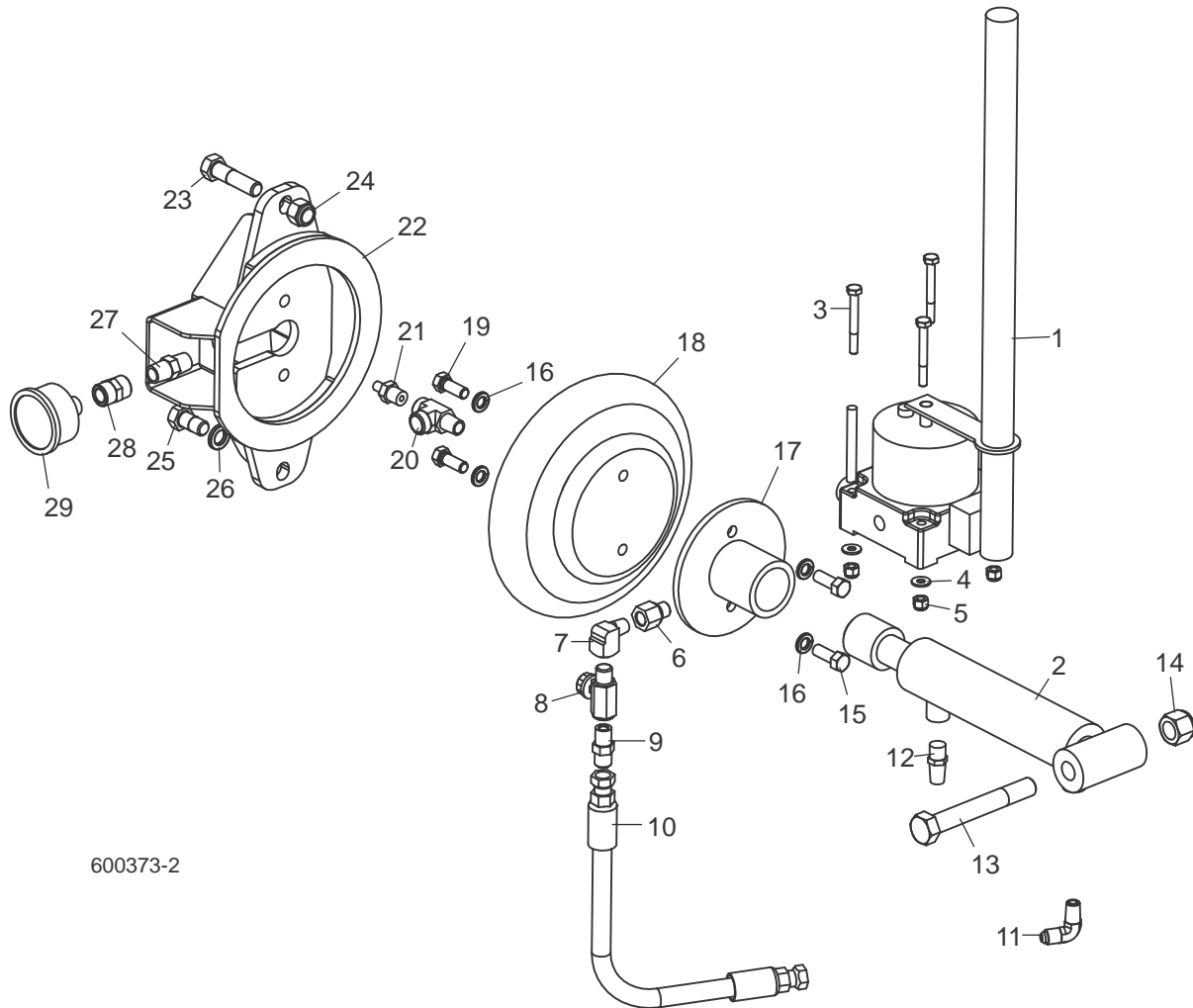
3 Blade Wheels & Tensioner

Hydraulic Blade Tensioner Assembly

3.4 Hydraulic Blade Tensioner Assembly

LT70HD Remote
LT70HD Super

Rev. B4.08 - B6.04
Rev. A1.00 - A4.00



600373-2

REF	DESCRIPTION (◆ Indicates Parts Available In Assemblies Only)	PART #	QTY.	
1-29	TENSIONER ASSEMBLY, LT70 HYDRAULIC BLADE	054844 ¹	1	◆
1-12	Tensioner Assembly, 2012 LT70 Hydraulic	065681	1	
1	Pump, Hydraulic Hand, 6000 PSI 3.3cc Disp	069580	1	
	Seal Kit, LT70 Hydraulic Tensioner (For 069580)	061133	1	
2	Cylinder, 1 1/2" x 6" In-Line Ports	065478	1	
3	Screw, 1/4-20 x 2 1/4" Hex Head Cap Grade 5	F05005-72	4	
4	Washer, 1/4" SAE Flat	F05011-11	4	
5	Nut, 1/4-20 Nylock	F05010-69	4	
6	Fitting, 6" SAE Male-1/4" NPT Female	014686	1	

Blade Wheels & Tensioner

Hydraulic Blade Tensioner Assembly

3

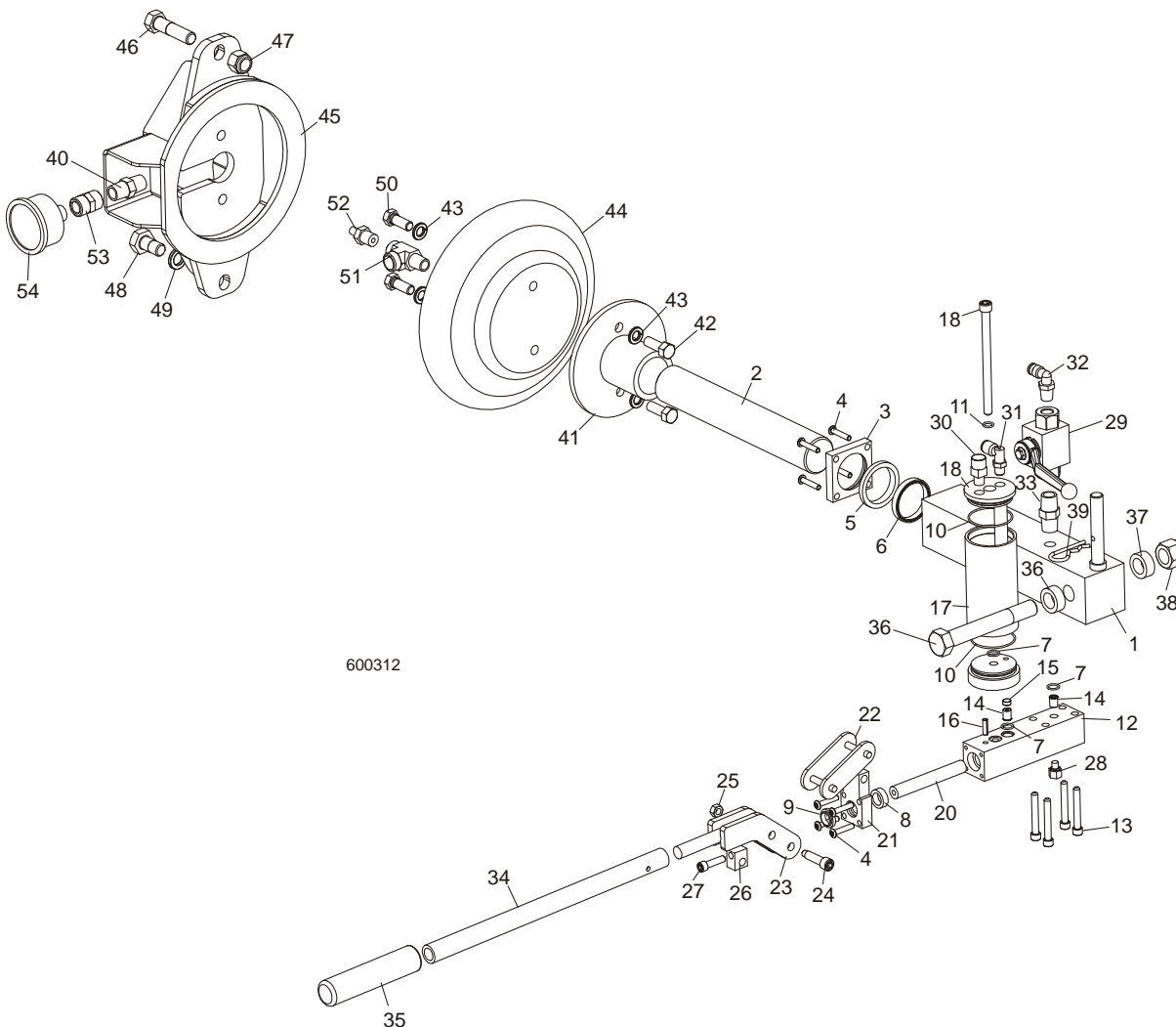
7	Fitting, 1/4" 90 Deg Brass Street Elbow	P05383	1	
8	Valve, Hydraulic Cut-Off	P22314	1	
9	Fitting, 3/8" JIC-1/4" NPT Str	015560	1	
10	Hose Assembly, 3/8" x 12" Hydraulic	065537	1	
11	Fitting, 3/8" JIC-1/4" NPT 90L	015491	1	
12	Muffler, 1/4" NPT Air	P20904	1	
13	Bolt, 5/8-11 x 4 1/2" Hex Head Grade 5	F05009-10	1	
14	Nut, 5/8-11 Hex Nylon Lock	F05010-34	1	
15	Bolt, 3/8-16 x 1" Hex Head	F05007-7	2	
16	Washer, 3/8" Split Lock	F05011-4	4	
17	Tube Weldment, Tensioner	055317	1	
18	Bag, Blade Tensioner Air	033984	1	
19	Bolt, 3/8-16 x 1" Hex Head Grade 5	F05007-87	2	
20	Fitting, 1/4" NPT x 1/4" JIC Male Run Tee	P09141	1	
21	Fitting, 1/4" NPT Air Valve	034285	1	
22	Plate Weldment, Air Bag Mount	034276	1	
23	Bolt, 1/2-13 x 2" Hex Head	F05008-76	1	
24	Nut, 1/2-13 Hex Nylon Lock	F05010-8	1	
25	Bolt, 1/2-13 x 1" Hex Head	F05008-50	1	
26	Washer, 1/2" Split Lock	F05011-9	1	
27	Fitting, 1/4" NPT Hex Nipple	P21524	1	
28	Fitting, 1/4" NPT Coupling	P03420	1	
29	Gauge, Liquid-Filled Air	034278	1	

¹ Tensioner Assembly 054844 modified 10/15. 069580 Hydraulic Tensioner Service Block Kit no longer available. Use 074816 Blade Tensioner Retrofit Kit.

3.5 Hydraulic Blade Tensioner Assembly

LT70HD Remote

Rev. B4.00 -B4.07



REF	DESCRIPTION (◆ Indicates Parts Available In Assemblies Only)	PART #	QTY.	
1-54	TENSIONER ASSEMBLY, LT70 HYDRAULIC BLADE	054844 ¹	1	◆
1-33	Block Kit, Hydraulic Tensioner Service	006529 ¹	1	
1-28	Block Assembly, Hydraulic Blade Tensioner	055315	1	◆
1	Block Weldment, Tensioner Cylinder	056809	1	
2	Rod, Tensioner Push	054848	1	
3	Block, Tensioner Push Rod Wiper	054846	1	
4	Screw, #10-24 x 1" Socket Button Head	F05004-43	8	
5-11	Seal Kit, Hydraulic Tensioner Service	006528	1	
5	Wiper, 1 1/2" Rod	056884	1	◆

Blade Wheels & Tensioner Hydraulic Blade Tensioner Assembly

3

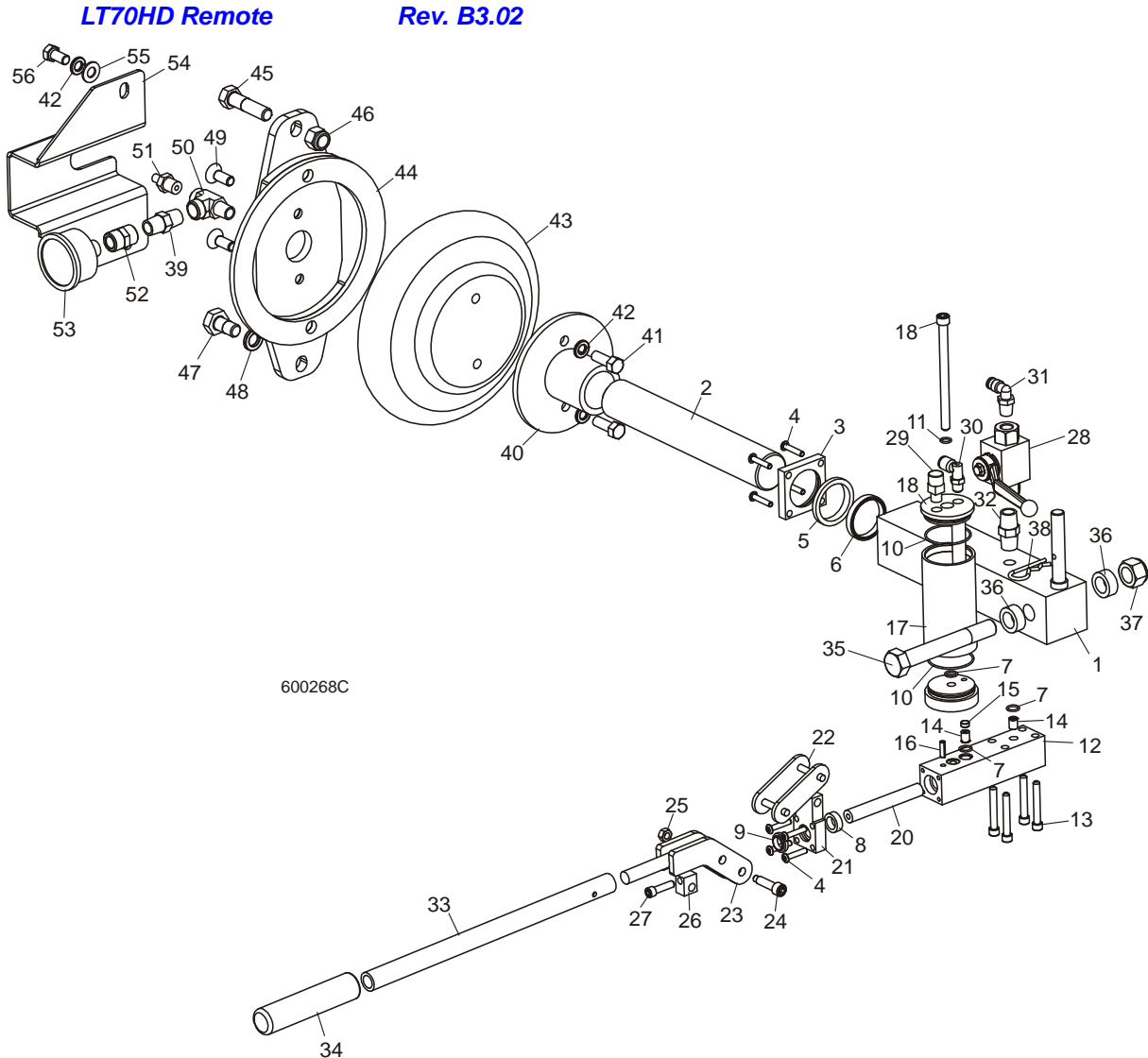
6	Seal, 1 1/2" Loaded Lip	056887	1	◆
7	O-Ring, 1/16" x 3/8" ID x 1/2" OD	056888	3	◆
8	Seal, 1/2" Loaded Lip	056886	1	◆
9	Wiper, 1/2" Rod	056885	1	◆
10	O-Ring, 1/16" x 1 5/8" ID x 1 3/4" OD	056889	2	◆
11	O-Ring, 5/16" ID x 7/16" OD #011	033477	1	◆
	Inst. Sheet, LT70 Hydraulic Blade Tensioner Seal Replacement	006825-1601	1	
12	Block, Tensioner Piston	054845	1	
13	Screw, 1/4-20 x 1 3/4" Socket Head	F05005-156	4	
14	Valve, 8mm Check	056883	2	
15	Screen, Hydraulic Cartridge	006274	1	
16	Pin, 3/16" x 5/8" Roll	F05012-22	1	
17	Tube, Hydraulic Fluid Tank	054837	1	
18	Cap Weldment, Hydraulic Reservoir	006366	1	
19	Screw, 5/16-18 x 4 1/2" Socket Head	F05006-135	1	
20	Rod, Tensioner Piston	054842	1	
21	Block, Tensioner Pivot Link	054843	1	
22	Link, C2080H Master	016796	1	
23	Link Weldment, Tensioner Pivot	055316	1	
24	Screw, 5/16" x 1" (1/4-20 Thread) Socket Head Shoulder	F05006-41	1	
25	Nut, 1/4-20 Hex Lock	F05010-21	1	
26	Block, Piston Link	054840	1	
27	Screw, 1/4-20 x 1" Socket Head	F05005-89	1	
28	Plug, 5/16-24 x 5/8" O-Ring	P10065	1	
29	Valve, 7250 PSI Hydraulic	056806	1	
30	Fitting, 1/8" NPT Protected Vent	056890	1	
31	Fitting, 1/4" NPT x 1/4" Tube 90° Elbow	P21519	1	
32	Fitting, 1/8" MPT x 1/4" Tube Swivel Elbow	P09736	1	
33	Fitting, 1/4" NPT Hex Nipple	P21524	1	
34	Tube, Tensioner Handle	055318	1	
35	Grip, 3/4" ID x 4 1/2" Handle	049031	1	
36	Bolt, 5/8-11 x 4 1/2" Hex Head Grade 5	F05009-10	1	
37	Spacer, 5/8" ID x 1" OD x 13/32"	056900	2	
38	Nut, 5/8-11 Hex Nylon Lock	F05010-34	1	
39	Pin, 1/8" x 1 13/16" Safety	P05059	1	
40	Fitting, 1/4" NPT Hex Nipple	P21524	1	
41	Tube Weldment, Tensioner	055317	1	
42	Bolt, 3/8-16 x 1" Hex Head	F05007-7	2	
43	Washer, 3/8" Split Lock	F05011-4	4	
44	Bag, Blade Tensioner Air	033984	1	
45	Plate Weldment, Air Bag Mount	034276	1	
46	Bolt, 1/2-13 x 2" Hex Head	F05008-76	1	
47	Nut, 1/2-13 Hex Nylon Lock	F05010-8	1	

3**Blade Wheels & Tensioner**
Hydraulic Blade Tensioner Assembly

48	Bolt, 1/2-13 x 1" Hex Head	F05008-50	1	
49	Washer, 1/2" Split Lock	F05011-9	1	
50	Bolt, 3/8-16 x 1" Hex Head Grade 5	F05007-87	2	
51	Fitting, 1/4" NPT x 1/4" JIC Male Run Tee	P09141	1	
52	Fitting, 1/4" NPT Air Valve	034285	1	
53	Fitting, 1/4" NPT Coupling	P03420	1	
54	Gauge, Liquid-Filled Air	034278	1	

¹ Tensioner Assembly 054844 modified 10/15. 006529 Hydraulic Tensioner Service Block Kit no longer available. Use 074819 Blade Tensioner Retrofit Kit.

3.6 Hydraulic Blade Tensioner Assembly



REF	DESCRIPTION (◆ Indicates Parts Available In Assemblies Only)	PART #	QTY.	
1-56	TENSIONER ASSEMBLY, LT70 HYDRAULIC BLADE	054844 ¹	1	◆
1-32	Block Kit, Hydraulic Tensioner Service	006529 ¹	1	
1-27	Block Assembly, Hydraulic Blade Tensioner	055315 ¹	1	◆
1	Block Weldment, Tensioner Cylinder	056809	1	
2	Rod, Tensioner Push	054848	1	
3	Block, Tensioner Push Rod Wiper	054846	1	
4	Screw, #10-24 x 1" Socket Button Head	F05004-43	8	
5-11	Seal Kit, Hydraulic Tensioner Service	006528	1	
5	Wiper, 1 1/2" Rod	056884	1	◆

3 Blade Wheels & Tensioner

Hydraulic Blade Tensioner Assembly

6	Seal, 1 1/2" Loaded Lip	056887	1	◆
7	O-Ring, 1/16" x 3/8" ID x 1/2" OD	056888	3	◆
8	Seal, 1/2" Loaded Lip	056886	1	◆
9	Wiper, 1/2" Rod	056885	1	◆
10	O-Ring, 1/16" x 1 5/8" ID x 1 3/4" OD	056889	2	◆
11	O-Ring, 5/16" ID x 7/16" OD #011	033477	1	◆
	Inst. Sheet, LT70 Hydraulic Blade Tensioner Seal Replacement	006825-1601	1	
12	Block, Tensioner Piston	054845 ¹	1	
13	Screw, 1/4-20 x 1 3/4" Socket Head	F05005-156	4	
14	Valve, 8mm Check	056883	2	
15	Screen, Hydraulic Cartridge	006274	1	
16	Pin, 3/16" x 5/8" Roll	F05012-22	1	
17	Tube, Hydraulic Fluid Tank	054837	1	
18	Cap Weldment, Hydraulic Reservoir	006366	1	
19	Screw, 5/16-18 x 4 1/2" Socket Head	F05006-135	1	
20	Rod, Tensioner Piston	054842	1	
21	Block, Tensioner Pivot Link	054843	1	
22	Link, C2080H Master	016796	1	
23	Link Weldment, Tensioner Pivot	055316	1	
24	Screw, 5/16" x 1" (1/4-20 Thread) Socket Head Shoulder	F05006-41	1	
25	Nut, 1/4-20 Hex Lock	F05010-21	1	
26	Block, Piston Link	054840	1	
27	Screw, 1/4-20 x 1" Socket Head	F05005-89	1	
28	Valve, 7250 PSI Hydraulic	056806	1	
29	Fitting, 1/8" NPT Protected Vent	056890	1	
30	Fitting, 1/4" NPT x 1/4" Tube 90° Elbow	P21519	1	
31	Fitting, 1/8" MPT x 1/4" Tube Swivel Elbow	P09736	1	
32	Fitting, 1/4" NPT Hex Nipple	P21524	1	
33	Tube, Tensioner Handle	055318	1	
34	Grip, 3/4" ID x 4 1/2" Handle	049031	1	
35	Bolt, 5/8-11 x 4 1/2" Hex Head Grade 5	F05009-10	1	
36	Spacer, 5/8" ID x 1" OD x 13/32"	056900	2	
37	Nut, 5/8-11 Hex Nylon Lock	F05010-34	1	
38	Pin, 1/8" x 1 13/16" Safety	P05059	1	
39	Fitting, 1/4" NPT Hex Nipple	P21524	1	
40	Tube Weldment, Tensioner	055317	1	
41	Bolt, 3/8-16 x 1" Hex Head	F05007-7	2	
42	Washer, 3/8" Split Lock	F05011-4	4	
43	Bag, Blade Tensioner Air	033984	1	
44	Plate Weldment, Air Bag Mount	034276 ¹	1	
45	Bolt, 1/2-13 x 2" Hex Head	F05008-76	1	
46	Nut, 1/2-13 Hex Nylon Lock	F05010-8	1	
47	Bolt, 1/2-13 x 1" Hex Head	F05008-50	1	

Blade Wheels & Tensioner

Hydraulic Blade Tensioner Assembly

3

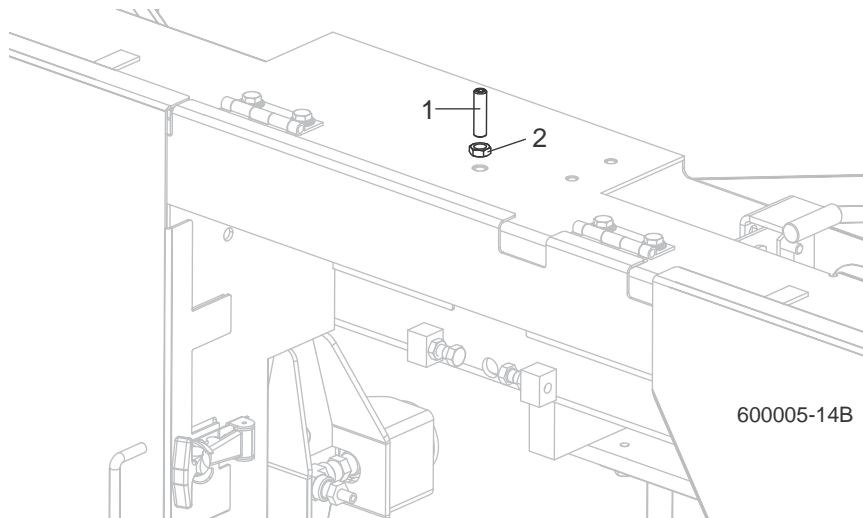
48	Washer, 1/2" Split Lock	F05011-9	1	
49	Screw, 3/8-16 x 1" Flat Socket Head	F05007-64	2	
50	Fitting, 1/4" NPT x 1/4" JIC Male Run Tee	P09141	1	
51	Fitting, 1/4" NPT Air Valve	034285	1	
52	Fitting, 1/4" NPT Coupling	P03420	1	
53	Gauge, Liquid-Filled Air	034278	1	
54	Guard, Air Gauge	034245 ¹	1	
55	Washer, 3/8" SAE Flat	F05011-3	2	
56	Bolt, 3/8-16 x 3/4" Hex Head	F05007-27	2	

¹ Tensioner Assembly 054844 modified 10/15. 006529 Hydraulic Tensioner Service Block Kit no longer available. Use 074819 Blade Tensioner Retrofit Kit.

4 Saw Head
Middle Throat Screw

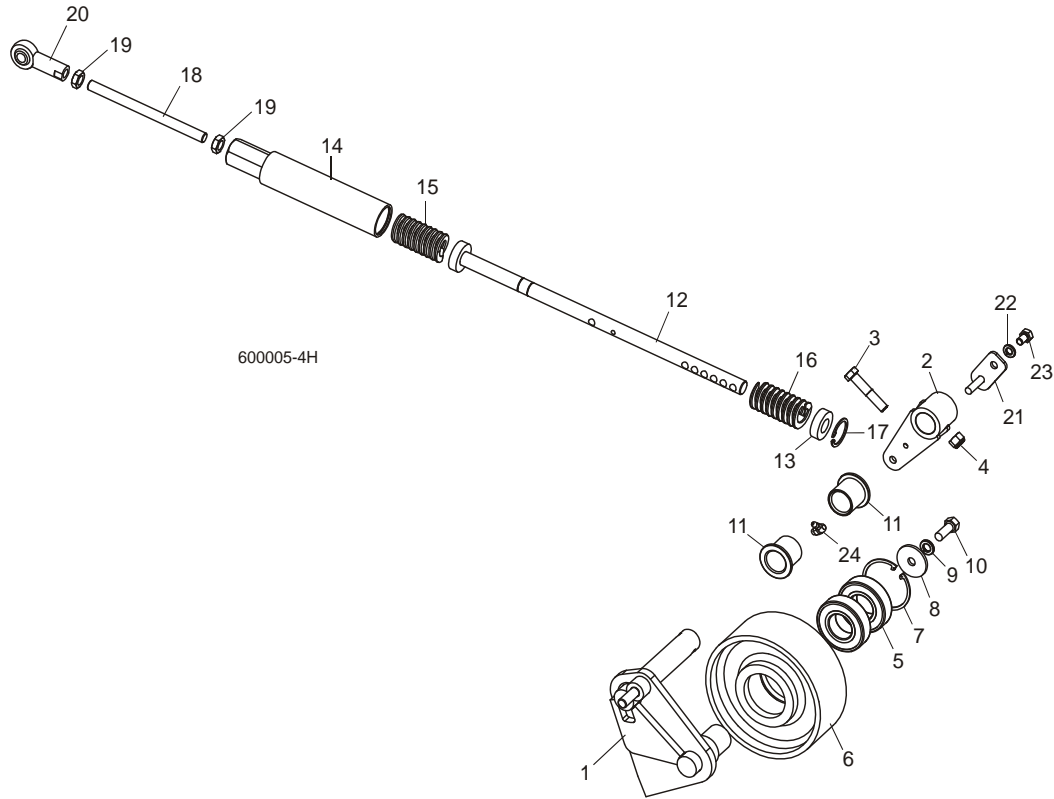
SECTION 4 SAW HEAD FRAME

4.1 Middle Throat Screw



REF	DESCRIPTION (◆ Indicates Parts Available In Assemblies Only)	PART #	QTY.	
1	SCREW, 3/8-16 X 1 1/2" OVAL POINT SOCKET SET	F05007-190	1	
2	NUT, 3/8-16 HEX JAM	F05010-29	1	

4.2 Belt Tensioner



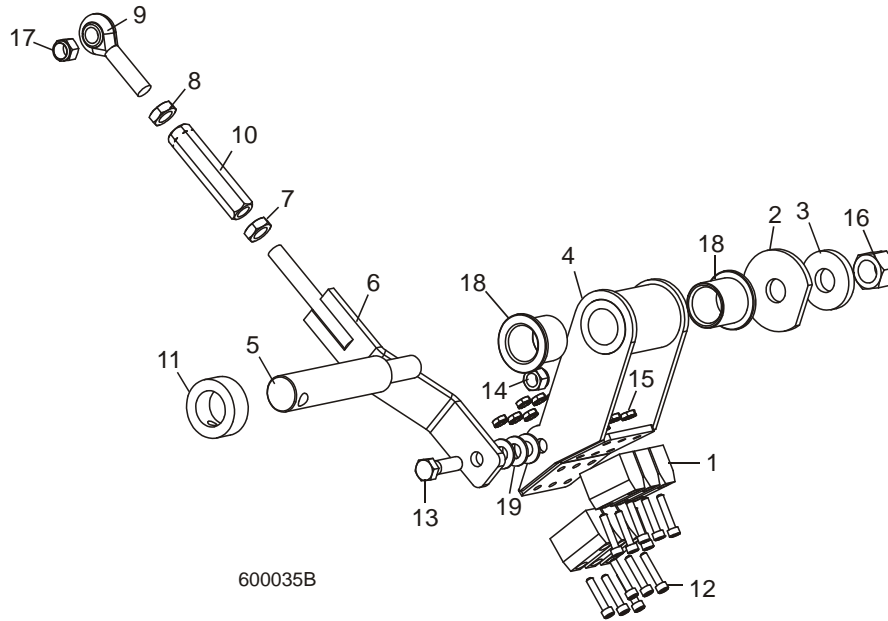
REF	DESCRIPTION (◆ Indicates Parts Available In Assemblies Only)	PART #	QTY.
	TENSIONER ASSEMBLY, DRIVE BELT	034894	1
	Pivot Kit, Drive Belt Tensioner Retrofit	038934	1
1	Arm Weldment, Drive Belt Tensioner	034893	1
2	Pivot Weldment, Drive Belt Tensioner	034593	1
	Instruction Sheet, Tensioner Pivot Retrofit	038934-1265	1
3	Bolt, 3/8-16 x 2" Hex Head Grade 5	F05007-124	1
4	Nut, 3/8-16 Hex Nylon Lock	F05010-10	1
5	Bearing, 6206 25" Idler	P11035	2
6	Idler, Drive Belt	033941	1
7	Ring, 62mm Inside Retaining	F04254-12	1
8	Washer, 3/8" x 1 1/2" x 1/8"	F05011-104	1
9	Washer, 3/8" Split Lock	F05011-4	1
10	Bolt, 3/8-16 x 1" Hex Head	F05007-7	1
11	Bushing, 1" ID x 1 1/4" OD Flanged	P109	2
	Rod Kit, Drive Belt Tensioner	003193	1
12	Rod Weldment, Drive Belt Tensioner	017923	1
13	Washer, Tensioner	034674	1

4 Saw Head Belt Tensioner

14	Tube Weldment, Drive Belt Tensioner	034689	1	
	Spring Kit, Belt Tensioner Retrofit	036501	1	
15	Spring, 1 1/4" OD x 2 1/2" Die, Heavy	036136	1	
16	Spring, 1 1/4" OD x 2 1/2" Die, Medium (Blue)	065242 ¹	1	
	Instruction Sheet, Belt Tensioner Spring Retro	036501-1148	1	
17	Ring, 1 15/16" Inside Retaining	F04254-44	1	
18	Rod, 7/16-20 x 6" Threaded	017924	1	
19	Nut, 7/16-20 Hex Jam	F05010-38	2	
20	Rod End, 7/16-20 Right Hand Female	017925	1	
21	Pin Weldment, Drive Belt Tensioner	034673	1	
22	Washer, 5/16" Split Lock	F05011-13	1	
23	Bolt, 5/16-18 x 1/2" Hex Head Grade 5	F05006-15	1	
24	FITTING, 1/4-28 90 DEG. GREASE	P04108	1	

¹ Added Rev. B4.04 to replace 1 1/4" OD x 2 1/2" Die Heavy Spring (036136).

4.3 Brake Assembly (DC Only)



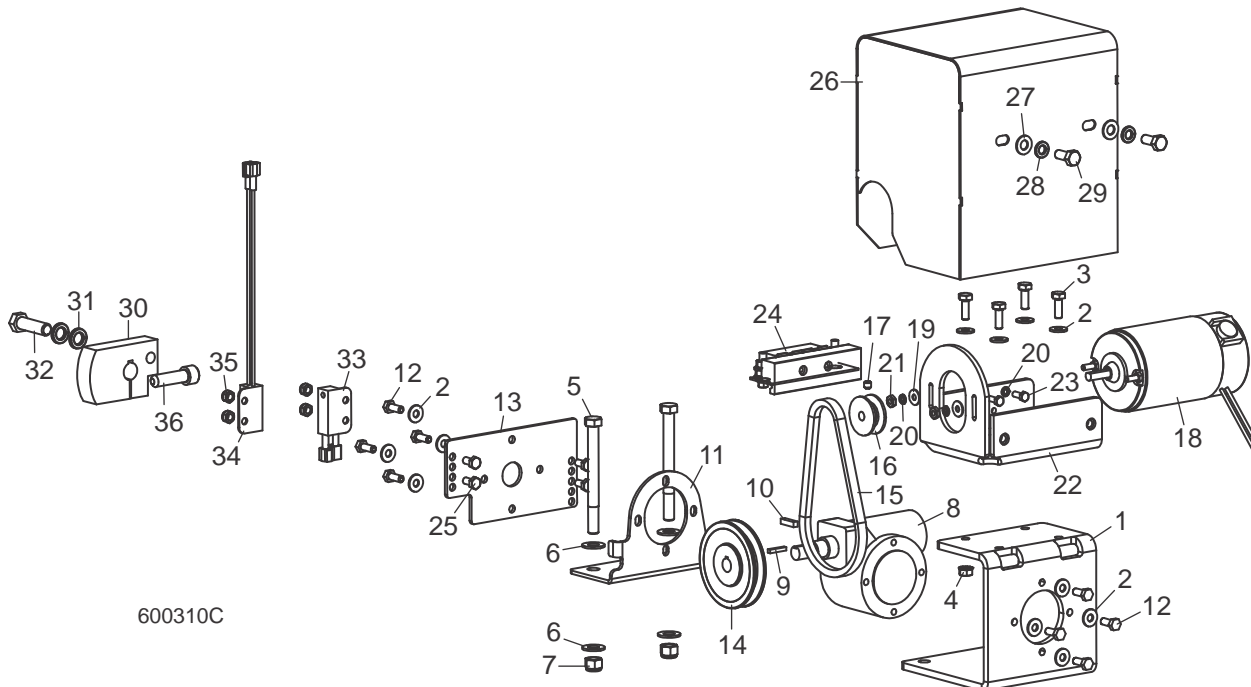
REF	DESCRIPTION (◆ Indicates Parts Available In Assemblies Only)	PART #	QTY.
	BRAKE ASSEMBLY, LT60/70	034886	1
1	Block, Blade Wheel Brake	016488	6
2	Washer, 21/32" x 2 1/4" x 3/16"	017838	1
3	Washer, 21/32" x 1 5/8" x 1/4"	034685	1
4	Arm Weldment, Pivot Brake	034883	1
5	Shaft, Pivot Brake	034885	1
	Linkage Assembly, Pivot Brake	034892	1
6	Arm Weldment, Pivot Brake Lik	034891	1
7	Nut, 7/16-20 Jam	F05010-38	1
8	Nut, 7/16-20 Left Hand Jam	F05010-87	1
9	Rod End, 7/16-20 Left Hand Male	P11578	1
10	Turnbuckle, 3" Adjustment	S11577	1
11	Collar, 1" Lock	038090	1
12	Bolt, #10-24 x 1" Socket Head	F05004-2	12
13	Bolt, 3/8-16 x 1 1/4" Hex Head Grade 5	F05007-123	1
14	Nut, 3/8-16 Hex Nylon Lock	F05010-10	1
15	Nut, #10-24 Self-Locking Hex	F05010-14	12
16	Nut, 5/8-18 Hex Nylon Lock	F05010-71	1
17	Nut, 7/16-20 Hex Nylon Lock	F05010-83	1
18	Bushing, 1" ID x 1 1/4" OD Flanged	P109	2
19	Washer, 3/8" SAE Flat	F05011-3	3

4 Saw Head

Autoclutch Assembly (DC Only)

4.4 Autoclutch Assembly (DC Only)

LT70HD Remote Rev. B4.00+



REF	DESCRIPTION (◆ Indicates Parts Available In Assemblies Only)	PART #	QTY.
	AUTOCLUTCH ASSEMBLY, LT70 2010	008953	1
1	Bracket, Autoclutch Front Mount	008949	1
2	Washer, 1/4" SAE Flat	F05011-11	12
3	Bolt, 1/4-20 x 3/4" Hex Head Grade 5	F05005-123	4
4	Nut, 1/4-20 Self-Locking Hex	F05010-9	4
5	Bolt, 3/8-16 x 4" Hex Head	F05007-4	2
6	Washer, 3/8" SAE Flat	F05011-3	4
7	Nut, 3/8-16 Hex Nylon Lock	F05010-10	2
8	Gearbox, 61:1 512 Reducer	036764	1
9	Key, 1/8" Sq. x 3/4" Long	036803	1
10	Key, 3/16" Sq. x 3/4" Long	S03060	1
11	Bracket, Autoclutch Rear Mount	008952	1
12	Bolt, M6 x 1 x 16mm Hex Head	F05004-219	8
13	Plate, Sensor Mount	013982	1
14	Pulley, OK30 x 1/2" Special	015075	1
15	Belt, 3L140	016219	1
16	Pulley, 1.42" x .32" Motor	015074	1
17	Screw, 1/4-28 x 1/4" Socket Head Cup Point Set	F05005-105	1
18	Motor Assembly, Autoclutch Replacement	016021	1
	Brush Kit, Leeson Motor External	034002	1

Saw Head 4
Autoclutch Assembly (DC Only)

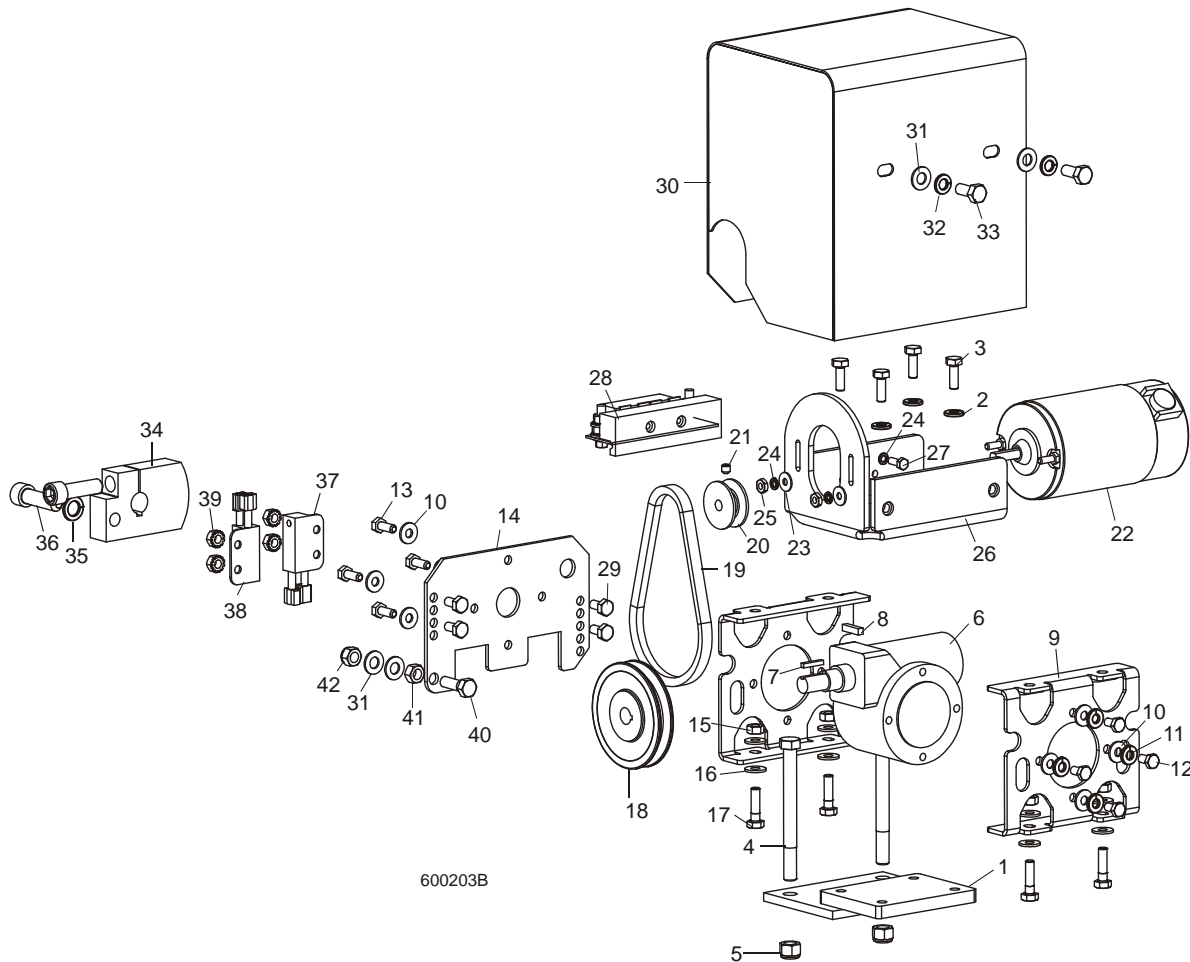
19	Washer, #10 SAE Flat	F05011-18	2	
20	Washer, #10 Split Lock	F05011-20	4	
21	Nut, #10-32 Hex	F05010-27	2	
22	Bracket Weldment, Autoclutch Motor Mount	034670	1	
23	Bolt, #10-24 x 1/2" Hex Head	F05004-27	2	
	Module Kit, Autoclutch Upgrade	052791	1	
24	Module Assembly, Mosfet 4X Autoclutch	024618	1	◆
	Capacitor Assembly, 1000uF with 1/4" Ring Terminals	024163	1	
	Diode Assembly, Autoclutch Gate	061052	1	
	Tie Wrap, 3/16" x 6" Black UV	F05089-3	1	
	Instruction Sheet, Autoclutch Mosfet Installation	052791-1260	1	
25	Bolt, M6 x 12 Hex Head Full Thread Grade 8-8	F05005-99	4	
26	Guard Weldment, Autoclutch	034667	1	
27	Washer, 5/16" SAE Flat	F05011-17	2	
28	Washer, 5/16" Split Lock	F05011-13	2	
29	Bolt, 5/16-18 x 3/4" Hex Head	F05006-5	2	
30	Cam, Autoclutch	034675	1	
31	Washer, 7/16" Split Lock	F05011-48	2	
32	Bolt, 7/16-20 x 1 1/2" Hex Head Grade 5	F05007-156	1	
33	Sensor Assembly, AutoClutch Engage	051337	1	
34	Sensor Assembly, Proximity Magnetic	024627	1	
35	Nut, M6-1.0 Hex Nylon Lock	F05010-200	4	
36	Bolt, 7/16-20 x 1 1/2" Socket Head	F05007-55	1	

4 Saw Head

Autoclutch Assembly (DC Only)

4.5 Autoclutch Assembly (DC Only)

LT70HD Remote Rev. B3.02



REF	DESCRIPTION (◆ Indicates Parts Available In Assemblies Only)	PART #	QTY.
	AUTOCLUTCH ASSEMBLY, LT60/70	034692	1
1	Plate Weldment, Autoclutch Mount	034678	1
2	Washer, 1/4" Split Lock	F05011-14	4
3	Bolt, 1/4-20 x 3/4" Hex Head Grade 5	F05005-123	4
4	Bolt, 3/8-16 x 4" Hex Head	F05007-4	2
5	Nut, 3/8-16 Hex Nylon Lock	F05010-10	2
	Gearbox Assy, LT60/70 Autoclutch	036787	1
6	Gearbox, 61:1 512 Reducer	036764	1
7	Key, 1/8" Sq. x 3/4" Long	036803	1
8	Key, 3/16" Sq. x 3/4" Long	S03060	1
9	Mount Weldment, Autoclutch Gearbox LT60/70	036794	2
10	Washer, 1/4" SAE Flat	F05011-11	8

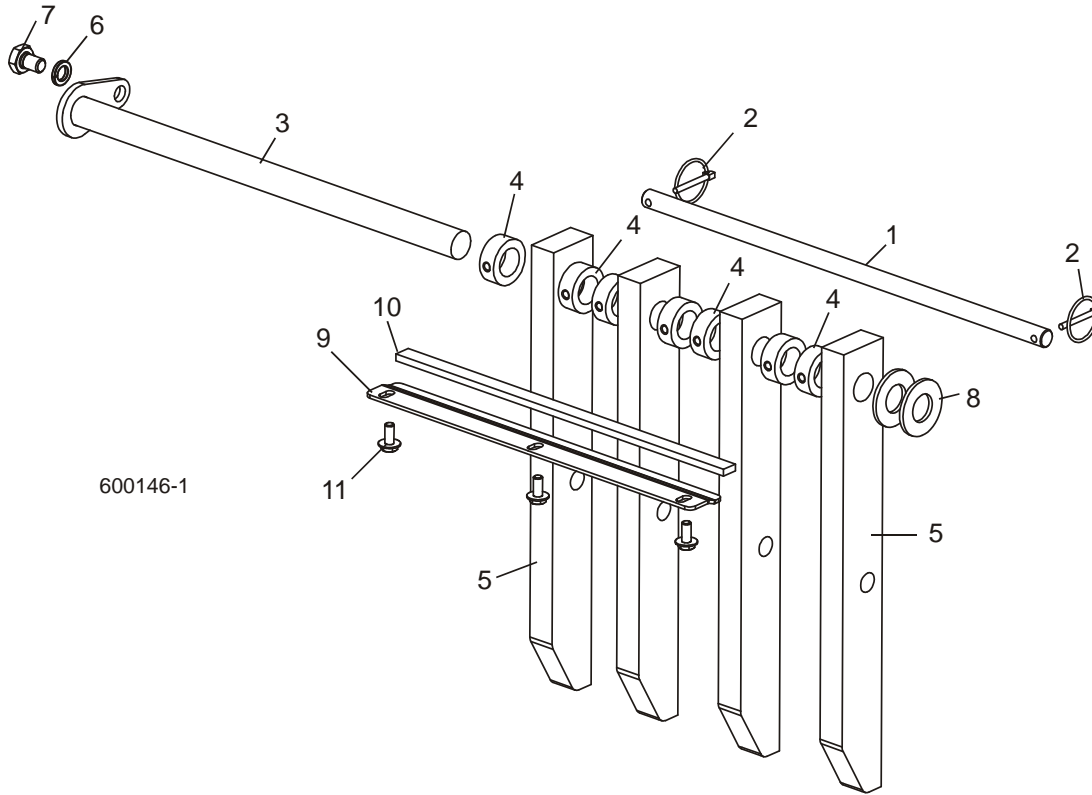
Saw Head 4
Autoclutch Assembly (DC Only)

11	Washer, 1/4" Split Lock	F05011-14	4	
12	Bolt, M6 x 12 Full Thread Grade 8.8 Hex Head	F05005-99	4	
13	Bolt, M6 x 1 x 16mm Hex Head	F05004-219	4	
14	Plate, Sensor Mount	036785	1	
15	Nut, 1/4-20 Hex Lock	F05010-21	4	
16	Washer, 1/4" SAE Flat	F05011-11	8	
17	Bolt, 1/4-20 x 1" Hex Head Grade 5	F05005-101	4	
18	Pulley, OK30 x 1/2" Special	015075	1	
19	Belt, 3L140	016219	1	
20	Pulley, 1.42" x .32" Motor	015074	1	
21	Screw, 1/4-28 x 1/4" Socket Head Cup Point Set	F05005-105	1	
22	Motor Assembly, Autoclutch Replacement	016021	1	
	Brush Kit, Leeson Motor External	034002	1	
23	Washer, #10 SAE Flat	F05011-18	2	
24	Washer, #10 Split Lock	F05011-20	4	
25	Nut, #10-32 Hex	F05010-27	2	
26	Bracket Weldment, Autoclutch Motor Mount	034670	1	
27	Bolt, #10-24 x 1/2" Hex Head	F05004-27	2	
	Module Kit, Autoclutch Upgrade	052791	1	
28	Module Assembly, Mosfet 4X Autoclutch	024618	1	◆
	Capacitor Assembly, 1000uF with 1/4" Ring Terminals	024163	1	
	Diode Assembly, Autoclutch Gate	061052	1	
	Tie Wrap, 3/16" x 6" Black UV	F05089-3	1	
	Instruction Sheet, Autoclutch Mosfet Installation	052791-1260	1	
29	Bolt, 1/4-20 x 1/2" Hex Head	F05005-15	4	
30	Guard Weldment, Autoclutch	034667	1	
31	Washer, 5/16" SAE Flat	F05011-17	4	
32	Washer, 5/16" Split Lock	F05011-13	2	
33	Bolt, 5/16-18 x 3/4" Hex Head	F05006-5	2	
34	Cam, Autoclutch	034675	1	
35	Washer, 7/16" Split Lock	F05011-48	1	
36	Bolt, 7/16-20 x 1 1/2" Socket Head	F05007-55	2	
37	Sensor Assembly, AutoClutch Engage	051337	1	
38	Sensor Assembly, Proximity Magnetic	024627	1	
39	Nut, 1/4-20 Hex Self-Locking	F05010-9	4	
40	Bolt, 5/16-18 x 1" Hex Head	F05006-1	1	
41	Nut, 5/16-18 Hex	F05010-17	1	
42	Nut, 5/16-18 Hex Nylon Lock	F05010-58	1	

4 Saw Head

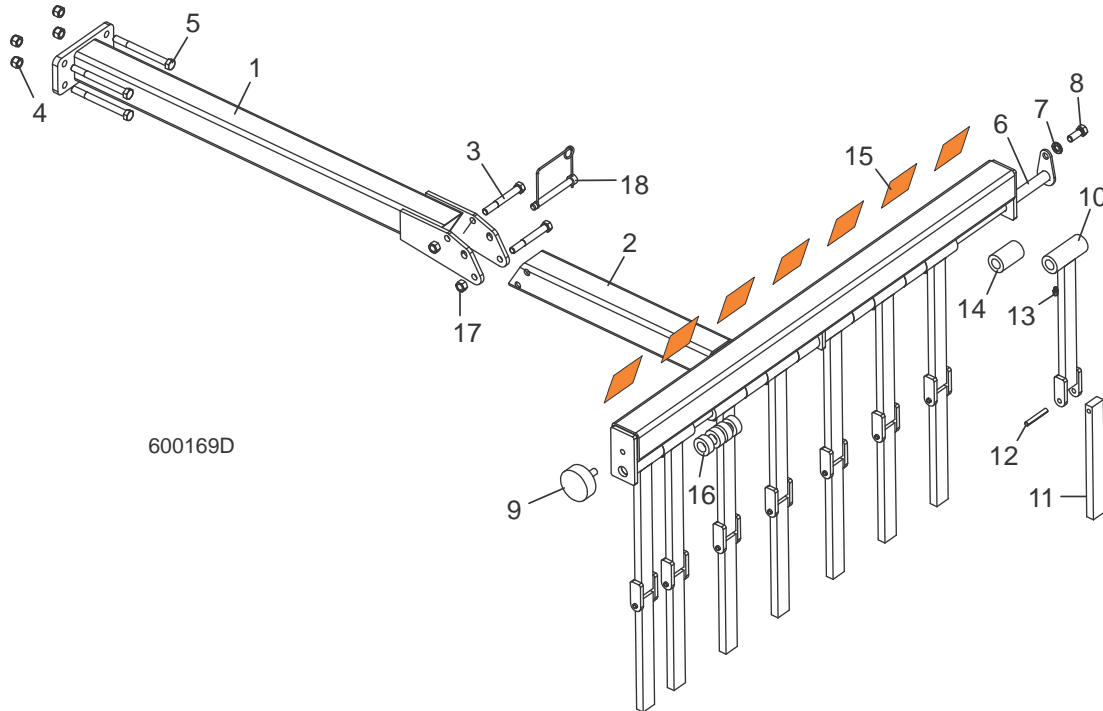
Board Return Assembly

4.6 Board Return Assembly



REF	DESCRIPTION (◆ Indicates Parts Available In Assemblies Only)	PART #	QTY.
1	PIN, BOARD RETURN LOCK	034565	1
2	PIN, 3/16" W/CHAIN	017604	2
3	PIN WELDMENT, BOARD RETURN MOUNT	034567	1
4	COLLAR, 1" LOCK	038090	7
5	ARM, BOARD RETURN W/STOP	034561	4
6	WASHER, 1/2" SPLIT LOCK	F05011-9	1
7	BOLT, 1/2-13 X 3/4" HEX HEAD GRADE 5	F05008-101	1
8	WASHER, 1" SAE	F05011-28	2
9	BRACKET, BOARD RETURN BUMPER	017856	1
10	BUMPER, BOARD RETURN	017857	1
11	BOLT, 5/16-18 X 3/4" HEX WASHER HEAD	F05006-101	3

4.7 Board Dragback

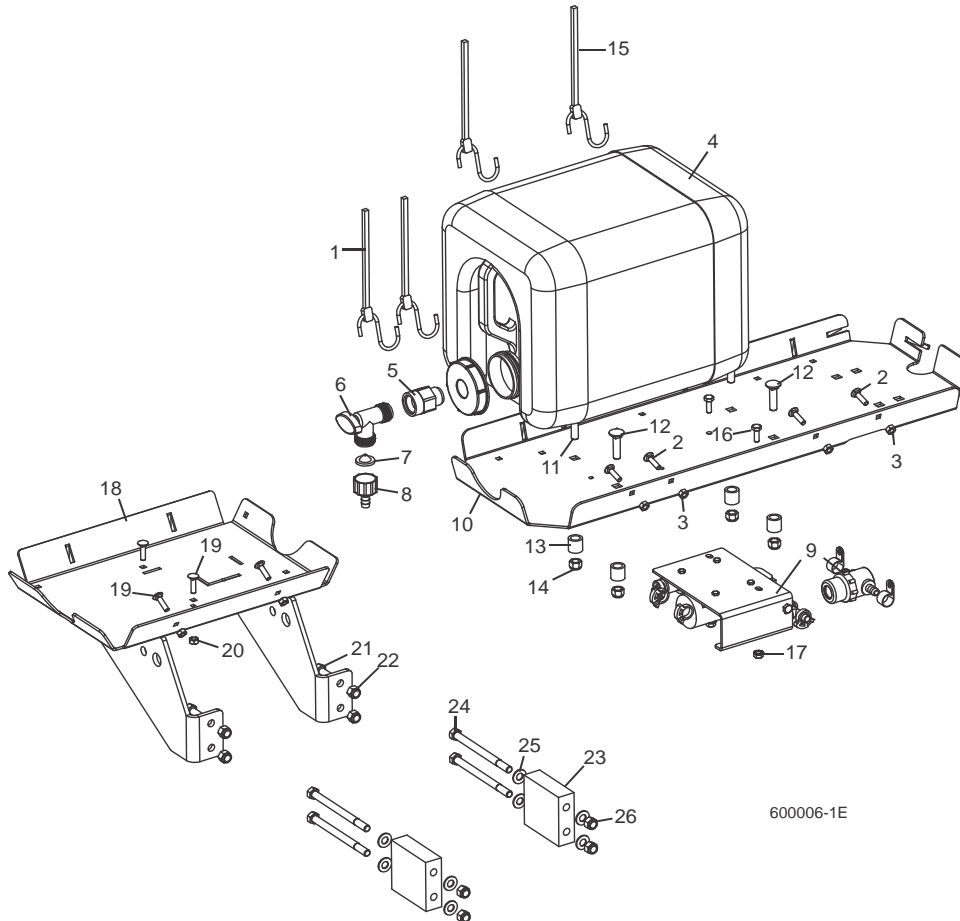


REF	DESCRIPTION (◆ Indicates Parts Available In Assemblies Only)	PART #	QTY.	
	DRAGBACK ASSEMBLY, BOARD	034413	1	
1	Tube Weldment, Board Dragback Mount	034411	1	
2	Tube Weldment, Board Dragback	034331	1	
3	Bolt, 3/8-16 x 3" Hex Head Grade 5	F05007-73	2	
4	Nut, 3/8-16 Hex Nylon Lock	F05010-10	4	
5	Bolt, 3/8-16 x 4" Hex Head Grade 5	F05007-126	4	
6	Rod Weldment, Board Dragback	034408	1	
7	Washer, 3/8" Split Lock	F05011-4	1	
8	Bolt, 3/8-16 x 1" Hex Head Grade 5	F05007-87	1	
9	Bumper, Table	034175	1	
10	Bracket Weldment, Dragback Bar Mount	017823	8	
11	Bar, Lower Board Dragback	036651	8	
12	Pin, 1/4" x 1 3/4" Roll	F05012-53	8	
13	Fitting, 1/4-28 Grease	P05060	8	
14	Tube, .63" ID x 1.12" OD x 1.84" Long Spacer	017820	5	
15	Decal, Warning Stripe	015849	1	
16	Tube, .63" ID x 1.12" OD x .46" Long Spacer	003687	4	
17	Nut, 3/8-16 Swaged Lock	F05010-25	2	
18	Pin Assembly, 3/8x3 Wire Lock	038472	1	

4 Saw Head

Water Lube Assembly

4.8 Water Lube Assembly



REF	DESCRIPTION (◆ Indicates Parts Available In Assemblies Only)	PART #	QTY.
1	STRAP, 20" RUBBER	P11668	2
2	BOLT, 1/4-20 X 1" CARRIAGE HEAD	F05005-34	4
3	NUT, 1/4-20 HEX LOCK	F05010-21	4
4	BOTTLE ASSEMBLY, WATER LUBE W/CAP	014642	1
	O-ring, Water Bottle Cap	061372 ¹	1
5	FITTING, 3/4FPT X 3/4MPT	014636	1
6	FITTING, WATER LUBE SHUTOFF VALVE	014100	1
7	FILTER, WATER LUBE	016086	1
8	FITTING, 5/8" NPT TO 3/8" HOSE BARB	014113	1
9	LUBEMIZER PARTS/HOSES (SEE LUBEMIZER OPTION MANUAL)		
10	TRAY, WATER LUBE/FUEL TANK MOUNT (GAS/DIESEL ONLY) ²	S11684	1
11	BOLT, 3/8-16 X 2" CARRIAGE HEAD FULL THREAD	F05007-22	1
12	BOLT, 3/8-16 X 1 1/2" CARRIAGE HEAD GRADE 5	F05007-85	3
13	SPACER, TANK TRAY	033911	4

14	NUT, 3/8-16 HEX NYLON LOCK	F05010-10	4	
15	STRAP, 24" RUBBER (GAS/DIESEL ONLY)	P11258	2	
16	BOLT, 1/4-20 X 3/4" HEX HEAD FULL THREAD	F05005-1	2	
17	NUT, 1/4-20 HEX SELF-LOCKING	F05010-9	2	
18	TRAY WELDMENT, WATER LUBE MOUNT (E25/E30 ONLY)	034491	1	
19	BOLT, 1/4-20 X 1" CARRIAGE HEAD	F05005-34	4	
20	NUT, 1/4-20 HEX LOCK	F05010-21	4	
21	BOLT, 3/8-16 X 1" HEX HEAD	F05007-7	4	
22	NUT, 3/8-16 HEX NYLON LOCK	F05010-10	4	
23	SPACER, E30 WATERLUBE (E30 ONLY)	007660	2	
24	BOLT, 3/8-16 X 5" HEX HEAD	F05007-5	4	
25	WASHER, 3/8" SAE FLAT	F05011-3	8	
26	NUT, 3/8-16 HEX NYLON LOCK	F05010-10	4	
	COVER, 5 GAL. WATER BOTTLE OPTIONAL (NOT SHOWN)	CBOTTLE	1	

¹ If the water bottle cap keeps leaking, add this o-ring to the cap. Leave the existing o-ring installed.

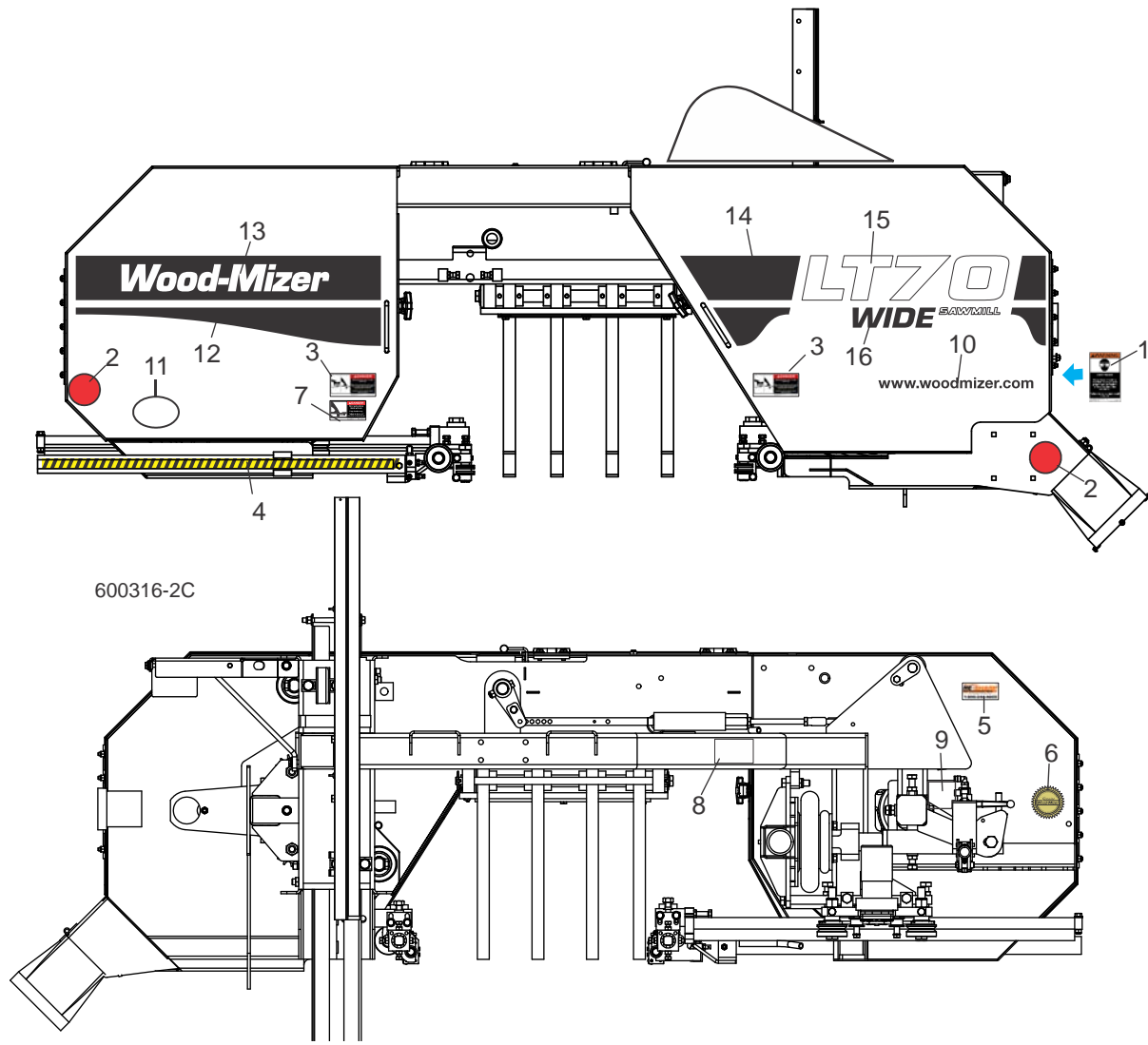
² See Engine Option manual for fuel tank parts.

4 Saw Head

Saw Head Decals

4.9 Saw Head Decals

After 11/15/10



REF	DESCRIPTION (◆ Indicates Parts Available In Assemblies Only)	PART #	QTY.
1	DECAL, SAWDUST CHUTE WARNING	P11754	1
2	DECAL, RED REFLECTIVE 2" ROUND	P07452	2
3	DECAL, BLADE COVERS DANGER	033254	2
4	DECAL, BLADE GUIDE ARM STRIPE	015849	1
5	DECAL, BLADE RESHARP INFO	P12879	1
6	DECAL, WOOD-MIZER QUALITY	015930	1
7	DECAL, BLADE DANGER	S11752	1
8	DECAL, LT60/70 BLADE TENSION INFO	038596	1
9	DECAL, BLADE ALIGNMENT	P11789	1
10	DECAL, WOOD-MIZER WEBSITE	003235	1

11	DECAL, 30 YEAR LOGO	065582 ¹	1	
12	DECAL, LT70 IDLE SIDE BLACK EURO STRIPE	065029	1	
13	DECAL, LT70 WHITE WOOD-MIZER LOGO	065030	1	
14	DECAL, LT70 DRIVE SIDE BLACK EURO STRIPE	065033	1	
15	DECAL, LT70 WHITE EURO LOGO (ALL EXCEPT LT70 SUPER HYDRAULIC)	065031	1	
	DECAL, LT70 WHITE LOGO (LT70 SUPER HYDRAULIC ONLY)	076636	1	
16	DECAL, LT15/70 WIDE LOGO (WIDE HEAD ONLY)	074335	1	

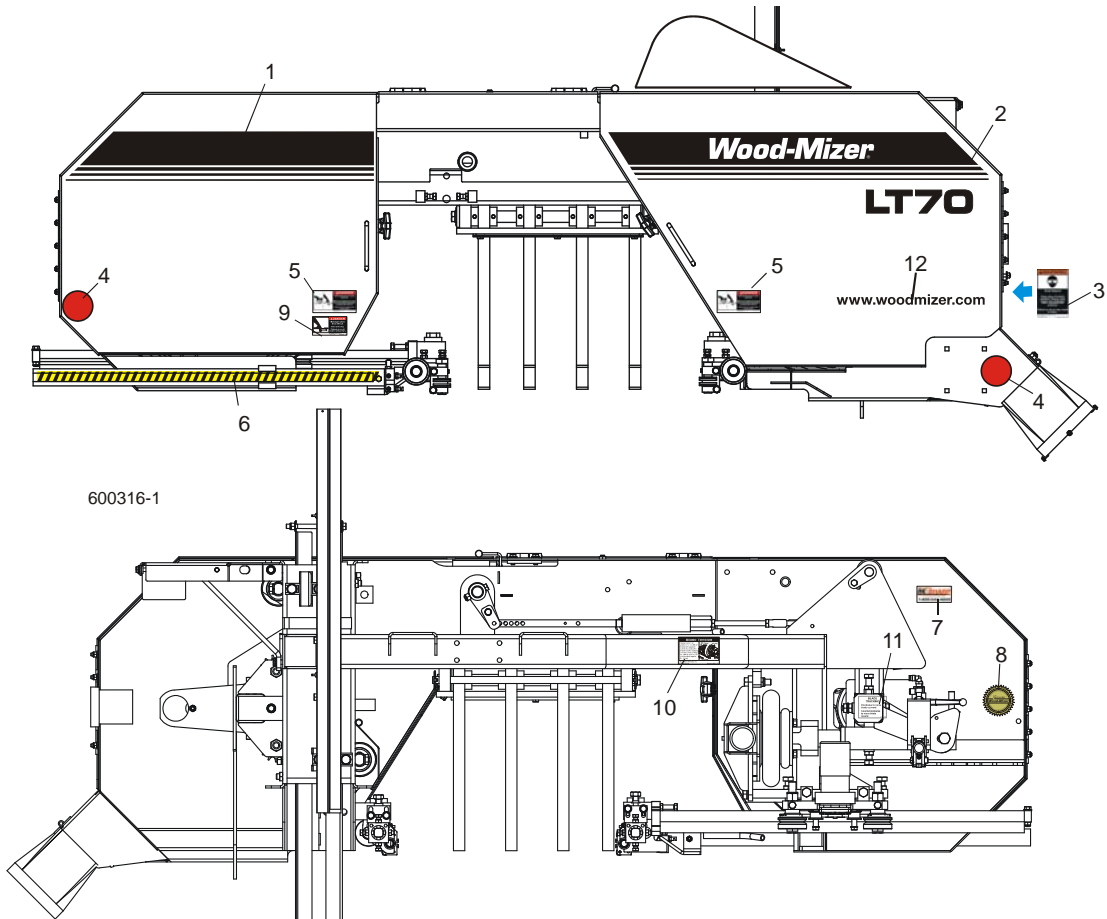
¹ Replaced 008782 MTM Decal (11/11).

4 Saw Head

Saw Head Decals

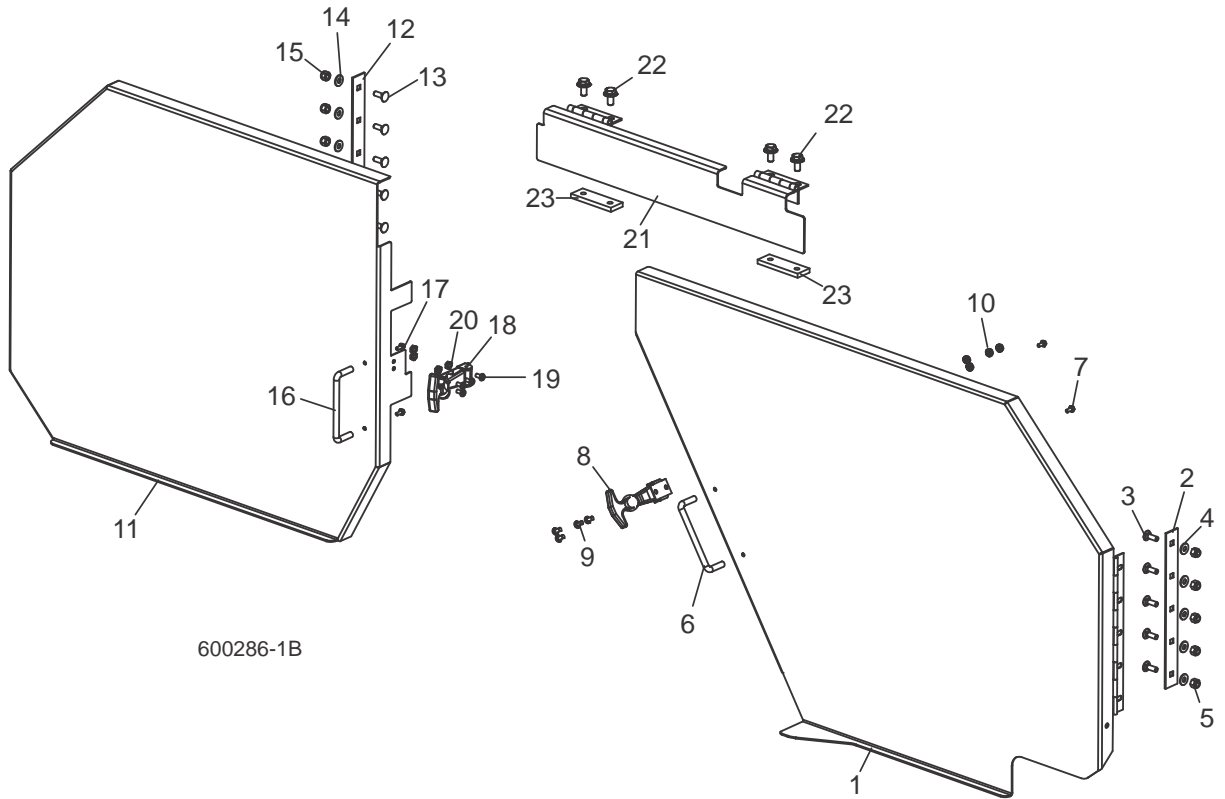
4.10 Saw Head Decals

Prior to 11/15/10



REF	DESCRIPTION (◆ Indicates Parts Available In Assemblies Only)	PART #	QTY.
1	DECAL, IDLE SIDE BLADE COVER	003249	1
2	DECAL, LT70 LOGO W/STRIPES	003248	1
3	DECAL, SAWDUST CHUTE WARNING	P11754	1
4	DECAL, RED REFLECTIVE 2" ROUND	P07452	2
5	DECAL, BLADE COVERS DANGER	033254	2
6	DECAL, BLADE GUIDE ARM STRIPE	015849	1
7	DECAL, BLADE RESHARP INFO	P12879	1
8	DECAL, WOOD-MIZER QUALITY	015930	1
9	DECAL, BLADE DANGER	S11752	1
10	DECAL, LT60/70 BLADE TENSION INFO	038596	1
11	DECAL, BLADE ALIGNMENT	P11789	1
12	DECAL, WOOD-MIZER WEBSITE	003235	1

4.11 Blade Housing Covers



600286-1B

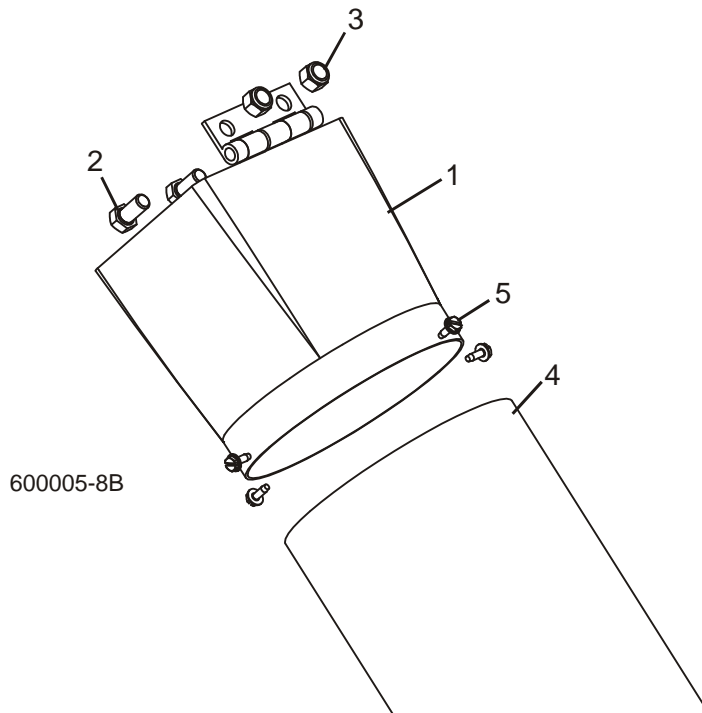
REF	DESCRIPTION (◆ Indicates Parts Available In Assemblies Only)	PART #	QTY.
	COVER ASSEMBLY, DRIVE SIDE BLADE HOUSING	048409	1
1	Cover Weldment, Drive Side Blade Housing	048403	1
2	Plate, Hinge Backing	034251	1
3	Bolt, 1/4-20 x 3/4" Carriage Head	F05005-113	5
4	Washer, 1/4" SAE Flat	F05011-11	5
5	Nut, 1/4-20 Hex Nylon Lock	F05010-69	5
6	Handle, Blade Housing Cover	P08065	1
7	Screw, #8-32 x 3/8" Self-Tapping	F05015-8	2
8	Latch, Flexible Draw	014829	1
9	Screw, #10-24 x 3/8" Cross Slotted Pan Head	F05004-3	4
10	Nut, #10-24 Hex Self-Locking	F05010-14	4
	COVER ASSEMBLY, IDLE SIDE BLADE HOUSING	036178	1
11	Cover Weldment, Idle Side Blade Housing	036176	1
12	Plate, Hinge Backing	034251	1
13	Bolt, 1/4-20 x 3/4" Carriage Head	F05005-113	5
14	Washer, 1/4" SAE Flat	F05011-11	5
15	Nut, 1/4-20 Hex Nylon Lock	F05010-69	5
16	Handle, Blade Housing Cover	P08065	1

4

Saw Head*Blade Housing Covers*

17	Screw, #8-32 x 3/8" Self-Tapping	F05015-8	2	
18	Latch, Flexible Draw	014829	1	
19	Screw, #10-24 x 3/8" Cross Slotted Pan Head	F05004-3	4	
20	Nut, #10-24 Hex Self-Locking	F05010-14	4	
21	COVER WELDMENT, MIDDLE BLADE HOUSING	034454	1	
	COVER WELDMENT, MIDDLE BLADE HOUSING (WIDE HEAD ONLY)	006189	1	
22	BOLT, 5/16-18 X 3/4" HEX HEAD W/FLAT & LOCK WASHER	F05006-101	4	
23	NUT PLATE, MIDDLE COVER	006810	2	

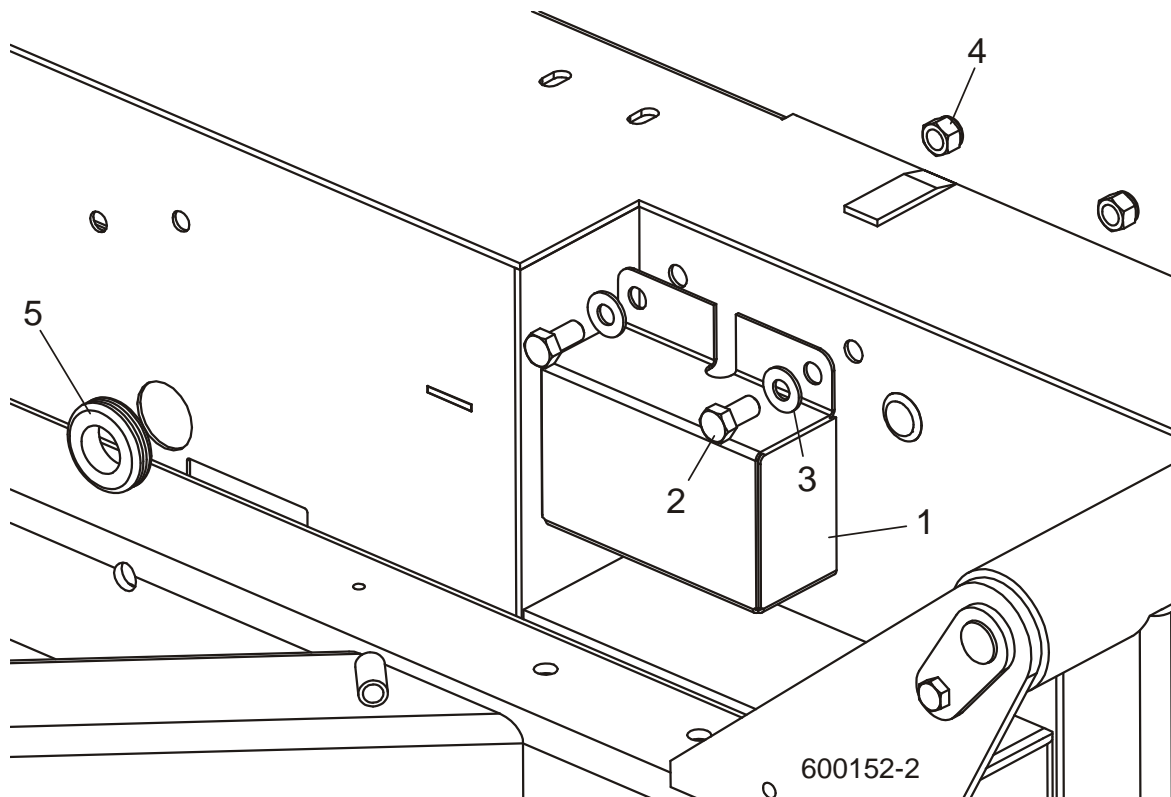
4.12 Sawdust Chute



REF	DESCRIPTION (◆ Indicates Parts Available In Assemblies Only)	PART #	QTY.	
1	CHUTE WELDMENT, SAWDUST	034396	1	
2	BOLT, 3/8-16 X 3/4" HEX HEAD GRADE 5	F05007-118	2	
3	NUT, 3/8-16 HEX NYLON LOCK	F05010-10	2	
4	TUBING, RUBBER SAWDUST	017829	2	
5	BOLT, #10-24 X 1/2" SELF-TAPPING	F05015-7	4	

4 Saw Head
Debarker Wire Box/Grommet

4.13 Debarker Wire Box/Grommet



REF	DESCRIPTION (◆ Indicates Parts Available In Assemblies Only)	PART #	QTY.
1	BOX, DEBARKER WIRE STORAGE	023616	1
2	BOLT, 3/8-16 X 3/4" HEX HEAD	F05007-7	2
3	WASHER, 3/8" SAE FLAT	F05011-3	2
4	NUT, 3/8-16 HEX NYLON LOCK	F05010-10	2
5	GROMMET, 7/8" ID X 1 1/4" GROOVED OD	P702	1

SECTION 5 ENGINE OPTIONS

LT70HD Remote

REF	DESCRIPTION	MASTER	Elec. Info	
	D51 CATERPILLAR ENGINE OPTION (SEE ENGINE OPTION MANUAL)	M1146	M1140	
	D55 YANMAR ENGINE OPTION (SEE ENGINE OPTION MANUAL)	M1589	M1591	
	D62 CATERPILLAR ENGINE OPTION (SEE ENGINE OPTION MANUAL)	M1138	M1140	
	E25 LINCOLN ENGINE OPTION (SEE ENGINE OPTION MANUAL)	M1083	M1093 RC M1088 RH M1090 RL	

LT70HD DCS

REF	DESCRIPTION	MASTER	Elec. Info	
	D55 YANMAR ENGINE OPTION (SEE ENGINE OPTION MANUAL)	M1589	M1730	
	E25 LINCOLN ENGINE OPTION (SEE ENGINE OPTION MANUAL)	M1083	M1782 EB M1781 EC	
	E30 ENGINE OPTION (SEE ENGINE OPTION MANUAL)	M1778	M1783	

LT70HD Super

REF	DESCRIPTION	MASTER	Elec. Info	
	D55 YANMAR ENGINE OPTION (SEE ENGINE OPTION MANUAL)	M1589	M2069	

6 Options

SECTION 6 OPTIONS & ADDITIONAL INCLUDED EQUIPMENT

LT70HD Super

REF	DESCRIPTION (◆ Indicates Parts Available In Assemblies Only)	MASTER	
INCLUDED EQUIPMENT			
	FINE ADJUST OUTRIGGERS (2008) (SEE MANUAL)	M1524	
AVAILABLE OPTIONS			
	BED EXTENSION (SEE MANUAL)	M530	
	LASER SIGHT (SEE MANUAL)	M1786	

LT70HD DCS

REF	DESCRIPTION (◆ Indicates Parts Available In Assemblies Only)	MASTER	
INCLUDED EQUIPMENT			
	FINE ADJUST OUTRIGGERS (2008) (SEE MANUAL)	M1524	
AVAILABLE OPTIONS			
	BED EXTENSION (SEE MANUAL)	M530	
	LASER SIGHT (SEE MANUAL)	M1786	

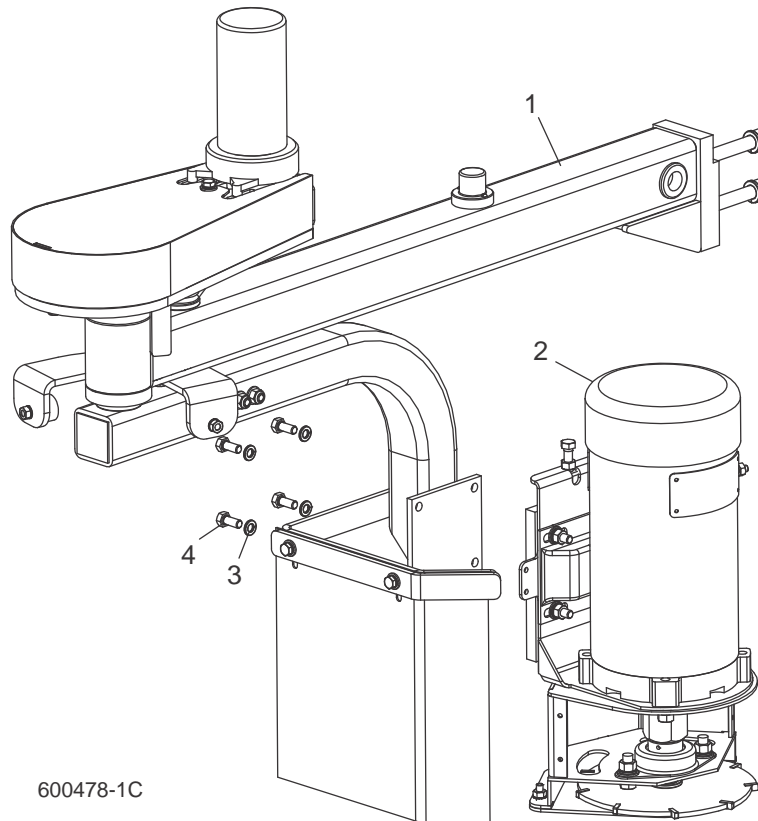
LT70HD Remote

REF	DESCRIPTION (◆ Indicates Parts Available In Assemblies Only)	MASTER	
INCLUDED EQUIPMENT			
	ACCUSET 2 - REMOTE (SEE MANUAL)	M1523	
	MKII DEBARKER (AC) (SEE MANUAL)	M1106	
	MKII DEBARKER (DC) (SEE MANUAL)	M1060	
	FINE ADJUST OUTRIGGERS (2008) (SEE MANUAL)	M1524	
	LUBEMIZER (SEE MANUAL)	M930	
AVAILABLE OPTIONS			
	BED EXTENSION (SEE MANUAL)	M530	
	LASER SIGHT (SEE MANUAL)	M1081	

SECTION 7 DEBARKER

7.1 Debarker Assembly (DC Complete)

MKIII LT70 A.00+



600478-1C

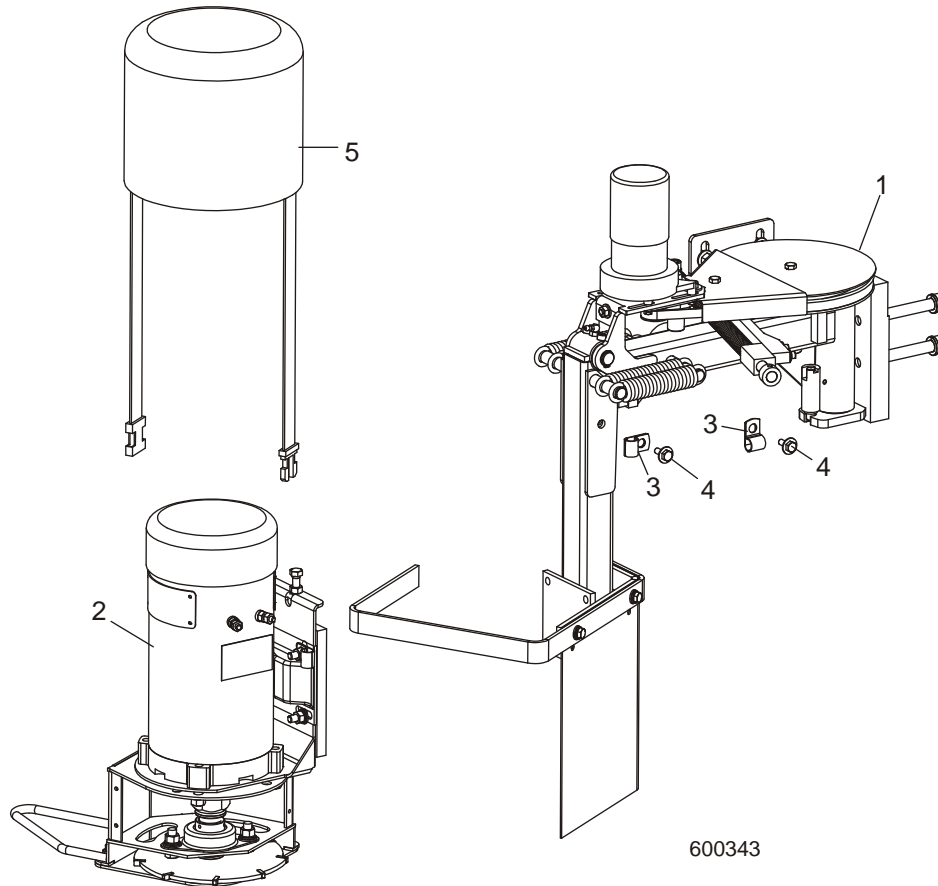
REF	DESCRIPTION (◆ Indicates Parts Available In Assemblies Only)	PART #	QTY.	
	DEBARKER ASSEMBLY, LT70 MECHANICAL	076678	1	
1	Frame Parts (See Section 7.5)			
2	Cutter Head Parts (See Section 7.9)			
3	Washer, 5/16" Split Lock	F05011-13	4	
4	Bolt, 5/16-18 x 3/4" Hex Head	F05006-5	4	
	Plate, LT70 Wide Debarker Pivot Stop	076683	1	
	Cover, 3/4HP Leeson Motor	015761	1	

7

Debarker Debarker Assembly (DC Complete)

7.2 Debarker Assembly (DC Complete)

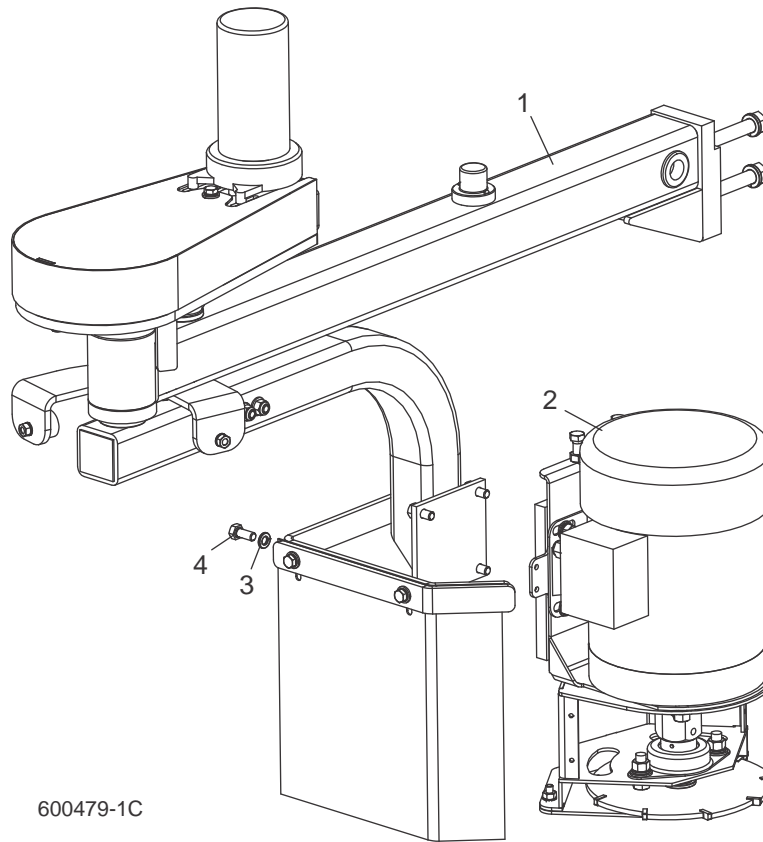
MKII LT70 A.00 - B.03



REF	DESCRIPTION (◆ Indicates Parts Available In Assemblies Only)	PART #	QTY.	
	DEBARKER ASSEMBLY, DC LT70	025902	1	
1	Frame Parts (See Section 7.6)			
2	DC Cutter Head Parts (See Section 7.10)			
	AC Cutter Head Parts (See Section 7.12)			
3	Clamp, 1/2" EMT Coated	P07584	2	
4	Bolt, 1/4-20 x 3/4" Hex Head w/Conical Washer Head	F05005-134	2	
5	Cover, 3/4HP Leeson Motor (DC Only)	015761	1	

7.3 Debarker Assembly (AC Complete)

MKIII LT70 A.00+



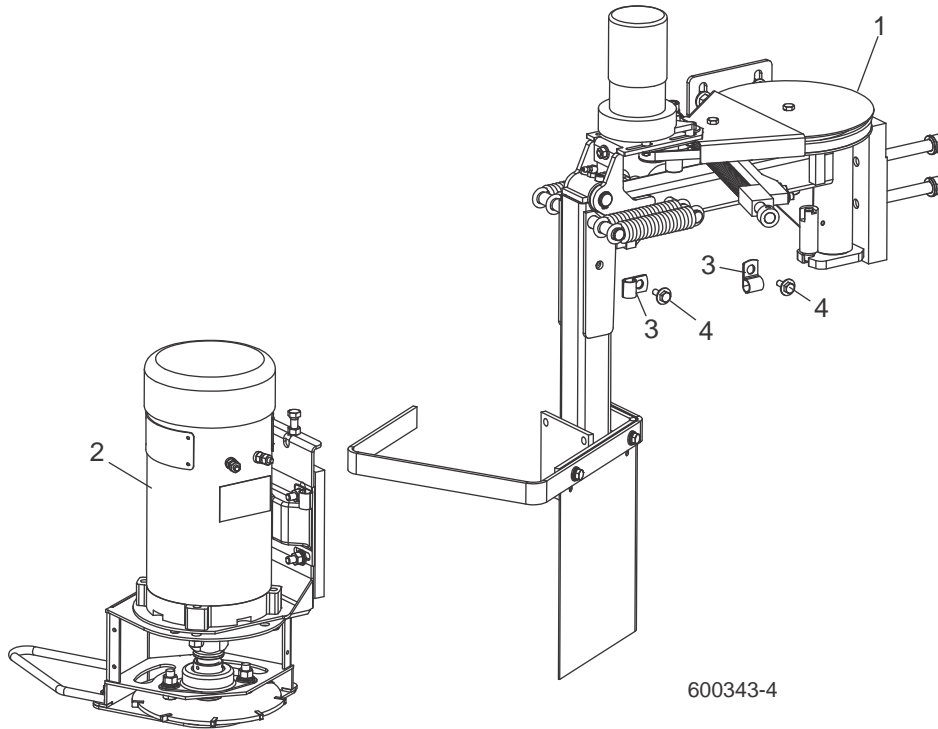
600479-1C

REF	DESCRIPTION (◆ Indicates Parts Available In Assemblies Only)	PART #	QTY.
	MECHANICAL ASSEMBLY, LT60HD/70HD AC DEBARKER (BOXED)	074883	1
	Debarker Assembly, LT70 AC Mechanical	074860	1
1	Frame Parts (See Section 7.5)		
2	Cutter Head Parts (See Section 7.11)		
3	Washer, 5/16" Split Lock	F05011-13	4
4	Bolt, 5/16-18 x 3/4" Hex Head	F05006-5	4
	Plate, LT70 Wide Debarker Pivot Stop	076683	1
	Cover, 3/4HP Leeson Motor	015761	1

8 **Debarker**
Debarker Assembly (AC Complete)

7.4 Debarker Assembly (AC Complete)

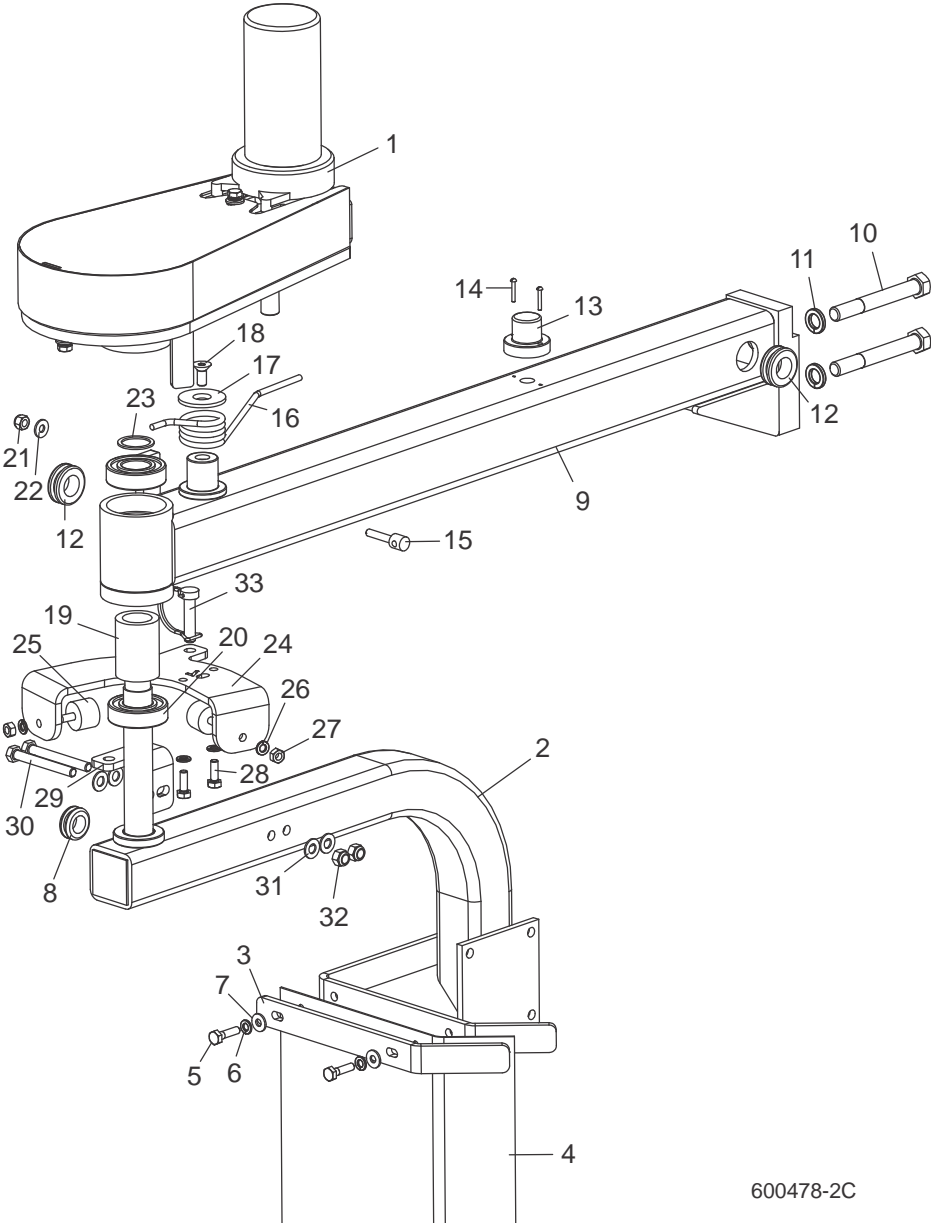
MKII LT70 A.00 - B.03



REF	DESCRIPTION (◆ Indicates Parts Available In Assemblies Only)	PART #	QTY.	
	DEBARKER ASSEMBLY, AC LT70	065517	1	
1	Frame Parts (See Section 7.6)			
2	DC Cutter Head Parts (See Section 7.10)			
	AC Cutter Head Parts (See Section 7.12)			
3	Clamp, 1/2" EMT Coated	P07584	2	
4	Bolt, 1/4-20 x 3/4" Hex Head w/Conical Washer Head	F05005-134	2	

7.5 Frame Assembly

MKIII LT70 A.00+



600478-2C

REF	DESCRIPTION (◆ Indicates Parts Available In Assemblies Only)	PART #	QTY.	
1	DEBARKER IN/OUT MOTOR PARTS (See Section 7.7)			
	PIVOT ARM ASSEMBLY, LT70 DC DEBARKER (LT70 SUPER HD ONLY)	074824	1	
	PIVOT ARM ASSEMBLY, LT70 AC DEBARKER (LT70 DCS ONLY)	074859	1	
2	Arm Weldment, LT70 Debarker Pivot	076675	1	
3	Plate, Debarker Flex Guard Retaining	076749	1	

8

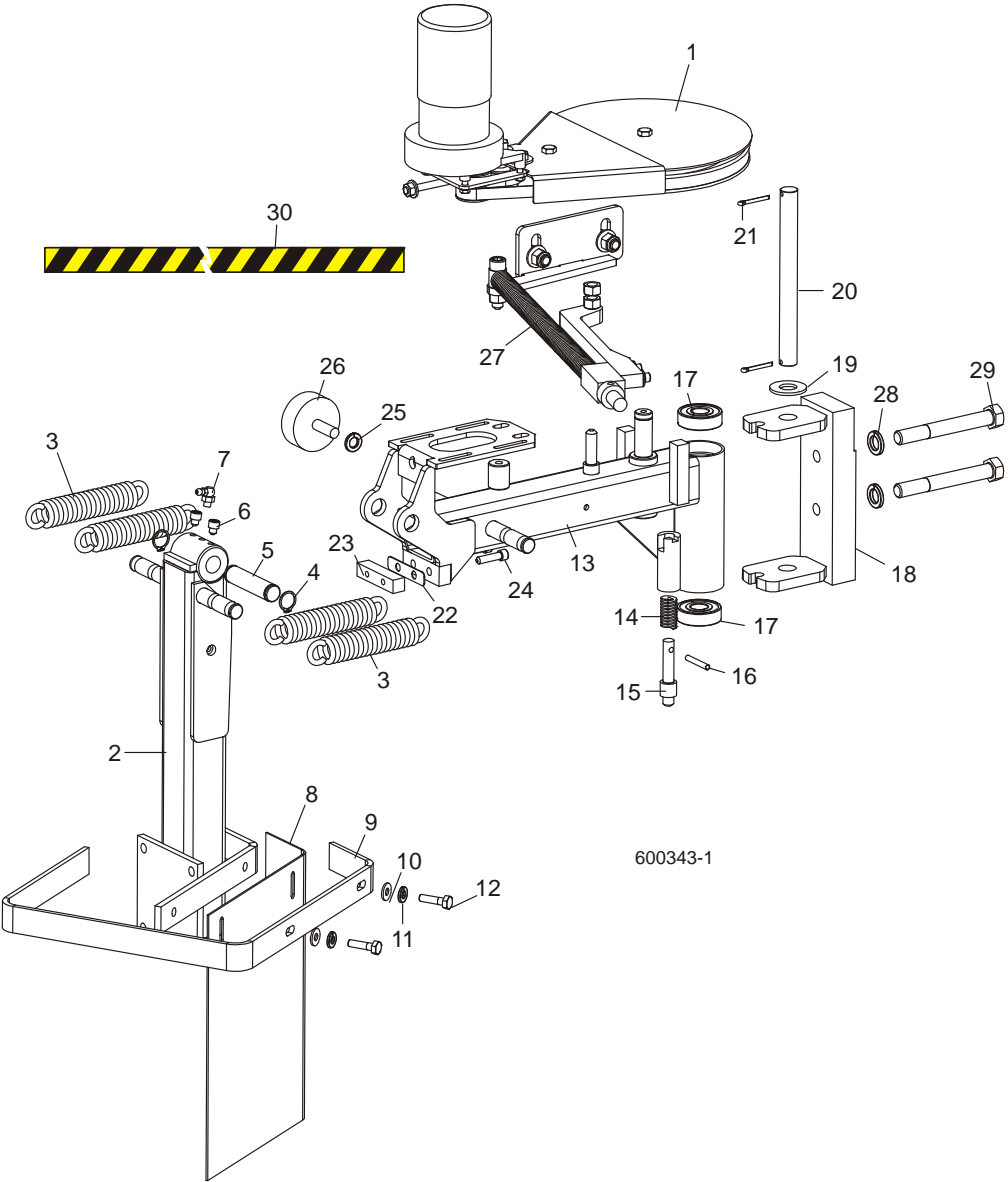
Debarker

Frame Assembly

4	Guard, Debarker Flex	021232	1	
5	Bolt, 1/4-20 x 1" Hex Head	F05005-38	2	
6	Washer, 1/4" Split Lock	F05011-14	2	
7	Washer, 1/4" SAE Flat	F05011-11	2	
8	Grommet, 5/8" ID 3/16" GW Rubber	033475	1	
	DC Cutter Head Parts (LT70 Super HD Only)			
	AC Cutter Head Parts (LT70 DCS Only)			
	MOUNT ARM ASSEMBLY, LT70 DEBARKER	074823	1	
9	Mount Arm Weldment, LT70 Debarker	076676	1	
10	Bolt, 1/2-13 x 4" Hex Head Grade 5	F05008-78	2	
11	Washer, 1/2" Split Lock	F05011-9	2	
12	Grommet, Rubber 3/4 ID	025247	2	
13	Lamp Assembly, 180 Degree Amber Strobe	073555	1	
14	Bolt, 4-40 x 3/4 SI	F05004-13	2	
15	Bushing, Debarker Spring Retaining	076139	1	
16	Spring, Debarker Tension	098605	1	
17	Washer, LT35 Torsion Spring	076039	1	
18	Bolt, 5/16-18 x 3/4" FHS	F05006-95	1	
19	Tube, Long Bearing Spacer	076739	1	
20	Bearing, SKF 6205 2RS Roller	087353	2	
21	Nut, 1/4-20 Nylock	F05010-69	1	
22	Washer, 1/4" SAE Flat	F05011-11	1	
23	SHIM, 1 ID 1-1/4" OD	076037	1	
	STOP ASSEMBLY, LT70 DEBARKER PIVOT	074878	1	
	STOP ASSEMBLY, LT70 WIDE DEBARKER PIVOT (WIDE HEAD ONLY)	074879	1	
24	Plate, LT70 Debarker Pivot Stop	076682	1	
	Plate, LT70 Wide Debarker Pivot Stop (Wide Head Only)	076683	1	
25	Bumper, 1 x 3/4" Hard Silicone Rubber	065717	2	
26	Washer, 1/4" Split Lock	F05011-14	2	
27	Nut, 1/4-20 Free	F05010-63	2	
28	Bolt, 1/4-20 x 3/4" Hex Head Grade 5	F05005-123	2	

7.6 Frame Assembly

MKII LT70 A.00 - B.03



REF	DESCRIPTION (◆ Indicates Parts Available In Assemblies Only)	PART #	QTY.
	ARM ASSEMBLY, LT70 DEBARKER SWING (DCS)	025905	1
1	Debarker In/Out Motor Parts (See Section 7.8)		
2	Frame Weldment, Lower LT60 Debarker	034365	1
3	Spring, Debarker Arm	021185	4
4	Ring, 5/8" Outer Retaining	F04254-2	2
5	Pin, Debarker Pivot	023646	1

8

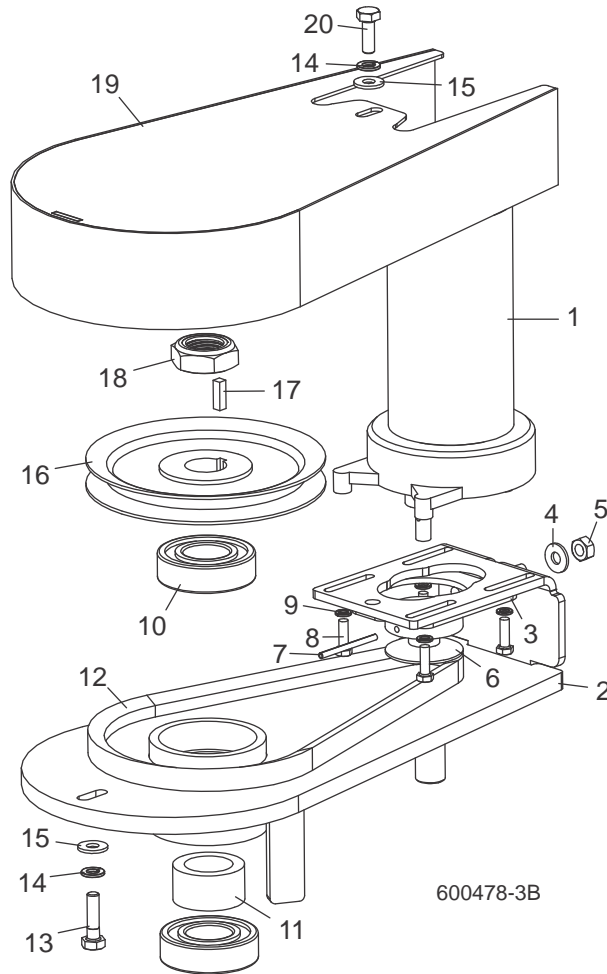
Debarker

Frame Assembly

6	Screw, 1/4-28 x 1/4" Socket Head	F05005-106	2	
7	Fitting, 1/4-28 90° Grease	P04108	1	
8	Guard, Debarker Flex	021232	1	
9	Guard, Debarker	021231	1	
10	Washer, 1/4" SAE Flat	F05011-11	2	
11	Washer, 1/4" Split Lock	F05011-14	2	
12	Bolt, 1/4-20 x 1" Hex Head	F05005-38	2	
	Frame Assembly, LT70 Debarker Upper	046031	1	
13	Frame Weldment, Debarker Upper	046032	1	
14	Spring, .58" OD x 1 1/2"	021243	1	
15	Pin, Debarker Lock	034814	1	
16	Pin, 3/16" x 1 1/4" Roll	F05012-16	1	
17	Bearing, 5/8" x 1.7548" x .4724"	P06030-1	2	
18	Mount Weldment, Debarker Pivot	046033	1	
19	Washer, 5/8" SAE Flat	F05011-5	1	
20	Pin, Debarker Pivot	046034	1	
21	Pin, 1/8" x 1" Cotter	F05012-1	2	
22	Shim, Pivot Stop	046045	1	
23	Block, Pivot Stop	046044	1	
24	Bolt, 1/4-20 x 1" Socket Head	F05005-89	2	
25	Washer, 3/8" Split Lock	F05011-4	1	
26	Bumper, Rubber	034175	1	
27	Spring Arm Parts (See Section 7.15)			
28	Washer, 1/2" Split Lock	F05011-9	2	
29	Bolt, 1/2-13 x 4" Hex Head Grade 5	F05008-78	2	
30	Decal, Bar Stripe	015849	1	

7.7 In/Out Motor Drive Assembly

MKIII LT70 A.00+



REF	DESCRIPTION (◆ Indicates Parts Available In Assemblies Only)	PART #	QTY.
	PIVOT ASSEMBLY, LT70 DEBARKER UPPER	074825	1
1	Gearmotor Assembly, LT70 Debarker In/Out	114024 ¹	1
	Boot, Gear Motor Weather	023720	1
2	Weldment, Debarker Upper Pivot	076709	1

¹ Motor 074826 replaced with 128026 in 7/19 per ECN 35985. Motor 128026 replaced with motor 114024 in 9/19 per ECN 36082.

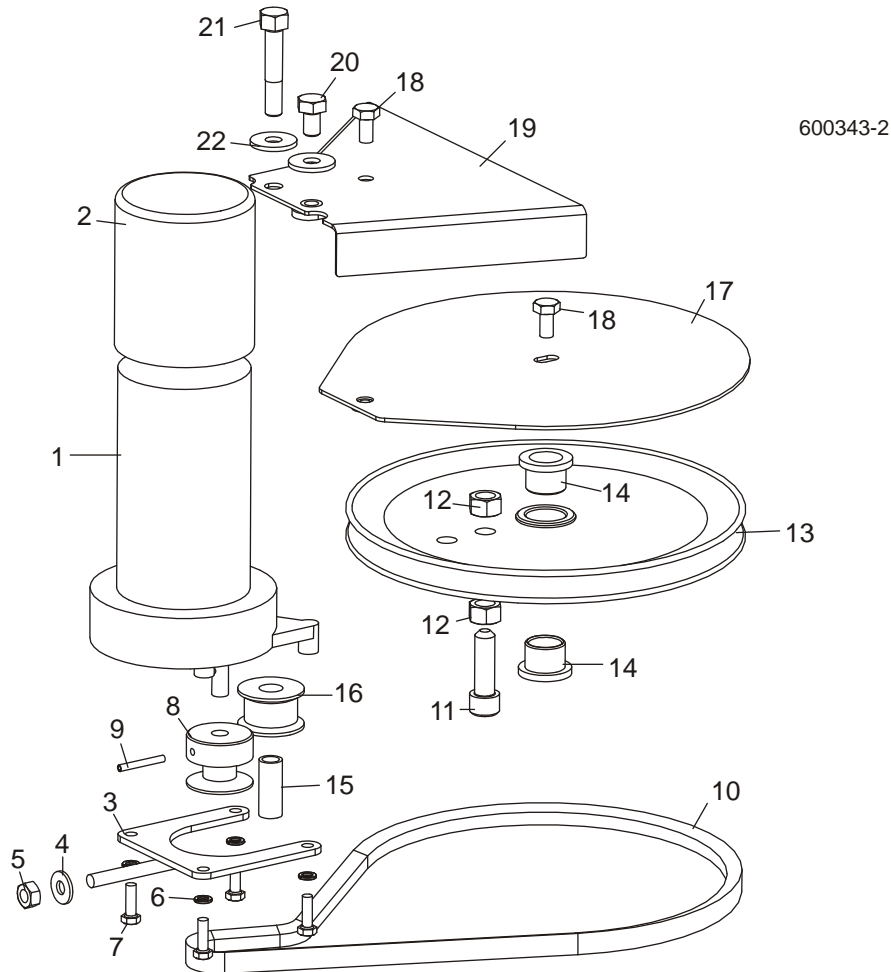
8

Debarker*In/Out Motor Drive Assembly*

3	Tensioner Weldment, Gear Motor	023637	1	
4	Washer, 1/4" SAE Flat	F05011-11	1	
5	Nut, 1/4-20 Swaged	F05010-21	1	
6	Sheave, LT70 Debarker Gearmotor	076666	1	
7	Pin, 1/8 x 1 5/8 Roll	F05012-102	1	
8	Screw, 10-32 x 5/8 HH Machine	F05004-152	4	
9	Washer, #10 Split Lock	F05011-20	4	
10	Bearing, SKF 6205 2RS Roller	087353	2	
11	Pin, 3/16" x 2 1/2" Roll	F05012-27	1	
12	Fitting, 3/16" x 3/16" Straight Grease	P04107	1	
13	Tube, Short Bearing Spacer	076741	1	
14	Spring, .58 OD x 1 1/8"	021243	1	
15	Pin, Transport, MKII	023650	1	
16	BELT, AX21	076689	1	
17	BOLT, 1/4-20 X 1" HEX HEAD GRADE 5	F05005-101	1	
18	WASHER, 1/4" SPLIT LOCK	F05011-14	2	
19	WASHER, 1/4" SAE FLAT	F05011-11	2	
20	PULLEY, 5X7/8 A GROOVE	076798	1	
21	KEY, 3/16" SQ X 5/8"	065214	1	
22	NUT, 7/8-14 HALF NYLOCK	F05010-238	1	
23	GUARD WELDMENT, LT70 DEBARKER BELT	076713	1	
24	BOLT, 1/4-20 X 3/4" FULL THREAD HHC	F05005-1	1	

7.8 In/Out Motor Drive Assembly

MKII LT70 A.00 - B.03



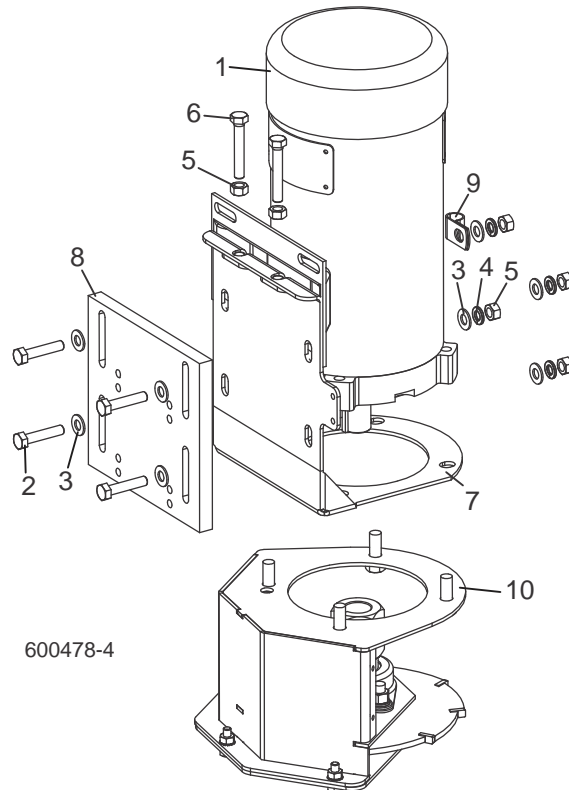
REF	DESCRIPTION (◆ Indicates Parts Available In Assemblies Only)	PART #	QTY.
1	MOTOR ASSEMBLY, DCS BLADE GUIDE DEBARKER IN/OUT	053421	1
	Housing, Klauber Motor End	P12756	1
	Gear Kit, Klauber Gear Motor Replacement	P12569	1
	Brush Kit, Gear Motor Replacement	P12800	1
	Shaft Kit, Klauber Gear Motor Replacement	009695	1
2	BOOT, GEAR MOTOR WEATHER	023720	1
3	TENSIONER WELDMENT, GEAR MOTOR	023637	1
4	WASHER, 1/4" SAE FLAT	F05011-11	1
5	NUT, 1/4-20 HEX LOCK	F05010-21	1
6	WASHER, #10 SPLIT LOCK	F05011-20	4
7	BOLT, #10-32 X 5/8" HEX HEAD	F05004-152	4
8	PULLEY, DEBARKER IN/OUT MOTOR	016181	1

8**Debarker***In/Out Motor Drive Assembly*

9	PIN, 1/8" X 1" ROLL	F05012-34	1	
10	BELT, AX29	046039	1	
11	BOLT, 3/8-16 X 1 1/2" SOCKET HEAD	F05007-36	1	
12	NUT, 3/8-16 HEX LOCK	F05010-25	2	
13	PULLEY, DEBARKER IN/OUT DRIVE	023634	1	
14	BUSHING, FLANGED BRONZE	021203	2	
15	SPACER, .322" ID X .44 OD X 1.10" LONG	046040	1	
16	GUIDE, BELT IDLER	S09999	1	
17	GUARD WELDMENT, DEBARKER BELT	046049	1	
18	BOLT, 1/4-20 X 1/2" HEX HEAD	F05005-15	2	
19	GUARD WELDMENT, DEBARKER PULLEY	046050	1	
20	BOLT, 5/16-18 X 1/2" HEX HEAD GRADE 5	F05006-15	1	
21	BOLT, 5/16-18 X 1 3/4" HEX HEAD	F05009-70	1	
22	WASHER, 5/16" STANDARD FLAT	F05011-16	2	

7.9 Cutter Head Assembly (DC)

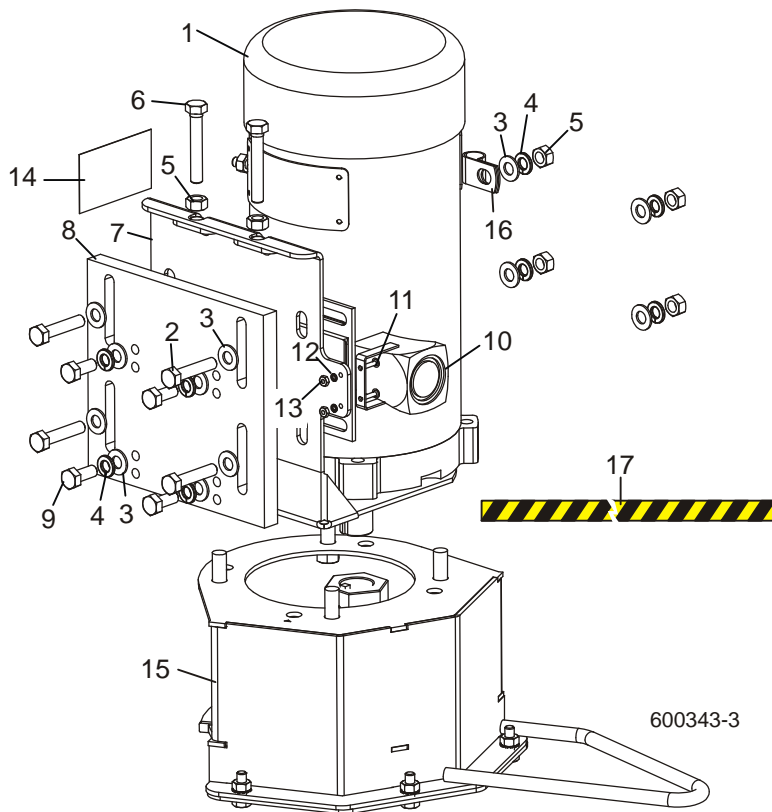
MKIII LT70 A.00+



REF	DESCRIPTION (◆ Indicates Parts Available In Assemblies Only)	PART #	QTY.
	HEAD ASSEMBLY, LT70 DEBARKER CUTTING	076677	1
1	Motor, 3/4HP 12VDC TEFC Electric (7/8" Dia. Shaft)	023688	1
	Brush Kit, Leeson 3/4HP Motor (Includes 2 Brushes and 2 Springs)	024167	1
	Fan, 3/4 HP Leeson Motor Replacement	016087	1
	Guard, Motor Fan	047998	1
	Key, 3/16" Square x 1 3/8" Long	016108	1
2	Bolt, 5/16-18 x 1 1/2" Hex Head Full Thread	F05006-2	4
3	Washer, 5/16" SAE Flat	F05011-17	8
4	Washer, 5/16" Split Lock	F05011-13	4
5	Nut, 5/16-18 Hex	F05010-17	6
6	Bolt, 5/16-18 x 2" Hex Head Full Thread	F05006-13	2
7	Bracket Weldment, Debarker Blade Motor Adjustable	023622	1
8	Plate, Debarker Blade Motor Mount	023620	1
9	Clamp, 1/2EMT Coated	P07584	1
	Decal, Disconnect Motor Leads Warning	024431	1
10	Blade/Mandrel Parts (See Section 7.13)		

7.10 Cutter Head Assembly (DC)

MKII LT70 A.00 - B.03

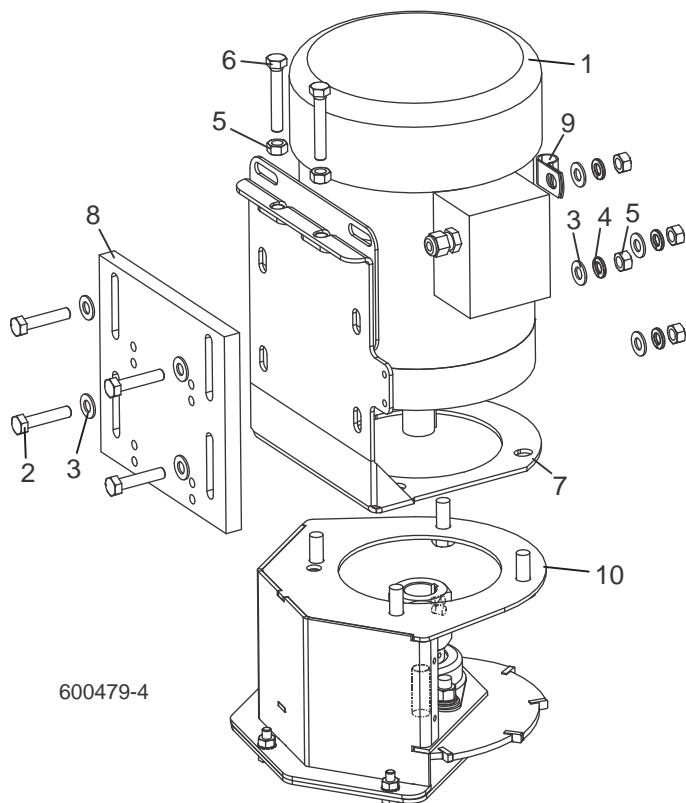


REF	DESCRIPTION (◆ Indicates Parts Available In Assemblies Only)	PART #	QTY.
	HEAD ASSEMBLY, MKII DEBARKER CUTTER (DC DCS)	025904	1
1	Motor, 3/4HP 12VDC TEFC Electric (7/8" Dia. Shaft)	023688	1
	Brush Kit, Leeson 3/4HP Motor (Includes 2 Brushes and 2 Springs)	024167	1
	Fan, 3/4 HP Leeson Motor Replacement	016087	1
	Guard, Motor Fan	047998	1
	Key, 3/16" Square x 1 3/8" Long	016108	1
2	Bolt, 5/16-18 x 1 1/2" Hex Head Full Thread	F05006-2	4
3	Washer, 5/16" SAE Flat	F05011-17	8
4	Washer, 5/16" Split Lock	F05011-13	8
5	Nut, 5/16-18 Hex	F05010-17	6
6	Bolt, 5/16-18 x 2" Hex Head Full Thread	F05006-13	2
7	Bracket Weldment, Debarker Blade Motor Adjustable	023622	1
8	Plate, Debarker Blade Motor Mount	023620	1
9	Bolt, 5/16-18 x 3/4" Hex Head Grade 2	F05006-5	4

10	Horn Assembly, DCS Debarker On Warning	069431	1	
11	Screw, #4-40 x 1/2" Slotted Head	F05004-14	2	
12	Washer, #4 Split Lock	F05011-21	2	
13	Nut, #4-40 Hex	F05010-43	2	
14	Decal, Disconnect Motor Leads Warning	024431	1	
15	Blade/Mandrel Parts (See Section 7.14)			
16	Clamp, 1/2" EMT Coated	P07584	1	
17	Decal, LT15 Blade Guide Bar	015849	.5	

7.11 Cutter Head Assembly (AC)

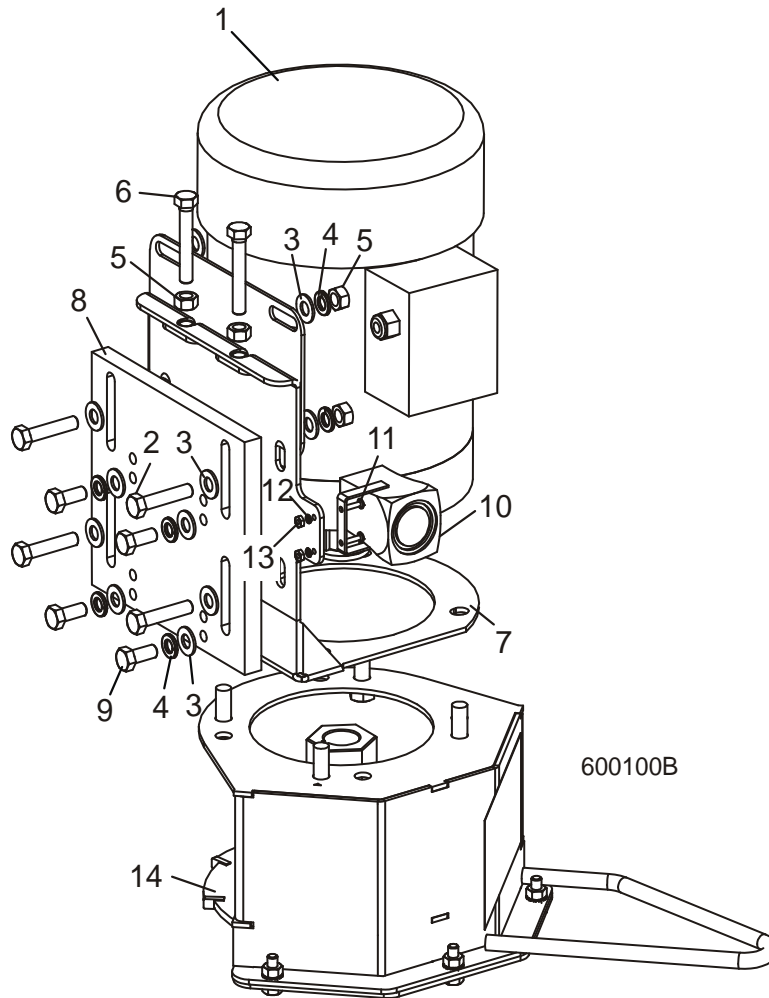
MKIII LT70 A.00+



REF	DESCRIPTION (◆ Indicates Parts Available In Assemblies Only)	PART #	QTY.
	HEAD ASSEMBLY, LT70 AC DEBARKER CUTTING	074858	1
1	Motor, 3/4HP 230/460V 1725RPM Electric	050292	1
	Key, 3/16" Square x 1 3/8" Long	016108	1
2	Bolt, 5/16-18 x 1 1/2" Hex Head Full Thread	F05006-2	4
3	Washer, 5/16" SAE Flat	F05011-17	8
4	Washer, 5/16" Split Lock	F05011-13	4
5	Nut, 5/16-18 Hex	F05010-17	6
6	Bolt, 5/16-18 x 2" Hex Head Full Thread	F05006-13	2
7	Bracket Weldment, Debarker Blade Motor Adjustable	023622	1
8	Plate, Debarker Blade Motor Mount	023620	1
9	Clamp, 1/2EMT Coated	P07584	1
	Decal, Disconnect Motor Leads Warning	024431	1
10	Blade/Mandrel Parts (See Section 7.13)		

7.12 Cutter Head Assembly (AC)

MKII LT70 A.00 - B.03



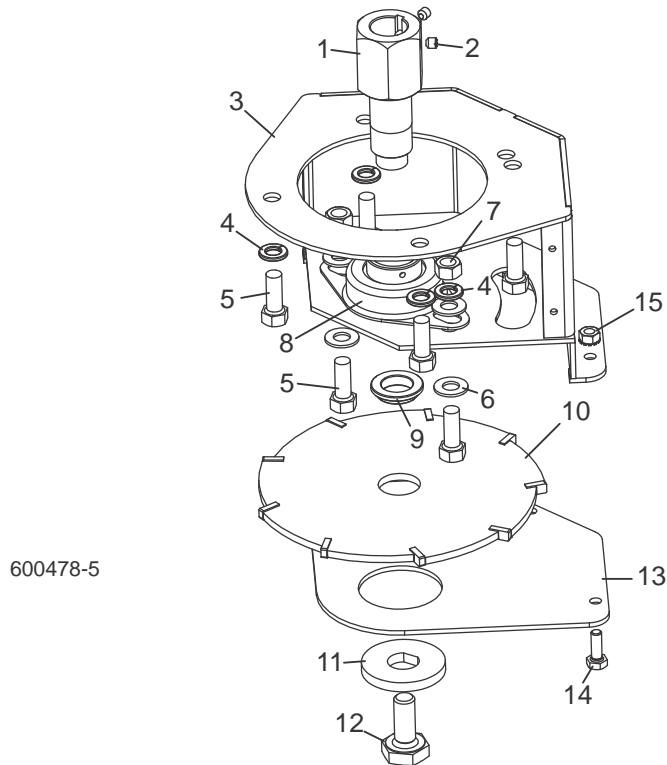
REF	DESCRIPTION (◆ Indicates Parts Available In Assemblies Only)	PART #	QTY.
	HEAD ASSEMBLY, MKII 230/460V AC DEBARKER CUTTING	017772	1
1	Motor, 3/4HP 230/460V 1725RPM Electric	050292	1
	Brush Kit, Leeson 3/4HP Motor (Includes 2 Brushes and 2 Springs)	024167	1
	Fan, 3/4 HP Leeson Motor Replacement	016087	1
	Guard, Motor Fan	047998	1
	Key, 3/16" Square x 1 3/8" Long	016108	1
2	Bolt, 5/16-18 x 1 1/2" Hex Head Full Thread	F05006-2	4
3	Washer, 5/16" SAE Flat	F05011-17	8
4	Washer, 5/16" Split Lock	F05011-13	8

8**Debarker (DCS)**
Cutter Head Assembly (AC)

5	Nut, 5/16-18 Hex	F05010-17	6	
6	Bolt, 5/16-18 x 2" Hex Head Full Thread	F05006-13	2	
7	Bracket Weldment, Debarker Blade Motor Adjustable	023622	1	
8	Plate, Debarker Blade Motor Mount	023620	1	
9	Bolt, 5/16-18 x 3/4" Hex Head Grade 2	F05006-5	4	
10	Horn, Debarker On Warning	021137	1	
11	Screw, #4-40 x 1/2" Slotted Head	F05004-14	2	
12	Washer, #4 Split Lock	F05011-21	2	
13	Nut, #4-40 Hex	F05010-43	2	
14	Blade/Mandrel Parts (See Section 7.14)			

7.13 Blade Housing Assembly

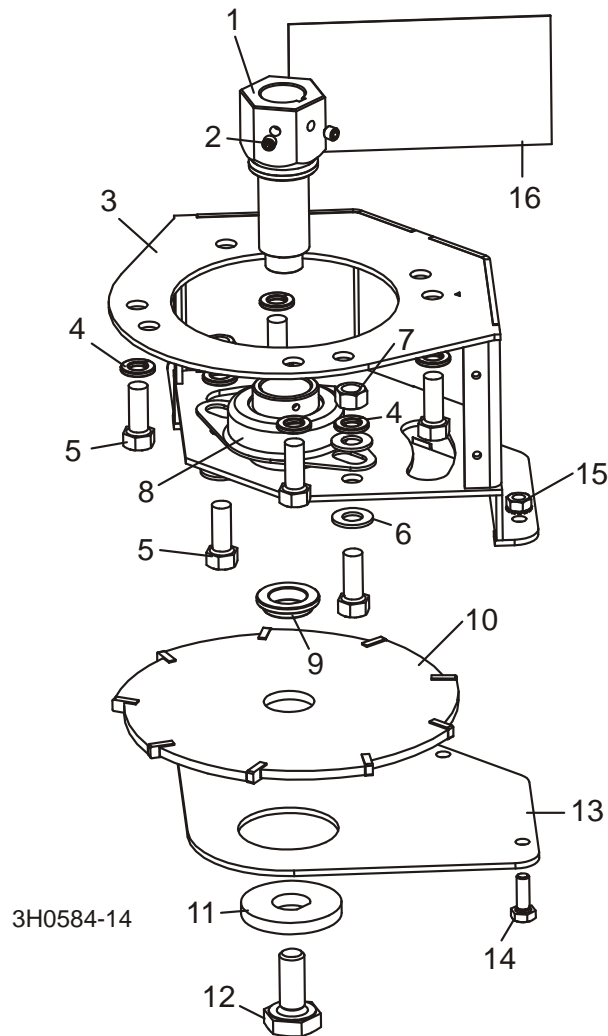
MKIII LT70 A.00+



REF	DESCRIPTION (◆ Indicates Parts Available In Assemblies Only)	PART #	QTY.
1	MANDREL, DEBARKER BLADE	074832	1
2	SCREW, 1/4-28 X 1/4" CUP POINT SOCKET SET	F05005-105	2
3	HEAD WELDMENT, LT70 DEBARKER CUTTER	076686	1
4	WASHER, 3/8" SPLIT LOCK	F05011-4	6
5	BOLT, 3/8-16 X 1" HEX HEAD	F05007-7	6
6	WASHER, 3/8" SAE FLAT	F05011-3	4
7	NUT, 3/8-16 HEX	F05010-1	2
8	BEARING, 1" FLANGED MOUNT	023541	1
9	BUSHING, DEBARKER BLADE SPACER	023632	1
10	BLADE, DEBARKER 7" DIA.	021236	1
	BLADE, DEBARKER 7" DIA. W/1/2" INSERTS (OPTIONAL - SOLD SEPARATELY)	065852	1
11	WASHER, DEBARKER BLADE LOCK	023737	1
12	BOLT, 1/2-20 X 1 1/4" HEX HEAD SPECIAL	074833	1
13	PLATE, DEBARKER BLADE HOUSING BOTTOM	023629	1
14	BOLT, 1/4-20 X 3/4" HEX HEAD FULL THREAD	F05005-1	3
15	NUT, 1/4-20 SELF-LOCKING HEX	F05010-9	3
	DECAL, DEBARKER LIGHT WARNING	076799	1

7.14 Blade Housing Assembly

MKII LT70 A.00 - B.03

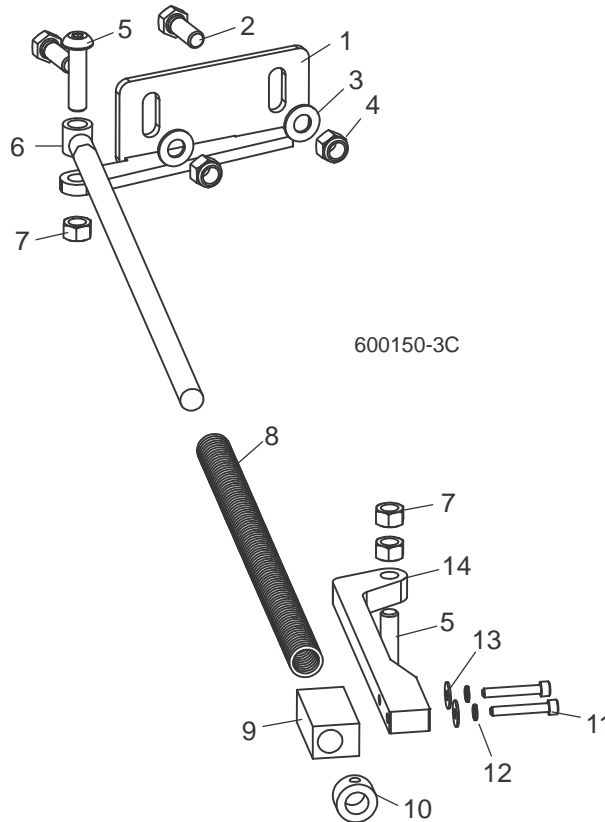


REF	DESCRIPTION (◆ Indicates Parts Available In Assemblies Only)	PART #	QTY.
1	MANDREL, DEBARKER BLADE (7/8" DIA.)	016122	1
2	SCREW, 1/4-28 X 1/4" CUP POINT SOCKET SET	F05005-105	2
3	HOUSING WELDMENT, DEBARKER BLADE	023628	1
4	WASHER, 3/8" SPLIT LOCK	F05011-4	6
5	BOLT, 3/8-16 X 1" HEX HEAD	F05007-7	6
6	WASHER, 3/8" SAE FLAT	F05011-3	4
7	NUT, 3/8-16 HEX	F05010-1	2
8	BEARING, 1" FLANGED MOUNT	023541	1
9	BUSHING, DEBARKER BLADE SPACER	023632	1
10	BLADE, DEBARKER 7" DIA.	021236	1

11	WASHER, DEBARKER BLADE LOCK	023737	1	
12	BOLT, 1/2-20 X 1 1/4" HEX HEAD SPECIAL	023547	1	
13	PLATE, DEBARKER BLADE HOUSING BOTTOM	023629	1	
14	BOLT, 1/4-20 X 3/4" HEX HEAD FULL THREAD	F05005-1	3	
15	NUT, 1/4-20 SELF-LOCKING HEX	F05010-9	3	
16	DECAL, DEBARKER HORN DANGER	021172	1	

7.15 Spring Arm Assembly

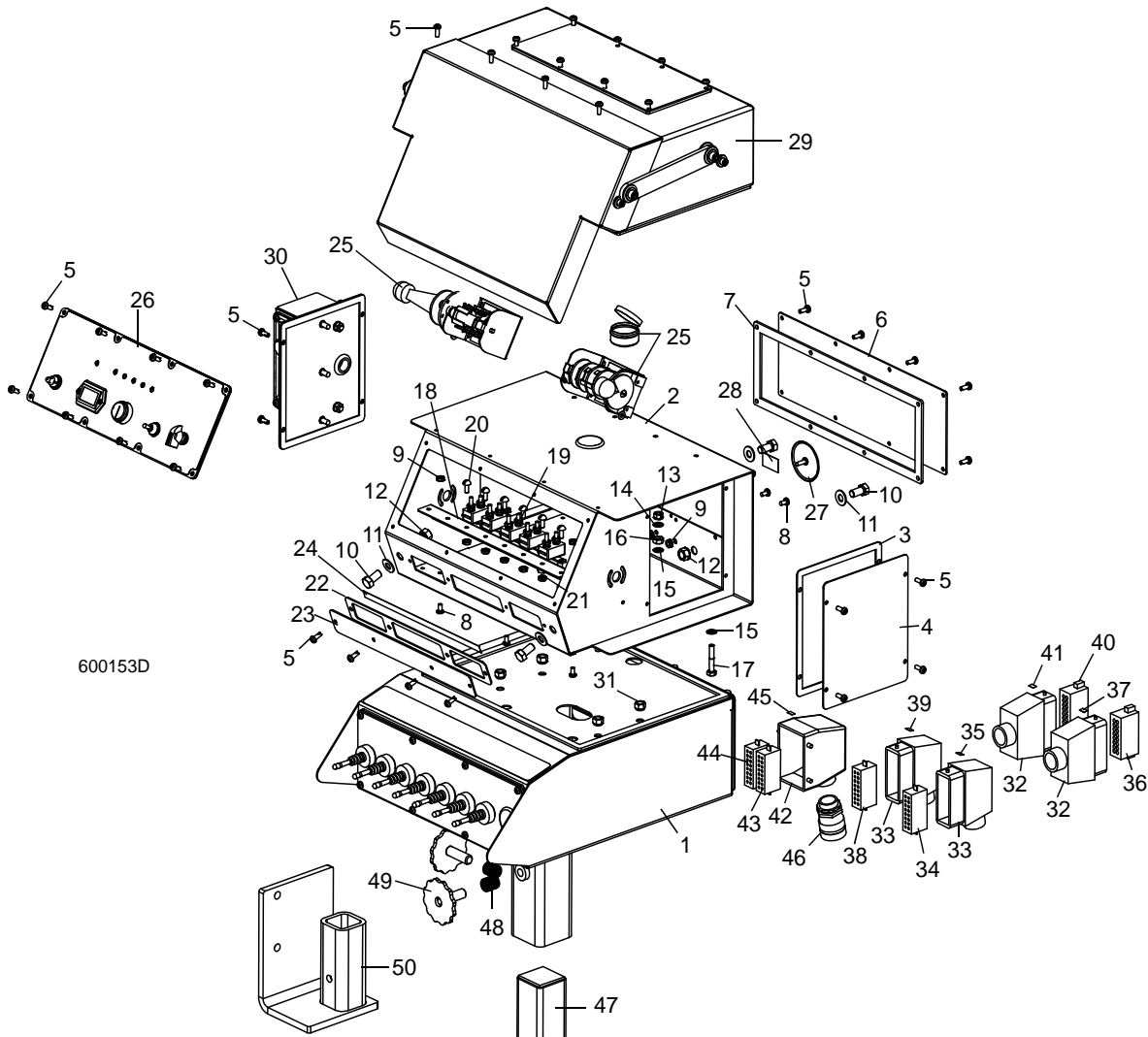
MKII LT70 A.00 - B.03



REF	DESCRIPTION (◆ Indicates Parts Available In Assemblies Only)	PART #	QTY.	
1	BRACKET, SPRING ROD MOUNT	045858	1	
2	BOLT, 3/8-16 X 1" HEX HEAD GRADE 5	F05007-87	2	
3	WASHER, 3/8" SAE FLAT	F05011-3	2	
4	NUT, 3/8-16 HEX NYLON LOCK	F05010-10	2	
5	BOLT, 3/8-16 X 1 1/4" SOCKET HEAD	F05007-150	2	
6	ROD WELDMENT, LT60 DEBARKER SPRING	045852	1	
7	NUT, 3/8-16 HEX LOCK	F05010-25	3	
8	SPRING, .72" OD X 19 1/2" X .08 WIRE	023631	1	
9	BLOCK, SPRING ROD SLIDE	045854	1	
10	COLLAR, 1/2" SHAFT	014820	1	
11	BOLT, #10-24 X 1 1/4" SOCKET HEAD	F05004-31	2	
12	WASHER, #10 SPLIT LOCK	F05011-20	2	
13	WASHER, #10 SAE FLAT	F05011-18	2	
14	ARM, SLIDE BLOCK MOUNT	046064	1	

SECTION 8 CONTROL & BATTERY BOXES

8.1 Control Assembly (DC)



REF	DESCRIPTION (◆ Indicates Parts Available In Assemblies Only)	PART #	QTY.	
	COVER, SAWMILL CONTROL CONSOLE W/ACCUSER	036352	1	
	CONTROL BOX ASSEMBLY, LT70HD DIESEL REMOTE SOFTSTART (2008)	053068	1	
1	Remote Hydraulic Control Parts (See Section 12.2)			
2	Box Weldment, Control	016135	1	◆
3	Gasket, Side Panel Control 97	015274	1	
4	Panel Weldment, Side	015307	1	
5	Screw, #10-24 x 1/2" Pan Head	F05015-17	32	
6	Panel, Rear Mill Control 97	016230	1	

9

Control & Battery Boxes

Control Assembly (DC)

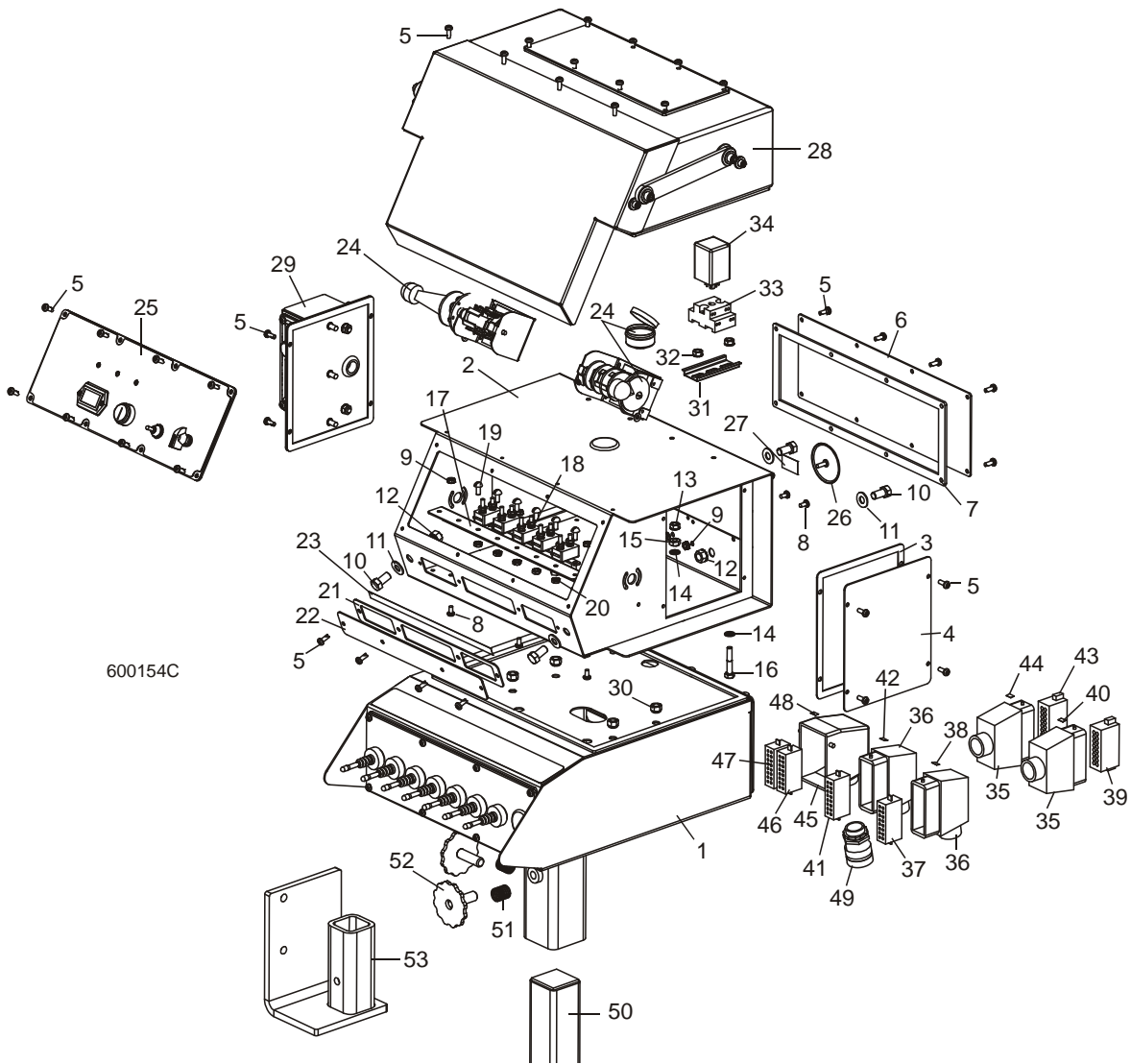
7	Gasket, Rear Panel 97	015278	1	
8	Screw, 10-24 x 3/8" Phillips Pan Head Machine	F05004-3	5	
9	Nut, #10-24 Self-Locking	F05010-14	5	
10	Bolt, 3/8-16 x 3/4" Hex Head	F05007-27	4	
11	Washer, 3/8" Flat	F05011-3	4	
12	Nut, 3/8-16 Self-Locking	F05010-19	4	
13	Nut, 1/4-20 Self-Locking	F05010-9	1	
14	Washer, 1/4 SAE Flat	F05011-11	2	
15	Washer, 1/4" Interior Star Lock (Heavy Duty)	F05011-69	2	
16	Nut, 1/4-20 Hex Jam (Heavy Duty)	F05010-129	1	
17	Bolt, 1/4-20 x 1 1/2" Hex Head Full Thread	F05005-31	1	
	Breaker Assembly, Remote Control Front	015621	1	
18	Rail, Circuit Breaker	015310	1	
19	Breaker, 15Amp Auto Reset	E20430	5	
20	Screw, #8-32 x 1/2" Slotted Head	F05004-12	10	
21	Nut, #8-32 Hex Self-Locking	F05010-41	10	
22	Gasket, Circuit Breaker Cover	015266	1	
23	Panel, Circuit Breaker Cover	015376	1	
24	Decal, Circuit Breaker Remote Control 97	024363	1	
25	Drum Switch Parts (See Section 8.3)	N/A	1	
26	Control Panel Parts (See Section 8.4)	N/A	1	
27	Plug, AS125 Oil Tight Painted	015673	1	
28	Decal, Circuit Breaker ID (Debarker In/Out)	024364	1	
29	Accuset Parts (See Accuset 2 Manual)	N/A	1	
30	LubeMizer Parts (See LubeMizer Manual)	N/A	1	
31	Nut, 5/16-18 Nylon Lock	F05010-58	4	
	HARNES ASSEMBLY, CAT TRACK LT70 D51/62 2008	053055	1	
32	Connector, 16 Pin Hood Single Lever	015658	2	
33	Connector, 16 Pin Hood Single Lever 90°	051499	2	
34	Insert, Female 10A 16 Pin Screw Terminal 1-16	E23106	1	
35	Decal, Connector ID P1A	038412	1	
36	Insert, Male 10A 16 Pin Screw Terminal 1-16	E23105	1	
37	Decal, Connector ID P1B	038417	1	
38	Insert, Female 10A 16 Pin Screw Terminal 17-32	015671	1	
39	Decal, Connector ID P2A	038413	1	
40	Insert, Male 10A 16 Pin Screw Terminal 17-32	015670	1	
41	Decal, Connector ID P2B	038418	1	
	HARNES ASSEMBLY, LT70 REMOTE HYDRAULIC JOYSTICK	050965	1	
42	Connector, 32 Pin Hood Dual Lever 90°	051500	1	
43	Insert, Female 10A 16 Pin Screw Terminal 1-16	E23106	1	
44	Insert, Female 10A 16 Pin Screw Terminal 17-32	015671	1	
45	Decal, Connector ID P3A	038414	1	
46	Connector, Flex Strain .53 - .75 Cord 3/4" Hub	025186	1	

Control & Battery Boxes
Control Assembly (DC)

9

47	STAND WELDMENT, REMOTE CONTROL	034652	1	
48	SPRING, .72" X 1.5" X .067" STAINLESS STEEL COMPRESSION	P04282	2	
49	KNOB WELDMENT, LOCK	034658	2	
50	MOUNT WELDMENT, LT70 REMOTE CONTROL BOX STORAGE	046443	1	

8.2 Control Assembly (AC)



REF	DESCRIPTION (◆ Indicates Parts Available In Assemblies Only)	PART #	QTY.	
	COVER, SAWMILL CONTROL CONSOLE W/ACCUSET	036352	1	
	CONTROL BOX ASSEMBLY, LT70HD E25-R (2008)	053066	1	
1	Remote Hydraulic Control Parts (See Section 12.2)	N/A	1	
2	Box Weldment, Control	016135	1	◆
3	Gasket, Side Panel Control 97	015274	1	
4	Panel Weldment, Side	015307	1	
5	Screw, #10-24 x 1/2" Pan Head	F05015-17	32	
6	Panel, Rear Mill Control 97	016230	1	
7	Gasket, Rear Panel 97	015278	1	

8	Screw, 10-24 x 3/8" Phillips Pan Head Machine	F05004-3	5	
9	Nut, #10-24 Self-Locking	F05010-14	5	
10	Bolt, 3/8-16 x 3/4" Hex Head	F05007-27	4	
11	Washer, 3/8" Flat	F05011-3	4	
12	Nut, 3/8-16 Self-Locking	F05010-19	4	
13	Nut, 1/4-20 Self-Locking	F05010-9	1	
14	Washer, 1/4" Interior Star Lock (Heavy Duty)	F05011-69	2	
15	Nut, 1/4-20 Hex Jam (Heavy Duty)	F05010-129	1	
16	Bolt, 1/4-20 x 1 1/2" Hex Head Full Thread	F05005-31	1	
	Breaker Assembly, Remote AC Control Front	050916	1	
17	Rail, Circuit Breaker	015310	1	
18	Breaker, 15Amp Auto Reset	E20430	5	
19	Screw, #8-32 x 1/2" Slotted Head	F05004-12	6	
20	Nut, #8-32 Hex Self-Locking	F05010-41	6	
21	Gasket, Circuit Breaker Cover	015266	1	
22	Panel, Circuit Breaker Cover	015376	1	
23	Decal, Circuit Breaker LT60/70 AC	050917	1	
24	Drum Switch Parts (See Section 8.3)	N/A	1	
25	Control Panel Parts (See Section 8.4)	N/A	1	
26	Plug, AS125 Oil Tight Painted	015673	1	
27	Decal, Circuit Breaker ID (Debarker In/Out)	050918	1	
28	Accuset Parts (See Remote Accuset 2 Manual)	N/A	1	
29	LubeMizer Parts (See LubeMizer Manual)	N/A	1	
30	Nut, 5/16-18 Nylon Lock	F05010-58	4	
31	Rail, 35mm x 7.5mm x 3" Steel DIN	024474-3	1	
32	Nut, 1/4-20 Self-Locking	F05010-9	2	
33	Socket, 8 Pin Relay	E10216	1	
34	Relay, DPDT 10A GP Tube Terminals	050300	1	
	HARNES ASSEMBLY, CAT TRACK LT70 E25 2008	053178	1	
35	Connector, 16 Pin Hood Single Lever	015658	2	
36	Connector, 16 Pin Hood Single Lever 90°	051499	2	
37	Insert, Female 10A 16 Pin Screw Terminal 1-16	E23106	1	
38	Decal, Connector ID P1A	038412	1	
39	Insert, Male 10A 16 Pin Screw Terminal 1-16	E23105	1	
40	Decal, Connector ID P1B	038417	1	
41	Insert, Female 10A 16 Pin Screw Terminal 17-32	015671	1	
42	Decal, Connector ID P2A	038413	1	
43	Insert, Male 10A 16 Pin Screw Terminal 17-32	015670	1	
44	Decal, Connector ID P2B	038418	1	
	HARNES ASSEMBLY, LT70 REMOTE HYDRAULIC JOYSTICK	050965	1	
45	Connector, 32 Pin Hood Dual Lever 90°	051500	1	
46	Insert, Female 10A 16 Pin Screw Terminal 1-16	E23106	1	
47	Insert, Female 10A 16 Pin Screw Terminal 17-32	015671	1	

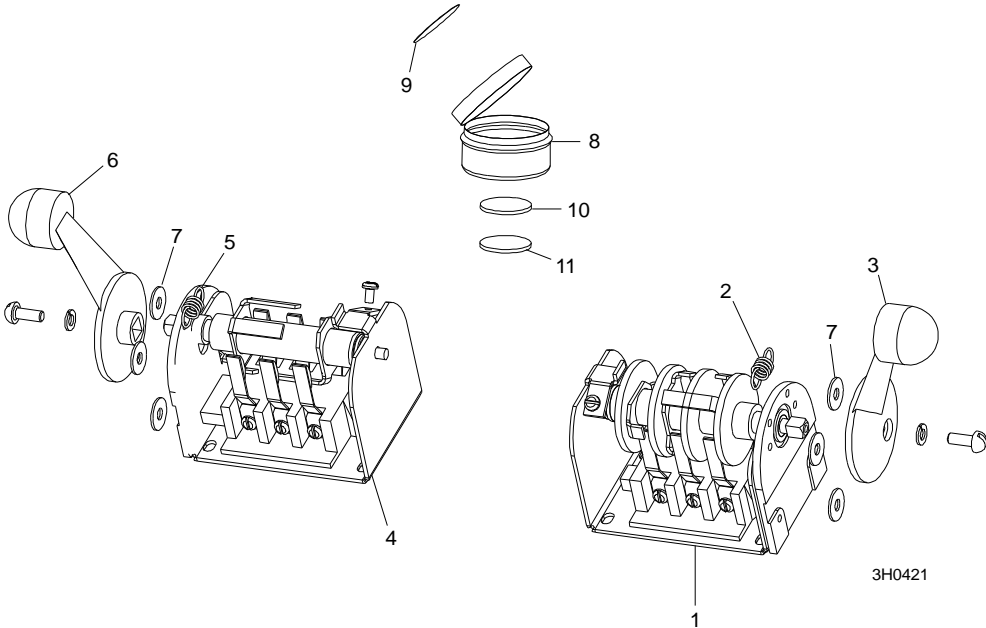
9

Control & Battery Boxes

Control Assembly (AC)

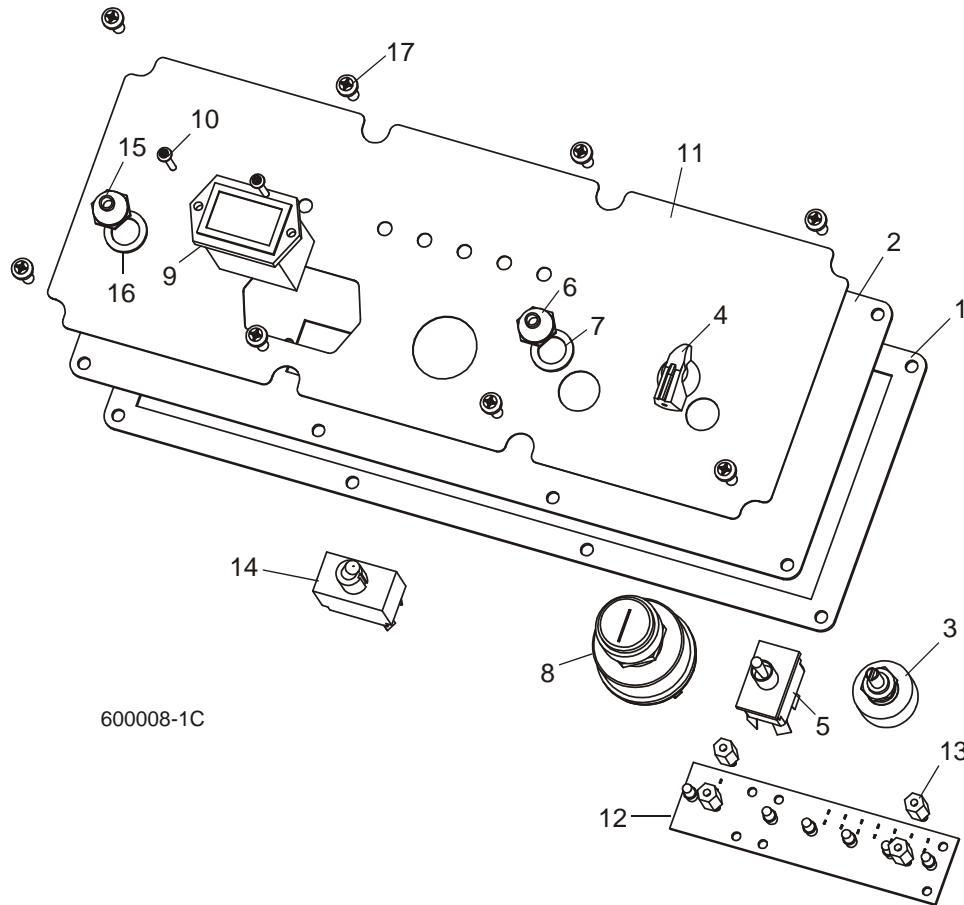
48	Decal, Connector ID P3A	038414	1	
49	Connector, Flex Strain .53 - .75 Cord 3/4" Hub	025186	1	
50	STAND WELDMENT, REMOTE CONTROL	034652	1	
51	SPRING, .72" X 1.5" X .067" STAINLESS STEEL COMPRESSION	P04282	2	
52	KNOB WELDMENT, LOCK	034658	2	
53	MOUNT WELDMENT, LT70 REMOTE CONTROL BOX STORAGE	046443	1	

8.3 Drum Switches



REF	DESCRIPTION (◆ Indicates Parts Available In Assemblies Only)	PART #	QTY.	
	SWITCH ASSEMBLY, UP/DOWN DRUM	E20440	1	
1	Switch, S12 Bulk Drum	E20440-B	1	◆
2	Spring, Drum Switch	P12570	1	
3	Handle, Drum Switch Replacement	P12500	1	
	SWITCH ASSEMBLY, POWER FEED DRUM	E20439	1	
4	Switch, S11 Bulk Drum	E20439-B	1	◆
5	Spring, Drum Switch	P12570	1	
6	Handle, Drum Switch Replacement	P12500	1	
7	WASHER, #8 SAE FLAT	F05011-41	6	
	CUP ASSEMBLY, DRUM SWITCH GREASE	A20463	1	
8	Cup, Plastic Container	P20464	1	◆
9	Decal, Grease Cup Label	P20467	1	
10	Pad, Velcro Loop	P20466	1	◆
11	Pad, Velcro Hook	P20465	1	◆
	Grease, High Temp Drum Switch	P20468	.025 lb	◆

8.4 Front Panel Assembly



REF	DESCRIPTION (◆ Indicates Parts Available In Assemblies Only)	PART #	QTY.
	PANEL ASSEMBLY, CONTROL FRONT DIESEL REMOTE	024671	1
	PANEL ASSEMBLY, CONTROL FRONT E25-R	050299	1
1	Gasket, Front Panel	015270	1
2	Panel Weldment, Control	015302	1
3	Switch Assembly, Feed Rate	024450-1	1
4	Knob, Feed Rate With Set Screw	P06257	1
5	Switch, Toggle	024200	1
6	Boot, Toggle Switch Rubber	P02575	2
7	Washer, 1/2 x 3/4 x 1/16" Nylon	P05251-1	2
8	Switch, Key	P04350	1
9	Meter, Hour	015401	1
10	Screw, #6-32 x 1/2" Plain PH T23	F05015-28	2

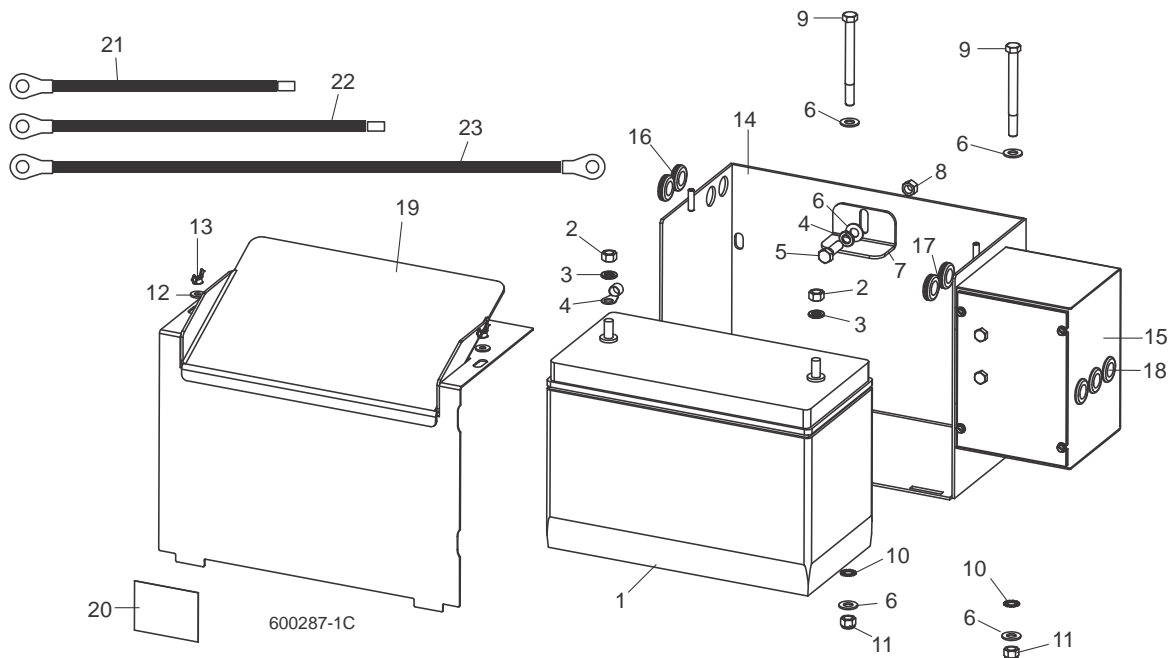
Control & Battery Boxes

Front Panel Assembly

9

11	Decal, Control Panel (E25)	015271	1	
	Decal, Control Panel (D51/D55/D62)	015269	1	
12	Board, LED Circuit (E25)	015416	1	
	Board, LED Circuit (D51/D55/D62)	015409	1	
13	Spacer, 1/2"-#6 Threaded	023147	4	
DC Models Only:				
14	Switch, On/On Toggle SPDT	051346	1	
15	Boot, Toggle Switch Rubber	P02575	1	
16	Washer, 1/2 x 3/4 x 1/16" Nylon	P05251-1	1	
17	SCREW, #10-24 X 1/2" PAN HEAD	F05015-17	8	
	CONDUIT, 1 1/4" X 58" FLEX	050399	1	
	CONNECTOR, 1 1/4" STRAIGHT MALE METAL CONDUIT	024402	1	
	CONDUIT, 1/2" EXPANDABLE BLACK	R02374	41 in.	
	CONDUIT, 1/2" EXPANDABLE BLACK	R02374	42 in.	

8.5 Battery Box Assembly (DC Only)



REF	DESCRIPTION (◆ Indicates Parts Available In Assemblies Only)	PART #	QTY.	
1	BATTERY, 12 VOLT 8A31DTM AGM	025841 ¹	1	◆
	BOX ASSEMBLY, LT70 BATTERY	017674 ²	1	
2	Nut, 3/8-16 Hex	F05010-1	1	
3	Washer, 3/8" Split Lock	F05011-4	3	
4	Terminal, 3/8 1-2 Ga Ring NI Loose	F05092-28	1	
5	Bolt, 3/8-16 x 1 1/4" Hex Head	F05007-2	1	
6	Washer, 3/8" SAE Flat	F05011-3	5	
7	Bracket, Battery Hold-Down	017725	1	
8	Nut, 3/8-16 Hex Lock	F05010-25	1	
9	Bolt, 3/8-16 x 4" Hex Head	F05007-4	2	
10	Washer, 3/8" External Star Lock	F05011-36	2	
11	Nut, 3/8" Hex Nylon Lock	F05010-10	2	
12	Washer, 1/4" SAE Flat	F05011-11	2	
13	Nut, 1/4-20 Wing	F05010-13	2	
14	Box Weldment, Battery	015191	1	
15	Fuse Box Parts (See Section 8.6)			
16	Grommet, 5/8" Rubber Wire	P11764	2	
17	Grommet, 3/4" ID 11 Gauge Thickness	074198	2	
18	Grommet, 3/4" ID 16 Gauge Thickness	074199	2	
19	LID WELDMENT, BATTERY BOX	033976	1	

Control & Battery Boxes

Battery Box Assembly (DC Only)

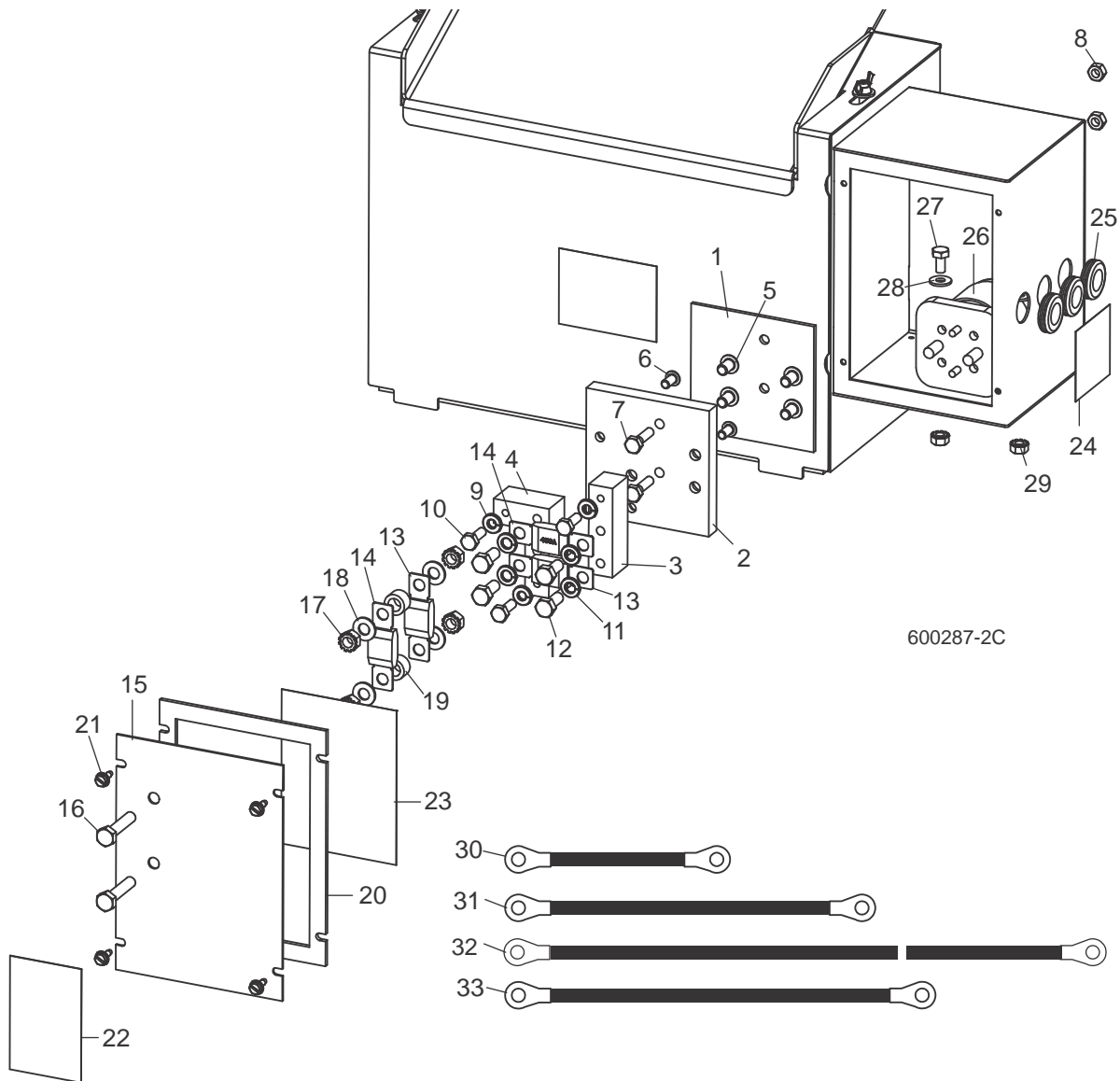
9

20	DECAL, BATTERY BOX LID CAUTION	014774	1	
21	CABLE ASSEMBLY, 1 GA X 12" 150A FUSE TO BATTERY POSITIVE	036308	1	
22	CABLE ASSEMBLY, 1 GA X 16" 225A FUSE TO BATTERY POSITIVE	036309	1	
23	CABLE ASSEMBLY, 1 GA X 26" BATTERY NEGATIVE TO NEG. CONTACT	036306	1	

¹ Replaces 12 Volt Battery (015475) supplied prior to Rev. B4.06. 12 Volt Battery (015475) changed to be equipped with one threaded stud (5/11).

² Battery terminals (P05085), (2) 1/4-20 x 3/4" hex head full thread bolts (F05005-1), washer (P12161), 1/4" exterior star washer (F05011-37) and 1/4-20 hex self-locking nut (F05010-9) replaced with ring terminals and fasteners for batteries with threaded studs (5/11).

8.6 Fuse Box Assembly (DC Only)



REF	DESCRIPTION (◆ Indicates Parts Available In Assemblies Only)	PART #	QTY.	
	BLOCK ASSEMBLY, DOUBLE FUSE	006795	1	
1	Plate, Fuse Block Insulator	056999	1	
2	Block, Fuse Mount	056997	1	◆
3	Block, 3/4" Upper Fuse	056996	1	
4	Block, 3/4" Lower Fuse	056998	2	
5	Screw, 5/16-18 x 1/2" Socket Button Head	F05006-20	4	
6	Screw, 1/4-20 x 1/2" Socket Button Head	F05005-59	2	
7	Bolt, 1/4-20 x 1" Hex Head Grade 5	F05005-101	2	

Control & Battery Boxes

Fuse Box Assembly (DC Only)

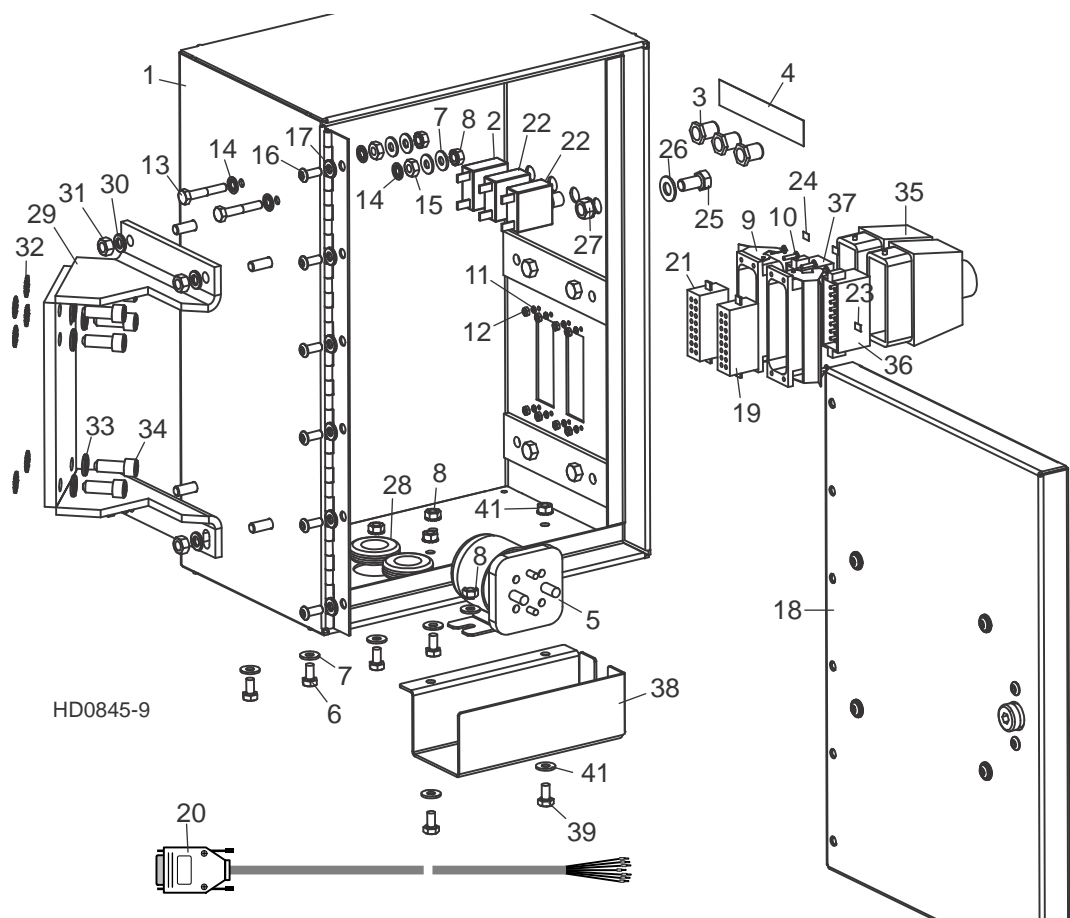
9

8	Nut, 1/4-20 Hex Lock	F05010-21	2	
9	Washer, 1/4" Split Lock	F05011-14	3	
10	Bolt, 1/4-20 x 3/4" Hex Head Grade 5	F05005-123	3	
11	Washer, 5/16" Split Lock	F05011-13	4	
12	Bolt, 5/16-18 x 3/4" Hex Head Grade 5	F05006-102	4	
13	FUSE, 225A 32V MEGA	053339	2	
14	FUSE, 450A 32V MEGA	053340	2	
	COVER ASSEMBLY, DOUBLE FUSE BOX	006853	1	
15	Cover, Fuse Box	006851	1	
16	Bolt, 5/16-18 x 1 1/2" Hex Head Full Thread	F05006-2	2	
17	Nut, 5/16-18 Hex Self-Locking	F05010-20	4	
18	Washer, 5/16" SAE Flat	F05011-17	4	
19	Spacer, .39" x .625" x .39"	055323	2	
20	Gasket, Fuse Box Cover	050283	1	
21	SCREW, #10-24 X 1/2" SELF-TAPPING	F05015-7	4	
22	DECAL, 12 VOLT WARNING	P10364	1	
23	DECAL, 225/450A MEGA FUSE ID	006868	1	
24	DECAL, HYDRAULIC CONTACT CAUTION	P12960	1	
25	GROMMET, 5/8" RUBBER WIRE	P11764	3	
26	SOLENOID KIT, 200A 12V SPST CONT. DUTY	016371	1	
	Solenoid, 200A 12V SPST Cont. Duty	015470	1	◆
	Diode Assembly, Solenoid Coil Chassis Gnd	015426	1	
	WIRE ASSEMBLY, HYDRAULIC SOLENOID VOLTAGE DROP	024451	1	
27	BOLT, 1/4-20 X 1/2" HEX HEAD	F05005-15	2	
28	WASHER, 1/4" SAE FLAT	F05011-11	2	
29	NUT, 1/4-20 SELF-LOCKING HEX	F05010-9	4	
30	CABLE ASSEMBLY, 1 GA X 6 1/2" FUSE TO SOLENOID	036305	1	
31	CABLE ASSEMBLY, 1 GA X 14" SOLENOID TO POSITIVE CONTACT	036307	1	
32	CABLE ASSEMBLY, 1 GA X 26" BATT. NEGATIVE TO GROUND CONTACT	036306	1	
33	CABLE ASSEMBLY, 1 GA X 16" 225A FUSE TO BATTERY POSITIVE	036309	1	

8.7 Remote Power Box Assembly (DC)

LT70HD Remote

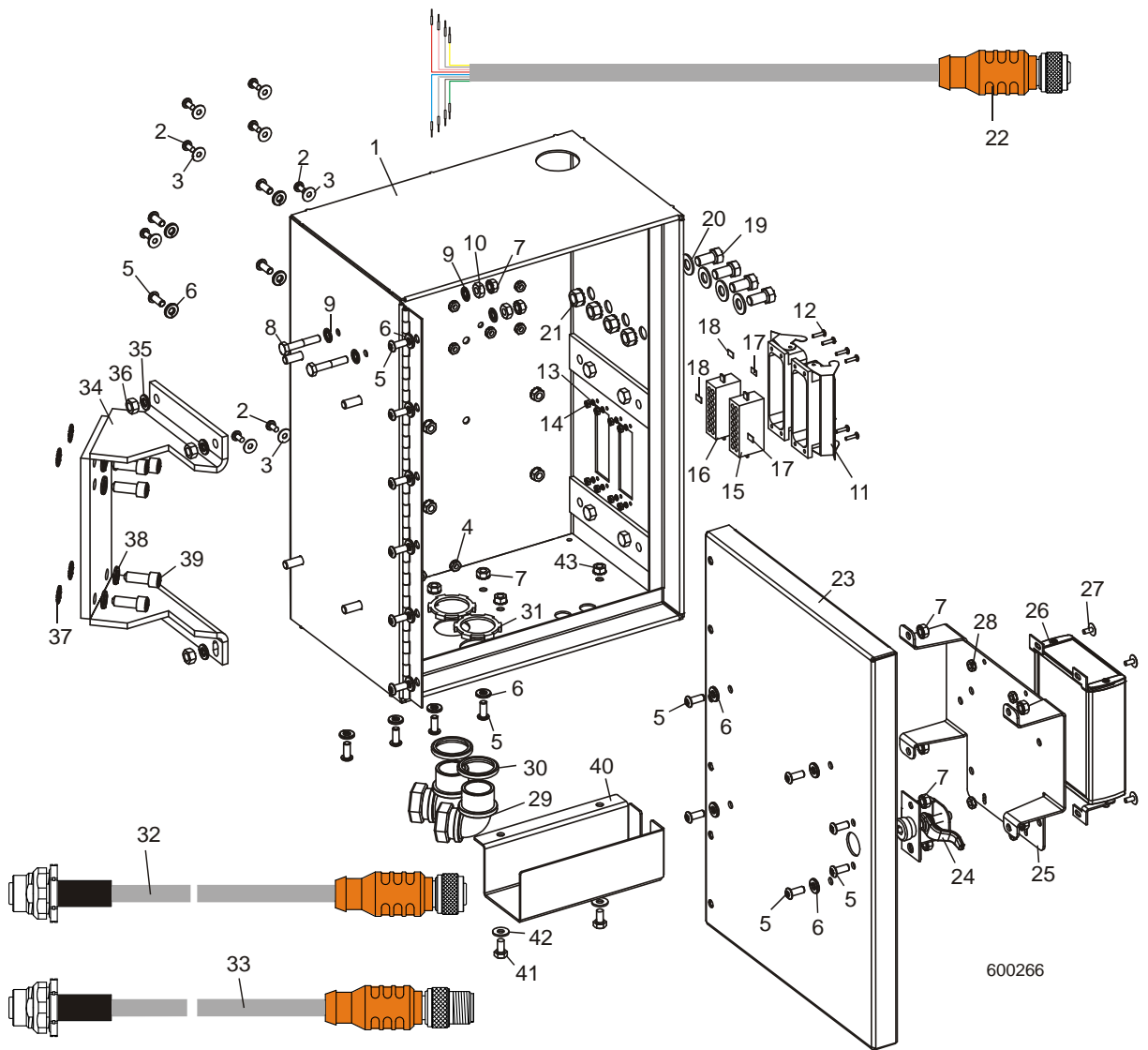
Rev. B4.00+



REF	DESCRIPTION (◆ Indicates Parts Available In Assemblies Only)	PART #	QTY.	
	BOX ASSEMBLY, D51/D62 REMOTE POWER W/DUAL-AXIS ACCUSET (2010)	069341	1	
	BOX ASSEMBLY, D55 REMOTE POWER W/DUAL-AXIS ACCUSET (2010 TIER 3)	069388	1	
1	Box Weldment, Remote Power 2008	006667	1	
2	Breaker, 70A Manual Reset Panel Mount	015527	1	
3	Boot, Circuit Breaker	021253	3	
4	Decal, Super/LT70 DC Remote Circuit Breaker ID 2008	053227	1	
5	Solenoid Kit, 200A 12V SPST Hydraulic Motor	016371	1	
	Solenoid, 200A 12V SPST Cont. Duty	015470	1	◆
	Diode Assembly, Solenoid Coil Chassis Gnd	015426	1	
	Resistor Assembly, 4.3Ohm 5W	051528	1	
6	Bolt, 1/4-20 x 1/2" Hex Head	F05005-15	4	
7	Washer, 1/4" SAE Flat	F05011-11	10	
8	Nut, 1/4-20 Self-Locking Hex	F05010-9	6	
9	Connector, 16-Pin Panel Mount Single Lever	E23103	2	

10	Screw, #4-40 x 1/2" Slotted Round Head	F05004-14	8	
11	Washer, #4 Split Lock	F05011-21	8	
12	Nut, #4-40 Hex	F05010-43	8	
13	Bolt, 1/4-20 x 1 1/2" Hex Head Full Thread	F05005-31	2	
14	Washer, 1/4" Heavy Duty Internal Star	F05011-69	4	
15	Nut, 1/4-20 Heavy Duty Hex Jam	F05010-129	2	
16	Bolt, 1/4-20 x 5/8" Button Socket Head	F05005-128	6	
17	Washer, 1/4" Split Lock	F05011-14	6	
18	Door Parts (See Section 8.10)			
	Harness Assembly, Remote Power Box 17-32 (2009)	053272	1	
19	Insert, Female 10A 16P Scr. Term. 17-32	015671	1	
20	Harness Assembly, Dual-Axis Motor Control Remote			
	Harness Assembly, Remote Power Box 1-16 (2009)	053271	1	
21	Insert, Female 10A 16P Scr. Term. 1-16	E23106	1	
22	Breaker, 30A Manual Reset Panel Mount	024246	2	
23	Decal, Connector ID (J1)	024368	2	
24	Decal, Connector ID (J2)	024369	2	
25	Bolt, 3/8-16 x 3/4" Hex Head	F05007-27	1	
26	Washer, 3/8" SAE Flat	F05011-3	1	
27	Nut, 3/8-16 Self-Locking Hex	F05010-19	1	
	Fuseholder, Yanmar D55T3 Eng Feed Replacement (D55 Only)	052164-D55T3	1	
	Fuse, 10A ATO Red Blade (D55 Only)	024150-10	1	
	Harness Assembly, D51/62 Remote Upper			
	Harness Assembly, D55 Remote Upper			
	Wire Assembly, Yanmar D55 Tier3 Throttle (See D55 manual for relay parts)	069385	1	
	Harness Assembly, Super Remote Lower			
28	Grommet, 7/8" I.D. x 1 1/4" O.D. Grooved Rubber	P702	2	
29	BRACKET WELDMENT, REMOTE POWER BOX MOUNTING	015184	1	
30	WASHER, 5/16" SPLIT LOCK	F05011-13	4	
31	NUT, 5/16-18 HEX	F05010-17	4	
32	WASHER, 3/8" EXTERIOR STAR LOCK	F05011-36	6	
33	WASHER, 3/8" SPLIT LOCK	F05011-4	6	
34	BOLT, 3/8-16 X 1" SOCKET HEAD	F05007-52	6	
	SLEEVE, 2.5" X 29' VCN W/VELCRO CLOSURE HARNESS	050993	1	
35	CONNECTOR, 16-PIN HOOD SINGLE LEVER FRONT ENTRY	015658	2	
36	INSERT, MALE 10A 16P SCR. TERM. 1-16	E23105	1	
37	INSERT, MALE 10A 16P SCR. TERM. 17-32	015670	1	
	GUARD ASSEMBLY, LOWER POWER BOX WIRE	006021	1	
38	Guard, Lower Power Box Wire	006014	1	
39	Bolt, 1/4-20 x 1/2" Hex Head	F05005-15	2	
40	Washer, 1/4" SAE Flat	F05011-11	2	
41	Nut, 1/4-20 Self-Locking Hex	F05010-9	2	

8.8 Remote Junction Box (AC)



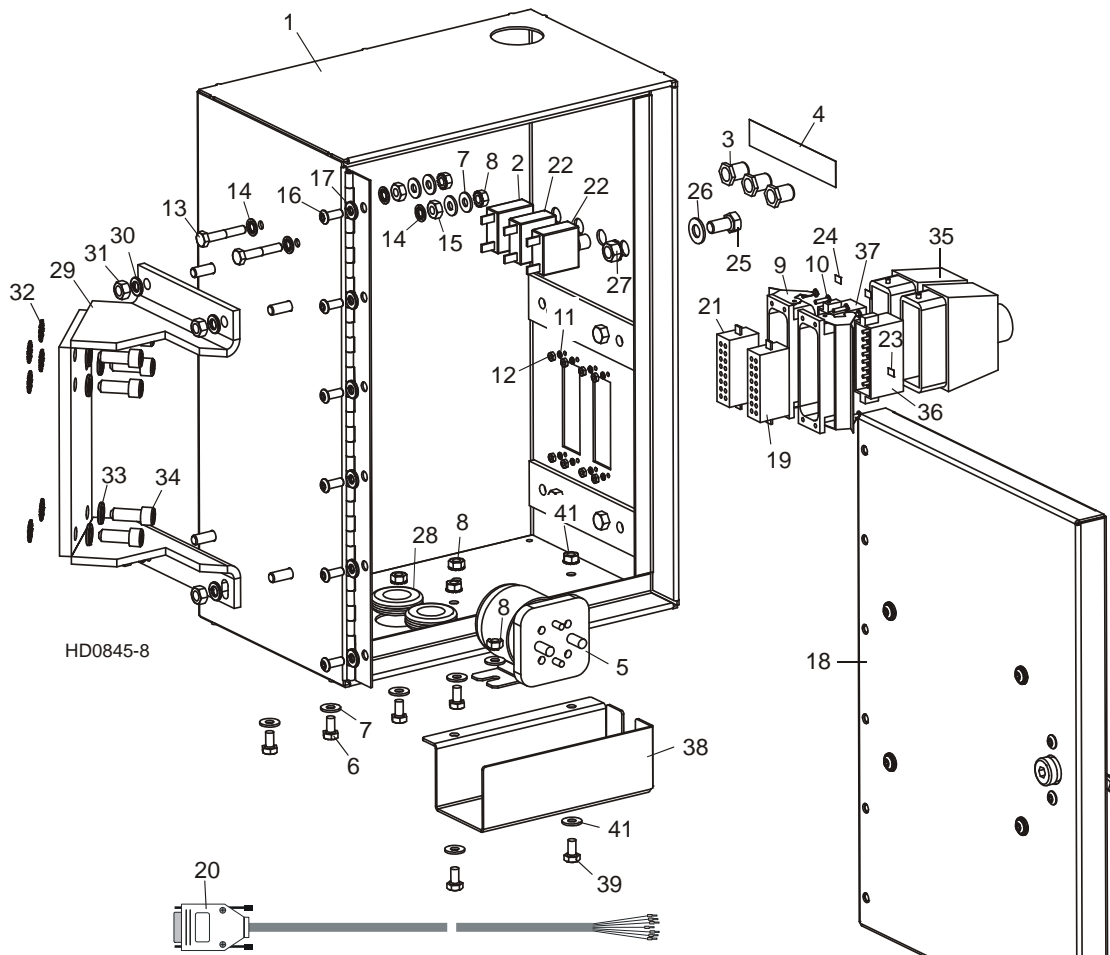
REF	DESCRIPTION (◆ Indicates Parts Available In Assemblies Only)	PART #	QTY.
	BOX ASSEMBLY, E25 REMOTE JUNCTION	053179	1
1	Box Weldment, Remote Power	006667	1
2	Screw, #10-24 x 3/8" Cross-Slotted Pan Head	F05004-3	8
3	Washer, #10 SAE Flat	F05011-18	8
4	Nut, #10-24 Self-Locking Hex	F05010-14	8
5	Bolt, 1/4-20 x 5/8" Button Socket Head	F05005-128	20
6	Washer, 1/4" Split Lock	F05011-14	18
7	Nut, 1/4-20 Self-Locking Hex	F05010-9	16
8	Bolt, 1/4-20 x 1 1/2" Hex Head Full Thread	F05005-31	2

9	Washer, 1/4" Exterior Star Lock	F05011-69	4	
10	Nut, 1/4-20 Heavy-Duty Hex Jam	F05010-129	2	
11	Connector, 16-Pin Panel Mount Single Lever	E23103	2	
12	Screw, #4-40 x 1/2" Slotted Round Head	F05004-14	8	
13	Washer, #4 Split Lock	F05011-21	8	
14	Nut, #4-40 Hex	F05010-43	8	
15	Insert, Female 10A 16P Scr. Term. 1-16	E23106	1	
16	Insert, Female 10A 16P Scr. Term. 17-32	015671	1	
17	Decal, Connector ID (J1B)	038415	2	
18	Decal, Connector ID (J2B)	038416	2	
19	Bolt, 3/8-16 x 3/4" Hex Head	F05007-27	4	
20	Washer, 3/8" SAE Flat	F05011-3	4	
21	Nut, 3/8-16 Self-Locking Hex	F05010-19	4	
	Harness Assembly, E25 Remote Upper 2008	053177	1	
	Cable Assembly, AC LT70-R Power Feed Service	052858	1	
22	Cable Assembly, AC Drive Interface	053087	1	
23	Door Weldment, Remote Junction Box	003938	1	
24	Latch, Box Door	P20048	1	
	Module Assembly, Accuset 2 AC Interface w/Bracket	053194	1	
25	Plate, Accuset 2 Drive Mounting	056763	1	
26	Module, Accuset 2 AC Drive Interface	052892	1	
27	Screw, #8-32 x 3/8" Flanged Button Socket Head	F05005-186	4	
28	Nut, #8-32 Self-Locking Hex	F05010-41	4	
29	Connector, SR 1" 90° .375-.5 Cord Metal	051977	2	
30	Ring, 1" Sealing	024066	2	
31	Nut, 1" Steel Conduit Lock	024067	2	
32	Cable Assembly, Intermediate CANBus	053086	1	
33	Cable Assembly, Intermediate Transducer	053085	1	
	SLEEVE, 2.5" X 29' VCN W/VELCRO CLOSURE HARNESS	050993	1	
34	BRACKET WELDMENT, REMOTE POWER BOX MOUNTING	015184	1	
35	WASHER, 5/16" SPLIT LOCK	F05011-13	4	
36	NUT, 5/16-18 HEX	F05010-17	4	
37	WASHER, 3/8" EXTERIOR STAR LOCK	F05011-36	6	
38	WASHER, 3/8" SPLIT LOCK	F05011-4	6	
39	BOLT, 3/8-16 X 1" SOCKET HEAD	F05007-52	6	
	GUARD ASSEMBLY, LOWER POWER BOX WIRE	006021	1	
40	Guard, Lower Power Box Wire	006014	1	
41	Bolt, 1/4-20 x 1/2" Hex Head	F05005-15	2	
42	Washer, 1/4" SAE Flat	F05011-11	2	
43	Nut, 1/4-20 Self-Locking Hex	F05010-9	2	

8.9 Remote Power Box Assembly (DC)

LT70HD Remote

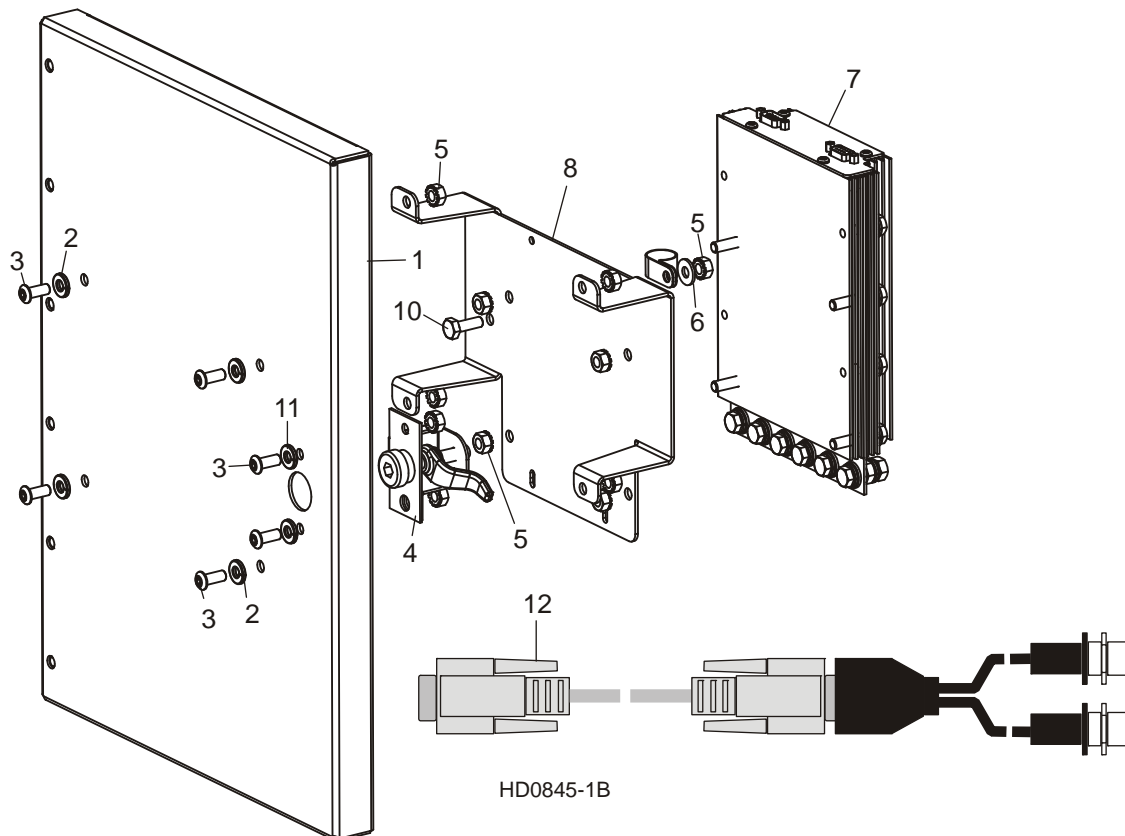
Rev. B3.02



REF	DESCRIPTION (◆ Indicates Parts Available In Assemblies Only)	PART #	QTY.	
	BOX ASSEMBLY, D51/D62 REMOTE POWER W/DUAL-AXIS ACCUSET (2010)	069341	1	
	BOX ASSEMBLY, D55 REMOTE POWER W/DUAL-AXIS ACCUSET (2010)	069342	1	
1	Box Weldment, Remote Power 2008	006667	1	
2	Breaker, 70A Manual Reset Panel Mount	015527	1	
3	Boot, Circuit Breaker	021253	3	
4	Decal, Super/LT70 DC Remote Circuit Breaker ID 2008	053227	1	
5	Solenoid Kit, 200A 12V SPST Hydraulic Motor	016371	1	
	Solenoid, 200A 12V SPST Cont. Duty	015470	1	◆
	Diode Assembly, Solenoid Coil Chassis Gnd	015426	1	
	Resistor Assembly, 4.3Ohm 5W	051528	1	
6	Bolt, 1/4-20 x 1/2" Hex Head	F05005-15	4	
7	Washer, 1/4" SAE Flat	F05011-11	10	
8	Nut, 1/4-20 Self-Locking Hex	F05010-9	6	
9	Connector, 16-Pin Panel Mount Single Lever	E23103	2	

10	Screw, #4-40 x 1/2" Slotted Round Head	F05004-14	8	
11	Washer, #4 Split Lock	F05011-21	8	
12	Nut, #4-40 Hex	F05010-43	8	
13	Bolt, 1/4-20 x 1 1/2" Hex Head Full Thread	F05005-31	2	
14	Washer, 1/4" Heavy Duty Internal Star	F05011-69	4	
15	Nut, 1/4-20 Heavy Duty Hex Jam	F05010-129	2	
16	Bolt, 1/4-20 x 5/8" Button Socket Head	F05005-128	6	
17	Washer, 1/4" Split Lock	F05011-14	6	
18	Door Parts (See Section 8.10)			
	Harness Assembly, Remote Power Box 17-32 (2009)	053272	1	
19	Insert, Female 10A 16P Scr. Term. 17-32	015671	1	
20	Harness Assembly, Dual-Axis Motor Control Remote			
	Harness Assembly, Remote Power Box 1-16 (2009)	053271	1	
21	Insert, Female 10A 16P Scr. Term. 1-16	E23106	1	
22	Breaker, 30A Manual Reset Panel Mount	024246	2	
23	Decal, Connector ID (J1)	024368	2	
24	Decal, Connector ID (J2)	024369	2	
25	Bolt, 3/8-16 x 3/4" Hex Head	F05007-27	1	
26	Washer, 3/8" SAE Flat	F05011-3	1	
27	Nut, 3/8-16 Self-Locking Hex	F05010-19	1	
	Harness Assembly, D51/62 Remote Upper			
	Harness Assembly, D55 Remote Upper			
	Harness Assembly, Super Remote Lower			
28	Grommet, 7/8" I.D. x 1 1/4" O.D. Grooved Rubber	P702	2	
29	BRACKET WELDMENT, REMOTE POWER BOX MOUNTING	015184	1	
30	WASHER, 5/16" SPLIT LOCK	F05011-13	4	
31	NUT, 5/16-18 HEX	F05010-17	4	
32	WASHER, 3/8" EXTERIOR STAR LOCK	F05011-36	6	
33	WASHER, 3/8" SPLIT LOCK	F05011-4	6	
34	BOLT, 3/8-16 X 1" SOCKET HEAD	F05007-52	6	
	SLEEVE, 2.5" X 29' VCN W/VELCRO CLOSURE HARNESS	050993	1	
35	CONNECTOR, 16-PIN HOOD SINGLE LEVER FRONT ENTRY	015658	2	
36	INSERT, MALE 10A 16P SCR. TERM. 1-16	E23105	1	
37	INSERT, MALE 10A 16P SCR. TERM. 17-32	015670	1	
	GUARD ASSEMBLY, LOWER POWER BOX WIRE			
38	Guard, Lower Power Box Wire	006014	1	
39	Bolt, 1/4-20 x 1/2" Hex Head	F05005-15	2	
40	Washer, 1/4" SAE Flat	F05011-11	2	
41	Nut, 1/4-20 Self-Locking Hex	F05010-9	2	

8.10 Remote Power Box Door Assembly (DC Only)

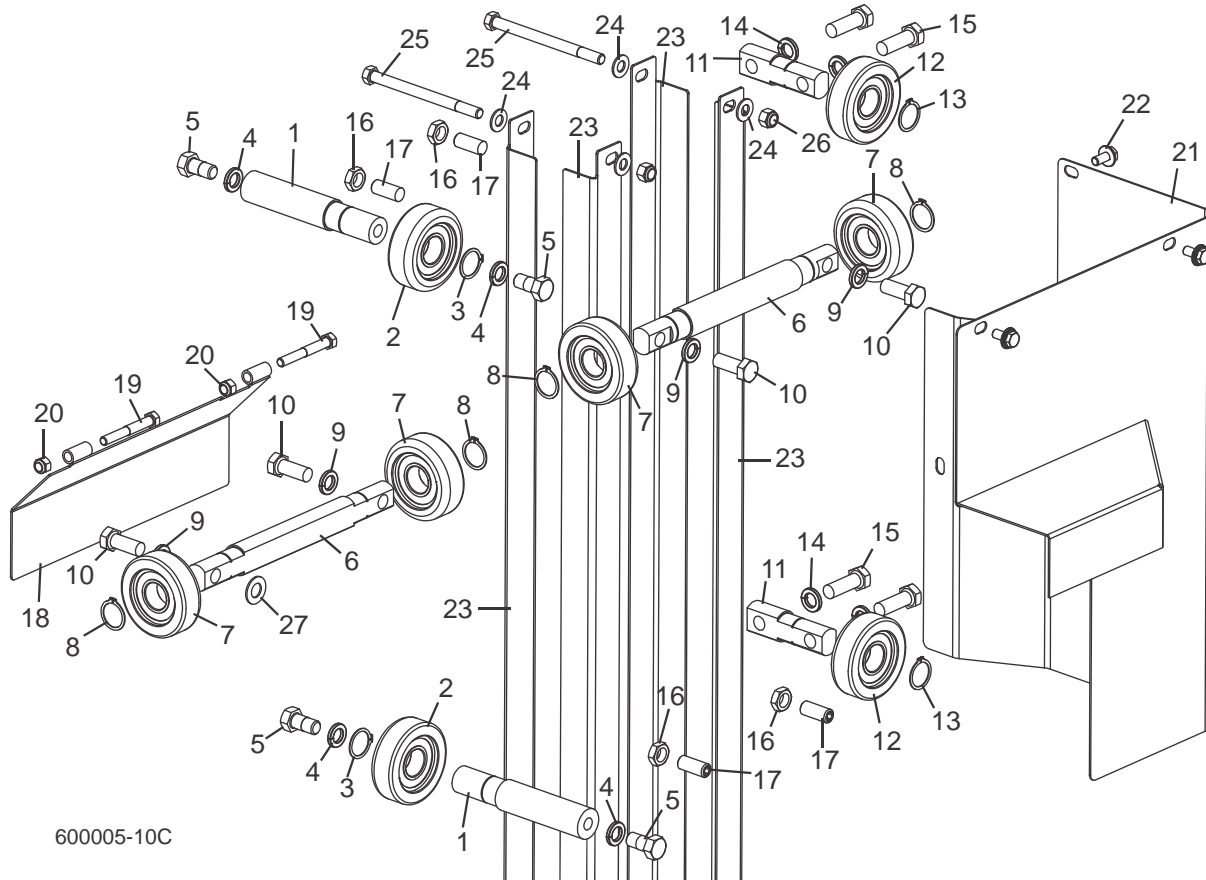


REF	DESCRIPTION (◆ Indicates Parts Available In Assemblies Only)	PART #	QTY.
	DOOR ASSEMBLY, REMOTE POWER BOX W/DUAL-AXIS ACCUSET	053228	1
1	Door Weldment, Remote Power Box	003998	1
2	Washer, 1/4" Split Lock	F05011-14	4
3	Bolt, 1/4-20 x 5/8" Button Socket Head	F05005-128	6
4	Latch, Power Box Door	P20048	1
5	Nut, 1/4-20 Self-Locking Hex	F05010-9	11
6	Washer, 1/4" SAE Flat	F05011-11	1
7	Control Assembly, Dual-Axis Motor	057821LS	1
8	Bracket, DCS Control Mount	056763	1
9	Clamp, 5/8" EMT Coated	010748	1
10	Bolt, 1/4-20 x 3/4" Hex Head Full Thread	F05005-1	1
11	Washer, 1/4" Split Lock	F05011-14	2
12	Cable Assembly, Dual M12 to D-Sub	053696 ¹	1

¹ Cable Assembly 053696 replaces Harness 052919 supplied prior to 3/10 (cost reduction).

SECTION 9 UP/DOWN SYSTEM

9.1 Up/Down Rollers & Covers



600005-10C

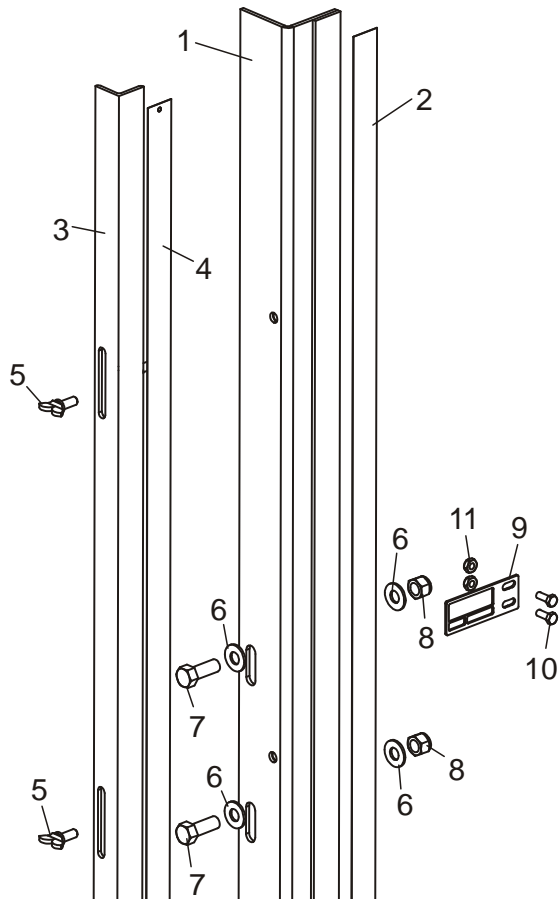
REF	DESCRIPTION (◆ Indicates Parts Available In Assemblies Only)	PART #	QTY.
	ROLLER ASSEMBLY, INSIDE UP/DOWN	034339	2
1	Shaft, Inside Up/Down Roller	033855	1
2	Bearing, MG305DDA	023857	1
3	Ring, 1" Outside Retaining	F04254-15	1
4	Washer, 1/2" Split Lock	F05011-9	2
5	Bolt, 1/2-13 x 1" Hex Head Grade 2	F05008-50	2
	ROLLER ASSEMBLY, LONG UP/DOWN	034337	2
6	Shaft, Long Up/Down Roller	033853	1
7	Bearing, MG305DDA	023857	2
8	Ring, 1" Outside Retaining	F04254-15	2
9	Washer, 1/2" Split Lock	F05011-9	2
10	Bolt, 1/2-13 x 1 1/4" Hex Head Grade 5	F05008-37	2
	ROLLER ASSEMBLY, SHORT UP/DOWN	034338	2

1

Up/Down System Up/Down Rollers & Covers

11	Shaft, Short Up/Down Roller	033854	1	
12	Bearing, MG305DDA	023857	1	
13	Ring, 1" Outside Retaining	F04254-15	1	
14	Washer, 1/2" Split Lock	F05011-9	2	
15	Bolt, 1/2-13 x 1 1/2" Hex Head Grade 5	F05008-33	2	
16	NUT, 1/2-13 HEX JAM	F05010-31	4	
17	SCREW, 1/2-13 X 1 1/4" BRASS TIP SET	F05008-18	4	
18	COVER WELDMENT, LOWER UP/DOWN ROLLER	034277	1	
19	BOLT, 5/16-18 X 2 1/2" HEX HEAD GRADE 5	F05006-80	2	
20	NUT, 5/16-18 NYLON LOCK	F05010-58	2	
21	COVER WELDMENT, UP/DOWN DRIVE (D51/D55/D62)	036182	1	
	COVER WELDMENT, UP/DOWN DRIVE (E25/E30)	036184	1	
22	BOLT, 5/16-18 X 3/4" HEX WASHER HEAD	F05006-101	4	
23	ANGLE, MAST TUBE STAINLESS	033827	4	
24	WASHER, 3/8" SAE FLAT	F05011-3	8	
25	BOLT, 3/8-16 X 5" HEX HEAD	F05007-5	4	
26	NUT, 3/8-16 NYLON LOCK	F05010-10	4	
27	WASHER, .53 X 1.00 X .06	074563	1	

9.2 Blade Height & Quarter Scales



600123-2

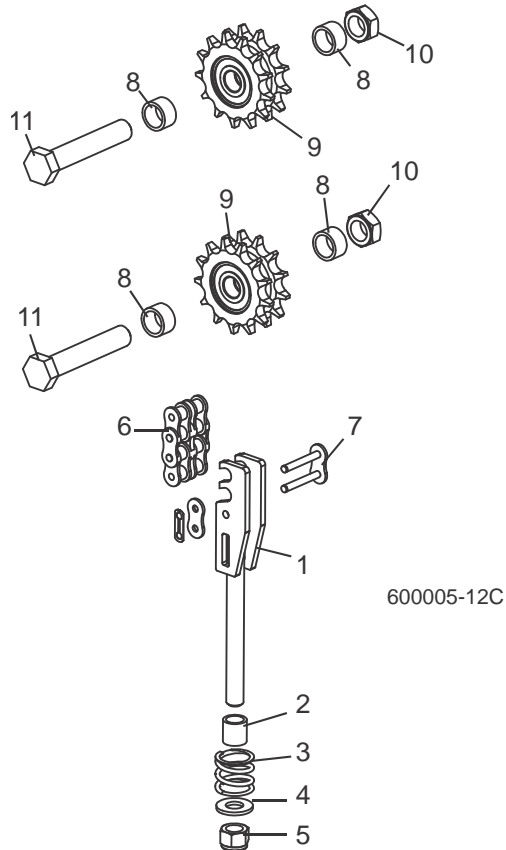
REF	DESCRIPTION (◆ Indicates Parts Available In Assemblies Only)	PART #	QTY.
	SCALE ASSEMBLY, LT70	034372	1
1	Angle Weldment, Scale Mount	034370	1
2	Decal, Movable Inch Scale	S11773	1
	Scale Assembly, LT60/70 Quarter	034371	1
3	Angle, Quarter Scale Mount	034369	1
4	Decal, Movable Grade Quarter Scale	P12819 ¹	1
5	Screw, 1/4-20 x 5/8" Wing	F05005-64	2
6	Washer, 3/8" SAE Flat	F05011-3	4
7	Bolt, 3/8-16 x 1" Hex Head	F05007-7	2
8	Nut, 3/8-16 Hex Nylon Lock	F05010-10	2
9	INDICATOR, BLADE HEIGHT	017778	1
10	SCREW, #10-24 X 1/2" HEX HEAD STAINLESS STEEL	F05004-27	2
11	NUT, #10-24 SELF-LOCKING HEX	F05010-160	2

¹ Grade Quarter Scale Decal P12819 provided with sawmill. Standard Quarter Scale Decal S11774 available separately. Order Angle Mount 034369 and Standard Quarter Scale Decal S11774.

1 Up/Down System

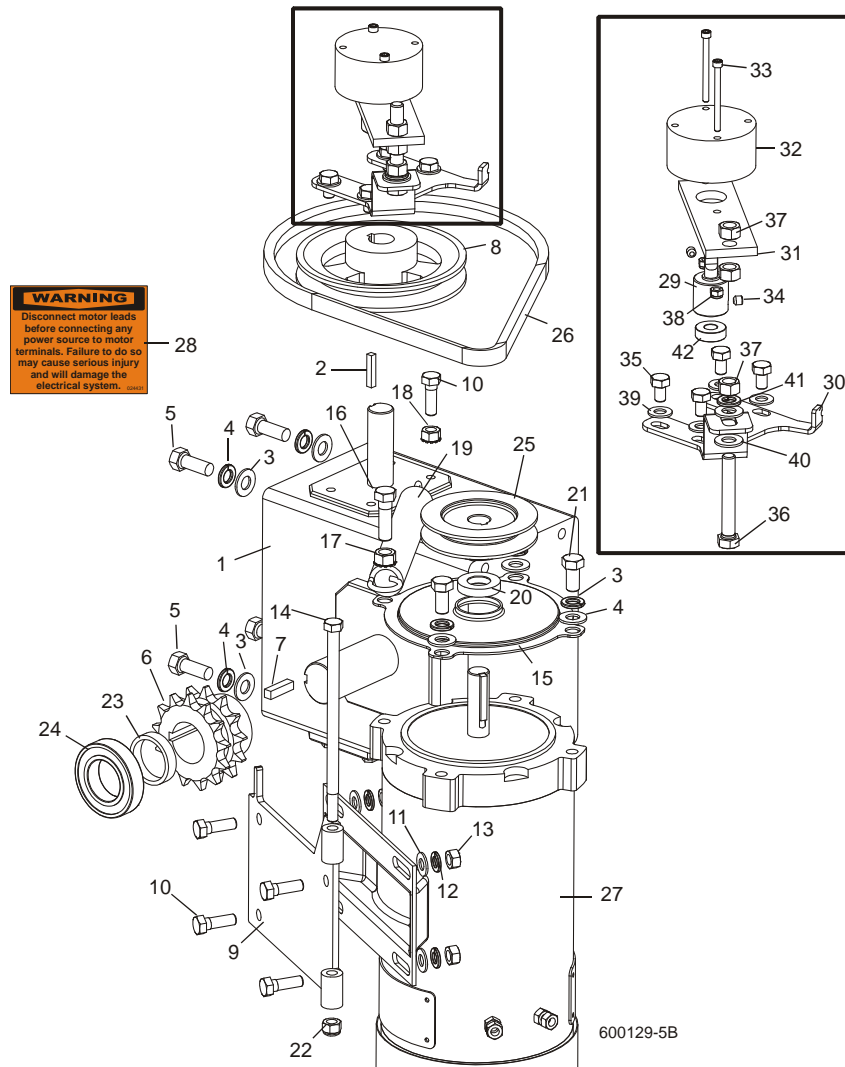
Up/Down Chain & Sprockets

9.3 Up/Down Chain & Sprockets



REF	DESCRIPTION (◆ Indicates Parts Available In Assemblies Only)	PART #	QTY.
	TENSIONER ASSEMBLY, LT70 UP/DOWN CHAIN	034238	1
1	Tensioner Weldment, Up/Down Chain	034236	1
2	Spacer, Up/Down Chain Tensioner	016515	1
3	Spring, 1" OD x 1" Long x .125 Wire Compression	016516	1
4	Washer, 1/2" SAE Flat	F05011-2	1
5	Nut, 1/2-13 Nylon Lock	F05010-8	1
6	CHAIN, LT70 UP/DOWN #50-2 X 73 1/8"	036197	1
7	LINK, #50-2 MASTER	015258	2
8	SPACER, #50-2 IDLER	016018	4
9	SPROCKET ASSEMBLY, #50-2 UP/DOWN IDLER	016019	2
10	NUT, 5/8-11 HEX NYLON LOCK JAM	F05010-96	2
11	BOLT, 5/8-11 X 3 1/2" HEX HEAD GRADE 5	F05009-93	2

9.4 Up/Down Drive Assembly



REF	DESCRIPTION (◆ Indicates Parts Available In Assemblies Only)	PART #	QTY.
1	GEAR BOX, B226-60-2-1L	034908	1
2	KEY, 3/16" SQUARE X 1" LONG	S31027	1
3	WASHER, 3/8" SAE FLAT	F05011-3	7
4	WASHER, 3/8" SPLIT LOCK	F05011-4	7
5	BOLT, 3/8-16 X 1" HEX HEAD	F05007-7	4
6	SPROCKET, DOUBLE 50-13 X 1 1/4"	036008	1
7	KEY, 1/4" SQUARE X 1" LONG	S21486	1
8	PULLEY, AK51 X 3/4" BORE	015256	1
9	BRACKET WELDMENT, UP/DOWN MOTOR MOUNT	015198	1
10	BOLT, 5/16-18 X 1" HEX HEAD	F05006-1	5
11	WASHER, 5/16" SAE FLAT	F05011-17	4

1 Up/Down System

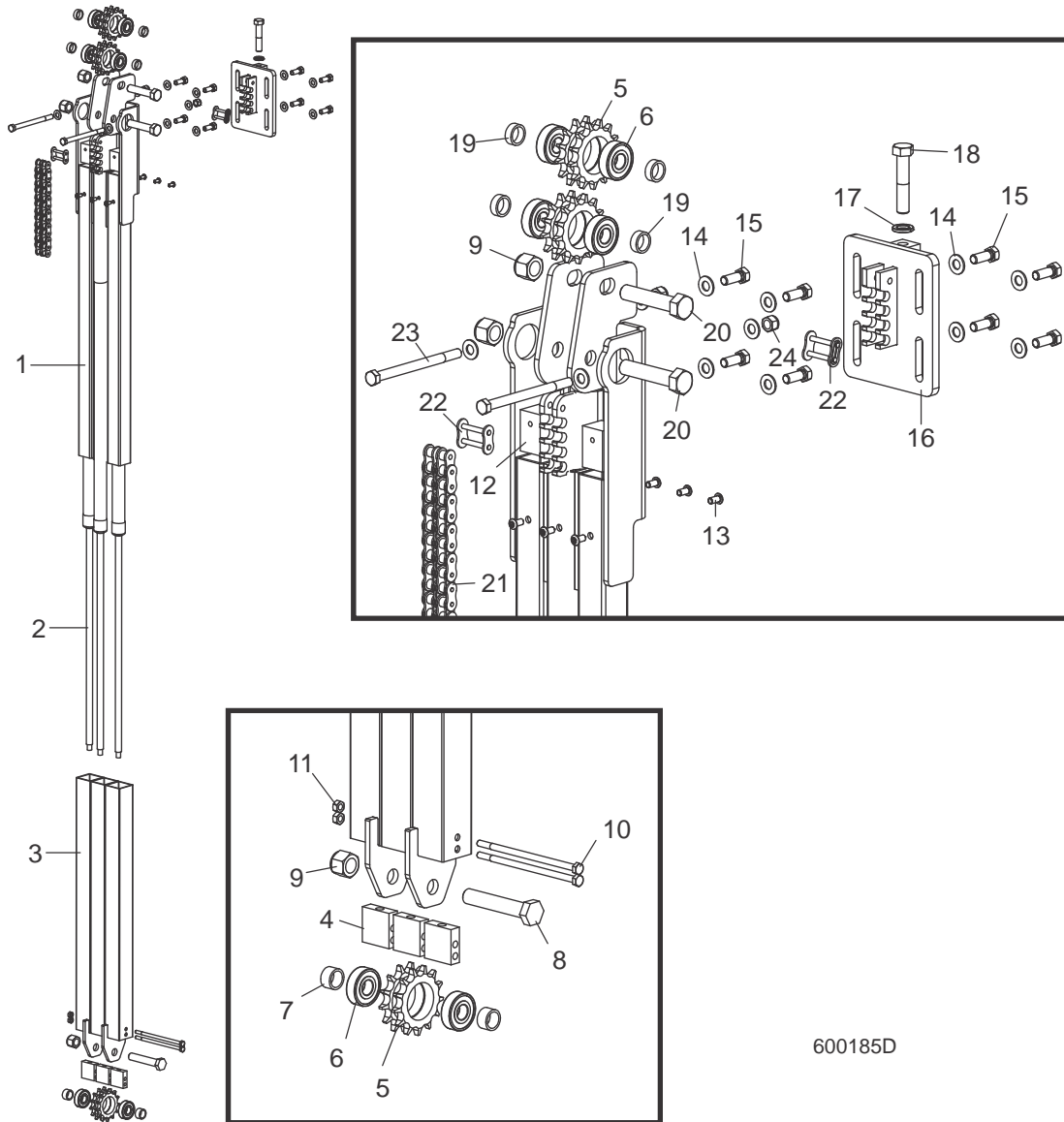
Up/Down Drive Assembly

12	WASHER, 5/16" SPLIT LOCK	F05011-13	4	
13	NUT, 5/16-18 HEX	F05010-17	4	
14	BOLT, 5/16-18 X 6" HEX HEAD GRADE 5	F05006-73	1	
15	COVER, UP/DOWN MOTOR	034475	1	
16	BOLT, 3/8-16 X 1 1/4" HEX HEAD GRADE 5	F05007-123	1	
17	NUT, 3/8-16 HEX SELF-LOCKING	F05010-19	1	
18	NUT, 5/16-18 HEX SELF-LOCKING	F05010-20	1	
19	SPRING, 1" OD X 7" LONG X .148 WIRE EXTENSION	019303	1	
20	SEAL, CR6315	034501	1	
21	BOLT, 3/8-16 X 3/4" HEX HEAD	F05007-27	3	
22	NUT, 5/16-18 NYLON LOCK	F05010-58	1	
23	SPACER, UP/DOWN SPROCKET	036016	1	
24	BEARING, R20-2RS	036007	1	
25	PULLEY, AK20 X 5/8" BORE (ALL AC)	036179	1	
	PULLEY, AK34 X 5/8" BORE (DC WITH UP/DOWN ASSIST)	036675	1	
26	BELT, 4L300 (ALL AC)	021183	1	
	BELT, AX30 (DC WITH UP/DOWN ASSIST)	036682	1	
27	MOTOR, 1HP 12VDC (DC ONLY)	053682	1	
	Brush Kit, Leeson 1HP Motor	053682-BK	1	
	MOTOR, 1HP 230/460VAC 3P 1725RPM (AC ONLY)	050290	1	
28	DECAL, DISCONNECT MOTOR LEADS WARNING (DC ONLY)	024431	1	
	OIL, 8 OZ. MOBIL SHC634 BOTTLED SYNTHETIC GEAR	L04869-4 ¹	1	
	BRAKE ASSEMBLY, LT70 UP/DOWN RETRO (DC ONLY)	062566 ²	1	
29	Shaft, Up/Down Brake	062511	1	
30	Plate, LT70 Up/Dn Brake Mount	062512	1	
31	Plate, Brake Mount	062513	1	
	Brake Assembly, LT40/50/70 Up/Down Replacement	065907	1	
32	Brake, Klauber Gearmotor #K01134D300	069519	1	◆
	Terminal, 3/16" 18-22 Ga Quick Male	F05708-26	2	
33	Bolt, #8-32 x 2" Socket Head Stainless Steel	F05004-273	2	
34	Screw, 1/4-20 x 1/4" Cup Point Socket Set	F05005-131	2	
35	Bolt, 5/16-18 x 1/2" Hex Head Grade 5	F05006-15	2	
36	Bolt, 3/8-16 x 2 1/2" Hex Head Full Thread	F05007-157	1	
37	Nut, 3/8-16 Hex	F05010-1	3	
38	Nut, #8-32 Hex Nylon Lock	F05010-169	2	
39	Washer, 5/16" SAE Flat	F05011-17	4	
40	Washer, 3/8" SAE Flat	F05011-3	2	
41	Washer, 3/8" Split Lock	F05011-4	1	
42	Bearing, R6-2NSL SRI-2 ABEC-1	P10688	1	
	Diode OR Assembly, Up/Down Brake LT70	069678-FR	1	
	Instruction Sheet, LT70 DC Up/Down Brake Retro	062566-1717	1	

¹ 40 oz. required for complete oil replacement.

² Brake added Rev. B4.03 to prevent saw head from drifting during sawing.

9.5 Up/Down Assist Assembly (DC Only)



600185D

REF	DESCRIPTION (◆ Indicates Parts Available In Assemblies Only)	PART #	QTY.	
	ASSIST ASSEMBLY, LT70 UP/DOWN	047753	1	
1	Tube Weldment, Upper Assist	047754	1	
2	Spring Assembly, 562 Lb Gas w/Wiper	010032 ¹	3	
	Spring, LT70 562lbs Gas LT70	010026	1	◆
	Wiper, .542" Gas Spring Rubber	038628	1	
3	Tube Weldment, Lower Assist	047755	1	
4	Block, Spring Assist Mount LT70	079150 ¹	3	
	Sprocket Assembly, #50-2 Idler	016019	3	

1

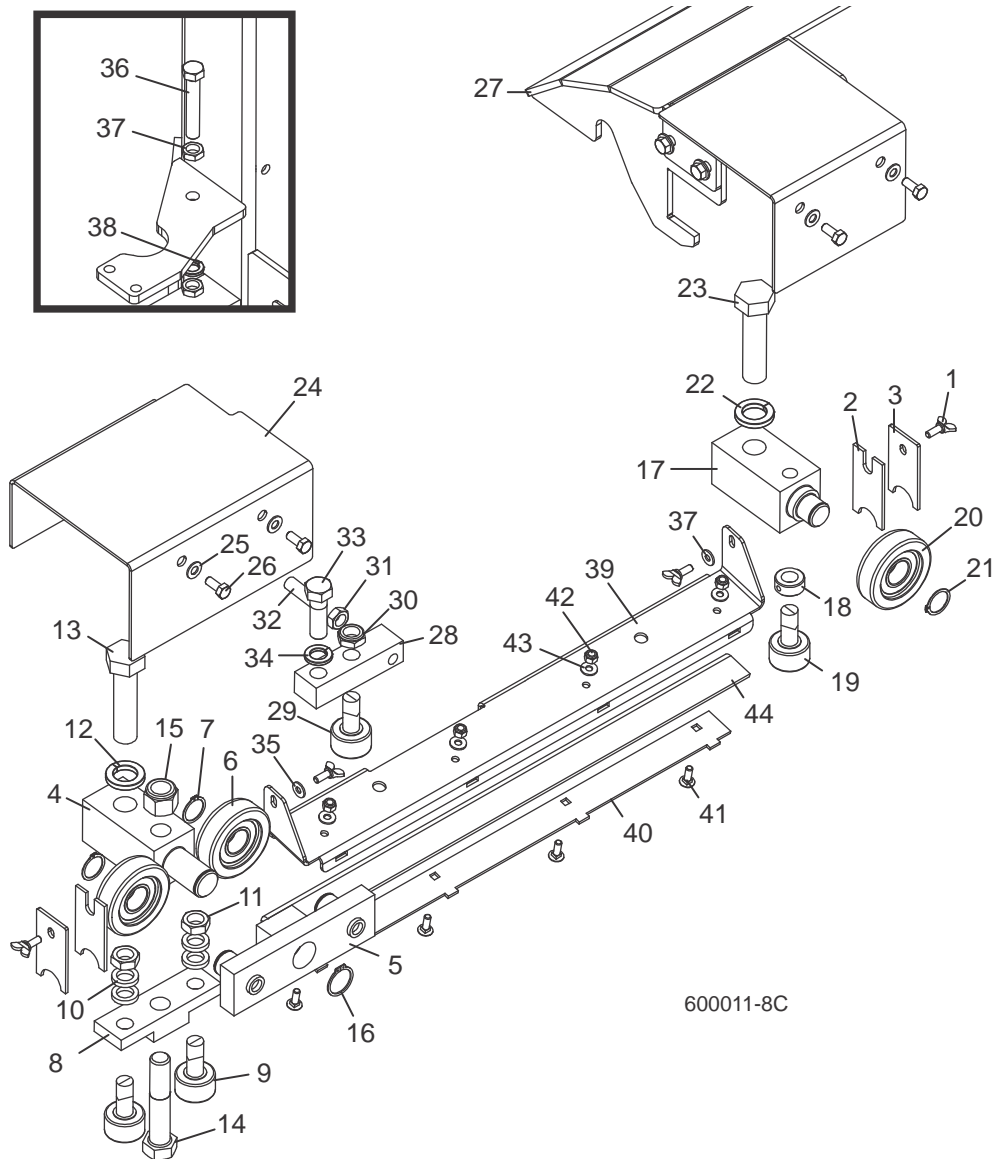
Up/Down System

5	Sprocket, D50B13 Modified	015202	1	
6	Bearing, 5/8" ID x 1.7548" OD x .4724"	P06030-1	1	
7	Spacer, 50-2 Idler	016018	2	
8	Bolt, 5/8-11 x 3 1/2" Hex Head Grade 5	F05009-93	1	
9	Nut, 5/8-11 Hex Nylon Lock	F05010-34	3	
10	Bolt, 1/4-20 x 5 1/2" Hex Head Grade 5	F05005-82	2	
11	Nut, 1/4-20 Hex Lock	F05010-21	2	
12	Block, Upper Gas Spring Mount	047922	3	
13	Screw, 1/4-20 x 1/2" Button Socket Head	F05005-59	6	
14	Washer, 3/8" SAE Flat	F05011-3	12	
15	Bolt, 3/8-16 x 1" Hex Head Grade 5	F05007-87	8	
16	Mount Weldment, Up/Down Assist	047924	1	
17	Washer, 1/2" Split Lock	F05011-9	1	
18	Bolt, 1/2-13 x 2 1/2" Hex Head Grade 5	F05008-74	1	
19	Spacer, 50-2 Idler	047921	4	
20	Bolt, 5/8-11 x 3" Hex Head Grade 5	F05009-37	2	
21	Chain, #50-2 Up/Down Assist	036680	1	
22	Link, #50-2 Master	015258	2	
23	Bolt, 3/8-16x5" Hex Head	F05007-5	2	
24	Nut, 3/8-16 Hex Nyloc	F05010-10	2	

¹ 010032 replaced 065410 Spring Assembly and 079150 replaced 048410 Mount Block to improve durability (Rev. B6.10). Order upgrade kit 079157 including (3) 010032 Spring Assemblies and (3) 079150 Mount Blocks when servicing sawmills prior to Rev. B6.10. Previously, 065410 Spring Assembly was created to include 047737 Gas Spring and 038628 Gas Spring Rubber Wiper epoxyed together (6/11).

SECTION 10 FEED SYSTEM & TRACK ROLLERS

10.1 Upper Track Rollers And Wipers



REF	DESCRIPTION (◆ Indicates Parts Available In Assemblies Only)	PART #	QTY.
1	BOLT, 1/4-20 X 5/8" WING	F05005-64	4
2	WIPER, TOP RAIL	M04113	2
3	PLATE, TRACK WIPER	034229	2
	ROLLER ASSEMBLY, FRONT UPPER TRACK	042506	1
4	Block, Upper Roller Mount	042505	1
5	Block Assembly, Upper Roller	042507	1

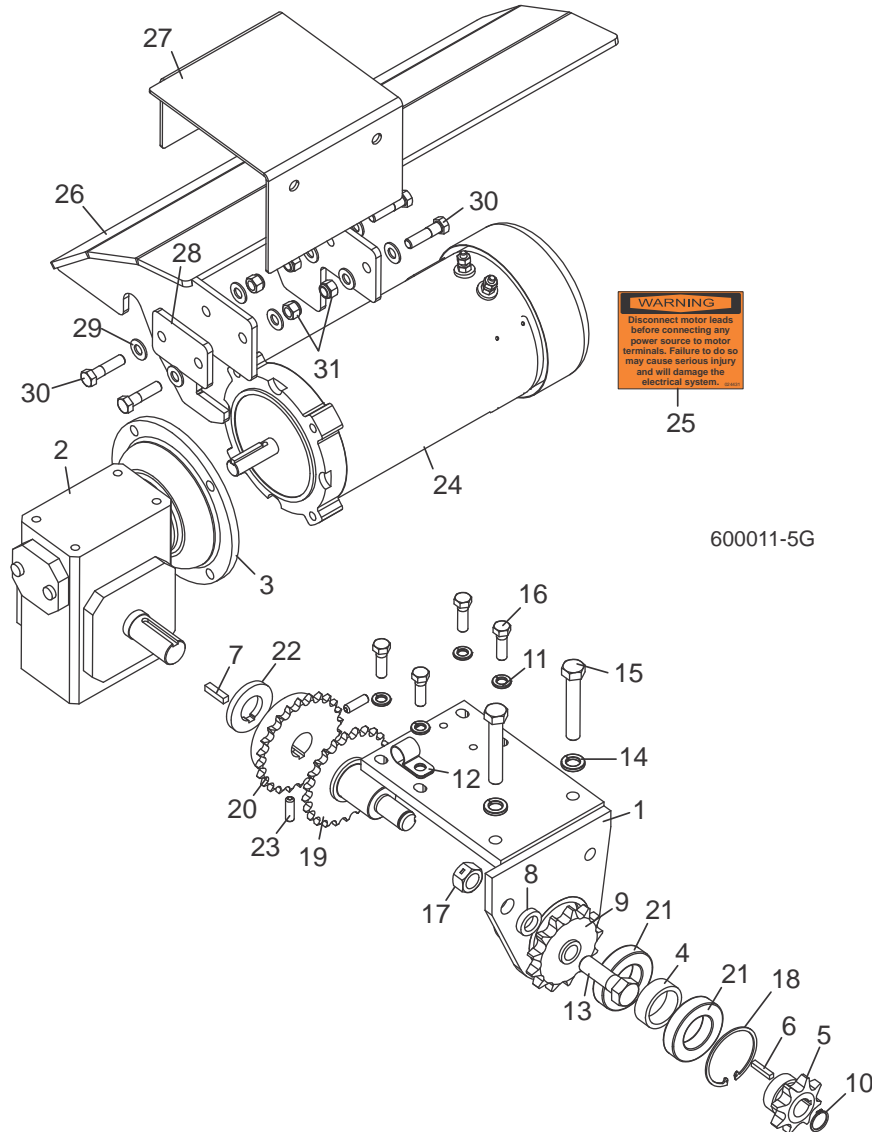
11

Feed System & Track Rollers

Upper Track Rollers And Wipers

6	Bearing, MG305DDA	023857	2	
7	Ring, 1" Outer Retaining	F04254-15	2	
8	Block, Track Bearing Mount	042500	1	
9	Bearing, 1 1/2" Track	012797	2	
10	Spacer, 41/64" x 1" x 3/16"	S12480	4	
11	Nut, 5/8-18 Hex Jam	F05010-11	2	
12	Washer, 7/8" Split Lock	F05011-46	1	
13	Bolt, 7/8-14 x 3 1/2" Hex Head Grade 5	F05014-1	1	
14	Bolt, 3/4-10 x 4" Hex Head Grade 5	F05013-3	1	
15	Nut, 3/4-10 Hex Nylon Lock	F05010-103	1	
16	Ring, 1 1/8" Outer Retaining	F04254-36	1	
	ROLLER ASSEMBLY, REAR UPPER TRACK	034231	1	
17	Block, Upper Roller Mount	034230	1	
18	Collar, 5/8" ID Lock	P05035	1	
19	Bearing, 1 1/2" Track	012797	1	
20	Bearing, MG305DDA	023857	1	
21	Ring, 1" Outer Retaining	F04254-15	1	
22	Washer, 7/8" Split Lock	F05011-46	1	
23	Bolt, 7/8-14 x 3 1/2" Hex Head Grade 5	F05014-1	1	
24	COVER, FRONT UPPER TRACK ROLLER	033942	1	
25	WASHER, 5/16" SPLIT LOCK	F05011-17	4	
26	BOLT, 5/16-18 X 3/4" HEX HEAD	F05006-102	4	
27	POWER FEED MOTOR GUARD PARTS (See Section 10.2)	See Parts	1	
28	BLOCK, MIDDLE UPPER TRACK ROLLER MOUNT	017884	1	
29	BEARING, 1 1/2" TRACK	012797	1	
30	NUT, 5/8-18 NYLON HEX JAM	F05010-101	1	
31	NUT, 1/2-20 HEX JAM	F05010-16	1	
32	SCREW, 1/2-20 X 1 3/4" FLAT POINT SET	F05008-112	1	
33	BOLT, 5/8-11 X 2" HEX HEAD	F05009-2	1	
34	WASHER, 5/8" SPLIT LOCK GRADE 8	F05011-118	1	
35	WASHER, 1/4" SAE FLAT	F05011-11	2	
36	BOLT, 1/2-13 X 3 FULL THREAD HEX HEAD TAP	F05008-7	1	
37	NUT, 1/2-13 JAM	F05010-31	2	
38	WASHER, 1/2 SPLIT LOCK	F05011-9	1	
	COVER ASSEMBLY, LT28/35/70 TRACK	110614	1	
39	Cover, Mid Track, LT28, LT35, LT70	110610	1	
40	Retainer, Felt Oiler	110611	1	
41	Bolt, 1/4-20x3/4 Carriage	F05005-113	4	
42	Nut, 1/4-20 Nylock	F05010-69	4	
43	Washer, 1/4 SAE Flat	F05011-11	4	
44	Felt, Middle Track Oiler LT40/50/70	S09915	1	

10.2 Power Feed Assembly



REF	DESCRIPTION (◆ Indicates Parts Available In Assemblies Only)	PART #	QTY.
	POWER FEED ASSEMBLY	034860 ¹	1
1	Bracket Weldment, Power Feed Mount	034850	1
2	Gearbox, Power Feed	034843	1
3	Plate, Gearbox Adaptor	057444	1
4	Spacer, 1.185 x 1.5 x .428	034856	1
5	Sprocket, 60B8 x 3/4"	034223	1
6	Key, 3/16" Square x 1" Long	S31027	1
7	Key, 1/4" Square x 1" Long	S21486	1
8	Spacer, .63 x 1.00 x .226	017719	1

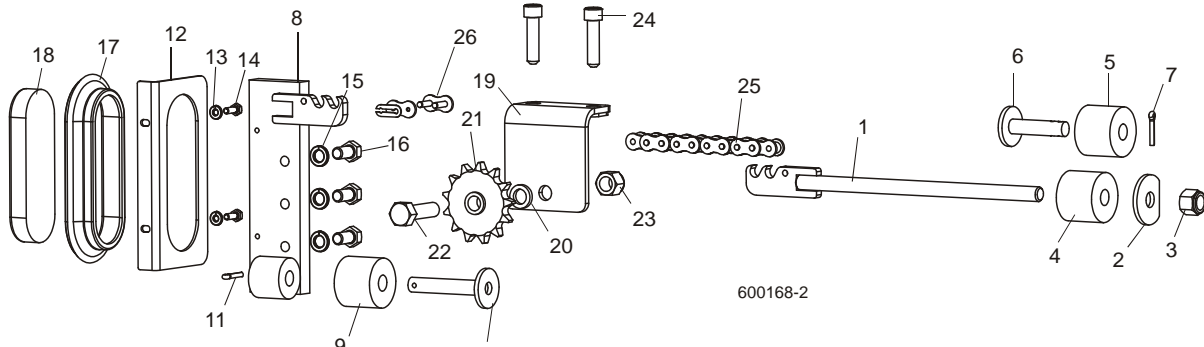
9	Sprocket, 60BB13H x 5/8" Idler	034224	1	
10	Ring, 3/4" 5100-75 Ext Retaining	F04254-46	1	
11	Washer, 3/8" Split Lock	F05011-4	4	
12	Clamp, 5/8" EMT Coated	010748	1	
13	Bolt, 5/8-11 x 2" Hex Head Gr2	F05009-2	1	
14	Washer, 1/2" Split Lock	F05011-9	2	
15	Bolt, 1/2-20 x 3" Hex Head Full Thread	F05008-62	2	
16	Bolt, 3/8-16 x 1 1/4" Hex Head Full Thread Grade 5	F05007-123	4	
17	Nut, 5/8-11 Swaged Hex	F05010-4	1	
18	Ring, 62mm IR	F04254-12	1	
19	Shaft Weldment, LT60/70 Power Feed	074702	1	
20	Sprocket, 40B24 x1	034851	1	
21	Bearing, 6007-2RS 35x62x14	034852	2	
22	Spacer, 1.03" ID x 2" OD x 3/8" Keyed	034857	1	
23	Screw, 5/16-18x1 SH Set, Cup Point	F05006-165	2	
	Chain, Double #40 x 11 1/2"	036196	1	
	Link, #40 x 2 Connecting	017724	1	
	Oil, 8 Oz. Mobil SHC634 Bottled Synthetic Gear	L04869-4 ²	1	
24	MOTOR, 1HP 12VDC POWER FEED (DC ONLY)	053679 ³	1	
	Guard, Motor Fan	047998	1	
	Hub, Motor Fan Extension	047999	1	
	Key, 3/16" Square x 1" Long	S31027	1	
	Brush Kit, 3/4HP 12V DC Leeson Motor	024167	1	
	MOTOR, 1.5HP 230/460VAC 3P 1725RPM POWER FEED (AC ONLY)	050291	1	
25	DECAL, DISCONNECT MOTOR LEADS WARNING (DC ONLY)	024431	1	
	GUARD ASSEMBLY, LT70 FEED MOTOR (OPTIONAL)	038878-A	1	
26	Guard Weldment, LT70 Feed Motor	038877	1	
27	Guard, Top Track Roller	038876	1	
28	Plate, LT70 Power Feed Guard Spacer	038874	1	
29	Washer, 3/8" SAE Flat	F05011-3	8	
30	Bolt, 3/8-16 x 1 1/2" Hex Head Grade 5	F05007-78	4	
31	Nut, 3/8-16 Hex Nylon Lock	F05010-10	4	

¹ Power feed assembly modified to improve durability (6/15). Changes include adding 034223 Sprocket, 074702 Shaft Weldment, F04254-46 Ring and S31027 Key (included in 074747 Power Feed Assembly); removing 017723 Sprocket, 034855 Shaft Weldment, F05007-7 Bolt, S02779 Washer, S03060 Key; changing quantity of F05011-4 Washer to 4.

² 12 - 15 oz. required for complete oil replacement.

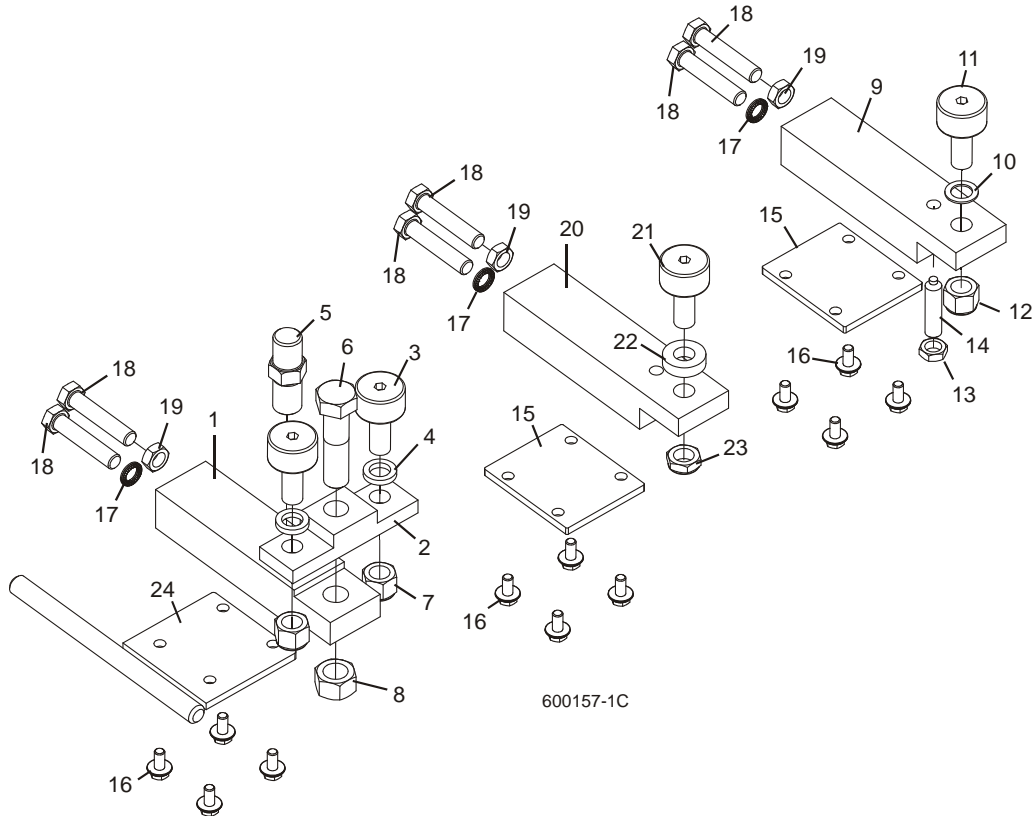
³ Replaces 3/4HP 12VDC Power Feed Motor 024169 (Rev. B4.11). Power Feed Motor 024169 included Brush Kit 024167, Fan 016087, Fan Guard 061146 and 3/16" Square x 1" Long Key S31027.

10.3 Feed Chain/Stop



REF	DESCRIPTION (◆ Indicates Parts Available In Assemblies Only)	PART #	QTY.
	STOP ASSEMBLY, FRONT POWER FEED	034556	1
1	Tensioner Weldment, Power Feed Chain	034421	1
2	Washer, 21/32" x 2 1/4" x 3/16" D	017838	1
3	Nut, 5/8-11 Nylon Lock	F05010-34	1
4	Stop, Rubber Carriage	P12165	1
	Stop Kit, Rubber Carriage	K09630	1
5	Stop, Rubber Carriage	P12165	1
6	Pin, Rubber Carriage Stop	W09293	1
7	Pin, 3/16" X 1" Cotter	F05012-21	1
	STOP ASSEMBLY, REAR POWER FEED W/LIGHT	006721	1
8	Stop Weldment, Rear Power Feed	036493	1
9	Stop, Rubber Carriage	P12165	1
10	Pin, Rear Carriage Stop	034423	1
11	Pin, 3/16" X 1" Cotter	F05012-21	1
12	Plate, Bed Tube End	057822	1
13	Washer, 1/4" Split Lock	F05011-14	2
14	Bolt, 1/4-20 x 3/4" Hex Head	F05005-1	2
15	Washer, 1/2" Split Lock	F05011-9	3
16	Bolt, 1/2-13 x 1" Hex Head Grade 8	F05008-128	3
17	Grommet, 6 1/2" Light Mounting	006688	1
18	Light, 8 Diode LED Tail	006391	1
	IDLER ASSEMBLY, #60 POWER FEED CHAIN	034228	1
19	Plate Weldment, Power Feed Idler	034227	1
20	Spacer, 41/64" x 1" x 3/16"	S12480	1
21	Sprocket, 60BB13H x 5/8" Idler	034224	1
22	Bolt, 5/8-18 x 2 1/4" Hex Head Grade 5	F05009-80	1
23	Nut, 5/8-18 Nylon Lock	F05010-71	1
24	Bolt, 1/2-13 x 2" Socket Head	F05008-133	2
25	CHAIN, #60 X 286 1/2" POWER FEED	017842	1
26	LINK, #60 MASTER	042398	2

10.4 Lower Track Rollers



600157-1C

REF	DESCRIPTION (◆ Indicates Parts Available In Assemblies Only)	PART #	QTY.
	ROLLER ASSEMBLY, FRONT LOWER TRACK	036344	1
1	Block, Front Lower Track Roller Mount	036325	1
2	Block, Track Bearing Mount	042500	1
3	Bearing, 1 1/2" Track Roller	012797	2
4	Spacer, 41/64" x 1" x 3/16"	S12480	2
5	Pin, Safety Lock (Threaded)	036324	1
6	Bolt, 3/4-10 x 3" Hex Head Grade 5	F05013-5	1
7	Nut, 5/8-18 Hex Nylon Lock	F05010-101	2
8	Nut, 3/4-10 Hex Lock	F05010-80	1
	ROLLER ASSEMBLY, REAR LOWER TRACK	034232	1
9	Block, Rear Lower Track Roller Mount	034234	1
10	Shim, 5/8" x 1" x 1/16"	016510	1
11	Bearing, 1 1/2" Track Roller	012797	1
12	Nut, 5/8-18 Hex Jam	F05010-11	1
13	Nut, 1/2-13 Hex Jam	F05010-31	1
14	Screw, 1/2-13 x 2" Brass Tip Set	F05008-137	1
15	PLATE, LOWER TRACK ROLLER RETAINER	033880 ¹	2

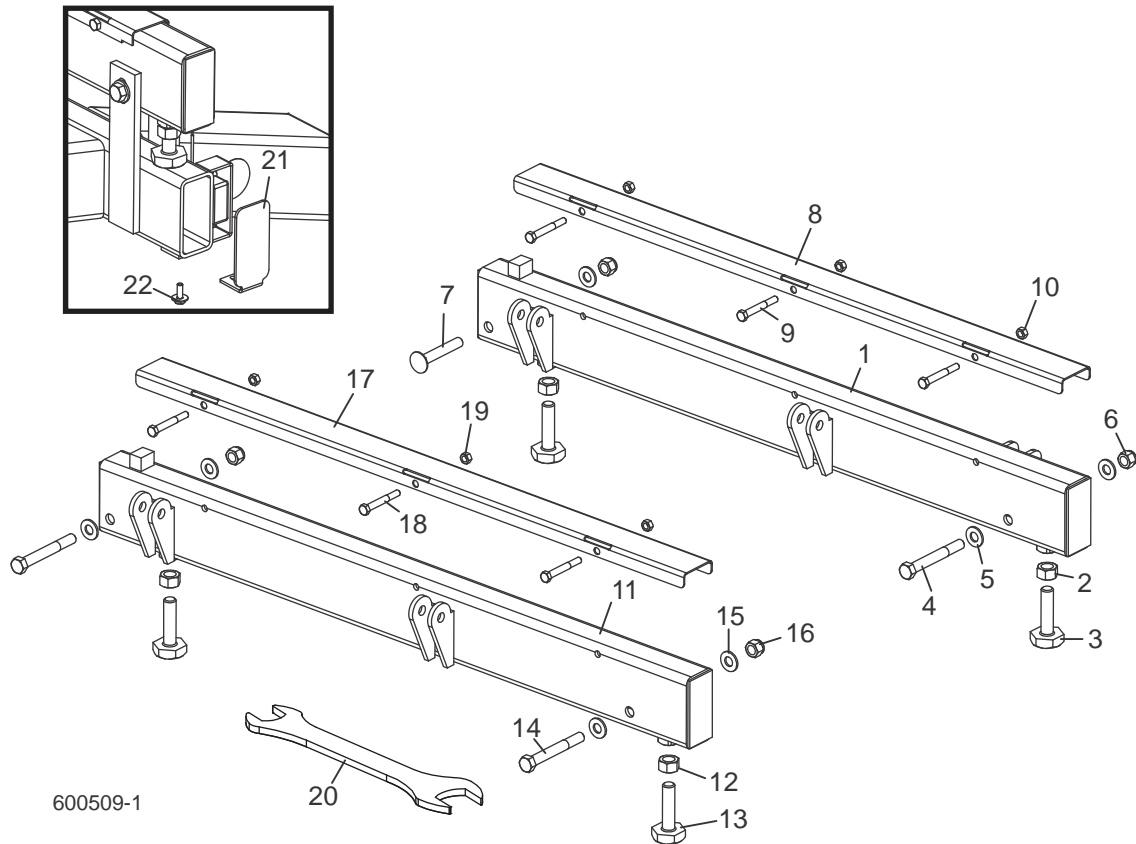
16	BOLT, 5/16-18 X 3/4" HEX HEAD W/FLAT & LOCK WASHER	F05006-101 ²	12	
17	WASHER, 1/2" NORD-LOCK	F05011-125 ²	3	
18	BOLT, 1/2-20 X 2 1/2" HEX HEAD FULL THREAD GRADE 5	F05008-135	6	
19	NUT, 1/2-20 HEX JAM	F05010-16	3	
	ROLLER ASSEMBLY, MIDDLE LOWER TRACK	017887	1	
20	Block, Lower Track Roller Mount	034234	1	
21	Bearing, 1 1/2" Track Roller	012797	1	
22	Spacer	034674	1	
23	Nut, 5/8-18 Nylon Lock Jam	F05010-101	1	
24	PLATE WELDMENT, FRONT LOWER TRACK ROLLER W/DEFLECTOR	036473 ¹	1	

¹ One Retainer Plate 033880 replaced with Deflector Weldment 036473 at front track roller to prevent assembly from catching on remote cable chain (Rev. A3.02).

² Bolt with lock and flat washer F05006-101 replaces 5/16" Split Lock Washer F05011-13 and Hex Head Bolt F05006-102, Nord-Lock Washer F05011-125 replaces F05011-9 1/2" Split Lock Washer supplied prior to Rev. B4.00. Hardware changes with mast side plate revision provides increased fastener durability.

SECTION 11 BED FRAME ASSEMBLY

11.1 Bed Rail Assembly, Front And Rear



600509-1

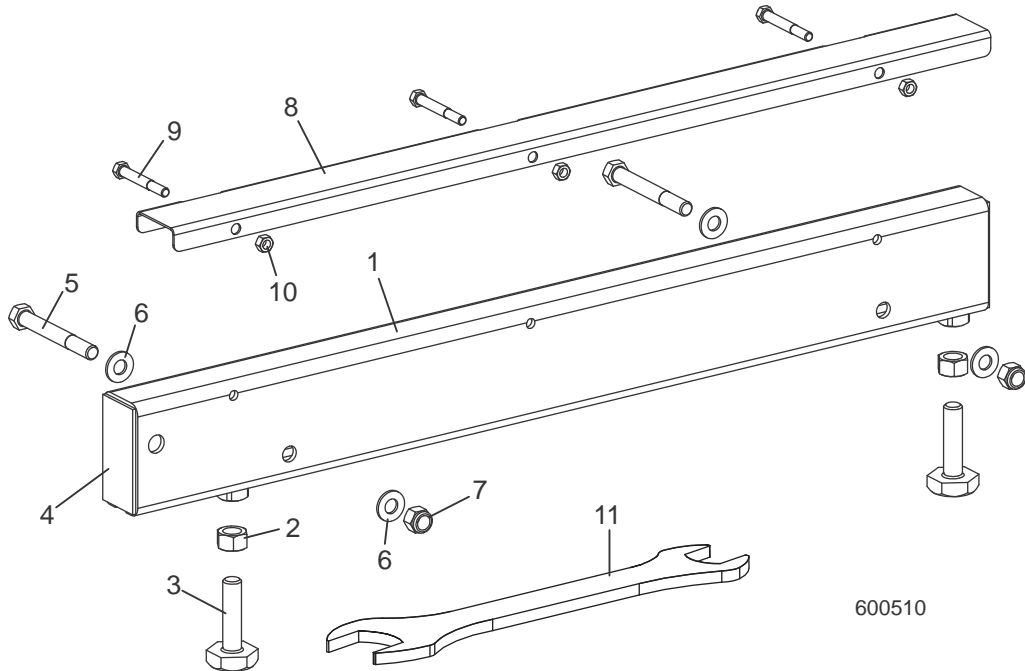
REF	DESCRIPTION (◆ Indicates Parts Available In Assemblies Only)	PART #	QTY.
	BED RAIL ASSEMBLY, REAR PAINTED (LT60/70 BED 4)	034551	1
1	Tube Weldment, Bed Rail 4	034547	1
2	Nut, 5/8-11 Hex	F05010-5	2
3	Bolt, Bed Rail Adjustment	S13006	2
4	Bolt, 1/2-13 X 4" Hex Head	F05008-78	1
5	Washer, 1/2" SAE Flat	F05011-2	3
6	Nut, 1/2-13 Nylon Lock	F05010-8	2
7	Bolt, 1/2-13 x 3 1/2" Carriage	F05008-94	1
	Cover Kit, Front/Rear Bed Rail SS	079144	1
8	Cover, Stainless Steel Bed Rail	016898	1
9	Bolt, 5/16-18 X 2 1/2" Hex Head	F05006-10	3
10	Nut, 5/16-18 Hex Lock	F05010-6	3
	Hydraulic Toe Board Parts (See Section 12.20)		
	BED RAIL ASSEMBLY, FRONT PAINTED (LT60/70 BED 1)	034548	1

Bed Frame Assembly
Bed Rail Assembly, Front And Rear

12

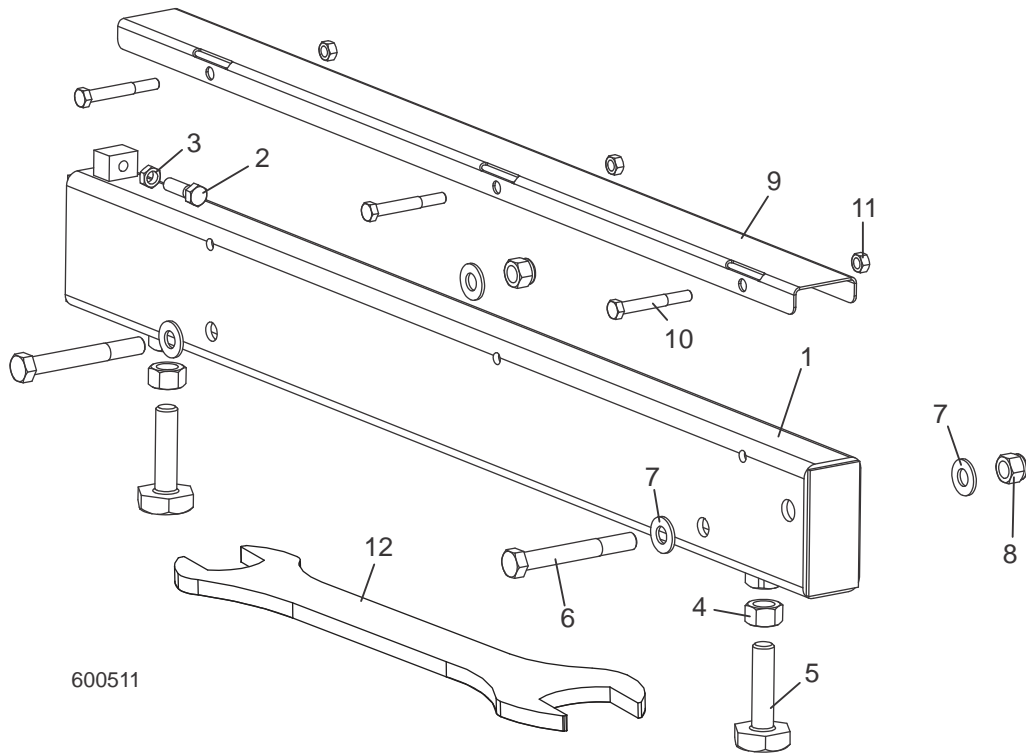
11	Tube Weldment, Bed Rail 1	034544	1	
12	Nut, 5/8-11 Hex	F05010-5	2	
13	Bolt, Bed Rail Adjustment	S13006	2	
14	Bolt, 1/2-13 X 4" Hex Head	F05008-78	2	
15	Washer, 1/2" SAE Flat	F05011-2	4	
16	Nut, 1/2-13 Nylon Lock	F05010-8	2	
	Cover Kit, Front/Rear Bed Rail SS	079144	1	
17	Cover, Stainless Steel Bed Rail	016898	1	
18	Bolt, 5/16-18 X 2 1/2" Hex Head	F05006-10	3	
19	Nut, 5/16-18 Hex Lock	F05010-6	3	
	Hydraulic Toe Board Parts (See Section 12.20)			
20	WRENCH, BED RAIL ADJUSTMENT	015970	1	
21	CAP, BED RAIL REMOVABLE END	038843	2	
22	BOLT, 1/4-20 X 3/4" W/CONICAL WASHER HEAD	F05005-134	2	

11.2 Bed Rail Assembly, Middle Front



REF	DESCRIPTION (◆ Indicates Parts Available In Assemblies Only)	PART #	QTY.	
	BED RAIL ASSEMBLY, FRONT MIDDLE (LT60/70 BED 2)	034549	1	
1	Bed Rail Tube, Short	034545	1	◆
2	Nut, 5/8-11 Hex	F05010-5	2	
3	Bolt, Bed Rail Adjustment	S13006	2	
4	Plate, Bed Rail End Cap	S04058	2	◆
5	Bolt, 1/2-13 X 4" Hex Head Grade 5	F05008-78	2	
6	Washer, 1/2" SAE Flat	F05011-2	4	
7	Nut, 1/2-13 Nylon Lock	F05010-8	2	
	Cover Assembly, Stainless Steel Bed Rail (Long)	A09956	1	
8	Cover, Stainless Steel Bed Rail	S09944	1	◆
9	Bolt, 5/16-18 X 2 1/2" Hex Head	F05006-10	3	
10	Nut, 5/16-18 Hex Lock	F05010-6	3	
11	WRENCH, BED RAIL ADJUSTMENT	015970	1	

11.3 Bed Rail Assembly, Middle Rear

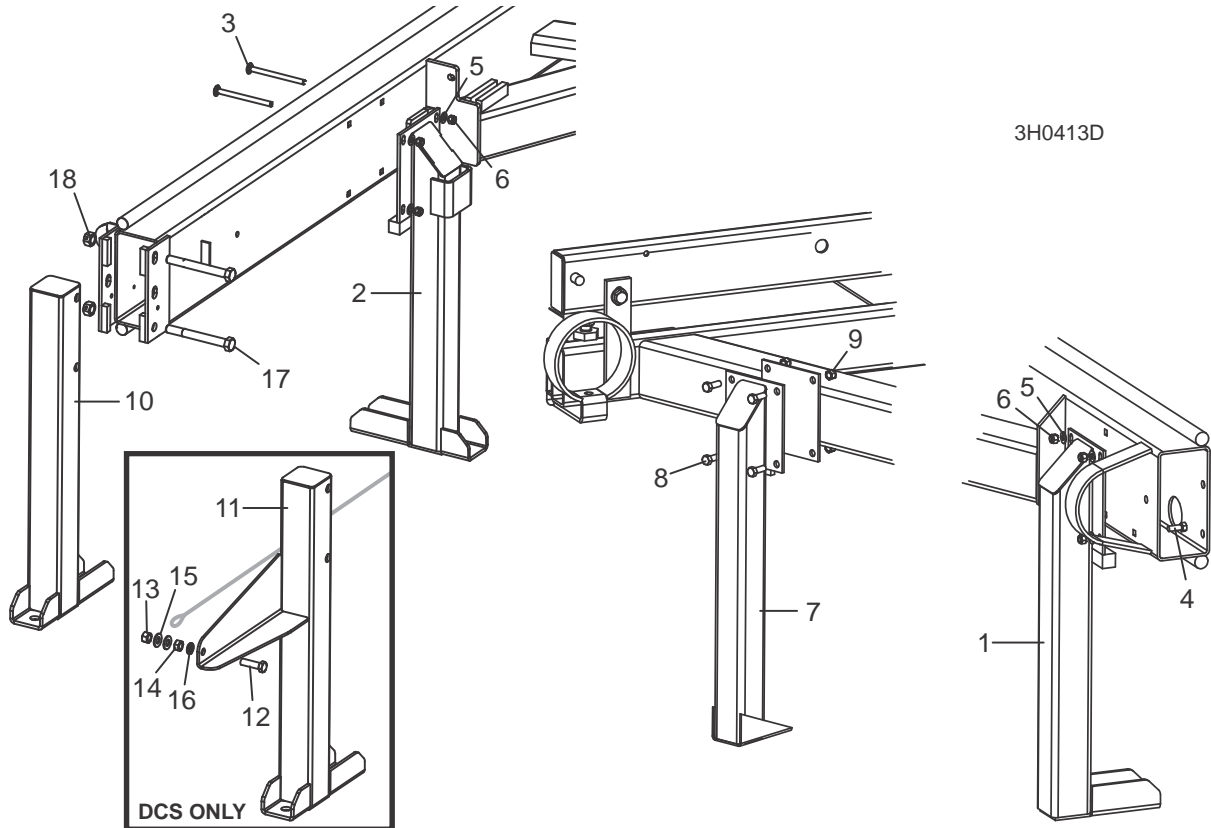


REF	DESCRIPTION (◆ Indicates Parts Available In Assemblies Only)	PART #	QTY.	
	BED RAIL ASSEMBLY, REAR MIDDLE PAINTED (LT60/70 BED 3)	034550	1	
1	Tube Weldment, Bed Rail 3	034546	1	
2	Screw, 3/8-16x1 1/4 HHC	F05007-2	1	
3	Nut, 3/8-16 Hex Jam	F05010-29	1	
4	Nut, 5/8-11 Hex	F05010-5	2	
5	Bolt, Bed Rail Adjustment	S13006	2	
6	Bolt, 1/2-13 X 4" Hex Head Grade 5	F05008-78	2	
7	Washer, 1/2" SAE Flat	F05011-2	4	
8	Nut, 1/2-13 Nylon Lock	F05010-8	2	
	Cover Assembly, Stainless Steel Bed Rail (Long)	A09956	1	
9	Cover, Stainless Steel Bed Rail	S09944	1	◆
10	Bolt, 5/16-18 X 2 1/2" Hex Head	F05006-10	3	
11	Nut, 5/16-18 Hex Lock	F05010-6	3	
12	WRENCH, BED RAIL ADJUSTMENT	015970	1	

12 Bed Frame Assembly

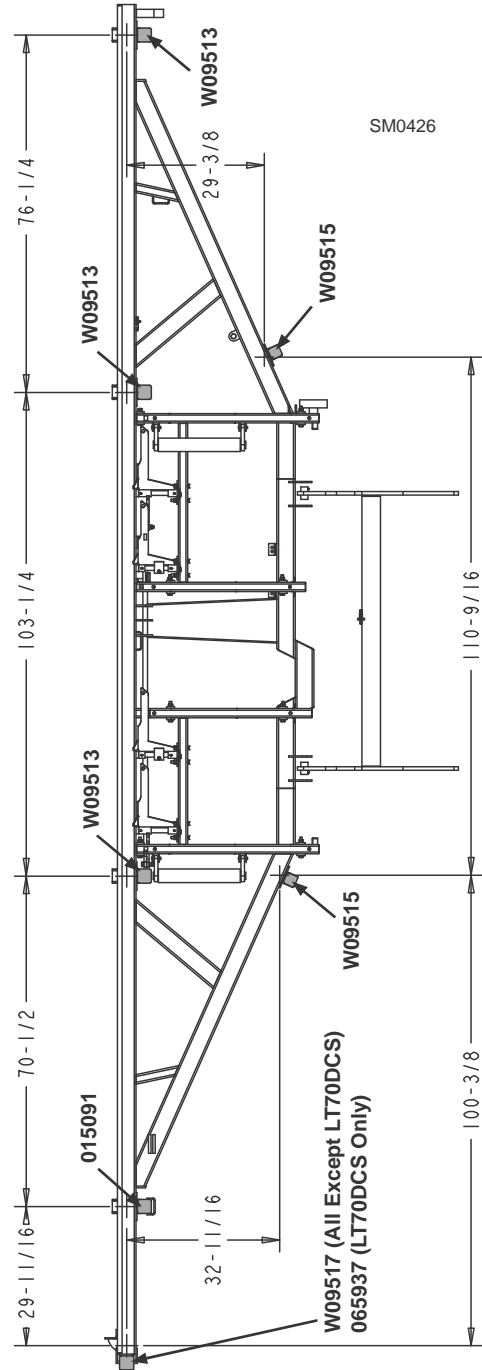
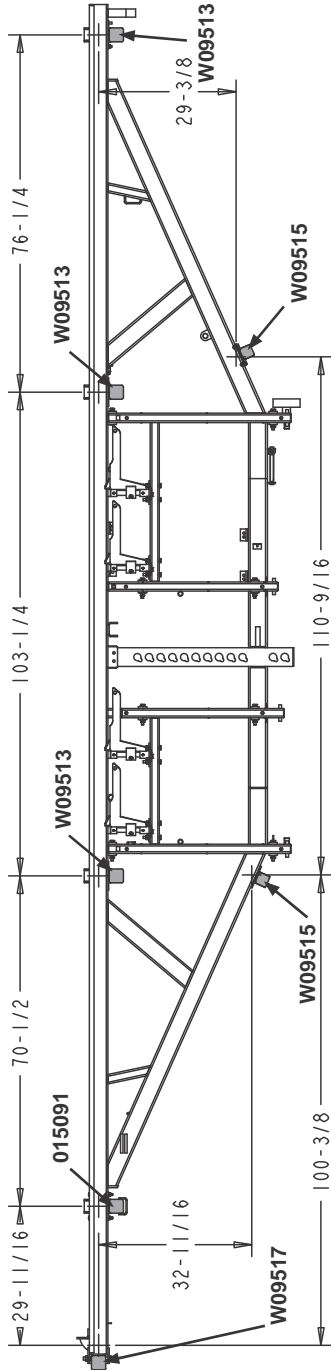
Leg Assembly (Stationary)

11.4 Leg Assembly (Stationary)

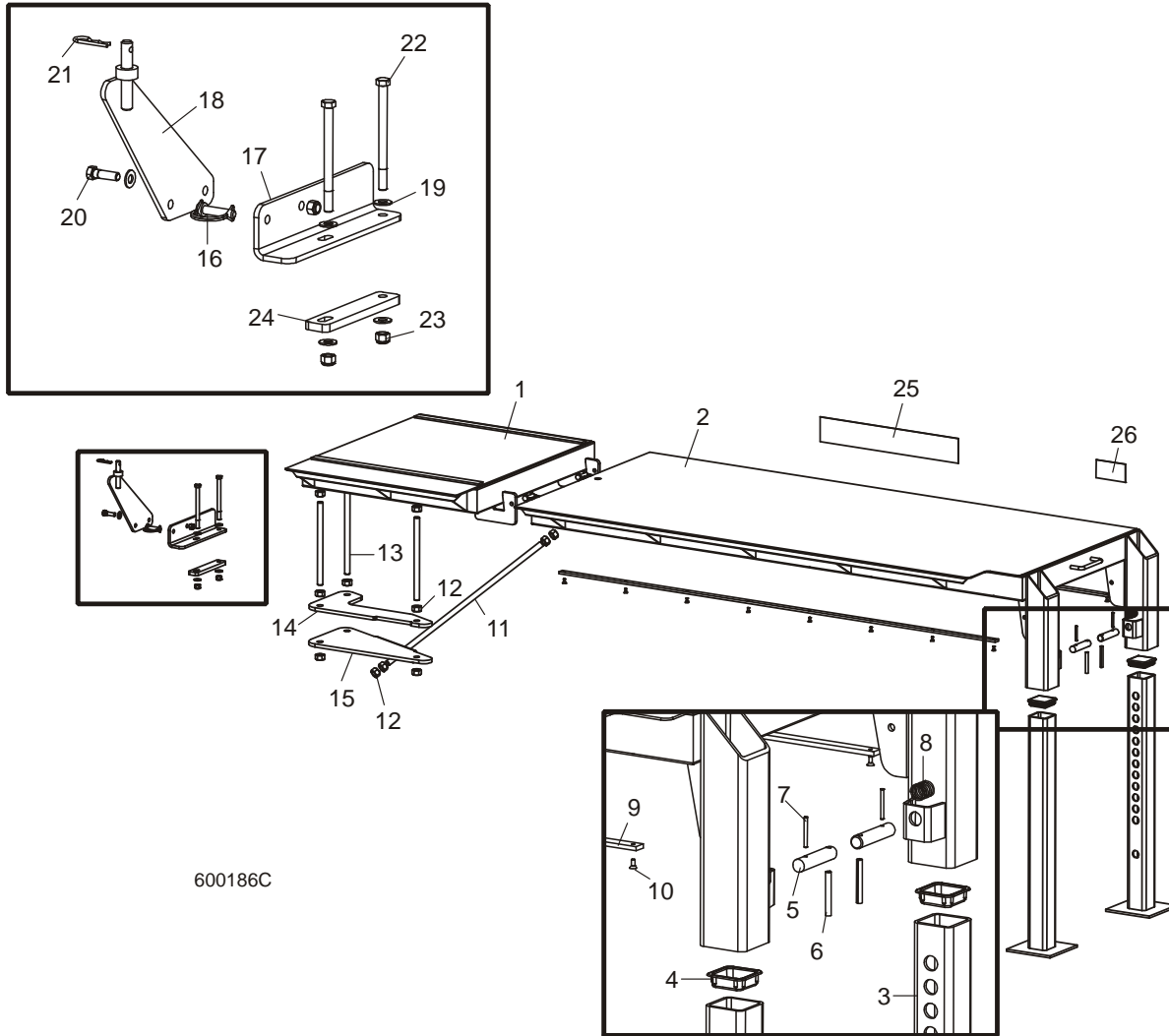


REF	DESCRIPTION (◆ Indicates Parts Available In Assemblies Only)	PART #	QTY.
	See Form #847 or diagram below for stationary sawmill foot anchor locations		
	See Form #359 for stationary sawmill w/bed extension foot anchor locations		
1	LEG, LONG STATIONARY (1 REQ'D FOR LT60HD; 3 REQ'D FOR LT70HD)	W09513	1/3
2	LEG, LONG STATIONARY W/BOARD RETURN TABLE BRACKET	O15091	1
3	BOLT, 3/8-16 X 5" CARRIAGE HEAD	F05007-113	8/12
4	BOLT, 3/8-16 X 1 1/4" HEX HEAD (REQ'D FOR REAR LT70HD ONLY)	F05007-2	4
5	WASHER, 3/8" SAE FLAT	F05011-3	8/16
6	NUT, 3/8-16 HEX NYLON LOCK	F05010-10	8/16
7	LEG, SHORT STATIONARY	W09515	2
8	BOLT, 3/8-16 X 1 1/4" HEX HEAD	F05007-2	8
9	NUT, 3/8-16 HEX NYLON LOCK	F05010-10	8
10	LEG, FRONT STATIONARY (ALL EXCEPT LT70DCS)	W09517	1
	LEG ASSEMBLY, FESTOON FRONT STATIONARY (LT70DCS ONLY)	O65937	1
11	Leg Weldment, Festoon Stationary Front	O65935	1
12	Bolt, 1/2-13 x 1 3/4" Full Thread Hex Head Grade 5	F05008-88	1
13	Nut, 1/2-13 Swaged Hex	F05010-3	1
14	Nut, 1/2-13 Free Hex	F05010-35	1

15	Washer, 1/2" SAW Flat	F05011-2	2	
16	Washer, 1/2" Split Lock	F05011-9	1	
17	BOLT, 5/8-11 X 5 1/2" HEX HEAD GRADE 5 (ALL EXCEPT LT70DCS)	F05009-11	2	
18	NUT, 5/8-11 HEX LOCK (ALL EXCEPT LT70DCS)	F05010-4	2	



11.5 Board Return Table Assembly



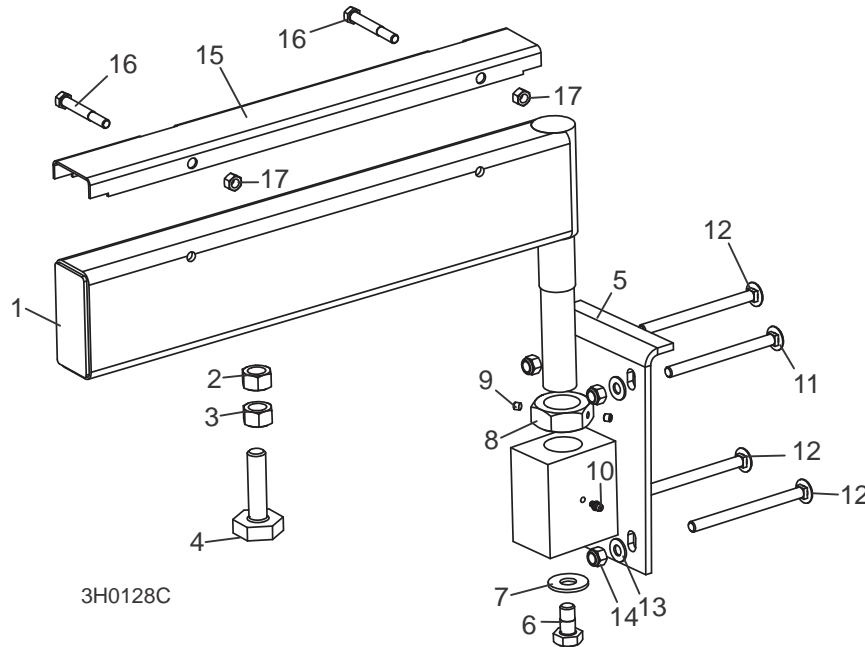
600186C

REF	DESCRIPTION (◆ Indicates Parts Available In Assemblies Only)	PART #	QTY.
	TABLE ASSEMBLY, BOARD	BT1	1
1	Table Weldment, Short Board	045826	1
2	Table Weldment, Long Board	036670	1
3	Leg Weldment, Outtrigger	W07537	2
4	Cap, Plastic Outtrigger Leg	P09926	1
	Pin Assembly, Outtrigger Pull	016148	2
5	Pin, 3/4" Outtrigger Pull	016147	1
6	Pin, 5/16" x 2 1/2" Roll	F05012-47	1
7	Pin, 3/16" x 1 3/4" Roll	F05012-103	2
8	Spring, .92" x 1 1/2" x .079" Compression	016145	2
9	Strip, 1/4" x 3/4" x 60"	046400	2

Bed Frame Assembly
Board Return Table Assembly **12**

10	Screw, #10-24 x 1/2" Flat Socket Head	F05004-61	16	
11	Rod, 5/8-11 x 24 1/2" Threaded	046061	1	
12	Nut, 5/8-11 Hex	F05010-5	13	
13	Rod, 5/8-11x 10" Threaded	045844	3	
14	Plate, Upper Board Table Clamp	045832	1	
15	Plate, Lower Board Table Clamp	045833	1	
16	Pin, 3/8" x 1 3/8" Wire Lock	046412	3	
17	Bracket, Board Table Mount	046091	1	
18	Pin Weldment, Board Table Mount	046095	1	
19	Washer, 3/8" SAE Flat	F05011-3	5	
20	Bolt, 3/8-16 x 1 1/4" Hex Head Grade 5	F05007-123	1	
21	Pin, 1/8" x 1 13/16" Safety Retaining	P05059	1	
22	Bolt, 3/8-16 x 5" Hex Head Grade 5	F05007-86	2	
23	Nut, 3/8-16 Hex Nylon Lock	F05010-10	3	
24	Bracket, Lower Table Mount Clamp	046099	1	
25	Decal, Wood-Mizer Logo	S12281	1	
26	Decal, Board Return Danger	015365	1	

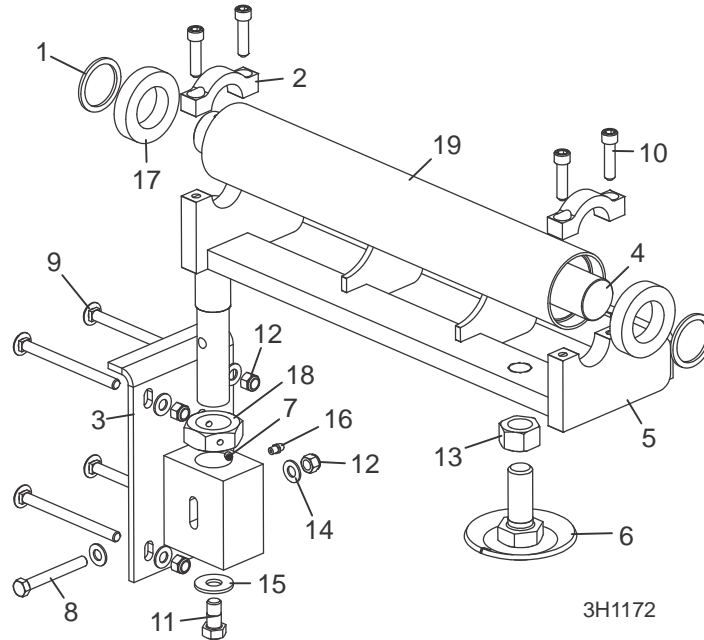
11.6 Pivot Bed Rail Assembly



REF	DESCRIPTION (◆ Indicates Parts Available In Assemblies Only)	PART #	QTY.	
	PIVOT BED RAIL ASSEMBLY (LT70HD)	A13015 ¹	1	
1	Pivot Bed Rail Weldment (LT70HD)	W13014	1	◆
2	Nut, 5/8-11 Pilot Weld	F05010-84	2	
3	Nut, 5/8-11 Hex	F05010-5	2	
4	Bolt, Bed Rail Adjustment	S13006	2	
5	Bracket, Pivot Rail Mounting	W13090	1	
6	Bolt, 1/2-13 x 1" Hex Head Grade 2	F05008-50	1	
7	Washer, 9/16" SAE Flat	F05011-52	1	
8	Nut, Pivot Rail Adjustment	S13016	1	
9	Screw, 1/4-28 x 1/4" Brass Tip Set	F05005-42	2	
10	Fitting, 3/16" Grease	P04107	1	
11	BOLT, 3/8-16 X 4 3/4" CARRIAGE HEAD	F05007-114	2	
12	BOLT, 3/8-16 X 5" CARRIAGE HEAD	F05007-113	6	
13	WASHER, 3/8" SAE FLAT	F05011-3	8	
14	NUT, 3/8-16 NYLON LOCK	F05010-10	8	
	COVER KIT, PIVOT RAIL STAINLESS STEEL (LT70HD)	017710	2	
15	Cover, Stainless Steel Pivot Bed Rail (LT70HD)	S13012	1	
16	Bolt, 5/16-18 X 2 1/2" Hex Head	F05006-10	2	
17	Nut, 5/16-18 Hex Lock	F05010-6	2	
	WRENCH, BED RAIL ADJUSTMENT (See Section 11.1)	015970	1	

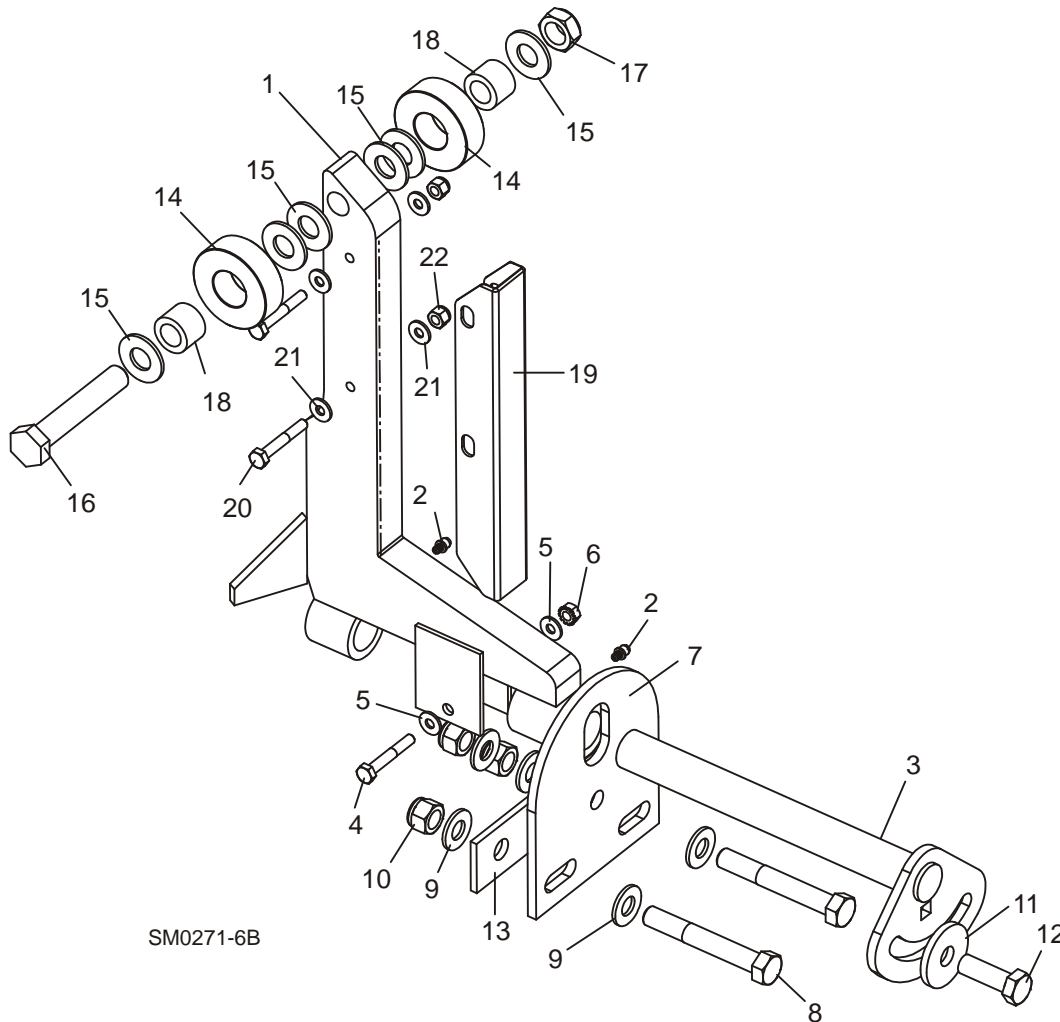
¹ Replaced (1) A13015 Pivot Bed Rail Assembly at off load table end with (1) 076729 Taper Roller Pivot Assembly (LT70 Rev.B6.09/LT70Super Rev. A4.07).

11.7 Taper Roller Pivot Assembly



REF	DESCRIPTION (◆ Indicates Parts Available In Assemblies Only)	PART #	QTY.
	PIVOT ASSEMBLY, TAPER ROLLER	076729	1
1	Plate, 1-19/32x2x1/8 Spacer	074843	2
2	Plate, Taper Roller Cap	076234	2
3	Mount Weldment, Pivot Bed Rail	076698	1
4	Shaft, Toe Board 1-9/16 Dia	076753	1
5	Pivot Weldment, Taper Roller	076754	1
6	Roller Weldment, Taper Roller Height Adjust	079075	1
7	Screw, 1/4-28x1/4 SH Brass Tip Set	F05005-42	2
8	Bolt, 3/8-16x3 FT Hex Head	F05007-1	1
9	Bolt, 3/8-16x4 3/4 Carriage	F05007-114	4
10	Screw, 3/8-16x1 1/2 BO SHC	F05007-36	4
11	Bolt, 1/2-13x1 Hex Head	F05008-50	1
12	Nut, 3/8-16 Hex Nyloc	F05010-10	5
13	Nut, 7/8-9 Free	f05010-136	1
14	Washer, 3/8 Flat SAE	F05011-3	6
15	Washer, 9/16 Flat	F05011-52	1
16	Fitting, 1/4-28 Grease	P05060	1
17	Bearing, 1.575x2.677x.591	P13024	2
18	Nut, Pivot Rail Adjust	S13016	1
19	Tube, 2 1/2x17 1/2 Toe Board	S13020	1
	WRENCH, BED RAIL ADJUSTMENT (See Section 11.1)	015970	1

11.8 Log Side Support Assembly (Manual)

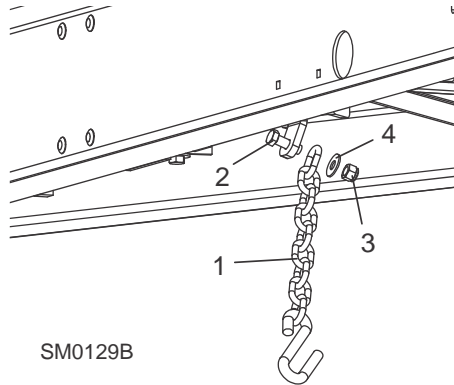


REF	DESCRIPTION (◆ Indicates Parts Available In Assemblies Only)	PART #	QTY.
1	SUPPORT, LOG SIDE	015235	2
2	Fitting, 3/16" Grease	P04107	2
	MOUNTING KIT, LOG SIDE SUPPORT	016559	2
3	Pin, Log Side Support Pivot	016544	1
4	Bolt, 1/4-20 X 1 1/2" Hex Head Grade 5	F05005-4	1
5	Washer, 1/4" SAE Flat	F05011-11	2
6	Nut, 1/4-20 Self Locking	F05010-9	1
7	Plate, Log Side Support End	016555	1
8	Bolt, 1/2-13 X 3 1/2" Hex Head Grade 5	F05008-61	2
9	Washer, 1/2" SAE Flat	F05011-2	5
10	Nut, 1/2-13 Hex Nylon Lock	F05010-8	3
11	Washer, .52" x 1.69"	014632	1

12	Bolt, 1/2-13 X 1 1/2" Hex Head Grade 5	F05008-33	1	
13	Plate, Side Support Washer Clamp	016558	1	
	ROLLER KIT, SIDE SUPPORT	016562	4	
14	Roller, Side Support	016561	2	
15	Washer, 5/8" SAE Flat	F05011-5 ¹	6	
16	Bolt, 5/8-11 x 3 3/4" Hex Head Grade 5	F05009-118	1	
17	Nut, 5/8-11 Hex Nylon Lock Jam	F05010-96	1	
18	Bushing, Bronze 5/8" x 1" x 3/4"	016560	2	
	Bolt, 1/2-13 x 3 1/2" Carriage Head	F05008-94	1	
	Instruction Sheet, Side Support Roller	016562-526	1	
	GUARD KIT, STAINLESS STEEL SIDE SUPPORT	016798	1	
19	Guard, Stainless Steel Side Support	016722	4	
20	Bolt, 1/4-20 x 1 3/4" Hex Head	F05005-4	8	
21	Washer, 1/4" SAE Flat	F05011-11	16	
	Washer, 5/8" SAE Flat	F05011-5 ¹	4	
22	Nut, 1/4-20 Hex Nylon Lock	F05010-69	8	
	Instruction Sheet, Stainless Steel Side Support Guard Retro	016798-1005	1	

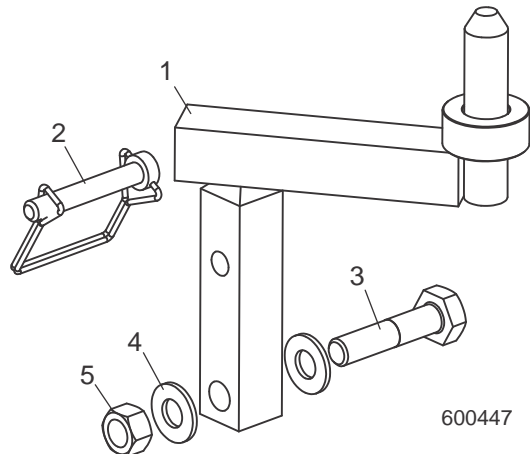
¹ Additional 5/8" SAE Flat Washer F05011-5 may be required on each side of side support to provide clearance for optional stainless steel side support guards. Extra washers are included in the stainless steel guard retrofit kit (016798).

11.9 Safety Chain Assembly



REF	DESCRIPTION (◆ Indicates Parts Available In Assemblies Only)	PART #	QTY.	
1	CHAIN, 15 INCH SAFETY	107972	1	
2	BOLT, 1/2-13X1 1/2 HEX HEAD GRADE 5	F05008-33	1	
3	NUT, 1/2-13 NYLON HEX LOCK	F05010-8	1	
4	WASHER, 7/16 STANDARD FLAT	F05011-35	1	

11.10 Saw Head Rest Pin Assembly



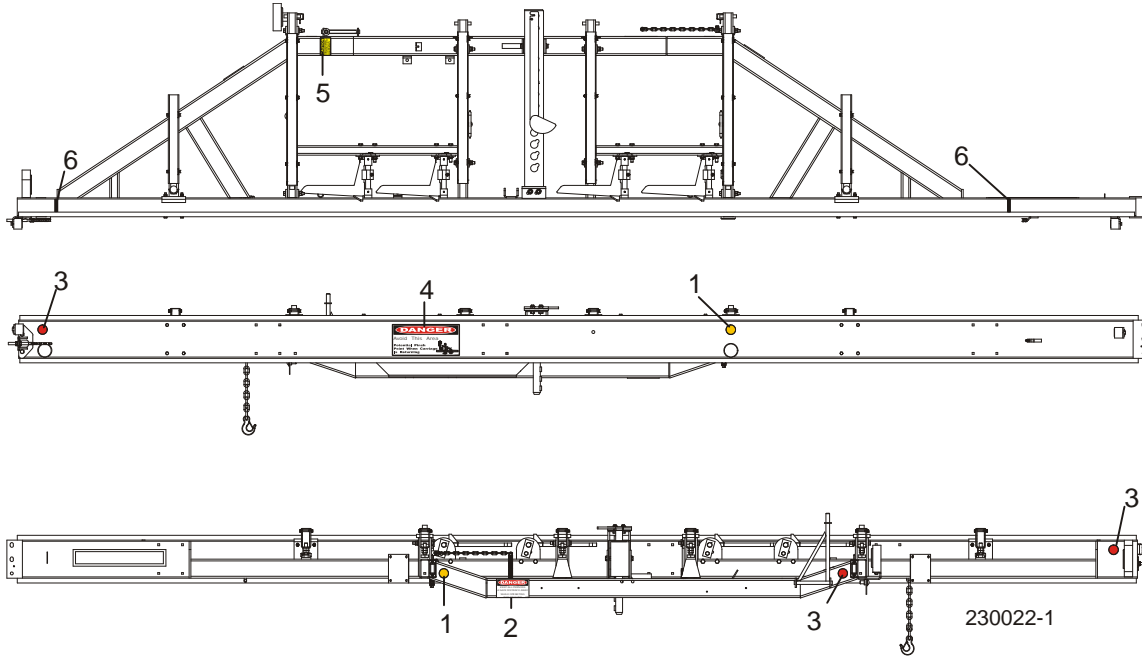
REF	DESCRIPTION (◆ Indicates Parts Available In Assemblies Only)	PART #	QTY.
	PIN ASSEMBLY, LT70 REST	074596	1
	PIN ASSEMBLY, LT70 REST (WIDE HEAD)	074597	1
1	Pin, Saw Head Rest	074126 ¹	1
	Pin, Saw Head Rest (Wide Head)	074127 ¹	1
2	Pin, 3/8" x 2 1/4" Snap Retainer	014151	1
3	Bolt, 1/2-13 x 2 1/4" Hex Head Grade 5	F05008-10	1
4	Washer, 1/2" SAE Flat	F05011-2	2
5	Nut, 1/2-13 Hex Lock	F05010-3	1

¹ 074126 replaced 034442 Sawhead Rest Pin and 074127 replaced 065464 Sawhead Rest (Wide Head) Pin (Rev. B5.02).

12 Bed Frame Assembly

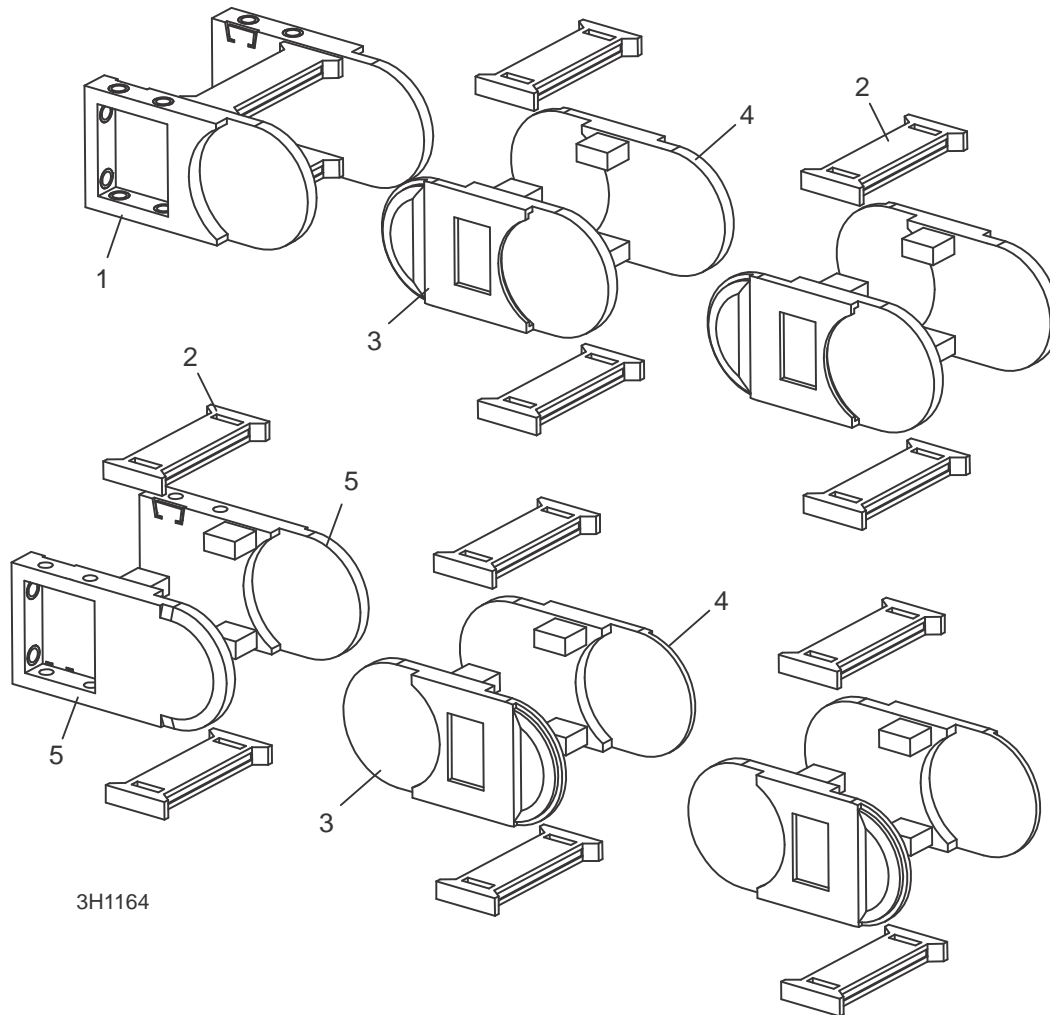
Bed Frame Decals

11.11 Bed Frame Decals



REF	DESCRIPTION (◆ Indicates Parts Available In Assemblies Only)	PART #	QTY.
1	DECAL, AMBER REFLECTIVE 2" ROUND	P07453	2
2	DECAL, KEEP AWAY DANGER	S09851	1
3	DECAL, RED REFLECTIVE 2" ROUND	P07452	3
4	DECAL, PINCH POINT DANGER	P10287	1
5	DECAL, SAW HEAD REST CAUTION	S12581	1
6	DECAL, LOG LIMIT STRIPE	S12051	2

11.12 Cable Chain Assembly

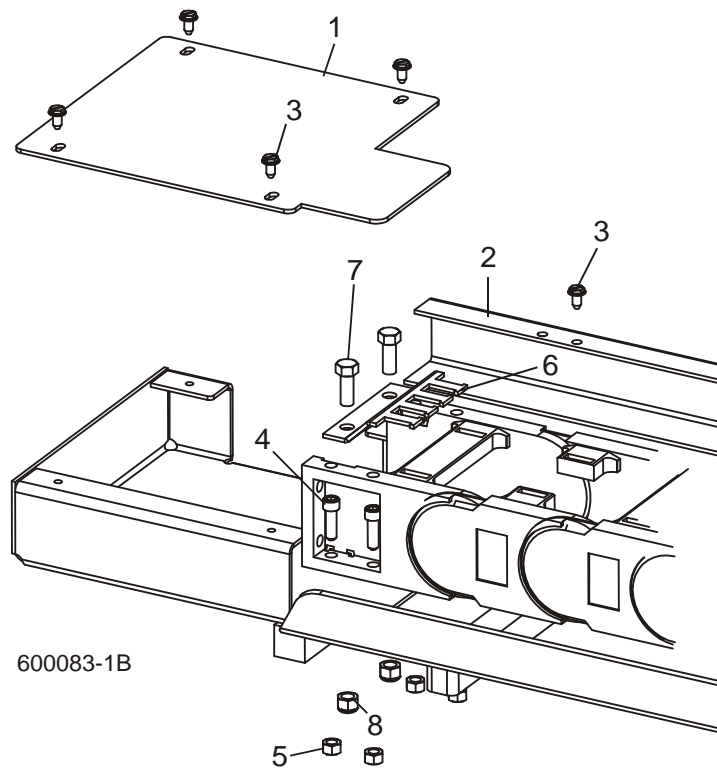


REF	DESCRIPTION (◆ Indicates Parts Available In Assemblies Only)	PART #	QTY.
	CHAIN ASSEMBLY, NYLON REMOTE 196" #4040AX	074693	1
1	Link, Nylon Chain Top Mount	023612-3	2
2	Brace, Nylon Chain Long Cross	023612-4	55
3	Link, Nylon Chain Right Side (For 074693)	061154	52
4	Link, Nylon Chain Left Side (For 074693)	061155	52
5	Link, Nylon Chain Bottom Mount	023612-9	2

1 Bed Frame Assembly

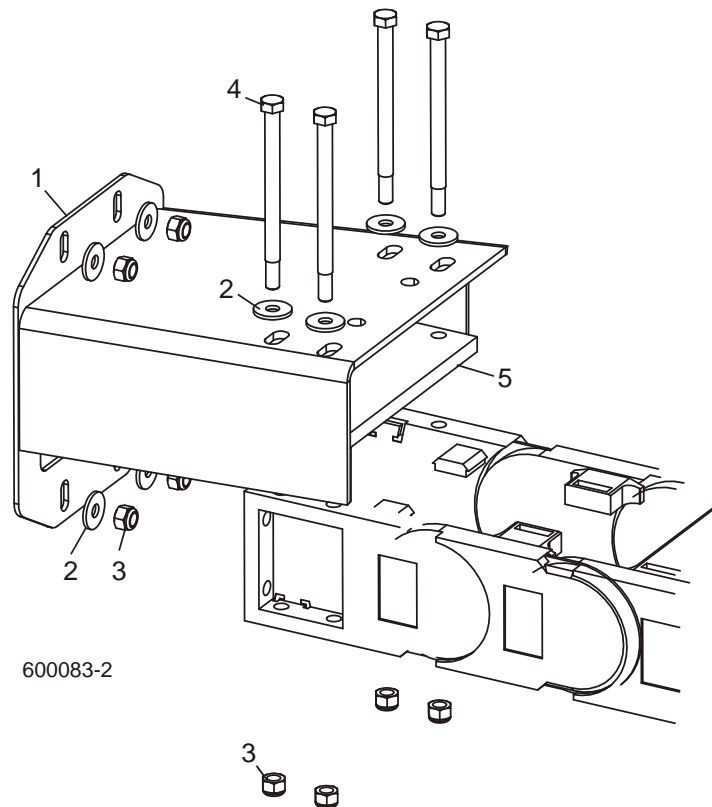
Bottom Chain Mount Assembly

11.13 Bottom Chain Mount Assembly



REF	DESCRIPTION (◆ Indicates Parts Available In Assemblies Only)	PART #	QTY.
1	PLATE, CHAIN BOX COVER	015578	1
2	WIREWAY, 32 1/16" CABLE	017747	1
3	SCREW, 1/4-20 X 1/2" SLOTTED HEX HEAD	F05015-1	7
4	BOLT, 5/16-18 X 1" SOCKET HEAD	F05006-19	4
5	NUT, 5/16-18 HEX LOCK	F05010-6	4
6	BRACKET, WIRE ROUTING	023604	1
7	BOLT, 3/8-16 X 1" HEX HEAD	F05007-7	2
8	NUT, 3/8-16 NYLON LOCK	F05010-10	2

11.14 Top Chain Mount Assembly



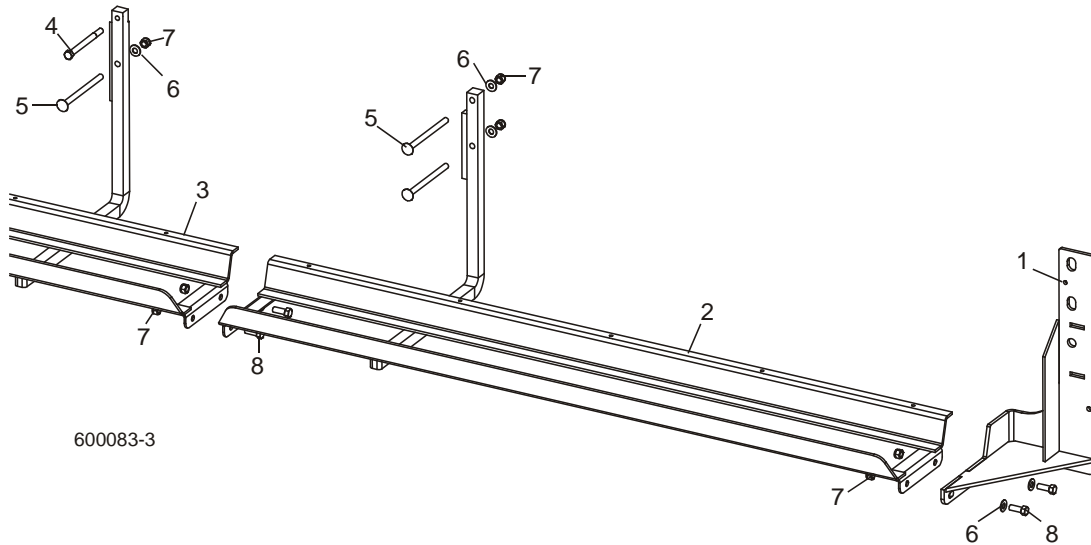
REF	DESCRIPTION (◆ Indicates Parts Available In Assemblies Only)	PART #	QTY.
1	BRACKET WELDMENT, TOP CABLE CHAIN MOUNTING	034387	1
2	WASHER, 5/16" STANDARD FLAT	F05011-16	8
3	NUT, 5/16-18 NYLON LOCK	F05010-58	8
4	BOLT, 5/16-18 X 4 1/2" HEX HEAD	F05006-82	4
5	PLATE, CABLE CHAIN SPACER	023606 ¹	1

¹ Spacer Plate 023606 added Rev. A3.02 to improve alignment of cable chain and mount.

1 Bed Frame Assembly

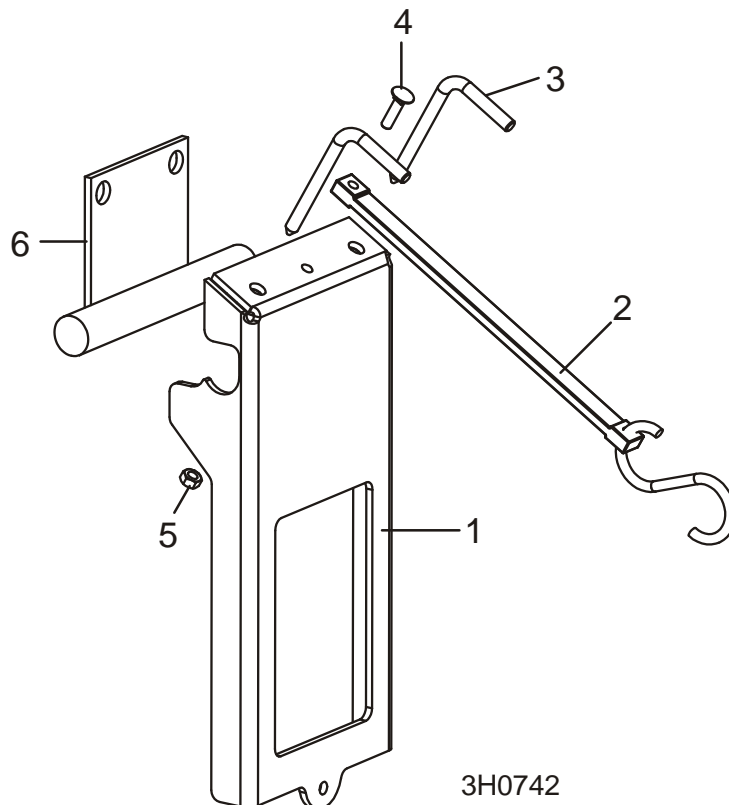
Front Tray Mount Assembly

11.15 Front Tray Mount Assembly



REF	DESCRIPTION (◆ Indicates Parts Available In Assemblies Only)	PART #	QTY.
1	BRACKET WELDMENT, LT70HD CABLE CHAIN	034875	1
2	TRAY WELDMENT, LT70HD 53 13/16" EXTENSION	042747	1
3	TRAY WELDMENT, LT70HD CABLE CHAIN	042746	1
4	BOLT, 3/8-16 X 4 1/2" HEX HEAD	F05007-35	1
5	BOLT, 3/8-16 X 5 1/2" CARRIAGE HEAD	F05007-31	7
6	WASHER, 3/8" SAE FLAT	F05011-3	9
7	NUT, 3/8-16 NYLON LOCK	F05010-10	13
8	BOLT, 3/8-16 X 1" HEX HEAD	F05007-7	4

11.16 Cable Chain Support Bracket

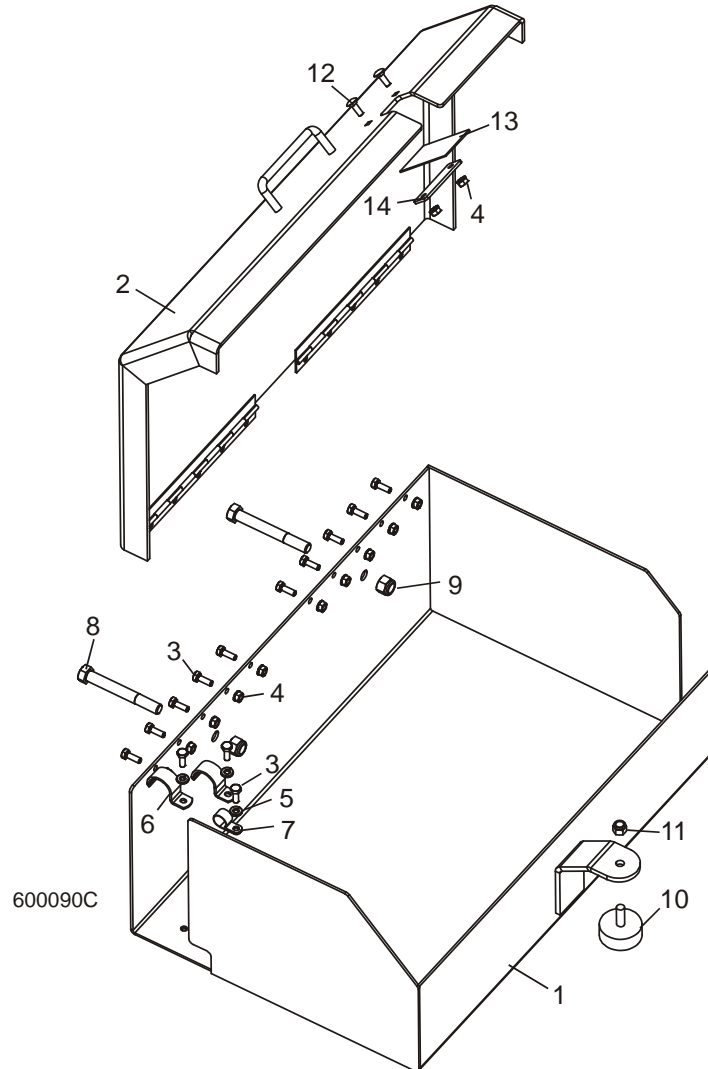


REF	DESCRIPTION (◆ Indicates Parts Available In Assemblies Only)	PART #	QTY.	
	BRACKET ASSEMBLY, REMOTE CABLE CHAIN SUPPORT	023586	1	
1	Bracket Weldment, Remote Cable Chain Support	023588	1	◆
2	Strap, 11 1/2" Rubber	012965	1	
3	Handle, Remote Cable Chain Support Lock	023602	2	
4	Bolt, 1/4-20 x 1" Carriage Head	F05005-34	1	
5	Nut, 1/4-20 Hex Lock	F05010-21	1	
6	BRACKET WELDMENT, CHAIN SUPPORT STORAGE	023589	1	

1 Bed Frame Assembly

Remote Cable Box

11.17 Remote Cable Box



REF	DESCRIPTION (◆ Indicates Parts Available In Assemblies Only)	PART #	QTY.	
	BOX ASSEMBLY, REMOTE CABLE	034792	1	
1	Box Weldment, Remote Cable	034790	1	◆
2	Lid Weldment, Remote Cable Box	034791	1	
3	Bolt, 1/4-20 x 3/4" Hex Head	F05005-1	13	
4	Nut, 1/4-20 Self-Locking	F05010-9	12	
5	Washer, 1/4" Split Lock	F05011-14	3	
6	Clamp, 1" EMT	P05436	2	
7	Clamp, 5/8" EMT	010748	1	
8	Bolt, 1/2-13 x 4" Hex Head Grade 5	F05008-78	2	
9	Nut, 1/2-13 Hex Nylon Lock	F05010-8	2	

Bed Frame Assembly
Remote Cable Box

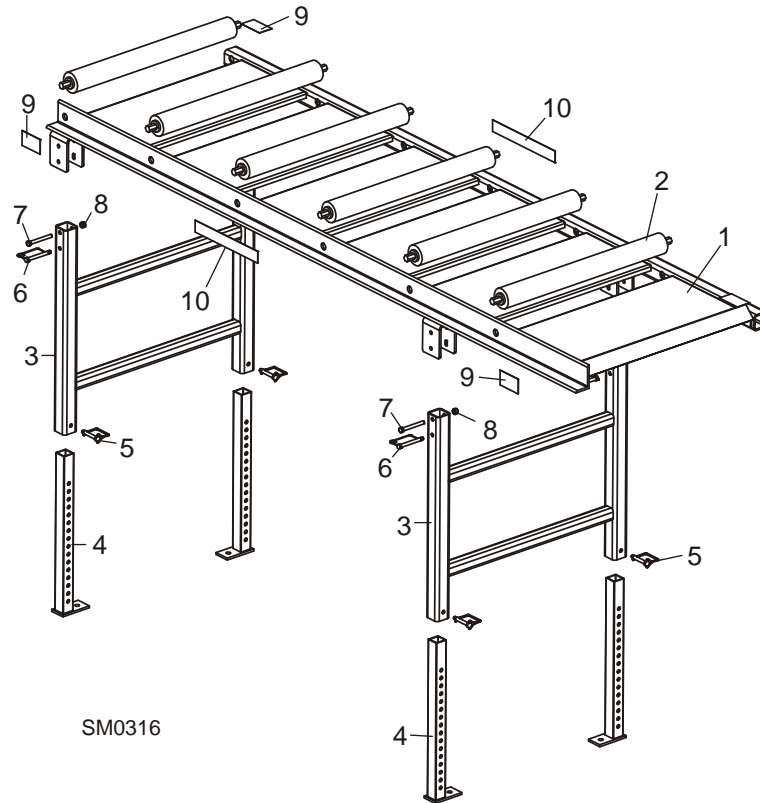
1

10	Bumper, Table	034175	1	
11	Nut, 3/8-16 Hex Nylon Lock	F05010-10	1	
12	Bolt, 1/4-20 x 3/4" Carriage Head	F05005-113	2	
13	Flap, 2" x 3 5/8" Rubber	017958	1	
14	Plate, 1" x 3"	017959	1	

12 Bed Frame Assembly

Board Outfeed Table (Optional)

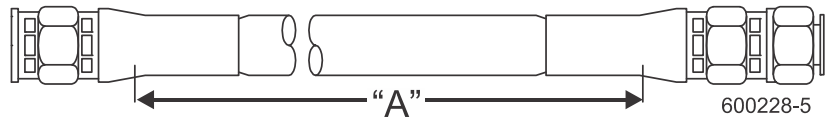
11.18 Board Outfeed Table (Optional)



REF	DESCRIPTION (◆ Indicates Parts Available In Assemblies Only)	PART #	QTY.
	TABLE ASSEMBLY, BOARD OUTFEED	016652	1
1	Table Weldment, Board Outfeed	016606	1
2	Roller, 2 1/2" x 25"	038167	6
3	Mount Weldment, Outfeed Table Leg	016609	2
4	Leg Weldment, Outfeed Table	016651	4
5	Pin, 3/8" x 2 1/4" Square Wire Lock	014151	4
6	Pin, Snap - Coil Tension	016677	4
7	Bolt, 3/8-16 x 3 1/4" Hex Head	F05007-135	4
8	Nut, 3/8-16 Hex Nylon Lock	F05010-10	4
9	Decal, Hand Pinch Point Warning	S12641	4
10	Decal, 1 1/2" Wood-Mizer Logo	016991	2

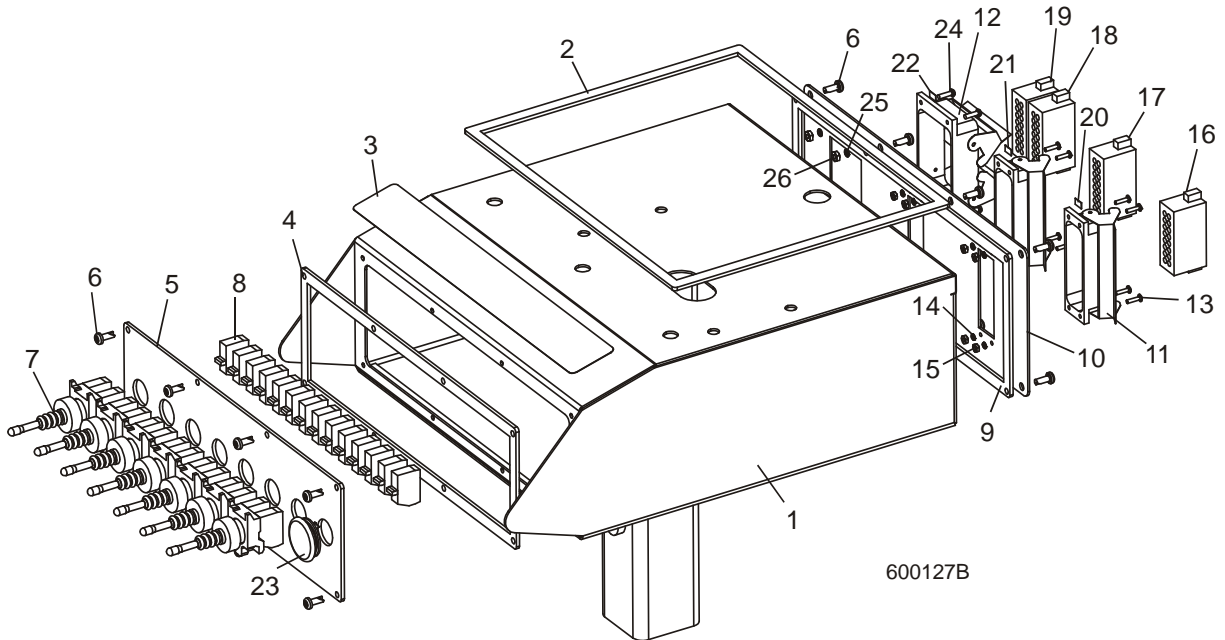
SECTION 12 BED HYDRAULIC SYSTEM

12.1 Hydraulic Hoses



ID	Color Code	LENGTH "A"	Application (NOTE: See Hydraulic Information Section in Operator's Manual for Hydraulic Schematics)	HOSE PART #
H1	Purple	81"	1/4" Rear Toe Board Top	079000-81
H2	Black	87"	1/4" Rear Toe Board Base	079000-87
H3	Yellow	52"	1/4" Front Toe Board Top	079000-52
H4	Gray	56"	1/4" Front Toe Board Base	079000-56
H5	Green	43"	1/4" Clamp Up/Down Top	079000-43
H6	Yellow	32"	1/4" Clamp Up/Down Base	079000-32
H7	Red	22"	3/8" Loading Arm Base	079001-22
H8	Blue	22"	3/8" Loading Arm Top	079001-22
H9	Red	16"	3/8" Side Support Base	079001-16
H10	Pink	15"	3/8" Side Support Top	079001-15
H11	Orange	20"	3/8" Clamp In/Out Base	079001-20
H12	White	23"	3/8" Clamp In/Out Top	079001-23
H13	Green	74"	3/8" Loading Arm Branch Top	079001-74
H14	Green	34"	3/8" Loading Arm Branch Top	079001-34
H15	Yellow	77"	3/8" Loading Arm Branch Base	079001-77
H16	Yellow	34"	3/8" Loading Arm Branch Base	079001-34
H17	Plain	73"	3/8" Log Turner Base	079001-73
H18	Orange	65"	3/8" Log Turner Top	079001-65
H19	Purple	61"	3/8" Log Turner Motor (Nearest Frame)	079001-61
H20	Black	65"	3/8" Log Turner Motor (Furthest from Frame)	079001-65
H21	Plain	27"	1/4" Pump to Valve	079000-27
H22	Plain	38"	1/4" Pump to Valve	079000-38

12.2 Command Control



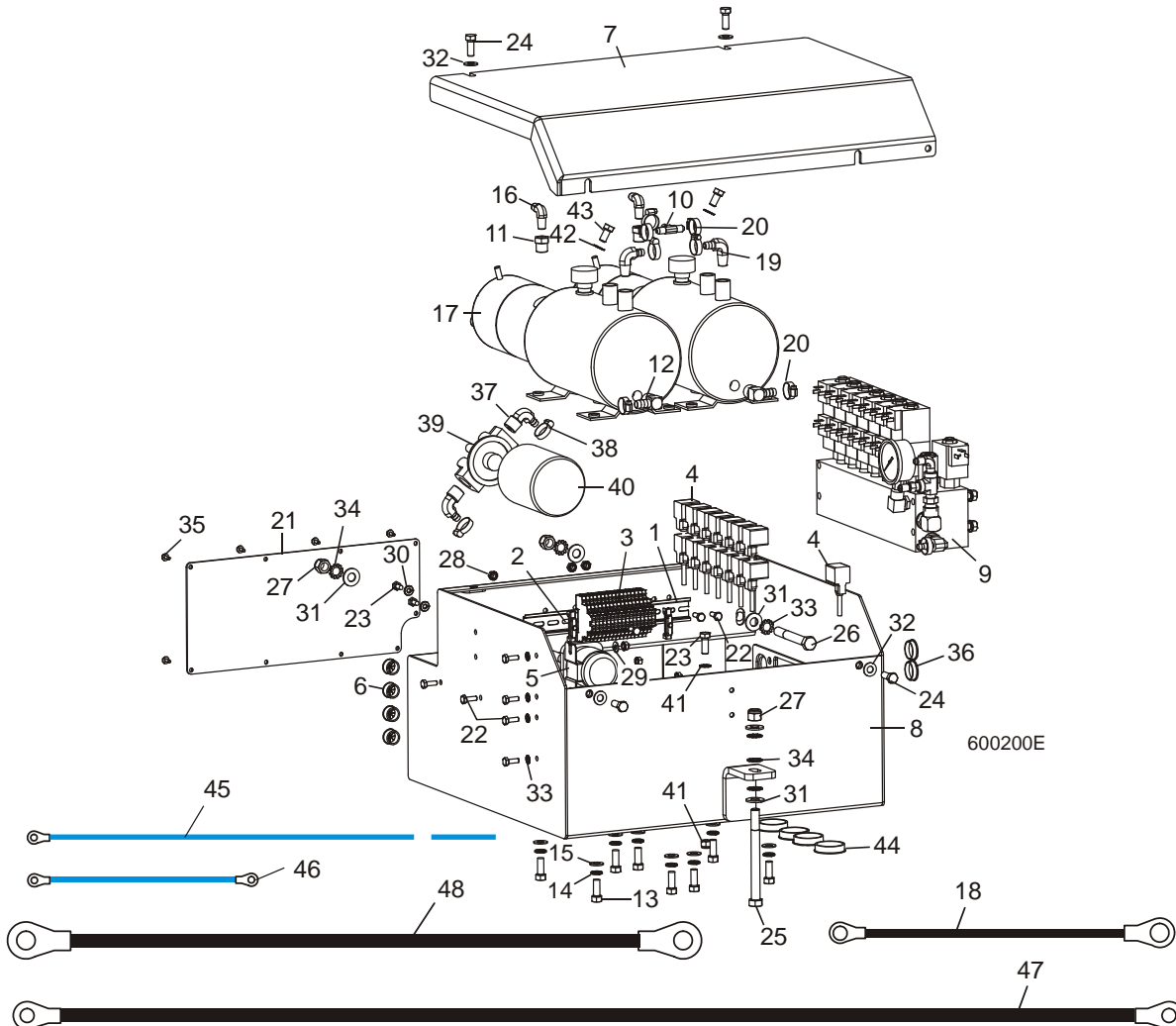
REF	DESCRIPTION (◆ Indicates Parts Available In Assemblies Only)	PART #	QTY.
	BOX ASSEMBLY, LT70 REMOTE DC HYDRAULIC CONTROL (2008)	053071	1
	BOX ASSEMBLY, LT70 REMOTE AC HYDRAULIC CONTROL (2008)	053077	1
1	Box Weldment, LT70 Remote Hydraulic Control	017891	1
2	Gasket, Top Hydraulic Control	045349	1
3	Decal, LT70 Remote Hydraulic Control	038407	1
4	Gasket, Front Hydraulic Control	045347	1
5	Panel, Front Hydraulic Control	034647	1
6	Screw, #10-24 x 1/2" Phillips Pan Head Type 23	F05015-17	16
7	Switch, Joystick w/2 NO Contacts	050766	7
8	Contact, NO ZD4 PA103	052075	14
9	Gasket, Rear Hydraulic Control	045348	1
10	Panel, Rear Hydraulic Control	017927	1
11	Connector, 16 Pin Panel Mount Single Lever	E23103	2
12	Connector, 32 Pin Panel Mount Dual Lever	050828	1
13	Screw, #4-40 x 1/2" Slotted Round Head	F05004-14	8
14	Washer, #4 Split Lock	F05011-21	8
15	Nut, #4-40 Hex	F05010-43	8
	Connector Assembly, LT70D42-R 1-16 M	050779	1
	Connector Assembly, LT70E25-R 1-16 M	050798	1
16	Insert, Male 10A 16 Pin Screw Terminals 1-16	E23105	1
	Connector Assembly, LT70D51/D62-R 17-32 M (2008)	053070	1
	Connector Assembly, LT70E25-R 17-32 M	053078	1

17	Insert, Male 10A 16 Pin Screw Terminals 17-32	015670	1	
	Connector Assembly, LT70 Remote Hydraulic	050964	1	
18	Insert, Male 10A 16 Pin Screw Terminals 17-32	015670	1	
19	Insert, Male 10A 16 Pin Screw Terminals 1-16	E23105	1	
20	Decal, Connector ID J1A	038409	1	
21	Decal, Connector ID J2A	038410	1	
22	Decal, Connector ID J3A	038411	1	
23	Plug, AS075 Oiltite Painted	024250	1	
24	Screw, #6-32 x 1/2" Slotted Round Head	F05015-24	4	
25	Washer, #6 Split Lock	F05011-78	4	
26	Nut, #6-32 Hex	F05010-44	4	

12.3 Hydraulic Pump Box (DC)

LT70HD Remote

Rev. B3.02 - B4.03



REF	DESCRIPTION (◆ Indicates Parts Available In Assemblies Only)	PART #	QTY.	
	TERMINAL BLOCK ASSEMBLY, LT70 DC REMOTE HYDRAULIC	050794 ¹	1	
1	Rail, 35mm x 7.5mm x 11" Steel DIN	024474-11	1	
2	Clamp, Metal DIN Rail	E22707	2	
3	Terminal Block, 3-Tier	024908	18	
4	Plug Assembly, 2-Cond w/E GND DIN A 53950	050829	15	
	BOX ASSEMBLY, LT60/70 DC REMOTE HYDRAULIC PUMP	034638 ¹	1	
5	Solenoid Kit, 200A 12V SPST Hydraulic Motor	016371	2	
	Solenoid, 200A 12V SPST Cont. Duty	015470	1	◆
	Diode Assembly, Solenoid Coil Chassis Gnd	015426	1	
6	Grommet, 5/8" Wire	036778	4	

7	Plate, Hydraulic Pump Box Top	034636	1	
8	Box Weldment, Hydraulic Pump 2005	036777	1	
9	Valve Parts (See Section 12.8)			
	Pump Assembly, LT60/70 DC Remote Hydraulic	034654	1	
10	Fitting, 3/8" Hose Barb Tee	015485	1	
11	Fitting, 3/8" NPT x 1/4" NPT Reducer	015490	2	
12	Fitting, 1/2" NPT x 1/2" Hose Barb Elbow	015997	2	
13	Bolt, 3/8-16 x 1" Hex Head	F05007-7	8	
14	Washer, 3/8" SAE Flat	F05011-3	8	
15	Washer, 3/8" Split Lock	F05011-4	8	
16	Fitting, 1/4" NPT x 1/4" JIC Elbow	P09142	2	
17	Pump Kit, Hydraulic w/Motor	061764	2	
	Pump, Hydraulic Replacement Monarch Model #12070	016199	1	
	Motor Kit, Hydraulic Replacement	052807	1	
	Motor, 12 VDC Hydraulic Pump #08714 (Iskra)	038683	1	◆
	Brush Kit, 4-Valve Hydraulic Pump Motor #08658-I (Iskra)	038682	1	
	Bearing, Base Motor #02318	P12513	1	
18	Wire Assembly, Motor Brush Ground	052806	1	
	Cap, Hydraulic Pump Vented Fill #03171	P12817	1	
	O-Ring, Hydraulic Pump/Reservoir #02352	P10198	1	
	Seal, Hydraulic Pump/Motor #02330	P10315	1	
19	Fitting, 3/8" NPT x 3/8" Hose Barb Elbow	P12708	2	
20	Clamp, 11/16" Hose	P12739	7	
21	Plate, Hydraulic Pump Box Rear	034795	1	
22	Bolt, 1/4-20 x 3/4" Hex Head Full Thread	F05005-1	9	
23	Bolt, 1/4-20 x 1/2" Hex Head	F05005-15	2	
24	Bolt, 3/8-16 x 1" Hex Head Grade 5	F05007-87	5	
25	Bolt, 1/2-13 x 5 1/2" Hex Head Grade 5	F05008-28	1	
26	Bolt, 1/2-13 x 4" Hex Head Grade 5	F05008-78	2	
27	Nut, 1/2-13 Hex Nylon Lock	F05010-8	3	
28	Nut, 1/4-20 Hex Self-Locking	F05010-9	9	
29	Washer, 1/4" SAE Flat	F05011-11	4	
30	Washer, 1/4" Split Lock	F05011-14	2	
31	Washer, 1/2" SAE Flat	F05011-2	6	
32	Washer, 3/8" SAE Flat	F05011-3	4	
33	Washer, 1/4" Exterior Star Lock	F05011-37	4	
34	Washer, 1/2" Exterior Star Lock	F05011-39	7	
35	Bolt, #10-24 x 1/2" Self-Tapping	F05015-7	9	
36	Grommet, 1 3/32" ID Nylon	036778	2	
37	Fitting, 1/2" NPT x 3/8" Hose Barb Elbow	P12707	2	
38	Clamp, 11/16" Hose Clamp	P12739	2	
39	Manifold, Hydraulic Filter w/Cartridge	P22683	1	
40	Filter, S28 Hydraulic Cartridge	P20301	1	

13

Bed Hydraulic System

Hydraulic Pump Box (DC)

41	Nut, 3/8-16 Hex Nylon Lock	F05010-10	1	
42	Washer, 3/8" External Star Lock	F05011-36	3	
43	Bolt, 3/8-16 x 1" Hex Head	F05007-27	2	
44	Plug, 1 3/4" Dia. Plastic	016419 ²	4	
45	WIRE ASSEMBLY, 14 GA X 48" REMOTE SOLENOID	036316	2	
46	WIRE ASSEMBLY, 14 GA X 4" #10 RING TERMINALS	036314	1	
47	CABLE ASSEMBLY, 1 GA X 30" HYDRAULIC PUMP TO SOLENOID	036313	2	
48	CABLE ASSEMBLY, 1 GA X 16" HYDRAULIC PUMP GROUND	036312	2	

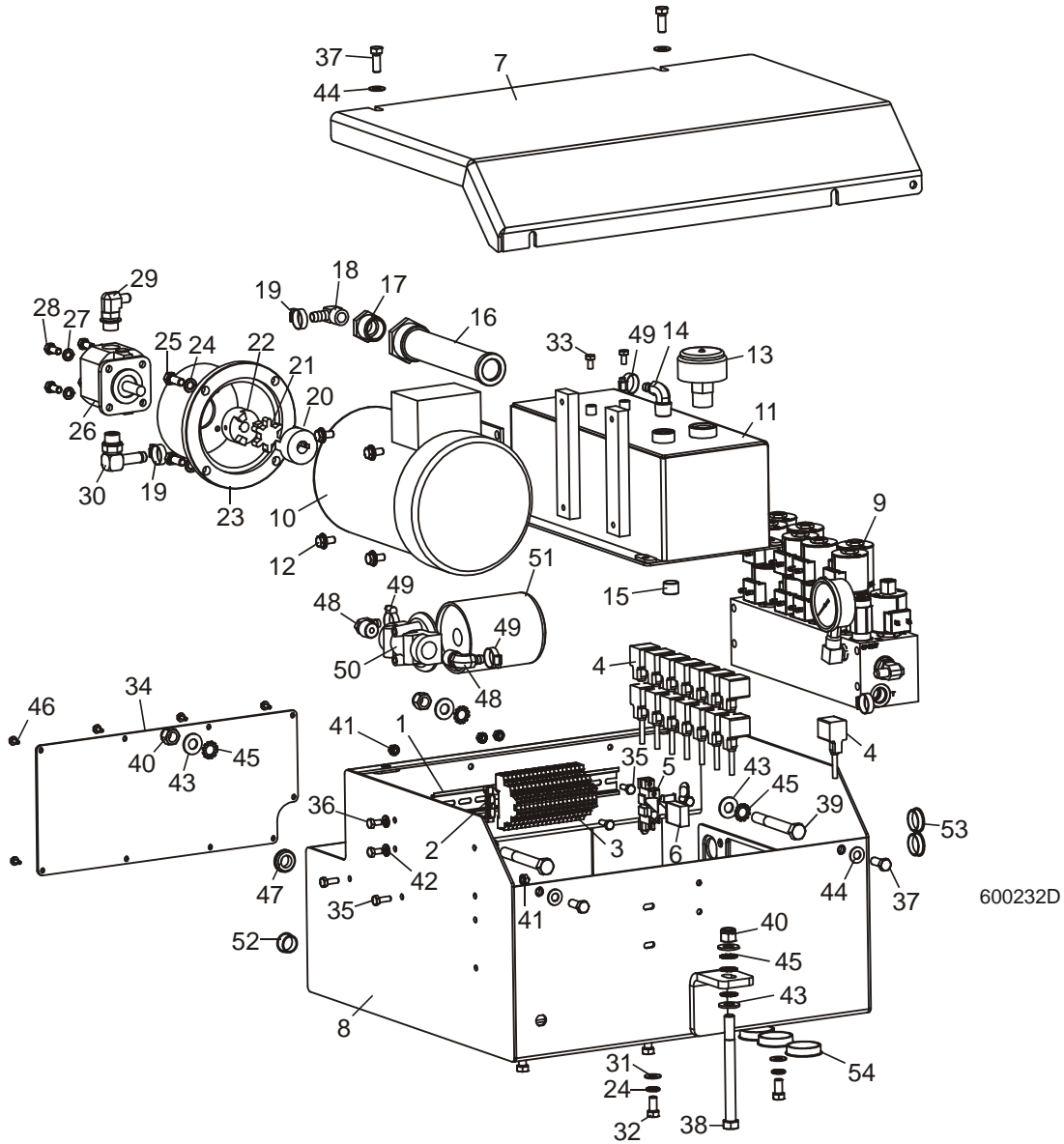
¹ No longer available for sawmills Rev. B4.04 and later.

² Access holes with plastic plugs added Rev. B4.00 to allow access to check valves with socket wrench without having to remove the valve.

12.4 Hydraulic Pump Box (230/460V AC)

LT70HD Remote

Rev. B3.02 - B4.04



REF	DESCRIPTION (◆ Indicates Parts Available In Assemblies Only)	PART #	QTY.
	TERMINAL BLOCK ASSEMBLY, LT70 AC REMOTE HYDRAULIC	050808 ¹	1
1	Rail, 35mm x 7.5mm x 11" Steel DIN	024474-11	1
2	Clamp, DIN Rail	E22707	2
3	Terminal Block, 3-Tier	024908	19
4	Plug Assembly, 2-Cond w/E GND DIN A 53950	050829	15
5	Relay Socket, DIN NR41	050897	1
6	Relay, SPDT Type R Miniature	050896	1

13

Bed Hydraulic System Hydraulic Pump Box (230/460V AC)

BOX ASSEMBLY, LT70 230/460V AC REMOTE HYDRAULIC PUMP (2005)		017880 ¹	1	
7	Plate, Hydraulic Pump Box Top	034636	1	
8	Box Weldment, Hydraulic Pump (2005)	036777	1	
9	Valve Parts (See Section 12.10)			
	Pump Assembly, 230/460V AC	054824	1	
10	Motor, 3HP 230/460V 56C 3450RPM	055312	1	
11	Tank Weldment, 70 Remote Hydraulic	054825	1	
12	Bolt, 5/16-18 x 3/4" Hex Head w/Flat & Lock Washer	F05006-101	4	
13	Cap, Hydraulic Breather/Filter	P20212	1	
14	Fitting, 1/2" NPT x 3/8" Hose Barb Elbow	P12707	1	
15	Fitting, 1/2" NPT Pipe Plug	P26258	1	
16	Filter, Hydraulic Tank Suction	P20210	1	
17	Fitting, 1/2" NPT x 1" NPT Bushing	P20239	1	
18	Fitting, 1/2" NPT x 1/2" Hose Barb Elbow	015997	1	
19	Clamp, 11/16" Hose	P12739	2	
20	Coupling Body, L075 x 5/8"	038951	1	
21	Coupling Spider, L075	P20218	1	
22	Coupling Body, L075 x 1/2"	P20217	1	
23	Adaptor, Hydraulic Motor to Pump	P20215	1	
24	Washer, 3/8" Split Lock	F05011-4	8	
25	Bolt, 3/8-16 x 1" Hex Head Grade 5	F05007-87	4	
26	Pump, Hydraulic	P20213	1	
27	Washer, 5/16" Split Lock	F05011-13	4	
28	Bolt, 5/16-18 x 3/4" Hex Head Grade 5	F05006-102	4	
29	Fitting, #8 SAE x #6JIC Tube	015907	1	
30	Fitting, #8 SAE x 1/2" Hose Barb Elbow	038949	1	
31	Washer, 3/8" SAE Flat	F05011-3	4	
32	Bolt, 3/8-16 x 3/4" Hex Head	F05007-27	4	
33	Bolt, 1/4-20 x 1/2" Hex Head	F05005-15	2	
	Hose, 3/8" x 34" Hydraulic	003261	1	
	Hose, 1/2" ID Low Pressure Hydraulic	R02133	.67 ft.	
	Hose, 3/8" ID Low Pressure Hydraulic	R01892-1	3.5 ft.	
34	Plate, Hydraulic Pump Box Rear	034795	1	
35	Bolt, 1/4-20 x 3/4" Hex Head Full Thread	F05005-1	5	
36	Bolt, 1/4-20 x 1/2" Hex Head	F05005-15	2	
37	Bolt, 3/8-16 x 1" Hex Head Grade 5	F05007-87	4	
38	Bolt, 1/2-13 x 5 1/2" Hex Head Grade 5	F05008-28	1	
39	Bolt, 1/2-13 x 4" Hex Head Grade 5	F05008-78	2	
40	Nut, 1/2-13 Hex Nylon Lock	F05010-8	3	
41	Nut, 1/4-20 Hex Self-Locking	F05010-9	5	
42	Washer, 1/4" Split Lock	F05011-14	2	
43	Washer, 1/2" SAE Flat	F05011-2	6	
44	Washer, 3/8" SAE Flat	F05011-3	4	

45	Washer, 1/2" Exterior Star Lock	F05011-39	7	
46	Bolt, #10-24 x 1/2" Self-Tapping	F05015-7	9	
47	Grommet, 5/8" ID Rubber	P11764	1	
48	Fitting, 1/2" NPT x 3/8" Hose Barb Elbow	P12707	2	
49	Clamp, 11/16" Hose Clamp	P12739	3	
50	Manifold, Hydraulic Filter w/Cartridge	P22683	1	
51	Filter, S28 Hydraulic Cartridge	P20301	1	
52	Plug, 7/8" Dia. Plastic	016424	1	
53	Plug, 1 3/32" Dia. Nylon	036778	2	
54	Plug, 1 3/4" Dia. Plastic	016419 ²	4	

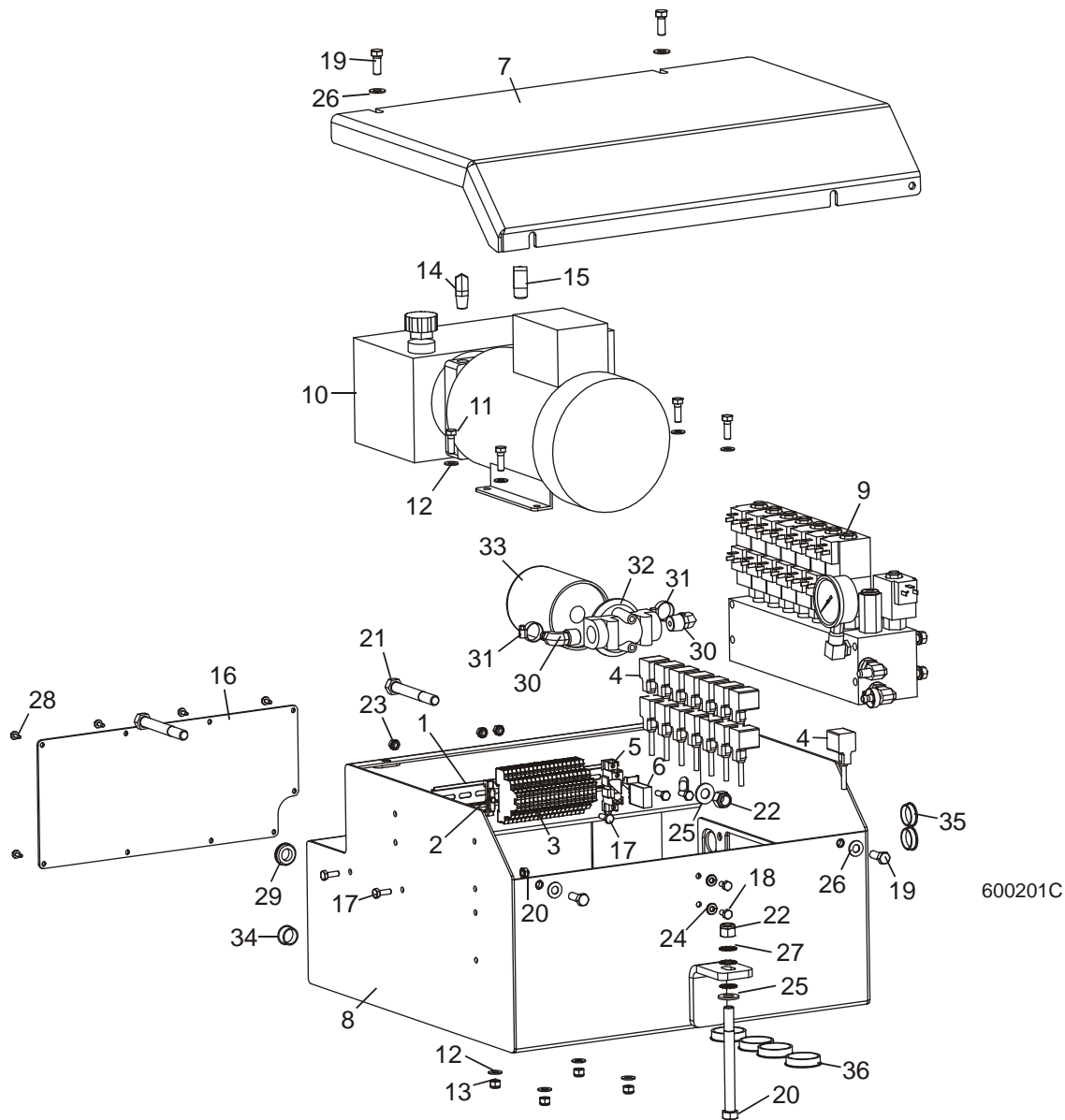
¹ No longer available for sawmills Rev. B4.05 and later.

² Access holes with plastic plugs added Rev. B4.00 to allow access to check valves with socket wrench without having to remove the valve.

12.5 Hydraulic Pump Box (575V AC)

LT70 Remote

Rev. B3.02 - B4.04



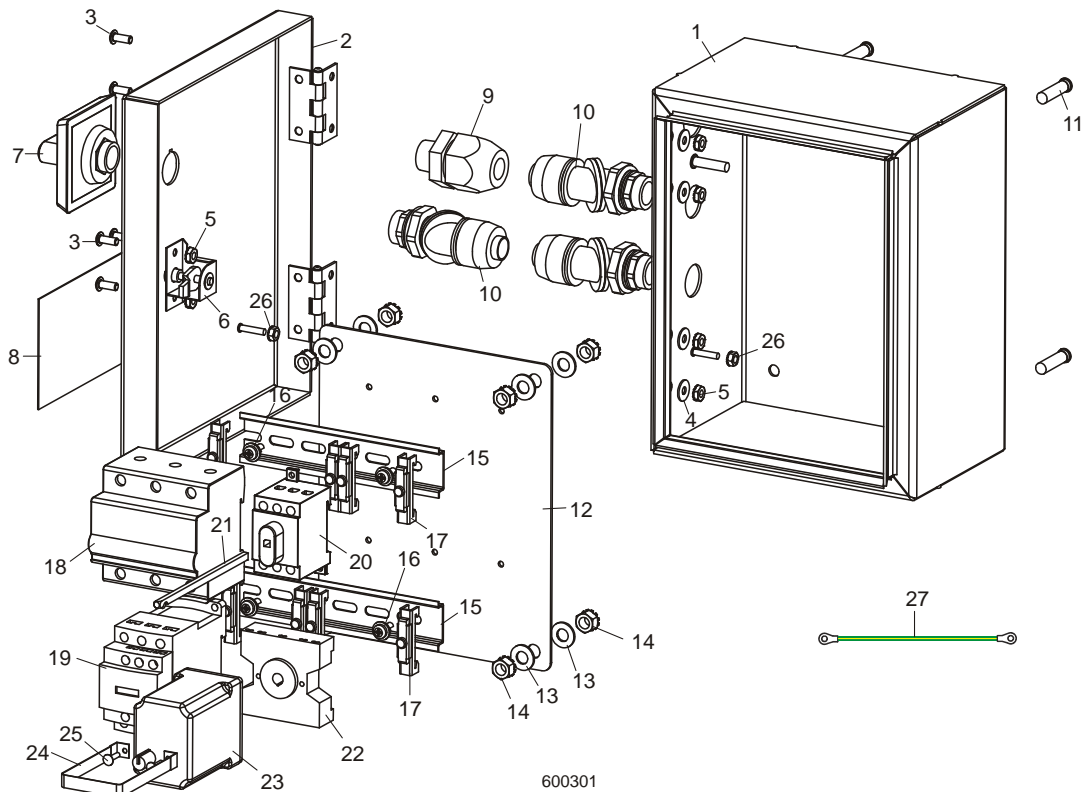
REF	DESCRIPTION (◆ Indicates Parts Available In Assemblies Only)	PART #	QTY.
	TERMINAL BLOCK ASSEMBLY, LT70 AC REMOTE HYDRAULIC	050808 ¹	1
1	Rail, 35mm x 7.5mm x 11" Steel DIN	024474-11	1
2	Clamp, DIN Rail	E22707	2
3	Terminal Block, 3-Tier	024908	19
4	Plug Assembly, 2-Cond w/E GND DIN A 53950	050829	15
5	Relay Socket, DIN NR41	050897	1
6	Relay, SPDT Type R Miniature	050896	1

BOX ASSEMBLY, LT70 575V AC REMOTE HYDRAULIC PUMP				
		036439 ¹	1	
7	Plate, Hydraulic Pump Box Top	034636	1	
8	Box Weldment, Hydraulic Pump (2005)	036777	1	
9	Valve Parts (See Section 12.10)			
10	Pump, Hydraulic 575V AC w/Tank	034794	1	
11	Bolt, 5/16-18 x 1" Hex Head	F05006-1	4	
12	Washer, 5/16" SAE Flat	F05011-17	8	
13	Nut, 5/16-18 Nylon Lock	F05010-58	4	
14	Fitting, 3/8" NPT x 3/8" Hose Barb Elbow	P12708	1	
15	Fitting, 3/8" NPT x 3/8" JIC Elbow	016820	1	
16	Plate, Hydraulic Pump Box Rear	034795	1	
17	Bolt, 1/4-20 x 3/4" Hex Head Full Thread	F05005-1	5	
18	Bolt, 1/4-20 x 1/2" Hex Head	F05005-15	2	
19	Bolt, 3/8-16 x 1" Hex Head Grade 5	F05007-87	4	
20	Bolt, 1/2-13 x 5 1/2" Hex Head Grade 5	F05008-28	1	
21	Bolt, 1/2-13 x 4" Hex Head Grade 5	F05008-78	2	
22	Nut, 1/2-13 Hex Nylon Lock	F05010-8	3	
23	Nut, 1/4-20 Hex Self-Locking	F05010-9	5	
24	Washer, 1/4" Split Lock	F05011-14	2	
25	Washer, 1/2" SAE Flat	F05011-2	3	
26	Washer, 3/8" SAE Flat	F05011-3	4	
27	Washer, 1/2" Exterior Star Lock	F05011-39	3	
28	Bolt, #10-24 x 1/2" Self-Tapping	F05015-7	9	
29	Grommet, 5/8" ID Rubber	P11764	1	
30	Fitting, 1/2" NPT x 3/8" Hose Barb Elbow	P12707	2	
31	Clamp, 11/16" Hose Clamp	P12739	2	
32	Manifold, Hydraulic Filter w/Cartridge	P22683	1	
33	Filter, S28 Hydraulic Cartridge	P20301	1	
34	Plug, 7/8" Dia. Plastic	016424	1	
35	Plug, 1 3/32" Dia. Nylon	036778	2	
36	Plug, 1 3/4" Dia. Plastic	016419 ²	4	

¹ No longer available for sawmills Rev. B4.05 and later.

² Access holes with plastic plugs added Rev. B4.00 to allow access to check valves with socket wrench without having to remove the valve.

12.6 Hydraulic Control Box (230/460V AC)



REF	DESCRIPTION (◆ Indicates Parts Available In Assemblies Only)	PART #	QTY.
	CONTROL ASSEMBLY, LT70 E25-L REMOTE HYDRAULIC	050900 ¹	1
	CONTROL ASSEMBLY, LT70 E25-H REMOTE HYDRAULIC	050899 ¹	1
1	Box Weldment, Hydraulic AC Control	050302	1
2	Door Weldment, Hydraulic AC Control Box	050307	1
3	Screw, #10-24 x 1/2" Socket Button Head Stainless	F05004-196	6
4	Washer, #10 SAE Flat	F05011-18	4
5	Nut, #10-24 Self-Locking Hex	F05010-14	6
6	Latch, Door	051978	1
7	Switch, Red/Yellow Disconnect 6mm	050883-1	1
8	Decal, Electrical Hazard 2 Places	051948	1
9	Connector, 1/2" Liquid-Tite Straight	E22721	1
10	Connector, 1/2" Liquid-Tite Swivel	051750	3
11	Stud, 5/16-18 x 1 1/4" Type CH Clinch	F05006-113	4
12	Plate, LT70 AC Hydraulic Control Insert	050306	1
13	Washer, 5/16" SAE Flat	F05011-17	8
14	Nut, 5/16-18 Self-Locking Hex	F05010-20	8
15	Rail, 35mm x 7.5mm x 6" Steel DIN	024474-6	2
16	Screw, #10-24 x 1/2" Phillips Head	F05004-186	4

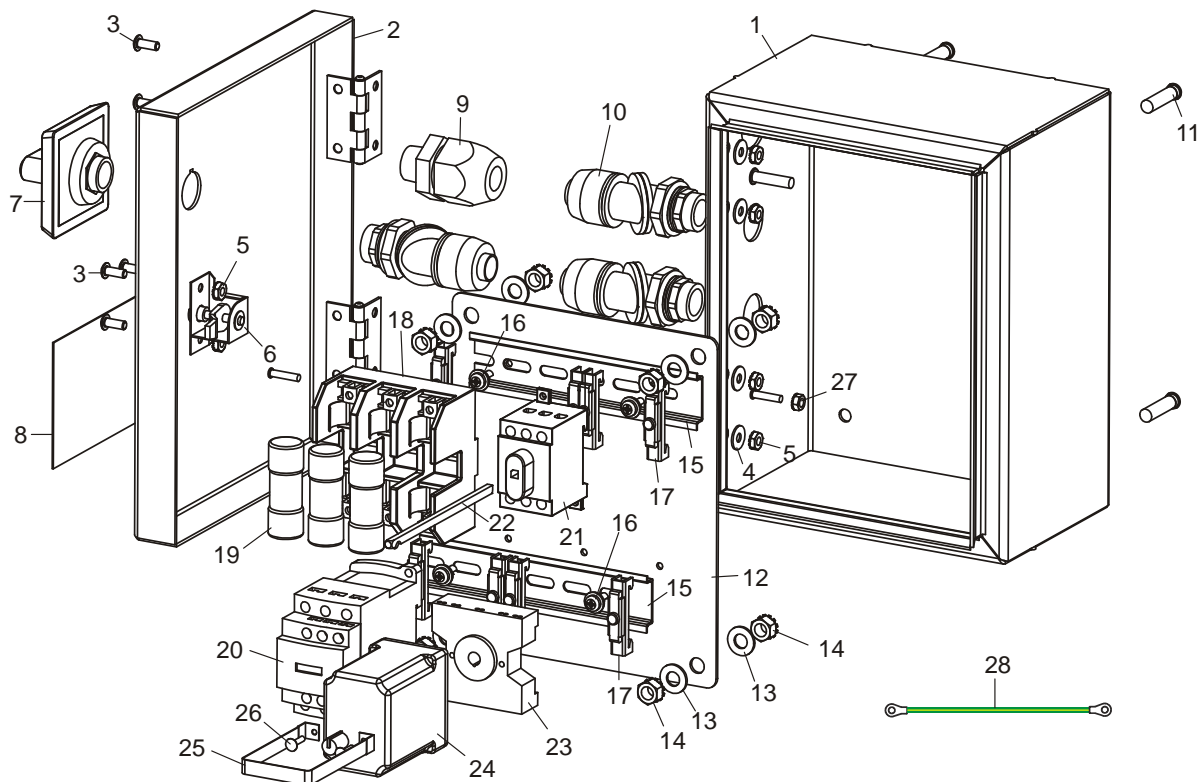
17	Clamp, Plastic DIN Rail	E22707	8	
18	Breaker, 16A 3P Curve D C60N (E25-L)	024904	1	
	Breaker, 8A 3P cureve D C60N (E25-H)	050335	1	
19	Contactor, 18A 3P 12VDC Coil	050332	1	
20	Disconnect, 40A 3P Non-Fused 6mm	050903-1	1	
21	Shaft, Disconnect Extension 6mm	050882-1	1	
22	Socket, 11-Pin Relay	E22700	1	
23	Relay, .1-10s 12VDC Coil Timer Off Delay	050314	1	
24	Strap, Timer Relay Retaining	050967	1	
25	Rivet, 1/8" x 1/2" STI SS48D Pop	F04203-5	2	
26	Nut, #8-32 Self-Locking Hex	F05010-41	2	
27	Wire Assembly, 10" Ground	025187	1	

¹ No longer available for sawmills Rev. B4.05 and later.

12.7 Hydraulic Control Box (575V AC)

LT70 Remote

Rev. B3.02 - B4.04



600302

REF	DESCRIPTION (◆ Indicates Parts Available In Assemblies Only)	PART #	QTY.
	CONTROL ASSEMBLY, LT70 E25-C REMOTE HYDRAULIC	050901 ¹	1
1	Box Weldment, Hydraulic AC Control	050302	1
2	Door Weldment, Hydraulic AC Control Box	050307	1
3	Screw, #10-24 x 1/2" Socket Button Head Stainless	F05004-196	6
4	Washer, #10 SAE Flat	F05011-18	4
5	Nut, #10-24 Self-Locking Hex	F05010-14	6
6	Latch, Door	051978	1
7	Switch, Red/Yellow Disconnect 6mm	050883-1	1
8	Decal, Electrical Hazard 2 Places	051948	1
9	Connector, 1/2" Liquid-Tite Straight	E22721	1
10	Connector, 1/2" Liquid-Tite Swivel	051750	3
11	Stud, 5/16-18 x 1 1/4" Type CH Clinch	F05006-113	4
12	Plate, LT70 AC Hydraulic Control Insert	050306	1
13	Washer, 5/16" SAE Flat	F05011-17	8
14	Nut, 5/16-18 Self-Locking Hex	F05010-20	8
15	Rail, 35mm x 7.5mm x 6" Steel DIN	024474-6	2

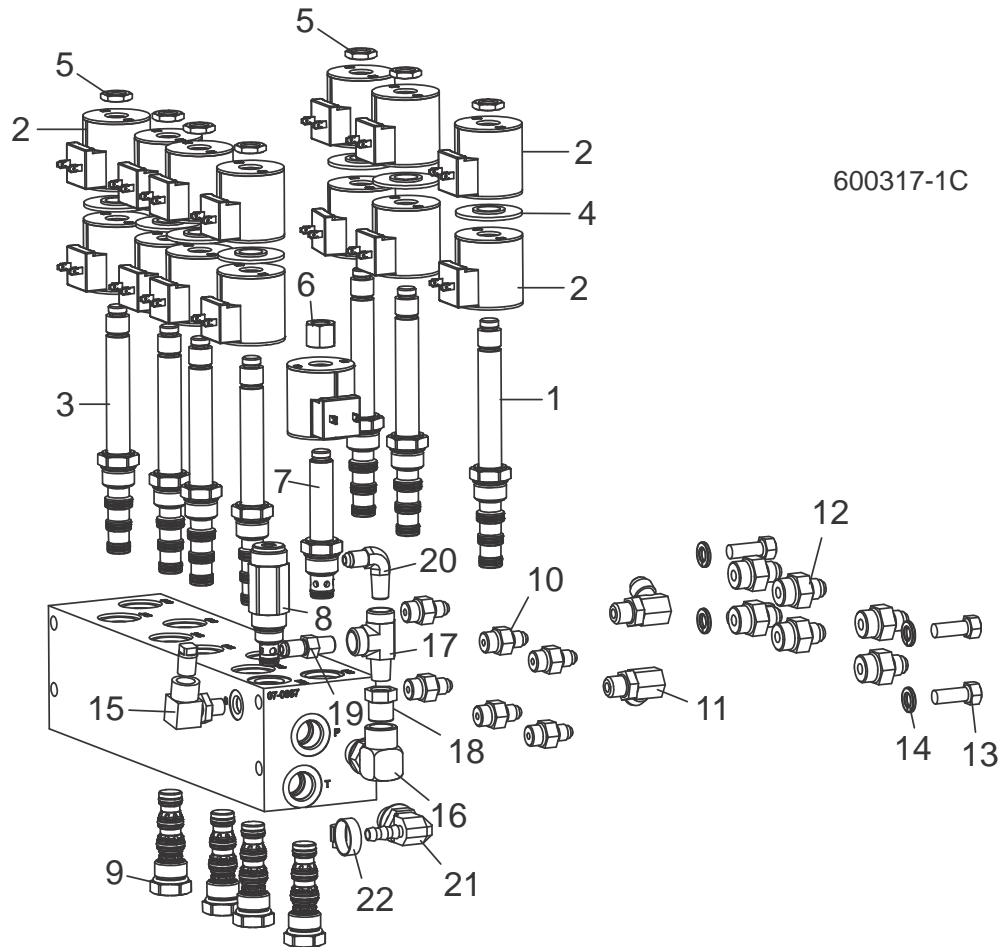
16	Screw, #10-24 x 1/2" Phillips Head	F05004-186	4	
17	Clamp, Plastic DIN Rail	E22707	8	
18	Fuse Block, 30A 600V 3P Class J	050345	1	
19	Fuse, 8A 600V Class J	E22715	3	
20	Contactor, 18A 3P 12VDC Coil	050332	1	
21	Disconnect, 40A 3P Non-Fused 6mm	050903-1	1	
22	Shaft, Disconnect Extension 6mm	050882-1	1	
23	Socket, 11-Pin Relay	E22700	1	
24	Relay, .1-10s 12VDC Coil Timer Off Delay	050314	1	
25	Strap, Timer Relay Retaining	050967	1	
26	Rivet, 1/8" x 1/2" STI SS48D Pop	F04203-5	2	
27	Nut, #8-32 Self-Locking Hex	F05010-41	2	
28	Wire Assembly, 10" Ground	025187	1	

¹ No longer available for sawmills Rev. B4.05 and later.

12.8 Hydraulic Valve (DC)

LT70HD Remote

Rev. B4.02+



REF	DESCRIPTION (◆ Indicates Parts Available In Assemblies Only)	PART #	QTY.
	VALVE ASSEMBLY, LT70 REMOTE HYDRAULIC EXPANDABLE	036760 ¹	1
	Valve, 7-Spool Expandable Hydraulic	025688	1
1	Valve, SV10-47C Hydraulic (Loader, Turner, Side Support)	025830	3
	Kit, Seal SK10-4N-MMM One Per Spool	061104	1
2	Coil, 12VDC Hydraulic Valve	025834	15
3	Valve, SV10-47D Hydraulic (Toe Boards, Clamp)	025829	4
	Kit, Seal SK10-4N-MMM One Per Spool	061104	1
4	Spacer, SV10-47 Valve Coil	025838	7
5	Nut, SV10-47 Valve Coil	025837	7
6	Nut, SV10-21 Valve Coil	025836	1
7	Valve, SV10-21 Hydraulic (Bypass)	025831	1
	Kit, Seal SK10-2N-T One Per Spool	061105	1
8	Valve, Relief	025833	1

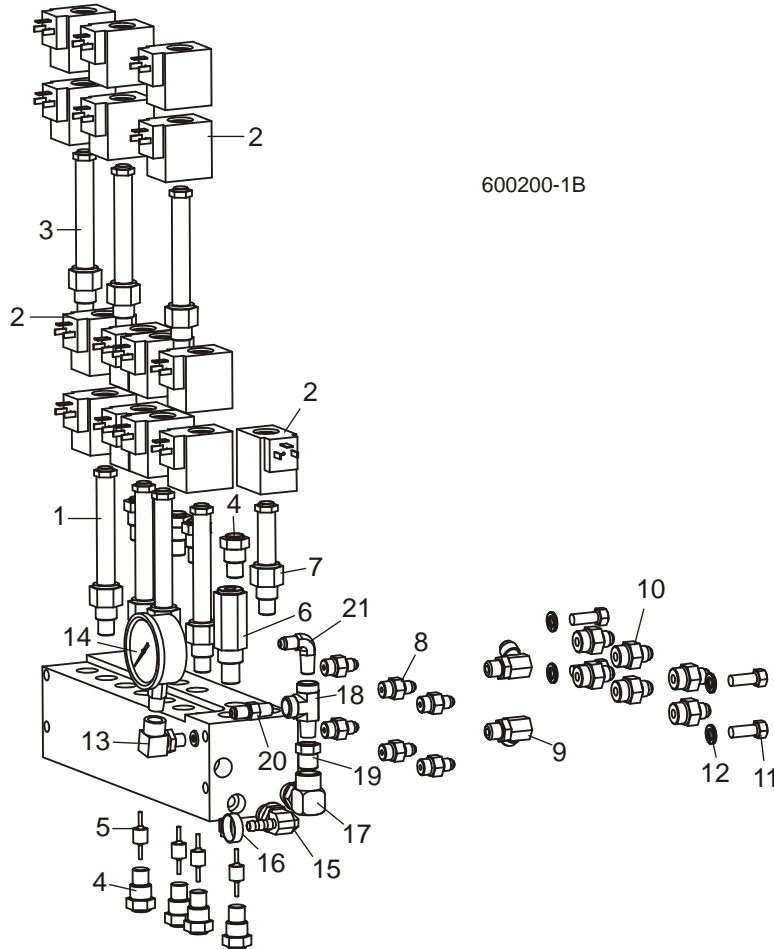
	Kit, Seal SK08-2N-T Relief Valve	061107	1	
9	Valve, Dual PO Check	025832	4	
	Kit, Seal SK10-4N-MMM One Per Spool	061104	1	
10	Fitting, 1/4" JIC x 3/8" O-Ring	P26284	6	
11	Fitting, #6 SAE - 3/8" JIC Elbow	P12704	2	
12	Fitting, #8 SAE x #6 JIC	P12703	6	
13	Bolt, 3/8-16 x 1" Hex Head	F05007-7	4	
14	Washer, 3/8" Split Lock	F05011-4	4	
15	Fitting, 1/4" SAE x 1/4" NPT Elbow	017881	1	
16	FITTING, #8 SAE X 3/8" NPT 90° ELBOW	036164	1	
17	FITTING, 1/4" NPT MALE RUN TEE	P09141	1	
18	FITTING, 3/8" NPT X 1/4" NPT REDUCER	015490	1	
19	FITTING, 1/4" NPT X 1/4" JIC	P09143	1	
20	FITTING, 1/4" NPT X 1/4" JIC ELBOW	P09142	1	
21	FITTING, SAE#8-3/8 BARB EL	034635	1	
22	CLAMP, 11/16" WORM	P12739	1	

¹ Torque cartridge spools to 24-26 ft-lbs. Torque coil nuts to 7-10 ft-lbs.

12.9 Hydraulic Valve (DC)

LT70HD Remote

Rev. B3.02 - B4.01



REF	DESCRIPTION (◆ Indicates Parts Available In Assemblies Only)	PART #	QTY.	
	VALVE ASSEMBLY, LT70 REMOTE HYDRAULIC EXPANDABLE	036760 ¹	1	
	Valve Assy, LT70 Remote Hydraulic Expandable	036730 ²	1	◆
1	Valve, 4-Way Sterling #GS04-54-0-0-NC (toe boards & clamp)	045820	4	
2	Coil, 12V Sterling #CAP-012D	045819	15	
3	Valve, 4-Way Sterling #GS04-52-0-0-NC (loader, turner & side supports)	051556	3	
4	Valve, Check Sterling #D020B2-2.IN	051559	8	
5	Piston, Pilot Sterling #PP02DP	051560	4	
6	Valve, Relief Sterling #208-1-B-0-A-C-200	051554	1	
7	Valve, 2-Way Sterling #GS04-26-0-0-NC (Bypass)	051555	1	
	Seal Kit, 7-Section Hydraulic Valve #PPC302000	006940	1	
8	Fitting, 1/4" JIC x 3/8" O-Ring	P26284	6	
9	Fitting, #6 SAE - 3/8" JIC Elbow	P12704	2	
10	Fitting, #8 SAE x #6 JIC	P12703	6	

11	Bolt, 3/8-16 x 1" Hex Head	F05007-7	4	
12	Washer, 3/8" Split Lock	F05011-4	4	
13	Fitting, 1/4" SAE x 1/4" NPT Elbow	017881	1	
14	Gauge, 5000 PSI Hydraulic Pressure	P10052	1	
15	Fitting, #8 SAE x 3/8" Hose Barb Elbow	034635	1	
16	Clamp, 11/16" Hose	P12739	1	
17	FITTING, #8 SAE X 3/8" NPT 90° ELBOW	036164	1	
18	FITTING, 1/4" NPT MALE RUN TEE	P09141	1	
19	FITTING, 3/8" NPT X 1/4" NPT REDUCER	015490	1	
20	FITTING, 1/4" NPT X 1/4" JIC	P09143	1	
21	FITTING, 1/4" NPT X 1/4" JIC ELBOW	P09142	1	

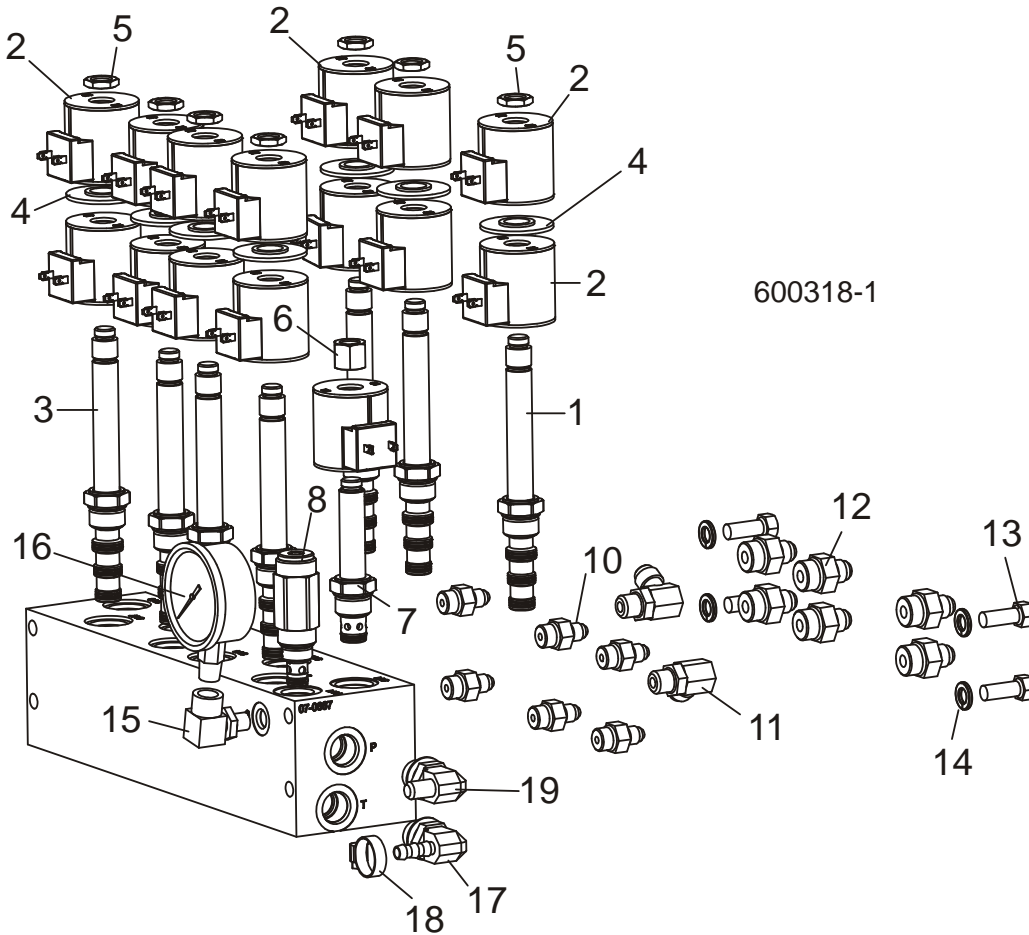
¹ Valve Assembly 036760 revised Rev. B4.02. New assembly includes new valve that requires different internal service parts ([See Section 12.8](#)).

² Valve 036730 no longer available. Use component parts to service or replace with Valve 025688 ([See Section 12.8](#)).

12.10 Hydraulic Valve (AC)

LT70HD Remote

Rev. B4.02+



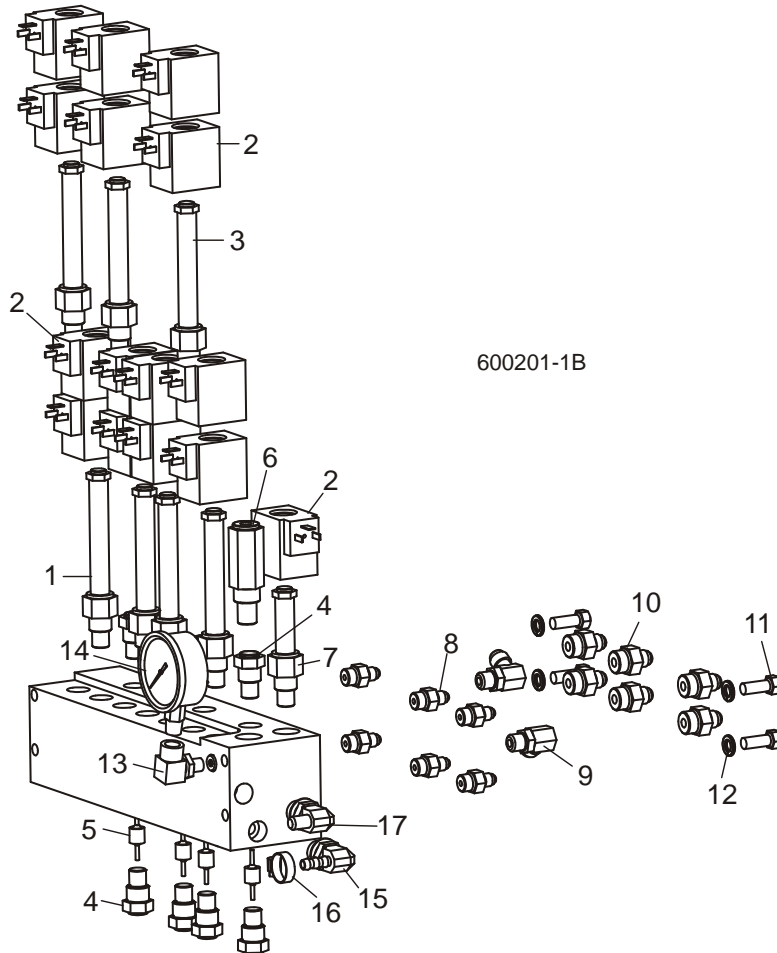
REF	DESCRIPTION (◆ Indicates Parts Available In Assemblies Only)	PART #	QTY.
	VALVE ASSEMBLY, LT70 REMOTE HYDRAULIC EXPANDABLE	036760	1
	Valve, 7-Spool Expandable Hydraulic	025688	1
1	Valve, SV10-47C Hydraulic (Loader, Turner, Side Support)	025830	3
2	Coil, 12VDC Hydraulic Valve	025835	15
3	Valve, SV10-47D Hydraulic (Toe Boards, Clamp)	025829	4
4	Spacer, SV10-47 Valve Coil	025838	7
5	Nut, SV10-47 Valve Coil	025837	7
6	Nut, SV10-21 Valve Coil	025836	1
7	Valve, SV10-21 Hydraulic (Bypass)	025831	1
8	Valve, Relief	025833	1
9	Valve, Dual PO Check	025832	4
10	Fitting, 1/4" JIC x 3/8" O-Ring	P26284	6
11	Fitting, #6 SAE - 3/8" JIC Elbow	P12704	2

12	Fitting, #8 SAE x #6 JIC	P12703	6	
13	Bolt, 3/8-16 x 1" Hex Head	F05007-7	4	
14	Washer, 3/8" Split Lock	F05011-4	4	
15	Fitting, 1/4" SAE x 1/4" NPT Elbow	017881	1	
16	Gauge, 5000 PSI Hydraulic Pressure	P10052	1	
17	FITTING, #8 SAE X 3/8" HOSE BARB ELBOW	034635	1	
18	CLAMP, 11/16" HOSE	P12739	1	
19	FITTING, #6 JIC - #8 SAE ELBOW	015907	1	

12.11 Hydraulic Valve (AC)

LT70HD Remote

Rev. B3.02 - B4.01



REF	DESCRIPTION (◆ Indicates Parts Available In Assemblies Only)	PART #	QTY.	
	VALVE ASSEMBLY, LT70 REMOTE HYDRAULIC EXPANDABLE	036760 ¹	1	
	Valve Assy, LT70 Remote Hydraulic Expandable	036730 ²	1	◆
1	Valve, 4-Way Sterling #GS04-54-0-0-NC (toe boards & clamp)	045820	4	
2	Coil, 12V Sterling #CAP-012D	045819	15	
3	Valve, 4-Way Sterling #GS04-52-0-0-NC (loader, turner & side supports)	051556	3	
4	Valve, Check Sterling #D020B2-2.IN	051559	8	
5	Piston, Pilot Sterling #PP02DP	051560	4	
6	Valve, Relief Sterling #208-1-B-0-A-C-200	051554	1	
7	Valve, 2-Way Sterling #GS04-26-0-0-NC (Bypass)	051555	1	
	Seal Kit, 7-Section Hydraulic Valve #PPC302000	006940	1	
8	Fitting, 1/4" JIC x 3/8" O-Ring	P26284	6	
9	Fitting, #6 SAE - 3/8" JIC Elbow	P12704	2	
10	Fitting, #8 SAE x #6 JIC	P12703	6	

11	Bolt, 3/8-16 x 1" Hex Head	F05007-7	4	
12	Washer, 3/8" Split Lock	F05011-4	4	
13	Fitting, 1/4" SAE x 1/4" NPT Elbow	017881	1	
14	Gauge, 5000 PSI Hydraulic Pressure	P10052	1	
15	Fitting, #8 SAE x 3/8" Hose Barb Elbow	034635	1	
16	Clamp, 11/16" Hose	P12739	1	
17	FITTING, #6 JIC - #8 SAE ELBOW	015907	1	

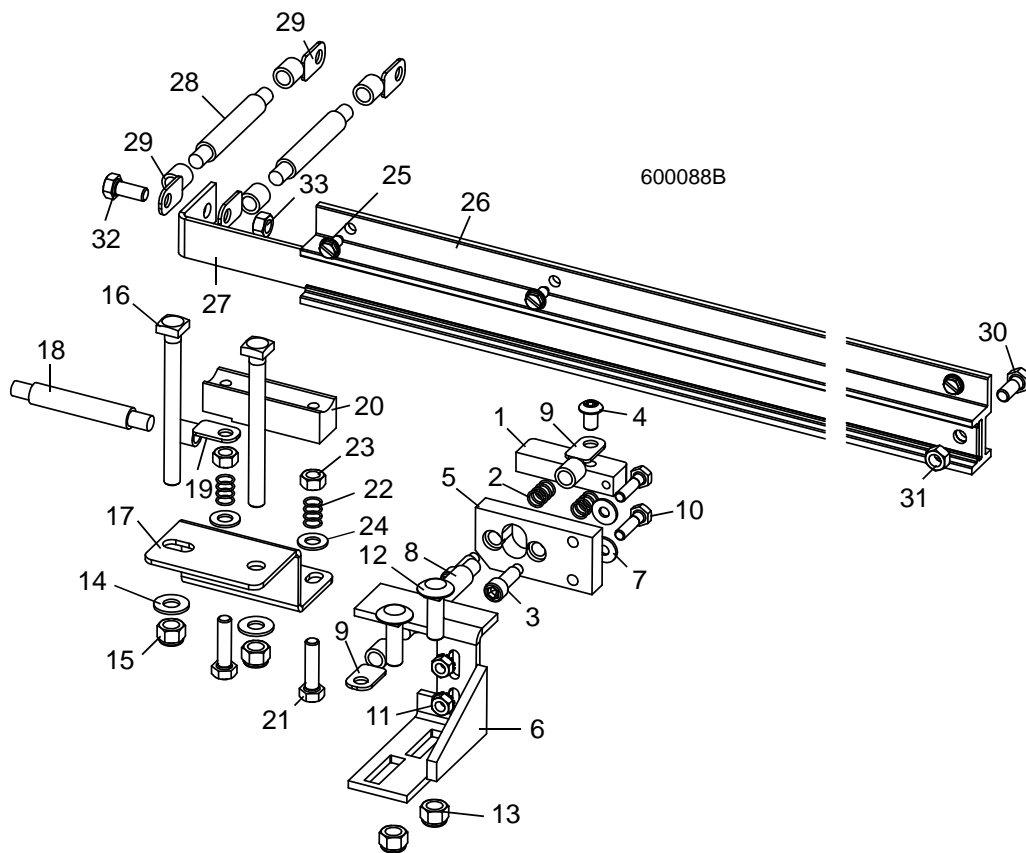
¹ Valve Assembly 036760 revised Rev. B4.02. New assembly includes new valve that requires different internal service parts ([See Section 12.10](#)).

² Valve 036730 no longer available. Use component parts to service or replace with Valve 025688 ([See Section 12.10](#)).

12.12 Hydraulic Power Supply Strip (DC Only)

LT70HD Remote

Rev. B3.02 - B4.03



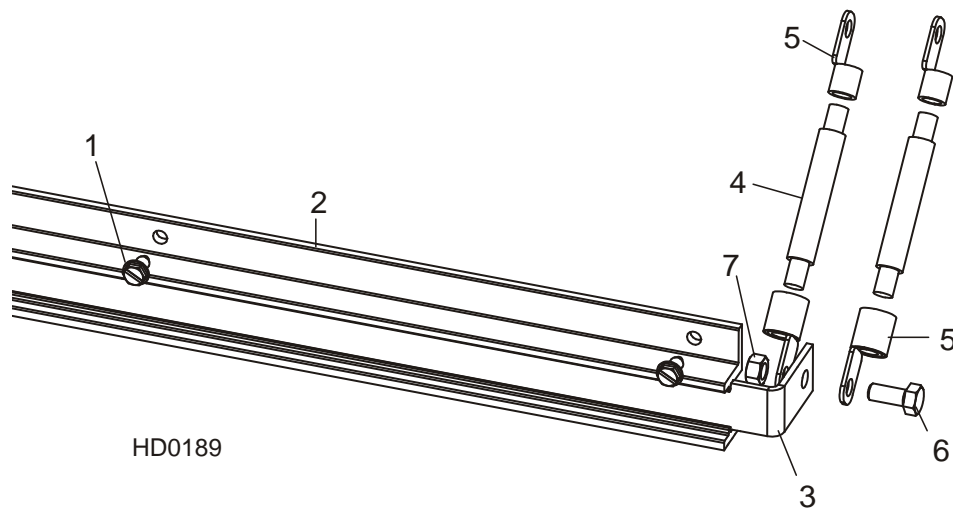
REF	DESCRIPTION (◆ Indicates Parts Available In Assemblies Only)	PART #	QTY.	
	CONTACT ASSEMBLY, HYDRAULIC POWER SUPPLY (POSITIVE)	010103 ¹	1	
	Contact Kit, 97+ Hydraulic Power Supply Positive	007716	1	
1	Contact, Hydraulic Power Supply (Positive)	015253	1	◆
2	Spring, Positive Contact	P10077	2	
3	Bolt, 5/16" X 3/4" Shoulder (1/4-20 Thread) Stainless	F05006-143	2	
4	Bolt, 5/16-18 x 1/2" Socket Button Head	F05006-20	1	
5	Insulator, Positive Contact	S10072	1	
6	Bracket, Positive Contact Mounting	015324	1	
7	Washer, 1/4" SAE Flat	F05011-11	2	
8	Cable, #1 Weld	R01971	1.17 Ft	◆
9	Terminal, 5/16" Ring #2 Gauge	F05092-16	2	
10	Bolt, 1/4-20 X 1" Hex Head Grade 2	F05005-38	2	
11	Nut, 1/4-20 Hex Self-Locking	F05010-9	2	
12	Bolt, 3/8-16 X 1 1/4" Carriage Head	F05007-11	2	

13	Nut, 3/8-16 Hex Nylon Lock	F05010-10	2	
	CONTACT KIT, HYDRAULIC POWER SUPPLY (GROUND)	017948	1	
14	Washer, 3/8" SAE Flat	F05011-3	2	
15	Nut, 3/8-16 Hex Nylon Lock	F05010-10	2	
16	Bolt, 3/8-16 X 4" Square Head	F05007-175	2	
17	Bracket, Ground Contact Mounting	017949	1	
18	Cable Assy, Hydraulic Negative Contact (Ground) #1 Weld	036306	1	
	Cable, #1 Weld	R01971	2.2 Ft	◆
19	Terminal, 5/16" Ring #2 Gauge	F05092-16	2	
	Contact Kit, Hydraulic Power Supply Ground	007717	1	
20	Contact, Hydraulic Power Supply (Ground)	015264	1	◆
21	Bolt, 5/16-18 X 1 1/4" Hex Head Full Thread Grade 5	F05006-93	2	
22	Spring, Ground Contact	P10077	2	
23	Nut, 5/16-18 Hex	F05010-17	2	
24	Washer, 5/16" SAE Flat	F05011-17	2	
	STRIP ASSEMBLY, LT70HD REMOTE DC	017860	1	
25	Screw, 1/4-20 X 1/2" Slotted Hex Head	F05015-1	8	
26	Housing, LT70HD Remote DC Contact Strip	017858	1	
	Strip, LT70HD Remote DC Contact w/Cables	N/A	1	
27	Strip, LT70HD Remote DC Contact	017859	1	
	Cable Assembly, LT70HD-R Contact Strip	052156	2	
	Cable, #1 Weld	R01971	5.34 Ft	◆
28	Terminal, 5/16" Ring #2 Gauge	F05092-16	2	
29	Bolt, 5/16-18 X 3/4" Hex Head Black Nylon	F05006-45	1	
30	Nut, 5/16-18 Hex Black Nylon	F05010-86	1	
31	Bolt, 5/16-18 x 3/4" Hex Head	F05006-5	1	
32	Nut, 5/16-18 Hex	F05010-17	1	

¹ No longer available for sawmills Rev. B4.04 and later.

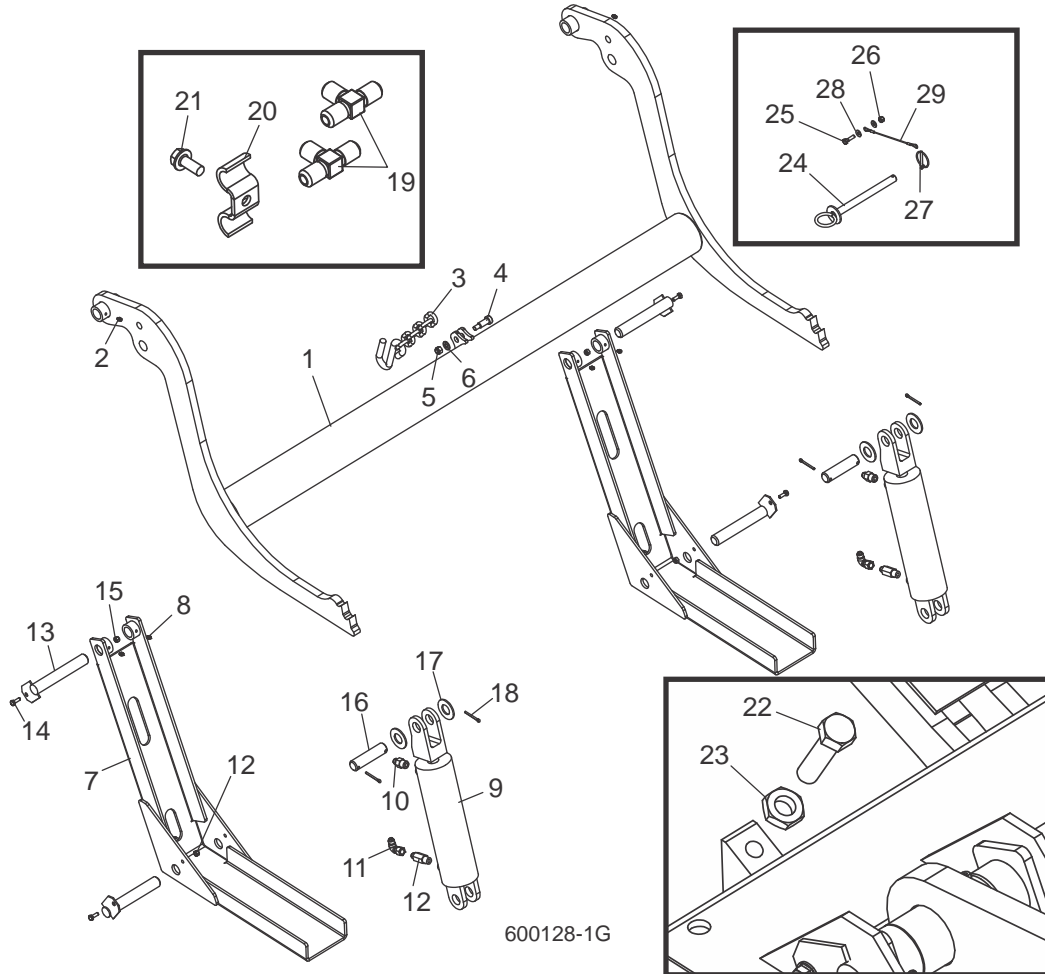
1 Hydraulic System
Rear Hydraulic Power Supply Strip (DC Only)

12.13 Rear Hydraulic Power Supply Strip (DC Only)



REF	DESCRIPTION (◆ Indicates Parts Available In Assemblies Only)	PART #	QTY.	
	STRIP ASSEMBLY, REAR HYDRAULIC POWER SUPPLY	036686	1	
1	Screw, 1/4-20 X 1/2" Slotted Hex Head	F05015-1	7	
2	Housing, Remote DC Rear Contact Strip	036687	1	
3	Strip, Remote DC Rear Contact	017859	1	
4	Cable Assembly, LT70HD-R Rear Contact Strip	052160	1	
5	Cable, #1 Weld	R01971	10 Ft	◆
6	Terminal, 5/16" Ring #2 Gauge	F05092-16	2	
	Tube, 5/8" Heat Shrink w/Adhesive ID	R01950-8	.33 Ft	◆
7	Bolt, 5/16-18 x 3/4" Hex Head	F05006-5	1	
8	Nut, 5/16-18 Hex	F05010-17	1	

12.14 Hydraulic Log Loader



REF	DESCRIPTION (◆ Indicates Parts Available In Assemblies Only)	PART #	QTY.
	LOADER ASSEMBLY, HYDRAULIC LOG	034539	1
	Arm Assembly, Hydraulic Log Loading	036416	1
1	Arm Weldment, Log Loading	110372	1
2	Fitting, 3/16" Grease	P04107	2
3	Chain, 12-1/2 Inch Safety	110472	1
4	Bolt, 1/2 x 1 Shoulder Socket	F05008-146	1
5	Nut, 3/8-16 Hex Nyloc	F05010-10	1
6	Washer, 3/8 Flat SAE	F05011-3	1
7	Channel, Hydraulic Log Loading Foot	W09444	2
8	Fitting, 3/16" Grease	P04107	4
	Cylinder Assembly, Hydraulic Log Loader	038735	2
9	Cylinder, 8" X 3" Hydraulic (3/8" NPT Ports)	042754	1
	Seal Kit, 8" x 3" Hydraulic Cylinder	P12956	1

13

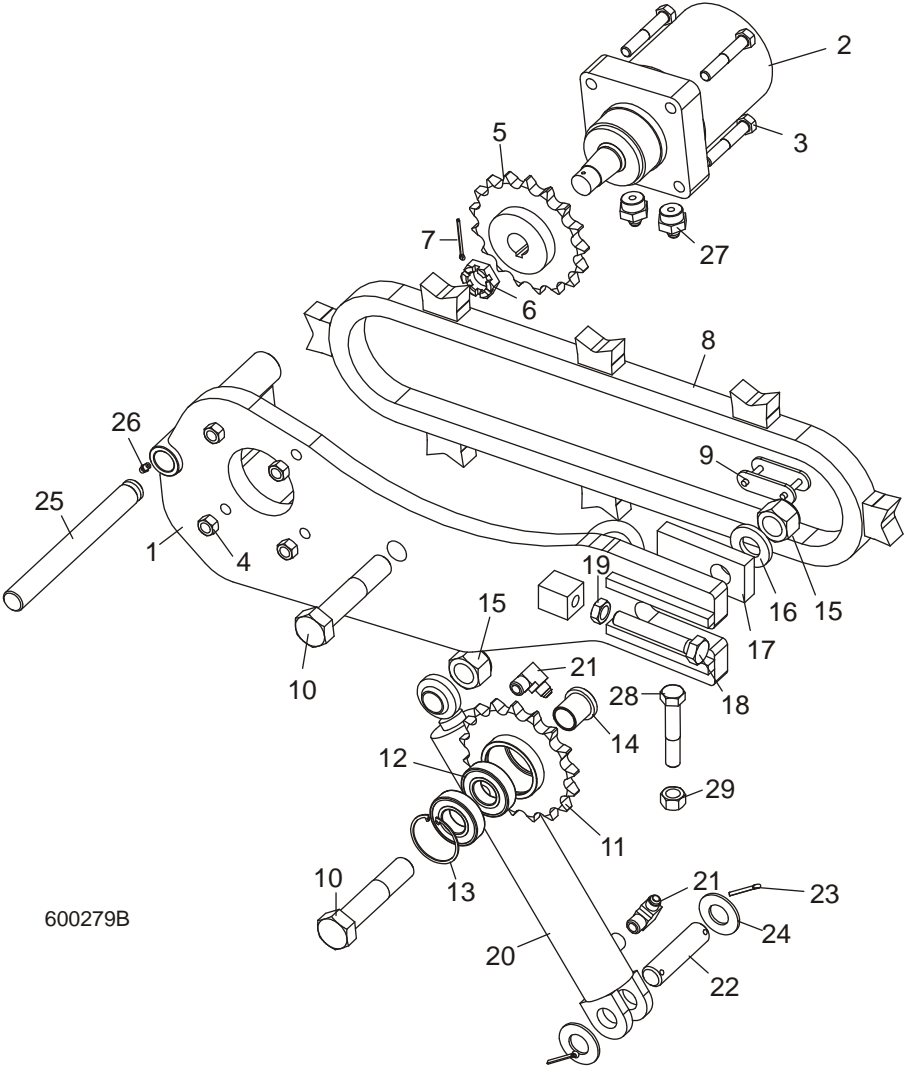
Bed Hydraulic System

Hydraulic Log Loader

10	Fitting, 3/8" NPT x 3/8" JIC Male Connector	016819	1	
11	Fitting, 3/8" JIC 90° Swivel Elbow	042756	1	
12	Fitting, 3/8NPT 6.5GPM Velocity Fuse	038734	1	
13	Pin, Loading Arm Mount	W09446	4	
14	Bolt, 1/4-20 x 3/4" Hex Head Full Thread	F05005-1	4	
15	Nut, 1/4-20 Hex Lock	F05010-69	4	
16	Pin, Loading Arm Cylinder Mount	S09251	2	
17	Washer, 1" SAE Flat	F05011-28	4	
18	Pin, 3/16" X 1 1/2" Cotter	F05012-23	4	
19	Fitting, 3/8" JIC Union 'T'	015487	1	
20	Clamp, 3/8" Hydraulic Hose	016041	6	
21	Bolt, 5/16-18 X 3/4" Hex Head Grade 5	F05006-102	6	
22	BOLT, 1/2-13 X 3" HEX HEAD FULL THREAD GRADE 5	F05008-7	2	
23	NUT, 1/2-13 JAM	F05010-31	2	
	ARM LOCK ASSEMBLY, LT70 WIDE LOADING (LT70 WIDE HEAD ONLY)	074208 ¹	1	
24	Pin Weldment, Arm Support	036692	1	
25	Bolt, 1/4-20 x 1" Hex Head Grade 5	F05005-101	1	
26	Nut, 1/4-20 Nylock	F05010-69	1	
27	Pin, Lynch 3/16" w/Chain	017604	1	
28	Washer, 1/4" SAE Flat	F05011-11	2	
29	Cable, 3/32" Dia. Board Return	016090	1	
	LINK, 1/2" THEADED CHAIN QUICK (LT70 WIDE HEAD ONLY)	074207	1	

¹ Removed (2) 074163 Loading Arm Lock Plates, (2) F05005-101 Bolts and (2) F05010-69 Nuts and moved location of lock pin to pass through hole in loading arm (LT70 Rev. B6.13/LT70Super Rev. A5.03).

12.15 Hydraulic Log Turner



600279B

REF	DESCRIPTION (◆ Indicates Parts Available In Assemblies Only)	PART #	QTY.
	ARM ASSEMBLY, HYDRAULIC LOG TURNER	006095	1
1	Arm Weldment, Hydraulic Log Turner	006471	1
2	Motor, Hydraulic Log Turner	007331	1
	Kit, Seal Rebuild	061427	1
3	Bolt, 1/2-13 x 3" Hex Head Grade 5	F05008-23	4
4	Nut, 1/2-13 Hex Lock	F05010-3	4
5	Sprocket Weldment, Log Turner Drive	042192	1
6	Nut, Hydraulic Motor Castle	018741-2	1
7	Pin, 1/8" x 1 3/4" Cotter	F05012-43	1
8	Chain Weldment, Log Turner	006097	1

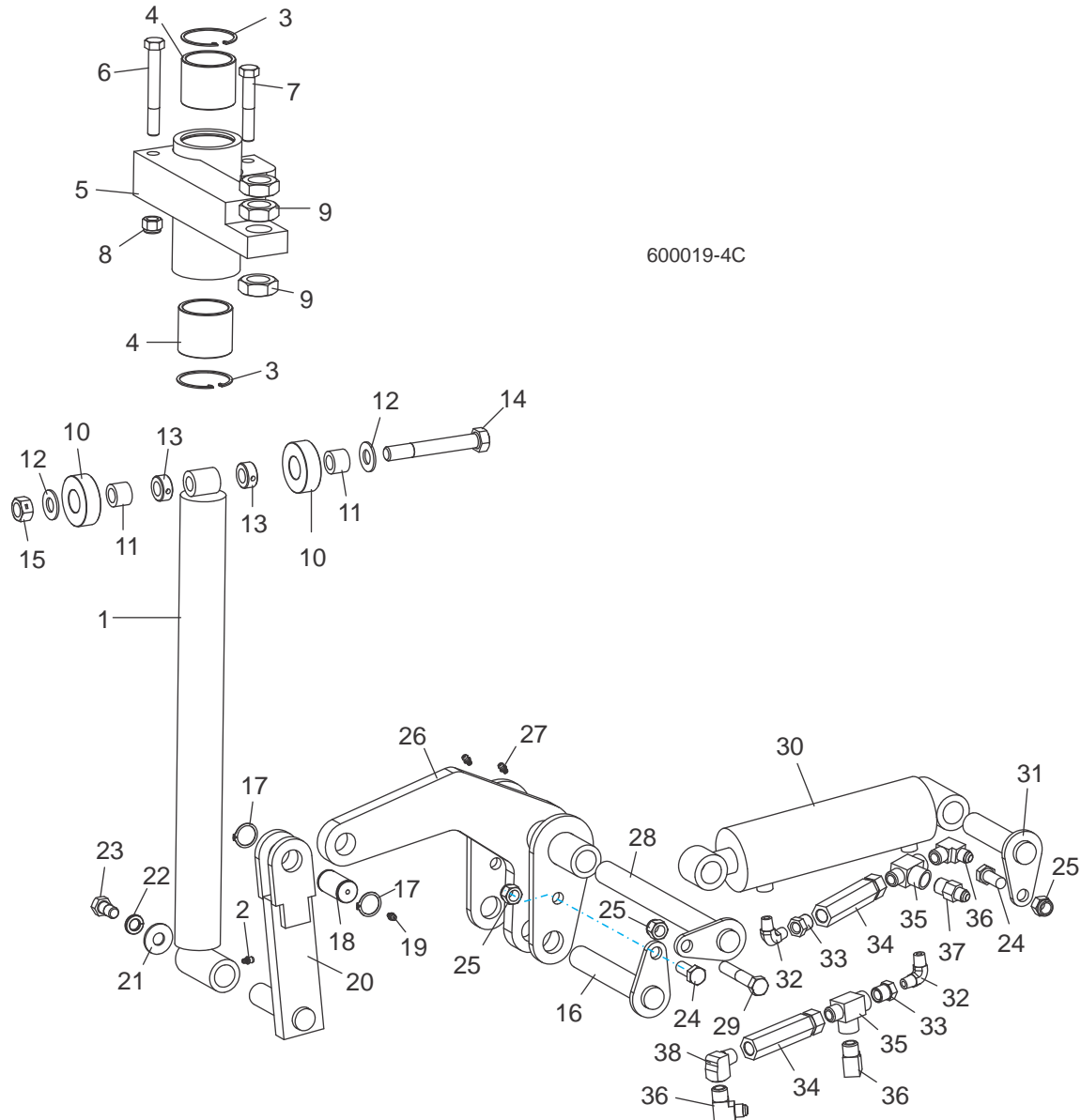
13

Bed Hydraulic System

Hydraulic Log Turner

9	Link, #2080H Master	016796	1	
10	Bolt, 1-8 x 5" Hex Head Grade 8	F05004-132	2	
	Sprocket Assembly, Idler	042193	1	
11	Sprocket Weldment, Idler	042191	1	
12	Bearing, 6206 25 Idler	P11035	2	
13	Ring, 62mm #472 DIN Inside Retaining	F04254-12	1	
14	Spacer, Idler Sprocket	042187	2	
15	Nut, 1-8 Hex Lock	F05010-109	2	
16	Washer, 1" ID x 2" OD x 1/4"	038749	1	
17	Plate, Log Turner Chain Tensioner	042188	1	
18	Bolt, 5/8-11 x 4" Hex Head Full Thread Grade 5	F05009-31	1	
19	Nut, 5/8-11 Hex Jam	F05010-82	1	
20	Cylinder, 2" x 10" Welded Rod End Hydraulic	034267	1	
	Seal Kit, 2x10 Hydraulic Cylinder	003814	1	
21	Fitting, 3/8" NPT x 3/8" JIC 90° Elbow	016820	2	
22	Pin, 1" x 3.88"	S09251	1	
23	Pin, 3/16" x 1 1/2" Cotter	F05012-23	2	
24	Washer, 1" SAE Flat	F05011-28	2	
25	Rod, Grooved Turner Mount	006722	1	
26	Fitting, 1/4-28 Grease	P05060	1	
27	Fitting, #10 SAE x 3/8" JIC Straight	017640	2	
28	BOLT, 5/8-18 X 3 1/2" HEX HEAD BOLT FULL THREAD	F05009-16	1	
29	NUT, 5/8-18 HEX	F05010-50	1	

12.16 Hydraulic Log Side Supports (Front)



600019-4C

REF	DESCRIPTION (◆ Indicates Parts Available In Assemblies Only)	PART #	QTY.
	SUPPORT ASSEMBLY, VERTICAL HYDRAULIC SIDE	034732	1
1	Rod Weldment, Vertical Side Support	034704	1
2	Fitting, 3/16" Straight Grease	P04107	1
3	Ring, 62mm Din #472 Inside Retaining	F04254-12	2
4	Bushing, Side Support	042262	2
5	Mount Weldment, Vertical Side Support	034703	1
6	Bolt, 1/2-13 x 4" Hex Head Grade 5	F05008-78	1

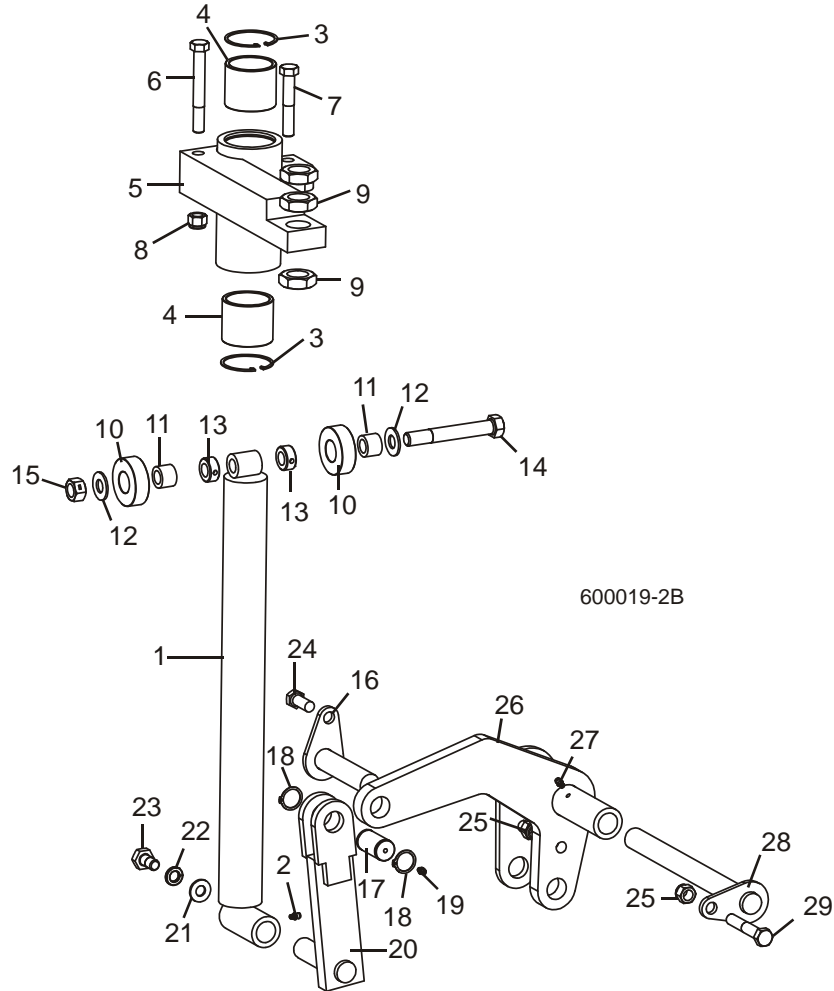
13

Bed Hydraulic System Hydraulic Log Side Supports (Front)

7	Bolt, 1/2-13 x 3" Hex Head Grade 5	F05008-23	1	
8	Nut, 1/2-13 Hex Nylon Lock	F05010-8	2	
9	Nut, 1-14 Hex Jam	F05010-118	3	
	Roller Kit, Side Support	034733	1	
10	Roller, Side Support	016561	2	
11	Bushing, 5/8" x 1" x 3/4" Bronze	016560	2	
12	Washer, 5/8" SAE Flat	F05011-5	2	
13	Collar, 5/8" Lock	P05035	2	
14	Bolt, 5/8-11 x 4 1/2" Hex Head Grade 5	F05009-10	1	
15	Nut, 5/8-11 Hex Lock	F05010-4	1	
16	PIN WELDMENT, 6-5/16" PIVOT	106880 ¹	1	
	PIN ASSEMBLY, SIDE SUPPORT PIVOT	036053	1	
17	Ring, 1" 3100-100 Outside Retaining	F04254-15	2	
18	Pin, Grooved Pivot	034718	1	◆
19	Fitting, 3/16" Straight Grease	P04107	1	
20	PUSHER WELDMENT, LOWER SIDE SUPPORT	034711	1	
21	WASHER, 9/16" SAE FLAT	F05011-52	1	
22	WASHER, 1/2" SPLIT LOCK	F05011-9	1	
23	BOLT, 1/2-13 X 1" HEX HEAD	F05008-50	1	
24	BOLT, 1/2"-13 X 1 1/4" HEX HEAD GRADE 5	F05008-37	2	
25	NUT, 1/2-13 HEX NYLON LOCK	F05010-8	3	
26	ARM WELDMENT, SIDE SUPPORT FRONT LIFT	106868 ¹	1	
27	FITTING, 3/16" STRAIGHT GREASE	P04107	2	
28	PIN WELDMENT, 10 7/8" PIVOT	034728	1	
29	BOLT, 1/2-13 X 3" HEX HEAD GRADE 5	F05008-23	1	
30	CYLINDER, 2 1/2" X 6" X 1/4" NPT PORT HYDRAULIC	034736	1	
31	PIN WELDMENT, 4 3/8" PIVOT	034726	1	
32	FITTING, 1/4" NPT MALE PIPE ELBOW	P09140	2	
33	FITTING, 3/8" NPT X 1/4" NPT REDUCER	015490	2	
34	VALVE, SIDE SUPPORT SEQUENCE	015484	2	
35	FITTING, 3/8" NPT MALE RUN TEE	016822	2	
36	FITTING, 3/8" NPT X 3/8" JIC ELBOW	016820	3	
37	FITTING, 3/8" NPT X 3/8" JIC CONNECTOR	016819	1	
38	FITTING, 3/8" NPT STREET ELBOW	P05759	1	

¹ 106880 replaces 034727 5 1/4" Pin Weldment and 106868 replaces 034715 Lift Weldment to improve access to adjustment nuts (LT70 Rev. B6.13/LT70Super Rev. A5.03).

12.17 Hydraulic Log Side Supports (Rear)



REF	DESCRIPTION (◆ Indicates Parts Available In Assemblies Only)	PART #	QTY.	
	SUPPORT ASSEMBLY, VERTICAL HYDRAULIC SIDE	034732	1	
1	Rod Weldment, Vertical Side Support	034704	1	
2	Fitting, 3/16" Straight Grease	P04107	1	
3	Ring, 62mm Din #472 Inside Retaining	F04254-12	2	
4	Bushing, Side Support	042262	2	
5	Mount Weldment, Vertical Side Support	034703	1	
6	Bolt, 1/2-13 x 4" Hex Head Grade 5	F05008-78	1	
7	Bolt, 1/2-13 x 3" Hex Head Grade 5	F05008-23	1	
8	Nut, 1/2-13 Hex Nylon Lock	F05010-8	2	
9	Nut, 1-14 Hex Jam	F05010-118	3	
	Roller Kit, Side Support	034733	1	
10	Roller, Side Support	016561	2	
11	Bushing, 5/8" x 1" x 3/4" Bronze	016560	2	

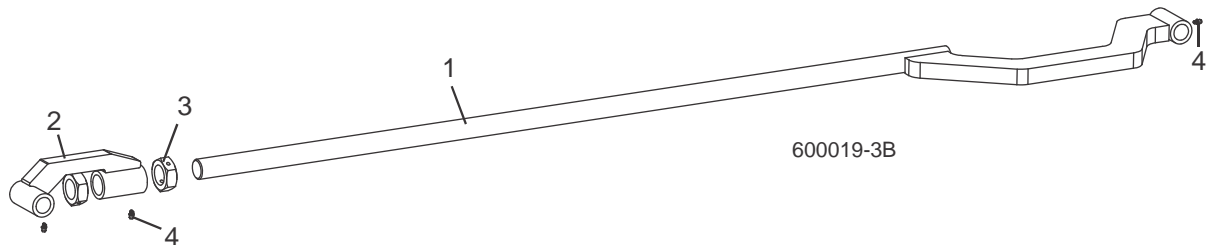
13

Bed Hydraulic System

Hydraulic Log Side Supports (Rear)

12	Washer, 5/8" SAE Flat	F05011-5	2	
13	Collar, 5/8" Lock	P05035	2	
14	Bolt, 5/8-11 x 4 1/2" Hex Head Grade 5	F05009-10	1	
15	Nut, 5/8-11 Hex Lock	F05010-4	1	
16	PIN WELDMENT, 4 3/8" PIVOT	034726	1	
	PIN ASSEMBLY, SIDE SUPPORT PIVOT	036053	1	
17	Pin, Grooved Pivot	034718	1	◆
18	Ring, 1" 3100-100 Outside Retaining	F04254-15	2	
19	Fitting, 3/16" Straight Grease	P04107	1	
20	PUSHER WELDMENT, LOWER SIDE SUPPORT	034711	1	
21	WASHER, 9/16" SAE FLAT	F05011-52	1	
22	WASHER, 1/2" SPLIT LOCK	F05011-9	1	
23	BOLT, 1/2-13 X 1" HEX HEAD	F05008-50	1	
24	BOLT, 1/2"-13 X 1 1/4" HEX HEAD GRADE 5	F05008-37	2	
25	NUT, 1/2-13 HEX NYLON LOCK	F05010-8	2	
26	ARM WELDMENT, VERTICAL SIDE SUPPORT REAR LIFT	034716	1	
27	FITTING, 3/16" STRAIGHT GREASE	P04107	1	
28	PIN WELDMENT, 10 7/8" PIVOT	034728	1	
29	BOLT, 1/2-13 X 3" HEX HEAD GRADE 5	F05008-23	1	

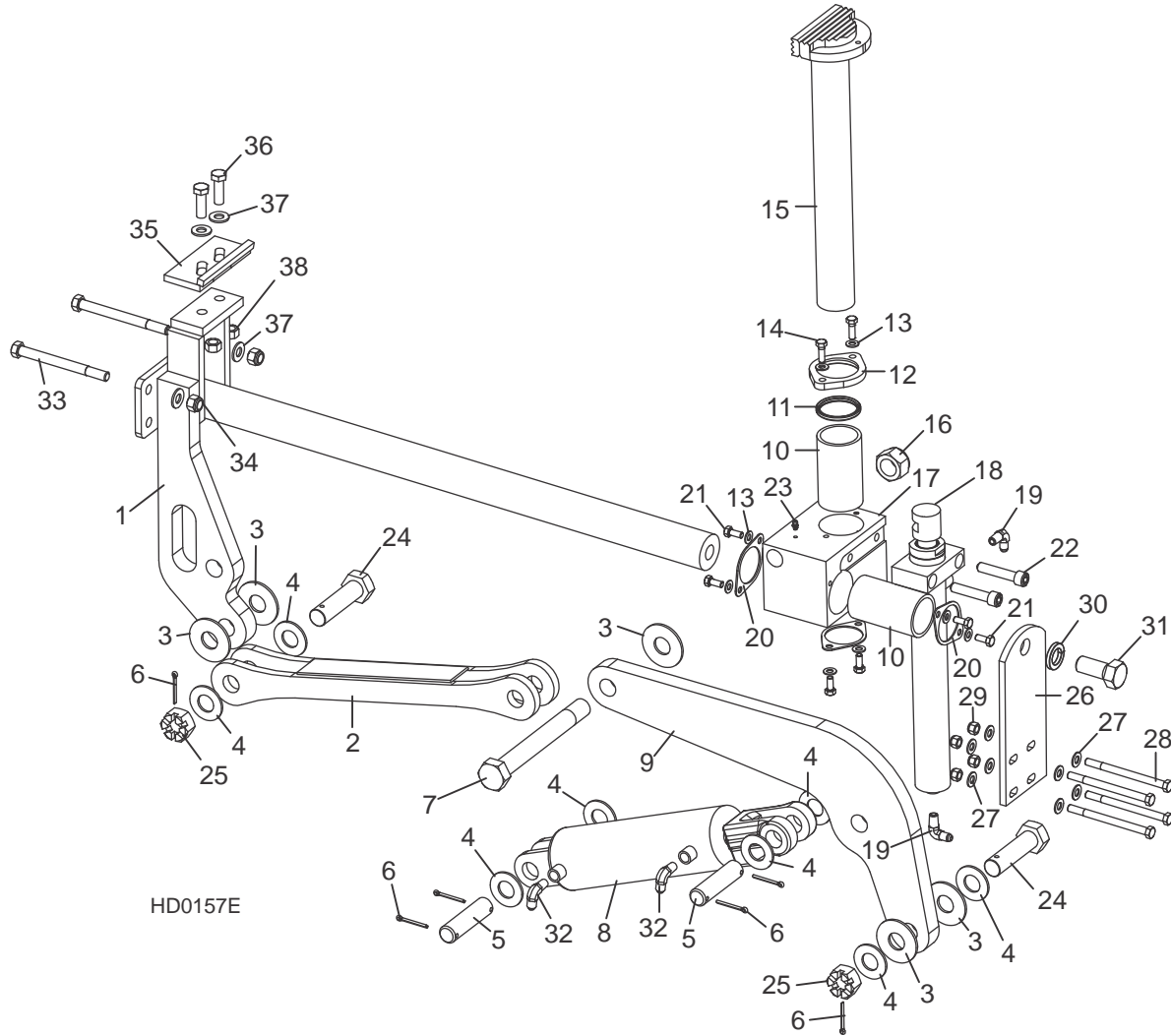
12.18 Hydraulic Log Side Supports (Link)



REF	DESCRIPTION (◆ Indicates Parts Available In Assemblies Only)	PART #	QTY.	
1	ROD WELDMENT, SIDE SUPPORT LINK	034725	1	
2	ARM WELDMENT, SIDE SUPPORT LINK	106869 ¹	1	
3	NUT, 1 1/4"-12 HEX JAM	F05010-100	2	
4	FITTING, 3/16" STRAIGHT GREASE	P04107	3	

¹ Replaces 034724 Link Arm Weldment to improve access to adjustment nuts (LT70 Rev. B6.13/LT70Super Rev. A5.03).

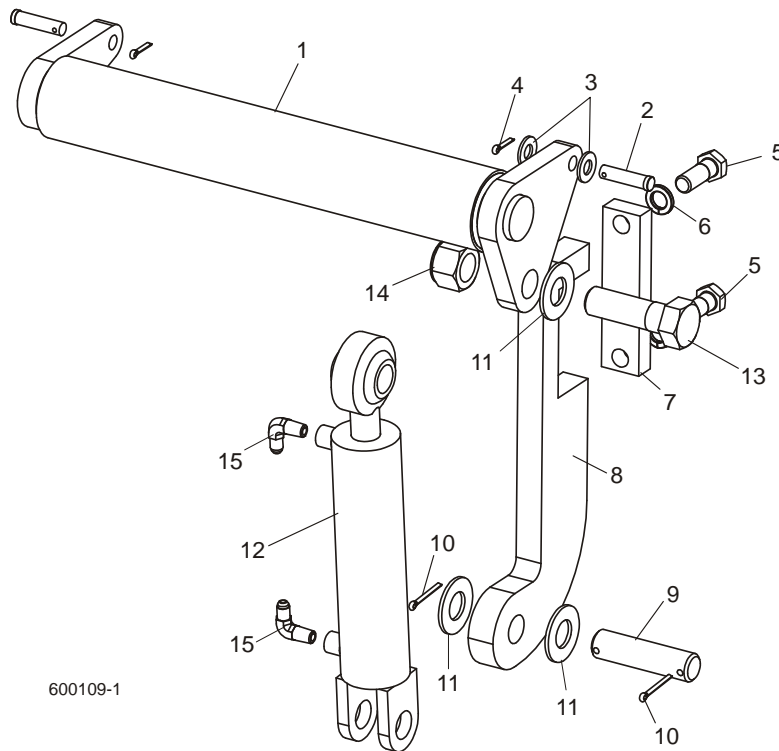
12.19 Hydraulic Log Clamp



REF	DESCRIPTION (◆ Indicates Parts Available In Assemblies Only)	PART #	QTY.
	CLAMP ASSEMBLY, HYDRAULIC 2-PLANE	017264	1
1	Mount Weldment, Hydraulic Clamp Slide	017265	1
2	Link Weldment, Hydraulic Clamp	017267	1
3	Washer, 1/8" x 2 1/2" Hardened	015057	5
4	Washer, 1" SAE Flat	F05011-28	8
5	Pin, 1" x 3.88"	S09251	2
6	Pin, 3/16" x 1 1/2" Cotter	F05012-23	6
7	Bolt, 1-14 x 8 1/2" Hex Head Grade 8	015049	1
8	Cylinder, 3" x 7" Hydraulic	017275	1
	Seal Kit, Hydraulic Cylinder	P12956	1
9	Arm, Clamp Pivot	017274	1

10	Bushing, Clamp Slide	015088	2	
	Wiper Assembly, Vertical Clamp Rod	017271	1	
11	Wiper, Vertical Clamp Rod	017273	1	
12	Flange, Vertical Clamp Rod Wiper	017272	1	
13	Washer, 5/16" SAE Flat	F05011-17	8	
14	Bolt, 5/16-18 x 1" Hex Head	F05006-1	2	
15	Clamp Weldment, Vertical	015043	1	
16	Nut, 1-14 Nylon Lock	F05010-141	1	
17	Block, Hydraulic Clamp Slide	017270	1	
18	Cylinder Weldment, Vertical Clamp Hydraulic	015050	1	
	Seal Kit, Hydraulic Cylinder	016204	1	
	Instruction Sheet, Vertical Clamp Seal Replacement	016204-1009	1	
19	Fitting, 1/4" NPT x 1/4" JIC Elbow	P09142	2	
20	Retainer, Clamp Bushing	017242	3	
21	Bolt, 5/16-18 x 3/4" Hex Head	F05006-5	6	
22	Bolt, 1/2-13 x 2 1/2" Socket Head	F05008-39	2	
23	Fitting, 3/16" Straight Grease	P04107	1	
24	Bolt, 1-14 x 3 3/4" Hex Head Grade 8 w/Hole	015072	2	
25	Nut, 1-14 Slotted Hex	F05010-163	2	
26	Plate, Log Clamp Mount	015068	1	
27	Washer, 3/8" SAE Flat	F05011-3	8	
28	Bolt, 3/8-16 x 5" Hex Head	F05007-5	4	
29	Nut, 3/8-16 Hex Nylon Lock	F05010-10	4	
30	Washer, 7/8" Split Lock	F05011-46	1	
31	Bolt, 7/8-14 x 2" Hex Head Grade 5	F05014-2	1	
32	Fitting, 1/4" NPT - 3/8" JIC Elbow	015491	2	
33	Bolt, 1/2-13 x 5 1/2" Hex Head Grade 5	F05008-28	2	
34	Nut, 1/2-13 Hex Nylon Lock	F05010-8	2	
	Clamp Stop Kit, Hydraulic Log	K09485	1	
35	Plate, Clamp Stop	W09404	1	
36	Bolt, 1/2-13 X 1 1/2" Hex Head Grade 5	F05008-33	2	
37	Washer, 1/2" SAE Flat	F05011-2	2	
38	Nut, 1/2-13 Hex Lock	F05010-3	2	

12.20 Hydraulic Toe Board



REF	DESCRIPTION (◆ Indicates Parts Available In Assemblies Only)	PART #	QTY.
1	TOE BOARD ASSEMBLY, HYDRAULIC	074842	2
2	PIN, 1/2-1 3/4 CLEVIS	F05012-82	4
3	WASHER, 1/2" SAE FLAT	F05011-2	4
4	PIN, 1/8 X 3/4" COTTER	F05012-3	4
5	BOLT, 5/8-11 X 1 3/4" HEX HEAD	F05009-33	4
6	WASHER, 5/8" SPLIT LOCK	F05011-27	4
7	PLATE, HYDRAULIC TOEBOARD MOUNT	S13023	2
8	BRACKET, HYDRAULIC TOEBOARD MOUNT	S13022	2
9	PIN, CYLINDER MOUNT	S09251	2
10	PIN, 3/16" X 1 1/2" COTTER	F05012-23	4
11	WASHER, 1" SAE FLAT	F05011-28	6
12	CYLINDER, 1 1/2" X 6" HYDRAULIC TOE BOARD	014482	2
	Seal Kit, 1 1/2" x 6" Hydraulic Cylinder	014547	1
13	BOLT, 1-8 X 3 1/4" HEX HEAD GRADE 5	F05009-51	2
14	NUT, 1-8 HEX NYLON LOCK	F05010-109	2
15	FITTING, 1/4" NPT X 1/4" JIC MALE ELBOW	P09142 ¹	4

¹ On LT70HD Remote and DCS sawmills, replace the top fitting of the front toe board cylinder with straight fitting P09143.

SECTION 13 ACCESSORIES

LT70HD Super

REF	DESCRIPTION	MASTER	
	LOG DECK (SEE MANUAL)	M1120	

LT70HD DCS

REF	DESCRIPTION	MASTER	
	LOG DECK (SEE MANUAL)	M1120	

LT70HD Remote

REF	DESCRIPTION	MASTER	
	INCLINE CONVEYOR (REQUIRES IC2/5-INSTALL) (SEE MANUAL)	M1121	
	LATHE-MIZER (SEE MANUAL)	M1337	
	LATHE-MIZER TENON KIT (SEE MANUAL)	M1308	
	LOG DECK (SEE MANUAL)	M1120	
	SHINGLE LAP SIDER (SEE MANUAL)	M903	

SECTION 14 TRAILERS

LT70HD Super

REF	DESCRIPTION	MASTER	
	ELECTRIC BRAKE (CLASS IV FOR DIESEL ONLY) (SEE MANUAL)	M1114	

LT70HD DCS

REF	DESCRIPTION	MASTER	
	ELECTRIC BRAKE (CLASS IV FOR DIESEL ONLY) (SEE MANUAL)	M1711	

LT70HD Remote

REF	DESCRIPTION	MASTER	
	ELECTRIC BRAKE (CLASS IV FOR DIESEL ONLY) (SEE MANUAL)	M1114	
	SUPER ELECTRIC BRAKE TRAILER OPTION (SEE MANUAL)	M797	
	SUPER SURGE BRAKE TRAILER OPTION (SEE MANUAL)	M795	

SECTION 15 MISCELLANEOUS

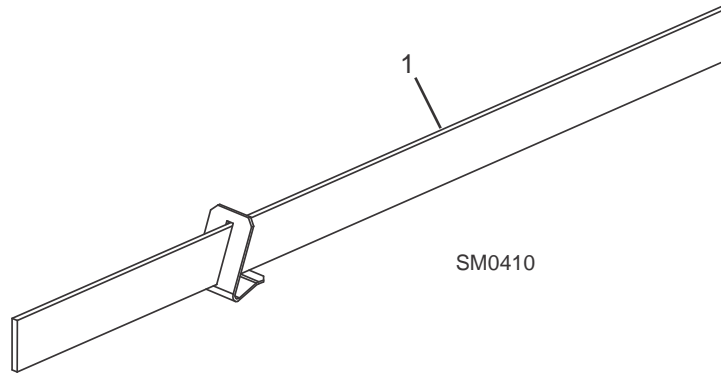
15.1 Replacement Manuals



REF	DESCRIPTION (◆ Indicates Parts Available In Assemblies Only)	PART #	QTY.
Wood-Mizer Product Information			
1	ALL-PRODUCTS CATALOG	PS750	1
Basic Sawmill Manuals			
2	TRU-SHARP BLADE HANDBOOK	M600	1
3	WOOD-MIZER GENERAL INFORMATION	M601	1
4	LT70HD REMOTE OPERATOR'S MANUAL	M1671	1
5	LT70HD REMOTE PARTS MANUAL	M1670	1
Power Option Manuals			
6	E25 MOTOR OPTION MANUAL	M1082	1
7	E30 MOTOR OPTION MANUAL	M1778	1
8	D51 ENGINE OPTION MANUAL	M1146	1
9	D55 ENGINE OPTION MANUAL	M1589	1
10	D62 ENGINE OPTION MANUAL	M1138	1
Trailer Option Manuals			
11	CLASS IV ELECTRIC BRAKE TRAILER OPTION (DIESEL REMOTE ONLY)	M1114	1
12	SUPER ELECTRIC BRAKE TRAILER OPTION	M797	1
13	SUPER SURGE BRAKE TRAILER OPTION	M795	1
Miscellaneous Option Manuals			
14	SHINGLE/LAPSIDER OPTION MANUAL	M621	1
15	RESAW ATTACHMENT OPTION MANUAL	M263	1
16	BED EXTENSION OPTION MANUAL	M294	1
17	DEBARKER OPTION MANUAL (DC)	M1059	1
18	DEBARKER OPTION MANUAL (AC)	M1105	1
19	REMOTE ACCUSET 2 OPTION MANUAL	M1523	1
20	LASER SIGHT OPTION MANUAL	M1081	1
21	LUBE-MIZER OPTION MANUAL	M885	1
22	LATHE-MIZER OPTION MANUAL	M1337	1

Electrical Diagrams			
23	E25-H REMOTE ELECTRICAL INFORMATION	M1089	1
24	E25-L REMOTE ELECTRICAL INFORMATION	M1091	1
25	E25-C REMOTE ELECTRICAL INFORMATION	M1093	1
26	D51/D62 REMOTE ELECTRICAL INFORMATION	M1140	1
27	D55 REMOTE ELECTRICAL INFORMATION	M1591	1

15.2 Tools



REF	DESCRIPTION (◆ Indicates Parts Available In Assemblies Only)	PART #	QTY.	
1	ALIGNMENT TOOL, BLADE GUIDE	LTBGAT	1	

INDEX

A

autoclutch assembly 4-5, 4-7

B

battery box 9-10

bed rails

- front/rear 12-1
- middle front 12-3
- middle rear 12-4
- pivot 12-9, 12-10

belt tensioner 4-2

blade guide arm
drive 2-13

blade guides
drive side 2-7
idle side 2-1
throat screw 4-1

blade tensioner 3-7, 3-9, 3-12

blade wheels
drive side 3-1
idle side 3-3

board dragback 4-10

board return 4-9

board return table 12-7

brake assembly 4-4

C

control box 9-1, 9-4, 9-6
drum switches 9-7
remote junction w/accuset 2 (AC) 9-16
remote power box door 9-20
remote power w/accuset 9-18
remote power w/accuset 2 (DC) 9-14, 9-18

covers

blade housing 4-16

D

debarker

blade housing 8-17, 8-18
complete assembly 7-1, 7-2, 8-1, 8-2
cutter head (AC) 8-11, 8-15
cutter head (DC) 8-11, 8-12, 8-14
frame assembly 8-3, 8-5
in/out motor 8-7, 8-9
spring arm 8-20

debarker wire box/hole plugs 4-19

decals

frame 12-15
saw head 4-13, 4-15

E

engine options 5-1

F

feed chain 11-5

fuse box 9-12

H

hydraulic

- command control 13-2
- control box (230/460V AC) 13-12
- control box (575V AC) 13-14
- hoses 13-1
- log clamp 13-36
- log loader 13-27
- log turner 13-29
- power strip 13-24
- power strip (DC) 13-24
- pump box (230/460V AC) 13-7
- pump box (575V AC) 13-10
- pump box (DC) 13-4, 13-16, 13-18
- rear power strip 13-26
- rear power strip (DC) 13-26
- side supports 13-31
- side supports (link) 13-35
- side supports (rear) 13-33
- toe board 13-38
- valve (AC) 13-20, 13-22
- valve (DC) 13-16, 13-18

M

- manuals 16-1, 16-3

O

- options, accessories and trailers 6-1, 14-39, 15-1
- outfeed table option 12-23

P

- parts list
 - how to use 1-1
- power feed 11-3

R

- remote cable box 12-21
- remote cable chain 12-16
 - bottom mount 12-17
 - top mount 12-18
 - tray & front pivot 12-19
- remote cable chain support bracket 12-20
- rest pin 12-14

S

- sawdust chute 4-18
- side supports 12-11

T

- tensor de hoja 3-5
- track rollers
 - lower 11-6
 - upper 11-1

U

- up/down
 - assist 10-7
 - blade scales 10-3
 - chain & sprockets 10-4
 - drive 10-5

W

- water lube
 - bottle/tray 4-11