

Bed Extension

Safety, Operation, Maintenance & Parts Manual

BX6 for 1992+ Sawmills* Rev. A.00 - A2.02
BX12 for 1992+ Sawmills Rev. A.00 - A2.02**
BX24 for 1992+ Sawmills Rev. A.00 - A3.02**

Safety is our #1 concern!

March 1997

Form #530

*except Remote mills before 1/02.

**except all Remote mills

See Section 1 for assembly selection

Used with:

LT28, LT30, LT35, LT40, LT50, LT60, LT70



WARNING! Read and understand this manual before using this machine.

California

Proposition 65 Warning



WARNING: Breathing gas/diesel engine exhaust exposes you to chemicals known to the State of California to cause cancer and birth defects or other reproductive harm.

Always start and operate the engine in a well-ventilated area.
If in an enclosed area, vent the exhaust to the outside.
Do not modify or tamper with the exhaust system.
Do not idle the engine except as necessary.

For more information go to www.P65warnings.ca.gov.



WARNING: Drilling, sawing, sanding or machining wood products can expose you to wood dust, a substance known to the State of California to cause cancer. Avoid inhaling wood dust or use a dust mask or other safeguards for personal protection.

For more information go to www.P65Warnings.ca.gov/wood.

Active Patents assigned to Wood-Mizer, LLC

Wood-Mizer, LLC has received patents that protect our inventions which are a result of a dedication to research, innovation, development, and design. Learn more at: woodmizer.com/patents

©2024 Wood-Mizer LLC

Printed in the United States of America, all rights reserved. No part of this manual may be reproduced in any form by any photographic, electronic, mechanical or other means or used in any information storage and retrieval system without written permission from

Wood-Mizer, LLC
8180 West 10th Street
Indianapolis, Indiana 46214

SECTION 1 FORM 359 1996+ BED EXTENSION FOOT DIMENSIONS

SECTION 2 ISELECTION

1.1 Connection Hardware Selection..... 1-1
 BX6 Rev. A1.00 - A1.01
 BX12 Rev. A1.00 - A1.01
 BX24 Rev. A1.00 - A2.00..... 1-2

1.2 Support Brace..... 1-3

SECTION 3 INSTALLATION

1.1 Sawmill Preparation..... 1-1

1.2 Connection Hardware Selection..... 1-2
 BX6 Rev. A2.00+
 BX12 Rev. A2.00+
 BX24 Rev. A3.00+ 1-2
 BX6 Rev. A1.00 - A1.01
 BX12 Rev. A1.00 - A1.01
 BX24 Rev. A1.00 - A2.00..... 1-3

1.3 Connection Hardware Installation (pre-2002 models)..... 1-3

1.4 Connection Hardware Installation (2002+ models)..... 1-3

1.5 Leg Installation 1-4

1.6 Extension Frame Attachment (Pre-2002 Models) 1-4

1.7 Extension Frame Attachment (2002+ Models)..... 1-5

1.8 Support Brace Installation..... 1-6

1.9 Extra Leg and Bed Rail Installation (24-foot Bed Extensions Only) 1-7

SECTION 4 ALIGNMENT, OPERATION, STORAGE

2.1 Bed Extension Alignment 2-1
 Pre-2002 Bed Extension/Sawmill Only..... 2-1
 All Bed Extension/Sawmill Combinations: 2-1

2.2 Log Clamp Operation..... 2-1

2.3 Storage Protection 2-1

SECTION 5 BED EXTENSION PARTS

3.1 Bed Rail Assembly, Front And Rear 3-1

3.2 Bed Rail Assembly, Front Middle (BX12 & BX24 Only) 3-2

3.3 Bed Rail Assembly, Rear Middle (BX12 & BX24 Only)..... 3-3

3.4 Pivot Bed Rail Assembly (BX24 Only)..... 3-4

3.5 Pivot Bed Rail Assembly (BX12 Only)..... 3-5

3.6 Auxiliary Bed Rail Assembly (BX24 Only)..... 3-6

3.7 Log Side Support Assembly 3-7
 BX Rev. A1.01+ 3-7

3.8 Log Side Support Assembly 3-9
 BX Rev. A - A1.00..... 3-9

3.9 Connecting Assembly/Feed Chain (2002+ Models)..... 3-11
 BX6 Rev. A2.00+
 BX12 Rev. A2.00+
 BX24 Rev. A3.00+ 3-11

3.10 Alignment Box/Feed Chain (pre-2002 Models) 3-13
 BX6 Rev. C.00+

Table of Contents

Section-Page

	<i>BX12</i>	<i>Rev. D.00+</i>	
	<i>BX24</i>	<i>Rev. C.00+</i>	3-13
3.11	Alignment Box/Feed Chain		3-14
	<i>BX6</i>	<i>Rev. A.00 - B.00</i>	
	<i>BX12</i>	<i>Rev. A.00 - C.00</i>	
	<i>BX24</i>	<i>Rev. A.00 - B.00</i>	3-14
3.12	Stationary Legs		3-16
3.13	Log Clamp/Winch Cable Pulley		3-17
3.14	Brace Kit, BX6 to 1996+ LT30/LT30HD/LT70HD		3-18
3.15	Brace Kit, BX6 to 1992-95 LT30/LT30HD		3-19
3.16	Brace Kit, BX6 & BX12 to 1996+ LT35/ through LT70HD		3-20
3.17	Brace Kit, BX6 to 1992-95 LT40/LT40HD		3-21
3.18	Brace Kit, BX12 to 1992-95 LT40/LT40HD		3-22
3.19	Brace Kit, BX12 to 1996+ LT30/LT30HD/LT70HD		3-23
3.20	Brace Kit, BX12 to 1992-95 LT30/LT30HD		3-24
3.21	Brace Kit, BX24 to 1996+ LT30/LT30HD/LT70HD		3-25
3.22	Brace Kit, BX24 to 1996+ LT35 through LT70HD		3-26
3.23	Brace Kit, BX24 to 1992-95 LT30/LT40/LT30HD/LT40HD		3-27
3.24	Bed Extension Bracket Assembly (LT28/LT35)		3-28

FORM 359 1996+ BED EXTENSION FOOT DIMENSIONS

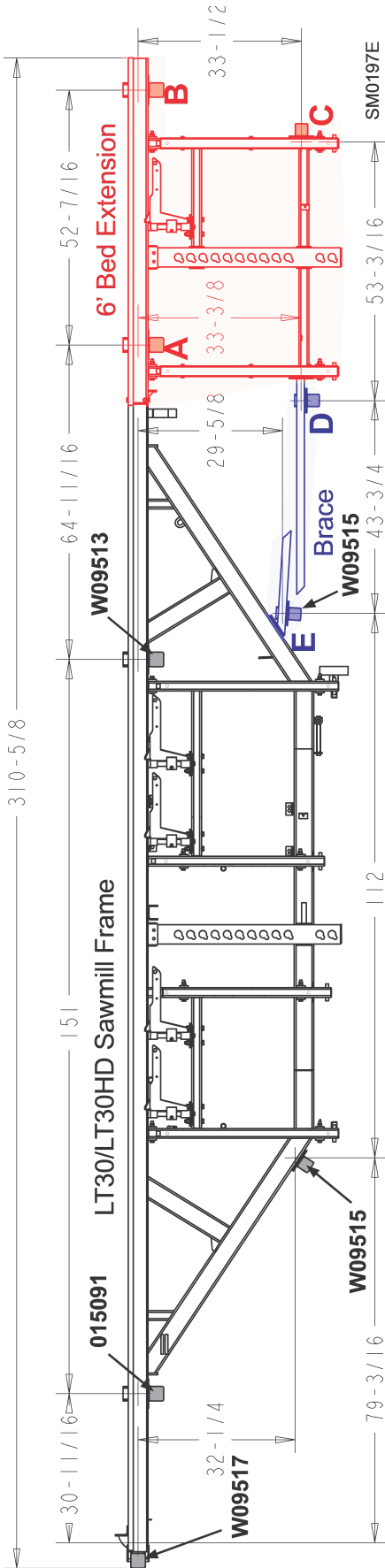


FIG. 1-1 LT30/LT30HD/LT70HD (1996+) WITH 6' BED EXTENSION

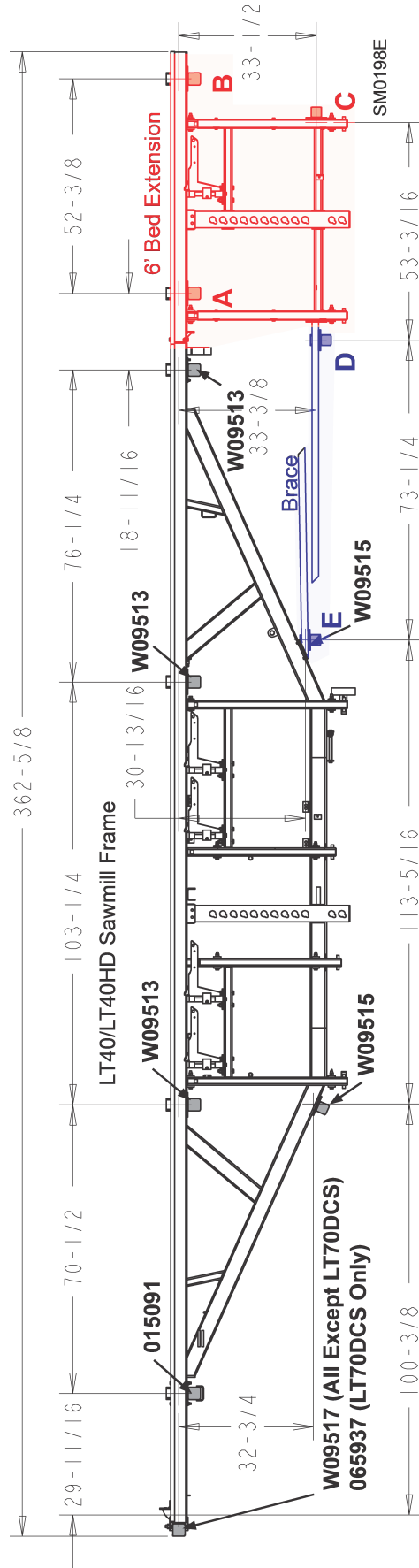


FIG. 1-2 LT28/LT35/LT35HD/LT40/LT40HD/LT70HD (1996+) WITH 6' BED EXTENSION

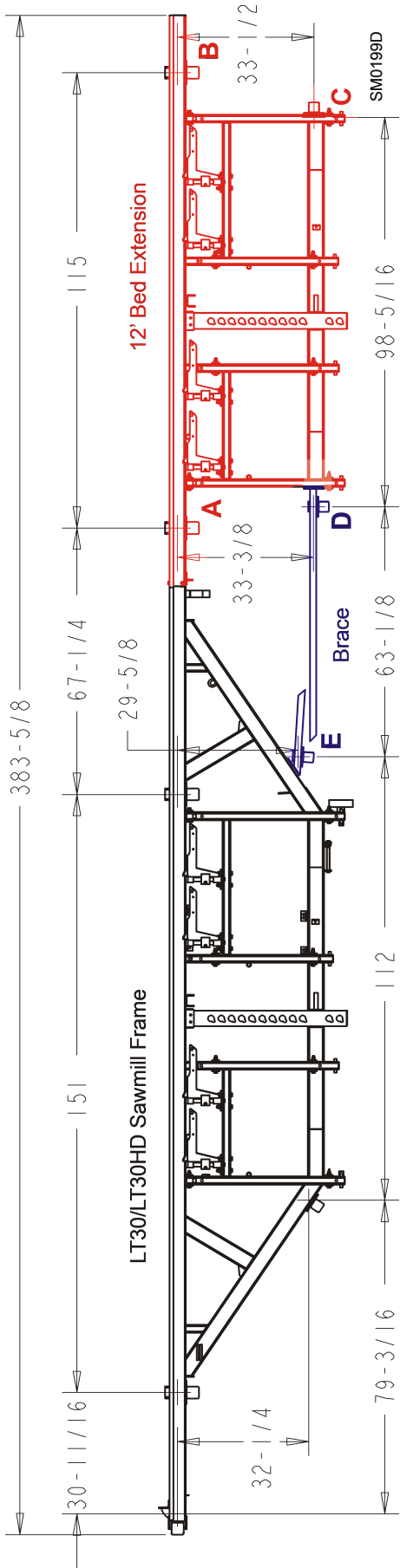


FIG. 1-3 LT30/LT30HD/LT70HD (1996+) WITH 12' BED EXTENSION

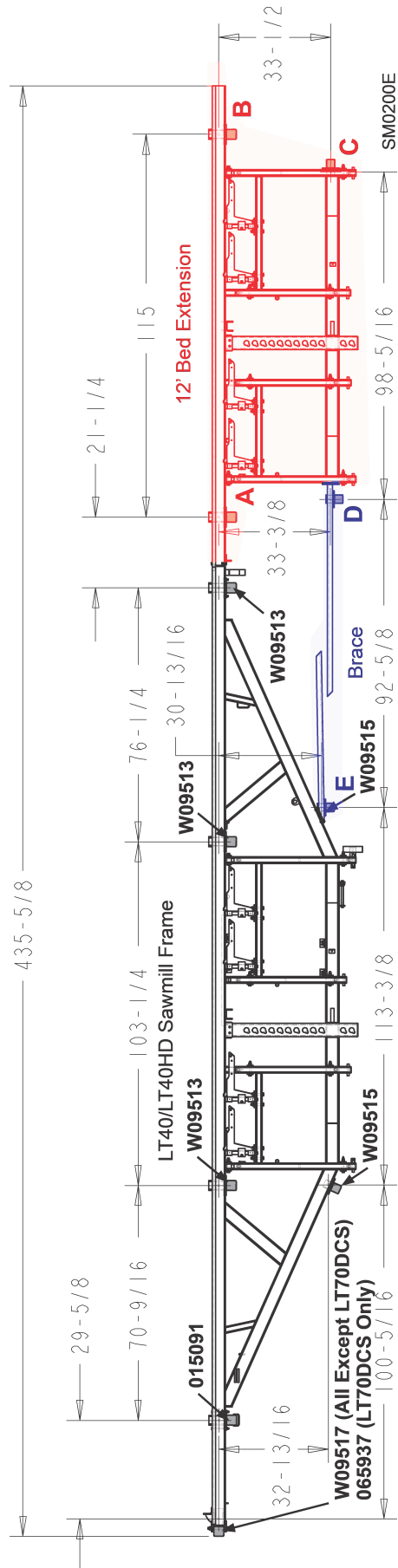


FIG. 1-4 LT28/LT35/LT35HD/LT40/LT40HD/LT70HD (1996+) WITH 12' BED EXTENSION

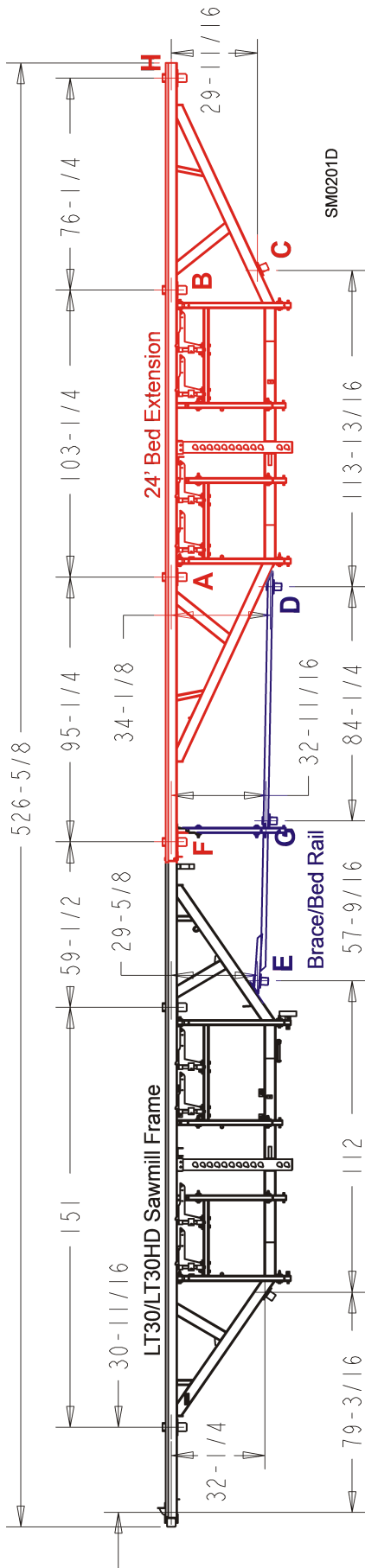


FIG. 1-5 LT30/LT30HD/LT70HD (1996+) WITH 24' BED EXTENSION

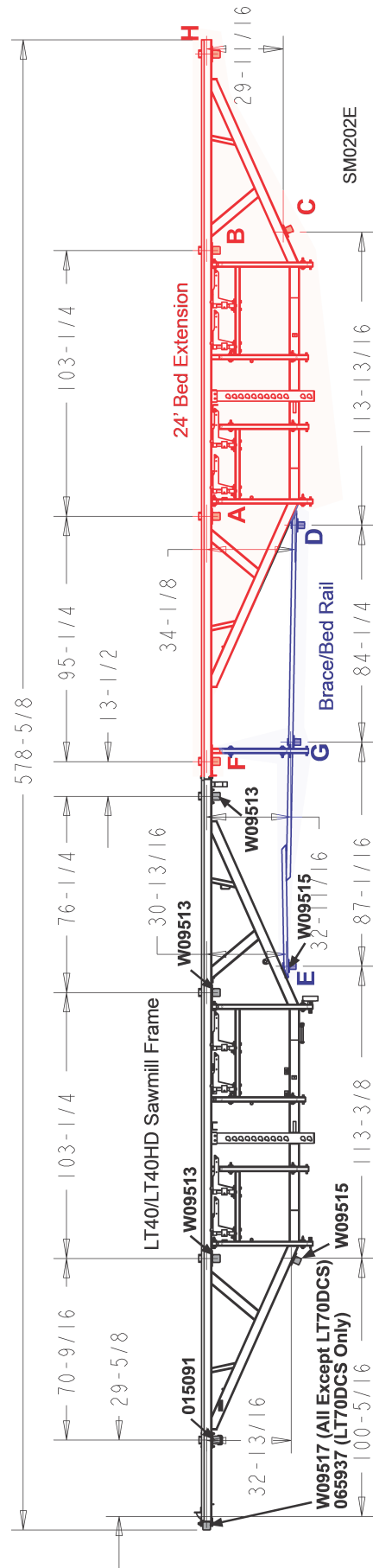


FIG. 1-6 LT28/LT35/LT35HD/LT40/LT40HD/LT70HD (1996+) WITH 24' BED EXTENSION

SECTION 1 ISELECTION

The bed extension option includes a 6, 12 or 24-foot frame and the necessary hardware to attach it to your sawmill. After installation, the extension will allow you to cut longer logs than is possible with the standard sawmill.

See the model and revision of your sawmill below to determine if a bed extension can be used.

	LT28	LT30	LT30 Super	LT35	LT35HD	LT40	LT40 Super	LT30HD & LT40HD	LT30HD Super & LT40HD Super	LT50HD
BedX	All Revs. ¹	Rev. C7-F3 ²	Rev. F4+	All Revs. ¹	All Revs. ¹	Rev. C8-F4 ²	Rev. F5+	Rev. D2-F7 ²	Rev. F8+	All Revs.
BX6	Yes	Yes	Yes	Yes	Yes	Yes	Yes	Yes	Yes	Yes
BX12	Yes	Yes	Yes	Yes	Yes	Yes	Yes	Yes	Yes	Yes
BX24	Yes	Yes	Yes	Yes	Yes	Yes	Yes	Yes	Yes	Yes

	LT40HD Remote	LT40HD Remote	LT40HD Super Remote	LT40HD Super Remote	LT50HD Remote	LT70HD & LT70HD	LT70HD Remote	LT70HD Super	LT70HD DCS
BedX	Rev. H7-J4	Rev. J5+ ³	Rev. H4-J3.02	Rev. J4+ ³	All Revs.	All Revs.	All Revs.	All Revs.	All Revs.
BX6	No ³	Yes	No ³	Yes	Yes	Yes	Yes	Yes	Yes
BX12	No ³	No ³	No ³	No ³	No ⁴	Yes	No ⁴	No ⁴	Yes
BX24	No ³	No ³	No ³	No ³	No ⁴	Yes	No ⁴	No ⁴	N/A

TABLE 1-1

¹ The lower track roller assembly on LT28/LT35/LT35HD sawmills should be replaced with extended dual-roller assembly (057924) to provide smooth transition between sawmill and bed extension track.

² Sawmills prior to these revisions (11/91) required the bed extension to be factory matched to the sawmill frame. Beginning with these revisions, the sawmill and extension frames were designed so any extension would fit any sawmill.

³ Because of the limits of the control cables, Remote sawmills with these revisions (before 1/02) cannot accept a bed extension. The cables were extended LT40HD-R Rev. J5.00 and Super LT40HD-R Rev. J4.00 to allow the sawmill to accept a 6-foot extension.

⁴ Because of the limits of the control cables, Remote and Super sawmills can only accept a 6-foot extension

The bed extension is designed for operation with a stationary sawmill. A portable mill can be connected to the extension but will require 2 to 4 hours for each setup. The extension should be mounted to a firm, level footing. See Form #359 for foot dimensions for each sawmill model and bed extension combination. Note the positions labeled A through E on each drawing. These positions will be referred to later for mounting the legs to the extension frame. Positions F, G and H apply to 24-foot extensions only.

1.1 Connection Hardware Selection

There are two styles of connection hardware available to connect the extension to the sawmill. See the charts below to determine the correct kit for your sawmill and bed extension.

Determine if your sawmill is a 2002 or newer model as indicated by the revision levels shown below:

Sawmill Model	Revision
LT28	Rev. A1.00+
LT35	Rev. A1.00+
LT35HD	Rev. A1.00+
LT30	Rev. J3.00+
LT40	Rev. J4.00+
LT30HD	Rev. J4.00+
LT40HD	Rev. J5.00+
LT30 Super	Rev. H8.00+

TABLE 1-2

LT40 Super	Rev. H9.00+
LT30HD Super	Rev. J4.00+
LT40HD Super	Rev. J4.00+
LT50HD	Rev. A1.01+
LT70HD	Rev. A1.00+
LT70HD	Rev. A1.00+
LT70HD Remote	Rev. A1.00+
LT70HD Super	Rev. A1.00+
LT70HD DCS	Rev. A1.00+

TABLE 1-2

If the sawmill is a 2002 or newer model, use the kit corresponding to the bed extension you are connecting:

Connection Kits for 2002+ BedX To 2002+ Sawmills					
BedX Model	Connection Kit Part No. (LT28 ¹ /LT30/LT30HD/ LT35/LT35HD/ LT40/LT40HD/ LT50HD)	Connection Kit Part No. (LT70HD/ LT70HD)	Connection Kit Part No. (LT70HD Remote)	Connection Kit Part No. (LT70HD Super)	Connection Kit Part No. (LT70HD DCS)
BX6	017767	017843	017843	017843	074068
BX12	017768	017844	N/A	N/A	074069
BX24	017769	017845	N/A	N/A	N/A

TABLE 1-3

¹ 3/8" Dia. Solid Braided Polyester feed rope for LT28 w/manual feed sold separately (R02080-1). Order 30.5 ft. plus length of BedX option.

If the sawmill is older than 2002, use the kit corresponding to the bed extension you are connecting:

Connection Kits for 2002+ BedX to Pre-2002 Sawmills	
BedX Model	Connection Kit Part No.
BX6	014756
BX12	A04383
BX24	A11907

TABLE 1-4

BX6 Rev. A1.00 - A1.01
BX12 Rev. A1.00 - A1.01
BX24 Rev. A1.00 - A2.00

Use the kit corresponding to the bed extension you are connecting:

Connection Kits for Pre-2002 BedX to Pre-2002 Sawmills	
BedX Model	Connection Kit Part No.
BX6	014756
BX12	A04383
BX24	A11907

TABLE 1-5

1.2 Support Brace

A support brace is available to connect the bed extension and the sawmill. See the chart below to determine which brace you need for your configuration.

Bed Extension Support Brace Reference Table ('96+ mills)		
Sawmill Model	Bed-X	Brace Kit
1996+ ¹ LT30, LT30HD, LT70HD	1996+ BX6	014772
	1996+ BX12	014271
	1996+ BX24	014273
1996+ ² LT28, LT35, LT35HD, LT40, LT40HD, LT50HD & LT70HD	1996+ BX6	014270
	1996+ BX12	014270 ³
	1996+ BX24	014272 ³

TABLE 1-6

¹ Sawmills have 19ft bed frames.

² Sawmills have 24ft bed frames.

³ LT40/50 Remote, LT70 Non-DCS Remote and LT70 Super sawmills cannot accept 12ft or 24ft bed extensions. LT70DCS sawmills require a festoon extension kit with a 6ft bed extension, or 074069 Box Assembly with a 12ft bed extension. 24ft bed extensions will not fit LT70DCS sawmills.

Bed Extension Support Brace Reference Table (92-95 mills)		
Sawmill Model	Bed-X Length	Brace Kit
1992 ¹ - 1995 LT30 or LT30HD	6'	016265
	12'	W10338
	24'	014269
1992 ¹ - 1995 LT40 or LT40HD	6'	016039
	12'	W07950
	24'	014269

TABLE 1-7

¹ Sawmills manufactured prior to 11/91 (LT30 Rev. C7, LT40 Rev. C8, LT30HD & LT40HD Rev. D2) cannot accept a bed extension unless the bed extension was factory-matched with the sawmill.

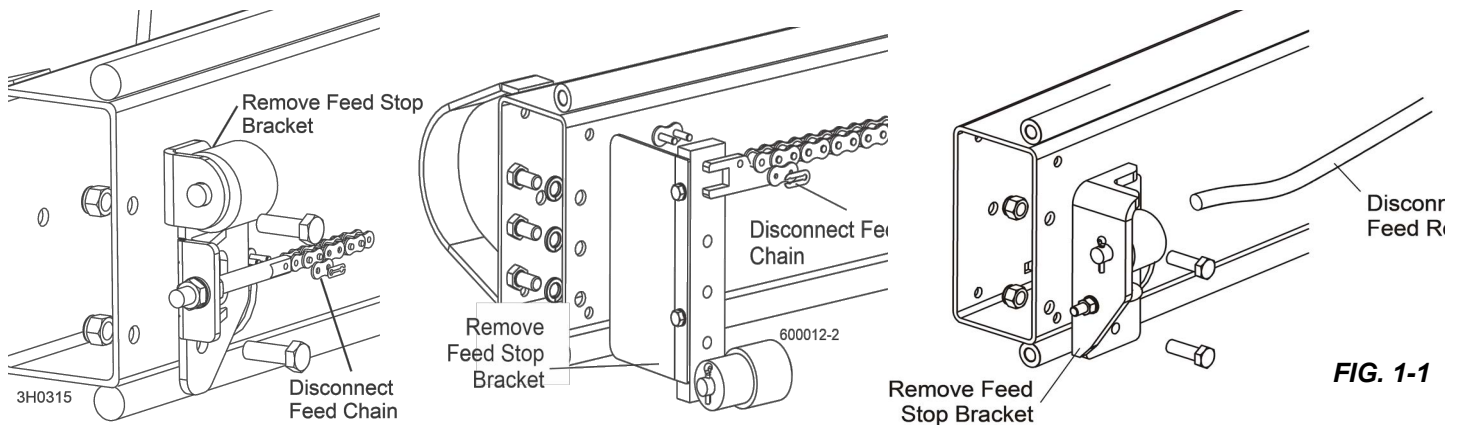
SECTION 1 INSTALLATION

The bed extension option includes a 6, 12 or 24-foot frame and the necessary hardware to attach it to your sawmill. After installation, the extension will allow you to cut longer logs than is possible with the standard sawmill.

1.1 Sawmill Preparation

CAUTION! When removing or replacing the feed chain on sawmills with hydraulic log handling, disconnect the negative battery lead. This will ensure the chain does not short the system if it contacts the power supply.

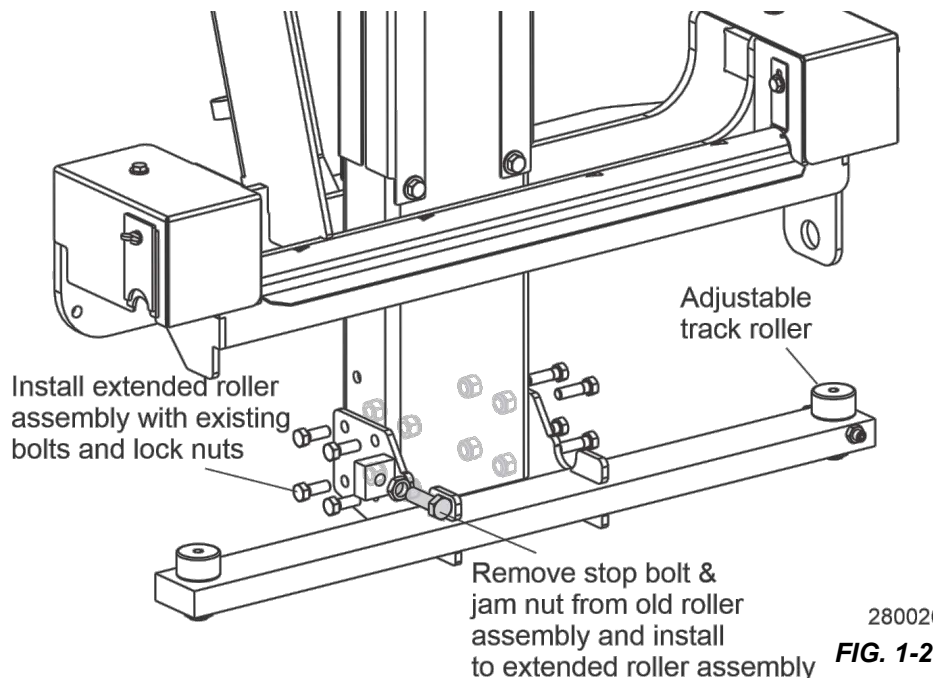
1. Remove the feed chain (or rope) from the feed stop bracket at the back end of the sawmill frame.
2. Break apart the master link to disconnect the chain from the bolt. **See Fig. 1-1.**



3. Remove the bolts and hardware holding the feed stop bracket to the sawmill frame.
4. Remove the entire assembly from the sawmill frame.
5. Use the same bolts and hardware to remount the feed stop bracket assembly to the end of the extension frame.
6. Remove the rear taillight and hardware from the sawmill if applicable.
7. **LT28/LT35/LT35HD Only:**

- 1). Replace the lower track roller assembly located at the bottom of the saw head mast with the extended dual-roller assembly (057924).
- 2). Place a beam across two bed rails.
- 3). Position the saw head over the beam and lower the saw head onto the beam until weight is removed from the lower track rollers. **See Fig. 1-2.**

8. Unbolt the track roller assembly from the mast and install the extended roller assembly to the mast using the same eight bolts and lock nuts.
9. Remove the stop bolt and jam nut from the track roller assembly and install to the threaded block on the extended roller assembly.



10. Adjust the stop bolt close to, but not touching the bottom track rail.
11. Raise the saw head off of the beam and check the position of the track rollers relative to the track rail at the front end and rear end of the sawmill.

Both rollers should contact the rail evenly.

12. To adjust, loosen the track roller jam nut and adjustment screw jam nuts.
13. Turn the adjustment screws to move the track roller as desired and tighten the jam nuts.

1.2 Connection Hardware Selection

There are two styles of connection hardware available to connect the extension to the sawmill. See the charts below to determine the correct kit for your sawmill and bed extension.

BX6 Rev. A2.00+
BX12 Rev. A2.00+
BX24 Rev. A3.00+

Determine if your sawmill is a 2002 or newer model as indicated by the revision levels shown below:

Sawmill Model	Revision
LT28	Rev. A1.00+
LT35	Rev. A1.00+
LT35HD	Rev. A1.00+
LT30	Rev. J3.00+
LT40	Rev. J4.00+
LT30HD	Rev. J4.00+
LT40HD	Rev. J5.00+
LT30 Super	Rev. H8.00+
LT40 Super	Rev. H9.00+
LT30HD Super	Rev. J4.00+
LT40HD Super	Rev. J4.00+
LT50HD	Rev. A1.01+
LT70HD	Rev. A1.00+
LT70HD	Rev. A1.00+
LT70HD Remote	Rev. A1.00+
LT70HD Super	Rev. A1.00+
LT70HD DCS	Rev. A1.00+

TABLE 1-1

If the sawmill is a 2002 or newer model, use the kit corresponding to the bed extension you are connecting:

Connection Kits for 2002+ BedX To 2002+ Sawmills						Installation Instructions
BedX Model	Connection Kit Part No. (LT28 ¹ /LT30/LT30HD/ LT35/LT35HD/ LT40/LT40HD/ LT50HD)	Connection Kit Part No. (LT70HD/ LT70HD)	Connection Kit Part No. (LT70HD Remote)	Connection Kit Part No. (LT70HD Super)	Connection Kit Part No. (LT70HD DCS)	
BX6	017767	017843	017843	017843	074068	See Section 1.4
BX12	017768	017844	N/A	N/A	074069	
BX24	017769	017845	N/A	N/A	N/A	

TABLE 1-2

¹ 3/8" Dia. Solid Braided Polyester feed rope for LT28 w/manual feed sold separately (R02080-1). Order 30.5 ft. plus length of BedX option.

If the sawmill is older than 2002, use the kit corresponding to the bed extension you are connecting:

Connection Kits for 2002+ BedX to Pre-2002 Sawmills		
BedX Model	Connection Kit Part No.	Installation Instructions
BX6	014756	See Section 1.3
BX12	A04383	
BX24	A11907	

TABLE 1-3

BX6 Rev. A1.00 - A1.01
BX12 Rev. A1.00 - A1.01
BX24 Rev. A1.00 - A2.00

Use the kit corresponding to the bed extension you are connecting:

Connection Kits for Pre-2002 BedX to Pre-2002 Sawmills		
BedX Model	Connection Kit Part No.	Installation Instructions
BX6	014756	See Section 1.3
BX12	A04383	
BX24	A11907	

TABLE 1-4

1.3 Connection Hardware Installation (pre-2002 models)

1. Install the alignment box inside the end of the sawmill frame using the two holes the tensioner was removed from.
2. Use a 1/2-13 x 1" bolt in the bottom hole and a 3/8-16 x 1 1/2" bolt in the top hole. **See Fig. 1-3.**

1.4 Connection Hardware Installation (2002+ models)

1. Remove the four mounting bolts from the connecting assembly.
2. Install the adjustment bolt and jam nut to the connecting assembly and into the connection plate.
3. Turn the adjusting bolt counterclockwise until it bottoms against the jam nut to extend the assembly as far as possible.
4. Install the assembly to the bed extension frame tube and secure with two of the mounting bolts, flat washers and nylon lock nuts.

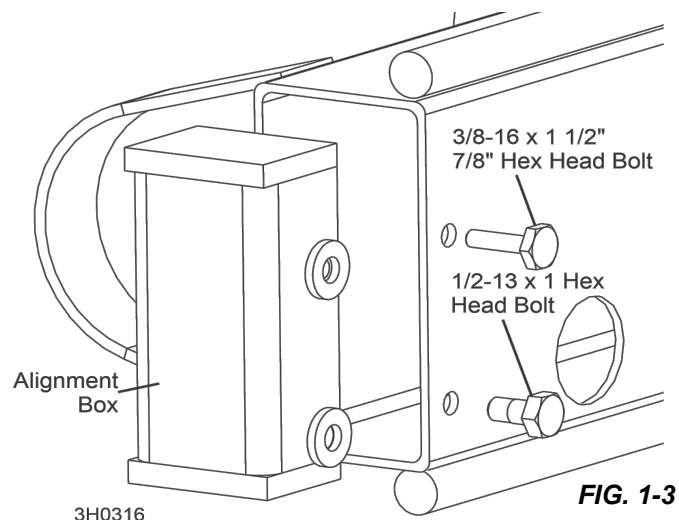


FIG. 1-3

5. Insert a connecting pin into the top and bottom rails of the extension. **See Fig. 1-4.**

1.5 Leg Installation

REMINDER: This section refers to positions **A** through **E** as labeled in [Form #359](#) located at the front of this manual.

1. Remove the rear leg (or outrigger) from position **E** on the sawmill frame.

NOTE: A support brace will be installed later that connects the extension frame to the sawmill frame. The removed sawmill leg will be repositioned on the support brace.

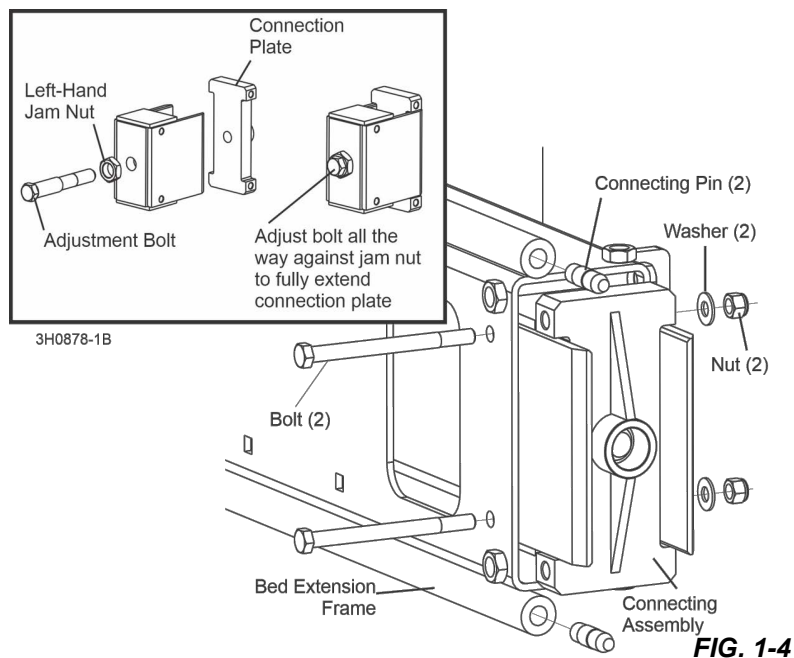


FIG. 1-4

2. Use four 3/8-16 x 5" bolts and nylon lock nuts to secure a long leg at each position **A** and **B** on the extension frame.
3. Insert the bolts from the outside of the frame tube and attach the nuts on the leg side of the tube.

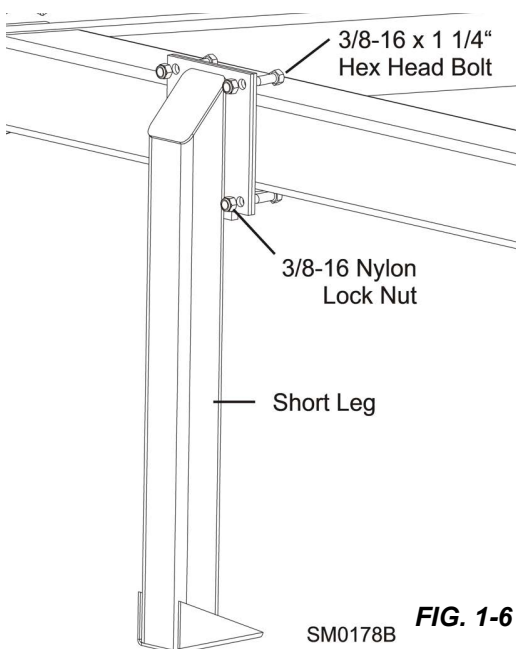


FIG. 1-6
SM0178B

BX24 only: Install a long leg at position **H** using four 3/8-16 x 1" bolts and nylon lock nuts.

4. Use four 3/8-16 x 1 1/4" bolts and nylon lock nuts to mount a short leg at position **C** on the extension frame.

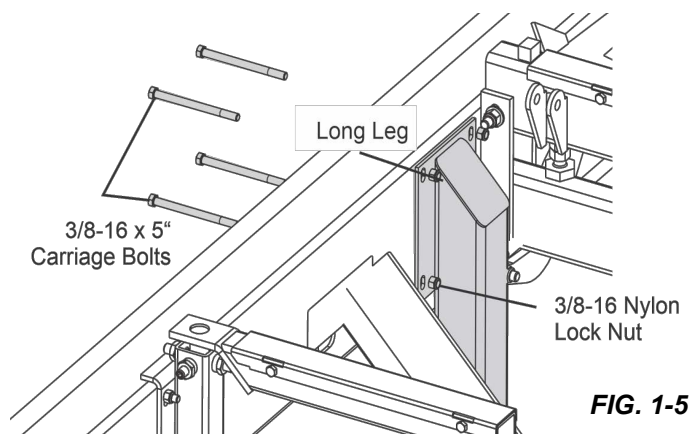


FIG. 1-5

1.6 Extension Frame Attachment (Pre-2002 Models)

1. Position the extension frame at the end of the sawmill frame.
2. Slide the extension frame over the alignment box on the sawmill frame.

Sight down the length of the frames to see that they are lined up as close as possible. **BX6 AND BX24, REV. A.00 - B.00 AND BX12 REV. A.00 - C.00:**

3. Install a 1/2-13 x 1" set screw and jam nut to each of the five pre-welded jam nuts at the end of the extension frame.
4. Install one 1/2-20 x 1/2" set screw and jam nut to the hole at the bottom rear of the extension frame. Skip to [Step 6](#).

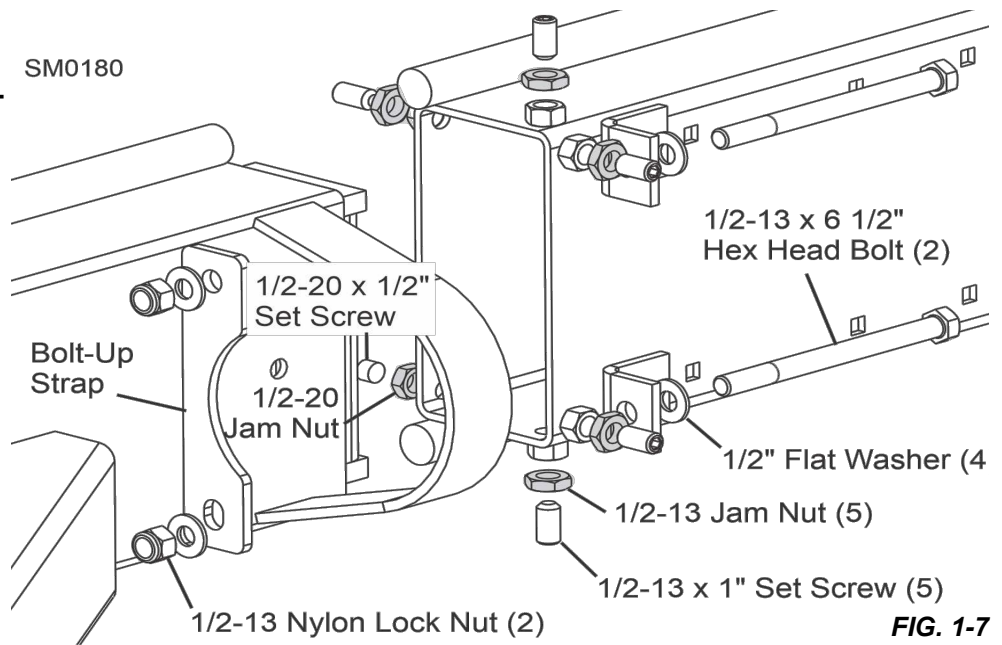


FIG. 1-7

BX6 AND BX24, REV. C.00+ AND BX12 REV. D.00+:

5. Install a 1/2-13 x 3/4" set screw to each of the six pre-welded jam nuts at the end of the extension frame.
6. Secure the frames together with the bolt-up strap, two 1/2-13 x 6 1/2" bolts, flat washers and nylon lock nuts as shown.

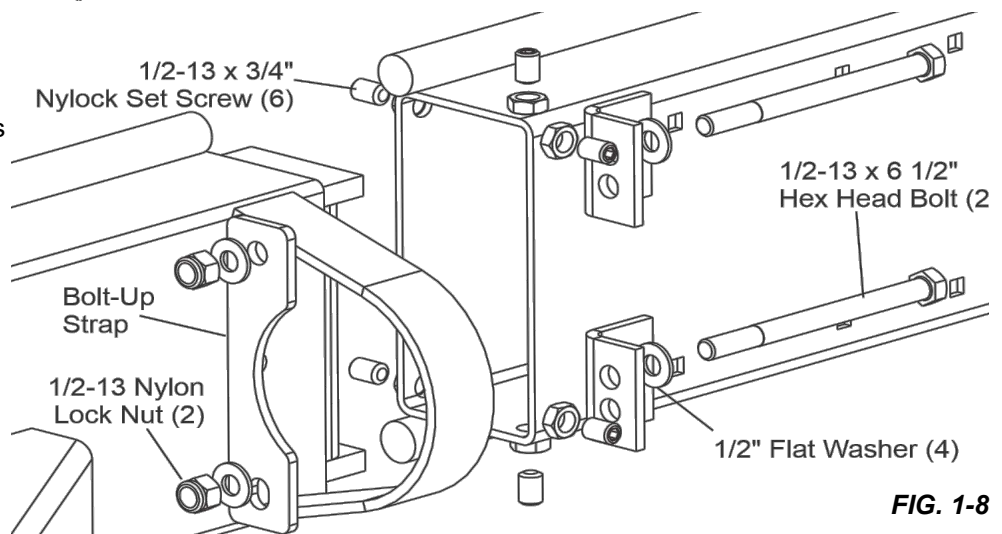
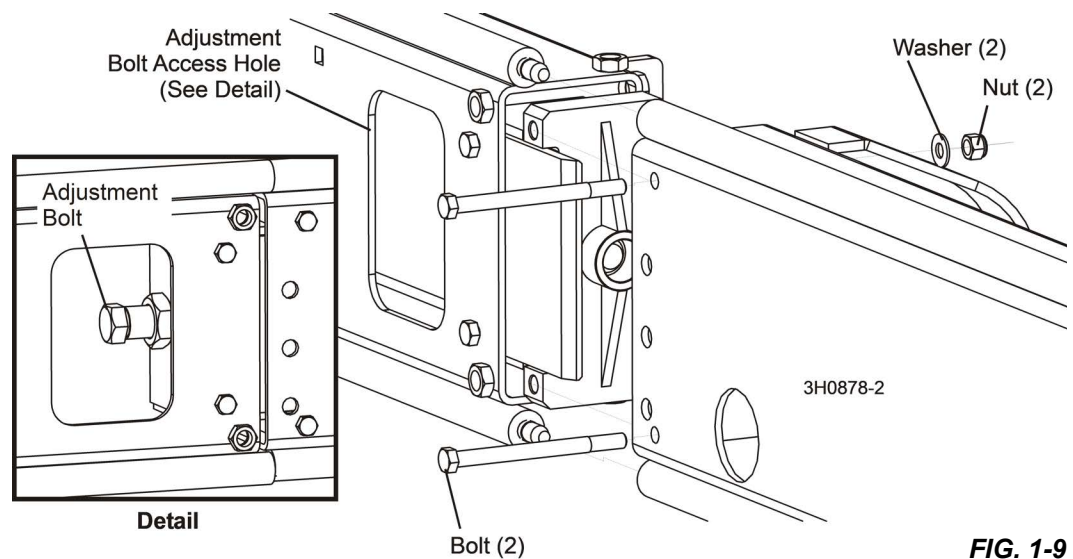


FIG. 1-8

1.7 Extension Frame Attachment (2002+ Models)

1. Slide the extension frame and sawmill frame together.
2. Align the connecting pins to the holes in the sawmill track rails.
3. Shim under the feet of the extension and/or sawmill so the pins align with the holes, if necessary.

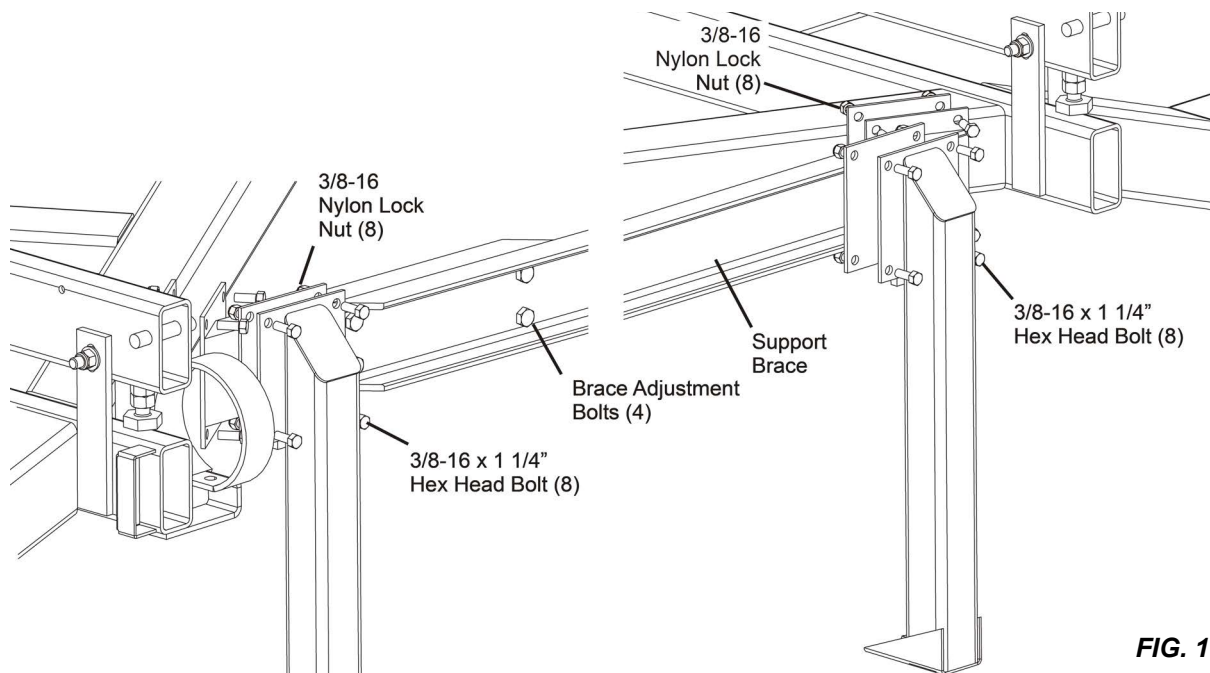
4. Push the frames together until the mounting holes in the connecting assembly align with the holes in the sawmill frame tube.
5. Secure with the remaining two mounting bolts, flat washers and lock nuts.
6. Turn the adjustment bolt clockwise to draw the extension and sawmill frames together until the track rails are touching snugly.
7. Tighten the adjustment bolt jam nut.

**FIG. 1-9**

1.8 Support Brace Installation

REMINDER: This section refers to positions **A** through **E** as labeled in [Form #359](#) located at the front of this manual.

8. Mount the support brace tube between the sawmill and extension frames at positions **D** and **E**.
9. Use four 3/8-16 x 1 1/4" bolts and lock nuts to secure the brace at position **D** and **E**.

**FIG. 1-10**

TUBE-STYLE BRACES FOR BX6 & BX12 TO 1992-95 SAWMILLS:

- 1). Use the 3/8-16 x 1 1/2" bolts supplied with the brace to bolt the brace at position **E** and use the four bolts and lock nuts supplied with the extension to secure the brace at position **D**.
- 2). Use supplied shims as necessary to fill any gap between the brace plate and sawmill frame.
10. Bolt the leg previously removed from the sawmill and a supplied short leg to the support brace with the bolts and nylon lock nuts supplied with the brace.
11. Attach the supplied length of feed chain to the existing feed chain with the master link provided.

12. Connect the feed chain to the feed stop bracket at the end of the extension frame.
13. Adjust the feed chain tensioner so that the chain is positioned as indicated below.
14. Make sure the feed chain is not twisted or kinked.

NOTE: For LT28 with manual feed, replace the feed rope with the necessary length of rope and attach to the feed stop eye-bolt. Refer to your operator's manual for feed rope installation instructions.

BedX Model	Distance from top of top track rail to top of feed chain (measure at middle of chain span)
BX6	7 - 8 inches
BX12	8 - 9 inches
BX24	10 - 11 inches

TABLE 1-5

1.9 Extra Leg and Bed Rail Installation (24-foot Bed Extensions Only)

1. Mount the additional long leg at position **F** shown in [Form #359](#).
2. Use 3/8-16 x 5" bolts and lock nuts to secure the long leg to the main frame tube.
3. **NOTE:** When bolting near the end of the main tube, the tube can collapse or "mushroom" as the bolts are tightened. Do not overtighten the bolts to avoid deforming the main tube. If you find it difficult to align the tracks with the alignment set screws, check that neither frame tube is deformed. The tube can be pulled back into shape using the alignment set screws.

4. Mount the additional bed rail assembly and short leg at position **G** on the support brace tube.
5. Use 3/8-16 x 2 3/4" bolts and lock nuts to mount the short leg and bed rail to the support brace tube.
6. Use 3/8-16 x 5" bolts and lock nuts to mount the other end of the bed rail to the main tube.

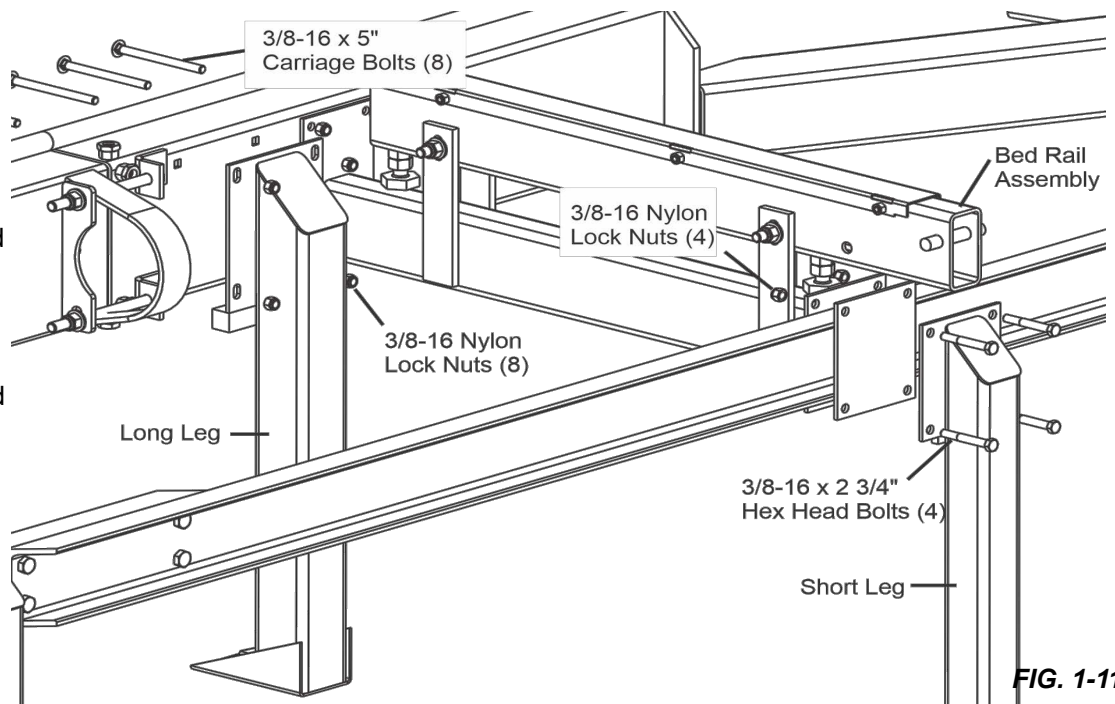


FIG. 1-11

SECTION 2 ALIGNMENT, OPERATION, STORAGE

2.1 Bed Extension Alignment

Pre-2002 Bed Extension/Sawmill Only

For a properly aligned extension, you should not be able to detect any variance where one track ends and the other starts.

1. Use the six set screws around the extension frame tube to align the upper and lower tracks on the sawmill to the tracks on the extension.
2. Move the cutting head across the area where the sawmill frame and extension meet.
3. Fine tune the set screws until the sawmill and extension tracks are perfectly matched.

If the tracks are properly aligned, you should not be able to tell when the track bearings cross from the sawmill to the extension. Any variance will cause inaccurately sawn boards!



CAUTION! Bolting through the main tube can cause the tube to collapse or "mushroom". If you find it difficult to align the tracks with the alignment set screws, check that neither frame tube is deformed. The tube can be pulled back into shape using the alignment set screws.

All Bed Extension/Sawmill Combinations:

4. Place two equal height objects on top of the track rail (wrench sockets work well).
5. Pull a string tight over the objects and clamp so there is no sag in the string.
6. Measure from the string to the track at one end, the middle, and the other end of the track.

The track should be 1/16 to 1/8" (1.5 to 3.0 mm) higher in the middle than at the ends. This will compensate for any sag that occurs as the cutting head reaches the middle of the track.

7. If more bow in the middle is needed, shim the middle track-mounted legs.
8. If the middle is bowed up too much, shim the track-mounted legs at each end of the frame.
9. Shim under any feet that do not touch the ground.
10. Align the sawmill and extension as instructed in your sawmill manual.

2.2 Log Clamp Operation

A manual log clamp is supplied with the bed extension to help clamp long logs against the side supports.

1. Insert the log clamp post in the slotted channel between the middle bed rails of the extension. Choose a hole close to the log.
2. Pull the clamp handle to spin the cam against the log and clamp the log firmly against the side supports.
3. Lock the clamp in place with the chain mounted to the extension frame.
4. Stretch the chain up to the clamp and slip the chain through the slot on the clamp handle.
5. Use a link in the chain that holds the clamp firmly against the log.

2.3 Storage Protection

When not using the bed extension, follow the recommendations below to prevent rust and/or corrosion.

1. Coat the top and bottom bed extension rails with a rust inhibitor such as Sherwin-Williams P.D.R.P. #710.
2. Coat the power feed chain with a light film of a light-weight lubricant such as Dexron III ATF.
3. Make sure the connecting link is attached to the chain to prevent chain loss.
4. Coat the threads of the bed rail leveling bolts with a dry lube such as Gunk L-508.

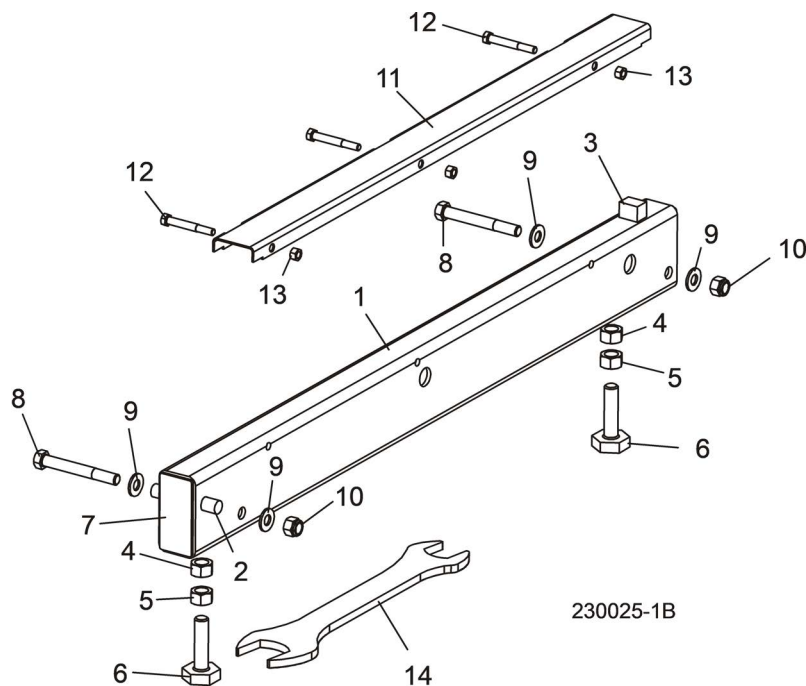
5. Lubricate the pivot block/shaft on the pivot bed rails with NLGI No. 2 grade lithium grease such as Amoco Rycon #2 Synthetic Grease.

PREPARATION FOR USE AFTER STORAGE

1. Remove the rust inhibitor protection coat from the bed extension rails.
2. Use a clean, dry cloth and a light lubricant such as WD-40 to remove the protection coat.

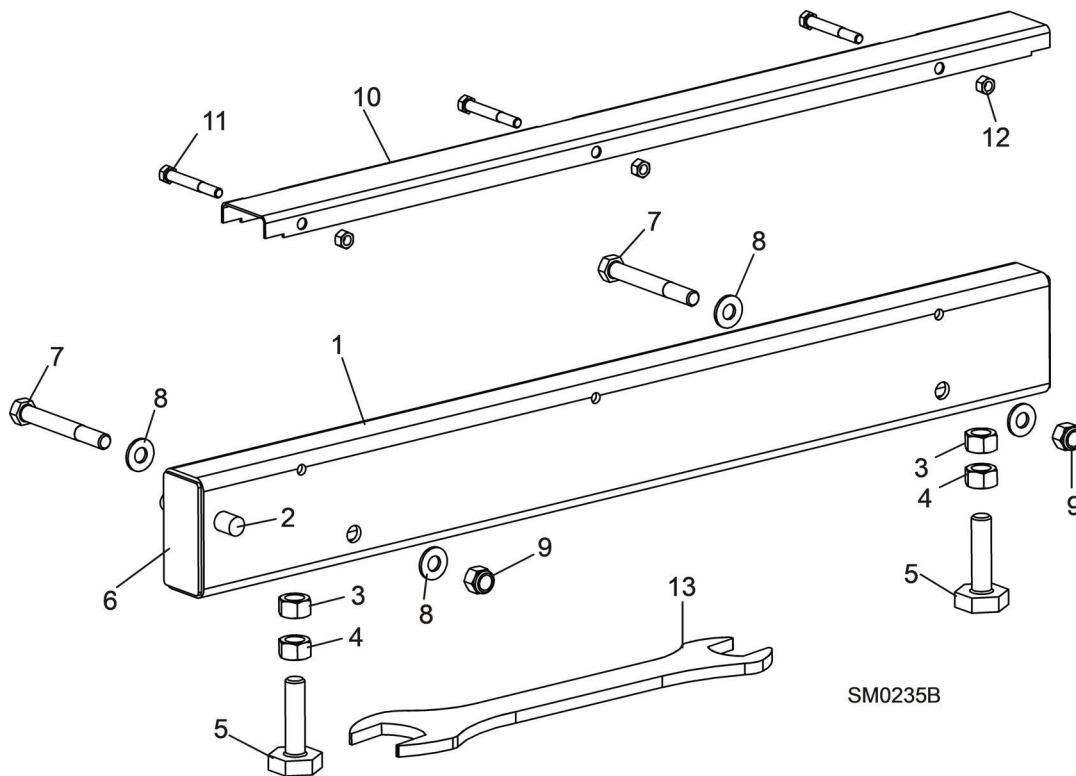
SECTION 3 BED EXTENSION PARTS

3.1 Bed Rail Assembly, Front And Rear



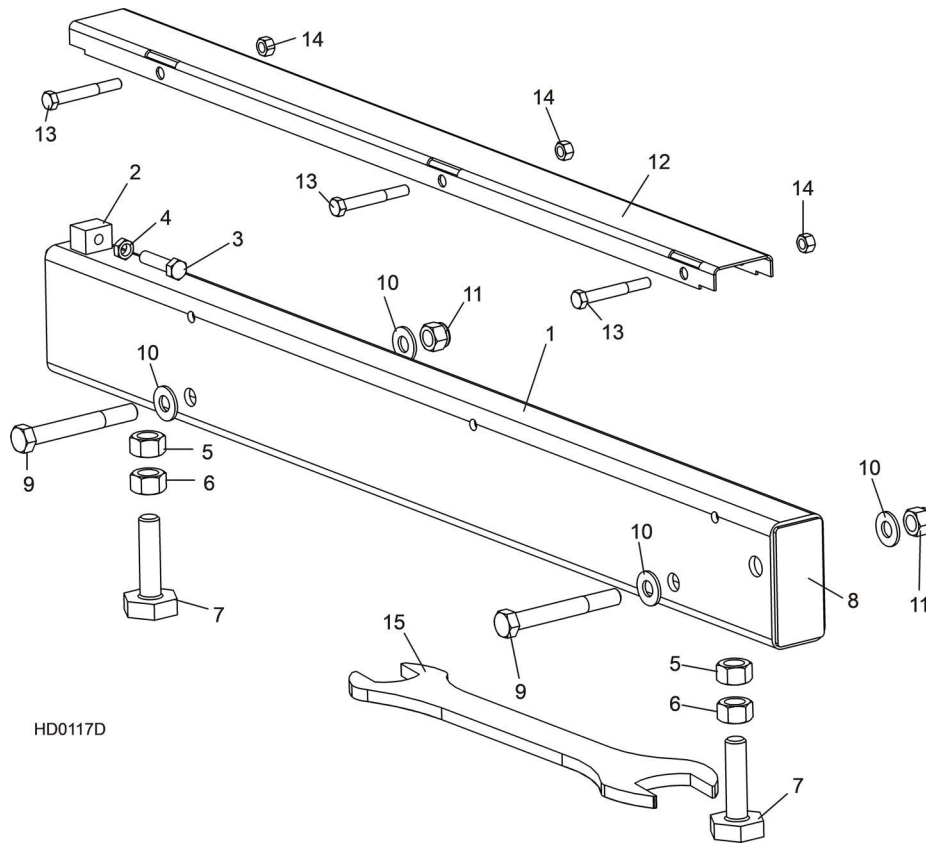
REF	PART #	DESCRIPTION	COMMENTS	QTY.
	A09774	BED RAIL ASSEMBLY		2
1	S09102	Bed Rail Tube, Long	Available in assemblies only.	1
2	S04030	Pin, Ramp Mount		1
3	S09034	Block, Log Stop		1
4	F05010-187	Nut, 5/8-11 Square Pilot Weld		2
5	F05010-54	Nut, 5/8-11 Hex		2
6	S13006	Bolt, Bed Rail Adjustment		1
7	S04058	Plate, Bed Rail End Cap		1
8	F05008-78	BOLT, 1/2-13 X 4" HEX HEAD GRADE 5		4
9	F05011-2	WASHER, 1/2" SAE FLAT		8
10	F05010-8	NUT, 1/2-13 NYLON LOCK		4
11	016898	COVER, STAINLESS STEEL BED RAIL	Longer rail 016898 replaces S09944 supplied prior to BX6 Rev. A2.00, BX12 Rev. A2.00 and BX24 Rev. A3.00.	2
12	F05006-10	BOLT, 5/16-18 X 2 1/2" HEX HEAD		6
13	F05010-6	NUT, 5/16-18 HEX LOCK		6
14	015970	WRENCH, BED RAIL ADJUSTMENT		1

3.2 Bed Rail Assembly, Front Middle (BX12 & BX24 Only)



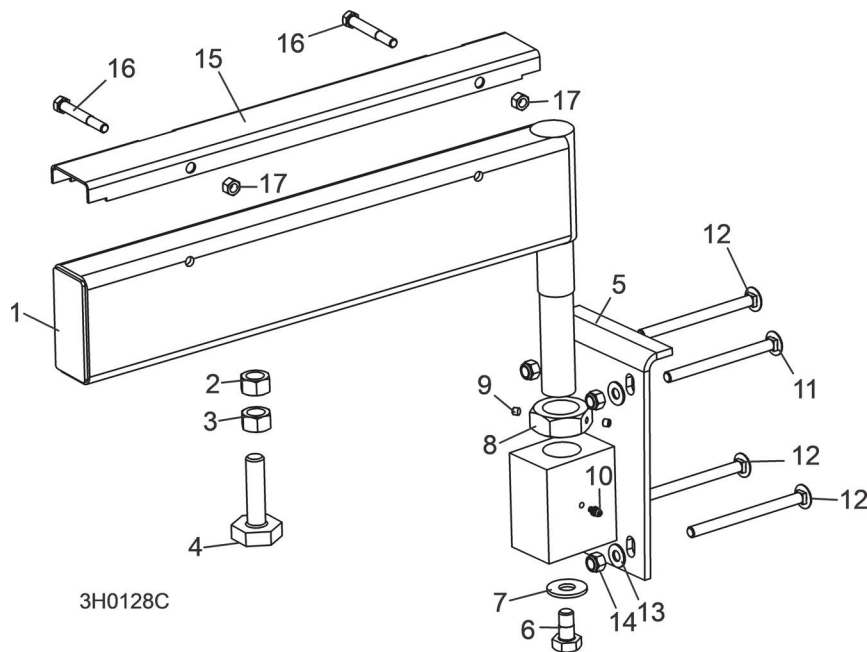
REF	PART #	DESCRIPTION	COMMENTS	QTY.
	A09566	BED RAIL ASSEMBLY, FRONT MIDDLE		1
1	S09103	Bed Rail Tube, Short	Available in assemblies only.	1
2	S04030	Pin, Ramp Mount		1
3	F05010-187	Nut, 5/8-11 Square Pilot Weld		2
4	F05010-54	Nut, 5/8-11 Hex		2
5	S13006	Bolt, Bed Rail Adjustment		2
6	S04058	Plate, Bed Rail End Cap	Available in assemblies only.	1
7	F05008-78	BOLT, 1/2-13 X 4" HEX HEAD GRADE 5		4
8	F05011-2	WASHER, 1/2" SAE FLAT		8
9	F05010-8	NUT, 1/2-13 NYLON LOCK		4
	A09956	COVER ASSEMBLY, STAINLESS STEEL BED RAIL (LONG)		1
10	S09944	Cover, Stainless Steel Bed Rail	Available in assemblies only.	1
11	F05006-10	Bolt, 5/16-18 X 2 1/2" Hex Head		3
12	F05010-6	Nut, 5/16-18 Hex Lock		3
13	015970	WRENCH, BED RAIL ADJUSTMENT		1

3.3 Bed Rail Assembly, Rear Middle (BX12 & BX24 Only)



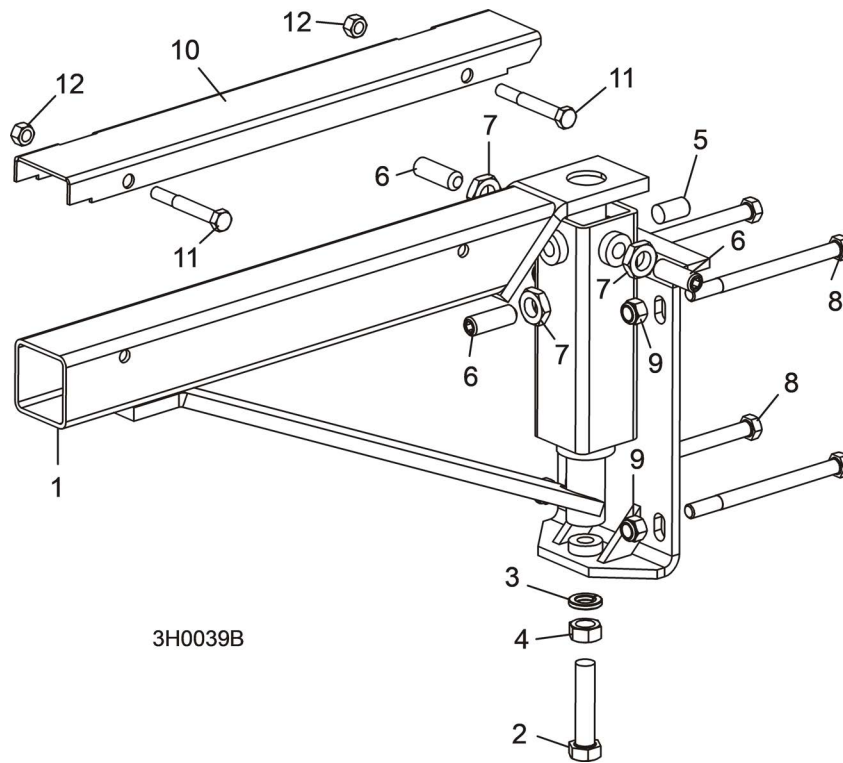
REF	PART #	DESCRIPTION	COMMENTS	QTY.
		BED RAIL ASSEMBLY, REAR MIDDLE PAINTED		1
1	S09103	Bed Rail Tube, Short	Available in assemblies only.	1
2	014639	Block, Log Stop w/Threaded Hole	Available in assemblies only.	1
3	F05007-17	Bolt, 3/8-16 x 1 1/2 Full Thead Hex Head		1
4	F05010-29	Nut, 3/8-16 Hex Jam		1
5	F05010-187	Nut, 5/8-11 Square Pilot Weld	Available in assemblies only.	2
6	F05010-54	Nut, 5/8-11 Hex		2
7	S13006	Bolt, Bed Rail Adjustment		2
8	S04058	Plate, Bed Rail End Cap		1
9	F05008-78	BOLT, 1/2-13 X 4" HEX HEAD GRADE 5		2
10	F05011-2	WASHER, 1/2" SAE FLAT		4
11	F05010-8	NUT, 1/2-13 NYLON LOCK		2
	A09956	COVER ASSEMBLY, STAINLESS STEEL BED RAIL (LONG)		1
12	S09944	Cover, Stainless Steel Bed Rail	Available in assemblies only.	1
13	F05006-10	Bolt, 5/16-18 X 2 1/2" Hex Head		3
14	F05010-6	Nut, 5/16-18 Hex Lock		3
15	015970	WRENCH, BED RAIL ADJUSTMENT		1

3.4 Pivot Bed Rail Assembly (BX24 Only)



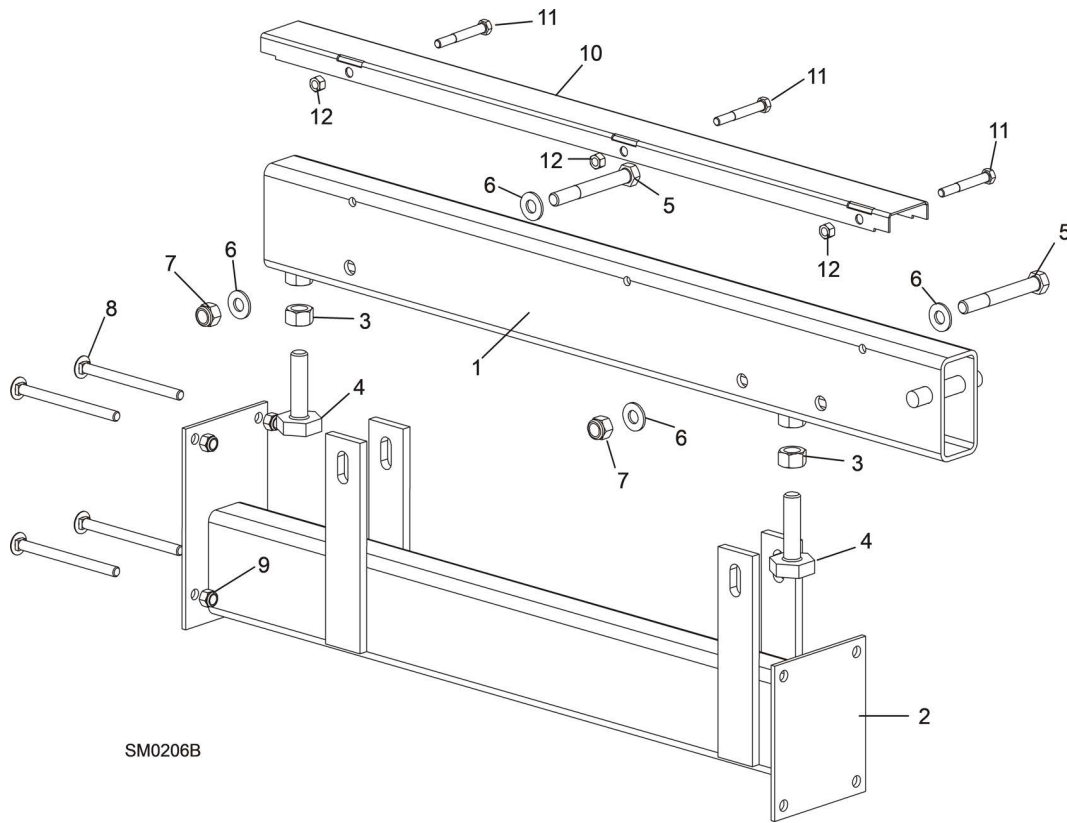
REF	PART #	DESCRIPTION	COMMENTS	QTY.
	A13015	PIVOT BED RAIL ASSEMBLY		2
1	W13014	Pivot Bed Rail Weldment	Available in assemblies only.	1
2	F05010-187	Nut, 5/8-11 Square Pilot Weld		1
3	F05010-5	Nut, 5/8-11 Hex		1
4	S13006	Bolt, Bed Rail Adjustment		1
5	W13090	Bracket, Pivot Rail Mounting		1
6	F05008-50	Bolt, 1/2-13 x 1" Hex Head Grade 2		1
7	F05011-52	Washer, 9/16" Flat SAE		1
8	S13016	Nut, Pivot Rail Adjustment		1
9	F05005-42	Screw, 1/4-28 x 1/4" Brass Tip Set		2
10	P04107	Fitting, 3/16" Grease		1
11	F05007-114	BOLT, 3/8-16 X 4 3/4" CARRIAGE HEAD		2
12	F05007-113	BOLT, 3/8-16 X 5" CARRIAGE HEAD		6
13	F05011-3	WASHER, 3/8" SAE FLAT		8
14	F05010-10	NUT, 3/8-16 NYLON LOCK		8
15	S13012	COVER, STAINLESS STEEL PIVOT BED RAIL		2
16	F05006-10	BOLT, 5/16-18 X 2 1/2" HEX HEAD		4
17	F05010-6	NUT, 5/16-18 HEX LOCK		4
	015970	WRENCH, BED RAIL ADJUSTMENT (NOT SHOWN)		1

3.5 Pivot Bed Rail Assembly (BX12 Only)



REF	PART #	DESCRIPTION	COMMENTS	QTY.
	K06897	PIVOT BED RAIL COMPLETE KIT		1
	A09435	Pivot Bed Rail Assembly	Available in assemblies only.	1
1	W09320	Pivot Bed Rail Weldment	Available in assemblies only.	1
2	F05008-2	Bolt, 1/2-13 X 2 1/4" Hex Head Full Thread		1
3	F05011-9	Washer, 1/2" Split Lock		1
4	F05010-35	Nut, 1/2-13 Hex		1
	A06893	Bag Assembly, Pivot Bed Rail	Available in assemblies only.	1
5	F05008-9	Screw, 1/2-13 X 1" Socket Head Oval Point		1
6	F05008-31	Screw, 1/2-13 X 1 1/2" Socket Head Flat Point		3
7	F05010-31	Nut, 1/2-13 Hex Jam		3
	K06897-270	Instruction Sheet, Pivot Bed Rail		1
8	F05007-5	Bolt, 3/8-16 X 5" Hex Head		4
9	F05010-10	Nut, 3/8-16 Nylon Lock		4
	A09609	COVER ASSEMBLY, STAINLESS STEEL PIVOT BED RAIL		1
10	S09252	Cover, Stainless Steel Pivot Bed Rail (Short)	Available in assemblies only.	1
11	F05006-10	Bolt, 5/16-18 X 2 1/2" Hex Head		2
12	F05010-6	Nut, 5/16-18 Hex Lock		2

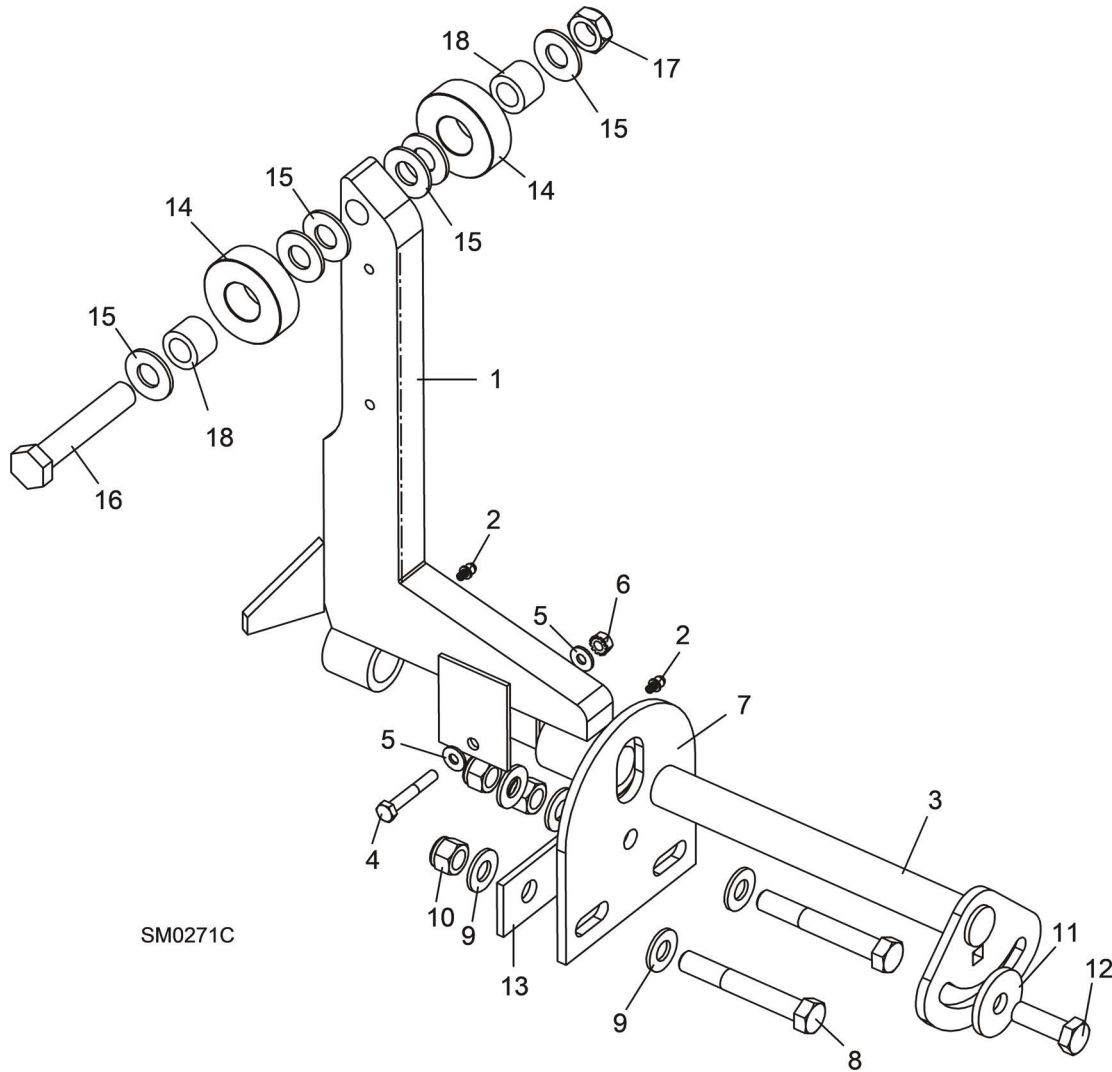
3.6 Auxiliary Bed Rail Assembly (BX24 Only)



REF	PART #	DESCRIPTION	COMMENTS	QTY.
	K12017	RAIL KIT, BX24 AUXILIARY BED		1
	W12016	Bed Rail Assembly, BX24	Available in assemblies only.	1
1	036277	Rail Weldment, BX24 Auxiliary Bed		1
2	036276	Base Weldment, BX24 Bed Rail		1
	A09775	Bolt Assembly, Bed Rail	Available in assemblies only.	2
3	F05010-54	Nut, 5/8-11 Hex		2
4	S13006	Bolt, Bed Rail Adjustment		2
5	F05008-26	Bolt, 1/2-13 X 4" Hex Head		2
6	F05011-2	Washer, 1/2" SAE Flat		4
7	F05010-8	Nut, 1/2-13 Nylon Lock		2
8	F05007-113	Bolt, 3/8-16 x 5" Carriage Head		4
9	F05010-10	Nut, 3/8-16 Nylon Lock		4
	A09956	Cover Assembly, Stainless Steel Bed Rail (Long)		1
10	S09944	Cover, Stainless Steel Bed Rail	Available in assemblies only.	1
11	F05006-10	Bolt, 5/16-18 X 2 1/2" Hex Head		3
12	F05010-6	Nut, 5/16-18 Hex Lock		3
	015970	WRENCH, BED RAIL ADJUSTMENT	(NOT SHOWN)	1

3.7 Log Side Support Assembly

BXRev. A1.01+

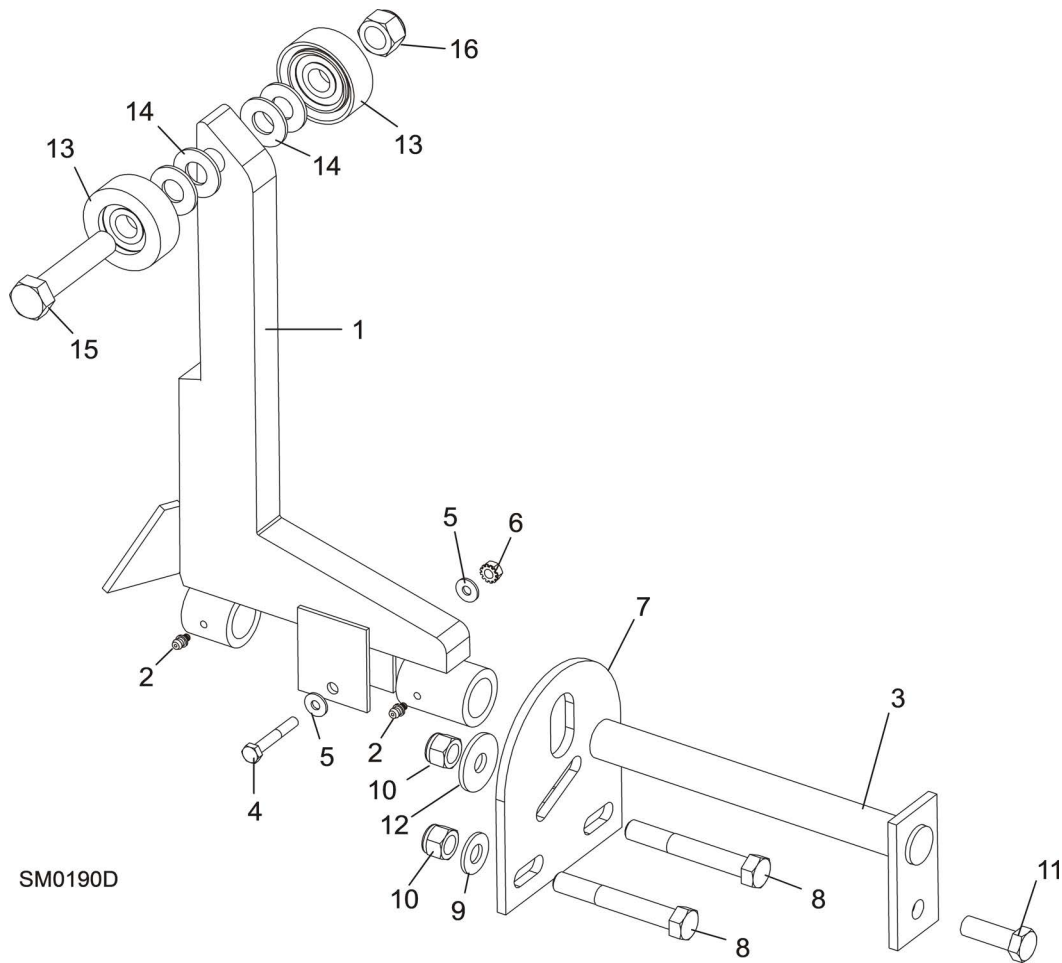


REF	PART #	DESCRIPTION	COMMENTS	QTY.
1	015235	Support, Log Side	Qty. 1 per BX6 Qty. 4 per BX12 and BX24	1/4
2	P04107	Fitting, 3/16" Grease		2/8
	016559	Mounting Kit, Log Side Support	Mounting Kit 016559 replaced kit K09344, Rev. A1.01.	1/4
3	016544	Pin, Log Side Support Pivot		1
4	F05005-4	Bolt, 1/4-20 X 1 1/2" Hex Head Grade 5		1
5	F05011-11	Washer, 1/4" SAE Flat		2
6	F05010-9	Nut, 1/4-20 Self Locking		1
7	016555	Plate, Log Side Support End		1
8	F05008-61	Bolt, 1/2-13 X 3 1/2" Hex Head Grade 5		2
9	F05011-2	Washer, 1/2" SAE Flat		2
10	F05010-8	Nut, 1/2-13 Hex Nylon Lock		3

REF	PART #	DESCRIPTION	COMMENTS	QTY.
11	014632	Washer, 1/2" SAE Flat	Washer 014632 replaces F05011-2 (12/99). F05011-2 replaced F05011-90 used prior to Rev. A1.02.	1
12	F05008-33	Bolt, 1/2-13 X 1 1/2" Hex Head Grade 5		1
13	016558	Plate, Side Support Washer Clamp		1
	016562	Roller Kit, Side Support (Optional)	Roller Kit 016562 replaces kit 015109 as of Rev. A1.01.	1/4
14	016561	Roller, Side Support		2
15	F05011-5	Washer, 5/8" SAE Flat		6
16	F05009-118	Bolt, 5/8-11 x 3 3/4" Hex Head Grade 5	F05009-118 replaced F05009-93 used before 3/07.	1
17	F05010-96	Nut, 5/8-11 Hex Nylon Lock Jam		1
18	016560	Bushing, Bronze 5/8" x 1" x 3/4"		2
	016562-526	Instruction Sheet, Side Support Roller		1

3.8 Log Side Support Assembly

BXRev. A - A1.00

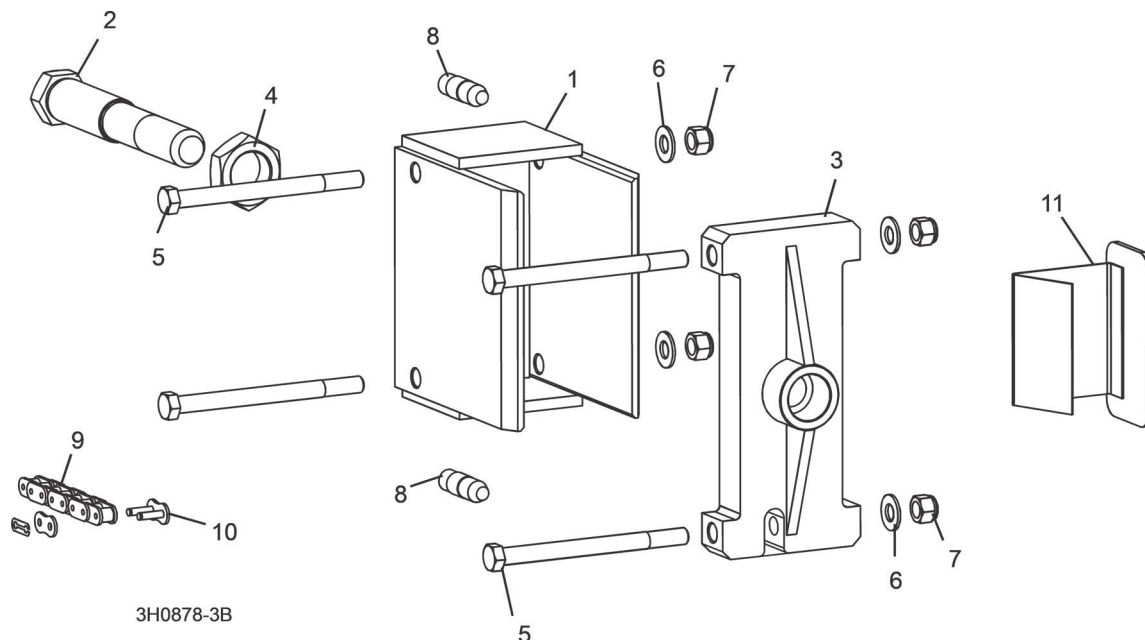


REF	PART #	DESCRIPTION	COMMENTS	QTY.
1	015235	Support, Log Side (Qty. 1 per BX6/4 per BX12 and BX24)		1/4
2	P04107	Fitting, 3/16" Grease		2/8
	K09440	Mounting Kit, Log Side Support	Upgrade mounting kit 016559 also available. Replaces Pin Weldment and Mounting Plate to new design to improve stability of side support adjustment (See Section 5.7).	1/4
3	W09238	Pin, Log Side Support Pivot		1
4	F05005-5	Bolt, 1/4-20 X 1 1/2" Hex Head Grade 5		1
5	F05011-11	Washer, 1/4" SAE Flat		2
6	F05010-9	Nut, 1/4-20 Self Locking		1
7	S09148	Plate, Log Side Support End		1
8	F05008-15	Bolt, 1/2-13 X 3 1/2" Hex Head		2
9	F05011-2	Washer, 1/2" SAE Flat		2
10	F05010-8	Nut, 1/2-13 Hex Nylon Lock		3
11	F05008-33	Bolt, 1/2-13 X 1 1/2" Hex Head Grade 5		1

REF	PART #	DESCRIPTION	COMMENTS	QTY.
12	014632	Washer, .5" x 1.63" x 11" Ga.	Replaces S09225 1/2" I.D. X 1 1/2" O.D. X .1196" Washer (12/97).	1
	015109	Roller Kit, Side SUpport (Optional)	Roller kit replaced by new kit 016562 (See Section 5.7).	1/4
13	015014	Roller Assembly, Side Support		2
14	F05011-5	Washer, 5/8" SAE Flat		4
15	F05009-37	Bolt, 5/8-11 x 3" Hex Head Grade 5		1
16	F05010-34	Nut, 5/8-11 Nylon Lock		1
	015109-526	Instruction Sheet, Side Support Roller		1

3.9 Connecting Assembly/Feed Chain (2002+ Models)

BX6Rev. A2.00+
BX12Rev. A2.00+
BX24Rev. A3.00+

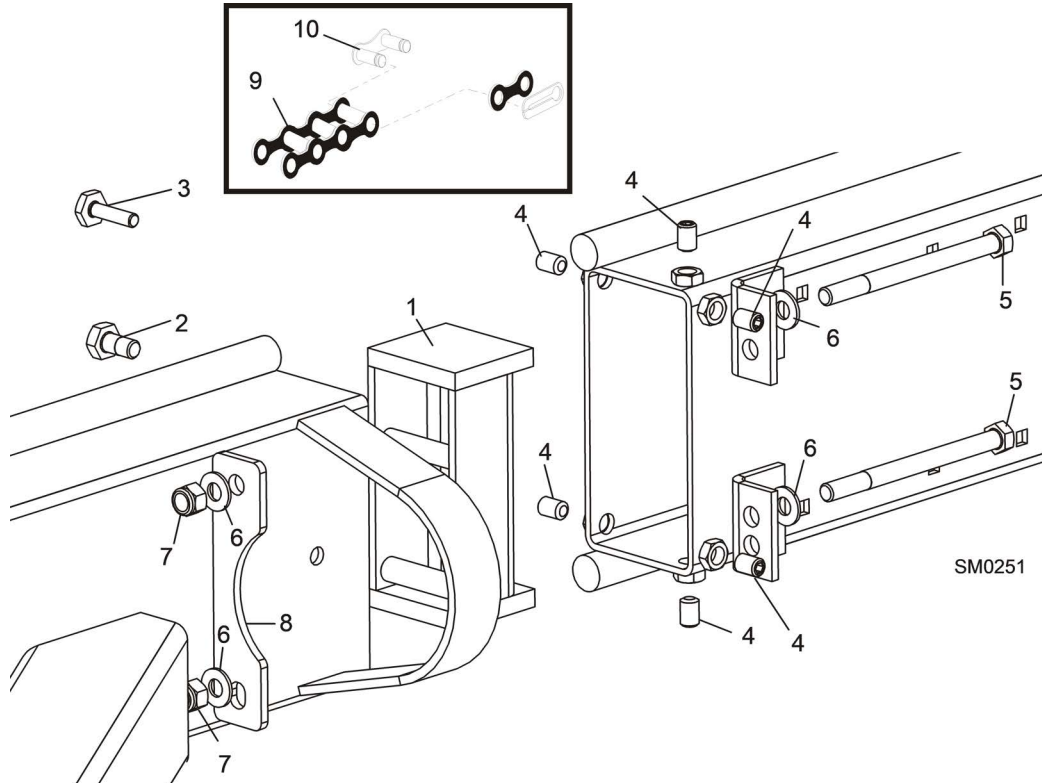


REF	PART #	DESCRIPTION	COMMENTS	QTY.
	017767	BOX ASSEMBLY, BX6 PARTS (2002)		1
	017768	BOX ASSEMBLY, BX12 PARTS (2002)		1
	017769	BOX ASSEMBLY, BX24 PARTS (2002)		1
	017843	BOX ASSEMBLY, BX6 PARTS (LT70)		1
	017844	BOX ASSEMBLY, BX12 PARTS (LT70)		1
	017845	BOX ASSEMBLY, BX24 PARTS (LT70)		1
	074068	BOX ASSEMBLY, BX6 PARTS (70 DCS)		1
	074069	BOX ASSEMBLY, BX12 PARTS (70 DCS)		1
	017700	Connection Assembly, Bed Extension		1
1	017695	Box Weldment, Bed Extension Connection		1
2	017690	Screw, Bed Extension Connection Adjustment		1
3	017699	Plate Weldment, Bed Extension Connection		1
4	F05010-172	Nut, 1-14 Hex Head Left-Hand Thread Jam		1
5	F05007-109	Bolt, 3/8-16 x 4 3/4" Hex Head Grade 5		4
6	F05011-3	Washer, 3/8" SAE Flat		4
7	F05010-10	Nut, 3/8-16 Hex Nylon Lock		4
8	017689	Pin, Bed Extension Connection		2
9	P11602	Chain, #40 x 75 1/2" (BX6)		1
	P07355	Chain, #40 x 143 1/2" (BX12)		1
	P11909	Chain, #40 x 286 1/2" (BX24)		1
	017840	Chain, #60 x 70 1/2" (BX6 LT70/DCS)		1
	017841	Chain, #60 x 143 1/4" (BX12 LT70/DCS)		1

REF	PART #	DESCRIPTION	COMMENTS	QTY.
	017842	Chain, #60 x 286 1/2" (BX24 LT70)		1
10	P04200	Link, #40 Master		1
	042398	Link, #60 CL (LT70/DCS)		1
11	014652	Cap Weldment, 2x4 Bed Tube		2
	038843	Cap Weldment, 2x4 Bed Tube (LT70 DCS)		2
	065920-6	Cable Assembly, DCS 6' Bed-X Festoon Trolley (LT70 DCS)		1
	065920-12	Cable Assembly, DCS 12' Bed-X Festoon Trolley (LT70 DCS)		1
	068309	Cable Assembly, DCS 6' Bed-X Festoon (LT70 DCS)		1
	068311	Cable Assembly, DCS 12' Bed-X Festoon (LT70 DCS)		1
	076078	Trolley, LT70 Festoon (LT70 DCS; 1 for 6'; 2 for 12')		1/2
	M294	Manual, Bed Extension Option		1
12	R02080-1	ROPE, 3/8" DIA. SOLID BRAIDED POLYESTER (LT28 MANUAL FEED ONLY)	Sold separately. Order 30.5 ft. plus length of BedX option.	A/R

3.10 Alignment Box/Feed Chain (pre-2002 Models)

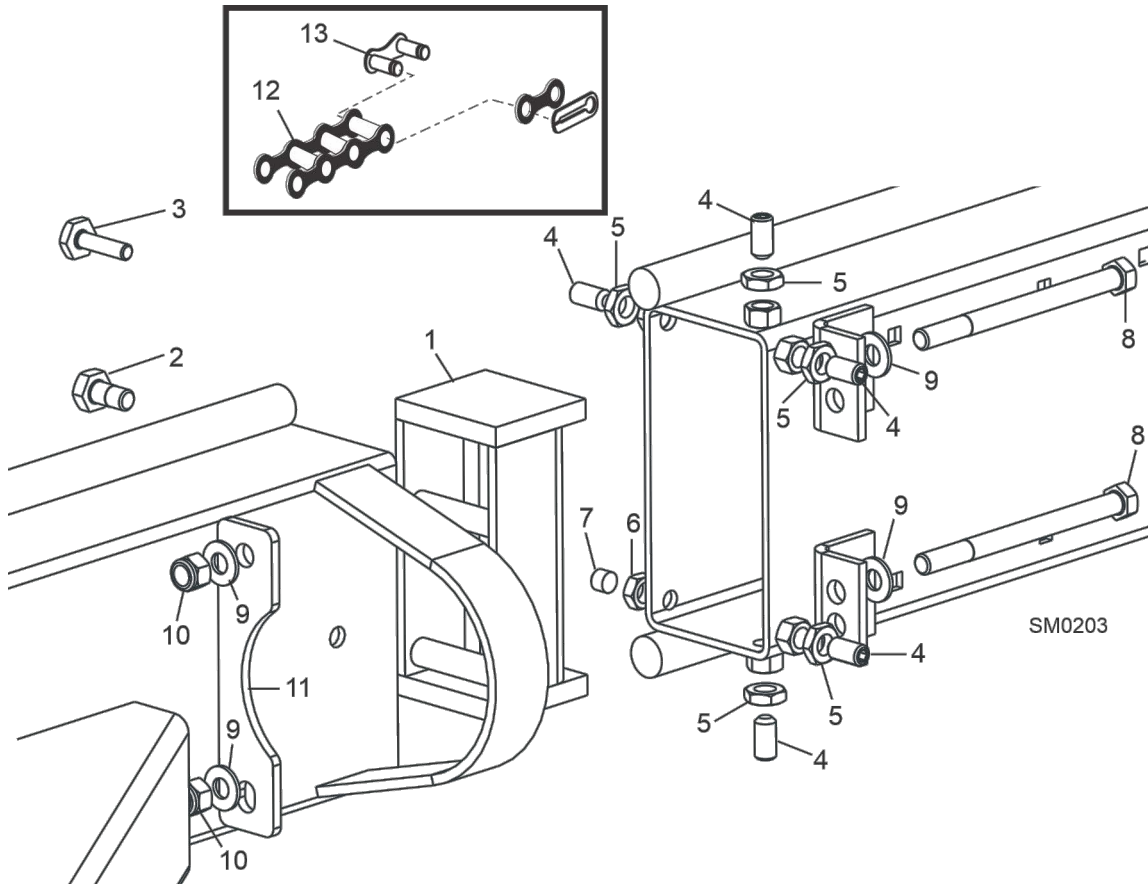
BX6Rev. C.00+
BX12Rev. D.00+
BX24Rev. C.00+



REF	PART #	DESCRIPTION	COMMENTS	QTY.
	014756	BOX ASSEMBLY, BX6 PARTS		1
	A04383	BOX ASSEMBLY, BX12 PARTS		1
	A11907	BOX ASSEMBLY, BX24 PARTS		1
1	W12010	Box Weldment, Bed Extension Alignment		1
2	F05008-50	Bolt, 1/2-13 x 1" Hex Head		1
3	F05007-28	Bolt, 3/8-16 x 1 1/2" 7/8" Hex Head		1
4	F05008-117	Screw, 1/2-13 x 3/4" Socket Head Flat Point Nylock Set	Replaces set screws and jam nuts used on prior revisions (See Section 3.11)	6
5	F05008-6	Bolt, 1/2-13 x 6 1/2" Hex Head		2
6	F05011-2	Washer, 1/2" SAE Flat		4
7	F05010-8	Nut, 1/2-13 Hex Nylon Lock		2
8	S12021	Plate, Bed Extension Bolt-Up		1
9	P11602	Chain, #40 x 75 1/2" (BX6)		1
	P07355	Chain, #40 x 143 1/2" (BX12)		1
	P11909	Chain, #40 x 286 1/2" (BX24)		1
10	P04200	Link, #40 Master		1

3.11 Alignment Box/Feed Chain

BX6Rev. A.00 - B.00
BX12Rev. A.00 - C.00
BX24Rev. A.00 - B.00

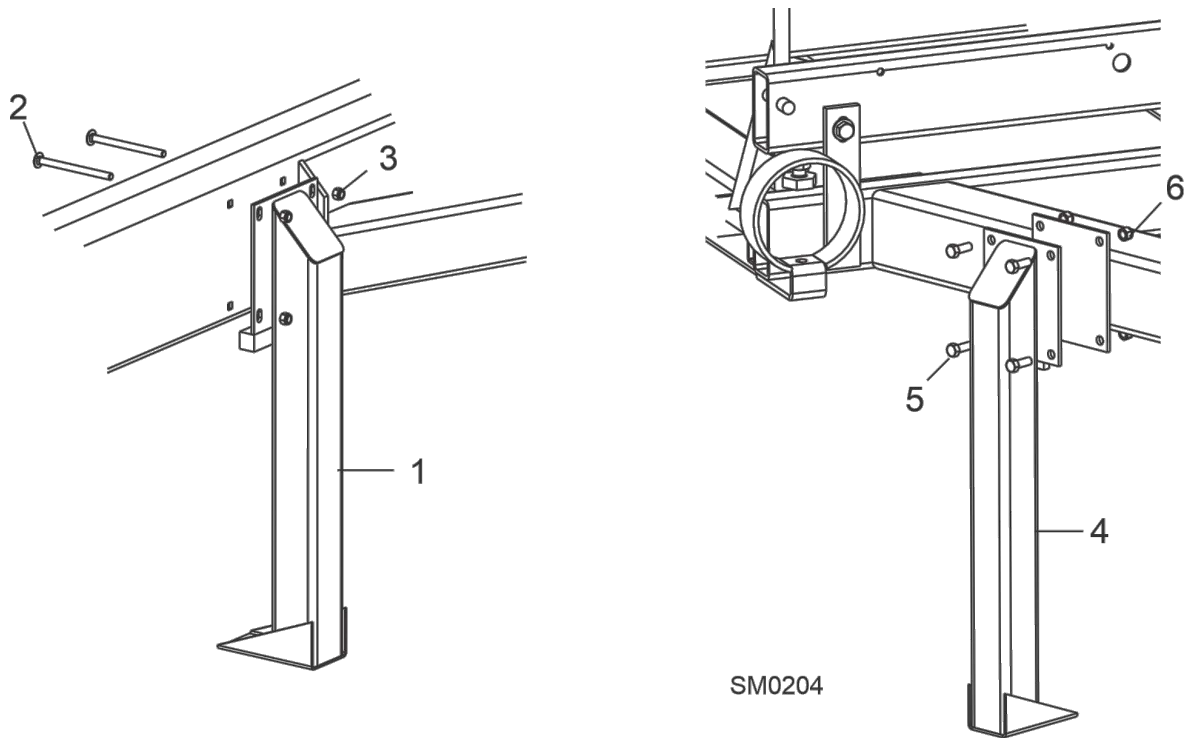


REF	PART #	DESCRIPTION	COMMENTS	QTY.
	014756	BOX ASSEMBLY, BX6 PARTS		1
	A04383	BOX ASSEMBLY, BX12 PARTS		1
	A11907	BOX ASSEMBLY, BX24 PARTS		1
1	W12010	Box Weldment, Bed Extension Alignment		1
2	F05008-50	Bolt, 1/2-13 x 1" Hex Head		1
3	F05007-28	Bolt, 3/8-16 x 1 1/2" 7/8" Hex Head		1
4	F05008-72	Screw, 1/2-13 x 1" Socket Head Flat Point Set		5
5	F05010-31	Nut, 1/2-13 Hex Jam		5
6	F05010-16	Nut, 1/2-20 Hex Jam		1
7	F05008-14	Screw, 1/2-20 x 1/2" Socket Head Flat Point Set		1
8	F05008-6	Bolt, 1/2-13 x 6 1/2" Hex Head		2
9	F05011-2	Washer, 1/2" SAE Flat		4
10	F05010-8	Nut, 1/2-13 Hex Nylon Lock		2
11	S12021	Plate, Bed Extension Bolt-Up		1
12	P11602	Chain, #40 x 75 1/2" (BX6)		1
	P07355	Chain, #40 x 143 1/2" (BX12)		1
	P11909	Chain, #40 x 286 1/2" (BX24)		1

3**Replacement Parts**
Alignment Box/Feed Chain

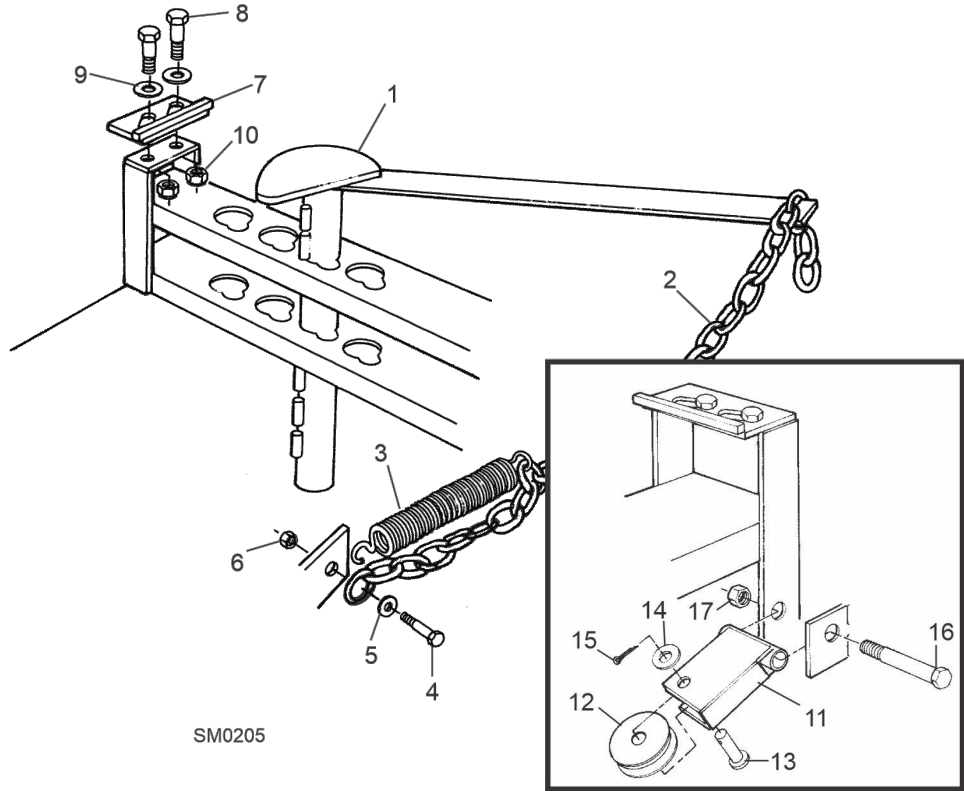
REF	PART #	DESCRIPTION	COMMENTS	QTY.
13	P04200	Link, #40 Master		1

3.12 Stationary Legs



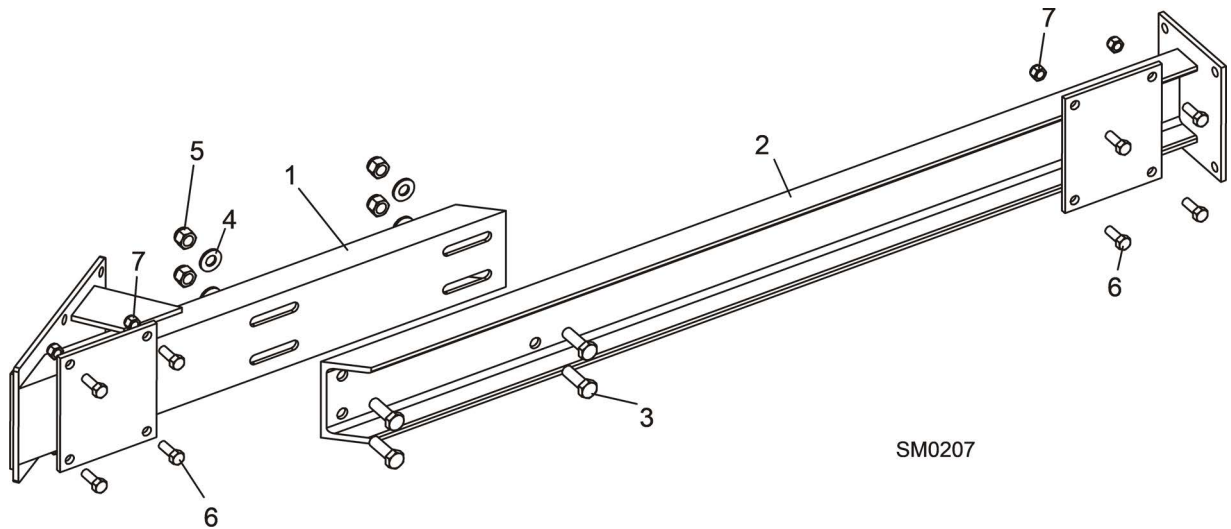
REF	PART #	DESCRIPTION	COMMENTS	QTY.
1	W09513	LEG WELDMENT, LONG STATIONARY (2 REQ'D FOR BX6 & BX12; 4 FOR BX24)	Qty. of W09513 changed from 3 to 4 for BX24 Rev. A2.00.	2/4
2	F05007-113	BOLT, 3/8-16 X 5" CARRIAGE HEAD		8/12
3	F05010-10	NUT, 3/8-16 HEX NYLON LOCK		8/12
4	W09515	LEG WELDMENT, SHORT STATIONARY (2 REQ'D FOR BX6 & BX12; 3 FOR BX24)		2/3
5	F05007-2	BOLT, 3/8-16 X 1 1/4" HEX HEAD	F05007-2 replaced F05007-7 after 11/99.	8/12
6	F05010-10	NUT, 3/8-16 HEX NYLON LOCK		8/12

3.13 Log Clamp/Winch Cable Pulley



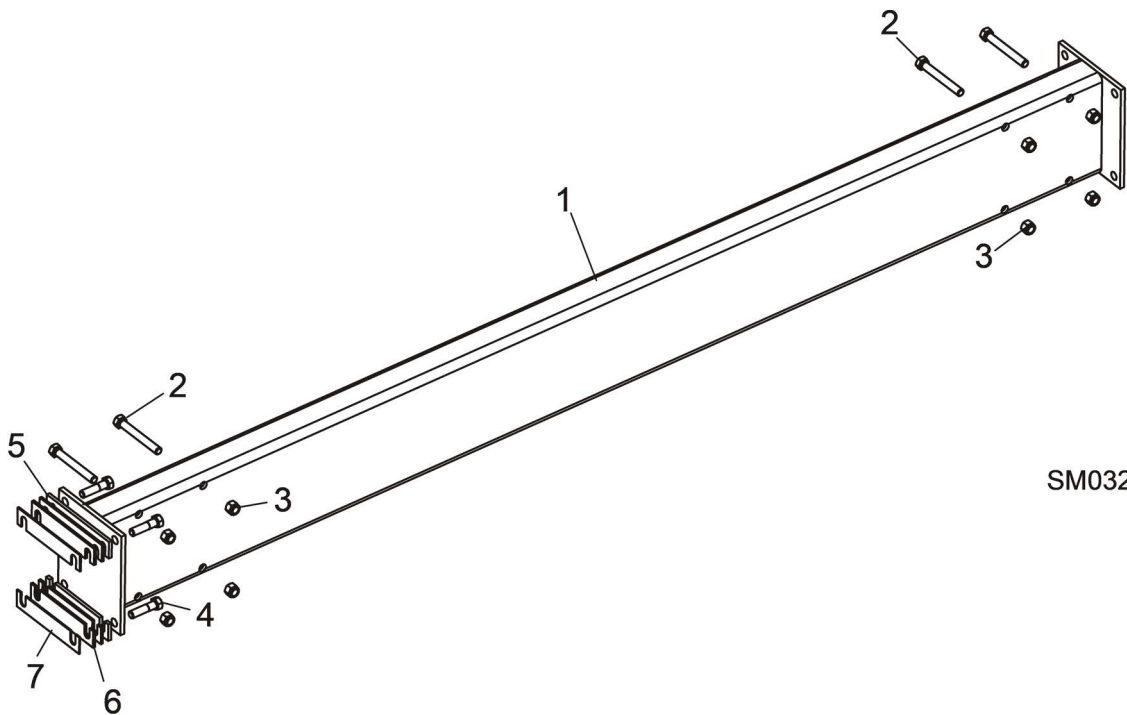
REF	PART #	DESCRIPTION	COMMENTS	QTY.
1	W09412	CLAMP, LOG		1
2	M04311	CHAIN, LOG CLAMP		1
3	F05007-7	BOLT, 3/8-16 X 1" HEX HEAD		1
4	F05011-3	WASHER, 3/8" STANDARD FLAT		1
5	F05010-10	NUT, 3/8-16 HEX NYLON LOCK		1
6	P09136	SPRING, LOG CLAMP CHAIN		1
7	W09404	PLATE, LOG CLAMP STOP		1
8	F05008-33	BOLT, 1/2-13 X 1 1/2" HEX HEAD GRADE 5		2
9	F05011-2	WASHER, 1/2" SAE FLAT		2
10	F05010-8	NUT, 1/2-13 HEX NYLON LOCK		2
		WINCH CABLE GUIDE PULLEY PARTS	(BX12 & BX24 ONLY)	
11	W09429	BRACKET WELDMENT, WINCH PULLEY		1
12	S09393	PULLEY, WINCH CABLE		1
13	F05012-24	PIN, 1/2" X 1 27/64" CLEVIS		1
14	F05011-2	WASHER, 1/2" SAE FLAT		1
15	F05012-1	PIN, 1/8" X 1" COTTER		1
16	F05009-8	BOLT, 5/8-11 X 4" HEX HEAD FULL THREAD		1
17	F05010-34	NUT, 5/8-11 HEX NYLON LOCK		1

3.14 Brace Kit, BX6 to 1996+ LT30/LT30HD/LT70HD



REF	PART #	DESCRIPTION	COMMENTS	QTY.
	014772	BRACE KIT, LT30/LT30HD/LT70HD BX6 (FOR 1996+ MODEL SAWMILL ONLY)	See Section 1.8 for complete brace application chart.	1
1	014265	Brace Weldment, LT30 Bed Extension		1
2	014771	Brace Weldment, BX6		1
3	F05008-33	Bolt, 1/2-13 x 1 1/2" Hex Head Grade 5		4
4	F05011-2	Washer, 1/2" SAE Flat		4
5	F05010-8	Nut, 1/2-13 Hex Nylon Lock		4
6	F05007-7	Bolt, 3/8-16 x 1" Hex Head		8
7	F05010-10	Nut, 3/8-16 Hex Nylon Lock		8

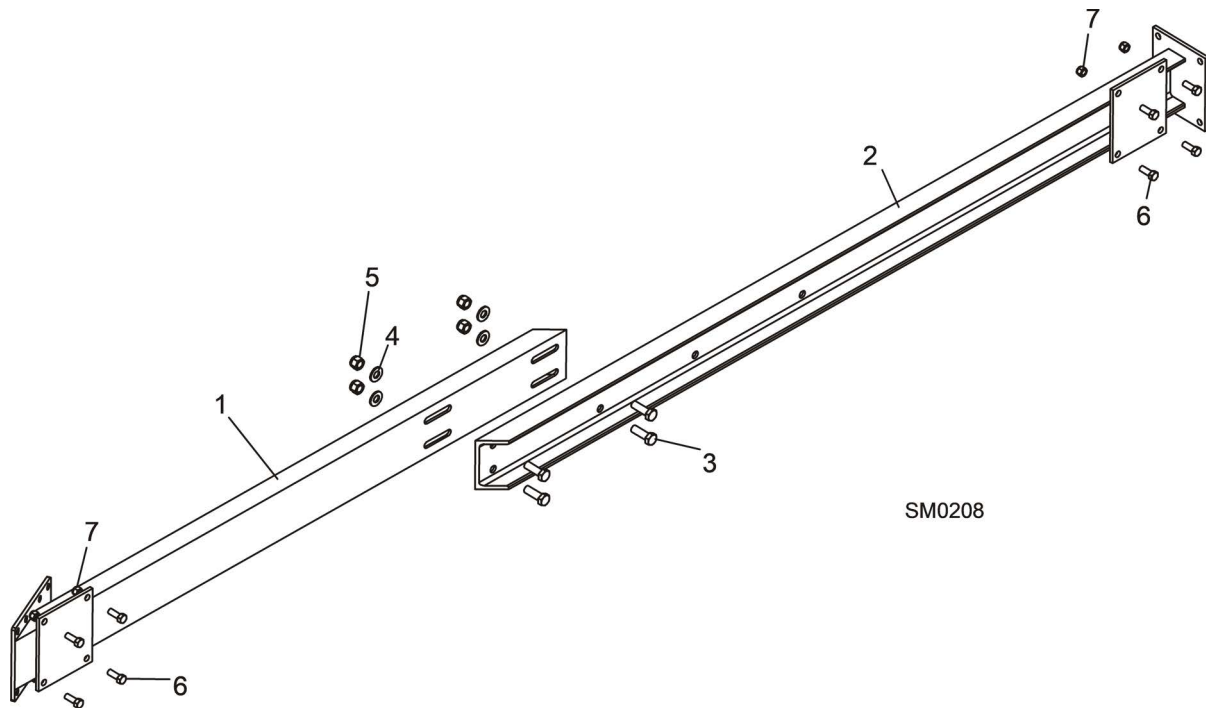
3.15 Brace Kit, BX6 to 1992-95 LT30/LT30HD



SM0322

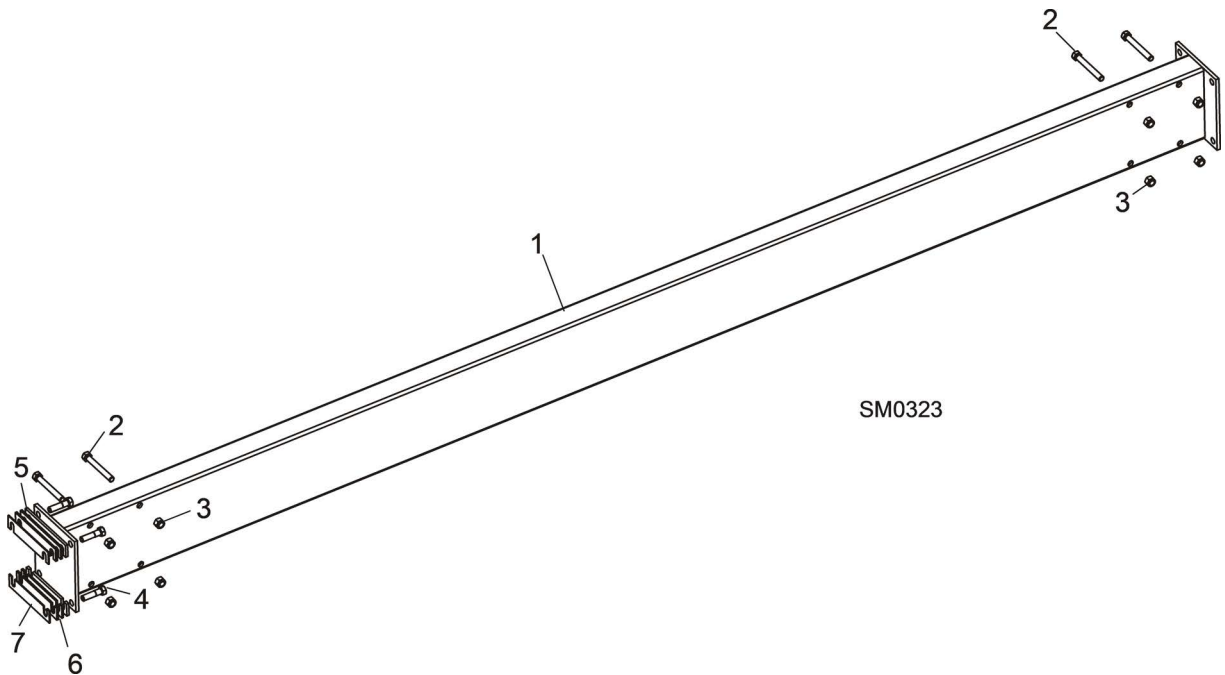
REF	PART #	DESCRIPTION	COMMENTS	QTY.
	016265	BRACE KIT, LT30/LT30HD BX6 (FOR 1992-95 MODEL SAWMILL ONLY)	See Section 1.8 for complete brace application chart.	1
1	N/A	Brace Weldment, 1992-95 LT30 Bed Extension		1
2	F05007-1	Bolt, 3/8-16 x 3" Hex Head Full Thread		8
3	F05010-10	Nut, 3/8-16 Hex Nylon Lock		8
4	F05007-78	Bolt, 3/8-16 x 1 1/2" Hex Head Grade 5		4
5	S12025-7	Shim, 7GA BedX		2
6	S12025-11	Shim, 11GA BedX		4
7	S12025-16	Shim, 16GA BedX		2

3.16 Brace Kit, BX6 & BX12 to 1996+ LT35/ through LT70HD



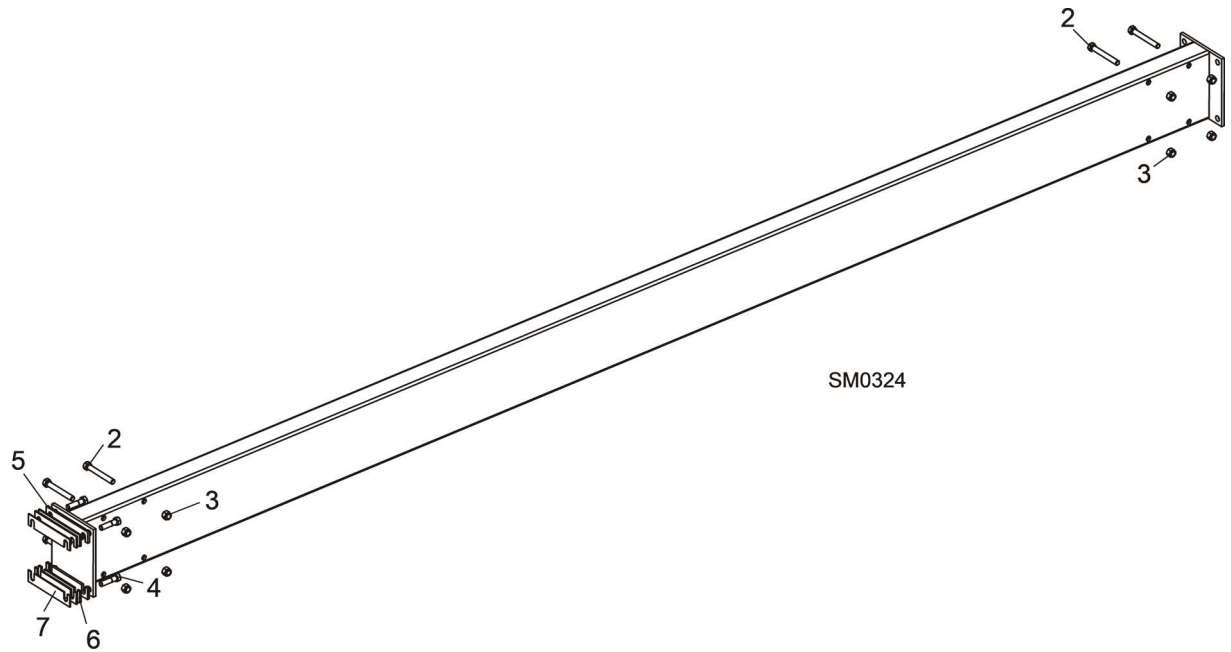
REF	PART #	DESCRIPTION	COMMENTS	QTY.
	014270	BRACE KIT, LT35/LT35HD/LT40/LT40HD/LT70HD BX6/BX12 (FOR 1996+ MODEL SAWMILL ONLY)	See Section 1.8 for complete brace application chart.	1
1	014264	Brace Weldment, LT40 Bed Extension		1
2	014267	Brace Weldment, BX6/BX12		1
3	F05008-33	Bolt, 1/2-13 x 1 1/2" Hex Head Grade 5		4
4	F05011-2	Washer, 1/2" SAE Flat		4
5	F05010-8	Nut, 1/2-13 Hex Nylon Lock		4
6	F05007-7	Bolt, 3/8-16 x 1" Hex Head		8
7	F05010-10	Nut, 3/8-16 Hex Nylon Lock		8

3.17 Brace Kit, BX6 to 1992-95 LT40/LT40HD



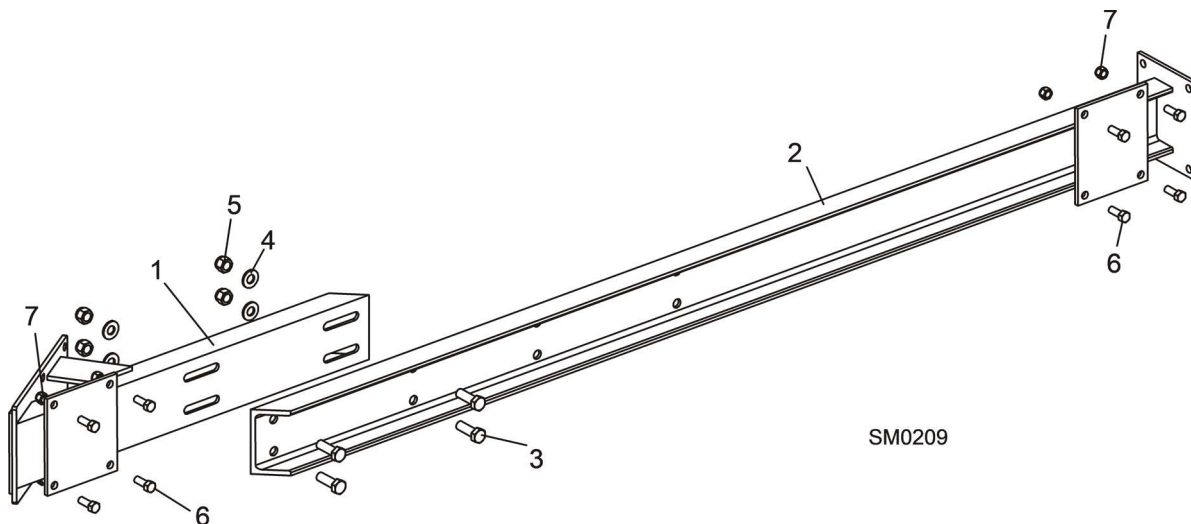
REF	PART #	DESCRIPTION	COMMENTS	QTY.
	016039	BRACE KIT, LT40/LT40HD/LT70HD BX6 (FOR 1992-95 MODEL SAWMILL ONLY)	See Section 1.8 for complete brace application chart.	1
1	N/A	Brace Weldment, 1992-95 LT40 Bed Extension		1
2	F05007-1	Bolt, 3/8-16 x 3" Hex Head Full Thread		8
3	F05010-10	Nut, 3/8-16 Hex Nylon Lock		8
4	F05007-78	Bolt, 3/8-16 x 1 1/2" Hex Head Grade 5		4
5	S12025-7	Shim, 7GA BedX		2
6	S12025-11	Shim, 11GA BedX		4
7	S12025-16	Shim, 16GA BedX		2

3.18 Brace Kit, BX12 to 1992-95 LT40/LT40HD



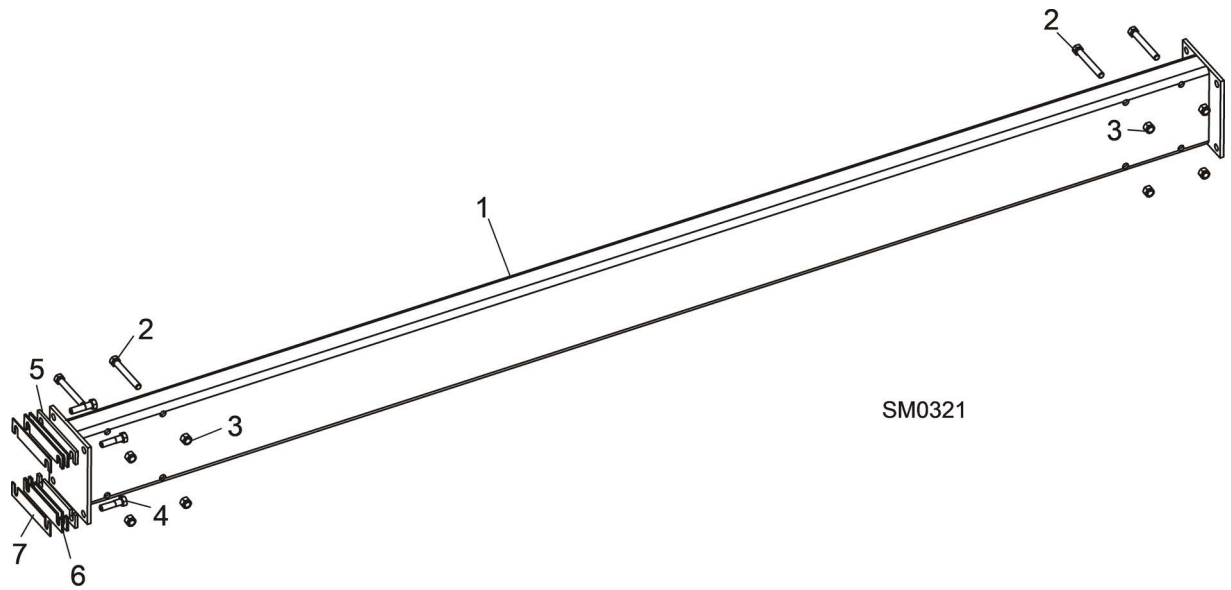
REF	PART #	DESCRIPTION	COMMENTS	QTY.
	W07950	BRACE KIT, LT40/LT40HD/LT70HD BX12 (FOR 1992-95 MODEL SAWMILL ONLY)	See Section 1.8 for complete brace application chart.	1
1	N/A	Brace Weldment, 1992-95 LT40 Bed Extension		1
2	F05007-1	Bolt, 3/8-16 x 3" Hex Head Full Thread		8
3	F05010-10	Nut, 3/8-16 Hex Nylon Lock		8
4	F05007-78	Bolt, 3/8-16 x 1 1/2" Hex Head Grade 5		4
5	S12025-7	Shim, 7GA BedX		2
6	S12025-11	Shim, 11GA BedX		4
7	S12025-16	Shim, 16GA BedX		2

3.19 Brace Kit, BX12 to 1996+ LT30/LT30HD/LT70HD



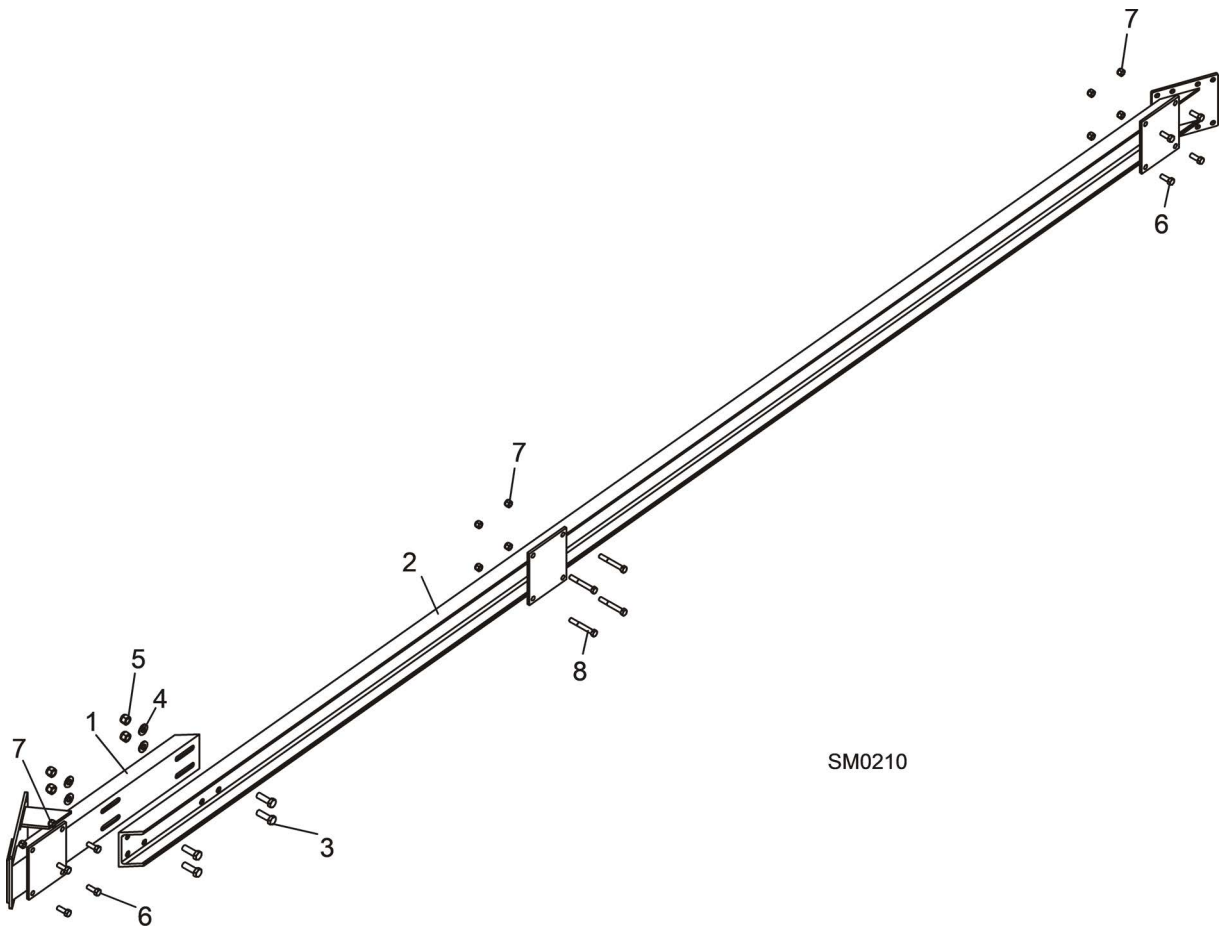
REF	PART #	DESCRIPTION	COMMENTS	QTY.
	014271	BRACE KIT, LT30/LT30HDLT70HD BX12 (FOR 1996+ MODEL SAWMILL ONLY)	See Section 1.8 for complete brace application chart.	1
1	014265	Brace Weldment, LT30 Bed Extension		1
2	014267	Brace Weldment, BX12		1
3	F05008-33	Bolt, 1/2-13 x 1 1/2" Hex Head Grade 5		4
4	F05011-2	Washer, 1/2" SAE Flat		4
5	F05010-8	Nut, 1/2-13 Hex Nylon Lock		4
6	F05007-7	Bolt, 3/8-16 x 1" Hex Head		8
7	F05010-10	Nut, 3/8-16 Hex Nylon Lock		8

3.20 Brace Kit, BX12 to 1992-95 LT30/LT30HD



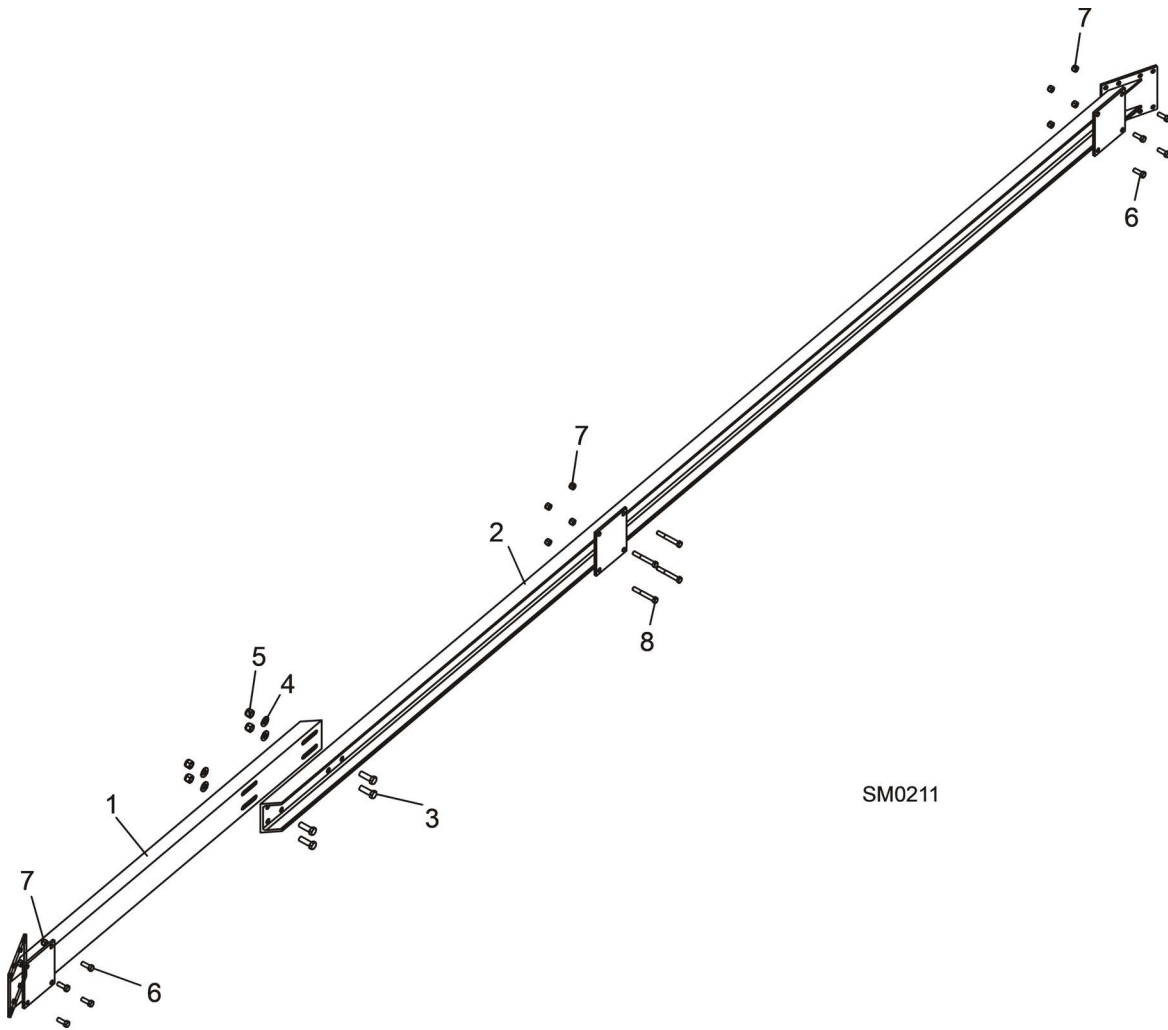
REF	PART #	DESCRIPTION	COMMENTS	QTY.
	W10338	BRACE KIT, LT30/LT30HD BX12 (FOR 1992-95 MODEL SAWMILL ONLY)	See Section 1.8 for complete brace application chart.	1
1	W10339	Brace Weldment, 92-95 LT30 Bed Extension		1
2	F05007-1	Bolt, 3/8-16 x 3" Hex Head Full Thread		8
3	F05010-10	Nut, 3/8-16 Hex Nylon Lock		8
4	F05007-78	Bolt, 3/8-16 x 1 1/2" Hex Head Grade 5		4
5	S12025-7	Shim, 7GA BedX		2
6	S12025-11	Shim, 11GA BedX		4
7	S12025-16	Shim, 16GA BedX		2

3.21 Brace Kit, BX24 to 1996+ LT30/LT30HD/LT70HD



REF	PART #	DESCRIPTION	COMMENTS	QTY.
	014273	BRACE KIT, LT30/LT30HD/LT70HD BX24 (FOR 1996+ MODEL SAWMILL ONLY)	See Section 1.8 for complete brace application chart.	1
1	014265	Brace Weldment, LT30 Bed Extension		1
2	014268	Brace Weldment, BX24		1
3	F05008-33	Bolt, 1/2-13 x 1 1/2" Hex Head Grade 5		4
4	F05011-2	Washer, 1/2" SAE Flat		4
5	F05010-8	Nut, 1/2-13 Hex Nylon Lock		4
6	F05007-7	Bolt, 3/8-16 x 1" Hex Head		8
7	F05010-10	Nut, 3/8-16 Hex Nylon Lock		12
8	F05007-29	Bolt, 3/8-16 x 2 3/4" Hex Head		4

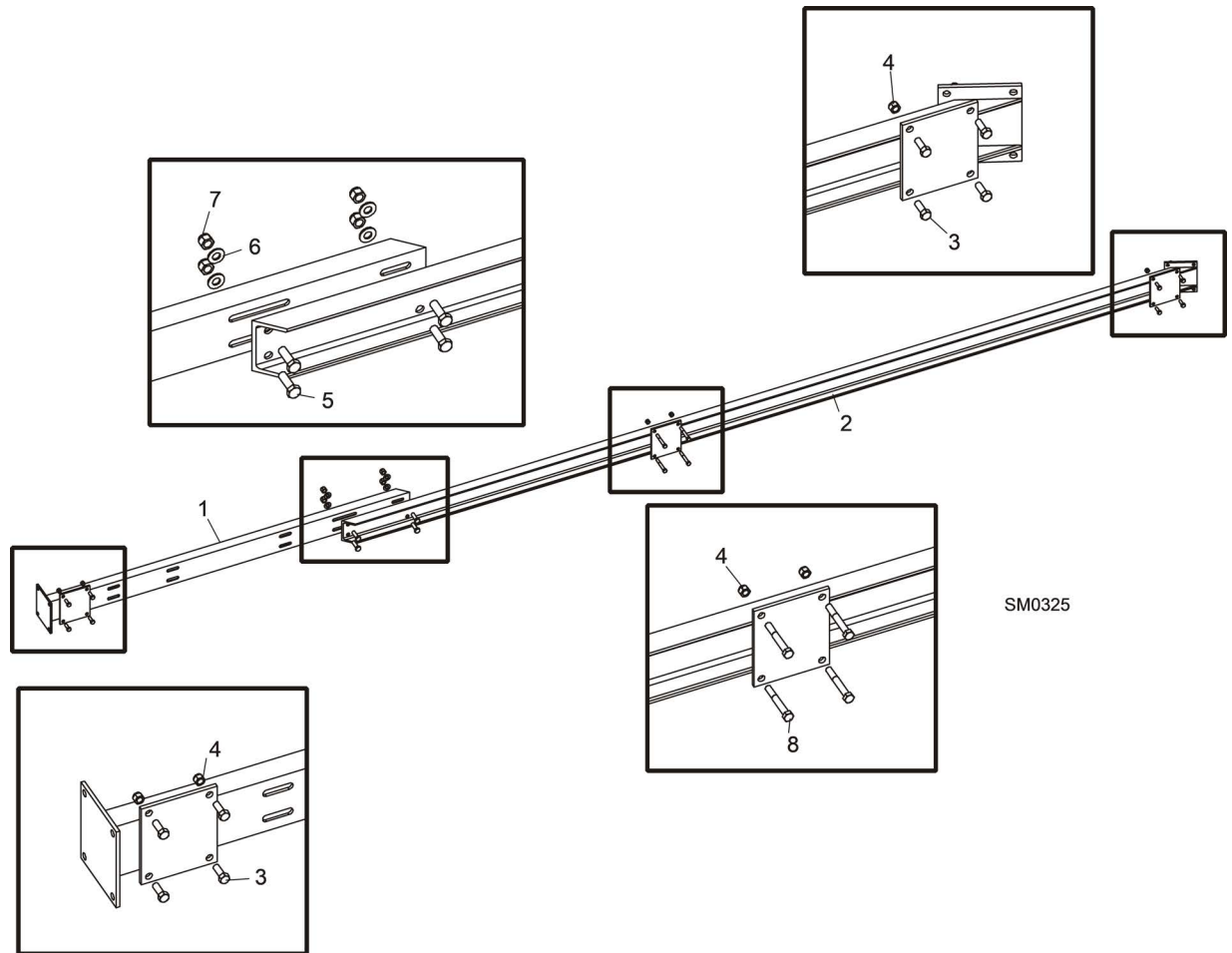
3.22 Brace Kit, BX24 to 1996+ LT35 through LT70HD



SM0211

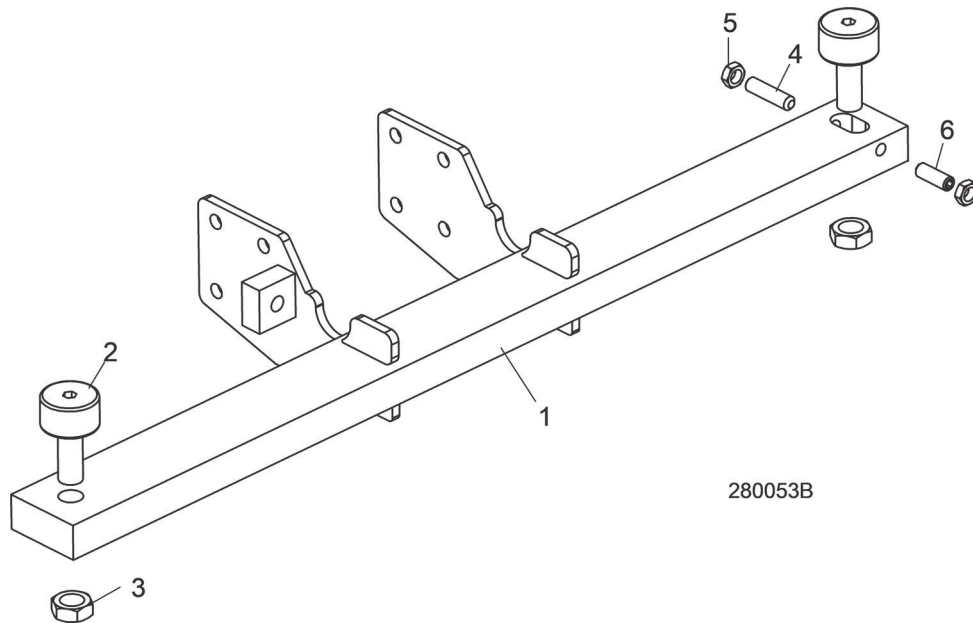
REF	PART #	DESCRIPTION	COMMENTS	QTY.
	014272	BRACE KIT, LT35/LT35HD/LT40/LT40HD/LT70HD BX24 (FOR 1996+ MODEL SAWMILL ONLY)	See Section 1.8 for complete brace application chart.	1
1	014264	Brace Weldment, LT40 Bed Extension		1
2	014268	Brace Weldment, BX24		1
3	F05008-33	Bolt, 1/2-13 x 1 1/2" Hex Head Grade 5		4
4	F05011-2	Washer, 1/2" SAE Flat		4
5	F05010-8	Nut, 1/2-13 Hex Nylon Lock		4
6	F05007-7	Bolt, 3/8-16 x 1" Hex Head		8
7	F05010-10	Nut, 3/8-16 Hex Nylon Lock		12
8	F05007-29	Bolt, 3/8-16 x 2 3/4" Hex Head		4

3.23 Brace Kit, BX24 to 1992-95 LT30/LT40/LT30HD/LT40HD



REF	PART #	DESCRIPTION	COMMENTS	QTY.
	014269	BRACE KIT, LT30/LT40/LT30HD/LT40HD BX24 (FOR 1992-95 MODEL SAWMILL ONLY)	See Section 1.8 for complete brace application chart.	1
1	014266	Brace Weldment, 92-95 LT30/LT40 Bed Extension		1
2	014268	Brace Weldment, 96 BX24		1
3	F05007-7	Bolt, 3/8-16 x 1" Hex Head		8
4	F05010-10	Nut, 3/8-16 Hex Nylon Lock		12
5	F05008-33	Bolt, 1/2-13 x 1 1/2" Hex Head Grade 5		4
6	F05011-2	Washer, 1/2" SAE Flat		4
7	F05010-8	Nut, 1/2-13 Hex Nylon Lock		4
8	F05007-29	Bolt, 3/8-16 x 2 3/4" Hex Head		4

3.24 Bed Extension Bracket Assembly (LT28/LT35)



REF	PART #	DESCRIPTION	COMMENTS	QTY.
	057924	BRACKET ASSEMBLY, LT28/LT35 LOWER CAM BED EXTENSION		1
1	057920	Bearing Weldment, LT28/LT35 Lower Cam		1
2	012797	Bearing, 1 1/2" Cam Follower		2
3	F05010-11	Nut, 5/8-18 Hex Jam		2
4	F05007-184	Screw, 3/8-24x1 SHFP Set SS		1
5	F05010-22	Nut, 3/8-24 Hex Jam		2
6	F05007-96	Screw, 3/8-24x1 1/4 SHFP SS Set	Added F05007-96 to improve range of adjustment; changed quantity of F05007-184 from 2 to 1 (3/22/2019).	1