

# Remote Accuset

## Safety, Operation, Maintenance & Parts Manual

---

**ASET for LT40HD Remote rev. A.00 - E.06**

---



**Safety is our #1 concern!** Read and understand all safety information and instructions before operating, setting up or maintaining this machine.

*December 2000*

*Form #995*

**California**  
Proposition 65 Warning



**WARNING:** Breathing gas/diesel engine exhaust exposes you to chemicals known to the State of California to cause cancer and birth defects or other reproductive harm.

- Always start and operate the engine in a well-ventilated area.
- If in an enclosed area, vent the exhaust to the outside.
- Do not modify or tamper with the exhaust system.
- Do not idle the engine except as necessary.

For more information go to **[www.P65warnings.ca.gov](http://www.P65warnings.ca.gov)**.



**WARNING:** Drilling, sawing, sanding or machining wood products can expose you to wood dust, a substance known to the State of California to cause cancer. Avoid inhaling wood dust or use a dust mask or other safeguards for personal protection.

For more information go to **[www.P65Warnings.ca.gov/wood](http://www.P65Warnings.ca.gov/wood)**.

**©2019**

Printed in the United States of America, all rights reserved. No part of this manual may be reproduced in any form by any photographic, electronic, mechanical or other means or used in any information storage and retrieval system without written permission from

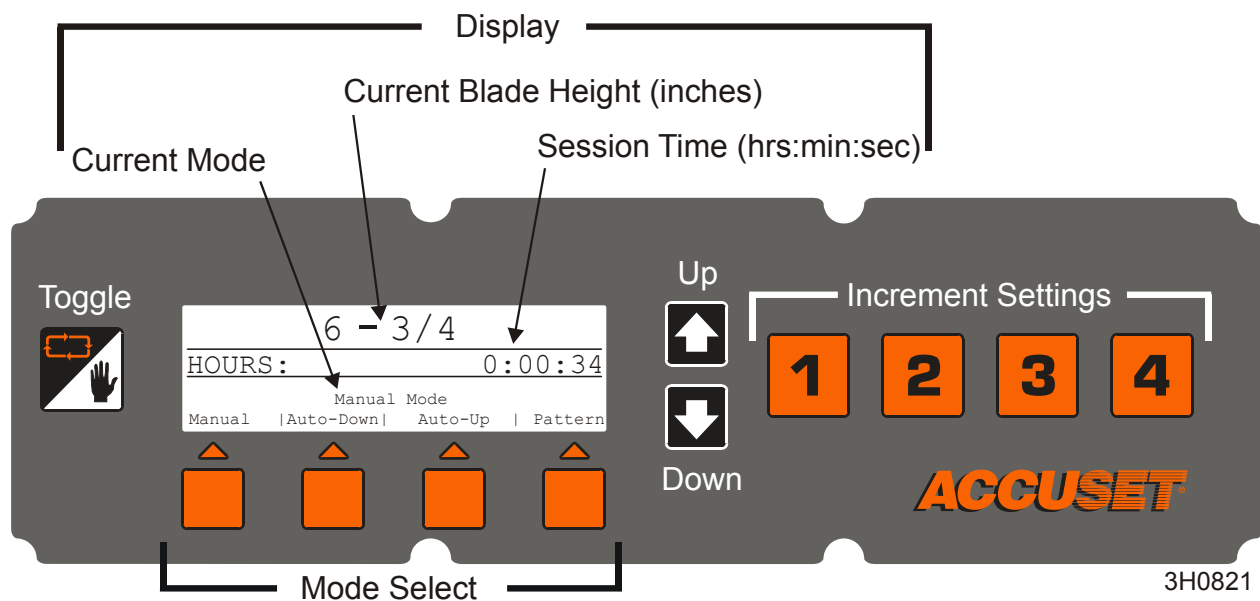
**Wood-Mizer**  
8180 West 10th Street  
Indianapolis, Indiana 46214

<b>SECTION 1</b>	<b>SETUP &amp; OPERATION</b>	<b>1-1</b>
1.1	Control Setup.....	1-1
	<i>Contrast Adjustment.....</i>	<i>1-2</i>
	<i>Standard Sawmill Model Configuration (Rev. E.02+ Only).....</i>	<i>1-2</i>
	<i>Startup Configuration.....</i>	<i>1-2</i>
	<i>Auto-Bump (Rev. E.04+ Only).....</i>	<i>1-6</i>
	<i>Other Settings.....</i>	<i>1-7</i>
	<i>Restore Factory Defaults.....</i>	<i>1-15</i>
1.2	Mode Selection.....	1-16
1.3	Using Auto-Down Mode.....	1-18
1.4	Using Auto-Up Mode.....	1-20
1.5	Using Pattern Mode.....	1-21
1.6	Using Reference Mode (Rev. B.00+ Only).....	1-23
<b>SECTION 2</b>	<b>ACCUSET TROUBLESHOOTING</b>	<b>2-1</b>
2.1	Common Problems.....	2-1
2.2	Accuset Display Problems.....	2-4
	<i>Control Panel Replacement.....</i>	<i>2-4</i>
	<i>Resetting the Accuset.....</i>	<i>2-5</i>
2.3	Up/Down Control Lights.....	2-8
	<i>MOSFET Panel Test.....</i>	<i>2-10</i>
	<i>Replacing the MOSFET Panel.....</i>	<i>2-13</i>
2.4	Accuracy Problems.....	2-14
2.5	Sensor LED Lights (Rev. D.02 - E.02 only).....	2-15
<b>SECTION 3</b>	<b>REPLACEMENT PARTS</b>	<b>3-1</b>
3.1	Sensor Assembly.....	3-1
	<i>Accuset Rev. E.01+.....</i>	<i>3-1</i>
3.2	Sensor Assembly.....	3-3
	<i>Accuset Rev. A.01 - E.00.....</i>	<i>3-3</i>
3.3	Sensor Assembly.....	3-6
	<i>Accuset Rev. A.00.....</i>	<i>3-6</i>
3.4	Control Assembly.....	3-8
	<i>Accuset Rev. E.03 - E.06.....</i>	<i>3-8</i>
3.5	Control Assembly.....	3-10
	<i>Accuset Rev. B.00 - E.02.....</i>	<i>3-10</i>
3.6	Control Assembly.....	3-12
	<i>Accuset Rev. A.00 - A.03.....</i>	<i>3-12</i>
3.7	Cover Assembly.....	3-14
	<b>INDEX</b>	<b>I</b>

## SECTION 1 SETUP & OPERATION

### 1.1 Control Setup

See **Figure 1-1**. Turn the key switch to the accessory (#3) position. The Accuset control starts in Manual Mode by default. See the figure below for identification of the control buttons and display.



**FIG. 1-1**

**About using the Up/Down Adjustment Buttons:** To make adjustments to a setting, push the Up or Down arrow buttons to scroll to the desired setting. To scroll fast in the up direction, push and hold the Up button first. While pushing the Up button, push the Down button to increase scrolling speed. Quit pushing the Down button to slow scrolling. Quit pushing both buttons to stop scrolling. To scroll fast in the down direction, push and hold the Down button first, then push the Up button. Pushing the Up and Down buttons simultaneously during startup will reset the Accuset programming to factory default settings (prior to Rev. E.00 only).

In Manual Mode, the up and down arrow buttons have special functions. You can enter configuration menus by pushing the Up button. Pushing the Down button moves the saw head to the software revision of the Accuset control.

**About the Toggle button:** Use the Toggle button to exit configuration menus and return to the main menu. Pressing and holding the Toggle button during startup will display the Reset Settings menu (Rev. E.00+ Only). Pressing the Toggle button in Manual Mode will place Accuset in Reference Mode (Rev. B.00+ Only).

### 1.1.1 Contrast Adjustment

When the Accuset is first powered on, the Adjust LCD Contrast screen is displayed for a few seconds. Push and hold the Up or Down button to adjust the display contrast as desired for your lighting conditions. To save the new contrast setting, push the Up arrow button and push Save Settings, then Save Now.

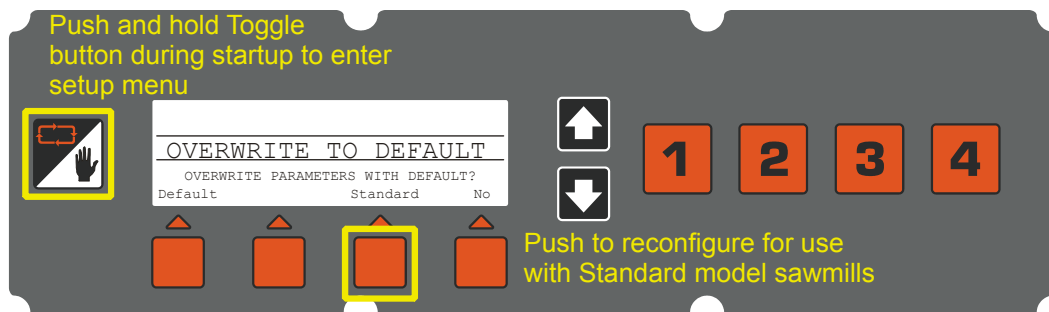
### 1.1.2 Standard Sawmill Model Configuration (Rev. E.02+ Only)



The Accuset is programmed for operation with Super model sawmills by default. If your sawmill is a Super model, skip to Initial Setup. If your sawmill is a **Standard** model, the Accuset needs to be reprogrammed. Follow the instructions below.

Turn the key switch off (#0). Press and hold the Toggle button and turn the key switch to the accessory (#3) position and select Standard from the menu.

See Figure 1-2.



3H0821-14

FIG. 1-2

Proceed to Startup Configuration.

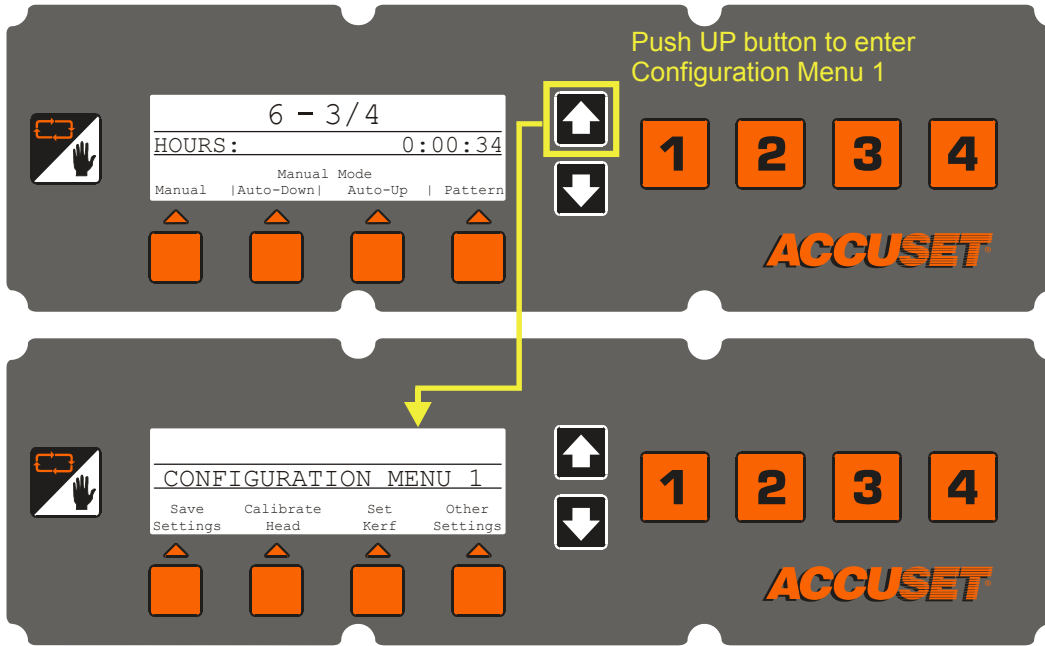
### 1.1.3 Startup Configuration

Accuset controls on new sawmills are configured at the factory. If you have installed or replaced the control, be sure to configure the control before operating the Accuset. Follow the procedures below *in the order they are listed*.

# 1 Setup & Operation

## Control Setup

See **Figure 1-3**. To enter Configuration Menu 1, push the Up button while in Manual Mode.

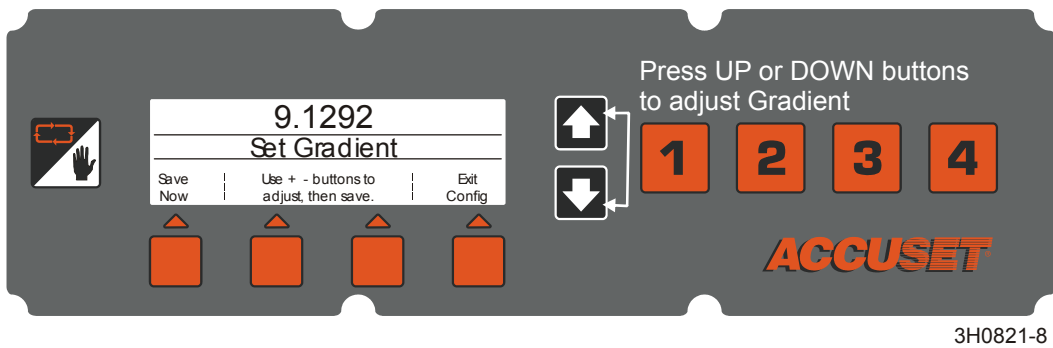


3H0821-1

**FIG. 1-3**

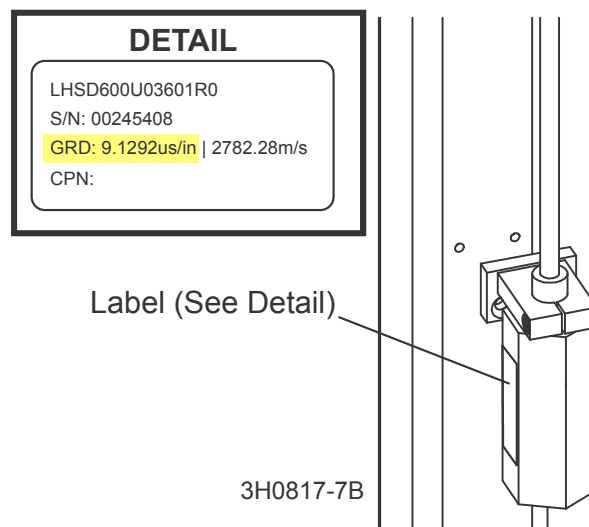
- Adjust Gradient.** If the Accuset is factory-installed, the Gradient Setting is already set to match the gradient of the transducer sensor (labeled "GRD" on the sensor). If the Accuset has been installed in the field, the transducer replaced or the Accuset control has been reset to Factory Settings, the Gradient Setting should be adjusted.

See **Figure 1-4**. To enter Configuration Menu 1, push the Up button while in Manual Mode. Push the button labeled "Calibrate Head", then the "Adjust Gradient" button to display the menu below.



**FIG. 1-4**

See **Figure 1-5**. Push the Up or Down buttons until the Gradient Setting is the same as the sensor gradient shown on the sensor label (use the number labeled "us/in"). Push the Save Now button to store the new Gradient Setting. If you don't want to save the new setting and want to return to the previously stored Gradient Setting, push Exit Config and turn the key switch to the off (#0) position.



**FIG. 1-5**

- **Press At 12 Inches (or 305mm in metric mode).** The Accuset control should indicate the actual position of the blade above the bed rails. To check this setting, move the saw carriage so the blade is positioned above a bed rail. Raise the saw head until the blade is positioned 12" (305mm) by actual measurement from the bed rail. Measure from the top of the bed rail to the bottom of a down-set tooth of the blade. While in Manual Mode, push the Up button to enter the Configuration Menu. Choose Calibrate Head and press the button labeled "Press at 12 inches" (or "Press at 305mm"). The display will change to "Head Calibrated". Push the Save Settings button to store the new 12-inches setting and exit the Configuration Menu.
- **Adjust Offset.** Although you can use the Offset value to adjust the Accuset control, it is recommended that you use the Press At 12 Inches setting to make this adjustment. The Offset value is provided for diagnostic reasons and should not need to be adjusted.
- **After recalibrating the Accuset control,** check and adjust the inch scale on the saw head to match the value displayed on the control. Adjust the bottom saw head stop bolt all the way down. Move the saw head down until Accuset displays 3/4" and adjust the bottom saw head stop bolt up until it just touches the saw head.

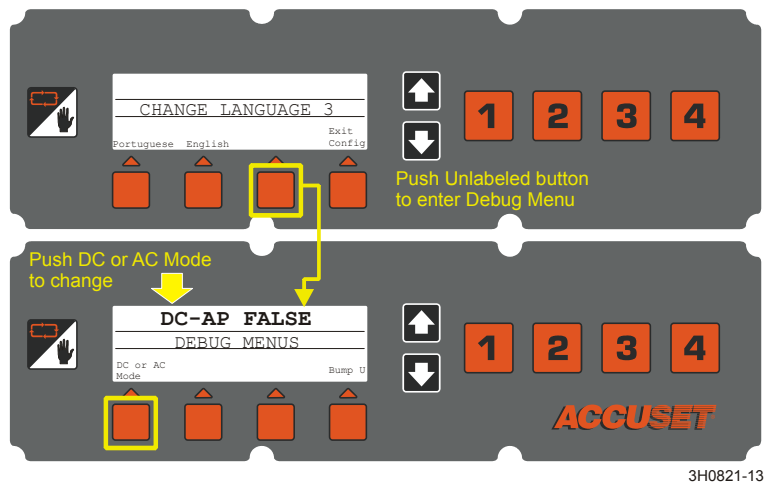


### 1.1.4 Auto-Bump (Rev. E.O4+ Only)

By default, the Auto-bump feature is not activated. To activate Auto-bump, push the Up button to enter Configuration Menu #1.

Choose “Other Settings” button from Configuration Menu #1. Push the “Change Language” button. Push the “Other Languages” button twice to scroll to Change Language menu #3.

**See Figure 1-6.** Push the unlabeled button (third from the left) to display the “Debug” menu below. Push the “Bump U” button to toggle the Auto-bump feature on (“AP TRUE”) and off (“AP FALSE”). Push the Toggle button to exit the Debug Menu. Push the Up button for Configuration Menu #1. Select “Save Settings” then “Save Now” to store the Auto-bump setting.



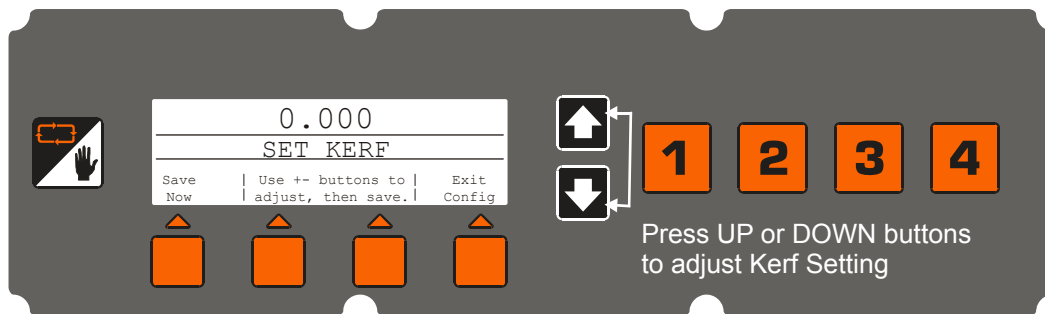
3H0821-13

FIG. 1-6

### 1.1.5 Other Settings

**Set Kerf.** The Kerf setting is **optional**. The default kerf setting is '0'. You can use the kerf setting to automatically factor the blade thickness into the increment setting. Factoring the kerf into the program will allow you to saw boards that are the actual thickness of the programmed increment. For example, if kerf is set to '0' and you have programmed increments of 1 1/8", the resulting boards will be about 1 1/16" thick because Accuset did not factor the thickness of the blade. If you enter an accurate kerf value, the resulting boards will be 1 1/8". Whether or not to use the kerf setting is dependant on your sawing practices and application.

**See Figure 1-7.** While in Manual Mode, push the Up button to enter the Configuration Menu. Press the "Set Kerf" button to display the menu below.



3H0821-4

**FIG. 1-7**

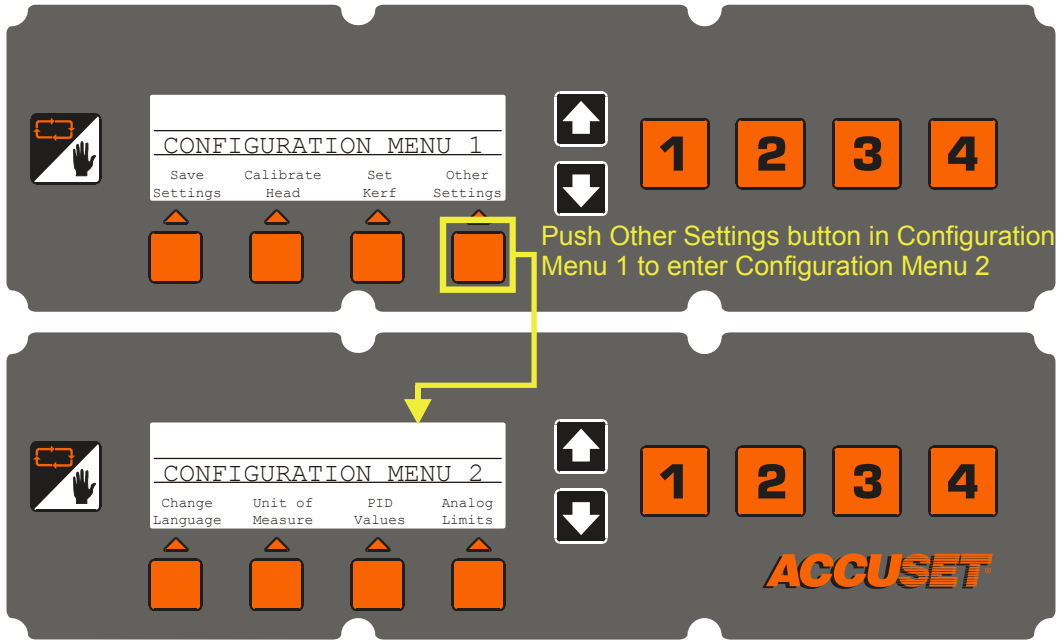
**See Table 1-1.** Recommended kerf settings for various blades are provided below. These kerf setting values assume the teeth of the blade are set per factory specifications. If you prefer, a nominal kerf value of .125 (3 mm) can be entered and should be accurate enough for most applications.

Blade Thickness	Blade Style	Kerf Setting
.042	10S	0.084 (2.2 mm)
.045	9S	0.090 (2.3 mm)
	10S	0.095 (2.5 mm)
.055	10S	0.111 (2.9 mm)

**TABLE 1-1**

Push the Set Kerf button and use the Up and Down buttons to adjust the kerf setting. Pushing the Up and Down buttons simultaneously will scroll the kerf faster. Push the Save Now button to store the new Kerf Setting. If you don't use the Kerf Setting, be sure to include the thickness of the blade in your increment settings as described in [Section 1.2 Mode Selection](#).

See **Figure 1-8**. You can change other settings for the Accuset including the language used on the display, the unit of measure, PID values and analog limits. These settings are found in Configuration Menu 2. To display Configuration Menu 2, push the Up button while in Manual Mode to display Configuration Menu 1. Select Other Settings to display Configuration Menu 2.



3H0821-2

**FIG. 1-8**

# 1

## Setup & Operation

### *Control Setup*

---

**Change Language.** You can choose the language used for the Accuset display. Push the Change Language button and choose the desired language. Push the Save Now (or language equivalent) button to permanently store the new Language setting. To return to the previously stored Language setting, push Exit Config and turn the key switch to the off (#0) position. **NOTE:** Rev. A.00 - A.03 only provide two language screens.

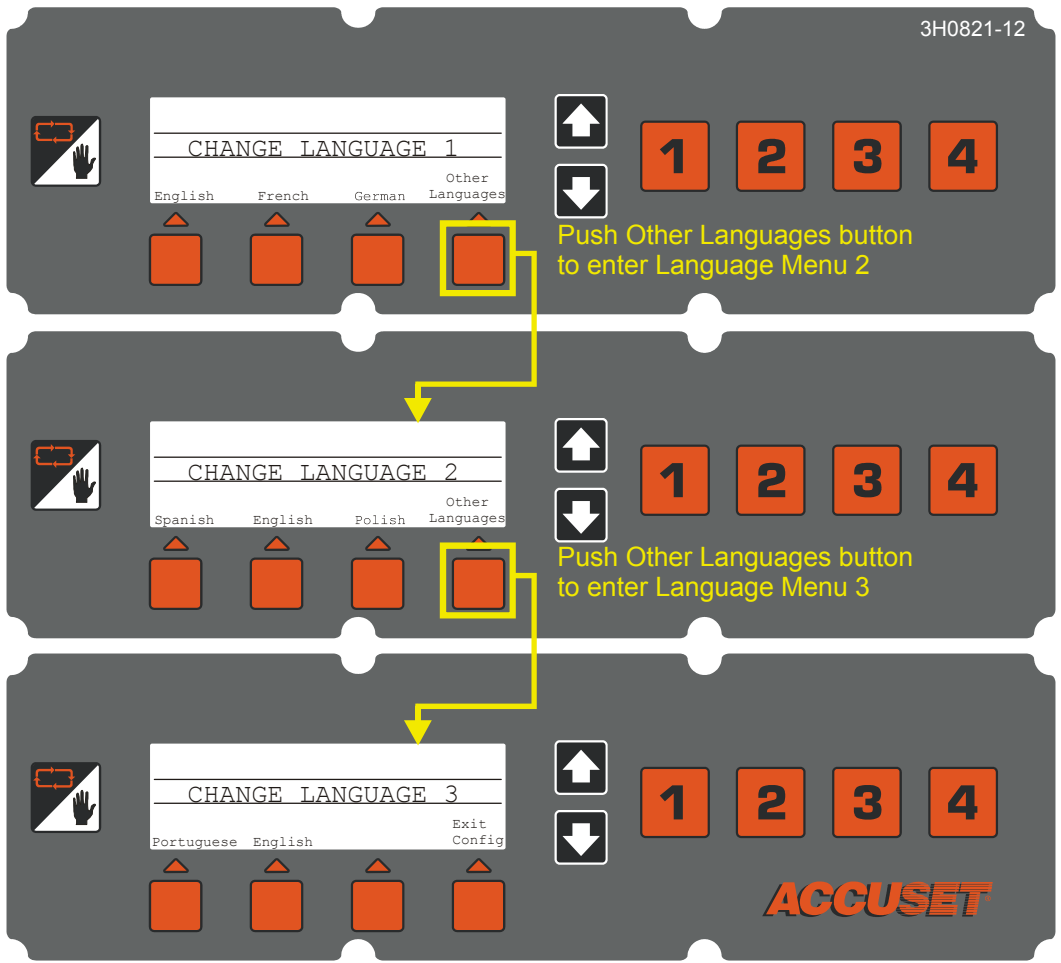


FIG. 1-8

# 1 Setup & Operation

## Control Setup

**Unit Of Measure.** This setting allows you to choose what unit of measure to use for your Blade Height and Increment Settings. The default value is Fractional Inches (1/32"). You can change the Unit Of Measure to Decimal Inches (.0313") or Millimeters (1 mm). Push the Save Now button to store the new Unit Of Measure setting. To return to the previously stored Unit Of Measure, push Exit Config and turn the key switch to the off (#0) position.

See Figure 1-9.

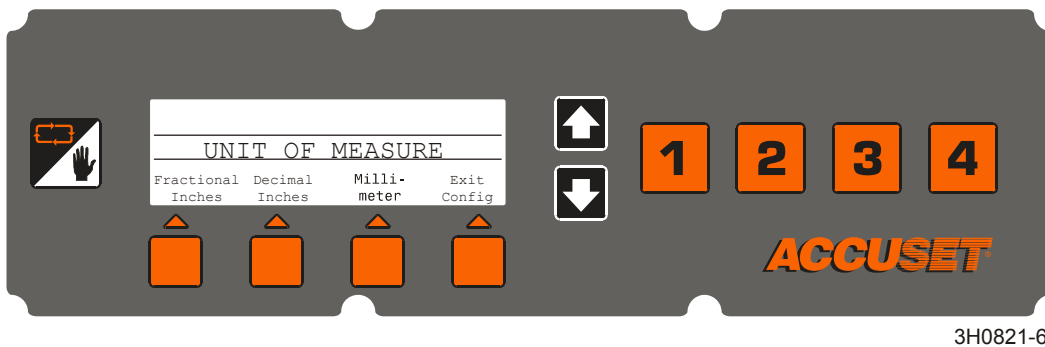


FIG. 1-9

**PID (Proportional - Integral - Differential) & Motor Deadband Values.** These settings allow a technician to diagnose and fine-tune the Accuset control for various environmental factors. These settings are made at the factory and should not normally need adjusting by the operator.



**IMPORTANT!** Before adjusting the Accuset calibration settings, make sure the up/down chain is clean, lubricated and adjusted properly. Also check the saw head slide pads are adjusted properly and the mast rails are clean and lubricated.

See Figure 1-10.

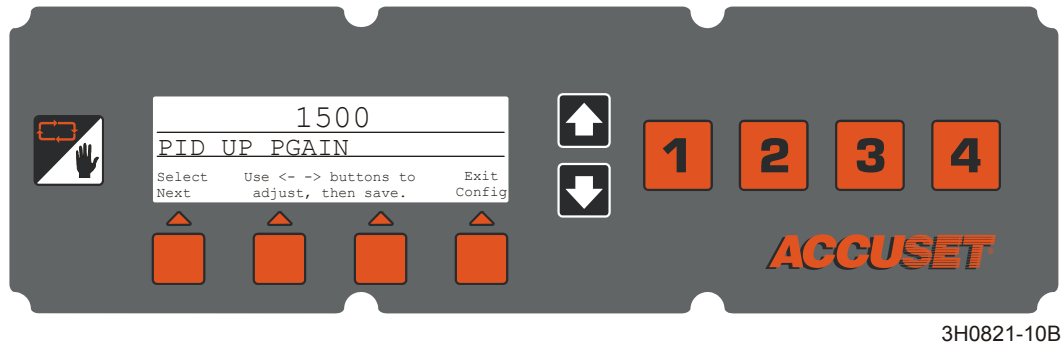


FIG. 1-10 REV. E.00+

**Rev. E.00+ Only:** To view the PID values, push the PID Values button.

- **Proportional Gain (UP PGAIN and DOWN PGAIN):** The first value displayed is the Proportional Gain for the up direction (UP PGAIN). By default, the Up value is active. Use the up and down arrow buttons to adjust the value. Push the button labeled “Select Next” to activate the Down value (DOWN PGAIN) and adjust with the up and down arrow buttons as desired.
- **Integral Gain (UP IGAIN and DOWN IGAIN):** To scroll to the next set of values, push the “Select Next” button. The Integral Gain will be displayed and the up (UP IGAIN) and down (DOWN IGAIN) values can be adjusted as described above.
- **Differential Gain (UP DGAIN and DOWN DGAIN):** Push the “Select Next” button again to display the Differential Gain values. Adjust the up (UP DGAIN) and down (DOWN DGAIN) values as described above.
- **Motor Deadband Bias (UP DEADBAND and DOWN DEADBAND):** Push the “Select Next” button again to display the Motor Deadband values. Adjust the up (UP DEADBAND) and down (DOWN DEADBAND) values as described above.

After adjusting all values, push the “Exit Config” button. Push the “Save Now” button to save any changes you made or press “Exit Config” to ignore any changes and return to the previously stored settings.

See Figure 1-11.

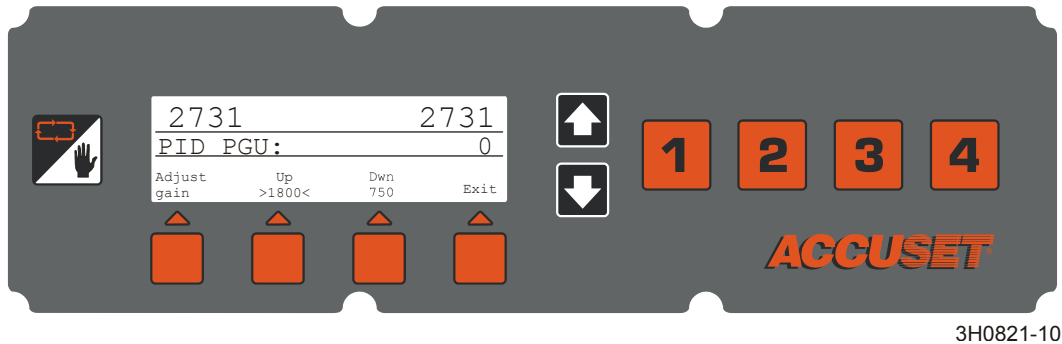


FIG. 1-11 REV. B.00 - D02

**Rev. B.00-D.02 Only:** To view the PID values, push the PID Values button.

- **Proportional Gain (PGU and PGD):** The first value displayed is the Proportional Gain for the up direction (PGU). By default, the Up value is active as indicated by the “><” symbols. Use the up and down arrow buttons to adjust the value. Push the button labeled “Dwn” to activate the Down value (PGD) and adjust with the up and down arrow buttons as desired.
- **Integral Gain (IGU and IGD):** To scroll to the next set of values, push the “Adjust gain” button. The Integral Gain will be displayed and the up (IGU) and down (IGD) values can be adjusted as described above.
- **Differential Gain (DGU and DGD):** Push the “Adjust gain” button again to display the Differential Gain values. Adjust the up (DGU) and down (DGD) values as described above.
- **Motor Deadband Bias (DBU and DBD):** Push the “Adjust gain” button a third time to display the Motor Deadband values. Adjust the up (DBU) and down (DBD) values as described above.

After adjusting all values, push the “Exit” button. Push the “Save Now” button to save any changes you made or press “Exit Config” to ignore any changes and return to the previously stored settings.

After making the desired PID Value adjustments, go to the desired Accuset mode. Test how the changes affect Accuset performance. If the new settings improve performance, push the Manual button to change to Manual Mode and push the Up button for Configuration Menu 1. Press the Save Settings button. If the new settings cause undesirable results, turn the key switch to the off (#0) position to return the PID Values to the previously stored settings



**Rev. A.00 - A.03 Only:** The PID settings allow you to calibrate the Accuset control. Calibration may be necessary if Accuset does not accurately position the saw head to the desired cutting position.



**IMPORTANT!** Before adjusting the Accuset calibration settings, make sure the up/down chain is clean, lubricated and adjusted properly. Also check the saw head slide pads are adjusted properly and the mast rails are clean and lubricated.

See Figure 1-12.

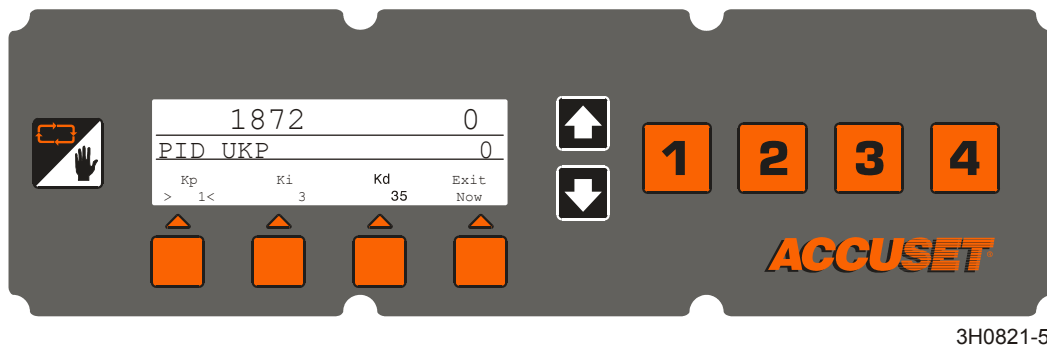


FIG. 1-12

To adjust the Calibration Settings, push the PID Values button. Select the PID setting you would like to adjust:

- **Kd** (Derivative Gain) - This value controls how Accuset stops the saw head when it nears the desired setting increment. Increasing this value may improve Accuset accuracy but will also slow down the speed at which the saw head moves to the desired increment setting. The factory Kd setting is 35.

To adjust the Kd setting, press the Kd button then use the Up or Down buttons to raise or lower the value. Adjust the Kd setting in intervals of 5 and check the performance of the Accuset control. If you reach the upper or lower Kd limit without achieving desired results, reset Kd to 35 and adjust Ki as described below.

- **Ki** (Integral Gain) - This setting affects the descent and stopping rate of the saw head. The factory default setting of Ki is “3” and will work for most sawmills. Small adjustments (no more than  $\pm 1$ ) of the Ki setting may improve performance on a specific sawmill depending on the mechanical condition of the sawmill up/down system.

To adjust the Ki setting, press the Ki button then use the Up or Down buttons to raise or lower the value. Desired values are in the range of 1-5.

- **Kp** (Proportional Gain) - This value is a multiplier that determines the speed that Accuset moves the saw head to the setting increment. **NOTE:** The factory default setting for Kp is “1” and will work for super sawmills. Adjust the value to “3” for standard sawmills. After adjustment the Kp value will probably never need to be changed. Increasing the Kp value will allow Accuset to move the saw head faster but may also cause the control to drastically overshoot the desired setting.

To adjust the Kp setting, press the Kp button then use the Up or Down buttons to raise or lower the value.

After making the desired PID Value adjustments, go to the desired Accuset mode. Test how the changes affect Accuset performance. If the new settings improve performance, push the Manual button to change to Manual Mode and push the Up button for Configuration Menu 1. Press the Save Settings button. If the new settings cause undesirable results, turn the key switch to the off (#0) position to return the PID Values to the previously stored settings.

**Analog Limits.** These settings are used for troubleshooting diagnostics and should not be adjusted by the operator unless directed to do so by a qualified Wood-Mizer service representative.

### **1.1.6 Restore Factory Defaults**

**Accuset Rev. E.04+:** To return all Accuset settings to their factory default values, press and hold the Toggle button and turn the key switch on. Release the Toggle button and press "Default".

**Accuset Rev. E.00-E.03:** To reset the control to factory settings, push and hold the Toggle button and turn the key switch on. Press “Yes” to reset the Accuset.

**Accuset prior to Rev. E.00:** Pressing both the Up and Down arrow buttons simultaneously and turning the key switch on resets the control to factory settings.

The Accuset settings are now returned to their factory default values, including:

- PID values. **Rev. B.00+ only:** The default values are set for Super model sawmills. [See Section 1.1.2](#) to reconfigure for use with Standard model sawmills.
- Calibration settings. [See Section 1.1.3](#) to recalibrate the Accuset control.
- **Rev. E.04+ Only:** Auto-bump feature off. [See Section 1.1.4](#) to turn Auto-bump on.

## 1.2 Mode Selection

See **Figure 1-13**. To select an Accuset mode, press the desired Mode Select button (Auto-Down, Auto-Up or Pattern) located under the display. Press the Manual Mode Select button to return the control to Manual Mode.

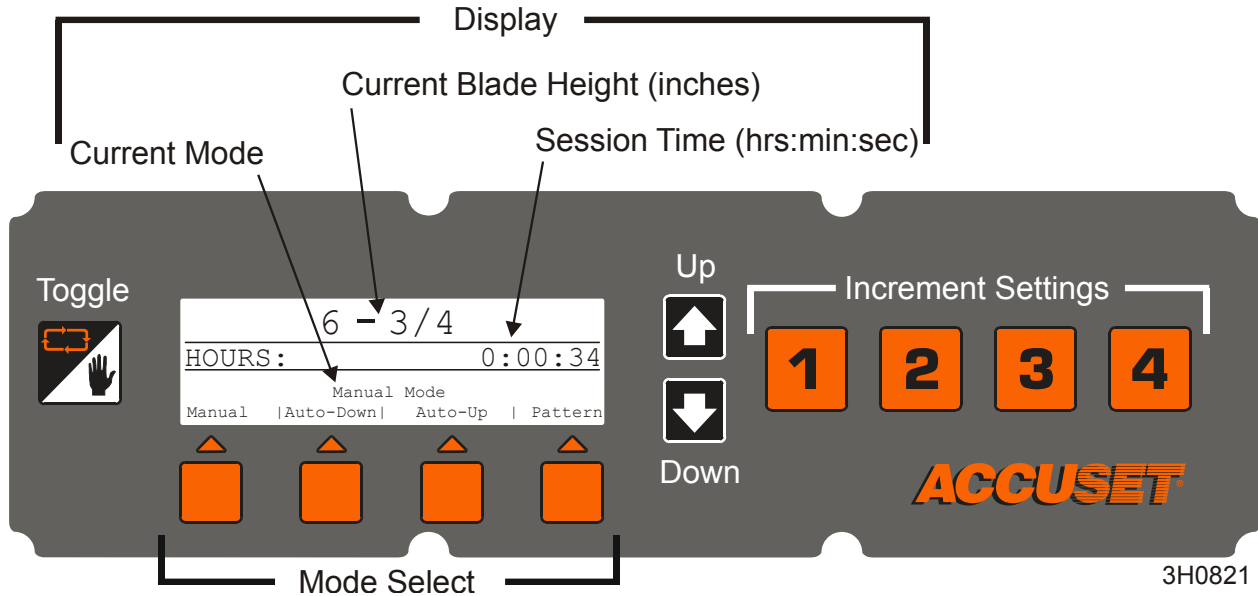


FIG. 1-13

**Manual Mode** - This mode allows you to use the up/down function of the sawmill as you normally would without the Accuset option. The Current Blade Height will continue to be displayed by the Accuset control.

**Auto-Down Mode** - This mode *references the current blade height* and allows you to choose an increment to move the blade *down*. The Accuset will automatically move the saw head down and stop at the next increment when you push the drum switch down. You can store sixteen different increment levels using the four numbered Increment Settings buttons. Each button stores four adjustable increment settings. Push button #1 once for setting #1. Push button #1 a second time for setting #5, etc...

**Auto-Up Mode** - This mode *references the current blade height* and allows you to choose an increment to move the blade *up*. The Accuset will automatically move the saw head up and stop at the next increment when you push the drum switch up. Auto-Up mode is primarily used to raise the saw head in large increments when preparing to cut a new log or log that has been turned. This allows the operator to raise the saw head without having to hold the drum switch up, freeing the operator to perform other functions while the saw

head is being raised. The Increment Settings buttons work in the same manner as described in Auto-Down Mode.

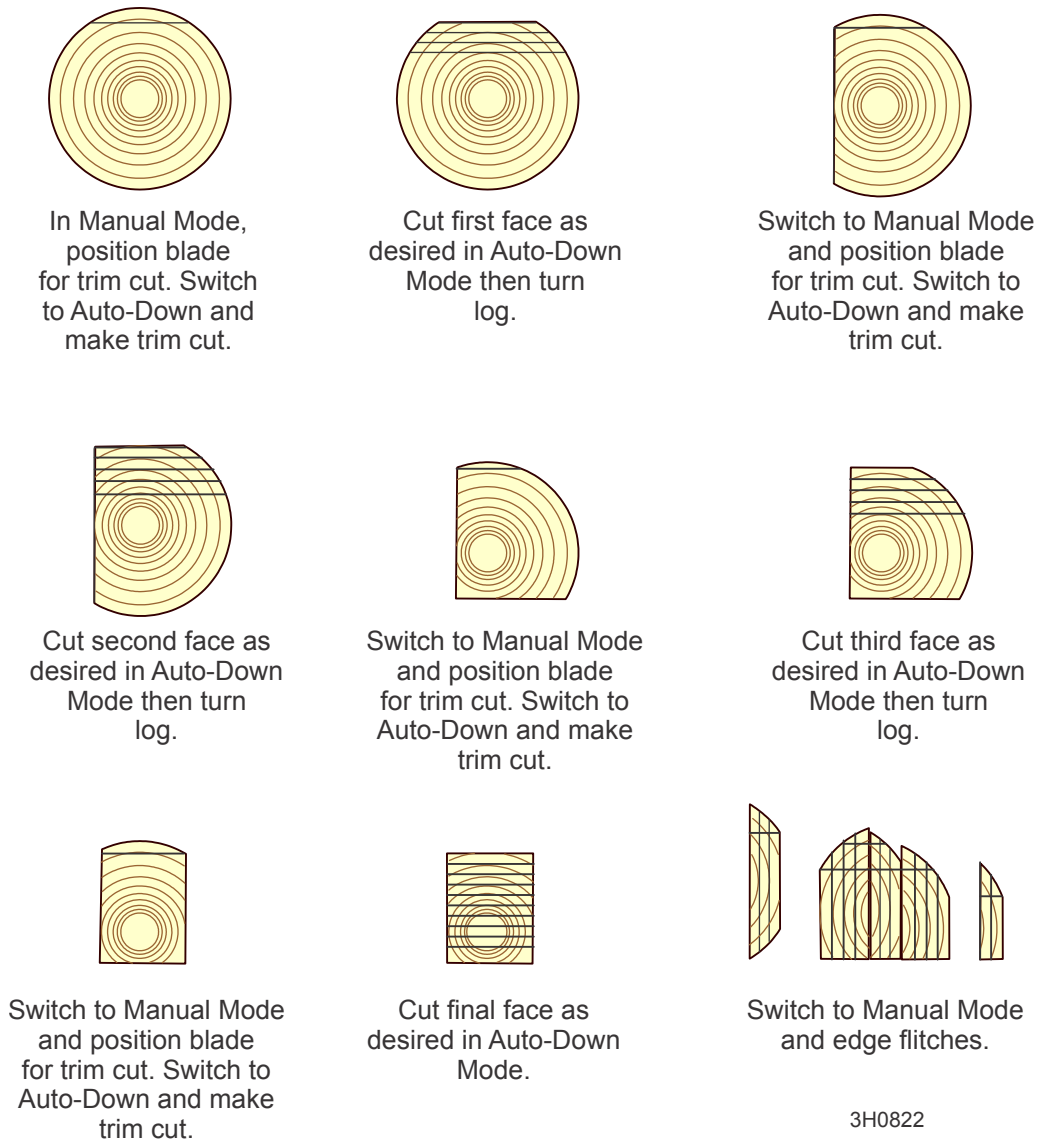
**NOTE:** The sixteen increment settings apply to Auto-Down AND Auto-Up modes. If you change a setting in Auto-Down mode, it will also change when you are in Auto-Up mode.

**Pattern Mode** - This mode *references the bed surface* and allows you to program up to six different increments calculated up from the bed. The sixth (top) increment repeats itself up to the upper limit of the saw head travel. The bottom increment indicates the size of the remaining cant when the pattern is complete.

**Reference Mode** - This mode allows the operator to program up to four pre-set locations along the saw head travel. The factory default settings are at the bottom (3/4"), the location where the saw head is calibrated (12"), a location midway between the calibration and the top (24"), and the top (34 1/2").

### 1.3 Using Auto-Down Mode

See Figure 1-14.



**FIG. 1-14**

Starting with a new log, position the saw head to make the first trim cut.

Push the Auto-Down button under the display. The first Increment Setting is displayed by default. Choose the desired increment setting by pushing the appropriate Increment Setting button.

To change an Increment Setting, select the desired setting number and push the Up or Down buttons until the desired Increment Setting is obtained. Pushing the Up and Down buttons simultaneously will scroll the settings faster. Remember to include blade kerf in your setting (i.e. If you want the finished boards to be 1" thick, set the increment to 1 1/8" to allow for typical blade kerf). The amount of kerf will depend on the thickness and tooth set of the blade you are using. The Accuset can be programmed with an automatic kerf setting if desired ([See Section 1.1.5](#)).

When you change an increment value, it is only temporarily stored. If the control is turned off, the settings will return to the factory defaults unless the new values are saved. To save the new increment setting, push the Manual Mode then push the Up button. The Configuration Menu will be displayed. Choose Save Settings to enter the Save Settings menu, then push Save Now.

**Example:** To store 1 1/2" increment to the #7 increment setting, push Increment Selection button #3 twice to display setting #7 (default value for setting #7 is 7"). Push the Down button to adjust the setting to 1 1/2". While pushing the Down button, push the Up button to scroll faster. When you get close to 1 1/2", release both buttons. Push the Down button to fine tune the setting to exactly 1 1/2". Push the Manual Mode button. Push the Up button to display the Configuration Menu. Choose Save Settings to enter the Save Settings menu, then push Save Now. Increment setting #7 is now 1 1/2" until you change the setting to something else.

Push the Auto-Down button to return to Auto-Down Mode if necessary. Make the trim cut, raise the saw head and return the carriage to the front of the log.

Push the up/down drum switch down and release. The saw head will automatically bypass the setting where the first cut was made and stop at the next setting determined by the increment you have chosen.

Make a cut, raise the saw head and return the carriage for the next cut. Push the up/down drum switch down and release. The saw head will stop at the setting for the next cut. Repeat this procedure down this face of the log as desired.

Turn the log as you normally would and push the Manual Mode button to place the Accuset in Manual Mode.

Position the saw head for the trim cut and push the Auto-Down button to return to Auto-Down Mode. Make the trim cut, raise the saw head and return for the next cut. Use the same procedure as described above to cut each side of the log until done.

**NOTE:** Anytime a trim cut is necessary, you can push the Manual button to enter Manual Mode. Position the saw head for the trim cut and push the Auto-Down button to return to Auto-Down Mode. Accuset will reference the new blade position and stop at the next setting determined by the increment you have chosen.

## **1.4 Using Auto-Up Mode**

Auto-Up Mode works exactly the same as Auto-Down explained above except it controls the saw head movement in the up direction.

### 1.5 Using Pattern Mode

Starting with a new log, position the saw head at the front end of the log.

Push the Pattern button under the display. Pattern Setting #1 is the factory default. Choose the desired pattern setting (1 - 16) by pushing the appropriate Increment Setting button.

In Pattern mode, a list of six increments is shown on the display. These increments are referenced from the bed rail. The bottom increment represents the distance from the bed rail for the last cut. Each increment in the list can be adjusted as desired. The top increment repeats as necessary depending on how high you raise the saw head.

As you raise or lower the saw head, symbols in the pattern increment list indicate where the blade is located in reference to the pattern. When the blade is above the top setting a ^ symbol appears next to the top increment to indicate you are in the repeating top increment. After you lower the blade and reach the last top increment, a + symbol will appear to indicate you are close to the next setting. When the blade reaches the increment setting, a - symbol will appear next to that setting.

To change any of the six pattern increments, push the +/- Drop button (below the pattern increment list) to scroll to the desired increment. The increment that is active is indicated with a [ symbol. **Accuset software rev. 4.05 and later only:** As you scroll to each increment, the previous increment setting will automatically be copied to the remaining increments below. (**Accuset software rev. 3.03 - 3.05 only:** As you scroll to each increment, the previous increment setting will automatically be copied to the active increment.) Push the Up or Down buttons until the desired increment is obtained. Remember to include blade kerf in your setting (i.e. If you want the finished boards to be 1" thick, set the increment to 1 1/8" to allow for typical blade kerf). The amount of kerf will depend on the thickness and tooth set of the blade you are using. The Accuset can be programmed with an automatic kerf setting if desired ([See Section 1.1.5](#)).

Push the +/- Drop button to move to the next pattern increment and adjust as desired. After the bottom increment setting is adjusted as desired push the +/- Drop button to exit pattern edit mode ([ symbol will no longer be displayed).

To store the new pattern increment settings, push the Manual Mode button then push the Up button. The Configuration Menu will be displayed. Choose Save Settings to enter the Save Settings menu, then select Save Now.

**Example:** To edit the pattern increment settings for the #4 pattern setting, push Increment Selection button #4 once to display pattern setting #4 (**Accuset software rev. 4.05 and later only:** the factory default value for pattern setting #4 is 1 3/4"). (**Accuset software rev. 3.03 - 3.05 only:** the factory default value for pattern setting #4 is 2"). Push the +/- Drop button to enter pattern edit mode. The top pattern increment is now indicated with a



[ symbol. Push the Down button to adjust the setting to 1 1/8". While pushing the Down button, push the Up button to scroll faster. When you get close to 1 1/8", release both buttons. Push the Down button to fine tune the setting to exactly 1 1/8". Push the +/- Drop button again to move the next pattern increment. **Accuset software rev. 4.05 and later only:** The setting will automatically be copied from the previous setting to 1 1/8" for all the remaining increments below. **(Accuset software rev. 3.03 - 3.05 only:** The setting will automatically be copied from the previous setting to 1 1/8". Repeat for the third pattern increment.) Exit pattern edit mode by pushing the Manual button. Save the new pattern setting by pushing the Up arrow button to enter Configuration Menu #1. Press the Save Settings button to enter the Save Settings menu, then push the Save Now button. Push the Pattern button to return to Pattern Mode and push Increment Selection button #4. **Accuset software rev. 4.05 and later only:** All of the pattern settings should now be 1 1/8". **(Accuset software rev. 3.03 - 3.05 only:** The top three pattern settings should now be 1 1/8" and the bottom three pattern settings should be 2".)

Push the Manual Mode button and raise the saw head so the blade is positioned near the top of the log. Push the Pattern button to return to Pattern Mode.

Push the up/down drum switch down and release. The saw head will automatically stop at the first setting determined by the top pattern increment.

Make a cut, raise the saw head and return the carriage for the next cut. Push the up/down drum switch down and release. The saw head will stop at the setting for the next cut. Repeat this procedure down this face of the log as desired.

Turn the log as you normally would and push the Manual Mode button to place the Accuset in Manual Mode.

Raise the saw head so the blade is positioned near the top of the log and push the Pattern button to return to Pattern Mode. Make the cut, raise the saw head and return for the next cut. Use the same procedure as described above to cut each side of the log until done.

**Auto-Bump Feature (Accuset software rev. 3.03b and later only):** The auto-bump feature is used to move the blade up a particular distance after each cut by simply bumping the up/down drum switch in the up direction. This feature is available only when using pattern button #1 (memory positions #1, #5, #9 & #13). Pattern buttons 2, 3 & 4 continue to require manual raising of the blade if desired.

To use the auto-bump feature, program the desired pattern in any of the four memory positions of button #1. The bump-up value used is the increment of AutoUp or AutoDown that you last viewed. To set the bump-up value, place Accuset in AutoUp or AutoDown mode and program an interval (example: 1/4") into any of the 16 available memory positions. Return Accuset to Pattern Mode. Now when the drum switch is moved up and released the blade will rise 1/4" and stop.

## 1.6 Using Reference Mode (Rev. B.00+ Only)

While in Manual Mode, push the Toggle button to enter Reference Mode.

Push one of the four Increment Setting buttons to select a reference. Factory defaults for buttons 1 through 4 are 3/4", 12", 24" and 34 1/2". Push the up/down drum switch in the appropriate direction to start the saw head toward the reference position. If the saw head is already above the position and you push the drum switch up, Accuset will return to Manual Mode. Likewise, if the saw head is below the reference position and you push the drum switch down, Accuset returns to Manual Mode.

When the saw head reaches the target reference position, Accuset will return to Manual Mode.

To change the stored setting for any of the four buttons, move the saw head to the desired position. Press the Toggle button to enter Reference Mode. Push the button you wish to store the setting and then push "Store Here". Push the Toggle button to return to Manual Mode.

You can also change a setting by selecting one of the four Increment Setting buttons and changing the setting by using the Up and Down arrow buttons. Push the "Store Here" button to store the new setting.

**NOTE:** The new reference setting is only stored in temporary memory and will return to the default value when the Accuset is powered off and back on. To permanently store the new setting, enter Configuration Menu #1 and push the "Save Settings", then the "Save Now" button from the Save Settings menu. Accuset will now keep the new setting until you readjust it or reset the Accuset to factory defaults.

## SECTION 2 ACCUSET TROUBLESHOOTING



**STOP!** Be sure you have performed the preliminary troubleshooting procedure before troubleshooting a specific electrical system. This will save you a lot of time wasted troubleshooting the wrong system! Also, when calling Customer Service for assistance, you will be required to use a digital voltmeter.

Before troubleshooting the Accuset, first be sure all components are properly installed. This is especially important if you have recently replaced a component. Recheck that the component is properly installed and connected. If any maintenance procedures that might affect Accuset performance were performed immediately before a problem developed, check that the procedures were performed properly. Adjustments to the up/down chain, vertical mast slide pads and up/down drive belt may affect Accuset performance. Sawmill components such as covers and guards that might interfere with Accuset wiring should also be checked.

This troubleshooting section was developed assuming you have isolated the problem to the Accuset option. Problems with the sawmill battery/charging system, circuit breakers, solenoids and up/down system can affect the Accuset option. Refer to the sawmill troubleshooting information to solve problems with these components. A list of common Accuset problems is provided below.

**Accuset Rev. D.02 and later:** The transducer sensor is equipped with LED lights to help diagnose problems with the sensor. [See Section 2.5 Sensor LED Lights \(Rev. D.02 - E.02 only\)](#).

### 2.1 Common Problems

- 1 Accuset display has no backlight.** Most commonly happens when Accuset is not powered. [See Section 2.2 Accuset Display Problems](#).
- 2 Accuset display has a back light but no readout.** Most commonly happens when the LCD contrast is not adjusted properly or the transducer is not providing a proper value. Check the display contrast.

Adjust the display contrast if necessary ([See Section 1.1.1 Contrast Adjustment](#) of the Accuset manual for instructions). If it is not possible to adjust the display contrast, check the transducer connections. If the transducer connections are good, call Customer Service for assistance.

- 3 Accuset display shows two horizontal lines (Rev. A.00 - A.03 only).** This problem can

## 2

## Accuset Troubleshooting

### Common Problems

---

be caused by bad transducer cable connections. Check the cable connections.

At the transducer, check if the cables are plugged properly. Tighten the cable connections if necessary.

If the cable connections are tight and the problem remains, inspect the transducer cables for damage. Replace the transducer cables if necessary.

Perform the Accuset reset, if the transducer cable connections are okay and plugged properly. [See Section 2.2.2 Resetting the Accuset](#) for instructions. If the display still shows two horizontal lines after resetting the Accuset, call Customer Service for assistance.

### With Accuset in Manual Mode and activating the up/down drum switch...

**4 Accuset does not make saw head move up and down.** Check the red control lights located at the rear of Accuset and power box control panels ([See Section 2.3 Up/Down Control Lights](#)), to determine the cause for this problem.

**5 Saw head does not move up but moves down.** Check the upper row of lights at the back of Accuset and power box control panels. [See Section 2.3 Up/Down Control Lights](#) for instructions.

If the lights are okay, reset the Accuset ([See Section 2.2.2 Resetting the Accuset](#)). If the saw head still does not move up, call Customer Service for assistance.

**6 Saw head does not move down but moves up.** Check the lower row of lights at the back of Accuset and power box control panels. [See Section 2.3 Up/Down Control Lights](#) for instructions.

If the lights work properly, reset the Accuset ([See Section 2.2.2 Resetting the Accuset](#)). If the saw head still does not move down, call Customer Service for assistance.

**7 Accuset displays illegible characters.** First reset the display by turning the keyswitch off (#0) and back on again. [See Section 1.1.5 Other Settings](#) of the Accuset operator's manual to check the language option. Change the language as needed. If the language is not a cause of the problem, reset the Accuset to Factory Settings ([See Section 2.2.2 Resetting the Accuset](#)). If the display continues to show the problem, call Customer Service for assistance.

**8 Accuset display reads X/12 dimensions (Rev. A.00 - A.03 only).** When this problem occurs, turn the key switch to the off (#0) position. Turn the key switch to the on (#1) or

accessory (#3) position. Check if the display works properly. If the display continues to show the problem, reset the Accuset to Factory Settings ([See Section 2.2.2 Resetting the Accuset](#)). Replace the Accuset front panel, if the display still indicates incorrect dimensions.

**9** **Accuset makes inaccurate blade drops.** This may be caused by variances in friction characteristics. Make sure the up/down chain is clean, lubricated and adjusted properly. Also check if the saw head slide pads are adjusted properly and the mast rails are clean and lubricated ([See Section 2.4 Accuracy Problems](#)).

**10** **Accuset switches from Pattern or Auto Mode to Manual Mode without pressing any buttons.** Commonly happens when battery power is low, causing Accuset to reset. Check the battery cable connections. Recharge or replace the battery if necessary. If the battery is good, check the power cable connections in the Accuset front panel. Make sure all connections are tight and free of corrosion.

If all the power connections appear to be okay and the Accuset still switches modes without pressing any buttons, replace the Accuset front panel.

**11** **Accuset does not switch from Manual Mode to Pattern Mode (Rev A.00 - A.03 only).** When this happens, turn the key switch to the off (#0) position. Turn the key switch to the on (#1) or accessory (#3) position. Check if the Accuset works properly. If the problem reappears, reset the Accuset to Factory Settings ([See Section 2.2.2 Resetting the Accuset](#)). Replace the Accuset front panel if necessary.

**12** **Accuset buttons do not work properly.** Before replacing the control panel, turn the key switch to the off (#0) position. Turn the key switch to the on (#1) or accessory (#3) position and check if the buttons work properly. If the problem remains, check for a weak battery. If the battery is good and the control has been reset by powering off and back on and the buttons still do not function properly, replace the Accuset front panel.

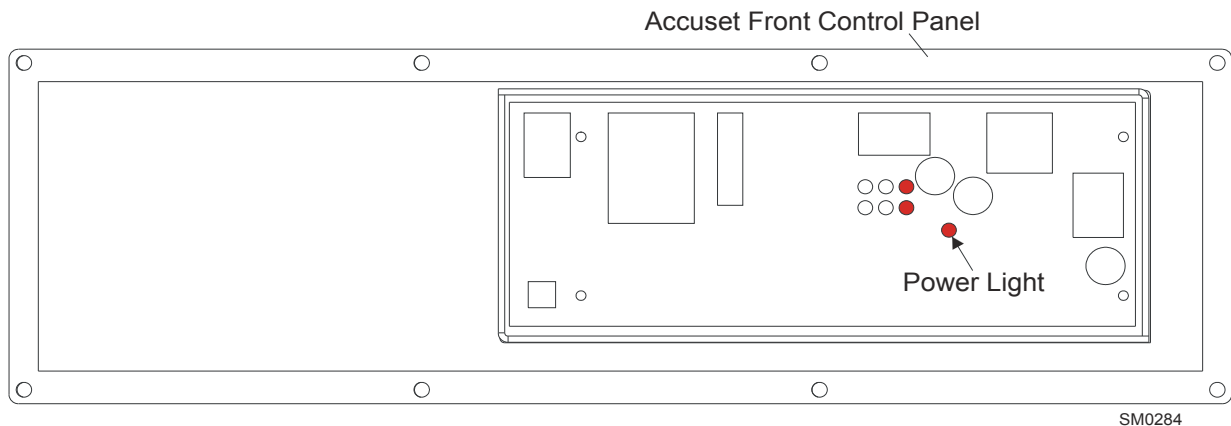
**13** **Accuset display dimensions are not stable when engine is running and the saw-head does not move up and/or down.** Most commonly happens when the transducer wire connections are loose. Check the transducer wires. Tighten the connections securing the transducer cables if necessary. If no problems are found with the wire connections, call Customer Service for assistance.

## 2.2 Accuset Display Problems

If the Accuset display has no backlight when its control box is powered, check the power light.

**See Figure 2-1.** The rear of the Accuset front panel located in the control box is shown below. The power control panel located in the power box contains the same set of lights.

To check the power light, remove the eight screws securing the Accuset front panel. Remove the front panel from its original location without disconnecting the wires. Turn the key switch to the on (#1) or accessory (#3) position. To check the power light located at the power control panel, open the power box door.



**FIG. 2-1**

**If the power light is on,** replace the control panel.

**If the power light is off,** check up/down circuit breaker located in the power box. Reset the breaker if necessary. If the circuit breaker works fine, check the power control panel in the power box, and the control panel in the operator's control box. See if the MOSFET panel works properly. Perform the MOSFET test as needed. If all the panels are okay, wiggle the wire connections at the power box. Call Customer Service for assistance, if the power light does not turn on.

### 2.2.1 Control Panel Replacement

#### Control box:

1. Turn the key switch to the off (#0) position and remove the key.
2. Remove the eight screws holding the control panel to the Accuset control box.

3. Unplug the wire connections at the back of the control panel and remove the front panel.
4. Install the new control panel to the Accuset control box. Make sure all the wires are tight and plugged properly.
5. Secure the control panel to the Accuset control box with the eight previously removed screws.
6. Perform the control setup and programming instructions. [See Section SECTION 1 Setup & Operation.](#)

**Power box:**

1. Turn the key switch to the off (#0) position and remove the key.
2. Open the power box to access the power control panel.
3. Remove the four screws and nuts securing the control panel to the power box door.
4. Disconnect the wire connections from the power control panel
5. Take the control panel off the sawmill.
6. Install the new power control panel in the power box door. Connect all the wires previously disconnected.
7. Replace the four screws and nuts to secure the power control panel to the power box door.

**2.2.2 Resetting the Accuset**

To reset the Accuset to Factory Settings:

1. Turn the key switch to the off (#0) position.
2. **Rev. E.00+:** Press and hold the Toggle button.

**Rev. B.00 - D.02:** Press and hold the Up and Down buttons.

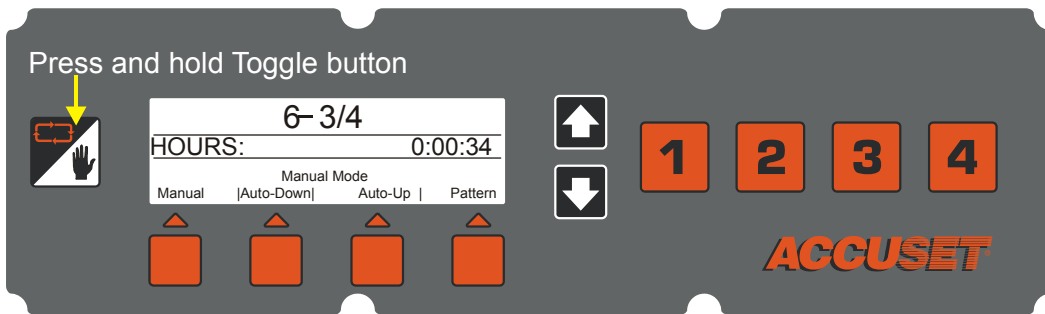
**Rev. A.00 - A.03:** Press and hold the Toggle and Manual buttons.

**See Figure 2-2.**

# 2

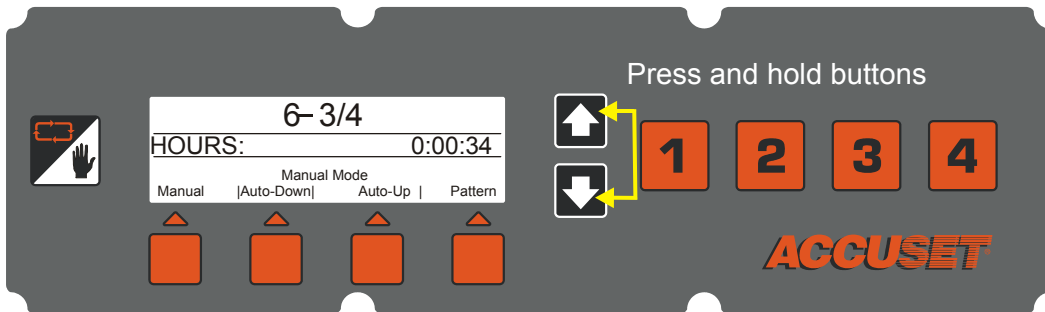
## Accuset Troubleshooting

### Accuset Display Problems



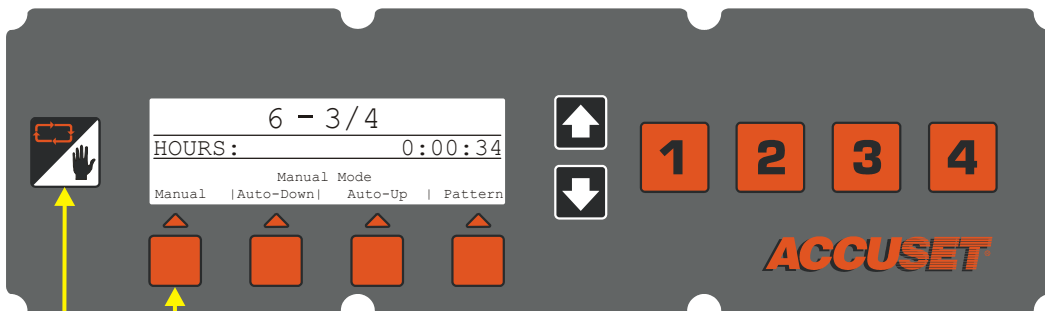
SM0315

FIG. 2-2 REV. E.00+



SM0307

FIG. 2-2 REV. B.00 - D.02



SM0286

FIG. 2-2 REV. A.00 - A.03

3. Turn the key switch to the on (#1) or accessory (#3) position.
4. Release the buttons to complete the reset. Adjust the display contrast, if needed.

**IMPORTANT:** Always readjust all the Accuset settings after resetting the unit. [See Sec-](#)



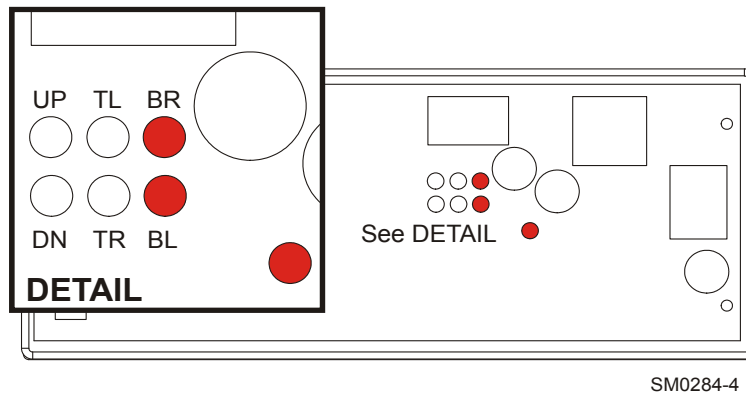
[tion 1.1 Control Setup](#) of the Accuset manual for instructions.

## 2.3 Up/Down Control Lights

The up/down control lights are located on the back side of the Accuset front panel, next to the power light and on the power control panel inside the power box. To access the control lights, remove the eight screws securing the Accuset front panel. Remove the control panel from its original location without disconnecting the wires. For remote units, you also need to check the control lights located on the power control panel inside the power box. Turn the key switch to the on (#1) or accessory (#3) position to check the control lights for operation.

The properly working control lights change while pushing the up/down drum switch located on the right side of the sawmill control box. When the up/down drum switch is in the neutral position, only the BR and BL lights should be on.

**See Figure 2-3.** Only the BR and BL lights are on when the up/down drum switch is not in use.



**FIG. 2-3**

If the Accuset works properly and the up/down drum switch is pushed forward to move the saw head up, only the UP, TL, and BR lights come on.

If the Accuset works okay and the up/down drum switch is pushed down to move the saw head down, only the DN, TR, and BL lights come on.

See below to determine the cause for your problem.

- 1** If the lights work properly while pushing the up/down drum switch, inspect the wire connections at the up/down motor leads. Remove the motor leads and check if the problem remains. Reconnect and tighten the wire connections. If the wire connections are not a cause for the problem, check the up/down motor brushes. Replace the motor brushes as needed. If the up/down motor brushes are okay, perform the MOSFET test ([See Section 2.3.1 MOSFET Panel Test](#)). Replace the MOSFET panel if defective.
- 2** If the lights do not change when pushing the up/down drum switch, and the BL and BR lights are on when the up/down drum switch in the neutral position, check the up/down drum switch. Inspect and tighten the up/down drum switch wire connections. If the saw head does not move up, inspect the wire connections specific for UP direction. If the saw head does not move down, check the wire connections specific for DOWN direction. Replace the up/down drum switch if necessary. If the up/down drum switch is okay, check the accessory circuit breaker. If the breaker is not the cause of the problem, call Customer Service for assistance.

See **Figure 2-4**. The accessory breaker is located inside the operator's control box. Remove the circuit breaker panel from the control box to access the breaker.

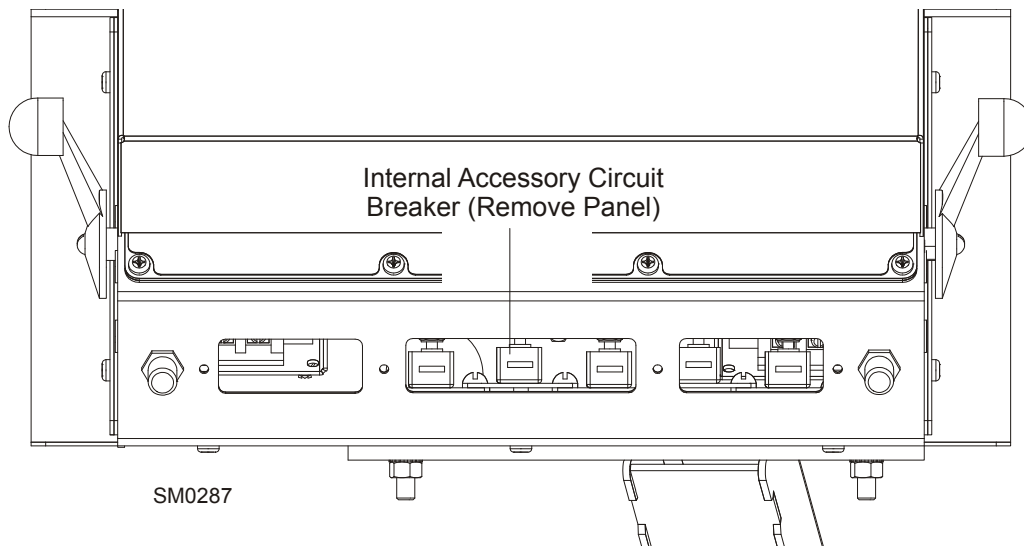


FIG. 2-4

Reset the accessory circuit breaker as needed. **NOTE:** If the breaker is still hot, you may not be able to reset it immediately. Allow the breaker to cool for a few minutes before attempting to reset.

- 3** If the TL, TR, BR and BL lights do not change properly when pushing the up/down drum switch, reset the Accuset to Factory Settings ([See Section 2.2.2 Resetting the Accuset](#)). If the problem has not been eliminated, call Customer Service for assistance.
- 4** If the UP and DOWN lights do not change properly when pushing the up/down drum switch, check the MTRL and MTRR motor wire connections for correct location. Replace and tighten the wire connections as needed. If no problems are found with the wire connections, perform the MOSFET panel test ([See Section 2.3.1 MOSFET Panel Test](#)). If the MOSFET panel is okay, reset the Accuset to Factory Settings ([See Section 2.2.2 Resetting the Accuset](#)). If the UP and DOWN lights are still not functioning properly, call Customer Service for assistance.
- 5** If the UP and DOWN lights flicker when pushing the up/down drum switch, check the MOSFET panel ([See Section 2.3.1 MOSFET Panel Test](#)). Tighten the wire connections if necessary. If the MOSFET panel has been replaced before, check the MTRL and MTRR motor wire connections for correct location. If no problems are found with the wire connections, call Customer Service for assistance.
- 6** If all the up/down lights are off, check the power light at the rear of the Accuset front panel and the power control panel located inside the power box. If the power light is off [See Section 2.2 Accuset Display Problems](#) for instructions. If the power light is on, disconnect and check the MOSFET panel. [See Section 2.3.1 MOSFET Panel Test](#) to perform the MOSFET test. Replace the MOSFET panel as needed. If the MOSFET panel has been eliminated as a cause for the problem, perform the Accuset reset ([See Section 2.2.2 Resetting the Accuset](#)). If the problem remains, call Customer Service for assistance.

### 2.3.1 MOSFET Panel Test



**WARNING!** Before performing any service to the sawmill control box panel, turn the key to the OFF position, disconnect the negative battery lead, and remove all rings, watches, etc.... Failure to do so may cause serious injury and machine damage.

To perform the MOSFET panel test:

1. Turn the key switch to the off (#0) position and remove the key.
2. Remove the eight screws securing the MOSFET panel.

3. Disconnect all the wires and connectors from the rear of the MOSFET panel.
4. Remove the MOSFET panel from the sawmill.

See Figure 2-5.

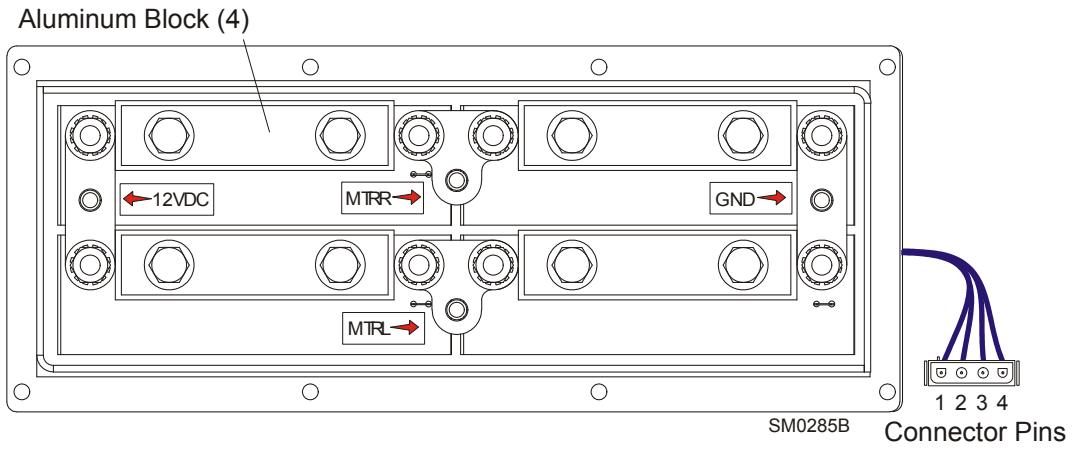


FIG. 2-5

## 2

### Accuset Troubleshooting

#### *Up/Down Control Lights*

---

Use an Ohm meter to check the resistance between the MOSFET terminals.



**IMPORTANT!** Set the meter to ohms ( $\Omega$ ), place the **red** meter lead in the “V- $\Omega$ ” position and the **black** meter lead in the “comm” position. Be sure to use the color meter leads as specified below. Do not touch the meter leads during testing to avoid false readings. Depending on your meter type, infinite resistance may be indicated by displaying “OL” or a very high value indicated in mega-ohms.



5. Place the **red** meter lead to the MTRR terminal and **black** meter lead to GND. The meter should indicate infinite resistance.
6. Place the **red** meter lead to the MTRL terminal and the **black** meter lead to GND. The meter should indicate infinite resistance.
7. Place the **red** meter lead to the 12VDC terminal and **black** meter lead to MTRR. The meter should indicate infinite resistance.
8. Place the **red** meter lead to the 12VDC terminal and **black** meter lead to MTRL. The meter should indicate infinite resistance.
9. Place the **red** meter lead to the GND terminal and the **black** meter lead to one of the aluminum blocks on the panel. The meter should indicate infinite resistance.
10. Place the **red** meter lead to the MTRR terminal and the **black** meter lead to one of the aluminum blocks on the panel. The meter should indicate infinite resistance.
11. Place the **red** meter lead to the MTRL terminal and the **black** meter lead to one of the aluminum blocks on the panel. The meter should indicate infinite resistance.
12. Place the **red** meter lead to the 12VDC terminal and the **black** meter lead to each of the four connector pins, one pin at a time. The meter should indicate infinite resistance.
13. Place the **black** meter lead to the GND terminal and the **red** meter lead to each of the four connector pins, one pin at a time. The meter should indicate 10k $\Omega$  at pins 3 & 4 and infinite resistance at pins 1 & 2. (Pin 1 is indicated by the extruded notch on the connector housing).

14. Place the **red** meter lead to the MTRR terminal and the **black** meter lead to each of the four connector pins, one pin at a time. The meter should indicate 10k $\Omega$  at pin 1 and infinite resistance at pins 2, 3 & 4.
15. Place the **red** meter lead to the MTRL terminal and the **black** meter lead to each of the four connector pins, one pin at a time. The meter should indicate 10k $\Omega$  at pin 2 and infinite resistance at pins 1, 3 & 4.
16. Place the **black** meter lead to one of the aluminum blocks on the panel and the **red** meter lead to each of the four connector pins, one pin at a time. The meter should indicate infinite resistance.

The MOSFET panel is defective and needs to be replaced if any of the readings listed above are not correct.

### 2.3.2 Replacing the MOSFET Panel



**WARNING!** Before performing any service to the sawmill control box panel, turn the key to the OFF position, disconnect the negative battery lead, and remove all rings, watches, etc.... Failure to do so may cause serious injury and machine damage.

1. Turn the key switch to the off (#0) position and remove the key.
2. Remove the eight screws holding the MOSFET panel on the power box door.
3. Disconnect all the wires from the MOSFET panel terminals and remove the panel.
4. Replace the bad MOSFET panel with the new panel and connect the wires to the proper terminals.
5. Secure the new panel with the eight previously removed screws.

## 2.4 Accuracy Problems

The Accuset control can move the saw head accurately within  $\pm 1/32$ " per move. To help determine the appropriate accuracy problem to troubleshoot, perform the following checks. Inspect all items listed below.

**NOTE:** Before you begin the Accuset inspection check if the Gradient Setting is set to match the gradient of the transducer sensor (labeled "GRD" on the sensor). The Gradient Setting must be adjusted if the Accuset has been replaced in the field, the transducer replaced or the Accuset has been reset to Factory Settings. The Accuset will not work properly if

**1 Smooth overshoot.** Make sure the up/down chain is clean, lubricated and adjusted properly. Also check if the saw head slide pads are adjusted properly and the mast rails are clean and lubricated.

If the up/down chain, slide pads and mast rails are okay, increase the PID values. [See Section 1.1.5 Other Settings](#) of the Accuset operator's manual to adjust the settings properly. If the new settings do not improve performance, call Customer Service for assistance.

**2 Jerky overshoot.** Check if the up/down chain, slide pads, and mast rails are clean and lubricated. Clean, lubricate and adjust if necessary. Check the PID values if adjusted correctly. [See Section 1.1.5 Other Settings](#) for default adjustments.

If the up/down chain is not a problem, call Customer Service for assistance.

**3 Undershoot.** Check and decrease the PID values ([See Section 1.1.5 Other Settings](#) in the Accuset manual for instructions).

If the PID values are okay and set correctly. Clean, lubricate and adjust the up/down chain and slide pads. Check if the mast rails are clean and free of corrosion. If the problem remains, call Customer Service for assistance.



## 2.5 Sensor LED Lights (Rev. D.02 - E.02 only)

See **Figure 2-6**. The manufacturer's instructions for troubleshooting the sensor LED lights is provided below.



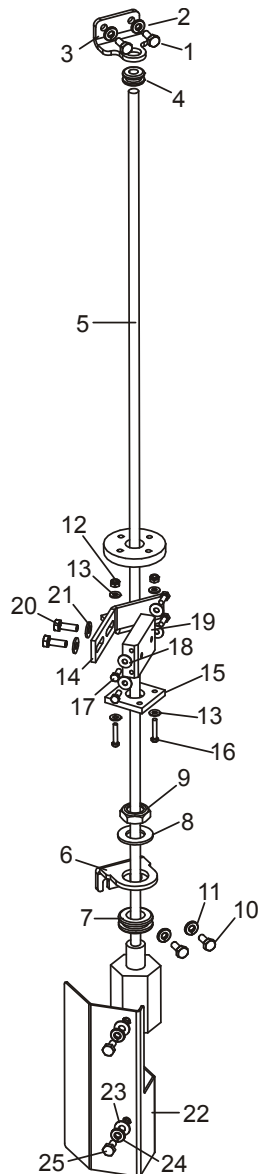
**FIG. 2-6**

## SECTION 3 REPLACEMENT PARTS

### 3.1 Sensor Assembly

Accuset

Rev. E.01+



3H0962-1

REF	DESCRIPTION (◆ Indicates Parts Available In Assemblies Only)	PART #	QTY.	
	<b>TRANSDUCER ASSEMBLY, ACCUSET</b>	025019	1	◆
1	Screw, 1/4-20 x 5/8" Hex Head Bolt	F05005-86	2	
2	Washer, 1/4" Split Lock	F05011-14	2	

3	Bracket, Upper Sensor Mount	035560	1	
4	Grommet, 3/8" ID Rubber	025248	1	
	Sensor Assembly, Accuset Transducer	025246	1	◆
5	Sensor, Balluff Transducer Style Z	038659 <sup>1</sup>	1	
6	Bracket, Lower Sensor Mount	035544	1	
7	Grommet, 3/4" ID Rubber	025247	1	
8	Washer, 3/4" ID Nylon	025250	1	
9	Nut, 3/4-16 Nylon Lock	F05010-171	1	
10	Screw, 1/4-20 x 5/8" Hex Head Bolt	F05005-86	2	
11	Washer, 1/4" Split Lock	F05011-14	2	
12	Nut, #8-32 Hex Nylon Lock	F05010-169	2	
13	Washer, #8 SAE Flat	F05011-41	4	
14	Bracket, Sensor Magnet Mounting	035444	1	
15	Magnet, Balluff Transducer	038658 <sup>2</sup>	1	
	Magnet, MTS Transducer	024876 <sup>2</sup>	1	
16	Screw, #8-32 x 1 1/4" Hex Head Stainless Steel	F05004-291	2	
17	Screw, #10-24 x 1/2" Hex Head	F05004-27	4	
18	Washer, #10 SAE Flat	F05011-18	4	
19	Block, Sensor Magnet Mounting	035440	1	
20	Bolt, 1/4-20 x 3/4" Full Thread Hex Head	F05005-1	2	
21	Washer, 1/4" SAE Flat	F05011-11	2	
	Wire Tie, 3/16" x 10" Black UV	F05089-8	3	
	Cover Kit, Lower Accuset Sensor (12/05+)	003184 <sup>3</sup>	1	
	Cover Kit, Lower Accuset Sensor (Pre-12/05)	003183 <sup>3</sup>	1	
22	Cover Weldment, Lower Accuset Sensor (12/05+)	038987	1	
	Cover Weldment, Lower Accuset Sensor (Pre-12/05)	038987	1	
23	Washer, 1/4" SAE Flat	F05011-11	2	
24	Washer, 1/4" Split Lock	F05011-14	2	
25	Bolt, 1/4-20 x 1/2" Hex Head	F05005-15	2	
	Instruction Sheet, Lower Accuset Sensor Cover Retrofit	003184-1291	1	
	<b>CABLE KIT, TRANSDUCER 39' REPLACEMENT</b>	036905	1	
	Cable Assembly, 32-Foot Transducer Interface	024868-1	1	◆
	Wire Tie, 3/16" x 6" UV Black	F05089-3	25	

<sup>1</sup> Balluff Style Z Transducer 038659 replaces Series G Transducer 052130 (Rev. E.03). Includes Balluff Magnet 038658.

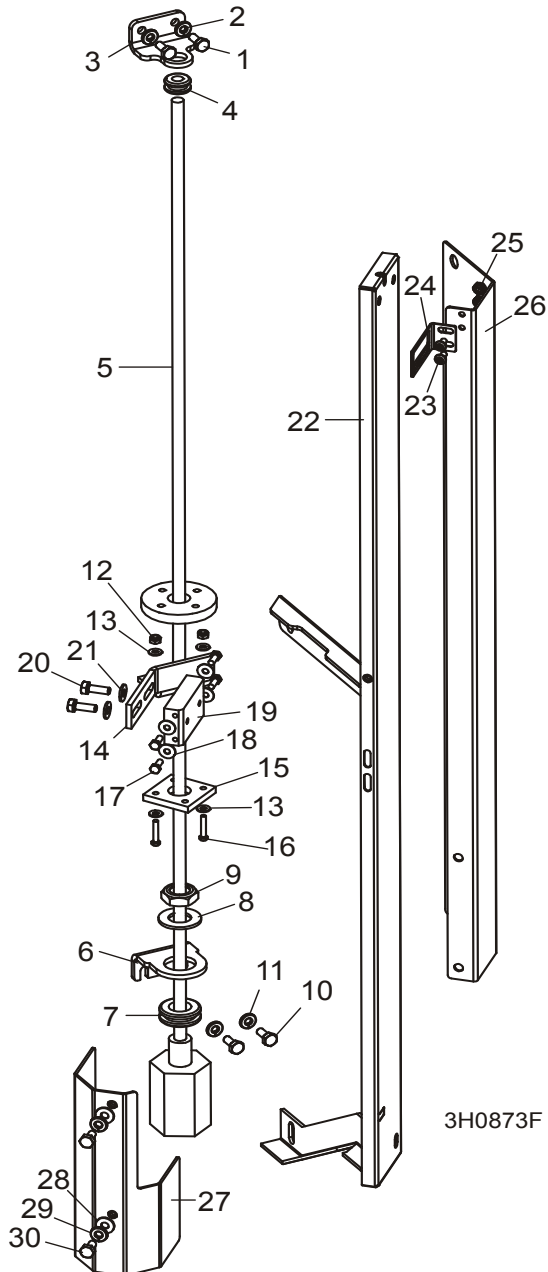
<sup>2</sup> Use 038658 Magnet to service Balluff transducer (Rev. E.03+). Use 024876 Magnet to service MTS transducers on previous revisions.

<sup>3</sup> Lower Sensor Cover added Rev. E.06 to protect cable connection from debris. Use kit 003184 to retrofit sawmills with bent scale pointer (LT30 Rev. J8.01+, LT40 Rev. J9.01+, LT30 Super Rev. J3.07+, LT40 Super Rev. J4.08+, LT30HD Rev. J9.01+, LT40HD Rev. K1.01+, LT30HD Super Rev. J8.08+ and LT40HD Super Rev. J8.09+) or if sensor assembly upgraded with bent pointer. Use kit 003183 to retrofit previous sawmill revisions with straight pointer. [See Form #1291](#).

### 3.2 Sensor Assembly

Accuset

Rev. A.01 - E.00



REF	DESCRIPTION (◆ Indicates Parts Available In Assemblies Only)	PART #	QTY.	◆
	<b>TRANSDUCER ASSEMBLY, ACCUSET</b>	025019	1	◆
1	Screw, 1/4-20 x 5/8" Hex Head Bolt	F05005-86	2	
2	Washer, 1/4" Split Lock	F05011-14	2	

<b>3</b>	Bracket, Upper Sensor Mount	035560	1	
<b>4</b>	Grommet, 3/8" ID Rubber	025248	1	
	Sensor Assembly, Accuset Transducer	025246	1	◆
<b>5</b>	Sensor Assembly, 36" Transducer w/Adaptor	024875 <sup>1</sup>	1	
	Sensor, Balluff Transducer Style Z	038659 <sup>1</sup>	1	
	Magnet, Balluff Transducer	038658	1	
	Cable Assembly, Accuset Adaptor	052165	1	
	Fuseholder, ATO 16GA Red SXL 20" Wires	052354 <sup>2</sup>	1	
	Fuse, 2A ATO Blade (Light Gray)	024150-2	1	
	Instruction Sheet, Transducer Retro	024875-1226	1	
<b>6</b>	Bracket, Lower Sensor Mount	035544	1	
<b>7</b>	Grommet, 3/4" ID Rubber	025247	1	
<b>8</b>	Washer, 3/4" ID Nylon	025250	1	
<b>9</b>	Nut, 3/4-16 Nylon Lock	F05010-171	1	
<b>10</b>	Screw, 1/4-20 x 5/8" Hex Head Bolt	F05005-86	2	
<b>11</b>	Washer, 1/4" Split Lock	F05011-14	2	
<b>12</b>	Nut, #8-32 Hex Nylon Lock	F05010-169	2	
<b>13</b>	Washer, #8 SAE Flat	F05011-41	4	
<b>14</b>	Bracket, Sensor Magnet Mounting	035444	1	
<b>15</b>	Magnet, Balluff Transducer	038658 <sup>3</sup>	1	
	Magnet, MTS Transducer	024876 <sup>3</sup>	1	
<b>16</b>	Screw, #8-32 x 7/8" Hex Head	F05004-182	2	
<b>17</b>	Screw, #10-24 x 1/2" Hex Head	F05004-27	4	
<b>18</b>	Washer, #10 SAE Flat	F05011-18	4	
<b>19</b>	Block, Sensor Magnet Mounting	035440	1	
<b>20</b>	Bolt, 1/4-20 x 3/4" Full Thread Hex Head	F05005-1	2	
<b>21</b>	Washer, 1/4" SAE Flat	F05011-11	2	
	Wire Tie, 3/16" x 10" Black UV	F05089-8	3	
	<b>CABLE KIT, TRANSDUCER 39' REPLACEMENT</b>	036905	1	
	Cable Assembly, 39-Foot Transducer Interface	024868-1	1	◆
	Wire Tie, 3/16" x 6" UV Black	F05089-3	25	
<b>22</b>	<b>MOUNT WELDMENT, SCALE PAINTED</b>	W11996	1	
	<b>POINTER ASSEMBLY, ACCUSET ADJUSTABLE</b>	038591 <sup>4</sup>	1	
<b>23</b>	Screw, #10-24 x 3/8" Slotted Pan Head	F05004-3 <sup>5</sup>	2	
<b>24</b>	Pointer, Accuset Scale	038585 <sup>4</sup>	1	
<b>25</b>	Nut, #10-24 Hex Self-Locking	F05010-14 <sup>5</sup>	2	
<b>26</b>	Plate, Accuset Pointer Mount Painted	038586 <sup>4</sup>	1	
	<b>COVER KIT, LOWER ACCUSET SENSOR (12/05+)</b>	003184 <sup>6</sup>	1	
	<b>COVER KIT, LOWER ACCUSET SENSOR (PRE-12/05)</b>	003183 <sup>1</sup>	1	
<b>27</b>	Cover Weldment, Lower Accuset Sensor (12/05+)	038987	1	
	Cover Weldment, Lower Accuset Sensor (Pre-12/05)	038988	1	

# 3

## Replacement Parts

### Sensor Assembly

---

<b>28</b>	Washer, 1/4" SAE Flat	F05011-11	2	
<b>29</b>	Washer, 1/4" Split Lock	F05011-14	2	
<b>30</b>	Bolt, 1/4-20 x 1/2" Hex Head	F05005-15	2	
	Instruction Sheet, Lower Accuset Sensor Cover Retrofit	003184-1291	1	

<sup>1</sup> Balluff Style Z Transducer 038659 replaces Series G Transducer 052130 (Rev. E.03) and Series LS Transducer (Rev. D.02). Includes Balluff Magnet 038658. 024875 Transducer Assembly includes adaptor cable 052165 to service revisions before D.02. Use 038659 to service D.02 and later.

<sup>2</sup> Fuseholder 052354 replaces 024555 originally supplied prior to 9/05 to provide longer wire lead.

<sup>3</sup> Use 038658 Magnet to service Balluff transducer if retrofitted after 2/06. Use 024876 Magnet to service original MTS transducers .

<sup>4</sup> Bent pointer assembly 038591 replaces pointer assembly 016736 (12/05). Bent design allows adjustment of pointer toward blade scales.

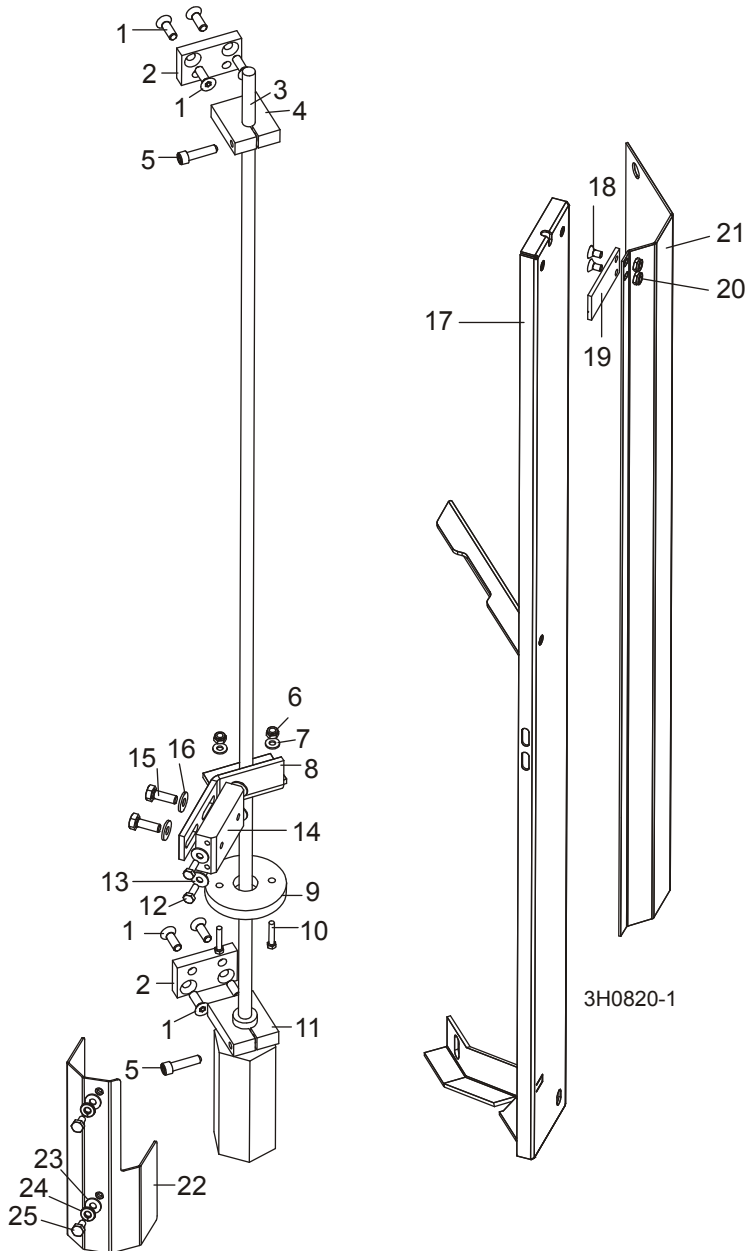
<sup>5</sup> Bent steel pointer 038585 replaces steel pointer 017805 (12/05) and clear pointer 035447 (5/02). Use F05004-3 screws and F05010-14 nuts to mount steel pointer (replaces F05004-181 screws and F05010-168 nuts used for clear pointer).

<sup>6</sup> Lower Sensor Cover available 12/06 to protect cable connection from debris. Use kit 003183 to retrofit sensor assembly with original straight scale pointer. Use kit 003184 to retrofit sensor assemblies upgraded with bent pointer. [See Form #1291.](#)

### 3.3 Sensor Assembly

Accuset

Rev. A.00



REF	DESCRIPTION (◆ Indicates Parts Available In Assemblies Only)	PART #	QTY.	
	<b>TRANSDUCER ASSEMBLY, ACCUSET</b>	025019	1	◆
1	Screw, 1/4-20 x 3/4" Flat Socket Head Cap	F05005-70	8	
2	Plate, Sensor Adapter	035438 <sup>1</sup>	2	◆

# 3

## Replacement Parts

### Sensor Assembly

3	Sensor, 36" Start/Stop Magnetostrictive	024875 <sup>2</sup>	1	
4	Bracket, Sensor Mounting Upper	035439	1	◆
5	Screw, 1/4-20 x 1" Socket Head Cap Screw	F05005-144	2	
6	Nut, #8-32 Hex Nylon Lock	F05010-169	2	
7	Washer, #8 SAE Flat	F05011-41	2	
8	Bracket, Sensor Magnet Mounting	035444	1	
9	Magnet, Balluff Transducer	038658 <sup>3</sup>	1	
	Magnet, MTS Transducer	024876 <sup>3</sup>	1	
10	Screw, #8-32 x 7/8" Hex Head	F05004-182	2	
11	Bracket, Sensor Mounting Lower	035445	1	◆
12	Screw, #10-24 x 1/2" Hex Head	F05004-27	4	
13	Washer, #10 SAE Flat	F05011-18	4	
14	Block, Sensor Magnet Mounting	035440	1	
15	Bolt, 1/4-20 x 3/4" Full Thread Hex Head	F05005-1	2	
16	Washer, 1/4" SAE Flat	F05011-11	2	
	<b>CABLE KIT, TRANSDUCER 39' REPLACEMENT</b>	036905	1	
	Cable Assembly, 39-Foot Transducer Interface	024868-1	1	◆
	Wire Tie, 3/16" x 6" UV Black	F05089-3	25	
17	<b>MOUNT WELDMENT, SCALE PAINTED</b>	W11996	1	
18	<b>SCREW, #10-24 X 3/8" FLAT SOCKET HEAD</b>	F05004-181	2	
19	<b>POINTER, ACCUSET CLEAR SCALE</b>	035447 <sup>4</sup>	1	
20	<b>NUT, #10-24 HEX NYLON LOCK JAM</b>	F05010-168	2	
21	<b>PLATE, ACCUSET POINTER MOUNT PAINTED</b>	035446	1	
	<b>COVER KIT, LOWER ACCUSET SENSOR (PRE-12/05)</b>	003183 <sup>5</sup>	1	
22	Cover Weldment, Lower Accuset Sensor (Pre-12.05)	038988	1	
23	Washer, 1/4" SAE Flat	F05011-11	2	
24	Washer, 1/4" Split Lock	F05011-14	2	
25	Bolt, 1/4-20 x 1/2" Hex Head	F05005-15	2	
	Instruction Sheet, Lower Accuset Sensor Cover Retrofit	003184-1291	1	

<sup>1</sup> Sensor mounting hardware revised 4/01. [See Section 3.1](#) to upgrade mounting hardware.

<sup>2</sup> Includes adapter cable to retrofit Balluff Transducer ([See Section 3.1](#)).

<sup>3</sup> Use 038658 Magnet to service Balluff transducer if retrofitted after 2/06. Use 024876 Magnet to service original MTS transducers.

<sup>4</sup> Clear pointer 035447 no longer available. Use steel pointer 017805 and two mounting screws F05004-3 to replace ([See Section 3.1](#)).

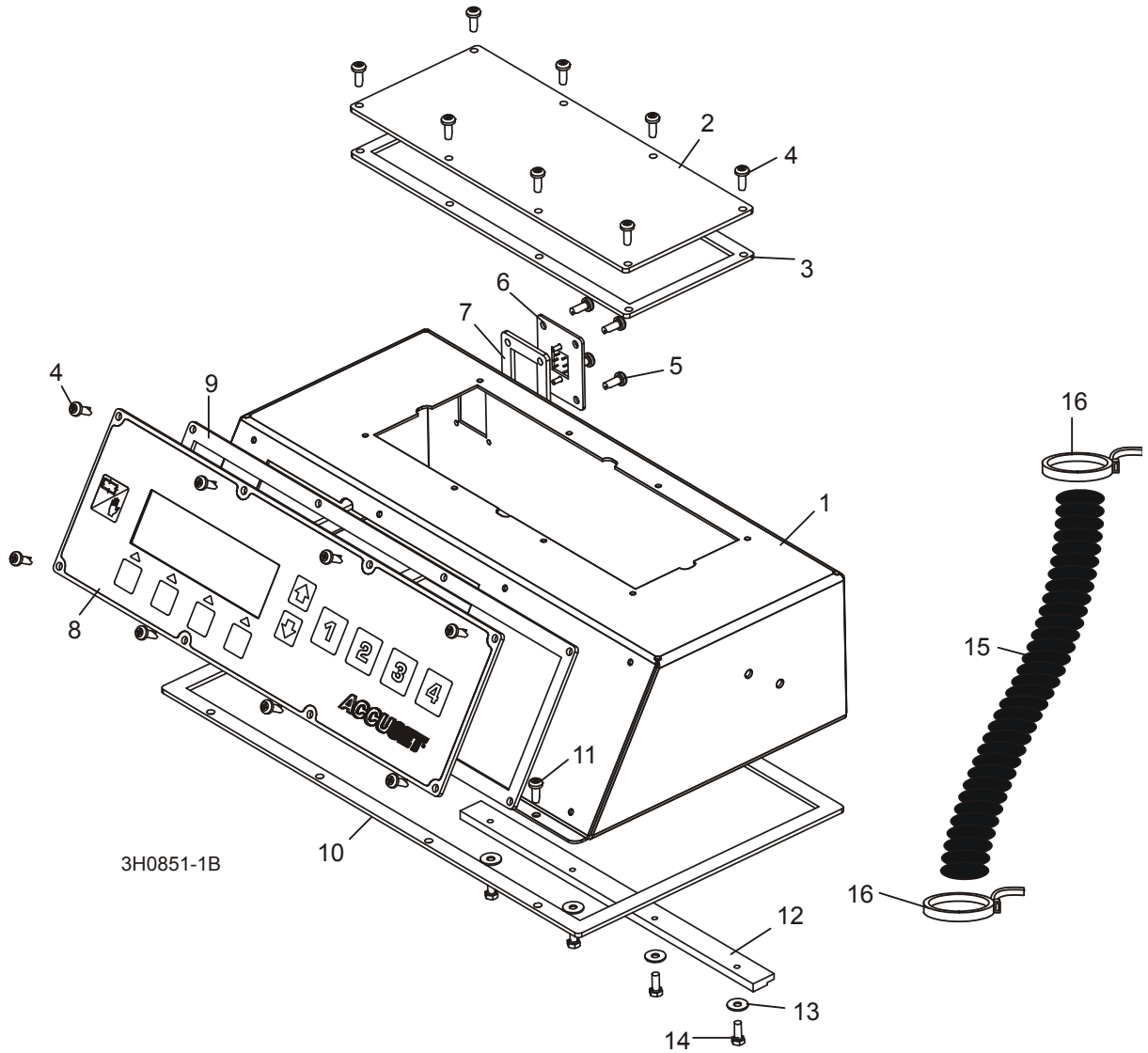
<sup>5</sup> Lower Sensor Cover available 12/06 to protect cable connection from debris. Use kit 003183 to existing sensor assemblies. [See Form #1291](#).



### 3.4 Control Assembly

Accuset

Rev. E.03 - E.06



REF	DESCRIPTION (◆ Indicates Parts Available In Assemblies Only)	PART #	QTY.	
	PANEL, REMOTE ACCUSET POWER (Not Shown - located in Remote Power Box)	052884 <sup>1</sup>	1	◆
	PANEL, REMOTE ACCUSET MOSFET (Not Shown - located in Remote Power Box)	024768 <sup>1</sup>	1	◆
	<b>CONTROL ASSEMBLY, REMOTE ACCUSET</b>	052429 <sup>1</sup>	1	◆
1	Box Weldment, Accuset Control	024778	1	◆
2	Panel Assembly, Remote Accuset	024879	1	
3	Gasket, Accuset Mosfet Panel	024869	1	
4	Screw, #10-24 x 1/2" Phillips Head	F05015-17	16	

# 3

## Replacement Parts

### Control Assembly

5	Screw, #8-32 x 1/2" Phillips Head	F05015-18	4	
6	Harness Assembly, Accuset P4	024867	1	
7	Gasket, Accuset P4 Harness Panel	024871	1	
	Panel, Remote Accuset Front (2006)	052437-N <sup>1</sup>	1	◆
8	Panel Assembly, Remote Accuset Front (2006)	052700	1	◆
9	Gasket, Accuset Front Panel	024870	1	
	Instruction Sheet, Accuset Configuration	051292-1150	1	
10	Gasket, Accuset Control Box	015980	1	
	Cover Parts ( <a href="#">See Section 3.7</a> )			
11	<b>SCREW, #10-24 X 3/8" PHILLIPS HEAD</b>	F05005-17	4	
12	<b>BRACKET, ACCUSET HOLDOWN CLAMP</b>	015296	1	
13	<b>WASHER, #10 SAE FLAT</b>	F05011-18	4	
14	<b>BOLT, #10-24 X 1/2" HEX HEAD</b>	F05004-27	4	
15	<b>CONDUIT, 5/8" SPLIT LOOM HIGH TEMP</b>	024323-62	8 in.	
16	<b>TIE WRAP, 3/16" X 6" BLACK UV</b>	F05089-3	2	

<sup>1</sup> Power Panel Kit 052884, Mosfet Panel 024768, Control Assembly 052429 and Front Panel 052437-N no longer available. Upgrade to Accuset 2 with kit 052971. 052884 Service Kit replaced 035572 Assembly supplied prior to 2/07. Motor Driver and Filter PCB panels were provided disconnected in kit to prevent damage during shipment.



# 3

## Replacement Parts

### Control Assembly

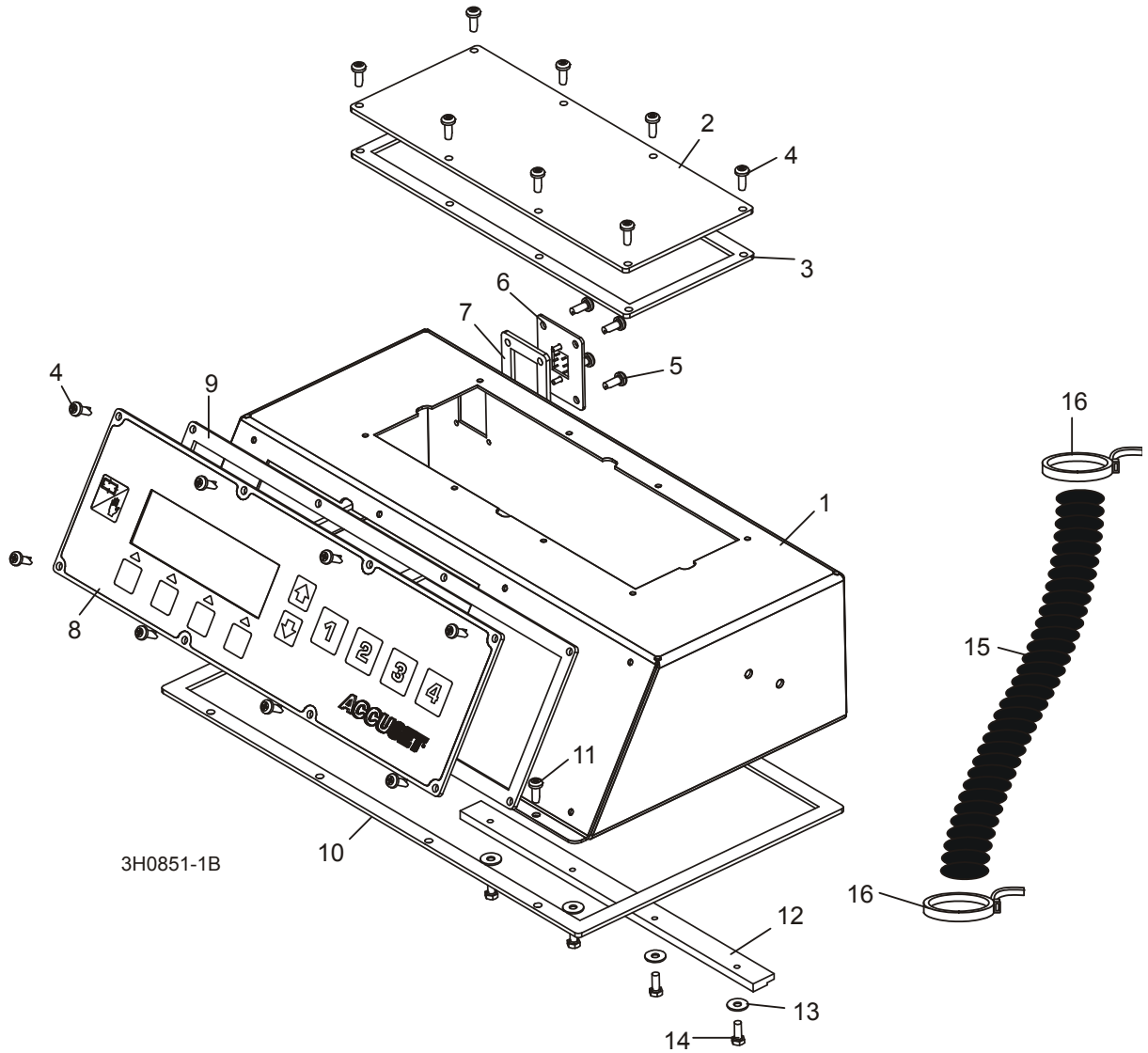
5	Screw, #8-32 x 1/2" Phillips Head	F05015-18	4	
6	Harness Assembly, Accuset P4	024867	1	
7	Gasket, Accuset P4 Harness Panel	024871	1	
	Panel Kit, Remote Accuset Front (2005)	052437 <sup>1</sup>	1	◆
8	Panel Assembly, Remote Accuset Front (2005)	052427	1	◆
9	Gasket, Accuset Front Panel	024870	1	
	Instruction Sheet, Accuset Configuration	051292-1150	1	
10	Gasket, Accuset Control Box	015980	1	
	Cover Parts ( <a href="#">See Section 3.7</a> )			
11	<b>SCREW, #10-24 X 3/8" PHILLIPS HEAD</b>	F05005-17	4	
12	<b>BRACKET, ACCUSET HOLDOWN CLAMP</b>	015296	1	
13	<b>WASHER, #10" SAE FLAT</b>	F05011-18	4	
14	<b>BOLT, #10-24 X 1/2" HEX HEAD</b>	F05004-27	4	
15	<b>CONDUIT, 5/8" SPLIT LOOM HIGH TEMP</b>	024323-62	8 in.	
16	<b>TIE WRAP, 3/16" X 6" BLACK UV</b>	F05089-3	2	

<sup>1</sup> Power Panel Kit 052884, Mosfet Panel 024768, Control Assembly 052429 and Front Panel 052437 no longer available. Upgrade to Accuset 2 with kit 052971. 052884 Service Kit replaced 035572 Assembly supplied prior to 2/07. Motor Driver and Filter PCB panels were provided disconnected in kit to prevent damage during shipment. Control assembly 052429 replaced 050951 originally supplied prior to Rev. E.00. Assembly included control software to improve functionality. Required new up/down motor pulley and belt combination for sawmills equipped with Accuset revisions prior to B.00 (except G25). For D33/G36 prior to LT40HD Rev. J6.04, use pulley/belt kit 036213. For D42/G36S prior to LT30HD/40HD Super Rev. J5.05, use pulley/belt kit 036212. Drive Amplifier added to improve Accuset functionality and durability (Rev. C.00). Use kit 051264 to retrofit previous revisions.

### 3.6 Control Assembly

Accuset

Rev. A.00 - A.03



REF	DESCRIPTION (◆ Indicates Parts Available In Assemblies Only)	PART #	QTY.	
	PANEL, REMOTE ACCUSET POWER (Not Shown - located in Remote Power Box)	052884 <sup>1</sup>	1	
	PANEL, REMOTE ACCUSET MOSFET (Not Shown - located in Remote Power Box)	024768 <sup>1</sup>	1	
	<b>CONTROL ASSEMBLY, REMOTE ACCUSET</b>	024880 <sup>1</sup>	1	
1	Box Weldment, Accuset Control	024778	1	◆
2	Panel Assembly, Remote Accuset	024879	1	
3	Gasket, Accuset Mosfet Panel	024869	1	
4	Screw, #10-24 x 1/2" Phillips Head	F05015-17	16	

## 3 Replacement Parts

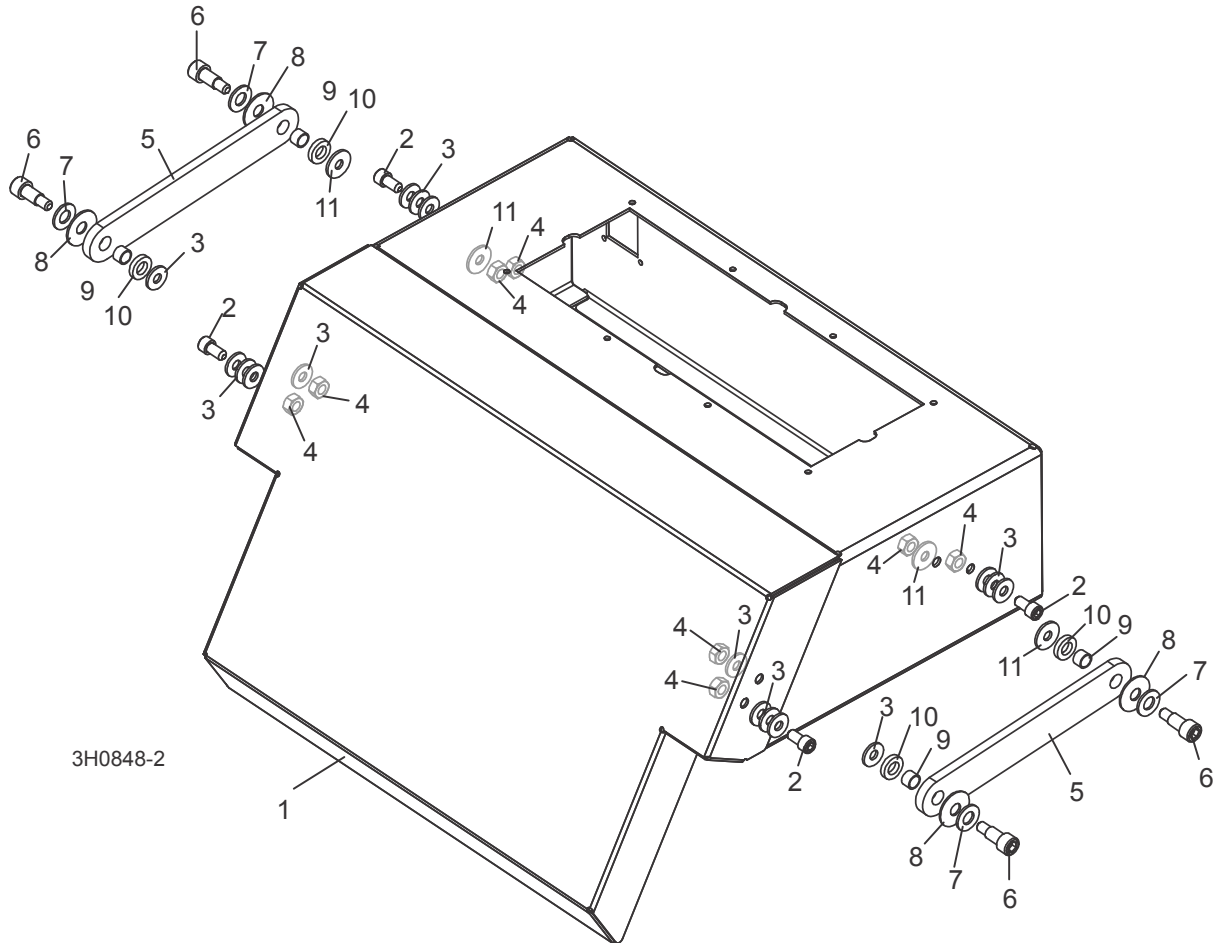
### Control Assembly

5	Screw, #8-32 x 1/2" Phillips Head	F05015-18	4	
6	Harness Assembly, Accuset P4	024867	1	
7	Gasket, Accuset P4 Harness Panel	024871	1	
8	Panel Assembly, Remote Accuset Front	024946 <sup>1</sup>	1	
9	Gasket, Accuset Front Panel	024870	1	
	Harness Assembly, Remote Accuset Control Power	025059	1	
10	Gasket, Accuset Control Box	015980	1	
	Cover Parts ( <a href="#">See Section 3.7</a> )			
11	<b>SCREW, #10-24 X 1/2 PHILLIPS HEAD</b>	F05015-17	4	
12	<b>BRACKET, ACCUSET HOLDOWN CLAMP</b>	015296	1	
13	<b>WASHER, #10" SAE FLAT</b>	F05011-18	4	
14	<b>BOLT, #10-24 X 1/2" HEX HEAD</b>	F05004-27	4	
15	<b>CONDUIT, 5/8" SPLIT LOOM HIGH TEMP</b>	024323-62	8 in. <sup>2</sup>	
16	<b>TIE WRAP, 3/16" X 6" BLACK UV</b>	F05089-3	2	

<sup>1</sup> Power Panel Kit 052884, Mosfet Panel 024768, Control Assembly 024880 and Front Panel 024946 no longer available. Upgrade to Accuset 2 with kit 052971. 052884 Service Kit replaces 035572 Assembly supplied prior to 2/07. Motor Driver and Filter PCB panels are provided disconnected in kit to prevent damage during shipment. Control assembly 024880 replaced with new control for improved durability, accuracy and functionality (Rev. B.00). Upgrade to new control box requires new up/down pulley and belt combination. [See Section 3.4](#) for details.

<sup>2</sup> Length changed from 12" to 8" 12/00.

### 3.7 Cover Assembly



REF	DESCRIPTION (◆ Indicates Parts Available In Assemblies Only)	PART #	QTY.
1	COVER, ACCUSET CONTROL	016703	1
2	SCREW, 1/4-20 X 1/2" STAINLESS SOCKET HEAD	F05005-148 <sup>1</sup>	4
3	WASHER, 1/4" SAE FLAT	F05011-11	16
4	NUT, 1/4-20 HEX HALF NYLON LOCK	F05010-156	8
5	ARM, ACCUSET COVER LINK	016704	2
6	BOLT, 5/16" X 1/2" SHOULDER 1/4-20 THREAD	F05006-69	4
7	WASHER, 5/16" SAE FLAT	F05011-17	4
8	WASHER, 5/16" BELLEVILLE	F05011-93	4
9	BUSHING, 5/16" ID X 3/8" OD X 1/4" LONG BRONZE	016655	4
10	WASHER, 5/16" FLAT NYLON	F05011-92	4
11	WASHER, 1/4" FENDER	F05011-12	4

<sup>1</sup> Stainless screw F05005-148 replaces F05005-39 originally supplied prior to Rev. A.03.

# INDEX

---

## O

### operation

- auto-down mode 1-18
- auto-up mode 1-20
- control description 1-16
- pattern mode 1-21
- reference mode 1-23

---

## R

### replacement parts

- control assembly 3-8, 3-10, 3-12
- cover assembly 3-14
- sensor assembly 3-1, 3-3, 3-6

---

## S

### setup

- auto-bump 1-6
- contrast adjustment 1-2
- control setup 1-1
- model configuration 1-2
- other settings 1-7
- restore defaults 1-15
- startup configuration 1-2

---

## T

### troubleshooting 2-1

- accuracy problems 2-14
- common problems 2-1
- display problems 2-4
- sensor LEDs 2-15
- up/down control lights 2-8