

# Wood-Mizer<sup>®</sup> Sawmill

## Safety, Setup, Operation & Maintenance Manual

---

1987 LT30  
1987 LT40

rev. A - C3  
rev. A - C4

---



**Safety is our #1 concern!** Read and understand all safety information and instructions before operating, setting up or maintaining this machine.

*October 2004*

Form #640

This manual is to replace or to be used with all previous information received on the Wood-Mizer®\* sawmill. All future mailings will be an addition to or a revision of individual sections of this manual as we obtain new information.

The information and instructions given in this manual do not amend or extend the limited warranties for the equipment given at the time of purchase.

### ***If You Need To Order Parts...***

From the continental U.S., call our toll-free Parts hotline at **1-800-525-8100**. Please have the vehicle identification number and your customer number ready when you call. Wood-Mizer will accept these methods of payment:

- Visa, Mastercard, or Select Purchase
- COD
- Prepayment
- Net 15 (with approved credit)

Be aware that shipping and handling charges may apply. Handling charges are based on size and quantity of order. In most cases, items will ship on the day they are ordered. Second Day and Next Day shipping are available at additional cost.

If your sawmill was purchased outside of the United States, contact your distributor for replacement parts.

### ***If You Need Service...***

From the continental U.S., call us toll-free at **1-800-525-8100**. Ask to speak with a Customer Service Representative. Please have your vehicle identification number and your customer number ready when you call. The Service Representative can help you with questions about alignment of your mill, blade sharpening, or cutting a particular species of wood. He also can schedule you for a service call.

#### **Office Hours:**

All times are Eastern Standard Time. Please remember that Indiana does not go on Daylight Savings Time in the summer.

Monday - Friday 8 a.m. to 5 p.m.

Saturday 8 a.m. to 12 p.m.

If your sawmill was purchased outside the United States, contact the distributor for service.



**IMPORTANT!** Read the entire Operator's Manual before operating the sawmill. Take notice of all safety warnings throughout this manual and those posted on the machine. Keep this manual with this machine at all times, regardless of ownership.

\*Wood-Mizer® is a registered trademark of Wood-Mizer Products, Inc.

**Your Vehicle Identification Number And Customer Number**

Sawmills built before 1989 have a serial number stamped in the bed frame and the saw head. The number represents the month and year of manufacture followed by a sequence number and revision level (See figure below).

Each Wood-Mizer sawmill after 1989 has a 17-digit Vehicle Identification Number (VIN). See the figures provided for VIN locations and description.

Each sawmill is also identified with a model number which includes the base model and the engine/motor configuration. An 's' after the model number indicates the model is approved for sale in countries that have adopted German "Gerprüfte Sicherheit: (G.S.) safety standards. The model number is located on the middle blade housing cover. See the figure at the right for a description of the model number.

When you pick up your mill, you will receive a customer number. Both the VIN or serial number and your customer number expedite our service to you. Please write these numbers below so you have quick, easy access to them.

**VIN/SN:** \_\_\_\_\_

**Customer No:** \_\_\_\_\_

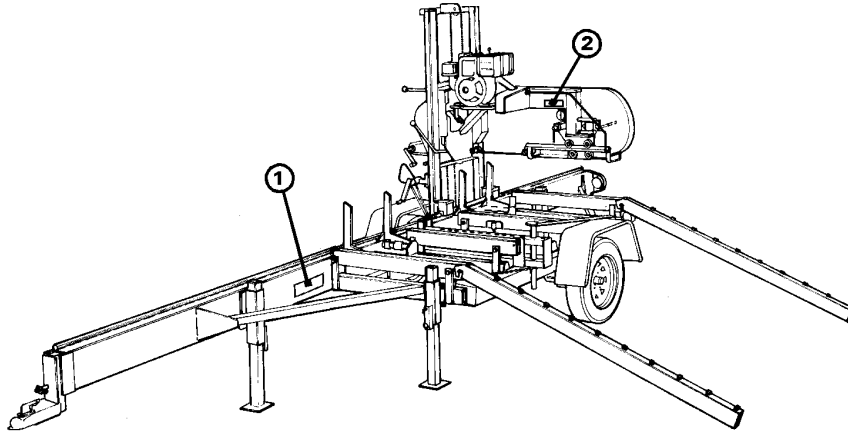
**Model No:** \_\_\_\_\_

<b>0388</b>	<b>679</b>	<b>AL</b>
Month/Year of Mfg.	Sequence No.	Rev. Level

**SERIAL NO. DESCRIPTION (1987-88).**

<b>LT30</b>	<b>G18</b>	<b>S</b>
Basic Sawmill I.D.	Engine/Motor Configuration	G.S. Approved

**MODEL NUMBER DESCRIPTION.**



**V.I.N. LOCATIONS (1989+).**

456A524-1XSNAB1017

COMPANY IDENTIFICATION NUMBER  
456=WOOD-MIZER INDIANA

WEIGHT CLASS; A=UNDER 3,000 LBS; B=3,001 - 4,000 LBS  
C=4,001 - 5,000 LBS

PRODUCT NUMBER 2=LT20, 3=LT30, 4=LT40,  
5=LT40HD 6=LT30HD 7=LT25 8=LT50

LENGTH OF THE TRAILER  
20=20', 24=24'

NUMBER OF AXLES ON THE TRAILER

X IS THE CHECK DIGIT  
ADD ALL THE NUMBERS AND DIVIDE BY 11

S IS THE YEAR  
S=1995, T=1996, V=1997, ETC.

STATE THE UNIT WAS MANUFACTURED IN  
N = INDIANA

A IS THE MONTH UNIT WAS MANUFACTURED  
A=JAN, B=FEB, C=MAR, ETC.

REVISION LETTER

SEQUENCE NUMBER  
RANGING FROM 000-999

**V.I.N. DESCRIPTION (1989+).**



# Table of Contents

# Section-Page

<b>SECTION 1</b>	<b>SAFETY &amp; GENERAL INFORMATION</b>	<b>1-1</b>
1.1	Blade Handling .....	1-1
1.2	Sawmill Setup .....	1-2
1.3	Sawmill Operation .....	1-3
1.4	Electric Sawmill .....	1-5
1.5	Belt Sizes .....	1-9
1.6	Blade Sizes .....	1-10
1.7	Cutting Capacity .....	1-11
1.8	Engine/Motor Specifications .....	1-12
1.9	Overall Dimensions .....	1-13
1.10	Components .....	1-14
<b>SECTION 2</b>	<b>SETUP &amp; OPERATION</b>	<b>2-1</b>
2.1	Stationary Sawmill Setup .....	2-1
2.2	Portable Sawmill Setup .....	2-2
2.3	Replacing The Blade .....	2-6
2.4	Tensioning The Blade .....	2-7
2.5	Tracking The Blade .....	2-8
2.6	Starting The Engine (or Motor) .....	2-9
2.7	Loading, Turning, And Clamping Logs .....	2-10
2.8	Up/Down Operation .....	2-13
2.9	Blade Guide Arm Operation .....	2-14
2.10	Clutch/Brake Operation .....	2-16
2.11	Power Feed Operation .....	2-17
2.12	Cutting The Log .....	2-20
2.13	Edging .....	2-21
2.14	Blade Height Scale .....	2-22
2.15	Water Lube Operation .....	2-24
2.16	Preparing The Sawmill For Towing .....	2-25

## Table of Contents

## Section-Page

<b>SECTION 3</b>	<b>MAINTENANCE</b>	<b>3-1</b>
3.1	Wear Life.....	3-1
3.2	Blade Guides .....	3-2
3.3	Blade Housing .....	3-3
3.4	Carriage Track, Wiper & Scrapers .....	3-4
3.5	Track Rollers .....	3-5
3.6	Vertical Mast Rails .....	3-6
3.7	Drum Switches .....	3-7
3.8	Miscellaneous Lubrication .....	3-8
3.9	Blade Tensioner.....	3-9
3.10	Blade Wheel Belts .....	3-10
3.11	Brake Strap Adjustment .....	3-11
3.12	Drive Bearing .....	3-12
3.13	Up/Down System.....	3-13
3.14	Power Feed .....	3-14
3.15	Miscellaneous Maintenance .....	3-16
<b>SECTION 4</b>	<b>TROUBLESHOOTING GUIDE</b>	<b>4-1</b>
4.1	Sawing Problems .....	4-1
4.2	Electrical Problems.....	4-3
4.3	Power Feed Problems .....	4-5
4.4	Engine/Motor and Drive Pulleys Alignment.....	4-7
4.5	Power Feed Variable Speed Switch Test.....	4-8
4.6	Power Feed Preliminary Test .....	4-9
4.7	Power Feed Mechanical Test.....	4-10



# Table of Contents

# Section-Page

<b>SECTION 5</b>	<b>SAWMILL ALIGNMENT</b>	<b>5-1</b>
5.1	Pre-Alignment Procedures.....	5-1
5.2	Frame Setup.....	5-2
5.3	Blade Installation And Alignment.....	5-3
5.4	Saw Head Slide Pad Adjustment.....	5-5
5.5	Adjusting The Lower Track Rollers.....	5-7
5.6	Adjusting Main Bed Rails To Blade .....	5-9
5.7	Blade Guide Arm Vertical Adjustment .....	5-11
5.8	Blade Guide Arm Horizontal Adjustment.....	5-12
5.9	Aligning The Blade Guides .....	5-14
5.10	Blade Deflection.....	5-15
5.11	Blade Guide Vertical Tilt Adjustment.....	5-16
5.12	Blade Guide Spacing .....	5-18
5.13	Horizontal Tilt Adjustment.....	5-19
5.14	Horizontal Adjustment Of Side Supports.....	5-20
5.15	Vertical Adjustment Of Side Supports .....	5-21
5.16	Clamp Stop Adjustment .....	5-22
5.17	Aligning The Pivot Bed Rails.....	5-23
5.18	Saw Head Tilt .....	5-24
5.19	Blade Height Scale Adjustment.....	5-25



## SECTION 1 SAFETY & GENERAL INFORMATION



This symbol calls your attention to instructions concerning your personal safety. Be sure to observe and follow these instructions. This symbol accompanies a signal word. The word **DANGER** refers to hazards that can cause death or serious, irreversible personal injury. The word **WARNING** suggests a safety hazard that can cause personal injury. **CAUTION** refers to hazards that can cause damage to the equipment or property only.

Read all safety instructions before operating this equipment and observe all safety warnings!

Safety instructions are listed in this section by the following operations:

- Blade Handling
- Sawmill Setup
- Sawmill Operation
- Electric Sawmill

### 1.1 Blade Handling



**WARNING!** Always wear gloves and eye protection when handling bandsaw blades. Keep all persons away from area when coiling or carrying a blade.

## 1.2 Sawmill Setup



**WARNING!** Put front outrigger down before moving cutting head from the rest position. Failure to do so may result in serious injury.

**WARNING!** Do not set up the mill on ground with more than a 10 degree incline. If setup on an incline is necessary, put blocks under one side of the mill or dig out areas for outrigger legs to keep mill level. Setting up the mill on an incline could cause it to tip over, resulting in serious personal injury.

**WARNING!** Chock the trailer wheels to prevent movement before unhitching it from the towing vehicle. Failure to do so may result in serious injury or death.

**WARNING!** Always make sure the trailer is supporting the sawmill frame when operating a sawmill with adjustable outriggers. Failure to do so may result in serious injury or death. The adjustable outriggers are intended to support the saw frame with assistance from the trailer.

**WARNING!** The adjustable outriggers supplied with portable sawmills are not intended for setup on concrete or other hard surfaces. Long-term use of the adjustable outriggers on hard surfaces may cause the outriggers to fail, causing the sawmill to drop. This could result in possible serious injury or death.

If setting the sawmill up on concrete or other hard surface, replace the adjustable outrigger legs with stationary legs.

## 1.3 Sawmill Operation



**DANGER!** Never operate or tow the sawmill without all guards and covers in place and secured.

Be sure the blade housing and pulley covers are in place and secure. If applicable, use the safety retainer pin and cable to fasten blade housing covers.

**DANGER!** Always disengage the clutch/brake mechanism whenever the sawmill is not cutting.

**DANGER!** Always keep hands away from moving bandsaw blade.

**DANGER!** Keep all persons a safe distance away from work area when operating sawmill or loading and turning logs.

**DANGER!** Be sure the power feed switch is in the neutral position before turning the key switch to the ON or ACC position. This prevents unwanted carriage movement.



**WARNING!** Always secure the cutting head with a 5/16" chain before adjusting the up/down chain. The cutting head may fall, causing severe injury or death.

**WARNING!** Always secure the cutting head with a 5/16" chain before removing the up/down motor belt. The cutting head may fall, causing severe injury or death.

**WARNING!** Always wear eye, ear, respiration, and foot protection when operating the sawmill.

**WARNING!** Secure all loose clothing and jewelry before operating the sawmill.

**WARNING!** Always make sure log is clamped securely before sawing.



**CAUTION!** Always be sure that all safety warning decals are clean and readable. Replace all damaged warning decals. Contact your local distributor, or call your Customer Service Representative to order more decals.

**CAUTION!** Be sure the pivot end rails, turning arm, clamp, and toe boards are out of the way before loading a log onto the bed. Also, be sure the cutting head is moved far enough forward so the log does not hit it.



**IMPORTANT!** It is always the owner's responsibility to comply with all applicable federal, state and local laws, rules and regulations regarding the ownership, operation and towing of your Wood-Mizer sawmill. All Wood-Mizer mill owners are encouraged to become thoroughly familiar with these applicable laws and comply with them fully while using or towing the mill.

Always properly dispose of all sawing byproducts, including sawdust and other debris.

## 1.4 Electric Sawmill

### USE PROPER PROCEDURE WHEN CONDUCTING ELECTRICAL SAFETY CHECKS AND MAINTENANCE



**DANGER!** Make sure all electrical installation, service and/or maintenance work is performed by a qualified electrician and is in accordance with applicable electrical codes.

**DANGER!** Hazardous voltage inside the electric sawmill disconnect box, starter box, and at the motor can cause shock, burns, or death. Disconnect and lock out power supply before servicing! Keep all electrical component covers closed and securely fastened during mill operation.

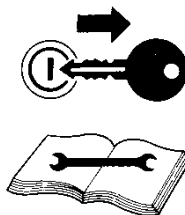


**WARNING!** Consider all electrical circuits energized and dangerous.

**WARNING!** Never assume or take the word of another person that the power is off; check it out and lock it out.

**WARNING!** Do not wear rings, watches, or other jewelry while working around an open electrical circuit.

**WARNING!** Before performing service near moving parts such as blades, pulleys, motors, belts and chains, first turn the key switch to the OFF (#0) position and remove the key. If the key is turned on and moving parts activated, serious injury may result.



**WARNING!** Remove the blade before performing any service to the engine or sawmill. Failure to do so may result in serious injury.

**DANGER!** Lockout procedures must be used during:

- Changing or adjusting blades
- Unjamming operations
- Cleaning
- Mechanical repair
- Electrical maintenance
- Retrieval of tools/parts from work area
- Activities where guards or electrical panel guard is open or removed

**Maintenance hazards include:**

- Blade contact
- Pinch points
- Kickbacks
- Missiles (thrown blades/wood chips)
- Electrical

Failure to lockout may result in:

- Cut
- Crush
- Blindness
- Puncture
- Serious injury and death
- Amputation
- Burn
- Shock
- Electrocution

**To control maintenance dangers:**

Lockout procedures must be followed (see ANSI Standard Z244.1-1982 and OSHA regulation 1910.147).

Never rely on machine stop control for maintenance safety (emergency stops, on/off buttons, interlocks).

Do not reach into moving blades or feed systems. Allow all coasting parts to come to a complete stop.

Electrical power supply and air supply must both be locked out.

Where established lockout procedures cannot be used (electrical troubleshooting or mechanical dynamic troubleshooting), alternative effective protective techniques shall be employed which may require special skills and planning.

Always follow safe operations practices in the workplace.



**SAWMILL LOCKOUT PROCEDURE**

Lockout procedures must be followed (see ANSI Standard Z244.1-1982 and OSHA regulation 1910.147).

**Purpose:**

This procedure establishes the minimum requirements for lockout of energy sources that could cause injury.

**Responsibility:**

The responsibility for seeing that this procedure is followed is binding upon all workers. All workers shall be instructed in the safety significance of the lockout procedure. It is your responsibility to ensure safe operation of the machine.

**Preparation For Lockout:**

Sawmill must be locked out both electrically and pneumatically (lockout air valve).

**Sequence of Lockout Procedure:**

1. Notify all persons that a lockout is required and the reason therefore.
2. If the Sawmill is operating, shut it down by the normal stopping procedure.
3. Operate the switch and valve so that the energy sources are disconnected or isolated from the Sawmill. Stored energy such as moving blades, feed system and air pressure shall be dissipated.
4. Lockout the energy isolating devices with assigned individual locks.
5. After ensuring that no persons are exposed and as a check on having disconnected the energy sources, operate the push button or other normal operating controls to make certain the Sawmill will not operate. Caution: Return operating controls to neutral position after the test.
6. The Sawmill is now locked out.

# **1** Safety & General Information

## *Electric Sawmill*

---

### **Restoring Equipment to Service**

1. When the job is complete and the Sawmill is ready for testing or normal service, check the Sawmill area to see that no one is exposed.
2. When the Sawmill is all clear, remove all locks. The energy isolating devices may be operated to restore energy to the Sawmill.

### **Procedure Involving More Than One Person**

In the preceding steps, if more than one individual is required to lock out the Sawmill, each shall place his own personal lock on the energy isolating devices.

### **Rules for Using Lockout Procedure**

The Sawmill shall be locked out to protect against accidental or inadvertent operation when such operation could cause injury to personnel. Do not attempt to operate any switch or valve bearing a lock.

### **Owner's Responsibility**

The procedures listed in this manual may not include all ANSI, OSHA, or locally required safety procedures. It is the owner/operator's responsibility and not Wood-Mizer Products to ensure all operators are properly trained and informed of all safety protocols. Owner/Operators are responsible for following all safety procedures when operating and performing maintenance to the Sawmill.

## 1.5 Belt Sizes

See Table 1-1. Belt sizes for the LT30/40 are shown.

Description	Belt Size	Wood-Mizer Part #
16hp or 18hp Briggs Gas Engine Drive Belt	2BX72 <sup>1</sup>	P09555-2
20hp B48/P220 Onan Gas Engine Drive Belt	2BX70 <sup>1</sup>	P04857-2
24hp T260 Onan Gas Engine Drive Belt	2BX72 <sup>1</sup>	P09555-2
24hp P224 Onan Gas Engine Drive Belt	2BX74 <sup>1</sup>	P10277-2
7.5/10hp Electric Motor Drive Belt (Rev. A-AD)	B69 (2) <sup>2</sup>	P04190
7.5/10hp Electric Motor Drive Belt (Rev. AE-B9)	2BX72 <sup>1/2</sup>	P09555-2
7.5/10hp Electric Motor Drive Belt (LT30 Rev. B5-B8 & LT40 Rev. B6-B9)	2BX70 <sup>1</sup>	P04857-2
15hp Electric Motor Drive Belt	2BX70 <sup>1</sup>	P04857-2
Alternator Belt (G24)	A33	P11542
Alternator Belt (E15)	A30	P11628
Blade Pulley Belts	B57 <sup>3</sup>	P04185
Power Feed Drive Belt	4L280	P04031
Power Feed 3-Speed Belt	3L290	P04349
Power Feed High Speed Return Belt (If Equipped)	3L320	P04348
Up/Down Drive Belt	3L290	P04349
<sup>1</sup> Two belts originally supplied. Replace with one common-backed belt as listed above. <sup>2</sup> If electric motor is retrofitted with alternator, replace belts with one P04857-2. <sup>3</sup> To insure proper blade tracking, use Goodyear, Dayco Super II, or Browning belts only.		

TABLE 1-1

## 1.6 Blade Sizes

See Table 1-2. Wood-Mizer TRU•SHARP™ offers three types of blades to provide efficient sawing for all models of sawmills. The engine/motor size of your sawmill and the type of wood you saw should determine which blade you choose for optimum performance.

Gas/Diesel Engine Size	Recommended Blade For Sawing:		
	Softwood	Hardwood	Frozen or Hard-to-Cut Wood
5 hp - 14hp	.042 x 7/8 x 1 1/4"	.035 x 7/8 x 1 1/4"	.045 x 7/8 x 1 1/4" F <sup>1</sup>
16hp or more	.045 x 7/8 x 1 1/2"	.042 x 7/8 x 1 1/4" .045 x 7/8 x 1 1/2" <sup>2</sup>	.045 x 7/8" x 1 1/4" F1
Electric Motor	.045 x 7/8 x 1 1/2"	.042 x 7/8 x 1 1/4" .045 x 7/8 x 1 1/2" <sup>2</sup>	.045 x 7/8 x 1 1/4" F1

**TABLE 1-2**

<sup>1</sup> TRU•SHARP™ "F" blades use a 9/29 profile (9° hook angle and 29° back angle) and are designed to cut frozen and/or extremely dense, hard-to-cut wood. Standard TRU•SHARP™ blades use a 10/30 profile.

<sup>2</sup> Customer may choose preferred blade.

[See The Blade Handbook](#) for blade hook angle, tooth height, and tooth set specifications.

## 1.7 Cutting Capacity

See Table 1-3. The log size capacities of the LT30 and LT40 sawmills are listed below.

	Max. Diameter <sup>1</sup>	Max. Length <sup>1</sup>
LT30	32" (81.2 cm)	16' 8" (5.1 m)
LT40	32" (81.2 cm)	21' (6.4 m)
LT30 with Optional 12' Bed Extension <sup>2</sup>	32" (81.2 cm)	28' 8" (8.7 m)
LT40 with Optional 12' Bed Extension <sup>2</sup>	32" (81.2 cm)	33' (10.1 m)

TABLE 1-3

<sup>1</sup> Maximum log capacity for a basic mill is 4400 lbs. (1996 Kg).

<sup>2</sup> Logs over 4400 lbs. must be distributed so that neither the basic mill or extension is loaded beyond the 4400 lb. maximum weight rating. Loading logs heavier than 4400 lbs. (1996 Kg.) on a mill equipped with bed extension requires auxiliary log handling equipment.

See Table 1-4. The production capacity of the LT30 and LT40 sawmills is listed below. Productivity is based on sawing 1" lumber. The low end of the range is based on a single operator with no support equipment. The high end of the range is based on two operators with support equipment.

Model	Production Capacity
LT30 16hp gas engine	1,200 - 1,500 bdf./day
LT30/40 18hp gas engine	1,500 - 2,000 bdf./day
LT40 20hp gas engine	1,500 - 2,000 bdf./day
LT30/40 7.5 or 10hp electric motor	1,500 - 2,150 bdf./day
LT30/40 24hp gas engine	1,750 - 2,350 bdf./day
LT30/40 15hp electric motor	1,750 - 2,350 bdf./day

## 1.8 Engine/Motor Specifications

See **Table 1-5**. The power options available for the LT30 and LT40 sawmills are listed below.

<b>Engine/Motor Type</b>	<b>Manufacturer</b>	<b>Model Number</b>
16HP Gasoline	Briggs & Stratton	Vanguard Twin
18HP Gasoline	Briggs & Stratton	I/C 422447
20HP Gasoline	Onan	B48G
20HP Gasoline	Onan	P220
24HP Gasoline	Onan	T260
24HP Gasoline	Onan	P224
7.5HP Electric	Baldor	Custom
10HP Electric	Baldor	Custom
15HP Electric	Baldor	Custom

**TABLE 1-5**

## 1.9 Overall Dimensions

See Table 1-6. The overall dimensions of the LT30 sawmill are listed below.

	LT30	LT30 with Trailer Pkg.
<b>Length</b>	19' 11" (5.3 m)	21' 9" (6.6 m)
<b>Width</b>	6' 2 1/2" (1.9 m)	6' 5" (2.0 m)
<b>Height</b>	7' 6" (2.3 m)	7' 6" (2.3 m)
<b>Weight</b>	1555 lbs. (705 Kg)	1870 lbs. (848 Kg)

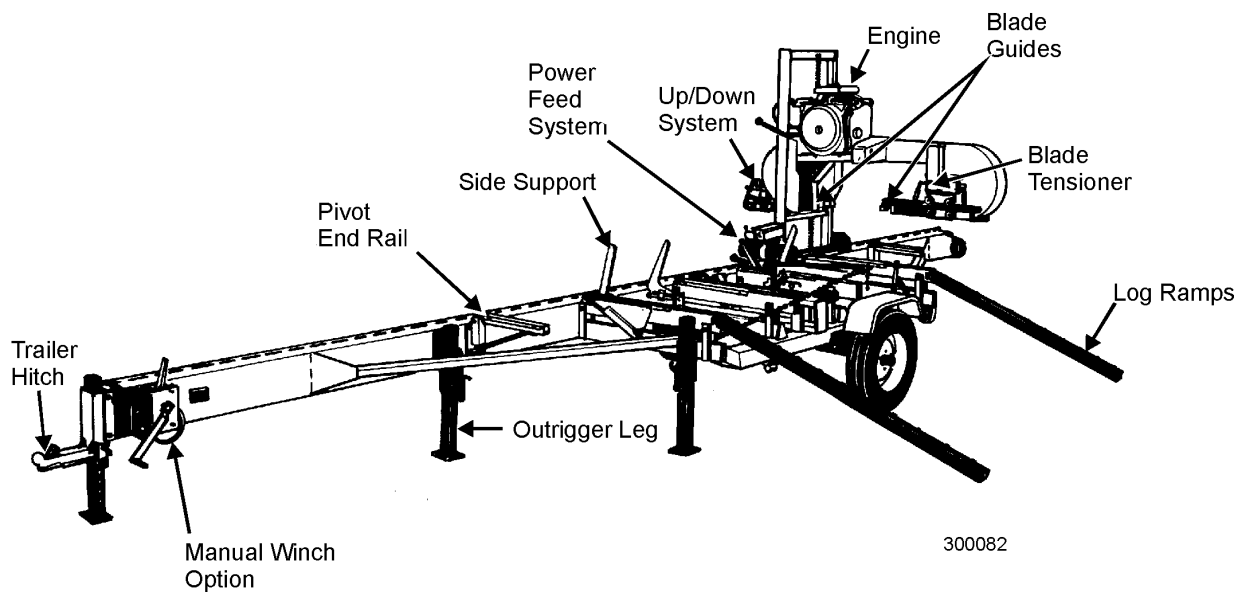
**TABLE 1-6**

See Table 1-7. The overall dimensions of the LT40 sawmill are listed below.

	LT40	LT40 with Trailer Pkg.
<b>Length</b>	24' 4" (7.4 m)	26' 2" (8.0 m)
<b>Width</b>	6' 2 1/2" (1.9 m)	6' 5" (2.0 m)
<b>Height</b>	7' 6" (2.3 m)	7' 6" (2.3 m)
<b>Weight</b>	1695 lbs. (769 Kg)	2015 lbs. (914 Kg)

## 1.10 Components

See **Figure 1-1**. The major components of the Wood-Mizer LT30/LT40 are shown below.



**FIG. 1-1**



## SECTION 2 SETUP & OPERATION

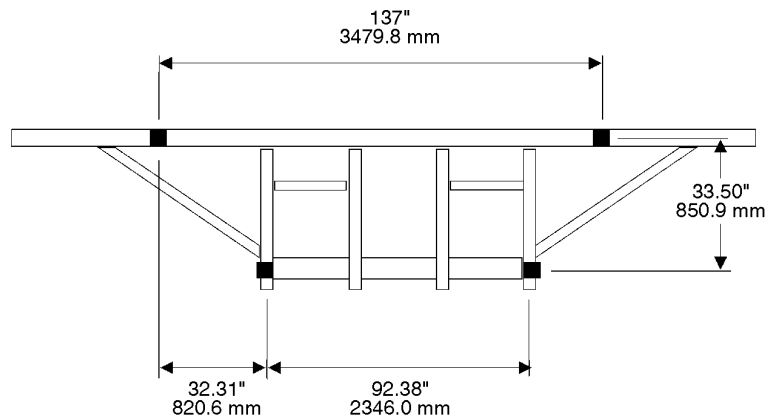
### 2.1 Stationary Sawmill Setup

See Figure 2-1. Set up the mill on firm footing. Level by eye. Fasten the mill to the floor or platform, or tie down to footing to stop any creep after prolonged use.

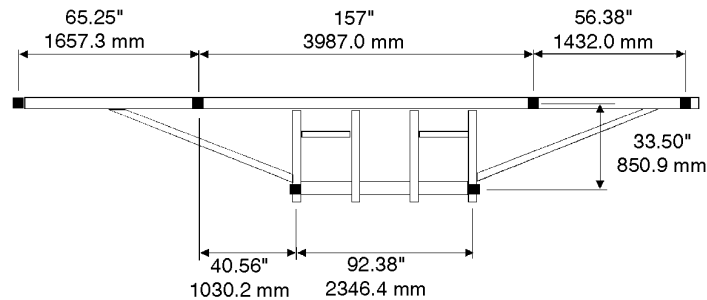
**NOTE:** Make sure the unit is level before securing. It IS possible to twist the mill frame by jacking one foot higher than the others.



**DANGER!** Do not operate a stationary sawmill without the feet securely fastened to the floor. If the feet are not securely fastened, loading and turning large logs could cause the sawmill to tip over.



LT30/LT30HD FOOT SPACING



LT40/LT40HD FOOT SPACING

3H0001

FIG. 2-1

\*NOTE Rear leg standard on LT40/LT40HD after 3/92. Rear leg or outrigger may be retrofitted to previous models.

## 2.2 Portable Sawmill Setup



**WARNING!** Do not set up the mill on ground with more than a 10 degree incline. If setup on an incline is necessary, put blocks under one side of the mill or dig out areas for outrigger legs to keep mill level. Setting up the mill on an incline could cause it to tip over, resulting in serious personal injury.

**WARNING!** Chock the trailer wheels to prevent movement before unhitching it from the towing vehicle. Failure to do so may result in serious injury or death.

**WARNING!** Always make sure the trailer is supporting the sawmill frame when operating a sawmill with adjustable outriggers. Failure to do so may result in serious injury or death. The adjustable outriggers are intended to support the saw frame with assistance from the trailer.

**WARNING!** The adjustable outriggers supplied with portable sawmills are not intended for setup on concrete or other hard surfaces. Long-term use of the adjustable outriggers on hard surfaces may cause the outriggers to fail, causing the sawmill to drop. This could result in possible serious injury or death.

If setting the sawmill up on concrete or other hard surface, replace the adjustable outrigger legs with stationary legs.

1. Unhitch the mill from the vehicle.

See Figure 2-2.

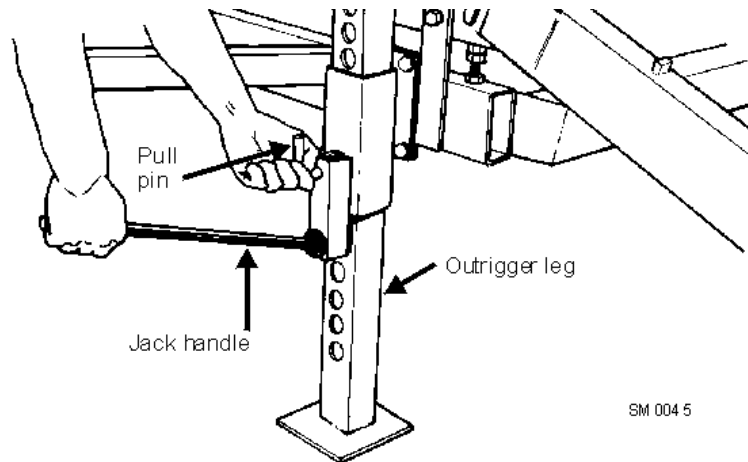




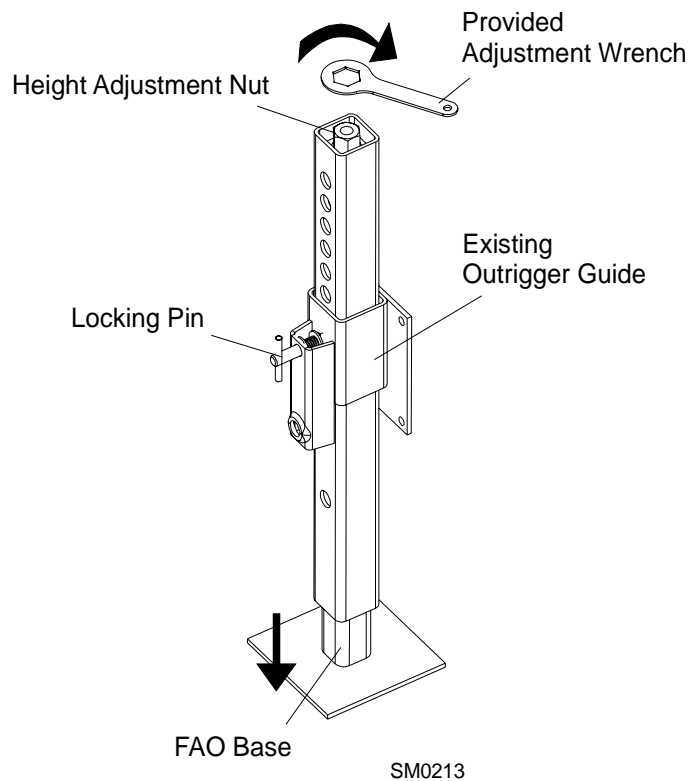
FIG. 2-2

2. Lower and set the front three outriggers. Lift the weight from the locking pin using the jack handle. Pull the locking pin to release the outrigger and lower the outrigger as necessary. Secure with the locking pin.

 **WARNING!** Put front outrigger down before moving cutting head from the rest position. Failure to do so may result in serious injury.

For Fine Adjust Outriggers (FAOs), lower the outrigger as close to the ground as possible, then secure in place with the locking pin. Adjust the outrigger base so that it contacts the ground. To adjust, use the provided wrench to turn the height adjustment nut. Turn clockwise to lower. Turn counterclockwise to raise. Maximum adjustment available is 1 1/2" (3.8 cm).

 **CAUTION!** Do not adjust the FAO outrigger base height while there is weight on the FAO. Damage to the FAO may result.



**FIG. 2-2. BASE HEIGHT ADJUSTMENT (FOR FINE ADJUST OUTRIGGER ONLY).**

3. Unhook the carriage safety chain.
4. Start the engine to enable the battery-operated accessories ([See Section 2.6](#)). Use the up/down switch on the control panel to raise the cutting head from the carriage rest pin. Remove the locking pin and swing the rest pin down below bed level.



**CAUTION!** Always make sure the engine is running before operating the sawmill controls. Operating the controls without the engine running will result in power drainage from the battery.

5. Use the carriage fwd/rev switch (left side of control box) to move the cutting head toward the front end of the mill. The hydraulic control levers become operational when the contacts at the bottom of the carriage touch the power strip on the frame tube. The hydraulic control levers will only work when the cutting head is close enough to the front end of the mill to touch the power strip.

Lower and set the remaining rear outriggers.

6. Level the sawmill by adjusting the outriggers to raise or lower each end of the sawmill. Adjust all outriggers evenly to avoid twisting the mill frame by jacking one outrigger higher than the others.

For FAO(s), fine tune the outrigger base height as necessary. Move the cutting head to the opposite end of the mill from the outrigger. Raise the entire outrigger (to remove the sawmill weight from it) and adjust the outrigger base as necessary. Lower the entire outrigger and use the locking pin to secure in position.



**CAUTION!** Do not adjust the FAO outrigger base height while there is weight on the FAO. Damage to the FAO may result.

7. Remove the fenders by lifting them out of the slots.



**CAUTION!** To prevent fender damage, remove fenders before operating sawmill or loading logs.

8. Raise the two side supports that will prevent a log from falling off the side of the mill when loaded.

## 2.3 Replacing The Blade



**WARNING!** Always wear gloves and eye protection whenever handling bandsaw blades. Changing blades is safest when done by one person! Keep all other persons away from work area when changing blades. Do not change the blade with the engine running.

**See Figure 2-3.** Remove the blade housing cover(s) that are over the drive wheels. Turn the tension handle to release the blade tension until the wheel is pulled in and the blade is lying loose in the blade housing. Lift the blade out of the blade housing.

**NOTE:** If your Rev. A - B4 LT30 or Rev. A - B5 LT40 sawmill is not equipped with the hydraulic blade tensioner shown, you should upgrade your spring-style tensioner to the hydraulic design.

When installing a blade, make sure the teeth are pointing the correct direction. The teeth should be pointing toward the operator side of the mill when you are looking at the blade below the blade guides. Install the blade so it is lying around the wheels.

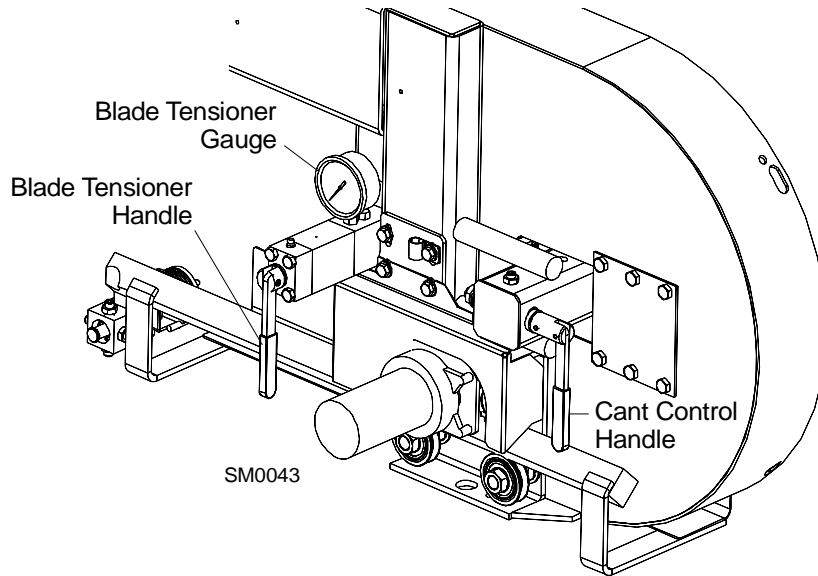
Position 1 1/4" wide blades on the wheels so the gullet is 1/8" (3.0 mm) out from the edge of the wheel. Position 1 1/2" wide blades on the wheels so the gullet is 3/16" (4.5 mm) out from the edge of the wheel.

Close the middle blade housing cover.

Next, turn the tension handle until the blade is tensioned correctly.

## 2.4 Tensioning The Blade

See **Figure 2-3**. Tension the blade by turning the hydraulic tensioning handle clockwise until the tension gauge indicates the recommended tension.



**FIG. 2-3**

See **Table 2-1**. The recommended tensions for different blades is shown below.

Blade Type	Acceptable Range	Ideal Tension
.035" x 7/8" x 1 1/4"	1800 - 2100 psi	2000 psi
.042" x 7/8" x 1 1/4"	2100 - 2400 psi	2300 psi
.045" x 7/8" x 1 1/2"	2100 - 2400 psi	2300 psi

**TABLE 2-1**

The tension gauge should be checked occasionally when adjusting the cant control or while cutting. Ambient temperature changes will cause tension to change. Adjust the tension handle as necessary to maintain the recommended tension level.



**CAUTION!** The blade tension should be released when the mill is not in use. Changes in temperature could cause increased pressure in the tensioner and loss of fluid from the gauge.

## 2.5 Tracking The Blade

Make sure the middle blade housing cover is closed and all persons are clear of the open side of the saw head.

Start the engine (or motor). Pull lightly on the clutch handle, rotating the blade until the blade positions itself on the wheels.

**See Figure 2-4.** Position 1 1/4" wide blades so the gullet is 1/8" (3.0 mm) out from the edge of the blade wheel ( $\pm 1/32$  [.75 mm]). Position 1 1/2" blades so the gullet is 3/16" (4.5 mm) out from the edge of the blade wheel ( $\pm 1/32$  [.75 mm]).

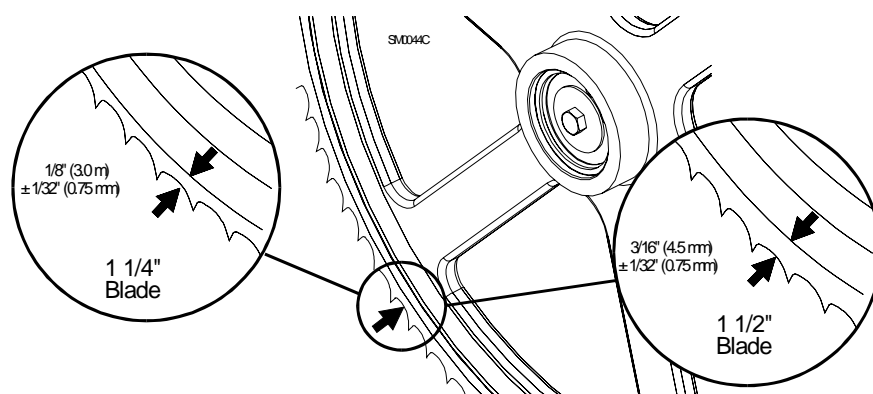


FIG. 2-4

To adjust where the blade travels on the blade wheels, use the cant control handle shown in **Figure 2-3**.

If the blade is too far out, back the blade onto the wheel by turning the cant control counterclockwise. If the blade is too far in, turn the cant control clockwise until the gullet of the blade is the correct distance from the front edge of the wheel.

Retension the blade to the recommended tension to compensate for any adjustments you have made in the cant control. Replace the covers.



**DANGER!** Never operate the sawmill without all guards and covers in place and secured.

Be sure the blade housing and pulley covers are in place and secure. If applicable, use the safety retainer pin and cable to fasten blade housing covers.



**IMPORTANT!** After aligning the blade on the wheels, always double-check the blade guide spacing and location. [See Section 5 for more information.](#)



## 2.6 Starting The Engine (or Motor)

See the appropriate manual supplied with your specific engine/motor configuration for starting and operating instructions.



**DANGER!** Read the entire manual before operating your Wood-Mizer sawmill.

**DANGER!** Never operate the sawmill without all guards and covers in place and secured.

Be sure the blade housing and pulley covers are in place and secure. If applicable, use the safety retainer pin and cable to fasten blade housing covers.

**DANGER!** Do not start the engine or motor when the clutch/brake lever is in the engaged (down) position. Always be sure the blade is disengaged and all persons are away from the blade before starting the engine.

**DANGER!** Make sure the carriage fwd/rev switch is in the neutral position before turning the key switch to the ON or ACC position. This will prevent unintended carriage movement.



**WARNING!** Always wear eye, ear, and respiration protection when operating this equipment.

## 2.7 Loading, Turning, And Clamping Logs



**CAUTION!** Be sure the pivot end rails (if applicable), turning arm, clamp, and toe boards are out of the way before loading a log onto the bed. Be sure logs are positioned on the bed so that they will not damage the manual winch when loaded. Also, be sure the cutting head is moved far enough forward so the log does not hit it.

### *To Load Logs*

1. Place the loading ramps on the two bed rails that will support the length of the log. **NOTE:** The loading ramps cannot be fastened securely to the bed rail located directly above the tire. Do not use this rail.
2. Position the log at the foot of the ramps.
3. Remove the winch cable from the log turner (if applicable) and route the cable over the top of the log. Wrap the cable around and underneath the log. Hook the cable to the third hole in the log clamp bracket. [See Winch Operation Manual.](#)



**DANGER!** Keep all persons out of the path of moving equipment and logs when operating sawmill or loading and turning logs. Failure to do so will result in serious injury.

4. Crank the winch to begin rolling the log up the ramps and onto the sawmill bed. Keep the log centered on the ramps as it rolls up.
5. Once the log is on the sawmill bed, place the log clamp in the clamp bracket. This will stop the log from rolling back off the side of the mill when you remove the winch cable.

**NOTE:** Logs also may be loaded onto the mill with a tractor or other equipment specifically designed for that purpose.

### To Turn Logs

1. Use cant hooks or the optional log turner to rotate the log on the sawmill bed. [See Log Turner Manual.](#)
2. Spin the log against the side supports until it is turned the way you want it for the first cut. If you want to turn the log more, do the following steps.
3. Clamp the log against the side supports.
4. Lower the turner arm below the log.
5. Raise the turner arm to get a new bite on the log.
6. Disengage the clamp.
7. The log can be turned now. Repeat steps 4 through 7 until the log is turned as desired.

### To Clamp Logs

1. Position the log clamp in the bracket in the hole closest to the log.
2. Move the clamp down far enough so that it is below your first few cuts. Pivot the clamp so that it moves the log firmly against the side supports. Lock the clamp in position with the locking chain.

See Figure 2-5.

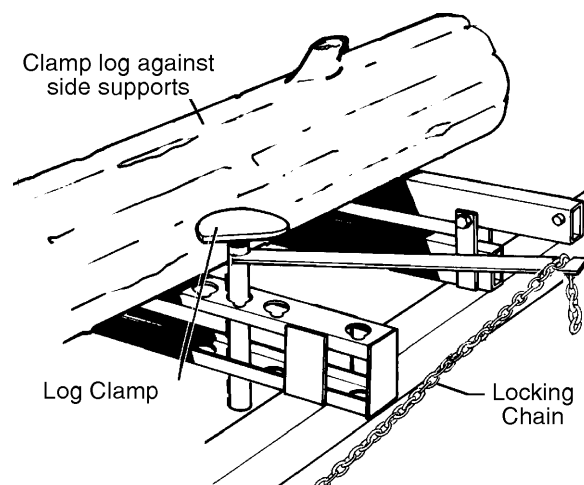


FIG. 2-5

## 2

## Setup & Operation

### *Loading, Turning, And Clamping Logs*

---

3. Make sure the side supports are positioned low enough for the blade to pass over them. If they are not, back the clamp off slightly and push the side supports down until they are positioned below the level of your first few cuts.

#### ***To Level A Tapered Log***

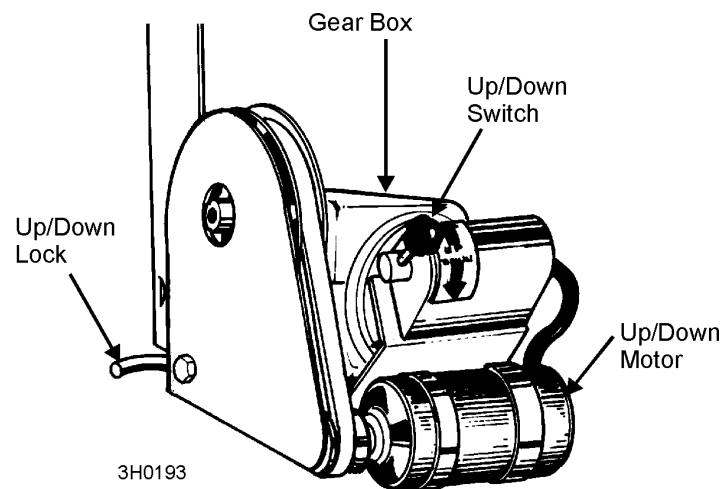
Use the toe boards (optional) to raise either end of a tapered log, if desired.

Install the crank to the front or rear toe board until and turn clockwise until the heart of the log measures the same distance from the bed rails at each end of the log.

## 2.8 Up/Down Operation

1. Install a blade, if needed, and check for correct blade tension. ([See Section 2.4](#)).
2. Set the cutting head to the desired height. (The blade height scale shows the height of the blade above the bed rails.)

**See Figure 2-6.** Push the up/down switch up to raise the cutting head; push the switch down to lower the cutting head. Hold the switch in position until the cutting head reaches the desired height, then release.



**FIG. 2-6**

The up/down switch is designed to return to the neutral or "off" position when released. If the switch remains engaged, manually move the switch to the neutral or "off" position. Repair the up/down drum switch ([See Section 4.2](#)).

**WARNING!** Failure to move the up/down switch to the neutral or "off" position when released will result in failure to stop saw head movement.

**CAUTION!** DO NOT try to force the carriage above the 35" (88 cm) mark or below the 1" (2.54 cm) mark. Damage to the chain may result.

The up/down lock may be used to prevent the cutting head from moving after the desired height adjustment has been made. Lift up the brake handle to lock the up/down pulley. Be sure to disengage the lock before trying to move the cutting head up or down.

## 2.9 Blade Guide Arm Operation

1. Look down the length of the log to see its maximum width. The outer blade guide should be adjusted to clear the widest section of the log by less than 1" (25.4 mm).

**LT30 Revisions A - B2**

**LT40 Revisions A - B3**

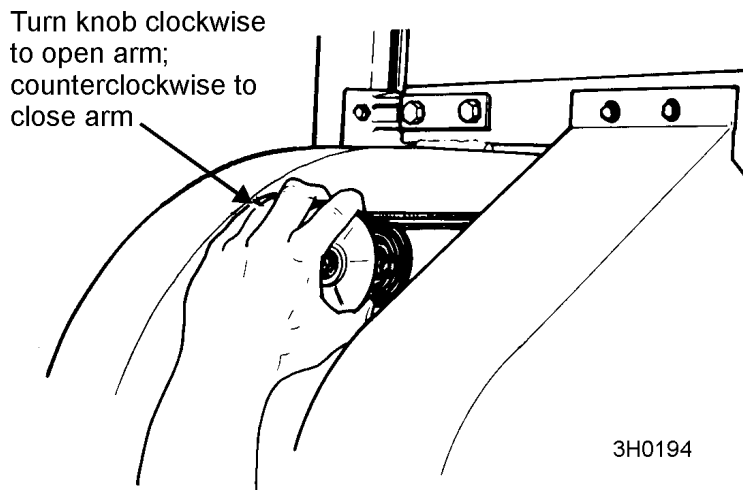
Turn the remote adjusting knob clockwise to open the blade guide arm, counterclockwise to close the arm.

**LT30 Revisions B3+**

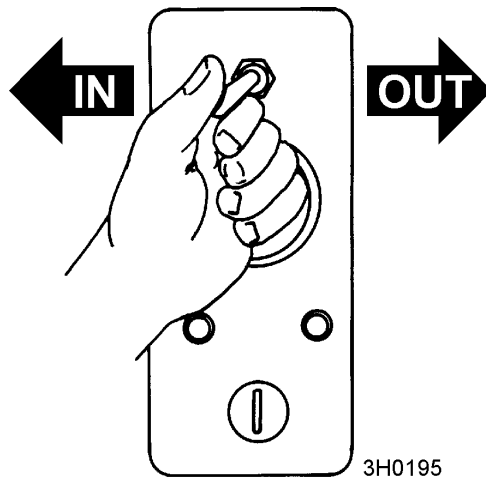
**LT40 Revisions B4+**

Use the blade guide toggle switch on the instrument panel to adjust the outer blade guide as necessary. Push the switch to the left to move the arm in. Push the switch to the right to move the arm out.

See Figure 2-7.



**FIG. 2-7 CABLE REMOTE ARM**



**FIG. 2-7 ELECTRIC REMOTE ARM**

2. Readjust the outer blade guide as you are cutting in order to keep the guide within 1" (2.5 cm) of the log. Be sure to adjust the arm back out before returning the carriage.

#### 2.10 Clutch/Brake Operation

1. Clear any loose objects from the area of the blade, motor, and drive belt.
2. Make sure the clamp and side supports are adjusted below the level of your first few cuts.
3. Start the engine or motor as instructed in the engine manual.



**DANGER!** Never operate the sawmill without all guards and covers in place and secured.

Be sure the blade housing and pulley covers are in place and secure before starting the engine or motor. If applicable, use the safety retainer pin and cable to fasten blade housing covers.

See Figure 2-8. The clutch/brake lever is located next to the engine.

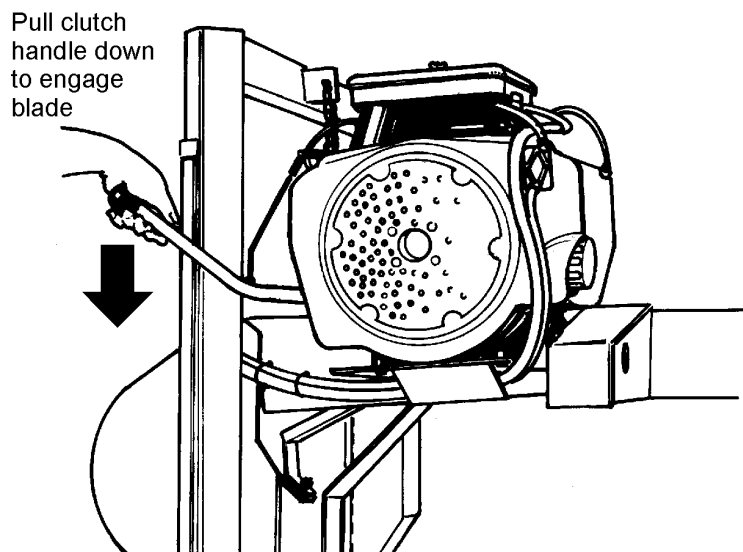


FIG. 2-8

4. To engage the blade, pull the lever down until it locks in the down position. This engages the drive mechanism, releases the blade brake, and increases the engine speed to full throttle. To disengage the blade, raise the clutch/brake lever to the up position. This disengages the drive belt, engages the blade brake, and returns the engine to idle.



**CAUTION!** Failing to stop the blade can cause it to be pulled off by a wood sliver (while traveling in reverse). This will ruin the blade. Stopping the blade when returning the carriage also increases the life of the blade.

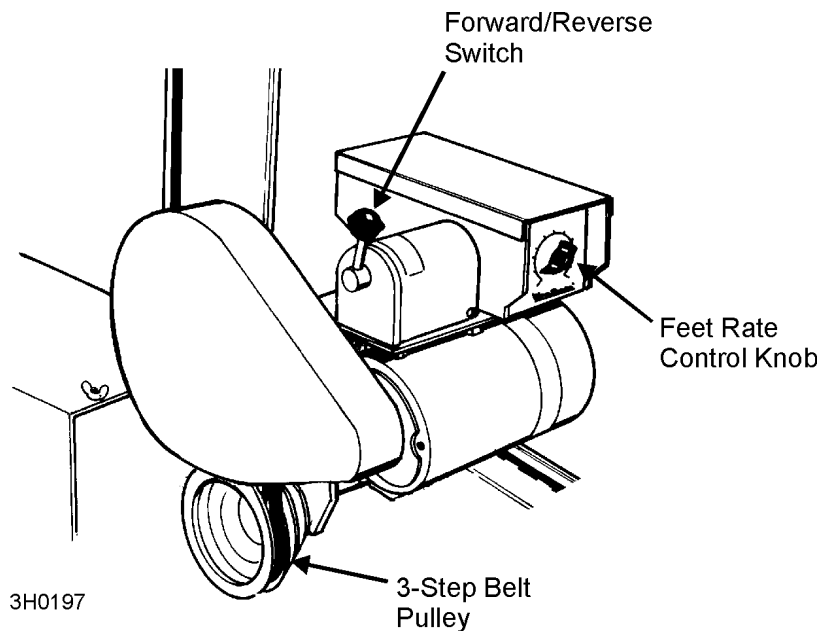


## 2.11 Power Feed Operation



**IMPORTANT!** Some early model sawmills were equipped with a loop-style feed chain and a high-speed return handle on the feed system. All power feed systems should be upgraded to a single-span feed chain and the high speed return handle removed. See the Parts Manual or call Customer Service for more information.

See **Figure 2-9**. The power feed system moves the carriage forward and backward by using two switches on the feed control.



**FIG. 2-9**

#### **Power Feed Belt Ratios**

Changing pulley ratios is done by moving the drive belt to one of three settings on the 3-step pulley. These settings provide three basic ranges of forward speed which are adjustable while in motion with the feed rate control switch.

**See Table 2-2.** The three belt settings provide the following feed rate ranges.

<b>Belt Range</b>	<b>Feed Rate</b>
<b>Slow</b>	0 - 21 Feet/Minute
<b>Middle</b>	0 - 42 Feet/Minute
<b>Fast</b>	0 - 60 Feet/Minute

**TABLE 2-2**

#### **Carriage Feed Rate**

The carriage feed rate switch controls the speed at which the carriage travels forward. Turn the switch clockwise to increase speed. Turn it counterclockwise to reduce speed.

#### **Carriage Forward and Reverse**

The carriage fwd/rev (forward/reverse) switch controls the direction in which the carriage travels. Turn the fwd/rev switch upward to the CARRIAGE FWD position to move the carriage forward. Turn the switch down to the CARRIAGE REV position to move the carriage backward.

The middle position (as shown) is the neutral position.



**DANGER!** Make sure the carriage fwd/rev switch is in the neutral position before turning the key switch to the on or ACC position. This prevents unintended carriage movement.

#### **Using The Power Feed**

**HINT:** To get a straight cut in the first part of the board, feed the blade into the log at a slow speed. This stops the blade from flexing and dipping up or down. Turn the carriage feed rate switch to a slow speed until the whole width of the blade has entered the cut. Then use the carriage feed rate switch to increase the feed rate as desired. Maximum feed rate varies with width and hardness of the wood. Over-feeding results in engine and blade wear, and also produces a wavy cut.

1. Stop the carriage at the end of the cut by turning the carriage feed rate switch counterclockwise until the carriage stops moving.

2. Throw the clutch/brake lever UP to stop the blade and drop the engine to idle. Remove the board from the top of the log.



**CAUTION!** Be sure to stop the blade when returning the carriage. This will not only prevent the blade from being pulled off and ruined by a wood sliver, but also will increase the life of the blade.

3. Turn the carriage feed rate switch counterclockwise. The power feed motor will bypass the carriage feed rate switch and the carriage will automatically return at the fastest speed available. Return the carriage to the front of the mill by moving the fwd/rev switch to the REV position. **Always disengage the blade before returning the carriage for the next cut.**
4. Make sure that the blade does not catch on the end of the log. Raise the carriage slightly to make sure the blade clears the log when returned. **HINT:** Try to stop the blade while the heel of the blade is still on the log. Then bring the carriage back without adjusting the blade up. This lets you keep the blade at the current height setting so you can make the next blade height adjustment more quickly.



**DANGER!** Always keep away from the trailer axle to avoid being caught between the axle and moving saw carriage.

## 2.12 Cutting The Log

The following steps guide you through normal operation of the Wood-Mizer sawmill.

1. Once the log is placed where you want it and clamped firmly turn the key switch to the ACC position.
2. Determine where to make your first cut. The blade height scale will help you to do this ([See Section 2.14](#)). Set the blade to the desired height with the up/down switch. Make sure that the blade will clear all side supports and the clamp. Adjust the outer blade guide to clear the widest section of the log.
3. Make sure all covers and guards are in place. Start the engine. Engage the clutch/brake lever to start the blade spinning.
4. Start the water lube if necessary to prevent sap buildup on the blade. [See Section 2.15](#).
5. Feed the blade into the log slowly ([See Section 2.11](#)). Once the blade completely enters the log, increase the feed rate as desired. Always try to cut at the fastest speed you can while keeping an accurate cut. Cutting too slowly will waste blade life and lower production!
6. As you get to the end of the log, slow down the feed rate. When the teeth exit the end of the log, turn the feed rate all the way down and disengage the clutch/brake lever. Remove the slab that you have just cut from the log.
7. Use the carriage fwd/rev switch to return the carriage to the front of the mill. Always disengage the blade before returning the carriage for the next cut.
8. Repeat until the first side of the log is cut as desired. Set aside the usable flitches (boards with bark on one or both sides). You can edge them on the mill later.
9. Lower the toe boards, if they were used. Remove the clamp turn the log 90 or 180 degrees. Make sure the flat on the log is placed flat against side supports if turned 90 degrees. Make sure it is placed on bed rails if turned 180 degrees. If the log was turned 90 degrees and you are using toe boards to compensate for taper in the log, raise the front or rear toe board again on the second side of the log until the heart is parallel with the bed.
10. Repeat the steps used to cut the first side of the log until the log is square. Cut boards from the remaining cant by adjusting the blade height for the thickness of boards that you want.

**Example:** Remember that the blade cuts a 1/16 - 1/8" (1.6-3.2 mm) wide kerf. If you want 1" (25.4 mm) thick boards, lower the carriage 1 1/16 - 1 1/8" (27-28.6 mm) for each board.

## 2.13 Edging

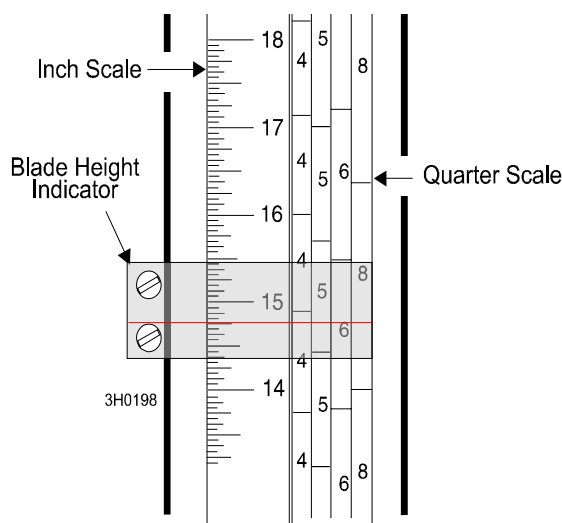
The following steps guide you through edging boards on the Wood-Mizer sawmill.

1. Raise the side supports to 1/2 the height of the flitches, or the boards that need to be edged.
2. Stack the flitches on edge against the side supports.
3. Clamp the flitches against the side supports halfway up the flitch height. (Wider flitches should be placed to the clamp side. When they are edged, flip them over to edge the second side without disturbing the other flitches or without having to pull them from the middle of the stack).
4. Adjust the blade height to edge a few of the widest boards.
5. Loosen the clamp and turn the edged boards over to edge the other side.
6. Repeat steps 2-4.
7. Loosen the clamp and remove the boards that have good clean edges on both sides. Clamp the remaining flitches and repeat steps 2-5.

## 2.14 Blade Height Scale

See **Figure 2-10**. The blade height scale is attached to the carriage head frame. It includes:

- a blade height indicator
- an inch scale
- a quarter scale



**FIG. 2-10**

### ***The Inch Scale***

The horizontal red line on the blade height indicator shows how many inches the bottom of the blade is above the bed of the mill. If you know the height of your blade at each cut, you can determine the thickness of lumber you are sawing.

**Example:** You want to cut 1" (25 mm) random width boards from a log. Use the sight gauge to position the blade for the first cut. Move the carriage to an even measurement on the inch scale. Make a trim cut. Return the carriage for the second cut and lower it 1 1/8" (29 mm) below the original measurement. (The extra 1/8" (3 mm) allows for saw kerf and shrinkage of the lumber.)

### ***The Quarter Scale***

See **Table 2-3**. The quarter scale has four sets of marks. Each set represents a specific lumber thickness. Saw kerf and shrinkage allowance are included, but actual board thickness will vary slightly depending on blade thickness and tooth set.

Always check with your customer before you saw to determine what actual finished thickness is required.

Standard Quarter Scale	
Scale	Actual Board Thickness
4/4	1" (25 mm)
5/4	1 1/4" (32 mm)
6/4	1 5/8" (41 mm)
8/4	2 1/8" (54 mm)

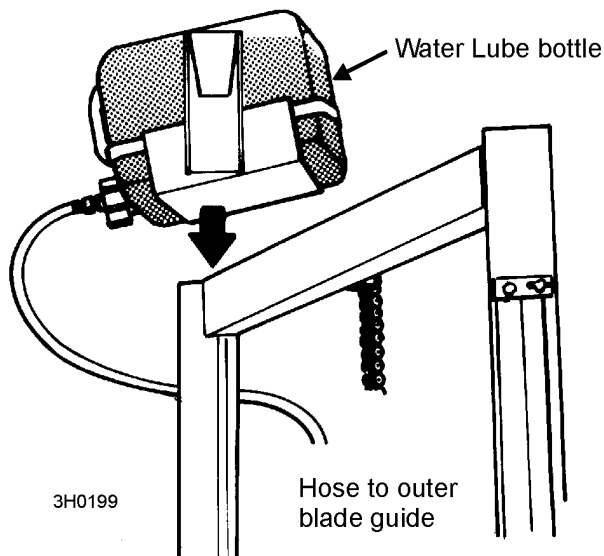
**TABLE 2-3**

To use the quarter scale, look at the blade height indicator. Line up the horizontal red line on the indicator with the nearest mark on the scale you want to use. Make a trim cut. When you return the carriage for a second cut, lower the carriage to the next mark on the scale. This mark shows where the blade should be positioned to cut a certain thickness of lumber, without having to measure on the inch scale.

**Example:** You want to cut 1" (25 mm) (4/4) random width boards from a log. Position the blade for the first cut. Adjust the quarter scale so a 4/4 mark is aligned with the red line on the indicator. Make a trim cut. Return the carriage for the second cut. Now, instead of having to measure down 1 1/8" (29 mm) on the inch scale, you can simply lower the blade so the indicator is aligned with the next 4/4 mark on the quarter scale. Turn the log 90 degrees and repeat.


#### 2.15 Water Lube Operation

See **Figure 2-11**. The Water Lube System keeps the blade clean. Water flows from a 5-gallon (18.9 liter) bottle through a hose to the blade guide where the blade enters the log. A valve in the bottle cap controls the amount of water flow.



**FIG. 2-11**

Not all types of wood require the use of the Water Lube System. When it is needed, use just enough water to keep the blade clean. This saves water, and lowers the risk of staining the boards with water. Usual flow will be 1-2 gallons (3.8-7.6 liters) per hour. A squirt of liquid dishwashing detergent in the water bottle will help clean the blade when cutting wood with a high sap content.

 **WARNING!** Never use flammable fuels or liquids instead of water with this accessory. If these type of liquids are necessary to clean the blade, remove it and clean with a rag.

Before removing the blade, engage the clutch/brake lever. Let the blade spin with water running on it for about 15 seconds. This will clean the blade of sap buildup. Wipe the blade dry with a rag before storing or sharpening.

If you are sawing in freezing temperatures, remove the water lube bottle from the sawmill when done sawing and store it in a warm place. Blow any remaining water from the water lube hose.



## 2.16 Preparing The Sawmill For Towing

The Wood-Mizer trailer package makes transporting your sawmill easy and convenient. To get your sawmill ready for towing, follow these instructions.

1. Move the saw carriage to the front end of the sawmill. Raise the rear outriggers.
2. Move the carriage forward to the travel position over the rear bed rail.
3. Position the holes in the saw head over the travel rest pin.
4. Lower the saw head until it is seated firmly on the rest pin. Continue lowering the head 3/4" (19mm). Hook the safety chain to the saw head.

See Figure 2-12.

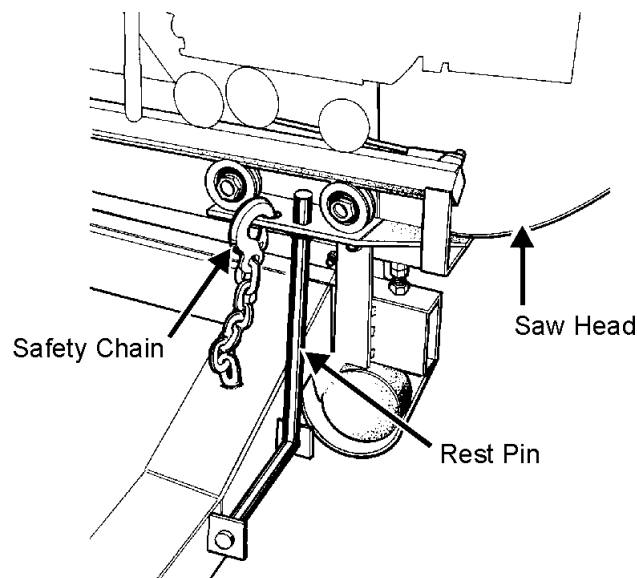


FIG. 2-12

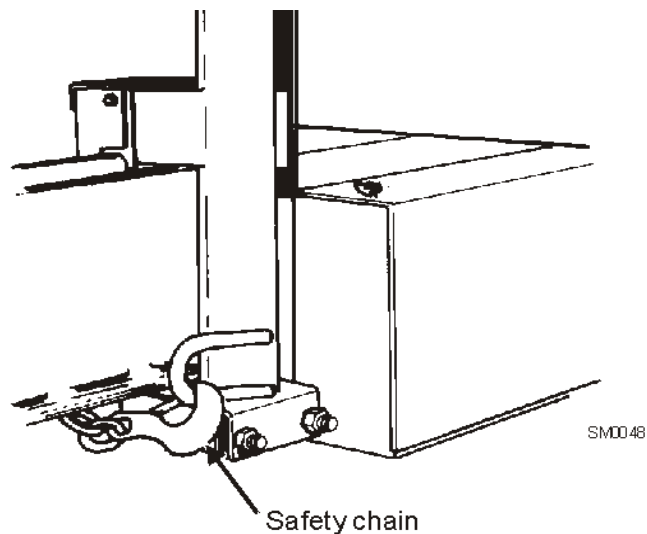


**CAUTION!** Failure to properly secure the saw head can result in severe machine damage. Lower the saw head onto the rest pin until it contacts the rest pin collar, then lower the saw head 3/4" (19mm) further to insure that the saw head cannot be dislocated from the rest pin.

5. Engage the clutch/brake lever. This keeps the drive belt tight and the motor from bouncing while traveling. Be sure to disengage the clutch/brake handle after reaching the destination to avoid deformation of the drive belt.

6. Hook the carriage safety chain located at the bottom of the carriage to the bracket at the bottom of the mast.

See Figure 2-13.



**FIG. 2-13**

7. Remove all loose objects from the bed of the mill. Store the outrigger jack handle in the bracket provided on the rear/loading-side outrigger guide. Reel in the winch cable. Remove the winch handle.
8. Place both fenders in the slots located behind the trailer tires. Raise all but the very front outrigger.



**DANGER!** Check to be sure the saw head is resting firmly on the rest pin and mast rail stops and that the safety chain is secured before towing the sawmill.

**DANGER!** Never tow the sawmill without all guards and covers in place and secured.

Be sure the blade housing and pulley covers are in place and secure. If applicable, use the safety retainer pin and cable to fasten blade housing covers.

See the trailer operator's manual for specific information regarding hitch operation and towing the sawmill.

## SECTION 3 MAINTENANCE

This section lists the maintenance procedures that need to be performed.

The Short Interval Maintenance Schedule lists procedures that need to be performed every 4, 8 or 25 hours. The Maintenance Log lists procedures that need to be performed every 50, 100, 200, 300, 500, or 1000 hours. Keep track of machine maintenance by filling in the machine hours and the date you perform each procedure.



**This symbol** identifies the interval (hours of operation) at which each maintenance procedure should be performed.

### 3.1 Wear Life

**See Table 3-1.** This chart lists estimated life expectancy of common replacement parts if proper maintenance and operation procedures are followed. Due to the many variables which exist during sawmill operation, actual part life may vary significantly. This information is provided so that you may plan ahead in ordering replacement parts.

Part Description	Estimated Life
Up/Down Motor Brushes	375 hours
B57 Blade Wheel Belts	400 hours
Up/Down Motor	750 hours
Power Feed Motor Brushes	750 hours
Up/Down Drum Switch	1000 hours
Blade Guide Rollers	1000 hours
Power Feed Drum Switch	1200 hours
Drive Belt	1250 hours
Power Feed Motor	1500 hours
Power Feed Belt	2000 hours
Up/Down Belt	2000 hours

**TABLE 3-1**

## 3.2 Blade Guides

See Figure 3-1.

1. Lubricate the blade guide rollers every four hours of operation. Use one squeeze of a NLGI No. 2 grade lithium grease from a grease gun to lubricate the bearings and remove any sawdust.

4

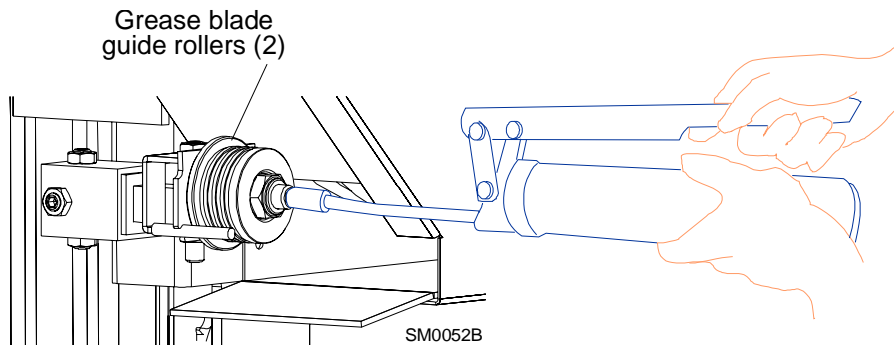


FIG. 3-1



**CAUTION!** Do not over-grease. Over-greasing will push the seals out of the blade guide bearings.

2. Check the rollers for performance and wear every blade change. Make sure the rollers are clean and spinning freely. If not, rebuild them. Replace any rollers which have worn smooth or have become cone shaped. See The LT30/40 Parts manual for blade guide rebuild kits and complete roller assemblies.

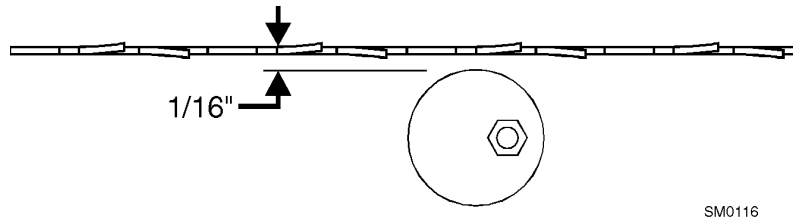
**NOTE:** The blade guide set screws may be replaced with stainless steel screws which prevent corrosion from making the screws difficult to adjust.

### 3.3 Blade Housing

1. Remove the excess sawdust from the blade wheel housings and sawdust chute every blade change.

See Figure 3-2.

2. Make sure the cam roller in the top center of the C-frame is  $1/16"$  (1.5 mm) below the bottom of the blade. If not, adjust the bearing as necessary. Check the roller every 500 hours of operation. Failing to maintain this adjustment will lead to early blade breakage.



### 3.4 Carriage Track, Wiper & Scrapers

See Figure 3-3.

1. Clean the upper and lower track rails to remove any sawdust and sap buildup every eight hours of operation. Lubricate the lower track rail by wiping it with Dexron III ATF.

**NOTE:** Apply a rust inhibitor such as Sherwin-Williams P.D.R.P #710 when the sawmill is not in use. Use a clean, dry cloth and a light lubricant such as WD-40 to remove the protection coat before operating the sawmill.

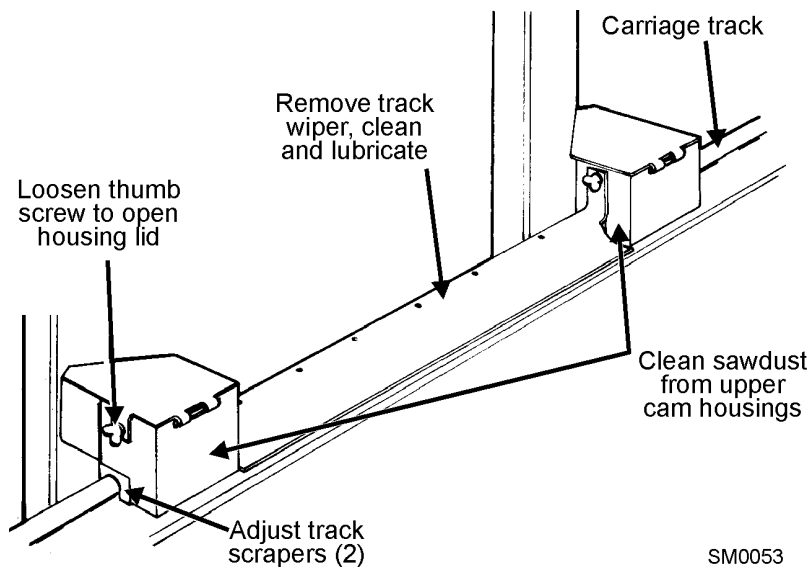


FIG. 3-3

2. Remove sawdust from the upper cam housings. Loosen the thumb screws on the upper cam housing covers and open. Brush any sawdust buildup from the housings.
3. Check the track scrapers as needed. Make sure the scrapers fit firmly against the rail. If a track scraper needs to be adjusted, loosen the thumb screw, push the scraper downward until it fits firmly against the rail, and retighten the thumb screw.
4. **Rev. AL+:** Clean and lubricate the track wiper every twenty-five hours of operation. Unbolt the wiper, remove it from the sawmill, and remove any sawdust buildup. Soak the felt wiper with Dexron III transmission fluid, 10W30 motor oil or 3-in-1 turbine oil. Replace the wiper. **NOTE:** The track oiler/wiper can be retrofitted to sawmills before revisions AL.



**CAUTION!** Reinstall the wiper so that it lightly touches the track rail. If the wiper presses too firmly against the rail, it can cause the power feed to bind.

### 3.5 Track Rollers

See Figure 3-4.

1. Lubricate the greasable track roller bearings every fifty hours of operation. Use a NLGI No. 2 grade lithium grease.

50

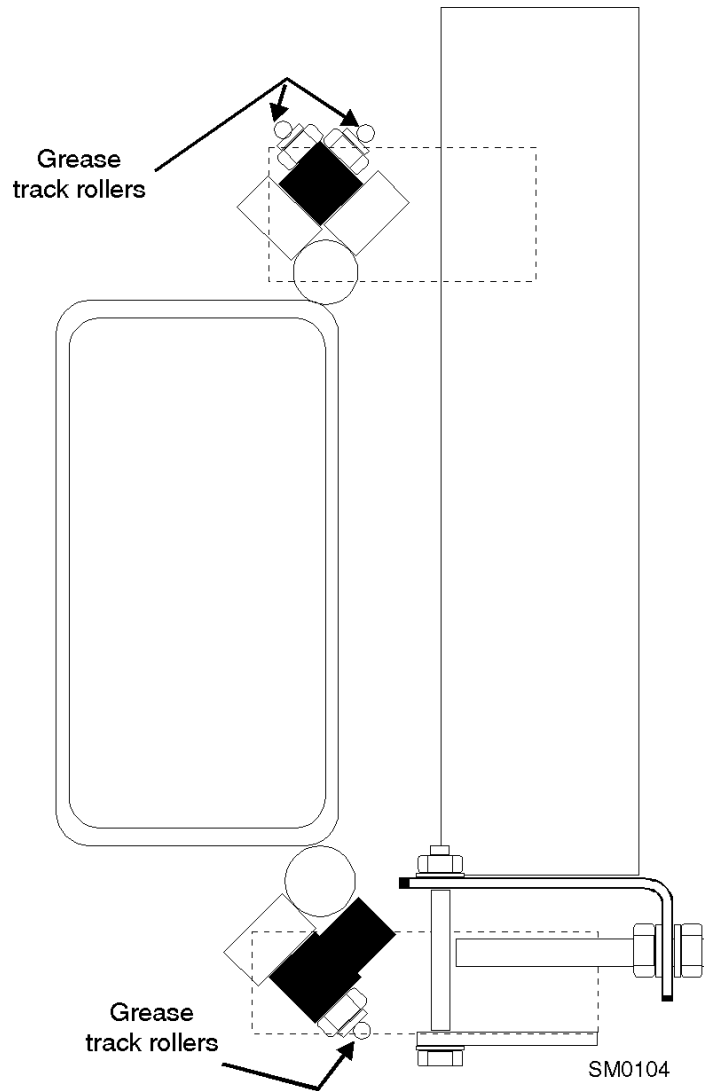


FIG. 3-4

### 3.6 Vertical Mast Rails

50

Clean and lubricate the vertical mast rails every 50 hours of operation. Clean with solvent and remove any rust with a light-grade sand paper or emery cloth. Lubricate the mast with motor oil or automatic transmission fluid (ATF).



**CAUTION!** Never use grease on the mast rails as it will collect sawdust.



### 3.7 Drum Switches

Lubricate the up/down and power feed drum switch contacts every fifty hours of operation. Use only contact grease supplied by Wood-Mizer. Remove the drum switch cover. Use a cotton swab to apply grease to the switch contact ends.

50



**WARNING!** Drum switch grease contains Petroleum Hydrocarbon Lubricant. Eye and skin irritant. If introduced into eyes, flush with water for at least 15 minutes. If film or irritation persists, seek medical attention. Wash skin with soap and water. If ingested, do not induce vomiting - contact a physician. **KEEP OUT OF THE REACH OF CHILDREN.**

### 3.8 Miscellaneous Lubrication

1. Apply a thin film of a NLGI No. 2 grade lithium grease to the blade guide arm every fifty hours of operation to help prevent it from rusting.
2. Grease the three clutch/brake handle pivots with a NLGI No. 2 grade lithium grease every fifty hours of operation.

See Figure 3-5.

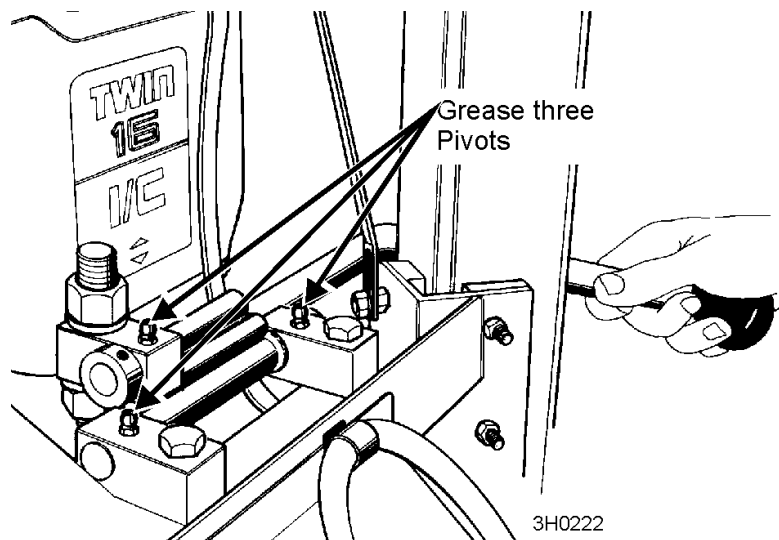


FIG. 3-5

3. Oil all chains with Dexron III ATF every fifty hours of operation.



**CAUTION!** Do not use chain lube. It causes sawdust buildup in chain links.

### 3.9 Blade Tensioner

1. Lubricate the chrome rods of the tensioner system with a heavy duty teflon spray lubricant, such as Gunk L508, every fifty hours of operation.
2. Lubricate the tensioner screw handle with a NLGI No. 2 grade lithium grease as needed.

50

See Figure 3-6.

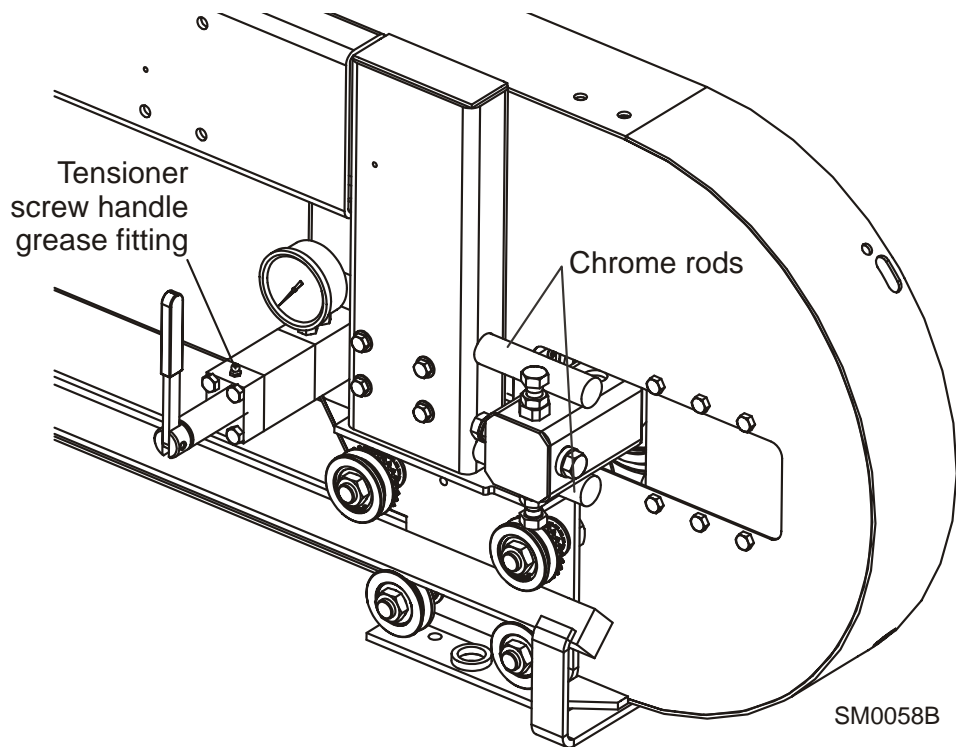



FIG. 3-6

### 3.10 Blade Wheel Belts

1. Rotate the blade wheel belts and check them for wear. Rotating the belts every 50 hours will give you longer belt life. Replace belts as necessary. Use only B57 belts manufactured by Goodyear or Browning.  
 50
2. Periodically check all belts for wear. Replace any damaged or worn belts as needed.

### 3.11 Brake Strap Adjustment

1. Check the brake strap after the first 20 hours, and every 50 hours thereafter. If the blade does not stop quickly, the brake strap needs adjusting. To access the brake strap, remove the two belt covers located underneath the engine. Engage the clutch/brake lever. Loosen the two brake strap clamping bolts and pull the brake strap about 1/2" (12.7 mm) through the clamping plates. Retighten the bolts. Replace the belt guards.

See Figure 3-7.

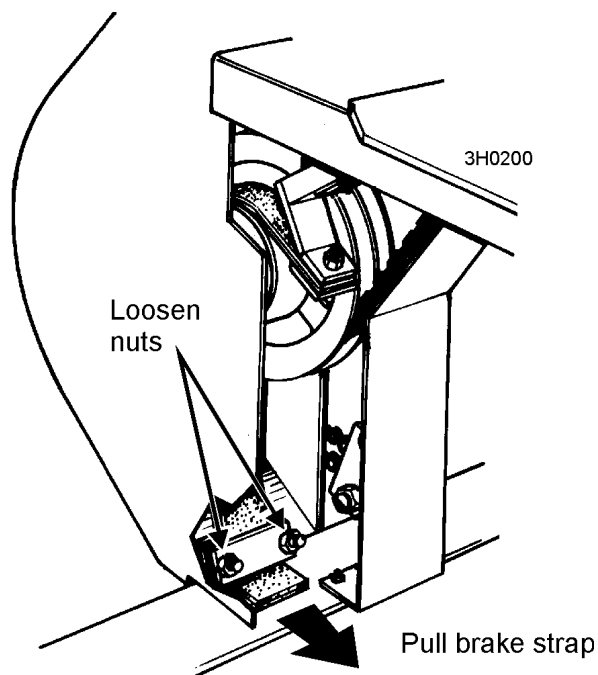


FIG. 3-7

### 3.12 Drive Bearing

LT30 Revisions C1+  
LT40 Revisions C2+

1000 Refill the fluid in the drive-side cylinder bearing housing every 1000 hours of operation. Remove the top and bottom oil plugs. Pour an Automatic Transmission Fluid (ATF) such as Dexron III ATF into the top hole until it begins to flow from the bottom hole. Reinstall the square oil plug to the bottom hole and the vented oil plug to the top hole.

See Figure 3-8.

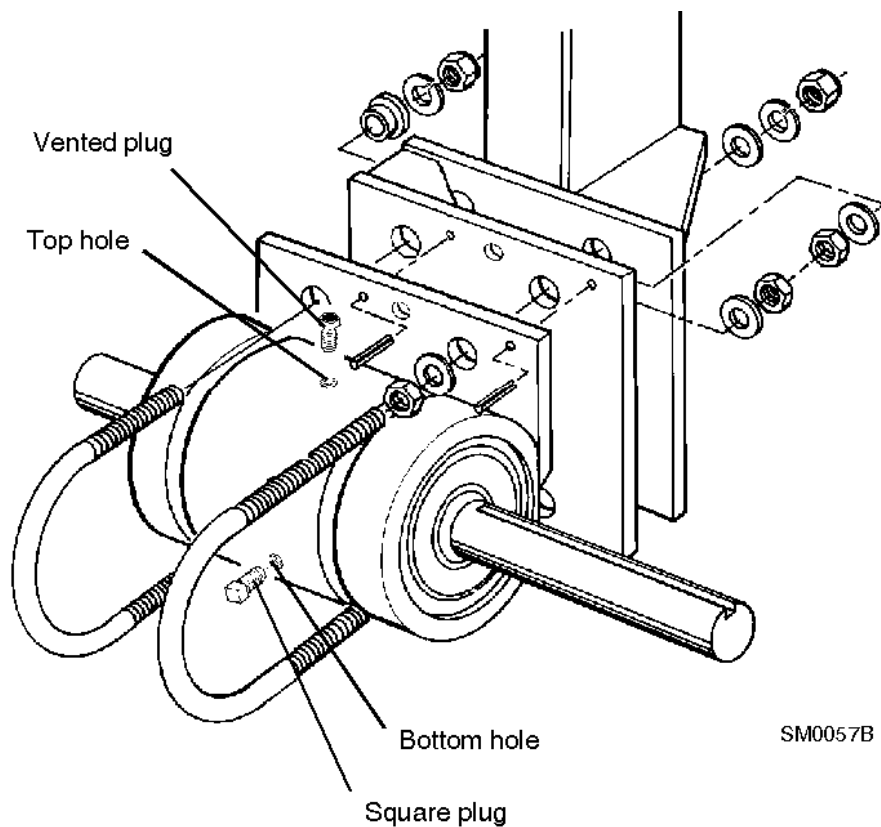


FIG. 3-8

**NOTE:** The cylinder bearing drive system may be retrofitted to sawmills built prior to Revs. C1 & C2.

### 3.13 Up/Down System

1. Adjust the up/down chain tension as needed. Measure chain tension with the head all the way to the top of the vertical mast. Secure the carriage with a chain at the top. Find the chain adjusting bolt at the bottom of the mast, behind the battery box. Adjust the nuts on the bolt until you can get about 1 1/2" (3.8 cm) total deflection in the center of the chain with a 5 lb. (2.3 Kg) deflection force.

See Figure 3-9.



**DANGER!** Always secure the cutting head with a 5/16" chain with at least 1900 lbs. working load capacity before adjusting the up/down chain. The cutting head may fall, causing severe injury or death.



**CAUTION!** Do not over-tension the chain. Over-tensioning the chain may lead to early failure of the gear reducer.

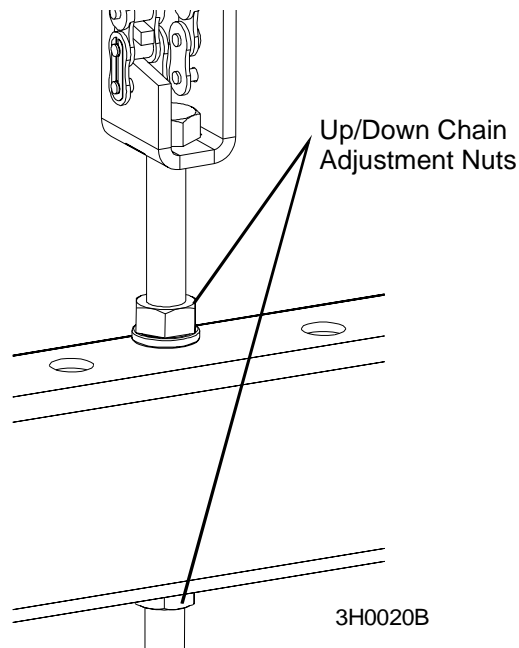


FIG. 3-9

2. Check the up/down gearbox oil level. Add a synthetic gear oil such as Mobil SHC 634 as needed. Drain and refill the gearbox with 8 - 11 ounces of oil after the first 250 hours of sawmill operation. Repeat every 5000 hours or every 2 years, whichever comes first.

Wood-Mizer offers replacement gear oil in 8 ounce bottles.

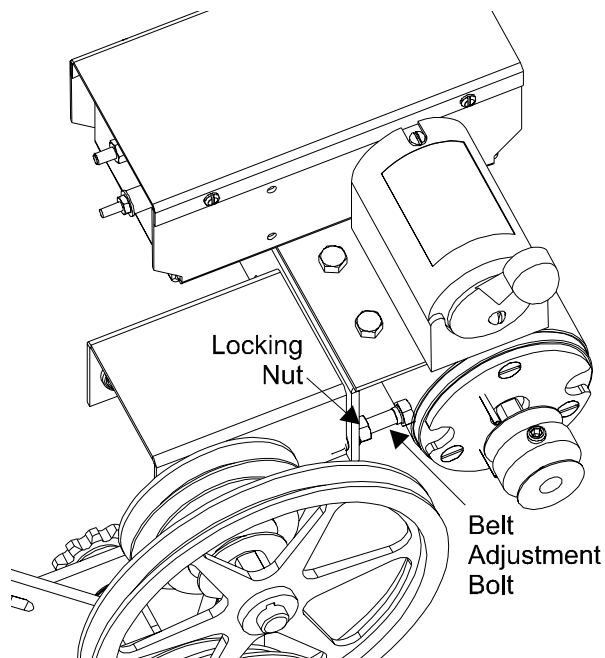
### 3.14 Power Feed



**IMPORTANT!** Some early model sawmills were equipped with a loop-style feed chain and a high-speed return handle on the feed system. All power feed systems should be upgraded to a single-span feed chain and the high speed return handle removed. See the Parts Manual or call Customer Service for more information.

1. Adjust the power feed belt as needed. When the power feed belt gets loose, it will begin slipping. This causes the carriage to not move forward when cutting. To retighten the belt, remove the feed motor cover. Loosen the three motor mounting bolts.

**See Figure 3-10.** Loosen the locking nut on the belt adjustment bolt. Turn the bolt counterclockwise to tighten the feed belt. Tighten the belt so there is 1/8" (3 mm) deflection with a 7 lb. (3.2 Kg) deflection force. Retighten the locking nut.



**FIG. 3-10**

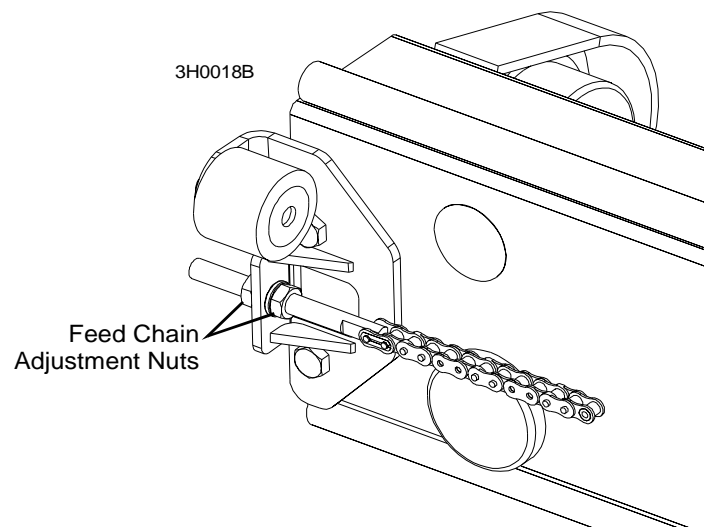


2. Adjust the power feed chain as needed. Measure the power feed chain tension with the saw head all the way toward the front of the mill. Use the two lock nuts at the rear of the mill to tighten or loosen the power feed chain. Adjust the chain until it measures 7 to 8 inches (17.8 to 20.3 cm) from the top of the top rail at its lowest point.



**CAUTION!** Do not overtighten the feed chain. Damage to the power feed motor may result.

See Figure 3-11.



**FIG. 3-11**

### 3.15 Miscellaneous Maintenance

1. Check the mill alignment every setup. See Section 5, Alignment.
2. Make sure all safety warning decals are readable. Remove sawdust and dirt. Replace any damaged or unreadable decals immediately. Order decals from your Customer Service Representative.



**WARNING!** Keep all safety warning decals clean and visible. If decal becomes worn or damaged, replace immediately.

## LT30/40 Short Interval Maintenance Schedule

PROCEDURE	MANUAL REFERENCE
<b>EVERY 4 HOURS</b>	
Lubricate Blade Guide Rollers	<a href="#">SEE SECTION 3.2</a>
<b>EVERY BLADE CHANGE</b>	
Check Blade Guide Roller Performance	<a href="#">SEE SECTION 3.2</a>
Remove Excess Sawdust From Blade Wheel Housings And Sawdust Chute	<a href="#">SEE SECTION 3.3</a>
<b>EVERY 8 HOURS</b>	
Clean And Lubricate Track	<a href="#">SEE SECTION 3.4</a>
Remove Sawdust From Upper Cam Housings	<a href="#">SEE SECTION 3.4</a>
<b>EVERY 25 HOURS</b>	
Clean And Lubricate Upper Track Wiper	<a href="#">SEE SECTION 3.4</a>



## WOOD-MIZER LT30/LT40 MAINTENANCE LOG

PROCEDURE	MANUAL REFERENCE	TOTAL HOURS OF OPERATION									
		FILL IN THE DATE AND THE MACHINE HOURS AS YOU PERFORM EACH PROCEDURE. A SHADED BOX INDICATES MAINTENANCE IS NOT NEEDED AT THIS TIME.									
		50 HRS	100 HRS	150 HRS	200 HRS	250 HRS	300 HRS	350 HRS	400 HRS	450 HRS	500 HRS
Clean & lube mast rails	<a href="#">See Section 3.6</a>										
Grease track rollers (If greasable rollers)	<a href="#">See Section 3.5</a>										
Lubricate drum switches	<a href="#">See Section 3.7</a>										
Grease pivot points and bearings/Oil chains	<a href="#">See Section 3.8</a> <a href="#">See Section 3.13</a> <a href="#">See Section 3.14</a>										
Check belt tensions	<a href="#">See Section 3.13</a> <a href="#">See Section 3.14</a>										
Check brake strap tension	<a href="#">See Section 3.11</a>										
Rotate drive/idle blade wheel belts/Check all belts for wear	<a href="#">See Section 3.10</a>										
Check feed & up/down chain tensions	<a href="#">See Section 3.13</a> <a href="#">See Section 3.14</a>										
Check up/down gear box fluid level	<a href="#">See Section 3.13</a>										
Lubricate blade tensioner handle and rods	<a href="#">See Section 3.9</a>										
Check Blade Screw (or cam bearing)	<a href="#">See Section 3.3</a>										
Replace cylinder drive bearing fluid	<a href="#">See Section 3.12</a>										

## WOOD-MIZER LT30/LT40 MAINTENANCE LOG

PROCEDURE	MANUAL REFERENCE	TOTAL HOURS OF OPERATION									
		FILL IN THE DATE AND THE MACHINE HOURS AS YOU PERFORM EACH PROCEDURE. A SHADED BOX INDICATES MAINTENANCE IS NOT NEEDED AT THIS TIME.									
		550 HRS	600 HRS	650 HRS	700 HRS	750 HRS	800 HRS	850 HRS	900 HRS	950 HRS	1000 HRS
Clean & lube mast rails	<a href="#">See Section 3.6</a>										
Grease track rollers (If greasable rollers)	<a href="#">See Section 3.5</a>										
Lubricate drum switches	<a href="#">See Section 3.7</a>										
Grease pivot points and bearings/Oil chains	<a href="#">See Section 3.8</a> <a href="#">See Section 3.13</a> <a href="#">See Section 3.14</a>										
Check belt tensions	<a href="#">See Section 3.13</a> <a href="#">See Section 3.14</a>										
Check brake strap tension	<a href="#">See Section 3.11</a>										
Rotate drive/idle blade wheel belts/Check all belts for wear	<a href="#">See Section 3.10</a>										
Check feed & up/down chain tensions	<a href="#">See Section 3.13</a> <a href="#">See Section 3.14</a>										
Check up/down gear box fluid level	<a href="#">See Section 3.13</a>										
Lubricate blade tensioner handle and rods	<a href="#">See Section 3.9</a>										
Check Blade Screw (or cam bearing)	<a href="#">See Section 3.3</a>										
Replace cylinder drive bearing fluid	<a href="#">See Section 3.12</a>										

## WOOD-MIZER LT30/LT40 MAINTENANCE LOG

PROCEDURE	MANUAL REFERENCE	TOTAL HOURS OF OPERATION									
		FILL IN THE DATE AND THE MACHINE HOURS AS YOU PERFORM EACH PROCEDURE. A SHADED BOX INDICATES MAINTENANCE IS NOT NEEDED AT THIS TIME.									
		1050 HRS	1100 HRS	1150 HRS	1200 HRS	1250 HRS	1300 HRS	1350 HRS	1400 HRS	1450 HRS	1500 HRS
Clean & lube mast rails	<a href="#">See Section 3.6</a>										
Grease track rollers (If greasable rollers)	<a href="#">See Section 3.5</a>										
Lubricate drum switches	<a href="#">See Section 3.7</a>										
Grease pivot points and bearings/Oil chains	<a href="#">See Section 3.8</a> <a href="#">See Section 3.13</a> <a href="#">See Section 3.14</a>										
Check belt tensions	<a href="#">See Section 3.13</a> <a href="#">See Section 3.14</a>										
Check brake strap tension	<a href="#">See Section 3.11</a>										
Rotate drive/idle blade wheel belts/Check all belts for wear	<a href="#">See Section 3.10</a>										
Check feed & up/down chain tensions	<a href="#">See Section 3.13</a> <a href="#">See Section 3.14</a>										
Check up/down gear box fluid level	<a href="#">See Section 3.13</a>										
Lubricate blade tensioner handle and rods	<a href="#">See Section 3.9</a>										
Check Blade Screw (or cam bearing)	<a href="#">See Section 3.3</a>										
Replace cylinder drive bearing fluid	<a href="#">See Section 3.12</a>										

## WOOD-MIZER LT30/LT40 MAINTENANCE LOG

PROCEDURE	MANUAL REFERENCE	TOTAL HOURS OF OPERATION									
		FILL IN THE DATE AND THE MACHINE HOURS AS YOU PERFORM EACH PROCEDURE. A SHADED BOX INDICATES MAINTENANCE IS NOT NEEDED AT THIS TIME.									
		1550 HRS	1600 HRS	1650 HRS	1700 HRS	1750 HRS	1800 HRS	1850 HRS	1900 HRS	1950 HRS	2000 HRS
Clean & lube mast rails	<a href="#">See Section 3.6</a>										
Grease track rollers (If greasable rollers)	<a href="#">See Section 3.5</a>										
Lubricate drum switches	<a href="#">See Section 3.7</a>										
Grease pivot points and bearings/Oil chains	<a href="#">See Section 3.8</a> <a href="#">See Section 3.13</a> <a href="#">See Section 3.14</a>										
Check belt tensions	<a href="#">See Section 3.13</a> <a href="#">See Section 3.14</a>										
Check brake strap tension	<a href="#">See Section 3.11</a>										
Rotate drive/idle blade wheel belts/Check all belts for wear	<a href="#">See Section 3.10</a>										
Check feed & up/down chain tensions	<a href="#">See Section 3.13</a> <a href="#">See Section 3.14</a>										
Check up/down gear box fluid level	<a href="#">See Section 3.13</a>										
Lubricate blade tensioner handle and rods	<a href="#">See Section 3.9</a>										
Check Blade Screw (or cam bearing)	<a href="#">See Section 3.3</a>										
Replace cylinder drive bearing fluid	<a href="#">See Section 3.12</a>										



## WOOD-MIZER LT30/LT40 MAINTENANCE LOG

PROCEDURE	MANUAL REFERENCE	TOTAL HOURS OF OPERATION									
		FILL IN THE DATE AND THE MACHINE HOURS AS YOU PERFORM EACH PROCEDURE. A SHADED BOX INDICATES MAINTENANCE IS NOT NEEDED AT THIS TIME.									
		2050 HRS	2100 HRS	2150 HRS	2200 HRS	2250 HRS	2300 HRS	2350 HRS	2400 HRS	2450 HRS	2500 HRS
Clean & lube mast rails	<a href="#">See Section 3.6</a>										
Grease track rollers (If greasable rollers)	<a href="#">See Section 3.5</a>										
Lubricate drum switches	<a href="#">See Section 3.7</a>										
Grease pivot points and bearings/Oil chains	<a href="#">See Section 3.8</a> <a href="#">See Section 3.13</a> <a href="#">See Section 3.14</a>										
Check belt tensions	<a href="#">See Section 3.13</a> <a href="#">See Section 3.14</a>										
Check brake strap tension	<a href="#">See Section 3.11</a>										
Rotate drive/idle blade wheel belts/Check all belts for wear	<a href="#">See Section 3.10</a>										
Check feed & up/down chain tensions	<a href="#">See Section 3.13</a> <a href="#">See Section 3.14</a>										
Check up/down gear box fluid level	<a href="#">See Section 3.13</a>										
Lubricate blade tensioner handle and rods	<a href="#">See Section 3.9</a>										
Check Blade Screw (or cam bearing)	<a href="#">See Section 3.3</a>										
Replace cylinder drive bearing fluid	<a href="#">See Section 3.12</a>										

## WOOD-MIZER LT30/LT40 MAINTENANCE LOG

PROCEDURE	MANUAL REFERENCE	TOTAL HOURS OF OPERATION									
		FILL IN THE DATE AND THE MACHINE HOURS AS YOU PERFORM EACH PROCEDURE. A SHADED BOX INDICATES MAINTENANCE IS NOT NEEDED AT THIS TIME.									
		2550 HRS	2600 HRS	2650 HRS	2700 HRS	2750 HRS	2800 HRS	2850 HRS	2900 HRS	2950 HRS	3000 HRS
Clean & lube mast rails	<a href="#">See Section 3.6</a>										
Grease track rollers (If greasable rollers)	<a href="#">See Section 3.5</a>										
Lubricate drum switches	<a href="#">See Section 3.7</a>										
Grease pivot points and bearings/Oil chains	<a href="#">See Section 3.8</a> <a href="#">See Section 3.13</a> <a href="#">See Section 3.14</a>										
Check belt tensions	<a href="#">See Section 3.13</a> <a href="#">See Section 3.14</a>										
Check brake strap tension	<a href="#">See Section 3.11</a>										
Rotate drive/idle blade wheel belts/Check all belts for wear	<a href="#">See Section 3.10</a>										
Check feed & up/down chain tensions	<a href="#">See Section 3.13</a> <a href="#">See Section 3.14</a>										
Check up/down gear box fluid level	<a href="#">See Section 3.13</a>										
Lubricate blade tensioner handle and rods	<a href="#">See Section 3.9</a>										
Check Blade Screw (or cam bearing)	<a href="#">See Section 3.3</a>										
Replace cylinder drive bearing fluid	<a href="#">See Section 3.12</a>										

## SECTION 4 TROUBLESHOOTING GUIDE

### 4.1 Sawing Problems

<i>PROBLEM</i>	<i>CAUSE</i>	<i>SOLUTION</i>
<b>Blades Dull Quickly</b>	Dirty logs	Clean or debark logs, especially on entry side of the cut
	When grinding teeth, heating too much and causing teeth to soften	Grind just enough metal to restore sharpness to the teeth. Use water/coolant while sharpening blade
	Poor sharpening techniques	Make sure the tip is being sharpened completely. <a href="#">See Sharpener Manual.</a>
<b>Blades Break Prematurely</b>	Rubber belts on blade wheels worn to a point that blade contacts metal pulley - look for shiny spots on edge of wheels	Change blade wheel belts (B-57)
	Poor sharpening techniques	<a href="#">See Sharpener Manual</a>
	Tension too tight	Tension blade to recommended specifications
<b>Blade Does Not Track Right on Drive Wheel</b>	Cant adjustment is incorrect	Readjust
	Flat/worn belts	Replace B-57 belts
<b>Blade Guides Do Not Spin While Cutting</b>	Frozen bearings	Replace bearings
	Stiff bearings	Grease bearings
<b>Blade Does Not Stop Immediately After Disengaging</b>	Brake strap too loose	Adjust brake strap
<b>Drive Belts Come Off Pulleys When Disengaging Blade</b>	Brake strap too loose	Adjust brake strap
	Brake drum misaligned	Realign on drive shaft
	Brake strap tightened with one edge too loose and one edge too tight	Adjust brake strap
<b>Drive Belts Wear Prematurely or Jump</b>	Engine/motor and drive pulleys out of alignment	Align pulleys <a href="#">See Section 4.4 Engine/Motor and Drive Pulleys Alignment.</a>

# 4 Troubleshooting Guide

## Sawing Problems

---

<b>PROBLEM</b>	<b>CAUSE</b>	<b>SOLUTION</b>
<b>Boards Thick Or Thin On Ends Or Middle Of Board</b>	Stress in log which causes log to not lay flat on the bed	After log has been squared, take equal cuts off opposing sides. Take a board off the top. Turn the log 180 degrees. Take a board off. Repeat, keeping the heart in the middle of the cant, and making it your last cut
	Set in teeth	Resharpen and reset blade
	Bed rails misaligned	Realign sawmill.
<b>Height Adjustment Jumps or Stutters When Moving Up or Down</b>	Mast needs lubrication	Lubricate mast track surface
	Up/down chain improperly adjusted	Adjust up/down chain.
	Vertical wear pads are too tight	Adjust pads.
	Drive belt(s) loose	Adjust belts.
<b>Lumber Is Not Square</b>	Vertical side supports not square to bed	Adjust side supports.
	Blade not parallel to bed rails	Adjust bed rails parallel to blade.
	Sawdust or bark between cant and bed rails	Remove particles
	Tooth set problems	Resharpen and reset blade
<b>Sawdust Builds Up On Track</b>	Excessive oiling	Do not oil track
	Track wipers worn	Adjust wipers to firmly contact track
	Track is sticky	Clean track with solvent and apply silicone spray
<b>Wavy Cuts</b>	Excessive feed	Slow feed rate
	Improperly sharpened blade (This will be the problem 99% of the time!)	Resharpen blade. <a href="#">See Sharpener Manual - read entire manual!</a>
	Blade guides improperly adjusted	Adjust blade guides.
	Sap buildup on blade	Use Water Lube.
	Tooth set problem	Resharpen and reset blade

## 4.2 Electrical Problems

<i><b>PROBLEM</b></i>	<i><b>CAUSE</b></i>	<i><b>SOLUTION</b></i>
<b>Up/down Elevator Excessively Slow</b>	Vertical wear pads too tight	Adjust pads.
	Up/down belt loose	Adjust belt to be as loose as possible without slipping
<b>Up/down Or Power Feed Motors Do Not Work</b>	Worn contacts in drum switch	Replace switch or remove control panel cover and clean contacts
	Burned-out motor	Replace motor
	Bad connection on battery post or loose wire	Check for loose wire or terminal connections
<b>Up/Down Or Power Feed Switches Remain Engaged When Switch Is Released</b>	Worn or dirty contacts in drum switch	Manually move the power feed or up/down switch back to neutral or "off" position. Replace drum switch or remove control panel cover and clean and lubricate contacts NOTE: Use only contact grease supplied by Wood-Mizer.
	Drum switch spring broken	Manually move the power feed or up/down switch back to neutral or "off" position. Replace drum switch spring
<b>Up/Down Or Power Feed Motors Overheat And Loose Power</b>	System overload or bind occurred.	Correct problem. <a href="#">See Section 4.3 Power Feed Problems.</a> Allow motor to cool before restarting.
	Normal operation factors exceeded (eg: up/down control jockeyed excessively)	Allow motor to cool before restarting.
<b>Everything Works And Then Cuts Out - Works Again</b>	Bad connection in battery	Check connection
<b>Nothing Works Electrically</b>	Dead battery	Check for short circuit or turn OFF key
	Bad circuit breaker	Replace
	Bad fuse	Replace

## **4** Troubleshooting Guide

### *Electrical Problems*

---

	Bad connection in battery	Check connections
	Corrosion on battery post	Remove connection and clean posts
<b>Battery Will Not Stay Charged</b>	Key switch left ON	Turn switch OFF when not in use
	Short in system	Visually check for bare wires and/or have checked
	Charging system not functioning	Have system checked by authorized Onan dealer
	Bad cells	Check fluid levels and add proper solution
	Idle improper	Adjust low end RPM
	Burned out alternator light	Check for loose wire. Replace light if necessary.

### 4.3 Power Feed Problems

<i><b>PROBLEM</b></i>	<i><b>CAUSE</b></i>	<i><b>SOLUTION</b></i>
<b>Power Feed Is Jerky At Low Speeds Or Does Not Move Until Speed Is Above Halfway Mark</b>	Drum switch is dirty	Clean drum switch and lubricate with contact grease supplied by Wood-Mizer
	Drum switch contacts are bad	Check that contacts are in good condition and positively close circuit
	Components are loose or wires are broken	Inspect PC board for loose connections and components; Send PC board to Wood-Mizer for guaranteed repair
<b>Power Feed Is Jerky When Shaft Of Feed Rate Dial Is Moved Back And Forth</b>	Variable speed switch is bad - perform the variable speed switch test.	Replace variable speed switch
<b>Power Feed Is Jerky, But Power Feed Motor Runs Properly At All Speeds</b>	Problem is mechanical.	Refer to the Mechanical Test.
<b>Power Feed Motor Overheats</b>	Middle track oiler is dragging	Clean middle track oiler and lubricate with 30-weight oil or ATF (Automatic Transmission Fluid) such as Dexron II. Allow motor to cool before restarting
	Ground is not level	Level mill with carpenter's level. Allow motor to cool before restarting
	Track roller bearing drag is excessive	Lubricate bearings; Replace tight bearings. Allow motor to cool before restarting
	Lower track rollers are not aligned properly	Check stop block clearance from lower bed rail. Allow motor to cool before restarting
	Chain is dragging	Make sure chain is centered on cam follower bearing; Clean and lubricate chain; Adjust chain tension. Allow motor to cool before restarting
	Chain is improperly tensioned	Adjust chain tension. Allow motor to cool before restarting

# 4

## Troubleshooting Guide

### Power Feed Problems

---

Power feed is binding	Adjust belt tension; Check condition of belt, pulleys, bearings, and sprocket; Check motor for ground fault. Allow motor to cool before restarting
Saw head load is excessive	Avoid unnecessary modifications to saw heads that would give them extra weight. Allow motor to cool before restarting
Blade is dull or improperly set	Use proper blade maintenance procedures. <a href="#">See Sharpener or Toothsetter manual.</a> Allow motor to cool before restarting



## 4.4 Engine/Motor and Drive Pulleys Alignment

1. Install the drive belt.
2. Use a straight edge to align the engine/motor pulley to the drive pulley. Also check that the engine pulley is within 1/8" square with the drive pulley. Loosen the engine mounting bolts and rotate the engine if necessary.
3. Check front-to-back movement of the engine does not exceed 1/4". Tighten the motor mount U-bolts if necessary.
4. Engage the clutch handle and adjust the drive belt tension to 7/16" deflection with 10 lb. of force.
5. Recheck the pulley alignment and engine squareness with the clutch handle engaged. Adjust if necessary.
6. Adjust the drive belt support to 1/4" ( $\pm 1/32$ ) from the belt while engaged.

## 4.5 Power Feed Variable Speed Switch Test

With the feed rate dial switch all the way down, move the shaft of the dial back and forth to see if there is a jerky response. Turn the dial and move the shaft back and forth again. Repeat several times. If the jerkiness occurs at the same location on the dial several times, you need to replace the variable speed switch.

## **4.6 Power Feed Preliminary Test**

This test will determine if the problem is a mechanical or electrical.

1. Remove the drive belt from the power feed drive pulley.
2. Turn the key switch to the ACC position. Put the carriage fwd/rev switch into the forward position and turn the feed rate dial through all speeds. If the power feed motor runs properly at all speeds, the problem is a mechanical one instead of an electrical one.

## 4.7 Power Feed Mechanical Test

1. Remove the weight from the track rollers. They should turn smoothly and easily with very little play.
2. Make sure the middle track cover is not bent or touching the top rail.
3. Make sure the middle track oiler, if applicable, is free of sawdust buildup.
4. Make sure the power feed chain is not stiff from rust. Also make sure the chain is not too tight.
5. Check the power feed shaft. Visually inspect the bearings. The shaft should move neither in or out nor side to side.
6. Make sure the power feed chain cam bearing is not touching the main frame tube.
7. If you have an old-style mill with loop-designed feed chain, inspect the front and rear sprocket assemblies. Make sure there are no defective bearings.
8. Make sure there is no sap or rust on the rails.
9. Make sure the block on the lower track roller assembly is not rubbing the lower rail. Also make sure the track rollers are not too tight.
10. Make sure the power feed belt is properly tightened.

## SECTION 5 SAWMILL ALIGNMENT

### 5.1 Pre-Alignment Procedures

The Wood-Mizer sawmill is factory aligned. Periodically check the sawmill alignment and adjust if necessary. This chapter explains how to align the entire sawmill. Care should be taken in performing these steps. Sawmill alignment determines the accuracy and squareness of your cuts.

**The sawmill alignment steps are:**

1. Ready the sawmill for alignment
2. Adjust the main bed rails parallel to the blade
3. Adjust the blade guide arm parallel to the bed rails
4. Align blade guides to the blade
5. Adjust side supports square to the bed
6. Adjust pivot bed rails parallel to the blade
7. Final Adjustments

To insure accurate alignment, the sawmill frame must be level and a blade properly installed.

## 5.2 Frame Setup

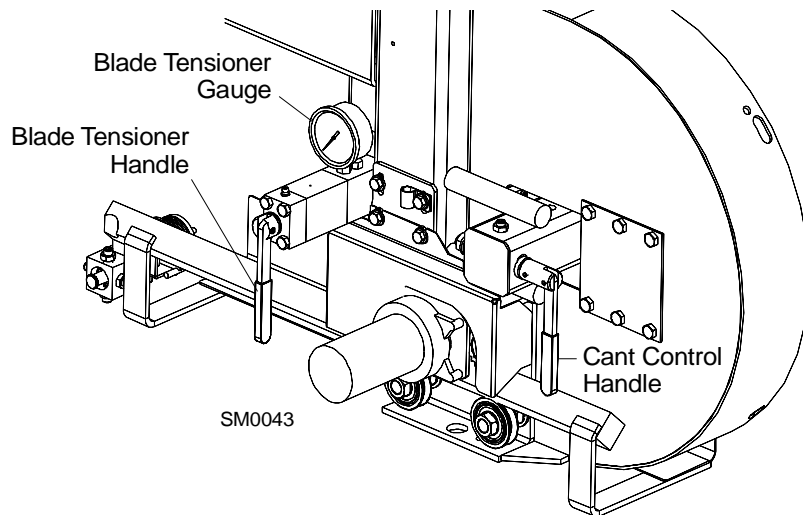
Stationary sawmills should be setup on firm, level ground before proceeding with alignment. Shim the feet so the weight of the sawmill is evenly supported.

Portable sawmills should also be set up on firm, level ground. Adjust the two middle outriggers on the main frame tube down just enough to lift weight from the trailer tire.

Adjust the two outer outriggers down just so they touch the ground but do not bear weight.

### 5.3 Blade Installation And Alignment

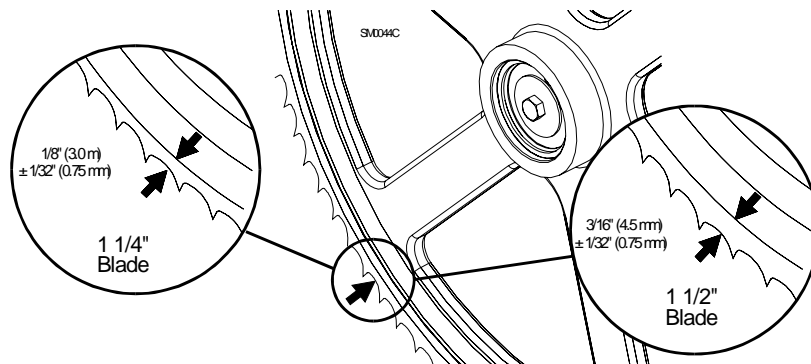
See **Figure 5-1**. Install a blade and apply the appropriate tension ([See Section 2.4 Tensioning The Blade](#)). Blade tension is adjusted with the tension handle shown.



**FIG. 5-1**

Check the vertical alignment of the blade wheels. The gullet of the blade should ride the same distance from the front edge of the wheel at the top, bottom, and side of the wheel. If it does not, loosen and tighten the appropriate adjustment screws on the back of the wheel. **See Figure 5-1**

**See Figure 5-2**. The blade wheels should be adjusted so that the gullet of 1 1/4" blades ride 1/8" (3 mm) out from the front edge of the wheels ( $\pm 1/32$  [.75 mm]). The gullet of 1 1/2" blades should ride 3/16" (4.5 mm) from the front edge of the wheels ( $\pm 1/32$  [.75 mm]). Do not let the teeth ride on the wheels.



**FIG. 5-2**

To adjust where the blade travels on the idle-side blade wheel, use the cant control shown in **Figure 5-1**.

1. Start the engine. Pull lightly on the clutch handle to rotate the blade until it locates itself on the blade wheels. If the blade is too far forward on the wheels, turn the cant control counterclockwise. If it is too far back on the wheels, turn the cant control clockwise.
2. Some adjustment in blade tension may be needed to compensate for adjustments made with the cant control.

Adjustment with the cant control handle is usually all that is required to track the blade properly on both blade wheels. The drive-side blade wheel will usually not have to be adjusted. If necessary, the drive-side wheel can be adjusted as follows:

Locate the jam nuts between the drive bearing mounting plates. If the blade is running too far to the front of the drive-side blade wheel, turn the jam nuts toward the bearing. If the blade is too far back, turn the nuts away from the bearing.

Make sure to tighten the jam nuts against the mounting plates when adjustment is complete.



## 5.4 Saw Head Slide Pad Adjustment

There are eight nylon pads positioned between the saw head frame and vertical mast. The spacing of the pads is factory set and rarely needs adjusting. To check the pad spacing, perform the following steps.

**NOTE:** The pads on the engine side of the mast are referred to as the "inner" pads. The pads on the control side of the mast are referred to as the "outer" pads.

**NOTE:** Shims are often used around the clamping bolts, between the C-frame support bracket and the mast v-brace. The shims align the v-brace to the mast so that the entire face of each slide pad makes contact with the mast. Be sure to keep these shims in place when performing the following adjustment.

See Figure 5-3.

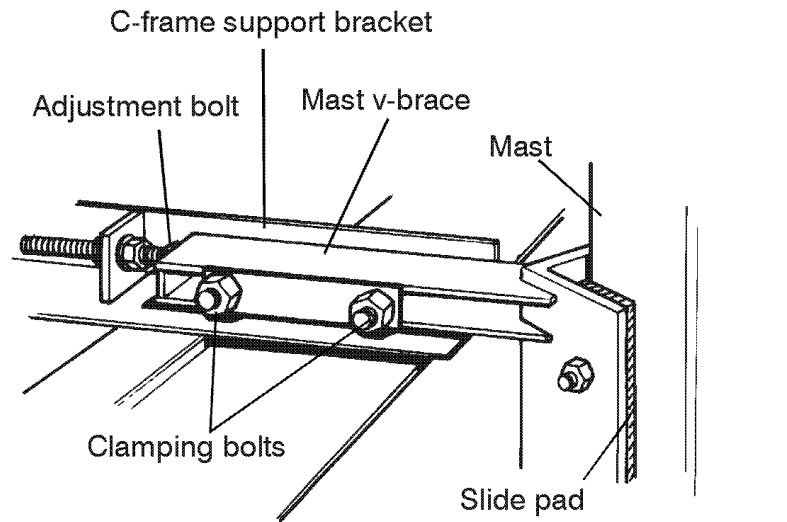
1. Raise the saw head to the top of the vertical mast. Check the top set of four pads. The outer two pads should be touching the mast rails. There should be a small gap (just wide enough to slide a business card through) between one of the inner pads and the mast rail.



**DANGER!** Always secure the cutting head with a 5/16" chain with at least 1900 lbs. working load capacity before adjusting the mast pads. The cutting head may fall, causing severe injury or death.

2. To adjust the spacing of the upper set of pads, lower the saw head until you can access the upper slide pad adjustment bolts.
3. Loosen the upper locking bolts and turn the adjusting bolt as necessary to provide the pad spacing described in Step 1.
4. Lower the saw head to the bottom of the vertical mast. Check the bottom set of four pads.

There should be a small gap between one of the outer pads and the mast rail. The gap should be just wide enough to slide a business card through. The inner two pads should be touching the mast rails. To adjust the spacing of the lower set of pads, raise the saw head until you can access the lower slide pad adjustment bolts.



SM0061

**FIG. 5-3**

5. Loosen the lower locking bolts and turn the adjusting bolt as necessary to provide the pad spacing described in Step 4.



**CAUTION!** Due to variations in the vertical mast, the pad spacing may vary throughout the travel of the saw head. Check the pad spacing at the top and bottom ends of the mast only. Pads adjusted too tight will cause premature up/down motor failure.

## 5.5 Adjusting The Lower Track Rollers

Making these adjustments correctly will give you square cuts and accurate dimensions across the width of your boards.

1. Move the saw carriage so the blade is over the rear main bed rail.

See Figure 5-4.

2. Check that both lower track rollers are touching the inside of the rail. The stop-blocks should be within 1/16-1/8" (1.5-3.0 mm) of the rail.
3. If adjustment is needed, use the horizontal bolts to pull the track rollers to the rail. Adjust the lower rollers until they both support the weight of the saw head evenly.
4. Use the vertical bolts to close the stop-block gap within 1/16-1/8" (1.5-3.0 mm) from the rail.

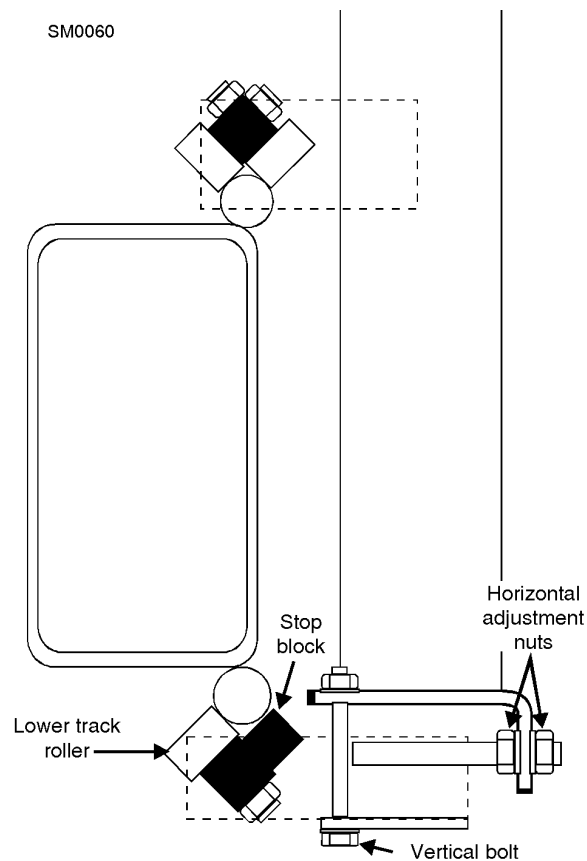


FIG. 5-4

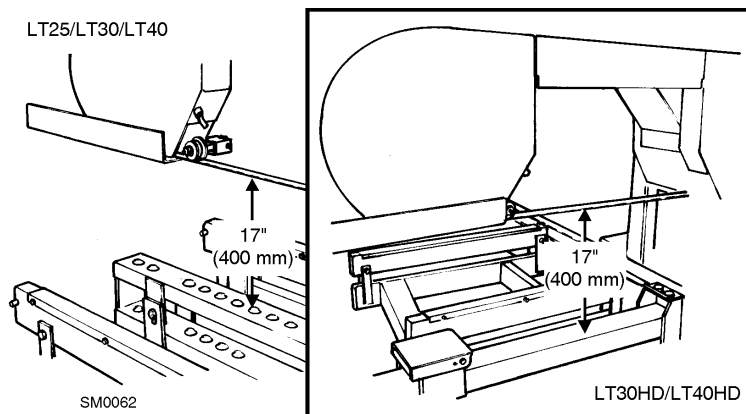
## 5 Sawmill Alignment

### *Adjusting The Lower Track Rollers*

5. Repeat this step with the blade over the front main bed rail.
6. Move the carriage from the front of the mill to the back. Watch the lower rollers and stop blocks. Make sure the gap between the rail and both stop-blocks never goes over the 1/16-1/8" (1.5-3.0 mm) tolerance.
7. Repeat, running the head from the back to the front of the mill. Make adjustments as needed.

**NOTE:** Adjustments of the lower track rollers change the angle between the cutting head and sawmill bed rails. Only small adjustments of the lower track rollers should ever be needed.

8. Remove the blade guides, or adjust them so that they do not touch the blade.
9. Open the adjustable blade guide arm to within 1/2" (15 mm) of full open.
10. Move the carriage so that the blade is over the log clamp tube.
11. Raise the cutting head until the bottom of the blade is 17" (400 mm) above the clamp tube by actual measurement with a tape or ruler.
12. Fine tune the lower track roller adjustment so the blade is parallel within 1/32" (0.75 mm)



**FIG. 5-4**

to the clamp tube while maintaining proper roller and stop block alignment outlined in Steps 1-7.

## 5.6 Adjusting Main Bed Rails To Blade

1. Move the clamp all the way out to flip the clamp down if necessary. Adjust the clamp until it is positioned under the outer blade guide.
2. Move the saw head until the blade is centered over the clamp.
3. Raise the saw head until the blade measures 14 1/2" (360 mm) from the top of the clamp. Use a rule to determine the actual distance of the blade to the clamp.

See Figure 5-5.

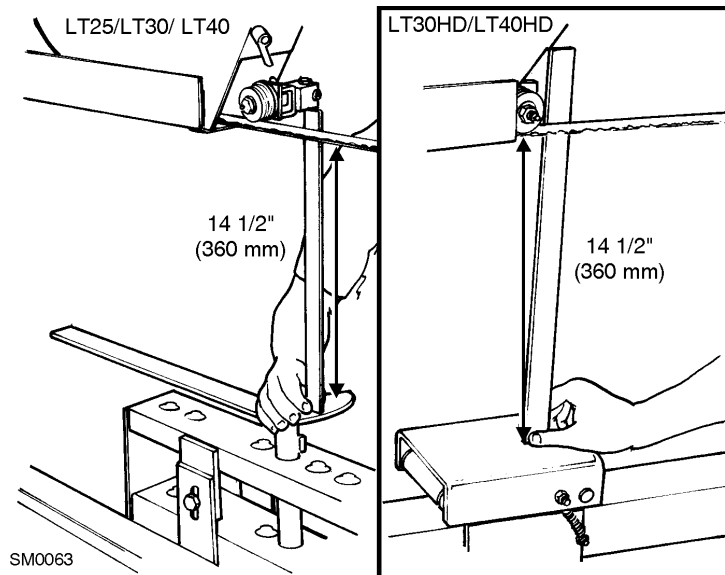


FIG. 5-5

4. Move the saw head to center the blade over the rear-most bed rail.

## 5 Sawmill Alignment

### Adjusting Main Bed Rails To Blade

See Figure 5-6.

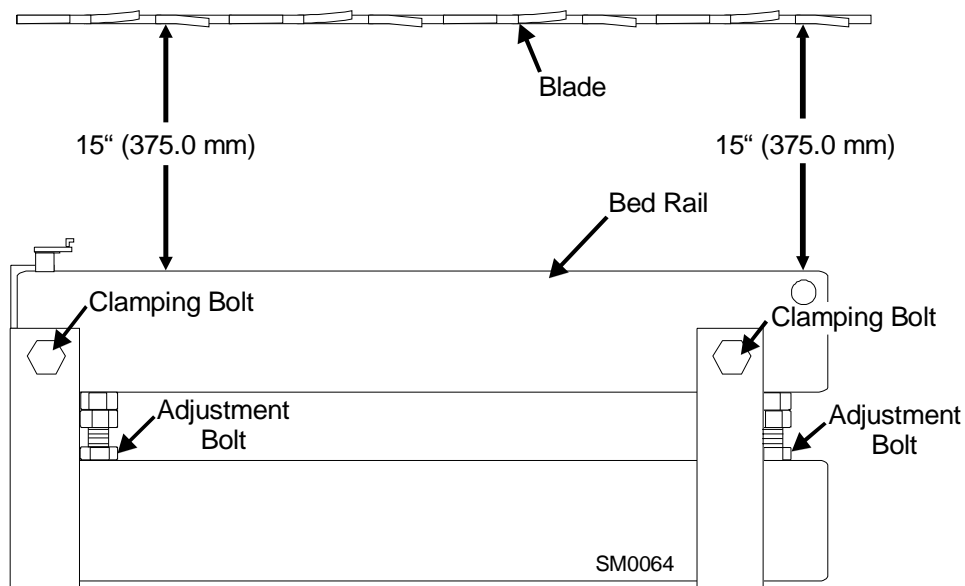


FIG. 5-6

5. Measure the distance between the bottom of the blade and the bed rail at each end of the bed rail. The bed rail should measure 15" (375 mm) (+1/32 [0.75 mm] -0) from the blade at both ends of the rail.
6. Loosen the bed rail clamping bolts and turn the adjustment bolts to move the bed rails to the blade if necessary.
7. Retighten the clamping bolts.
8. Without adjusting the saw head height, check all four main bed rails. Adjust them so that all measure the same distance from the blade at both ends of the bed rail.

## 5.7 Blade Guide Arm Vertical Adjustment

1. Move the saw head so that the blade guide arm is directly over a bed rail.
2. Adjust the blade guide arm out to within 1/2" (15 mm) of full open.
3. Put a block of wood between the bed rail and the arm. Lower the carriage so that the arm just rests on the block.

See Figure 5-7.

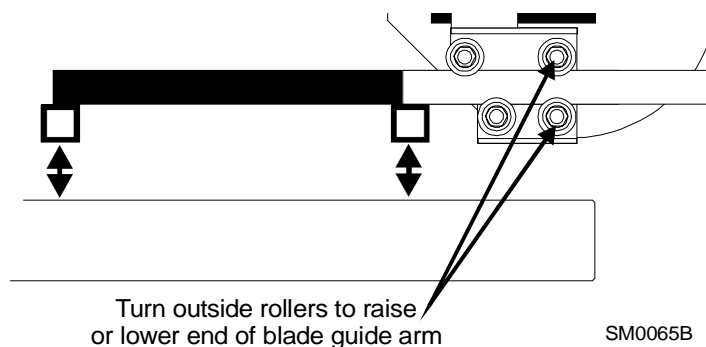


FIG. 5-7

4. Adjust the blade guide arm in to within 1/2" (15 mm) of full closed. Put the block under the arm as before.
5. When the arm is parallel to the bed, it will touch the block in the open and closed position with no adjustment of the saw head height.
6. If the arm is too low in the closed position, loosen the lower outside roller and tighten the upper outside roller (See Step 8.)
7. If the arm is too high in the closed position, loosen the upper outside roller and tighten the lower outside roller (See Step 8.)
8. The rollers are mounted on cam bolts that raise or lower the arm when turned.

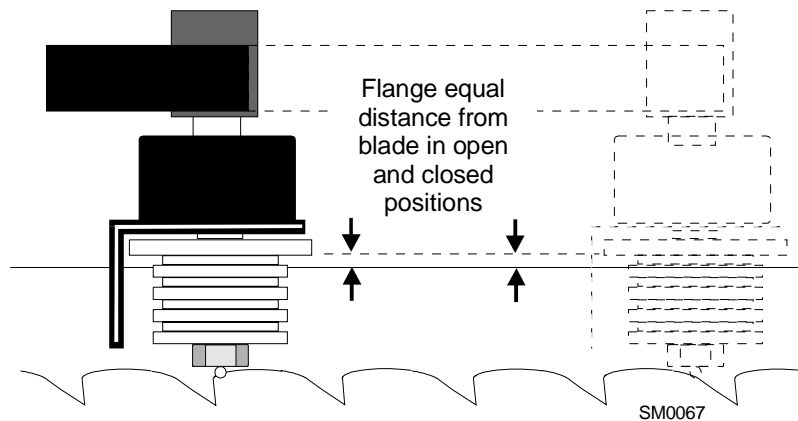
To adjust the rollers, loosen the nut against the blade housing. Locate the cam bolt head inside the housing and turn until the arm is lowered or raised as needed. Recheck the arm in both the open and closed positions. Repeat adjustments until the arm is the same distance from the bed rail in the open and closed position.

9. The blade guide arm should be snug, but not too tight, in the rollers. You should be able to move it in and out with firm hand pressure. There should be no side-to-side play.

## 5.8 Blade Guide Arm Horizontal Adjustment

1. Put the blade guide assembly back in the arm (if you took it out). Put the assembly back so that the flanged collar on the roller is about 1/8" (3.0 mm) from the back of the blade when the throat is 1/2" (15 mm) from full open.
2. Close the throat to within 1/2" (15 mm) from fully closed. Check to see that the flange is the same distance from the back of the blade.

See Figure 5-8.

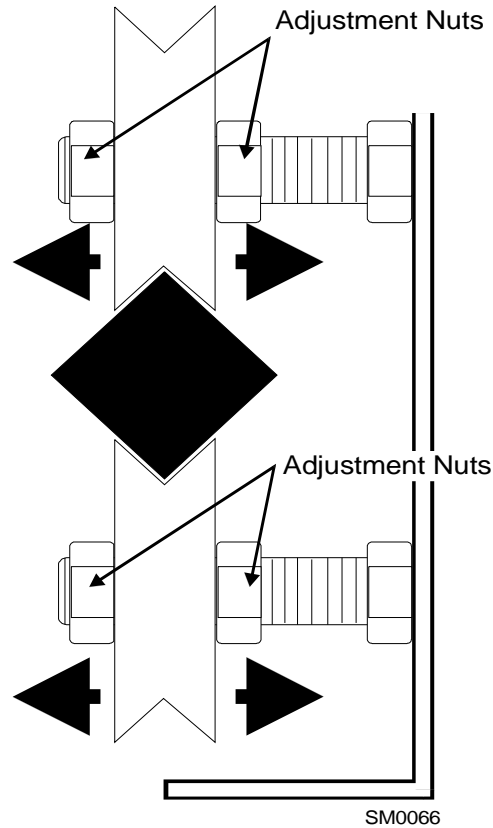


**FIG. 5-8**

3. If adjustment is needed, the guide rollers can be adjusted in or out on the threaded mounts to open or close the gap.



See Figure 5-9.



**FIG. 5-9**

4. Adjusting the inside two rollers (furthest from the arm motor) inward will cause the flange to move toward the blade.
5. Adjusting the two inside rollers outward will cause the flange to move away from the blade.
6. Adjust until the roller flange is the same distance from the back of the blade in the open and closed position.

## 5.9 Aligning The Blade Guides

Each Wood-Mizer sawmill has two blade guide assemblies that help the blade maintain a straight cut. The two blade guide assemblies are positioned on the saw head to guide the blade on each side of the material being cut.

One blade guide assembly is mounted in a stationary position on the drive side of the saw head. This assembly is referred to as the "inner" blade guide assembly.

The other blade guide assembly is mounted on the idle side of the saw head. It is referred to as the "outer" assembly and is adjustable for various widths of materials to be processed.

Blade guide alignment includes four steps:

- Blade Deflection
- Blade Guide Vertical Tilt
- Blade Guide Flange Spacing
- Blade Guide Horizontal Tilt

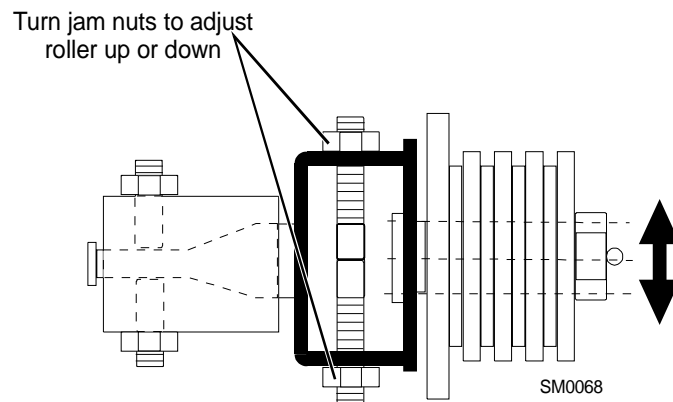
Perform the blade guide alignment after you have aligned the blade on the wheels and adjusted the blade and blade guide arm parallel to the bed rails. After blade guide alignment, check the scale indicator to make sure it is adjusted properly ([See Section 5.19 Blade Height Scale Adjustment](#)).

## 5.10 Blade Deflection

Perform the following steps to achieve proper blade deflection with the blade guides.

1. Raise the carriage until the blade is 15" (375 mm) above a bed rail. Measure the actual distance with a tape from the top of the rail to the bottom of the blade.
2. Install the blade guides. Make sure the two set screws shown are threaded into the blade guide shaft until they touch each other.

See Figure 5-10.



**FIG. 5-10**

3. Loosen the bottom jam nut and tighten the top jam nut until the blade guide deflects the blade down 1/4" (6.5 mm).
4. Repeat for the other blade guide.

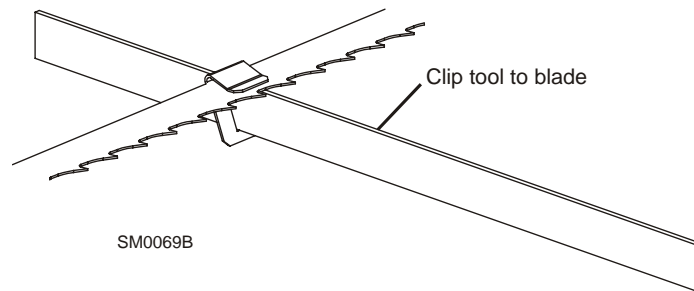
**NOTE:** Be sure that the blade guard clears the blade on both guide assemblies. The guard on the outer guide assembly should be checked with the arm all the way in and all the way out.

## 5.11 Blade Guide Vertical Tilt Adjustment

Check that the blade guide does not tilt the blade up or down. A Blade Guide Alignment Tool (BGAT) is provided to help you measure the vertical tilt of the blade.

1. Open the adjustable blade guide arm 1/2" (15 mm) from full open.
2. Clamp the alignment tool on the blade. Position the tool close to a blade guide roller. Be sure the tool does not rest on a tooth or burr, and is lying flat on the blade.

See Figure 5-11.



**FIG. 5-11**

3. Measure the distance from the bed rail to the bottom of the tool.

**NOTE:** If the sawmill is equipped with stainless steel bed rail covers, be sure to measure from the blade guide alignment tool to the top surface of the cover rather than the bed rail tube.

4. Move the carriage so that the front end of the tool is positioned above the bed rail.
5. Measure the distance from the bed rail to the bottom edge of the tool.
6. Loosen one set screw at the side of the blade guide assembly.
7. Use the set screws shown to tilt the blade guide until the measurement from the bed rail to the tool equals the first measurement taken at the center of the tool.

See Figure 5-12.

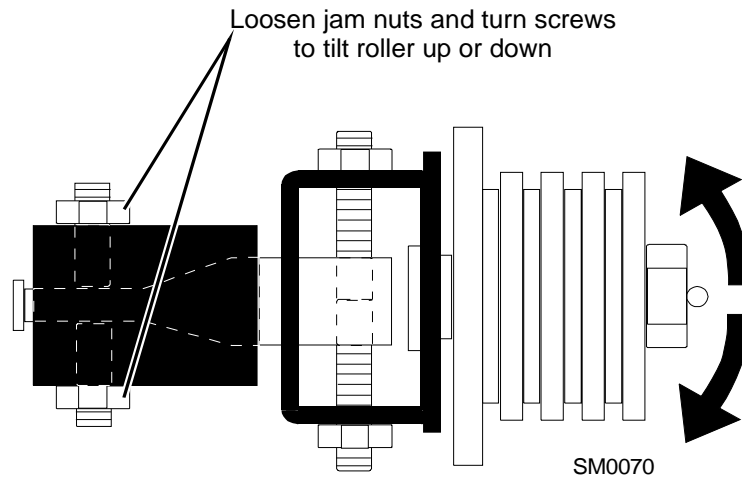


FIG. 5-12

8. Move the carriage forward so the back end of the tool is over the bed rail.
9. Use the set screws shown to adjust the blade guide tilt until the measurement from the bed rail to the tool equals the other two measurements taken.
10. Move the tool close to the other blade guide and repeat the previous steps.

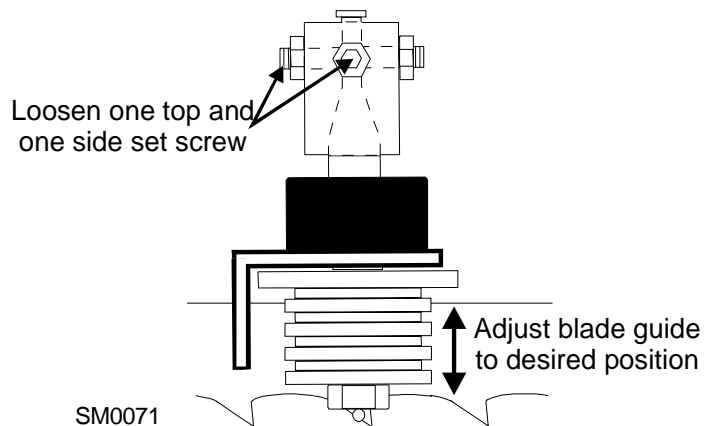
**NOTE:** If major adjustments to blade guide tilt were made, remeasure the distance between the blade and the bed rails to ensure the correct 1/4" (6.5 mm) blade guide deflection. Adjust if necessary.

## 5.12 Blade Guide Spacing

**HINT:** When adjusting blade guide spacing, loosen the top set screw and one side set screw only. This will insure horizontal and vertical tilt adjustments are maintained when the set screws are retightened.

1. Adjust the inner blade guide so the blade guide flange is approximately 1/16" (1.5 mm) from the back of the blade.
2. Loosen one side and one top set screw shown. Tap the blade guide forward or backward until properly positioned.

See Figure 5-13.



**FIG. 5-13**

3. Retighten the two set screws.
4. Adjust the outer blade guide in the same way so the blade guide flange is approximately 1/8" (3.0 mm) from the back of the blade.

### 5.13 Horizontal Tilt Adjustment

1. Finally, both blade guides must be tilted horizontally. Adjust the blade guide arm half way in.

See Figure 5-14.

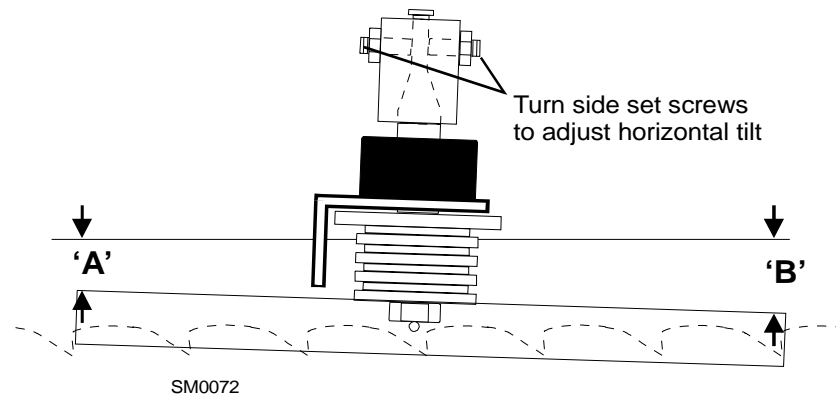


FIG. 5-14

2. Place Blade Guide Alignment Tool against the face of the outer blade guide roller.
3. Center the tool on the roller and measure between the back edge of the blade and the ruler at the end closest to the inner blade guide ("B").
4. Measure between the back edge of the blade and the other end of the ruler ("A").
5. The roller should be tilted slightly to the left ('A' 1/8" [3 mm] less than 'B'  $\pm 1/8$ " [3 mm]).
6. Use the side set screws to adjust the horizontal tilt of the roller.
7. Repeat Steps 3 - 7 for the inner blade guide roller.

**NOTE:** Once the blade guides have been adjusted, any cutting variances are most likely caused by the blade. [See Blade Handbook, Form #600.](#)

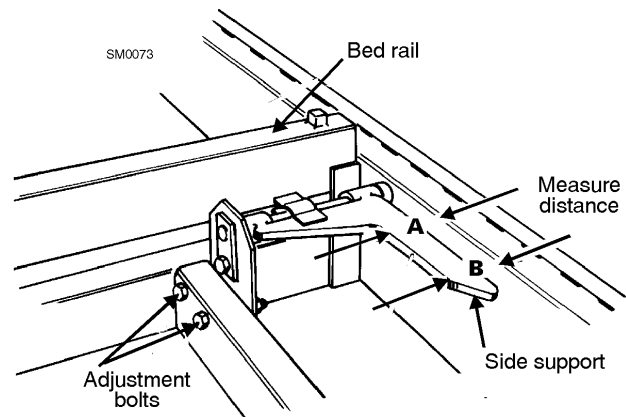
## 5.14 Horizontal Adjustment Of Side Supports

The side supports are used to clamp flats on a log to set the squareness of the next cut. The cut will only be as square as the supports.

1. Swing the side support down.
2. Measure between the face of the support and the main bed tube. Make measurements at both ends of the side support to make sure that it is parallel to the rail.

See Figure 5-15.

3. Use the two lower bolts to adjust the side support so  $B=A$  or  $+1/32"$  (0.8 mm).
4. Repeat for remaining side supports.



**FIG. 5-15**



## 5.15 Vertical Adjustment Of Side Supports

1. Place a flat board across the bed rails.
2. Swing a side support up so that it is vertical.
3. Pull back at the top of the support to eliminate slack as if a log were being clamped against it.

See Figure 5-16.

4. Check the angle of each support with a square on the board.
5. The side support should be 90° to the bed rails or leaning forward 1/32" (0.8 mm). Loosen the top adjustment bolt, adjust the side support, and retighten the bolt.
6. Repeat for the remaining side supports.

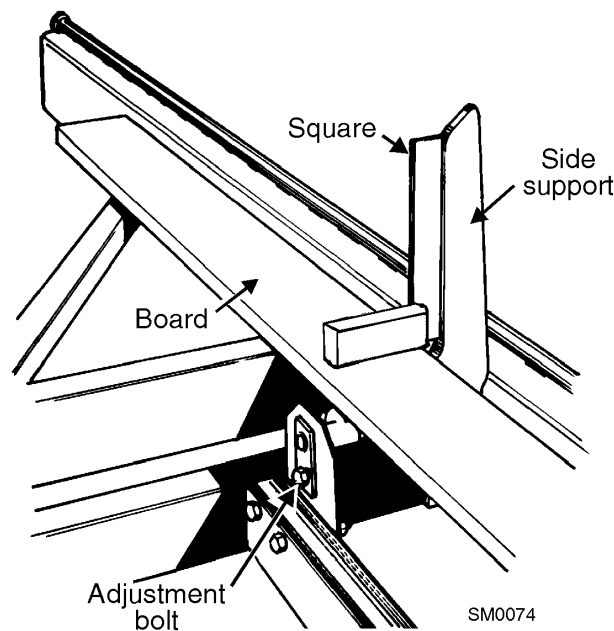


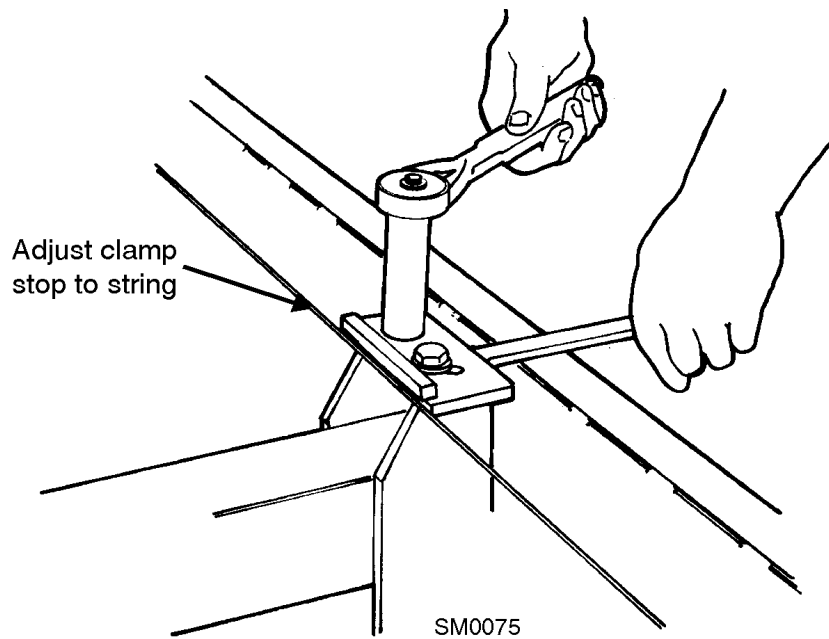
FIG. 5-16

## 5.16 Clamp Stop Adjustment

1. Once the side supports are aligned, pivot them down to their horizontal position.
2. Tie a string across the face of the side supports.

See Figure 5-17.

3. Loosen the clamp stop bolts and adjust the clamp stop until it touches the string.



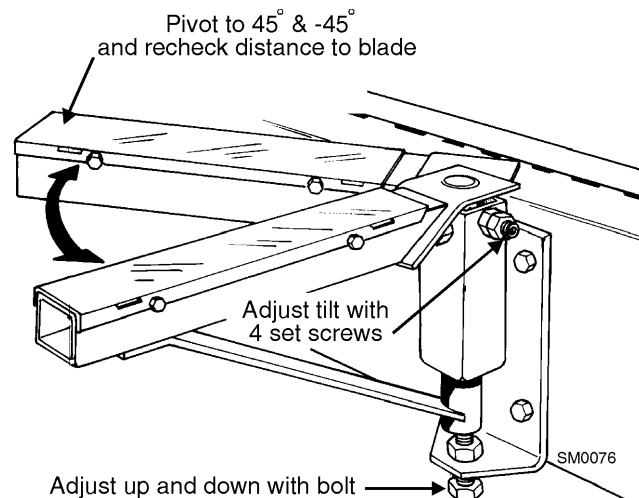
**FIG. 5-17**

## 5.17 Aligning The Pivot Bed Rails

The two pivot bed rails are used when long cants are cut. (Long cants will often bend down at the ends.) The pivot bed rails need to be adjusted to the same level as the main bed rails. To adjust the pivot bed rails:

1. Adjust the pivot rail 90° to the main bed tube.
2. With the saw head raised so the blade is 14 3/4" from the main bed rails, move the saw head so that the blade is over one of the pivot bed rails.
3. Measure the distance from the top of the pivot rail to the bottom of the blade. Make this measurement at each end of the pivot rail. The two measurements should be the same as the main bed rails.
4. Use the bolt shown to adjust the height of the pivot rail.

See Figure 5-18.



**FIG. 5-18**

5. Use the set screws to adjust the angle of the pivot rail. Pivot the rail and check in 45° positions as shown.
6. Adjust as needed until the pivot rail measures the same distance ( $\pm 1/32$ ) from the blade in the 45°, 90°, and -45° positions.



**CAUTION!** Do not roll logs or large cants onto pivot bed rails.



**IMPORTANT!** Logs and large cants will damage the pivot bed rails or cause misalignment!

## 5.18 Saw Head Tilt

As the blade enters a wide log or cant, the outside of the saw head will drop down slightly. To compensate for the drop, use the lower track roller horizontal bolts to raise the outside of the saw head 1/16".

1. Move the saw head so the blade is positioned 14 3/4" (375 mm) above a bed rail.
2. Adjust the lower track roller horizontal bolts until the blade measures 14 13/16" (376.5 mm) from the bed rail near the outer blade guide.

See Figure 5-19.

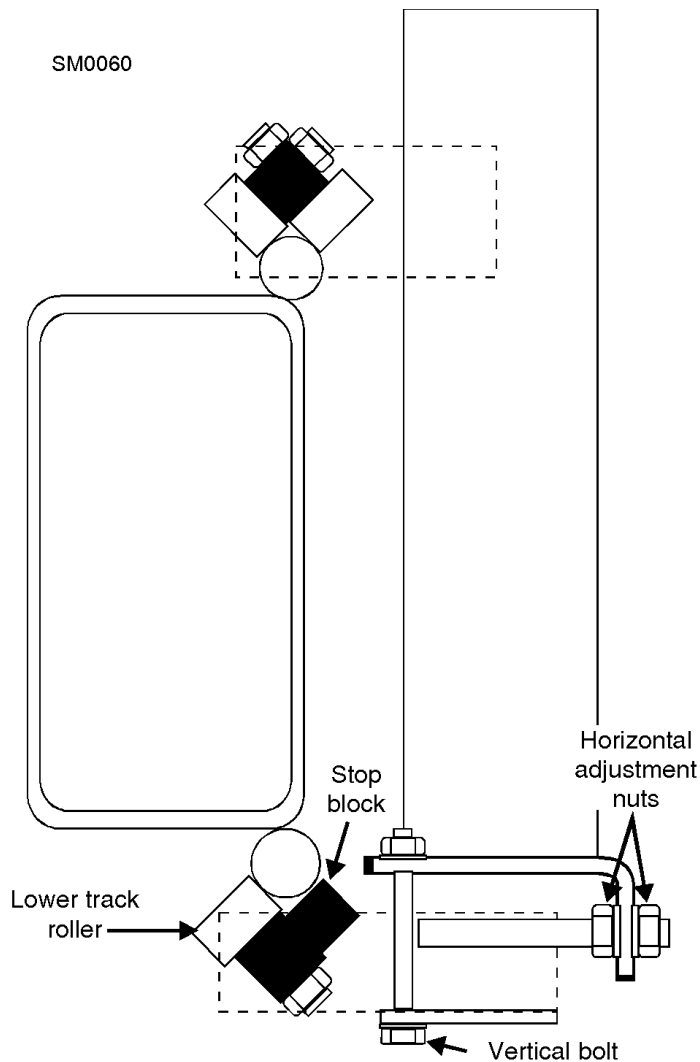


FIG. 5-19

## 5.19 Blade Height Scale Adjustment

After the entire sawmill has been aligned and all adjustments made, check that the blade height scale indicates the true distance from the blade to the bed rails.

1. Move the saw head so the blade is positioned 14 3/4" (375 mm) above the bed rails by actual measurement with a rule.

See Figure 5-20.

2. View the blade height scale with eyes level with the indicator.

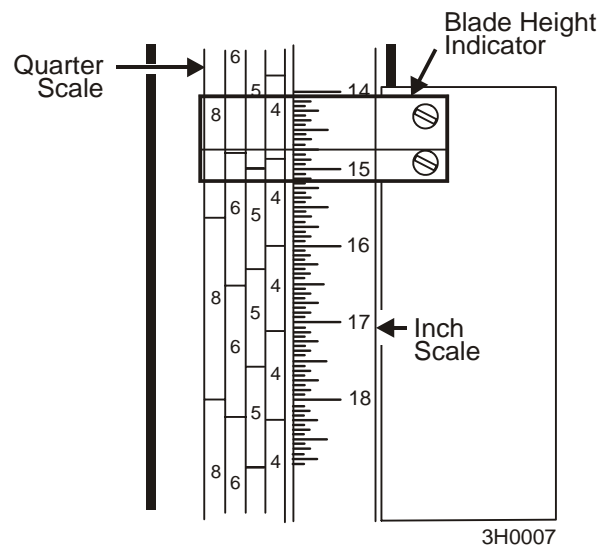


FIG. 5-20

3. Loosen the indicator bracket mounting bolts and adjust the bracket until the indicator is aligned with the 14 3/4" (375 mm) scale (+0 -1/32 [8 mm]).



---

**A**

alignment

- blade guide 5-14
- blade installation 5-3
- frame setup 5-2
- lower track rollers 5-7
- main bed rails 5-9
- pivot bed rails 5-23
- sawmill 5-1
- slide pad adjustment 5-5

---

**B**

battery

- troubleshooting problems 4-3

blade

- breakage, troubleshooting 4-1
- deflection 5-15
- installation 2-6
- tensioning 2-7
- tracking 2-8

blade guide

- horizontal tilt 5-19
- maintenance 3-2
- spacing 5-18
- vertical tilt 5-16

blade guide arm

- operation 2-14

brake strap

- tension 3-11

---

**C**

chain

- feed tension 3-15
- maintenance 3-8
- up/down tension 3-13

clamping logs 2-11

- clamp extension accessory 2-13

clutch/brake lever

- operation 2-16

---

**L**

leveling logs 2-12

loading logs 2-10

---

**O**

operation

- edging 2-21
- sawing 2-20

---

**P**

power feed

- mechanical troubleshooting test 4-10
- operation 2-18
- preliminary troubleshooting test 4-9
- speed adjustment 2-18
- troubleshooting problems 4-5

---

**R**

retrofits

- blade guide set screws 3-2

---

**S**

safety

- lockout procedure 1-7

saw head

- tilt 5-24

# INDEX

## scale

- blade height adjustment 5-25
- blade height operation 2-22
- inch height 2-22
- quarter inch 2-22

## setup

- portable sawmill 2-2
- stationary sawmill 2-1

## side supports

- horizontal adjustment 5-20
- vertical adjustment 5-21

## switch

- power feed & up/down maintenance 3-7

---

## T

### tensioner

- maintenance 3-9

### track

- maintenance 3-4

### troubleshooting 4-1

- electrical problems 4-3
- power feed problems 4-5
- sawing problems 4-1

### turning logs 2-11

---

## U

### up/down

- operation 2-13
- troubleshooting problems 4-3

---

## W

### water lube

- operation 2-24