

Wood-Mizer® Resaw

Parts Manual

MultiHead Resaw

Rev. A1.00+

Safety is our #1 concern!

Form #739



WARNING! Read and understand this manual before using this machine.

Table of Contents

Section-Page

SECTION 1	GENERAL INFORMATION	1-1
1.1	How To Use The Parts List	1-1
1.2	Sample Assembly	1-1
SECTION 2	SAW HEAD PARTS	2-1
2.1	Blade Tensioner Assembly..... <i>Rev A1.00 (1/00) +</i>	2-1
2.2	Blade Tensioner Assembly..... <i>Serial No. 189 - 6/95</i>	2-3
2.3	Blade Tensioner Assembly..... <i>Serial No. 001 - 188</i>	2-5
2.4	Tension Release Handle Assembly	2-7
2.5	Saw Head Mount Assembly	2-9
2.6	Saw Motor Assembly	2-11
	<i>Rev A1.00+</i>	
2.7	Saw Motor Assembly	2-13
	<i>5/91 - 6/95</i>	
2.8	Inner Blade Guide Assembly (1" Blade)..... <i>Rev. A2.00+</i>	2-15
2.9	Inner Blade Guide Assembly (1" Blade)..... <i>Rev. 5/91 - A1.01</i>	2-17
2.10	Outer Blade Guide Assembly (1" Blade)	2-19
	<i>Rev. A2.00+</i>	
2.11	Outer Blade Guide Assembly (1" Blade)	2-21
	<i>Rev. A1.00 - A1.01</i>	
2.12	Outer Blade Guide Assembly (1" Blade)	2-23
	<i>5/91 - 6/95</i>	
2.13	Inner Blade Guide Assembly (1 1/4" Blade)..... <i>Rev. A2.00+</i>	2-25
2.14	Inner Blade Guide Assembly (1 1/4" Blade)..... <i>Rev. 5/91 - A1.01</i>	2-27
2.15	Outer Blade Guide Assembly (1 1/4" Blade)..... <i>Rev. A2.00+</i>	2-29
2.16	Outer Blade Guide Assembly (1 1/4" Blade)..... <i>Rev. A1.00 - A1.01</i>	2-31
2.17	Outer Blade Guide Assembly (1 1/4" Blade)..... <i>5/91 - 6/95</i>	2-33
2.18	Up/Down Assembly	2-35
	<i>Serial No. 189+</i>	
2.19	Up/Down Assembly	2-37
	<i>Serial No. 001 - 188</i>	
2.20	Blade Wheel Assembly (Drive Side)	2-39
2.21	Blade Wheel Assembly (Idle Side)	2-41
2.22	Blade Housing Cover	2-43
2.23	Sawdust Chute	2-44

Table of Contents

Section-Page

SECTION 3	FEED TRACK/FRAME PARTS	3-1
3.1	Hydraulic Blade Tensioner Assembly..... <i>Rev A1.00 (01/00) +</i>	3-1
3.2	Hydraulic Blade Tensioner Assembly..... <i>Serial No. 001 - 248 (5/91 - 6/95)</i>	3-2
3.3	Perimeter Fence Assembly.....	3-3
3.4	Feed Track Assembly.....	3-5
3.5	Feed Track Nylon Pads..... <i>MultiHead w/7.5" Feed Track</i> <i>MultiHead w/6" Feed Track</i>	3-7
3.6	Feed Roller Assembly (Non-Air)..... <i>Rev. A3.02+</i>	3-8
3.7	Feed Roller Assembly (Non-Air)..... <i>8/94 - Rev. A3.01</i>	3-10
3.8	Feed Roller Assembly (Non-Air)..... <i>5/91 - 7/94</i>	3-12
3.9	Feed Roller Assembly (Air-Lift)..... <i>Rev. A3.02+</i>	3-14
3.10	Feed Roller Assembly (Air-Lift)..... <i>8/94 - A3.01</i>	3-16
3.11	Feed Roller Assembly (Air-Lift)..... <i>5/91 - 7/94</i>	3-18
3.12	Hydraulic Tank Assembly (Retrofit).....	3-20
3.13	Hydraulic Tank Assembly.....	3-22
3.14	Hydraulic Valve Assembly (2 and 4-Head).....	3-24
3.15	Hydraulic Valve Assembly (6-Head).....	3-25
3.16	Crowder Fence Assembly..... <i>Rev. A2.01+</i>	3-26
3.17	Crowder Fence Assembly..... <i>5/91 - A2.00</i>	3-27
3.18	Side Roller Assembly..... <i>5/91 - 6/95</i>	3-28

INDEX

1-I

SECTION 1 GENERAL INFORMATION

1.1 How To Use The Parts List

- Use the table of contents or index to locate the assembly that contains the part you need.
- Go to the appropriate section and locate the part in the illustration.
- Use the number pointing to the part to locate the correct part number and description in the table.
- Parts shown indented under another part are included with that part.
- Parts marked with a diamond (◆) are only available in the assembly listed above the part.

See the sample table below. Sample Part #A01111 includes part F02222-2 and subassembly A03333. Subassembly A03333 includes part S04444-4 and subassembly K05555. The diamond (◆) indicates that S04444-4 is not available except in subassembly A03333. Subassembly K05555 includes parts M06666 and F07777-77. The diamond (◆) indicates M06666 is not available except in subassembly K05555.

1.2 Sample Assembly				
REF	DESCRIPTION (◆ Indicates Parts Available In Assemblies Only)	PART #	QTY.	
	SAMPLE ASSEMBLY, COMPLETE (INCLUDES ALL INDENTED PARTS BELOW)	A01111	1	
1	Sample Part	F02222-22	1	
	Sample Subassembly (Includes All Indented Parts Below)	A03333	1	
2	Sample Part (◆ Indicates Part Is Only Available With A03333)	S04444-4	1	◆
	Sample Subassembly (Includes All Indented Parts Below)	K05555	1	
3	Sample Part (◆ Indicates Part Is Only Available With K05555)	M06666	2	◆
4	Sample Part	F07777-77	1	

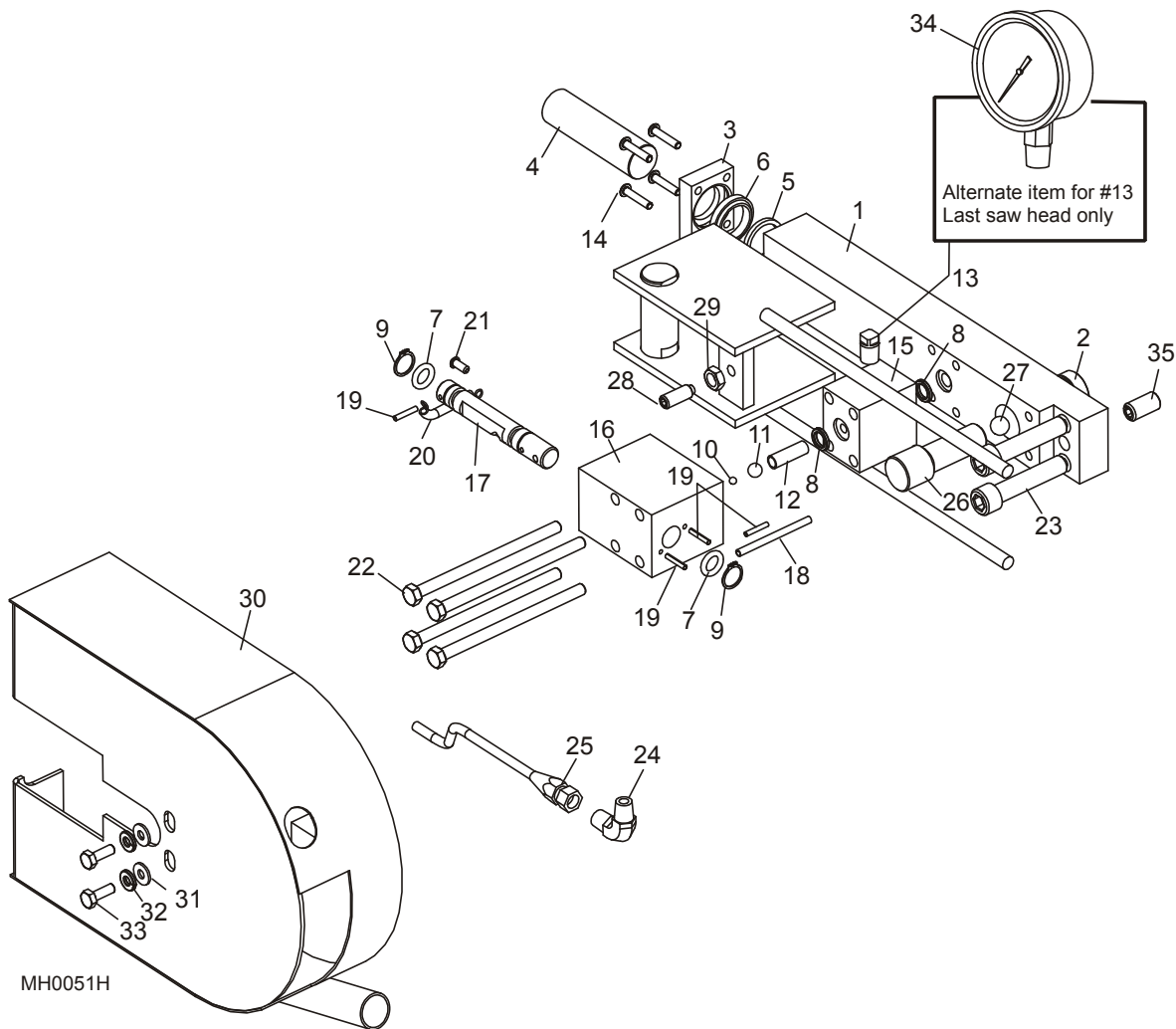
To Order Parts:

- From the continental U.S., call **1-800-525-8100** to order parts. Have your customer number, serial number, and part numbers ready when you call.
- From other international locations, contact the AWMV distributor in your area for parts.

SECTION 2 SAW HEAD PARTS

2.1 Blade Tensioner Assembly

Rev A1.00 (1/00) +



MH0051H

REF	DESCRIPTION (◆ Indicates Parts Available In Assemblies Only)	PART #	QTY. (* /head)
	TENSIONER ASSEMBLY, MULTIHEAD BLADE	A22220	1*
1	Bar, Blade Tensioner	022221 ¹	1
2	Bushing, 3/4-32 Threaded	S22786 ¹	1
3	Block, Tensioner Seal	S10089	1
4	Piston, Blade Tensioner	S10059	1
	Seal Kit, Hydraulic Tensioner	A22910	1
5	Seal, 1" Diameter Tensioner	P10051	1

2

Saw Head Parts

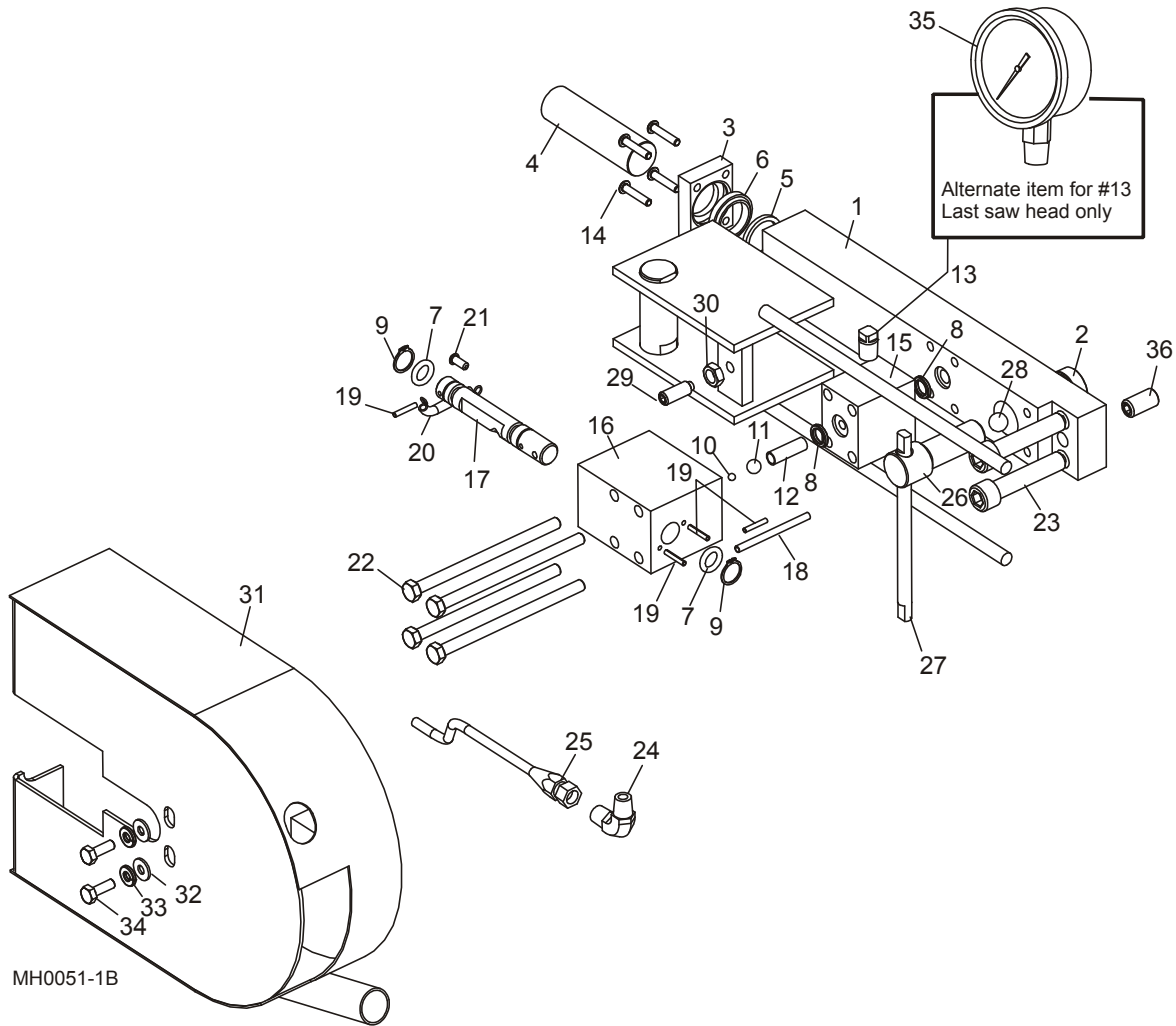
Blade Tensioner Assembly

6	Wiper, 1" Diameter Tensioner	P10053	1	
7	O-Ring, Tensioner Valve Spool	P09685	2	
8	O-Ring, 5/8" x 3/32" Square	P10377	2	
9	Ring, 5/8" Retainer	F04254-2	2	
10	Ball, 3/16" Diameter Steel	P09744	1	
11	Ball, 3/8" Diameter Steel	P09133	1	
12	Spring, LC-038E-15SS	P22041	1	
13	Plug, 1/4" NPT Pipe	P05498	1	
14	Bolt, #10-24 Socket Button Head	F05004-43	4	
15	Block, Tensioner Valve Mount	S22213	1	
16	Block, Tensioner Valve	S22216	1	
17	Spool, Tensioner Valve	S22326	1	
18	Pin, 3/16" x 2 1/2" Roll	F05012-27	1	
19	Pin, 1/8" x 3/4" Roll	F05012-6	4	
20	Spring, LE-041C-7MW	P10064	1	
21	Screw, #7 x 1/2" Drive	F05015-25	1	
22	Bolt, 5/16-18 x 5" Hex Head Grade 8	F05006-52	4	
23	BOLT, 1/2-20 X 1 1/2" SOCKET HEAD	F05008-44	2	
24	FITTING, 1/4" NPT 90° ELBOW	P09140	1*	
25	HOSE, 1/4" DIA. X 78" HYDRAULIC W/FITTINGS	P22299	1*	
	HANDLE ASSEMBLY, IDLE WHEEL TILT	A11309	1*	
26	Screw, Cant Adjustment	S11058	1	
27	Ball, 1/2" Dia. Detent	P02720	1	
28	SCREW, 3/8-16 X 1" SOCKET HEAD BRASS TIP	F05007-88	1*	
29	NUT, 3/8-16 HEX JAM	F05010-29	1*	
30	COVER, MULTIHEAD IDLE HUB	W22469	1	
31	WASHER, 1/4" FLAT SAE	F05011-11	2*	
32	WASHER, 1/4" SPLIT LOCK	F05011-14	2*	
33	BOLT, 1/4-20 X 3/4" HEX HEAD	F05005-1	2*	
34	GAUGE, 3000 P.S.I BLADE TENSION	P10052	1	
35	SCREW, 1/2-13 X 1" OVAL POINT SET NYLON LOCK	F05008-9	1	

¹ Bushing S22786 is welded to tensioner block S11054-W. Factory removal and installation recommended. Use 022221 Tensioner Block w/Bushing for field service.

2.2 Blade Tensioner Assembly

Serial No. 189 - 6/95



MH0051-1B

REF	DESCRIPTION (◆ Indicates Parts Available In Assemblies Only)	PART #	QTY. (* /head)
	TENSIONER ASSEMBLY, MULTIHEAD BLADE	A22220	1*
1	Bar, Blade Tensioner	022221 ¹	1
2	Bushing, 3/4-32 Threaded	S22786 ¹	1
3	Block, Tensioner Seal	S10089	1
4	Piston, Blade Tensioner	S10059	1
	Rebuild Kit, Hydraulic Tensioner	A22910	1
5	Seal, 1" Diameter Tensioner	P10051	1
6	Wiper, 1" Diameter Tensioner	P10053	1
7	O-Ring, Tensioner Valve Spool	P09685	2

2

Saw Head Parts*Blade Tensioner Assembly*

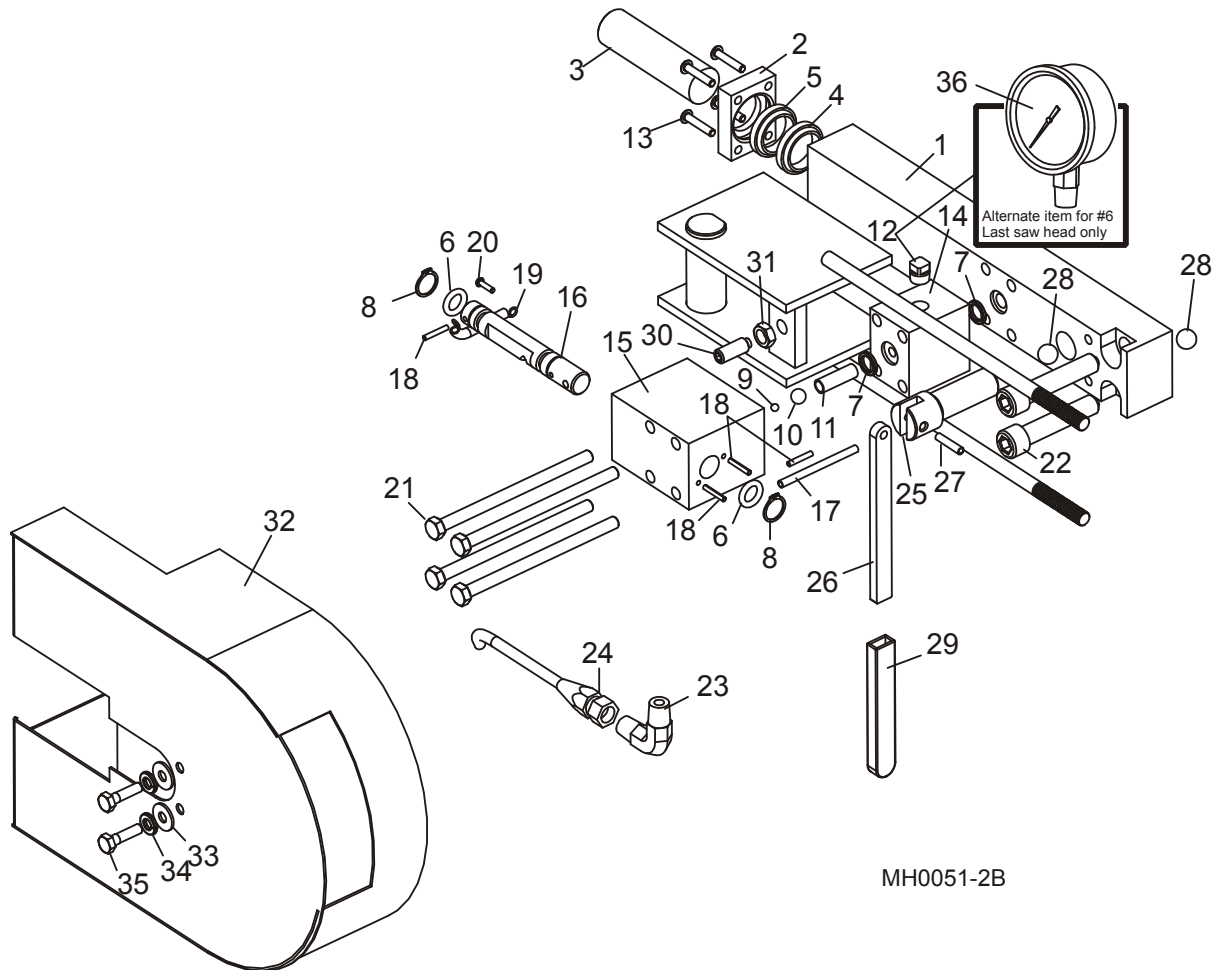
8	O-Ring, 5/8" x 3/32" Square	P10377	2	
9	Ring, 5/8" Retainer	F04254-2	2	
10	Ball, 3/16" Diameter Steel	P09744	1	
11	Ball, 3/8" Diameter Steel	P09133	1	
12	Spring, LC-038E-15SS	P22041	1	
13	Plug, 1/4" NPT Pipe	P05498	1	
14	Bolt, #10-24 Socket Button Head	F05004-43	4	
15	Block, Tensioner Valve Mount	S22213	1	
16	Block, Tensioner Valve	S22216	1	
17	Spool, Tensioner Valve	S22326	1	
18	Pin, 3/16" x 2 1/2" Roll	F05012-27	1	
19	Pin, 1/8" x 3/4" Roll	F05012-6	4	
20	Spring, LE-041C-7MW	P10064	1	
21	Screw, #7 x 1/2" Drive	F05015-25	1	
22	Bolt, 5/16-18 x 5" Hex Head Grade 8	F05006-52	4	
23	BOLT, 1/2-20 X 1 1/2" SOCKET HEAD	F05008-44	2	
24	FITTING, 1/4" NPT 90° ELBOW	P09140	1*	
25	HOSE, 1/4" DIA. X 78" HYDRAULIC W/FITTINGS	P22299	1*	
	HANDLE ASSEMBLY, IDLE WHEEL TILT	A11309 ²	1*	
26	Screw, Cant Adjustment	S11058	1	◆
27	Pin, Cant Assembly Slide	S22903	1	◆
28	Ball, 1/2" Dia. Detent	P02720	1	
	DECAL, DANGER MOVING PARTS	S10692	1	◆
29	SCREW, 3/8-16 X 1" SOCKET HEAD BRASS TIP	F05007-88	1*	
30	NUT, 3/8-16 HEX JAM	F05010-29	1*	
31	COVER, MULTIHEAD IDLE HUB	W22469	1	
32	WASHER, 1/4" FLAT SAE	F05011-11	2*	
33	WASHER, 1/4" SPLIT LOCK	F05011-14	2*	
34	BOLT, 1/4-20 X 3/4" HEX HEAD	F05005-1	2*	
35	GAUGE, 3000 P.S.I BLADE TENSION	P10052	1	
36	SCREW, 1/2-13 X 1" OVAL POINT SET NYLON LOCK	F05008-9	1	

¹ Bushing S22786 is welded to tensioner block S11054-W. Factory removal and installation recommended. Use 022221 Tensioner Block w/Bushing for field service.

² Slide-style handle assembly replaces pivot-style handle assembly 2/95. Handle removed 9/99. Screw is now hex-shaped and can be turned with a wrench.

2.3 Blade Tensioner Assembly

Serial No. 001 - 188



MH0051-2B

REF	DESCRIPTION (◆ Indicates Parts Available In Assemblies Only)	PART #	QTY. (* /head)
	TENSIONER ASSEMBLY, MULTIHEAD BLADE	A22220	1*
1	Bar, Blade Tensioner	S11054	1
2	Block, Tensioner Seal	S10089	1
3	Piston, Blade Tensioner	S10059	1
	Rebuild Kit, Hydraulic Tensioner	A22910	1
4	Seal, 1" Diameter Tensioner	P10051	1
5	Wiper, 1" Diameter Tensioner	P10053	1
6	O-Ring, Tensioner Valve Spool	P09685	2
7	O-Ring, 5/8" x 3/32" Square	P10377	2
8	Ring, 5/8" Retainer	F04254-2	2
9	Ball, 3/16" Diameter Steel	P09744	1

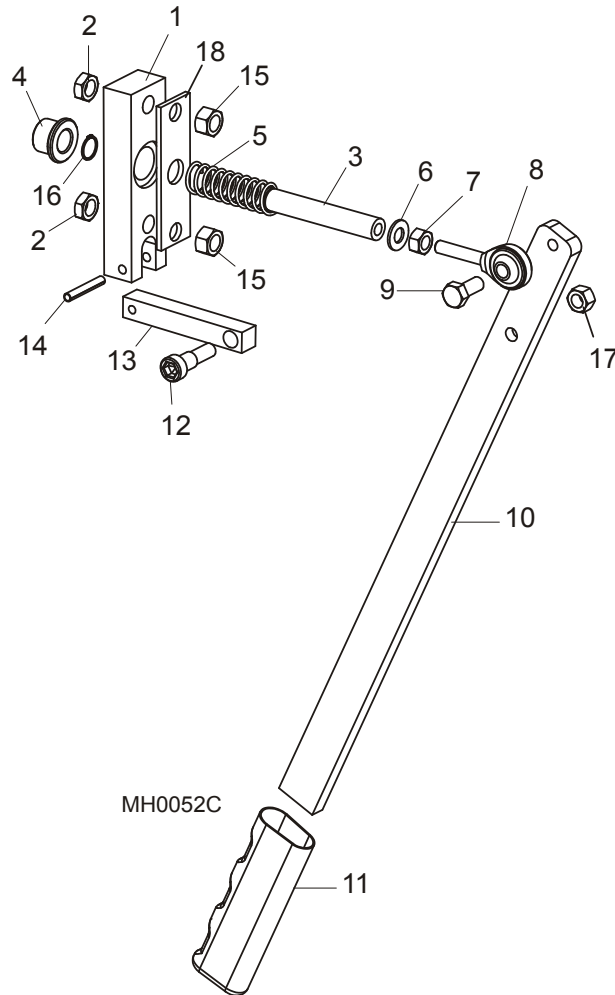
2

Saw Head Parts*Blade Tensioner Assembly*

10	Ball, 3/8" Diameter Steel	P09133	1	
11	Spring, LC-038E-15SS	P22041	1	
12	Plug, 1/4" NPT Pipe	P05498	1	
13	Bolt, #10-24 Socket Button Head	F05004-43	4	
14	Block, Tensioner Valve Mount	S22213	1	
15	Block, Tensioner Valve	S22216	1	
16	Spool, Tensioner Valve	S22326	1	
17	Pin, 3/16" x 2 1/2" Roll	F05012-27	1	
18	Pin, 1/8" x 3/4" Roll	F05012-6	4	
19	Spring, LE-041C-7MW	P10064	1	
20	Screw, #7 x 1/2" Drive	F05015-25	1	
21	Bolt, 5/16-18 x 5" Hex Head Grade 8	F05006-52	4	
22	BOLT, 1/2-20 X 1 1/2" SOCKET HEAD	F05008-44	2	
23	FITTING, 1/4" NPT 90° ELBOW	P09140	1*	
24	HOSE, 1/4" DIA. X 78" HYDRAULIC W/FITTINGS	P22299	1*	
	HANDLE ASSEMBLY, IDLE WHEEL TILT	A11309 ¹	1*	
25	Screw, Tilt Handle	S11058	1	◆
26	Handle, Tilt Screw	S08174	1	◆
27	Pin, 3/16" x 7/8" Roll	F05012-19	1	
28	Ball, 1/2" Diameter Detent	P02720	1	
29	Sleeve, Tilt Handle Vinyl	P08072	1	
	DECAL, DANGER MOVING PARTS	S10692	1	◆
30	SCREW, 3/8-16 X 1" SOCKET HEAD BRASS TIP	F05007-88	1*	
31	NUT, 3/8-16 HEX JAM	F05010-29	1*	
32	COVER, MULTIHEAD IDLE HUB	W22058	1*	
33	WASHER, 1/4" FLAT SAE	F05011-11	2*	
34	WASHER, 1/4" SPLIT LOCK	F05011-14	2*	
35	BOLT, 1/4-20 X 3/4" HEX HEAD	F05005-1	2*	
36	GAUGE, 3000 P.S.I BLADE TENSION	P10052	1	

¹ Slide-style handle assembly replaces pivot-style handle assembly 2/95. Handle removed 9/99. Screw is now hex-shaped and can be turned with a wrench.

2.4 Tension Release Handle Assembly



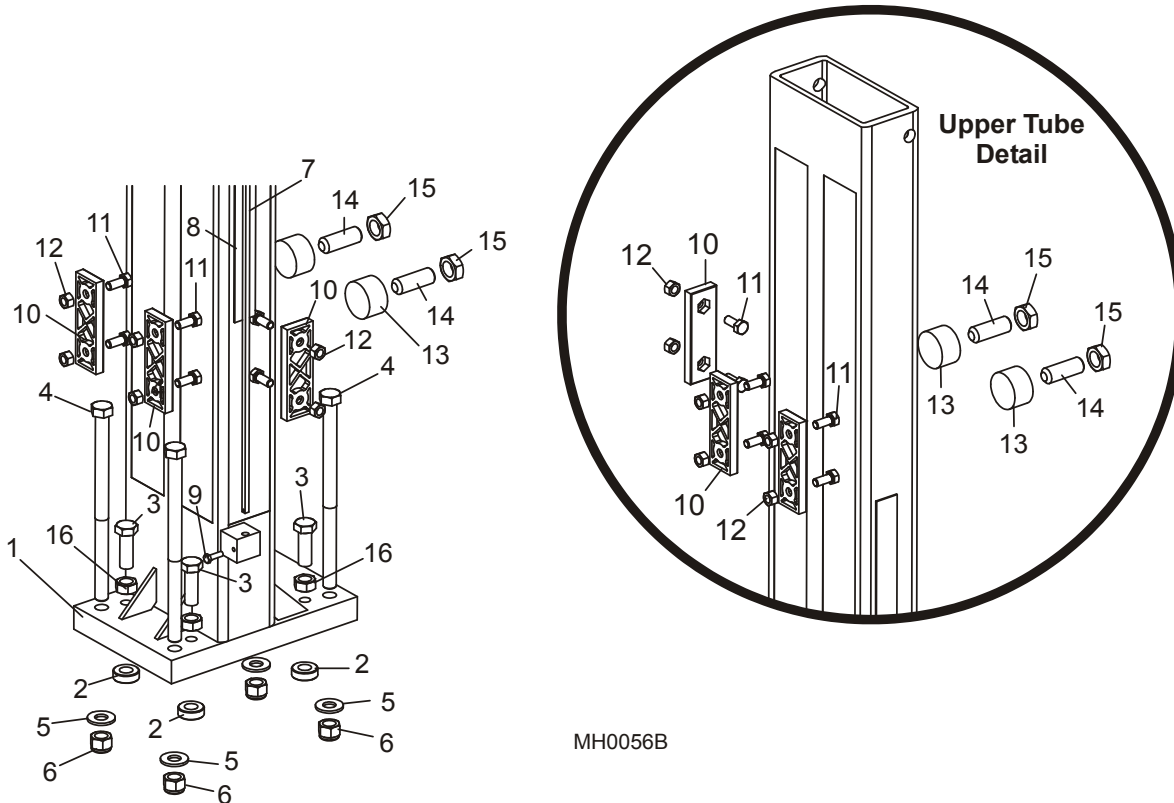
REF	DESCRIPTION (◆ Indicates Parts Available In Assemblies Only)	PART #	QTY.	
	HANDLE ASSEMBLY, TENSION RELEASE	A22528	1*	
1	Plate, Tensioner Stop	S22527	1	
2	Nut, 3/8-16 Hex Jam	F05010-29	2	
3	Rod, Tensioner Push	S22526	1	
4	Bushing, Flanged Bronze	P22662	1	
5	Spring, LC-072J-7MW	P05155	1	
6	Washer, 5/16" SAE Flat	F05011-17	1	
7	Nut, 5/16-24 Hex	F05010-28	1	
8	Rod End, 5/16-24 Male	P09814	1	
9	Bolt, 5/16-18 x 3/4" Hex Head	F05006-5	1	
10	Handle, Tension Release	S22524	1	
11	Grip, Tension Release Handle	P04731	1	
12	Bolt, 3/8" x 1/2" Shoulder	F05006-56	1	

2**Saw Head Parts***Tension Release Handle Assembly*

13	Bar, Tension Release Handle Link	S22525	1	
14	Pin, 3/16" x 1 1/4" Roll	F05012-16	1	
15	Nut, 3/8-16 Hex Lock	F05010-25	2	
16	Ring, 1/2" Retainer	F04254-18	1	
17	Nut, 5/16-18 Hex Lock	F05010-6	1	
18	Plate, Bushing Retainer	036600 ¹	1	

¹ Bushing Retainer Plate 036600 added Rev. A3.00 to secure flanged bushing in assembly.

2.5 Saw Head Mount Assembly



MH0056B

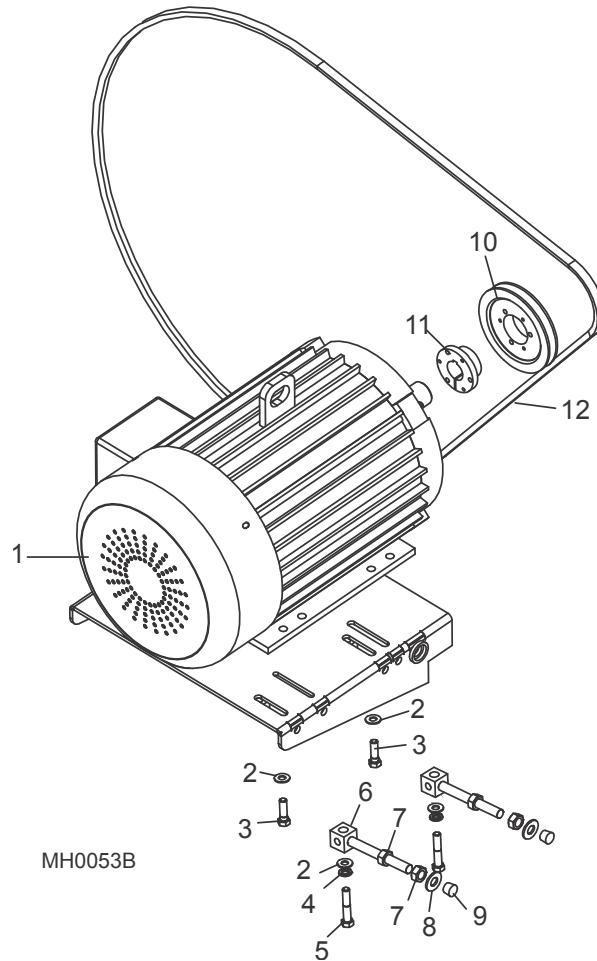
REF	DESCRIPTION (◆ Indicates Parts Available In Assemblies Only)	PART #	QTY. (*/head)
1	TUBE WELDMENT, SAWHEAD MOUNT	W22549	1
2	PAD, STEEL SAW MOUNT	S22563	2
3	BOLT, 1/2-13 X 1 1/2" HEX HEAD GRADE 5	F05008-33	4
4	BOLT, 1/2-13 X 8" HEX HEAD GRADE 5	F05008-69	4
5	WASHER, 1/2" SAE FLAT	F05011-2	4
6	NUT, 1/2-13 NYLON LOCK	F05010-8	4
7	POINTER, MULTIHEAD BLADE HEIGHT	S22636	1
8	DECAL, MULTIHEAD HEIGHT SCALE (INCH)	S22300	1
	DECAL, MULTIHEAD HEIGHT SCALE (METRIC)	S22301	1
9	BOLT, #10-24 X 5/8" HEX HEAD	F05004-18	1
10	PAD, UP/DOWN DELRIN	M04096	6
11	BOLT, 5/16-18 X 3/4" HEX HEAD	F05006-5	12
12	NUT, 5/16-18 HEX LOCK	F05010-6	12
13	PAD, UP/DOWN ADJUSTABLE NYLON	S22561	4
14	SCREW, 5/8-18 X 1 1/4" SOCKET HEAD FLAT POINT SET	F05009-27	4
15	NUT, 5/8-18 HEX JAM	F05010-11	4
16	NUT, 1/2-13 HEX	F05010-35	4

2

Saw Head Parts
Saw Head Mount Assembly

2.6 Saw Motor Assembly

Rev A1.00+



REF	DESCRIPTION (◆ Indicates Parts Available In Assemblies Only)	PART #	QTY. (* /head)
1	MOTOR, 25HP CUSTOM 3 PHASE W/THERMISTATS	021392	1*
2	WASHER, 1/2" SAE FLAT	F05011-2	2
3	BOLT, 1/2-13 X 1 1/2" HEX HEAD	F05008-33	2
4	WASHER, 1/2" SPLIT LOCK	F05011-9	2
5	BOLT, 1/2-13 X 2 1/2" HEX HEAD	F05008-74	2
6	BLOCK, MOTOR TENSION	W22086	2*
7	NUT, 1/2-13 HEX	F05010-35	4*
8	NUT, 1/2" NYLON LOCK	F05010-8	4
9	CAP, 1/2" PLASTIC END	P22320	2*
10	PULLEY, 1/5V5.9SDS MOTOR (60 HZ)	033248 ¹	1*
	PULLEY, 25V750SK MOTOR (50 HZ)	033300	1*

2 Saw Head Parts

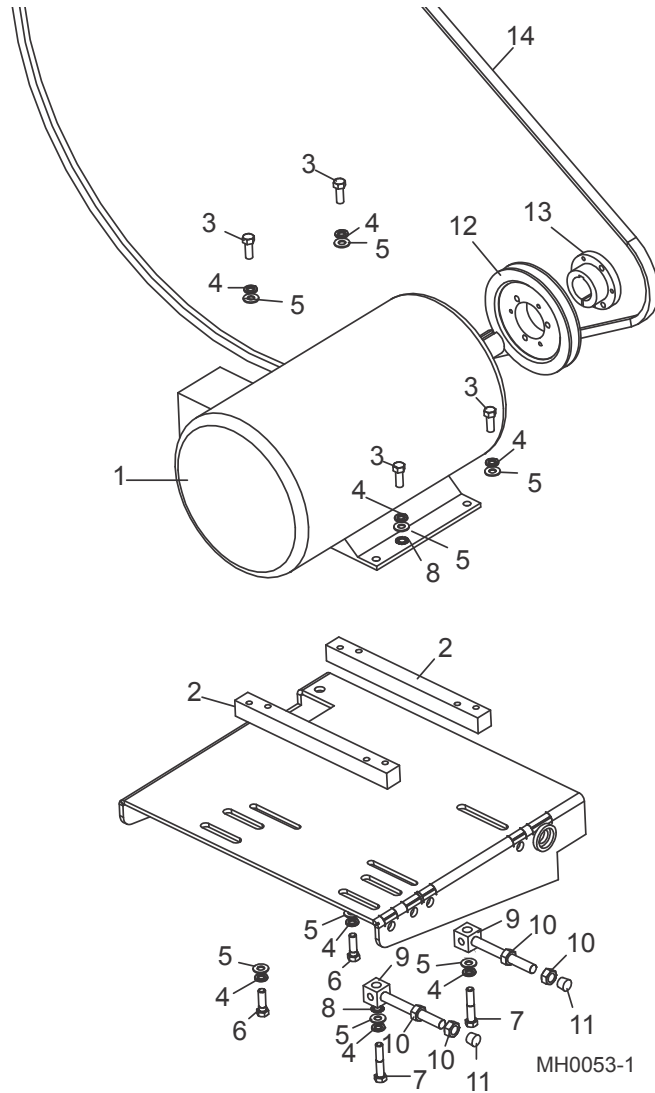
Saw Motor Assembly

11	BUSHING, SDS 1 5/8" (60 HZ)	033249	1*	
	BUSHING, SK 1 5/8" (50 HZ)	033301	1*	
12	BELT, 5VX1210 DRIVE V (60 HZ)	033389 ¹	1*	
	BELT, 5VX1230 DRIVE V (50 HZ)	033302	1*	

¹ Pulley changed from 25V590SDS to 1/5V5.9SDS (12/99) and replaced on all existing MultiHeads with old pulley. Belt 033389 also changed from 5VX1230 to 5VX1210.

2.7 Saw Motor Assembly

5/91 - 6/95



REF	DESCRIPTION (◆ Indicates Parts Available In Assemblies Only)	PART #	QTY. (* /head)	
1	MOTOR ASSEMBLY, 220/380/415-440V	A22902	1*	
	Motor, 15HP 3PH 50/60HZ 3450RPM Custom 220/380/415-440V	P11813	1	◆
	Terminal, #8 Ring 14-16GA NI Loose	F05092-11	2	
	Terminal, #8 Ring 10-12GA NI Loose	F05092-12	12	
	BAR KIT, MOTOR MOUNT SPACER	A22325	1*	
2	Bar, Motor Mount Spacer	S22324	2	
3	Bolt, 3/8-16 X 1" Hex Head	F05007-7	4	
4	Washer, 3/8" Split Lock	F05011-4	8	
5	Washer, 3/8" SAE Flat	F05011-3	8	

2

Saw Head Parts

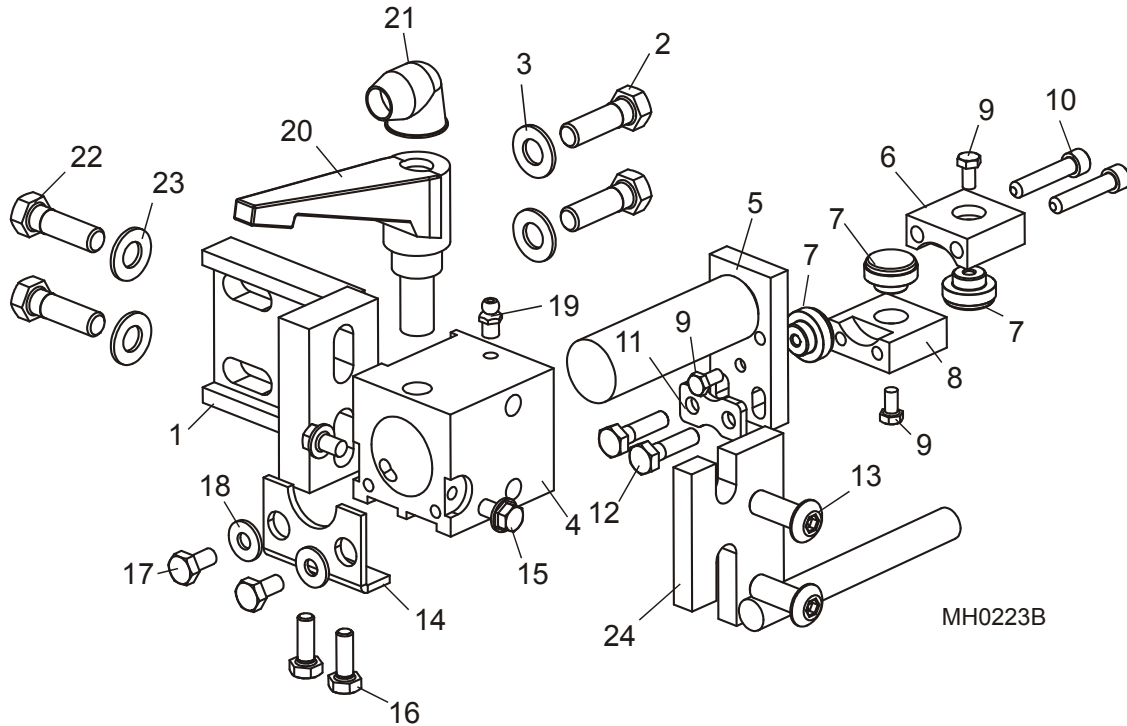
Saw Motor Assembly

6	Bolt, 3/8-16 x 1 1/4" Hex Head	F05007-2	2	
7	Bolt, 3/8-16 x 2" Hex Head	F05007-72	2	
	Instruction Sheet, MultiHead Motor Mount Spacer Retro	A22325-386	1	
8	WASHER, 3/8" EXTERNAL STAR LOCK	F05011-36	2*	
9	BLOCK, MOTOR TENSION	W22086	2*	
10	NUT, 1/2-13 HEX	F05010-35	4*	
11	CAP, 1/2" PLASTIC END	P22320	2*	
12	PULLEY, 1B58SDS MOTOR (60 HZ)	P22304	1*	
	PULLEY, 1B70SDS MOTOR (50 HZ)	P22638 ¹	1*	◆
13	BUSHING, SDS 1 3/8" (15HP MOTOR)	P22671	1*	
	BUSHING, SDS 1 5/8" (20HP MOTOR)	N/A	1*	
14	BELT, BX120 DRIVE V	P22305	1*	

¹ Pulley P22638 obsolete and no longer offered.

2.8 Inner Blade Guide Assembly (1" Blade)

Rev. A2.00+



REF	DESCRIPTION (◆ Indicates Parts Available In Assemblies Only)	PART #	QTY. (*/head)	
1	BRACKET, INNER BLADE GUIDE MOUNTING	W22690	1*	
2	BOLT, 3/8-24 X 1 1/4" HEX HEAD GRADE 5	F05007-102	2	
3	WASHER, 3/8" SAE FLAT	F05011-3	2	
	GUIDE ASSEMBLY, TRIPLE-BLOCK INNER 1" BLADE	035260	1*	
4	Block, Blade Guide Mounting (Inner)	S22581	1	
	Shaft Assembly, Blade Guide w/Inserts	035754	1	
5	Shaft Weldment, Blade Guide	035264	1	
6	Block, 3/4" Upper Insert Holder	035265	1	
7	Wear Pad, 1" Blade Guide	035242	3	
	Wear Pad 1" Blade Guide Steel (Optional)	007322	3	
8	Block, 3/4" Lower Insert Holder	035266	1	
9	Bolt, #10-32 x 3/8" Hex Head	F05004-171	3	
10	Bolt, 1/4-20 x 1 1/4" Socket Head	F05005-48	2	
11	Plate, Blade Guide Washer	035531	1	
12	Bolt, 1/4-20 x 1" Hex Head Grade 5	F05005-101	2	
13	Screw, 3/8-24 x 1" Button Head Cap	F05007-80	2	
	Upgrade Kit, Blade Guide Rear Alignment Plate	A22420	1	
14	Plate, Rear Blade Guide Alignment	S22584	1	◆

2

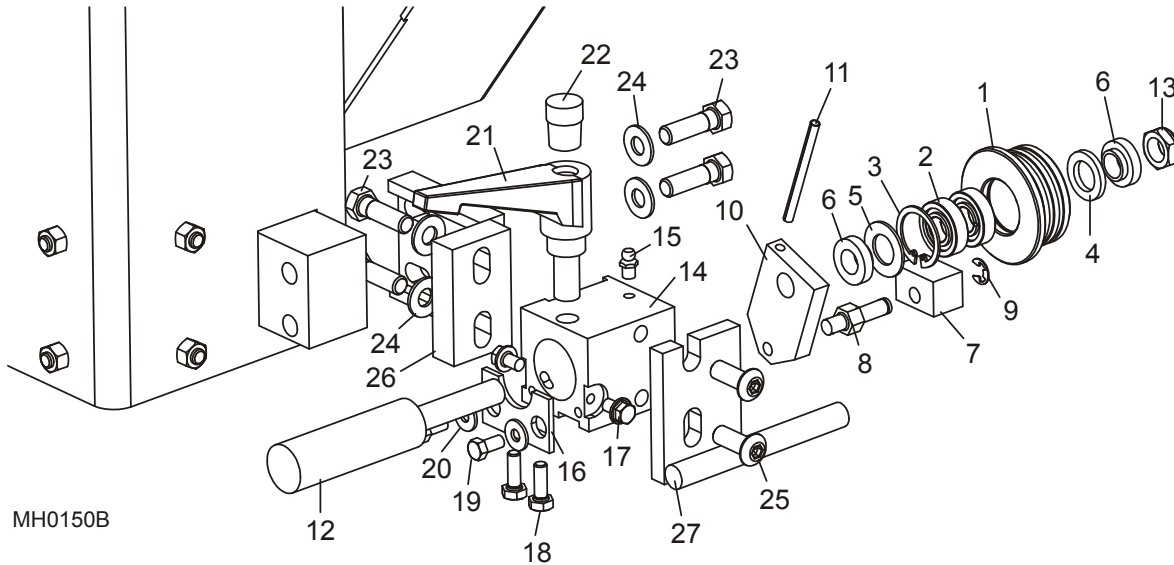
Saw Head Parts

Inner Blade Guide Assembly (1" Blade)

15	Screw, 1/4-20 x 3/8" Flanged	F05005-78	2	
16	Bolt, 1/4-20 x 3/4" Hex Head	F05005-1	2	
17	Bolt, 1/4-20 x 1/2" Hex Head	F05005-15	2	
18	Washer, 1/4" Flat	F05011-11	2	
	Instruction Sheet, Upgrade Kit, Blade Guide Rear Alignment	A22420-256	1	◆
19	Fitting, 1/4-28 Grease	P05060	1	
20	Handle, Blade Guide Adjustment	P22595	1	
21	Cap, Blade Guide Adjustment Handle	P22668	1	
22	Bolt, 3/8-24 x 1 1/4" Hex Head Grade 5	F05007-102	2	
23	Washer, 3/8" SAE Flat	F05011-3	2	
24	PLATE WELDMENT, INNER BLADE DEFLECTOR	W22408	1*	

2.9 Inner Blade Guide Assembly (1" Blade)

Rev. 5/91 - A1.01



REF	DESCRIPTION (◆ Indicates Parts Available In Assemblies Only)	PART #	QTY. (* /head)	
	GUIDE ASSEMBLY, INNER 1" BLADE	A22404 ¹	1*	
	Roller Assembly, Complete Blade Guide (1" Blade)	A20191	1	
1	Roller, Flanged Blade Guide (1" Blade)	S20171	1	◆
	Bearing Kit, Blade Guide Rebuild	K07079	1	
2	Bearing, R8-2RS Blade Guide	015975 ²	2	◆
3	Ring, 1 1/8" Interior Retaining	F04254-1	1	
4	Washer, 5/8" Gray Felt	P06455	1	
5	Washer, 5/8" White Felt	P04252	1	
6	Spacer, Blade Guide	S04253	2	
7	Block, Thick Blade Guide (5/16" Pin - 1" Blade)	P22630	1	
8	Pin, 5/16" Dia. (Thick Block - 1" Blade)	S22633	1	
9	Clip, 5/16" Dia. "E"	P22635	1	
	Plate Assembly, Adjustable Blade Guide Mount	A22406	1	
10	Plate, Blade Guide Back Mounting	S22583	1	◆
11	Pin, 3/16" x 2 1/2" Roll	F05012-27	1	
12	Shaft, Blade Guide	S22405 ³	1	
13	Nut, 1/2-20 Nylon Lock Jam	F05010-79	1	
14	Block, Blade Guide Mounting (Inner)	S22581	1	
15	Fitting, 1/4-28 Grease	P05060	1	
	Upgrade Kit, Blade Guide Rear Alignment Plate	A22420	1	
16	Plate, Rear Blade Guide Alignment	S22584	1	◆

2

Saw Head Parts*Inner Blade Guide Assembly (1" Blade)*

17	Screw, 1/4-20 x 3/8" Flanged	F05005-78	2	
18	Bolt, 1/4-20 x 3/4" Hex Head	F05005-1	2	
19	Bolt, 1/4-20 x 1/2" Hex Head	F05005-15	2	
20	Washer, 1/4" Flat	F05011-11	2	
	Instruction Sheet, Upgrade Kit, Blade Guide Rear Alignment	A22420-256	1	◆
21	Handle, Blade Guide Adjustment	P22595	1	
22	Boot, Rubber	P22268 ⁴	1	
23	Bolt, 3/8-24 x 1 1/4" Hex Head Grade 5	F05007-102	4	
24	Washer, 3/8" SAE Flat	F05011-3	4	
25	Screw, 3/8-24 x 1" Button Head Cap	F05007-80	2	
26	BRACKET, INNER BLADE GUIDE MOUNTING	W22690	1*	
27	PLATE WELDMENT, INNER BLADE DEFLECTOR	W22408	1*	

¹ Blade guide assembly replaced with triple-insert style (Rev. A2.00). Upgrade previous assemblies with 035754 ([See Section 2.8](#)).

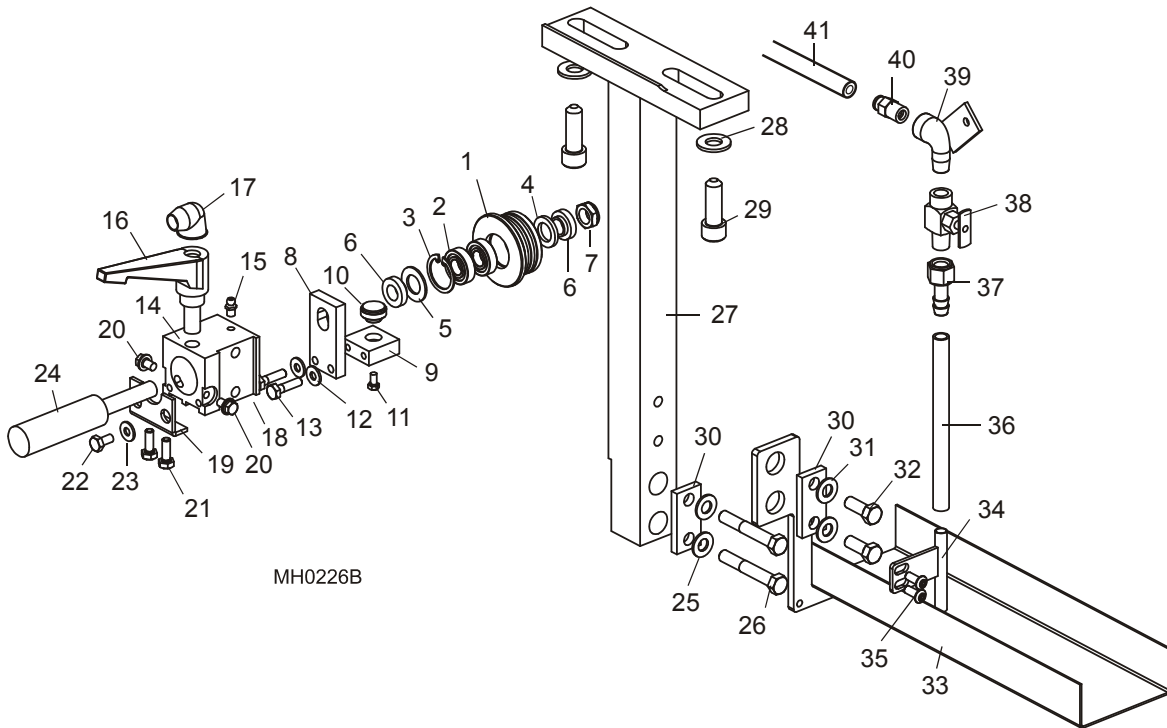
² Sealed bearing replaces greasable-type bearing M04902 (4/98). If applicable, use set screw F05005-105 to plug grease fitting hole in blade guide mounting bolt S22405.

³ Grease fitting hole removed from S22405 mounting bolt 4/98. New-style bolt requires sealed bearings 015975.

⁴ P22668 changed from plastic cap to modified rubber boot P03807 to improve durability (4/00).

2.10 Outer Blade Guide Assembly (1" Blade)

Rev. A2.00+



REF	DESCRIPTION (◆ Indicates Parts Available In Assemblies Only)	PART #	QTY. (*/head)
	GUIDE ASSEMBLY, OUTER BLADE GUIDE (1" BLADE)	035261	1*
	Roller Assembly, Blade Guide With Bearings (1" Blade)	A20191	1
1	Roller, Flanged Blade Guide (1" Blade)	S20171	1 ◆
	Bearing Kit, Blade Guide Rebuild	K07079	1
2	Bearing, R8-2RS Blade Guide	015975	2 ◆
3	Ring, 1 1/8" Interior Retaining	F04254-1	1
4	Washer, 5/8" Gray Felt	P06455	1
5	Washer, 5/8" White Felt	P04252	1
6	Spacer, Blade Guide	S04253	2
7	Nut, 1/2-20 Nylon Lock Jam	F05010-79	1
	Guide Assembly, Block 1" Blade	035752	1
8	Plate, Blade Guide Mount Back	035239	1
9	Block, Insert Holder	035269	1
10	Wear Pad, 1" Blade Guide	035242	1
	Wear Pad 1" Blade Guide Steel (Optional)	007322	1
11	Bolt, #10-32 x 3/8" Hex Head	F05004-171	1
12	Washer, 1/4" SAE Flat	F05011-11	2
13	Bolt, 1/4-20 x 1" Hex Head Grade 5	F05005-101	2

2

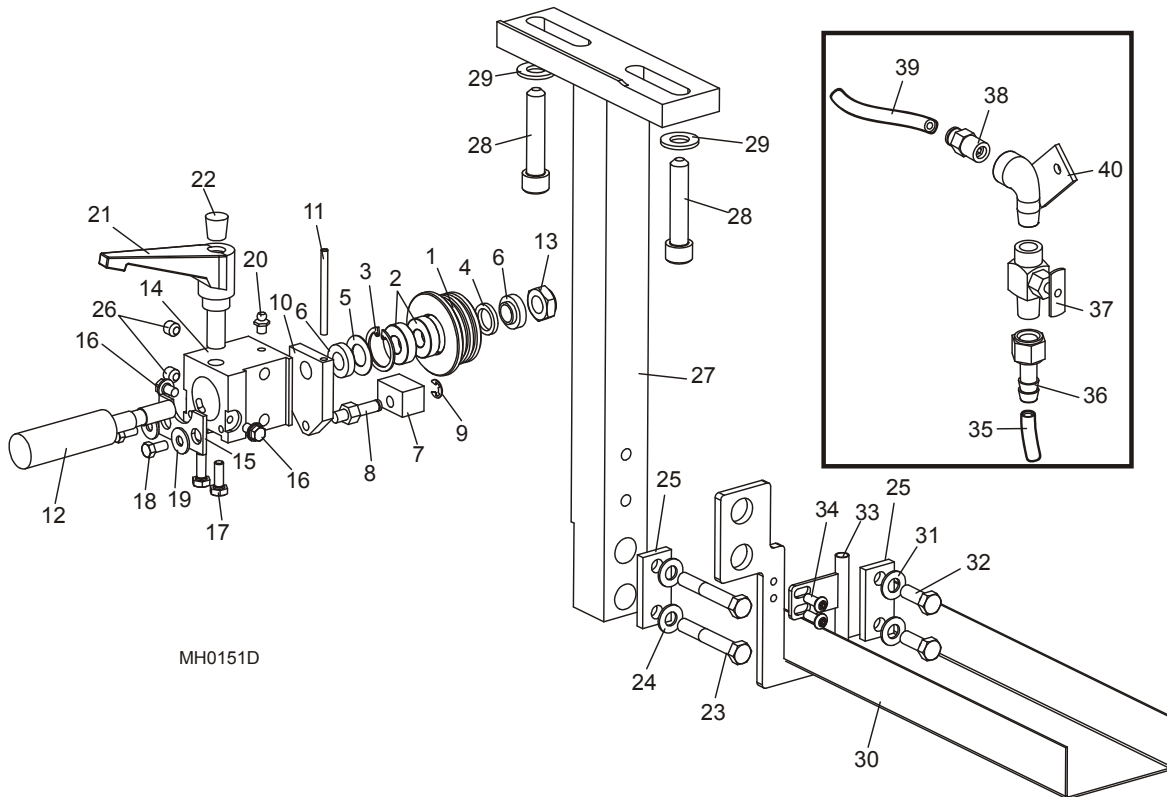
Saw Head Parts

Outer Blade Guide Assembly (1" Blade)

14	Block, Blade Guide Mounting (Outer)	S22582	1	
15	Fitting, 1/4-28 Grease	P05060	1	
16	Handle, Blade Guide Adjustment	P22595	1	
17	Cap, Blade Guide Handle	P22668	1	
18	Screw, 3/8-24 x 3/8" Nylon Lock Set	F05007-89	2	
	Upgrade Kit, Blade Guide Rear Alignment Plate	A22420	1*	
19	Plate, Rear Blade Guide Alignment	S22584	1	◆
20	Screw, 1/4-20 x 3/8" Flanged	F05005-78	2	
21	Bolt, 1/4-20 x 3/4" Hex Head	F05005-1	2	
22	Bolt, 1/4-20 x 1/2" Hex Head	F05005-15	2	
23	Washer, 1/4" Flat	F05011-11	2	
	Instruction Sheet, Upgrade Kit, Blade Guide Rear Alignment	A22420-256	1	◆
24	Shaft, Blade Guide	S22405	1	
25	Washer, 3/8" SAE Flat	F05011-3	2	
26	Bolt, 3/8-24 x 2 1/2" Hex Head Grade 5	F05007-81	2	
27	ARM, OUTER BLADE GUIDE MOUNTING	W22412	1*	
28	WASHER, 1/2" SAE FLAT	F05011-2	2*	
29	BOLT, 1/2-20 X 1 1/2" SOCKET HEAD	F05008-44	2*	
30	PLATE, BLADE GUIDE WASHER	S22202	2*	
31	WASHER, 3/8" SAE FLAT	F05011-3	2*	
32	BOLT, 3/8-24 X 1" HEX HEAD GRADE 5	F05007-46	2*	
33	GUARD, OUTER BLADE GUIDE	W22416	1*	
34	BRACKET, WATER LUBE TUBE	W22413	1*	
35	SCREW, 1/4-20 X 5/8" BUTTON HEAD	F05005-63	2*	
36	HOSE, 3/8 I.D. X 1/2" O.D. PLASTIC	R01885	As Req'd	
37	FITTING, 1/4" FPT - 3/8" HOSE	P04688	1*	
38	VALVE, WATER SHUTOFF	P05680	1*	
39	ELBOW WELDMENT	W21568	1*	
40	FITTING, 1/4" NPT X 1/4" TUBE	P20903	1*	
41	HOSE, 1/4" O.D. PLASTIC	R01869	As Req'd	

2.11 Outer Blade Guide Assembly (1" Blade)

Rev. A1.00 - A1.01



MH0151D

REF	DESCRIPTION (◆ Indicates Parts Available In Assemblies Only)	PART #	QTY. (* /head)	
	GUIDE ASSEMBLY, OUTER 1" BLADE	A22407	1*	
	Roller Assembly, Complete Blade Guide (1" Blade)	A20191	1	
1	Roller, Flanged Blade Guide (1" Blade)	S20171	1	◆
	Bearing Kit, Blade Guide Rebuild	K07079	1	
2	Bearing, R8-2RS Blade Guide	015975	2	◆
3	Ring, 1 1/8" Interior Retaining	F04254-1	1	
4	Washer, 5/8" Gray Felt	P06455	1	
5	Washer, 5/8" White Felt	P04252	1	
6	Spacer, Blade Guide	S04253	2	
7	Block, Thick Blade Guide (5/16" Pin - 1" Blade)	P22630	1	
	Block, Thin Blade Guide (3/16" Pin - 1" Blade) ¹	P22593 ¹	1	
8	Pin, 5/16" Dia. (Thick Block - 1" Blade)	S22633	1	
	Pin, 3/16" Dia. (Thin Block - 1" Blade) ¹	S22586 ¹	1	
9	Clip, 5/16" Dia. "E"	P22635	1	
	Clip, 3/16" Dia. "E" ¹	P22599 ¹	1*	

2

Saw Head Parts*Outer Blade Guide Assembly (1" Blade)*

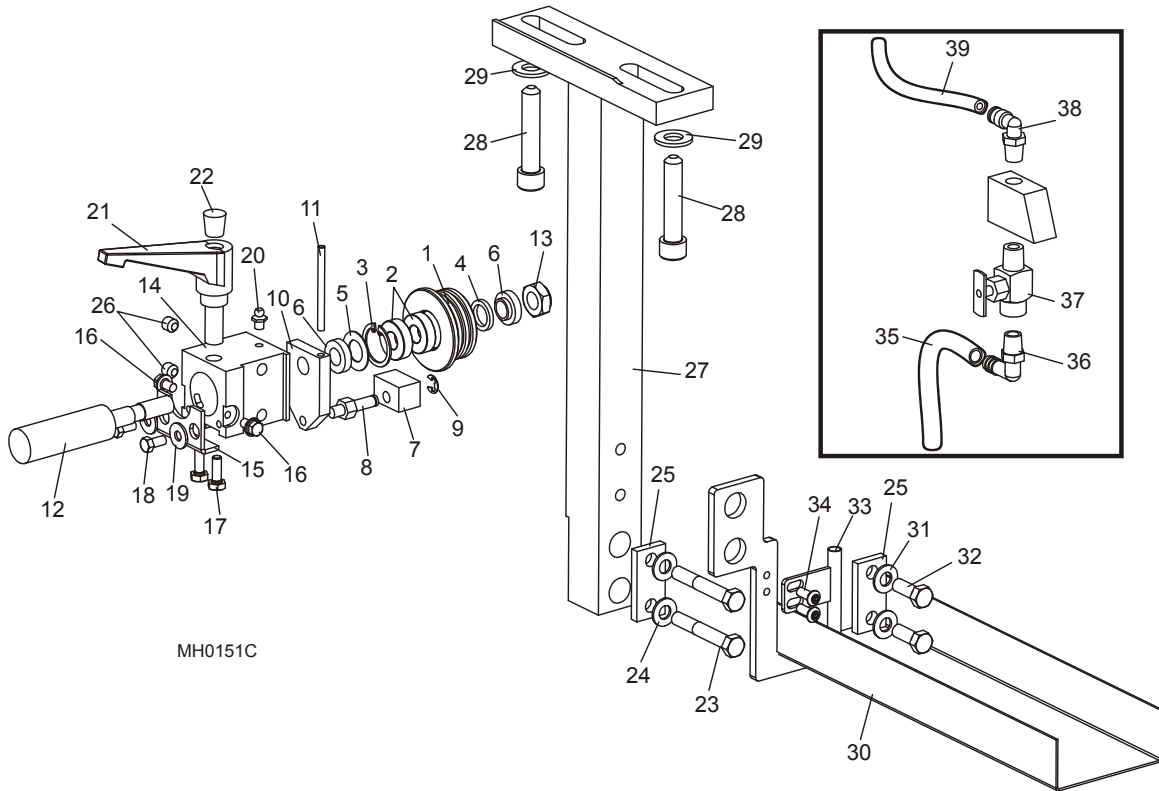
	Plate Assembly, Adjustable Blade Guide Mount	A22406	1	
10	Plate, Blade Guide Back Mounting	S22583	1	◆
11	Pin, 3/16" x 2 1/2" Roll	F05012-27	1	
12	Shaft, Blade Guide	S22405	1	
13	Nut, 1/2-20 Nylon Lock Jam	F05010-79	1	
14	Block, Blade Guide Mounting (Outer)	S22582	1	
	Upgrade Kit, Blade Guide Rear Alignment Plate	A22420	1	
15	Plate, Rear Blade Guide Alignment	S22584	1	◆
16	Screw, 1/4-20 x 3/8" Flanged	F05005-78	2	
17	Bolt, 1/4-20 x 3/4" Hex Head	F05005-1	2	
18	Bolt, 1/4-20 x 1/2" Hex Head	F05005-15	2	
19	Washer, 1/4" Flat	F05011-11	2	
	Instruction Sheet, Upgrade Kit, Blade Guide Rear Alignment	A22420-256	1	◆
20	Fitting, 1/4-28 Grease	P05060	1	
21	Handle, Blade Guide Adjustment	P22595	1	
22	Boot, Rubber	P22668 ²	1	
23	Bolt, 3/8-24 x 2 1/2" Hex Head Grade 5	F05007-81	2	
24	Washer, 3/8" SAE Flat	F05011-3	2	
25	Plate, Blade Guide Washer	S22202	2	
26	Screw, 3/8-24 x 3/8" Nylon Lock Set	F05007-89	2	
27	ARM, OUTER BLADE GUIDE MOUNTING	W22412	1*	
28	BOLT, 1/2-20 X 1 1/2" SOCKET HEAD	F05008-44	2*	
29	WASHER, 1/2" SAE FLAT	F05011-2	2*	
30	GUARD, OUTER BLADE GUIDE	W22416	1*	
31	WASHER, 3/8" SAE FLAT	F05011-3	2*	
32	BOLT, 3/8-24 X 1" HEX HEAD	F05007-46	2*	
33	BRACKET, WATER LUBE TUBE	W22413	1*	
34	SCREW, 1/4-20 X 5/8" BUTTON HEAD	F05005-63	2*	
35	HOSE, 3/8 I.D. X 1/2" O.D. PLASTIC	R01885	As Req'd	
36	FITTING, 1/4" FPT - 3/8" HOSE	P04688	1*	
37	VALVE, WATER SHUTOFF	P05680	1*	
38	FITTING, 1/4" NPT X 1/4" TUBE	P20903	1*	
39	HOSE, 1/4" O.D. PLASTIC	R01869	As Req'd	
40	ELBOW WELDMENT	W21568	1*	

¹ Alternate Block, Pin & Clip for use on last saw head outer blade guide. Will allow blade to be lowered closer to feed track.

² P22668 changed from plastic cap to modified rubber boot P03807 to improve durability (4/00).

2.12 Outer Blade Guide Assembly (1" Blade)

5/91 - 6/95



MH0151C

REF	DESCRIPTION (◆ Indicates Parts Available In Assemblies Only)	PART #	QTY. (* /head)	
	GUIDE ASSEMBLY, OUTER 1" BLADE	A22407	1*	
	Roller Assembly, Complete Blade Guide (1" Blade)	A20191	1	
1	Roller, Flanged Blade Guide (1" Blade)	S20171	1	◆
	Bearing Kit, Blade Guide Rebuild	K07079	1	
2	Bearing, R8-2RS Blade Guide	015975 ¹	2	◆
3	Ring, 1 1/8" Interior Retaining	F04254-1	1	
4	Washer, 5/8" Gray Felt	P06455	1	
5	Washer, 5/8" White Felt	P04252	1	
6	Spacer, Blade Guide	S04253	2	
7	Block, Thick Blade Guide (5/16" Pin - 1" Blade)	P22630	1	
	Block, Thin Blade Guide (3/16" Pin - 1" Blade) ²	P22593 ²	1	
8	Pin, 5/16" Dia. (Thick Block - 1" Blade)	S22633	1	
	Pin, 3/16" Dia. (Thin Block - 1" Blade) ²	S22586 ²	1	
9	Clip, 5/16" Dia. "E"	P22635	1	
	Clip, 3/16" Dia. "E" ²	P22599 ²	1*	

2

Saw Head Parts

Outer Blade Guide Assembly (1" Blade)

	Plate Assembly, Adjustable Blade Guide Mount	A22406	1	
10	Plate, Blade Guide Back Mounting	S22583	1	◆
11	Pin, 3/16" x 2 1/2" Roll	F05012-27	1	
12	Shaft, Blade Guide	S22405 ³	1	
13	Nut, 1/2-20 Nylon Lock Jam	F05010-79	1	
14	Block, Blade Guide Mounting (Outer)	S22582	1	
	Upgrade Kit, Blade Guide Rear Alignment Plate	A22420	1	
15	Plate, Rear Blade Guide Alignment	S22584	1	◆
16	Screw, 1/4-20 x 3/8" Flanged	F05005-78	2	
17	Bolt, 1/4-20 x 3/4" Hex Head	F05005-1	2	
18	Bolt, 1/4-20 x 1/2" Hex Head	F05005-15	2	
19	Washer, 1/4" Flat	F05011-11	2	
	Instruction Sheet, Upgrade Kit, Blade Guide Rear Alignment	A22420-256	1	◆
20	Fitting, 1/4-28 Grease	P05060	1	
21	Handle, Blade Guide Adjustment	P22595	1	
22	Boot, Rubber	P22668 ⁴	1	
23	Bolt, 3/8-24 x 2 1/2" Hex Head Grade 5	F05007-81	2	
24	Washer, 3/8" SAE Flat	F05011-3	2	
25	Plate, Blade Guide Washer	S22202	2	
26	Screw, 3/8-24 x 3/8" Nylon Lock Set	F05007-89	2	
27	ARM, OUTER BLADE GUIDE MOUNTING	W22412	1*	
28	BOLT, 1/2-20 X 1 1/2" SOCKET HEAD	F05008-44	2*	
29	WASHER, 1/2" SAE FLAT	F05011-2	2*	
30	GUARD, OUTER BLADE GUIDE	W22416	1*	
31	WASHER, 3/8" SAE FLAT	F05011-3	2*	
32	BOLT, 3/8-24 X 1" HEX HEAD	F05007-46	2*	
33	BRACKET, WATER LUBE TUBE	W22413	1*	
34	SCREW, 1/4-20 X 5/8" BUTTON HEAD	F05005-63	2*	
35	HOSE, 3/8 I.D. X 1/2" O.D. PLASTIC	R01885	As Req'd	
36	FITTING, 1/4" NPT - 3/8" TUBE PLASTIC ELBOW	P04730	1	
37	VALVE, WATER SHUTOFF	P05680	1	
38	FITTING, 1/4" NPT - 1/4" TUBE ELBOW	P21519	1	
39	HOSE, 1/4" O.D. PLASTIC	R01869	As Req'd	

¹ Sealed bearing replaces greasable-type bearing M04902 (4/98). If applicable, use set screw F05005-105 to plug grease fitting hole in blade guide mounting bolt S22405.

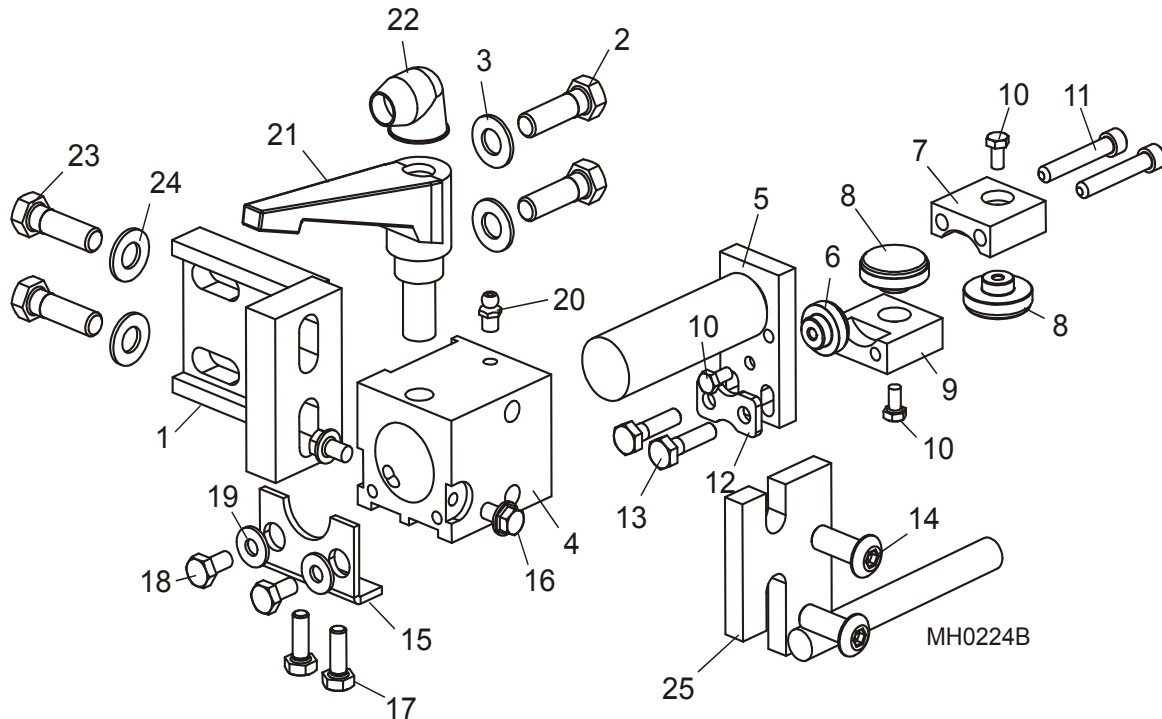
² Alternate Block, Pin & Clip for use on last saw head outer blade guide. Will allow blade to be lowered closer to feed track.

³ Grease fitting hole removed from S22405 mounting bolt 4/98. New-style bolt requires sealed bearings 015975.

⁴ P22668 changed from plastic cap to modified rubber boot P03807 to improve durability (4/00).

2.13 Inner Blade Guide Assembly (1 1/4" Blade)

Rev. A2.00+



REF	DESCRIPTION (◆ Indicates Parts Available In Assemblies Only)	PART #	QTY. (*/head)
1	BRACKET, INNER BLADE GUIDE MOUNTING	W22690	1*
2	BOLT, 3/8-24 X 1 1/4" HEX HEAD GRADE 5	F05007-102	2
3	WASHER, 3/8" SAE FLAT	F05011-3	2
	GUIDE ASSEMBLY, TRIPLE-BLOCK INNER 1 1/4" BLADE	035259	1*
4	Block, Blade Guide Mounting (Inner)	S22581	1
	Shaft Assembly, Blade Guide w/Inserts	035753	1
5	Shaft Weldment, Blade Guide	035264	1
6	Wear Pad, 1" Blade Guide	035242	1
	Wear Pad, 1" Blade Guide Steel (Optional)	007322	1
7	Block, 1" Upper Insert Holder	035267	1
8	Wear Pad, 1 1/4" Blade Guide	035222	2
	Wear Pad, 1 1/4" Blade Guide Steel (Optional)	007323	2
9	Block, 1" Lower Insert Holder	035268	1
10	Bolt, #10-32 x 3/8" Hex Head	F05004-171	3
11	Bolt, 1/4-20 x 1 1/2" Socket Head	F05005-74	2
12	Plate, Blade Guide Washer	035531	1
13	Bolt, 1/4-20 x 1" Hex Head Grade 5	F05005-101	2
14	Screw, 3/8-24 x 1" Button Head Cap	F05007-80	2

2

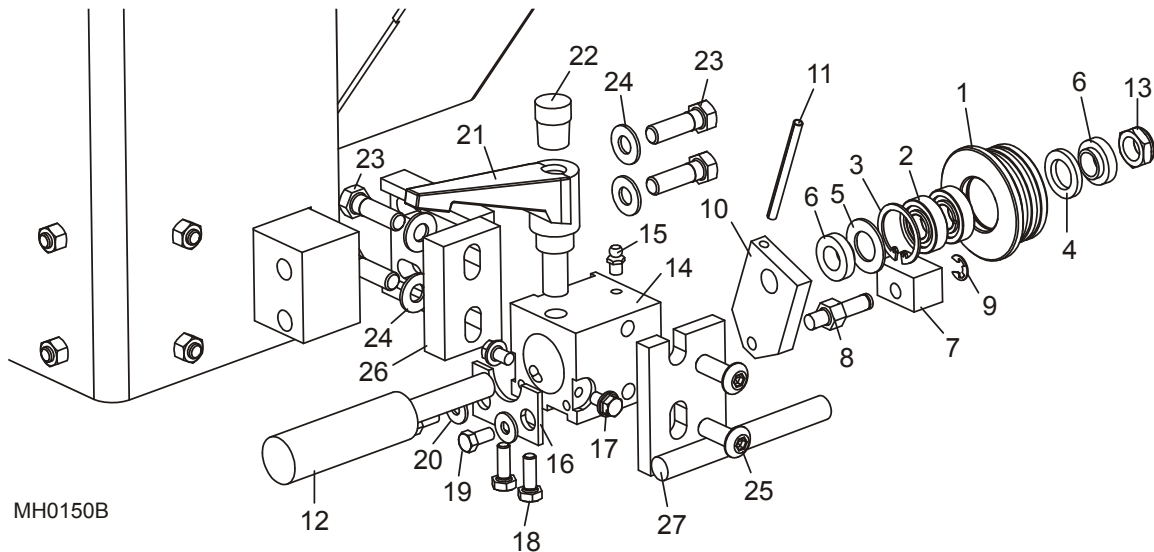
Saw Head Parts

Inner Blade Guide Assembly (1 1/4" Blade)

	Upgrade Kit, Blade Guide Rear Alignment Plate	A22420	1	
15	Plate, Rear Blade Guide Alignment	S22584	1	◆
16	Screw, 1/4-20 x 3/8" Flanged	F05005-78	2	
17	Bolt, 1/4-20 x 3/4" Hex Head	F05005-1	2	
18	Bolt, 1/4-20 x 1/2" Hex Head	F05005-15	2	
19	Washer, 1/4" Flat	F05011-11	2	
	Instruction Sheet, Upgrade Kit, Blade Guide Rear Alignment	A22420-256	1	◆
20	Fitting, 1/4-28 Grease	P05060	1	
21	Handle, Blade Guide Adjustment	P22595	1	
22	Cap, Blade Guide Adjustment Handle	P22668	1	
23	Bolt, 3/8-24 x 1 1/4" Hex Head Grade 5	F05007-102	2	
24	Washer, 3/8" SAE Flat	F05011-3	2	
25	PLATE WELDMENT, INNER BLADE DEFLECTOR	W22408	1*	

2.14 Inner Blade Guide Assembly (1 1/4" Blade)

Rev. 5/91 - A1.01



REF	DESCRIPTION (◆ Indicates Parts Available In Assemblies Only)	PART #	QTY. (* /head)	
	ROLLER ASSEMBLY, BLADE GUIDE WITH BEARINGS (1 1/4" BLADE)	A04925 ¹	1*	
1	Roller, Flanged Blade Guide (1 1/4" Blade Relube)	035426 ¹	1	◆
	Bearing Kit, Blade Guide Rebuild	K07079	1	
2	Bearing, R8-2RS Blade Guide	015975	2	◆
3	Ring, 1 1/8" Interior Retaining	F04254-1	1	
4	Washer, 5/8" Gray Felt	P06455	1	
5	Washer, 5/8" White Felt	P04252	1	
	Washer, Blade Guide Bearing Spacer	035411 ¹	1	
6	SPACER, BLADE GUIDE	S04253	2	
7	BLOCK, THICK BLADE GUIDE (5/16" PIN - 1 1/4" BLADE)	P22629	1*	
8	PIN, 5/16" DIA. (THICK BLOCK - 1 1/4" BLADE)	S22631	1*	
9	CLIP, 5/16" DIA. "E"	P22635	1*	
	PLATE ASSEMBLY, ADJUSTABLE BLADE GUIDE MOUNT	A22406	1*	
10	Plate, Blade Guide Back Mounting	S22583	1	◆
11	Pin, 3/16" x 2 1/2" Roll	F05012-27	1	
12	SHAFT, BLADE GUIDE	S22405 ²	1*	
13	NUT, 1/2-20 NYLON LOCK JAM	F05010-79	1*	
14	BLOCK, BLADE GUIDE MOUNTING (INNER)	S22581	1*	
15	FITTING, 1/4-28 GREASE	P05060	1*	
	UPGRADE KIT, BLADE GUIDE REAR ALIGNMENT PLATE	A22420	1*	
16	Plate, Rear Blade Guide Alignment	S22584	1	◆
17	Screw, 1/4-20 x 3/8" Flanged	F05005-78	2	

2

Saw Head Parts

Inner Blade Guide Assembly (1 1/4" Blade)

18	Bolt, 1/4-20 x 3/4" Hex Head	F05005-1	2	
19	Bolt, 1/4-20 x 1/2" Hex Head	F05005-15	2	
20	Washer, 1/4" Flat	F05011-11	2	
	Instruction Sheet, Upgrade Kit, Blade Guide Rear Alignment	A22420-256	1	◆
21	HANDLE, BLADE GUIDE ADJUSTMENT	P22595	1*	
22	BOOT, RUBBER	P22668 ³	1*	
23	BOLT, 3/8-24 X 1 1/4" HEX HEAD GRADE 5	F05007-102	4*	
24	WASHER, 3/8" SAE FLAT	F05011-3	4*	
25	SCREW, 3/8-24 X 1" BUTTON HEAD CAP	F05007-80	2*	
26	BRACKET, INNER BLADE GUIDE MOUNTING	W22690	1*	
27	PLATE, INNER BLADE DEFLECTOR	W22408	1*	

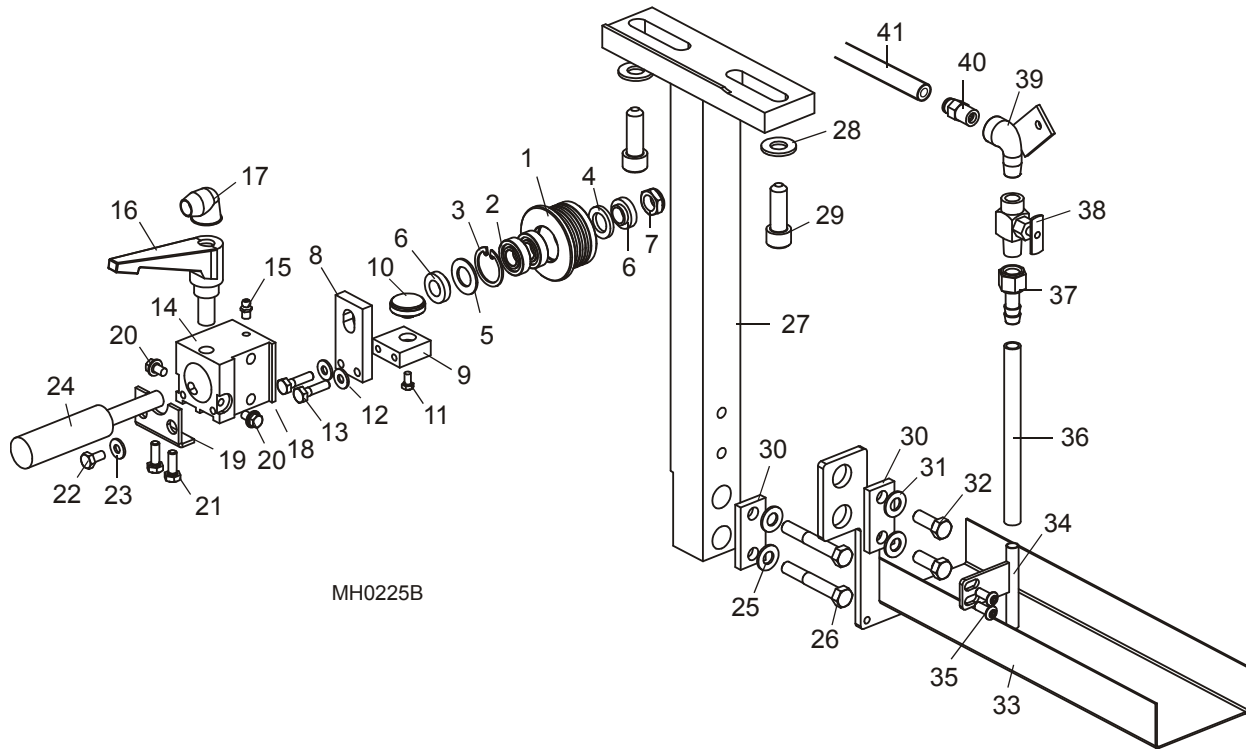
¹ Blade Guide Roller Kit A04925 includes greaseable Blade Guide Roller 035426 and Bearing Spacer Washer 035411 (9/03). Rollers are lubricated at the factory and do not require relubrication.

² Grease fitting hole removed from S22405 mounting bolt 4/98. New-style bolt requires sealed bearings 015975.

³ P22668 changed from plastic cap to modified rubber boot P03807 to improve durability (4/00).

2.15 Outer Blade Guide Assembly (1 1/4" Blade)

Rev. A2.00+



MH0225B

REF	DESCRIPTION (◆ Indicates Parts Available In Assemblies Only)	PART #	QTY. (* /head)	
	GUIDE ASSEMBLY, OUTER BLADE GUIDE (1 1/4" BLADE)	035258	1*	
	Roller Assembly, Blade Guide With Bearings (1 1/4" Blade)	A04925 ¹	1	
1	Roller, Flanged Blade Guide	A09678 ¹	1	◆
	Bearing Kit, Blade Guide Rebuild	K07079	1	
2	Bearing, R8-2RS Blade Guide	015975	2	◆
3	Ring, 1 1/8" Interior Retaining	F04254-1	1	
4	Washer, 5/8" Gray Felt	P06455	1	
5	Washer, 5/8" White Felt	P04252	1	
6	Spacer, Blade Guide	S04253	2	
7	Nut, 1/2-20 Nylon Lock Jam	F05010-79	1	
	Guide Assembly, Block 1 1/4" Blade	035751	1	
8	Plate, Blade Guide Mount Back	035239	1	
9	Block, Insert Holder	035235	1	
10	Wear Pad, 1 1/4" Blade Guide	035222	1	
	Wear Pad, 1 1/4" Blade Guide Steel (Optional)	007323	1	
11	Bolt, #10-32 x 3/8" Hex Head	F05004-171	1	
12	Washer, 1/4" SAE Flat	F05011-11	2	

2

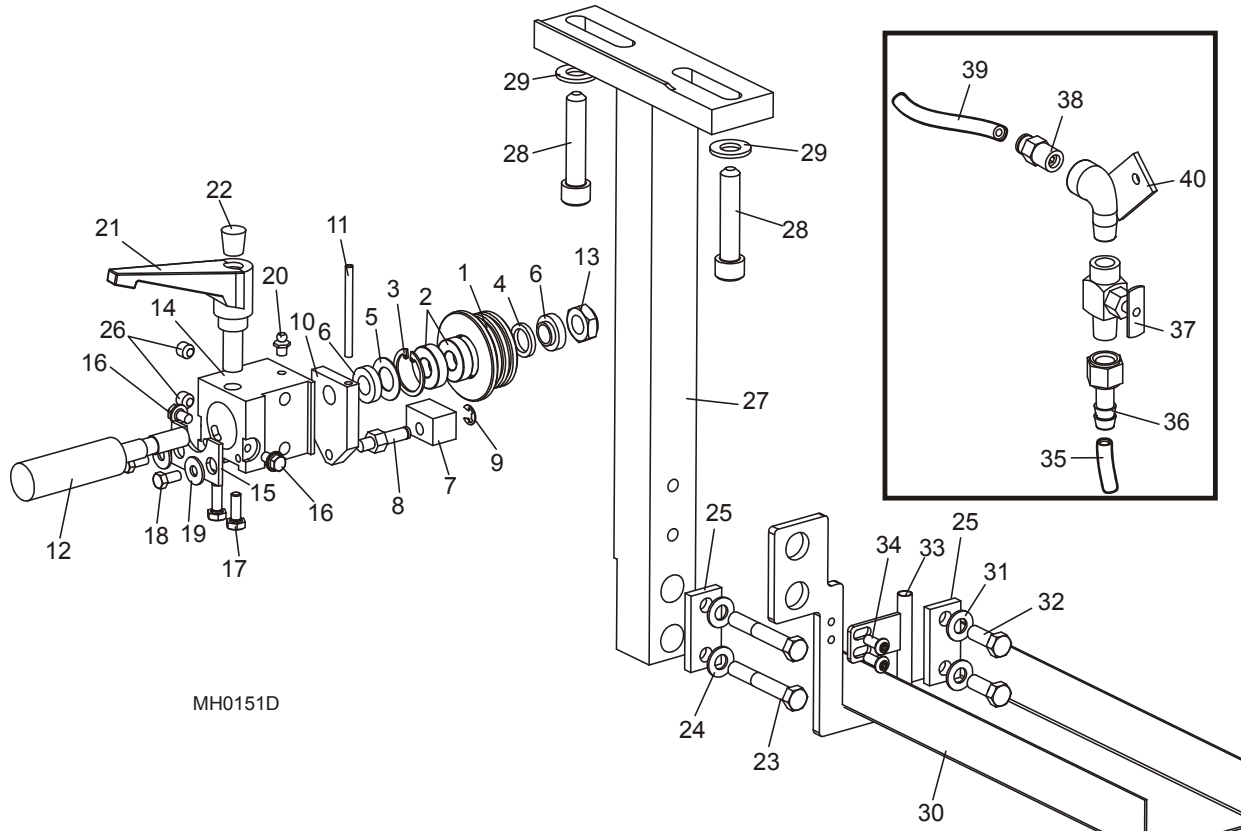
Saw Head Parts*Outer Blade Guide Assembly (1 1/4" Blade)*

13	Bolt, 1/4-20 x 1" Hex Head Grade 5	F05005-101	2	
14	Block, Blade Guide Mounting (Outer)	S22582	1	
15	Fitting, 1/4-28 Grease	P05060	1	
16	Handle, Blade Guide Adjustment	P22595	1	
17	Cap, Blade Guide Handle	P22668	1	
18	Screw, 3/8-24 x 3/8" Nylon Lock Set	F05007-89	2	
	Upgrade Kit, Blade Guide Rear Alignment Plate	A22420	1*	
19	Plate, Rear Blade Guide Alignment	S22584	1	◆
20	Screw, 1/4-20 x 3/8" Flanged	F05005-78	2	
21	Bolt, 1/4-20 x 3/4" Hex Head	F05005-1	2	
22	Bolt, 1/4-20 x 1/2" Hex Head	F05005-15	2	
23	Washer, 1/4" Flat	F05011-11	2	
	Instruction Sheet, Upgrade Kit, Blade Guide Rear Alignment	A22420-256	1	◆
24	Shaft, Blade Guide	S22405	1	
25	Washer, 3/8" SAE Flat	F05011-3	2	
26	Bolt, 3/8-24 x 2 1/2" Hex Head Grade 5	F05007-81	2	
27	ARM, OUTER BLADE GUIDE MOUNTING	W22412	1*	
28	WASHER, 1/2" SAE FLAT	F05011-2	2*	
29	BOLT, 1/2-20 X 1 1/2" SOCKET HEAD	F05008-44	2*	
30	PLATE, BLADE GUIDE WASHER	S22202	2*	
31	WASHER, 3/8" SAE FLAT	F05011-3	2*	
32	BOLT, 3/8-24 X 2 1/2" HEX HEAD GRADE 5	F05007-81	2*	
33	GUARD, OUTER BLADE GUIDE	W22416	1*	
34	BRACKET, WATER LUBE TUBE	W22413	1*	
35	SCREW, 1/4-20 X 5/8" BUTTON HEAD	F05005-63	2*	
36	HOSE, 3/8 I.D. X 1/2" O.D. PLASTIC	R01885	As Req'd	
37	FITTING, 1/4" FPT - 3/8" HOSE	P04688	1*	
38	VALVE, WATER SHUTOFF	P05680	1*	
39	ELBOW WELDMENT	W21568	1*	
40	FITTING, 1/4" NPT X 1/4" TUBE	P20903	1*	
41	HOSE, 1/4" O.D. PLASTIC	R01869	As Req'd	

¹ Blade Guide Roller Kit A04925 includes non-greaseable Blade Guide Roller A09678 (1/04). Rollers no longer require lubrication.

2.16 Outer Blade Guide Assembly (1 1/4" Blade)

Rev. A1.00 - A1.01



MH0151D

REF	DESCRIPTION (◆ Indicates Parts Available In Assemblies Only)	PART #	QTY. (*/head)	
	ROLLER ASSEMBLY, BLADE GUIDE WITH BEARINGS (1 1/4" BLADE)	A04925 ¹	1*	
1	Roller, Flanged Blade Guide	S04250	1	◆
	Bearing Kit, Blade Guide Rebuild	K07079	1	
2	Bearing, R8-2RS Blade Guide	015975	2	◆
3	Ring, 1 1/8" Interior Retaining	F04254-1	1	
4	Washer, 5/8" Gray Felt	P06455	1	
5	Washer, 5/8" White Felt	P04252	1	
6	SPACER, BLADE GUIDE	S04253	2	
7	BLOCK, THICK BLADE GUIDE (5/16" PIN - 1 1/4" BLADE)	P22629	1*	
	BLOCK, THIN BLADE GUIDE (3/16" PIN - 1 1/4" BLADE)²	P22634 ²	1*	
8	PIN, 5/16" DIA. (THICK BLOCK - 1 1/4" BLADE)	S22631	1*	
	PIN, 3/16" DIA. (THIN BLOCK - 1 1/4" BLADE)²	S22632 ²	1*	
9	CLIP, 5/16" DIA. "E"	P22635	1*	
	CLIP, 3/16" DIA. "E"²	P22599 ²	1*	
	PLATE ASSEMBLY, ADJUSTABLE BLADE GUIDE MOUNT	A22406	1*	

2

Saw Head Parts*Outer Blade Guide Assembly (1 1/4" Blade)*

10	Plate, Blade Guide Back Mounting	S22583	1	◆
11	Pin, 3/16" x 2 1/2" Roll	F05012-27	1	
12	SHAFT, BLADE GUIDE	S22405	1*	
13	NUT, 1/2-20 NYLON LOCK JAM	F05010-79	1*	
14	BLOCK, BLADE GUIDE MOUNTING (OUTER)	S22582	1*	
	UPGRADE KIT, BLADE GUIDE REAR ALIGNMENT PLATE	A22420	1*	
15	Plate, Rear Blade Guide Alignment	S22584	1	◆
16	Screw, 1/4-20 x 3/8" Flanged	F05005-78	2	
17	Bolt, 1/4-20 x 3/4" Hex Head	F05005-1	2	
18	Bolt, 1/4-20 x 1/2" Hex Head	F05005-15	2	
19	Washer, 1/4" Flat	F05011-11	2	
	Instruction Sheet, Upgrade Kit, Blade Guide Rear Alignment	A22420-256	1	◆
20	FITTING, 1/4-28 GREASE	P05060	1	
21	HANDLE, BLADE GUIDE ADJUSTMENT	P22595	1*	
22	BOOT, RUBBER	P22668 ³	1*	
23	BOLT, 3/8-24 X 2 1/2" HEX HEAD GRADE 5	F05007-81	2	
24	WASHER, 3/8" SAE FLAT	F05011-3	2	
25	PLATE, BLADE GUIDE WASHER	S22202	2	
26	SCREW, 3/8-24 X 3/8" NYLON LOCK SET	F05007-89	2	
27	ARM, OUTER BLADE GUIDE MOUNTING	W22412	1*	
28	BOLT, 1/2-20 X 1 1/2" SOCKET HEAD	F05008-44	2*	
29	WASHER, 1/2" SAE FLAT	F05011-2	2*	
30	GUARD, OUTER BLADE GUIDE	W22416	1*	
31	WASHER, 3/8" SAE FLAT	F05011-3	2*	
32	BOLT, 3/8-24 X 1" HEX HEAD	F05007-46	2*	
33	BRACKET, WATER LUBE TUBE	W22413	1*	
34	SCREW, 1/4-20 X 5/8" BUTTON HEAD	F05005-63	2*	
35	HOSE, 3/8 I.D. X 1/2" O.D. PLASTIC	R01885	As Req'd	
36	FITTING, 1/4" FPT - 3/8" HOSE	P04688	1*	
37	VALVE, WATER SHUTOFF	P05680	1*	
38	FITTING, 1/4" NPT X 1/4" TUBE	P20903	1*	
39	HOSE, 1/4" O.D. PLASTIC	R01869	As Req'd	
40	ELBOW WELDMENT	W21568	1*	

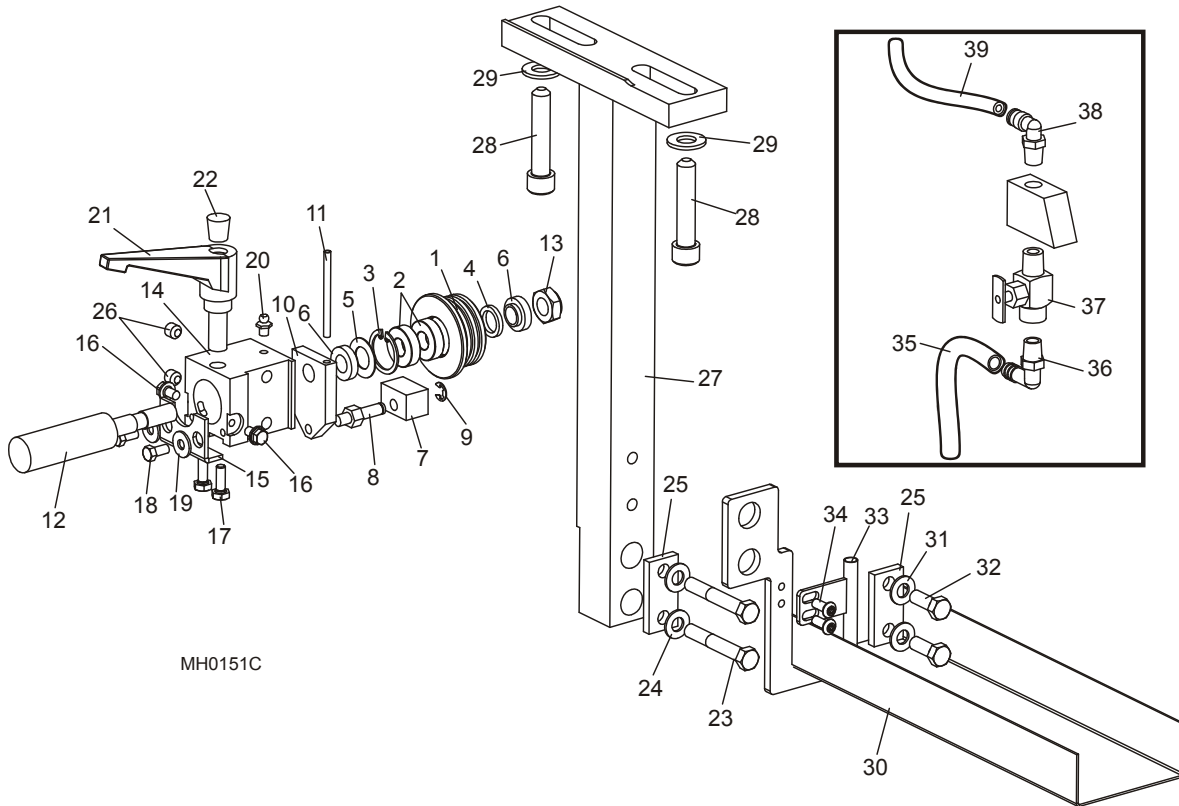
¹ Blade Guide Roller Kit A04925 includes non-greaseable Blade Guide Roller A09678 (1/04). Rollers no longer require lubrication.

² Alternate Block, Pin & Clip for use on last saw head outer blade guide. Will allow blade to be lowered closer to feed track.

³ P22668 changed from plastic cap to modified rubber boot P03807 to improve durability (4/00).

2.17 Outer Blade Guide Assembly (1 1/4" Blade)

5/91 - 6/95



MH0151C

REF	DESCRIPTION (◆ Indicates Parts Available In Assemblies Only)	PART #	QTY. (*/head)	
	ROLLER ASSEMBLY, BLADE GUIDE WITH BEARINGS (1 1/4" BLADE)	A04925	1*	
1	Roller, Flanged Blade Guide (1 1/4" Blade)	S04250	1	◆
	Bearing Kit, Blade Guide Rebuild	K07079	1	
2	Bearing, R8-2RS Blade Guide	015975 ¹	2	◆
3	Ring, 1 1/8" Interior Retaining	F04254-1	1	
4	Washer, 5/8" Gray Felt	P06455	1	
5	Washer, 5/8" White Felt	P04252	1	
6	SPACER, BLADE GUIDE	S04253	2	
7	BLOCK, THICK BLADE GUIDE (5/16" PIN - 1 1/4" BLADE)	P22629	1*	
	BLOCK, THIN BLADE GUIDE (3/16" PIN - 1 1/4" BLADE)²	P22634 ²	1*	
8	PIN, 5/16" DIA. (THICK BLOCK - 1 1/4" BLADE)	S22631	1*	
	PIN, 3/16" DIA. (THIN BLOCK - 1 1/4" BLADE)²	S22632 ²	1*	
9	CLIP, 5/16" DIA. "E"	P22635	1*	
	CLIP, 3/16" DIA. "E"²	P22599 ²	1*	
	PLATE ASSEMBLY, ADJUSTABLE BLADE GUIDE MOUNT	A22406	1*	

2

Saw Head Parts*Outer Blade Guide Assembly (1 1/4" Blade)*

10	Plate, Blade Guide Back Mounting	S22583	1	◆
11	Pin, 3/16" x 2 1/2" Roll	F05012-27	1	
12	SHAFT, BLADE GUIDE	S22405 ³	1*	
13	NUT, 1/2-20 NYLON LOCK JAM	F05010-79	1*	
14	BLOCK, BLADE GUIDE MOUNTING (OUTER)	S22582	1*	
	UPGRADE KIT, BLADE GUIDE REAR ALIGNMENT PLATE	A22420	1*	
15	Plate, Rear Blade Guide Alignment	S22584	1	◆
16	Screw, 1/4-20 x 3/8" Flanged	F05005-78	2	
17	Bolt, 1/4-20 x 3/4" Hex Head	F05005-1	2	
18	Bolt, 1/4-20 x 1/2" Hex Head	F05005-15	2	
19	Washer, 1/4" Flat	F05011-11	2	
	Instruction Sheet, Upgrade Kit, Blade Guide Rear Alignment	A22420-256	1	◆
20	FITTING, 1/4-28 GREASE	P05060	1	
21	HANDLE, BLADE GUIDE ADJUSTMENT	P22595	1*	
22	BOOT, RUBBER	P22668 ⁴	1*	
23	BOLT, 3/8-24 X 2 1/2" HEX HEAD GRADE 5	F05007-81	2	
24	WASHER, 3/8" SAE FLAT	F05011-3	2	
25	PLATE, BLADE GUIDE WASHER	S22202	2	
26	SCREW, 3/8-24 X 3/8" NYLON LOCK SET	F05007-89	2	
27	ARM, OUTER BLADE GUIDE MOUNTING	W22412	1*	
28	BOLT, 1/2-20 X 1 1/2" SOCKET HEAD	F05008-44	2*	
29	WASHER, 1/2" SAE FLAT	F05011-2	2*	
30	GUARD, OUTER BLADE GUIDE	W22416	1*	
31	WASHER, 3/8" SAE FLAT	F05011-3	2*	
32	BOLT, 3/8-24 X 1" HEX HEAD	F05007-46	2*	
33	BRACKET, WATER LUBE TUBE	W22413	1*	
34	SCREW, 1/4-20 X 5/8" BUTTON HEAD	F05005-63	2*	
35	HOSE, 3/8 I.D. X 1/2" O.D. PLASTIC	R01885	As Req'd	
36	FITTING, 1/4" NPT - 3/8" TUBE PLASTIC ELBOW	P04730	1	
37	VALVE, WATER SHUTOFF	P05680	1	
38	FITTING, 1/4" NPT - 1/4" TUBE ELBOW	P21519	1	
39	HOSE, 1/4" O.D. PLASTIC	R01869	As Req'd	

¹ Sealed bearing replaces greasable-type bearing M04902 (4/98). If applicable, use set screw F05005-105 to plug grease fitting hole in blade guide mounting bolt S22405.

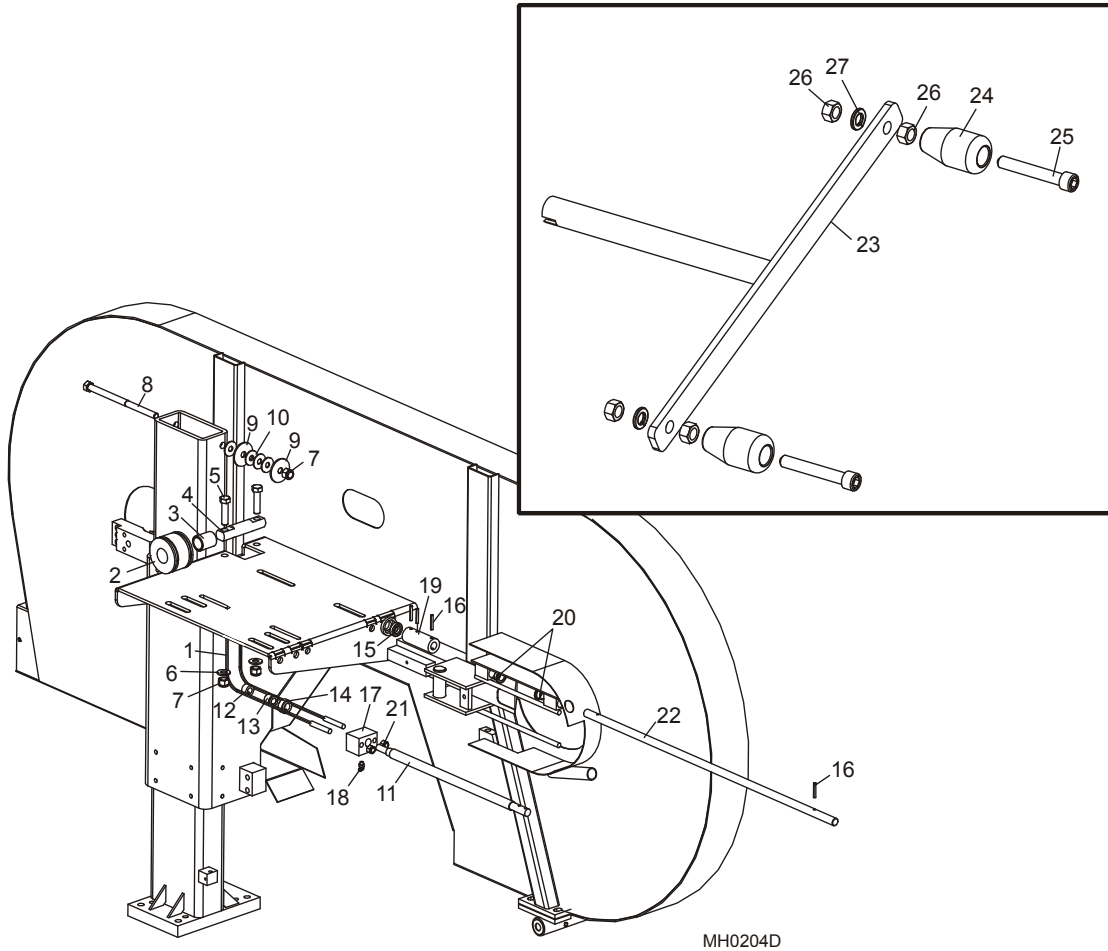
² Alternate Block, Pin & Clip for use on last saw head outer blade guide. Will allow blade to be lowered closer to feed track.

³ Grease fitting hole removed from S22405 mounting bolt 4/98. New-style bolt requires sealed bearings 015975.

⁴ P22668 changed from plastic cap to modified rubber boot P03807 to improve durability (4/00).

2.18 Up/Down Assembly

Serial No. 189+



MH0204D

REF	DESCRIPTION (◆ Indicates Parts Available In Assemblies Only)	PART #	QTY. (* /head)
	UP/DOWN ASSEMBLY	A22460	1*
1	Cable, MultiHead Up/Down	S22307	1
2	Pulley, 2-Groove Up/Down Cable	S22205	1
3	Bushing, 1" x 1 1/4" x 1 1/2" Bronze	P05041	1
4	Pin, Cable Pulley Mount	S22203	1
5	Bolt, 1/2-13 x 2" Hex Head Full Thread	F05008-8	2
6	Washer, 1/2" SAE Flat	F05011-2	2
7	Nut, 1/2-13 Hex Nylon Lock	F05010-8	3
8	Bolt, 1/2-13 x 8" Hex Head Grade 5	F05008-69	1
9	Washer, 1/2" I.D. x 2" O.D. Fender	F05011-38	2
10	Washer, 7/16" Standard Flat	F05011-35	4
11	Rod, Up/Down Threaded	S22208	1

2

Saw Head Parts

Up/Down Assembly

12	Collar, 1/2" I.D. Shaft	014820 ¹	1	
13	Bushing, 1/2" x 3/4" Flanged Bronze	P22317	1	
14	Collar, 5/8" I.D. Shaft	P05035	1	
15	Bearing, 5/8" Thrust	P04214	1	
16	Pin, 3/16" x 1 1/4" Roll	F05012-16	4	
17	Block, Up/Down Threaded	S22209	1	
18	Fitting, 1/4-28 90° Grease	P04108	1	
19	Coupling, Up/Down Crank	S22476	1	
20	Bushing, .635 ID x .750 OD Nylon Flanged	P22478 ²	2	
21	Nut, 3/8-16 Hex Nylon Lock	F05010-10	2	
22	Shaft, Up/Down Adjustment	S22475	1	
	CRANK HANDLE ASSEMBLY	033251 ³	1	
23	Handle Weldment, Crank	033253	1	
24	Knob, 3/8" Bore Tapered Plastic	060170 ⁴	2	
25	Screw, 3/8-16 x 3 1/2" Socket Head Cap	F05007-111 ⁴	2	
26	Nut, 3/8-16 Jam	F05010-29	4	
27	Washer, 3/8" Split Lock	F05011-4	2	

¹ Replaces P22315 originally supplied before 4/02.

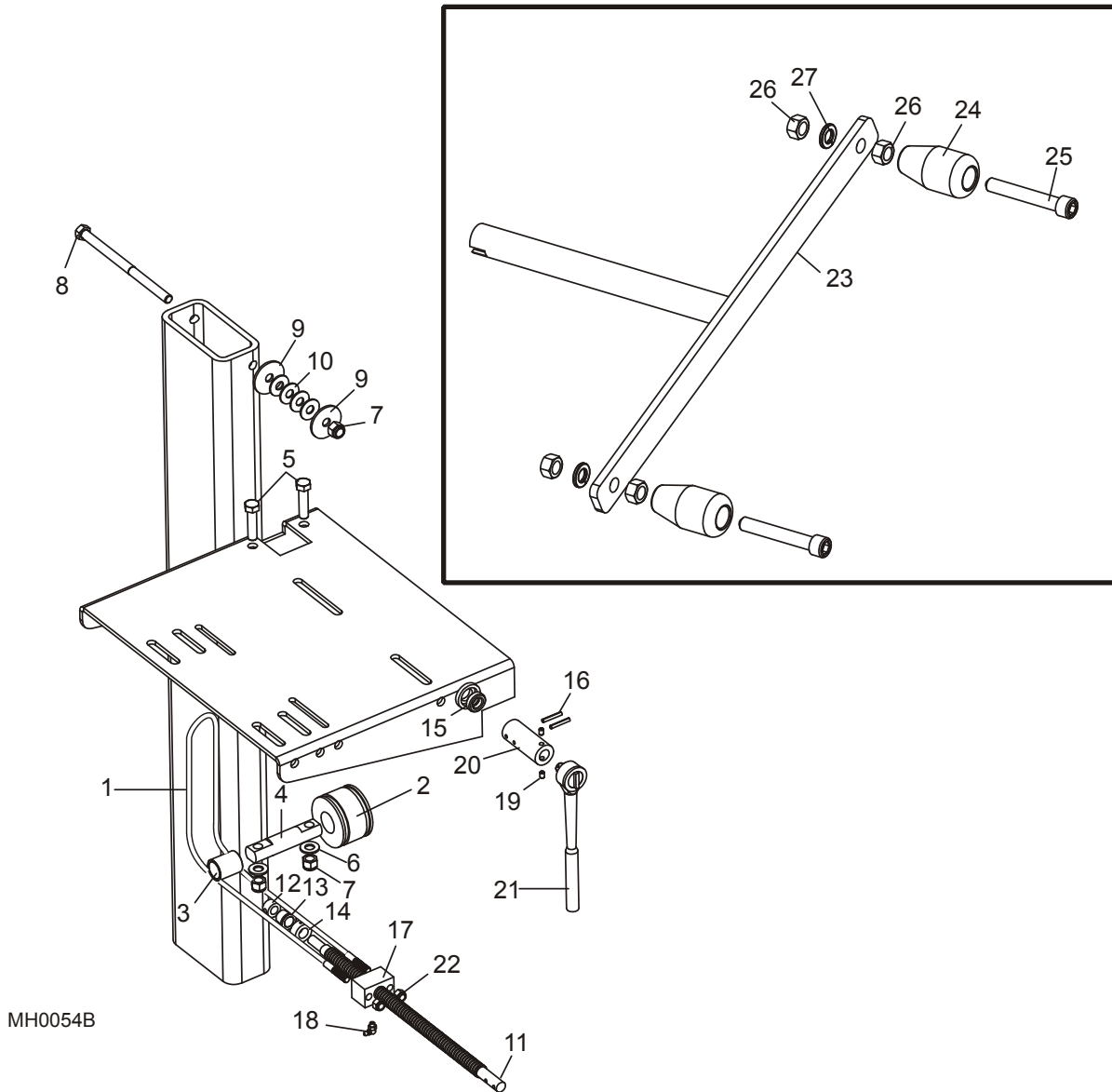
² Replaces P04652 originally supplied before 9/94.

³ Dual-Action Handle replaces Single-Action Handle A09432 supplied prior to 11/99.

⁴ Knob 060170 replaces S08291-W originally supplied (requires longer bolt F05007-111).

2.19 Up/Down Assembly

Serial No. 001 - 188



REF	DESCRIPTION (◆ Indicates Parts Available In Assemblies Only)	PART #	QTY. (* /head)
	UP/DOWN ASSEMBLY	A22226 ¹	1*
1	Cable, MultiHead Up/Down	S22307	1
2	Pulley, 2-Groove Up/Down Cable	S22205	1
3	Bushing,	P05041	1
4	Pin, Cable Pulley Mount	S22203	1
5	Bolt, 1/2-13 x 2" Hex Head Full Thread	F05008-8	2

2

Saw Head Parts

Up/Down Assembly

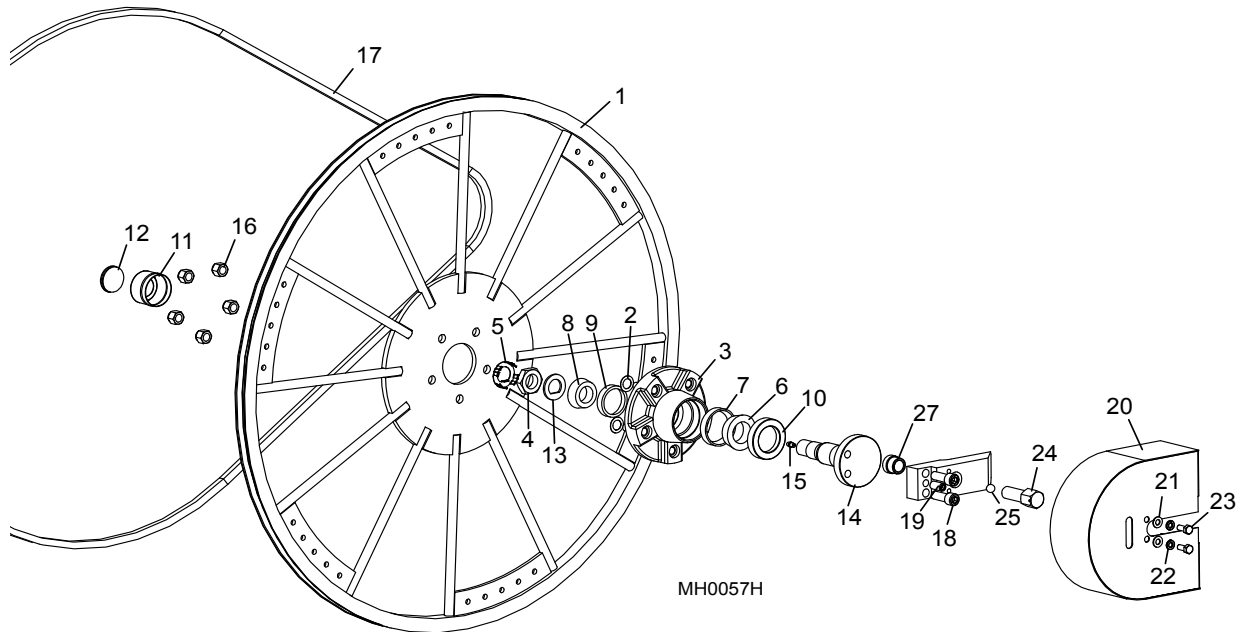
6	Washer, 1/2" SAE Flat	F05011-2	2	
7	Nut, 1/2-13 Hex Nylon Lock	F05010-8	3	
8	Bolt, 1/2-13 x 8" Hex Head Grade 5	F05008-69	1	
9	Washer, 1/2" I.D. x 2" O.D. Fender	F05011-38	2	
10	Washer, 7/16" Standard Flat	F05011-35	4	
11	Rod, Up/Down Threaded	S22208	1	
12	Collar, 1/2" I.D. Shaft	P22315	1	
13	Bushing, 1/2" x 3/4" Flanged Bronze	P22317	1	
14	Collar, 5/8" I.D. Shaft	P05035	1	
15	Bearing, 5/8" Thrust	P04214	1	
16	Pin, 3/16" x 1 1/4" Roll	F05012-16	2	
17	Block, Up/Down Threaded	S22209	1	
18	Fitting, 1/4-28 90° Grease	P04108	1	
19	Screw, 1/4-20 x 3/8" Socket Head Cup Point Set	F05005-47	2	
20	Adaptor, Up/Down Ratchet	S22211	1	
21	Handle, Up/Down 1/2" Ratchet Drive	P22308	1	
22	Nut, 3/8-16 Hex Nylon Lock	F05010-10	2	
	CRANK HANDLE ASSEMBLY	033251 ²	1	
23	Handle Weldment, Crank	033253	1	
24	Knob, 3/8" Bore Tapered Plastic	060170 ³	2	
25	Screw, 3/8-16 x 3 1/2" Socket Head Cap	F05007-111 ³	2	
26	Nut, 3/8-16 Jam	F05010-29	4	
27	Washer, 3/8" Split Lock	F05011-4	2	

¹ Use kit A22783 to upgrade Up/Down assembly to crank-style handle ([See Section 2.18](#)).

² Dual-Action Handle replaces Single-Action Handle A09432 originally supplied.

³ Knob 060170 replaces S08291-W originally supplied (requires longer bolt F05007-111).

2.20 Blade Wheel Assembly (Drive Side)



REF	DESCRIPTION (◆ Indicates Parts Available In Assemblies Only)	PART #	QTY. (*/head)	
1	WHEEL, 34" MULTIHEAD BLADE (25HP)	033390	1*	
	WHEEL, 34" MULTIHEAD BLADE (15HP)	S22066	1*	
	HUB ASSEMBLY, MULTIHEAD BLADE WHEEL	A22608 ¹	1*	
2	Shim, Blade Wheel Balancing	P22611	2	
3	Hub, MultiHead Blade Wheel	022106 ¹	1	◆
	Nut Assembly, Spindle w/Retainer	007656 ²	1	
4	Nut, 1-14 Spindle	007654	1	◆
5	Retainer, Spindle Nut	007655	1	◆
	Bearing Kit, MultiHead Hub Replacement	A22594	1	
6	Bearing, Large Hub	P22572-1	1	◆
7	Sleeve, Large Hub Bearing	P22572-2	1	◆
8	Bearing, Small Hub	P22573-1	1	◆
9	Sleeve, Small Hub Bearing	P22573-2	1	◆
10	Seal, Rear Hub Bearing	P22574	1	
	Instruction Sheet, Hub Bearing Replacement	A22594-413	1	
	Cover Assembly, Hub Bearing Dust	A22613	1	
11	Cover, Hub Bearing Dust	P22610	1	◆
12	Insert, Rubber Hub Bearing Cover	P22612	1	◆
13	Washer, #5-23 Dexter Flat	022105	1	
	Spindle Assembly, MultiHead Blade Wheel w/Lube Fitting	022263-1 ³	1	

2

Saw Head Parts Blade Wheel Assembly (Drive Side)

14	Spindle, MultiHead Blade Wheel	S22264	1	◆
15	Fitting, 1/4-28 Grease	P05060	1	
16	Nut, 1/2-20 Hex Nylon Lock	F05010-15 ⁴	5	
17	BELT, 5VX1210 (25HP)	033389 ⁵	1	
	BELT, BX120 (15HP)	P22305	1	
18	SCREW, 1/2-20 X 1 1/2" SOCKET HEAD CAP	F05008-44	2*	
19	SCREW, 1/2-13 X 1" OVAL POINT SET NYLON LOCK	F05008-9	1*	
20	COVER WELDMENT, DRIVE SIDE BLADE WHEEL HUB	W22061	1*	
21	WASHER, 5/16" SAE FLAT	F05011-17	2*	
22	WASHER, 5/16" SPLIT LOCK	F05011-13	2*	
23	BOLT, 5/16-18 X 3/4" HEX HEAD GRADE 2	F05006-5	2*	
	HANDLE ASSEMBLY, DRIVE WHEEL TILT	A11309 ⁶	1*	
24	Screw, Cant Adjustment	S11058	1	◆
25	Ball, 1/2" Diameter Detent	P02720	1	
26	BUSHING, 3/4-32 THREADED	S22786 ⁷	1*	

¹ Includes machined hub 022106. New hub provides longer wear life than welded part W22217 originally supplied.

² Nut Assembly 007656 replaces Castle Nut P22776 and Dexter Tang Washer P22686 (10/09). Old nut and retainer no longer available and are not interchangeable with the new nut or retainer. Replace nut and retainer with assembly 007656.

³ Replaces A22777 (10/94) and P22263 (12/96). One piece spindle is more durable and includes lubrication fitting.

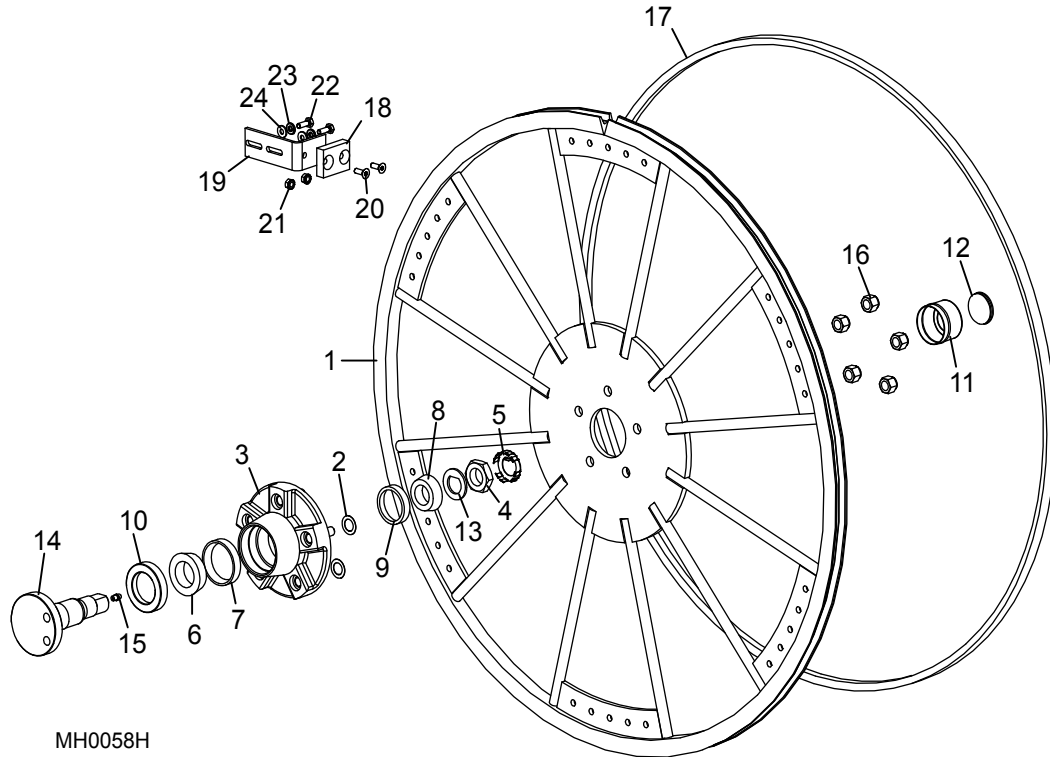
⁴ Replaces P04931 (12/99) and P04646 (5/01) previously supplied.

⁵ Belt changed from 5VX1230 to 5VX1210 (12/99) and replaced on all existing MultiHeads with old belt. Pulley 033248 also changed from 25V590SDS to 1/5V5.9SDS.

⁶ Handle Pin S22903 removed 9/99.

⁷ Bushing is welded to C-frame block. Factory removal and installation recommended.

2.21 Blade Wheel Assembly (Idle Side)



MH0058H

REF	DESCRIPTION (◆ Indicates Parts Available In Assemblies Only)	PART #	QTY. (* /head)	
1	WHEEL, 34" MULTIHEAD BLADE (25HP)	033390	1*	
	WHEEL, 34" MULTIHEAD BLADE (15HP)	S22066	1*	
	HUB ASSEMBLY, MULTIHEAD BLADE WHEEL	A22608 ¹	2*	
2	Shim, Blade Wheel Balancing	P22611	2	
3	Hub, MultiHead Blade Wheel	022106 ¹	1	◆
	Nut Assembly, Spindle w/Retainer	007656 ²	1	
4	Nut, 1-14 Spindle	007654	1	◆
5	Retainer, Spindle Nut	007655	1	◆
	Bearing Kit, MultiHead Hub Replacement	A22594	1	
6	Bearing, Large Hub	P22572-1	1	◆
7	Sleeve, Large Hub Bearing	P22572-2	1	◆
8	Bearing, Small Hub	P22573-1	1	◆
9	Sleeve, Small Hub Bearing	P22573-2	1	◆
10	Seal, Rear Hub Bearing	P22574	1	
	Instruction Sheet, Hub Bearing Replacement	A22594-413	1	
	Cover Assembly, Hub Bearing Dust	A22613	1	
11	Cover, Hub Bearing Dust	P22610	1	◆
12	Insert, Rubber Hub Bearing Cover	P22612	1	◆

2

Saw Head Parts*Blade Wheel Assembly (Idle Side)*

13	Washer, #5-23 Dexter Flat	022105	1	
	Spindle Assembly, MultiHead Blade Wheel w/Lube Fitting	022263-1 ³	1	
14	Spindle, MultiHead Blade Wheel	S22264	1	◆
15	Fitting, 1/4-28 Grease	P05060	1	
16	Nut, 1/2-20 Hex Nylon Lock	F05010-15 ⁴	5	
17	BELT, 5VX1080 (25HP)	033391	1	
	BELT, BX105 (15HP)	P22306	1	
	BRAKE PAD ASSEMBLY	A22520	1*	
	Brake Pad Assembly	A22901	1	◆
18	Pad, Wheel Brake	S22200	1	
19	Bracket, Brake Pad Mount	S22201	1	
20	Screw, 1/4-20 x 3/4" Flat Socket Head	F05005-70	2	
21	Nut, 1/4-20 Hex Self-Locking	F05010-9	2	
22	Bolt, 1/4-20 x 1" Hex Head Full Thread	F05005-1	2	
23	Washer, 1/4" Split Lock	F05011-14	2	
24	Washer, 1/4" SAE Flat	F05011-11	2	

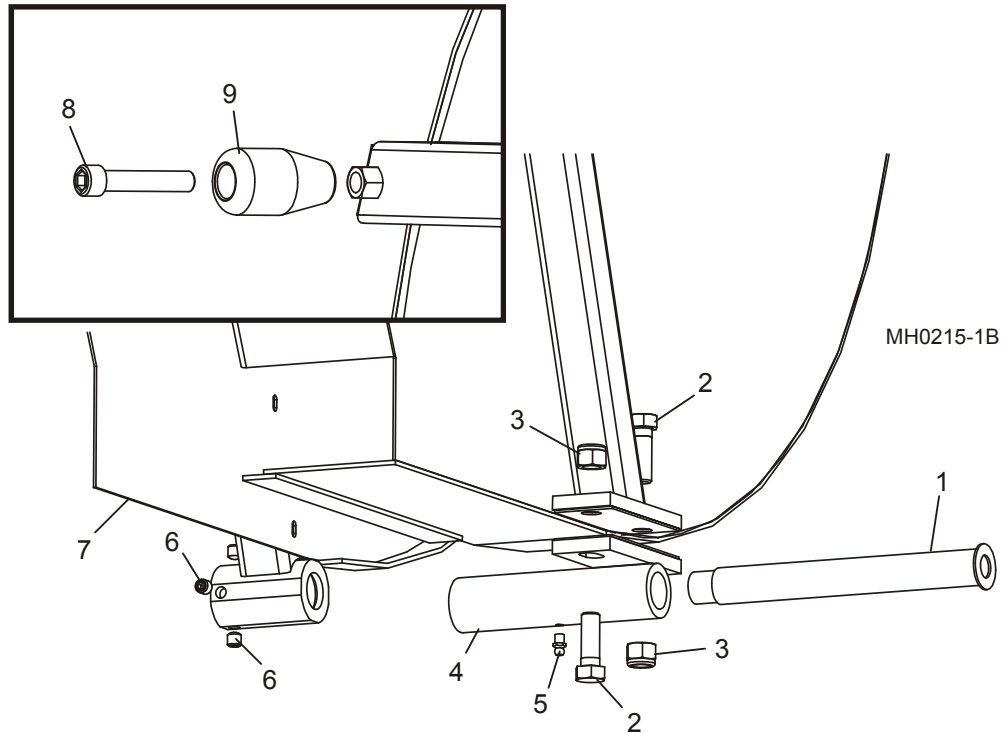
¹ Includes machined hub 022106. New hub provides longer wear life than welded part W22217 originally supplied.

² Nut Assembly 007656 replaces Castle Nut P22776 and Dexter Tang Washer P22686 (10/09). Old nut and retainer no longer available and are not interchangeable with the new nut or retainer. Replace nut and retainer with assembly 007656.

³ Replaces A22777 (10/94) and P22263 (12/96). One piece spindle is more durable and includes lubrication fitting.

⁴ Replaces P04931 (12/99) and P04646 (5/01) previously supplied.

2.22 Blade Housing Cover



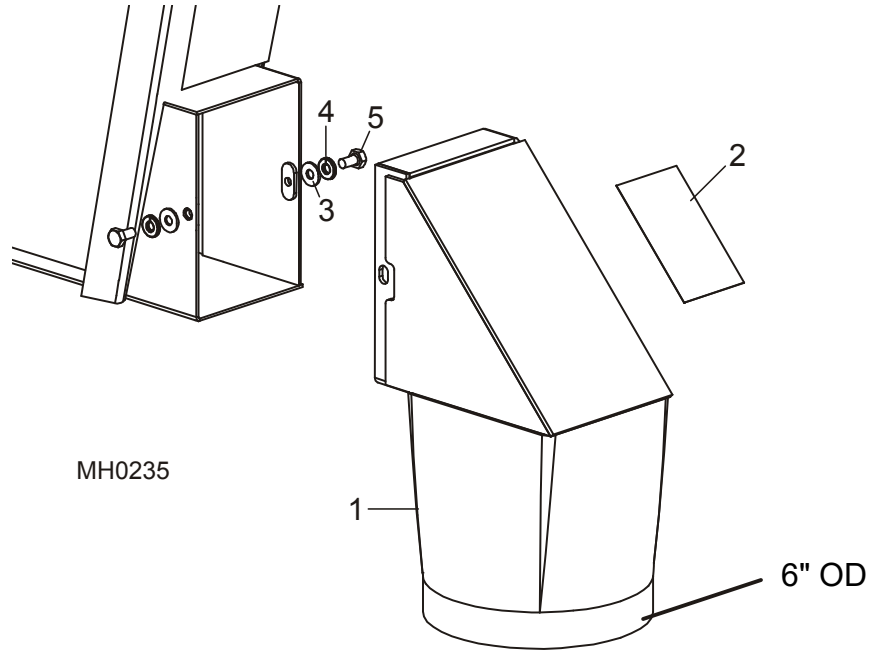
REF	DESCRIPTION (◆ Indicates Parts Available In Assemblies Only)	PART #	QTY. (* /head)
1	PIN WELDMENT, COVER PIVOT	W22064	1
2	BOLT, 1/2-13 X 1 1/2" HEX HEAD UNPLATED	F05008-3	2
3	NUT, 1/2-13 HEX NYLON LOCK	F05010-8	2
4	TUBE WELDMENT, COVER PIVOT	W22623	1
5	FITTING, 1/4-28 GREASE	P05060	1
6	SCREW, 3/8-16 X 3/8" SOCKET HEAD OVAL POINT SET	F05007-13	4
7	COVER WELDMENT, MULTIHEAD BLADE HOUSING (12" THROAT)	W22435	1
	COVER WELDMENT, MULTIHEAD BLADE HOUSING (8" THROAT)	W22098	1
8	BOLT, 3/8-16 X 3 1/2" SOCKET HEAD	F05007-111 ¹	1
9	KNOB, COVER PIVOT	060170 ¹	1

¹ Knob 060170 replaces S08291-W originally supplied (requires longer bolt F05007-111).

2 Saw Head Parts

Sawdust Chute

2.23 Sawdust Chute

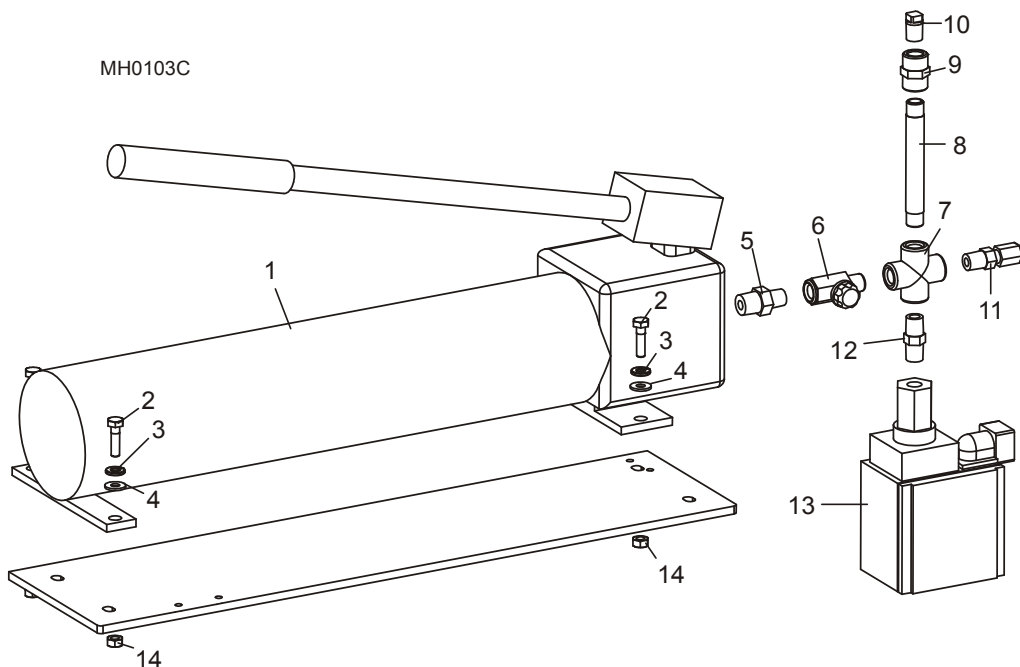


REF	DESCRIPTION (◆ Indicates Parts Available In Assemblies Only)	PART #	QTY. (* /head)
1	CHUTE WELDMENT, SAWDUST EXTENSION	W22556	1
2	DECAL, SAWDUST CHUTE WARNING	P11754	1
3	WASHER, 1/4" SAE FLAT	F05011-11	2
4	WASHER, 1/4" SPLIT LOCK	F05011-14	2
5	BOLT, 1/4-20 X 1/2" HEX HEAD	F05005-15	2

SECTION 3 FEED TRACK/FRAME PARTS

3.1 Hydraulic Blade Tensioner Assembly

Rev A1.00 (01/00) +



REF	DESCRIPTION (◆ Indicates Parts Available In Assemblies Only)	PART #	QTY.	
1	PUMP, HYDRAULIC 2-STAGE HAND	P22302	1	
	PUMP, HYDRAULIC 2-STAGE HAND (5-6 HEADS)	P22310 ¹	1	◆
2	BOLT, 1/4-20 X 1" HEX HEAD	F05005-101	4	
3	WASHER, 1/4" SPLIT LOCK	F05011-14	4	
4	WASHER, 1/4" SAE FLAT	F05011-11	4	
5	FITTING, 3/8" NPT - 1/4" NPT STRAIGHT	P05381	1	
6	VALVE, HYDRAULIC SHUTOFF	P22314	1	
7	FITTING, 1/4" NPT CROSS	P22311	1	
8	FITTING, 1/4" NPT X 4" NIPPLE	016428	1	
9	FITTING, 1/4" NPT COUPLING	P03420	1	
10	PLUG, 1/4" NPT PIPE	P05498 ²	1	
11	FITTING, 1/4" NPT X 1/4" TUBE	P22518	1	
12	FITTING, 1/4" NPT STRAIGHT	P05389	1	
13	SWITCH, HYDRAULIC PRESSURE SHUT-OFF	E22726 ³	1	
14	NUT, 1/4-20 HEX	F05010-63	4	

¹ P22310 Hand Pump used on 5 & 6 head machines prior to Rev. A3.00 and is no longer available. Use P22302.

² Replaced P10052 3000 PSI Hydraulic Gauge (Rev. A2.01).

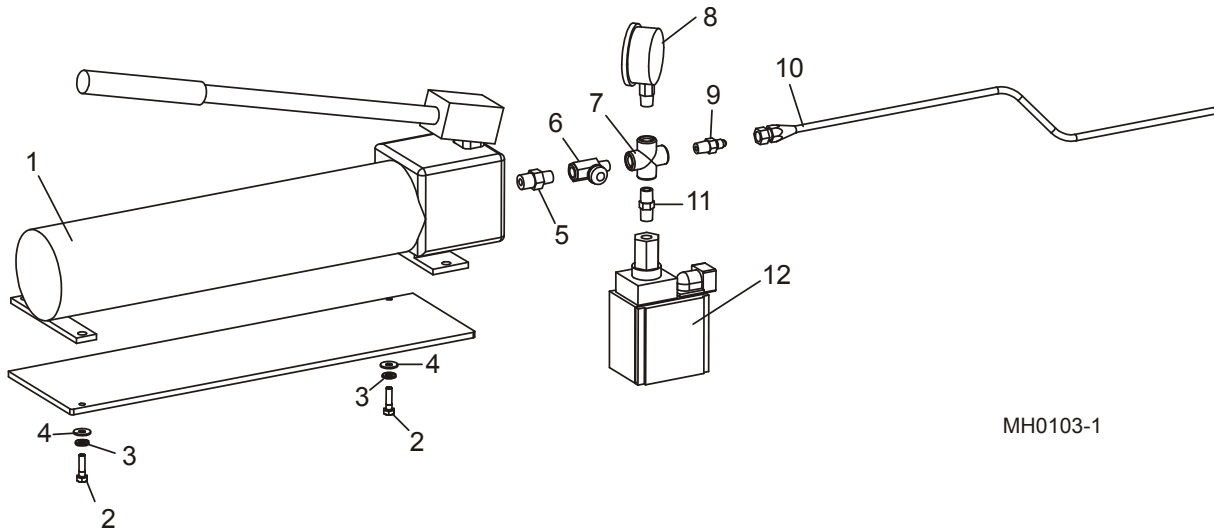
³ Switch E22726 changed by manufacturer 4/11. New switch has straight wire connection. Replace fitting on connecting harness with swivel connector 051750.

3 Feed Track/Frame Parts

Hydraulic Blade Tensioner Assembly

3.2 Hydraulic Blade Tensioner Assembly

Serial No. 001 - 248 (5/91 - 6/95)

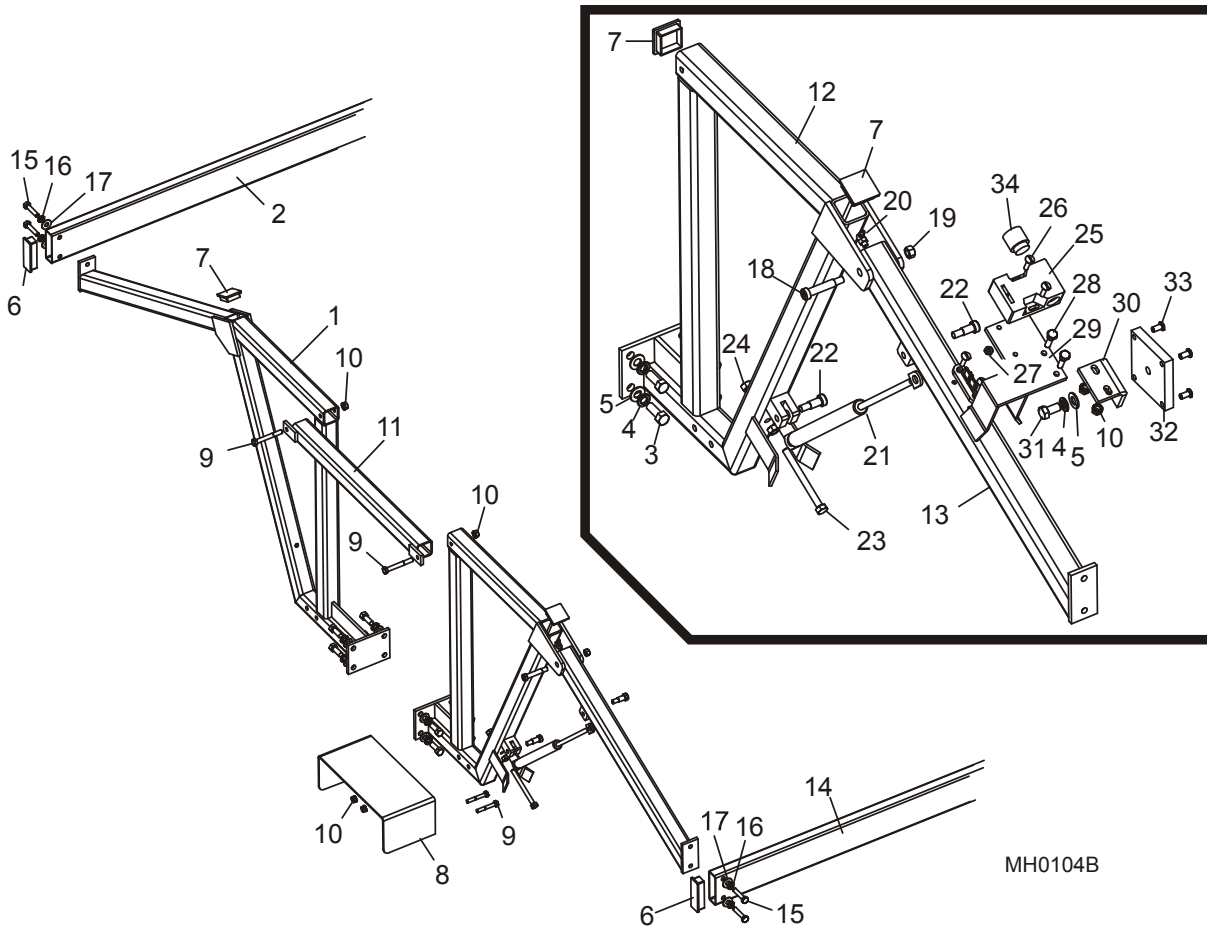


MH0103-1

REF	DESCRIPTION (◆ Indicates Parts Available In Assemblies Only)	PART #	QTY.
1	PUMP, HYDRAULIC 2-STAGE HAND (1-4 HEADS)	P22302	1
	PUMP, HYDRAULIC 2-STAGE HAND (5-6 HEADS)	P22310	1
2	BOLT, 1/4-20 X 1" HEX HEAD	F05005-101	2
3	WASHER, 1/4" SPLIT LOCK	F05011-14	2
4	WASHER, 1/4" SAE FLAT	F05011-11	2
5	FITTING, 3/8" NPT - 1/4" NPT STRAIGHT	P05381	1
6	VALVE, HYDRAULIC SHUTOFF	P22314	1
7	FITTING, 1/4" NPT CROSS	P22311	1
8	GAUGE, 3000 PSI HYDRAULIC	P10052	1
9	FITTING, 1/4" NPT - 1/4" TUBE	P05390	1
10	HOSE, 1/4" X 28" HYDRAULIC	P05391	2
11	FITTING, 1/4" NPT STRAIGHT	P05389	1
12	SWITCH, HYDRAULIC PRESSURE SHUT-OFF	E22726 ¹	1

¹ Switch E22726 changed by manufacturer 4/11. New switch has straight wire connection. Replace fitting on connecting harness with swivel connector 051750.

3.3 Perimeter Fence Assembly



MH0104B

REF	DESCRIPTION (◆ Indicates Parts Available In Assemblies Only)	PART #	QTY.
1	BRACKET, FIXED PERIMETER FENCE MOUNT	W22168	2
2	TUBE, FIXED PERIMETER FENCE	S22167-X*	1
3	BOLT, 3/8-16 X 1" HEX HEAD	F05007-7	16
4	WASHER, 3/8" SPLIT LOCK	F05011-4	17
5	WASHER, 3/8" SAE FLAT	F05011-3	17
6	PLUG, 1" X 3" PLASTIC	P22522	4
7	PLUG, 1 1/2" SQUARE PLASTIC	P22321	5
8	GUARD WELDMENT, REMOTE CONTROL SWITCH	W22081	1
9	BOLT, 5/16-18 X 2 1/2" HEX HEAD	F05006-10	4
10	NUT, 5/16-18 SELF-LOCKING HEX	F05010-20	4
11	TUBE, PERIMETER FENCE CROSS	W22185	1
12	BRACKET, SWINGING PERIMETER FENCE MOUNT	W22441	2
13	ARM, SWINGING PERIMETER FENCE	W22179	2

3

Feed Track/Frame Parts

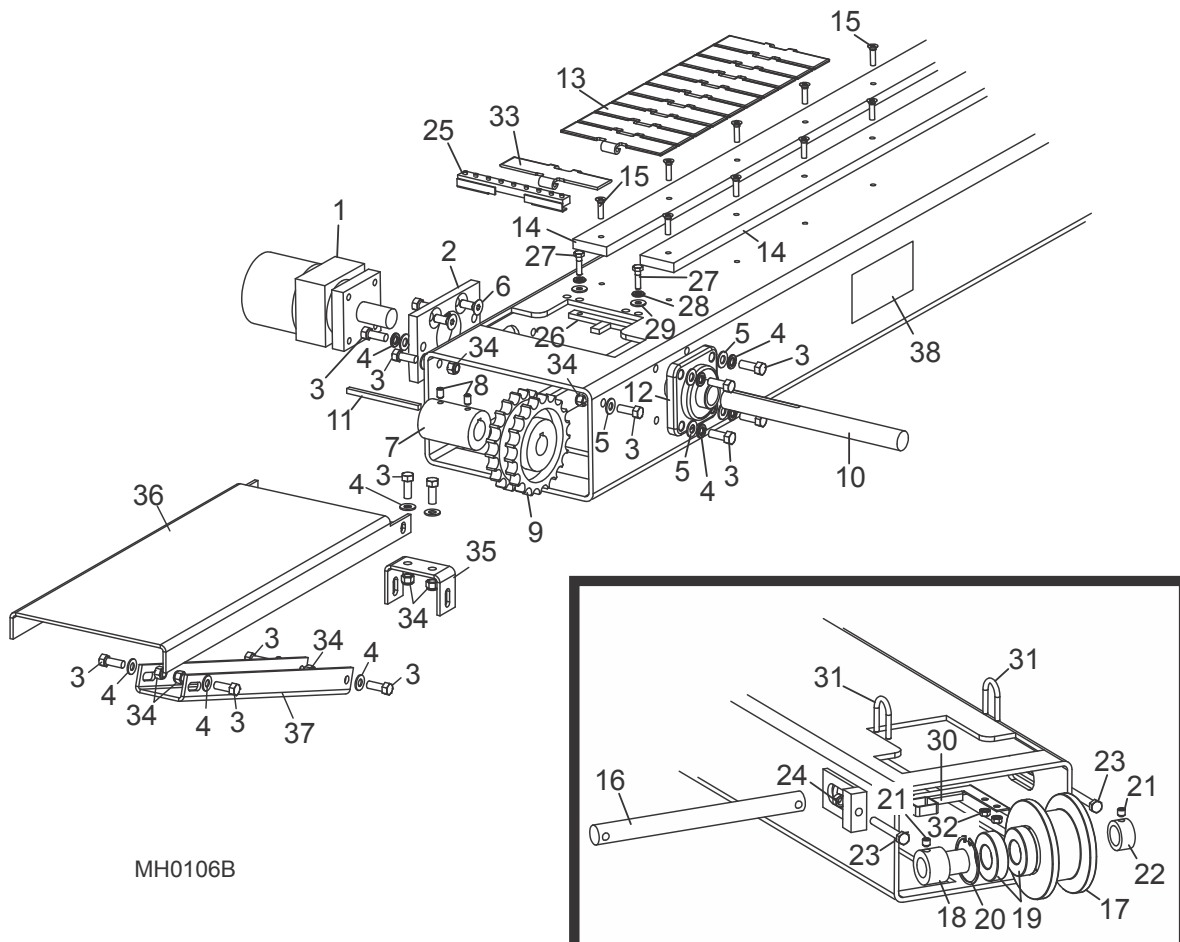
Perimeter Fence Assembly

14	TUBE, SWINGING PERIMETER FENCE	S22164-X*	1	
15	BOLT, 5/16-18 X 1 1/2" HEX HEAD FULL THREAD	F05006-2	8	
16	WASHER, 5/16" SPLIT LOCK	F05011-13	8	
17	WASHER, 5/16" SAE FLAT	F05011-17	8	
18	BOLT, 3/8" X 2" SHOULDER (5/16-18 THREAD)	F05006-26	2	
19	NUT, 5/16-18 LOCK	F05010-6	2	
20	FITTING, 1/4-28 90°GREASE	P04108	2	
21	PISTON, PERIMETER FENCE GAS	P22309	2	
22	BOLT, 3/8" X 5/8" SHOULDER (5/16-18 THREAD)	F05007-79	4	
23	BOLT, 5/16-18 X 3 1/2" HEX HEAD FULL THREAD	F05006-3	2	
24	NUT, 5/16-18 HEX	F05010-17	4	
25	SWITCH, PERIMETER FENCE SAFETY	E22711 ¹	1	
	KEY, PERIMETER SAFETY	E22711-1 ¹	1	
26	SCREW, #10-24 X 7/8" SLOTTED ROUND HEAD	F05004-33	4	
27	NUT, #10-24 SELF-LOCKING HEX	F05010-14	2	
28	BOLT, 1/4-20 X 1" HEX HEAD GRADE 5	F05005-101	2	
29	BRACKET, PERIMETER FENCE SAFETY SWITCH MOUNTING	W22246	1	
30	BRACKET, PERIMETER FENCE SWITCH "L"	S22243	1	
31	BOLT, 3/8-16 X 3/4" HEX HEAD GRADE 2	F05007-27	1	
32	PLATE, PERIMETER FENCE SAFETY SWITCH	033398 ²	1	
	PLATE, PERIMETER FENCE SAFETY SWITCH	S22244 ²	1	
33	SCREW, 1/4-20 X 1/2" BUTTON SOCKET HEAD	F05005-59	4	
34	FITTING, C10 - 1/2" NPT ADAPTOR	P22696	1	
*X =Number Of Saw Heads				

¹ Switch and Key purchased as two separate parts 3/00.

² Use 033398 plate for Rev. A1.00 and later. Use S22244 plate for previous revisions. Electrical control cabinet relocated, requiring thicker mounting plate for perimeter fence switch.

3.4 Feed Track Assembly



REF	PART #	DESCRIPTION	COMMENTS	QTY.
1	P20206	MOTOR, MG10-13-10AAAAB HYDRAULIC		1
	061136	Kit, Hydraulic Motor Seal		1
2	S20173	PLATE, FEED TRACK MOTOR MOUNT		1
3	F05007-7	BOLT, 3/8-16 X 1" HEX HEAD		14
4	F05011-4	WASHER, 3/8" SPLIT LOCK		6
5	F05011-3	WASHER, 3/8" SAE FLAT		14
6	F05007-64	SCREW, 3/8-16 X 1" FLAT SOCKET HEAD		4
7	S20185	COUPLING, FEED TRACK MOTOR SHAFT		1
8	F05006-38	SCREW, 5/16-18 X 1/2" SOCKET HEAD SET		2
9	P20202	SPROCKET, 21-22T FEED TRACK DRIVE		1
10	S22428	SHAFT, FEED TRACK DRIVE		1
11	S22440	KEY, 1/4" SQUARE X 4.25"		1
12	P20201	BEARING, VJC 1 FLANGED		1
13	P22427 (10 Ft.)	CHAIN, 7 1/2" FLAT FEED	1/2 Head machines require 23' of track chain; 3/4 Heads , 34'; 5/6 Heads, 46'.	As Req'd
	079207 (1 Ft.)	Chain, 7.5" Flat Feed Track		As Req'd

3

Feed Track/Frame Parts

Feed Track Assembly

REF	PART #	DESCRIPTION	COMMENTS	QTY.
	022424	Pin, Track Link Connecting		As Req'd
14	P20204 (10 Ft.)	CHAIN, 6" FLAT FEED TRACK	Alt. part for 8" MH before 11/99.	As Req'd ¹
	079271 (1 Ft.)	Chain, Flat Feed, 6 X 1Foot Long w/pin		As Req'd
	022424	Pin, Track Link Connecting		As Req'd
15		FEED TRACK NYLON PADS (See Section 3.4)		
16	F05005-207	BOLT, 1/4-20 X 3/4" HEX HEAD W/WASHER&PATCH		As Req'd
17	S22425	SHAFT, FEED TRACK IDLE		1
	S20285	SHAFT, FEED TRACK IDLE (6" TRACK)	Alt. part for 8" MH before 11/99.	1
18	S20282	PULLEY, FEED TRACK IDLE		1
19	S20286	BUSHING, FEED TRACK IDLE		1
20	P11035	BEARING, 6206-2RS		2
21	F04254-12	RING, 62MM INTERIOR RETAINING		1
22	F05007-68	SCREW, 3/8-16 X 3/8" CUP POINT SET		2
23	038090	COLLAR, LOCKING		1
24	F05007-1	BOLT, 3/8-16 X 3" HEX HEAD FULL THREAD		2
25	F05010-1	NUT, 3/8-16 HEX		2
	A22649-12	SAWDUST ELIMINATION KIT		1
	A22373	SAWDUST ELIMINATION KIT (8")	Order retrofit kit A22373 for 8" MultiHeads not originally equipped with sawdust elimination kit. Replaces A22649.	1
26	W22641	Rake, Feed Tube Sawdust		1
27	W22644	Scraper, Feed Track Drive Sprocket		1
28	F05005-1	Bolt, 1/4-20 x 3/4" Hex Head Full Thread		2
29	F05011-14	Washer, 1/4" Split Lock		2
30	F05011-11	Washer, 1/4" SAE Flat		2
31	W22652-12	Scraper, 12" Feed Track Idle Pulley		1
	W22652	Scraper, 8" Feed Track Idle Pulley	Alt. part for 8" MH before 11/99.	1
32	F05005-81	Bolt, 1/4-20 x 1 1/4" 'U'		2
33	F05010-9	Nut, 1/4-20 Self-Locking Hex		4
34	S22426	Chain, Modified 7.5" Flat Feed Track		1
	S22647	Chain, Modified 6" Flat Feed Track	Alt. part for 8" MH before 11/99.	1
	A22373-440	Instruction Sheet, Sawdust Elimination Kit		1
35	F05010-10	NUT, 3/8-16 HEX NYLON LOCK		8
36	S22085	BRACKET, OFF-LOAD TABLE MOUNT		1
37	W22438	PLATE WELDMENT, OFF-LOAD TABLE		1
38	S22218	BRACKET, OFF-LOAD TABLE SUPPORT		1
39	S20040	DECAL, HAND SAFETY DANGER		6

3.5 Feed Track Nylon Pads

MultiHead w/7.5" Feed Track

Model	1/2" x 2 3/4" Nylon Pads	
	See Qty. Below to replace entire set of track pads ¹	
	S22781 (60")	S22782 (56")
MH1D12	4	--
MH2D12	4	--
MH3D12	4	2
MH4D12	4	2
MH5D12	4	4
MH6D12	4	4

¹ 022117, 022118 & 022119 single-length strips no longer available. All pads should be replaced in complete sets.

MultiHead w/6" Feed Track

Model	1/2" x 2" Nylon Pads	
	See Qty. Below to replace entire set of track pads ¹	
	S22778 (60")	S22779 (56")
MH1D	4	--
MH2D	4	--
MH3D	4	2
MH4D	4	2
MH5D	4	4
MH6D	4	4

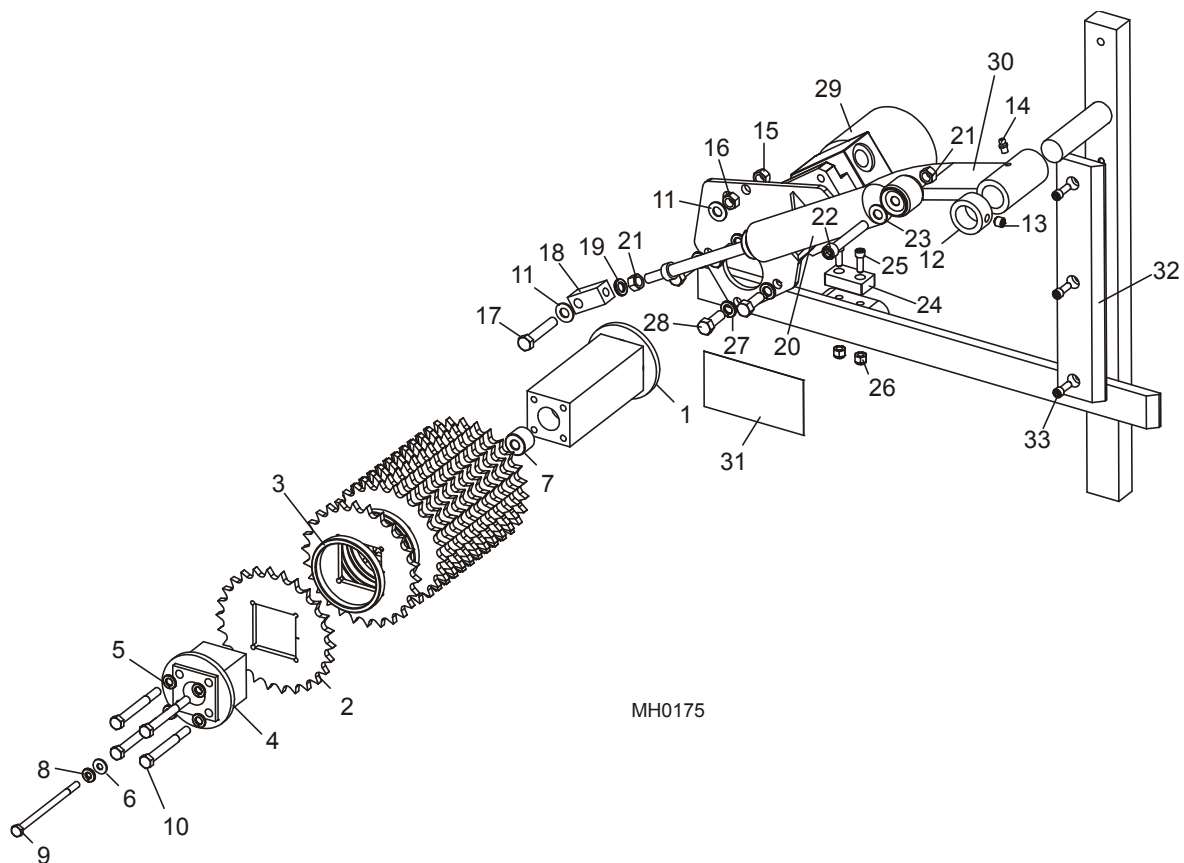
¹ All pads should be replaced in complete sets.

3 Feed Track/Frame Parts

Feed Roller Assembly (Non-Air)

3.6 Feed Roller Assembly (Non-Air)

Rev. A3.02+



REF	DESCRIPTION (◆ Indicates Parts Available In Assemblies Only)	PART #	QTY (* /head)	
	FEED ROLLER ASSEMBLY, 12" MULTIHEAD	A22486-12	1	
1	Shaft Weldment, Feed Roller	W22485	1	◆
2	Sprocket, Feed Roller Square Shaft	S22480	13	
	Sprocket, Smooth Feed Roller Square Shaft	016530	13	
3	Ring, Sprocket Spacer	S22481	12	
4	Shaft Extension Weldment, Feed Roller	W22485-12	1	◆
5	Washer, 5/16" Split Lock	F05011-13	4	
6	Washer, 1/4" SAE Flat	F05011-11	1	
7	Spacer, Feed Roller Shaft	S22487	1	
8	Washer, 1/4" Split Lock	F05011-14	1	
9	Bolt, 1/4-20 x 4 1/2" Hex Head Grade 5	F05005-76	1	
10	Bolt, 5/16-18 x 3" Hex Head Grade 5	F05006-62	4	
	HANDLE, FEED ROLLER LIFT	S22488	2/machine	◆
11	WASHER, 3/8" SAE FLAT	F05011-3	2	
12	COLLAR, FEED ROLLER LOCKING	038090	1	

Feed Track/Frame Parts

Feed Roller Assembly (Non-Air)

3

13	SCREW, 3/8-16 X 3/8" CUP POINT SET	F05007-68	1	
14	FITTING, 1/4-28 GREASE	P05060	1	
15	NUT, 3/8-16 HEX	F05010-1	1	
16	NUT, 3/8-16 HEX LOCK	F05010-25	1	
17	BOLT, 3/8-16 X 2" HEX HEAD FULL THREAD	F05007-16	1	
	SHOCK ASSEMBLY, FEED ROLLER	A22699	1	
18	Block, Feed Roller Piston Pivot	S20163	1	
19	Washer, 3/8" Split Lock	F05011-4	1	
20	Shock, Feed Roller J550 Gas w/Bushing Pak 148 (P20263-1)	P20263	1	◆
21	Nut, 3/8-16 Hex	F05010-1	2	
22	Bolt, 3/8-16 X 2 1/2" Socket Head	F05007-24	1	
23	Washer, 3/8" SAE Flat	F05011-3	1	
24	BUMPER, FEED ROLLER	038898 ¹	1	
25	BOLT, 1/4-20 X 3/4" SOCKET HEAD	F05006-26	2	
26	NUT, 1/4-20 HEX NYLON LOCK	F05010-69	2	
27	WASHER, 3/8" SPLIT LOCK	F05011-4	4	
28	BOLT, 3/8-16 X 1" HEX HEAD	F05007-7	4	
29	MOTOR, MG10-13-10AAAB HYDRAULIC	P20206	1	
30	ARM, FEED ROLLER MOUNT	W22113-1	1	
31	DECAL, HAND SAFETY DANGER	S20040	1	
32	PAD, POST SLIDE	033400	1	
33	SCREW, 1/4-20 X 3/4" SOCKET HEAD	F05005-26	3	

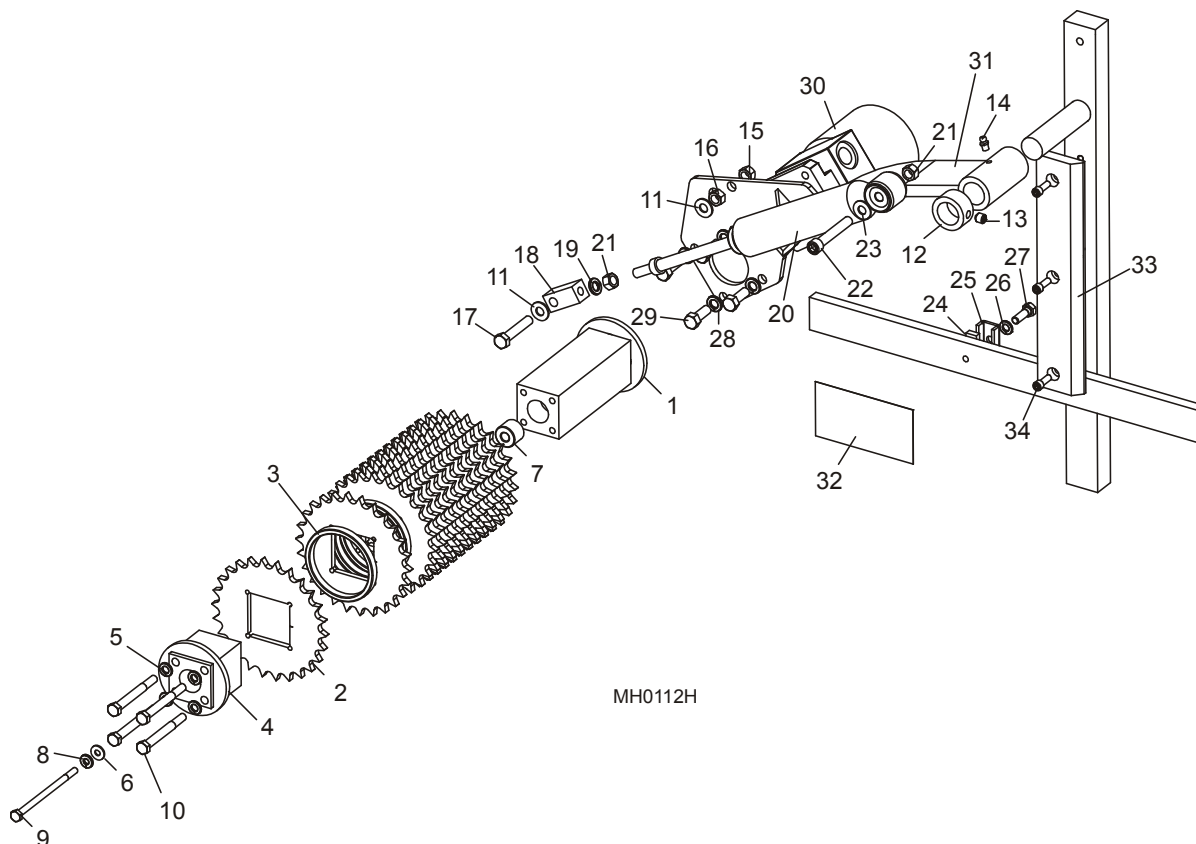
¹ Bumper 038898 replaces Bumper S20906 used prior to Rev. A3.02 (8/06). Use kit 038901 to retrofit previous revisions. Kit includes retrofit mounting bracket.

3 Feed Track/Frame Parts

Feed Roller Assembly (Non-Air)

3.7 Feed Roller Assembly (Non-Air)

8/94 - Rev. A3.01



REF	DESCRIPTION (◆ Indicates Parts Available In Assemblies Only)	PART #	QTY (* /head)	
	FEED ROLLER ASSEMBLY, 12" MULTIHEAD	A22486-12	1	
	FEED ROLLER ASSEMBLY, 8" MULTIHEAD	A22486-8 ¹	1	
1	Shaft Weldment, Feed Roller	W22485	1	◆
2	Sprocket, Feed Roller Square Shaft	S22480	10/13 ¹	
	Sprocket, Smooth Feed Roller Square Shaft	016530	10/13 ¹	
3	Ring, Sprocket Spacer	S22481	9/12 ¹	
4	Shaft Extension Weldment, Feed Roller	W22485-12	1	◆
	Plate, Sprocket Retaining	S22483 ¹	1	
5	Washer, 5/16" Split Lock	F05011-13	4	
6	Washer, 1/4" SAE Flat	F05011-11	1	
7	Spacer, Feed Roller Shaft	S22487	1	
8	Washer, 1/4" Split Lock	F05011-14	1	
9	Bolt, 1/4-20 x 4 1/2" Hex Head Grade 5	F05005-76	1	
10	Bolt, 5/16-18 x 3" Hex Head Grade 5	F05006-62	4	

Feed Track/Frame Parts Feed Roller Assembly (Non-Air)

3

	Bolt, 5/16-18 x 1" Hex Head Grade 2	F05006-1 ¹	4	
	HANDLE, FEED ROLLER LIFT	S22488	2/machine	◆
11	WASHER, 3/8" SAE FLAT	F05011-3	2	
12	COLLAR, FEED ROLLER LOCKING	038090	1	
13	SCREW, 3/8-16 X 3/8" CUP POINT SET	F05007-68	1	
14	FITTING, 1/4-28 GREASE	P05060	1	
15	NUT, 3/8-16 HEX	F05010-1	1	
16	NUT, 3/8-16 HEX LOCK	F05010-25	1	
17	BOLT, 3/8-16 X 2" HEX HEAD FULL THREAD	F05007-16	1	
	SHOCK ASSEMBLY, FEED ROLLER	A22699	1	
18	Block, Feed Roller Piston Pivot	S20163	1	
19	Washer, 3/8" Split Lock	F05011-4	1	
20	Shock, Feed Roller J550 Gas w/Bushing Pak 148 (P20263-1)	P20263	1	◆
21	Nut, 3/8-16 Hex	F05010-1	2	
22	Bolt, 3/8-16 X 2 1/2" Socket Head	F05007-24	1	
23	Washer, 3/8" SAE Flat	F05011-3	1	
24	BUMPER, FEED ROLLER	S20906 ²	1	
25	BRACKET, FEED ROLLER BUMPER	S20310	1	
26	WASHER, 5/16" SPLIT LOCK	F05011-13	1	
27	BOLT, 5/16-24 X 1" HEX HEAD GRADE 5	F05006-77	1	
28	WASHER, 3/8" SPLIT LOCK	F05011-4	4	
29	BOLT, 3/8-16 X 1" HEX HEAD	F05007-7	4	
30	MOTOR, MG10-13-10AAAB HYDRAULIC	P20206	1	
31	ARM, FEED ROLLER MOUNT	W22113-1	1	
32	DECAL, HAND SAFETY DANGER	S20040	1	
33	PAD, POST SLIDE	033400 ³	1	
34	SCREW, 1/4-20 X 3/4" SOCKET HEAD	F05005-26	3	

¹ Alternate parts/quantities for 8" width MultiHead available before 11/99. A22486-8 replaces A22695 originally supplied before 7/94.

² Replaces R02215. Retrofit Kit 038901 to replace original bumper with heavier bumper available 8/06 ([See Section 3.6](#)).

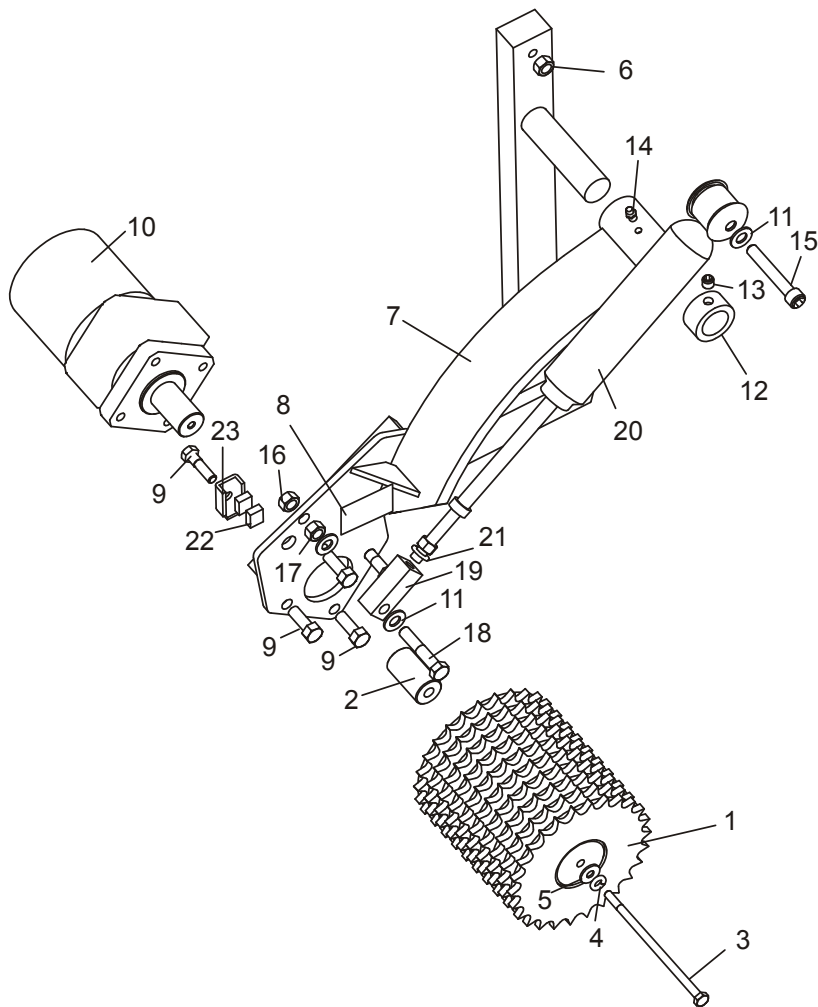
³ Pad added Rev A1.00 (11/99).

3 Feed Track/Frame Parts

Feed Roller Assembly (Non-Air)

3.8 Feed Roller Assembly (Non-Air)

5/91 - 7/94



MH0112

REF	DESCRIPTION (◆ Indicates Parts Available In Assemblies Only)	PART #	QTY. (*head)	
	FEED ROLLER ASSEMBLY	A22695 ¹	1	◆
1	Roller Weldment, Feed	W20304 ¹	1	◆
2	Spacer, Feed Roller	S22654	1	
3	Bolt, 1/4-20 X 5 1/2" Hex Head Grade 5	F05005-82	1	
4	Washer, 1/4" SAE Flat	F05011-11	1	
5	Washer, 1/4" Split Lock	F05011-14	1	
6	Nut, 3/8-16 Free Hex	F05010-1	1	
7	ARM, FEED ROLLER MOUNT	W22113-1	1	
8	DECAL, HANDS CLEAR WARNING	S20040	1	
9	BOLT, 3/8-16 X 1" HEX HEAD	F05007-7	5	

Feed Track/Frame Parts

Feed Roller Assembly (Non-Air)

3

10	MOTOR, MG10-13-10AAAB HYDRAULIC	P20206	1	
11	WASHER, 3/8" SAE FLAT	F05011-3	3	
12	COLLAR, FEED ROLLER LOCKING	038090	1	
13	SCREW, 3/8-16 X 3/8" CUP POINT SET	F05007-68	1	
14	FITTING, 1/4-28 GREASE	P05060	1	
15	BOLT, 3/8-16 X 2" SOCKET HEAD CAP BLACK OXIDE	F05007-58	1	
16	NUT, 3/8-16 HEX	F05010-1	1	
17	NUT, 3/8-16 HEX LOCK	F05010-25	1	
18	BOLT, 3/8-16 X 2" HEX HEAD FULL THREAD	F05007-16	1	
	SHOCK ASSEMBLY, FEED ROLLER	A22699 ²	1	
19	Block, Feed Roller Piston Pivot	S20163	1	
20	Shock, Feed Roller J550 Gas	P20263	1	◆
21	Washer, 3/8" Split Lock	F05011-4	1	
22	BUMPER, FEED ROLLER	R02215	.053 Ft.	
23	BRACKET, FEED ROLLER BUMPER	S20310	1	

¹ Roller Assembly A22695 no longer available (8/94). Use multi-plate roller A22486-8 for replacement ([See Section 3.7](#)).

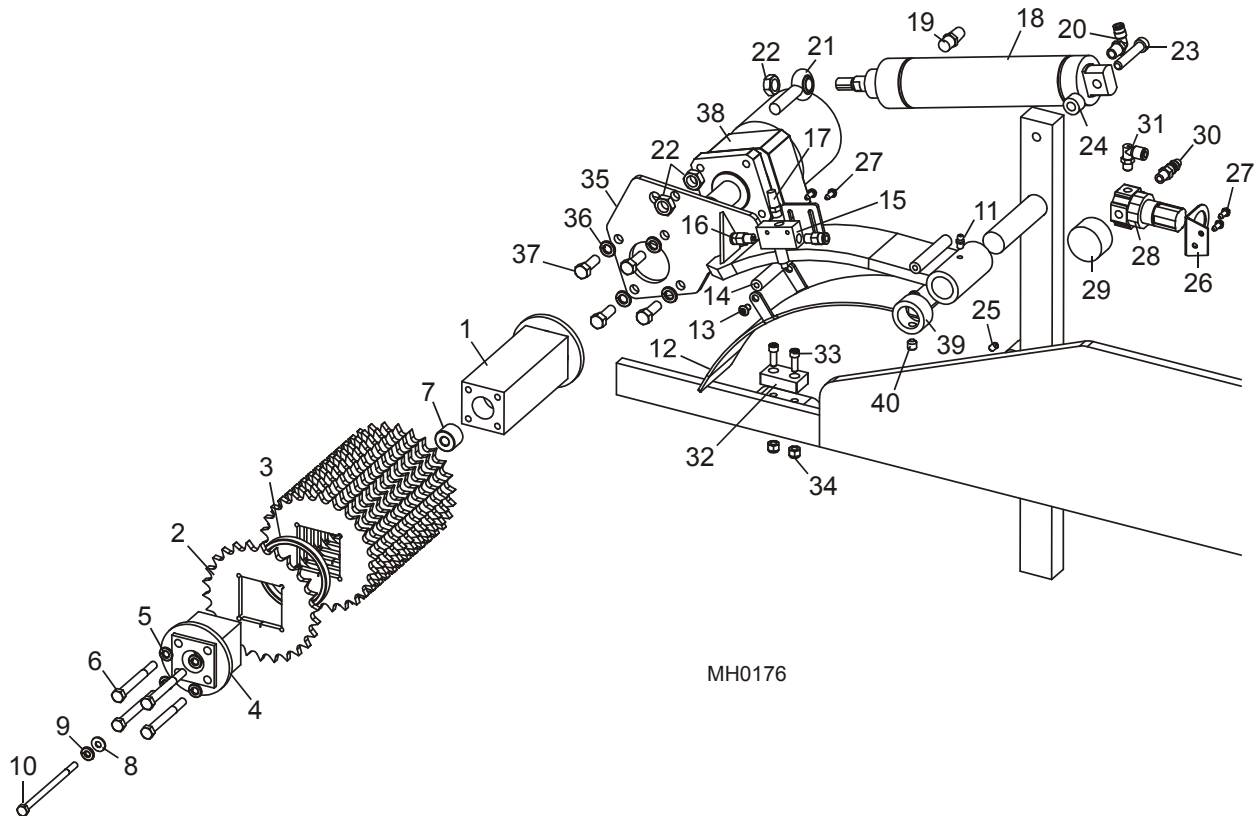
² Shock Assembly now includes additional mounting hardware ([See Section 3.7](#)).

3 Feed Track/Frame Parts

Feed Roller Assembly (Air-Lift)

3.9 Feed Roller Assembly (Air-Lift)

Rev. A3.02+



REF	DESCRIPTION (◆ Indicates Parts Available In Assemblies Only)	PART #	QTY.	
	FEED ROLLER ASSEMBLY, 12" MULTIHEAD	A22486-12	1	
1	Shaft Weldment, Feed Roller	W22485	1	◆
2	Sprocket, Feed Roller Square Shaft	S22480	13	
	Sprocket, Smooth Feed Roller Square Shaft	016530	13	
3	Ring, Sprocket Spacer	S22481	12	
4	Shaft Extension Weldment, Feed Roller	W22485-12	1	◆
5	Washer, 5/16" Split Lock	F05011-13	4	
6	Bolt, 5/16-18 x 3" Hex Head Grade 5	F05006-62	4	
7	Spacer, Feed Roller Shaft	S22487	1	
8	Washer, 1/4" SAE Flat	F05011-11	1	
9	Washer, 1/4" Split Lock	F05011-14	1	
10	Bolt, 1/4-20 x 4 1/2" Hex Head Grade 5	F05005-76	1	
	HANDLE, FEED ROLLER LIFT	S22488	2/machine	◆
11	FITTING, 1/4-28 GREASE	P05060	1	
12	BRACKET, AIR LIFT FEED ROLLER ACTUATOR	S22189	1	
13	SCREW, 1/4-20 X 3/8" BUTTON HEAD	F05005-62	4	

Feed Track/Frame Parts

Feed Roller Assembly (Air-Lift)

3

14	ROLLER, FEED ROLLER STOP	S20786	1	
15	SWITCH, FEED ROLLER AIR	P20900	1	
16	FITTING, 1/4" NPT - 1/4" TUBE STRAIGHT	P03078	2	
17	MUFFLER, 1/8" NPT AIR	P20902	1	
	TUBE, 1/4" AIR	R01869	16.5 Ft.	
18	CYLINDER, 4DP6 AIR	P20901	1	
19	MUFFLER, 1/4" NPT AIR	P20904	1	
20	FITTING, 1/4" NPT - 1/4" TUBE ELBOW	P21519	1	
21	END, 1/2-20 ROD	P09137	1	
22	NUT, 1/2-20 HEX JAM	F05010-16	3	
23	PIN, FEED ROLLER AIR CYLINDER PIVOT	S20793	1	
24	SPACER, AIR CYLINDER MOUNT	S22625	1	
25	SCREW, 1/4-20 X 3/8" CUP POINT SET	F05005-47	1	
26	BRACKET, AIR REGULATOR MOUNT	P20799	1	
27	SCREW, 1/8-32 X 1/2" SLOTTED HEX	F05015-18	4	
28	REGULATOR, 300 PSI AIR FLOW	P02765	1	
29	GAUGE, 160 PSI AIR	P02766	1	
30	FITTING, 1/8" NPT MALE COUPLING	P22681	1	
31	FITTING, 1/8" NPT - 1/4" TUBE 90° ELBOW	P09736	1	
32	BUMPER, FEED ROLLER	038898 ¹	1	
33	BOLT, 1/4-20 X 3/4" SOCKET HEAD	F05006-26	2	
34	NUT, 1/4-20 HEX NYLON LOCK	F05010-69	2	
35	ARM, FEED ROLLER MOUNT	W22113	1	
	DECAL, HANDS CLEAR WARNING	S20040	1	
36	WASHER, 3/8" SPLIT LOCK	F05011-4	4	
37	BOLT, 3/8-16 X 1" HEX HEAD	F05007-7	4	
38	MOTOR, MG10-13-10AAAB HYDRAULIC	P20206	1	
39	COLLAR, FEED ROLLER LOCKING	038090	1	
40	SCREW, 3/8-16 X 3/8" CUP POINT SET	F05007-68	1	

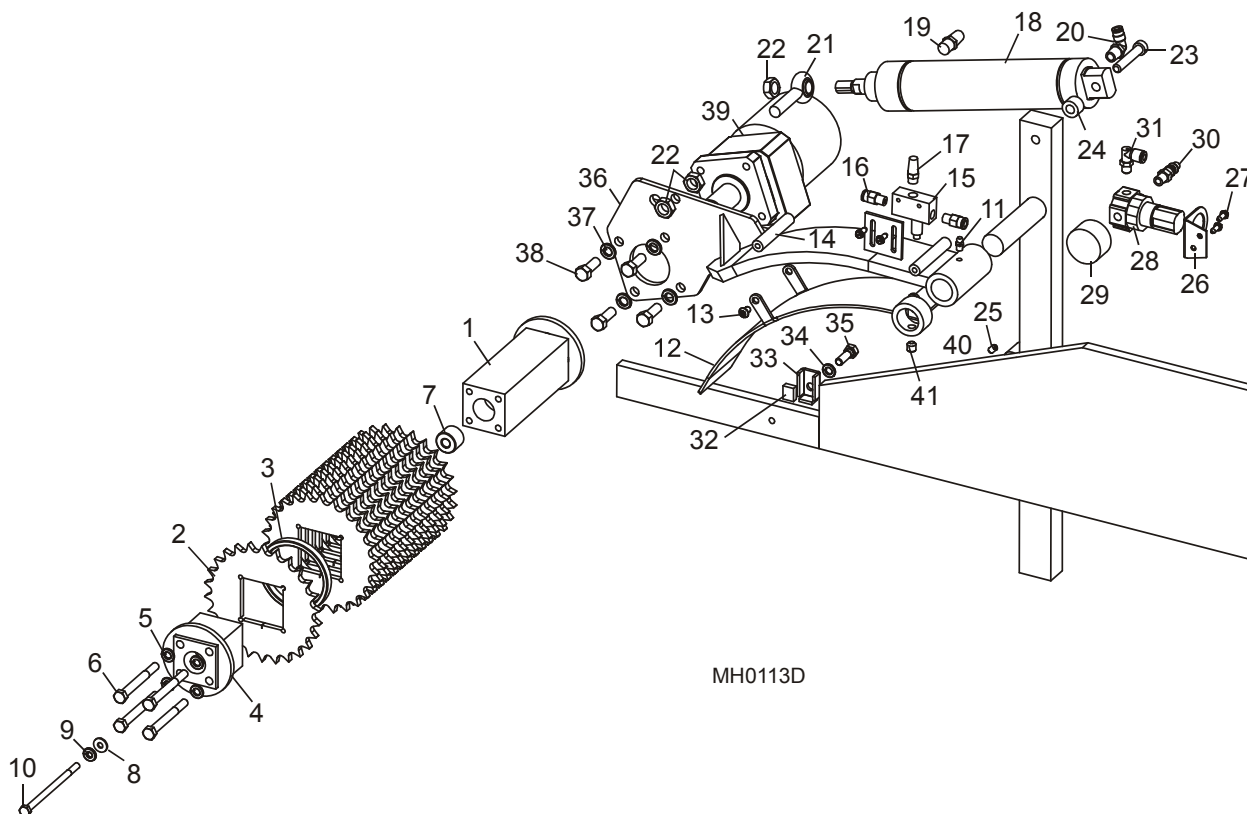
¹ Bumper 038898 replaces Bumper S20906 used prior to Rev. A3.02 (8/06). Use kit 038901 to retrofit previous revisions. Kit includes retrofit mounting bracket.

3 Feed Track/Frame Parts

Feed Roller Assembly (Air-Lift)

3.10 Feed Roller Assembly (Air-Lift)

8/94 - A3.01



MH0113D

REF	DESCRIPTION (◆ Indicates Parts Available In Assemblies Only)	PART #	QTY.	
	FEED ROLLER ASSEMBLY, 12" MULTIHEAD	A22486-12	1	
	FEED ROLLER ASSEMBLY, 8" MULTIHEAD	A22486-8 ¹	1	
1	Shaft Weldment, Feed Roller	W22485	1	◆
2	Sprocket, Feed Roller Square Shaft	S22480	10/13 ¹	
	Sprocket, Smooth Feed Roller Square Shaft	016530	10/13 ¹	
3	Ring, Sprocket Spacer	S22481	9/12 ¹	
4	Shaft Extension Weldment, Feed Roller	W22485-12	1	◆
	Plate, Sprocket Retaining	S22483 ¹	1	
5	Washer, 5/16" Split Lock	F05011-13	4	
6	Bolt, 5/16-18 x 3" Hex Head Grade 5	F05006-62	4	
	Bolt, 5/16-18 x 1" Hex Head Grade 2	F05006-1 ¹	4	
7	Spacer, Feed Roller Shaft	S22487	1	
8	Washer, 1/4" SAE Flat	F05011-11	1	
9	Washer, 1/4" Split Lock	F05011-14	1	
10	Bolt, 1/4-20 x 4 1/2" Hex Head Grade 5	F05005-76	1	

Feed Track/Frame Parts

Feed Roller Assembly (Air-Lift)

3

	HANDLE, FEED ROLLER LIFT	S22488	2/machine	◆
11	FITTING, 1/4-28 GREASE	P05060	1	
12	BRACKET, AIR LIFT FEED ROLLER ACTUATOR	S22189	1	
13	SCREW, 1/4-20 X 3/8" BUTTON HEAD	F05005-62	4	
14	ROLLER, FEED ROLLER STOP	S20786	1	
15	SWITCH, FEED ROLLER AIR	P20900	1	
16	FITTING, 1/4" NPT - 1/4" TUBE STRAIGHT	P03078	2	
17	MUFFLER, 1/8" NPT AIR	P20902	1	
	TUBE, 1/4" AIR	R01869	16.5 Ft.	
18	CYLINDER, 4DP6 AIR	P20901	1	
19	MUFFLER, 1/4" NPT AIR	P20904	1	
20	FITTING, 1/4" NPT - 1/4" TUBE ELBOW	P21519	1	
21	END, 1/2-20 ROD	P09137	1	
22	NUT, 1/2-20 HEX JAM	F05010-16	3	
23	PIN, FEED ROLLER AIR CYLINDER PIVOT	S20793	1	
24	SPACER, AIR CYLINDER MOUNT	S22625	1	
25	SCREW, 1/4-20 X 3/8" CUP POINT SET	F05005-47	1	
26	BRACKET, AIR REUGLATOR MOUNT	P20799	1	
27	SCREW, 1/8-32 X 1/2" SLOTTED HEX	F05015-18	4	
28	REGULATOR, 300 PSI AIR FLOW	P02765	1	
29	GAUGE, 160 PSI AIR	P02766	1	
30	FITTING, 1/8" NPT MALE COUPLING	P22681	1	
31	FITTING, 1/8" NPT - 1/4" TUBE 90° ELBOW	P09736	1	
32	BUMPER, FEED ROLLER	S20906 ²	1	
33	BRACKET, FEED ROLLER BUMPER	S20310	1	
34	WASHER, 5/16" SPLIT LOCK	F05011-13	1	
35	BOLT, 5/16-24 X 1" HEX HEAD GRADE 5	F05006-77	1	
36	ARM, FEED ROLLER MOUNT	W22113	1	
	DECAL, HANDS CLEAR WARNING	S20040	1	
37	WASHER, 3/8" SPLIT LOCK	F05011-4	4	
38	BOLT, 3/8-16 X 1" HEX HEAD	F05007-7	4	
39	MOTOR, MG10-13-10AAAB HYDRAULIC	P20206	1	
40	COLLAR, FEED ROLLER LOCKING	S20159-1	1	
41	SCREW, 3/8-16 X 3/8" CUP POINT SET	F05007-68	1	

¹ Alternate parts/quantities for 8" width MultiHead available before 11/99. A22486-8 replaces A22695 originally supplied before 7/94.

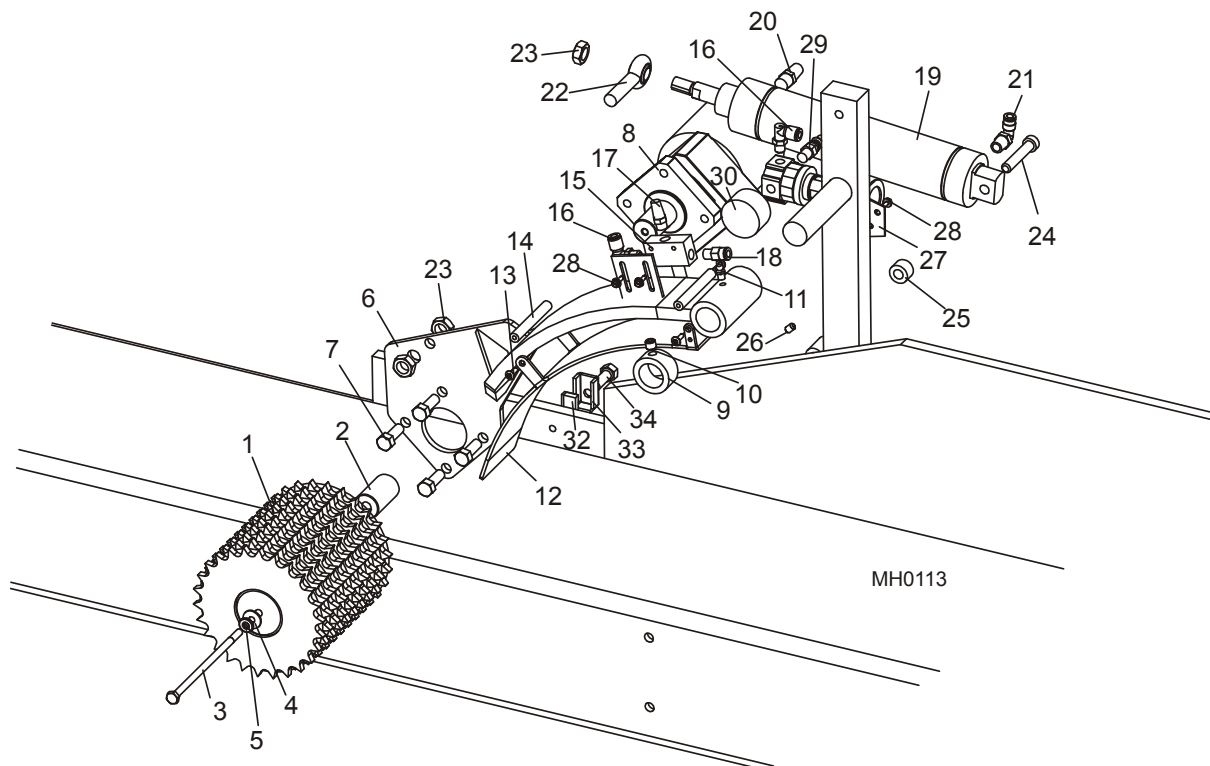
² Replaces R02215 raw material. Retrofit Kit 038901 to replace original bumper with heavier bumper available 8/06 ([See Section 3.9](#)).

3 Feed Track/Frame Parts

Feed Roller Assembly (Air-Lift)

3.11 Feed Roller Assembly (Air-Lift)

5/91 - 7/94



REF	DESCRIPTION (◆ Indicates Parts Available In Assemblies Only)	PART #	QTY.	
	FEED ROLLER ASSEMBLY	A22695 ¹	1	◆
1	Roller Weldment, Feed	W20304 ¹	1	◆
2	Spacer, Feed Roller	S22654	1	
3	Bolt, 1/4-20 x 5 1/2" Hex Head Grade 5	F05005-82	1	
4	Washer, 1/4" SAE Flat	F05011-11	1	
5	Washer, 1/4" Split Lock	F05011-14	1	
6	ARM, FEED ROLLER MOUNT	W22113	1	
	DECAL, HANDS CLEAR WARNING	S20040	1	
7	BOLT, 3/8-16 X 1" HEX HEAD	F05007-7	4	
8	MOTOR, MG10-13-10AAAB HYDRAULIC	P20206	1	
9	COLLAR, FEED ROLLER LOCKING	S20159-1	1	
10	SCREW, 3/8-16 X 3/8" CUP POINT SET	F05007-68	1	
11	FITTING, 1/4-28 GREASE	P05060	1	
12	BRACKET, AIR LIFT FEED ROLLER ACTUATOR	S22189	1	
13	SCREW, #10-24 X 1/2" BUTTON HEAD	F05004-35	4	
14	ROLLER, FEED ROLLER STOP	S20786	1	
15	SWITCH, FEED ROLLER AIR	P20900	1	

Feed Track/Frame Parts

Feed Roller Assembly (Air-Lift)

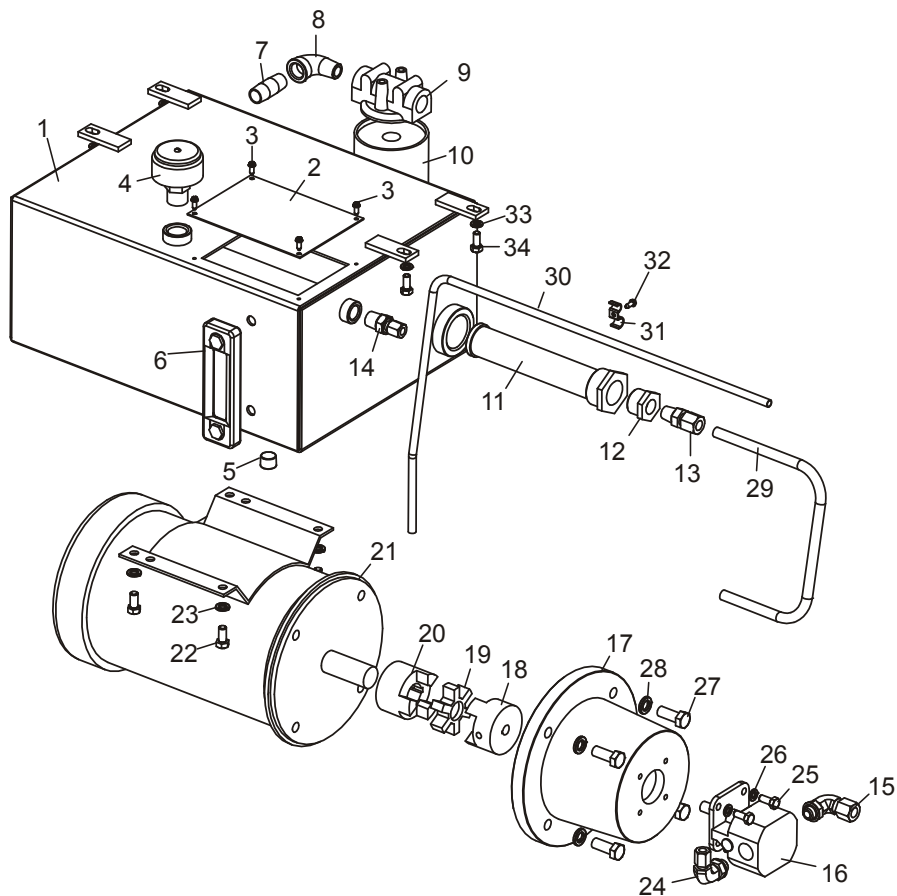
3

16	FITTING, 1/8" NPT - 1/4" TUBE 90° ELBOW	P09736	2	
17	MUFFLER, 1/8" NPT AIR	P20902	1	
	TUBE, 1/4" AIR	R01869	16.5 Ft.	
18	FITTING, 1/4" NPT - 1/4" TUBE STRAIGHT	P03078	1	
19	CYLINDER, 4DP6 AIR	P20901	1	
20	MUFFLER, 1/4" NPT AIR	P20904	1	
21	FITTING, 1/4" NPT - 1/4" TUBE ELBOW	P21519	1	
22	END, 1/2-20 ROD	P09137	1	
23	NUT, 1/2-20 HEX JAM	F05010-16	3	
24	PIN, FEED ROLLER AIR CYLINDER PIVOT	S20793	1	
25	SPACER, AIR CYLINDER MOUNT	S22625	1	
26	SCREW, 1/4-20 X 3/8" CUP POINT SET	F05005-47	1	
27	BRACKET, AIR REUGLATOR MOUNT	P20799	1	
28	SCREW, 1/8-32 X 1/2" SLOTTED HEX	F05015-18	4	
29	REGULATOR, 300 PSI AIR FLOW	P02765	1	
30	GAUGE, 160 PSI AIR	P02766	1	
31	FITTING, 1/8" NPT MALE PLUG	P22681	1	
32	BUMPER, FEED ROLLER	R02215	.053 Ft.	
33	BRACKET, FEED ROLLER BUMPER	S20310	1	
34	BOLT, 3/8-16 X 1" HEX HEAD	F05007-7	1	

¹ Roller Assembly A22695 no longer available (8/94). Use multi-plate roller A22486-8 for replacement ([See Section 3.10](#)).

3 Feed Track/Frame Parts Hydraulic Tank Assembly (Retrofit)

3.12 Hydraulic Tank Assembly (Retrofit)



MH0248-1

REF	DESCRIPTION (◆ Indicates Parts Available In Assemblies Only)	PART #	QTY.
	TANK ASSEMBLY, HR/MGR HYDRAULIC	065489	1
	Fluid, Conoco MV32 All Weather Hydraulic (1 Gallon)	006397	8
1	Tank Weldment, Hydraulic Fluid	065490	1
2	Lid, Hydraulic Fluid Tank Access	S20331	1
3	Screw, #8-32 x 1/2" Slotted Hex Head	F05015-18	4
4	Cap, Hydraulic Tank Fill/Breather	P20212	1
5	Fitting, 1/2" NPT Male Plug	P26258	1
6	Gauge, Hydraulic Fluid Level Sight	P20211	1
7	Fitting, 1/2" NPT x 2" Long Nipple	016844	1
8	Fitting, 1/2" NPT 90° Elbow	P22684	1
9	Manifold, Hydraulic Cartridge Filter	P22683	1
10	Filter, S28 Hydraulic Cartridge	P20301	1
11	Filter, Hydraulic Tank Suction	P20210	1
12	Fitting, 1" NPT - 1/2" NPT Reducer	P20239	1
13	Fitting, 1/2" NPT - 1/2" Tube	P20243	1

Feed Track/Frame Parts

Hydraulic Tank Assembly (Retrofit)

3

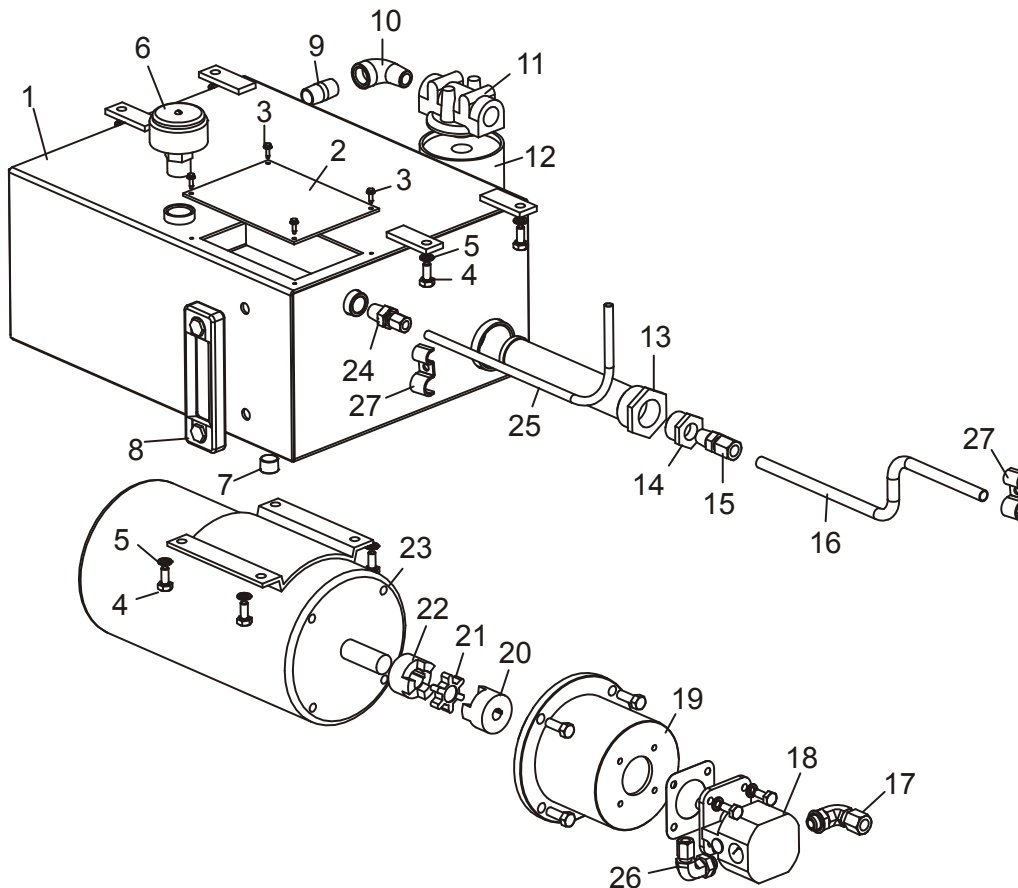
14	Fitting, 1/2" NPT - 3/8" Tube Straight	P20242	1	
15	Fitting, 1/2" Tube - 1/2" O-Ring 90° Elbow	P20245	1	
16	Pump, Hydraulic	P20213	1	
17	Adaptor, Hydraulic Pump/Motor	065484	1	
18	Coupler, L099 x 1/2" Shaft	065482	1	
19	Coupler, L100 Spider	042779	1	
20	Coupler, L100 x 1 1/8" Shaft	065483	1	
21	Motor, 5HP 3PH 3450RPM Baldor	065479 ¹	1	
22	Bolt, 3/8-16 x 3/4" Hex Head Grade 5	F05007-118	4	
23	Washer, 3/8" Split Lock	F05011-4	4	
24	Fitting, 1/2" O-Ring - 3/8" Tube 90° Elbow	P20244	1	
25	Bolt, 5/16-18 x 3/4" Hex Head Grade 5	F05006-102	4	
26	Washer, 5/16" Split Lock	F05011-13	4	
27	Bolt, 1/2-13 x 1 1/4" Hex Head Grade 5	F05008-37	4	
28	Washer, 1/2" Split Lock	F05011-9	4	
29	TUBE, 1/2" HYDRAULIC	R01629	As Req'd	
30	TUBE, 3/8" HYDRAULIC	R01628	As Req'd	
31	CLAMP, 1/2" X 3/8" HOSE	S02845	As Req'd	
32	BOLT, #8-32 X 1/2 SLOTTED HEX HEAD	F05015-18	As Req'd	

¹ Use Kit 065492 to retrofit 4HP motors on earlier revisions (Kit includes Motor, Couplings, Pump Adaptor & Hardware).

3 Feed Track/Frame Parts

Hydraulic Tank Assembly

3.13 Hydraulic Tank Assembly



MH0107C

REF	DESCRIPTION (◆ Indicates Parts Available In Assemblies Only)	PART #	QTY.
	FLUID, CONOCO MV32 ALL WEATHER HYDRAULIC (1 GALLON)	006397 ¹	5
1	TANK WELDMENT, HYDRAULIC FLUID	W22108	1
2	LID, HYDRAULIC FLUID TANK ACCESS	S20331	1
3	SCREW, #8-32 X 1/2" SLOTTED HEX HEAD	F05015-18	4
4	BOLT, 5/16-18 X 3/4" HEX HEAD GRADE 2	F05006-5	8
5	WASHER, 5/16" SPLIT LOCK	F05011-13	8
6	CAP, HYDRAULIC TANK FILL/BREATHER	P20212	1
7	FITTING, 1/2" NPT MALE PLUG	P26258	1
8	GAUGE, HYDRAULIC FLUID LEVEL SIGHT	P20211	1
9	FITTING, 1/2" NPT X 2" NIPPLE	016844	1
10	FITTING, 1/2" NPT 90° ELBOW	P22684	1
11	MANIFOLD, HYDRAULIC CARTRIDGE FILTER	P22683	1
12	Filter, S28 Hydraulic Cartridge	P20301	1
13	FILTER, HYDRAULIC TANK SUCTION	P20210	1
14	FITTING, 1" NPT - 1/2" NPT REDUCER	P20239	1

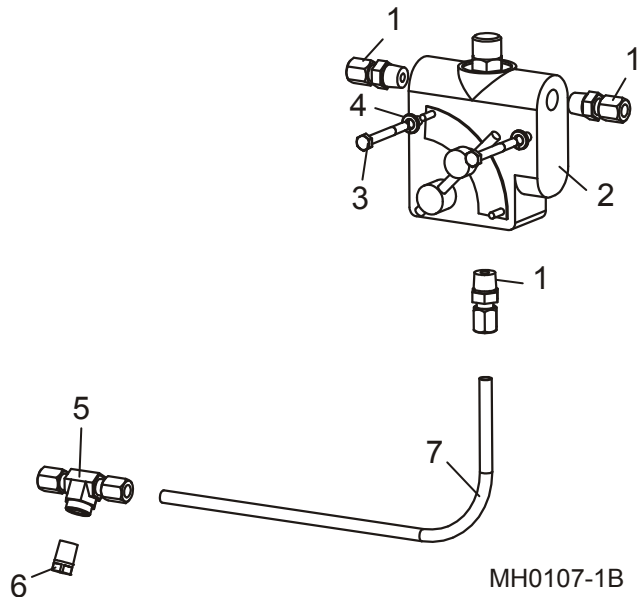
15	FITTING, 1/2" NPT - 1/2" TUBE	P20243	1	
16	TUBE, 1/2" HYDRAULIC	R01629	As Req'd	
17	FITTING, 1/2" TUBE - 1/2" O-RING 90° ELBOW	P20245	1	
18	PUMP, HYDRAULIC	P20213	1	
19	ADAPTOR, HYDRAULIC PUMP/MOTOR	P20215	1	
20	COUPLER, 1/2" SHAFT	P20217	1	
21	COUPLER, L075 SPIDER	P20218	1	
22	COUPLER, 7/8" SHAFT	P20216	1	
23	MOTOR, 4HP CUSTOM 3 PHASE W/THERMISTATS	P22735 ²	1	
24	FITTING, 1/2" NPT - 3/8" TUBE STRAIGHT	P20242	1	
25	TUBE, 3/8" HYDRAULIC	R01628	As Req'd	
26	FITTING, 1/2" O-RING - 3/8" TUBE 90° ELBOW	P20244	1	
27	CLAMP, 1/2" X 3/8" HOSE	S02845	As Req'd	

¹ Conoco MV32 Fluid 006397 replaces Unis HVI 26 Fluid P12823 (formerly named J26) used prior to 1/08. Fluids are interchangeable. Replaces Amoco Rycon Oil MV or Mobil Multipurpose ATF used prior to 11/99.

² Motor available while supplies last. When stock depleted, upgrade to 5HP motor with kit 065492 (Includes Motor, Couplings, Pump Adaptor & Hardware - [See Section 3.12](#)).

3 Feed Track/Frame Parts
Hydraulic Valve Assembly (2 and 4-Head)

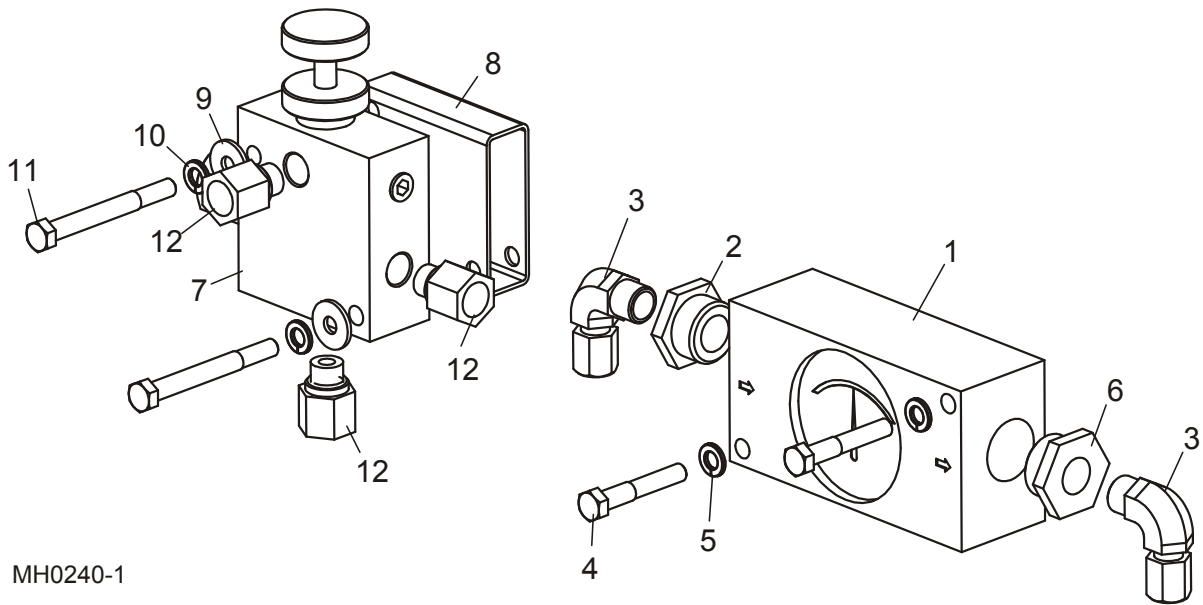
3.14 Hydraulic Valve Assembly (2 and 4-Head)



REF	DESCRIPTION (◆ Indicates Parts Available In Assemblies Only)	PART #	QTY.	
1	FITTING, 3/8" TUBE - 3/8" NPT STRAIGHT	P20744	3	
2	VALVE, HYDRAULIC FLOW CONTROL	P20743	1	
3	BOLT, 1/4-20 X 2 1/2" HEX HEAD	F05005-72	2	
4	WASHER, 1/4" SPLIT LOCK	F05011-14	2	
5	FITTING, 3/8" TUBE - 1/4" NPT - 3/8" TUBE 'T'	P20345	1	
6	PLUG, 1/4" NPT PIPE	P05498 ¹	1	
7	TUBE, 3/8" HYDRAULIC	R01628	As Req'd	

¹ Replaced P10052 3000 PSI Hydraulic Gauge (Rev. A2.01).

3.15 Hydraulic Valve Assembly (6-Head)



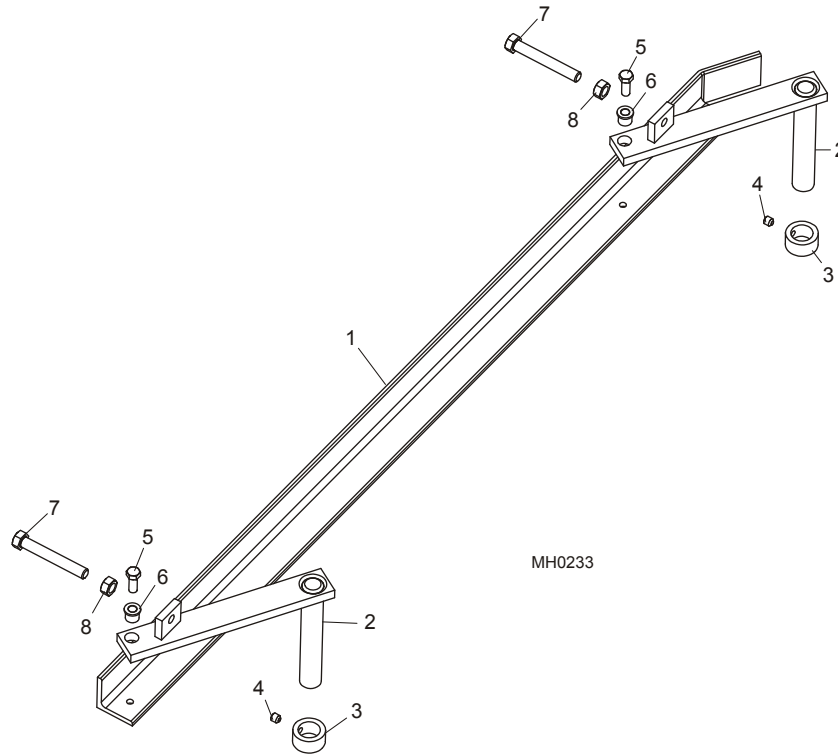
MH0240-1

REF	DESCRIPTION (◆ Indicates Parts Available In Assemblies Only)	PART #	QTY.
1	METER, FLOW	033414	1
2	BUSHING, 3/4" MPT X 3/8" FPT	033418	1
3	FITTING, 3/8" MPT X 3/8" TUBE 90°	033416	2
4	BOLT, 5/16-18 X 2" HEX HEAD GRADE 5	F05006-79	2
5	WASHER, 5/16" SPLIT LOCK	F05011-13	2
6	BUSHING, 3/4" MNPT X 1/2" FNPT PIPE	038742	1
	VALVE ASSEMBLY, 6-HEAD/MGR FLOW CONTROL	006486 ¹	1
7	Valve, 6-head Merry-Go-Round Flow Control	033413 ¹	1 ◆
8	Spacer, MultiHead Flow Control Valve	006064	1
9	Washer, 5/16" Standard Flat	F05011-16	2
10	Washer, 5/16" Split Lock	F05011-13	2
11	Bolt, 5/16-18 x 3" Hex Head Grade 5	F05006-62	2
12	Fitting, 3/8" SAE x 3/8" NPT Adaptor	006487	3

¹ Flow Control Valve 033413 from new vendor (4/08). Use assembly 006486 for service to ensure compatibility.

3.16 Crowder Fence Assembly

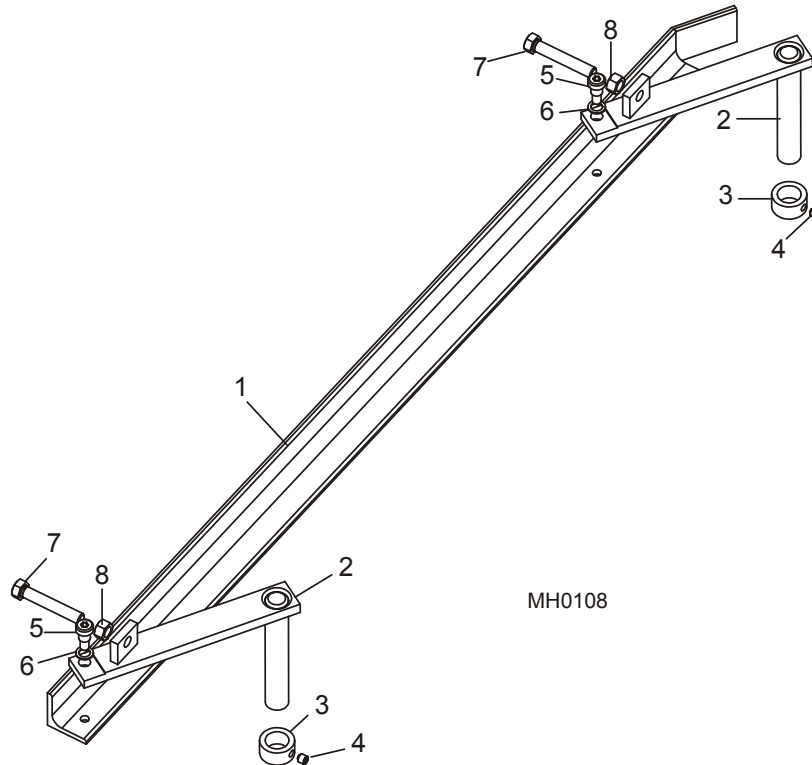
Rev. A2.01+



REF	DESCRIPTION (◆ Indicates Parts Available In Assemblies Only)	PART #	QTY.	
1	FENCE, FEED CROWDER	S22260	1	
2	BRACKET, CROWDER FENCE PIVOT END	036338	2	
3	COLLAR, LOCKING	038090	2	
4	SCREW, 3/8-16 X 3/8" CUP POINT SET	F05007-68	2	
5	BOLT, 3/8-16 X 7/8" HEX HEAD GRADE 5	F05007-185	2	
6	BUSHING, 3/4" X .505" FLANGED	036336	2	
7	BOLT, 1/2-13 X 3 1/2" HEX HEAD FULL THREAD	F05008-11	2	
8	NUT, 1/2-13 HEX	F05010-35	2	

3.17 Crowder Fence Assembly

5/91 - A2.00



REF	DESCRIPTION (◆ Indicates Parts Available In Assemblies Only)	PART #	QTY.
1	FENCE, FEED CROWDER	S22260	1
2	BRACKET, CROWDER FENCE PIVOT END	W22252 ¹	2
3	COLLAR, LOCKING	S20159	2
4	SCREW, 3/8-16 X 3/8" CUP POINT SET	F05007-68	2
5	BOLT, 1/2" X 1/2" SHOULDER	F05008-63 ¹	2
6	WASHER, 1/2" I.D. X 3/4" O.D. X .062" THICK NYLON	P05251-1 ¹	2
7	BOLT, 1/2-13 X 3 1/2" HEX HEAD FULL THREAD	F05008-11	2
8	NUT, 1/2-13 HEX	F05010-35	2

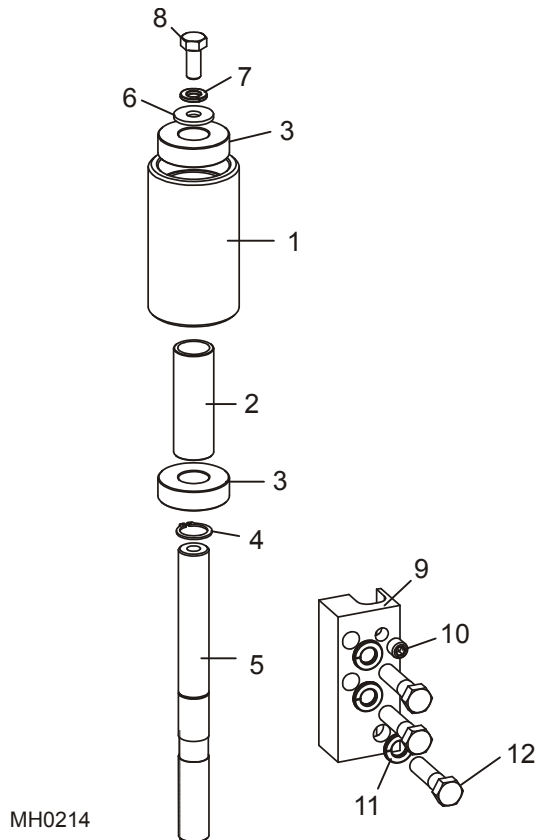
¹ Pivot Brackets, mounting bolts and washers revised Rev. A2.01 ([See Section 3.16](#)).

3 Feed Track/Frame Parts

Side Roller Assembly

3.18 Side Roller Assembly

5/91 - 6/95



REF	DESCRIPTION (◆ Indicates Parts Available In Assemblies Only)	PART #	QTY.	
	ROLLER KIT, SIDE	A22661 ¹	1	
	Roller Assembly, Side	A22655	1	◆
1	Housing, Side Roller	S22659	1	
2	Spacer, Side Roller	S22656	1	
3	Bearing, 6203-2NSL 17mm SRI-2 ABEC-1	P06030-2	2	
4	Ring, 17mm Outside Retaining	F04254-16	1	
5	Shaft, Side Roller	S22657	1	
6	Washer, 5/16" Standard Flat	F05011-16	1	
7	Washer, 5/16" Split Lock	F05011-13	1	
8	Bolt, 5/16-18 x 3/4 Hex Head Grade 2	F05006-5	1	
9	Block, Side Roller Mounting	S22660	1	
10	Screw, 3/8-16 x 3/8" Socket Head Oval Point Set	F05007-13	1	
11	Washer, 3/8" Split Lock	F05011-4	3	
12	Bolt, 3/8-16 x 1 1/2" Hex Head Grade 5	F05007-78	3	
13	Instruction Sheet, Side Roller Retrofit	A22661-344	1	

¹ Replaces S22192 side roller originally supplied prior to 4/93. New roller improves durability. Side rollers discontinued 12/99.

INDEX

B

- blade guide
 - inner (1 1/4" blade) 2-25, 2-27
 - inner (1" blade) 2-15, 2-17
 - outer (1 1/4" blade) 2-29, 2-31, 2-33
 - outer (1" blade) 2-19, 2-21, 2-23
- blade housing cover 2-43
- blade tensioner
 - block assembly 2-1, 2-3
 - hand pump 2-5, 3-1, 3-2
 - release handle 2-7
- blade wheel
 - drive side 2-39
 - idle side 2-41

F

- feed roller
 - air-lift 3-14, 3-16, 3-18
 - standard 3-8, 3-10, 3-12
- feed track 3-5
- feed track spacers 3-7
- fence 3-26, 3-27

H

- hydraulic tank 3-20, 3-22
- hydraulic valve 3-24, 3-25

P

- parts list
 - how to use 1-1

S

- saw head mount 2-9
- saw motor 2-11, 2-13
- sawdust chute 2-44
- side roller 3-28

U

- up/down 2-35, 2-37