

**Wood-Mizer® WM4500  
Parts Manual**

---

**WM4500EC30  
WM4500SEC30**

**rev. A4.02**

---

***Safety is our #1 concern!***

*Form #2353*



**WARNING! Read and understand this manual before using this machine.**

## California

### Proposition 65 Warning



**WARNING:** Breathing gas/diesel engine exhaust exposes you to chemicals known to the State of California to cause cancer and birth defects or other reproductive harm.

Always start and operate the engine in a well-ventilated area.  
If in an enclosed area, vent the exhaust to the outside.  
Do not modify or tamper with the exhaust system.  
Do not idle the engine except as necessary.

For more information go to [www.P65warnings.ca.gov](http://www.P65warnings.ca.gov).



**WARNING:** Drilling, sawing, sanding or machining wood products can expose you to wood dust, a substance known to the State of California to cause cancer. Avoid inhaling wood dust or use a dust mask or other safeguards for personal protection.

For more information go to [www.P65Warnings.ca.gov/wood](http://www.P65Warnings.ca.gov/wood).

### Active Patents assigned to Wood-Mizer, LLC

Wood-Mizer, LLC has received patents that protect our inventions which are a result of a dedication to research, innovation, development, and design. Learn more at: [woodmizer.com/patents](http://woodmizer.com/patents)

### ©2023 Wood-Mizer LLC

Printed in the United States of America, all rights reserved. No part of this manual may be reproduced in any form by any photographic, electronic, mechanical or other means or used in any information storage and retrieval system without written permission from

**Wood-Mizer, LLC**  
**8180 West 10th Street**  
**Indianapolis, Indiana 46214**

**SECTION 1 REPLACEMENT PARTS**

1.1 How To Use The Parts List..... 1-1  
     *To Order Parts* ..... 1-1  
 1.2 Sample Assembly..... 1-1  
 1.3 Torque Values..... 1-2

**SECTION 2 BLADE GUIDES & ARM**

2.1 Blade Guides (Standard) ..... 2-1  
 2.2 Blade Guide Assembly, Idle Side (Standard) ..... 2-2  
 2.3 Blade Guide Assembly, Drive Side (Standard) ..... 2-4  
 2.4 Blade Guide Arm ..... 2-6

**SECTION 3 BLADE WHEELS & TENSIONER**

3.1 Drive Shaft Assembly ..... 3-1  
 3.2 Idle Shaft/Brake Drum ..... 3-2  
 3.3 Blade Wheel Assembly, Drive Side..... 3-3  
 3.4 Premier Blade Wheel Assembly, Drive Side (Optional) ..... 3-4  
 3.5 Blade Wheel Assembly, Idle Side..... 3-5  
 3.6 Premier Blade Wheel Assembly, Idle Side (Optional) ..... 3-6  
 3.7 Blade Wheel Scapers ..... 3-7  
 3.8 Brake Assembly ..... 3-8

**SECTION 4 SAW HEAD**

4.1 Board Return ..... 4-1  
 4.2 Board Return Guide ..... 4-2  
 4.3 Covers & Sawdust Chute ..... 4-4  
 4.4 Blow-Off Assembly ..... 4-6  
 4.5 Laser Assembly..... 4-7  
 4.6 Decals ..... 4-9  
 4.7 Head/Air Box Control Assembly ..... 4-10  
 4.8 Head/Air Box Control (Part A)..... 4-11  
 4.9 Head/Air Box Control (Part B)..... 4-13  
 4.10 Head/Air Box Control (Terminal Block)..... 4-15  
 4.11 Debarker Air Box Assembly..... 4-16  
 4.12 Blade Motor Drive Assembly ..... 4-17  
 4.13 Tension System..... 4-19

**SECTION 5 UP/DOWN SYSTEM**

5.1 Mast Pads & Rollers ..... 5-1  
 5.2 Up/Down Ballscrew Drive..... 5-3  
 5.3 Ballscrew Mount (Middle)..... 5-5  
 5.4 Ballscrew Mount (Top)..... 5-7  
 5.5 Head Stop..... 5-8  
 5.6 Up/Down Energy Chain Assembly..... 5-9

**SECTION 6 POWER FEED**

6.1	Upper Track Rollers & Rails .....	6-1
6.2	Upper Roller Block Assembly.....	6-3
6.3	Lower Track Rollers.....	6-4
6.4	Power Feed Drive Motor .....	6-6
6.5	Power Feed Drive Block Assembly .....	6-8
6.6	Feed Chain & Stops.....	6-9
6.7	Lower Wireway.....	6-10

**SECTION 7 BED FRAME**

7.1	Front Hydraulic Hose Duct .....	7-1
7.2	Middle Hydraulic Hose Duct.....	7-2
7.3	Rear Hydraulic Hose Duct.....	7-3
7.4	Front Hydraulic Hose Duct .....	7-4
7.5	Rear Hydraulic Hose Duct.....	7-5
7.6	Bed Rail Assembly .....	7-6
7.7	Rear Bumper.....	7-7
7.8	Front Bumper.....	7-8
7.9	Side Support Sensor Guard .....	7-9
7.10	WM4500 Belt Conveyor .....	7-10
7.11	Belt Conveyor Drive Assembly.....	7-12
7.12	Belt Conveyor Pulley .....	7-14
7.13	Idle-Side Roller .....	7-15
7.14	Wireway Kit (Option w/o Pantograph) .....	7-16
7.15	Cable Carrier (Option w/o Pantograph) .....	7-18
7.16	Bed Frame Leg Base .....	7-19
7.17	Bed Frame & Log Turner Leg Base .....	7-20
7.18	Board Removal Bumper Assembly .....	7-21
7.19	Transport Bracket .....	7-23

**SECTION 8 HYDRAULICS**

8.1	Power Roller, Right & Left .....	8-1
8.2	Hydraulic Toe Board, WM4000.....	8-3
8.3	Chain Log Turner .....	8-5
8.4	Chain Log Turner .....	8-7
8.5	Hydraulic Log Side Supports .....	8-9
8.6	Hydraulic Log Side Support.....	8-10
8.7	Two-Plane Hydraulic Log Clamp (Middle) .....	8-12
8.8	Hydraulic Log Clamp (Optional) .....	8-14
8.9	Hydraulic Log Clamp .....	8-16
8.10	Hydraulic Power Unit.....	8-19
8.11	Hydraulic Control Assembly .....	8-21
8.12	Pull Down Clamps Kit (Optional) .....	8-22
8.13	Bed Extension Directional Valve Assembly .....	8-24
8.14	D03 Manifold Assembly .....	8-25
8.15	D05 4-Station Manifold.....	8-26
8.16	Hydraulic Pump Assembly.....	8-27

**SECTION 9 MISCELLANEOUS**

9.1 Manuals..... 9-1  
 9.2 Tools..... 9-2  
 9.3 Pantograph Assembly ..... 9-3  
 9.4 Lift Kit, 24” ..... 9-5

**SECTION 10 OPERATOR STATION**

10.1 Frame, Rails & Ladder..... 10-1  
 10.2 Stair/Platform Assembly ..... 10-3  
 10.3 Seat & Joystick Controls ..... 10-5  
 10.4 Control Box Assembly..... 10-7  
 10.5 Junction Control Assembly..... 10-9  
 10.6 Cab ..... 10-11  
 10.7 Rear Panel ..... 10-12  
     *Rev. A4.01+* ..... *10-12*  
     *Rev. A1.00-A4.00*..... *10-14*  
 10.8 Right Panel..... 10-16  
 10.9 Front Panel ..... 10-18  
 10.10 Roof..... 10-19  
 10.11 Air Supply ..... 10-20  
 10.12 Turner Down Flow Divider..... 10-22  
 10.13 Air Conditioning/Heat Assembly (Optional) Rev. A4.01+ ..... 10-23

**SECTION 11 PRESSURE LUBE SYSTEM**

11.1 Pressure Lube System ..... 11-1  
 11.2 Lube Manifold Assembly..... 11-2  
 11.3 Lubie Mister Assembly..... 11-3

**SECTION 12 BED EXTENSION OPTION**

12.1 Bed Extension Complete (BX6) ..... 12-1  
 12.2 Bed Rail (BX6) ..... 12-3  
 12.3 Bed Extension Connection Bracket (BX6)..... 12-4  
 12.4 Bed Extension Connector (BX6) ..... 12-5  
 12.5 Bed Extension Complete (BX6) ..... 12-6

## SECTION 1 REPLACEMENT PARTS

### 1.1 How To Use The Parts List

- Use the table of contents to locate the assembly that contains the part you need.
- Go to the appropriate section and locate the part in the illustration.
- Use the number pointing to the part to locate the correct part number and description in the table.
- Parts shown indented under another part are included with that part.

#### *To Order Parts*

- From the continental US, call **1-800-525-8100** to order parts. Have your customer number, vehicle identification number, and part numbers ready when you call.
- From other international locations, contact the Wood-Mizer distributor in your area for parts.

### 1.2 Sample Assembly



REF	PART #	DESCRIPTION	COMMENTS	QTY.
	012345	SAMPLE ASSEMBLY, COMPLETE	INCLUDES ITEMS 1-6	1
1	F02222-22	Sample Part		1
2	F03333-33	Sample Part		2
	098765	Sample Subassembly	Includes items 3-6	1
3	S04444-44	Subassembly Sample Part		1
4	K55555	Subassembly Sample Part		1
	054321	Sample Sub-Subassembly	Includes items 5-6	2
5	022222	Sub-Subassembly Sample Part		1
6	F10234-56	Sub-Subassembly Sample Part		1

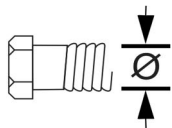
The Sample Assembly, Complete, part number 02345 (top level assembly) includes two parts (F0222-22 and F0333-33) and the 098765 subassembly.

Subassembly 098765 contains two parts(S04444-44 and K55555) and two copies of sub-subassembly 054321.

Each sub-subassembly 054321 contains two parts (022222 and F10234-56).

### 1.3 Torque Values

Grade		Units	SAE 5	SAE 8
Grade Mark				
Bolt Dia.	Threads. Per In.	Units	SAE 5	SAE 8
6	32	in-lbs (Nm)	20 (2.3)	-
8	32	in-lbs (Nm)	24 (2.7)	30 (3.4)
10	24	in-lbs (Nm)	35 (4.0)	45 (5.1)
10	32	in-lbs (Nm)	40 (4.5)	50 (5.7)
12	24	in-lbs (Nm)	50 (5.7)	65 (7.3)
1/4	20	in-lbs (Nm)	95 (10.7)	125 (14.1)
1/4	28	in-lbs (Nm)	95 (10.7)	150 (17.0)
5/16	18	ft-lbs (Nm)	17 (22.6)	23 (31.2)
5/16	24	ft-lbs (Nm)	20 (27.1)	25 (33.8)
3/8	16	ft-lbs (Nm)	30 (40.7)	40 (54.2)
3/8	24	ft-lbs (Nm)	35 (47.5)	45 (61.0)
7/16	14	ft-lbs (Nm)	50 (67.8)	65 (88.1)
7/16	20	ft-lbs (Nm)	55 (74.6)	70 (94.9)
1/2	13	ft-lbs (Nm)	75 (101.7)	100 (135.6)
1/2	20	ft-lbs (Nm)	85 (115.3)	110 (149.2)
9/16	12	ft-lbs (Nm)	105 (142.4)	135 (183.1)
9/16	18	ft-lbs (Nm)	115 (155.9)	150 (203.4)
5/8	11	ft-lbs (Nm)	150 (203.4)	195 (264.4)
5/8	18	ft-lbs (Nm)	160 (217.0)	210 (284.8)
3/4	10	ft-lbs (Nm)	170 (230.5)	220 (298.3)
3/4	16	ft-lbs (Nm)	175 (237.3)	225 (305.1)
7/8	9	ft-lbs (Nm)	302 (409.5)	473 (640.9)
7/8	14	ft-lbs (Nm)	300 (406.8)	400 (542.4)
1	8	ft-lbs (Nm)	466 (631.8)	714 (967.4)



Metric Bolt Head Identification



Metric Grade 8.8



Metric Grade 10.9

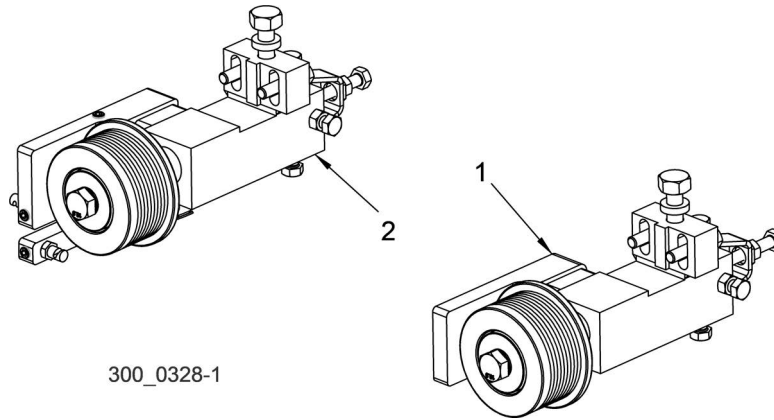
COARSE THREAD					FINE THREAD				Wrench Size	
Diameter & Thread Pitch	Metric 8.8		Metric 10.9		Diameter & Thread Pitch	Metric 8.8		Metric 10.9		
	N-m	lbs-ft	N-m	lbs-ft		N-m	lbs-ft	N-m		lbs-ft
6 x 1.0	8	6	11	8					10 mm	
8 x 1.25	20	15	27	20	8 x 1.0	21	16	29	22	13 mm
10 x 1.5	39	29	54	40	10 x 1.25	41	30	57	42	16 mm
12 x 1.75	68	50	94	70	12 x 1.25	75	55	103	76	18 mm
14 x 2.0	109	80	151	111	14 x 1.5	118	87	163	120	21 mm
16 x 2.0	169	125	234	173	16 x 1.5	181	133	250	184	24 mm
18 x 2.5	234	172	323	239	18 x 1.5	263	194	363	268	27 mm
20 x 2.5	330	244	457	337	20 x 1.5	367	270	507	374	30 mm
22 x 2.5	451	332	623	460	22 x 1.5	495	365	684	505	34 mm
24 x 3.0	571	421	790	583	24 x 2.0	623	459	861	635	36 mm
30 x 3.0	1175	867	1626	1199	30 x 2.0	1258	928	1740	1283	46 mm

# 2

## Blade Guides & Arm *Blade Guides (Standard)*

### SECTION 2 BLADE GUIDES & ARM

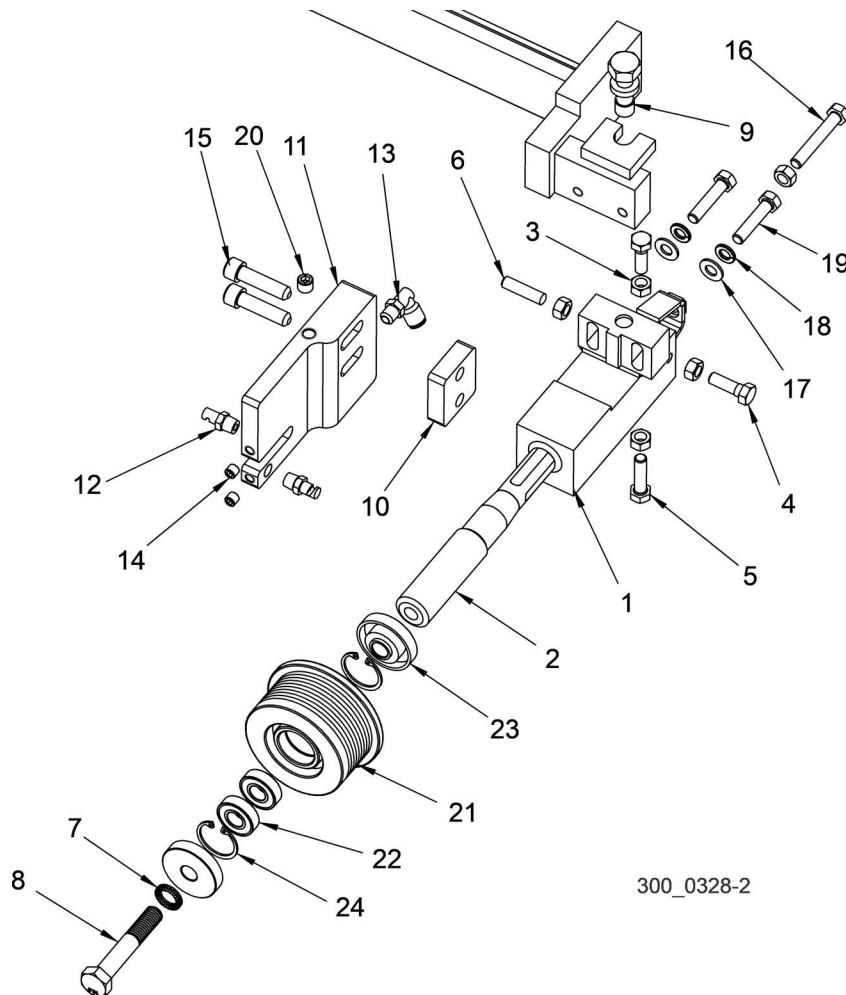
#### 2.1 Blade Guides (Standard)



REF	PART #	DESCRIPTION	COMMENTS	QTY.
1	N/A	ASSEMBLY, WM4500 IDLE 3IN BLADE GUIDE PARTS		1
2	N/A	ASSEMBLY, WM4500 DRIVE 3IN BLADE GUIDE PARTS		1



## 2.2 Blade Guide Assembly, Idle Side (Standard)



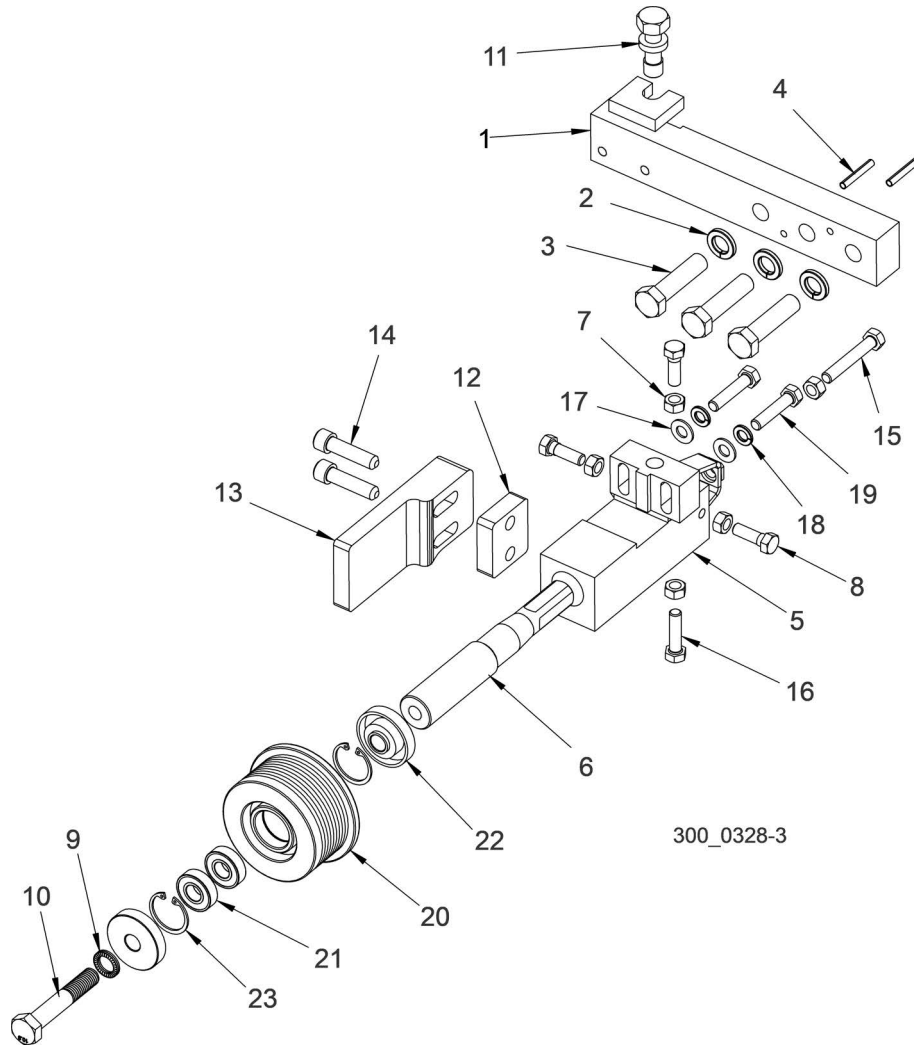
REF	PART #	DESCRIPTION	COMMENTS	QTY.
	104261	<b>ASSEMBLY, WM4500 IDLE 3IN BLADE GUIDE</b>		1
1	104262	Weldment, 3in Drive/Idler Guide Mount		1
2	104269	Shaft, Blade Guide Roller Mount		1
3	F05010-17	Nut, 5/16-18 Hex		5
4	F05006-88	Bolt, 5/16-18x1 Hex Head SS		2
5	F05006-118	Bolt, 5/16-18x1-1/4 Hex Head SS 18-8		1
6	F05006-126	Screw, 5/16-18x1-1/4 SHOP Set		1
7	F05011-125	Washer, 1/2 Nord-Lock Zpl		1
8	F05023-14	Bolt, M12-1.75x70 Hex Head CL10.9 Zinc		1
9	035656	Bolt, B/G Vertical Adjuster		1
10	104267	Block, Ind B/G Spacer		1
11	104265	Block, Ind Waterlube		1

## 2

**Blade Guides & Arm***Blade Guide Assembly, Idle Side (Standard)*

REF	PART #	DESCRIPTION	COMMENTS	QTY.
12	033479	Nozzle, Blade Lube Spray		2
13	P09736	Elbow, 90 Deg 1/8MPT 1/4 Tube Swivel		1
14	007734	Plug, 1/16 NPT		2
15	F05007-36	Screw, 3/8-16x1 1/2 SH BO		2
16	F05006-138	Bolt, 5/16-18x2 FT Hex Head BO Gr8		1
17	F05011-17	Washer, 5/16 SAE Flat		2
18	F05011-13	Washer, 5/16 Split Lock		2
19	F05006-76	Bolt, 5/16-18x1 1/2 Hex Head GR5 FT		2
20	P30127	Fitting, 1/8 NPT Socket Pipe Plug		1
	104151	<b>ASSEMBLY, BLADE GUIDE ROLLER 3X1 7/16</b>		1
21	104152	Roller, 3x1 7/16 Blade Guide	104152 replaced 130033 after 11/18/2021 per ECN 38246	
	130033	Roller, 3x1 7/16 Blade Guide Modified	130033 replaced 104152 after 6/2/2020	
	104152	Roller, 3x1 7/16 Blade Guide		1
22	087893	Bearing, 6001 2RSR (FAG, SKF).		2
23	087892-1	Dust Cap, Blade Guide Roller	087892-1 replaced 130034 after 11/18/2021 per ECN 38246	
	130034	Dust Cap, Blade Guide Roller Modified	130034 replaced 087892-1 after 6/2/2020	
	087892-1	Dust Cap, Blade Guide Roller		2
24	F81090-9	Ring, W28 wg PN/M-85111. Retaining		2

### 2.3 Blade Guide Assembly, Drive Side (Standard)



REF	PART #	DESCRIPTION	COMMENTS	QTY.
1	074987	<b>WELDMENT, B/G DRIVE SIDE MOUNT ARM</b>		1
2	F05011-9	<b>WASHER, 1/2 SPLIT LOCK</b>		3
3	F05008-126	<b>BOLT, 1/2-20X2 HEX HEADC,FT,ZN</b>		3
4	F05012-16	<b>PIN, 3/16X1 1/4 ROLL</b>		2
	104260	<b>ASSEMBLY, WM4500 DRIVE 3IN BLADE GUIDE</b>		1
5	104262	Weldment, 3in Drive/Idler Guide Mount		1
6	104269	Shaft, Blade Guide Roller Mount		1
7	F05010-17	Nut, 5/16-18 Hex		5
8	F05006-88	Bolt, 5/16-18x1 Hex Head SS		2
9	F05011-125	Washer, 1/2 Nord-Lock Zpl		1
10	F05023-14	Bolt, M12-1.75x70 Hex Head CL10.9 Zinc		1
11	035656	Bolt, B/G Vertical Adjuster		1

## 2

**Blade Guides & Arm***Blade Guide Assembly, Drive Side (Standard)*

REF	PART #	DESCRIPTION	COMMENTS	QTY.
12	104267	Block, Ind B/G Spacer		1
13	104266	Block, Ind B/G Shield		1
14	F05007-36	Screw, 3/8-16x1 1/2 SH BO		2
15	F05006-138	Bolt, 5/16-18x2 FT Hex Head BO Gr8		1
16	F05006-118	Bolt, 5/16-18x1-1/4 Hex Head SS 18-8		1
17	F05011-17	Washer, 5/16 SAE Flat		2
18	F05011-13	Washer, 5/16 Split Lock		2
19	F05006-76	Bolt, 5/16-18x1 1/2 Hex Head GR5 FT		2
	104151	<b>ASSEMBLY, BLADE GUIDE ROLLER 3X1 7/16</b>		1
20	104152	Roller, 3x1 7/16 Blade Guide	104152 replaced 130033 after 11/18/2021 per ECN 38246	1
	130033	Roller, 3x1 7/16 Blade Guide Modified	130033 replaced 104152 after 6/2/2020	1
	104152	Roller, 3x1 7/16 Blade Guide		1
21	087893	Bearing, 6001 2RSR (FAG, SKF).		2
22	087892-1	Dust Cap, Blade Guide Roller	087892-1 replaced 130034 after 11/18/2021 per ECN 38246	2
	130034	Dust Cap, Blade Guide Roller Modified	130034 replaced 087892-1 after 6/2/2020	2
	087892-1	Dust Cap, Blade Guide Roller		2
23	F81090-9	Ring, W28 wg PN/M-85111. Retaining		2



# 2

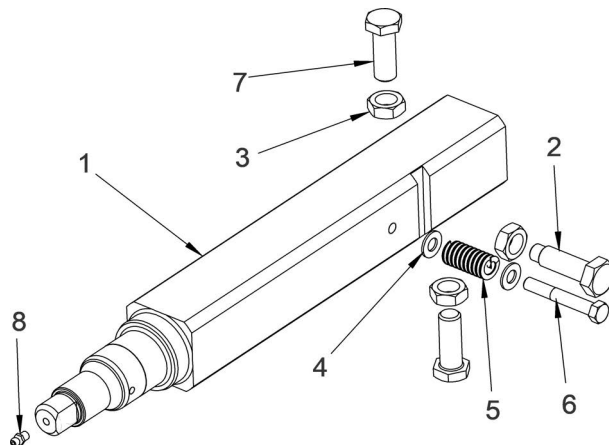
## Blade Guide Rollers & Arm

### Blade Guide Arm

REF	PART #	DESCRIPTION	COMMENTS	QTY.
10	S09999	Roller, Chain Idler		2
	042543	Roller Assembly, Blade Guide Arm Idle		2
11	042536	Roller, 2 1/2" V-Groove	Available in assemblies only.	1
12	P06030-1	Bearing, 5/8" x 1.5748" x .4724"		2
13	F04254-8	Ring, 1.575" ID Beveled 5002-156 Retain- ing		1
14	F05009-97	Bolt, 3/4-16 x 4 1/2" Hex Head Grade 8		1
15	042519	Plate, Blade Guide Arm Motor Mount		1
16	F05011-20	Washer, #10 Split Lock		4
17	F05004-60	Screw, #10-32 x 1/2" Hex Head Machine		4
18	F05011-3	Washer, 3/8" SAE Flat		2
19	F05011-4	Washer, 3/8" Split Lock		2
20	F05007-7	Bolt, 3/8-16 x 1" Hex Head		2
21	F05010-29	Nut, 3/8-16 Hex Jam		3
22	F05007-157	Bolt, 3/8-16 x 2 1/2" Hex Head Full Thread Grade 2		2
23	006704	Arm Weldment, WM3500 Blade Guide		1
24	F05009-98	Bolt, 5/8-18 x 3 1/4" Hex Head Grade 5		4
25	F05007-18	Screw, 3/8-16 x 1 1/4" Socket Head Oval Point Set		1
26	F05012-110	Pin, 7/16" x 2" Dowel		2
27	042443	Chain, #25 x 92 Pitch		1
28	P09983	Link, #25 Master		1
29	035659	Motor Assembly, 24V 60RPM Gear		1
	033119	Motor, 24V 1/15HP Gear		1
	P12756	Housing, Klauber Motor End		1
	036514	Shaft, Blade Guide Arm Gear Motor		1
	036515	Gear Kit, Blade Guide Arm Gear Motor		1
30	036203	Key, #304 Woodruff		1
31	033120	Sprocket, 25B13x 3/8" w/Set Screw		1
32	F05007-17	Bolt, 3/8-16 x 1 1/2" Hex Head Full Thread		1
33	F05009-99	<b>BOLT, 5/8-18 X 2 1/2" HEX HEAD FULL THREAD GRADE 5</b>		2
34	F05010-11	<b>NUT, 5/8-18 HEX JAM</b>		2

## SECTION 3 BLADE WHEELS & TENSIONER

### 3.1 Drive Shaft Assembly



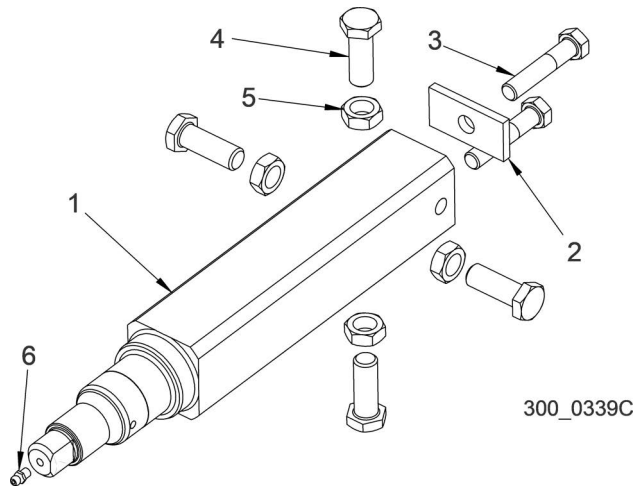
300\_0338B

REF	PART #	DESCRIPTION	COMMENTS	QTY.
	113249	<b>ASSEMBLY, DRIVE SPINDLE</b>		1
1	115233	Shaft, Drive Spindle Stressproof		1
2	034360	Bolt, Drive Wheel Retaining		1
3	F05010-11	Nut, 5/8-18 Hex Jam		3
4	F05011-3	Washer, 3/8 Flat SAE		2
5	034430	Spring, 3/4 O.D.x 1 1/2 Die		1
6	F05007-47	Bolt, 3/8-16 x 2 1/2 Hex Head Gr2 Znc		1
7	F05009-95	Bolt, 5/8-18x1 3/4 Hex Head Gr5		2
8	P05060	Fitting, 1/4-28 Grease		1

# 3 Blade Wheels & Tensioner

## Idle Shaft/Brake Drum

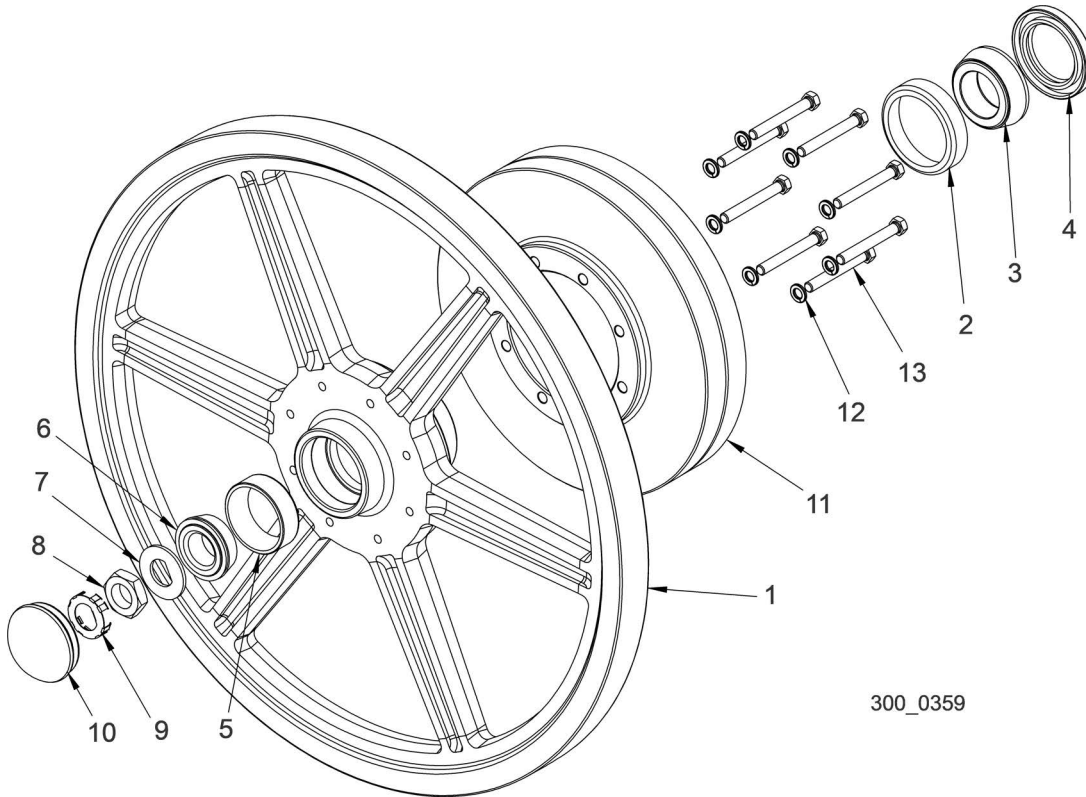
### 3.2 Idle Shaft/Brake Drum



REF	PART #	DESCRIPTION	COMMENTS	QTY.
	113247	<b>ASSEMBLY, IDLER SPINDLE</b>		1
1	115232	Shaft, Spindle Stressproof		1
2	042548	Washer Plate, Idle Spindle		1
3	F05008-135	Bolt, 1/2-20x2-1/2 Hex Head FT Gr5		2
4	F05009-95	Bolt, 5/8-18x1 3/4 Hex Head Gr5		4
5	F05010-11	Nut, 5/8-18 Hex Jam		4
6	P05060	Fitting, 1/4-28 Grease		1



### 3.3 Blade Wheel Assembly, Drive Side



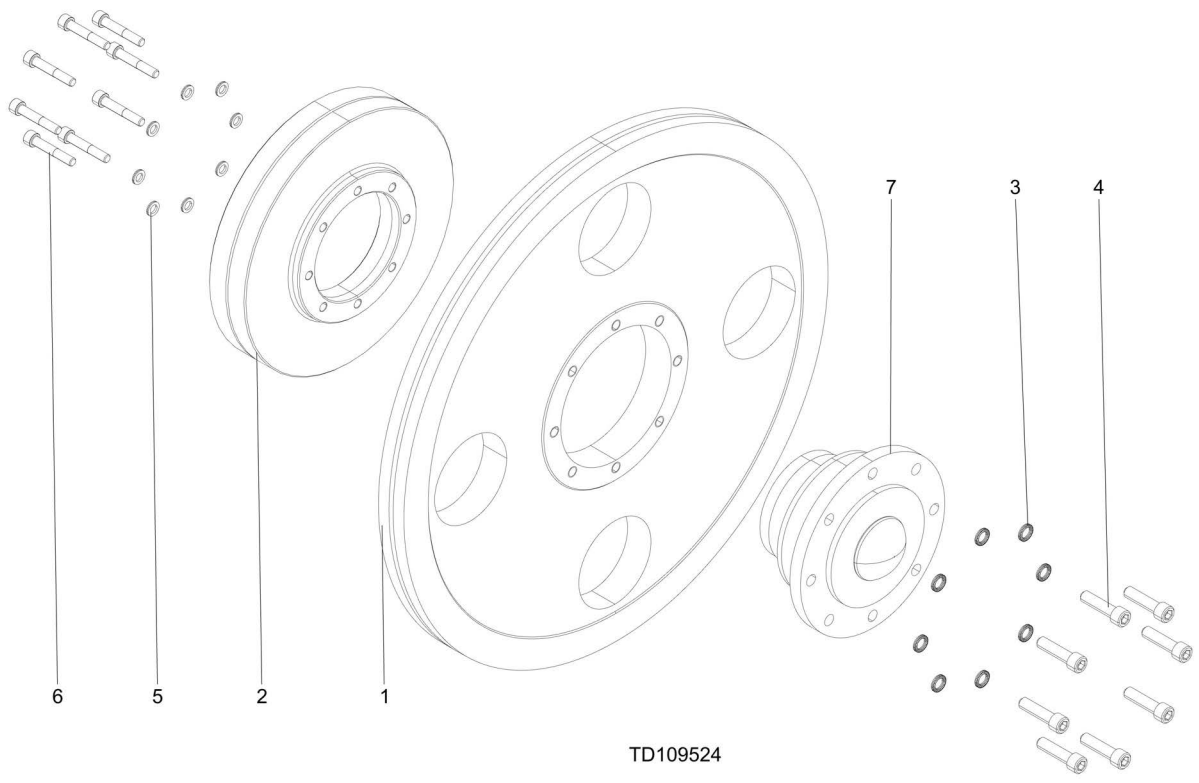
300\_0359

REF	PART #	DESCRIPTION	COMMENTS	QTY.
		<b>WHEEL ASSEMBLY, MARTIN CROWNED</b>	Available in assemblies only.	1
	110957	Wheel Kit, WM4500, Crowned	Comes with items 1 through 6	1
<b>1</b>	113626	Wheel, 25" Martin Cast Blade		1
	061227	Kit, Blade Wheel Bearing	Comes with items 2 through 6	1
<b>2</b>	045209	Race, Inner Bearing		1
<b>3</b>	045208	Bearing, Inner		1
<b>4</b>	045212	Seal, Blade Wheel		1
<b>5</b>	045211	Race, Outer Bearing		1
<b>6</b>	045210	Bearing, Outer		1
<b>7</b>	045214	Washer, Spindle D		1
	007656	Nut Assembly, Spindle		1
<b>8</b>	007654	Nut, 1-14 Spindle		1
<b>9</b>	007655	Retainer, Spindle Nut		1
<b>10</b>	033238	Cap, 8 Lug Hub Dust		1
<b>11</b>	046897	Sheave, LT300 Driven, Eagle PD		1
<b>12</b>	F05011-4	Washer, 3/8 Split Lock		8
<b>13</b>	F05007-1	BOLT, 3/8-16X3 Hex Head FULL THRD, ZN		8

### 3 Blade Wheels & Tensioner

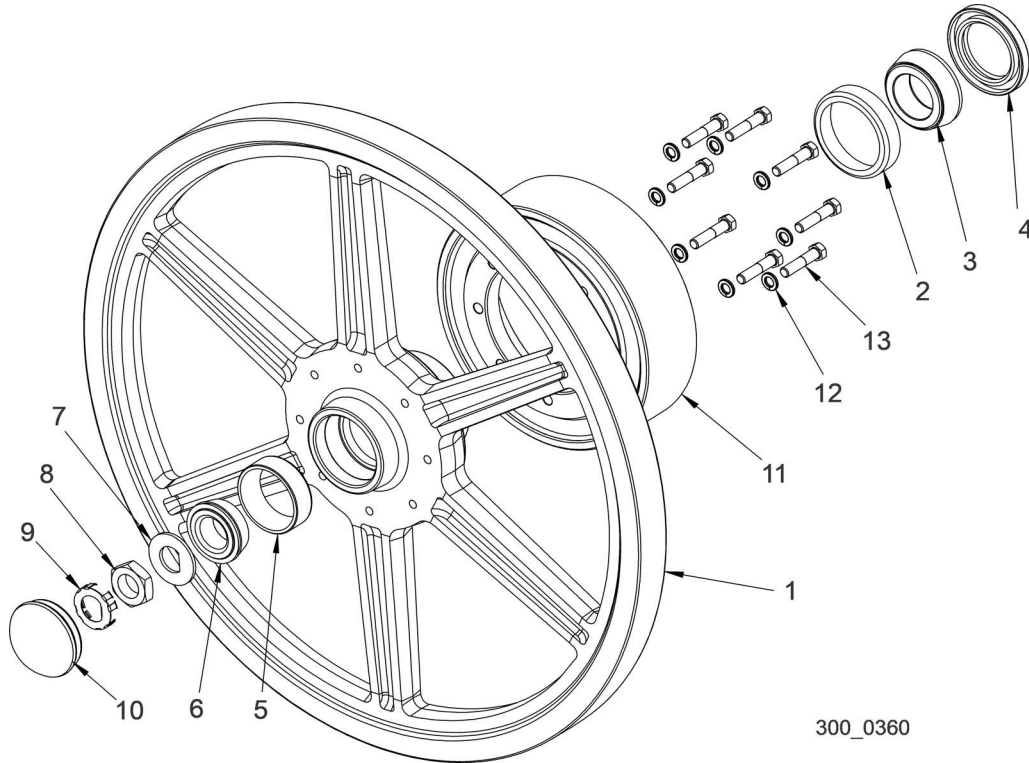
Premier Blade Wheel Assembly, Drive Side (Optional)

#### 3.4 Premier Blade Wheel Assembly, Drive Side (Optional)



REF	PART #	DESCRIPTION	COMMENTS	QTY.
	109524	<b>ASSY, Ø25" DRIVE-SIDE WHEEL; CROWNED</b>	Available in assemblies only.	1
1	109527	Wheel, Ø25" Drive-side; Crowned		1
2	046897	Sheave, LT300 Driven, Eagle PD		1
3	F05011-125	Washer, 1/2 Nord-Lock Zpl		8
4	F05008-133	Bolt, 1/2-13x2 SHC BO		8
5	F05011-152	Washer, 3/8 Nord-Lock Zpl		8
6	F05007-177	Bolt, 3/8-16 x 2 1/4 SHC		8
7	109526	Assy, Band Wheel Bearing Hub		1

### 3.5 Blade Wheel Assembly, Idle Side



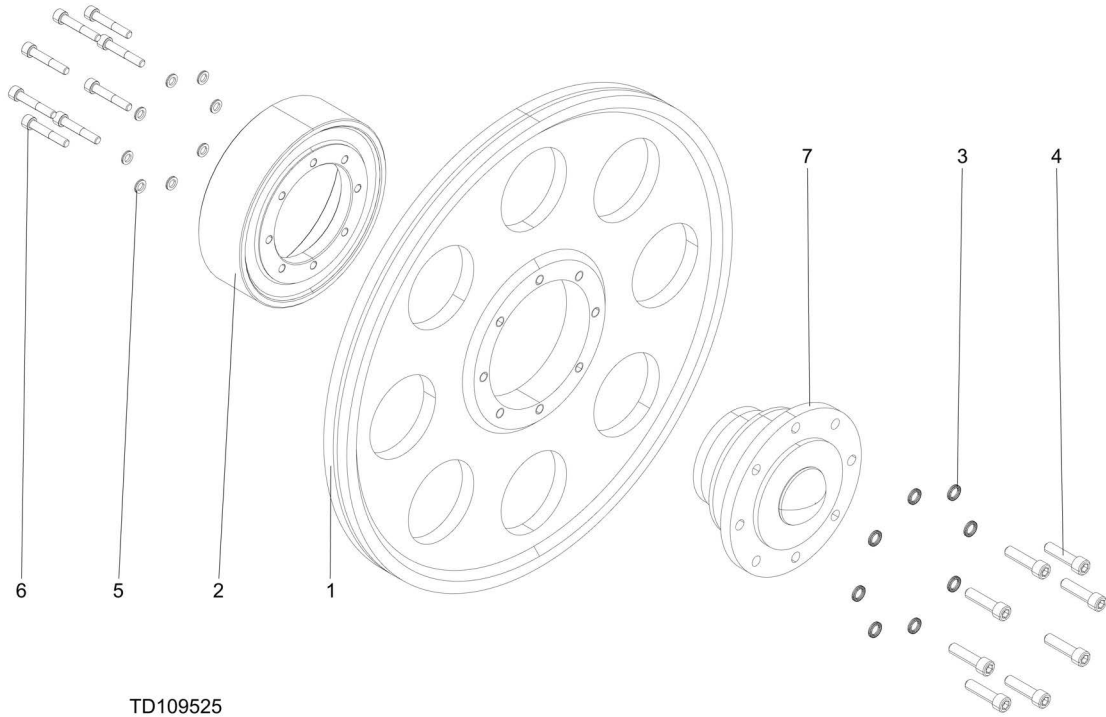
300\_0360

REF	PART #	DESCRIPTION	COMMENTS	QTY.
		<b>WHEEL ASSEMBLY, MARTIN CROWNED</b>	Available in assemblies only.	1
	110957	Wheel Kit, WM4500, Crowned (Comes with items 1 through 6)		1
<b>1</b>	113626	Wheel, 25" Martin Cast Blade		1
	061227	Kit, Blade Wheel Bearing (Comes with items 2 through 6)		1
<b>2</b>	045209	Race, Inner Bearing		1
<b>3</b>	045208	Bearing, Inner		1
<b>4</b>	045212	Seal, Blade Wheel		1
<b>5</b>	045211	Race, Outer Bearing		1
<b>6</b>	045210	Bearing, Outer		1
<b>7</b>	045214	Washer, Spindle D		1
	007656	Nut Assembly, Spindle		1
<b>8</b>	007654	Nut, 1-14 Spindle		1
<b>9</b>	007655	Retainer, Spindle Nut		1
<b>10</b>	033238	Cap, 8 Lug Hub Dust		1
<b>11</b>	045004	Drum, Brake		1
<b>12</b>	F05011-4	Washer, 3/8 Split Lock		8
<b>13</b>	F05007-119	Bolt, 3/8-16x 1-3/4 Hex Head Gr8		8

### 3 Blade Wheels & Tensioner

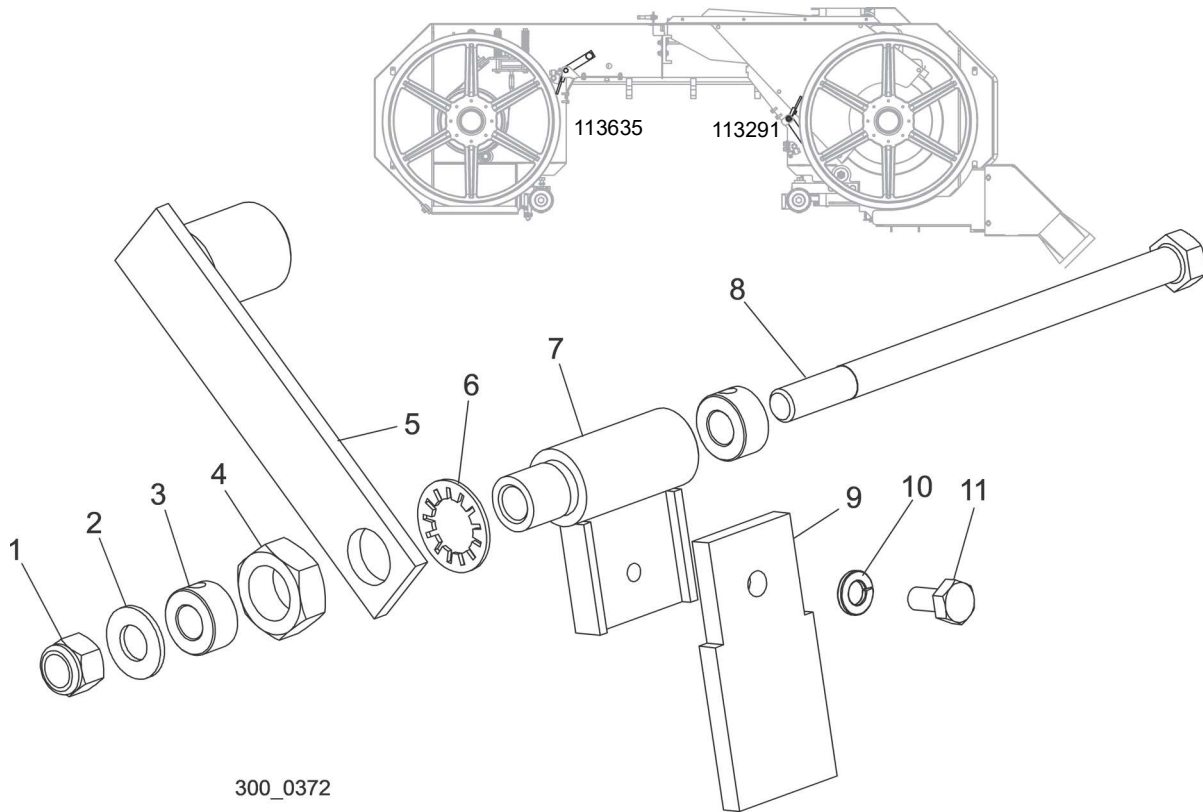
Premier Blade Wheel Assembly, Idle Side (Optional)

#### 3.6 Premier Blade Wheel Assembly, Idle Side (Optional)



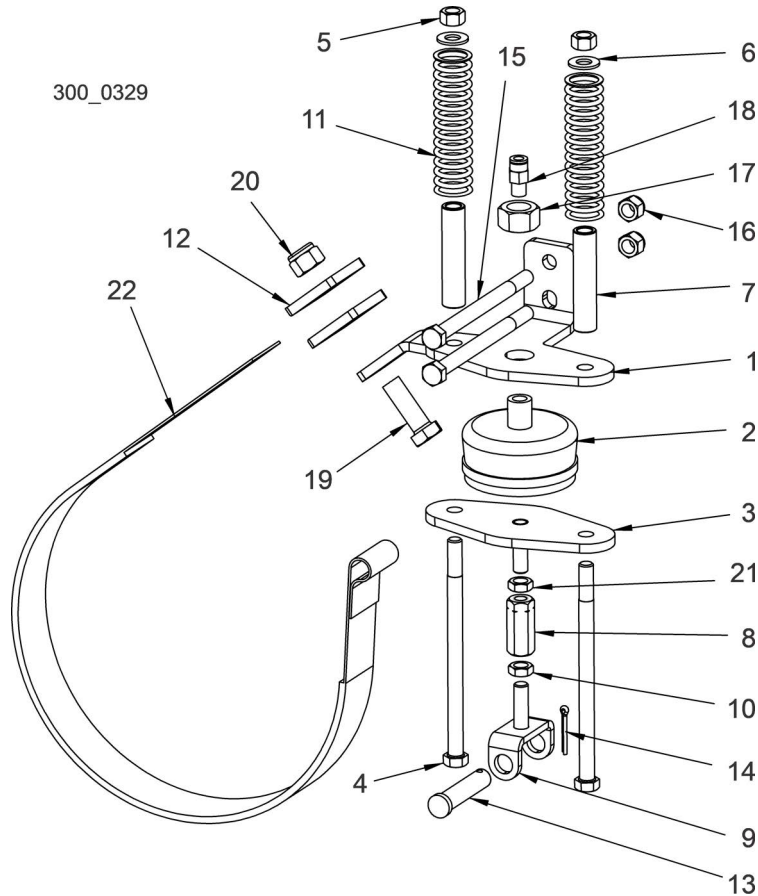
REF	PART #	DESCRIPTION	COMMENTS	QTY.
1	109525	<b>ASSY, Ø25" IDLE-SIDE WHEEL; CROWNED</b>	Available in assemblies only.	
1	109528	Wheel, Ø25" Idle-side; Crowned		1
2	045004	Drum, Brake		1
3	F05011-125	Washer, 1/2 Nord-Lock Zpl		8
4	F05008-133	Bolt, 1/2-13x2 SHC BO		8
5	F05011-152	Washer, 3/8 Nord-Lock Zpl		8
6	F05007-177	Bolt, 3/8-16 x 2 1/4 SHC		8
7	109526	Assy, Band Wheel Bearing Hub		1

### 3.7 Blade Wheel Scrapers



REF	PART #	DESCRIPTION	COMMENTS	QTY.
	113635	<b>ASSY, IDLE WHEEL SCRAPER</b>	The difference between the idle and drive assemblies is the orientation of the parts.	1
	113291	<b>ASSY, DRIVE WHEEL SCRAPER</b>		1
1	F05010-10	Nut, 3/8-16 Hex Nyloc		1
2	F05011-3	Washer, 3/8 Flat SAE		1
3	042249	Collar, 3/8 ID Shaft		2
4	F05010-82	Nut, 5/8-11 Jam		1
5	042248	Weldment, Scraper Weight		1
6	F05011-25	Washer, 5/8 Star IT		1
7	042240	Weldment, Wheel Scraper Pivot		1
8	F05005-15	Bolt, 1/4-20x1/2 HH->		1
9	113636	Scaper, Brass 1-1/2		1
10	F05011-14	Washer, 1/4 Split Lock		1
11	F05007-45	Screw, 3/8-16x6 HHC		1

### 3.8 Brake Assembly



REF	PART #	DESCRIPTION	COMMENTS	QTY.
	113251	<b>ASSEMBLY, BRAKE ACTUATOR</b>		1
<b>1</b>	113252	Plate, Brake Top		1
<b>2</b>	033168	Air Bag, Brake		1
<b>3</b>	033172	Weldment, Bottom Brake Plate		1
<b>4</b>	F05007-45	Bolt, 3/8-16 X 6 Hex Headb Zinc		2
<b>5</b>	F05010-25	Nut, 3/8-16 Swaged		2
<b>6</b>	F05011-3	Washer, 3/8 Flat SAE		2
<b>7</b>	033169	Spacer, Spring Travel		2
<b>8</b>	033174	Adjuster, Brake Link		1
<b>9</b>	033175	Weldment, Brake Link		1
<b>10</b>	F05010-22	Nut, 3/8-24 UNC Hex Jam		1
<b>11</b>	033171	Spring, Brake		2
<b>12</b>	S04195	Plate, 1/4x1 3/4x1 3/4 Brake Strap		2
<b>13</b>	F05012-81	Pin, 1/2x2 1/4 Clevis		1

**Blade Wheels & Tensioner**  
*Brake Assembly*

**3**

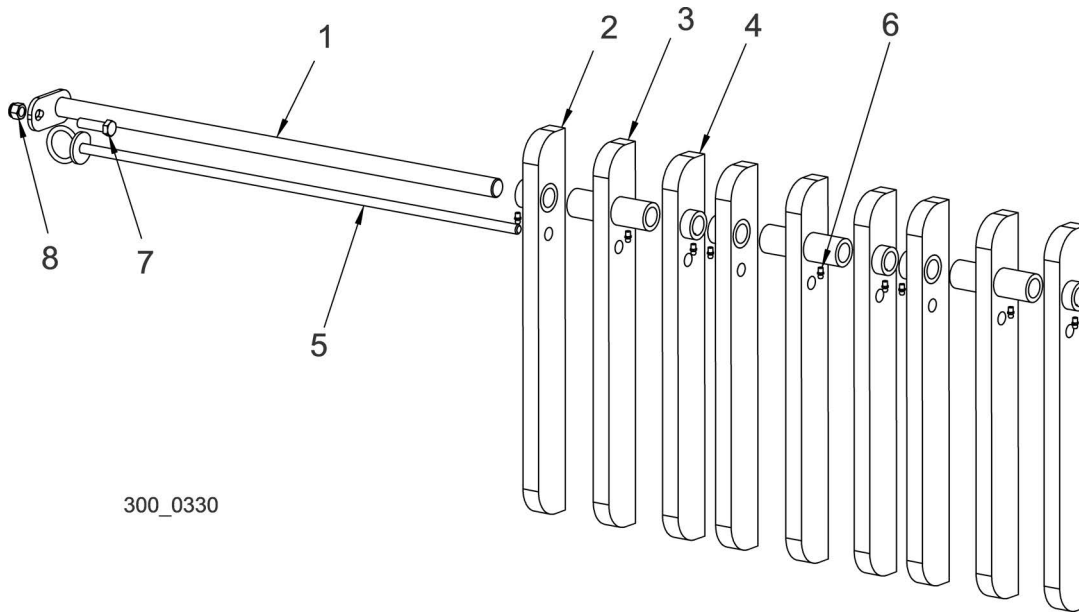
REF	PART #	DESCRIPTION	COMMENTS	QTY.
14	F05012-1	Pin, 1/8x1 Cotter		1
15	F05007-5	Bolt, 3/8-16x5 Hex Head GR2 Zinc		2
16	F05010-10	Nut, 3/8-16 Hex Nyl Lock		2
17	F05010-5	Nut, 5/8-11 Hex		1
18	P03078	Fitting, 1/8NPTx1/4TB		1
19	F05008-4	Bolt, 1/2-13x1 1/2 Hex Head		1
20	F05010-8	Nut, 1/2-13 Nyl Hex Lock		1
21	F05010-166	Nut, 3/8-24 LH Jam		1
22	033178	Band, 9 1/2 Dia Brake		1

# 4 Saw Head

## Board Return

### SECTION 4 SAW HEAD

#### 4.1 Board Return

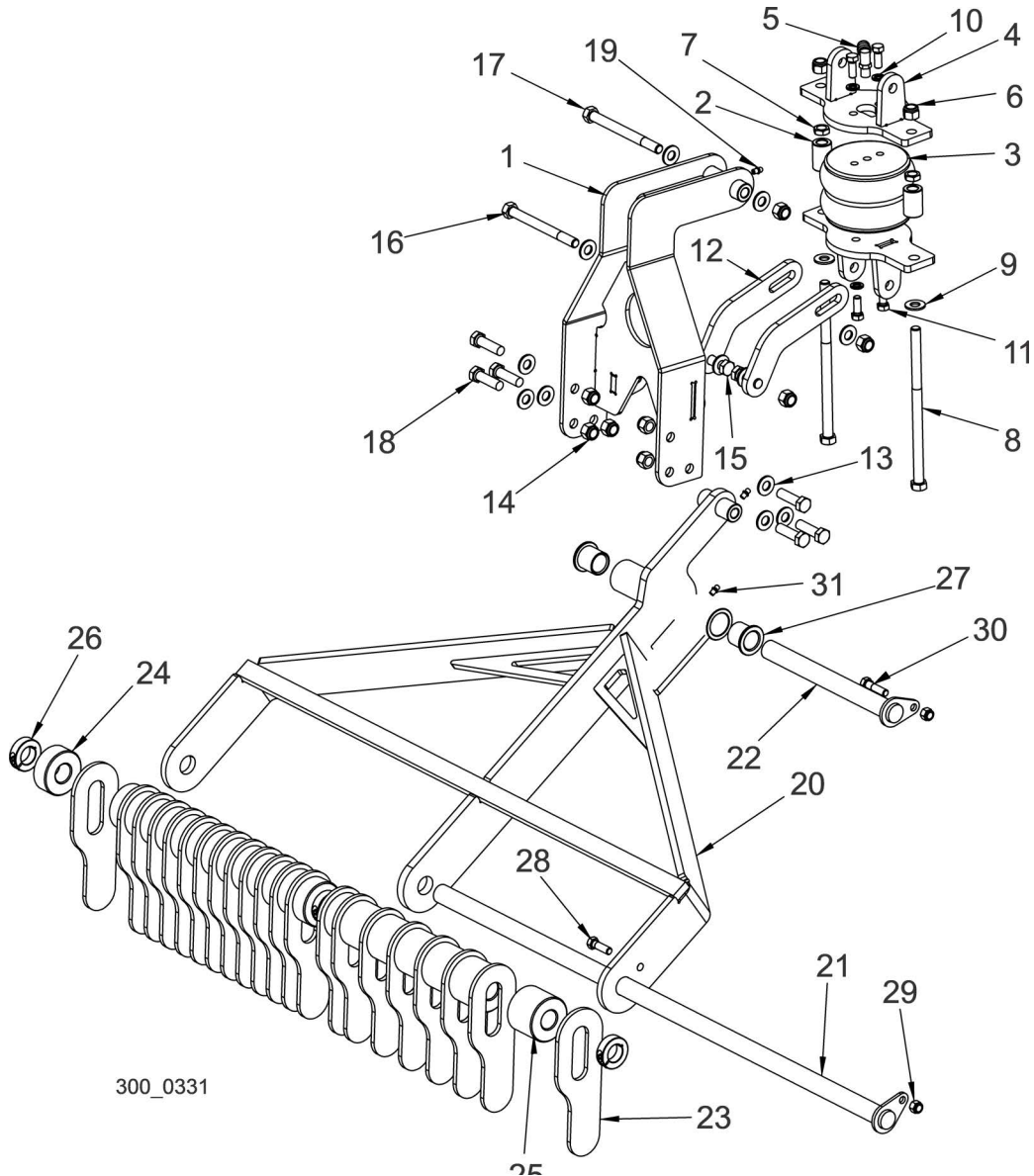


300\_0330

REF	PART #	DESCRIPTION	COMMENTS	QTY.
	115138	<b>BOARD RETURN ASSEMBLY, PRIMARY</b>		1
1	115139	Pin Weldment, Brd Rtn Pivot		1
2	003660	Weldment, LT300 Right Brd Rtn Arm		3
3	003661	Weldment, LT300 Middle Brd Rtn Arm		3
4	003659	Weldment, LT300 Left Brd Rtn Arm		3
5	115229	Weldment, Support Pin		1
6	P05060	Fitting, 1/4-28 Grease		9
7	F05008-88	Bolt, 1/2-13x1 3/4 Hex Head GR5 FT Zinc		1
8	F05010-8	Nut, 1/2-13 Nyl Hex Lock		1



## 4.2 Board Return Guide



300\_0331

REF	PART #	DESCRIPTION	COMMENTS	QTY.
	115115	<b>GUIDE ASSEMBLY, BOARD</b>		1
	115210	Mount Assembly, Air Bag		1
<b>1</b>	115201	Frame Weldment, Air Bag Mount		1
	115200	Hanger Assembly, Air Bag		1
<b>2</b>	115195	Pivot Weldment, Air Bag Lower		1
<b>3</b>	033231	Bag, Motor Lift Air		1
<b>4</b>	115206	Pivot Weldment, Air Bag Upper		1

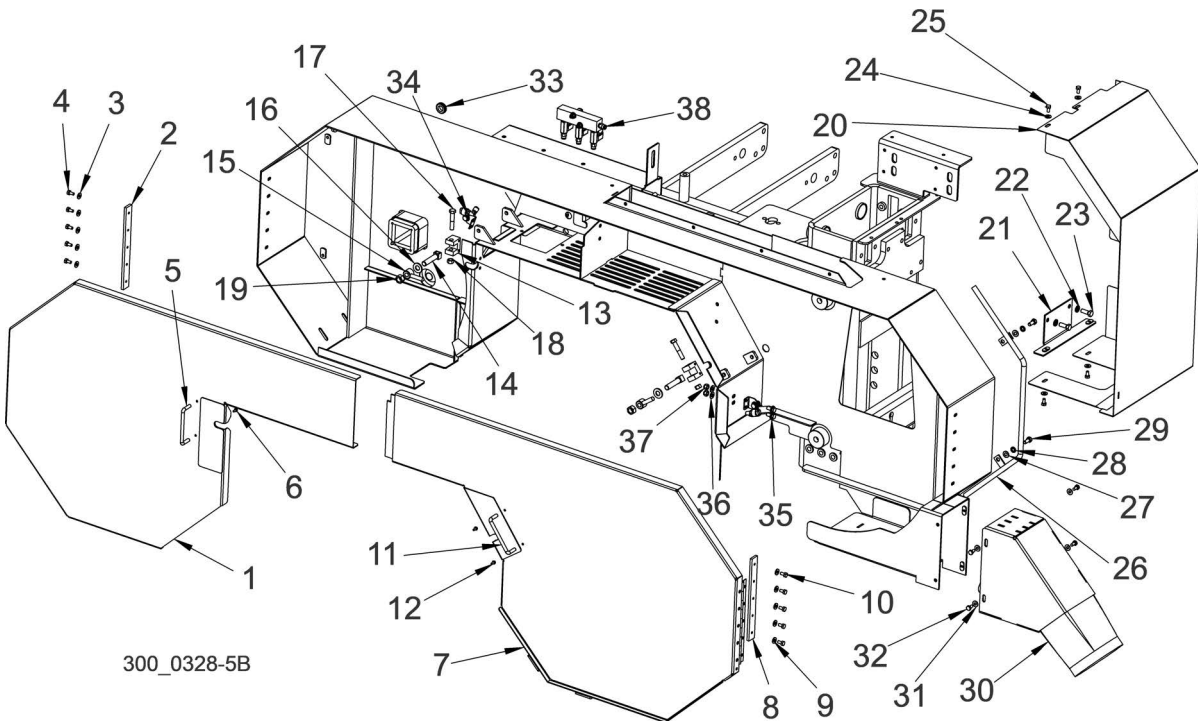
## 4

## Saw Head

### Board Return Guide

REF	PART #	DESCRIPTION	COMMENTS	QTY.
5	P21521	Fitting, 1/4 In Npt-3/8 In 90 Deg Air		1
6	F05010-8	Nut, 1/2-13 Nyl Hex Lock		2
7	F05010-31	Nut, 1/2-13 Zinc Jam		2
8	F05008-148	Bolt, 1/2-13x9 Hex Head Gr5, Zn		2
9	F05011-2	Washer, 1/2 SAE Flat		2
10	F05011-4	Washer, 3/8 Split Lock		4
11	F05007-87	Bolt, 3/8-16x1 Gr5 Hex Head		4
12	115199	Plate, Air Bag Pivot Limit		2
13	F05011-2	Washer, 1/2 SAE Flat		12
14	F05010-8	Nut, 1/2-13 Nyl Hex Lock		10
15	F05008-33	Bolt, 1/2-13x1 1/2 Hex Head Gr5		2
16	F05008-176	Bolt, 1/2-13x5-1/4 Hex Head		1
17	F05008-28	Bolt, 1/2-13x5 1/2 Hex Head GR5 Zinc		1
18	F05008-88	Bolt, 1/2-13x1 3/4 Hex HeadGR5 FT Zinc		6
19	P05060	Fitting, 1/4-28 Grease		1
	115213	Frame Assembly, Board Guide		1
20	115214	Frame Weldment, Board Guide		1
21	115191	Rod Weldment, Board Guide		1
22	115225	Rod Weldment, Board Guide		1
23	115129	Plate, Brd Return Guide		21
24	115193	Spacer, 2 1/2ODx1.03IDx1 Nylon		15
25	115194	Spacer, 2 1/2ODx1.03IDx1 Nylon		6
26	115130	Collar, 1 ID x 1 3/4 OD x 1/2in Lock		3
27	P109	Bushing, 1 IDx1-1/4 ODx1-1/4 FI		2
28	F05007-123	Bolt, 3/8-16x 1 1/4 Hex Head Gr5		1
29	F05010-10	Nut, 3/8-16 Hex Nyl Lock		2
30	F05007-78	Bolt, 3/8-16X1 1/2 Hex Head Gr5, Znc		1
31	P05060	Fitting, 1/4-28 Grease		2

### 4.3 Covers & Sawdust Chute



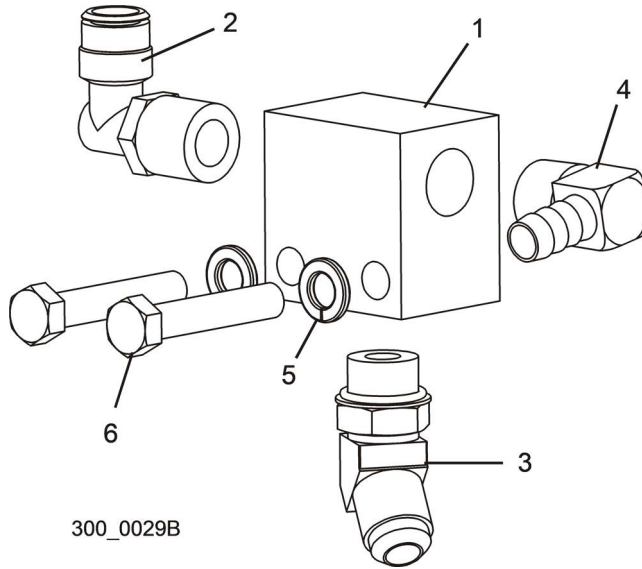
REF	PART #	DESCRIPTION	COMMENTS	QTY.
	113259	<b>ASSEMBLY, DOOR</b>		1
	110764	Door Assembly, WM4500 Idle Side		1
<b>1</b>	113260	Weldment, WM4500 Idle Door		1
<b>2</b>	042435	Plate, Door Nut		1
<b>3</b>	F05011-11	Washer, 1/4 SAE Flat		5
<b>4</b>	F05005-15	Bolt, 1/4-20x1/2 Hex Head		5
<b>5</b>	P08065	Handle, 4 W/Bolt		1
<b>6</b>	F05015-8	Bolt, #8-32x3/8 Self Tap		2
	113263	Assembly, Side Door		1
<b>7</b>	113264	Weldment, WM4500 Drive Side Door		1
<b>8</b>	042435	Plate, Door Nut		1
<b>9</b>	F05011-11	Washer, 1/4 SAE Flat		5
<b>10</b>	F05005-15	Bolt, 1/4-20x1/2 Hex Head		5
<b>11</b>	P08065	Handle, 4 W/Bolt		1
<b>12</b>	F05015-8	Bolt, #8-32x3/8 Self Tap		2
	042440	<b>ASSEMBLY, COVER LATCH</b>		2
<b>13</b>	042439	Block, Cover Bolt		1
<b>14</b>	042438	Bolt, Cover		1
<b>15</b>	021145	Nut Weldment, Cover		1

## 4

**Saw Head***Covers & Sawdust Chute*

REF	PART #	DESCRIPTION	COMMENTS	QTY.
16	F05011-2	Washer, 1/2 SAE Flat		1
17	F05007-72	Bolt, 3/8-16x2 Hex Head, Zn		1
18	F05010-25	Nut, 3/8-16 Swaged		1
19	F05010-3	Nut, 1/2-13 Swaged Hex		1
	113271	<b>ASSEMBLY, SIDE GUARD</b>		1
20	113272	Weldment, Guard, Side		1
21	113275	Brkt Weldment. Side Guard Mount		1
22	F05011-4	Washer, 3/8 Split Lock		2
23	F05007-87	Bolt, 3/8-16x1 Gr5 Hex Head		2
24	F05011-11	Washer, 1/4 SAE Flat		4
25	F05005-15	Bolt, 1/4-20x1/2 Hex Head		4
	113280	<b>ASSEMBLY, LASER CONDUIT</b>		1
26	074784	Weldment, Conduit Laser		1
27	F05011-17	Washer, 5/16 SAE Flat		2
28	F05011-13	Washer, 5/16 Split Lock		2
29	F05006-102	Bolt, 5/16-18 x 3/4 Hex Head Gr5		2
	113281	<b>ASSEMBLY, CHUTE TUBE</b>		1
30	113282	Weldment, Chute Tube		1
31	F05011-11	Washer, 1/4 SAE Flat		4
32	F05005-15	Bolt, 1/4-20x1/2 Hex Head		4
33	P11764	<b>GROMMET, 5/8 ID RUBBER</b>		1
34	110762	<b>MISTER ASSEMBLY, LUBIE</b>	<a href="#">See Section 11.3</a>	2
35	F05006-101	<b>BOLT, 5/16-18X3/4 HEX HEAD W/FLAT&amp;LOCK WASHER</b>		2
36	F05011-17	<b>WASHER, 5/16 SAE FLAT</b>		2
37	F05010-58	<b>NUT, 5/16-18 NYL LOCK</b>		2
38	113152	<b>MANIFOLD ASSEMBLY, SAWMILL LUBE</b>	<a href="#">See Section 11.2</a>	1

### 4.4 Blow-Off Assembly

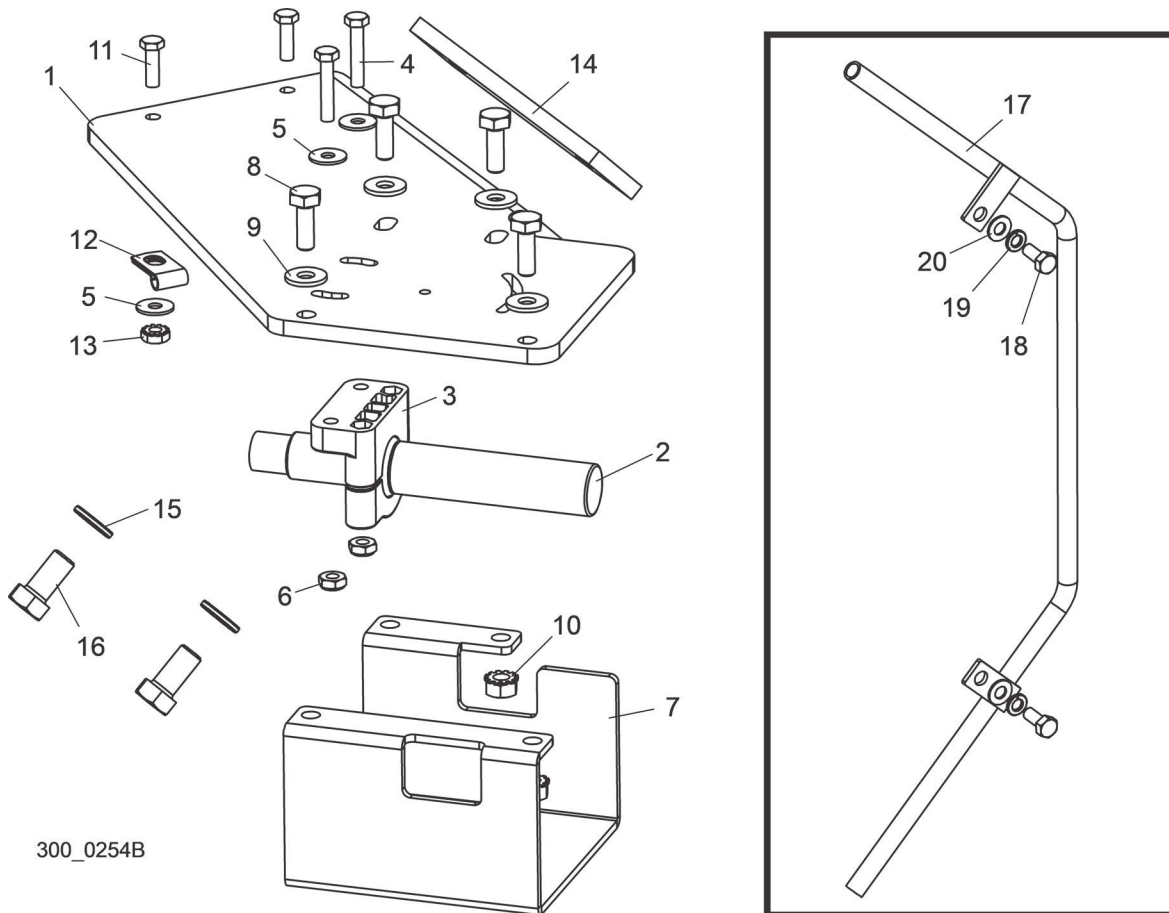


REF	PART #	DESCRIPTION	COMMENTS	QTY.
	016882	<b>BLOCK ASSEMBLY, BLOW-OFF</b>		1
<b>1</b>	016879	Block, Blow-Off		1
<b>2</b>	016880	Fitting, 1/2" NPT x 1/2" Tube 90° Swivel Elbow		1
<b>3</b>	041161	Fitting, #8 JIC x #8 SAE 45° Elbow		1
<b>4</b>	015997	Fitting, 1/2" NPT x 1/2" Hose Barb 90° Elbow		1
<b>5</b>	F05011-4	Washer, 3/8" Split Lock		2
<b>6</b>	F05007-16	Bolt, 3/8-16 x 2" Hex Head Full Thread		2
	R01869-5	<b>TUBING, 1/2" CHAINFLEX AIR LINE</b>	Additional 6 foot of hose supplied for LT300-BX6WM3000-BX6WM3500-BX6. Additional 10 foot hose supplied for LT300-BX10WM3000-BX10.	54 Ft.
	R01869-5	<b>TUBING, 1/2" CHAINFLEX AIR LINE</b>		4 Ft.

# 4 Saw Head

## Laser Assembly

### 4.5 Laser Assembly

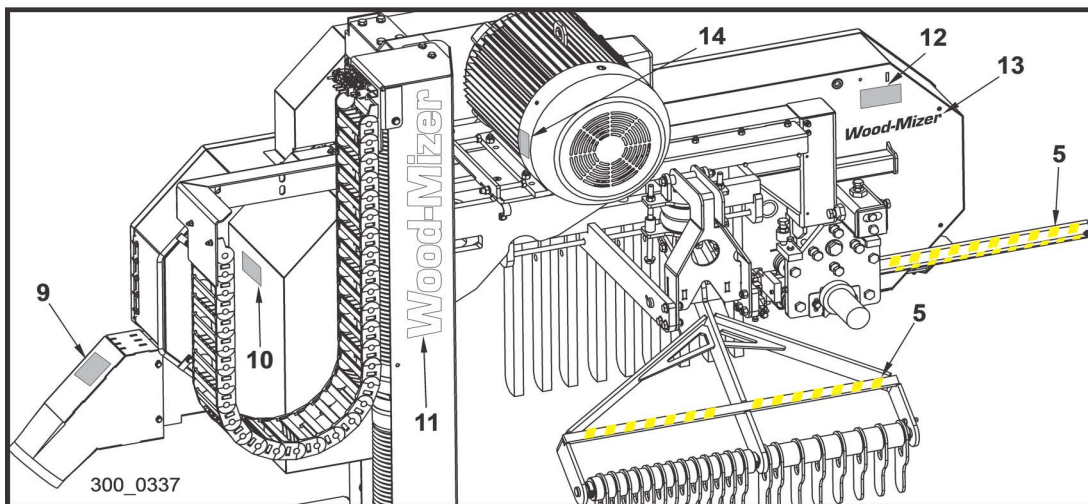
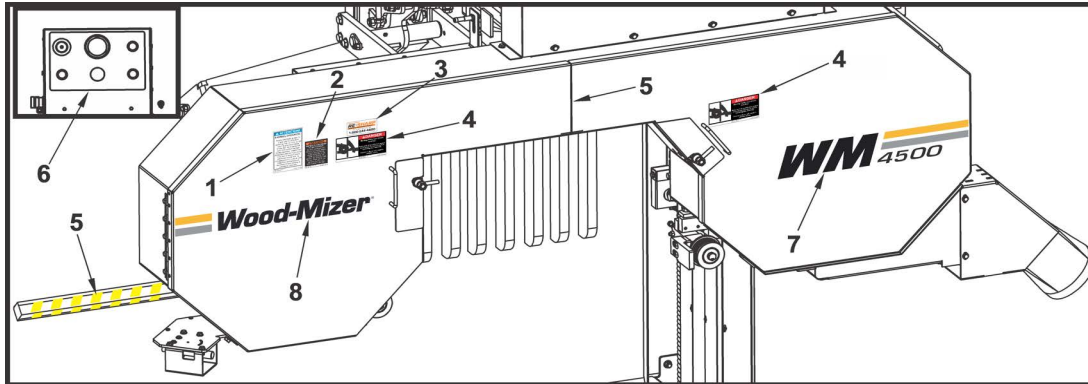


REF	PART #	DESCRIPTION	COMMENTS	QTY.
	074047	<b>LASER ASSEMBLY, WM4000</b>		1
1	042744	Plate, Laser Mount		1
2	068035	Laser, 5mW 532nm 90° Line Z-Laser Green		1
3	074051	Bracket, 18mm Laser Mount Swivel		1
4	F05004-156	Screw, #10-24 x 1" Unslotted Hex Head Grade 2		2
5	F05011-18	Washer, #10 SAE Flat		4
6	F05010-160	Nut, 10-24 Hex Nylon Lock		2
7	042743	Cover, Laser Guard		1
8	F05005-1	Bolt, 1/4-20 x 3/4" Hex Head Full Thread		4
9	F05011-11	Washer, 1/4" SAE Flat		4
10	F05010-9	Nut, 1/4-20 Hex Self-Locking		4
11	F05004-18	Bolt, #10-24 x 5/8" Hex Head		2
12	025196	Clamp, .187 Cushioned Metal Cable		2

REF	PART #	DESCRIPTION	COMMENTS	QTY.
13	F05010-14	Nut, #10-24 Hex Self-Locking		2
14	042452	Plate, Laser Mount Nut		1
15	F05011-4	Washer, 3/8" Split Lock		2
16	F05007-27	Bolt, 3/8-16 x 3/4" Hex Head Grade 2		2
17	074784	<b>CONDUIT WELDMENT, LASER</b>		1
18	F05006-102	<b>BOLT, 5/16-18 X 3/4" HEX HEAD GRADE 5</b>		2
19	F05011-13	<b>WASHER, 5/16" SPLIT LOCK</b>		2
20	F05011-17	<b>WASHER, 5/16" SAE FLAT</b>		2

# 4 Saw Head Decals

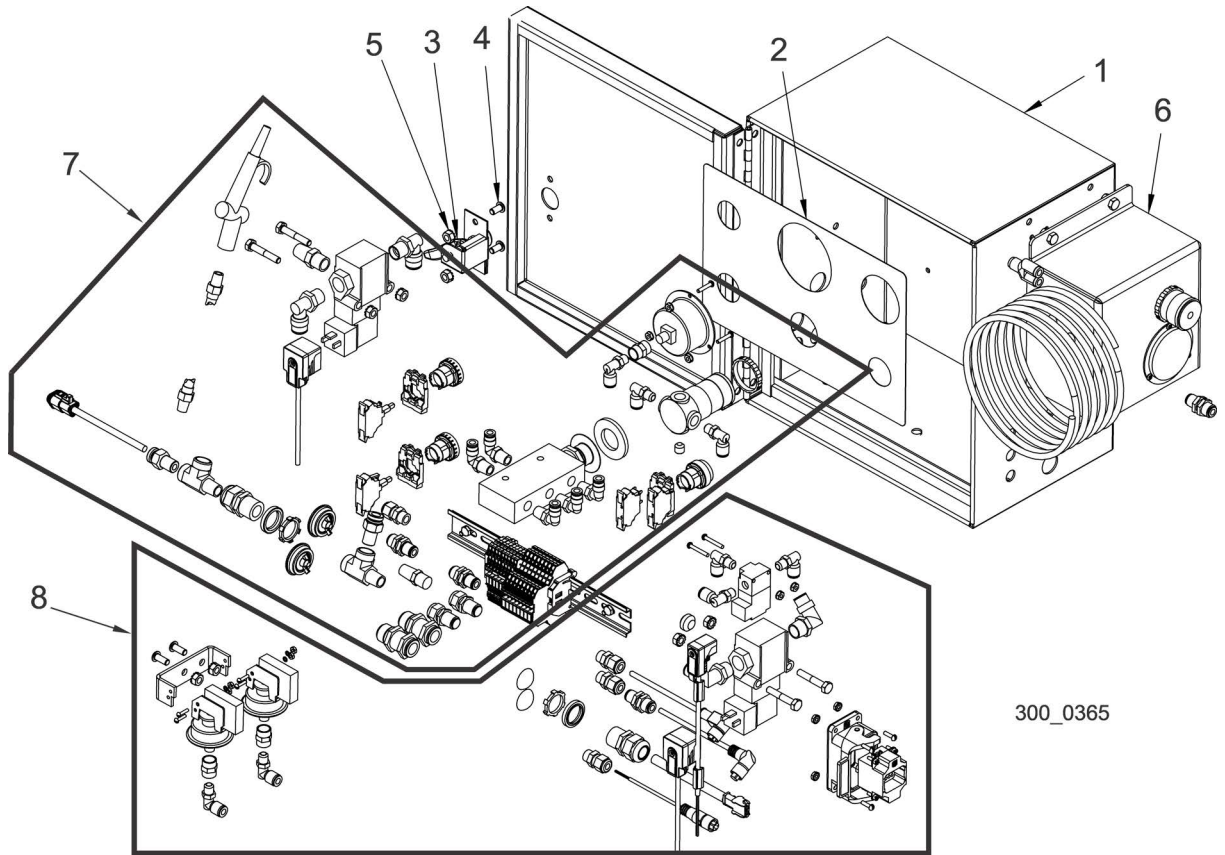
## 4.6 Decals



REF	PART #	DESCRIPTION	COMMENTS	QTY.
1	034803	DECAL, BLADE GUIDE INFO (LARGE)		1
2	034801	DECAL, BLADE INSPECTION WARNING		1
3	P12879	DECAL, RE-SHARP		1
4	033254	DECAL, MOVING PARTS DANGER		2
5	016834	DECAL, WARNING STRIPE		7
6	052274	DECAL, LT300 2005 HEAD/AIR BOX		1
7	N/A	DECAL, WM4500 LOGO		1
8	076273	DECAL, WOOD-MIZER LOGO W/STRIPES		1
9	S11753	DECAL, EYE/EAR PROTECTION WARNING		1
10	042674	DECAL, TRANSDUCER ADJUSTMENT CAUTION		1
11	074077	DECAL, 27" WHITE WOOD-MIZER LOGO		1
12	S20038	PLATE, NAME		1
13	052287	DECAL, WOOD-MIZER LOGO 10.25"		1
14	S20097	DECAL, MOTOR DIRECTION		1



### 4.7 Head/Air Box Control Assembly

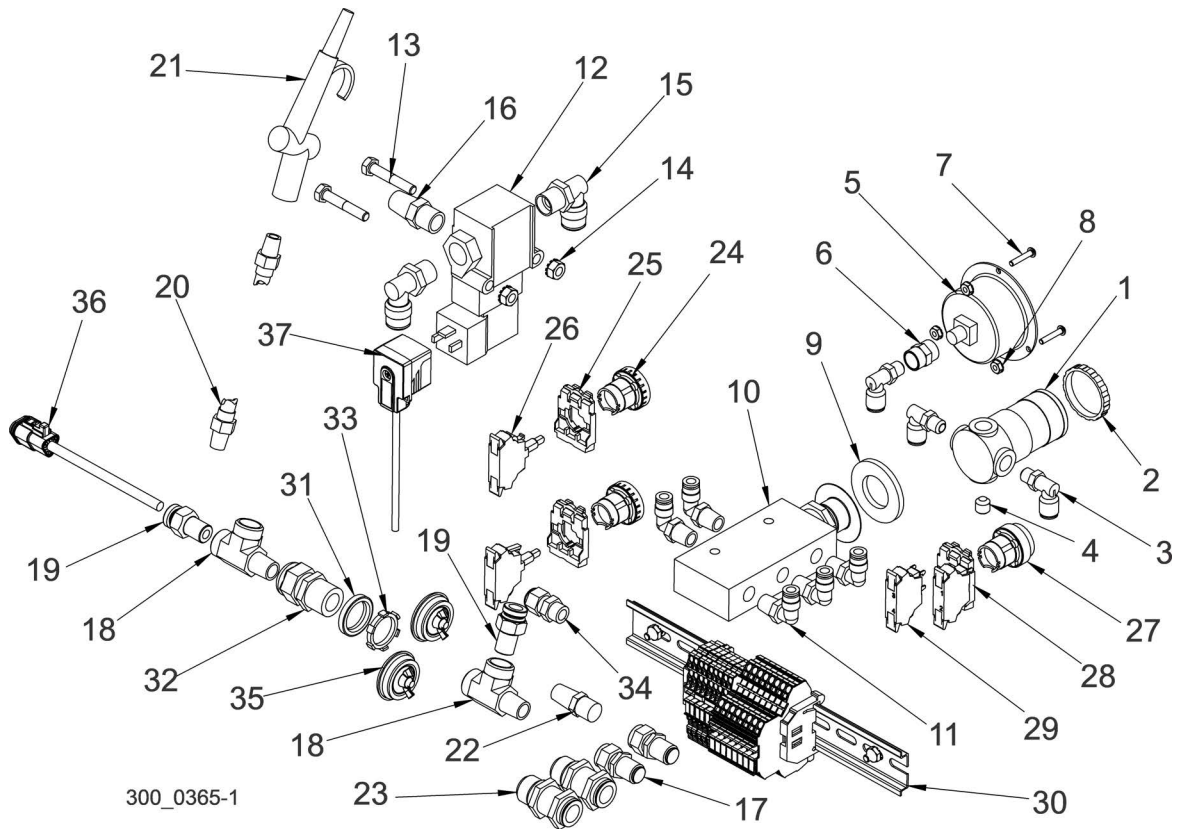


REF	PART #	DESCRIPTION	COMMENTS	QTY.
	078787	<b>CONTROL ASSEMBLY, INDUSTRIAL MILL HEAD/AIR BOX (WM4500)</b>		1
1	078789	Enclosure, Ind. Mill Head Control		1
2	052274	Decal, Head/Air Control Box		1
3	P20048	Latch, Door		1
4	F05005-112	Screw, 1/4-20 x 1/2" BHSC SS Gr2		2
5	F05010-9	Nut, 1/4-20 Hex Self-Locking		8
6	037625	Air Box, Debarker	<a href="#">See Section 4.11</a>	1
7	N/A	Head/Air Box Parts (A)	<a href="#">See Section 4.8</a>	1
8	N/A	Head/Air Box Parts (B)	<a href="#">See Section 4.9</a>	1

# 4 Saw Head

## Head/Air Box Control (Part A)

### 4.8 Head/Air Box Control (Part A)



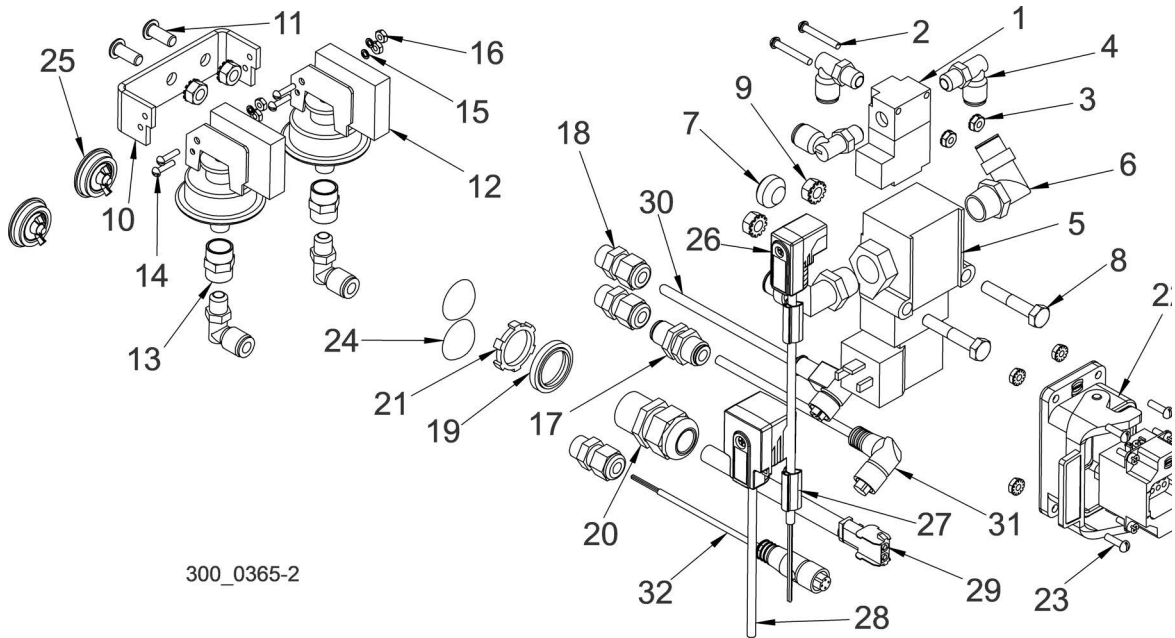
REF	PART #	DESCRIPTION	COMMENTS	QTY.
1	052509	REGULATOR, 1/8" AIR		1
2	052510	NUT, AIR REGULATOR MOUNTING		1
3	P09736	ELBOW, 90 DEG 1/8MPT 1/4 TUBE SWIVEL		3
4	P30127	FITTING, 1/8 NPT SOCKET PIPE PLUG		1
5	042342	GUAGE, AIR PRESSURE		1
6	P05748	FITTING, 1/8FPT COUPLING		1
7	F05004-93	SCREW, 6-32X3/4 SBHC SS		3
8	F05010-59	NUT, #6-32 KEPS		3
9	F05011-73	WASHER, 7/8 SAE FLAT		1
10	025301	VALVE, 1/4 NPT 4 WAY PUSH/PULL		1
11	P21519	FITTING, 1/4NPT SWVL X 1/4" AIR 90 DEG		5
12	042659	VALVE ASSEMBLY, BLOW-OFF		1
13	F05005-31	BOLT, 1/4-20X1 1/2 HEX HEAD FT		2
14	F05010-9	NUT, 1/4-20 KEPS		2
15	P21526	FITTING, 3/8NPT-3/8IN 90 DEG AIR		2
16	P21528	MUFFLER, CEC-3 3/8 IN NPT AIR		1

REF	PART #	DESCRIPTION	COMMENTS	QTY.
17	025235	FITTING, 1/4 NPT FEM. X 1/4 TB BULKHEAD		2
18	P09141	FITTING, 1/4NPTX1/4JIC MALE RUN TEE		2
19	P21559	FITTING, 1/4 IN NPT-3/8 STRAIGHT AIR		2
20	042453	HOSE, 1/4 X 6 FT COILED AIR		1
21	P02714	NOZZLE, COOLANT SPRAY		1
22	P20904	MUFFLER, 1/4 IN. NPT AIR		1
23	034010	FITTING, 1/2" TUBE BULKHEAD UNION		2
24	068931	PILOT LIGHT, YELLOW ZB5		2
25	068951	SWITCH COLLAR, MOUNT ZB5		2
26	068912	LIGHT MODULE, WHITE ZB5		2
27	068901	PUSH-BUTTON, ILL. EXT YELLOW ZB5		1
28	068950	COLLAR, MOUNT 1NC ZB5		1
29	068920	CONTACT BLOCK, NO ZB5		1
30	024474-10	TERMINAL BLOCK PARTS ()		1
31	E20460	RING, 1/2 SEALING		1
32	051299	CONNECTOR, 1/2" NPT .17-.47		1
33	E20461	NUT, 1/2 NPT CONNECTOR LOCK		1
34	E23494	CORD CONN, .5 HOLE .115-.250 CORD		1
35	024685	PLUG, AS050 OILTITE		2
36	068048	CABLE ASSEMBLY, IND. MILL FEED ENCODER PWR		1
37	078791	CABLE ASSEMBLY, DRAG BACK SOLENOID		1

# 4 Saw Head

## Head/Air Box Control (Part B)

### 4.9 Head/Air Box Control (Part B)



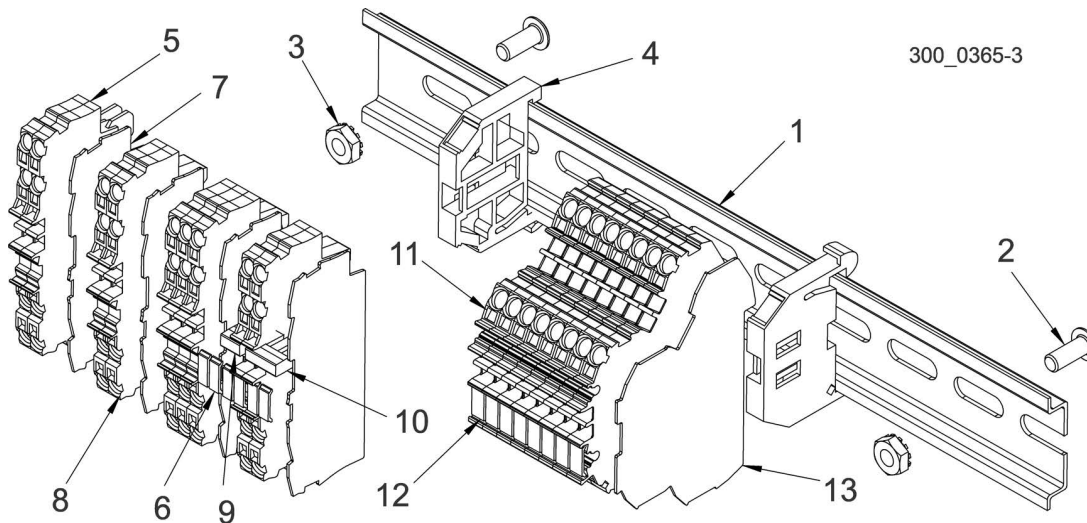
REF	PART #	DESCRIPTION	COMMENTS	QTY.
1	045225	VALVE, 3-WAY 1/8 NPT DIN C AIR		1
2	F05004-146	BOLT, #6-32X1 SLROUND HEAD		2
3	F05010-59	NUT, #6-32 KEPS		6
4	P09736	ELBOW, 90 DEG 1/8MPT 1/4 TUBE SWIVEL		5
5	042659	VALVE ASSEMBLY, BLOW-OFF		1
6	034009	FITTING, 1/2" TUBE X 3/8 NPT MALE SWIVEL		2
7	035665	FITTING, 1/8 NPT SOCKET PIPE PLUG		1
8	F05005-31	BOLT, 1/4-20X1 1/2 HEX HEAD FT		2
9	F05010-9	NUT, 1/4-20 KEPS		4
10	042256	MOUNT, PRESSURE SWITCH		1
11	F05005-128	SCREW, 1/4-20X5/8 BHSC SS GR2		2
12	045207	SWITCH,PRESSURE		2
13	P05748	FITTING, 1/8FPT COUPLING		2
14	F05004-14	SCREW, 4-40X1/2 SI RND HEAD MACHINE		4
15	F05011-21	WASHER, #4 SPLIT LOCK		4
16	F05010-43	NUT, #4-40 HEX		4
17	025234	FITTING, 1/4-1/4 TUBE BULKHEAD		1
18	E23494	CORD CONN, .5 HOLE .115-.250 CORD		3
19	E20460	RING, 1/2 SEALING		1
20	051299	CONNECTOR, 1/2" NPT .17-.47		1
21	E20461	NUT, 1/2 NPT CONNECTOR LOCK		1

REF	PART #	DESCRIPTION	COMMENTS	QTY.
22	078788	CONNECTOR ASSEMBLY, IND. MILL HEAD INTERNAL		1
23	F05015-24	SCREW, #6-32X1/2 SL RH		4
24	068164	PLUG, 1/2" HOLE HEYCO 3830		2
25	024685	PLUG, AS050 OILTITE		2
26	069977	CABLE ASSEMBLY, IND. MILL BLD BRK SOL.		1
27	025233	CABLE, 10M FORM C DIN 24VDC W/LED PUR		1
28	069978	CABLE ASSEMBLY, IND. MILL BLW OFF SOL.		1
29	069988	CABLE ASSEMBLY, IND. MILL BLADE GUIDE MOTOR		1
30	078662	CABLE ASSEMBLY, IND. MILL BLADE BREAK PROX		1
31	078663	CABLE ASSEMBLY, IND. MILL BALL NUT PROX		1
32	068074	CABLE ASSEMBLY, IND. MILL LASER		1

# 4 Saw Head

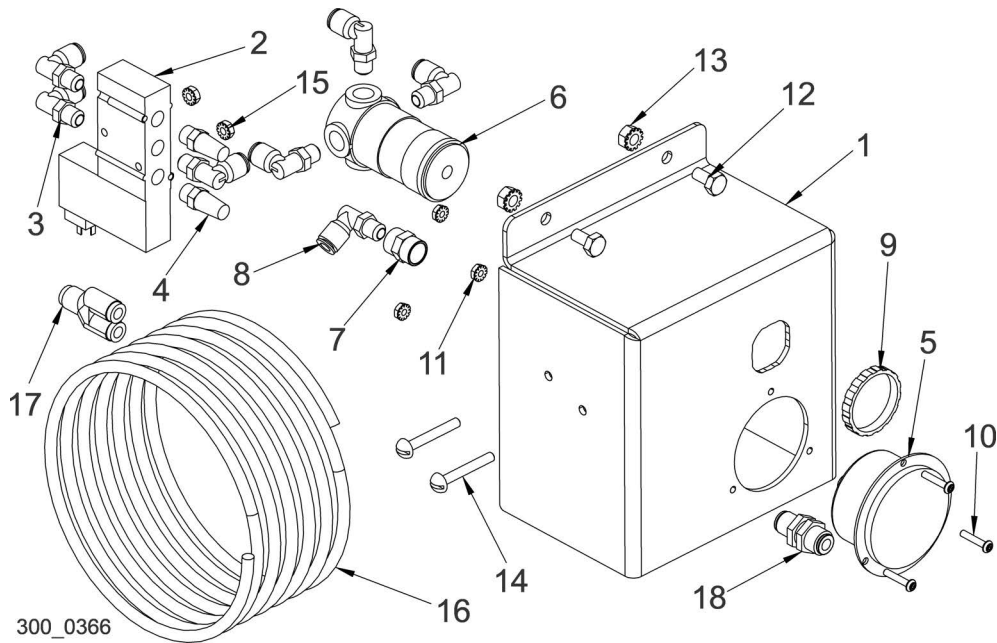
## Head/Air Box Control (Terminal Block)

### 4.10 Head/Air Box Control (Terminal Block)



REF	PART #	DESCRIPTION	COMMENTS	QTY.
1	024474-10	DIN RAIL, 35MMX7.5MMX10IN STEEL		1
2	F05004-196	BOLT, #10-24X1/2 SOCKET BH SS		2
3	F05010-14	NUT, #10-24 KEPS		2
4	051986	DIN CLAMP, SCREWLESS		2
5	068104	TERMINAL BLOCK, 4POS 1.5MM GND CLAMP		2
6	068130	TERMINAL BLOCK, NUMBERS 1-10 1.5MM(QTY 0.1)		9
7	068105	TERMINAL BLOCK, 4POS 1.5MM END PLATE		4
8	068103	TERMINAL BLOCK, 4POS 1.5MM COM CLAMP		7
9	068113_2	TERMINAL BLOCK, 10POS JUMPER 1.5MM(2POS)		2
10	068113_3	TERMINAL BLOCK, 10POS JUMPER 1.5MM(3POS)		1
11	068119	TERMINAL BLOCK, 2.5MM 2-TIER SPRING CLAMP		8
12	068140	TERMINAL BLOCK, NUMBERS 1-10 2.5MM(QTY 0.1)		8
13	068120	END PLATE, 2.5MM 2-TIER TERMINAL BLOCK		1

### 4.11 Debarker Air Box Assembly

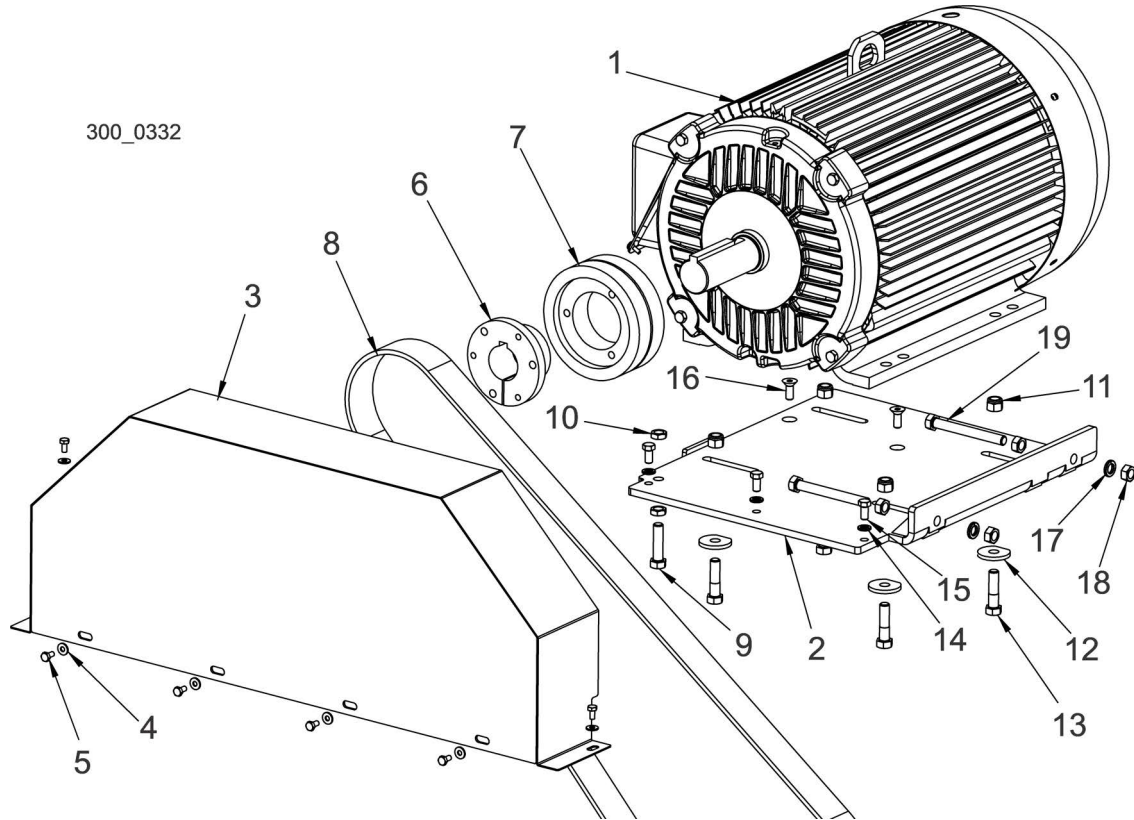


REF	PART #	DESCRIPTION	COMMENTS	QTY.
	037625	<b>AIR BOX, LT300 DEBARKER</b>		1
1	037622	Cover, Debarker Gauge		1
	037624	Valve Assembly, LT300 Debarker		1
2	025244	Assembly, Mac Valve 400 Series		1
3	P09736	Elbow, 90 Deg 1/8MPT 1/4 Tube Swivel		3
4	P20902	Muffler, 1/8In NPT Air		2
5	042342	Guage, Air Pressure		1
6	052509	Regulator, 1/8" Air		1
7	P05748	Fitting, 1/8FPT Coupling		1
8	P09736	Elbow, 90 Deg 1/8MPT 1/4 Tube Swivel		4
9	052510	Nut, Air Regulator Mounting		1
10	F05004-93	Screw, 6-32x3/4 SBHC SS		3
11	F05010-59	Nut, #6-32 Keps		3
12	F05005-15	Bolt, 1/4-20x1/2 Hex Head		2
13	F05010-9	Nut, 1/4-20 Keps		2
14	F05004-71	Bolt, #8-32x1 1/2 SI Round Head		2
15	F05010-41	Nut, #8-32 Self Locking		2
16	037635	Air Line, 1/4 Dia. x 13' 9" Chainflex		1
17	042546	Union, 1/4" Tubing Y Push-In		1
18	025234	Fitting, 1/4-1/4 Tube Bulkhead		1

# 4 Saw Head

## Blade Motor Drive Assembly

### 4.12 Blade Motor Drive Assembly



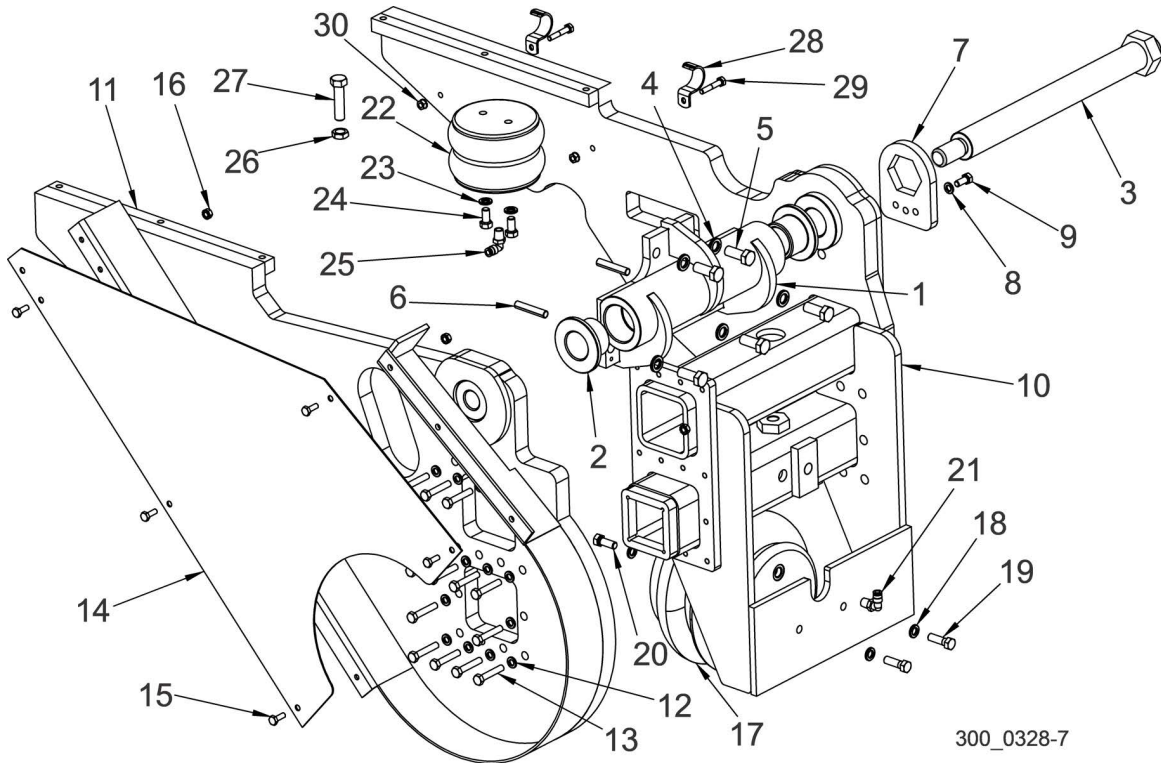
REF	PART #	DESCRIPTION	COMMENTS	QTY.
	113256	<b>DRIVE ASSEMBLY, PD, 30HP 480V/60HZ</b>		1
1	042301	Motor, Lincoln 30HP 1800RPM		1
2	113257	Weldment, Motor Mount Plate		1
	113267	Assembly, Top Pulley Guard		1
3	036678	Guard Weldment, Top Pulley, '05		1
4	F05011-11	Washer, 1/4 SAE Flat		6
5	F05005-15	Bolt, 1/4-20x1/2 Hex Head		6
6	039266	Bushing, SFx1 7/8		1
7	036634	Sprocket, Eagle PD, G-36S-SF		1
8	036636	Belt, Eagle PD, G2380		1
9	F05008-8	Bolt, 1/2-13x2 Hex Head FT		1
10	F05010-31	Nut, 1/2-13 Zinc Jam		2
11	F05010-8	Nut, 1/2-13 Nyl Hex Lock		4
12	113287	Washer, .52x1.69		4
13	F05008-76	Bolt, 1/2-13x2 Hex Head		4
14	F05011-4	Washer, 3/8 Split Lock		3
15	F05007-27	Bolt, 3/8-16x3/4 Hex Head Gr2		3



REF	PART #	DESCRIPTION	COMMENTS	QTY.
16	F05007-64	Screw, 3/8-16x1 Zinc and Bake FS		3
17	F05011-9	Washer, 1/2 Split Lock		2
18	F05010-35	Nut, 1/2-13 Free Hex, Zinc		4
19	F05008-16	Bolt, 1/2-13x4 1/2 Hex Hd Full Thrd, Zn		2

# 4 Saw Head Tension System

## 4.13 Tension System



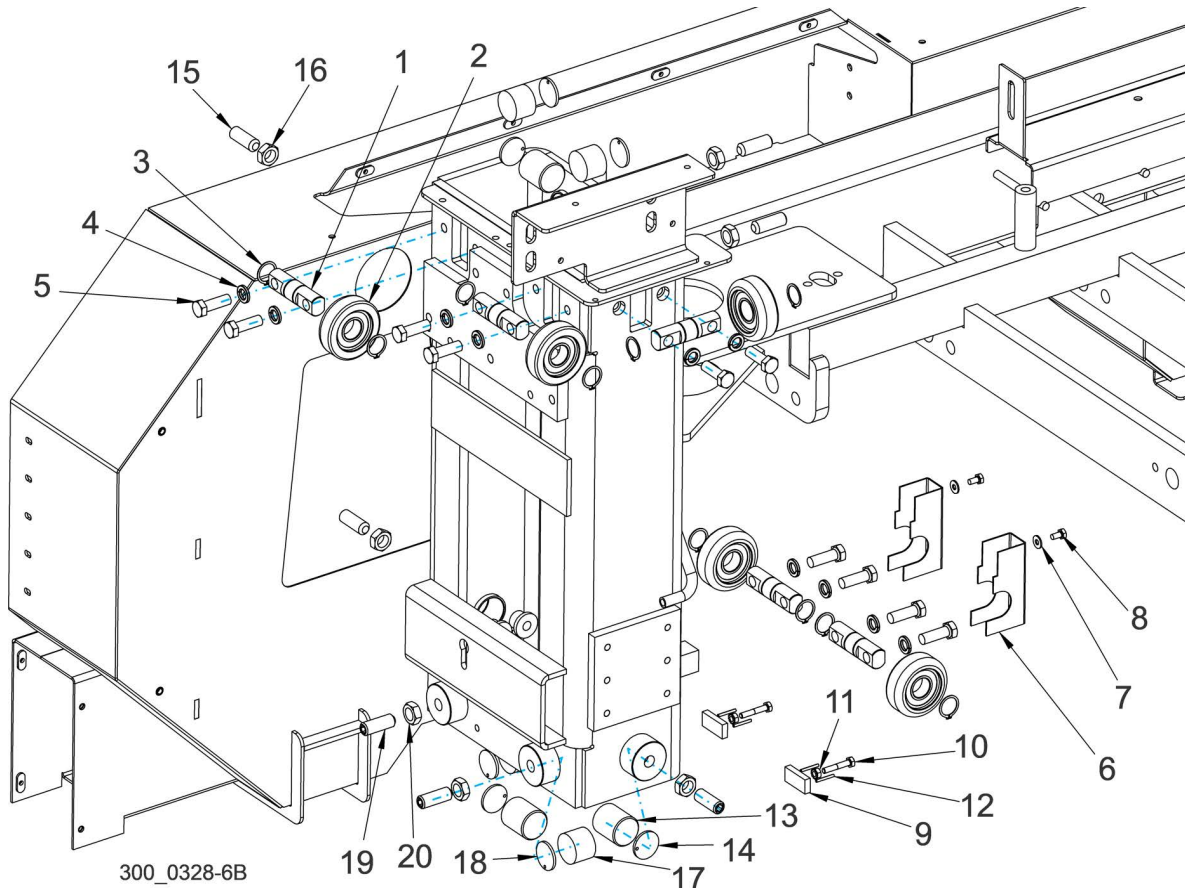
300\_0328-7

REF	PART #	DESCRIPTION	COMMENTS	QTY.
	113225	Assembly, Pivot		1
1	113226	Weldment, Pivot Tube		1
2	113229	Bearing, Pivot		2
3	113230	Weldment, Bolt Pivot		1
4	F05011-9	Washer, 1/2 Split Lock		5
5	F05008-37	Bolt, 1/2-13x1 1/4 Hex Head GR5 Zinc		5
6	F05012-42	Pin, 3/8x2 Roll		2
7	113233	Plate, Bolt Lock		1
8	F05011-13	Washer, 5/16 Split Lock		1
9	F05006-5	Bolt, 5/16-18x3/4 Hex Head Gr2		1
	113234	Assembly, Tension Sys		1
10	113235	Weldment, Right Mtr Mnt Plate		1
11	113244	Weldment, Mtr Mnt Front Plate		1
12	F05011-13	Washer, 5/16 Split Lock		13
13	F05006-81	Bolt, 5/16-18x1 3/4 FT Gr5		13
14	036662	Cover, Lower Belt, '05		1
15	F05005-129	Bolt, 1/4-20x3/4 Hex Head		5
16	F05010-9	Nut, 1/4-20 Keps		5

REF	PART #	DESCRIPTION	COMMENTS	QTY.
	113277	Assembly, Airbag		1
<b>17</b>	113289	Assembly, Airbag		1
<b>18</b>	F05011-4	Washer, 3/8 Split Lock		3
<b>19</b>	F05007-123	Bolt, 3/8-16x 1 1/4 Hex Head Gr5		2
<b>20</b>	F05007-87	Bolt, 3/8-16x1 Gr5 Hex Head		1
<b>21</b>	P21519	Fitting, 1/4npt Swvl X 1/4" Air 90 Deg		1
	113278	Assembly, Airbag		1
<b>22</b>	033231	Bag, Motor Lift Air		1
<b>23</b>	F05011-4	Washer, 3/8 Split Lock		2
<b>24</b>	F05007-27	Bolt, 3/8-16x3/4 Hex Head Gr2		2
<b>25</b>	P21519	Fitting, 1/4npt Swvl X 1/4" Air 90 Deg		1
<b>26</b>	F05010-31	Nut, 1/2-13 Zinc Jam		1
<b>27</b>	F05008-8	Bolt, 1/2-13x2 Hex Head FT		1
<b>28</b>	P05436	Clamp, 1 EMT		2
<b>29</b>	F05005-31	Bolt, 1/4-20x1 1/2 Hex Head FT		2
<b>30</b>	F05010-9	Nut, 1/4-20 Keps		2

## SECTION 5 UP/DOWN SYSTEM

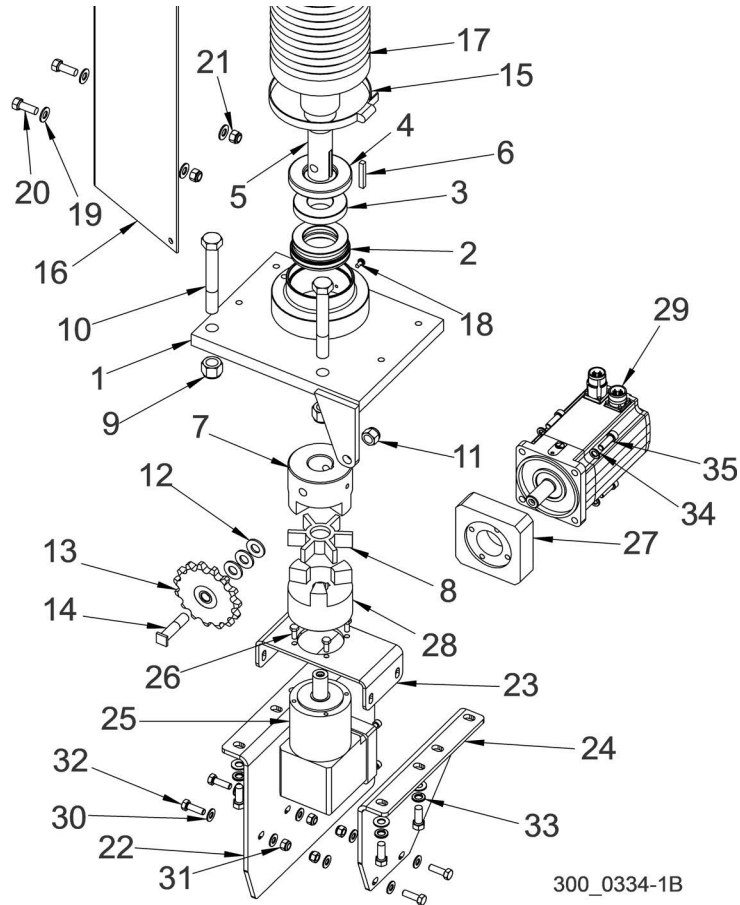
### 5.1 Mast Pads & Rollers



REF	PART #	DESCRIPTION	COMMENTS	QTY.
	113268	Assembly, Rail Bearing/Shaft		5
<b>1</b>	023858	Shaft, Top Roller Bearing		1
<b>2</b>	023857	Bearing, MG305DDA		1
<b>3</b>	F04254-15	Ring, 1 OR		2
<b>4</b>	F05011-9	Washer, 1/2 Split Lock		2
<b>5</b>	F05008-33	Bolt, 1/2-13x1 1/2 Hex Head Gr5		2
	113269	Assembly, Mast Bearing Cover		1
<b>6</b>	045047	Cover, Mast Bearing		2
<b>7</b>	F05011-11	Washer, 1/4 SAE Flat		2
<b>8</b>	F05005-15	Bolt, 1/4-20x1/2 Hex Head		2
	113288	Assembly, Dust Removal		2
<b>9</b>	045056	Pad, Head Plastic		1
<b>10</b>	F05004-31	Screw, #10-24x1 1/4 BO SHC		1

REF	PART #	DESCRIPTION	COMMENTS	QTY.
11	F05010-9	Nut, 1/4-20 Keps		1
12	F05012-34	Pin, 1/8x1 Roll, Zn		2
13	037324	Block, Friction		3
14	042432	Pad, Nylon Backing		3
15	F05009-27	Screw, 5/8-18x1 3/4 SH FP		3
16	F05010-11	Nut, 5/8-18 Hex Jam		3
	113270	Assembly, Nylon Pad		7
17	033098	Pad, Round Nylon		1
18	042432	Pad, Nylon Backing		1
19	F05009-27	Screw, 5/8-18x1 3/4 Sh Set Fp		1
20	F05010-11	Nut, 5/8-18 Hex Jam		1

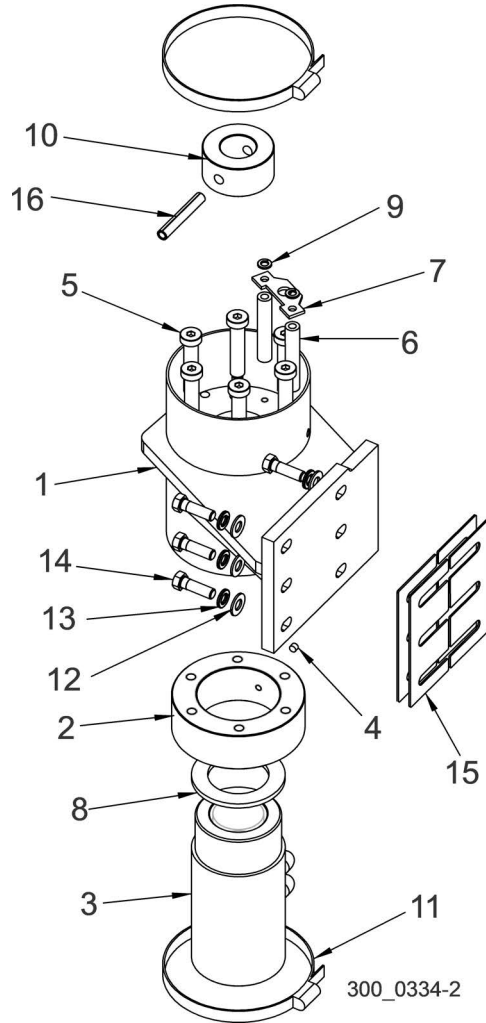
## 5.2 Up/Down Ballscrew Drive



REF	PART #	DESCRIPTION	COMMENTS	QTY.
	115235	<b>UP/DOWN ASSEMBLY, 2" BALLSCREW WM4500</b>		1
1	017790	Mount Weldment, 45mm Up/Down Drive		1
2	110569	Bearing Assembly, 45 mm Thrust		1
3	042856	Spacer, Screw/Bearing Support		1
4	042857	Seal, 1 5/8 ID Thrust Bearing		1
5	042858	Ballscrew, 2"x.50 Lead Machined		1
6	042810	Key, 1/4Sqx1 5/8		1
7	017787	Coupling, Modified L110x1 1/4		1
8	042809	Coupling Element, L110 HytreI		1
9	F05010-34	Nut, 5/8-11 Nyl Lock		2
10	F05009-10	Bolt, 5/8-11x4 1/2 Hex Head Gr5		2
11	F05010-8	Nut, 1/2-13 Nylon Hex Lock		1
12	F05011-2	Washer, 1/2 SAE Flat		3
13	042367	Sprocket, 6015x1/2 Idler		1

REF	PART #	DESCRIPTION	COMMENTS	QTY.
14	016828	Shaft, LT300 P/F Idler		1
15	042419	Clamp, Bellows Worm		1
16	017647	Weldment, Bellows Guard		1
17	017777	Bellows, Protective, 5 IDx45 Long		1
18	F05004-3	Bolt, #10-24x3/8 CrSI PH		1
19	F05011-3	Washer, 3/8 Flat SAE		8
20	F05007-7	Bolt, 3/8-16x1 Hex Head		6
21	F05010-10	Nut, 3/8-16 Hex Nyl Lock		2
22	071250	Servo Mounting Plate, Right		1
23	071277	Servo Mounting Plate		1
24	071251	Servo Mounting Plate, Left		1
25	115234	Gearbox, GBY Angular 80mm 12:1		1
26	F05004-219	Screw, M6x1.0x16mm 8.8 Hex Head		4
27	068039	Kit, Gearbox Size 80 BMH		1
28	065993	Coupling Body, L110x20MM		1
29	068038	Motor, Servo 100mm IP54 Encoder		1
30	F05011-17	Washer, 5/16 SAE Flat		8
31	F05010-58	Nut, 5/16-18 Nyl Lock		4
32	F05006-27	Bolt, 5/16-18 x 1 Gr 5 Hex Head		4
33	F05011-4	Washer, 3/8 Split Lock		4
34	F05011-130	Washer, M8 Spring Lock Zinc		4
35	F05021-33	Screw, M8-1.25x25 SHC BO		4
	042399	Grease, Ballscrew Lube		3
	N/A	Middle Ballscrew Mount Parts	<a href="#">See Section 5.3</a>	1
	N/A	Top Ballscrew Mount Parts	<a href="#">See Section 5.4</a>	1

### 5.3 Ballscrew Mount (Middle)

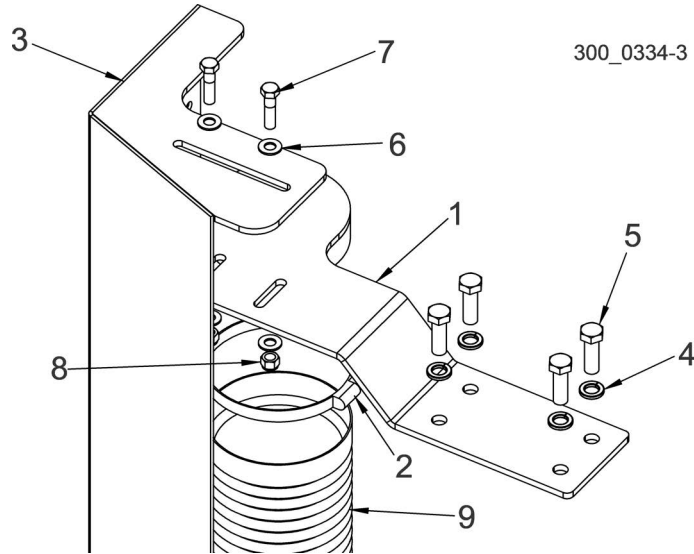


REF	PART #	DESCRIPTION	COMMENTS	QTY.
1	042819	HEAD MOUNT, 2" MACHINED BALLNUT		1
2	042792	FLANGE, 2" BALL NUT		1
3	042791	BALLNUT, 2"		1
4	F05005-42	SCREW, 1/4-28X1/4 BRASS TIP		1
5	F05008-136	BOLT, 1/2 X 2 1/4 SHOULDER, UNPL		6
6	042821	SPACER, 17/64IDX1/2ODX2 3/4		2
7	042815	PLATE, BALLNUT SENSOR		1
8	042816	PLATE, BALLNUT WEAR		1
9	F05011-14	WASHER, 1/4 SPLIT LOCK		2
10	042822	COLLAR, TOP STOP		1
11	042419	CLAMP, BELLOWS WORM		2



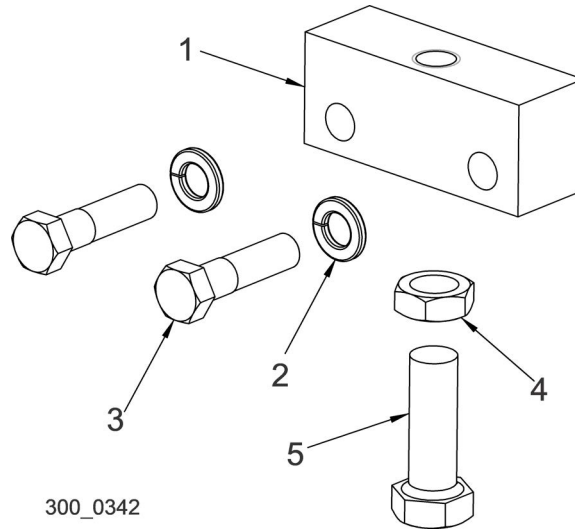
REF	PART #	DESCRIPTION	COMMENTS	QTY.
12	F05011-3	WASHER, 3/8 FLAT SAE		6
13	F05011-4	WASHER, 3/8 SPLIT LOCK		6
14	F05007-123	BOLT, 3/8-16X 1 1/4 HEX HEAD GR5		6
15	016800	SHIM, BALLNUT MOUNT .06 THK		4
	133501	SHIM, BALLNUT MOUNT .030 THK	Used to fine tune fit.	1
16	F05012-114	PIN, 3/8 X 2 1/2 ROLL, UNPL		1

**5.4 Ballscrew Mount (Top)**



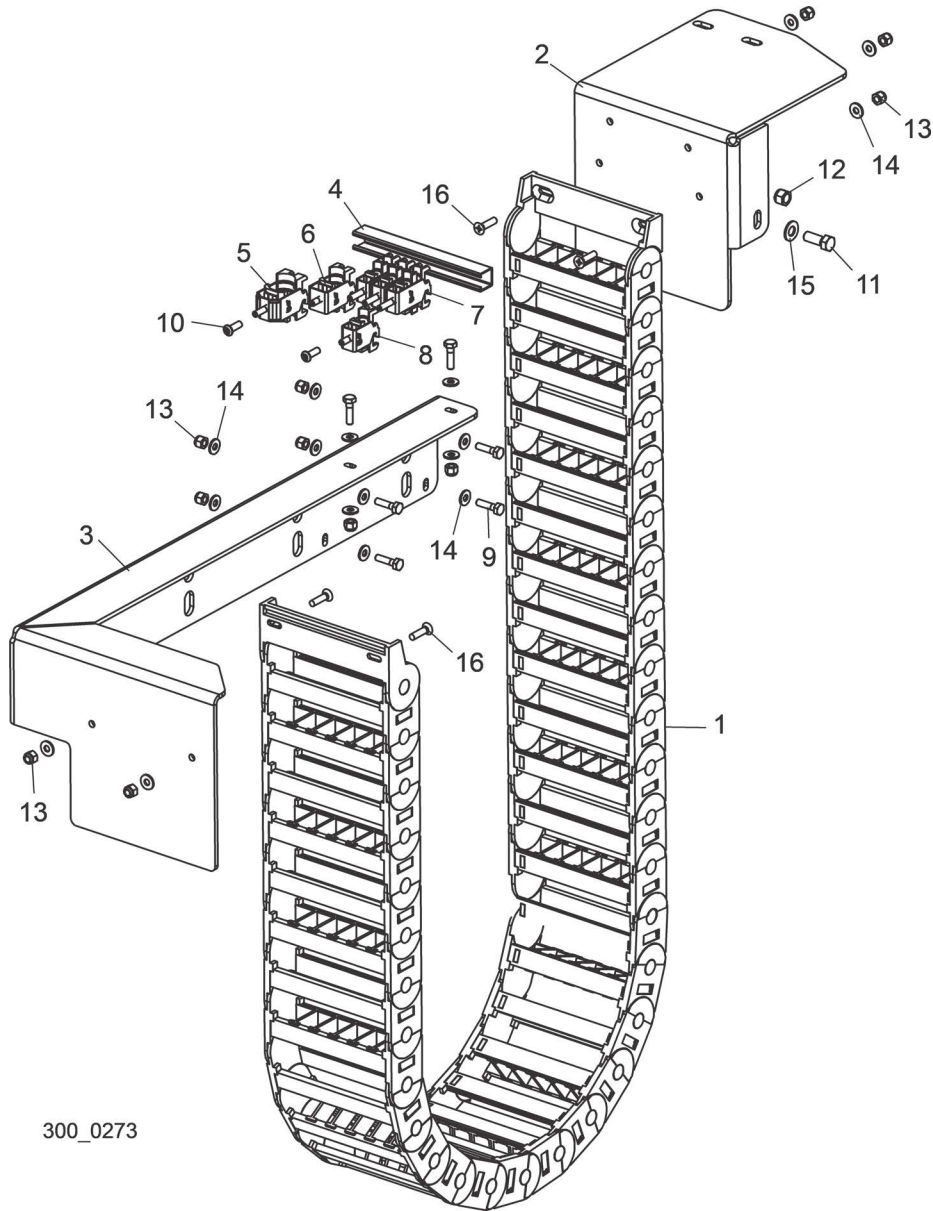
REF	PART #	DESCRIPTION	COMMENTS	QTY.
1	042814	BELLOWS MNT WELDMENT, TOP		1
2	042419	CLAMP, BELLOWS WORM		1
3	017647	WELDMENT, BELLOWS GUARD		1
4	F05011-9	WASHER, 1/2 SPLIT LOCK		4
5	F05008-33	BOLT, 1/2-13X1 1/2 HEX HEAD GR5		4
6	F05011-3	WASHER, 3/8 FLAT SAE		4
7	F05007-3	BOLT, 3/8-16X1 1/2 HEX HEAD GR2, ZINC		2
8	F05010-10	NUT, 3/8-16 HEX NYL LOCK		2
9	042823	BELLOWS, PROTECTIVE, 5 IDX62 LONG		1

## 5.5 Head Stop



REF	PART #	DESCRIPTION	COMMENTS	QTY.
	113640	<b>ASSEMBLY, HEAD STOP</b>		1
<b>1</b>	023886	Block, Head Stop		1
<b>2</b>	F05011-4	Washer, 3/8 Split Lock		2
<b>3</b>	F05007-78	Bolt, 3/8-16X1 1/2 Hex Head Gr5, Znc		2
<b>4</b>	F05010-31	Nut, 1/2-13 Zinc Jam		1
<b>5</b>	F05008-33	Bolt, 1/2-13x1 1/2 Hex Head Gr5		1

### 5.6 Up/Down Energy Chain Assembly



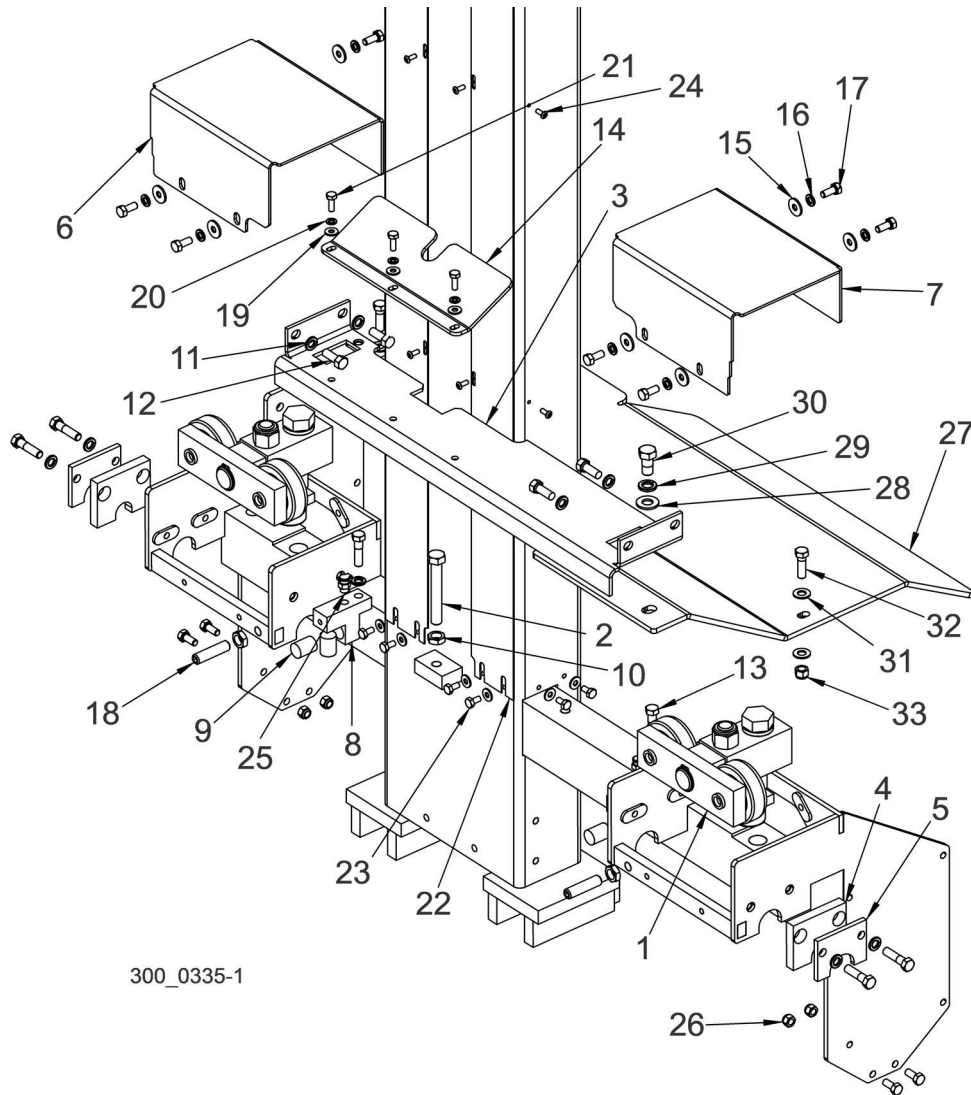
300\_0273

REF	PART #	DESCRIPTION	COMMENTS	QTY.
	074052	<b>CHAIN ASSEMBLY, UP/DOWN ENERGY (WM4000)</b>		1
1	068207	Chain Assembly, Industrial Mill Up/down Energy		1
2	071310	Plate, Energy Chain Upper Mount		1
3	071313	Plate, Energy Chain Lower Mount		1

REF	PART #	DESCRIPTION	COMMENTS	QTY.
	074003	Relief Assembly, WM3000/3500 Strain		1
<b>4</b>	065979	Rail, CFX Strain Relief Profile		1
<b>5</b>	065975	Strain Relief, CFX 22-26mm Single Cable		1
<b>6</b>	065976	Strain Relief, CFX 18-20mm Single Cable		1
<b>7</b>	065977	Strain Relief, CFX 6-12mm Double Cable		3
<b>8</b>	065978	Strain Relief, CFX 12-14mm Single Cable		1
<b>9</b>	F05005-101	Bolt, 1/4-20 x 1" Hex Head Grade 5		6
<b>10</b>	F05005-60	Screw, 1/4-20 x 3/4" SBHC		2
<b>11</b>	F05007-87	Bolt, 3/8-16 x 1" Hex Head Grade 5		1
<b>12</b>	F05010-10	Nut, 3/8-16 Hex Nylon Lock		1
<b>13</b>	F05010-69	Nut, 1/4-20 Nylon Lock		12
<b>14</b>	F05011-11	Washer, 1/4" SAE Flat		18
<b>15</b>	F05011-3	Washer, 3/8" SAE Flat		1
<b>16</b>	F05015-26	Bolt, 1/4-20 x 1" Flat Head		4

## SECTION 6 POWER FEED

### 6.1 Upper Track Rollers & Rails



300\_0335-1

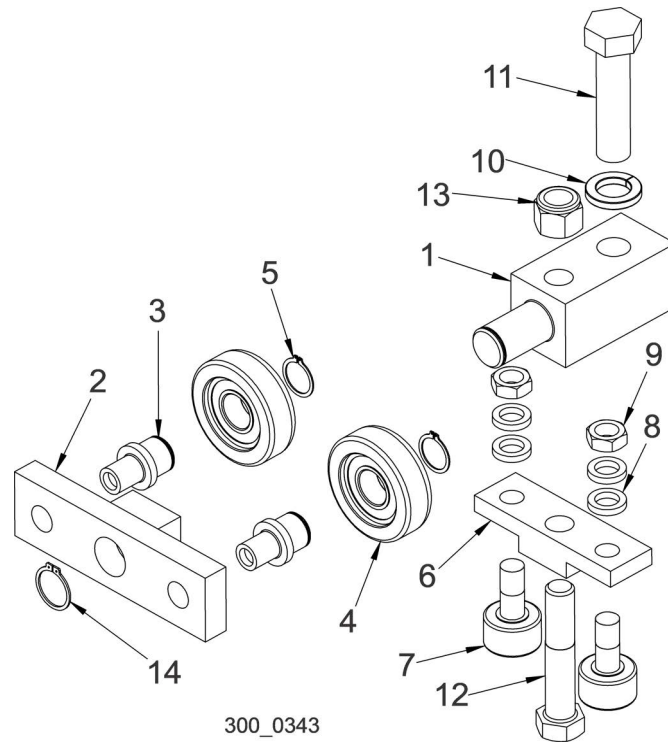
REF	PART #	DESCRIPTION	COMMENTS	QTY.
1	042506	Block Assembly, Upper Roller		2
2	F05008-11	BOLT, 1/2-13X3 1/2 FULL HEX HEAD, ZN		1
3	042391	Weldment, Center Cover		1
4	045175	Wiper Pad, Plastic		2
5	045176	Wiper Plate		2
6	042394	Cover, Top Right		1
7	042368	Cover, Top Left		1

REF	PART #	DESCRIPTION	COMMENTS	QTY.
8	045045	Block, Top Oiler		2
9	033375	Wiper, Round Gray Felt		4
10	F05010-31	Nut, 1/2-13 Zinc Jam		3
11	F05011-4	Washer, 3/8 Split Lock		10
12	F05007-7	Bolt, 3/8-16x1 Hex Head		4
13	F05007-3	Bolt, 3/8-16X1 1/2 Hex Head GR2, Zinc		6
14	016801	Ramp, Sawdust		1
15	F05011-16	Washer, 5/16 Standard Flat		8
16	F05011-13	Washer, 5/16 Split Lock		8
17	F05006-5	Bolt, 5/16-18x3/4 Hex Head Gr2		12
18	F05008-130	Screw, 1/2 -13x 2 FP BO SS		2
19	F05011-11	Washer, 1/4 SAE Flat		27
20	F05011-14	Washer, 1/4 Split Lock		3
21	F05005-129	Bolt, 1/4-20x3/4 Hex Head		3
22	042773	Rail, Wide Bearing Surface	Available also in 042788 Up/Down Bearing Rail Kit including (6) 042773 Rails, (24) F05011-11 Washers, (24) F05005-15 Bolts and (18) F05004-35 Screws.	5
23	F05005-15	Bolt, 1/4-20x1/2 Hex Head		24
24	F05004-35	Bolt, #10-24x1/2 Socket BH		18
25	036333	Fitting, 1/8NPT, Oil Hole Cover		2
26	F05010-58	Nut, 5/16-18 Nyl Lock		4
27	115157	Guard, Motor		1
28	F05011-2	Washer, 1/2 SAE Flat		2
29	F05011-9	Washer, 1/2 Split Lock		2
30	F05008-50	Bolt, 1/2-13x1 Hex Head Gr2		2
31	F05011-3	Washer, 3/8 Flat SAE		10
32	F05007-123	Bolt, 3/8-16x 1 1/4 Hex Head Gr5		5
33	F05010-10	Nut, 3/8-16 Hex Nyl Lock		5

# 6 Power Feed

## Upper Roller Block Assembly

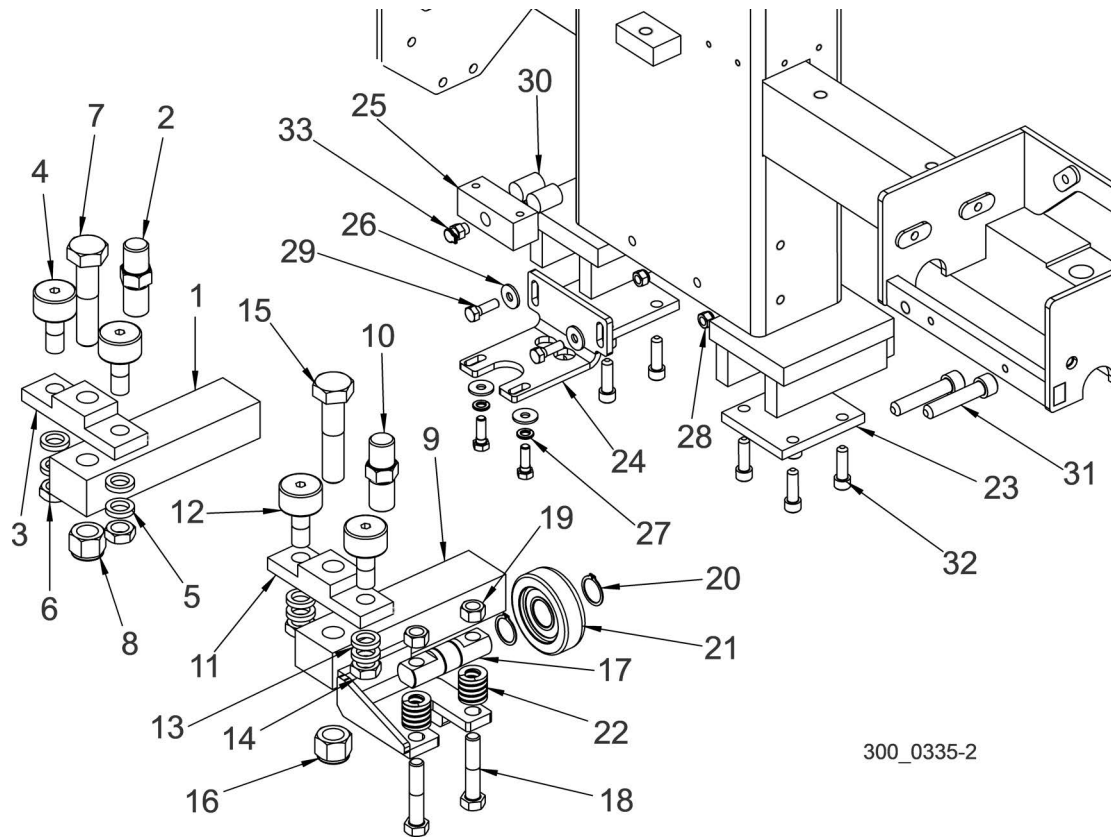
### 6.2 Upper Roller Block Assembly



REF	PART #	DESCRIPTION	COMMENTS	QTY.
	042506	<b>BLOCK ASSEMBLY, UPPER ROLLER</b>		1
1	042505	Block, Upper Roller Mount		1
	042507	Block Assembly, Upper Roller		1
2	042503	Block Weldment, Roller Mount		1
3	042504	Pin, Roller Mount		2
4	023857	Bearing, MG305DDA		2
5	F04254-15	Ring, 1 OR		2
6	042500	Block, Cam Follower Mount		1
7	012797	Bearing, Cam Follower 1 1/2		2
8	S12480	Tube, 41/64x1x3/16		4
9	F05010-11	Nut, 5/8-18 Hex Jam		2
10	F05011-46	Washer, Split Lock 7/8 Zinc		1
11	F05014-1	Bolt, 7/8-14x3 1/2 Hex Head Gr5		1
12	F05013-3	Bolt, 3/4-10x4 Hex Head Gr5		1
13	F05010-103	Nut, 3/4-10 Nylock		1
14	F04254-36	Ring, 1 1/8 External Retaining		1



### 6.3 Lower Track Rollers



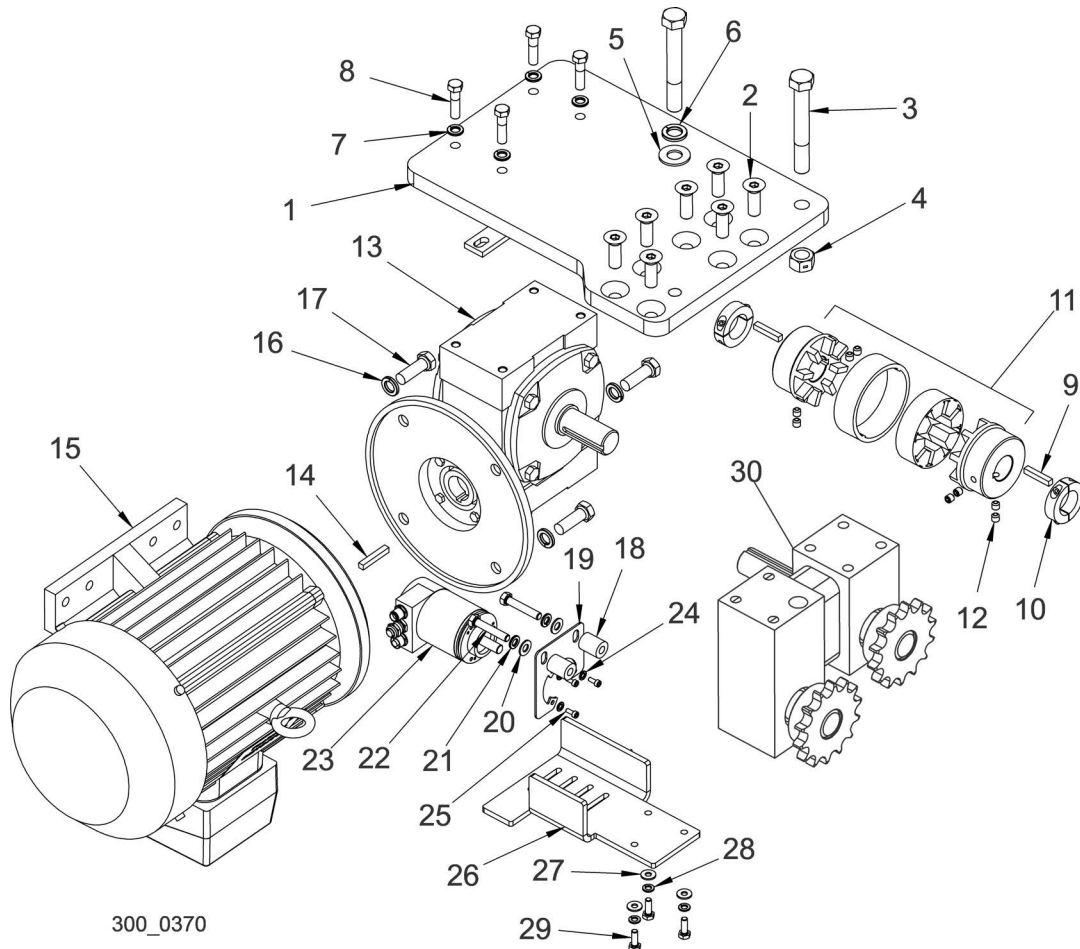
REF	PART #	DESCRIPTION	COMMENTS	QTY.
	036345	Block Assembly, Lower Roller, Threaded		1
1	036326	Block, Lower Roller LT300		1
2	036324	Lock Pin, Head Safety Hex		1
3	042500	Block, Cam Follower Mount		1
4	012797	Bearing, Cam Follower 1 1/2		2
5	S12480	Tube, 41/64x1x3/16		4
6	F05010-11	Nut, 5/8-18 Hex Jam		2
7	F05009-54	Bolt, 3/4-10x3 1/2 Hex Head		1
8	F05010-103	Nut, 3/4-10 Nylock		1
	036701	Roller Assembly, Lower w/Bottom Roller		1
9	036700	Roller Weldment, Lower w/Bottom Roller		1
10	036324	Lock Pin, Head Safety Hex		1
11	042500	Block, Cam Follower Mount		1
12	012797	Bearing, Cam Follower 1 1/2		2

## 6

**Power Feed***Lower Track Rollers*

REF	PART #	DESCRIPTION	COMMENTS	QTY.
13	S12480	Tube, 41/64x1x3/16		4
14	F05010-11	Nut, 5/8-18 Hex Jam		2
15	F05009-54	Bolt, 3/4-10x3 1/2 Hex Head		1
16	F05010-103	Nut, 3/4-10 Nylock		1
17	023858	Shaft, Top Roller Bearing		1
18	F05008-74	Bolt, Hex Head 1/2-13x2 1/2 Gr5 Zinc		2
19	F05010-3	Nut, 1/2-13 Swaged Hex		2
20	F04254-15	Ring, 1 OR		2
21	023857	Bearing, MG305DDA		1
22	036713	Spring, Die, Heavy 1/2IDx1ODx1		2
23	045158	Plate, Lower Roller Retainer		2
24	042415	Plate, Bottom Oiler		1
25	036334	Block, Bottom Oiler		1
26	F05011-16	Washer, 5/16 Standard Flat		4
27	F05011-13	Washer, 5/16 Split Lock		2
28	F05010-58	Nut, 5/16-18 Nyl Lock		2
29	F05006-1	Bolt, 5/16-18x1 Hex Head Gr2		4
30	033375	Wiper, Round Gray Felt		2
31	F05008-45	Bolt, 1/2-20x2 1/2 SH BO		4
32	F05007-150	Screw, 3/8-16x1 1/4 SH BO		8
33	036333	Fitting, 1/8NPT, Oil Hole Cover		1

## 6.4 Power Feed Drive Motor



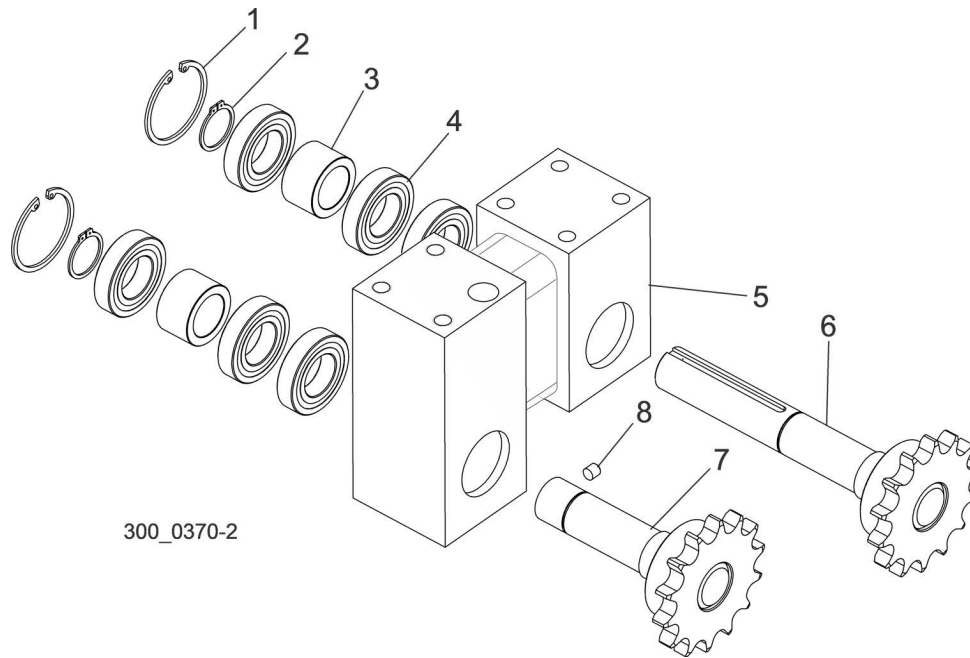
REF	PART #	DESCRIPTION	COMMENTS	QTY.
	115143	<b>ASSEMBLY, WM4500 POWER FEED</b>		1
<b>1</b>	115144	Weldment, WM4500 P/F Mount Plate		1
<b>2</b>	F05008-80	Screw, 1/2-13 x 1.5 FHSB B/O		7
<b>3</b>	F05009-10	Bolt, 5/8-11x4 1/2 Hex Head Gr5		2
<b>4</b>	F05010-4	Nut, 5/8-11 Swaged Hex		1
<b>5</b>	F05011-5	Washer, 5/8 SAE Flat		1
<b>6</b>	F05011-118	Washer, 5/8 Split Zinc Lock Gr8		1
<b>7</b>	F05011-4	Washer, 3/8 Split Lock		4
<b>8</b>	F05007-3	Bolt, 3/8-16X1 1/2 Hex Head GR2, Zinc		4
<b>9</b>	017832	Key, 1/4Sq x1 3/8		2
<b>10</b>	038445	Collar, 1 1/8" Shaft, Clamp-On		2
<b>11</b>	115150	Coupling, 10Rx1-1/8x1-1/8 Power Feed		1

## 6

**Power Feed***Power Feed Drive Motor*

REF	PART #	DESCRIPTION	COMMENTS	QTY.
	042655-4	Coupling Body, 10Rx1-1/8		2
	042655-5	Coupling Ring, Steel, 10R		1
	042655-2	Coupling Spider, Urethane, 10R		1
12	F05004-234	Screw, M8-1.25x8mm SH Set BO		8
13	115151	Gearbox, P/F IUC70-7.5:1-R-180TC		1
14	042810	Key, 1/4Sqx1 5/8		1
15	115152	Motor, 5HP 3P 230/460 184TC		1
16	F05011-9	Washer, 1/2 Split Lock		4
17	F05008-33	Bolt, 1/2-13x1 1/2 Hex Head Gr5		4
18	110027	Spacer, 11/32x3/4x.96		2
19	110026	Plate, WM4000 PF Encoder Mnt		1
20	F05011-17	Washer, 5/16 SAE Flat		2
21	F05011-13	Washer, 5/16 Split Lock		2
22	F05006-81	Bolt, 5/16-18x1 3/4 FT Gr5		2
23	112573	Encoder Assy, Ind. Mill Feed	Replaced 068046 after 10/3/22 per ECN 38757.	1
	068046	Encoder WM4000		1
24	F05011-57	Washer, M4 Split Washer, Zinc		3
25	F05004-263	Screw, M4-.7x10 SHC Zinc		3
26	108129	Plate, WM4000 PF Encoder Guard		1
27	F05011-11	Washer, 1/4 SAE Flat		3
28	F05011-14	Washer, 1/4 Split Lock		3
29	F05005-123	Bolt, 1/4-20x3/4 Hex Head Gr5		3
30	128152	Block Assy, WM4500 P/F	<a href="#">See Section 6.5</a>	1

## 6.5 Power Feed Drive Block Assembly

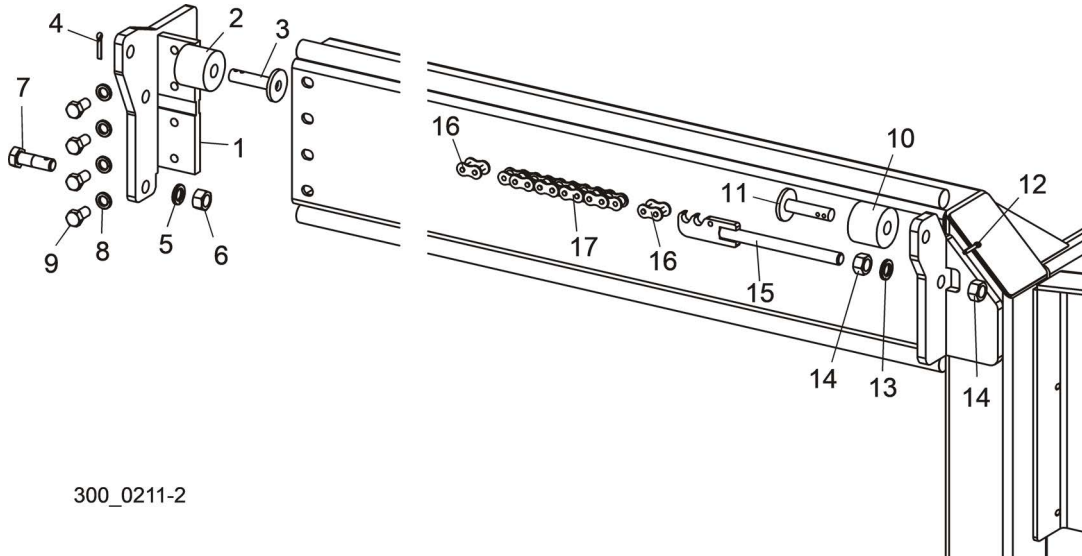


REF	PART #	DESCRIPTION	COMMENTS	QTY.
	128154	<b>BLOCK ASSY, WM4500 P/F</b>		2
<b>1</b>	F04254-38	Ring, 2-1/8 Internal Retaining		2
<b>2</b>	F04254-36	Ring, 1 1/8 External Retaining		2
<b>3</b>	042387	Spacer, P/F Bearing		2
<b>4</b>	066798	Bearing, 1-1/8 Bore R18-2Rs		6
<b>5</b>	128152	Block Weldment, WM4500 P/F		1
<b>6</b>	042365	Weldment, 1-1/8 Dia PF Shaft		1
<b>7</b>	108124	Weldment, WM4000 PF Encoder Shaft		1
<b>8</b>	F05006-40	Screw, 5/16-24x3/8 SHOP Set		1

# 6 Power Feed

## Feed Chain & Stops

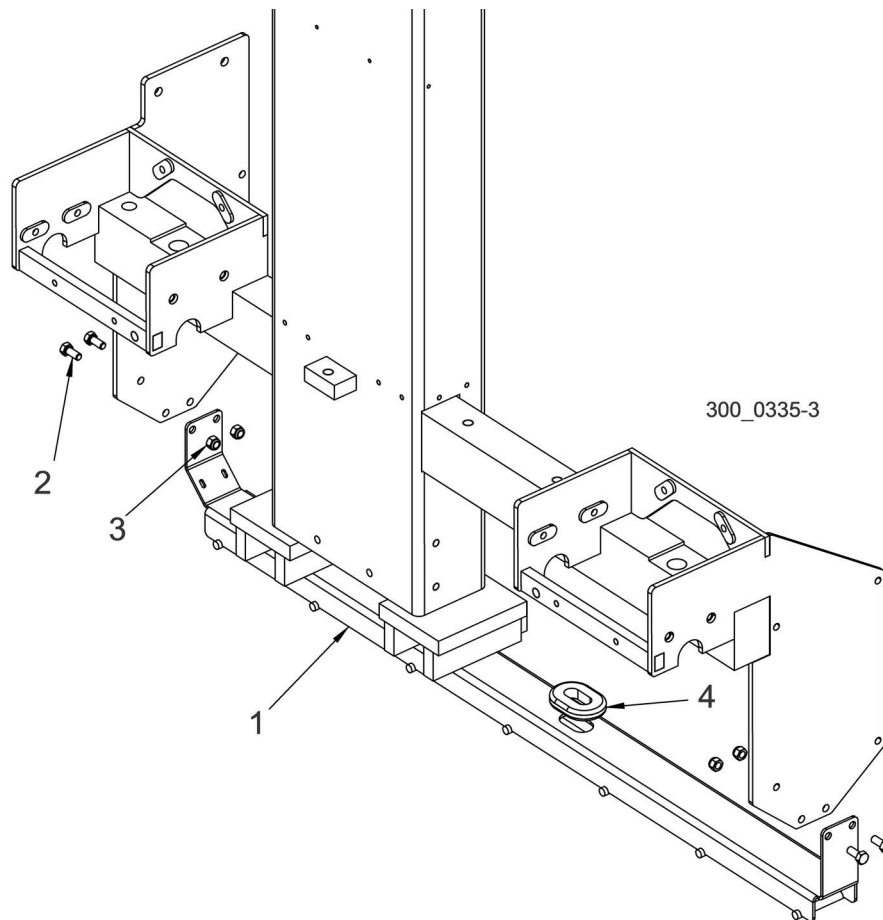
### 6.6 Feed Chain & Stops



300\_0211-2

REF	PART #	DESCRIPTION	COMMENTS	QTY.
	035646	<b>STOP ASSEMBLY, FRONT SAW HEAD</b>		1
1	042408	Bracket Weldment, Front Saw Head Stop		1
2	P12165	Bushing, 11/16" x 2 1/8" x 1 3/4" Rubber		1
3	W09293	Pin Weldment, Head Stop		1
4	F05012-21	Pin, 3/16" x 1" Cotter		1
5	F05011-27	Washer, 5/8" Split Lock		1
6	F05010-50	Nut, 5/8-18 Hex		1
7	035653	Bolt, #60 Feed Chain Tensioner		1
8	F05011-9	Washer, 1/2" Split Lock		4
9	F05008-128	Bolt, 1/2-13 x 1 Hex Head Grade 8		4
	065992	<b>STOP ASSEMBLY, WM4000 REAR HEAD</b>		1
10	P12165	Bushing, 11/16" x 2 1/8" x 1 3/4" Rubber		1
11	W09293	Pin Weldment, Head Stop		1
12	F05012-21	Pin, 3/16" x 1" Cotter		1
13	F05011-27	Washer, 5/8" Split Lock		1
14	F05010-50	Nut, 5/8-18 Hex		2
15	035652	Rod Weldment, #60 Feed Chain Tensioner		1
16	042398	Link, #60 Master		2
17	098575	Chain #60x28' Power Feed - 447 links		1

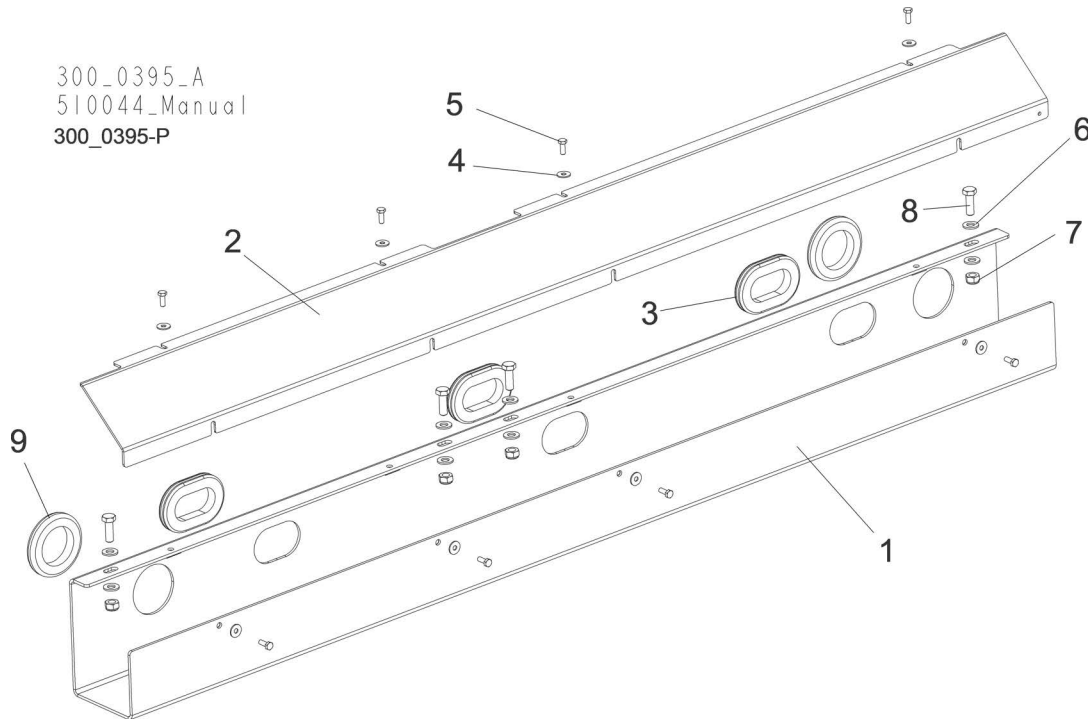
### 6.7 Lower Wireway



REF	PART #	DESCRIPTION	COMMENTS	QTY.
1	113638	CABLE CARRIER, LOWER		1
2	F05006-5	BOLT, 5/16-18 X 3/4" HEX HEAD		4
3	F05010-58	NUT, 5/16-18 HEX NYLON LOCK		4
4	085613	GROMMET, 1" X 1 3/4" OVAL RUBBER		2

## SECTION 7 BED FRAME

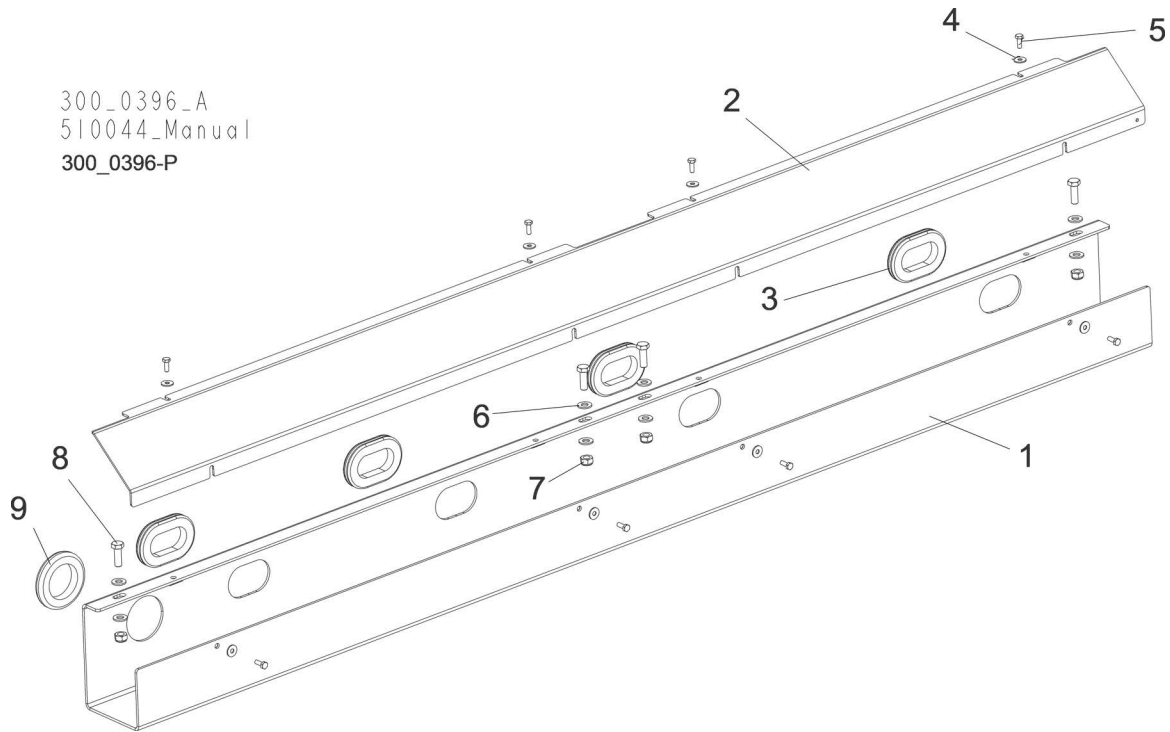
### 7.1 Front Hydraulic Hose Duct



REF	PART #	DESCRIPTION	COMMENTS	QTY.
	510240	DUCT, FRONT HYDRAULIC HOSE - COMPLETE		1
1	510237-1	Duct Weldment, Front Hydraulic Hose		1
2	510239-1	Cover, Front Hydraulic Hose Duct		1
3	089532	Grommet, 70x36x4 Rubber		3
4	F81053-11	Washer, 6.5 Special Flat Zinc		8
5	F81001-15	Bolt, M6x16 8.8 Hex Head Full Thread Zinc		8
6	F81055-1	Washer, 10.5 Flat Zinc		8
7	F81033-1	Nut, M10-8-B Hex Nylon Zinc Lock		4
8	F81003-2	Bolt, M10x30-5.8 Hex Head Full Thread Zinc		4
9	085614	Seal Rubber, Wire		2



## 7.2 Middle Hydraulic Hose Duct

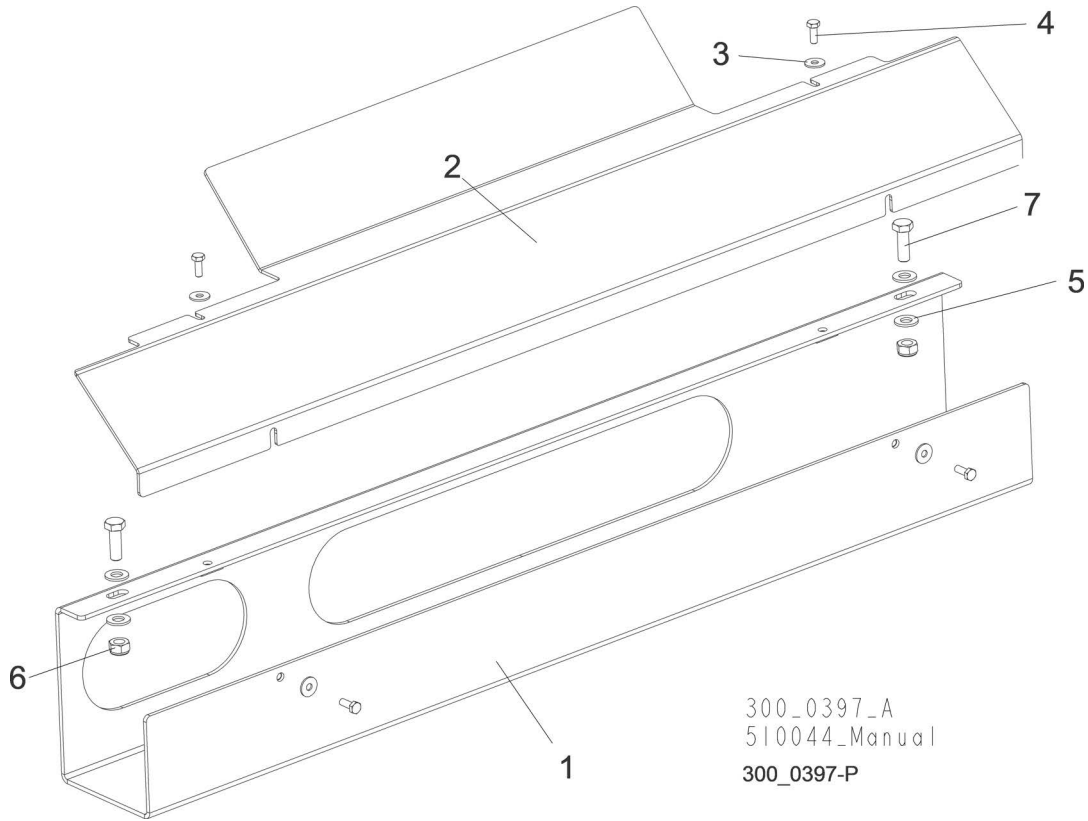


REF	PART #	DESCRIPTION	COMMENTS	QTY.
	510235	DUCT, MIDDLE HYDRAULIC HOSE - COMPLETE		1
1	510234-1	Duct, Middle Hydraulic Hose		1
2	510238-1	Cover, Middle Hydraulic Hose Duct		1
3	089532	Grommet, 70x36x4 Rubber		4
4	F81053-11	Washer, 6.5 Special Flat Zinc		8
5	F81001-15	Bolt, M6x16 8.8 Hex Head Full Thread Zinc		8
6	F81055-1	Washer, 10.5 Flat Zinc		8
7	F81033-1	Nut, M10-8-B Hex Nylon Zinc Lock		4
8	F81003-2	Bolt, M10x30-5.8 Hex Head Full Thread Zinc		4
9	085614	Seal Rubber, Wire		1

# 7 Bed Frame

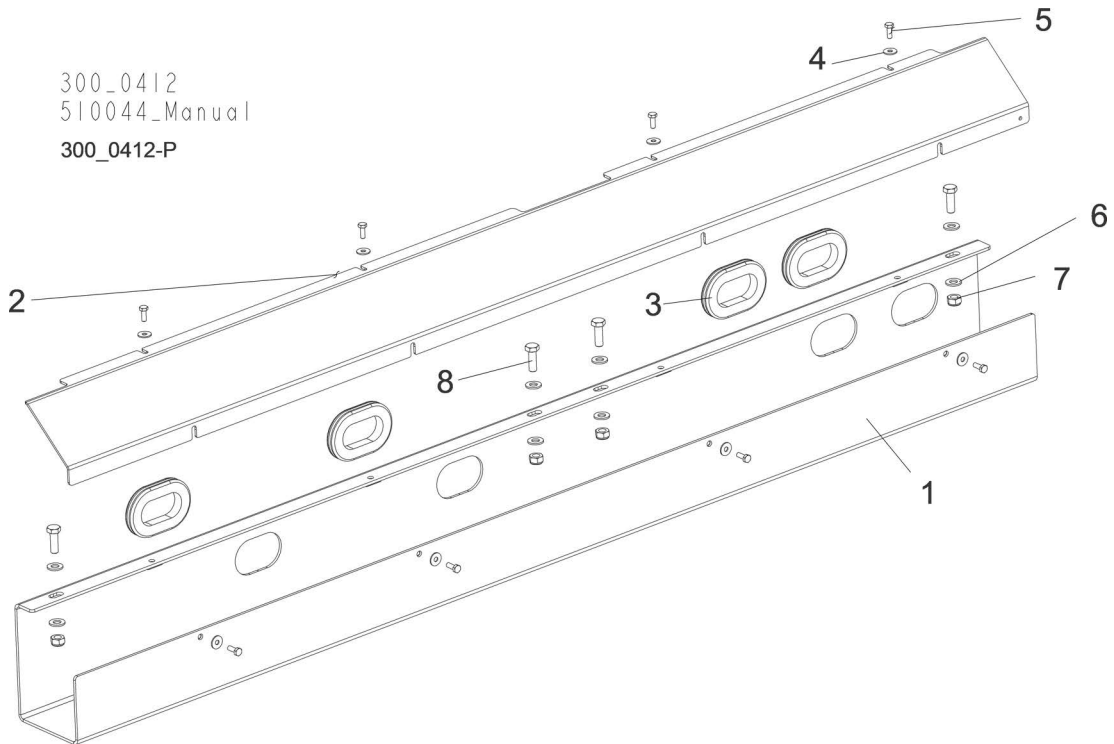
## Rear Hydraulic Hose Duct

### 7.3 Rear Hydraulic Hose Duct



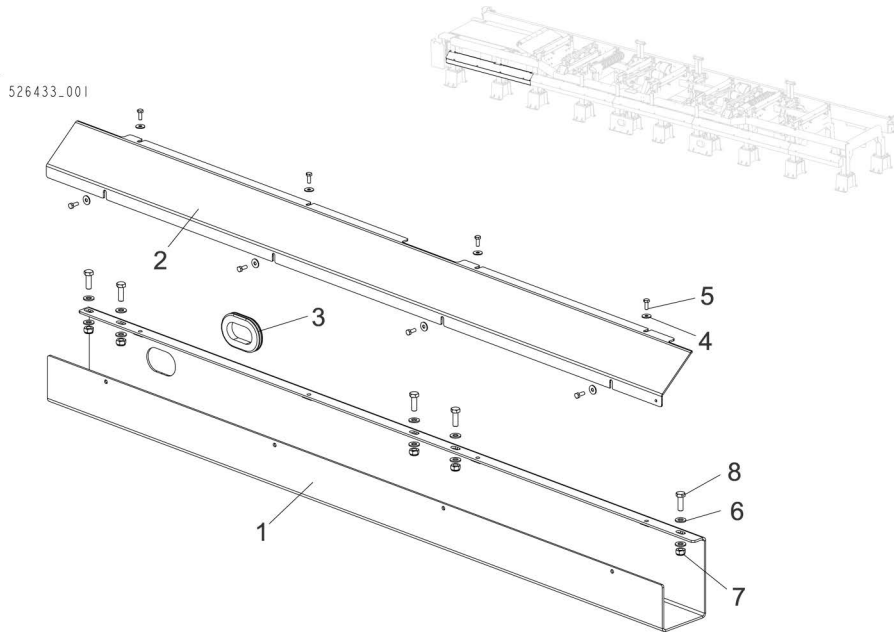
REF	PART #	DESCRIPTION	COMMENTS	QTY.
	510510	DUCT, REAR HYDRAULIC HOSE - COMPLETE		1
1	510509-1	Duct Weldment, Rear Hydraulic Hose		1
2	510511-1	Cover, Rear Hydraulic Hose Duct		1
3	F81053-11	Washer, 6.5 Special Flat Zinc		4
4	F81001-15	Bolt, M6x16 8.8 Hex Head Full Thread Zinc		4
5	F81055-1	Washer, 10.5 Flat Zinc		4
6	F81033-1	Nut, M10-8-B Hex Nylon Zinc Lock		2
7	F81003-2	Bolt, M10x30-5.8 Hex Head Full Thread Zinc		2

## 7.4 Front Hydraulic Hose Duct



REF	PART #	DESCRIPTION	COMMENTS	QTY.
	519000	DUCT, FRONT HYDRAULIC HOSE - COMPLETE		1
1	519003-1	Duct Weldment, Front Hydraulic Hose		1
2	519001-1	Cover, Front Hydraulic Hose Duct		1
3	089532	Grommet, Rubber		4
4	F81053-11	Washer, Flat Zinc		8
5	F81001-15	Bolt, M6 X 16 8.8 FE/ZN5 PN-M/82105		8
6	F81055-1	Washer, 10.5 Flat Zinc		8
7	F81033-1	Nut, M10-8-B Hex Nylon Zinc Lock		4
8	F81003-2	Bolt, M10x30-5.8 Hex Head Full Thread Zi		4

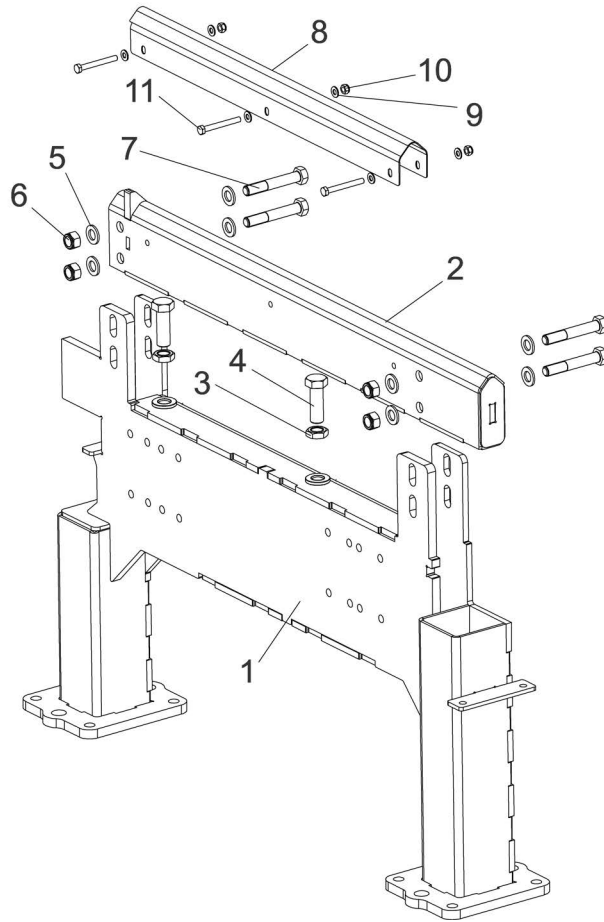
**7.5 Rear Hydraulic Hose Duct**



REF	PART #	DESCRIPTION	COMMENTS	QTY.
	526433	DUCT, REAR HYDRAULIC HOSE - COMPLETE		1
1	526435-1	Duct Weldment, Rear Hydraulic Hose		1
2	526434-1	Cover, Rear Hydraulic Hose Duct		1
3	089532	Grommet, Rubber		1
4	F81053-11	Washer, 6.5 Special Flat Zinc		8
5	F81001-15	Bolt, M6x16-8.8 Hex Head Full Thread Zinc		8
6	F81055-1	Washer, 10.5 Flat Zinc		10
7	F81033-1	Nut, M10-8-B Hex Nylon Zinc Lock		5
8	F81003-2	Bolt, M10x30-8.8 Hex Head Full Thread Zinc		5

## 7.6 Bed Rail Assembly

525230\_003



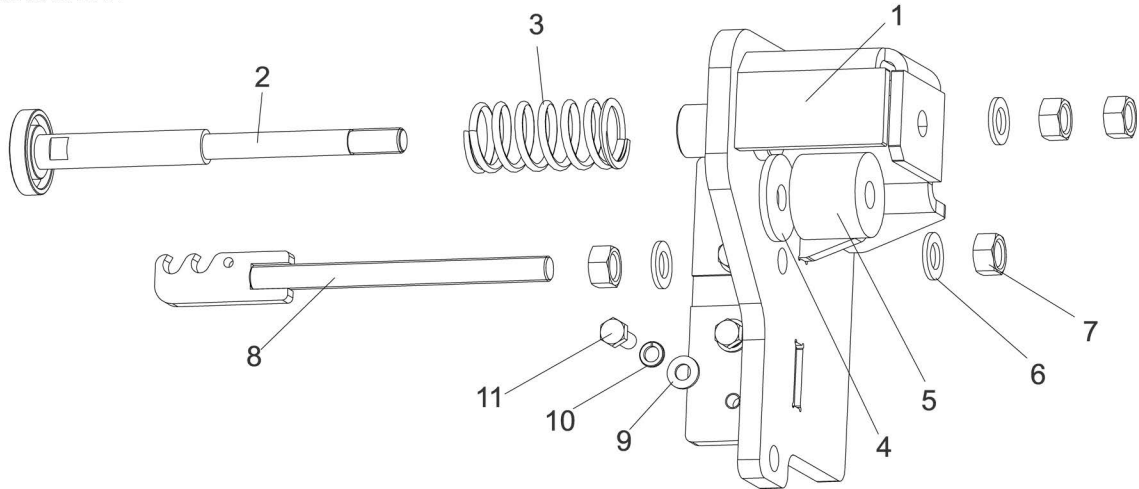
REF	PART #	DESCRIPTION	COMMENTS	QTY.
	523643	RAIL ASSEMBLY, BED (NO. 1, 7)		1
<b>1</b>	523644	Mount Weldment, WM4000 Bed Rail (No. 1, 7)		1
<b>2</b>	525555	Rail, WM4000 Bed		1
<b>3</b>	F81037-9	Nut, M20 ISO 4035 Hex Thin Zinc		2
<b>4</b>	F81007-5	Bolt, M20x60 8.8 Hex Head Full Thread Zinc		2
<b>5</b>	F81058-1	Washer, 17 Split Lock Zinc		8
<b>6</b>	F81036-2	Nut, M16-8 Hex Nylon Zinc Lock		4
<b>7</b>	F81006-60	Bolt, M16x100-8.8 Hex Head Zinc		4
	525563	Cover, WM4000 Bed Rail - Complete		1
<b>8</b>	525561	Cover, WM4000 Bed Rail		1
<b>9</b>	F81054-1	Washer, 8.4 Flat Zinc		6
<b>10</b>	F81032-2	Nut, M8-8-B Hex Nylon Zinc Lock		3
<b>11</b>	F81002-71	Bolt, M8x70-8.8 Hex Head Zinc		3

# 7 Bed Frame

## Rear Bumper

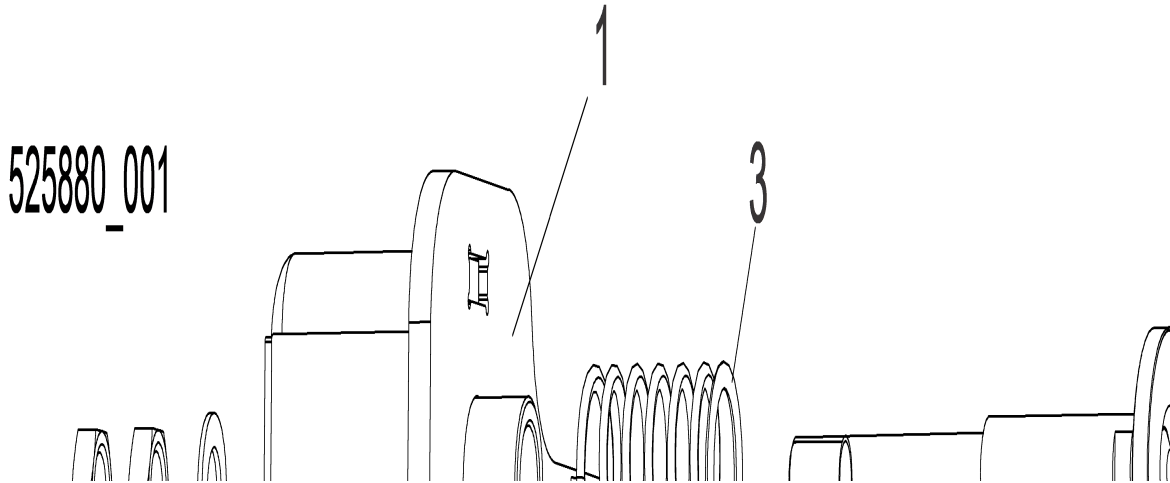
### 7.7 Rear Bumper

525890\_001



REF	PART #	DESCRIPTION	COMMENTS	QTY.
	525890	BUMPER, WM4000 REAR - COMPLETE		1
1	525885-1	Bracket, WM4000 Rear Bumper - Complete		1
2	525878-1	Pin, Bumper Spring - Complete		1
3	525879	Spring, 5x95.5x5 Alcomex D3890		1
4	525881-1	Washer, 16.5/55-5		1
5	P12165	Bushing, 11/16x2 1/8x1 3/4 Rubber		1
6	F81058-1	Washer, 17 Split Lock Zinc		3
7	F81036-1	Nut, M16-8 Hex Zinc		4
8	094021-1	Bracket, LT300 Front Zinc-plated Chain Hook		1
9	F81055-1	Washer, 10.5 Flat Zinc		4
10	F81055-2	Washer, Z 10.2 Split Lock Zinc		4
11	F81003-11	Bolt, M10x25 8.8 Hex Head Full Thread Zinc		4

### 7.8 Front Bumper

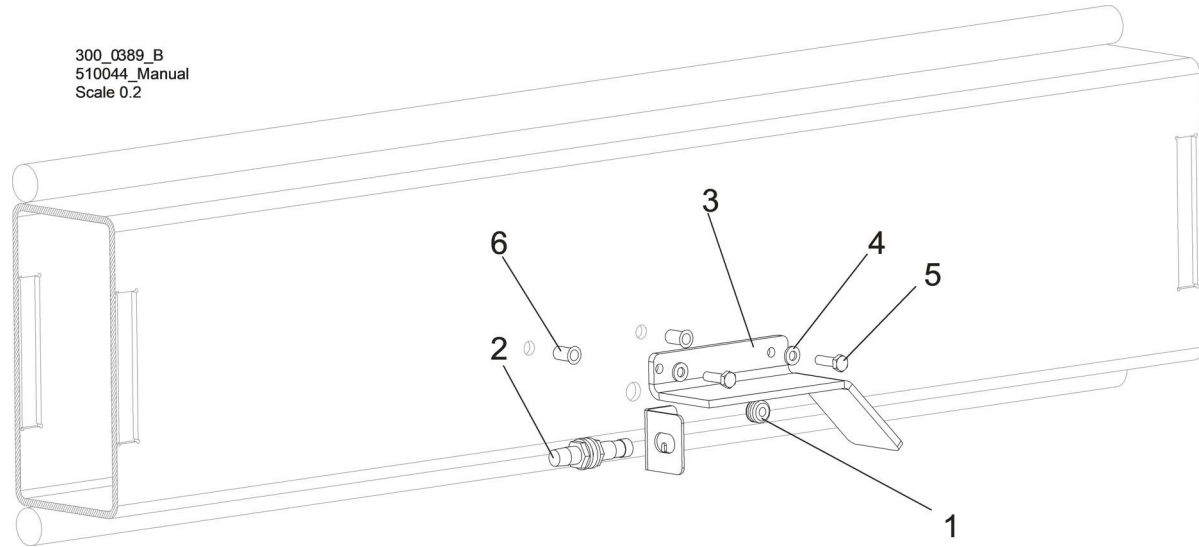


REF	PART #	DESCRIPTION	COMMENTS	QTY.
	525880	BUMPER, WM4000 FRONT - COMPLETE		1
1	525884-1	Bracket, WM4000 Front Bumper - Complete		1
2	525878-1	Pin, Bumper Spring - Complete		1
3	525879	Spring, 45x95,5x5 Alcomex D3890		1
4	525881-1	Washer, 16.5/55-5		1
5	P12165	Bushing, 11/16x2 1/8x1 3/4 Rubber		1
6	F81058-1	Washer, 17 Split Lock Zinc		3
7	F81036-1	Nut, M16-8 Hex Zinc		4
8	094373-1	Bracket, LT300 Chain Hook Zinc-plated		1
9	F81055-1	Washer, 10.5 Flat Zinc		4
10	F81055-2	Washer, Z 10.2 Split Lock Zinc		4
11	F81003-11	Bolt, M10x25 8.8 Hex Head Full Thread Zinc		4

# 7 Bed Frame

## Side Support Sensor Guard

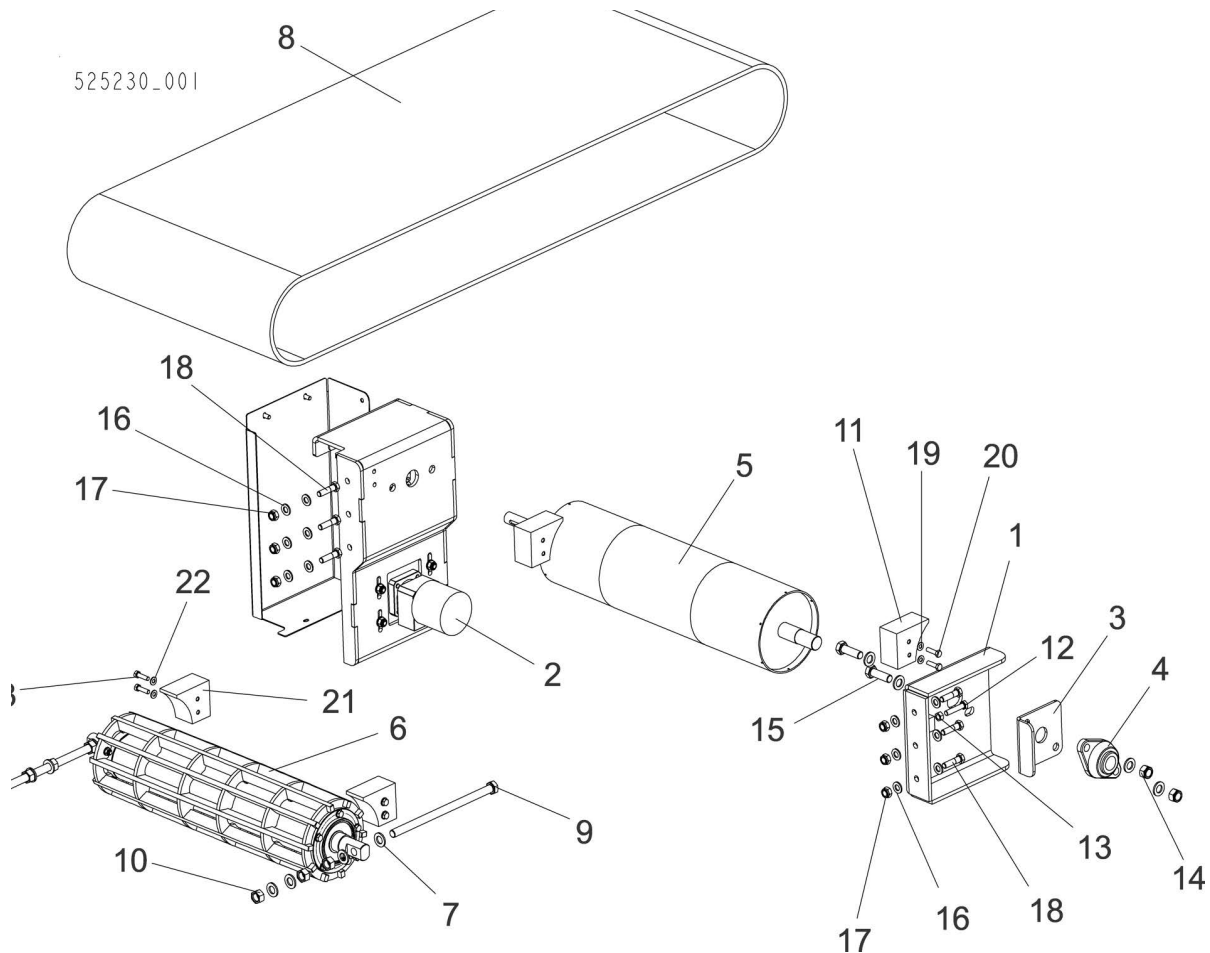
### 7.9 Side Support Sensor Guard



REF	PART #	DESCRIPTION	COMMENTS	QTY.
1	085338	GROMMET, GH6 RUBBER		1
2	093168	SENSOR, BES M12MG-PSC80F-S04G INDUC-TIVE PROXIMITY		1
3	510507-1	GUARD, SIDE SUPPORT SENSOR		1
4	F81053-1	WASHER, 6.4 FLAT ZINC		2
5	F81001-2	BOLT, M6x20-8.8 HEX HEAD FULL THREAD ZINC		2
6	F81031-8	NUT, M6/1.5-3.0 BLIND RIVET		2



## 7.10 WM4500 Belt Conveyor

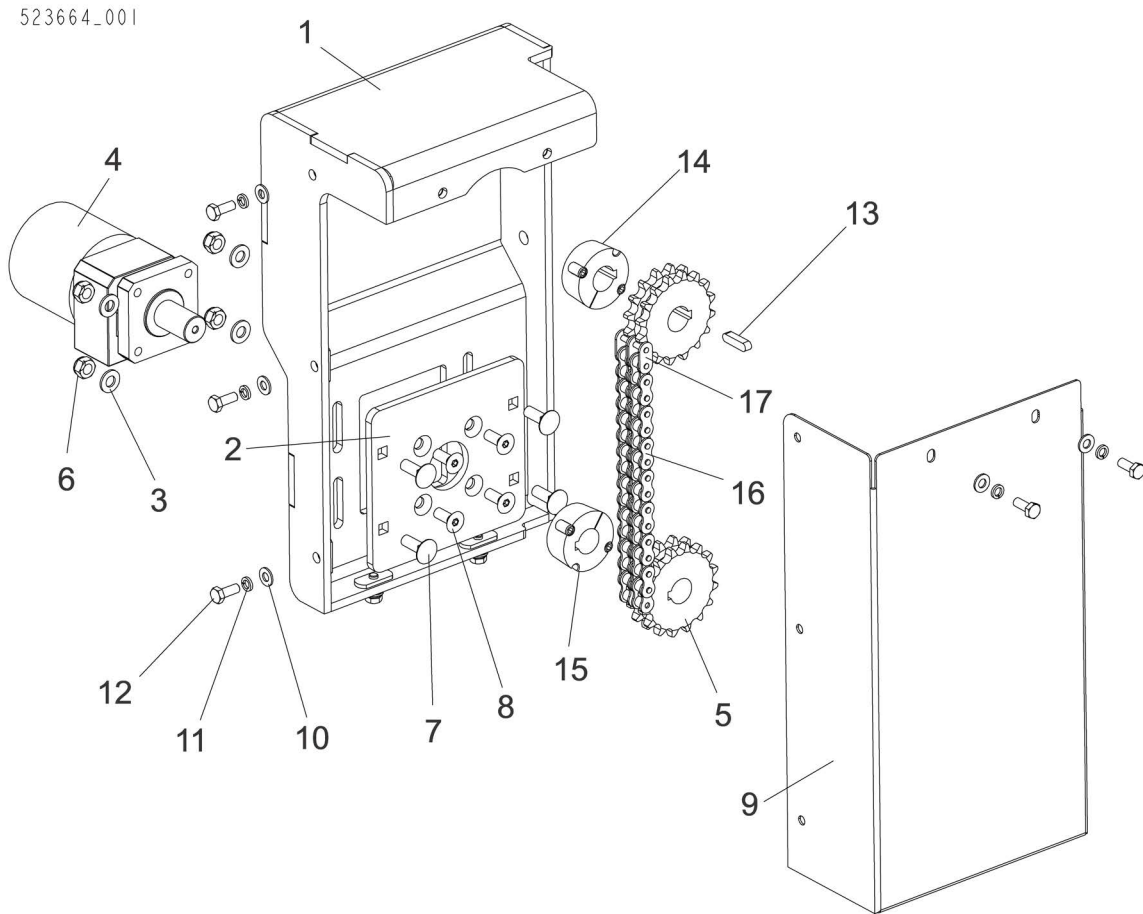


REF	PART #	DESCRIPTION	COMMENTS	QTY.
	523660	CONVEYOR, WM4000 BELT - COMPLETE		1
1	511296-1	Bracket Weldment, Pulley Mount - Left		1
2	523664	Drive Assembly, Belt Conveyor Hydraulic		1
3	511278-1	Plate, Belt Tension Correction		1
4	090851	Bearing, UCFL 206 CX W/housing		2
5	512557	Pulley, Belt Conveyor		1
6	511286	Roller, WM4000 Idle Side - Complete		1
7	F81058-1	Washer, 17 Split Lock Zinc		16
8	511290	Belt, 2M0P3 LG3216x600		1
9	F81006-27	Bolt, M16x290-8.8 -A2 Full Thread		2
10	F81036-1	Nut, M16-8 Hex Zinc		6
11	511295	Block, Safety		2

**7****Bed Frame***WM4500 Belt Conveyor*

REF	PART #	DESCRIPTION	COMMENTS	QTY.
12	F81003-4	Bolt, M10x50-8.8 Hex Head Full Thread Zinc		1
13	F81033-3	Nut, M10 8 Hex Zinc		1
14	F81036-2	Nut, M16-8 Hex Nylon Zinc Lock		4
15	F81006-38	Bolt, M16x50-8.8 Hex Head Full Thread Zinc		4
16	F81056-1	Washer, 13 Flat Zinc		12
17	F81034-2	Nut, M12 8 Hex Nylon Zinc Lock		6
18	F81004-32	Bolt, M12x45 8.8 Hex Head Zinc		6
19	F81054-1	Washer, 8.4 Flat Zinc		4
20	F81002-2	Bolt, M8x30-8.8-B Hex Head Full Thread Zinc		4
21	511295	BLOCK, SAFETY		2
22	F81054-1	WASHER, 8.4 FLAT ZINC		4
23	F81002-2	BOLT, M8X30-8.8-B HEX HEAD FULL THREAD ZINC		4

## 7.11 Belt Conveyor Drive Assembly



REF	PART #	DESCRIPTION	COMMENTS	QTY.
	523664	DRIVE ASSEMBLY, BELT CONVEYOR HYDRAU- LIC		1
1	523666-1	Bracket, Belt Conveyor Drive Mount		1
2	523657-1	Plate, Hydraulic Motor Mount		1
3	F81055-1	Washer, 10.5 Flat Zinc		4
4	P20206	Motor, MG10-13-10AAAB Hydraulic		1
5	523655	Sprocket, 10B-2 Z16		2
6	F81033-1	Nut, M10-8-b Hex Nylon Zinc Lock		4
7	F81003-101	Bolt, Z M10x30-8.8 Carriage Zinc		4
8	F05007-64	Screw, 3/8-16x1 Zinc And Bake Fs		4
9	523665-1	Guard, Belt Conveyor Drive		1
10	F81054-1	Washer, 8.4 Flat Zinc		7

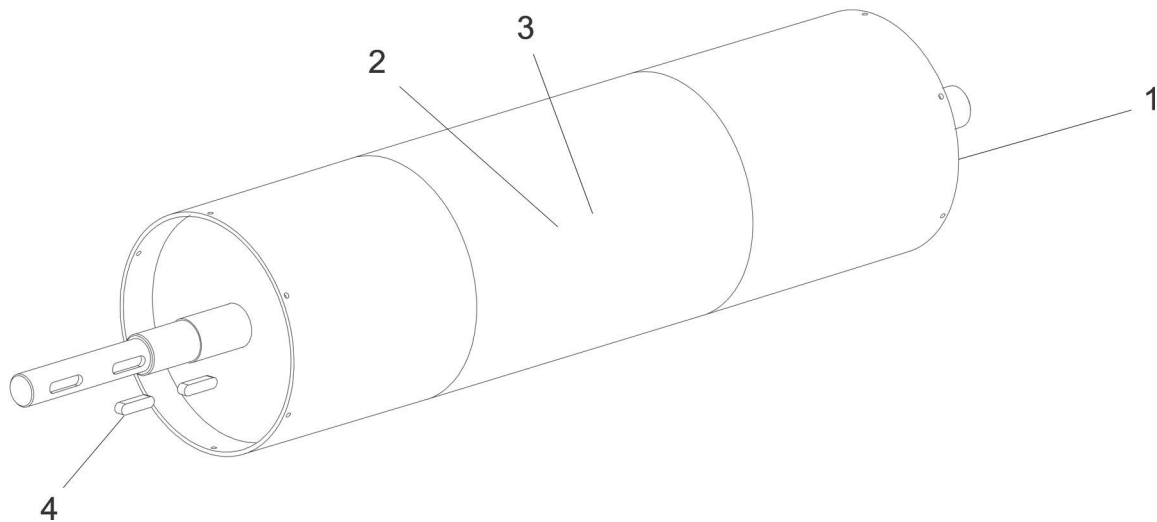
**7****Bed Frame***Belt Conveyor Drive Assembly*

---

REF	PART #	DESCRIPTION	COMMENTS	QTY.
11	F81054-4	Washer, 8.2 Split Lock Zinc		7
12	F81002-1	Bolt, M8x20-8.8 Hex Head Full Thread Zinc		7
13	088564	Key, A8x7x32 Parallel		1
14	522124	Bushing, 1610 24 MM Bore Split Taper		1
15	523656	Bushing, 1610 1" Bore Split Taper		1
	524230	Chain, 10b-2 Belt Conveyor - Complete		1
16	524229	Chain, 10B-2, L=778 MM (49-link)		1
17	088673	Link, 10B-2PZ Master		1

## 7.12 Belt Conveyor Pulley

711749\_005

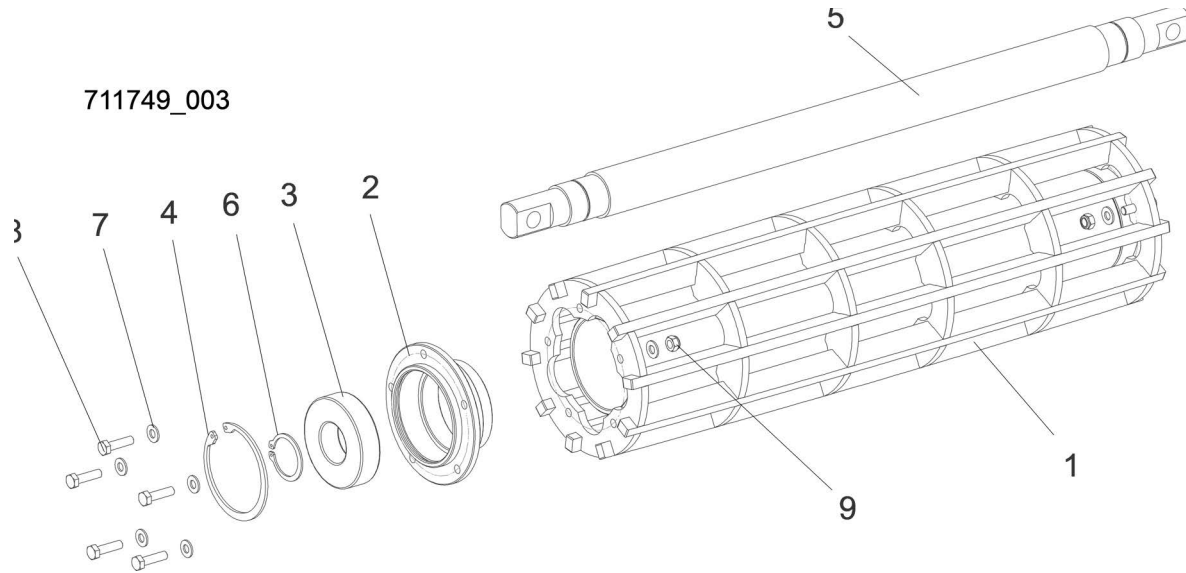


REF	PART #	DESCRIPTION	COMMENTS	QTY.
	512557	PULLEY ASSEMBLY, BELT CONVEYOR (1)		1
<b>1</b>	511282-1	Pulley, Belt Conveyor (1)		1
<b>2</b>	R00100	Lagging, Pulley		1
<b>3</b>	090875	Adhesive, Texcol		1
<b>4</b>	088564	KEY, A8X7X32 PARALLEL		2

# 7 Bed Frame

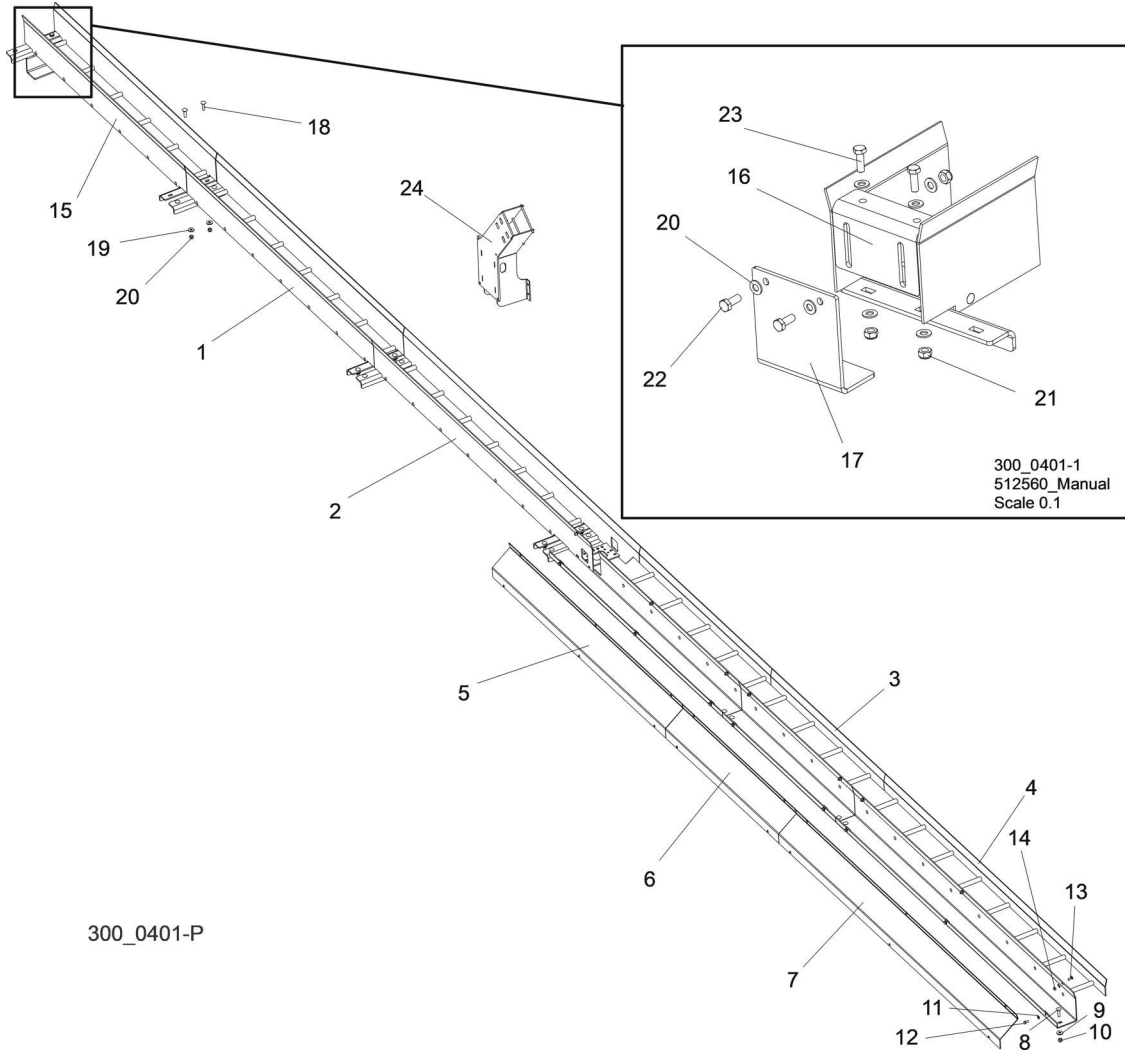
## Idle-Side Roller

### 7.13 Idle-Side Roller



REF	PART #	DESCRIPTION	COMMENTS	QTY.
	511286	ROLLER, WM4000 IDLE SIDE - COMPLETE		1
1	511285-1	Roller, Belt Scraper		1
	511305	Hub, Roller Brearing - Complete		2
2	511304-1	Hub, Roller Bearing		1
3	504268	Bearing, 6308 2RS CX Ball		1
4	F81090-29	Ring, W90 Inside Retaining		1
5	511283	Shaft, Idle Side Roller		1
6	F81090-33	Ring, Z40 Outside Retaining		2
7	F81054-1	Washer, 8.4 Flat Zinc		20
8	F81002-2	Bolt, M8x30-5.8-B Hex Head Full Thread Zinc		10
9	F81032-2	Nut, M8 8 Hex Nylon Zinc Lock		10

7.14 Wireway Kit (Option w/o Pantograph)



300\_0401-P

REF	PART #	DESCRIPTION	COMMENTS	QTY.
	513926	WIREWAY KIT WM3500-HD WITH CE HOSE DUCT - COMPLETE		1
	510515	Wireway Kit, WM4000 - Complete		1
	510520	Wireway Kit, WM4000		1
1	510518-1	Wireway Weldment, WM4000		1
2	510521-1	Wireway Weldment, WM4000		1
3	510542-1	Wireway Weldment, WM4000		1
4	510546-1	Wireway Weldment, WM4000		1
5	510545-1	Cover, Wireway		1
6	510549-1	Cover, Wireway		1
7	510550-1	Cover, Wireway		1

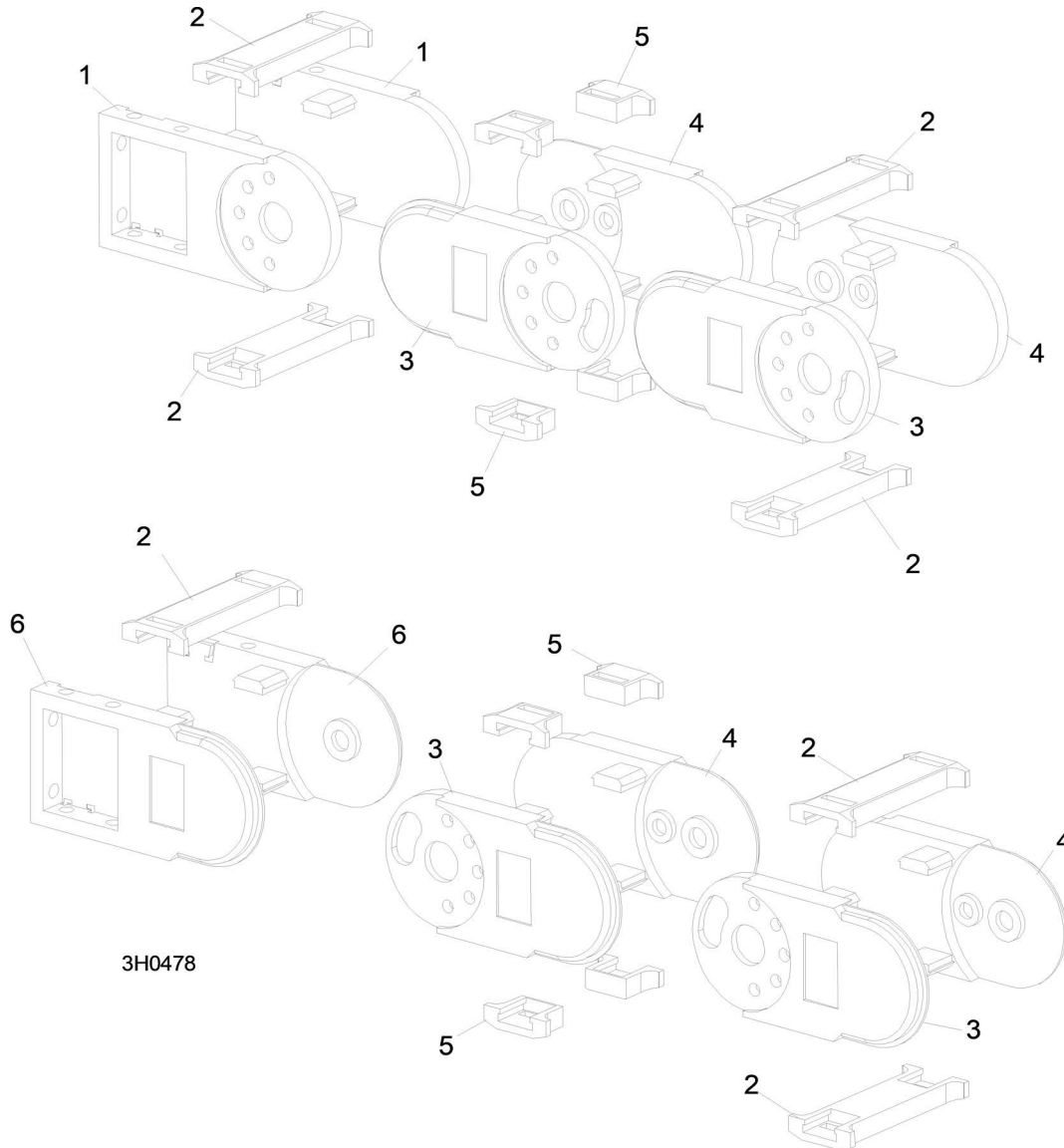
# 7 Bed Frame

*Wireway Kit (Option w/o Pantograph)*

REF	PART #	DESCRIPTION	COMMENTS	QTY.
8	F81003-40	Bolt, M10x40 -8.8 Mushroom Head Square Neck Zinc		15
9	F81055-6	Washer, 10.5 Special Flat Zinc		15
10	F81033-1	Nut, M10-8-B Hex Nylon Zinc Lock		15
11	F81054-1	Washer, 8.4 Flat Zinc		16
12	F81002-20	Bolt, M8x16 -8.8-B Hex Head Full Thread Zinc		8
13	F81002-11	Bolt, M8x20-8.8 Mushroom Head Square Neck Zinc		8
14	F81032-1	Nut, M8-8-B Hex Zinc		8
	511276	Complete Rear Wireway		1
15	511274-1	Wireway, WM4000 Rear		1
16	099793-1	Bracket, LT70/300 Wireway Support Adjustment		1
17	510517-1	support, Rear Wireway		1
18	F81003-40	Bolt, M10x40-8.8 Mushroom Head Square Neck Zinc		2
19	F81055-6	Washer, 10.5 Special Flat Zinc		2
20	F81055-1	Washer, 10.5 Flat Zinc		8
21	F81033-1	Nut, M10-8-B Hex Nylon Zinc Lock		6
22	F81003-11	Bolt, M10x25-8.8 Hex Head Full Thread Zinc		2
23	F81003-2	Bolt, M10x30-5.8 Hex Head Full Thread Zinc		2
24	503061-1	Bracket, Wireway		1



### 7.15 Cable Carrier (Option w/o Pantograph)

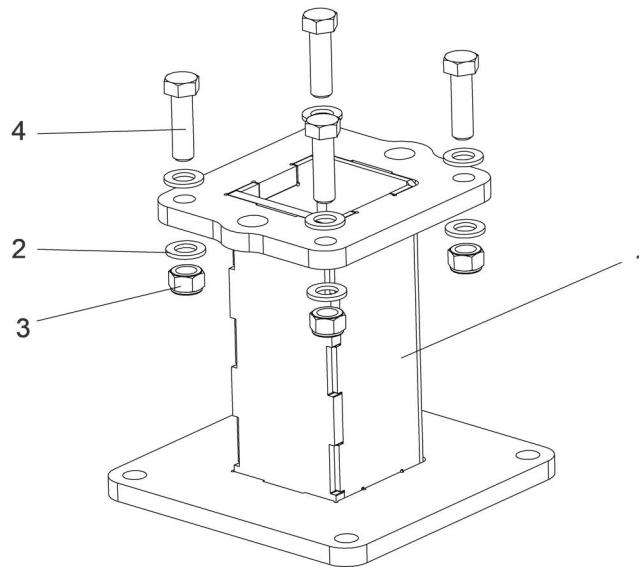


REF	PART #	DESCRIPTION	COMMENTS	QTY.
	094389	CARRIER, LT70/300 CABLE		1
1	023612-3	Link, Nylon Chain Top Mount (4040/4040B)		2
2	023612-4	Brace, Nylon Chain Long (4040/4040B)		68
3	036219	Link, Nylon Chain Right Side (4040AA)		66
4	036220	Link, Nylon Chain Left Side (4040AA)		66
5	023612-5	Brace, Nylon Chain Short (4040/4040B)		136
6	023612-9	Link, Nylon Chain Bottom Mount (4040/4040B)		2

**7** **Bed Frame**  
*Bed Frame Leg Base*

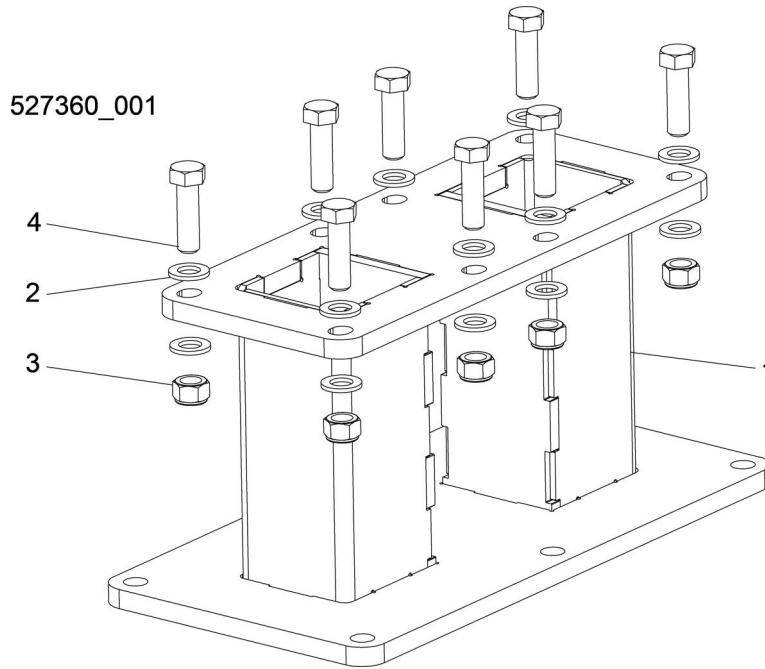
**7.16 Bed Frame Leg Base**

527370\_001



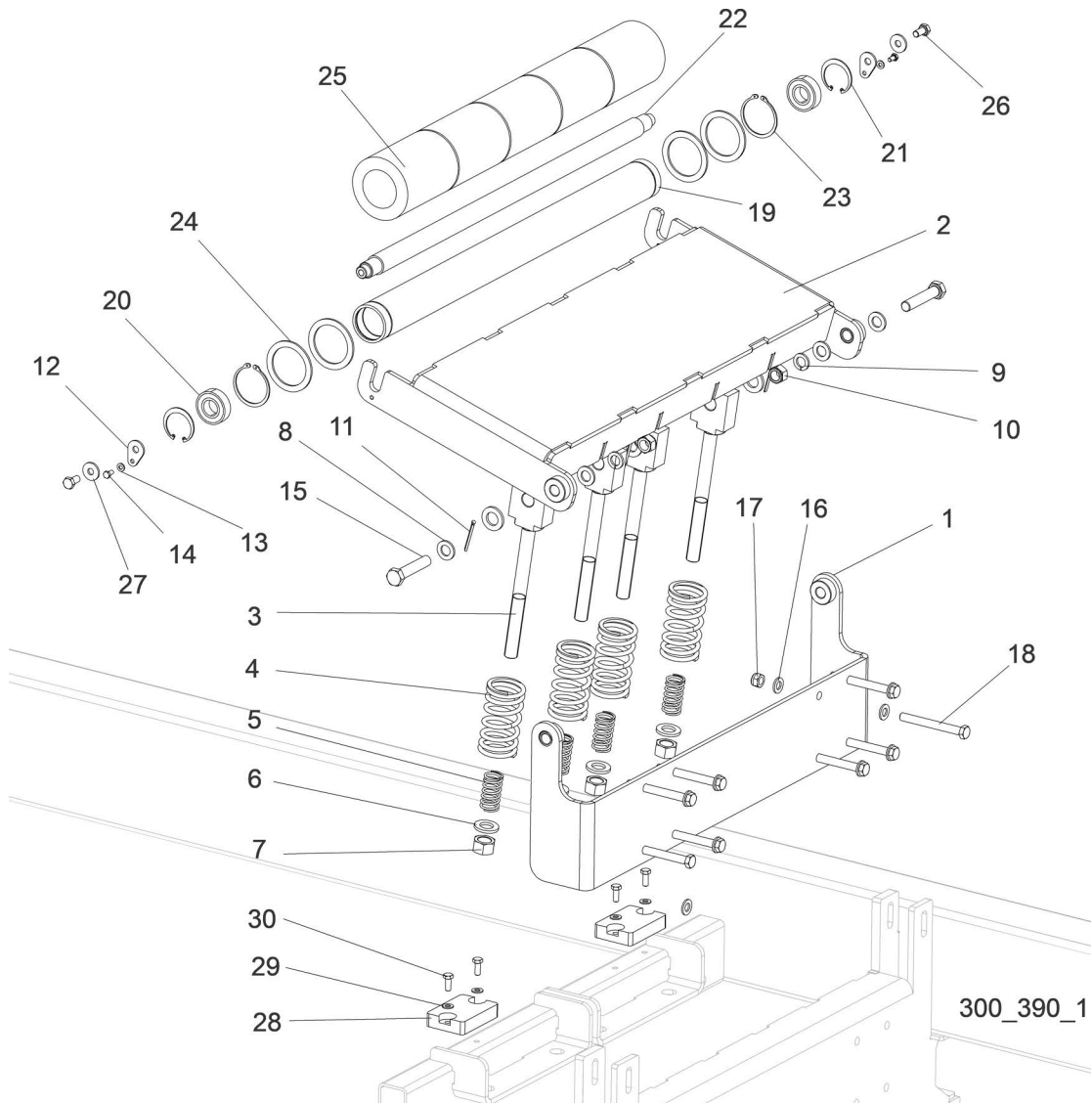
REF	PART #	DESCRIPTION	COMMENTS	QTY.
	527370	BASE, WM4000 BED FRAME LEG - COMPLETE		1
1	527367-1	Base, WM4000 Bed Frame Leg		1
2	F81058-1	Washer, 17 Split Lock Zinc		8
3	F81036-2	Nut, M16-8 Hex Nylon Zinc Lock		4
4	F81006-61	Bolt, M16x55-8.8 Hex Head		4

### 7.17 Bed Frame & Log Turner Leg Base



REF	PART #	DESCRIPTION	COMMENTS	QTY.
	527360	BASE, WM4000 BED FRAME LEG - COMPLETE WIDE		1
1	527361-1	Base, WM4000 Bed Frame Leg - Wide		1
2	F81058-1	Washer, 17 Split Lock Zinc		16
3	F81036-2	Nut, M16-8 Hex Nylon Zinc Lock		8
4	F81006-61	Bolt, M16x50-8.8 Hex Head Full Thread Zinc		8

### 7.18 Board Removal Bumper Assembly



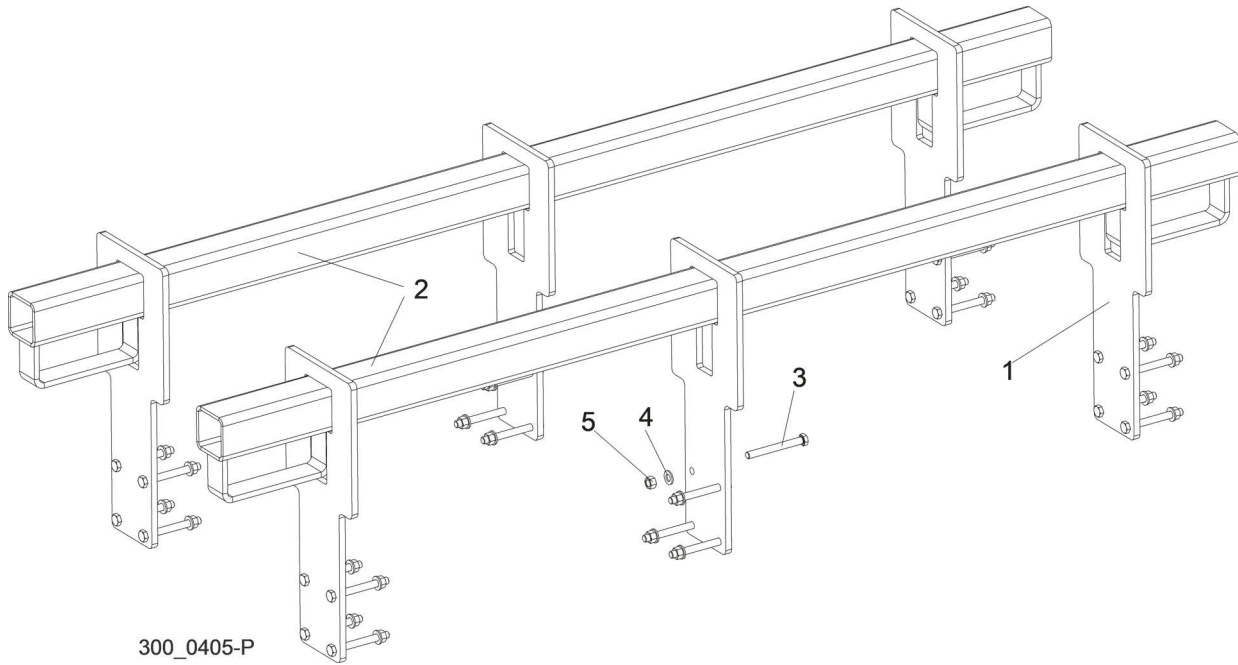
REF	PART #	DESCRIPTION	COMMENTS	QTY.
	509545	BUMPER ASSEMBLY, WM4000 BOARD REMOVAL		1
1	510876-1	Bracket Weldment, Bumper Plate Mount		1
2	509547-1	Plate Weldment, Board Removal Bumper		1
3	510818-1	Rod Weldment, Bumper Spring		4
4	510815	Spring, 110x46x6.5 Cushion		4
5	088992	Spring, 60x23x3 Zinc-plated		4
6	F81059-2	Washer, 21 Flat Zinc		8

**Bed Frame** 7  
*Board Removal Bumper Assembly*

REF	PART #	DESCRIPTION	COMMENTS	QTY.
7	F81037-1	Nut, M20-8 Hex Zinc		4
8	F81058-1	Washer, 17 Split Lock Zinc		4
9	F81058-2	Washer, 16.3 Split Lock Zinc		2
10	F81036-2	Nut, M16-8 Hex Nylon Zinc Lock		2
11	F81043-22	Pin, S-ZN-4x45 Cotter		4
12	510874-1	Washer, WM4000 Roller Mounting		2
13	F81053-1	Washer, 6.4 Flat Zinc		2
14	F81001-7	Bolt, M6x12 8.8 Hex Head Full Thread Zinc		2
15	F81006-11	Bolt, M16x80-8.8 Hex Head Full Thread Zinc		2
16	F81056-1	Washer, 13 Flat Zinc		16
17	F81034-2	Nut, M12-8 Hex Nylon Zinc Lock		8
18	F81004-47	Bolt, M12x110-8.8-B Hex Head Zinc		8
	514758	Roller W/rubber Bushing		1
	091782-1	Roller, LT300		1
19	091781	Tube, Roller		1
20	091804	Bearing, 6205 2rs Ball		2
21	F81090-6	Ring, W52 Inside Retaining		2
22	091793	Shaft, Roller		1
23	F81090-62	Ring, Z60 Outside Retaining		2
24	515895	Ring, 61/80x3 Spacer		4
25	517493	Roller, Rubber		1
26	F81003-1	Bolt, M10x20-5.8 Hex Head Full Thread Zinc		2
27	F81055-6	Washer, 10.5 Special Flat Zinc		2
28	094969	BLOCK, 95x65x20 RUBBER BUMPER		2
29	F81054-1	WASHER, 8.4 FLAT ZINC		4
30	F81002-1	BOLT, M8x20-5.8 HEX HEAD FULL THREAD ZINC		4

**7** **Bed Frame**  
*Transport Bracket*

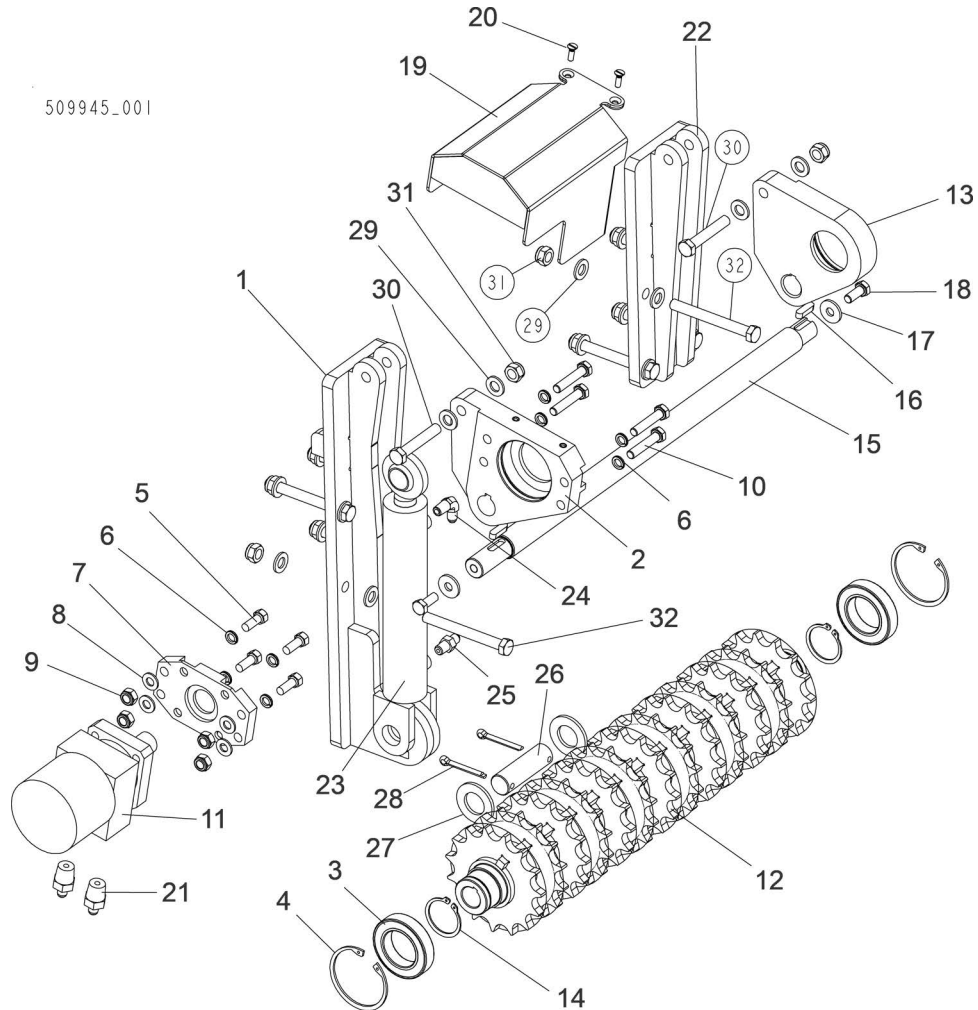
**7.19 Transport Bracket**



REF	PART #	DESCRIPTION	COMMENTS	QTY.
	510880	BRACKET, WM4000 TRANSPORT - COMPLETE		1
1	510877-1	Plate, WM4000 Transport Bracket		6
2	510879-1	Tube Weldment, Transport Bracket		6
3	F81004-47	Bolt, M12x110-8.8-B Hex Head Zinc		24
4	F81056-1	Washer, 13 Flat Zinc		24
5	F81034-1	Nut, M12-8-B Hex Zinc		24

## SECTION 8 HYDRAULICS

### 8.1 Power Roller, Right & Left



REF	PART #	DESCRIPTION	COMMENTS	QTY.
	509945	<b>ROLLER, WM4000 RIGHT POWER - COMPLETE</b>		1
	514420	<b>ROLLER, WM4000 LEFT POWER - COMPLETE</b>		1
<b>1</b>	516773-1	Mount Weldment, Power Roller Right	Included in 509945.	1
	516777-1	Mount Weldment, Power Roller Left	Included in 514420.	1
	510012 <sup>1</sup>	Shaft, Power Roller W/Drive - Complete Right		1
	514421 <sup>2</sup>	Shaft, Power Roller W/drive - Complete Left		1
<b>2</b>	096029-1	Plate, Power Roller Mounting Right	Included in 510012	1

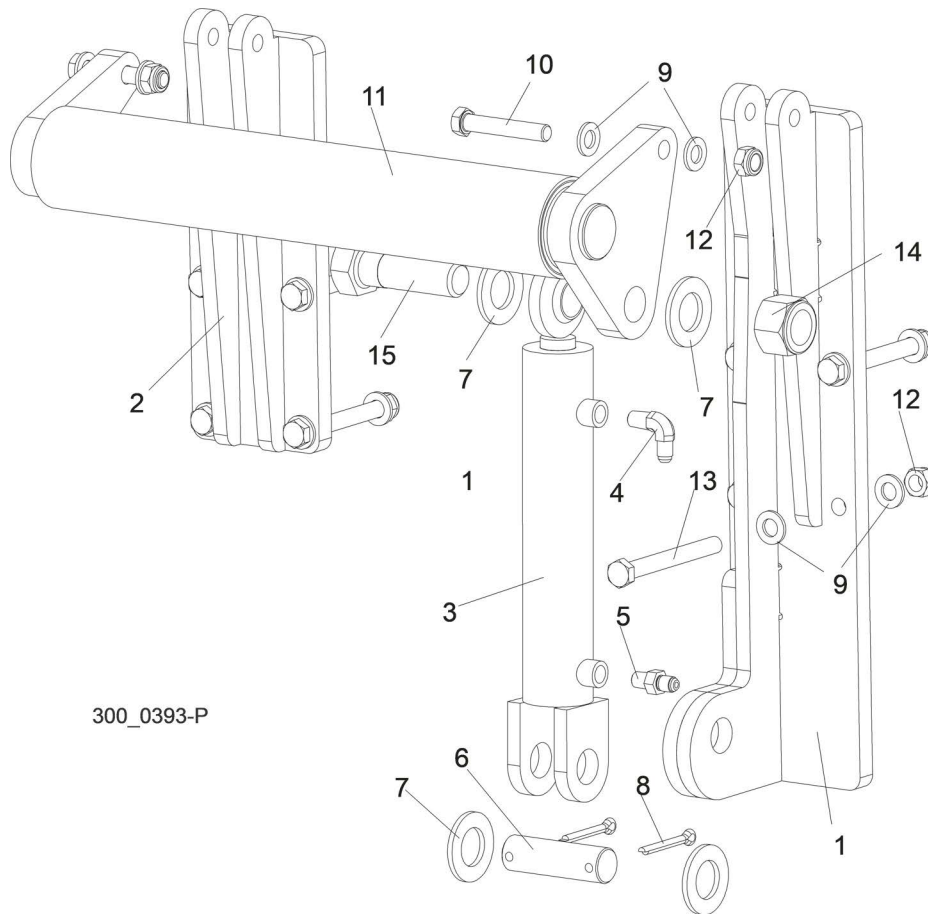
## 8

**Hydraulics***Power Roller, Right & Left*

REF	PART #	DESCRIPTION	COMMENTS	QTY.
	507684-1	Plate, Power Roller Mounting Left	Included in 514421.	1
3	096025	Bearing, 6009.2rsr (Fag)		2
4	F81090-41	Ring, W 75 Inside Retaining		2
5	096030-1	Plate, Hydraulic Motor Mount		1
6	F81055-2	Washer, Z 10.2 Split Lock Zinc		8
7	F05007-7	Bolt, 3/8-16x1 HH		4
8	F81055-1	Washer, 10.5 Flat Zinc		4
9	F81033-1	Nut, M10-8-b Hex Nylon Zinc Lock		4
10	F81003-4	Bolt, M10x50-8.8 Hex Head Full Thread Zinc		4
11	P21506	Motor, Mg06-13-13aaab Hydraulic		1
12	509944-1	Shaft, Power Roller - Complete		1
13	096031-1	Plate, Power Roller Mounting Right	Included in 510012	1
	507687-1	Plate, Power Roller Mounting Left	Included in 514421.	1
14	F81090-32	Ring, Z 45 Outside Retaining		2
15	510011-1	Rod, Connecting		1
16	096035	Key, A8x7x28 Parallel		2
17	F81055-6	Washer, 10.5 Special Flat Zinc		2
18	F81003-31	Bolt, M10x25 8.8 Hex Head Full Thread		2
19	096037-1	Plate, Power Roller Mounting Right	Included in 510012	1
	507690-1	Plate, Power Roller Mounting Left	Included in 514421.	1
20	F81001-31	Screw, M6x20- 4.8-b Slotted Countersunk Head Zinc		2
21	096919	Fitting, Z-7/16 JIC / Z-1/2" NPT Straight		2
22	516771-1	Bracket Weldment, Power Roller Mount		1
	085937	Cylinder, Hydraulic		1
23	088681	Cylinder, CJ-S170-16-40/25/152 Hydraulic		1
24	P09142	Fitting, 1/4NPTX1/4JIC Male Elbow		1
25	P09143	Fitting, 1/4NPTX1/4JIC Male		1
26	086979-1	Pin, Hydraulic Cylinder Zinc-plated		1
27	F81061-1	Washer, 28 Flat Zinc		2
28	F81045-2	Pin, S-ZN-6.3x45 Cotter		2
29	F81056-1	Washer, 13 Flat Zinc		20
30	F81004-39	Bolt, M12x70-8.8 Hex Head Zinc		2
31	F81034-2	Nut, M12 8 Hex Nylon Zinc Lock		10
32	F81004-47	Bolt, M12x110-8.8-b Hex Head Zinc		8



## 8.2 Hydraulic Toe Board, WM4000



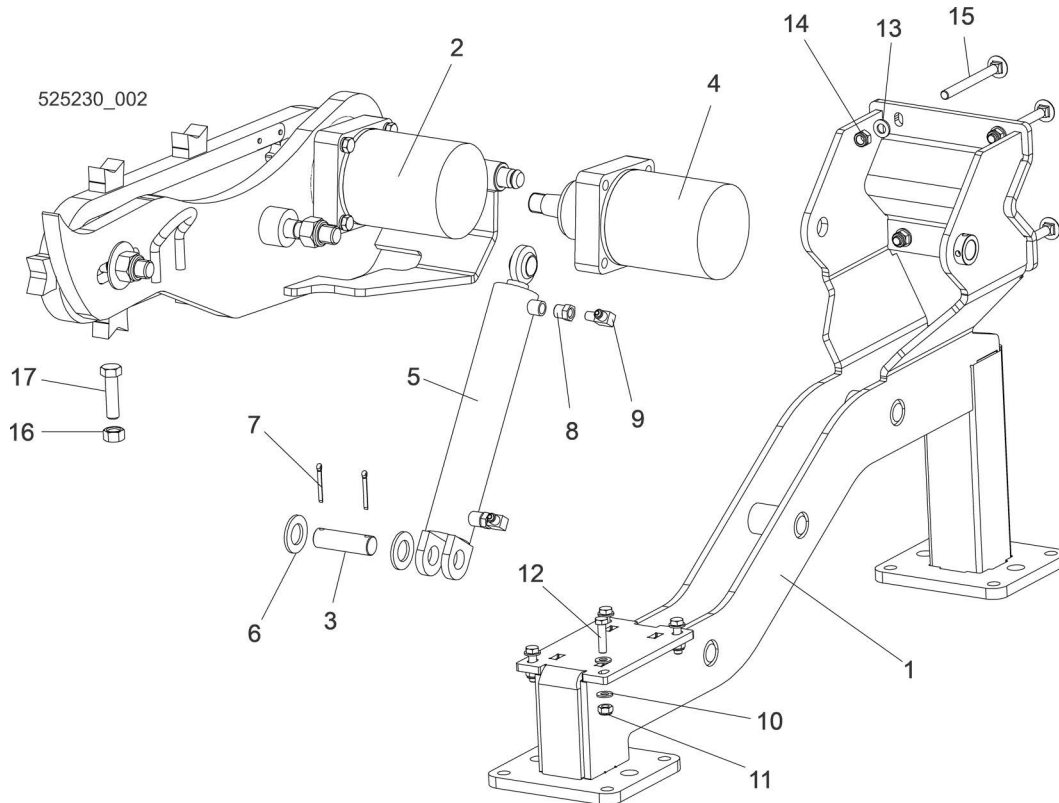
REF	PART #	DESCRIPTION	COMMENTS	QTY.
	510250	<b>WM4000 HYDRAULIC TOE BOARD</b>		1
1	509935-1	Mount Weldment, Power Roller (On Motor Side)		1
	513930-1	Mount Weldment, Toe Roller	Optional for middle beds.	1
2	509938-1	Mount Weldment, Power Roller		1
	513928-1	Mount Weldment, Roller	Optional for middle beds.	1
	085937	Hydraulic Cylinder		1
3	088681	Cylinder, CJ-S170-16-40/25/152 Hydraulic		1
4	P09142	Fitting, 1/4NPTX1/4JIC Male Elbow		1
5	P09143	Fitting, 1/4NPTX1/4JIC Male		1
6	086979-1	Pin, Hydraulic Cylinder Zinc-plated		1
7	F81061-1	Washer, 28 Flat Zinc		4
8	F81045-2	Pin, S-ZN 6.3x45 Cotter		2

**8****Hydraulics***Hydraulic Toe Board, WM4000*

---

REF	PART #	DESCRIPTION	COMMENTS	QTY.
9	F81056-1	Washer, 13 Flat Zinc		20
10	F81004-39	Bolt, M12x70 8.8 Hex Head Zinc		2
11	086253-1	Roller Weldment, Toe Board		1
12	F81034-2	Nut, M12-8 Hex Nylon Zinc Lock		10
13	F81004-47	Bolt, M12x110-8.8-b Hex Head Zinc		8
14	F05010-109	Nut, 1-8 Self Lock		1
15	F05009-51	Bolt, 1-8x3 1/4 Hex Head Grade 5		1

### 8.3 Chain Log Turner



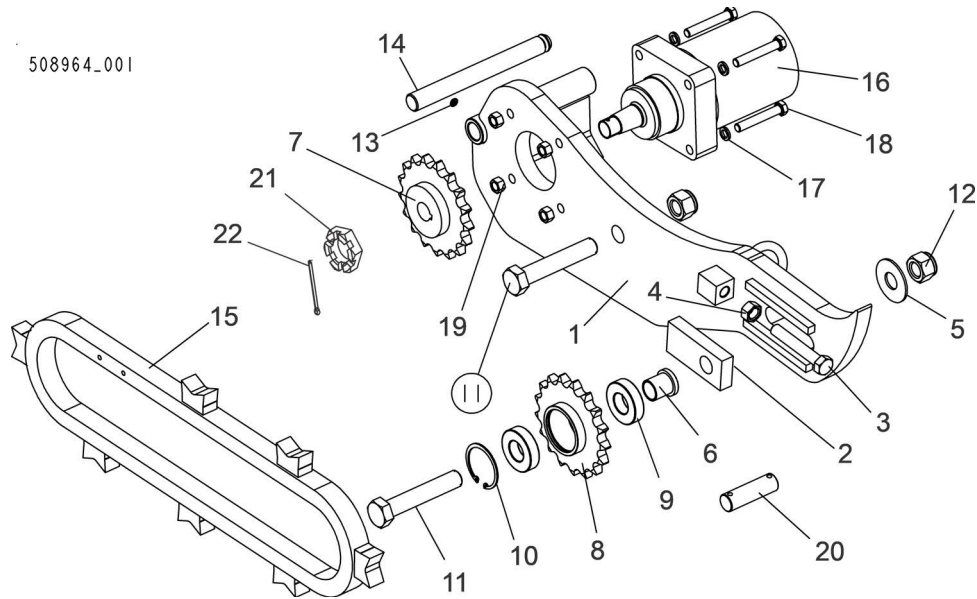
REF	PART #	DESCRIPTION	COMMENTS	QTY.
	525586	<b>TURNER, WM4000 CHAIN LOG - COMPLETE</b>		1
1	525590-1	Mount Weldment, Chain Log Turner		1
	061411	Screw, Set .8C10KSNH/914		2
2	508964-1	Turner, Chain Log - Complete		1
3	086979-1	Pin, Hydraulic Cylinder Zinc-plated		1
4	007331	Motor, TG0475US080AABP Hydraulic		1
	061427	Kit, Seal Rebuild		1
5	128113	Cylinder, 2x10 Rod End Welded 2.25RE	Replaced 034267 as of revision A3.01, ECN #37231.	1
6	F81061-1	Washer, 28 Flat Zinc		2
7	F81043-31	Pin, S-FE 5x40 Cotter		2
8	015490	Fitting, 3/8NPT-1/4NPT Reducer		2
9	015491	Fitting, 3/8jic-1/4npt 90l		2
10	F81055-1	Washer, 10.5 Flat Zinc		8
11	F81033-1	Nut, M10-8-b Hex Nylon Zinc Lock		4
12	F81003-16	Bolt, M10x40-8.8 Hex Head Full Thread Zinc		4
13	F81056-1	Washer, 13 Flat Zinc		4
14	F81034-2	Nut, M12 8 Hex Nylon Zinc Lock		4

**8****Hydraulics**  
*Chain Log Turner*

---

REF	PART #	DESCRIPTION	COMMENTS	QTY.
15	F81004-26	Bolt, M12x130 8.8 Carriage Zinc		4
16	F81036-1	<b>NUT, M16-8 HEX ZINC</b>		1
17	F81006-12	<b>BOLT, M16X60-8.8 HEX HEAD FULL THREAD ZINC</b>		1

## 8.4 Chain Log Turner



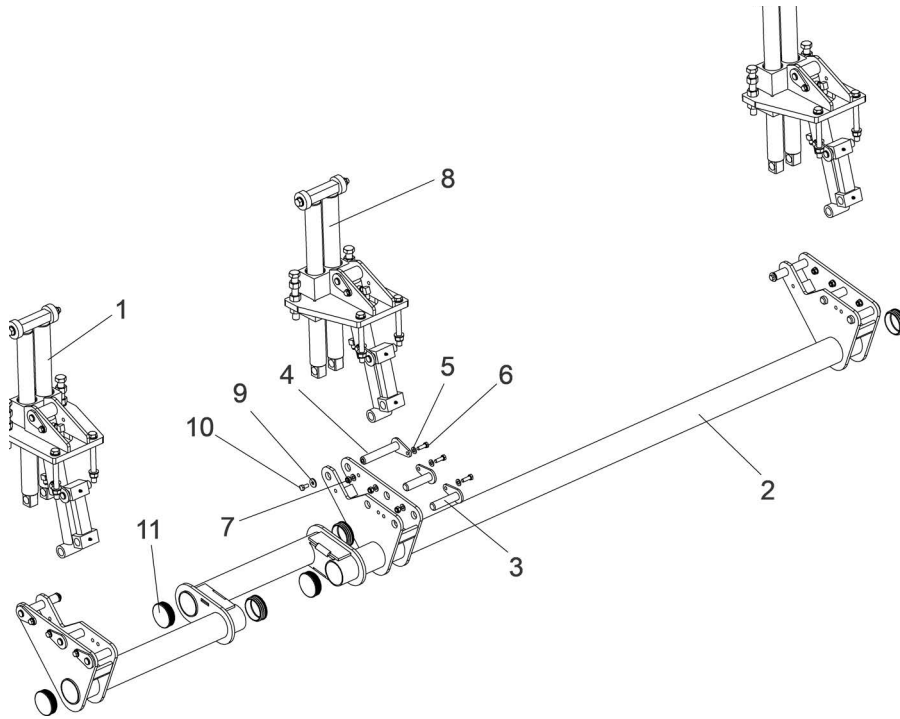
REF	PART #	DESCRIPTION	COMMENTS	QTY.
	508964	<b>TURNER, CHAIN LOG - COMPLETE</b>		1
1	508950-1	Mount Weldment, Chain Log Turner		1
2	095664-1	Plate, Chain Tension		1
3	F81006-2	Bolt, M16x100-8.8 Hex Head Full Thread Zinc		1
4	F81036-1	Nut, M16-8 Hex Zinc		1
5	088585-1	Washer, 25x63 Zinc-plated		1
6	095663-1	Bushing, Log Turner		1
7	092339	Sprocket, Log Turner		1
	092399	Sprocket Assembly		1
8	093290	Sprocket W/hub		1
9	093292	Bearing, 6206 25 In Idler		2
10	F81090-1	Ring, 62W Inside Retaining		1
11	F81009-4	Bolt, M24x130 Hex Head		2
12	F81039-8	Nut, M24 PN-EN ISO 7040 Hex Nylon		2
13	086280	Fitting, M6 Type A Grease		1
14	508965-1	Pin, Log Turner Zinc-plated		1
15	508966-1	Chain, Log Turner - Complete		1
	508969	Link, Master for WM4500 Log Turner Chain		1
16	007331	Motor, Tg0475us080aabp Hydraulic		1
17	F81056-2	Washer, Z12.2 Split Lock Zinc		4
18	F81004-21	Bolt, M12x75-8.8 Hex Head Zinc		4
19	F81034-1	Nut, M12-8-B Hex Zinc		4
20	086979-1	Pin, Hydraulic Cylinder Zinc-plated		1
21	018741-2	Nut, Hydraulic Motor Castle		1

**8****Hydraulics**  
*Chain Log Turner*

---

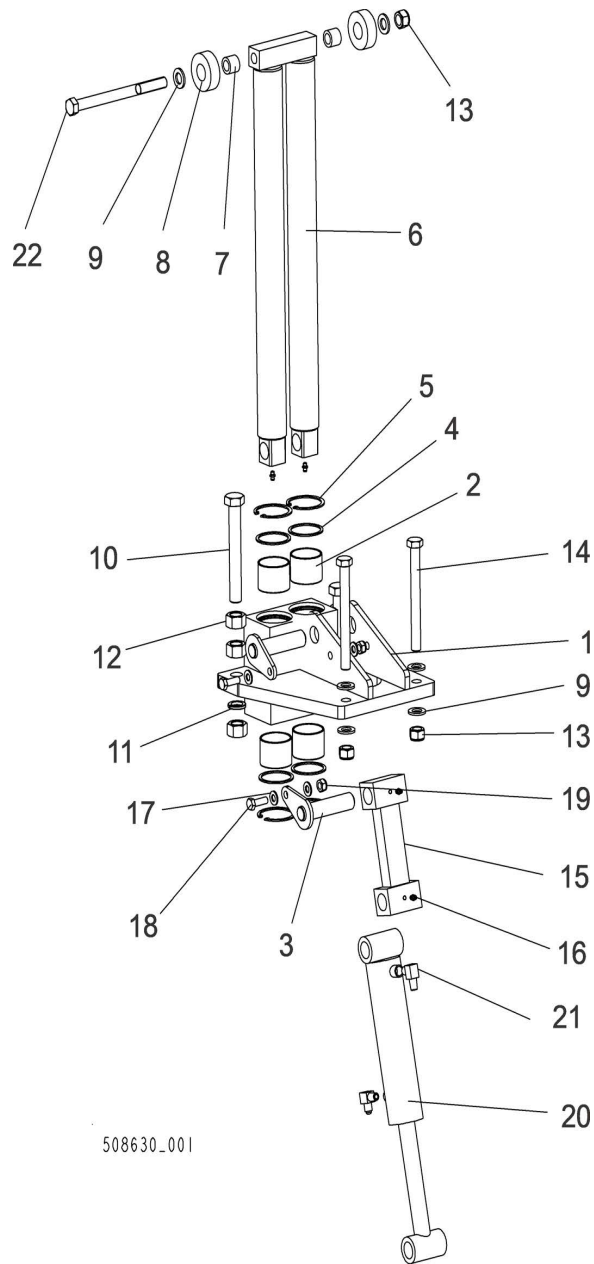
REF	PART #	DESCRIPTION	COMMENTS	QTY.
22	F05012-43	Pin, 1/8" x 1 3/4" Cotter		1
	061427	Kit, Seal Rebuild		1

## 8.5 Hydraulic Log Side Supports



REF	PART #	DESCRIPTION	COMMENTS	QTY.
	523470	<b>SIDE SUPPORTS FOR WM4000</b>		1
1	508952	Support, WM3000/3500 Vertical Side		1
2	523469-1	Mount Weldment, Vertical Side Support		1
3	091197-1	Pin Weldment, Vertical Side Support Zinc-plated		6
4	508624-1	Pin Weldment, Zinc-plated		3
5	F81055-1	Washer, 10.5 Flat Zinc		18
6	F81003-2	Bolt, M10x30-8.8 Hex Head Full Thread Zinc		9
7	F81033-1	Nut, M10-8-B Hex Nylon Zinc Lock		9
8	508630	Support, WM3000/3500 Vertical Side		2
9	F81055-6	Washer, 10.5 Special Flat Zinc		3
10	F81003-1	Bolt, M10x20-8.8 Hex Head Full Thread Zinc		3
11	528045	Cap, 80 Mm Tube End		6

### 8.6 Hydraulic Log Side Support



REF	PART #	DESCRIPTION	COMMENTS	QTY.
	508630	SUPPORT, WM3000/3500 VERTICAL LOG SIDE		1
	508952	SUPPORT, WM3000/3500 VERTICAL LOG SIDE		1
1	508622-1	Block Weldment, WM3000/3500 Rod Guide	Included in 508630	1

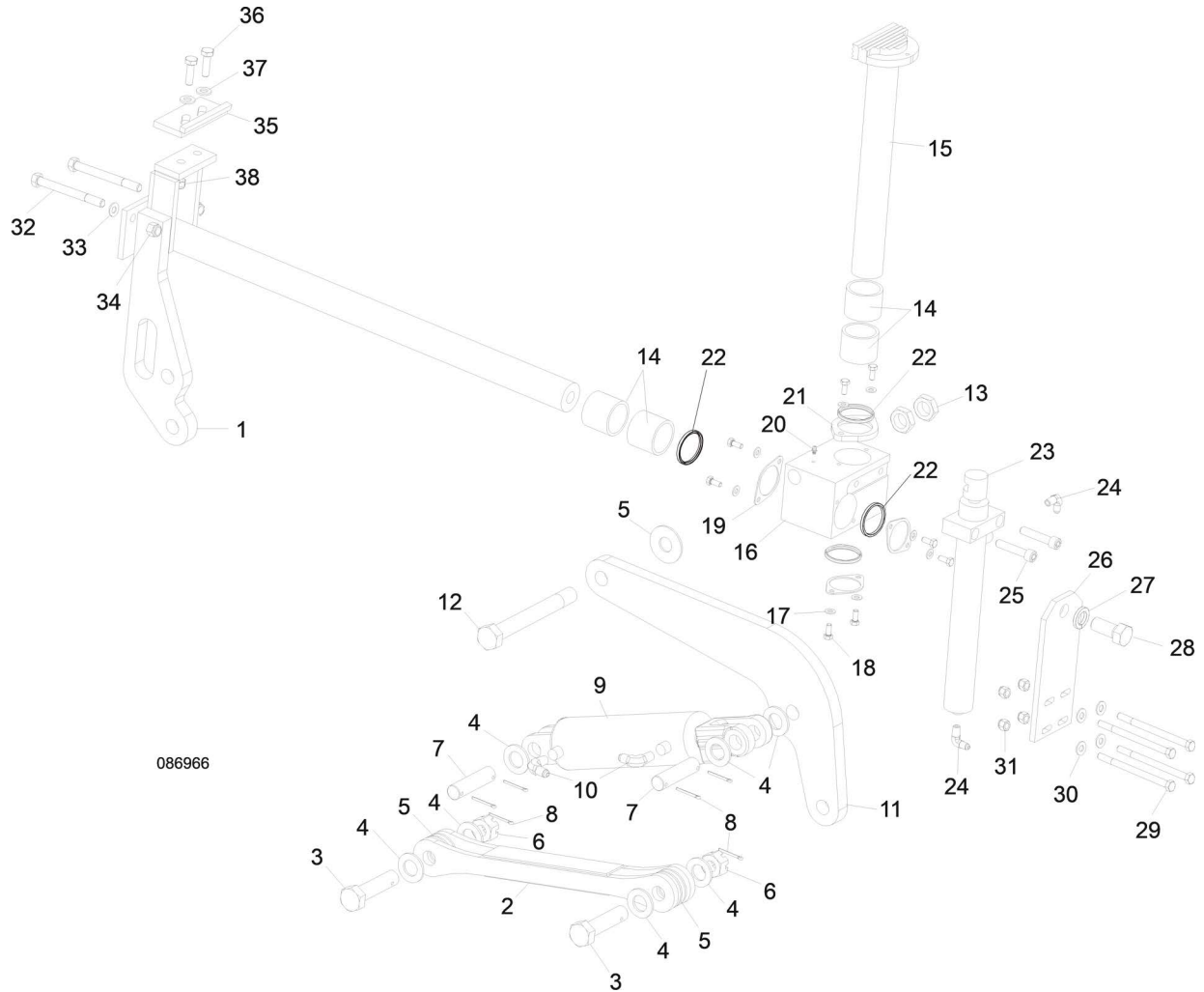


REF	PART #	DESCRIPTION	COMMENTS	QTY.
	508953-1	Block Weldment, WM3000/3500 Rod Guide	Included in 508952	1
<b>2</b>	088660	Bushing, 5040bs Self-lubricating		4
<b>3</b>	091197-1	Pin Weldment, Vertical Side Support Zinc-plated		2
<b>4</b>	094004-1	Ring, LT70/300 Vertical Side Support Zinc-plated		4
<b>5</b>	F81090-1	Ring, 62w Inside Retaining		4
<b>6</b>	508623-1	Rod Weldment, WM3000/3500 Chromium Plated		1
<b>7</b>	094012	Bushing, 16/25-20		2
<b>8</b>	094013-1	Roller, LT70/300 Vertical Side Support Zinc-plated		2
<b>9</b>	F81058-1	Washer, 17 Split Lock Zinc		6
<b>10</b>	F81007-3	Bolt, Iso 4017 M20x150 8.8 Hex Head Zinc		2
<b>11</b>	F81059-1	Washer, 20.5 Split Lock Zinc		2
<b>12</b>	F81037-1	Nut, M20-8 Hex Zinc		6
<b>13</b>	F81036-2	Nut, M16-8 Hex Nylon Zinc Lock		3
<b>14</b>	F81006-20	Bolt, M16x160 Hex Head Zinc		2
<b>15</b>	094016-1	Arm, LT300/LT70 Vertical Side Support		1
<b>16</b>	086280	Fitting, M6 Type A Grease		4
<b>17</b>	F81055-1	Washer, 10.5 Flat Zinc		4
<b>18</b>	F81003-2	Bolt, M10x30-8.8 Hex Head Full Thread Zinc		2
<b>19</b>	F81033-1	Nut, M10-8-b Hex Nylon Zinc Lock		2
<b>20</b>	094002	Cylinder, 28/150 1/4 Npt Port Hydraulic		1
<b>21</b>	015491	Fitting, 3/8JIC-1/4NPT 90l		2
<b>22</b>	F81006-44	Bolt, ISO4014 M16x195-8.8-a2e Hex Head		1

# 8 Hydraulics

## Two-Plane Hydraulic Log Clamp (Middle)

### 8.7 Two-Plane Hydraulic Log Clamp (Middle)



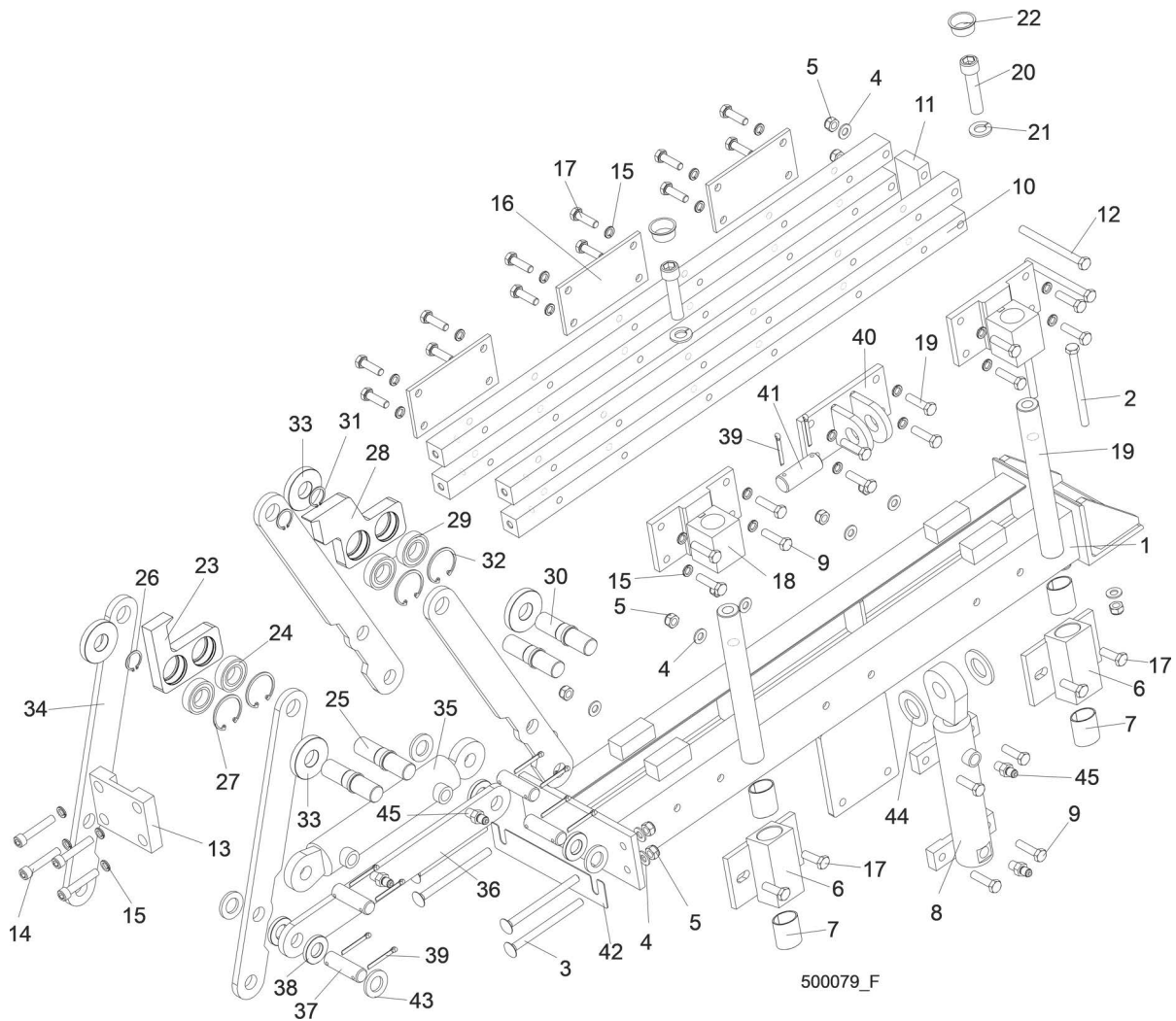
REF	PART #	DESCRIPTION	COMMENTS	QTY.
	088658	<b>CLAMP ASSEMBLY, HYDRAULIC TWO-PLANE LOG</b>		1
1	086967-1	Rod Weldment, Log Clamp Slide		1
2	086963-1	Arm Weldment, Hydraulic Clamp Link		1
3	F81049-2	Pin, B 24x95/85 Clevis Zinc		1
4	F81061-3	Washer, 25 Flat Zinc		8
5	088585-1	Washer, 25x63 Zinc-plated		5
6	F81037-3	Nut, M20-8-3 Hex Slotted Castle Zinc		2
7	086979-1	Pin, Hydraulic Cylinder Zinc-Plated		2
8	F81045-2	Pin, S-Zn 6.3x45 Cotter		6

REF	PART #	DESCRIPTION	COMMENTS	QTY.
9	088589	Cylinder, CJ-S96-16-70/32/178 Hydraulic		1
10	015491	Fitting, 3/8JIC-1/4NPT 90L		2
11	086974-1	Arm, Hydraulic Log Clamp Link		1
12	088586-1	Bolt, M24x217/39 -8.8-B Hex Head Zinc		1
13	F81039-3	Nut, M24-04-B Hex Thin Zinc		2
14	088660	Bushing, 5040BS Self-Lubricating		2
15	088582-1	Rod Weldment, Log Clamp Vertical		1
16	088591-1	Block, Log Clamp Steel		1
17	F81054-1	Washer, 8.4 Flat Zinc		8
18	F81002-4	Bolt, M8x20-8.8-B Hex Head Full Thread Zinc		8
19	088887-1	Flange, Clamp Rod Wiper		3
20	P04107	Fitting, 3/16x3/16 Straight Grease		1
21	088887-1	Flange, Clamp Rod Wiper		1
22	088587	Wiper, ZZ 50x60x7 INCO Log Clamp Rod		1
23	088590	Cylinder, CJ-S169-16-40/22/254 Hydraulic		1
24	P09142	Fitting, 1/4NPTx1/4JIC Male Elbow		2
25	F81004-23	Screw, M12x55-8.8-B Hex Socket Head Cap Zinc		2
26	086975-1	Plate, Log Clamp Mount		1
27	F81059-4	Washer, Z22.5 Split Lock Zinc		1
28	F81009-1	Bolt, M22x1.5x40-8.8-B Hex Head Full Thread Zinc		1
29	F81003-18	Bolt, M10x125-8.8 Hex Head Zinc		4
30	F81055-1	Washer, 10.5 Flat Zinc		4
31	F81033-1	Nut, M10-8-B Hex Nylon Zinc Lock		4
32	F81004-37	Bolt, M12x140 8.8 Hex Head Zinc		2
33	F81056-1	Washer, 13 Flat Zinc		2
34	F81034-1	Nut, M12-8-B Hex Zinc		2
	K09485	<b>STOP KIT, CLAMP</b>		1
35	086980-1	Stop Weldment, Hydraulic Log Clamp		1
36	F81004-4	Bolt, M12x40-8.8 Hex Head Full Thread Zinc		2
37	F81056-1	Washer, 13 Flat Zinc		2
38	F81034-2	Nut, M12-8 Hex Nylon Zinc Lock		2

# 8 Hydraulics

## Hydraulic Log Clamp (Optional)

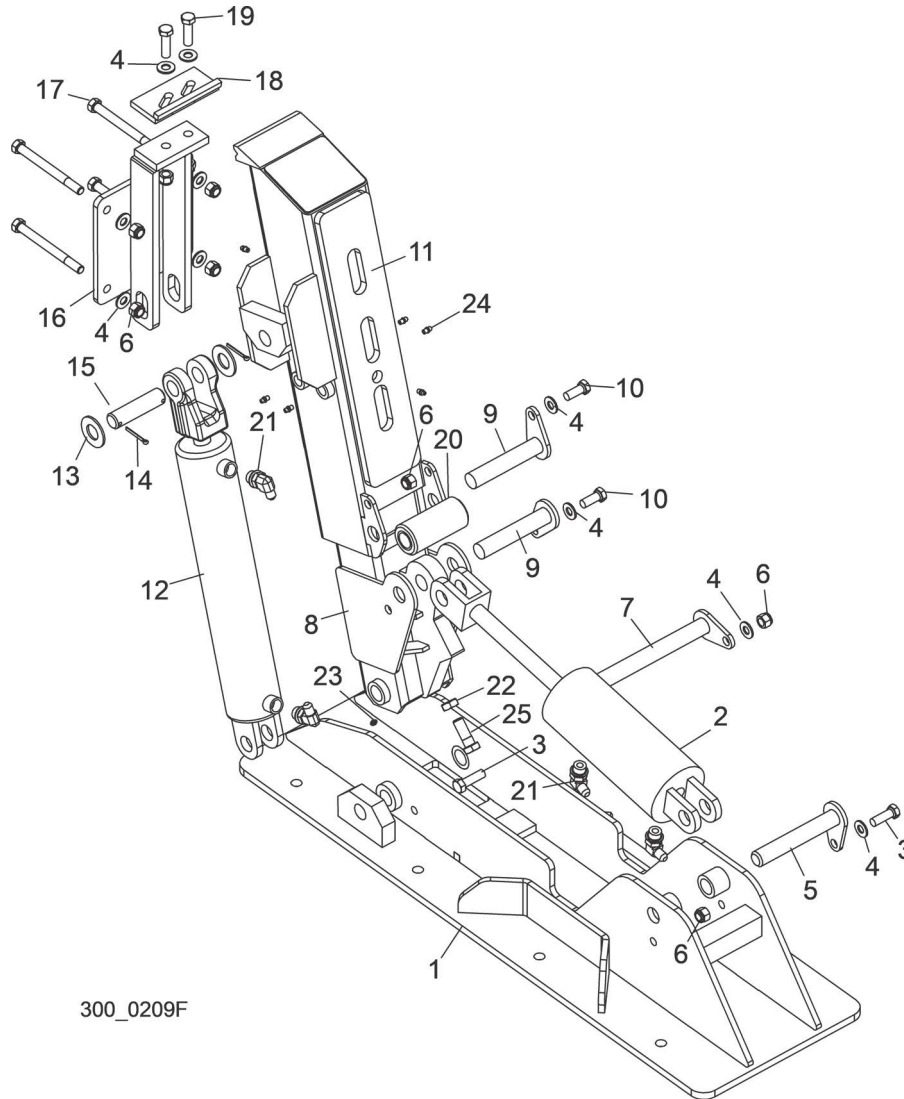
### 8.8 Hydraulic Log Clamp (Optional)



REF	PART #	DESCRIPTION	COMMENTS	QTY.
	089545	<b>CLAMP ASSEMBLY, HYDRAULIC (OPTIONAL/POLAND)</b>		2
1	088654-1	Mount Weldment, Hydraulic Log Clamp		1
2	F81003-18	Bolt, M10x125-8.8 Hex Head Zinc		2
3	F81003-36	Bolt, M10x130-8.8 Mushroom Head Square Neck Zinc		4
4	F81055-1	Washer, 10.5 Flat Zinc		18
5	F81033-1	Nut, M10-8-B Hex Nylon Zinc Lock		16
	089835	Block Weldment, Log Clamp		2
6	088652-1	Block Weldment, Log Clamp		1

REF	PART #	DESCRIPTION	COMMENTS	QTY.
7	088676	Bushing, 3040BS Self-lubricating		2
8	088662	Cylinder, CJ7F-16-40/22 + UE2-40W Hydraulic		1
9	F81003-16	Bolt, M10x40-8.8 Hex Head Full Thread Zinc		14
10	089537-1	Bar, Clamp Up/Down		4
11	088645-1	Plate, Connecting		1
12	F81003-5	Bolt, M10x140-8.8 Hex Head Zinc		2
13	089533-1	Plate, Connecting		1
14	F81003-22	Screw, M10x40-8.8 Hex Socket Head Cap Zinc		4
15	F81055-2	Washer, 10.2 Split Lock Zinc		28
16	089538-1	Plate, Log Clamp Rear		3
17	F81003-17	Bolt, M10x35-8.8 Hex Head Full Thread Zinc		18
18	089536-1	Bracket, Guide Pin Mount		2
19	088631	Pin, Clamp Up/Down Guide		2
20	F81006-18	Screw, M16x55-8.8 Hex Socket Head Cap Zinc		2
21	F81058-2	Washer, 16.3 Split Lock Zinc		2
22	089839	Plug, M33 Thread		2
	094700	Jaw, Log Clamp Narrow - Complete		1
23	093464-1	Jaw, Log Clamp Narrow		1
24	089652	bearing, 6005 2rs cx		4
25	088620-1	Shaft, Clamp Jaw Guide		4
26	089654	Ring, Z24 Outside Retaining		4
27	089653	Ring, W47 Inside Retaining		4
	094701	Jaw, Log Clamp Wide - Complete		1
28	093465-1	Jaw, Log Clamp Wide		1
29	089652	Bearing, 6005 2RS CX		4
30	088620-1	Shaft, Clamp Jaw Guide		4
31	089654	Ring, Z24 Outside Retaining		4
32	089653	Ring, W47 Inside Retaining		4
33	089542	Washer, Clamp Jaw Spacer		4
34	088622-1	Bar, Clamp In/Out Side		4
35	088661	Cylinder, SJ2F-40/22/145 Hydraulic		1
36	088623-1	Bar, Clamp In/Out Lower		1
37	088657-1	Pin, 20X75		4
38	089541	Spacer, Lower		4
39	F81043-31	Pin, S-Zn 5x40 Cotter		10
40	089540-1	Bracket, Vertical Cylinder Mount Upper		1
41	088659-1	Pin, 25X75		1
42	501843	Washer, Clamp Jaw Spacer		1
43	F81059-2	Washer, 21 Flat Zinc		8
44	F81061-1	Washer, 28 Flat Zinc		2
45	P09143	Fitting, 1/4NPTx1/4JIC Male		4

### 8.9 Hydraulic Log Clamp



300\_0209F

REF	PART #	DESCRIPTION	COMMENTS	QTY.
	062748	<b>CLAMP ASSEMBLY, FLOOR MOUNT HYDRAULIC LOG (WM4000/WM4500)</b>		1
1	062743	Clamp Weldment, Base		1
2	062700	Cylinder, Hydraulic 3" x 6"		1
3	F05008-116	Screw, 1/2-13 x 1 1/2" Full Thread Hex Head Grade 5		2
4	F05011-2	Washer, 1/2" SAE Flat		10
5	062751	Pin Weldment, 1" x 6 3/16"		1
6	F05010-8	Nut, 1/2-13 Nyl Hex Lock		10

REF	PART #	DESCRIPTION	COMMENTS	QTY.
7	062747	Pin Weldment, 1" x 9 7/16"		1
8	062741	Clamp Weldment, Bottom		1
9	034727	Pin Weldment, 5 1/4"		2
10	F05008-37	Bolt, 1/2-13 x 1 1/4" Hex Head Grade 5		2
11	062742	Clamp Weldment, Top		1
12	062701	Cylinder, Hydraulic 2" x 14"		1
13	F05011-28	Washer, 1" ID SAE Flat		2
14	F05012-23	Pin, 3/16" x 1 1/2" Cotter		2
15	S09251	Pin, 1" x 3.88		1
16	062591	Clamp Weldment, Stop		1
17	F05008-28	Bolt, 1/2-13 x 5 1/2" Hex Head Grade 5		4
18	W09404	Stop Weldment, Clamp Ptd		1
19	F05008-88	Bolt, 1/2-13 x 1 3/4" Hex Head Grade 5 Full Thread		2
20	071239	Bushing, Clamp		1
21	015907	Fitting, #6JIC-#8SAE Elbow	Fitting 015907 replaces fittings 016819 and 036164; added F05009-2 and F05010-82on 9/23/19.	4
22	F05010-82	Nut, 5/8-11 Jam		1
23	P04107	Fitting, 3/16" NPT-3/16" Straight Grease		1
24	P05060	Fitting, 1/4-28 Grease		6
25	F05009-33	Bolt, 5/8-11x1 3/4 HH	Changed F05009-2 to F05009-33 on 11/7/19.	1

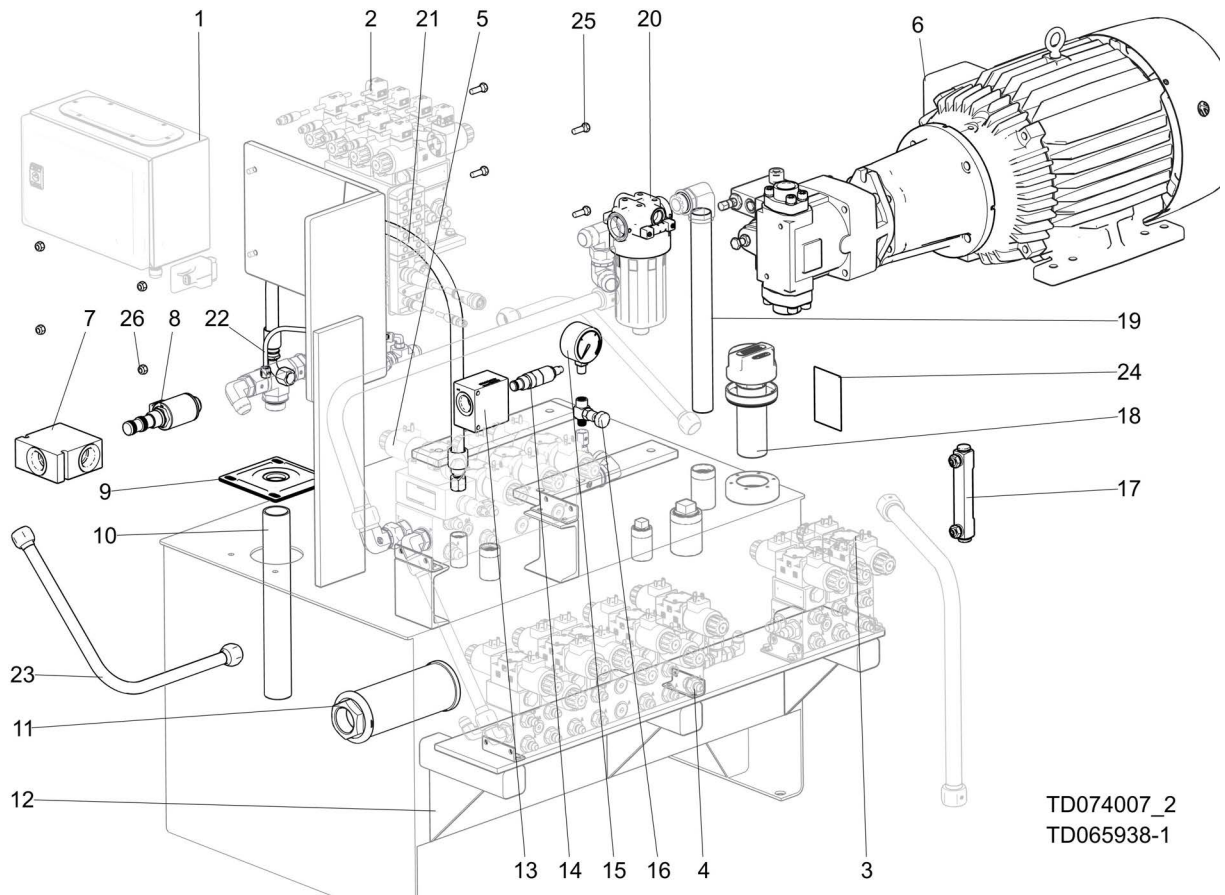


**Hydraulics**  
*Hydraulic Log Clamp*

---



## 8.10 Hydraulic Power Unit



REF	PART #	DESCRIPTION	COMMENTS	QTY.
	074007	<b>POWER UNIT ASSEMBLY, WM4000 HYDRAULIC</b>		1
1	069917	Control Assy, Ind. Mill Hydraulic	<a href="#">See Section 8.11</a>	1
2	078887	Kit, Pull Down Clamps	<a href="#">See Section 8.12</a>	1
3	074292	Assy, Bed-X Directional Valve	<a href="#">See Section 8.13</a>	1
	065938-1	Power Unit, Hyd, 40Gal, 15HP, 3000PSI		1
4	N/A	D03 Manifold Assembly	<a href="#">See Section 8.14</a>	1
5	N/A	D05 4-Station Manifold	<a href="#">See Section 8.15</a>	1
6	N/A	Hydraulic Pump Assembly	<a href="#">See Section 8.16</a>	1
7	068273	Valve, Proportional PV72-30A		1
8	068257	Valve, Proportional Cartridge PV72-30A		1
9	078398	Flange, Suction HPU 1" Pipe		1
10	078736	Tube, 1-1/4" Suction to Pump		1
11	078690	Strainer, Suction w/Bypass		1
12	078402-1	Tank, Hydraulic Reservoir Custom		1
	006397	Fluid, Hydraulic HVI32 (WM4000) (Gallon)		40

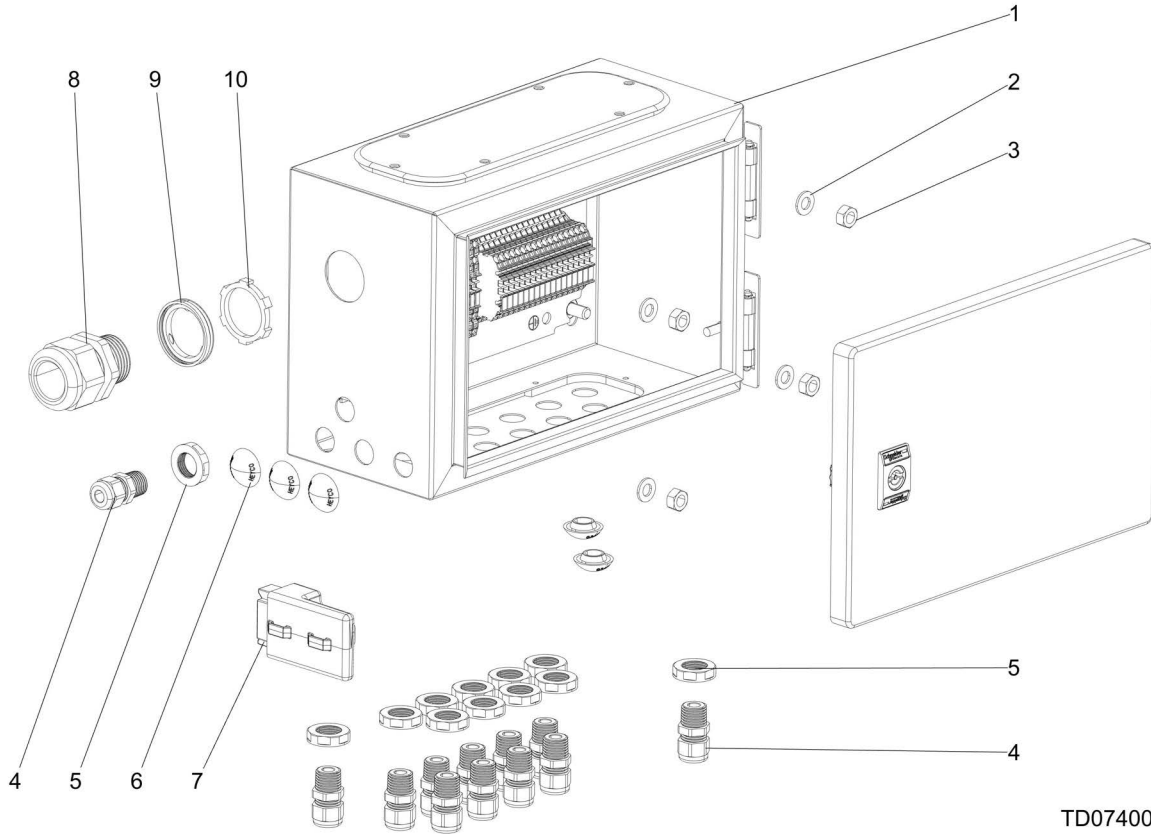
## 8

## Hydraulics

### Hydraulic Power Unit

REF	PART #	DESCRIPTION	COMMENTS	QTY.
13	078672	Valve, Body 10-Size 2-Way SAE12		1
14	078673	Valve, Relief 250-3300psi RV10-20A Ctg		1
15	068265	Gauge, Pressure VPG25N3KL		1
16	068264	Valve, Snubber MFG250BF		1
17	078400	Gauge, Level/Temp Back Mount		1
18	078342	Assy, Hyd Fill/Breath AntiSplash 3micron		1
19	078764	Tube, 1" Filter to Tank		1
20	078395	Filter, Hyd Cstr 35GPM 725psi wInd SAE16		1
	078341	Filter, Hydraulic Element 10 Micron 25psi Byp		1
21	078767	Hose, 1/2" Case Drain		1
22	078761	Tube, 1/4" Hyd. Load Sense		1
23	078760	Tube, 3/4" Hyd. Prop to Relief		1
24	079296	Tag, WM4000 Pressure Gauge Warning		1
25	F05006-1	Bolt, 5/16-18x1 HH		4
26	F05010-58	Nut, 5/16-18 Nylok Hex		4

### 8.11 Hydraulic Control Assembly



TD074007\_2  
TD069917

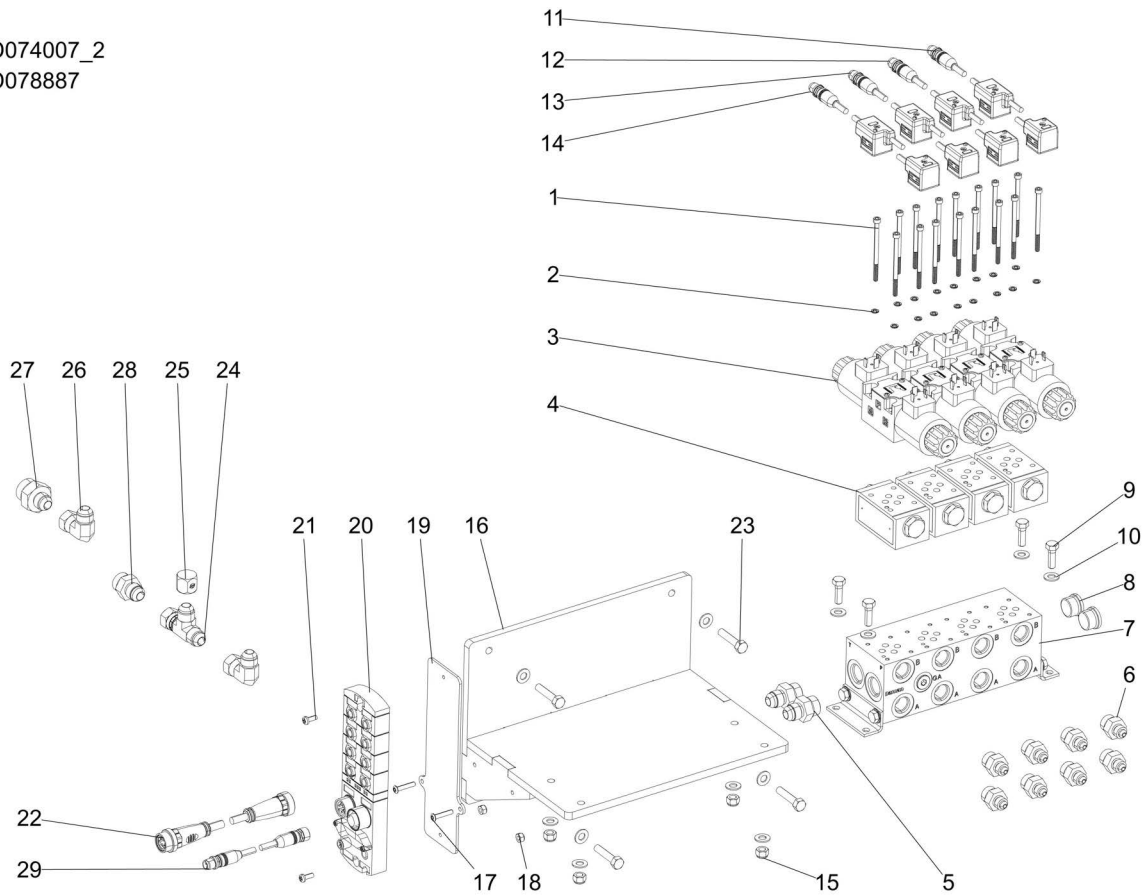
REF	PART #	DESCRIPTION	COMMENTS	QTY.
	069917	<b>Control Assy, Ind. Mill Hydraulic</b>		1
<b>1</b>	069918	Enclosure, Ind. Mill Hydraulic Junction		1
<b>2</b>	F05026-4	Washer, M8 Flat		4
<b>3</b>	F05010-162	Nut, M8-1.25 Free Zinc Plate		4
<b>4</b>	069864	Connector, 3/8" NPT 0.181-0.312		12
<b>5</b>	069865	Nut, 3/8" NPT Nylon Lock		12
<b>6</b>	068210	Plug, 5/8" Hole Heyco 3834		5
<b>7</b>	068227-1	Driver Assy, Prop Valve 8 Pin		1
<b>8</b>	069861	Connector, 1" NPT 0.59-1.00		1
<b>9</b>	053734	Ring, 1" Sealing		1
<b>10</b>	053735	Nut, 1" NPT Connector Lock Sealing		1
	N/A	Hydraulic Control Box Insert Assembly	<i>See Electrical Information Manual</i>	

# 8 Hydraulics

## Pull Down Clamps Kit (Optional)

### 8.12 Pull Down Clamps Kit (Optional)

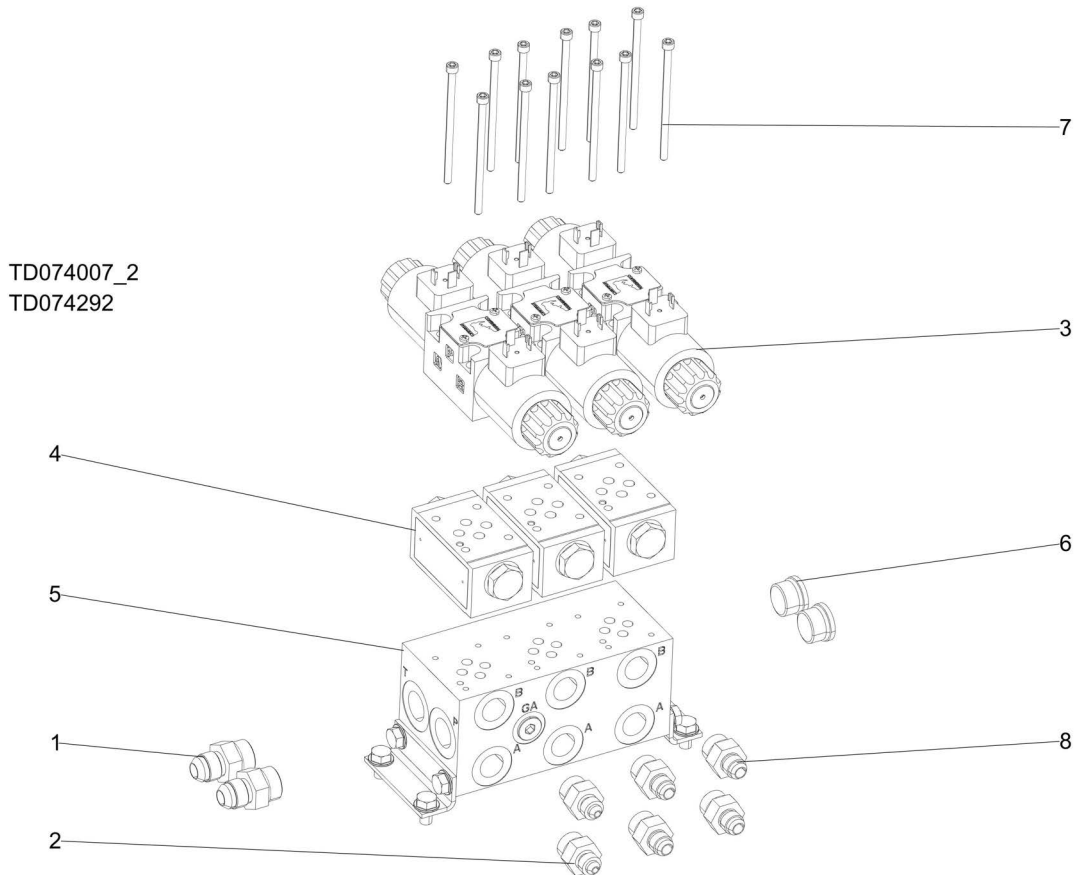
TD074007\_2  
TD078887



REF	PART #	DESCRIPTION	COMMENTS	QTY.
	078887	<b>Kit, Pull Down Clamps</b>		1
	078886	Manifold Assy, Pull Down Clamps		1
1	F05004-312	Bolt, 10-24x3 SHCS		16
2	F05011-20	Washer, #10 Split Lock		16
3	078683	Valve, D03 3Pos A-B Tank		4
4	078738	Valve, D03 PO Check		4
5	025963	Fitting, #10SAE-#8JIC		2
6	036759	Fitting, #8SAE-1/4JIC		8
7	078885	Manifold, D03 4 Station AI SAE		1
8	074299	Fitting, 10SAE Straight Thread Plug		2
9	F05006-1	Bolt, 5/16-18x1 HH Gr2		4
10	F05011-17	Washer, 5/16 SAE Flat		12
11	078908	Cable Assy, Pull Down Clamp 2 In/Out		1
12	078907	Cable Assy, Pull Down Clamp 2 Up/Down		1
13	078906	Cable Assy, Pull Down Clamp 1 In/Out		1
14	078905	Cable Assy, Pull Down Clamp 1 Up/Down		1

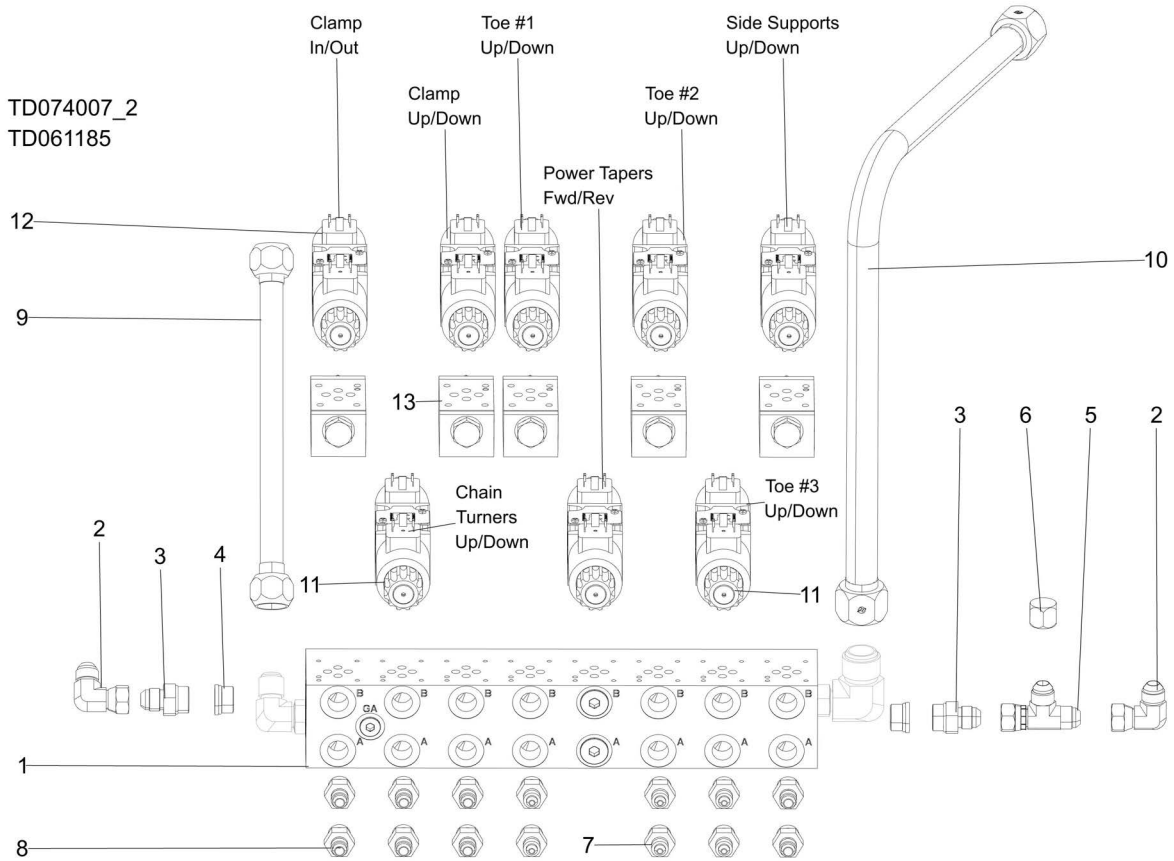
REF	PART #	DESCRIPTION	COMMENTS	QTY.
15	F05010-58	Nut, 5/16-18 Nyl Lock		4
16	078892	Wldmt, Pull Dn Clmp Mfld Mount		1
17	F05004-43	Bolt, #10-24x1 Socket BH Blk		2
18	F05010-160	Nut, #10-24 Hex Self-Locking		2
19	078893	Plate, Module Mount		1
20	078896	Module Assy, Pull Down Clamps Output		1
21	F05015-17	Bolt, #10-24x1/2 Ph Pan Hd, Type 23		2
22	078898	Cable Assy, Pull Down Clamps Mdl Pwr		1
23	F05008-96	Bolt, 5/16-18x1 1/2 HH		4
24	078910	Fitting 8JIC Fml Swvl Male Run Tee		1
25	P26341	Fitting, 8JIC Cap		1
26	074328	Fitting, 8JIC Sivel Nut 90° Elbow		2
27	074448	Fitting, 12SAE-8JIC		1
28	025963	Fitting, #10SAE-#8JIC		1
29	078897	Cable Assy, Pull Down Clamps Mdl CAN		1

### 8.13 Bed Extension Directional Valve Assembly



REF	PART #	DESCRIPTION	COMMENTS	QTY.
	074292	<b>Assy, Bed-X Directional Valve</b>		1
1	025963	Fitting, #10SAE-#8JIC		2
2	036759	Fitting, #8SAE-1/4JIC		2
3	078683	Valve, D03 3Pos A-B Tank		3
4	078738	Valve, D03 PO Check		3
5	074293	Manifold, AD03P032S 3-Section		1
6	074299	Fitting, 10SAE Straight Thread Plug		2
7	F05004-293	Screw, 10-24x3 1/2 SHC BO		12
8	P12703	Fitting, 8SAE-3/8JIC		4

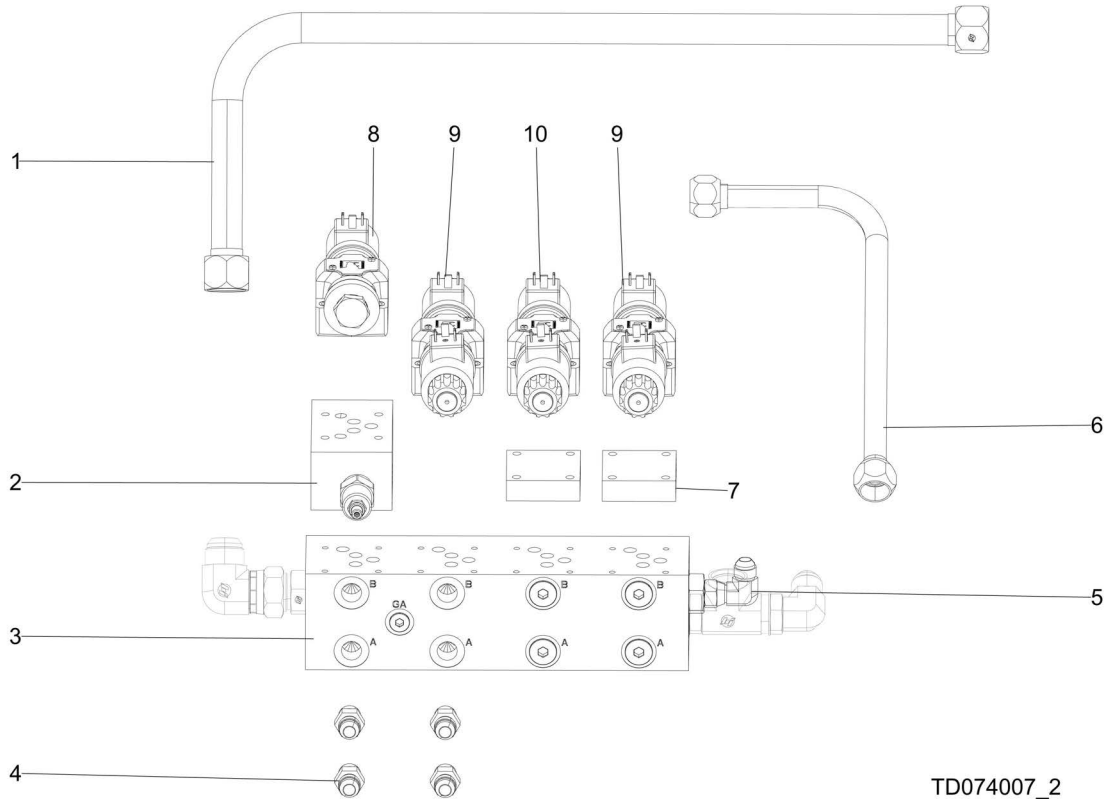
### 8.14 D03 Manifold Assembly



REF	PART #	DESCRIPTION	COMMENTS	QTY.
1	061185	Manifold Shell Only, WM4000 AD03P082S		1
2	074328	Fitting, 8JIC Sivel Nut 90° Elbow		2
3	025963	Fitting, #10SAE-#8JIC		2
4	074299	Fitting, 10SAE Straight Thread Plug		2
5	078910	Fitting 8JIC Fml Swvl Male Run Tee		1
6	P26341	Fitting, 8JIC Cap		1
7	036759	Fitting, #8SAE-1/4JIC		6
8	P12703	Fitting, 8SAE-3/8JIC		8
9	078763	Tube, 3/4" Hyd. Mfld1 to Mfld2 Pressure		1
10	078766	Tube, 1" Hyd. Mfld2 to Filter		1
11	078684	Valve, D03 3Pos Blocked		2
12	078683	Valve, D03 3Pos A-B Tank		6
13	078738	Valve, D03 PO Check		5

**8** Hydraulics  
D05 4-Station Manifold

**8.15 D05 4-Station Manifold**

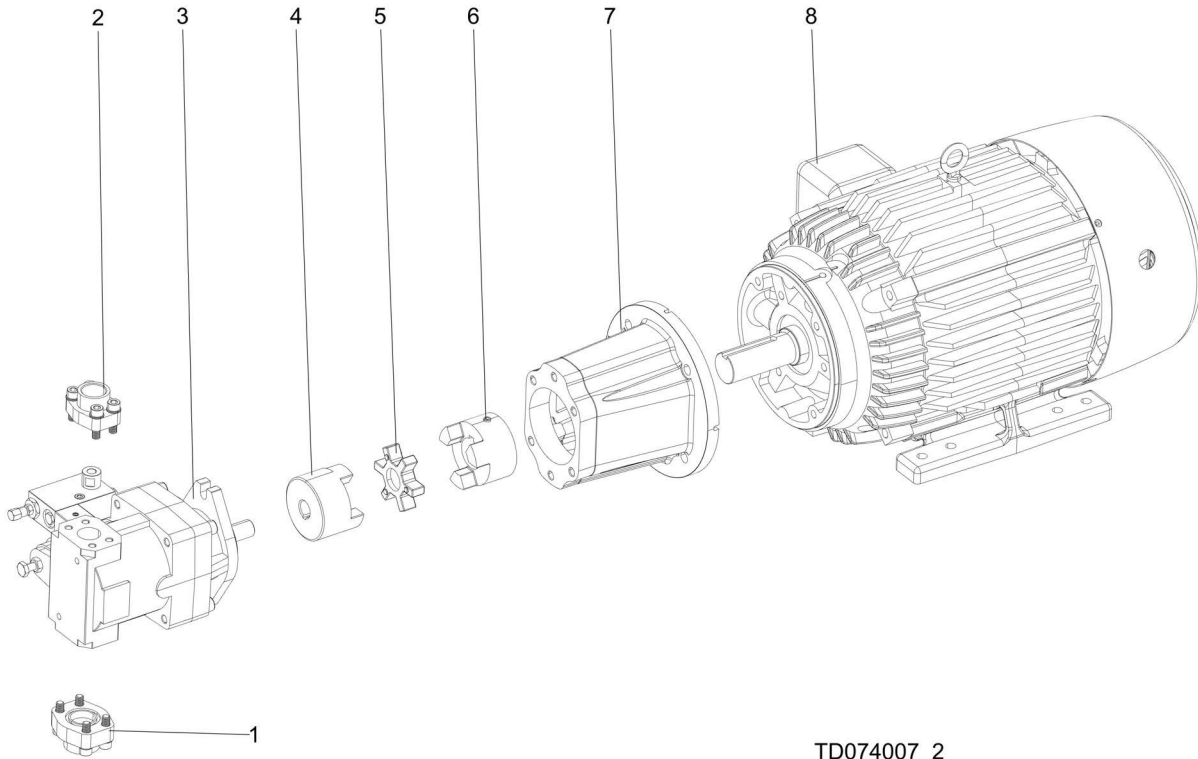


TD074007\_2  
TD061190

REF	PART #	DESCRIPTION	COMMENTS	QTY.
1	078765	Tube, 1" Hyd. Mfld1 to Filter		1
2	078737	Valve, Press Comp Flow Ctl 12GPM Cmplt		1
3	061190	D05, 4-Station Manifold		1
4	028076	Fitting, #8SAE-#8JIC		4
5	074328	Fitting, 8JIC Sivel Nut 90° Elbow		1
6	078762	Tube, 3/4" Hyd. Prop to Mfld1		1
7	078399	Plate, Cover D05 Valve		2
8	078686	Valve, D05 2Pos A-B Tank		1
9	078685	Valve, D05 3Pos A-B Tank		2
10	078756	Valve, D05 3Pos Blocked		1



## 8.16 Hydraulic Pump Assembly



TD074007\_2  
 TD078671

REF	PART #	DESCRIPTION	COMMENTS	QTY.
1	078676	Flange, Pump O-Ring Port 20		1
2	078734	Flange, Pump O-Ring Port 16		1
3	078671	Pump, Hyd. 17GPM Piston Load Sense		1
4	068252	Coupling, Pump		1
5	068254	Coupling, Insert		1
6	068253	Coupling, Motor		1
7	078397	Adapter, C-Face Pump Mtr SAE B		1
8	078670	Motor, 15HP 230/460 3Ph 60Hz		1

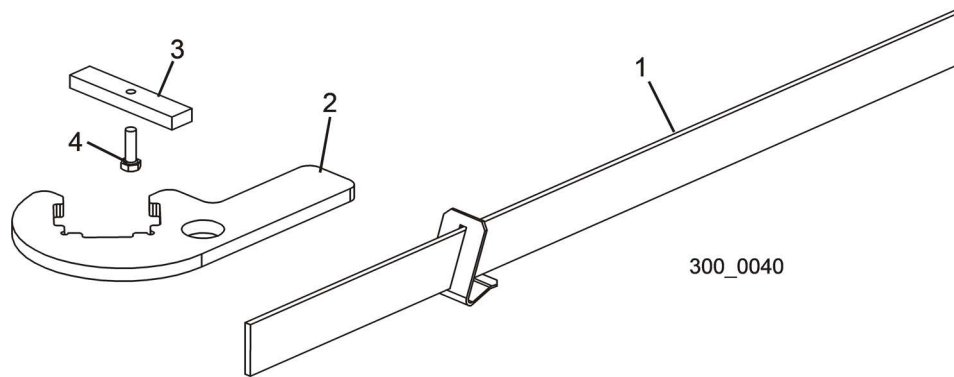
## SECTION 9 MISCELLANEOUS

### 9.1 Manuals



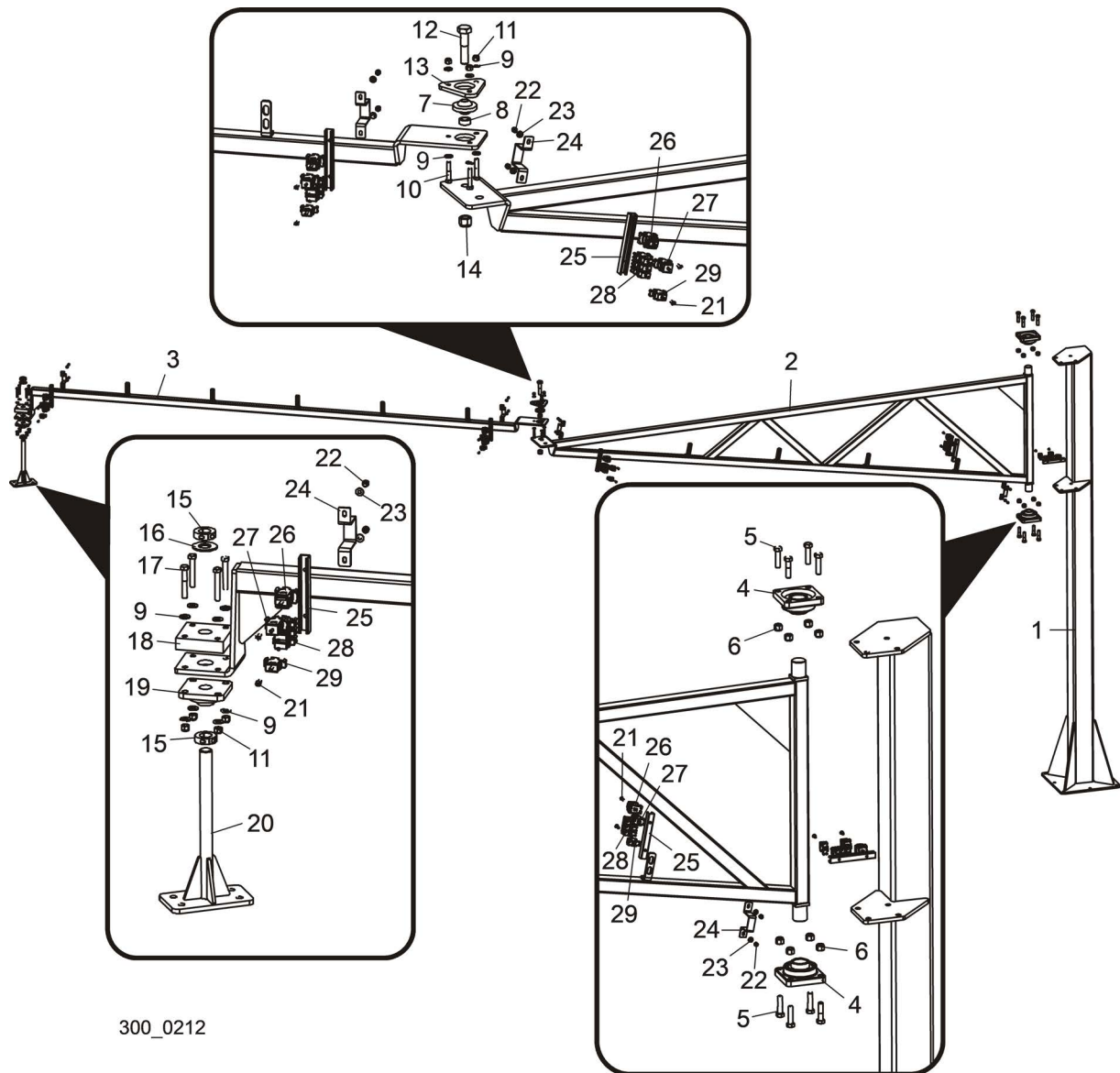
REF	PART #	DESCRIPTION	COMMENTS	QTY.
1	M2351	MANUAL, WM4500 OPERATOR'S		1
2	M2353	MANUAL, WM4500 PARTS		1
3	M2360	SCHEMATIC, WM4500 ELECTRICAL		1
4	M1015	SCHEMATIC, WM4000/WM4500 AIR		1

## 9.2 Tools



REF	PART #	DESCRIPTION	COMMENTS	QTY.
1	LTBGAT	ALIGNMENT TOOL, BLADE GUIDE		1
2	042700	ALIGNMENT TOOL, BLADE GUIDE ARM		1
3	035799	BLOCK, BLADE GUIDE ALIGNMENT		2
4	F05004-152	BOLT, #10-32 X 5/8" HEX HEAD		2
	017813	HONE, 6" COURSE DIAMOND BENCH SHARP-ENING (NOT SHOWN)		1

### 9.3 Pantograph Assembly



300\_0212

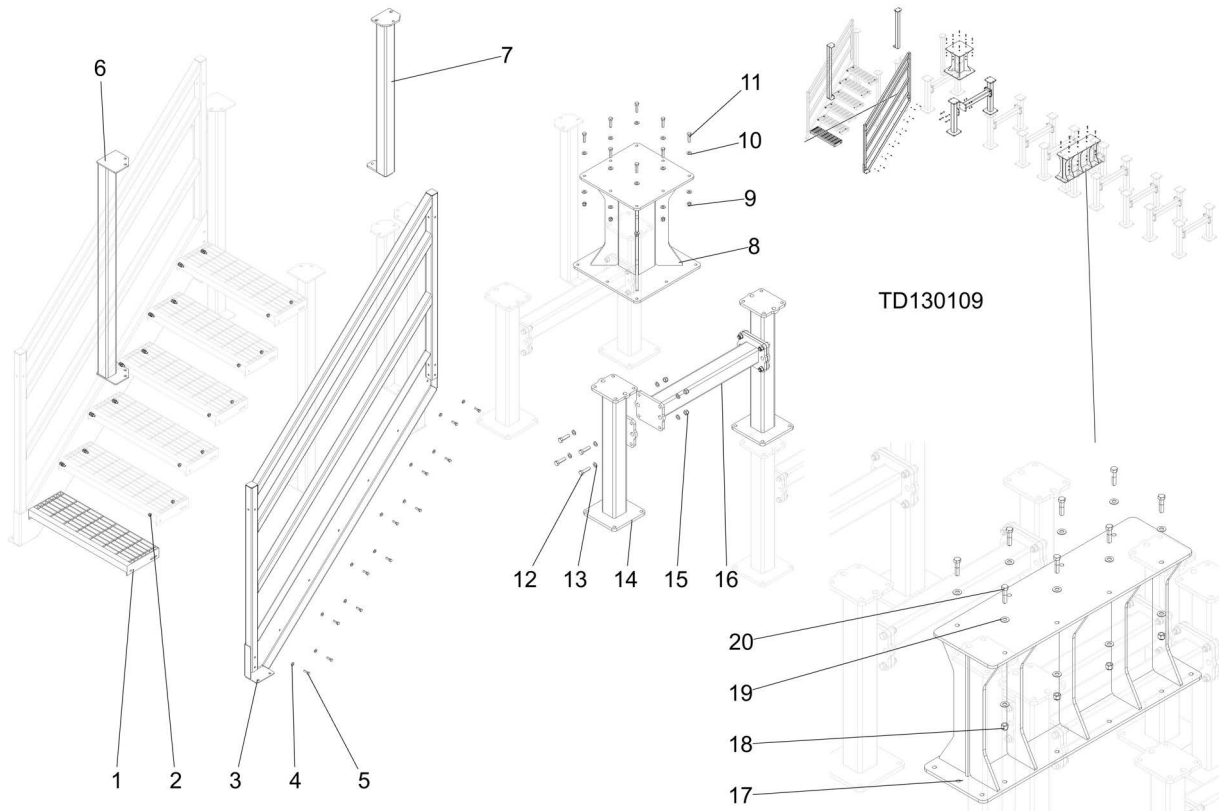
REF	PART #	DESCRIPTION	COMMENTS	QTY.
	065995	<b>PANTOGRAPH ASSEMBLY, WM4000 OVER-HEAD CABLE</b>		1
1	074002	Tube Weldment, Pantograph		1
2	074000	Arm Weldment, Pantograph A-Frame		1
3	074001	Arm Weldment, Pantograph Connector		1
	F05008-131	Bolt, 1/2" x 5 1/2" Concrete Wedge Anchor		8
4	033712	Bearing, 1 15/16" 4-Bolt Flange		2

REF	PART #	DESCRIPTION	COMMENTS	QTY.
5	F05009-20	Bolt, 5/8-11 x 2 1/2" Hex Head Grade 5		8
6	F05010-34	Nut, 5/8-11 Hex Nylon Lock		8
7	042538	Ball Joint, 3/4" ID x 2 1/2" OD		1
8	057913	Spacer, 25/32" 1 1/8" x 1/2"		1
9	F05011-3	Washer, 3/8" SAE Flat		14
10	F05007-124	Bolt, 3/8-16 x 2" Hex Head Grade 8		3
11	F05010-10	Nut, 3/8-16 Hex Nylon Lock		7
12	F05009-54	Bolt, 3/4-10 x 3 1/2" Hex Head Grade 5		1
13	057912	Plate, Ball Joint Retainer		1
14	F05010-103	Nut, 3/4-10 Hex Nylon Lock		1
15	038444	Collar, 1" Lock		2
16	F05011-28	Washer, 1" SAE Flat		1
17	F05007-125	Bolt, 3/8-16 x 2 1/2" Hex Head Grade 5		4
18	057910	Block, Bearing Mount		1
19	014090	Bearing, VF4S-216 Flanged		1
20	057481	Bracket Weldment, LT300 Pantograph Pivot		1
21	F05005-60	Screw, 1/4-20 x 3/4" SBHC		8
22	F05010-69	Nut, 1/4-20 Nylock		8
23	F05011-11	Washer, 1/4" SAE Flat		8
24	074004	Plate, Strain Relief Mount		4
	074003	Relief Assembly, WM4000 Strain		5
25	065979	Rail, CFX Strain Relief Profile		1
26	065975	Strain Relief, CFX 22-26mm Single Cable		1
27	065976	Strain Relief, CFX 18-20mm Single Cable		1
28	065977	Strain Relief, CFX 6-12mm DoubleCable		3
29	065978	Strain Relief, CFX 12-14mm Single Cable		1
	F05089-5	Tie Wrap, 5/16 x 15 UV		20
	F05089-3	Tie Wrap, 3/16 x 6 UV Black		10

# 9 Miscellaneous

## Lift Kit, 24"

### 9.4 Lift Kit, 24"

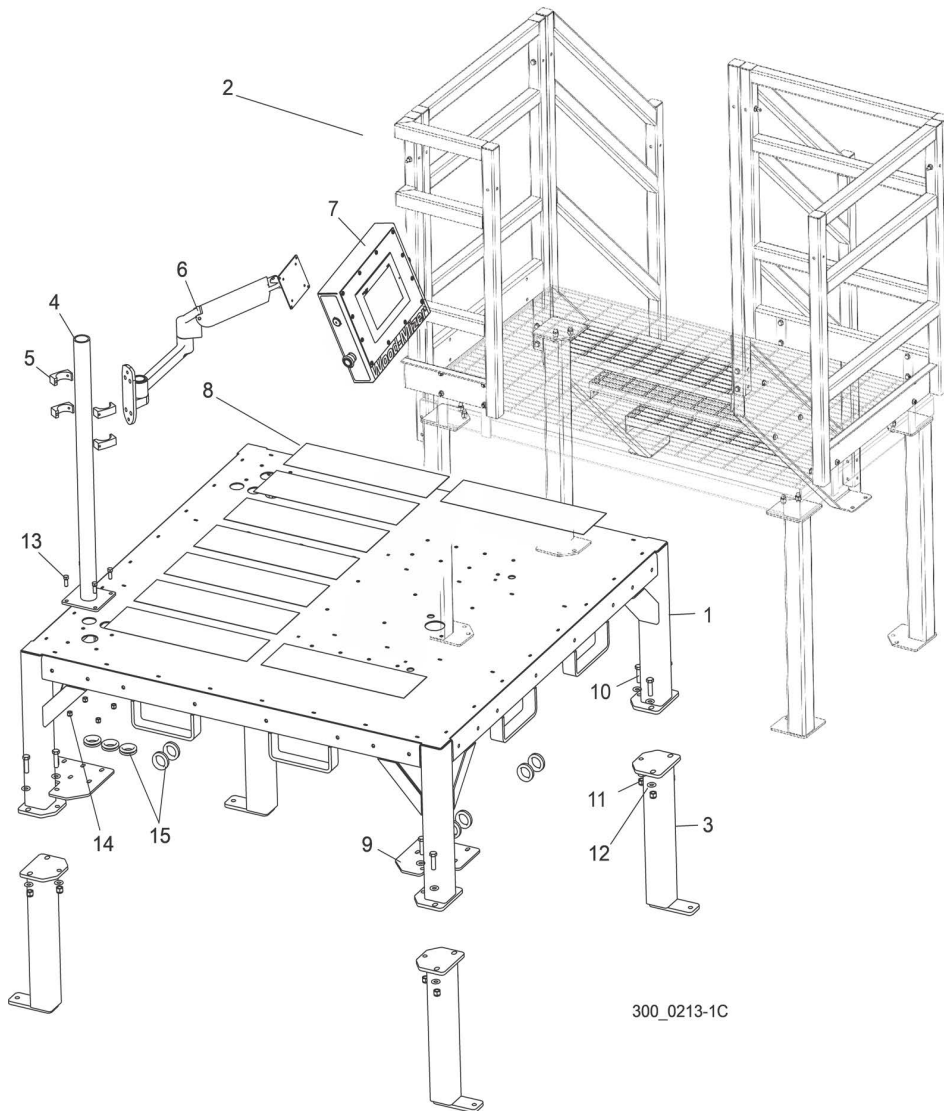


REF	PART #	DESCRIPTION	COMMENTS	QTY.
	130109	<b>KIT, WM4500 24" RISER</b>		1
	130118	Assembly, Platform Steps		1
1	130472	Step, 19W4 1-1/4x3/16, 9-3/4Wx30L		6
2	F05010-222	Nut, 3/8-16 Flanged Hex Nylock		24
3	130117	Wldmnt, Right Rail, 24" Riser		2
4	F05011-3	Washer, 3/8 Flat SAE		24
5	F05007-123	Bolt, 3/8-16x 1 1/4 HH Gr5		24
6	130111	Weldment, Platform Leg, 24" Riser		4
7	130103	Wldmnt, Leg Extension, Cab, 24"		4
8	130106	Riser, 24" Pantograph		1
9	F05010-8	Nut, 1/2-13 Nyl Hex Lock		8
10	F05011-2	Washer, 1/2 SAE Flat		16
11	F05008-116	Bolt, 1/2-13x2 HHFT GR5 Znc		8
12	F05004-281	Bolt, M16-2.0x60mm 8.8 HH Zinc		88
13	F05026-6	Washer, M16 Flat		176
14	130101	Wldmnt, Leg Extension WM4500, 24"		22
15	F05027-6	Nut, M16-2 Class 8 Nylock		88

REF	PART #	DESCRIPTION	COMMENTS	QTY.
16	130146	Wldmnt, Leg Brace		11
17	130108	Wldmnt, Clamp Riser, 24"		1
18	F05010-34	Nut, 5/8-11 Nyl Lock		8
19	F05011-5	Washer, 5/8 SAE Flat		16
20	F05009-20	Bolt, Hex Head 5/8-11x2 1/2 Gr5 Zinc		8

### SECTION 10 OPERATOR STATION

#### 10.1 Frame, Rails & Ladder



REF	PART #	DESCRIPTION	COMMENTS	QTY.
1	058152	STAND WELDMNT, WM4000 OPERATOR STATION		1
2	130492	ASSY, STAIR/PLATFORM	<a href="#">See Section 10.2</a>	1
3	065462	LEG WELDMNT, 18" 3 X 3 EXTENSION		6

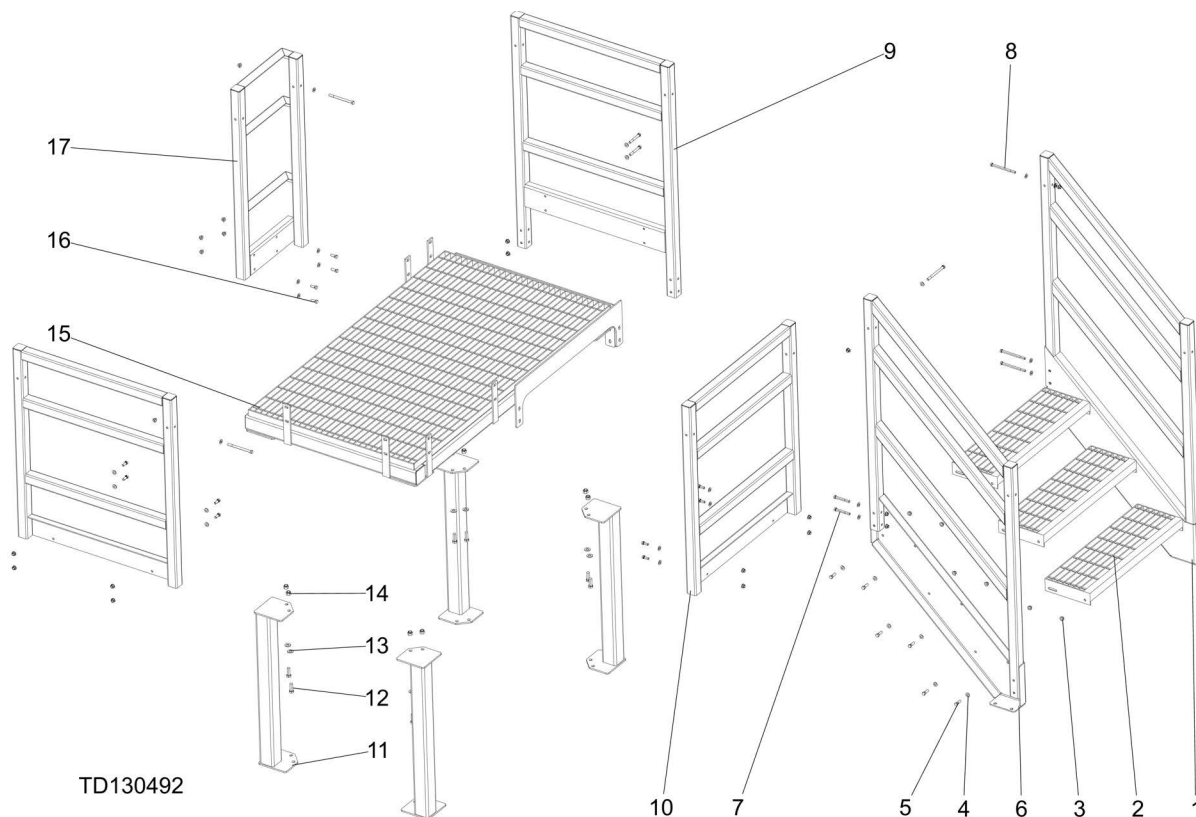


REF	PART #	DESCRIPTION	COMMENTS	QTY.
4	063020	POST WELDMENT, 33" MOUNT		1
5	065965	CLAMP, 2" 2-PIECE MOUNT		2
6	063033	ARM, MONITOR/CONTROL		1
7	078793	CONTROL ASSEMBLY, OPERATOR (WM4500)	<a href="#">See Section 10.4</a>	1
8	045149	PAD, NON-SKID STEP, 6" WIDE		9
9	074037	PLATE, WM4000 HYDRAULIC HOSE		2
10	F05008-88	BOLT, 1/2-13 X 1 3/4" HEX HEAD GRADE 5 FULL THREAD		12
11	F05010-8	NUT, 1/2-13 NYL HEX LOCK		12
12	F05011-2	WASHER, 1/2 SAE FLAT		20
13	F05007-87	BOLT, 3/8-16 X 1" HEX HEAD GRADE 5		4
14	F05010-10	NUT, 3/8-16 HEX NYLOC		4
15	043405	GROMMET, 1-1/2 ID - 3/16 MATL		14

# 10 Operator Station

## Stair/Platform Assembly

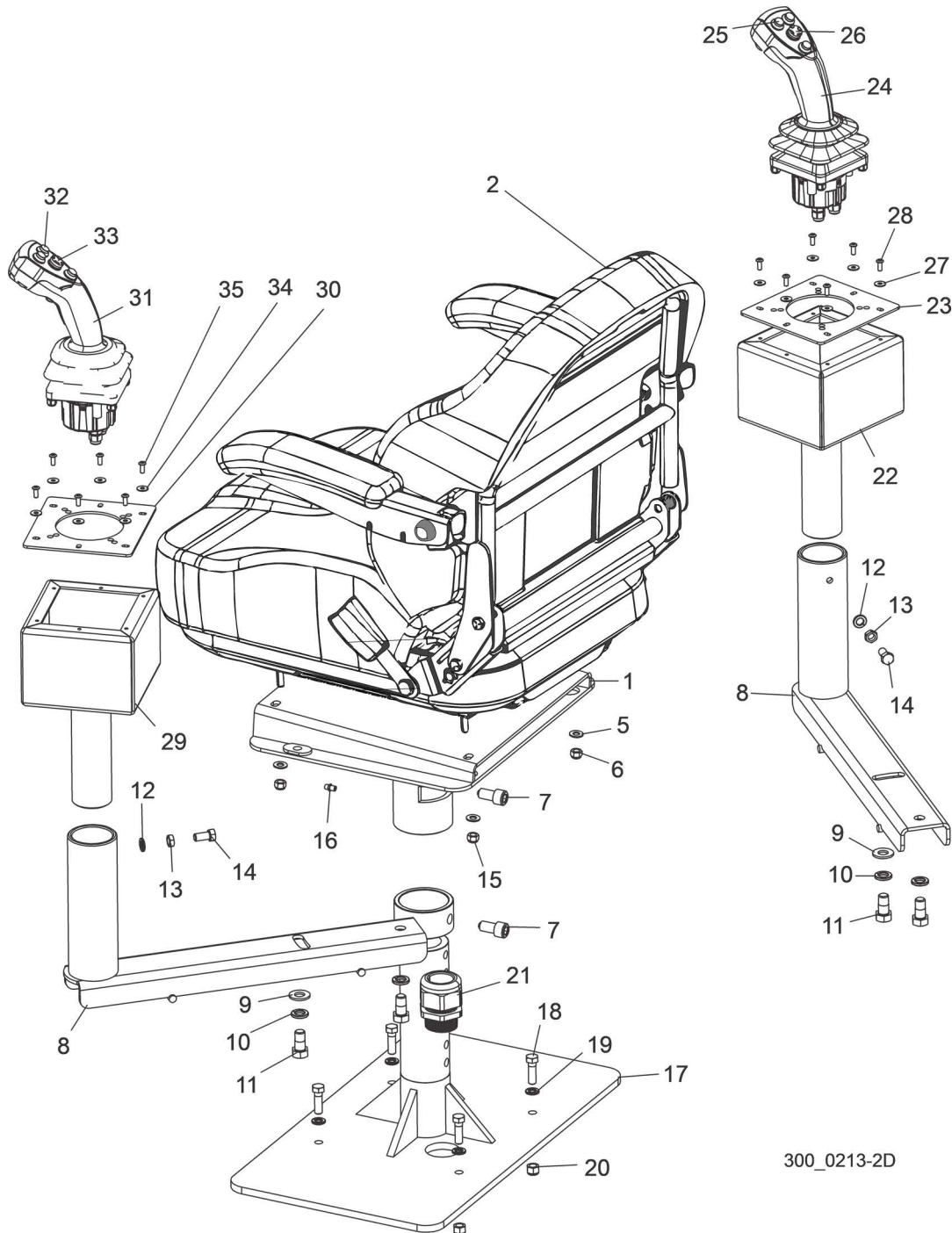
### 10.2 Stair/Platform Assembly



REF	PART #	DESCRIPTION	COMMENTS	QTY.
	130492	<b>ASSEMBLY, STAIR/PLATFORM</b>		1
	130482	Assembly, Platform Steps		1
1	130483	Wldmnt, Right Rail		1
2	130472	Step, 19W4 1-1/4x3/16, 9-3/4Wx30L		3
3	F05010-222	Nut, 3/8-16 Flanged Hex Nylock		34
4	F05011-3	Washer, 3/8 Flat SAE		38
5	F05007-123	Bolt, 3/8-16x 1 1/4 HH Gr5		12
6	130481	Wldmnt, Left Rail		1
7	F05007-73	Bolt, 3/8-16x3 HH Gr5		4
8	F05007-86	Bolt, 3/8-16x5 HH GR5		6
9	130493	Wldmnt, Handrail		1
10	130501	Wldmnt, Handrail, Side		2
11	130490	Weldment, Platform Leg		4
12	F05008-33	Bolt, 1/2-13x1 1/2 HH Gr5		8
13	F05011-2	Washer, 1/2 SAE Flat		8
14	F05010-8	Nut, 1/2-13 Nyl Hex Lock		8
15	130474	Wldmnt, Main Platform		1

<b>REF</b>	<b>PART #</b>	<b>DESCRIPTION</b>	<b>COMMENTS</b>	<b>QTY.</b>
<b>16</b>	F05007-87	Bolt, 3/8-16x1 Gr5 HH		12
<b>17</b>	130496	Wldmnt, Handrail, Short		1

### 10.3 Seat & Joystick Controls

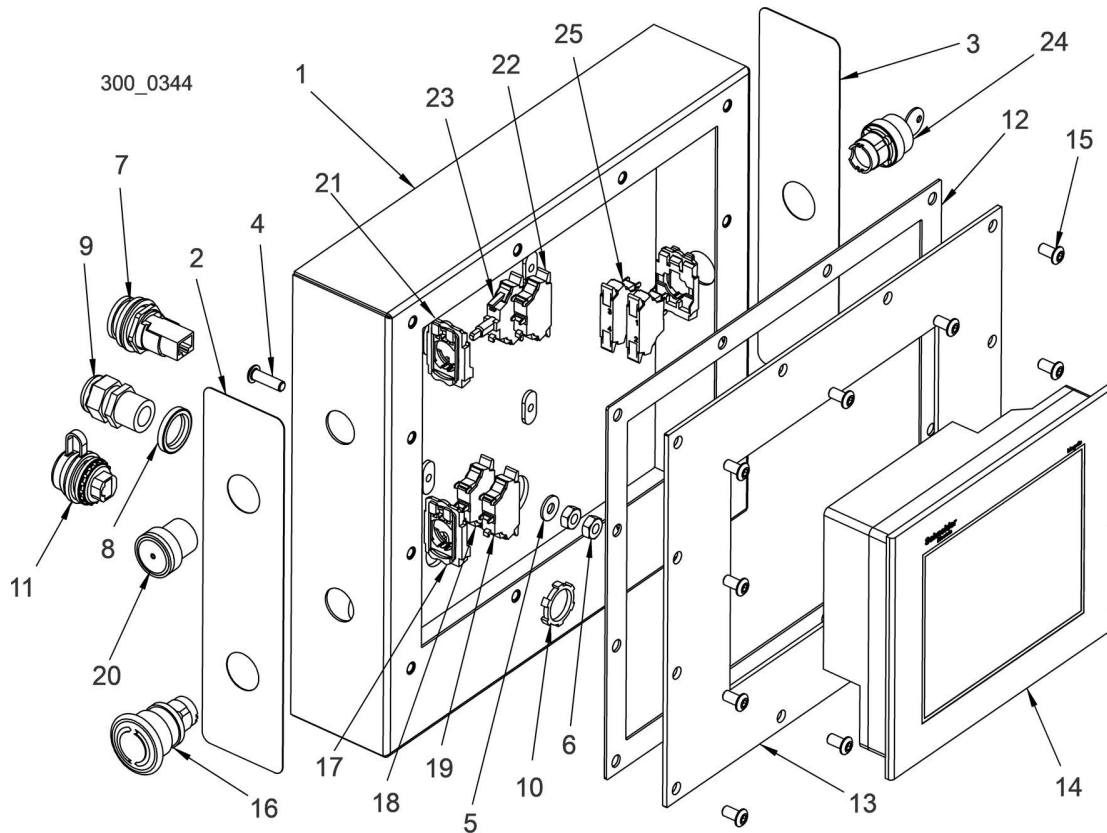


300\_0213-2D

REF	PART #	DESCRIPTION	COMMENTS	QTY.
1	045134	MOUNT WELDMENT, OPERATOR SEAT		1
2	122189	SEAT, SUSPENSION, NO SWITCH	122189 replaced 036719, 036720 & 036721 after 2/22/2021 per ECN 37624.	1

REF	PART #	DESCRIPTION	COMMENTS	QTY.
	038719	SEAT, OPERATOR		1
	038720	ADJUSTER ASSEMBLY, OPERATOR SEAT (MILSCO)		1
	038721	ARMREST, OPERATOR SEAT (PAIR, MILSCO)		1
3	F05011-17	WASHER, 5/16" SAE FLAT		4
4	F05010-58	NUT, 5/16-18 NYLON LOCK		4
5	F05008-57	BOLT, 1/2-20 X 1" SOCKET HEAD		2
6	038857	ARM WELDMENT, CONTROL		2
7	F05011-2	WASHER, 1/2" SAE FLAT		2
8	F05011-9	WASHER, 1/2" SPLIT LOCK		4
9	F05008-50	BOLT, 1/2-13 X 1" HEX HEAD		4
10	F05011-4	WASHER, 3/8" SPLIT LOCK		2
11	F05010-29	NUT, 3/8-16 HEX JAM		2
12	F05007-118	BOLT, 3/8-16 X 3/4" HEX HEAD GRADE 5		2
13	045135	COLLAR, SEAT POST MOUNT		1
14	P05060	FITTING, 1/4-28 GREASE		2
15	068073	POST WELDMENT, OPERATOR SEAT		1
16	F05007-123	BOLT, 3/8-16 X 1 1/4" HEX HEAD GRADE 5		4
17	F05011-4	WASHER, 3/8" SPLIT LOCK		4
18	F05010-10	NUT, 3/8-16 HEX NYLOC		4
19	057953	CORDGRIP, .88"-1.26" 1 1/4" NPT		1
	069992	CONTROL ASSEMBLY, RIGHT JOYSTICK		1
20	038863	Box Weldment, Right Joystick		1
21	038861	Cover, Joystick Control Box		1
22	078360	Joystick, 4-Button w/4-Way Switch		1
23	061192	Button, Joystick Press		4
24	061193	Button, Joystick 4-Way Directional		1
25	F05011-18	Washer, #10 SAE Flat		6
26	F05004-35	Screw, #10-24 x 1/2" Socket Button Head		6
	078660	Cable Assembly, Ind. Mill Right Joystick		1
	069991	CONTROL ASSEMBLY, LEFT JOYSTICK		1
27	038862	Box Weldment, Left Joystick		1
28	038861	Cover, Joystick Control Box		1
29	078360	Joystick, 4-Button w/4-Way Switch		1
30	061192	Button, Joystick Press		4
31	061193	Button, Joystick 4-Way Directional		1
32	F05011-18	Washer, #10 SAE Flat		6
33	F05004-35	Screw, #10-24 x 1/2" Socket Button Head		6
	078659	Cable Assembly, Ind. Mill Left Joystick		1

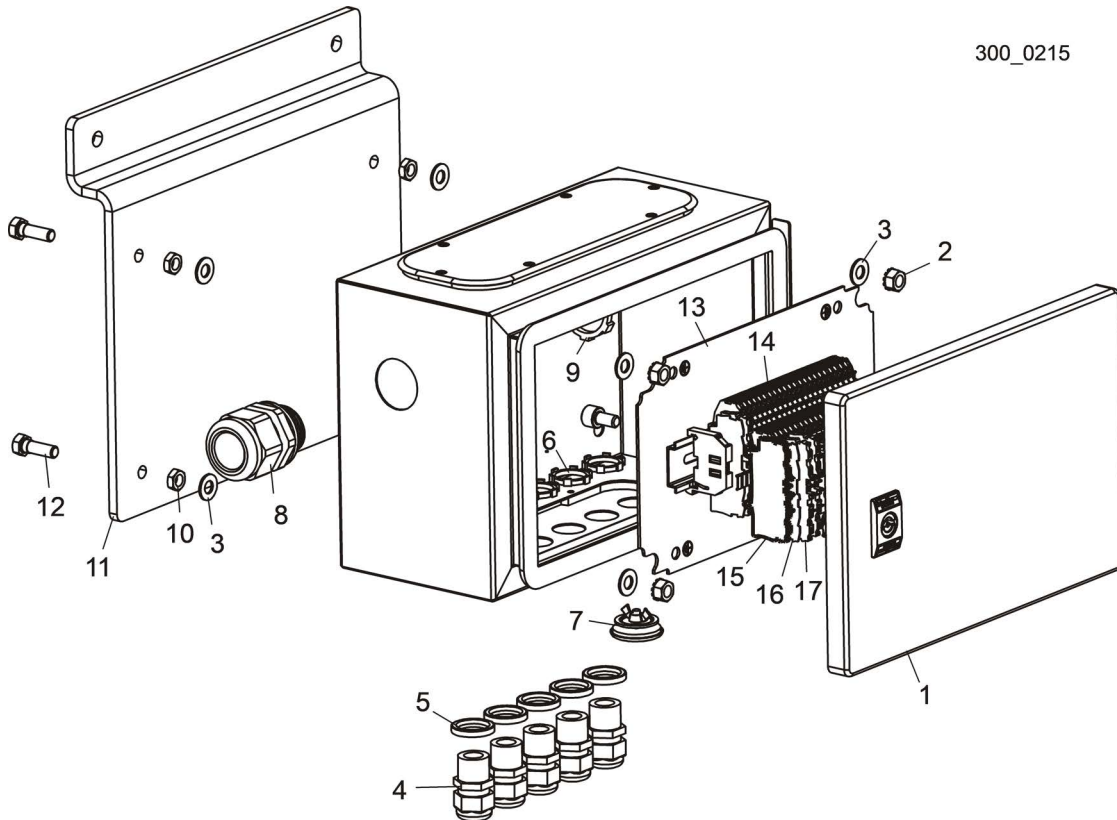
### 10.4 Control Box Assembly



REF	PART #	DESCRIPTION	COMMENTS	QTY.
	078793	<b>CONTROL ASSEMBLY, IND. MILL HMI</b>		1
1	058922	Box Weldment, Control Monitor		1
2	068208	Decal, Ind. Mill Power Estop		1
3	068209	Decal, Ind. Mill Key Switch		1
4	F05005-169	Bolt, 1/4-20x7/8 BHCS Stainless Stl		1
5	F05011-11	Washer, 1/4 SAE Flat		1
6	F05010-129	Nut, 1/4-20 Jam Heavy Duty		2
7	052993	Receptacle, Panel Mount RJ45 Straight		1
8	E20460	Ring, 1/2 Sealing		1
9	051299	Connector, 1/2" NPT .17-.47		1
10	E20461	Nut, 1/2 npt Connector Lock		1
11	068178	Receptacle, Panel Mount USB		1
12	078443	Gasket, WM4000 HMI Faceplate		1
13	069955	Plate, WM4000 Screen Bezel		1
	078794	HMI Assembly, Ind. Mill		1
14	078439	HMI, 7.5in Magelis HMIGTO4310		1

REF	PART #	DESCRIPTION	COMMENTS	QTY.
15	F05005-112	Screw, 1/4-20x1/2 BHSC SS Gr2		12
16	068940	Push-Button, Mshrm Mntnd Red TrnRI ZB5		1
	068950	Collar, Mount 1NC ZB5		2
17	068951	Switch Collar, Mount ZB5		1
18	068921	Contact Block, NC ZB5		1
19	068921	Contact Block, NC ZB5		1
20	052503	Switch Head, PB Green Flush Illum ZB5		1
	068952	Collar, Mount 1NO ZB5		1
21	068951	Switch Collar, Mount ZB5		1
22	068920	Contact Block, NO ZB5		1
23	068910	Light Module, Green ZB5		1
24	068941	Switch, Key 3Pos Mom R-C		1
25	068920	Contact Block, NO ZB5		1
	078658	Cable Assembly, Ind. Mill HMI Control		1
	069986	Cable Assembly, Ind. Mill Ethernet HMI Int		1
	069997	Cable Assembly, Ind. Mill HMI Ethernet		1

### 10.5 Junction Control Assembly

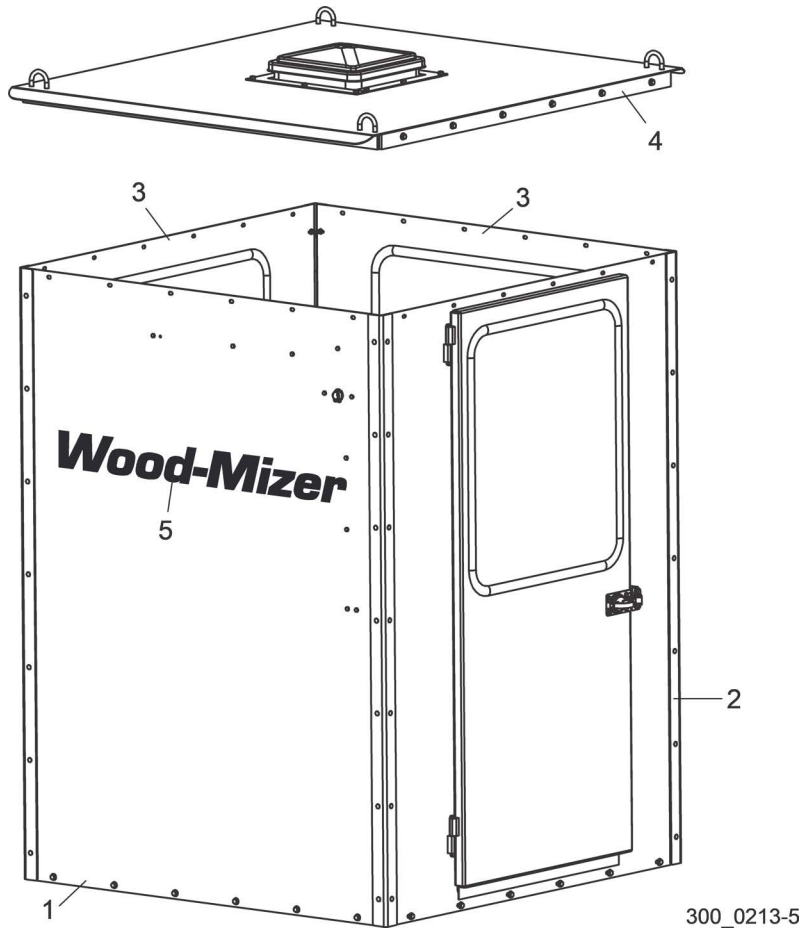


REF	PART #	DESCRIPTION	COMMENTS	QTY.
	069899	<b>CONTROL ASSEMBLY, INDUSTRIAL MILL OPERATOR JUNCTION</b>		1
1	069898	Enclosure, Industrial Mill Operator Junction		1
2	F05010-20	Nut, 5/16-18 Keps		4
3	F05011-17	Washer, 5/16" SAE Flat		8
4	051299	Connector, 1/2" NPT .17-.47		5
5	E20460	Ring, 1/2" Sealing		5
6	E20461	Nut, 1/2" NPT Connector Lock		5
7	024685	Plug, AS050 Oiltite		1
8	069861	Cord Grip, 1" NPT Black Heyco		1
9	053735	Ring, 1" Sealing		1
10	F05010-173	Nut, 5/16-18 Hex Jam		4
11	069947	Bracket, Industrial Mill Operator Junction Mount		1
12	F05006-1	Bolt, 5/16-18 x 1" Hex Head		4
13	069922	Insert, Industrial Mill Junction		1
14	068119	Terminal Block, 2 Tier 2.5mm Clamp		24
15	068104	Terminal Block, 4Pos 1.5mm GND Clamp		1



REF	PART #	DESCRIPTION	COMMENTS	QTY.
16	068105	Terminal Block, 4Pos 1.5mm End Plate		4
17	068103	Terminal Block, 4 Pos 2.5mm Com Clamp		3
	051986	Din Clamp, Screwless		2
	068113	Terminal Block, 10Pos Jumper 2.5mm		1
	078657	Cable Assembly, Industrial Mill Operator Junction		1
	024474	Din Rail, 35mm x 7.5mm x 1m Steel Sym		1

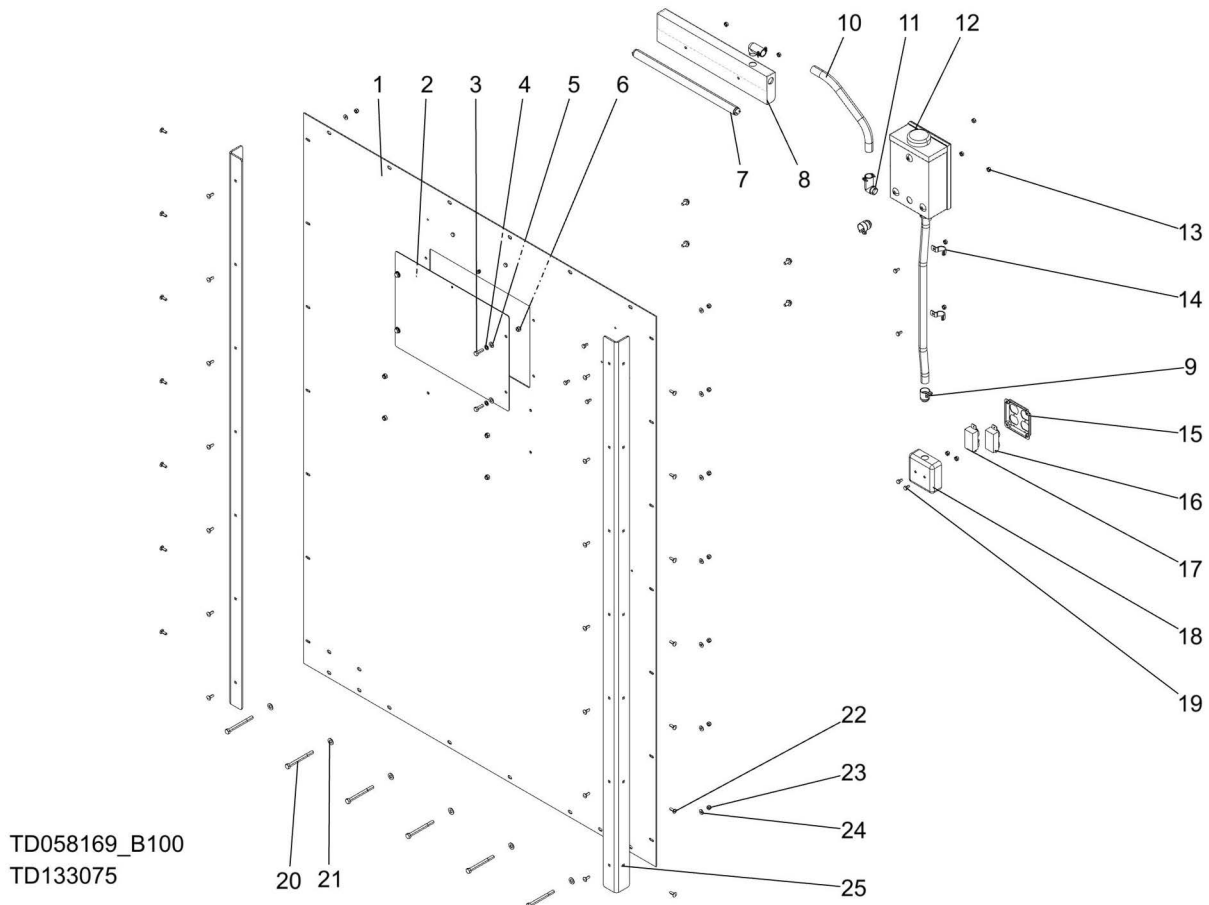
### 10.6 Cab



REF	PART #	DESCRIPTION	COMMENTS	QTY.
	058169	<b>CAB ASSEMBLY, OPERATOR</b>		1
1		Rear Panel Parts	<a href="#">See Section 10.7</a>	
2		Right Panel Parts	<a href="#">See Section 10.8</a>	
3		Front & Left Panel Parts	<a href="#">See Section 10.9</a>	
4		Roof Parts	<a href="#">See Section 10.10</a>	
5	076274	<b>DECAL, 40" BLACK WOOD-MIZER LOGO</b>		1
	110725	<b>DECAL, WM4500 RIGHT DOOR (WM4500 ONLY)</b>		1
	110726	<b>DECAL, WM4500 LEFT DOOR (WM4500 ONLY)</b>		1

## 10.7 Rear Panel

Rev. A4.01+

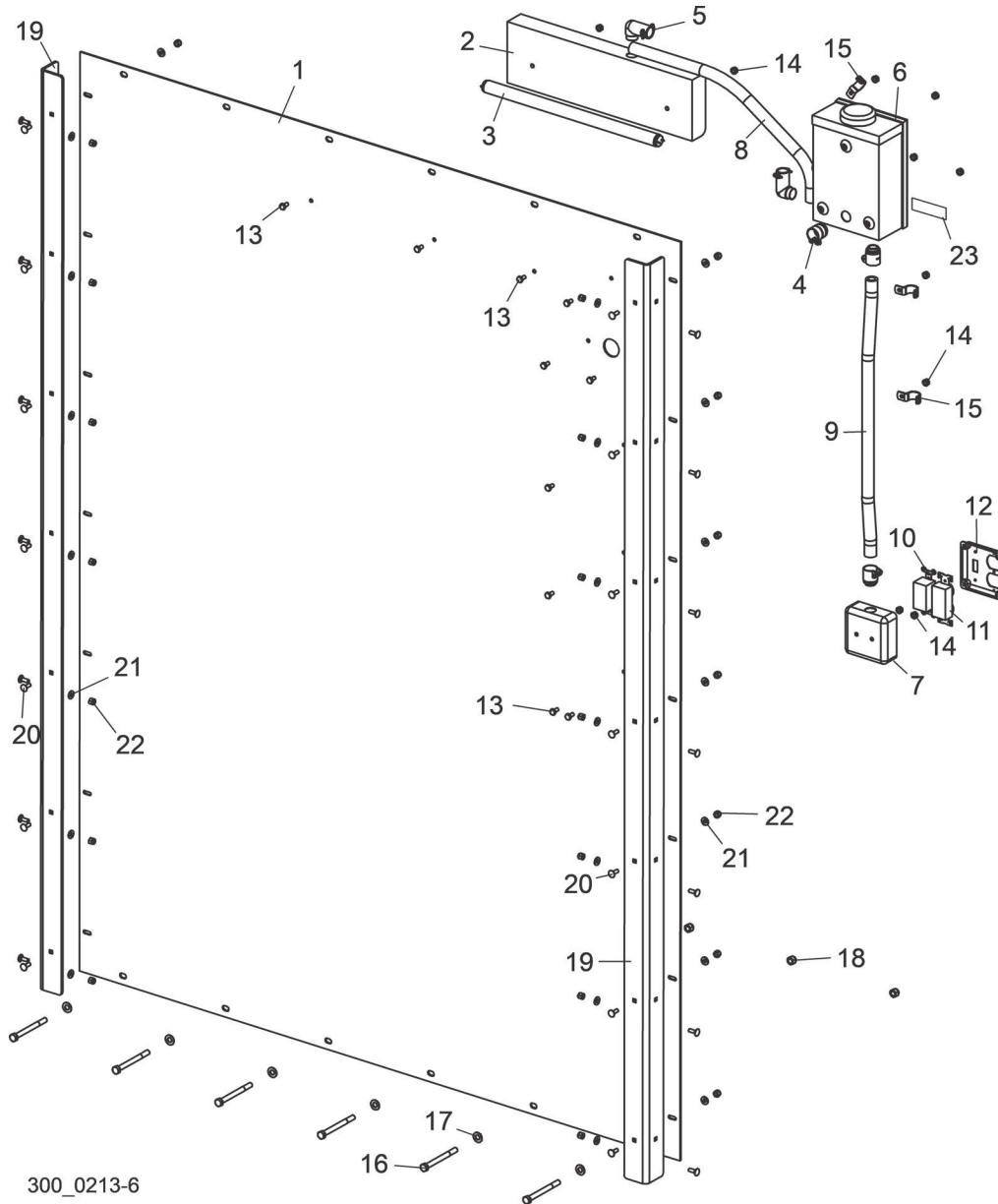


REF	PART #	DESCRIPTION	COMMENTS	QTY.
	133075	<b>Panel Assy, Cab Rear</b>		1
1	133074	Panel, Cab Rear		1
2	133136	Plate, Rear Panel Filler		1
3	F05006-27	Bolt, 5/16-18 x 1 Gr 5 HH		2
4	F05011-13	Washer, 5/16 Split Lock		2
5	F05011-17	Washer, 5/16 SAE Flat		2
6	F05010-58	Nut, 5/16-18 Nyl Lock		8
7	016876	Lamp, Flourescent Under-Cabinet		1
8	042590	Light, Flourescent Under-Cabinet		1
9	042595	Clamp, 1/2" Flex Conduit, Steel		3
10	042597	Conduit, 21" Steel Flex		1
11	017801	Clamp, 1/2 Flex Steel Conduit, 90Deg EI		2

**10****Operator Station***Rear Panel*

REF	PART #	DESCRIPTION	COMMENTS	QTY.
12	069553	Disconnect, Fusible 2-Wire 240V 30A		1
13	F05010-9	Nut, 1/4-20 Keps		9
14	P04851	Clamp, 3/4 EMT		2
15	133295	Cover, 4"Sq Metal 2 Duplex Receptacle		1
16	042593	Receptacle, 120VAC 20Amp Duplex		1
17	133294	Receptacle/Switch Combo 120V 15Amp		1
18	042591	Box, 4" Sq Electric Utility, Galvanized		1
19	F05005-15	Bolt, 1/4-20x1/2 HH		9
20	F05007-126	Bolt, 3/8-16x4 HH Gr5		6
21	F05011-3	Washer, 3/8 Flat SAE		6
22	F05005-113	Bolt, 1/4-20x3/4 Carriage		28
23	F05010-69	Nut, 1/4-20 Nylock		28
24	F05011-11	Washer, 1/4 SAE Flat		28
25	058917	Angle, Corner Support		2
26	042676	Decal, Cab Voltage		1

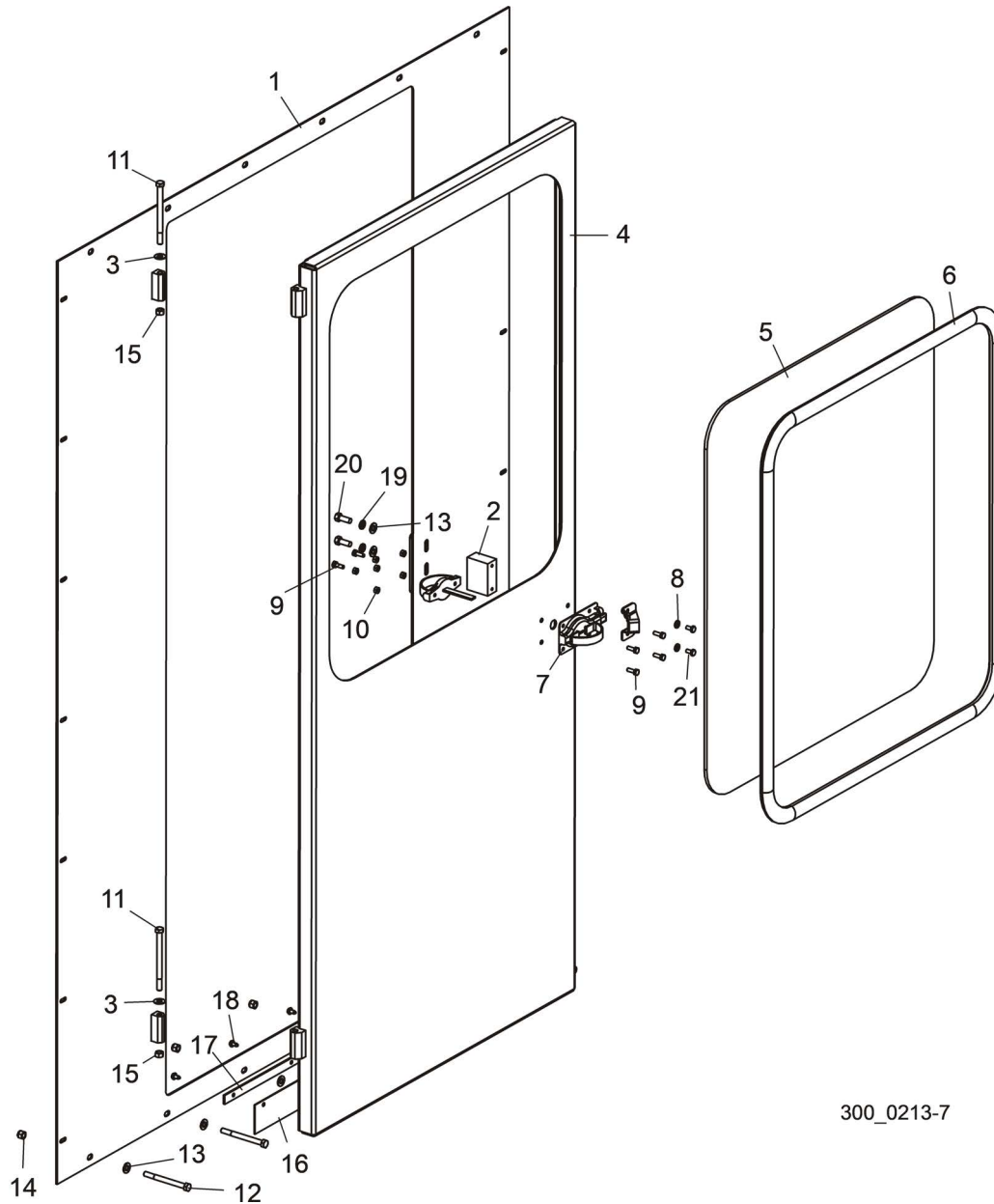
Rev. A1.00-A4.00



REF	PART #	DESCRIPTION	COMMENTS	QTY.
	058175	<b>PANEL ASSEMBLY, 2013 REAR</b>		1
1	058176	Panel, 2013 Rear		1
2	042590	Fixture, Flourescent Uncer-Cabinet Light		1
3	016876	Bulb, 15 Watt Flourescent		1
4	042595	Clamp, 1/2" Flex Conduit		3
5	017801	Clamp, 1/2" 90° Flex Conduit		2

REF	PART #	DESCRIPTION	COMMENTS	QTY.
6	069553	Disconnect Switch, 30A Nema 1 Safety		1
7	042591	Box, 4" Electrical Utility		1
8	042597	Conduit, 1/2" x 21" Steel Flex		1
9	042596	Conduit, 1/2" x 25" Steel Flex		1
10	042592	Switch, 120VAC 20 Amp Single Pole		1
11	042593	Receptacle, 120VAC 20 Amp Duplex		1
12	042594	Cover, Stainless Steel Switch/Plug		1
13	F05005-15	Bolt, 1/4-20 x 1/2" Hex Head		9
14	F05010-9	Nut, 1/4-20 Self-Locking Hex		9
15	P04851	Clamp, 3/4" EMT		3
16	F05007-126	Bolt, 3/8-16 x 4" Hex Head Grade 5		6
17	F05011-3	Washer, 3/8" SAE Flat		6
18	F05010-10	Nut, 3/8-16 Hex Nylon Lock		6
19	058917	<b>ANGLE, CORNER SUPPORT</b>		2
20	F05005-113	<b>BOLT, 1/4-20 X 3/4" CARRIAGE</b>		28
21	F05011-11	<b>WASHER, 1/4" SAE FLAT</b>		28
22	F05010-69	<b>NUT, 1/4-20 NYLOCK</b>		28
23	042676	<b>DECAL, CAB VOLTAGE</b>		1

### 10.8 Right Panel



300\_0213-7

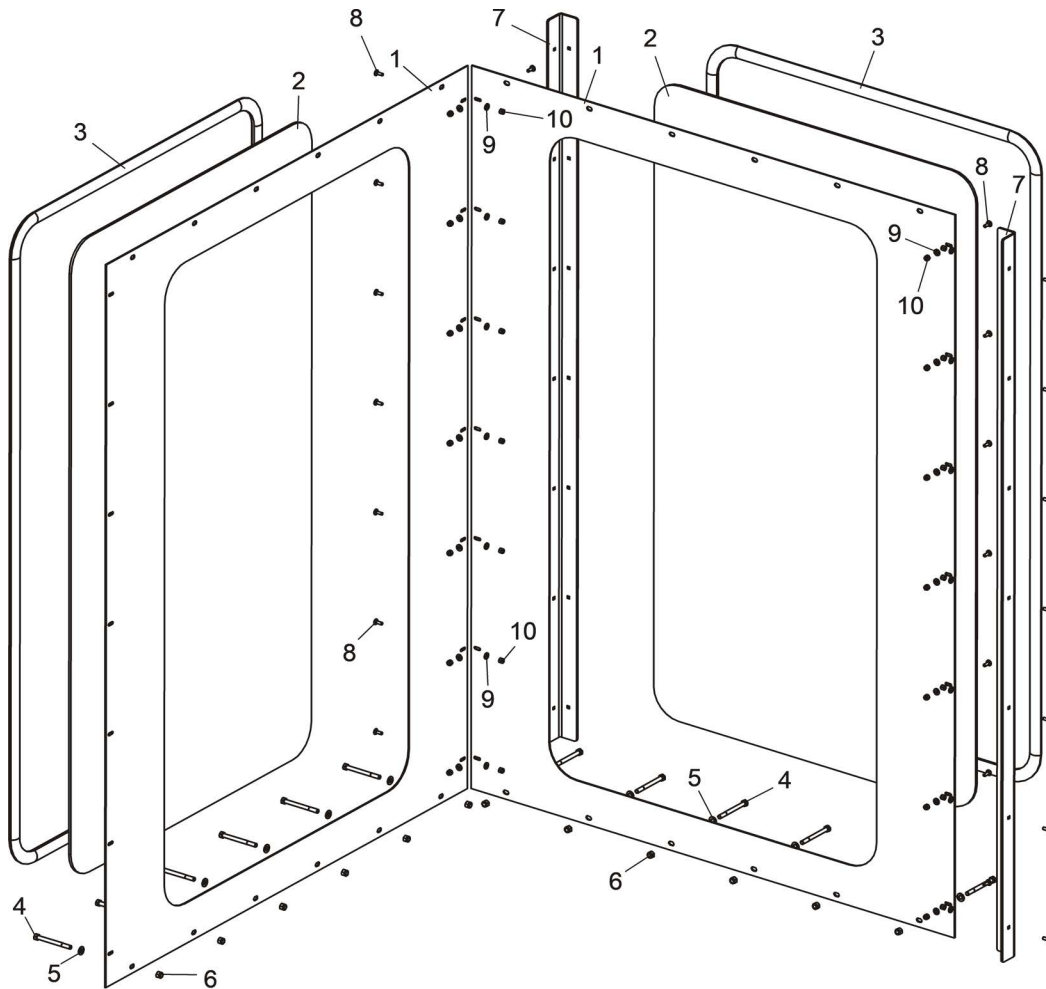
REF	PART #	DESCRIPTION	COMMENTS	QTY.
	058166	<b>PANEL ASSEMBLY, DOOR</b>		1
1	058167	Panel Weldment, Door		1
2	042634	Block, Latch Mount		1
3	042578	Washer, Door Hinge		1
4	042632	Door Weldment, Cab		1

**10****Operator Station**  
*Right Panel*

REF	PART #	DESCRIPTION	COMMENTS	QTY.
5	042576	Window, Cab Door		1
6	042575	Seal, Cab Door Window		1
7	042587	Latch, Door		1
8	F05011-14	Washer, 1/4" Split Lock		2
9	F05005-1	Bolt, 1/4-20 x 3/4" Hex Head Full Thread		6
10	F05010-21	Nut, 1/4-20 Hex Lock		6
11	F05007-86	Bolt, 3/8-16 x 5" Hex Head Grade 5		2
12	F05007-126	Bolt, 3/8-16 x 4" Hex Head Grade 5		4
13	F05011-3	Washer, 3/8" SAE Flat		4
14	F05010-10	Nut, 3/8-16 Hex Nylon Lock		4
15	F05010-25	Nut, 3/8-16 Hex Lock		2
16	042638	Flap, Rubber Door		1
17	042637	Plate, Rubber Door Flap		1
18	F05015-1	Screw, 1/4-20 x 1/2" Self-Tapping		5
19	F05011-4	Washer, 3/8" Split Lock		2
20	F05007-7	Bolt, 3/8-16 x 1" Hex Head		2
21	F05005-15	Bolt, 1/4-20 x 1/2" Hex Head		2



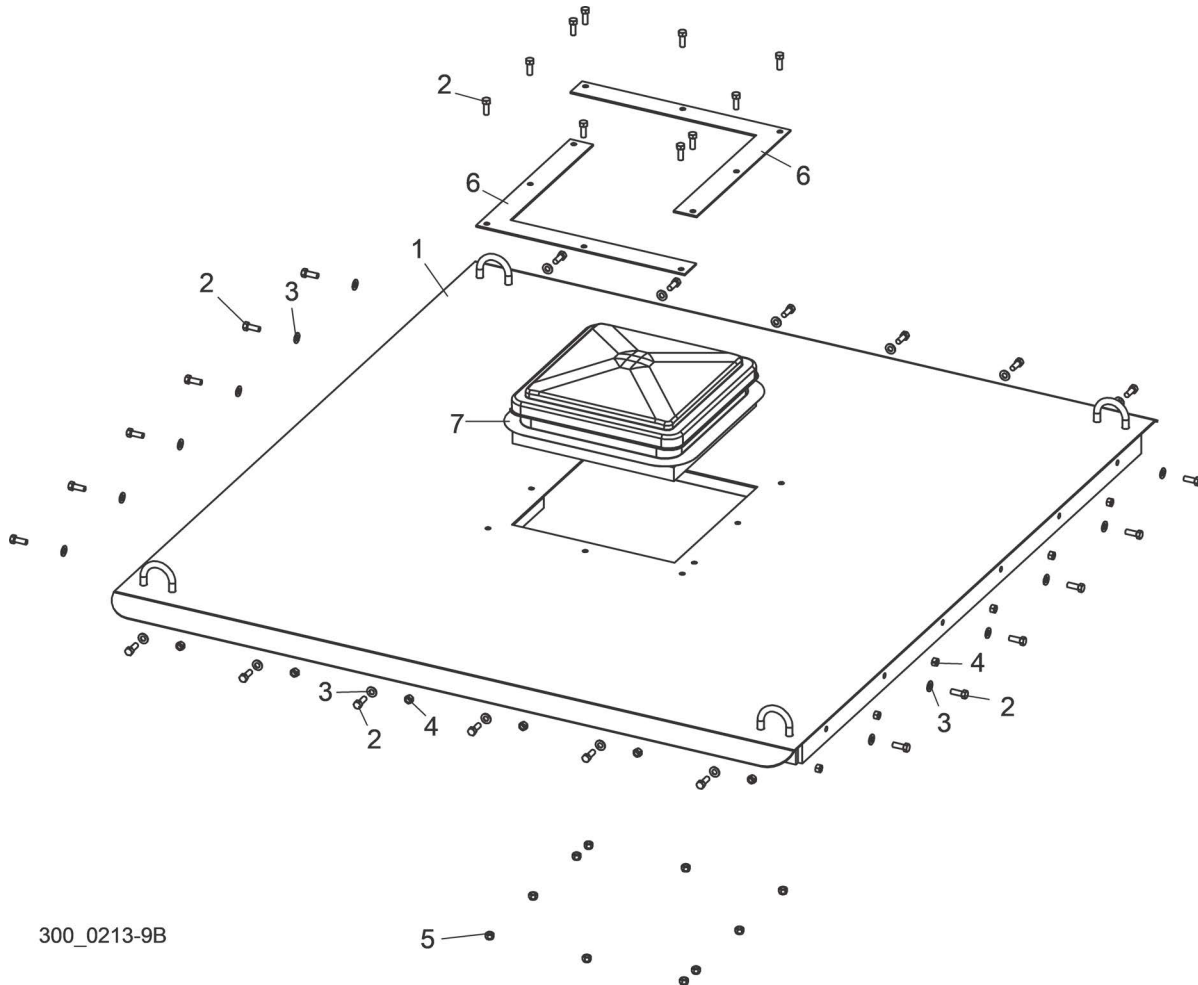
### 10.9 Front Panel



300\_0213-8

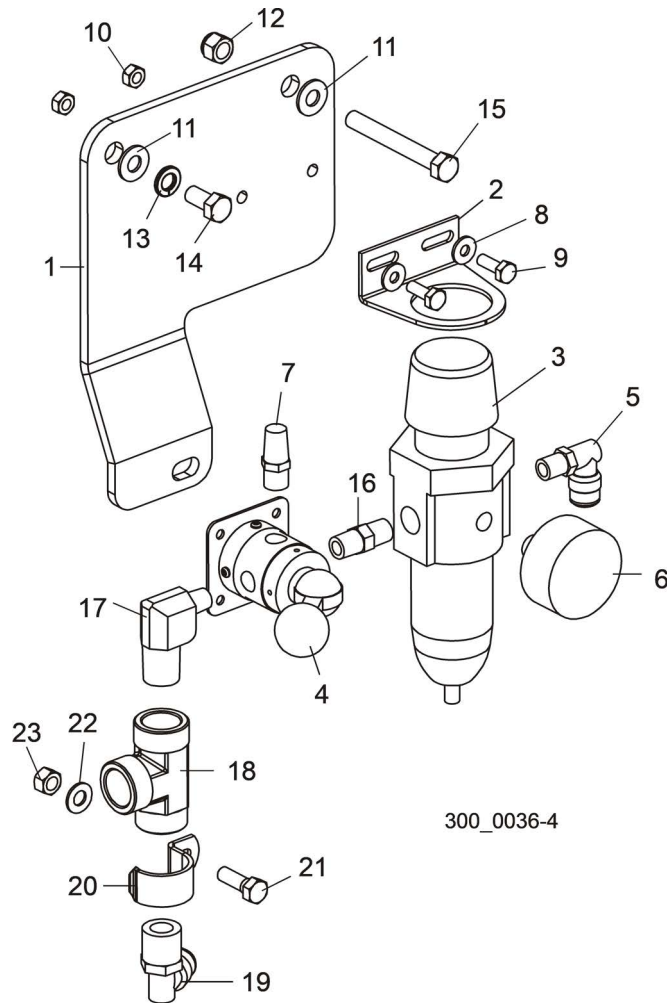
REF	PART #	DESCRIPTION	COMMENTS	QTY.
	058177	<b>PANEL ASSEMBLY, WINDOW</b>		2
1	058179	Panel, Window		1
2	042631	Window, Cab Front		1
3	042630	Seal, Cab Front Window		1
4	F05007-126	Bolt, 3/8-16 x 4" Hex Head Grade 5		6
5	F05011-3	Washer, 3/8" Flat SAE		6
6	F05010-10	Nut, 3/8-16 Hex Nylon Lock		6
7	058917	<b>ANGLE, CORNER SUPPORT</b>		2
8	F05005-113	<b>BOLT, 1/4-20 X 3/4" CARRIAGE</b>		28
9	F05011-11	<b>WASHER, 1/4" SAE FLAT</b>		28
10	F05010-69	<b>NUT, 1/4-20 NYLON LOCK</b>		28

### 10.10Roof



REF	PART #	DESCRIPTION	COMMENTS	QTY.
	058182	<b>ROOF ASSEMBLY, LT300 CAB</b>		1
1	058183	Roof Weldment, Cab		1
2	F05007-7	Bolt, 3/8-16 x 1" Hex Head Cap		34
3	F05011-3	Washer, 3/8" Flat SAE		24
4	F05010-25	Nut, 3/8-16 Swaged Lock		24
5	F05010-10	Nut, 3/8-16 Hex Nylon Lock		10
6	016866	Plate, Air Vent		2
7	016867	Vent, Plastic Dome		1

### 10.11 Air Supply

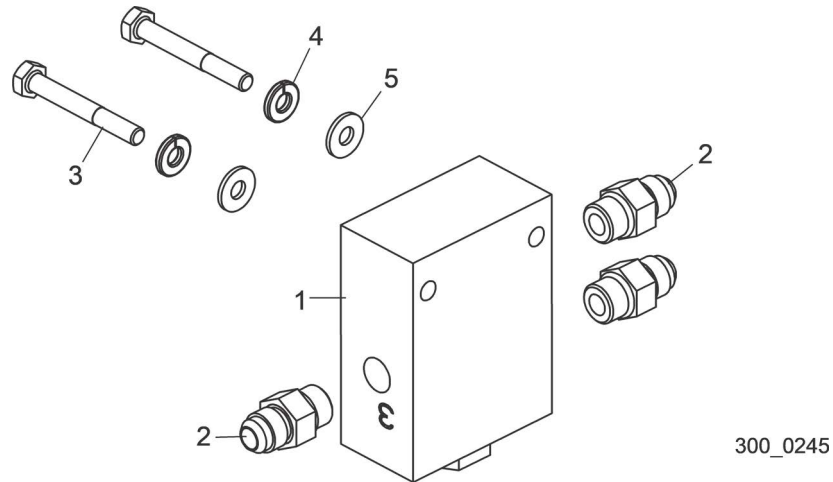


REF	PART #	DESCRIPTION	COMMENTS	QTY.
	016887	<b>AIR SUPPLY,</b>		1
1	016888	Plate, Air Supply Mount		1
2	P21511	Bracket, Air Filter Mount		1
3	P21510	Filter, B11-02 WJC Regulator		1
4	P21513	Valve, 250V3 Air		1
5	P21521	Fitting, 1/4" NPT x 3/8" Air 90° Elbow		1
6	P21512	Gauge, Air Pressure		1
7	P20904	Fitting, 1/4" NPT Air Muffer		1
8	F05011-11	Washer, 1/4" SAE Flat		2
9	F05005-1	Bolt, 1/4-20 x 3/4" Hex Head Full Thread		2
10	F05010-21	Nut, 1/4-20 Hex Lock		2

**10****Operator Station**  
*Air Supply*

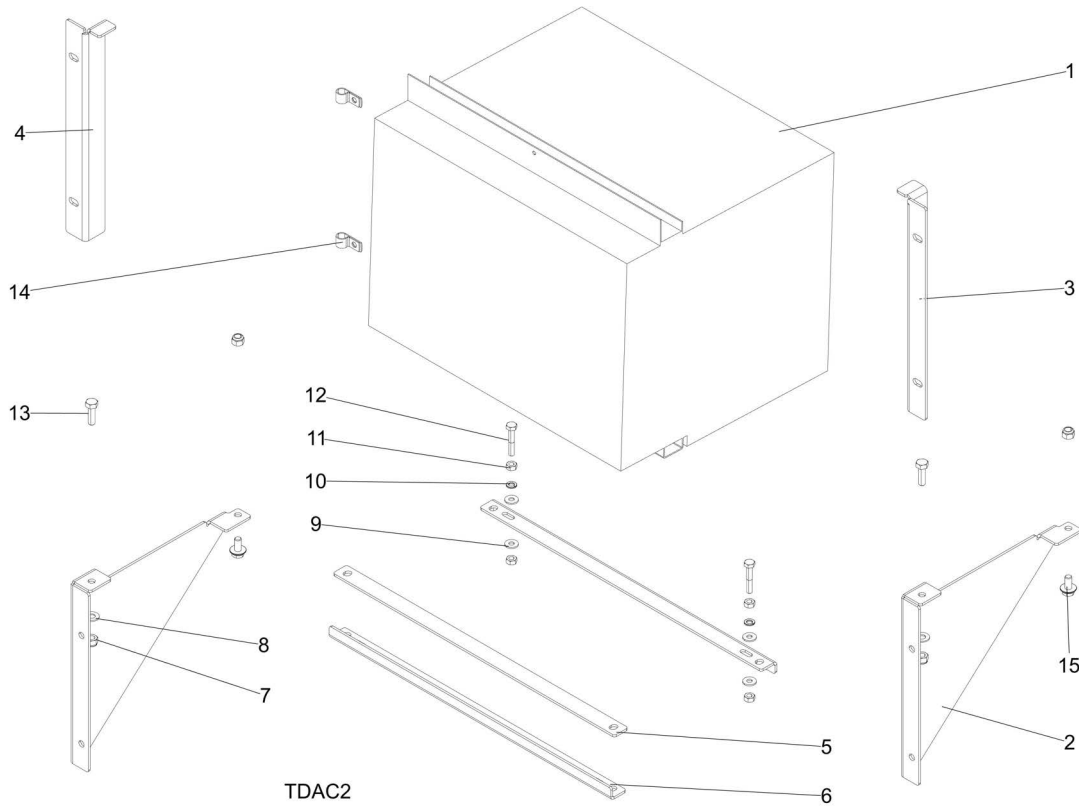
REF	PART #	DESCRIPTION	COMMENTS	QTY.
11	F05011-3	Washer, 3/8" SAE Flat		2
12	F05010-10	Nut, 3/8-16 Nylon Lock		1
13	F05011-4	Washer, 3/8" Split Lock		1
14	F05007-118	Bolt, 3/8-16 x 3/4" Hex Head Grade 5		1
15	F05007-1	Bolt, 3/8-16 x 3" Hex Head Full Thread		1
16	P05389	Fitting, 1/4" Hex Pipe Nipple		1
17	016881	Fitting, 1/2" NPT x 1/4" NPT 90° Elbow		1
18	016793	Fitting, 1/2" NPT Female Tee		1
19	016880	Fitting, 1/2" NPT x 1/2" Air 90° Elbow		1
20	P05436	Clamp, 1" EMT		1
21	F05006-1	Bolt, 5/16-18 x 1" Hex Head		1
22	F05011-17	Washer, 5/16" SAE Flat		1
23	F05010-6	Nut, 5/16-18 Hex Lock		1

## 10.12 Turner Down Flow Divider



REF	PART #	DESCRIPTION	COMMENTS	QTY.
	074033	<b>DIVIDER ASSEMBLY, TURNER DOWN FLOW</b>		1
1	025742	Flow Divider, Hydraulic		1
2	014687	Fitting, 3/8" O-Ring-3/8" JIC		3
3	F05005-125	Bolt, 1/4-20 x 2" Hex Head Grade 5		2
4	F05011-11	Washer, 1/4" SAE Flat		2
5	F05011-14	Washer, 1/4" Split Lock		2

#### 10.13 Air Conditioning/Heat Assembly (Optional) Rev. A4.01+

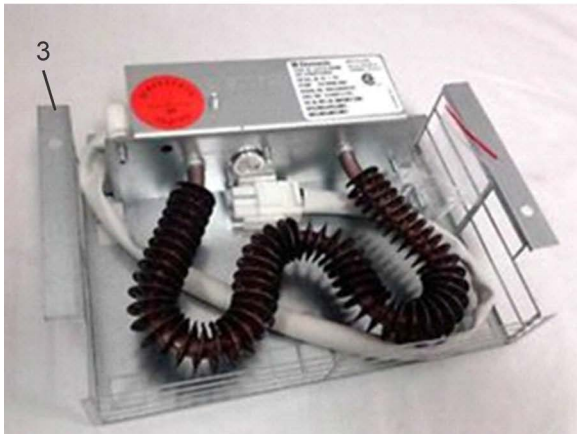


REF	PART #	DESCRIPTION	COMMENTS	QTY.
	AC2	<b>A/C Assy Complete</b>		1
1	130532	A/C, Window 5000 BTU		1
2	130533	Brace, A/C Gusset		2
3	133175	Angle, A/C Side, Left		1
4	133134	Angle, A/C Side, Right		1
5	133176	Strap, A/C Mount		1
6	130534	Angle, A/C Support		2
7	F05010-58	Nut, 5/16-18 Nyl Lock		4
8	F05011-17	Washer, 5/16 SAE Flat		2
9	F05011-11	Washer, 1/4 SAE Flat		4
10	F05011-14	Washer, 1/4 Split Lock		2
11	F05010-63	Nut, 1/4-20 Free Hex		4
12	F05005-31	Bolt, 1/4-20x1 1/2 HH FT		2
13	F05006-27	Bolt, 5/16-18 x 1 Gr 5 HH		2
14	071229	Clamp, 3/8 EMT Coated		2
15	F05006-101	Bolt, 5/16-18x3/4 HH W/Flat&Lock Washer		2

Rev. A1.00-A4.00



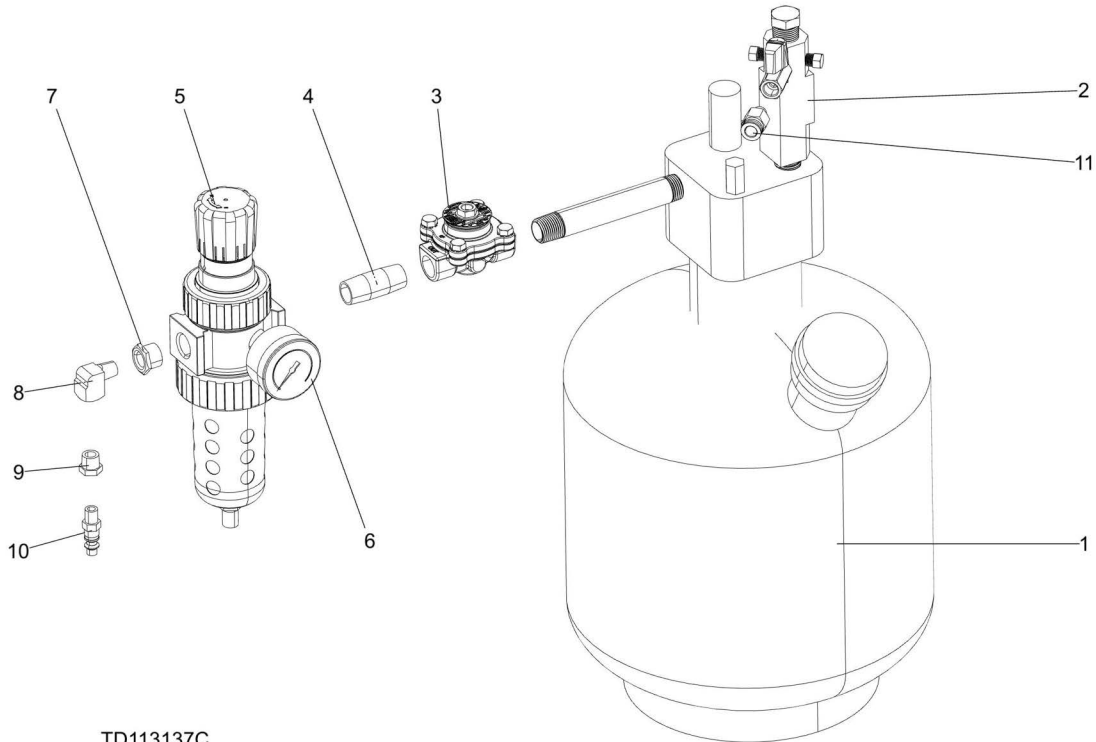
300\_0303



REF	PART #	DESCRIPTION	COMMENTS	QTY.
	A/C1	<b>AIR CONDITIONING/HEAT ASSEMBLY, CAB (OPTIONAL)</b>		1
1	074118	A/C Unit, AC1 (Rev. A4.00)		1
2	074117	Control, A/C1 (Rev. A4.00)		1
	014537	Plug, 13/32 Plastic		10
	P02616	Caulk, 10 oz. Tube Clear Silicon		1
	017801	Clamp, 1/2" Flex Steel Conduit 90 Deg. El		1
	017802	Conduit, 1/2" x 77" Flex Steel		1
	016863	Wire Nut, Yellow		3
	P04851	Clamp, 3/4" EMT		4
	F05015-1	Bolt, 1/4-20 x 1/2" Self Tap Hex Head		4
	R02306	Foam, 1/2" x 1" Adhesive Back		5 ft.
3	074116	Heat Package, A/C1 (Rev. A4.00)		1
4	076000	Drain Kit, A/C1		1

## SECTION 11 PRESSURE LUBE SYSTEM

### 11.1 Pressure Lube System

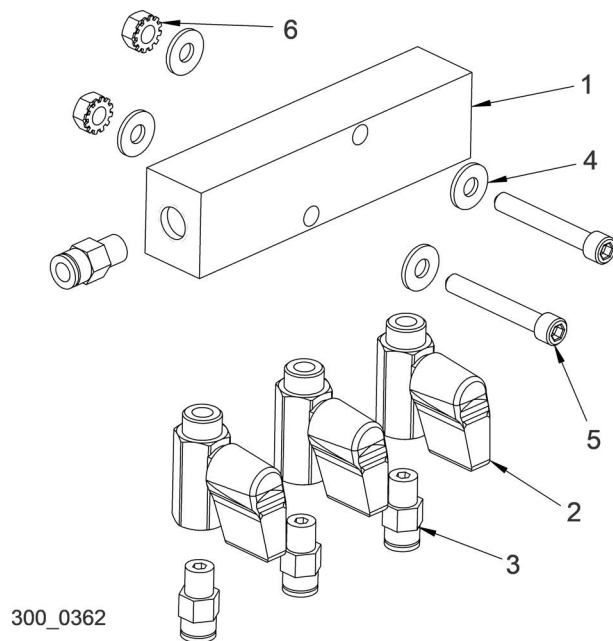


TD113137C

REF	PART #	DESCRIPTION	COMMENTS	QTY.
	113137	<b>TANK ASSEMBLY, SAWMILL LUBE</b>		1
<b>1</b>	133516	Bio-Lube 1000-4 Lube Master Spray System		1
<b>2</b>	133534	Manifold, 4 Port Biolube 1000		1
<b>3</b>	130227	Valve, Solenoid 1/4 NPT Water NC 2 Wa		1
<b>4</b>	016844	Nipple, 1/2NPTx2		1
<b>5</b>	133526	Regulator, Air 1/2" Ports Biolube 1000		1
<b>6</b>	133528	Gauge, Air Pressure Biolube 1000		1
<b>7</b>	P31321	Fitting, 1/2NPTx1/4NPT Hex Bushing		1
<b>8</b>	P05383	Fitting, 1/4 90Deg Brass Street Elbow		1
<b>9</b>	P22680	Reducer, 1/4npt To 1/8npt		1
<b>10</b>	P22681	Coupling, 1/8 NPT Male Air		1
<b>11</b>	P21553	Fitting, 1/8NPTx3/8 Tube Straight		1
	061412	Bio Lube #210-5		5gal



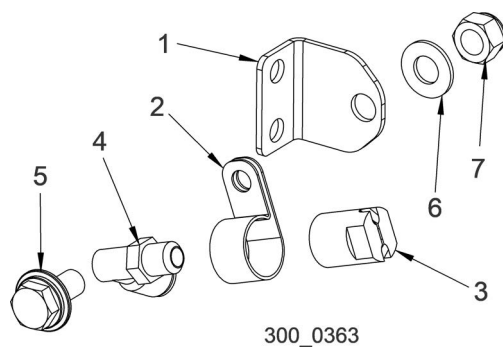
## 11.2 Lube Manifold Assembly



REF	PART #	DESCRIPTION	COMMENTS	QTY.
	113152	<b>MANIFOLD ASSEMBLY, SAWMILL LUBE</b>		1
<b>1</b>	113153	Manifold, 3 Port Lube		1
<b>2</b>	113149	Ball Valve, Lube Kit		3
<b>3</b>	P21559	Fitting, 1/4 NPT-3/8 Straight Air	Replaced P03078 after 9/8/22 per ECN 38707	4
	P03078	Fitting, 1/8NPTx1/4TB		4
<b>4</b>	F05011-11	Washer, 1/4 SAE Flat		4
<b>5</b>	F05005-156	Screw, 1/4-20x1 3/4 SHC BO		2
<b>6</b>	F05010-9	Nut, 1/4-20 Keps		2

**11** Miscellaneous  
*Lubie Mister Assembly*

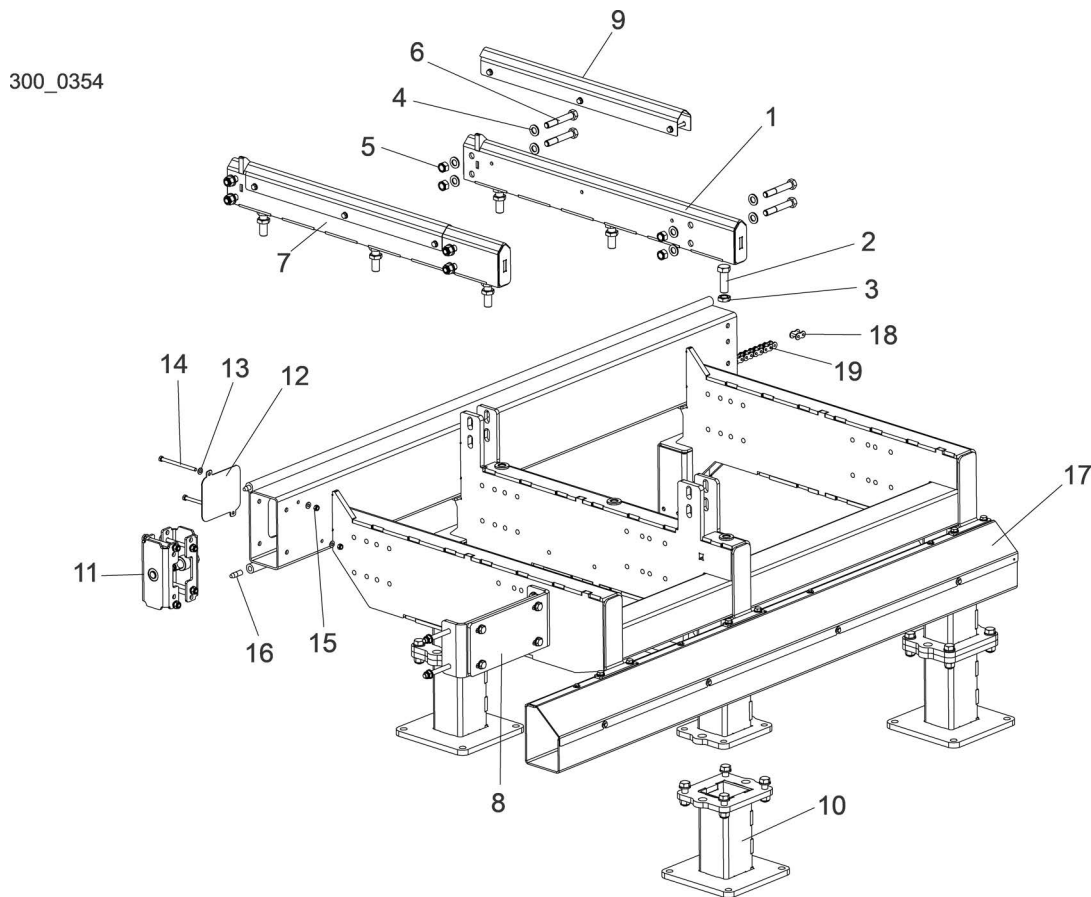
**11.3 Lubie Mister Assembly**



REF	PART #	DESCRIPTION	COMMENTS	QTY.
	110762	<b>MISTER ASSEMBLY, LUBIE</b>		1
<b>1</b>	110761	Bracket, Lubie Mister		1
<b>2</b>	010748	Clamp, 5/8 EMT Coated		1
<b>3</b>	113155	Nozzle, Sawmill Lube		1
<b>4</b>	P09736	Elbow, 90 Deg 1/8MPT 1/4 Tube Swivel		1
<b>5</b>	F05006-101	Bolt, 5/16-18x3/4 Hex Head W/Flat&Lock Washer		1
<b>6</b>	F05011-17	Washer, 5/16 SAE Flat		1
<b>7</b>	F05010-58	Nut, 5/16-18 Nyl Lock		1

## SECTION 12 BED EXTENSION OPTION

### 12.1 Bed Extension Complete (BX6)

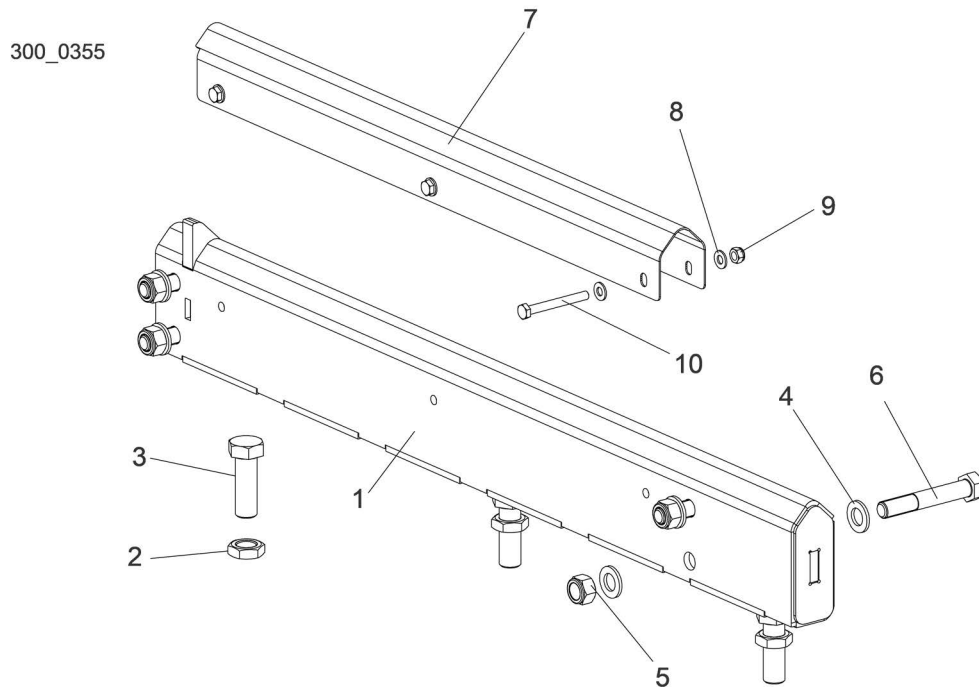


REF	PART #	DESCRIPTION	COMMENTS	QTY.
	528250	<b>BED EXTENSION, BX6 WM4500</b>		1
	528160-1	Frame Weldment, WM4500 Bx6		1
	523451	Beam, Cross (No. 3,5 & 6)		1
1	525555	Rail, WM4000 Bed		1
2	F81037-9	Nut, M20 Iso 4035 Thin Zinc		3
3	F81007-5	Bolt, M20x60 8.8 Hex Head Full Thread Zinc		3
4	F81058-1	Washer, 17 Split Lock Zinc		8
5	F81036-2	Nut, M16-8 Hex Nylon Zinc Lock		4
6	F81006-60	Bolt, M16x100-8.8 Hex Head Zinc		4
7	528158	Rail, WM4500 Bx - Complete	<a href="#">See Section 12.2</a>	1
8	528244	Bracket, WM4500 Bx Connection	<a href="#">See Section 12.3</a>	1

**12****Bed Extension***Bed Extension Complete (BX6)*

REF	PART #	DESCRIPTION	COMMENTS	QTY.
9	525563	Cover, WM4000 Bed Rail - Complete		1
10	527370	Base, WM4000 Bed Leg - Complete	<a href="#">See Section 7.16</a>	4
11	501340	Connector, Bx Complete	<a href="#">See Section 12.4</a>	1
12	512245-1	Plate, Bx6 Frame Cover		1
13	F81054-1	Washer, 8.4 Flat Zinc		4
14	F81002-25	Bolt, M8x120-8.8 Hex Head Zinc		2
15	F81032-2	Nut, M8-8-b Hex Nylon Zinc Lock		2
16	090675	Pin, Special		2
17	531170	Guide, WM4000 Bx6 Hydraulic Hose - Complete	<a href="#">See Section 12.5</a>	1
	528253	Chain, WM4500 Bx6		1
18	017840	Chain, #60x70 1/2		1
19	042398	Link, #60 Cl		1

## 12.2 Bed Rail (BX6)



REF	PART #	DESCRIPTION	COMMENTS	QTY.
	528158	<b>BED RAIL, WM4500 BX6 BED COMPLETE</b>		1
1	525555	Rail, WM4000 Bed		1
2	F81037-9	Nut, M20 Iso 4035 Thin Zinc		3
3	F81007-5	Bolt, M20x60 8.8 Hex Head Full Thread Zinc		3
4	F81058-1	Washer, 17 Split Lock Zinc		8
5	F81036-2	Nut, M16-8 Hex Nylon Zinc Lock		4
6	F81006-60	Bolt, M16x100-8.8 Hex Head Zinc		4
	525563	Cover, WM4000 Bed Rail - Complete		1
7	525561	Cover, WM4000 Bed Rail		1
8	F81054-1	Washer, 8.4 Flat Zinc		6
9	F81032-2	Nut, M8-8-b Hex Nylon Zinc Lock		3
10	F81002-71	Bolt, M8x70-8.8 Hex Head Zinc		3

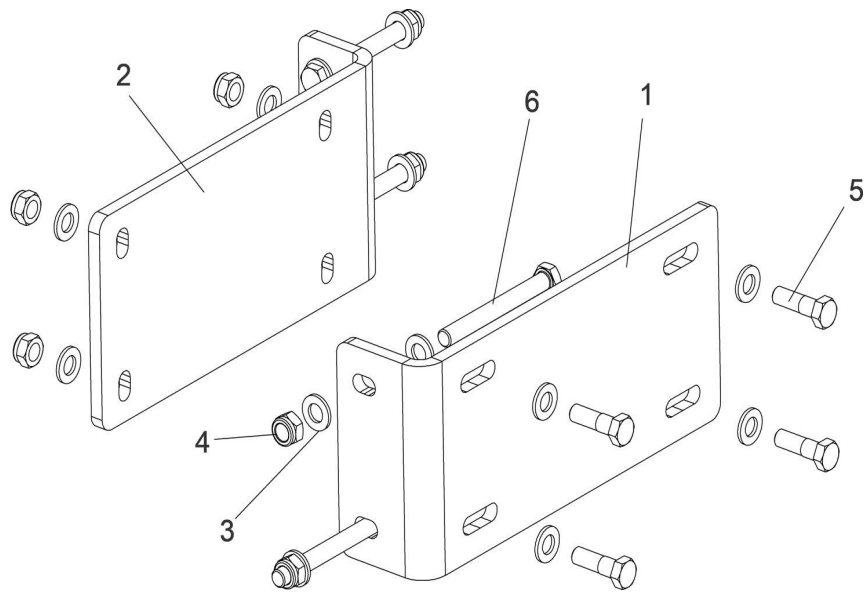
# 12

## Bed Extension

### Bed Extension Connection Bracket (BX6)

### 12.3 Bed Extension Connection Bracket (BX6)

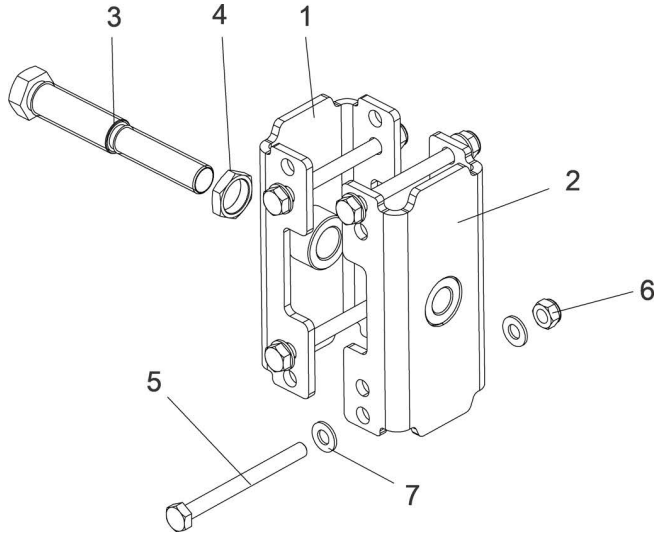
300\_0356



REF	PART #	DESCRIPTION	COMMENTS	QTY.
	528244	<b>BRACKET, WM4500 BED EXTENSION CONNECTION</b>		1
1	528242-1	Angle, Connection Bracket		1
2	528243-1	Angle, Connection Bracket		1
3	F81056-1	Washer, 13 Flat Zinc		16
4	F81034-2	Nut, M12 8 Hex Nylon Zinc Lock		8
5	F81004-1	Bolt, M12x40-8.8 Hex Head Zinc		4
6	F81004-47	Bolt, M12x110-8.8-b Hex Head Zinc		4

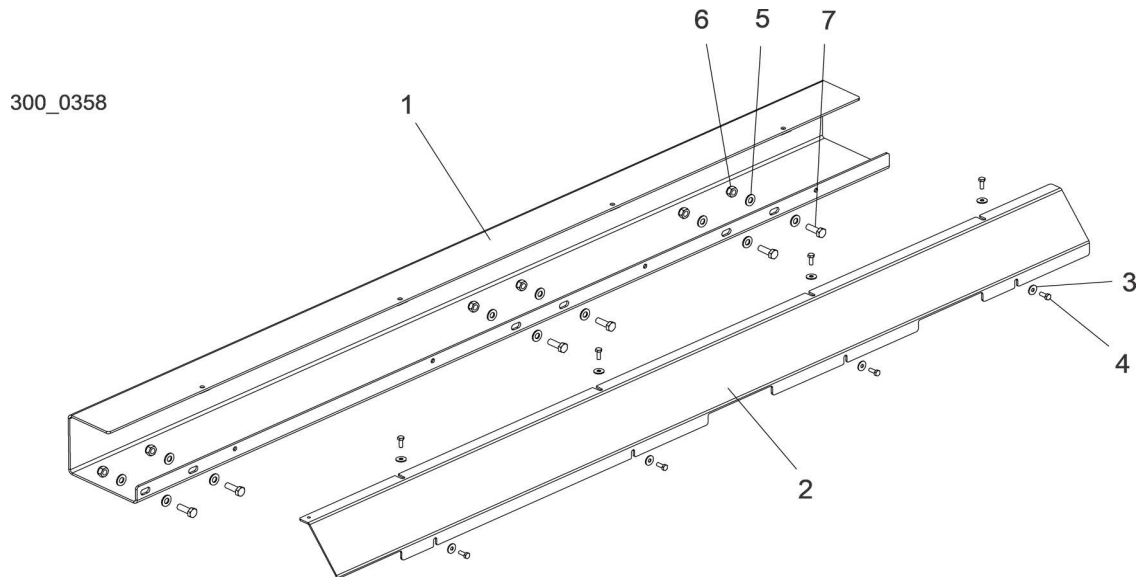
### 12.4 Bed Extension Connector (BX6)

300\_0357



REF	PART #	DESCRIPTION	COMMENTS	QTY.
	501340	<b>CONNECTOR, BED EXTENSION COMPLETE</b>		1
1	500989-1	Plate Weldment, Bx (M24) Connector		1
2	501339-1	Plate Weldment, Bx (M20) Connector		1
3	087188-1	Bolt, Zinc-plated Special		1
4	087626-1	Nut, M24x2 Lh Zinc-plated Special		1
5	F81003-19	Bolt, M10x115-8.8 Hex Head Zinc		4
6	F81033-1	Nut, M10-8-b Hex Nylon Zinc Lock		4
7	F81055-1	Washer, 10.5 Flat Zinc		8

### 12.5 Bed Extension Complete (BX6)



REF	PART #	DESCRIPTION	COMMENTS	QTY.
	531170	<b>GUIDE, WM4000 BX6 HYDRAULIC HOSE COMPLETE</b>		1
1	531168-1	Guide Weldment, WM4000 Bx6 Hydraulic Hose		1
2	531169-1	Cover, WM4000 Bx6 Hydraulic Hose Guide		1
3	F81053-11	Washer, 6.5 Special Flat Zinc		8
4	F81001-15	Bolt, M6x16-8.8 Hex Head Full Thread Zinc		8
5	F81055-1	Washer, 10.5 Flat Zinc		12
6	F81033-1	Nut, M10-8-b Hex Nylon Zinc Lock		6
7	F81003-111	Bolt, Din933-m10x30-8.8-a2e Hex Head		6





---

## B

### bed extension

complete BX6 1, 3, 4, 5, 6

### bed frame

cable carrier 18

wireway 16

### blade guide arm 6

### blade guides

drive side assembly 4

idle side assembly 2

idle side roller 1

roller/block kit 1

### blade wheels

brake actuator & strap 8

drive side 3, 5, 7

idle side w/brake 2

## C

### cab option 11

front panel 18

rear panel 12

right panel 16

roof 19

## D

### drive assembly

blade motor 17

tension system 19

### drive shaft 1

## H

### hydraulics

log clamp 16

power unit 1, 19

## L

### lube system (optional pressure) 1, 2, 3

## M

### manuals 1

## O

### operator station

air conditioning/heat 23

air supply 7, 20

flow divider 22

frame/rails/ladder 1

junction control 9

seat/joystick controls 5



## P

pantograph 3, 5

power feed

drive 6, 8

feed chain/stops 9

lower track rollers 4

lower wireway 10

upper roller block 3

upper track rollers 1

## S

saw head

blow-off assembly 6

board return 1

board return guide 2

covers 4

decals 9

head/air box 10, 11, 13, 15, 16

laser assembly 7

## T

tools 2

## U

up/down

ballscrew mount (middle) 5

ballscrew mount (top) 7

bearing rails 9

drive 3

mast pads/rollers 1

transducer 8