


## **APPENDIX A ELECTRICAL INFORMATION**

**WM4500 12' Bed Extension Rev. A3.05+**

# Table of contents


WM\_TableOfContents

| Page          | Page type            | Page description  | Date      | Edited by |
|---------------|----------------------|-------------------|-----------|-----------|
| &MEA/A1       | Table of contents    | Table of contents | 3/1/2021  | JRF       |
| &MEA/A2       | Table of contents    | Table of contents | 3/1/2021  | JRF       |
| &MEA/B1       | Overview             | Revision History  | 2/10/2021 | JRF       |
| &MEA+L1.L3/1  | Schematic multi-line | Power Pg 1        | 3/1/2021  | JRF       |
| &MEA+L1.L3/2  | Schematic multi-line | Power Pg 2        | 2/10/2021 | JRF       |
| &MEA+L1.L3/3  | Schematic multi-line | Power Pg 3        | 2/24/2021 | JRF       |
| &MEA+L1.L3/4  | Schematic multi-line | Control Pg 1      | 2/10/2021 | JRF       |
| &MEA+L1.L3/5  | Schematic multi-line | Control Pg 2      | 2/10/2021 | JRF       |
| &MEA+L1.L3/6  | Schematic multi-line | Control Pg 3      | 2/10/2021 | JRF       |
| &MEA+L1.L4/7  | Schematic multi-line | Control Pg 4      | 2/10/2021 | JRF       |
| &MEA+L1.L4/8  | Schematic multi-line | Control Pg 5      | 2/10/2021 | JRF       |
| &MEA+L1.L4/9  | Schematic multi-line | Control Pg 6      | 2/10/2021 | JRF       |
| &MEA+L1.L4/10 | Schematic multi-line | Control Pg 7      | 2/10/2021 | JRF       |
| &MEA+L1.L4/11 | Schematic multi-line | Control Pg 8      | 3/1/2021  | JRF       |
| &MEA+L1.L4/12 | Schematic multi-line | Control Pg 9      | 2/10/2021 | JRF       |
| &MEA+L1.L4/13 | Schematic multi-line | Control Pg 10     | 3/1/2021  | JRF       |
| &MEA+L1.L4/14 | Schematic multi-line | Control Pg 11     | 3/1/2021  | JRF       |
| &MEA+L1.L4/15 | Schematic multi-line | Control Pg 12     | 2/10/2021 | JRF       |
| &MEA+L1.L4/16 | Schematic multi-line | Control Pg 13     | 2/24/2021 | JRF       |
| &MEA+L1.L4/17 | Schematic multi-line | Control Pg 14     | 2/24/2021 | JRF       |
| &MEA+L1.L4/18 | Schematic multi-line | Control Pg 15     | 2/10/2021 | JRF       |
| &MEA+L1.L4/19 | Schematic multi-line | Communication     | 2/24/2021 | JRF       |
| &MEA+L1.L4/20 | Panel layout         | PLC Diagram       | 2/10/2021 | JRF       |
| &MEA+L1.L4/21 | Schematic multi-line | PLC 1             | 2/10/2021 | JRF       |
| &MEA+L1.L4/22 | Schematic multi-line | PLC 2             | 2/24/2021 | JRF       |
| &MEA+L1.L4/23 | Schematic multi-line | PLC 3             | 2/10/2021 | JRF       |
| &MEA+L1.L4/24 | Schematic multi-line | PLC 4             | 2/10/2021 | JRF       |
| &MEA+L1.L4/25 | Schematic multi-line | PLC 5             | 2/10/2021 | JRF       |
| &MEA+L1.L4/26 | Schematic multi-line | PLC 6             | 2/10/2021 | JRF       |
| &MEA+L1.L4/27 | Schematic multi-line | PLC 7             | 2/10/2021 | JRF       |
| &MEA+L1.L4/28 | Schematic multi-line | PLC 8             | 2/10/2021 | JRF       |
| &MEA+L1.L4/29 | Schematic multi-line | PLC 9             | 2/10/2021 | JRF       |
| &MEA+L1.L4/30 | Schematic multi-line | PLC 10            | 2/10/2021 | JRF       |
| &MEA+L1.L4/31 | Schematic multi-line | PLC 11            | 2/10/2021 | JRF       |
| &MEA+L1.L4/32 | Schematic multi-line | PLC 12            | 2/10/2021 | JRF       |
| &MEA+L1.L4/33 | Schematic multi-line | PLC 13            | 2/10/2021 | JRF       |
| &MEA+L1.L4/34 | Schematic multi-line | PLC 14            | 2/10/2021 | JRF       |
| &MEA+L1.L4/35 | Schematic multi-line | PLC 15            | 2/10/2021 | JRF       |

|   |          |                            |               |
|---|----------|----------------------------|---------------|
|  |          | <b>Wood-Mizer®</b>         |               |
| Project Description: WM4500 Bed Extension Full                                      |          |                            |               |
| Revision:   | A3.05    | Pg Desc: Table of contents |               |
| Mounting Location: +  |          | Type: Table of contents    |               |
| Prev. pg:   | Page: A1 | Next pg: A2                | Total Pgs: 93 |

# Table of contents

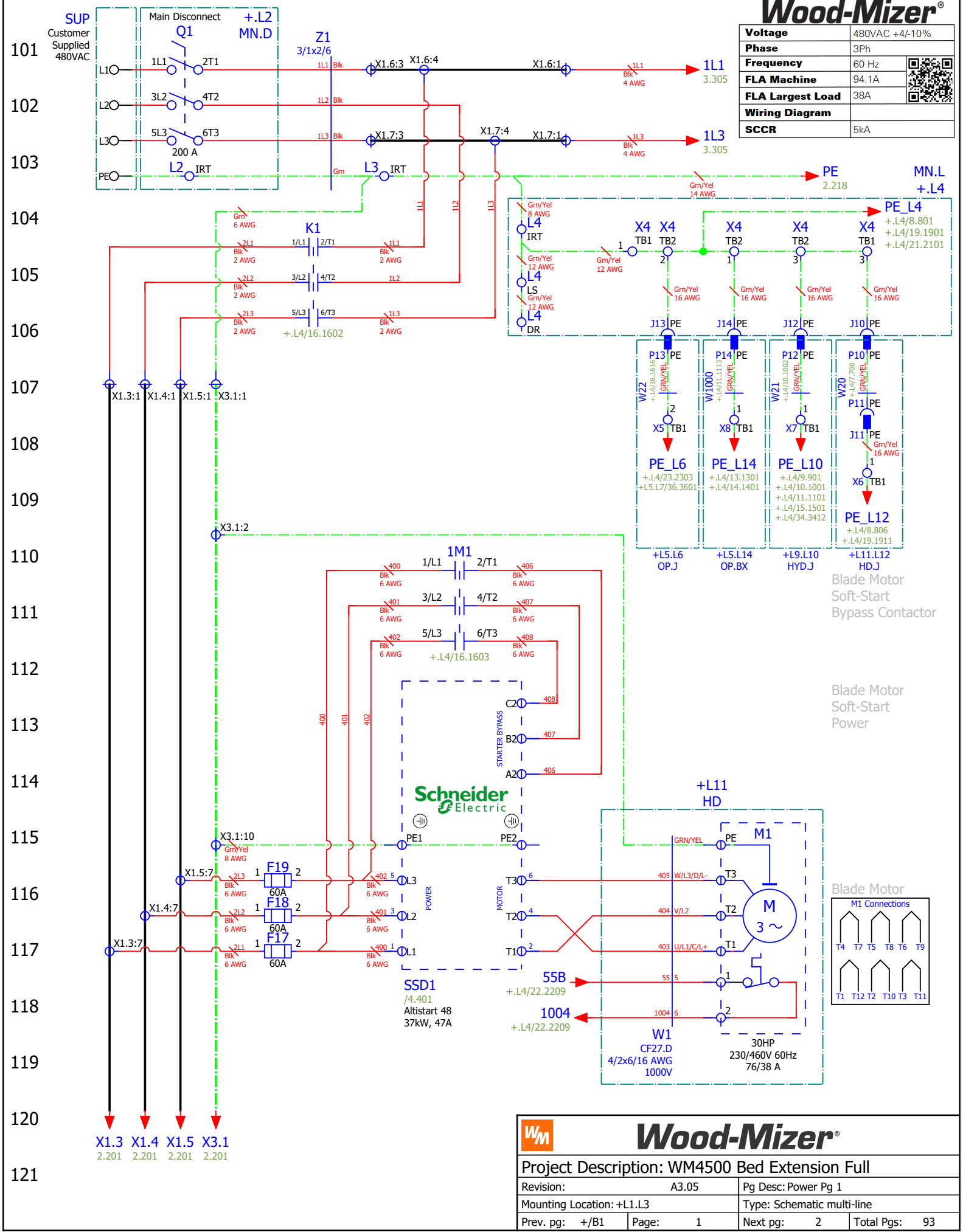
| Page          | Page type                | Page description                  | Date      | Edited by |
|---------------|--------------------------|-----------------------------------|-----------|-----------|
| &MEA+L5.L7/36 | Schematic multi-line     | HMI 1                             | 2/24/2021 | JRF       |
| &MEA+Docs/C1  | Parts list               | Parts list                        | 2/10/2021 | JRF       |
| &MEA+Docs/C2  | Parts list               | Parts list                        | 2/10/2021 | JRF       |
| &MEA+Docs/C3  | Parts list               | Parts list                        | 2/24/2021 | JRF       |
| &MEA+Docs/D1  | Terminal line-up diagram | Terminal line-up diagram          | 2/10/2021 | JRF       |
| &MEA+Docs/D2  | Terminal line-up diagram | Terminal line-up diagram          | 2/10/2021 | JRF       |
| &MEA+Docs/D3  | Terminal line-up diagram | Terminal line-up diagram          | 2/10/2021 | JRF       |
| &MEA+Docs/D4  | Terminal line-up diagram | Terminal line-up diagram          | 2/10/2021 | JRF       |
| &MEA+Docs/D5  | Terminal line-up diagram | Terminal line-up diagram          | 2/10/2021 | JRF       |
| &MEA+Docs/D6  | Terminal line-up diagram | Terminal line-up diagram          | 2/10/2021 | JRF       |
| &MEA+Docs/D7  | Terminal line-up diagram | Terminal line-up diagram          | 2/10/2021 | JRF       |
| &MEA+Docs/D8  | Terminal line-up diagram | Terminal line-up diagram          | 2/10/2021 | JRF       |
| &MEA+Docs/E1  | Cable overview           | Cable overview                    | 2/10/2021 | JRF       |
| &MEA+Docs/E2  | Cable overview           | Cable overview                    | 2/10/2021 | JRF       |
| &MEA+Docs/F1  | Panel layout             | Main Control Layout               | 2/10/2021 | JRF       |
| &MEA+Docs/F2  | Panel layout             | Main Control Disconnect Layout    | 2/10/2021 | JRF       |
| &MEA+Docs/F3  | Panel layout             | Main Control High Voltage Layout  | 2/10/2021 | JRF       |
| &MEA+Docs/F4  | Panel layout             | Main Control Low Voltage Layout   | 2/10/2021 | JRF       |
| &MEA+Docs/F5  | Panel layout             | Operator Ctl Layout               | 2/10/2021 | JRF       |
| &MEA+Docs/F6  | Panel layout             | Operator Ctl Solenoid Layout      | 3/1/2021  | JRF       |
| &MEA+Docs/F7  | Panel layout             | Operator Ctl Junction Layout      | 2/10/2021 | JRF       |
| &MEA+Docs/F8  | Panel layout             | Operator Ctl HMI Layout           | 2/10/2021 | JRF       |
| &MEA+Docs/F9  | Panel layout             | Operator Ctl Bed Ex Layout        | 2/10/2021 | JRF       |
| &MEA+Docs/F10 | Panel layout             | Operator Ctl Side Supports Layout | 2/10/2021 | JRF       |
| &MEA+Docs/F11 | Panel layout             | Hydraulic Control Layout          | 2/10/2021 | JRF       |
| &MEA+Docs/F12 | Panel layout             | Hydraulic Control Junction Layout | 2/10/2021 | JRF       |
| &MEA+Docs/F13 | Panel layout             | Head Control Layout               | 2/10/2021 | JRF       |
| &MEA+Docs/F14 | Panel layout             | Head Control Junction Layout      | 2/10/2021 | JRF       |
|               |                          |                                   |           |           |
|               |                          |                                   |           |           |
|               |                          |                                   |           |           |
|               |                          |                                   |           |           |
|               |                          |                                   |           |           |
|               |                          |                                   |           |           |
|               |                          |                                   |           |           |
|               |                          |                                   |           |           |
|               |                          |                                   |           |           |
|               |                          |                                   |           |           |
|               |                          |                                   |           |           |
|               |                          |                                   |           |           |
|               |                          |                                   |           |           |
|               |                          |                                   |           |           |
|               |                          |                                   |           |           |
|               |                          |                                   |           |           |
|               |                          |                                   |           |           |
|               |                          |                                   |           |           |

|  |                            |
|--|----------------------------|
|  <b>Wood-Mizer®</b> |                            |
| Project Description: WM4500 Bed Extension Full   |                            |
| Revision: A3.05  | Pg Desc: Table of contents |
| Mounting Location: +   | Type: Table of contents    |
| Prev. pg: A1   | Page: A2                   |
| Next pg: B1  | Total Pgs: 93              |

# Revision History

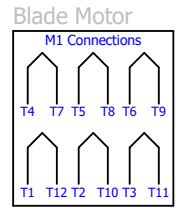
| Date    | Revision | Revision Record                 | Drawn By | Checked By |
|---------|----------|---------------------------------|----------|------------|
| 8/6/18  | A1.00    | Release to production           | JRF      | SDC        |
| 4/26/19 | A2.00    | Added Pull Down Clamp Functions | JRF      | SDC        |
| 12/6/19 | A3.00    | Full Bed Extension              | JRF      | SDC        |
| 2/10/20 | A3.04    | Feed Encoder Change             | JRF      | SDC        |

|                         |                |
|-------------------------|----------------|
| <b>Voltage</b>          | 480VAC +4/-10% |
| <b>Phase</b>            | 3Ph            |
| <b>Frequency</b>        | 60 Hz          |
| <b>FLA Machine</b>      | 94.1A          |
| <b>FLA Largest Load</b> | 38A            |
| <b>Wiring Diagram</b>   |                |
| <b>SCCR</b>             | 5kA            |



Blade Motor  
Soft-Start  
Bypass Contactor

Blade Motor  
Soft-Start  
Power

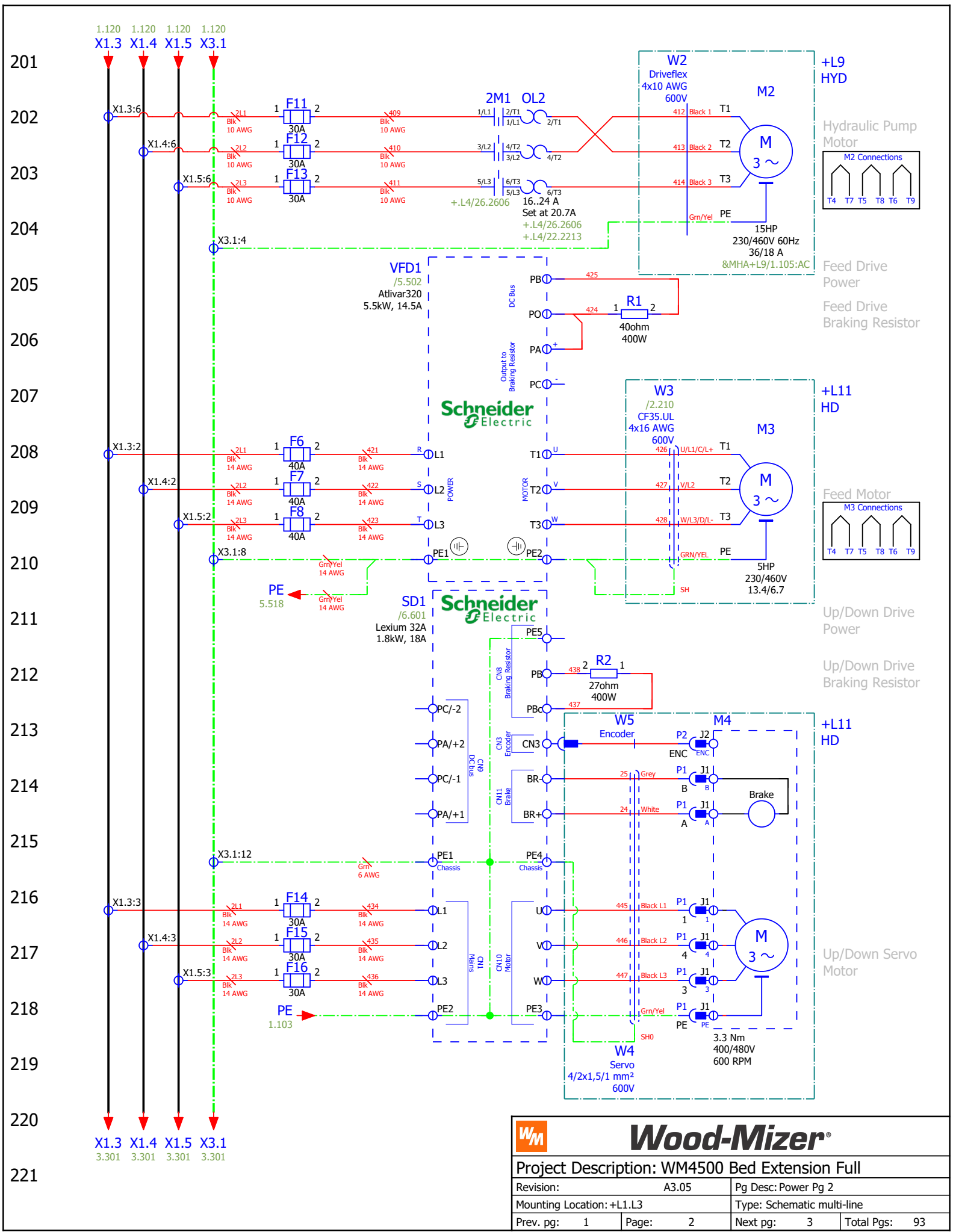


## Wood-Mizer®

|   |                            |                     |               |
|---|----------------------------|---------------------|---------------|
| <b>Project Description: WM4500 Bed Extension Full</b> |                            |                     |               |
| Revision:   | A3.05                      | Pg Desc: Power Pg 1 |               |
| Mounting Location: +L1.L3                             | Type: Schematic multi-line |                     |               |
| Prev. pg: +/B1  | Page: 1                    | Next pg: 2          | Total Pgs: 93 |

X1.3 2.201  
X1.4 2.201  
X1.5 2.201  
X3.1 2.201

121

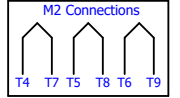


1.120 1.120 1.120 1.120  
 X1.3 X1.4 X1.5 X3.1

X1.3 X1.4 X1.5 X3.1  
 3.301 3.301 3.301 3.301

+L9  
 HYD

Hydraulic Pump  
 Motor

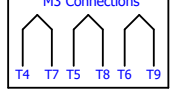


Feed Drive  
 Power

Feed Drive  
 Braking Resistor

+L11  
 HD

Feed Motor



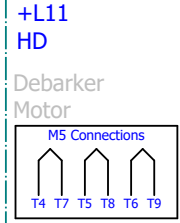
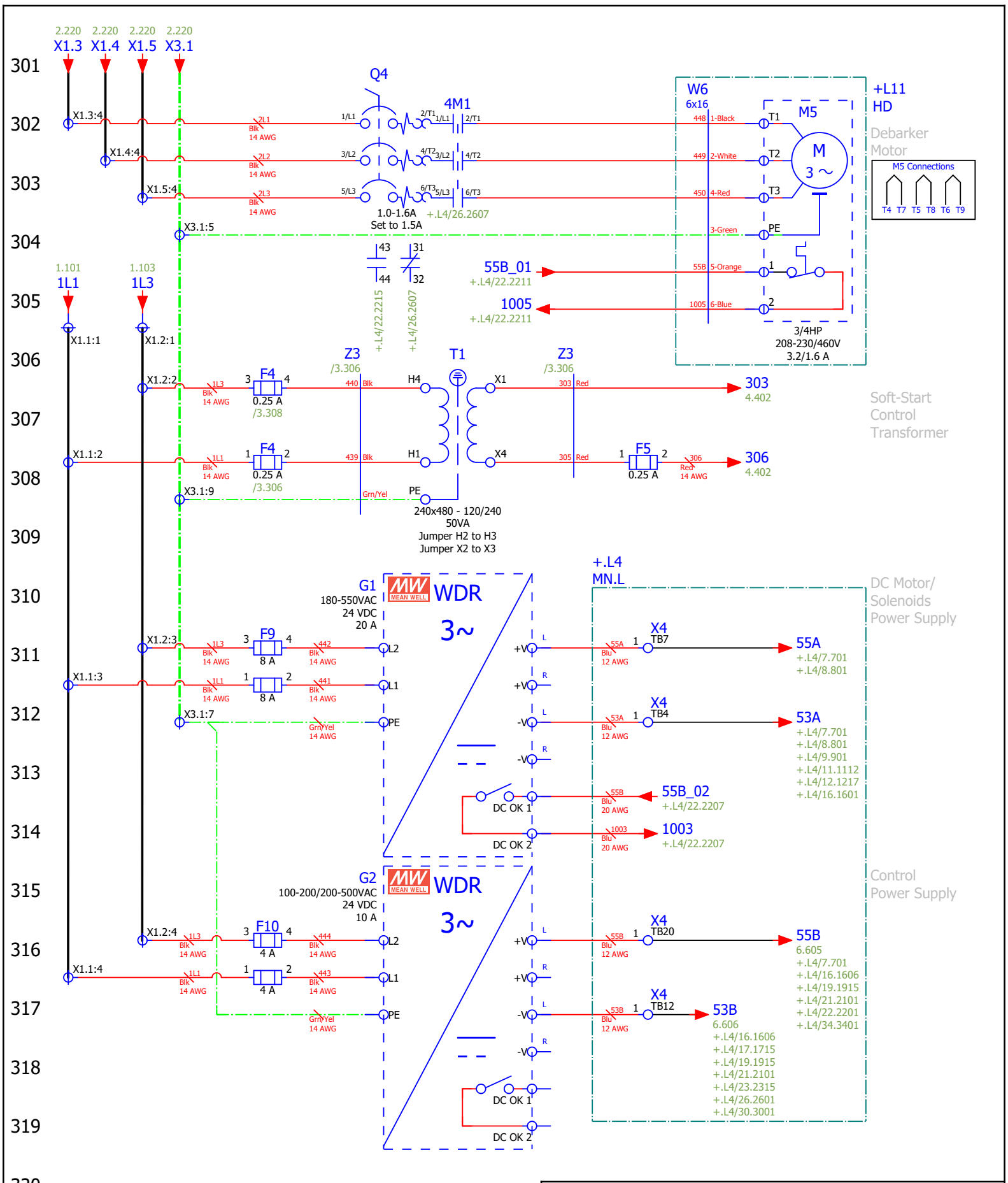
Up/Down Drive  
 Power

Up/Down Drive  
 Braking Resistor

+L11  
 HD

Up/Down Servo  
 Motor

|   |        |                            |    |
|---|--------|----------------------------|----|
|   |        |                            |    |
| <b>Project Description: WM4500 Bed Extension Full</b> |        |                            |    |
| Revision:   | A3.05  | Pg Desc: Power Pg 2        |    |
| Mounting Location:                                    | +L1.L3 | Type: Schematic multi-line |    |
| Prev. pg:   | 1      | Page:                      | 2  |
|   |        | Next pg:                   | 3  |
|   |        | Total Pgs:                 | 93 |



Soft-Start Control Transformer

DC Motor/Solenoids Power Supply

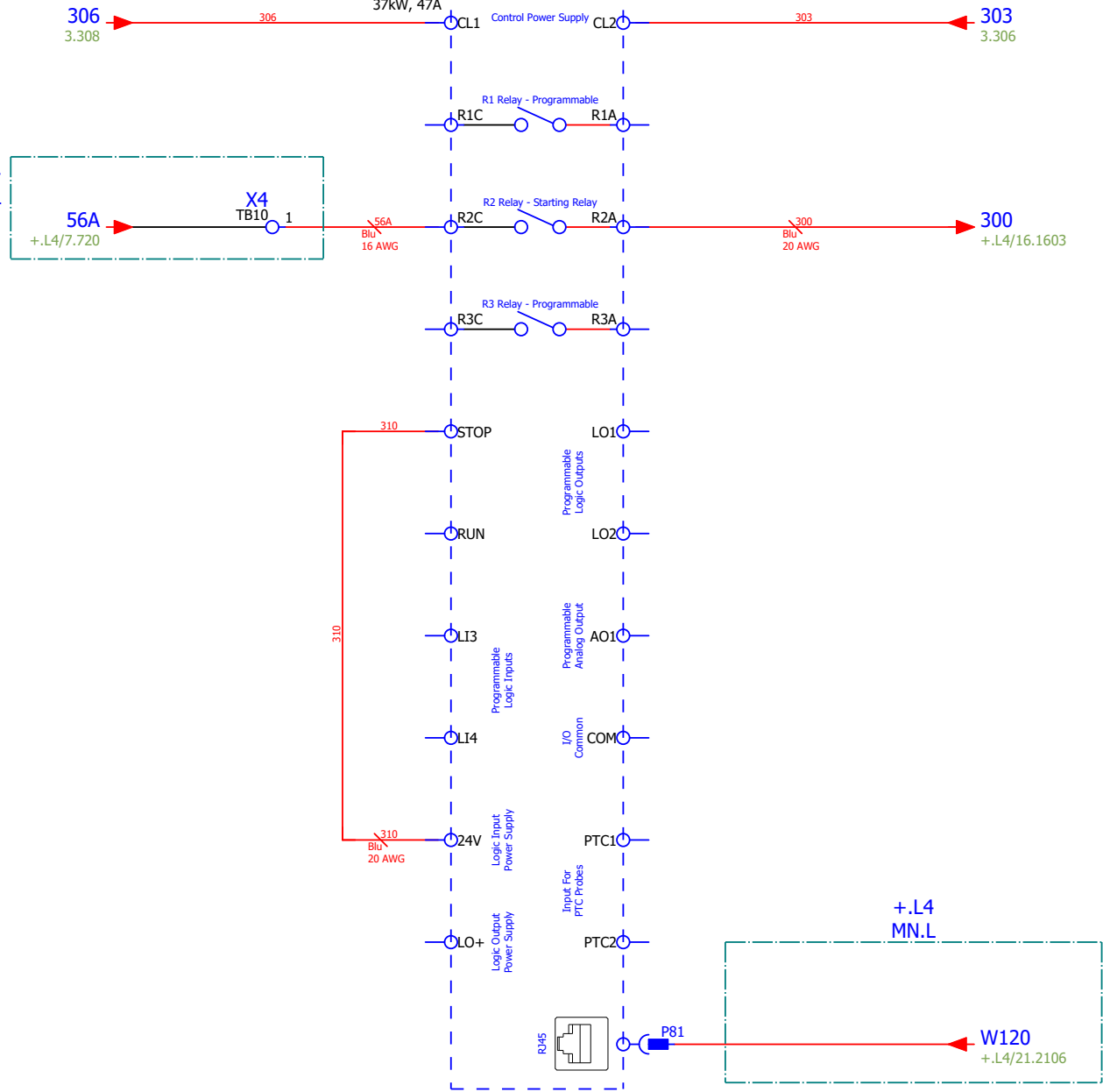
Control Power Supply

|   |        |                            |    |
|---|--------|----------------------------|----|
|   |        |                            |    |
| <b>Project Description: WM4500 Bed Extension Full</b> |        |                            |    |
| Revision:   | A3.05  | Pg Desc: Power Pg 3        |    |
| Mounting Location:                                    | +L1.L3 | Type: Schematic multi-line |    |
| Prev. pg:   | 2      | Page:                      | 3  |
|   |        | Next pg:                   | 4  |
|   |        | Total Pgs:                 | 93 |

401  
402  
403  
404  
405  
406  
407  
408  
409  
410  
411  
412  
413  
414  
415  
416  
417  
418  
419  
420  
421

Soft-Start Control

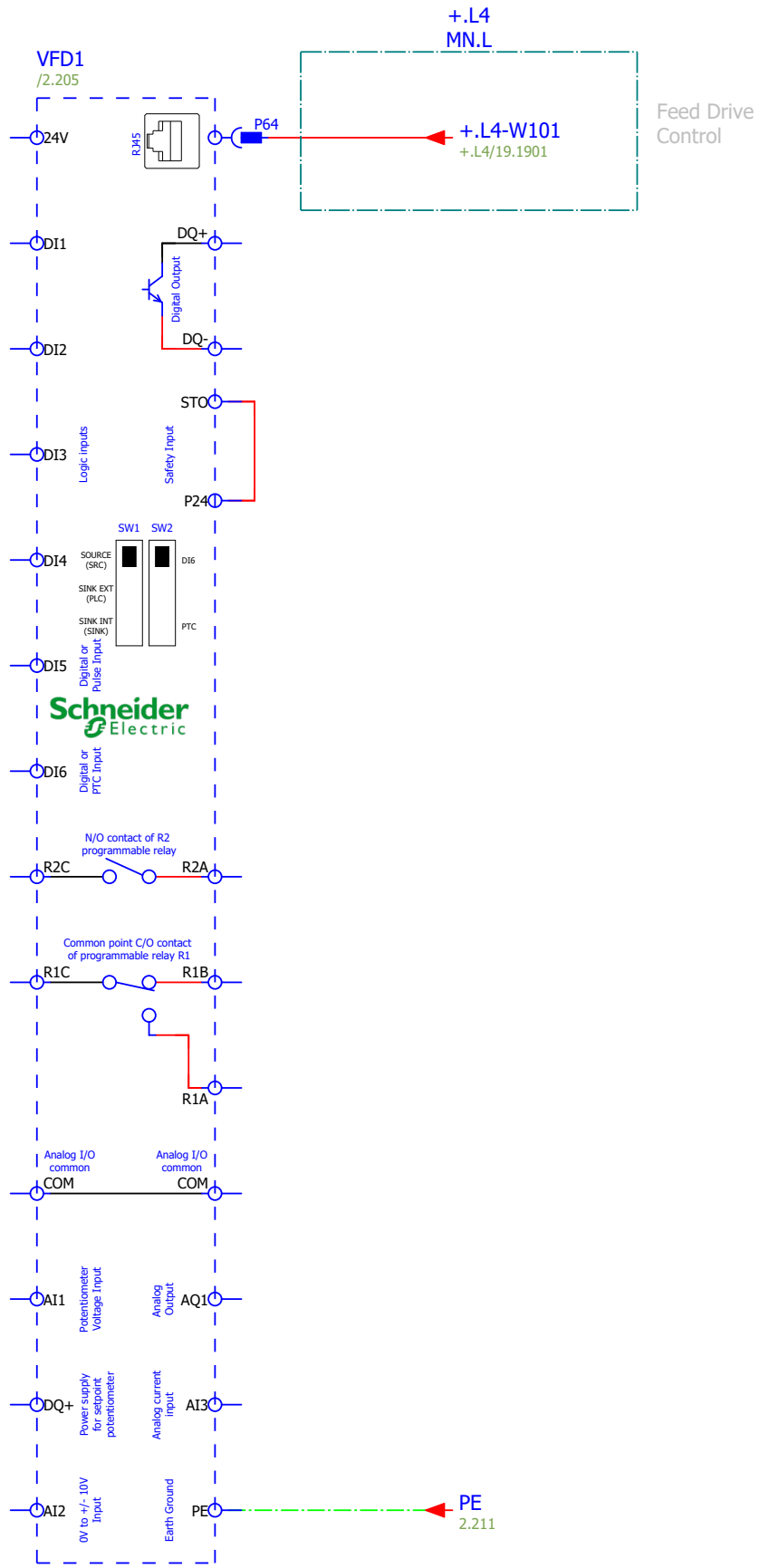
SSD1 /1.112  
Altistart 48  
37kW, 47A

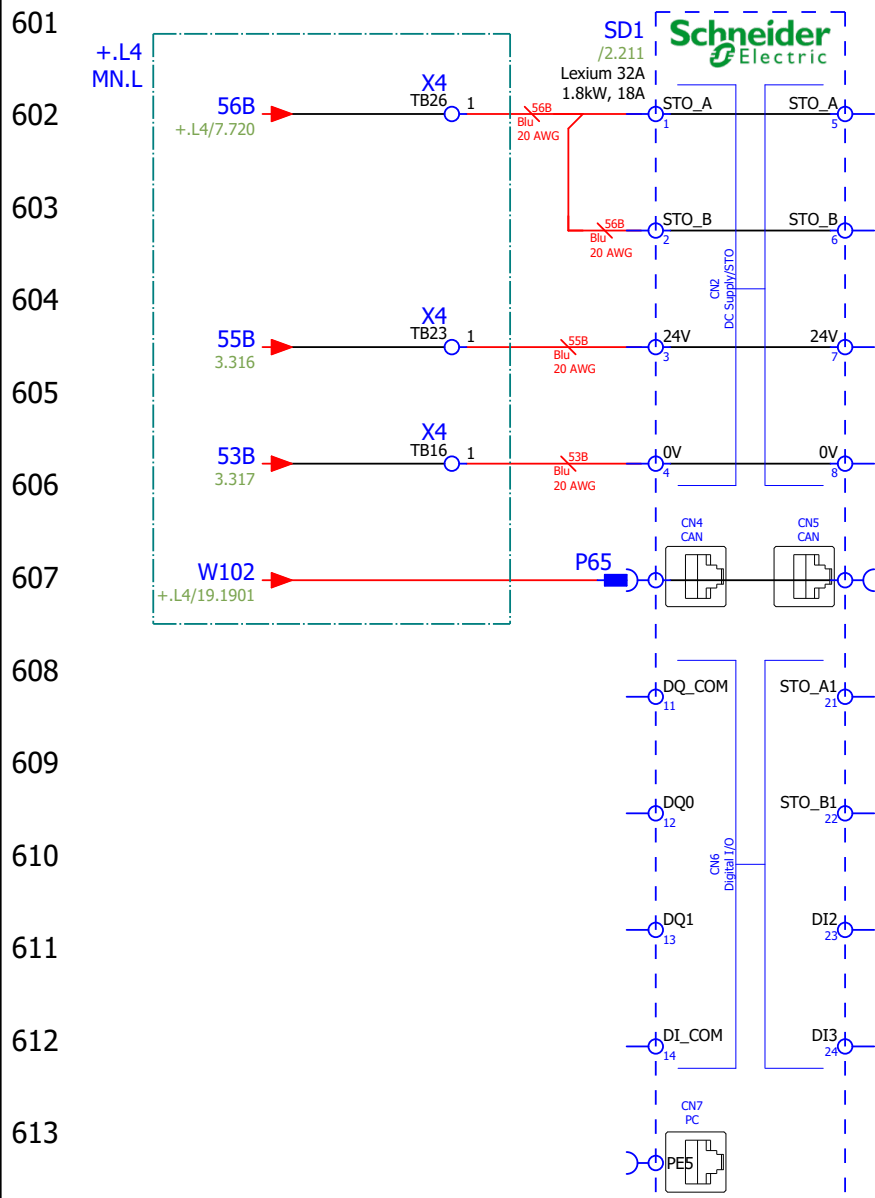


|  |       |                            |    |
|--|-------|----------------------------|----|
|  |       | <b>Wood-Mizer®</b>         |    |
| Project Description: WM4500 Bed Extension Full |       |                            |    |
| Revision:                                      | A3.05 | Pg Desc: Control Pg 1      |    |
| Mounting Location: +L1.L3                      |       | Type: Schematic multi-line |    |
| Prev. pg:                                      | 3     | Page:                      | 4  |
|  |       | Next pg:                   | 5  |
|  |       | Total Pgs:                 | 93 |



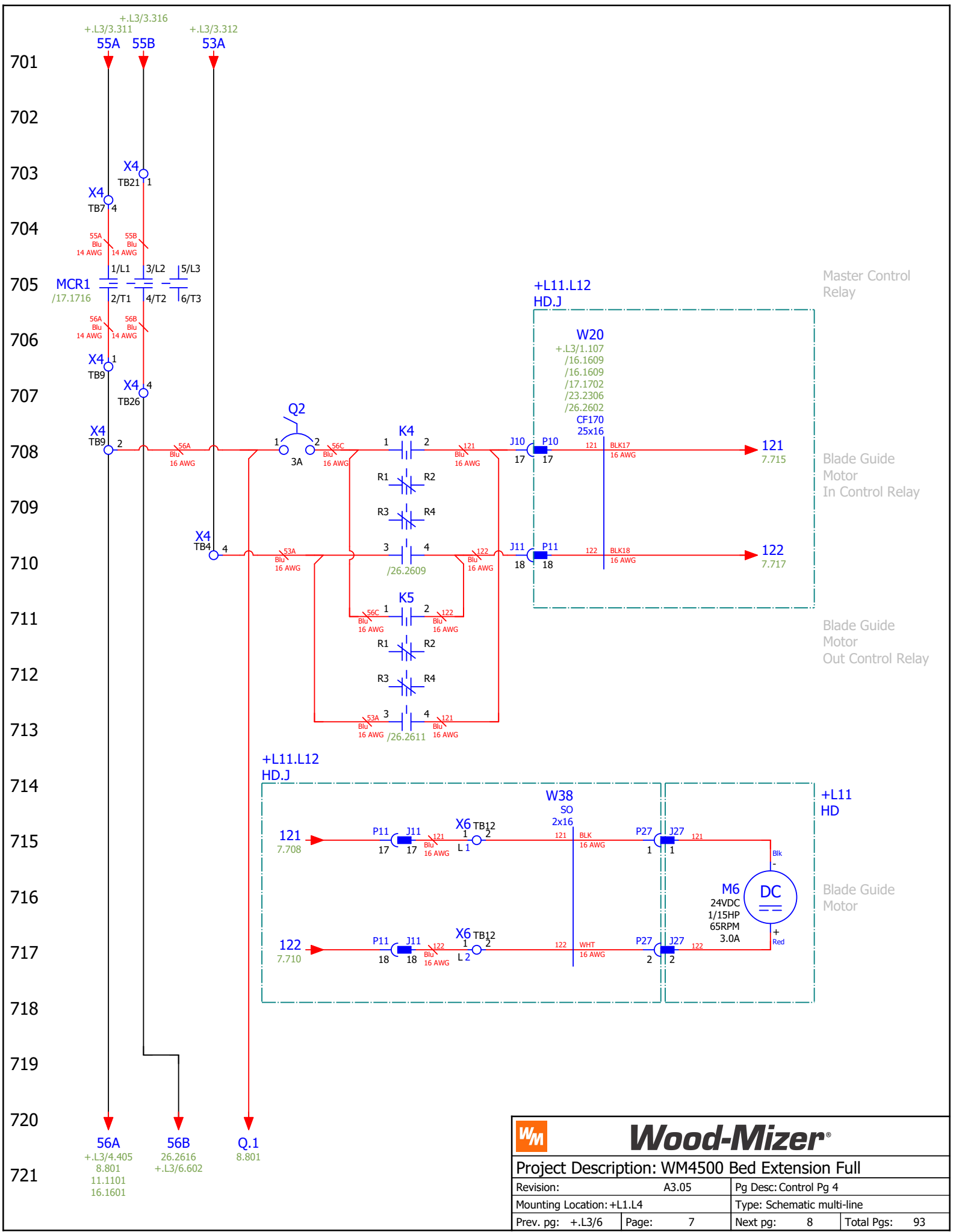
501  
502  
503  
504  
505  
506  
507  
508  
509  
510  
511  
512  
513  
514  
515  
516  
517  
518  
519  
520  
521




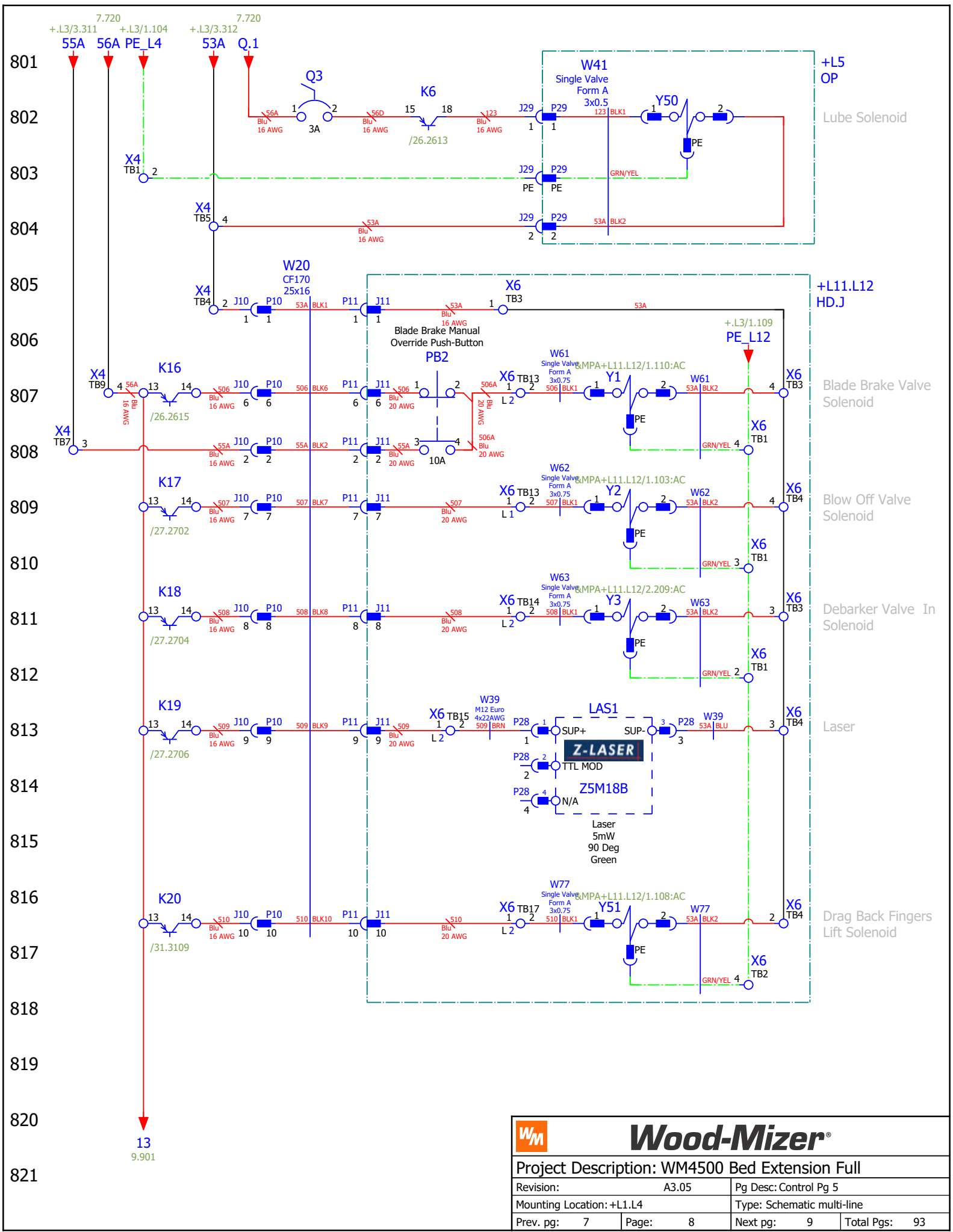


|  |       |                            |               |
|--|-------|----------------------------|---------------|
|  |       | <b>Wood-Mizer®</b>         |               |
| Project Description: WM4500 Bed Extension Full |       |                            |               |
| Revision:                                      | A3.05 | Pg Desc: Control Pg 3      |               |
| Mounting Location: +L1.L3                      |       | Type: Schematic multi-line |               |
| Prev. pg:                                      | 5     | Page:                      | 6             |
| Next pg:                                       |       | +L4/7                      | Total Pgs: 93 |

601  
602  
603  
604  
605  
606  
607  
608  
609  
610  
611  
612  
613  
614  
615  
616  
617  
618  
619  
620  
621



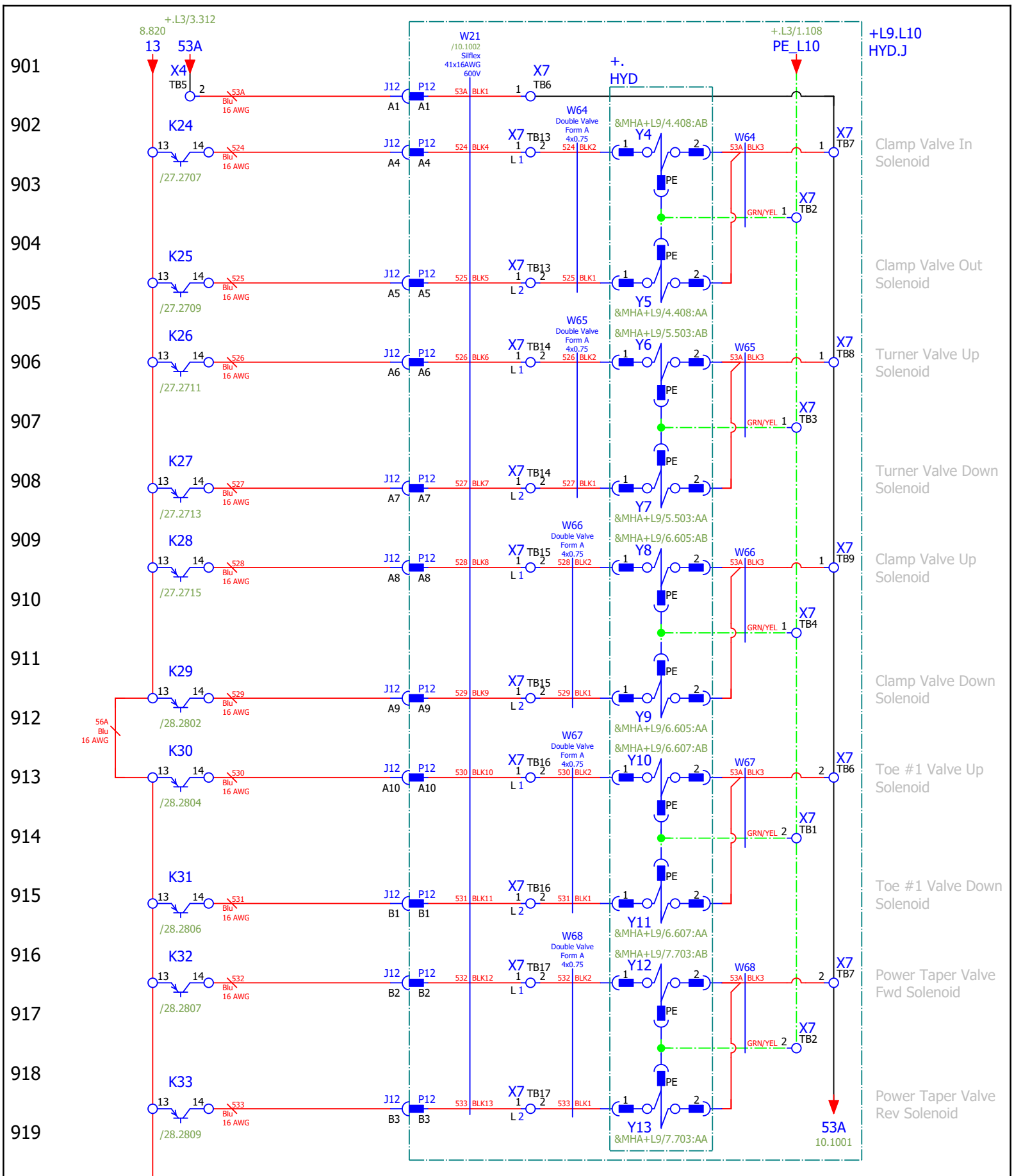
|  |        |                       |                            |
|--|--------|-----------------------|----------------------------|
|  <b>Wood-Mizer®</b> |        |                       |                            |
| <b>Project Description: WM4500 Bed Extension Full</b>  |        |                       |                            |
| Revision:  | A3.05  | Pg Desc: Control Pg 4 |                            |
| Mounting Location:   | +L1.L4 |                       | Type: Schematic multi-line |
| Prev. pg:  | +L3/6  | Page:                 | 7                          |
|  |        | Next pg:              | 8                          |
|  |        | Total Pgs:            | 93                         |




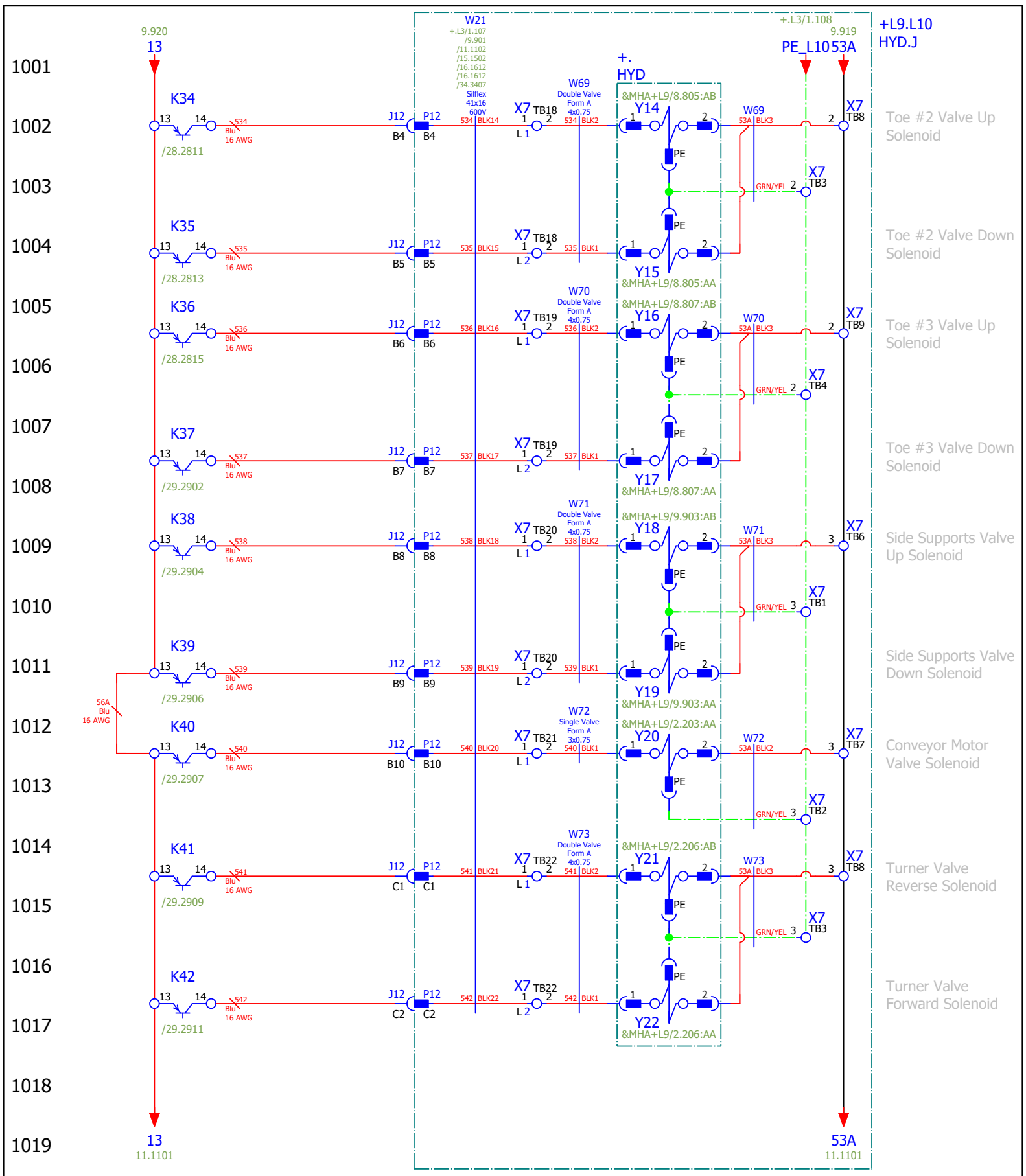
## Wood-Mizer®

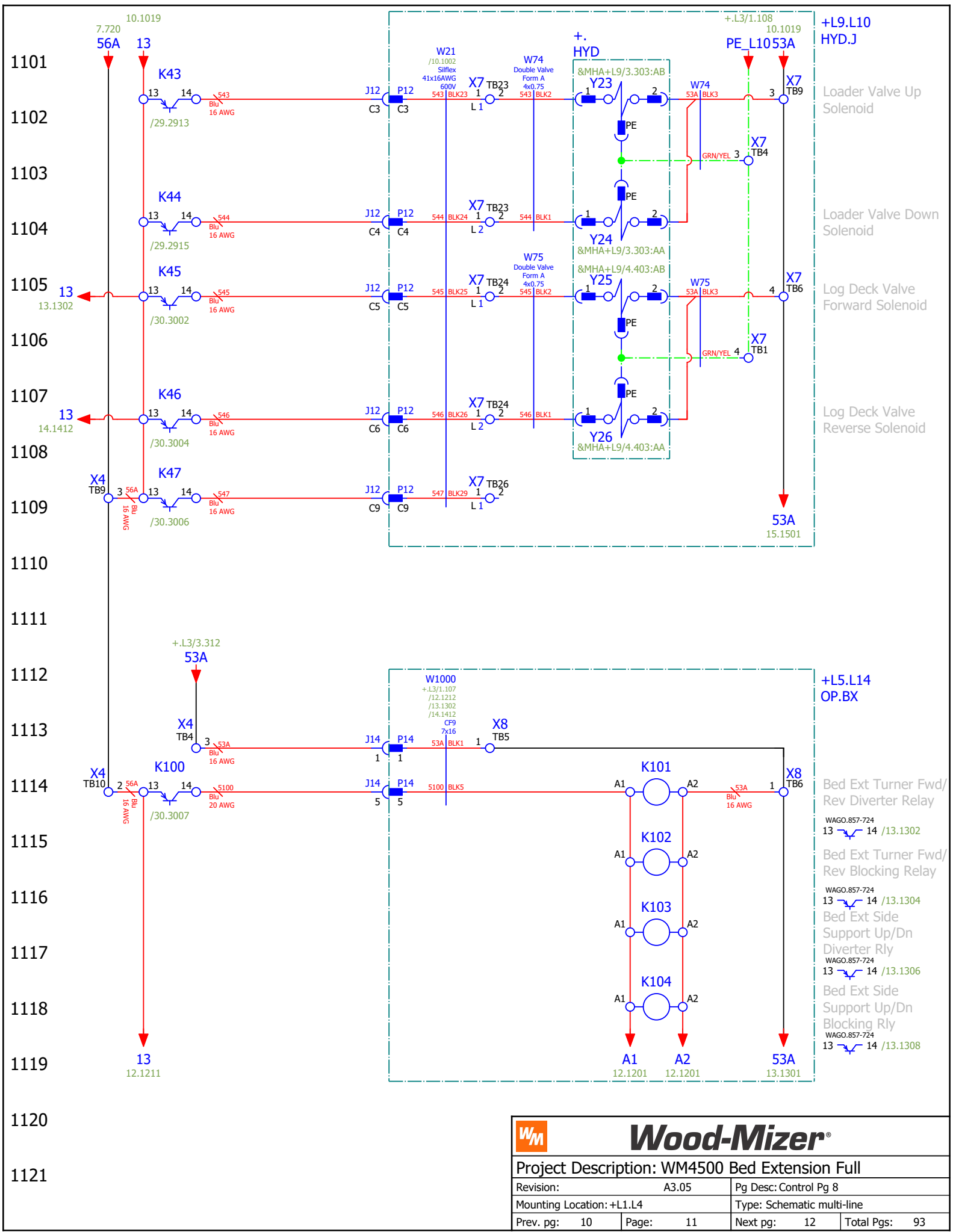
Project Description: WM4500 Bed Extension Full

|                           |                            |
|---------------------------|----------------------------|
| Revision: A3.05           | Pg Desc: Control Pg 5      |
| Mounting Location: +L1.L4 | Type: Schematic multi-line |
| Prev. pg: 7               | Page: 8                    |
|                           | Next pg: 9                 |
|                           | Total Pgs: 93              |

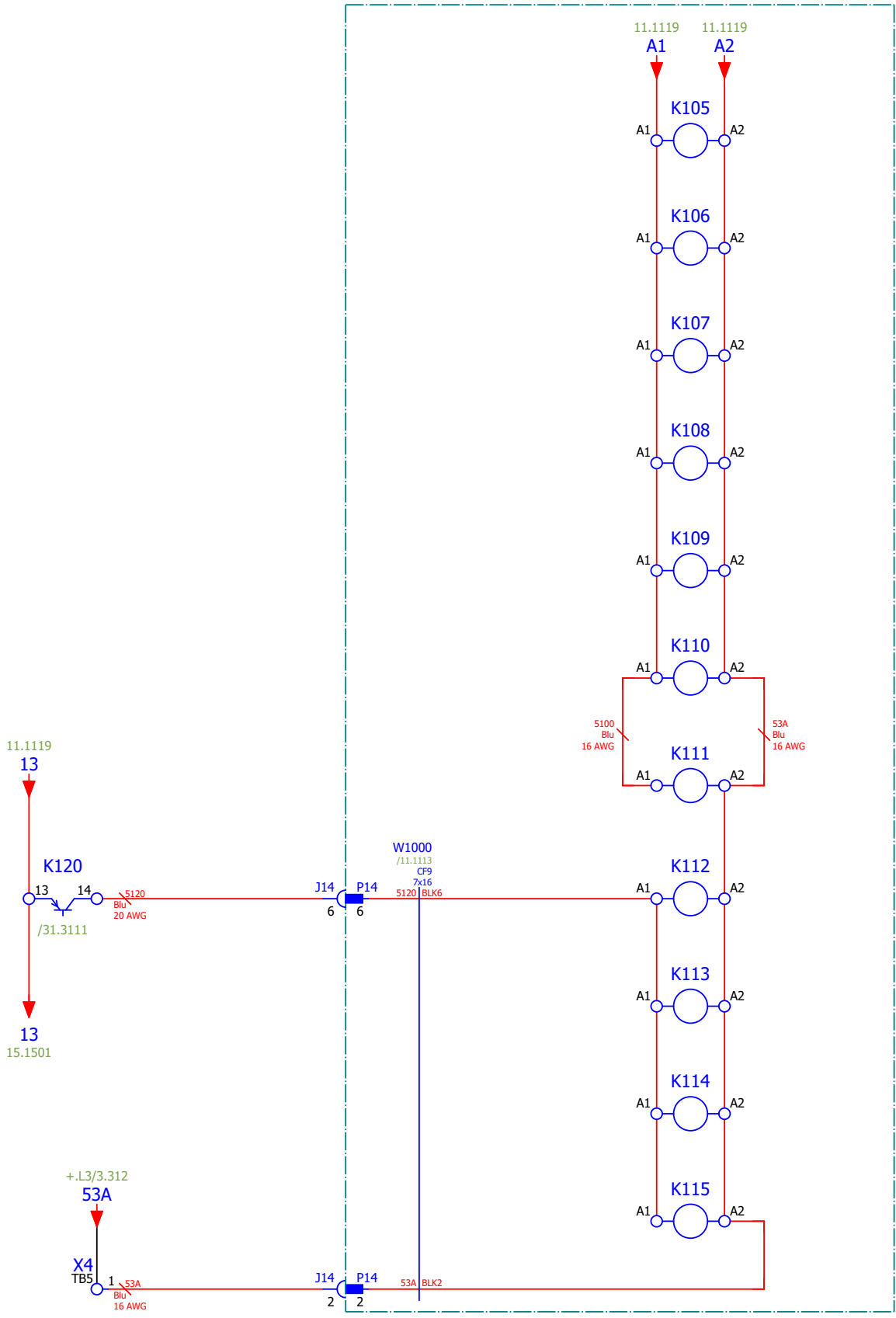


|  |        |                            |    |
|--|--------|----------------------------|----|
|  <b>Wood-Mizer®</b> |        |                            |    |
| Project Description: WM4500 Bed Extension Full   |        |                            |    |
| Revision:  | A3.05  | Pg Desc: Control Pg 6      |    |
| Mounting Location:   | +L1.L4 | Type: Schematic multi-line |    |
| Prev. pg:  | 8      | Page:                      | 9  |
|  |        | Next pg:                   | 10 |
|  |        | Total Pgs:                 | 93 |





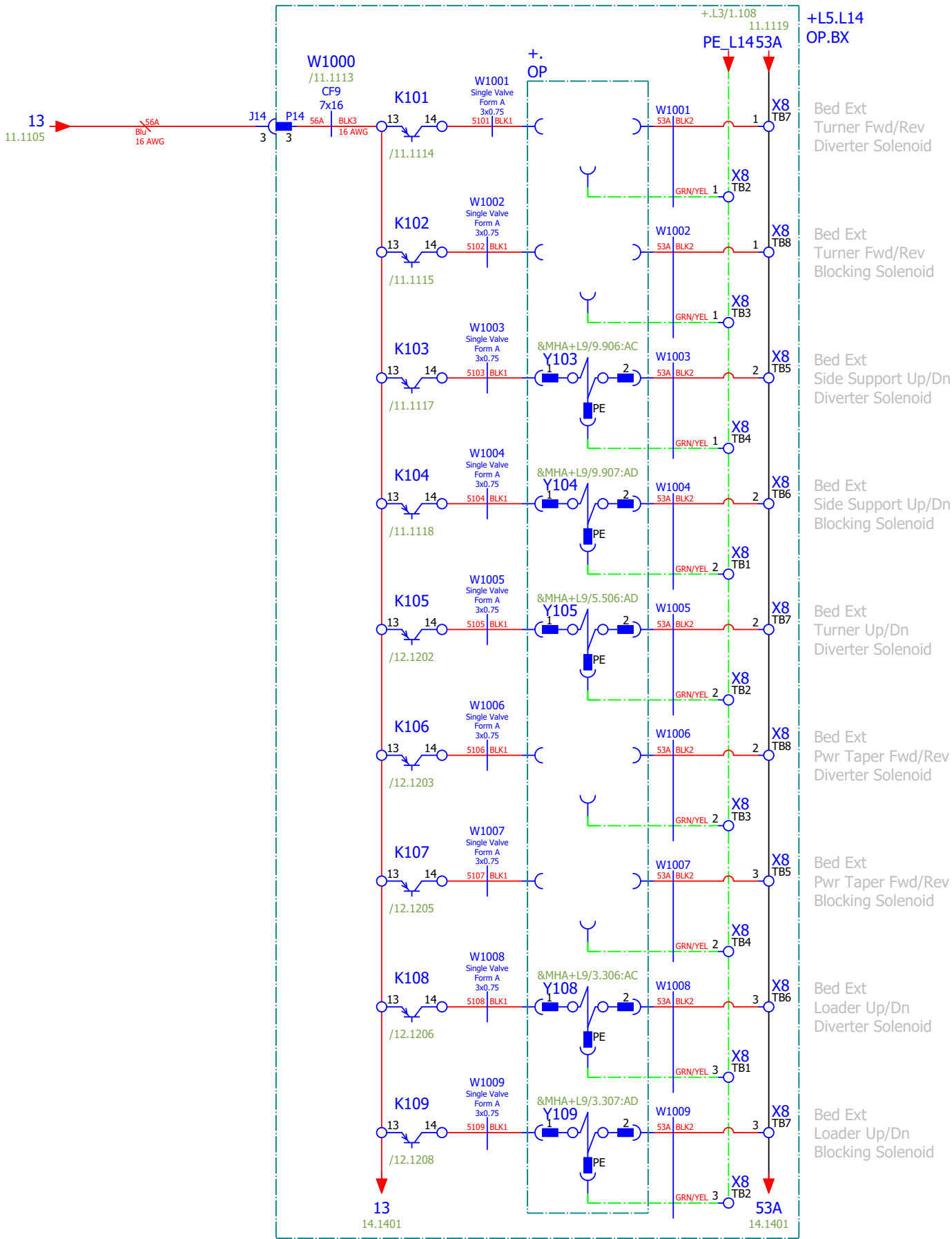
1201  
1202  
1203  
1204  
1205  
1206  
1207  
1208  
1209  
1210  
1211  
1212  
1213  
1214  
1215  
1216  
1217  
1218  
1219  
1220  
1221



- +L5.L14  
OP.BX
- Bed Ext Turner  
Up/Dn  
Diverter Relay  
WAGO.857-724  
13 14 /13.1310
- Bed Ext Pwr Taper  
Fwd/Rev  
Diverter Rly  
WAGO.857-724  
13 14 /13.1312
- Bed Ext Pwr Taper  
Fwd/Rev  
Blocking Rly  
WAGO.857-724  
13 14 /13.1314
- Bed Ext Loader  
Up/Dn  
Diverter Relay  
WAGO.857-724  
13 14 /13.1316
- Bed Ext Loader  
Up/Dn  
Blocking Relay  
WAGO.857-724  
13 14 /13.1318
- Bed Ext Log Deck  
Fwd/Rev  
Diverter Rly  
WAGO.857-724  
13 14 /14.1402
- Bed Ext Log Deck  
Fwd/Rev  
Blocking Rly  
WAGO.857-724  
13 14 /14.1404
- Bed Ext  
Clamp Up  
Diverter Solenoid  
WAGO.857-724  
13 14 /14.1406
- Bed Ext  
Clamp Down  
Diverter Solenoid  
WAGO.857-724  
13 14 /14.1408
- Bed Ext  
Clamp In  
Diverter Solenoid  
WAGO.857-724  
13 14 /14.1410
- Bed Ext  
Clamp Out  
Diverter Solenoid  
WAGO.857-724  
13 14 /14.1412



1301  
1302  
1303  
1304  
1305  
1306  
1307  
1308  
1309  
1310  
1311  
1312  
1313  
1314  
1315  
1316  
1317  
1318  
1319  
1320  
1321



+L5.L14  
OP.BX

Bed Ext  
Turner Fwd/Rev  
Diverter Solenoid

Bed Ext  
Turner Fwd/Rev  
Blocking Solenoid

Bed Ext  
Side Support Up/Dn  
Diverter Solenoid

Bed Ext  
Side Support Up/Dn  
Blocking Solenoid

Bed Ext  
Turner Up/Dn  
Diverter Solenoid

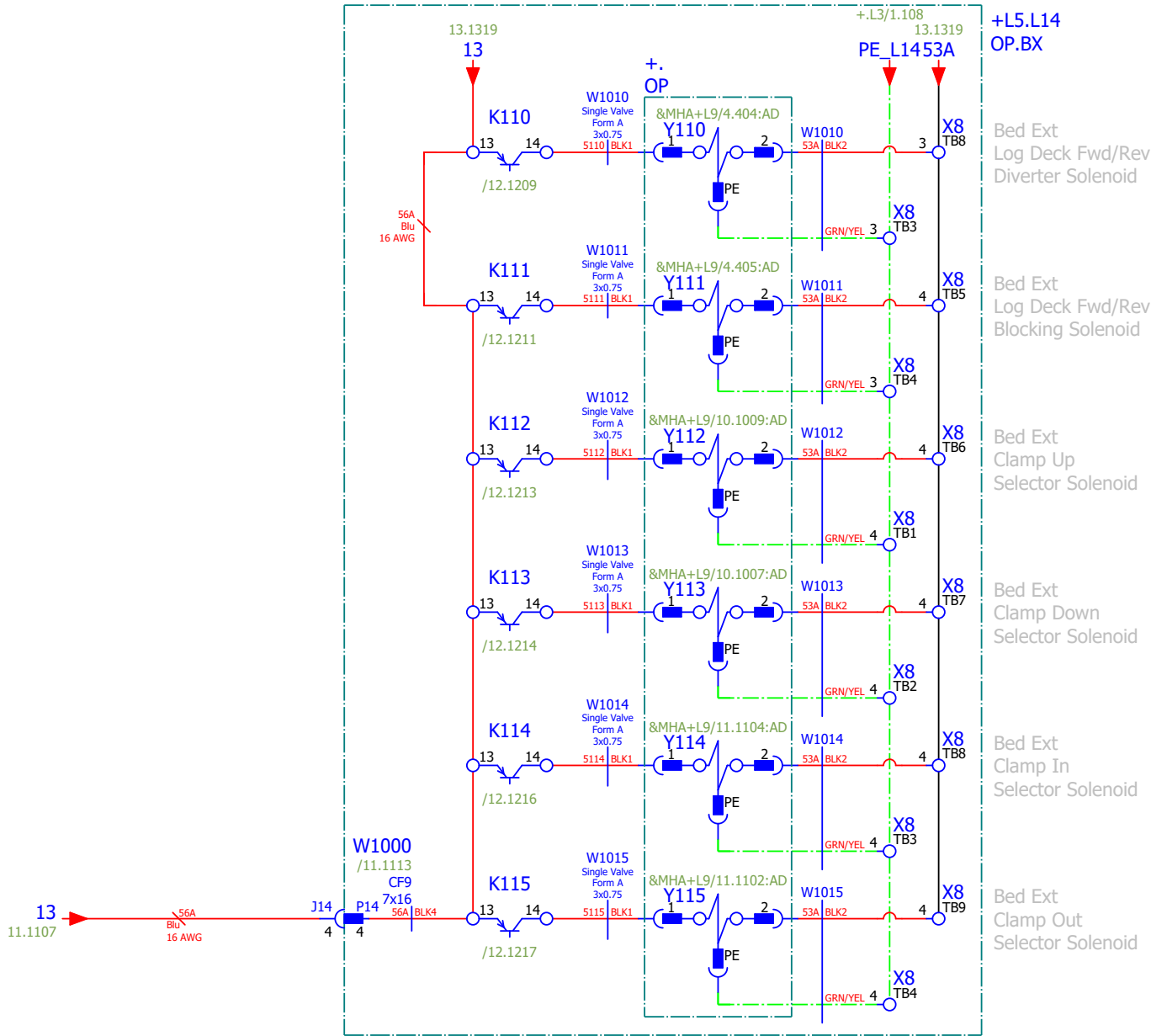
Bed Ext  
Pwr Taper Fwd/Rev  
Diverter Solenoid

Bed Ext  
Pwr Taper Fwd/Rev  
Blocking Solenoid

Bed Ext  
Loader Up/Dn  
Diverter Solenoid

Bed Ext  
Loader Up/Dn  
Blocking Solenoid

1401  
1402  
1403  
1404  
1405  
1406  
1407  
1408  
1409  
1410  
1411  
1412  
1413  
1414  
1415  
1416  
1417  
1418  
1419  
1420  
1421



+L5.L14  
OP.BX

Bed Ext  
Log Deck Fwd/Rev  
Diverter Solenoid

Bed Ext  
Log Deck Fwd/Rev  
Blocking Solenoid

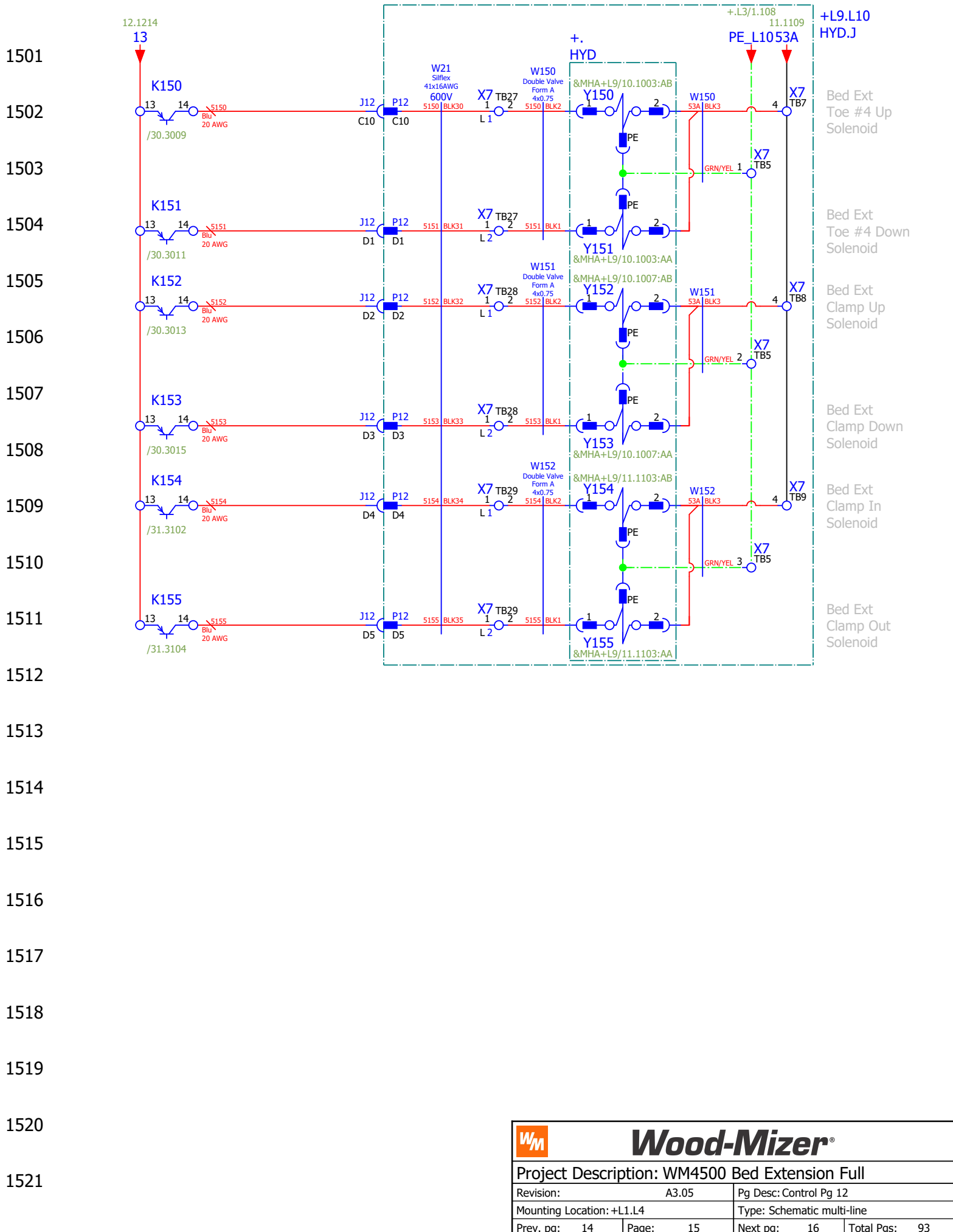
Bed Ext  
Clamp Up  
Selector Solenoid

Bed Ext  
Clamp Down  
Selector Solenoid

Bed Ext  
Clamp In  
Selector Solenoid

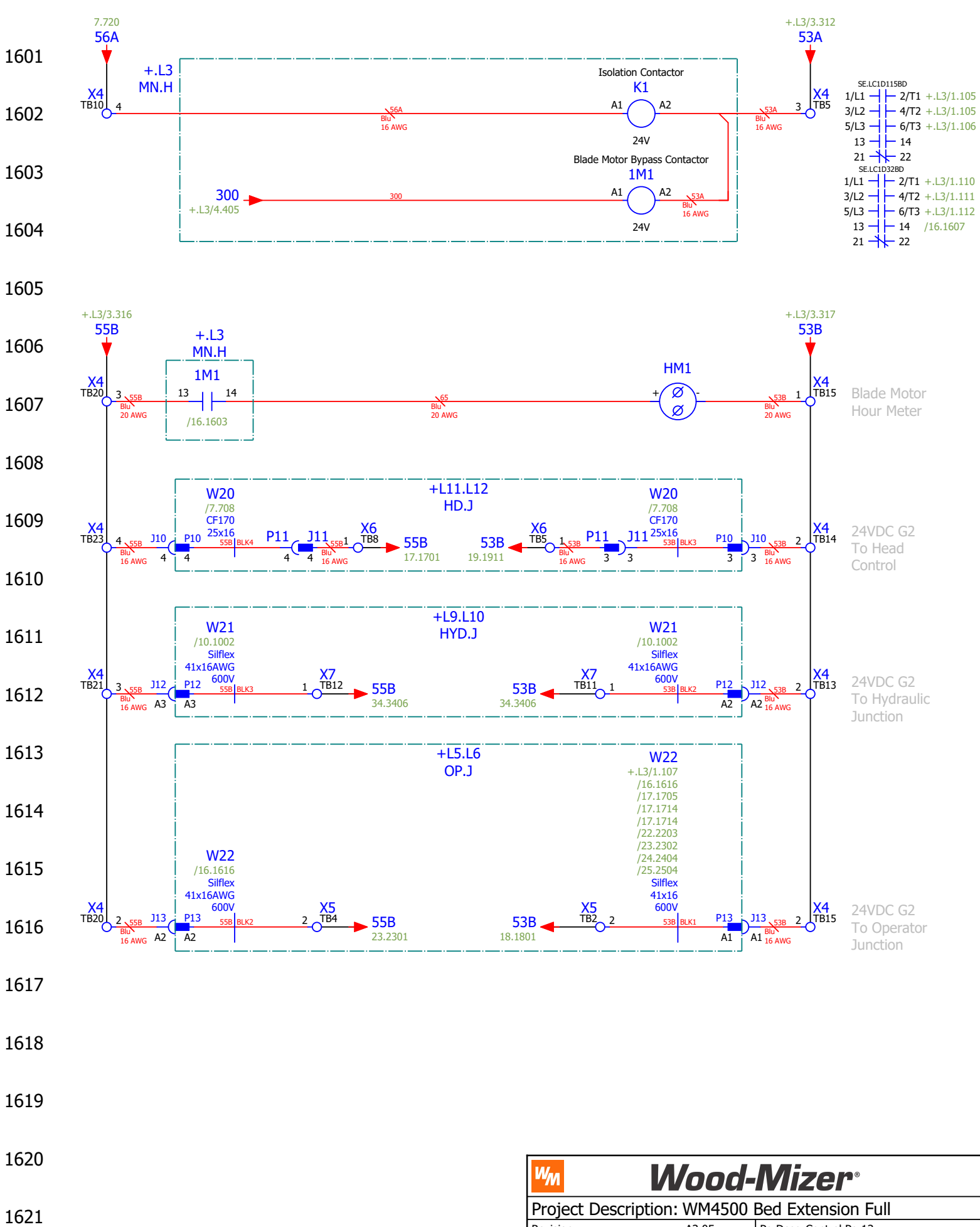
Bed Ext  
Clamp Out  
Selector Solenoid


|  |          |                            |               |
|--|----------|----------------------------|---------------|
|  |          | <b>Wood-Mizer®</b>         |               |
| Project Description: WM4500 Bed Extension Full |          |                            |               |
| Revision: A3.05                                |          | Pg Desc: Control Pg 11     |               |
| Mounting Location: +L1.L4                      |          | Type: Schematic multi-line |               |
| Prev. pg: 13                                   | Page: 14 | Next pg: 15                | Total Pgs: 93 |

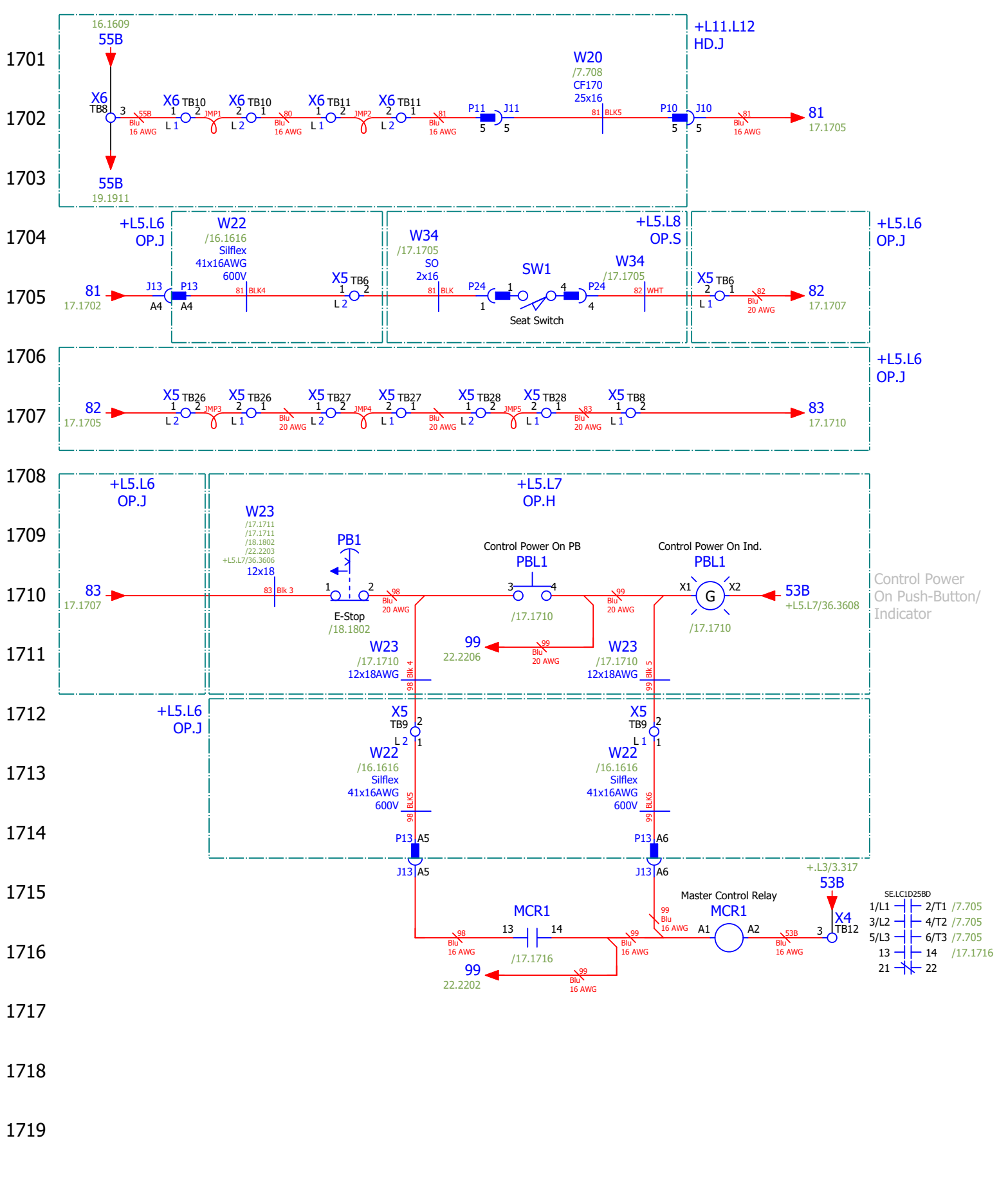


**Wood-Mizer**  
 Project Description: WM4500 Bed Extension Full

|                    |        |            |                      |
|--------------------|--------|------------|----------------------|
| Revision:          | A3.05  | Pg Desc:   | Control Pg 12        |
| Mounting Location: | +L1.L4 | Type:      | Schematic multi-line |
| Prev. pg:          | 14     | Page:      | 15                   |
|                    |        | Next pg:   | 16                   |
|                    |        | Total Pgs: | 93                   |



|  |        |                            |    |
|--|--------|----------------------------|----|
|  <b>Wood-Mizer®</b> |        |                            |    |
| Project Description: WM4500 Bed Extension Full   |        |                            |    |
| Revision:  | A3.05  | Pg Desc: Control Pg 13     |    |
| Mounting Location:   | +L1.L4 | Type: Schematic multi-line |    |
| Prev. pg:  | 15     | Page:                      | 16 |
|  |        | Next pg:                   | 17 |
|  |        | Total Pgs:                 | 93 |



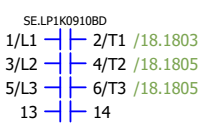
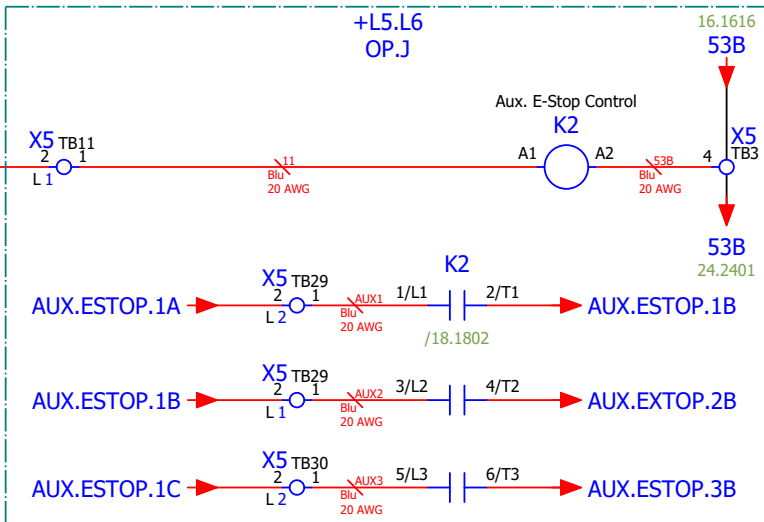
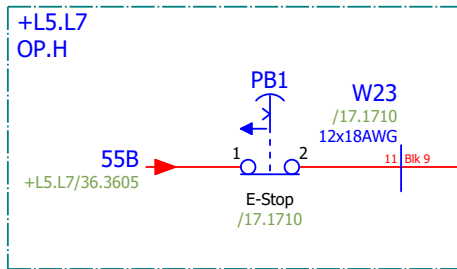
Control Power On Push-Button/Indicator

SE.LCID25BD

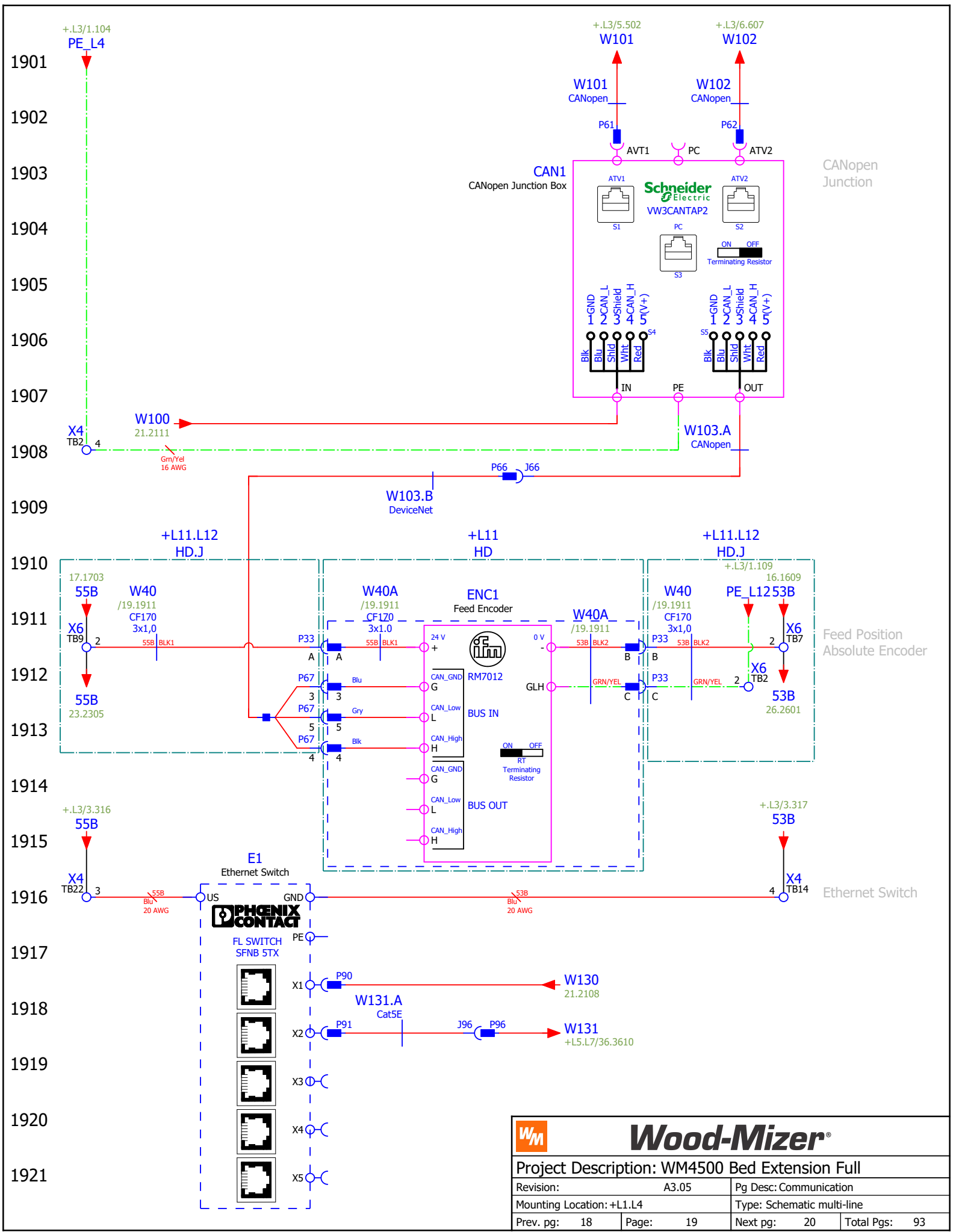
|      |      |          |
|------|------|----------|
| 1/L1 | 2/T1 | /7.705   |
| 3/L2 | 4/T2 | /7.705   |
| 5/L3 | 6/T3 | /7.705   |
| 13   | 14   | /17.1716 |
| 21   | 22   |          |

|  |                            |
|--|----------------------------|
|  |                            |
| <b>Wood-Mizer®</b>                             |                            |
| Project Description: WM4500 Bed Extension Full |                            |
| Revision: A3.05                                | Pg Desc: Control Pg 14     |
| Mounting Location: +L1.L4                      | Type: Schematic multi-line |
| Prev. pg: 16                                   | Page: 17                   |
| Next pg: 18                                    | Total Pgs: 93              |

1801  
1802  
1803  
1804  
1805  
1806  
1807  
1808  
1809  
1810  
1811  
1812  
1813  
1814  
1815  
1816  
1817  
1818  
1819  
1820  
1821



Auxiliary Equipment E-Stop Control 1  
Auxiliary Equipment E-Stop Control 2  
Auxiliary Equipment E-Stop Control 3



|   |        |                            |    |
|---|--------|----------------------------|----|
|   |        |                            |    |
| <b>Project Description: WM4500 Bed Extension Full</b> |        |                            |    |
| Revision:   | A3.05  | Pg Desc: Communication     |    |
| Mounting Location:                                    | +L1.L4 | Type: Schematic multi-line |    |
| Prev. pg:   | 18     | Page:                      | 19 |
|   |        | Next pg:                   | 20 |
|   |        | Total Pgs:                 | 93 |

PLC1.7

PLC1.6

PLC1.5

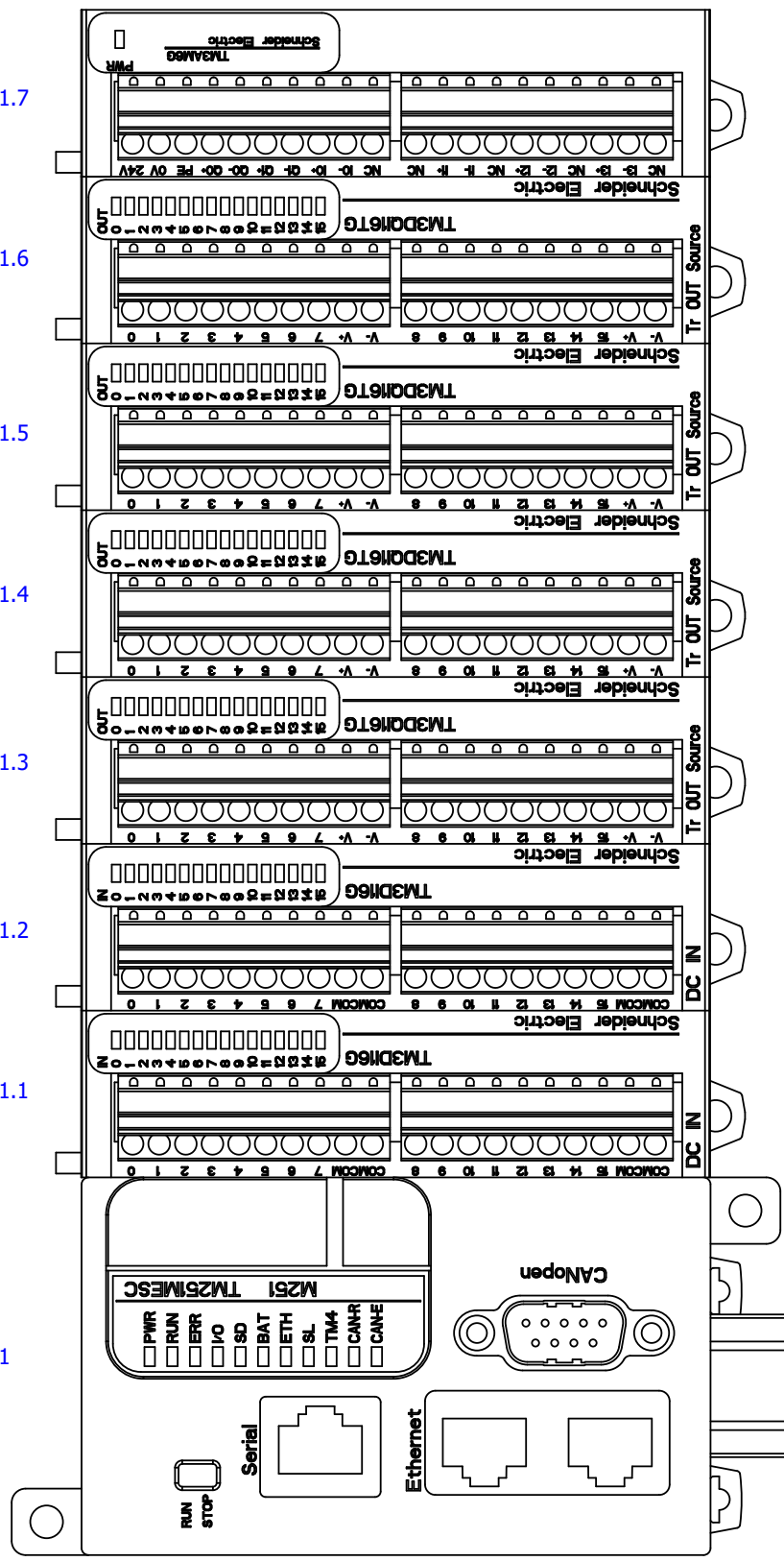
PLC1.4

PLC1.3

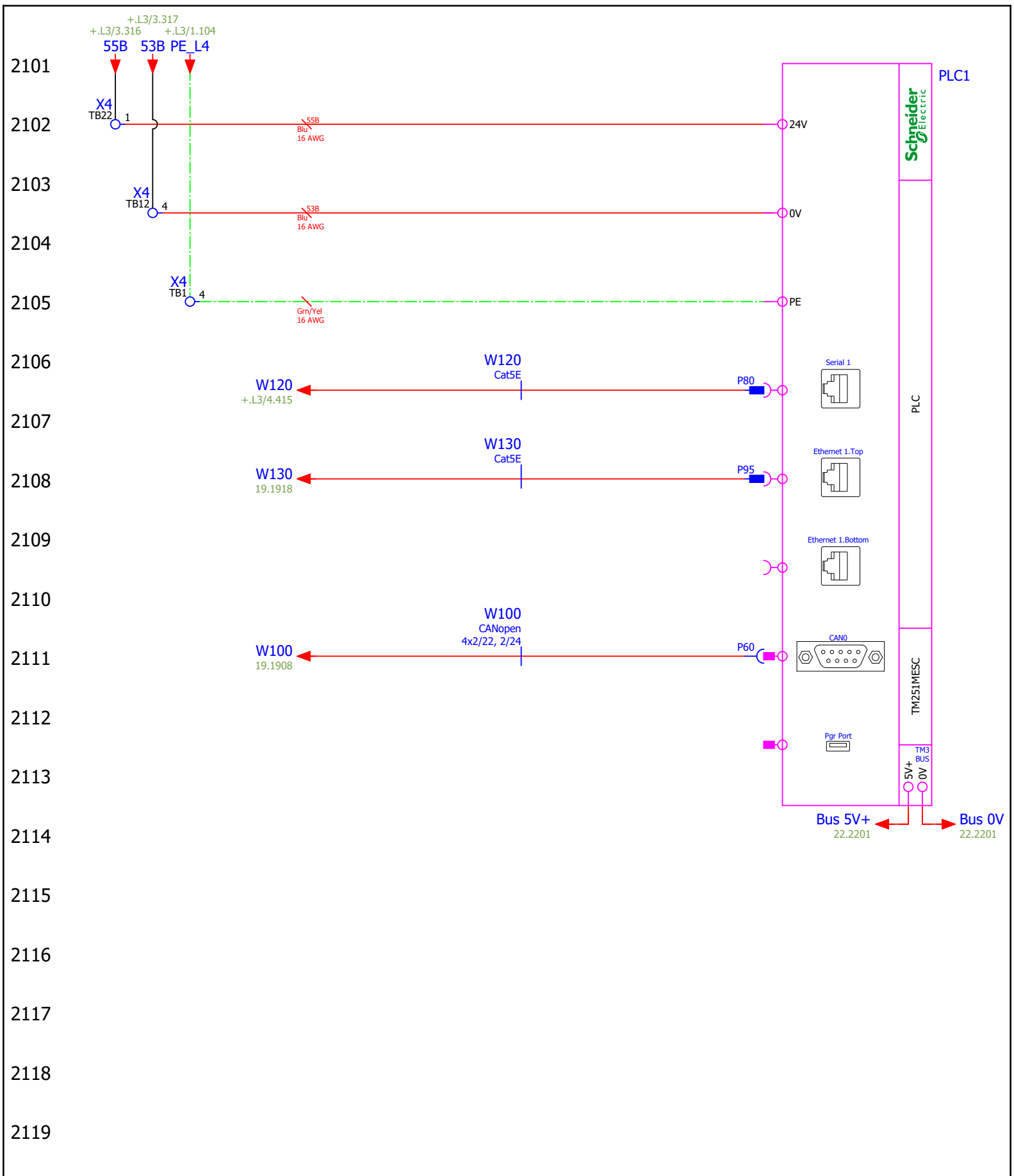
PLC1.2

PLC1.1

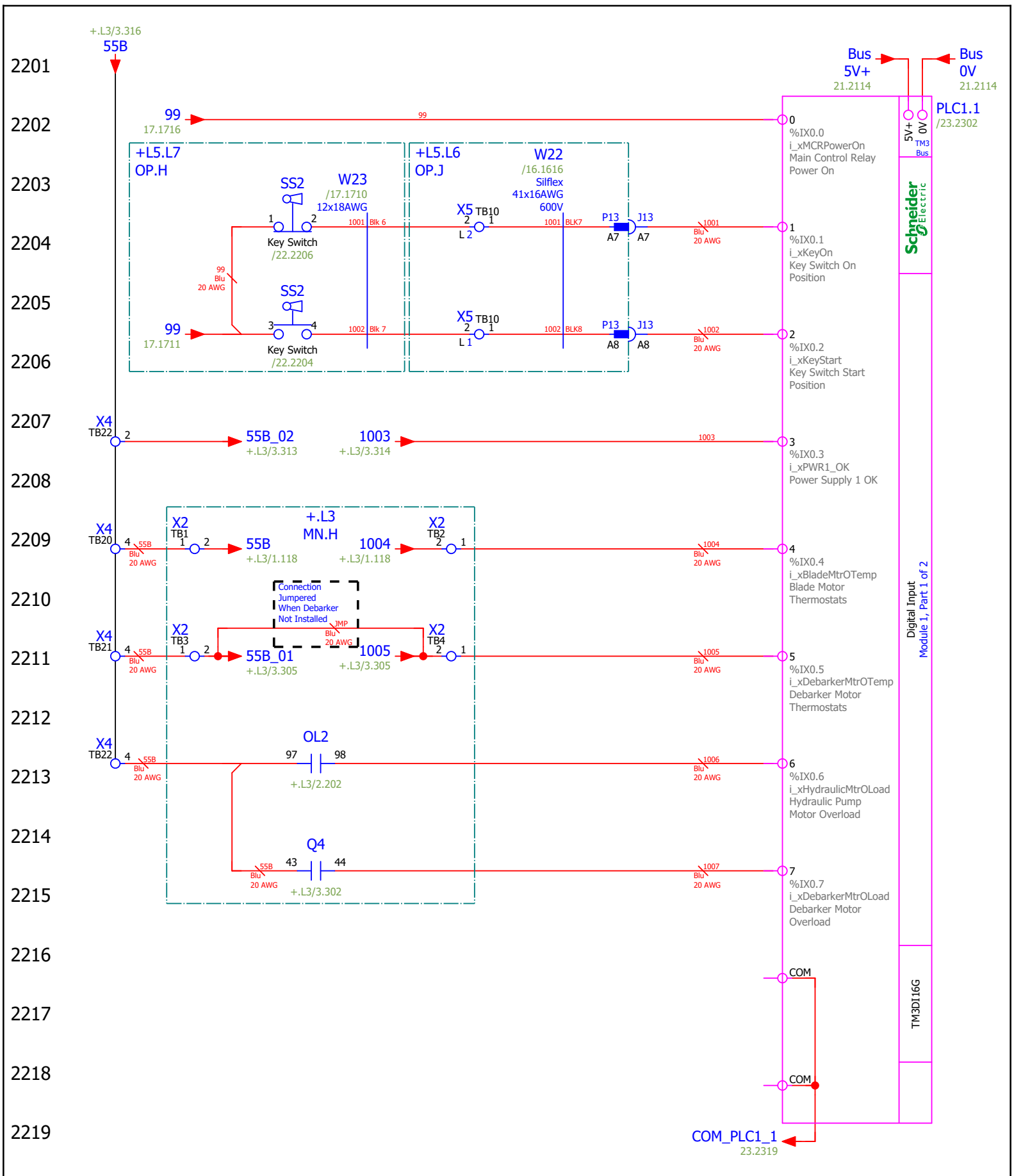
PLC1

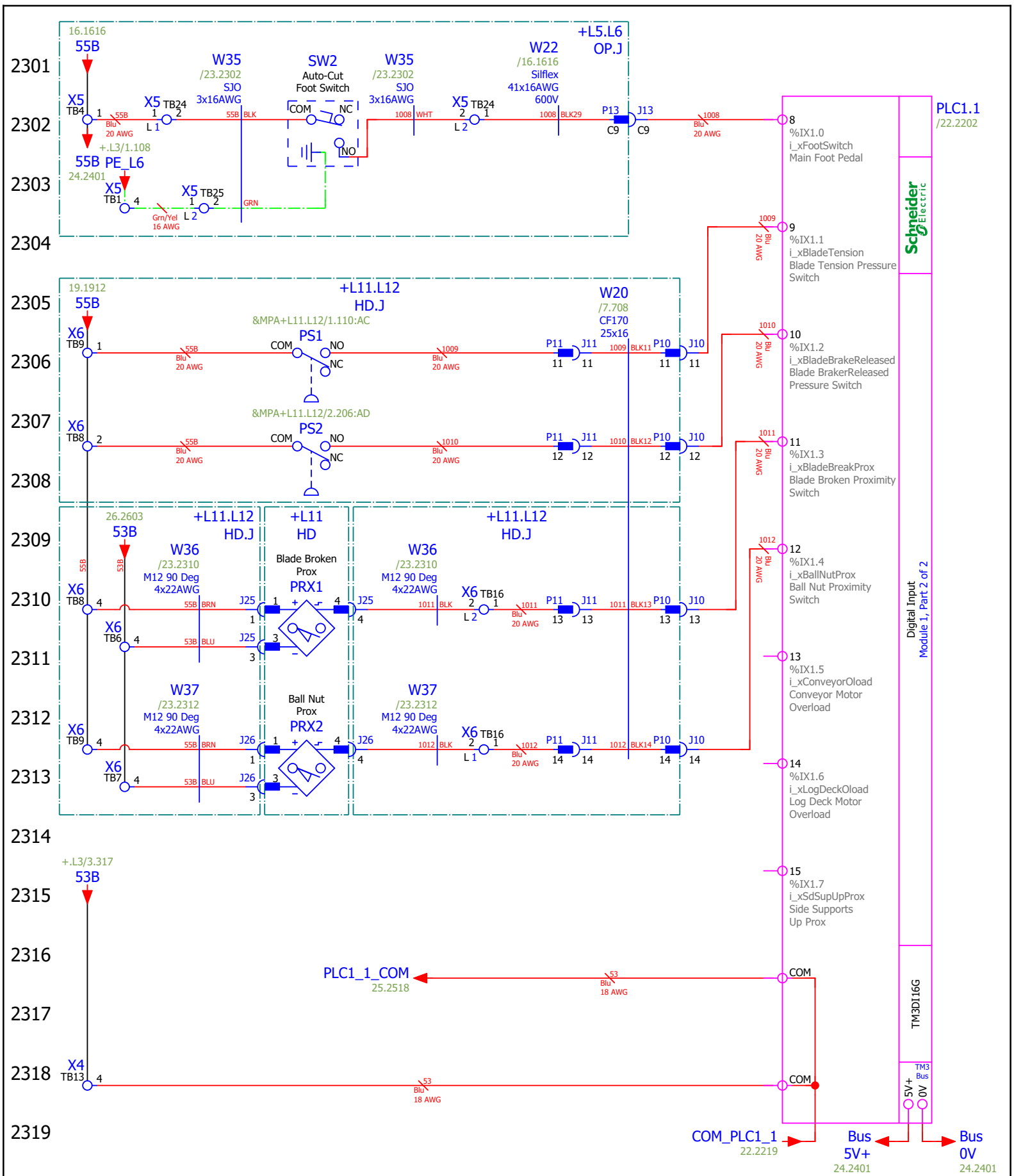






2101  
2102  
2103  
2104  
2105  
2106  
2107  
2108  
2109  
2110  
2111  
2112  
2113  
2114  
2115  
2116  
2117  
2118  
2119  
2120  
2121



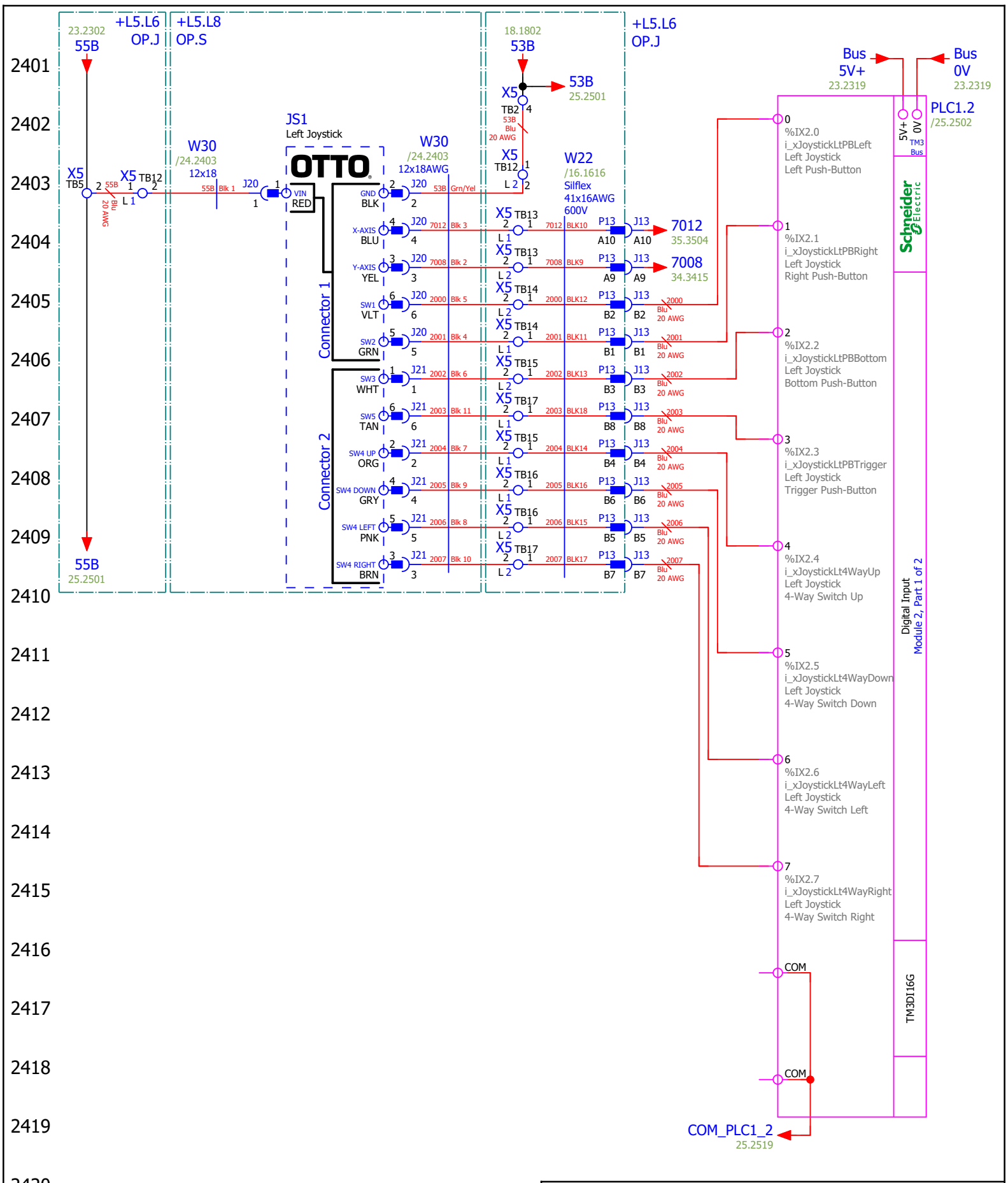


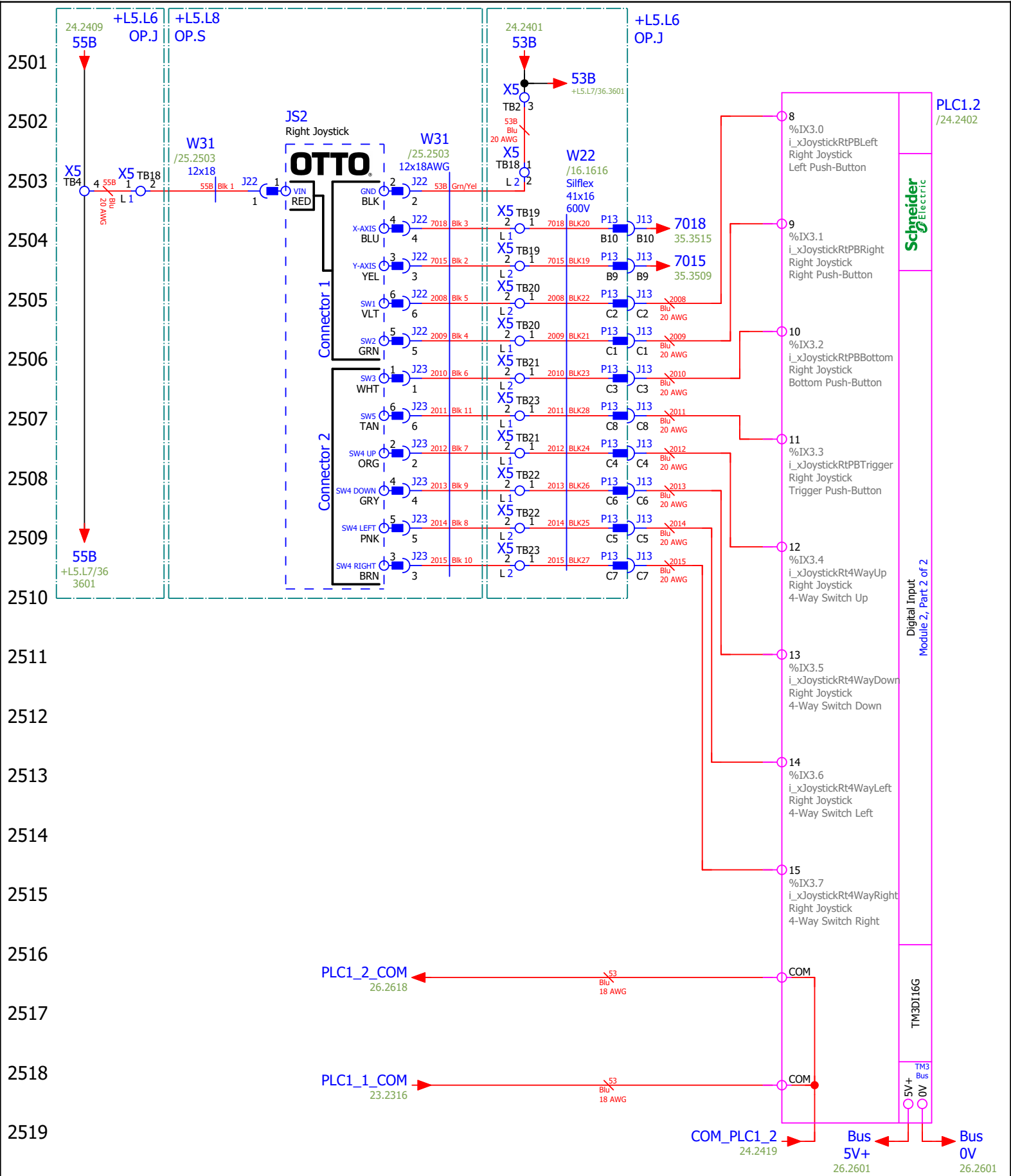
Digital Input  
Module 1, Part 2 of 2

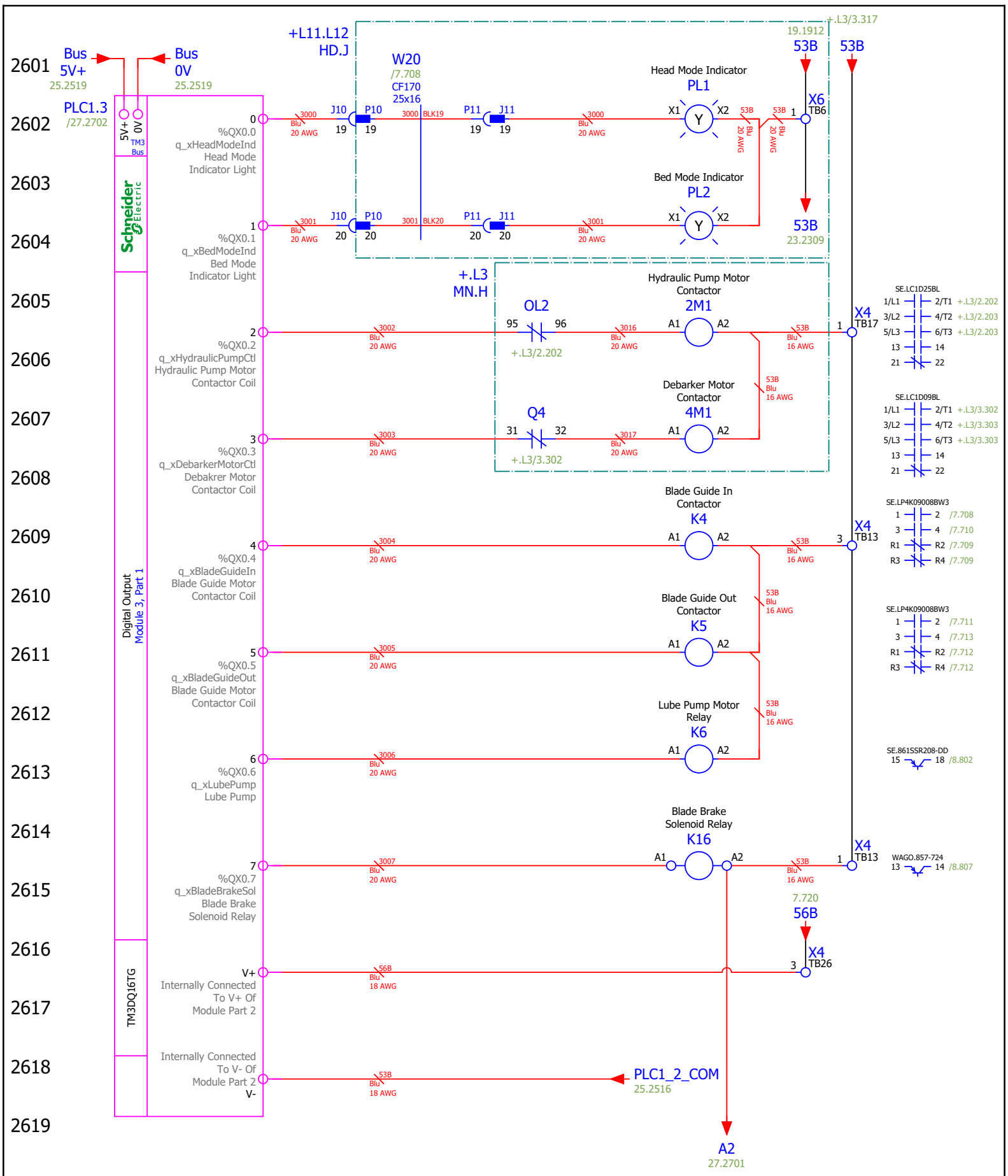
TM3D116G

TM3 Bus

|   |        |                            |    |
|---|--------|----------------------------|----|
|   |        |                            |    |
| <b>Project Description: WM4500 Bed Extension Full</b> |        |                            |    |
| Revision:   | A3.05  | Pg Desc: PLC 3             |    |
| Mounting Location:                                    | +L1.L4 | Type: Schematic multi-line |    |
| Prev. pg:   | 22     | Page:                      | 23 |
|   |        | Next pg:                   | 24 |
|   |        | Total Pgs:                 | 93 |







|   |        |            |                      |
|---|--------|------------|----------------------|
|   |        |            |                      |
| <b>Project Description: WM4500 Bed Extension Full</b> |        |            |                      |
| Revision:   | A3.05  | Pg Desc:   | PLC 6                |
| Mounting Location:                                    | +L1.L4 | Type:      | Schematic multi-line |
| Prev. pg:   | 25     | Page:      | 26                   |
|   |        | Next pg:   | 27                   |
|   |        | Total Pgs: | 93                   |

2701  
2702  
2703  
2704  
2705  
2706  
2707  
2708  
2709  
2710  
2711  
2712  
2713  
2714  
2715  
2716  
2717  
2718  
2719  
2720  
2721

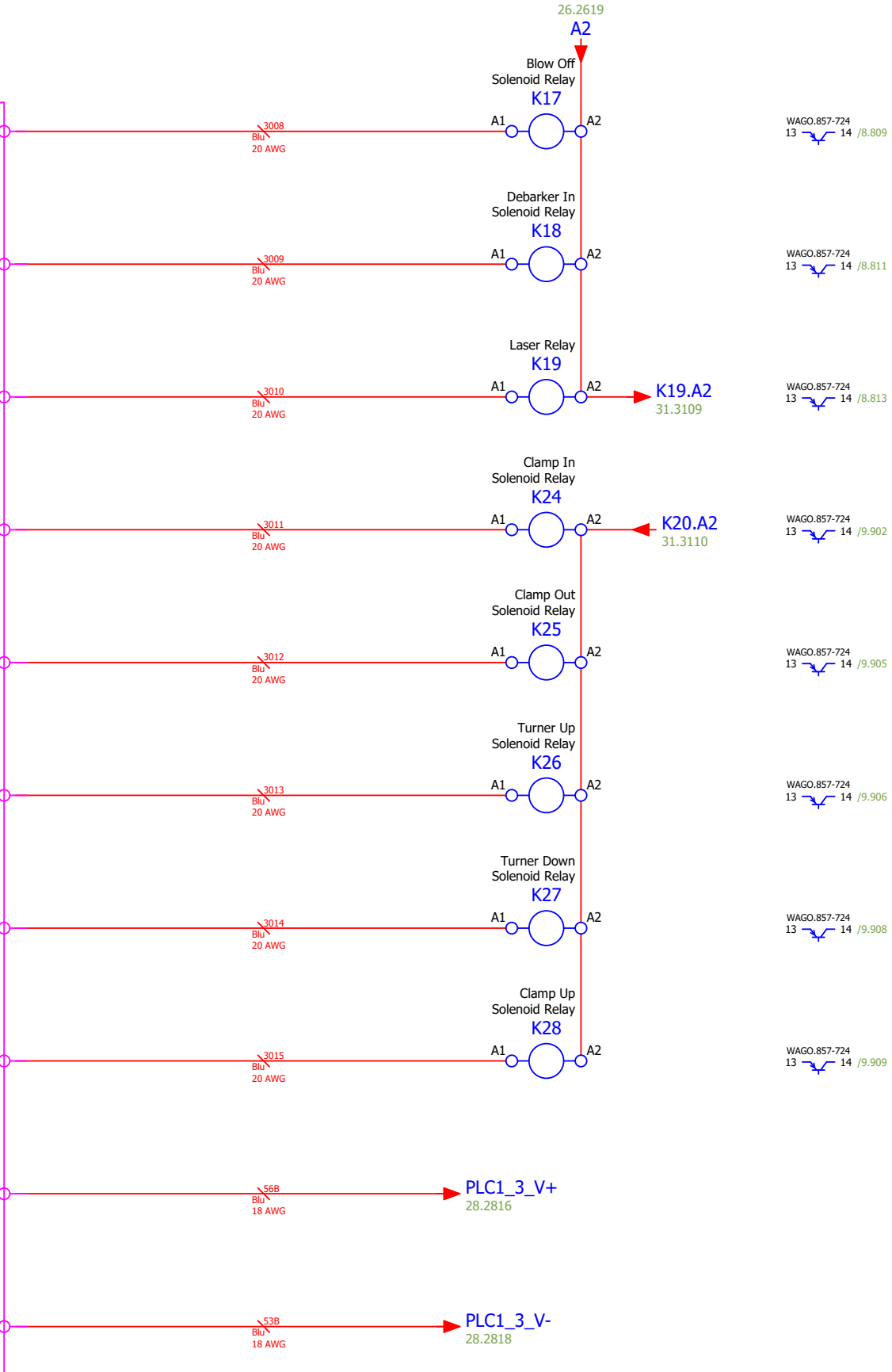
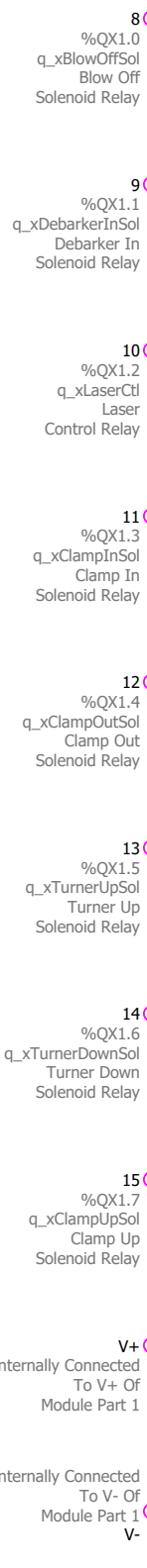
PLC1.3  
/26.2602

Schneider  
Electric

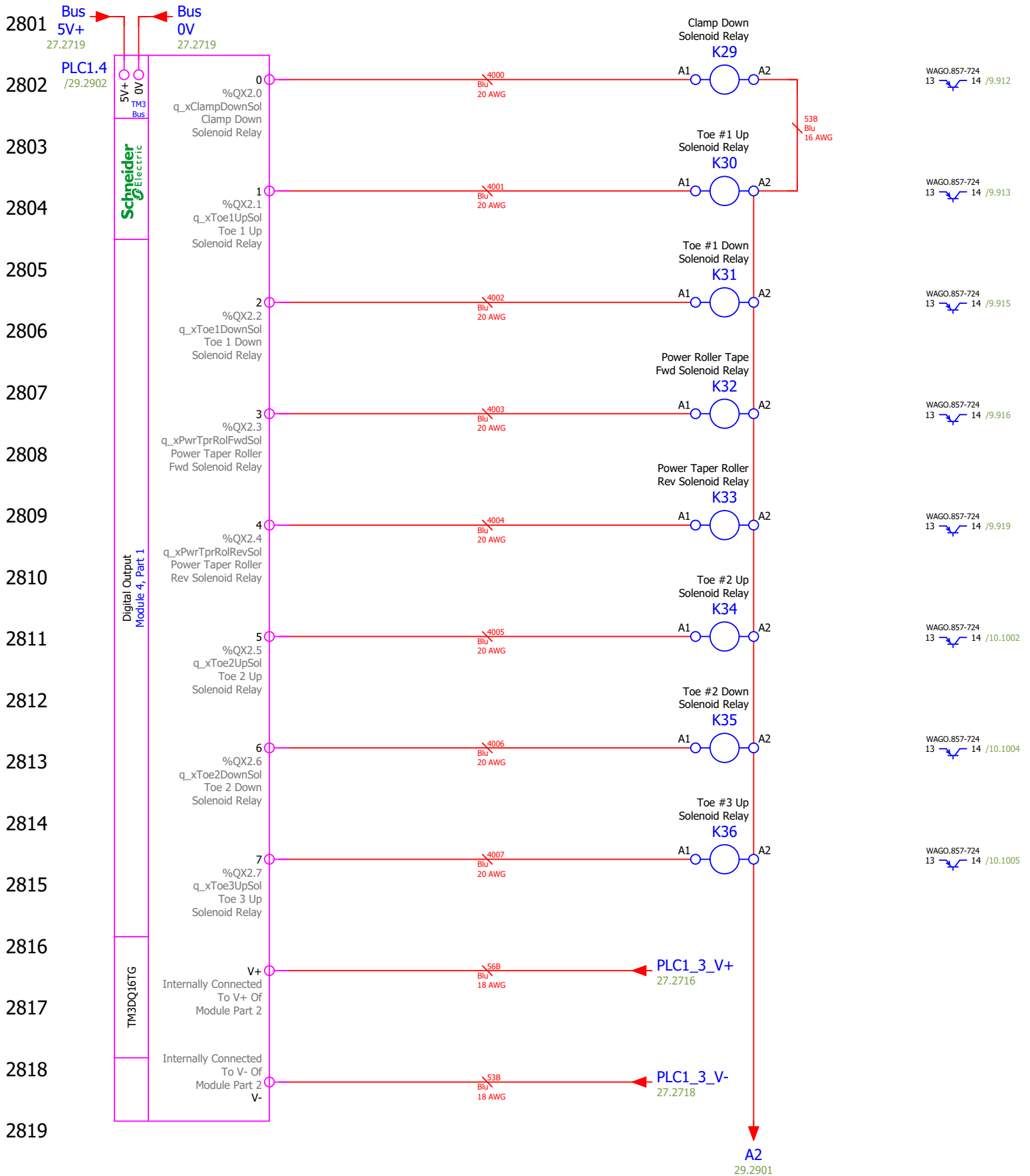
Digital Output  
Module 3, Part 2

TM3DQ16TG

TM3  
Bus



|  |                            |
|--|----------------------------|
|  |                            |
| <b>Wood-Mizer®</b>                             |                            |
| Project Description: WM4500 Bed Extension Full |                            |
| Revision: A3.05                                | Pg Desc: PLC 7             |
| Mounting Location: +L1.L4                      | Type: Schematic multi-line |
| Prev. pg: 26                                   | Page: 27                   |
| Next pg: 28                                    | Total Pgs: 93              |





2901  
2902  
2903  
2904  
2905  
2906  
2907  
2908  
2909  
2910  
2911  
2912  
2913  
2914  
2915  
2916  
2917  
2918  
2919  
2920  
2921

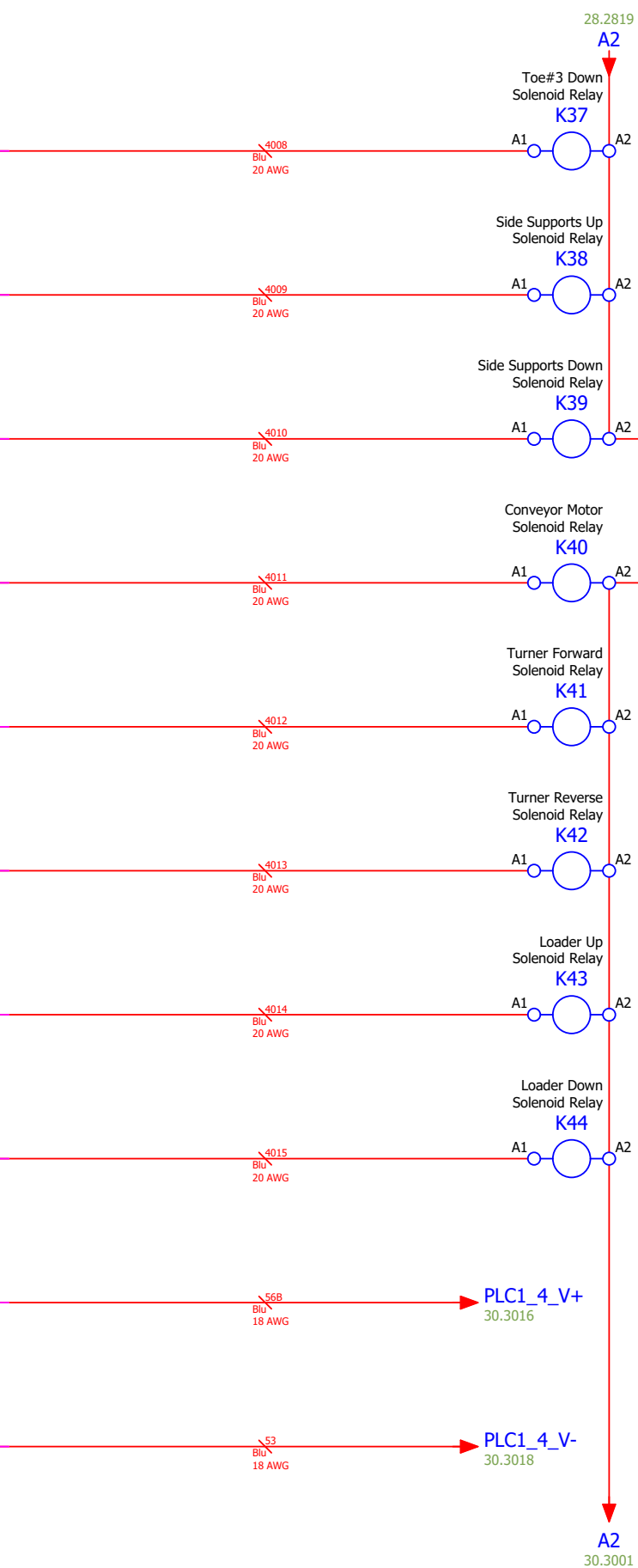
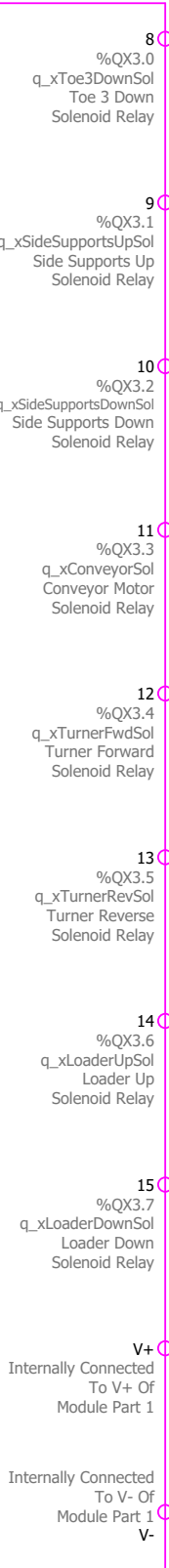
PLC1.4  
/28.2802

Schneider  
Electric

Digital Output  
Module 4, Part 2

TM3DQ16TG

5V+  
0V



WAGO.857-724  
13 14 /10.1008

WAGO.857-724  
13 14 /10.1009

WAGO.857-724  
13 14 /10.1011

WAGO.857-724  
13 14 /10.1012

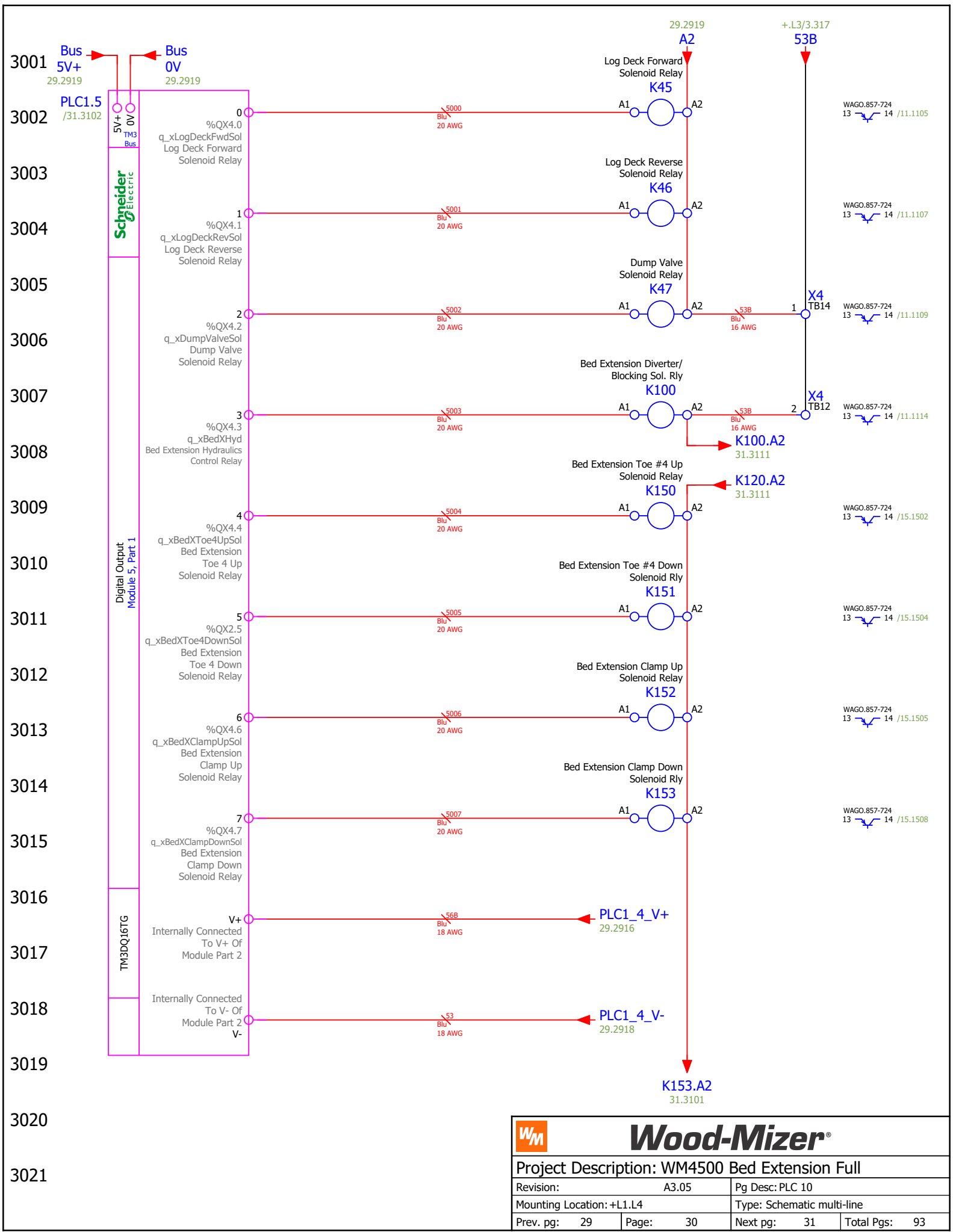
WAGO.857-724  
13 14 /10.1015

WAGO.857-724  
13 14 /10.1017

WAGO.857-724  
13 14 /11.1102

WAGO.857-724  
13 14 /11.1104

|                    |        |                            |    |
|--------------------|--------|----------------------------|----|
|                    |        | <b>Wood-Mizer®</b>         |    |
|                    |        |                            |    |
| Revision:          | A3.05  | Pg Desc: PLC 9             |    |
| Mounting Location: | +L1.L4 | Type: Schematic multi-line |    |
| Prev. pg:          | 28     | Page:                      | 29 |
|                    |        | Next pg:                   | 30 |
|                    |        | Total Pgs:                 | 93 |



3101  
3102  
3103  
3104  
3105  
3106  
3107  
3108  
3109  
3110  
3111  
3112  
3113  
3114  
3115  
3116  
3117  
3118  
3119  
3120  
3121

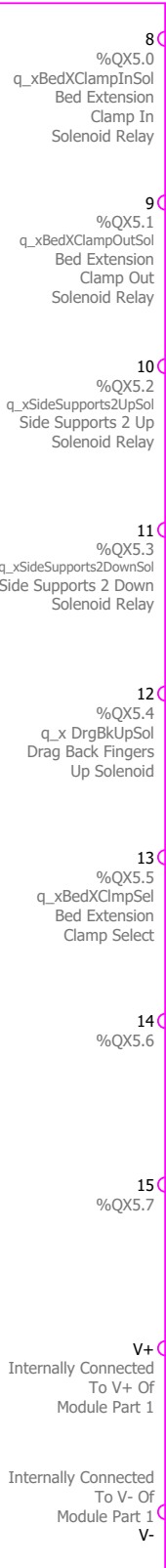
PLC1.5  
/30.3002

Schneider  
Electric

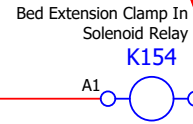
Digital Output  
Module 5, Part 2

TM3DQ16TG

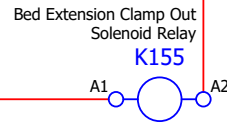
TM3  
Bus



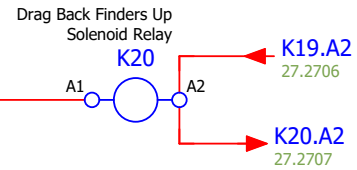
30.3019  
K153.A2



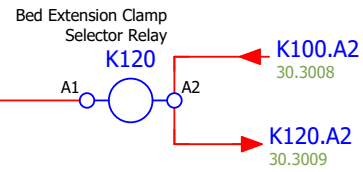
WAGO.857-724  
13 14 /15.1509



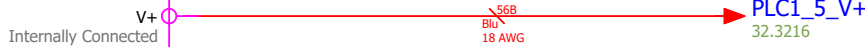
WAGO.857-724  
13 14 /15.1511



WAGO.857-724  
13 14 /8.816



WAGO.857-724  
13 14 /12.1213



Bus 5V+ 32.3201  
Bus 0V 32.3201

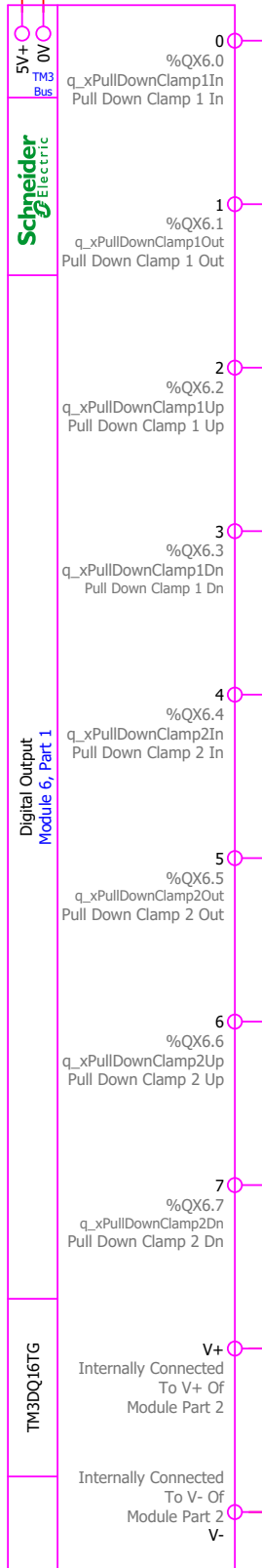


**Wood-Mizer®**

|  |        |                            |    |
|--|--------|----------------------------|----|
| Project Description: WM4500 Bed Extension Full |        |                            |    |
| Revision:                                      | A3.05  | Pg Desc: PLC 11            |    |
| Mounting Location:                             | +L1.L4 | Type: Schematic multi-line |    |
| Prev. pg:                                      | 30     | Page:                      | 31 |
|  |        | Next pg:                   | 32 |
|  |        | Total Pgs:                 | 93 |

3201 Bus 5V+ 31.3119 Bus 0V 31.3119

3202 PLC1.6 /33.3302



3216 V+ Internally Connected To V+ Of Module Part 2

568 Blu 18 AWG

PLC1\_5\_V+ 31.3116

3218 Internally Connected To V- Of Module Part 2

V- V-

53 Blu 18 AWG

PLC1\_5\_V- 31.3118

3220  
3221

3301

3302 PLC1.6  
/32.3202

3303

3304

3305

3306

3307

3308

3309

3310

3311

3312

3313

3314

3315

3316

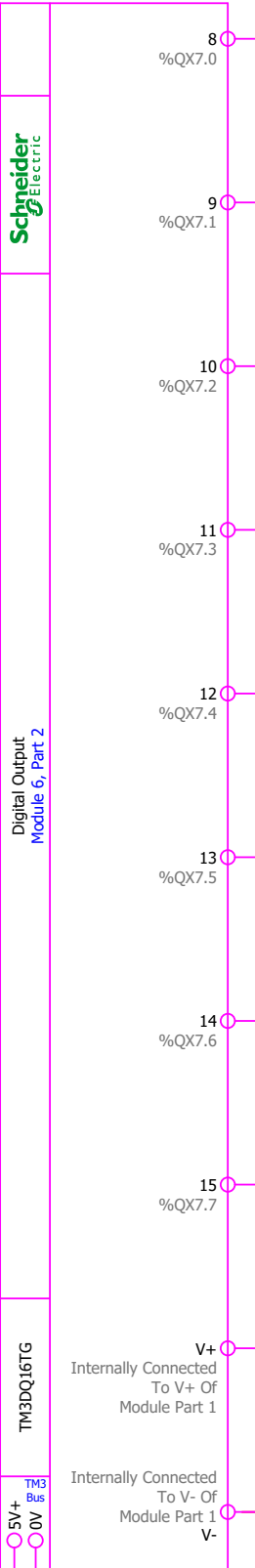
3317

3318

3319

3320

3321



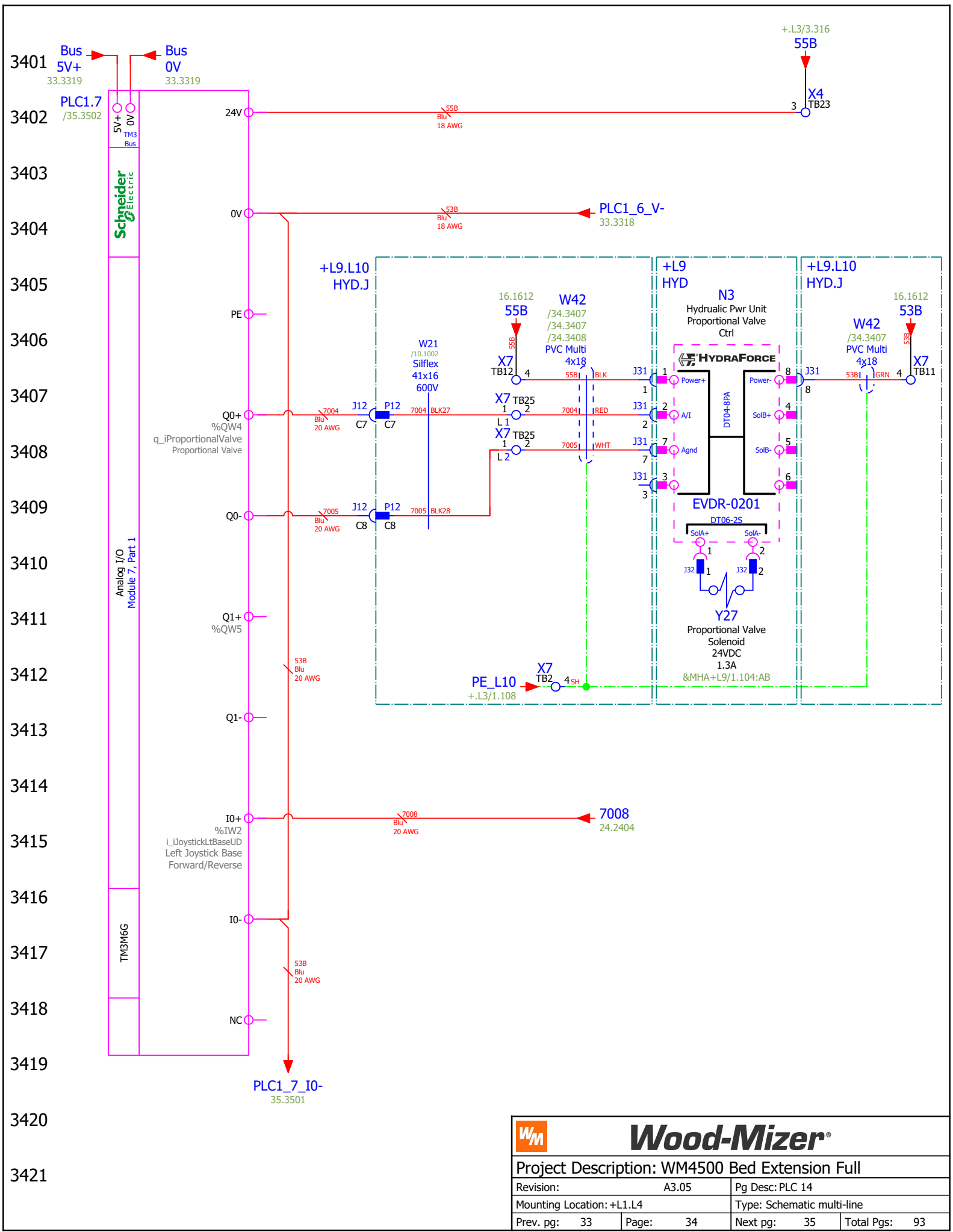
Bus 5V+ 34.3401

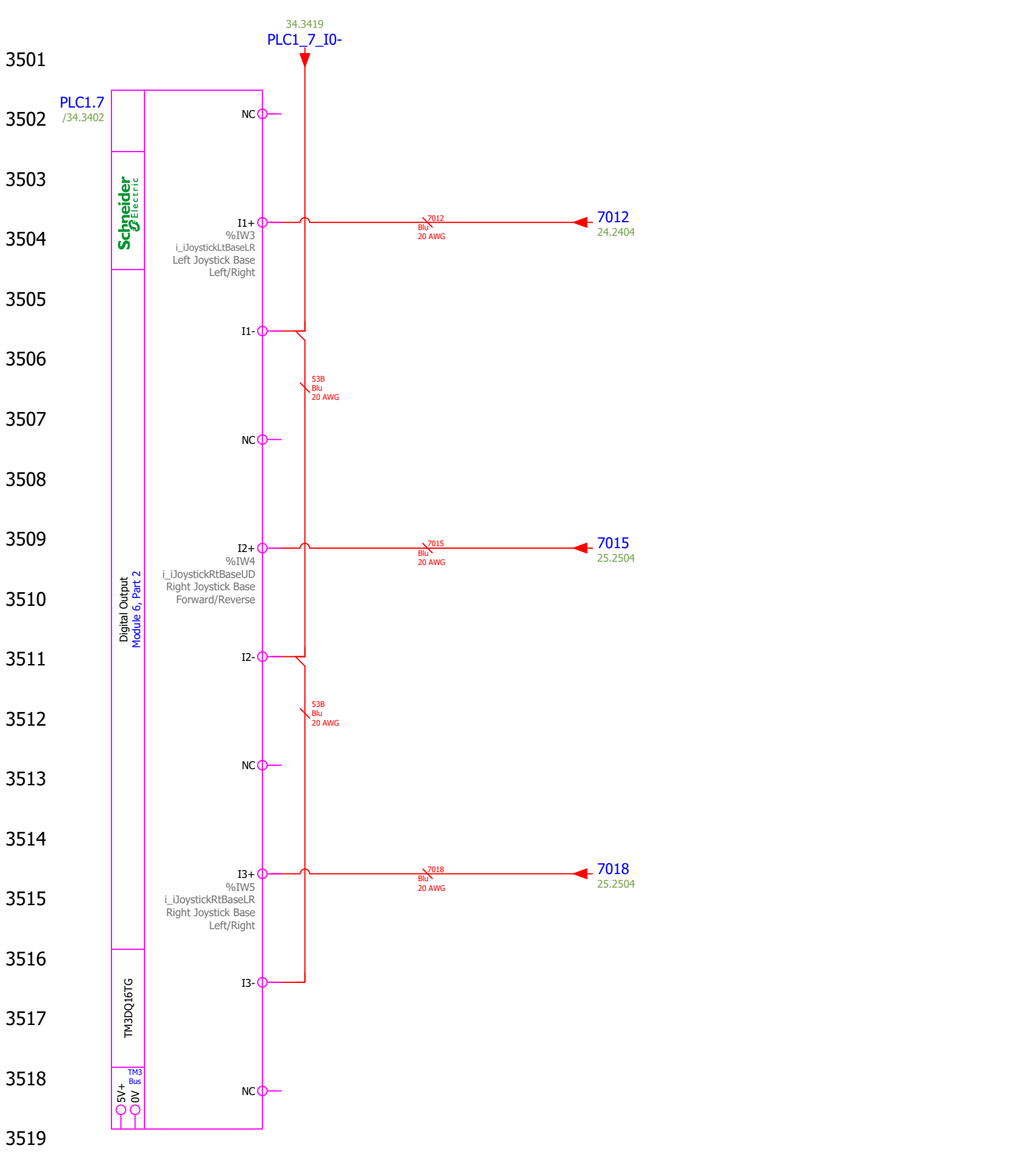
Bus 0V 34.3401

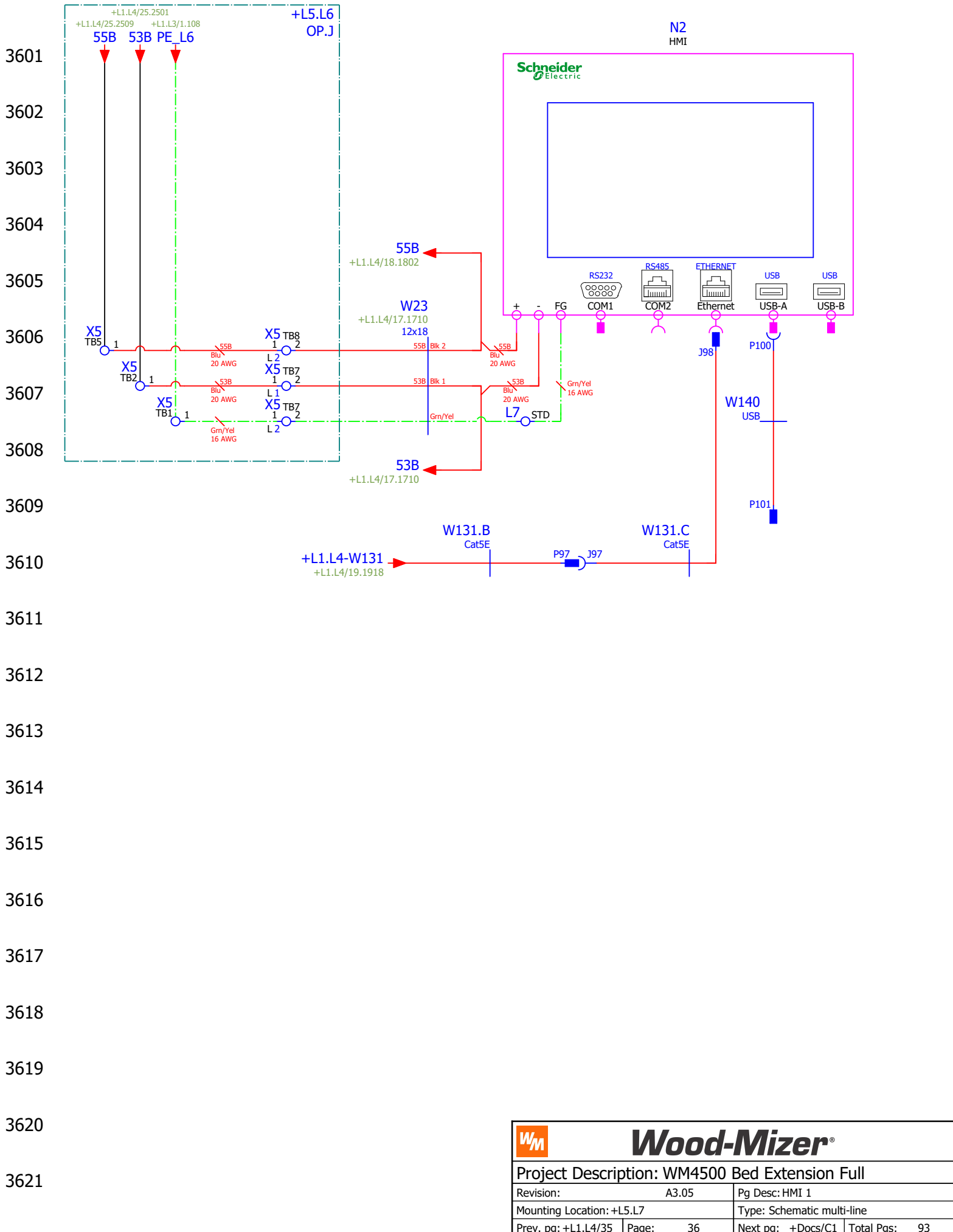
53 Blu 18 AWG

PLC1\_6\_V- 34.3404

|  |       |                            |               |
|--|-------|----------------------------|---------------|
|  |       | <b>Wood-Mizer®</b>         |               |
| Project Description: WM4500 Bed Extension Full |       |                            |               |
| Revision:                                      | A3.05 | Pg Desc: PLC 13            |               |
| Mounting Location: +L1.L4                      |       | Type: Schematic multi-line |               |
| Prev. pg:                                      | 32    | Page:                      | 33            |
| Next pg:                                       |       | 34                         | Total Pgs: 93 |








3601  
3602  
3603  
3604  
3605  
3606  
3607  
3608  
3609  
3610  
3611  
3612  
3613  
3614  
3615  
3616  
3617  
3618  
3619  
3620  
3621




# Device Tag/Parts List

| Device tag | Function                            | Wood-Mizer Part Number | Wood-Mizer Description                           | Qty. | X-Ref          |
|------------|-------------------------------------|------------------------|--|------|----------------|
| 1M1        | Blade Motor Bypass Contactor        | 052465                 | Contactor, 32A 3P 24VDC Coil                     | 1    | +L1.L4/16.1603 |
| 2M1        | Hydraulic Pump Motor Contactor      | 069866                 | Contactor, 25A 3P 24V Low Pwr Coil               | 1    | +L1.L4/26.2606 |
| 4M1        | Debarker Motor Contactor            | 024890                 | Contactor, 9A 3P 24VDC Coil                      | 1    | +L1.L4/26.2607 |
| CAN1       | CANopen Junction Box                | 069930                 | PLC Module, CANopen Junction                     | 1    | +L1.L4/19.1903 |
| E1         | Ethernet Switch                     | 078466                 | Switch, Ethernet 5 Port 24VDC                    | 1    | +L1.L4/19.1916 |
| ENC1       | Feed Encoder                        | 112573                 | Encoder Assy, Ind. Mill Feed                     | 1    | +L1.L4/19.1911 |
| F4         | Transformer L1&L3 Fuses             | 068066                 | Fuse Holder, 2P Class CC Wire Clamps             | 1    | +L1.L3/3.306   |
| F4         | =                                   | 069915                 | Fuse, 0.25A 600V KLDR Class CC                   | 2    | +L1.L3/3.306   |
| F5         | Transformer Output Fuse             | 068065                 | Fuse Holder, 1P Class CC Wire Clamps             | 1    | +L1.L3/3.308   |
| F5         | =                                   | 069915                 | Fuse, 0.25A 600V KLDR Class CC                   | 1    | +L1.L3/3.308   |
| F6         | Feed Drive L1 Fuse                  | 053717                 | Fuseholder, 60A Cube                             | 1    | +L1.L3/2.208   |
| F6         | =                                   | 069702                 | Fuse, 40A Class J Cube                           | 1    | +L1.L3/2.208   |
| F7         | Feed Drive L2 Fuse                  | 053717                 | Fuseholder, 60A Cube                             | 1    | +L1.L3/2.209   |
| F7         | =                                   | 069702                 | Fuse, 40A Class J Cube                           | 1    | +L1.L3/2.209   |
| F8         | Feed Drive L3 Fuse                  | 053717                 | Fuseholder, 60A Cube                             | 1    | +L1.L3/2.209   |
| F8         | =                                   | 069702                 | Fuse, 40A Class J Cube                           | 1    | +L1.L3/2.209   |
| F9         | Power Supply 1 L1&L3 Fuses          | 068066                 | Fuse Holder, 2P Class CC Wire Clamps             | 1    | +L1.L3/3.311   |
| F9         | =                                   | 052381                 | Fuse, 8A 600V Class CC Delay                     | 2    | +L1.L3/3.311   |
| F10        | Power Supply 2 L1&L3 Fuses          | 068066                 | Fuse Holder, 2P Class CC Wire Clamps             | 1    | +L1.L3/3.316   |
| F10        | =                                   | 052713                 | Fuse, 4A 600V Calss CC Delay                     | 2    | +L1.L3/3.316   |
| F11        | Hydraulic Pump Motor L1 Fuse        | 053736                 | Fuseholder, Cube 30A                             | 1    | +L1.L3/2.202   |
| F11        | =                                   | 053737                 | Fuse, 30A Class J Cube                           | 1    | +L1.L3/2.202   |
| F12        | Hydraulic Pump Motor L2 Fuse        | 053736                 | Fuseholder, Cube 30A                             | 1    | +L1.L3/2.203   |
| F12        | =                                   | 053737                 | Fuse, 30A Class J Cube                           | 1    | +L1.L3/2.203   |
| F13        | Hydraulic Pump Motor L3 Fuse        | 053736                 | Fuseholder, Cube 30A                             | 1    | +L1.L3/2.203   |
| F13        | =                                   | 053737                 | Fuse, 30A Class J Cube                           | 1    | +L1.L3/2.203   |
| F14        | Up/Down Servo Drive L1 Fuse         | 053736                 | Fuseholder, Cube 30A                             | 1    | +L1.L3/2.216   |
| F14        | =                                   | 053737                 | Fuse, 30A Class J Cube                           | 1    | +L1.L3/2.216   |
| F15        | Up/Down Servo Drive L2 Fuse         | 053736                 | Fuseholder, Cube 30A                             | 1    | +L1.L3/2.217   |
| F15        | =                                   | 053737                 | Fuse, 30A Class J Cube                           | 1    | +L1.L3/2.217   |
| F16        | Up/Down Servo Drive L3 Fuse         | 053736                 | Fuseholder, Cube 30A                             | 1    | +L1.L3/2.218   |
| F16        | =                                   | 053737                 | Fuse, 30A Class J Cube                           | 1    | +L1.L3/2.218   |
| F17        | Blade Motor L1 Fuse                 | 053586                 | Fuseholder, 100A Cube                            | 1    | +L1.L3/1.117   |
| F17        | =                                   | 069708                 | Fuse, 60A Class J Cube                           | 1    | +L1.L3/1.117   |
| F18        | Blade Motor L2 Fuse                 | 053586                 | Fuseholder, 100A Cube                            | 1    | +L1.L3/1.116   |
| F18        | =                                   | 069708                 | Fuse, 60A Class J Cube                           | 1    | +L1.L3/1.116   |
| F19        | Blade Motor L3 Fuse                 | 053586                 | Fuseholder, 100A Cube                            | 1    | +L1.L3/1.116   |
| F19        | =                                   | 069708                 | Fuse, 60A Class J Cube                           | 1    | +L1.L3/1.116   |
| G1         | DC Motor/ Solenoids Power Supply    | 078012                 | Power Supply, 24VDC 20A 200-500V                 | 1    | +L1.L3/3.310   |
| G2         | Control Power Supply                | 078193                 | Power Supply, 24VDC 10A 200-500V                 | 1    | +L1.L3/3.315   |
| HM1        | Blade Motor Hour Meter              | P09631                 | Meter, Hour                                      | 1    | +L1.L4/16.1607 |
| JS1        | Left Joystick                       | 078360                 | Joystick, 4-Button w/4-Way Switch                | 1    | +L1.L4/24.2402 |
| JS2        | Right Joystick                      | 078360                 | Joystick, 4-Button w/4-Way Switch                | 1    | +L1.L4/25.2502 |
| K1         | Isolation Contactor                 | 069886                 | Contactor, 115A 3P 24VDC Coil                    | 1    | +L1.L4/16.1602 |
| K2         | Aux. E-Stop Control                 | 101241                 | Contactor, 9A 3P 24VDC 1NO                       | 1    | +L1.L4/18.1802 |
| K4         | Blade Guide In Contactor            | 024910                 | Contactor, 9A 2NC 2NO 24VDC Reversing            | 1    | +L1.L4/26.2609 |
| K5         | Blade Guide Out Contactor           | 024910                 | Contactor, 9A 2NC 2NO 24VDC Reversing            | 1    | +L1.L4/26.2611 |
| K6         | Lube Pump Motor Relay               | 069943                 | Relay, Solid State 8A DIN                        | 1    | +L1.L4/26.2613 |
| K16        | Blade Brake Solenoid Relay          | 068212                 | Relay, Solid State 2A 24VDC Coil Cage Clamp Base | 1    | +L1.L4/26.2615 |
| K17        | Blow Off Solenoid Relay             | 068212                 | Relay, Solid State 2A 24VDC Coil Cage Clamp Base | 1    | +L1.L4/27.2702 |
| K18        | Debarker In Solenoid Relay          | 068212                 | Relay, Solid State 2A 24VDC Coil Cage Clamp Base | 1    | +L1.L4/27.2704 |
| K19        | Laser Relay                         | 068212                 | Relay, Solid State 2A 24VDC Coil Cage Clamp Base | 1    | +L1.L4/27.2706 |
| K20        | Drag Back Finders Up Solenoid Relay | 068212                 | Relay, Solid State 2A 24VDC Coil Cage Clamp Base | 1    | +L1.L4/31.3109 |
| K24        | Clamp In Solenoid Relay             | 068212                 | Relay, Solid State 2A 24VDC Coil Cage Clamp Base | 1    | +L1.L4/27.2707 |
| K25        | Clamp Out Solenoid Relay            | 068212                 | Relay, Solid State 2A 24VDC Coil Cage Clamp Base | 1    | +L1.L4/27.2709 |
| K26        | Turner Up Solenoid Relay            | 068212                 | Relay, Solid State 2A 24VDC Coil Cage Clamp Base | 1    | +L1.L4/27.2711 |
| K27        | Turner Down Solenoid Relay          | 068212                 | Relay, Solid State 2A 24VDC Coil Cage Clamp Base | 1    | +L1.L4/27.2713 |

|   |           |                     |    |
|---|-----------|---------------------|----|
|  |           | <b>Wood-Mizer®</b>  |    |
| <b>Project Description: WM4500 Bed Extension Full</b>                               |           |                     |    |
| Revision:   | A3.05     | Pg Desc: Parts list |    |
| Mounting Location:  | +Docs     | Type: Parts list    |    |
| Prev. pg:   | +L5.L7/36 | Page:               | C1 |
| Next pg:  | C2        | Total Pgs:          | 93 |


# Device Tag/Parts List

| Device tag | Function                                   | Wood-Mizer Part Number | Wood-Mizer Description                           | Qty. | X-Ref          |
|------------|--|------------------------|--|------|----------------|
| K28        | Clamp Up Solenoid Relay                    | 068212                 | Relay, Solid State 2A 24VDC Coil Cage Clamp Base | 1    | +L1.L4/27.2715 |
| K29        | Clamp Down Solenoid Relay                  | 068212                 | Relay, Solid State 2A 24VDC Coil Cage Clamp Base | 1    | +L1.L4/28.2802 |
| K30        | Toe #1 Up Solenoid Relay                   | 068212                 | Relay, Solid State 2A 24VDC Coil Cage Clamp Base | 1    | +L1.L4/28.2804 |
| K31        | Toe #1 Down Solenoid Relay                 | 068212                 | Relay, Solid State 2A 24VDC Coil Cage Clamp Base | 1    | +L1.L4/28.2806 |
| K32        | Power Roller Tape Fwd Solenoid Relay       | 068212                 | Relay, Solid State 2A 24VDC Coil Cage Clamp Base | 1    | +L1.L4/28.2807 |
| K33        | Power Taper Roller Rev Solenoid Relay      | 068212                 | Relay, Solid State 2A 24VDC Coil Cage Clamp Base | 1    | +L1.L4/28.2809 |
| K34        | Toe #2 Up Solenoid Relay                   | 068212                 | Relay, Solid State 2A 24VDC Coil Cage Clamp Base | 1    | +L1.L4/28.2811 |
| K35        | Toe #2 Down Solenoid Relay                 | 068212                 | Relay, Solid State 2A 24VDC Coil Cage Clamp Base | 1    | +L1.L4/28.2813 |
| K36        | Toe #3 Up Solenoid Relay                   | 068212                 | Relay, Solid State 2A 24VDC Coil Cage Clamp Base | 1    | +L1.L4/28.2815 |
| K37        | Toe#3 Down Solenoid Relay                  | 068212                 | Relay, Solid State 2A 24VDC Coil Cage Clamp Base | 1    | +L1.L4/29.2902 |
| K38        | Side Supports Up Solenoid Relay            | 068212                 | Relay, Solid State 2A 24VDC Coil Cage Clamp Base | 1    | +L1.L4/29.2904 |
| K39        | Side Supports Down Solenoid Relay          | 068212                 | Relay, Solid State 2A 24VDC Coil Cage Clamp Base | 1    | +L1.L4/29.2906 |
| K40        | Conveyor Motor Solenoid Relay              | 068212                 | Relay, Solid State 2A 24VDC Coil Cage Clamp Base | 1    | +L1.L4/29.2907 |
| K41        | Turner Forward Solenoid Relay              | 068212                 | Relay, Solid State 2A 24VDC Coil Cage Clamp Base | 1    | +L1.L4/29.2909 |
| K42        | Turner Reverse Solenoid Relay              | 068212                 | Relay, Solid State 2A 24VDC Coil Cage Clamp Base | 1    | +L1.L4/29.2911 |
| K43        | Loader Up Solenoid Relay                   | 068212                 | Relay, Solid State 2A 24VDC Coil Cage Clamp Base | 1    | +L1.L4/29.2913 |
| K44        | Loader Down Solenoid Relay                 | 068212                 | Relay, Solid State 2A 24VDC Coil Cage Clamp Base | 1    | +L1.L4/29.2915 |
| K45        | Log Deck Forward Solenoid Relay            | 068212                 | Relay, Solid State 2A 24VDC Coil Cage Clamp Base | 1    | +L1.L4/30.3002 |
| K46        | Log Deck Reverse Solenoid Relay            | 068212                 | Relay, Solid State 2A 24VDC Coil Cage Clamp Base | 1    | +L1.L4/30.3004 |
| K47        | Dump Valve Solenoid Relay                  | 068212                 | Relay, Solid State 2A 24VDC Coil Cage Clamp Base | 1    | +L1.L4/30.3006 |
| K100       | Bed Extension Diverter/ Blocking Sol. Rly  | 068212                 | Relay, Solid State 2A 24VDC Coil Cage Clamp Base | 1    | +L1.L4/30.3007 |
| K101       | Bed Ext Turner Fwd/ Rev Diverter Relay     | 068212                 | Relay, Solid State 2A 24VDC Coil Cage Clamp Base | 1    | +L1.L4/11.1114 |
| K102       | Bed Ext Turner Fwd/ Rev Blocking Relay     | 068212                 | Relay, Solid State 2A 24VDC Coil Cage Clamp Base | 1    | +L1.L4/11.1115 |
| K103       | Bed Ext Side Support Up/Dn Diverter Rly    | 068212                 | Relay, Solid State 2A 24VDC Coil Cage Clamp Base | 1    | +L1.L4/11.1117 |
| K104       | Bed Ext Side Support Up/Dn Blocking Rly    | 068212                 | Relay, Solid State 2A 24VDC Coil Cage Clamp Base | 1    | +L1.L4/11.1118 |
| K105       | Bed Ext Turner Up/Dn Diverter Relay        | 068212                 | Relay, Solid State 2A 24VDC Coil Cage Clamp Base | 1    | +L1.L4/12.1202 |
| K106       | Bed Ext Pwr Taper Fwd/Rev Diverter Rly     | 068212                 | Relay, Solid State 2A 24VDC Coil Cage Clamp Base | 1    | +L1.L4/12.1203 |
| K107       | Bed Ext Pwr Taper Fwd/Rev Blocking Rly     | 068212                 | Relay, Solid State 2A 24VDC Coil Cage Clamp Base | 1    | +L1.L4/12.1205 |
| K108       | Bed Ext Loader Up/Dn Diverter Relay        | 068212                 | Relay, Solid State 2A 24VDC Coil Cage Clamp Base | 1    | +L1.L4/12.1206 |
| K109       | Bed Ext Loader Up/Dn Blocking Relay        | 068212                 | Relay, Solid State 2A 24VDC Coil Cage Clamp Base | 1    | +L1.L4/12.1208 |
| K110       | Bed Ext Log Deck Fwd/Rev Diverter Rly      | 068212                 | Relay, Solid State 2A 24VDC Coil Cage Clamp Base | 1    | +L1.L4/12.1209 |
| K111       | Bed Ext Log Deck Fwd/Rev Blocking Rly      | 068212                 | Relay, Solid State 2A 24VDC Coil Cage Clamp Base | 1    | +L1.L4/12.1211 |
| K112       | Bed Ext Clamp Up Diverter Solenoid         | 068212                 | Relay, Solid State 2A 24VDC Coil Cage Clamp Base | 1    | +L1.L4/12.1213 |
| K113       | Bed Ext Clamp Down Diverter Solenoid       | 068212                 | Relay, Solid State 2A 24VDC Coil Cage Clamp Base | 1    | +L1.L4/12.1214 |
| K114       | Bed Ext Clamp In Diverter Solenoid         | 068212                 | Relay, Solid State 2A 24VDC Coil Cage Clamp Base | 1    | +L1.L4/12.1216 |
| K115       | Bed Ext Clamp Out Diverter Solenoid        | 068212                 | Relay, Solid State 2A 24VDC Coil Cage Clamp Base | 1    | +L1.L4/12.1217 |
| K120       | Bed Extension Clamp Selector Relay         | 068212                 | Relay, Solid State 2A 24VDC Coil Cage Clamp Base | 1    | +L1.L4/31.3111 |
| K150       | Bed Extension Toe #4 Up Solenoid Relay     | 068212                 | Relay, Solid State 2A 24VDC Coil Cage Clamp Base | 1    | +L1.L4/30.3009 |
| K151       | Bed Extension Toe #4 Down Solenoid Rly     | 068212                 | Relay, Solid State 2A 24VDC Coil Cage Clamp Base | 1    | +L1.L4/30.3011 |
| K152       | Bed Extension Clamp Up Solenoid Relay      | 068212                 | Relay, Solid State 2A 24VDC Coil Cage Clamp Base | 1    | +L1.L4/30.3013 |
| K153       | Bed Extension Clamp Down Solenoid Rly      | 068212                 | Relay, Solid State 2A 24VDC Coil Cage Clamp Base | 1    | +L1.L4/30.3015 |
| K154       | Bed Extension Clamp In Solenoid Relay      | 068212                 | Relay, Solid State 2A 24VDC Coil Cage Clamp Base | 1    | +L1.L4/31.3102 |
| K155       | Bed Extension Clamp Out Solenoid Relay     | 068212                 | Relay, Solid State 2A 24VDC Coil Cage Clamp Base | 1    | +L1.L4/31.3104 |
| LAS1       | Laser                                      | 068035                 | Laser, 5mW 532nm 90 Deg Line Z-Laser Grn         | 1    | +L1.L4/8.813   |
| M1         | Blade Motor                                | 042301                 | Motor, 30HP 1800RPM                              | 1    | +L1.L3/1.115   |
| M2         | Hydraulic Pump Motor                       | 078670                 | Motor, 15HP 230/460 3PH 60Hz                     | 1    | +L1.L3/2.202   |
| M3         | Feed Motor                                 | 115152                 | Motor, 5HP 3P 230/460 184TC                      | 1    | +L1.L3/2.208   |
| M4         | Up/Down Servo Motor                        | 068038                 | Motor, Servo 100mm IP54 Encoder                  | 1    | +L1.L3/2.213   |
| M5         | Debarker Motor                             | 050292                 | Motor, 3/4HP 230/460 3P 1725RPM DB LT60          | 1    | +L1.L3/3.302   |
| M6         | Blade Guide Motor                          | 035659                 | Motor Assy, 24V 60 RPM Gear                      | 1    | +L1.L4/7.716   |
| MCR1       | Master Control Relay                       | 051322                 | Contact, 25A 3P 24VDC Coil                       | 1    | +L1.L4/17.1716 |
| N2         | HMI  | 078794                 | HMI Assy, Ind. Mill                              | 1    | +L5.L7/36.3601 |
| N3         | Hydraulic Pwr Unit Proportional Valve Ctrl | 068277                 | Driver Assy, Prop Valve 8 Pin A2.00+             | 1    | +L1.L4/34.3406 |
| OL2        | Hydraulic Pump Motor Overload              | 069885                 | Overload, 16-24A Class 10 Single Ph Sens         | 1    | +L1.L3/2.202   |
| PB1        | E-Stop                                     | 068940                 | Pushbutton Head, 22mm E-Stop Twist-Pull          | 1    | +L1.L4/17.1710 |
| PB1        | =  | 068950                 | Collar, Mount 1NC ZB5                            | 1    | +L1.L4/17.1710 |
| PB1        | =  | 068921                 | Contact Block, NC ZB5                            | 1    | +L1.L4/17.1710 |

|   |       |                     |    |
|---|-------|---------------------|----|
|  |       | <b>Wood-Mizer®</b>  |    |
| Project Description: WM4500 Bed Extension Full                                      |       |                     |    |
| Revision:   | A3.05 | Pg Desc: Parts list |    |
| Mounting Location: +Docs  |       | Type: Parts list    |    |
| Prev. pg:   | C1    | Page:               | C2 |
| Next pg:  | C3    | Total Pgs:          | 93 |

# Device Tag/Parts List


| Device tag | Function                                | Wood-Mizer Part Number | Wood-Mizer Description                   | Qty. | X-Ref          |
|------------|---|------------------------|--|------|----------------|
| PB2        | Blade Brake Manual Override Push-Button | 068950                 | Collar, Mount 1NC ZB5                    | 1    | +L1.L4/8.807   |
| PB2        | =                                       | 068920                 | Contact Block, NO ZB5                    | 1    | +L1.L4/8.807   |
| PBL1       | Control Power On PB                     | 068952                 | Collar, Mount 1NO ZB5                    | 1    | +L1.L4/17.1710 |
| PBL1       | =                                       | 052503                 | Switch Head, PB Green Flush Illum ZB5    | 1    | +L1.L4/17.1710 |
| PBL1       | =                                       | 068910                 | Light Module, Green ZB5                  | 1    | +L1.L4/17.1710 |
| PL1        | Head Mode Indicator                     | 068912                 | Light Module, White ZB5                  | 1    | +L1.L4/26.2602 |
| PL1        | =                                       | 068931                 | Pilot Light, Yellow ZB5                  | 1    | +L1.L4/26.2602 |
| PL1        | =                                       | 068951                 | Switch Collar, Mount ZB5                 | 1    | +L1.L4/26.2602 |
| PL2        | Bed Mode Indicator                      | 068912                 | Light Module, White ZB5                  | 1    | +L1.L4/26.2604 |
| PL2        | =                                       | 068931                 | Pilot Light, Yellow ZB5                  | 1    | +L1.L4/26.2604 |
| PL2        | =                                       | 068951                 | Switch Collar, Mount ZB5                 | 1    | +L1.L4/26.2604 |
| PLC1       | PLC                                     | 078783                 | PLC Assy, Ind. Mill M251                 | 1    | +L1.L4/21.2101 |
| PLC1       | =                                       | 078782                 | PLC Assy, Ind. Mill CPU                  | 1    | +L1.L4/21.2101 |
| PLC1.1     | Digital Input                           | 078491                 | Input Module, Spring Clamp 16Pt Digital  | 1    | +L1.L4/22.2202 |
| PLC1.2     | =                                       | 078491                 | Input Module, Spring Clamp 16Pt Digital  | 1    | +L1.L4/24.2402 |
| PLC1.3     | Digital Output                          | 078492                 | Output Module, TM3 16Pt. Transistor      | 1    | +L1.L4/26.2602 |
| PLC1.4     | =                                       | 078492                 | Output Module, TM3 16Pt. Transistor      | 1    | +L1.L4/28.2802 |
| PLC1.5     | =                                       | 078492                 | Output Module, TM3 16Pt. Transistor      | 1    | +L1.L4/30.3002 |
| PLC1.6     | =                                       | 078492                 | Output Module, TM3 16Pt. Transistor      | 1    | +L1.L4/32.3202 |
| PLC1.7     | Analog I/O                              | 078648                 | Analog Module, TM3 4I/2O                 | 1    | +L1.L4/34.3402 |
| PRX1       | Blade Broken Prox                       | 051439                 | Sensor, Ind Prox M12 PNP NS Ex           | 1    | +L1.L4/23.2310 |
| PRX2       | Ball Nut Prox                           | 051439                 | Sensor, Ind Prox M12 PNP NS Ex           | 1    | +L1.L4/23.2313 |
| PS1        | Blade Tension Pressure Switch           | 045207                 | Switch, Limit Pressure 60 PSI            | 1    | +L1.L4/23.2306 |
| PS2        | Blade Brake Released Pressure Switch    | 045207                 | Switch, Limit Pressure 60 PSI            | 1    | +L1.L4/23.2307 |
| Q1         | Main Disconnect                         | 078506                 | Disconnect, 200A 3Ph Non-Fused           | 1    | +L1.L3/1.101   |
| Q2         | Blade Guide Motor Breaker               | 051915                 | Breaker, 3A 1P MG24502                   | 1    | +L1.L4/7.708   |
| Q3         | Lube Pump Motor Breaker                 | 051915                 | Breaker, 3A 1P MG24502                   | 1    | +L1.L4/8.802   |
| Q4         | Debarker Motor                          | 068097                 | Motor Protector, 1.0-1.6 Manual          | 1    | +L1.L3/3.302   |
| Q4         | =                                       | 068199                 | Motor Protector, Aux Contacts 1NO 1NC    | 1    | +L1.L3/3.302   |
| Q4         | =                                       | 068098                 | Motor Protector, Line Side Barrier       | 1    | +L1.L3/3.302   |
| Q4         | =                                       | 068099                 | Motor Protector, Interconnect LC1D09-25  | 1    | +L1.L3/3.302   |
| R1         | Feed Drive Braking Resistor             | 078784                 | Resistor Assy, Ind. Mill Feed            | 1    | +L1.L3/2.206   |
| R2         | Up/Down Drive Bracking Resistor         | 068161                 | Resistor Assy, Ind. Mill Up/Dn           | 1    | +L1.L3/2.212   |
| SD1        | Up/Down Drive Control                   | 078781                 | Drive Assy, Ind. Mill Up/Down            | 1    | +L1.L3/2.211   |
| SS2        | Key Switch                              | 068950                 | Collar, Mount 1NC ZB5                    | 1    | +L1.L4/22.2204 |
| SS2        | =                                       | 068920                 | Contact Block, NO ZB5                    | 1    | +L1.L4/22.2204 |
| SS2        | =                                       | 068941                 | Switch, Key 3Pos Mom R-C                 | 1    | +L1.L4/22.2204 |
| SSD1       | Blade Motor Soft Start                  | 069933                 | Drive Assy, Ind. Mill Blade              | 1    | +L1.L3/1.112   |
| SW1        | Seat Switch                             | 112581                 | Switch, Snap Mount Plunger 2 NO          | 1    | +L1.L4/17.1705 |
| SW2        | Auto-Cut Foot Switch                    | 052789                 | Switch, Foot Single Lever IP68           | 1    | +L1.L4/23.2302 |
| T1         | Soft-Start Control Transformer          | 069909                 | Transformer, 0.05kVA 240x480P 120/240S   | 1    | +L1.L3/3.306   |
| VFD1       | Feed Drive Power                        | 078780                 | Drive Assy, Ind. Mill Feed               | 1    | +L1.L3/2.205   |
| X1.1       | 1L1 Distribution Block                  | 069908                 | Distribution Block, 1P 1in 4out 175A DIN | 1    | +L1.L3/3.305   |
| X1.2       | 1L3 Distribution Block                  | 069908                 | Distribution Block, 1P 1in 4out 175A DIN | 1    | +L1.L3/3.305   |
| X1.3       | 2L1 Distribution Block                  | 069801                 | Distribution Block, 1P 1in 6out 380A DIN | 1    | +L1.L3/1.107   |
| X1.4       | 2L2 Distribution Block                  | 069801                 | Distribution Block, 1P 1in 6out 380A DIN | 1    | +L1.L3/1.107   |
| X1.5       | 2L3 Distribution Block                  | 069801                 | Distribution Block, 1P 1in 6out 380A DIN | 1    | +L1.L3/1.107   |
| X1.6       | 1L1 Distribution Block                  | 069872                 | Distribution Block, 1P 2in 2out 620A DIN | 1    | +L1.L3/1.101   |
| X1.7       | 1L3 Distribution Block                  | 069872                 | Distribution Block, 1P 2in 2out 620A DIN | 1    | +L1.L3/1.103   |
| X3.1       | Ground Distribution Block               | 025203                 | Bar, Grounding 14 Circuit W/Lug          | 1    | +L1.L3/1.107   |
| Y27        | Proportional Valve Solenoid             | 068258                 | Valve, Proportional Coil PV72-30A        | 1    | +L1.L4/34.3411 |
| Y50        | Lube Solenoid                           | 051432                 | Valve, Solenoid 1/4 NPT Water NC 2 Way   | 1    | +L1.L4/8.802   |
|            |   |                        |  |      |                |
|            |   |                        |  |      |                |
|            |   |                        |  |      |                |
|            |   |                        |  |      |                |
|            |   |                        |  |      |                |
|            |   |                        |  |      |                |
|            |   |                        |  |      |                |
|            |   |                        |  |      |                |
|            |   |                        |  |      |                |
|            |   |                        |  |      |                |
|            |   |                        |  |      |                |
|            |   |                        |  |      |                |
|            |   |                        |  |      |                |
|            |   |                        |  |      |                |

|  |                     |
|--|---------------------|
|  <b>Wood-Mizer®</b> |                     |
| <b>Project Description: WM4500 Bed Extension Full</b>  |                     |
| Revision: A3.05  | Pg Desc: Parts list |
| Mounting Location: +Docs   | Type: Parts list    |
| Prev. pg: C2   | Page: C3            |
| Next pg: D1  | Total Pgs: 93       |

# Terminal line-up diagram

## Terminal strip +L1.L3-X2

| Terminal  |       |        |                                | Jumper  |     | End Plate | Remark | Terminal       |
|-----------|-------|--------|--------------------------------|---------|-----|-----------|--------|----------------|
| Ref. Des. | Level | P/N    | Description                    | Diagram | P/N | P/N       |        | X-Ref          |
| TB1       |       | 068106 | Terminal Block, 2Pos 4mm Clamp | •       |     |           |        | &MEA+.L4/22.09 |
| TB2       |       | 068106 | Terminal Block, 2Pos 4mm Clamp | •       |     | 068108    |        | &MEA+.L4/22.09 |
| TB3       |       | 068106 | Terminal Block, 2Pos 4mm Clamp | ●       |     |           |        | &MEA+.L4/22.11 |
| TB4       |       | 068106 | Terminal Block, 2Pos 4mm Clamp | ●       |     | 068108    |        | &MEA+.L4/22.11 |

|   |    |                                |                                   |
|---|----|--------------------------------|-----------------------------------|
|  |    | <b>Wood-Mizer®</b>             |                                   |
| <b>Project Description: WM4500 Bed Extension Full</b>                               |    |                                |                                   |
| Revision:   |    | A3.05                          | Pg Desc: Terminal line-up diagram |
| Mounting Location: +Docs  |    | Type: Terminal line-up diagram |                                   |
| Prev. pg:   | C3 | Page:                          | D1                                |
| Next pg:  | D2 | Total Pgs:                     | 93                                |

# Terminal line-up diagram

Wood-Mizer\_Terminal\_Lineup\_Diagram

## Terminal strip +L1.L4-X4

| Terminal  |       |        |                                      | Jumper  |        | End Plate | Remark   | Terminal X-Ref |
|-----------|-------|--------|--------------------------------------|---------|--------|-----------|--|----------------|
| Ref. Des. | Level | P/N    | Description                          | Diagram | P/N    | P/N       |  |                |
| TB1       |       | 068104 | Terminal Block, 4Pos 1.5mm GND Clamp |         |        |           |  | &MEA+.L3/1.05  |
| TB2       |       | 068104 | Terminal Block, 4Pos 1.5mm GND Clamp |         |        |           |  | &MEA+.L3/1.05  |
| TB3       |       | 068104 | Terminal Block, 4Pos 1.5mm GND Clamp |         |        |           |  | &MEA+.L3/1     |
| TB4       |       | 068103 | Terminal Block, 4Pos 1.5mm Com Clamp | ●       | 068113 |           | Jumper is Trimmed Down To 3 Position<br>Jumper Between TB4-6   | &MEA+.L3/3.12  |
| TB5       |       | 068103 | Terminal Block, 4Pos 1.5mm Com Clamp | ●       |        |           |  | &MEA/12.18     |
| TB6       |       | 068103 | Terminal Block, 4Pos 1.5mm Com Clamp | ●       |        |           |  | &MEA/12        |
| TB7       |       | 068103 | Terminal Block, 4Pos 1.5mm Com Clamp | ●       | 068113 |           | Jumper is Trimmed Down To 2 Position<br>Jumper Between TB7-8   | &MEA+.L3/3.11  |
| TB8       |       | 068103 | Terminal Block, 4Pos 1.5mm Com Clamp | ●       | 068113 |           | Jumper is Trimmed Down To 2 Position<br>Jumper Between TB7-8   | &MEA+.L3/3     |
| TB9       |       | 068103 | Terminal Block, 4Pos 1.5mm Com Clamp | ●       | 068113 |           | Jumper is Trimmed Down To 3 Position<br>Jumper Between TB9-11  | &MEA/7.06      |
| TB10      |       | 068103 | Terminal Block, 4Pos 1.5mm Com Clamp | ●       |        |           |  | &MEA/16.02     |
| TB11      |       | 068103 | Terminal Block, 4Pos 1.5mm Com Clamp | ●       |        |           |  | &MEA/16        |
| TB12      |       | 068103 | Terminal Block, 4Pos 1.5mm Com Clamp | ●       | 068113 |           | Jumper is Trimmed Down To 8 Position<br>Between TB12-19        | &MEA+.L3/3.17  |
| TB13      |       | 068103 | Terminal Block, 4Pos 1.5mm Com Clamp | ●       |        |           |  | &MEA/26.15     |
| TB14      |       | 068103 | Terminal Block, 4Pos 1.5mm Com Clamp | ●       |        |           |  | &MEA/30.06     |
| TB15      |       | 068103 | Terminal Block, 4Pos 1.5mm Com Clamp | ●       |        |           |  | &MEA/16.07     |
| TB16      |       | 068103 | Terminal Block, 4Pos 1.5mm Com Clamp | ●       |        |           |  | &MEA+.L3/6.06  |
| TB17      |       | 068103 | Terminal Block, 4Pos 1.5mm Com Clamp | ●       |        |           |  | &MEA/26.06     |
| TB18      |       | 068103 | Terminal Block, 4Pos 1.5mm Com Clamp | ●       |        |           |  | &MEA/7         |
| TB19      |       | 068103 | Terminal Block, 4Pos 1.5mm Com Clamp | ●       |        | 068105    |  | &MEA/7         |
| TB20      |       | 068103 | Terminal Block, 4Pos 1.5mm Com Clamp | ●       | 068113 |           | Jumper is Trimmed Down To 5 Position<br>Between TB20-24        | &MEA+.L3/3.16  |
| TB21      |       | 068103 | Terminal Block, 4Pos 1.5mm Com Clamp | ●       |        |           |  | &MEA/7.03      |
| TB22      |       | 068103 | Terminal Block, 4Pos 1.5mm Com Clamp | ●       |        |           |  | &MEA/21.02     |
| TB23      |       | 068103 | Terminal Block, 4Pos 1.5mm Com Clamp | ●       |        |           |  | &MEA+.L3/6.05  |
| TB24      |       | 068103 | Terminal Block, 4Pos 1.5mm Com Clamp | ●       |        | 068105    |  | &MEA/7         |
| TB25      |       | 068103 | Terminal Block, 4Pos 1.5mm Com Clamp | ●       | 068113 |           | Jumper is Trimmed Down To 2 Position<br>Jumper Between TB25-26 | &MEA/21        |
| TB26      |       | 068103 | Terminal Block, 4Pos 1.5mm Com Clamp | ●       |        | 068105    |  | &MEA+.L3/6.02  |



**Wood-Mizer®**

Project Description: WM4500 Bed Extension Full

Revision: A3.05 Pg Desc: Terminal line-up diagram

Mounting Location: +Docs Type: Terminal line-up diagram

Prev. pg: D1 Page: D2 Next pg: D3 Total Pgs: 93

# Terminal line-up diagram

Wood-Mizer\_Terminal\_Lineup\_Diagram

## Terminal strip +L5.L6-X5

| Terminal  |       |        |                                      | Jumper  |        | End Plate | Remark   | Terminal         |
|-----------|-------|--------|--------------------------------------|---------|--------|-----------|--|------------------|
| Ref. Des. | Level | P/N    | Description                          | Diagram | P/N    | P/N       |  | X-Ref            |
| TB1       |       | 068104 | Terminal Block, 4Pos 1.5mm GND Clamp | ⋮       |        | 068105    |  | &MEA+.L7/36.08   |
| TB2       |       | 068103 | Terminal Block, 4Pos 1.5mm Com Clamp | ●       | 068113 |           | Jumper is Trimmed Down To 2 Position Between TB2-3 | &MEA+.L7/36.07   |
| TB3       |       | 068103 | Terminal Block, 4Pos 1.5mm Com Clamp | ●       |        |           |  | &MEA+L1.L4/18.02 |
| TB4       |       | 068103 | Terminal Block, 4Pos 1.5mm Com Clamp | ●       | 068113 |           | Jumper is Trimmed Down To 2 Position Between TB4-5 | &MEA+L1.L4/23.02 |
| TB5       |       | 068103 | Terminal Block, 4Pos 1.5mm Com Clamp | ●       |        | 068105    |  | &MEA+.L7/36.06   |
| TB6       | 1     | 068119 | Terminal Block, 2 Tier 2.5mm Clamp   | ⋮       |        | 068120    |  | &MEA+L1.L4/17.05 |
| TB6       | 2     |        |                                      | ⋮       |        |           |  | &MEA+L1.L4/17.05 |
| TB7       | 1     | 068119 | Terminal Block, 2 Tier 2.5mm Clamp   | ⋮       |        |           |  | &MEA+.L7/36.07   |
| TB7       | 2     |        |                                      | ⋮       |        |           |  | &MEA+.L7/36.08   |
| TB8       | 1     | 068119 | Terminal Block, 2 Tier 2.5mm Clamp   | ⋮       |        |           |  | &MEA+L1.L4/17.07 |
| TB8       | 2     |        |                                      | ⋮       |        |           |  | &MEA+.L7/36.06   |
| TB9       | 1     | 068119 | Terminal Block, 2 Tier 2.5mm Clamp   | ⋮       |        |           |  | &MEA+L1.L4/17.12 |
| TB9       | 2     |        |                                      | ⋮       |        |           |  | &MEA+L1.L4/17.12 |
| TB10      | 1     | 068119 | Terminal Block, 2 Tier 2.5mm Clamp   | ⋮       |        |           |  | &MEA+L1.L4/22.06 |
| TB10      | 2     |        |                                      | ⋮       |        |           |  | &MEA+L1.L4/22.04 |
| TB11      | 1     | 068119 | Terminal Block, 2 Tier 2.5mm Clamp   | ⋮       |        | 068120    |  | &MEA+L1.L4/18.02 |
| TB11      | 2     |        |                                      | ⋮       |        |           |  |                  |
| TB12      | 1     | 068119 | Terminal Block, 2 Tier 2.5mm Clamp   | ⋮       |        |           |  | &MEA+L1.L4/24.03 |
| TB12      | 2     |        |                                      | ⋮       |        |           |  | &MEA+L1.L4/24.03 |
| TB13      | 1     | 068119 | Terminal Block, 2 Tier 2.5mm Clamp   | ⋮       |        |           |  | &MEA+L1.L4/24.04 |
| TB13      | 2     |        |                                      | ⋮       |        |           |  | &MEA+L1.L4/24.04 |
| TB14      | 1     | 068119 | Terminal Block, 2 Tier 2.5mm Clamp   | ⋮       |        |           |  | &MEA+L1.L4/24.06 |
| TB14      | 2     |        |                                      | ⋮       |        |           |  | &MEA+L1.L4/24.05 |
| TB15      | 1     | 068119 | Terminal Block, 2 Tier 2.5mm Clamp   | ⋮       |        |           |  | &MEA+L1.L4/24.08 |
| TB15      | 2     |        |                                      | ⋮       |        |           |  | &MEA+L1.L4/24.06 |
| TB16      | 1     | 068119 | Terminal Block, 2 Tier 2.5mm Clamp   | ⋮       |        |           |  | &MEA+L1.L4/24.08 |
| TB16      | 2     |        |                                      | ⋮       |        |           |  | &MEA+L1.L4/24.09 |
| TB17      | 1     | 068119 | Terminal Block, 2 Tier 2.5mm Clamp   | ⋮       |        | 068120    |  | &MEA+L1.L4/24.07 |
| TB17      | 2     |        |                                      | ⋮       |        |           |  | &MEA+L1.L4/24.09 |
| TB18      | 1     | 068119 | Terminal Block, 2 Tier 2.5mm Clamp   | ⋮       |        |           |  | &MEA+L1.L4/25.03 |
| TB18      | 2     |        |                                      | ⋮       |        |           |  | &MEA+L1.L4/25.03 |
| TB19      | 1     | 068119 | Terminal Block, 2 Tier 2.5mm Clamp   | ⋮       |        |           |  | &MEA+L1.L4/25.04 |
| TB19      | 2     |        |                                      | ⋮       |        |           |  | &MEA+L1.L4/25.04 |
| TB20      | 1     | 068119 | Terminal Block, 2 Tier 2.5mm Clamp   | ⋮       |        |           |  | &MEA+L1.L4/25.06 |
| TB20      | 2     |        |                                      | ⋮       |        |           |  | &MEA+L1.L4/25.05 |



**Wood-Mizer®**

Project Description: WM4500 Bed Extension Full

|                    |       |            |                          |
|--------------------|-------|------------|--------------------------|
| Revision:          | A3.05 | Pg Desc:   | Terminal line-up diagram |
| Mounting Location: | +Docs | Type:      | Terminal line-up diagram |
| Prev. pg:          | D2    | Page:      | D3                       |
|                    |       | Next pg:   | D4                       |
|                    |       | Total Pgs: | 93                       |



# Terminal line-up diagram

Wood-Mizer\_Terminal\_Lineup\_Diagram

## Terminal strip +L5.L6-X5

| Terminal  |       |        |                                    | Jumper  |     | End Plate | Remark | Terminal         |
|-----------|-------|--------|------------------------------------|---------|-----|-----------|--------|------------------|
| Ref. Des. | Level | P/N    | Description                        | Diagram | P/N | P/N       |        | X-Ref            |
| TB21      | 1     | 068119 | Terminal Block, 2 Tier 2.5mm Clamp | !       |     |           |        | &MEA+L1.L4/25.08 |
| TB21      | 2     |        |                                    | !       |     |           |        | &MEA+L1.L4/25.06 |
| TB22      | 1     | 068119 | Terminal Block, 2 Tier 2.5mm Clamp | !       |     |           |        | &MEA+L1.L4/25.08 |
| TB22      | 2     |        |                                    | !       |     |           |        | &MEA+L1.L4/25.09 |
| TB23      | 1     | 068119 | Terminal Block, 2 Tier 2.5mm Clamp | !       |     | 068120    |        | &MEA+L1.L4/25.07 |
| TB23      | 2     |        |                                    | !       |     |           |        | &MEA+L1.L4/25.09 |
| TB24      | 1     | 068119 | Terminal Block, 2 Tier 2.5mm Clamp | !       |     |           |        | &MEA+L1.L4/23.02 |
| TB24      | 2     |        |                                    | !       |     |           |        | &MEA+L1.L4/23.02 |
| TB25      | 1     | 068119 | Terminal Block, 2 Tier 2.5mm Clamp | !       |     | 068120    |        |                  |
| TB25      | 2     |        |                                    | !       |     |           |        | &MEA+L1.L4/23.03 |
| TB26      | 1     | 068119 | Terminal Block, 2 Tier 2.5mm Clamp | !       |     |           |        | &MEA+L1.L4/17.07 |
| TB26      | 2     |        |                                    | !       |     |           |        | &MEA+L1.L4/17.07 |
| TB27      | 1     | 068119 | Terminal Block, 2 Tier 2.5mm Clamp | !       |     |           |        | &MEA+L1.L4/17.07 |
| TB27      | 2     |        |                                    | !       |     |           |        | &MEA+L1.L4/17.07 |
| TB28      | 1     | 068119 | Terminal Block, 2 Tier 2.5mm Clamp | !       |     |           |        | &MEA+L1.L4/17.07 |
| TB28      | 2     |        |                                    | !       |     |           |        | &MEA+L1.L4/17.07 |
| TB29      | 1     | 068119 | Terminal Block, 2 Tier 2.5mm Clamp | !       |     | 068120    |        | &MEA+L1.L4/18.05 |
| TB29      | 2     |        |                                    | !       |     |           |        | &MEA+L1.L4/18.03 |
| TB30      | 1     | 068119 | Terminal Block, 2 Tier 2.5mm Clamp | !       |     | 068120    |        | &MEA+L1.L4/18    |
| TB30      | 2     |        |                                    | !       |     |           |        | &MEA+L1.L4/18.05 |
| TB31      | 1     | 068119 | Terminal Block, 2 Tier 2.5mm Clamp | !       |     |           |        | &MEA+L1.L4/15    |
| TB31      | 2     |        |                                    | !       |     |           |        | &MEA+L1.L4/15    |
| TB32      | 1     | 068119 | Terminal Block, 2 Tier 2.5mm Clamp | !       |     | 068120    |        | &MEA+L1.L4/15    |
| TB32      | 2     |        |                                    | !       |     |           |        |                  |



**Wood-Mizer®**

Project Description: WM4500 Bed Extension Full

Revision: A3.05 Pg Desc: Terminal line-up diagram

Mounting Location: +Docs Type: Terminal line-up diagram

Prev. pg: D3 Page: D4 Next pg: D5 Total Pgs: 93

# Terminal line-up diagram

Wood-Mizer\_Terminal\_Lineup\_Diagram

## Terminal strip +L11.L12-X6

| Terminal  |       |        |                                      | Jumper  |        | End Plate | Remark   | Terminal X-Ref   |
|-----------|-------|--------|--------------------------------------|---------|--------|-----------|--|------------------|
| Ref. Des. | Level | P/N    | Description                          | Diagram | P/N    | P/N       |  |                  |
| TB1       |       | 068104 | Terminal Block, 4Pos 1.5mm GND Clamp |         |        |           |  | &MEA+L1.L3/1.09  |
| TB2       |       | 068104 | Terminal Block, 4Pos 1.5mm GND Clamp |         |        | 068105    |  | &MEA+L1.L4/19.12 |
| TB3       |       | 068103 | Terminal Block, 4Pos 1.5mm Com Clamp | ●       | 068113 |           | Jumper is Trimmed Down To 2 Position Between TB3-4 | &MEA+L1.L4/8.05  |
| TB4       |       | 068103 | Terminal Block, 4Pos 1.5mm Com Clamp | ●       |        | 068105    |  | &MEA+L1.L4/8.13  |
| TB5       |       | 068103 | Terminal Block, 4Pos 1.5mm Com Clamp | ●       | 068113 |           | Jumper is Trimmed Down To 3 Position Between TB5-7 | &MEA+L1.L4/16.09 |
| TB6       |       | 068103 | Terminal Block, 4Pos 1.5mm Com Clamp | ●       |        |           |  | &MEA+L1.L4/26.02 |
| TB7       |       | 068103 | Terminal Block, 4Pos 1.5mm Com Clamp | ●       |        | 068105    |  | &MEA+L1.L4/19.12 |
| TB8       |       | 068103 | Terminal Block, 4Pos 1.5mm Com Clamp | ●       | 068113 |           | Jumper is Trimmed Down To 2 Position Between TB8-9 | &MEA+L1.L4/23.07 |
| TB9       |       | 068103 | Terminal Block, 4Pos 1.5mm Com Clamp | ●       |        | 068105    |  | &MEA+L1.L4/23.06 |
| TB10      | 1     | 068119 | Terminal Block, 2 Tier 2.5mm Clamp   |         |        |           |  | &MEA+L1.L4/17.02 |
| TB10      | 2     |        |                                      |         |        |           |  | &MEA+L1.L4/17.02 |
| TB11      | 1     | 068119 | Terminal Block, 2 Tier 2.5mm Clamp   |         |        |           |  | &MEA+L1.L4/17.02 |
| TB11      | 2     |        |                                      |         |        |           |  | &MEA+L1.L4/17.02 |
| TB12      | 1     | 068119 | Terminal Block, 2 Tier 2.5mm Clamp   |         |        |           |  | &MEA+L1.L4/7.15  |
| TB12      | 2     |        |                                      |         |        |           |  | &MEA+L1.L4/7.17  |
| TB13      | 1     | 068119 | Terminal Block, 2 Tier 2.5mm Clamp   |         |        |           |  | &MEA+L1.L4/8.09  |
| TB13      | 2     |        |                                      |         |        |           |  | &MEA+L1.L4/8.07  |
| TB14      | 1     | 068119 | Terminal Block, 2 Tier 2.5mm Clamp   |         |        |           |  |                  |
| TB14      | 2     |        |                                      |         |        |           |  | &MEA+L1.L4/8.11  |
| TB15      | 1     | 068119 | Terminal Block, 2 Tier 2.5mm Clamp   |         |        |           |  |                  |
| TB15      | 2     |        |                                      |         |        |           |  | &MEA+L1.L4/8.13  |
| TB16      | 1     | 068119 | Terminal Block, 2 Tier 2.5mm Clamp   |         |        | 068120    |  | &MEA+L1.L4/23.13 |
| TB16      | 2     |        |                                      |         |        |           |  | &MEA+L1.L4/23.10 |
| TB17      | 1     | 068119 | Terminal Block, 2 Tier 2.5mm Clamp   |         |        |           |  | &MEA+L1.L4/8     |
| TB17      | 2     |        |                                      |         |        |           |  | &MEA+L1.L4/8.16  |



**Wood-Mizer®**

Project Description: WM4500 Bed Extension Full

Revision: A3.05 Pg Desc: Terminal line-up diagram

Mounting Location: +Docs Type: Terminal line-up diagram

Prev. pg: D4 Page: D5 Next pg: D6 Total Pgs: 93



# Terminal line-up diagram

Wood-Mizer\_Terminal\_Lineup\_Diagram

## Terminal strip +L9.L10-X7

| Terminal  |       |        |                                      | Jumper  |        | End Plate | Remark  | Terminal         |
|-----------|-------|--------|--------------------------------------|---------|--------|-----------|---|------------------|
| Ref. Des. | Level | P/N    | Description                          | Diagram | P/N    | P/N       |   | X-Ref            |
| TB1       |       | 068104 | Terminal Block, 4Pos 1.5mm GND Clamp |         |        |           |   | &MEA+L1.L3/1.08  |
| TB2       |       | 068104 | Terminal Block, 4Pos 1.5mm GND Clamp |         |        |           |   | &MEA+L1.L4/9.04  |
| TB3       |       | 068104 | Terminal Block, 4Pos 1.5mm GND Clamp |         |        |           |   | &MEA+L1.L4/9.07  |
| TB4       |       | 068104 | Terminal Block, 4Pos 1.5mm GND Clamp |         |        |           |   | &MEA+L1.L4/9.11  |
| TB5       |       | 068104 | Terminal Block, 4Pos 1.5mm GND Clamp |         |        | 068105    |   | &MEA+L1.L4/15.03 |
| TB6       |       | 068103 | Terminal Block, 4Pos 1.5mm Com Clamp | ●       | 068113 |           | Jumper is Trimmed Down To 5 Position Between TB6-10 | &MEA+L1.L4/9.02  |
| TB7       |       | 068103 | Terminal Block, 4Pos 1.5mm Com Clamp | ●       |        |           |   | &MEA+L1.L4/9.02  |
| TB8       |       | 068103 | Terminal Block, 4Pos 1.5mm Com Clamp | ●       |        |           |   | &MEA+L1.L4/9.06  |
| TB9       |       | 068103 | Terminal Block, 4Pos 1.5mm Com Clamp | ●       |        |           |   | &MEA+L1.L4/9.09  |
| TB11      |       | 068103 | Terminal Block, 4Pos 1.5mm Com Clamp |         |        | 068105    |   | &MEA+L1.L4/16.12 |
| TB12      |       | 068103 | Terminal Block, 4Pos 1.5mm Com Clamp |         |        | 068105    |   | &MEA+L1.L4/16.12 |
| TB13      | 1     | 068119 | Terminal Block, 2 Tier 2.5mm Clamp   |         |        |           |   | &MEA+L1.L4/9.02  |
| TB13      | 2     |        |                                      |         |        |           |   | &MEA+L1.L4/9.05  |
| TB14      | 1     | 068119 | Terminal Block, 2 Tier 2.5mm Clamp   |         |        |           |   | &MEA+L1.L4/9.06  |
| TB14      | 2     |        |                                      |         |        |           |   | &MEA+L1.L4/9.08  |
| TB15      | 1     | 068119 | Terminal Block, 2 Tier 2.5mm Clamp   |         |        |           |   | &MEA+L1.L4/9.09  |
| TB15      | 2     |        |                                      |         |        |           |   | &MEA+L1.L4/9.12  |
| TB16      | 1     | 068119 | Terminal Block, 2 Tier 2.5mm Clamp   |         |        |           |   | &MEA+L1.L4/9.13  |
| TB16      | 2     |        |                                      |         |        |           |   | &MEA+L1.L4/9.15  |
| TB17      | 1     | 068119 | Terminal Block, 2 Tier 2.5mm Clamp   |         |        |           |   | &MEA+L1.L4/9.16  |
| TB17      | 2     |        |                                      |         |        |           |   | &MEA+L1.L4/9.19  |
| TB18      | 1     | 068119 | Terminal Block, 2 Tier 2.5mm Clamp   |         |        |           |   | &MEA+L1.L4/10.02 |
| TB18      | 2     |        |                                      |         |        |           |   | &MEA+L1.L4/10.04 |
| TB19      | 1     | 068119 | Terminal Block, 2 Tier 2.5mm Clamp   |         |        |           |   | &MEA+L1.L4/10.05 |
| TB19      | 2     |        |                                      |         |        |           |   | &MEA+L1.L4/10.08 |
| TB20      | 1     | 068119 | Terminal Block, 2 Tier 2.5mm Clamp   |         |        |           |   | &MEA+L1.L4/10.09 |
| TB20      | 2     |        |                                      |         |        |           |   | &MEA+L1.L4/10.11 |
| TB21      | 1     | 068119 | Terminal Block, 2 Tier 2.5mm Clamp   |         |        |           |   | &MEA+L1.L4/10.12 |
| TB21      | 2     |        |                                      |         |        |           |   |                  |
| TB22      | 1     | 068119 | Terminal Block, 2 Tier 2.5mm Clamp   |         |        |           |   | &MEA+L1.L4/10.15 |
| TB22      | 2     |        |                                      |         |        |           |   | &MEA+L1.L4/10.17 |
| TB23      | 1     | 068119 | Terminal Block, 2 Tier 2.5mm Clamp   |         |        |           |   | &MEA+L1.L4/11.02 |
| TB23      | 2     |        |                                      |         |        |           |   | &MEA+L1.L4/11.04 |
| TB24      | 1     | 068119 | Terminal Block, 2 Tier 2.5mm Clamp   |         |        |           |   | &MEA+L1.L4/11.05 |
| TB24      | 2     |        |                                      |         |        |           |   | &MEA+L1.L4/11.07 |



**Wood-Mizer®**

Project Description: WM4500 Bed Extension Full

|                    |       |            |                          |
|--------------------|-------|------------|--------------------------|
| Revision:          | A3.05 | Pg Desc:   | Terminal line-up diagram |
| Mounting Location: | +Docs | Type:      | Terminal line-up diagram |
| Prev. pg:          | D5    | Page:      | D6                       |
|                    |       | Next pg:   | D7                       |
|                    |       | Total Pgs: | 93                       |

# Terminal line-up diagram

## Terminal strip +L9.L10-X7

| Terminal  |       |        |                                    | Jumper  |     | End Plate | Remark | Terminal         |
|-----------|-------|--------|------------------------------------|---------|-----|-----------|--------|------------------|
| Ref. Des. | Level | P/N    | Description                        | Diagram | P/N | P/N       |        | X-Ref            |
| TB25      | 1     | 068119 | Terminal Block, 2 Tier 2.5mm Clamp | •       |     |           |        | &MEA+L1.L4/34.07 |
| TB25      | 2     |        |                                    | •       |     |           |        | &MEA+L1.L4/34.08 |
| TB26      | 1     | 068119 | Terminal Block, 2 Tier 2.5mm Clamp | •       |     |           |        | &MEA+L1.L4/11.09 |
| TB26      | 2     |        |                                    | •       |     |           |        |                  |
| TB27      | 1     | 068119 | Terminal Block, 2 Tier 2.5mm Clamp | •       |     |           |        | &MEA+L1.L4/15.02 |
| TB27      | 2     |        |                                    | •       |     |           |        | &MEA+L1.L4/15.04 |
| TB28      | 1     | 068119 | Terminal Block, 2 Tier 2.5mm Clamp | •       |     |           |        | &MEA+L1.L4/15.05 |
| TB28      | 2     |        |                                    | •       |     |           |        | &MEA+L1.L4/15.08 |
| TB29      | 1     | 068119 | Terminal Block, 2 Tier 2.5mm Clamp | •       |     | 068102    |        | &MEA+L1.L4/15.09 |
| TB29      | 2     |        |                                    | •       |     |           |        | &MEA+L1.L4/15.11 |



**Wood-Mizer®**

Project Description: WM4500 Bed Extension Full

Revision: A3.05 Pg Desc: Terminal line-up diagram


Mounting Location: +Docs Type: Terminal line-up diagram

Prev. pg: D6 Page: D7 Next pg: D8 Total Pgs: 93

# Terminal line-up diagram


## Terminal strip +L5.L14-X8

| Terminal  |       |        |                                      | Jumper  |        | End Plate | Remark   | Terminal         |
|-----------|-------|--------|--------------------------------------|---------|--------|-----------|--|------------------|
| Ref. Des. | Level | P/N    | Description                          | Diagram | P/N    | P/N       |  | X-Ref            |
| TB1       |       | 068104 | Terminal Block, 4Pos 1.5mm GND Clamp |         |        |           |  | &MEA+L1.L3/1.08  |
| TB2       |       | 068104 | Terminal Block, 4Pos 1.5mm GND Clamp |         |        |           |  | &MEA+L1.L4/13.03 |
| TB3       |       | 068104 | Terminal Block, 4Pos 1.5mm GND Clamp |         |        |           |  | &MEA+L1.L4/13.05 |
| TB4       |       | 068104 | Terminal Block, 4Pos 1.5mm GND Clamp |         |        | 068105    |  | &MEA+L1.L4/13.07 |
| TB5       |       | 068103 | Terminal Block, 4Pos 1.5mm Com Clamp | ●       | 068113 |           | Jumper is Trimmed Down To 4 Position Between TB5-8 | &MEA+L1.L4/11.13 |
| TB6       |       | 068103 | Terminal Block, 4Pos 1.5mm Com Clamp | ●       |        |           |  | &MEA+L1.L4/11.14 |
| TB7       |       | 068103 | Terminal Block, 4Pos 1.5mm Com Clamp | ●       |        |           |  | &MEA+L1.L4/13.02 |
| TB8       |       | 068103 | Terminal Block, 4Pos 1.5mm Com Clamp | ●       |        | 068105    |  | &MEA+L1.L4/13.04 |
| TB9       |       | 068103 | Terminal Block, 4Pos 1.5mm Com Clamp | ●       |        |           |  | &MEA+L1.L4/14.12 |

|   |          |                                   |               |
|---|----------|-----------------------------------|---------------|
|  |          | <b>Wood-Mizer®</b>                |               |
| <b>Project Description: WM4500 Bed Extension Full</b>                               |          |                                   |               |
| Revision: A3.05   |          | Pg Desc: Terminal line-up diagram |               |
| Mounting Location: +Docs  |          | Type: Terminal line-up diagram    |               |
| Prev. pg: D7  | Page: D8 | Next pg: E1                       | Total Pgs: 93 |


# Cable Overview

| Cable Designation | Cable Part Number | Cable Description                         | Cable X-Ref    |
|-------------------|-------------------|---|----------------|
| W1                | 069958-FX         | Cable Assy, Ind. Mill Blade Mtr Full Ex   | +L1.L3/1.118   |
| W2                | 069993            | Cable Assy, Ind. Mill Hydraulic Mtr       | +L1.L3/2.202   |
| W3                | 078442-FX         | Cable Assy, Ind. Mill Feed Mtr Full Ex    | +L1.L3/2.208   |
| W4                | 068179            | Cable Assy, Ind. Mill Up/Dn Servo Mtr     | +L1.L3/2.214   |
| W5                | 068180            | Cable Assy, Ind. Mill Up/Dn Servo Enc     | +L1.L3/2.213   |
| W6                | 069959            | Cable Assy, Ind. Mill Debarker Motor      | +L1.L3/3.302   |
| W20               | 069962-FX         | Cable Assy, Ind. Mill Head Box Full Ex    | +L1.L4/7.708   |
| W21               | 078656            | Cable Assy, Ind. Mill Hydraulic Control   | +L1.L4/10.1002 |
| W22               | 078657            | Cable Assy, Ind. Mill Operator Junction   | +L1.L4/16.1616 |
| W23               | 078658            | Cable Assy, Ind. Mill HMI Control         | +L1.L4/17.1710 |
| W30               | 078659            | Cable Assy, Ind. Mill Left Joystick       | +L1.L4/24.2403 |
| W31               | 078660            | Cable Assy, Ind. Mill Right Joystick      | +L1.L4/25.2503 |
| W34               | 069963            | Cable Assy, Ind. Mill Seat Switch         | +L1.L4/17.1705 |
| W35               | 078661            | Cable Assy, Ind. Mill Foot Pedal          | +L1.L4/23.2302 |
| W36               | 078662            | Cable Assy, Ind. Mill Blade Break Prox    | +L1.L4/23.2310 |
| W37               | 078663            | Cable Assy, Ind. Mill Ball Nut Prox       | +L1.L4/23.2312 |
| W38               | 069988            | Cable Assy, Ind. Mill Blade Guide Motor   | +L1.L4/7.715   |
| W39               | 068074            | Cable Assy, Ind. Mill Laser               | +L1.L4/8.813   |
| W40               | 068048            | Cable Assy, Ind. Mill Feed Encoder Pwr    | +L1.L4/19.1911 |
| W40A              | 068206            | Connector Assy, Ind. Mill Feed Encoder    | +L1.L4/19.1911 |
| W41               | 078791            | Cable Assy, Drag Back Solenoid            | +L1.L4/8.802   |
| W42               | 078665            | Cable Assy, Ind. Mill Prop Valve          | +L1.L4/34.3407 |
| W61               | 069977            | Cable Assy, Ind. Mill Bld Brk Sol.        | +L1.L4/8.807   |
| W62               | 069978            | Cable Assy, Ind. Mill Blw Off Sol.        | +L1.L4/8.809   |
| W63               | 069979            | Cable Assy, Ind. Mill Debarker Sol.       | +L1.L4/8.811   |
| W64               | 069966            | Cable Assy, Ind. Mill Clamp In/Out Sol    | +L1.L4/9.902   |
| W65               | 069967            | Cable Assy, Ind. Mill Turner Up/Dn Sol.   | +L1.L4/9.906   |
| W66               | 069968            | Cable Assy, Ind. Mill Clamp Up/Dn Sol.    | +L1.L4/9.909   |
| W67               | 069969            | Cable Assy, Ind. Mill Toe #1 Up/Dn Sol.   | +L1.L4/9.913   |
| W68               | 069970            | Cable Assy, Ind. Mill Pwr Tpr Fwd/Rv Sol. | +L1.L4/9.916   |
| W69               | 069971            | Cable Assy, Ind. Mill Toe #2 Up/Dn Sol.   | +L1.L4/10.1002 |
| W70               | 069972            | Cable Assy, Ind. Mill Toe #3 Up/Dn Sol.   | +L1.L4/10.1005 |
| W71               | 069973            | Cable Assy, Ind. Mill Sd Sup Up/Dn Sol.   | +L1.L4/10.1009 |
| W72               | 068189            | Cable Assy, Ind. Mill Conveyor Sol.       | +L1.L4/10.1012 |
| W73               | 069974            | Cable Assy, Ind. Mill Pwr Tpr Fwd/Rv Sol. | +L1.L4/10.1014 |

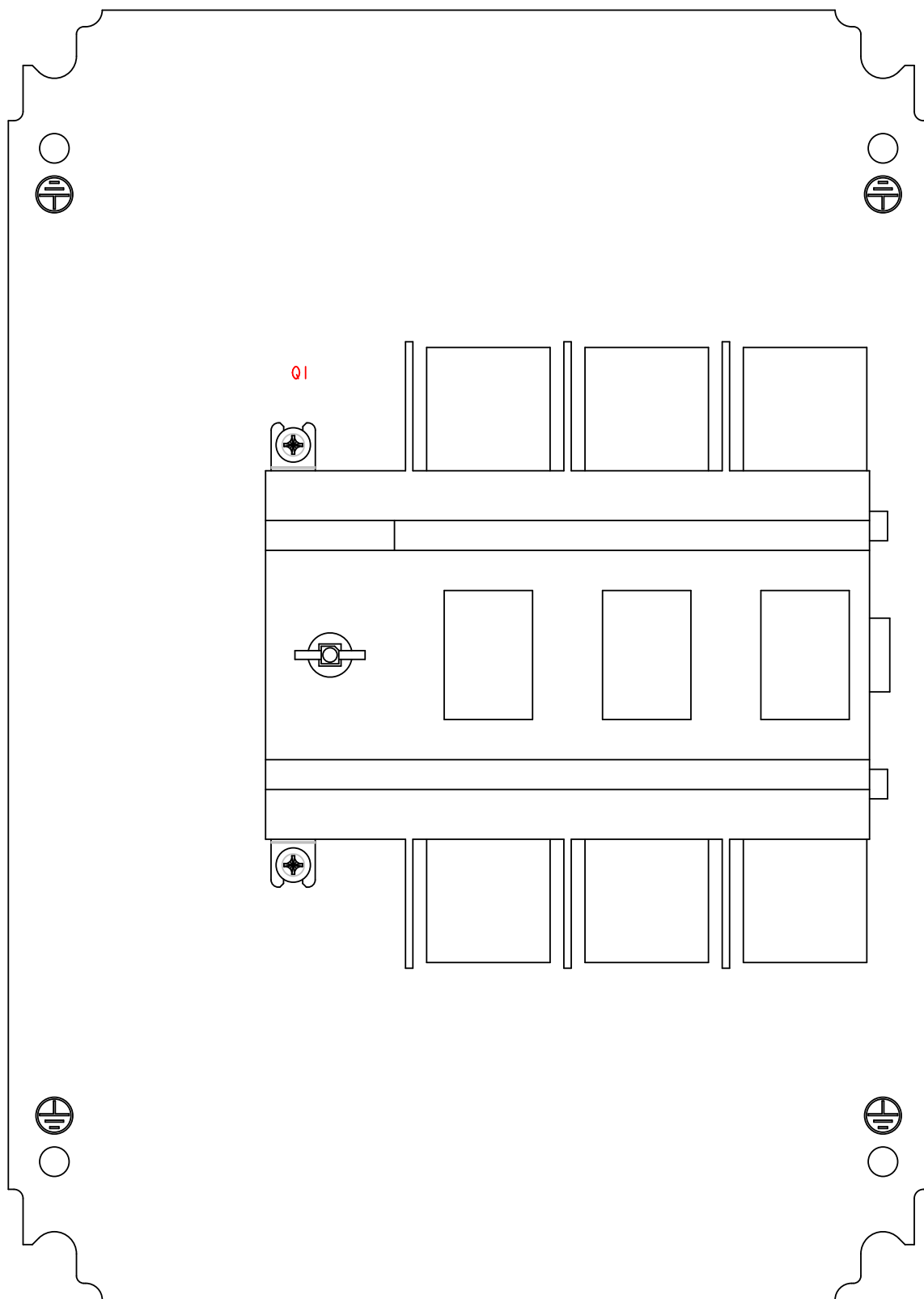
|   |       |                         |               |
|---|-------|-------------------------|---------------|
|  |       | <b>Wood-Mizer®</b>      |               |
| Project Description: WM4500 Bed Extension Full                                      |       |                         |               |
| Revision:   | A3.05 | Pg Desc: Cable overview |               |
| Mounting Location: +Docs  |       | Type: Cable overview    |               |
| Prev. pg:   | D8    | Page:                   | E1            |
|   |       | Next pg:                | E2            |
|   |       |                         | Total Pgs: 93 |

# Cable Overview

| Cable Designation | Cable Part Number | Cable Description                           | Cable X-Ref    |
|-------------------|-------------------|---|----------------|
| W74               | 069975            | Cable Assy, Ind. Mill Loader Up/Dn Sol.     | +L1.L4/11.1102 |
| W75               | 069976            | Cable Assy, Ind. Mill Log Deck Fwd/Rev S    | +L1.L4/11.1105 |
| W77               | 069978            | Cable Assy, Ind. Mill Blw Off Sol.          | +L1.L4/8.816   |
| W100              | 069937            | Cable Assy, Ind. Mill CANopen PLC           | +L1.L4/21.2111 |
| W101              | 069873            | Cable Assy, Ind. Mill CANopen Feed Drive    | +L1.L4/19.1902 |
| W102              | 069874            | Cable Assy, Ind. Mill CANopen Up/Dn Driv    | +L1.L4/19.1902 |
| W103.A            | 068029            | Connector Assy, Ind. Mill CANopen Main      | +L1.L4/19.1908 |
| W103.B            | 068283            | Cable Assy, Ind. Mill Encoder CAN           | +L1.L4/19.1908 |
| W120              | 069923            | Cable Assy, Ind. Mill Modbus Soft Start     | +L1.L4/21.2106 |
| W130              | 068162            | Cable Assy, Ind. Mill Ethernet PLC          | +L1.L4/21.2108 |
| W131.A            | 069888            | Cable Assy, Ind. Mill Ethernet Main Inte    | +L1.L4/19.1918 |
| W131.B            | 069997            | Cable Assy, Ind. Mill HMI Ethernet          | +L5.L7/36.3610 |
| W131.C            | 069986            | Cable Assy, Ind. Mill Ethernet HMI Int      | +L5.L7/36.3610 |
| W140              | 068178            | Receptacle, Panel Mount USB                 | +L5.L7/36.3608 |
| W150              | 068291            | Cable Assy, Ind. Mill BedX Toe Brd U/D      | +L1.L4/15.1502 |
| W151              | 068292            | Cable Assy, Ind. Mill BedX Clamp U/D        | +L1.L4/15.1505 |
| W152              | 068293            | Cable Assy, Ind. Mill BedX Clamp In/Out     | +L1.L4/15.1509 |
| W1000             | 068247            | Cable Assy, Ind. Mill Hyd. Bed Ex           | +L1.L4/11.1113 |
| W1001             | 068248            | Cable Assy, Ind. Mill BX Trn FR Div         | +L1.L4/13.1302 |
| W1002             | 068249            | Cable Assy, Ind. Mill BX Trn FR Blk         | +L1.L4/13.1304 |
| W1003             | 068274            | Cable Assy, Ind. Mill BX SS UD Div          | +L1.L4/13.1306 |
| W1004             | 068275            | Cable Assy, Ind. Mill BX SS UD Blk          | +L1.L4/13.1308 |
| W1005             | 068276            | Cable Assy, Ind. Mill BX Trn UD Div         | +L1.L4/13.1310 |
| W1006             | 068277            | Cable Assy, Ind. Mill BX PT FR Div          | +L1.L4/13.1312 |
| W1007             | 068278            | Cable Assy, Ind. Mill BX PT FR Blk          | +L1.L4/13.1314 |
| W1008             | 068280            | Cable Assy, Ind. Mill BX LD UD Div          | +L1.L4/13.1316 |
| W1009             | 068288            | Cable Assy, Ind. Mill BX LD UD Blk          | +L1.L4/13.1318 |
| W1010             | 068289            | Cable Assy, Ind. Mill BX LD FR Div          | +L1.L4/14.1402 |
| W1011             | 068290            | Cable Assy, Ind. Mill BX LD FR Blk          | +L1.L4/14.1404 |
| W1012             | 112434            | Cable Assy, Ind. Mill BX Clmp Up Slct Sol.  | +L1.L4/14.1406 |
| W1013             | 112435            | Cable Assy, Ind. Mill BX Clmp Dn Slct Sol.  | +L1.L4/14.1408 |
| W1014             | 112436            | Cable Assy, Ind. Mill BX Clmp In Slct Sol.  | +L1.L4/14.1410 |
| W1015             | 112437            | Cable Assy, Ind. Mill BX Clmp Out Slct Sol. | +L1.L4/14.1412 |
| Z1                | 078785            | Harness Assy, Ind. Mill Disconnect          | +L1.L3/1.101   |
| Z3                | 069935            | Harness Assy, Ind. Mill Transformer         | +L1.L3/3.306   |

|   |          |                         |               |
|---|----------|-------------------------|---------------|
|  |          | <b>Wood-Mizer®</b>      |               |
| Project Description: WM4500 Bed Extension Full                                      |          |                         |               |
| Revision: A3.05   |          | Pg Desc: Cable overview |               |
| Mounting Location: +Docs  |          | Type: Cable overview    |               |
| Prev. pg: E1  | Page: E2 | Next pg: F1             | Total Pgs: 93 |

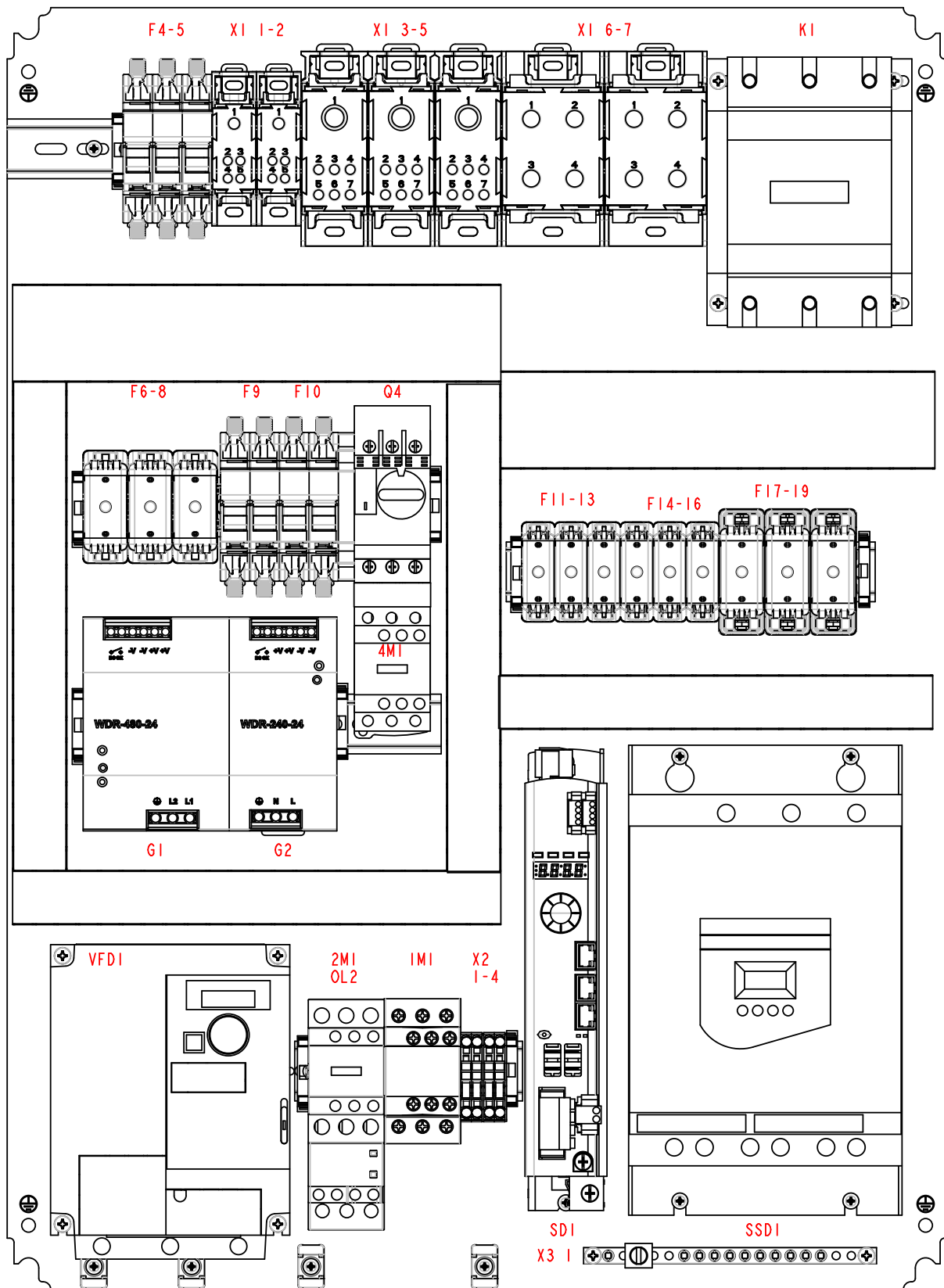




**Wood-Mizer®**

**Project Description: WM4500 Bed Extension Full**

|                          |       |   |               |
|--------------------------|-------|---|---------------|
| Revision:                | A3.05 | Pg Desc: Main Control Disconnect Layout |               |
| Mounting Location: +Docs |       | Type: Panel layout                      |               |
| Prev. pg:                | F1    | Page:                                   | F2            |
|                          |       | Next pg:                                | F3            |
|                          |       |   | Total Pgs: 93 |

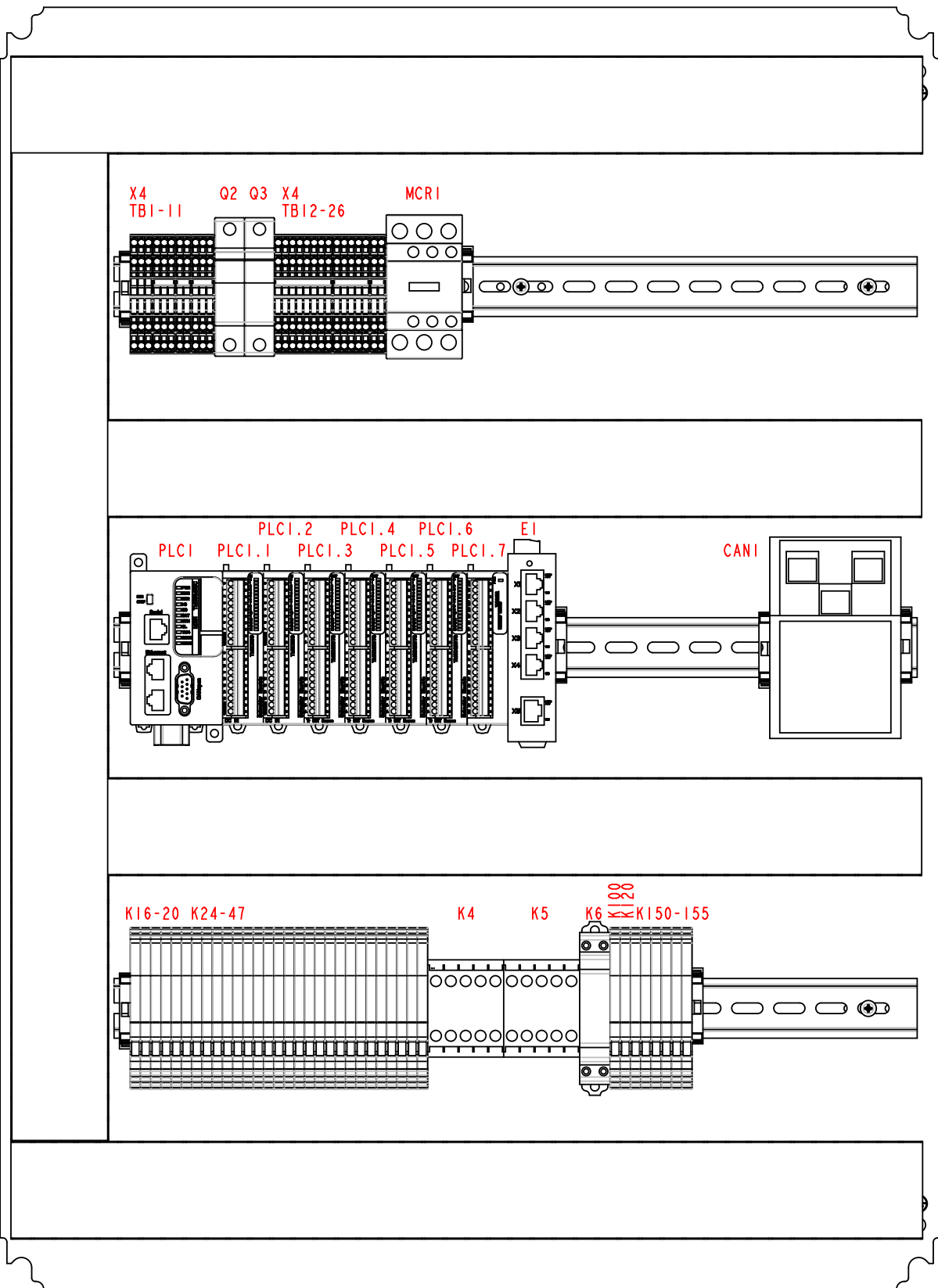


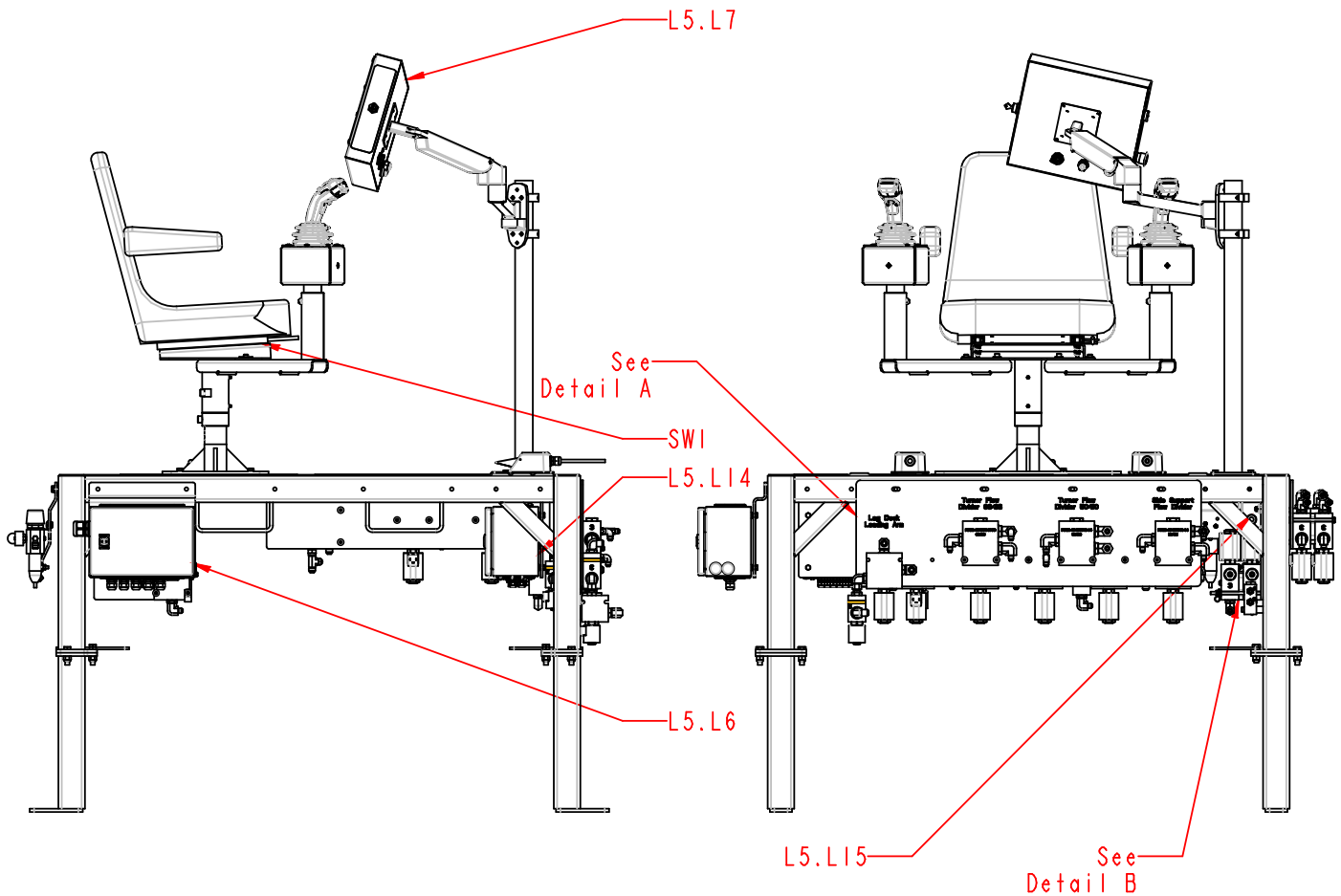
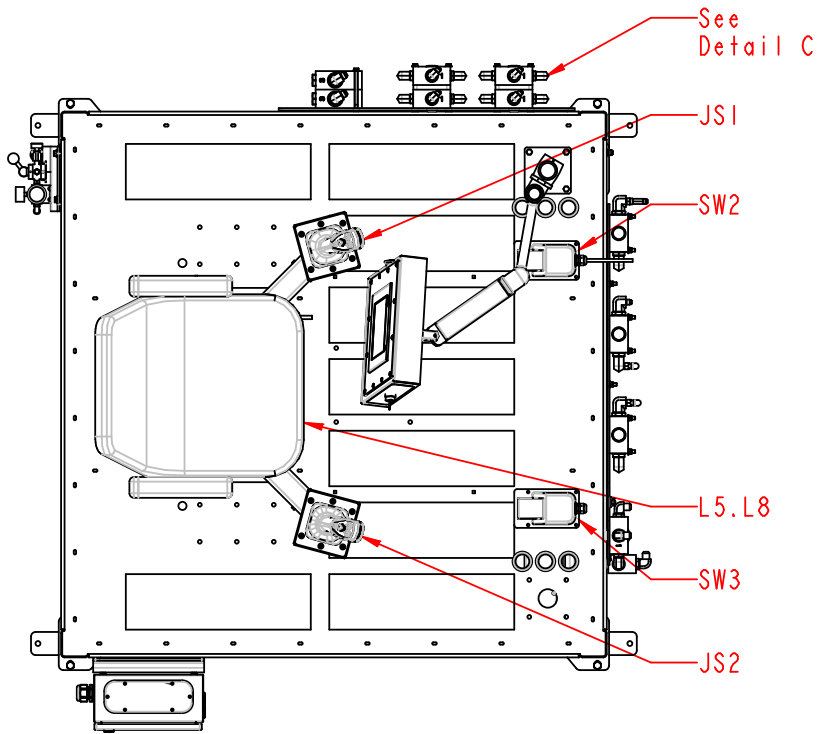
**Wood-Mizer®**


**Project Description: WM4500 Bed Extension Full**

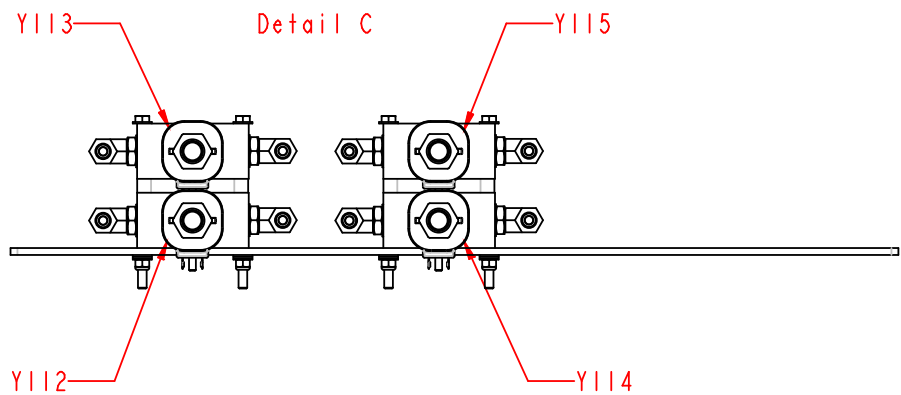
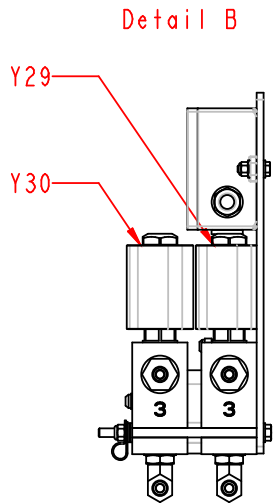
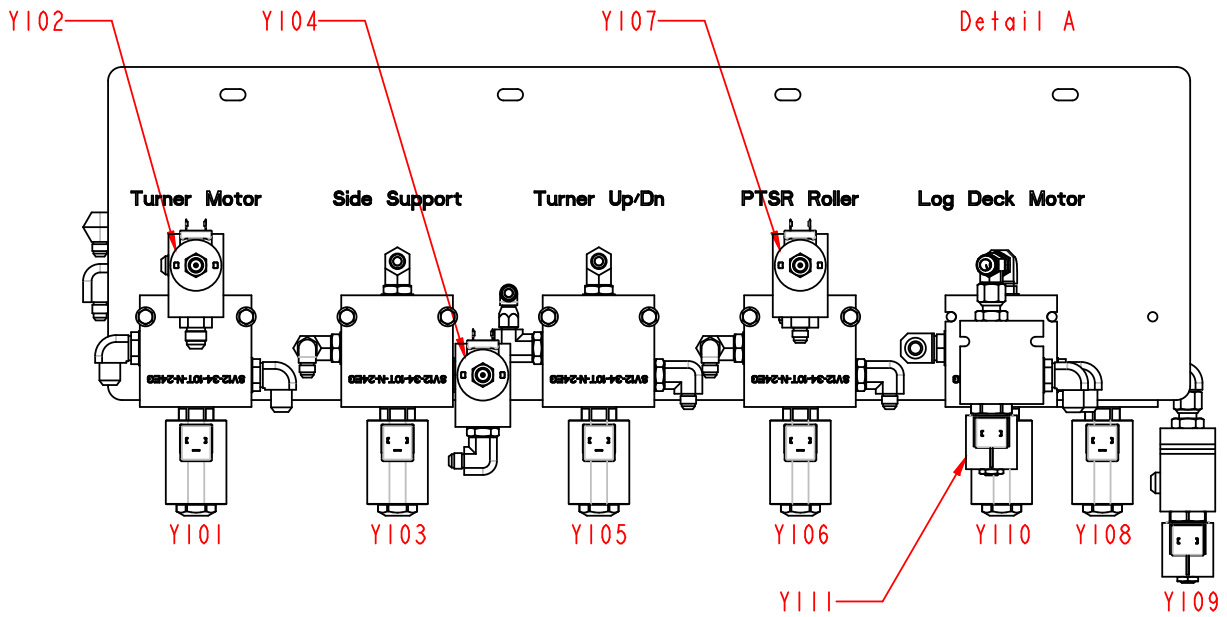
|                    |       |   |    |
|--------------------|-------|---|----|
| Revision:          | A3.05 | Pg Desc: Main Control High Voltage Layout |    |
| Mounting Location: | +Docs | Type: Panel layout                        |    |
| Prev. pg:          | F2    | Page:                                     | F3 |
|                    |       | Next pg:                                  | F4 |
|                    |       | Total Pgs:                                | 93 |

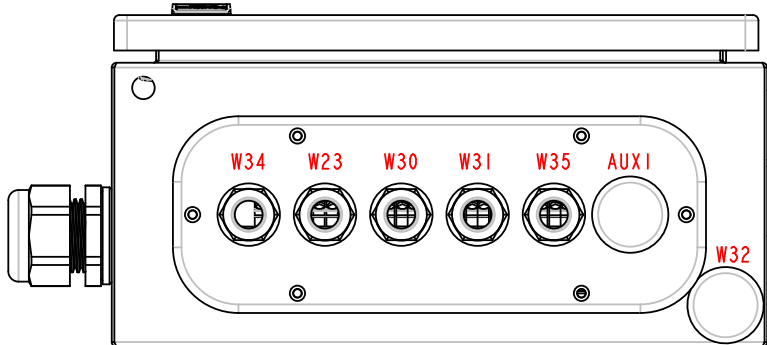
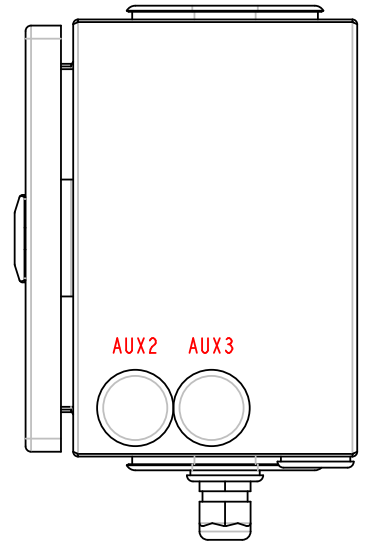
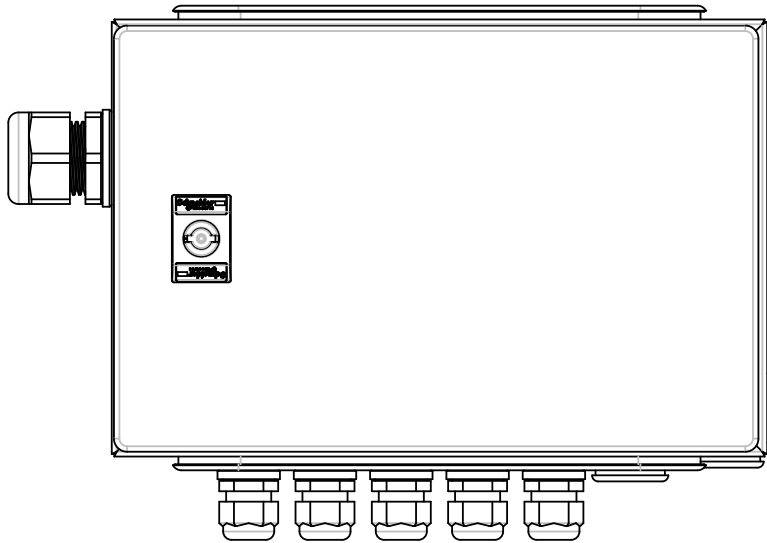
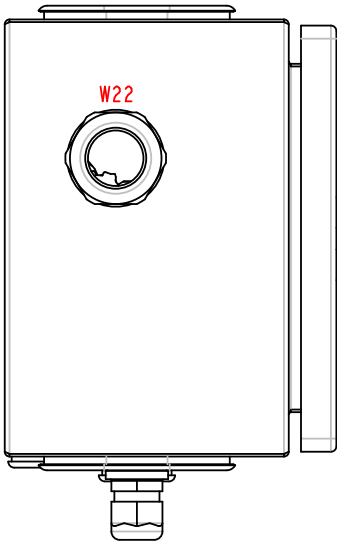
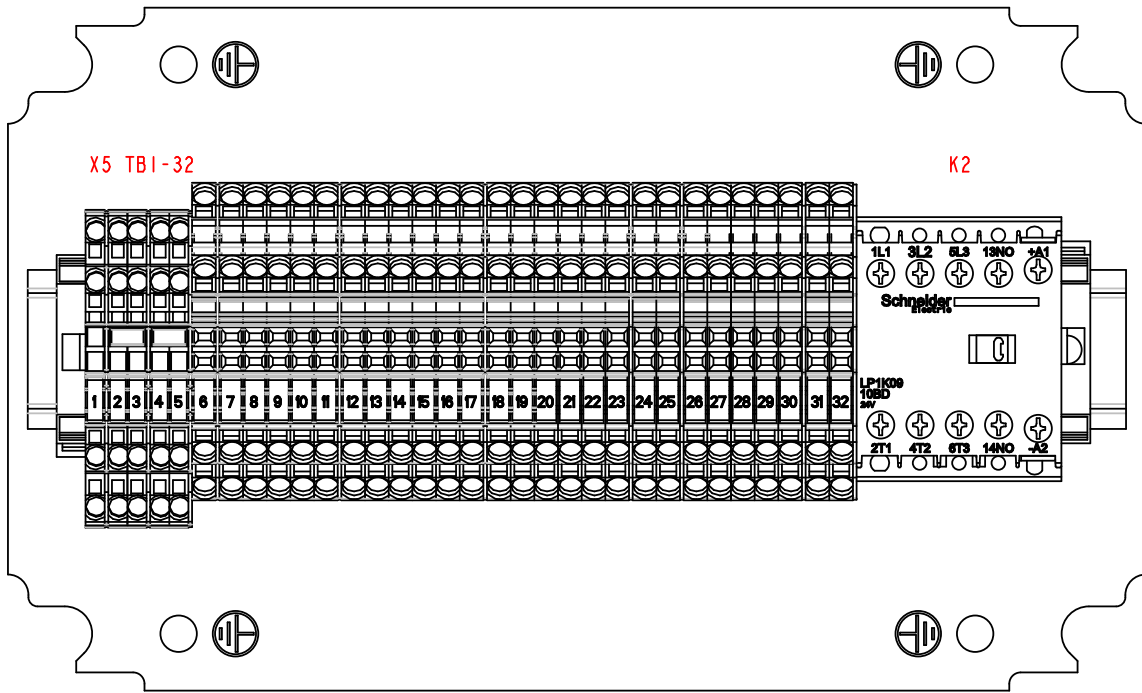





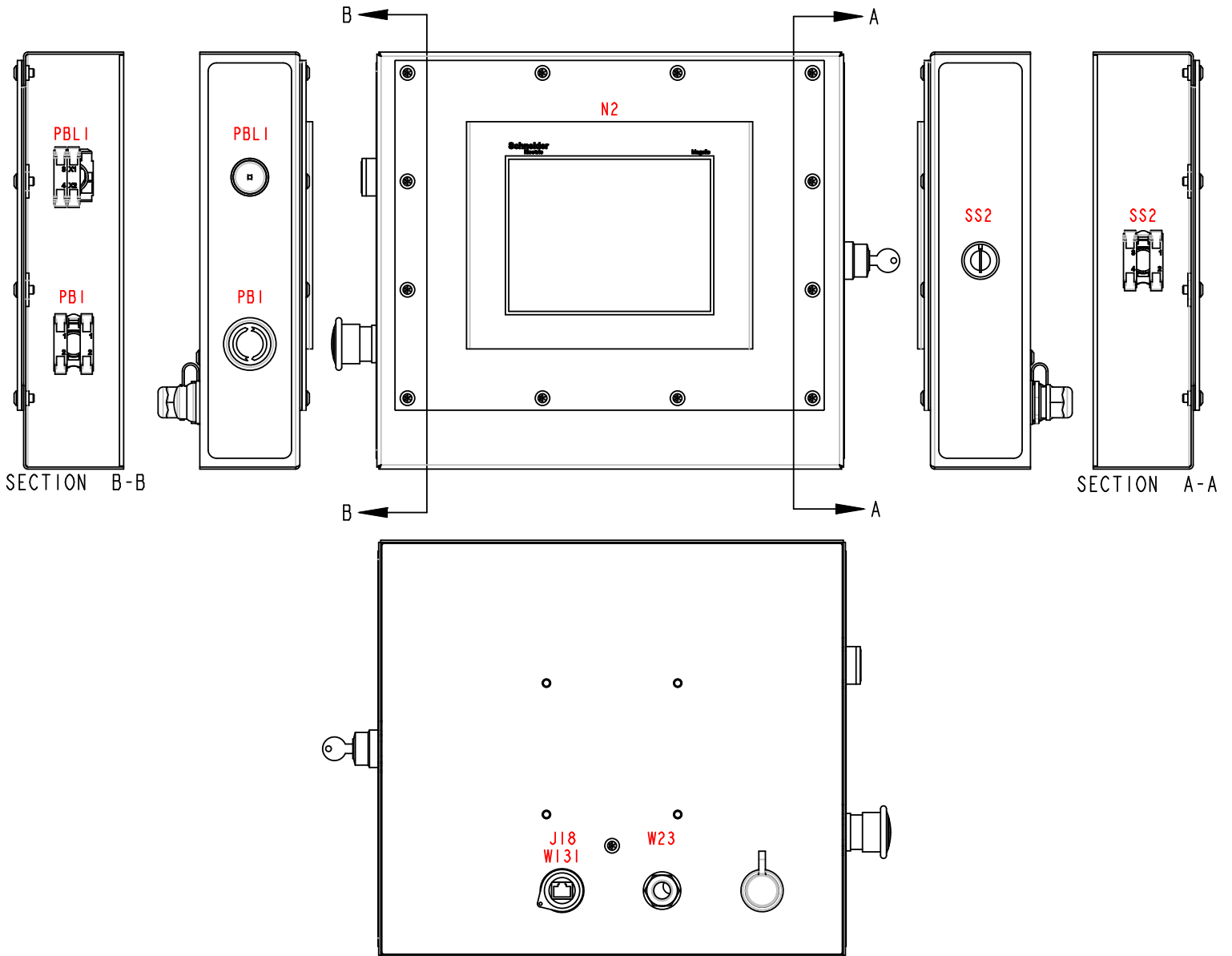



|   |       |                              |    |
|---|-------|------------------------------|----|
|  |       | <b>Wood-Mizer®</b>           |    |
| Project Description: WM4500 Bed Extension Full                                      |       |                              |    |
| Revision:   | A3.05 | Pg Desc: Operator Ctl Layout |    |
| Mounting Location: +Docs  |       | Type: Panel layout           |    |
| Prev. pg:   | F4    | Page:                        | F5 |
|   |       | Next pg:                     | F6 |
|   |       | Total Pgs:                   | 93 |

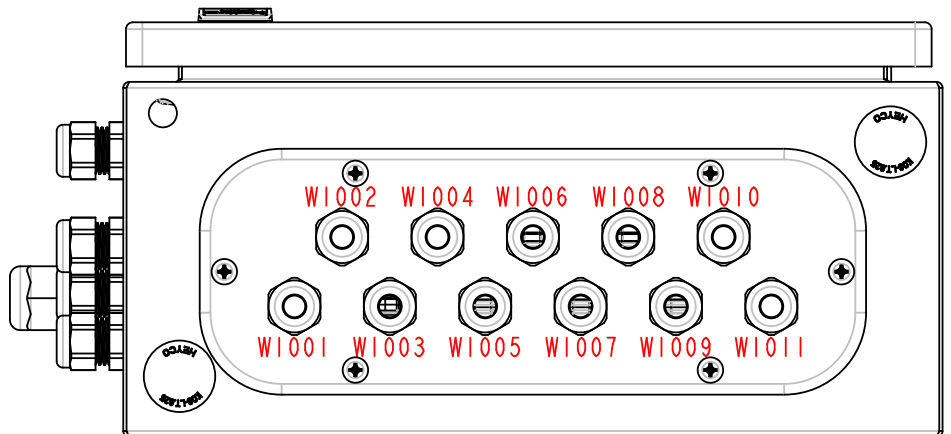
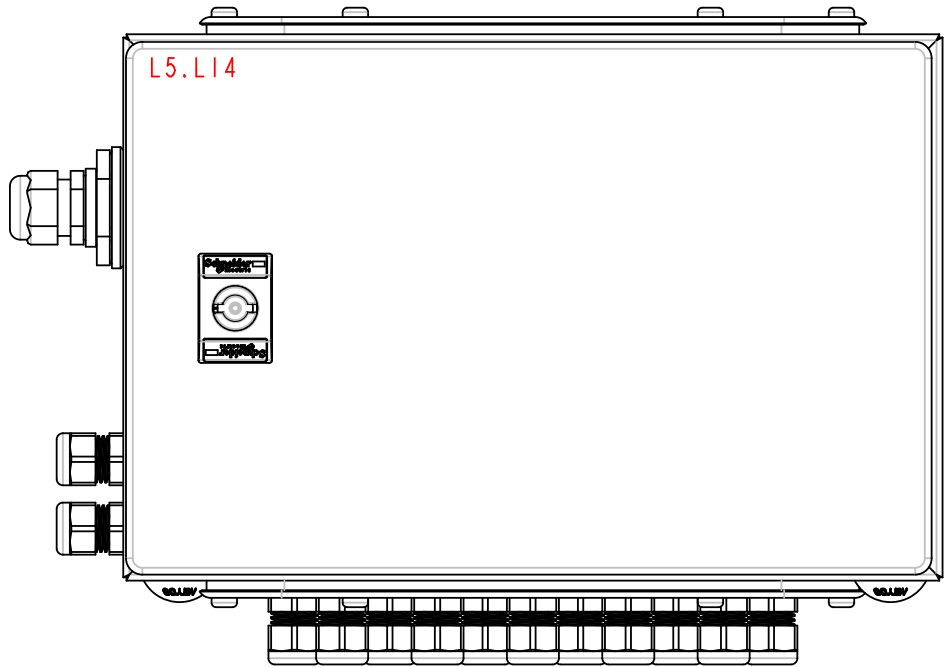
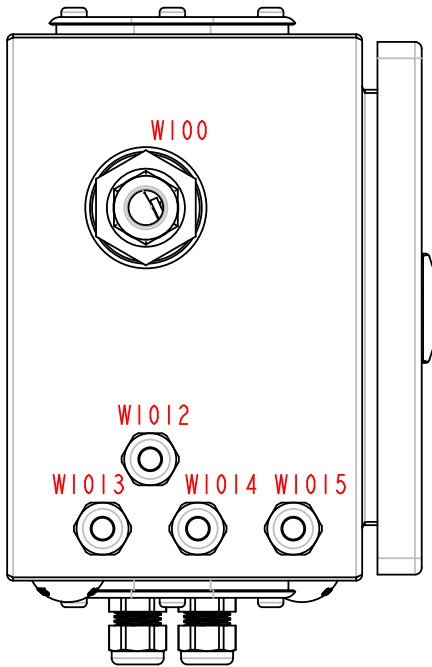
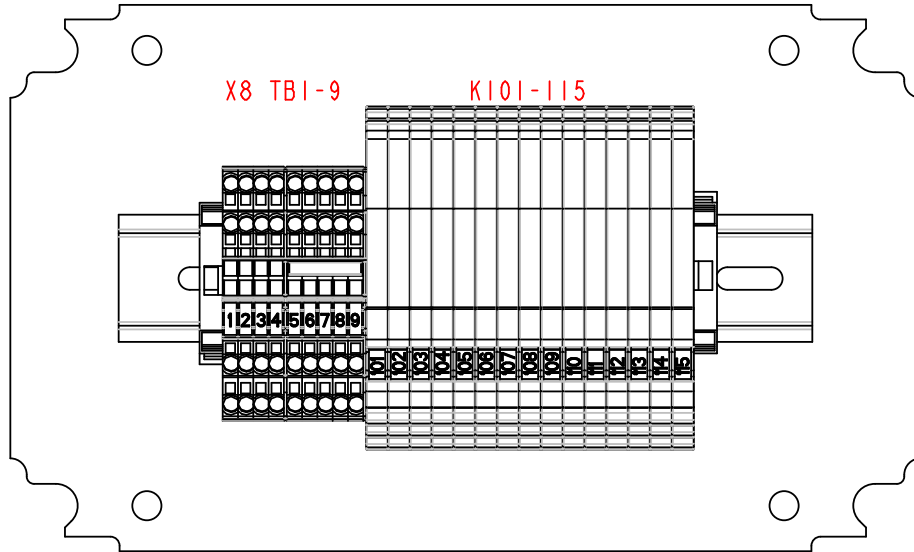


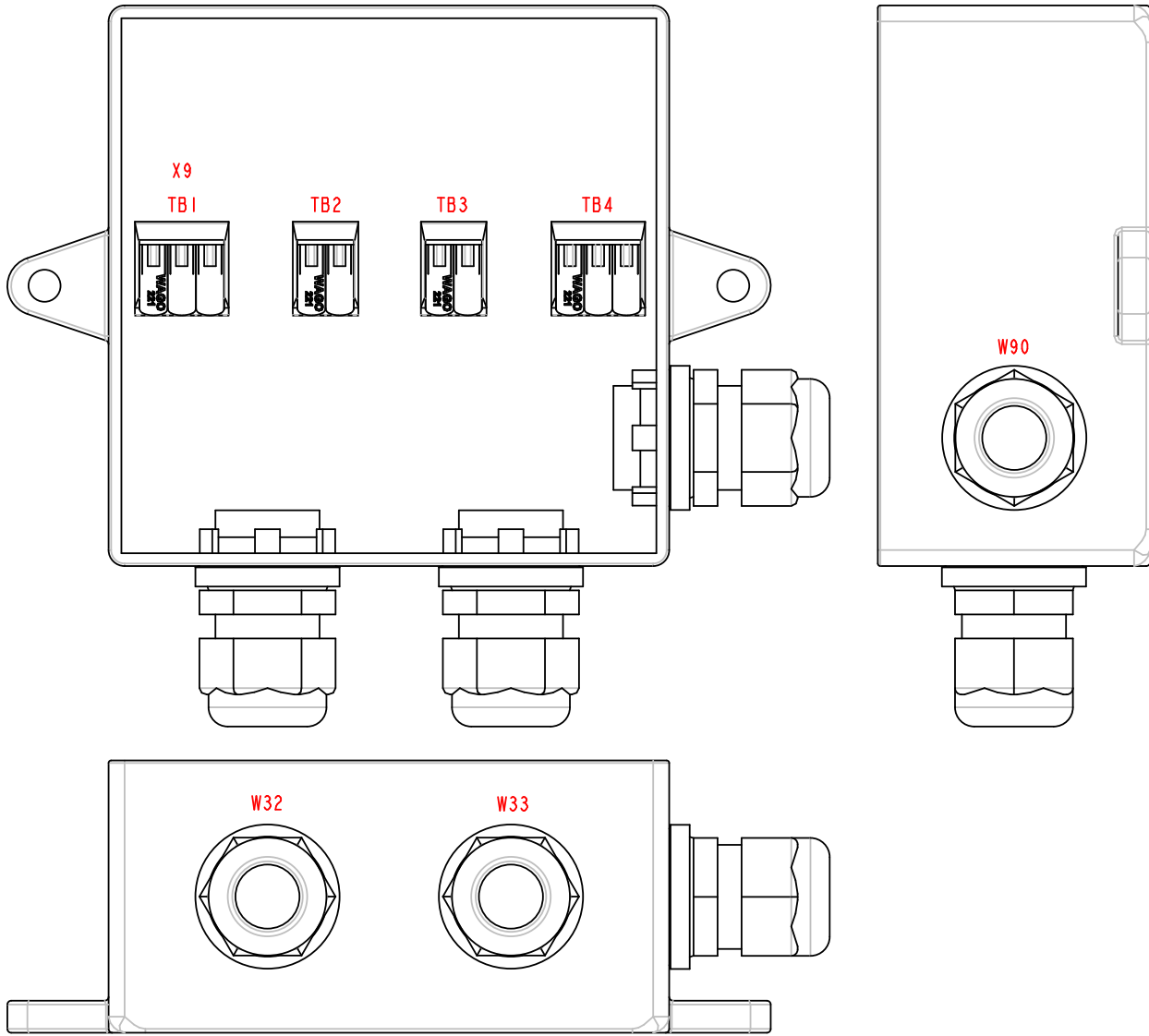


|  |                                       |
|--|---------------------------------------|
|  <b>Wood-Mizer®</b> |                                       |
| <b>Project Description: WM4500 Bed Extension Full</b>  |                                       |
| Revision: A3.05  | Pg Desc: Operator Ctl Junction Layout |
| Mounting Location: +Docs   |                                       |
| Prev. pg: F6   | Type: Panel layout                    |
| Page: F7   | Next pg: F8                           |
| Total Pgs: 93  |                                       |



|  |                                  |
|--|----------------------------------|
|  <b>Wood-Mizer®</b> |                                  |
| <b>Project Description: WM4500 Bed Extension Full</b>  |                                  |
| Revision: A3.05  | Pg Desc: Operator Ctl HMI Layout |
| Mounting Location: +Docs   |                                  |
| Type: Panel layout   |                                  |
| Prev. pg: F7   | Page: F8                         |
| Next pg: F9  | Total Pgs: 93                    |

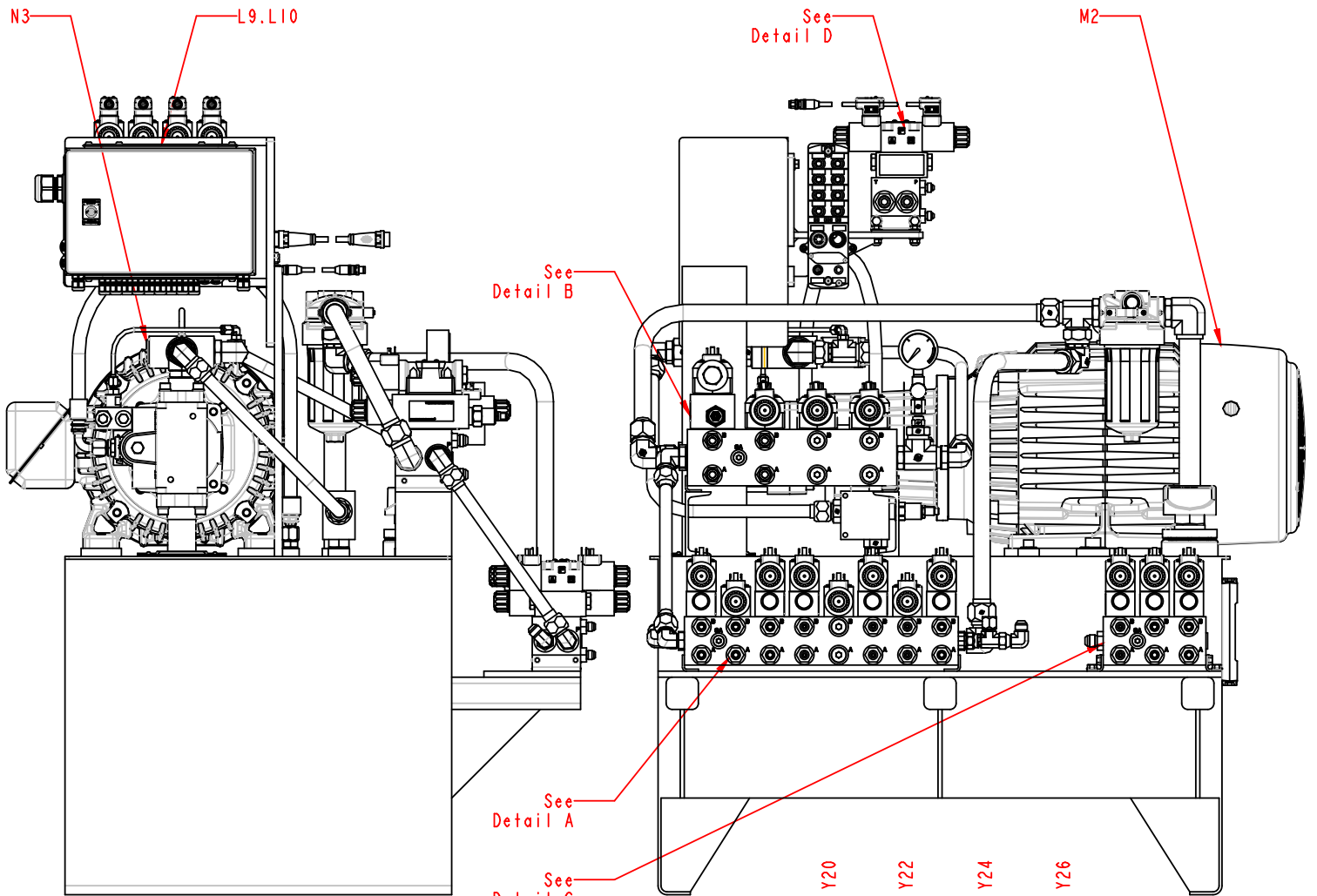




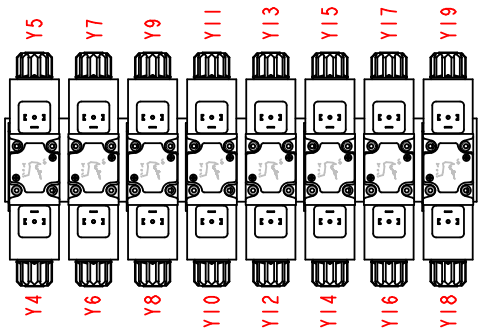
**Wood-Mizer®**

Project Description: WM4500 Bed Extension Full

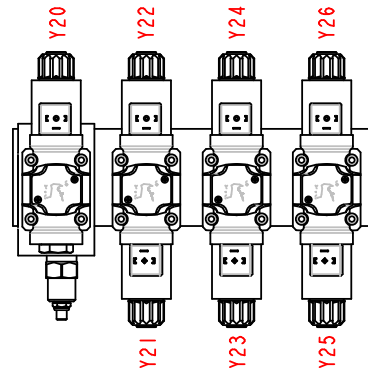
|                    |       |  |     |
|--------------------|-------|--|-----|
| Revision:          | A3.05 | Pg Desc: Operator Ctl Side Supports Layout |     |
| Mounting Location: | +Docs | Type: Panel layout                         |     |
| Prev. pg:          | F9    | Page:                                      | F10 |
|                    |       | Next pg:                                   | F11 |
|                    |       | Total Pgs:                                 | 93  |



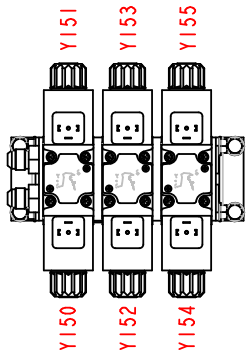
Detail A



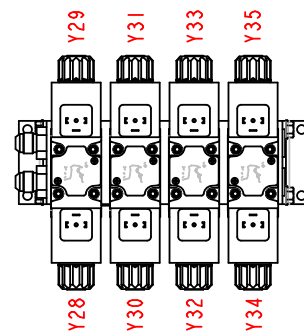
Detail B



Detail C



Detail D



**Wood-Mizer®**

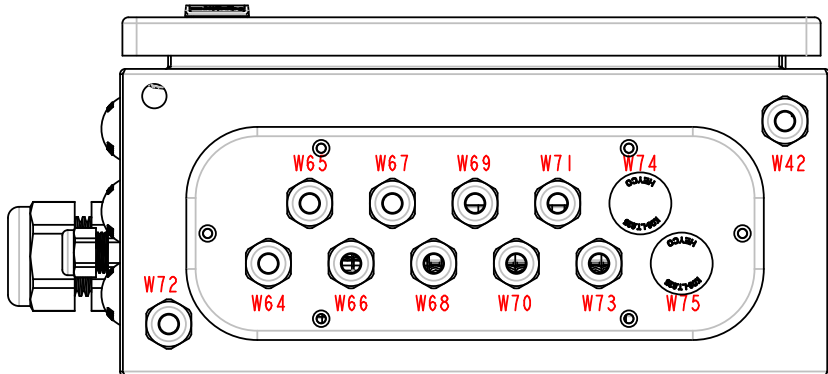
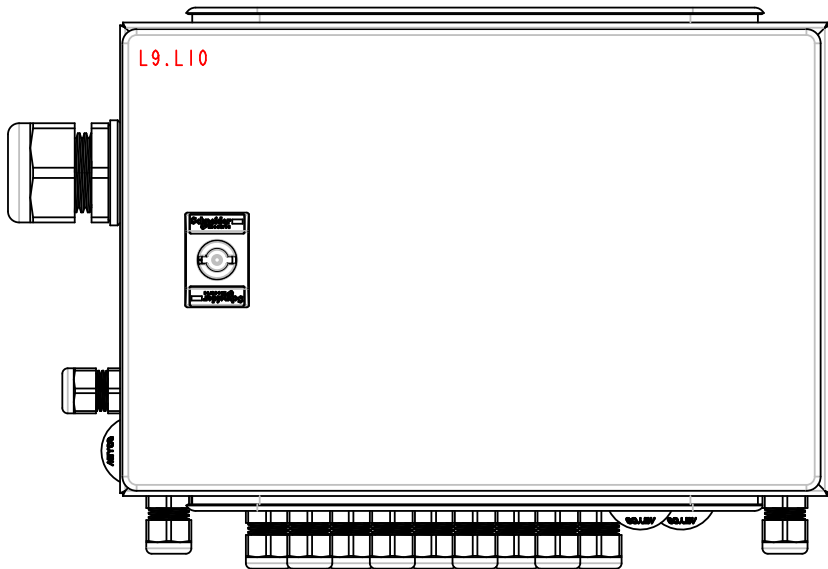
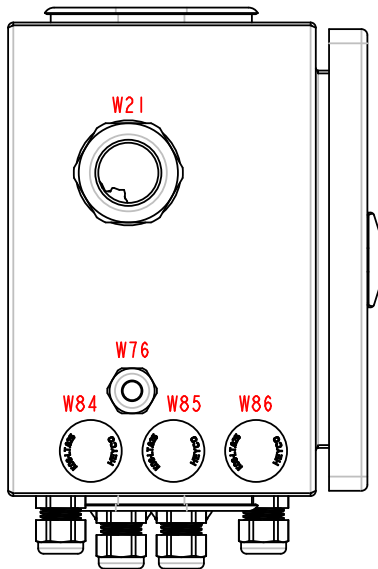
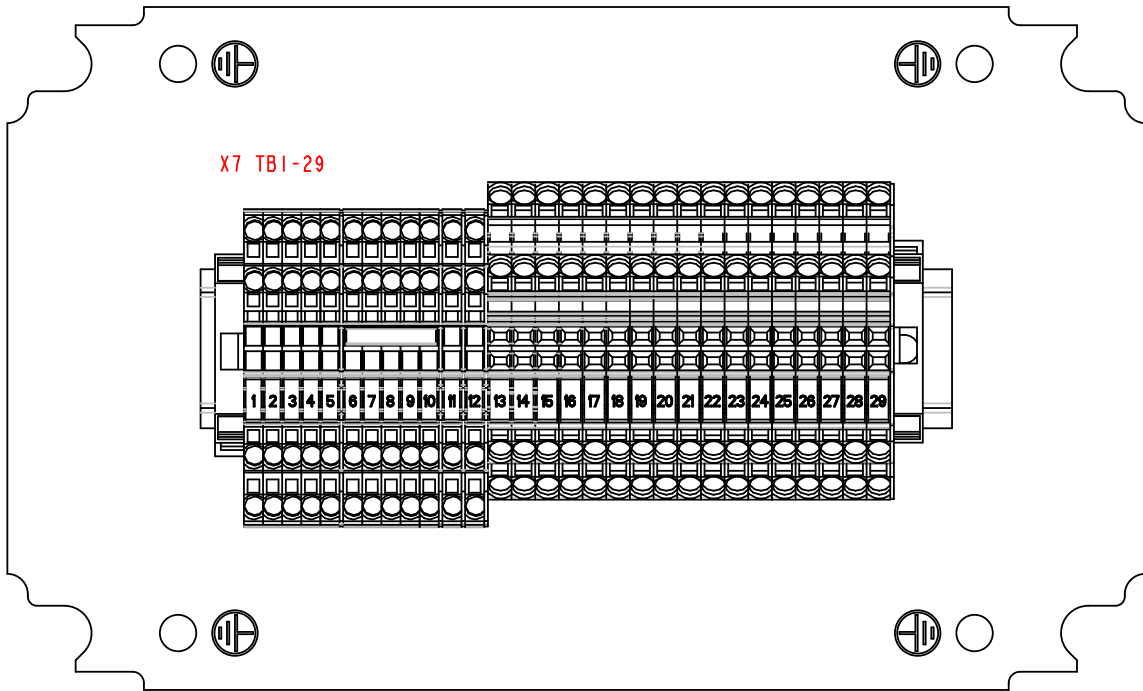
Project Description: WM4500 Bed Extension Full

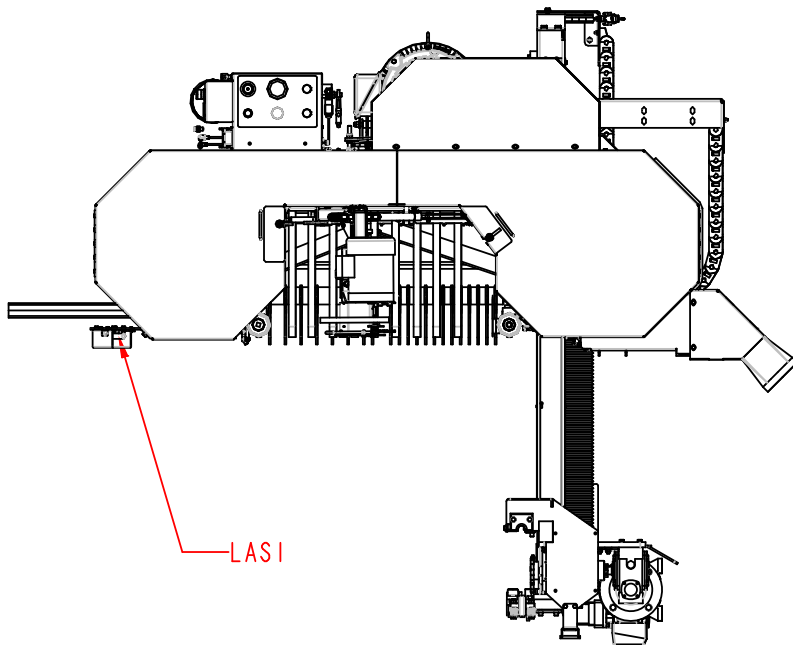
Revision: A3.05 Pg Desc: Hydraulic Control Layout

Mounting Location: +Docs Type: Panel layout

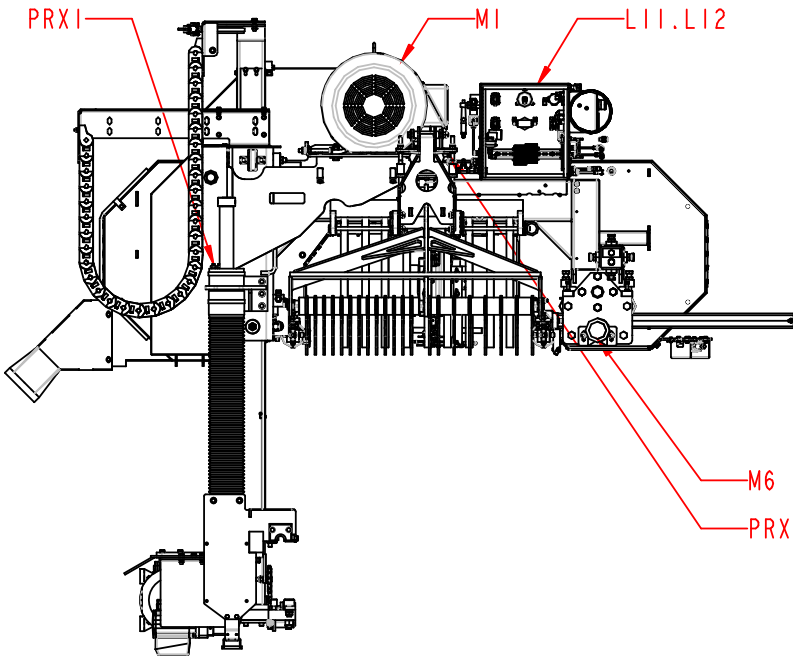
Prev. pg: F10 Page: F11 Next pg: F12 Total Pgs: 93







LASI



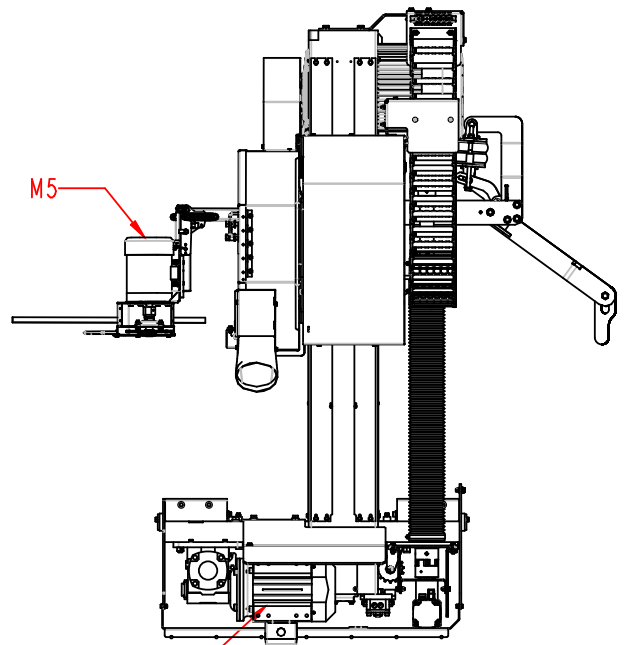
PRXI

M1

L11.L12

M6

PRXI

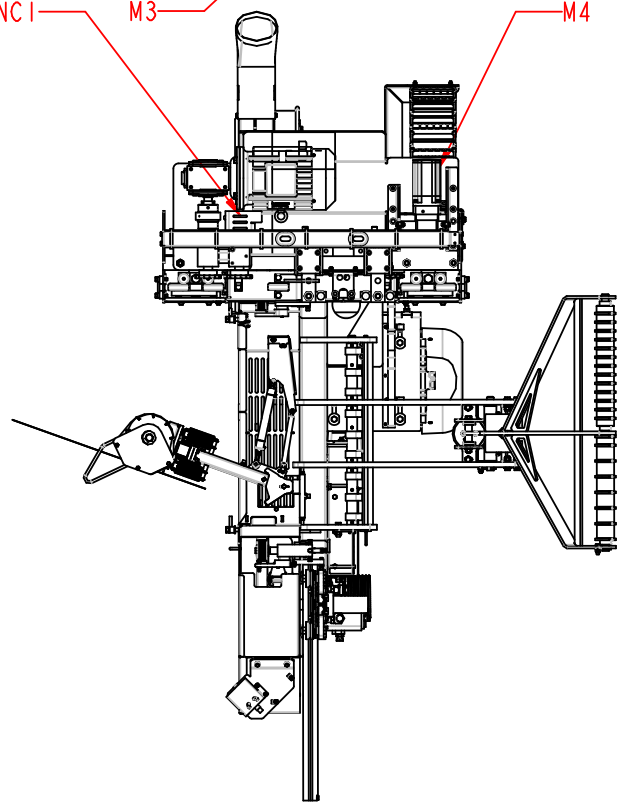



M5

ENCI

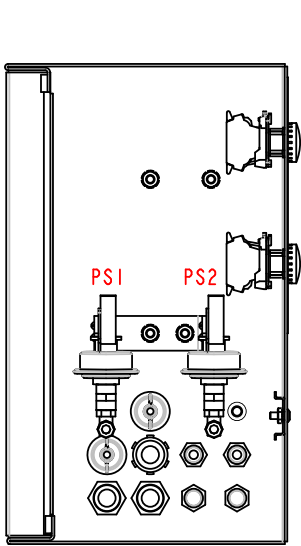
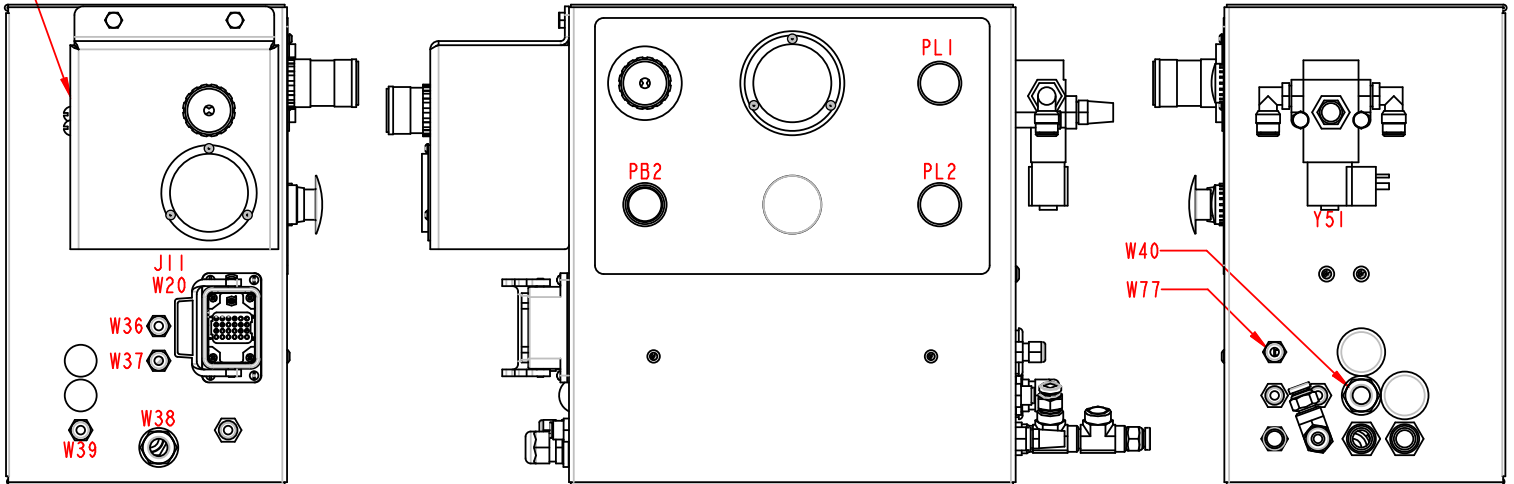
M3

M4

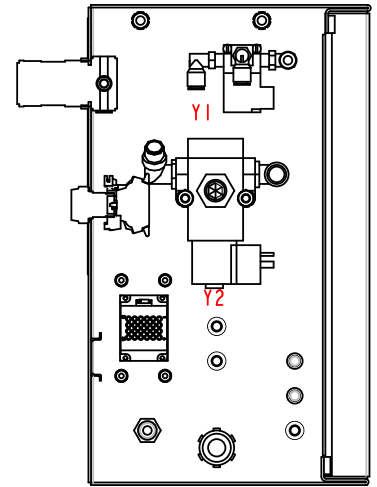
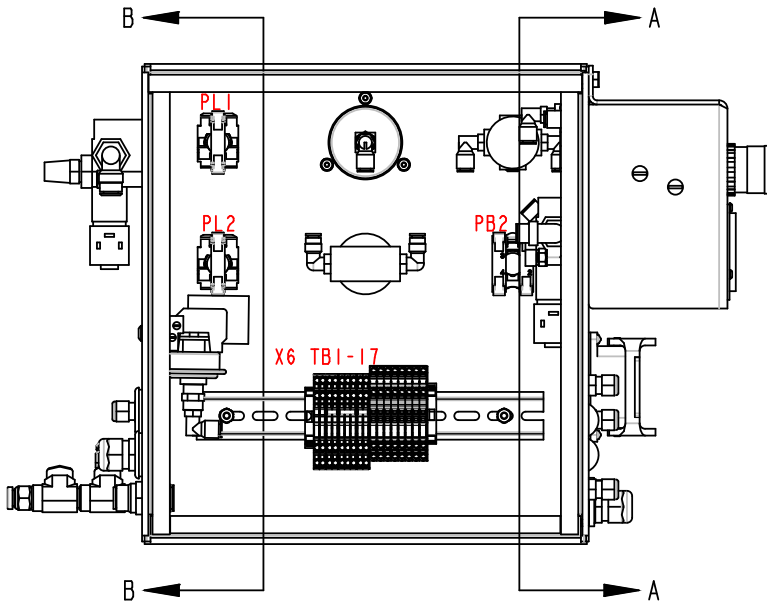


|   |           |                              |               |
|---|-----------|------------------------------|---------------|
|  |           | <b>Wood-Mizer®</b>           |               |
| <b>Project Description: WM4500 Bed Extension Full</b>                               |           |                              |               |
| Revision: A3.05   |           | Pg Desc: Head Control Layout |               |
| Mounting Location: +Docs  |           | Type: Panel layout           |               |
| Prev. pg: F12   | Page: F13 | Next pg: F14                 | Total Pgs: 93 |

Y3 (Inside Cover)  
Debarker In Solenoid



SECTION B-B




SECTION A-A

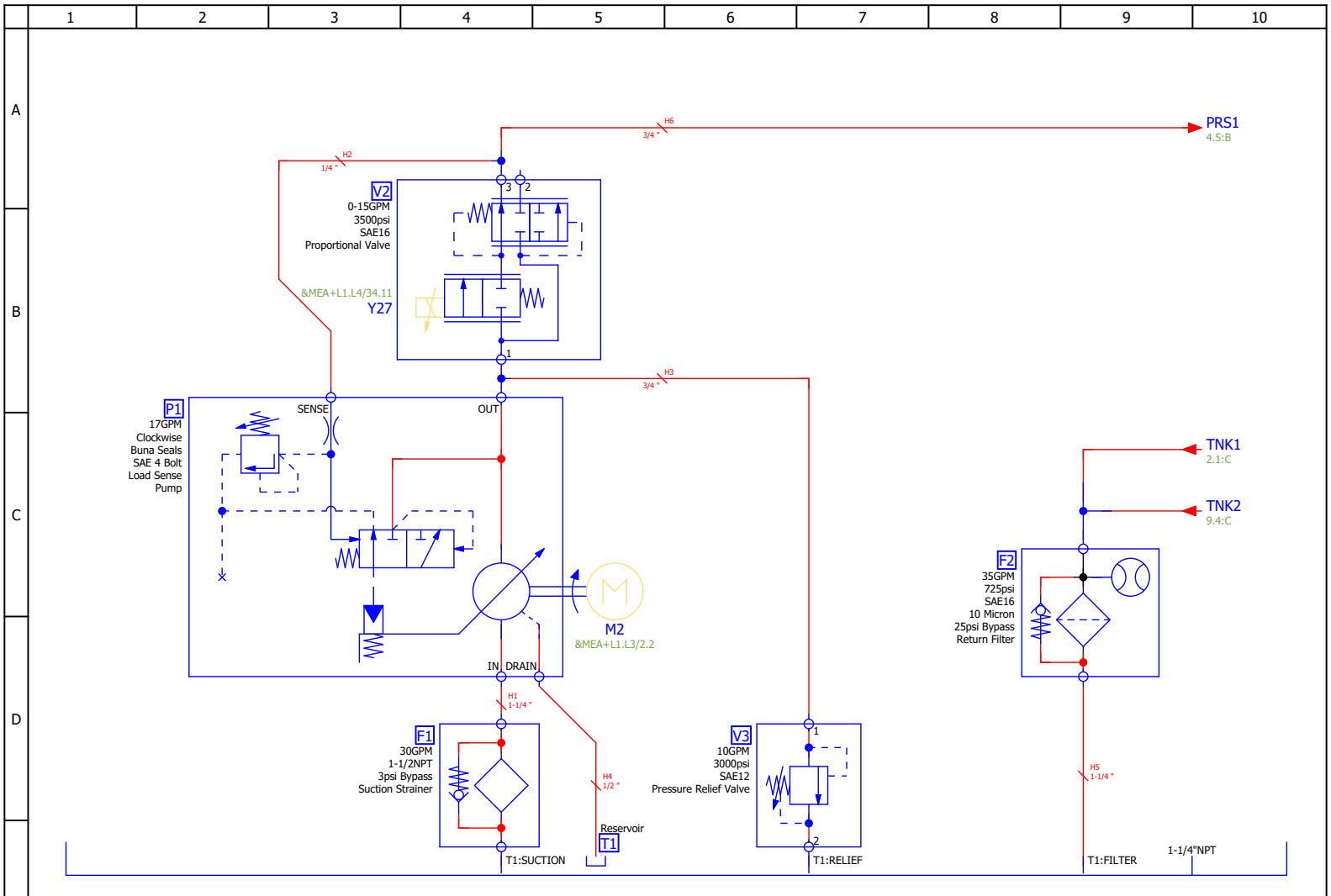
# Table of contents

| Page         | Page type             | Page description                  | Date      | Edited by |
|--------------|-----------------------|-----------------------------------|-----------|-----------|
| &MHA/A1      | Table of contents     | Table of contents                 | 5/6/2021  | JRF       |
| &MHA/B1      | Overview              | Revision History                  | 2/10/2021 | JRF       |
| &MHA+L9/1    | Fluid power schematic | Hydraulic Pump                    | 2/24/2021 | JRF       |
| &MHA+L9/2    | Fluid power schematic | D05 Manifold Pg 1                 | 5/6/2021  | JRF       |
| &MHA+L9/3    | Fluid power schematic | D05 Manifold Pg 2                 | 2/24/2021 | JRF       |
| &MHA+L9/4    | Fluid power schematic | D05 Manifold Pg 3                 | 2/24/2021 | JRF       |
| &MHA+L9/5    | Fluid power schematic | D03 Manifold Pg 1                 | 2/10/2021 | JRF       |
| &MHA+L9/6    | Fluid power schematic | D03 Manifold Pg 1                 | 2/12/2021 | JRF       |
| &MHA+L9/7    | Fluid power schematic | D03 Manifold Pg 2                 | 5/6/2021  | JRF       |
| &MHA+L9/8    | Fluid power schematic | D03 Manifold Pg 2                 | 2/12/2021 | JRF       |
| &MHA+L9/9    | Fluid power schematic | D03 Manifold Pg 3                 | 2/10/2021 | JRF       |
| &MHA+L9/10   | Fluid power schematic | Bed Extension Manifold Pg 1       | 2/24/2021 | JRF       |
| &MHA+L9/11   | Fluid power schematic | Bed Extension Manifold Pg 2       | 5/6/2021  | JRF       |
| &MHA+Docs/C1 | Parts list            | Parts list - Bed Extension Full   | 2/10/2021 | JRF       |
| &MHA+Docs/C2 | Parts list            | Parts list - Bed Extension Full   | 2/26/2021 | JRF       |
| &MHA+Docs/C3 | Parts list            | Parts list - Bed Extension Full   | 2/26/2021 | JRF       |
| &MHA+Docs/C4 | Parts list            | Parts list - Bed Extension Full   | 2/26/2021 | JRF       |
| &MHA+Docs/K1 | Connection list       | Hose/Tube List-Bed Extension Full | 3/1/2021  | JRF       |
| &MHA+Docs/K2 | Connection list       | Hose/Tube List-Bed Extension Full | 3/1/2021  | JRF       |
| &MHA+Docs/K3 | Connection list       | Hose/Tube List-Bed Extension Full | 3/1/2021  | JRF       |
| &MHA+Docs/K4 | Connection list       | Hose/Tube List-Bed Extension Full | 3/16/2021 | JRF       |
|              |                       |                                   |           |           |
|              |                       |                                   |           |           |
|              |                       |                                   |           |           |
|              |                       |                                   |           |           |
|              |                       |                                   |           |           |
|              |                       |                                   |           |           |
|              |                       |                                   |           |           |
|              |                       |                                   |           |           |
|              |                       |                                   |           |           |
|              |                       |                                   |           |           |
|              |                       |                                   |           |           |
|              |                       |                                   |           |           |
|              |                       |                                   |           |           |
|              |                       |                                   |           |           |
|              |                       |                                   |           |           |
|              |                       |                                   |           |           |
|              |                       |                                   |           |           |
|              |                       |                                   |           |           |
|              |                       |                                   |           |           |
|              |                       |                                   |           |           |
|              |                       |                                   |           |           |
|              |                       |                                   |           |           |
|              |                       |                                   |           |           |
|              |                       |                                   |           |           |
|              |                       |                                   |           |           |
|              |                       |                                   |           |           |
|              |                       |                                   |           |           |
|              |                       |                                   |           |           |
|              |                       |                                   |           |           |
|              |                       |                                   |           |           |

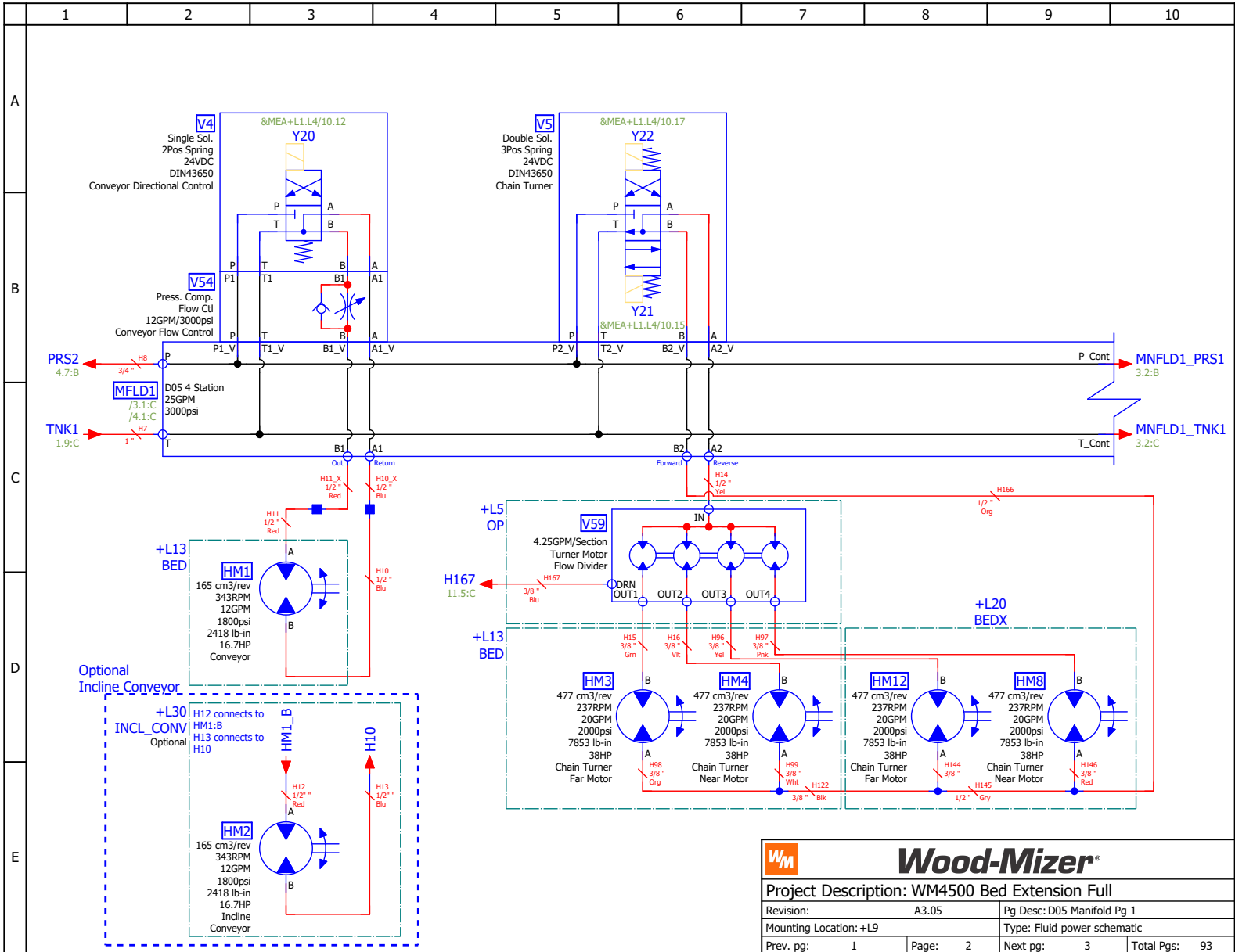
# Revision History

| Date    | Revision | Revision Record                 | Drawn By | Checked By |
|---------|----------|---------------------------------|----------|------------|
| 8/6/18  | A1.00    | Release to production           | JRF      | SDC        |
| 4/26/19 | A2.00    | Added Pull Down Clamp Functions | JRF      | SDC        |
| 12/6/19 | A3.00    | Full Bed Extension              | JRF      | SDC        |
| 2/4/20  | A3.03    | Dual Toe Board Cylinders        | JRF      | SDC        |

|   |          |                           |               |
|---|----------|---------------------------|---------------|
|  |          | <b>Wood-Mizer®</b>        |               |
| Project Description: WM4500 Bed Extension Full                                      |          |                           |               |
| Revision: A3.05   |          | Pg Desc: Revision History |               |
| Mounting Location: +  |          | Type: Overview            |               |
| Prev. pg: A1  | Page: B1 | Next pg: +L9/1            | Total Pgs: 93 |



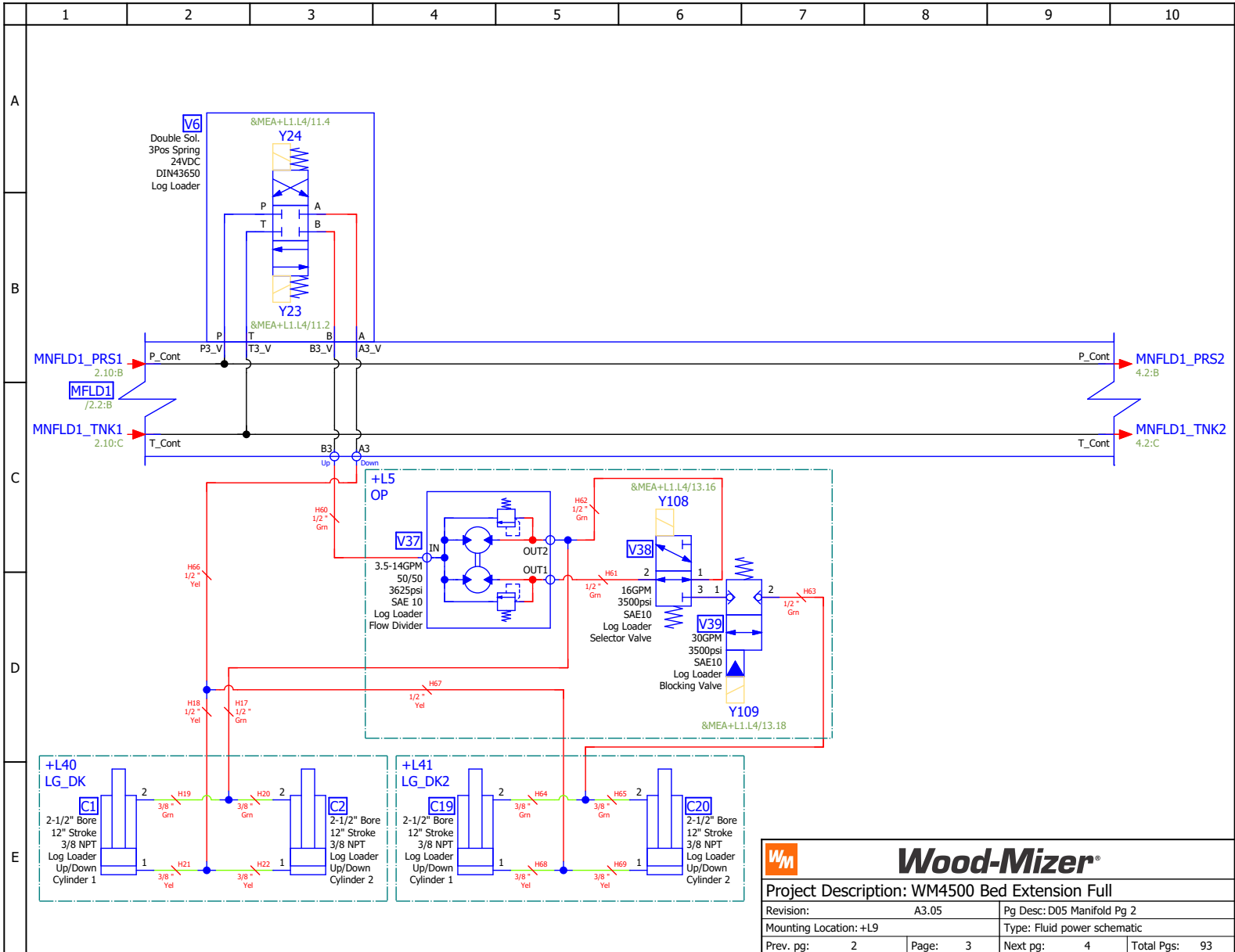
|  |       |            |                       |
|--|-------|------------|-----------------------|
| <b>Wood-Mizer®</b>                             |       |            |                       |
| Project Description: WM4500 Bed Extension Full |       |            |                       |
| Revision:                                      | A3.05 | Pg Desc:   | Hydraulic Pump        |
| Mounting Location:                             | +L9   | Type:      | Fluid power schematic |
| Prev. pg:                                      | +/B1  | Page:      | 1                     |
| Next pg:                                       | 2     | Total Pgs: | 93                    |



**Wood-Mizer®**

Project Description: WM4500 Bed Extension Full

|                        |                             |
|------------------------|-----------------------------|
| Revision: A3.05        | Pg Desc: D05 Manifold Pg 1  |
| Mounting Location: +L9 | Type: Fluid power schematic |
| Prev. pg: 1            | Page: 2                     |
| Next pg: 3             | Total Pgs: 93               |

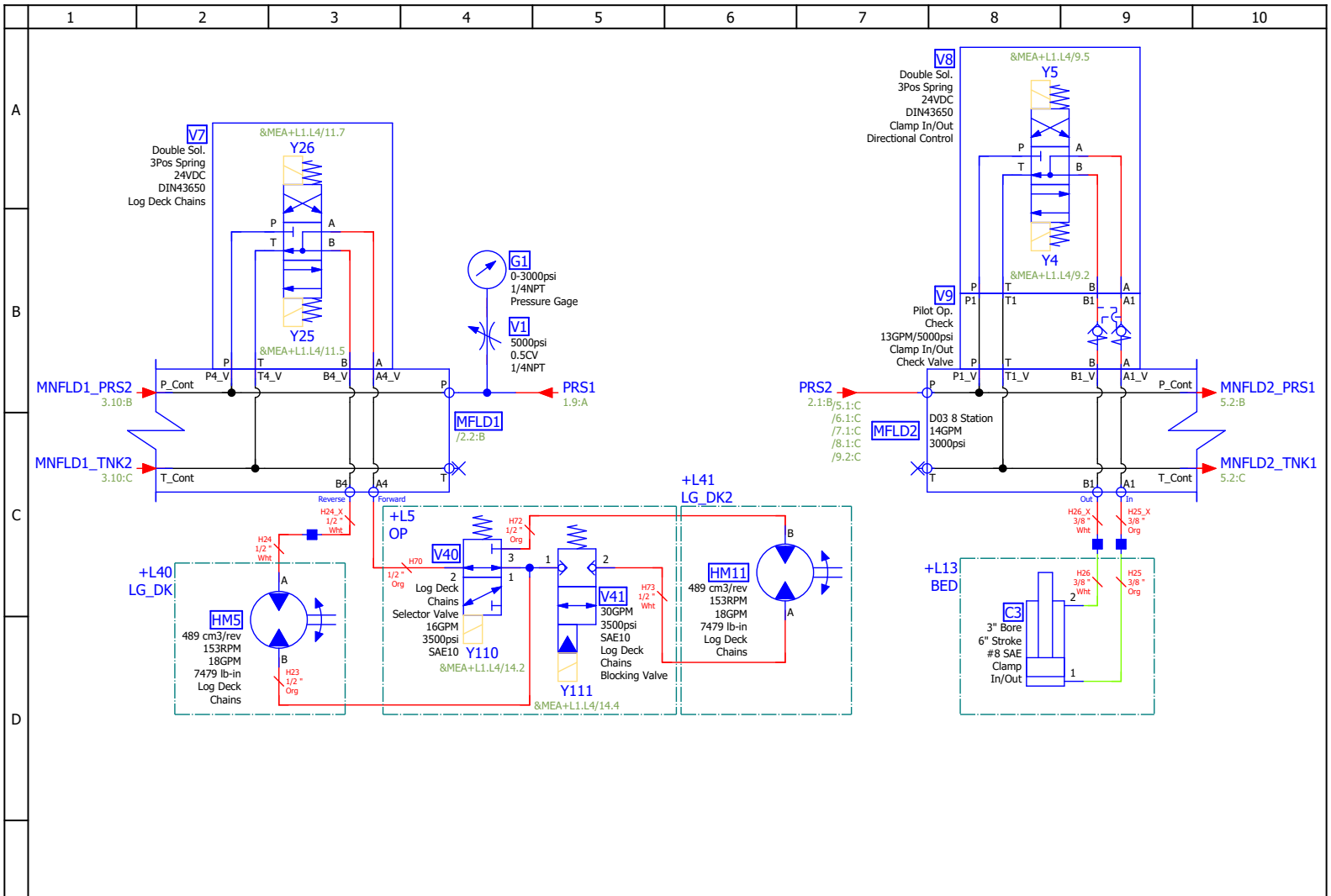



**Wood-Mizer**

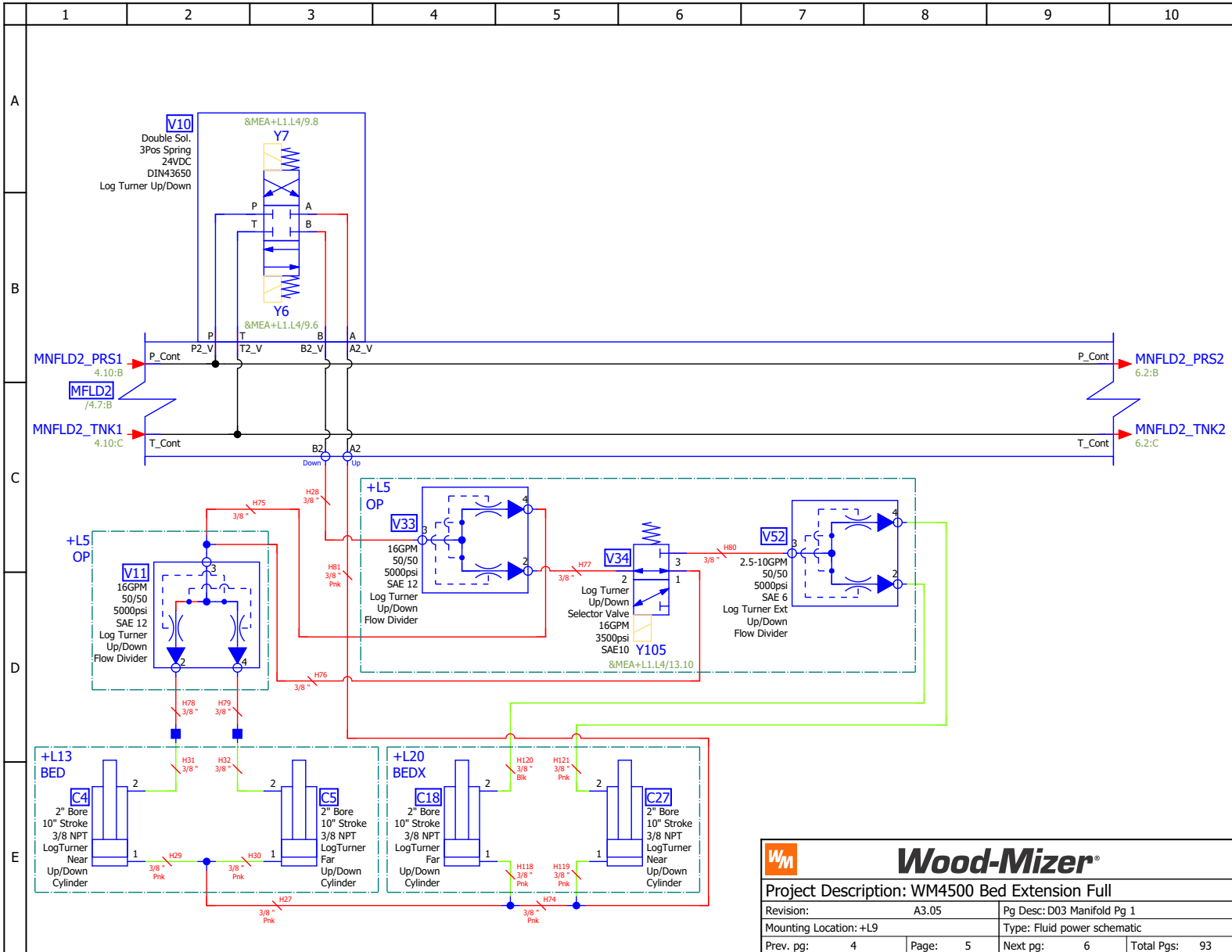
Project Description: WM4500 Bed Extension Full

|                        |         |                             |
|------------------------|---------|-----------------------------|
| Revision:              | A3.05   | Pg Desc: D05 Manifold Pg 2  |
| Mounting Location: +L9 |         | Type: Fluid power schematic |
| Prev. pg: 2            | Page: 3 | Next pg: 4                  |
|                        |         | Total Pgs: 93               |

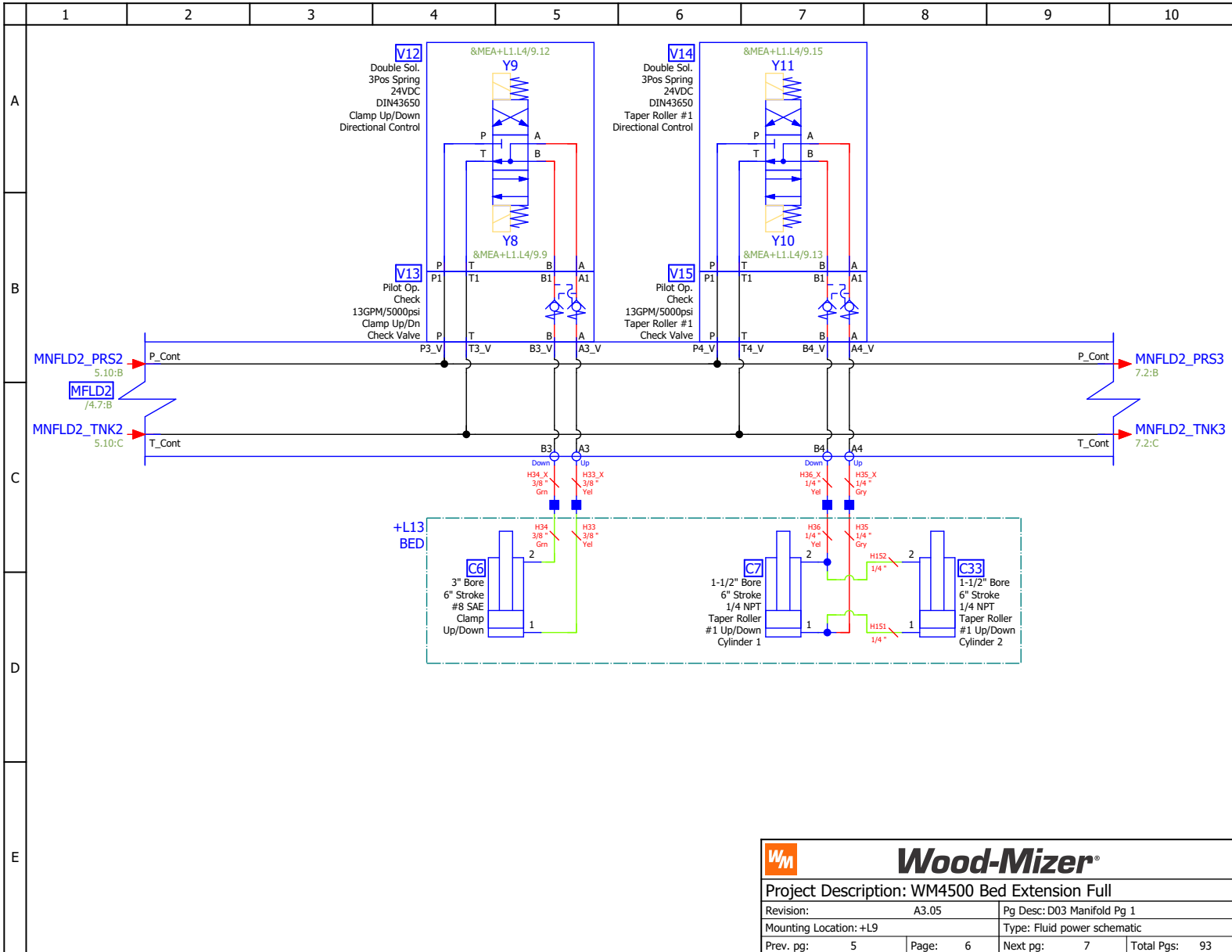




|   |       |          |                       |
|---|-------|----------|-----------------------|
|  <b>Wood-Mizer®</b> |       |          |                       |
| Project Description: WM4500 Bed Extension Full  |       |          |                       |
| Revision:   | A3.05 | Pg Desc: | D05 Manifold Pg 3     |
| Mounting Location:  | +L9   | Type:    | Fluid power schematic |
| Prev. pg:   | 3     | Page:    | 4                     |
|   |       | Next pg: | 5                     |
|   |       |          | Total Pgs: 93         |



|  |       |            |                       |
|--|-------|------------|-----------------------|
| <b>Wood-Mizer®</b>                             |       |            |                       |
| Project Description: WM4500 Bed Extension Full |       |            |                       |
| Revision:                                      | A3.05 | Pg Desc:   | D03 Manifold Pg 1     |
| Mounting Location:                             | +L9   | Type:      | Fluid power schematic |
| Prev. pg:                                      | 4     | Page:      | 5                     |
|  |       | Next pg:   | 6                     |
|  |       | Total Pgs: | 93                    |



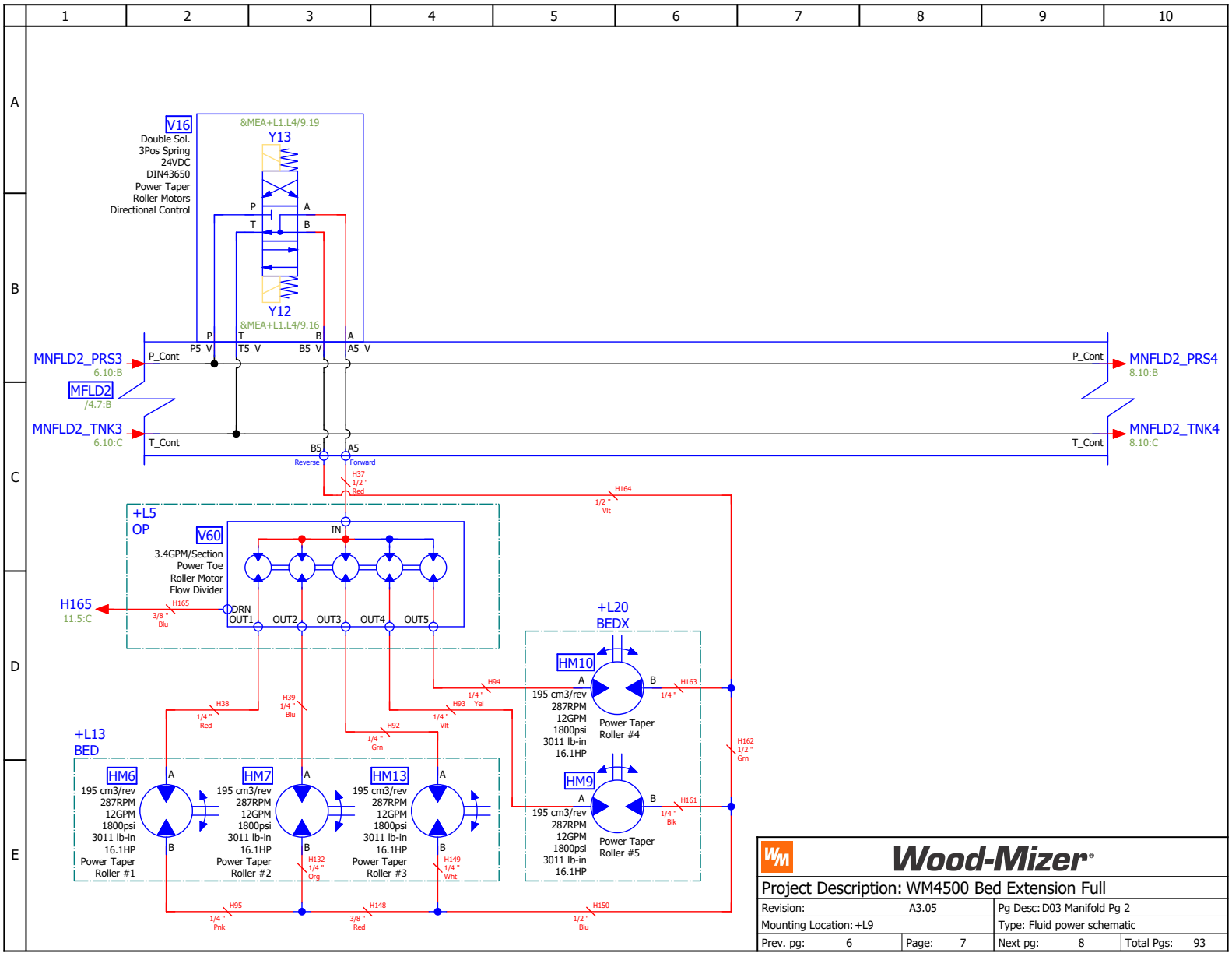
**Wood-Mizer®**

Project Description: WM4500 Bed Extension Full

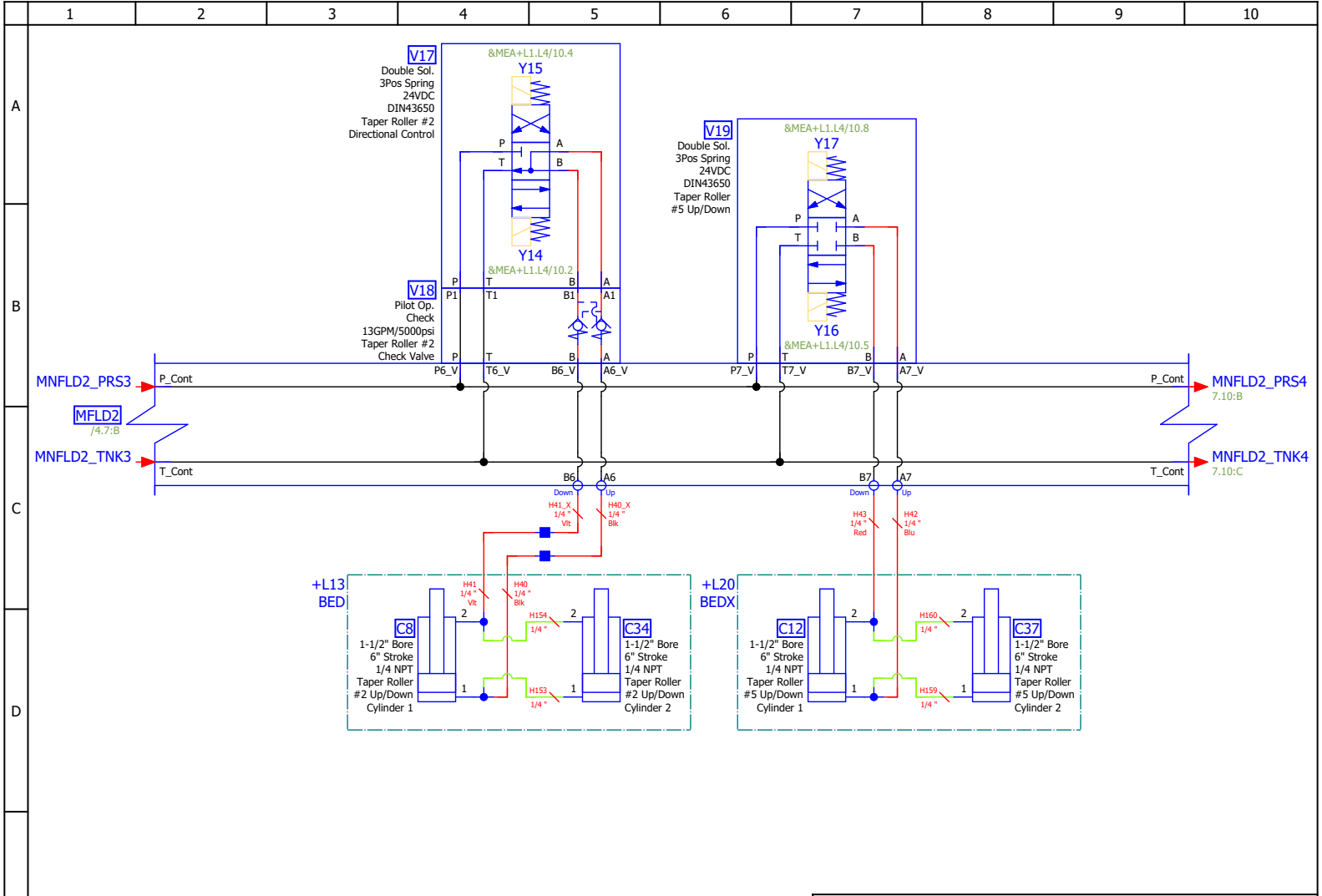
Revision: A3.05 Pg Desc: D03 Manifold Pg 1


Mounting Location: +L9 Type: Fluid power schematic

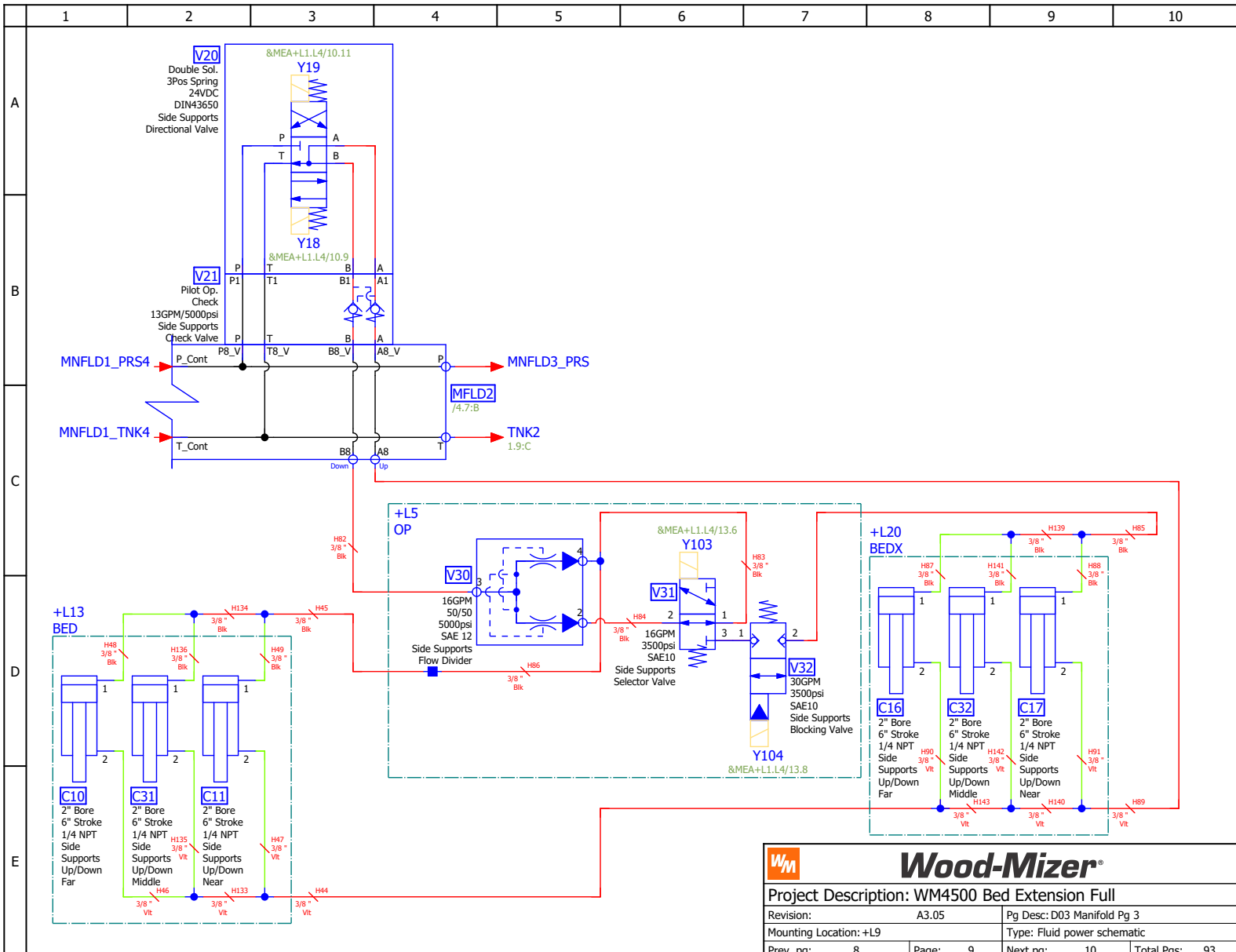
Prev. pg: 5 Page: 6 Next pg: 7 Total Pgs: 93



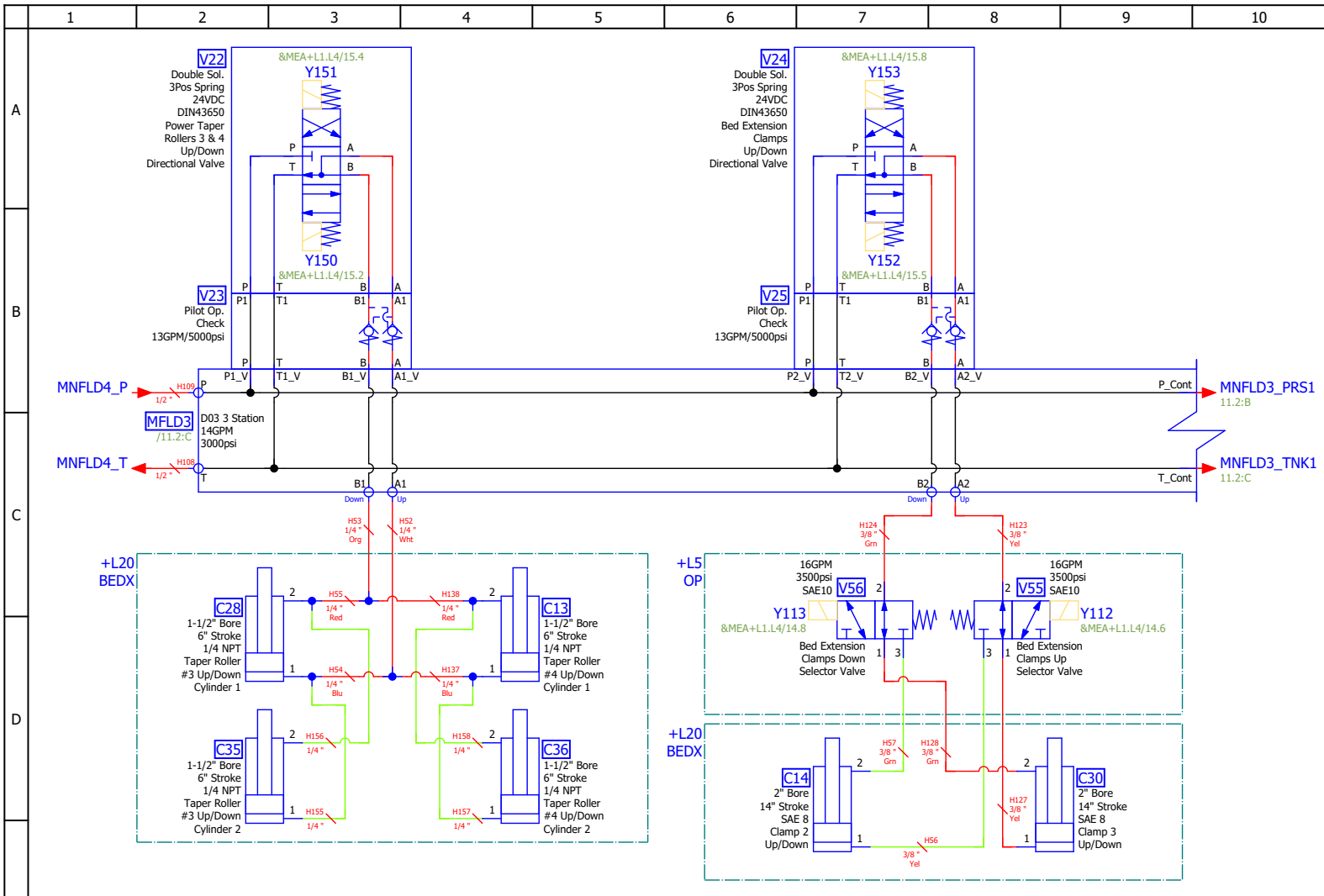
|  |       |            |                       |
|--|-------|------------|-----------------------|
| <b>Wood-Mizer®</b>                             |       |            |                       |
| Project Description: WM4500 Bed Extension Full |       |            |                       |
| Revision:                                      | A3.05 | Pg Desc:   | D03 Manifold Pg 2     |
| Mounting Location:                             | +L9   | Type:      | Fluid power schematic |
| Prev. pg:                                      | 6     | Page:      | 7                     |
| Next pg:                                       | 8     | Total Pgs: | 93                    |



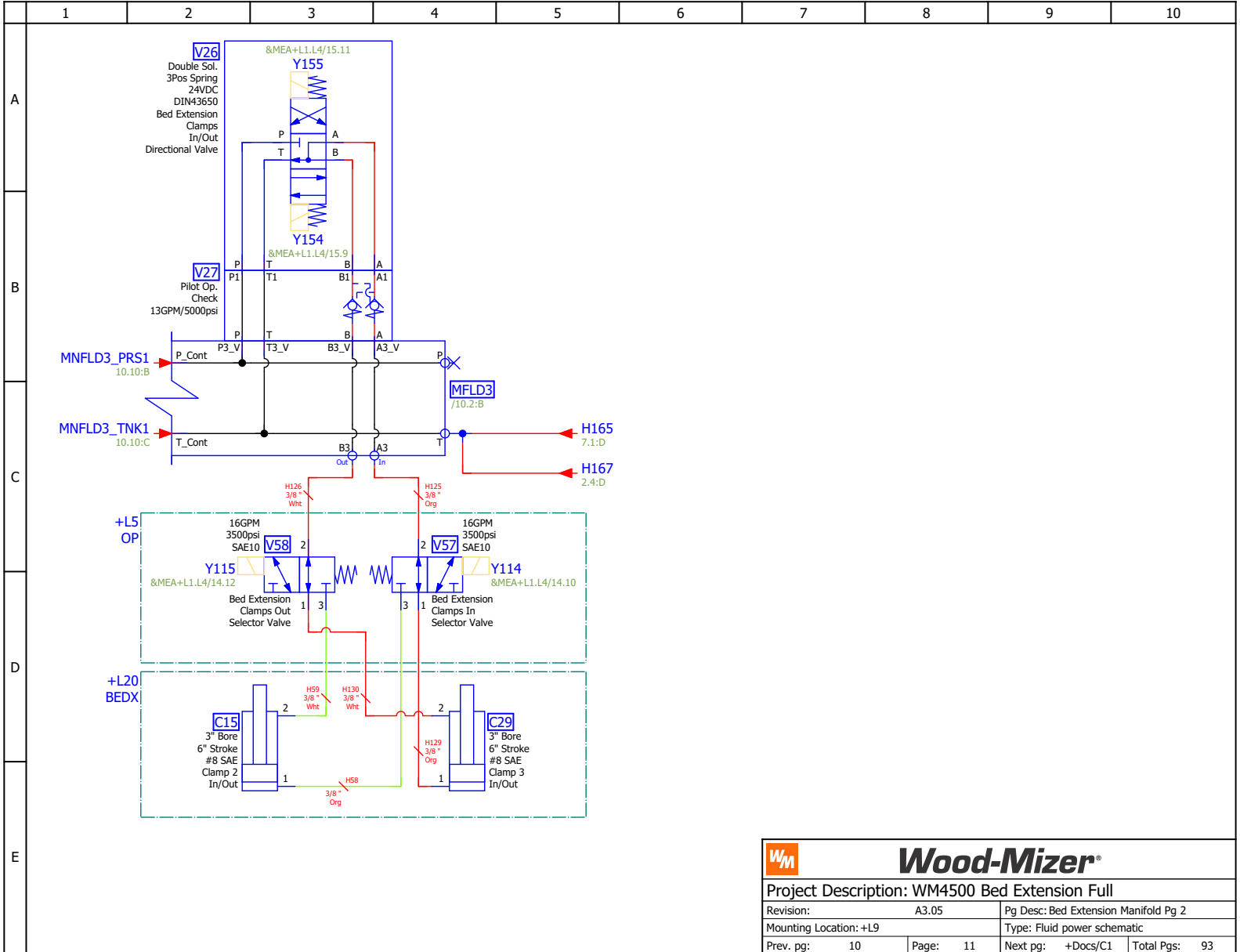
|   |       |            |                       |
|---|-------|------------|-----------------------|
|  <b>Wood-Mizer®</b> |       |            |                       |
| Project Description: WM4500 Bed Extension Full  |       |            |                       |
| Revision:   | A3.05 | Pg Desc:   | D03 Manifold Pg 2     |
| Mounting Location:  | +L9   | Type:      | Fluid power schematic |
| Prev. pg:   | 7     | Page:      | 8                     |
| Next pg:  | 9     | Total Pgs: | 93                    |



|  |       |                             |               |
|--|-------|-----------------------------|---------------|
|  |       | <b>Wood-Mizer®</b>          |               |
| Project Description: WM4500 Bed Extension Full |       |                             |               |
| Revision:                                      | A3.05 | Pg Desc: D03 Manifold Pg 3  |               |
| Mounting Location: +L9                         |       | Type: Fluid power schematic |               |
| Prev. pg:                                      | 8     | Page:                       | 9             |
| Next pg:                                       |       | 10                          | Total Pgs: 93 |



|   |       |            |                             |
|---|-------|------------|-----------------------------|
|   |       |            |                             |
| <b>Project Description: WM4500 Bed Extension Full</b> |       |            |                             |
| Revision:   | A3.05 | Pg Desc:   | Bed Extension Manifold Pg 1 |
| Mounting Location:                                    | +L9   | Type:      | Fluid power schematic       |
| Prev. pg:   | 9     | Page:      | 10                          |
|   |       | Next pg:   | 11                          |
|   |       | Total Pgs: | 93                          |



**Wood-Mizer®**

Project Description: WM4500 Bed Extension Full

Revision: A3.05 Pg Desc: Bed Extension Manifold Pg 2


Mounting Location: +L9 Type: Fluid power schematic

Prev. pg: 10 Page: 11 Next pg: +Docs/C1 Total Pgs: 93



# Device Tag/Parts List


| Device tag | Function                           | Wood-Mizer Part Number | Wood-Mizer Description                  |                   | Qty. | X-Ref          |
|------------|------------------------------------|------------------------|---|-------------------|------|----------------|
| C1         | Log Loader Up/Down Cylinder 1      | 050105                 | Cylinder, 2-1/2 Bore x 12x221/4         |                   | 1    | +L9/3.302:AE   |
| C1         | =                                  | P12955                 | Seal Kit, 2 1/2x8 Hydraulic Cylinder    | Replacement Seals | 1    | +L9/3.302:AE   |
| C2         | Log Loader Up/Down Cylinder 2      | 050105                 | Cylinder, 2-1/2 Bore x 12x221/4         |                   | 1    | +L9/3.303:AE   |
| C2         | =                                  | P12955                 | Seal Kit, 2 1/2x8 Hydraulic Cylinder    | Replacement Seals | 1    | +L9/3.303:AE   |
| C3         | Clamp In/Out                       | 062700                 | Cylinder, Hyd 3x6                       |                   | 1    | +L9/4.409:AC   |
| C4         | LogTurner Near Up/Down Cylinder    | 034267                 | Cylinder, 2x10 Rod End Welded 16"       |                   | 1    | +L9/5.502:AE   |
| C4         | =                                  | 003814                 | Seal Kit, Hyd Cylinder, 2x10 (034267)   | Replacement Seals | 1    | +L9/5.502:AE   |
| C5         | LogTurner Far Up/Down Cylinder     | 034267                 | Cylinder, 2x10 Rod End Welded 16"       |                   | 1    | +L9/5.503:AE   |
| C5         | =                                  | 003814                 | Seal Kit, Hyd Cylinder, 2x10 (034267)   | Replacement Seals | 1    | +L9/5.503:AE   |
| C6         | Clamp Up/Down                      | 062700                 | Cylinder, Hyd 3x6                       |                   | 1    | +L9/6.605:AC   |
| C7         | Taper Roller #1 Up/Down Cylinder 1 | 014482                 | Cylinder, 1 1/2x6 Rod End In Line Ports |                   | 1    | +L9/6.607:AC   |
| C7         | =                                  | 014547                 | Seal Kit, 1 1/2x6 Hyd Cyl               | Replacement Seals | 1    | +L9/6.607:AC   |
| C8         | Taper Roller #2 Up/Down Cylinder 1 | 014482                 | Cylinder, 1 1/2x6 Rod End In Line Ports |                   | 1    | +L9/8.804:AD   |
| C8         | =                                  | 014547                 | Seal Kit, 1 1/2x6 Hyd Cyl               | Replacement Seals | 1    | +L9/8.804:AD   |
| C10        | Side Supports Up/Down Far          | 035625                 | Cylinder, 2x6, 1/4 NPT Port             |                   | 1    | +L9/9.901:AD   |
| C10        | =                                  | 003812                 | Seal Kit, Hyd Cylinder, 2x6 (035625)    | Replacement Seals | 1    | +L9/9.901:AD   |
| C11        | Side Supports Up/Down Near         | 035625                 | Cylinder, 2x6, 1/4 NPT Port             |                   | 1    | +L9/9.903:AD   |
| C11        | =                                  | 003812                 | Seal Kit, Hyd Cylinder, 2x6 (035625)    | Replacement Seals | 1    | +L9/9.903:AD   |
| C12        | Taper Roller #5 Up/Down Cylinder 1 | 014482                 | Cylinder, 1 1/2x6 Rod End In Line Ports |                   | 1    | +L9/8.807:AD   |
| C12        | =                                  | 014547                 | Seal Kit, 1 1/2x6 Hyd Cyl               | Replacement Seals | 1    | +L9/8.807:AD   |
| C13        | Taper Roller #4 Up/Down Cylinder 1 | 014482                 | Cylinder, 1 1/2x6 Rod End In Line Ports |                   | 1    | +L9/10.1004:AC |
| C13        | =                                  | 014547                 | Seal Kit, 1 1/2x6 Hyd Cyl               |                   | 1    | +L9/10.1004:AC |
| C14        | Clamp 2 Up/Down                    | 062701                 | Cylinder, Hyd 2x14                      |                   | 1    | +L9/10.1007:AD |
| C15        | Clamp 2 In/Out                     | 062700                 | Cylinder, Hyd 3x6                       |                   | 1    | +L9/11.1103:AD |
| C16        | Side Supports Up/Down Far          | 035625                 | Cylinder, 2x6, 1/4 NPT Port             |                   | 1    | +L9/9.908:AD   |
| C16        | =                                  | 003812                 | Seal Kit, Hyd Cylinder, 2x6 (035625)    | Replacement Seals | 1    | +L9/9.908:AD   |
| C17        | Side Supports Up/Down Near         | 035625                 | Cylinder, 2x6, 1/4 NPT Port             |                   | 1    | +L9/9.909:AD   |
| C17        | =                                  | 003812                 | Seal Kit, Hyd Cylinder, 2x6 (035625)    | Replacement Seals | 1    | +L9/9.909:AD   |
| C18        | LogTurner Far Up/Down Cylinder     | 034267                 | Cylinder, 2x10 Rod End Welded 16"       |                   | 1    | +L9/5.505:AE   |
| C18        | =                                  | 003814                 | Seal Kit, Hyd Cylinder, 2x10 (034267)   | Replacement Seals | 1    | +L9/5.505:AE   |
| C19        | Log Loader Up/Down Cylinder 1      | 050105                 | Cylinder, 2-1/2 Bore x 12x221/4         |                   | 1    | +L9/3.305:AE   |
| C19        | =                                  | P12955                 | Seal Kit, 2 1/2x8 Hydraulic Cylinder    | Replacement Seals | 1    | +L9/3.305:AE   |
| C20        | Log Loader Up/Down Cylinder 2      | 050105                 | Cylinder, 2-1/2 Bore x 12x221/4         |                   | 1    | +L9/3.306:AE   |
| C20        | =                                  | P12955                 | Seal Kit, 2 1/2x8 Hydraulic Cylinder    | Replacement Seals | 1    | +L9/3.306:AE   |
| C27        | LogTurner Near Up/Down Cylinder    | 034267                 | Cylinder, 2x10 Rod End Welded 16"       |                   | 1    | +L9/5.505:AE   |
| C27        | =                                  | 003814                 | Seal Kit, Hyd Cylinder, 2x10 (034267)   | Replacement Seals | 1    | +L9/5.505:AE   |
| C28        | Taper Roller #3 Up/Down Cylinder 1 | 014482                 | Cylinder, 1 1/2x6 Rod End In Line Ports |                   | 1    | +L9/10.1003:AC |
| C28        | =                                  | 014547                 | Seal Kit, 1 1/2x6 Hyd Cyl               |                   | 1    | +L9/10.1003:AC |
| C29        | Clamp 3 In/Out                     | 062700                 | Cylinder, Hyd 3x6                       |                   | 1    | +L9/11.1104:AD |
| C30        | Clamp 3 Up/Down                    | 062701                 | Cylinder, Hyd 2x14                      |                   | 1    | +L9/10.1008:AD |
| C31        | Side Supports Up/Down Middle       | 035625                 | Cylinder, 2x6, 1/4 NPT Port             |                   | 1    | +L9/9.902:AD   |
| C31        | =                                  | 003812                 | Seal Kit, Hyd Cylinder, 2x6 (035625)    | Replacement Seals | 1    | +L9/9.902:AD   |
| C32        | =                                  | 035625                 | Cylinder, 2x6, 1/4 NPT Port             |                   | 1    | +L9/9.909:AD   |
| C32        | =                                  | 003812                 | Seal Kit, Hyd Cylinder, 2x6 (035625)    | Replacement Seals | 1    | +L9/9.909:AD   |
| C33        | Taper Roller #1 Up/Down Cylinder 2 | 014482                 | Cylinder, 1 1/2x6 Rod End In Line Ports |                   | 1    | +L9/6.608:AC   |
| C33        | =                                  | 014547                 | Seal Kit, 1 1/2x6 Hyd Cyl               | Replacement Seals | 1    | +L9/6.608:AC   |

|   |        |  |               |
|---|--------|--|---------------|
|  |        | <b>Wood-Mizer®</b>                       |               |
| <b>Project Description: WM4500 Bed Extension Full</b>                               |        |  |               |
| Revision:   | A3.05  | Pg Desc: Parts list - Bed Extension Full |               |
| Mounting Location: +Docs  |        | Type: Parts list                         |               |
| Prev. pg:   | +L9/11 | Page:                                    | C1            |
| Next pg:  |        | C2                                       | Total Pgs: 93 |

# Device Tag/Parts List

WM\_PARTS\_LIST\_Fluid-Manual


| Device tag | Function                           | Wood-Mizer Part Number | Wood-Mizer Description                   |   | Qty. | X-Ref          |
|------------|------------------------------------|------------------------|--|---|------|----------------|
| C34        | Taper Roller #2 Up/Down Cylinder 2 | 014482                 | Cylinder, 1 1/2x6 Rod End In Line Ports  |   | 1    | +L9/8.805:AD   |
| C34        | =                                  | 014547                 | Seal Kit, 1 1/2x6 Hyd Cyl                | Replacement Seals                           | 1    | +L9/8.805:AD   |
| C35        | Taper Roller #3 Up/Down Cylinder 2 | 014482                 | Cylinder, 1 1/2x6 Rod End In Line Ports  |   | 1    | +L9/10.1003:AD |
| C35        | =                                  | 014547                 | Seal Kit, 1 1/2x6 Hyd Cyl                |   | 1    | +L9/10.1003:AD |
| C36        | Taper Roller #4 Up/Down Cylinder 2 | 014482                 | Cylinder, 1 1/2x6 Rod End In Line Ports  |   | 1    | +L9/10.1004:AD |
| C36        | =                                  | 014547                 | Seal Kit, 1 1/2x6 Hyd Cyl                |   | 1    | +L9/10.1004:AD |
| C37        | Taper Roller #5 Up/Down Cylinder 2 | 014482                 | Cylinder, 1 1/2x6 Rod End In Line Ports  |   | 1    | +L9/8.808:AD   |
| C37        | =                                  | 014547                 | Seal Kit, 1 1/2x6 Hyd Cyl                | Replacement Seals                           | 1    | +L9/8.808:AD   |
| F1         | Suction Strainer                   | 078690                 | Strainer, Suction w/Bypass               |   | 1    | +L9/1.104:AD   |
| F2         | Return Filter                      | 078395                 | Filter, Hyd Cstr 35GPM 725psi wind SAE16 |   | 1    | +L9/1.108:AC   |
| F2         | =                                  | 078341                 | Filter, Hyd. Element 10 Micron 25psi Byp | Replacement Element                         | 1    | +L9/1.108:AC   |
| G1         | Pressure Gage                      | 068265                 | Gauge, Pressure VPG25N3KL                |   | 1    | +L9/4.404:AB   |
| HM1        | Conveyor                           | P20206                 | Motor, Hydraulic, TB0165FP100AAAA        |   | 1    | +L9/2.203:AD   |
| HM1        | =                                  | 061136                 | Kit, Hydraulic Motor Seal                | Replacement Seals                           | 1    | +L9/2.203:AD   |
| HM2        | Incline Conveyor                   | P20206                 | Motor, Hydraulic, TB0165FP100AAAA        |   | 1    | +L9/2.203:AE   |
| HM2        | =                                  | 061136                 | Kit, Hydraulic Motor Seal                | Replacement Seals                           | 1    | +L9/2.203:AE   |
| HM3        | Chain Turner Far Motor             | 007331                 | Motor, Hydraulic, TG0475US0800AAFU       |   | 1    | +L9/2.206:AD   |
| HM4        | Chain Turner Near Motor            | 007331                 | Motor, Hydraulic, TG0475US0800AAFU       |   | 1    | +L9/2.207:AD   |
| HM5        | Log Deck Chains                    | 056062                 | Motor, Hyd Log Deck                      |   | 1    | +L9/4.403:AD   |
| HM6        | Power Taper Roller #1              | 112587                 | Motor, Hydraulic, TB0195FP130AAAA        |   | 1    | +L9/7.702:AE   |
| HM6        | =                                  | 061136                 | Kit, Hydraulic Motor Seal                | Replacement Seals                           | 1    | +L9/7.702:AE   |
| HM7        | Power Taper Roller #2              | 112587                 | Motor, Hydraulic, TB0195FP130AAAA        |   | 1    | +L9/7.703:AE   |
| HM7        | =                                  | 061136                 | Kit, Hydraulic Motor Seal                | Replacement Seals                           | 1    | +L9/7.703:AE   |
| HM8        | Chain Turner Near Motor            | 007331                 | Motor, Hydraulic, TG0475US0800AAFU       |   | 1    | +L9/2.209:AD   |
| HM9        | Power Taper Roller #5              | 112587                 | Motor, Hydraulic, TB0195FP130AAAA        |   | 1    | +L9/7.706:AE   |
| HM9        | =                                  | 061136                 | Kit, Hydraulic Motor Seal                | Replacement Seals                           | 1    | +L9/7.706:AE   |
| HM10       | Power Taper Roller #4              | 112587                 | Motor, Hydraulic, TB0195FP130AAAA        |   | 1    | +L9/7.706:AD   |
| HM10       | =                                  | 061136                 | Kit, Hydraulic Motor Seal                | Replacement Seals                           | 1    | +L9/7.706:AD   |
| HM11       | Log Deck Chains                    | 056062                 | Motor, Hyd Log Deck                      |   | 1    | +L9/4.406:AC   |
| HM12       | Chain Turner Far Motor             | 007331                 | Motor, Hydraulic, TG0475US0800AAFU       |   | 1    | +L9/2.208:AD   |
| HM13       | Power Taper Roller #3              | 112587                 | Motor, Hydraulic, TB0195FP130AAAA        |   | 1    | +L9/7.704:AE   |
| HM13       | =                                  | 061136                 | Kit, Hydraulic Motor Seal                | Replacement Seals                           | 1    | +L9/7.704:AE   |
| MFLD1      | D05 Power Unit Manifold            | 061190                 | D05, 4 Station Manifold                  |   | 1    | +L9/2.202:AB   |
| MFLD1      | =                                  | 078399                 | Plate, Cover D05 Valve                   | Covers For Optional Log Deck Valve Sections | 2    | +L9/2.202:AB   |
| MFLD2      | D03 Power Unit Manifold            | 061185                 | Manifold Shell Only, WM4000 AD03P082S    |   | 1    | +L9/4.407:AB   |
| MFLD3      | D03 Bed Extension Manifold         | 078885                 | Manifold, D03 4 Station AI SAE           |   | 1    | +L9/10.1002:AB |
| P1         | Pump                               | 078671                 | Pump, Hyd. 17GPM Piston Load Sense       |   | 1    | +L9/1.102:AB   |
| P1         | =                                  | 078397                 | Adapter, C-Face Pump Mtr SAE B           | Pump Mount                                  | 1    | +L9/1.102:AB   |
| P1         | =                                  | 068252                 | Coupling, Pump                           |   | 1    | +L9/1.102:AB   |
| P1         | =                                  | 068253                 | Coupling, Motor                          |   | 1    | +L9/1.102:AB   |
| P1         | =                                  | 068254                 | Coupling, Insert                         |   | 1    | +L9/1.102:AB   |
| V1         | Pressure Gage Needle Valve         | 068264                 | Valve, Snubber MFG250BF                  |   | 1    | +L9/4.404:AB   |
| V2         | Proportional Valve                 | 068273                 | Valve, Proportional PV72-30A             | Complete Valve Assembly                     | 1    | +L9/1.103:AA   |
| V2         | =                                  | 061290                 | Block, Valve Body HF 7022350             | Valve Body Only                             | 1    | +L9/1.103:AA   |
| V2         | =                                  | 078185                 | Valve, Proportional 15GPM PV72-30A       | Valve Cartridge Only                        | 1    | +L9/1.103:AA   |
| V2         | =                                  | 068257                 | Valve, Proportional Cartridge PV72-30A   | Valve Cartridge w/Coil                      | 1    | +L9/1.103:AA   |

|   |       |  |    |
|---|-------|--|----|
|  |       | <b>Wood-Mizer®</b>                       |    |
| <b>Project Description: WM4500 Bed Extension Full</b>                               |       |  |    |
| Revision:   | A3.05 | Pg Desc: Parts list - Bed Extension Full |    |
| Mounting Location: +Docs  |       | Type: Parts list                         |    |
| Prev. pg:   | C1    | Page:                                    | C2 |
| Next pg:  | C3    | Total Pgs:                               | 93 |

# Device Tag/Parts List


WM\_PARTS\_LIST\_Fluid-Manual

| Device tag | Function  | Wood-Mizer Part Number | Wood-Mizer Description                   |                         | Qty. | X-Ref          |
|------------|---|------------------------|--|-------------------------|------|----------------|
| V3         | Pressure Relief Valve                               | 078735                 | Valve, Relief 250-3000psi RV10-20A Cmplt | Complete Valve Assembly | 1    | +L9/1.106:AD   |
| V3         | =   | 078672                 | Valve, Body 10 Size 2-Way SAE 12         | Valve Body Only         | 1    | +L9/1.106:AD   |
| V3         | =   | 078673                 | Valve, Relief 250-3000psi RV10-20A Ctg   | Valve Cartridge Only    | 1    | +L9/1.106:AD   |
| V4         | Conveyor Directional Control                        | 078686                 | Valve, D05 2Pos A-B Tank                 |                         | 1    | +L9/2.202:AA   |
| V5         | Chain Turner  | 078685                 | Valve, D05 3Pos A-B Tank                 |                         | 1    | +L9/2.205:AA   |
| V6         | Log Loader  | 078685                 | Valve, D05 3Pos A-B Tank                 |                         | 1    | +L9/3.302:AA   |
| V7         | Log Deck Chains                                     | 078685                 | Valve, D05 3Pos A-B Tank                 |                         | 1    | +L9/4.402:AA   |
| V8         | Clamp In/Out Directional Control                    | 078683                 | Valve, D03 3Pos A-B Tank                 |                         | 1    | +L9/4.408:AA   |
| V9         | Clamp In/Out Check Valve                            | 078738                 | Valve, D03 PO Check                      |                         | 1    | +L9/4.408:AB   |
| V10        | Log Turner Up/Down                                  | 078684                 | Valve, D03 3Pos Blocked                  |                         | 1    | +L9/5.502:AA   |
| V11        | Log Turner Up/Down Flow Divider                     | 074289                 | Valve, 50/50 Flow Divider/Combiner       |                         | 1    | +L9/5.502:AC   |
| V12        | Clamp Up/Down Directional Control                   | 078683                 | Valve, D03 3Pos A-B Tank                 |                         | 1    | +L9/6.604:AA   |
| V13        | Clamp Up/Dn Check Valve                             | 078738                 | Valve, D03 PO Check                      |                         | 1    | +L9/6.604:AB   |
| V14        | Taper Roller #1 Directional Control                 | 078683                 | Valve, D03 3Pos A-B Tank                 |                         | 1    | +L9/6.606:AA   |
| V15        | Taper Roller #1 Check Valve                         | 078738                 | Valve, D03 PO Check                      |                         | 1    | +L9/6.606:AB   |
| V16        | Power Taper Roller Motors Directional Control       | 078683                 | Valve, D03 3Pos A-B Tank                 |                         | 1    | +L9/7.702:AA   |
| V17        | Taper Roller #2 Directional Control                 | 078683                 | Valve, D03 3Pos A-B Tank                 |                         | 1    | +L9/8.804:AA   |
| V18        | Taper Roller #2 Check Valve                         | 078738                 | Valve, D03 PO Check                      |                         | 1    | +L9/8.804:AB   |
| V19        | Taper Roller #5 Up/Down                             | 078684                 | Valve, D03 3Pos Blocked                  |                         | 1    | +L9/8.806:AA   |
| V20        | Side Supports Directional Valve                     | 078685                 | Valve, D05 3Pos A-B Tank                 |                         | 1    | +L9/9.902:AA   |
| V21        | Side Supports Check Valve                           | 078738                 | Valve, D03 PO Check                      |                         | 1    | +L9/9.902:AB   |
| V22        | Power Taper Rollers 3 & 4 Up/Down Directional Valve | 078685                 | Valve, D05 3Pos A-B Tank                 |                         | 1    | +L9/10.1002:AA |
| V23        | Power Taper Rollers 3 & 4 Up/Down Check Valve       | 078738                 | Valve, D03 PO Check                      |                         | 1    | +L9/10.1002:AB |
| V24        | Bed Extension Clamps Up/Down Directional Valve      | 078685                 | Valve, D05 3Pos A-B Tank                 |                         | 1    | +L9/10.1006:AA |
| V25        | Bed Extension Clamps Up/Down Check Valve            | 078738                 | Valve, D03 PO Check                      |                         | 1    | +L9/10.1006:AB |
| V26        | Bed Extension Clamps In/Out Directional Valve       | 078685                 | Valve, D05 3Pos A-B Tank                 |                         | 1    | +L9/11.1102:AA |
| V27        | Bed Extension Clamps In/Out Check Valve             | 078738                 | Valve, D03 PO Check                      |                         | 1    | +L9/11.1102:AB |
| V30        | Side Supports Flow Divider                          | 074289                 | Valve, 50/50 Flow Divider/Combiner       |                         | 1    | +L9/9.904:AC   |
| V31        | Side Supports Selector Valve                        | 074286                 | Valve, 3-Way Selector                    |                         | 1    | +L9/9.906:AD   |
| V32        | Side Supports Blocking Valve                        | 074287                 | Valve, 2-Way Normally Closed Blocking    |                         | 1    | +L9/9.907:AD   |
| V33        | Log Turner Up/Down Flow Divider                     | 074289                 | Valve, 50/50 Flow Divider/Combiner       |                         | 1    | +L9/5.504:AC   |
| V34        | Log Turner Up/Down Selector Valve                   | 074286                 | Valve, 3-Way Selector                    |                         | 1    | +L9/5.506:AC   |
| V37        | Log Loader Flow Divider                             | 074325                 | Flow Divider, 2 Section Bailey 50/50     |                         | 1    | +L9/3.304:AC   |
| V38        | Log Loader Selector Valve                           | 074286                 | Valve, 3-Way Selector                    |                         | 1    | +L9/3.306:AD   |
| V39        | Log Loader Blocking Valve                           | 074287                 | Valve, 2-Way Normally Closed Blocking    |                         | 1    | +L9/3.306:AD   |
| V40        | Log Deck Chains Selector Valve                      | 074286                 | Valve, 3-Way Selector                    |                         | 1    | +L9/4.404:AC   |
| V41        | Log Deck Chains Blocking Valve                      | 074287                 | Valve, 2-Way Normally Closed Blocking    |                         | 1    | +L9/4.405:AC   |
| V52        | Log Turner Ext Up/Down Flow Divider                 | 025742                 | Flow Divider, Hydraulic                  |                         | 1    | +L9/5.507:AC   |
| V54        | Conveyor Flow Control                               | 078737                 | Valve, Press Comp Flow Ctl 12GPM Cmplt   |                         | 1    | +L9/2.202:AB   |
| V54        | =   | 078681                 | Valve Body, D05 Sandwich Flow Ctl Port B | Valve Body Only         | 1    | +L9/2.202:AB   |
| V54        | =   |                        | Valve, Press Comp Flow Ctl 12GPM         | Valve Cartridge Only    | 1    | +L9/2.202:AB   |
| V55        | Bed Extension Clamps Up Selector Valve              | 074286                 | Valve, 3-Way Selector                    |                         | 1    | +L9/10.1008:AC |
| V56        | Bed Extension Clamps Down Selector Valve            | 074286                 | Valve, 3-Way Selector                    |                         | 1    | +L9/10.1007:AC |
| V57        | Bed Extension Clamps In Selector Valve              | 074286                 | Valve, 3-Way Selector                    |                         | 1    | +L9/11.1104:AC |
| V58        | Bed Extension Clamps Out Selector Valve             | 074286                 | Valve, 3-Way Selector                    |                         | 1    | +L9/11.1103:AC |
| V59        | Turner Motor Flow Divider                           | 112589                 | Valve, Flow Divider 4 Sect 4.25GPM/Sect  |                         | 1    | +L9/2.205:AC   |

|   |       |  |    |
|---|-------|--|----|
|  |       | <b>Wood-Mizer®</b>                       |    |
| Project Description: WM4500 Bed Extension Full                                      |       |  |    |
| Revision:   | A3.05 | Pg Desc: Parts list - Bed Extension Full |    |
| Mounting Location: +Docs  |       | Type: Parts list                         |    |
| Prev. pg:   | C2    | Page:                                    | C3 |
| Next pg:  | C4    | Total Pgs:                               | 93 |

# Device Tag/Parts List

| Device tag | Function                            | Wood-Mizer Part Number | Wood-Mizer Description                 | Qty. | X-Ref        |
|------------|-------------------------------------|------------------------|--|------|--------------|
| V60        | Power Toe Roller Motor Flow Divider | 112588                 | Valve, Flow Divider 5 Sect 3.4GPM/Sept | 1    | +L9/7.702:AC |

|   |    |                    |  |
|---|----|--------------------|--|
|  |    | <b>Wood-Mizer®</b> |  |
| <b>Project Description: WM4500 Bed Extension Full</b>                               |    |                    |  |
| Revision:   |    | A3.05              | Pg Desc: Parts list - Bed Extension Full |
| Mounting Location: +Docs  |    | Type: Parts list   |  |
| Prev. pg:   | C3 | Page:              | C4                                       |
| Next pg:  | K1 | Total Pgs:         | 93                                       |

# Hose/Tube list

WM\_HydraulicHoseList

| Hose/Tube | Wood-Mizer<br>PN | Color | Diameter | Length | Description                                      | XREF         |
|-----------|------------------|-------|----------|--------|--|--------------|
| H1        | 078736           |       | 1-1/4 "  |        | Suction Tube                                     | +L9/1.104:AD |
| H2        | 078761           |       | 1/4 "    |        | Load Sense Line                                  | +L9/1.104:AA |
| H3        | 078760           |       | 3/4 "    |        | Pressure Relief Line                             | +L9/1.104:AB |
| H4        | 078767           |       | 1/2 "    |        | Pump Case Drain                                  | +L9/1.105:AD |
| H5        | 078767           |       | 1-1/4 "  |        | Filter Tank Line                                 | +L9/1.109:AD |
| H6        | 078760           |       | 3/4 "    |        | Pressure Line From Proportional Valve            | +L9/4.404:AB |
| H7        | 078760           |       | 1 "      |        | Tank Line From Manifold 1                        | +L9/1.109:AC |
| H8        | 078763           |       | 3/4 "    |        | Pressure Line Manifold 1 To Manifold 2           | +L9/2.202:AB |
| H10       | 079004-471       | Blu   | 1/2 "    | 471"   | Conveyor Return Line                             | +L9/2.203:AC |
| H10_X     | 079004-264       | Blu   | 1/2 "    | 264"   | Conveyor Return Line Bed Extension               | +L9/2.203:AC |
| H11       | 079004-471       | Red   | 1/2 "    | 471"   | Conveyor Out Line                                | +L9/2.203:AC |
| H11_X     | 079004-264       | Red   | 1/2 "    | 264"   | Conveyor Out Line Bed Extension                  | +L9/2.203:AC |
| H12       | 079004-156       | Red   | 1/2" "   | 156"   | Incline Conveyor Out                             | +L9/2.203:AE |
| H13       | 079004-156       | Blu   | 1/2" "   | 156"   | Incline Conveyor Return                          | +L9/2.203:AE |
| H14       | 079004-144       | Yel   | 1/2 "    | 144"   | Turner Motors Vlv A FD In                        | +L9/2.206:AC |
| H15       | 079001-504       | Grn   | 3/8 "    | 504"   | Turner Motor Far FD Out 1 Mtr B                  | +L9/2.206:AD |
| H16       | 079001-480       | Vlt   | 3/8 "    | 480"   | Turner Motor Near FD Out 2 Mtr B                 | +L9/2.207:AD |
| H17       | 079004-310       | Grn   | 1/2 "    | 310"   | Log Loader Down T                                | +L9/3.305:AC |
| H18       | 079004-310       | Yel   | 1/2 "    | 310"   | Log Loader Down T                                | +L9/3.302:AD |
| H19       | 079001-72        | Grn   | 3/8 "    | 72"    | Log Loader Up T to C1                            | +L9/3.302:AE |
| H20       | 079001-72        | Grn   | 3/8 "    | 72"    | Log Loader Up T to C2                            | +L9/3.302:AE |
| H21       | 079001-72        | Yel   | 3/8 "    | 72"    | Log Loader Down T to C1                          | +L9/3.302:AE |
| H22       | 079001-72        | Yel   | 3/8 "    | 72"    | Log Loader Down T to C2                          | +L9/3.302:AE |
| H23       | 079004-310       | Org   | 1/2 "    | 310"   | Log Deck Forward Line                            | +L9/4.404:AC |
| H24       | 079004-310       | Wht   | 1/2 "    | 310"   | Log Deck Valve B To Deck 1 Motor A               | +L9/4.403:AC |
| H24_X     | 079004-264       | Wht   | 1/2 "    | 264"   | Log Deck Valve B To Deck 1 Motor A Bed Extension | +L9/4.403:AC |
| H25       | 079001-364       | Org   | 3/8 "    | 364"   | Clamp In Line                                    | +L9/4.409:AC |
| H25_X     | 079001-264       | Org   | 3/8 "    | 264"   | Clamp In Line Bed Extension                      | +L9/4.409:AC |
| H26       | 079001-364       | Wht   | 3/8 "    | 364"   | Clamp Out Line                                   | +L9/4.409:AC |
| H26_X     | 079001-264       | Wht   | 3/8 "    | 264"   | Clamp Out Line Bed Extension                     | +L9/4.409:AC |
| H27       | 079001-275       | Pnk   | 3/8 "    | 275"   | Log Turner Up T2 To T3                           | +L9/5.505:AE |
| H28       | 079001-85        |       | 3/8 "    | 85"    | Log Turner Down Valve B To FD 3                  | +L9/5.503:AC |
| H29       | 079001-19        | Pnk   | 3/8 "    | 19"    | Log Turner Up T To Cylinder Near                 | +L9/5.502:AE |
| H30       | 079001-39        | Pnk   | 3/8 "    | 39"    | Log Turner Up T To Cylinder Far                  | +L9/5.502:AE |
| H31       | 079001-200       |       | 3/8 "    | 200"   | Log Turner Down FD2 To Cylinder Near             | +L9/5.502:AD |
| H32       | 079001-216       |       | 3/8 "    | 216"   | Log Turner Down FD4 To Cylinder Far              | +L9/5.502:AD |
| H33       | 079001-364       | Yel   | 3/8 "    | 364"   | Clamp Up Line                                    | +L9/6.605:AC |
| H33_X     | 079001-264       | Yel   | 3/8 "    | 264"   | Clamp Up Line Bed Extension                      | +L9/6.605:AC |
| H34       | 079001-364       | Grn   | 3/8 "    | 364"   | Clamp Down Line                                  | +L9/6.605:AC |



**Wood-Mizer®**


Project Description: WM4500 Bed Extension Full

|                    |       |            |                                   |
|--------------------|-------|------------|-----------------------------------|
| Revision:          | A3.05 | Pg Desc:   | Hose/Tube List-Bed Extension Full |
| Mounting Location: | +Docs | Type:      | Connection list                   |
| Prev. pg:          | C4    | Page:      | K1                                |
|                    |       | Next pg:   | K2                                |
|                    |       | Total Pgs: | 93                                |

# Hose/Tube list

WM\_HydraulicHoseList


| Hose/Tube | Wood-Mizer PN | Color | Diameter | Length | Description                             | XREF           |
|-----------|---------------|-------|----------|--------|---|----------------|
| H34_X     | 079001-264    | Grn   | 3/8 "    | 264"   | Clamp Down Line Bed Extension           | +L9/6.605:AC   |
| H35       | 079000-267    | Gry   | 1/4 "    | 267"   | Taper Roller #1 Up Line                 | +L9/6.607:AD   |
| H35_X     | 079000-264    | Gry   | 1/4 "    | 264"   | Taper Roller #1 Up Line Bed Extension   | +L9/6.607:AC   |
| H36       | 079000-270    | Yel   | 1/4 "    | 270"   | Taper Roller #1 Down Line               | +L9/6.607:AC   |
| H36_X     | 079000-264    | Yel   | 1/4 "    | 264"   | Taper Roller #1 Down Line Bed Extension | +L9/6.607:AC   |
| H37       | 079004-144    | Red   | 1/2 "    | 144"   | Power Toe Roller Vlv A FD In            | +L9/7.703:AC   |
| H38       | 079000-540    | Red   | 1/4 "    | 540"   | Power Toe Roller #1 FD Out 1 Mtr A      | +L9/7.702:AE   |
| H39       | 079000-456    | Blu   | 1/4 "    | 456"   | Power Toe Roller #2 FD Out 2 Mtr A      | +L9/7.703:AE   |
| H40       | 079000-333    | Blk   | 1/4 "    | 333"   | Taper Roller #2 Up Line                 | +L9/8.805:AC   |
| H40_X     | 079000-264    | Blk   | 1/4 "    | 264"   | Taper Roller #2 Up Line Bed Extension   | +L9/8.805:AC   |
| H41       | 079000-335    | Vlt   | 1/4 "    | 335"   | Taper Roller #2 Down Line               | +L9/8.805:AC   |
| H41_X     | 079000-264    | Vlt   | 1/4 "    | 264"   | Taper Roller #2 Down Line Bed Extension | +L9/8.805:AC   |
| H42       | 079000-384    | Blu   | 1/4 "    | 384"   | Taper Roller #5 Up Line                 | +L9/8.807:AD   |
| H43       | 079000-384    | Red   | 1/4 "    | 384"   | Taper Roller #5 Down Line               | +L9/8.807:AD   |
| H44       | 079001-190    | Vlt   | 3/8 "    | 190"   | Side Supports Up T1                     | +L9/9.908:AE   |
| H45       | 079001-190    | Blk   | 3/8 "    | 190"   | Side Supports Down FD 4 T To T1         | +L9/9.904:AD   |
| H46       | 079001-120    | Vlt   | 3/8 "    | 120"   | Side Supports Up T2 to Far Cylinder     | +L9/9.902:AE   |
| H47       | 079001-51     | Vlt   | 3/8 "    | 51"    | Side Supports Up T1 to Near Cylinder    | +L9/9.902:AE   |
| H48       | 079001-122    | Blk   | 3/8 "    | 122"   | Side Supports Down T2 to Far Cylinder   | +L9/9.902:AD   |
| H49       | 079001-51     | Blk   | 3/8 "    | 51"    | Side Supports Down T1 to Near Cylinder  | +L9/9.903:AD   |
| H52       | 079000-492    | Wht   | 1/4 "    | 492"   | Taper Roller #3 & #4 Up Line            | +L9/10.1003:AD |
| H53       | 079000-492    | Org   | 1/4 "    | 492"   | Taper Roller #3 & #4 Down Line          | +L9/10.1003:AC |
| H54       | 079000-132    | Blu   | 1/4 "    | 132"   | Taper Roller #3 Up Line                 | +L9/10.1003:AD |
| H55       | 079000-132    | Red   | 1/4 "    | 132"   | Taper Roller #3 Down Line               | +L9/10.1003:AC |
| H56       | 079001-364    | Yel   | 3/8 "    | 364"   | Clamp 2 Up SV 3 To Cylinder             | +L9/10.1007:AD |
| H57       | 079001-364    | Grn   | 3/8 "    | 364"   | Clamp 2 Down SV 3 To Cylinder           | +L9/10.1007:AD |
| H58       | 079001-364    | Org   | 3/8 "    | 364"   | Clamp 2 In SV 3 To Cylinder             | +L9/11.1103:AD |
| H59       | 079001-364    | Wht   | 3/8 "    | 364"   | Clamp 2 Out SV 3 To Cylinder            | +L9/11.1103:AD |
| H60       | 079004-264    | Grn   | 1/2 "    | 264"   | Log Loader Up Flow Divider IN           | +L9/3.303:AC   |
| H61       | 079004-240    | Grn   | 1/2 "    | 240"   | Log Loader Up FD OUT1 to SV 2           | +L9/3.305:AD   |
| H62       | 079004-240    | Grn   | 1/2 "    | 240"   | Log Loader Up FD OUT2 T To SV 1         | +L9/3.305:AC   |
| H63       | 079004-360    | Grn   | 1/2 "    | 360"   | Log Loader Up BV 2 To Up T              | +L9/3.305:AE   |
| H64       | 079001-72     | Grn   | 3/8 "    | 72"    | Log Loader Up T to C1                   | +L9/3.305:AE   |
| H65       | 079001-72     | Grn   | 3/8 "    | 72"    | Log Loader Up T to C2                   | +L9/3.305:AE   |
| H66       | 079004-264    | Yel   | 1/2 "    | 264"   | Log Loader Down T Bed Extension         | +L9/3.302:AD   |
| H67       | 079004-120    | Yel   | 1/2 "    | 120"   | Log Loader Down T to T                  | +L9/3.302:AD   |
| H68       | 079001-72     | Yel   | 3/8 "    | 72"    | Log Loader Down T to C1                 | +L9/3.305:AE   |
| H69       | 079001-72     | Yel   | 3/8 "    | 72"    | Log Loader Down T to C2                 | +L9/3.305:AE   |
| H70       | 079004-144    | Org   | 1/2 "    | 144"   | Log Deck Valve A to SV 2                | +L9/4.403:AC   |

|   |       |  |               |
|---|-------|--|---------------|
|  |       | <b>Wood-Mizer®</b>                         |               |
| Project Description: WM4500 Bed Extension Full                                      |       |  |               |
| Revision:   | A3.05 | Pg Desc: Hose/Tube List-Bed Extension Full |               |
| Mounting Location: +Docs  |       | Type: Connection list                      |               |
| Prev. pg:   | K1    | Page:                                      | K2            |
| Next pg:  |       | K3   | Total Pgs: 93 |

# Hose/Tube list

WM\_HydraulicHoseList

| Hose/Tube | Wood-Mizer<br>PN | Color | Diameter | Length | Description  | XREF           |
|-----------|------------------|-------|----------|--------|--|----------------|
| H72       | 079004-312       | Org   | 1/2 "    | 312"   | Log Deck SV 3 To 2nd Motor B                       | +L9/4.406:AC   |
| H73       | 079004-312       | Wht   | 1/2 "    | 312"   | Log Deck BV 2 To 2nd Motor A                       | +L9/4.406:AC   |
| H74       | 079001-65        | Pnk   | 3/8 "    | 65"    | Log Turner Up T1 To T2                             | +L9/5.505:AE   |
| H75       | 079001-24        |       | 3/8 "    | 24"    | Log Turner Down FD 4 to FD 3                       | +L9/5.502:AC   |
| H76       | 079001-42        |       | 3/8 "    | 42"    | Log Turner Down SV 1 to FD 3                       | +L9/5.502:AC   |
| H77       | 079001-42        |       | 3/8 "    | 42"    | Log Turner Down FD 2 to SV 2                       | +L9/5.505:AC   |
| H78       | 079001-288       |       | 3/8 "    | 288"   | Log Turner Down FD2 To Cylinder Near Bed Extension | +L9/5.502:AD   |
| H79       | 079001-288       |       | 3/8 "    | 288"   | Log Turner Down FD4 To Cylinder Far Bed Extension  | +L9/5.502:AD   |
| H80       | 079001-48        |       | 3/8 "    | 48"    | Log Turner Down SV 3 to FD 3                       | +L9/5.506:AC   |
| H81       | 079001-240       | Pnk   | 3/8 "    | 240"   | Log Turner Down Valve A To Base T1                 | +L9/5.505:AE   |
| H82       | 079001-120       | Blk   | 3/8 "    | 120"   | Side Supports Down Valve B To FD 3                 | +L9/9.903:AC   |
| H83       | 079001-42        | Blk   | 3/8 "    | 42"    | Side Supports Down FD 4 T To SV 12                 | +L9/9.905:AC   |
| H84       | 079001-36        | Blk   | 3/8 "    | 36"    | Side Supports Down FD 2 To SV 2                    | +L9/9.905:AD   |
| H85       | 079001-300       | Blk   | 3/8 "    | 300"   | Side Supports Down BV 2 To T1                      | +L9/9.909:AC   |
| H86       | 079001-180       | Blk   | 3/8 "    | 180"   | Side Supports Down FD 4 T To Union                 | +L9/9.904:AD   |
| H87       | 079001-78        | Blk   | 3/8 "    | 78"    | Side Supports Down T2 to Far Cylinder              | +L9/9.909:AC   |
| H88       | 079001-54        | Blk   | 3/8 "    | 54"    | Side Supports Down T1 to Near Cylinder             | +L9/9.909:AC   |
| H89       | 079001-240       | Vlt   | 3/8 "    | 240"   | Side Supports Up Valve A To T1                     | +L9/9.909:AE   |
| H90       | 079001-54        | Vlt   | 3/8 "    | 54"    | Side Supports Up T3 to Far Cylinder                | +L9/9.908:AE   |
| H91       | 079001-54        | Vlt   | 3/8 "    | 54"    | Side Supports Up T1 to Near Cylinder               | +L9/9.909:AE   |
| H92       | 079000-372       | Grn   | 1/4 "    | 372"   | Power Toe Roller #3 FD Out 3 Mtr A                 | +L9/7.704:AE   |
| H93       | 079000-288       | Vlt   | 1/4 "    | 288"   | Power Toe Roller #4 FD Out 4 Mtr A                 | +L9/7.706:AE   |
| H94       | 079000-192       | Yel   | 1/4 "    | 192"   | Power Toe Roller #5 FD Out 5 Mtr A                 | +L9/7.706:AD   |
| H95       | 079000-144       | Pnk   | 1/4 "    | 144"   | Power Toe Roller #1 Mtr B Tee 1                    | +L9/7.703:AE   |
| H96       | 079001-336       | Yel   | 3/8 "    | 336"   | Turner Motor Far FD Out 3 Mtr B                    | +L9/2.208:AD   |
| H97       | 079001-216       | Pnk   | 3/8 "    | 216"   | Turner Motor Near FD Out 4 Mtr B                   | +L9/2.209:AD   |
| H98       | 079001-72        | Org   | 3/8 "    | 72"    | Turner Motor Far A Tee 1                           | +L9/2.207:AE   |
| H99       | 079004-360       | Wht   | 3/8 "    | 360"   | Turner Motor Near A Tee 1                          | +L9/2.207:AE   |
| H118      | 079001-84        | Pnk   | 3/8 "    | 84"    | Log Turner Up T2 To Cylinder                       | +L9/5.505:AE   |
| H119      | 079001-84        | Pnk   | 3/8 "    | 84"    | Log Turner Up T1 To Cylinder                       | +L9/5.505:AE   |
| H120      | 079001-216       | Blk   | 3/8 "    | 216"   | Log Turner Ext FD 2 To Far Cylinder                | +L9/5.505:AE   |
| H121      | 079001-84        | Pnk   | 3/8 "    | 84"    | Log Turner Ext FD 4 To Near Cylinder               | +L9/5.505:AE   |
| H122      | 079001-240       | Blk   | 3/8 "    | 240"   | Turner Motor Tee 1 Tee 2                           | +L9/2.208:AE   |
| H123      | 079001-144       | Yel   | 3/8 "    | 144"   | Bed Extension Clamps Up Valve A To SV 2            | +L9/10.1008:AC |
| H124      | 079001-144       | Grn   | 3/8 "    | 144"   | Bed Extension Clamps Down Valve B To SV 2          | +L9/10.1008:AC |
| H125      | 079001-144       | Org   | 3/8 "    | 144"   | Bed Extension Clamps In Valve A To SV 2            | +L9/11.1104:AC |
| H126      | 079001-144       | Wht   | 3/8 "    | 144"   | Bed Extension Clamps Out Valve B To SV 2           | +L9/11.1103:AC |
| H127      | 079001-364       | Yel   | 3/8 "    | 364"   | Clamp 3 Up SV 1 To Cylinder                        | +L9/10.1008:AD |
| H128      | 079001-364       | Grn   | 3/8 "    | 364"   | Clamp 3 Down SV 1 To Cylinder                      | +L9/10.1008:AD |


|   |       |  |               |
|---|-------|--|---------------|
|  |       | <b>Wood-Mizer®</b>                         |               |
| Project Description: WM4500 Bed Extension Full                                      |       |  |               |
| Revision:   | A3.05 | Pg Desc: Hose/Tube List-Bed Extension Full |               |
| Mounting Location: +Docs  |       | Type: Connection list                      |               |
| Prev. pg:   | K2    | Page:                                      | K3            |
| Next pg:  |       | K4   | Total Pgs: 93 |



# Hose/Tube list

WM\_HydraulicHoseList

| Hose/Tube | Wood-Mizer<br>PN | Color | Diameter | Length | Description                              | XREF           |
|-----------|------------------|-------|----------|--------|--|----------------|
| H129      | 079001-364       | Org   | 3/8 "    | 364"   | Clamp 3 In SV 1 To Cylinder              | +L9/11.1104:AD |
| H130      | 079001-364       | Wht   | 3/8 "    | 364"   | Clamp 3 Out SV 1 To Cylinder             | +L9/11.1104:AD |
| H132      | 079000-36        | Org   | 1/4 "    | 36"    | Power Toe Roller #2 Mtr B Tee 1          | +L9/7.703:AE   |
| H133      | 079001-41        | Vlt   | 3/8 "    | 41"    | Side Supports Up T1 To T2                | +L9/9.902:AE   |
| H134      | 079001-41        | Blk   | 3/8 "    | 41"    | Side Supports Down T1 To T2              | +L9/9.902:AD   |
| H135      | 079001-55        | Vlt   | 3/8 "    | 55"    | Side Supports Up T2 to Middle Cylinder   | +L9/9.902:AE   |
| H136      | 079001-59        | Blk   | 3/8 "    | 59"    | Side Supports Down T2 to Middle Cylinder | +L9/9.902:AD   |
| H137      | 079000-24        | Blu   | 1/4 "    | 24"    | Taper Roller #4 Up Line                  | +L9/10.1004:AD |
| H138      | 079000-24        | Red   | 1/4 "    | 24"    | Taper Roller #4 Down Line                | +L9/10.1004:AC |
| H139      | 079001-48        | Blk   | 3/8 "    | 48"    | Side Supports Down T1 To T2              | +L9/9.909:AC   |
| H140      | 079001-48        | Vlt   | 3/8 "    | 48"    | Side Supports Up T1 To T2                | +L9/9.909:AE   |
| H141      | 079001-54        | Blk   | 3/8 "    | 54"    | Side Supports Down T2 to Middle Cylinder | +L9/9.909:AC   |
| H142      | 079001-54        | Vlt   | 3/8 "    | 54"    | Side Supports Up T2 to Middle Cylinder   | +L9/9.909:AE   |
| H143      | 079001-60        | Vlt   | 3/8 "    | 60"    | Side Supports Up T2 to T3                | +L9/9.908:AE   |
| H144      | 079001-48        |       | 3/8 "    | 48"    | BX Turner Motor Far A Tee 2              | +L9/2.208:AE   |
| H145      | 079004-120       | Gry   | 1/2 "    | 120"   | Turner Motor Tee 2 Tee 3                 | +L9/2.209:AE   |
| H146      | 079001-48        | Red   | 3/8 "    | 48"    | BX Turner Motor Near A Tee 3             | +L9/2.209:AE   |
| H148      | 079001-168       | Red   | 3/8 "    | 168"   | Power Toe Roller Mtr Tee 1 Tee 2         | +L9/7.704:AE   |
| H149      | 079000-36        | Wht   | 1/4 "    | 36"    | Power Toe Roller #3 Mtr B Tee 2          | +L9/7.704:AE   |
| H150      | 079004-121       | Blu   | 1/2 "    | 121"   | Power Toe Roller Mtr Tee 2 Tee 3         | +L9/7.706:AE   |
| H151      | 079000-          |       | 1/4 "    |        | Taper Roller #1 Up Line 2                | +L9/6.607:AD   |
| H152      | 079000-          |       | 1/4 "    |        | Taper Roller #1 Down Line 2              | +L9/6.607:AC   |
| H153      | 079000-          |       | 1/4 "    |        | Taper Roller #2 Up Line 2                | +L9/8.804:AD   |
| H154      | 079000-          |       | 1/4 "    |        | Taper Roller #2 Down Line 2              | +L9/8.804:AD   |
| H155      | 079000-          |       | 1/4 "    |        | Taper Roller #3 Up Line 2                | +L9/10.1003:AD |
| H156      | 079000-          |       | 1/4 "    |        | Taper Roller #3 Down Line 2              | +L9/10.1003:AC |
| H157      | 079000-          |       | 1/4 "    |        | Taper Roller #4 Up Line 2                | +L9/10.1004:AD |
| H158      | 079000-          |       | 1/4 "    |        | Taper Roller #4 Down Line 2              | +L9/10.1004:AC |
| H159      | 079000-          |       | 1/4 "    |        | Taper Roller #5 Up Line 2                | +L9/8.807:AD   |
| H160      | 079000-          |       | 1/4 "    |        | Taper Roller #5 Down Line 2              | +L9/8.807:AD   |
| H161      | 079000-36        | Blk   | 1/4 "    | 36"    | Power Toe Roller #4 Mtr B Tee 3          | +L9/7.706:AE   |
| H162      | 079004-168       | Grn   | 1/2 "    | 168"   | Power Toe Roller Mtr Tee 3 Tee 4         | +L9/7.706:AD   |
| H163      | 079000-36        |       | 1/4 "    | 36"    | Power Toe Roller #5 Mtr B Tee 4          | +L9/7.706:AD   |
| H164      | 079004-240       | Vlt   | 1/2 "    | 240"   | Power Toe Roller Mtr Tee 4 Valve B       | +L9/7.706:AD   |
| H165      | 079001-144       | Blu   | 3/8 "    | 144"   | Power Toe Roller FD Drn MFLD3 T          | +L9/11.1104:AC |
| H166      | 079004-252       | Org   | 1/2 "    | 252"   | Turner Motor Tee 3 Vlv B                 | +L9/2.209:AE   |
| H167      | 079001-144       | Blu   | 3/8 "    | 144"   | Turner Motor FD Drn MFLD3 T              | +L9/11.1104:AC |


|   |       |  |    |
|---|-------|--|----|
|  |       | <b>Wood-Mizer®</b>                         |    |
| Project Description: WM4500 Bed Extension Full                                      |       |  |    |
| Revision:   | A3.05 | Pg Desc: Hose/Tube List-Bed Extension Full |    |
| Mounting Location: +Docs  |       | Type: Connection list                      |    |
| Prev. pg:   | K3    | Page:                                      | K4 |
| Next pg: &MPA+/A1   |       | Total Pgs: 93                              |    |

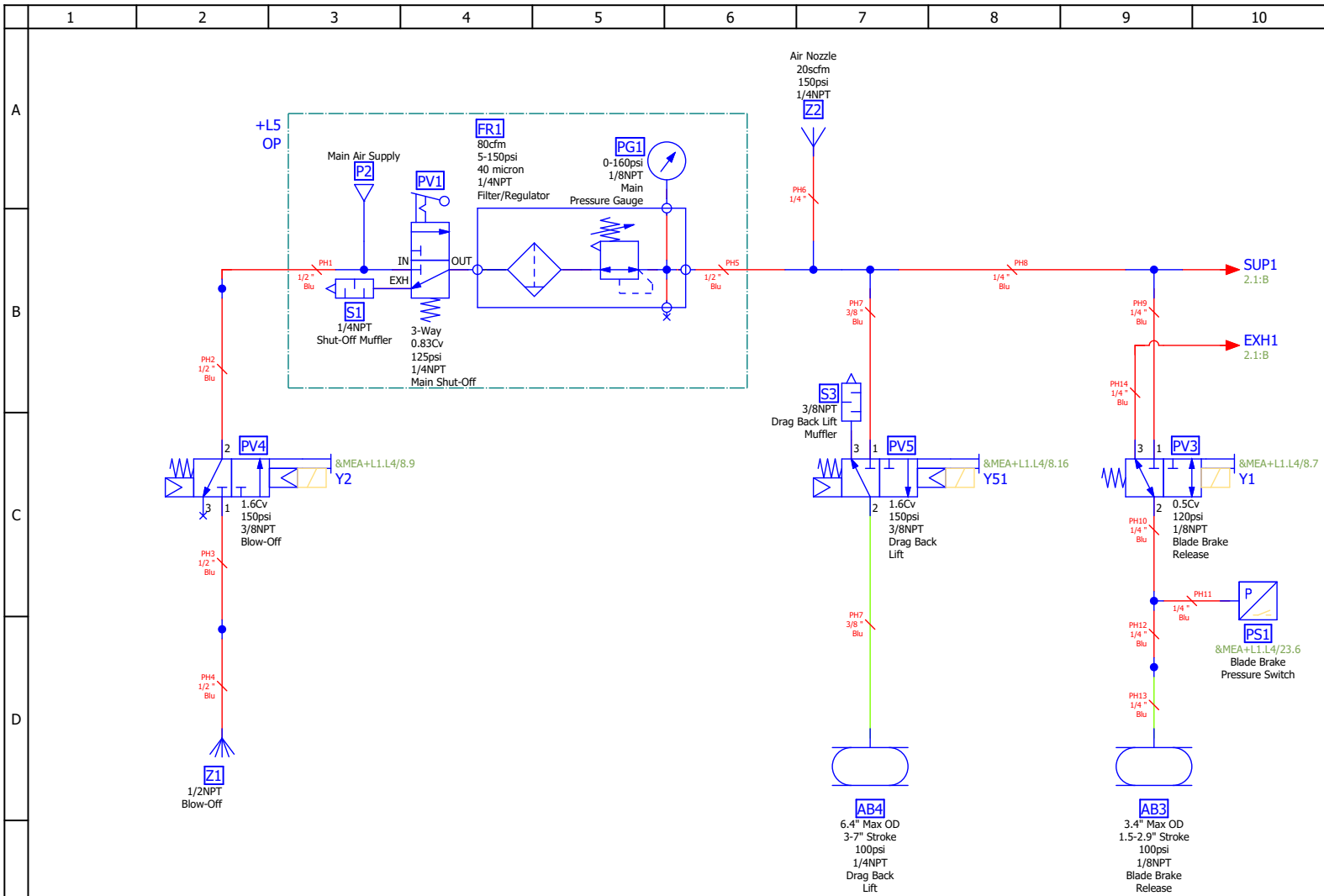




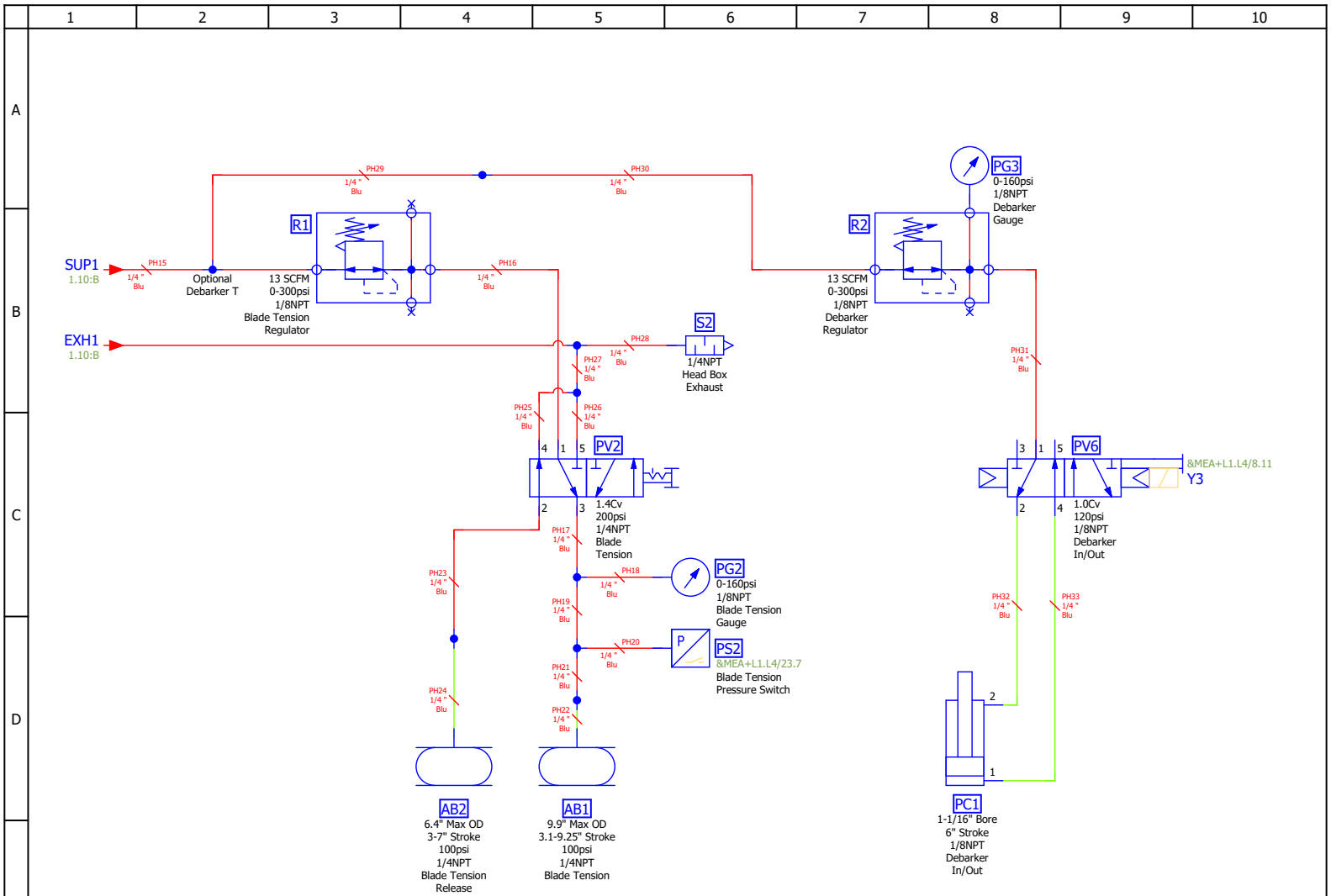
# Revision History

| Date   | Revision | Revision Record       | Drawn By | Checked By |
|--------|----------|-----------------------|----------|------------|
| 8/6/18 | A1.00    | Release to production | JRF      | SDC        |

|   |          |                           |               |
|---|----------|---------------------------|---------------|
|  |          | <b>Wood-Mizer®</b>        |               |
| Project Description: WM4500 Bed Extension Full                                      |          |                           |               |
| Revision: A3.05   |          | Pg Desc: Revision History |               |
| Mounting Location: +  |          | Type: Overview            |               |
| Prev. pg: A1  | Page: B1 | Next pg: +L11.L12/1       | Total Pgs: 93 |



|  |          |            |                       |
|--|----------|------------|-----------------------|
| <b>Wood-Mizer®</b>                             |          |            |                       |
| Project Description: WM4500 Bed Extension Full |          |            |                       |
| Revision:                                      | A3.05    | Pg Desc:   | Pneumatics Pg 1       |
| Mounting Location:                             | +L11.L12 | Type:      | Fluid power schematic |
| Prev. pg:                                      | +/B1     | Page:      | 1                     |
| Next pg:                                       | 2        | Total Pgs: | 93                    |




|  |                          |
|--|--------------------------|
|  |                          |
| <b>Wood-Mizer®</b>                             |                          |
| Project Description: WM4500 Bed Extension Full |                          |
| Revision: A3.05                                | Pg Desc: Pneumatics Pg 2 |
| Mounting Location: +L11.L12                    |                          |
| Type: Fluid power schematic                    |                          |
| Prev. pg: 1                                    | Page: 2                  |
| Next pg: +Docs/C1                              | Total Pgs: 93            |

# Device Tag/Parts List

WM\_PARTS\_LIST\_Fluid-Manual


| Device tag | Function                | Wood-Mizer Part Number | Wood-Mizer Description              |       | Qty. | X-Ref             |
|------------|-------------------------|------------------------|-------------------------------------|-------|------|-------------------|
| AB1        | Blade Tension           | 033229                 | Bag, Tensioner Air                  |       | 1    | +L11.L12/2.205:AD |
| AB2        | Blade Tension Release   | 033231                 | Bag, Motor Lift Air                 |       | 1    | +L11.L12/2.204:AD |
| AB3        | Blade Brake Release     | 033168                 | Bag, Air Brake                      |       | 1    | +L11.L12/1.109:AD |
| AB4        | Drag Back Lift          | 033231                 | Bag, Motor Lift Air                 |       | 1    | +L11.L12/1.107:AD |
| FR1        | Filter/Regulator        | 110953                 | Air Filter/Regulator                |       | 1    | +L11.L12/1.104:AA |
| FR1        | =                       | 110956                 | Assy, Air Filter Mount              | Mount | 1    | +L11.L12/1.104:AA |
| PC1        | Debarker In/Out         | 008766                 | Cylinder, 1-1/16x6, Air             |       | 1    | +L11.L12/2.208:AD |
| PG1        | Main Pressure Gauge     | P02766                 | Gauge, 160 PSI, 1-1/2 Dia, 1/8 NPT  |       | 1    | +L11.L12/1.106:AA |
| PG2        | Blade Tension Gauge     | 042342                 | Gauge, Air Pressure                 |       | 1    | +L11.L12/2.206:AC |
| PG3        | Debarker Gauge          | 042342                 | Gauge, Air Pressure                 |       | 1    | +L11.L12/2.208:AA |
| PV1        | Main Shut-Off           | P21513                 | Valve, Air                          |       | 1    | +L11.L12/1.104:AB |
| PV2        | Blade Tension           | 025301                 | Valve, Push Pull 4 Way 1/4 NPT      |       | 1    | +L11.L12/2.205:AC |
| PV3        | Blade Brake Release     | 045225                 | Valve, Air 3 Way 1/8 NPT Din C Conn |       | 1    | +L11.L12/1.109:AC |
| PV4        | Blow-Off                | 042659                 | Valve Assy, Air                     |       | 1    | +L11.L12/1.102:AC |
| PV5        | Drag Back Lift          | 042659                 | Valve Assy, Air                     |       | 1    | +L11.L12/1.107:AC |
| PV6        | Debarker In/Out         | 025244                 | Valve, MAC 400 Series               |       | 1    | +L11.L12/2.208:AC |
| R1         | Blade Tension Regulator | 052509                 | Regulator, 1/8" NPT Air             |       | 1    | +L11.L12/2.203:AB |
| R2         | Debarker Regulator      | 052509                 | Regulator, 1/8" NPT Air             |       | 1    | +L11.L12/2.207:AB |
| S1         | Shut-Off Muffler        | P20904                 | Mufflet, 1/4 in. NPT Air            |       | 1    | +L11.L12/1.103:AB |
| S2         | Head Box Exhaust        | P20904                 | Mufflet, 1/4 in. NPT Air            |       | 1    | +L11.L12/2.206:AB |
| S3         | Drag Back Lift Muffler  | P21528                 | Mufflet, CEC-3 3/8 in. NPT Air      |       | 1    | +L11.L12/1.107:AC |
| Z1         | Blow-Off                | 016879                 | Block, Blow-Off 1/2                 |       | 1    | +L11.L12/1.102:AD |
| Z2         | Air Nozzle              | P02714                 | Nozzle, Coolant Spray               |       | 1    | +L11.L12/1.107:AA |

|   |          |                     |               |
|---|----------|---------------------|---------------|
|  |          | <b>Wood-Mizer®</b>  |               |
| Project Description: WM4500 Bed Extension Full                                      |          |                     |               |
| Revision:   | A3.05    | Pg Desc: Parts list |               |
| Mounting Location: +Docs  |          | Type: Parts list    |               |
| Prev. pg: +L11.L12/2  | Page: C1 | Next pg: K1         | Total Pgs: 93 |

# Hose/Tube list

WM\_HydraulicHoseList

| Hose/Tube | Wood-Mizer<br>PN | Color | Diameter | Length | Description  | XREF              |
|-----------|------------------|-------|----------|--------|--|-------------------|
| PH1       | R01869-5         | Blu   | 1/2 "    | 960"   | Blow-Off Supply Line                                     | +L11.L12/1.102:AB |
| PH2       | R01869-5         | Blu   | 1/2 "    | 31"    | Blow-Off Supply Line Head Box                            | +L11.L12/1.102:AB |
| PH3       | R01869-5         | Blu   | 1/2 "    | 33"    | Blow-Off Output Line Head Box                            | +L11.L12/1.102:AD |
| PH4       | R01869-5         | Blu   | 1/2 "    |        | Blow-Off Output Line                                     | +L11.L12/1.102:AD |
| PH5       | R01869-4         | Blu   | 1/2 "    | 960"   | Head Supply Line   | +L11.L12/1.106:AB |
| PH6       | 042453           |       | 1/4 "    |        | Air Nozzle Hose  | +L11.L12/1.106:AB |
| PH7       | R01869-4         | Blu   | 3/8 "    |        | Drag Back Fingers Lift Line                              | +L11.L12/1.107:AD |
| PH7       | R01869-4         | Blu   | 3/8 "    | 10"    | Drag Back Fingers Supply Line                            | +L11.L12/1.107:AB |
| PH8       | R01869-3         | Blu   | 1/4 "    | 22"    | Supply Line Head Box                                     | +L11.L12/1.109:AB |
| PH9       | R01869-3         | Blu   | 1/4 "    | 7.5"   | Blade Brake Supply Line                                  | +L11.L12/1.109:AB |
| PH10      | R01869-3         | Blu   | 1/4 "    | 10"    | Blade Brake Line Valve To Y                              | +L11.L12/1.109:AC |
| PH11      | R01869-3         | Blu   | 1/4 "    | 29.5"  | Blade Brake Line Y To Pressure Switch                    | +L11.L12/1.109:AC |
| PH12      | R01869-3         | Blu   | 1/4 "    | 6.5"   | Blade Brake Line Y To Bulkhead                           | +L11.L12/1.109:AD |
| PH13      | R01869-3         | Blu   | 1/4 "    |        | Blade Brake Line Bulkhead To Brake                       | +L11.L12/1.109:AD |
| PH14      | R01869-3         | Blu   | 1/4 "    | 8.5"   | Blade Brake Exhaust Valve To Y                           | +L11.L12/2.205:AB |
| PH15      | R01869-3         | Blu   | 1/4 "    | 3"     | Blade Tension Supply Y To Regulator                      | +L11.L12/1.109:AB |
| PH16      | R01869-3         | Blu   | 1/4 "    | 6.5"   | Blade Tension Supply Regulator To Valve                  | +L11.L12/2.205:AC |
| PH17      | R01869-3         | Blu   | 1/4 "    | 3"     | Blade Tension Line Valve To Pressure Gauge T             | +L11.L12/2.205:AC |
| PH18      | R01869-3         | Blu   | 1/4 "    | 1.5"   | Blade Tension Line T To Pressure Gauge                   | +L11.L12/2.205:AC |
| PH19      | R01869-3         | Blu   | 1/4 "    | 9"     | Blade Tension Line Pressure Gauge T To Pressure Switch Y | +L11.L12/2.205:AD |
| PH20      | R01869-3         | Blu   | 1/4 "    | 9"     | Blade Tension Line Y To Pressure Switch                  | +L11.L12/2.205:AD |
| PH21      | R01869-3         | Blu   | 1/4 "    | 10.5"  | Blade Tension Line Y To Bulkhead                         | +L11.L12/2.205:AD |
| PH22      | R01869-3         | Blu   | 1/4 "    |        | Blade Tension Line Bulkhead To Air Bag                   | +L11.L12/2.205:AD |
| PH23      | R01869-3         | Blu   | 1/4 "    | 22"    | Blade Tension Release Valve To Bulkhead                  | +L11.L12/2.204:AD |
| PH24      | R01869-3         | Blu   | 1/4 "    |        | Blade Tension Release Bulkhead To Air Bag                | +L11.L12/2.204:AD |
| PH25      | R01869-3         | Blu   | 1/4 "    | 3.5"   | Blade Tension Exhaust Valve To Y                         | +L11.L12/2.205:AB |
| PH26      | R01869-3         | Blu   | 1/4 "    | 3.5"   | Blade Tension Exhaust Valve To Y                         | +L11.L12/2.205:AB |
| PH27      | R01869-3         | Blu   | 1/4 "    | 5"     | Blade Tension Exhaust Y To Y                             | +L11.L12/2.205:AB |
| PH28      | R01869-3         | Blu   | 1/4 "    | 18"    | Head Box Exhaust Y To Muffler                            | +L11.L12/2.205:AB |
| PH29      | R01869-3         | Blu   | 1/4 "    |        | Debarker Supply T To Bulkhead                            | +L11.L12/2.204:AA |
| PH30      | R01869-3         | Blu   | 1/4 "    |        | Debarker Supply Bulkhead To Regulator                    | +L11.L12/2.204:AA |
| PH31      | R01869-3         | Blu   | 1/4 "    |        | Debarker Supply Regulator To Valve                       | +L11.L12/2.208:AC |
| PH32      | R01869-3         | Blu   | 1/4 "    |        | Debarker In Line Valve To Cylinder                       | +L11.L12/2.208:AD |
| PH33      | R01869-3         | Blu   | 1/4 "    |        | Debarker Out Line Valve To Cylinder                      | +L11.L12/2.208:AD |

|   |          |                       |               |
|---|----------|-----------------------|---------------|
|  |          | <b>Wood-Mizer®</b>    |               |
| Project Description: WM4500 Bed Extension Full                                      |          |                       |               |
| Revision: A3.05   |          | Pg Desc: Hose list    |               |
| Mounting Location: +Docs  |          | Type: Connection list |               |
| Prev. pg: C1  | Page: K1 | Next pg:              | Total Pgs: 93 |