

APPENDIX A ELECTRICAL INFORMATION

WM4500 Standard Rev. A3.00+

Table of contents

WM_TableOfContents

Page	Page type	Page description	Date	Edited by
&MEA/A1	Table of contents	Table of contents	6/2/2020	JRF
&MEA/A2	Table of contents	Table of contents	6/2/2020	JRF
&MEA/B1	Overview	Revision History	5/4/2020	JRF
&MEA+L1.L3/1	Schematic multi-line	Power Pg 1	5/21/2020	JRF
&MEA+L1.L3/2	Schematic multi-line	Power Pg 2	5/21/2020	JRF
&MEA+L1.L3/3	Schematic multi-line	Power Pg 3	5/21/2020	JRF
&MEA+L1.L3/4	Schematic multi-line	Control Pg 1	5/21/2020	JRF
&MEA+L1.L3/5	Schematic multi-line	Control Pg 2	5/21/2020	JRF
&MEA+L1.L3/6	Schematic multi-line	Control Pg 3	5/21/2020	JRF
&MEA+L1.L4/7	Schematic multi-line	Control Pg 4	5/21/2020	JRF
&MEA+L1.L4/8	Schematic multi-line	Control Pg 5	5/26/2020	JRF
&MEA+L1.L4/9	Schematic multi-line	Control Pg 6	5/21/2020	JRF
&MEA+L1.L4/10	Schematic multi-line	Control Pg 7	5/21/2020	JRF
&MEA+L1.L4/11	Schematic multi-line	Control Pg 8	5/21/2020	JRF
&MEA+L1.L4/12	Schematic multi-line	Control Pg 9	5/21/2020	JRF
&MEA+L1.L4/13	Schematic multi-line	Control Pg 10	5/21/2020	JRF
&MEA+L1.L4/14	Schematic multi-line	Control Pg 11	5/21/2020	JRF
&MEA+L1.L4/15	Schematic multi-line	Control Pg 12	5/21/2020	JRF
&MEA+L1.L4/16	Schematic multi-line	Control Pg 13	5/21/2020	JRF
&MEA+L1.L4/17	Schematic multi-line	Control Pg 14	5/21/2020	JRF
&MEA+L1.L4/18	Schematic multi-line	Control Pg 15	5/21/2020	JRF
&MEA+L1.L4/19	Schematic multi-line	Communication	5/21/2020	JRF
&MEA+L1.L4/20	Panel layout	PLC Diagram	5/1/2020	JRF
&MEA+L1.L4/21	Schematic multi-line	PLC 1	5/21/2020	JRF
&MEA+L1.L4/22	Schematic multi-line	PLC 2	5/21/2020	JRF
&MEA+L1.L4/23	Schematic multi-line	PLC 3	5/26/2020	JRF
&MEA+L1.L4/24	Schematic multi-line	PLC 4	5/21/2020	JRF
&MEA+L1.L4/25	Schematic multi-line	PLC 5	5/21/2020	JRF
&MEA+L1.L4/26	Schematic multi-line	PLC 6	5/21/2020	JRF
&MEA+L1.L4/27	Schematic multi-line	PLC 7	5/21/2020	JRF
&MEA+L1.L4/28	Schematic multi-line	PLC 8	5/21/2020	JRF
&MEA+L1.L4/29	Schematic multi-line	PLC 9	5/21/2020	JRF
&MEA+L1.L4/30	Schematic multi-line	PLC 10	5/21/2020	JRF
&MEA+L1.L4/31	Schematic multi-line	PLC 11	5/21/2020	JRF
&MEA+L1.L4/32	Schematic multi-line	PLC 12	5/21/2020	JRF
&MEA+L1.L4/33	Schematic multi-line	PLC 13	5/21/2020	JRF
&MEA+L1.L4/34	Schematic multi-line	PLC 14	5/21/2020	JRF
&MEA+L1.L4/35	Schematic multi-line	PLC 15	5/21/2020	JRF



Wood-Mizer®

Project Description: WM4500 Standard

Revision:	A3.03	Pg Desc:	Table of contents
Mounting Location: +		Type:	Table of contents
Prev. pg:	Page: A1	Next pg:	A2
		Total Pgs:	89


Table of contents

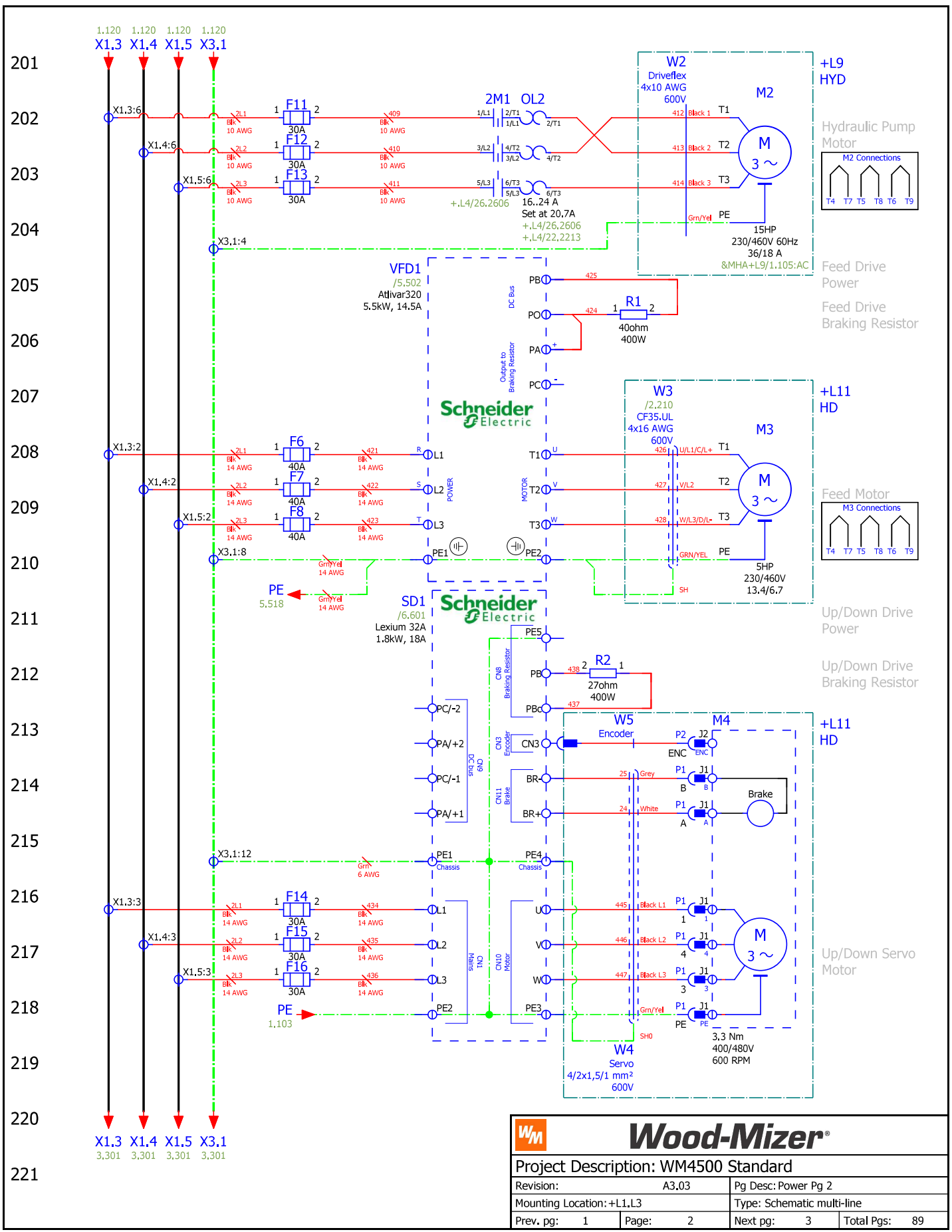
WM_TableOfContents

Page	Page type	Page description	Date	Edited by
&MEA+L5.L7/36	Schematic multi-line	HMI 1	5/21/2020	JRF
&MEA+L9/37	Schematic multi-line	Pull Down Clamp Module	5/21/2020	JRF
&MEA+L9/38	Schematic multi-line	Pull Down Clamp 1	5/21/2020	JRF
&MEA+L9/39	Schematic multi-line	Pull Down Clamp 2	5/21/2020	JRF
&MEA+Docs/C1	Parts list	Parts list	5/12/2020	JRF
&MEA+Docs/C2	Parts list	Parts list	5/14/2020	JRF
&MEA+Docs/C3	Parts list	Parts list	5/14/2020	JRF
&MEA+Docs/D1	Terminal line-up diagram	Terminal line-up diagram	5/12/2020	JRF
&MEA+Docs/D2	Terminal line-up diagram	Terminal line-up diagram	5/20/2020	JRF
&MEA+Docs/D3	Terminal line-up diagram	Terminal line-up diagram	5/14/2020	JRF
&MEA+Docs/D4	Terminal line-up diagram	Terminal line-up diagram	5/14/2020	JRF
&MEA+Docs/D5	Terminal line-up diagram	Terminal line-up diagram	5/14/2020	JRF
&MEA+Docs/D6	Terminal line-up diagram	Terminal line-up diagram	5/14/2020	JRF
&MEA+Docs/D7	Terminal line-up diagram	Terminal line-up diagram	5/14/2020	JRF
&MEA+Docs/D8	Terminal line-up diagram	Terminal line-up diagram	5/14/2020	JRF
&MEA+Docs/E1	Cable overview	Cable overview	5/14/2020	JRF
&MEA+Docs/E2	Cable overview	Cable overview	5/14/2020	JRF
&MEA+Docs/F1	Panel layout	Main Control Layout	5/12/2020	JRF
&MEA+Docs/F2	Panel layout	Main Control Disconnect Layout	5/12/2020	JRF
&MEA+Docs/F3	Panel layout	Main Control High Voltage Layout	5/12/2020	JRF
&MEA+Docs/F4	Panel layout	Main Control Low Voltage Layout	6/1/2020	JRF
&MEA+Docs/F5	Panel layout	Operator Ctl Layout	6/1/2020	JRF
&MEA+Docs/F6	Panel layout	Operator Ctl Solenoid Layout	6/1/2020	JRF
&MEA+Docs/F7	Panel layout	Operator Ctl Junction Layout	5/12/2020	JRF
&MEA+Docs/F8	Panel layout	Operator Ctl HMI Layout	5/12/2020	JRF
&MEA+Docs/F9	Panel layout	Operator Ctl Bed Ex Layout	6/1/2020	JRF
&MEA+Docs/F10	Panel layout	Operator Ctl Side Supports Layout	5/12/2020	JRF
&MEA+Docs/F11	Panel layout	Hydraulic Control Layout	6/1/2020	JRF
&MEA+Docs/F12	Panel layout	Hydraulic Control Junction Layout	5/12/2020	JRF
&MEA+Docs/F13	Panel layout	Head Control Layout	6/2/2020	JRF
&MEA+Docs/F14	Panel layout	Head Control Junction Layout	6/2/2020	JRF

Revision History

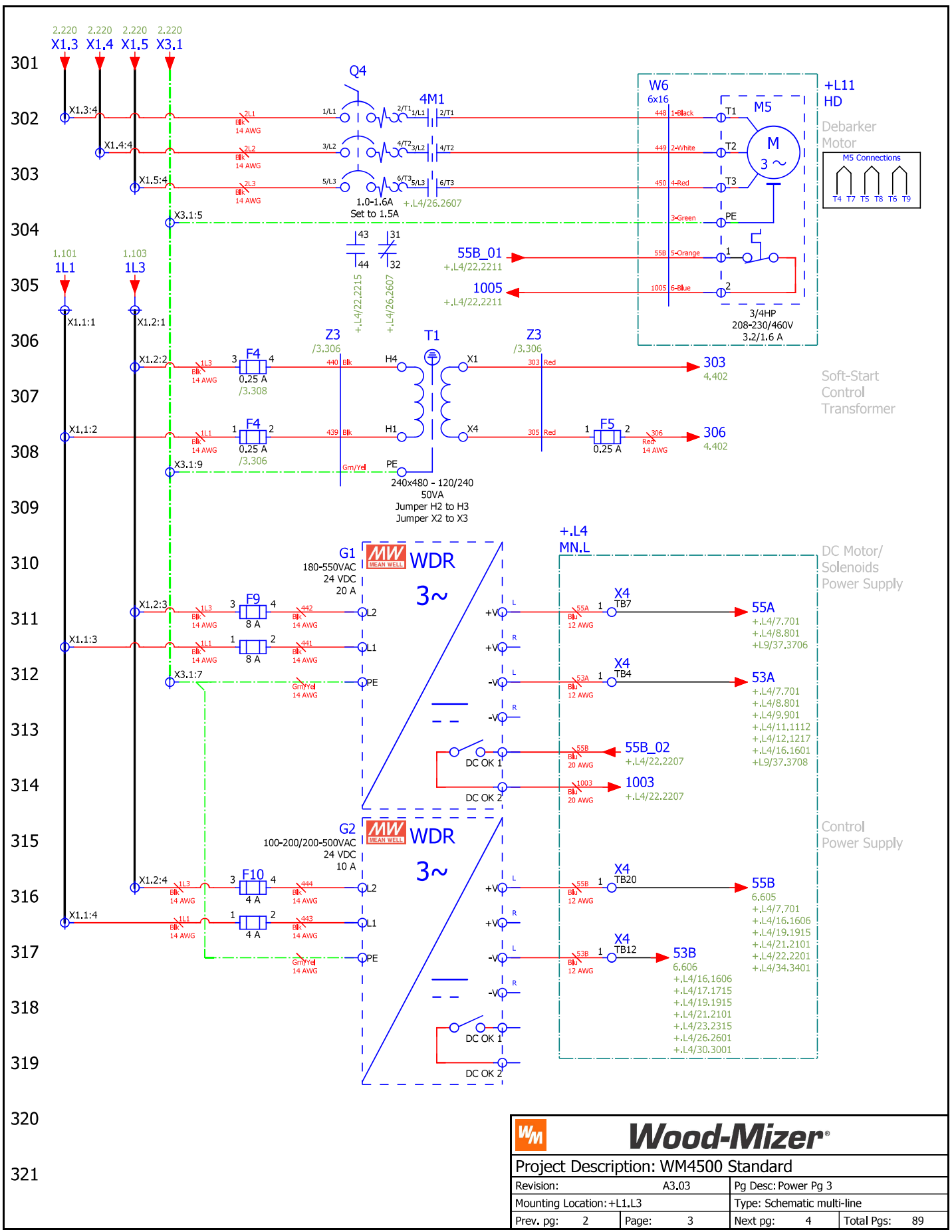
Date	Revision	Revision Record	Drawn By	Checked By
8/6/18	A1.00	Release to production	JRF	SDC
4/26/19	A2.00	Added Pull Down Clamp Functions	JRF	SDC
12/6/19	A3.00	Full Bed Extension	JRF	SDC

 Wood-Mizer®	
Project Description: WM4500 Standard	
Revision: A3.03	Pg Desc: Revision History
Mounting Location: +	Type: Overview
Prev. pg: A2	Page: B1
Next pg: +L1.L3/1	Total Pgs: 89



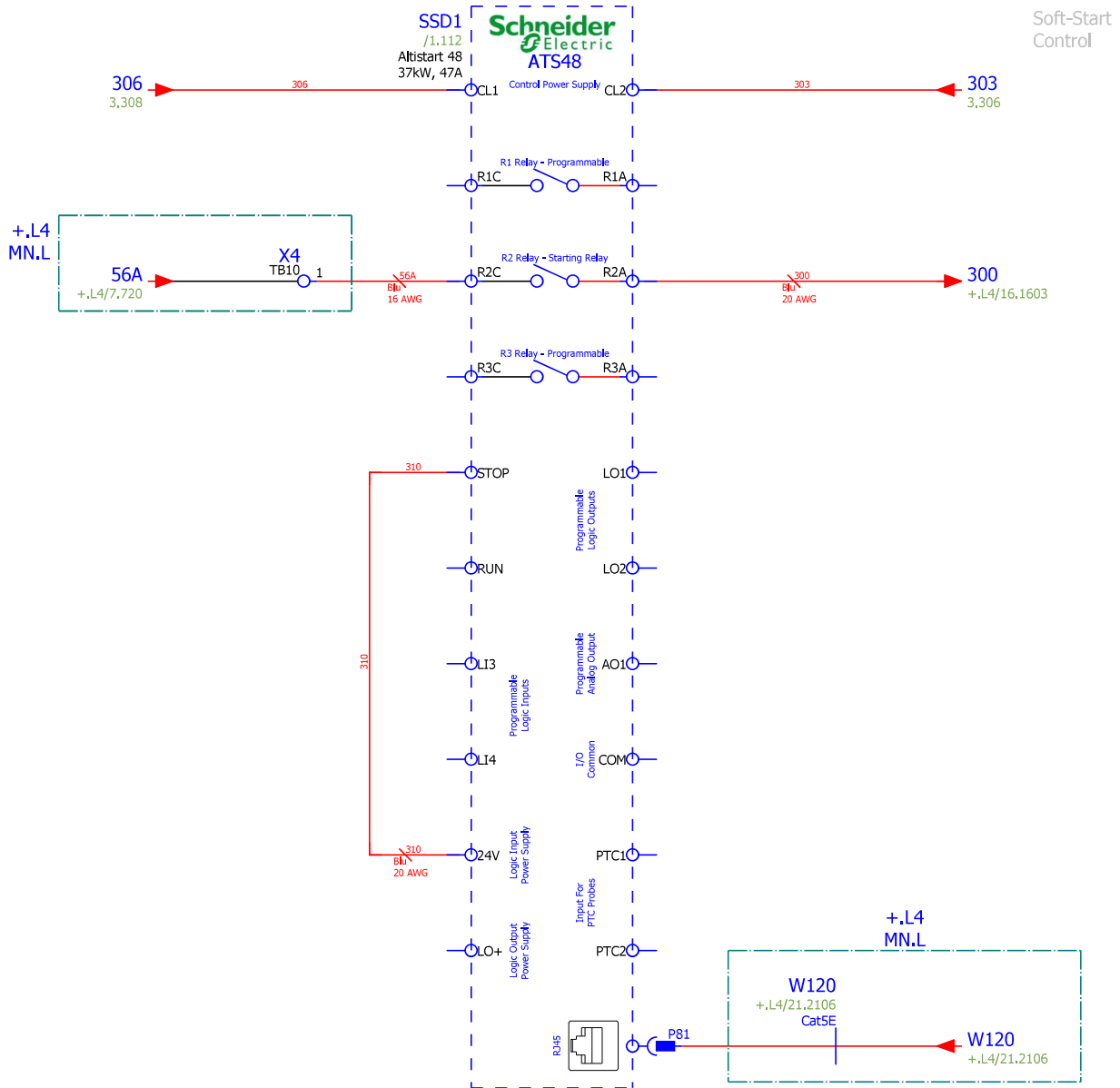
Wood-Mizer
 Project Description: WM4500 Standard

Revision:	A3.03	Pg Desc: Power Pg 2
Mounting Location:	+L1.L3	Type: Schematic multi-line
Prev. pg:	1	Page: 2
		Next pg: 3
		Total Pgs: 89

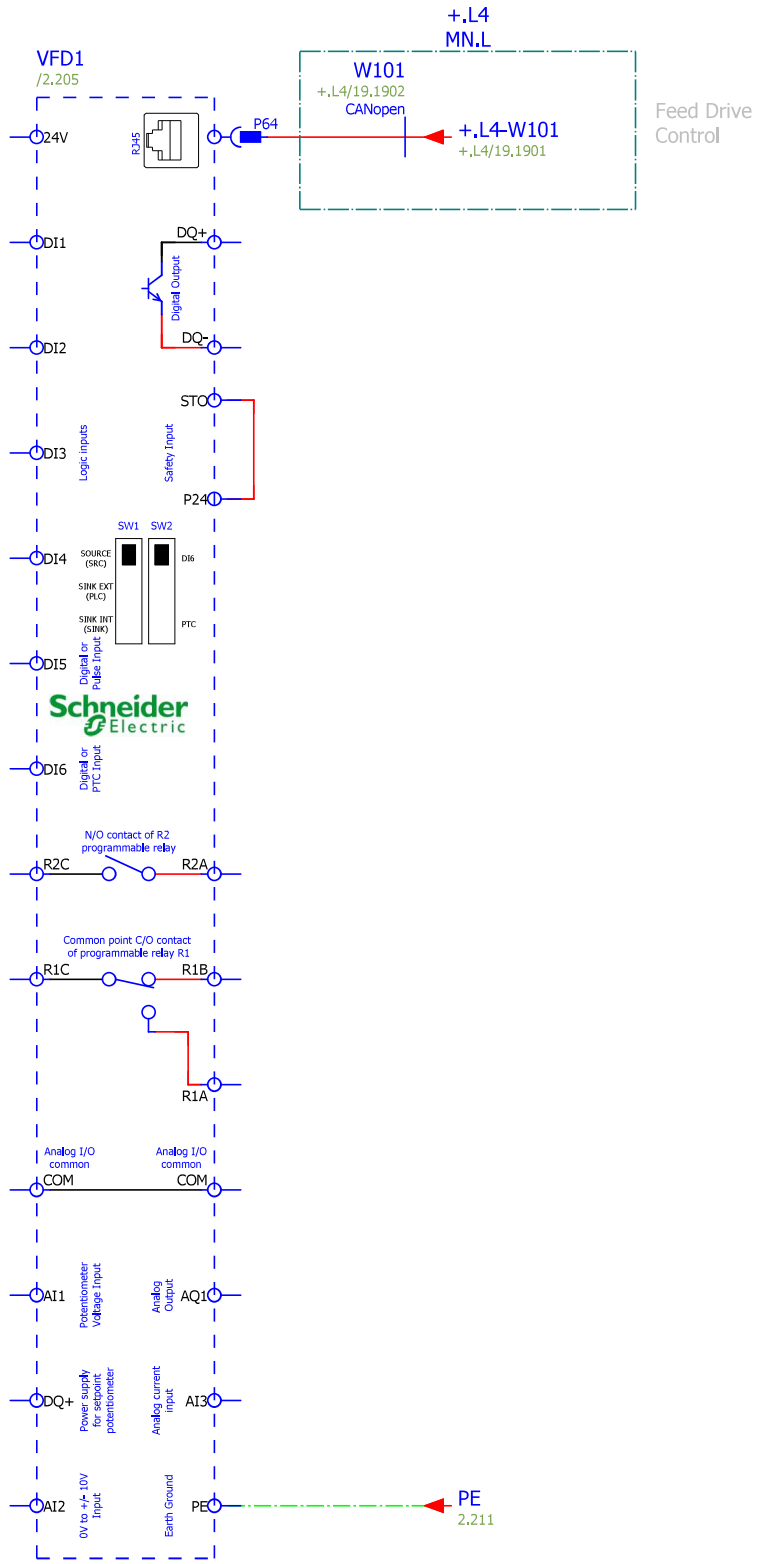



Wood-Mizer®			
Project Description: WM4500 Standard			
Revision:	A3.03	Pg Desc: Power Pg 3	
Mounting Location:	+L1.L3	Type: Schematic multi-line	
Prev. pg:	2	Page:	3
		Next pg:	4
		Total Pgs:	89

401
402
403
404
405
406
407
408
409
410
411
412
413
414
415
416
417
418
419
420
421



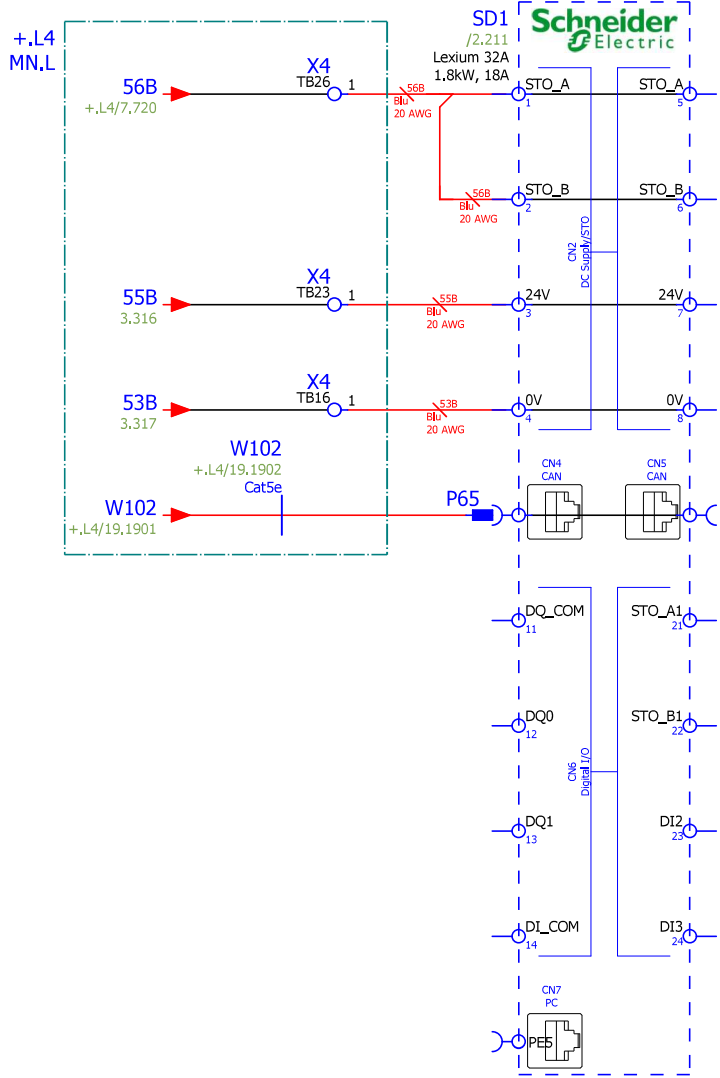
501
502
503
504
505
506
507
508
509
510
511
512
513
514
515
516
517
518
519
520
521




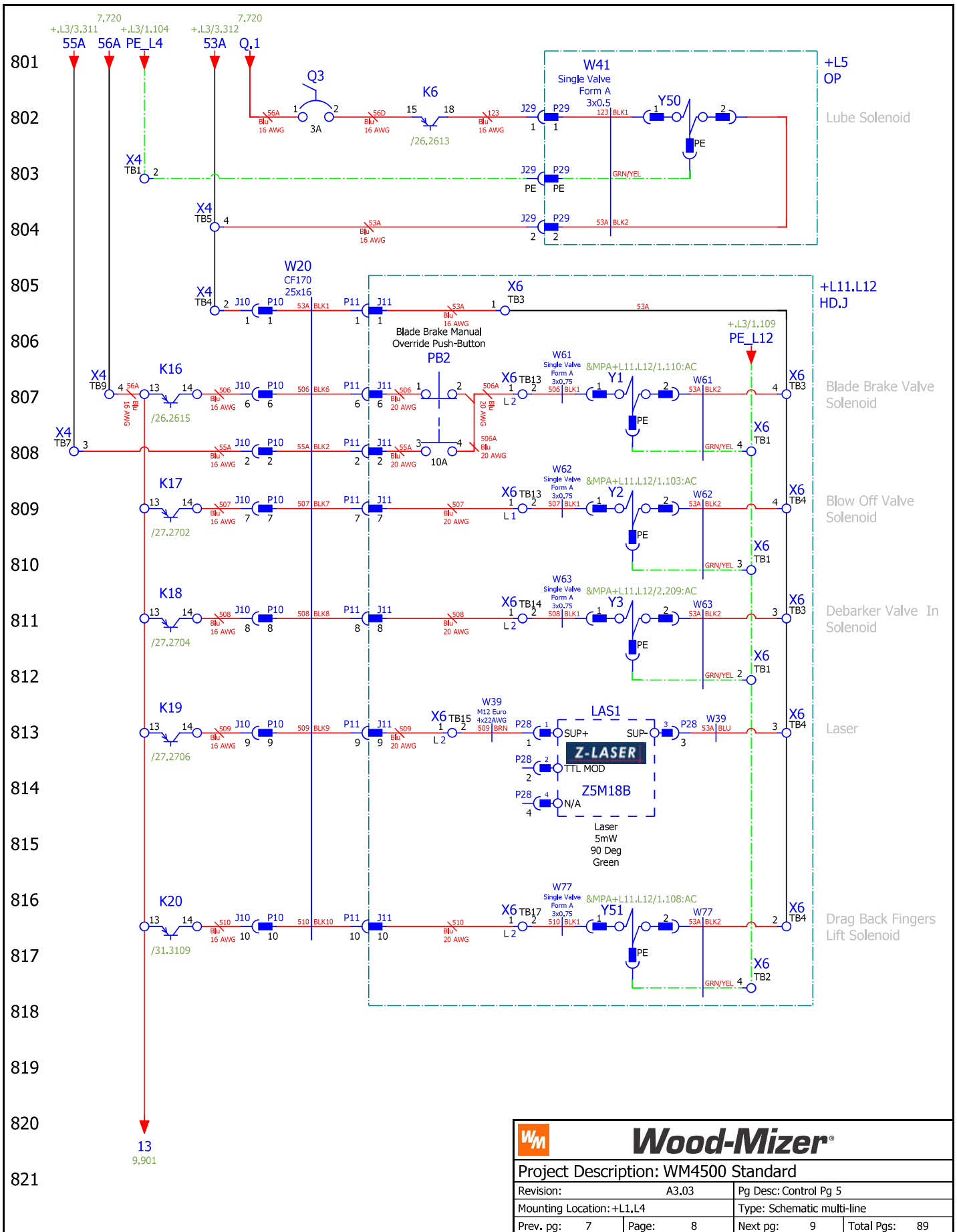
 Wood-Mizer®		Project Description: WM4500 Standard	
		Revision: A3.03	Pg Desc: Control Pg 2
Mounting Location: +L1.L3		Type: Schematic multi-line	
Prev. pg: 4	Page: 5	Next pg: 6	Total Pgs: 89

601
602
603
604
605
606
607
608
609
610
611
612
613
614
615
616
617
618
619
620
621

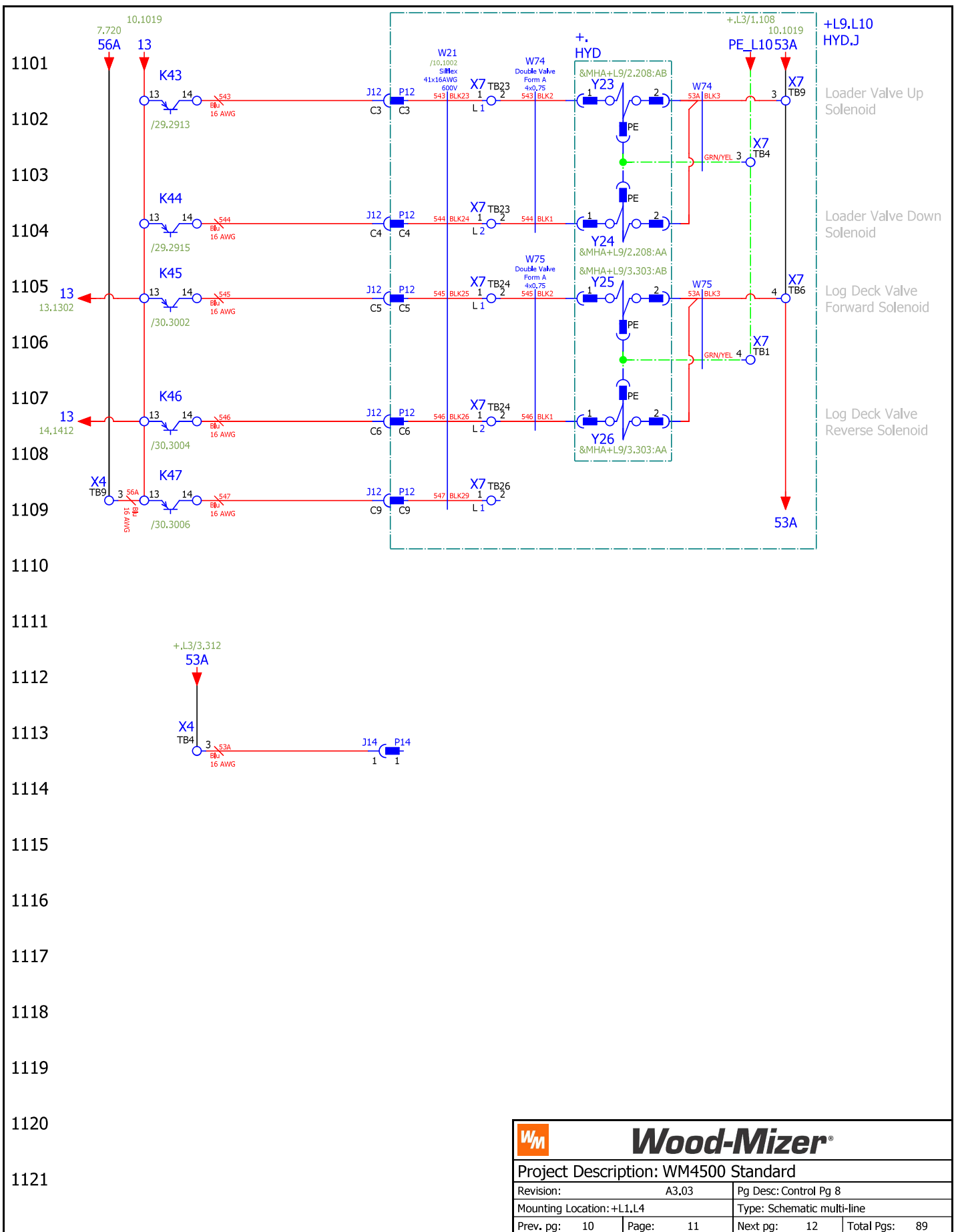
Up/Down Drive Control




		Wood-Mizer®	
Project Description: WM4500 Standard			
Revision:	A3.03	Pg Desc: Control Pg 3	
Mounting Location:	+L1.L3	Type: Schematic multi-line	
Prev. pg:	5	Page:	6
		Next pg:	+L4/7
		Total Pgs:	89



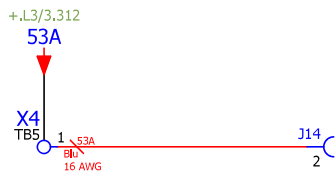
Wood-Mizer®	
Project Description: WM4500 Standard	
Revision:	A3.03 Pg Desc: Control Pg 5
Mounting Location:	+L1.L4 Type: Schematic multi-line
Prev. pg: 7	Page: 8 Next pg: 9 Total Pgs: 89




		Wood-Mizer®	
Project Description: WM4500 Standard			
Revision:	A3.03	Pg Desc: Control Pg 8	
Mounting Location:	+L1.L4	Type: Schematic multi-line	
Prev. pg:	10	Page:	11
		Next pg:	12
		Total Pgs:	89

1201
1202
1203
1204
1205
1206
1207
1208
1209
1210
1211
1212
1213
1214
1215
1216
1217
1218
1219
1220
1221

Left Mostly
Empy Intentionally
For Optional
Bed Extension



		Wood-Mizer®	
Project Description: WM4500 Standard			
Revision:	A3,03	Pg Desc: Control Pg 9	
Mounting Location:	+L1,L4	Type: Schematic multi-line	
Prev. pg:	11	Page:	12
Next pg:	13	Total Pgs:	89

1301

1302



1303

1304

1305

1306

1307

1308

1309

1310

1311

1312

1313

1314

1315

1316

1317


1318

1319

1320

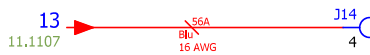
1321


Left Mostly
Empty Intentionally
For Optional
Bed Extension

		Wood-Mizer®	
Project Description: WM4500 Standard			
Revision:	A3.03	Pg Desc: Control Pg 10	
Mounting Location:	+L1,L4	Type: Schematic multi-line	
Prev. pg:	12	Page:	13
Next pg:	14	Total Pgs:	89

1401
1402
1403
1404
1405
1406
1407
1408
1409
1410
1411
1412
1413
1414
1415
1416
1417
1418
1419
1420
1421

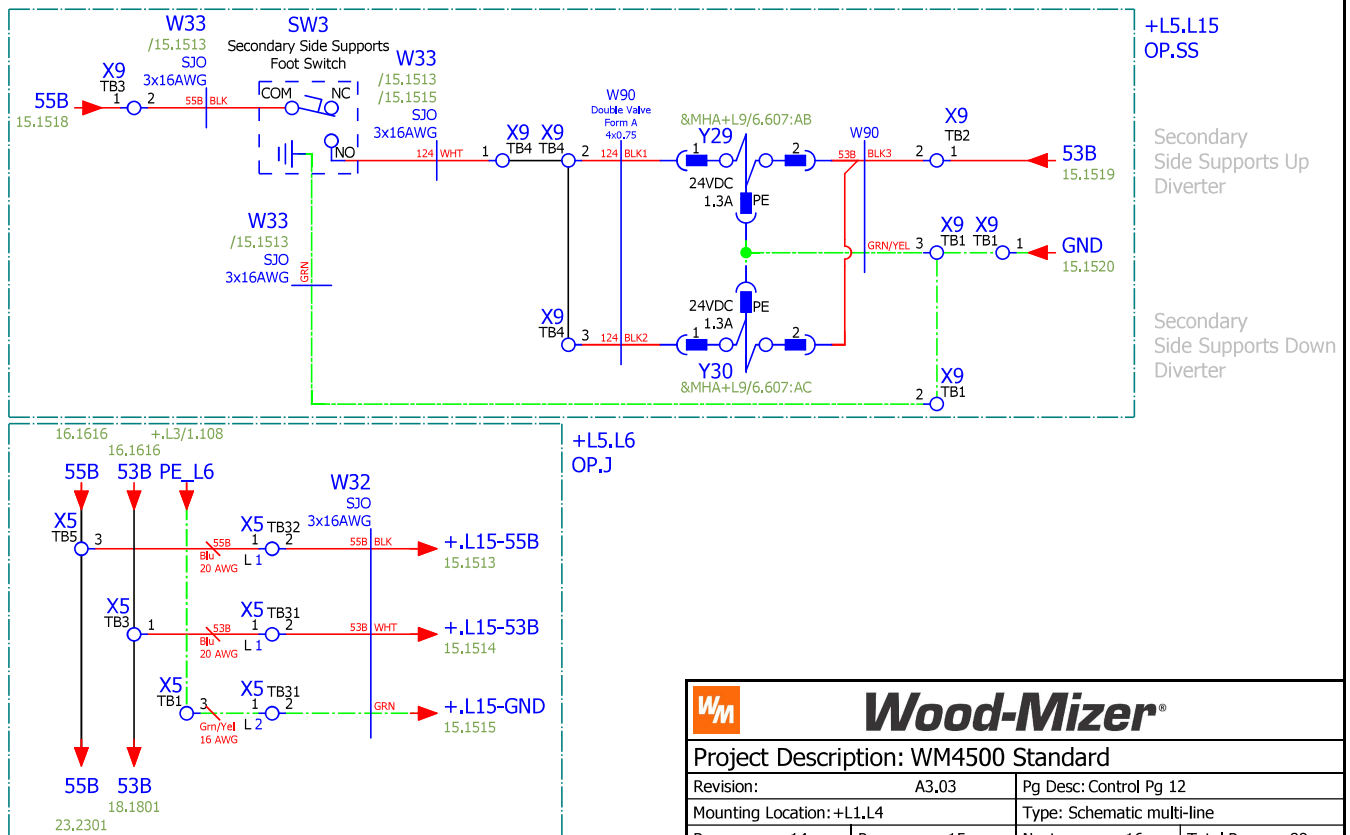
Left Mostly
Empy Intentionally
For Optional
Bed Extension



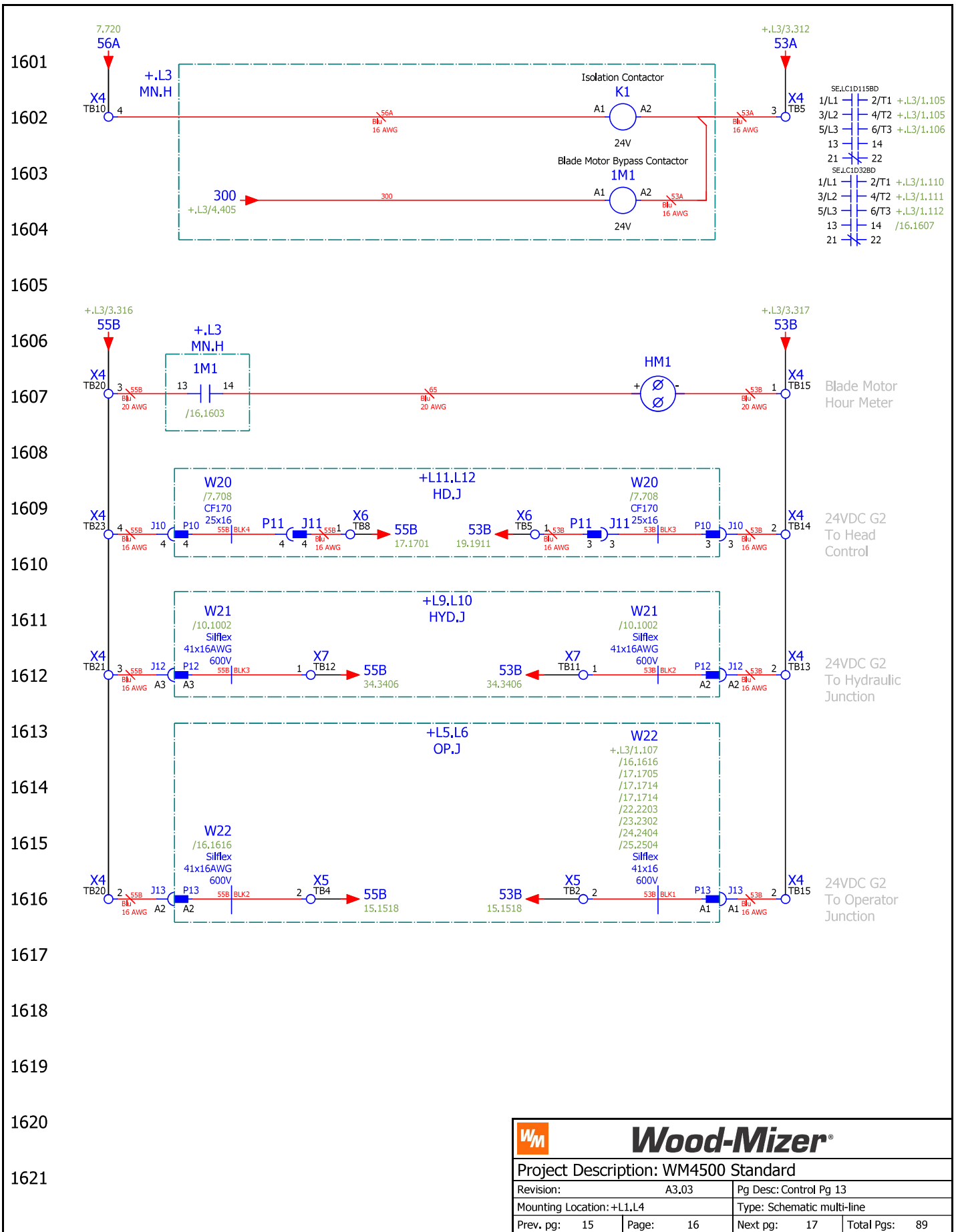
		Wood-Mizer®	
Project Description: WM4500 Standard			
Revision: A3.03		Pg Desc: Control Pg 11	
Mounting Location: +L1.L4		Type: Schematic multi-line	
Prev. pg: 13	Page: 14	Next pg: 15	Total Pgs: 89

1501
 1502
 1503
 1504
 1505
 1506
 1507
 1508
 1509
 1510
 1511
 1512
 1513
 1514
 1515
 1516
 1517
 1518
 1519
 1520
 1521

Left Mostly
 Empty Intentionally
 For Optional
 Bed Extension



Wood-Mizer®			
Project Description: WM4500 Standard			
Revision:	A3.03	Pg Desc: Control Pg 12	
Mounting Location:	+L1.L4	Type: Schematic multi-line	
Prev. pg:	14	Page:	15
		Next pg:	16
		Total Pgs:	89

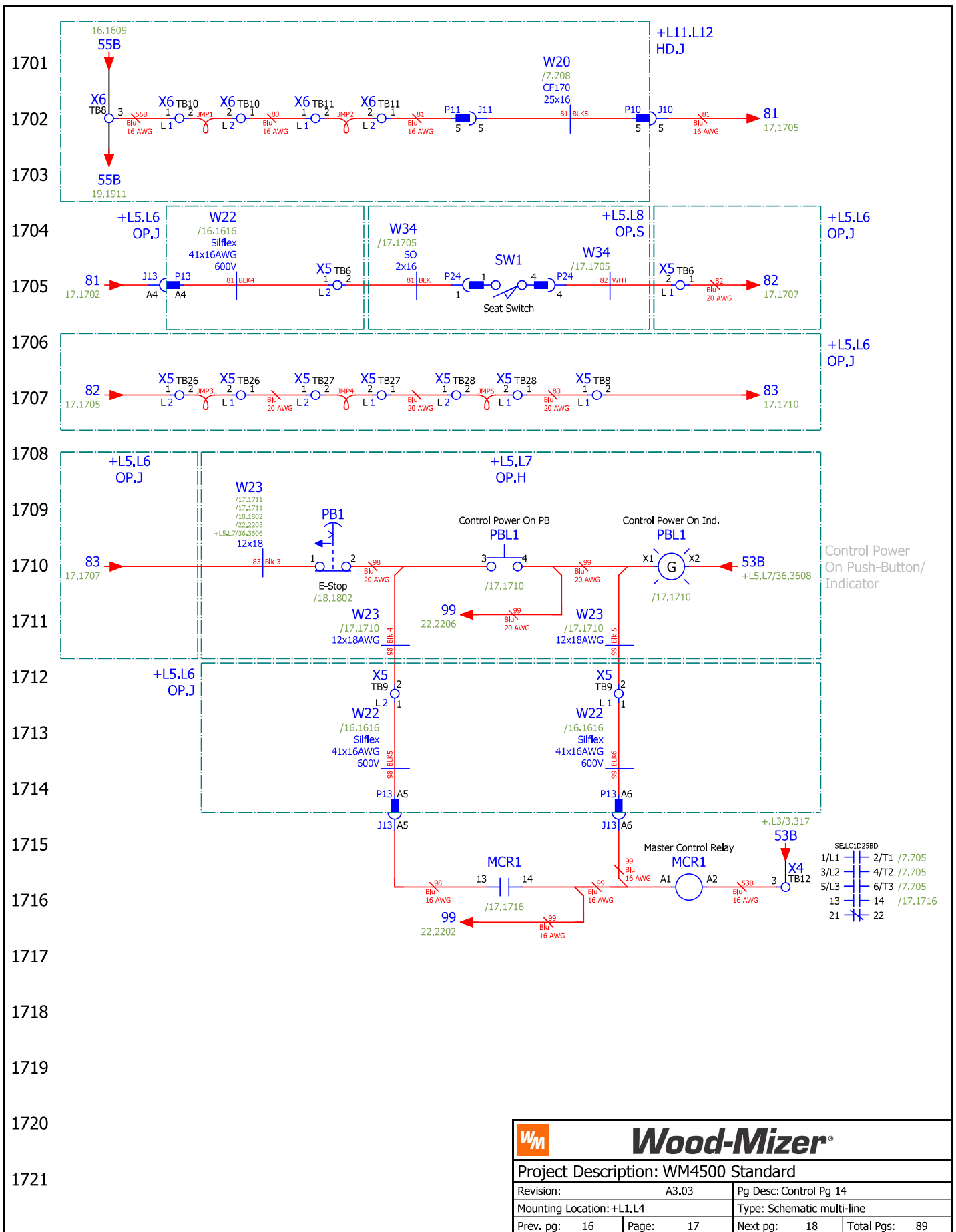


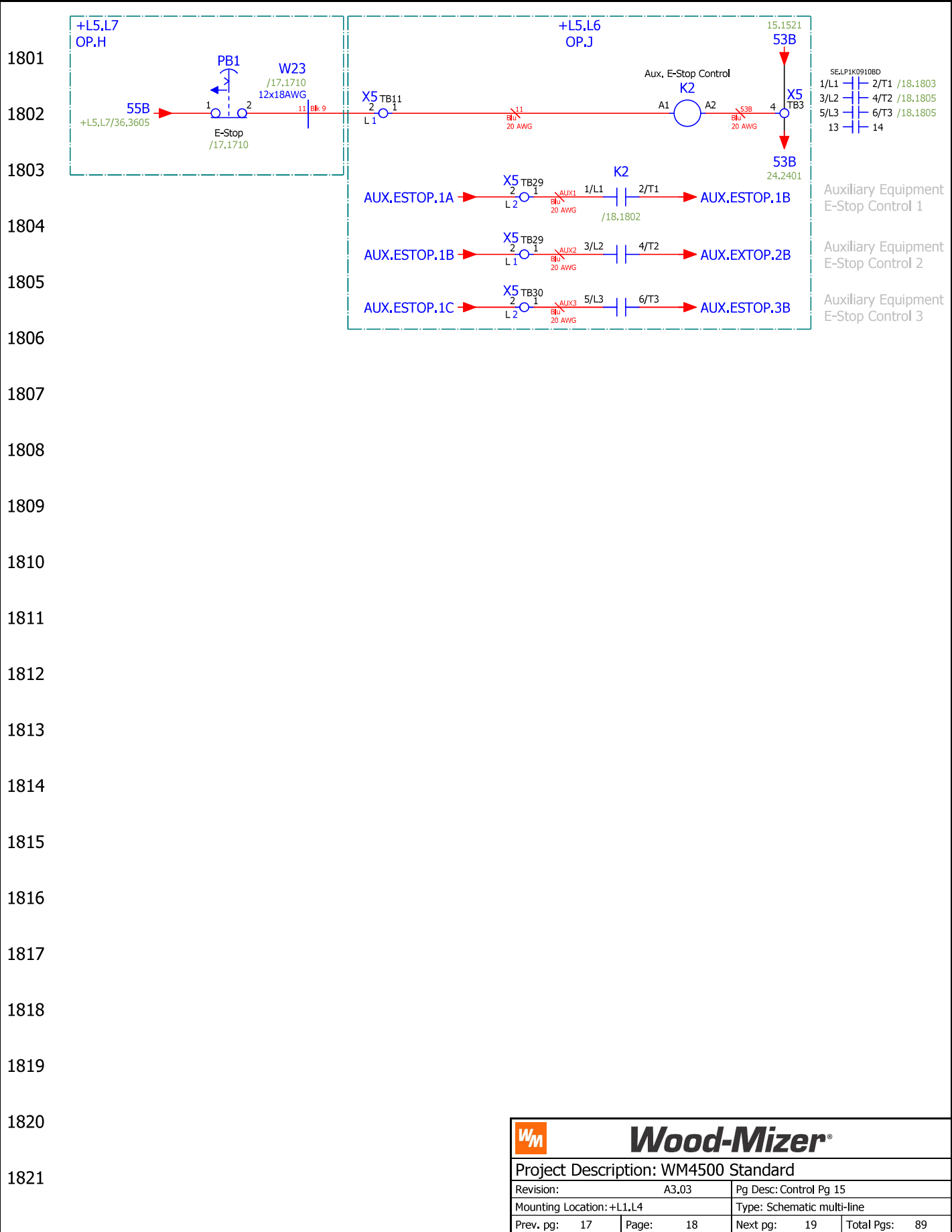
SE.LC1D1158D

1/L1	2/T1	+L3/1.105
3/L2	4/T2	+L3/1.105
5/L3	6/T3	+L3/1.106
13		14
21		22


SE.LC1D328D

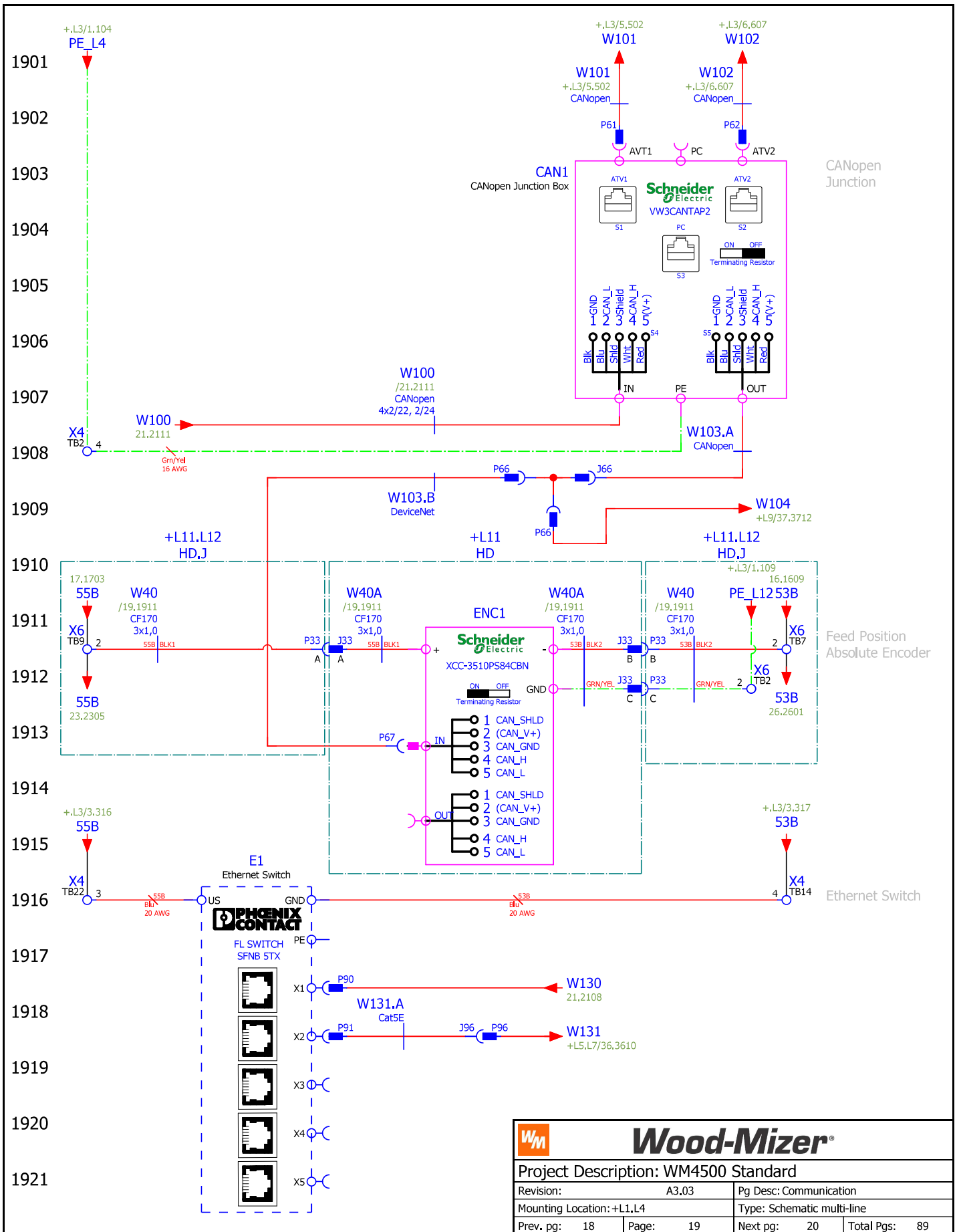
1/L1	2/T1	+L3/1.110
3/L2	4/T2	+L3/1.111
5/L3	6/T3	+L3/1.112
13		14 /16.1607
21		22



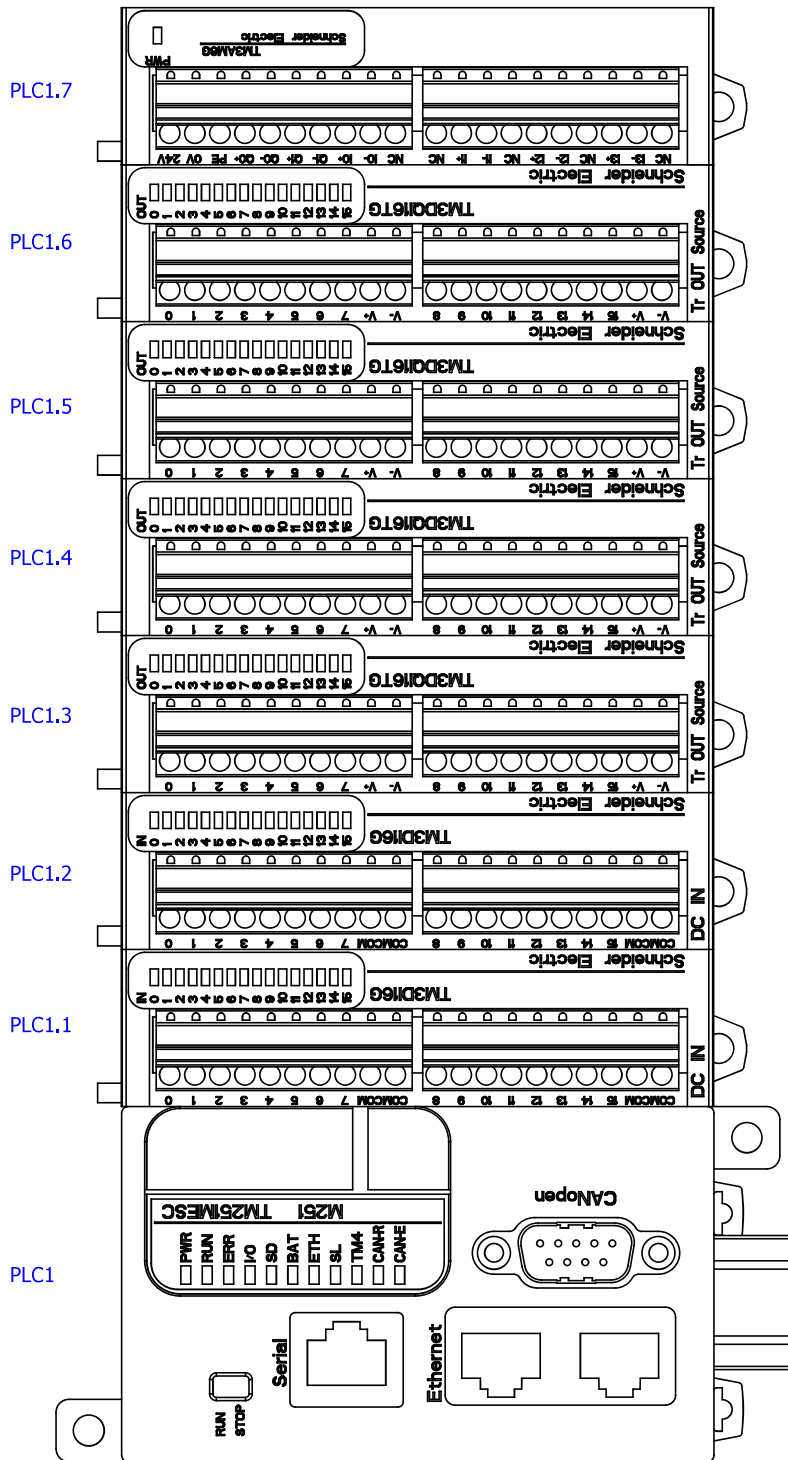



1801
1802
1803
1804
1805
1806
1807
1808
1809
1810
1811
1812
1813
1814
1815
1816
1817
1818
1819
1820
1821

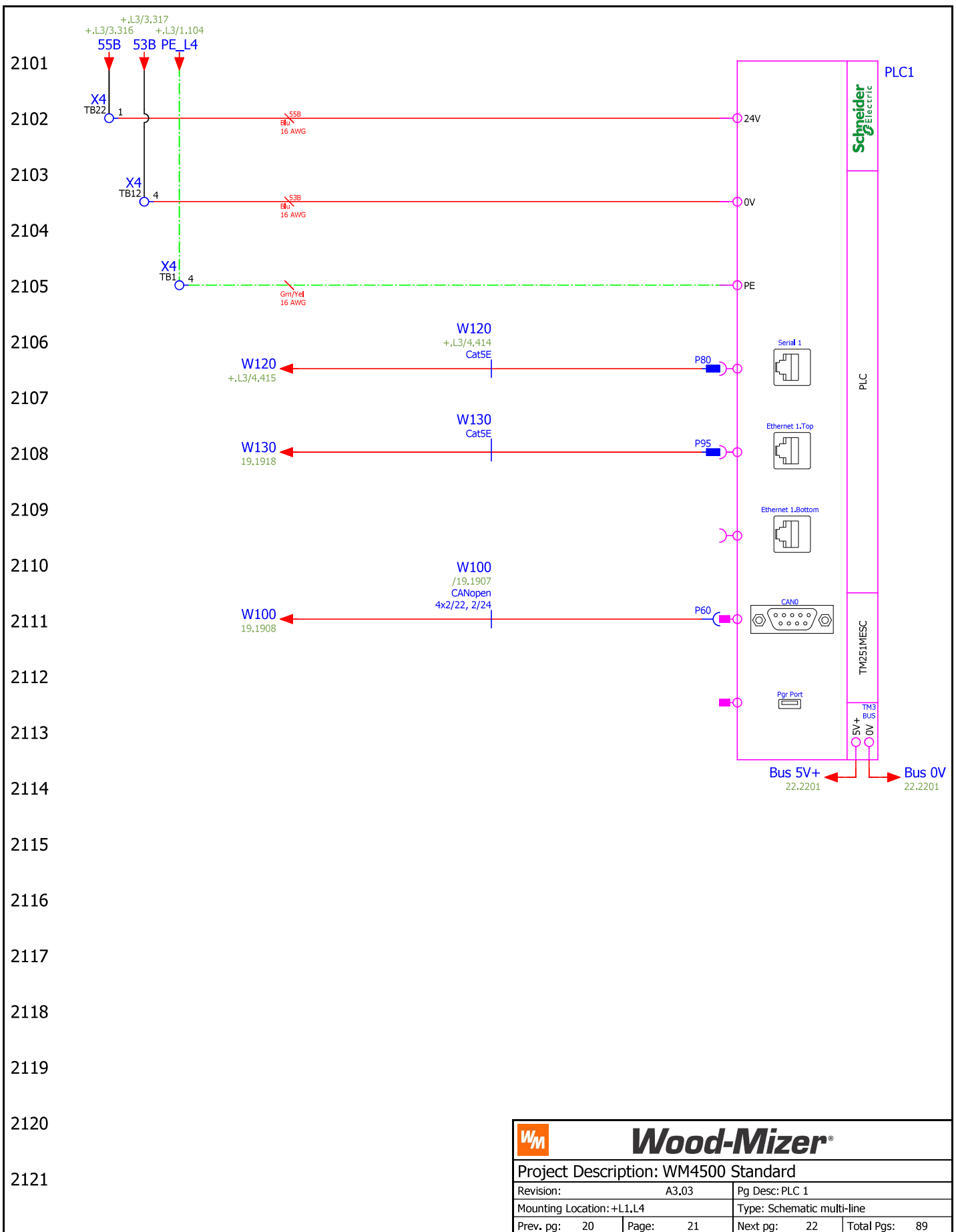
 Wood-Mizer®		Project Description: WM4500 Standard	
		Revision: A3.03	Pg Desc: Control Pg 15
Mounting Location: +L1.L4		Type: Schematic multi-line	
Prev. pg: 17	Page: 18	Next pg: 19	Total Pgs: 89

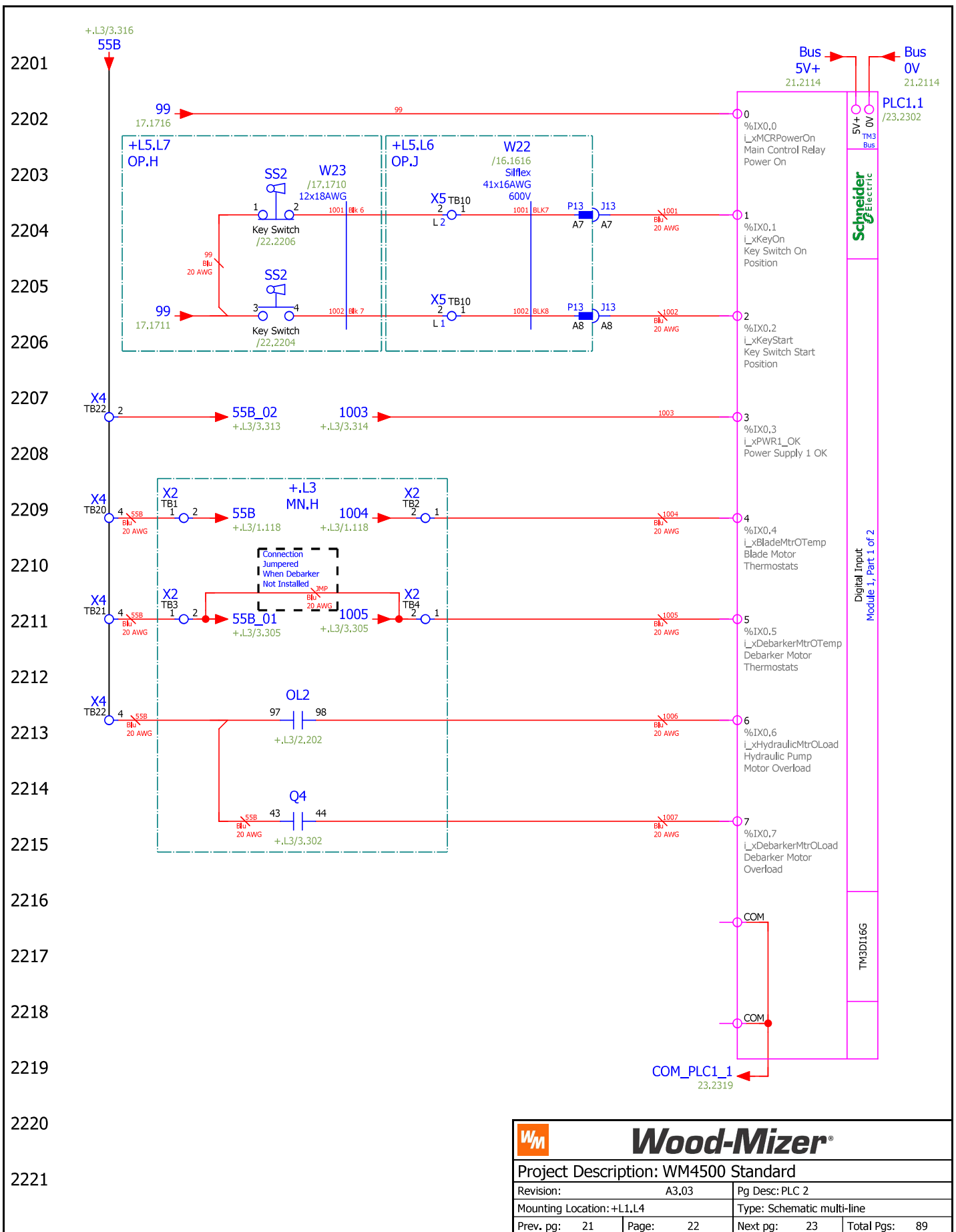


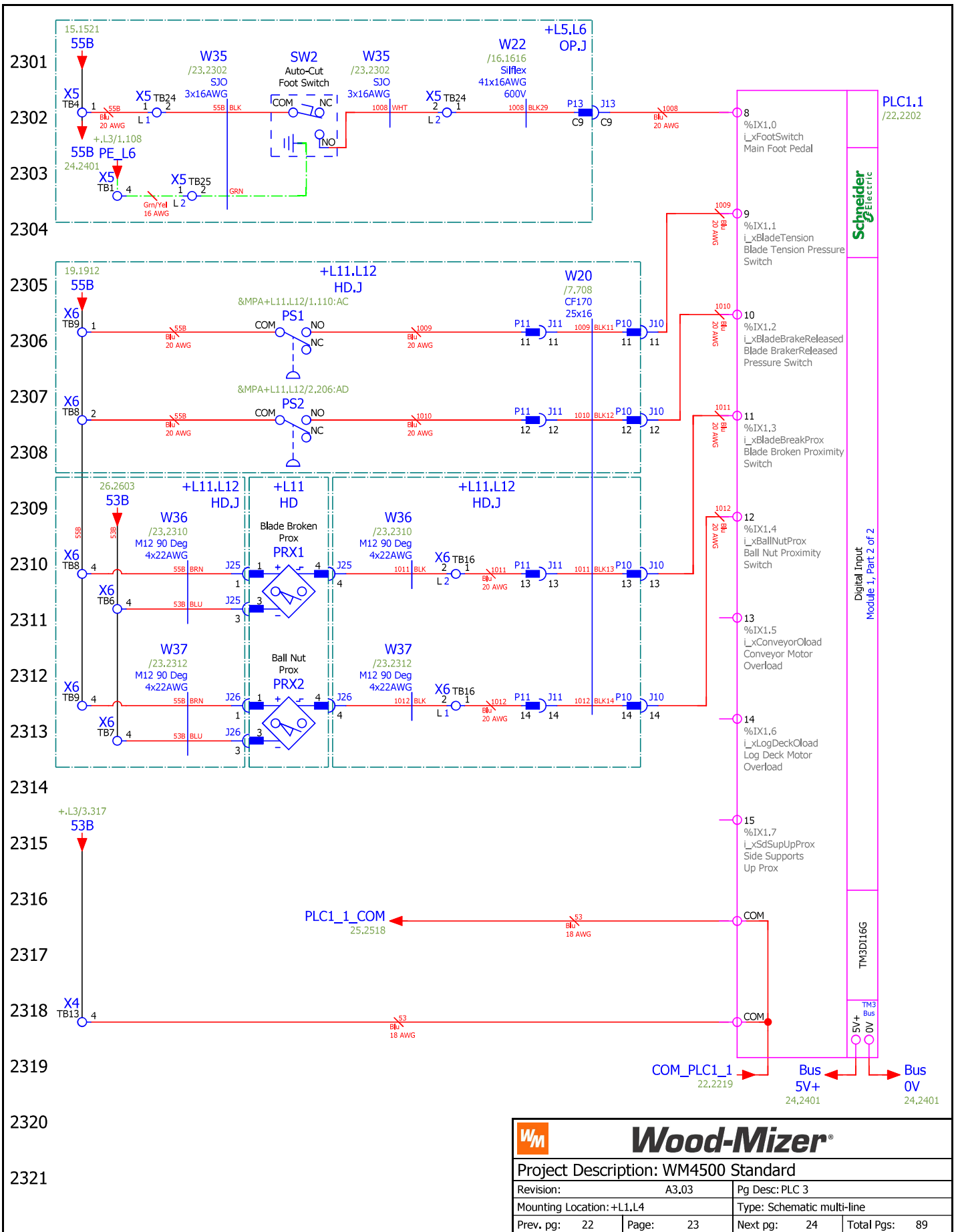
Wood-Mizer			
Project Description: WM4500 Standard			
Revision:	A3.03	Pg Desc: Communication	
Mounting Location:	+L1.L4	Type: Schematic multi-line	
Prev. pg:	18	Page:	19
		Next pg:	20
		Total Pgs:	89

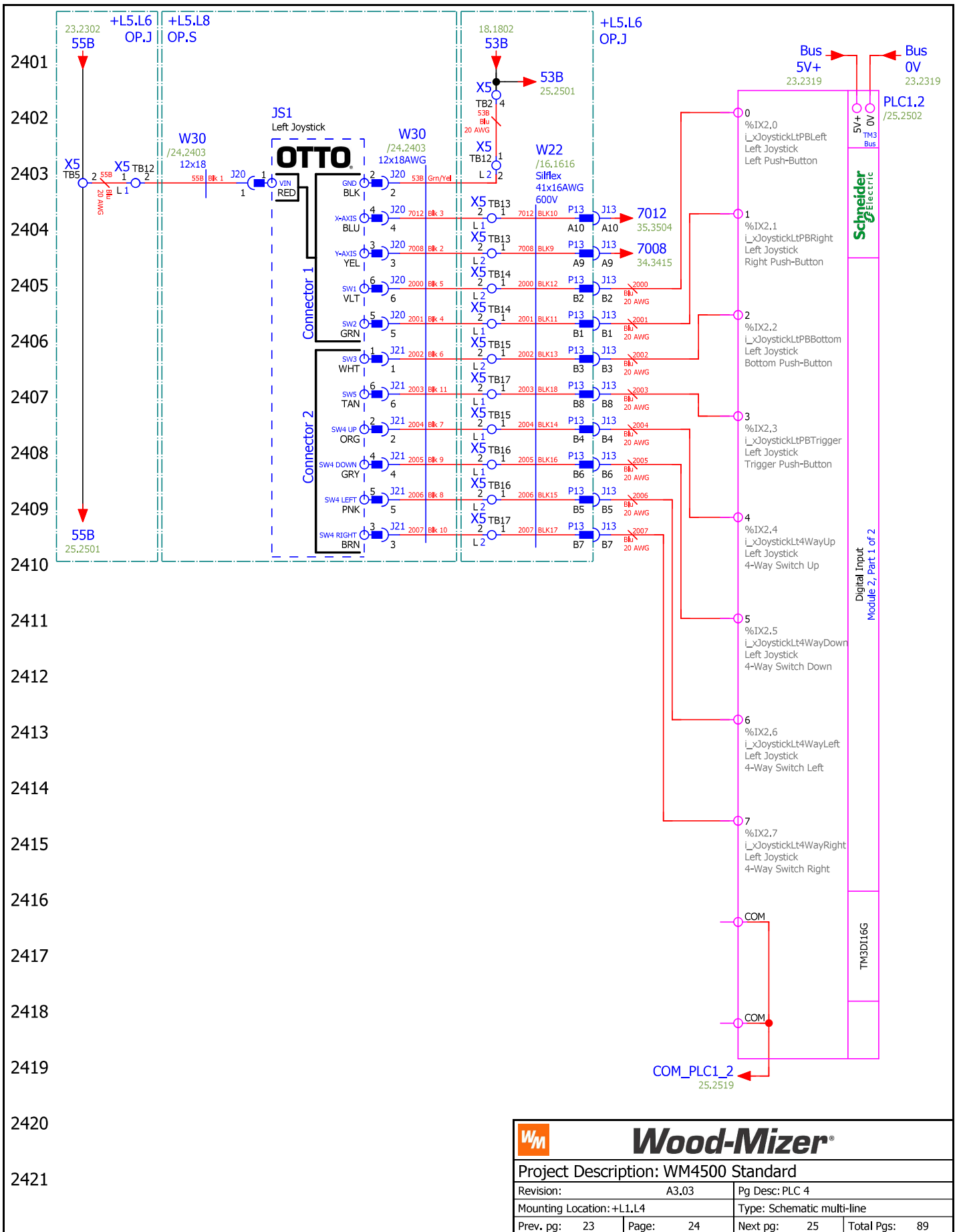


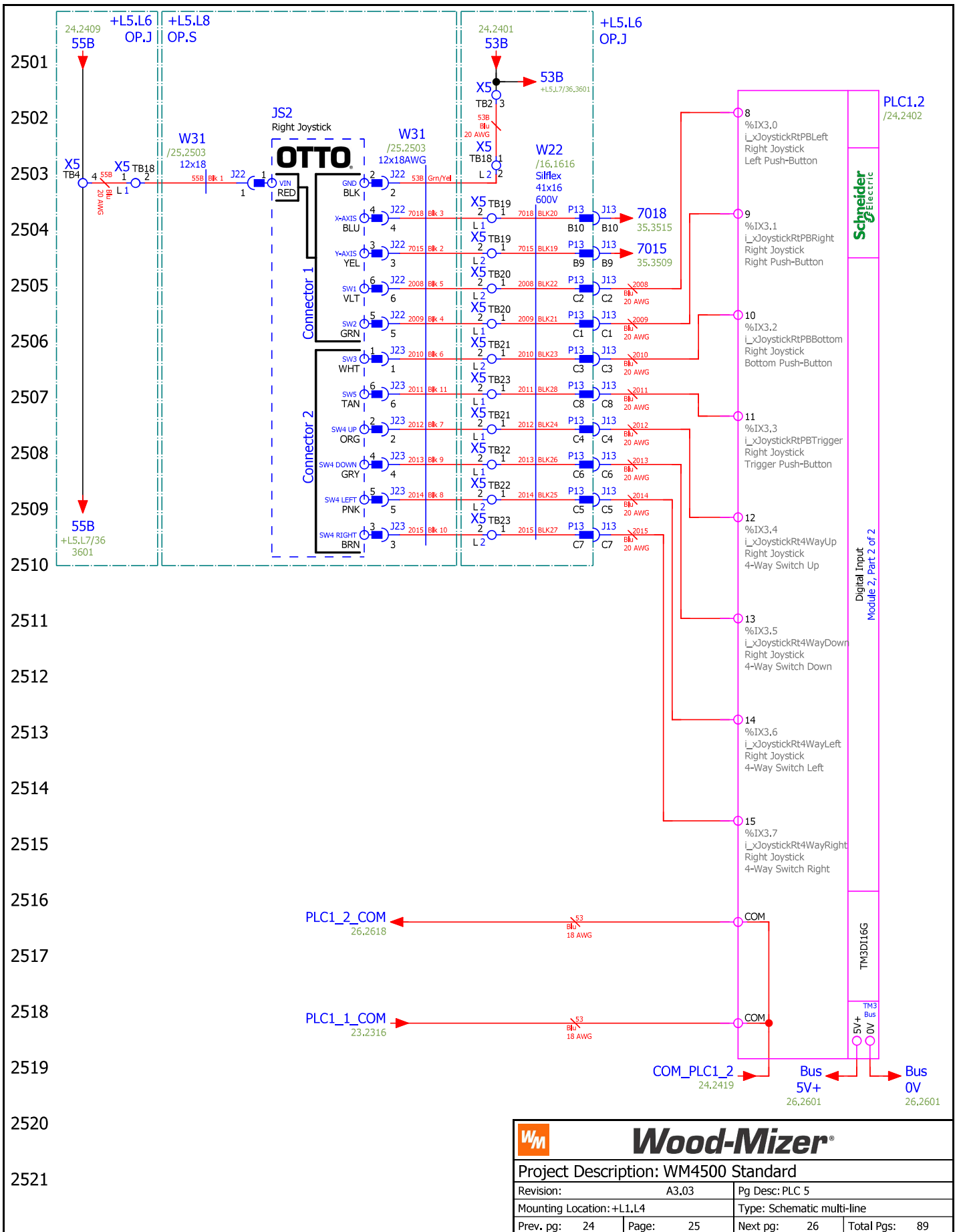
 Wood-Mizer®	
Project Description: WM4500 Standard	
Revision: A3.03	Pg Desc: PLC Diagram
Mounting Location: +L1.L4	Type: Panel layout
Prev. pg: 19	Page: 20
Next pg: 21	Total Pgs: 89

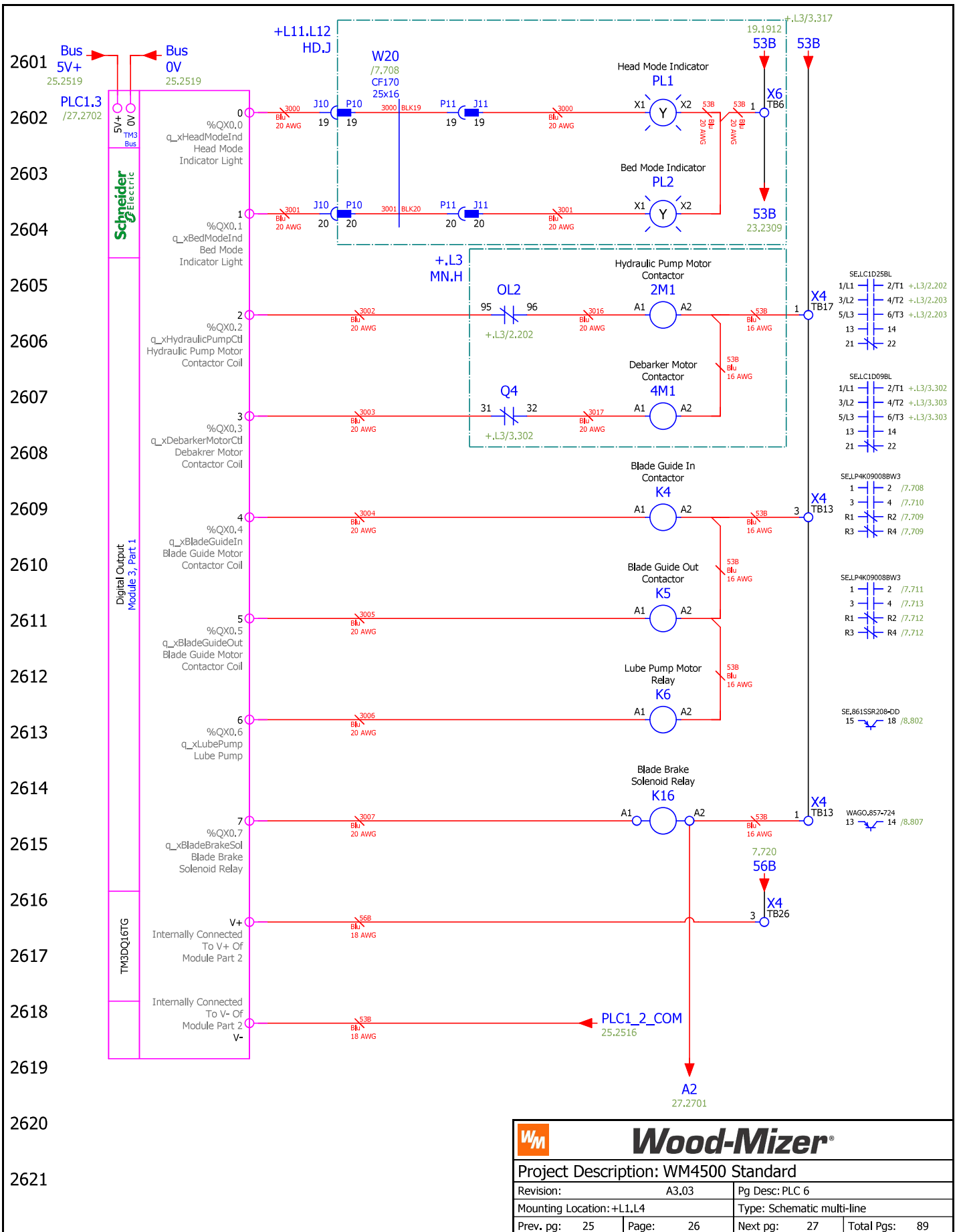




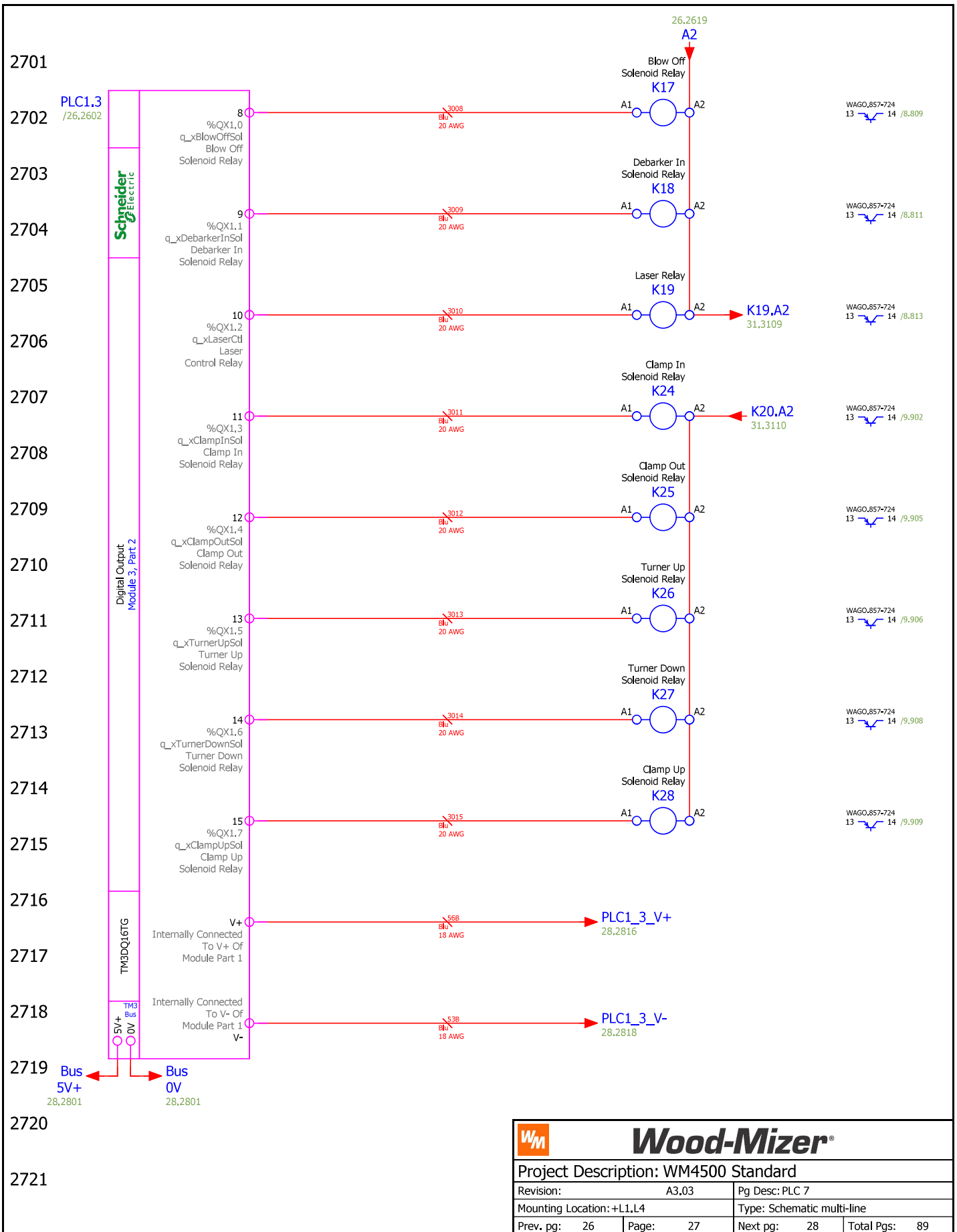


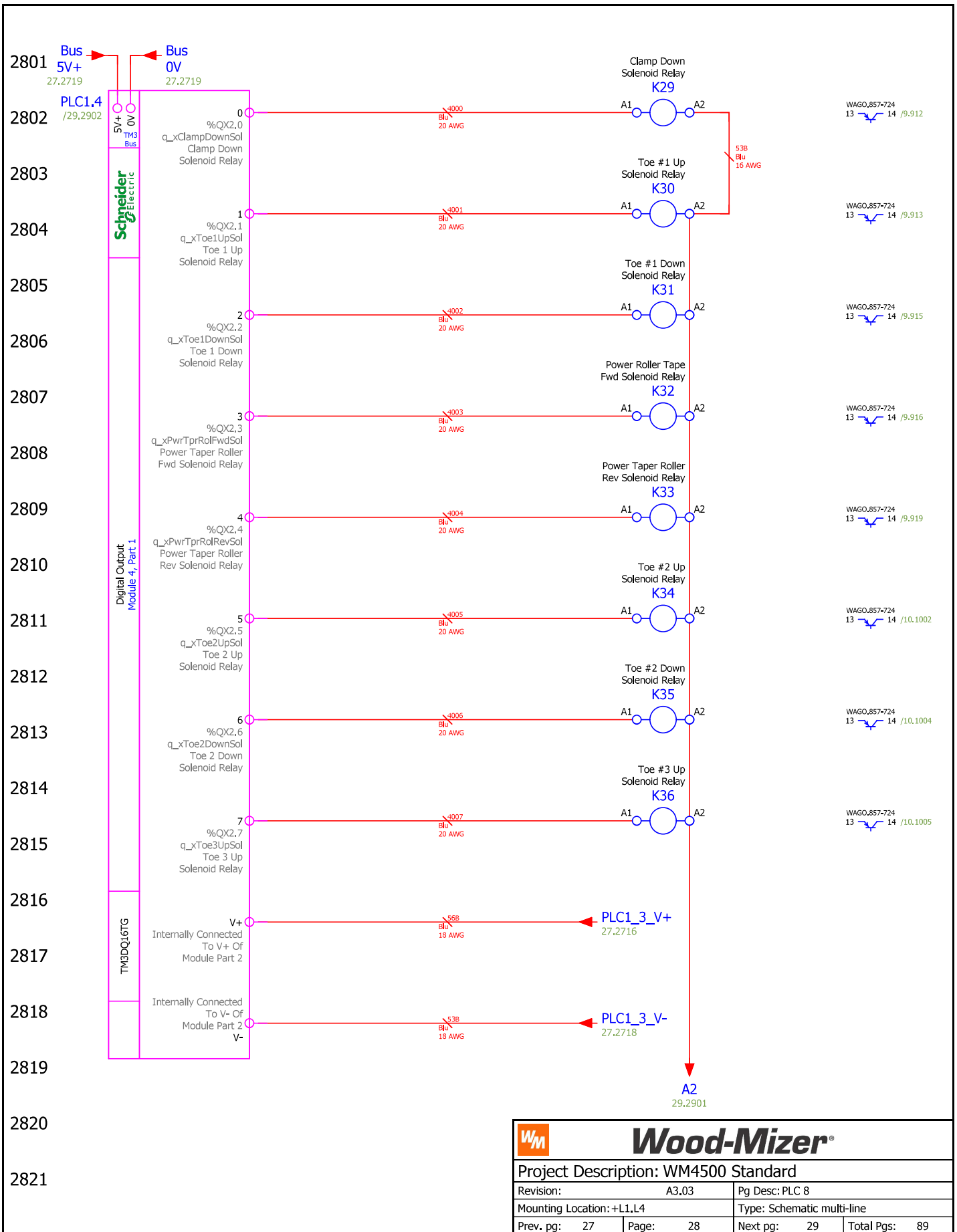


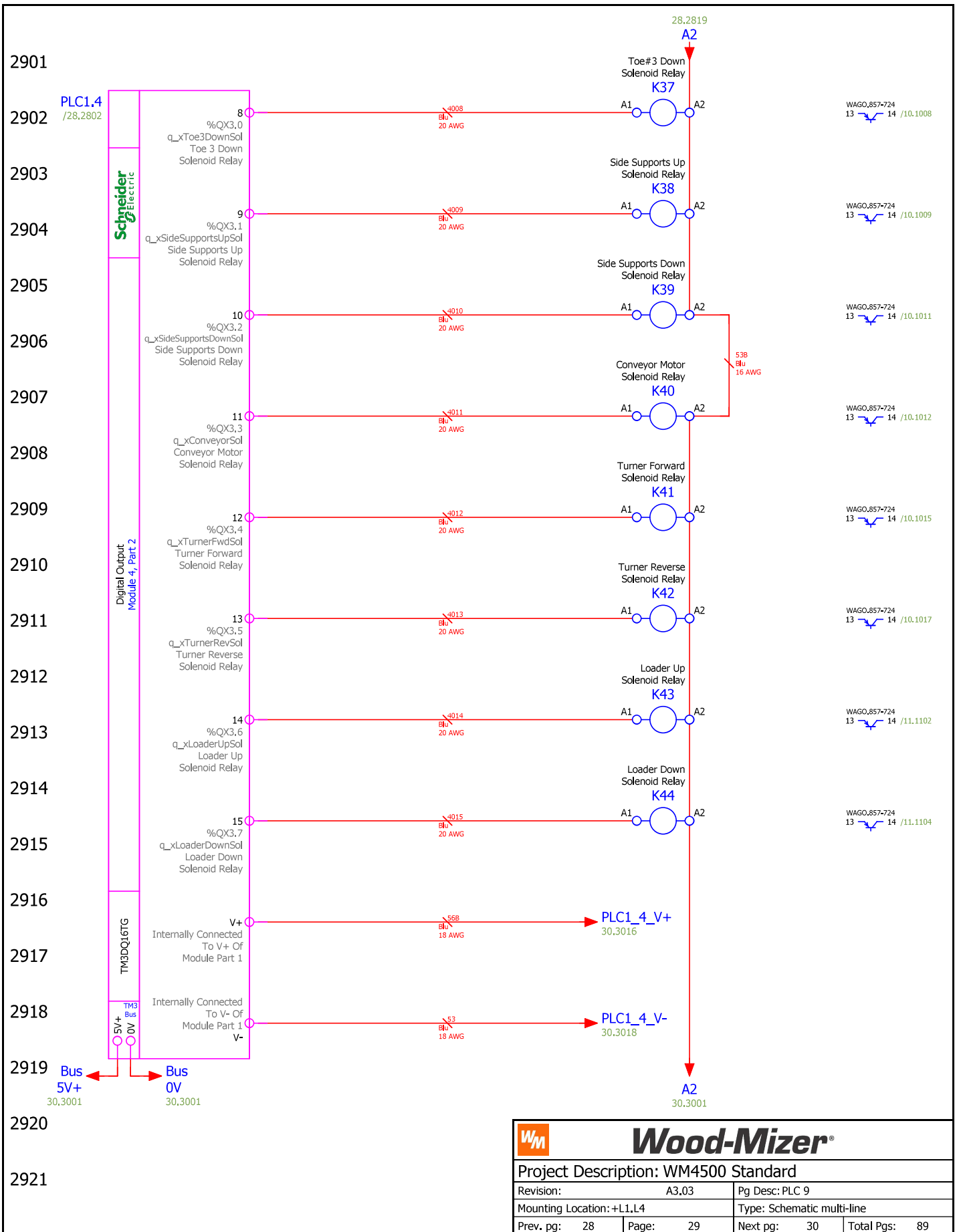




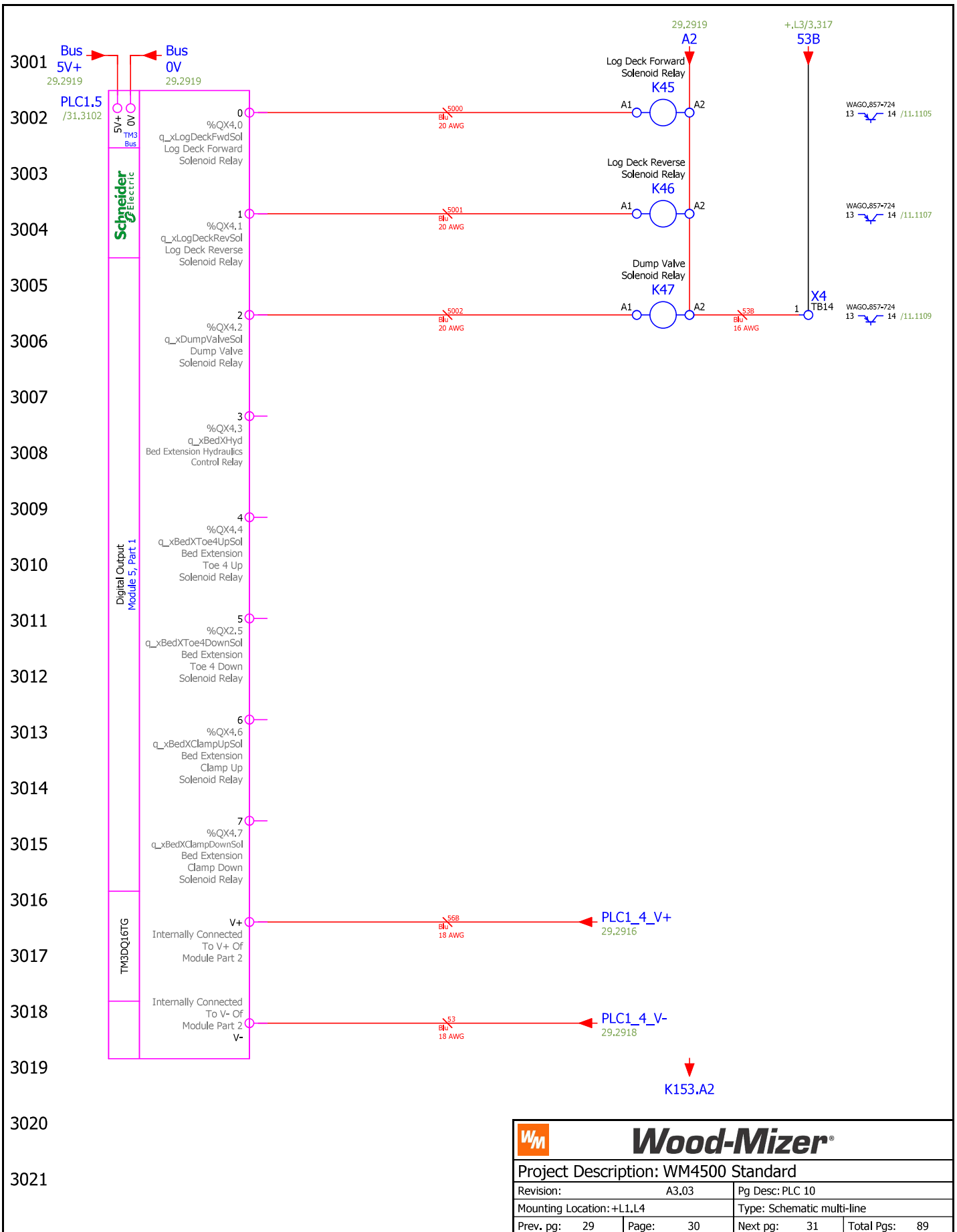
Wood-Mizer®			
Project Description: WM4500 Standard			
Revision:	A3.03	Pg Desc: PLC 6	
Mounting Location:	+L1.L4	Type: Schematic multi-line	
Prev. pg:	25	Page:	26
		Next pg:	27
		Total Pgs:	89







Wood-Mizer®			
Project Description: WM4500 Standard			
Revision:	A3.03	Pg Desc: PLC 9	
Mounting Location:	+L1,L4	Type: Schematic multi-line	
Prev. pg:	28	Page:	29
		Next pg:	30
		Total Pgs:	89



3101

3102 PLC1.5
/30,3002

3103

3104

3105

3106

3107

3108

3109

3110

3111

3112

3113

3114

3115

3116

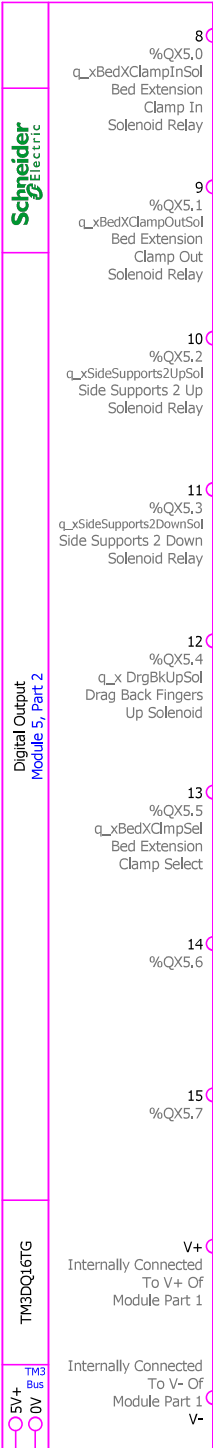
3117

3118

3119

3120

3121



Digital Output
Module 5, Part 2

TM3DQ16TG

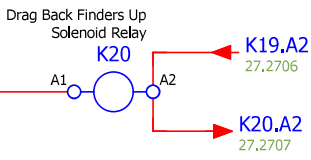
5V+
0V

Bus 5V+ 32,3201
Bus 0V 32,3201

5012
8/0
20 AWG

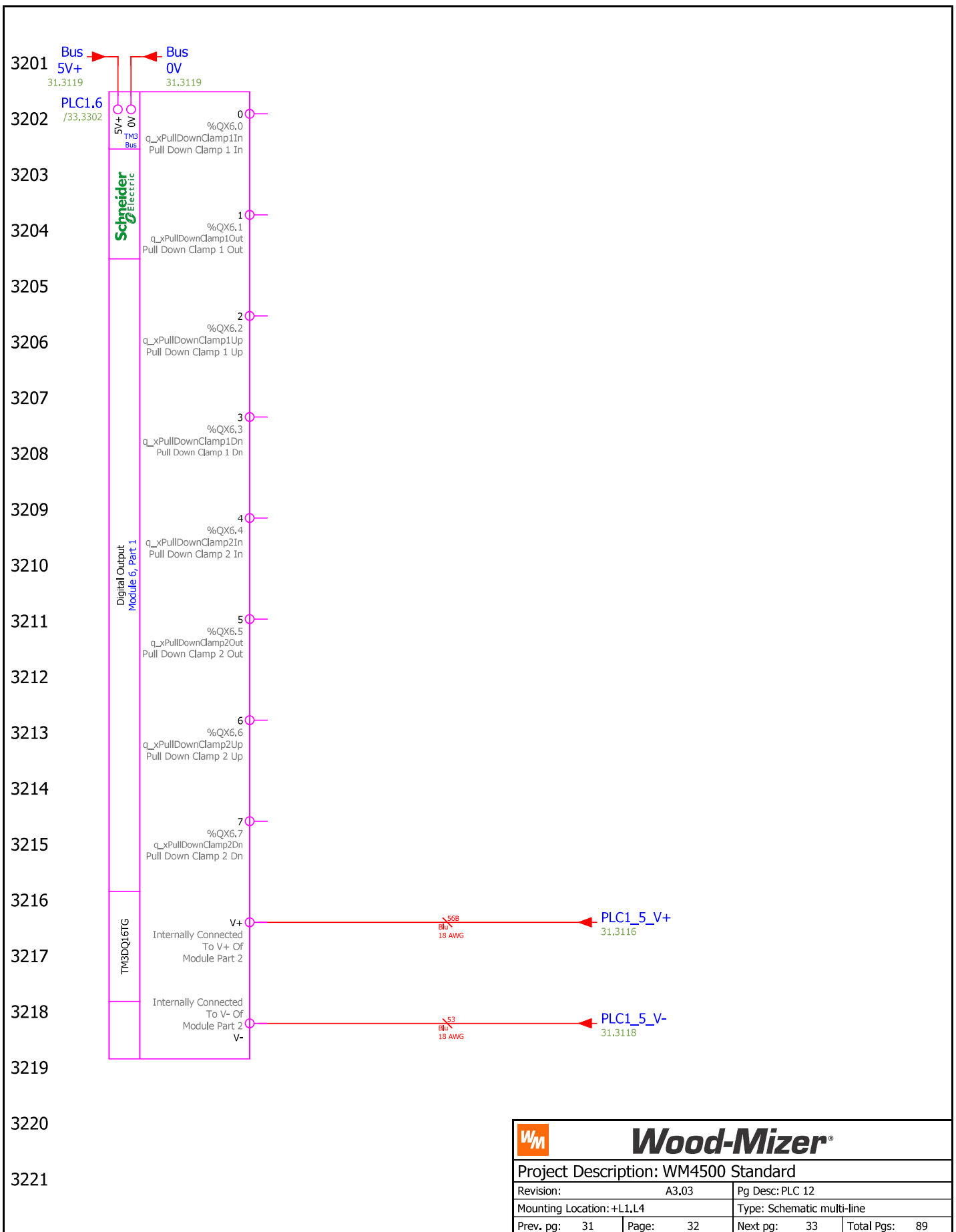
558
8/0
18 AWG


53
8/0
18 AWG



WAGO,857-724
13 14 /8,816

		Wood-Mizer®	
Revision:	A3,03	Pg Desc: PLC 11	
Mounting Location:	+L1,L4	Type: Schematic multi-line	
Prev. pg:	30	Page:	31
		Next pg:	32
		Total Pgs:	89



 Wood-Mizer®		Project Description: WM4500 Standard	
		Revision: A3.03	Pg Desc: PLC 12
Mounting Location: +L1.L4		Type: Schematic multi-line	
Prev. pg: 31	Page: 32	Next pg: 33	Total Pgs: 89

3301

3302 PLC1.6
/32,3202

3303

3304

3305

3306

3307

3308

3309

3310

3311

3312

3313

3314

3315

3316

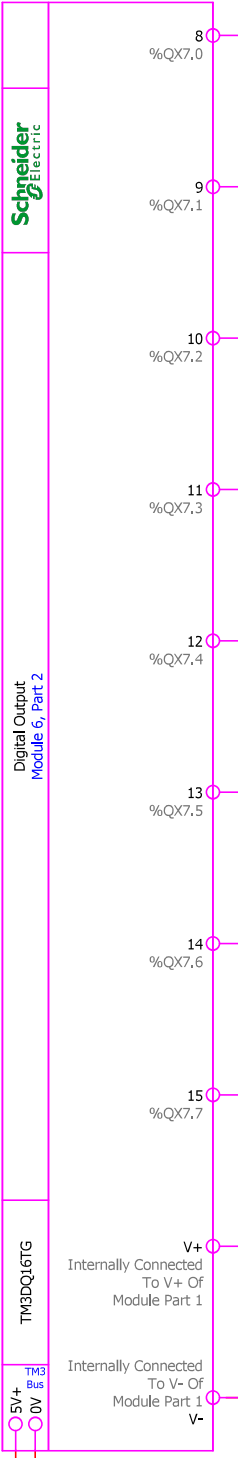
3317

3318

3319

3320

3321



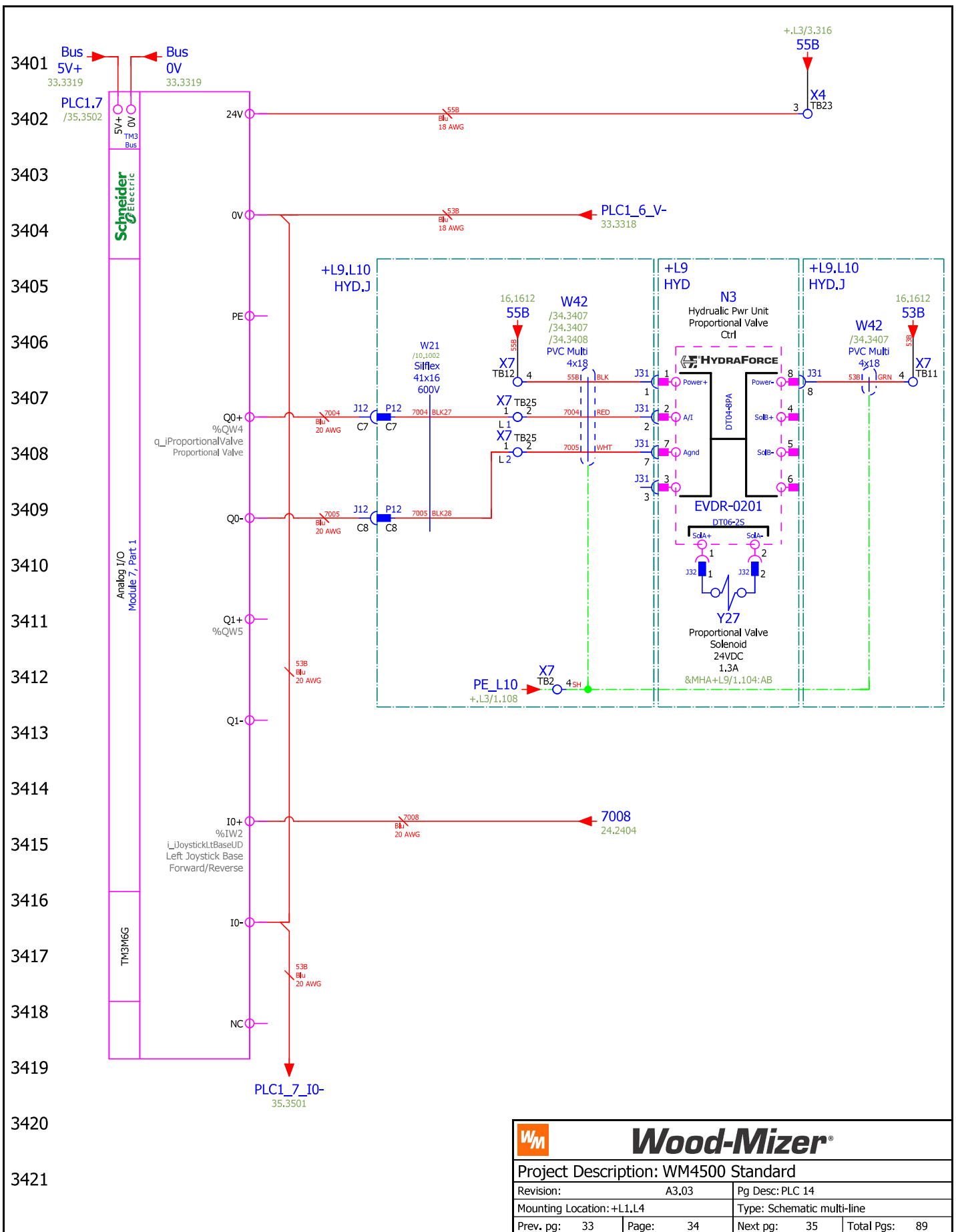
Bus 5V+ 34,3401

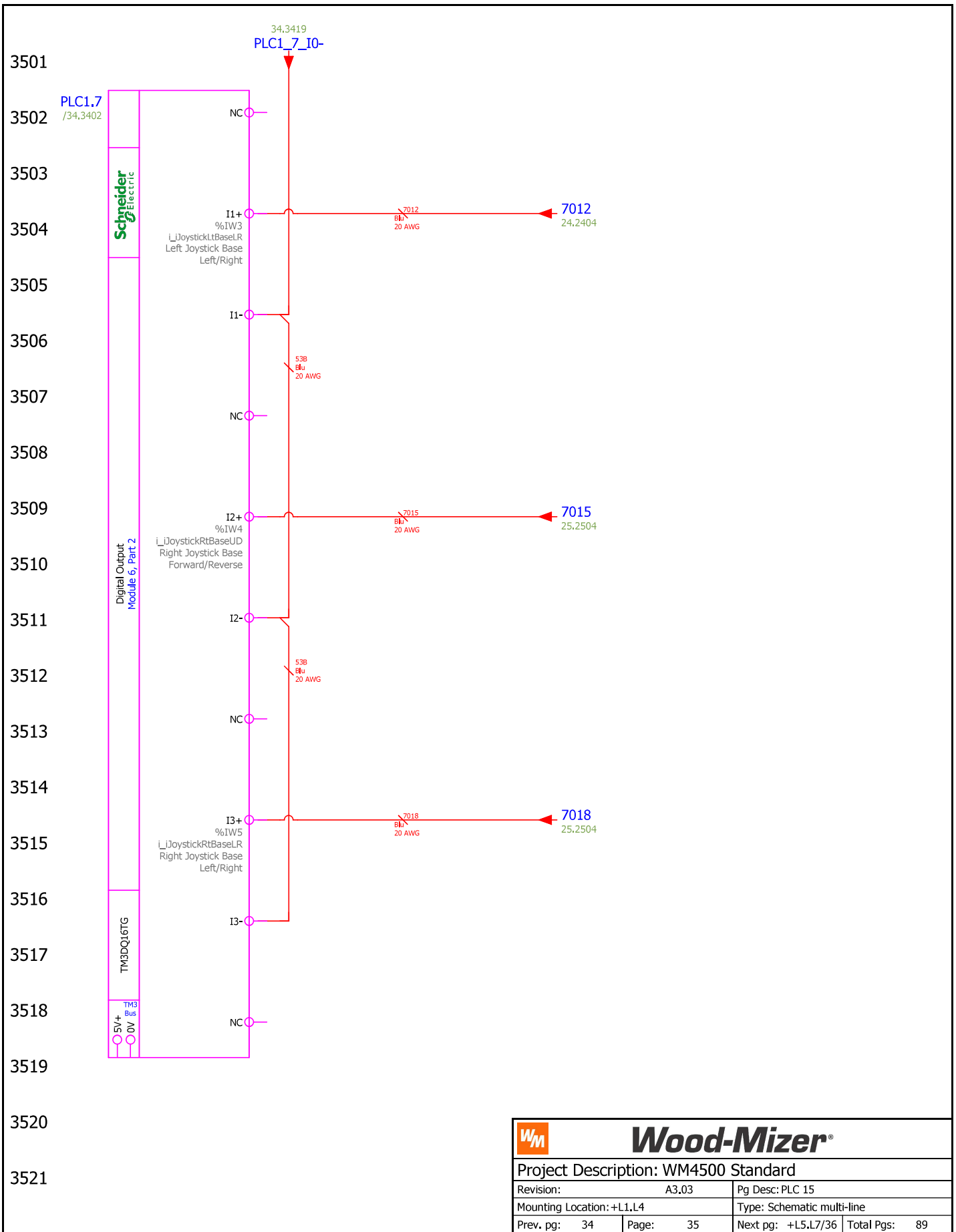
Bus 0V 34,3401


53 18 AWG

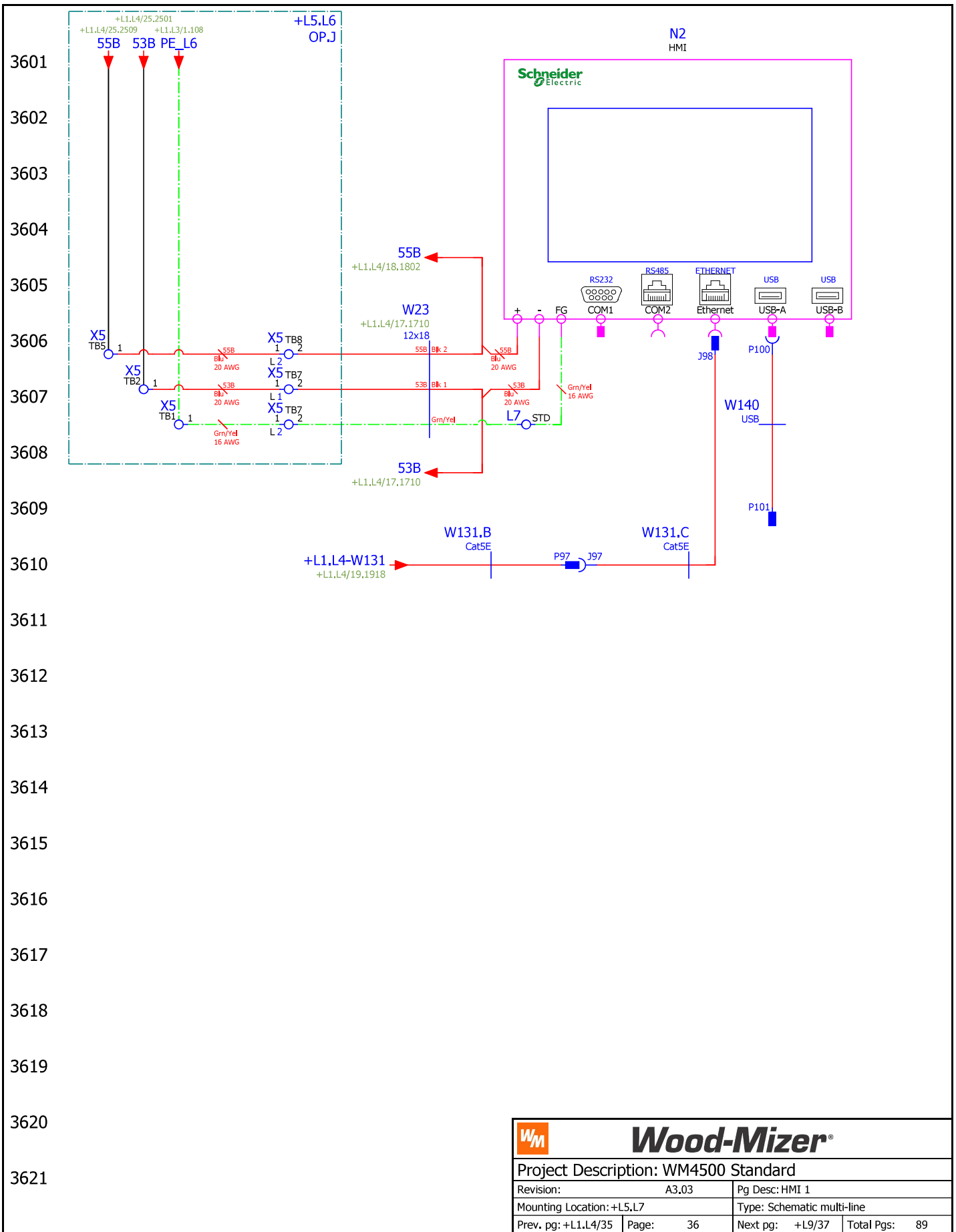
PLC1_6_V- 34,3404

		Wood-Mizer®	
Project Description: WM4500 Standard			
Revision:	A3,03	Pg Desc: PLC 13	
Mounting Location:	+L1,L4	Type: Schematic multi-line	
Prev. pg:	32	Page:	33
Next pg:	34	Total Pgs:	89

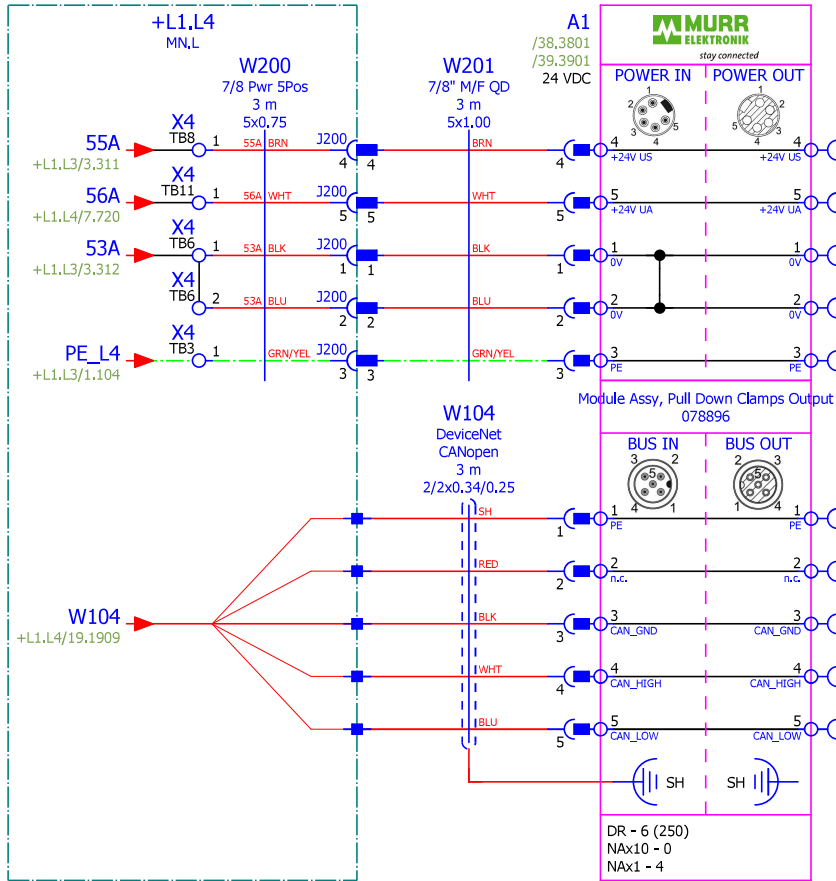




		Wood-Mizer®	
Project Description: WM4500 Standard			
Revision:	A3.03	Pg Desc: PLC 15	
Mounting Location:	+L1.L4	Type: Schematic multi-line	
Prev. pg:	34	Page:	35
Next pg: +L5.L7/36		Total Pgs: 89	



3701
 3702
 3703
 3704
 3705
 3706
 3707
 3708
 3709
 3710
 3711
 3712
 3713
 3714
 3715
 3716
 3717
 3718
 3719
 3720
 3721



3801

3802 A1
/37,3705
24 VDC



stay connected
X0
1 n.c.
4 q_xPullDnClamp1Up
3 ov %QX44.0
2
5 FE

W80
Double Valve
Form A/M12
1 m
4x0.75

&MHA/7.703:AA

Y30

x1 x2

PE PE

Pull Down
Clamp 1
Up

3803

3804

3805

3806

3807

3808

3809

Module Assy, Pull Down Clamps Output
X1
1 n.c.
4 q_xPullDnClamp1Dn
3 ov %QX44.1
2 n.c.
5 FE

W81
Double Valve
Form A/M12
1 m
4x0.75

&MHA/7.705:AA

Y32

x1 x2

PE PE

Pull Down
Clamp 1
Out

3810

3811

3812

3813

3814

3815

3816

3817

3818

X2
1 n.c.
4 q_xPullDnClamp1Out
3 ov %QX44.2
2
5 FE
X3
1 n.c.
4 q_xPullDnClamp1In
3 ov %QX44.3
2 n.c.
5 FE

078896

&MHA/7.705:AB

Y33

x1 x2

PE PE

Pull Down
Clamp 1
In

3819

3820

3821



Wood-Mizer®

Project Description: WM4500 Standard

Revision:	A3.03	Pg Desc:	Pull Down Clamp 1
Mounting Location:	+L9	Type:	Schematic multi-line
Prev. pg:	37	Page:	38
		Next pg:	39
		Total Pgs:	89

3901

3902 A1
/37,3705
24 VDC



X4
1 n.c.
q_xPullDnClamp2Up
4
%QX44,4
3 ov
2
A0,5
5 FE

W82
Double Valve
Form A/M12
1 m
4x0.75

&MHA/7.707:AA

Y34

x1 x2

1 2

PE PE

Pull Down
Clamp 2
Up

3903

3904

3905

3906

3907

3908

3909

3910

3911

3912

3913

3914

3915

3916

3917

3918

3919

3920

3921

Module Assy, Pull Down Clamps Output

078896

X5
1 n.c.
q_xPullDnClamp2Dn
4
%QX44,5
3 ov
2 n.c.
5 FE

W83
Double Valve
Form A/M12
1 m
4x0.75

&MHA/7.709:AA

Y36

x1 x2

1 2

PE PE

Pull Down
Clamp 2
Up

X6
1 n.c.
q_xPullDnClamp2Out
4
%QX44,6
3 ov
2 A0,7
5 FE

X7
1 n.c.
q_xPullDnClamp2In
4
%QX44,7
3 ov
2 n.c.
5 FE

PE PE

Pull Down
Clamp 2
Down



Wood-Mizer®


Project Description: WM4500 Standard

Revision:	A3,03	Pg Desc:	Pull Down Clamp 2
Mounting Location:	+L9	Type:	Schematic multi-line
Prev. pg:	38	Page:	39
		Next pg:	+Docs/C1
		Total Pgs:	89

Device Tag/Parts List

WM_PARTS_LIST-Manual

Device tag	Function	Wood-Mizer Part Number	Wood-Mizer Description	Qty.	X-Ref
1M1	Blade Motor Bypass Contactor	052465	Contactora, 32A 3P 24VDC Coil	1	+L1.L4/16.1603
2M1	Hydraulic Pump Motor Contactor	069866	Contactora, 25A 3P 24V Low Pwr Coil	1	+L1.L4/26.2606
4M1	Debarker Motor Contactor	024890	Contactora, 9A 3P 24VDC Coil	1	+L1.L4/26.2607
A1	Pull Down Clamps Output Module	078896	Module Assy, Pull Down Clamps Output	1	+L9/37.3705
CAN1	CANopen Junction Box	069930	PLC Module, CANopen Junction	1	+L1.L4/19.1903
E1	Ethernet Switch	078466	Switch, Ethernet 5 Port 24VDC	1	+L1.L4/19.1916
ENC1	Feed Position Absolute Encoder	068046	Encoder Assy, Ind. Mill Feed	1	+L1.L4/19.1911
F4	Transformer L1&L3 Fuses	068066	Fuse Holder, 2P Class CC Wire Clamps	1	+L1.L3/3.306
F4	=	069915	Fuse, 0.25A 600V KLRD Class CC	2	+L1.L3/3.306
F5	Transformer Output Fuse	068065	Fuse Holder, 1P Class CC Wire Clamps	1	+L1.L3/3.308
F5	=	069915	Fuse, 0.25A 600V KLRD Class CC	1	+L1.L3/3.308
F6	Feed Drive L1 Fuse	053717	Fuseholder, 60A Cube	1	+L1.L3/2.208
F6	=	069702	Fuse, 40A Class J Cube	1	+L1.L3/2.208
F7	Feed Drive L2 Fuse	053717	Fuseholder, 60A Cube	1	+L1.L3/2.209
F7	=	069702	Fuse, 40A Class J Cube	1	+L1.L3/2.209
F8	Feed Drive L3 Fuse	053717	Fuseholder, 60A Cube	1	+L1.L3/2.209
F8	=	069702	Fuse, 40A Class J Cube	1	+L1.L3/2.209
F9	Power Supply 1 L1&L3 Fuses	068066	Fuse Holder, 2P Class CC Wire Clamps	1	+L1.L3/3.311
F9	=	052381	Fuse, 8A 600V Class CC Delay	2	+L1.L3/3.311
F10	Power Supply 2 L1&L3 Fuses	068066	Fuse Holder, 2P Class CC Wire Clamps	1	+L1.L3/3.316
F10	=	052713	Fuse, 4A 600V Class CC Delay	2	+L1.L3/3.316
F11	Hydraulic Pump Motor L1 Fuse	053736	Fuseholder, Cube 30A	1	+L1.L3/2.202
F11	=	053737	Fuse, 30A Class J Cube	1	+L1.L3/2.202
F12	Hydraulic Pump Motor L2 Fuse	053736	Fuseholder, Cube 30A	1	+L1.L3/2.203
F12	=	053737	Fuse, 30A Class J Cube	1	+L1.L3/2.203
F13	Hydraulic Pump Motor L3 Fuse	053736	Fuseholder, Cube 30A	1	+L1.L3/2.203
F13	=	053737	Fuse, 30A Class J Cube	1	+L1.L3/2.203
F14	Up/Down Servo Drive L1 Fuse	053736	Fuseholder, Cube 30A	1	+L1.L3/2.216
F14	=	053737	Fuse, 30A Class J Cube	1	+L1.L3/2.216
F15	Up/Down Servo Drive L2 Fuse	053736	Fuseholder, Cube 30A	1	+L1.L3/2.217
F15	=	053737	Fuse, 30A Class J Cube	1	+L1.L3/2.217
F16	Up/Down Servo Drive L3 Fuse	053736	Fuseholder, Cube 30A	1	+L1.L3/2.218
F16	=	053737	Fuse, 30A Class J Cube	1	+L1.L3/2.218
F17	Blade Motor L1 Fuse	053586	Fuseholder, 100A Cube	1	+L1.L3/1.117
F17	=	069708	Fuse, 60A Class J Cube	1	+L1.L3/1.117
F18	Blade Motor L2 Fuse	053586	Fuseholder, 100A Cube	1	+L1.L3/1.116
F18	=	069708	Fuse, 60A Class J Cube	1	+L1.L3/1.116
F19	Blade Motor L3 Fuse	053717	Fuseholder, 100A Cube	1	+L1.L3/1.116
F19	=	069708	Fuse, 60A Class J Cube	1	+L1.L3/1.116
G1	DC Motor/ Solenoids Power Supply	078012	Power Supply, 24VDC 20A 200-500V	1	+L1.L3/3.310
G2	Control Power Supply	078193	Power Supply, 24VDC 10A 200-500V	1	+L1.L3/3.315
HM1	Blade Motor Hour Meter	P09631	Meter, Hour	1	+L1.L4/16.1607
JS1	Left Joystick	078360	Joystick, 4-Button w/4-Way Switch	1	+L1.L4/24.2402
JS2	Right Joystick	078360	Joystick, 4-Button w/4-Way Switch	1	+L1.L4/25.2502
K1	Isolation Contactor	069886	Contactora, 115A 3P 24VDC Coil	1	+L1.L4/16.1602
K2	Aux. E-Stop Control	101241	Contactora, 9A 3P 24VDC 1NO	1	+L1.L4/18.1802
K4	Blade Guide In Contactor	024910	Contactora, 9A 2NC 2NO 24VDC Reversing	1	+L1.L4/26.2609
K5	Blade Guide Out Contactor	024910	Contactora, 9A 2NC 2NO 24VDC Reversing	1	+L1.L4/26.2611
K6	Lube Pump Motor Relay	069943	Relay, Solid State 8A DIN	1	+L1.L4/26.2613
K16	Blade Brake Solenoid Relay	068212	Relay, Solid State 2A 24VDC Coil Cage Clamp Base	1	+L1.L4/26.2615
K17	Blow Off Solenoid Relay	068212	Relay, Solid State 2A 24VDC Coil Cage Clamp Base	1	+L1.L4/27.2702
K18	Debarker In Solenoid Relay	068212	Relay, Solid State 2A 24VDC Coil Cage Clamp Base	1	+L1.L4/27.2704
K19	Laser Relay	068212	Relay, Solid State 2A 24VDC Coil Cage Clamp Base	1	+L1.L4/27.2706
K20	Drag Back Finders Up Solenoid Relay	068212	Relay, Solid State 2A 24VDC Coil Cage Clamp Base	1	+L1.L4/31.3109
K24	Clamp In Solenoid Relay	068212	Relay, Solid State 2A 24VDC Coil Cage Clamp Base	1	+L1.L4/27.2707
K25	Clamp Out Solenoid Relay	068212	Relay, Solid State 2A 24VDC Coil Cage Clamp Base	1	+L1.L4/27.2709
K26	Turner Up Solenoid Relay	068212	Relay, Solid State 2A 24VDC Coil Cage Clamp Base	1	+L1.L4/27.2711

		Wood-Mizer®	
Project Description: WM4500 Standard			
Revision: A3.03		Pg Desc: Parts list	
Mounting Location: +Docs		Type: Parts list	
Prev. pg: +L9/39	Page: C1	Next pg: C2	Total Pgs: 89

Device Tag/Parts List

WM_PARTS_LIST-Manual

Device tag	Function	Wood-Mizer Part Number	Wood-Mizer Description	Qty.	X-Ref
K27	Turner Down Solenoid Relay	068212	Relay, Solid State 2A 24VDC Coil Cage Clamp Base	1	+L1.L4/27.2713
K28	Clamp Up Solenoid Relay	068212	Relay, Solid State 2A 24VDC Coil Cage Clamp Base	1	+L1.L4/27.2715
K29	Clamp Down Solenoid Relay	068212	Relay, Solid State 2A 24VDC Coil Cage Clamp Base	1	+L1.L4/28.2802
K30	Toe #1 Up Solenoid Relay	068212	Relay, Solid State 2A 24VDC Coil Cage Clamp Base	1	+L1.L4/28.2804
K31	Toe #1 Down Solenoid Relay	068212	Relay, Solid State 2A 24VDC Coil Cage Clamp Base	1	+L1.L4/28.2806
K32	Power Roller Tape Fwd Solenoid Relay	068212	Relay, Solid State 2A 24VDC Coil Cage Clamp Base	1	+L1.L4/28.2807
K33	Power Taper Roller Rev Solenoid Relay	068212	Relay, Solid State 2A 24VDC Coil Cage Clamp Base	1	+L1.L4/28.2809
K34	Toe #2 Up Solenoid Relay	068212	Relay, Solid State 2A 24VDC Coil Cage Clamp Base	1	+L1.L4/28.2811
K35	Toe #2 Down Solenoid Relay	068212	Relay, Solid State 2A 24VDC Coil Cage Clamp Base	1	+L1.L4/28.2813
K36	Toe #3 Up Solenoid Relay	068212	Relay, Solid State 2A 24VDC Coil Cage Clamp Base	1	+L1.L4/28.2815
K37	Toe#3 Down Solenoid Relay	068212	Relay, Solid State 2A 24VDC Coil Cage Clamp Base	1	+L1.L4/29.2902
K38	Side Supports Up Solenoid Relay	068212	Relay, Solid State 2A 24VDC Coil Cage Clamp Base	1	+L1.L4/29.2904
K39	Side Supports Down Solenoid Relay	068212	Relay, Solid State 2A 24VDC Coil Cage Clamp Base	1	+L1.L4/29.2906
K40	Conveyor Motor Solenoid Relay	068212	Relay, Solid State 2A 24VDC Coil Cage Clamp Base	1	+L1.L4/29.2907
K41	Turner Forward Solenoid Relay	068212	Relay, Solid State 2A 24VDC Coil Cage Clamp Base	1	+L1.L4/29.2909
K42	Turner Reverse Solenoid Relay	068212	Relay, Solid State 2A 24VDC Coil Cage Clamp Base	1	+L1.L4/29.2911
K43	Loader Up Solenoid Relay	068212	Relay, Solid State 2A 24VDC Coil Cage Clamp Base	1	+L1.L4/29.2913
K44	Loader Down Solenoid Relay	068212	Relay, Solid State 2A 24VDC Coil Cage Clamp Base	1	+L1.L4/29.2915
K45	Log Deck Forward Solenoid Relay	068212	Relay, Solid State 2A 24VDC Coil Cage Clamp Base	1	+L1.L4/30.3002
K46	Log Deck Reverse Solenoid Relay	068212	Relay, Solid State 2A 24VDC Coil Cage Clamp Base	1	+L1.L4/30.3004
K47	Dump Valve Solenoid Relay	068212	Relay, Solid State 2A 24VDC Coil Cage Clamp Base	1	+L1.L4/30.3006
LAS1	Laser	068035	Laser, 5mW 532nm 90 Deg Line Z-Laser Grn	1	+L1.L4/8.813
M1	Blade Motor	042301	Motor, 30HP 1800RPM	1	+L1.L3/1.115
M2	Hydraulic Pump Motor	078670	Motor, 15HP 230/460 3PH 60Hz	1	+L1.L3/2.202
M3	Feed Motor	115152	Motor, 5HP 3P 230/460 184TC	1	+L1.L3/2.208
M4	Up/Down Servo Motor	068038	Motor, Servo 100mm IP54 Encoder	1	+L1.L3/2.213
M5	Debarker Motor	050292	Motor, 3/4HP 230/460 3P 1725RPM DB LT60	1	+L1.L3/3.302
M6	Blade Guide Motor	035659	Motor Assy, 24V 60 RPM Gear	1	+L1.L4/7.716
MCR1	Master Control Relay	051322	Contact, 25A 3P 24VDC Coil	1	+L1.L4/17.1716
N2	HMI	078794	HMI Assy, Ind. Mill	1	+L5.L7/36.3601
N3	Hydraulic Pwr Unit Proportional Valve Ctrl	068277	Driver Assy, Prop Valve 8 Pin A2.00+	1	+L1.L4/34.3406
OL2	Hydraulic Pump Motor Overload	069885	Overload, 16-24A Class 10 Single Ph Sens	1	+L1.L3/2.202
PB1	E-Stop	068940	Pushbutton Head, 22mm E-Stop Twist-Pull	1	+L1.L4/17.1710
PB1	=	068950	Collar, Mount 1NC ZB5	1	+L1.L4/17.1710
PB1	=	068921	Contact Block, NC ZB5	1	+L1.L4/17.1710
PB2	Blade Brake Manual Override Push-Button	068950	Collar, Mount 1NC ZB5	1	+L1.L4/8.807
PB2	=	068920	Contact Block, NO ZB5	1	+L1.L4/8.807
PBL1	Control Power On PB	068952	Collar, Mount 1NO ZB5	1	+L1.L4/17.1710
PBL1	=	052503	Switch Head, PB Green Flush Illum ZB5	1	+L1.L4/17.1710
PBL1	=	068910	Light Module, Green ZB5	1	+L1.L4/17.1710
PL1	Head Mode Indicator	068912	Light Module, White ZB5	1	+L1.L4/26.2602
PL1	=	068931	Pilot Light, Yellow ZB5	1	+L1.L4/26.2602
PL1	=	068951	Switch Collar, Mount ZB5	1	+L1.L4/26.2602
PL2	Bed Mode Indicator	068912	Light Module, White ZB5	1	+L1.L4/26.2604
PL2	=	068931	Pilot Light, Yellow ZB5	1	+L1.L4/26.2604
PL2	=	068951	Switch Collar, Mount ZB5	1	+L1.L4/26.2604
PLC1	PLC	078783	PLC Assy, Ind. Mill M251	1	+L1.L4/21.2101
PLC1	=	078782	PLC Assy, Ind. Mill CPU	1	+L1.L4/21.2101
PLC1.1	Digital Input	078491	Input Module, Spring Clamp 16Pt Digital	1	+L1.L4/22.2202
PLC1.2	=	078491	Input Module, Spring Clamp 16Pt Digital	1	+L1.L4/24.2402
PLC1.3	Digital Output	078492	Output Module, TM3 16Pt. Transistor	1	+L1.L4/26.2602
PLC1.4	=	078492	Output Module, TM3 16Pt. Transistor	1	+L1.L4/28.2802
PLC1.5	=	078492	Output Module, TM3 16Pt. Transistor	1	+L1.L4/30.3002
PLC1.6	=	078492	Output Module, TM3 16Pt. Transistor	1	+L1.L4/32.3202
PLC1.7	Analog I/O	078648	Analog Module, TM3 4I/2O	1	+L1.L4/34.3402
PRX1	Blade Broken Prox	051439	Sensor, Ind Prox M12 PNP NS Ex	1	+L1.L4/23.2310
PRX2	Ball Nut Prox	051439	Sensor, Ind Prox M12 PNP NS Ex	1	+L1.L4/23.2313



Wood-Mizer®

Project Description: WM4500 Standard


Revision:	A3.03	Pg Desc:	Parts list
Mounting Location:	+Docs	Type:	Parts list
Prev. pg:	C1	Page:	C2
Next pg:	C3	Total Pgs:	89

Terminal line-up diagram

Wood-Mizer_Terminal_Lineup_Diagram

Terminal strip +L1,L3-X2

Terminal				Jumper		End Plate	Remark	Terminal X-Ref
Ref. Des.	Level	P/N	Description	Diagram	P/N	P/N		
TB1		068106	Terminal Block, 2Pos 4mm Clamp	•				&MEA+.L4/22.09
TB2		068106	Terminal Block, 2Pos 4mm Clamp	•		068108		&MEA+.L4/22.09
TB3		068106	Terminal Block, 2Pos 4mm Clamp	•				&MEA+.L4/22.11
TB4		068106	Terminal Block, 2Pos 4mm Clamp	•		068108		&MEA+.L4/22.11

		Wood-Mizer®	
Project Description: WM4500 Standard			
Revision:	A3.03	Pg Desc: Terminal line-up diagram	
Mounting Location: +Docs		Type: Terminal line-up diagram	
Prev. pg:	C3	Page:	D1
Next pg:	D2	Total Pgs:	89

Terminal line-up diagram

Wood-Mizer_Terminal_Lineup_Diagram

Terminal strip +L1,L4-X4

Terminal				Jumper		End Plate	Remark	Terminal X-Ref
Ref. Des.	Level	P/N	Description	Diagram	P/N	P/N		
TB1		068104	Terminal Block, 4Pos 1.5mm GND Clamp	⋮				&MEA+.L3/1.05
TB2		068104	Terminal Block, 4Pos 1.5mm GND Clamp	⋮				&MEA+.L3/1.05
TB3		068104	Terminal Block, 4Pos 1.5mm GND Clamp	⋮				&MEA+.L3/1
TB4		068103	Terminal Block, 4Pos 1.5mm Com Clamp	●	068113		Jumper is Trimmed Down To 3 Position Jumper Between TB4-6	&MEA+.L3/3.12
TB5		068103	Terminal Block, 4Pos 1.5mm Com Clamp	●				&MEA/12.18
TB6		068103	Terminal Block, 4Pos 1.5mm Com Clamp	●				&MEA/12
TB7		068103	Terminal Block, 4Pos 1.5mm Com Clamp	●	068113		Jumper is Trimmed Down To 2 Position Jumper Between TB7-8	&MEA+.L3/3.11
TB8		068103	Terminal Block, 4Pos 1.5mm Com Clamp	●		068105		&MEA+L9/37.06
TB9		068103	Terminal Block, 4Pos 1.5mm Com Clamp	●	068113		Jumper is Trimmed Down To 3 Position Jumper Between TB9-11	&MEA/7.06
TB10		068103	Terminal Block, 4Pos 1.5mm Com Clamp	●				&MEA/16.02
TB11		068103	Terminal Block, 4Pos 1.5mm Com Clamp	●		068105		&MEA+L9/37.07
TB12		068103	Terminal Block, 4Pos 1.5mm Com Clamp	●	068113		Jumper is Trimmed Down To 8 Position Between TB12-19	&MEA+.L3/3.17
TB13		068103	Terminal Block, 4Pos 1.5mm Com Clamp	●				&MEA/26.15
TB14		068103	Terminal Block, 4Pos 1.5mm Com Clamp	●				&MEA/30.06
TB15		068103	Terminal Block, 4Pos 1.5mm Com Clamp	●				&MEA/16.07
TB16		068103	Terminal Block, 4Pos 1.5mm Com Clamp	●				&MEA+.L3/6.06
TB17		068103	Terminal Block, 4Pos 1.5mm Com Clamp	●				&MEA/26.06
TB18		068103	Terminal Block, 4Pos 1.5mm Com Clamp	●				&MEA/7
TB19		068103	Terminal Block, 4Pos 1.5mm Com Clamp	●		068105		&MEA/7
TB20		068103	Terminal Block, 4Pos 1.5mm Com Clamp	●	068113		Jumper is Trimmed Down To 5 Position Between TB20-24	&MEA+.L3/3.16
TB21		068103	Terminal Block, 4Pos 1.5mm Com Clamp	●				&MEA/7.03
TB22		068103	Terminal Block, 4Pos 1.5mm Com Clamp	●				&MEA/21.02
TB23		068103	Terminal Block, 4Pos 1.5mm Com Clamp	●				&MEA+.L3/6.05
TB24		068103	Terminal Block, 4Pos 1.5mm Com Clamp	●		068105		&MEA/7
TB25		068103	Terminal Block, 4Pos 1.5mm Com Clamp	●	068113		Jumper is Trimmed Down To 2 Position Jumper Between TB25-26	&MEA/21
TB26		068103	Terminal Block, 4Pos 1.5mm Com Clamp	●		068105		&MEA+.L3/6.02



Wood-Mizer®

Project Description: WM4500 Standard

Revision: A3.03 Pg Desc: Terminal line-up diagram

Mounting Location: +Docs Type: Terminal line-up diagram

Prev. pg: D1 Page: D2 Next pg: D3 Total Pgs: 89

Terminal line-up diagram

Wood-Mizer_Terminal_Lineup_Diagram

Terminal strip +L5,L6-X5

Terminal				Jumper		End Plate	Remark	Terminal X-Ref
Ref. Des.	Level	P/N	Description	Diagram	P/N	P/N		
TB1		068104	Terminal Block, 4Pos 1.5mm GND Clamp	⋮		068105		&MEA+.L7/36.08
TB2		068103	Terminal Block, 4Pos 1.5mm Com Clamp	●	068113		Jumper is Trimmed Down To 2 Position Between TB2-3	&MEA+.L7/36.07
TB3		068103	Terminal Block, 4Pos 1.5mm Com Clamp	●		068105		&MEA+L1.L4/15.19
TB4		068103	Terminal Block, 4Pos 1.5mm Com Clamp	●	068113		Jumper is Trimmed Down To 2 Position Between TB4-5	&MEA+L1.L4/23.02
TB5		068103	Terminal Block, 4Pos 1.5mm Com Clamp	●		068105		&MEA+.L7/36.06
TB6	1	068119	Terminal Block, 2 Tier 2.5mm Clamp	⋮		068120		&MEA+L1.L4/17.05
TB6	2			⋮				&MEA+L1.L4/17.05
TB7	1	068119	Terminal Block, 2 Tier 2.5mm Clamp	⋮				&MEA+.L7/36.07
TB7	2			⋮				&MEA+.L7/36.08
TB8	1	068119	Terminal Block, 2 Tier 2.5mm Clamp	⋮				&MEA+L1.L4/17.07
TB8	2			⋮				&MEA+.L7/36.06
TB9	1	068119	Terminal Block, 2 Tier 2.5mm Clamp	⋮				&MEA+L1.L4/17.12
TB9	2			⋮				&MEA+L1.L4/17.12
TB10	1	068119	Terminal Block, 2 Tier 2.5mm Clamp	⋮				&MEA+L1.L4/22.06
TB10	2			⋮				&MEA+L1.L4/22.04
TB11	1	068119	Terminal Block, 2 Tier 2.5mm Clamp	⋮		068120		&MEA+L1.L4/18.02
TB11	2			⋮				
TB12	1	068119	Terminal Block, 2 Tier 2.5mm Clamp	⋮				&MEA+L1.L4/24.03
TB12	2			⋮				&MEA+L1.L4/24.03
TB13	1	068119	Terminal Block, 2 Tier 2.5mm Clamp	⋮				&MEA+L1.L4/24.04
TB13	2			⋮				&MEA+L1.L4/24.04
TB14	1	068119	Terminal Block, 2 Tier 2.5mm Clamp	⋮				&MEA+L1.L4/24.06
TB14	2			⋮				&MEA+L1.L4/24.05
TB15	1	068119	Terminal Block, 2 Tier 2.5mm Clamp	⋮				&MEA+L1.L4/24.08
TB15	2			⋮				&MEA+L1.L4/24.06
TB16	1	068119	Terminal Block, 2 Tier 2.5mm Clamp	⋮				&MEA+L1.L4/24.08
TB16	2			⋮				&MEA+L1.L4/24.09
TB17	1	068119	Terminal Block, 2 Tier 2.5mm Clamp	⋮		068120		&MEA+L1.L4/24.07
TB17	2			⋮				&MEA+L1.L4/24.09
TB18	1	068119	Terminal Block, 2 Tier 2.5mm Clamp	⋮				&MEA+L1.L4/25.03
TB18	2			⋮				&MEA+L1.L4/25.03
TB19	1	068119	Terminal Block, 2 Tier 2.5mm Clamp	⋮				&MEA+L1.L4/25.04
TB19	2			⋮				&MEA+L1.L4/25.04
TB20	1	068119	Terminal Block, 2 Tier 2.5mm Clamp	⋮				&MEA+L1.L4/25.06
TB20	2			⋮				&MEA+L1.L4/25.05



Wood-Mizer®

Project Description: WM4500 Standard

Revision: A3.03 Pg Desc: Terminal line-up diagram

Mounting Location: +Docs Type: Terminal line-up diagram

Prev. pg: D2 Page: D3 Next pg: D4 Total Pgs: 89

Terminal line-up diagram

Wood-Mizer_Terminal_Lineup_Diagram

Terminal strip +L5,L6-X5

Terminal				Jumper		End Plate	Remark	Terminal X-Ref
Ref. Des.	Level	P/N	Description	Diagram	P/N	P/N		
TB21	1	068119	Terminal Block, 2 Tier 2.5mm Clamp	•				&MEA+L1.L4/25.08
TB21	2			•				&MEA+L1.L4/25.06
TB22	1	068119	Terminal Block, 2 Tier 2.5mm Clamp	•				&MEA+L1.L4/25.08
TB22	2			•				&MEA+L1.L4/25.09
TB23	1	068119	Terminal Block, 2 Tier 2.5mm Clamp	•		068120		&MEA+L1.L4/25.07
TB23	2			•				&MEA+L1.L4/25.09
TB24	1	068119	Terminal Block, 2 Tier 2.5mm Clamp	•				&MEA+L1.L4/23.02
TB24	2			•				&MEA+L1.L4/23.02
TB25	1	068119	Terminal Block, 2 Tier 2.5mm Clamp	•		068120		
TB25	2			•				&MEA+L1.L4/23.03
TB26	1	068119	Terminal Block, 2 Tier 2.5mm Clamp	•				&MEA+L1.L4/17.07
TB26	2			•				&MEA+L1.L4/17.07
TB27	1	068119	Terminal Block, 2 Tier 2.5mm Clamp	•				&MEA+L1.L4/17.07
TB27	2			•				&MEA+L1.L4/17.07
TB28	1	068119	Terminal Block, 2 Tier 2.5mm Clamp	•				&MEA+L1.L4/17.07
TB28	2			•				&MEA+L1.L4/17.07
TB29	1	068119	Terminal Block, 2 Tier 2.5mm Clamp	•		068120		&MEA+L1.L4/18.05
TB29	2			•				&MEA+L1.L4/18.03
TB30	1	068119	Terminal Block, 2 Tier 2.5mm Clamp	•		068120		&MEA+L1.L4/18
TB30	2			•				&MEA+L1.L4/18.05
TB31	1	068119	Terminal Block, 2 Tier 2.5mm Clamp	•				&MEA+L1.L4/15.19
TB31	2			•				&MEA+L1.L4/15.20
TB32	1	068119	Terminal Block, 2 Tier 2.5mm Clamp	•		068120		&MEA+L1.L4/15.18
TB32	2			•				



Wood-Mizer®

Project Description: WM4500 Standard

Revision: A3.03 Pg Desc: Terminal line-up diagram

Mounting Location: +Docs Type: Terminal line-up diagram

Prev. pg: D3 Page: D4 Next pg: D5 Total Pgs: 89

Terminal line-up diagram

Wood-Mizer_Terminal_Lineup_Diagram

Terminal strip +L11.L12-X6

Terminal				Jumper		End Plate	Remark	Terminal X-Ref
Ref. Des.	Level	P/N	Description	Diagram	P/N	P/N		
TB1		068104	Terminal Block, 4Pos 1.5mm GND Clamp	•				&MEA+L1.L3/1.09
TB2		068104	Terminal Block, 4Pos 1.5mm GND Clamp	•		068105		&MEA+L1.L4/19.12
TB3		068103	Terminal Block, 4Pos 1.5mm Com Clamp	•	068113		Jumper is Trimmed Down To 2 Position Between TB3-4	&MEA+L1.L4/8.05
TB4		068103	Terminal Block, 4Pos 1.5mm Com Clamp	•		068105		&MEA+L1.L4/8.13
TB5		068103	Terminal Block, 4Pos 1.5mm Com Clamp	•	068113		Jumper is Trimmed Down To 3 Position Between TB5-7	&MEA+L1.L4/16.09
TB6		068103	Terminal Block, 4Pos 1.5mm Com Clamp	•				&MEA+L1.L4/26.02
TB7		068103	Terminal Block, 4Pos 1.5mm Com Clamp	•		068105		&MEA+L1.L4/19.12
TB8		068103	Terminal Block, 4Pos 1.5mm Com Clamp	•	068113		Jumper is Trimmed Down To 2 Position Between TB8-9	&MEA+L1.L4/23.07
TB9		068103	Terminal Block, 4Pos 1.5mm Com Clamp	•		068105		&MEA+L1.L4/23.06
TB10	1	068119	Terminal Block, 2 Tier 2.5mm Clamp	•				&MEA+L1.L4/17.02
TB10	2			•				&MEA+L1.L4/17.02
TB11	1	068119	Terminal Block, 2 Tier 2.5mm Clamp	•				&MEA+L1.L4/17.02
TB11	2			•				&MEA+L1.L4/17.02
TB12	1	068119	Terminal Block, 2 Tier 2.5mm Clamp	•				&MEA+L1.L4/7.15
TB12	2			•				&MEA+L1.L4/7.17
TB13	1	068119	Terminal Block, 2 Tier 2.5mm Clamp	•				&MEA+L1.L4/8.09
TB13	2			•				&MEA+L1.L4/8.07
TB14	1	068119	Terminal Block, 2 Tier 2.5mm Clamp	•				
TB14	2			•				&MEA+L1.L4/8.11
TB15	1	068119	Terminal Block, 2 Tier 2.5mm Clamp	•				
TB15	2			•				&MEA+L1.L4/8.13
TB16	1	068119	Terminal Block, 2 Tier 2.5mm Clamp	•		068120		&MEA+L1.L4/23.13
TB16	2			•				&MEA+L1.L4/23.10
TB17	1	068119	Terminal Block, 2 Tier 2.5mm Clamp	•				&MEA+L1.L4/8
TB17	2			•				&MEA+L1.L4/8.16



Wood-Mizer®

Project Description: WM4500 Standard

Revision: A3.03 Pg Desc: Terminal line-up diagram

Mounting Location: +Docs Type: Terminal line-up diagram

Prev. pg: D4 Page: D5 Next pg: D6 Total Pgs: 89

Terminal line-up diagram

Wood-Mizer_Terminal_Lineup_Diagram

Terminal strip +L9,L10-X7

Terminal				Jumper		End Plate	Remark	Terminal X-Ref
Ref. Des.	Level	P/N	Description	Diagram	P/N	P/N		
TB1		068104	Terminal Block, 4Pos 1.5mm GND Clamp	•				&MEA+L1.L3/1.08
TB2		068104	Terminal Block, 4Pos 1.5mm GND Clamp	•				&MEA+L1.L4/9.04
TB3		068104	Terminal Block, 4Pos 1.5mm GND Clamp	•				&MEA+L1.L4/9.07
TB4		068104	Terminal Block, 4Pos 1.5mm GND Clamp	•				&MEA+L1.L4/9.11
TB6		068103	Terminal Block, 4Pos 1.5mm Com Clamp	•	068113		Jumper is Trimmed Down To 5 Position Between TB6-10	&MEA+L1.L4/9.02
TB7		068103	Terminal Block, 4Pos 1.5mm Com Clamp	•				&MEA+L1.L4/9.02
TB8		068103	Terminal Block, 4Pos 1.5mm Com Clamp	•				&MEA+L1.L4/9.06
TB9		068103	Terminal Block, 4Pos 1.5mm Com Clamp	•				&MEA+L1.L4/9.09
TB11		068103	Terminal Block, 4Pos 1.5mm Com Clamp	•		068105		&MEA+L1.L4/16.12
TB12		068103	Terminal Block, 4Pos 1.5mm Com Clamp	•		068105		&MEA+L1.L4/16.12
TB13	1	068119	Terminal Block, 2 Tier 2.5mm Clamp	•				&MEA+L1.L4/9.02
TB13	2			•				&MEA+L1.L4/9.05
TB14	1	068119	Terminal Block, 2 Tier 2.5mm Clamp	•				&MEA+L1.L4/9.06
TB14	2			•				&MEA+L1.L4/9.08
TB15	1	068119	Terminal Block, 2 Tier 2.5mm Clamp	•				&MEA+L1.L4/9.09
TB15	2			•				&MEA+L1.L4/9.12
TB16	1	068119	Terminal Block, 2 Tier 2.5mm Clamp	•				&MEA+L1.L4/9.13
TB16	2			•				&MEA+L1.L4/9.15
TB17	1	068119	Terminal Block, 2 Tier 2.5mm Clamp	•				&MEA+L1.L4/9.16
TB17	2			•				&MEA+L1.L4/9.19
TB18	1	068119	Terminal Block, 2 Tier 2.5mm Clamp	•				&MEA+L1.L4/10.02
TB18	2			•				&MEA+L1.L4/10.04
TB19	1	068119	Terminal Block, 2 Tier 2.5mm Clamp	•				&MEA+L1.L4/10.05
TB19	2			•				&MEA+L1.L4/10.08
TB20	1	068119	Terminal Block, 2 Tier 2.5mm Clamp	•				&MEA+L1.L4/10.09
TB20	2			•				&MEA+L1.L4/10.11
TB21	1	068119	Terminal Block, 2 Tier 2.5mm Clamp	•				&MEA+L1.L4/10.12
TB21	2			•				
TB22	1	068119	Terminal Block, 2 Tier 2.5mm Clamp	•				&MEA+L1.L4/10.15
TB22	2			•				&MEA+L1.L4/10.17
TB23	1	068119	Terminal Block, 2 Tier 2.5mm Clamp	•				&MEA+L1.L4/11.02
TB23	2			•				&MEA+L1.L4/11.04
TB24	1	068119	Terminal Block, 2 Tier 2.5mm Clamp	•				&MEA+L1.L4/11.05
TB24	2			•				&MEA+L1.L4/11.07
TB25	1	068119	Terminal Block, 2 Tier 2.5mm Clamp	•				&MEA+L1.L4/34.07



Wood-Mizer®

Project Description: WM4500 Standard

Revision: A3.03 Pg Desc: Terminal line-up diagram

Mounting Location: +Docs Type: Terminal line-up diagram


Prev. pg: D5 Page: D6 Next pg: D7 Total Pgs: 89

Terminal line-up diagram

Wood-Mizer_Terminal_Lineup_Diagram

Terminal strip +L9,L10-X7

Terminal				Jumper		End Plate	Remark	Terminal X-Ref
Ref. Des.	Level	P/N	Description	Diagram	P/N	P/N		
TB25	2			•				&MEA+L1.L4/34.08
TB26	1	068119	Terminal Block, 2 Tier 2.5mm Clamp	•				&MEA+L1.L4/11.09
TB26	2			•				


		Wood-Mizer®	
Project Description: WM4500 Standard			
Revision:	A3.03	Pg Desc: Terminal line-up diagram	
Mounting Location:	+Docs	Type: Terminal line-up diagram	
Prev. pg:	D6	Page:	D7
Next pg:	D8	Total Pgs:	89

Terminal line-up diagram

Wood-Mizer_Terminal_Lineup_Diagram

Terminal strip +L5,L15-X9

Terminal				Jumper		End Plate	Remark	Terminal X-Ref
Ref. Des.	Level	P/N	Description	Diagram	P/N	P/N		
TB1		052293	Junction Block, 3-Position Wire Clamp	•				&MEA+L1.L4/15.15
TB2		052293-2	Junction Block, 2-Position Wire Clamp	•				&MEA+L1.L4/15.14
TB3		052293-2	Junction Block, 2-Position Wire Clamp	•				&MEA+L1.L4/15.13
TB4		052293	Junction Block, 3-Position Wire Clamp	•				&MEA+L1.L4/15.14

		Wood-Mizer®	
Project Description: WM4500 Standard			
Revision:	A3.03	Pg Desc: Terminal line-up diagram	
Mounting Location: +Docs		Type: Terminal line-up diagram	
Prev. pg:	D7	Page:	D8
Next pg:	E1	Total Pgs:	89

Cable Overview

Wood-Mizer_Cable_Overview

Cable Designation	Cable Part Number	Cable Description	Cable X-Ref
W1	069958	Cable Assy, Ind. Mill Blade Motor	+L1.L3/1.118
W2	069993	Cable Assy, Ind. Mill Hydraulic Mtr	+L1.L3/2.202
W3	078442	Cable Assy, Ind. Mill Feed Motor	+L1.L3/2.208
W4	068179	Cable Assy, Ind. Mill Up/Dn Servo Mtr	+L1.L3/2.214
W5	068180	Cable Assy, Ind. Mill Up/Dn Servo Enc	+L1.L3/2.213
W6	069959	Cable Assy, Ind. Mill Debarker Motor	+L1.L3/3.302
W20	069962	Cable Assy, Ind. Mill Head Box	+L1.L4/7.708
W21	078656	Cable Assy, Ind. Mill Hydraulic Control	+L1.L4/10.1002
W22	078657	Cable Assy, Ind. Mill Operator Junction	+L1.L4/16.1616
W23	078658	Cable Assy, Ind. Mill HMI Control	+L1.L4/17.1710
W30	078659	Cable Assy, Ind. Mill Left Joystick	+L1.L4/24.2403
W31	078660	Cable Assy, Ind. Mill Right Joystick	+L1.L4/25.2503
W32	078054	Cable Assy, Ind. Mill Sec. Side Supports	+L1.L4/15.1518
W33	078053	Cable Assy, Ind. Mill Sd Spt Ft Pdl	+L1.L4/15.1513
W34	069963	Cable Assy, Ind. Mill Seat Switch	+L1.L4/17.1705
W35	078661	Cable Assy, Ind. Mill Foot Pedal	+L1.L4/23.2302
W36	078662	Cable Assy, Ind. Mill Blade Break Prox	+L1.L4/23.2310
W37	078663	Cable Assy, Ind. Mill Ball Nut Prox	+L1.L4/23.2312
W38	069988	Cable Assy, Ind. Mill Blade Guide Motor	+L1.L4/7.715
W39	068074	Cable Assy, Ind. Mill Laser	+L1.L4/8.813
W40	068048	Cable Assy, Ind. Mill Feed Encoder Pwr	+L1.L4/19.1911
W40A	068206	Connector Assy, Ind. Mill Feed Encoder	+L1.L4/19.1911
W41	078791	Cable Assy, Drag Back Solenoid	+L1.L4/8.802
W42	078665	Cable Assy, Ind. Mill Prop Valve	+L1.L4/34.3407
W61	069977	Cable Assy, Ind. Mill Bld Brk Sol.	+L1.L4/8.807
W62	069978	Cable Assy, Ind. Mill Blw Off Sol.	+L1.L4/8.809
W63	069979	Cable Assy, Ind. Mill Debarker Sol.	+L1.L4/8.811
W64	069966	Cable Assy, Ind. Mill Clamp In/Out Sol	+L1.L4/9.902
W65	069967	Cable Assy, Ind. Mill Turner Up/Dn Sol.	+L1.L4/9.906
W66	069968	Cable Assy, Ind. Mill Clamp Up/Dn Sol.	+L1.L4/9.909
W67	069969	Cable Assy, Ind. Mill Toe #1 Up/Dn Sol.	+L1.L4/9.913
W68	069970	Cable Assy, Ind. Mill Pwr Tpr Fwd/Rv Sol.	+L1.L4/9.916
W69	069971	Cable Assy, Ind. Mill Toe #2 Up/Dn Sol.	+L1.L4/10.1002
W70	069972	Cable Assy, Ind. Mill Toe #3 Up/Dn Sol.	+L1.L4/10.1005
W71	069973	Cable Assy, Ind. Mill Sd Sup Up/Dn Sol.	+L1.L4/10.1009



Wood-Mizer®


Project Description: WM4500 Standard

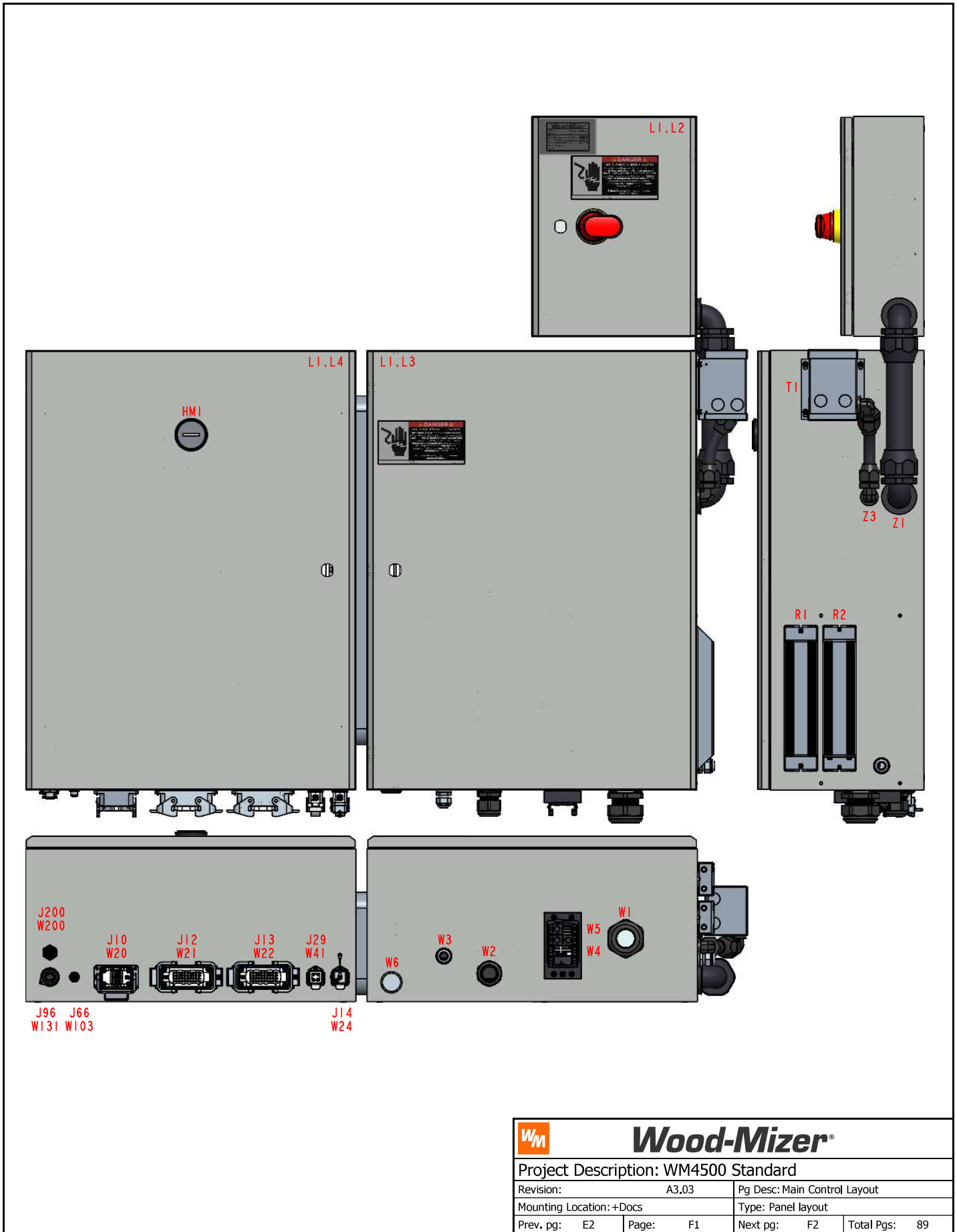
Revision:	A3.03	Pg Desc:	Cable overview
Mounting Location:	+Docs	Type:	Cable overview
Prev. pg:	D8	Page:	E1
		Next pg:	E2
		Total Pgs:	89


Cable Overview

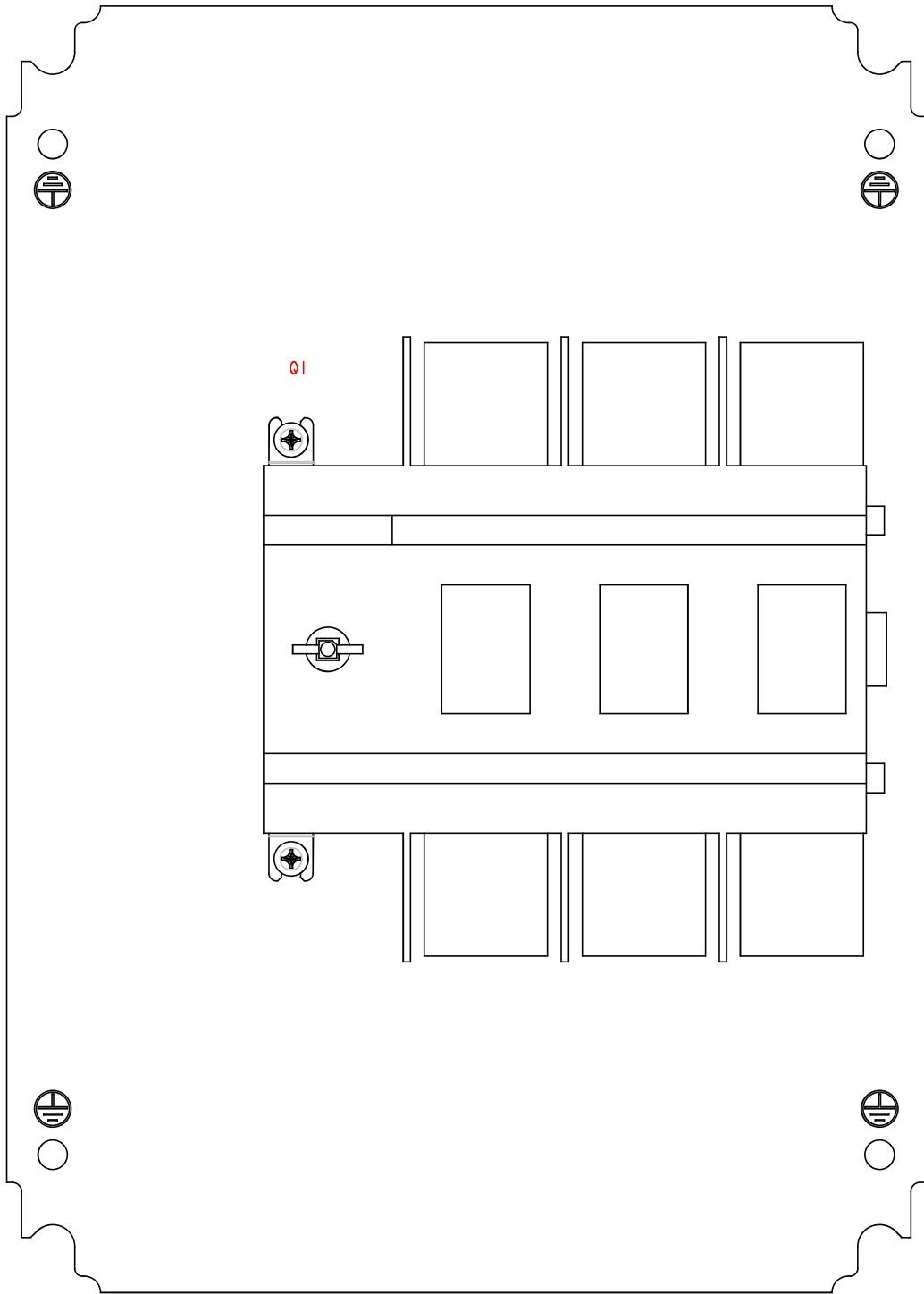
Wood-Mizer_Cable_Overview


Cable Designation	Cable Part Number	Cable Description	Cable X-Ref
W72	068189	Cable Assy, Ind. Mill Conveyor Sol.	+L1.L4/10.1012
W73	069974	Cable Assy, Ind. Mill Pwr Tpr Fwd/Rv Sol.	+L1.L4/10.1014
W74	069975	Cable Assy, Ind. Mill Loader Up/Dn Sol.	+L1.L4/11.1102
W75	069976	Cable Assy, Ind. Mill Log Deck Fwd/Rev S	+L1.L4/11.1105
W77	069978	Cable Assy, Ind. Mill Blw Off Sol.	+L1.L4/8.816
W80	078905	Cable Assy, Pull Down Clamp 1 Up/Down	+L9/38.3802
W81	078906	Cable Assy, Pull Down Clamp 1 In/Out	+L9/38.3811
W82	078907	Cable Assy, Pull Down Clamp 2 Up/Down	+L9/39.3902
W83	078908	Cable Assy, Pull Down Clamp 2 In/Out	+L9/39.3911
W90	078055	Cable Assy, Ind. Mill Sec Sd Spt Sol	+L1.L4/15.1513
W100	069937	Cable Assy, Ind. Mill CANopen PLC	+L1.L4/21.2111
W101	069873	Cable Assy, Ind. Mill CANopen Feed Drive	+L1.L4/19.1902
W102	069874	Cable Assy, Ind. Mill CANopen Up/Dn Driv	+L1.L4/19.1902
W103.A	068029	Connector Assy, Ind. Mill CANopen Main	+L1.L4/19.1908
W103.B	068283	Cable Assy, Ind. Mill Encoder CAN	+L1.L4/19.1908
W104	078897	Cable Assy, Pull Down Clamps Mdl CAN	+L9/37.3711
W120	069923	Cable Assy, Ind. Mill Modbus Soft Start	+L1.L4/21.2106
W130	068162	Cable Assy, Ind. Mill Ethernet PLC	+L1.L4/21.2108
W131.A	069888	Cable Assy, Ind. Mill Ethernet Main Inte	+L1.L4/19.1918
W131.B	069997	Cable Assy, Ind. Mill HMI Ethernet	+L5.L7/36.3610
W131.C	069986	Cable Assy, Ind. Mill Ethernet HMI Int	+L5.L7/36.3610
W140	068178	Receptacle, Panel Mount USB	+L5.L7/36.3608
W200	078895	Connector Assy, Ind. Mill Remote Pwr	+L9/37.3706
W201	078898	Cable Assy, Pull Down Clamps Mdl Pwr	+L9/37.3706
Z1	078785	Harness Assy, Ind. Mill Disconnect	+L1.L3/1.101
Z3	069935	Harness Assy, Ind. Mill Transformer	+L1.L3/3.306

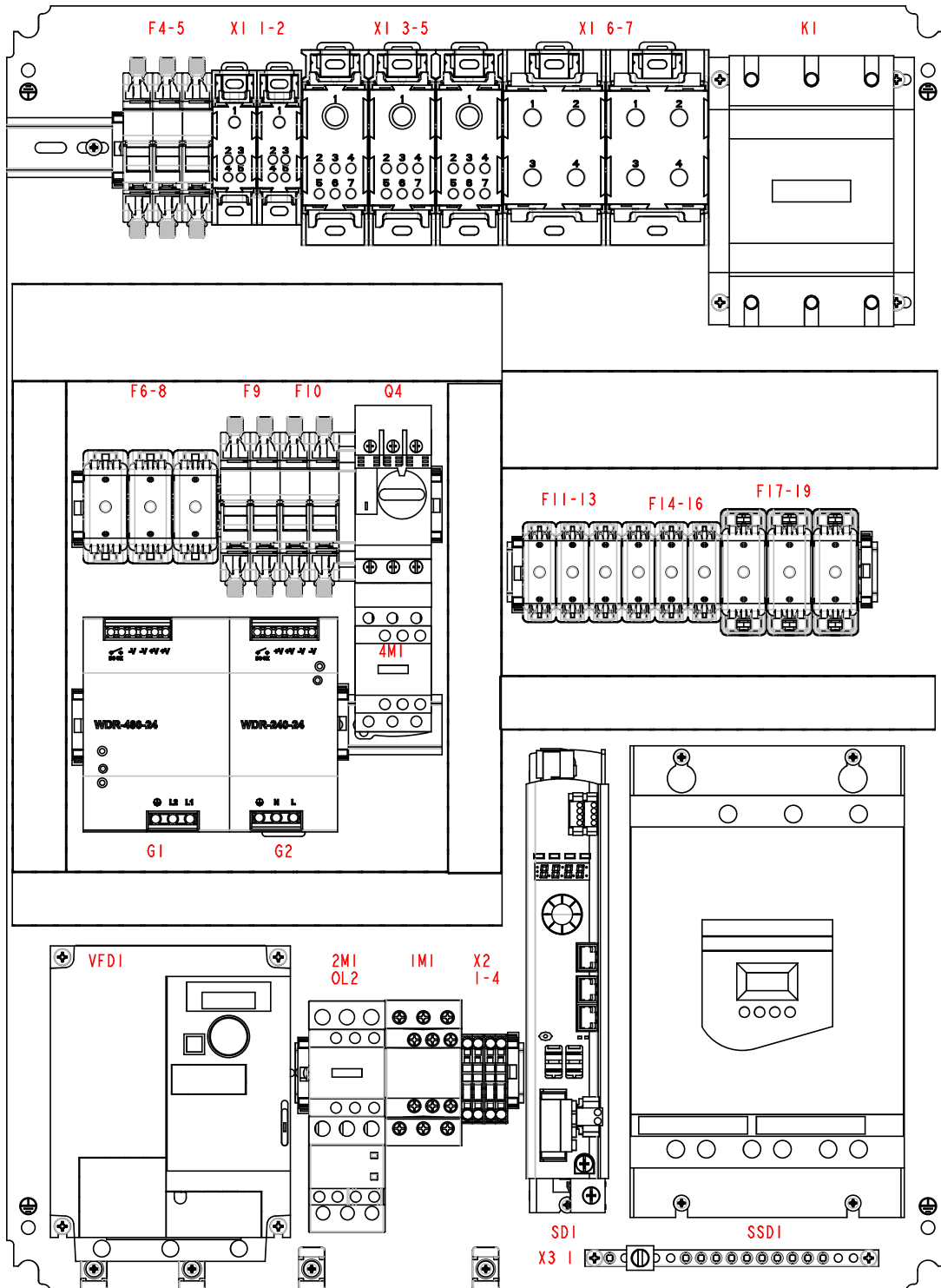
		Wood-Mizer®	
Project Description: WM4500 Standard			
Revision:	A3.03	Pg Desc: Cable overview	
Mounting Location: +Docs		Type: Cable overview	
Prev. pg:	E1	Page:	E2
Next pg:		F1	Total Pgs: 89

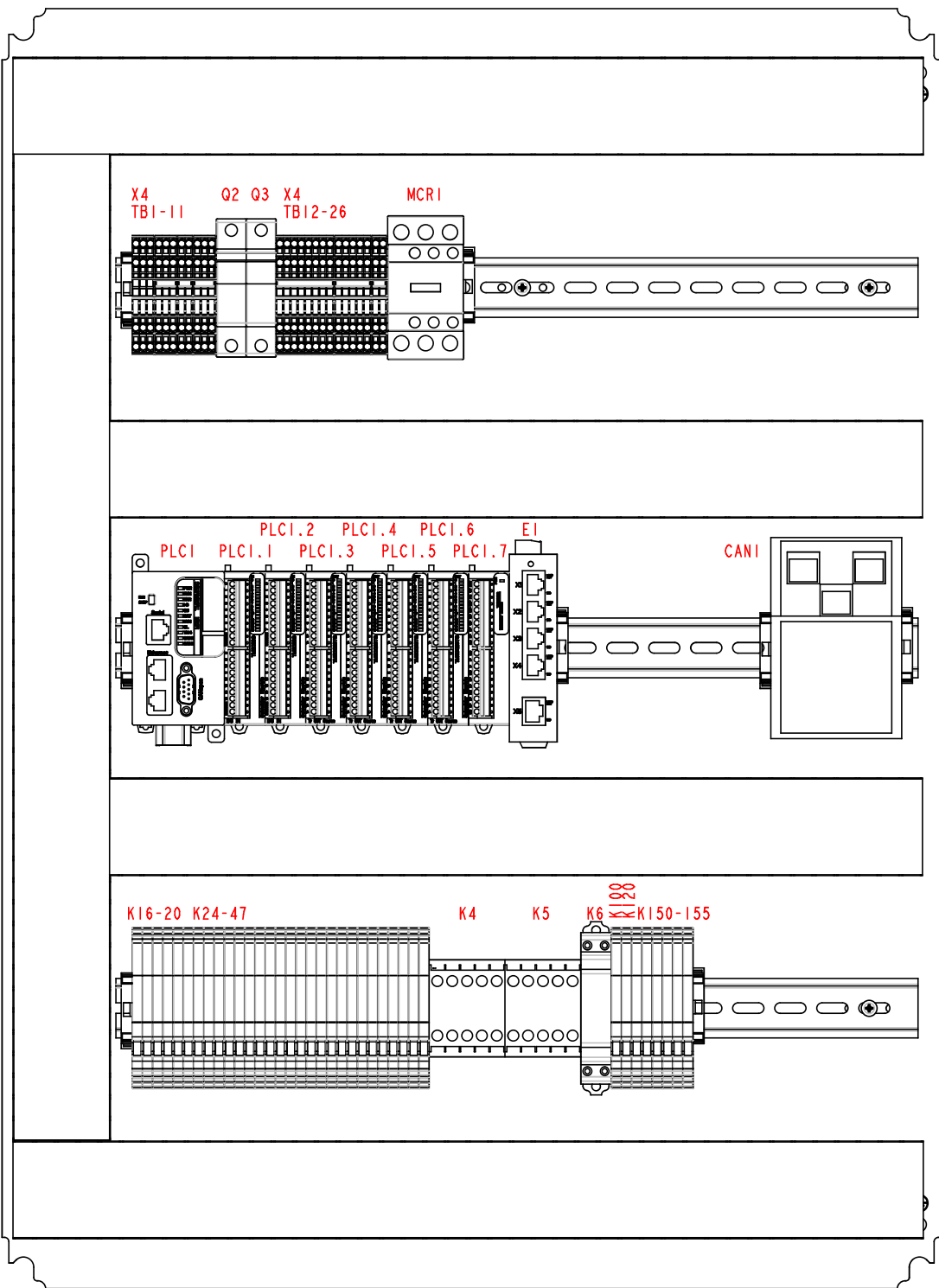


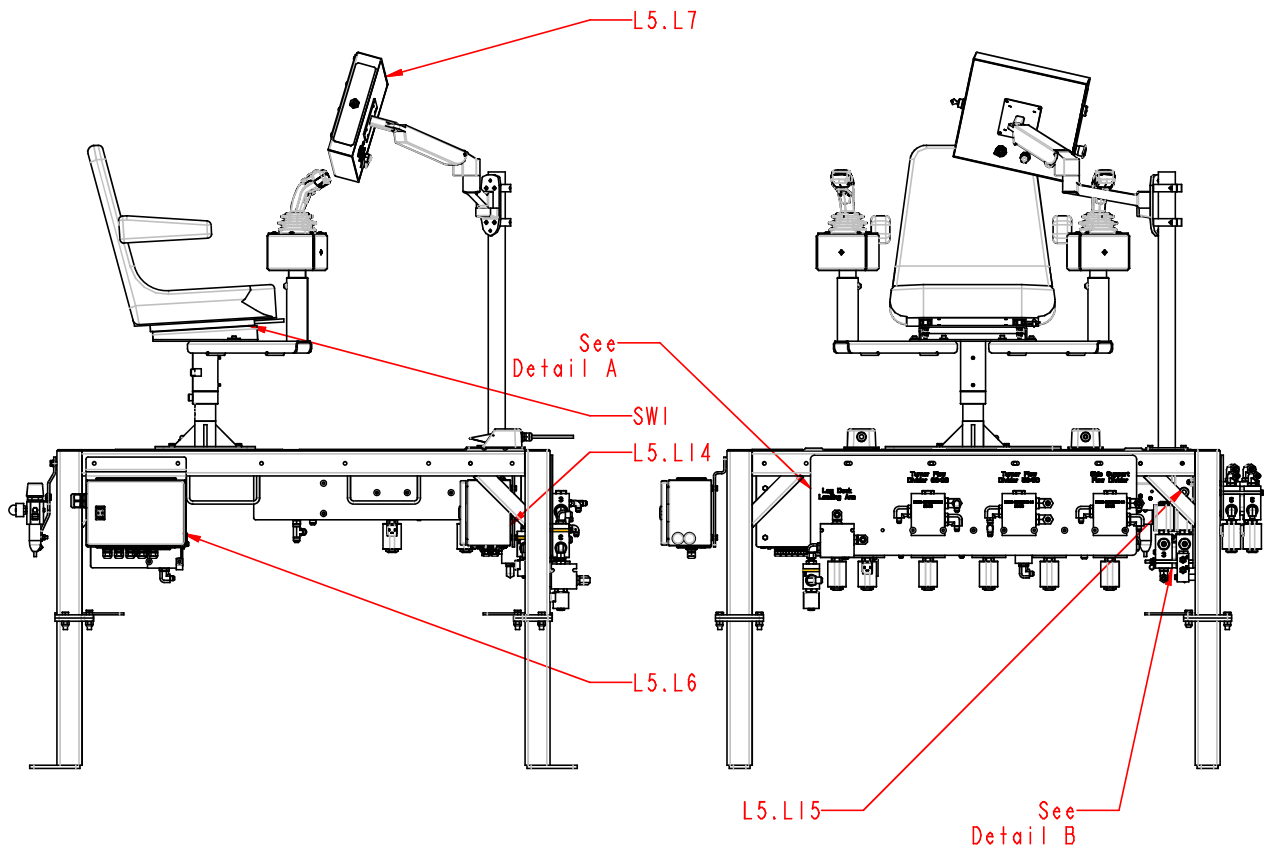
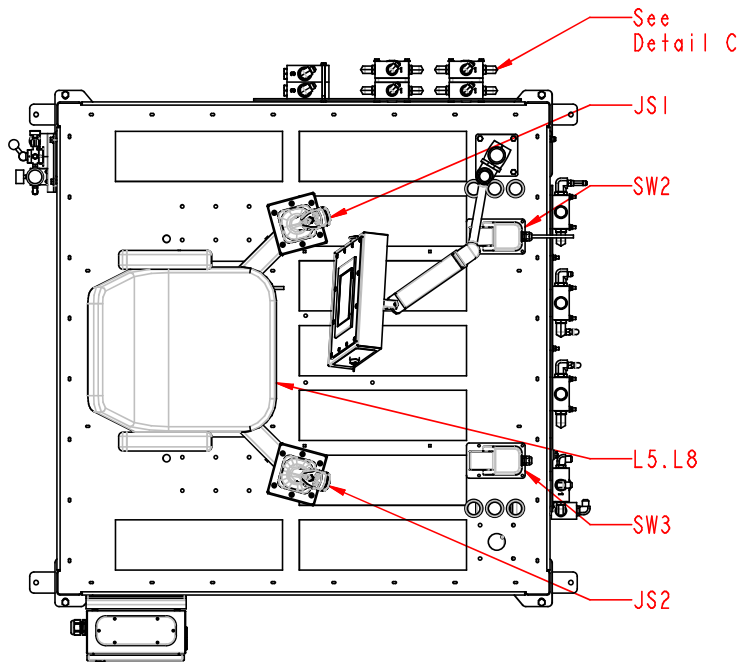
		Wood-Mizer®	
Project Description: WM4500 Standard			
Revision:	A3.03	Pg Desc: Main Control Layout	
Mounting Location:	+Docs	Type: Panel layout	
Prev. pg:	E2	Page:	F1
		Next pg:	F2
		Total Pgs:	89




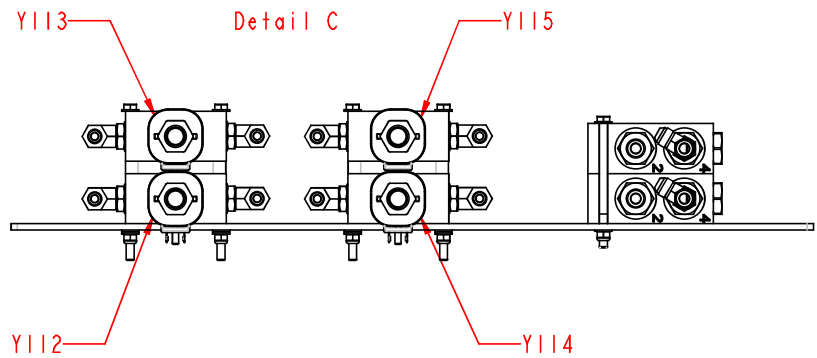
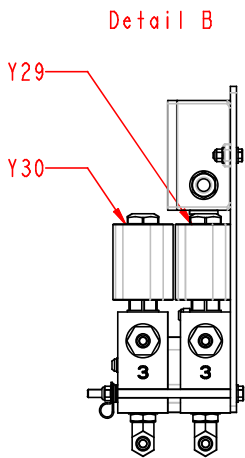
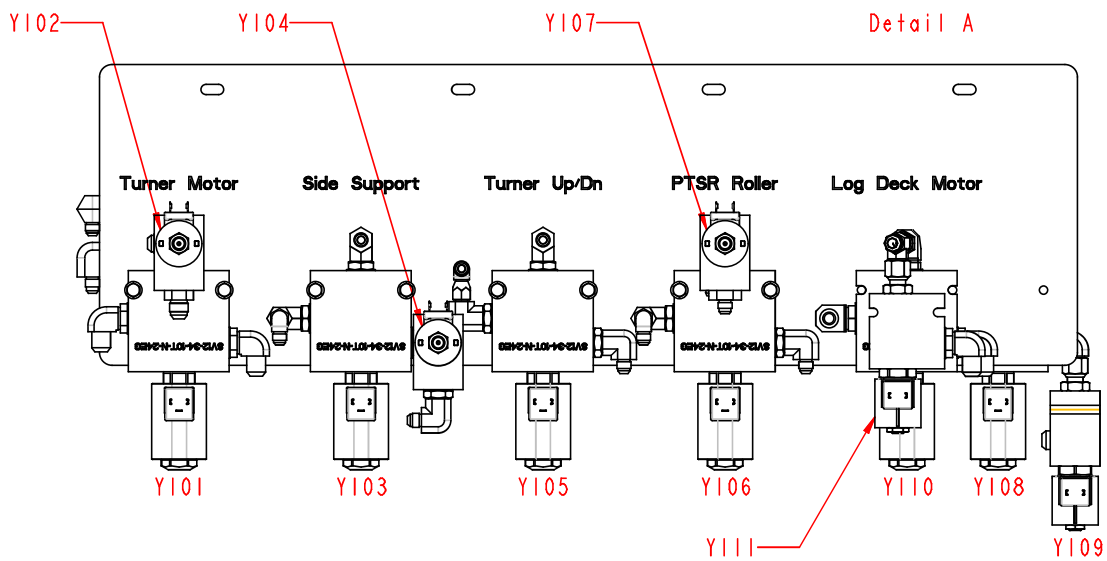
		Wood-Mizer®	
Project Description: WM4500 Standard			
Revision:	A3.03	Pg Desc: Main Control Disconnect Layout	
Mounting Location:	+Docs	Type: Panel layout	
Prev. pg:	F1	Page:	F2
		Next pg:	F3
		Total Pgs:	89




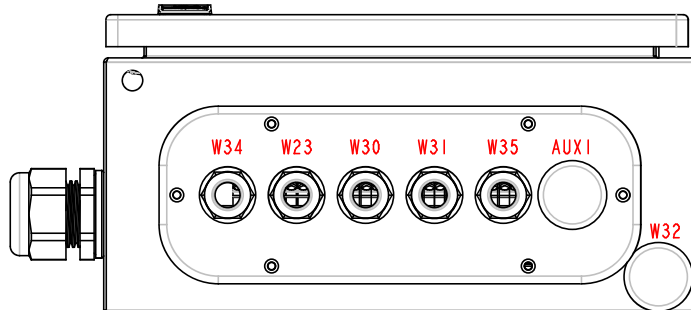
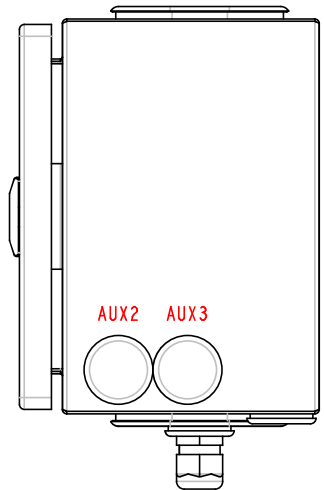
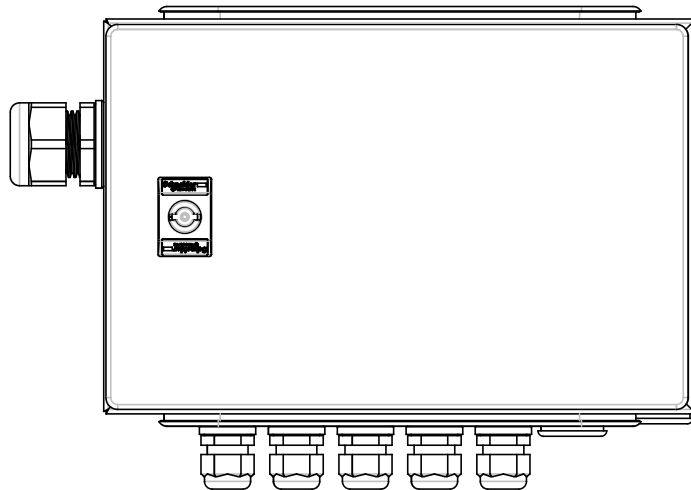
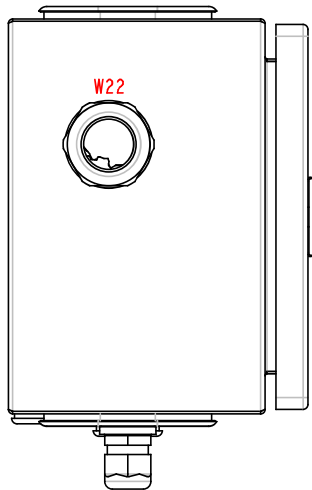
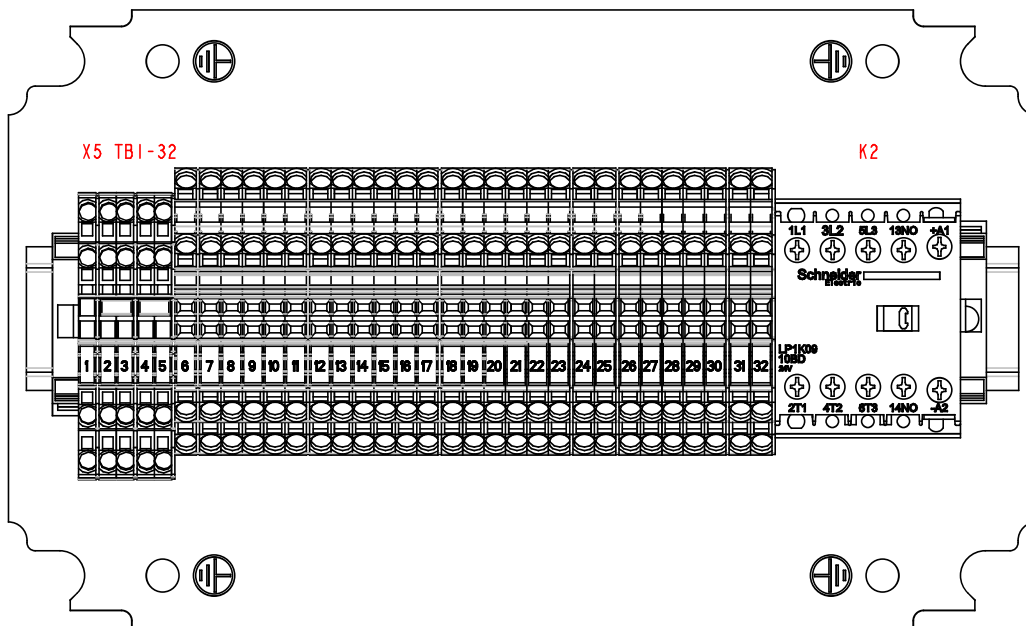





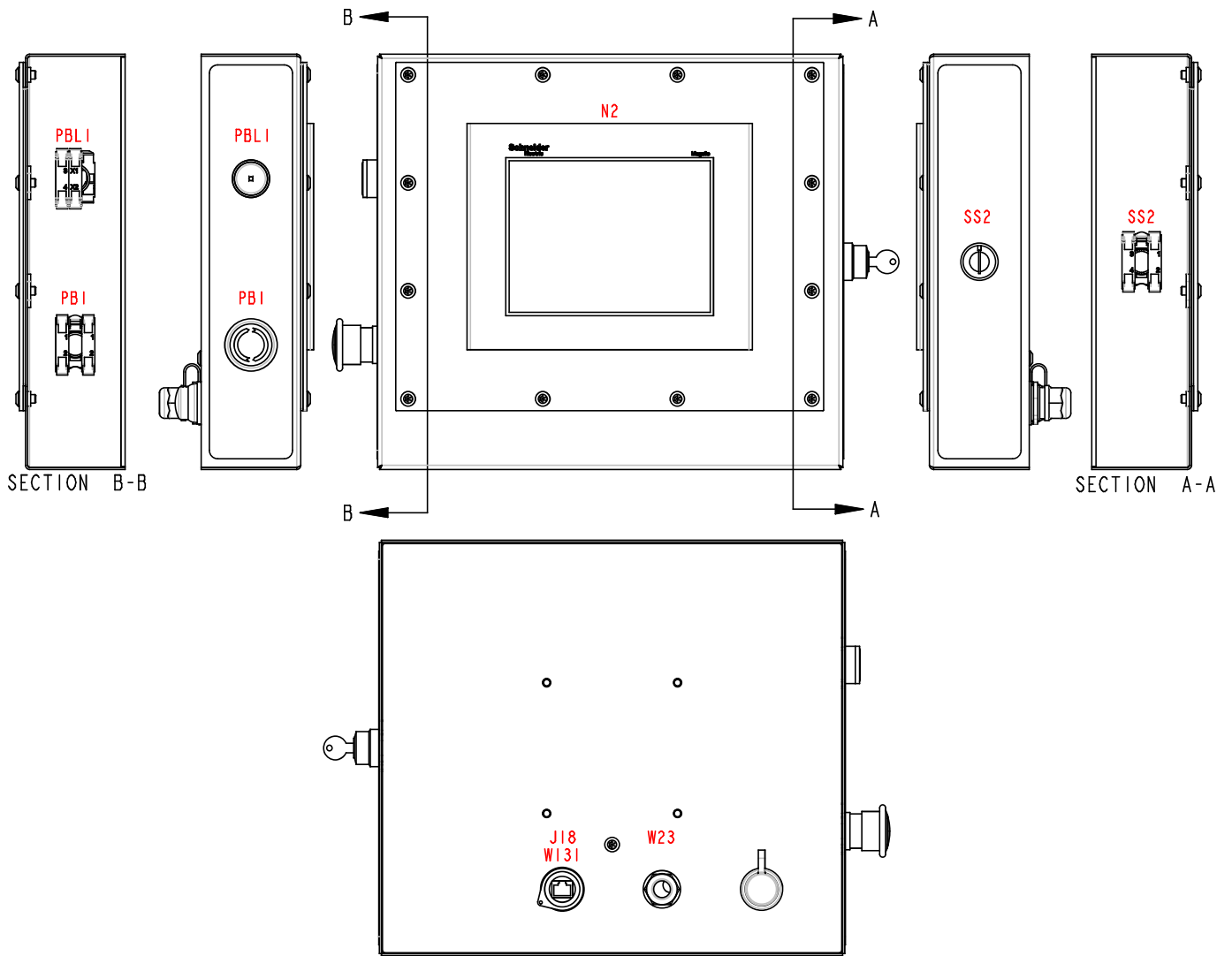
 Wood-Mizer®			
Project Description: WM4500 Standard			
Revision:	A3.03	Pg Desc: Operator Ctl Layout	
Mounting Location:	+Docs	Type: Panel layout	
Prev. pg:	F4	Page:	F5
		Next pg:	F6
		Total Pgs:	89




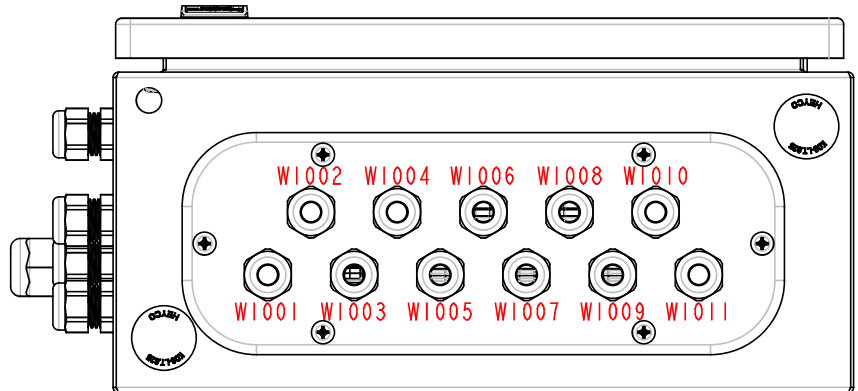
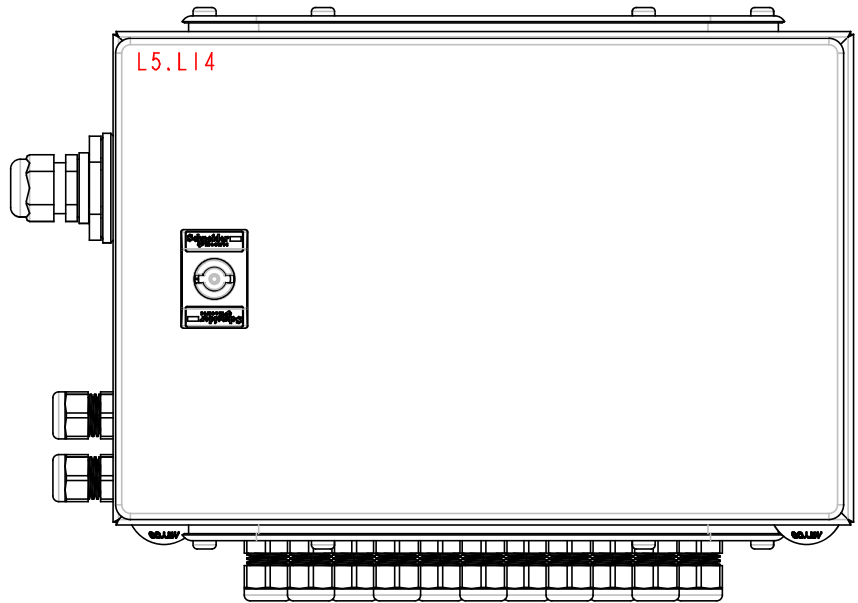
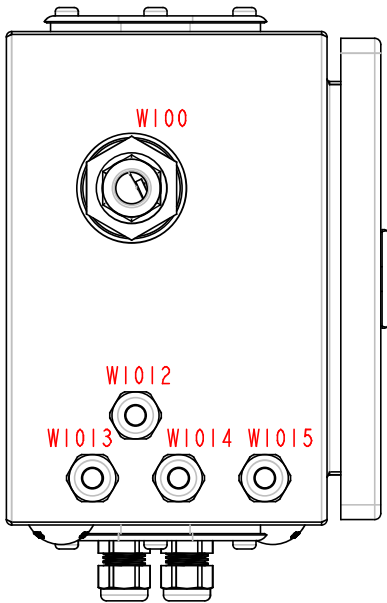
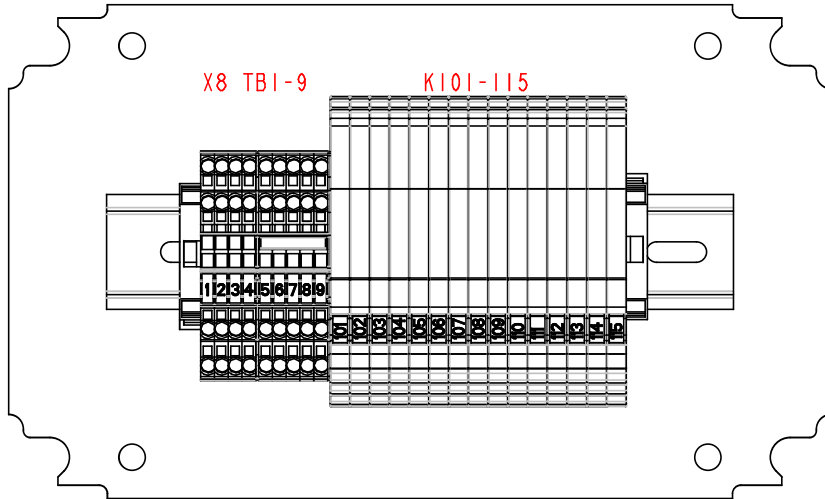
		Wood-Mizer®	
Project Description: WM4500 Standard			
Revision:	A3.03	Pg Desc: Operator Ctl Solenoid Layout	
Mounting Location:	+Docs	Type: Panel layout	
Prev. pg:	F5	Page:	F6
		Next pg:	F7
		Total Pgs:	89




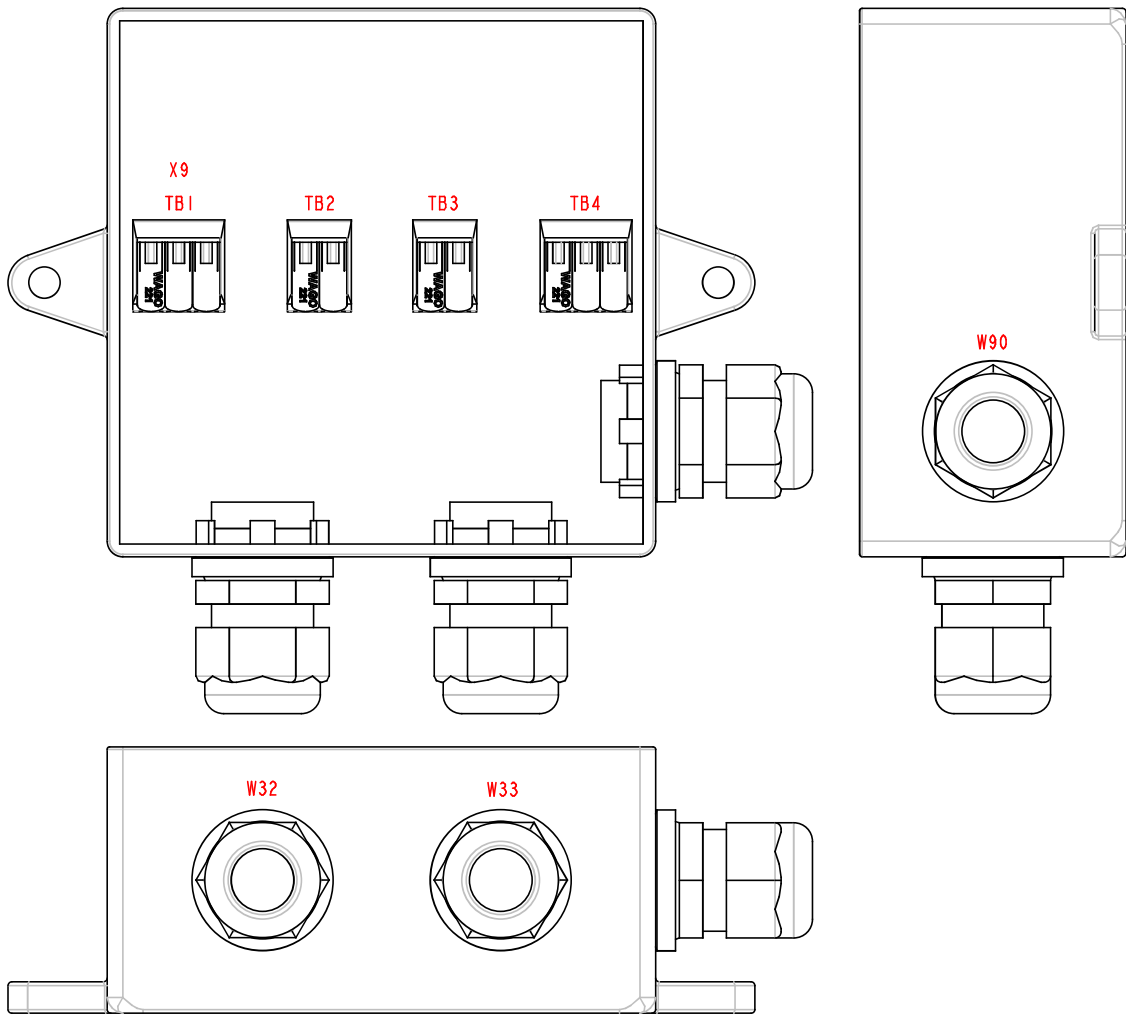
		Wood-Mizer®	
Project Description: WM4500 Standard			
Revision:	A3.03	Pg Desc: Operator Ctl Junction Layout	
Mounting Location:	+Docs	Type: Panel layout	
Prev. pg:	F6	Page:	F7
		Next pg:	F8
		Total Pgs:	89




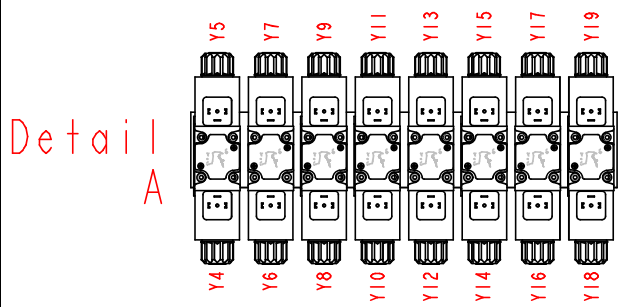
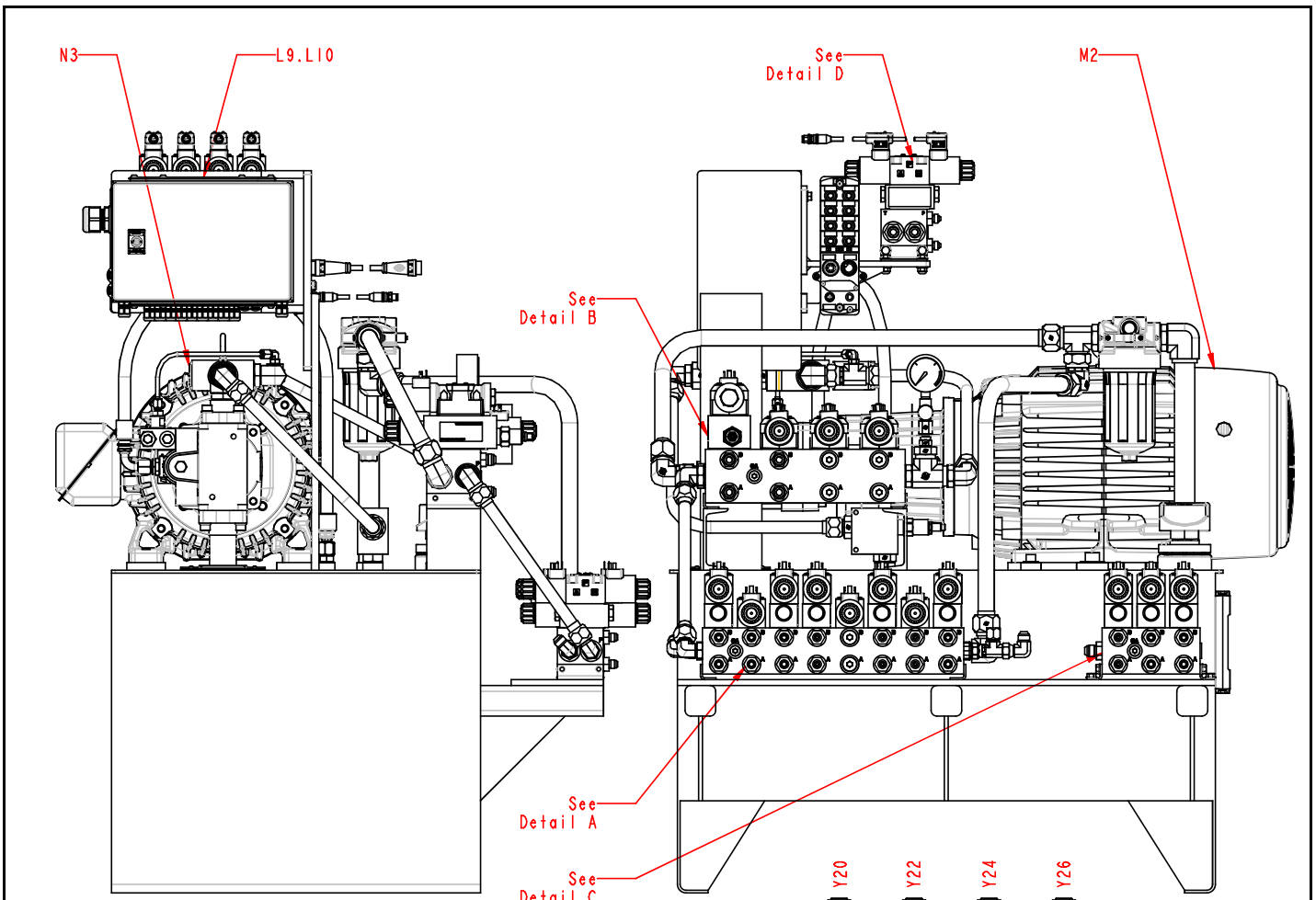
		Wood-Mizer®	
Project Description: WM4500 Standard			
Revision:	A3.03	Pg Desc: Operator Ctl HMI Layout	
Mounting Location: +Docs		Type: Panel layout	
Prev. pg:	F7	Page:	F8
Next pg:		F9	Total Pgs: 89



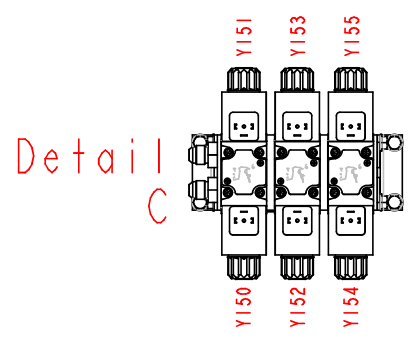
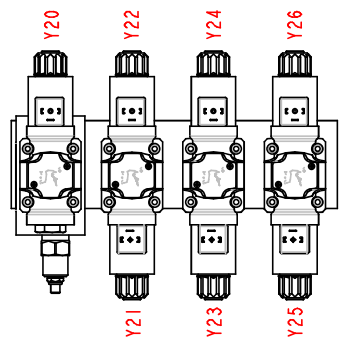
 Wood-Mizer®			
Project Description: WM4500 Standard			
Revision:	A3.03	Pg Desc: Operator Ctl Bed Ex Layout	
Mounting Location:	+Docs	Type: Panel layout	
Prev. pg:	F8	Page:	F9
		Next pg:	F10
		Total Pgs:	89



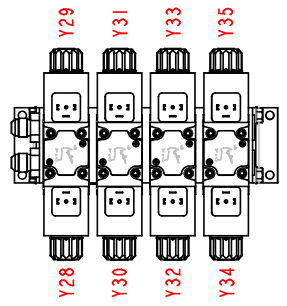
		Wood-Mizer®	
Project Description: WM4500 Standard			
Revision:	A3.03	Pg Desc: Operator Ctl Side Supports Layout	
Mounting Location: +Docs		Type: Panel layout	
Prev. pg:	F9	Page:	F10
Next pg:		F11	Total Pgs: 89



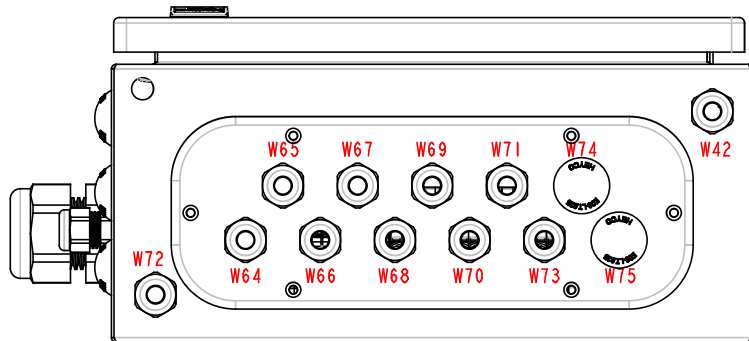
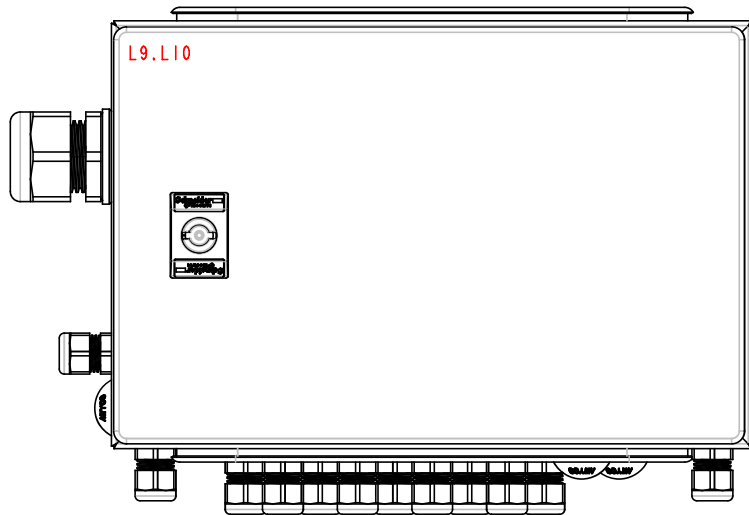
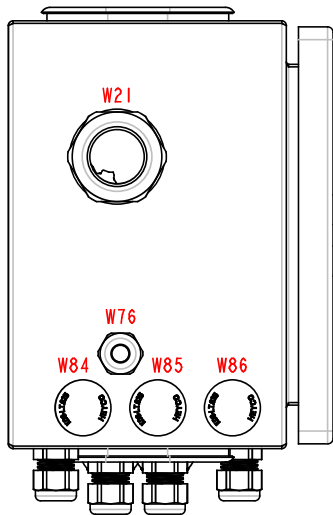
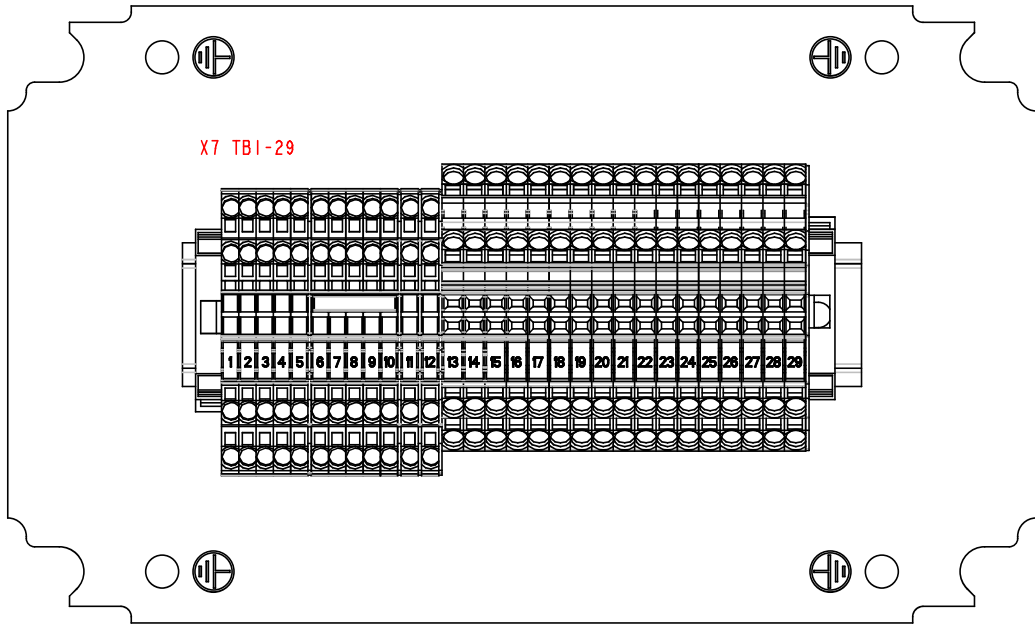
Detail B




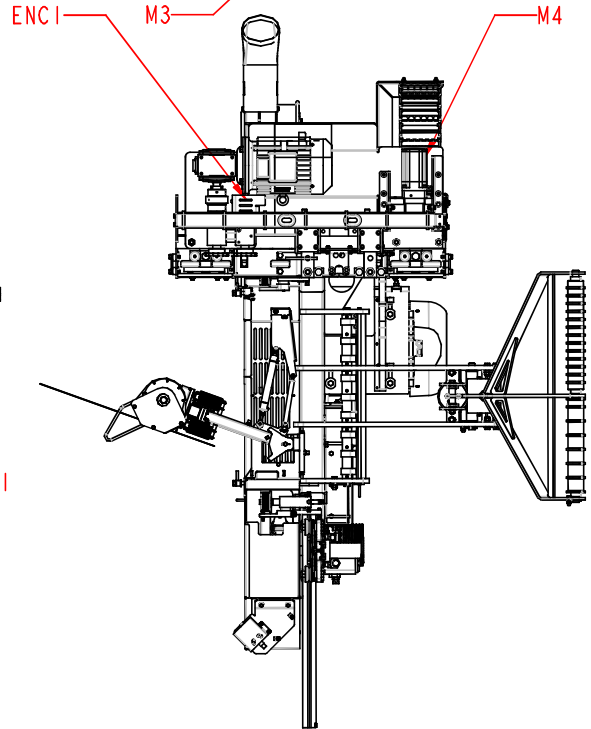
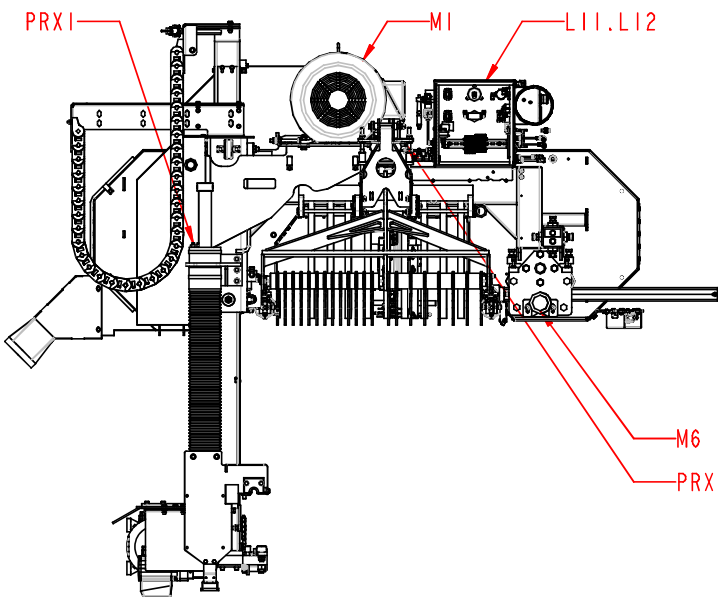
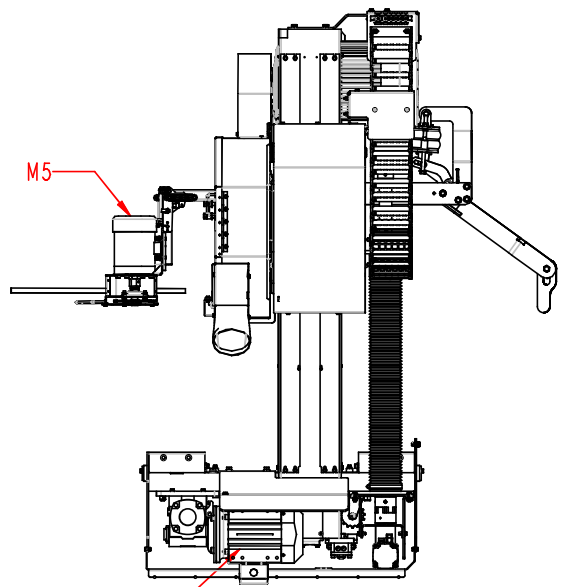
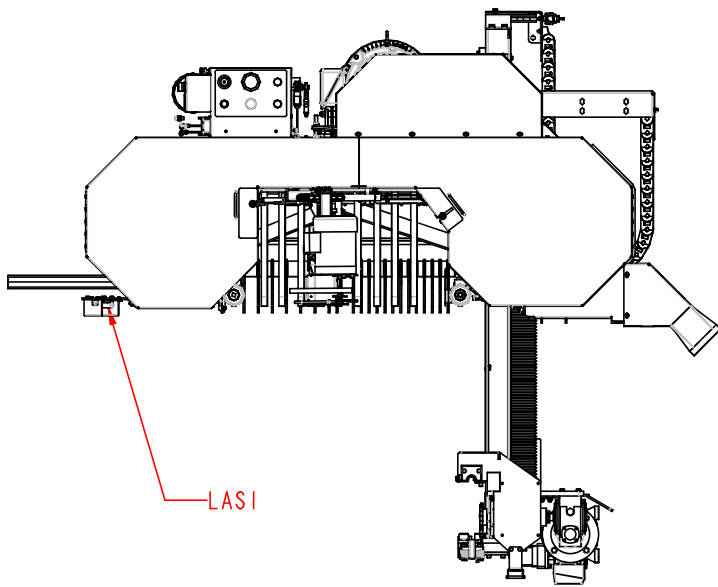
Detail D




		Wood-Mizer®	
Project Description: WM4500 Standard			
Revision:	A3.03	Pg Desc: Hydraulic Control Layout	
Mounting Location: +Docs		Type: Panel layout	
Prev. pg:	F10	Page:	F11
		Next pg:	F12
		Total Pgs:	89

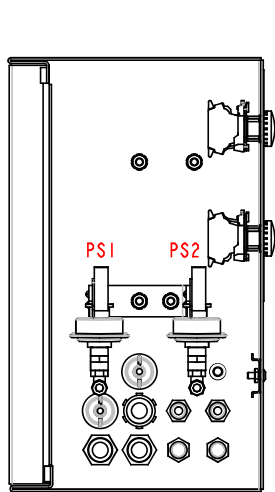
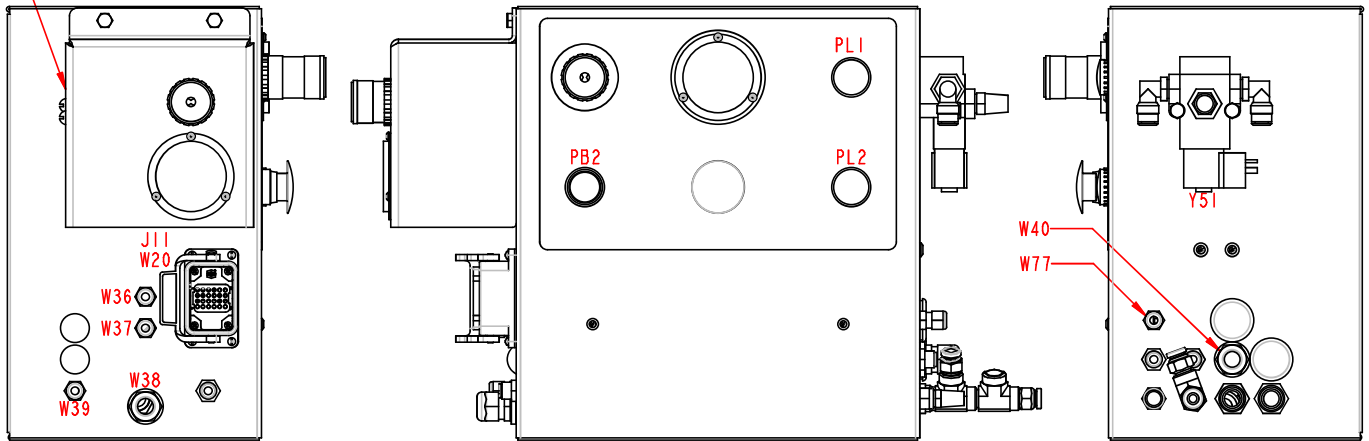


		Wood-Mizer®	
Project Description: WM4500 Standard			
Revision:	A3.03	Pg Desc: Hydraulic Control Junction Layout	
Mounting Location:	+Docs	Type: Panel layout	
Prev. pg:	F11	Page:	F12
		Next pg:	F13
		Total Pgs:	89

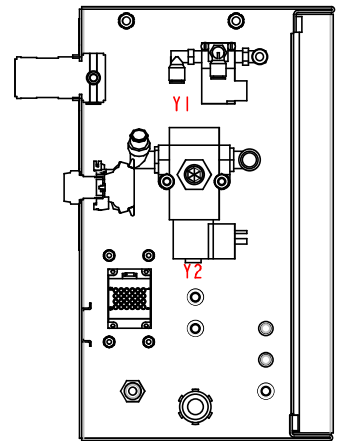
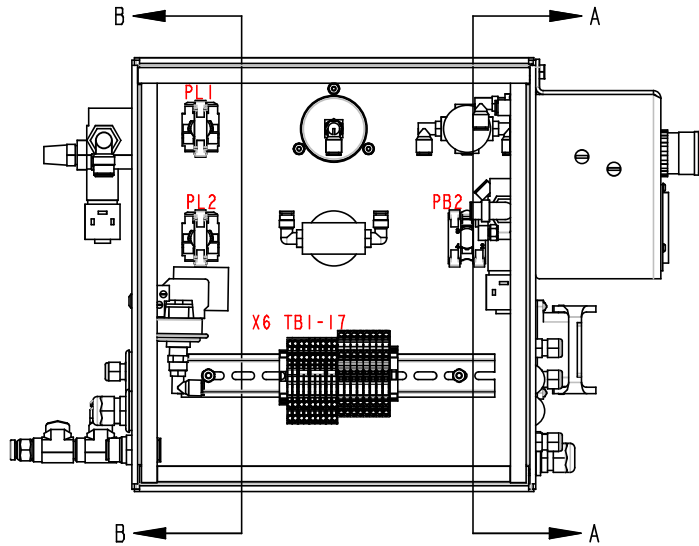


		Wood-Mizer®	
Project Description: WM4500 Standard			
Revision:	A3.03	Pg Desc: Head Control Layout	
Mounting Location:	+Docs	Type: Panel layout	
Prev. pg:	F12	Page:	F13
		Next pg:	F14
		Total Pgs:	89


Y3 (Inside Cover)
Debarker In Solenoid



SECTION B-B




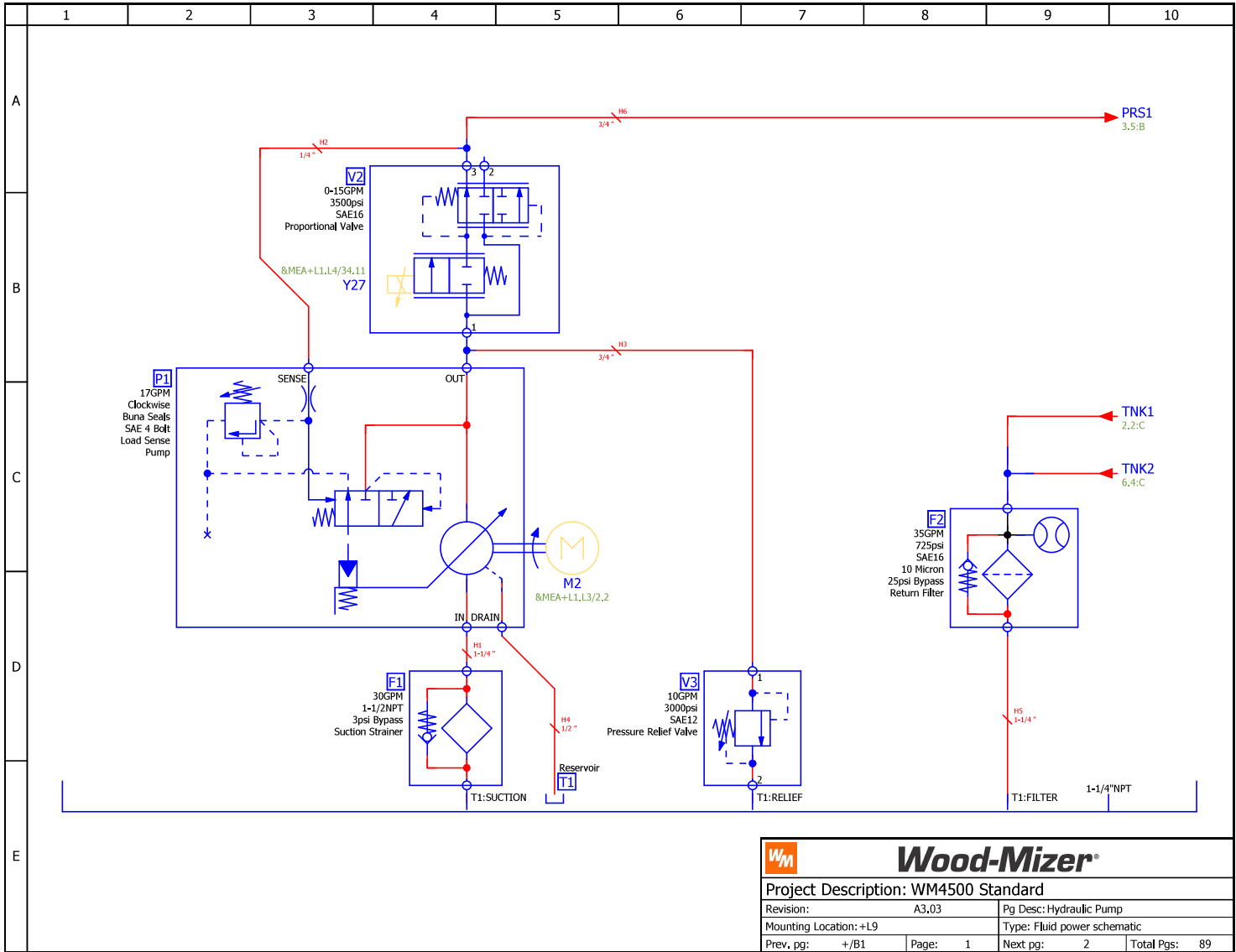
SECTION A-A

		Wood-Mizer®	
Project Description: WM4500 Standard			
Revision:	A3.03	Pg Desc: Head Control Junction Layout	
Mounting Location:	+Docs	Type: Panel layout	
Prev. pg:	F13	Page:	F14
Next pg: &MHA+/A1		Total Pgs:	89

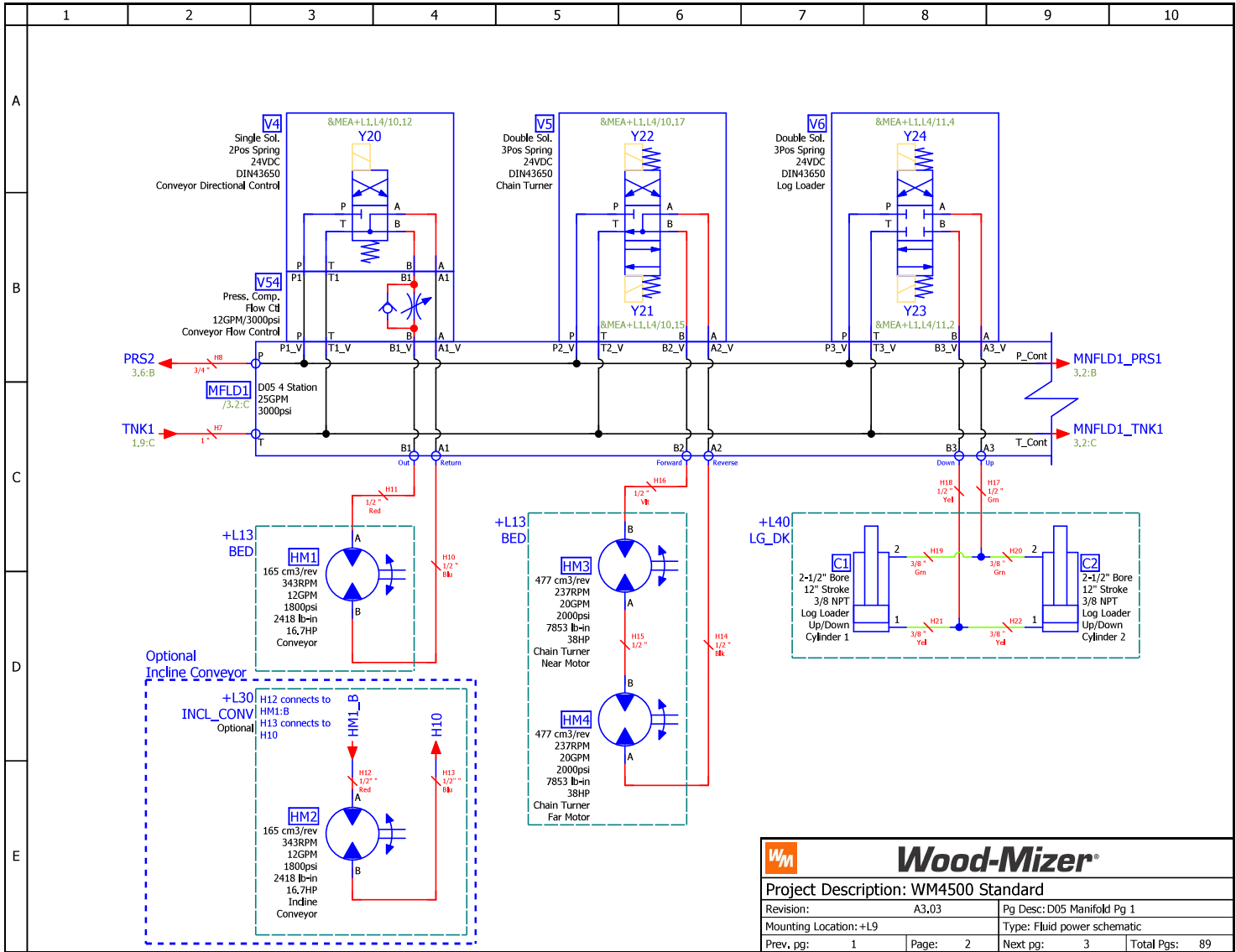
Revision History

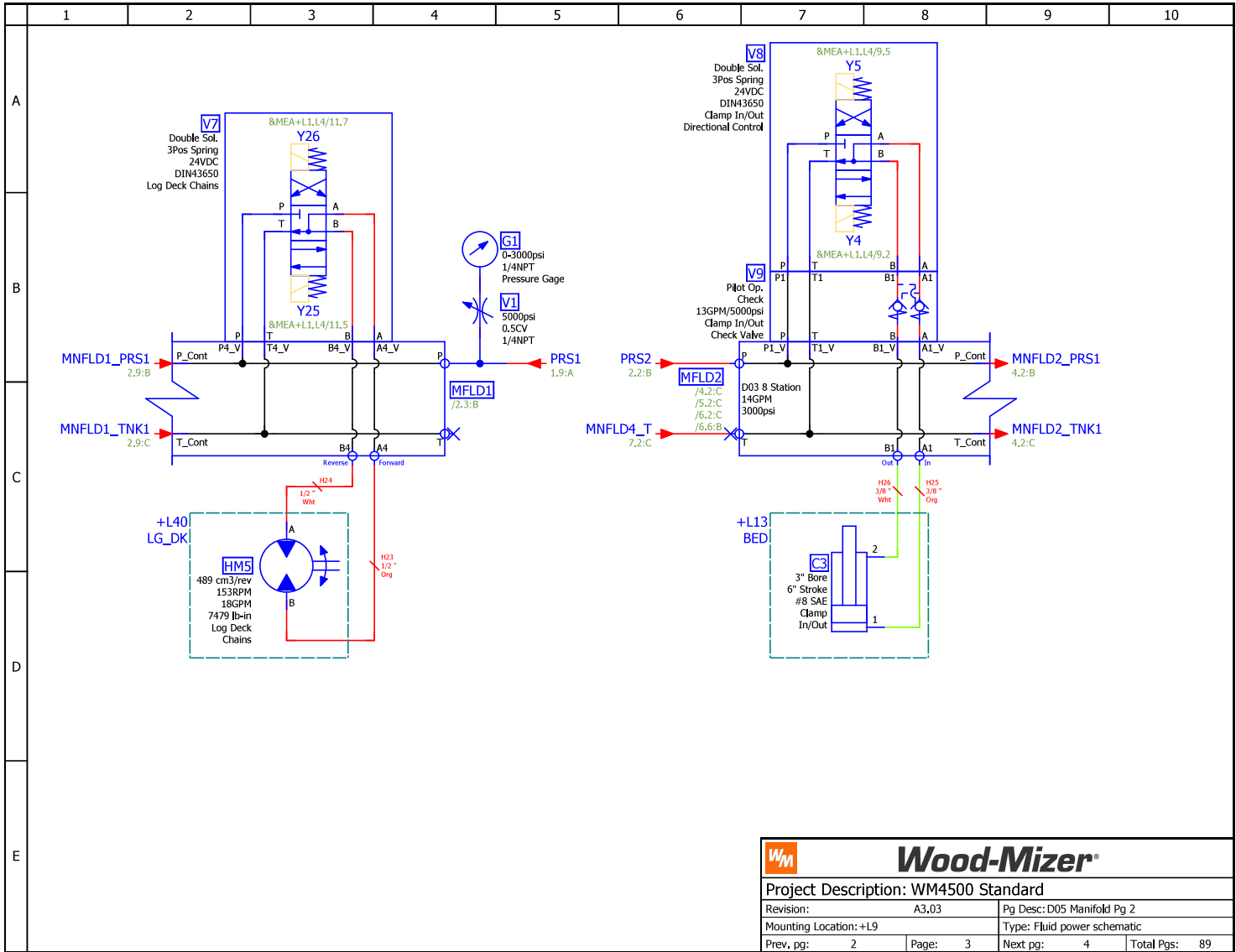
Date	Revision	Revision Record	Drawn By	Checked By
8/6/18	A1.00	Release to production	JRF	SDC
4/26/19	A2.00	Added Pull Down Clamp Functions	JRF	SDC
12/6/19	A3.00	Full Bed Extension	JRF	SDC

 Wood-Mizer®	
Project Description: WM4500 Standard	
Revision: A3.03	Pg Desc: Revision History
Mounting Location: +	Type: Overview
Prev. pg: A1	Page: B1
Next pg: +L9/1	Total Pgs: 89

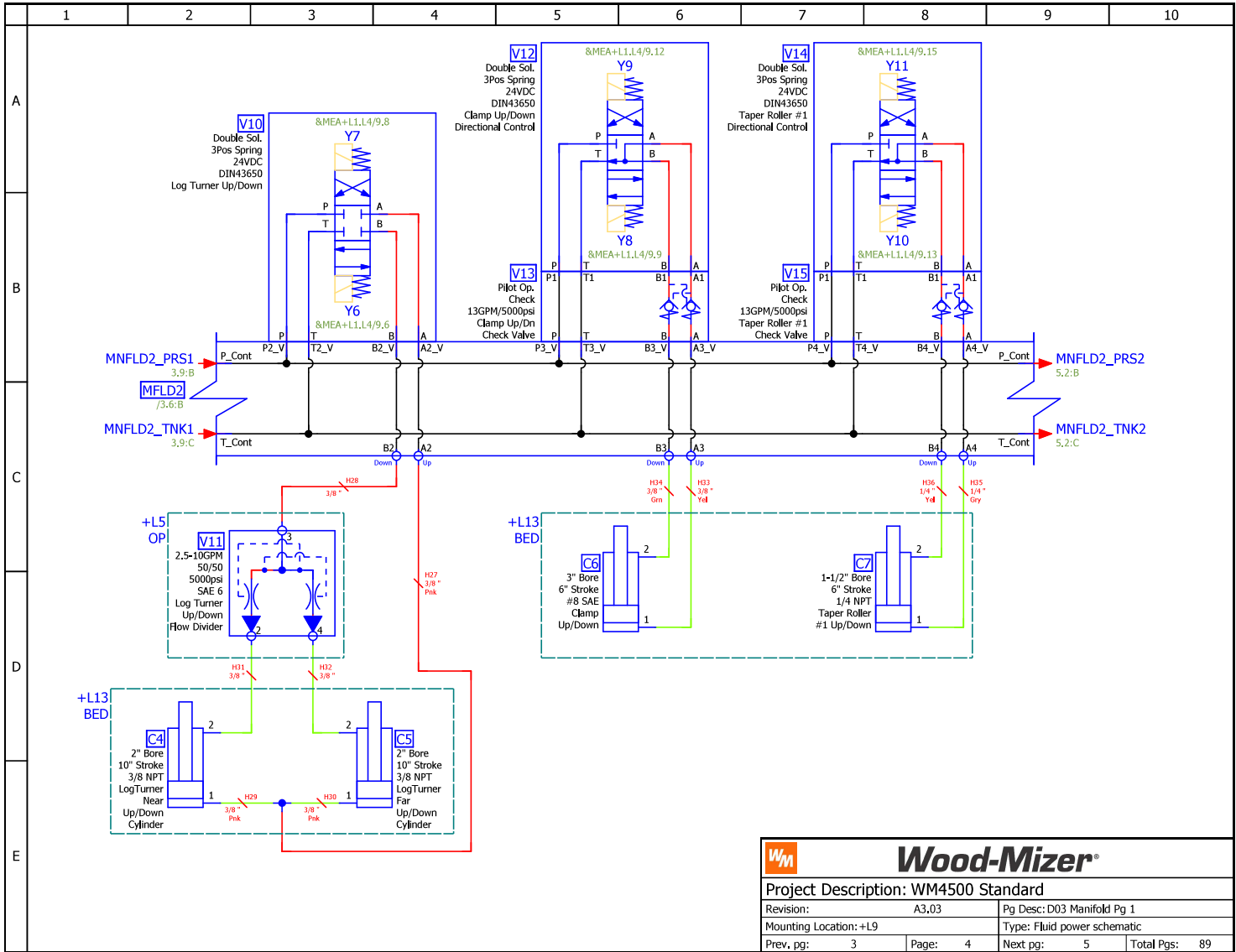


Project Description: WM4500 Standard			
Revision:	A3.03	Pg Desc: Hydraulic Pump	
Mounting Location:	+L9	Type: Fluid power schematic	
Prev. pg:	+/B1	Page:	1
		Next pg:	2
		Total Pgs:	89

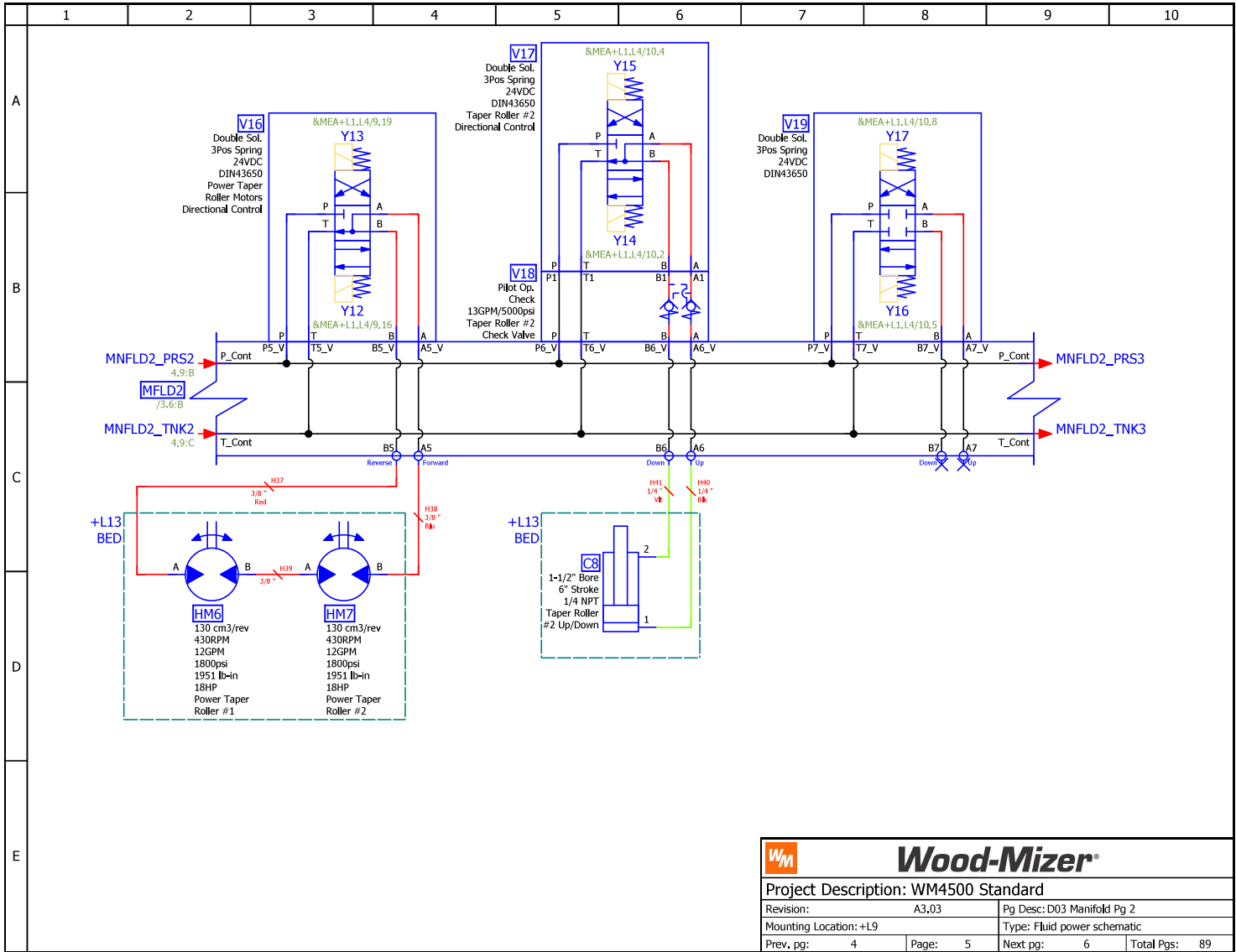




Wood-Mizer®			
Project Description: WM4500 Standard			
Revision:	A3.03	Pg Desc: D05 Manifold Pg 2	
Mounting Location:	+L9	Type: Fluid power schematic	
Prev. pg:	2	Page:	3
		Next pg:	4
			Total Pgs: 89



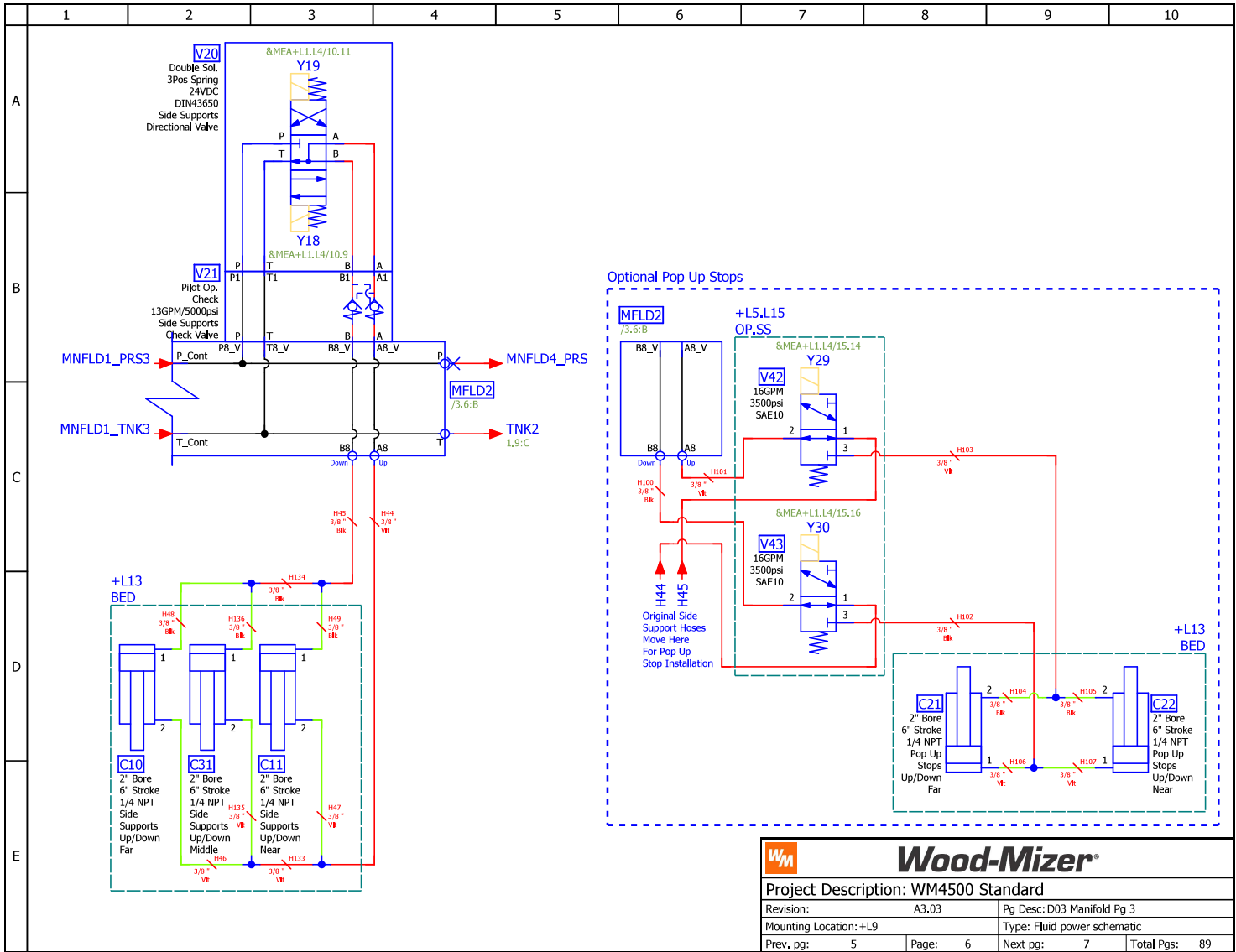
Project Description: WM4500 Standard			
Revision:	A3,03	Pg Desc: D03 Manifold Pg 1	
Mounting Location:	+L9	Type: Fluid power schematic	
Prev. pg:	3	Page:	4
		Next pg:	5
		Total Pgs:	89

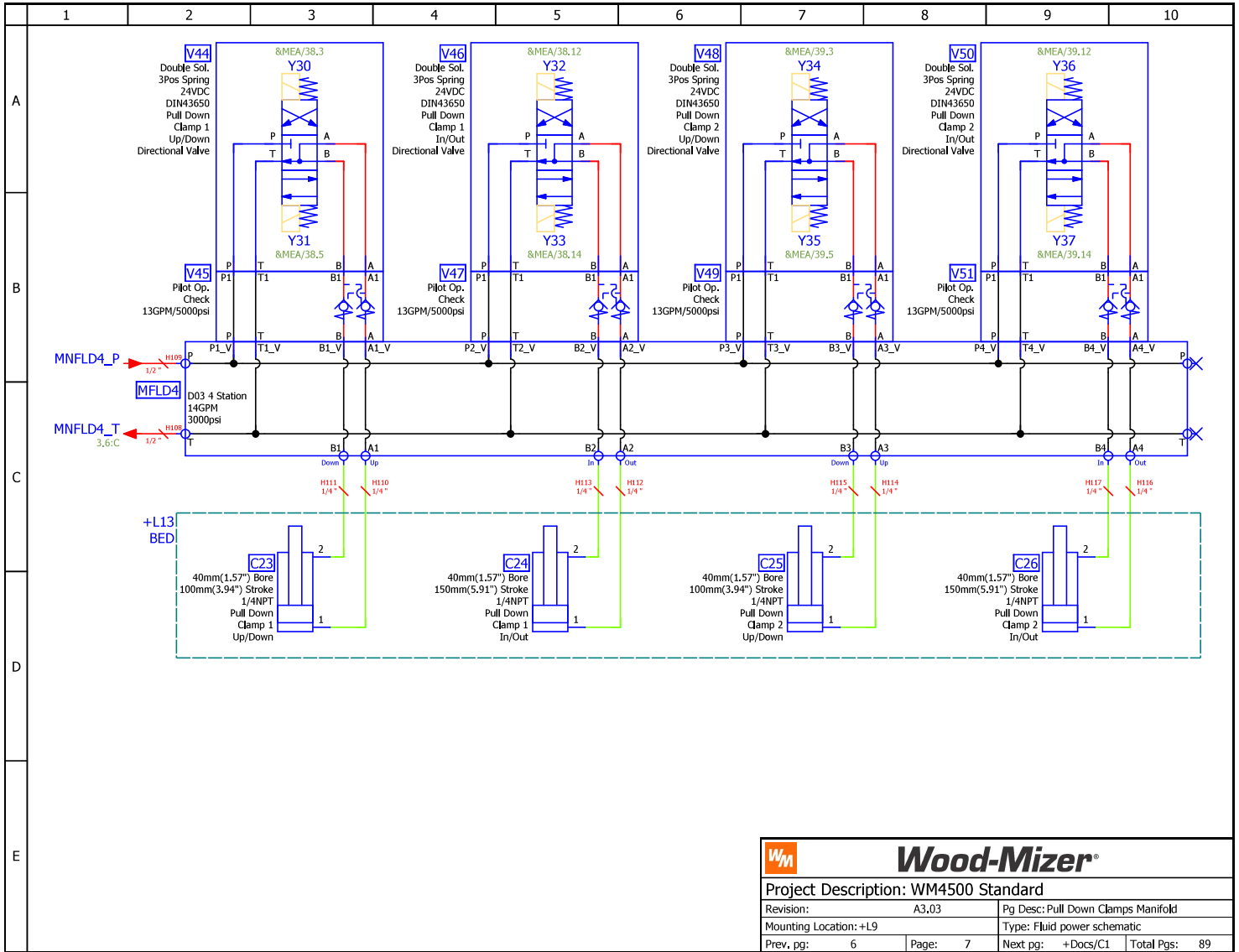


Wood-Mizer®

Project Description: WM4500 Standard

Revision:	A3.03	Pg Desc: D03 Manifold Pg 2
Mounting Location: +L9	Type: Fluid power schematic	
Prev. pg:	4	Page: 5
		Next pg: 6
		Total Pgs: 89





Project Description: WM4500 Standard			
Revision:	A3.03	Pg Desc: Pull Down Clamps Manifold	
Mounting Location:	+L9	Type: Fluid power schematic	
Prev. pg:	6	Page:	7
		Next pg:	+Docs/C1
		Total Pgs:	89

Device Tag/Parts List

WM_PARTS_LIST_Fluid-Manual

Device tag	Function	Wood-Mizer Part Number	Wood-Mizer Description		Qty.	X-Ref
C1	Log Loader Up/Down Cylinder 1	050105	Cylinder, 2-1/2 Bore x 12x221/4		1	+L9/2.208:AC
C1	=	P12955	Seal Kit, 2 1/2x8 Hydraulic Cylinder	Replacement Seals	1	+L9/2.208:AC
C2	Log Loader Up/Down Cylinder 2	050105	Cylinder, 2-1/2 Bore x 12x221/4		1	+L9/2.209:AC
C2	=	P12955	Seal Kit, 2 1/2x8 Hydraulic Cylinder	Replacement Seals	1	+L9/2.209:AC
C3	Clamp In/Out	062700	Cylinder, Hyd 3x6		1	+L9/3.308:AC
C4	LogTurner Near Up/Down Cylinder	034267	Cylinder, 2x10 Rod End Welded 16"		1	+L9/4.402:AD
C4	=	003814	Seal Kit, Hyd Cylinder, 2x10 (034267)	Replacement Seals	1	+L9/4.402:AD
C5	LogTurner Far Up/Down Cylinder	034267	Cylinder, 2x10 Rod End Welded 16"		1	+L9/4.403:AD
C5	=	003814	Seal Kit, Hyd Cylinder, 2x10 (034267)	Replacement Seals	1	+L9/4.403:AD
C6	Clamp Up/Down	062700	Cylinder, Hyd 3x6		1	+L9/4.406:AC
C7	Taper Roller #1 Up/Down	014482	Cylinder, 1 1/2x6 Rod End In Line Ports		1	+L9/4.408:AC
C7	=	014547	Seal Kit, 1 1/2x6 Hyd Cyl	Replacement Seals	1	+L9/4.408:AC
C8	Taper Roller #2 Up/Down	014482	Cylinder, 1 1/2x6 Rod End In Line Ports		1	+L9/5.506:AC
C8	=	014547	Seal Kit, 1 1/2x6 Hyd Cyl	Replacement Seals	1	+L9/5.506:AC
C10	Side Supports Up/Down Far	035625	Cylinder, 2x6, 1/4 NPT Port		1	+L9/6.602:AD
C10	=	003812	Seal Kit, Hyd Cylinder, 2x6 (035625)	Replacement Seals	1	+L9/6.602:AD
C11	Side Supports Up/Down Near	035625	Cylinder, 2x6, 1/4 NPT Port		1	+L9/6.603:AD
C11	=	003812	Seal Kit, Hyd Cylinder, 2x6 (035625)	Replacement Seals	1	+L9/6.603:AD
C21	Pop Up Stops Up/Down Far	035625	Cylinder, 2x6, 1/4 NPT Port		1	+L9/6.609:AD
C21	=	003812	Seal Kit, Hyd Cylinder, 2x6 (035625)	Replacement Seals	1	+L9/6.609:AD
C22	Pop Up Stops Up/Down Near	035625	Cylinder, 2x6, 1/4 NPT Port		1	+L9/6.609:AD
C22	=	003812	Seal Kit, Hyd Cylinder, 2x6 (035625)	Replacement Seals	1	+L9/6.609:AD
C23	Pull Down Clamp 1 Up/Down	088662	CYLINDER, CJ7F-16-40/22/100 Dz + UE2-40W		1	+L9/7.703:AC
C24	Pull Down Clamp 1 In/Out	088661	CYLINDER, SJ2F-16-40/22/150 HYDRAULIC		1	+L9/7.705:AC
C25	Pull Down Clamp 2 Up/Down	088662	CYLINDER, CJ7F-16-40/22/100 Dz + UE2-40W		1	+L9/7.707:AC
C26	Pull Down Clamp 2 In/Out	088661	CYLINDER, SJ2F-16-40/22/150 HYDRAULIC		1	+L9/7.709:AC
C31	Side Supports Up/Down Middle	035625	Cylinder, 2x6, 1/4 NPT Port		1	+L9/6.602:AD
C31	=	003812	Seal Kit, Hyd Cylinder, 2x6 (035625)	Replacement Seals	1	+L9/6.602:AD
F1	Suction Strainer	078690	Strainer, Suction w/Bypass		1	+L9/1.104:AD
F2	Return Filter	078395	Filter, Hyd Cstr 35GPM 725psi wind SAE16		1	+L9/1.108:AC
F2	=	078341	Filter, Hyd. Element 10 Micron 25psi Byp	Replacement Element	1	+L9/1.108:AC
G1	Pressure Gage	068265	Gauge, Pressure VPG25N3KL		1	+L9/3.304:AB
HM1	Conveyor	P20206	Motor, Hydraulic, TB0165FP100AAAA		1	+L9/2.203:AD
HM1	=	061136	Kit, Hydraulic Motor Seal	Replacement Seals	1	+L9/2.203:AD
HM2	Incline Conveyor	P20206	Motor, Hydraulic, TB0165FP100AAAA		1	+L9/2.203:AE
HM2	=	061136	Kit, Hydraulic Motor Seal	Replacement Seals	1	+L9/2.203:AE
HM3	Chain Turner Near Motor	007331	Motor, Hydraulic, TG0475US0800AAFU		1	+L9/2.206:AC
HM4	Chain Turner Far Motor	007331	Motor, Hydraulic, TG0475US0800AAFU		1	+L9/2.206:AD
HM5	Log Deck Chains	056062	Motor, Hyd Log Deck		1	+L9/3.303:AC
HM6	Power Taper Roller #1	074281	Motor, Hydraulic, TB0130FP130AAAA		1	+L9/5.502:AD
HM6	=	061136	Kit, Hydraulic Motor Seal	Replacement Seals	1	+L9/5.502:AD
HM7	Power Taper Roller #2	074281	Motor, Hydraulic, TB0130FP130AAAA		1	+L9/5.503:AD
HM7	=	061136	Kit, Hydraulic Motor Seal	Replacement Seals	1	+L9/5.503:AD
MFLD1	D05 Power Unit Manifold	061190	D05, 4 Station Manifold		1	+L9/2.203:AB
MFLD1	=	078399	Plate, Cover D05 Valve	Covers For Optional Log Deck Valve Sections	2	+L9/2.203:AB
MFLD2	D03 Power Unit Manifold	061185	Manifold Shell Only, WM4000 AD03P082S		1	+L9/3.306:AB



Wood-Mizer®

Project Description: WM4500 Standard

Revision: A3.03 Pg Desc: Parts list - Standard Bed

Mounting Location: +Docs Type: Parts list

Prev. pg: +L9/7 Page: C1 Next pg: C2 Total Pgs: 89

Device Tag/Parts List

WM_PARTS_LIST_Fluid-Manual

Device tag	Function	Wood-Mizer Part Number	Wood-Mizer Description		Qty.	X-Ref
MFLD4	D03 Pull Down Clamps Manifold	078885	Manifold, D03 4 Station AI SAE		1	+L9/7.702:AB
P1	Pump	078671	Pump, Hyd. 17GPM Piston Load Sense		1	+L9/1.102:AB
P1	=	078397	Adapter, C-Face Pump Mtr SAE B	Pump Mount	1	+L9/1.102:AB
P1	=	068252	Coupling, Pump		1	+L9/1.102:AB
P1	=	068253	Coupling, Motor		1	+L9/1.102:AB
P1	=	068254	Coupling, Insert		1	+L9/1.102:AB
V1	Pressure Gage Needle Valve	068264	Valve, Snubber MFG250BF		1	+L9/3.304:AB
V2	Proportional Valve	068273	Valve, Proportional PV72-30A	Complete Valve Assembly	1	+L9/1.103:AA
V2	=	061290	Block, Valve Body HF 7022350	Valve Body Only	1	+L9/1.103:AA
V2	=	078185	Valve, Proportional 15GPM PV72-30A	Valve Cartridge Only	1	+L9/1.103:AA
V2	=	068257	Valve, Proportional Cartridge PV72-30A	Valve Cartridge w/Coil	1	+L9/1.103:AA
V3	Pressure Relief Valve	078735	Valve, Relief 250-3000psi RV10-20A Cmplt	Complete Valve Assembly	1	+L9/1.106:AD
V3	=	078672	Valve, Body 10 Size 2-Way SAE 12	Valve Body Only	1	+L9/1.106:AD
V3	=	078673	Valve, Relief 250-3000psi RV10-20A Ctg	Valve Cartridge Only	1	+L9/1.106:AD
V4	Conveyor Directional Control	078686	Valve, D05 2Pos A-B Tank		1	+L9/2.203:AA
V5	Chain Turner	078685	Valve, D05 3Pos A-B Tank		1	+L9/2.205:AA
V6	Log Loader	078685	Valve, D05 3Pos A-B Tank		1	+L9/2.207:AA
V7	Log Deck Chains	078685	Valve, D05 3Pos A-B Tank		1	+L9/3.302:AA
V8	Clamp In/Out Directional Control	078683	Valve, D03 3Pos A-B Tank		1	+L9/3.307:AA
V9	Clamp In/Out Check Valve	078738	Valve, D03 PO Check		1	+L9/3.307:AB
V10	Log Turner Up/Down	078684	Valve, D03 3Pos Blocked		1	+L9/4.403:AA
V11	Log Turner Up/Down Flow Divider	025742	Flow Divider, Hydraulic		1	+L9/4.402:AC
V12	Clamp Up/Down Directional Control	078683	Valve, D03 3Pos A-B Tank		1	+L9/4.405:AA
V13	Clamp Up/Dn Check Valve	078738	Valve, D03 PO Check		1	+L9/4.405:AB
V14	Taper Roller #1 Directional Control	078683	Valve, D03 3Pos A-B Tank		1	+L9/4.407:AA
V15	Taper Roller #1 Check Valve	078738	Valve, D03 PO Check		1	+L9/4.407:AB
V16	Power Taper Roller Motors Directional Control	078683	Valve, D03 3Pos A-B Tank		1	+L9/5.503:AA
V17	Taper Roller #2 Directional Control	078683	Valve, D03 3Pos A-B Tank		1	+L9/5.505:AA
V18	Taper Roller #2 Check Valve	078738	Valve, D03 PO Check		1	+L9/5.505:AB
V19		078684	Valve, D03 3Pos Blocked		1	+L9/5.507:AA
V20	Side Supports Directional Valve	078685	Valve, D05 3Pos A-B Tank		1	+L9/6.602:AA
V21	Side Supports Check Valve	078738	Valve, D03 PO Check		1	+L9/6.602:AB
V42	Side Supports Up Selector	074286	Valve, 3-Way Selector		1	+L9/6.607:AC
V42	=	078448	Valve, Spool 3-Way Cartridge	Valve Cartridge Only	1	+L9/6.607:AC
V43	Side Supports Down Selector	074286	Valve, 3-Way Selector		1	+L9/6.607:AD
V43	=	078448	Valve, Spool 3-Way Cartridge	Valve Cartridge Only	1	+L9/6.607:AD
V44	Pull Down Clamp 1 Up/Down Directional Valve	078685	Valve, D05 3Pos A-B Tank		1	+L9/7.702:AA
V45	Pull Down Clamp 1 Up/Down Check Valve	078738	Valve, D03 PO Check		1	+L9/7.702:AB
V46	Pull Down Clamp 1 In/Out Directional Valve	078685	Valve, D05 3Pos A-B Tank		1	+L9/7.704:AA
V47	Pull Down Clamp 1 In/Out Check Valve	078738	Valve, D03 PO Check		1	+L9/7.704:AB
V48	Pull Down Clamp 2 Up/Down Directional Valve	078685	Valve, D05 3Pos A-B Tank		1	+L9/7.706:AA
V49	Pull Down Clamp 2 Up/Down Check Valve	078738	Valve, D03 PO Check		1	+L9/7.706:AB
V50	Pull Down Clamp 2 In/Out Directional Valve	078685	Valve, D05 3Pos A-B Tank		1	+L9/7.708:AA
V51	Pull Down Clamp 2 In/Out Check Valve	078738	Valve, D03 PO Check		1	+L9/7.708:AB
V54	Conveyor Flow Control	078737	Valve, Press Comp Flow Ctl 12GPM Cmplt		1	+L9/2.203:AB
V54	=	078681	Valve Body, D05 Sandwich Flow Ctl Port B	Valve Body Only	1	+L9/2.203:AB



Wood-Mizer®

Project Description: WM4500 Standard

Revision: A3.03 Pg Desc: Parts list - Standard Bed


Mounting Location: +Docs Type: Parts list

Prev. pg: C1 Page: C2 Next pg: C3 Total Pgs: 89

Device Tag/Parts List

WM_PARTS_LIST_Fluid-Manual

Device tag	Function	Wood-Mizer Part Number	Wood-Mizer Description		Qty.	X-Ref
V54	Conveyor Flow Control		Valve, Press Comp Flow Ctl 12GPM	Valve Cartridge Only	1	+L9/2.203:AB

 Wood-Mizer®	
Project Description: WM4500 Standard	
Revision: A3.03	Pg Desc: Parts list - Standard Bed
Mounting Location: +Docs	Type: Parts list
Prev. pg: C2	Page: C3
Next pg: K1	Total Pgs: 89

Hose/Tube list

WM_HydraulicHoseList

Hose/Tube	Wood-Mizer PN	Color	Diameter	Length	Description	XREF
H1	078736		1-1/4 "		Suction Tube	+L9/1.104:AD
H2	078761		1/4 "		Load Sense Line	+L9/1.104:AA
H3	078760		3/4 "		Pressure Relief Line	+L9/1.104:AB
H4	078767		1/2 "		Pump Case Drain	+L9/1.105:AD
H5	078767		1-1/4 "		Filter Tank Line	+L9/1.109:AD
H6	078760		3/4 "		Pressure Line From Proportional Valve	+L9/3.304:AB
H7	078760		1 "		Tank Line From Manifold 1	+L9/1.109:AC
H8	078763		3/4 "		Pressure Line Manifold 1 To Manifold 2	+L9/2.203:AB
H10	079004-471	Blu	1/2 "	471"	Conveyor Return Line	+L9/2.203:AD
H11	079004-471	Red	1/2 "	471"	Conveyor Out Line	+L9/2.203:AD
H12	079004-156	Red	1/2" "	156"	Indine Conveyor Out	+L9/2.203:AE
H13	079004-156	Blu	1/2" "	156"	Indine Conveyor Return	+L9/2.204:AE
H14	079004-334	Blk	1/2 "	334"	Turner (Far) Motor	+L9/2.206:AD
H15	079004-132		1/2 "	132"	Turner (Near) Motor to Turner (Far) Motor	+L9/2.206:AC
H16	079004-350	Vlt	1/2 "	350"	Turner (Near) Motor	+L9/2.206:AC
H17	079004-310	Grn	1/2 "	310"	Log Loader Up T	+L9/2.208:AC
H18	079004-310	Yel	1/2 "	310"	Log Loader Down T	+L9/2.208:AD
H19	079001-72	Grn	3/8 "	72"	Log Loader Up T to C1	+L9/2.208:AC
H20	079001-72	Grn	3/8 "	72"	Log Loader Up T to C2	+L9/2.208:AC
H21	079001-72	Yel	3/8 "	72"	Log Loader Down T to C1	+L9/2.208:AD
H22	079001-72	Yel	3/8 "	72"	Log Loader Down T to C2	+L9/2.208:AD
H23	079004-310	Org	1/2 "	310"	Log Deck Forward Line	+L9/3.303:AC
H24	079004-310	Wht	1/2 "	310"	Log Deck Reverse Line	+L9/3.303:AC
H25	079001-364	Org	3/8 "	364"	Clamp In Line	+L9/3.308:AC
H26	079001-364	Wht	3/8 "	364"	Clamp Out Line	+L9/3.308:AC
H27	079001-275	Pnk	3/8 "	275"	Log Turner Up T	+L9/4.403:AE
H28	079001-85		3/8 "	85"	Log Turner Down Flow Divider	+L9/4.404:AC
H29	079001-19	Pnk	3/8 "	19"	Log Turner Up T To Cylinder Near	+L9/4.403:AE
H30	079001-39	Pnk	3/8 "	39"	Log Turner Up T To Cylinder Far	+L9/4.403:AE
H31	079001-200		3/8 "	200"	Log Turner Down FD2 To Cylinder Near	+L9/4.402:AD
H32	079001-216		3/8 "	216"	Log Turner Down FD4 To Cylinder Far	+L9/4.403:AD
H33	079001-364	Yel	3/8 "	364"	Clamp Up Line	+L9/4.406:AC
H34	079001-364	Grn	3/8 "	364"	Clamp Down Line	+L9/4.406:AC
H35	079000-267	Gry	1/4 "	267"	Taper Roller #1 Up Line	+L9/4.408:AC
H36	079000-270	Yel	1/4 "	270"	Taper Roller #1 Down Line	+L9/4.408:AC
H37	079001-276	Red	3/8 "	276"	Power Toe Roller #1 Motor	+L9/5.502:AD
H38	079001-348	Blu	3/8 "	348"	Power Toe Roller #2 Motor	+L9/5.503:AD
H39	079001-154		3/8 "	154"	Power Toe Roller #1 Motor to #2 Motor	+L9/5.502:AD
H40	079000-333	Blk	1/4 "	333"	Taper Roller #2 Up Line	+L9/5.506:AC



Wood-Mizer®

Project Description: WM4500 Standard

Revision: A3.03 Pg Desc: Hose/Tube List-Standard Bed

Mounting Location: +Docs Type: Connection list

Prev. pg: C3 Page: K1 Next pg: K2 Total Pgs: 89

Hose/Tube list

WM_HydraulicHoseList

Hose/Tube	Wood-Mizer PN	Color	Diameter	Length	Description	XREF
H41	079000-335	Vlt	1/4 "	3358"	Taper Roller #2 Down Line	+L9/5.506:AC
H44	079001-190	Vlt	3/8 "	190"	Side Supports Down T1	+L9/6.603:AE
H45	079001-190	Blk	3/8 "	190"	Side Supports Up T1	+L9/6.603:AD
H46	079001-120	Vlt	3/8 "	120"	Side Supports Up T2 to Far Cylinder	+L9/6.602:AE
H47	079001-51	Vlt	3/8 "	51"	Side Supports Up T1 to Near Cylinder	+L9/6.603:AE
H48	079001-122	Blk	3/8 "	122"	Side Supports Down T2 to Far Cylinder	+L9/6.603:AD
H49	079001-51	Blk	3/8 "	51"	Side Supports Down T1 to Near Cylinder	+L9/6.603:AD
H100	079001-190	Blk	3/8 "	190"	Pop Up Stops Down Selector 2	+L9/6.606:AC
H101	079001-41	Vlt	3/8 "	41"	Pop Up Stops Up Selector 2	+L9/6.606:AC
H102	079001-41	Blk	3/8 "	41"	Pop Up Stops Down Selector 3 To T	+L9/6.609:AD
H103	079001-41	Vlt	3/8 "	41"	Pop Up Stops Up Selector 3 To T	+L9/6.609:AD
H104	079001-41	Blk	3/8 "	41"	Pop Up Down T To Cylinder 1	+L9/6.609:AD
H105	079001-41	Blk	3/8 "	41"	Pop Up Down T To Cylinder 2	+L9/6.609:AD
H106	079001-41	Vlt	3/8 "	41"	Pop Up Stops Up T To Cylinder 1	+L9/6.609:AD
H107	079001-41	Vlt	3/8 "	41"	Pop Up Stops Up T To Cylinder 2	+L9/6.609:AD
H108	079004-44		1/2 "	44"	Pull Down Clamps Manifold Tank Line	+L9/3.306:AC
H110	079000-456		1/4 "	456"	Pull Down Clamp 1 Up Line	+L9/7.703:AC
H111	079000-456		1/4 "	456"	Pull Down Clamp 1 Down Line	+L9/7.703:AC
H112	079000-456		1/4 "	456"	Pull Down Clamp 1 Out Line	+L9/7.705:AC
H113	079000-456		1/4 "	456"	Pull Down Clamp 1 In Line	+L9/7.705:AC
H114	079000-336		1/4 "	336"	Pull Down Clamp 2 Up Line	+L9/7.707:AC
H115	079000-336		1/4 "	336"	Pull Down Clamp 2 Down Line	+L9/7.707:AC
H116	079000-336		1/4 "	336"	Pull Down Clamp 2 Out Line	+L9/7.709:AC
H117	079000-336		1/4 "	336"	Pull Down Clamp 2 In Line	+L9/7.709:AC
H133	079001-41	Vlt	3/8 "	41"	Side Supports Up T1 To T2	+L9/6.602:AE
H134	079001-41	Blk	3/8 "	41"	Side Supports Down T1 To T2	+L9/6.603:AD
H135	079001-55	Vlt	3/8 "	55"	Side Supports Up T2 to Middle Cylinder	+L9/6.602:AE
H136	079001-59	Blk	3/8 "	59"	Side Supports Down T2 to Middle Cylinder	+L9/6.603:AD



Wood-Mizer®

Project Description: WM4500 Standard


Revision: A3.03 Pg Desc: Hose/Tube List-Standard Bed

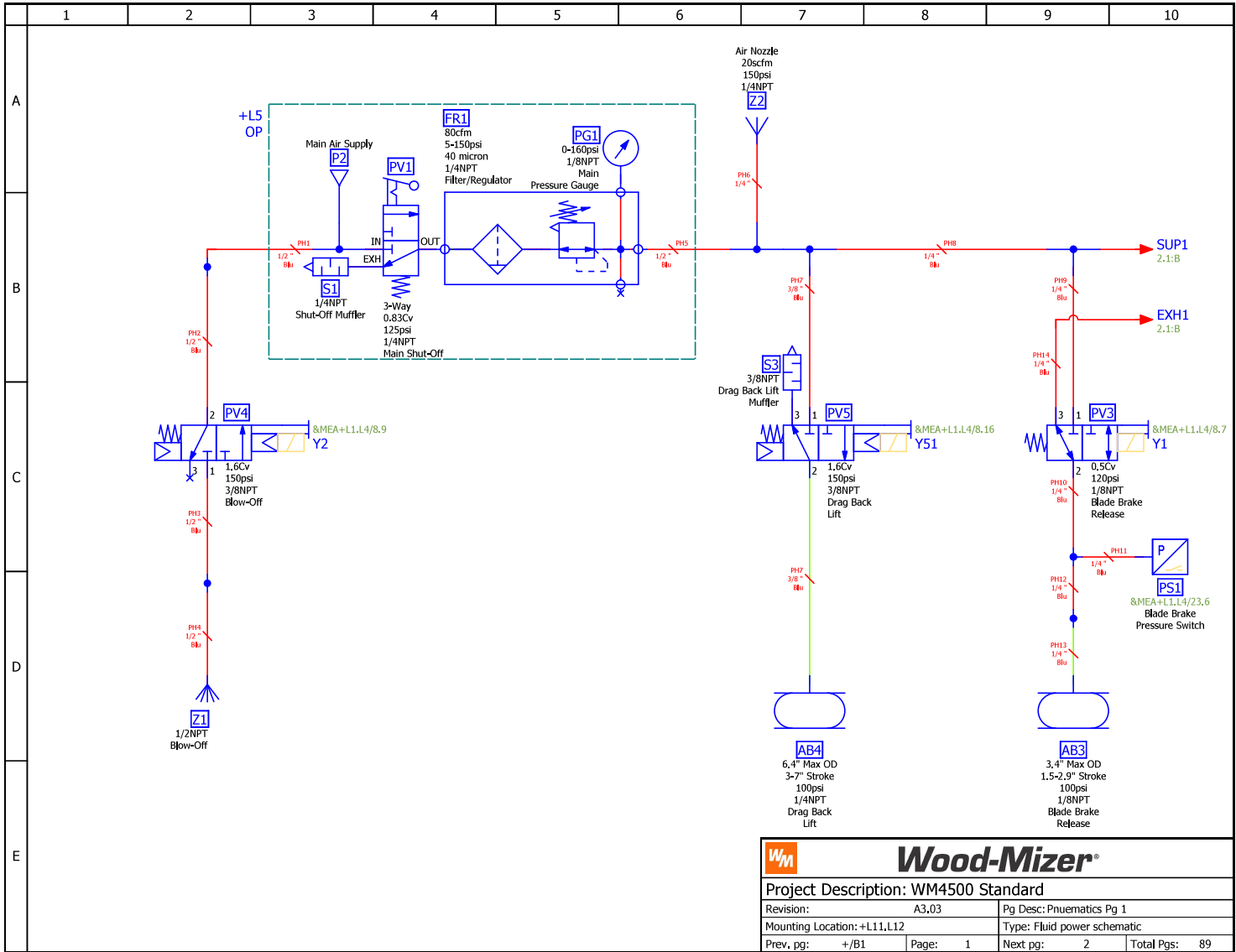
Mounting Location: +Docs Type: Connection list

Prev. pg: K1 Page: K2 Next pg: &MPA+/A1 Total Pgs: 89

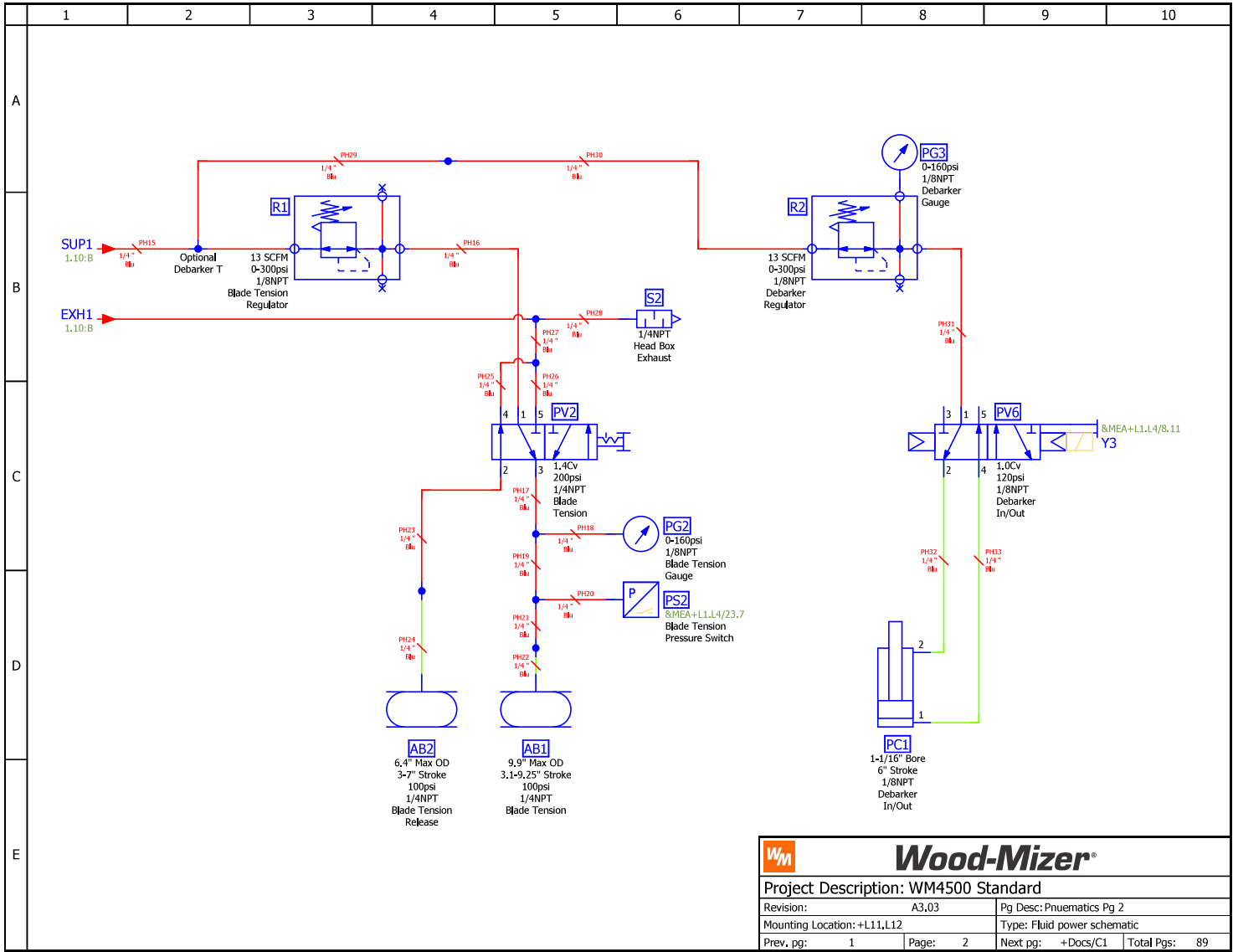
Revision History

Date	Revision	Revision Record	Drawn By	Checked By
8/6/18	A1.00	Release to production	JRF	SDC

		Wood-Mizer®	
Project Description: WM4500 Standard			
Revision: A3.03		Pg Desc: Revision History	
Mounting Location: +		Type: Overview	
Prev. pg: A1	Page: B1	Next pg: +L11.L12/1	Total Pgs: 89



Wood-Mizer®			
Project Description: WM4500 Standard			
Revision:	A3.03	Pg Desc: Pneumatics Pg 1	
Mounting Location:	+L11,L12	Type: Fluid power schematic	
Prev. pg:	+/B1	Page:	1
		Next pg:	2
		Total Pgs:	89




Wood-Mizer®			
Project Description: WM4500 Standard			
Revision:	A3,03	Pg Desc: Pneumatics Pg 2	
Mounting Location:	+L11,L12	Type: Fluid power schematic	
Prev. pg:	1	Page:	2
		Next pg:	+Docs/C1
		Total Pgs:	89

Device Tag/Parts List

WM_PARTS_LIST_Fluid-Manual


Device tag	Function	Wood-Mizer Part Number	Wood-Mizer Description		Qty.	X-Ref
AB1	Blade Tension	033229	Bag, Tensioner Air		1	+L11.L12/2.205:AD
AB2	Blade Tension Release	033231	Bag, Motor Lift Air		1	+L11.L12/2.204:AD
AB3	Blade Brake Release	033168	Bag, Air Brake		1	+L11.L12/1.109:AD
AB4	Drag Back Lift	033231	Bag, Motor Lift Air		1	+L11.L12/1.107:AD
FR1	Filter/Regulator	110953	Air Filter/Regulator		1	+L11.L12/1.104:AA
FR1	=	110956	Assy, Air Filter Mount	Mount	1	+L11.L12/1.104:AA
PC1	Debarker In/Out	008766	Cylinder, 1-1/16x6, Air		1	+L11.L12/2.208:AD
PG1	Main Pressure Gauge	P02766	Gauge, 160 PSI, 1-1/2 Dia, 1/8 NPT		1	+L11.L12/1.106:AA
PG2	Blade Tension Gauge	042342	Gauge, Air Pressure		1	+L11.L12/2.206:AC
PG3	Debarker Gauge	042342	Gauge, Air Pressure		1	+L11.L12/2.208:AA
PV1	Main Shut-Off	P21513	Valve, Air		1	+L11.L12/1.104:AB
PV2	Blade Tension	025301	Valve, Push Pull 4 Way 1/4 NPT		1	+L11.L12/2.205:AC
PV3	Blade Brake Release	045225	Valve, Air 3 Way 1/8 NPT Din C Conn		1	+L11.L12/1.109:AC
PV4	Blow-Off	042659	Valve Assy, Air		1	+L11.L12/1.102:AC
PV5	Drag Back Lift	042659	Valve Assy, Air		1	+L11.L12/1.107:AC
PV6	Debarker In/Out	025244	Valve, MAC 400 Series		1	+L11.L12/2.208:AC
R1	Blade Tension Regulator	052509	Regulator, 1/8" NPT Air		1	+L11.L12/2.203:AB
R2	Debarker Regulator	052509	Regulator, 1/8" NPT Air		1	+L11.L12/2.207:AB
S1	Shut-Off Muffler	P20904	Mufflet, 1/4 in, NPT Air		1	+L11.L12/1.103:AB
S2	Head Box Exhaust	P20904	Mufflet, 1/4 in, NPT Air		1	+L11.L12/2.206:AB
S3	Drag Back Lift Muffler	P21528	Mufflet, CEC-3 3/8 in, NPT Air		1	+L11.L12/1.107:AC
Z1	Blow-Off	016879	Block, Blow-Off 1/2		1	+L11.L12/1.102:AD
Z2	Air Nozzle	P02714	Nozzle, Coolant Spray		1	+L11.L12/1.107:AA

		Wood-Mizer®	
Project Description: WM4500 Standard			
Revision:	A3.03	Pg Desc: Parts list	
Mounting Location: +Docs		Type: Parts list	
Prev. pg: +L11.L12/2	Page: C1	Next pg: K1	Total Pgs: 89

Hose/Tube list

WM_HydraulicHoseList

Hose/Tube	Wood-Mizer PN	Color	Diameter	Length	Description	XREF
PH1	R01869-5	Blu	1/2 "	960"	Blow-Off Supply Line	+L11.L12/1.102:AB
PH2	R01869-5	Blu	1/2 "	31"	Blow-Off Supply Line Head Box	+L11.L12/1.102:AB
PH3	R01869-5	Blu	1/2 "	33"	Blow-Off Output Line Head Box	+L11.L12/1.102:AD
PH4	R01869-5	Blu	1/2 "		Blow-Off Output Line	+L11.L12/1.102:AD
PH5	R01869-4	Blu	1/2 "	960"	Head Supply Line	+L11.L12/1.106:AB
PH6	042453		1/4 "		Air Nozzle Hose	+L11.L12/1.106:AB
PH7	R01869-4	Blu	3/8 "		Drag Back Fingers Lift Line	+L11.L12/1.107:AD
PH7	R01869-4	Blu	3/8 "	10"	Drag Back Fingers Supply Line	+L11.L12/1.107:AB
PH8	R01869-3	Blu	1/4 "	22"	Supply Line Head Box	+L11.L12/1.109:AB
PH9	R01869-3	Blu	1/4 "	7.5"	Blade Brake Supply Line	+L11.L12/1.109:AB
PH10	R01869-3	Blu	1/4 "	10"	Blade Brake Line Valve To Y	+L11.L12/1.109:AC
PH11	R01869-3	Blu	1/4 "	29.5"	Blade Brake Line Y To Pressure Switch	+L11.L12/1.109:AC
PH12	R01869-3	Blu	1/4 "	6.5"	Blade Brake Line Y To Bulkhead	+L11.L12/1.109:AD
PH13	R01869-3	Blu	1/4 "		Blade Brake Line Bulkhead To Brake	+L11.L12/1.109:AD
PH14	R01869-3	Blu	1/4 "	8.5"	Blade Brake Exhaust Valve To Y	+L11.L12/2.205:AB
PH15	R01869-3	Blu	1/4 "	3"	Blade Tension Supply Y To Regulator	+L11.L12/1.109:AB
PH16	R01869-3	Blu	1/4 "	6.5"	Blade Tension Supply Regulator To Valve	+L11.L12/2.205:AC
PH17	R01869-3	Blu	1/4 "	3"	Blade Tension Line Valve To Pressure Gauge T	+L11.L12/2.205:AC
PH18	R01869-3	Blu	1/4 "	1.5"	Blade Tension Line T To Pressure Gauge	+L11.L12/2.205:AC
PH19	R01869-3	Blu	1/4 "	9"	Blade Tension Line Pressure Gauge T To Pressure Switch Y	+L11.L12/2.205:AD
PH20	R01869-3	Blu	1/4 "	9"	Blade Tension Line Y To Pressure Switch	+L11.L12/2.205:AD
PH21	R01869-3	Blu	1/4 "	10.5"	Blade Tension Line Y To Bulkhead	+L11.L12/2.205:AD
PH22	R01869-3	Blu	1/4 "		Blade Tension Line Bulkhead To Air Bag	+L11.L12/2.205:AD
PH23	R01869-3	Blu	1/4 "	22"	Blade Tension Release Valve To Bulkhead	+L11.L12/2.204:AD
PH24	R01869-3	Blu	1/4 "		Blade Tension Release Bulkhead To Air Bag	+L11.L12/2.204:AD
PH25	R01869-3	Blu	1/4 "	3.5"	Blade Tension Exhaust Valve To Y	+L11.L12/2.205:AB
PH26	R01869-3	Blu	1/4 "	3.5"	Blade Tension Exhaust Valve To Y	+L11.L12/2.205:AB
PH27	R01869-3	Blu	1/4 "	5"	Blade Tension Exhaust Y To Y	+L11.L12/2.205:AB
PH28	R01869-3	Blu	1/4 "	18"	Head Box Exhaust Y To Muffler	+L11.L12/2.205:AB
PH29	R01869-3	Blu	1/4 "		Debarker Supply T To Bulkhead	+L11.L12/2.204:AA
PH30	R01869-3	Blu	1/4 "		Debarker Supply Bulkhead To Regulator	+L11.L12/2.204:AA
PH31	R01869-3	Blu	1/4 "		Debarker Supply Regulator To Valve	+L11.L12/2.208:AC
PH32	R01869-3	Blu	1/4 "		Debarker In Line Valve To Cylinder	+L11.L12/2.208:AD
PH33	R01869-3	Blu	1/4 "		Debarker Out Line Valve To Cylinder	+L11.L12/2.208:AD

		Wood-Mizer®	
Project Description: WM4500 Standard			
Revision:	A3.03	Pg Desc: Hose list	
Mounting Location: +Docs		Type: Connection list	
Prev. pg:	C1	Page:	K1
Next pg:		Total Pgs: 89	