


APPENDIX A ELECTRICAL INFORMATION

WM4500 12' Bed Extension Rev. A3.00 +

Table of contents


WM_TableOfContents

Page	Page type	Page description	Date	Edited by
&MEA/A1	Table of contents	Table of contents	6/2/2020	JRF
&MEA/A2	Table of contents	Table of contents	6/2/2020	JRF
&MEA/B1	Overview	Revision History	5/20/2020	JRF
&MEA+L1.L3/1	Schematic multi-line	Power Pg 1	5/28/2020	JRF
&MEA+L1.L3/2	Schematic multi-line	Power Pg 2	5/28/2020	JRF
&MEA+L1.L3/3	Schematic multi-line	Power Pg 3	5/28/2020	JRF
&MEA+L1.L3/4	Schematic multi-line	Control Pg 1	5/28/2020	JRF
&MEA+L1.L3/5	Schematic multi-line	Control Pg 2	5/28/2020	JRF
&MEA+L1.L3/6	Schematic multi-line	Control Pg 3	5/28/2020	JRF
&MEA+L1.L4/7	Schematic multi-line	Control Pg 4	5/28/2020	JRF
&MEA+L1.L4/8	Schematic multi-line	Control Pg 5	5/28/2020	JRF
&MEA+L1.L4/9	Schematic multi-line	Control Pg 6	5/28/2020	JRF
&MEA+L1.L4/10	Schematic multi-line	Control Pg 7	5/28/2020	JRF
&MEA+L1.L4/11	Schematic multi-line	Control Pg 8	5/28/2020	JRF
&MEA+L1.L4/12	Schematic multi-line	Control Pg 9	5/28/2020	JRF
&MEA+L1.L4/13	Schematic multi-line	Control Pg 10	5/28/2020	JRF
&MEA+L1.L4/14	Schematic multi-line	Control Pg 11	5/28/2020	JRF
&MEA+L1.L4/15	Schematic multi-line	Control Pg 12	5/28/2020	JRF
&MEA+L1.L4/16	Schematic multi-line	Control Pg 13	5/28/2020	JRF
&MEA+L1.L4/17	Schematic multi-line	Control Pg 14	5/28/2020	JRF
&MEA+L1.L4/18	Schematic multi-line	Control Pg 15	5/28/2020	JRF
&MEA+L1.L4/19	Schematic multi-line	Communication	5/28/2020	JRF
&MEA+L1.L4/20	Panel layout	PLC Diagram	5/20/2020	JRF
&MEA+L1.L4/21	Schematic multi-line	PLC 1	5/28/2020	JRF
&MEA+L1.L4/22	Schematic multi-line	PLC 2	5/28/2020	JRF
&MEA+L1.L4/23	Schematic multi-line	PLC 3	6/2/2020	JRF
&MEA+L1.L4/24	Schematic multi-line	PLC 4	5/28/2020	JRF
&MEA+L1.L4/25	Schematic multi-line	PLC 5	5/28/2020	JRF
&MEA+L1.L4/26	Schematic multi-line	PLC 6	5/28/2020	JRF
&MEA+L1.L4/27	Schematic multi-line	PLC 7	5/28/2020	JRF
&MEA+L1.L4/28	Schematic multi-line	PLC 8	5/28/2020	JRF
&MEA+L1.L4/29	Schematic multi-line	PLC 9	5/28/2020	JRF
&MEA+L1.L4/30	Schematic multi-line	PLC 10	5/28/2020	JRF
&MEA+L1.L4/31	Schematic multi-line	PLC 11	5/28/2020	JRF
&MEA+L1.L4/32	Schematic multi-line	PLC 12	5/28/2020	JRF
&MEA+L1.L4/33	Schematic multi-line	PLC 13	5/28/2020	JRF
&MEA+L1.L4/34	Schematic multi-line	PLC 14	5/28/2020	JRF
&MEA+L1.L4/35	Schematic multi-line	PLC 15	5/28/2020	JRF

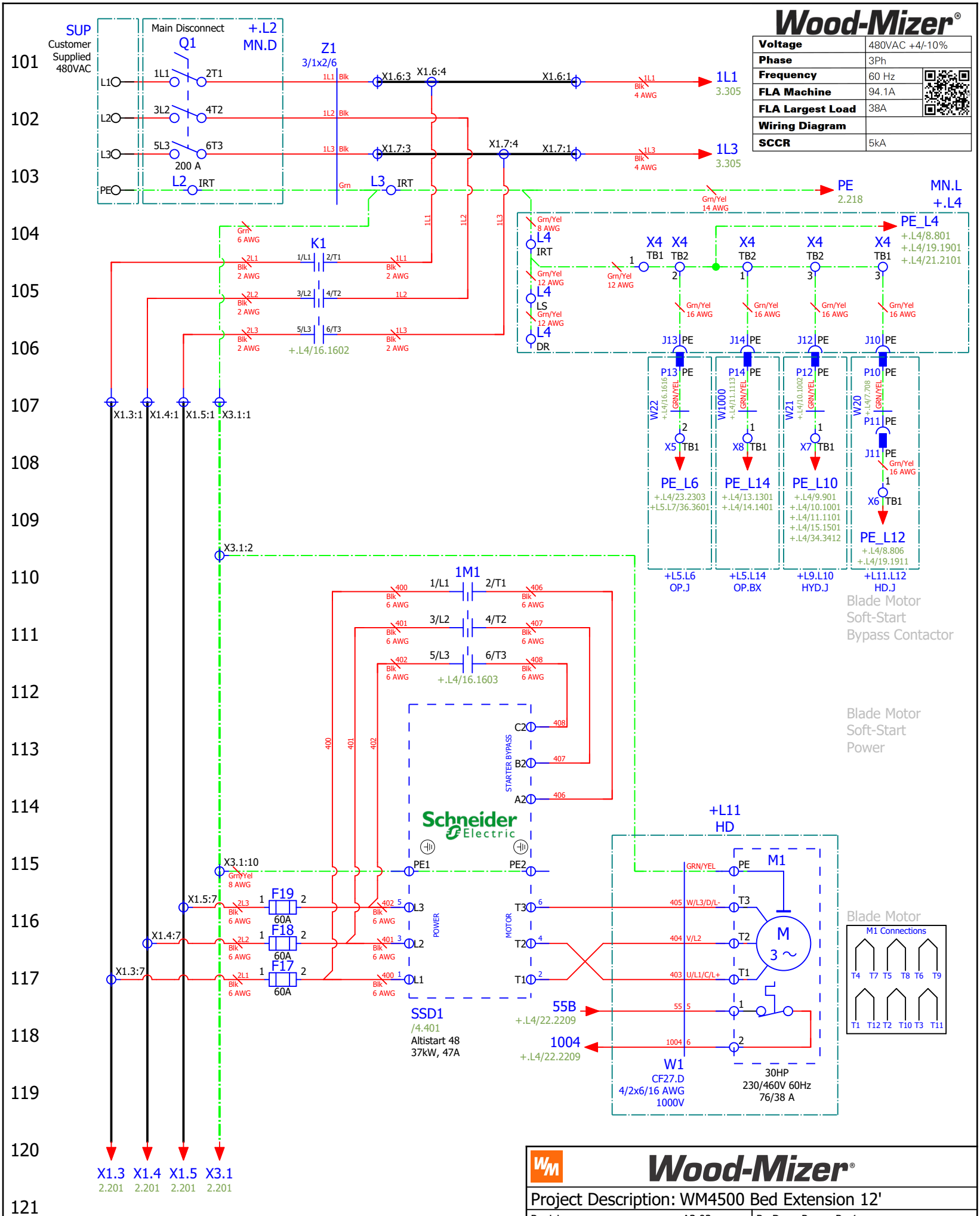
		Wood-Mizer®	
Project Description: WM4500 Bed Extension 12'			
Revision:	A3.02	Pg Desc: Table of contents	
Mounting Location: +		Type: Table of contents	
Prev. pg:	Page: A1	Next pg: A2	Total Pgs: 91

Revision History

Date	Revision	Revision Record	Drawn By	Checked By
8/6/18	A1.00	Release to production	JRF	SDC
4/26/19	A2.00	Added Pull Down Clamp Functions	JRF	SDC
12/6/19	A3.00	Full Bed Extension	JRF	SDC

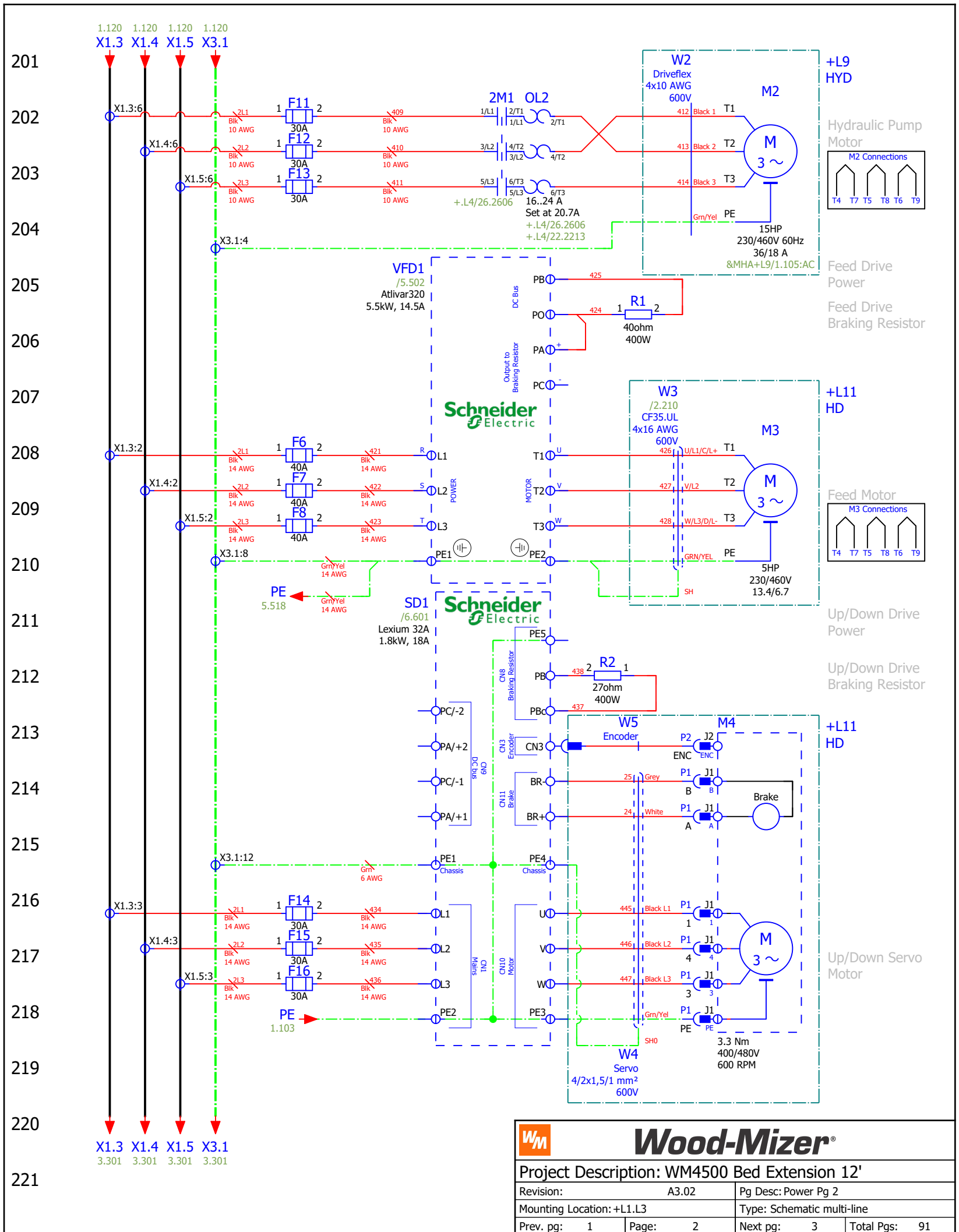
		Wood-Mizer®	
Project Description: WM4500 Bed Extension 12'			
Revision:	A3.02	Pg Desc: Revision History	
Mounting Location: +		Type: Overview	
Prev. pg: A2	Page: B1	Next pg: +L1.L3/1	Total Pgs: 91

Voltage	480VAC +4/-10%
Phase	3Ph
Frequency	60 Hz
FLA Machine	94.1A
FLA Largest Load	38A
Wiring Diagram	
SCCR	5kA

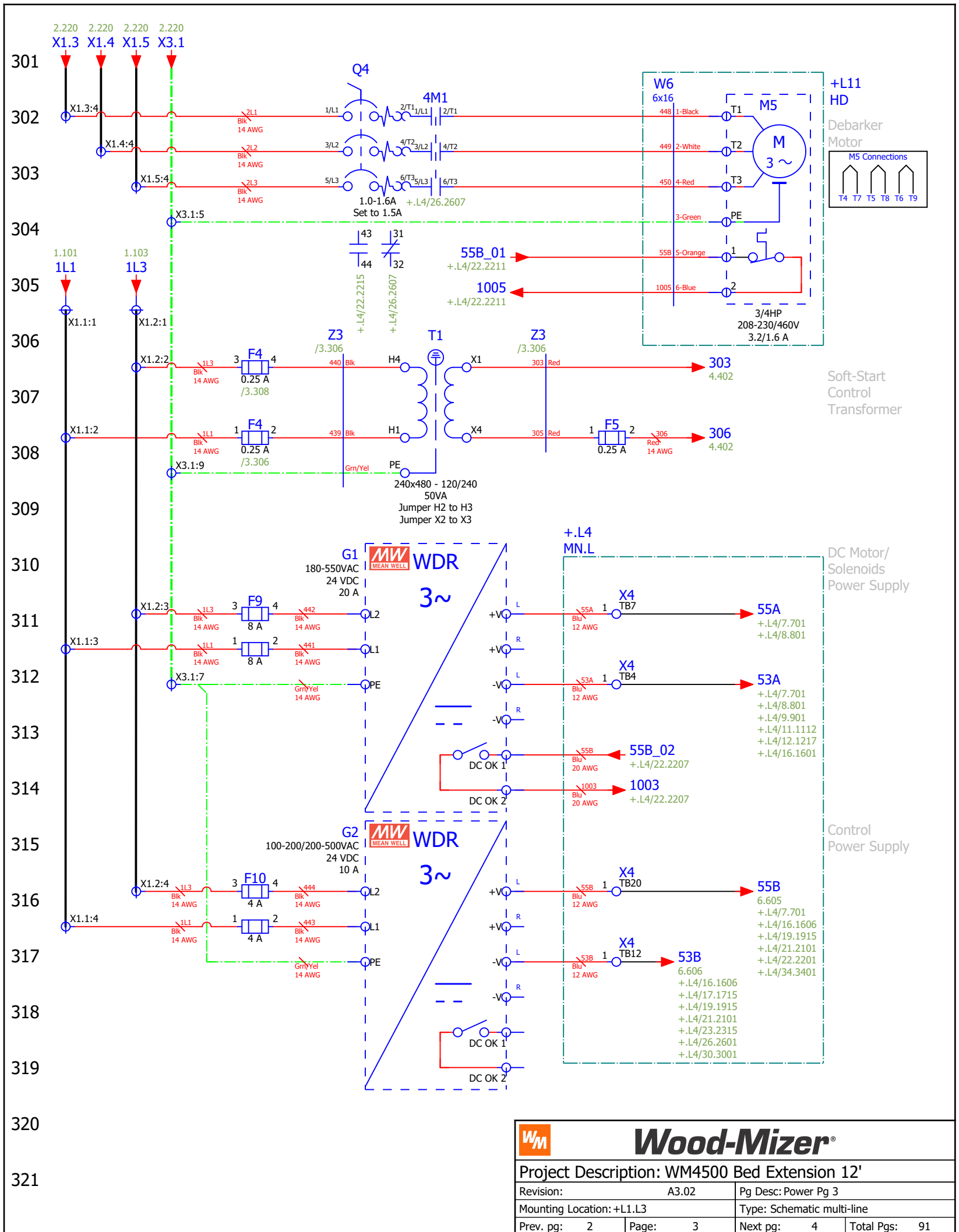


Project Description: WM4500 Bed Extension 12'

Revision:	A3.02	Pg Desc:	Power Pg 1
Mounting Location:	+L1.L3	Type:	Schematic multi-line
Prev. pg:	+/B1	Page:	1
		Next pg:	2
		Total Pgs:	91

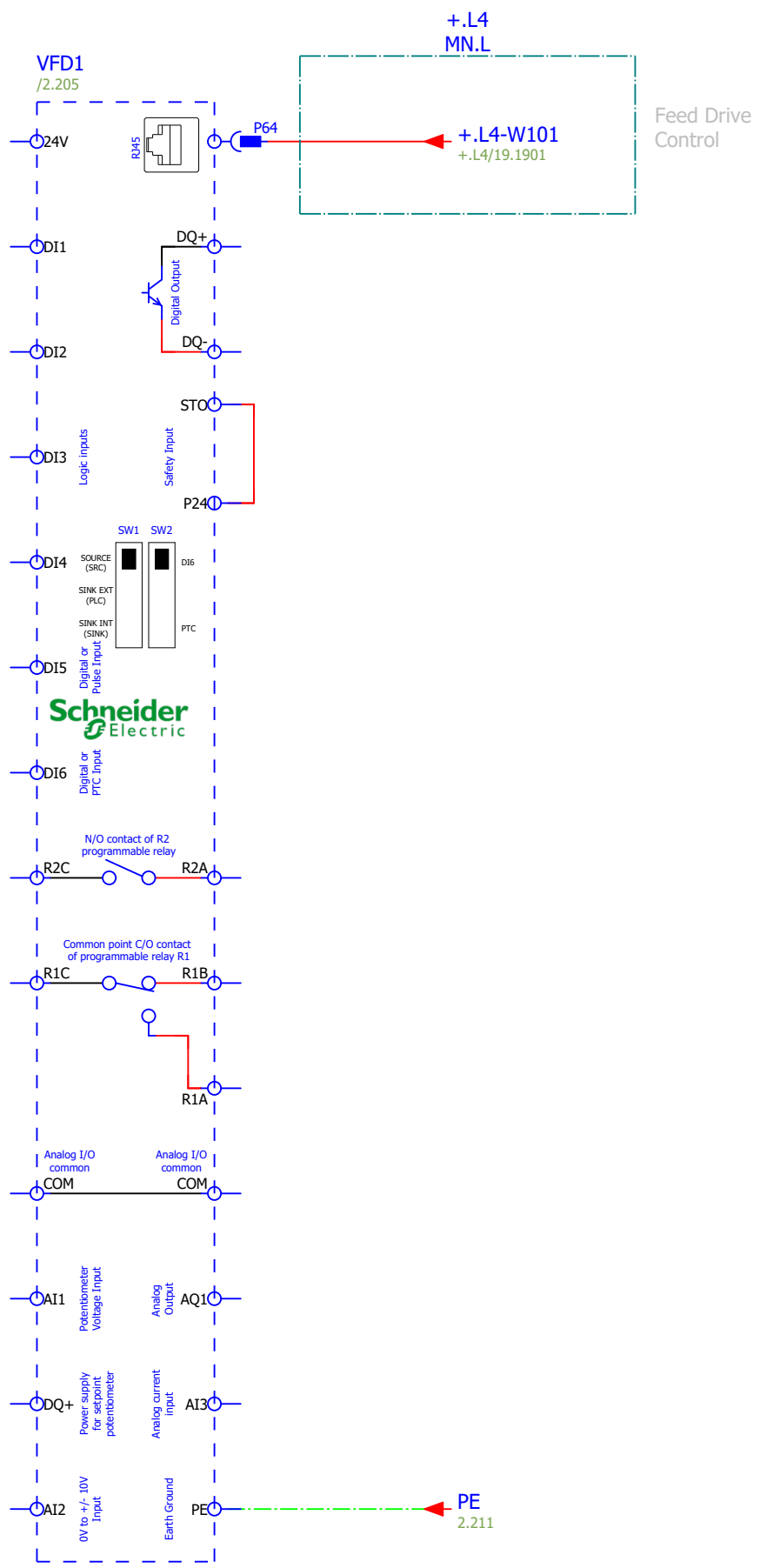


Wood-Mizer			
Project Description: WM4500 Bed Extension 12'			
Revision:	A3.02	Pg Desc: Power Pg 2	
Mounting Location:	+L1.L3	Type: Schematic multi-line	
Prev. pg:	1	Page:	2
		Next pg:	3
		Total Pgs:	91



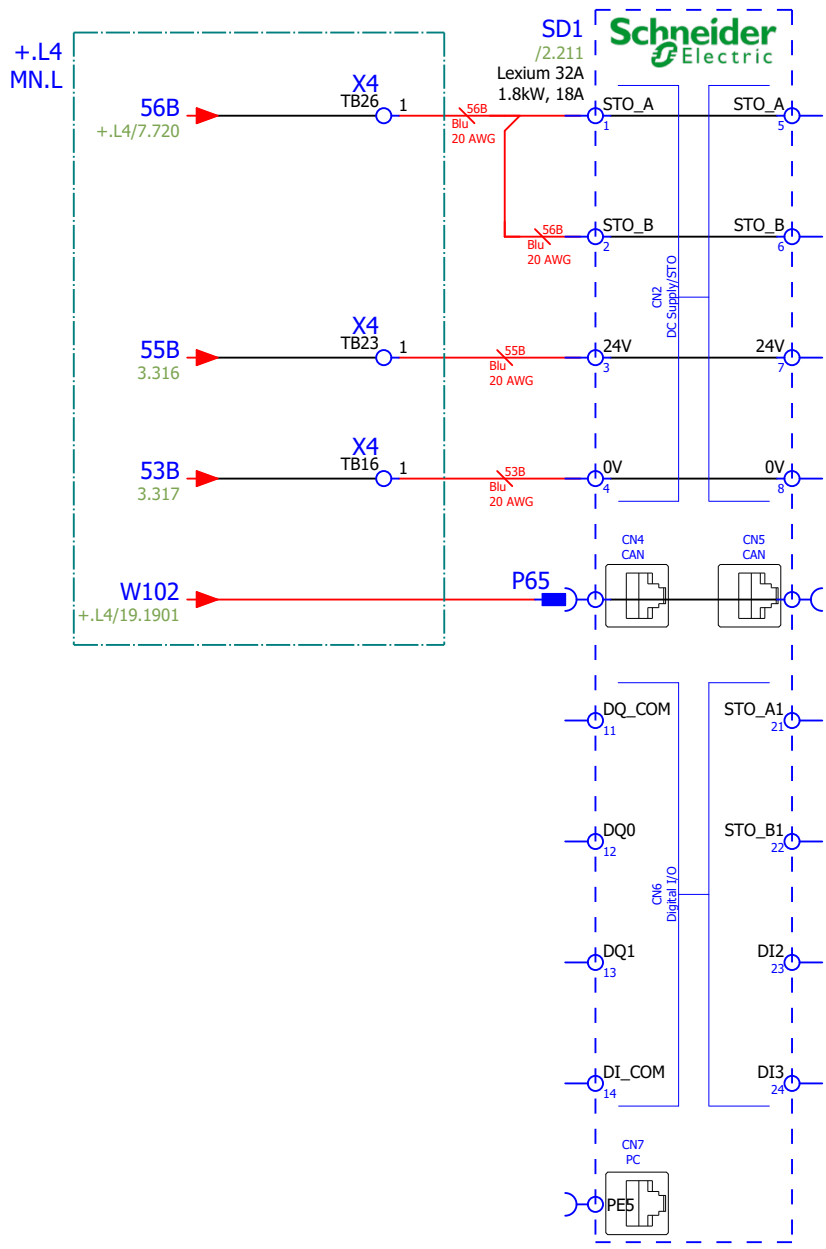
Wood-Mizer®			
Project Description: WM4500 Bed Extension 12'			
Revision:	A3.02	Pg Desc: Power Pg 3	
Mounting Location:	+L1.L3	Type: Schematic multi-line	
Prev. pg:	2	Page:	3
		Next pg:	4
		Total Pgs: 91	

501
502
503
504
505
506
507
508
509
510
511
512
513
514
515
516
517
518
519
520
521



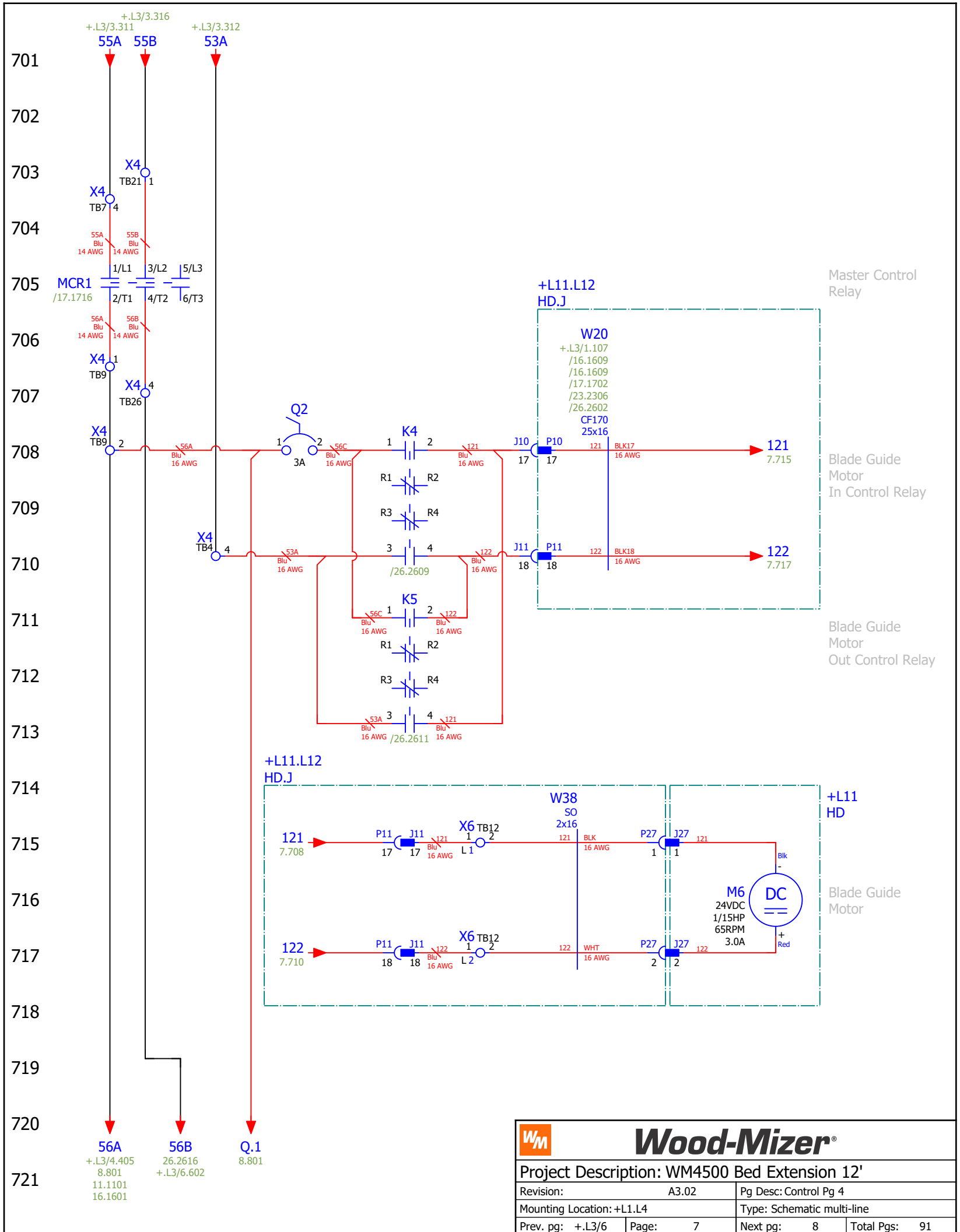
		Wood-Mizer®	
Project Description: WM4500 Bed Extension 12'			
Revision:	A3.02	Pg Desc: Control Pg 2	
Mounting Location:	+L1.L3	Type: Schematic multi-line	
Prev. pg:	4	Page:	5
		Next pg:	6
		Total Pgs:	91

601
602
603
604
605
606
607
608
609
610
611
612
613
614
615
616
617
618
619
620
621

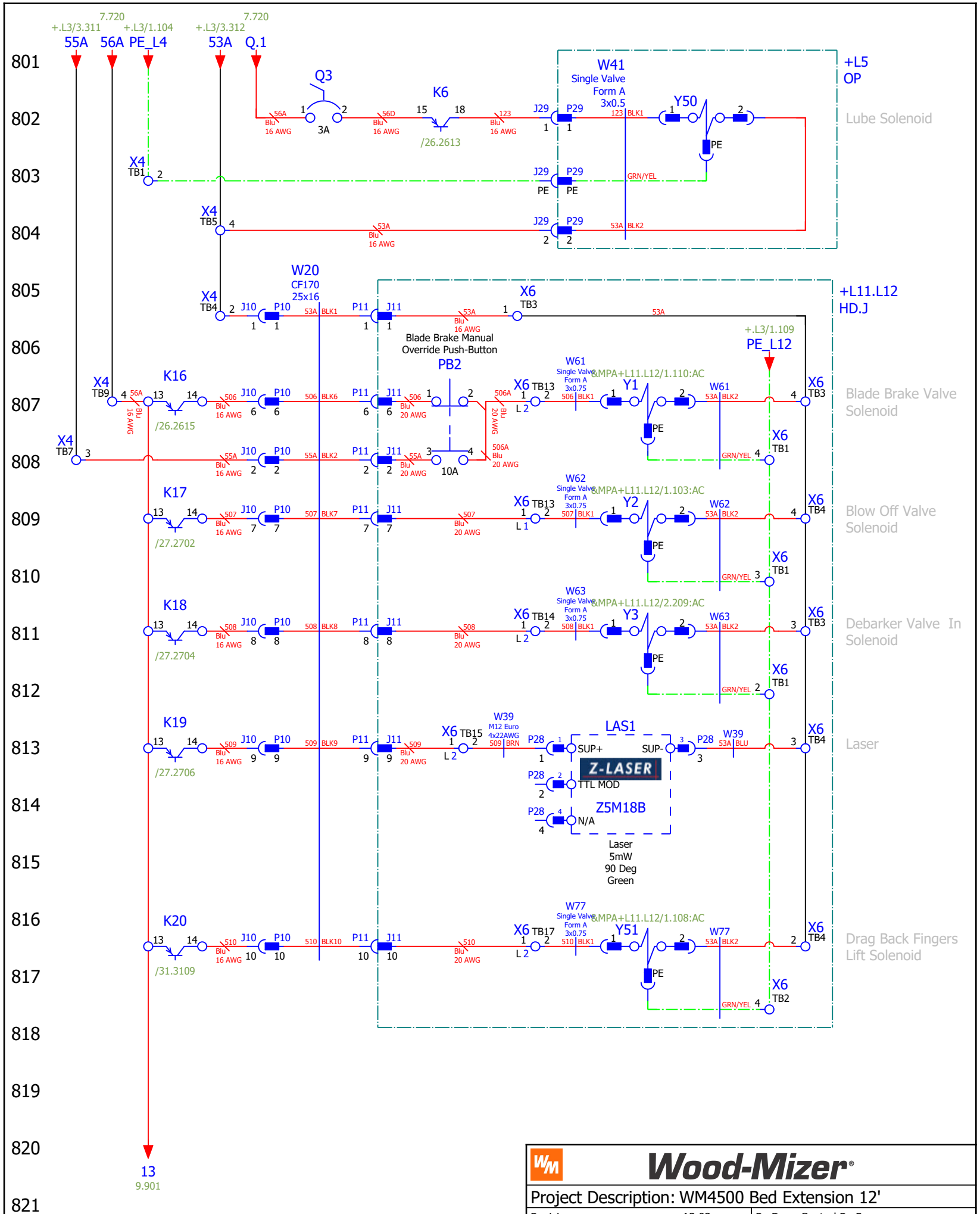


Up/Down Drive Control

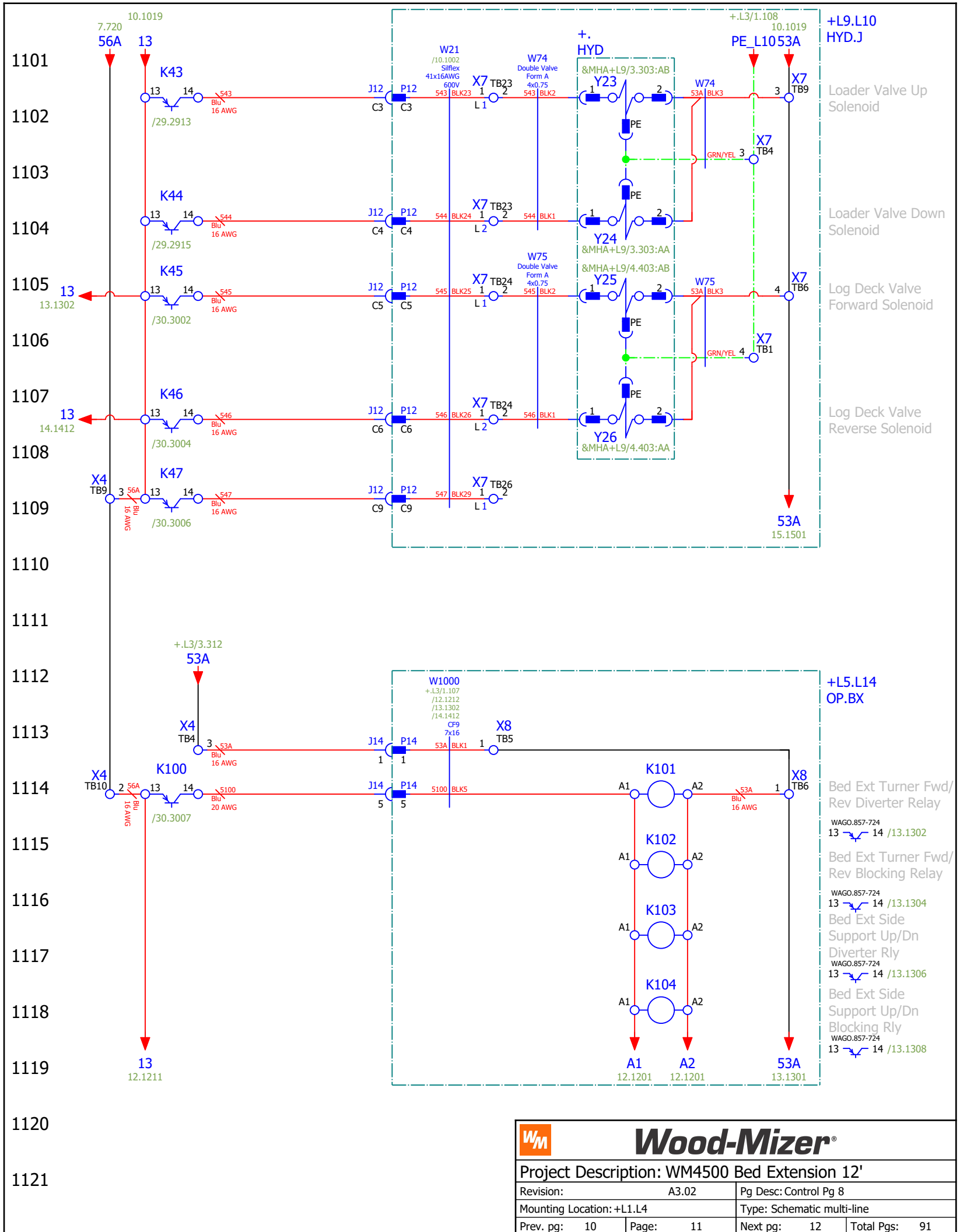
		Wood-Mizer®	
Project Description: WM4500 Bed Extension 12'			
Revision:	A3.02	Pg Desc: Control Pg 3	
Mounting Location:	+.L1.L3	Type: Schematic multi-line	
Prev. pg:	5	Page:	6
		Next pg:	+.L4/7
		Total Pgs:	91



Wood-Mizer®			
Project Description: WM4500 Bed Extension 12'			
Revision:	A3.02	Pg Desc: Control Pg 4	
Mounting Location:	+L1.L4	Type: Schematic multi-line	
Prev. pg:	+L3/6	Page:	7
		Next pg:	8
		Total Pgs:	91



Wood-Mizer®	
Project Description: WM4500 Bed Extension 12'	
Revision: A3.02	Pg Desc: Control Pg 5
Mounting Location: +L1.L4	Type: Schematic multi-line
Prev. pg: 7	Page: 8
Next pg: 9	Total Pgs: 91

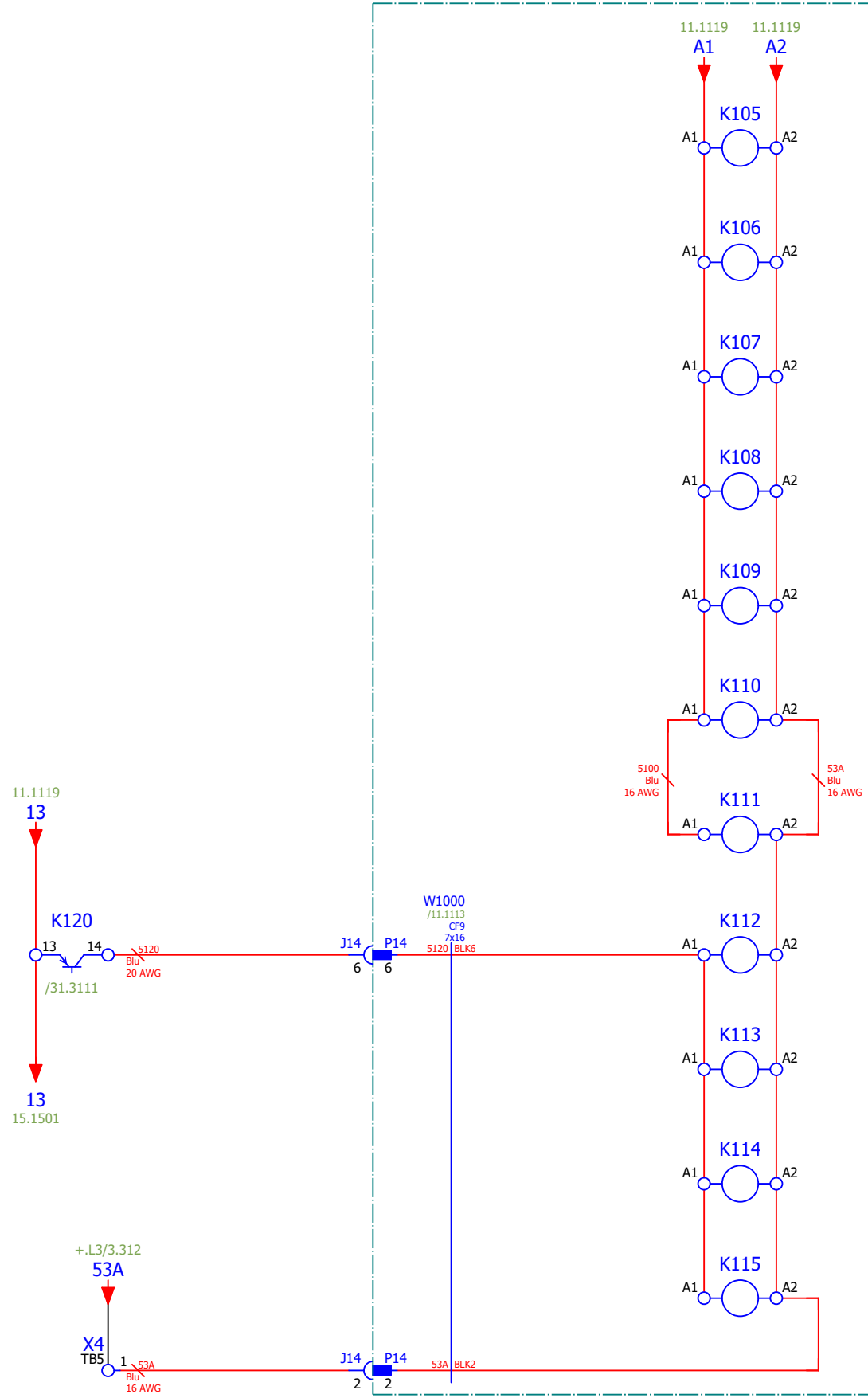


Wood-Mizer®

Project Description: WM4500 Bed Extension 12'

Revision:	A3.02	Pg Desc:	Control Pg 8
Mounting Location:	+L1.L4	Type:	Schematic multi-line
Prev. pg:	10	Page:	11
		Next pg:	12
		Total Pgs:	91

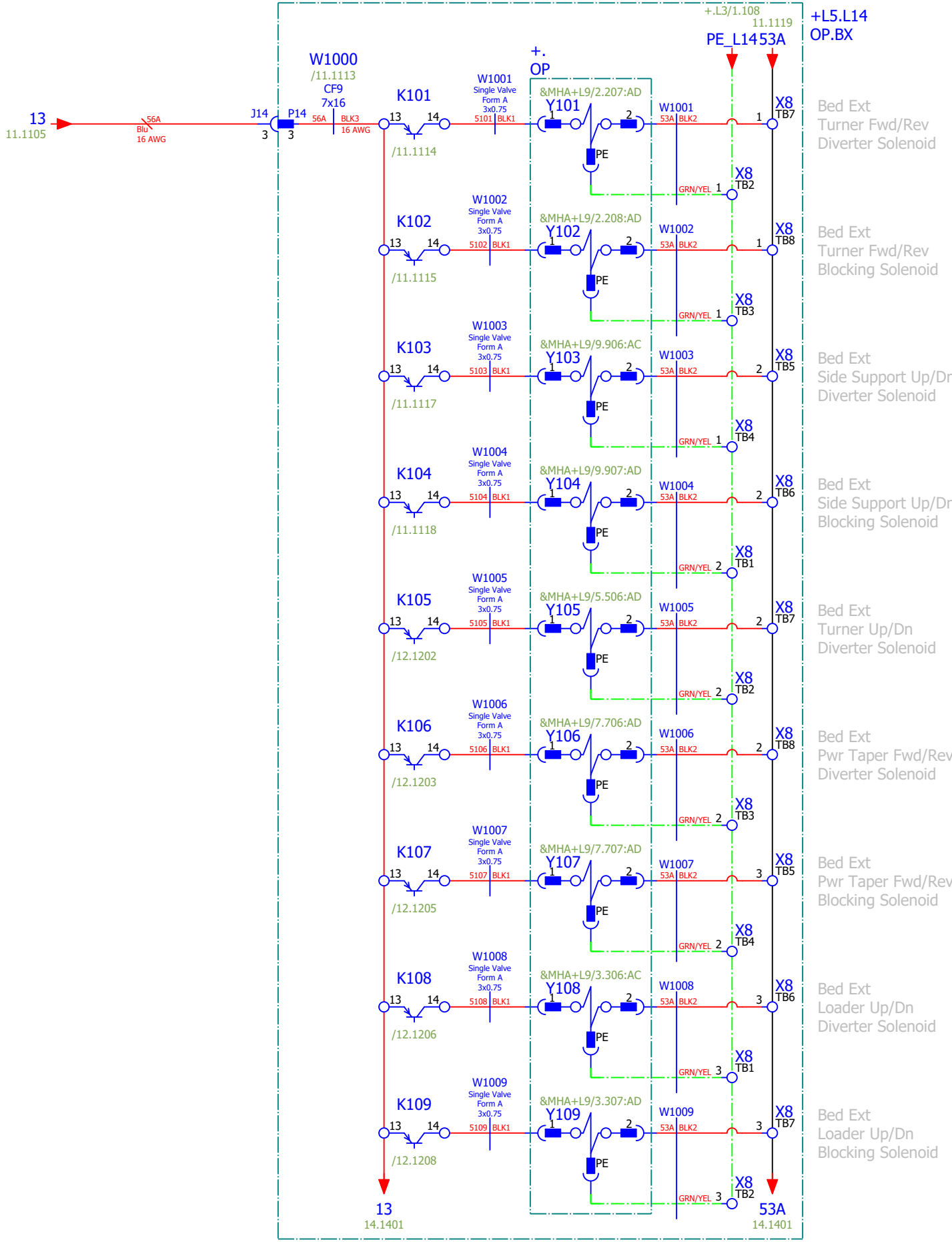
1201
1202
1203
1204
1205
1206
1207
1208
1209
1210
1211
1212
1213
1214
1215
1216
1217
1218
1219
1220
1221



- +L5.L14
OP.BX**
- Bed Ext Turner
Up/Dn
Diverter Relay
WAGO.857-724
13 14 /13.1310
- Bed Ext Pwr Taper
Fwd/Rev
Diverter Rly
WAGO.857-724
13 14 /13.1312
- Bed Ext Pwr Taper
Fwd/Rev
Blocking Rly
WAGO.857-724
13 14 /13.1314
- Bed Ext Loader
Up/Dn
Diverter Relay
WAGO.857-724
13 14 /13.1316
- Bed Ext Loader
Up/Dn
Blocking Relay
WAGO.857-724
13 14 /13.1318
- Bed Ext Log Deck
Fwd/Rev
Diverter Rly
WAGO.857-724
13 14 /14.1402
- Bed Ext Log Deck
Fwd/Rev
Blocking Rly
WAGO.857-724
13 14 /14.1404
- Bed Ext
Clamp Up
Diverter Solenoid
WAGO.857-724
13 14 /14.1406
- Bed Ext
Clamp Down
Diverter Solenoid
WAGO.857-724
13 14 /14.1408
- Bed Ext
Clamp In
Diverter Solenoid
WAGO.857-724
13 14 /14.1410
- Bed Ext
Clamp Out
Diverter Solenoid
WAGO.857-724
13 14 /14.1412

Wood-Mizer®	
Project Description: WM4500 Bed Extension 12'	
Revision: A3.02	Pg Desc: Control Pg 9
Mounting Location: +L1.L4	Type: Schematic multi-line
Prev. pg: 11	Page: 12
Next pg: 13	Total Pgs: 91

1301
1302
1303
1304
1305
1306
1307
1308
1309
1310
1311
1312
1313
1314
1315
1316
1317
1318
1319
1320
1321



+L5.L14
OP.BX

PE_L1453A

+L3/1.108
11.1119

Bed Ext
Turner Fwd/Rev
Diverter Solenoid

Bed Ext
Turner Fwd/Rev
Blocking Solenoid

Bed Ext
Side Support Up/Dn
Diverter Solenoid

Bed Ext
Side Support Up/Dn
Blocking Solenoid

Bed Ext
Turner Up/Dn
Diverter Solenoid

Bed Ext
Pwr Taper Fwd/Rev
Diverter Solenoid

Bed Ext
Pwr Taper Fwd/Rev
Blocking Solenoid

Bed Ext
Loader Up/Dn
Diverter Solenoid

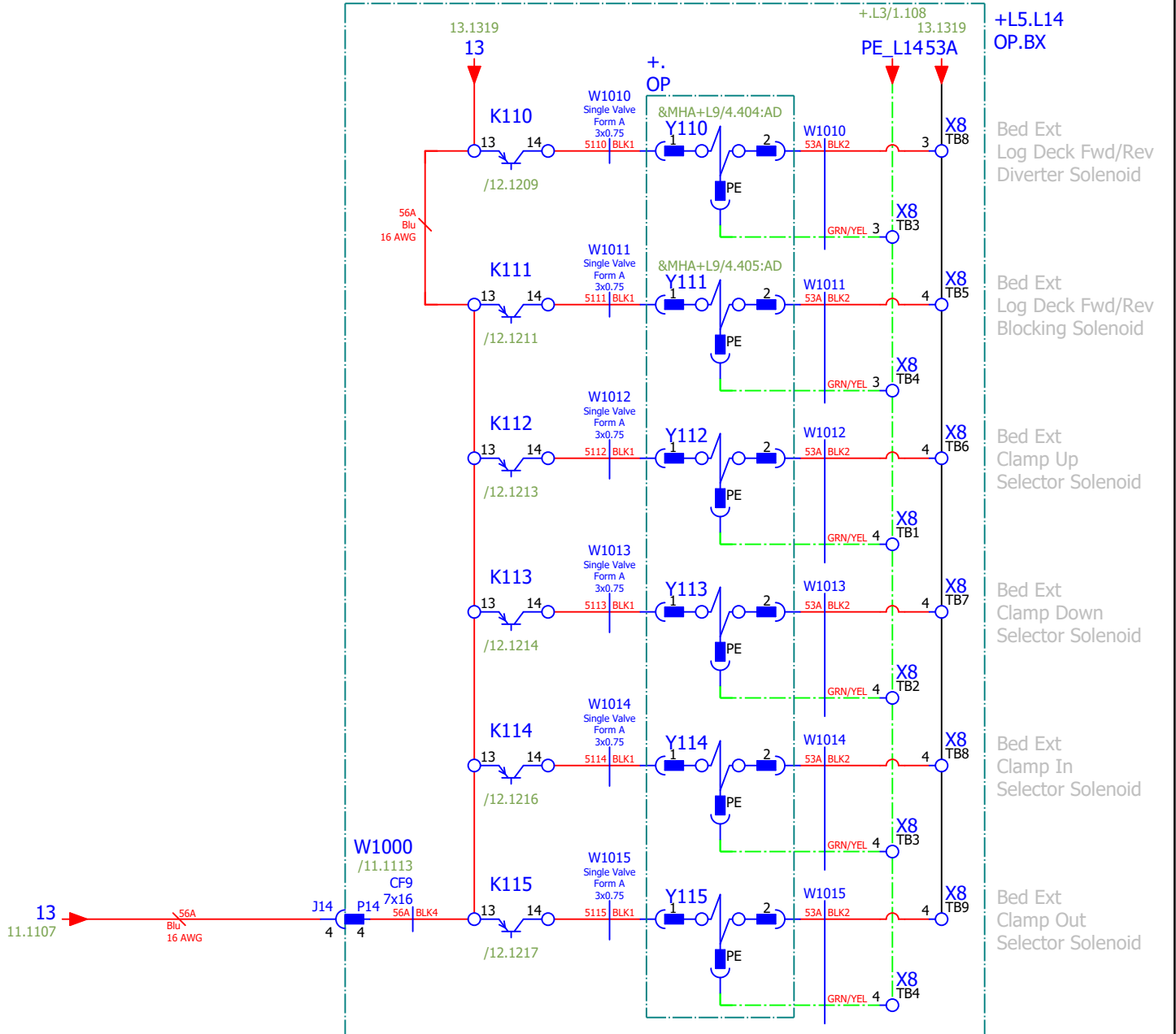
Bed Ext
Loader Up/Dn
Blocking Solenoid

Wood-Mizer®

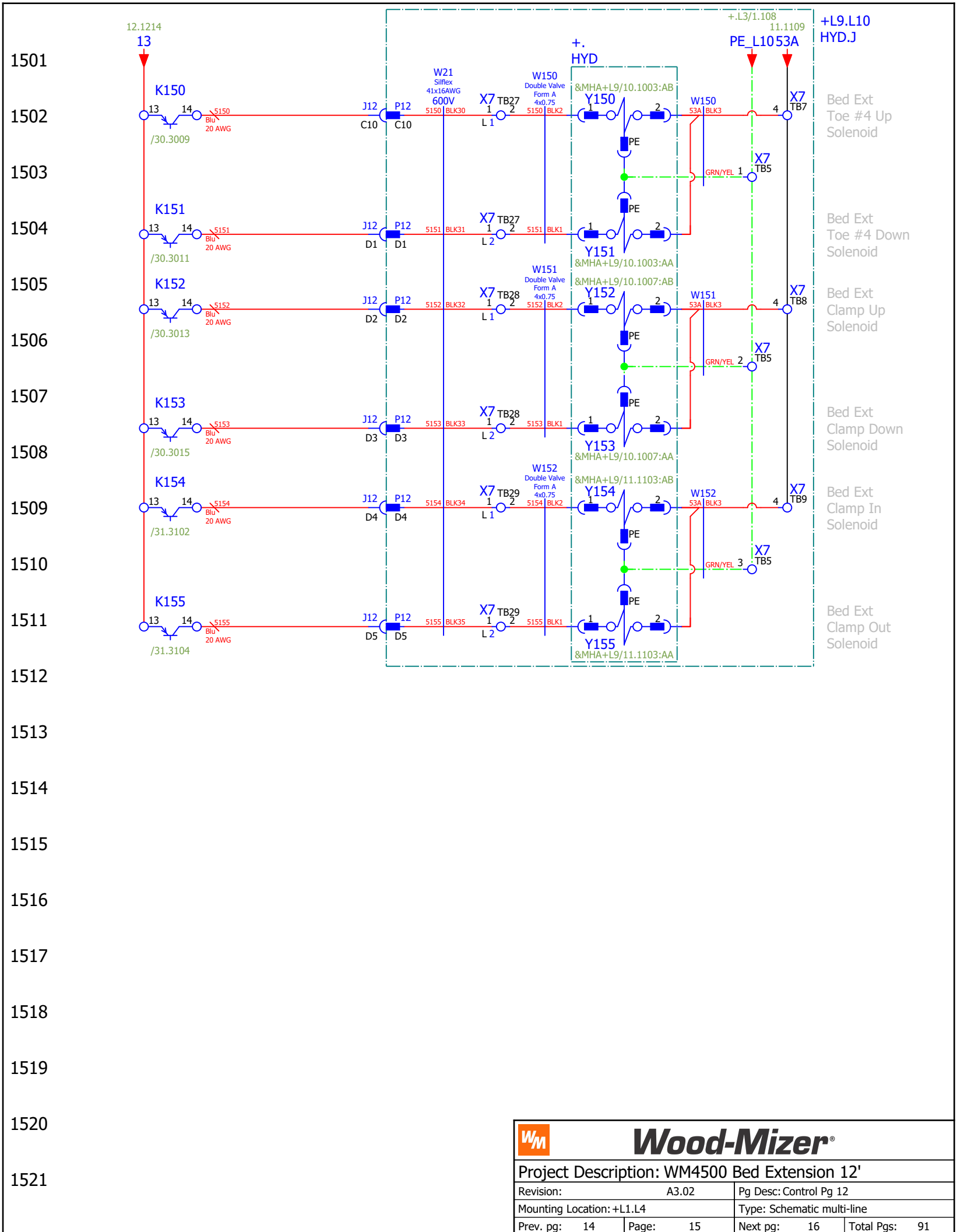
Project Description: WM4500 Bed Extension 12'


Revision:	A3.02	Pg Desc:	Control Pg 10
Mounting Location:	+L1.L4	Type:	Schematic multi-line
Prev. pg:	12	Page:	13
		Next pg:	14
		Total Pgs:	91

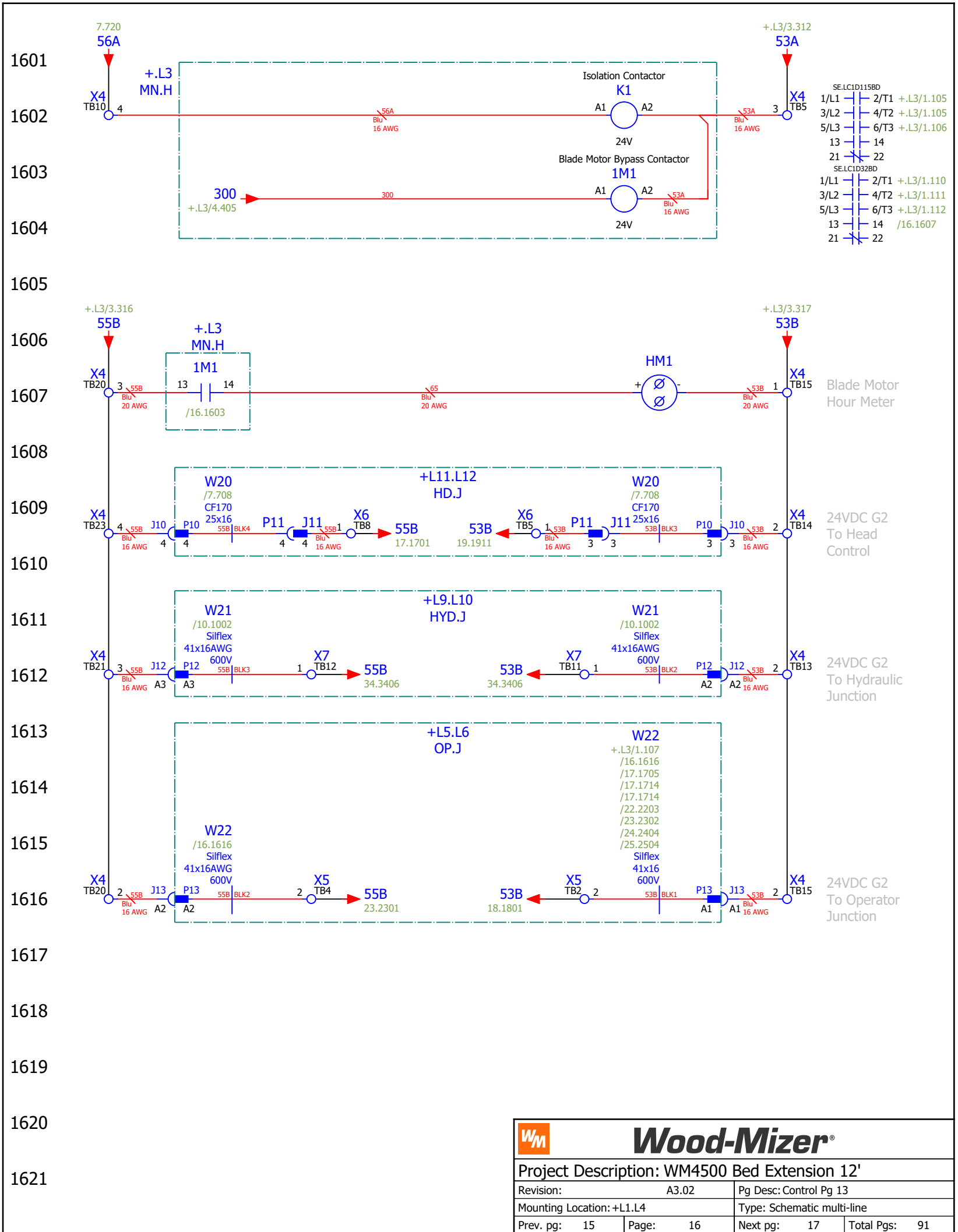
1401
1402
1403
1404
1405
1406
1407
1408
1409
1410
1411
1412
1413
1414
1415
1416
1417
1418
1419
1420
1421



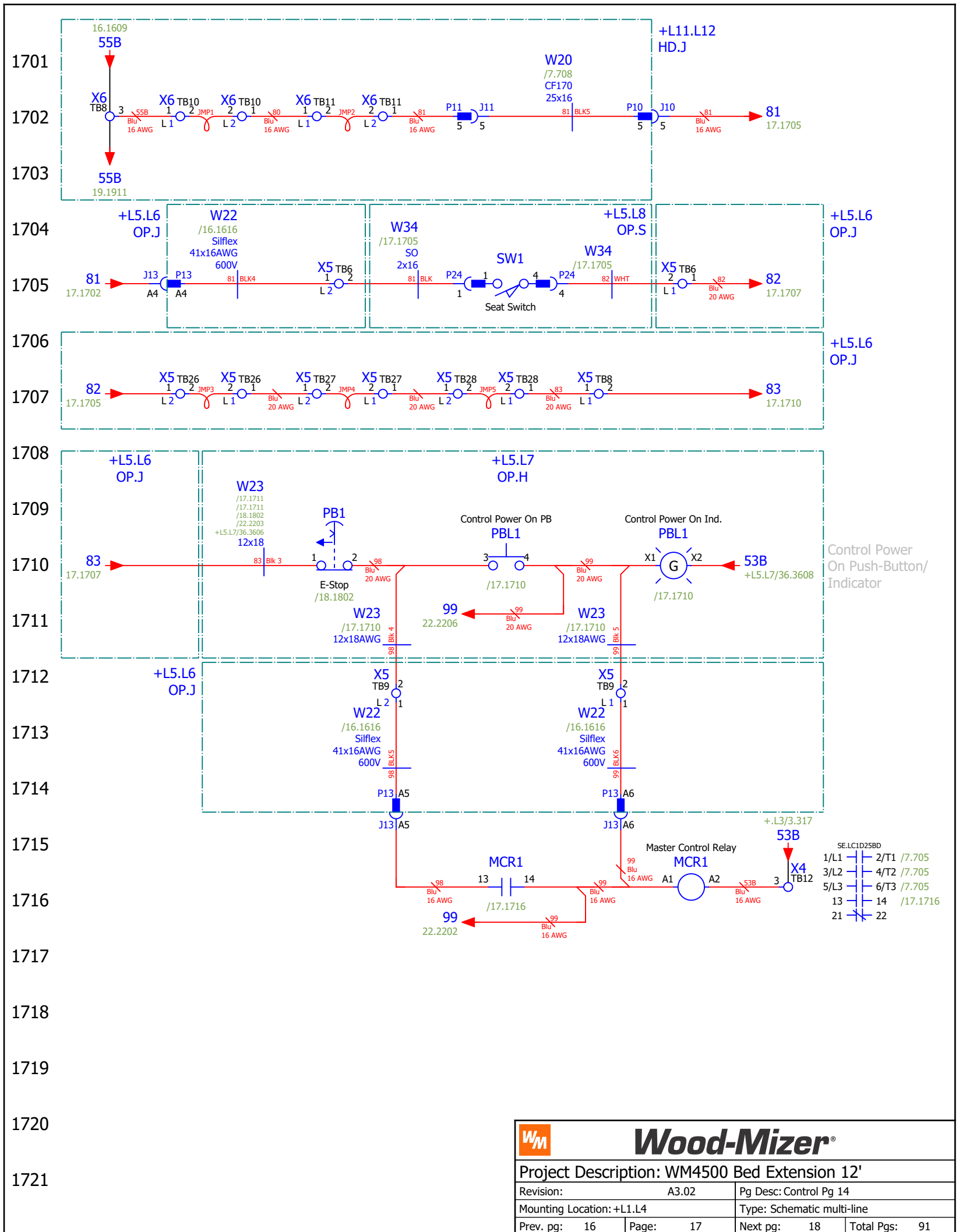
		Wood-Mizer®	
Project Description: WM4500 Bed Extension 12'			
Revision:	A3.02	Pg Desc: Control Pg 11	
Mounting Location:	+L1.L4	Type: Schematic multi-line	
Prev. pg:	13	Page:	14
		Next pg:	15
		Total Pgs:	91



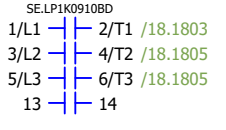
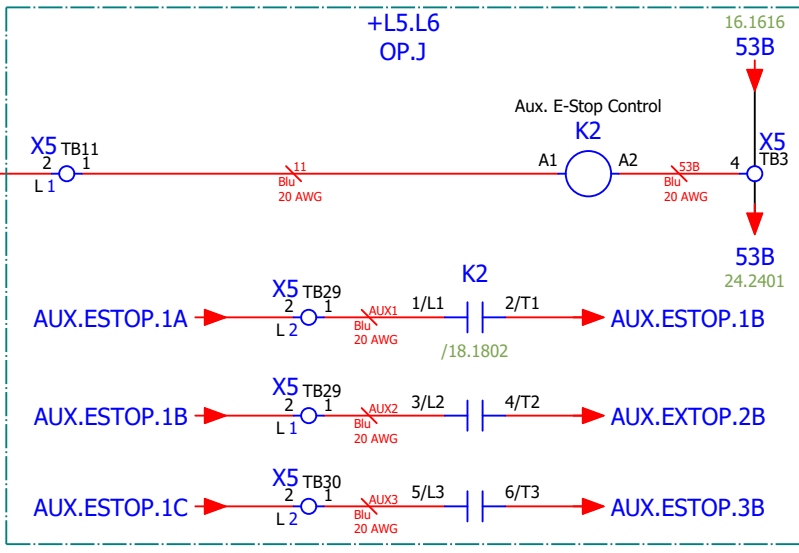
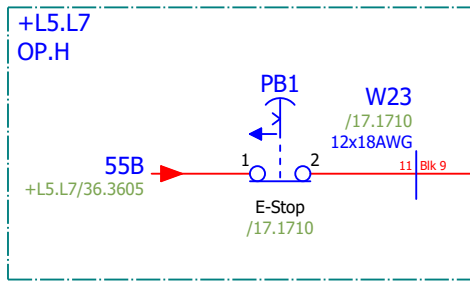
		Wood-Mizer®	
Project Description: WM4500 Bed Extension 12'			
Revision:	A3.02	Pg Desc: Control Pg 12	
Mounting Location:	+L1.L4	Type: Schematic multi-line	
Prev. pg:	14	Page:	15
		Next pg:	16
		Total Pgs:	91



- SE.LC1D115BD
- 1/L1 --- 2/T1 +.L3/1.105
 - 3/L2 --- 4/T2 +.L3/1.105
 - 5/L3 --- 6/T3 +.L3/1.106
 - 13 --- 14
 - 21 --- 22
- SE.LC1D32BD
- 1/L1 --- 2/T1 +.L3/1.110
 - 3/L2 --- 4/T2 +.L3/1.111
 - 5/L3 --- 6/T3 +.L3/1.112
 - 13 --- 14 /16.1607
 - 21 --- 22



1801
1802
1803
1804
1805
1806
1807
1808
1809
1810
1811
1812
1813
1814
1815
1816
1817
1818
1819
1820
1821

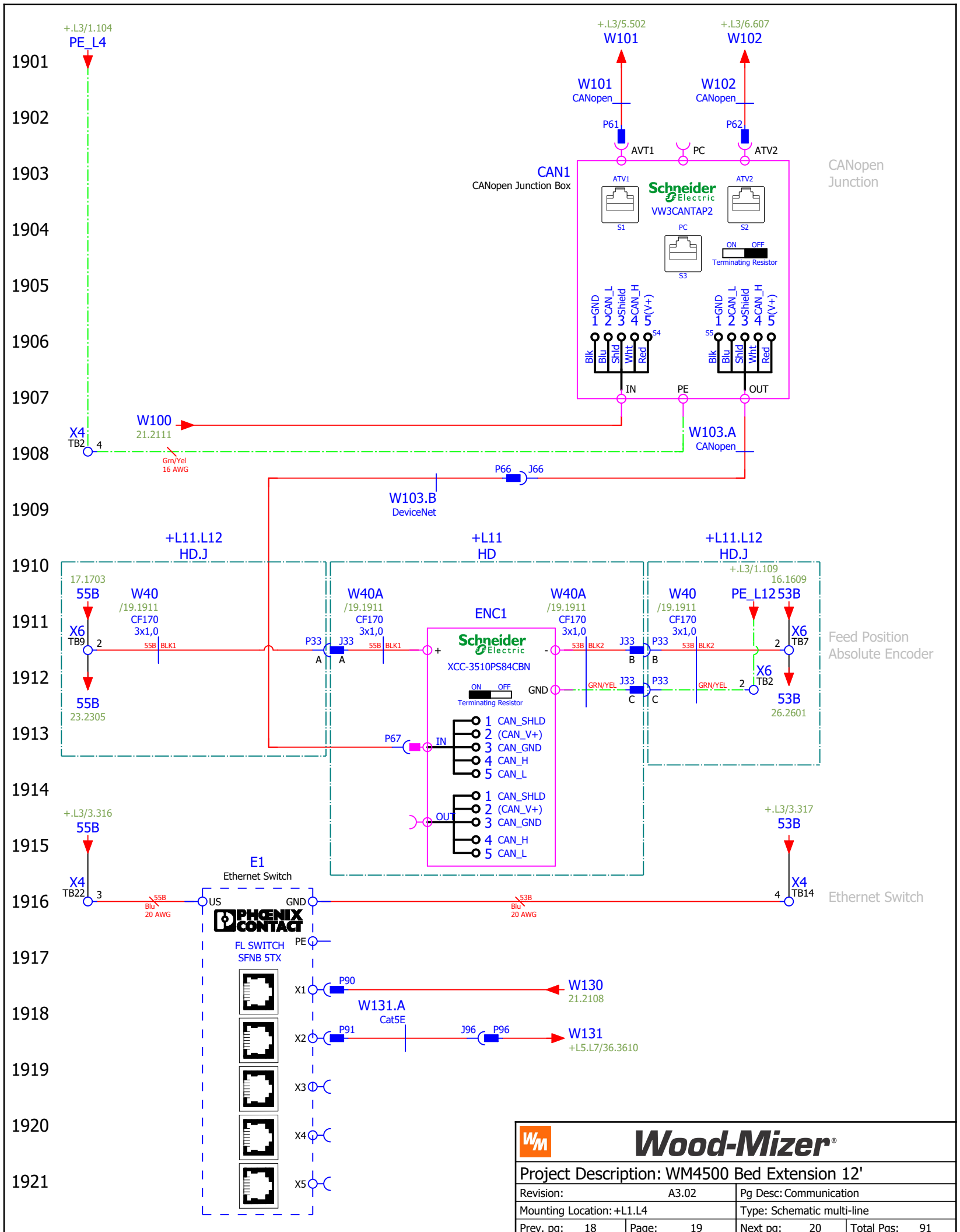


Auxiliary Equipment E-Stop Control 1

Auxiliary Equipment E-Stop Control 2

Auxiliary Equipment E-Stop Control 3

		Wood-Mizer®	
Project Description: WM4500 Bed Extension 12'			
Revision:	A3.02	Pg Desc:	Control Pg 15
Mounting Location:	+L1.L4	Type:	Schematic multi-line
Prev. pg:	17	Page:	18
		Next pg:	19
		Total Pgs:	91



		Wood-Mizer®	
		Project Description: WM4500 Bed Extension 12'	
Revision:	A3.02	Pg Desc: Communication	
Mounting Location:	+L1.L4	Type: Schematic multi-line	
Prev. pg:	18	Page:	19
		Next pg:	20
		Total Pgs:	91

PLC1.7

PLC1.6

PLC1.5

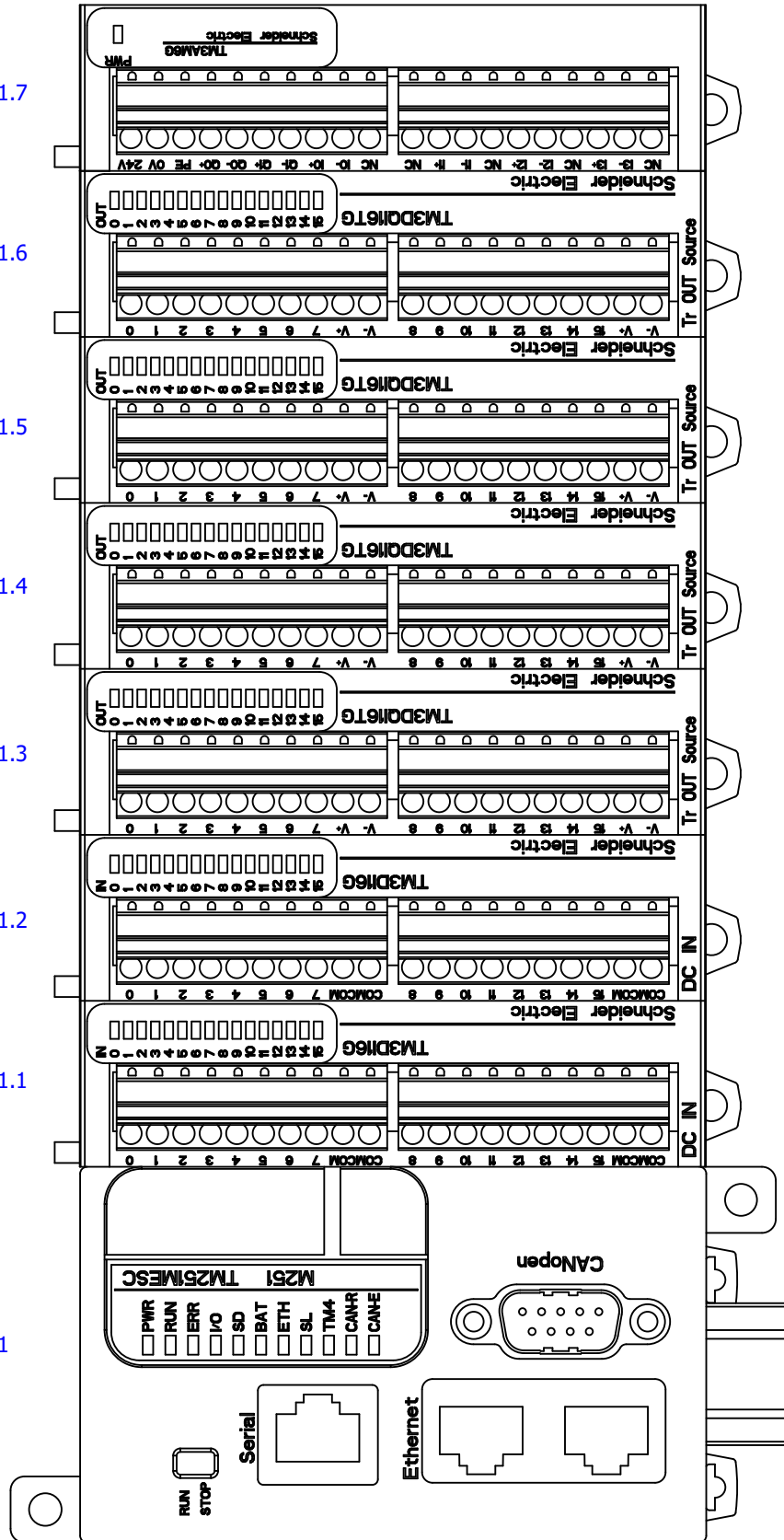
PLC1.4

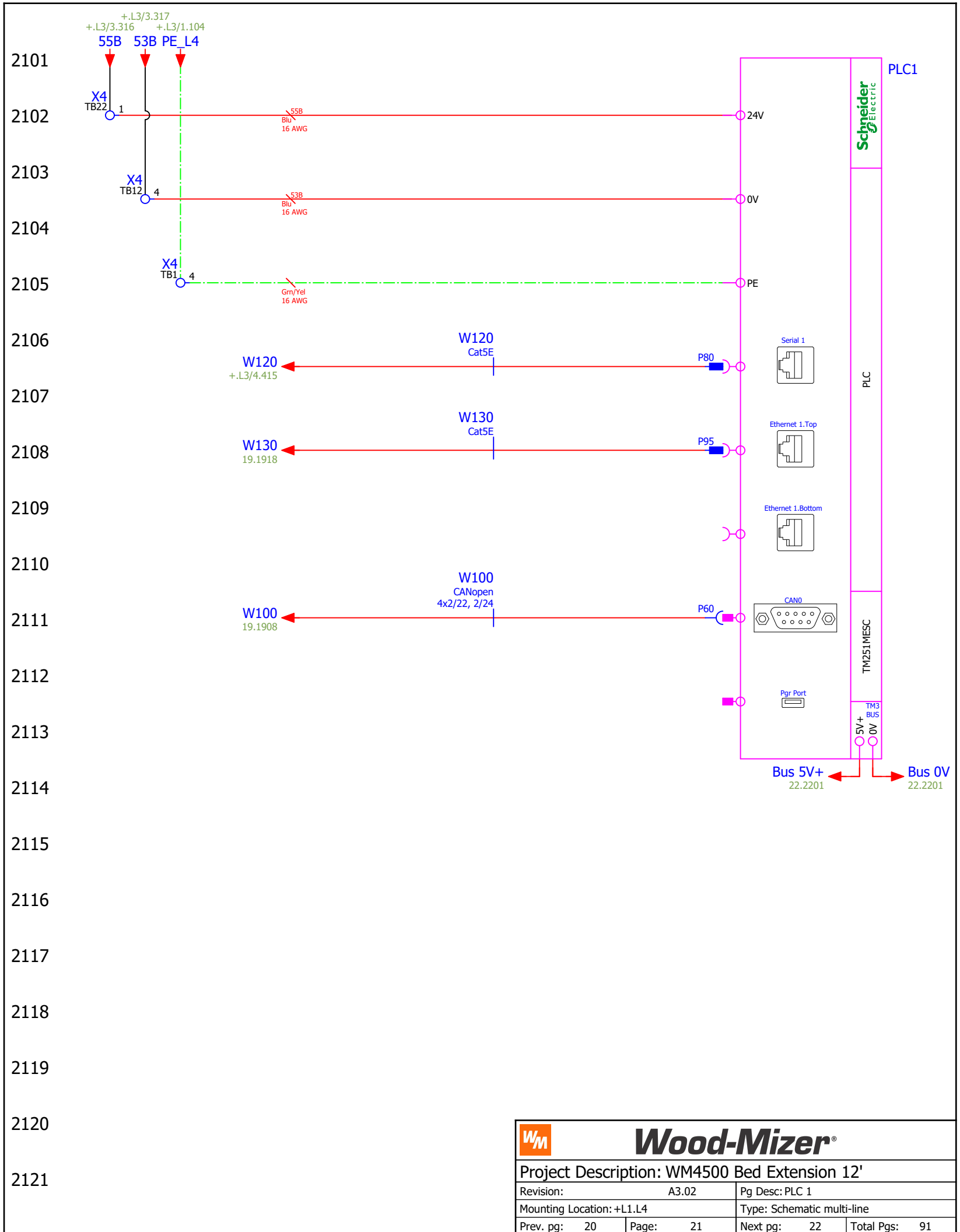
PLC1.3

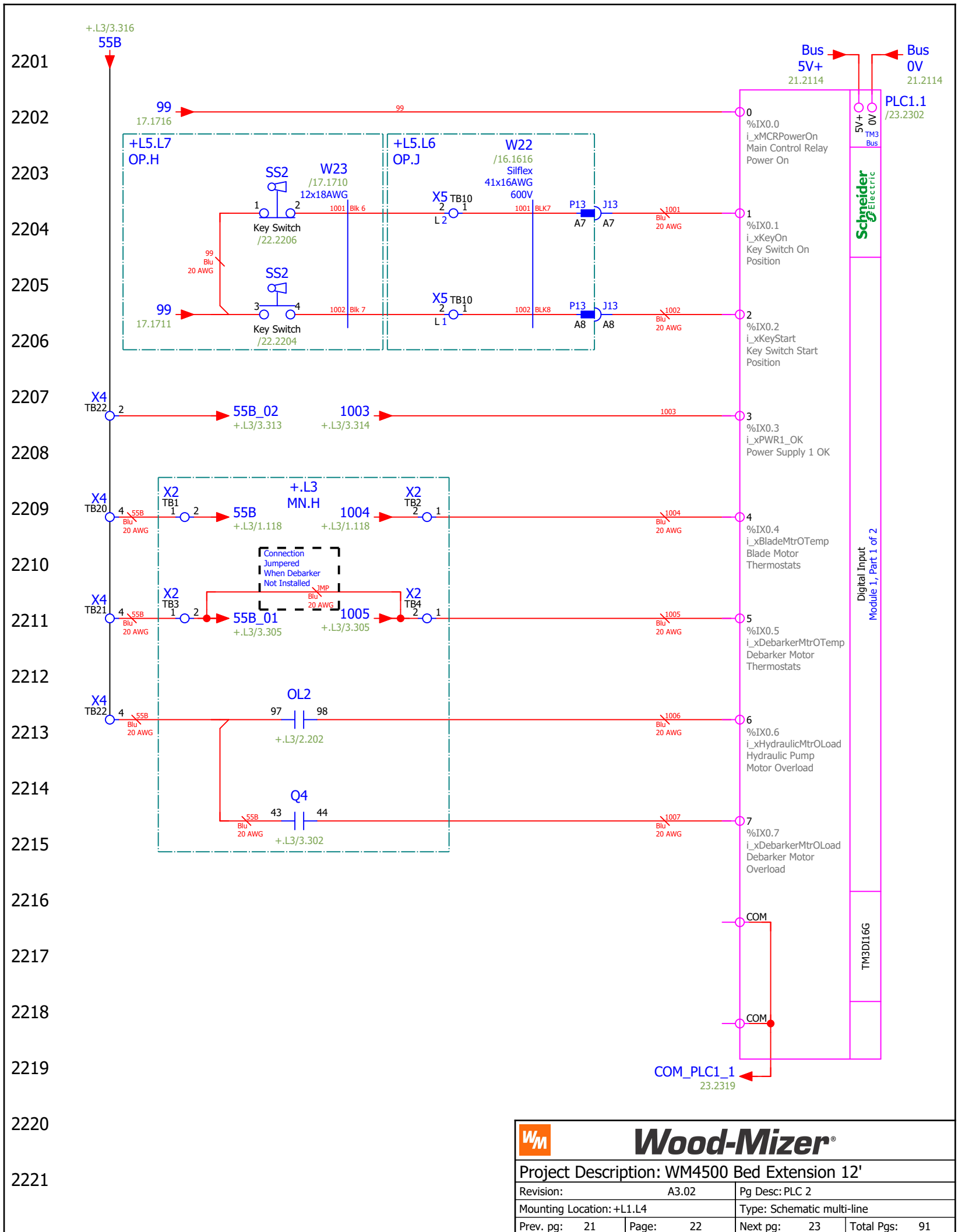
PLC1.2

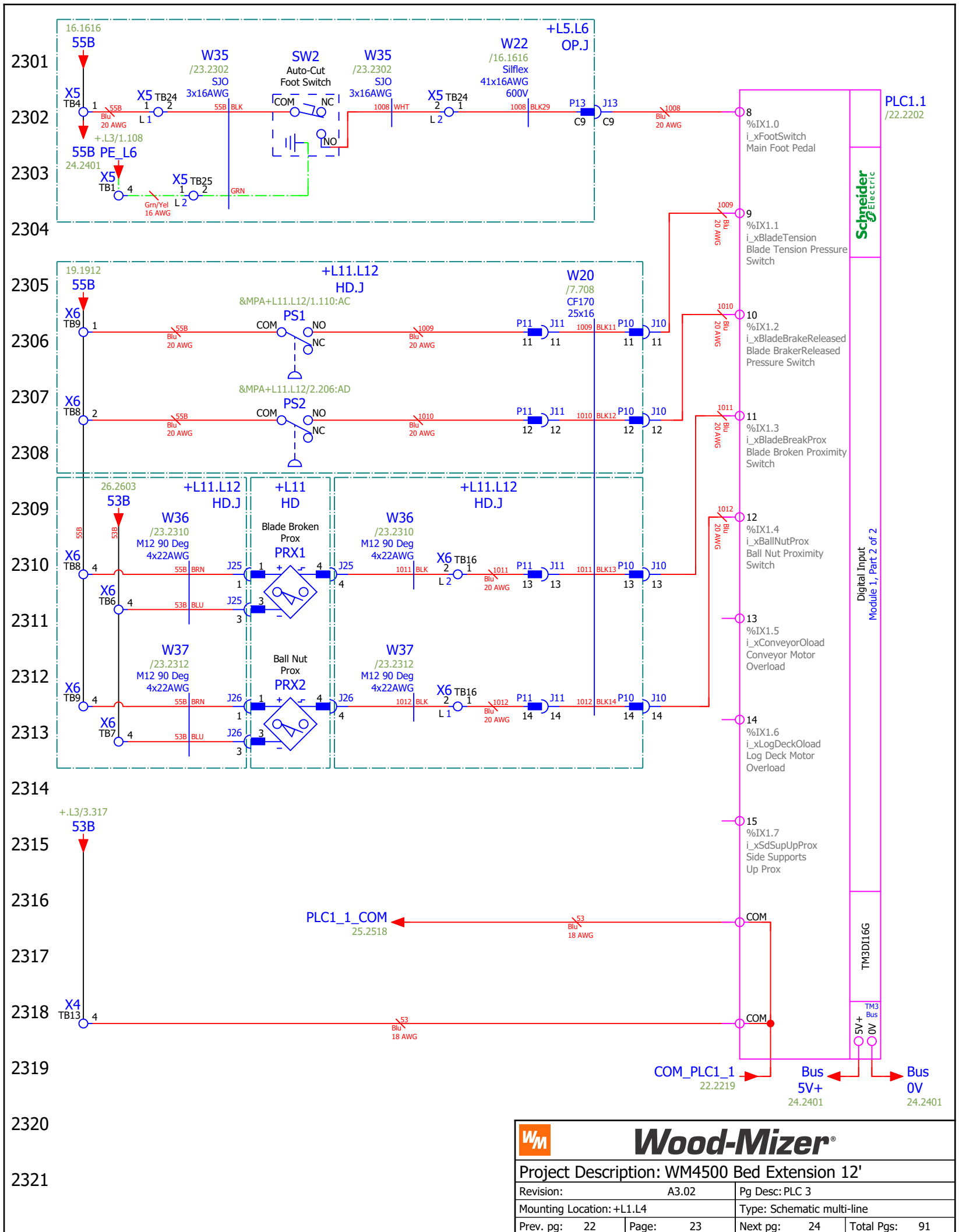
PLC1.1


PLC1

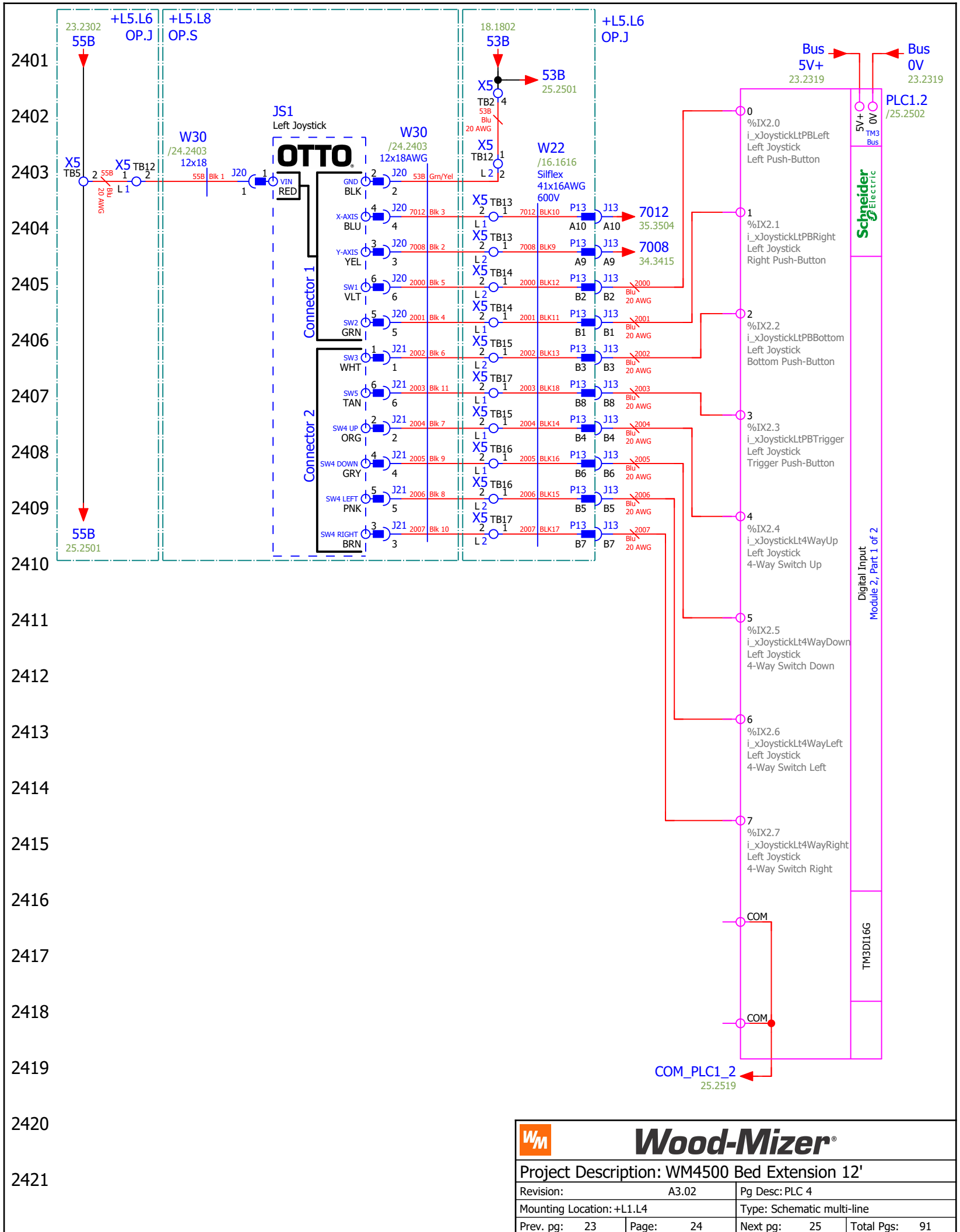


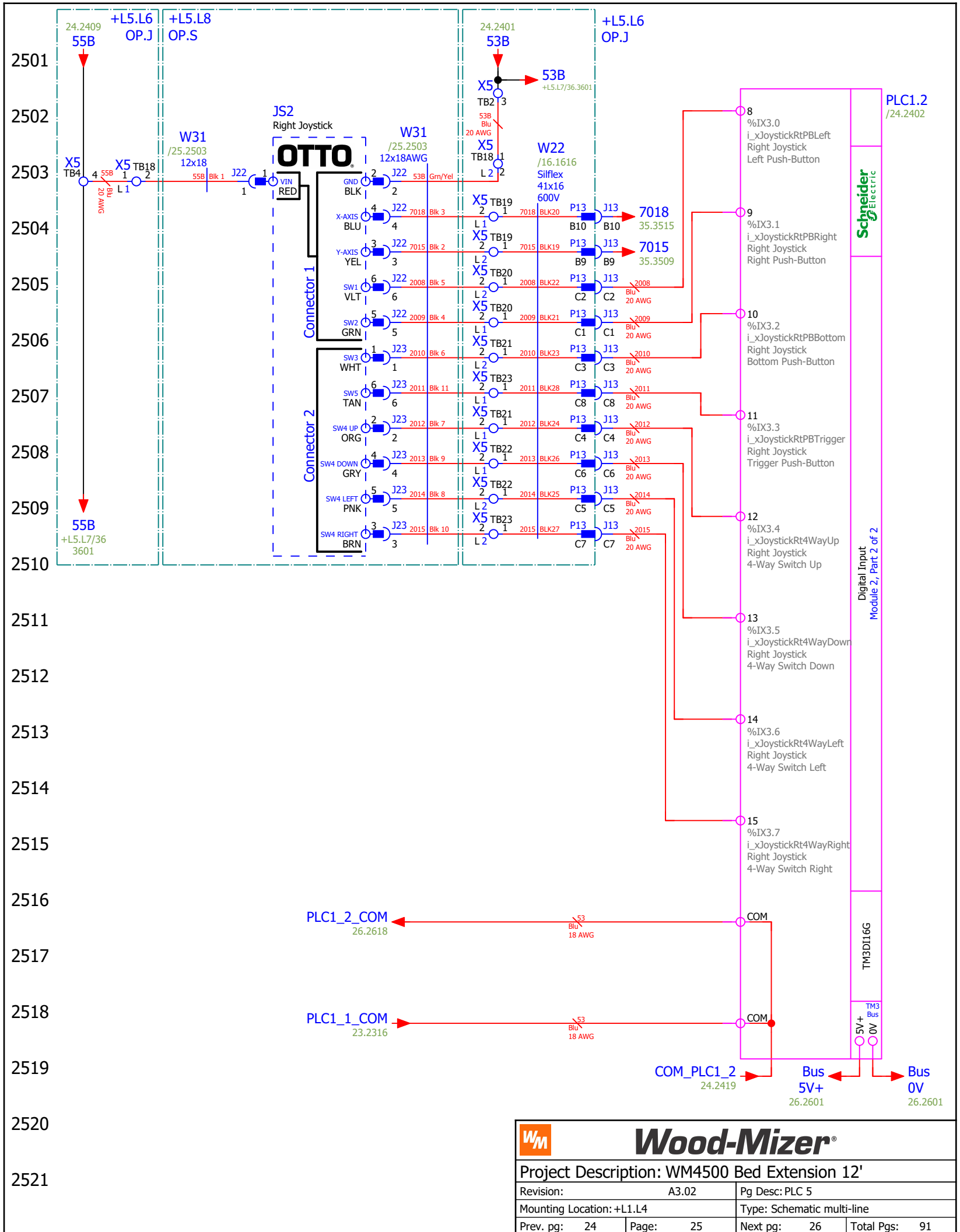


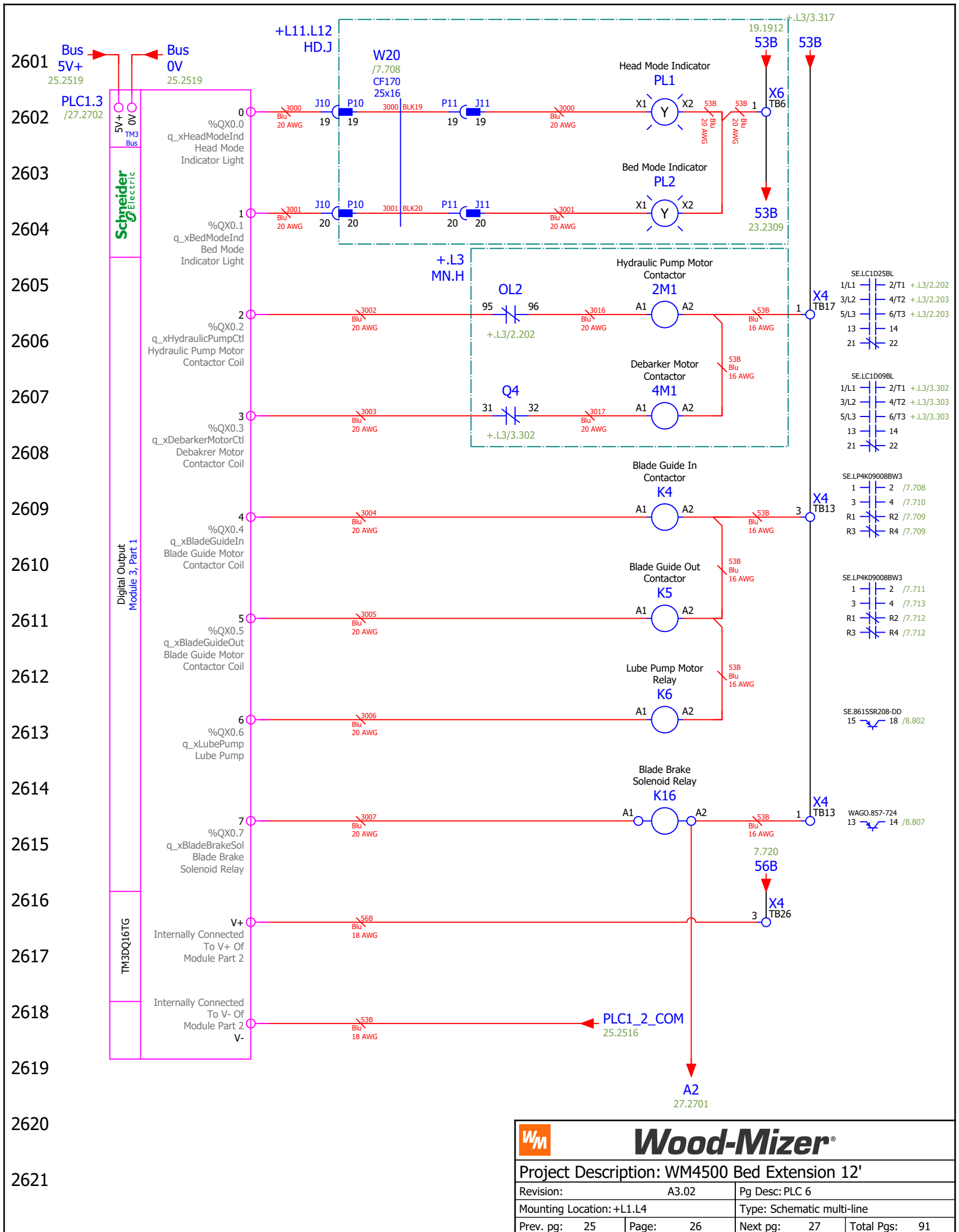




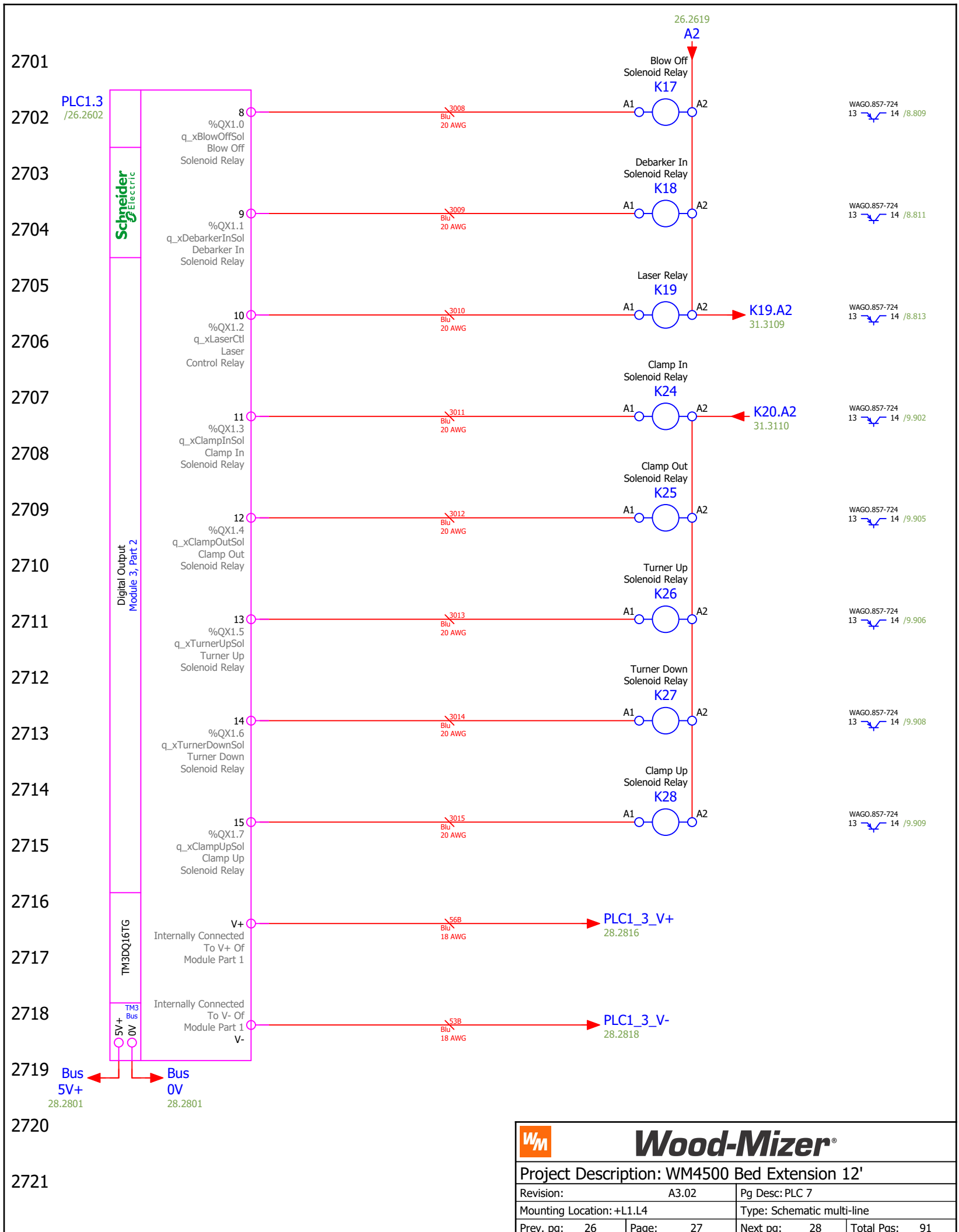
 Wood-Mizer®			
Project Description: WM4500 Bed Extension 12'			
Revision:	A3.02	Pg Desc:	PLC 3
Mounting Location:	+L1.L4	Type:	Schematic multi-line
Prev. pg:	22	Page:	23
		Next pg:	24
		Total Pgs:	91

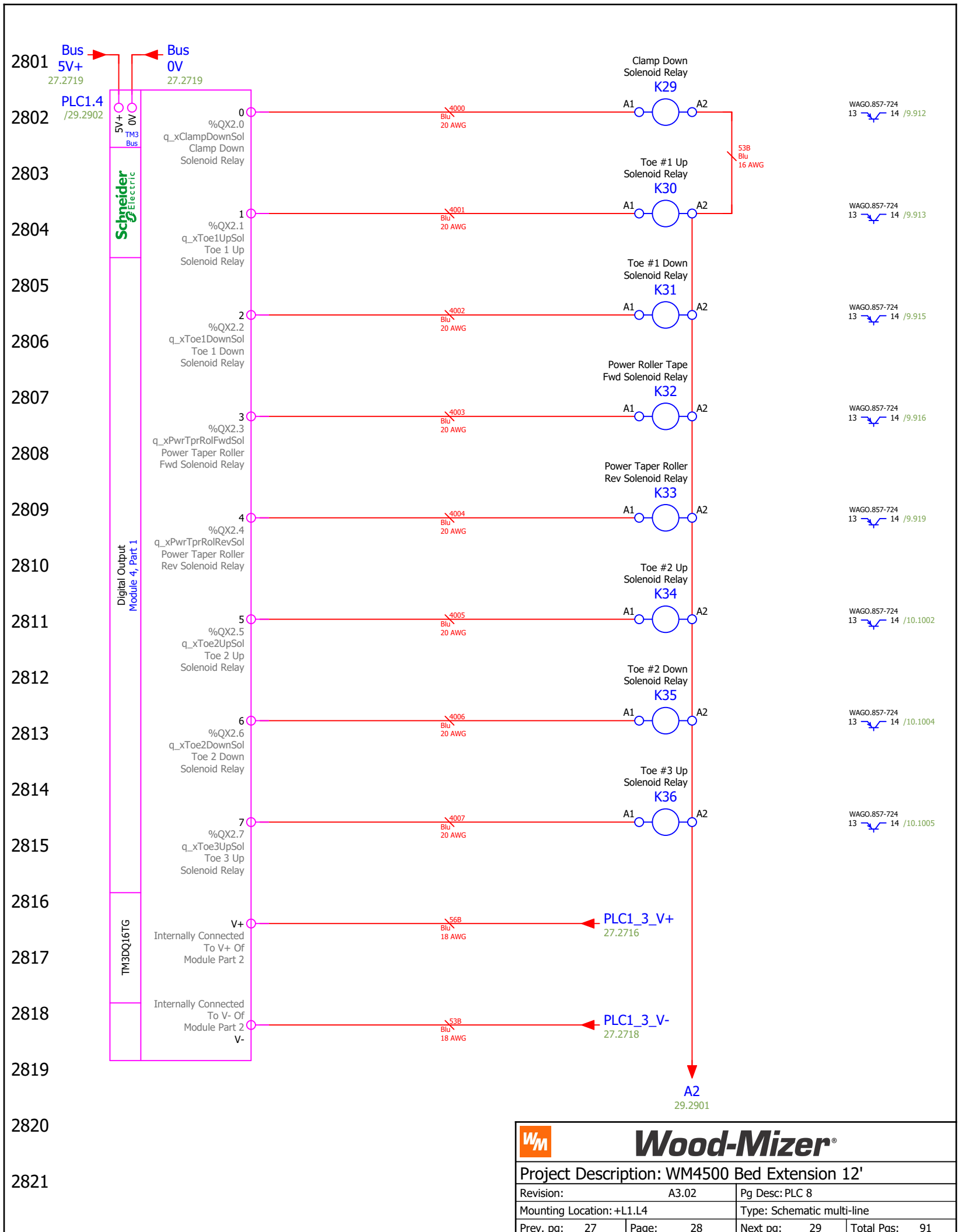


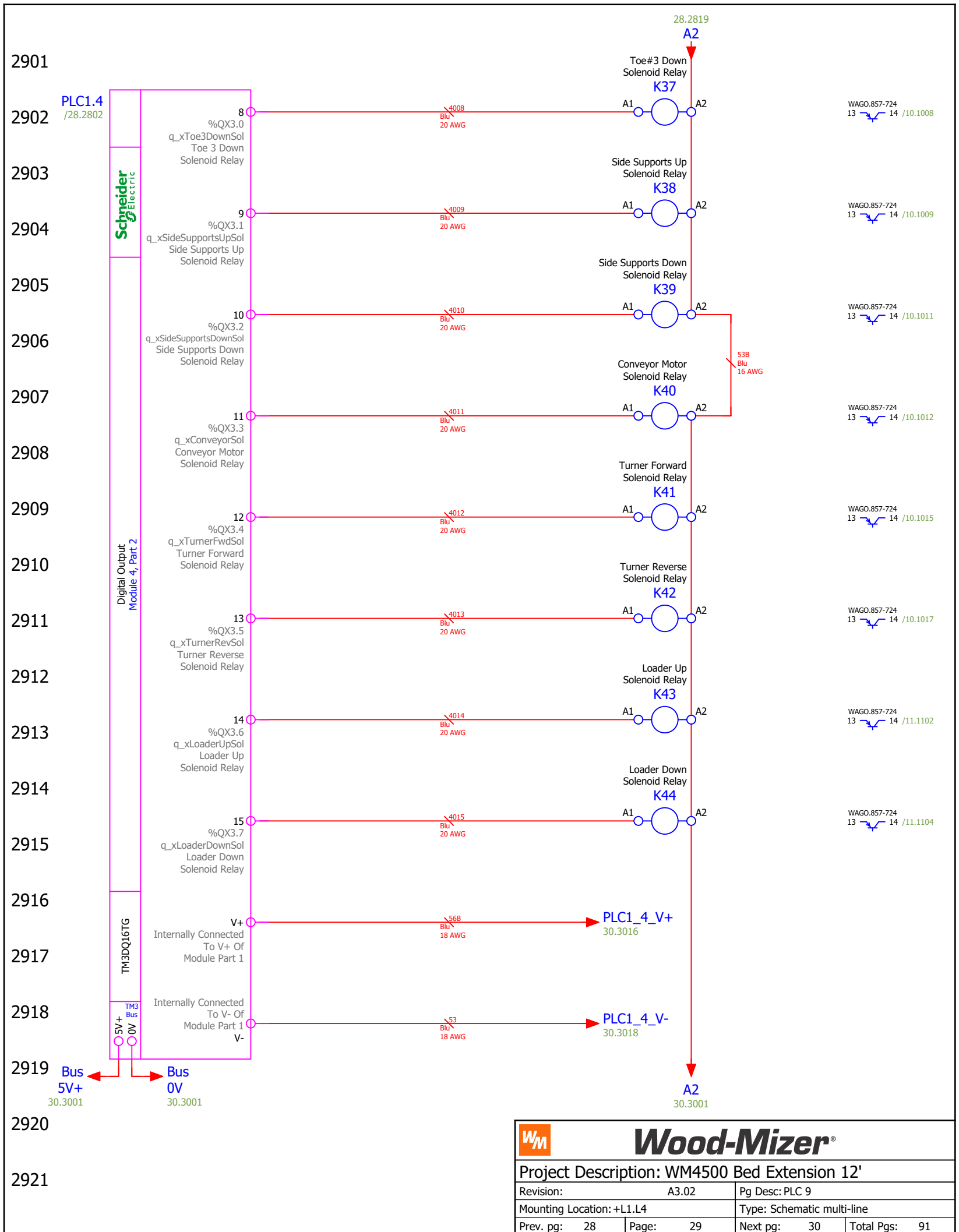


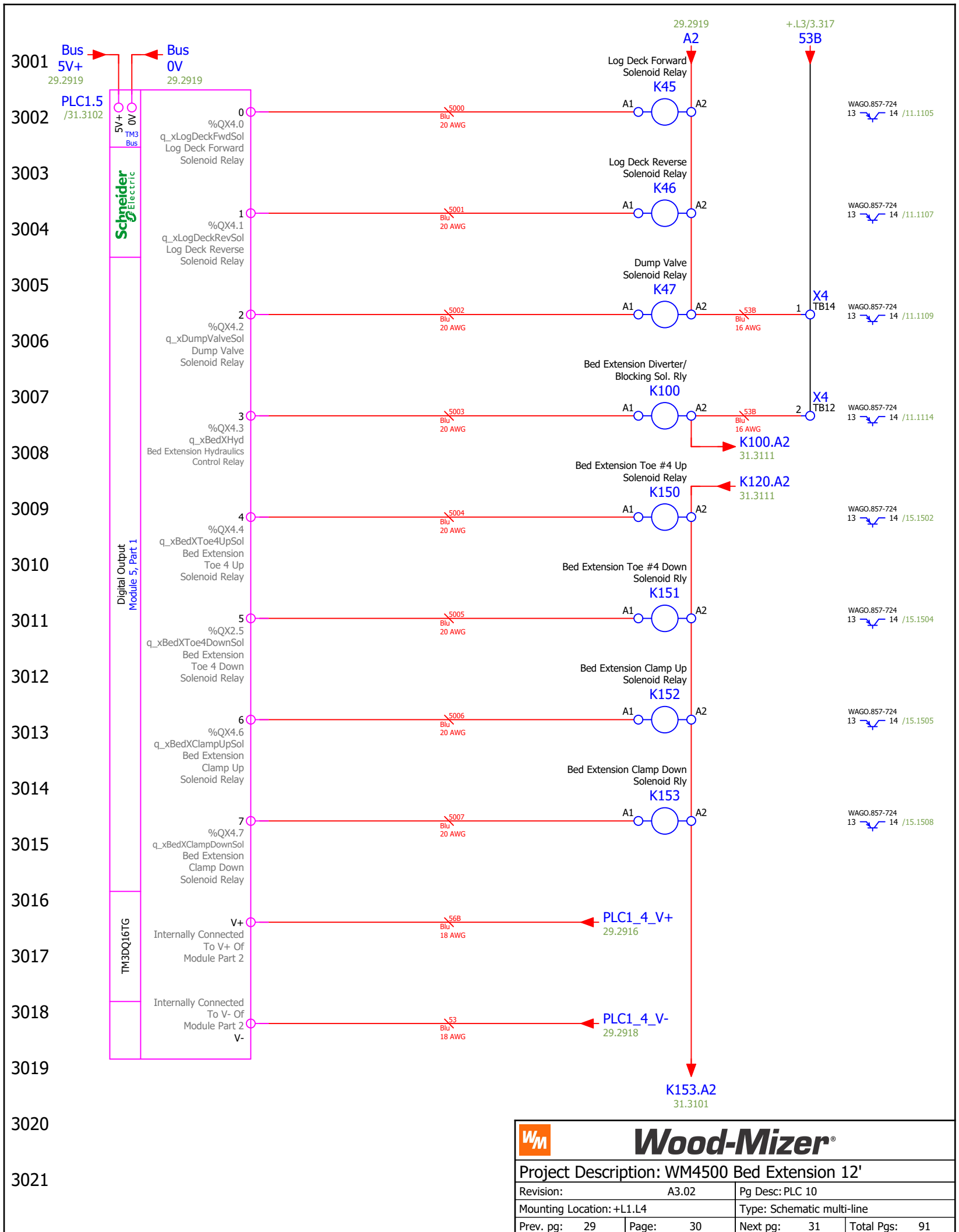


Wood-Mizer®			
Project Description: WM4500 Bed Extension 12'			
Revision:	A3.02	Pg Desc:	PLC 6
Mounting Location:	+L1.L4	Type:	Schematic multi-line
Prev. pg:	25	Page:	26
		Next pg:	27
		Total Pgs:	91

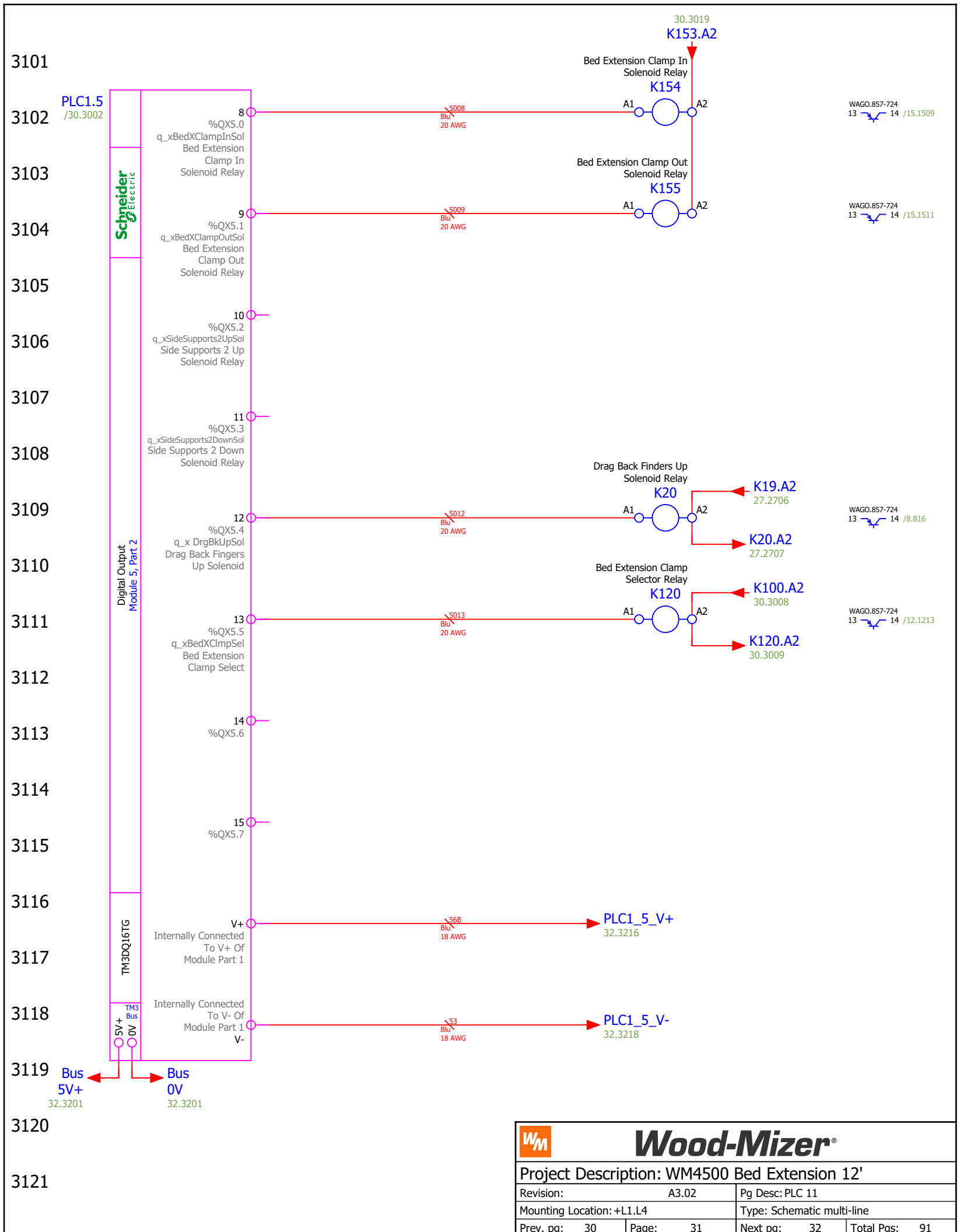


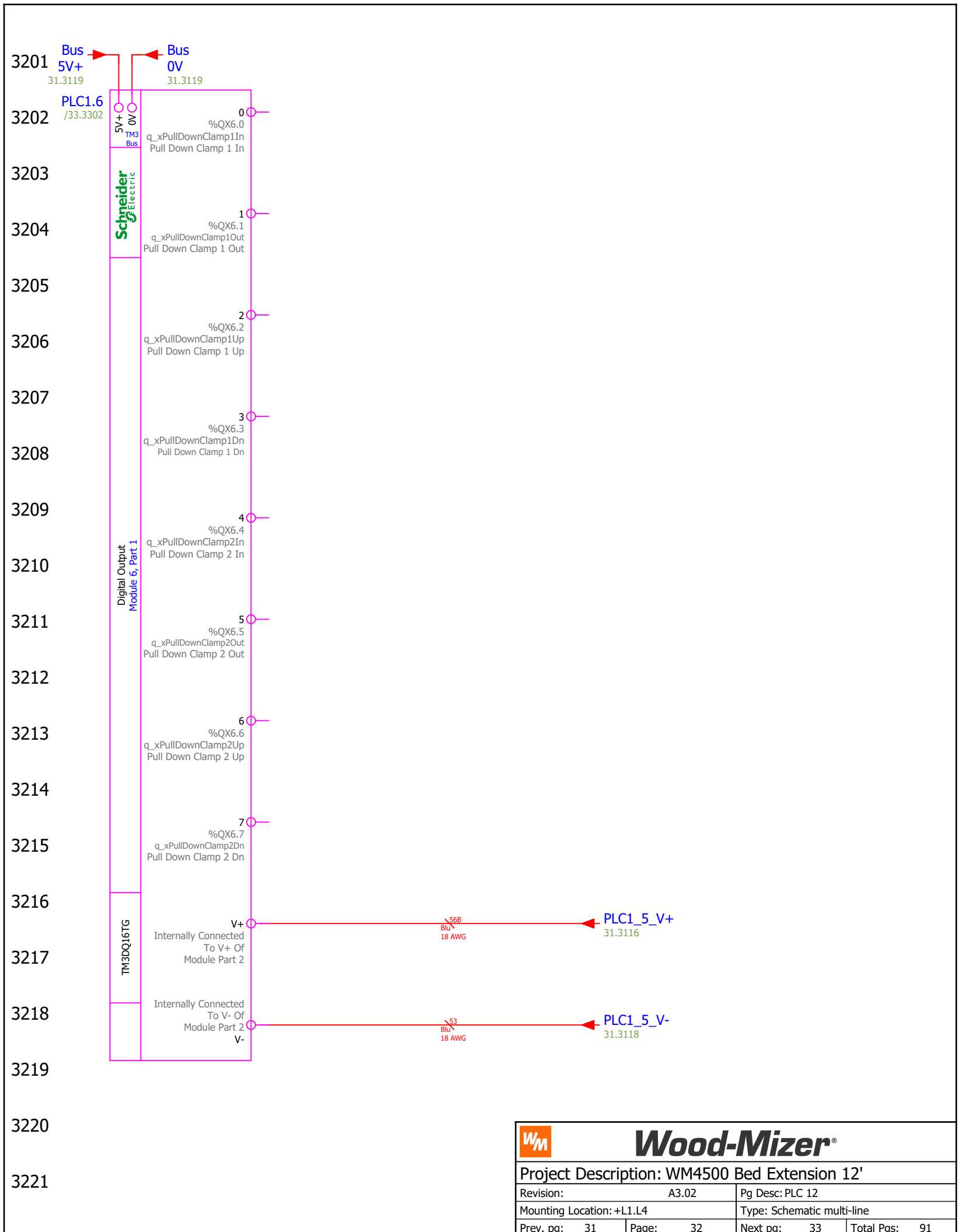






		Wood-Mizer®	
Revision:	A3.02	Pg Desc: PLC 10	
Mounting Location:	+L1.L4	Type: Schematic multi-line	
Prev. pg:	29	Page:	30
		Next pg:	31
		Total Pgs:	91





3301

3302 PLC1.6
/32.3202

3303

3304

3305

3306

3307

3308

3309

3310

3311

3312

3313

3314

3315

3316

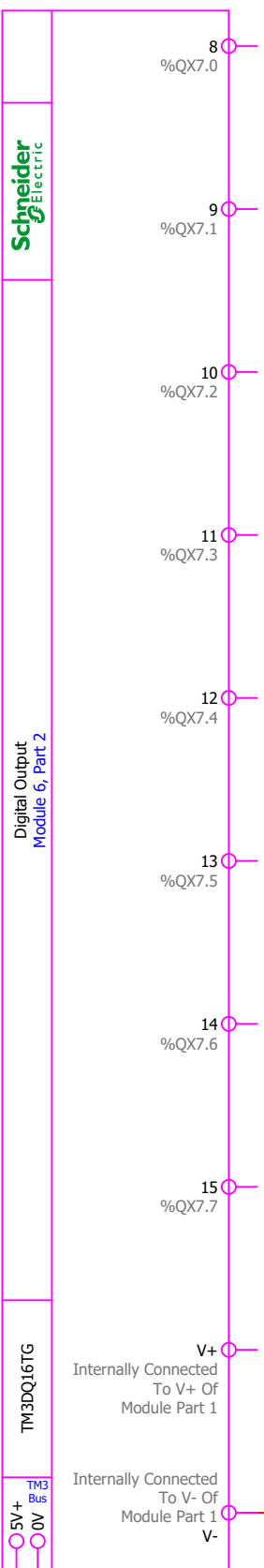
3317

3318

3319

3320

3321




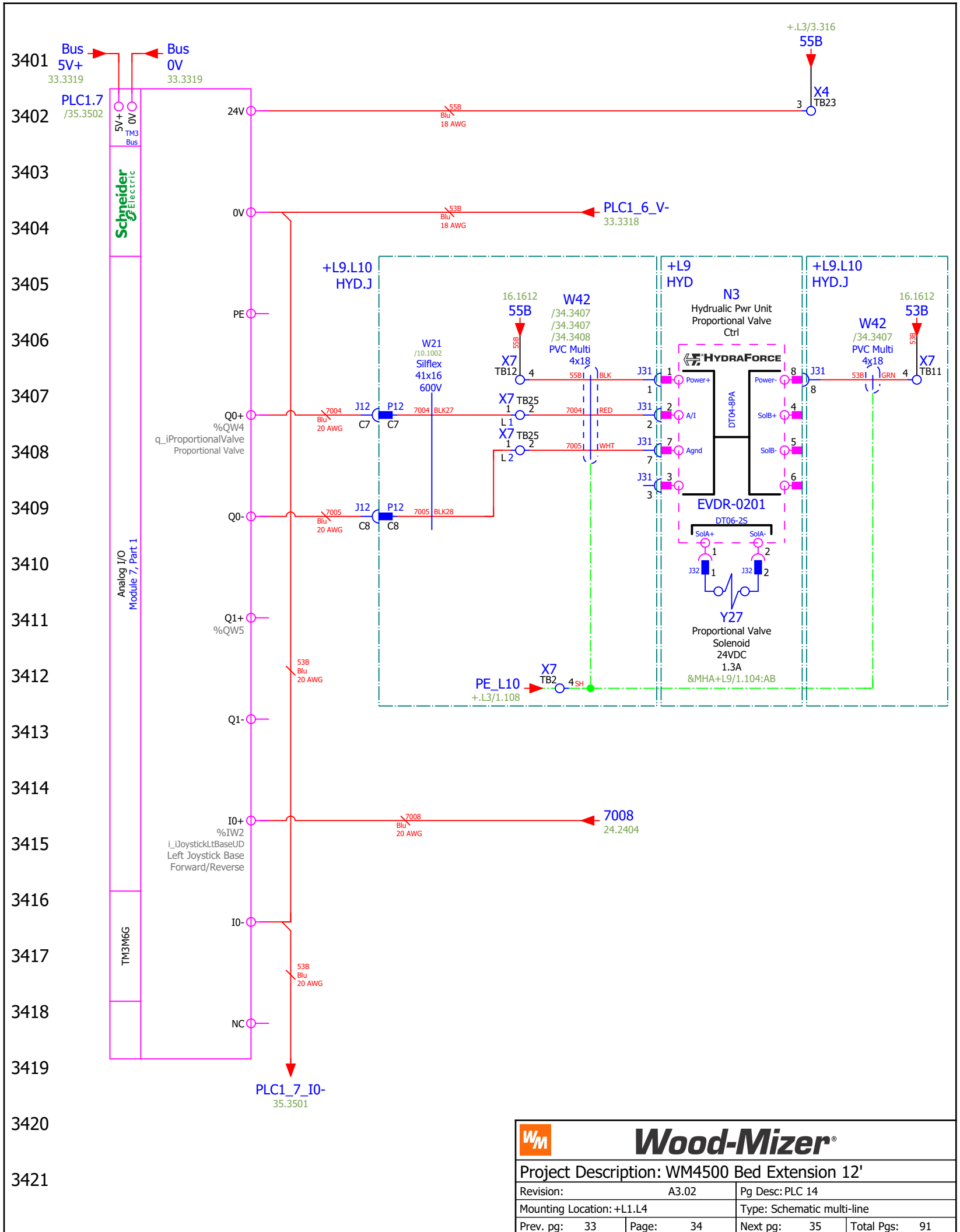
Bus 5V+ 34.3401

Bus 0V 34.3401

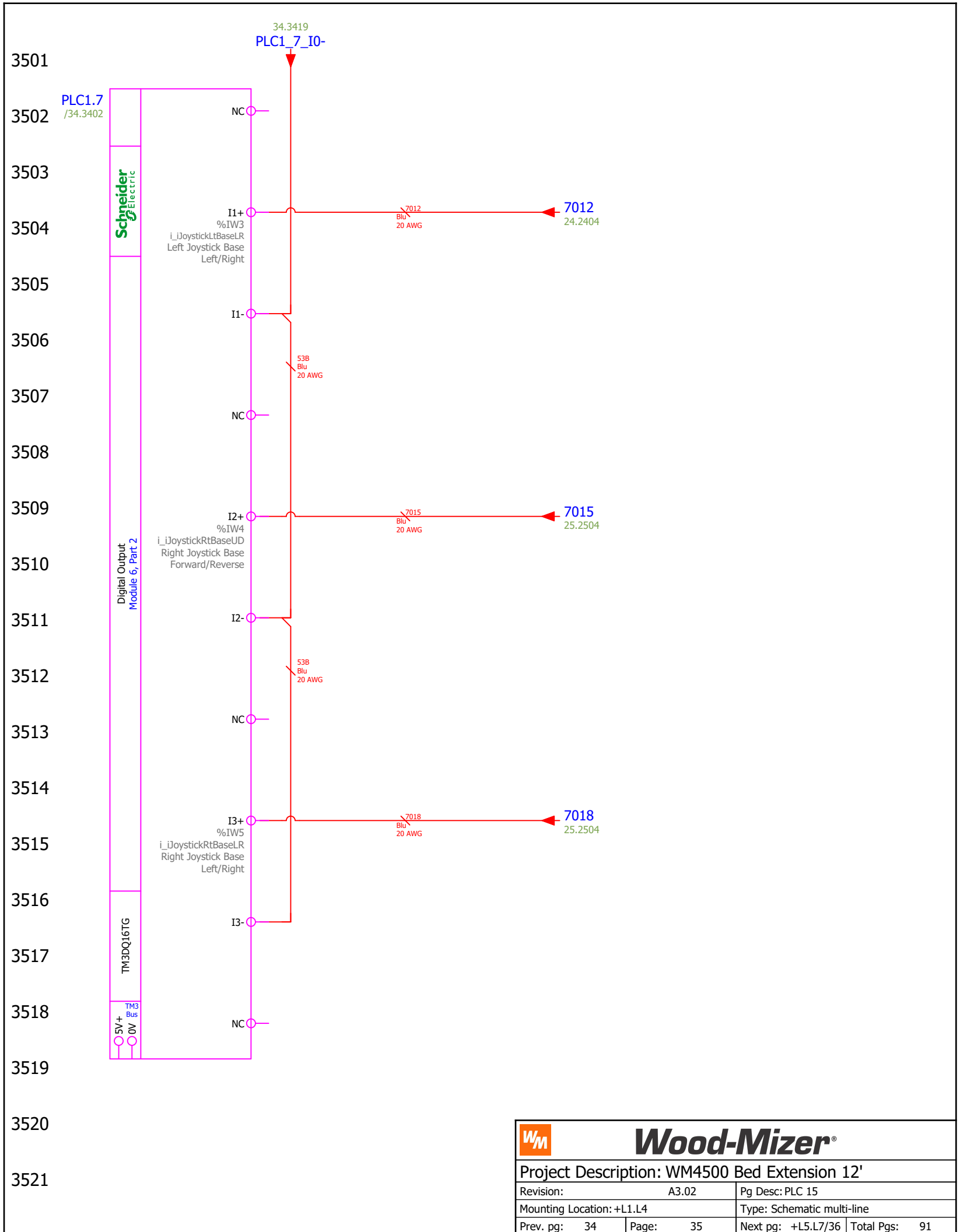
PLC1_6_V- 34.3404

53
Blu X
18 AWG

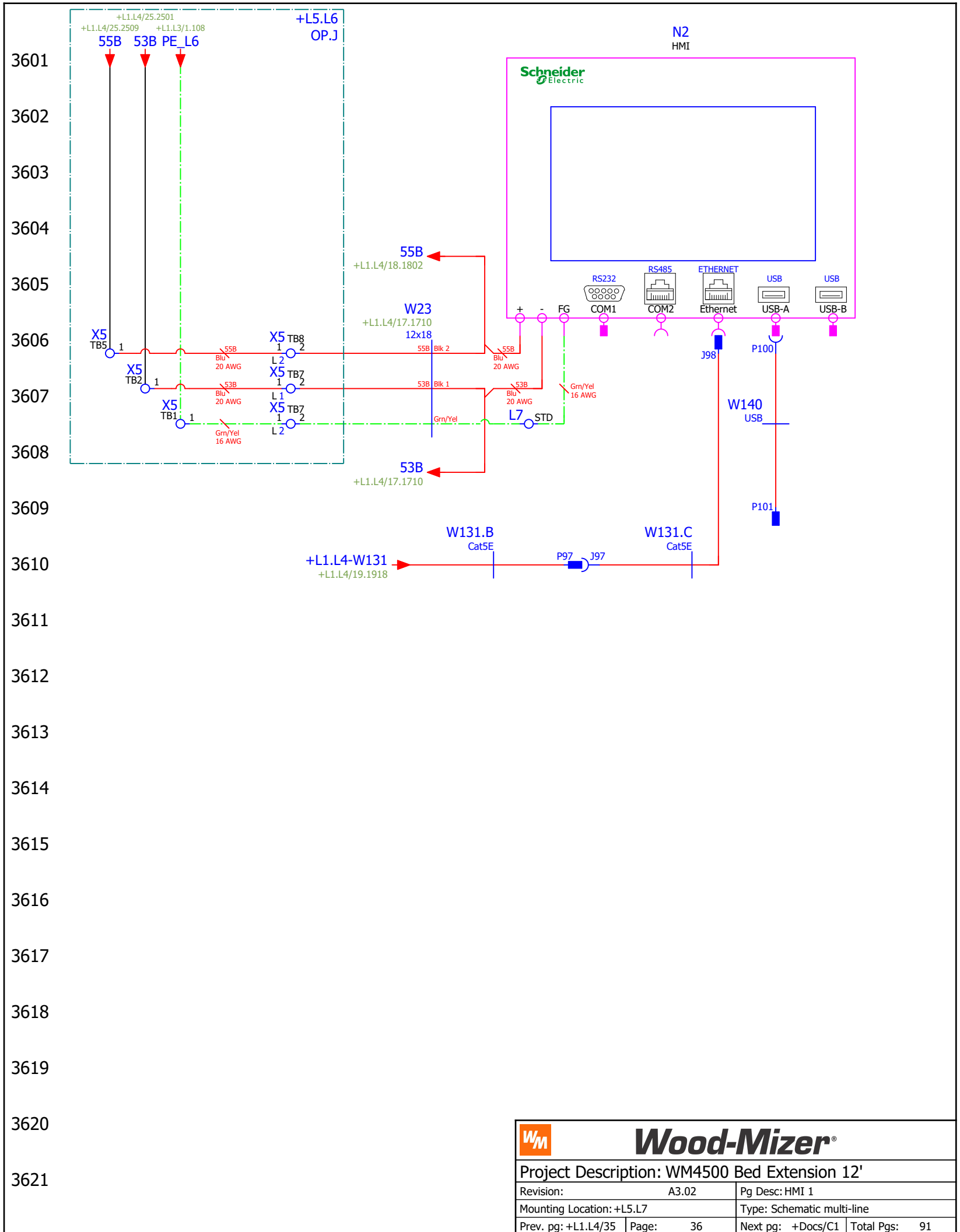
		Wood-Mizer®	
Project Description: WM4500 Bed Extension 12'			
Revision:	A3.02	Pg Desc: PLC 13	
Mounting Location:	+L1.L4	Type: Schematic multi-line	
Prev. pg:	32	Page:	33
		Next pg:	34
		Total Pgs:	91




Wood-Mizer®			
Project Description: WM4500 Bed Extension 12'			
Revision:	A3.02	Pg Desc: PLC 14	
Mounting Location:	+L1.L4	Type: Schematic multi-line	
Prev. pg:	33	Page:	34
		Next pg:	35
		Total Pgs: 91	



		Wood-Mizer®	
Project Description: WM4500 Bed Extension 12'			
Revision:	A3.02	Pg Desc: PLC 15	
Mounting Location:	+L1.L4	Type: Schematic multi-line	
Prev. pg:	34	Page:	35
		Next pg:	+L5.L7/36
		Total Pgs:	91



		Wood-Mizer®	
Project Description: WM4500 Bed Extension 12'			
Revision:	A3.02	Pg Desc: HMI 1	
Mounting Location:	+L5.L7	Type: Schematic multi-line	
Prev. pg:	+L1.L4/35	Page:	36
Next pg:	+Docs/C1	Total Pgs:	91

Device Tag/Parts List

WM_PARTS_LIST-Manual

Device tag	Function	Wood-Mizer Part Number	Wood-Mizer Description	Qty.	X-Ref
1M1	Blade Motor Bypass Contactor	052465	Contactora, 32A 3P 24VDC Coil	1	+L1.L4/16.1603
2M1	Hydraulic Pump Motor Contactor	069866	Contactora, 25A 3P 24V Low Pwr Coil	1	+L1.L4/26.2606
4M1	Debarker Motor Contactor	024890	Contactora, 9A 3P 24VDC Coil	1	+L1.L4/26.2607
CAN1	CANopen Junction Box	069930	PLC Module, CANopen Junction	1	+L1.L4/19.1903
E1	Ethernet Switch	078466	Switch, Ethernet 5 Port 24VDC	1	+L1.L4/19.1916
ENC1	Feed Position Absolute Encoder	068046	Encoder Assy, Ind. Mill Feed	1	+L1.L4/19.1911
F4	Transformer L1&L3 Fuses	068066	Fuse Holder, 2P Class CC Wire Clamps	1	+L1.L3/3.306
F4	=	069915	Fuse, 0.25A 600V KLDR Class CC	2	+L1.L3/3.306
F5	Transformer Output Fuse	068065	Fuse Holder, 1P Class CC Wire Clamps	1	+L1.L3/3.308
F5	=	069915	Fuse, 0.25A 600V KLDR Class CC	1	+L1.L3/3.308
F6	Feed Drive L1 Fuse	053717	Fuseholder, 60A Cube	1	+L1.L3/2.208
F6	=	069702	Fuse, 40A Class J Cube	1	+L1.L3/2.208
F7	Feed Drive L2 Fuse	053717	Fuseholder, 60A Cube	1	+L1.L3/2.209
F7	=	069702	Fuse, 40A Class J Cube	1	+L1.L3/2.209
F8	Feed Drive L3 Fuse	053717	Fuseholder, 60A Cube	1	+L1.L3/2.209
F8	=	069702	Fuse, 40A Class J Cube	1	+L1.L3/2.209
F9	Power Supply 1 L1&L3 Fuses	068066	Fuse Holder, 2P Class CC Wire Clamps	1	+L1.L3/3.311
F9	=	052381	Fuse, 8A 600V Class CC Delay	2	+L1.L3/3.311
F10	Power Supply 2 L1&L3 Fuses	068066	Fuse Holder, 2P Class CC Wire Clamps	1	+L1.L3/3.316
F10	=	052713	Fuse, 4A 600V Class CC Delay	2	+L1.L3/3.316
F11	Hydraulic Pump Motor L1 Fuse	053736	Fuseholder, Cube 30A	1	+L1.L3/2.202
F11	=	053737	Fuse, 30A Class J Cube	1	+L1.L3/2.202
F12	Hydraulic Pump Motor L2 Fuse	053736	Fuseholder, Cube 30A	1	+L1.L3/2.203
F12	=	053737	Fuse, 30A Class J Cube	1	+L1.L3/2.203
F13	Hydraulic Pump Motor L3 Fuse	053736	Fuseholder, Cube 30A	1	+L1.L3/2.203
F13	=	053737	Fuse, 30A Class J Cube	1	+L1.L3/2.203
F14	Up/Down Servo Drive L1 Fuse	053736	Fuseholder, Cube 30A	1	+L1.L3/2.216
F14	=	053737	Fuse, 30A Class J Cube	1	+L1.L3/2.216
F15	Up/Down Servo Drive L2 Fuse	053736	Fuseholder, Cube 30A	1	+L1.L3/2.217
F15	=	053737	Fuse, 30A Class J Cube	1	+L1.L3/2.217
F16	Up/Down Servo Drive L3 Fuse	053736	Fuseholder, Cube 30A	1	+L1.L3/2.218
F16	=	053737	Fuse, 30A Class J Cube	1	+L1.L3/2.218
F17	Blade Motor L1 Fuse	053586	Fuseholder, 100A Cube	1	+L1.L3/1.117
F17	=	069708	Fuse, 60A Class J Cube	1	+L1.L3/1.117
F18	Blade Motor L2 Fuse	053586	Fuseholder, 100A Cube	1	+L1.L3/1.116
F18	=	069708	Fuse, 60A Class J Cube	1	+L1.L3/1.116
F19	Blade Motor L3 Fuse	053586	Fuseholder, 100A Cube	1	+L1.L3/1.116
F19	=	069708	Fuse, 60A Class J Cube	1	+L1.L3/1.116
G1	DC Motor/ Solenoids Power Supply	078012	Power Supply, 24VDC 20A 200-500V	1	+L1.L3/3.310
G2	Control Power Supply	078193	Power Supply, 24VDC 10A 200-500V	1	+L1.L3/3.315
HM1	Blade Motor Hour Meter	P09631	Meter, Hour	1	+L1.L4/16.1607
JS1	Left Joystick	078360	Joystick, 4-Button w/4-Way Switch	1	+L1.L4/24.2402
JS2	Right Joystick	078360	Joystick, 4-Button w/4-Way Switch	1	+L1.L4/25.2502
K1	Isolation Contactor	069886	Contactora, 115A 3P 24VDC Coil	1	+L1.L4/16.1602
K2	Aux. E-Stop Control	101241	Contactora, 9A 3P 24VDC 1NO	1	+L1.L4/18.1802
K4	Blade Guide In Contactor	024910	Contactora, 9A 2NC 2NO 24VDC Reversing	1	+L1.L4/26.2609
K5	Blade Guide Out Contactor	024910	Contactora, 9A 2NC 2NO 24VDC Reversing	1	+L1.L4/26.2611
K6	Lube Pump Motor Relay	069943	Relay, Solid State 8A DIN	1	+L1.L4/26.2613
K16	Blade Brake Solenoid Relay	068212	Relay, Solid State 2A 24VDC Coil Cage Clamp Base	1	+L1.L4/26.2615
K17	Blow Off Solenoid Relay	068212	Relay, Solid State 2A 24VDC Coil Cage Clamp Base	1	+L1.L4/27.2702
K18	Debarker In Solenoid Relay	068212	Relay, Solid State 2A 24VDC Coil Cage Clamp Base	1	+L1.L4/27.2704
K19	Laser Relay	068212	Relay, Solid State 2A 24VDC Coil Cage Clamp Base	1	+L1.L4/27.2706
K20	Drag Back Finders Up Solenoid Relay	068212	Relay, Solid State 2A 24VDC Coil Cage Clamp Base	1	+L1.L4/31.3109
K24	Clamp In Solenoid Relay	068212	Relay, Solid State 2A 24VDC Coil Cage Clamp Base	1	+L1.L4/27.2707
K25	Clamp Out Solenoid Relay	068212	Relay, Solid State 2A 24VDC Coil Cage Clamp Base	1	+L1.L4/27.2709
K26	Turner Up Solenoid Relay	068212	Relay, Solid State 2A 24VDC Coil Cage Clamp Base	1	+L1.L4/27.2711
K27	Turner Down Solenoid Relay	068212	Relay, Solid State 2A 24VDC Coil Cage Clamp Base	1	+L1.L4/27.2713



Wood-Mizer®


Project Description: WM4500 Bed Extension 12'

Revision:	A3.02	Pg Desc:	Parts list
Mounting Location:	+Docs	Type:	Parts list
Prev. pg:	+L5.L7/36	Page:	C1
Next pg:	C2	Total Pgs:	91

Device Tag/Parts List

WM_PARTS_LIST-Manual


Device tag	Function	Wood-Mizer Part Number	Wood-Mizer Description	Qty.	X-Ref
K28	Clamp Up Solenoid Relay	068212	Relay, Solid State 2A 24VDC Coil Cage Clamp Base	1	+L1.L4/27.2715
K29	Clamp Down Solenoid Relay	068212	Relay, Solid State 2A 24VDC Coil Cage Clamp Base	1	+L1.L4/28.2802
K30	Toe #1 Up Solenoid Relay	068212	Relay, Solid State 2A 24VDC Coil Cage Clamp Base	1	+L1.L4/28.2804
K31	Toe #1 Down Solenoid Relay	068212	Relay, Solid State 2A 24VDC Coil Cage Clamp Base	1	+L1.L4/28.2806
K32	Power Roller Tape Fwd Solenoid Relay	068212	Relay, Solid State 2A 24VDC Coil Cage Clamp Base	1	+L1.L4/28.2807
K33	Power Taper Roller Rev Solenoid Relay	068212	Relay, Solid State 2A 24VDC Coil Cage Clamp Base	1	+L1.L4/28.2809
K34	Toe #2 Up Solenoid Relay	068212	Relay, Solid State 2A 24VDC Coil Cage Clamp Base	1	+L1.L4/28.2811
K35	Toe #2 Down Solenoid Relay	068212	Relay, Solid State 2A 24VDC Coil Cage Clamp Base	1	+L1.L4/28.2813
K36	Toe #3 Up Solenoid Relay	068212	Relay, Solid State 2A 24VDC Coil Cage Clamp Base	1	+L1.L4/28.2815
K37	Toe#3 Down Solenoid Relay	068212	Relay, Solid State 2A 24VDC Coil Cage Clamp Base	1	+L1.L4/29.2902
K38	Side Supports Up Solenoid Relay	068212	Relay, Solid State 2A 24VDC Coil Cage Clamp Base	1	+L1.L4/29.2904
K39	Side Supports Down Solenoid Relay	068212	Relay, Solid State 2A 24VDC Coil Cage Clamp Base	1	+L1.L4/29.2906
K40	Conveyor Motor Solenoid Relay	068212	Relay, Solid State 2A 24VDC Coil Cage Clamp Base	1	+L1.L4/29.2907
K41	Turner Reverse Solenoid Relay	068212	Relay, Solid State 2A 24VDC Coil Cage Clamp Base	1	+L1.L4/29.2909
K42	Turner Reverse Solenoid Relay	068212	Relay, Solid State 2A 24VDC Coil Cage Clamp Base	1	+L1.L4/29.2911
K43	Loader Up Solenoid Relay	068212	Relay, Solid State 2A 24VDC Coil Cage Clamp Base	1	+L1.L4/29.2913
K44	Loader Down Solenoid Relay	068212	Relay, Solid State 2A 24VDC Coil Cage Clamp Base	1	+L1.L4/29.2915
K45	Log Deck Forward Solenoid Relay	068212	Relay, Solid State 2A 24VDC Coil Cage Clamp Base	1	+L1.L4/30.3002
K46	Log Deck Reverse Solenoid Relay	068212	Relay, Solid State 2A 24VDC Coil Cage Clamp Base	1	+L1.L4/30.3004
K47	Dump Valve Solenoid Relay	068212	Relay, Solid State 2A 24VDC Coil Cage Clamp Base	1	+L1.L4/30.3006
K100	Bed Extension Diverter/ Blocking Sol. Rly	068212	Relay, Solid State 2A 24VDC Coil Cage Clamp Base	1	+L1.L4/30.3007
K101	Bed Ext Turner Fwd/ Rev Diverter Relay	068212	Relay, Solid State 2A 24VDC Coil Cage Clamp Base	1	+L1.L4/11.1114
K102	Bed Ext Turner Fwd/ Rev Blocking Relay	068212	Relay, Solid State 2A 24VDC Coil Cage Clamp Base	1	+L1.L4/11.1115
K103	Bed Ext Side Support Up/Dn Diverter Rly	068212	Relay, Solid State 2A 24VDC Coil Cage Clamp Base	1	+L1.L4/11.1117
K104	Bed Ext Side Support Up/Dn Blocking Rly	068212	Relay, Solid State 2A 24VDC Coil Cage Clamp Base	1	+L1.L4/11.1118
K105	Bed Ext Turner Up/Dn Diverter Relay	068212	Relay, Solid State 2A 24VDC Coil Cage Clamp Base	1	+L1.L4/12.1202
K106	Bed Ext Pwr Taper Fwd/Rev Diverter Rly	068212	Relay, Solid State 2A 24VDC Coil Cage Clamp Base	1	+L1.L4/12.1203
K107	Bed Ext Pwr Taper Fwd/Rev Blocking Rly	068212	Relay, Solid State 2A 24VDC Coil Cage Clamp Base	1	+L1.L4/12.1205
K108	Bed Ext Loader Up/Dn Diverter Relay	068212	Relay, Solid State 2A 24VDC Coil Cage Clamp Base	1	+L1.L4/12.1206
K109	Bed Ext Loader Up/Dn Blocking Relay	068212	Relay, Solid State 2A 24VDC Coil Cage Clamp Base	1	+L1.L4/12.1208
K110	Bed Ext Log Deck Fwd/Rev Diverter Rly	068212	Relay, Solid State 2A 24VDC Coil Cage Clamp Base	1	+L1.L4/12.1209
K111	Bed Ext Log Deck Fwd/Rev Blocking Rly	068212	Relay, Solid State 2A 24VDC Coil Cage Clamp Base	1	+L1.L4/12.1211
K112	Bed Ext Clamp Up Diverter Solenoid	068212	Relay, Solid State 2A 24VDC Coil Cage Clamp Base	1	+L1.L4/12.1213
K113	Bed Ext Clamp Down Diverter Solenoid	068212	Relay, Solid State 2A 24VDC Coil Cage Clamp Base	1	+L1.L4/12.1214
K114	Bed Ext Clamp In Diverter Solenoid	068212	Relay, Solid State 2A 24VDC Coil Cage Clamp Base	1	+L1.L4/12.1216
K115	Bed Ext Clamp Out Diverter Solenoid	068212	Relay, Solid State 2A 24VDC Coil Cage Clamp Base	1	+L1.L4/12.1217
K120	Bed Extension Clamp Selector Relay	068212	Relay, Solid State 2A 24VDC Coil Cage Clamp Base	1	+L1.L4/31.3111
K150	Bed Extension Toe #4 Up Solenoid Relay	068212	Relay, Solid State 2A 24VDC Coil Cage Clamp Base	1	+L1.L4/30.3009
K151	Bed Extension Toe #4 Down Solenoid Rly	068212	Relay, Solid State 2A 24VDC Coil Cage Clamp Base	1	+L1.L4/30.3011
K152	Bed Extension Clamp Up Solenoid Relay	068212	Relay, Solid State 2A 24VDC Coil Cage Clamp Base	1	+L1.L4/30.3013
K153	Bed Extension Clamp Down Solenoid Rly	068212	Relay, Solid State 2A 24VDC Coil Cage Clamp Base	1	+L1.L4/30.3015
K154	Bed Extension Clamp In Solenoid Relay	068212	Relay, Solid State 2A 24VDC Coil Cage Clamp Base	1	+L1.L4/31.3102
K155	Bed Extension Clamp Out Solenoid Relay	068212	Relay, Solid State 2A 24VDC Coil Cage Clamp Base	1	+L1.L4/31.3104
LAS1	Laser	068035	Laser, 5mW 532nm 90 Deg Line Z-Laser Grn	1	+L1.L4/8.813
M1	Blade Motor	042301	Motor, 30HP 1800RPM	1	+L1.L3/1.115
M2	Hydraulic Pump Motor	078670	Motor, 15HP 230/460 3PH 60Hz	1	+L1.L3/2.202
M3	Feed Motor	115152	Motor, 5HP 3P 230/460 184TC	1	+L1.L3/2.208
M4	Up/Down Servo Motor	068038	Motor, Servo 100mm IP54 Encoder	1	+L1.L3/2.213
M5	Debarker Motor	050292	Motor, 3/4HP 230/460 3P 1725RPM DB LT60	1	+L1.L3/3.302
M6	Blade Guide Motor	035659	Motor Assy, 24V 60 RPM Gear	1	+L1.L4/7.716
MCR1	Master Control Relay	051322	Contact, 25A 3P 24VDC Coil	1	+L1.L4/17.1716
N2	HMI	078794	HMI Assy, Ind. Mill	1	+L5.L7/36.3601
N3	Hydraulic Pwr Unit Proportional Valve Ctrl	068277	Driver Assy, Prop Valve 8 Pin A2.00+	1	+L1.L4/34.3406
OL2	Hydraulic Pump Motor Overload	069885	Overload, 16-24A Class 10 Single Ph Sens	1	+L1.L3/2.202
PB1	E-Stop	068940	Pushbutton Head, 22mm E-Stop Twist-Pull	1	+L1.L4/17.1710
PB1	=	068950	Collar, Mount 1NC ZB5	1	+L1.L4/17.1710
PB1	=	068921	Contact Block, NC ZB5	1	+L1.L4/17.1710

		Wood-Mizer®	
Project Description: WM4500 Bed Extension 12'			
Revision:	A3.02	Pg Desc: Parts list	
Mounting Location:	+Docs	Type: Parts list	
Prev. pg:	C1	Page:	C2
		Next pg:	C3
		Total Pgs:	91

Device Tag/Parts List

WM_PARTS_LIST-Manual

Device tag	Function	Wood-Mizer Part Number	Wood-Mizer Description	Qty.	X-Ref
PB2	Blade Brake Manual Override Push-Button	068950	Collar, Mount 1NC ZB5	1	+L1.L4/8.807
PB2	=	068920	Contact Block, NO ZB5	1	+L1.L4/8.807
PBL1	Control Power On PB	068952	Collar, Mount 1NO ZB5	1	+L1.L4/17.1710
PBL1	=	052503	Switch Head, PB Green Flush Illum ZB5	1	+L1.L4/17.1710
PBL1	=	068910	Light Module, Green ZB5	1	+L1.L4/17.1710
PL1	Head Mode Indicator	068912	Light Module, White ZB5	1	+L1.L4/26.2602
PL1	=	068931	Pilot Light, Yellow ZB5	1	+L1.L4/26.2602
PL1	=	068951	Switch Collar, Mount ZB5	1	+L1.L4/26.2602
PL2	Bed Mode Indicator	068912	Light Module, White ZB5	1	+L1.L4/26.2604
PL2	=	068931	Pilot Light, Yellow ZB5	1	+L1.L4/26.2604
PL2	=	068951	Switch Collar, Mount ZB5	1	+L1.L4/26.2604
PLC1	PLC	078783	PLC Assy, Ind. Mill M251	1	+L1.L4/21.2101
PLC1	=	078782	PLC Assy, Ind. Mill CPU	1	+L1.L4/21.2101
PLC1.1	Digital Input	078491	Input Module, Spring Clamp 16Pt Digital	1	+L1.L4/22.2202
PLC1.2	=	078491	Input Module, Spring Clamp 16Pt Digital	1	+L1.L4/24.2402
PLC1.3	Digital Output	078492	Output Module, TM3 16Pt. Transistor	1	+L1.L4/26.2602
PLC1.4	=	078492	Output Module, TM3 16Pt. Transistor	1	+L1.L4/28.2802
PLC1.5	=	078492	Output Module, TM3 16Pt. Transistor	1	+L1.L4/30.3002
PLC1.6	=	078492	Output Module, TM3 16Pt. Transistor	1	+L1.L4/32.3202
PLC1.7	Analog I/O	078648	Analog Module, TM3 4I/2O	1	+L1.L4/34.3402
PRX1	Blade Broken Prox	051439	Sensor, Ind Prox M12 PNP NS Ex	1	+L1.L4/23.2310
PRX2	Ball Nut Prox	051439	Sensor, Ind Prox M12 PNP NS Ex	1	+L1.L4/23.2313
PS1	Blade Tension Pressure Switch	045207	Switch, Limit Pressure 60 PSI	1	+L1.L4/23.2306
PS2	Blade Brake Released Pressure Switch	045207	Switch, Limit Pressure 60 PSI	1	+L1.L4/23.2307
Q1	Main Disconnect	078506	Disconnect, 200A 3Ph Non-Fused	1	+L1.L3/1.101
Q2	Blade Guide Motor Breaker	051915	Breaker, 3A 1P MG24502	1	+L1.L4/7.708
Q3	Lube Pump Motor Breaker	051915	Breaker, 3A 1P MG24502	1	+L1.L4/8.802
Q4	Debarker Motor	068097	Motor Protector, 1.0-1.6 Manual	1	+L1.L3/3.302
Q4	=	068199	Motor Protector, Aux Contacts 1NO 1NC	1	+L1.L3/3.302
Q4	=	068098	Motor Protector, Line Side Barrier	1	+L1.L3/3.302
Q4	=	068099	Motor Protector, Interconnect LC1D09-25	1	+L1.L3/3.302
R1	Feed Drive Braking Resistor	078784	Resistor Assy, Ind. Mill Feed	1	+L1.L3/2.206
R2	Up/Down Drive Bracking Resistor	068161	Resistor Assy, Ind. Mill Up/Dn	1	+L1.L3/2.212
SD1	Up/Down Drive Control	078781	Drive Assy, Ind. Mill Up/Down	1	+L1.L3/2.211
SS2	Key Switch	068950	Collar, Mount 1NC ZB5	1	+L1.L4/22.2204
SS2	=	068920	Contact Block, NO ZB5	1	+L1.L4/22.2204
SS2	=	068941	Switch, Key 3Pos Mom R-C	1	+L1.L4/22.2204
SSD1	Blade Motor Soft Start	069933	Drive Assy, Ind. Mill Blade	1	+L1.L3/1.112
SW1	Seat Switch	069737	Switch, Seat 2 NO Contacts	1	+L1.L4/17.1705
SW2	Auto-Cut Foot Switch	052789	Switch, Foot Single Lever IP68	1	+L1.L4/23.2302
T1	Soft-Start Control Transformer	069909	Transformer, 0.05kVA 240x480P 120/240S	1	+L1.L3/3.306
VFD1	Feed Drive Power	078780	Drive Assy, Ind. Mill Feed	1	+L1.L3/2.205
X1.1	1L1 Distribution Block	069908	Distribution Block, 1P 1in 4out 175A DIN	1	+L1.L3/3.305
X1.2	1L3 Distribution Block	069908	Distribution Block, 1P 1in 4out 175A DIN	1	+L1.L3/3.305
X1.3	2L1 Distribution Block	069801	Distribution Block, 1P 1in 6out 380A DIN	1	+L1.L3/1.107
X1.4	2L2 Distribution Block	069801	Distribution Block, 1P 1in 6out 380A DIN	1	+L1.L3/1.107
X1.5	2L3 Distribution Block	069801	Distribution Block, 1P 1in 6out 380A DIN	1	+L1.L3/1.107
X1.6	1L1 Distribution Block	069872	Distribution Block, 1P 2in 2out 620A DIN	1	+L1.L3/1.101
X1.7	1L3 Distribution Block	069872	Distribution Block, 1P 2in 2out 620A DIN	1	+L1.L3/1.103
X3.1	Ground Distribution Block	025203	Bar, Grounding 14 Circuit W/Lug	1	+L1.L3/1.107
Y27	Proportional Valve Solenoid	068258	Valve, Proportional Coil PV72-30A	1	+L1.L4/34.3411
Y50	Lube Solenoid	051432	Valve, Solenoid 1/4 NPT Water NC 2 Way	1	+L1.L4/8.802


		Wood-Mizer®	
Project Description: WM4500 Bed Extension 12'			
Revision:	A3.02	Pg Desc: Parts list	
Mounting Location:	+Docs	Type: Parts list	
Prev. pg:	C2	Page:	C3
		Next pg:	D1
		Total Pgs:	91

Terminal line-up diagram

Wood-Mizer_Terminal_Lineup_Diagram

Terminal strip +L1.L3-X2


Terminal				Jumper		End Plate	Remark	Terminal X-Ref
Ref. Des.	Level	P/N	Description	Diagram	P/N	P/N		
TB1		068106	Terminal Block, 2Pos 4mm Clamp	⋮				&MEA+.L4/22.09
TB2		068106	Terminal Block, 2Pos 4mm Clamp	⋮		068108		&MEA+.L4/22.09
TB3		068106	Terminal Block, 2Pos 4mm Clamp	●				&MEA+.L4/22.11
TB4		068106	Terminal Block, 2Pos 4mm Clamp	●		068108		&MEA+.L4/22.11

		Wood-Mizer®	
Project Description: WM4500 Bed Extension 12'			
Revision: A3.02		Pg Desc: Terminal line-up diagram	
Mounting Location: +Docs		Type: Terminal line-up diagram	
Prev. pg: C3	Page: D1	Next pg: D2	Total Pgs: 91

Terminal line-up diagram

Wood-Mizer_Terminal_Lineup_Diagram


Terminal strip +L1.L4-X4								
Terminal				Jumper		End Plate	Remark	Terminal X-Ref
Ref. Des.	Level	P/N	Description	Diagram	P/N	P/N		
TB1		068104	Terminal Block, 4Pos 1.5mm GND Clamp					&MEA+.L3/1.05
TB2		068104	Terminal Block, 4Pos 1.5mm GND Clamp					&MEA+.L3/1.05
TB3		068104	Terminal Block, 4Pos 1.5mm GND Clamp					&MEA+.L3/1
TB4		068103	Terminal Block, 4Pos 1.5mm Com Clamp	●	068113		Jumper is Trimmed Down To 3 Position Jumper Between TB4-6	&MEA+.L3/3.12
TB5		068103	Terminal Block, 4Pos 1.5mm Com Clamp	●				&MEA/12.18
TB6		068103	Terminal Block, 4Pos 1.5mm Com Clamp	●				&MEA/12
TB7		068103	Terminal Block, 4Pos 1.5mm Com Clamp	●	068113		Jumper is Trimmed Down To 2 Position Jumper Between TB7-8	&MEA+.L3/3.11
TB8		068103	Terminal Block, 4Pos 1.5mm Com Clamp	●	068113		Jumper is Trimmed Down To 2 Position Jumper Between TB7-8	&MEA+.L3/3
TB9		068103	Terminal Block, 4Pos 1.5mm Com Clamp	●	068113		Jumper is Trimmed Down To 3 Position Jumper Between TB9-11	&MEA/7.06
TB10		068103	Terminal Block, 4Pos 1.5mm Com Clamp	●				&MEA/16.02
TB11		068103	Terminal Block, 4Pos 1.5mm Com Clamp	●				&MEA/16
TB12		068103	Terminal Block, 4Pos 1.5mm Com Clamp	●	068113		Jumper is Trimmed Down To 8 Position Between TB12-19	&MEA+.L3/3.17
TB13		068103	Terminal Block, 4Pos 1.5mm Com Clamp	●				&MEA/26.15
TB14		068103	Terminal Block, 4Pos 1.5mm Com Clamp	●				&MEA/30.06
TB15		068103	Terminal Block, 4Pos 1.5mm Com Clamp	●				&MEA/16.07
TB16		068103	Terminal Block, 4Pos 1.5mm Com Clamp	●				&MEA+.L3/6.06
TB17		068103	Terminal Block, 4Pos 1.5mm Com Clamp	●				&MEA/26.06
TB18		068103	Terminal Block, 4Pos 1.5mm Com Clamp	●				&MEA/7
TB19		068103	Terminal Block, 4Pos 1.5mm Com Clamp	●		068105		&MEA/7
TB20		068103	Terminal Block, 4Pos 1.5mm Com Clamp	●	068113		Jumper is Trimmed Down To 5 Position Between TB20-24	&MEA+.L3/3.16
TB21		068103	Terminal Block, 4Pos 1.5mm Com Clamp	●				&MEA/7.03
TB22		068103	Terminal Block, 4Pos 1.5mm Com Clamp	●				&MEA/21.02
TB23		068103	Terminal Block, 4Pos 1.5mm Com Clamp	●				&MEA+.L3/6.05
TB24		068103	Terminal Block, 4Pos 1.5mm Com Clamp	●		068105		&MEA/7
TB25		068103	Terminal Block, 4Pos 1.5mm Com Clamp	●	068113		Jumper is Trimmed Down To 2 Position Jumper Between TB25-26	&MEA/21
TB26		068103	Terminal Block, 4Pos 1.5mm Com Clamp	●		068105		&MEA+.L3/6.02

		Wood-Mizer®	
Project Description: WM4500 Bed Extension 12'			
Revision:	A3.02	Pg Desc: Terminal line-up diagram	
Mounting Location:	+Docs	Type: Terminal line-up diagram	
Prev. pg:	D1	Page:	D2
		Next pg:	D3
		Total Pgs:	91

Terminal line-up diagram

Wood-Mizer_Terminal_Lineup_Diagram


Terminal strip +L5.L6-X5								
Terminal				Jumper		End Plate	Remark	Terminal X-Ref
Ref. Des.	Level	P/N	Description	Diagram	P/N	P/N		
TB1		068104	Terminal Block, 4Pos 1.5mm GND Clamp	⋮		068105		&MEA+.L7/36.08
TB2		068103	Terminal Block, 4Pos 1.5mm Com Clamp	●	068113		Jumper is Trimmed Down To 2 Position Between TB2-3	&MEA+.L7/36.07
TB3		068103	Terminal Block, 4Pos 1.5mm Com Clamp	●				&MEA+L1.L4/18.02
TB4		068103	Terminal Block, 4Pos 1.5mm Com Clamp	●	068113		Jumper is Trimmed Down To 2 Position Between TB4-5	&MEA+L1.L4/23.02
TB5		068103	Terminal Block, 4Pos 1.5mm Com Clamp	●		068105		&MEA+.L7/36.06
TB6	1	068119	Terminal Block, 2 Tier 2.5mm Clamp	⋮		068120		&MEA+L1.L4/17.05
TB6	2			⋮				&MEA+L1.L4/17.05
TB7	1	068119	Terminal Block, 2 Tier 2.5mm Clamp	⋮				&MEA+.L7/36.07
TB7	2			⋮				&MEA+.L7/36.08
TB8	1	068119	Terminal Block, 2 Tier 2.5mm Clamp	⋮				&MEA+L1.L4/17.07
TB8	2			⋮				&MEA+.L7/36.06
TB9	1	068119	Terminal Block, 2 Tier 2.5mm Clamp	⋮				&MEA+L1.L4/17.12
TB9	2			⋮				&MEA+L1.L4/17.12
TB10	1	068119	Terminal Block, 2 Tier 2.5mm Clamp	⋮				&MEA+L1.L4/22.06
TB10	2			⋮				&MEA+L1.L4/22.04
TB11	1	068119	Terminal Block, 2 Tier 2.5mm Clamp	⋮		068120		&MEA+L1.L4/18.02
TB11	2			⋮				
TB12	1	068119	Terminal Block, 2 Tier 2.5mm Clamp	⋮				&MEA+L1.L4/24.03
TB12	2			⋮				&MEA+L1.L4/24.03
TB13	1	068119	Terminal Block, 2 Tier 2.5mm Clamp	⋮				&MEA+L1.L4/24.04
TB13	2			⋮				&MEA+L1.L4/24.04
TB14	1	068119	Terminal Block, 2 Tier 2.5mm Clamp	⋮				&MEA+L1.L4/24.06
TB14	2			⋮				&MEA+L1.L4/24.05
TB15	1	068119	Terminal Block, 2 Tier 2.5mm Clamp	⋮				&MEA+L1.L4/24.08
TB15	2			⋮				&MEA+L1.L4/24.06
TB16	1	068119	Terminal Block, 2 Tier 2.5mm Clamp	⋮				&MEA+L1.L4/24.08
TB16	2			⋮				&MEA+L1.L4/24.09
TB17	1	068119	Terminal Block, 2 Tier 2.5mm Clamp	⋮		068120		&MEA+L1.L4/24.07
TB17	2			⋮				&MEA+L1.L4/24.09
TB18	1	068119	Terminal Block, 2 Tier 2.5mm Clamp	⋮				&MEA+L1.L4/25.03
TB18	2			⋮				&MEA+L1.L4/25.03
TB19	1	068119	Terminal Block, 2 Tier 2.5mm Clamp	⋮				&MEA+L1.L4/25.04
TB19	2			⋮				&MEA+L1.L4/25.04
TB20	1	068119	Terminal Block, 2 Tier 2.5mm Clamp	⋮				&MEA+L1.L4/25.06
TB20	2			⋮				&MEA+L1.L4/25.05

		Wood-Mizer®	
Project Description: WM4500 Bed Extension 12'			
Revision:	A3.02	Pg Desc: Terminal line-up diagram	
Mounting Location: +Docs		Type: Terminal line-up diagram	
Prev. pg:	D2	Page:	D3
		Next pg:	D4
		Total Pgs:	91

Terminal line-up diagram

Wood-Mizer_Terminal_Lineup_Diagram


Terminal strip +L5.L6-X5								
Terminal				Jumper		End Plate	Remark	Terminal X-Ref
Ref. Des.	Level	P/N	Description	Diagram	P/N	P/N		
TB21	1	068119	Terminal Block, 2 Tier 2.5mm Clamp	•				&MEA+L1.L4/25.08
TB21	2			•				&MEA+L1.L4/25.06
TB22	1	068119	Terminal Block, 2 Tier 2.5mm Clamp	•				&MEA+L1.L4/25.08
TB22	2			•				&MEA+L1.L4/25.09
TB23	1	068119	Terminal Block, 2 Tier 2.5mm Clamp	•		068120		&MEA+L1.L4/25.07
TB23	2			•				&MEA+L1.L4/25.09
TB24	1	068119	Terminal Block, 2 Tier 2.5mm Clamp	•				&MEA+L1.L4/23.02
TB24	2			•				&MEA+L1.L4/23.02
TB25	1	068119	Terminal Block, 2 Tier 2.5mm Clamp	•		068120		
TB25	2			•				&MEA+L1.L4/23.03
TB26	1	068119	Terminal Block, 2 Tier 2.5mm Clamp	•				&MEA+L1.L4/17.07
TB26	2			•				&MEA+L1.L4/17.07
TB27	1	068119	Terminal Block, 2 Tier 2.5mm Clamp	•				&MEA+L1.L4/17.07
TB27	2			•				&MEA+L1.L4/17.07
TB28	1	068119	Terminal Block, 2 Tier 2.5mm Clamp	•				&MEA+L1.L4/17.07
TB28	2			•				&MEA+L1.L4/17.07
TB29	1	068119	Terminal Block, 2 Tier 2.5mm Clamp	•		068120		&MEA+L1.L4/18.05
TB29	2			•				&MEA+L1.L4/18.03
TB30	1	068119	Terminal Block, 2 Tier 2.5mm Clamp	•		068120		&MEA+L1.L4/18
TB30	2			•				&MEA+L1.L4/18.05
TB31	1	068119	Terminal Block, 2 Tier 2.5mm Clamp	•				&MEA+L1.L4/15
TB31	2			•				&MEA+L1.L4/15
TB32	1	068119	Terminal Block, 2 Tier 2.5mm Clamp	•		068120		&MEA+L1.L4/15
TB32	2			•				

		Wood-Mizer®	
Project Description: WM4500 Bed Extension 12'			
Revision:	A3.02	Pg Desc: Terminal line-up diagram	
Mounting Location: +Docs		Type: Terminal line-up diagram	
Prev. pg:	D3	Page:	D4
Next pg:	D5	Total Pgs: 91	

Terminal line-up diagram

Wood-Mizer_Terminal_Lineup_Diagram

Terminal strip +L11.L12-X6								
Terminal				Jumper		End Plate	Remark	Terminal X-Ref
Ref. Des.	Level	P/N	Description	Diagram	P/N	P/N		
TB1		068104	Terminal Block, 4Pos 1.5mm GND Clamp	•				&MEA+L1.L3/1.09
TB2		068104	Terminal Block, 4Pos 1.5mm GND Clamp	•		068105		&MEA+L1.L4/19.12
TB3		068103	Terminal Block, 4Pos 1.5mm Com Clamp	•	068113		Jumper is Trimmed Down To 2 Position Between TB3-4	&MEA+L1.L4/8.05
TB4		068103	Terminal Block, 4Pos 1.5mm Com Clamp	•		068105		&MEA+L1.L4/8.13
TB5		068103	Terminal Block, 4Pos 1.5mm Com Clamp	•	068113		Jumper is Trimmed Down To 3 Position Between TB5-7	&MEA+L1.L4/16.09
TB6		068103	Terminal Block, 4Pos 1.5mm Com Clamp	•				&MEA+L1.L4/26.02
TB7		068103	Terminal Block, 4Pos 1.5mm Com Clamp	•		068105		&MEA+L1.L4/19.12
TB8		068103	Terminal Block, 4Pos 1.5mm Com Clamp	•	068113		Jumper is Trimmed Down To 2 Position Between TB8-9	&MEA+L1.L4/23.07
TB9		068103	Terminal Block, 4Pos 1.5mm Com Clamp	•		068105		&MEA+L1.L4/23.06
TB10	1	068119	Terminal Block, 2 Tier 2.5mm Clamp	•				&MEA+L1.L4/17.02
TB10	2			•				&MEA+L1.L4/17.02
TB11	1	068119	Terminal Block, 2 Tier 2.5mm Clamp	•				&MEA+L1.L4/17.02
TB11	2			•				&MEA+L1.L4/17.02
TB12	1	068119	Terminal Block, 2 Tier 2.5mm Clamp	•				&MEA+L1.L4/7.15
TB12	2			•				&MEA+L1.L4/7.17
TB13	1	068119	Terminal Block, 2 Tier 2.5mm Clamp	•				&MEA+L1.L4/8.09
TB13	2			•				&MEA+L1.L4/8.07
TB14	1	068119	Terminal Block, 2 Tier 2.5mm Clamp	•				
TB14	2			•				&MEA+L1.L4/8.11
TB15	1	068119	Terminal Block, 2 Tier 2.5mm Clamp	•				
TB15	2			•				&MEA+L1.L4/8.13
TB16	1	068119	Terminal Block, 2 Tier 2.5mm Clamp	•		068120		&MEA+L1.L4/23.13
TB16	2			•				&MEA+L1.L4/23.10
TB17	1	068119	Terminal Block, 2 Tier 2.5mm Clamp	•				&MEA+L1.L4/8
TB17	2			•				&MEA+L1.L4/8.16

		Wood-Mizer®	
Project Description: WM4500 Bed Extension 12'			
Revision:	A3.02	Pg Desc: Terminal line-up diagram	
Mounting Location: +Docs		Type: Terminal line-up diagram	
Prev. pg:	D4	Page:	D5
Next pg:		D6	Total Pgs: 91

Terminal line-up diagram

Wood-Mizer_Terminal_Lineup_Diagram

Terminal strip +L9.L10-X7

Terminal				Jumper		End Plate	Remark	Terminal X-Ref
Ref. Des.	Level	P/N	Description	Diagram	P/N	P/N		
TB1		068104	Terminal Block, 4Pos 1.5mm GND Clamp	⋮				&MEA+L1.L3/1.08
TB2		068104	Terminal Block, 4Pos 1.5mm GND Clamp	⋮				&MEA+L1.L4/9.04
TB3		068104	Terminal Block, 4Pos 1.5mm GND Clamp	⋮				&MEA+L1.L4/9.07
TB4		068104	Terminal Block, 4Pos 1.5mm GND Clamp	⋮				&MEA+L1.L4/9.11
TB5		068104	Terminal Block, 4Pos 1.5mm GND Clamp	⋮		068105		&MEA+L1.L4/15.03
TB6		068103	Terminal Block, 4Pos 1.5mm Com Clamp	●	068113		Jumper is Trimmed Down To 5 Position Between TB6-10	&MEA+L1.L4/9.02
TB7		068103	Terminal Block, 4Pos 1.5mm Com Clamp	●				&MEA+L1.L4/9.02
TB8		068103	Terminal Block, 4Pos 1.5mm Com Clamp	●				&MEA+L1.L4/9.06
TB9		068103	Terminal Block, 4Pos 1.5mm Com Clamp	●				&MEA+L1.L4/9.09
TB11		068103	Terminal Block, 4Pos 1.5mm Com Clamp	⋮		068105		&MEA+L1.L4/16.12
TB12		068103	Terminal Block, 4Pos 1.5mm Com Clamp	⋮		068105		&MEA+L1.L4/16.12
TB13	1	068119	Terminal Block, 2 Tier 2.5mm Clamp	⋮				&MEA+L1.L4/9.02
TB13	2			⋮				&MEA+L1.L4/9.05
TB14	1	068119	Terminal Block, 2 Tier 2.5mm Clamp	⋮				&MEA+L1.L4/9.06
TB14	2			⋮				&MEA+L1.L4/9.08
TB15	1	068119	Terminal Block, 2 Tier 2.5mm Clamp	⋮				&MEA+L1.L4/9.09
TB15	2			⋮				&MEA+L1.L4/9.12
TB16	1	068119	Terminal Block, 2 Tier 2.5mm Clamp	⋮				&MEA+L1.L4/9.13
TB16	2			⋮				&MEA+L1.L4/9.15
TB17	1	068119	Terminal Block, 2 Tier 2.5mm Clamp	⋮				&MEA+L1.L4/9.16
TB17	2			⋮				&MEA+L1.L4/9.19
TB18	1	068119	Terminal Block, 2 Tier 2.5mm Clamp	⋮				&MEA+L1.L4/10.02
TB18	2			⋮				&MEA+L1.L4/10.04
TB19	1	068119	Terminal Block, 2 Tier 2.5mm Clamp	⋮				&MEA+L1.L4/10.05
TB19	2			⋮				&MEA+L1.L4/10.08
TB20	1	068119	Terminal Block, 2 Tier 2.5mm Clamp	⋮				&MEA+L1.L4/10.09
TB20	2			⋮				&MEA+L1.L4/10.11
TB21	1	068119	Terminal Block, 2 Tier 2.5mm Clamp	⋮				&MEA+L1.L4/10.12
TB21	2			⋮				
TB22	1	068119	Terminal Block, 2 Tier 2.5mm Clamp	⋮				&MEA+L1.L4/10.15
TB22	2			⋮				&MEA+L1.L4/10.17
TB23	1	068119	Terminal Block, 2 Tier 2.5mm Clamp	⋮				&MEA+L1.L4/11.02
TB23	2			⋮				&MEA+L1.L4/11.04
TB24	1	068119	Terminal Block, 2 Tier 2.5mm Clamp	⋮				&MEA+L1.L4/11.05
TB24	2			⋮				&MEA+L1.L4/11.07



Wood-Mizer®

Project Description: WM4500 Bed Extension 12'

Revision:	A3.02	Pg Desc:	Terminal line-up diagram
Mounting Location:	+Docs	Type:	Terminal line-up diagram
Prev. pg:	D5	Page:	D6
		Next pg:	D7
		Total Pgs:	91

Terminal line-up diagram

Wood-Mizer_Terminal_Lineup_Diagram

Terminal strip +L9.L10-X7

Terminal				Jumper		End Plate	Remark	Terminal X-Ref
Ref. Des.	Level	P/N	Description	Diagram	P/N	P/N		
TB25	1	068119	Terminal Block, 2 Tier 2.5mm Clamp	•				&MEA+L1.L4/34.07
TB25	2			•				&MEA+L1.L4/34.08
TB26	1	068119	Terminal Block, 2 Tier 2.5mm Clamp	•				&MEA+L1.L4/11.09
TB26	2			•				
TB27	1	068119	Terminal Block, 2 Tier 2.5mm Clamp	•				&MEA+L1.L4/15.02
TB27	2			•				&MEA+L1.L4/15.04
TB28	1	068119	Terminal Block, 2 Tier 2.5mm Clamp	•				&MEA+L1.L4/15.05
TB28	2			•				&MEA+L1.L4/15.08
TB29	1	068119	Terminal Block, 2 Tier 2.5mm Clamp	•		068102		&MEA+L1.L4/15.09
TB29	2			•				&MEA+L1.L4/15.11



Wood-Mizer®

Project Description: WM4500 Bed Extension 12'


Revision:	A3.02	Pg Desc:	Terminal line-up diagram
Mounting Location:	+Docs	Type:	Terminal line-up diagram
Prev. pg:	D6	Page:	D7
Next pg:	D8	Total Pgs:	91

Terminal line-up diagram

Wood-Mizer_Terminal_Lineup_Diagram

Terminal strip +L5.L14-X8


Terminal				Jumper		End Plate	Remark	Terminal X-Ref
Ref. Des.	Level	P/N	Description	Diagram	P/N	P/N		
TB1		068104	Terminal Block, 4Pos 1.5mm GND Clamp	⋮				&MEA+L1.L3/1.08
TB2		068104	Terminal Block, 4Pos 1.5mm GND Clamp	⋮				&MEA+L1.L4/13.03
TB3		068104	Terminal Block, 4Pos 1.5mm GND Clamp	⋮				&MEA+L1.L4/13.05
TB4		068104	Terminal Block, 4Pos 1.5mm GND Clamp	⋮		068105		&MEA+L1.L4/13.07
TB5		068103	Terminal Block, 4Pos 1.5mm Com Clamp	●	068113		Jumper is Trimmed Down To 4 Position Between TB5-8	&MEA+L1.L4/11.13
TB6		068103	Terminal Block, 4Pos 1.5mm Com Clamp	●				&MEA+L1.L4/11.14
TB7		068103	Terminal Block, 4Pos 1.5mm Com Clamp	●				&MEA+L1.L4/13.02
TB8		068103	Terminal Block, 4Pos 1.5mm Com Clamp	●		068105		&MEA+L1.L4/13.04
TB9		068103	Terminal Block, 4Pos 1.5mm Com Clamp	●				&MEA+L1.L4/14.12

		Wood-Mizer®	
Project Description: WM4500 Bed Extension 12'			
Revision:	A3.02	Pg Desc: Terminal line-up diagram	
Mounting Location: +Docs		Type: Terminal line-up diagram	
Prev. pg:	D7	Page:	D8
Next pg:	E1	Total Pgs: 91	

Cable Overview

Wood-Mizer_Cable_Overview


Cable Designation	Cable Part Number	Cable Description	Cable X-Ref
W1	069958-FX	Cable Assy, Ind. Mill Blade Mtr Full Ex	+L1.L3/1.118
W2	069993	Cable Assy, Ind. Mill Hydraulic Mtr	+L1.L3/2.202
W3	078442-FX	Cable Assy, Ind. Mill Feed Mtr Full Ex	+L1.L3/2.208
W4	068179	Cable Assy, Ind. Mill Up/Dn Servo Mtr	+L1.L3/2.214
W5	068180	Cable Assy, Ind. Mill Up/Dn Servo Enc	+L1.L3/2.213
W6	069959	Cable Assy, Ind. Mill Debarker Motor	+L1.L3/3.302
W20	069962-FX	Cable Assy, Ind. Mill Head Box Full Ex	+L1.L4/7.708
W21	078656	Cable Assy, Ind. Mill Hydraulic Control	+L1.L4/10.1002
W22	078657	Cable Assy, Ind. Mill Operator Junction	+L1.L4/16.1616
W23	078658	Cable Assy, Ind. Mill HMI Control	+L1.L4/17.1710
W30	078659	Cable Assy, Ind. Mill Left Joystick	+L1.L4/24.2403
W31	078660	Cable Assy, Ind. Mill Right Joystick	+L1.L4/25.2503
W34	069963	Cable Assy, Ind. Mill Seat Switch	+L1.L4/17.1705
W35	078661	Cable Assy, Ind. Mill Foot Pedal	+L1.L4/23.2302
W36	078662	Cable Assy, Ind. Mill Blade Break Prox	+L1.L4/23.2310
W37	078663	Cable Assy, Ind. Mill Ball Nut Prox	+L1.L4/23.2312
W38	069988	Cable Assy, Ind. Mill Blade Guide Motor	+L1.L4/7.715
W39	068074	Cable Assy, Ind. Mill Laser	+L1.L4/8.813
W40	068048	Cable Assy, Ind. Mill Feed Encoder Pwr	+L1.L4/19.1911
W40A	068206	Connector Assy, Ind. Mill Feed Encoder	+L1.L4/19.1911
W41	078791	Cable Assy, Drag Back Solenoid	+L1.L4/8.802
W42	078665	Cable Assy, Ind. Mill Prop Valve	+L1.L4/34.3407
W61	069977	Cable Assy, Ind. Mill Bld Brk Sol.	+L1.L4/8.807
W62	069978	Cable Assy, Ind. Mill Blw Off Sol.	+L1.L4/8.809
W63	069979	Cable Assy, Ind. Mill Debarker Sol.	+L1.L4/8.811
W64	069966	Cable Assy, Ind. Mill Clamp In/Out Sol	+L1.L4/9.902
W65	069967	Cable Assy, Ind. Mill Turner Up/Dn Sol.	+L1.L4/9.906
W66	069968	Cable Assy, Ind. Mill Clamp Up/Dn Sol.	+L1.L4/9.909
W67	069969	Cable Assy, Ind. Mill Toe #1 Up/Dn Sol.	+L1.L4/9.913
W68	069970	Cable Assy, Ind. Mill Pwr Tpr Fwd/Rv Sol.	+L1.L4/9.916
W69	069971	Cable Assy, Ind. Mill Toe #2 Up/Dn Sol.	+L1.L4/10.1002
W70	069972	Cable Assy, Ind. Mill Toe #3 Up/Dn Sol.	+L1.L4/10.1005
W71	069973	Cable Assy, Ind. Mill Sd Sup Up/Dn Sol.	+L1.L4/10.1009
W72	068189	Cable Assy, Ind. Mill Conveyor Sol.	+L1.L4/10.1012
W73	069974	Cable Assy, Ind. Mill Pwr Tpr Fwd/Rv Sol.	+L1.L4/10.1014

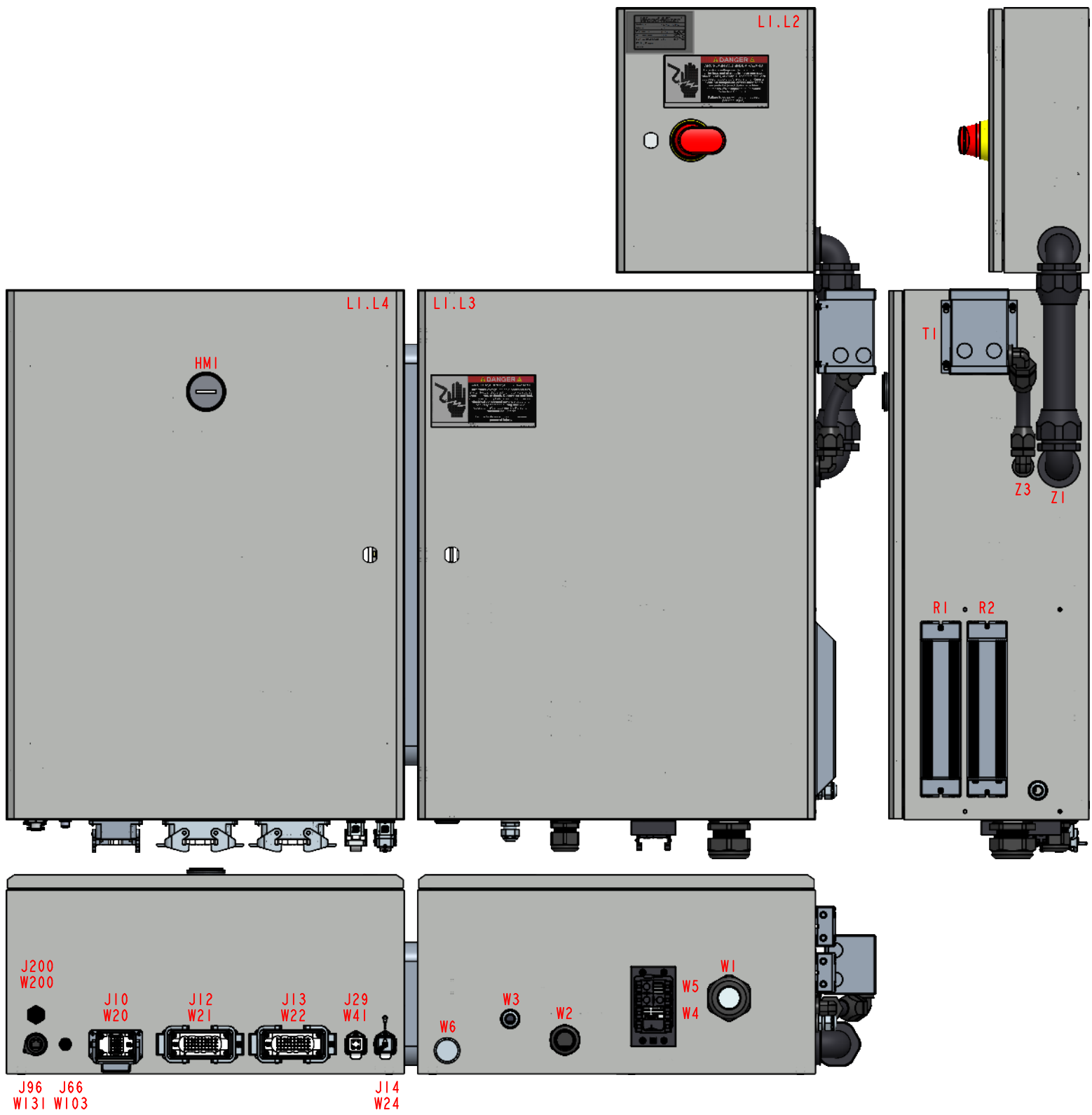
		Wood-Mizer®	
Project Description: WM4500 Bed Extension 12'			
Revision:	A3.02	Pg Desc: Cable overview	
Mounting Location: +Docs		Type: Cable overview	
Prev. pg:	D8	Page:	E1
		Next pg:	E2
			Total Pgs: 91

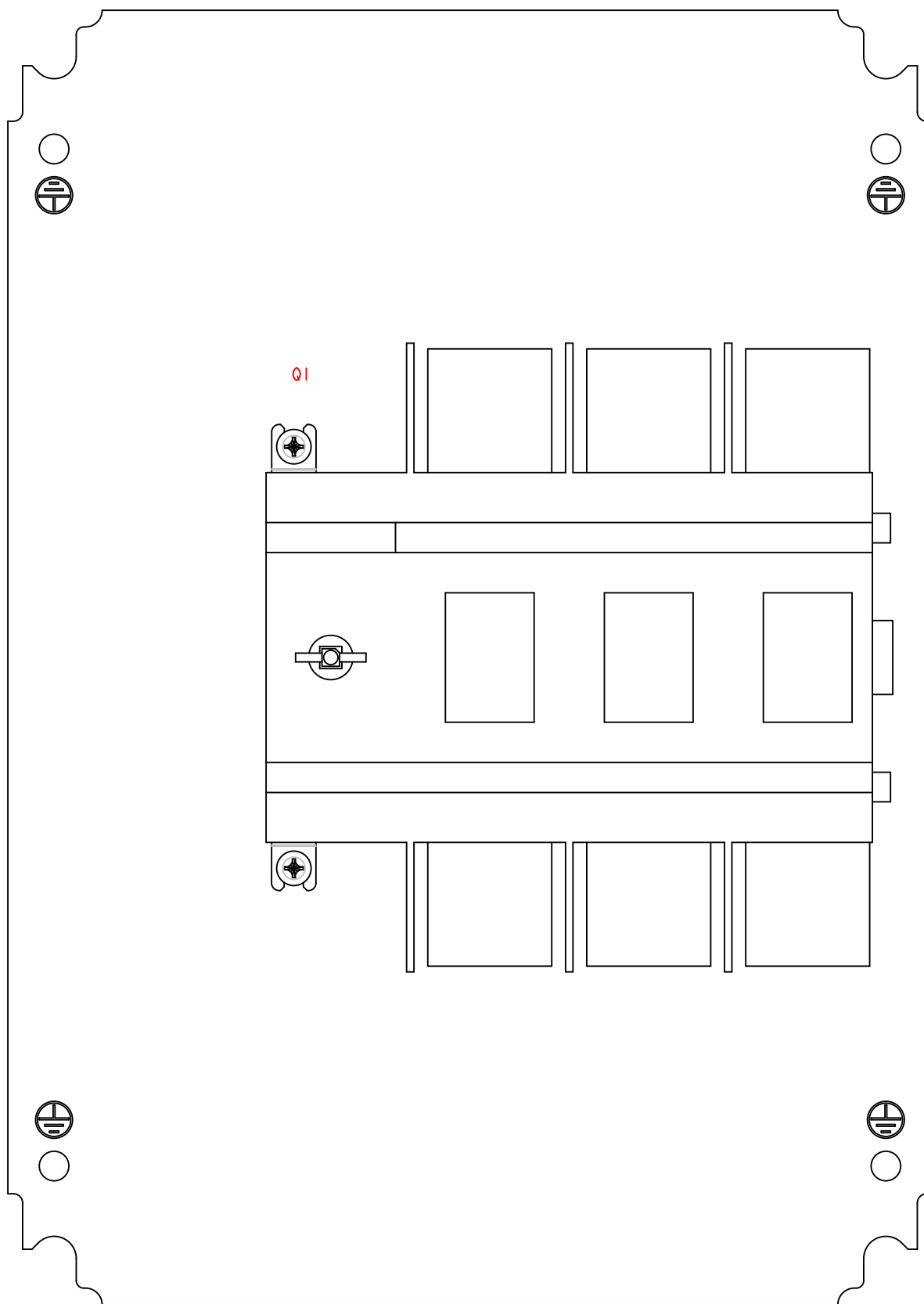
Cable Overview

Wood-Mizer_Cable_Overview

Cable Designation	Cable Part Number	Cable Description	Cable X-Ref
W74	069975	Cable Assy, Ind. Mill Loader Up/Dn Sol.	+L1.L4/11.1102
W75	069976	Cable Assy, Ind. Mill Log Deck Fwd/Rev S	+L1.L4/11.1105
W77	069978	Cable Assy, Ind. Mill Blw Off Sol.	+L1.L4/8.816
W100	069937	Cable Assy, Ind. Mill CANopen PLC	+L1.L4/21.2111
W101	069873	Cable Assy, Ind. Mill CANopen Feed Drive	+L1.L4/19.1902
W102	069874	Cable Assy, Ind. Mill CANopen Up/Dn Driv	+L1.L4/19.1902
W103.A	068029	Connector Assy, Ind. Mill CANopen Main	+L1.L4/19.1908
W103.B	068283	Cable Assy, Ind. Mill Encoder CAN	+L1.L4/19.1908
W120	069923	Cable Assy, Ind. Mill Modbus Soft Start	+L1.L4/21.2106
W130	068162	Cable Assy, Ind. Mill Ethernet PLC	+L1.L4/21.2108
W131.A	069888	Cable Assy, Ind. Mill Ethernet Main Inte	+L1.L4/19.1918
W131.B	069997	Cable Assy, Ind. Mill HMI Ethernet	+L5.L7/36.3610
W131.C	069986	Cable Assy, Ind. Mill Ethernet HMI Int	+L5.L7/36.3610
W140	068178	Receptacle, Panel Mount USB	+L5.L7/36.3608
W150	068291	Cable Assy, Ind. Mill BedX Toe Brd U/D	+L1.L4/15.1502
W151	068292	Cable Assy, Ind. Mill BedX Clamp U/D	+L1.L4/15.1505
W152	068293	Cable Assy, Ind. Mill BedX Clamp In/Out	+L1.L4/15.1509
W1000	068247	Cable Assy, Ind. Mill Hyd. Bed Ex	+L1.L4/11.1113
W1001	068248	Cable Assy, Ind. Mill BX Trn FR Div	+L1.L4/13.1302
W1002	068249	Cable Assy, Ind. Mill BX Trn FR Blk	+L1.L4/13.1304
W1003	068274	Cable Assy, Ind. Mill BX SS UD Div	+L1.L4/13.1306
W1004	068275	Cable Assy, Ind. Mill BX SS UD Blk	+L1.L4/13.1308
W1005	068276	Cable Assy, Ind. Mill BX Trn UD Div	+L1.L4/13.1310
W1006	068277	Cable Assy, Ind. Mill BX PT FR Div	+L1.L4/13.1312
W1007	068278	Cable Assy, Ind. Mill BX PT FR Blk	+L1.L4/13.1314
W1008	068280	Cable Assy, Ind. Mill BX LD UD Div	+L1.L4/13.1316
W1009	068288	Cable Assy, Ind. Mill BX LD UD Blk	+L1.L4/13.1318
W1010	068289	Cable Assy, Ind. Mill BX LD FR Div	+L1.L4/14.1402
W1011	068290	Cable Assy, Ind. Mill BX LD FR Blk	+L1.L4/14.1404
W1012	112434	Cable Assy, Ind. Mill BX Clmp Up Slct Sol.	+L1.L4/14.1406
W1013	112435	Cable Assy, Ind. Mill BX Clmp Dn Slct Sol.	+L1.L4/14.1408
W1014	112436	Cable Assy, Ind. Mill BX Clmp In Slct Sol.	+L1.L4/14.1410
W1015	112437	Cable Assy, Ind. Mill BX Clmp Out Slct Sol.	+L1.L4/14.1412
Z1	078785	Harness Assy, Ind. Mill Disconnect	+L1.L3/1.101
Z3	069935	Harness Assy, Ind. Mill Transformer	+L1.L3/3.306

		Wood-Mizer®	
Project Description: WM4500 Bed Extension 12'			
Revision:	A3.02	Pg Desc: Cable overview	
Mounting Location: +Docs		Type: Cable overview	
Prev. pg:	E1	Page:	E2
Next pg:		F1	Total Pgs: 91





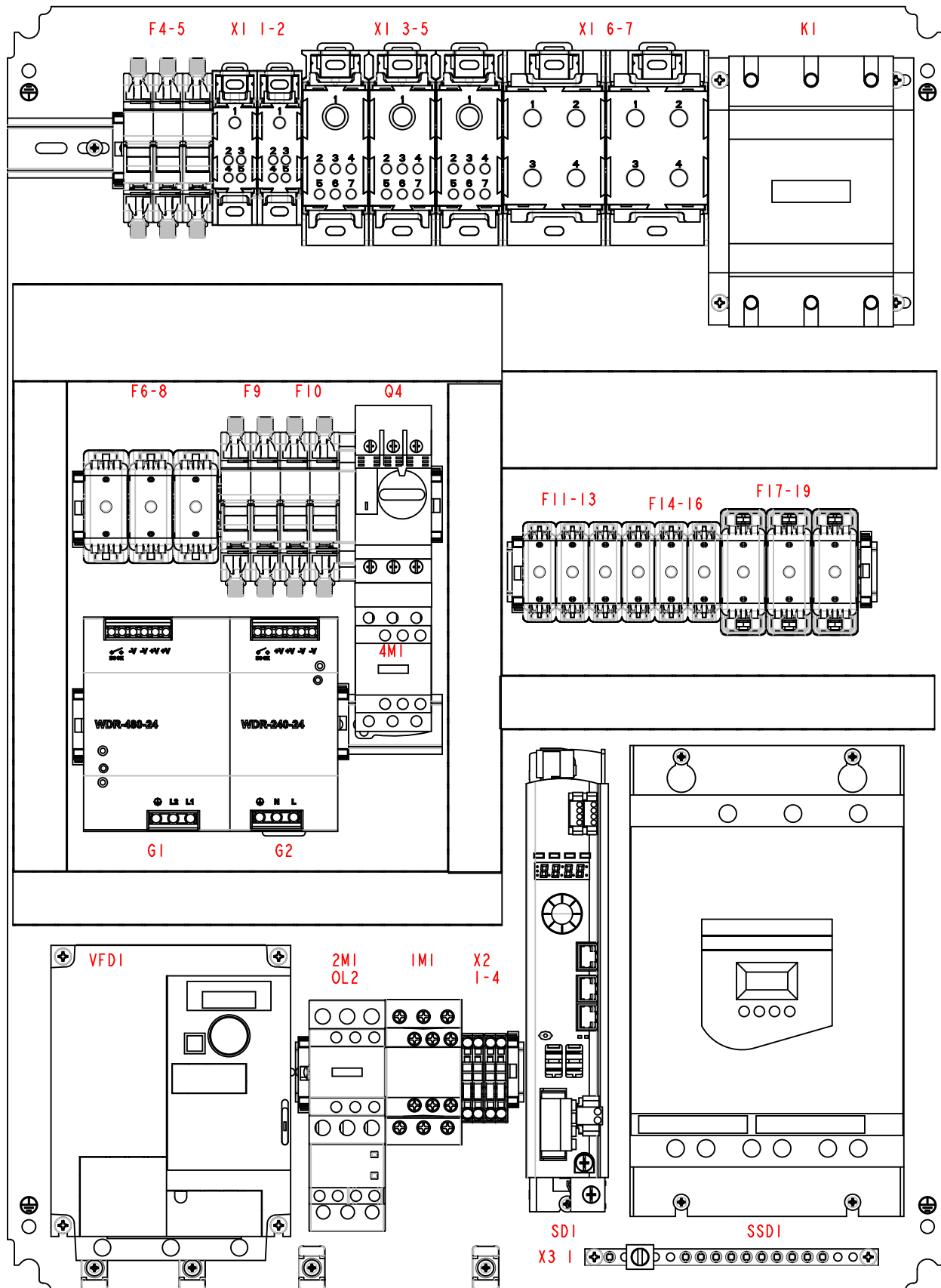
Wood-Mizer®

Project Description: WM4500 Bed Extension 12'

Revision: A3.02 Pg Desc: Main Control Disconnect Layout

Mounting Location: +Docs Type: Panel layout

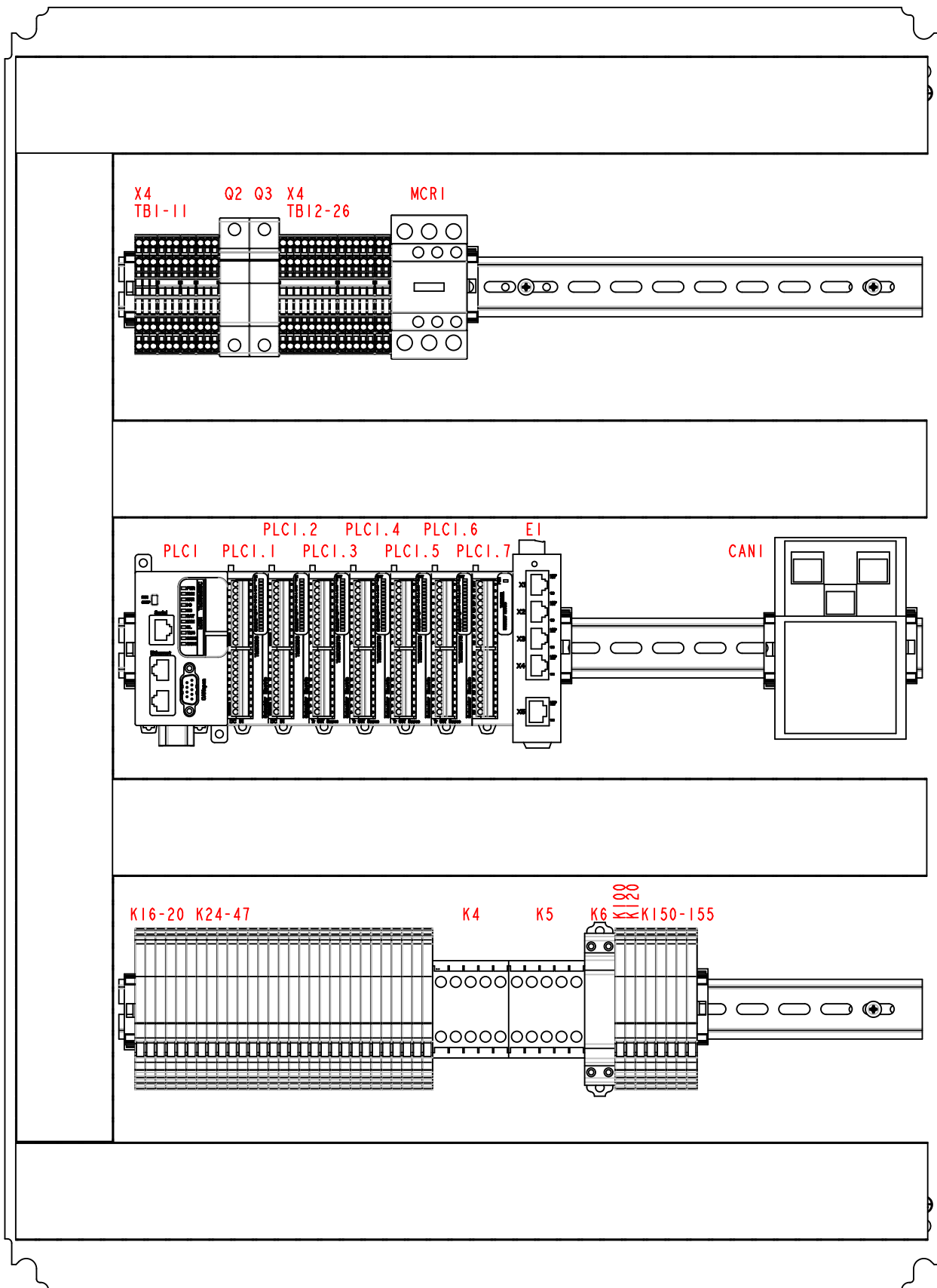
Prev. pg: F1 Page: F2 Next pg: F3 Total Pgs: 91



Wood-Mizer®

Project Description: WM4500 Bed Extension 12'

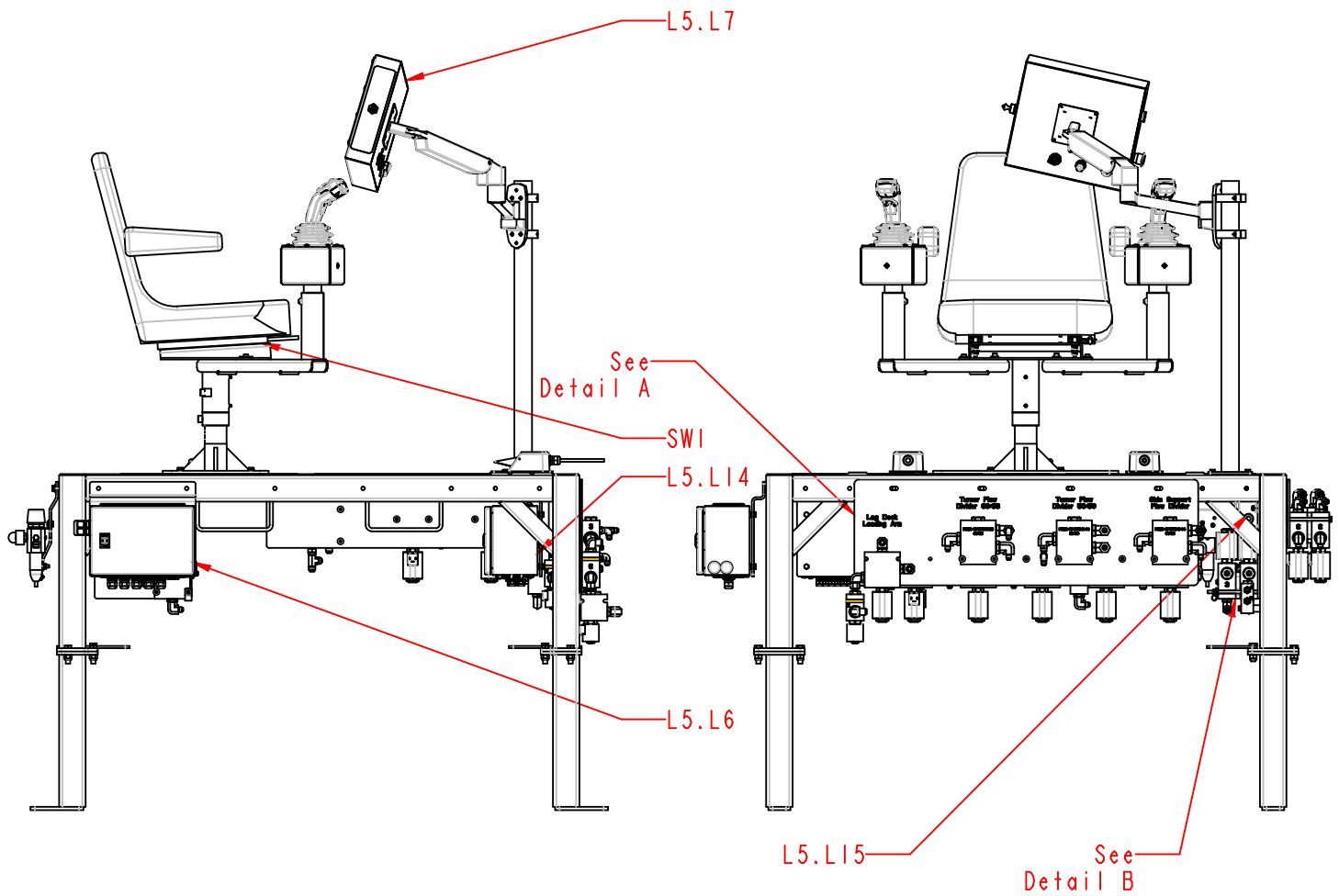
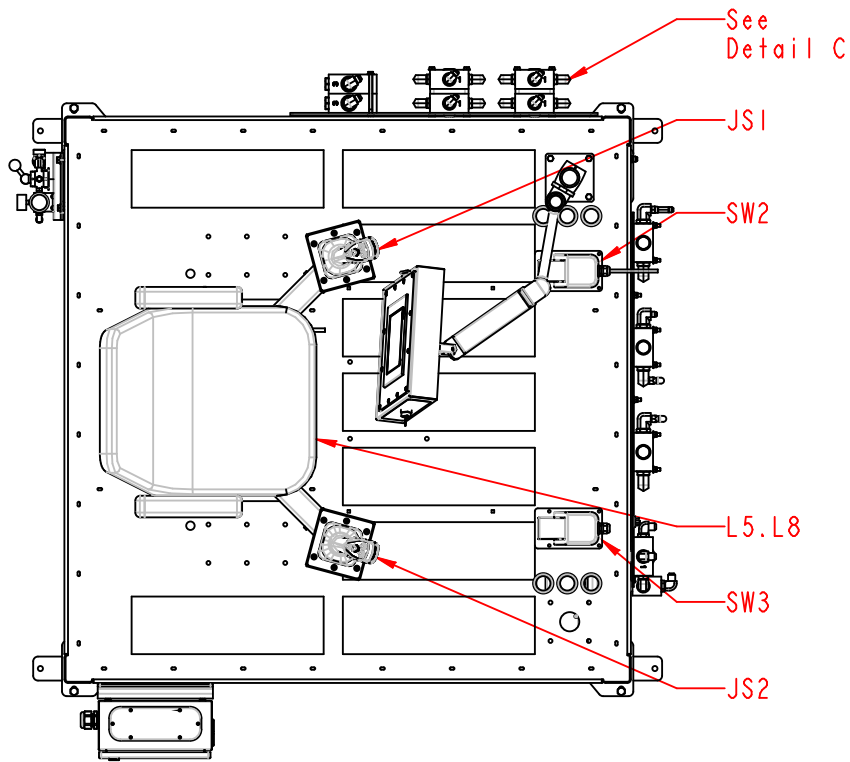
Revision:	A3.02	Pg Desc: Main Control High Voltage Layout	
Mounting Location:	+Docs	Type: Panel layout	
Prev. pg:	F2	Page:	F3
		Next pg:	F4
		Total Pgs:	91



Wood-Mizer®

Project Description: WM4500 Bed Extension 12'

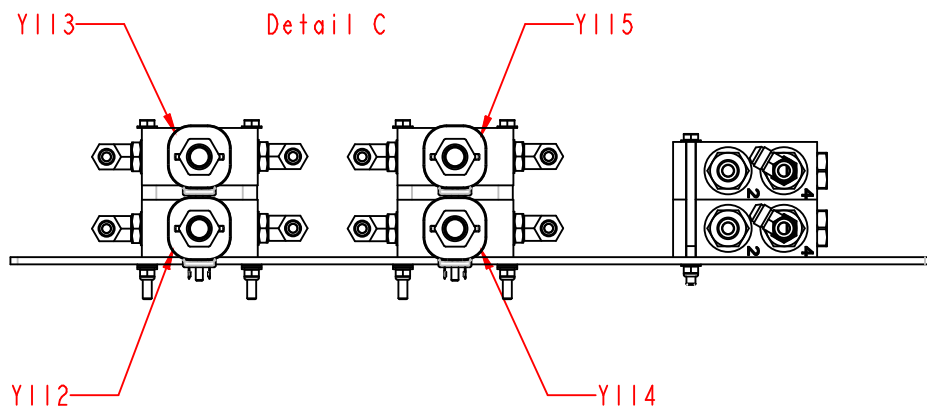
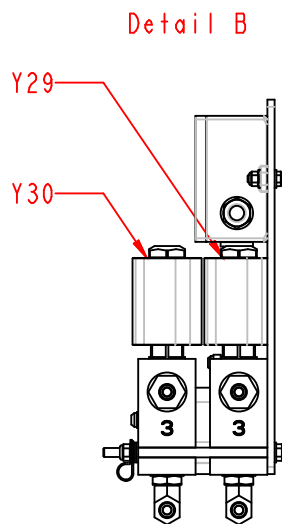
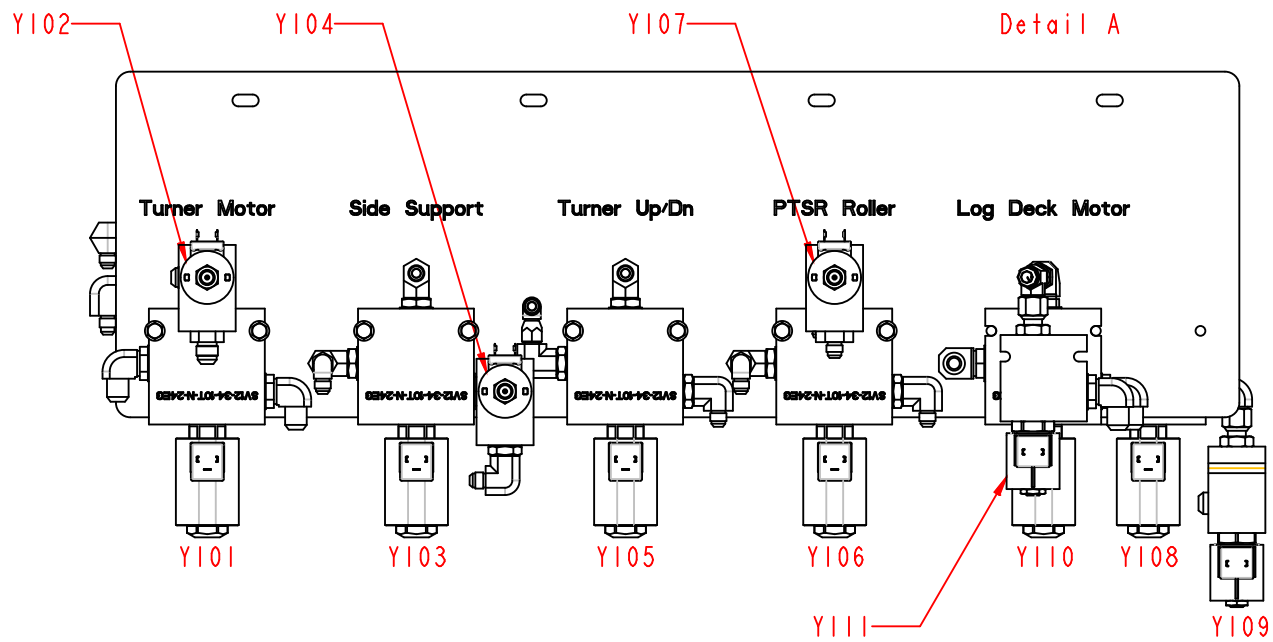
Revision:	A3.02	Pg Desc: Main Control Low Voltage Layout
Mounting Location: +Docs		Type: Panel layout
Prev. pg: F3	Page: F4	Next pg: F5
		Total Pgs: 91




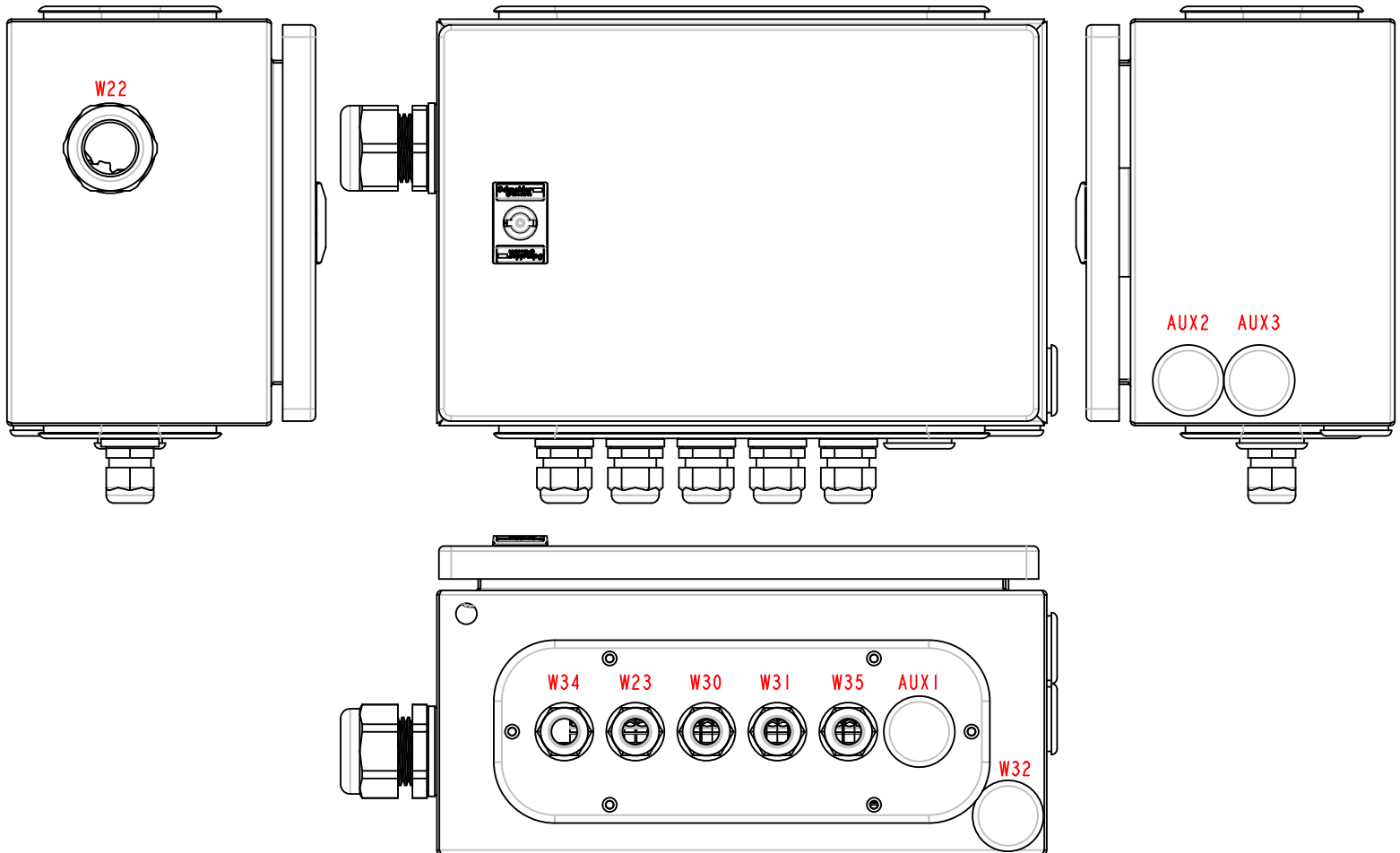
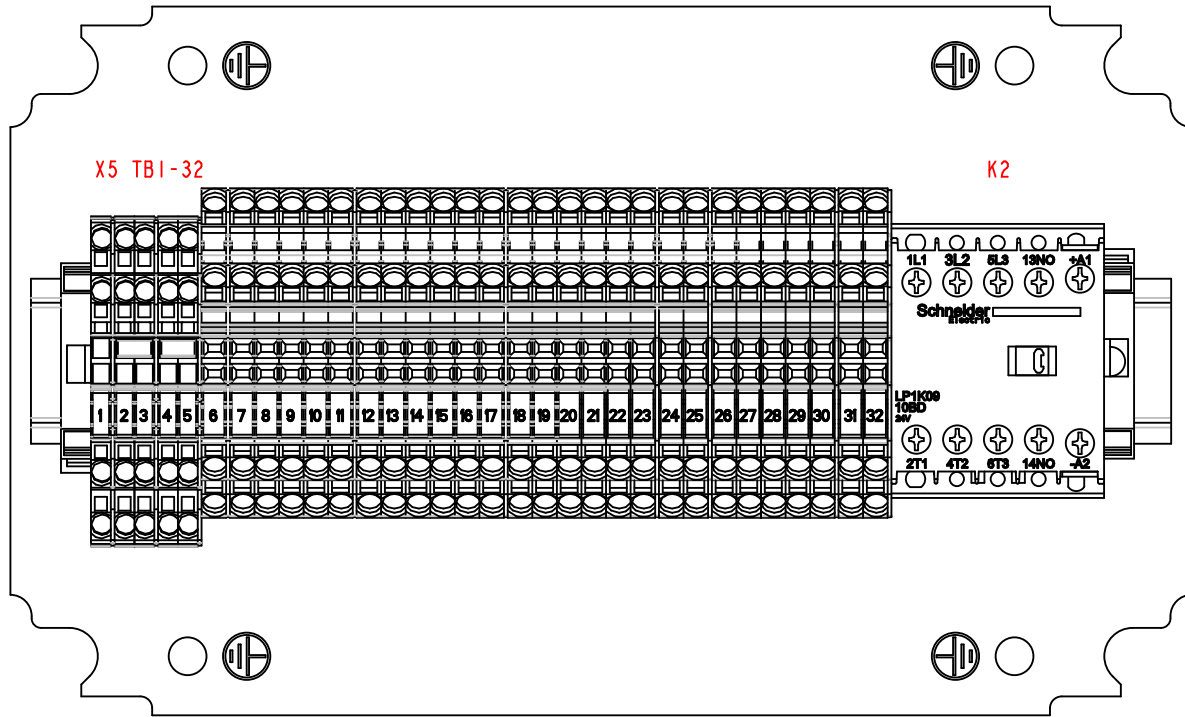
Wood-Mizer®


Project Description: WM4500 Bed Extension 12'

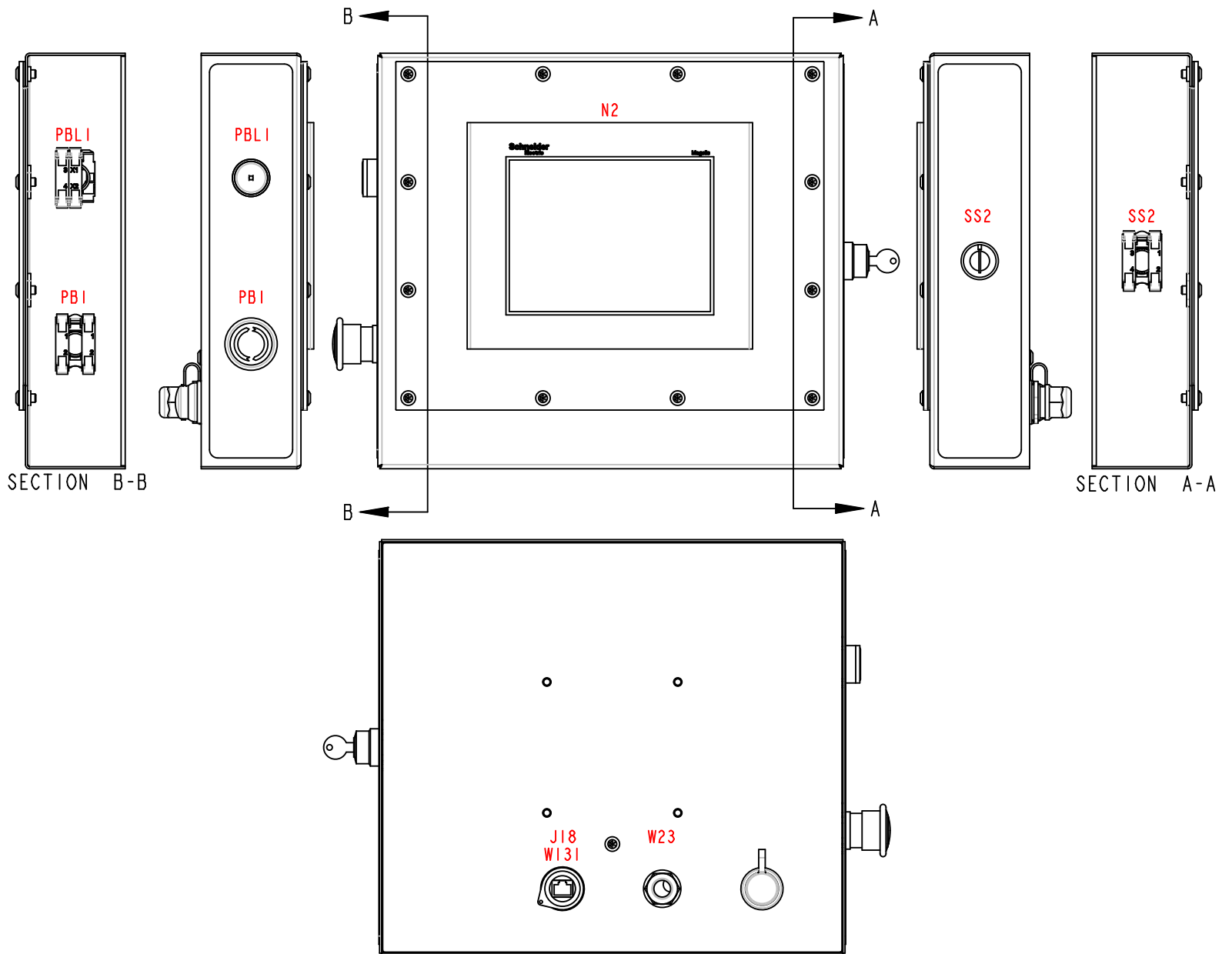
Revision:	A3.02	Pg Desc: Operator Ctl Layout	
Mounting Location:	+Docs	Type: Panel layout	
Prev. pg:	F4	Page:	F5
		Next pg:	F6
			Total Pgs: 91




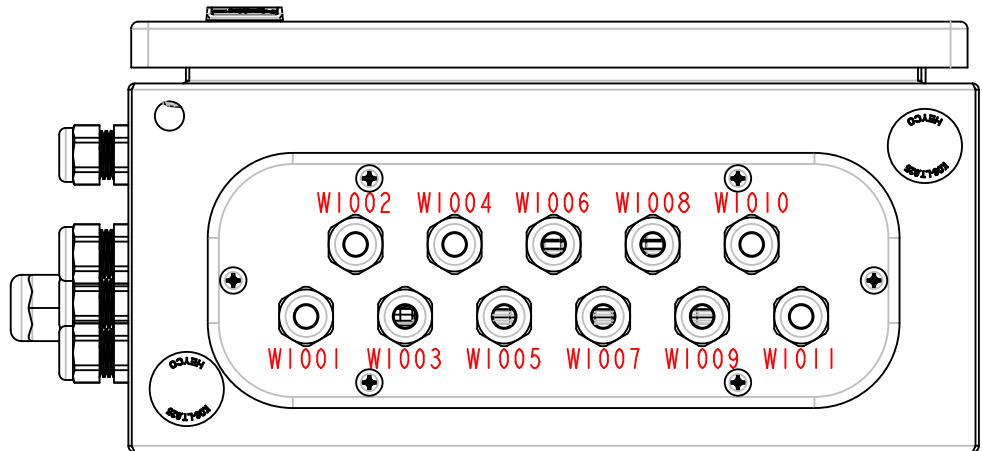
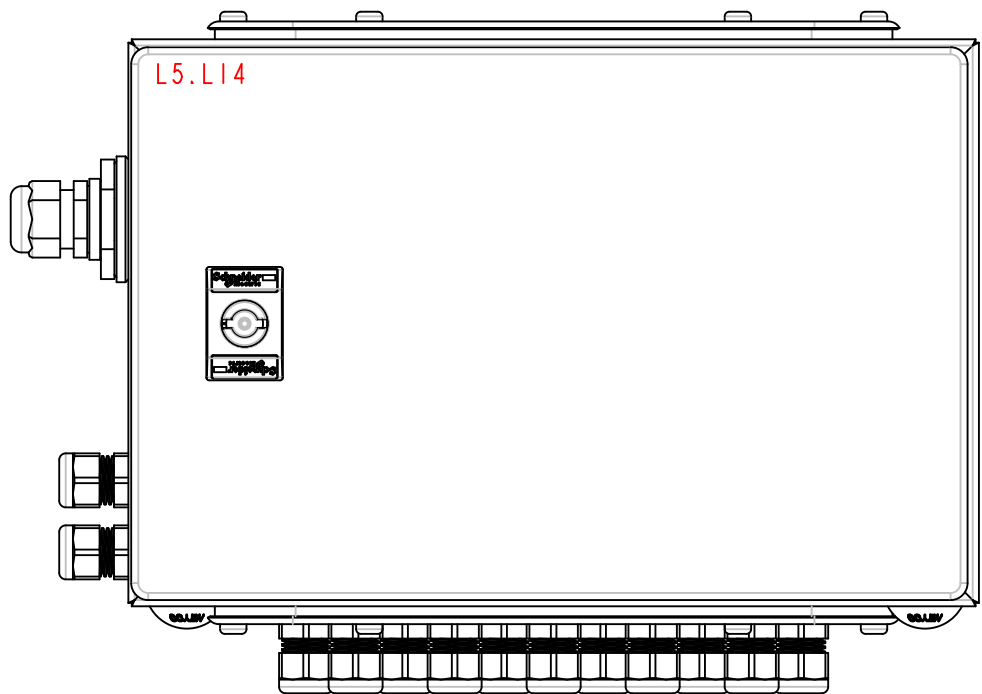
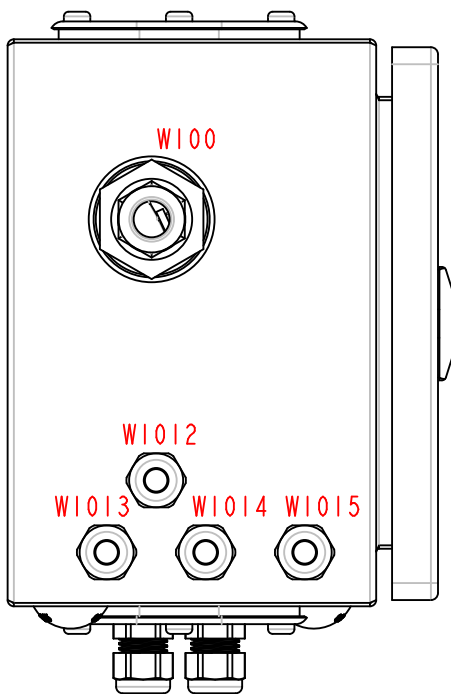
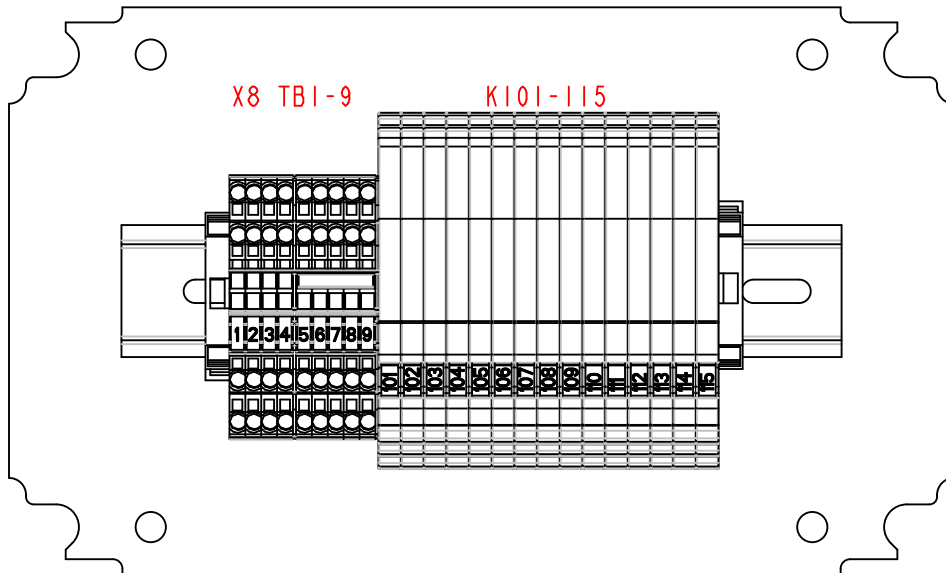
		Wood-Mizer®	
Project Description: WM4500 Bed Extension 12'			
Revision:	A3.02	Pg Desc: Operator Ctl Solenoid Layout	
Mounting Location:	+Docs	Type: Panel layout	
Prev. pg:	F5	Page:	F6
		Next pg:	F7
		Total Pgs:	91




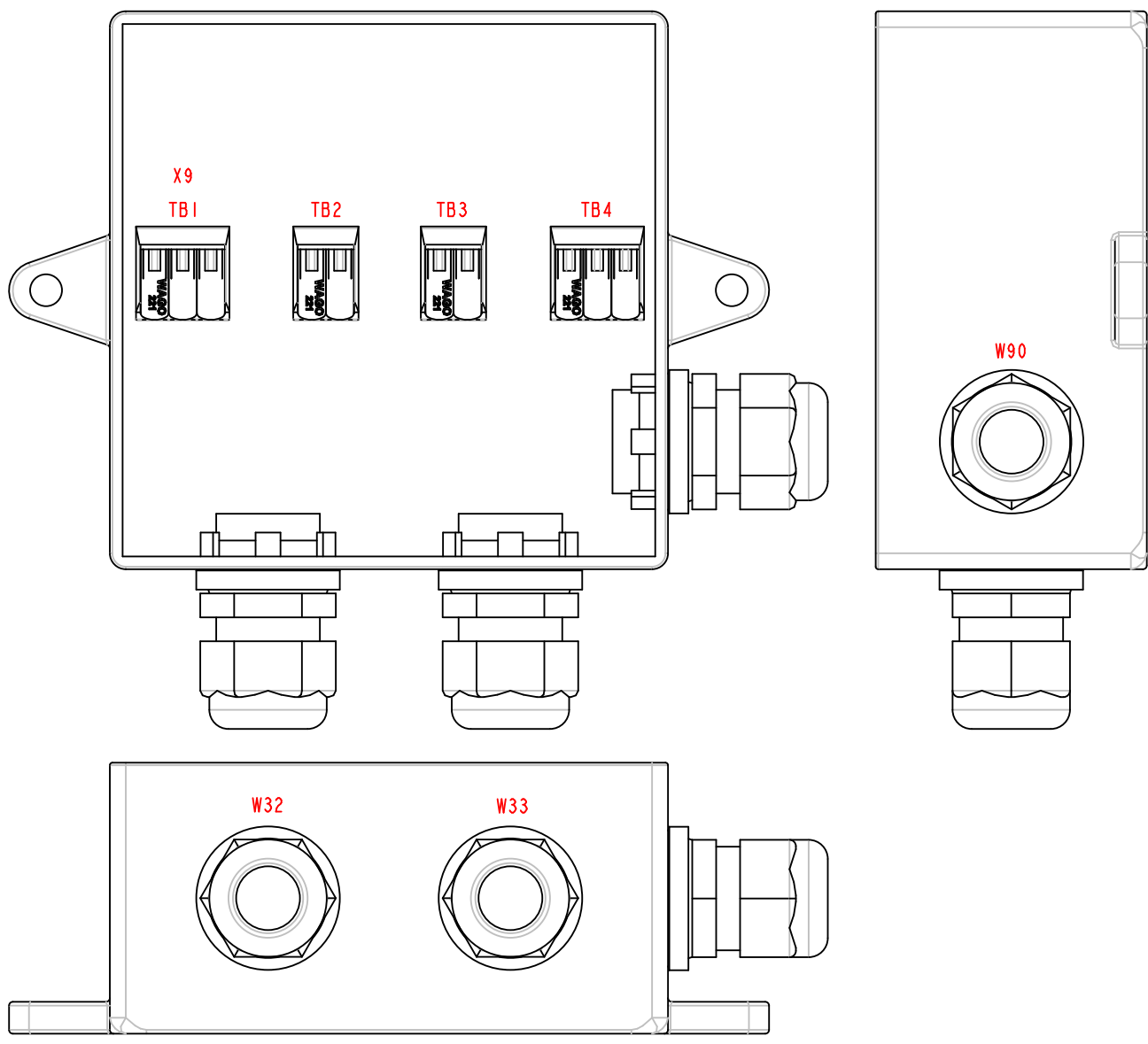
 Wood-Mizer®	
Project Description: WM4500 Bed Extension 12'	
Revision: A3.02	Pg Desc: Operator Ctl Junction Layout
Mounting Location: +Docs	Type: Panel layout
Prev. pg: F6	Page: F7
Next pg: F8	Total Pgs: 91




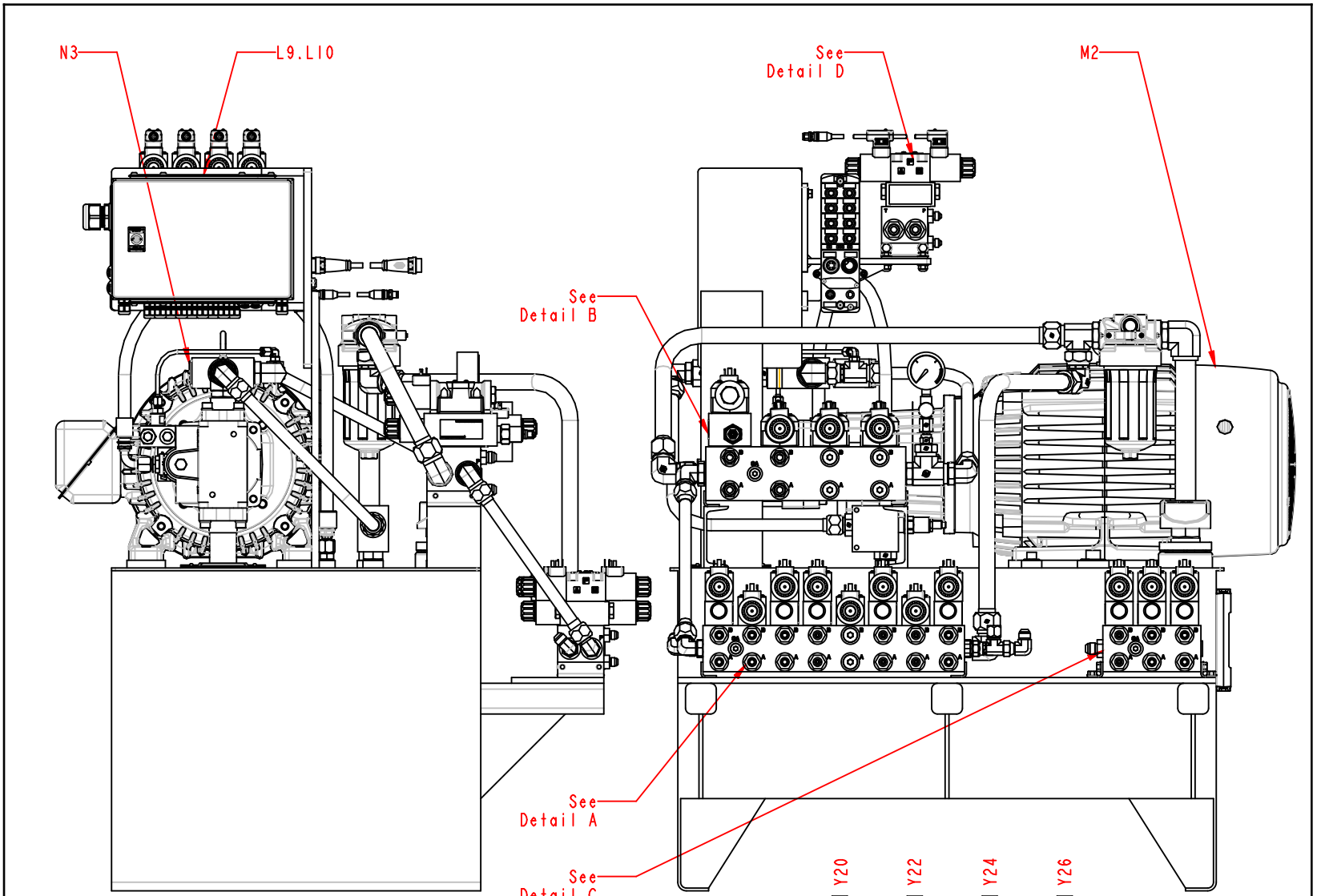
 Wood-Mizer®	
Project Description: WM4500 Bed Extension 12'	
Revision: A3.02	Pg Desc: Operator Ctl HMI Layout
Mounting Location: +Docs	Type: Panel layout
Prev. pg: F7	Page: F8
Next pg: F9	Total Pgs: 91



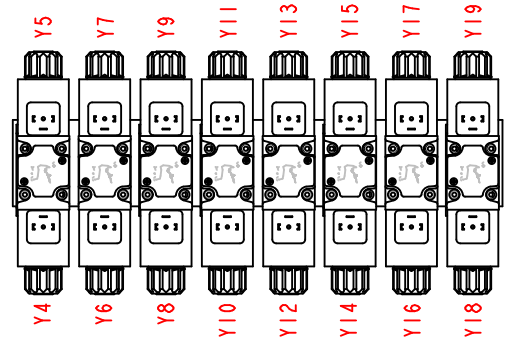
		Wood-Mizer®	
Project Description: WM4500 Bed Extension 12'			
Revision:	A3.02	Pg Desc: Operator Ctl Bed Ex Layout	
Mounting Location:	+Docs	Type: Panel layout	
Prev. pg:	F8	Page:	F9
		Next pg:	F10
		Total Pgs:	91



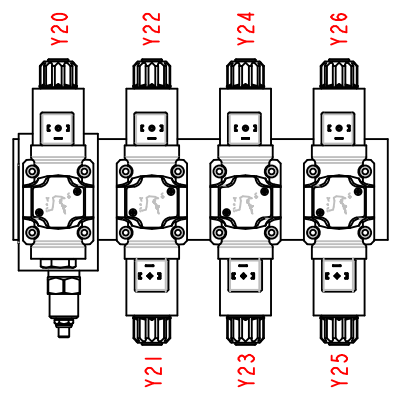
 Wood-Mizer®				
Project Description: WM4500 Bed Extension 12'				
Revision:	A3.02	Pg Desc: Operator Ctl Side Supports Layout		
Mounting Location:	+Docs	Type: Panel layout		
Prev. pg:	F9	Page: F10	Next pg: F11	Total Pgs: 91



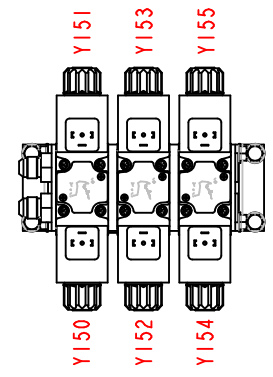
Detail A



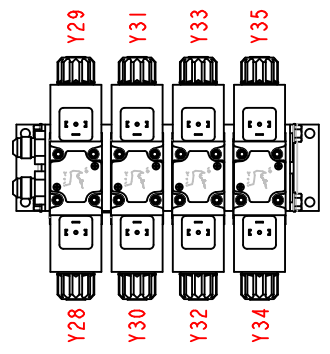
Detail B




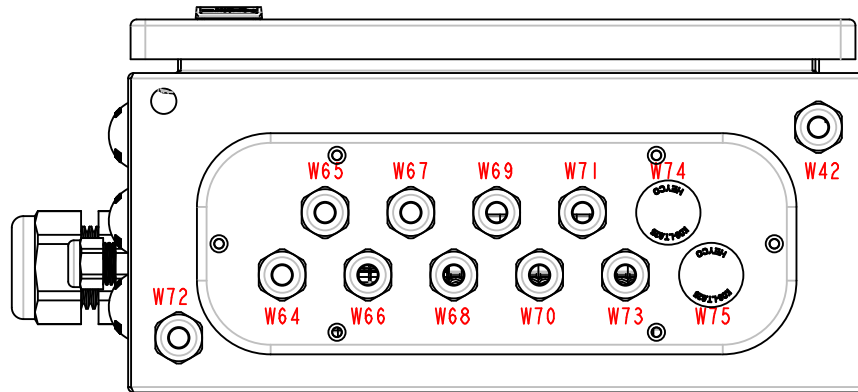
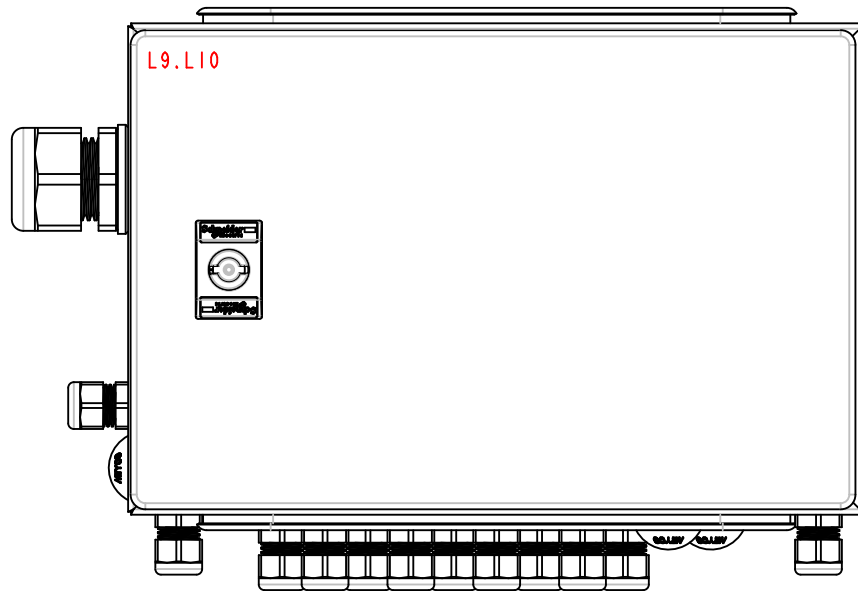
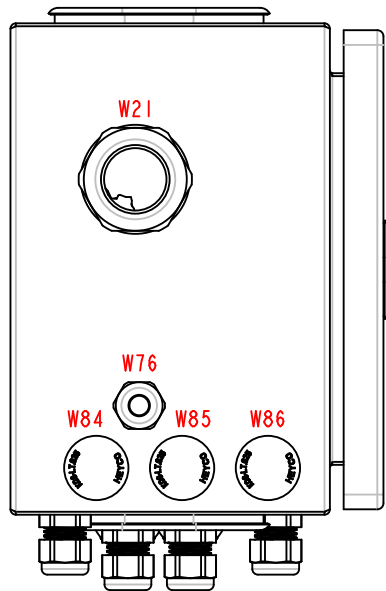
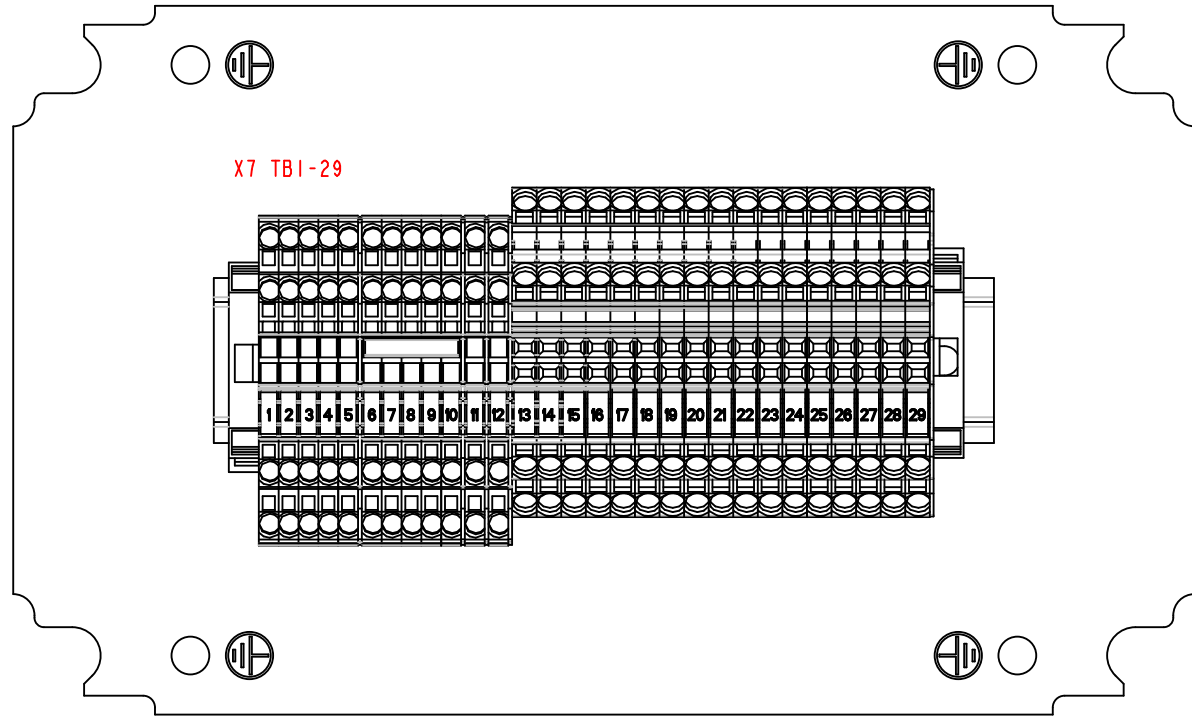
Detail C




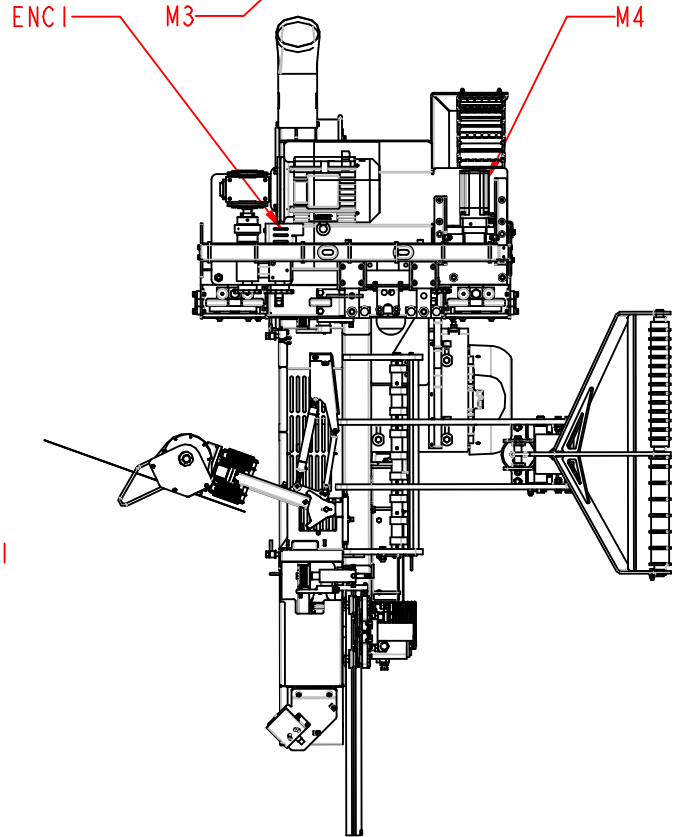
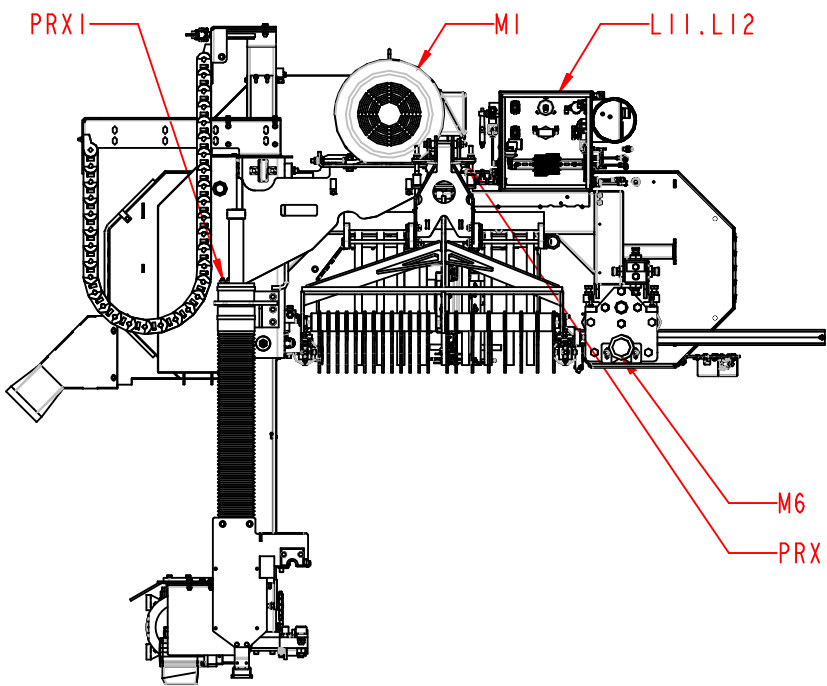
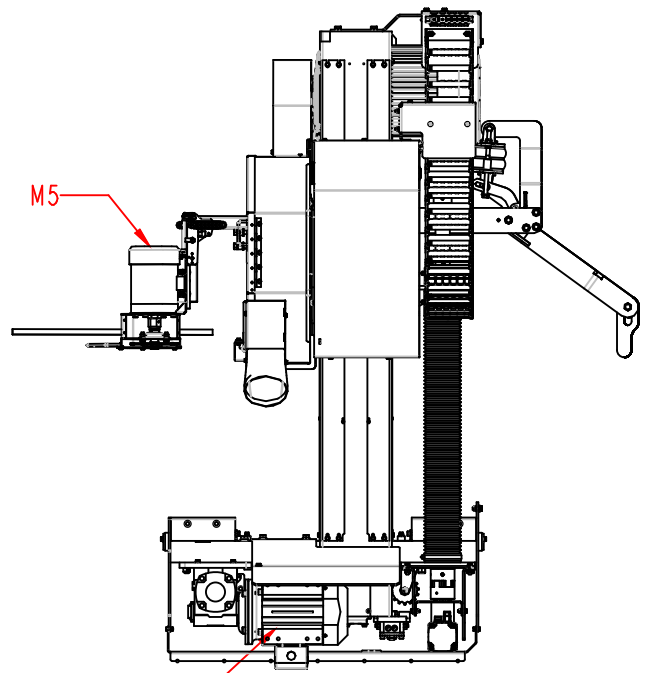
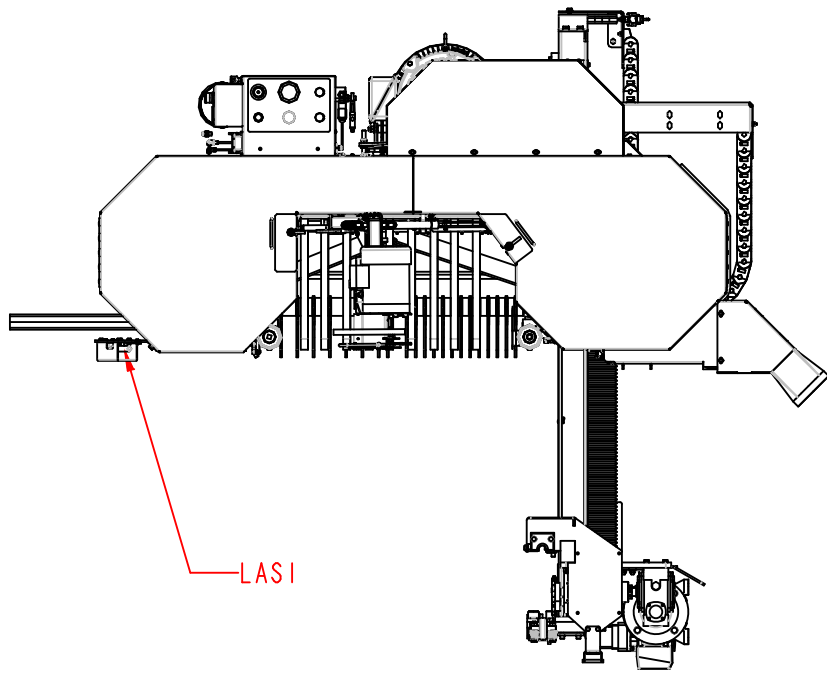
Detail D




 Wood-Mizer®	
Project Description: WM4500 Bed Extension 12'	
Revision: A3.02	Pg Desc: Hydraulic Control Layout
Mounting Location: +Docs	Type: Panel layout
Prev. pg: F10	Page: F11
Next pg: F12	Total Pgs: 91

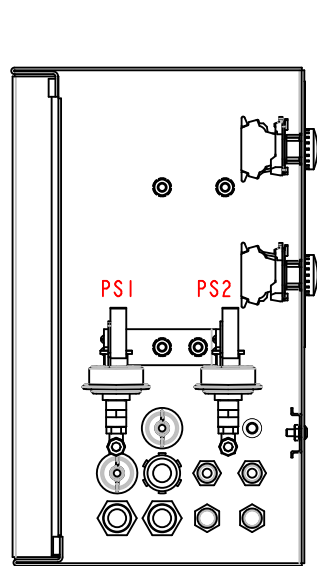
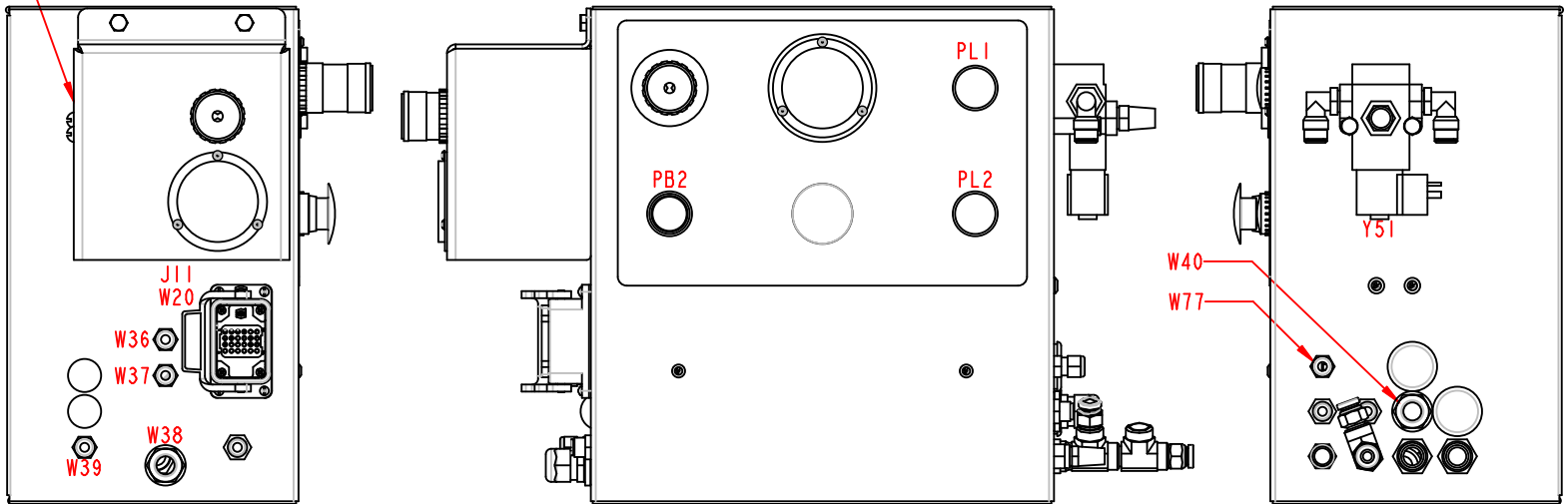


		Wood-Mizer®	
Project Description: WM4500 Bed Extension 12'			
Revision:	A3.02	Pg Desc: Hydraulic Control Junction Layout	
Mounting Location:	+Docs	Type: Panel layout	
Prev. pg:	F11	Page:	F12
		Next pg:	F13
		Total Pgs:	91

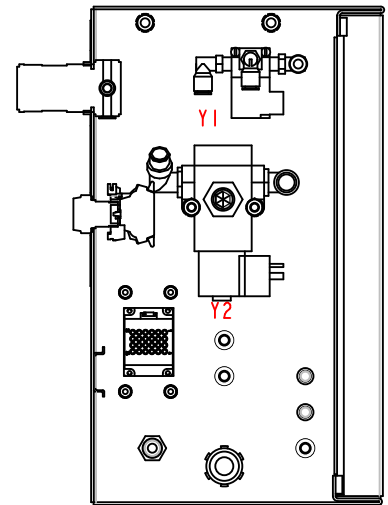
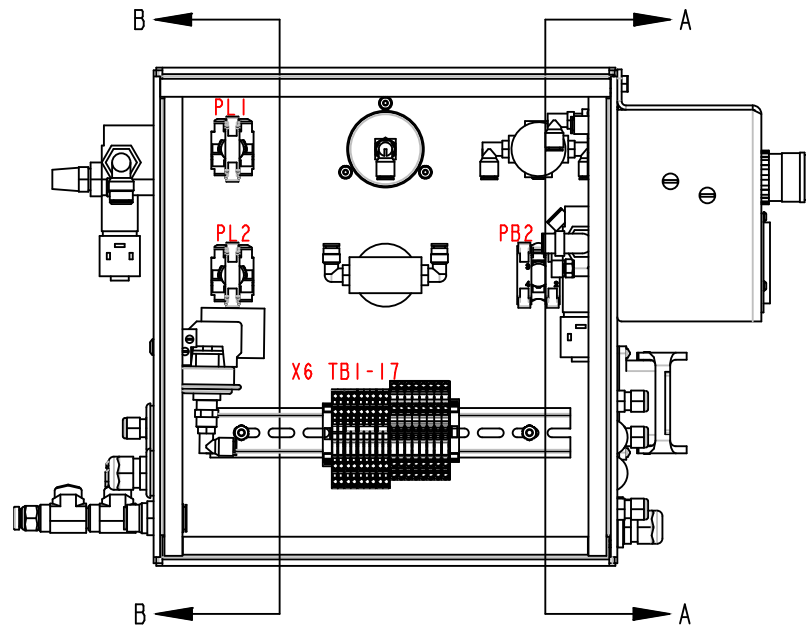


 Wood-Mizer®	
Project Description: WM4500 Bed Extension 12'	
Revision: A3.02	Pg Desc: Head Control Layout
Mounting Location: +Docs	Type: Panel layout
Prev. pg: F12	Page: F13
Next pg: F14	Total Pgs: 91

Y3 (Inside Cover)
Debarker In Solenoid



SECTION B-B



SECTION A-A



Wood-Mizer®

Project Description: WM4500 Bed Extension 12'


Revision: A3.02 Pg Desc: Head Control Junction Layout

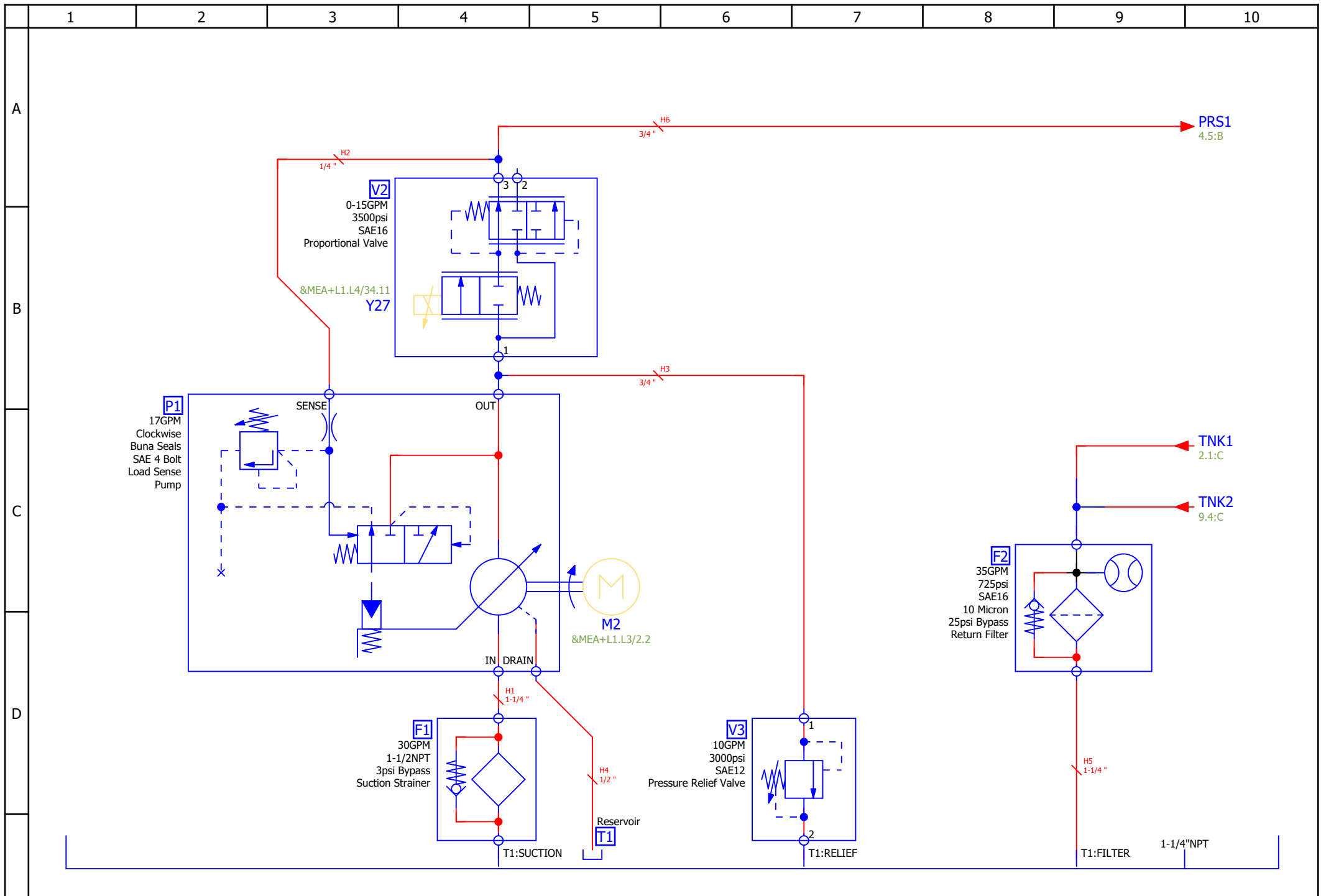
Mounting Location: +Docs Type: Panel layout

Prev. pg: F13 Page: F14 Next pg: &MHA+/A1 Total Pgs: 91

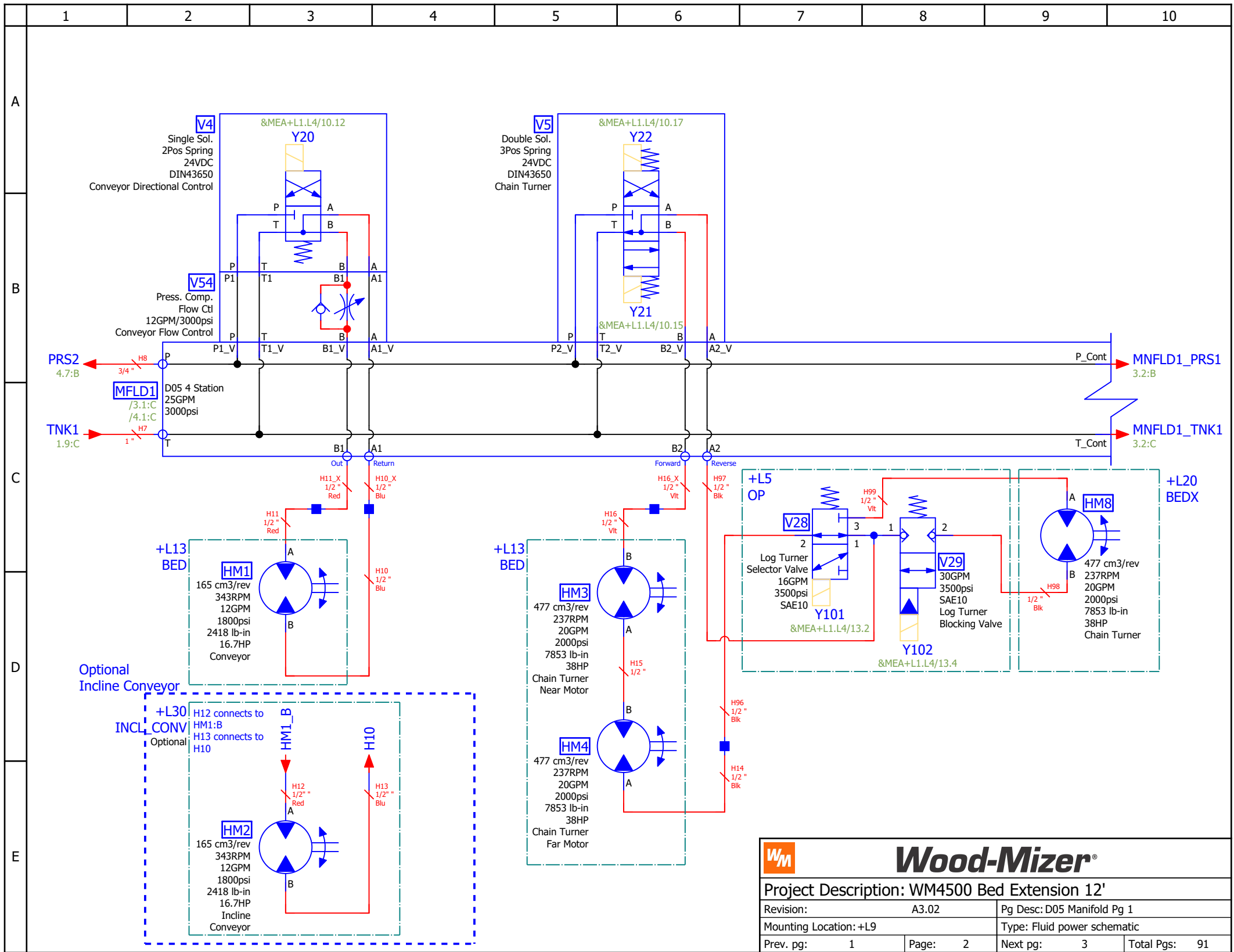
Revision History

Date	Revision	Revision Record	Drawn By	Checked By
8/6/18	A1.00	Release to production	JRF	SDC
4/26/19	A2.00	Added Pull Down Clamp Functions	JRF	SDC
12/6/19	A3.00	Full Bed Extension	JRF	SDC

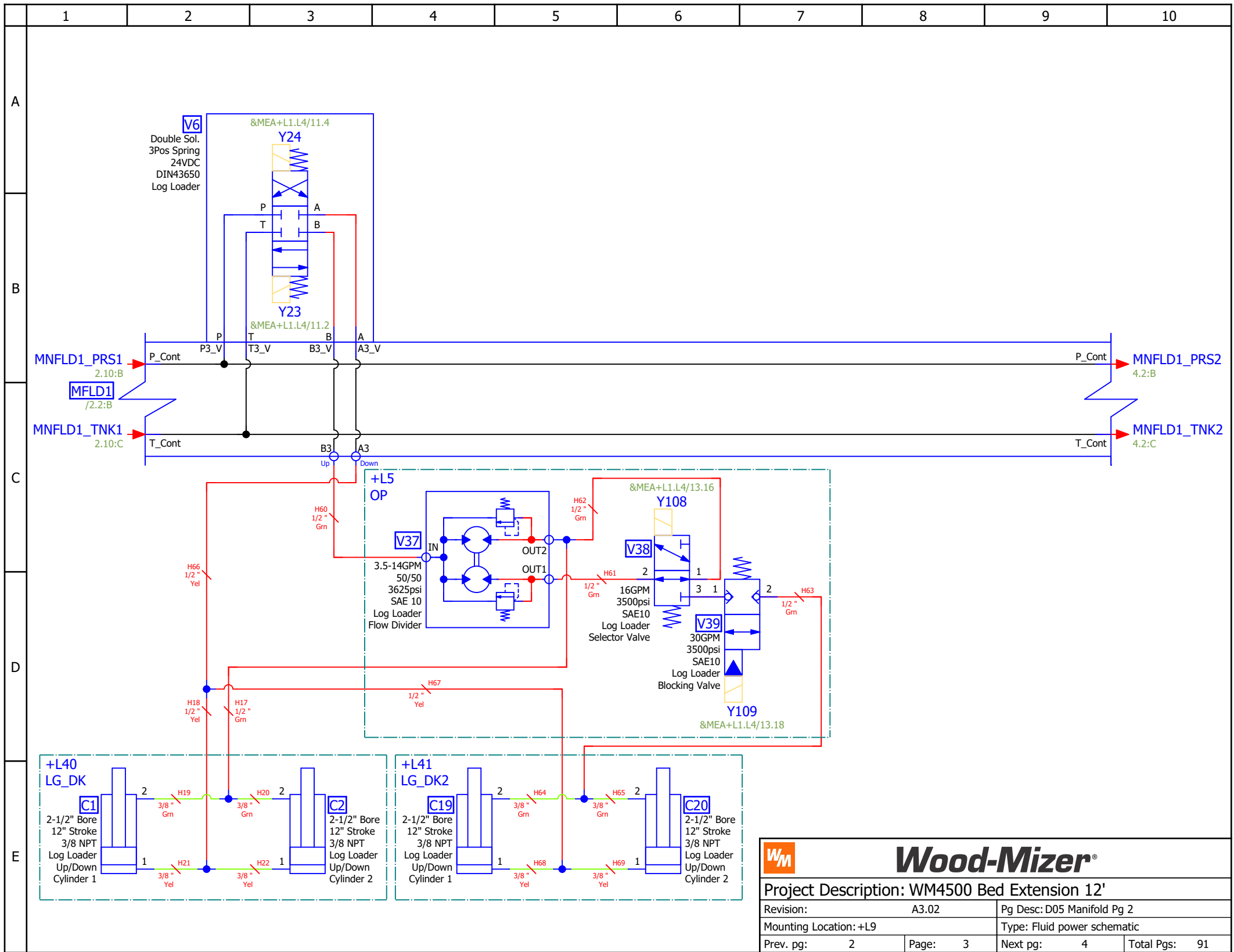
		Wood-Mizer®	
Project Description: WM4500 Bed Extension 12'			
Revision:		A3.02	Pg Desc: Revision History
Mounting Location: +		Type: Overview	
Prev. pg:	A1	Page:	B1
Next pg:	+L9/1	Total Pgs:	91



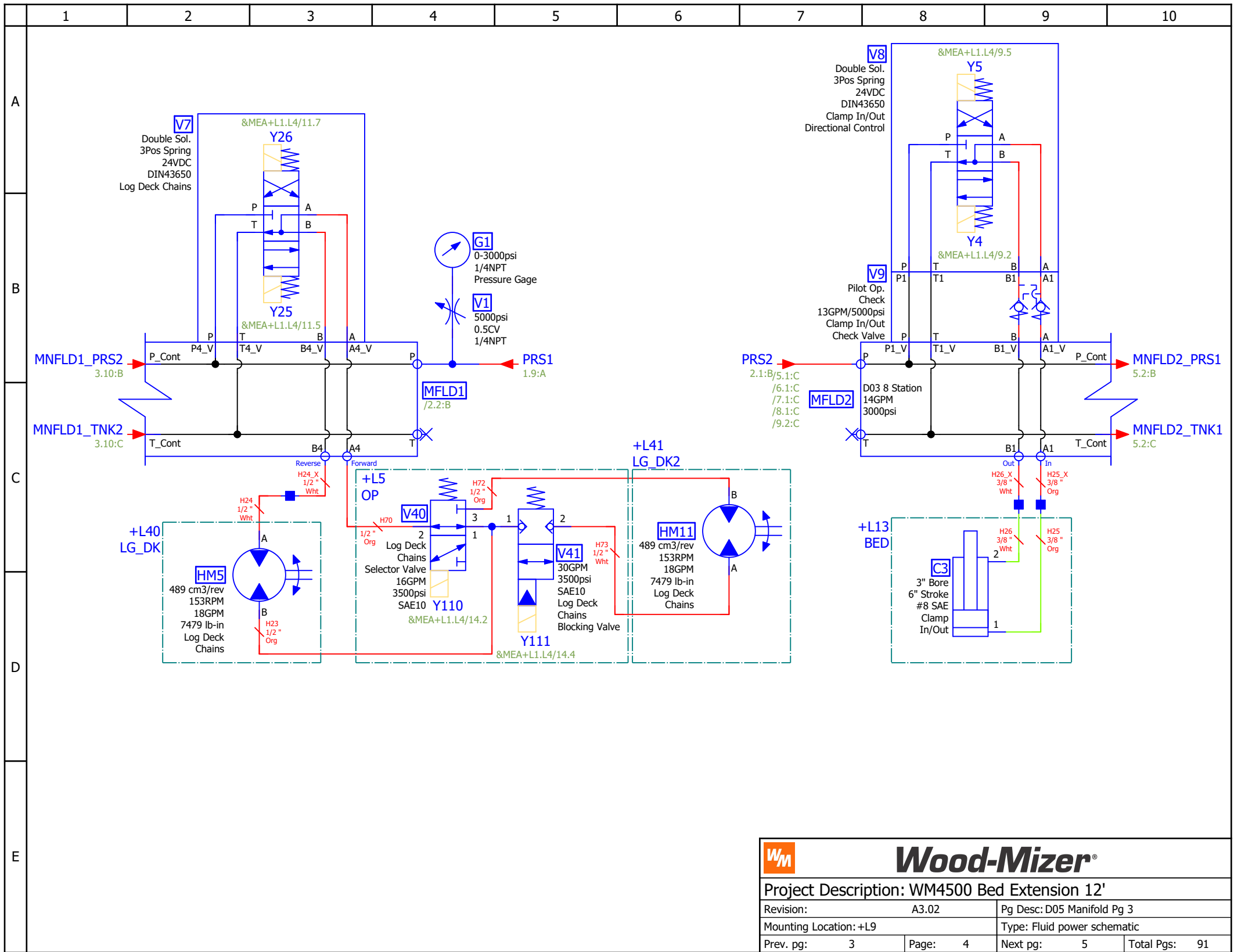
Wood-Mizer®			
Project Description: WM4500 Bed Extension 12'			
Revision:	A3.02	Pg Desc: Hydraulic Pump	
Mounting Location:	+L9	Type: Fluid power schematic	
Prev. pg:	+/B1	Page: 1	Next pg: 2
		Total Pgs: 91	



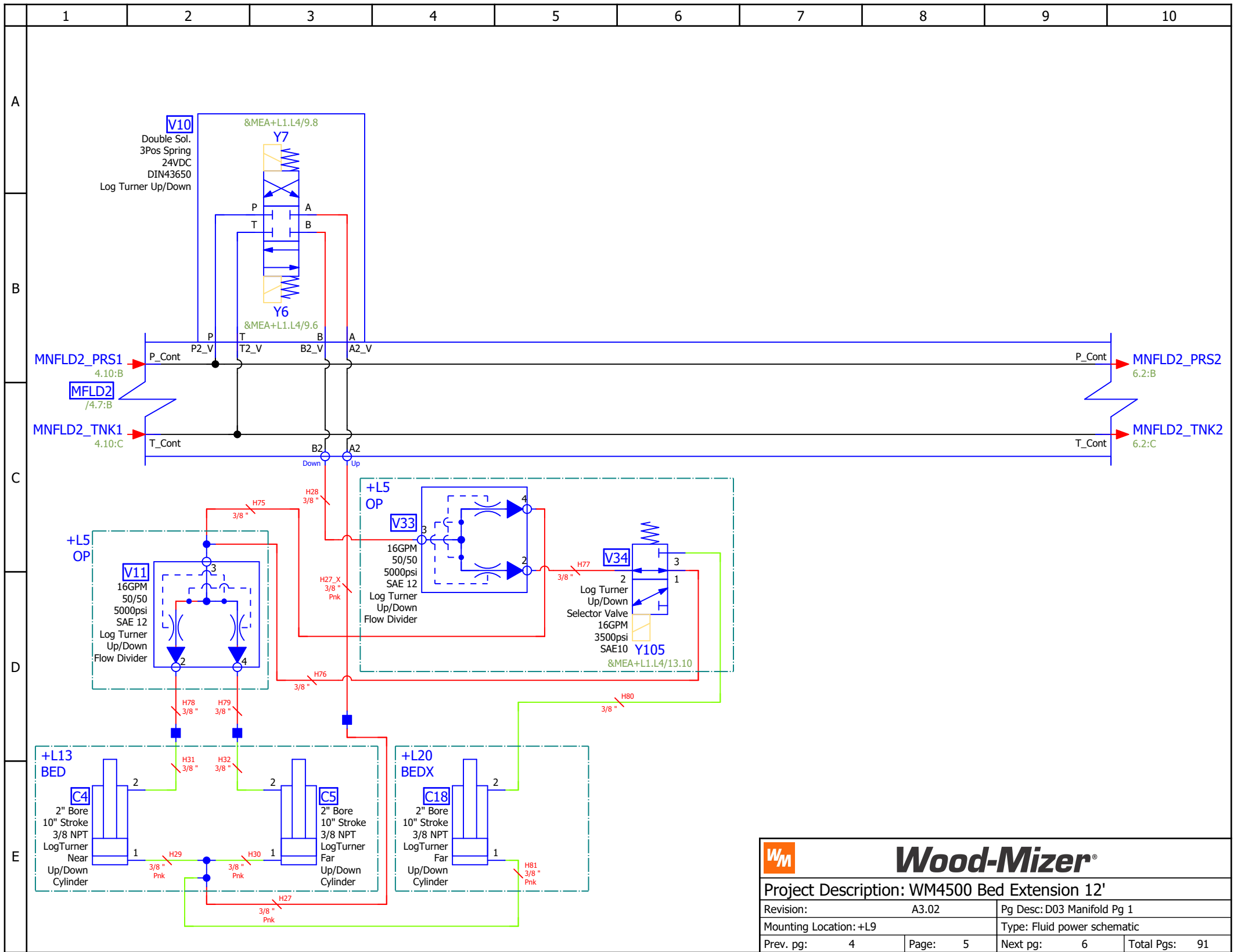
Wood-Mizer®			
Project Description: WM4500 Bed Extension 12'			
Revision:	A3.02	Pg Desc: D05 Manifold Pg 1	
Mounting Location:	+L9	Type: Fluid power schematic	
Prev. pg:	1	Page:	2
		Next pg:	3
		Total Pgs:	91



Wood-Mizer®			
Project Description: WM4500 Bed Extension 12'			
Revision:	A3.02	Pg Desc: D05 Manifold Pg 2	
Mounting Location:	+L9	Type: Fluid power schematic	
Prev. pg:	2	Page:	3
		Next pg:	4
		Total Pgs:	91



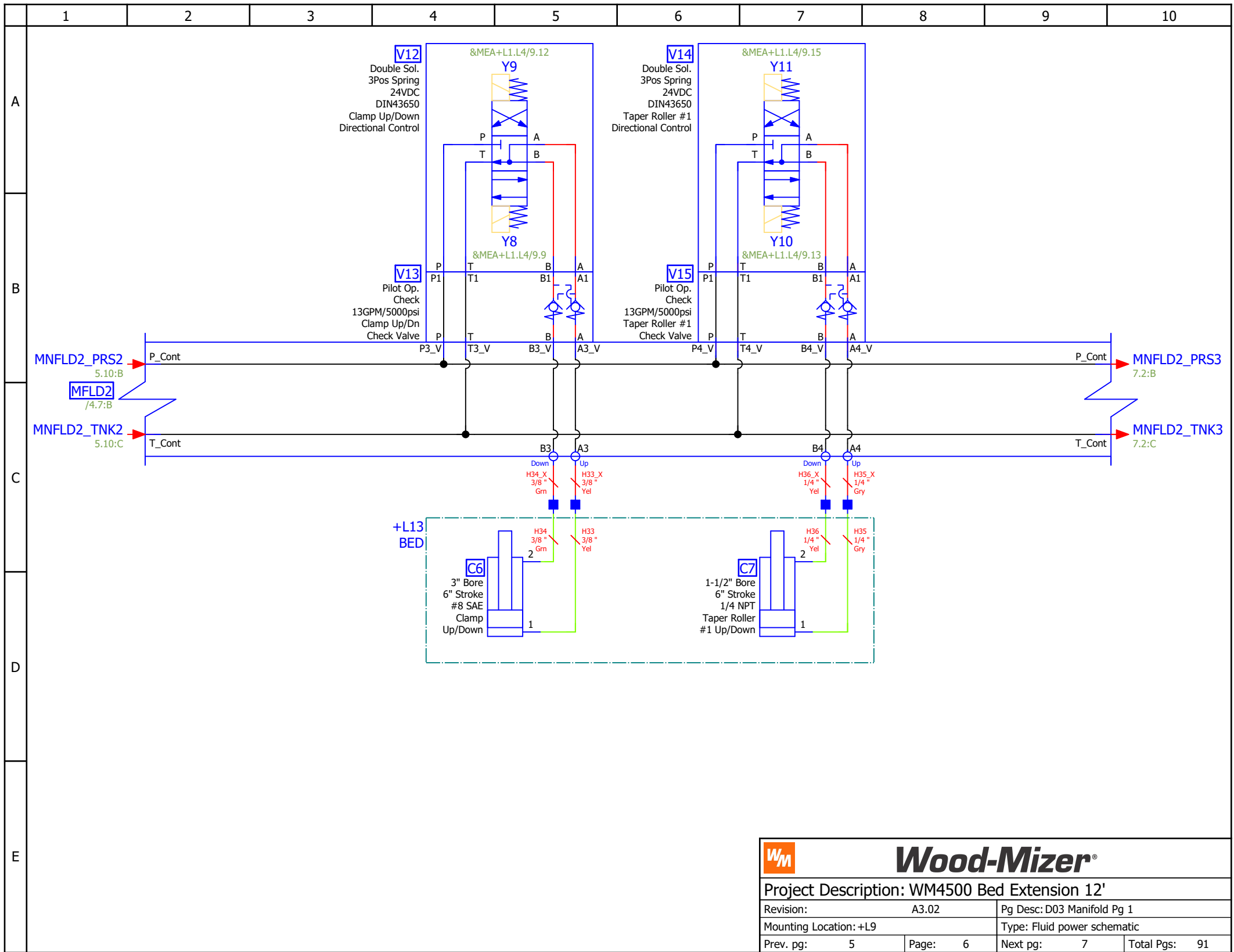
Wood-Mizer®			
Project Description: WM4500 Bed Extension 12'			
Revision:	A3.02	Pg Desc: D05 Manifold Pg 3	
Mounting Location:	+L9	Type: Fluid power schematic	
Prev. pg:	3	Page:	4
		Next pg:	5
		Total Pgs:	91

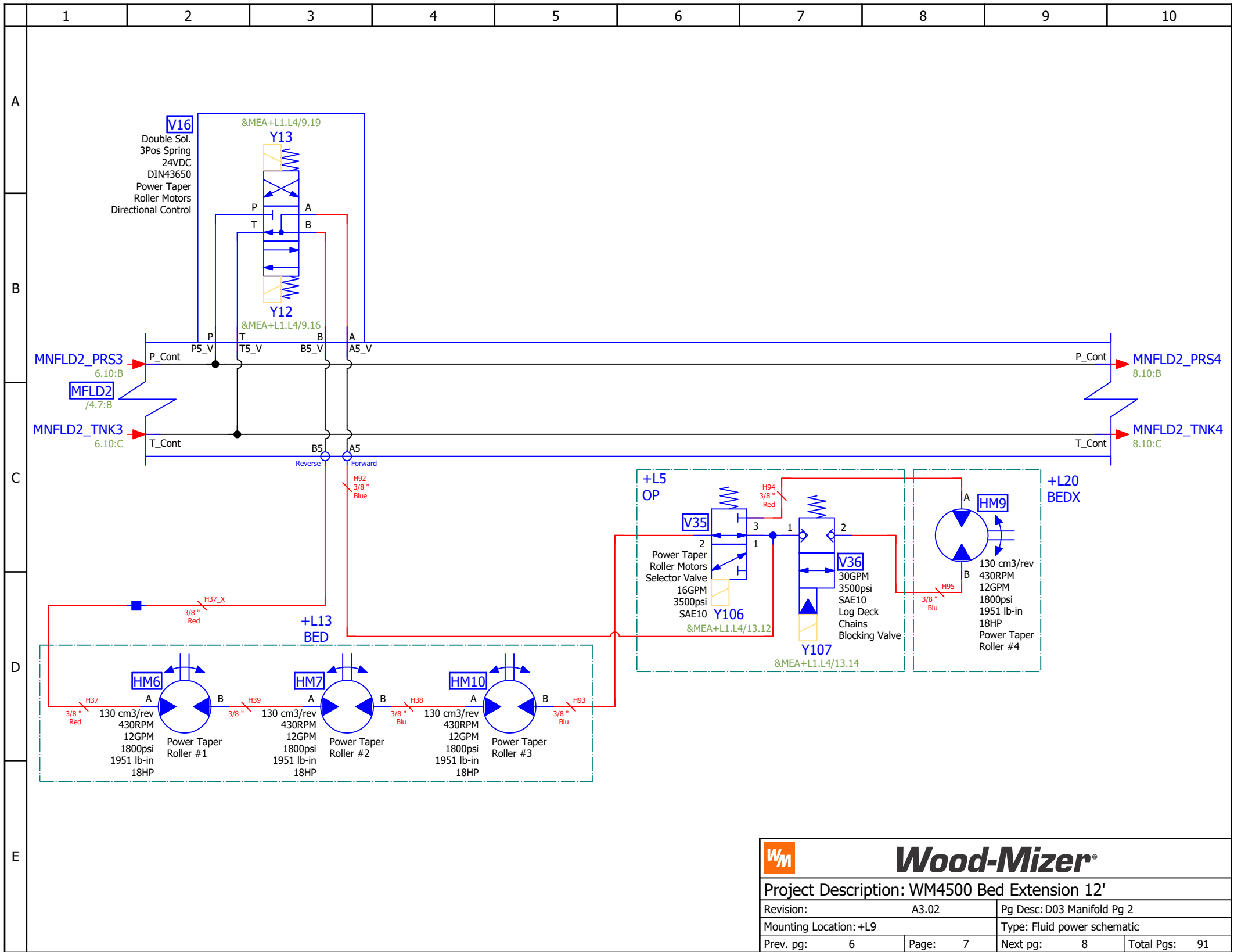


Wood-Mizer®

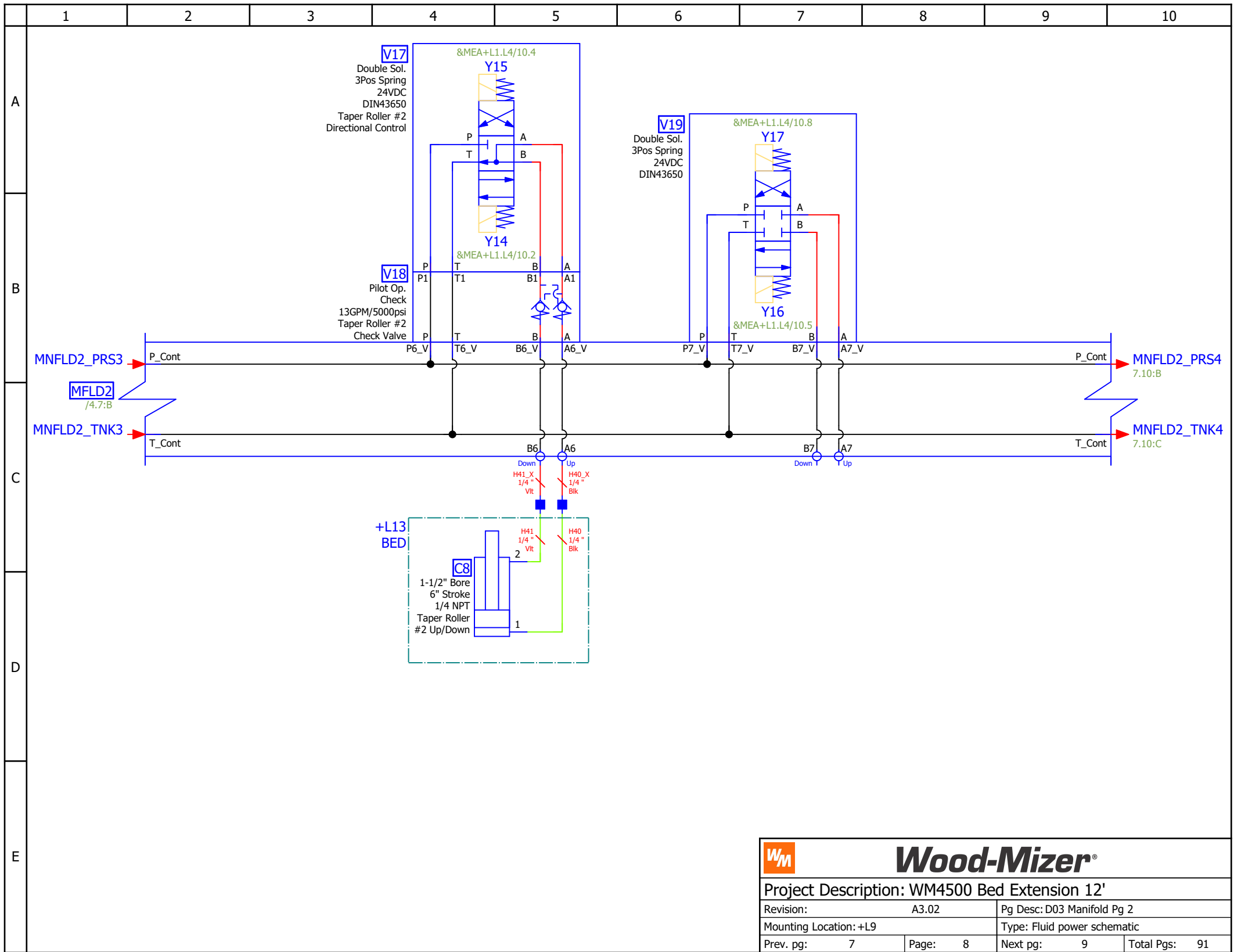
Project Description: WM4500 Bed Extension 12'

Revision:	A3.02	Pg Desc: D03 Manifold Pg 1
Mounting Location:	+L9	Type: Fluid power schematic
Prev. pg:	4	Page: 5
		Next pg: 6
		Total Pgs: 91

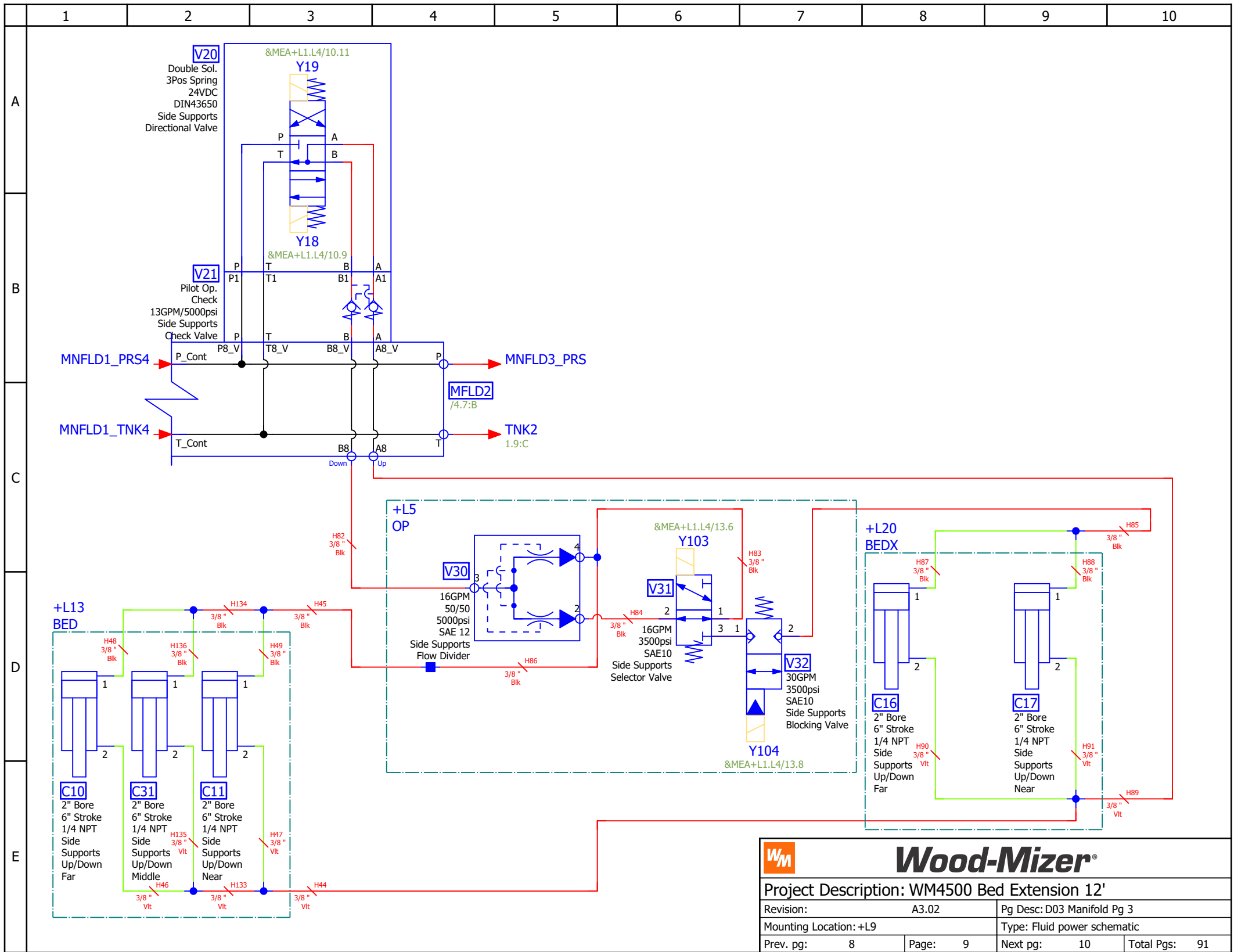




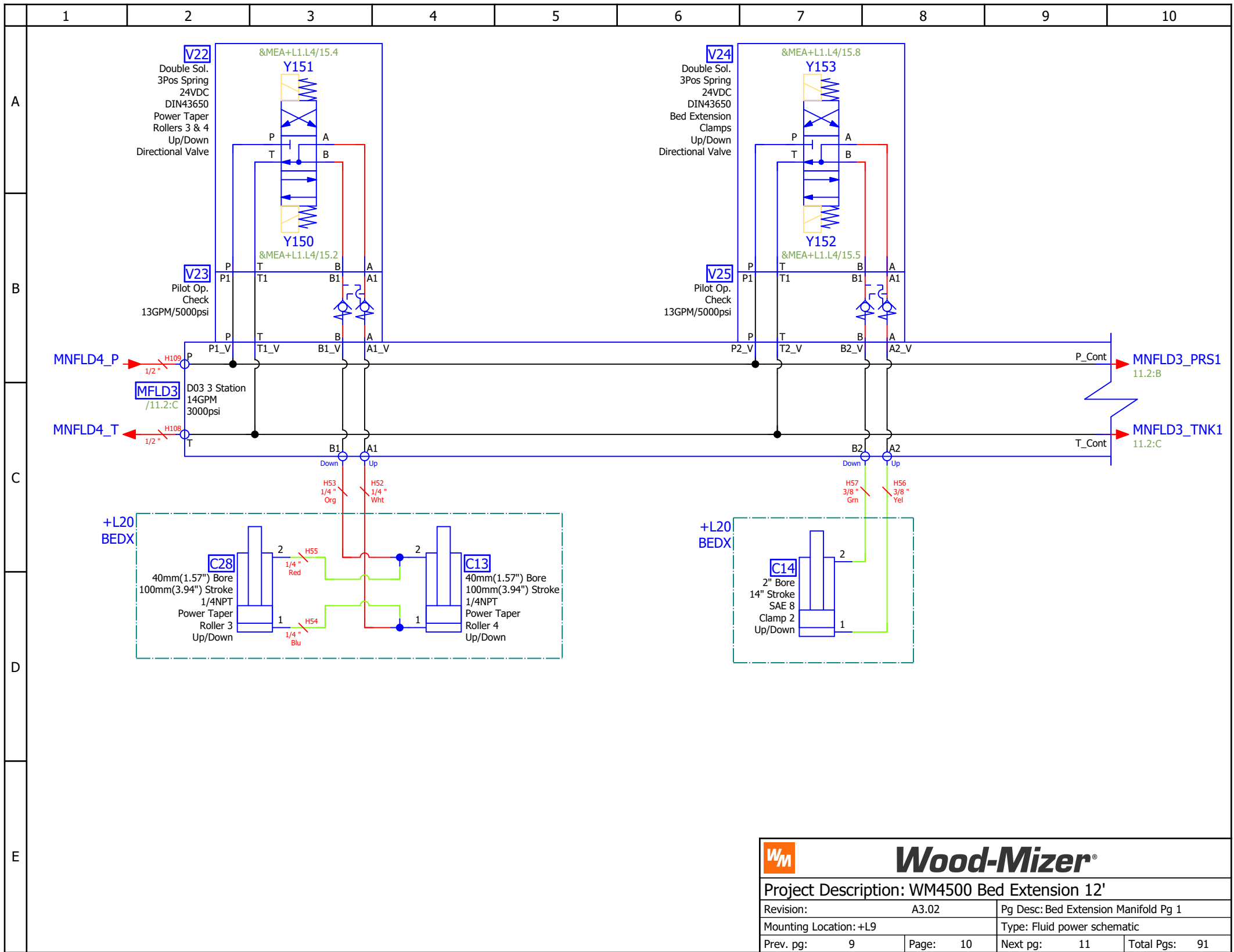
Wood-Mizer®			
Project Description: WM4500 Bed Extension 12'			
Revision:	A3.02	Pg Desc: D03 Manifold Pg 2	
Mounting Location:	+L9	Type: Fluid power schematic	
Prev. pg:	6	Page:	7
		Next pg:	8
		Total Pgs:	91



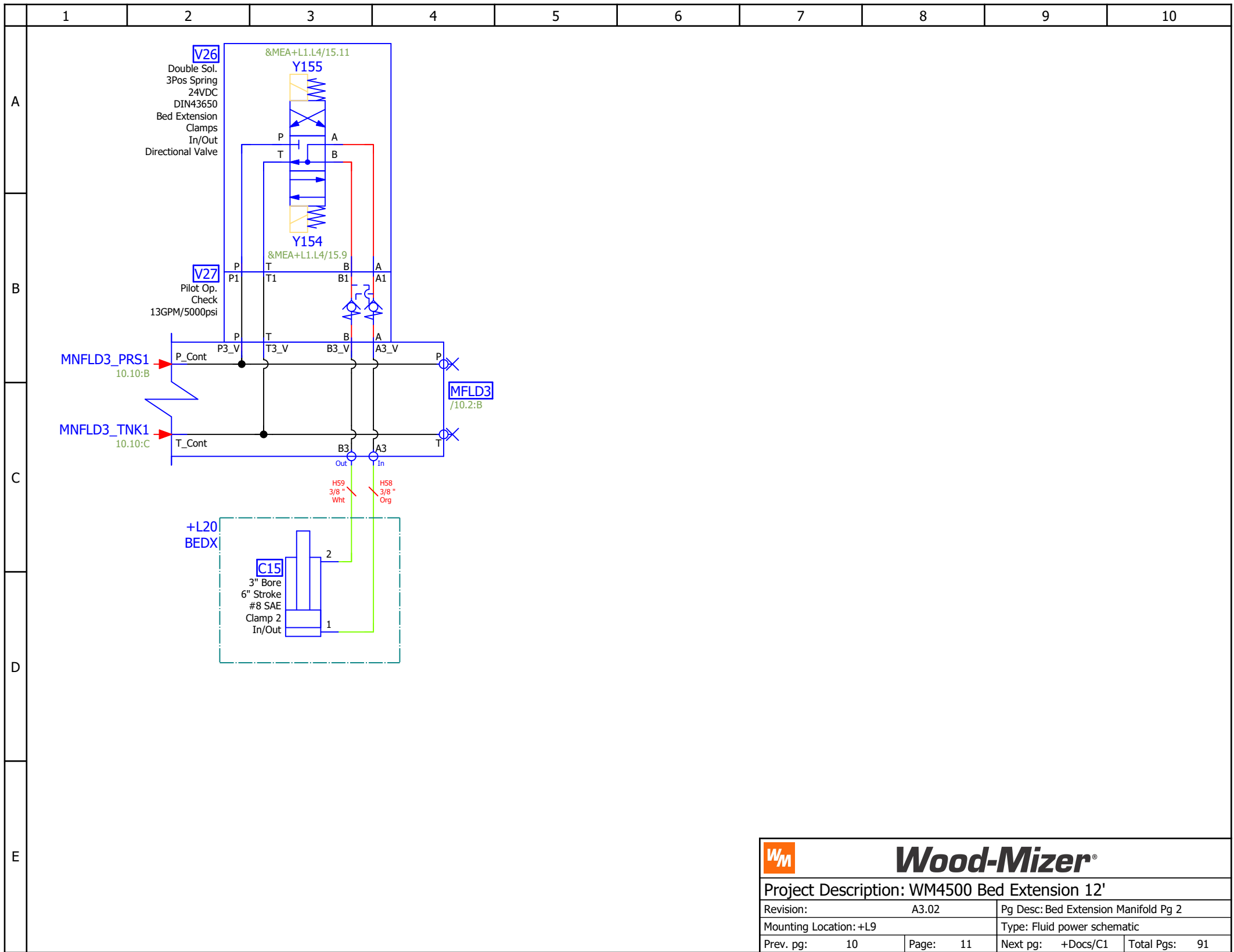
Project Description: WM4500 Bed Extension 12'			
Revision:	A3.02	Pg Desc: D03 Manifold Pg 2	
Mounting Location:	+L9	Type: Fluid power schematic	
Prev. pg:	7	Page:	8
		Next pg:	9
		Total Pgs:	91




Wood-Mizer			
Project Description: WM4500 Bed Extension 12'			
Revision:	A3.02	Pg Desc: D03 Manifold Pg 3	
Mounting Location:	+L9	Type: Fluid power schematic	
Prev. pg:	8	Page:	9
		Next pg:	10
		Total Pgs:	91



Wood-Mizer®			
Project Description: WM4500 Bed Extension 12'			
Revision:	A3.02	Pg Desc: Bed Extension Manifold Pg 1	
Mounting Location:	+L9	Type: Fluid power schematic	
Prev. pg:	9	Page:	10
		Next pg:	11
		Total Pgs:	91




 Wood-Mizer®			
Project Description: WM4500 Bed Extension 12'			
Revision:	A3.02	Pg Desc: Bed Extension Manifold Pg 2	
Mounting Location:	+L9	Type: Fluid power schematic	
Prev. pg:	10	Page:	11
		Next pg:	+Docs/C1
		Total Pgs:	91

Device Tag/Parts List

WM_PARTS_LIST_Fluid-Manual


Device tag	Function	Wood-Mizer Part Number	Wood-Mizer Description		Qty.	X-Ref
C1	Log Loader Up/Down Cylinder 1	050105	Cylinder, 2-1/2 Bore x 12x221/4		1	+L9/3.302:AE
C1	=	P12955	Seal Kit, 2 1/2x8 Hydraulic Cylinder	Replacement Seals	1	+L9/3.302:AE
C2	Log Loader Up/Down Cylinder 2	050105	Cylinder, 2-1/2 Bore x 12x221/4		1	+L9/3.303:AE
C2	=	P12955	Seal Kit, 2 1/2x8 Hydraulic Cylinder	Replacement Seals	1	+L9/3.303:AE
C3	Clamp In/Out	062700	Cylinder, Hyd 3x6		1	+L9/4.409:AC
C4	LogTurner Near Up/Down Cylinder	034267	Cylinder, 2x10 Rod End Welded 16"		1	+L9/5.502:AE
C4	=	003814	Seal Kit, Hyd Cylinder, 2x10 (034267)	Replacement Seals	1	+L9/5.502:AE
C5	LogTurner Far Up/Down Cylinder	034267	Cylinder, 2x10 Rod End Welded 16"		1	+L9/5.503:AE
C5	=	003814	Seal Kit, Hyd Cylinder, 2x10 (034267)	Replacement Seals	1	+L9/5.503:AE
C6	Clamp Up/Down	062700	Cylinder, Hyd 3x6		1	+L9/6.605:AC
C7	Taper Roller #1 Up/Down	014482	Cylinder, 1 1/2x6 Rod End In Line Ports		1	+L9/6.607:AC
C7	=	014547	Seal Kit, 1 1/2x6 Hyd Cyl	Replacement Seals	1	+L9/6.607:AC
C8	Taper Roller #2 Up/Down	014482	Cylinder, 1 1/2x6 Rod End In Line Ports		1	+L9/8.805:AC
C8	=	014547	Seal Kit, 1 1/2x6 Hyd Cyl	Replacement Seals	1	+L9/8.805:AC
C10	Side Supports Up/Down Far	035625	Cylinder, 2x6, 1/4 NPT Port		1	+L9/9.901:AD
C10	=	003812	Seal Kit, Hyd Cylinder, 2x6 (035625)	Replacement Seals	1	+L9/9.901:AD
C11	Side Supports Up/Down Near	035625	Cylinder, 2x6, 1/4 NPT Port		1	+L9/9.903:AD
C11	=	003812	Seal Kit, Hyd Cylinder, 2x6 (035625)	Replacement Seals	1	+L9/9.903:AD
C13	Power Taper Roller 4 Up/Down	088662	CYLINDER, CJ7F-16-40/22/100 Dz + UE2-40W		1	+L9/10.1004:AC
C14	Clamp 2 Up/Down	062701	Cylinder, Hyd 2x14		1	+L9/10.1007:AC
C15	Clamp 2 In/Out	062700	Cylinder, Hyd 3x6		1	+L9/11.1103:AC
C16	Side Supports Up/Down Far	035625	Cylinder, 2x6, 1/4 NPT Port		1	+L9/9.908:AD
C16	=	003812	Seal Kit, Hyd Cylinder, 2x6 (035625)	Replacement Seals	1	+L9/9.908:AD
C17	Side Supports Up/Down Near	035625	Cylinder, 2x6, 1/4 NPT Port		1	+L9/9.909:AD
C17	=	003812	Seal Kit, Hyd Cylinder, 2x6 (035625)	Replacement Seals	1	+L9/9.909:AD
C18	LogTurner Far Up/Down Cylinder	034267	Cylinder, 2x10 Rod End Welded 16"		1	+L9/5.505:AE
C18	=	003814	Seal Kit, Hyd Cylinder, 2x10 (034267)	Replacement Seals	1	+L9/5.505:AE
C19	Log Loader Up/Down Cylinder 1	050105	Cylinder, 2-1/2 Bore x 12x221/4		1	+L9/3.305:AE
C19	=	P12955	Seal Kit, 2 1/2x8 Hydraulic Cylinder	Replacement Seals	1	+L9/3.305:AE
C20	Log Loader Up/Down Cylinder 2	050105	Cylinder, 2-1/2 Bore x 12x221/4		1	+L9/3.306:AE
C20	=	P12955	Seal Kit, 2 1/2x8 Hydraulic Cylinder	Replacement Seals	1	+L9/3.306:AE
C28	Power Taper Roller 3 Up/Down	088662	CYLINDER, CJ7F-16-40/22/100 Dz + UE2-40W		1	+L9/10.1003:AC
C31	Side Supports Up/Down Middle	035625	Cylinder, 2x6, 1/4 NPT Port		1	+L9/9.902:AD
C31	=	003812	Seal Kit, Hyd Cylinder, 2x6 (035625)	Replacement Seals	1	+L9/9.902:AD
F1	Suction Strainer	078690	Strainer, Suction w/Bypass		1	+L9/1.104:AD
F2	Return Filter	078395	Filter, Hyd Cstr 35GPM 725psi wind SAE16		1	+L9/1.108:AC
F2	=	078341	Filter, Hyd. Element 10 Micron 25psi Byp	Replacement Element	1	+L9/1.108:AC
G1	Pressure Gage	068265	Gauge, Pressure VPG25N3KL		1	+L9/4.404:AB
HM1	Conveyor	P20206	Motor, Hydraulic, TB0165FP100AAAA		1	+L9/2.203:AD
HM1	=	061136	Kit, Hydraulic Motor Seal	Replacement Seals	1	+L9/2.203:AD
HM2	Incline Conveyor	P20206	Motor, Hydraulic, TB0165FP100AAAA		1	+L9/2.203:AE
HM2	=	061136	Kit, Hydraulic Motor Seal	Replacement Seals	1	+L9/2.203:AE
HM3	Chain Turner Near Motor	007331	Motor, Hydraulic, TG0475US0800AAFU		1	+L9/2.206:AD
HM4	Chain Turner Far Motor	007331	Motor, Hydraulic, TG0475US0800AAFU		1	+L9/2.206:AD
HM5	Log Deck Chains	056062	Motor, Hyd Log Deck		1	+L9/4.403:AD
HM6	Power Taper Roller #1	074281	Motor, Hydraulic, TB0130FP130AAAA		1	+L9/7.702:AD

		Wood-Mizer®	
Project Description: WM4500 Bed Extension 12'			
Revision:	A3.02	Pg Desc: Parts list - Standard Bed	
Mounting Location: +Docs		Type: Parts list	
Prev. pg:	+L9/11	Page:	C1
Next pg:	C2	Total Pgs:	91

Device Tag/Parts List

WM_PARTS_LIST_Fluid-Manual


Device tag	Function	Wood-Mizer Part Number	Wood-Mizer Description		Qty.	X-Ref
HM6	Power Taper Roller #1	061136	Kit, Hydraulic Motor Seal	Replacement Seals	1	+L9/7.702:AD
HM7	Power Taper Roller #2	074281	Motor, Hydraulic, TB0130FP130AAAA		1	+L9/7.703:AD
HM7	=	061136	Kit, Hydraulic Motor Seal	Replacement Seals	1	+L9/7.703:AD
HM8	Chain Turner	007331	Motor, Hydraulic, TG0475US0800AAFU		1	+L9/2.209:AC
HM9	Power Taper Roller #4	074281	Motor, Hydraulic, TB0130FP130AAAA		1	+L9/7.708:AC
HM9	=	061136	Kit, Hydraulic Motor Seal		1	+L9/7.708:AC
HM10	Power Taper Roller #3	074281	Motor, Hydraulic, TB0130FP130AAAA		1	+L9/7.705:AD
HM10	=	061136	Kit, Hydraulic Motor Seal	Replacement Seals	1	+L9/7.705:AD
HM11	Log Deck Chains	056062	Motor, Hyd Log Deck		1	+L9/4.406:AC
MFLD1	D05 Power Unit Manifold	061190	D05, 4 Station Manifold		1	+L9/2.202:AB
MFLD1	=	078399	Plate, Cover D05 Valve	Covers For Optional Log Deck Valve Sections	2	+L9/2.202:AB
MFLD2	D03 Power Unit Manifold	061185	Manifold Shell Only, WM4000 AD03P082S		1	+L9/4.407:AB
MFLD3	D03 Bed Extension Manifold	078885	Manifold, D03 4 Station AI SAE		1	+L9/10.1002:AB
P1	Pump	078671	Pump, Hyd. 17GPM Piston Load Sense		1	+L9/1.102:AB
P1	=	078397	Adapter, C-Face Pump Mtr SAE B	Pump Mount	1	+L9/1.102:AB
P1	=	068252	Coupling, Pump		1	+L9/1.102:AB
P1	=	068253	Coupling, Motor		1	+L9/1.102:AB
P1	=	068254	Coupling, Insert		1	+L9/1.102:AB
V1	Pressure Gage Needle Valve	068264	Valve, Snubber MFG250BF		1	+L9/4.404:AB
V2	Proportional Valve	068273	Valve, Proportional PV72-30A	Complete Valve Assembly	1	+L9/1.103:AA
V2	=	061290	Block, Valve Body HF 7022350	Valve Body Only	1	+L9/1.103:AA
V2	=	078185	Valve, Proportional 15GPM PV72-30A	Valve Cartridge Only	1	+L9/1.103:AA
V2	=	068257	Valve, Proportional Cartridge PV72-30A	Valve Cartridge w/Coil	1	+L9/1.103:AA
V3	Pressure Relief Valve	078735	Valve, Relief 250-3000psi RV10-20A Cmplt	Complete Valve Assembly	1	+L9/1.106:AD
V3	=	078672	Valve, Body 10 Size 2-Way SAE 12	Valve Body Only	1	+L9/1.106:AD
V3	=	078673	Valve, Relief 250-3000psi RV10-20A Ctg	Valve Cartridge Only	1	+L9/1.106:AD
V4	Conveyor Directional Control	078686	Valve, D05 2Pos A-B Tank		1	+L9/2.202:AA
V5	Chain Turner	078685	Valve, D05 3Pos A-B Tank		1	+L9/2.205:AA
V6	Log Loader	078685	Valve, D05 3Pos A-B Tank		1	+L9/3.302:AA
V7	Log Deck Chains	078685	Valve, D05 3Pos A-B Tank		1	+L9/4.402:AA
V8	Clamp In/Out Directional Control	078683	Valve, D03 3Pos A-B Tank		1	+L9/4.408:AA
V9	Clamp In/Out Check Valve	078738	Valve, D03 PO Check		1	+L9/4.408:AB
V10	Log Turner Up/Down	078684	Valve, D03 3Pos Blocked		1	+L9/5.502:AA
V11	Log Turner Up/Down Flow Divider	074289	Valve, 50/50 Flow Divider/Combiner		1	+L9/5.502:AC
V12	Clamp Up/Down Directional Control	078683	Valve, D03 3Pos A-B Tank		1	+L9/6.604:AA
V13	Clamp Up/Dn Check Valve	078738	Valve, D03 PO Check		1	+L9/6.604:AB
V14	Taper Roller #1 Directional Control	078683	Valve, D03 3Pos A-B Tank		1	+L9/6.606:AA
V15	Taper Roller #1 Check Valve	078738	Valve, D03 PO Check		1	+L9/6.606:AB
V16	Power Taper Roller Motors Directional Control	078683	Valve, D03 3Pos A-B Tank		1	+L9/7.702:AA
V17	Taper Roller #2 Directional Control	078683	Valve, D03 3Pos A-B Tank		1	+L9/8.804:AA
V18	Taper Roller #2 Check Valve	078738	Valve, D03 PO Check		1	+L9/8.804:AB
V19		078684	Valve, D03 3Pos Blocked		1	+L9/8.806:AA
V20	Side Supports Directional Valve	078685	Valve, D05 3Pos A-B Tank		1	+L9/9.902:AA
V21	Side Supports Check Valve	078738	Valve, D03 PO Check		1	+L9/9.902:AB
V22	Power Taper Rollers 3 & 4 Up/Down Directional Valve	078685	Valve, D05 3Pos A-B Tank		1	+L9/10.1002:AA
V23	Power Taper Rollers 3 & 4 Up/Down Check Valve	078738	Valve, D03 PO Check		1	+L9/10.1002:AB

		Wood-Mizer®	
Project Description: WM4500 Bed Extension 12'			
Revision:	A3.02	Pg Desc:	Parts list - Standard Bed
Mounting Location:	+Docs	Type:	Parts list
Prev. pg:	C1	Page:	C2
		Next pg:	C3
		Total Pgs:	91

Device Tag/Parts List

WM_PARTS_LIST_Fluid-Manual

Device tag	Function	Wood-Mizer Part Number	Wood-Mizer Description		Qty.	X-Ref
V24	Bed Extension Clamps Up/Down Directional Valve	078685	Valve, D05 3Pos A-B Tank		1	+L9/10.1006:AA
V25	Bed Extension Clamps Up/Down Check Valve	078738	Valve, D03 PO Check		1	+L9/10.1006:AB
V26	Bed Extension Clamps In/Out Directional Valve	078685	Valve, D05 3Pos A-B Tank		1	+L9/11.1102:AA
V27	Bed Extension Clamps In/Out Check Valve	078738	Valve, D03 PO Check		1	+L9/11.1102:AB
V28	Log Turner Selector Valve	074286	Valve, 3-Way Selector		1	+L9/2.207:AC
V29	Log Turner Blocking Valve	074287	Valve, 2-Way Normally Closed Blocking		1	+L9/2.208:AC
V30	Side Supports Flow Divider	074289	Valve, 50/50 Flow Divider/Combiner		1	+L9/9.904:AC
V31	Side Supports Selector Valve	074286	Valve, 3-Way Selector		1	+L9/9.906:AD
V32	Side Supports Blocking Valve	074287	Valve, 2-Way Normally Closed Blocking		1	+L9/9.907:AD
V33	Log Turner Up/Down Flow Divider	074289	Valve, 50/50 Flow Divider/Combiner		1	+L9/5.504:AC
V34	Log Turner Up/Down Selector Valve	074286	Valve, 3-Way Selector		1	+L9/5.506:AC
V35	Power Taper Roller Motors Selector Valve	074286	Valve, 3-Way Selector		1	+L9/7.706:AC
V36	Log Deck Chains Blocking Valve	074287	Valve, 2-Way Normally Closed Blocking		1	+L9/7.707:AC
V37	Log Loader Flow Divider	074325	Flow Divider, 2 Section Bailey 50/50		1	+L9/3.304:AC
V38	Log Loader Selector Valve	074286	Valve, 3-Way Selector		1	+L9/3.306:AD
V39	Log Loader Blocking Valve	074287	Valve, 2-Way Normally Closed Blocking		1	+L9/3.306:AD
V40	Log Deck Chains Selector Valve	074286	Valve, 3-Way Selector		1	+L9/4.404:AC
V41	Log Deck Chains Blocking Valve	074287	Valve, 2-Way Normally Closed Blocking		1	+L9/4.405:AC
V54	Conveyor Flow Control	078737	Valve, Press Comp Flow Ctl 12GPM Cmplt		1	+L9/2.202:AB
V54	=	078681	Valve Body, D05 Sandwich Flow Ctl Port B	Valve Body Only	1	+L9/2.202:AB
V54	=		Valve, Press Comp Flow Ctl 12GPM	Valve Cartridge Only	1	+L9/2.202:AB

		Wood-Mizer®	
Project Description: WM4500 Bed Extension 12'			
Revision:	A3.02	Pg Desc: Parts list - Standard Bed	
Mounting Location: +Docs		Type: Parts list	
Prev. pg:	C2	Page:	C3
Next pg:	K1	Total Pgs:	91

Hose/Tube list

WM_HydraulicHoseList

Hose/Tube	Wood-Mizer PN	Color	Diameter	Length	Description	XREF
H1	078736		1-1/4 "		Suction Tube	+L9/1.104:AD
H2	078761		1/4 "		Load Sense Line	+L9/1.104:AA
H3	078760		3/4 "		Pressure Relief Line	+L9/1.104:AB
H4	078767		1/2 "		Pump Case Drain	+L9/1.105:AD
H5	078767		1-1/4 "		Filter Tank Line	+L9/1.109:AD
H6	078760		3/4 "		Pressure Line From Proportional Valve	+L9/4.404:AB
H7	078760		1 "		Tank Line From Manifold 1	+L9/1.109:AC
H8	078763		3/4 "		Pressure Line Manifold 1 To Manifold 2	+L9/2.202:AB
H10	079004-471	Blu	1/2 "	471"	Conveyor Return Line	+L9/2.203:AC
H10_X	079004-144	Blu	1/2 "	144"	Conveyor Return Line Bed Extension	+L9/2.203:AC
H11	079004-471	Red	1/2 "	471"	Conveyor Out Line	+L9/2.203:AC
H11_X	079004-144	Red	1/2 "	144"	Conveyor Out Line Bed Extension	+L9/2.203:AC
H12	079004-156	Red	1/2" "	156"	Incline Conveyor Out	+L9/2.203:AE
H13	079004-156	Blu	1/2" "	156"	Incline Conveyor Return	+L9/2.203:AE
H14	079004-334	Blk	1/2 "	334"	Turner (Near) Motor A	+L9/2.206:AD
H15	079004-132		1/2 "	132"	Turner (Near) Motor to Turner (Far) Motor	+L9/2.206:AD
H16	079004-350	Vlt	1/2 "	350"	Turner (Near) Motor	+L9/2.206:AC
H16_X	079004-144	Vlt	1/2 "	144"	Turner (Far) Motor B Bed Extension	+L9/2.206:AC
H17	079004-310	Grn	1/2 "	310"	Log Loader Down T	+L9/3.305:AC
H18	079004-310	Yel	1/2 "	310"	Log Loader Down T	+L9/3.302:AD
H19	079001-72	Grn	3/8 "	72"	Log Loader Up T to C1	+L9/3.302:AE
H20	079001-72	Grn	3/8 "	72"	Log Loader Up T to C2	+L9/3.302:AE
H21	079001-72	Yel	3/8 "	72"	Log Loader Down T to C1	+L9/3.302:AE
H22	079001-72	Yel	3/8 "	72"	Log Loader Down T to C2	+L9/3.302:AE
H23	079004-310	Org	1/2 "	310"	Log Deck Forward Line	+L9/4.404:AC
H24	079004-310	Wht	1/2 "	310"	Log Deck Valve B To Deck 1 Motor A	+L9/4.403:AC
H24_X	079004-144	Wht	1/2 "	144"	Log Deck Valve B To Deck 1 Motor A Bed Extension	+L9/4.403:AC
H25	079001-364	Org	3/8 "	364"	Clamp In Line	+L9/4.409:AC
H25_X	079001-144	Org	3/8 "	144"	Clamp In Line Bed Extension	+L9/4.409:AC
H26	079001-364	Wht	3/8 "	364"	Clamp Out Line	+L9/4.409:AC
H26_X	079001-144	Wht	3/8 "	144"	Clamp Out Line Bed Extension	+L9/4.409:AC
H27	079001-275	Pnk	3/8 "	275"	Log Turner Up T2 To T3	+L9/5.503:AD
H27_X	079001-144	Pnk	3/8 "	144"	Log Turner Up T2 To T3 Bed Extension	+L9/5.503:AD
H28	079001-85		3/8 "	85"	Log Turner Down Valve B To FD 3	+L9/5.503:AC
H29	079001-19	Pnk	3/8 "	19"	Log Turner Up T To Cylinder Near	+L9/5.502:AE
H30	079001-39	Pnk	3/8 "	39"	Log Turner Up T To Cylinder Far	+L9/5.502:AE
H31	079001-200		3/8 "	200"	Log Turner Down FD2 To Cylinder Near	+L9/5.502:AD
H32	079001-216		3/8 "	216"	Log Turner Down FD4 To Cylinder Far	+L9/5.502:AD
H33	079001-364	Yel	3/8 "	364"	Clamp Up Line	+L9/6.605:AC



Wood-Mizer®

Project Description: WM4500 Bed Extension 12'

Revision: A3.02 Pg Desc: Hose/Tube List-Standard Bed


Mounting Location: +Docs Type: Connection list

Prev. pg: C3 Page: K1 Next pg: K2 Total Pgs: 91

Hose/Tube list

WM_HydraulicHoseList


Hose/Tube	Wood-Mizer PN	Color	Diameter	Length	Description	XREF
H33_X	079001-264	Yel	3/8 "	264"	Clamp Up Line Bed Extension	+L9/6.605:AC
H34	079001-364	Grn	3/8 "	364"	Clamp Down Line	+L9/6.605:AC
H34_X	079001-144	Grn	3/8 "	144"	Clamp Down Line Bed Extension	+L9/6.605:AC
H35	079000-267	Gry	1/4 "	267"	Taper Roller #1 Up Line	+L9/6.607:AC
H35_X	079000-144	Gry	1/4 "	144"	Taper Roller #1 Up Line Bed Extension	+L9/6.607:AC
H36	079000-270	Yel	1/4 "	270"	Taper Roller #1 Down Line	+L9/6.607:AC
H36_X	079000-144	Yel	1/4 "	144"	Taper Roller #1 Down Line Bed Extension	+L9/6.607:AC
H37	079001-276	Red	3/8 "	276"	Power Toe Roller #1 Motor	+L9/7.702:AD
H37_X	079001-144	Red	3/8 "	144"	Power Toe Roller #1 Motor Bed Extension	+L9/7.702:AD
H38	079001-348	Blu	3/8 "	348"	Power Toe Roller Motor A (Near) to Motor B (Middle)	+L9/7.703:AD
H39	079001-154		3/8 "	154"	Power Toe Roller #1 Motor to #2 Motor	+L9/7.702:AD
H40	079000-333	Blk	1/4 "	333"	Taper Roller #2 Up Line	+L9/8.805:AC
H40_X	079000-144	Blk	1/4 "	144"	Taper Roller #2 Up Line Bed Extension	+L9/8.805:AC
H41	079000-335	Vlt	1/4 "	335"	Taper Roller #2 Down Line	+L9/8.805:AC
H41_X	079000-144	Vlt	1/4 "	144"	Taper Roller #2 Down Line Bed Extension	+L9/8.805:AC
H44	079001-190	Vlt	3/8 "	190"	Side Supports Up T1	+L9/9.909:AE
H45	079001-190	Blk	3/8 "	190"	Side Supports Down FD 4 T To T1	+L9/9.904:AD
H46	079001-120	Vlt	3/8 "	120"	Side Supports Up T2 to Far Cylinder	+L9/9.902:AE
H47	079001-51	Vlt	3/8 "	51"	Side Supports Up T1 to Near Cylinder	+L9/9.902:AE
H48	079001-122	Blk	3/8 "	122"	Side Supports Down T2 to Far Cylinder	+L9/9.902:AD
H49	079001-51	Blk	3/8 "	51"	Side Supports Down T1 to Near Cylinder	+L9/9.903:AD
H52	079000-211	Wht	1/4 "	211"	Taper Roller #3 & #4 Up Line	+L9/10.1004:AD
H53	079000-241	Org	1/4 "	241"	Taper Roller #3 & #4 Down Line	+L9/10.1004:AC
H54	079000-129	Blu	1/4 "	129"	Taper Roller #3 Up Line	+L9/10.1004:AD
H55	079000-129	Red	1/4 "	129"	Taper Roller #3 Down Line	+L9/10.1004:AC
H56	079001-229	Yel	3/8 "	229"	Clamp Up Line	+L9/10.1007:AC
H57	079001-229	Grn	3/8 "	364"	Clamp Down Line	+L9/10.1007:AC
H58	079001-213	Org	3/8 "	213"	Clamp In Line	+L9/11.1103:AC
H59	079001-223	Wht	3/8 "	223"	Clamp Out Line	+L9/11.1103:AC
H60	079004-144	Grn	1/2 "	144"	Log Loader Up Flow Divider IN	+L9/3.303:AC
H61	079004-120	Grn	1/2 "	120"	Log Loader Up FD OUT1 to SV 2	+L9/3.305:AD
H62	079004-120	Grn	1/2 "	120"	Log Loader Up FD OUT2 T To SV 1	+L9/3.305:AC
H63	079004-240	Grn	1/2 "	240"	Log Loader Up BV 2 To Up T	+L9/3.305:AE
H64	079001-72	Grn	3/8 "	72"	Log Loader Up T to C1	+L9/3.305:AE
H65	079001-72	Grn	3/8 "	72"	Log Loader Up T to C2	+L9/3.305:AE
H66	079004-144	Yel	1/2 "	144"	Log Loader Down T Bed Extension	+L9/3.302:AD
H67	079004-120	Yel	1/2 "	120"	Log Loader Down T to T	+L9/3.302:AD
H68	079001-72	Yel	3/8 "	72"	Log Loader Down T to C1	+L9/3.305:AE
H69	079001-72	Yel	3/8 "	72"	Log Loader Down T to C2	+L9/3.305:AE

		Wood-Mizer®	
Project Description: WM4500 Bed Extension 12'			
Revision:	A3.02	Pg Desc: Hose/Tube List-Standard Bed	
Mounting Location: +Docs		Type: Connection list	
Prev. pg:	K1	Page:	K2
Next pg:		K3	Total Pgs: 91

Hose/Tube list


WM_HydraulicHoseList

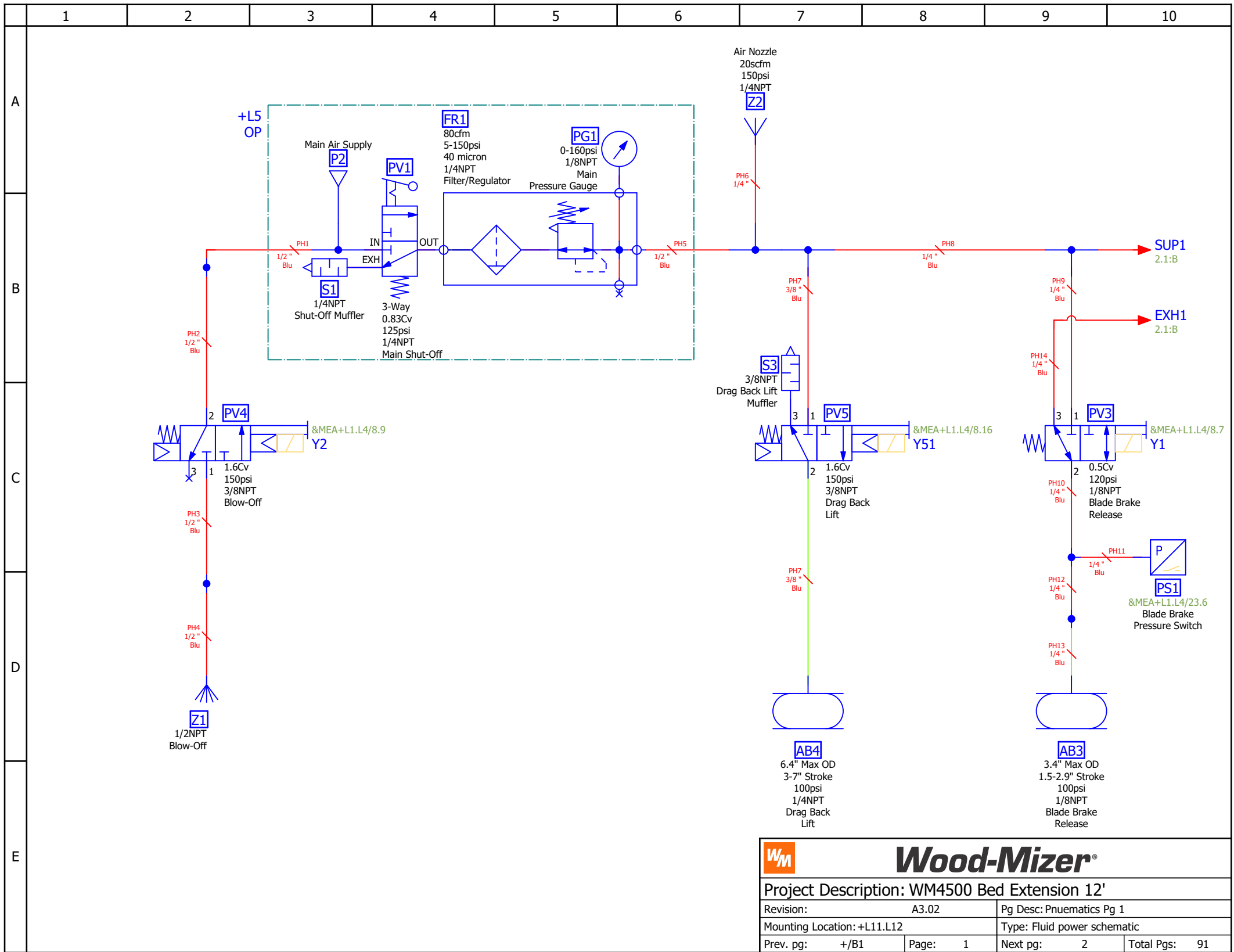
Hose/Tube	Wood-Mizer PN	Color	Diameter	Length	Description	XREF
H70	079004-144	Org	1/2 "	144"	Log Deck Valve A to SV 2	+L9/4.403:AC
H72	079004-192	Org	1/2 "	192"	Log Deck SV 3 To 2nd Motor B	+L9/4.406:AC
H73	079004-192	Wht	1/2 "	192"	Log Deck BV 2 To 2nd Motor A	+L9/4.406:AC
H75	079001-24		3/8 "	24"	Log Turner Down FD 4 to FD 3	+L9/5.502:AC
H76	079001-42		3/8 "	42"	Log Turner Down SV 1 to FD 3	+L9/5.502:AC
H77	079001-42		3/8 "	42"	Log Turner Down FD 2 to SV 2	+L9/5.505:AC
H78	079001-168		3/8 "	168"	Log Turner Down FD2 To Cylinder Near Bed Extension	+L9/5.502:AD
H79	079001-168		3/8 "	168"	Log Turner Down FD4 To Cylinder Far Bed Extension	+L9/5.502:AD
H80	079001-120		3/8 "	120"	Log Turner Down SV 3 to FD 3	+L9/5.505:AE
H81	079001-60	Pnk	3/8 "	60"	Log Turner Down Valve A To Base T1	+L9/5.502:AE
H82	079001-120	Blk	3/8 "	120"	Side Supports Down Valve B To FD 3	+L9/9.903:AC
H83	079001-42	Blk	3/8 "	42"	Side Supports Down FD 4 T To SV 12	+L9/9.905:AC
H84	079001-36	Blk	3/8 "	36"	Side Supports Down FD 2 To SV 2	+L9/9.905:AD
H85	079001-108	Blk	3/8 "	108"	Side Supports Down BV 2 To T1	+L9/9.909:AC
H86	079001-48	Blk	3/8 "	48"	Side Supports Down FD 4 T To Union	+L9/9.904:AD
H87	079001-42	Blk	3/8 "	42"	Side Supports Down T2 to Far Cylinder	+L9/9.909:AC
H88	079001-80	Blk	3/8 "	80"	Side Supports Down T1 to Near Cylinder	+L9/9.909:AC
H89	079001-144	Vlt	3/8 "	144"	Side Supports Up Valve A To T1	+L9/9.909:AE
H90	079001-84	Vlt	3/8 "	84"	Side Supports Up T3 to Far Cylinder	+L9/9.909:AE
H91	079001-122	Vlt	3/8 "	122"	Side Supports Up T1 to Near Cylinder	+L9/9.909:AE
H92	079001-144	Blue	3/8 "	144"	Power Taper Roller Valve B To BV 1 T	+L9/7.707:AC
H93	079001-259	Blu	3/8 "	259"	Power Toe Roller Motor SV 2 T To Motor B	+L9/7.705:AD
H94	079001-204	Red	3/8 "	204"	Power Toe Roller Motor SV 3 To Motor A	+L9/7.708:AC
H95	079001-204	Blu	3/8 "	204"	Power Toe Roller Motor BV 2 To Motor B	+L9/7.708:AC
H96	079004-96	Blk	1/2 "	96"	Turner Motor Near To FD 4 T	+L9/2.206:AD
H97	079004-96	Blk	1/2 "	96"	Turner Motor Manifold A To FD 3	+L9/2.208:AC
H98	079004-178	Blk	1/2 "	178"	Turner (Near) Motor A To SV 3	+L9/2.209:AC
H99	079004-178	Vlt	1/2 "	178"	Turner (Far) Motor B BV 2	+L9/2.209:AC
H133	079001-41	Vlt	3/8 "	41"	Side Supports Up T1 To T2	+L9/9.902:AE
H134	079001-41	Blk	3/8 "	41"	Side Supports Down T1 To T2	+L9/9.902:AD
H135	079001-55	Vlt	3/8 "	55"	Side Supports Up T2 to Middle Cylinder	+L9/9.902:AE
H136	079001-59	Blk	3/8 "	59"	Side Supports Down T2 to Middle Cylinder	+L9/9.902:AD

		Wood-Mizer®	
Project Description: WM4500 Bed Extension 12'			
Revision:	A3.02	Pg Desc: Hose/Tube List-Standard Bed	
Mounting Location: +Docs		Type: Connection list	
Prev. pg:	K2	Page:	K3
Next pg: &MPA+/A1		Total Pgs: 91	

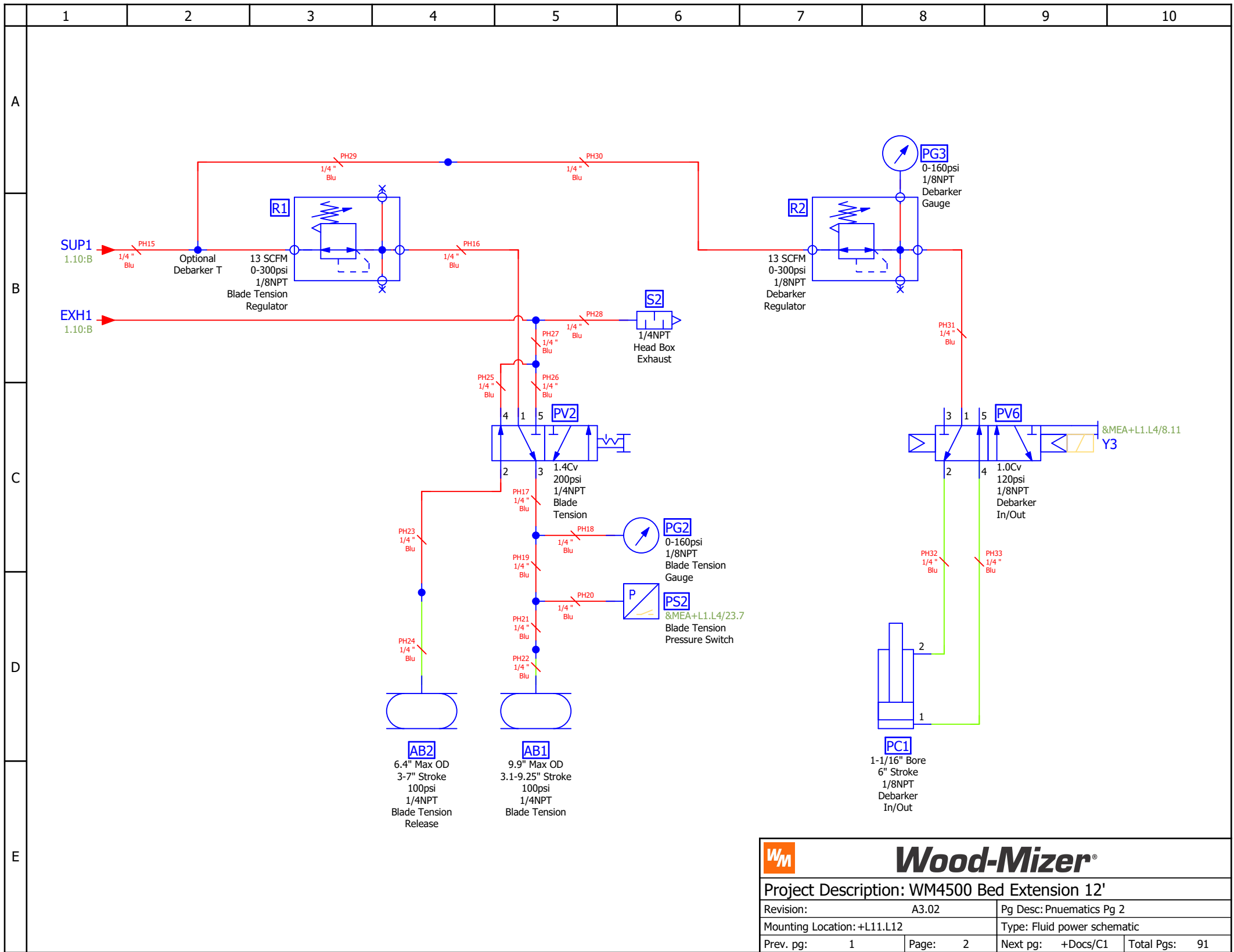
Revision History

Date	Revision	Revision Record	Drawn By	Checked By
8/6/18	A1.00	Release to production	JRF	SDC

		Wood-Mizer®	
Project Description: WM4500 Bed Extension 12'			
Revision: A3.02		Pg Desc: Revision History	
Mounting Location: +		Type: Overview	
Prev. pg: A1	Page: B1	Next pg: +L11.L12/1	Total Pgs: 91



Wood-Mizer®			
Project Description: WM4500 Bed Extension 12'			
Revision:	A3.02	Pg Desc: Pnuematics Pg 1	
Mounting Location:	+L11.L12	Type: Fluid power schematic	
Prev. pg:	+/B1	Page:	1
		Next pg:	2
		Total Pgs:	91




Wood-Mizer®			
Project Description: WM4500 Bed Extension 12'			
Revision:	A3.02	Pg Desc: Pnuematics Pg 2	
Mounting Location:	+L11.L12	Type: Fluid power schematic	
Prev. pg:	1	Page:	2
		Next pg:	+Docs/C1
		Total Pgs:	91

Device Tag/Parts List

WM_PARTS_LIST_Fluid-Manual


Device tag	Function	Wood-Mizer Part Number	Wood-Mizer Description		Qty.	X-Ref
AB1	Blade Tension	033229	Bag, Tensioner Air		1	+L11.L12/2.205:AD
AB2	Blade Tension Release	033231	Bag, Motor Lift Air		1	+L11.L12/2.204:AD
AB3	Blade Brake Release	033168	Bag, Air Brake		1	+L11.L12/1.109:AD
AB4	Drag Back Lift	033231	Bag, Motor Lift Air		1	+L11.L12/1.107:AD
FR1	Filter/Regulator	110953	Air Filter/Regulator		1	+L11.L12/1.104:AA
FR1	=	110956	Assy, Air Filter Mount	Mount	1	+L11.L12/1.104:AA
PC1	Debarker In/Out	008766	Cylinder, 1-1/16x6, Air		1	+L11.L12/2.208:AD
PG1	Main Pressure Gauge	P02766	Gauge, 160 PSI, 1-1/2 Dia, 1/8 NPT		1	+L11.L12/1.106:AA
PG2	Blade Tension Gauge	042342	Gauge, Air Pressure		1	+L11.L12/2.206:AC
PG3	Debarker Gauge	042342	Gauge, Air Pressure		1	+L11.L12/2.208:AA
PV1	Main Shut-Off	P21513	Valve, Air		1	+L11.L12/1.104:AB
PV2	Blade Tension	025301	Valve, Push Pull 4 Way 1/4 NPT		1	+L11.L12/2.205:AC
PV3	Blade Brake Release	045225	Valve, Air 3 Way 1/8 NPT Din C Conn		1	+L11.L12/1.109:AC
PV4	Blow-Off	042659	Valve Assy, Air		1	+L11.L12/1.102:AC
PV5	Drag Back Lift	042659	Valve Assy, Air		1	+L11.L12/1.107:AC
PV6	Debarker In/Out	025244	Valve, MAC 400 Series		1	+L11.L12/2.208:AC
R1	Blade Tension Regulator	052509	Regulator, 1/8" NPT Air		1	+L11.L12/2.203:AB
R2	Debarker Regulator	052509	Regulator, 1/8" NPT Air		1	+L11.L12/2.207:AB
S1	Shut-Off Muffler	P20904	Mufflet, 1/4 in. NPT Air		1	+L11.L12/1.103:AB
S2	Head Box Exhaust	P20904	Mufflet, 1/4 in. NPT Air		1	+L11.L12/2.206:AB
S3	Drag Back Lift Muffler	P21528	Mufflet, CEC-3 3/8 in. NPT Air		1	+L11.L12/1.107:AC
Z1	Blow-Off	016879	Block, Blow-Off 1/2		1	+L11.L12/1.102:AD
Z2	Air Nozzle	P02714	Nozzle, Coolant Spray		1	+L11.L12/1.107:AA

		Wood-Mizer®	
Project Description: WM4500 Bed Extension 12'			
Revision:	A3.02	Pg Desc: Parts list	
Mounting Location: +Docs		Type: Parts list	
Prev. pg:+L11.L12/2	Page: C1	Next pg: K1	Total Pgs: 91

Hose/Tube list

WM_HydraulicHoseList

Hose/Tube	Wood-Mizer PN	Color	Diameter	Length	Description	XREF
PH1	R01869-5	Blu	1/2 "	960"	Blow-Off Supply Line	+L11.L12/1.102:AB
PH2	R01869-5	Blu	1/2 "	31"	Blow-Off Supply Line Head Box	+L11.L12/1.102:AB
PH3	R01869-5	Blu	1/2 "	33"	Blow-Off Output Line Head Box	+L11.L12/1.102:AD
PH4	R01869-5	Blu	1/2 "		Blow-Off Output Line	+L11.L12/1.102:AD
PH5	R01869-4	Blu	1/2 "	960"	Head Supply Line	+L11.L12/1.106:AB
PH6	042453		1/4 "		Air Nozzle Hose	+L11.L12/1.106:AB
PH7	R01869-4	Blu	3/8 "		Drag Back Fingers Lift Line	+L11.L12/1.107:AD
PH7	R01869-4	Blu	3/8 "	10"	Drag Back Fingers Supply Line	+L11.L12/1.107:AB
PH8	R01869-3	Blu	1/4 "	22"	Supply Line Head Box	+L11.L12/1.109:AB
PH9	R01869-3	Blu	1/4 "	7.5"	Blade Brake Supply Line	+L11.L12/1.109:AB
PH10	R01869-3	Blu	1/4 "	10"	Blade Brake Line Valve To Y	+L11.L12/1.109:AC
PH11	R01869-3	Blu	1/4 "	29.5"	Blade Brake Line Y To Pressure Switch	+L11.L12/1.109:AC
PH12	R01869-3	Blu	1/4 "	6.5"	Blade Brake Line Y To Bulkhead	+L11.L12/1.109:AD
PH13	R01869-3	Blu	1/4 "		Blade Brake Line Bulkhead To Brake	+L11.L12/1.109:AD
PH14	R01869-3	Blu	1/4 "	8.5"	Blade Brake Exhaust Valve To Y	+L11.L12/2.205:AB
PH15	R01869-3	Blu	1/4 "	3"	Blade Tension Supply Y To Regulator	+L11.L12/1.109:AB
PH16	R01869-3	Blu	1/4 "	6.5"	Blade Tension Supply Regulator To Valve	+L11.L12/2.205:AC
PH17	R01869-3	Blu	1/4 "	3"	Blade Tension Line Valve To Pressure Gauge T	+L11.L12/2.205:AC
PH18	R01869-3	Blu	1/4 "	1.5"	Blade Tension Line T To Pressure Gauge	+L11.L12/2.205:AC
PH19	R01869-3	Blu	1/4 "	9"	Blade Tension Line Pressure Gauge T To Pressure Switch Y	+L11.L12/2.205:AD
PH20	R01869-3	Blu	1/4 "	9"	Blade Tension Line Y To Pressure Switch	+L11.L12/2.205:AD
PH21	R01869-3	Blu	1/4 "	10.5"	Blade Tension Line Y To Bulkhead	+L11.L12/2.205:AD
PH22	R01869-3	Blu	1/4 "		Blade Tension Line Bulkhead To Air Bag	+L11.L12/2.205:AD
PH23	R01869-3	Blu	1/4 "	22"	Blade Tension Release Valve To Bulkhead	+L11.L12/2.204:AD
PH24	R01869-3	Blu	1/4 "		Blade Tension Release Bulkhead To Air Bag	+L11.L12/2.204:AD
PH25	R01869-3	Blu	1/4 "	3.5"	Blade Tension Exhaust Valve To Y	+L11.L12/2.205:AB
PH26	R01869-3	Blu	1/4 "	3.5"	Blade Tension Exhaust Valve To Y	+L11.L12/2.205:AB
PH27	R01869-3	Blu	1/4 "	5"	Blade Tension Exhaust Y To Y	+L11.L12/2.205:AB
PH28	R01869-3	Blu	1/4 "	18"	Head Box Exhaust Y To Muffler	+L11.L12/2.205:AB
PH29	R01869-3	Blu	1/4 "		Debarker Supply T To Bulkhead	+L11.L12/2.204:AA
PH30	R01869-3	Blu	1/4 "		Debarker Supply Bulkhead To Regulator	+L11.L12/2.204:AA
PH31	R01869-3	Blu	1/4 "		Debarker Supply Regulator To Valve	+L11.L12/2.208:AC
PH32	R01869-3	Blu	1/4 "		Debarker In Line Valve To Cylinder	+L11.L12/2.208:AD
PH33	R01869-3	Blu	1/4 "		Debarker Out Line Valve To Cylinder	+L11.L12/2.208:AD

		Wood-Mizer®	
Project Description: WM4500 Bed Extension 12'			
Revision:	A3.02	Pg Desc: Hose list	
Mounting Location: +Docs		Type: Connection list	
Prev. pg:	C1	Page:	K1
Next pg:		Total Pgs: 91	