

**IC Series Inclined Belt Conveyors
Safety, Operation, Maintenance &
Parts Manual**

Incline Conveyor rev. **A5.02**
Incline Powered Conveyor (OBS) rev. **A2.05**

Safety is our #1 concern!

April 2005

Form #1121

Models Effected:

IC2, Conveyor, Powered Incline (OBS)
IC2-1, Conveyor, Powered Incline (OBS)
IC2-H, Conveyor, Incline,2HP 440/480V 3PH
IC2-L, Conveyor, Incline,2HP 220/240V 3Ph
IC2-S, Conveyor, Incline,2HP 220/240V 1Ph
IC3, Conveyor, Powered Incline 230V (OBS)
IC4, Conveyor, Powered Incline 230V (OBS)
IC5-H, Conveyor, Incline,5HP 440/480V 3Ph
IC5-L, Conveyor, Incline,5HP 220/240V 3Ph
IC5-S, Conveyor, Incline,5HP 220/240V 1Ph
IC1, Conveyor, Powered Incline 230V (OBS)



WARNING! Read and understand this manual before using this machine.

SECTION 1 SAFETY

1.1 Safety Symbols.....1-1
 1.2 Safety Instructions.....1-1

SECTION 2 SETUP & OPERATION

2.1 Installation and Setup2-1
 2.2 Height Adjustment.....2-9
 2.3 Electrical Installation.....2-9
 2.4 Operation2-10

SECTION 3 MAINTENANCE

3.1 Gearbox Oil3-1
 3.2 Belt Alignment3-1
 3.3 Drive Chain Adjustment.....3-2

SECTION 4 ELECTRICAL INFORMATION

4.1 Electrical Symbol Diagram (IC5-H)4-1
 4.2 Electrical Symbol Diagram (IC5-L).....4-2
 4.3 Electrical Symbol Diagram (IC5-S).....4-3
 4.4 Electrical Symbol Diagram (IC2/IC2-1/IC2-H).....4-4
 4.5 Electrical Symbol Diagram (IC3/IC2-L).....4-5
 4.6 Electrical Symbol Diagram (IC4/IC2-S).....4-6
 4.7 Electrical Component List (IC5)4-7
 4.8 Electrical Component List (IC1, IC2, IC3 & IC4)4-7
 4.9 Component Layout Diagram (IC5-H/IC5-L)4-9
 4.10 Component Layout Diagram (IC5-S).....4-10
 4.11 Component Layout Diagram (IC2/IC2-1/IC3/IC2-H/IC2-L).....4-11
 4.12 Component Layout Diagram (IC4/IC2-S).....4-12

SECTION 5 REPLACEMENT PARTS

5.1 Idle Wing Pulley & Rollers5-1
 5.2 Removable Side Panel.....5-2
 5.3 Transition Roller (IC5 Only)5-3
 5.4 Motor & Drive Roller (IC5)5-4
 5.5 Motor & Drive Roller (IC2)5-6
 5.6 Motor & Drive Roller (IC1/IC2).....5-8
 5.7 Leg Assembly (IC2/IC5)5-10
 5.8 Leg Assembly (IC2)5-11
 5.9 Leg Assembly (IC2)5-12
 5.10 Leg Assembly (IC1)5-14
 6.11 Install Kit (LT70HD Remote)6-1
 6.12 Install Kit (LT70HD Remote)6-2
 6.13 Control Box6-3

SECTION 1 SAFETY

1.1 Safety Symbols

The following symbols and signal words call your attention to instructions concerning your personal safety. Be sure to observe and follow these instructions.



DANGER! indicates an imminently hazardous situation which, if not avoided, will result in serious injury or death.



WARNING! suggests a potentially hazardous situation which, if not avoided, could result in serious injury or death.



CAUTION! refers to potentially hazardous situations which, if not avoided, may result in minor or moderate injury or damage to equipment.

NOTICE indicates vital information.

1.2 Safety Instructions

NOTE: ONLY safety instructions regarding personal injury are listed in this section. Caution statements regarding only equipment damage appear where applicable throughout the manual.



WARNING! Clean sawdust from all guards, vents, control boxes, or any area where sawdust may gather after every shift. Failure to do so may result in fire, causing death or serious injury.



OBSERVE SAFETY INSTRUCTIONS

NOTICE Read the entire Operator's Manual before operating the conveyor. Take notice of all safety warnings throughout this manual and those posted on the machine. Keep this manual with this machine at all times, regardless of ownership.

Also read any additional manufacturer's manuals and observe any applicable safety instructions including dangers, warnings, and cautions.

Only persons who have read and understood the entire operator's manual should operate the conveyor. The conveyor is not intended for use by or around children.

NOTICE It is always the owner's responsibility to comply with all applicable federal, state and local laws, rules and regulations regarding the ownership, operation of your Wood-Mizer products. All Wood-Mizer product owners are encouraged to become thoroughly familiar with these applicable laws and comply with them fully while using the machine.


KEEP CONVEYOR AND AREA AROUND CONVEYOR CLEAN




WARNING! Maintain a clean and clear path for all necessary movement around the machine and lumber stacking areas.




CAUTIONS FOR CONVEYOR SETUP

 **WARNING!** Securely fasten the feet of an incline conveyor to the floor before operating the machine.

CHECK CONVEYOR BEFORE OPERATION

 **WARNING!** Make sure all guards and covers are in place and secured before operating the conveyor.

KEEP PERSONS AWAY

 **WARNING!** Keep all persons out of the path of moving equipment and boards while operating conveyor.



SECTION 2 SETUP & OPERATION

2.1 Installation and Setup

The Incline Conveyor quickly transports boards away from your sawmill.



WARNING! Keep all persons out of the path of moving equipment and boards while operating conveyor.

The major components of the Incline Conveyor are identified below.

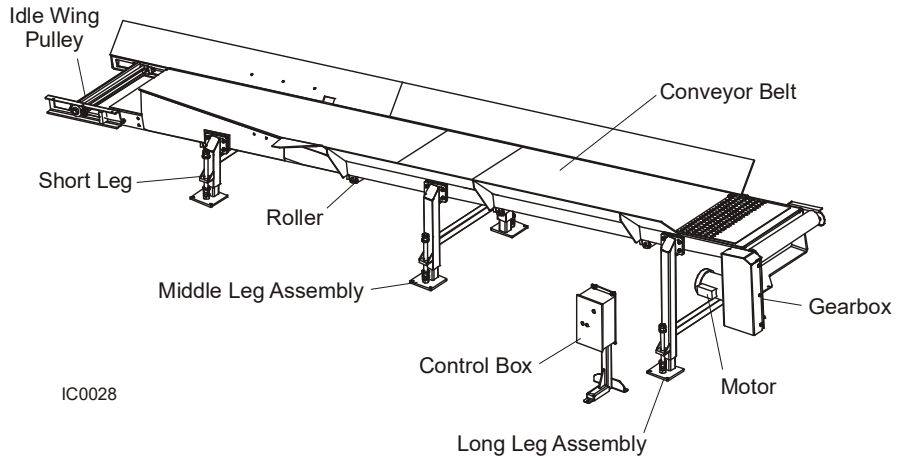


FIG. 2-1 IC2 REV. A3.00+

Prepare a firm, level area where the conveyor can be anchored next to the sawmill. A cement pad with 1/2" diameter anchor bolts is recommended.



WARNING! Securely fasten the feet of the incline conveyor to the floor before operating the machine.

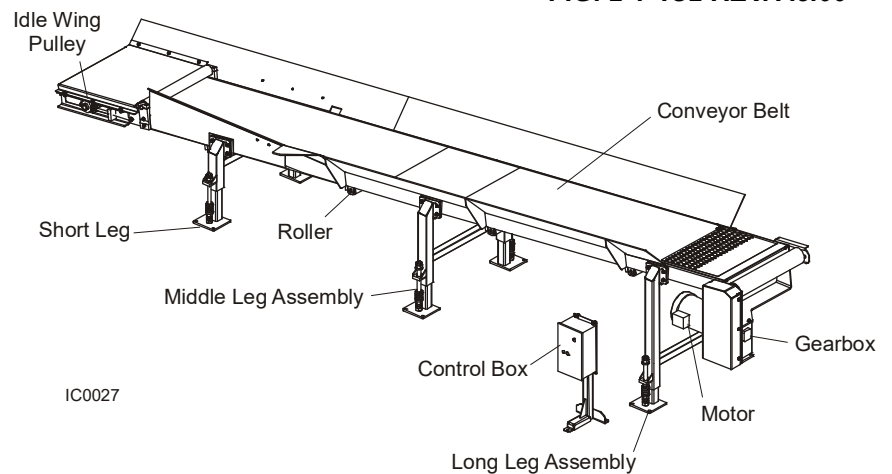


FIG. 2-2 IC5

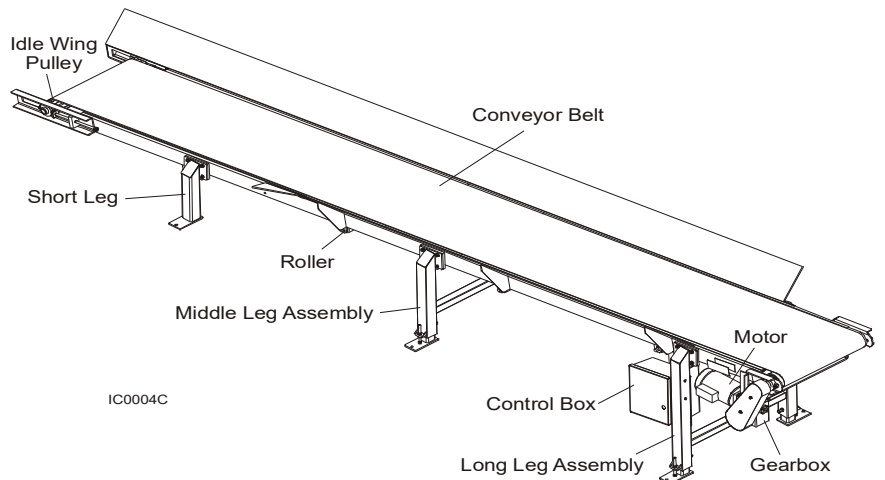


FIG. 2-3 IC2 REV. A1.00 - A2.02

The overall dimensions of the Incline Conveyor (IC5) are shown here.

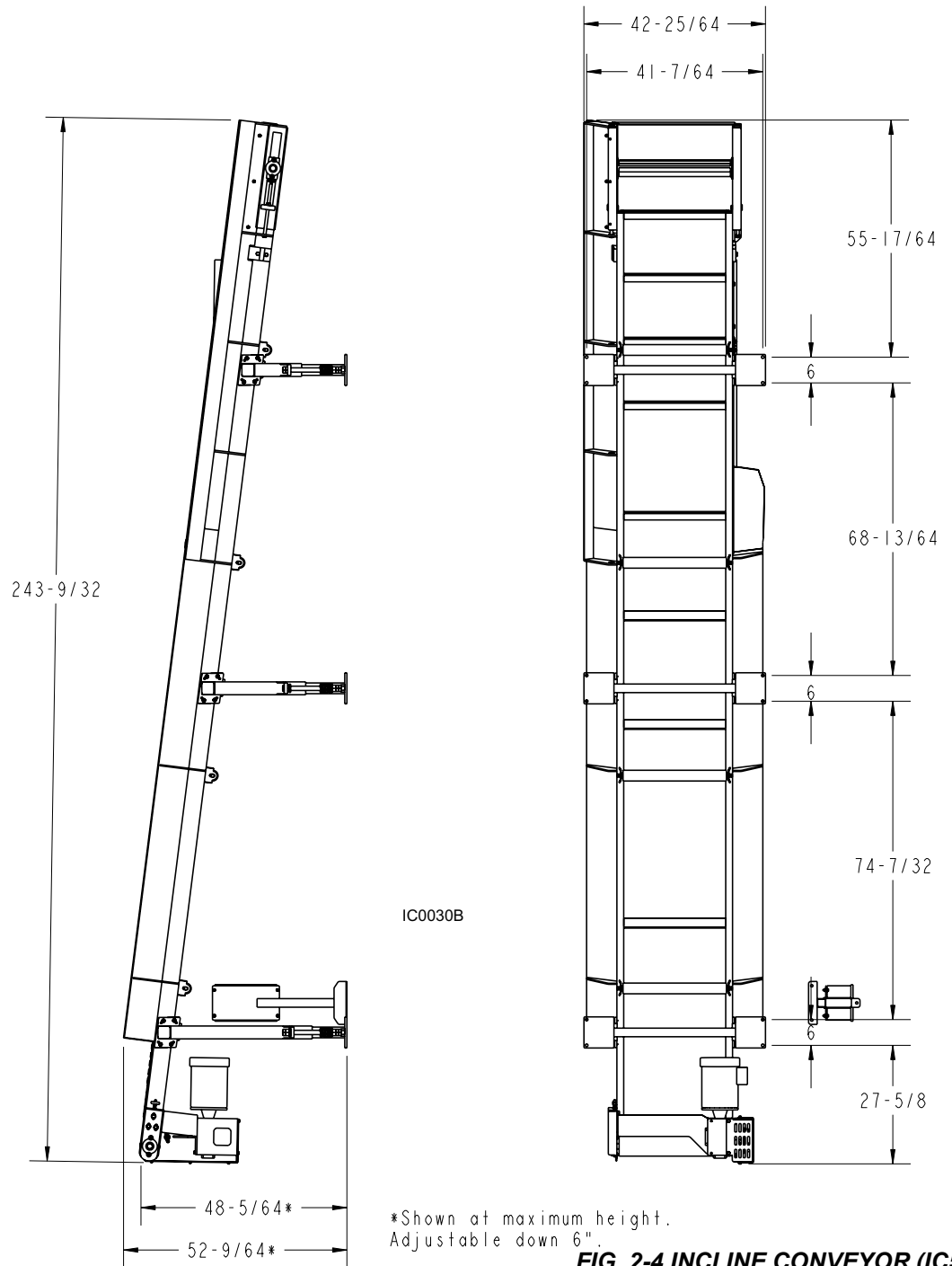


FIG. 2-4 INCLINE CONVEYOR (IC5)

The overall dimensions of the Incline Conveyor (IC2) are shown here.

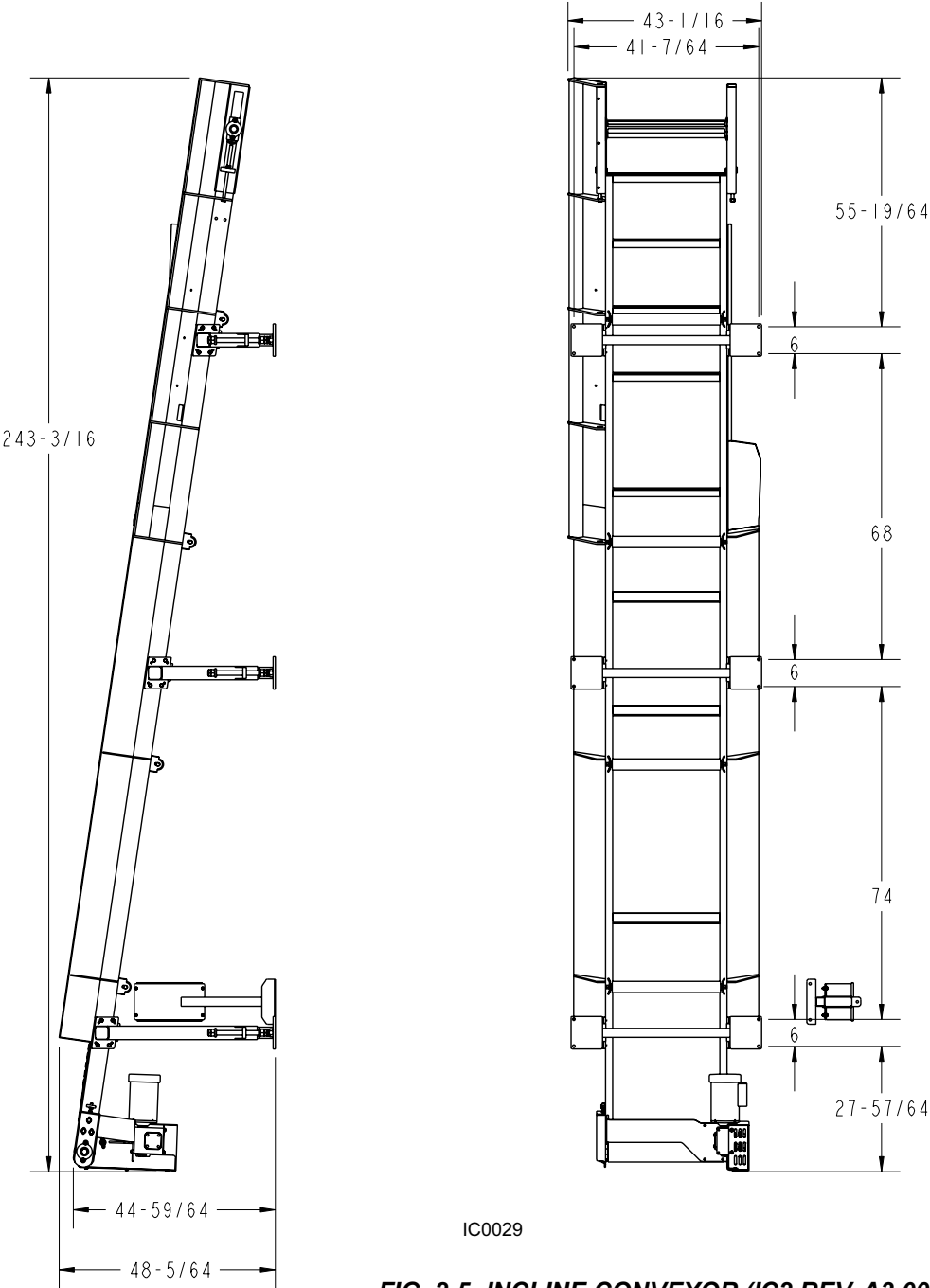


FIG. 2-5 INCLINE CONVEYOR (IC2 REV. A3.00+)

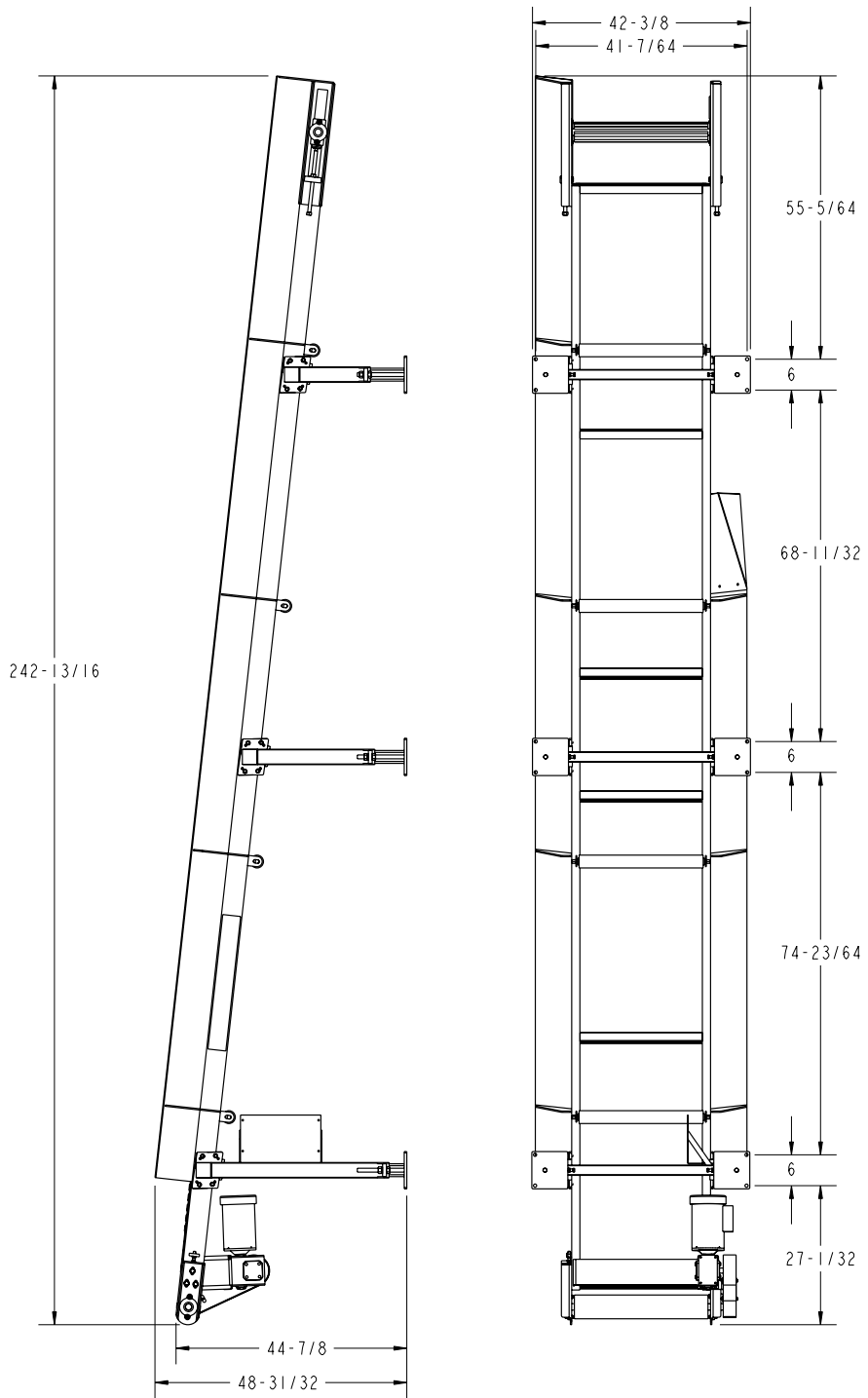


FIG. 2-6 INCLINE CONVEYOR (IC2 REV. A2.00 - A2.02)

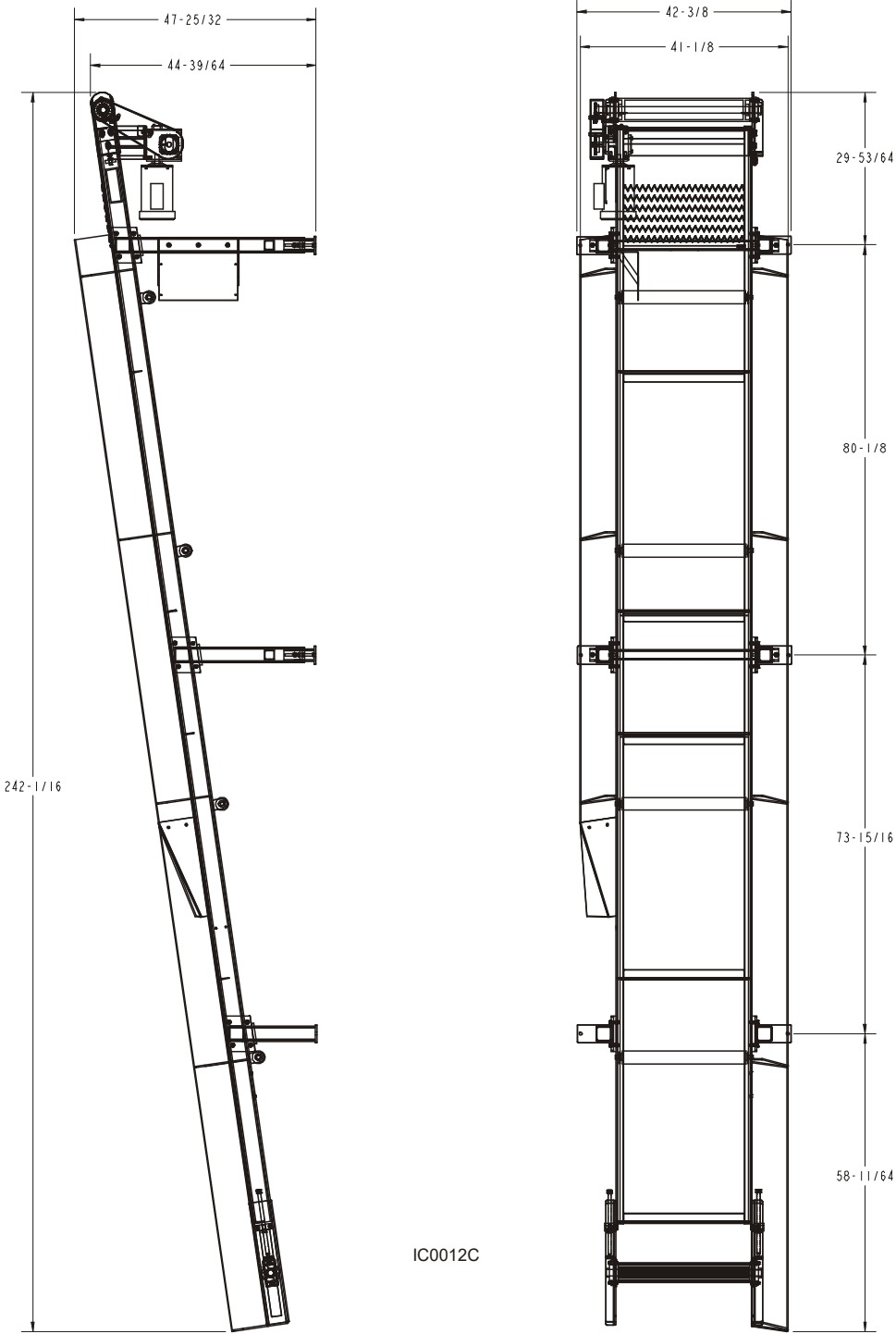


FIG. 2-7 INCLINE CONVEYOR (IC2 REV. A1.00)

The overall dimensions of the Incline Conveyor (IC1) are shown here.

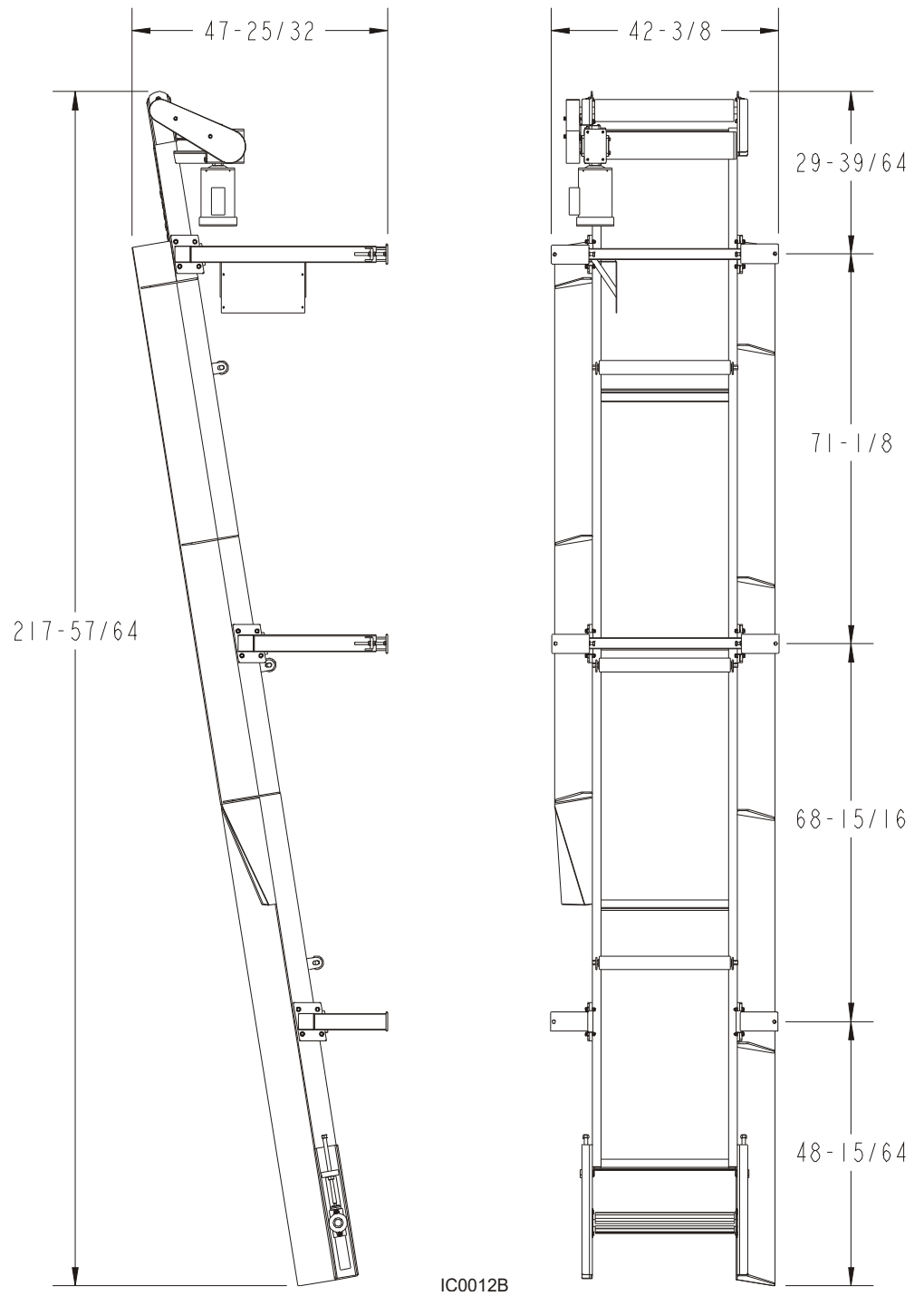


FIG. 2-8 INCLINE CONVEYOR (IC1 REV. A1.00 - A2.05)

LT70HD Remote Only (IC2/5 Rev. A5.00+):

Uninstall the removable panel on the front-right side of the conveyor.

This will allow the conveyor to be placed close to the end bed rail without interference from the frame crossbrace.

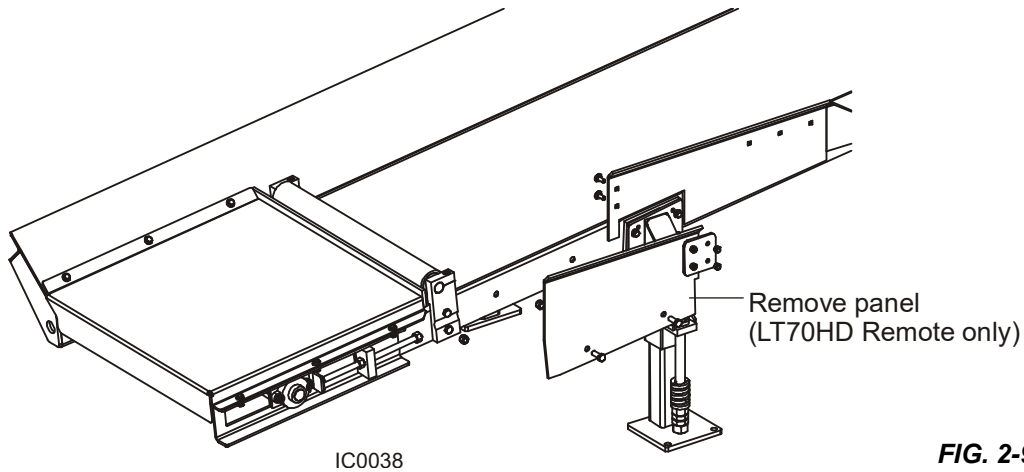


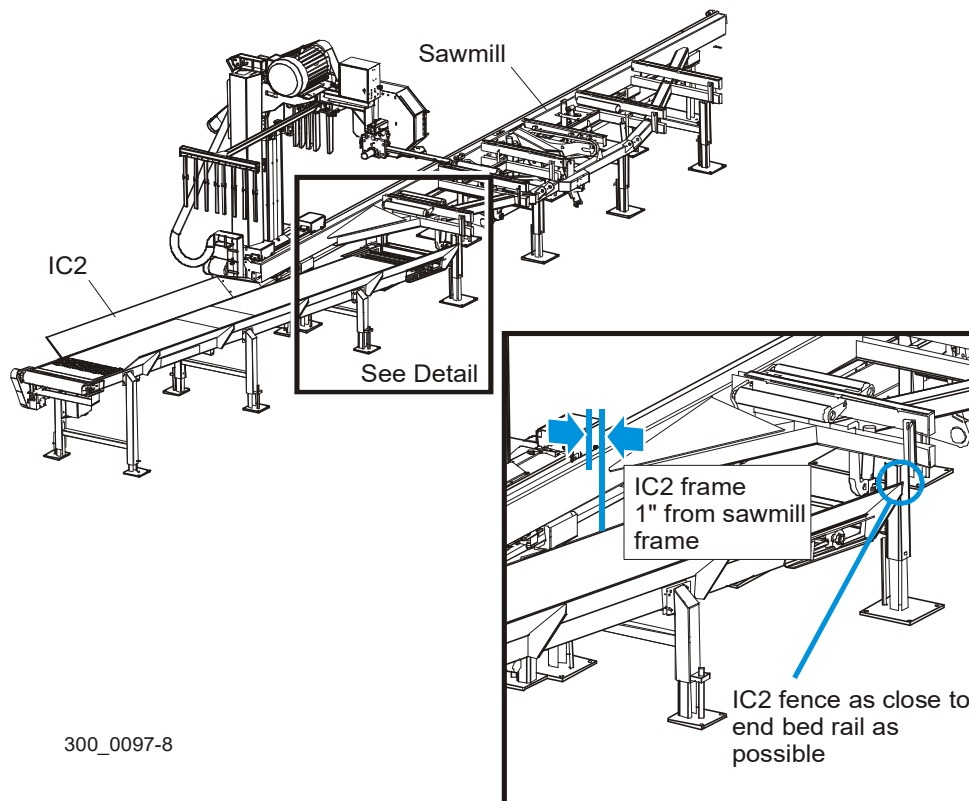
FIG. 2-9

Position the Incline Conveyor at the end of the sawmill where boards are returned.

Position the conveyor frame approximately 1" (25.4 mm) away from the sawmill frame tube.

Slide the conveyor toward the sawmill to position the conveyor fence as close to the end bed rail as possible.

Be sure the conveyor is parallel to the sawmill frame.



300_0097-8

DETAIL

FIG. 2-10

LT70HD Remote Sawmills Only:

If using the folding board return table supplied with LT70HD Remote sawmills, remove the table from the sawmill.

Install the board return table to the sawmill as shown.

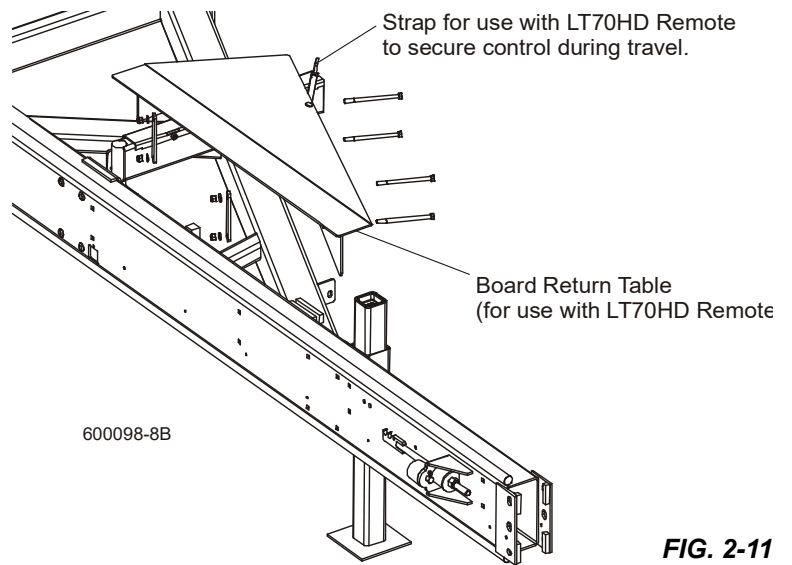


FIG. 2-11

LT70HD Remote Sawmills (all) & LT300 Sawmills w/24' Bed (Rev. A1.00 - A4.00) Only:

Install the fence extension assembly to the Incline Conveyor as shown.

Fence Extension (for use with LT30/40/60/70 or 24' LT300 before Rev. A5.00)

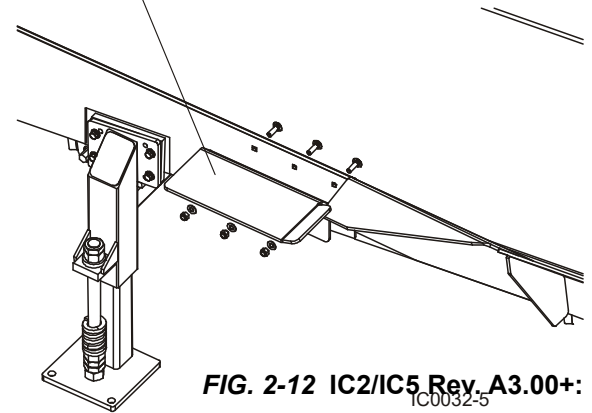


FIG. 2-12 IC2/IC5 Rev. A3.00+:

Fence Extension (for use with LT70HD Remote or 24' LT300 before Rev. A5.00)

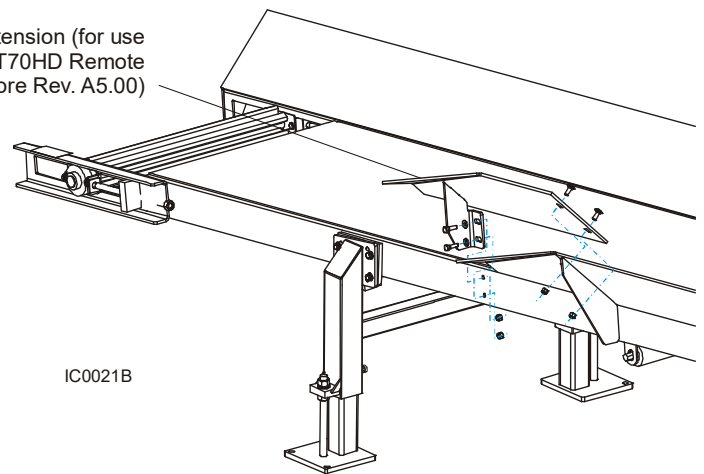


FIG. 2-13 IC2 REV. A1.00 - A2.02:

2.2 Height Adjustment.

Rev. A3.00+: Loosen the jam nuts and adjustment nuts on each leg.

Lift the end of the conveyor to the desired height and adjust the long legs so the feet firmly contact the ground are level.

Tighten the long leg adjustment nuts and jam nuts.

Adjust the middle conveyor legs so that they contact the ground.

Anchor the conveyor to the floor with 1/2" anchor bolts and nuts.

Make sure the unit is level before securing.

For IC5 conveyors with spring-cushioned legs, adjust the legs to the desired height and tighten the top adjustment nut to compress the spring 1/16" to 1/8".

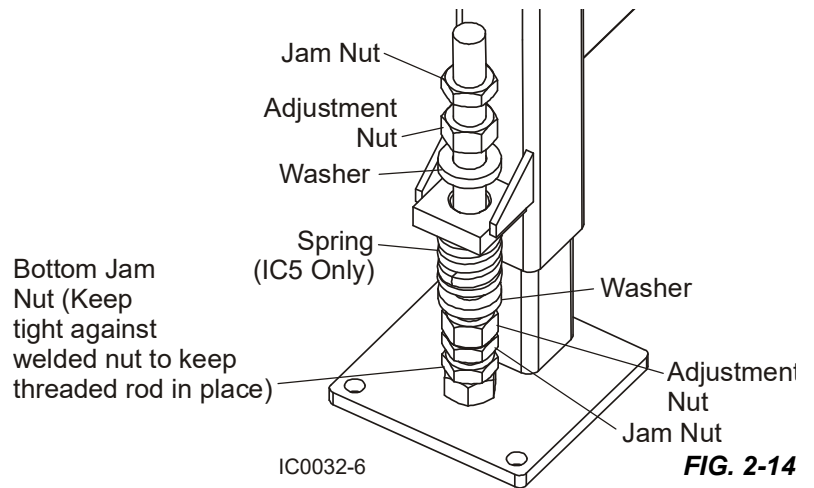


FIG. 2-14

Rev. A1.00 - Rev. A2.02: Loosen the horizontal locking bolt and top adjustment nut on each leg.

Lift the end of the conveyor to the desired height and adjust the long legs so the feet firmly contact the ground are level.

Tighten the long leg adjustment nuts and locking bolt.

Adjust the middle conveyor legs so that they contact the ground.

Anchor the conveyor to the floor with 1/2" anchor bolts and nuts.

Make sure the unit is level before securing.

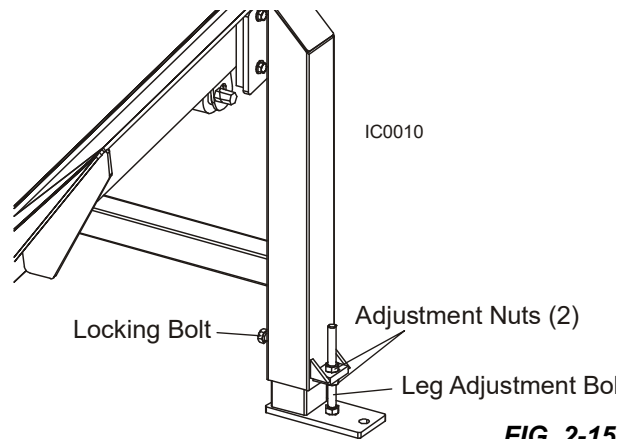


FIG. 2-15

2.3 Electrical Installation



DANGER! Make sure all electrical installation, service and/or maintenance work is performed by a qualified electrician and is in accordance with applicable electrical codes.

DANGER! SHUT OFF & LOCK OUT POWER before performing service in any area of this machine. DO NOT restore power until all access panels are replaced and secured.

Rev. A3.00+: The control box can be at any location near the machine that will suit the customer's application.

Rev. A1.00 - A2.02: The control box can be mounted to either side of the conveyor frame or at any other location near the machine that will suit the customer's application.

The customer must supply the appropriate incoming electrical service and time-delay fused disconnect ahead of the machine.

Model	Electrical Service				Wire Size
	Voltage	Hz	Amperage	Phase	
IC2/IC2-1/IC2-H/IC5-H	460	60	10	3	14 AWG
IC3/IC2-L/IC5-L	230	60	20	3	14 AWG
IC4/IC2-S/IC5-S	230	60	20	1	14 AWG

TABLE 2-1

The control box is prewired to accept a remote control if the customer elects to use one (requires 16 AWG wiring).

See [SECTION 4 Electrical Information](#) for electrical diagrams and electrical component list.

2.4 Operation

After the control box is installed you can start operating the incline conveyor.

The following switch and buttons are located on the front door of the conveyor control box.

Drive Roller Motor Start

1. Turn the Main Disconnect Switch to the "I" ("ON") position.
2. Push the green roller motor START button.

Drive Roller Motor Shutoff

1. Push the red roller motor STOP button.
2. Turn the Main Disconnect Switch to the "0" ("OFF") position to turn off electrical power to the conveyor control box if necessary.

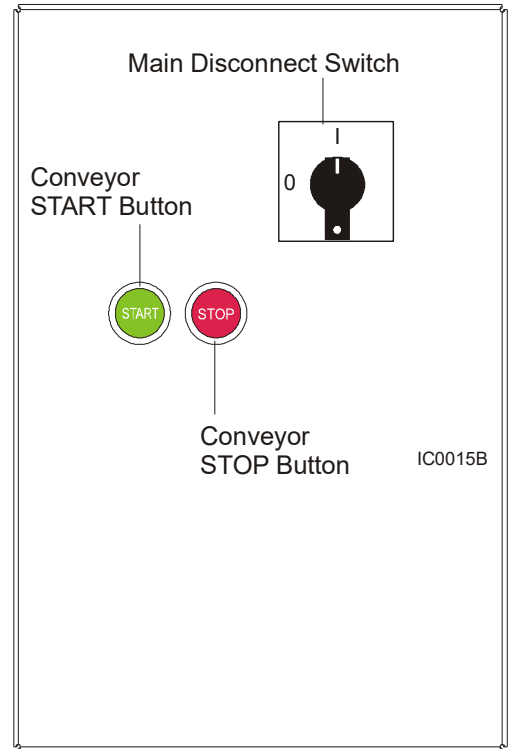


FIG. 2-16

SECTION 3 MAINTENANCE



DANGER! Always be aware of and take proper protective measures against rotating shafts, pulleys, fans, etc. Always stay a safe distance from rotating members and make sure that loose clothing or long hair does not engage rotating members resulting in possible injury.

WARNING! Always wear proper and necessary safety equipment when performing service functions. Proper safety equipment includes eye protection, breathing protection, hand protection and foot protection.

3.1 Gearbox Oil

Check the gearbox oil level. Add a synthetic gear oil such as Mobil Glygoyle 460 as needed.

The Mobil Glygoyle 460 gear oil is a synthesized hydrocarbon formulated used for extremely long life. Change oil only when performing maintenance that requires gearbox disassembly.

If oil must be replaced, use only Mobil Glygoyle 460.

offers replacement gear oil in 8 ounce bottles.

3.2 Belt Alignment

The Incline Conveyor is factory-aligned. Periodically check and realign the conveyor belt if necessary. Make sure the belt remains centered on the drive roller and idle wing pulley while running. If the conveyor belt keeps traveling to the side of the drive roller and/or idle wing pulley follow the realignment procedure below.

To realign the conveyor belt:

3. Loosen the jam nuts on one or both idle wing pulley alignment bolts.
4. Turn one of the alignment bolts clockwise to move the idle wing pulley downward and away from the side.
5. Turn the alignment bolt counterclockwise to move the idle wing pulley upward.
6. Start the drive roller motor and check if the conveyor belt still needs to be aligned.
7. Repeat the steps until the conveyor belt stays in place on the drive roller and idle wing pulley while running.
8. Tighten the jam nuts when the belt alignment procedure is complete.

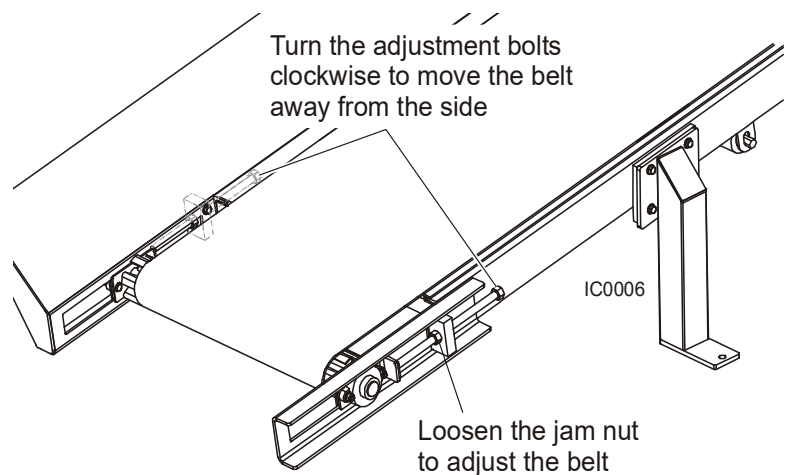


FIG. 3-1

NOTE: You can also use the three adjustment nuts and bolts securing one side of the drive roller bearing bracket to adjust the conveyor belt.

9. Loosen the three adjustment nuts and move the bracket to tighten or loosen the belt if necessary.

10. Make sure the belt remains on the drive roller and the idle wing pulley while running.
11. Tighten the adjustment nuts when the belt realignment procedure is complete.
12. Periodically check the conveyor belt for wear.
13. Replace a damaged or worn belt as needed.
14. Always check the conveyor belt alignment after installing a new belt.
15. Align the conveyor belt after replacing if necessary.

3.3 Drive Chain Adjustment

Periodically check the incline conveyor drive chain tension. Adjust the drive chain tension as needed. The drive chain needs to be adjusted if the chain slack exceeds 1" (25.4mm).



DANGER! Always turn off and disconnect power supply before performing any service to the machine.

Rev. A3.00+: To check the drive chain tension, remove the five drive guard screws and remove the guard.

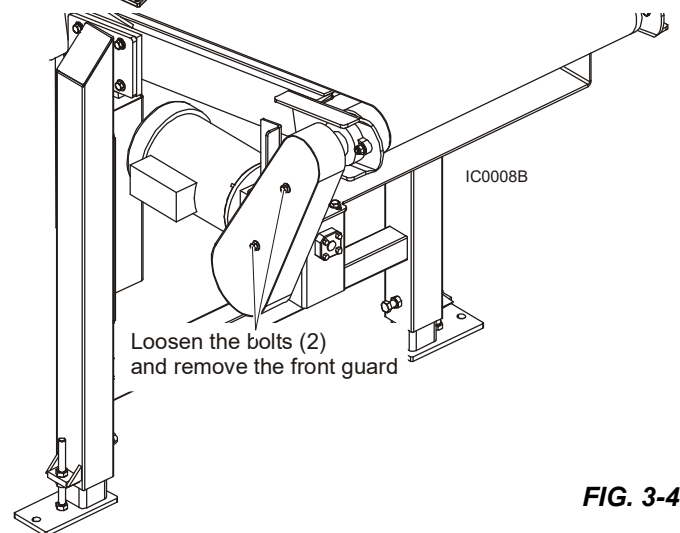
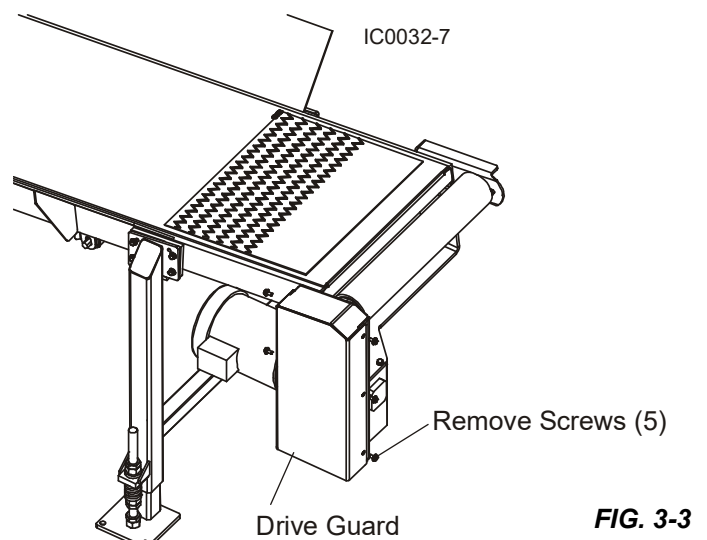
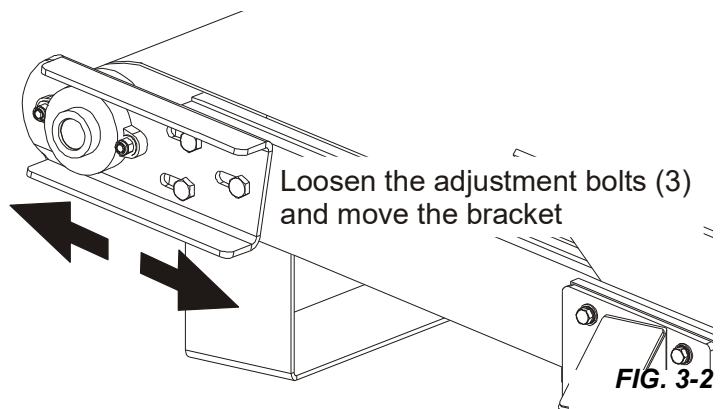
Rev. A1.00 - A2.02: To check the drive chain tension, loosen the two bolts securing the drive chain front guard and remove the front guard.

To adjust the drive chain:

1. Make sure the motor is not running.
2. Loosen the four adjustment bolts securing the conveyor gearbox to the mount motor/gearbox bracket.
3. Move the gearbox and motor to adjust the drive chain until the center of the chain can be deflected 1/2" (12.7mm).



CAUTION! Do not over-tension the conveyor drive chain. Damage to the gearbox will occur.



4. After the drive chain has been adjusted, tighten the gearbox adjustment bolts.
5. Reinstall the drive guard and hardware

Loosen the adjustment bolts (4)
and move the motor/gearbox
to tighten the drive chain

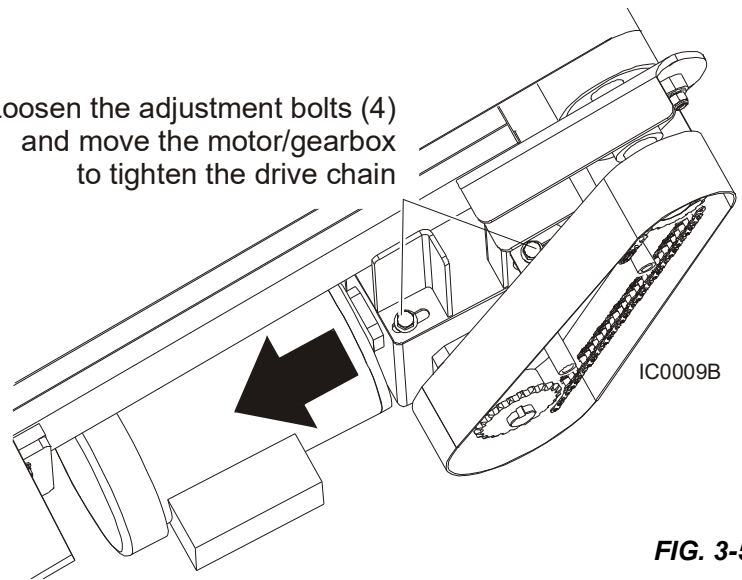


FIG. 3-5

4.2 Electrical Symbol Diagram (IC5-L)

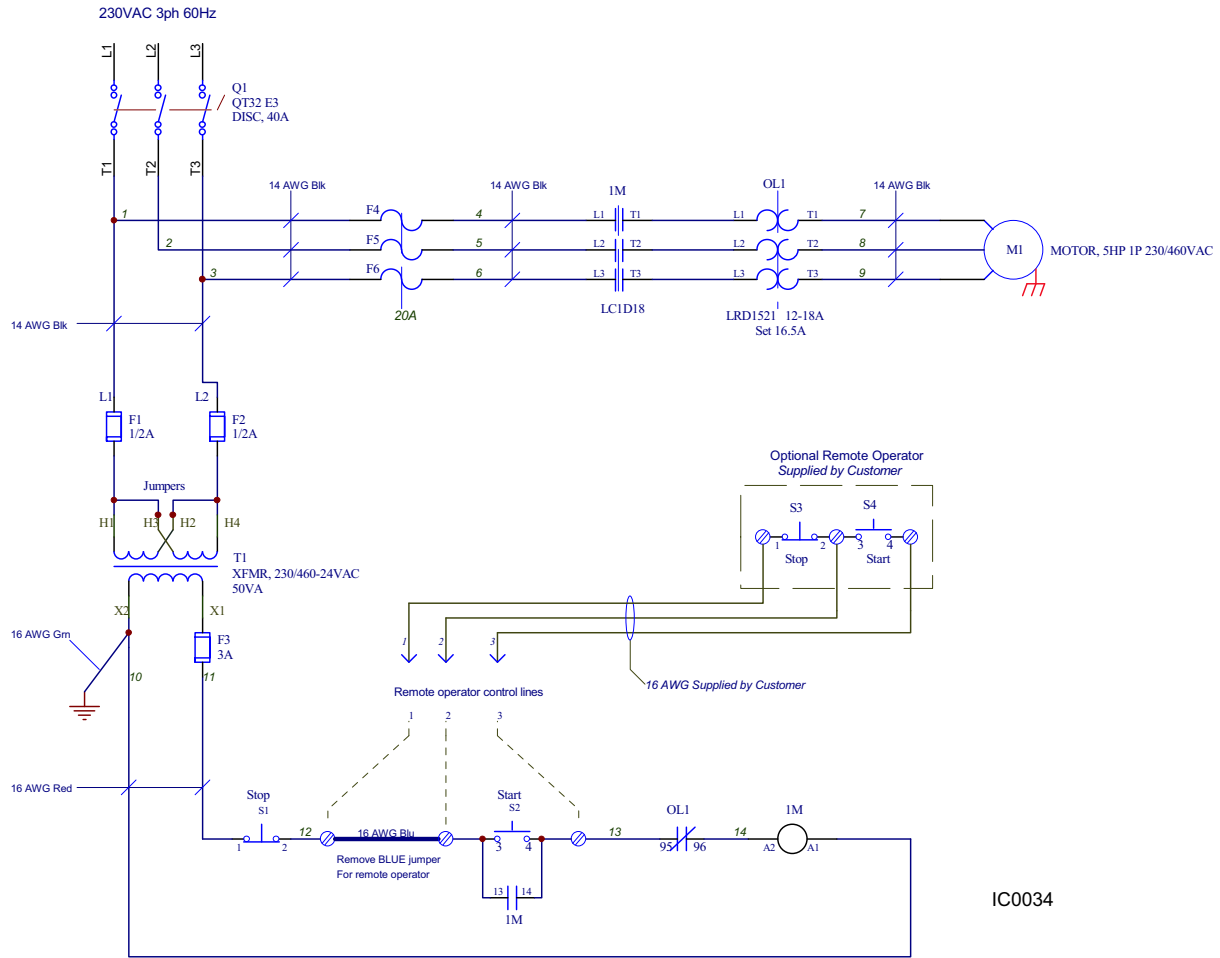
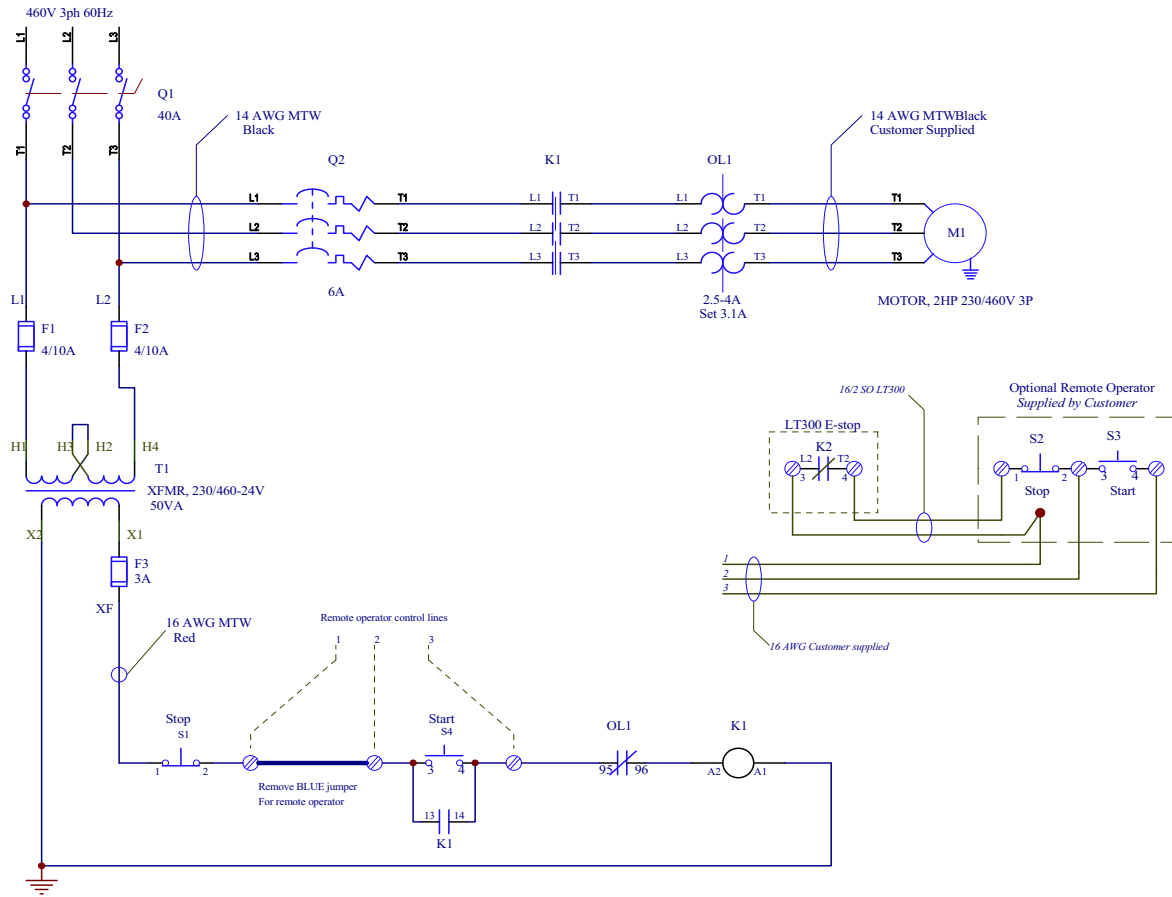


FIG. 4-2

4.4 Electrical Symbol Diagram (IC2/IC2-1/IC2-H)



Form #1029

FIG. 4-4

4.5 Electrical Symbol Diagram (IC3/IC2-L)

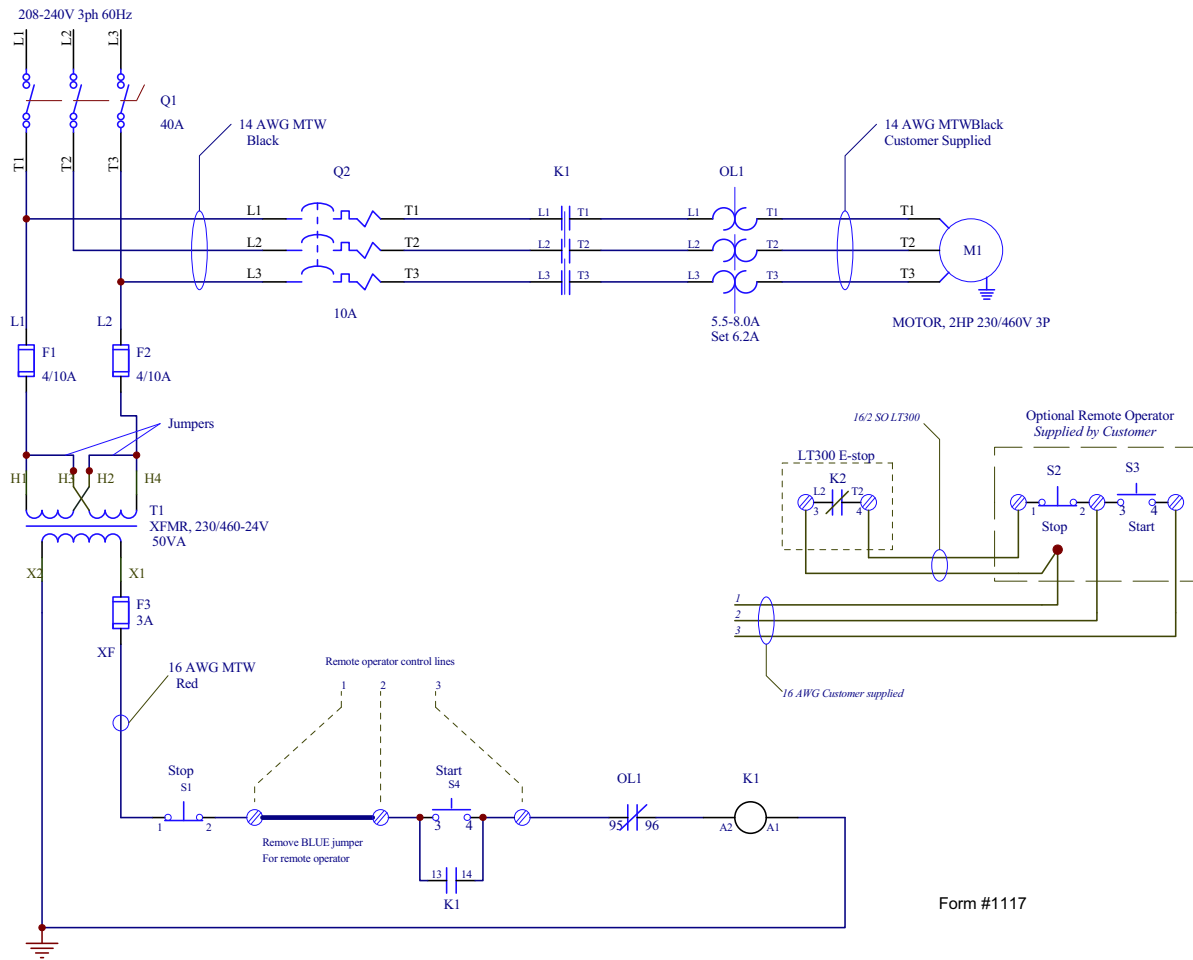


FIG. 4-5

4.6 Electrical Symbol Diagram (IC4/IC2-S)

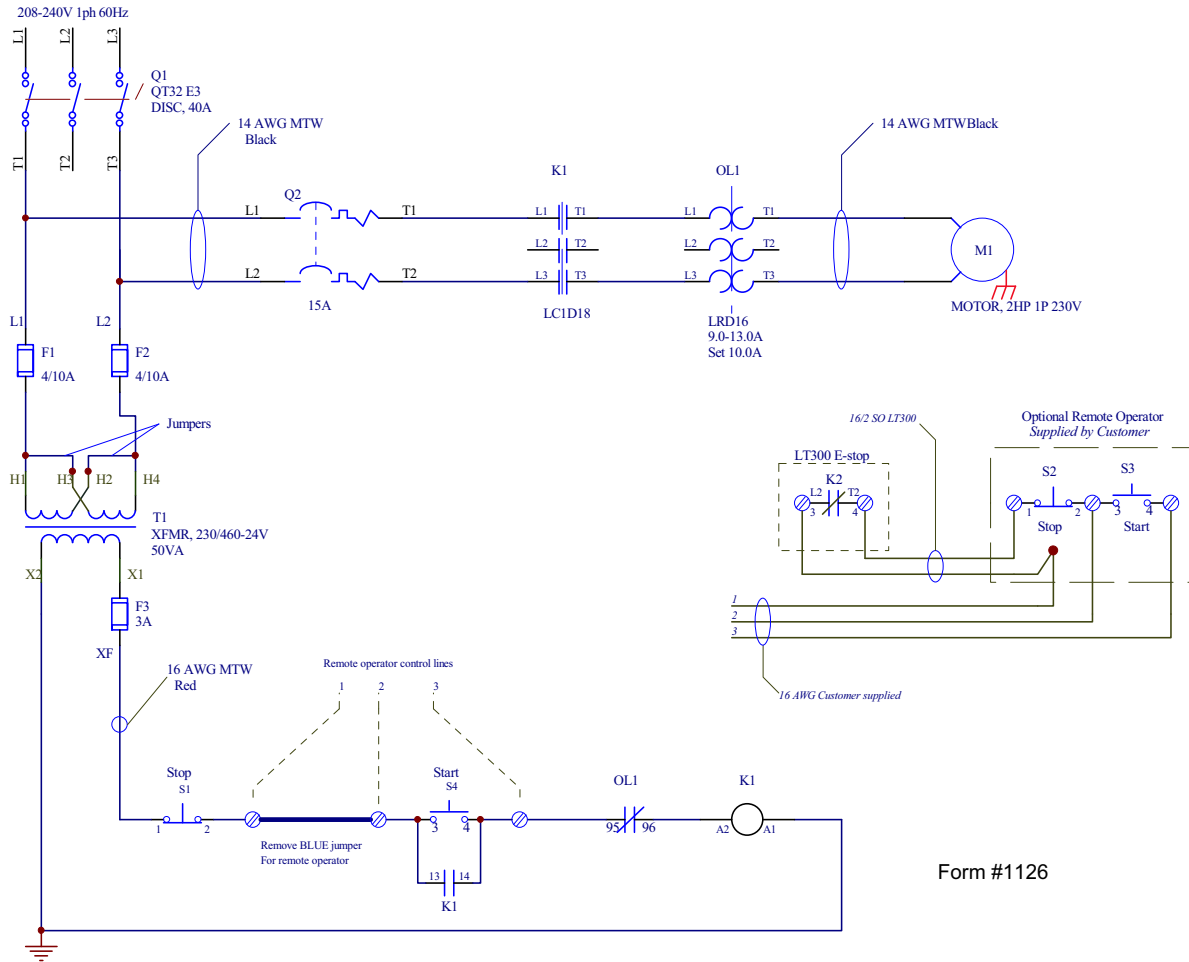


FIG. 4-6

4.7 Electrical Component List (IC5)

Component	Part No.	Description
1M	025290	Contactora, 24VAC Coil 3 Pole 9Amp (IC5-H)
	052689	Contactora, 24VAC Coil 3 Pole 18Amp (IC5-L)
	052692	Contactora, 24VAC Coil 3 Pole 32Amp (IC5-S)
F1, F2	052688	Fuse, KLDR - 3/10A, 600V Class CC (IC5-H)
	E31338	Fuse, KLDR - 1/2A, 600V Class CC (IC5-L, IC5-S)
F3	025297	Fuse, 3 Amp 250V 1/4 x 1-1/4 Delay
F4, F5	051957	Fuse, 10A CCMR10 (IC5-H)
	052691	Fuse, 20A CCMR10 (IC5-L)
	052506	Fuse, 35A Class J Delay (IC5-S)
F6	051957	Fuse, 10A CCMR10 (IC5-H)
	052691	Fuse, 20A CCMR10 (IC5-L)
OL1	024912	Relay, 7-10 Amp Overload (IC5-H)
	052690	Relay, 12-18 Amp Overload (IC5-L)
	052505	Relay, 25-32 Amp Overload (IC5-S)
M1	038509	Motor, 5HP 1740 RPM (IC5-H, IC5-L)
	N/A	Motor, 5HP 1740RPM (IC5-S)
Q1	050903-1 ¹	Switch, 40 Amp 3P Non-Fused Disconnect 6mm
S1, S3	025306	Switch, Red STOP
	025161	Switch Body, 1NC 22mm XB4
S2, S4	025305	Switch, Green START
	025242	Switch Body, 1NO 22mm XB4
T1	053009 ²	Transformer, 240/480 24VAC 50VA w/fuses
	053010 ²	Fuse Block, T50 Transformer Primary
	053011 ²	Fuse Block, T50 Transformer Secondary

¹ 5mm Disconnect Shaft OXP5X120 replaced by vendor with 6mm shaft OXS5X120 (2/10). Replacement of any disconnect component requires replacement of disconnect, shaft and operator handle (050903-1, 050883-1 & 050882-1).

² Replaces 025291 Hammond PT50QG-4 transformer previously supplied before Rev. A4.00 (Vendor discontinued). New fuse holders required.

4.8 Electrical Component List (IC1, IC2, IC3 & IC4)

Component	Part No.	Description
F1, F2	P03151	Fuse, FNQR - 4/10, 600V
F3	025297	Fuse, 3 Amp 250V 1/4 x 1-1/4 Delay
OL1	E23393 ¹	Relay, 2.5 - 4 Amp Overload (IC2, IC2-1, IC2-H)
	E23297 ¹	Relay, 5.5 - 8.0 Amp Overload (IC3, IC2-L)
	051252	Relay, 9.0 - 13.0 Amp Overload (IC4, IC2-S)
K1	025290 ¹	Contactora, 24VAC Coil 3 Pole 9Amp (IC2, IC2-1, IC2-H, IC3, IC2-L)
	052689 ²	Contactora, 24VAC Coil 3 Pole 18Amp (IC4, IC2-S)
M1	016762	Motor, 2HP 1725 RPM (IC2-H, IC2-L)
	N/A	Motor, 2HP 1725 RPM (IC2-S)
Q1	050903-1 ³	Switch, 40 Amp 3P Non-Fused Disconnect 6mm
Q2	024691 ⁴	Breaker, 6 Amp 480V 3P Curve D (IC2, IC2-1, IC2-H)
	051265 ⁵	Breaker, 10 Amp 480V 3P Curve D (IC3, IC2-L)
	051266 ⁵	Breaker, 15 Amp 480V 2P Curve D (IC4, IC2-S)

S1, S2	025306	Switch, Red STOP
	025161	Switch Body, 1NC 22mm XB4
S3, S4	025305	Switch, Green START
	025242	Switch Body, 1NO 22mm XB4
T1	053009 ⁶	Transformer, 240/480 24VAC 50VA w/fuses
	053010 ⁶	Fuse Block, T50 Transformer Primary
	053011 ⁶	Fuse Block, T50 Transformer Secondary

¹ If customer has old-style contactor LC1D0910 and overload relay, the contactor and overload relay must be replaced as a pair. SquareD changed the style of the contactor/overload and they are not interchangeable with the old style components. This revision was not documented with an AWMV revision because it was our understanding the change would not affect service.

² Replaces 025290 9A Contactor originally supplied for IC2-S prior to Rev. A3.00 to provide sufficient amperage match to 10A overload.

³ 5mm Disconnect Shaft OXP5X120 replaced by vendor with 6mm shaft OXS5X120 (2/10). Replacement of any disconnect component requires replacement of disconnect, shaft and operator handle (050903-1, 050883-1 & 050882-1).

⁴ Replaces 050933 (SqD #QOU310) originally supplied prior to 6/03 (durability).

⁵ Replaces 051251 (SqD #QOU215) originally supplied prior to 6/03 (durability).

⁶ Replaces 025291 Hammond PT50QG-4 transformer previously supplied before Rev. A4.00 (Vendor discontinued). New fuse holders required.

4.9 Component Layout Diagram (IC5-H/IC5-L)

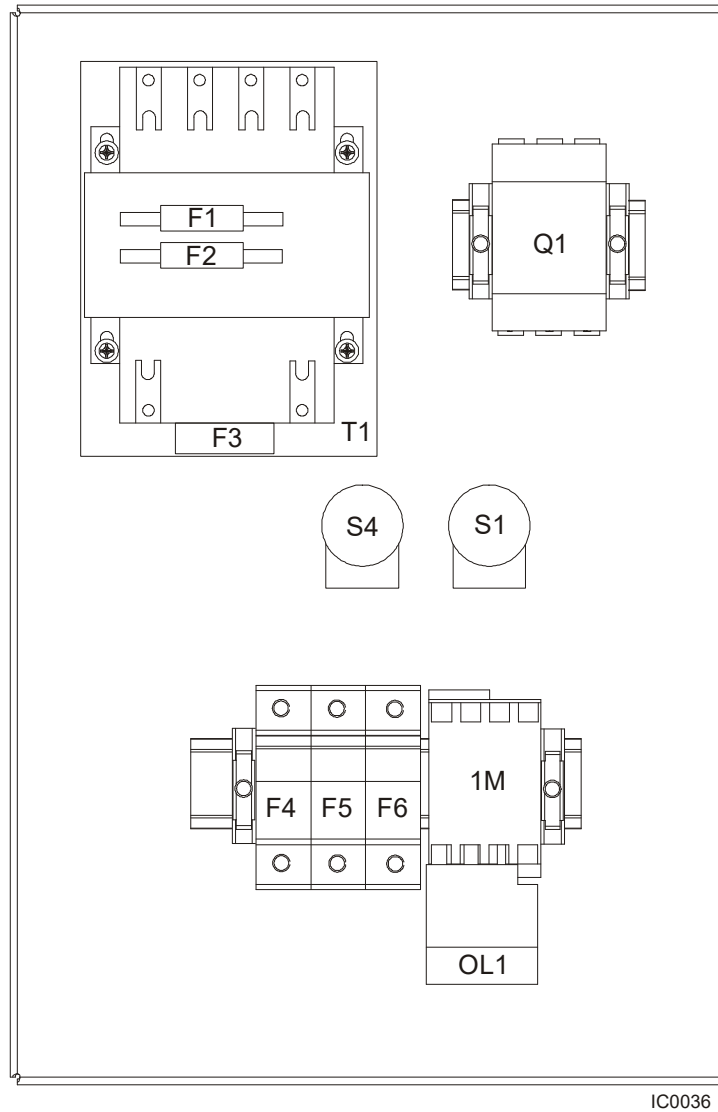


FIG. 4-7

4.10 Component Layout Diagram (IC5-S)

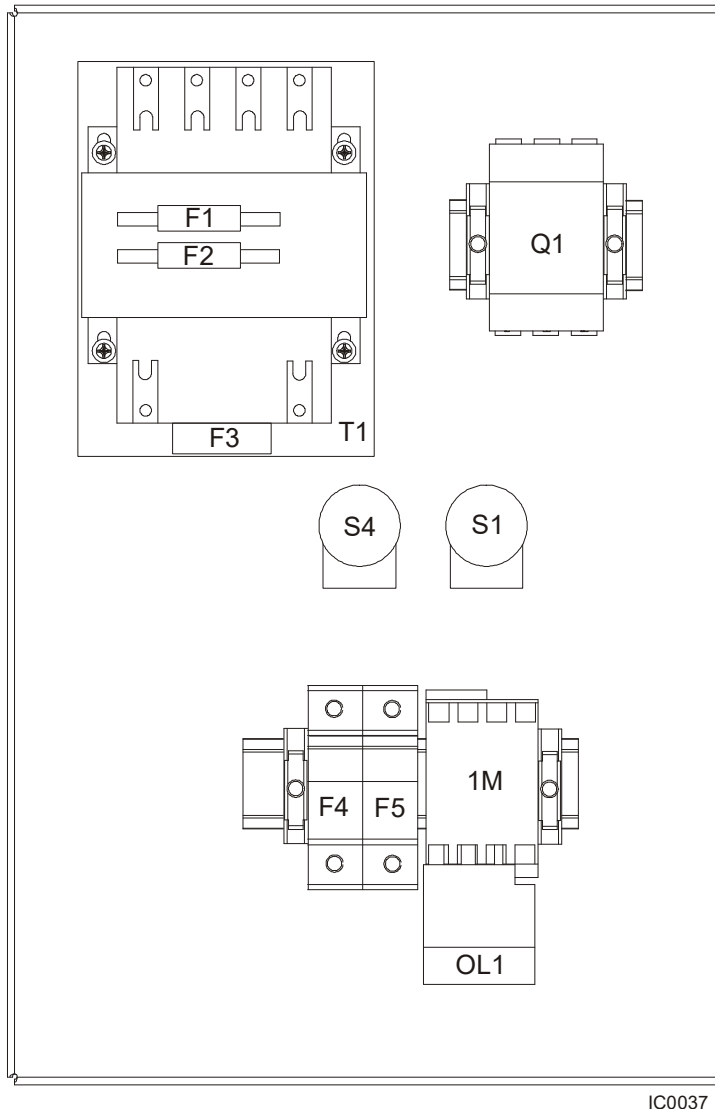


FIG. 4-8

4.11 Component Layout Diagram (IC2/IC2-1/IC3/IC2-H/IC2-L)

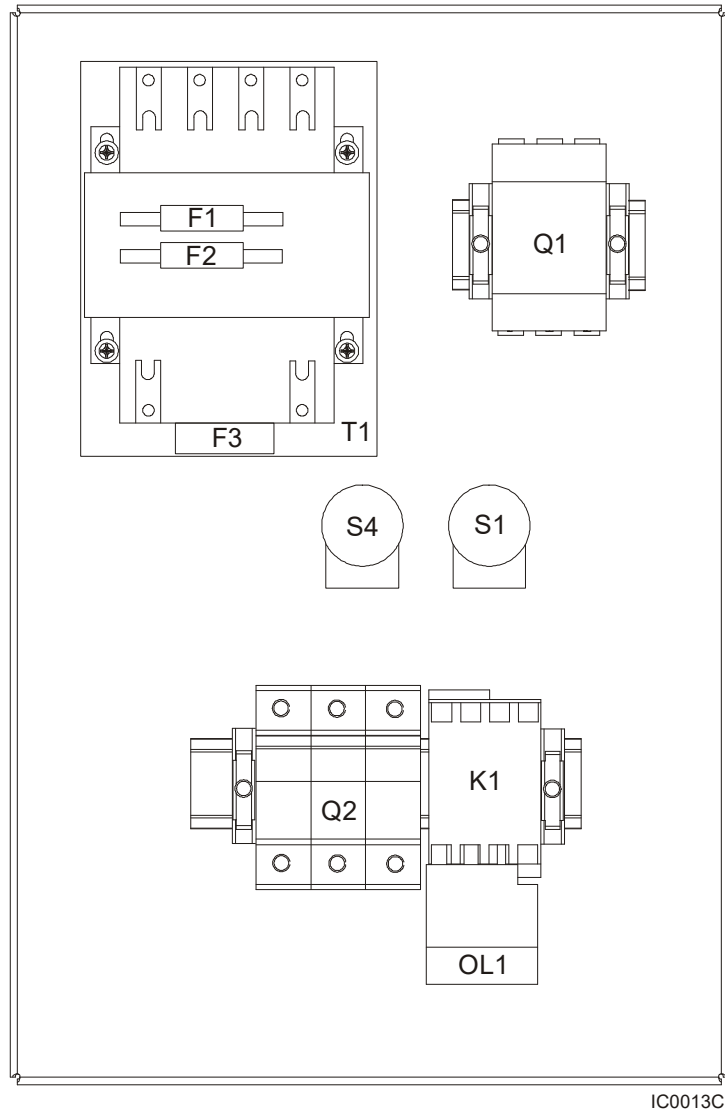


FIG. 4-9

4.12 Component Layout Diagram (IC4/IC2-S)

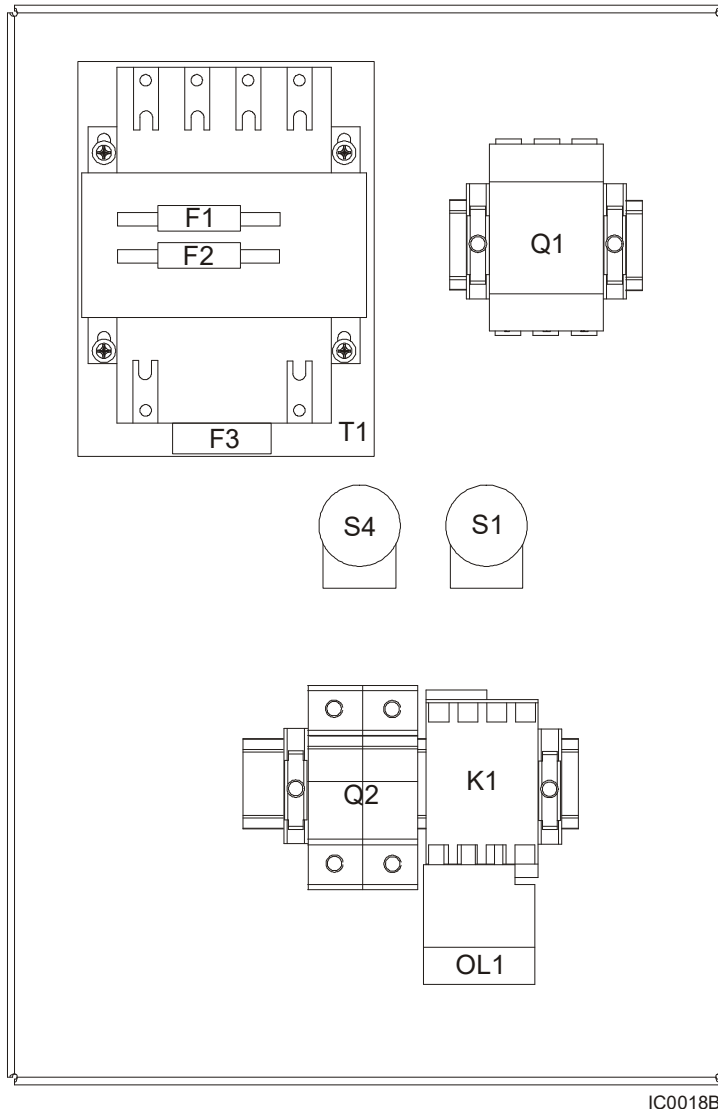
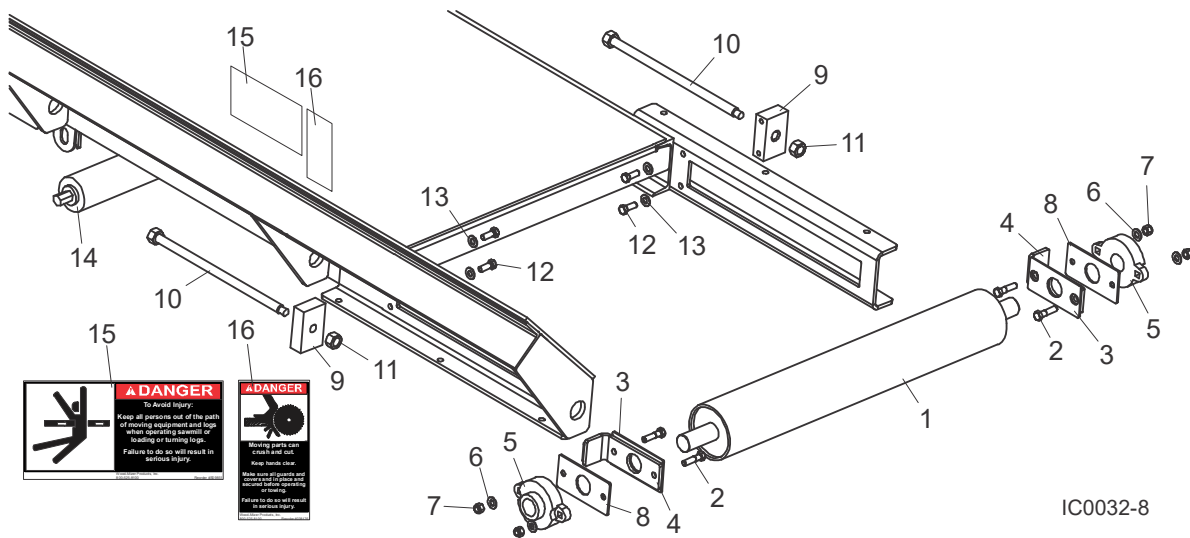


FIG. 4-10

SECTION 5 REPLACEMENT PARTS

5.1 Idle Wing Pulley & Rollers

IC2/IC5Rev. A1.00+

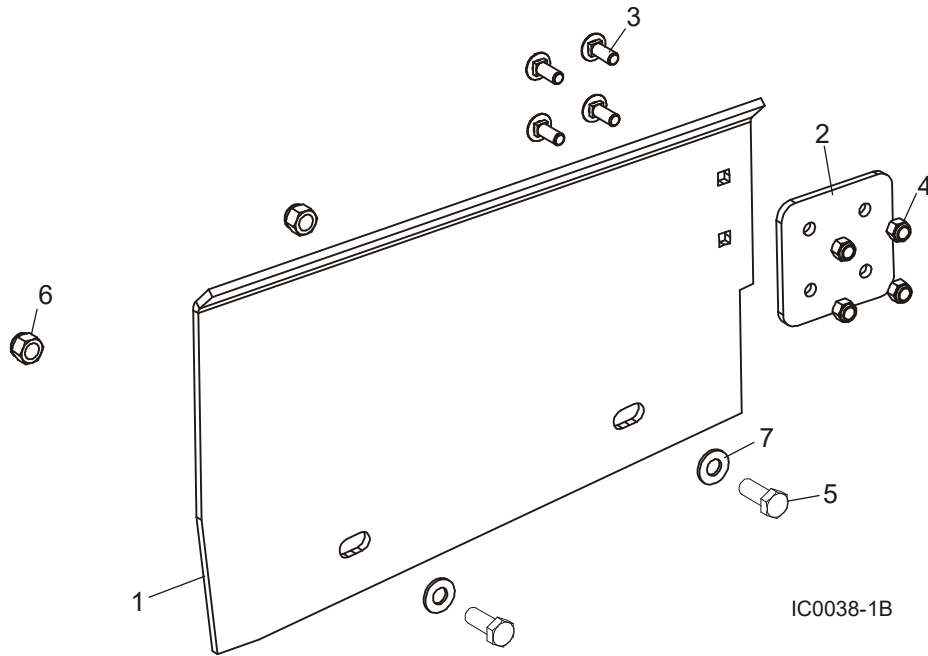


IC0032-8

REF	PART #	DESCRIPTION	COMMENTS	QTY.
1	076962	PULLEY, IDLE CONVEYOR BELT	Replaced 016920 Idle Wing Pulley to improve durability (Rev. A5.02).	1
2	F05007-78	BOLT, 3/8-16 X 1 1/2" HEX HEAD GRADE 5		4
	016697	ROLLER WELDMENT, ADJUSTMENT		1
3	016698	Plate, Bearing		2
4	016695	Bracket, Tensioner Drive Adjustment		2
5	016744	BEARING, FLANGE		2
6	F05011-3	WASHER, 3/8" SEA FLAT		4
7	F05010-10	NUT, 3/8-16 HEX NYLON LOCK		4
8	016760	PLATE, BEARING		2
9	016766	BLOCK, TENSION		2
10	016912	BOLT WELDMENT, ADJUSTMENT		2
11	F05010-50	NUT, 5/8-18 PLAIN		2
12	F05007-82	BOLT, 3/8-16 X 1" HEX HEAD GRADE 8		4
13	F05011-3	WASHER, 3/8" SAE FLAT		4
14	038167	ROLLER, 2 1/2 X 25 BF PAINTED		4
15	S09851	DECAL, KEEP AWAY DANGER		1
16	038176	DECAL, MOVING PARTS DANGER		1

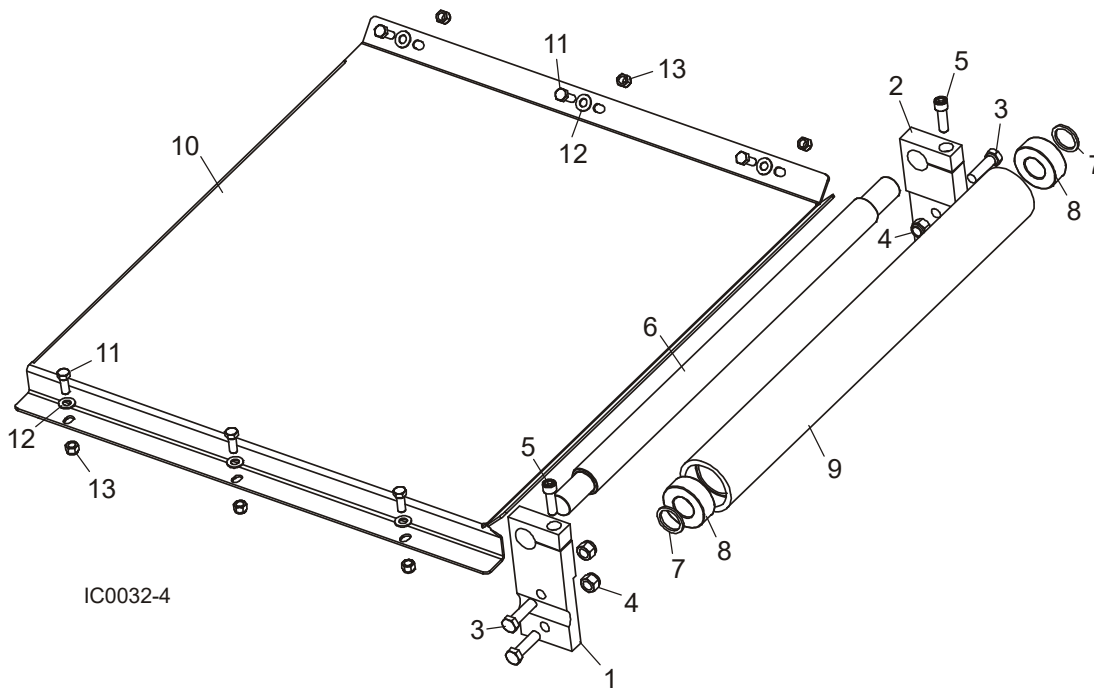
5.2 Removable Side Panel

IC2/IC5Rev. A5.00+



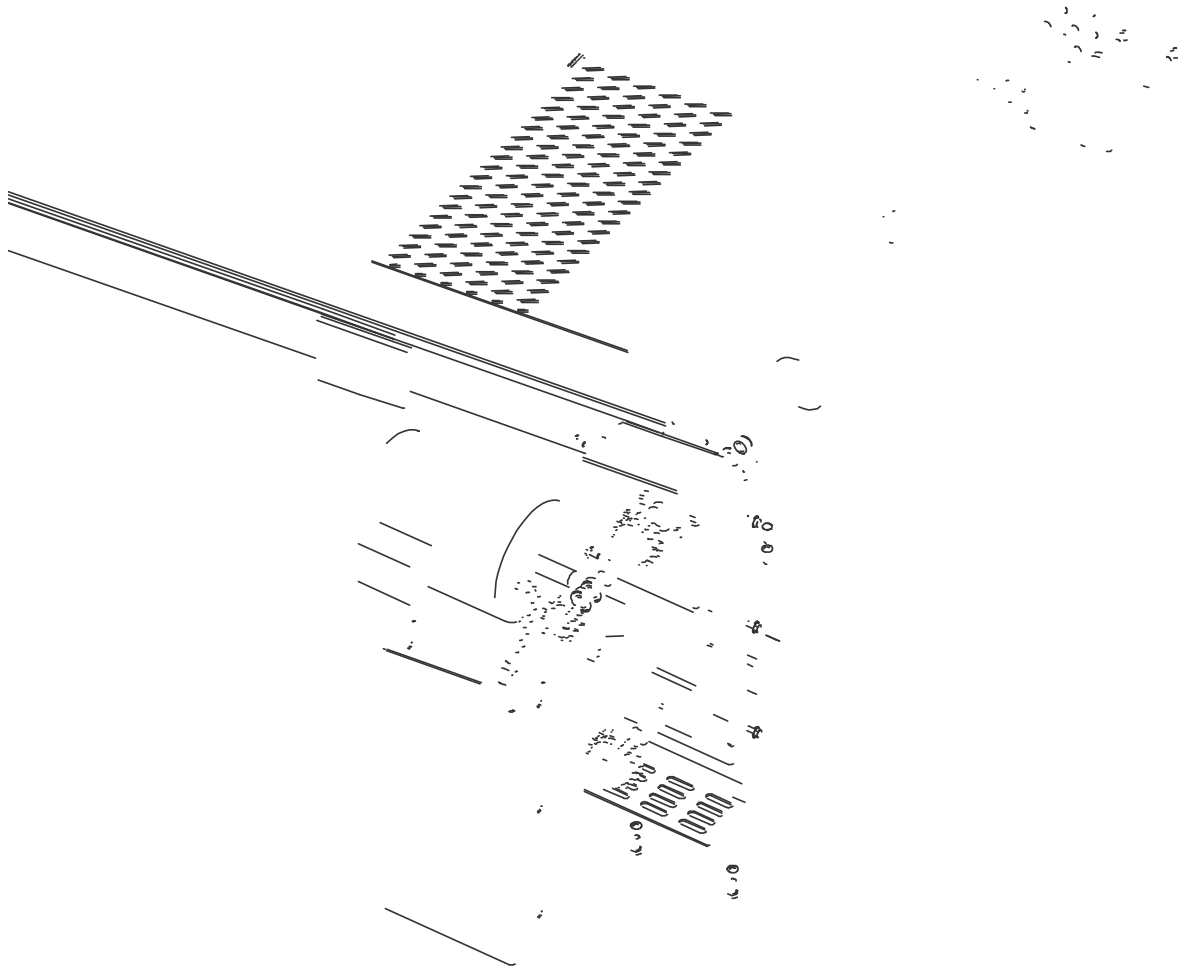
REF	PART #	DESCRIPTION	COMMENTS	QTY.
	003977	PANEL ASSEMBLY, IC SIDE	Side panel removed for use with LT70HD Remote only.	1
1	003976	Plate, Conveyor Removable Side		1
2	003978	Plate, Side Plate Splice		1
3	F05007-165	Bolt, 3/8-16 x 1" Carriage Head Grade 5		4
4	F05010-10	Nut, 3/8-16 Hex Nylon Lock		4
5	F05008-38	Bolt, 1/2-13 x 1 1/4" Hex Head Grade 5		2
6	F05010-8	Nut, 1/2-13 Hex Nylon Lock		2
7	F05011-2	Washer, 1/2" SAE Flat		2

5.3 Transition Roller (IC5 Only)



REF	PART #	DESCRIPTION	COMMENTS	QTY.
	038503	ROLLER ASSEMBLY, CONVEYOR TRANSITION		1
1	036791	Block, Transition Roller Mount Left		1
2	038518	Block, Transition Roller Mount Right		1
3	F05008-88	Bolt, 1/2-13 x 1 3/4" Hex Head Grade 5		4
4	F05010-8	Nut, 1/2-13 Hex Nylon Lock		4
5	F05007-55	Screw, 7/16-20 x 1 1/2" Socket Head		2
6	036792	Shaft, Transition Roller		1
7	038520	Washer, 1.19" ID x 1.5" OD x 11 Ga		2
8	038512	Bearing, 1.181" ID x 2.441" OD x .937" Thick Ang Contact		2
9	036793	Tube, Transition Roller		1
10	038548	Plate Weldment, Conveyor Transition Roller Cover	Cover Plate 038548 changed from fabricated sheet to welded part. Sheet metal now 3/16" and rib added along front edge to improve durability (5/06).	1
11	F05007-82	Bolt, 3/8-16 x 1" Hex Head Grade 8		6
12	F05011-3	Washer, 3/8" SAE Flat		6
13	F05010-10	Nut, 3/8-16 Hex Nylon Lock		6

5.4 Motor & Drive Roller (IC5)



REF	PART #	DESCRIPTION	COMMENTS	QTY.
	016748	ROLLER ASSEMBLY, DRIVE		1
1	017831	Roller, Drive		1
2	016745	Shaft, Drive Roller		1
3	017832	Key, 1/4" Square x 1 3/8"		2
4	F05007-123	BOLT, 3/8-16 X 1 1/4 HEX HEAD GRADE 5		4
5	016744	BEARING, FLANGE		2
6	F05011-3	WASHER, 3/8" SAE FLAT		4
7	F05010-10	NUT, 3/8-16 HEX NYLON LOCK		4
8	F05008-128	BOLT, 1/2-13 X 1" HEX HEAD GRADE 8		3
9	F05011-9	WASHER, 1/2" SPLIT LOCK		3
10	F05011-2	WASHER, 1/2" SAE FLAT		3
11	036186	BRACKET, BEARING		1
12	F05008-127	BOLT, 1/2-20 X 1 3/4" HEX HEAD FULL THREAD		1
13	F05010-16	NUT, 1/2-20 HEX JAM		1
	038540	DRIVE ASSEMBLY, 5HP 3 PHASE		1
	038654	DRIVE ASSEMBLY, 5HP 1 PHASE		1
14	038549	Guard, Lower Drive IC5		1
15	F05011-48	Washer, 7/16" Split Lock		6
16	F05007-145	Bolt, 7/16-14 x 1 Hex Head Grade 5		6

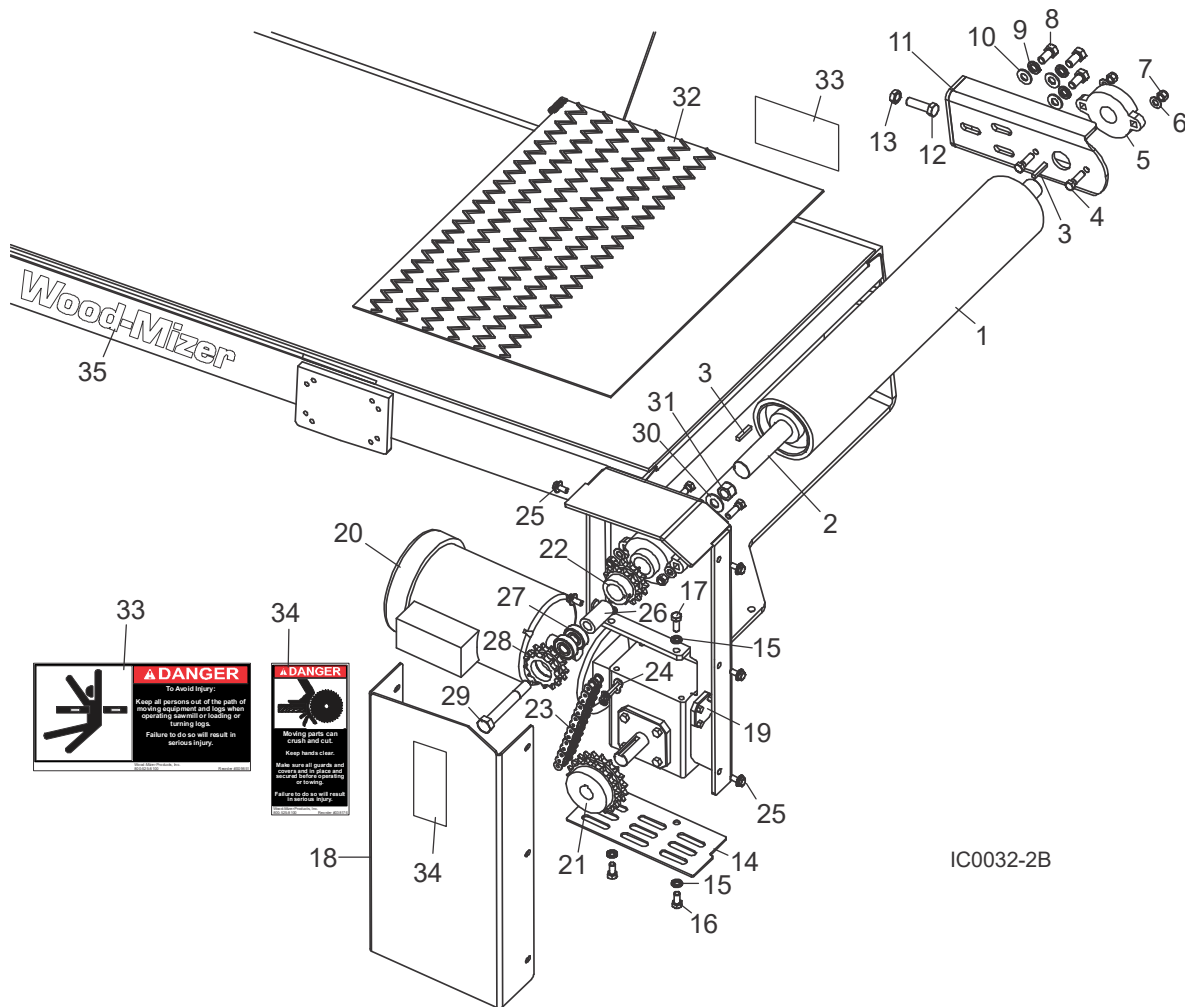
5 Replacement Parts

Motor & Drive Roller (IC5)

REF	PART #	DESCRIPTION	COMMENTS	QTY.
17	038556	Guard, IC5 Drive		1
	038508	Gearbox/Motor Assembly, 5HP 3PH 7.5:1		1
	038538	Gearbox/Motor Assembly, 5HP 1PH 7.5:1		1
18	038510	Gearbox, 7.5:1		1
19	038509	Motor, 5HP 3PH 1740RPM		1
	061170	Motor, 5HP 1PH 1740RPM		1
20	038535	Sprocket, #50-2 x 18T x 1 3/8" Bore		1
21	038559	Sprocket, #50-2 x 16T x 1 1/4" Bore		1
22	038544	Chain, #50-2 x 44 3/8" (71 Pitches)		1
23	015258	Link, #50-2 Master		1
24	F05006-101	BOLT, 5/16-18 X 3/4" HEX LOCK WASHER HEAD		5
25	042205	SPACER, IDLER SPROCKET		1
	016019	SPROCKET ASSEMBLY, #50-2 IDLER		1
26	P06030-1	Bearing, 5/8" ID x 1.7548" OD x .4724 Thick		2
27	015202	Sprocket, D50B13 Modified		1
28	F05009-10	BOLT, 5/8-11 X 4 1/2" HEX HEAD GRADE 5		1
29	F05011-5	WASHER, 5/8" SAE FLAT		1
30	F05010-34	NUT, 5/8-11 HEX NYLON LOCK		1
31	045475	BELT, CONVEYOR 24" X 474" Z-TOP		1
32	S09851	DECAL, KEEP AWAY DANGER		1
33	038176	DECAL, MOVING PARTS DANGER		1
34	065034	DECAL, 20.5" WHITE WOOD-MIZER LOGO		2

5.5 Motor & Drive Roller (IC2)

IC2 Rev. A3.00+



IC0032-2B

REF	PART #	DESCRIPTION	COMMENTS	QTY.
	016748	ROLLER ASSEMBLY, DRIVE		1
1	017831	Roller, Drive		1
2	016745	Shaft, Drive Roller		1
3	017832	Key, 1/4" Square x 1 3/8"		2
4	F05007-123	BOLT, 3/8-16 X 1 1/4 HEX HEAD GRADE 5		4
5	016744	BEARING, FLANGE		2
6	F05011-3	WASHER, 3/8" SAE FLAT		4
7	F05010-10	NUT, 3/8-16 HEX NYLON LOCK		4
8	F05008-128	BOLT, 1/2-13 X 1" HEX HEAD GRADE 8		3
9	F05011-9	WASHER, 1/2" SPLIT LOCK		3
10	F05011-2	WASHER, 1/2" SAE FLAT		3
11	036186	BRACKET, BEARING		1
12	F05008-127	BOLT, 1/2-20 X 1 3/4" HEX HEAD FULL THREAD		1
13	F05010-16	NUT, 1/2-20 HEX JAM		1
	038539	DRIVE ASSEMBLY, 2HP 3 PHASE		1
	038653	DRIVE ASSEMBLY, 2HP 1 PHASE		1
14	038542	Guard, Lower Drive IC2		1

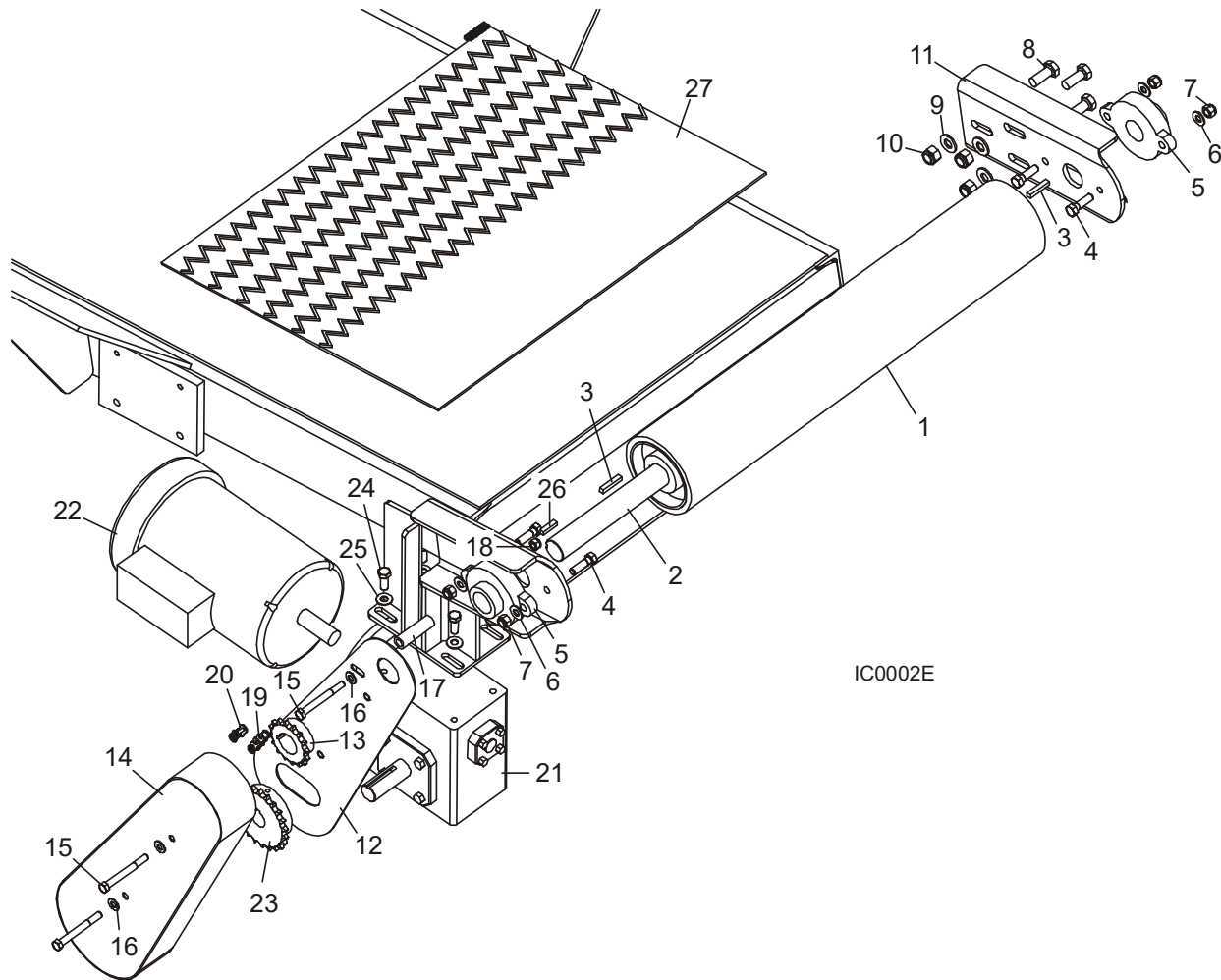
5 Replacement Parts

Motor & Drive Roller (IC2)

REF	PART #	DESCRIPTION	COMMENTS	QTY.
15	F05011-4	Washer, 3/8" Split Lock		6
16	F05007-82	Bolt, 3/8-16 x 1" Hex Head Grade 8		4
17	F05007-118	Bolt, 3/8-16 x 3/4" Hex Head Grade 5		2
18	038533	Guard, IC2 Drive		1
	016764	Gearbox/Motor Assembly, 2HP 3PH 10:1		1
	036239	Gearbox/Motor Assembly, 2HP 1PH 10:1		1
19	016763	Gearbox, 10:1		1
20	016762	Motor, 2HP 3PH 1725RPM		1
	061168	Motor, 2HP 1PH 1725RPM		1
21	038534	Sprocket, #50-2 x 19T x 1" Bore		1
22	036008	Sprocket, #50-2 x 13T x 1 1/4" Bore		1
23	038543	Chain, #50-2 x 40 5/8" (65 Pitches)		1
24	015258	Link, #50-2 Master		1
25	F05006-101	BOLT, 5/16-18 X 3/4" HEX LOCK WASHER HEAD		5
26	042205	SPACER, IDLER SPROCKET		1
	016019	SPROCKET ASSEMBLY, #50-2 IDLER		1
27	P06030-1	Bearing, 5/8" ID x 1.7548" OD x .4724 Thick		2
28	015202	Sprocket, D50B13 Modified		1
29	F05009-10	BOLT, 5/8-11 X 4 1/2" HEX HEAD GRADE 5		1
30	F05011-5	WASHER, 5/8" SAE FLAT		1
31	F05010-34	NUT, 5/8-11 HEX NYLON LOCK		1
32	045475	BELT, CONVEYOR 24" X 474" Z-TOP		1
33	S09851	DECAL, KEEP AWAY DANGER		1
34	038176	DECAL, MOVING PARTS DANGER		1
35	065034	DECAL, 20.5" WHITE WOOD-MIZER LOGO		2

5.6 Motor & Drive Roller (IC1/IC2)

IC1 Rev. A1.00 - A2.05
IC2 Rev. A1.00 - A2.02



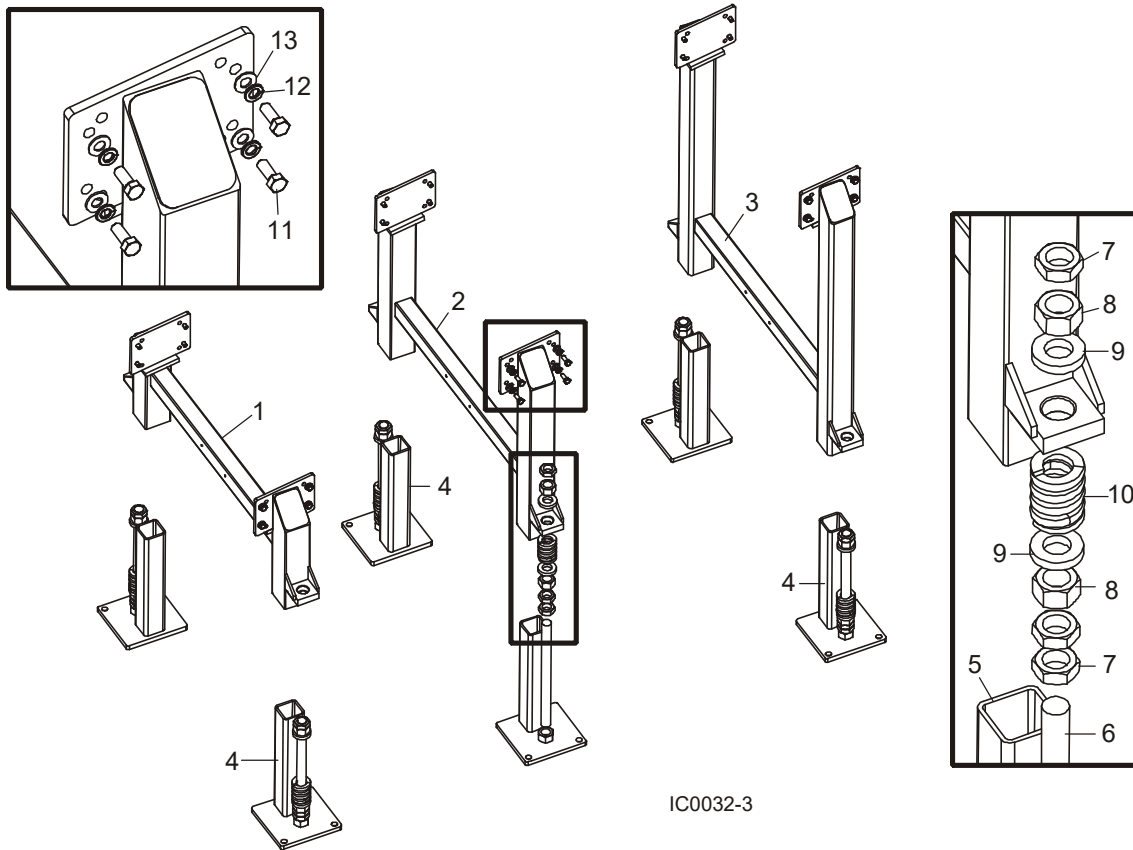
REF	PART #	DESCRIPTION	COMMENTS	QTY.
	016748	ROLLER ASSEMBLY, DRIVE	Roller weldment changed to assembly (Rev. A2.03). Assembly components are available separately for service.	1
1	017831	Roller, Drive		1
2	016745	Shaft, Drive Roller		1
3	017832	Key, 1/4" Square x 1 3/8"		2
4	F05007-123	BOLT, 3/8-16 X 1 1/4 HEX HEAD GRADE 5		4
5	016744	BEARING, FLANGE		2
6	F05011-3	WASHER, 3/8 SAE FLAT		4
7	F05010-10	NUT, 3/8-16 HEX NYLON LOCK		4
8	F05008-37	BOLT, 1/2-13 X 1 1/4 HEX HEAD GRADE 5		3
9	F05011-2	WASHER, 1/2 SAE FLAT		3
10	F05010-8	NUT, 1/2-13 NYLON HEX LOCK		3
11	036186	BRACKET, BEARING (IC2)		1
	016696	BRACKET, BEARING (IC1)		1
12	045615	GUARD WELDMENT, REAR (IC2)		1

REF	PART #	DESCRIPTION	COMMENTS	QTY.
	016774	GUARD WELDMENT, REAR (IC1)		1
13	016908	SPROCKET, #40H 16T 1 1/4" BORE	Case-hardened sprockets replace sprockets originally supplied prior to 2/20/02. Sprockets on all units in the field to be replaced under warranty.	1
14	016782	GUARD WELDMENT, FRONT		1
15	F05006-62	BOLT, 5/16-18 X 3 HEAX HEAD GRADE 5		3
16	F05011-17	WASHER, 5/16 SAE FLAT		3
17	016907	SPACER, GUARD OFFSET		1
18	F05010-58	NUT, 4/16-18 HEX NYLON LOCK		1
19	016910	CHAIN, #40 X 75 LINKS		1
20	P04200	LINK, #40 MASTER		1
	016764	MOTOR/GEARBOX ASSEMBLY (3-PHASE)	Available in assemblies only.	1
	036239	MOTOR/GEARBOX ASSEMBLY (1-PHASE)		1
21	016763	Gear Box, Leeson 10:1		1
22	016762	Motor, 2HP 1725 RPM (3-Phase)		1
	061168	Motor, 2HP 1725 RPM (1-Phase)		1
23	016909	SPROCKET, #40H 23T 1" BORE	Case-hardened sprockets replace sprockets originally supplied prior to 2/20/02. Sprockets on all units in the field to be replaced under warranty.	1
24	F05007-87	BOLT, 3/8-16 X 1 HEX HEAD GRADE 5		4
25	F05011-61	WASHER, 3/8 SAE FLAT		4
26	S21486	KEY, 1/4" SQUARE X 1"		1
27	045475	BELT, CONVEYOR 24 X 474 Z-TOP (IC2)		1
	016921	BELT, CONVEYOR 24 X 426 Z-TOP (IC1)		1

5.7 Leg Assembly (IC2/IC5)

IC2/IC5

Rev. A3.00+



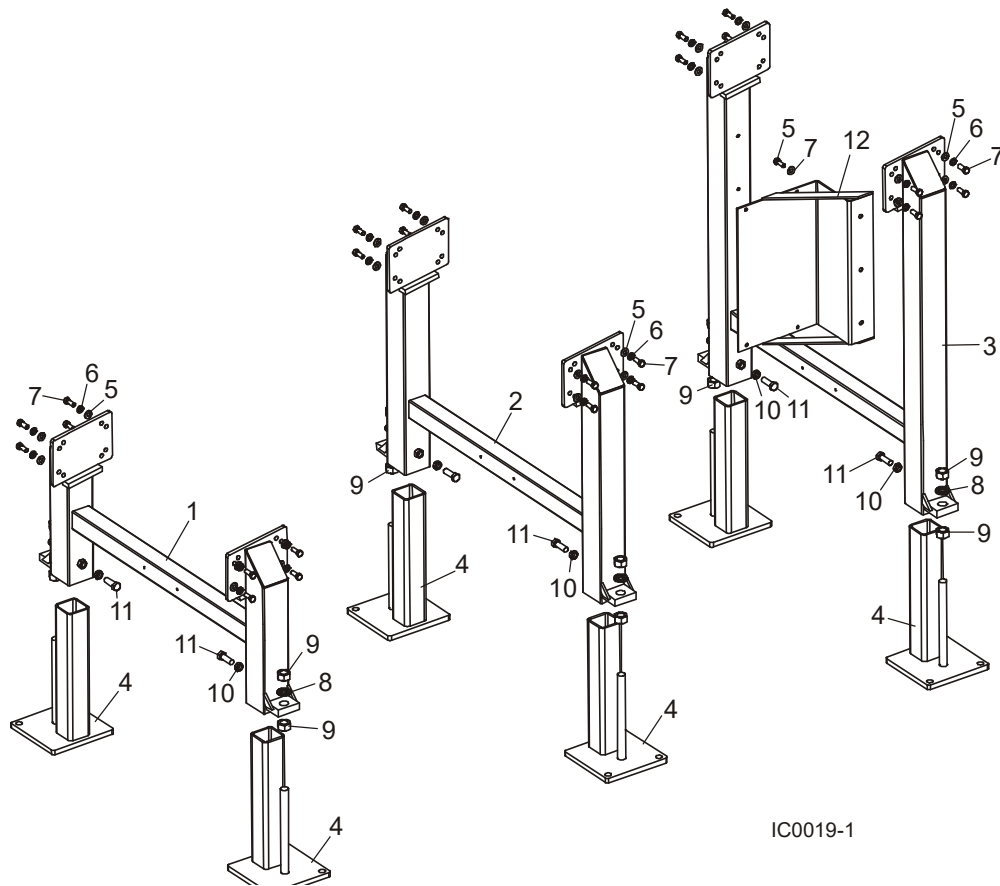
IC0032-3

REF	PART #	DESCRIPTION	COMMENTS	QTY.
1	038525	LEG WELDMENT, SHORT		1
2	038526	LEG WELDMENT, MIDDLE		1
3	038527	LEG WELDMENT, LONG		1
4	038523	FOOT ASSEMBLY, IC5 W/SPRING		6
	038652	FOOT ASSEMBLY, IC2		6
5	038593	Foot Weldment, IC2/IC5		1
6	038595	Rod, 1-14 x 14 1/2" Threaded		1
7	F05010-118	Nut, 1-14 Hex Jam		3
8	F05010-140	Nut, 1-14 Hex		2
9	038521	Washer, 1 1/32" ID x 1 15/16" OD x 3/8" Thick		2
10	038592	Spring, 2" OD x 1" ID x 2 1/2" Extra HD Die (IC5 Only)		1
11	F05007-87	BOLT, 3/8-16 X 1" HEX HEAD GRADE 5		24
12	F05011-4	WASHER, 3/8" SPLIT LOCK		24
13	F05011-3	WASHER, 3/8" SAE FLAT		24

5.8 Leg Assembly (IC2)

IC2

Rev. A2.00 - A2.02



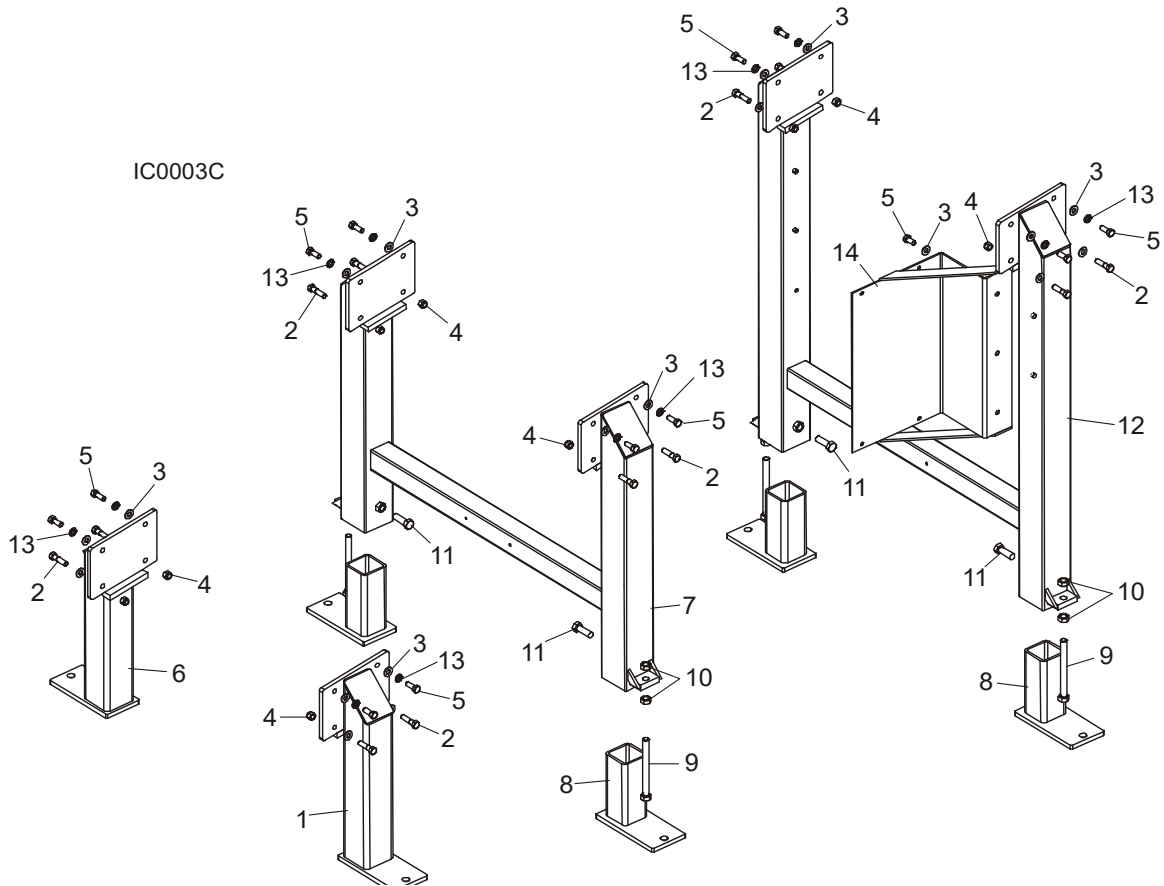
IC0019-1

REF	PART #	DESCRIPTION	COMMENTS	QTY.
1	036407	LEG WELDMENT, IC2 SHORT		1
2	036470	LEG WELDMENT, IC2 MIDDLE		1
3	036471	LEG WELDMENT, IC2 LONG		1
4	036469	FOOT WELDMENT, IC2		6
5	F05011-3	WASHER, 3/8" SAE FLAT		27
6	F05011-4	WASHER, 3/8" SPLIT LOCK		24
7	F05007-87	BOLT, 3/8-16 X 1" HEX HEAD GRADE 5		27
8	F05011-6	WASHER, 3/4" SPLIT LOCK		6
9	F05010-92	NUT, 3/4-16 HEX		12
10	F05010-31	NUT, 1/2-13 HEX JAM		6
11	F05008-33	BOLT, 1/2-13 X 1 1/2" HEX HEAD GRADE 5		6
12	016955	MOUNT WELDMENT, IC2 CONTROL BOX		1

5.9 Leg Assembly (IC2)

IC2

Rev. A1.00



REF	PART #	DESCRIPTION	COMMENTS	QTY.
1	045469	LEG WELDMENT, SHORT LEFT	Leg Weldments replaced with Rev. A2.00 to accommodate 8" height increase for LT300 (See Section 5.8). New legs will adjust to all versions of LT300.	1
2	F05007-78	BOLT, 3/8-16 X 1 1/2" HEX HEAD GRADE 5		12
3	F05011-3	WASHER, 3/8" SAE FLAT		20
4	F05010-10	NUT, 3/8-16 HEX NYLON LOCK		12
5	F05007-87	BOLT, 3/8-16 X 1" HEX HEAD GRADE 5		15
6	045466	LEG WELDMENT, SHORT RIGHT		1
	045470	LEG ASSEMBLY, MIDDLE	Leg Weldments replaced with Rev. A2.00 to accommodate 8" height increase for LT300 (See Section 5.8). New legs will adjust to all versions of LT300.	1
7	045471	Leg Weldment, Middle		1
8	016689	Leg Weldment, Adjustable		2
9	F05008-29	Bolt, 1/2-13 X 5 1/2" Hex Head Full Thread		2
10	F05010-35	Nut, 1/2-13 Hex		4
11	F05008-33	Bolt, 1/2-13 X 1 1/2" Hex Head Grade 5		2

5 Replacement Parts

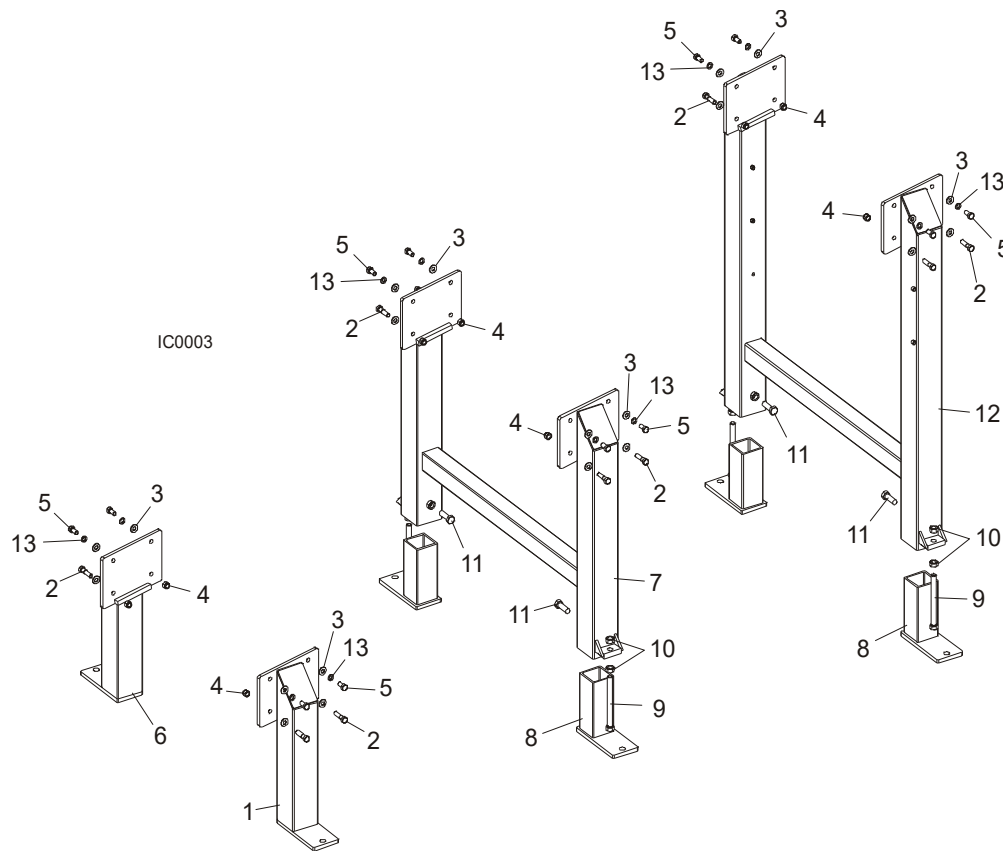
Leg Assembly (IC2)

REF	PART #	DESCRIPTION	COMMENTS	QTY.
	045472	LEG ASSEMBLY, LONG	Leg Weldments replaced with Rev. A2.00 to accommodate 8" height increase for LT300 (See Section 5.8). New legs will adjust to all versions of LT300.	1
8	016689	Leg Weldment, Adjustable		2
9	F05008-29	Bolt, 1/2-13 X 5 1/2" Hex Head Full Thread		2
10	F05010-35	Nut, 1/2-13 Free Hex		4
11	F05008-33	Bolt, 1/2-13 X 1 1/2" Hex Head Grade 5		2
12	045473	Leg Weldment, Long		1
13	F05011-4	WASHER, 3/8" SPLIT LOCK		12
14	016955	MOUNT WELDMENT, IC2 CONTROL BOX		1

5.10 Leg Assembly (IC1)

IC1

Rev. A1.00 - A2.05



REF	PART #	DESCRIPTION	COMMENTS	QTY.
1	016905	LEG WELDMENT, SHORT LEFT		1
2	F05007-78	Bolt, 3/8-16 X 1 1/2" Hex Head Grade 5		2
3	F05011-61	Washer, 3/8" SAE Flat		4
4	F05010-10	Nut, 3/8-16 Hex Nylon Lock		2
5	F05007-87	Bolt, 3/8-16 X 1 Hex Head Grade 5		2
6	016694	LEG WELDMENT, SHORT RIGHT		1
2	F05007-78	Bolt, 3/8-16 X 1 1/2" Hex Head Grade 5		2
3	F05011-61	Washer, 3/8" SAE Flat		4
4	F05010-10	Nut, 3/8-16 Hex Nylon Lock		2
5	F05007-87	Bolt, 3/8-16 X 1" Hex Head Grade 5		2
2	F05007-78	BOLT, 3/8-16 X 1 1/2" HEX HEAD GRADE 5		8
3	F05011-61	WASHER, 3/8" SAE FLAT		16
4	F05010-10	NUT, 3/8-16 HEX NYLON LOCK		8
5	F05007-87	BOLT, 3/8-16 X 1" HEX HEAD GRADE 5		8
	016922	LEG ASSEMBLY, MIDDLE		1
7	016768	Leg Weldment, Middle		1
8	016689	Leg Weldment, Adjustable		2
9	F05008-29	Bolt, 1/2-13 X 5 1/2" Hex Head Full Thread		2
10	F05010-35	Nut, 1/2-13 Free Hex, Zinc		4
11	F05008-33	Bolt, 1/2-13 X 1 1/2" Hex Head Grade 5		2

5 Replacement Parts

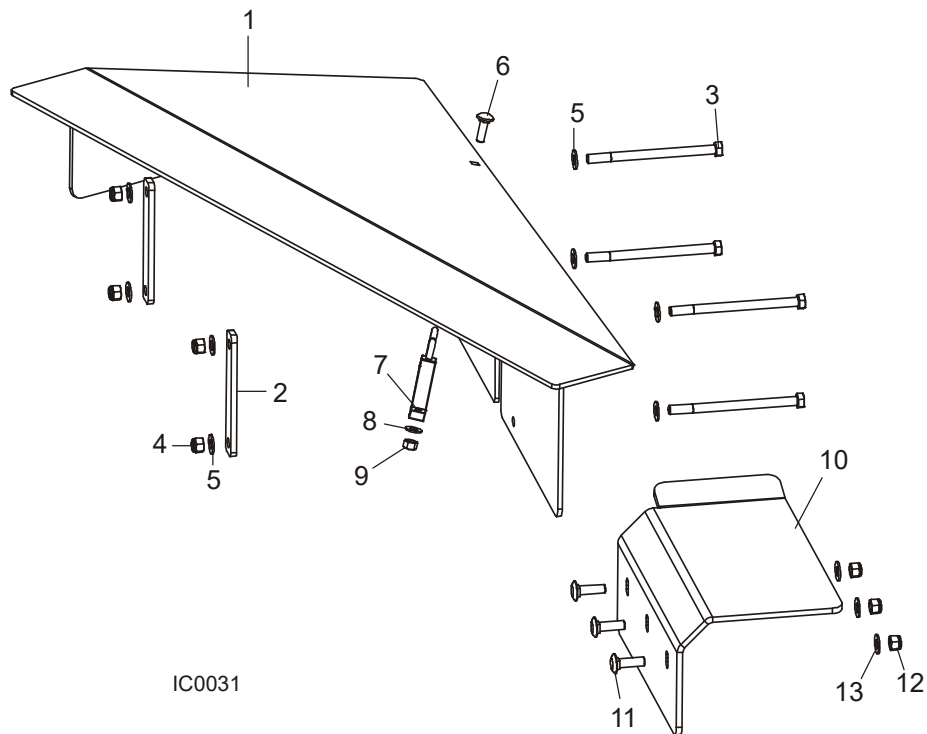
Leg Assembly (IC1)

REF	PART #	DESCRIPTION	COMMENTS	QTY.
	016923	LEG ASSEMBLY, LONG		1
8	016689	Leg Weldment, Adjustable		2
9	F05008-29	Bolt, 1/2-13 X 5 1/2" Hex Head Full Thread		2
10	F05010-35	Nut, 1/2-13 Hex		4
11	F05008-33	Bolt, 1/2-13 X 1 1/2" Hex Head Grade 5		2
12	016767	Leg Weldment, Long		1
13	F05011-4	WASHER, 3/8 SPLIT LOCK		12

6.11 Install Kit (LT70HD Remote)

IC2/IC5

Rev. A3.00+



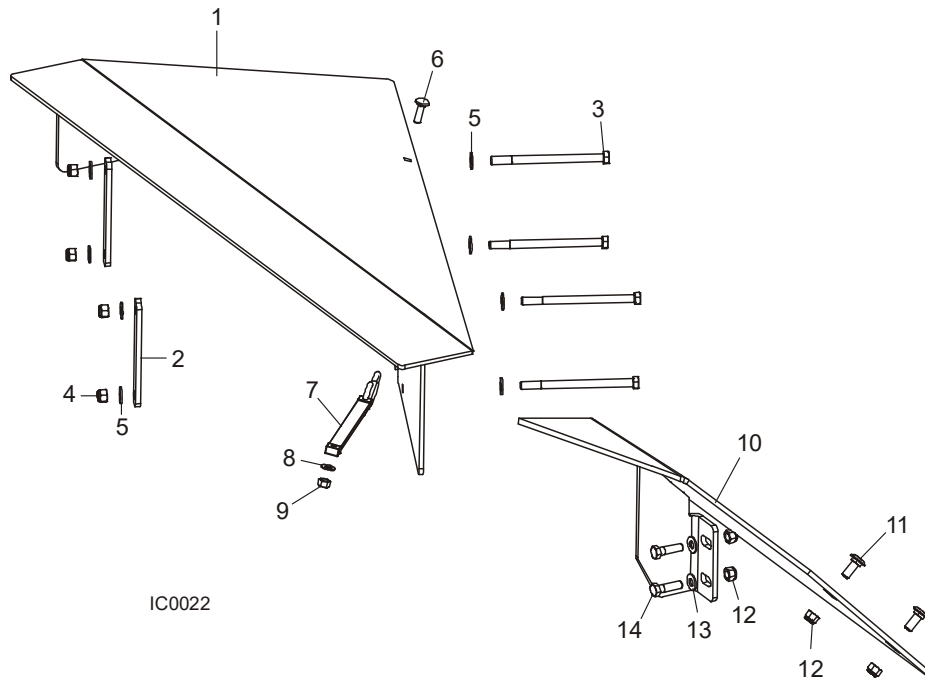
IC0031

REF	PART #	DESCRIPTION	COMMENTS	QTY.
	IC2/5-Install	INSTALL KIT, LT70HD-R IC2/IC5	Kit required to install IC2/IC5 Rev. A3.00 and later to LT70HD Remote sawmills.	1
	017819	Table Assembly, Board Return		1
1	017817	Table Weldment, Bed	Available in assemblies only.	1
2	017818	Plate, Bed Table Strap		2
3	F05007-34	Bolt, 3/8-16 x 5 1/2" Hex Head Grade 5		4
4	F05010-10	Nut, 3/8-16 Hex Nylon Lock		4
5	F05011-3	Washer, 3/8" SAE Flat		8
6	F05006-9	Bolt, 5/16-18 x 1" Carriage Head		1
7	012965	Strap, 11 1/2" Rubber		1
8	F05011-17	Washer, 5/16" SAE Flat		1
9	F05010-6	Nut, 5/16-18 Hex Lock		1
	038657	Extension Assembly, IC2/IC5 Fence	Fence Extension Assembly also required for 24' LT300 prior to Rev. A5.00.	1
10	038639	Plate, IC Extension Wing		1
11	F05007-127	Bolt, 3/8-16 x 1 1/4" Carriage Head Grade 5		3
12	F05010-10	Nut, 3/8-16 Hex Nylon Lock		3
13	F05011-3	Washer, 3/8" SAE Flat		3

6.12 Install Kit (LT70HD Remote)

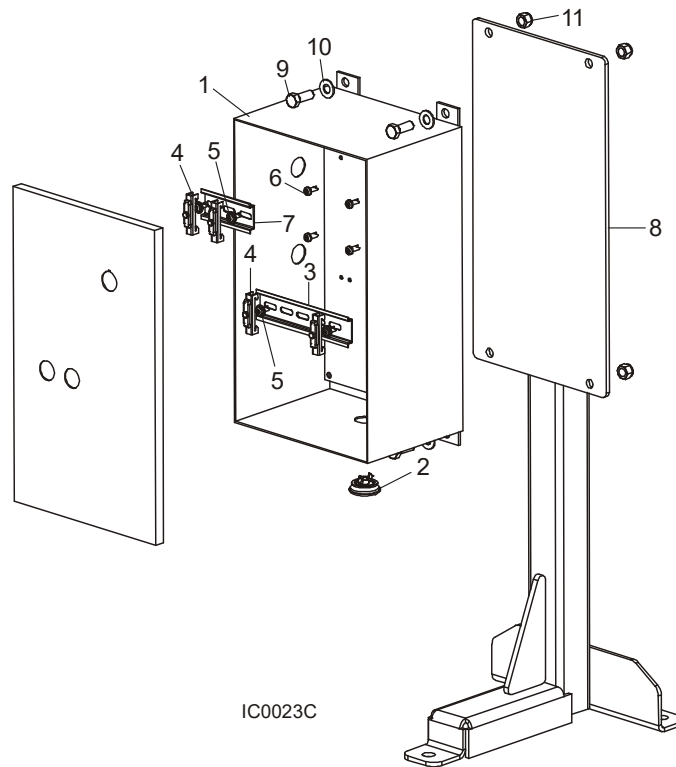
IC2

Rev. A1.00 - A2.02



REF	PART #	DESCRIPTION	COMMENTS	QTY.
	IC2-Install	INSTALL KIT, LT70HD-R IC2	Kit required to install IC2 prior to Rev. LT70HD Remote sawmills.	1
	017819	Table Assembly, Board Return		1
1	017817	Table Weldment, Bed	Available in assemblies only.	1
2	017818	Plate, Bed Table Strap		2
3	F05007-34	Bolt, 3/8-16 x 5 1/2" Hex Head Grade 5		4
4	F05010-10	Nut, 3/8-16 Hex Nylon Lock		4
5	F05011-3	Washer, 3/8" SAE Flat		8
6	F05006-9	Bolt, 5/16-18 x 1" Carriage Head		1
7	012965	Strap, 11 1/2" Rubber		1
8	F05011-17	Washer, 5/16" SAE Flat		1
9	F05010-6	Nut, 5/16-18 Hex Lock		1
	036192	Extension Assembly, IC2 Fence	Fence Extension Assembly also required for 24' LT300 prior to Rev. A5.00.	1
10	036191	Extension Weldment, IC2 Fence	Available in assemblies only.	1
11	F05007-165	Bolt, 3/8-16 x 1" Carriage Head		2
12	F05010-10	Nut, 3/8-16 Hex Nylon Lock		4
13	F05011-3	Washer, 3/8" SAE Flat		2
14	F05007-123	Bolt, 3/8-16 x 1 1/4" Hex Head Grade 5		2

6.13 Control Box



REF	PART #	DESCRIPTION	COMMENTS	QTY.
	025293	CONTROL ASSEMBLY, 480V 3P 2HP START/STOP (IC2-H)		1
	050934	CONTROL ASSEMBLY, 240V 3P 2HP START/STOP (IC2-L)		1
	050999	CONTROL ASSEMBLY, 240V 1P 2HP START/STOP (IC2-S)		1
	052694	CONTROL ASSEMBLY, 480V 3P5HP START/STOP (IC5-H)		1
	052695	CONTROL ASSEMBLY, 240V 3P 5HP START/STOP (IC5-L)		1
	052696	CONTROL ASSEMBLY, 240V 1P 5HP START/STOP (IC5-S)		1
1	025292	Enclosure, 14" x 8" x 6" NEMA12 Custom (w/Cover) Electrical Components (<i>(See Section 4.8)</i>)		1
2	024685	Plug, AS050 Oiltite		1
3	024474-5_5	Rail, 35mm x 7.5mm x 5 1/2" DIN		1
4	E22707	Clamp, DIN Rail		4
5	F05004-186	Screw, #10-24 x 1/2" Phillips Head		4
6	F05015-17	Bolt, #10-24 x 1/2" Phillips Pan Head Type 23		4
7	024474-3	Rail, 35mm x 7.5mm x 3" DIN		1
8	038648	STAND WELDMENT, IC CONTROL (Rev. A3.00+)		1
9	F05007-87	BOLT, 3/8-16 X 1" HEX HEAD GRADE 5		4
10	F05011-3	WASHER, 3/8" SAE FLAT		4
11	F05010-10	NUT, 3/8-16 HEX NYLON LOCK		4

