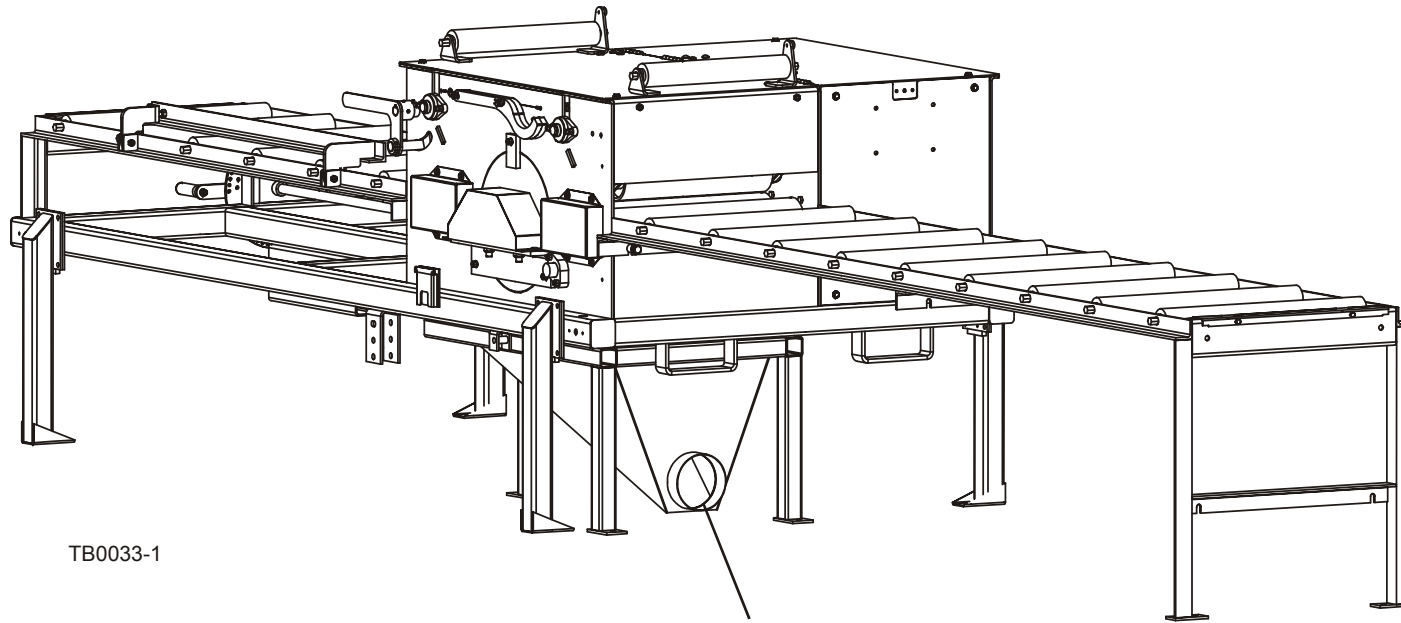


FORM 1039 SAWDUST HOPPER INSTRUCTIONS

Part No. 042761



TB0033-1

Place hopper
under edger
blade housing
with vacuum port
facing rear