

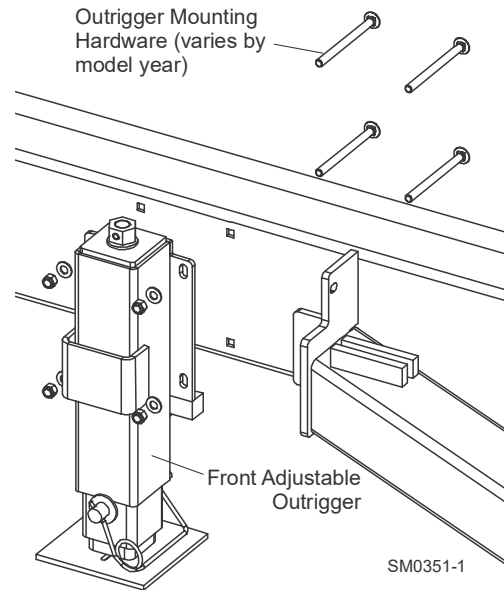
# FORM #1524

## FINE ADJUSTABLE OUTRIGGERS

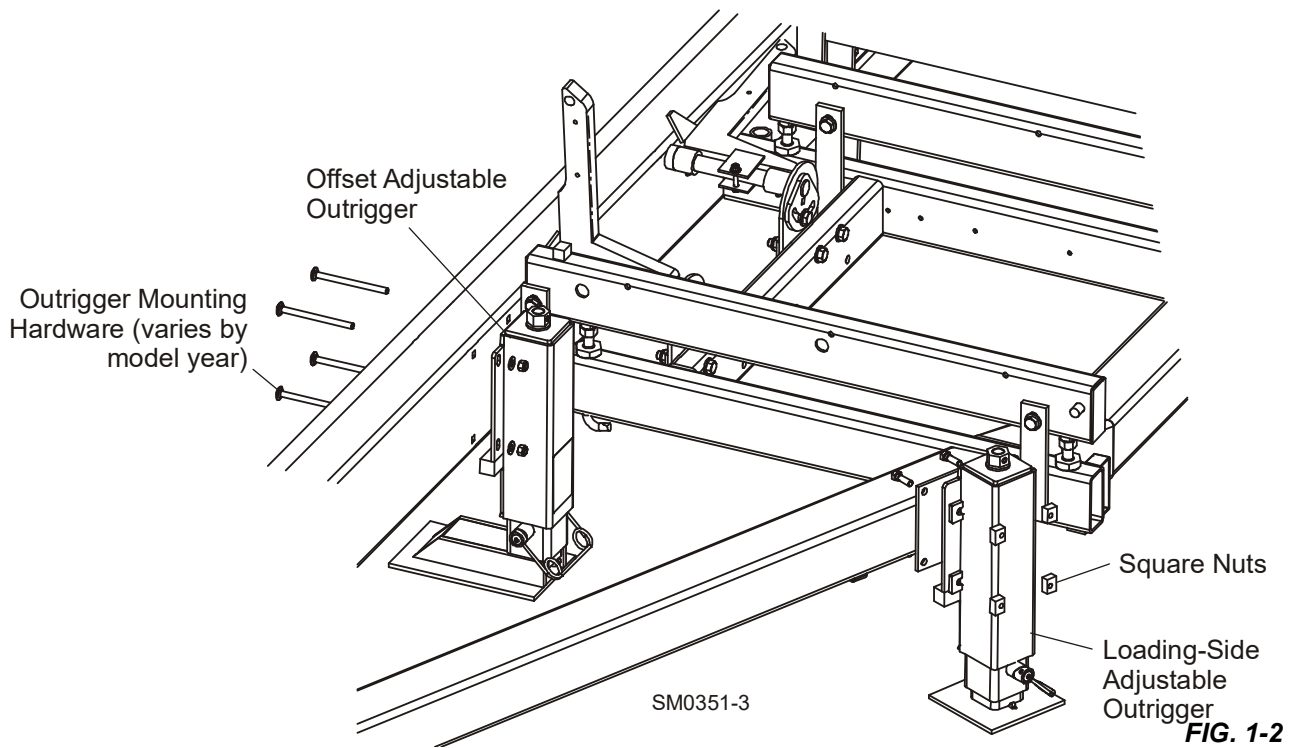
### Installation/Setup

The adjustable outriggers may be installed to any sawmill with 24' frame (optional on LT28/35/40/50; standard on LT70). Assemble the adjustable outrigger assemblies to the sawmill frame where the existing outriggers or stationary feet are mounted:

1. If necessary, move the saw head to the travel location.
2. Lower the second front-most outrigger and use the jack handle to adjust the outrigger to support the weight of the sawmill frame.
3. Remove the front-most outrigger (closest to hitch).
4. Reuse the outrigger mounting hardware to install the front adjustable outrigger to the sawmill frame.
5. Disengage the locking pin retainer on the front adjustable outrigger.
6. Hold the adjustable leg with one hand and pull out the locking pin.
7. Lower the adjustable leg to align the locking pin holes so the foot pad is as close to the ground as possible.
8. Reinstall the locking pin and secure with the retainer..
9. Use the provided crank handle to turn the outrigger adjustment nut counterclockwise to push the foot pad down to support the weight of the sawmill frame.
10. Remove the next two front outriggers and install a loading-side adjustable outrigger and offset adjustable outrigger to the sawmill frame at these two locations.
11. Again, reuse the mounting hardware to install the adjustable outriggers.
12. For the loading-side outrigger, use the provided square nuts to replace the original flat washers and hex nuts.



**FIG. 1-1**



13. Repeat the step above to install offset and loading-side adjustable outriggers at the rear of the sawmill frame.
14. Remove the rear outrigger and install the rear adjustable outrigger assembly, reusing the mounting hardware.

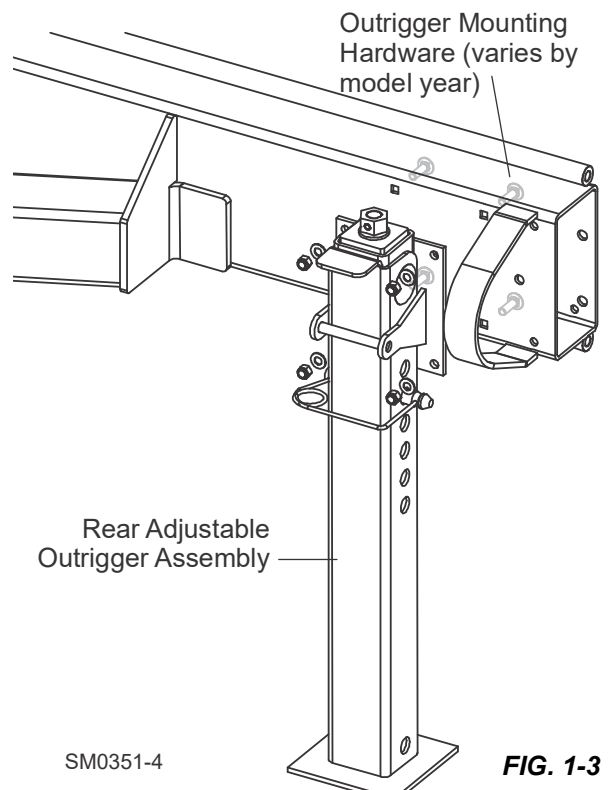
## Operation



**WARNING!** Do not set up the mill on ground with more than a 10 degree incline. If setup on an incline is necessary, put blocks under one side of the mill or dig out areas for outrigger legs to keep mill level. Setting up the mill on an incline could cause it to tip over, resulting in serious personal injury.

**WARNING!** Chock the trailer wheels to prevent movement before unhitching it from the towing vehicle. Failure to do so may result in serious injury or death.

**WARNING!** Always make sure the trailer is supporting the sawmill frame when operating a sawmill



with adjustable outriggers. Failure to do so may result in serious injury or death. The adjustable outriggers are intended to support the saw frame with assistance from the trailer.

**WARNING!** The adjustable outriggers supplied with portable sawmills are not intended for setup on concrete or other hard surfaces. Long-term use of the adjustable outriggers on hard surfaces may cause the outriggers to fail, causing the sawmill to drop. This could result in possible serious injury or death.

If setting the sawmill up on concrete or other hard surface, replace the adjustable outrigger legs with stationary legs.

### To set outriggers for sawing:

1. With the saw head in the travel position, set the front outrigger as described on setup section.



**WARNING!** Put front outrigger down before moving cutting head from the rest position. Failure to do so may result in serious injury.

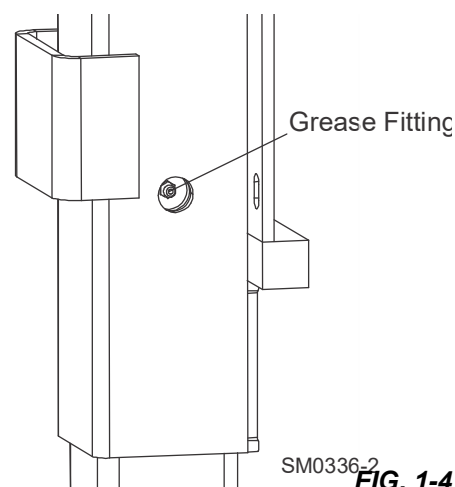
2. Move the saw head to the front of the sawmill and adjust the rear outriggers.
3. Rear outrigger adjustment is similar to the front outrigger.
4. Remove the locking pin and adjust the leg down.
5. Replace the locking pin and use the crank to adjust the outrigger as desired.

### To set outriggers for towing:

1. With the saw head at the front of the sawmill, use the crank handle to turn the rear outrigger adjustment nut clockwise until the outrigger does not bear weight.
2. Disengage the locking pin retainer and remove the locking pin.
3. Raise the leg all the way up so the bottom-most hole is aligned with the locking pin hole.
4. Replace the locking pin and secure with the retainer. Repeat for the other rear outriggers.
5. Move the saw head to the travel position and raise the front outriggers as described above.
6. Connect the hitch to the towing vehicle and raise the front-most outrigger.

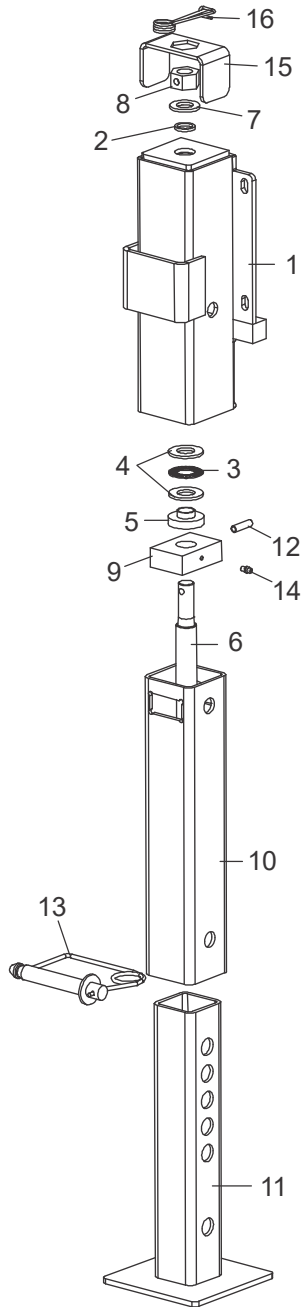
## Maintenance

Grease the Fine Adjust Outriggers (FAOs) every 200 hours of operation or once a month, whichever comes first. Use one squeeze of a NLGI No. 2 grade lithium grease from a grease gun to lubricate the outrigger and remove any sawdust.



# Replacement Parts

## Front Outrigger Assembly



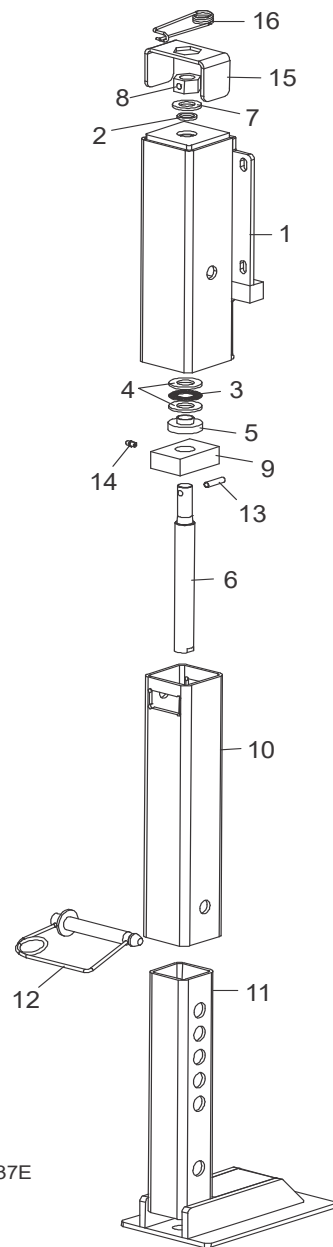
SM0336D

Item	Description	Part No.	Qty.
	<b>OUTRIGGER ASSEMBLY, FRONT ADJUSTABLE</b>	003944	1
1	Mount Weldment, Front Adjustable Outrigger	003943	1
2	Seal, Outrigger Acme Screw	039641	1
	Bearing Assembly, Adjustable Outrigger Thrust	039639	1
3	Bearing, Needle-Roller Thrust	039637	1

<b>4</b>	Washer, Thrust Bearing	039638	2
<b>5</b>	Sleeve, Outrigger Acme Screw	039645	1
<b>6</b>	Screw, 1-5 Adjustable Outrigger Long Acme	039642	1
<b>7</b>	Washer, 3/4" SAE Flat	F05011-62	1
<b>8</b>	Nut, Adjustable Outrigger Hex	056774	1
<b>9</b>	Nut, 1-5 Long Acme	039636	1
<b>10</b>	Tube, Front Adjustable Outrigger Slide	003981	1
<b>11</b>	Base Weldment, Adjustable Outrigger	056783	1
<b>12</b>	Pin 5/16" x 1 1/4" Roll	F05012-127	1
<b>13</b>	Pin, Adjustable Outrigger Locking	056817	1
<b>14</b>	Fitting, 1/4-28 Grease	P05060	1
<b>15</b>	Bracket, Adjustable Outrigger Lock	059577 <sup>1</sup>	1
<b>16</b>	Pin, 1/8x2-13/16L Locking Wire	F05012-162	1
	Inst. Sheet, Adjustable Outrigger	FAO-1524	1

<sup>1</sup> Added Lock Bracket 059577 to prevent outrigger from creeping down during sawing (6/18).

## Offset Outrigger Assembly



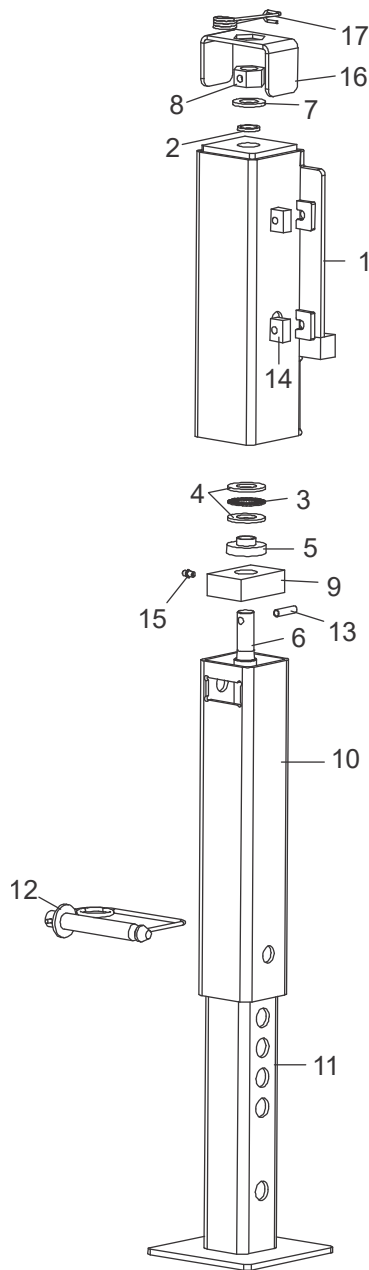
SM0337E

Item	Description	Part No.	Qty.
	<b>Outrigger Assembly, Offset Adjustable</b>	056787	2
1	Mount Weldment, Offset Adjustable Outrigger	003945	1
2	Seal, Outrigger Acme Screw	039641	1
	Bearing Assembly, Adjustable Outrigger Thrust	039639	1
3	Bearing, Needle-Roller Thrust	039637	1
4	Washer, Thrust Bearing	039638	2
5	Sleeve, Outrigger Acme Screw	039645	1
6	Screw, 1-5 Adjustable Outrigger Long Acme	039642	1

<b>7</b>	Washer, 3/4" SAE Flat	F05011-62	1
<b>8</b>	Nut, Adjustable Outrigger Hex	056774	1
<b>9</b>	Nut, 1-5 Long Acme	039636	1
<b>10</b>	Tube, Front Adjustable Outrigger Slide	003981	1
<b>11</b>	Base Weldment, Offset Adjustable Outrigger	056788	1
<b>12</b>	Pin, Adjustable Outrigger Locking	056817	1
<b>13</b>	Pin 5/16" x 1 1/4" Roll	F05012-127	1
<b>14</b>	Fitting, 1/4-28 Grease	P05060	1
<b>15</b>	Bracket, Adjustable Outrigger Lock	059577 <sup>1</sup>	1
<b>16</b>	Pin, 1/8x2-13/16L Locking Wire	F05012-162	1
	Inst. Sheet, Adjustable Outrigger	FAO-1524	1

<sup>1</sup> Added Lock Bracket 059577 to prevent outrigger from creeping down during sawing (6/18).

## Loading Side Outrigger Assembly



SM0338F

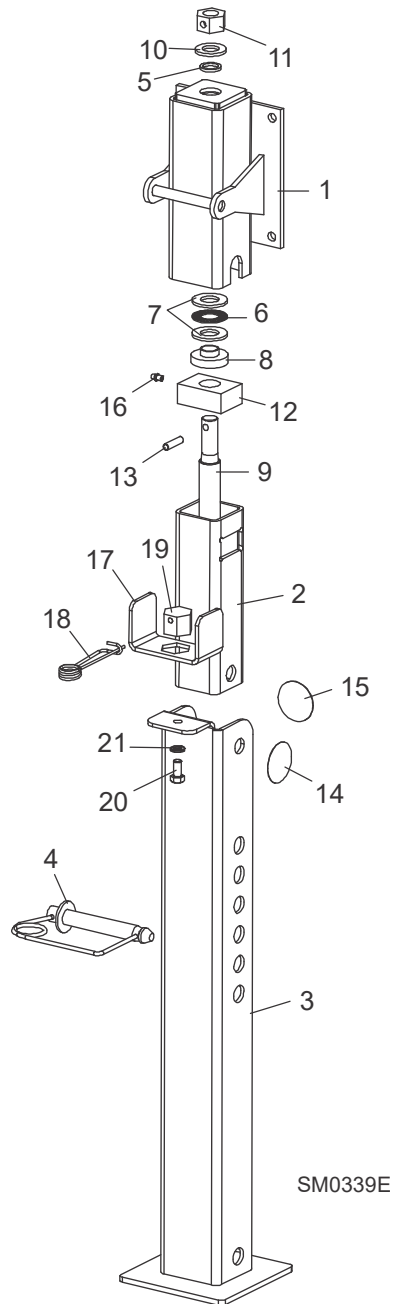
Item	Description	Part No.	Qty.
	<b>OUTRIGGER ASSEMBLY, LOADING SIDE ADJUSTABLE</b>	056781	2
1	Mount Weldment, Loading Side Adjustable Outrigger	056780	1
2	Seal, Outrigger Acme Screw	039641	1
	Bearing Assembly, Adjustable Outrigger Thrust	039639	1
3	Bearing, Needle-Roller Thrust	039637	1
4	Washer, Thrust Bearing	039638	2
5	Sleeve, Outrigger Acme Screw	039645	1



<b>6</b>	Screw, 1-5 Adjustable Outrigger Long Acme	039642	1
<b>7</b>	Washer, 3/4" SAE Flat	F05011-62	1
<b>8</b>	Nut, Adjustable Outrigger Hex	056774	1
<b>9</b>	Nut, 1-5 Long Acme	039636	1
<b>10</b>	Tube, Adjustable Outrigger Slide	003981	1
<b>11</b>	Base Weldment, Loading Side Adjustable Outrigger	056783	1
<b>12</b>	Pin, Adjustable Outrigger Locking	056817	1
<b>13</b>	Pin 5/16" x 1 1/4" Roll	F05012-127	1
<b>14</b>	Nut, Adjustable Outrigger Mounting	056826	4
<b>15</b>	Fitting, 1/4-28 Grease	P05060	1
<b>16</b>	Bracket, Adjustable Outrigger Lock	059577 <sup>1</sup>	1
<b>17</b>	Pin, 1/8x2-13/16L Locking Wire	F05012-162	1
	Inst. Sheet, Adjustable Outrigger	FAO-1524	1

<sup>1</sup> Added Lock Bracket 059577 to prevent outrigger from creeping down during sawing (6/18).

## Rear Outrigger Assembly

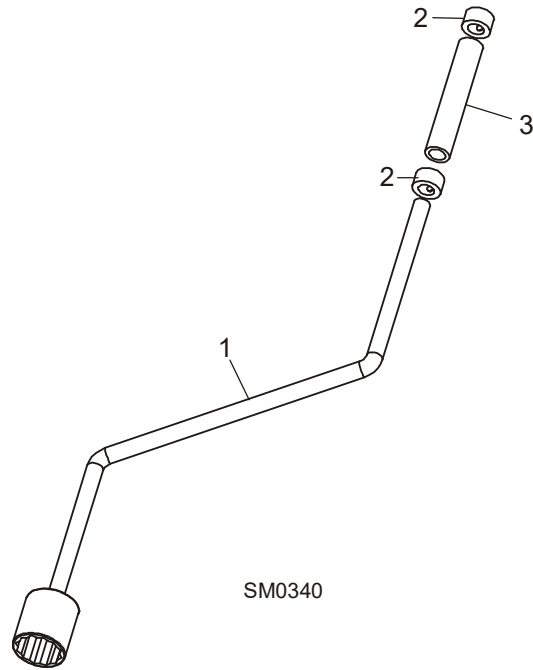


Item	Description	Part No.	Qty.
	<b>Outrigger Assembly, Rear Adjustable</b>	056791	1
1	Mount Weldment, Rear Adjustable Outrigger	056815	1
2	Tube, Rear Adjustable Outrigger Slide	056795	1
3	Base Weldment, Rear Adjustable Outrigger	056816	1
4	Pin, Adjustable Outrigger Locking	056817	1
5	Seal, Outrigger Acme Screw	039641	1

	Bearing Assembly, Adjustable Outrigger Thrust	039639	1
<b>6</b>	Bearing, Needle-Roller Thrust	039637	1
<b>7</b>	Washer, Thrust Bearing	039638	2
<b>8</b>	Sleeve, Outrigger Acme Screw	039645	1
<b>9</b>	Screw, 1-5 Adjustable Outrigger Short Acme	056818	1
<b>10</b>	Washer, 3/4" SAE Flat	F05011-62	1
<b>11</b>	Nut, Adjustable Outrigger Hex	056774	1
<b>12</b>	Nut, 1-5 Short Acme	056823	1
<b>13</b>	Pin 5/16" x 1 1/4" Roll	F05012-127	1
<b>14</b>	Decal, 2" Dia. Red Reflector	P07452	1
<b>15</b>	Decal, 2" Dia. Amber Reflector	P07453	1
<b>16</b>	Fitting, 1/4-28 Grease	P05060	1
<b>17</b>	Bracket, Adjustable Outrigger Lock	059577 <sup>1</sup>	1
<b>18</b>	Pin, 1/8x2-13/16L Locking Wire	F05012-162	1
<b>19</b>	Nut, FAO Outrigger Lock	110560	1
<b>20</b>	Bolt, 3/8-16x3/4 HH Gr5	F05007-118	1
<b>21</b>	Washer, 3/8 Split Lock	F05011-4	1
	Inst. Sheet, Adjustable Outrigger	FAO-1524	1

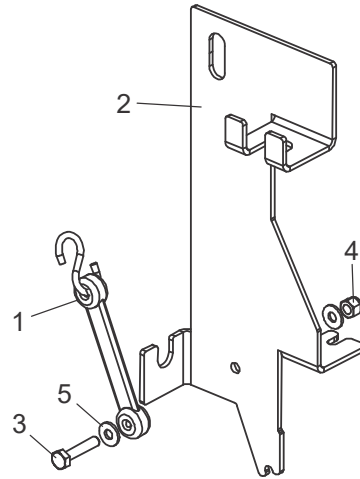
<sup>1</sup> Added Lock Bracket 059577 to prevent outrigger from creeping down during sawing (6/18).

## Crank Handle Assembly



Item	Description	Part No.	Qty.
	<b>Handle Assembly, Adjustable Outrigger Crank</b>	056831	1
<b>1</b>	Handle Weldment, Adjustable Outrigger Crank	056827	1
<b>2</b>	Collar, 1/2" ID x 7/8" OD Lock	014820	2
<b>3</b>	Tube, Outrigger Crank Handle	046830	1

## Wrench Bracket Assembly



SM0382

Item	Description	Part No.	Qty.
	<b>Bracket Assembly, FAO Wrench</b>	075717	1
<b>1</b>	Strap, Rubber 6	016542	1
<b>2</b>	Bracket, FAO Wrench Mount	075710	1
<b>3</b>	Bolt, 1/4-20 x 1 1/4" Hex Head Full Thread Cap	F05005-3	1
<b>4</b>	Nut, 1/4-20 Nylon Lock	F05010-69	1
<b>5</b>	Washer, 1/4" SAE Flat	F05011-11	2

## FAO-KIT-A Kit, Fine Adjust Outriggers Field Install

Item	Description	Part No.	Qty.
	Leg Assy, Adj. Outrigger Front	003944	1
<b>1</b>	Leg Assy, Rear Adj. Outrigger	056791	1
<b>2</b>	Leg Assy, Adj Outrigger Offset	056787	2
<b>3</b>	Leg Assy, Loading Side Adjustable	056781	2
<b>4</b>	Handle Assy, Adj. Outrigger Crank	056831	1
<b>5</b>	Assy, FAO Wrench Bracket	075717	1
<b>6</b>	Inst Sht, Field Installed Adj Outrigger	FAO-1524	1
<b>7</b>	Box, 36x12x12 Dbl Wall	133345	1