

EG200 Twin Blade Edger

Parts Manual

EG200G26	rev. B2.07
EG200D24	rev. B2.07
EG200EC15	rev. B3.00
EG200EB15	rev. B3.00

Safety is our #1 concern!

Form #1222



WARNING! Read and understand this manual before using this machine.

California
Proposition 65 Warning



WARNING: Breathing gas/diesel engine exhaust exposes you to chemicals known to the State of California to cause cancer and birth defects or other reproductive harm.

- Always start and operate the engine in a well-ventilated area.
- If in an enclosed area, vent the exhaust to the outside.
- Do not modify or tamper with the exhaust system.
- Do not idle the engine except as necessary.

For more information go to **www.P65warnings.ca.gov**.



WARNING: Drilling, sawing, sanding or machining wood products can expose you to wood dust, a substance known to the State of California to cause cancer. Avoid inhaling wood dust or use a dust mask or other safeguards for personal protection.

For more information go to **www.P65Warnings.ca.gov/wood**.

Active Patents assigned to Wood-Mizer, LLC

Wood-Mizer, LLC has received patents that protect our inventions which are a result of a dedication to research, innovation, development, and design. Learn more at: woodmizer.com/patents

©October 5, 2023 Wood-Mizer LLC

Printed in the United States of America, all rights reserved. No part of this manual may be reproduced in any form by any photographic, electronic, mechanical or other means or used in any information storage and retrieval system without written permission from

Wood-Mizer, LLC
8180 West 10th Street
Indianapolis, Indiana 46214

SECTION 1 REPLACEMENT PARTS

1.1 How To Use The Parts List..... 1-1
 To Order Parts 1-1
 1.2 Sample Assembly..... 1-1
 1.3 Torque Values..... 1-2

SECTION 2 SETWORKS & BLADE SHAFT

2.1 Setworks Dial & Indicator 2-1
 2.2 Gear Box & Idler..... 2-2
 2.3 Blade Shaft Assembly 2-3
 2.4 Setworks Gear & Shaft 2-5

SECTION 3 DECALS & COVERS

3.1 Decals..... 3-1
 3.2 Covers 3-3
 3.3 Shaft End Cover/Frame End Caps 3-5

SECTION 4 ROLLERS & FENCES

4.1 Feed Roller Assemblies & Roller Chain..... 4-1
 4.2 Feed Table Rollers/Rail Cover..... 4-2
 4.3 Return Rollers (Optional)..... 4-3
 4.4 Anti-Kickback & Press Roller 4-1
 4.5 Front Guide Fence..... 4-3

SECTION 5 OUTFEED TABLE & LEGS

5.1 Outfeed Table..... 5-1
 5.2 Stationary Legs 5-2

SECTION 6 POWER MODULES

6.1 Engine (EG200D24) 6-1
 6.2 Engine Mount (EG200D24)..... 6-4
 6.3 Flywheel Assembly (EG200D24)..... 6-5
 6.4 Engine (EG200G26 Only) 6-7
 6.5 Engine (EG200D26 Only) 6-9
 6.6 Muffler (EG200D26 Only) 6-11
 6.7 Fuel Tank (EG200G26) 6-12
 6.8 Fuel Tank (EG200D24) 6-13
 6.9 Coolant Tank (ED26 Only)..... 6-1
 6.10 Battery, Hour Meter & E-Stop (EG200G26) 6-2
 6.11 Battery, Control & E-Stop (EG200D24)..... 6-4
 6.12 Motor, Hour Meter & E-Stop (EG200EC15)..... 6-6
 6.13 Control Assy (EG200EC15) 6-8
 6.14 Control Assy (EG200EB15) 6-10
 6.15 Starter Assembly (EE15-C Only) 6-1

SECTION 7 TRAILER OPTION

7.1 Trailer Lights..... 7-1
 7.2 Trailer Hitch..... 7-3

Table of Contents

Section-Page

7.3	Trailer Axle	7-4
7.4	Outrigger Legs.....	7-5
7.5	Outrigger Leg With Jack Handle.....	7-6

SECTION 1 REPLACEMENT PARTS

1.1 How To Use The Parts List

- Use the table of contents to locate the assembly that contains the part you need.
- Go to the appropriate section and locate the part in the illustration.
- Use the number pointing to the part to locate the correct part number and description in the table.
- Parts shown indented under another part are included with that part.

To Order Parts

- From the continental US, call **1-800-525-8100** to order parts. Have your customer number, vehicle identification number, and part numbers ready when you call.
- From other international locations, contact the Wood-Mizer distributor in your area for parts.

1.2 Sample Assembly



REF	PART #	DESCRIPTION	COMMENTS	QTY.
	012345	SAMPLE ASSEMBLY, COMPLETE	INCLUDES ITEMS 1-6	1
1	F02222-22	Sample Part		1
2	F03333-33	Sample Part		2
	098765	Sample Subassembly	Includes items 3-6	1
3	S04444-44	Subassembly Sample Part		1
4	K55555	Subassembly Sample Part		1
	054321	Sample Sub-Subassembly	Includes items 5-6	2
5	022222	Sub-Subassembly Sample Part		1
6	F10234-56	Sub-Subassembly Sample Part		1

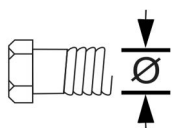
The Sample Assembly, Complete, part number 02345 (top level assembly) includes two parts (F0222-22 and F0333-33) and the 098765 subassembly.

Subassembly 098765 contains two parts(S04444-44 and K55555) and two copies of sub-subassembly 054321.

Each sub-subassembly 054321 contains two parts (022222 and F10234-56).

1.3 Torque Values

Grade		Units	SAE 5	SAE 8
Grade Mark				
Bolt Dia.	Threads. Per In.	Units	SAE 5	SAE 8
6	32	in-lbs (Nm)	20 (2.3)	-
8	32	in-lbs (Nm)	24 (2.7)	30 (3.4)
10	24	in-lbs (Nm)	35 (4.0)	45 (5.1)
10	32	in-lbs (Nm)	40 (4.5)	50 (5.7)
12	24	in-lbs (Nm)	50 (5.7)	65 (7.3)
1/4	20	in-lbs (Nm)	95 (10.7)	125 (14.1)
1/4	28	in-lbs (Nm)	95 (10.7)	150 (17.0)
5/16	18	ft-lbs (Nm)	17 (22.6)	23 (31.2)
5/16	24	ft-lbs (Nm)	20 (27.1)	25 (33.8)
3/8	16	ft-lbs (Nm)	30 (40.7)	40 (54.2)
3/8	24	ft-lbs (Nm)	35 (47.5)	45 (61.0)
7/16	14	ft-lbs (Nm)	50 (67.8)	65 (88.1)
7/16	20	ft-lbs (Nm)	55 (74.6)	70 (94.9)
1/2	13	ft-lbs (Nm)	75 (101.7)	100 (135.6)
1/2	20	ft-lbs (Nm)	85 (115.3)	110 (149.2)
9/16	12	ft-lbs (Nm)	105 (142.4)	135 (183.1)
9/16	18	ft-lbs (Nm)	115 (155.9)	150 (203.4)
5/8	11	ft-lbs (Nm)	150 (203.4)	195 (264.4)
5/8	18	ft-lbs (Nm)	160 (217.0)	210 (284.8)
3/4	10	ft-lbs (Nm)	170 (230.5)	220 (298.3)
3/4	16	ft-lbs (Nm)	175 (237.3)	225 (305.1)
7/8	9	ft-lbs (Nm)	302 (409.5)	473 (640.9)
7/8	14	ft-lbs (Nm)	300 (406.8)	400 (542.4)
1	8	ft-lbs (Nm)	466 (631.8)	714 (967.4)



Metric Bolt Head Identification



Metric Grade 8.8

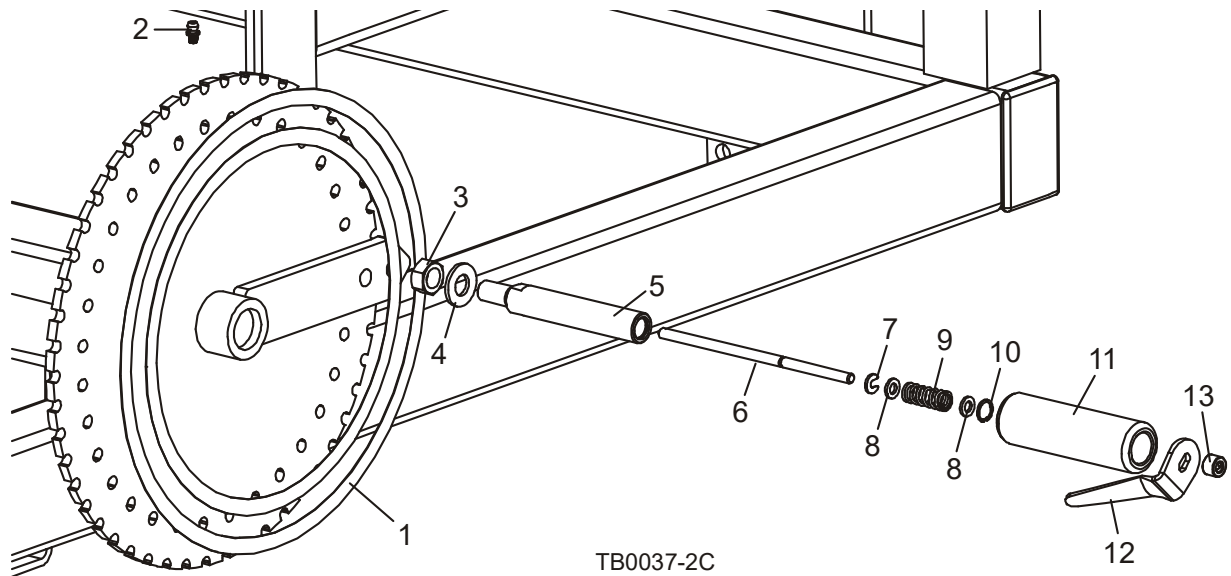


Metric Grade 10.9

COARSE THREAD					FINE THREAD				Wrench Size	
Diameter & Thread Pitch	Metric 8.8		Metric 10.9		Diameter & Thread Pitch	Metric 8.8		Metric 10.9		
	N-m	lbs-ft	N-m	lbs-ft		N-m	lbs-ft	N-m		lbs-ft
6 x 1.0	8	6	11	8					10 mm	
8 x 1.25	20	15	27	20	8 x 1.0	21	16	29	22	13 mm
10 x 1.5	39	29	54	40	10 x 1.25	41	30	57	42	16 mm
12 x 1.75	68	50	94	70	12 x 1.25	75	55	103	76	18 mm
14 x 2.0	109	80	151	111	14 x 1.5	118	87	163	120	21 mm
16 x 2.0	169	125	234	173	16 x 1.5	181	133	250	184	24 mm
18 x 2.5	234	172	323	239	18 x 1.5	263	194	363	268	27 mm
20 x 2.5	330	244	457	337	20 x 1.5	367	270	507	374	30 mm
22 x 2.5	451	332	623	460	22 x 1.5	495	365	684	505	34 mm
24 x 3.0	571	421	790	583	24 x 2.0	623	459	861	635	36 mm
30 x 3.0	1175	867	1626	1199	30 x 2.0	1258	928	1740	1283	46 mm

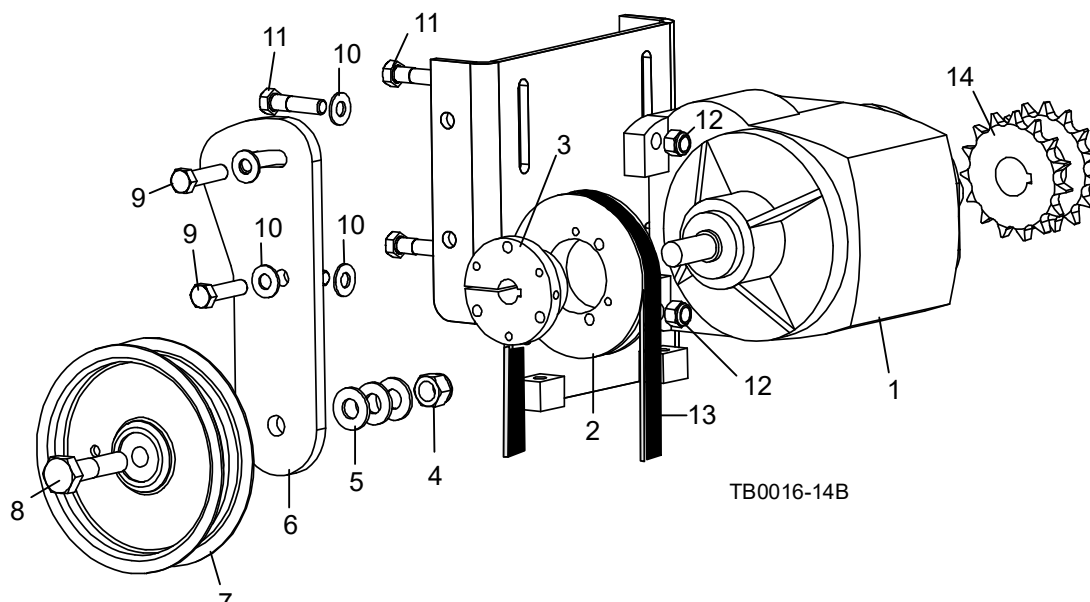
SECTION 2 NETWORKS & BLADE SHAFT

2.1 Networks Dial & Indicator



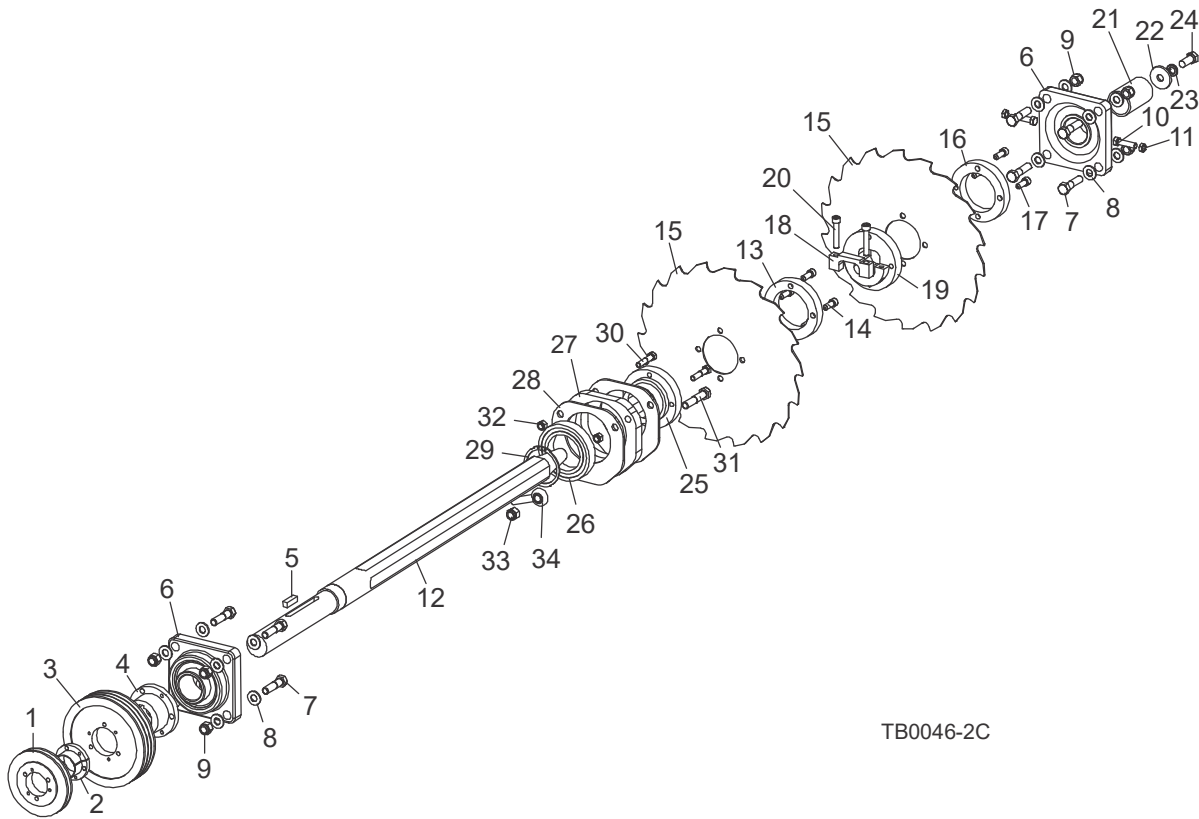
REF	PART #	DESCRIPTION	COMMENTS	QTY.
1	038291	DECAL, NETWORKS, A5.00	(See Section 3.1)	1
2	P04107	FITTING, 3/16" X 3/16" STRAIGHT GREASE		1
	036712	HANDLE KIT, EDGER NETWORKS RETROFIT		1
	047685	Handle Assembly, Edger Networks		1
3	F05010-35	Nut, 1/2-13 Hex		1
4	F05011-2	Washer, 1/2 SAE Flat		1
5	047686	Shaft, Edger Handle		1
	006496	Pin Assembly, Edger Handle Replacement		1
6	047687	Pin, Edger Handle	Available in assemblies only.	1
7	006492	Retainer, Edger Handle		1
8	047705	Spacer, 1/4ID x .480 OD x 1/16		2
9	047690	Spring, 1/2" OD x 1 1/2" Long x .055" Compression		1
10	F04254-47	Ring, 1/2 ID IR Retaining Snap		1
11	047688	Handle, 49/64ID x 1-1/4OD x 4 Plas		1
12	047689	Plate, Edger Handle		1
13	031975	Collar, 1/4 ID Shaft		1
14	036712-1210	Instruction Sheet, Edger Networks Handle Retrofit		1

2.2 Gear Box & Idler



REF	PART #	DESCRIPTION	COMMENTS	QTY.
1	038046	GEAR BOX, 3-STAGE 25:1		1
2	038195	PULLEY, 3V450SH		1
3	038196	BUSHING, 5/8" SH		1
4	F05010-8	NUT, 1/2-13 HEX NYLON LOCK		1
5	F05011-2	WASHER, 1/2" SAE FLAT		3
6	038198	PLATE, IDLER MOUNT		1
7	P608	PULLEY, IDLER		1
8	F05008-10	BOLT, 1/2-13 X 2 1/4" HEX HEAD GRADE 5		1
9	F05007-17	BOLT, 3/8-16 X 1 1/2" HEX HEAD FULL THREAD		2
10	F05011-3	WASHER, 3/8" SAE FLAT		2
11	F05006-81	BOLT, 5/16-18 X 1 3/4" HEX HEAD FULL THREAD GRADE 5		4
12	F05010-58	NUT, 5/16-18 HEX NYLON LOCK		4
13	038200	BELT, 3VX315		1
14	038262	SPROCKET, DOUBLE SINGLE #50-15 X 1		1
15	F05011-17	WASHER, 5/16" SAE FLAT		4

2.3 Blade Shaft Assembly



TB0046-2C

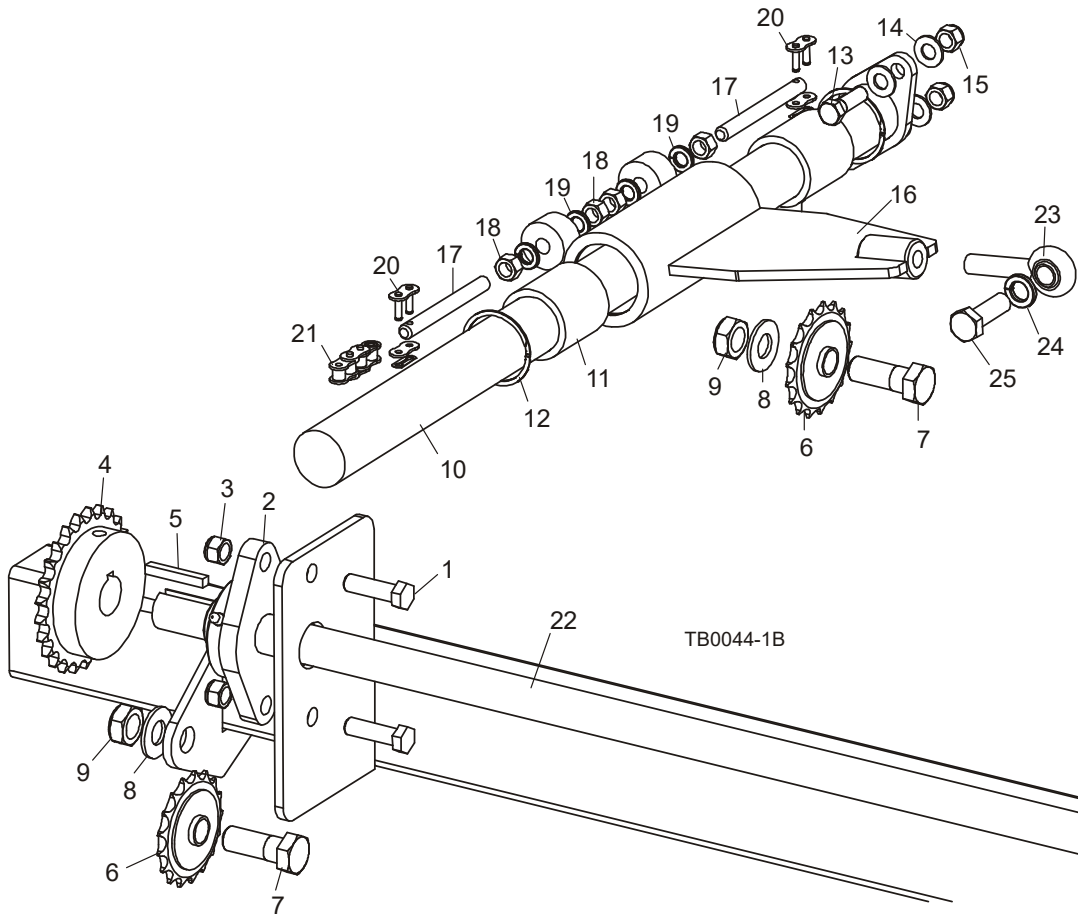
REF	PART #	DESCRIPTION	COMMENTS	QTY.
1	038194	PULLEY, 3V500SH		1
2	038197	BUSHING, 1 11/16" SH		1
3	039269	SHEAVE, 3/5V670 (D21/D26)		1
	038257	SHEAVE, 3V6.9 X 3 (G28/E15)		1
4	038042	BUSHING, 1 11/16" SK (D21/D26)		1
	038045	BUSHING, 1 11/16" SDS (G28/E15)		1
5	S12892	KEY, 3/8" X 3/8" X 1 3/8"		1
6	033712	BEARING, 1 15/16" FLANGE		2
7	F05008-2	BOLT, 1/2-13 X 2" HEX HEAD GRADE 5		8
8	F05011-2	WASHER, 1/2" SAE FLAT		16
9	F05010-8	NUT, 1/2-13 HEX NYLON LOCK		8
10	F05007-17	BOLT, 3/8-16 X 1 1/2" HEX HEAD FULL THREAD		2
11	F05010-29	NUT, 3/8-16 HEX JAM		2
12	006393	SHAFT, SQUARE BLADE DRIVE		1
13	038251	RETAINER, TWIN BLADE EDGER BLADE		1
14	F05007-52	SCREW, 3/8-16 X 1" SOCKET HEAD		4
15	038263	BLADE, 18T, TWIN BLADE EDGER, 4-BOLT (STANDARD FOR HARDWOODS)	Additional arbor kit 006719 can be used to install third blade to Edger..	2
	038264	BLADE, 10T TWIN BLADE EDGER, 4-BOLT (OPTIONAL FOR SOFTWOODS)		2
	006719	ARBOR KIT, SQUARE BLADE SHAFT		1
16	038251	Retainer, Twin Blade Edger Blade		1
17	F05007-52	Screw, 3/8-16 x 1" Socket Head		4

2 Replacement Parts

Blade Shaft Assembly

REF	PART #	DESCRIPTION	COMMENTS	QTY.
	008936	Arbor Assembly, Fixed Square Shaft 3/8" Hardware		1
18	008935	Collar, Square Shaft Arbor locking		1
19	008934	Arbor, Fixed Blade (Square Shaft w/o Retainer Nut ¹)		1
20	F05007-58	Screw, 3/8-16 x 2" Socket Head		2
21	038128	BUSHING, BLADE DRIVE SHAFT		1
22	014632	WASHER, .52" X 1.69"		1
23	F05011-9	WASHER, 1/2" SPLIT LOCK		1
24	F05008-37	BOLT, 1/2-13 X 1 1/4" HEX HEAD GRADE 5		1
	074775	SLIDE ASSEMBLY, EDGER BEARING		1
25	006394	Arbor, Sliding Blade Square Shaft		1
26	038117	Bearing, 6014 2RS		1
27	074753	Plate, Blade Slider		1
28	074774	Plate, Bearing Retainer		2
29	F04254-32	Ring, 70mm Outside Retaining		1
30	F05007-119	Bolt, 3/8-16 x1 3/4" Hex Head Grade 5		2
31	F05008-74	Bolt, 1/2-13 x2 1/2" Hex Head Grade 5		1
32	F05010-10	Nut, 3/8-16 Hex Nyloc		2
33	F05010-8	Nut, 1/2-13 Nylon Hex Lock		1
34	P09137	Rod End, 1/2" Male		1

2.4 Networks Gear & Shaft



REF	PART #	DESCRIPTION	COMMENTS	QTY.
1	F05007-156	BOLT, 7/16-20 X 1 1/2" HEX HEAD GRADE 5		2
2	038124	BEARING, VF2S 216 1" FLANGED		1
3	F05010-83	NUT, 7/16-20 HEX NYLON LOCK		2
4	038287	SPROCKET, 40B25 X 1" BORE		1
5	S04124	KEY, 1/4" SQUARE X 1 11/16" LONG		1
6	P04333	SPROCKET, #40 X 17T 5/8" BORE IDLER		2
7	F05009-33	BOLT, 5/8-11 X 1 3/4" HEX HEAD		2
8	F05011-5	WASHER, 5/8" SAE FLAT		2
9	F05010-96	NUT, 5/8-11 HEX NYLON LOCK JAM		2
10	038285	SHAFT WELDMENT, NETWORKS		1
11	039251	BUSHING, 1 7/8" OD X 1 1/2" ID X 2" BRONZE		2
12	F04254-41	RING, 1 7/8" SPIRAL RETAINING		2
13	F05007-123	BOLT, 3/8-16 X 1 1/4" HEX HEAD GRADE 5		2
14	F05011-3	WASHER, 3/8" SAE FLAT		4
15	F05010-10	NUT, 3/8-16 HEX NYLON LOCK		2
16	038283	BRACKET WELDMENT, NETWORKS SLIDING		1
17	039192	ROD, CHAIN TENSIONER		2
18	F05010-1	NUT, 3/8-16 HEX		4
19	F05011-4	WASHER, 3/8" SPLIT LOCK		4
20	P04200	LINK, #40 MASTER		2

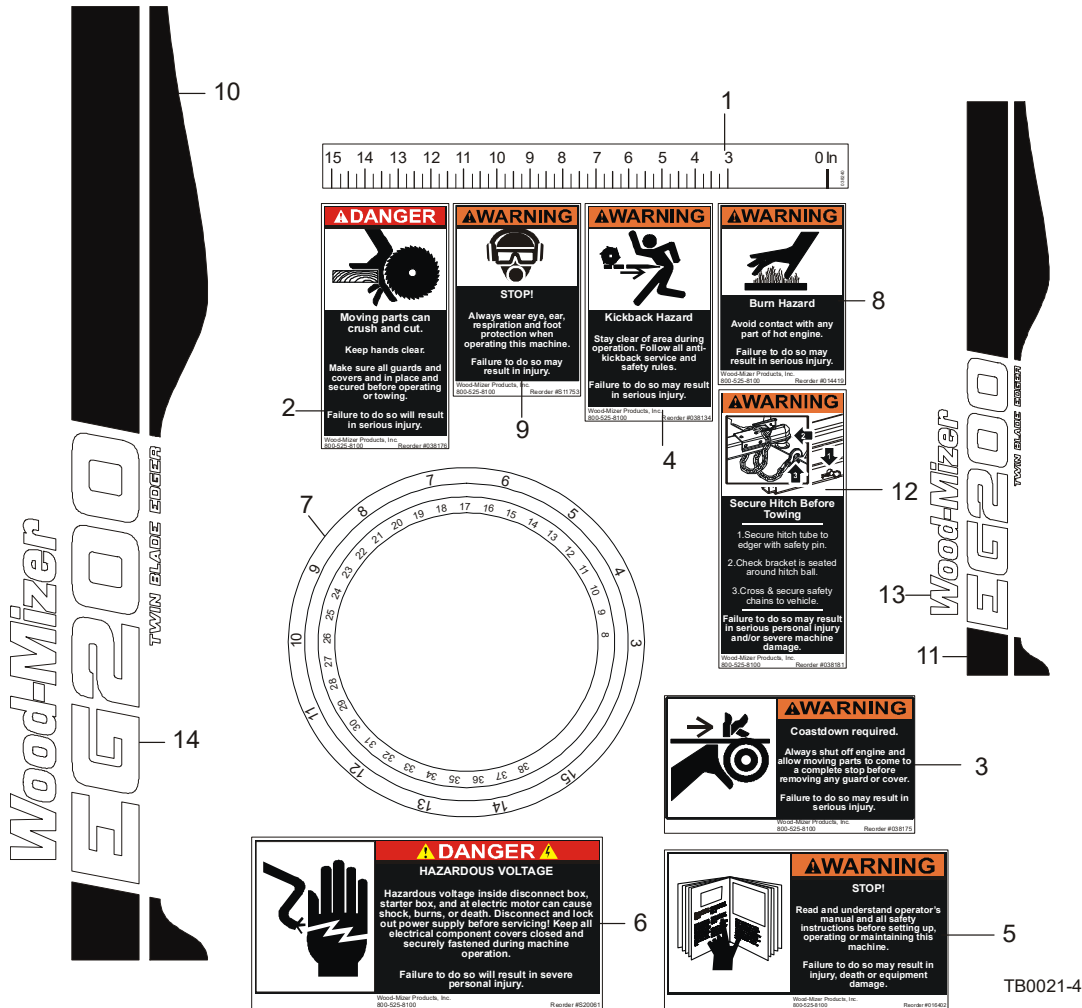
2 Replacement Parts

Setworks Gear & Shaft

REF	PART #	DESCRIPTION	COMMENTS	QTY.
21	074922	CHAIN, #40 X 61 1/2" (123 PITCHES)		1
22	038055	SHAFT, 1" DIA. X 112 5/8"		1
23	P09137	ROD END, 1/2" MALE		1
24	F05011-9	WASHER, 1/2" SPLIT LOCK		1
25	F05008-33	BOLT, 1/2-13 X 1 1/2" HEX HEAD GRADE 5		1

SECTION 3 DECALS & COVERS

3.1 Decals



TB0021-4

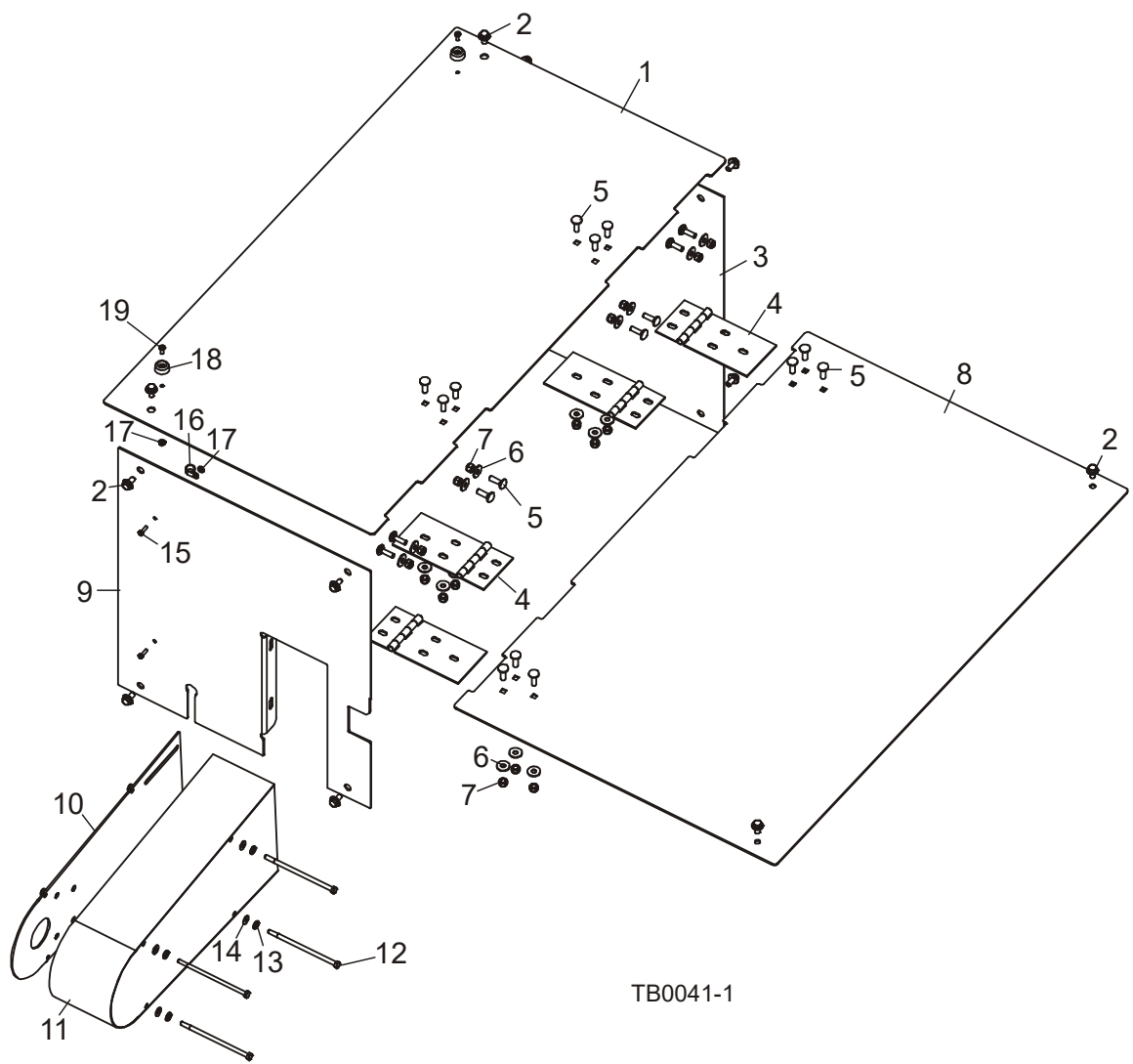
REF	PART #	DESCRIPTION	COMMENTS	QTY.
1	038240	DECAL, EDGER BLADE SCALE 12" TRAVEL		1
2	038176	DECAL, DANGER BLADE HAZARD		1
3	033254	DECAL, MOVING PARTS WARNING		3
4	038134	DECAL, WARNING KICKBACK HAZARD		1
5	016402	DECAL, WARNING READ MANUAL		1
6	S20061	DECAL, DANGER ELECTRICAL HAZARD (E15 ONLY)		1
7	038291	DECAL, SETWORKS DIAL 12" TRAVEL (2006)		1
8	014419	DECAL, WARNING HOT ENGINE (D21/D26/G28 ONLY)		1
9	S11753	DECAL, WARNING EYE/EAR PROTECTION		1
10	065387	DECAL, DRIVE SIDE EURO-STRIPE BK EG200 (20")		1
11	065388	DECAL, DRIVE SIDE EURO-STRIPE BK EG200 (10")		1
12	038181	DECAL, WARNING SECURE HITCH		1
13	062723	DECAL, EG200 EURO LOGO WHITE (10")		1

3 Replacement Parts

Decals

REF	PART #	DESCRIPTION	COMMENTS	QTY.
14	062722	DECAL, EG200 EURO LOGO WHITE (20")		1

3.2 Covers



TB0041-1

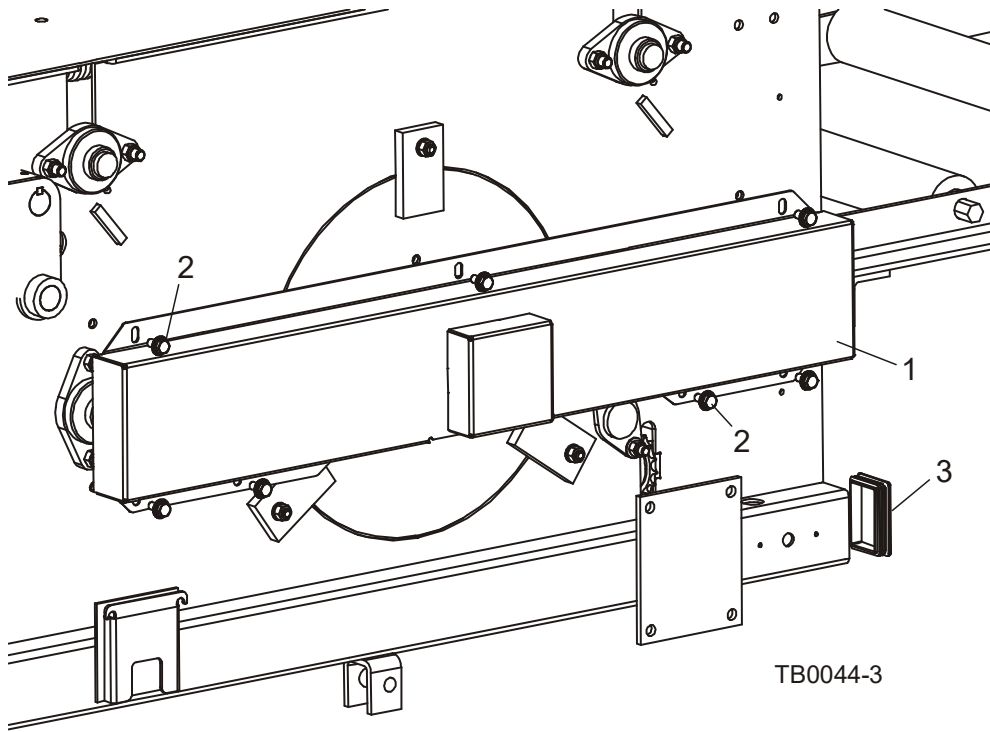
REF	PART #	DESCRIPTION	COMMENTS	QTY.
1	038108	COVER, TOP RIGHT		1
2	F05006-101	BOLT, 5/16-18 X 3/4" HEX WASHER HEAD		12
3	038107	COVER, RIGHT REAR		1
4	038136	HINGE, 2" X 5.5" X 3.5" X .125" SLOTTED		4
5	F05006-9	BOLT, 5/16-18 X 1" CARRIAGE HEAD		20
6	F05011-16	WASHER, 5/16" STANDARD FLAT		20
7	F05010-58	NUT, 5/16-18 HEX NYLON LOCK		20
8	038109	COVER, TOP LEFT		1
9	038096	COVER, RIGHT FRONT (E15/G28 ONLY)		1
	038207	COVER, RIGHT FRONT (D26 ONLY)		1
	006644	COVER, RIGHT FRONT (D21 ONLY)		1
10	038106	PLATE WELDMENT, BELT GUARD (D26 ONLY)		1
	038097	PLATE WELDMENT, BELT GUARD (D22 ONLY)		1
	038214	PLATE WELDMENT, BELT GUARD (E15/G28 ONLY)		1
		See Section 6.1 Engine (EG200D24)		

3 Replacement Parts

Covers

REF	PART #	DESCRIPTION	COMMENTS	QTY.
11	038103	COVER WELDMENT, BELT GUARD (D26 ONLY)		1
	038215	COVER WELDMENT, BELT GUARD (E15/G28 ONLY)		1
	065822	COVER WELDMENT, BELT GUARD (D21 ONLY)		1
12	F05005-82	BOLT, 1/4-20 X 5 1/2" HEX HEAD GRADE 5 (E15/D22/D26/G28 ONLY)		4
	F05005-76	BOLT, 1/4-20 X 4 1/2" HEX HEAD GRADE 5 (D21 ONLY)		4
13	F05011-14	WASHER, 1/4" SPLIT LOCK (E15/D22/D26/G28 ONLY)		4
	F05011-11	WASHER, 1/4" SAE FLAT (D21 ONLY)		4
14	F05011-11	WASHER, 1/4" SAE FLAT		4
	F05010-69	NUT, 1/4-20 HEX NYLON LOCK (D21 ONLY)		4
15	F05004-18	SCREW, #10-24 X 5/8" INDENTED HEX MACHINE		2
16	F05114-1	CLAMP, 1/2" PLASTIC WIRE		2
17	F05010-14	NUT, #10-24 HEX SELF-LOCKING		4
18	P06104	FOOT, RUBBER		2
19	F05004-1	SCREW, #10-24 X 1/2" SLOTTED PAN HEAD		2

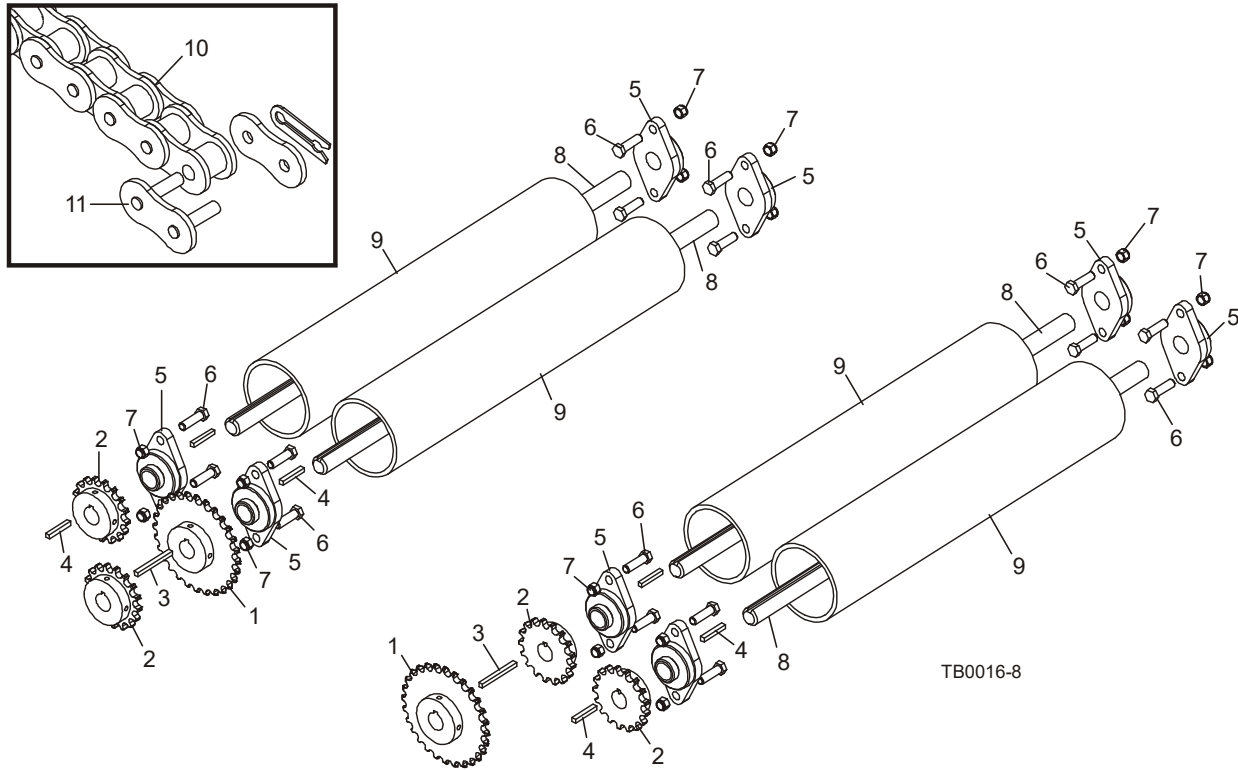
3.3 Shaft End Cover/Frame End Caps



REF	PART #	DESCRIPTION	COMMENTS	QTY.
1	038290	COVER WELDMENT, BEARING		1
2	F05006-101	BOLT, 5/16-18 X 3/4" WASHER HEX HEAD		7
3	038897	CAP, 2X3 TUBE END		4

SECTION 4 ROLLERS & FENCES

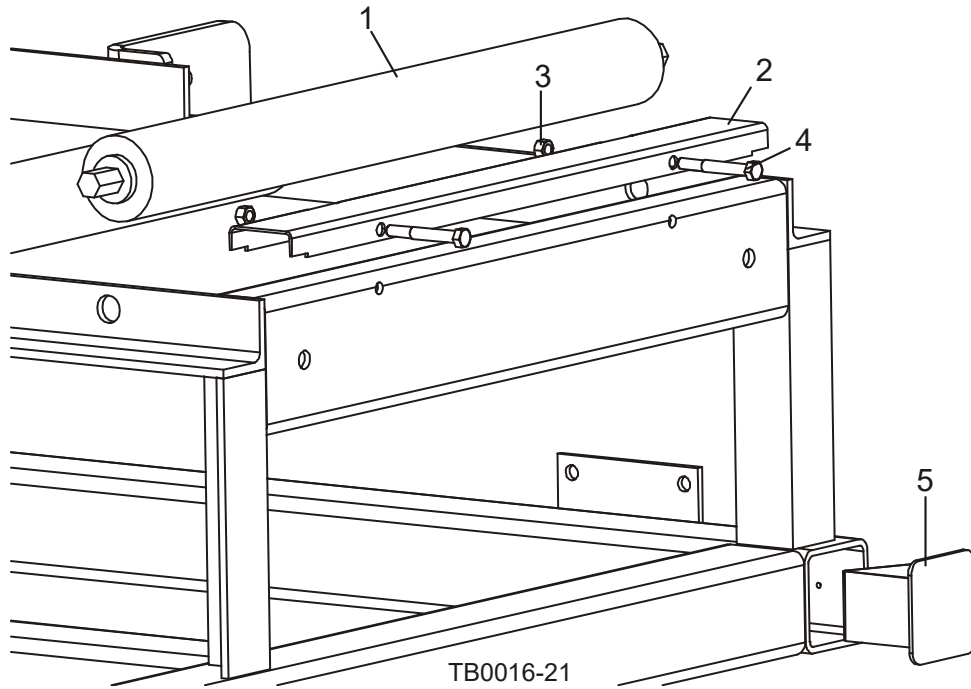
4.1 Feed Roller Assemblies & Roller Chain



TB0016-8

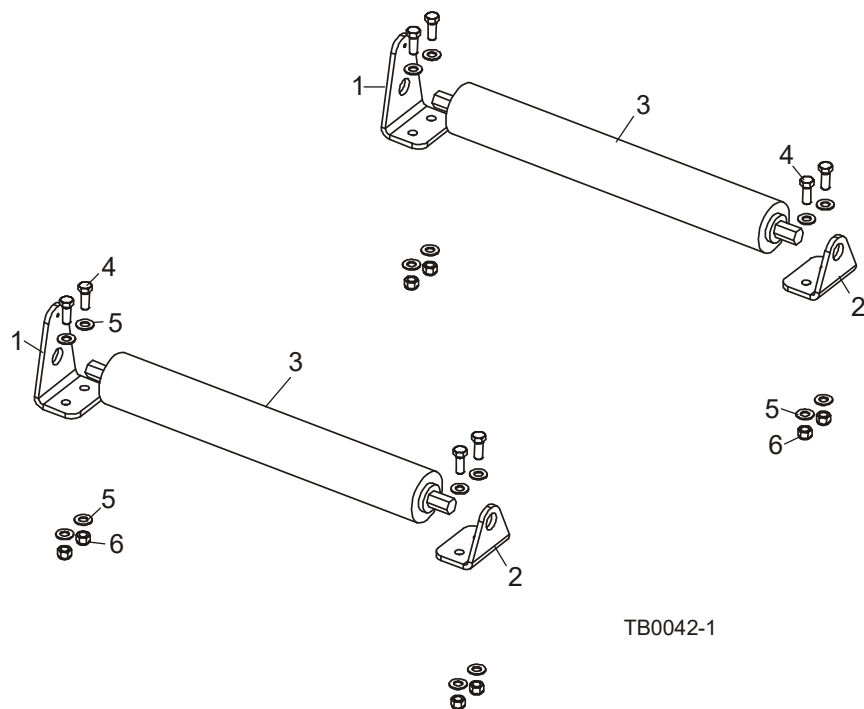
REF	PART #	DESCRIPTION	COMMENTS	QTY.
1	P21503	SPROCKET, #50-28 X 1"		2
2	038098	SPROCKET, #50-17 X 1"		4
3	038147	KEY, 1/4" SQ. X 2 3/4"		2
4	S04124	KEY, 1/4" SQ. X 1 11/16"		6
5	038124	BEARING, 1" VF2S 216 FLANGED		8
6	F05007-156	BOLT, 7/16-20 X 1 1/2" HEX HEAD GRADE 5		16
7	F05010-83	NUT, 7/16-20 HEX NYLON LOCK		16
8	038059	SHAFT, FEED ROLLER		4
9	038056	ROLLER, FEED		4
10	038183	CHAIN, #50 X 22 7/16" ROLLER-TO-ROLLER		2
	038184	CHAIN, #50 X 38 3/4" GEARBOX-TO-ROLLER		2
11	P20208	LINK, #50 MASTER		4

4.2 Feed Table Rollers/Rail Cover



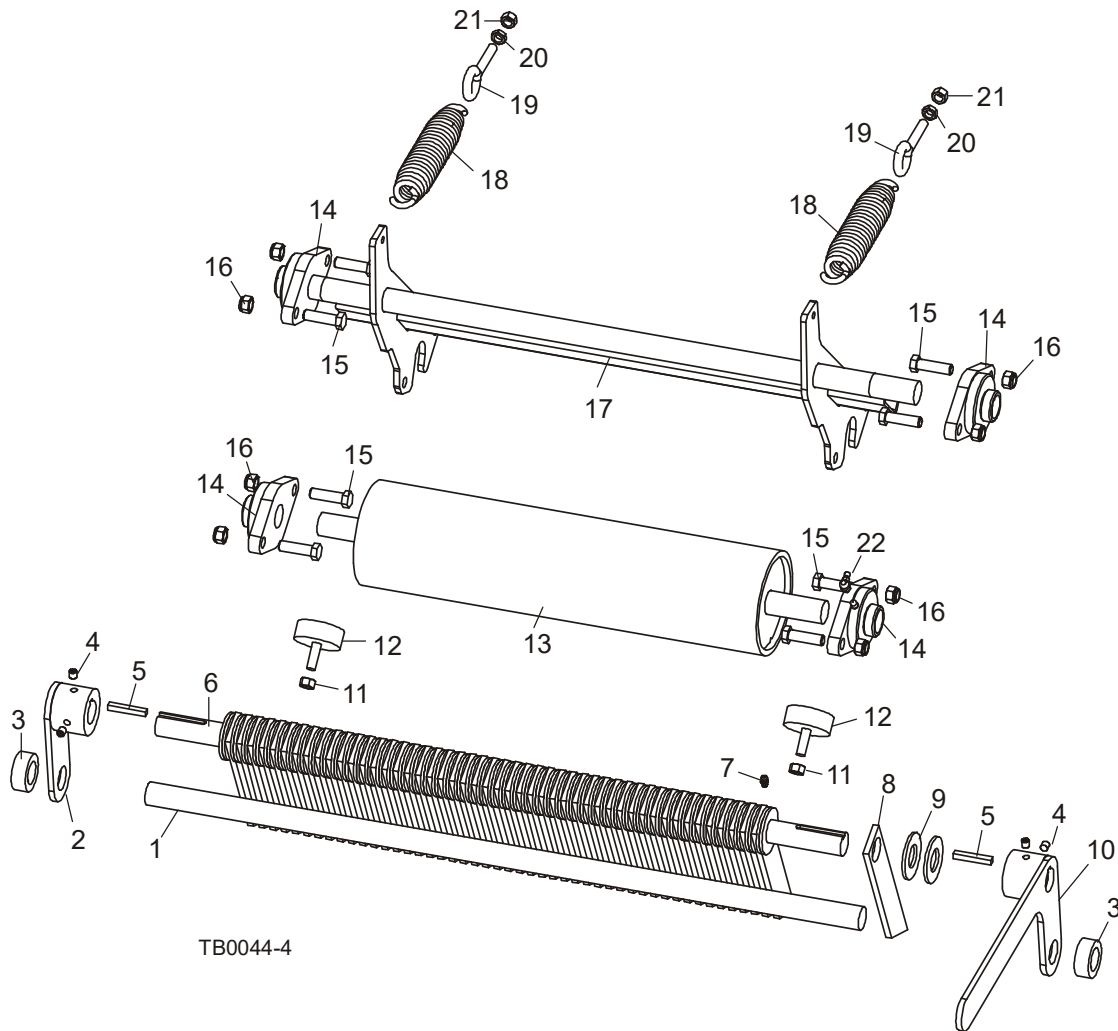
REF	PART #	DESCRIPTION	COMMENTS	QTY.
1	038167	ROLLER, 2 1/2" X 25" FEED		6
	017710	COVER KIT, 22 3/4" STAINLESS RAIL		1
2	S13012	Cover, 22 3/4" Stainless Steel Rail		1
3	F05010-6	Nut, 5/16-18 Hex Lock		2
4	F05006-10	Bolt, 5/16-18 x 2 1/2" Hex Head		2
5	038143	CAP WELDMENT, TUBE END		4

4.3 Return Rollers (Optional)



REF	PART #	DESCRIPTION	COMMENTS	QTY.
	TBRK-A	ROLLER KIT, TWIN BLADE EDGER RETURN		1
1	038182	Bracket, Tall Return Roller Mount		2
2	038113	Bracket, Short Return Roller Mount		2
3	038168	Roller, 2 1/2" x 18" Return		2
4	F05007-87	Bolt, 3/8-16 x 1" Hex Head Grade 5		8
5	F05011-3	Washer, 3/8" SAE Flat		16
6	F05010-10	Nut, 3/8-16 Hex Nylon Lock		8

4.4 Anti-Kickback & Press Roller



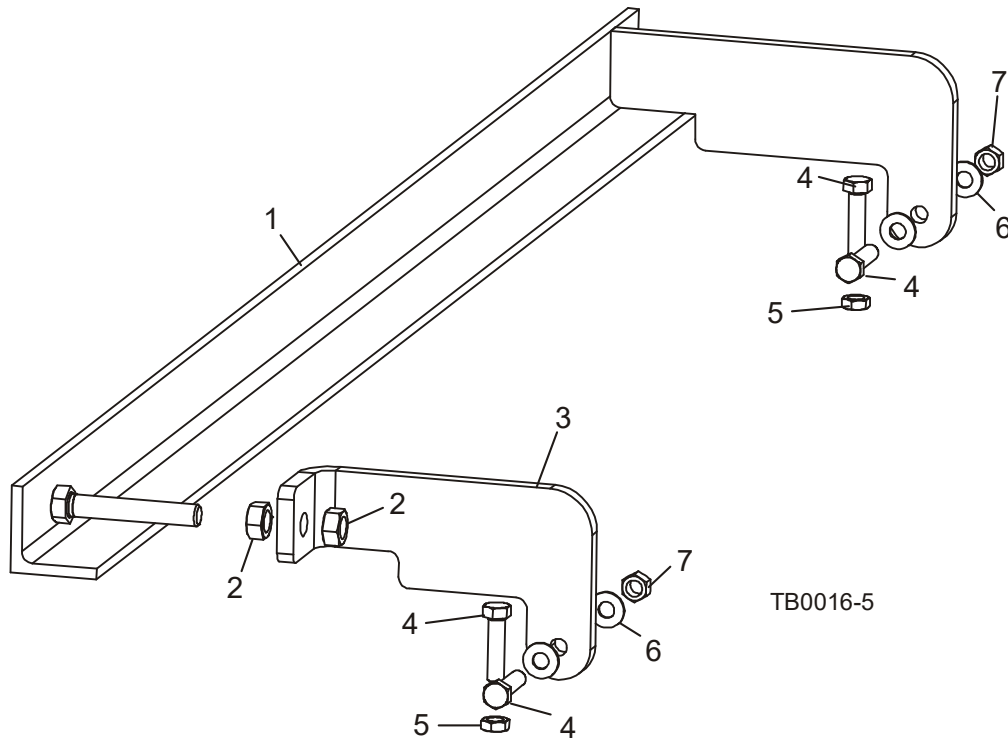
REF	PART #	DESCRIPTION	COMMENTS	QTY.
1	038089	SHAFT, 1" X 31 7/8"		1
2	038087	PLATE WELDMENT, ANTI-KICKBACK FINGER		1
3	038090	COLLAR, 1" LOCKING		2
4	F05006-40	SCREW, 5/16-24 X 3/8" SOCKET HEAD OVAL POINT SET		4
5	S04124	KEY, 1/4" X 1 11/16"		2
6	038088	SHAFT, ANTI-KICKBACK FINGER		1
7	P04107	FITTING, 3/16" STRAIGHT GREASE		1
8	038238	PLATE, ANTI-KICKBACK FINGER 1/4"		47
9	F05011-28	WASHER, 1" SAE FLAT		80
10	038086	HANDLE WELDMENT, ANTI-KICKBACK RELEASE		1
11	F05010-25	NUT, 3/8-16 HEX LOCK		4
12	034175	BUMPER, TABLE		4
13	038057	ROLLER, PRESS W/SHAFT		2
14	038124	BEARING, 1" FLANGED VF2S 216		8
15	F05007-156	BOLT, 7/16-20 X 1 1/2" HEX HEAD GRADE 5		16
16	F05010-83	NUT, 7/16-20 HEX NYLON LOCK		16

4 Replacement Parts

Anti-Kickback & Press Roller

REF	PART #	DESCRIPTION	COMMENTS	QTY.
17	038063	PIVOT WELDMENT, PRESS ROLLER		2
18	038135	SPRING, 1 1/2" X 7" X .243" EXTENSION		4
19	F05007-30	BOLT, 3/8-16 X 2" EYE (5/8" ID)		4
20	F05010-29	NUT, 3/8-16 HEX JAM		4
21	F05010-1	NUT, 3/8-16 HEX		4
22	P04108	FITTING, 1/4-28 90° GREASE		2

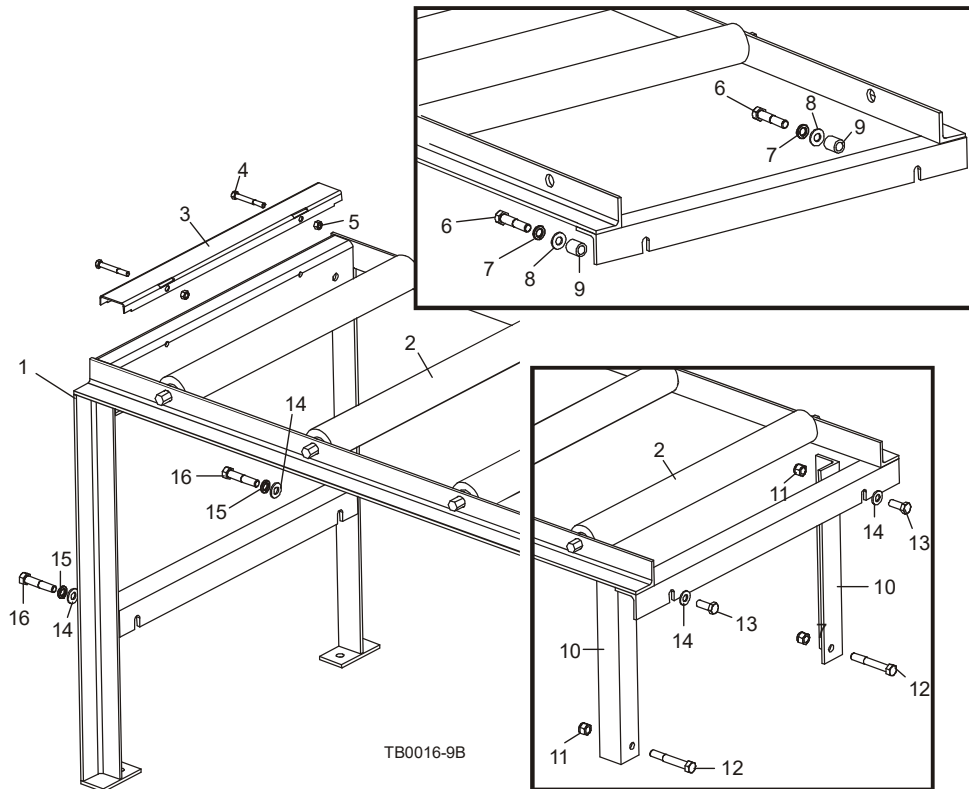
4.5 Front Guide Fence



REF	PART #	DESCRIPTION	COMMENTS	QTY.
	038239	FENCE ASSEMBLY, EDGER FRONT GUIDE		1
1	038121	Fence Weldment, Edger Front Guide	Available in assemblies only.	1
2	F05010-35	Nut, 1/2-13 Hex	Available in assemblies only.	2
3	038112	Bracket, Front Guide Fence Mount	Available in assemblies only.	1
4	F05007-17	BOLT, 3/8-16 X 1 1/2" HEX HEAD FULL THREAD		4
5	F05010-29	NUT, 3/8-16 HEX JAM		2
6	F05011-3	WASHER, 3/8" SAE FLAT		4
7	F05010-25	NUT, 3/8-16 HEX LOCK		2

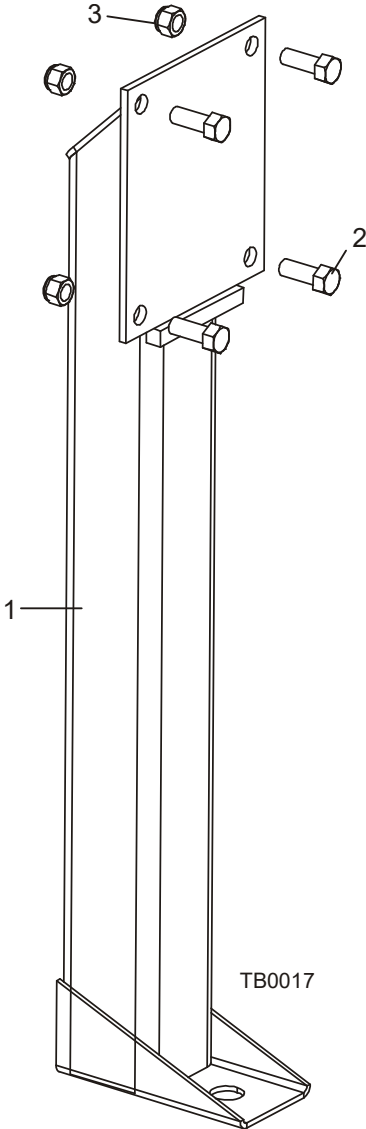
SECTION 5 OUTFEED TABLE & LEGS

5.1 Outfeed Table



REF	PART #	DESCRIPTION	COMMENTS	QTY.
	074901	ASSY, EG200 OUTFEED CONVEYOR		1
1	038074	Conveyor, Outfeed		1
2	038167	Roller, 2 1/2x24 3/4 BF, Galvanized		9
	017710	Cover Kit, 22 3/4" Stainless Rail		1
3	S13012	Cover, 22 3/4" Stainless Steel Rail		1
4	F05006-10	Bolt, 5/16-18 x 2 1/2" Hex Head		2
5	F05010-6	Nut, 5/16-18 Hex Lock		2
6	F05008-74	Bolt, 1/2-13 x 2 1/2" Hex head Grade 5		2
7	F05011-9	Washer, 1/2" Split Lock		2
8	F05011-2	Washer, 1/2" SAE Flat		2
9	038191	Spacer, .55" ID x .84" OD x 1" Long		2
Hardware For Securing Table While Towing Edger				
10	038171	BRACKET, TABLE SHIPPING		2
11	F05010-8	NUT, 1/2-13 HEX NYLON LOCK		4
12	F05008-61	BOLT, 1/2-13 X 3 1/2" HEX HEAD GRADE 5		2
13	F05008-37	BOLT, 1/2-13 X 1 1/4" HEX HEAD GRADE 5		2
14	F05011-2	WASHER, 1/2" SAE FLAT		4
15	F05011-9	WASHER, 1/2" SPLIT LOCK		2
16	F05008-74	BOLT, 1/2-13 X 2 1/2" HEX HEAD GRADE 5		2

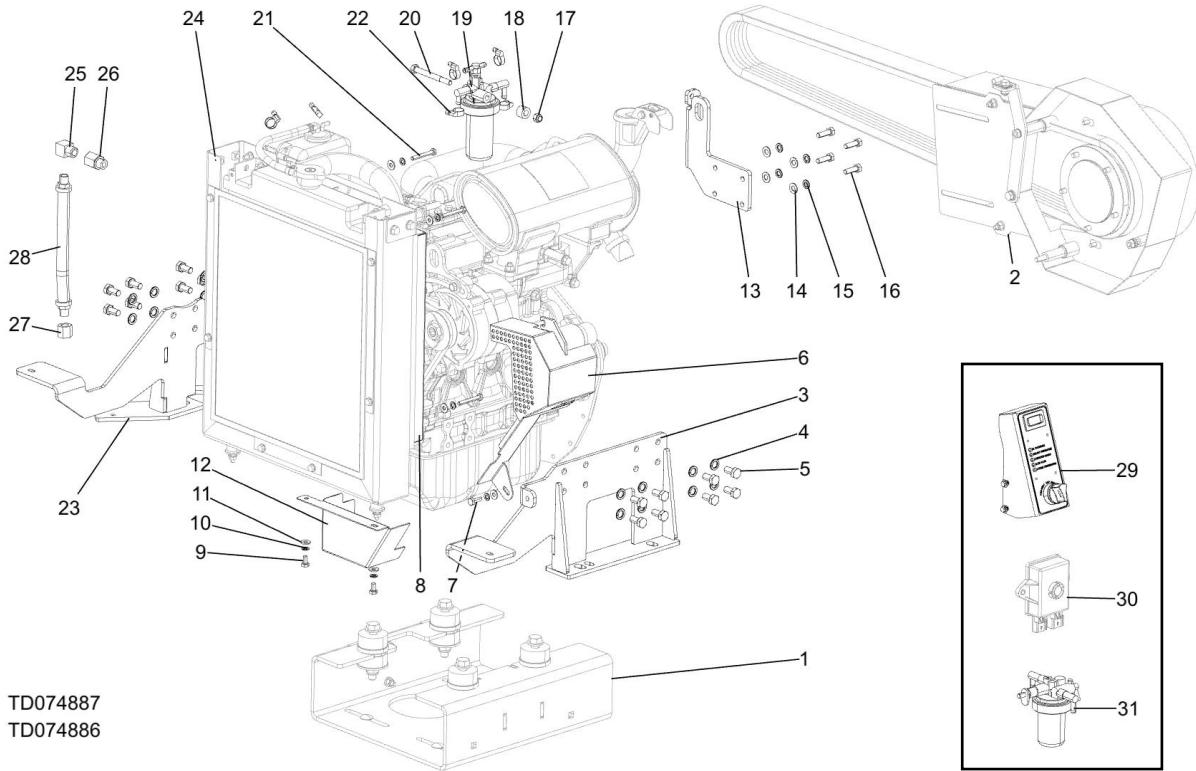
5.2 Stationary Legs



REF	PART #	DESCRIPTION	COMMENTS	QTY.
1	W09515	LEG WELDMENT, STATIONARY		4
2	F05007-2	BOLT, 3/8-16 X 1 1/4" HEX HEAD		16
3	F05010-10	NUT, 3/8-16 HEX NYLON LOCK		16

SECTION 6 POWER MODULES

6.1 Engine (EG200D24)



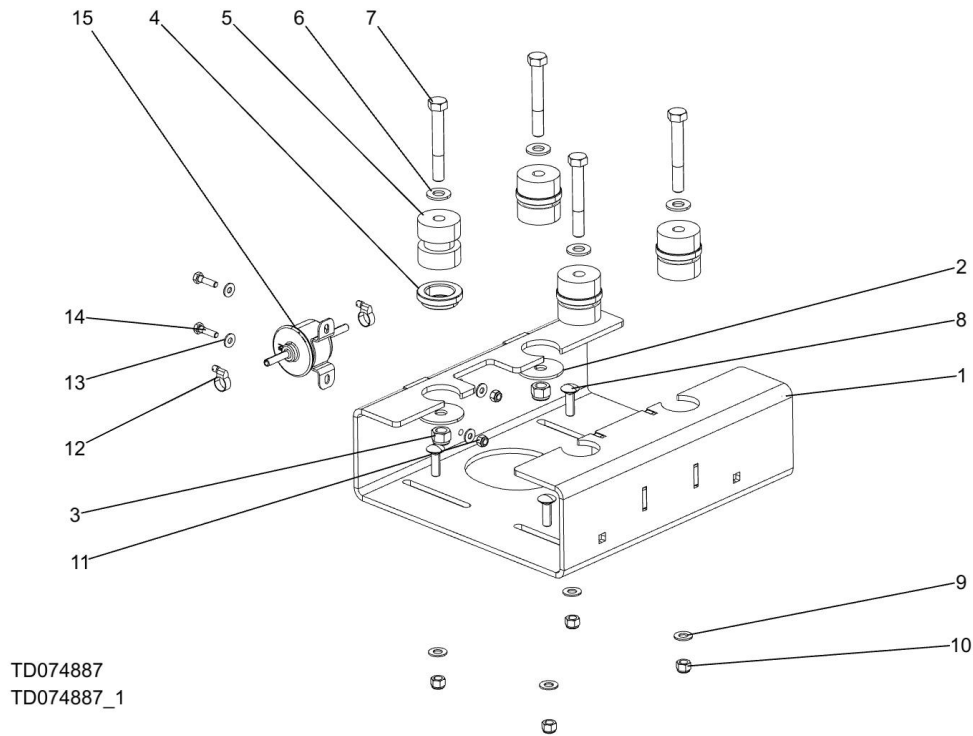
REF	PART #	DESCRIPTION	COMMENTS	QTY.
	CED21	COVER, ENGINE		1
	074887	ENGINE ASSEMBLY, 24HP YANMAR TIER4 EG200 EDGER		1
1		Engine Mount	(See Section 6.2)	1
2		Flywheel Guard	(See Section 6.3)	1
	074886	Engine Assembly, D24 Yanmar Tier4 Final Base		1
	114221	Assy, EG200D24 KPH7 Mod Harness	Not shown	1
3	076645	Weldment, Yanmar Engine Mount Right		1
4	F05011-88	Washer, 10MM Split Lock		15
5	F05004-207	Bolt, M10-1.50x20mm HH FT 8.8		15
6	079314	Weldment, D24 Alternator Guard		1
7	F05005-1	Bolt, 1/4-20x3/4 FT HHC		1
8	079282	Weldment, D24 Radiator Fan Guard		1
9	F05005-15	Bolt, 1/4-20x1/2 HH		2
10	F05011-14	Washer, 1/4 Split Lock		7
11	F05011-11	Washer, 1/4 SAE Flat		7
12	074786	Plate, Yanmar Lower Radiator Guard		1
13	074796	Plate, D24 Lift Bracket/Fuel Filter Mnt		1
14	F05011-17	Washer, 5/16 SAE Flat		4
15	F05011-13	Washer, 5/16 Split Lock		4
16	F05004-40	Bolt, M8x1.25x25 HH FT		4
17	F05010-58	Nut, 5/16-18 Nyl Lock		1

REF	PART #	DESCRIPTION	COMMENTS	QTY.
18	S22625	Spacer, 25/64IDx3/4ODx1/2Long		1
19	061295	Filter Assembly, Fuel 119833-55621		1
	061099	Filter, Fuel Yanmar		1
20	F05006-133	Bolt, 5/16-18x3 1/4 HH Gr5		1
21	F05020-28	Bolt, M6-1.0x45 HH Class 8.8		4
22	P649	Hose Clamp, 7/32in-5/8in		6
23	076644	Weldment, Yanmar Engine Mount Left		1
24	074885	Engine, 24HP Yanmar Tier4 Final Diesel		1
	079280	Alternator, 105A 12V Modified w/Harness		1
	044642	Gasket, Yanmar Valve Cover #119515-11310		1
	061196	Seal, Yanmar Front Main #119717-01800		1
	061197	Injector Assembly, Yanmar #119C10-53000		1
	044647	Filter, Yanmar Oil #119305-35151		1
	069372	Filter, Yanmar Air #119655-12560		1
	044648	Switch, Yanmar Oil Pressure #114250-39450		1
	061198	Seal, Yanmar Rear Main #119734-02220		1
	044650	Motor, Yanmar Starter #129129-77010		1
	044651	Thermostat, Yanmar #119717-49800		1
	044652	Gasket, Yanmar Thermostat #129795-49551		1
	061199	Pump Assembly, Yanmar Water #119027-42000		1
	044654	Gasket, Yanmar Water Pump #119515-42020		1
	044655	Sender, Yanmar Water Temp #121250-44901		1
	061211	Solenoid, Fuel Shut Off D24	For engines tiers up to 2, solenoid - 044656 was used. 061211 is for the D24 that uses 074934 KP7 Engine controller.	1
	044657	Diode, Yanmar #119643-66900		1
	044658	Timer, Yanmar #129211-77920		1
	044659	Gasket, Yanmar Exhaust #119515-03200		1
	061200	Fan, Yanmar Radiator #119258-44740		1
	061201	Gasket, Yanmar Head		1
	044663	Plug, Yanmar Oil Drain #105425-01690		1
	044664	Seal, Yanmar Oil Drain #22190-160002		1
	061202	Plug, Yanmar Glow #11717-77801		1
	044666	Gasket, Yanmar Manifold #119717-13110		1
	061203	Dipstick, Yanmar #119025-34800		1
	061204	Belt, Yanmar Fan #25132-003500		1

6 Replacement Parts
 Engine (EG200D24)

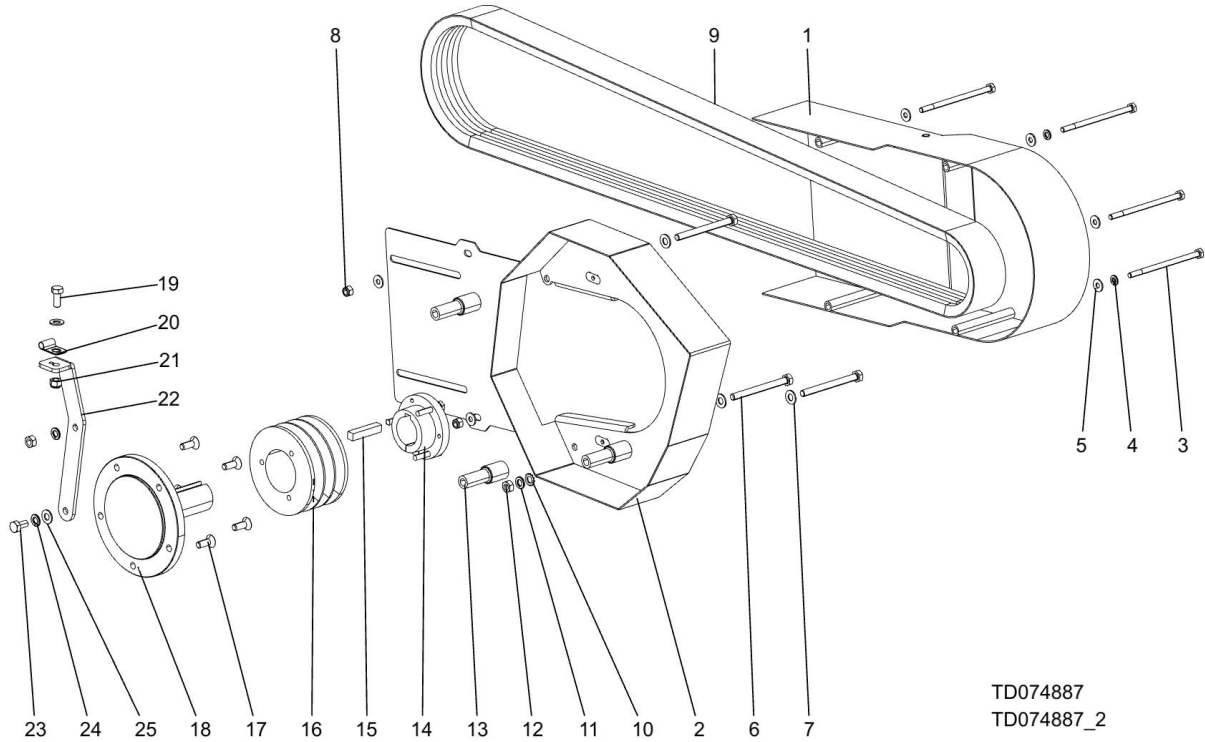
REF	PART #	DESCRIPTION	COMMENTS	QTY.
	061205	Pipe, Yanmar Fuel Return #119D00-59540		1
	061206	Radiator Kit, Yanmar #119515-44500		1
	061207	Bottle Assembly, Yanmar #121468-44520		1
	061208	Cap, Yanmar Rain #129107-44590		1
	061215	Relay, Pre-Heat Crank Fuel D24 #119650-77911		3
25	046026	Fitting, 3/8NPT Street Elbow 90		1
26	046025	Fitting, M16-3/8 NPT		1
27	P04332	Cap, 3/8 Pipe Galvanize		1
28	P10082	Hose, 3/8NPTx9 5/8 Rubber		1
29	074934	Panel Assembly, KP7 Key Switch/Control		1
30	074900	Assembly, Pressure Sensor/Driver Solenoid		1
31	061296	Screen, Water Seperator		1

6.2 Engine Mount (EG200D24)



REF	PART #	DESCRIPTION	COMMENTS	QTY.
1	076743	Mount Weldment, D24 Yanmar Engine		1
2	018751	Washer, Motor Mount		4
3	F05010-8	Nut, 1/2-13 Nyl Hex Lock		4
4	040320	Washer, Isolator Flanged		4
5	018734	Bushing, Rubber Mount		4
6	F05011-2	Washer, 1/2 SAE Flat		4
7	F05008-61	Bolt, 1/2-13x3 1/2 Hex Head GR5 Zinc		4
8	F05007-127	Bolt, 3/8-16x1 1/4 Carriage Gr5		4
9	F05011-3	Washer, 3/8 Flat SAE		4
10	F05010-10	Nut, 3/8-16 Hex Nyl Lock		4
11	F05010-69	Nut, 1/4-20 Nylock		2
12	P649	Hose Clamp, 7/32in-5/8in		2
13	F05011-11	Washer, 1/4 SAE Flat		4
14	F05005-101	Bolt, 1/4-20 X 1 Hex Head Gr5		2
15	061074	Pump, Yanmar Fuel Feed		1

6.3 Flywheel Assembly (EG200D24)

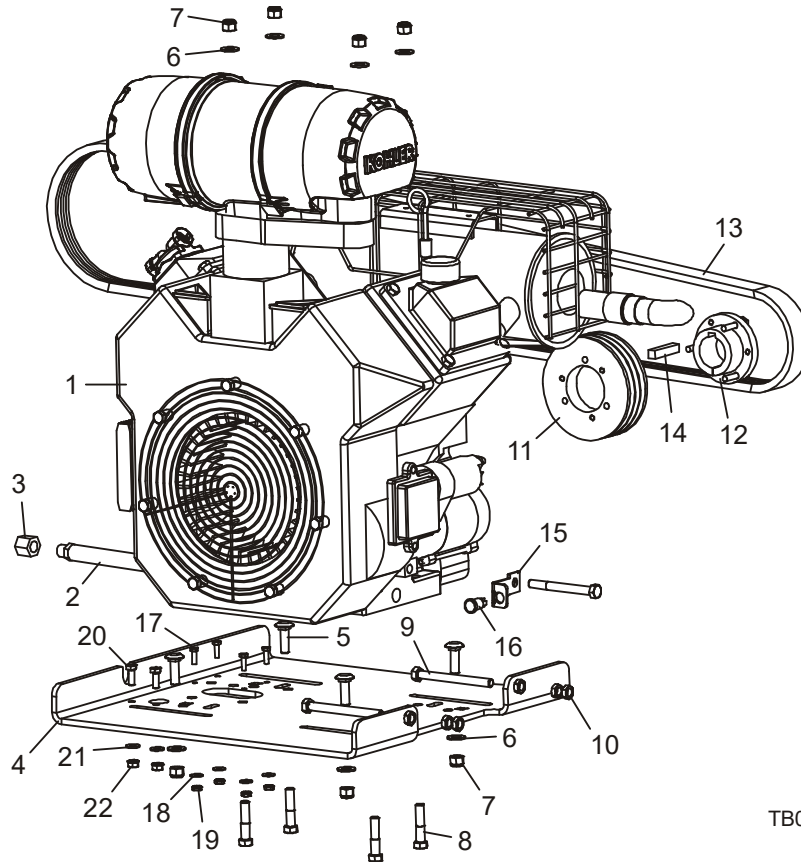


TD074887
TD074887_2

REF	PART #	DESCRIPTION	COMMENTS	QTY.
	074893	Cover Assembly, EG200D24 Flywheel/Belt		1
1	065822	Weldment, EG200 Yanmar Belt Cover		1
2	076736	Weldment, D24 Yanmar Flywheel Guard		1
3	F05005-76	Bolt, 1/4-20x4 1/2 HH Gr5		4
4	F05011-14	Washer, 1/4 Split Lock		9
5	F05011-11	Washer, 1/4 SAE Flat		13
6	F05004-247	Bolt, M8x1.25x90mm HH FT CL8.8 Zinc		3
7	F05011-17	Washer, 5/16 SAE Flat		3
8	F05010-69	Nut, 1/4-20 Nylock		2
9	006645	Belt, 3/5VX850		1
10	F05011-33	Washer, 5/16 Star ET		1
11	F05011-13	Washer, 5/16 Split Lock		1
12	F05010-162	Nut, M8-1.25 Free Zinc		2
13	076744	Spacer, 3/8x1x2.63		3
14	038174	Bushing, 1 7/16 x SDS		1
15	014693	Key, 3/8x3/8x1 7/8		1
16	006656	Sheave, 3/5V44 Drive		1
17	F05021-59	Screw, M8-1.25x22mm FS C/S BO CL12.9	Torque: 28Nm / 21ft/lbs	5
18	076745	Shaft, 1-7/16 Yanmar D24 Stub		1
19	F05006-5	Bolt, 5/16-18x3/4 HH Gr2		1
20	024155	Clamp, 1/4 In Wire 13/32 Mtg Hole		1
21	F05010-58	Nut, 5/16-18 Nyl Lock		2

REF	PART #	DESCRIPTION	COMMENTS	QTY.
22	074795	Plate, D24 Throttle Cable Mount		1
23	F05004-47	Bolt, M8-1.25x16 HH Zinc		1
24	F05011-13	Washer, 5/16 Split Lock		2
25	F05011-17	Washer, 5/16 SAE Flat		2

6.4 Engine (EG200G26 Only)

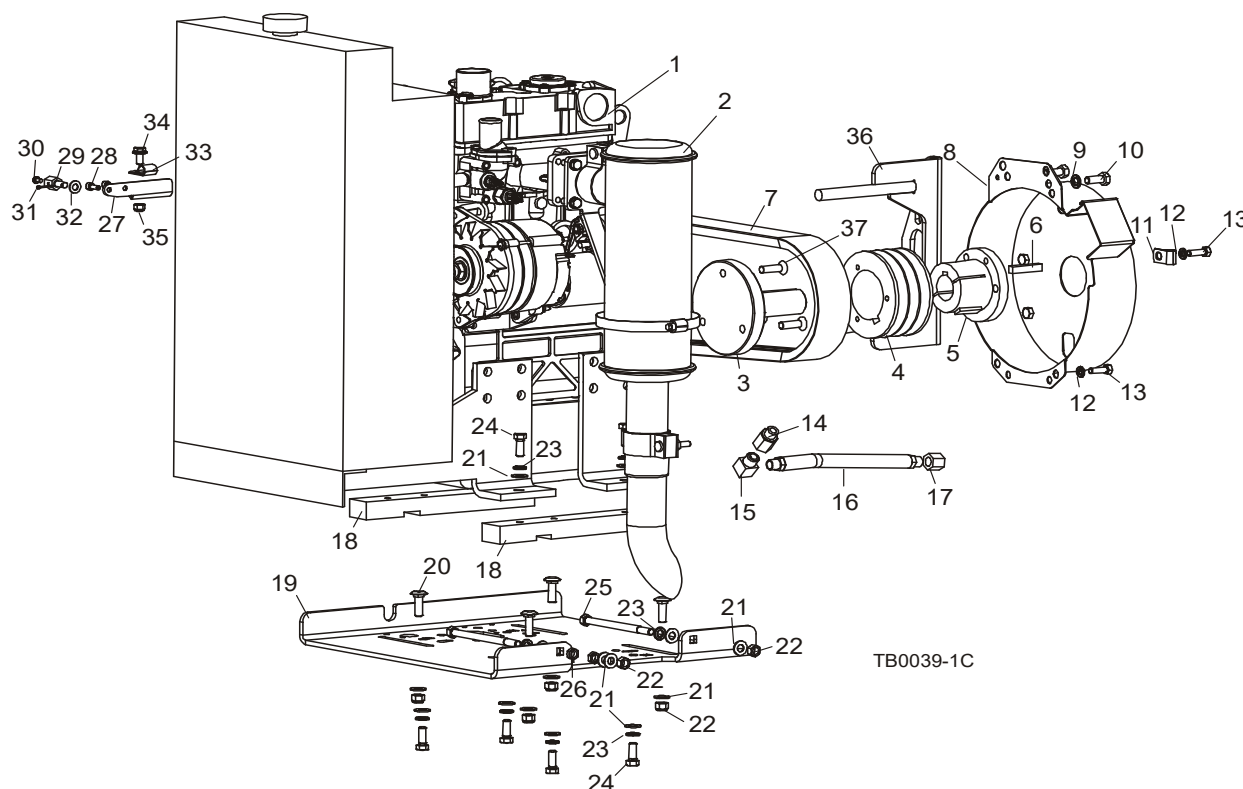


TB0051-1

REF	PART #	DESCRIPTION	COMMENTS	QTY.
	CEG28	COVER, ENGINE		1
1	065236	ENGINE, GAS 26 HP KOHLER		1
	016290	Gasket Kit, Kohler CH25 Head #24-841-03S		1
	065263	Sensor, Kohler Oxygen #25-418-05S		1
	061231	Pump Electric, Fuel G26 25-755-73S		1
	061157	Kit, Valve Cover w/ Lift Pump 24 559 10S		1
	065265	Filter, Kohler Fuel Micron #25-050-42S		1
		Air Cleaner, Kohler 26HP		1
	065260	Cap, Kohler Air Cleaner Rain #62-096-25S		1
	046553	Filter, Kohler Primary Air #25-083-01-S		1
	046554	Filter, Kohler Secondary Air #25-083-04-S		1
	065266	Muffler, Kohler #24-068-42S		1
	P12757	Plug, Kohler RC12YC Spark #12-132-02		1
	016142	Arrestor, Kohler Spark #25-189-01		1
	036684	Spark Arrestor, Kohler 90 Deg #24-189-01-S		1
	065264	Filter, Kohler Oil #12-050-01S		1
	P07557	Dipstick, Kohler #24-038-10-S		1
2	P10082	HOSE, 3/8 NPT X 9 5/8 RUBBER		1
3	P04332	CAP, 3/8 PIPE GALVANIZE		1
4	038068	PLATE, MOTOR MOUNT		1

REF	PART #	DESCRIPTION	COMMENTS	QTY.
5	F05007-11	BOLT, 3/8-16 X 1 1/4" CARRIAGE HEAD		4
6	F05011-3	WASHER, 3/8" SAE FLAT		4
7	F05010-10	NUT, 3/8-16 HEX NYLON LOCK		10
8	F05007-119	BOLT, 3/8-16 X 1 3/4" HEX HEAD GRADE 5		4
9	F05007-92	BOLT, 3/8-16 X 4" HEX HEAD FULL THREAD GRADE 5		2
10	F05010-29	NUT, 3/8-16 JAM		5
11	038218	SHEAVE, 3V4.75 X 3 SDS		1
12	038174	BUSHING, 1 7/16 SDS		1
13	038220	BELT, 3/3VX900		1
14	014693	KEY, 3/8" X 3/8" X 1 7/8"		1
15	065252	BRACKET, KOHLER MIL		1
16	E20482	LIGHT, RED 12VOLT .187 TABS		1
17	F05004-18	SCREW, 10-24 X 5/8" UNSL INDENT HH MACHINE		4
18	F05011-18	WASHER, #10 SAE FLAT		4
19	F05010-14	NUT, #10-24 KEPS		4
20	F05005-1	BOLT, 1/4-20 X 3/4" FULL THREAD HEX HEAD		2
21	F05011-11	WASHER, 1/4 SAE FLAT		2
22	F05010-9	NUT, 1/4-20 KEPS		2
	P12758	FILTER, KOHLER FUEL #24-050-13		1

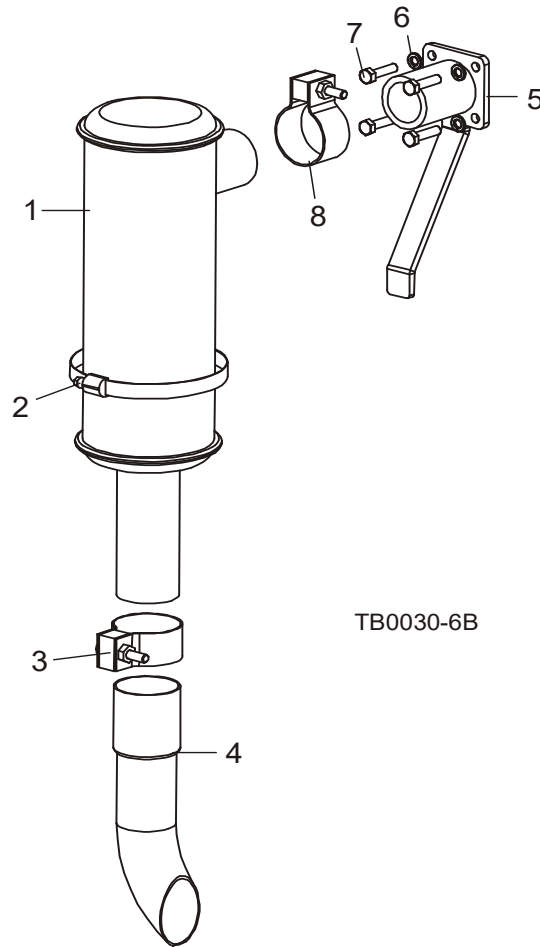
6.5 Engine (EG200D26 Only)



REF	PART #	DESCRIPTION	COMMENTS	QTY.
1	048439	ENGINE, CATERPILLAR #3011C		1
	046066	Filter, Caterpillar Oil #150-4140		1
	046069	Filter Assembly, Caterpillar Fuel #033-7854		1
	046068	Filter, Caterpillar Fuel #067-6987		1
	046073	Filter Assembly, Caterpillar Fuel/Water Separator #183-5455		1
	046074	Filter, Caterpillar Fuel/Water Separator #183-5446		1
	038441	Filter, Caterpillar Air Cleaner Cartridge #135326205		1
	014386	Filter, Air Cleaner Cartridge #PA1690FN	Filter for Caterpillar engine on Rev. A4.00 only.	1
	061069	Plug, Caterpillar Glow #307-8672		3
	046072	Solenoid, Caterpillar Fuel Shutoff #217-5204		1
	054954	Belt, D26 Alternator		1
	046077	Switch, Oil Pressure Sensor		1
	046078	Switch, Water Temp Sensor		1
	057918	Bushing, Upper Radiator Mount		2
	018734	Bushing, Lower Radiator Mount		2
2		MUFFLER PARTS ((See Section 6.6))		
3	048448	SHAFT, CATERPILLAR 26HP STUD		1
4	034560	PULLEY, 3/5V49 Q1		1
	038219	PULLEY, 3V5.6X3 SDS		1
5	034697	BUSHING, 1 7/16" Q1		1
	038174	BUSHING, 1 7/16" SDS		1
6	014693	KEY, 3/8" X 3/8" X 1 7/8"		1

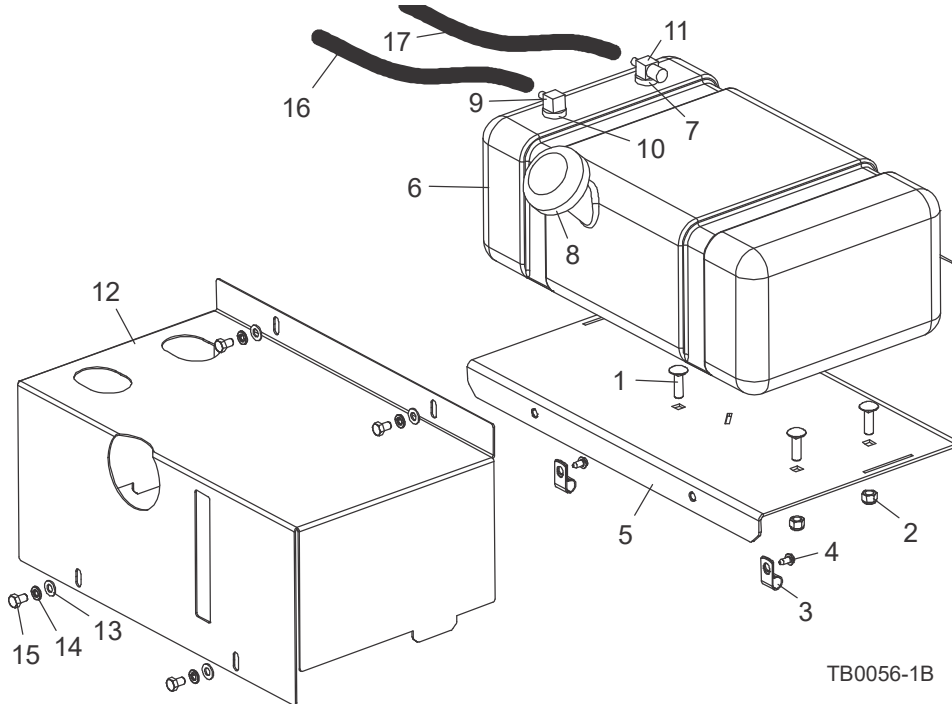
REF	PART #	DESCRIPTION	COMMENTS	QTY.
7	039270	BELT, 3/5VX900		1
	038220	BELT, 3/3VX900		1
8	038211	HOUSING, ENGINE DRIVE SHAFT		1
9	F05011-88	WASHER, 10MM SPLIT LOCK		2
10	F05009-52	BOLT, M10X25 10.9 HEX HEAD		2
11	P07584	CLAMP, 1/2" EMT COATED		1
12	F05011-13	WASHER, 5/16" SPLIT LOCK		3
13	F05004-40	BOLT, M8X1.25X1 HEX HEAD FULL THREAD		3
14	046025	FITTING, M16-3/8 NPT		1
15	046026	FITTING 3/8" NPT STREET ELBOW		1
16	P10082	HOSE, 3/8" NPT X 9 5/8" RUBBER		1
17	P04332	CAP, 3/8" NPT PIPE		1
18	048447	BLOCK, ED26 ENGINE SPACER		2
19	038068	PLATE, MOTOR MOUNT		1
20	F05007-11	BOLT, 3/8-16 X 1 1/4" CARRIAGE HEAD		4
21	F05011-3	WASHER, 3/8" SAE FLAT		17
22	F05010-10	NUT, 3/8-16 HEX NYLON LOCK		6
23	F05011-4	WASHER, 3/8" SPLIT LOCK		10
24	F05007-87	BOLT, 3/8-16 X 1" HEX HEAD GRADE 5		4
25	F05007-34	BOLT, 3/8-16 X 5 1/2" HEX HEAD FULL THREAD		2
26	F05010-29	NUT, 3/8-16 HEX JAM		2
27	038272	BRACKET, THROTTLE MOUNT		1
28	F05005-99	BOLT, M6 X 12 HEX HEAD FULL THREAD GRADE 8-8		2
29	038271	PIN, CATERPILLAR THROTTLE		1
30	F05004-3	BOLT, #10-24 X 3/8" PHILLIPS PAN HEAD		1
31	F05012-9	PIN, 3/32" X 3/4" COTTER		1
32	F05011-17	WASHER, 5/16" SAE FLAT		1
33	024155	CLAMP, 1/4" WIRE		1
34	F05006-101	BOLT, 5/16-18 X 3/4" HEX W/WASHER HEAD		1
35	F05010-58	NUT, 5/16-18 HEX NYLON LOCK		1
36	038268	SUPPORT WELDMENT, DRIVE BELT		1
	006610	BOLT KIT, ED26 OUTPUT SHAFT MOUNT RETRO		1
37	F05004-246	Bolt, M10-1.50 x 30mm Socket Flat Head		3
	006621	Hex Key, 6mm 3/8" Drive Socket		1
	016236	Loctite, #242 Blue Sample Size		1
	006610-1569	Instruction Sheet, ED26 Output Shaft Mount Retrofit		1

6.6 Muffler (EG200D26 Only)



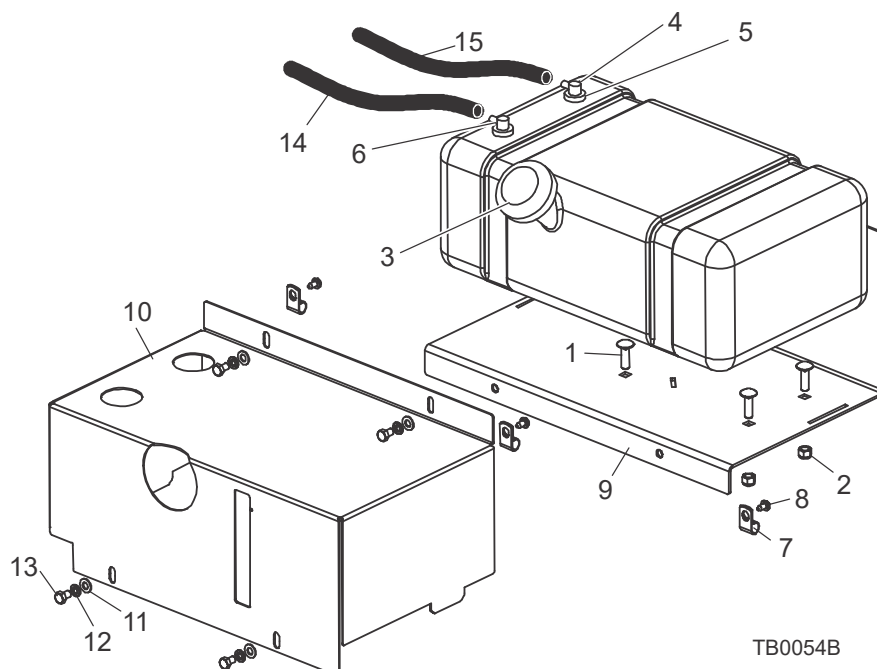
REF	PART #	DESCRIPTION	COMMENTS	QTY.
1	014093	MUFFLER		1
2	014096	CLAMP, 5" WORM		1
3	014095	CLAMP, 2 1/4" MUFFLER		1
4	014094	PIPE, KUBOTA MUFFLER		1
5	015868	BRACKET WELDMENT, MUFFLER MOUNT (KUBOTA)		1
	045627	BRACKET WELDMENT, MUFFLER MOUNT (CATERPILLAR)		1
6	F05011-13	WASHER, 5/16" SPLIT LOCK		4
7	F05004-40	BOLT, M8 X 1.25 X 1" HEX HEAD FULL THREAD		4
8	014205	CLAMP, 2" MUFFLER		1

6.7 Fuel Tank (EG200G26)



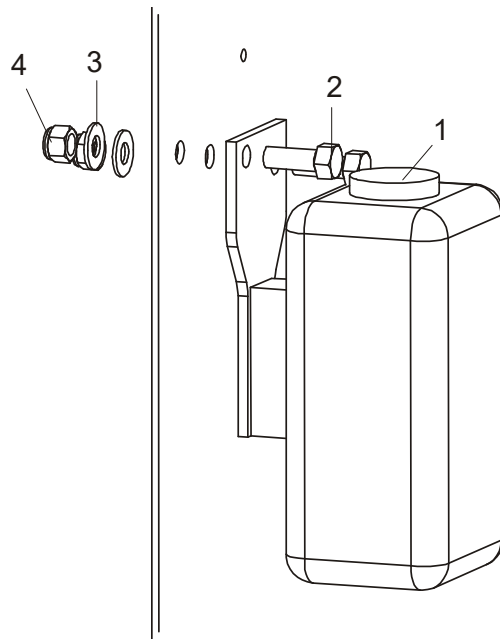
REF	PART #	DESCRIPTION	COMMENTS	QTY.
1	F05007-127	BOLT, 3/8-16 X 1 1/4" CARRIAGE GRADE 5		4
2	F05010-10	NUT, 3/8-16 HEX NYLON LOCK		4
3	P07584	CLAMP, 1/2" EMT COATED		3
4	F05015-1	SCREW, 1/4-20 X 3/4" SLOTTED HEX HEAD		3
5	074811	TRAY WELDMENT, FUEL TANK EDGER		1
6	103878	TANK, 5 GALLON LOW PRO EPA FUEL	Service part 074943 Fuel Pick-Up with Shut-Off Fitting.	1
7	061250	Grommet, Shut Off		1
8	061251	Gas Cap, LT15		1
9	061252	Valve, Slosh		1
10	061253	Grommet, Slosh Valve		1
11	074943	Fitting, Fuel Pick-Up With Shut-Off		1
12	103867	COVER, FUEL TANK		1
13	F05011-17	WASHER, 5/16" SAE FLAT		4
14	F05011-13	WASHER, 5/16" SPLIT LOCK		4
15	F05006-15	BOLT, 5/16-18 X1/2" HEX HEAD GRADE 5		4
16	R02423-1	HOSE, FUEL 3/16" EPA 15G CARB		1
17	R02423-2	HOSE, FUEL 1/4" EPA 15G CARB		1

6.8 Fuel Tank (EG200D24)



REF	PART #	DESCRIPTION	COMMENTS	QTY.
1	F05007-127	BOLT, 3/8-16 X 1 1/4" CARRIAGE GRADE 5		4
2	F05010-10	NUT, 3/8-16 HEX NYLON LOCK		4
	103928	TANK, 5 GALLON LOW PRO DIESEL		1
3	061257	Cap, Fuel Tank Diesel 080185BE		1
4	061255	Fitting, Pick-Up/Tube Diesel 468871A		1
5	061250	Grommet, Shut Off 046881		2
6	061256	Fitting, Return/tube Diesel 468489		1
7	P07584	CLAMP, 1/2" EMT COATED		3
8	F05015-1	SCREW, 1/4-20 X 3/4" SLOTTED HEX HEAD		3
9	074811	TRAY WELDMENT, FUEL TANK EDGER		1
10	103867	COVER, FUEL TANK		1
11	F05011-17	WASHER, 5/16" SAE FLAT		4
12	F05011-13	WASHER, 5/16" SPLIT LOCK		4
13	F05006-15	BOLT, 5/16-18 X1/2" HEX HEAD GRADE 5		4
14	R02423-3	HOSE, FUEL 5/16" EPA 15G CARB		1
15	R02423-2	HOSE, FUEL 1/4" EPA 15G CARB		1

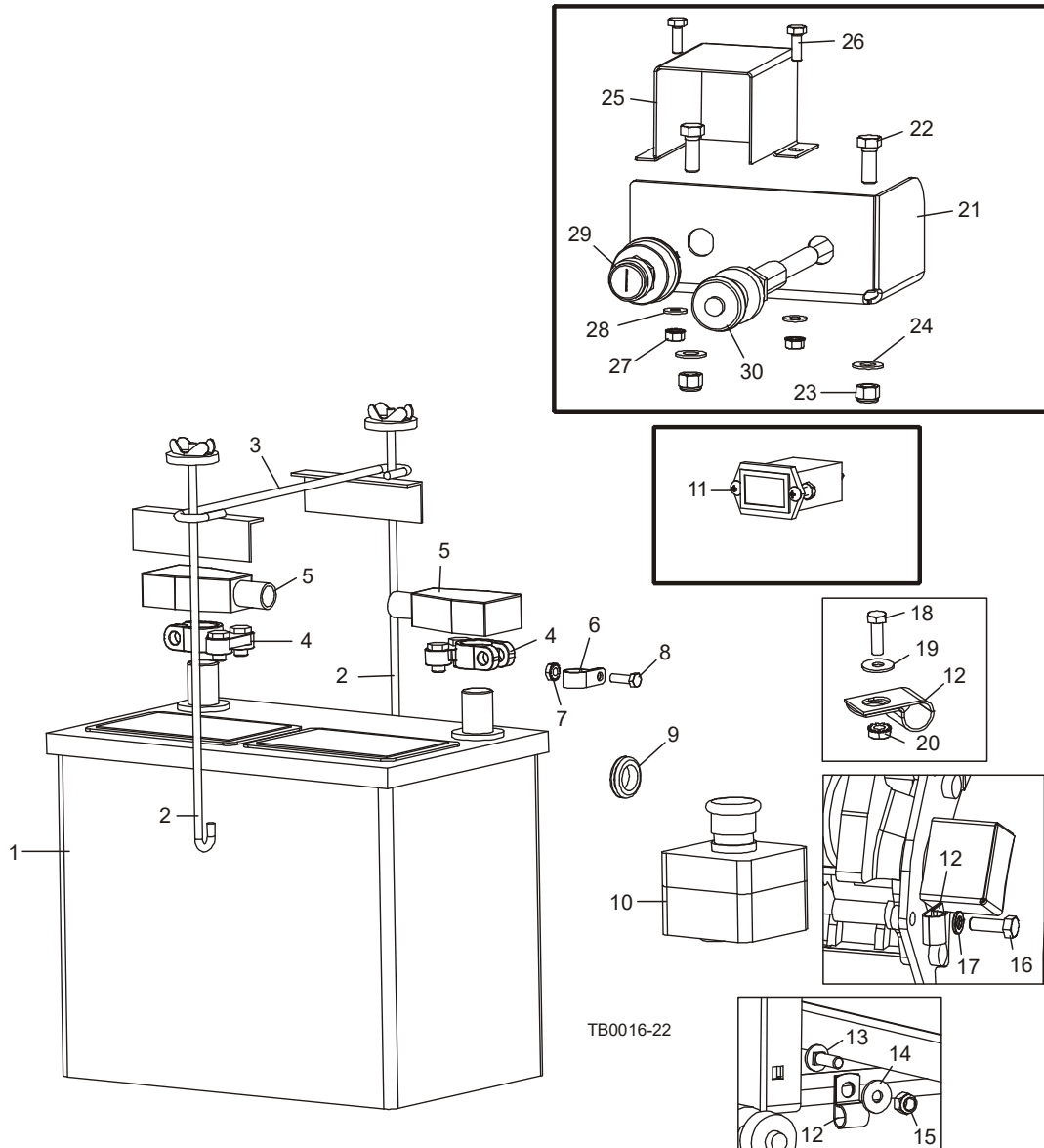
6.9 Coolant Tank (ED26 Only)



TB0030-5

REF	PART #	DESCRIPTION	COMMENTS	QTY.
1	028558	COOLANT TANK, KUBOTA		1
2	F05007-7	SCREW, 3/8-16 X 1" HEX HEAD CAP		2
3	F05011-3	WASHER, 3/8" FLAT SAE		2
4	F05010-10	NUT, 3/8-16 HEX NYLON LOCK		2

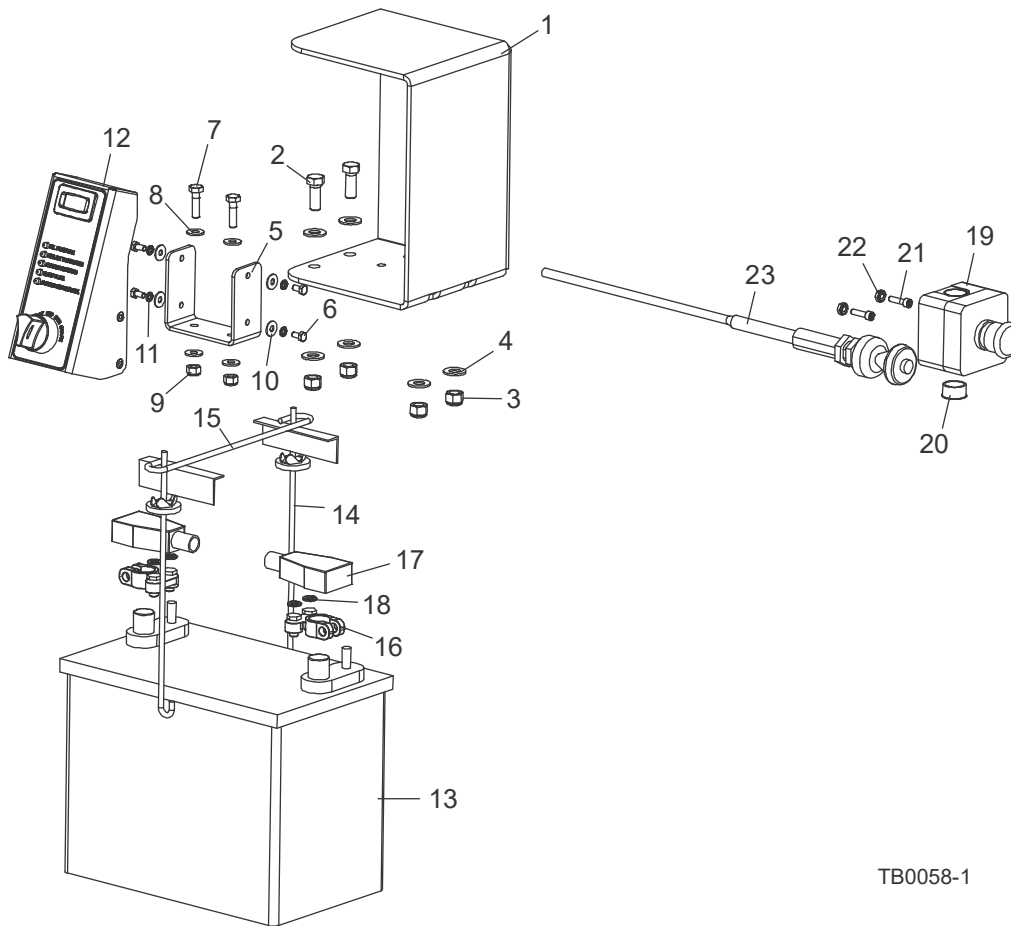
6.10 Battery, Hour Meter & E-Stop (EG200G26)



REF	PART #	DESCRIPTION	COMMENTS	QTY.
1	028004	BATTERY, DEKA 12V 526MF 540CCA 665CA		1
2	038163	BOLT, BATTERY HOLD-DOWN		2
3	038162	BRACKET, BATTERY HOLD-DOWN		1
4	P05085	CLAMP, BATTERY TERMINAL		2
5	P11946	BOOT, RUBBER BATTERY TERMINAL		2
6	F05114-1	CLAMP, 1/2" PLASTIC CABLE		2
7	F05010-14	NUT, #10-24 HEX SELF-LOCKING		2
8	F05004-18	BOLT, #10-24 X 5/8" HEX HEAD		2
9	P11764	GROMMET, 5/8" RUBBER		4
10	024575	SWITCH ASSEMBLY, EMERGENCY STOP		1
11	015401	METER, RECTANGLE-MOUNT HOUR		1
	061173	Switch, Murphy 518PH12V		1
12	P07584	CLAMP, 1/2" COATED EMT		3
13	F05006-9	BOLT, 5/16-18 X 1" CARRIAGE HEAD STAIN-LESS STEEL		1

REF	PART #	DESCRIPTION	COMMENTS	QTY.
14	F05011-16	WASHER, 5/16" STANDARD FLAT		3
15	F05010-58	NUT, 5/16-18 HEX NYLON LOCK		3
16	F05004-40	BOLT, M8 X 125MM X 1" HEX HEAD		1
17	F05011-13	WASHER, 5/16" SPLIT LOCK		1
18	F05004-18	BOLT, #10-24 X 5/8" HEX HEAD		1
19	F05011-18	WASHER, #10 SAE FLAT		1
20	F05010-14	NUT, #10-24 HEX SELF-LOCKING		1
	047710	CONTROL ASSEMBLY, G28 EDGER KEY/THROTTLE		1
21	047711	Plate, Electric Box Front		1
22	F05007-87	Bolt, 3/8-16 x 1" Hex Head Grade 5		2
23	F05010-10	Nut, 3/8-16 Hex Nylon Lock		2
24	F05011-3	Washer, 3/8" SAE Flat		2
25	014199	Box, Diesel Relay		1
26	F05005-129	Bolt, 1/4-20 x 3/4" Hex Head		2
27	F05010-9	Nut, 1/4-20 Keps		2
28	F05011-11	Washer, 1/4 SAE Flat		2
29	P04350	Switch, Key		1
30	047726	Cable, Throttle		1
	069538	HARNESS ASSEMBLY, EG200G28KEY SWITCH	Not shown	1
	069539	HARNESS ASSEMBLY, EG200G28E-STOP		1
	024718	HARNESS ASSEMBLY, ENGINE TO BATTERY		1
	069537	HARNESS ASSEMBLY, EG200G28HOUR METER		1
	069541	CONNECTOR ASSEMBLY, EG200G28 ENGINE		1

6.11 Battery, Control & E-Stop (EG200D24)

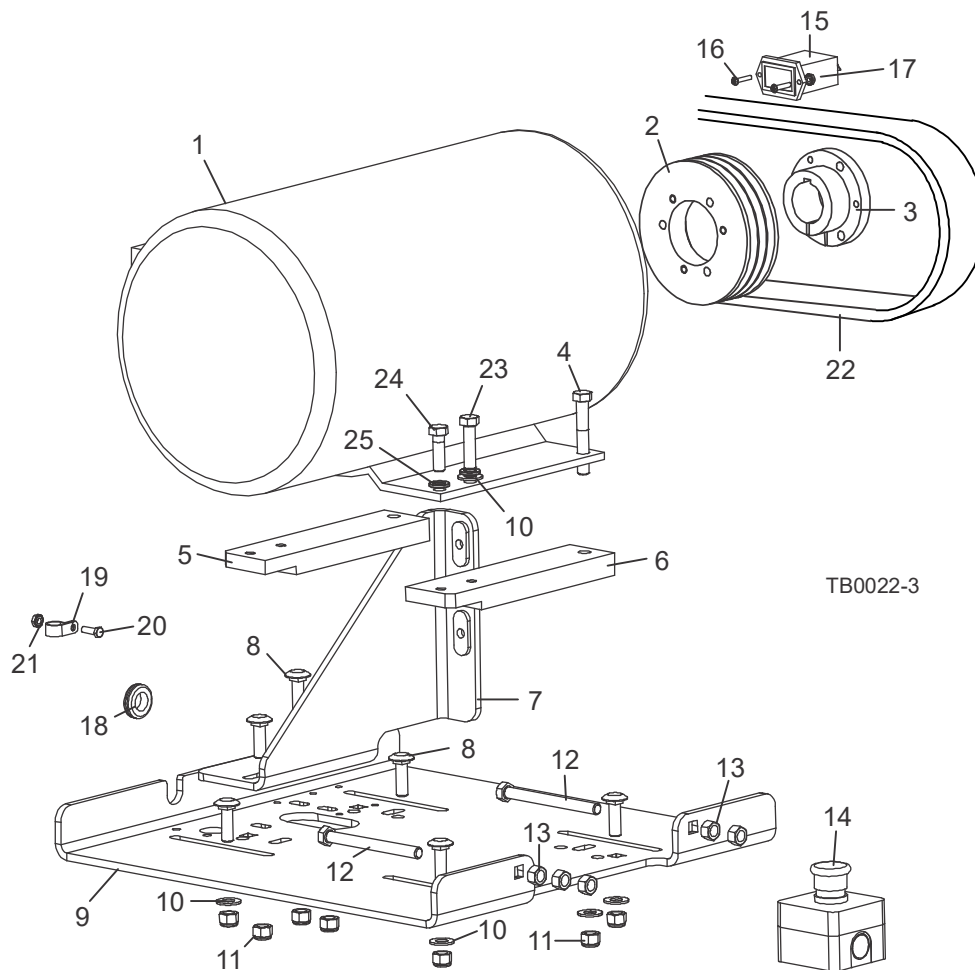


TB0058-1

REF	PART #	DESCRIPTION	COMMENTS	QTY.
	074936	CONTROL ASSEMBLY, EG200D24 KEY SWITCH		1
1	074935	Plate, EG200D24 Key Switch/Control Mount		1
2	F05007-87	Bolt, 3/8-16x1 Hex Head Grade 5		4
3	F05010-10	Nut, 3/8-16 Hex Nyloc		4
4	F05011-3	Washer, 3/8 Flat SAE		8
	074933	Panel Assembly, D24 Key Switch/Control		1
5	074797	Plate, D24 Key Switch/Control Mount		1
6	F05004-60	Bolt, #10-32x1/2 Hex Head		4
7	F05005-101	Bolt, 1/4-20x1 Hex Head Grade 5		2
8	F05010-69	Nut, 1/4-20 Nylock		2
9	F05011-11	Washer, 1/4 SAE Flat		4
10	F05011-18	Washer, #10 SAE Flat		4
11	F05011-20	Washer, #10 Split Lock		4
12	074934	Control, D24 Key Switch		1
	074925	BATTERY ASSEMBLY, EG200 DIESEL ENGINE		1
13	P12315	Battery, Deka 12V, 24M77 800CCA 1000CA		1
14	038163	Bolt, Battery Hold-Down		2
15	038162	Bracket, Battery Hold-Down		1
16	P05085	Clamp, Battery Terminal		2
17	P11946	Boot, Rubber Battery Terminal		2
18	F05011-14	Washer, 1/4 Split Lock		4

REF	PART #	DESCRIPTION	COMMENTS	QTY.
	065839	Harness Assy, EG200D21 Battery To Engine		1
	074944	BOX ASSEMBLY, EG200 E-STOP		1
19	052999	E-Stop Box, 40mm Oper-10A NC		1
20	P04137	Grommet, 5/8 Wire		1
21	F05004-194	SCREW, #10-24X3/4 SHC BO		2
22	F05010-14	NUT, #10-24 KEPS		2
23	047726	CABLE, THROTTLE		1
	074959	EXTENSION, D24 YANMAR 6' WIRING HAR- NESS		1
	052212	CABLE ASSEMBLY, D21/D24/D26 E-STOP		1

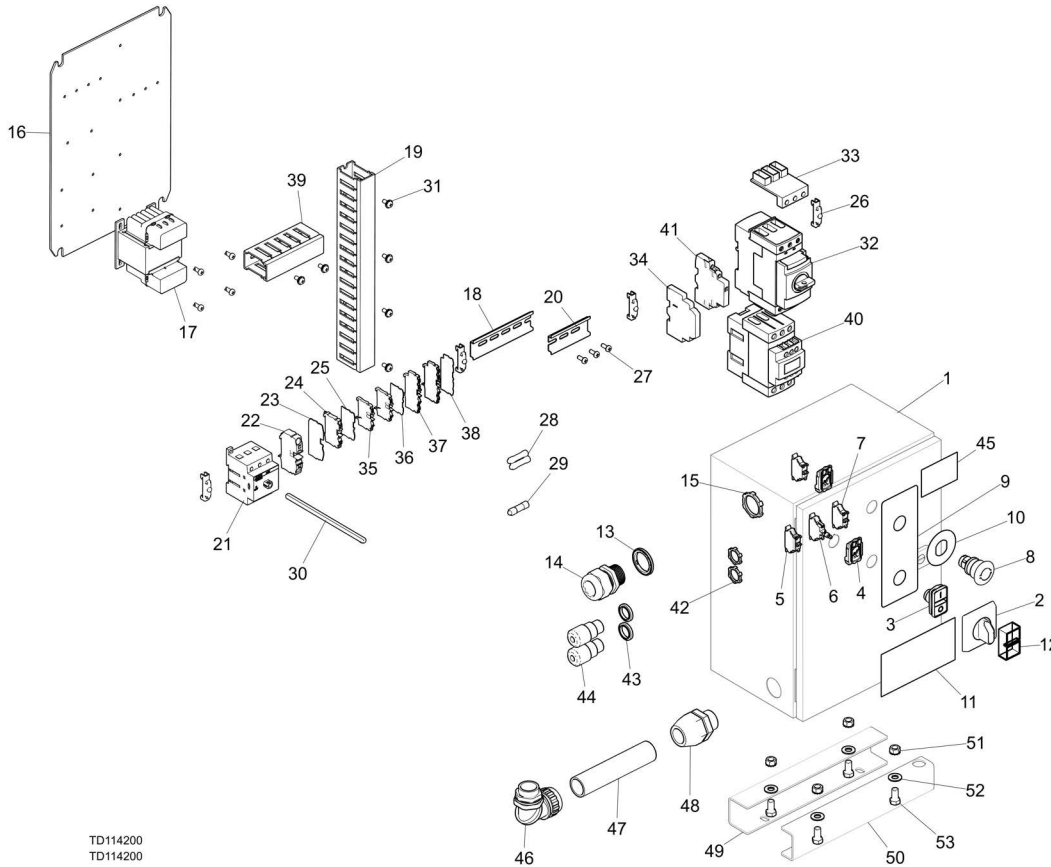
6.12 Motor, Hour Meter & E-Stop (EG200EC15)



REF	PART #	DESCRIPTION	COMMENTS	QTY.
1	130000	MOTOR, 15HP 3-PHASE 60 HZ 3530RPM (EE15)	Use 15HP Motor A22902 for service. (074780 replaced P11813 (Rev. B1.00): 30000 replaced 074780 (Rev.B2.06).	1
	P12552	MOTOR, 15HP 3-PHASE 60 HZ 3450RPM 575V	Use A22902-575 for service.	1
2	038218	SHEAVE, 3V4.75 X 3 SDS		1
	038060 ³	SHEAVE, SB60 SDS		1
3	119076	BUSHING, 1 3/8" SDS		1
4	F05007-125	BOLT, 3/8-16X2 1/2 HH GR5		2
5	079886	SPACER, 3/4X2X8, LEFT		1
6	079887	SPACER, 3/4X2X8, RIGHT		1
7	038164	BRACKET WELDMENT, EE15 BELT GUARD		1
8	F05007-11	BOLT, 3/8-16 X 1 1/4" CARRIAGE HEAD		7
9	038068	PLATE, MOTOR MOUNT		1
10	F05011-3	WASHER, 3/8" SAE FLAT		8
11	F05010-10	NUT, 3/8-16 HEX NYLON LOCK		11
12	F05007-92	BOLT, 3/8-16 X 4" HEX HEAD FULL THREAD GRADE 5		2
13	F05010-1	NUT, 3/8-16 HEX		5
14	024575	SWITCH ASSEMBLY, EMERGENCY STOP		1

REF	PART #	DESCRIPTION	COMMENTS	QTY.
15	024586	METER, 115V 50/60 HZ RECTANGLE-MOUNT HOUR		1
16	F05004-93	SCREW, #6-32 X 3/4" SOCKET BUTTON HEAD		2
17	F05010-59	NUT, #6-32 HEX SELF-LOCKING		2
18	P11764	GROMMET, 5/8" RUBBER		4
19	F05114-1	CLAMP, 1/2" PLASTIC CABLE		2
20	F05004-18	BOLT, #10-24 X 5/8" HEX HEAD		2
21	F05010-14	NUT, #10-24 HEX SELF-LOCKING		2
22	038220	BELT, 3/3VX900	Use 3/3VX900 Belt 038220 for Rev. A3.00+. Use 2BX90 Belt 012974 for all previous revisions.	1
	012974	BELT, 2BX90 'V'		1
23	F05007-17	BOLT, 3/8-16X1 1/2 FT HH		2
24	F05007-2	SCREW, 3/8-16X1 1/4 HHC		2
25	F05011-4	WASHER, 3/8 SPLIT LOCK		4
	F05006-101	BOLT, 5/16-18 X 3/4" HEX WASHER HEAD		2

6.13 Control Assy (EG200EC15)

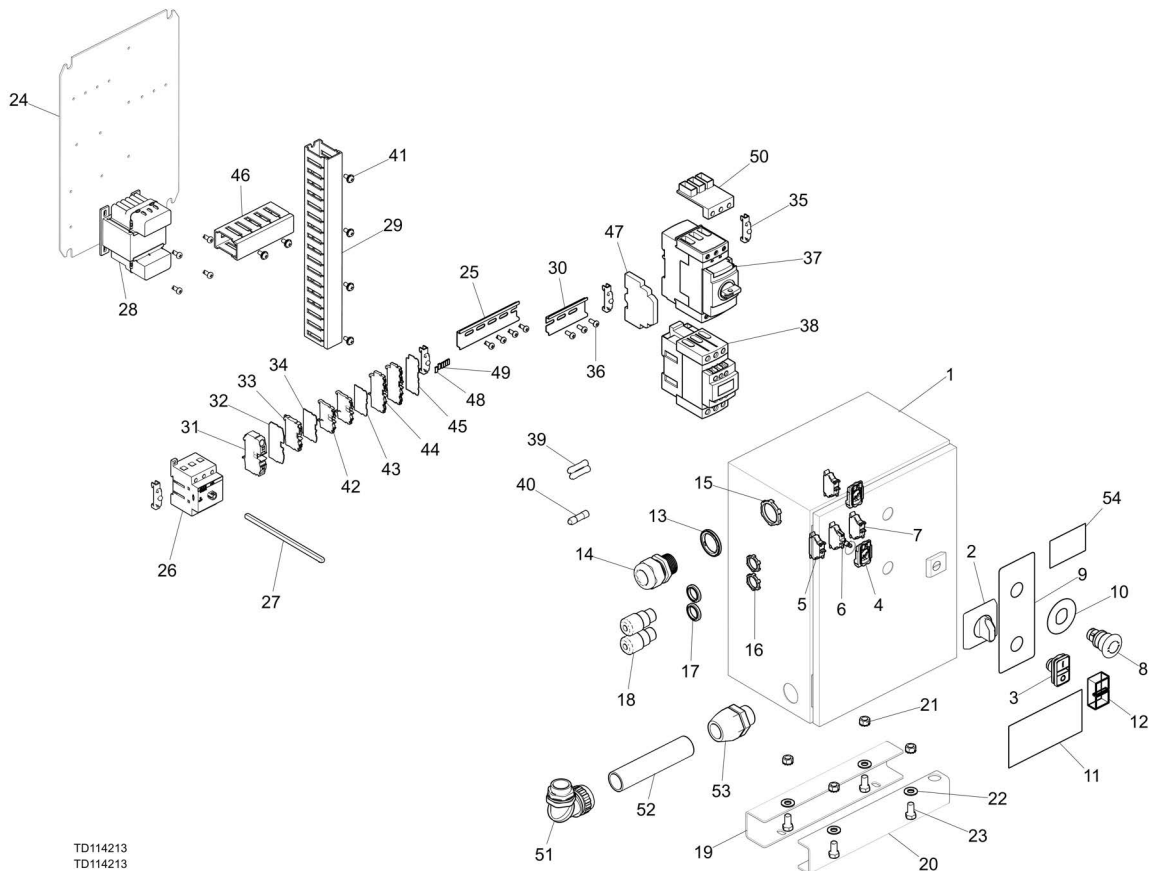


TD114200
TD114200

REF	PART #	DESCRIPTION	COMMENTS	QTY.
	114200	Control Box, EG200EC15 480V 3PH		1
1	114204	Enclosure, Elec. Control EG200E		1
2	050883-1	Handle, Disconnect RED/YEL 6mm Shaft		1
3	068909	Push Button, Grn/Red Marked Flush		1
	068950	Collar, Mount 1NC ZB5		2
4	068951	Switch Collar, Mount ZB5		2
5	068921	Contact Block, NC ZB5		2
6	068910	Light Module, Green ZB5		1
7	068920	Contact Block, NO ZB5		1
8	068940	Push-Button, Mshrm Mntnd Red TrnRI ZB5		1
9	114203	Decal, EG200E Control		1
10	050992	Legend, E-Stop, Round Yellow		1
11	S20061	Decal, Electrical Danger		1
12	052501	Boot, Clear Sealing ZB Sw		1
13	053734	Ring, 1" Sealing		1
14	069861	Connector, 1" NPT 0.59-1.00		1
15	053735	Nut, 1" NPT Connector Lock Sealing		1
	114202	Panel Assembly, Insert EG200EC15 240/480VAC 3PH		1
16	114201	Panel, Control Insert EG200		1
17	114026	Transformer, 100VA 208/240/480 -24		1
18	024474-5	DIN RAIL, 35MMX7.5MMX5IN STEEL SYM		1

REF	PART #	DESCRIPTION	COMMENTS	QTY.
19	024472-14	Cable Duct, 2H x 1W x14L Open Slot Gry		1
20	024474-3_25	DIN RAIL, 35MMX7.5MMX3.25IN STEEL SYM		1
21	050881-1	Disconnect, 63A 600V 3P 6mm Shaft		1
22	068111	Terminal Block, 2 Pos 16mm GND Clamp		1
23	068112	Terminal Block, 2Pos 16mm End Plate		1
24	068107	Terminal Block, 2Pos 4mm GND Clamp		1
25	068108	Terminal Block, 2Pos 4mm End Plate		1
26	E22707	Clamp, Metal Din Rail		4
27	F05015-17	Bolt, #10-24x1/2 PH		7
28	P03151	Fuse, 4/10A 600V KLDR Class CC		2
29	052454	Fuse, 3A 600V KLDR Class CC		1
30	051673-1_7	Shaft, Disconnect 7in		1
31	F05004-186	Screw, #10-24x1/2 Phil >		6
32	073503	Motor Starter, 50A Manual		1
33	078510	Motor Protector, GV3 Line Phase Cover		1
34	068199	Motor Protector, Aux Contacts 1NO 1NC		1
35	068100	Terminal Block, 2Pos 1.5mm Clamp		2
36	068102	Terminal Block, 2Pos 1.5mm End Plate		1
37	068103	Terminal Block, 4Pos 1.5mm Com Clamp		2
38	068105	Terminal Block, 4Pos 1.5mm End Plate		1
39	024472-4_75	Cable Duct, 2H x 1W x 4.75L Open Slot Gry		1
40	502686	Contact, LC1 D50 B7		1
41	073509	Auxillary Contact, GVAM11 Short Circuit		1
42	E20461	Nut, 1/2 npt Connector Lock		2
43	E20460	Ring, 1/2 Sealing		2
44	E23492	Connector, 1/2 .125-.375 Portable Cord		2
45	114205-NPLBL	Label, EG200EC15 Electric Nameplate		1
	114206	Harness, EG200EC Motor		1
46	024695_90	Connector, 1" Swivel Liquidtite		1
47	R01627_6	Conduit, 1" Diameter Maxiflex Black		1
48	E20444	Connector, 1 Nylon		1
49	114210	Bracket, Rear Mounting EG200		1
50	114211	Bracket, Front Mounting EG200		1
51	F05010-19	Nut, 3/8-16 Keps		4
52	F05011-3	Washer, 3/8 Flat SAE		4
53	F05007-27	Bolt, 3/8-16x3/4 HH Gr2		4

6.14 Control Assy (EG200EB15)

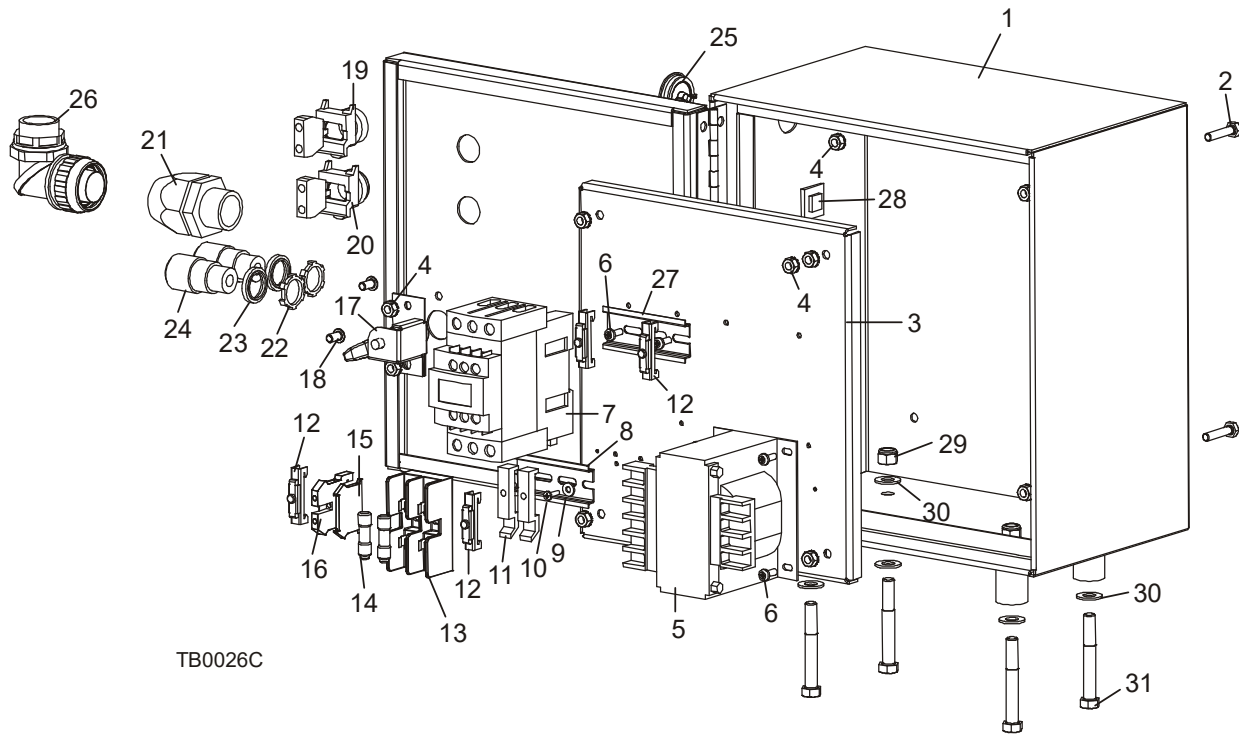


TD114213
TD114213

REF	PART #	DESCRIPTION	COMMENTS	QTY.
	114213	Control Box, EG200EB15 240V 3PH		1
1	114204	Enclosure, Elec. Control EG200E		1
2	050883-1	Handle, Disconnect RED/YEL 6mm Shaft		1
3	068909	Push Button, Grn/Red Marked Flush		1
	068950	Collar, Mount 1NC ZB5		2
4	068951	Switch Collar, Mount ZB5		2
5	068921	Contact Block, NC ZB5		2
6	068910	Light Module, Green ZB5		1
7	068920	Contact Block, NO ZB5		1
8	068940	Push-Button, Mshrm Mntnd Red TrnRI ZB5		1
9	114203	Decal, EG200E Control		1
10	050992	Legend, E-Stop, Round Yellow		1
11	S20061	Decal, Electrical Danger		1
12	052501	Boot, Clear Sealing ZB Sw		1
13	053734	Ring, 1" Sealing		1
14	069861	Connector, 1" NPT 0.59-1.00		1
15	053735	Nut, 1" NPT Connector Lock Sealing		1
16	E20461	Nut, 1/2 npt Connector Lock		2
17	E20460	Ring, 1/2 Sealing		2
18	E23492	Connector, 1/2 .125-.375 Portable Cord		2
19	114210	Bracket, Rear Mounting EG200		1
20	114211	Bracket, Front Mounting EG200		1

REF	PART #	DESCRIPTION	COMMENTS	QTY.
21	F05010-19	Nut, 3/8-16 Keps		4
22	F05011-3	Washer, 3/8 Flat SAE		4
23	F05007-27	Bolt, 3/8-16x3/4 HH Gr2		4
	114212	Panel Assembly, Insert EG200EB15 240VAC 3PH		1
24	114201	Panel, Control Insert EG200		1
25	024474-5	DIN RAIL, 35MMX7.5MMX5IN STEEL SYM		1
26	050881-1	Disconnect, 63A 600V 3P 6mm Shaft		1
27	051673-1_7	Shaft, Disconnect 7in		1
28	114026	Transformer, 100VA 208/240/480 -24		1
29	024472-14	Cable Duct, 2H x 1W x14L Open Slot Gry		1
30	024474-3_25	DIN RAIL, 35MMX7.5MMX3.25IN STEEL SYM		1
31	068111	Terminal Block, 2 Pos 16mm GND Clamp		1
32	068112	Terminal Block, 2Pos 16mm End Plate		1
33	068107	Terminal Block, 2Pos 4mm GND Clamp		1
34	068108	Terminal Block, 2Pos 4mm End Plate		1
35	E22707	Clamp, Metal Din Rail		4
36	F05015-17	Bolt, #10-24x1/2 PH		11
37	073503	Motor Starter, 50A Manual		1
38	502686	Contact, LC1 D50 B7		1
39	P03151	Fuse, 4/10A 600V KLDR Class CC		2
40	052454	Fuse, 3A 600V KLDR Class CC		1
41	F05004-186	Screw, #10-24x1/2 Phil >		6
42	068100	Terminal Block, 2Pos 1.5mm Clamp		2
43	068102	Terminal Block, 2Pos 1.5mm End Plate		1
44	068103	Terminal Block, 4Pos 1.5mm Com Clamp		2
45	068105	Terminal Block, 4Pos 1.5mm End Plate		1
46	024472-4_75	Cable Duct, 2H x 1W x 4.75L Open Slot Gry		1
47	068199	Motor Protector, Aux Contacts 1NO 1NC		1
48	068140	Terminal Block, Numbers 1-10 2.5mm(Qty 0.1)		2
49	068130	Terminal Block, Numbers 1-10 1.5mm(Qty 0.1)		4
50	078510	Motor Protector, GV3 Line Phase Cover		1
	114214	Harness, EG200EB Motor		1
51	024695_90	Connector, 1" Swivel Liquidtite		1
52	R01627_6	Conduit, 1" Diameter Maxiflex Black		1
53	E20444	Connector, 1 Nylon		1
54	114215-NPLBL	Label, EG200EB15 Electric Nameplate		1

6.15 Starter Assembly (EE15-C Only)



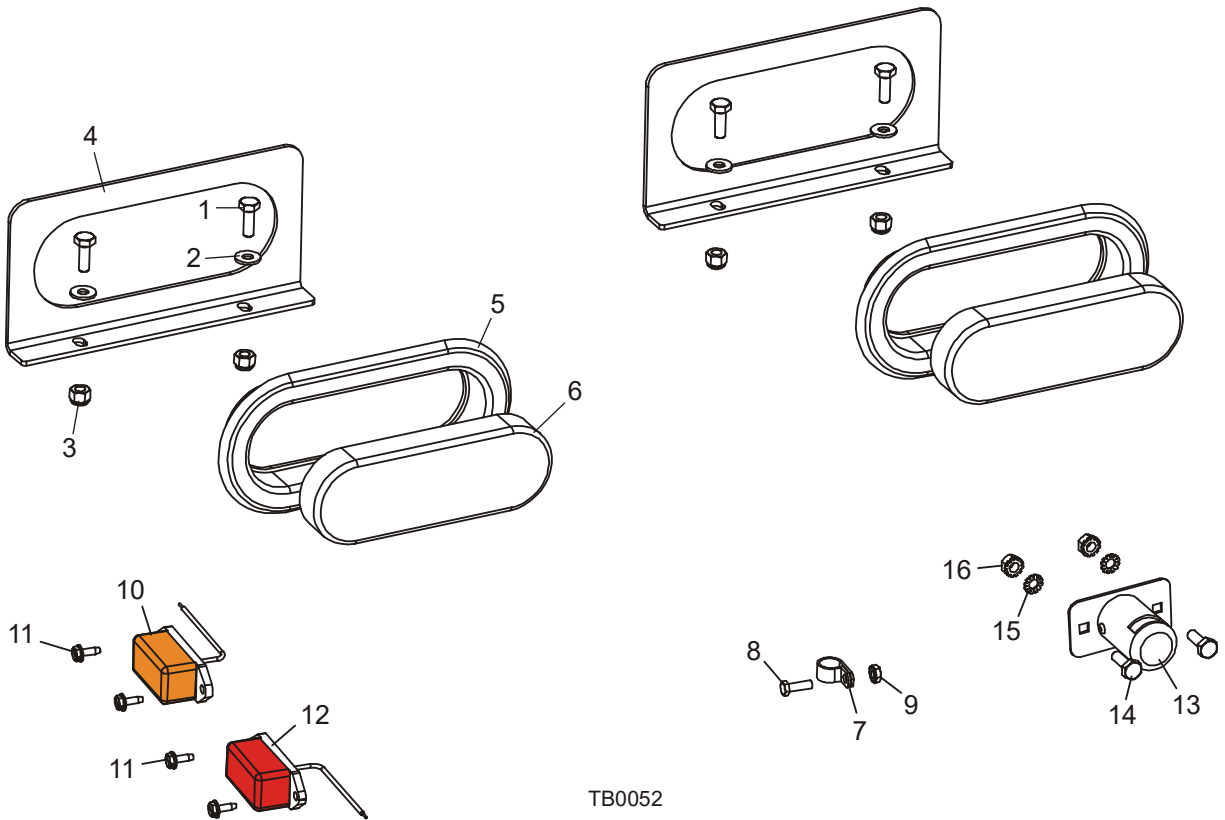
TB0026C

REF	PART #	DESCRIPTION	COMMENTS	QTY.
	024592	BOX ASSEMBLY, EE15-C 575VAC 3-PHASE STARTER		1
1	024582	Box Weldment, Starter		1
2	F05005-3	Bolt, 1/4-20 x 1 1/4" Hex Head		4
3	S10212	Panel, Starter Box Component Mount		1
4	F05010-9	Nut, 1/4-20 Hex Self-Locking		11
5	024775	Transformer, 150VA Multi-Tap		1
6	F05015-17	Screw, #10-24 x 1/2" Phillips Pan Head Type 23		6
7	053600	Contactor, 40A 3P 120V D-A Series		1
8	024474-3	Rail, 3" DIN		1
9	F05011-41	Washer, #8 SAE Flat		2
10	F05015-28	Screw, #6-32 x 1/2" Slotted Pan Head		2
11	024593	Adaptor, Fuse Block DIN Rail		2
12	E22707	Clamp, DIN Rail		4
13	E22712	Fuse Block, 2 Position 600V CC		1
14	E31338	Fuse, FNQ-R 1/2A		2
15	050935	End Cap, Phoenix Terminal Block		1
16	024893	Block, Phoenix 1-Tier Terminal		1
17	P20048	Latch, Starter Box		1
18	F05005-112	Screw, 1/4-20 x 1/2" Socket Button Head		2
19	050554	Switch Kit, Flush Green Start		1
20	050553	Switch Kit, Extended Red Stop		1

REF	PART #	DESCRIPTION	COMMENTS	QTY.
21	E20444	Connector, 1" Nylon Conduit		1
22	E20461	Nut, 1/2" Connector Lock		2
23	E20460	Ring, 1/2" Connector Seal		2
24	E23492	Connector, 1/2" .125-.375 Portable Cord		2
25	024250	Plug, AS075 Oiltite Painted		1
26	024695	Connector, 1" Swivel LiquidTite		1
27	024474-3_25	DIN Rail, 35mm x 7.5mm x 3.25 Steel Sym		1
28	F05089-4	Anchor, Tie Wrap Adhesive-Backed		2
29	F05010-10	NUT, 3/8-16 HEX NYLON LOCK		4
30	F05011-3	WASHER, 3/8" SAE FLAT		8
31	F05007-29	BOLT, 3/8-16 X 2 3/4" HEX HEAD		4

SECTION 7 TRAILER OPTION

7.1 Trailer Lights

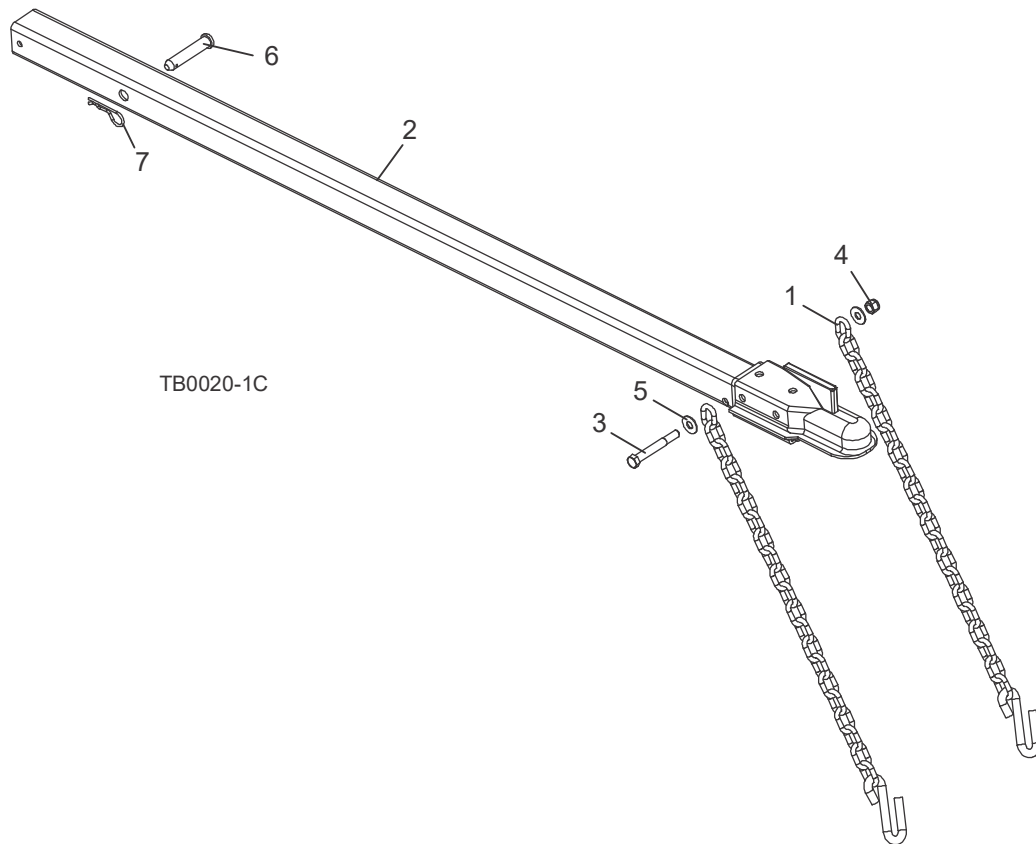


TB0052

REF	PART #	DESCRIPTION	COMMENTS	QTY.
1	F05005-1	BOLT, 1/4-20 X 3/4" FULL THREAD HEX HEAD		2
2	F05011-11	WASHER, 1/4" SAE FLAT		2
3	F05010-69	NUT, 1/4-20 NYLOCK		2
4	057822	END CAP, BED TUBE W/LIGHT		1
5	006688	GROMMET, 6 1/2" LIGHT MOUNTING		1
6	006391	LIGHT, 8 DIODE LED TAIL		1
7	F05114-1	CLAMP, 1/2" PLASTIC CABLE		4
8	F05004-18	BOLT, #10-24 X 5/8" HEX HEAD		5
9	F05010-14	NUT, #10-24 SELF-LOCKING HEX		5
10	P12906	LIGHT, RECTANGLE AMBER RUNNING		2
	P12922	Lens, Rectangle Amber Running Light		1
	P12923	Bulb, Rectangle Running Light Replacement	Available in assemblies only. Running light bulb P12923 no longer offered. Bulb is readily available at most local auto parts stores.	1
11	F05015-7	SCREW, #10-24 X 1/2" SELF-TAPPING		8
12	P12905	LIGHT, RECTANGLE RED RUNNING		2
	P12921	Lens, Rectangle Red Running Light		1
	P12923 ¹	Bulb, Rectangle Running Light Replacement	Available in assemblies only.	1
13	038161	LIGHT, LICENSE PLATE		1

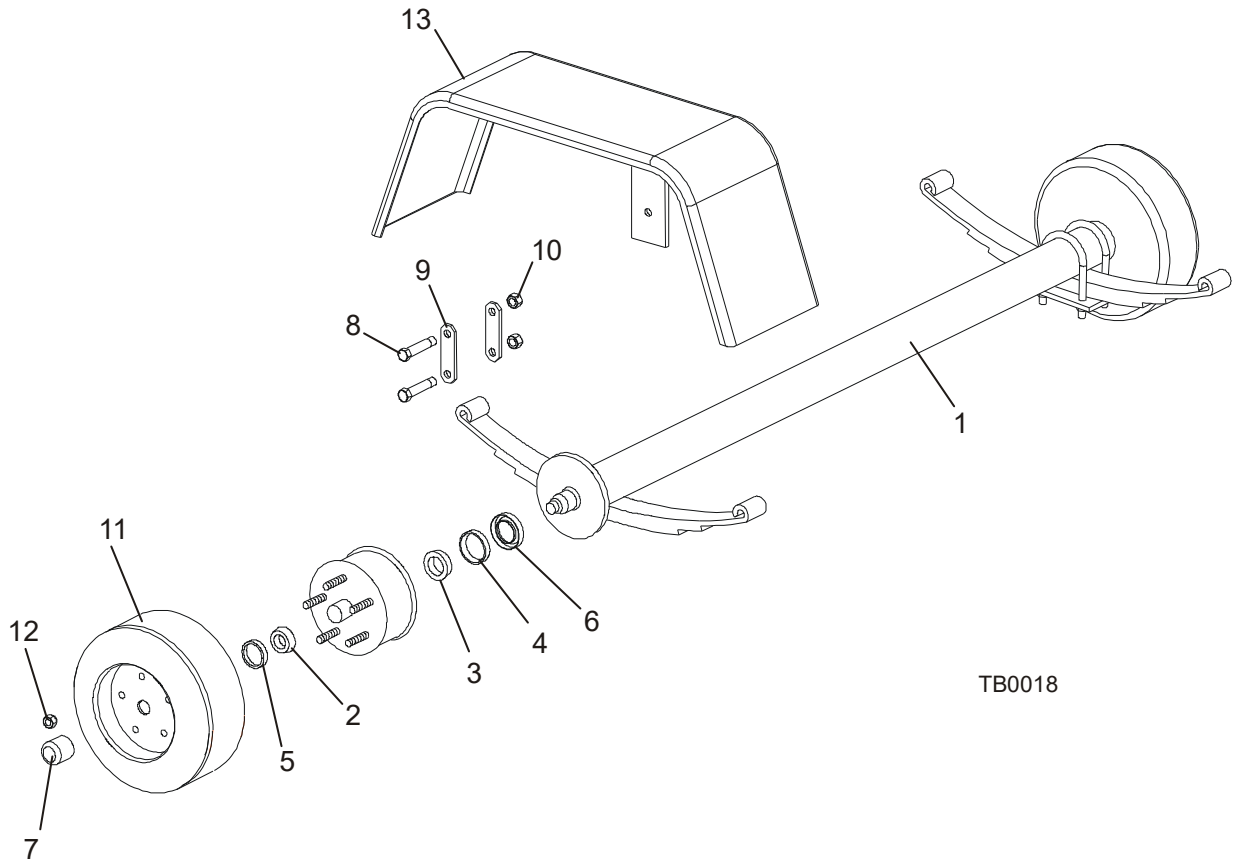
REF	PART #	DESCRIPTION	COMMENTS	QTY.
14	F05005-1	BOLT, 1/4-20 X 3/4" HEX HEAD FULL THREAD		2
15	F05011-37	WASHER, 1/4" EXTERIOR STAR LOCK		2
16	F05010-9	NUT, 1/4-20 SELF-LOCKING HEX		2

7.2 Trailer Hitch



REF	PART #	DESCRIPTION	COMMENTS	QTY.
	038146	HITCH ASSEMBLY, EDGER TRAILER		1
1	107163	Chain, 30 Inch Safety		2
2	110354	Hitch Weldment, Edger		1
3	F05008-78	Bolt, 1/2-13x4 Hex Head Grade 5		1
4	F05010-8	Nut, 1/2-13 Nylon Hex Lock		1
5	F05011-35	Chain, Safety w/Hook		2
6	007347	PIN, 3/4" X 3 1/8" CLEVIS		1
7	F05012-62	PIN, #210 RETAINING		1

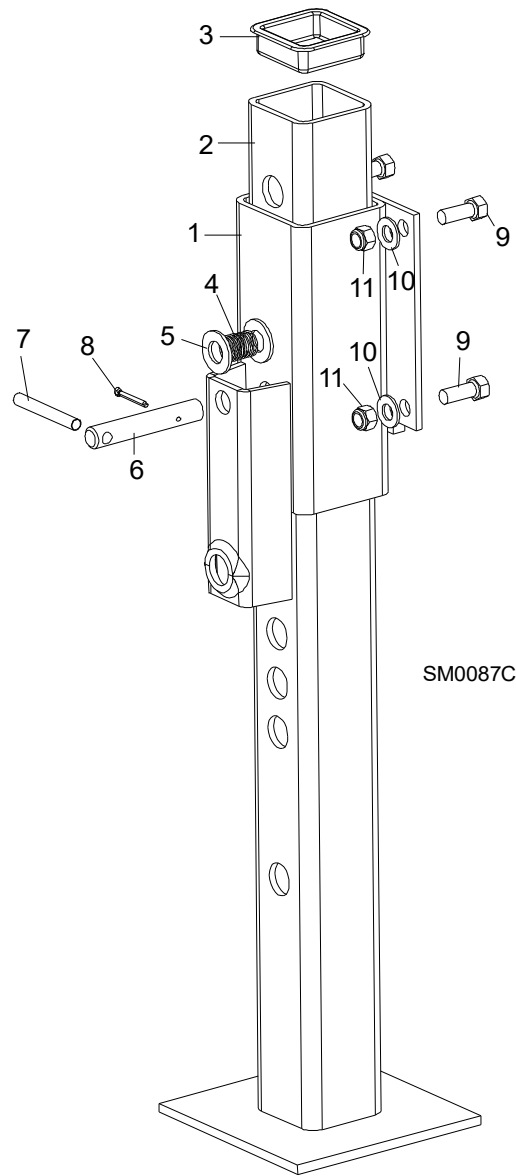
7.3 Trailer Axle



TB0018

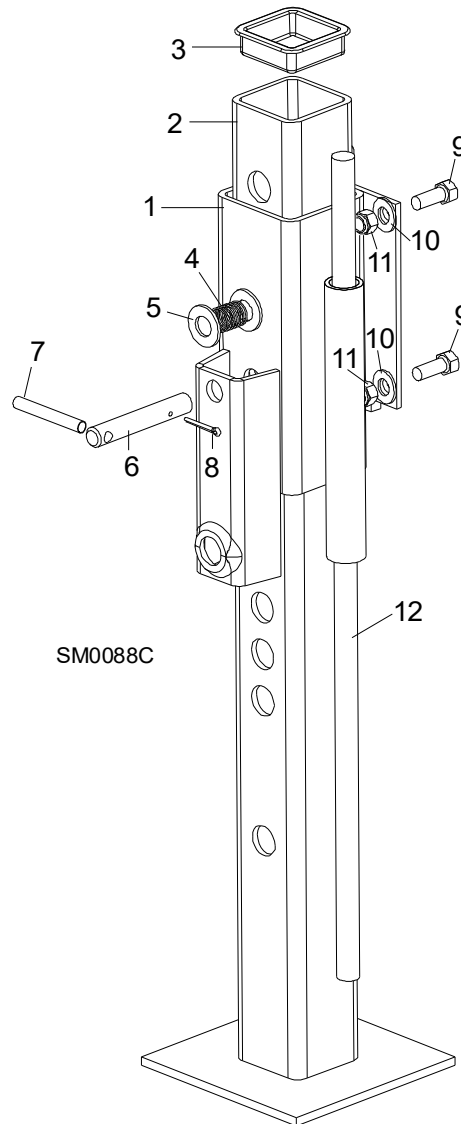
REF	PART #	DESCRIPTION	COMMENTS	QTY.
1	038151	AXLE, 3500 LB. EDGER TRAILER		1
	K07549	Bearing Kit, Sawmill Axle Spindle		2
2	P22573-1	Bearing, Dexter #L44649	Available in assemblies only.	1
3	P22572-1	Bearing, Dexter #L68149	Available in assemblies only.	1
4	P22572-2	Race, Inner Dexter #L68111	Available in assemblies only.	1
5	P22573-2	Race, Outer Dexter #L44610	Available in assemblies only.	1
6	P07554	Seal, 13" Wheel Bearing Dust		1
7	P04493	Cap, Wheel Bearing Dust		2
8	P04644	BOLT, 9/16-8 X 3" SHACKLE		6
9	M07528	PLATE, TRAILER AXLE SHACKLE		4
10	P04643	NUT, 9/16-8 SHACKLE		6
11	133511	TIRE WHEEL ASSY, ST215/75R14 TAMARACK		2
12	P04646	NUT, 1/2-20 WHEEL LUG		10
13	W11452	FENDER WELDMENT, TRAILER WHEEL		2

7.4 Outrigger Legs



REF	PART #	DESCRIPTION	COMMENTS	QTY.
	A04278	OUTRIGGER ASSEMBLY, SHORT FRONT		3
1	W09012	Guide, Short Front Outrigger Guide		1
2	W07537	Leg, Outrigger		1
3	P09926	Cap, Outrigger Leg		1
4	016145	Spring, Outrigger Pin		1
5	F05011-62	Washer, 3/4" SAE Flat		2
	016148	Pin Kit, 3/4" Outrigger Pull		1
6	016147	Pin, 3/4" Outrigger Pull	Available in assemblies only.	1
7	F05012-47	Pin, 5/16" X 2 1/2" Roll		1
8	F05012-103	Pin, 3/16" X 1 3/4" Roll		1
	F05012-59 ²	Pin, 1/8" x 1 1/4" Cotter		1
9	F05007-2	BOLT, 3/8-16 X 1 1/4" HEX HEAD		12
10	F05011-3	WASHER, 3/8" FLAT		12
11	F05010-10	NUT, 3/8-16 HEX NYLON LOCK		12

7.5 Outrigger Leg With Jack Handle



REF	PART #	DESCRIPTION	COMMENTS	QTY.
	A09475	OUTRIGGER ASSEMBLY, SHORT REAR		1
1	W09474	Guide, Short Rear Outrigger Guide		1
2	W07537	Leg, Outrigger		1
3	P09926	Cap, Outrigger Leg		1
4	016145	Spring, Outrigger Pin		1
5	F05011-62	Washer, 3/4" SAE Flat		2
	016148	Pin Kit, 3/4" Outrigger Pull		1
6	016147	Pin, 3/4" Outrigger Pull	Available in assemblies only.	1
7	F05012-47	Pin, 5/16" X 2 1/2" Roll		1
8	F05012-103	Pin, 3/16" X 1 3/4" Roll		1
	F05012-59 ²	Pin, 1/8" x 1 1/4" Cotter		1
9	F05007-2	BOLT, 3/8-16 X 1 1/4" HEX HEAD		4
10	F05011-3	WASHER, 3/8" FLAT		4
11	F05010-10	NUT, 3/8-16 HEX NYLON LOCK		4
12	S04827	HANDLE, OUTRIGGER LIFT		1