

Incline Log Deck

Safety, Operation and Maintenance Manual

SLPILD

rev.A8.03



Safety is our #1 concern! Read and understand all safety information and instructions before operating, setting up and/or maintaining this equipment.

May 2008

Form #1012

Table of Contents

Section-Page

SECTION 1	SAFETY INSTRUCTIONS	1-1
1.1	Safety Symbols.....	1-1
1.2	Safety Instructions.....	1-2
SECTION 2	OPERATION	2-1
2.1	Incline Log Deck Components.....	2-1
2.2	Setup.....	2-1
2.3	Operation.....	2-3
SECTION 3	MAINTENANCE	3-1
3.1	Lubrication.....	3-1
3.2	Sawdust Removal.....	3-2
3.3	Transfer Chain Tension.....	3-2
3.4	Drive Chain Tension.....	3-3
SECTION 4	SPECIFICATIONS	4-1
4.1	Log Deck Dimensions.....	4-1
4.2	Motor Specifications.....	4-3
SECTION 6	INCLINE LOG DECK	5-1
6.1	Infeed Assembly.....	5-1
6.2	Additional Grid, Option For TVS Incline Log Deck.....	5-2
6.3	Limit Switch Assembly.....	5-3
6.4	Drive Assembly.....	5-4
6.5	Chain Guards.....	5-6
6.6	LD4 Leg Foot Plate.....	5-7
6.7	LD4 Log Rest Table.....	5-8
6.8	LD4 Shut-Off Lever Assembly.....	5-9
6.9	Decals.....	5-10

Manufacturer Data:

Wood-Mizer Industries, Ltd.

Nagórna 114

62-600 Koło

Poland

Tel. +48 63 26 26 000

If You Need To Order Parts...

From Europe call our European Headquarters and Manufacturing Facility in Kolo, Poland at **+48-63-2626000**. Wood-Mizer will accept the following methods of payment:

- Visa, Mastercard, or Select Purchase
- COD
- Prepayment
- Net 15 (with approved credit)

Be aware that shipping and handling charges may apply. Handling charges are based on size and quantity of order. In most cases, items will ship on the day they are ordered. Second Day and Next Day shipping are available at additional cost.

If You Need Service...

From Europe call our European Headquarters and Manufacturing Facility in Kolo, Poland at **+48-63-2626000**. Ask to speak with a Customer Service Representative. Please have your customer number ready when you call. The Service Representative can help you with questions about alignment of your equipment. He also can schedule you for a service call.

Office Hours: All times are Eastern Standard Time.

Country	Monday - Friday	Saturday	Sunday
Poland	7 a.m. to 3:00 p.m.	Closed	Closed



IMPORTANT! Read the entire Operator's Manual before operating the conveyor. Take notice of all safety warnings throughout this manual and those posted on the equipment. Keep this manual with this equipment at all times, regardless of ownership.

*Wood-Mizer® is a registered trademark of Wood-Mizer Products, Inc.

SECTION 1 SAFETY INSTRUCTIONS

1.1 Safety Symbols

The following symbols and signal words call your attention to instructions concerning your personal safety. Be sure to observe and follow these instructions.



The word **DANGER** indicates an imminently hazardous situation which, if not avoided, will result in death or serious injury.



WARNING! suggests a potentially hazardous situation which, if not avoided, could result in death or serious injury.



CAUTION refers to potentially hazardous situations which, if not avoided, may result in minor or moderate injury to persons or equipment.



IMPORTANT! indicates vital information.

NOTE: gives helpful information.



Warning stripes are placed on areas where a single decal would be insufficient. To avoid serious injury, keep out of the path of any equipment marked with warning stripes.

1 Safety Instructions

Safety Instructions

1.2 Safety Instructions

NOTE: ONLY safety instructions regarding personal injury are listed in this section. Caution statements regarding only equipment damage appear where applicable throughout the manual.

Observe Safety Instructions



IMPORTANT! Read the entire Operator's Manual before operating the unit. Take notice of all safety warnings throughout this manual and those posted on the equipment. Keep this manual with this equipment at all times, regardless of ownership.

Also read any additional manufacturer's manuals and observe any applicable safety instructions including dangers, warnings, and cautions.

Only persons who have read and understood the entire operator's manual should operate this equipment. The equipment is not intended for use by or around children.



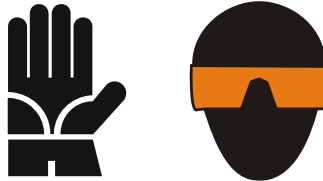
IMPORTANT! It is always the owner's responsibility to comply with all applicable federal, state and local laws, rules and regulations regarding the ownership, operation and towing of your Wood-Mizer equipment.



Wear Safety Clothing



WARNING! Secure all loose clothing and jewelry before operating this equipment. Failure to do so may result in serious injury or death.



WARNING! Always wear eye, ear, respiration and foot protection as well as safety clothing when operating or servicing the equipment.



Keep the Equipment and Area Around Clean



DANGER! Maintain a clean and clear path for all necessary movement around the equipment and lumber stacking areas. Failure to do so may result in serious injury.

Dispose Of Sawing By-Products Properly



IMPORTANT! Always properly dispose of all sawing by-products, including sawdust and other debris.

Check the Equipment Before Operation

DANGER! Make sure all guards and covers are in place and secured before operating the equipment. Failure to do so may result in serious injury.

**Keep Persons Away**

DANGER! Keep all persons out of the path of moving equipment and lumber when operating the equipment. Failure to do so may result in serious injury.



DANGER! Be sure that all persons are away from the equipment before starting it. Failure to do so may result in serious injury.

Keep Hands Away


DANGER! Always keep hands away from moving chain. Failure to do so may result in serious injury.




DANGER! Always be aware of and take proper protective measures against rotating shafts, pulleys, fans, etc. Always stay a safe distance from rotating members and make sure that loose clothing or long hair does not engage rotating members resulting in possible injury.





Use Proper Maintenance Procedures


 **DANGER!** Make sure all electrical installation, service and/or maintenance work is performed by a qualified electrician and is in accordance with applicable electrical codes.


 **DANGER!** Hazardous voltage inside the electric box and at the motor can cause shock, burns, or death. Disconnect and lock out power supply before servicing! Keep all electrical component covers closed and securely fastened during equipment operation.




 **WARNING!** Consider all electrical circuits energized and dangerous.

 **WARNING!** Disconnect and lock out power supply before servicing! Failure to do so may result in serious injury.

 **WARNING!** Never assume or take the word of another person that the power is off; check it out and lock it out.


 **WARNING!** Do not wear rings, watches, or other jewelry while working around an open electrical circuit.


 **CAUTION!** The conveyor's work-stand should be equipped with a 4 kg or bigger dry powder extinguisher.

1 Safety Instructions

Keep Safety Labels In Good Condition

Keep Safety Labels In Good Condition

 **IMPORTANT!** Always be sure that all safety decals are clean and readable. Replace all damaged safety decals to prevent personal injury or damage to the equipment. Contact your local distributor, or call your Customer Service Representative to order more decals.

 **IMPORTANT!** If replacing a component which has a safety decal affixed to it, make sure the new component also has the safety decal affixed.

Safety Labels Description

See Table 1-1. Pictographic safety labels are shown in the table below.

TABLE 1-1





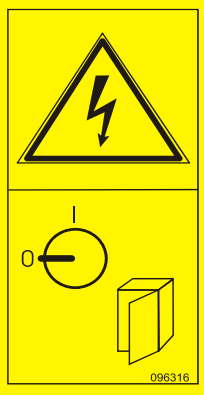
Decal View	Decal No.	Description
	096317	Read thoroughly the operator's manual before operating the equipment. Observe instructions and safety rules when operating.
	099220	Close all guards and covers prior to starting the equipment.

TABLE 1-1

 <p>099221</p>	<p>099221</p>	<p>Keep all persons a safe distance away from work area when operating the unit.</p>
 <p>096314</p>	<p>096314</p>	<p>Keep all persons a safe distance away from work area when operating the unit.</p>
 <p>096316</p>	<p>096316</p>	<p>Do not open or close the electric box when the switch is not in the "0" position.</p>

1 Safety Instructions

Safety Labels Description

TABLE 1-1

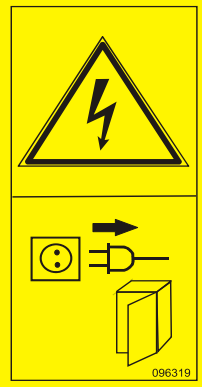
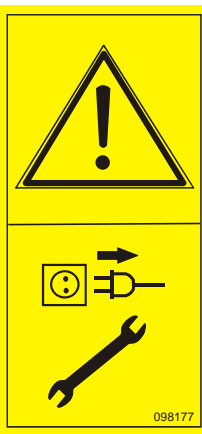






 <p>096319</p>	<p>096319</p>	<p>Disconnect power supply before opening the box.</p>
 <p>098177</p>	<p>098177</p>	<p>Disconnect power supply before servicing.</p>
 <p>099540</p>	<p>099540</p>	<p>CAUTION! Gear danger – keep a safe distance away!</p>

TABLE 1-1

	<p>S12004G</p>	<p>Always wear safety goggles when operating the equipment.</p>
	<p>S12005G</p>	<p>Always wear protective ear muffs when operating the equipment.</p>
	<p>P85070</p>	<p>CE safety certification</p>
	<p>099780</p>	<p>Caution! Slabs falling off the deck!</p>

SECTION 2 OPERATION

2.1 Incline Log Deck Components

 **WARNING!** Always stay a safe distance from moving equipment and logs while operating the Incline Log Deck. Failure to do so may result in serious injury or death.

The major components of the Incline Log Deck are shown below.

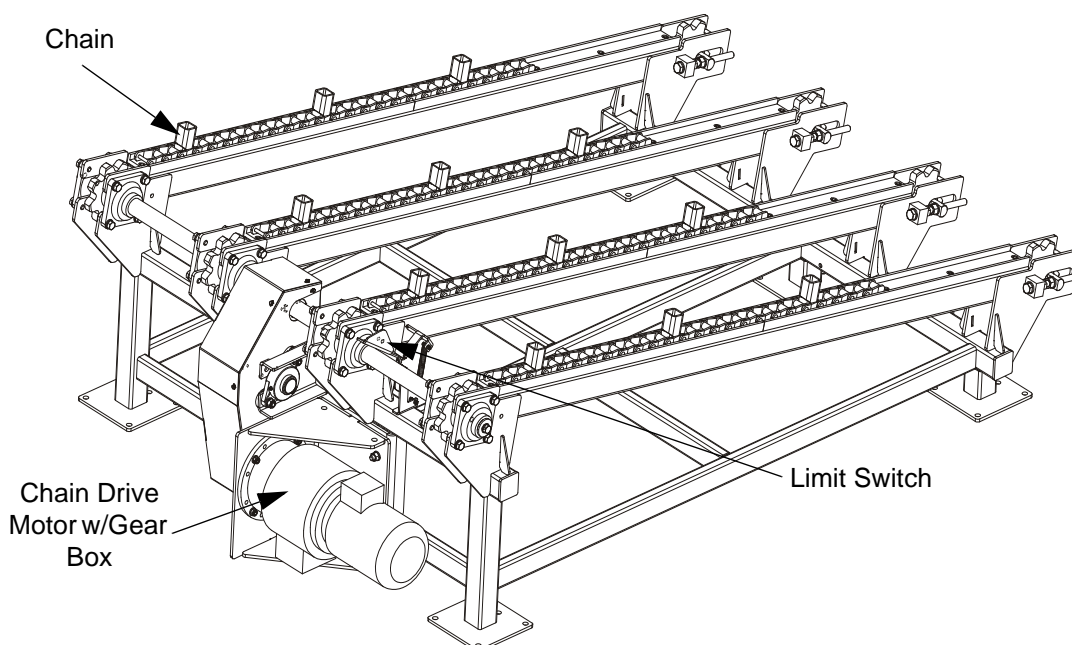

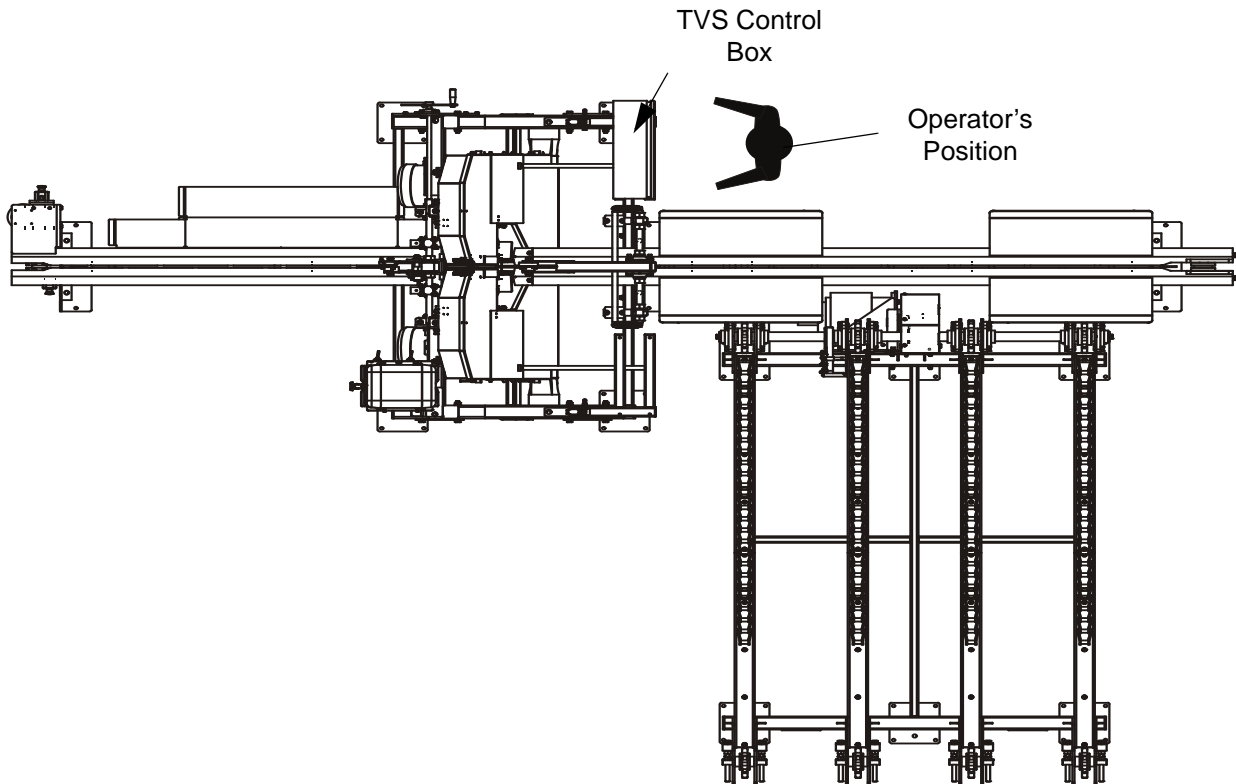


FIG. 2-1 INCLINE LOG DECK

2.2 Setup

 **IMPORTANT!** Before starting to use the Incline Log Deck you have to meet the following conditions.

- Set up the deck on firm and level ground. Fasten the unit to the ground.
- The log deck can be operated in temperature range from -20° C to 40° C only.
- The operator's position is shown in the figure below. The log deck is operated by the operator of TVS.



- Have a qualified electrician install the power supply (in accordance with EN 60204 Standard). The power supply must meet the specifications given in the table below.

3-Phase Volts	Fuse Disconnect	Recommended Wire Size
400 VAC	4 A	1.5 mm ²

TABLE 2-0



IMPORTANT! When starting the log deck for the first time, check that the chain rotation direction is correct. If it is incorrect, invert the phases in the phase inverter located in the power socket (in the electric box).



IMPORTANT! When starting the equipment for the first time, let it run for the first 1-2 hours without load.

- The Incline Log Deck can be lifted with a forklift only. The forklift should be rated for at least 800 kg. The log deck is equipped with forklift pockets. Insert the forks into

2 OPERATION

Operation

the pockets shown in the figure below.

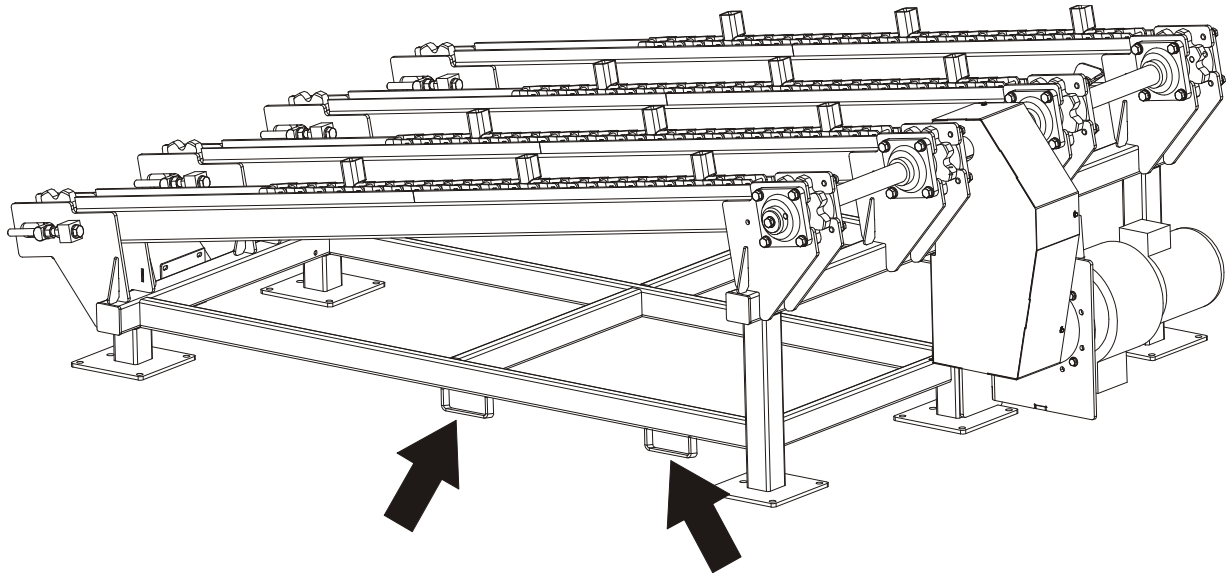


FIG. 2-2 FORKLIFT POCKETS

2.3 Operation

Use the key switch located on the TVS control box to start or stop the Incline Log Deck (see the figure below).

In case of any danger to persons or equipment, push the emergency stop button. This stops the log deck and the TVS. To release the stop, turn the emergency stop button

clockwise. The machine will not restart until the emergency stop is released.

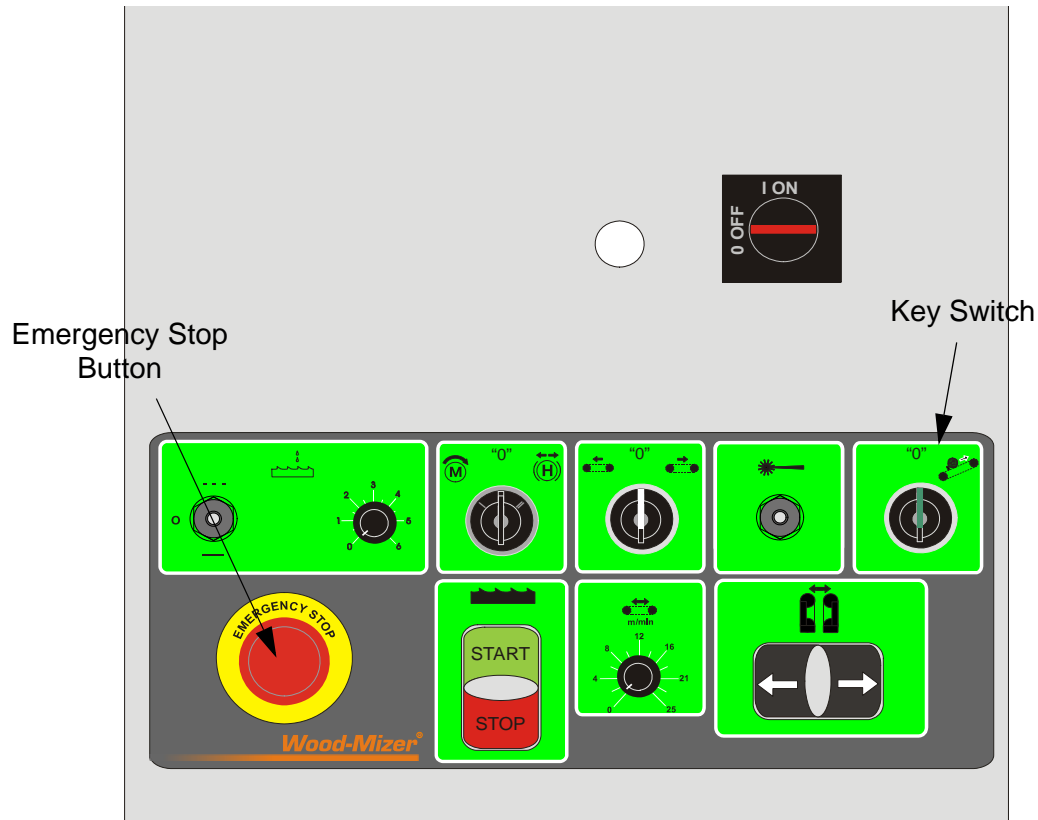


FIG. 2-3

CAUTION! If at any time you need to immediately stop the chain drive motor, press the emergency stop button located on the electric box.

After engaging the log deck chain with the key switch, the logs placed on the deck are routed towards the TVS infeed table until the first log is at the end of the deck and activates the limit switch. The chain is disengaged until the log is removed from the deck and the limit switch is released.

CAUTION! If the logs to be cut are short, place them in the middle of the Incline Log Deck (so that they engage the safety switch) to prevent the log from falling off the deck, on the operator's body. Logs of at least 700 mm length can be transferred on the Incline Log Deck.

2 OPERATION

Operation

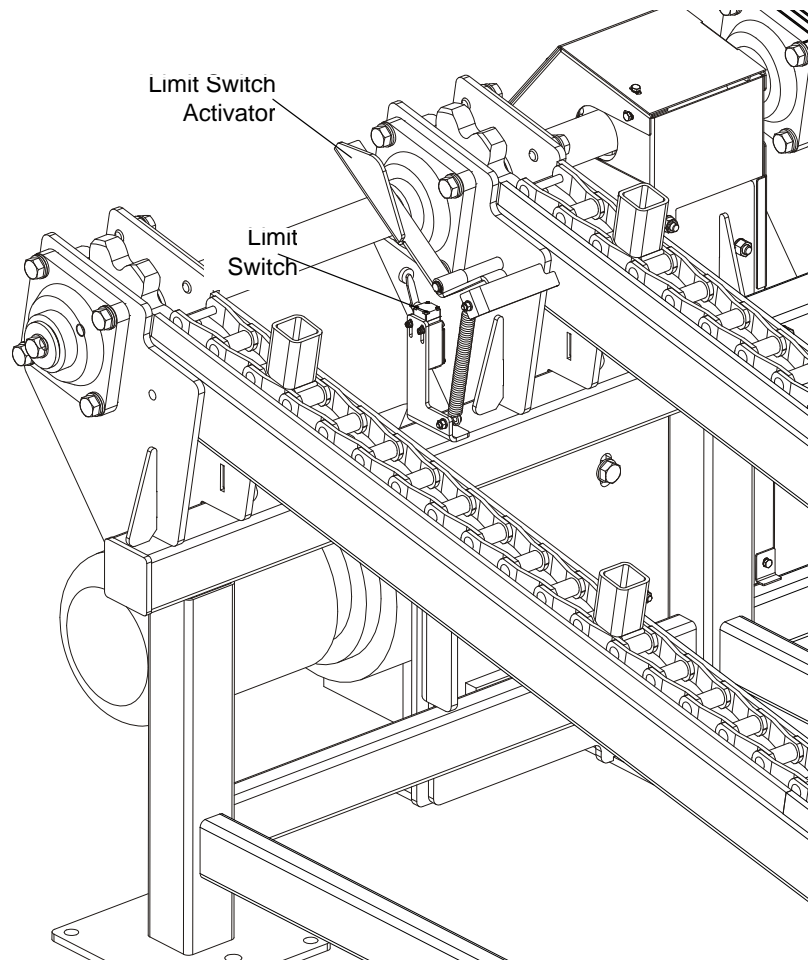


FIG. 2-4



DANGER! If a large number of logs are loaded on the log deck, remove them from the top. Be careful not to release the limit switch which engages the chain and may cause the log to fall off the deck and squeeze the operator's body.

WARNING! Fasten the legs of the log deck to the ground before operating the deck. Failure to do so may result in serious injury or death.



CAUTION! Never load logs on the log deck from a height of above 20 cm. Damage to the log deck may result.

SECTION 3 MAINTENANCE

This section lists the maintenance procedures that need to be performed.



This symbol identifies the interval (hours of operation) at which each maintenance procedure should be performed.

3.1 Lubrication



CAUTION! Never apply grease to the transfer chain. It causes sawdust buildup in chain links.



1. Using the grease fittings, lubricate the main shaft bearings every 50 hours of operation.

See Figure 3-1.

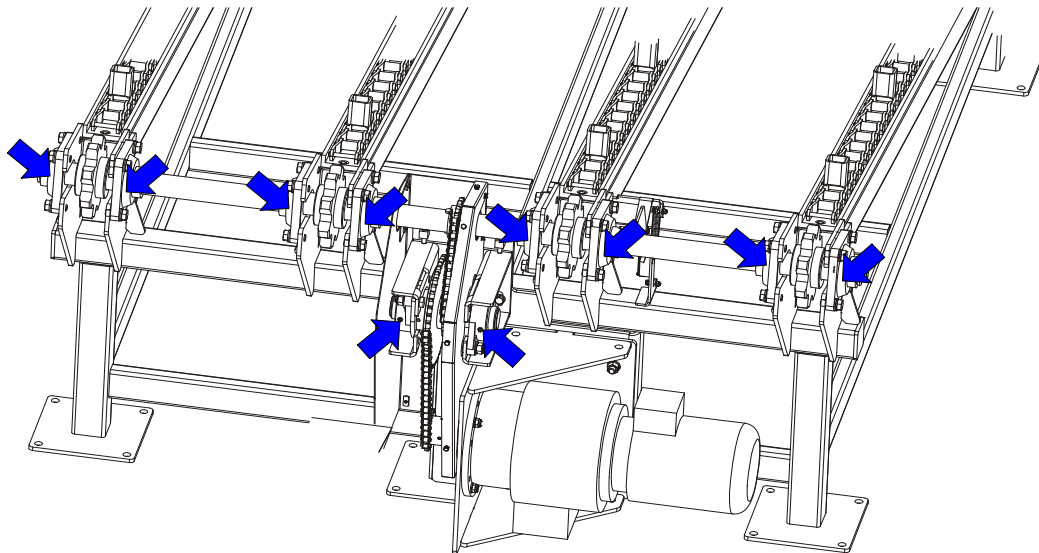


FIG. 3-1

2. Make sure all safety warning decals are readable. Remove sawdust and dirt. Replace any damaged or unreadable decals immediately. Order decals from your Wood-Mizer Customer Service Representative.

3.2 Sawdust Removal

1. Remove the excess sawdust from the drive and transfer chains every 50 hours of operation.

50



CAUTION! Never apply grease to the drive and transfer chains. It causes sawdust buildup in chain links.

3.3 Transfer Chain Tension

CAUTION! Do not over-tension the chains of TVS tables, Incline Log Deck and Cross Transfer Deck. Over-tensioning may lead to premature failure of the gear, bearings, rollers and chains.

Use the adjustment bolts shown below to adjust the transfer chain tension as necessary. The chains should have about 100 mm of slack.

See **Figure 3-2**. The figure shows how the transfer chain tension should be adjusted.

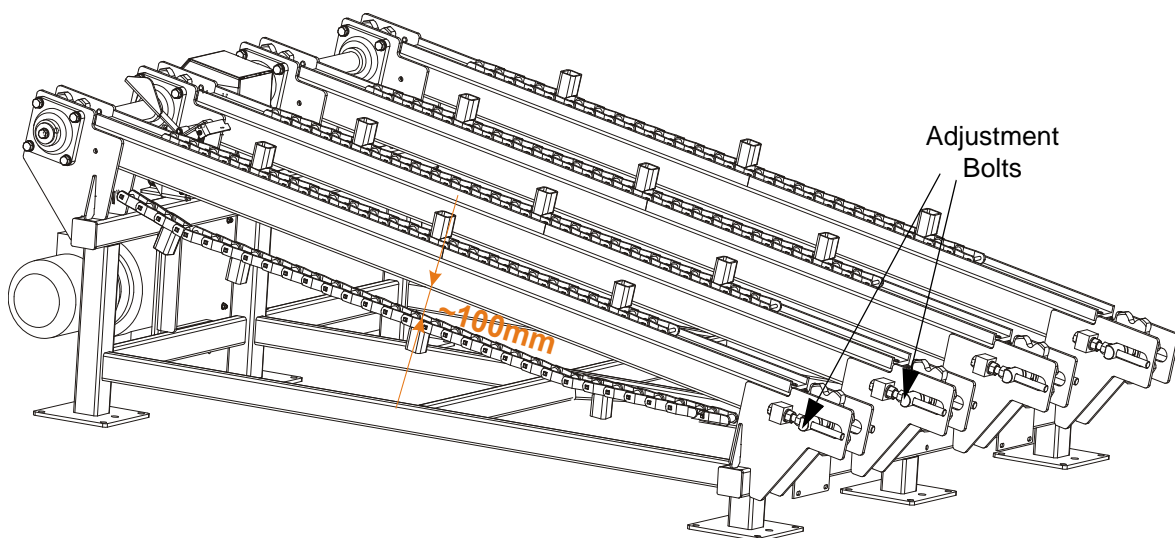


FIG. 3-2

CAUTION! If the chain is too loose, the dogs located on it may hit the deck frame. Tension the chain so that the dogs can move freely.

3.4 Drive Chain Tension

Check tensions of the drive chains every 40 hours of operation and adjust as necessary. The chains should have approximately 1,5 cm of slack.

See Figure 3-3. Loosen the mounting bolts and move the motor along with the mounting plate in the direction indicated by the arrows.

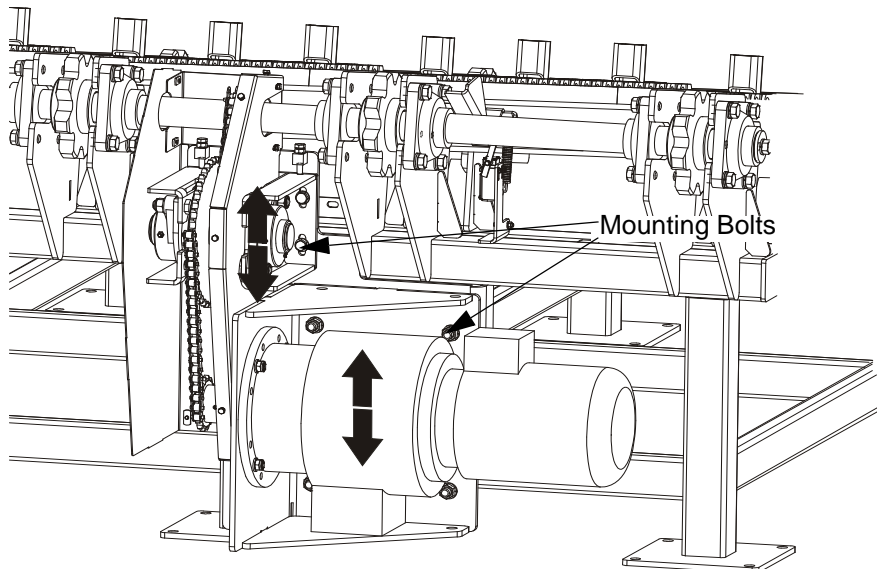


FIG. 3-3

SECTION 4 SPECIFICATIONS

4.1 Log Deck Dimensions

See Figure 4-1. The overall dimensions of the SLPILD Incline Log Deck are shown below (all dimensions are in millimeters).

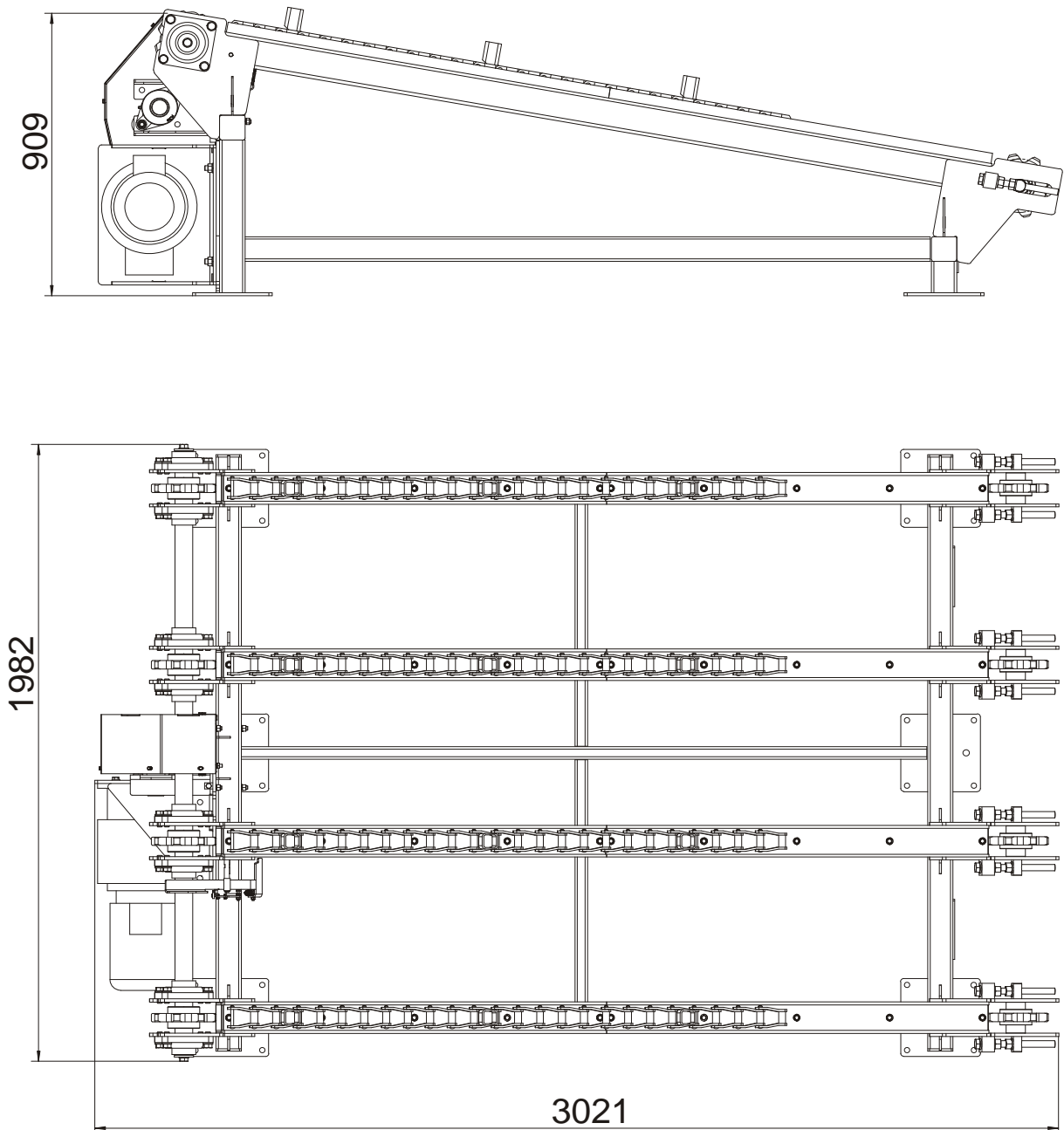


FIG. 4-1

See Figure 4-2. The figure below shows anchor locations of the Incline Log Deck.

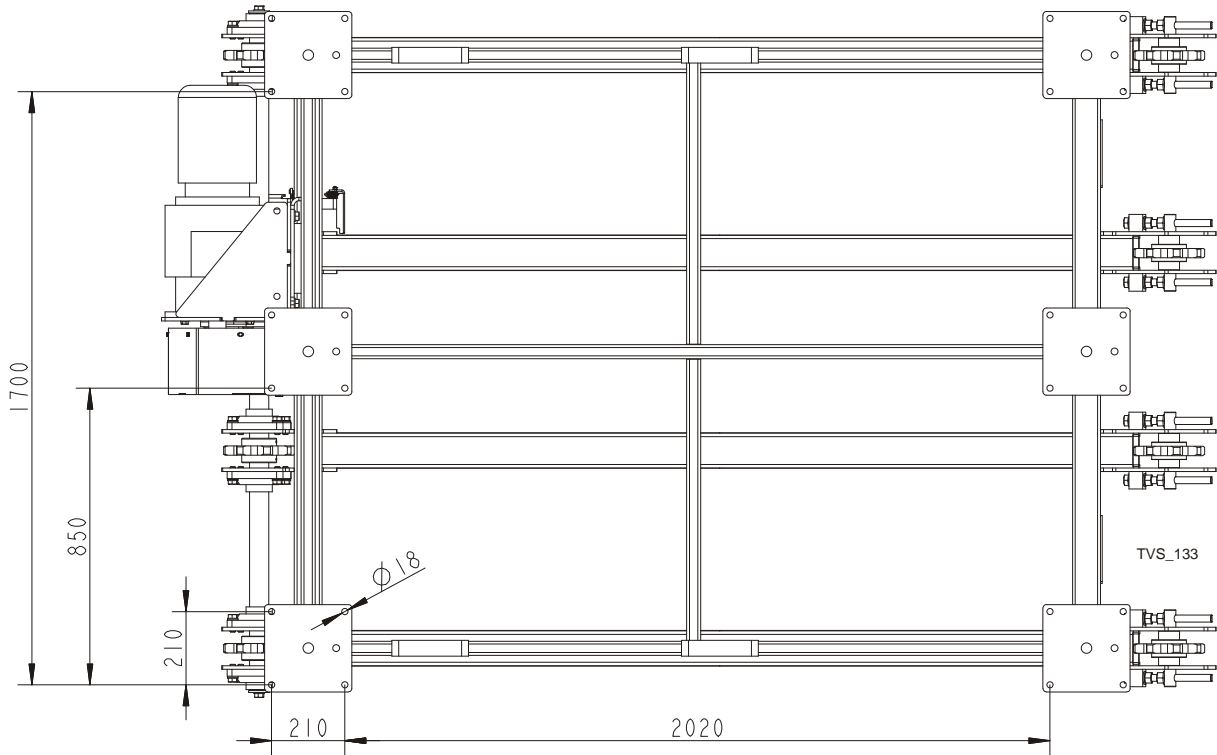


FIG. 4-2

See Table 4-1. See the table below for the weight of the Incline Log Deck.

Weight	SLPILD - 650 kg
---------------	-----------------

TABLE 4-1

4 SPECIFICATIONS

Motor Specifications

4.2 Motor Specifications

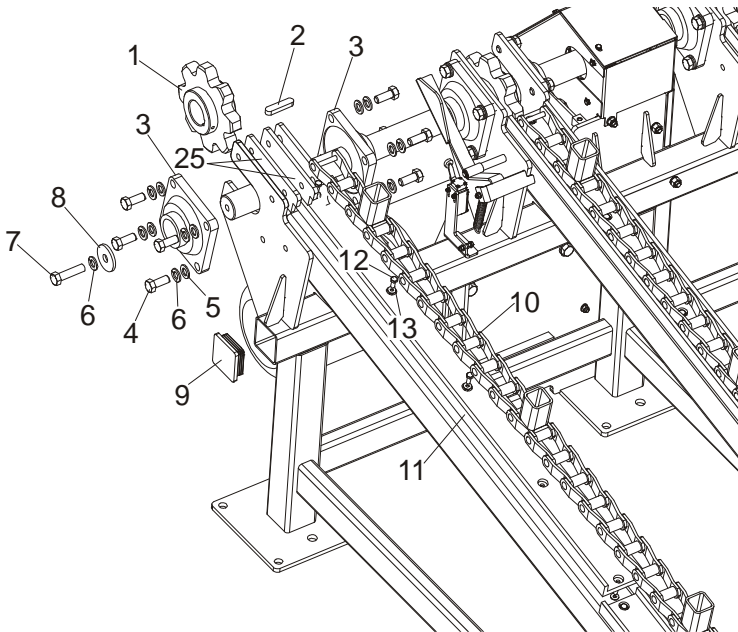
See **Table 4-2**. The specifications of the SLPILD chain drive motor are listed below.

Motor Type	Manufacturer	Power	Other Data
AG-AL112-4M	AG MOTORS	4 kW	1430 r.p.m. 3x230/400V, 50Hz

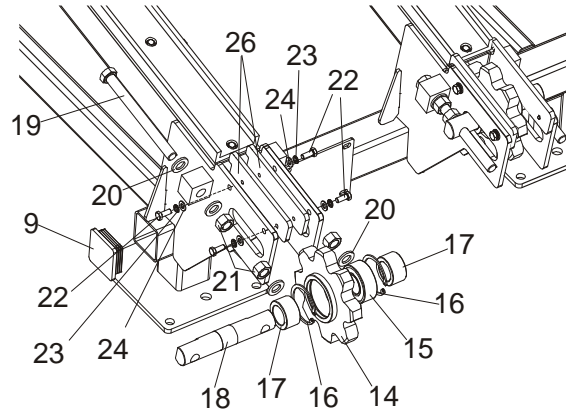
TABLE 4-2

SECTION 6 INCLINE LOG DECK

6.1 Infeed Assembly



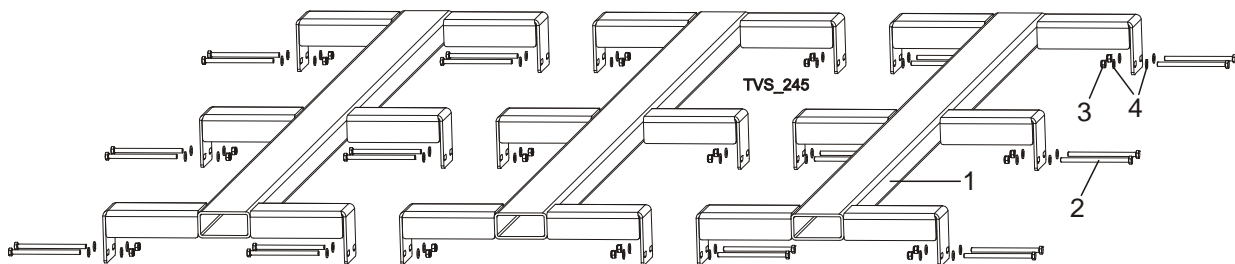
TVS_039_A



REF.	DESCRIPTION (◆ Indicates Parts Available In Assemblies Only)	PART #	QTY.
	TVS, SHS INCLINE LOG DECK	508705	1
	TVS INCLINE LOG DECK	LD3	1
1	SPROCKET, Z8 OXIDIZED	089888-1	4
2	KEY, A16X10X70 PARALLEL	098029	4
3	BEARING, UCF 211W/HOUSING (55 DIA. SHAFT)	089889	8
4	BOLT, M16x45-8.8 HEX HEAD FULL THREAD ZINC	F81006-46	32
5	WASHER, 17 FLAT ZINC	F81058-1	48
6	WASHER, 16.3 SPLIT LOCK ZINC	F81058-2	48
7	BOLT, M16x65-8.8-B HEX HEAD FULL THREAD ZINC	F81006-1	4
8	WASHER, TVS SPECIAL	098012-1	2
9	CAP, FRAME TUBE	089644	4

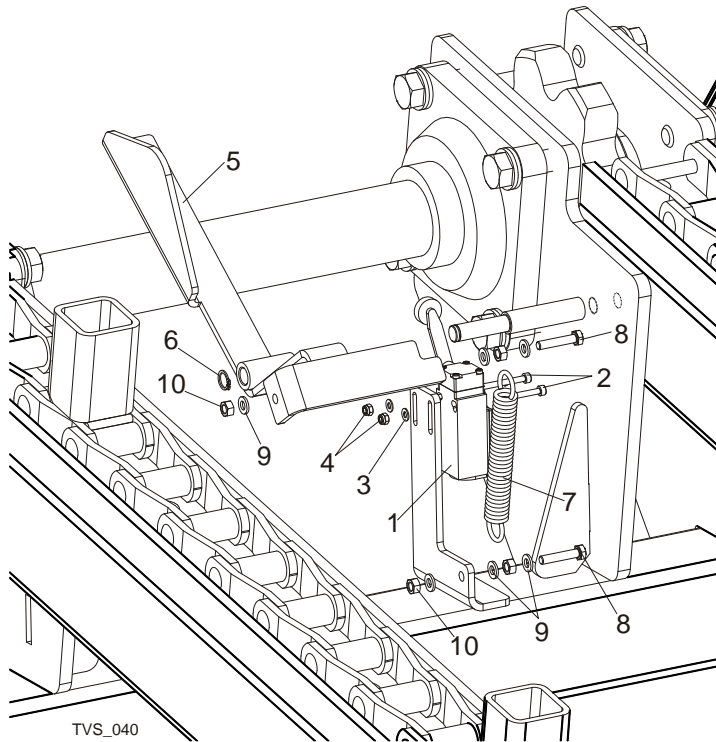
10	CHAIN, TVS INCLINE LOG DECK 5940mm 89-LINK	504582	4
11	CHANNEL, UHMW CONVEYOR	033722	8
12	BOLT, M8x20-5.8 HEX HEAD FULL THREAD ZINC	F81002-1	40
13	WASHER, 6.5 SPECIAL FLAT ZINC	F81053-11	40
14	SPROCKET, Z8 REAR OXIDIZED	089919-1	4
15	BEARING, 3208B.2RSR.TVH FAG	088449	4
16	RING, W80 INSIDE RETAINING	F81090-25	8
17	BUSHING, SPROCKET SPACER	089916-1	8
18	SHAFT, CHAIN TENSION SPROCKET	089915-1	4
19	BOLT, M20x240-8.8 HEX HEAD FULL THREAD ZINC	F81007-1	8
20	WASHER, 21 FLAT ZINC	F81059-2	24
21	NUT, M20-8 HEX ZINC	F81037-1	16
22	Bolt, M10x25-8.8 HEX HEAD FULL THREAD ZINC	F81003-11	16
23	WASHER, 10.2 SPLIT LOCK ZINC	F81055-2	16
24	WASHER, 10.5 FLAT ZINC	F81055-1	16
25	PLATE, DRIVE SIDE, SPACER	509026-1	8
26	PLATE, IDLE SIDE, SPACER	509027-1	8

6.2 Additional Grid, Option For TVS Incline Log Deck



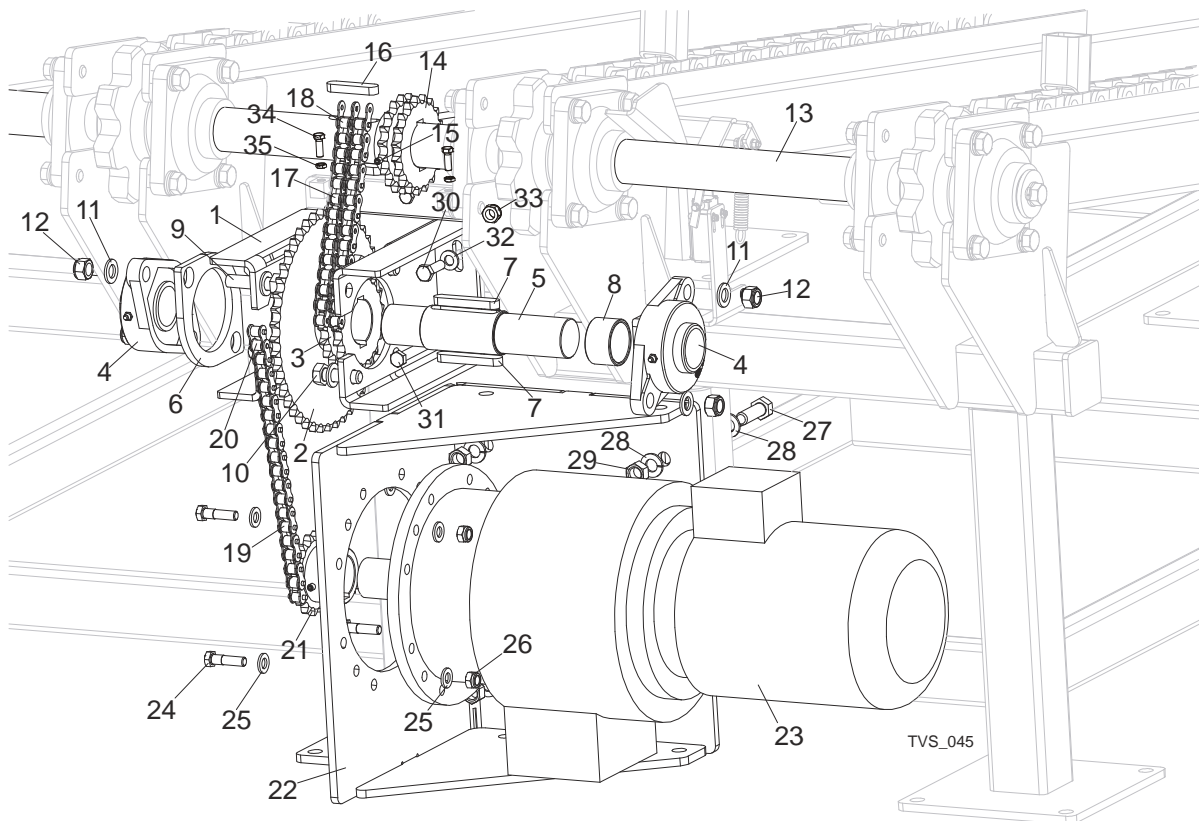
REF.	DESCRIPTION (◆ Indicates Parts Available In Assemblies Only)	PART #	QTY.
	GRID, ADDITIONAL TVS INCLINE LOG DECK - COMPLETE	505855	1
1	GRID, ADDITIONAL TVS INCLINE LOG DECK	505854-1	3
2	BOLT, M8x130-8.8 HEX HEAD ZINC	F81002-50	24
3	NUT, M8-8-B HEX NYLON LOCK ZINC	F81032-2	24
4	WASHER, 8.4 FLAT ZINC	F81054-1	48

6.3 Limit Switch Assembly



REF.	DESCRIPTION (◆ Indicates Parts Available In Assemblies Only)	PART #	QTY.
1	SWITCH, GLCB01A2B LIMIT	086469	1
2	SCREW, M4X35-8.8 HEX SOCKET HEAD CAP ZINC	F81011-34	2
3	WASHER, 4.3 FLAT ZINC	F81051-2	2
4	NUT, M4-B HEX NYLON LOCK ZINC	F81029-1	2
5	ARM, TVS LIMIT SWITCH ACTIVATOR - COMPLETE	098474-1	1
6	RING, Z12 OUTSIDE RETAINING	F81090-14	1
7	SPRING, FI 1.9 X FI 14.2 X 104	091865	1
8	BOLT, M6X30 5.8 HEX HEAD FULL THREAD	F81001-13	2
9	WASHER, 6.4 FLAT ZINC	F81053-1	6
10	NUT, M6-8 HEX ZINC	F81031-1	4

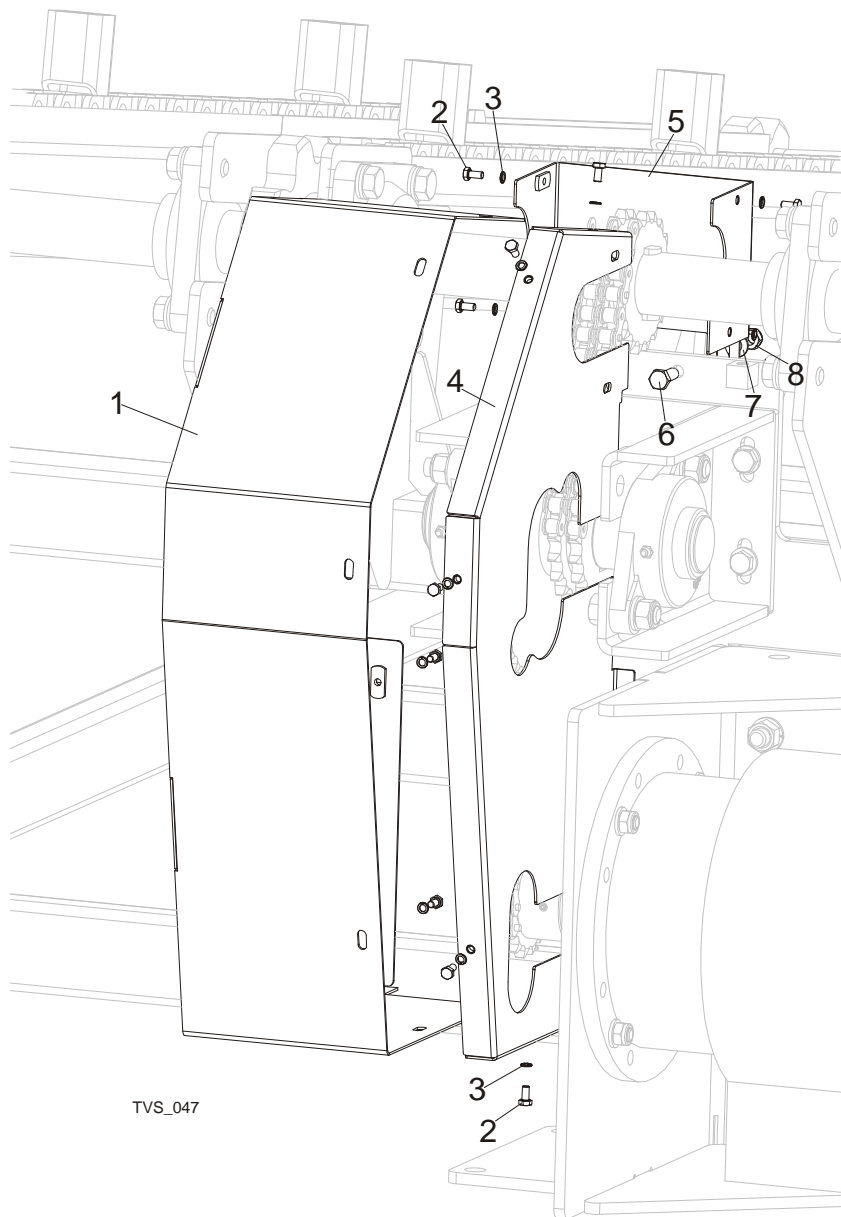
6.4 Drive Assembly



REF.	DESCRIPTION (◆ Indicates Parts Available In Assemblies Only)	PART #	QTY.
	GEAR ASSEMBLY, TVS INCLINE LOG DECK	098424	1
1	BRACKET WELDMENT, TVS SPROCKET MOUNTING	098422-1	1
2	SPROCKET, 12B Z45 OXIDIZED	089894-1	1
3	SPROCKET, 12B Z19	098013-1	1
4	BEARING, UCFL 210 CX W/HOUSING	098824	2
5	SHAFT, INTERMEDIATE SPROCKET ZINC-PLATED	098419-1	1
6	PLATE, FL 210 BEARING SPACER	099106-1	1
7	KEY, A16X10X90 PARALLEL	099131	2
8	SPACER, TVS SPROCKET	098011-1	1
9	BOLT, M16 THIN	099647	2
10	BOLT, M16x50-8.8 HEX HEAD FULL THREAD ZINC	F81006-7	2
11	WASHER, 17 FLAT ZINC	F81058-1	8
12	NUT, M16-8 HEX NYLON LOCK ZINC	F81036-2	4
13	SHAFT, TVS INCLINE LOG DECK MAIN	098010	1
14	SPROCKET, 12B Z19	098013-1	1
15	SCREW, M8X8-33H HEX SOCKET SET FLAT POINT ZINC	F81014-1	4
16	KEY, A16X10X70 PARALLEL	098029	2
17	CHAIN, 12B-2-41 (0.8 RM)	099250	1
18	LINK, 12B-1PZ CHAIN	099249	1

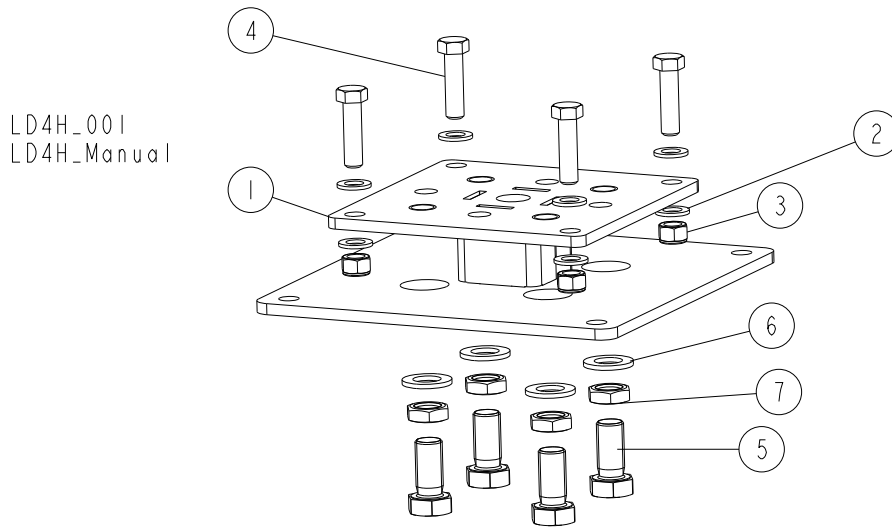
19	CHAIN, 12B-1-65 (1.25 RM)	099248	1	
20	LINK, 12B-1PZ CHAIN	090713	1	
21	SPROCKET, 12B Z16 OXIDIZED	090303-1	1	
22	BRACKET WELDMENT, DECK MOTOR MOUNT	089897-1	1	
23	MOTOREDUCER, SBCM 180/112M-4/32	089892	1	
24	BOLT, M12X45-8.8 HEX HEAD ZINC	F81004-32	4	
25	WASHER, 13 FLAT ZINC	F81056-1	8	
26	NUT, M12-8 HEX NYLON LOCK ZINC	F81034-2	4	
27	BOLT, M16X50-8.8 HEX HEAD FULL THREAD ZINC	F81006-7	4	
28	WASHER, 17 FLAT ZINC	F81058-1	8	
29	NUT, M16-5.8 HEX ZINC	F81036-1	4	
30	BOLT, M12X40-8.8 HEX HEAD FULL THREAD ZINC	F81004-4	2	
31	BOLT, M12X120 8.8 HEX HEAD ZINC	F81004-38	2	
32	WASHER, 13 FLAT ZINC	F81056-1	8	
33	NUT, M12-8-B HEX ZINC	F81034-1	4	
34	BOLT, M10X50-8.8 HEX HEAD FULL THREAD ZINC	F81003-4	2	
35	NUT, M10-8-B HEX ZINC	F81033-3		

6.5 Chain Guards



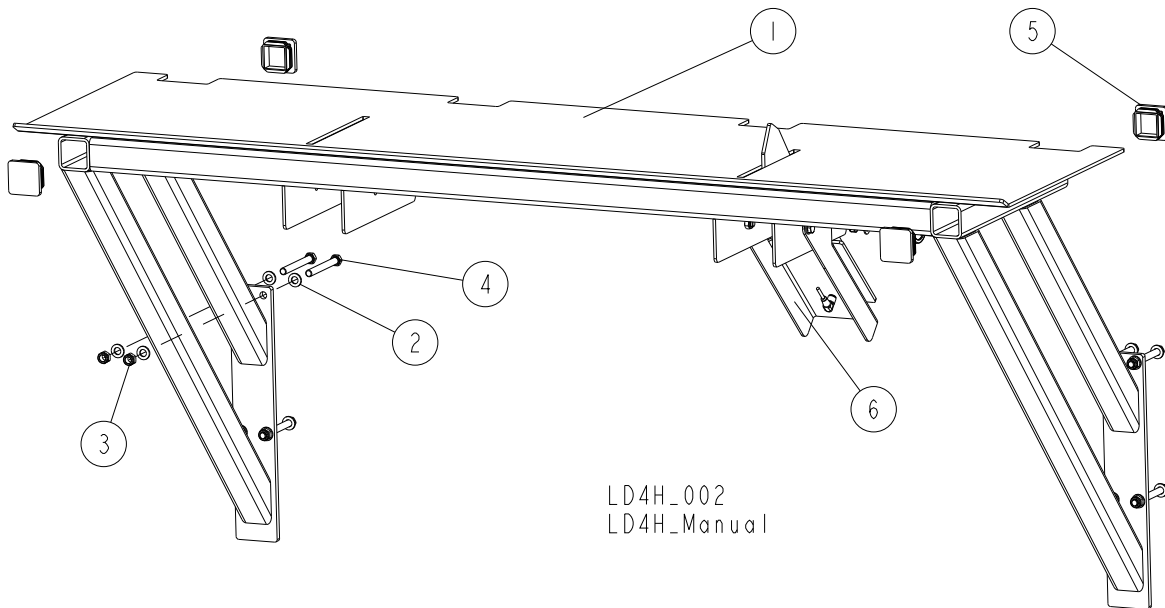
REF.	DESCRIPTION (◆ Indicates Parts Available In Assemblies Only)	PART #	QTY.
1	GUARD, TVS ILD GEAR - MAIN	098467-1	1
2	BOLT, M6X12-8.8 HEX HEAD FULL THREAD ZINC	F81001-7	11
3	WASHER, Z 6.1 SPLIT LOCK ZINC	F81053-3	11
4	GUARD, TVS ILD GEAR - SIDE	098470-1	1
5	GUARD, TVS REAR	098469-1	1
6	BOLT, M10X30-5.8 HEX HEAD FULL THREAD ZINC	F81003-2	1
7	WASHER, 10.5 FLAT ZINC	F81055-1	1
8	NUT, M10-8-B HEX NYLON LOCK ZINC	F81033-1	1

6.6 LD4 Leg Foot Plate



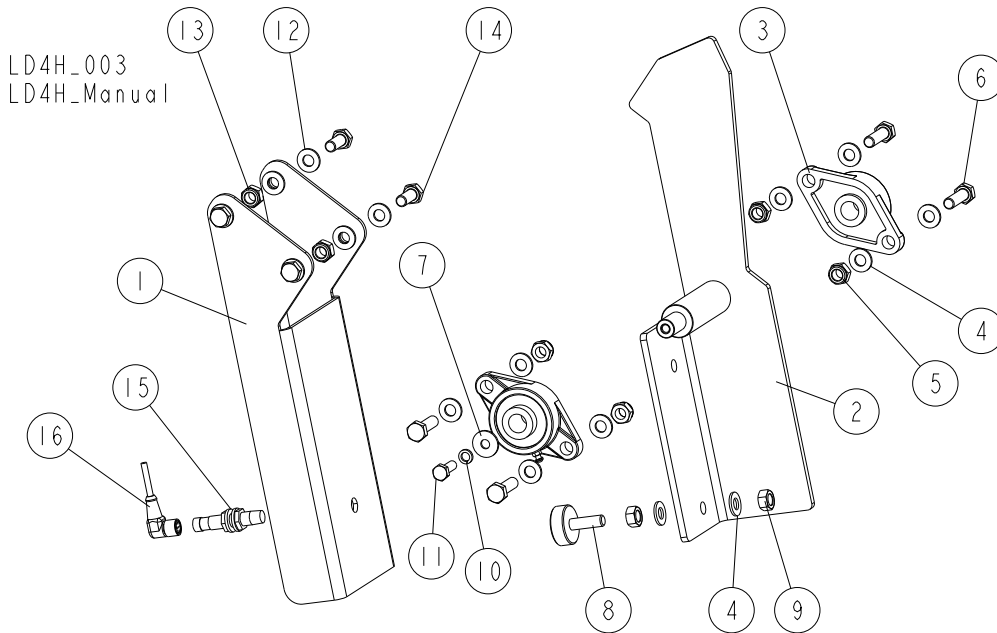
REF.	DESCRIPTION (◆ Indicates Parts Available In Assemblies Only)	PART #	QTY.
	PLATE, LD4 LEG FOOT - COMPLETE	509795	1
1	PLATE WELDMENT, LD4 LEG FOOT	509792-1	1
2	WASHER, 17 SPLIT LOCK ZINC	F81058-1	8
3	NUT, M16-8 HEX NYLON ZINC LOCK	F81036-2	4
4	BOLT, M16X60-8.8 HEX HEAD FULL THREAD ZINC	F81006-12	4
5	BOLT, M24X50 8.8 HEX HEAD FULL THREAD ZINC	F81009-13	4
6	WASHER, 25 FLAT ZINC	F81061-3	4
7	NUT, M24-04-B HEX THIN ZINC	F81039-3	4

6.7 LD4 Log Rest Table



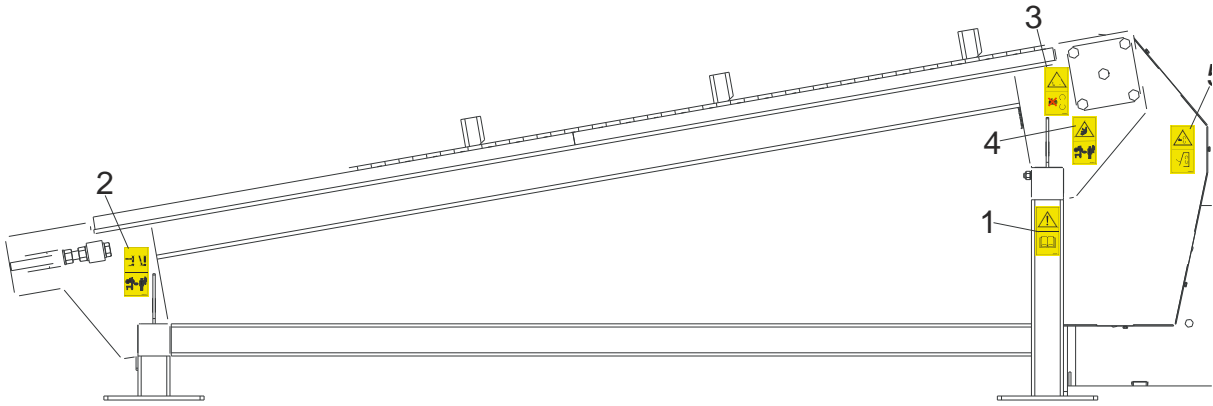
REF.	DESCRIPTION (◆ Indicates Parts Available In Assemblies Only)	PART #	QTY.
	TABLE, LOG REST - COMPLETE	508550	1
1	TABLE, LOG REST	508551-1	1
2	WASHER, 13 FLAT ZINC	F81056-1	16
3	NUT, M12-8 HEX NYLON ZINC LOCK	F81034-2	8
4	BOLT, M12X110-8.8-B HEX HEAD ZINC	F81004-47	8
5	CAP, 60X60 3-4 #199211 TUBE	089710	4
6	LEVER ASSEMBLY, LOG DECK SHUT-OFF See Section 6.8	508559	1

6.8 LD4 Shut-Off Lever Assembly

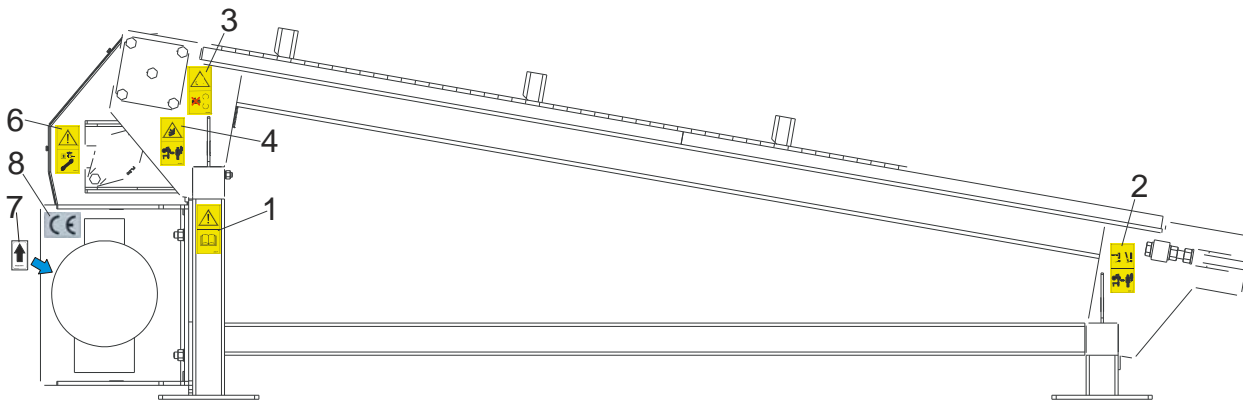


REF.	DESCRIPTION (◆ Indicates Parts Available In Assemblies Only)	PART #	QTY.
	LEVER ASSEMBLY, LOG DECK SHUT-OFF	508559	1
1	PLATE, SHUT-OFF LEVER STOP	508564-1	1
	LEVER, LOG DECK SHUT-OFF - COMPLETE	508646	1
2	LEVER, SHUT-OFF	508560-1	1
3	BEARING, UCFL 203 (CX) W/HOUSING	507347	2
4	WASHER, 10.5 FLAT ZINC	F81055-1	10
5	NUT, M10-8-B HEX NYLON ZINC LOCK	F81033-1	4
6	BOLT, M10X35 8.8 HEX HEAD FULL THREAD ZINC	F81003-17	4
7	WASHER, ISO 7093-1-8-200 HV-A2E	F81054-11	1
8	FOOT, M10 LEG	092839	1
9	NUT, M10 8 HEX ZINC	F81033-3	2
10	WASHER, 8.2 SPLIT LOCK ZINC	F81054-4	1
11	BOLT, M8X25-8.8-B HEX HEAD FULL THREAD ZINC	F81002-5	1
12	WASHER, 10.5 FLAT ZINC	F81055-1	8
13	NUT, M10-8-B HEX NYLON ZINC LOCK	F81033-1	4
14	BOLT, M10X25 8.8 HEX HEAD FULL THREAD ZINC	F81003-11	4
15	SENSOR, BES M12MG-PSC80F-S04G INDUCTIVE PROXIMITY	093168	1
16	CABLE, 10 M 4-WIRE SENSOR	094291	1

6.9 Decals



TVS_048



REF.	DESCRIPTION (◆ Indicates Parts Available In Assemblies Only)	PART #	QTY.
	PICTOGRAPHIC DECALS KIT, INCLINE LOG DECK	099579	1
1	Decal, read operator's manual (pictogram)	096317	2
2	Decal, keep away warning (pictogram)	096314	2
3	Decal, gear danger (pictogram)	099540	2
4	Decal, keep away warning (pictogram)	099221	2
5	Decal, close all guards and covers before starting the machine	099220	1
6	Decal, disconnect and lock out power supply before servicing (pictogram)	098177	1
7	Decal, 1400 RPM Motor Direction	S20097H	1
8	DECAL, CE-CERTIFIED SAWMILL	P85070	1

EC declaration of conformity according to EC Machinery Directive 2006/42/EC

We herewith declare,

Wood-Mizer Industries sp. Z O.O.
114 Nagorna street, 62-600 Kolo; Poland.

That the following described machine in our delivered version complies with the appropriate basic safety and health requirements of the EC Machinery Directive 2006/42/EC based on its design and type, as brought into circulation by us. In case of alteration of the machine, not agreed by us, this declaration is no longer valid.

Designation of the machine: **Log Incline Deck**
TYPE: **SLPILD**
No. of manufacturer:

Applicable EC Directives: EC Machinery Directive 2006/42/EC
EC Low-Voltage Directive 73/23/EEC
EC Electromagnetic Compatibility Directive
2004/108/EC

Responsible for Technical Documentation: Roman Frontczak / R&D Director

Date/Authorized Signature: 29. 12. 2009 
Title : R&D Director