

## TWIN HEAD HORIZONTAL BAND RESAW

### PARTS MANUAL



# CONTENTS

GENERAL INFORMATION .....	3
FRAME ASSEMBLY .....	4
AIR/ OIL PRESSURE ASSEMBLY .....	6
PRESSURE REGULATOR ASSEMBLY .....	7
BOTTOM LEFT UP/DOWN ASSEMBLY .....	8
TOP LEFT UP/DOWN ASSEMBLY .....	10
TOP RIGHT UP/DOWN ASSEMBLY .....	12
BOTTOM RIGHT UP/DOWN ASSEMBLY .....	13
BOTTOM LEFT MANUAL UP/DOWN ASSEMBLY .....	14
TOP LEFT MANUAL UP/DOWN ASSEMBLY .....	16
BLADE GUIDE ASSEMBLY, IDLE SIDE (TOP).....	18
BLADE GUIDE ASSEMBLY, IDLE SIDE (BOTTOM).....	20
BLADE GUIDE ASSEMBLY, DRIVE SIDE (TOP).....	22
BLADE GUIDE ASSEMBLY, DRIVE SIDE (BOTTOM).....	24
SUB FRAME ASSEMBLY, BLADE TENSIONING .....	26
SUB FRAME ASSEMBLY, MANUAL BLADE TENSIONING .....	28
MOTOR ASSEMBLY .....	30
BLADE WHEEL ASSEMBLY (DRIVE SIDE).....	32
BLADE WHEEL ASSEMBLY (IDLE SIDE).....	34
BLADE WHEEL SCRAPER ASSEMBLY (style A).....	36
BLADE WHEEL SCRAPER ASSEMBLY (style B).....	37
INFEED HOLD DOWN ROLLER.....	38
OUTFEED HOLD DOWN ROLLER.....	40
FEED CONVEYOR (INFEED SECTION).....	41
FEED CONVEYOR (OUTFEED SECTION).....	43
COVER ASSEMBLY (BACK AND SIDES).....	45
COVER ASSEMBLY (TOP AND BOTTOM).....	47
DOOR COVER ASSEMBLY .....	49
CONTROL PANEL.....	51
ELECTRONIC PANEL 460V/60Hz.....	53
ELECTRONIC PANEL 230V/60Hz.....	56

# GENERAL INFORMATION

## How to Use The Parts List

- Use the index above to locate the assembly that contains the part you need.
- Go to the appropriate section and locate the part in the illustration.
- Use the number pointing to the part to locate the correct part number and description in the table
- Parts shown indented under another part are included with that part.

## Example: How to order required parts:

**Ref #:** corresponds to the number on the illustration.

**Description:** A brief description of the part.

**Part #:** The number used by Wood-Mizer to identify parts.

**Quantity:** the quantity required for each specific part for the assembly.

To order, identify the part required with use of the **Ref #**. Contact your local Wood-Mizer dealer and provide them with the **Part #** and quantity you require.

Ref	DESCRIPTION	PART #	QTY
1	HR250 FRAME	116579	1
2	Encoder Mounting Bracket	116247	2
3	6mm x 40mmØ, Plastic Slide	116276	4

## To Order Parts:

From Asia call our Manufacturing Facility in Taichung City, Taiwan at **+886 4 2359 3022**.

From Europe call our European Headquarters and Manufacturing Facility in Kolo, Poland

at **+48-63-2626000**. From the continental U.S., call our toll-free Parts hotline

at **1-800-525-8100**. Have your customer number, serial number, and part numbers ready

when you call. From other international locations, contact the Wood-Mizer distributor in your area for parts.

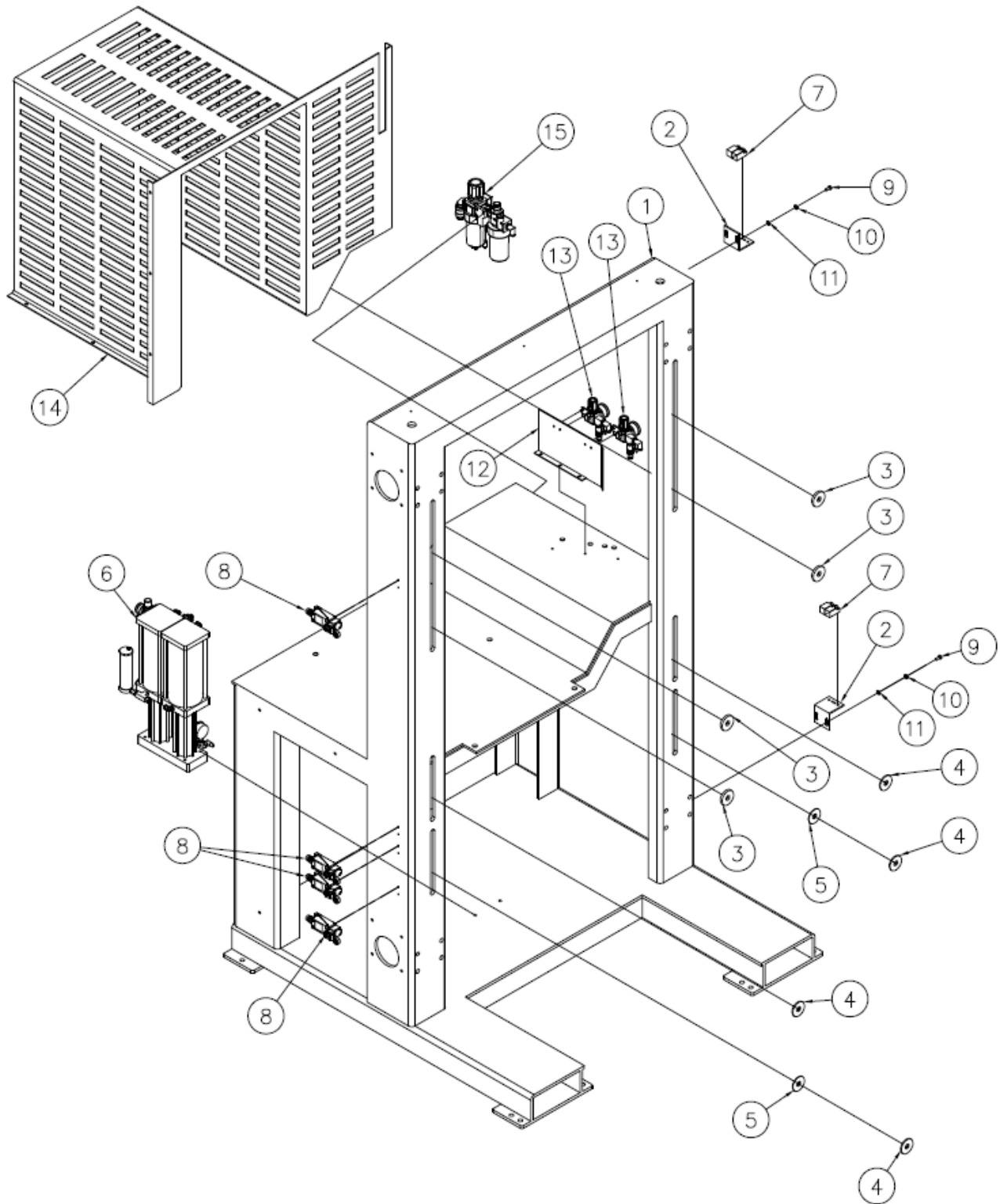
## Office Hours:

Country	Monday - Friday	Saturday	Sunday
Taiwan	08:30 - 17:30	Closed	Closed
Poland	07:00 - 15:00	Closed	Closed
US	08:00 - 17:00	08:00 - 12:00	Closed



**CAUTION!** It is strongly recommended that only original spare parts be used.

# FRAME ASSEMBLY

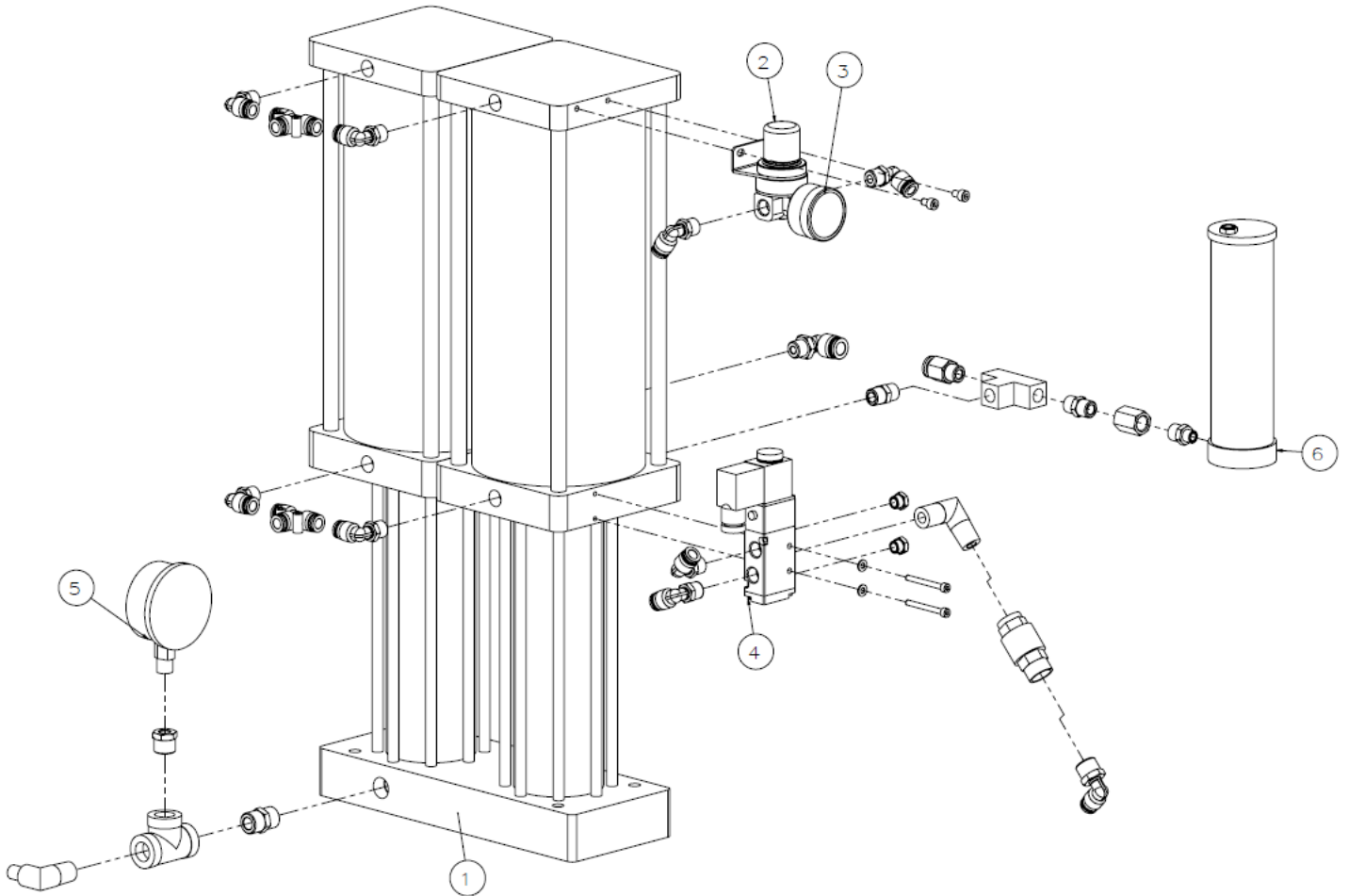


Ref	DESCRIPTION	PART #	QTY
1	HR250 FRAME- Standard	116579	1
	HR250 FRAME (Wide)	116695	1

# FRAME ASSEMBLY

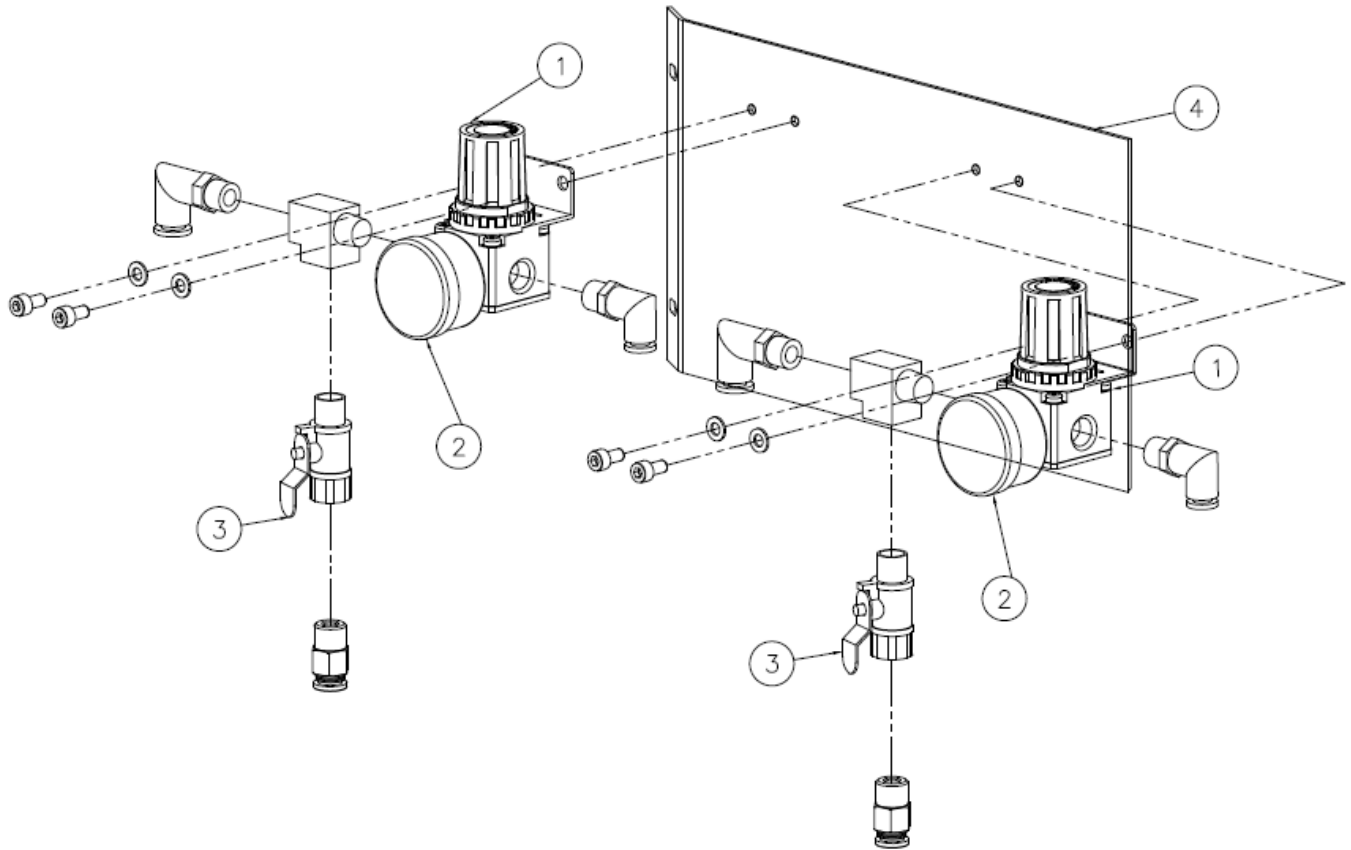
Ref	DESCRIPTION	PART #	QTY
2	Encoder Mounting Bracket	116247	2
3	6mm x 40mmø, Plastic Slide	116276	4
4	3mm x 40mmø, Plastic Slide	116277	4
5	1mm x 40mmø, Plastic Slide	116278	2
6	Air/Oil pressure assembly (Complete)	116025	1
7	PL-05NBS-4M, Proximity Sensor	116307	4
8	XCKN2118G11, Limit Switch	116567	4
9	Socket head hex screw M6x16- 8.8, FE/ZN5, PN/M82302	F81001-34	4
10	Large Plain Washer 6.4, FE/ZN5, PN/M82030	F81053-11	4
11	Washer 6.1, Split Lock, FE/ZN5, PN/M82008	F81053-3	4
12	Pressure Regulator Mounting Plate	116610	1
13	Pressure Regulator Assembly, MA R200-8A	116587	2
14	<b>Outfeed Guard Cover (CE Version)</b>	<b>116609</b>	<b>1</b>
	Outfeed Guard Cover (CE Version)- Wide	116456	1
15	<b>Air Filter Regulator assembly, MAL401-10A</b>	<b>116611</b>	<b>1</b>
	Mindman, MP41P-022-3M, Digital Gauge	125033	1

# AIR/ OIL PRESSURE ASSEMBLY



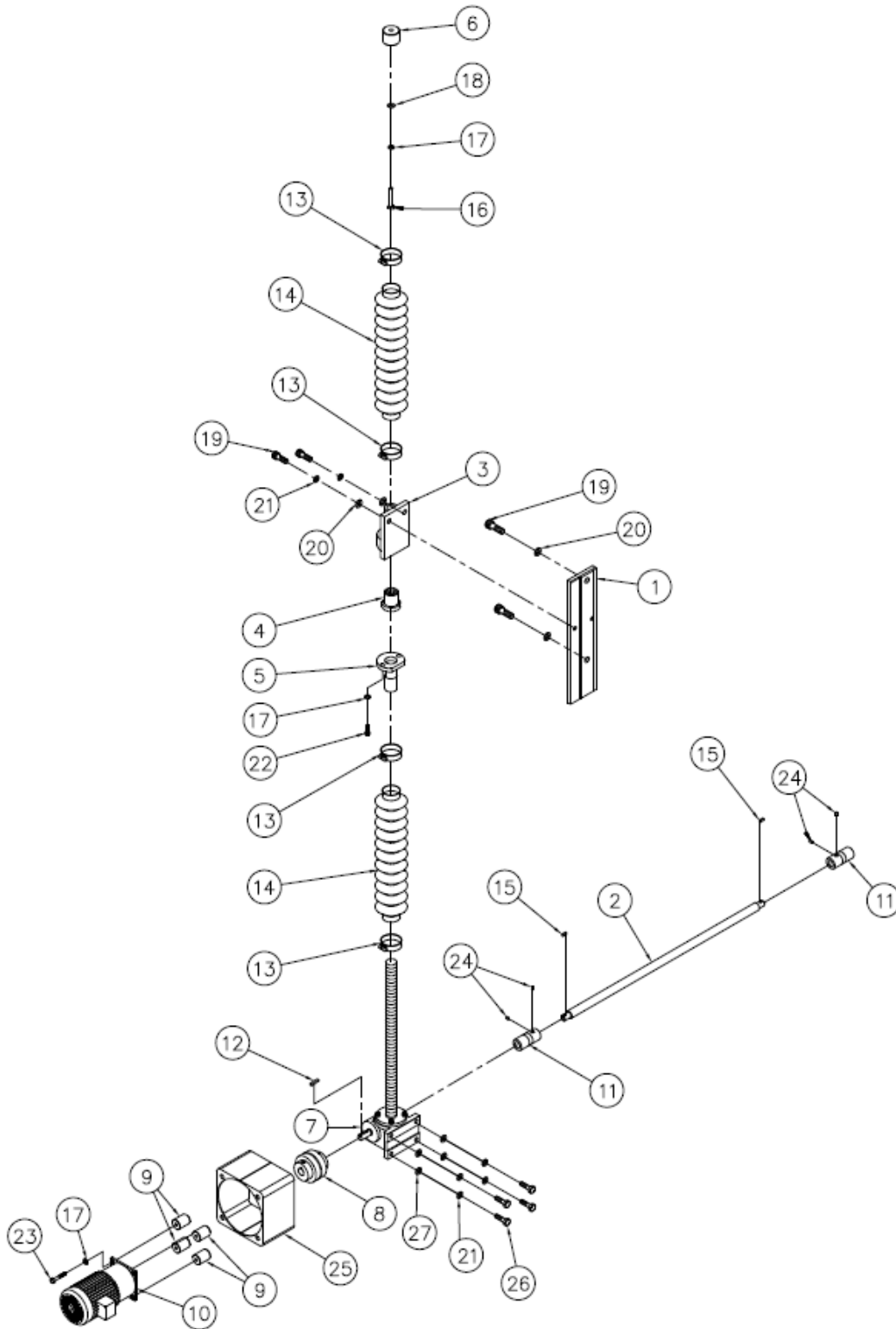
Ref	DESCRIPTION	PART #	QTY
1	<b>Air/Oil pressure assembly (Complete)</b>	<b>116025</b>	<b>1</b>
2	<b>Pressure Regulator Assembly, MA R200-8A (Complete)</b>	<b>116587</b>	<b>1</b>
	1.5", IMPA/PSI, Pressure Gauge	116045	1
4	<b>4V210-08, Solenoid Valve Assembly</b>	<b>116618</b>	<b>1</b>
	EVI 7/9, 110VAC, Solenoid Valve	125005	1
5	Pressure Gauge, 150 Kg/cm	116576	1
6	Hydraulic Oil Refill Check.	116617	1

# PRESSURE REGULATOR ASSEMBLY



Ref	DESCRIPTION	PART #	QTY
1	<b>Pressure Regulator Assembly, MA R200-8A</b>	116587	2
	Pressure Regulator, MA R200-8A Section	116069	2
2	1.5", IMPA/PSI, Pressure Gauge	116045	2
3	Pneumatic Ball Valve	116619	2
4	Pressure Regulator Mounting Plate	116610	1

# BOTTOM LEFT UP/ DOWN ASSEMBLY



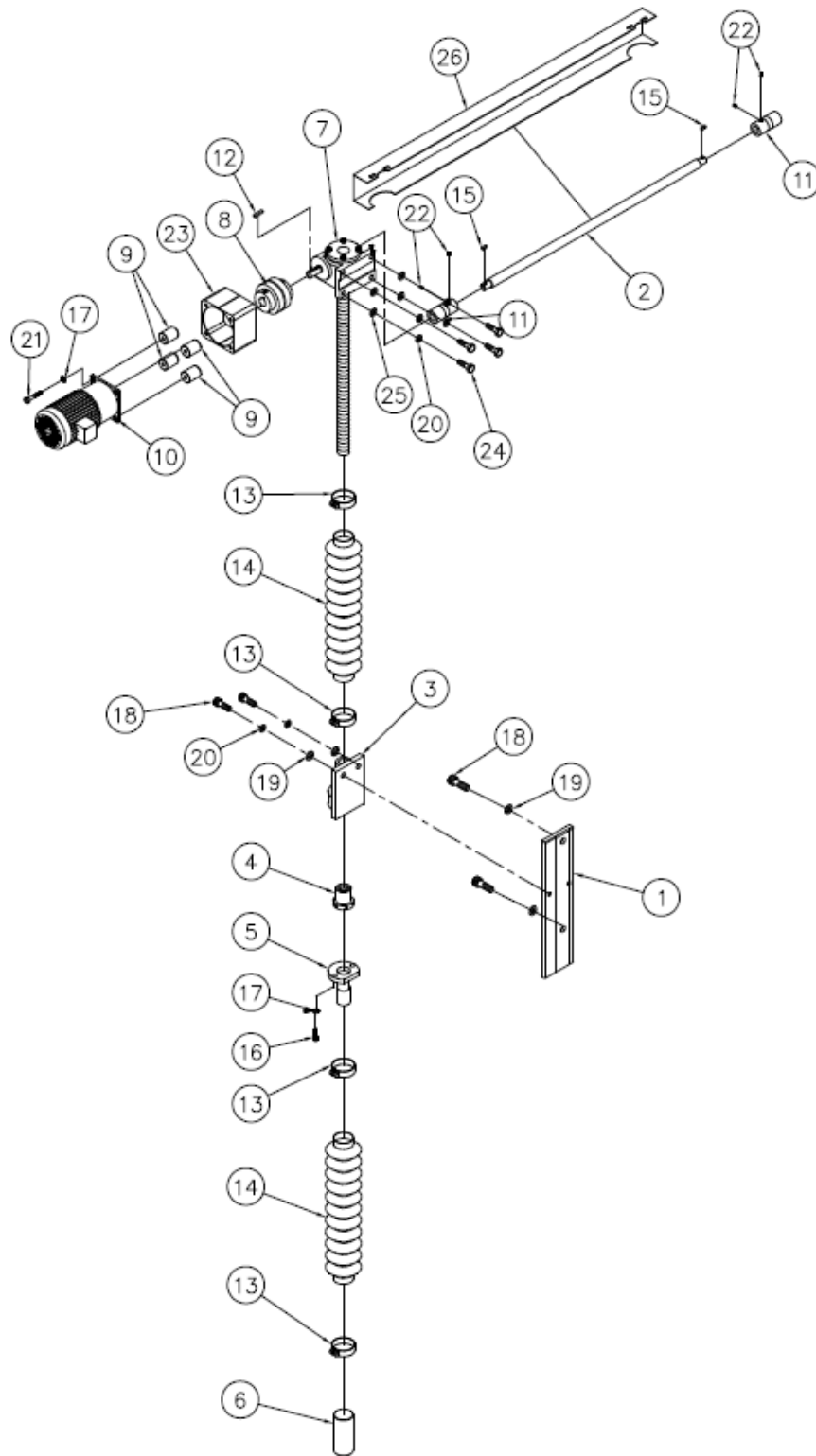
Ref	DESCRIPTION	PART #	QTY
1	Up/Down Mounting Plate	116140	1
2	Up/Down Connecting Rod 640mmx19mmØ	116483	1



# BOTTOM LEFT UP/ DOWN ASSEMBLY

Ref	DESCRIPTION	PART #	QTY
3	Up/Down Mounting Sleeve	116142	1
4	Brass Threaded Bushing	116161	1
5	Mounting Sleeve	116143	1
6	30mm x 38mmø, Spacer	116165	1
7	LTW30-5VL, Bottom/ Left -UP/DN Gearbox	125127	1
8	NM-67, Flexible Coupling	116272	1
9	75mm x 20mmø, Spacer	116127	4
<b>10</b>	<b>UP/DOWN MOTOR</b>		
	0.4kW, LV22B-400-5-S2, 400-460V UP/DN (Rev B)	125105	1
	0.4kW, LV22B-400-5-S2, 230V UP/DN (Rev B)	125106	1
	SV-A10, 0,2kW, 230-460V/60Hz, Up/Down Motor (Rev A)	116564	1
	SV-A10, 0,2kW, 400V/50Hz, Up/Down Motor (Rev A)	116565	1
11	Up/Down Flex Joint	116126	2
12	Double Head Round Key, 6x6x25-A, PN/M85005	534277	1
13	Hose Clamp NO.24 25-51mm	116468	4
14	Rubber Boot Cover	116304	2
15	Double Head Round Key, PN/M85005	116612	2
16	Hex Head Bolt, M8x50, FE/ZN5, PN/M82105, Full Thread	F81002-9	1
17	Washer 8.2, Split Lock, FE/ZN5, PN/M82008	F81054-4	7
18	Flat Washer 8.4, FE/ZN5, PN/M82005	F81054-1	1
19	Hex Socket Screw, M10x20-8.8, FE/ZN5, PN/M82302	F81003-108	4
20	Flat Washer 10.5, FE/ZN5, PN/M82005	F81055-1	4
21	Washer 10.2, Split Lock, FE/ZN5, PN/M82008	F81055-2	8
22	Hex Socket Screw, M8x35-8.8, FE/ZN5, PN/M82302	F81002-58	2
23	Hex Socket Screw, M8x100-8.8, FE/ZN5, ISO4762	F81002-97	4
24	Set Screw, M6x8, 45H, PN/M82315	F81013-1	4
25	Protective Motor Shaft Cover	116613	1
26	Hex Head Bolt, M10x35-8.8, FE/ZN5, PN/M82105, Full Thread	F81003-17	4
27	Flat Washer 10.5, FE/ZN5, PN/M82005	F81055-1	4

# TOP LEFT UP/ DOWN ASSEMBLY

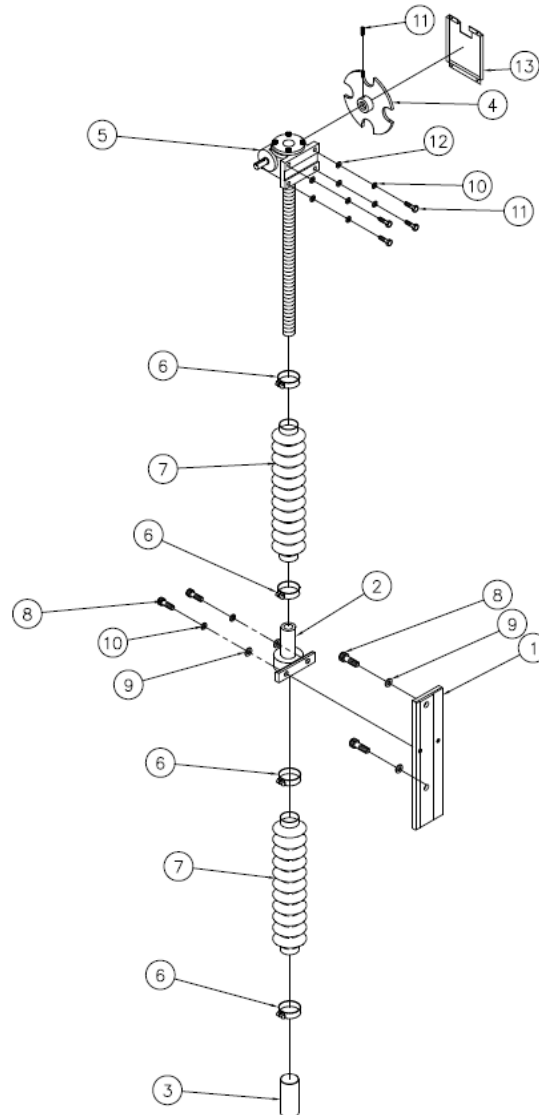


Ref	DESCRIPTION	PART #	QTY
1	Up/Down Mounting Plate	116140	1
2	Up/Down Connecting Rod 640mmx19mmØ	116483	1

# TOP LEFT UP/ DOWN ASSEMBLY

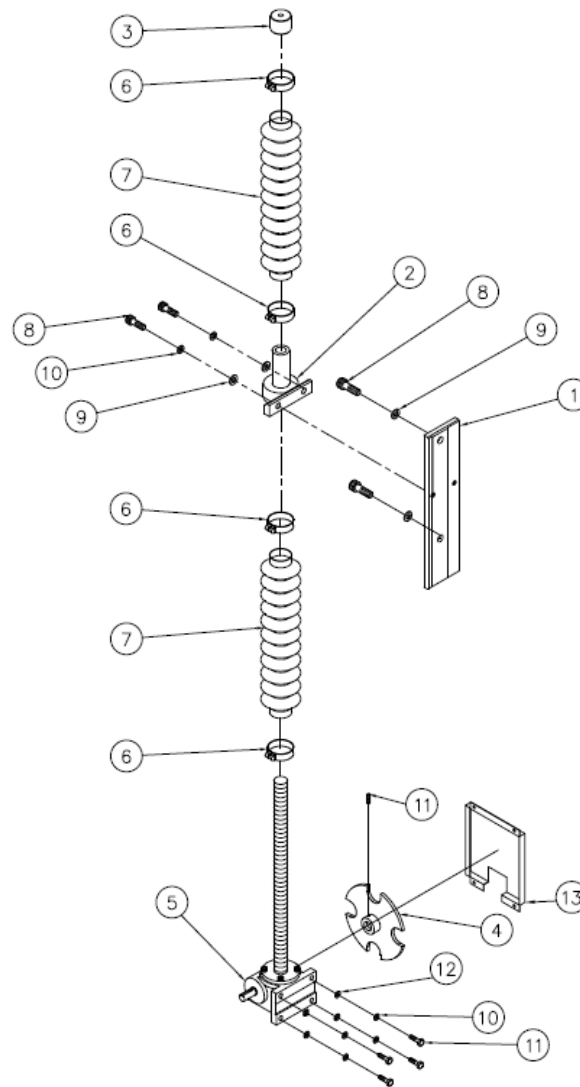
Ref	DESCRIPTION	PART #	QTY
3	Up/Down Mounting Sleeve	116142	1
4	Brass Threaded Bushing	116161	1
5	Mounting Sleeve	116143	1
6	90mm x 40mm $\varnothing$ , Spacer	116164	1
7	LTW30-5UL, Top/Left- UP/DN Gearbox	125125	1
8	NM-67, Flexible Coupling	116272	1
9	75mm x 20mm $\varnothing$ , Spacer	116127	4
10	<b>UP/DOWN MOTOR</b>		
	0.4kW, LV22B-400-5-S2, 400-460V UP/DN (Rev B)	125105	1
	0.4kW, LV22B-400-5-S2, 230V UP/DN (Rev B)	125106	1
	SV-A10, 0,2kW, 230-460V/60Hz, Up/Down Motor (Rev A)	116564	1
	SV-A10, 0,2kW, 400V/50Hz, Up/Down Motor (Rev A)	116565	1
11	Up/Down Flex Joint	116126	2
12	Double Head Round Key, 6x6x25-A, PN/M85005	534277	1
13	Hose Clamp NO.24 25-51mm	116468	4
14	Rubber Boot Cover	116304	2
15	Double Head Round Key, PN/M85005	116612	2
16	Hex Socket Screw, M8x35-8.8, FE/ZN5, PN/M82302	F81002-58	2
17	Washer 8.2, Split Lock, FE/ZN5, PN/M82008	F81054-4	6
18	Hex Socket Screw, M10x20-8.8, FE/ZN5, PN/M82302	F81003-108	4
19	Flat Washer 10.5, FE/ZN5, PN/M82005	F81055-1	4
20	Washer 10.2, Split Lock, FE/ZN5, PN/M82008	F81055-2	8
21	Hex Socket Screw, M8x100-8.8, FE/ZN5, ISO4762	F81002-97	4
22	Set Screw, M6x8, 45H, PN/M82315	F81013-1	4
23	Protective Shaft Cover	116613	1
24	Hex Head Bolt, M10x35-8.8, FE/ZN5, PN/M82105, Full Thread	F81003-17	4
25	Flat Washer 10.5, FE/ZN5, PN/M82005	F81055-1	4
26	Connecting Rod Cover (CE)	116994	1

# TOP RIGHT UP/ DOWN ASSEMBLY



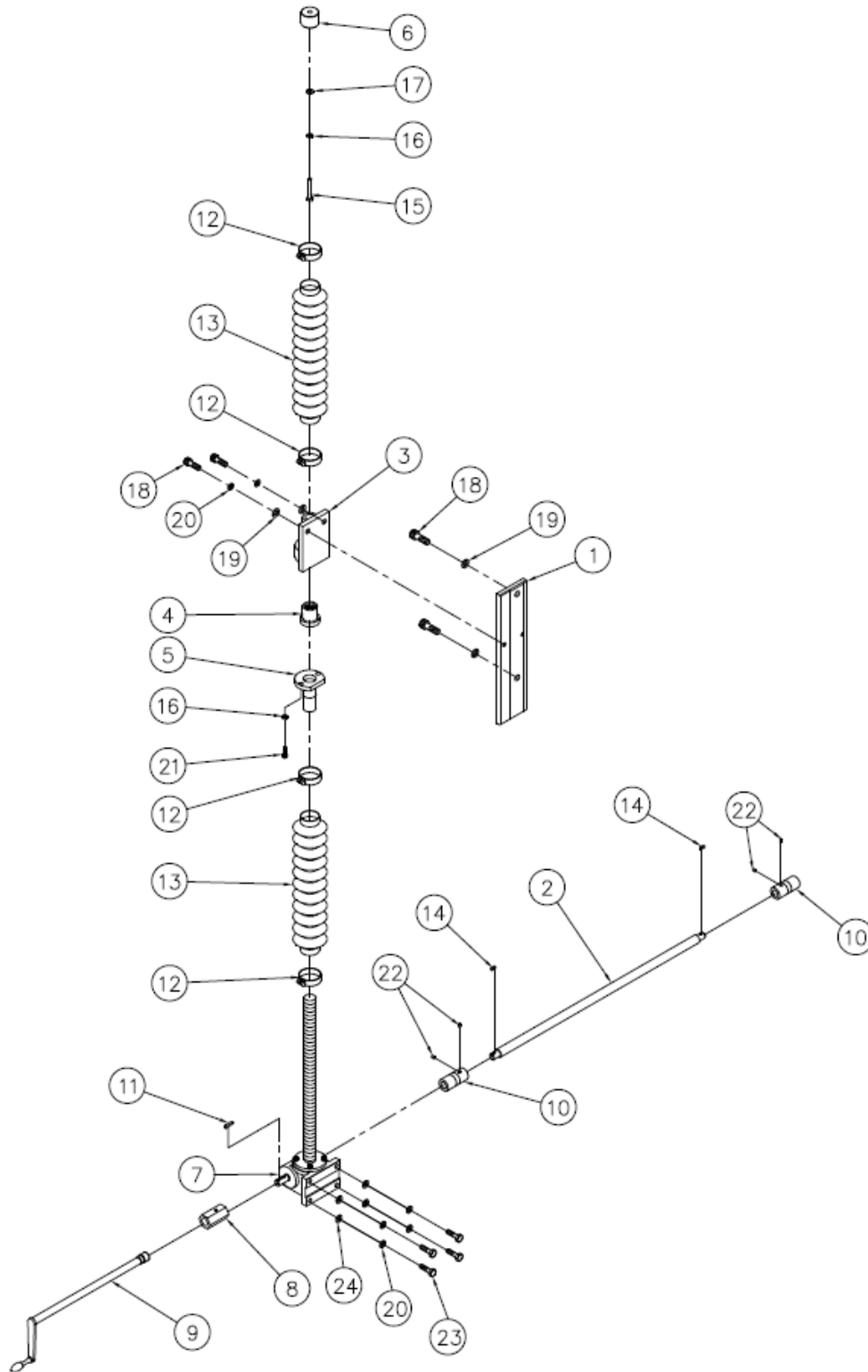
Ref	DESCRIPTION	PART #	QTY
1	Up/Down Mounting Plate	116140	1
2	Mounting Sleeve	116144	1
3	90mm x 40mmø, Spacer	116164	1
4	Sensor Plate	116234	1
5	LTW30-5U, Top/Right- UP/DN Gearbox	125126	1
6	Hose Clamp NO.24 25-51mm	116468	4
7	Rubber Boot Cover	116304	2
8	Hex Socket Screw, M10x20-8.8, FE/ZN5, PN/M82302	F81003-108	4
9	Flat Washer 10.5, FE/ZN5, PN/M82005	F81055-1	4
10	Washer 10.2, Split Lock, FE/ZN5, PN/M82008	F81055-2	4
11	Set Screw, M6x8, 45H, PN/M82315	F81013-1	1
12	Flat Washer 10.5, FE/ZN5, PN/M82005	F81055-1	4
13	Top Sensor Plate Cover (CE)	116995	1

# BOTTOM RIGHT UP/ DOWN ASSEMBLY



Ref	DESCRIPTION	PART #	QTY
1	Up/Down Mounting Plate	116140	1
2	Mounting Sleeve	116144	1
3	30mm x 38mmø, Spacer	116165	1
4	Sensor Plate	116234	1
5	LTW30-5V, Bottom/Right- UP/DN Gearbox	125128	1
6	Hose Clamp NO.24 25-51mm	116468	4
7	Rubber Boot Cover	116304	2
8	Hex Socket Screw, M10x20-8.8, FE/ZN5, PN/M82302	F81003-108	4
9	Flat Washer 10.5, FE/ZN5, PN/M82005	F81055-1	4
10	Washer 10.2, Split Lock, FE/ZN5, PN/M82008	F81055-2	4
11	Set Screw, M6x8, 45H, PN/M82315	F81013-1	1
12	Bottom Sensor Plate Cover (CE)	116996	1
13	Bottom Sensor Plate Cover (CE)	116996	1

# BOTTOM LEFT MANUAL UP/ DOWN ASSEMBLY

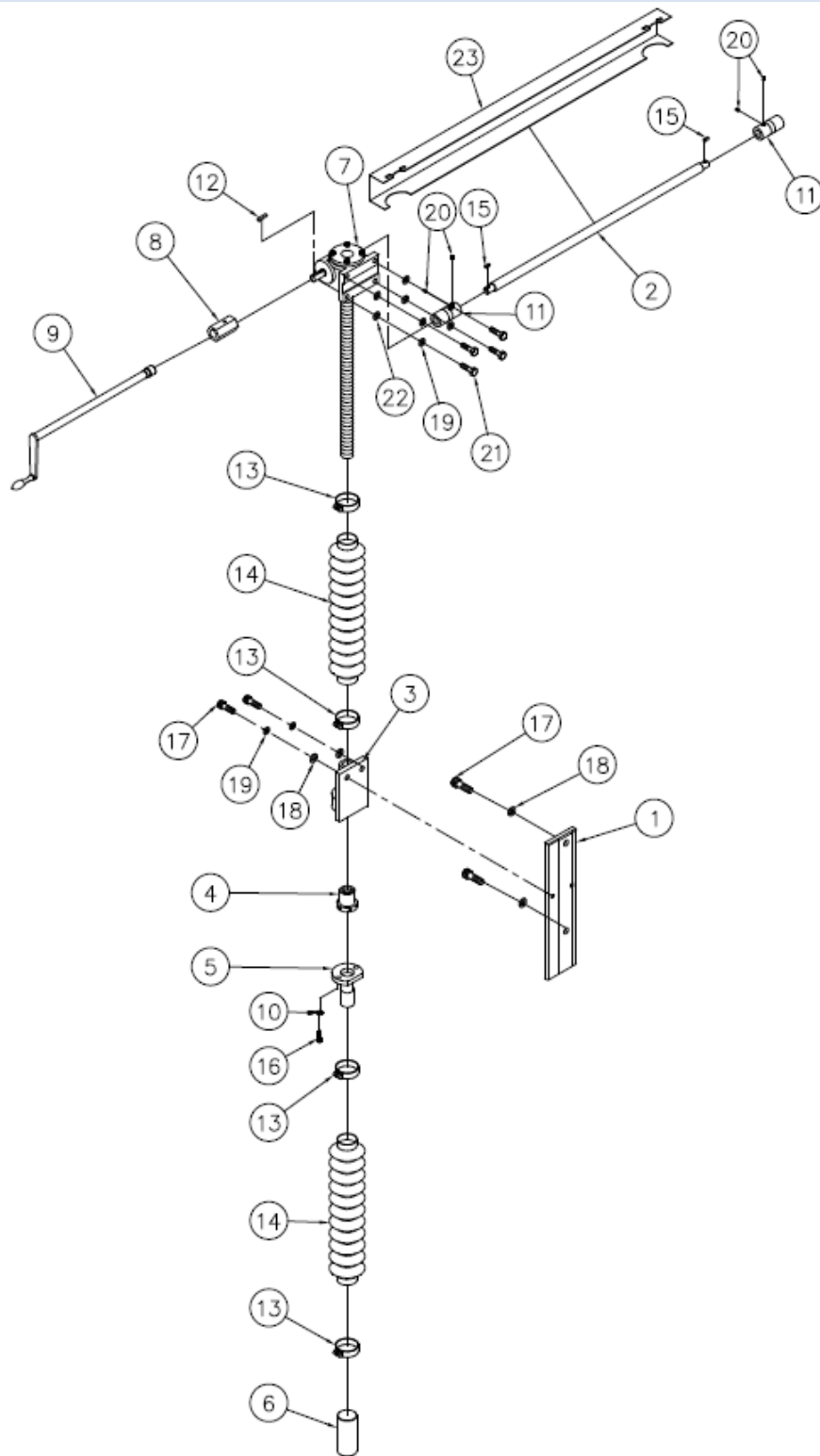


Ref	DESCRIPTION	PART #	QTY
1	Up/Down Mounting Plate	116140	1
2	Up/Down Connecting Rod 640mmx19mmØ	116483	1

## BOTTOM LEFT MANUAL UP/ DOWN ASSEMBLY

Ref	DESCRIPTION	PART #	QTY
3	Up/Down Mounting Sleeve	116142	1
4	Brass Threaded Bushing	116161	1
5	Mounting Sleeve	116143	1
6	30mm x 38mmø, Spacer	116165	1
7	LTW30-5VL, Bottom/ Left -UP/DN Gearbox	125127	1
8	Adjustment Handle Fitting	116993	1
9	Height Adjustment Handle, Up/ Down	116238	1
10	Up/Down Flex Joint	116126	2
11	Double Head Round Key, 6x6x25-A, PN/M85005	534277	1
12	Hose Clamp NO.24 25-51mm	116468	4
13	Rubber Boot Cover	116304	2
14	Double Head Round Key, PN/M85005	116612	2
15	Hex Head Bolt, M8x50, FE/ZN5, PN/M82105, Full Thread	F81002-9	1
16	Washer 8.2, Split Lock, FE/ZN5, PN/M82008	F81054-4	3
17	Flat Washer 8.4, FE/ZN5, PN/M82005	F81054-1	1
18	Hex Socket Screw, M10x20-8.8, FE/ZN5, PN/M82302	F81003-108	4
19	Flat Washer 10.5, FE/ZN5, PN/M82005	F81055-1	4
20	Washer 10.2, Split Lock, FE/ZN5, PN/M82008	F81055-2	8
21	Hex Socket Screw, M8x35-8.8, FE/ZN5, PN/M82302	F81002-58	2
22	Set Screw, M6x8, 45H, PN/M82315	F81013-1	4
23	Hex Head Bolt, M10x35-8.8, FE/ZN5, PN/M82105, Full Thread	F81003-17	4
24	Flat Washer 10.5, FE/ZN5, PN/M82005	F81055-1	4

# TOP LEFT MANUAL UP/ DOWN ASSEMBLY



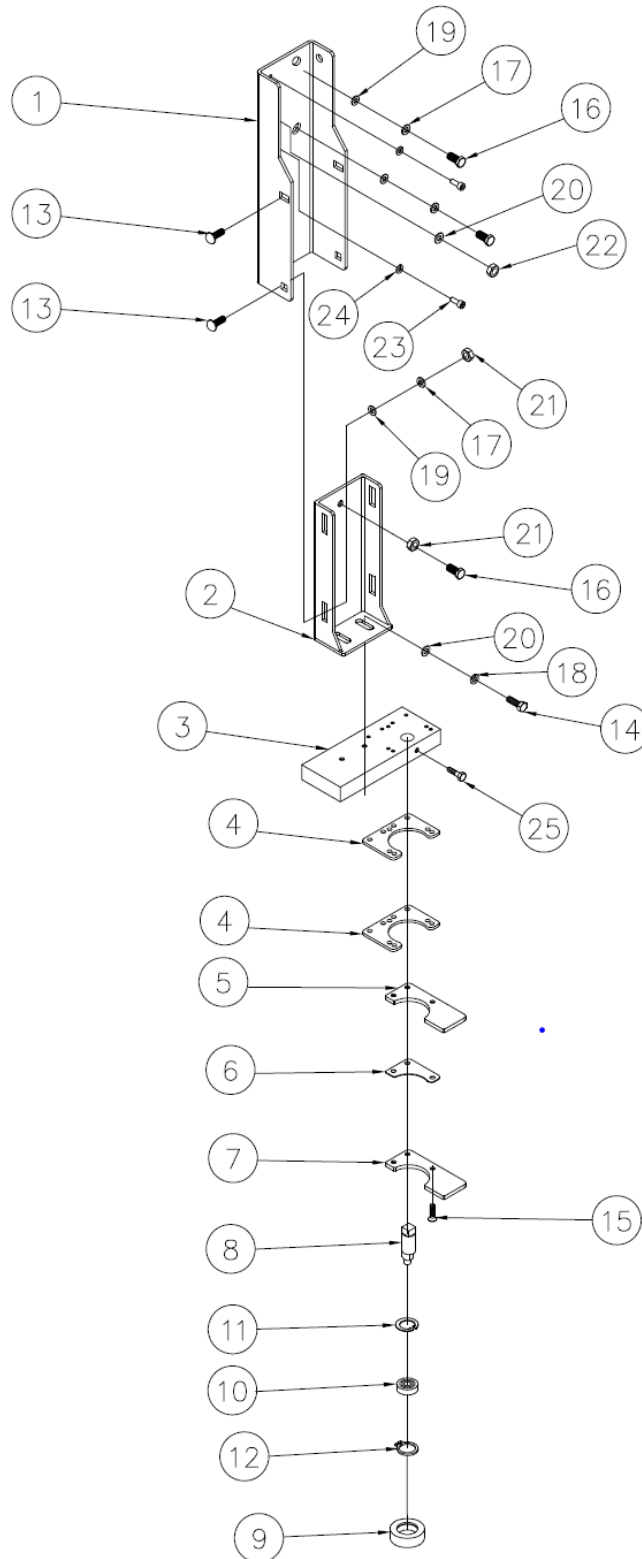
Ref	DESCRIPTION	PART #	QTY
1	Up/Down Mounting Plate	116140	1
2	Up/Down Connecting Rod 640mmx19mmØ	116483	1



## TOP LEFT MANUAL UP/ DOWN ASSEMBLY

Ref	DESCRIPTION	PART #	QTY
3	Up/Down Mounting Sleeve	116142	1
4	Brass Threaded Bushing	116161	1
5	Mounting Sleeve	116143	1
6	90mm x 40mmø, Spacer	116164	1
7	LTW30-5UL, Top/Left- UP/DN Gearbox	125125	1
8	Adjustment Handle Fitting	116993	1
9	Height Adjustment Handle, Up/ Down	116238	1
10	Washer 8.2, Split Lock, FE/ZN5, PN/M82008	F81054-4	2
11	Up/Down Flex Joint	116126	2
12	Double Head Round Key, 6x6x25-A, PN/M85005	534277	1
13	Hose Clamp NO.24 25-51mm	116468	4
14	Rubber Boot Cover	116304	2
15	Double Head Round Key, PN/M85005	116612	2
16	Hex Socket Screw, M8x35-8.8, FE/ZN5, PN/M82302	F81002-58	2
17	Hex Socket Screw, M10x20-8.8, FE/ZN5, PN/M82302	F81003-108	4
18	Flat Washer 10.5, FE/ZN5, PN/M82005	F81055-1	4
19	Washer 10.2, Split Lock, FE/ZN5, PN/M82008	F81055-2	8
20	Set Screw, M6x8, 45H, PN/M82315	F81013-1	4
21	Hex Head Bolt, M10x35-8.8, FE/ZN5, PN/M82105, Full Thread	F81003-17	4
22	Flat Washer 10.5, FE/ZN5, PN/M82005	F81055-1	4
23	Connecting Rod Cover (CE)	116994	1

# BLADE GUIDE ASSEMBLY, IDLE SIDE (TOP)

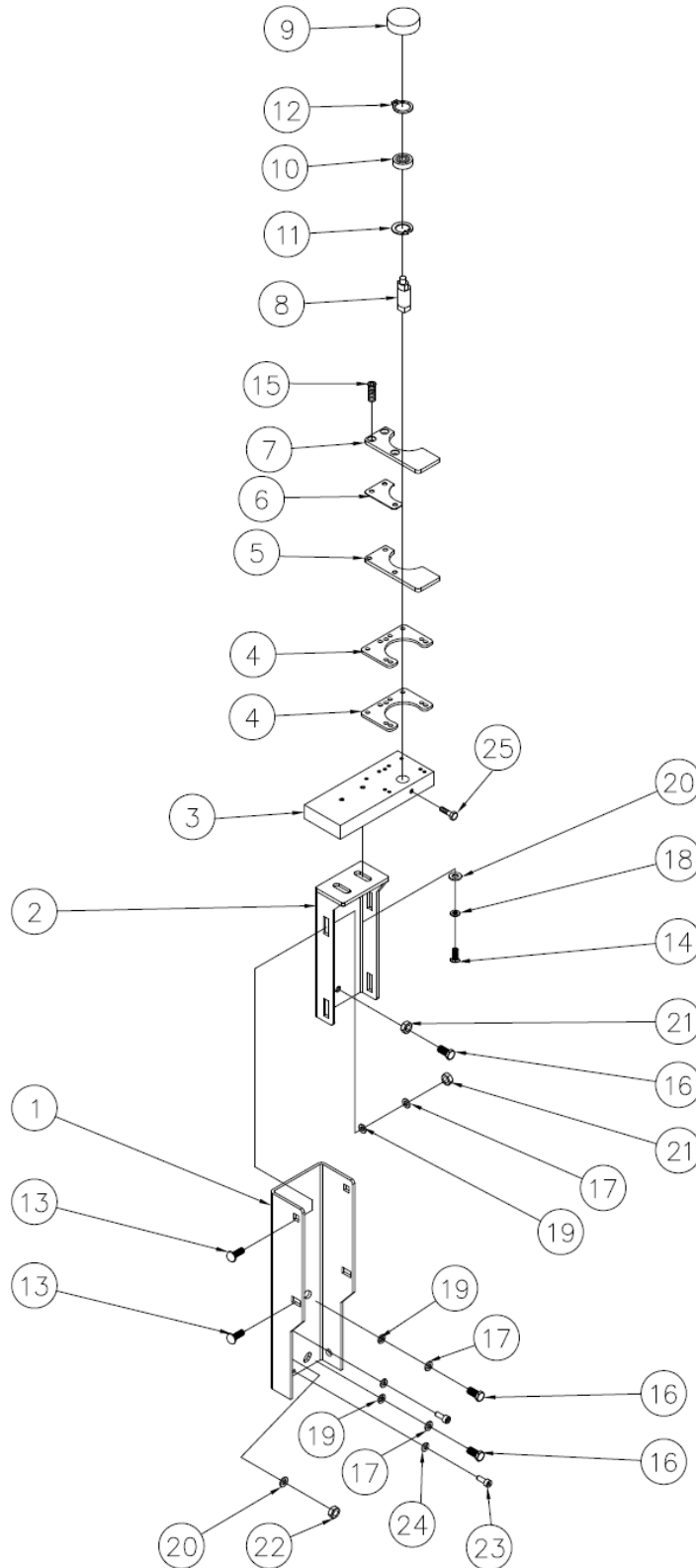


Ref	DESCRIPTION	PART #	QTY
1	Guide Assembly Mounting Frame	116589	1
2	Blade Guide Mounting Bracket (Idle Side)	116590	1

## BLADE GUIDE ASSEMBLY, IDLE SIDE (TOP)

Ref	DESCRIPTION	PART #	QTY
3	Guide Plates Connector Block (Idle Side)	116162	1
4	Blade Guide Connector Plates	116108	2
5	<b>TOP BLADE GUIDE PLATES</b>		
	Top Blade Guide Plate 1¼"	116115	1
	Top Blade Guide Plate 2"	116117	1
6	<b>SHIM OPTIONS</b>		
	1mm, Shim	116112	1
	1.2mm, Shim	116113	1
	1.5mm, Shim	116109	1
7	<b>BOTTOM BLADE GUIDE PLATES</b>		
	Bottom Blade Guide Plate 1¼"	116114	1
	Bottom Blade Guide Plate 2"	116116	1
	<b>Blade Guide Roller Bearing Assembly</b>	<b>116875</b>	<b>1</b>
8	Eccentric Shaft	116129	1
9	Bearing Seat	116128	1
10	Bearing- 6200RS	X200-903	1
11	Ring, W30, Inside Retaining, PN/M85111	F81090-15	1
12	Ring, 210 Outside Retaining, PN/M85111	F81090-13	1
13	Carriage Bolt, M10x25, FE/ZN5, PN/M82406	F81003-59	4
14	Hex Head Bolt, M8x30-8.8, FE/ZN5, PN/M82105, Full Thread	F81002-7	2
15	Counter Sunk Flat Head Screw, M6x25-8.8, FE/ZN5, DIN965	F81001-91	3
16	Hex Head Bolt, M10x40-8.8, FE/ZN5, PN/M82105, Full Thread	F81003-6	3
17	Washer 10.2, Split Lock, FE/ZN5, PN/M82008	F81055-2	6
18	Washer 8.2, Split Lock, FE/ZN5, PN/M82008	F81054-4	2
19	Flat Washer 10.5x20x3, FE/ZN5, PN/M82005	F81055-1	6
20	Large Plain Washer 8x30x3, FE/ZN5	534284	3
21	Hex Nut, M10-8-B, FE/ZN5, PN/M82144	F81033-3	5
22	Hex Nut, M12-8-B, FE/ZN5, PN/M82144	F81034-1	1
23	Socket Head Hex Screw, M6x16-8.8, FE/ZN5, PN/M82302	F81001-34	2
24	Washer 6.1, Split Lock, FE/ZN5, PN/M82008	F81053-3	2
25	Hex Head Bolt, M8x25-8.8, FE/ZN5, PN/M82105, Full Thread	F81002-5	1

# BLADE GUIDE ASSEMBLY, IDLE SIDE (BOTTOM)

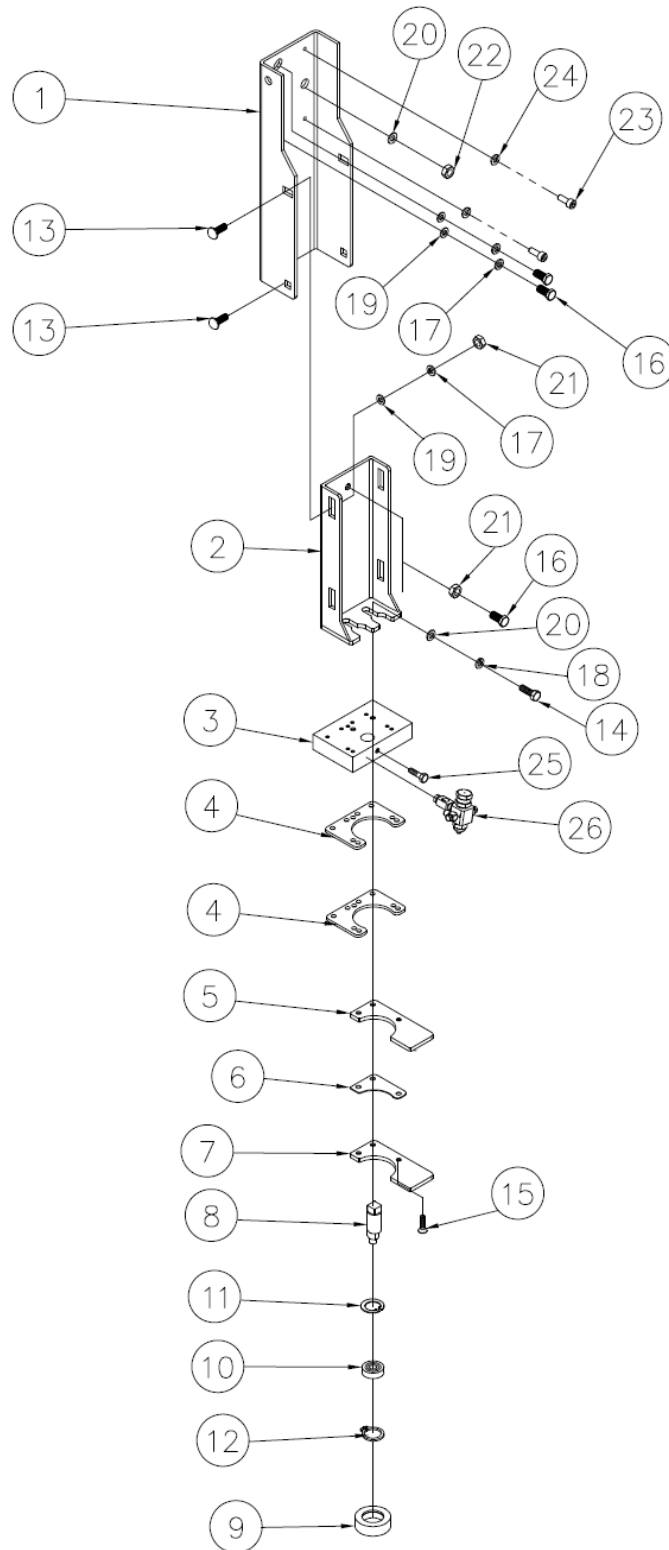


Ref	DESCRIPTION	PART #	QTY
1	Guide Assembly Mounting Frame	116589	1
2	Blade Guide Mounting Bracket (Idle Side)	116590	1

## BLADE GUIDE ASSEMBLY, IDLE SIDE (BOTTOM)

Ref	DESCRIPTION	PART #	QTY
3	Guide Plates Connector Block (Idle Side)	116162	1
4	Blade Guide Connector Plates	116108	2
5	<b>TOP BLADE GUIDE PLATES</b>		
	Top Blade Guide Plate 1¼"	116115	1
	Top Blade Guide Plate 2"	116117	1
6	<b>SHIM OPTIONS</b>		
	1mm, Shim	116112	1
	1.2mm, Shim	116113	1
	1.5mm, Shim	116109	1
7	<b>BOTTOM BLADE GUIDE PLATES</b>		
	Bottom Blade Guide Plate 1¼"	116114	1
	Bottom Blade Guide Plate 2"	116116	1
	<b>Blade Guide Roller Bearing Assembly</b>	<b>116875</b>	<b>1</b>
8	Eccentric Shaft	116129	1
9	Bearing Seat	116128	1
10	Bearing- 6200RS	X200-903	1
11	Ring, W30, Inside Retaining, PN/M85111	F81090-15	1
12	Ring, 210 Outside Retaining, PN/M85111	F81090-13	1
13	Carriage Bolt, M10x25, FE/ZN5, PN/M82406	F81003-59	4
14	Hex Head Bolt, M8x30-8.8, FE/ZN5, PN/M82105, Full Thread	F81002-7	2
15	Counter Sunk Flat Head Screw, M6x25-8.8, FE/ZN5, DIN965	F81001-91	3
16	Hex Head Bolt, M10x40-8.8, FE/ZN5, PN/M82105, Full Thread	F81003-6	3
17	Washer 10.2, Split Lock, FE/ZN5, PN/M82008	F81055-2	6
18	Washer 8.2, Split Lock, FE/ZN5, PN/M82008	F81054-4	2
19	Flat Washer 10.5x20x3, FE/ZN5, PN/M82005	F81055-1	6
20	Large Plain Washer 8x30x3, FE/ZN5	534284	3
21	Hex Nut, M10-8-B, FE/ZN5, PN/M82144	F81033-3	5
22	Hex Nut, M12-8-B, FE/ZN5, PN/M82144	F81034-1	1
23	Socket Head Hex Screw, M6x16-8.8, FE/ZN5, PN/M82302	F81001-34	2
24	Washer 6.1, Split Lock, FE/ZN5, PN/M82008	F81053-3	2
25	Hex Head Bolt, M8x25-8.8, FE/ZN5, PN/M82105, Full Thread	F81002-5	1

# BLADE GUIDE ASSEMBLY, DRIVE SIDE (TOP)

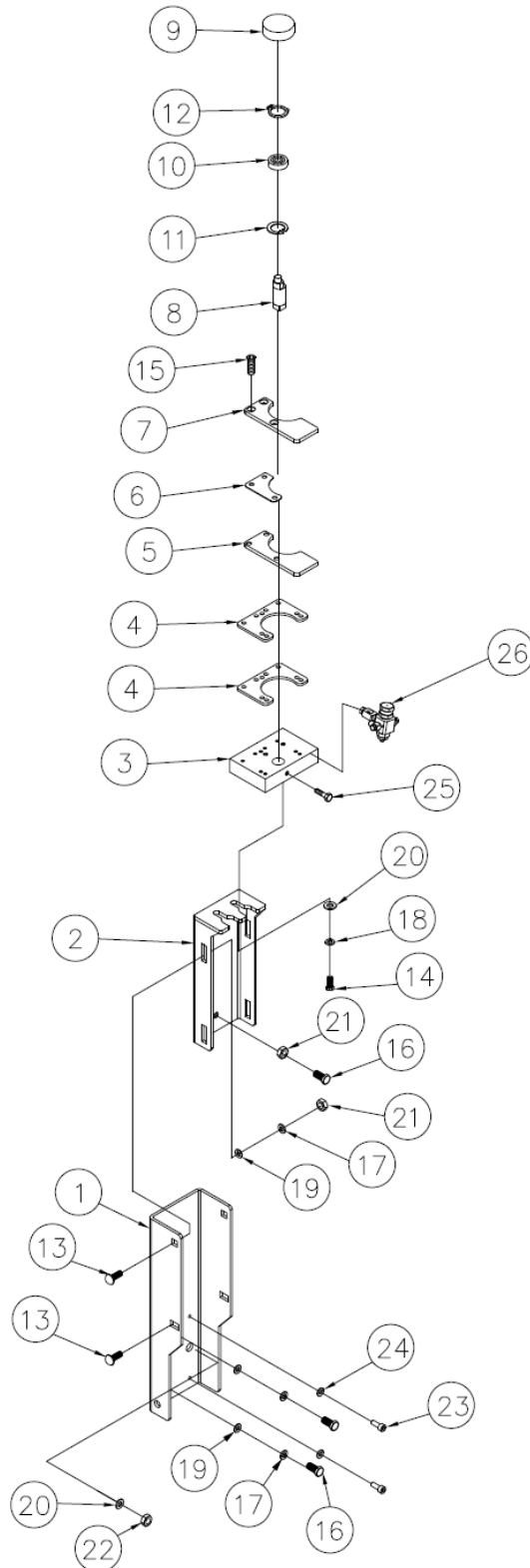


Ref	DESCRIPTION	PART #	QTY
1	Guide Assembly Mounting Frame	116589	1
2	Blade Guide Mounting Bracket (Drive Side)	116591	1

## BLADE GUIDE ASSEMBLY, DRIVE SIDE (TOP)

Ref	DESCRIPTION	PART #	QTY
3	Guide Plates Connector Block (Drive Side)	116173	1
4	Blade Guide Connector Plates	116108	2
5	<b>TOP BLADE GUIDE PLATES</b>		
	Top Blade Guide Plate 1¼"	116115	1
	Top Blade Guide Plate 2"	116117	1
6	<b>SHIM OPTIONS</b>		
	1mm, Shim	116112	1
	1.2mm, Shim	116113	1
	1.5mm, Shim	116109	1
7	<b>BOTTOM BLADE GUIDE PLATES</b>		
	Bottom Blade Guide Plate 1¼"	116114	1
	Bottom Blade Guide Plate 2"	116116	1
	<b>Blade Guide Roller Bearing Assembly</b>	<b>116875</b>	<b>1</b>
8	Eccentric Shaft	116129	1
9	Bearing Seat	116128	1
10	Bearing- 6200RS	X200-903	1
11	Ring, W30, Inside Retaining, PN/M85111	F81090-15	1
12	Ring, 210 Outside Retaining, PN/M85111	F81090-13	1
13	Carriage Bolt, M10x25, FE/ZN5, PN/M82406	F81003-59	4
14	Hex Head Bolt, M8x30-8.8, FE/ZN5, PN/M82105, Full Thread	F81002-7	2
15	Counter Sunk Flat Head Screw, M6x25-8.8, FE/ZN5, DIN965	F81001-91	3
16	Hex Head Bolt, M10x40-8.8, FE/ZN5, PN/M82105, Full Thread	F81003-6	3
17	Washer 10.2, Split Lock, FE/ZN5, PN/M82008	F81055-2	6
18	Washer 8.2, Split Lock, FE/ZN5, PN/M82008	F81054-4	2
19	Flat Washer 10.5x20x3, FE/ZN5, PN/M82005	F81055-1	6
20	Large Plain Washer 8x30x3, FE/ZN5	534284	3
21	Hex Nut, M10-8-B, FE/ZN5, PN/M82144	F81033-3	5
22	Hex Nut, M12-8-B, FE/ZN5, PN/M82144	F81034-1	1
23	Socket Head Hex Screw, M6x16-8.8, FE/ZN5, PN/M82302	F81001-34	2
24	Washer 6.1, Split Lock, FE/ZN5, PN/M82008	F81053-3	2
25	Hex Head Bolt, M8x25-8.8, FE/ZN5, PN/M82105, Full Thread	F81002-5	1
26	<b>Blade Lube Sprayer, DA-E, Assembly</b>	<b>116804</b>	<b>1</b>
	4mm, 90° Steel Lube Fitting	116031	1
	6mm, 90° Steel Lube Fitting	116032	2
	Blade Lube Sprayer, DA-E	116030	1

# BLADE GUIDE ASSEMBLY, DRIVE SIDE (BOTTOM)



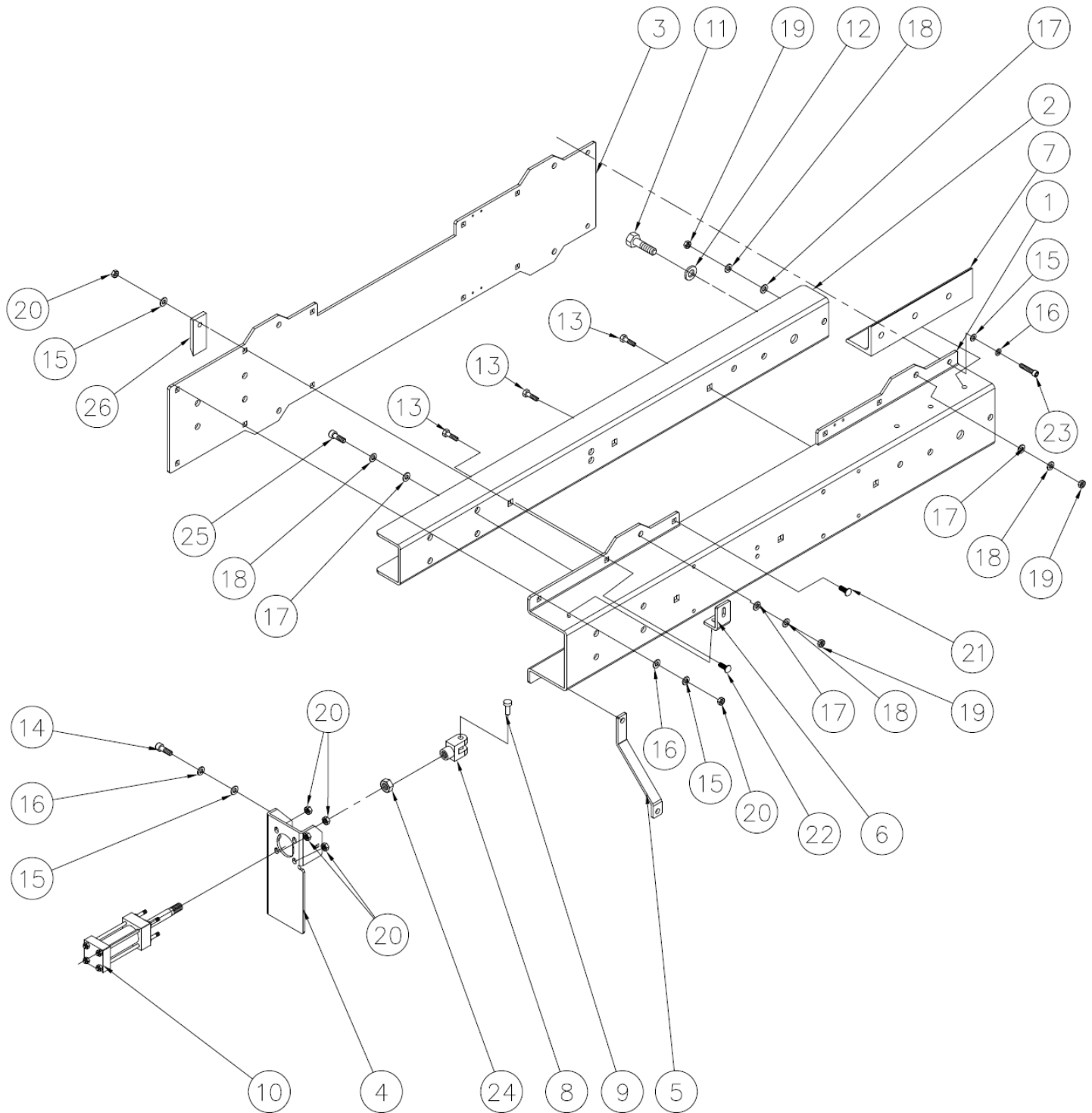
Ref	DESCRIPTION	PART #	QTY
1	Guide Assembly Mounting Frame	116589	1
2	Blade Guide Mounting Bracket (Drive Side)	116591	1



## BLADE GUIDE ASSEMBLY, DRIVE SIDE (BOTTOM)

Ref	DESCRIPTION	PART #	QTY
3	Guide Plates Connector Block (Drive Side)	116173	1
4	Blade Guide Connector Plates	116108	2
5	<b>TOP BLADE GUIDE PLATES</b>		
	Top Blade Guide Plate 1¼"	116115	1
	Top Blade Guide Plate 2"	116117	1
6	<b>SHIM OPTIONS</b>		
	1mm, Shim	116112	1
	1.2mm, Shim	116113	1
	1.5mm, Shim	116109	1
7	<b>BOTTOM BLADE GUIDE PLATES</b>		
	Bottom Blade Guide Plate 1¼"	116114	1
	Bottom Blade Guide Plate 2"	116116	1
	<b>Blade Guide Roller Bearing Assembly</b>	<b>116875</b>	<b>1</b>
8	Eccentric Shaft	116129	1
9	Bearing Seat	116128	1
10	Bearing- 6200RS	X200-903	1
11	Ring, W30, Inside Retaining, PN/M85111	F81090-15	1
12	Ring, 210 Outside Retaining, PN/M85111	F81090-13	1
13	Carriage Bolt, M10x25, FE/ZN5, PN/M82406	F81003-59	4
14	Hex Head Bolt, M8x30-8.8, FE/ZN5, PN/M82105, Full Thread	F81002-7	2
15	Counter Sunk Flat Head Screw, M6x25-8.8, FE/ZN5, DIN965	F81001-91	3
16	Hex Head Bolt, M10x40-8.8, FE/ZN5, PN/M82105, Full Thread	F81003-6	3
17	Washer 10.2, Split Lock, FE/ZN5, PN/M82008	F81055-2	6
18	Washer 8.2, Split Lock, FE/ZN5, PN/M82008	F81054-4	2
19	Flat Washer 10.5x20x3, FE/ZN5, PN/M82005	F81055-1	6
20	Large Plain Washer 8x30x3, FE/ZN5	534284	3
21	Hex Nut, M10-8-B, FE/ZN5, PN/M82144	F81033-3	5
22	Hex Nut, M12-8-B, FE/ZN5, PN/M82144	F81034-1	1
23	Socket Head Hex Screw, M6x16-8.8, FE/ZN5, PN/M82302	F81001-34	2
24	Washer 6.1, Split Lock, FE/ZN5, PN/M82008	F81053-3	2
25	Hex Head Bolt, M8x25-8.8, FE/ZN5, PN/M82105, Full Thread	F81002-5	1
26	<b>Blade Lube Sprayer, DA-E, Assembly</b>	<b>116804</b>	<b>1</b>
	4mm, 90° Steel Lube Fitting	116031	1
	6mm, 90° Steel Lube Fitting	116032	2
	Blade Lube Sprayer, DA-E	116030	1

# SUB FRAME ASSEMBLY, BLADE TENSIONING

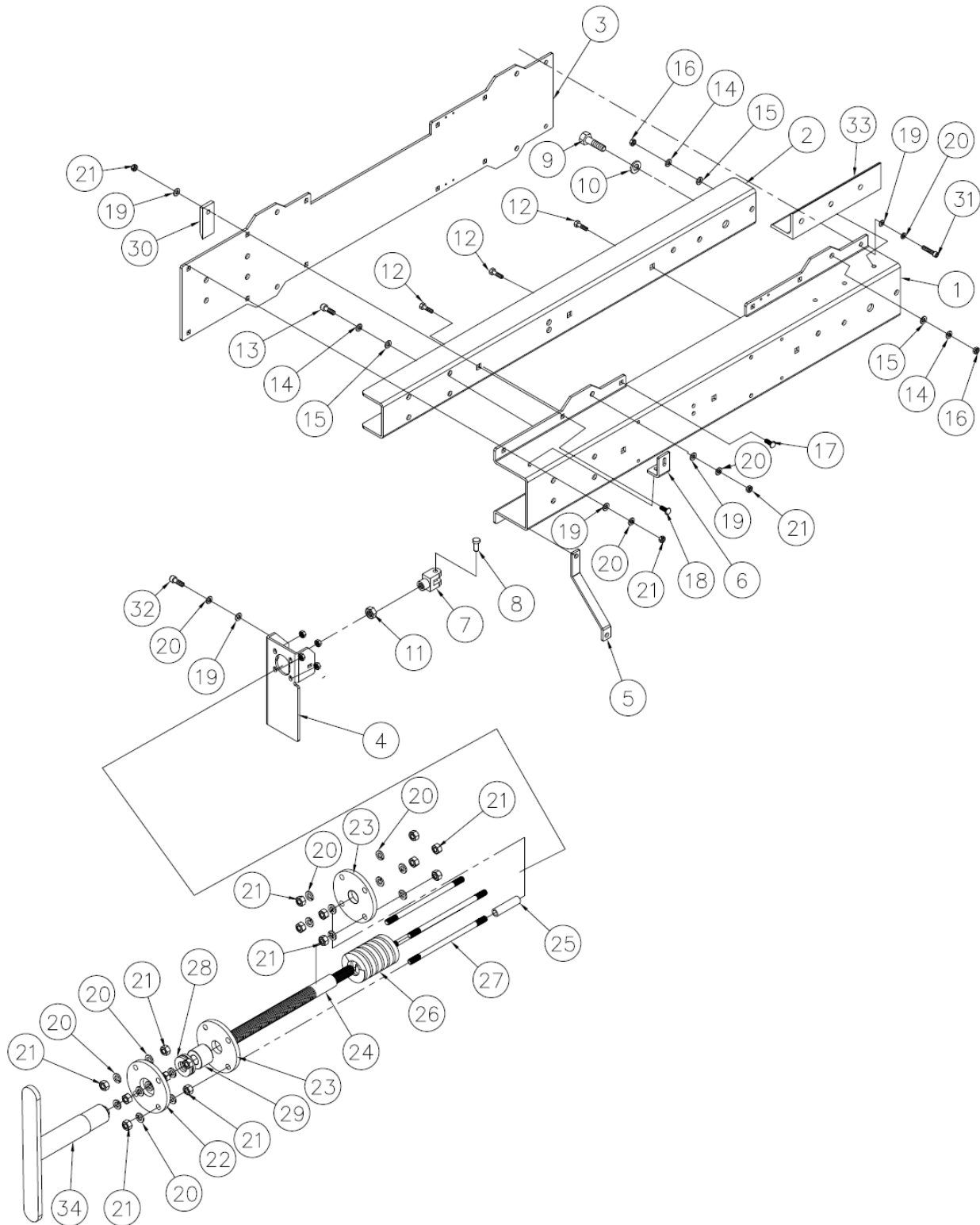


Ref	DESCRIPTION	PART #	QTY
1	Head Mounting Frame	116592	2
	Head Mounting Frame (Wide)	116593	2

# SUB FRAME ASSEMBLY

Ref	DESCRIPTION	PART #	QTY
<b>2</b>	<b>Head Mounting Reinforcement Beam</b>	<b>116379</b>	<b>1</b>
	Head Mounting Reinforcement Beam Wide	116380	1
<b>3</b>	<b>Head Mounting Plate</b>	<b>116594</b>	<b>1</b>
	Head Mounting Plate (Wide)	116595	1
<b>4</b>	Air/Oil Tensioning Unit Mounting Bracket	116596	1
<b>5</b>	Air/Oil Unit support Bracket	116254	1
<b>6</b>	L- Shaped Bracket	116258	1
<b>7</b>	Cover Plate Mount Bracket	116226	1
<b>8</b>	Double Knuckle Joint	116285	1
<b>9</b>	Flat washer 17, FE/ZN5, PN/M82005	F81058-1	1
<b>10</b>	Air/Oil Blade Tensioning Cylinder	116597	2
<b>11</b>	Hex Head Machine Bolt 3 2/1	116616	1
<b>12</b>	Flat Washer 21, FE/ZN5, PN/M82005	F81059-2	1
<b>13</b>	Carriage Bolt, M12x40-8.8, FE/ZN5, DIN603	F81004-70	3
<b>14</b>	Hex Head Bolt, M10x40-8.8, FE/ZN5, PN/M82105, Full Thread	F81003-6	1
<b>15</b>	Flat Washer 10.5, FE/ZN5, PN/M82005	F81055-1	4
<b>16</b>	Washer 10.2, Split Lock, FE/ZN5, PN/M82008	F81055-2	3
<b>17</b>	Flat Washer 12, FE/ZN5, PN-78/M82005	F81056-1	4
<b>18</b>	Spin Washer, 212.2, M12	F81056-2	4
<b>19</b>	Hex Nut, M14-8-B, FE/ZN5, PN/M82144	F81035-1	5
<b>20</b>	Hex Nut, M12-8-B, FE/ZN5, PN/M82144	F81034-1	6
<b>21</b>	Carriage Bolt, M10x40-8.8, FE/ZN5, PN/M82406	F81003-40	4
<b>22</b>	Carriage Bolt, M12x50-8.8, FE/ZN5, PN/M82406	F81004-75	4
<b>23</b>	Hex Head Bolt, M10x30-8.8, FE/ZN5, PN/M82105, Full Thread	F81003-111	1
<b>24</b>	Hex Nut, M16-8-B, FE/ZN5, PN/M82144	F81036-1	1
<b>25</b>	Hex Socket Screw, M12x30-8.8, FE/ZN5, PN/M82302	F81004-105	1
<b>26</b>	Limit Switch Activation Plate	116242	1

# SUB FRAME ASSEMBLY, MANUAL BLADE TENSIONING

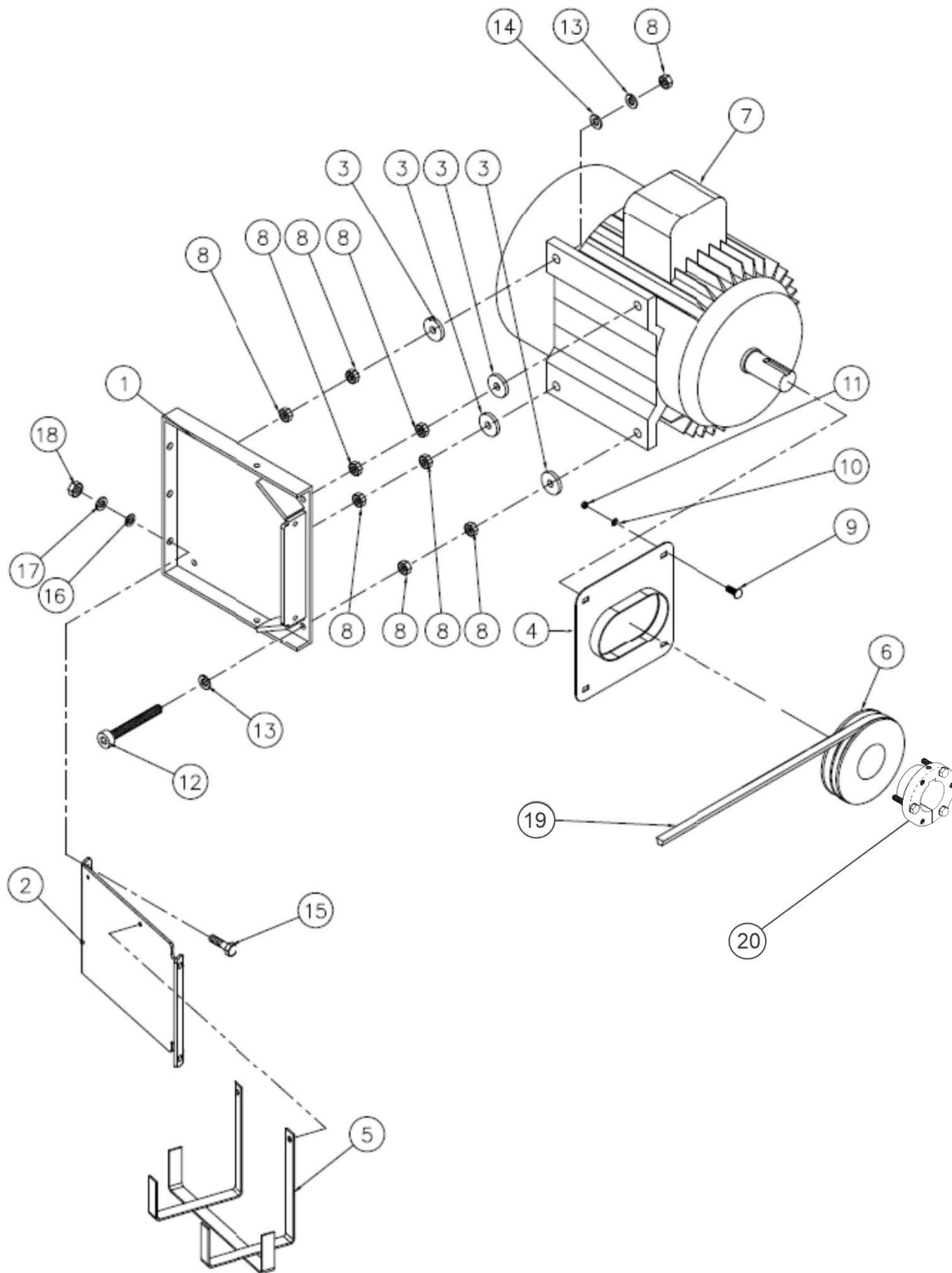


Ref	DESCRIPTION	PART #	QTY
1	Head Mounting Frame	116592	2
	Head Mounting Frame (Wide)	116593	2

# SUB FRAME ASSEMBLY, MANUAL BLADE TENSIONING

Ref	DESCRIPTION	PART #	QTY
<b>2</b>	<b>Head Mounting Reinforcement Beam</b>	<b>116379</b>	<b>1</b>
	Head Mounting Reinforcement Beam Wide	116380	1
<b>3</b>	<b>Head Mounting Plate</b>	<b>116594</b>	<b>1</b>
	Head Mounting Plate (Wide)	116595	1
<b>4</b>	Air/Oil Tensioning Unit Mounting Bracket	116596	1
<b>5</b>	Air/Oil Unit support Bracket	116254	1
<b>6</b>	L- Shaped Bracket	116258	1
<b>7</b>	Double Knuckle Joint	116285	1
<b>8</b>	Flat washer 17, FE/ZN5, PN/M82005	F81058-1	1
<b>9</b>	Hex Head Nachire Bolt 3 2/1	116616	1
<b>10</b>	Flat Washer 21, FE/ZN5, PN/M82005	F81059-2	1
<b>11</b>	Hex Nut, M16-8-B, FE/ZN5, PN/M82144	F81036-1	1
<b>12</b>	Carriage Bolt, M12x40-8.8, FE/ZN5, DIN603	F81004-70	3
<b>13</b>	Hex Socket Screw, M12x30-8.8, FE/ZN5, PN/M82302	F81004-105	1
<b>14</b>	Spin Washer, 212.2, M12	F81056-2	4
<b>15</b>	Flat Washer 12, FE/ZN5, PN-78/M82005	F81056-1	4
<b>16</b>	Hex Nut, M14-8-B, FE/ZN5, PN/M82144	F81035-1	5
<b>17</b>	Carriage Bolt, M10x40-8.8, FE/ZN5, PN/M82406	F81003-40	4
<b>18</b>	Carriage Bolt, M12x50-8.8, FE/ZN5, PN/M82406	F81004-75	4
<b>19</b>	Washer 10.2, Split Lock, FE/ZN5, PN/M82008	F81055-2	3
<b>20</b>	Flat Washer 10.5, FE/ZN5, PN/M82005	F81055-1	16
<b>21</b>	Hex Nut, M12-8-B, FE/ZN5, PN/M82144	F81034-1	18
<b>22</b>	Manual Tensioning Bracket (Outer)	116231	1
<b>23</b>	Manual Tensioning Bracket (Inner)	116232	1
<b>24</b>	Manual Tensioning Connecting Rod	116485	1
<b>25</b>	Rubber Tubing	116620	4
<b>26</b>	Blade Tension Spring	116179	1
<b>27</b>	Threaded Rod, M10x200-8.8, FE/ZN5, DIN975	534282	4
<b>28</b>	Thrust Ball Bearing 51101	116086	1
<b>29</b>	30mm x 38mmØ, Spacer	116241	1
<b>30</b>	Limit Switch Activation Plate	116242	1
<b>31</b>	Hex Head Bolt, M10x30-8.8, FE/ZN5, PN/M82105, Full Thread	F81003-111	1
<b>32</b>	Hex Head Bolt, M10x40-8.8, FE/ZN5, PN/M82105, Full Thread	F81003-6	1
<b>33</b>	Mounting Bracket	116226	1
<b>34</b>	Blade Tension Handle	116211	1

# MOTOR ASSEMBLY

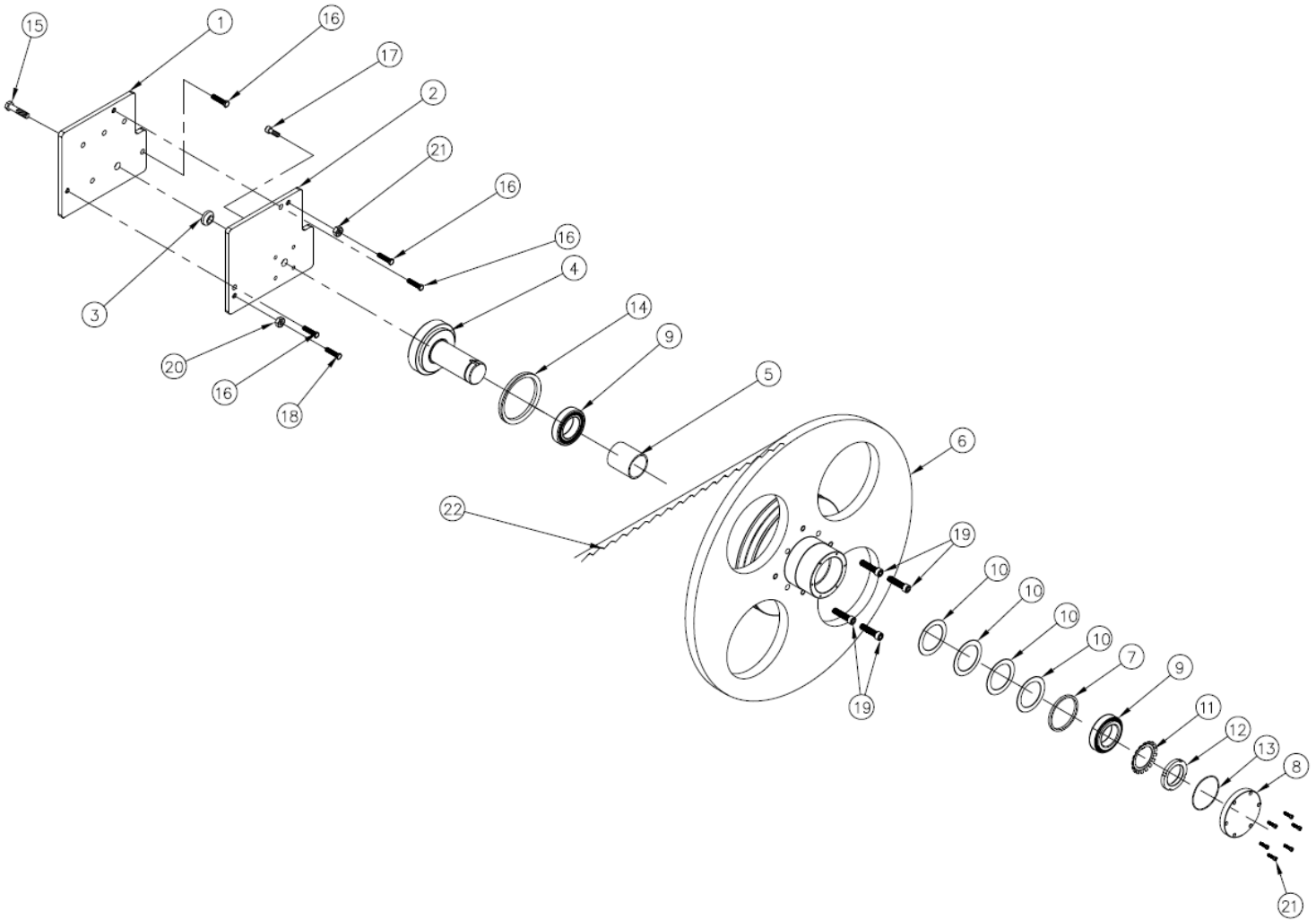


Ref	DESCRIPTION	PART #	QTY
1	Motor Base Plate	116425	1
2	Motor Mount Bracket	116337	1

# MOTOR ASSEMBLY

Ref	DESCRIPTION	PART #	QTY
3	6mm x 30mm $\varnothing$ , Spacer	116621	4
4	Motor Shaft Cover Plate	116326	1
5	Lubricant Bottle Mounting Frame	116324	1
6	Pulley- SPB112X2-1610, 60Hz	116099	1
	Pulley- SPB118X2-1610, 50Hz	116098	1
7	15kW Baldor Motor, IE1 (50Hz)	116462	2
	15kW Baldor Motor, IE3, Magnetic Brake (50Hz)	116622	2
	18kW Baldor Motor, IE3 (60Hz)	116623	2
8	Hex Nut, M14-8-B, FE/ZN5, PN/M82144	F81035-1	12
9	Carriage Bolt, M6x16-8.8, FE/ZN5, PN/M82406	F81001-36	4
10	Large Plain Washer 6.4, FE/ZN5	F81053-11	4
11	Nut, M6-8-B, Hex Nylon, FE/ZN5, PN/M82175	F81001-15	4
12	Hex Socket Screw, M12x100-8.8, FE/ZN5, PN/M82302	F81004-108	4
13	Spin Washer, 212.2, M12	F81056-2	8
14	Flat Washer 12, FE/ZN5, PN-78/M82005	F81056-1	4
15	Hex Head Bolt, M10x100-8.8, FE/ZN5, PN/M82105, Full Thread	F81003-91	2
16	Washer 10.2, Split Lock, FE/ZN5, PN/M82008	F81055-2	2
17	Flat Washer 10.5, FE/ZN5, PN/M82005	F81055-1	2
18	Hex Nut, M10-8-B, FE/ZN5, PN/M82144	F81033-3	2
19	V-Belt B50 (Pulley 112)	116553	2
	V-Belt B51 (Pulley 118)	116554	2
20	Bushing, 42mm QD	119423	1

# BLADE WHEEL ASSEMBLY (DRIVE SIDE)



Ref	DESCRIPTION	PART #	QTY
1	Inner Tracking Mount Plate	116347	1
2	Outer Tracking Mount Plate	116348	1
3	Wheel Alignment Pivot	116624	1
4	Drive Wheel Shaft	116266	1
5	Sleeve- 69mm x 62mm $\phi$	116141	1
6	<b>BLADE WHEELS (DRIVE)</b>		
	28mm/ 1¼", Drive Wheel Assembly	116558	1
	44mm/ 2", Drive Wheel Assembly	116578	1

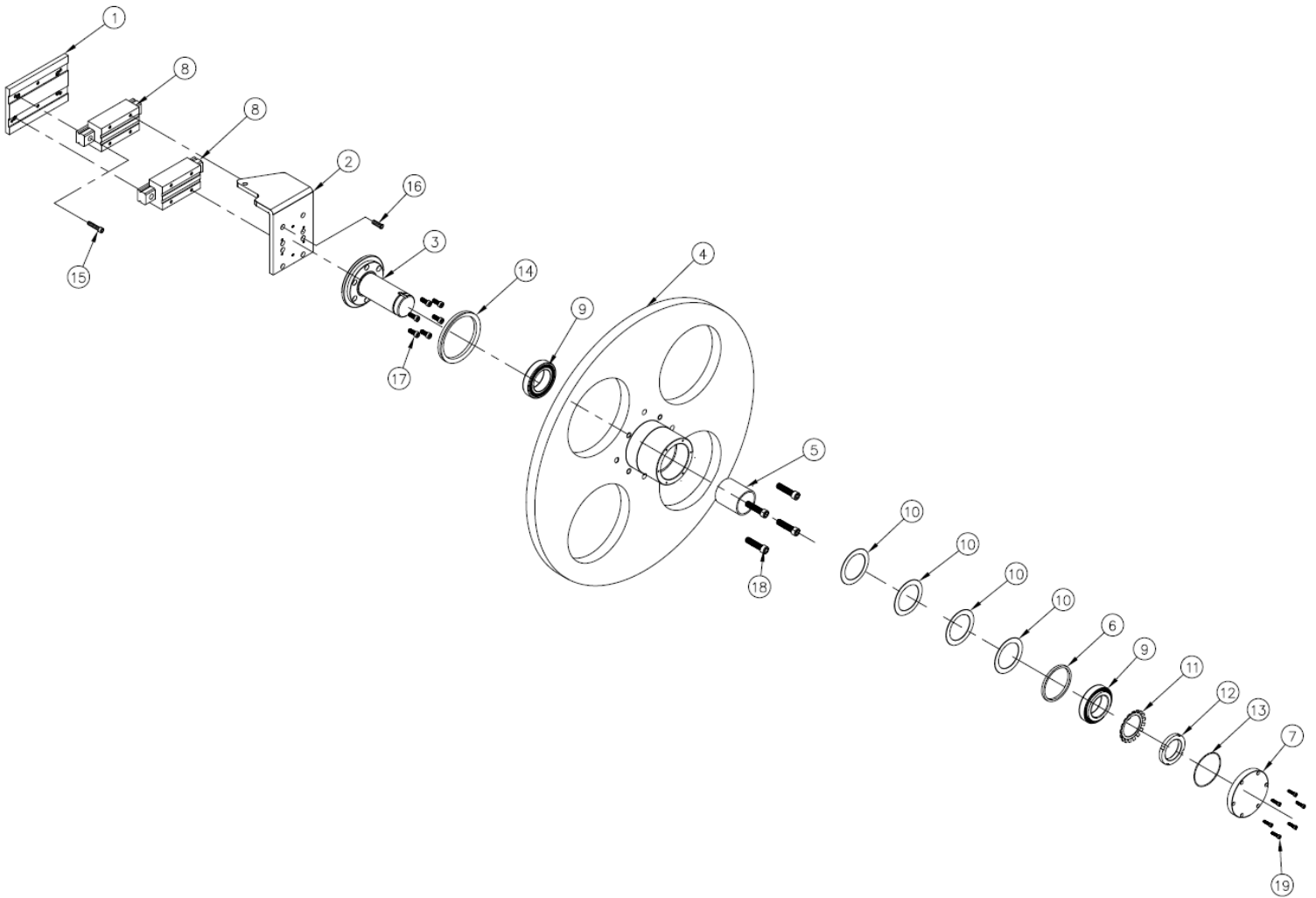


## BLADE WHEEL ASSEMBLY (DRIVE SIDE)

Ref	DESCRIPTION	PART #	QTY
7	11mm, Spacer	116125	1
8	Wheel Hub End Cap	116375	1
9	4T-32011X- Bearing	116095 <sup>1</sup>	2
10	89mmø, Spring Washer	116275	4
11	Bearing Retainer, Lock Washer	116269	1
12	Bearing Retainer, Nut	116270	1
13	Wheel End Cap Seal Ring	116295	1
14	Wheel Shaft Rubber Seal	116293	1
15	Hex Head Nachire Bolt 3 2/1	116616	1
16	Hex Head Bolt, M16x30-8.8, FE/ZN5, PN/M82105, Full Thread	F81006-36	4
17	Hex Socket Screw, M10x25-8.8, FE/ZN5, PN/M82302	F81003-32	1
18	Hex Head Bolt, M12x40-8.8, FE/ZN5, PN/M82105, Full Thread	F81004-4	2
19	Hex Socket Screw, M12x75-8.8, FE/ZN5, PN/M82302	F81004-111	4
20	Hex Nut, M12-8-B, FE/ZN5, PN/M82144	F81034-1	1
21	Hex Head Bolt, M8x20-8.8, FE/ZN5, PN/M82105, Full Thread	F81002-4	6

<sup>1</sup> To replace bearing 116095, order kit 133039.

# BLADE WHEEL ASSEMBLY (IDLE SIDE)



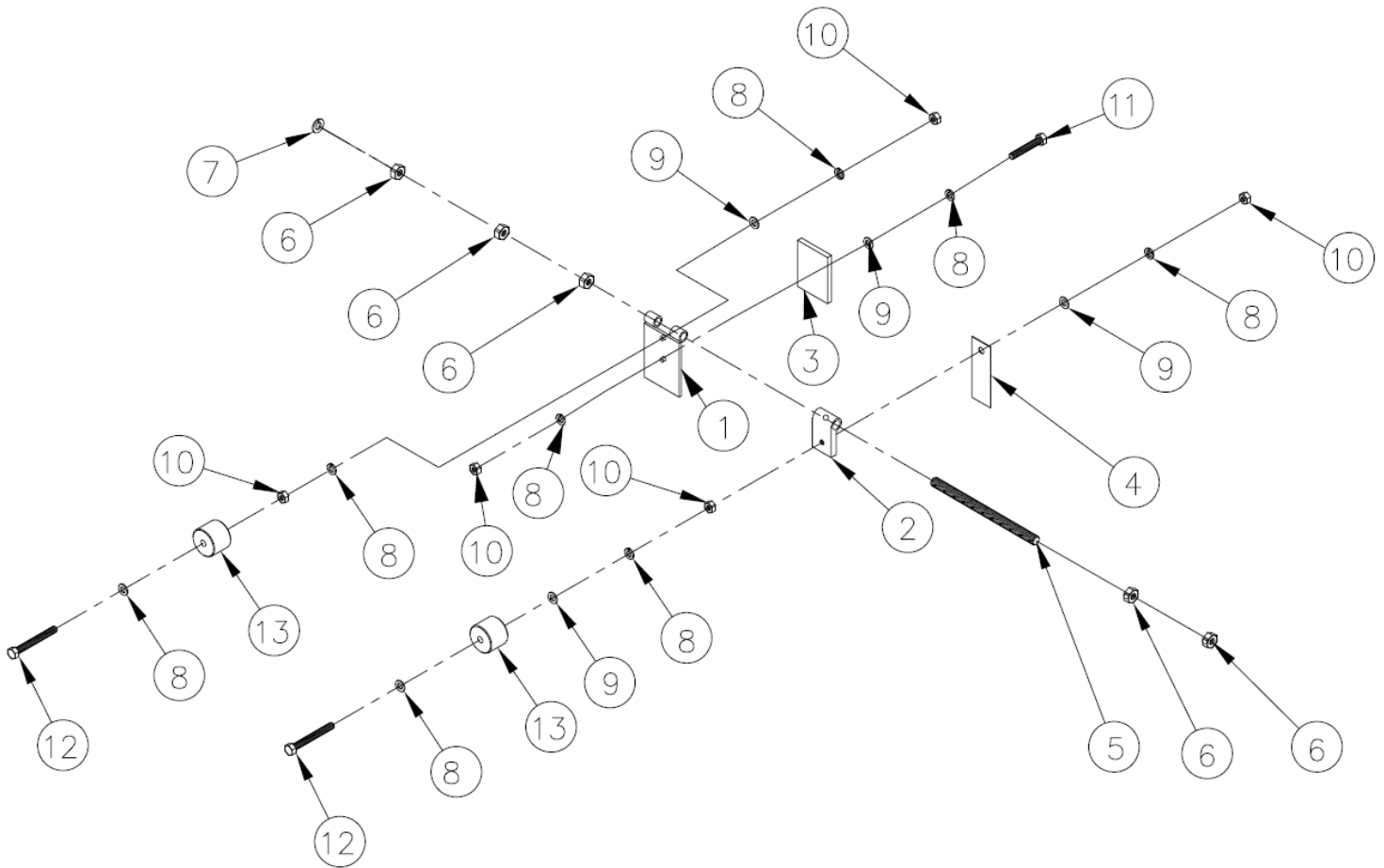
Ref	DESCRIPTION	PART #	QTY
1	Linear Bearing Mount Plate	116138	1
2	Tension Mount Bracket	116346	1
3	Idle Wheel Shaft	116240	1
4	<b>BLADE WHEELS (IDLE)</b>		
	28mm/ 1 1/4" Idle wheel Assembly	116777	1
	44mm/ 2" Idle Blade Wheel Assembly	116883	1
5	69mm x 62mmø, Sleeve	116141	1
6	11mm, Spacer	116125	1

## BLADE WHEEL ASSEMBLY (IDLE SIDE)

Ref	DESCRIPTION	PART #	QTY
7	Wheel Hub End Cap	116375	1
8	PMI-MSA35, Linear Guideway Bearing	116105	2
9	4T-32011X- Bearing	116095 <sup>2</sup>	2
10	89mmø, Spring Washer	116275	4
11	Bearing Retainer, Lock Washer	116269	1
12	Bearing Retainer, Nut	116270	1
13	Wheel End Cap Seal Ring	116295	1
14	Wheel Shaft Rubber Seal	116293	1
15	Steel Hinge Mount	116374	1
16	Hex Socket Screw, M8x20-8.8, FE/ZN5, PN/M82302	F81002-30	4
17	Hex Socket Screw, M8x16-8.8, FE/ZN5, PN/M82302	F81002-39	6
18	Hex Socket Screw, M12x75-8.8, FE/ZN5, PN/M82302	F81004-111	4
19	Hex Head Bolt, M8x20-8.8, FE/ZN5, PN/M82105, Full Thread	F81002-4	6

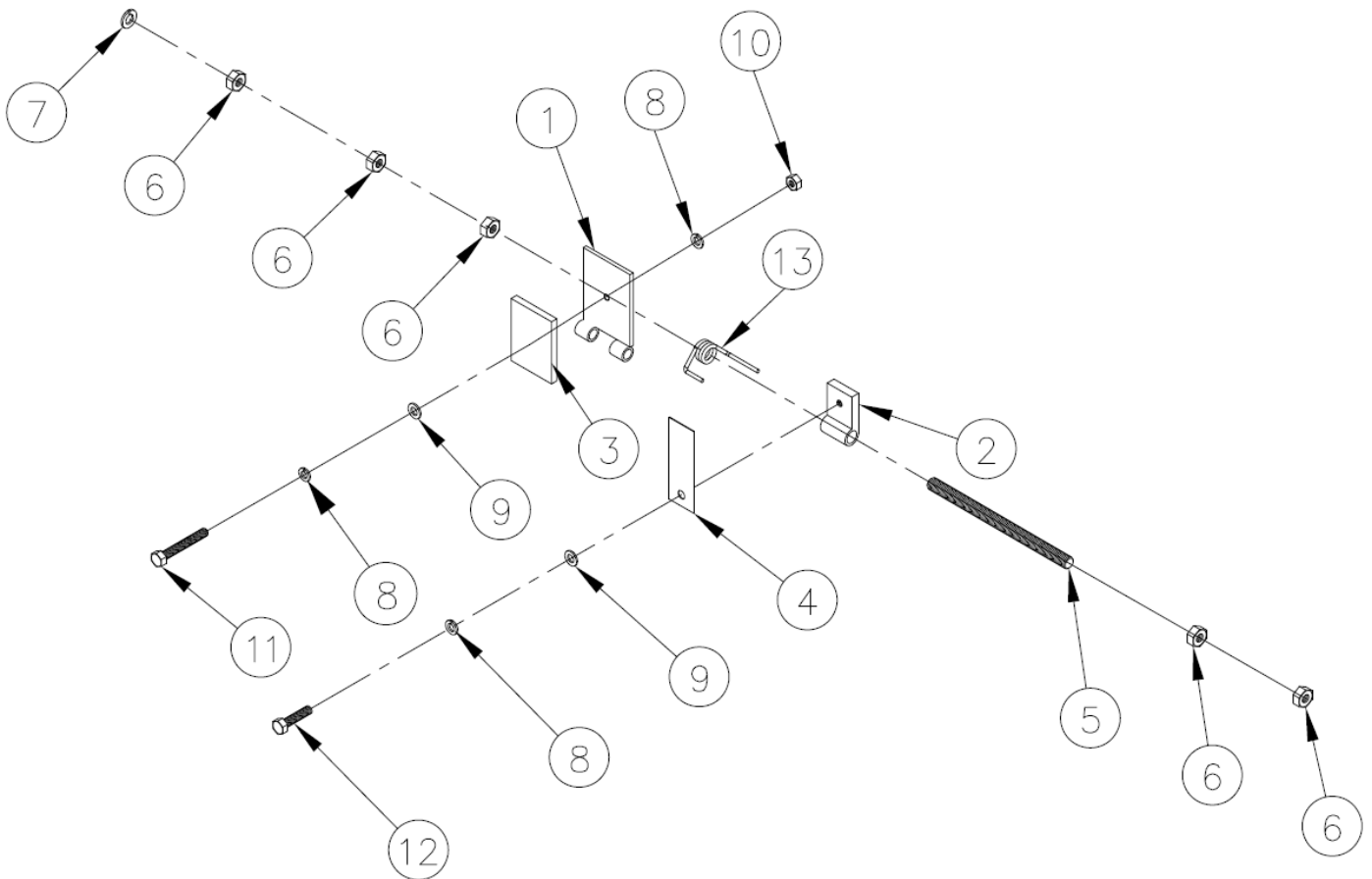
<sup>2</sup> To replace bearing 116095, order kit 133039.

# BLADE WHEEL SCRAPER ASSEMBLY (style A)



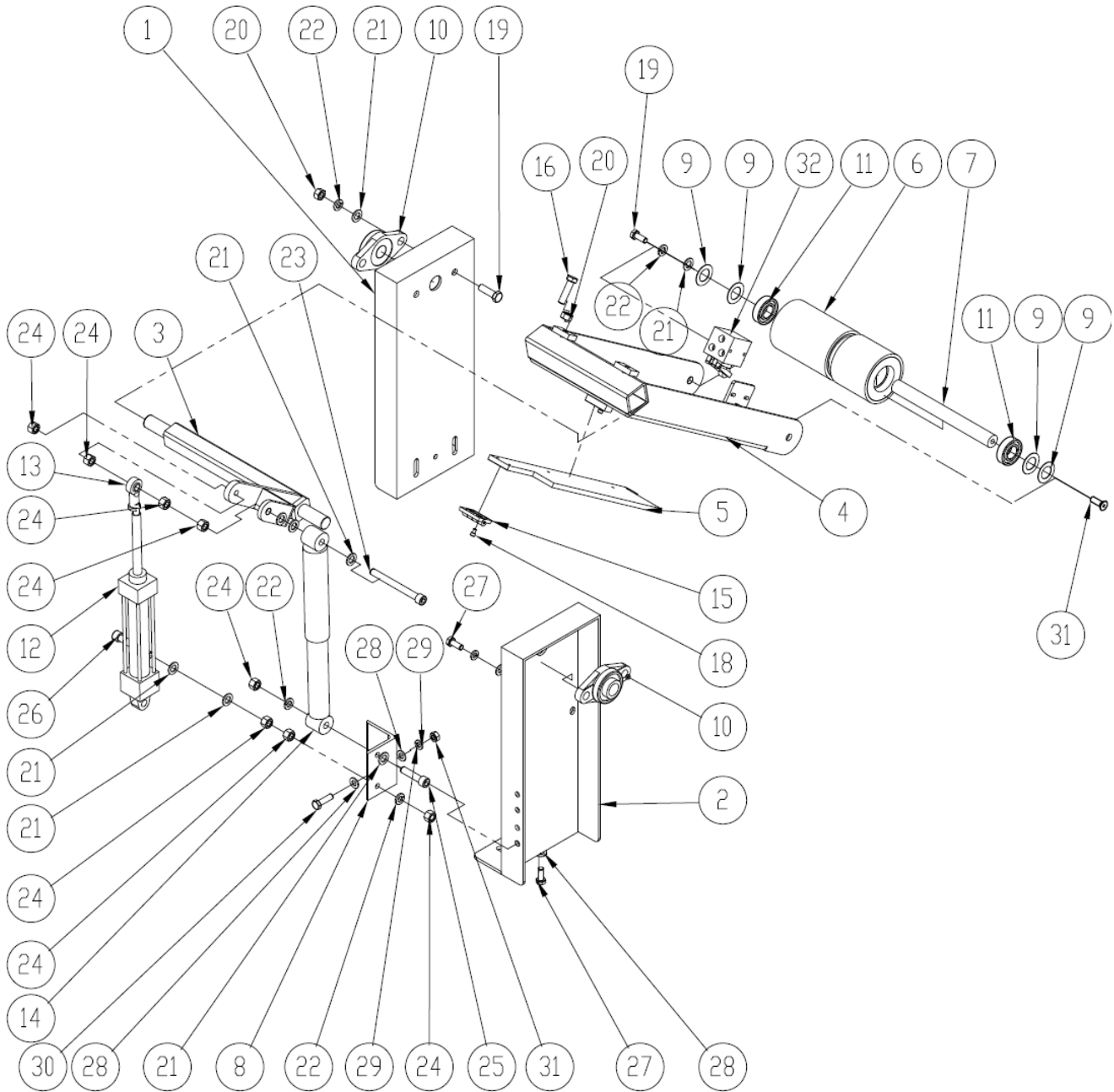
Ref	DESCRIPTION	PART #	QTY
1	Steel Hinge Mount	116374	1
2	Scraper Plate Mount Bracket	116212	1
3	Wheel Oiling/ Cleaning Pad	116303	1
4	91mm x 33mm, Scraper Plate	116245	1
5	Threaded Rod, M12x 245-8.8, FE/ZN5, DIN975	F81004-97	1
6	Hex Nut, M12-8-B, FE/ZN5, PN/M82144	F81034-1	5
7	Spin Washer, 212.2, M12	F81056-2	1
8	Large Plain Washer, 8x30x3, FE/ZN5	534284	8
9	Washer 8.2, Split Lock, FE/ZN5, PN/M82008	F81054-4	4
10	Hex Nut, M8-8-B, FE/ZN5, PN/M82144	F81032-1	6
11	Hex head bolt M8x25- 8.8, FE/ZN5, PN/M82105, Full Thread	F81002-5	1
12	Hex Head Bolt, M8x45-8.8, FE/ZN5, PN/M82105, Full Thread	F81002-14	2
13	30mm x 38mmØ, Spacer	116165	2

# BLADE WHEEL SCRAPER ASSEMBLY (style B)



Ref	DESCRIPTION	PART #	QTY
1	Steel Hinge Mount	116374	1
2	Scraper Plate Mount Bracket	116212	1
3	Wheel Oiling/ Cleaning Pad	116303	1
4	91mm x 33mm, Scraper Plate	116245	1
5	Threaded Rod, M12x 245-8.8, FE/ZN5, DIN975	F81004-97	1
6	Hex Nut, M12-8-B, FE/ZN5, PN/M82144	F81034-1	5
7	Spin Washer, 212.2, M12	F81056-2	1
8	Large Plain Washer, 8x30x3, FE/ZN5	534284	3
9	Washer 8.2, Split Lock, FE/ZN5, PN/M82008	F81054-4	2
10	Hex Nut, M8-8-B, FE/ZN5, PN/M82144	F81032-1	2
11	Hex Head Bolt, M8x45-8.8, FE/ZN5, PN/M82105, Full Thread	F81002-14	1
12	Hex head bolt M8x25- 8.8, FE/ZN5, PN/M82105, Full Thread	F81002-5	1
13	Tension Spring, Scraper	116026	1

# INFEED HOLD DOWN ROLLER

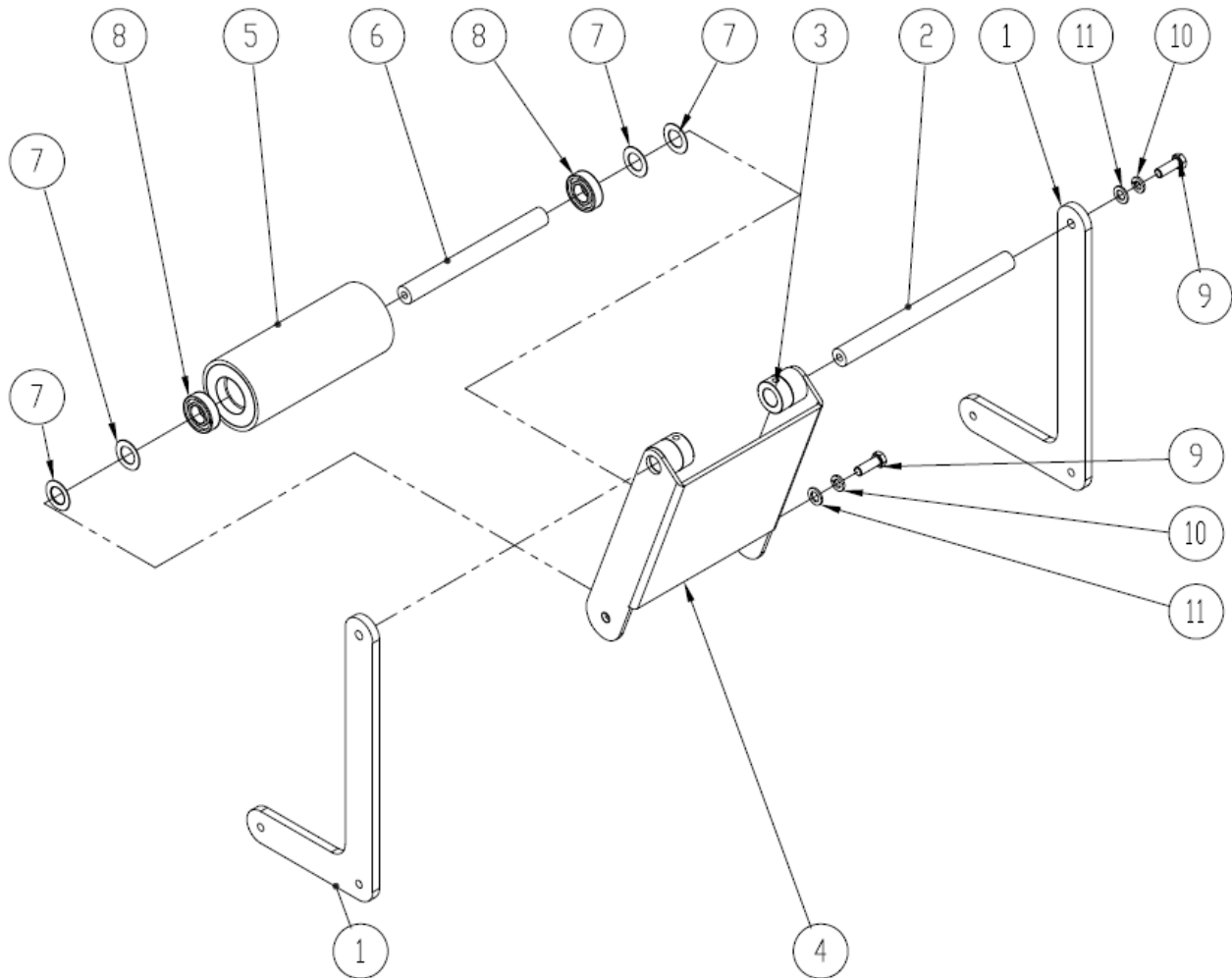


Ref	DESCRIPTION	PART #	QTY
<b>1</b>	Infeed Hold down/ Mounting Bracket-L	116355	1
<b>2</b>	Infeed Hold down/ Mounting Bracket-R	116354	1
<b>3</b>	<b>Wldmnt, Shaft Mount Bracket</b>	<b>116356</b>	<b>1</b>
	Wldmnt, Shaft Mounting Bracket (Wide)	116628	1
<b>4</b>	<b>Hold down roller mounting bracket</b>	<b>116357</b>	<b>1</b>
	Hold down roller mounting bracket (Wide)	116629	1
<b>5</b>	<b>Pressure Sensor Plate</b>	<b>116358</b>	<b>1</b>
	Pressure Sensor Plate (Wide)	116630	1

# INFEED HOLD DOWN ROLLER

Ref	DESCRIPTION	PART #	QTY
<b>6</b>	<b>Infeed Hold Down Roller</b>	<b>116123</b>	<b>1</b>
	Infeed Hold Down Roller (Wide)	116625	1
<b>7</b>	Infeed Hold Down Roller Connecting Rod	116480	1
<b>8</b>	Mounting Bracket	116239	1
<b>9</b>	Flat Washer 21, FE/ZN5, PN/M82005	F81059-21	4
<b>10</b>	UCFL205- Bearing	116097	2
<b>11</b>	6205-2RS- Bearing	116090	2
<b>12</b>	SC40*150-CA, Pneumatic Cylinder	116627	1
<b>14</b>	Shock Absorber	116626	1
<b>15</b>	Hinge	116273	1
<b>16</b>	Hex Head Bolt, M12x40-8.8, FE/ZN5, PN/M82105, Full Thread	F81004-4	2
<b>18</b>	Pan Head Cross Screw, M4x12-8.8, FE/ZN5, PN/M82202	F81011-43	4
<b>19</b>	Hex Head Bolt, M12x30-8.8, FE/ZN5, PN/M82105, Full Thread	F81004-22	4
<b>20</b>	Hex Nut, M12-8-B, FE/ZN5, PN/M82144	F81034-1	2
<b>21</b>	Flat Washer 13, FE/ZN5, PN/M82005	F81056-1	6
<b>22</b>	Spin Washer, 212.2, M12	F81056-2	4
<b>23</b>	Hex Socket Screw, M12x130-8.8, FE/ZN5, PN/M82302, Full Thread	F81004-112	1
<b>24</b>	Hex Nut, M12-8-B, FE/ZN5, PN/M82144	F81035-1	6
<b>25</b>	Hex Socket Screw, M12x60-8.8, FE/ZN5, PN/M82302	F81004-106	1
<b>26</b>	Hex Socket Screw, M12x80-8.8, FE/ZN5, PN/M82302	F81004-46	1
<b>27</b>	Carriage Bolt, M10x40-8.8, FE/ZN5, PN/M82406	F81003-40	4
<b>28</b>	Flat Washer 10.5, FE/ZN5, PN/M82005	F81055-1	6
<b>29</b>	Flat Washer 10.5, FE/ZN5, PN/M82005	F81055-1	6
<b>30</b>	Hex Head Bolt, M10x25-8.8, FE/ZN5, PN/M82105	F81003-31	2
<b>31</b>	Hex Nut, M10-8-B, FE/ZN5, PN/M82144	F81033-3	2
<b>32</b>	R-4-1/4, EA-D6979, Mechanical Valve	116067	1

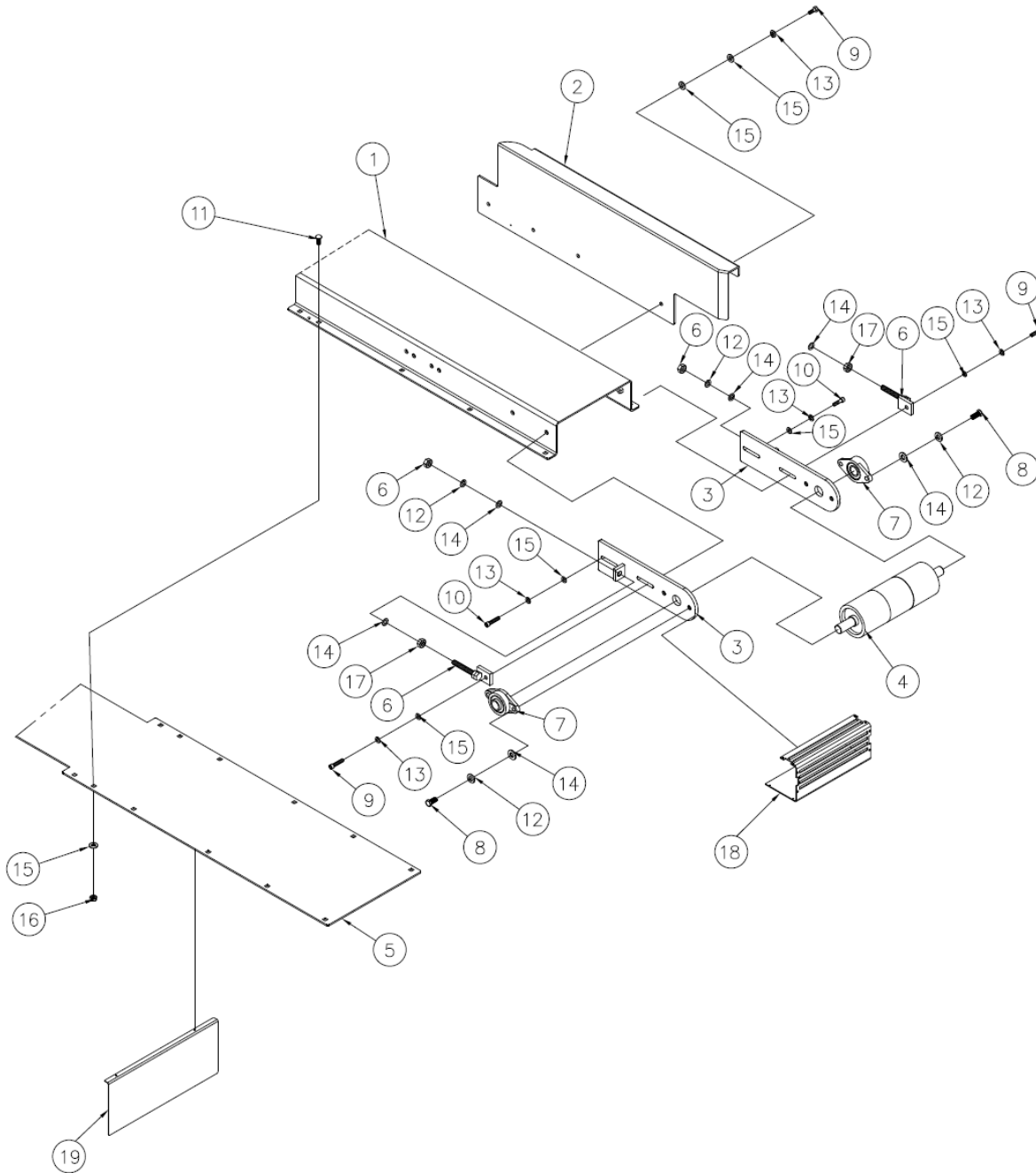
# OUTFEED HOLD DOWN ROLLER



Ref	DESCRIPTION	PART #	QTY
1	Outfeed Hold Down/ Mounting Frame	116403	2
2	25mmø, Cylindrical Shaft	116163	1
4	<b>Wldmnt, Hold down Mounting Bracket</b>	<b>116359</b>	<b>1</b>
	Hold down Mounting Bracket (Wide)	116631	1
5	Outfeed Hold Down Roller	116122	1
	Outfeed Hold Down Roller (Wide)	116632	1
6	Idle Roller Connecting Shaft	116145	1
	Idle Roller Connecting Shaft (Wide)	116633	1
7	Flat Washer 21, FE/ZN5, PN/M82005	F81059-2	4
8	6205-2RS- Bearing	116090	2
9	Hex Head Bolt, M12x30-8.8, FE/ZN5, PN/M82105, Full Thread	F81004-22	2
10	Spin Washer, 212.2, M12	F81056-2	4



# FEED CONVEYOR (INFEED SECTION)

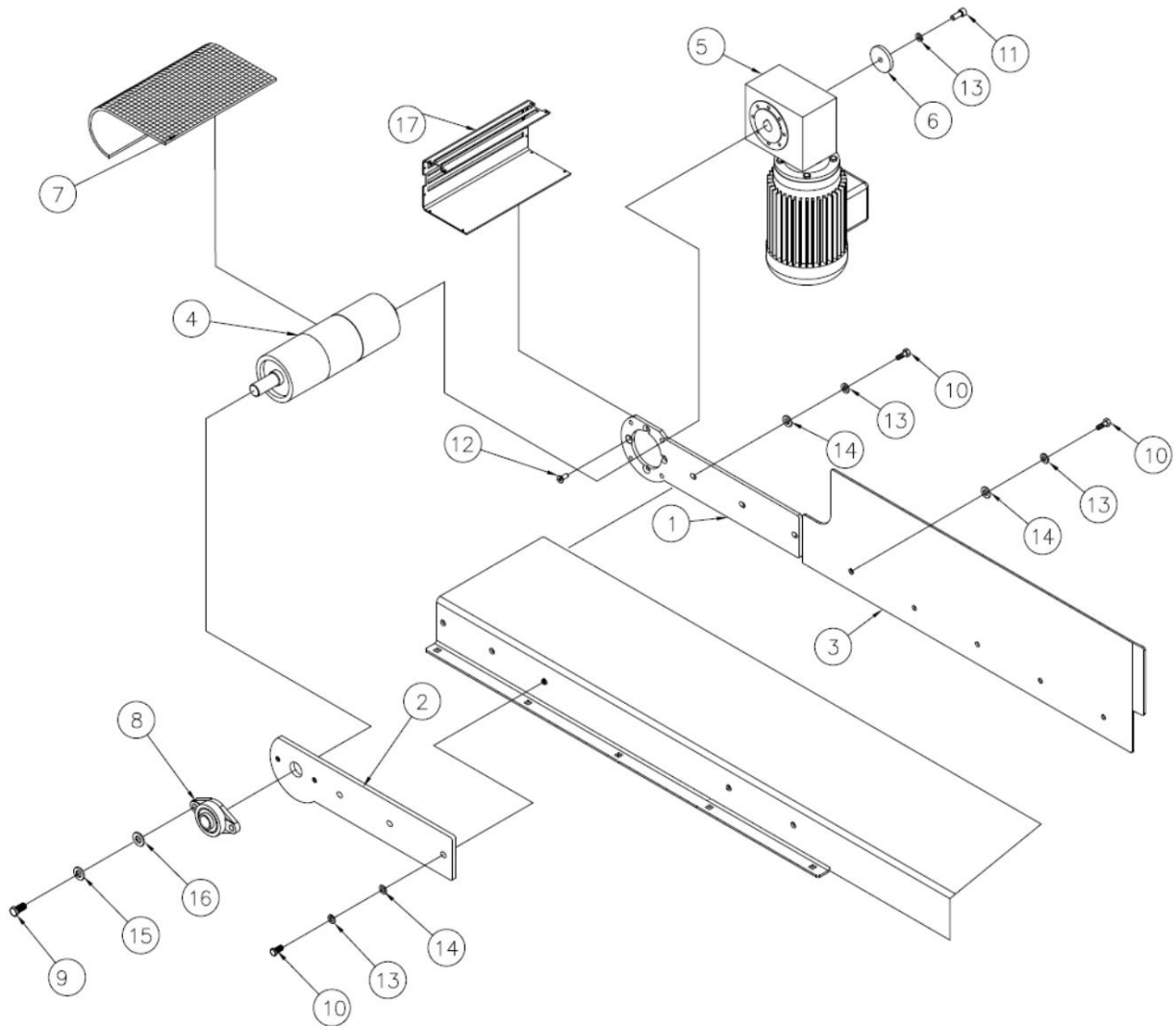


Ref	DESCRIPTION	PART #	QTY
<b>1</b>	<b>Conveyor Table</b>	<b>116401</b>	<b>1</b>
	Conveyor Table (Wide)	116402	1
<b>2</b>	Infeed Side Support	116338	1
<b>3</b>	<b>Idle Roller Mounting Bracket</b>	<b>116341</b>	<b>2</b>
	Idle Roller Mounting Bracket (CE version)	116634	2
<b>4</b>	<b>Idle Feed Roller</b>	<b>116121</b>	<b>1</b>
	Idle Feed Roller (Wide)	116600	1
<b>5</b>	<b>Conveyor Base Plate</b>	<b>116598</b>	<b>1</b>

## FEED CONVEYOR (INFEED SECTION)

Ref	DESCRIPTION	PART #	QTY
	Conveyor Base Plate (Wide)	116599	1
6	Feed Belt tension Bracket	116233	2
7	UCFL205- Bearing	116097	2
8	Hex Head Bolt, M12x25-8.8, FE/ZN5, PN/M82105, Full Thread	F81004-31	4
9	Hex Socket Screw, M10x35-8.8, FE/ZN5, PN/M82302	F81003-56	2
10	Hex Socket Screw, M10x30-8.8, FE/ZN5, PN/M82302	F81003-110	2
11	Carriage Bolt, M10x25, FE/ZN5, PN/M82406	F81003-59	8
12	Spin Washer, 212.2, M12	F81056-2	4
13	Washer 10.2, Split Lock, FE/ZN5, PN/M82008	F81055-2	4
14	Flat Washer 13, FE/ZN5, PN/M82005	F81056-1	6
15	Flat Washer 10.5, FE/ZN5, PN/M82005	F81055-1	6
16	Nut, M10-8-B, Nylon Hex, FE/ZN5, PN/M82175	F81033-1	8
17	Hex Nut, M12-8-B, FE/ZN5, PN/M82144	F81034-1	4
18	<b>Conveyor Guard (CE Version)</b>	<b>116635</b>	<b>1</b>
	Conveyor Guard (CE Version)- Wide	116455	1
19	<b>Blade Guard (CE Version)</b>	<b>116636</b>	<b>1</b>
	Blade Guard (CE Version)- Wide	116454	1

# FEED CONVEYOR (OUTFEED SECTION)

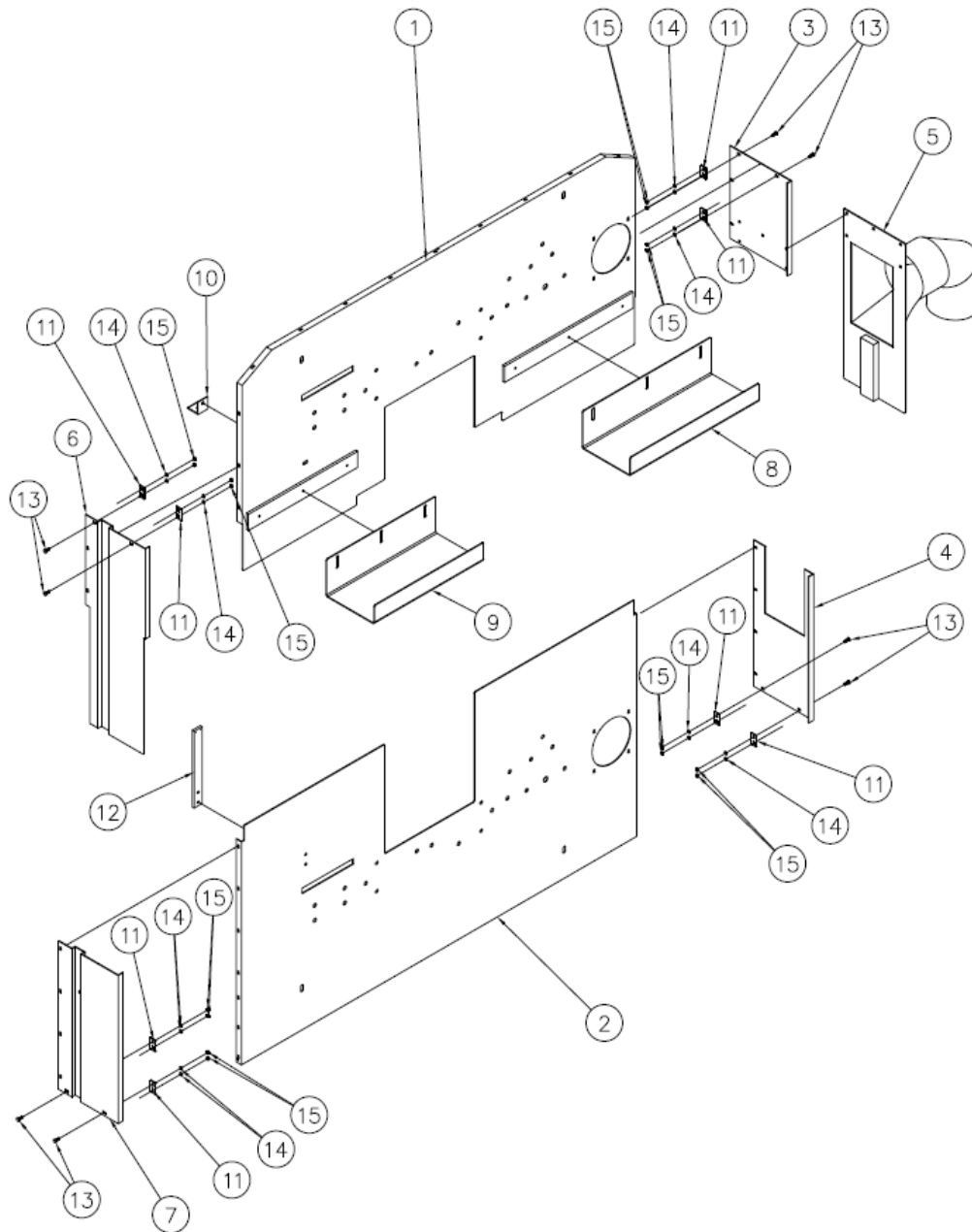


Ref	DESCRIPTION	PART #	QTY
<b>1</b>	<b>Conveyor Drive Motor Mount</b>	<b>116352</b>	<b>1</b>
	Conveyor Drive Motor Mount (CE Version)	116602	1
<b>2</b>	<b>Conveyor Drive Roller Mount</b>	<b>116353</b>	<b>1</b>
	Conveyor Drive Roller Mount (CE Version)	116603	1
<b>3</b>	Outfeed Side Support	116339	1
<b>4</b>	<b>Drive Feed Roller</b>	<b>116120</b>	<b>1</b>
	Drive Feed Roller (Wide)	116604	1

## FEED CONVEYOR (OUTFEED SECTION)

Ref	DESCRIPTION	PART #	QTY
<b>5</b>	<b>CONVEYOR DRIVE FEED MOTOR</b>		
	Feed Motor, IE1, 1.5kW, 50/60Hz	116638	1
	Feed Motor, IE2, 1.5kW, 50/60Hz	116639	1
<b>6</b>	6mm x 30mmø, Motor mount Washer	116621	1
<b>7</b>	<b>285 x 5460, Conveyor Belt</b>	<b>116586</b>	<b>1</b>
	385 x 5460, Conveyor Belt (Wide)	116106	1
<b>8</b>	UCFL205- Bearing	116097	2
<b>9</b>	Hex Head Bolt, M12x25-8.8, FE/ZN5, PN/M82105, Full Thread	F81004-31	4
<b>10</b>	Hex Socket Screw, M10x30-8.8, FE/ZN5, PN/M82302	F81003-110	6
<b>11</b>	Hex Socket Screw, M10x20-8.8, FE/ZN5, PN/M82302	F81003-108	1
<b>12</b>	Countersunk Flat Head Screw, M8x20-8.8, FE/ZN5, DIN965A	F81002-87	4
<b>13</b>	Washer 10.2, Split Lock, FE/ZN5, PN/M82008	F81055-2	4
<b>14</b>	Flat Washer 10.5, FE/ZN5, PN/M82005	F81055-1	6
<b>15</b>	Spin Washer, 212.2, M12	F81056-2	4
<b>16</b>	Flat Washer 13, FE/ZN5, PN/M82005	F81056-1	6
<b>17</b>	<b>Conveyor Guard (CE Version)</b>	<b>116637</b>	<b>1</b>
	Conveyor Guard (CE Version)- Wide	116455	1

# COVER ASSEMBLY (BACK AND SIDES)

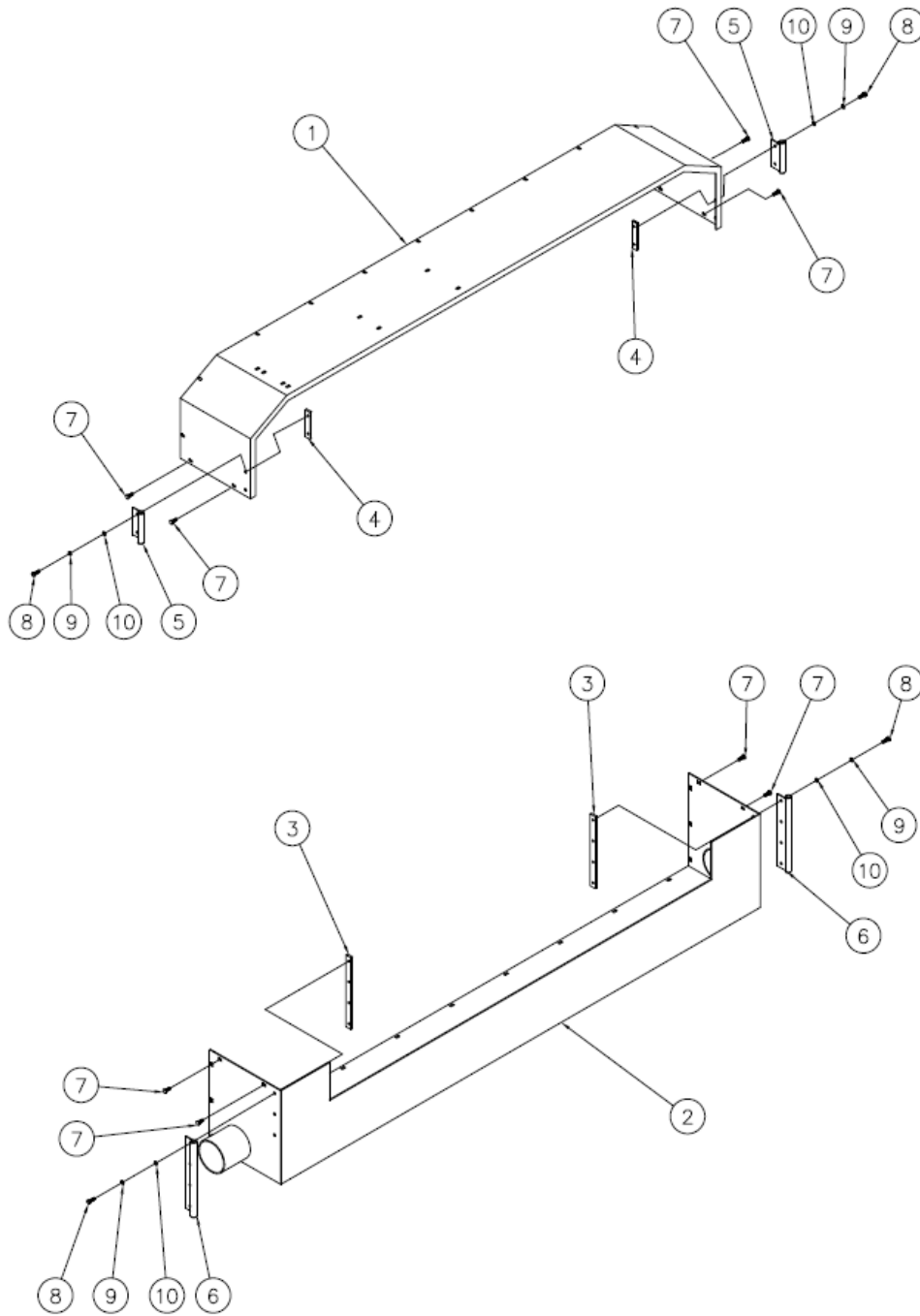


Ref	DESCRIPTION	PART #	QTY
<b>1</b>	<b>Back Cover Plate, Top Wldmnt</b>	<b>116385</b>	<b>1</b>
	Back Cover Plate, Top (Wide)	116386	1
<b>2</b>	<b>Back Cover Plate, Bottom</b>	<b>116387</b>	<b>1</b>
	Back Cover Plate, Bottom (Wide)	116388	1
<b>3</b>	Right Upper Cover	116391	1
<b>4</b>	Right Lower Cover	116392	1
<b>5</b>	Dust Extraction Chute Assembly	116393	1

## COVER ASSEMBLY (BACK AND SIDES)

Ref	DESCRIPTION	PART #	QTY
6	Left Upper Cover	116389	1
7	Left Lower Cover	116390	1
8	<b>Right Saw Dust Chute</b>	<b>116640</b>	<b>1</b>
	Right Saw Dust Chute (Wide)	116641	1
9	<b>Left Saw Dust Chute</b>	<b>116642</b>	<b>1</b>
	Left Saw Dust Chute (Wide)	116643	1
10	L-Shaped Bracket	116258	2
11	Mounting Plate	116644	8
12	Limit Switch Connector Plate	116223	1
13	Carriage Bolt, M6x16-8.8, FE/ZN5, PN/M82406	F81001-36	8
14	Large Plain Washer 6.4, FE/ZN5, PN/M82030	F81053-11	16
15	Nut, M6-8-B, Hex Nylon, FE/ZN5, PN/M82175	F81001-15	16

# COVER ASSEMBLY (TOP AND BOTTOM)



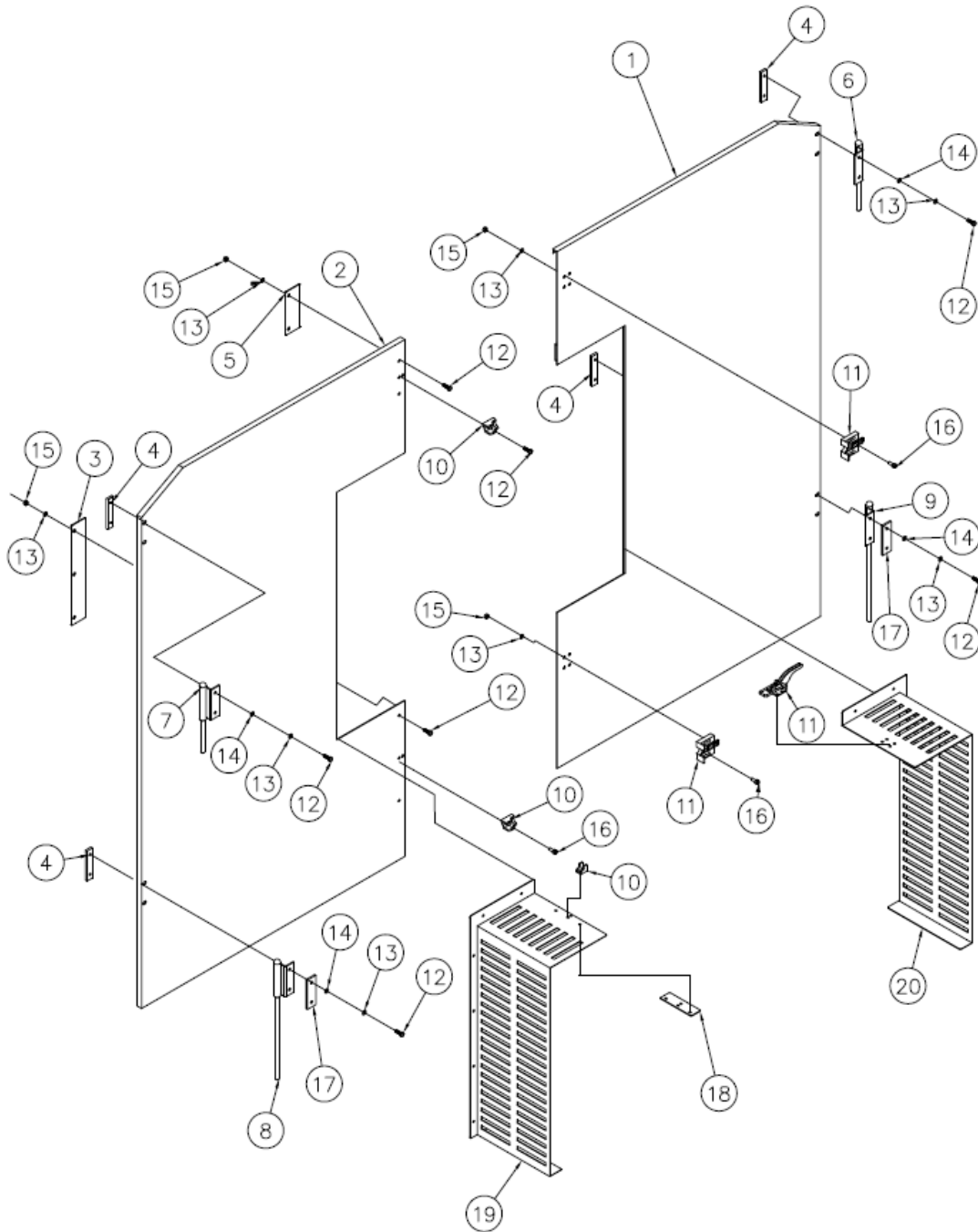
Ref	DESCRIPTION	PART #	QTY
<b>1</b>	<b>Top Cover</b>	<b>116605</b>	<b>1</b>
	Top Cover (Wide)	116606	1
<b>2</b>	<b>Bottom Cover</b>	<b>116394</b>	<b>1</b>
	Bottom Cover (Wide)	116395	1
<b>3</b>	245mm x 6mm, Door Hinge Mounting Plate	116265	2
<b>4</b>	90mm x 6mm, Door Hinge Mounting Plate	116263	2
<b>5</b>	Door Hinge Top	116405	2

## COVER ASSEMBLY (TOP AND BOTTOM)

Ref	DESCRIPTION	PART #	QTY
6	Door Hinge Bottom	116407	2
7	Carriage Bolt, M6x16-8.8, FE/ZN5, PN/M82406	F81001-36	8
8	Hex Head Bolt, M6x20, FE/ZN5, PN/M82105, Full Thread	F81001-2	12
9	Washer 6.1, Split Lock, FE/ZN5, PN/M82008	F81053-3	12
10	Large Plain Washer 6.4, FE/ZN5, PN/M82030	F81053-11	12



# DOOR COVER ASSEMBLY

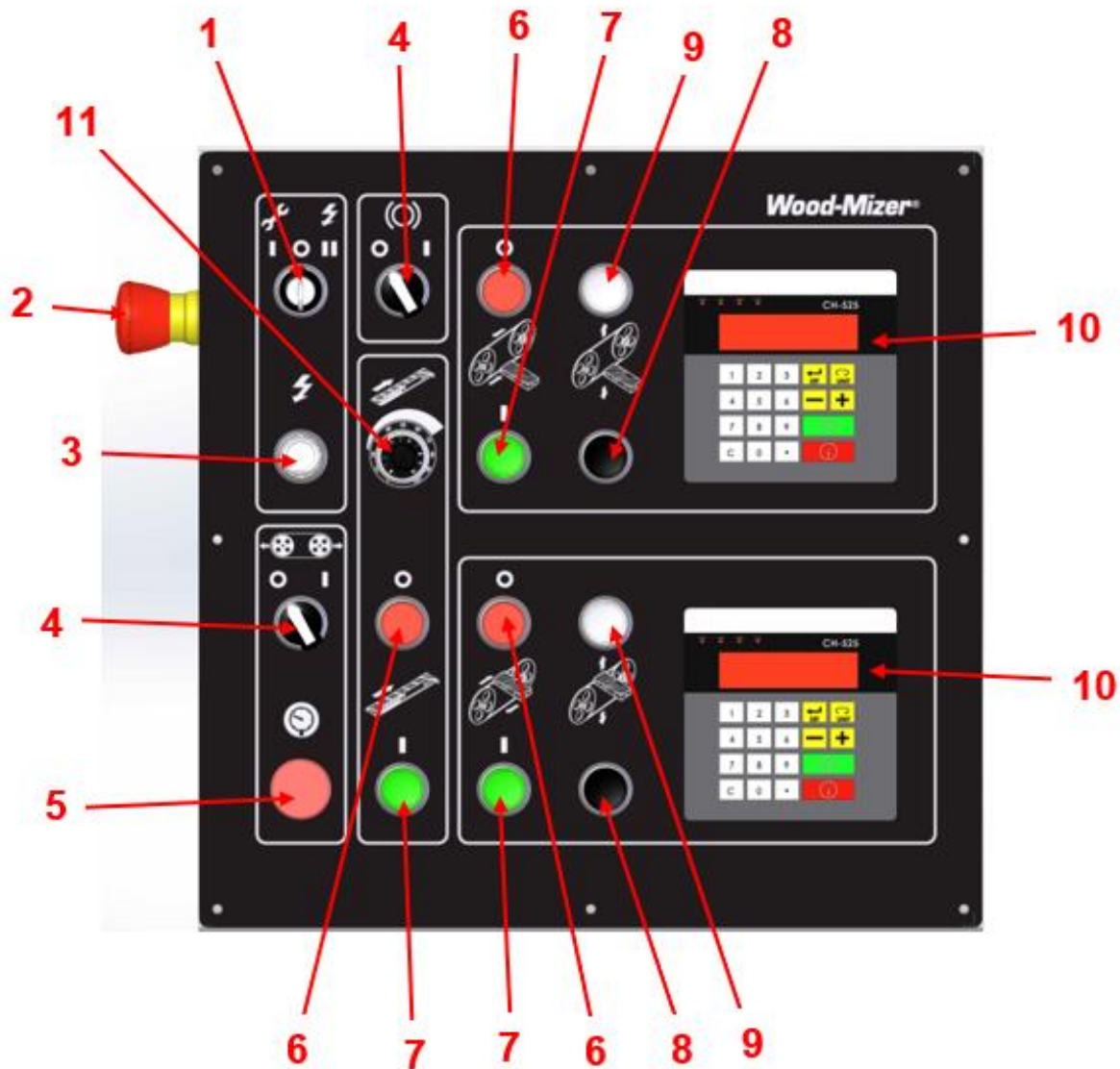


Ref	DESCRIPTION	PART #	QTY
<b>1</b>	<b>Right Door</b>	<b>116396</b>	<b>1</b>
	Right Door (Wide)	116397	1
<b>2</b>	<b>Left Door</b>	<b>116398</b>	<b>1</b>
	Left Door (Wide)	116399	1
<b>3</b>	Door Frame Mount	116345	2
<b>4</b>	90mm x 6mm, Door Hinge Mounting Plate	116263	2

# DOOR COVER ASSEMBLY

Ref	DESCRIPTION	PART #	QTY
6	Top Door Hinge (Right)	116408	1
7	Top Door Hinge (Left)	116645	1
8	Bottom Door Hinge (Left)	116406	1
9	Bottom Door Hinge (Right)	116646	1
10	Door Latch Assembly	116271	3
11			
12	Nut, M6-8, Hex Nylon, FE/ZN5, PN/M8217	F81001-15	12
13	Large Plain Washer 6.4, FE/ZN5, PN/M82030	F81053-11	12
14			
15	Nut, M6-8-B, Hex Nylon, FE/ZN5, PN/M82175	F81001-15	12
16	Countersunk Flat Head Screw, M6x35-8.8, FE/ZN5, DIN965A	F81001-93	8
17	90mm x 6mm, Door Hinge Mounting Plate	116263	2
18	Upper Door Guard	116400	1
19	<b>Left Infeed Guard (CE Version)</b>	<b>116607</b>	<b>1</b>
	Left Infeed Guard (CE Version)- Wide	116457	1
20	<b>Right Infeed Guard (CE Version)</b>	<b>116608</b>	<b>1</b>
	Right Infeed Guard (CE Version)- Wide	116458	1

# CONTROL PANEL



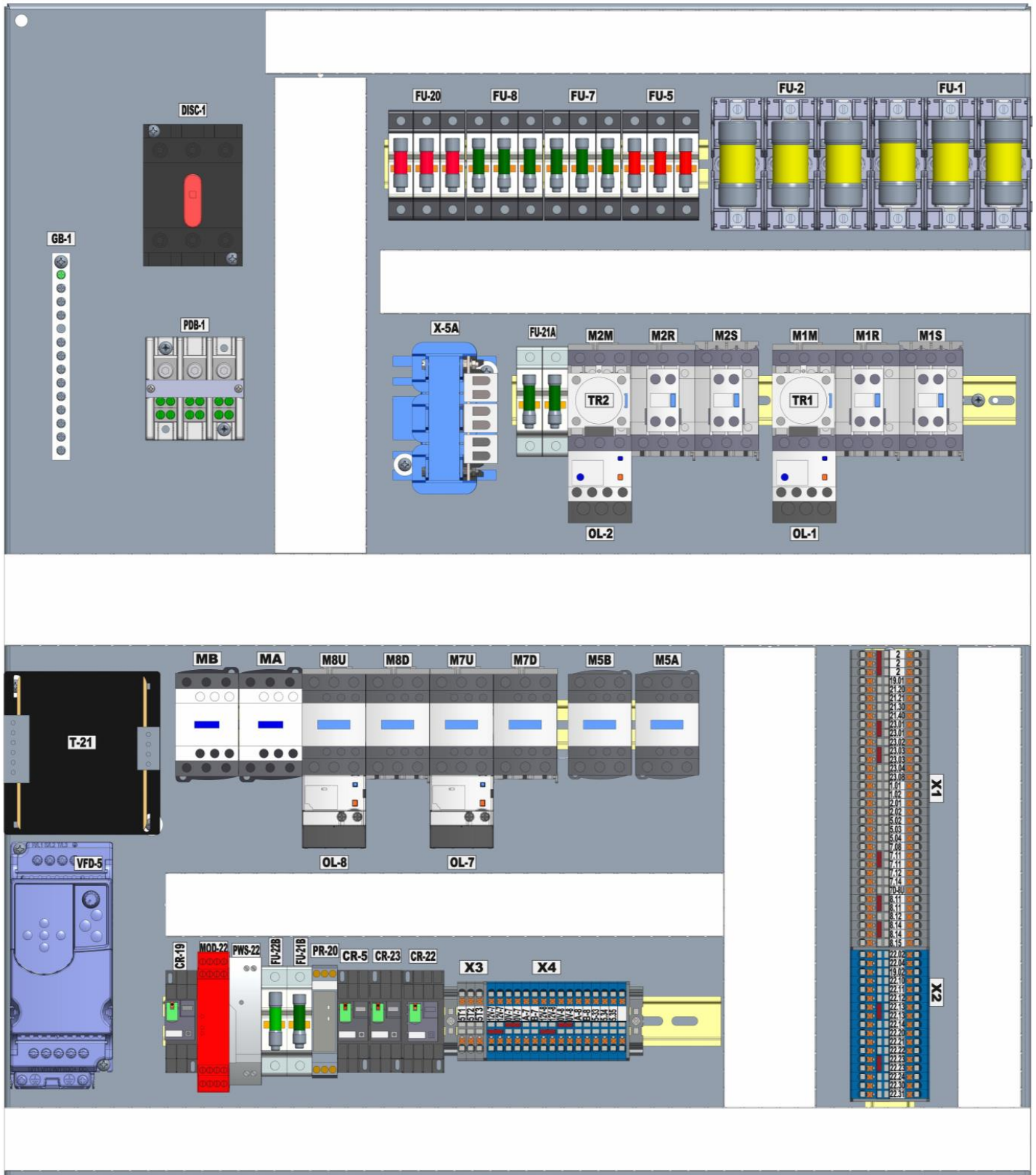
e

Ref	DESCRIPTION	PART #	QTY
<b>1</b>	<b>Key Switch COMPLETE Assembly</b>	<b>116654</b>	<b>1</b>
	800F Switch, 3Pos, Keyed	116738	1
	800F Latch, Plastic Latch	116727	1
	Screw Contact Block, 1 N.O.	116729	2
<b>2</b>	<b>Emergency Stop AB800FP-MT44PX02 COMPLETE Assembly</b>	<b>125088</b>	<b>1</b>
	"PUSH" Emergency Stop, AB 800FP-MT44PX02	116655	1
	800F Latch, Plastic Latch	116727	1
	Screw Contact Block, 1 N.C.	116728	2
<b>3</b>	<b>Lighted Push Button, 800F-N5W COMPLETE Assembly</b>	<b>116656</b>	<b>1</b>
	800F Pilot Light, White - Rd. Plas.	116731	1
	Integrated LED Latch Mount 120V AC White LED	116730	1

# CONTROL PANEL

Ref	DESCRIPTION	PART #	QTY
	800F Latch, Plastic Latch	116727	1
	Screw Contact Block, 1 N.O.	116729	1
<b>4</b>	<b>Toggle Switch, 800F-X10 COMPLETE Assembly</b>	<b>116657</b>	<b>2</b>
	2 Position Selector Switch	116733	2
	Screw Contact Block, 1 N.O.	116729	2
	Screw Contact Block, 1 N.C.	116728	2
	800F Latch, Plastic Latch	116727	2
	Integrated LED Latch Mount 120V AC White LED	116730	2
<b>5</b>	<b>Red LED, M22-LED230-R COMPLETE Assembly</b>	<b>116658</b>	<b>1</b>
	800F Pilot Light, Red - Rd. Plas.	116732	1
	800F Latch, Plastic Latch	116727	1
	Integrated LED Latch Mount 120V AC White LED	116730	1
<b>6</b>	<b>Red Push Button, AB 800FP-F4PX01 COMPLETE Assembly</b>	<b>116659</b>	<b>3</b>
	800F Push Button - Plastic, Flush, Red	116736	3
	Screw Contact Block, 1 N.C.	116728	3
	800F Latch, Plastic Latch	116727	3
<b>7</b>	<b>Green BtN, AB 800FP-LF3PN5GX10, COMPLETE Assembly</b>	<b>116660</b>	<b>3</b>
	PB, Ill. Green	116737	3
	Screw Contact Block, 1 N.O.	116729	3
	Integrated LED Latch Mount 120V AC White LED	116730	3
	800F Latch, Plastic Latch	116727	3
<b>8</b>	<b>Black Push Button, AB 800FP -F5PX10 COMPLETE Assembly</b>	<b>116661</b>	<b>2</b>
	800F Push Button - Plastic, Flush, Black	116735	2
	Screw Contact Block, 1 N.O.	116729	2
	800F Latch, Plastic Latch	116727	2
<b>9</b>	<b>White Push Button, AB 800FP -F6PX10 COMPLETE Assembly</b>	<b>116662</b>	<b>2</b>
	800F Push Button - Plastic, Flush, White	116734	2
	Screw Contact Block, 1 N.O.	116729	2
	800F Latch, Plastic Latch	116727	2
<b>10</b>	CH-525, Set-works	116312	2
<b>11</b>	POT, MOELLER M22-R10K	116663	1

# ELECTRONIC PANEL 460V/60Hz



# ELECTRONIC PANEL 460V/60Hz

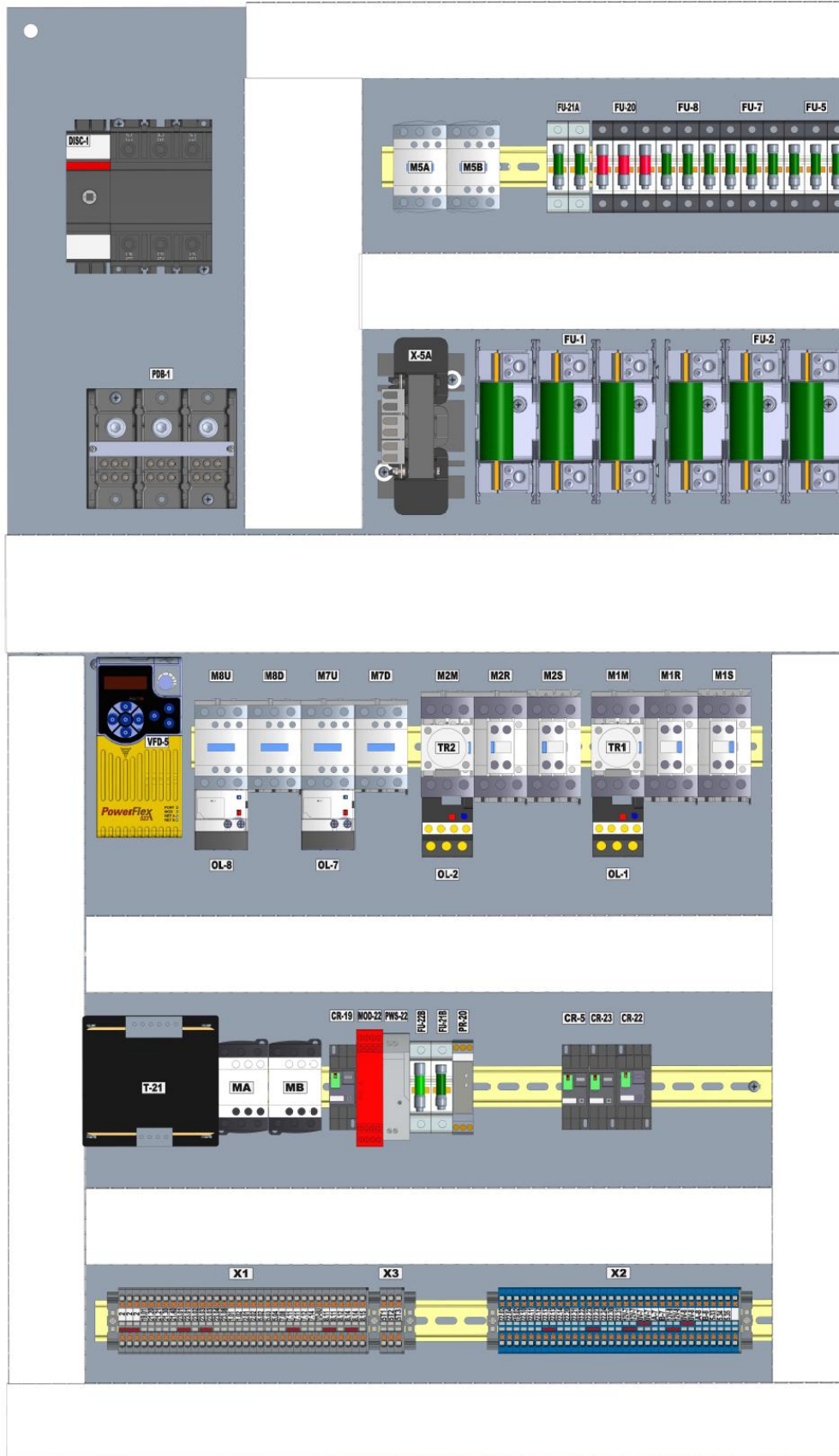
Ref	DESCRIPTION	PART #	QTY
<b>GB-1</b>	Ground Bar Kit, KL-15	116870	1
<b>DISC-1</b>	DISCONNECT SWITCH ABB OT100F3	050906-1	1
<b>PDB-1</b>	POWER DISTRIBUTION AB 1492-PD3141	116665	1
<b>FU-20</b>	<b>FUSE CARRIER TE DF103</b>	<b>116669</b>	<b>1</b>
	FUSE, CLASS CC, 3 AMP, 600 V, FNQ-R-3	052454	3
<b>FU-8</b>	<b>FUSE CARRIER TE DF103</b>	<b>116669</b>	<b>1</b>
	LP-CC-2.5, Fuse, Class CC, 2.5 AMP	116010	3
<b>FU-7</b>	<b>FUSE CARRIER TE DF103</b>	<b>116669</b>	<b>1</b>
	LP-CC-2.5, Fuse, Class CC, 2.5 AMP	116010	3
<b>FU-5</b>	<b>FUSE CARRIER TE DF103</b>	<b>116669</b>	<b>1</b>
	FUSE, CLASS CC, 10 AMP, 600 V, KTK-R-10	116009	3
<b>FU-2</b>	<b>FUSE BLOCK, CLASS J, 60 AMP, 600 V</b>	<b>052733</b>	<b>1</b>
	FUSE, CLASS J, 60 AMP, 600 V, LPJ-60SP	116004	3
<b>FU-1</b>	<b>FUSE BLOCK, CLASS J, 60 AMP, 600 V</b>	<b>052733</b>	<b>1</b>
	FUSE, CLASS J, 60 AMP, 600 V, LPJ-60SP	116004	3
<b>X-5A</b>	INDUCTOR MTE RL-00402	116672	1
<b>FU-21A</b>	<b>FUSE CARRIER TE DF102</b>	<b>116673</b>	<b>1</b>
	FUSE, CLASS CC, 2 AMP, 600 V, FNQ-R-2	116005	2
<b>M2M</b>	MOTOR STARTER LC1D18F7 110V	116864	1
<b>TR-2</b>	Timer Contact Block LADS2	116842	1
<b>OL-2</b>	Overload Relay LRD21	116838	1
<b>M2R</b>	<b>MOTOR STARTER LC1D18F7 110V</b>	<b>116864</b>	<b>1</b>
	Aux Contact, 1NO, 1NC, Type D, LADN11	116741	1
	MECHANICAL INTERLOCK KIT LAD9R1	116679	1
<b>M2S</b>	<b>MOTOR STARTER LC1D18F7 110V</b>	<b>116864</b>	<b>1</b>
	Aux Contact, 1NO, 1NC, Type D, LADN11	116741	1
<b>M1M</b>	MOTOR STARTER LC1D18F7 110V	116864	1
<b>TR-1</b>	Timer Contact Block LADS2	116842	1
<b>OL-1</b>	Overload Relay LRD21	116838	1
<b>M1R</b>	<b>MOTOR STARTER LC1D18F7 110V</b>	<b>116864</b>	<b>1</b>
	Aux Contact, 1NO, 1NC, Type D, LADN11	116741	1
	MECHANICAL INTERLOCK KIT LAD9R1	116679	1
<b>M1S</b>	<b>MOTOR STARTER LC1D18F7 110V</b>	<b>116864</b>	<b>1</b>
	Aux Contact, 1NO, 1NC, Type D, LADN11	116741	1
<b>T-21</b>	Transformer, 300VA, 230-480:120	116677	1
<b>MB</b>	CONTACTOR LC1D09BD DC24V (AUX-1NO/1NC	024890	1
<b>MA</b>	CONTACTOR LC1D09BD DC24V (AUX-1NO/1NC	024890	1
<b>M8U</b>	<b>MOTOR STRTR TE LC1D09F7 110V AUX-1NO/1NC</b>	<b>E23403</b>	<b>1</b>

# ELECTRONIC PANEL 460V/60Hz

Ref	DESCRIPTION	PART #	QTY
	MECHANICAL INTERLOCK KIT LAD9R1	116679	1
<b>OL-8</b>	OVERLOAD RELAY LRD05	116680	1
<b>M8D</b>	MOTOR STRTR TE LC1D09F7 110V AUX-1NO/1NC	E23403	1
<b>M7U</b>	<b>MOTOR STRTR TE LC1D09F7 110V AUX-1NO/1NC</b>	<b>E23403</b>	<b>1</b>
	MECHANICAL INTERLOCK KIT LAD9R1	116679	1
<b>OL-7</b>	OVERLOAD RELAY LRD05	116680	1
<b>M7D</b>	MOTOR STRTR TE LC1D09F7 110V AUX-1NO/1NC	E23403	1
<b>M5B</b>	MOTOR STRTR TE LC1D09F7 110V AUX-1NO/1NC	E23403	1
<b>M5A</b>	MOTOR STRTR TE LC1D09F7 110V AUX-1NO/1NC	E23403	1
<b>VFD-5</b>	Power Flex 4M, VFD	116308	1
<b>CR-19</b>	<b>Relay, 12A DPDT 24VDC</b>	<b>068319</b>	<b>1</b>
	CONTROL RELAY SOCKET, SYF-08A	116690	1
<b>MOD-22</b>	SAFETY MODULE AB 440R-N23126 DC24V	116684	1
<b>PWS-22</b>	PHOENIX UNO-PS/1AC/24DC/30W	116685	1
<b>FU-22B</b>	<b>FUSE CARRIER TE DF101</b>	<b>116686</b>	<b>1</b>
	FUSE CLASS SUPPLEMENTAL 4AMP 250V FNM-4	055808	1
<b>FU-21B</b>	<b>FUSE CARRIER TE DF101</b>	<b>116686</b>	<b>1</b>
	FUSE, CLASS CC, 1 AMP, 600V, LP-CC-1	051286	1
<b>PR-20</b>	MONITORING RELAY OMRON K8DS-PH1	116688	1
<b>CR-5</b>	<b>CONTROL RELAY, TE RXM2AB2F7 AC120V</b>	<b>061418</b>	<b>1</b>
	CONTROL RELAY SOCKET, SYF-08A	116690	1
<b>CR-23</b>	<b>CONTROL RELAY, TE RXM2AB2F7 AC120V</b>	<b>061418</b>	<b>1</b>
	CONTROL RELAY SOCKET, SYF-08A	116690	1
<b>CR-22</b>	<b>CONTROL RELAY, TE RXM4AB2F7 AC120V</b>	<b>116711</b>	<b>1</b>
	CONTROL RELAY SOCKET, SYF-14A	116712	1
<b>X1</b>	<b>Term, Gray, Feed-Through, 32A, PT-4</b>	<b>116719</b>	<b>34</b>
	FBS 3-6, 3030242, Jumper, 3 Pros	116723	1
	FBS 2-6, 3030336, Jumper, 2 Pros	116724	5
<b>X2</b>	<b>Term, Blue, Feed-Through, 32A, PT-4</b>	<b>116720</b>	<b>17</b>
	FBS 2-6, 3030336, Jumper, 2 Pros	116724	2
<b>X3</b>	Term, Gray, Feed-Through, 32A, PT-4	116719	3
<b>X4</b>	<b>Term, Blue, Feed-Through, 32A, PT-4</b>	<b>116720</b>	<b>16</b>
	FBS 2-6, 3030336, Jumper, 2 Pros	116724	4



# ELECTRONIC PANEL 230V/60Hz





# ELECTRONIC PANEL 230V/60Hz

Ref	DESCRIPTION	PART #	QTY
<b>GB-1</b>	Ground Bar Kit, KL-15	116870	1
<b>DISC-1</b>	DISCONNECT SWITCH ABB OT160G03P	116698	1
<b>PDB-1</b>	POWER DISTRIBUTION AB 1492-PD3163	116699	1
<b>M5B</b>	MOTOR STRTR TE LC1D09F7 110V AUX-1NO/1NC	E23403	1
<b>M5A</b>	MOTOR STRTR TE LC1D09F7 110V AUX-1NO/1NC	E23403	1
<b>FU-21A</b>	<b>FUSE CARRIER TE DF102</b>	<b>116673</b>	<b>1</b>
	FUSE, CLASS CC, 4 AMP, 600 V, LP-CC-4	052713	2
<b>FU-20</b>	<b>FUSE CARRIER TE DF103</b>	<b>116669</b>	<b>1</b>
	FUSE, CLASS CC, 3 AMP, 600 V, FNQ-R-3	052454	3
<b>FU-8</b>	<b>FUSE CARRIER TE DF103</b>	<b>116669</b>	<b>1</b>
	FUSE, CLASS CC, 4 AMP, 600 V, LP-CC-4	052713	3
<b>FU-7</b>	<b>FUSE CARRIER TE DF103</b>	<b>116669</b>	<b>1</b>
	FUSE, CLASS CC, 4 AMP, 600 V, LP-CC-4	052713	3
<b>FU-5</b>	<b>FUSE CARRIER TE DF103</b>	<b>116669</b>	<b>1</b>
	Fuse, 20A 600V Class CC Fast-Acting	069694	3
<b>X-5A</b>	INDUCTOR MTE RL-00801	116708	1
<b>FU-2</b>	<b>FUSE BLOCK, CLASS J, 100 AMP, 600 V</b>	<b>116705</b>	<b>1</b>
	FUSE, CLASS J, 100 AMP, 600 V, LPJ-100SP	116704	3
<b>FU-1</b>	<b>FUSE BLOCK, CLASS J, 100 AMP, 600 V</b>	<b>116705</b>	<b>1</b>
	FUSE, CLASS J, 100 AMP, 600 V, LPJ-100SP	116704	3
<b>VFD-5</b>	VFD AB Power Flex 523 230V	116710	1
<b>M8U</b>	<b>MOTOR STRTR TE LC1D09F7 110V AUX-1NO/1NC</b>	<b>E23403</b>	<b>1</b>
	MECHANICAL INTERLOCK KIT LAD9R1	116679	1
<b>OL-8</b>	OVERLOAD RELAY CLS 10 TE LRD06 (1-1.6A)	116707	1
<b>M8D</b>	MOTOR STRTR TE LC1D09F7 110V AUX-1NO/1NC	E23403	1
<b>M7U</b>	<b>MOTOR STRTR TE LC1D09F7 110V AUX-1NO/1NC</b>	<b>E23403</b>	<b>1</b>
	MECHANICAL INTERLOCK KIT LAD9R1	116679	1
<b>OL-7</b>	OVERLOAD RELAY CLS 10 TE LRD06 (1-1.6A)	116707	1
<b>M7D</b>	MOTOR STRTR TE LC1D09F7 110V AUX-1NO/1NC	E23403	1
<b>M2M</b>	Motor Starter LC1D32F7 110V	116740	1
<b>TR-2</b>	Timer Contact Block LADS2	116842	1
<b>OL-2</b>	Overload Relay LRD32	116843	1
<b>M2R</b>	<b>Motor Starter LC1D32F7 110V</b>	<b>116740</b>	<b>1</b>
	Aux Contact, 1NO, 1NC, Type D, LADN11	116741	1
	MECHANICAL INTERLOCK KIT LAD9R1	116679	1
<b>M2S</b>	<b>Motor Starter LC1D32F7 110V</b>	<b>116740</b>	<b>1</b>
	Aux Contact, 1NO, 1NC, Type D, LADN11	116741	1
<b>M1M</b>	Motor Starter LC1D32F7 110V	116740	1

# ELECTRONIC PANEL 230V/60Hz

Ref	DESCRIPTION	PART #	QTY
TR-1	Timer Contact Block LADS2	116842	1
OL-1	Overload Relay LRD32	116843	1
M1R	<b>Motor Starter LC1D32F7 110V</b>	<b>116740</b>	<b>1</b>
	Aux Contact, 1NO, 1NC, Type D, LADN11	116741	1
	MECHANICAL INTERLOCK KIT LAD9R1	116679	1
M1S	<b>Motor Starter LC1D32F7 110V</b>	<b>116740</b>	<b>1</b>
	Aux Contact, 1NO, 1NC, Type D, LADN11	116741	1
T-21	Transformer, 300VA, 230-480:120	116677	1
MB	CONTACTOR LC1D09BD DC24V (AUX-1NO/1NC	024890	1
MA	CONTACTOR LC1D09BD DC24V (AUX-1NO/1NC	024890	1
CR-19	<b>Relay, 12A DPDT 24VDC</b>	<b>068319</b>	<b>1</b>
	CONTROL RELAY SOCKET, SYF-08A	116690	1
MOD-22	SAFETY MODULE AB 440R-N23126 DC24V	116684	1
PWS-22	PHOENIX UNO-PS/1AC/24DC/30W	116685	1
FU-22B	<b>FUSE CARRIER TE DF101</b>	<b>116686</b>	<b>1</b>
	FUSE CLASS SUPPLEMENTAL 4AMP 250V FNM-4	055808	1
FU-21B	<b>FUSE CARRIER TE DF101</b>	<b>116686</b>	<b>1</b>
	FUSE, CLASS CC, 1 AMP, 600V, LP-CC-1	051286	1
CR-5	<b>CONTROL RELAY, TE RXM2AB2F7 AC120V</b>	<b>061418</b>	<b>1</b>
	CONTROL RELAY SOCKET, SYF-08A	116690	1
CR-23	<b>CONTROL RELAY, TE RXM2AB2F7 AC120V</b>	<b>061418</b>	<b>1</b>
	CONTROL RELAY SOCKET, SYF-08A	116690	1
CR-22	<b>CONTROL RELAY, TE RXM4AB2F7 AC120V</b>	<b>116711</b>	<b>1</b>
	CONTROL RELAY SOCKET, SYF-14A	116712	1
X1	<b>Term, Gray, Feed-Through, 32A, PT-4</b>	<b>116719</b>	<b>37</b>
	FBS 3-6, 3030242, Jumper, 3 Pros	116723	1
	FBS 2-6, 3030336, Jumper, 2 Pros	116724	5
X2	<b>Term, Blue, Feed-Through, 32A, PT-4</b>	<b>116720</b>	<b>13</b>
	FBS 2-6, 3030336, Jumper, 2 Pros	116724	6
X3	Term, Gray, Feed-Through, 32A, PT-4	116719	3