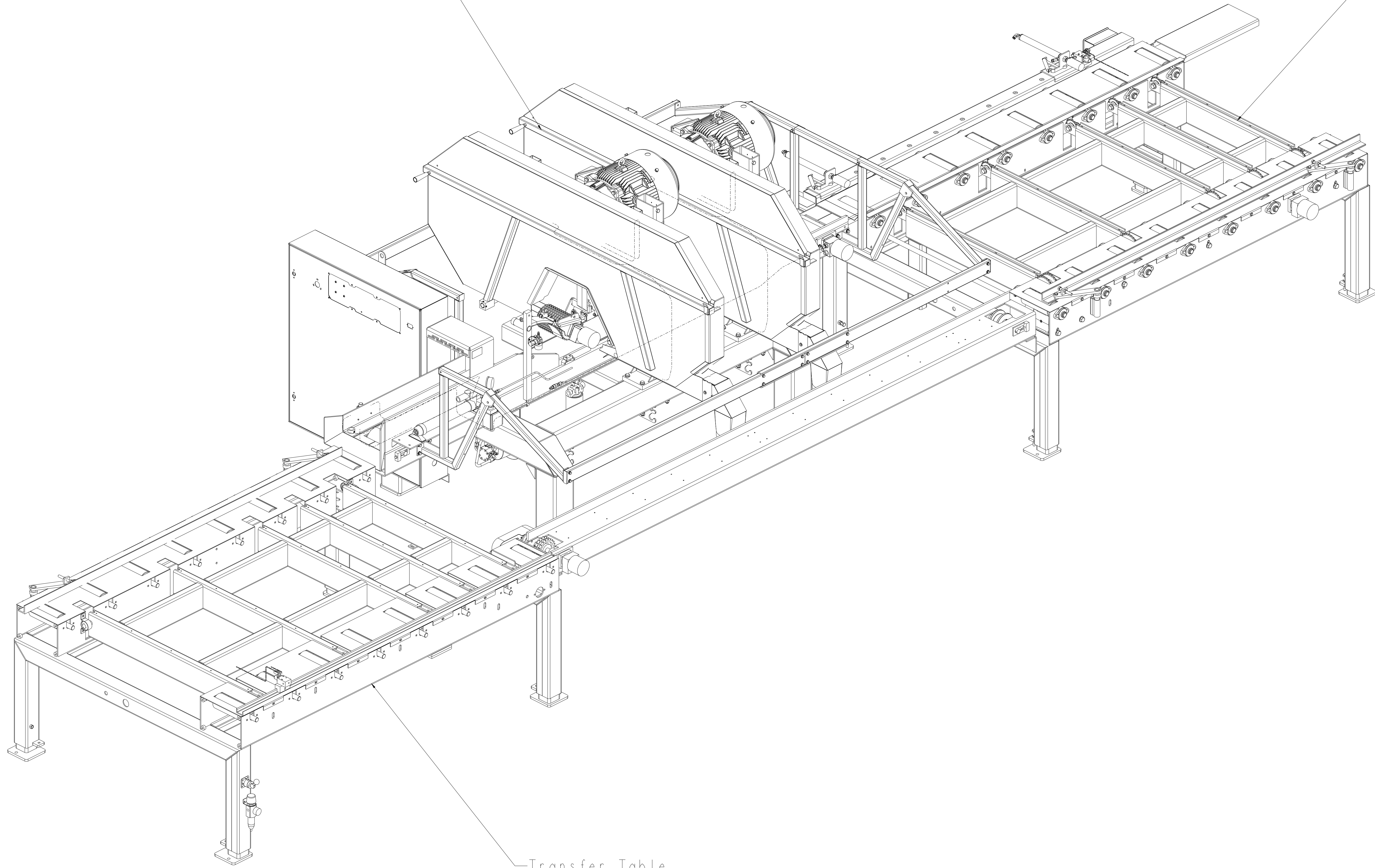


ITEM	PART NUMBER	DESCRIPTION	QTY
1	HR1000EC25-2	Horizontal Resaw, 2 Head 460V 3PH	1
2	M28	Merry-Go-Round, 1-2Head MH	1

HR1000EC25-2

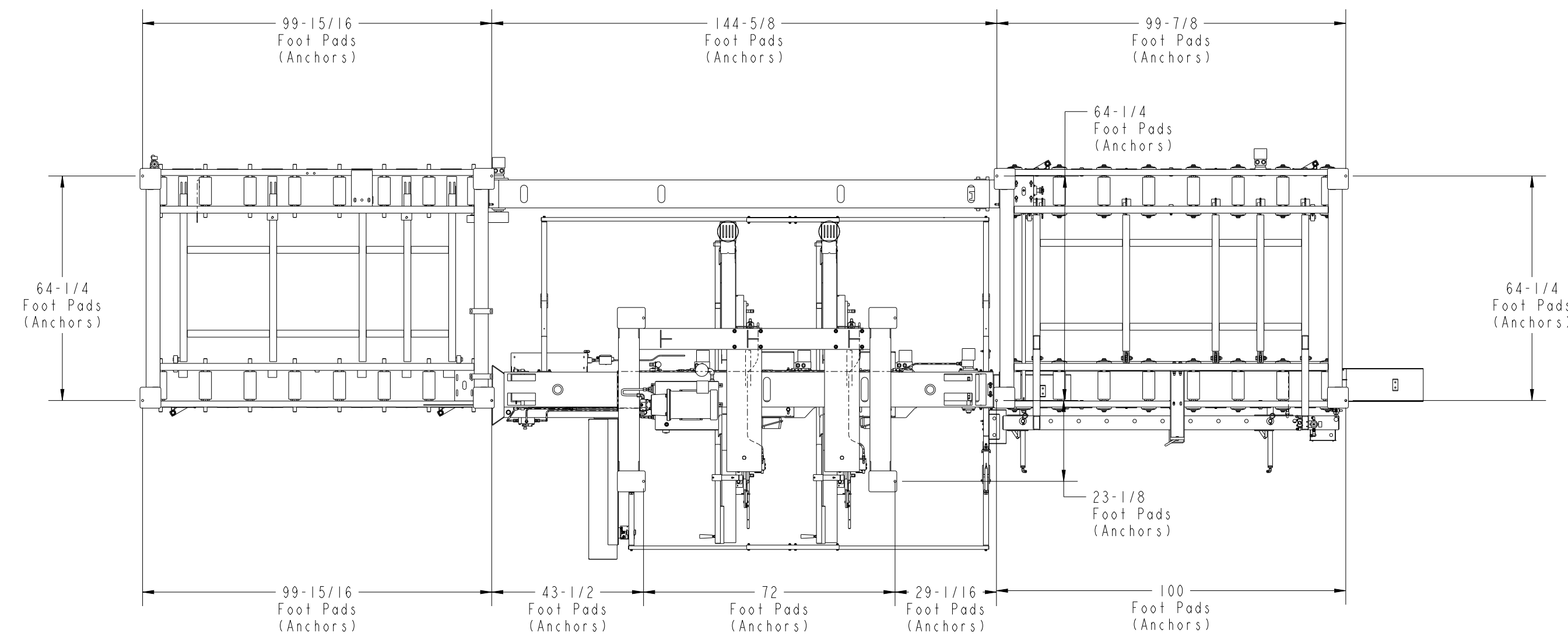
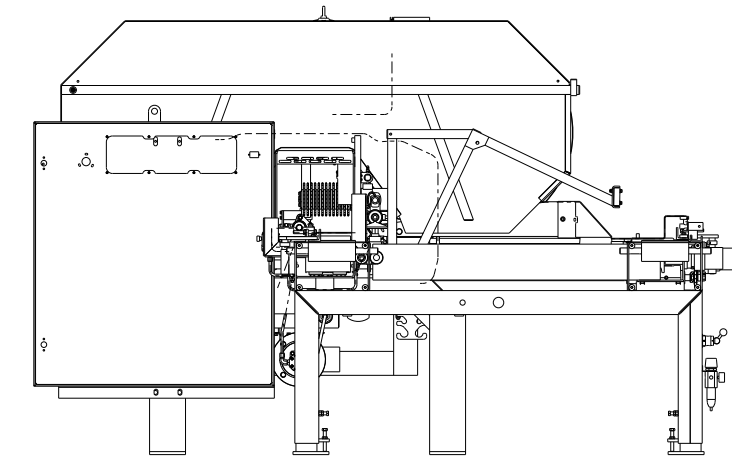
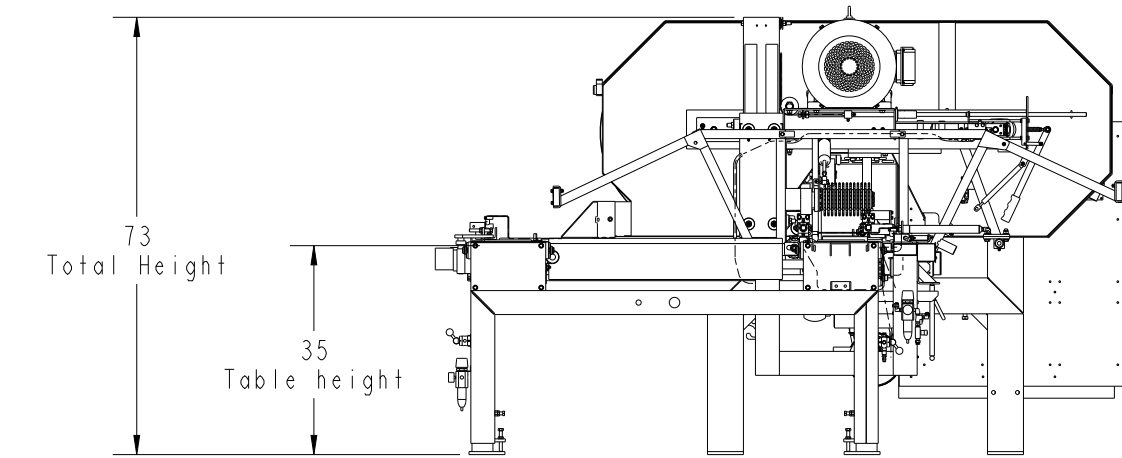
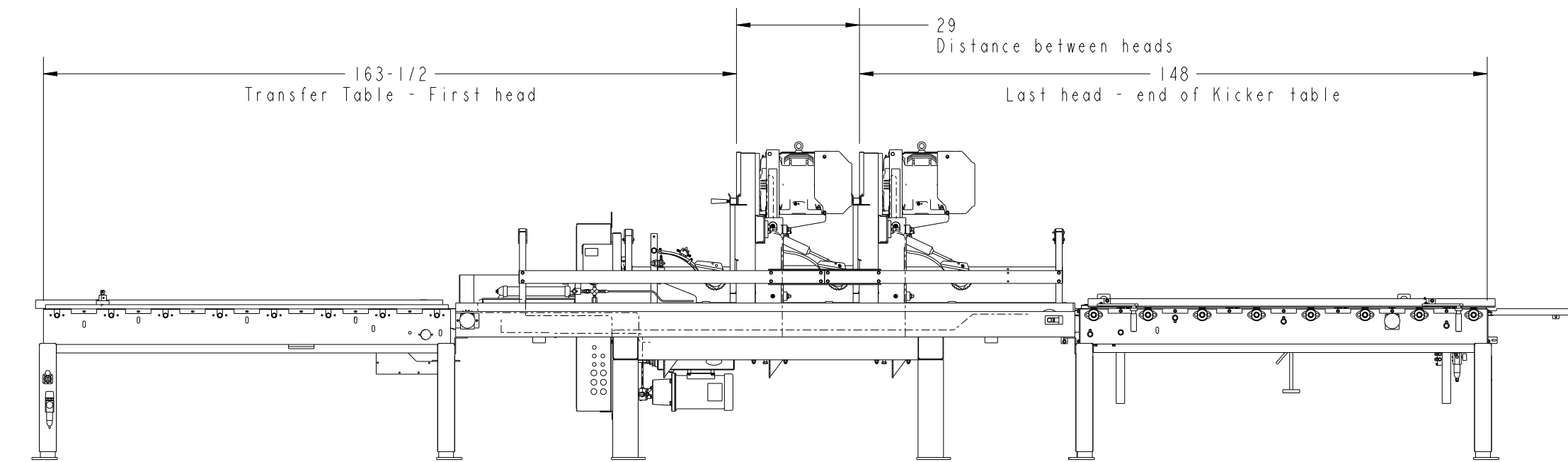
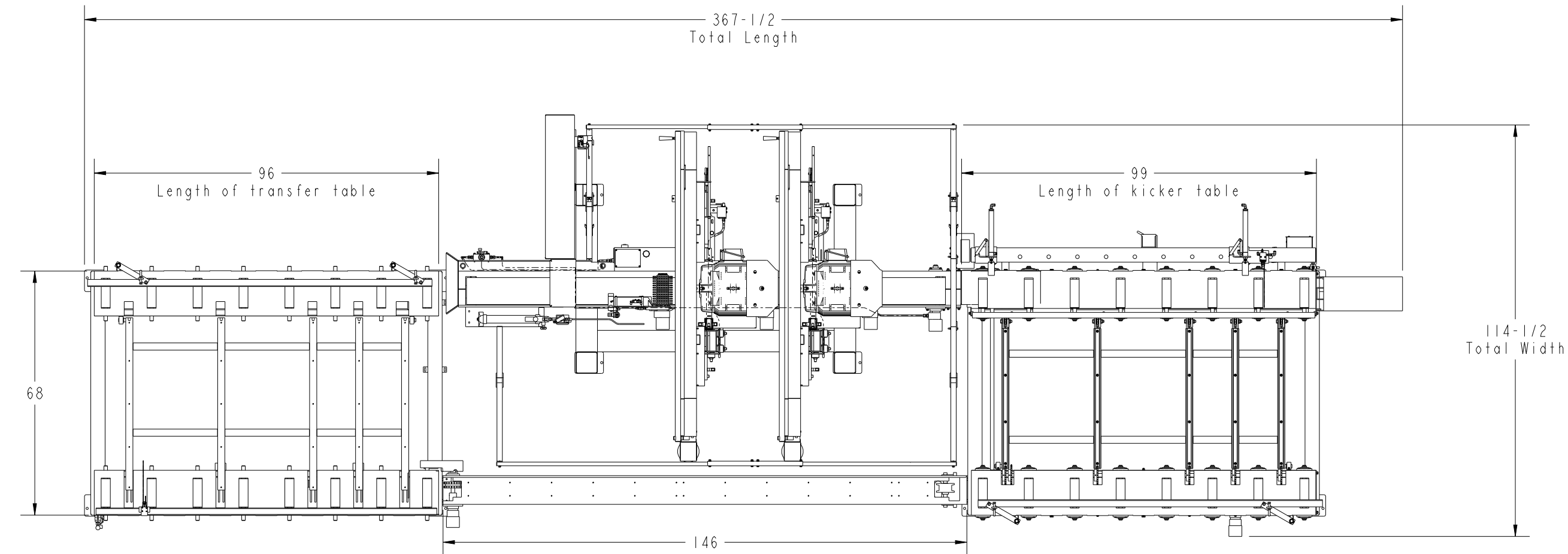
Kicker Table



Transfer Table

TOLERANCES UNLESS NOTED		Wood-Mizer Products, Inc.			
xxx ± .005	8180 W. 10th, Indianapolis, IN 46214-2400 (317) 271-1542	SHEET		SCALE	DATE
xx ± .010	8829 East State Rd. 46, Greensburg, IN 47240-7449 (812) 663-5257	1 of 2	0.094	09-Nov-22	DESIGNED
HOLES ± .010					DRAWN
FRACT ± .005					CHECKED
ANGLE ± 1/2°					MB
GRIND ± .002					REVISION
					NUMBER
					HR1000EC25-2 M28
					REVISION
					1

ITEM	PART NUMBER	DESCRIPTION	QTY
1	HR1000EC25-2	Horizontal Resaw, 2 Head 460V 3PH	1
2	M28	Merry-Go-Round, 1-2Head MH	1



TOLERANCES UNLESS NOTED

xxx ± .005
 xx ± .010
 x ± .015
 HOLES ± .010
 FRACT ± .002
 ANGLE ± 1/2°
 BRIND ± .010

Wood-Mizer Products, Inc.
 8180 W. 10th, Indianapolis, IN 46214-2400 (317) 271-1542
 8829 East State Rd. 46, Greensburg, IN 47240-7449 (812) 663-5257

SHEET	SCALE	DATE	DESIGNED	DRAWN	CHECKED
2 of 2	0.031	09-Nov-22		MB	

DESCRIPTION: Merry-Go-Round, HR1000EC25-2

NUMBER	REVISION
HR1000EC25-2 M28	1