

# **Wood-Mizer®**

## **Parts Manual**

---

**MP200**

**rev. A1.00**

---



**Safety is our #1 concern!** Read and understand all safety information and instructions before operating, setting up or maintaining this machine.

*Form #2401*

# Table of Contents

# Section-Page

<b>SECTION 1</b>	<b>GENERAL INFORMATION</b>	<b>1-1</b>
1.1	How To Use the Parts List.....	1-1
1.2	Sample Assembly .....	1-1
<b>SECTION 2</b>	<b>PLANER/MOULDER, MP200</b>	<b>2-1</b>
2.1	Shafts .....	2-1
2.2	Side Covers .....	2-2
2.3	Front Cover .....	2-3
2.4	Insert & glide .....	2-4
2.5	Decals .....	2-5
2.6	MP200 Additional Part Kit .....	2-7
2.7	MP200 Knives .....	2-8
2.8	Front Plate 533127 .....	2-9
2.9	Castor wheels 535166 .....	2-10
2.10	Castor wheel assembly 535163 .....	2-11
2.11	Left Cover 533130 .....	2-12
2.12	Anti-kickback Fingers Assembly 533125 .....	2-13
2.13	Fence Assembly 533535 .....	2-14
2.14	Table, MP200 533545 .....	2-16
2.15	Press Roller Assembly 533550 .....	2-18
2.16	Cutter Guard Assembly 533507 .....	2-19
2.17	Round Scale 533676 .....	2-20
2.18	Upper Guard 533567 .....	2-21
2.19	Flexible Guard 533729 .....	2-22
2.20	Upper Cover Assembly 533148 .....	2-23
2.21	Star Knob Assembly 533685 .....	2-25
2.22	Adjustable Handle 533669 .....	2-26
2.23	Main Shaft Assembly 533682 .....	2-27
2.24	Bearing Housing Assembly 533593 .....	2-28
2.25	Feed Assembly 533558 .....	2-29
2.26	Chain Tensioner 533583 .....	2-30
2.27	Drive Shaft Assembly 533580 .....	2-31
2.28	Bearing Assembly 533520 .....	2-32
2.29	Shaft w/Protective Cover Assembly 533581 .....	2-33
2.30	Infeed Table 533095 .....	2-34
2.31	Press Roller Assembly 533100 .....	2-35
2.32	Up/Down Assembly 533115 .....	2-37
2.33	Chain Tensioner Assembly 533570 .....	2-39
<b>SECTION 3</b>	<b>TABLE, MP200</b>	<b>3-1</b>
3.1	TABLE, 265-001 .....	3-1

# Table of Contents

# Section-Page

<b>SECTION 4</b>	<b>MOTOR KITS, 533131, 533132</b>	<b>4-1</b>
4.1	MP200 Motor Kits PRO 533131, ECO 533132 .....	4-1
4.2	Side Cutter Drive 533647 .....	4-3
4.3	Horizontal Cutter Drive 533645 .....	4-4
4.4	ECO Feed drive 533638 .....	4-5
4.5	PRO Feed drive 533650 .....	4-6
4.6	PRO Feed Drive 533650-6, 533650-6U .....	4-7
4.7	Electric Box w/Bracket 533508 .....	4-9
4.8	Electric Box MP200 532820 .....	4-10

## SECTION 1 GENERAL INFORMATION

### 1.1 How To Use the Parts List

- Use the index above to locate the assembly that contains the part you need.
- Go to the appropriate section and locate the part in the illustration.
- Use the number pointing to the part to locate the correct part number and description in the table.
- Parts shown indented under another part are included with that part.
- Parts marked with a diamond (◆) are only available in the assembly listed above the part.

See the sample table below. Sample Part #A01111 includes part F02222-2 and subassembly A03333. Subassembly A03333 includes part S04444-4 and subassembly K05555. The diamond (◆) indicates that S04444-4 is not available except in subassembly A03333. Subassembly K05555 includes parts M06666 and F07777-77. The diamond (◆) indicates M06666 is not available except in subassembly K05555.

1.2 Sample Assembly				
REF.	DESCRIPTION (◆ Indicates Parts Available In Assemblies Only)	PART #	QTY	
	Sample Assembly, Complete (Includes All Indented Parts Below)	A01111	1	
1	Sample Part	F02222-22	1	
	Sample Subassembly (Includes All Indented Parts Below)	A03333	1	
2	Sample Part (◆ Indicates Part Is Only Available With A03333)	S04444-4	1	◆
	Sample Subassembly (Includes All Indented Parts Below)	K05555	1	
3	Sample Part (◆ Indicates Part Is Only Available With K05555)	M06666	2	◆
4	Sample Part	F07777-77	1	

#### To Order Parts:

- From Europe call our European Headquarters and Manufacturing Facility in Kolo, Poland at **+48-63-2626000**. From the continental U.S., call our toll-free Parts hotline at **1-800-525-8100**. Have your customer number, vehicle identification number, and part numbers ready when you call. From other international locations, contact the Wood-Mizer distributor in your area for parts.

#### Office Hours:

Country	Monday - Friday	Saturday	Sunday
Poland	7-15	Closed	Closed
US	8 a.m.- 5 p.m.	8 a.m.- 12 p.m.	Closed

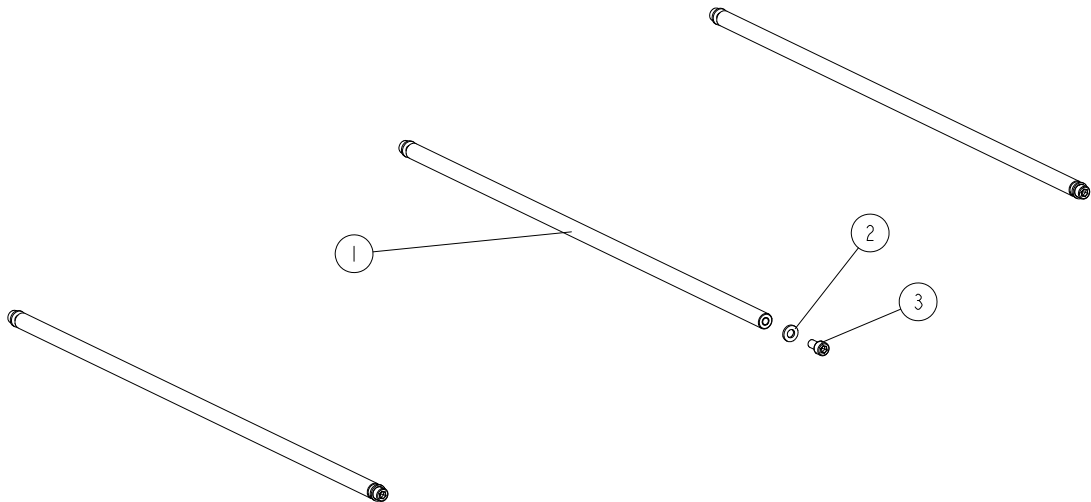
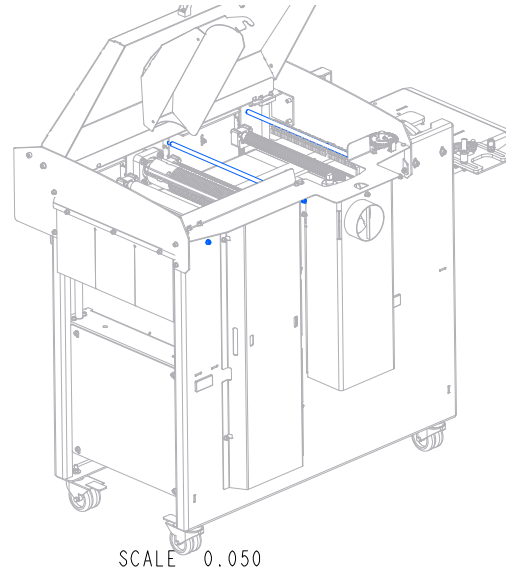


**CAUTION!** It is strongly recommended that only original spare parts be used.

## SECTION 2 PLANER/MOULDER, MP200

### 2.1 Shafts

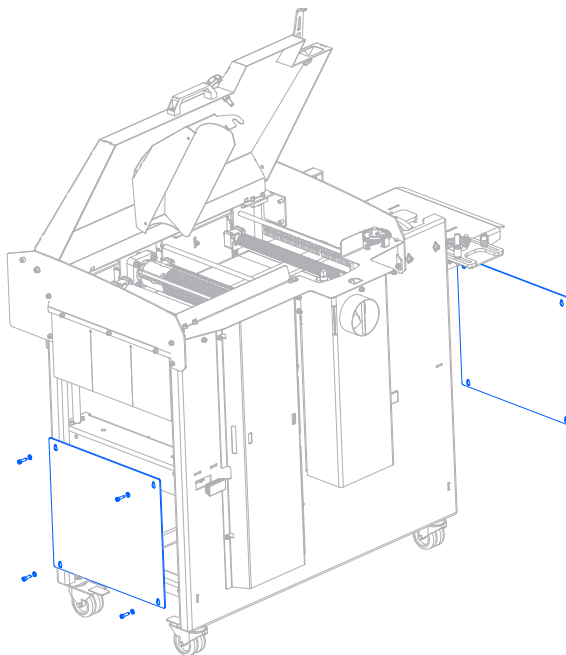
533120\_002  
 533120\_MANUAL



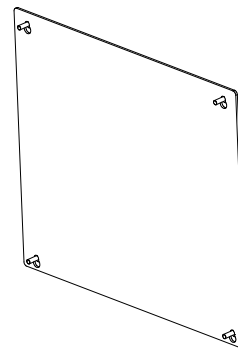
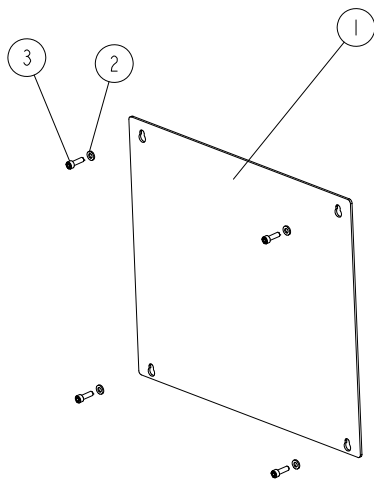
REF.	DESCRIPTION (* indicates parts available in assemblies only)	PART #	QTY
1	SHAFT	533092-1	3
2	WASHER, 6.4 FLAT ZINC	F81053-1	6
3	SCREW, ISO 4762-M6X12-8.8-A2E HEX SOCKET HEAD CAP	F81001-87	6

**2.2 Side Covers**

533120\_003  
533120\_MANUAL



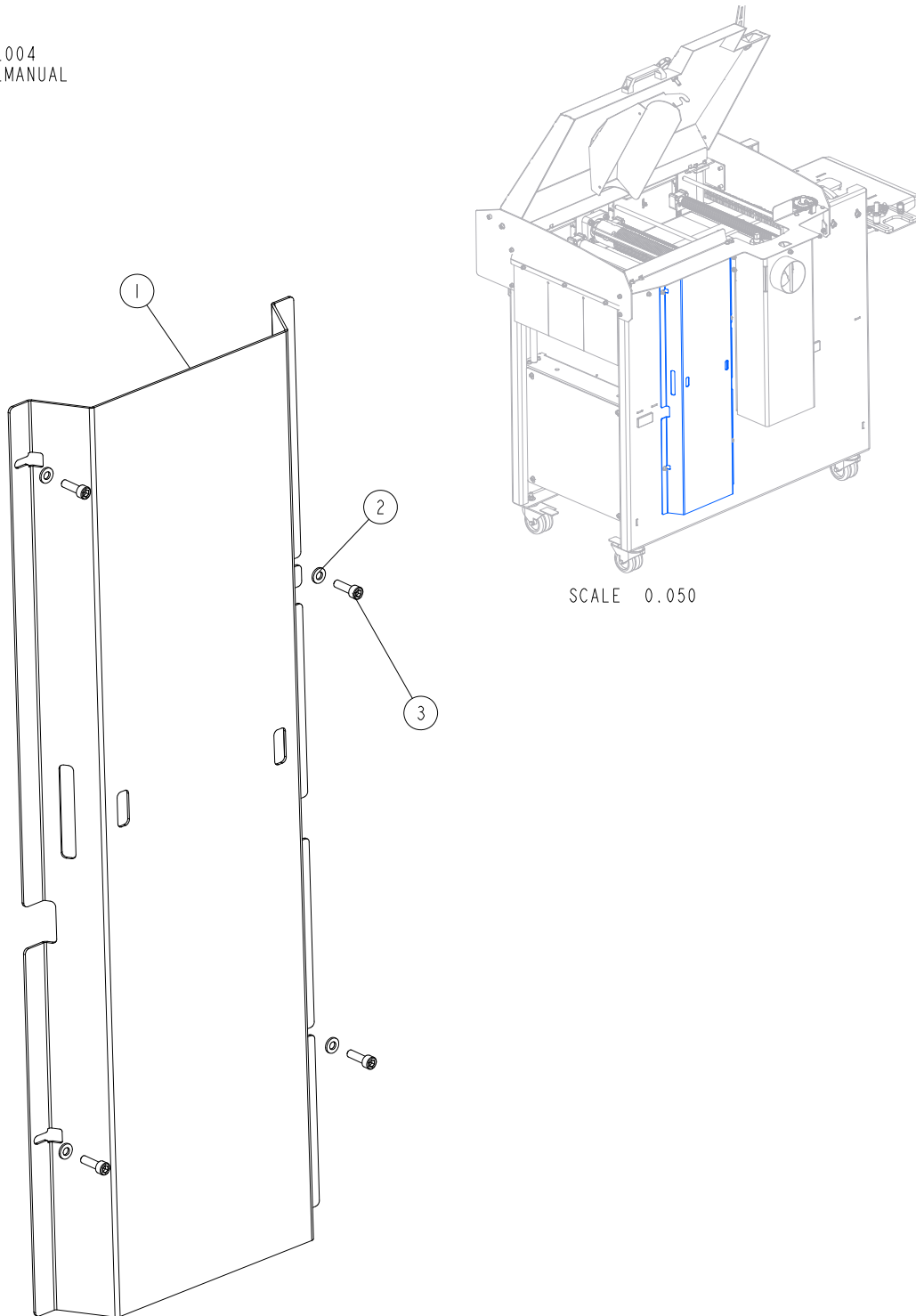
SCALE 0.050



REF.	DESCRIPTION (* indicates parts available in assemblies only)	PART #	QTY
1	PLATE, SIDE	533096-1	2
2	WASHER, 6.4 FLAT ZINC	F81053-1	8
3	SCREW, M6X20 8.8 HEX SOCKET HEAD CAP ZINC	F81001-22	8

2.3 Front Cover

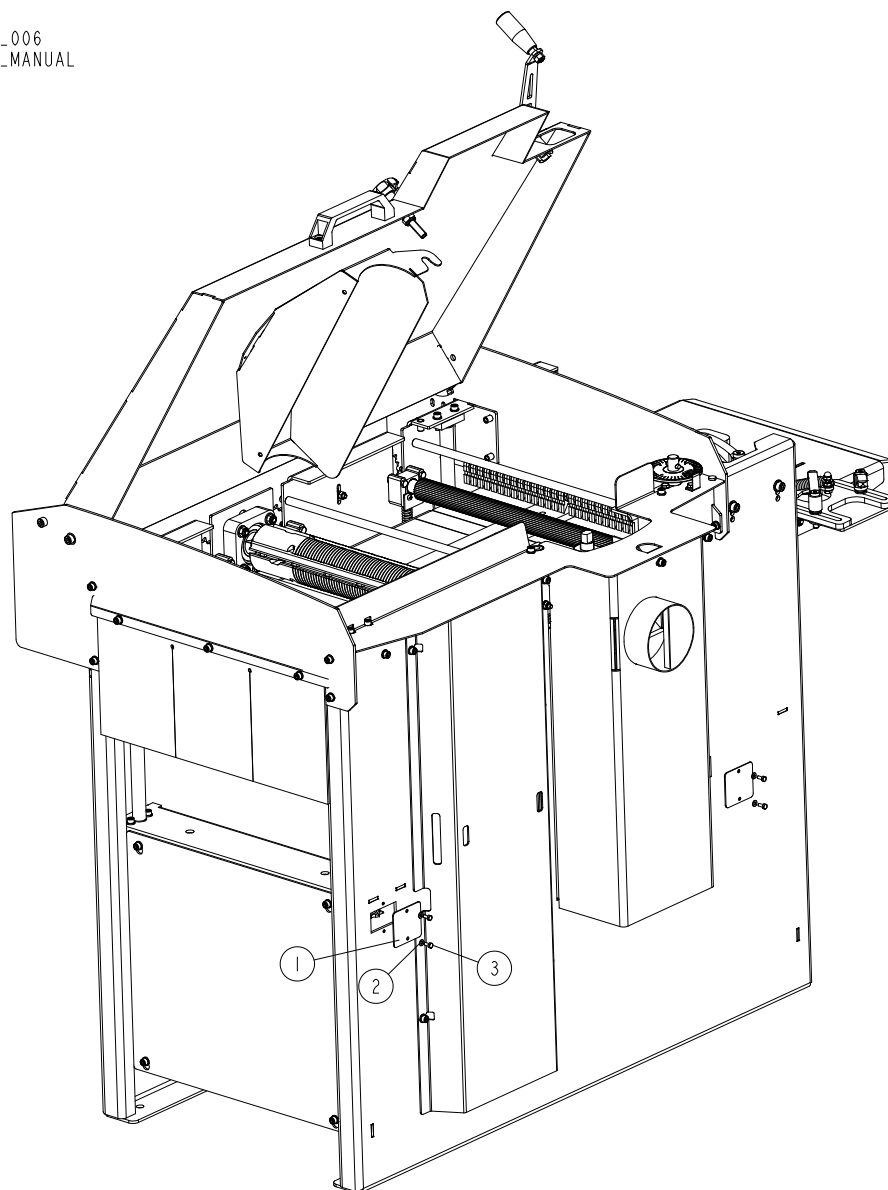
533120\_004  
 533120\_MANUAL



REF.	DESCRIPTION (* indicates parts available in assemblies only)	PART #	QTY
1	COVER, FRONT	533104-1	1
2	WASHER, 6.4 FLAT ZINC	F81053-1	4
3	SCREW, M6X20 8.8 HEX SOCKET HEAD CAP ZINC	F81001-22	4

## 2.4 Insert & glide

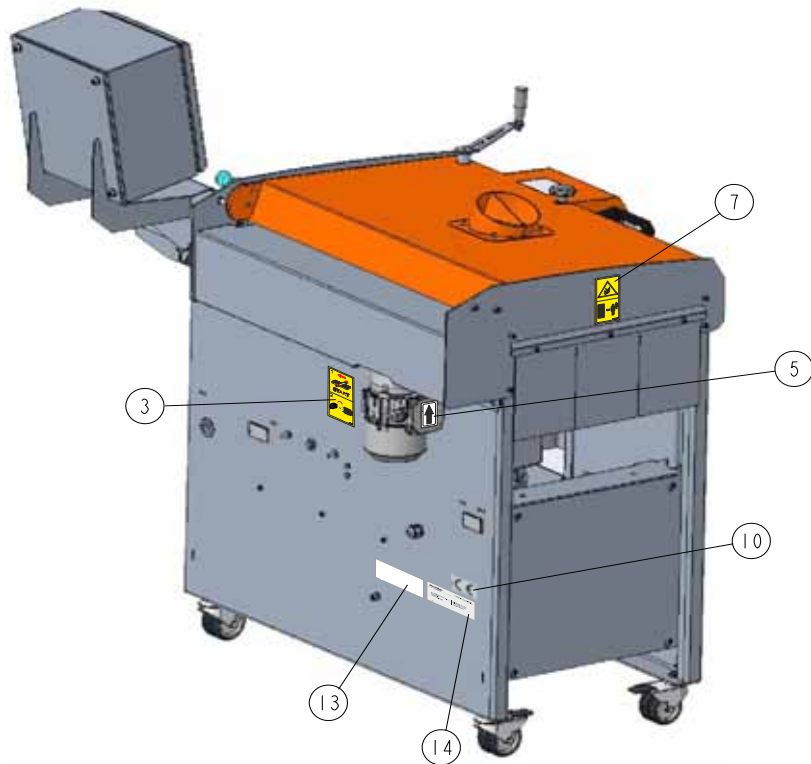
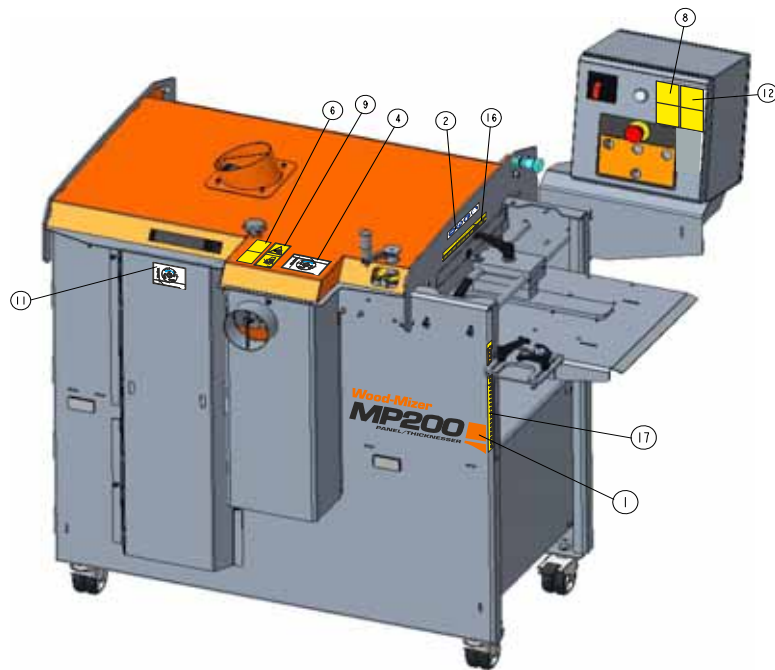
533120\_006  
 533120\_MANUAL



REF.	DESCRIPTION (* indicates parts available in assemblies only)	PART #	QTY
1	VISION COVER	536995-1	4
2	BUSH 4,3 FE/ZN5	F81051-2	8
2	SCREW M4x10 DIN933(A2)/ISO 4017 STAINLES	F81000-27	8



2.5 Decals



REF.	DESCRIPTION (* indicates parts available in assemblies only)	PART #	QTY
-	DECAL KIT, MP200	535151	1
1	DECAL, MP200 PLANER/MOULDER TYPE	535152	1
2	DECAL - WARNING PICTOGRAMS	535402	1



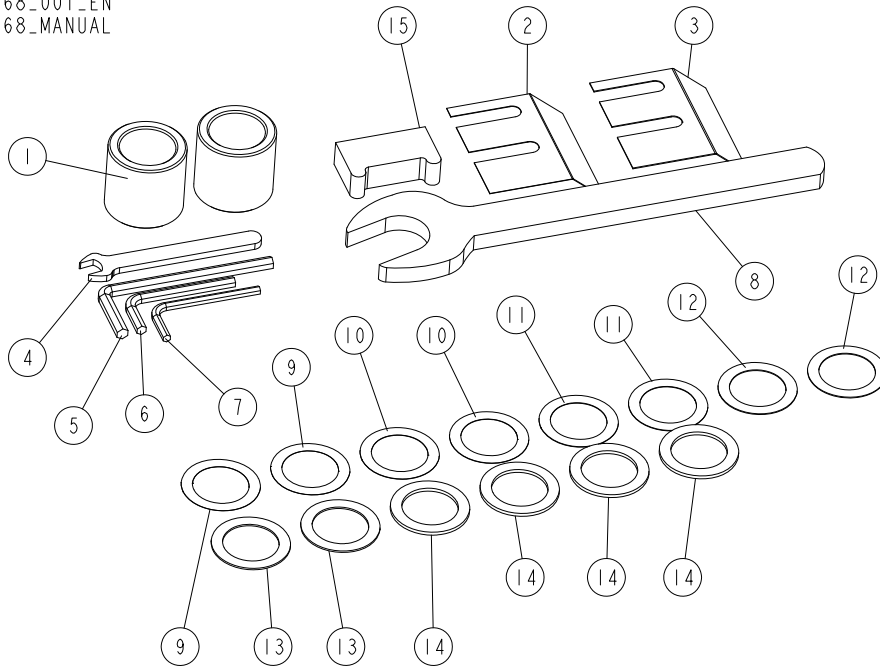
## Planer/Moulder, MP200

### Decals

REF.	DESCRIPTION (* indicates parts available in assemblies only)	PART #	QTY	
3	DECAL, "USE THE CONTINUOUSLY VARIABLE TRANSMISSION WHEN THE FEED IS TURNED ON" (PICTOGRAM)	535252	1	
4	DECAL, MAXIMUM PLANING THICKNESS	535303	1	
5	DECAL, MOTOR ROTATION DIRECTION	S20097	1	
6	DECAL, "READ THE OPERATOR'S MANUAL"	096317	1	
7	DECAL, "KEEP A SAFE DISTANCE" PICTOGRAM	099221V	1	
8	DECAL, HAZARDOUS VOLTAGE INSIDE THE ELECTRIC BOX (PICTOGRAM)	096316	1	
9	DECAL, "CLOSE GUARDS BEFORE OPERATING"	099220	1	
10	DECAL, CE CERTIFIED SAWMILL - SMALL	P85070	1	
11	DECAL, MAXIMUM CUTTING THICKNESS MP200	535155	1	
12	DECAL, REMOVE THE PLUG BEFORE OPENING THE ELECTRIC BOX (PICTOGRAM)	096319	1	
13	DECAL, VIN	VIN	1	
14	DECAL, EUROPEAN HEADQUARTER ADDRESS	015841	1	
15	DECAL, MP 200 ROUND SCALE	533577	1	
16	DECAL, HORIZONTAL SCALE	533578	1	
17	DECAL, VERTICAL SCALE	533579	1	

## 2.6 MP200 Additional Part Kit

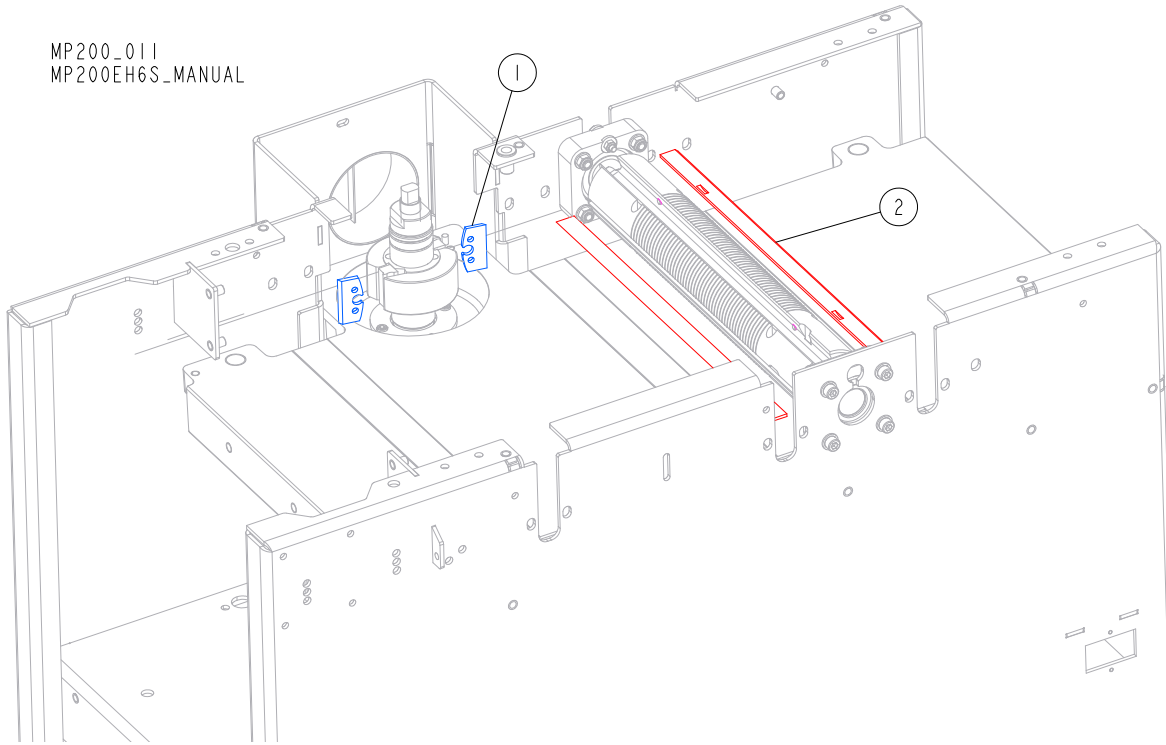
537668\_001\_EN  
537668\_MANUAL



REF	DESCRIPTION (* indicates parts available in assemblies only)	PART #	QTY
-	<b>MP200 ADDITIONAL PART KIT</b>	537668	1
1	BUSHING 30/42-40.2 ZINC-PLATED	535848-1	2
2	PLATE, 0.3 MM CUTTER GUARD	537648	1
3	PLATE, 0.5 MM CUTTER GUARD	533502	1
-	MP160 WRENCH KIT	535185	1
4	WRENCH, 10 FLAT	541315	1
5	WRENCH, 6MM ALLEN	535186	1
6	WRENCH, 5 ALLEN	092915	1
7	WRENCH, 4MM ALLEN	093368	1
8	WRENCH 30 DIN 894	537649	1
9	WASHER 30/42-0.1 ZC DIN 988	F81069-6	2
10	WASHER 30/42-0.2 ZC DIN 988	F81069-5	2
11	WASHER 30/42-0.3 ZC DIN 988	F81069-4	2
12	WASHER 30/42-0.5 ZC DIN 988	F81069-3	2
13	WASHER 30/42-1 ZC DIN 988	F81069-2	2
14	WASHER 30/42-2 ZC DIN 988	F81069-1	4
15	KNIFE ALIGNMENT TOOL	534770	1

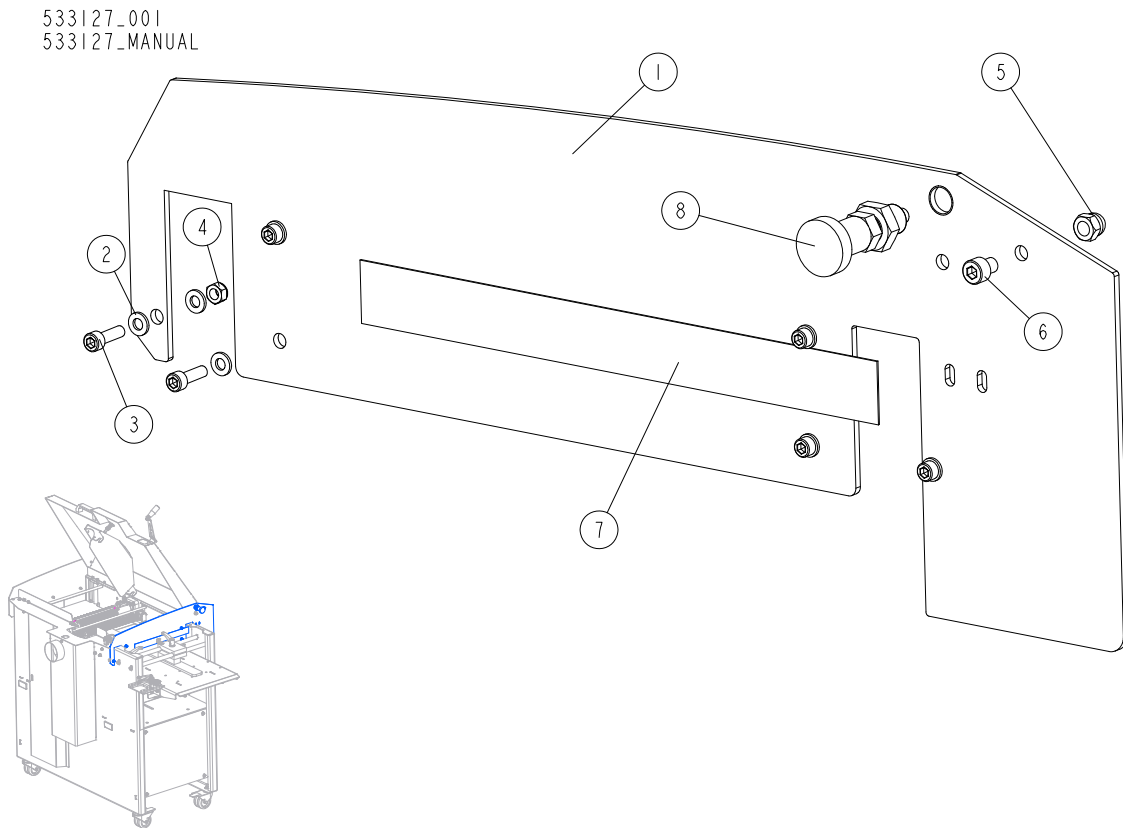
**2.7 MP200 Knives**

MP200\_011  
MP200EH6S\_MANUAL



REF	DESCRIPTION (* indicates parts available in assemblies only)	PART #	QTY
1	KNIFE, CUTTER	533588	2
2	KNIFE SET, PLANING	241-050	1

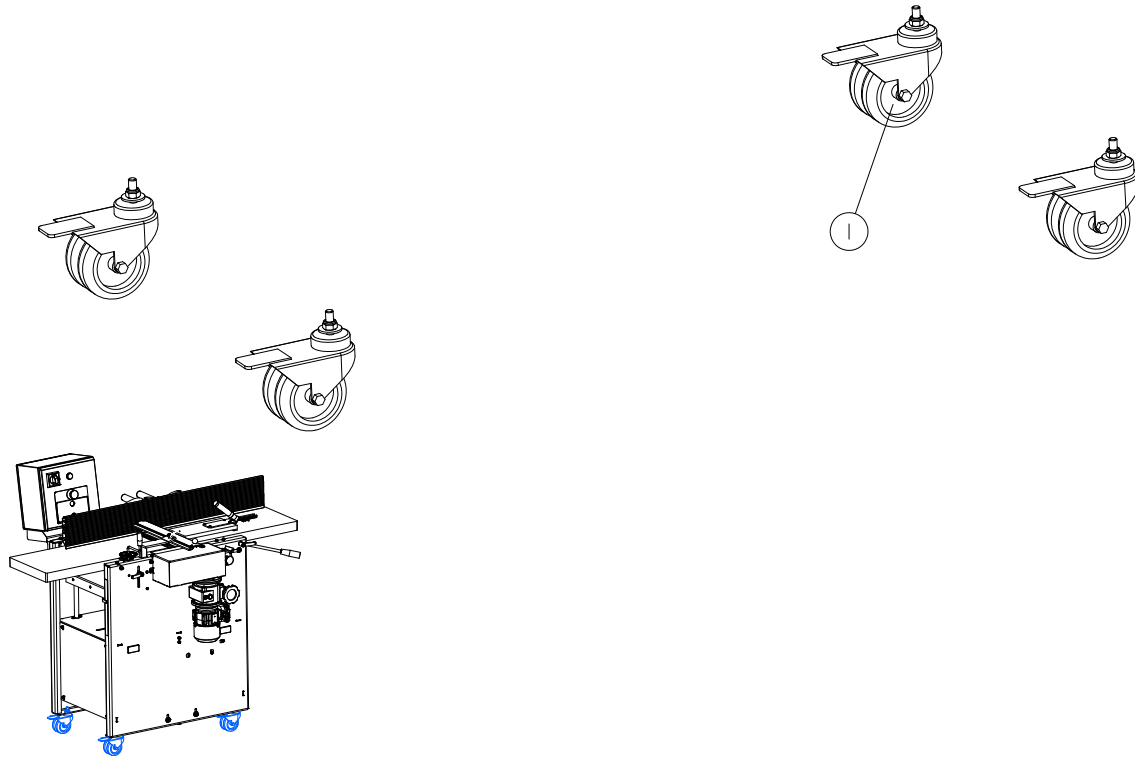
## 2.8 Front Plate 533127



REF.	DESCRIPTION (* indicates parts available in assemblies only)	PART #	QTY
-	<b>PLATE, FRONT COMPLETE</b>	533127	1
1	COVER, RIGHT	533094-1	1
2	WASHER, 6.4 FLAT ZINC	F81053-1	8
3	SCREW, M6X20 8.8 HEX SOCKET HEAD CAP ZINC	F81001-22	6
4	NUT, M6-8-B HEX NYLON ZINC LOCK	F81031-2	2
5	NUT, M8 DOMED CAP	F81033-25	1
6	SCREW, M8X10-8.8 HEX SOCKET HEAD CAP ZINC	F81002-32	1
7	DECAL, HORIZONTAL SCALE	533578	1
8	PIN, 45308DNW DETENT	089939	1

## 2.9 Castor wheels 535166

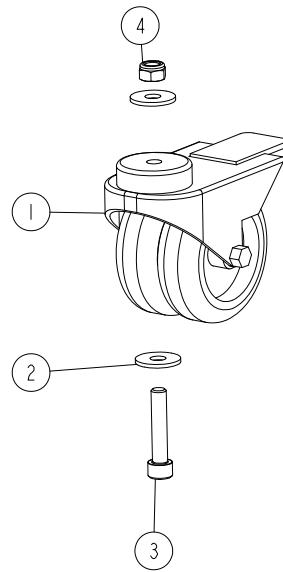
535166\_001  
535166\_MANUAL



REF.	DESCRIPTION (* indicates parts available in assemblies only)	PART #	QTY	
-	CASTOR WHEELS, 4 PCS. KIT	535166	1	
1	CASTOR WHEEL ASSEMBLY <a href="#">See Section 2.10</a>	535163	4	

## 2.10 Castor wheel assembly 535163

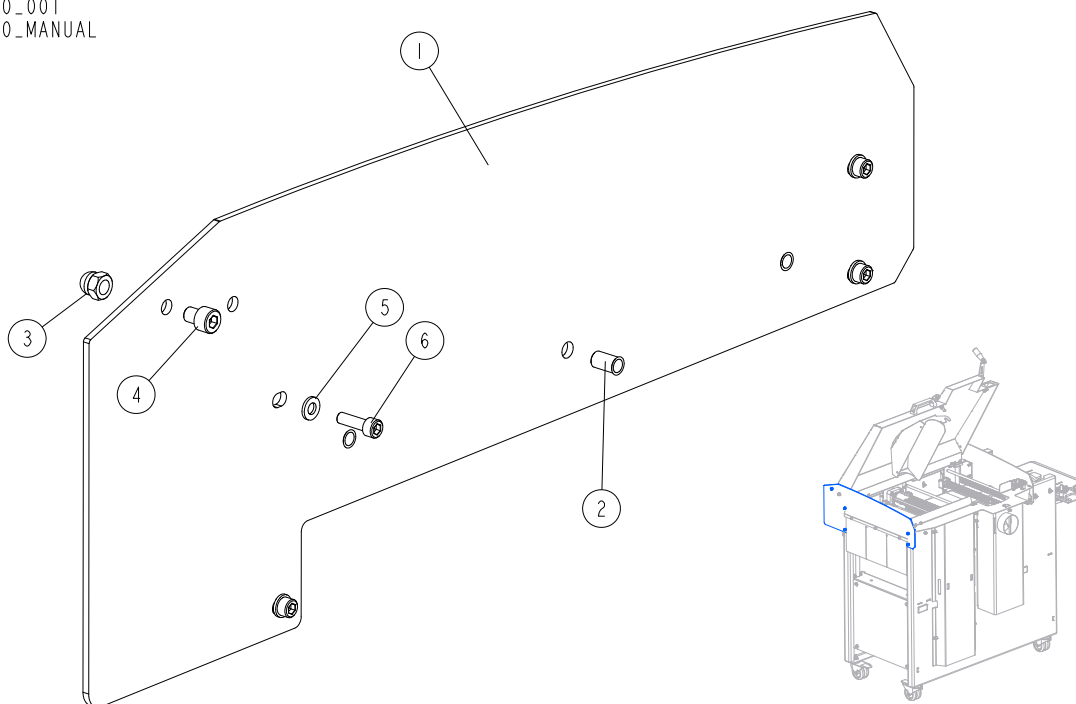
535163\_001  
535163\_MANUAL



REF.	DESCRIPTION (* indicates parts available in assemblies only)	PART #	QTY	
-	<b>CASTOR WHEEL ASSEMBLY</b>	535163	1	
1	DUAL WHEEL CASTOR, KMDA-TPA 75S-HC	533510	1	
2	WASHER, ISO 7093-1-8-200 HV-A2E.	F81054-11	2	
3	SCREW, M8X40-8.8 HEX SOCKET HEAD CAP ZINC	F81002-29	1	
4	NUT, M8-8-B HEX NYLON ZINC LOCK	F81032-2	1	

**2.11 Left Cover 533130**

533130\_001  
533130\_MANUAL

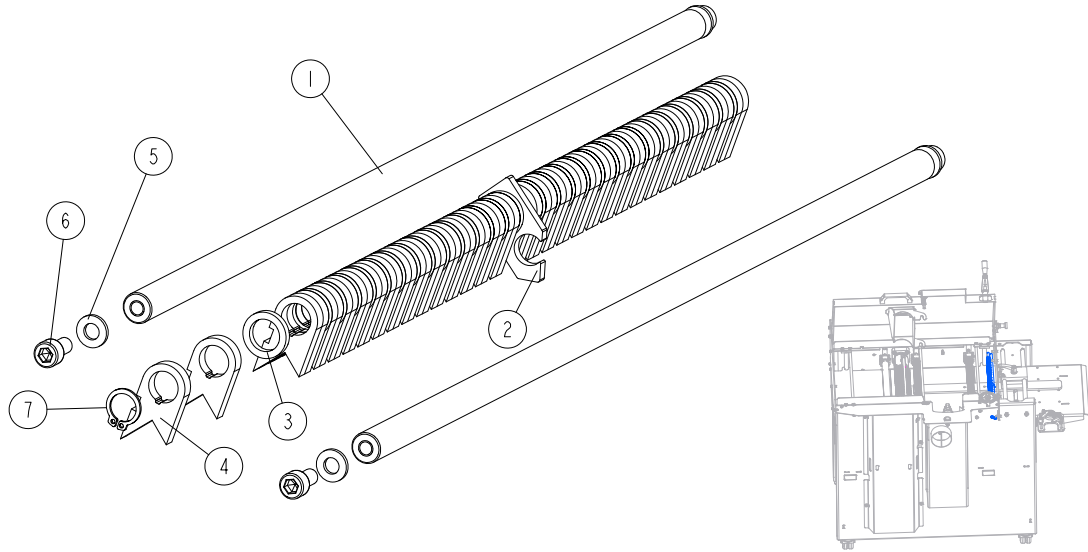


REF.	DESCRIPTION (* indicates parts available in assemblies only)	PART #	QTY
-	<b>COVER, LEFT COMPLETE</b>	533130	1
1	COVER, LEFT	533093-1	1
2	NUT, O-NIT-6-17-ZN RIVET	F81031-13	3
3	NUT, M8 DOMED CAP	F81033-25	1
4	SCREW, M8X10-8.8 HEX SOCKET HEAD CAP ZINC	F81002-32	1
5	WASHER, 6.4 FLAT ZINC	F81053-1	4
6	SCREW, M6X20 8.8 HEX SOCKET HEAD CAP ZINC	F81001-22	4



## 2.12 Anti-kickback Fingers Assembly 533125

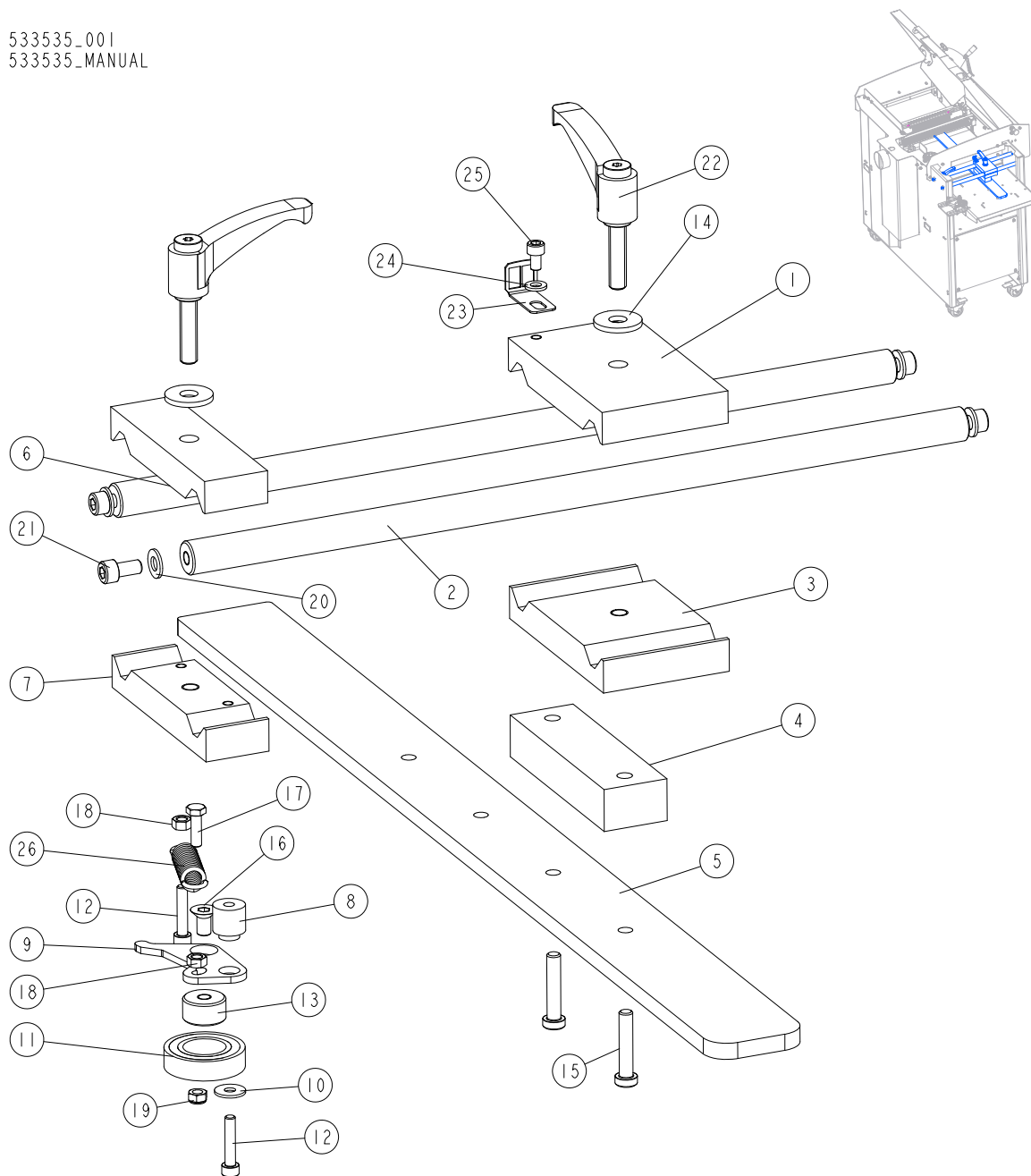
533125\_001\_A  
533125\_MANUAL



REF.	DESCRIPTION (* indicates parts available in assemblies only)	PART #	QTY
-	<b>ANTI-KICKBACK FINGERS ASSEMBLY</b>	533125	1
1	SHAFT	533092-1	2
2	BLOCK	533124-1	1
3	WASHER, DIA.1940	533123	30
4	FINGER, ANTI-KICKBACK COMPLETE	533126	30
5	WASHER, 6.4 FLAT ZINC	F81053-1	4
6	SCREW, ISO 4762-M6X12-8.8-A2E HEX SOCKET HEAD CAP	F81001-87	4
7	RING, Z 12 OUTSIDE RETAINING	F81090-14	2

## 2.13 Fence Assembly 533535

533535\_001  
533535\_MANUAL

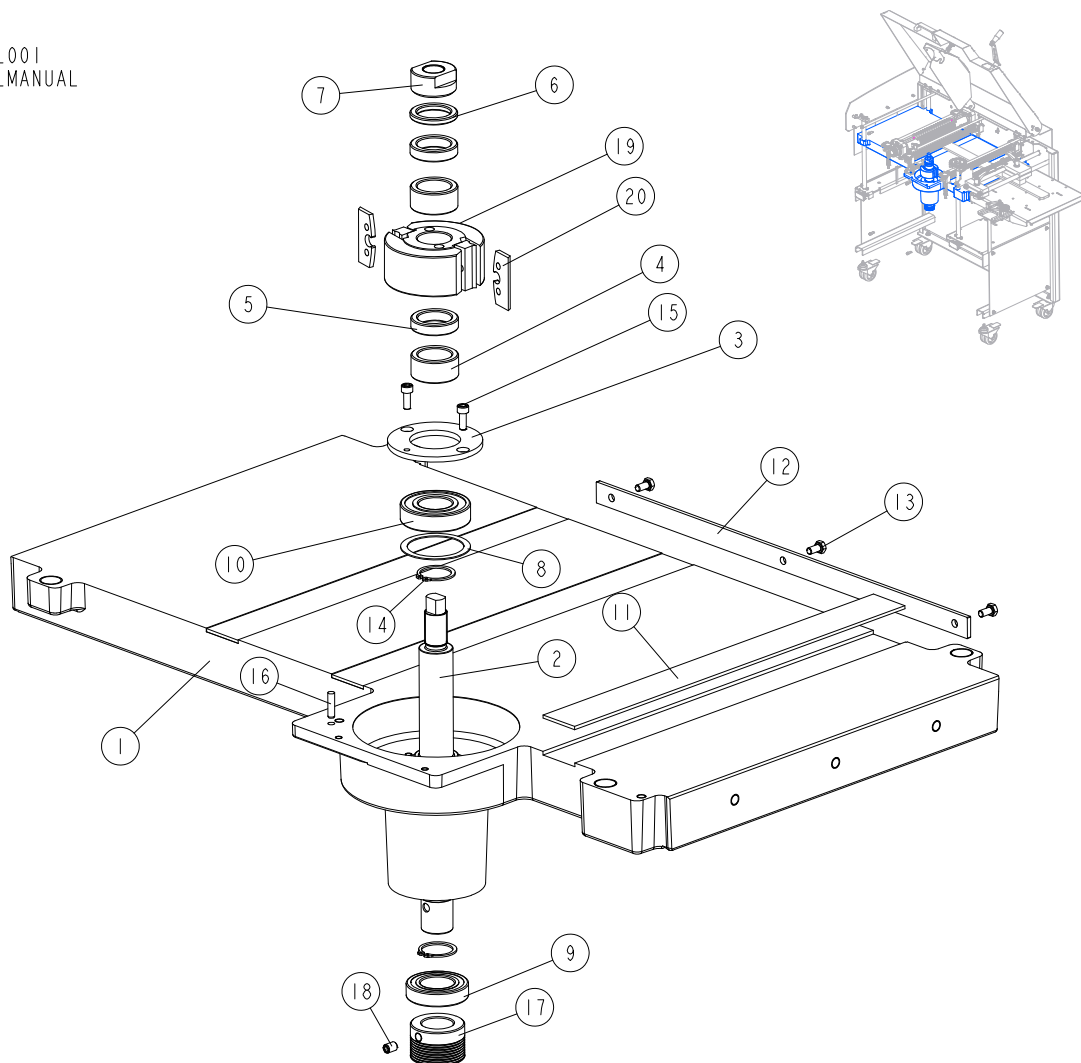


REF.	DESCRIPTION (* indicates parts available in assemblies only)	PART #	QTY
-	<b>FENCE ASSEMBLY</b>	533535	1
1	BRACKET, FENCE ROD UPPER	533530-1	1
2	ROD, N20X494	533531-1	2
3	BRACKET, FENCE ROD LOWER	533523-1	1
4	PLATE, 26X40X130 CONNECTION	533522-1	1
5	BAR, FENCE	533524-1	1
6	PLATE, BASIC UPPER	533527-1	1
7	PLATE, BASIC LOWER	533526-1	1
8	BUSHING, 6.2/19-20.3	533528	1

REF.	DESCRIPTION (* indicates parts available in assemblies only)	PART #	QTY	
9	BRACKET, BEARING MOVABLE	533525-1	1	
10	WASHER, 6.5 ZINC SPECIAL FLAT	F81053-11	1	
11	BEARING, 6005 2RS	089652	1	
12	SCREW, M6X30-8.8 HEX SOCKET HEAD CAP ZINC	F81001-42	2	
13	BUSHING, M8/25-13.5 ZINC-PLATED	533529-1	1	
14	WASHER, 10.5 SPECIAL FLAT ZINC	F81055-6	2	
15	BOLT, M8X40-8.8.FE/ZN5 7984 CLASS 8.8	F81002-81	2	
16	SCREW, M8X16 FE/ZN5 7991 10.9 FLAT SOCKET HEAD CAP	F81002-82	1	
17	BOLT, M6X20 8.8 HEX HEAD FULL THREAD ZINC	F81001-2	1	
18	NUT, M6 8 HEX ZINC	F81031-1	2	
19	NUT, M6-8-B HEX NYLON ZINC LOCK	F81031-2	1	
20	WASHER, 8.4 FLAT ZINC	F81054-1	4	
21	SCREW, M8X16-8.8 HEX SOCKET HEAD CAP ZINC	F81002-39	4	
22	HANDLE, ERZ.78 P-M10X40 ADJUSTABLE	533536	2	
23	INDICATOR, SCALE	533098	1	
24	WASHER, 6.4 FLAT ZINC	F81053-1	1	
25	SCREW, M6X10 8.8 HEX SOCKET HEAD CAP ZINC	F81001-12	1	
26	SPRING, 15X65X2.5	533571	1	

2.14 Table, MP200 533545

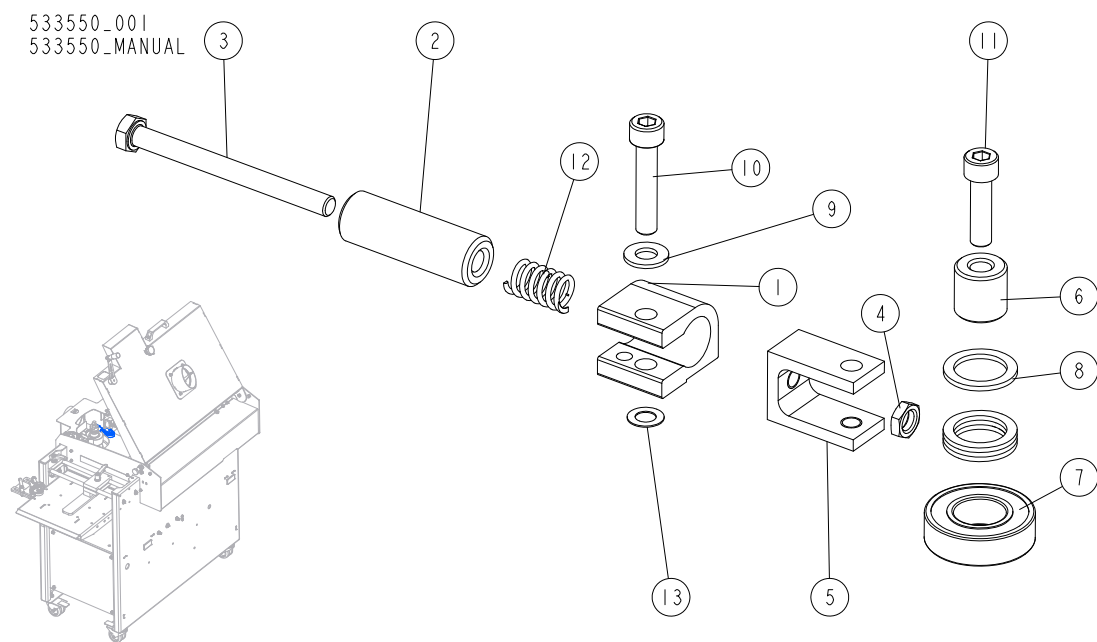
533545\_001  
533545\_MANUAL



REF.	DESCRIPTION (* indicates parts available in assemblies only)	PART #	QTY
-	TABLE, MP200 COMPLETE	533545	1
1	TABLE, MP200	246-100B	1
2	SHAFT	533537	1
3	PLATE, CLAMPING	533542-1	1
4	BUSHING, 30/42-20.2 ZINC-PLATED	533541-1	2
5	BUSHING, 30/42-10 ZINC-PLATED	533539-1	2
6	BUSHING, 30/42-5.2 ZINC-PLATED	533540-1	1
7	NUT, M20X1.5	533538-1	1
8	WASHER, 50X61.6X1	533543	1
9	BEARING, 6006 2RSR	096191	1
10	BEARING, 6206 2RSR P6 ROLLING (FAG, NSK, SKF)	100787	1
11	PLATE, SLIDE	533544	3
12	BAR	533546-1	1
13	BOLT, M6X12 8.8 HEX HEAD FULL THREAD ZINC	F81001-7	3
14	RING, 30Z OUTSIDE RETAINING	F81090-23	2

REF.	DESCRIPTION (* indicates parts available in assemblies only)	PART #	QTY	
15	SCREW, M6X16 8.8 HEX SOCKET HEAD CAP ZINC	F81001-21	2	
16	PIN, ISO2338-6M6X24-A1 PARALLEL	F81045-5	1	
17	PULLEY, MULTI-GROOVE SMALL ALUMINIUM	533586	1	
18	SCREW, M8X12-45H FE/ZN DIN914 HEX SOCKET SET W/CONE POINT	F81002-105	1	
-	CUTTER, TB90-92 STEEL UNIVERSAL	240-010	1	
19	CUTTER, UNIVERSAL	533587	1	
20	KNIFE, MOULDING	533588	2	
	<b>SHIM, 30/42-2 FE/ZN5 DIN 988</b>	F81069-1	A/R	
	<b>SHIM, 30/42-1 FE/ZN5 DIN 988</b>	F81069-2	A/R	
	<b>SHIM, 30/42-0.5 FE/ZN5 DIN 988</b>	F81069-3	A/R	
	<b>SHIM, 30/42-0.3 FE/ZN5 DIN 988</b>	F81069-4	A/R	

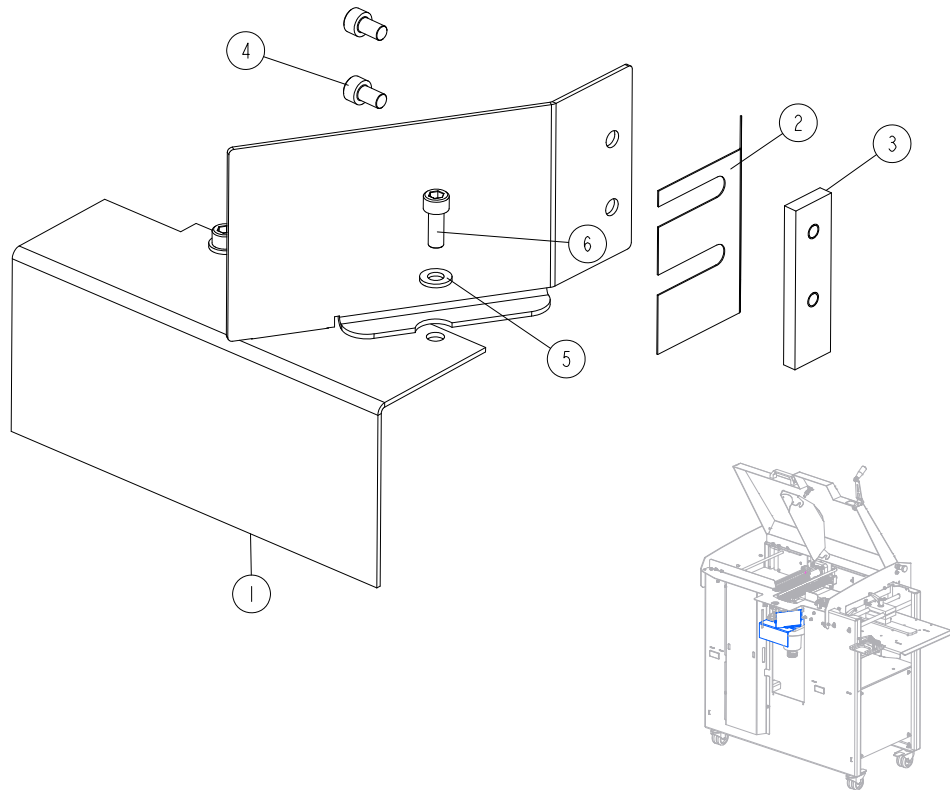
**2.15 Press Roller Assembly 533550**



REF.	DESCRIPTION (* indicates parts available in assemblies only)	PART #	QTY
-	<b>PRESS ROLLER ASSEMBLY II</b>	533550	1
1	CONNECTOR, ALUMINIUM	533551-1	1
2	BUSHING, 8.5/20-60 ZINC-PLATED	533553-1	1
3	BOLT, M8X90-8.8 HEX HEAD FULL THREAD ZINC	F81002-16	1
4	NUT, M8-04-HEX THIN ZINC	F81032-8	1
5	CONNECTOR, ALUMINIUM	533552	1
6	BUSHING, 8.2/20-20	533554-1	1
7	BEARING, 6004 2RS CX ROLLING	093868	1
8	WASHER, 28/20-2	533555	4
9	WASHER, 8.4 FLAT ZINC	F81054-1	1
10	SCREW, M8X40-8.8 HEX SOCKET HEAD CAP ZINC	F81002-29	1
11	SCREW, M8X30-8.8 HEX SOCKET HEAD CAP ZINC	F81002-31	1
12	SPRING, 12X25XN2	533556	1
13	WASHER, 14 DIN 988 SPACER ZINC	F81055-16	1

## 2.16 Cutter Guard Assembly 533507

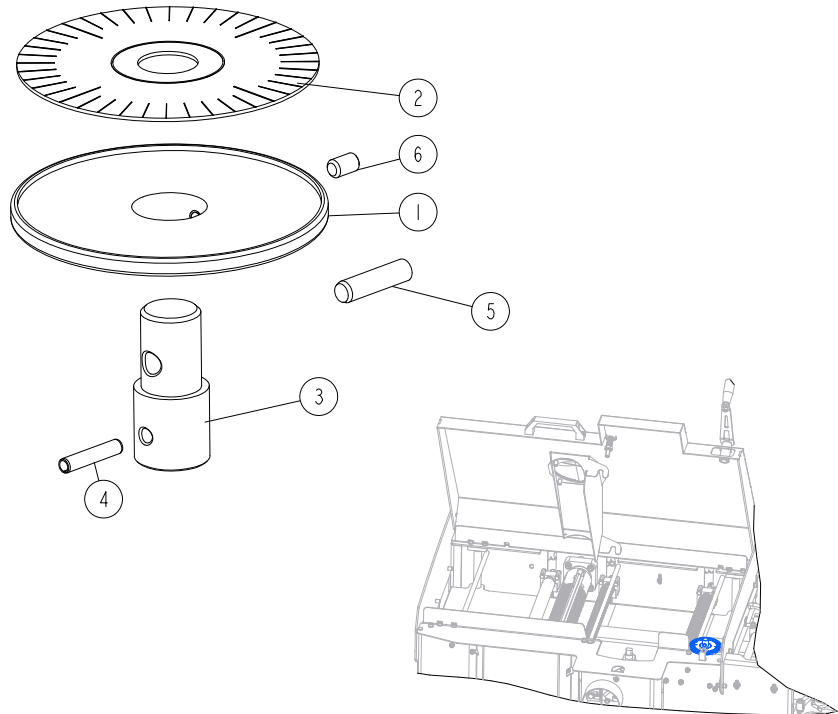
533507\_001  
533507\_MANUAL



REF.	DESCRIPTION (* indicates parts available in assemblies only)	PART #	QTY
-	<b>GUARD ASSEMBLY, CUTTER</b>	533507	1
1	GUARD, CUTTER	533501-1	1
2	PLATE, 0.5 MM CUTTER GUARD	533502	1
3	PLATE, CUTTER GUARD CLAMPING	533503-1	1
4	SCREW, M6X10 8.8 HEX SOCKET HEAD CAP ZINC	F81001-12	2
5	WASHER, 6.4 FLAT ZINC	F81053-1	2
6	SCREW, M6X16 8.8 HEX SOCKET HEAD CAP ZINC	F81001-21	2

## 2.17 Round Scale 533676

533676\_001\_A  
533676\_MANUAL

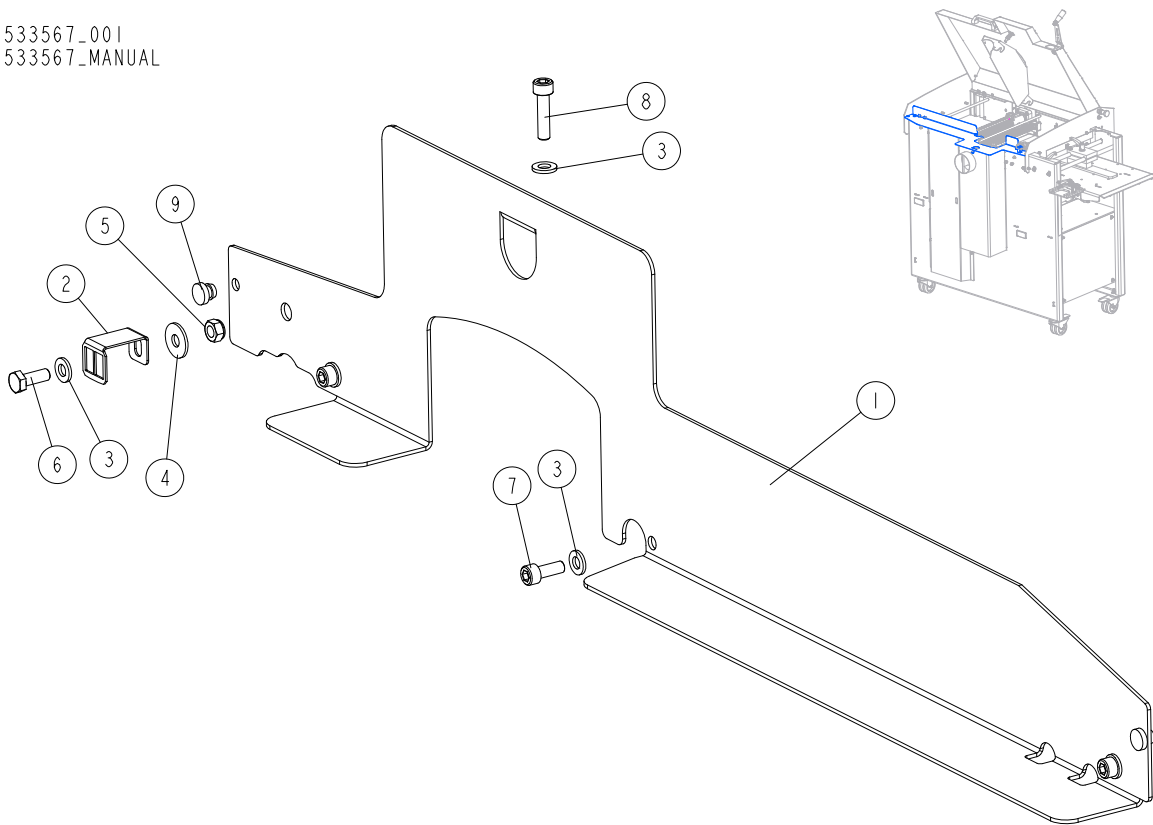


REF	DESCRIPTION (* indicates parts available in assemblies only)	PART #	QTY
-	<b>SCALE, ROUND COMPLETE</b>	533676	1
1	DISK, ROUND SCALE	533594	1
2	DECAL, MP200 ROUND SCALE	533577	1
3	PIN, SCALE DISK MOUNT	533595-1	1
4	COLIED SPRING PIN 4X20, ISO 8752, STEEL.	F81044-11	1
5	DOWEL PIN 6M6X12 DIN 7 ISO 2338	F81045-5	1
6	SCREW WITHOUT HEAD M5X8 45H DIN 913	F81014-7	1



## 2.18 Upper Guard 533567

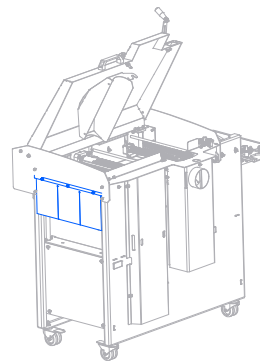
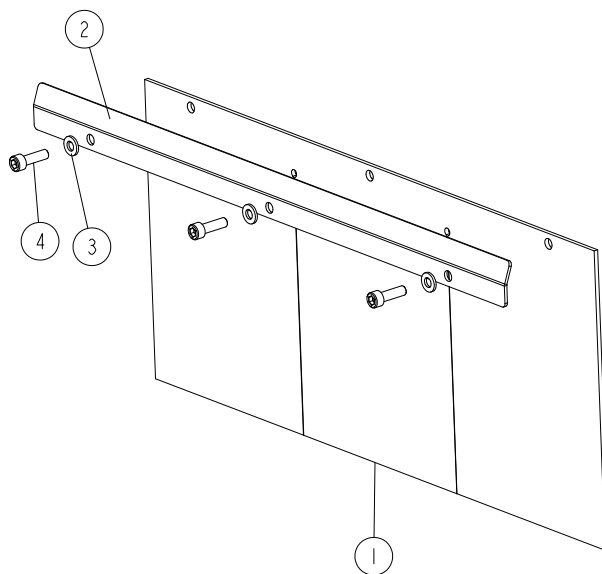
533567\_001  
533567\_MANUAL



REF.	DESCRIPTION (* indicates parts available in assemblies only)	PART #	QTY
-	<b>GUARD, UPPER COMPLETE</b>	533567	1
1	COVER, TOP	533657-1	1
2	INDICATOR, SCALE	533097	1
3	WASHER, 6.4 FLAT ZINC	F81053-1	5
4	WASHER, 6.5 ZINC SPECIAL FLAT	F81053-11	2
5	NUT, M6-8-B HEX NYLON ZINC LOCK	F81031-2	2
6	BOLT, M6X16-8.8 HEX HEAD FULL THREAD ZINC	F81001-15	1
7	SCREW, M6X16 8.8 HEX SOCKET HEAD CAP ZINC	F81001-21	3
8	SCREW, M6X25-8.8 HEX SOCKET HEAD CAP ZINC	F81001-41	1
9	BUMPER, OG3 RUBBER	533568	2

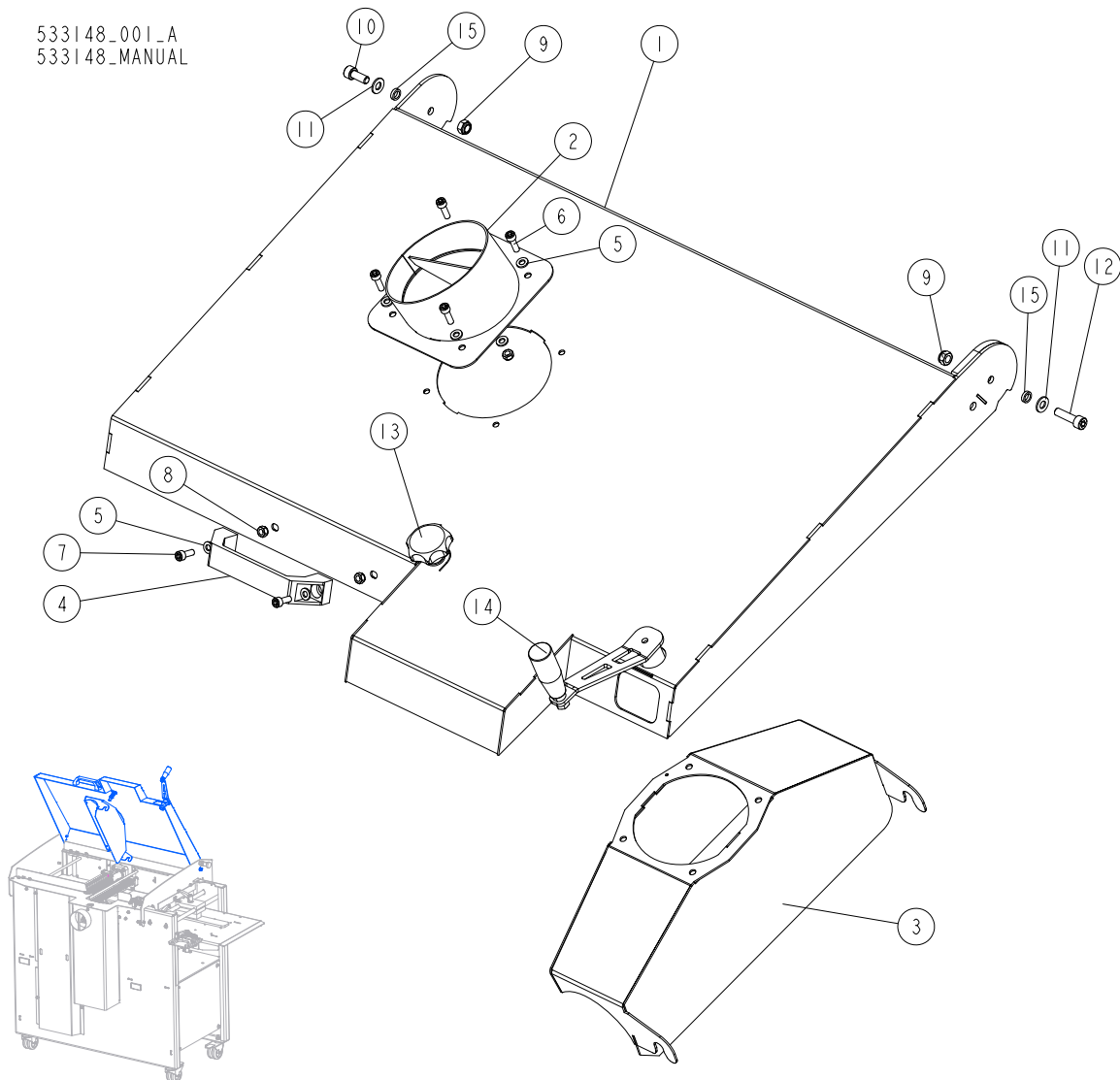
### 2.19 Flexible Guard 533729

533729\_001  
533729\_MANUAL



REF.	DESCRIPTION (* indicates parts available in assemblies only)	PART #	QTY
-	<b>GUARD, UPPER COMPLETE</b>	533729	1
1	FLEXIBLE GUARD	533083	1
2	BRACKET, FLEXIBLE GUARD	533082-1	1
3	WASHER, 6.4 FLAT ZINC	F81053-1	3
4	SCREW, M6X20 8.8 HEX SOCKET HEAD CAP ZINC	F81001-22	3

## 2.20 Upper Cover Assembly 533148

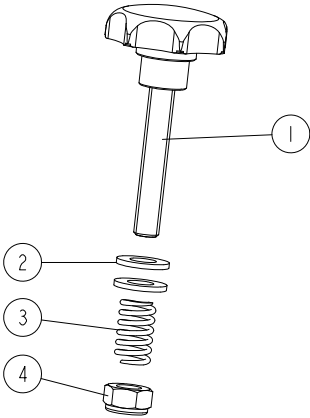
533148\_001\_A  
533148\_MANUAL

REF.	DESCRIPTION (* indicates parts available in assemblies only)	PART #	QTY
-	<b>UPPER COVER ASSEMBLY, MP200</b>	533148	1
1	COVER, WELDMENT MP200	533134-1	1
2	CONNECTOR, MP200 SAWDUST CHUTE	533140-1	1
3	CHUTE WELDMENT, SAWDUST	533660-1	1
4	HANDLE, PULL	533506	1
5	WASHER, 6.4 FLAT ZINC	F81053-1	10
6	SCREW, M6X20 8.8 HEX SOCKET HEAD CAP ZINC	F81001-22	4
7	SCREW, M6X16 8.8 HEX SOCKET HEAD CAP ZINC	F81001-21	2
8	NUT, M6-8-B HEX NYLON ZINC LOCK	F81031-2	6
9	NUT, M8-8-B HEX NYLON ZINC LOCK	F81032-2	2
10	SCREW, M8X20-8.8 HEX SOCKET HEAD CAP ZINC	F81002-30	1
11	WASHER, 8.4 FLAT ZINC	F81054-1	2
12	SCREW, M8X30-8.8 HEX SOCKET HEAD CAP ZINC	F81002-31	1
13	KNOB ASSEMBLY, STAR <a href="#">See Section 2.21</a>	533685	1
14	HANDLE, MP200 ADJUSTABLE COMPLETE <a href="#">See Section 2.22</a>	533669	1

REF.	DESCRIPTION (* indicates parts available in assemblies only)	PART #	QTY	
15	BUSHING, SPACER	533674	2	

**2.21 Star Knob Assembly 533685**

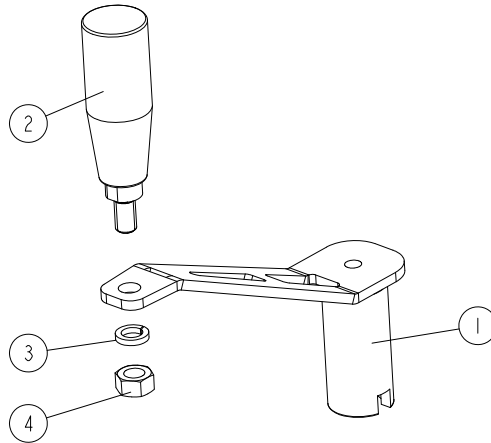
533685\_001  
533685\_MANUAL



REF.	DESCRIPTION (* indicates parts available in assemblies only)	PART #	QTY	
-	<b>KNOB ASSEMBLY, STAR</b>	533685	1	
1	KNOB, STAR	533683	1	
2	WASHER, 10.5 FLAT ZINC	F81055-1	2	
3	SPRING	533677	1	
4	NUT, M10-8-B HEX NYLON ZINC LOCK	F81033-1	1	

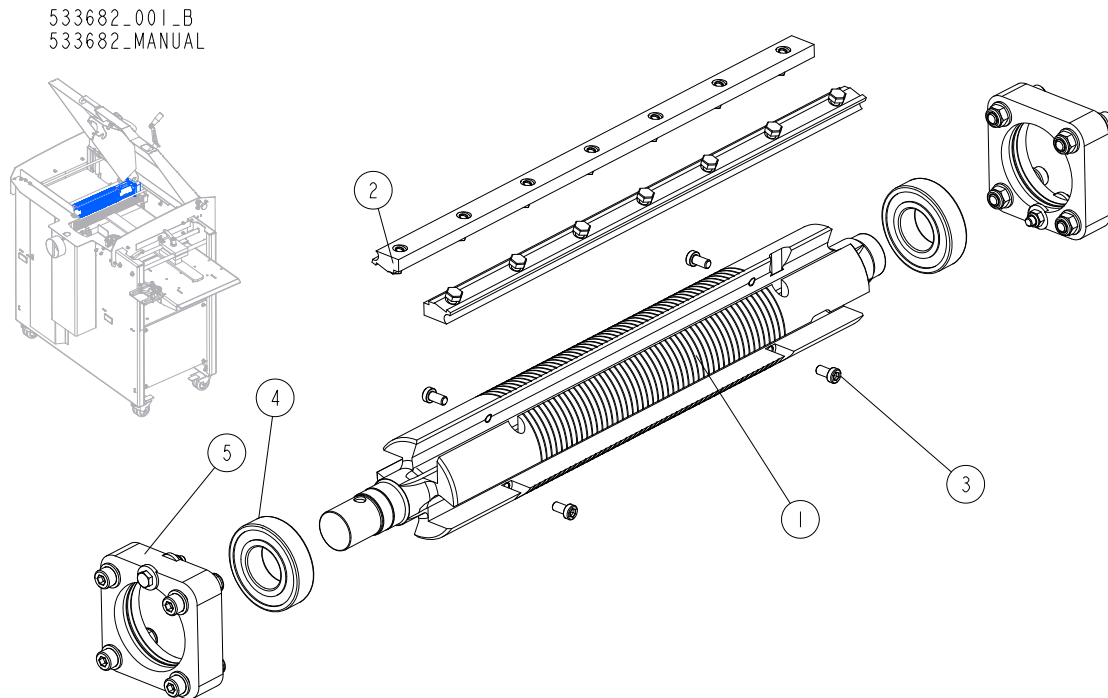
**2.22 Adjustable Handle 533669**

533669\_001  
533669\_MANUAL



REF.	DESCRIPTION (* indicates parts available in assemblies only)	PART #	QTY	
-	<b>ADJUSTABLE HANDLE, COMPLETE</b>	533669	1	
1	HANDLE ASSEMBLY, ADJUSTABLE	533147-1	1	
2	HANDLE, CRANK	533505	1	
3	WASHER, 8.2 SPLIT LOCK ZINC	F81054-4	1	
4	NUT, M8-8-B HEX ZINC	F81032-1	1	

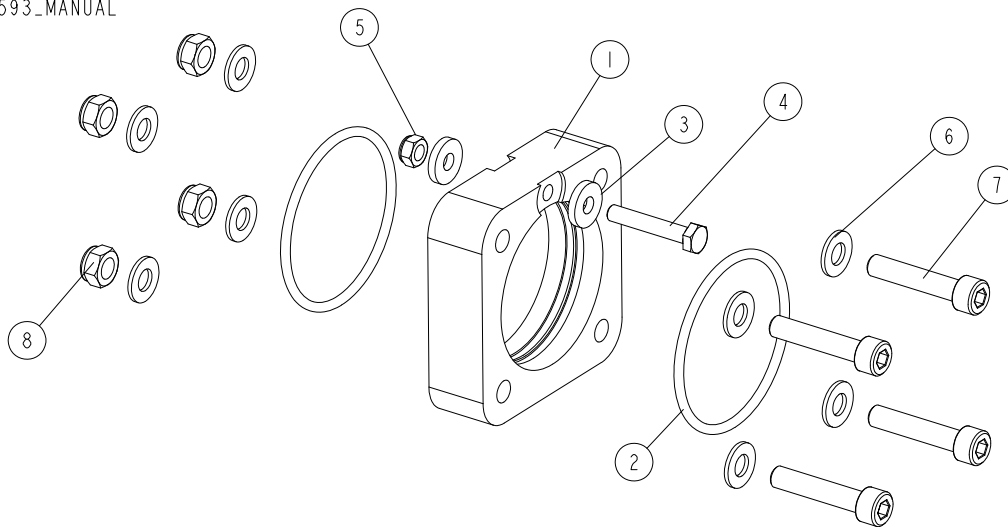
## 2.23 Main Shaft Assembly 533682



REF	DESCRIPTION (* indicates parts available in assemblies only)	PART #	QTY
-	<b>SHAFT ASSEMBLY, DRIVE</b>	533682	1
1	SHAFT, MAIN	260-138	1
2	MOUNTING WEDGES	241-060	1
3	SCREW M6X12 LSHCS 10.9 DIN 7984	F81001-80	4
4	BEARING, 6206 2RSR P6 ROLLING (FAG, NSK, SKF)	100787	2
5	HOUSING ASSEMBLY, BEARING <a href="#">See Section 2.24</a>	533593	2

**2.24 Bearing Housing Assembly 533593**

533593\_001  
533593\_MANUAL

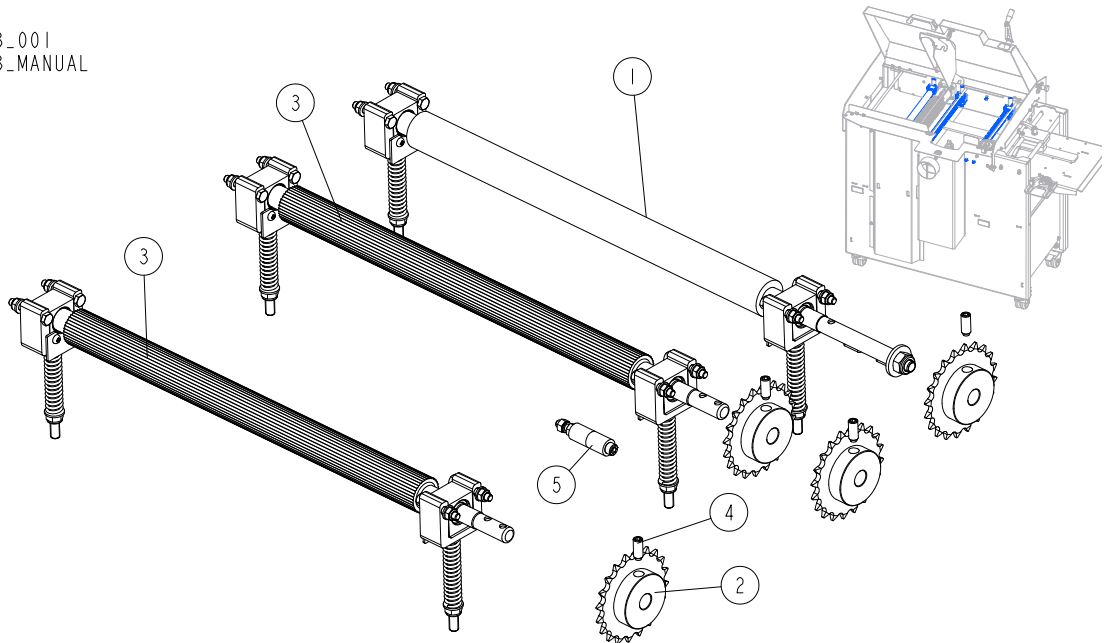


REF.	DESCRIPTION (* indicates parts available in assemblies only)	PART #	QTY
-	<b>Housing Assembly, MP200 Bearing</b>	533593	1
1	HOUSING, BEARING	533590-1	1
2	O-RING, BEARING HOUSING	533592	2
3	WASHER, 6.4 FE/ZN DIN 7349 SPACER	F81053-13	2
4	BOLT, M6X35 -8.8 HEX HEAD ZINC	F81001-71	1
5	NUT, M6-8-B HEX NYLON ZINC LOCK	F81031-2	1
6	WASHER, 8.4 FLAT ZINC	F81054-1	8
7	SCREW, M8X40-8.8 HEX SOCKET HEAD CAP ZINC	F81002-29	4
8	NUT, M8-8-B HEX NYLON ZINC LOCK	F81032-2	4



## 2.25 Feed Assembly 533558

533558\_001  
533558\_MANUAL



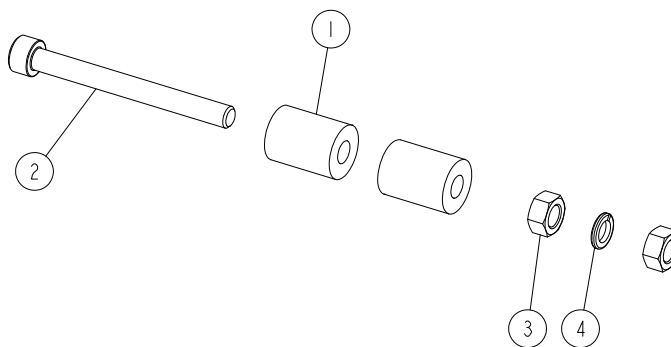
REF.	DESCRIPTION (* indicates parts available in assemblies only)	PART #	QTY
-	<b>FEED ASSEMBLY, MP200</b>	533558 <sup>1</sup>	1
1	SHAFT ASSEMBLY, W/PROTECTIVE COVER <a href="#">See Section 2.29</a>	533581	1
2	SPROCKET, Z=20; 1/2"X 3/16"(CHAIN 083-1)	533109	4
3	SHAFT ASSEMBLY, DRIVE <a href="#">See Section 2.27</a>	533580	2
4	SCREW, M8X20-45H ISO4028 DIN915 SET	F81002-77	4
5	TENSIONER, CHAIN <a href="#">See Section 2.26</a>	533583	1

<sup>1</sup> The assembly also includes:

- 533106 - chain 083-1; p-1/2"; length = 0.7747 m (61 links)
- 533107 - chain 083-1; p-1/2"; length = 0.5588 m (43 links + 1 offset link)
- 533128 - master link for chain 083-1 - 2 pcs

**2.26 Chain Tensioner 533583**

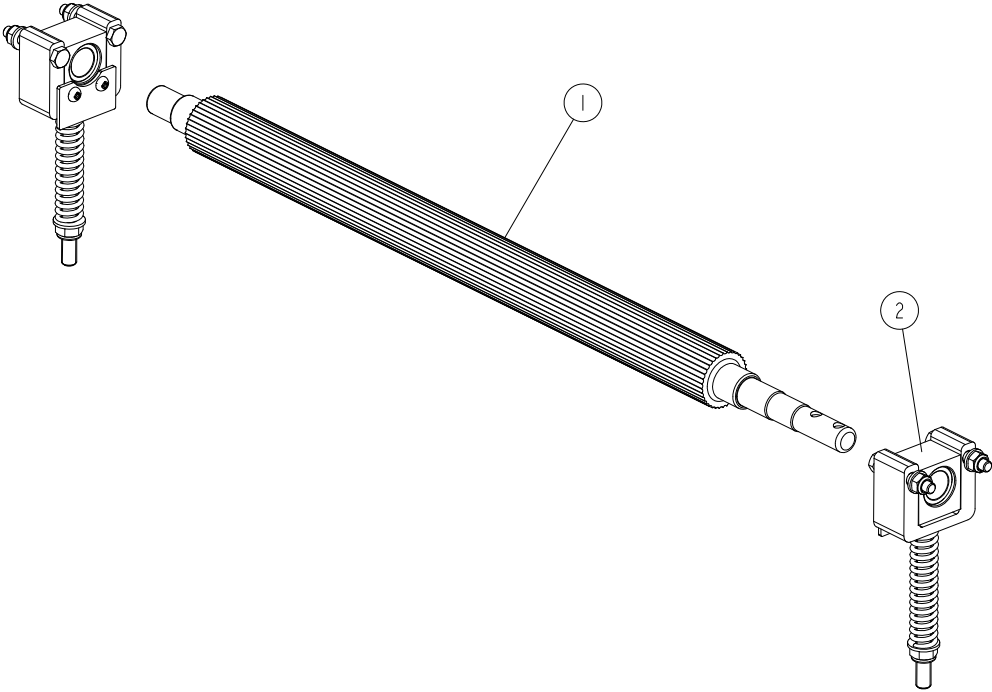
533583\_001  
533583\_MANUAL



REF.	DESCRIPTION (* indicates parts available in assemblies only)	PART #	QTY
-	TENSIONER, CHAIN	533583	1
1	BUSHING, SPACER	R80671-6	2
2	SCREW, M6X60-8.8 HEX SOCKET HEAD CAP ZINC	F81001-44	1
3	NUT, M6 8 HEX ZINC	F81031-1	2
4	WASHER, Z 6.1 SPLIT LOCK ZINC	F81053-3	1

**2.27 Drive Shaft Assembly 533580**

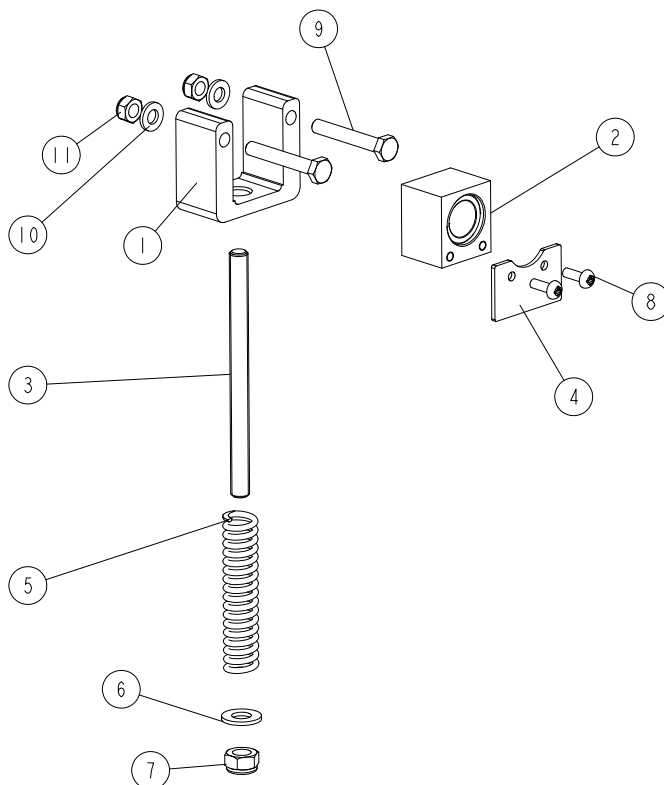
533580\_001\_A  
533580\_MANUAL



REF.	DESCRIPTION (* indicates parts available in assemblies only)	PART #	QTY	
-	SHAFT ASSEMBLY, DRIVE	533580	1	
1	SHAFT, STEEL DRIVE	533513-1	1	
2	BEARING ASSEMBLY, SLIDE <a href="#">See Section 2.28</a>	533520	2	

## 2.28 Bearing Assembly 533520

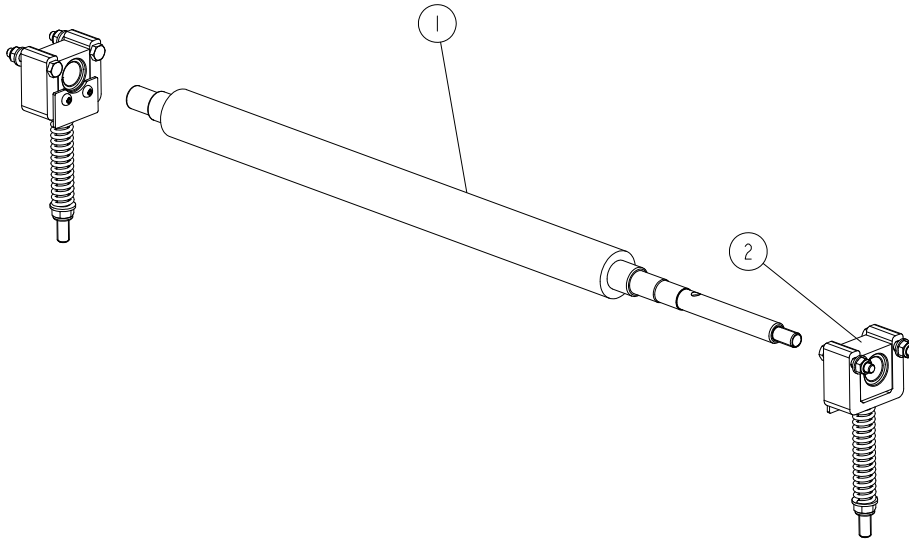
533520\_001\_A  
533520\_MANUAL



REF	DESCRIPTION (* indicates parts available in assemblies only)	PART #	QTY
-	<b>BEARING ASSEMBLY, SLIDE</b>	533520	1
1	HOUSING, SLIDE BEARING	533514	1
2	SLIDE BLOCK ASSEMBLY	537575	1
3	ROD, M8 THREADED	533518	1
4	COVER, RUBBER	533516	1
5	SPRING	533519	1
6	WASHER 8,4 ZC DIN 126 ISO 7091	F81054-1	1
7	NUT M8 ZC 8 NYLOCK DIN 982 ISO 7040	F81032-2	1
8	SCREW M4X12 PHILLIPS ZC 5.8 DIN 7985	F81011-43	2
9	BOLT M6X40 HH ZC FT 8.8 DIN 933	F81001-5	2
10	WASHER 6,4 ZC DIN 126 ISO 7091	F81053-1	2
11	NUT M6 ZC 8 NYLOCK DIN 982 ISO 7040	F81031-2	2

2.29 Shaft w/Protective Cover Assembly 533581

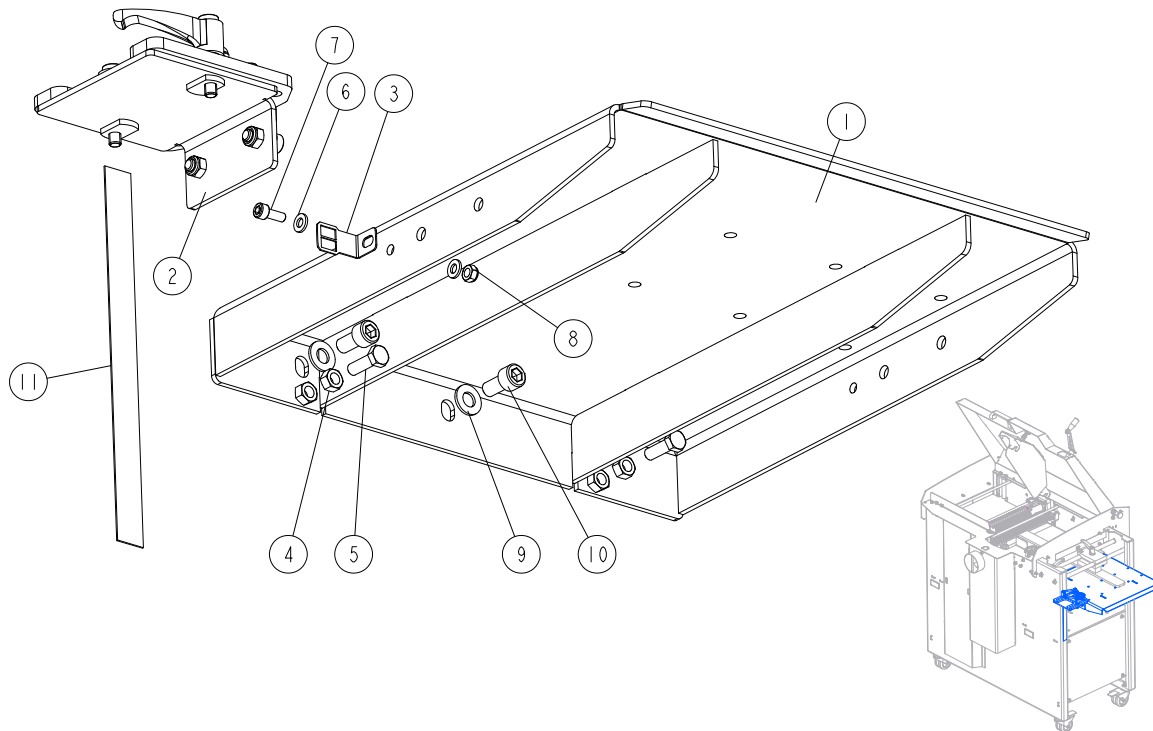
533581\_001\_A  
533581\_MANUAL



REF.	DESCRIPTION (* indicates parts available in assemblies only)	PART #	QTY
-	SHAFT ASSEMBLY, W/PROTECTIVE COVER	533581	1
1	SHAFT W/PROTECTIVE COVER	533512	1
2	BEARING ASSEMBLY, SLIDE <a href="#">See Section 2.28</a>	533520	2
3	WASHER, 10.5 SPECIAL FLAT ZINC	F81055-6	1
4	NUT, M10-8-B HEX NYLON ZINC LOCK	F81033-1	1
5	KEY, A5X5X20 PARALLEL	513320	2

2.30 Infeed Table 533095

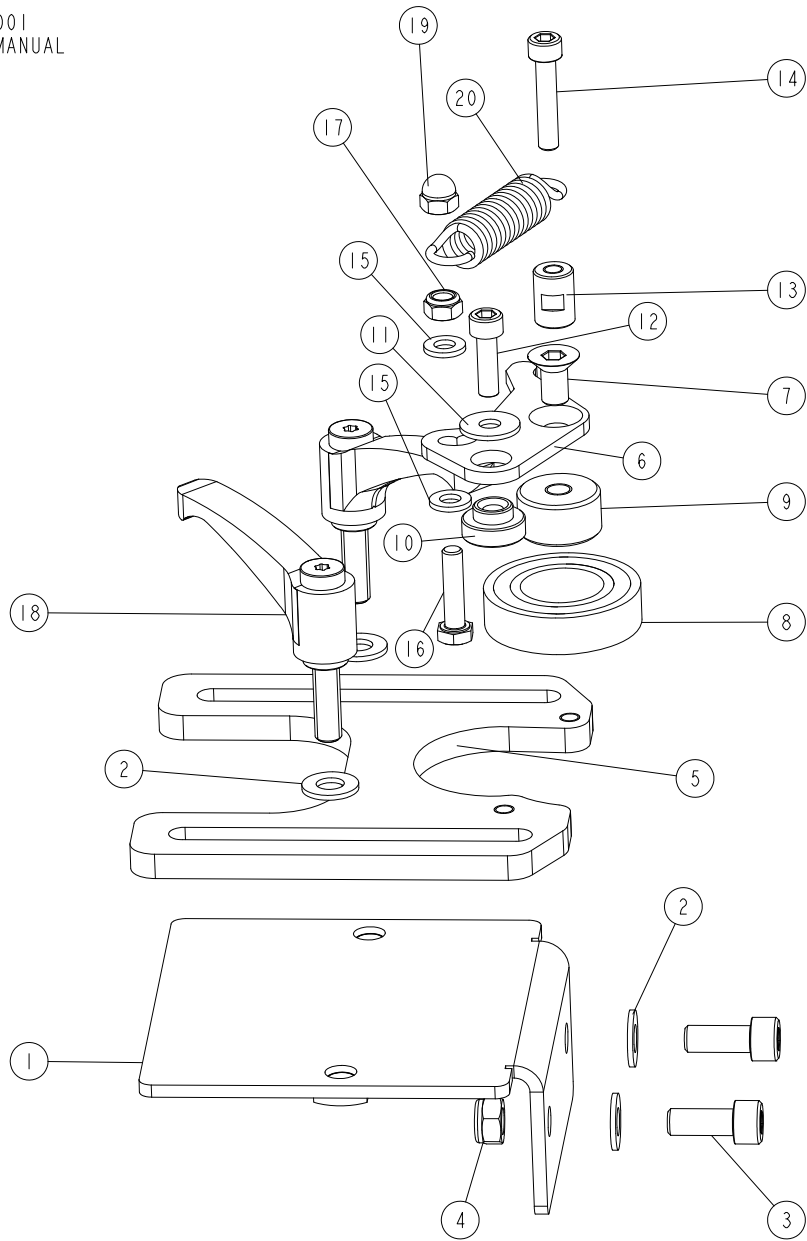
533095\_001  
533095\_MANUAL



REF.	DESCRIPTION (* indicates parts available in assemblies only)	PART #	QTY
-	<b>TABLE, INFEEED - COMPLETE</b>	533095	1
1	TABLE, INFEEED WLDMT/PTD	533665-1	1
2	PRESS ROLLER ASSEMBLY <a href="#">See Section 2.31</a>	533100	1
3	POINTER, SCALE	533099	1
4	NUT, M8-8-B HEX ZINC	F81032-1	2
5	BOLT, M8X25-8.8-B HEX HEAD FULL THREAD ZINC	F81002-5	2
6	WASHER, 6.4 FLAT ZINC	F81053-1	2
7	SCREW, ISO 4762-M6X16-8.8-A2E HEX SOCKET HEAD CAP	F81001-34	1
8	NUT, M6-8-B HEX NYLON ZINC LOCK	F81031-2	1
9	WASHER, 10.5 FLAT ZINC	F81055-1	3
10	SCREW, M10X20 8.8 HEX SOCKET HEAD CAP ZINC	F81003-108	3
11	DECAL, VERTICAL SCALE	533579	1

### 2.31 Press Roller Assembly 533100

533100\_001  
533100\_MANUAL

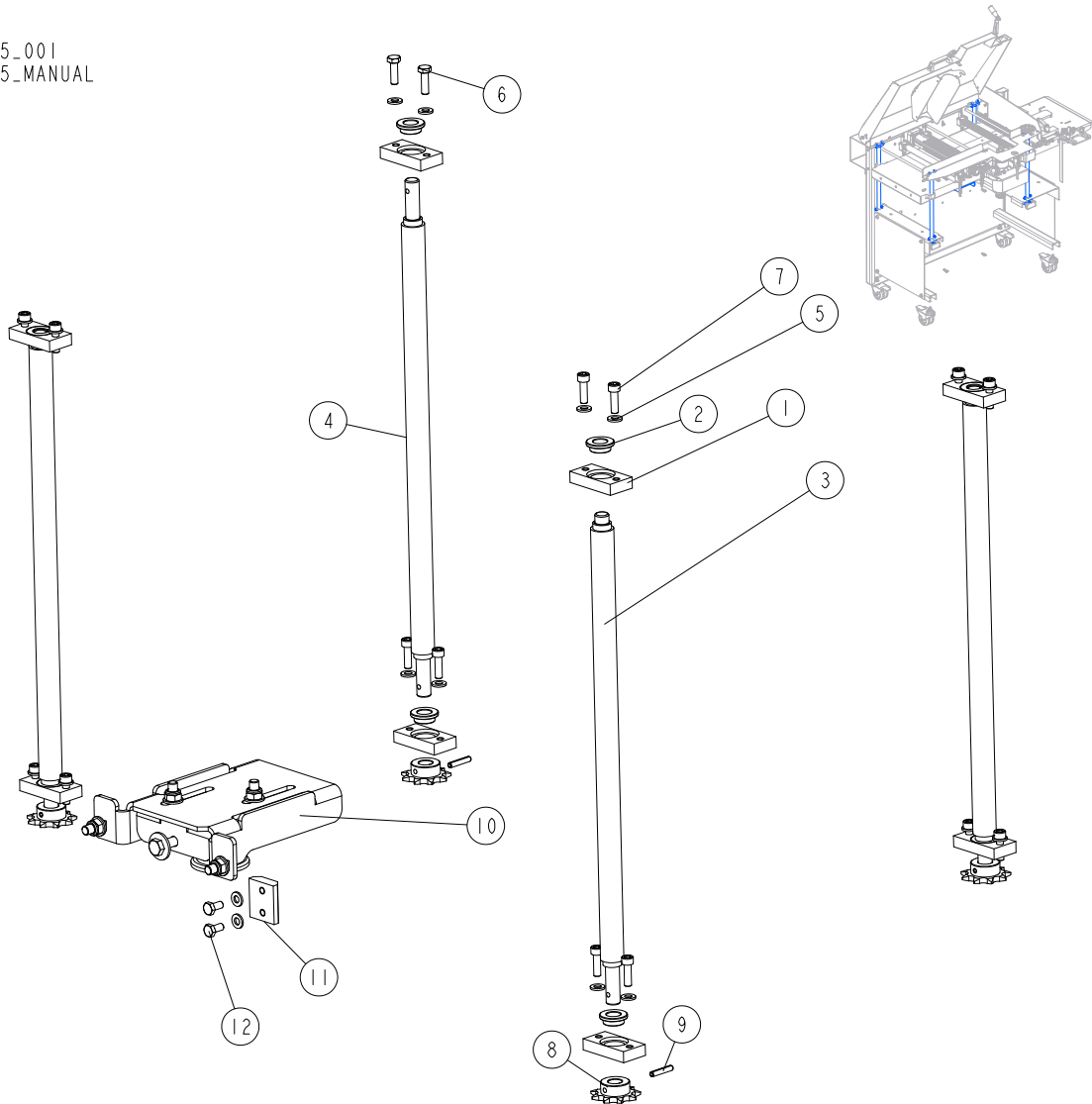


REF.	DESCRIPTION (* indicates parts available in assemblies only)	PART #	QTY
-	<b>PRESS ROLLER ASSEMBLY</b>	533100	1
1	PLATE WELDMENT, MOUNTING	533101-1	1
2	WASHER, 8.4 FLAT ZINC	F81054-1	4
3	SCREW, M8X20-8.8 HEX SOCKET HEAD CAP ZINC	F81002-30	2
4	NUT, M8-8-B HEX NYLON ZINC LOCK	F81032-2	2
5	PLATE, ADJUSTMENT	533103-1	1
6	BRACKET, BEARING MOVABLE	533525-1	1
7	SCREW, M8X16 FE/ZN5 7991 10.9 FLAT SOCKET HEAD CAP	F81002-82	1
8	BEARING, 6005 2RS	089652	1
9	BUSHING, M8/25-13.5 ZINC-PLATED	533529-1	1

REF.	DESCRIPTION (* indicates parts available in assemblies only)	PART #	QTY	
10	BUSHING, 6.2/12-10 FLANGED 19-6	533632	1	
11	WASHER, 6.5 ZINC SPECIAL FLAT	F81053-11	1	
12	SCREW, M6X20 8.8 HEX SOCKET HEAD CAP ZINC	F81001-22	1	
13	BUSHING, M6/12-17 ZINC-PLATED	533633-1	1	
14	SCREW, M6X30-8.8 HEX SOCKET HEAD CAP ZINC	F81001-42	1	
15	WASHER, 6.4 FLAT ZINC	F81053-1	2	
16	BOLT, M6X25 -8.8 HEX HEAD FULL THREAD ZINC	F81001-3	1	
17	NUT, M6-8-B HEX NYLON ZINC LOCK	F81031-2	1	
18	HANDLE, 63P-M8X25 ADJUSTABLE	533591	2	
19	NUT, DIN 1587 M6 FE/ZN5 DOMED HEX	F81031-18	1	
20	SPRING, 15X65X2.5	533571	1	



## 2.32 Up/Down Assembly 533115

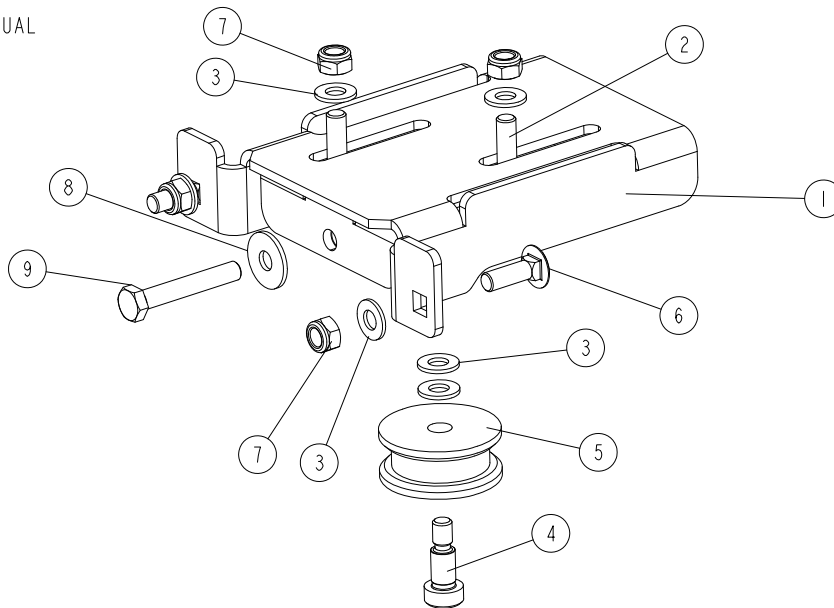
533115\_001  
533115\_MANUAL

REF.	DESCRIPTION (* indicates parts available in assemblies only)	PART #	QTY
-	UP/DOWN ASSEMBLY	533115 <sup>1</sup>	1
1	BLOCK	533113-1	8
2	BUSHING, 12.3/18-8 FLANGE 24-3	533114	8
3	SCREW, TR20X4 ACME	533116	3
4	SCREW, TR20X4 HIGH ACME	533112	1
5	WASHER, 6.4 FLAT ZINC	F81053-1	18
6	BOLT, M6X20 8.8 HEX HEAD FULL THREAD ZINC	F81001-2	2
7	SCREW, M6X20 8.8 HEX SOCKET HEAD CAP ZINC	F81001-22	14
8	SPROCKET, Z=9; 1/2"X 3/16"(CHAIN 083-1)	533111	4
9	PIN, ROLL	F81044-13	4
10	CHAIN TENSIONER ASSEMBLY <a href="#">See Section 2.33</a>	533570	1
11	BLOCK, CHAIN SLIDE	533681	1
12	BOLT, M6X12 8.8 HEX HEAD FULL THREAD ZINC	F81001-7	2

<sup>1</sup> The assembly also includes:

- 533105 - chain 083-1; p-1/2"; length=2.8829 m (225 links)
- 533128 - master link for chain 083-1 - 1 pc

## 2.33 Chain Tensioner Assembly 533570

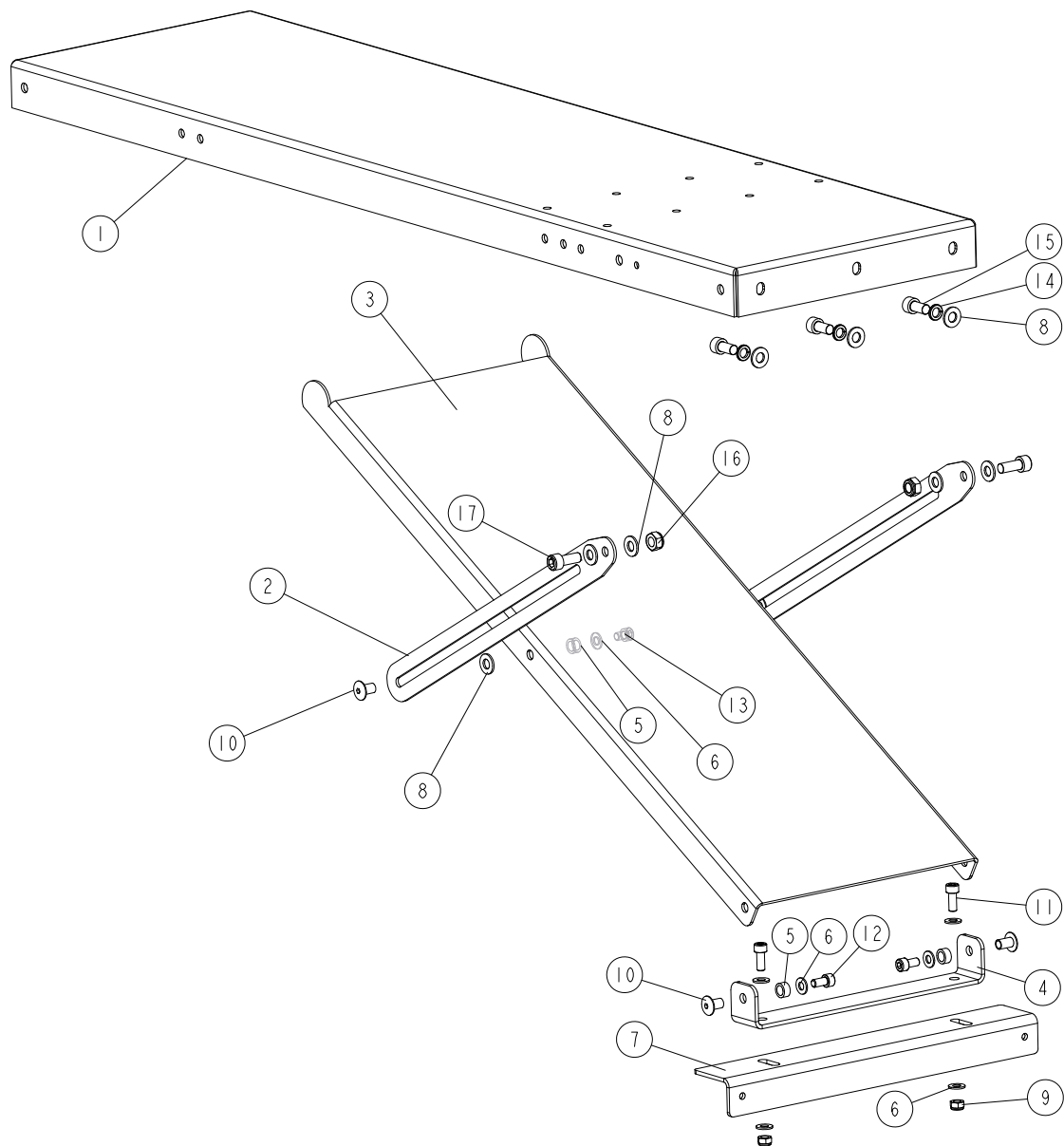
533570\_001  
533570\_MANUAL

REF.	DESCRIPTION (* indicates parts available in assemblies only)	PART #	QTY
-	<b>CHAIN TENSIONER ASSEMBLY</b>	533570	1
1	PLATE, CHAIN TENSIONER	533575-1	1
2	BRACKET, TENSIONER SLIDE	533572-1	1
3	WASHER, 8.4 FLAT ZINC	F81054-1	6
4	BOLT, ISO 7379-10-M8-16 12.9 SHOULDER	F81003-139	1
5	ROLLER, TENSIONER	533576	1
6	BOLT, M8X25-8.8-B ZINC MUSHROOM HEAD SQUARE NECK	F81002-59	2
7	NUT, M8-8-B HEX NYLON ZINC LOCK	F81032-2	4
8	WASHER, ISO 7093-1-8-200 HV-A2E.	F81054-11	1
9	BOLT, M8X50 -8.8 HEX HEAD FULL THREAD ZINC	F81002-19	1

## SECTION 3 TABLE, MP200

### 3.1 TABLE, 265-001

265-001\_001  
265-001\_MANUAL

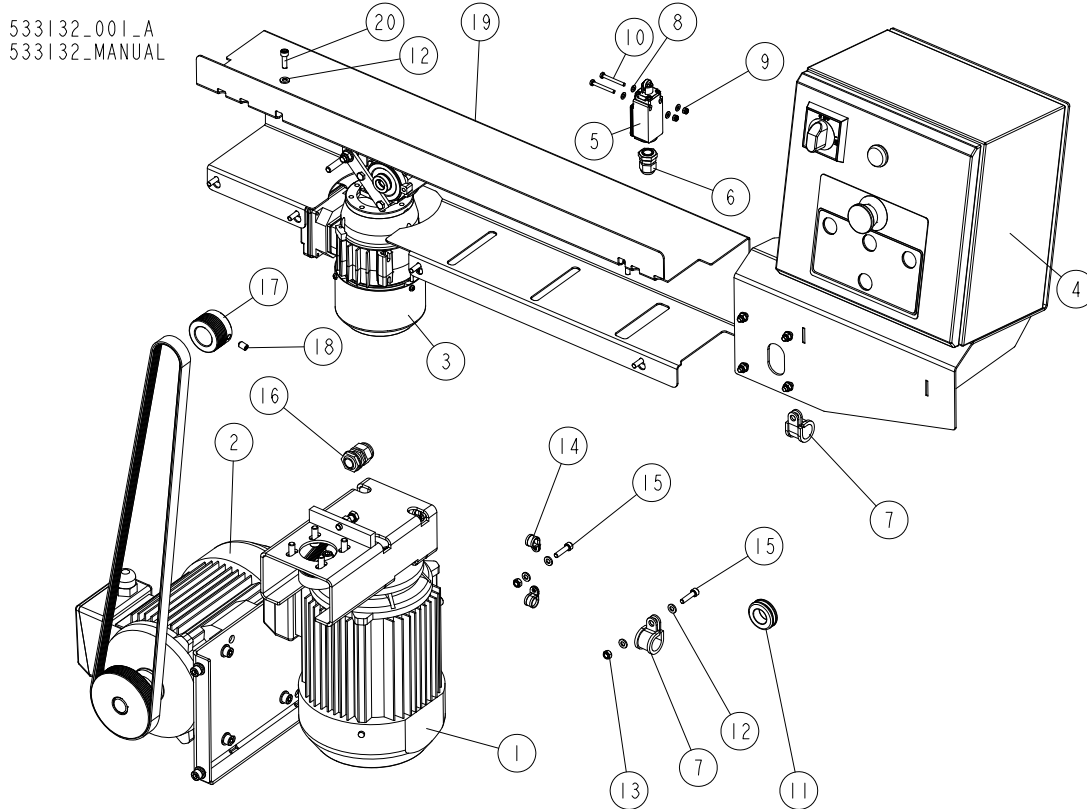


REF.	DESCRIPTION (* indicates parts available in assemblies only)	PART #	QTY
-	TABLE, MP200	265-001	1
1	PLATE, TABLE 265	265-100-1	1
2	SLIDER, TABLE	533728-1	2
3	PLATE, TABLE SUPPORT 265-000	265-101-1	1
4	CHANNEL SECTION	265-103-1	1
5	BUSHING 10.3/15-7.5	533724	4
6	WASHER, 8.4 FLAT ZINC	F81054-1	8

REF.	DESCRIPTION (* indicates parts available in assemblies only)	PART #	QTY	
7	ANGLE SECTION	265-104-1	1	
8	WASHER, 10.5 FLAT ZINC	F81055-1	9	
9	NUT, M8-8-B HEX NYLON ZINC LOCK	F81032-2	2	
10	NUT, ERICSON M8 AN88 COLLAR ZINC	F81032-33	4	
11	SCREW, M8X20-8.8 HEX SOCKET HEAD CAP ZINC	F81002-30	2	
12	SCREW, M8X16-8.8 HEX SOCKET HEAD CAP ZINC	F81002-39	2	
13	SCREW, M8X10-8.8 HEX SOCKET HEAD CAP ZINC	F81002-32	2	
14	WASHER, Z 10.2 SPLIT LOCK ZINC	F81055-2	3	
15	SCREW, M10X20 8.8 HEX SOCKET HEAD CAP ZINC	F81003-108	3	
16	NUT, M10 HEX NYLON ZINC LOCK	F81033-1	2	
17	SCREW, M10X25 8.8 HEX SOCKET HEAD CAP ZINC	F81003-32	2	

SECTION 4 MOTOR KITS, 533131, 533132

4.1 MP200 Motor Kits PRO 533131, ECO 533132



533132\_001\_A  
533132\_MANUAL

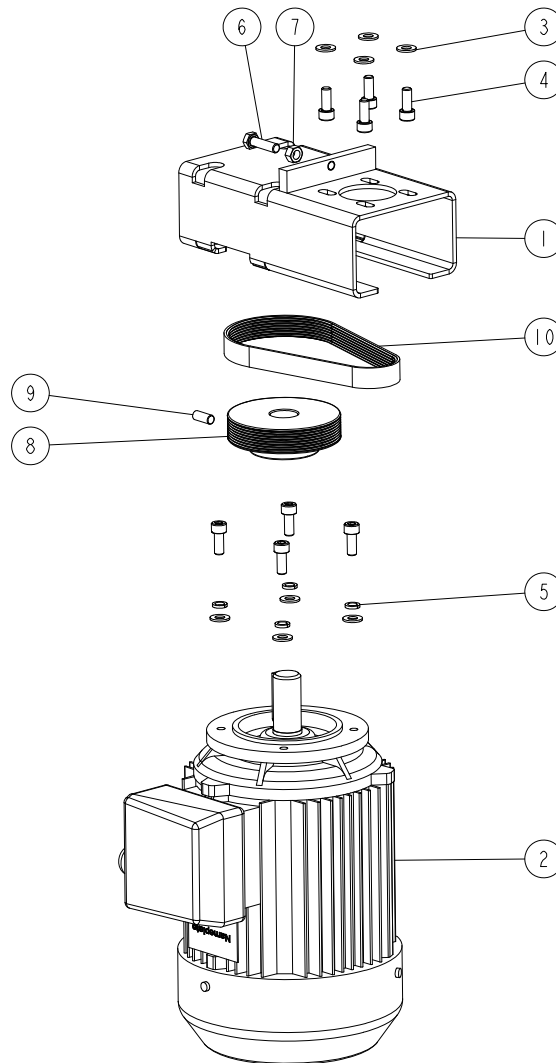
REF.	DESCRIPTION (* indicates parts available in assemblies only)	PART #	QTY
-	MOTOR KIT, PRO MP200EH 3x400V CE	533131	
	MOTOR KIT, PRO MP200EB 3x230V CE	533131-2	
	MOTOR KIT, PRO MP200EBU 3x230V UL	533131-2U	
	MOTOR KIT, PRO MP200EC 3x460V CE	533131-4	
	MOTOR KIT, PRO MP200ECU 3x400V UL	533131-4U	
	MOTOR KIT, PRO MP200EA 1x230V CE	533131-6	
	MOTOR KIT, PRO MP200EAU 1x230V UL	533131-6U	
-	MOTOR KIT, ECO MP200EH 3x400V CE	533132	
	MOTOR KIT, ECO MP200EB 3x230V CE	533132-2	
	MOTOR KIT, ECO MP200EBU 3x230V UL	533132-2U	
	MOTOR KIT, ECO MP200EC 3x460V CE	533132-4	
	MOTOR KIT, ECO MP200ECU 3x400V UL	533132-4U	
	MOTOR KIT, ECO MP200EA 1x230V CE	533132-6	
	MOTOR KIT, ECO MP200EAU 1x230V UL	533132-6U	
1	DRIVE, MP200 SIDE CUTTER <a href="#">See Section 4.2</a>	533647	1
2	DRIVE, ECO HORIZONTAL CUTTER <a href="#">See Section 4.3</a>	533645	1
	DRIVE, PRO HORIZONTAL CUTTER <a href="#">See Section 4.3</a>	533645-P	1
3	DRIVE, MP200 PRO FEED <a href="#">See Section 4.5</a>	533650	1
	DRIVE, MP200 PRO FEED <a href="#">See Section 4.6</a>	533650-6U	1
	DRIVE, MP200 ECO FEED <a href="#">See Section 4.4</a>	533638	1

REF.	DESCRIPTION (* indicates parts available in assemblies only)	PART #	QTY	
4	BOX, ELECTRIC W/BRACKET <a href="#">See Section 4.7</a>	533508	1	
5	SWITCH, FA134 Z11 SAFETY	100910	1	
6	GLAND, DP9/H CABLE	F81096-2	1	
7	CLIP, RSGU 1.20/20 RETAINING	F81087-2	2	
8	WASHER, 4.3 FLAT ZINC	F81051-2	4	
9	NUT, M4-8 HEX NYLON ZINC LOCK	F81029-1	2	
10	BOLT, M4X35-8.8 HEX HEAD FULL THREAD ZINC, DIN933	F81011-7	2	
11	GROMMET, 22MM I.D. RUBBER	087400	1	
12	WASHER, 6.4 FLAT ZINC	F81053-1	12	
13	NUT, M6-8-B HEX NYLON ZINC LOCK	F81031-2	3	
14	CLIP, RSGU 1.10/12W1 RETAINING	086861	4	
15	SCREW, M6X25-8.8 HEX SOCKET HEAD CAP ZINC	F81001-41	3	
16	GLAND, DP 20 HML. CABLE	F81096-41	1	
17	PULLEY, MULTI-GROOVE SMALL ALUMINIUM	533586	1	
18	SCREW, M8X12-45H FE/ZN DIN914 HEX SOCKET SET W/CONE POINT	F81002-105	1	
19	GUARD, FEED DRIVE	533666-1	1	
	FEED DRIVE GUARD ASSEMBLY	535161-1 <sup>1</sup>	1	
20	SCREW, M6X20 8.8 HEX SOCKET HEAD CAP ZINC	F81001-22	6	

<sup>1</sup> Included in assy # 533131-6U

### 4.2 Side Cutter Drive 533647

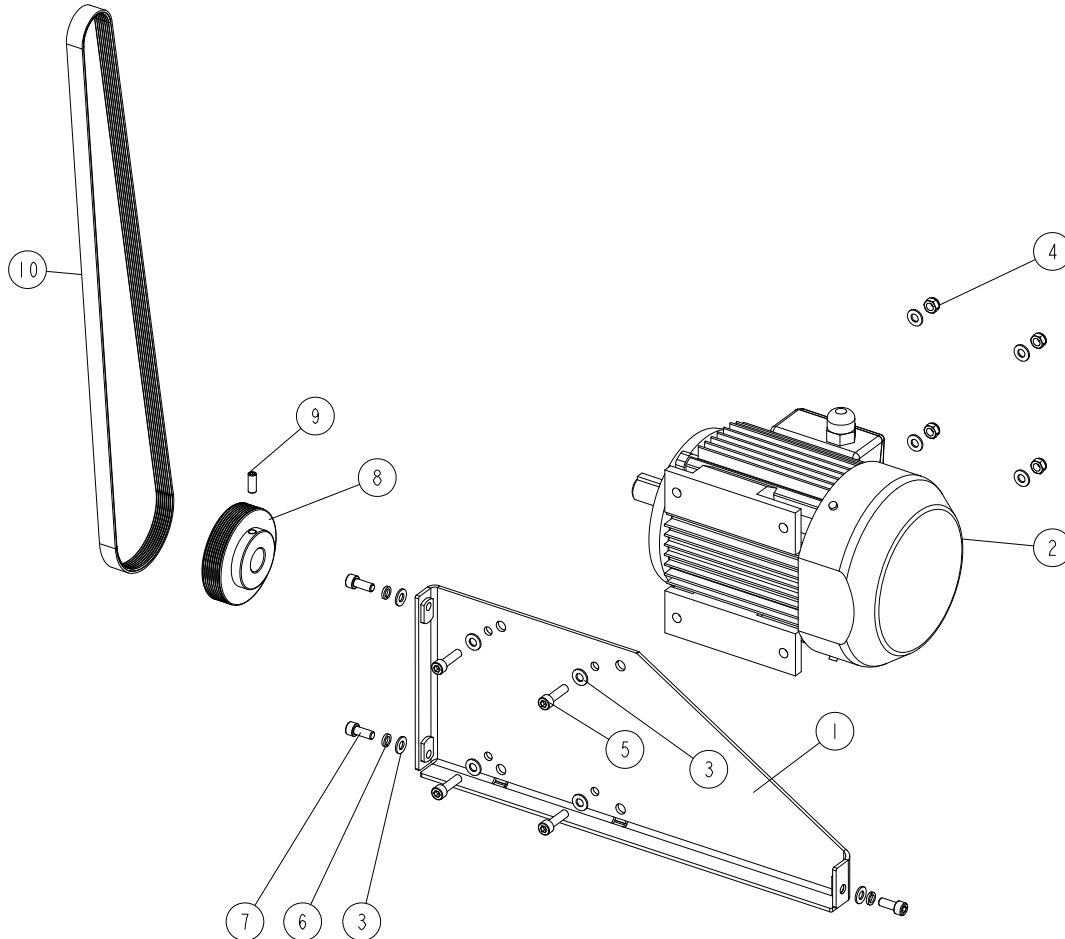
533647\_001  
533647\_MANUAL



REF.	DESCRIPTION (* indicates parts available in assemblies only)	PART #	QTY
-	<b>SIDE CUTTER DRIVE</b>	533647	1
1	PLATE WELDMENT, MP200 MOTOR PAINTED MOUNT	533649-1	1
2	MOTOR, 3SIEK90L2A IMV19/C140 (3KW; 2860 OBR/MIN))	533646	1
3	WASHER, 8.4 FLAT ZINC	F81054-1	8
4	SCREW, M8X20-8.8 HEX SOCKET HEAD CAP ZINC	F81002-30	8
5	WASHER, 8.2 SPLIT LOCK ZINC	F81054-4	4
6	BOLT, M8X30 8.8 HEX HEAD FULL THREAD ZINC	F81002-7	1
7	NUT, M8-8-B HEX ZINC	F81032-1	1
8	PULLEY, MULTI-GROOVE ALUMINIUM	533585	1
9	SCREW, M8X20-45H GEOMET HEX SOCKET SET W/FLAT POINT	F81002-103	1
10	BELT, 8 PJ 457 MULTI-RIBBED	533680	1



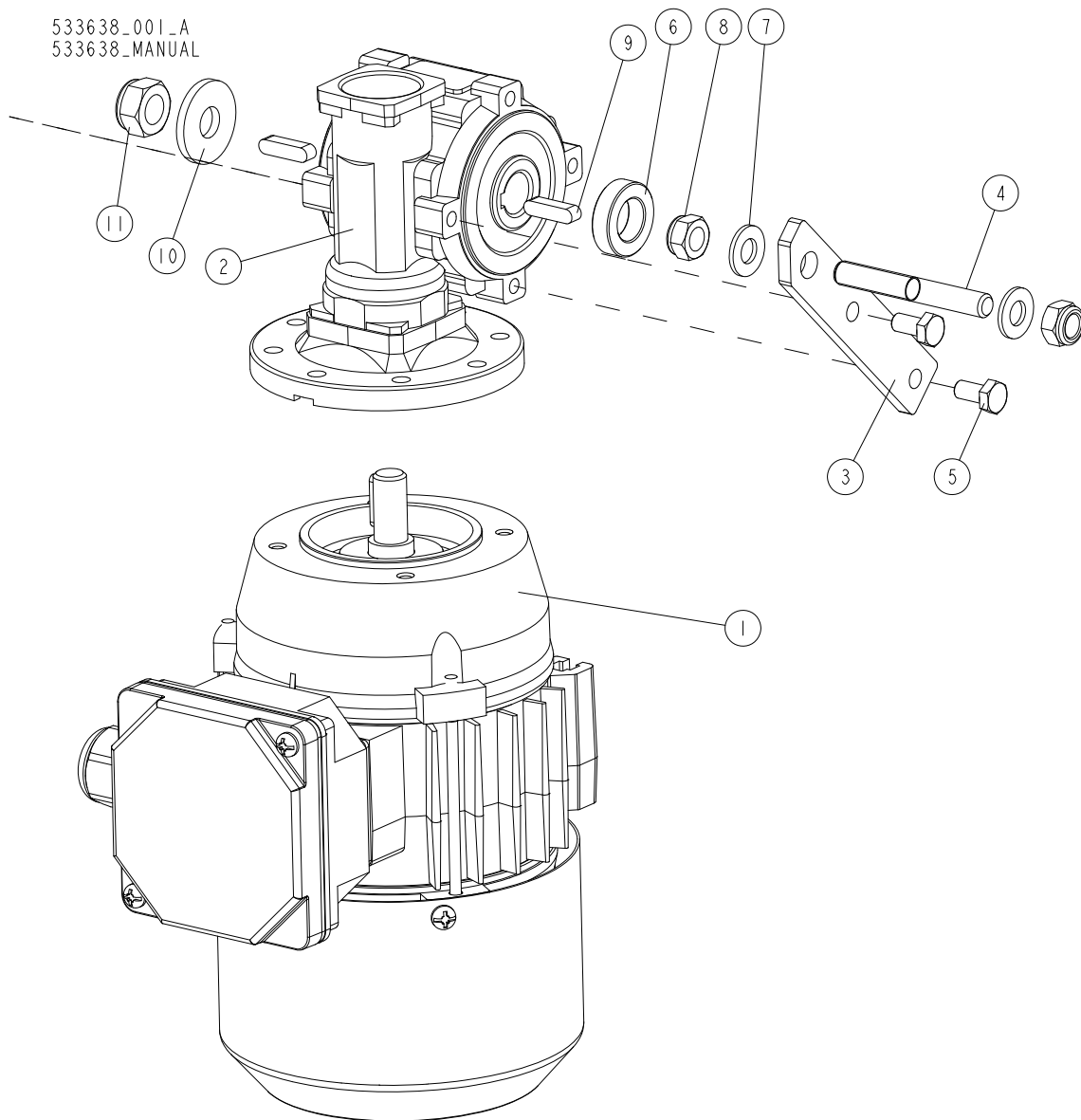
## 4.3 Horizontal Cutter Drive 533645

533645\_001\_A  
533645\_MANUAL

REF.	DESCRIPTION (* indicates parts available in assemblies only)	PART #	QTY
-	<b>DRIVE, HORIZONTAL CUTTER ECO</b>	533645	1
-	<b>DRIVE, HORIZONTAL CUTTER PRO</b>	533645-P	1
1	PLATE WELDMENT, ENGINE MOUNT	533565-1	1
2	MOTOR, 3SIE90L2A IMB6 (3kW; 2860 obr/min))	533644 <sup>1</sup>	1
	MOTOR, M100XL IMB3 (4kW; 2860 obr/min))	532811 <sup>2</sup>	1
3	WASHER, 8.4 FLAT ZINC	F81054-1	11
4	NUT, M8-8-B HEX NYLON ZINC LOCK	F81032-2	4
5	SCREW, M8x30-8.8 HEX SOCKET HEAD CAP ZINC	F81002-31	4
6	WASHER, 8.2 SPLIT LOCK ZINC	F81054-4	3
7	SCREW, M8x20-8.8 HEX SOCKET HEAD CAP ZINC	F81002-30	3
8	PULLEY, MULTI-GROOVE ALUMINIUM	533585 <sup>1</sup>	1
	PULLEY, MULTI-GROOVE ALUMINIUM MP200 PRO	533585-P <sup>2</sup>	1
9	SCREW, M8X20-45H GEOMET HEX SOCKET SET W/FLAT POINT	F81002-103	1
10	BELT, 8 PJ 1355 MULTI-RIBBED	533679	1

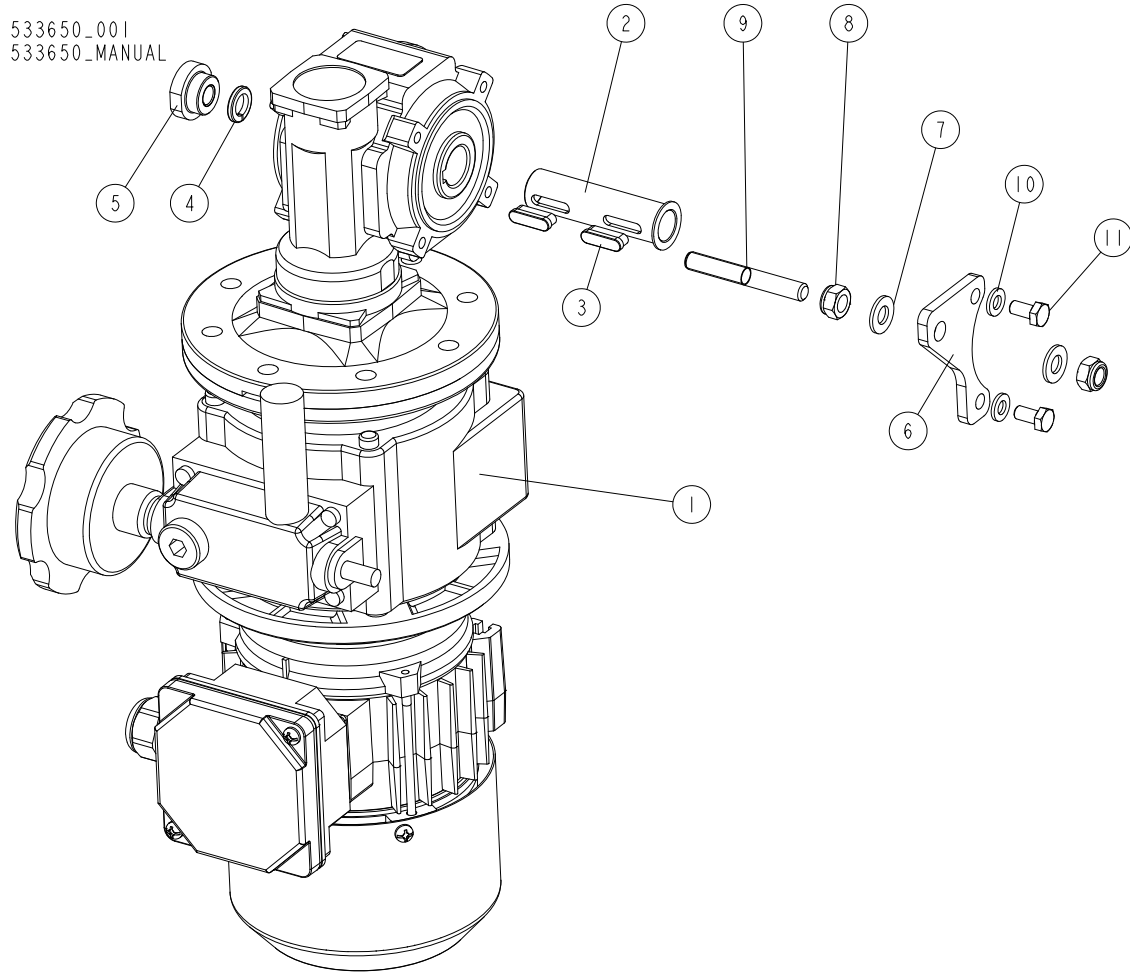
<sup>1</sup> Belongs to 533645<sup>2</sup> Belongs to 533645-P

## 4.4 ECO Feed drive 533638



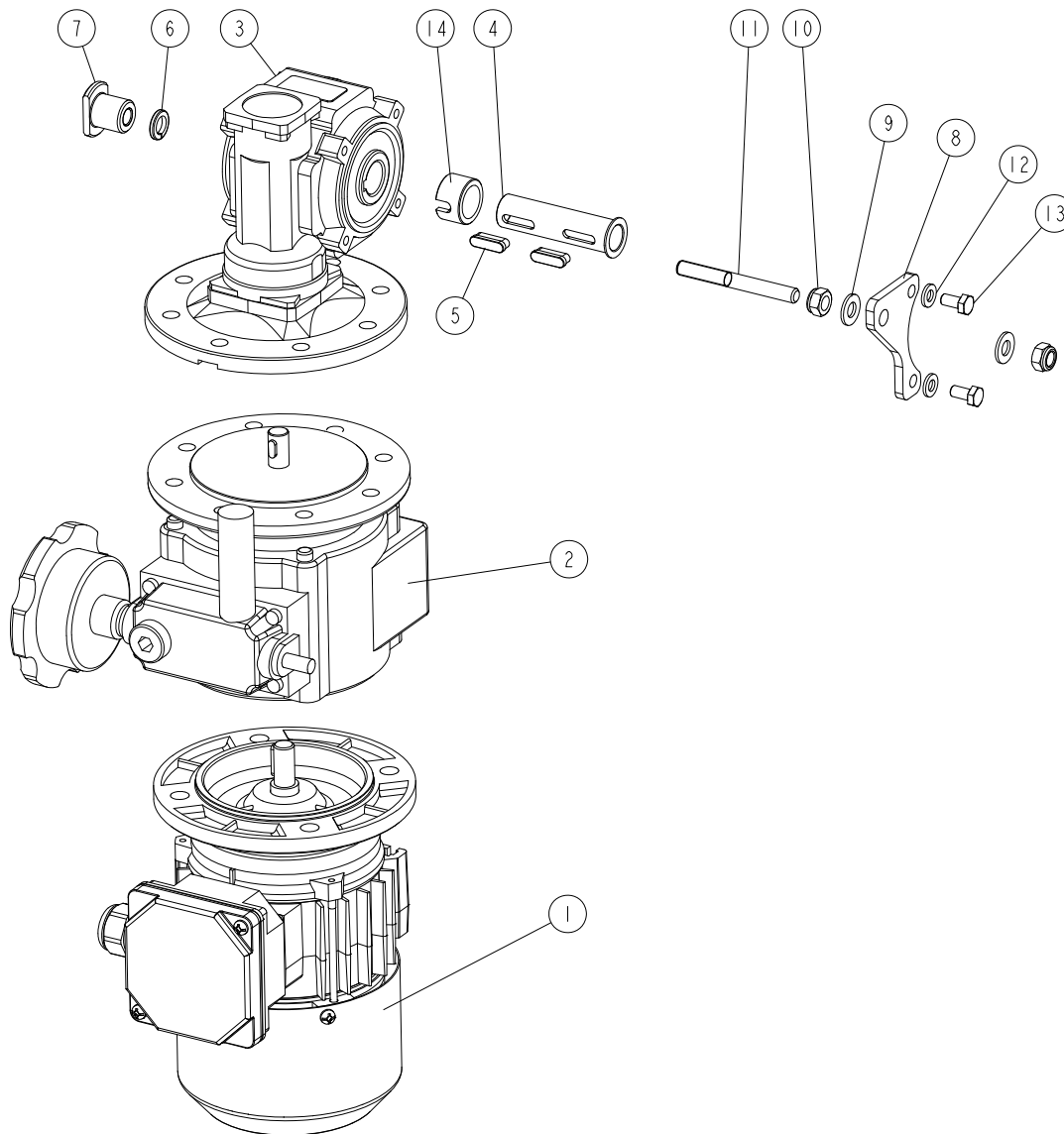
REF.	DESCRIPTION (* indicates parts available in assemblies only)	PART #	QTY
-	DRIVE, MP200 ECO FEED	533638	1
-	DRIVE, MP160 ECO FEED	533638-160	1
-	MOTOREDUCER, KC30/P30+SKH63-4B2/X	533639	1
1	MOTOR, SKH63-4B2 (0.18KW; 1370 R.P.M.)	532802	1
2	REDUCER, KC30/P30 90/11 V6	533637	1
3	ARM, TORQUE	533634-1	1
4	BOLT, M8	533635-1	1
5	BOLT, M6X12 8.8 HEX HEAD FULL THREAD ZINC	F81001-7	2
6	BUSHING, 14.3/25-7 ZINC-PLATED	533636-1	1
7	WASHER, 8.4 FLAT ZINC	F81054-1	2
8	NUT, M8-8-B HEX NYLON ZINC LOCK	F81032-2	2

### 4.5 PRO Feed drive 533650



REF.	DESCRIPTION (* indicates parts available in assemblies only)	PART #	QTY
-	DRIVE, PRO FEED	533650	1
-	DRIVE, MP160 PRO FEED	533650-160	1
1	REDUCER, PRO KC40/P15+NF003+SKH63-2C	533640	1
2	BUSHING, REDUCER	533731	1
3	KEY	533732	2
4	WASHER, Z 10.2 SPLIT LOCK ZINC	F81055-2	1
5	NUT, M10	533733-1	1
6	ARM, TORQUE	533734-1	1
7	WASHER, 8.4 FLAT ZINC	F81054-1	2
8	NUT, M8-8-B HEX NYLON ZINC LOCK	F81032-2	2
9	BOLT, M8	533635-1	1
10	WASHER, 6.4 FLAT ZINC	F81053-1	2
11	BOLT, M6X12 8.8 HEX HEAD FULL THREAD ZINC	F81001-7	2

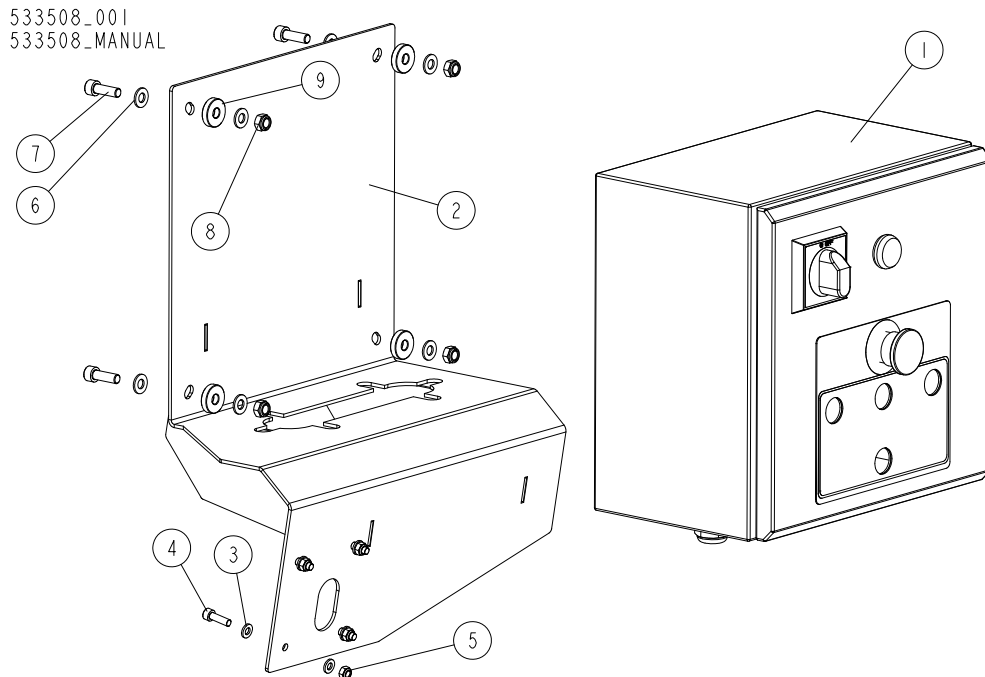
## 4.6 PRO Feed Drive 533650-6, 533650-6U

533650-6U\_001  
533650-6U\_MANUAL

REF.	DESCRIPTION (* indicates parts available in assemblies only)	PART #	QTY
-	<b>DRIVE, PRO FEED</b>	533650-6U	1
-	REDUCER, PRO KC40/P15+NF003+SKH63-2C	533640	1
1	MOTOR, SKH63-B (0.37 KW; 2800 R.P.M.)	533642	1
2	VARIATOR NF003	533643	1
3	REDUCER KC40 P15 63 B5 V6 H18 3D	533641	1
4	BUSHING, REDUCER	533731	1
5	KEY	533732	2
6	WASHER, Z 10.2 SPLIT LOCK ZINC	F81055-2	1
7	NUT, M10	533733-1-6U	1
8	ARM, TORQUE	533734-1	1
9	WASHER, 8.4 FLAT ZINC	F81054-1	2

REF.	DESCRIPTION (* indicates parts available in assemblies only)	PART #	QTY	
10	NUT, M8-8-B HEX NYLON ZINC LOCK	F81032-2	2	
11	BOLT, M8	533635-1-6U	1	
12	WASHER, 6.4 FLAT ZINC	F81053-1	2	
13	BOLT, M6X12 8.8 HEX HEAD FULL THREAD ZINC	F81001-7	2	
14	BUSHING, REDUCER	535164	1	

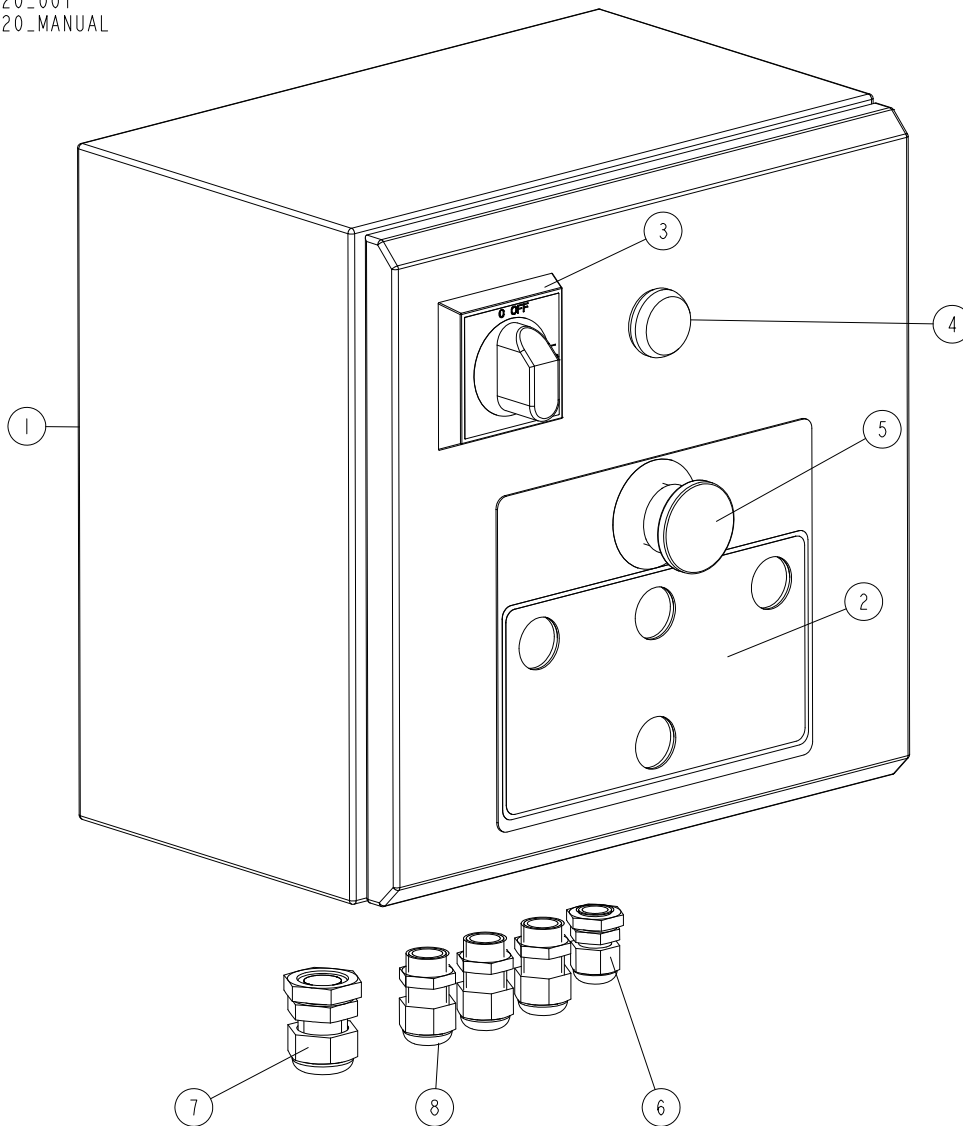
**4.7 Electric Box w/Bracket 533508**



REF.	DESCRIPTION (* indicates parts available in assemblies only)	PART #	QTY
-	<b>BOX, ELECTRIC W/BACKET</b>	533508	1
1	BOX, ELECTRIC - COMPLETE MP200 <a href="#">See Section 4.8</a>	532820	1
2	MOUNT ASSEMBLY, ELECTRIC BOX	533138-1	1
3	WASHER, 6.4 FLAT ZINC	F81053-1	8
4	SCREW, M6X20 8.8 HEX SOCKET HEAD CAP ZINC	F81001-22	4
5	NUT, M6-8-B HEX NYLON ZINC LOCK	F81031-2	4
6	WASHER, 8.4 FLAT ZINC	F81054-1	8
7	SCREW, M8X25 8.8 HEX SOCKET HEAD CAP ZINC	F81002-21	4
8	NUT, M8-8-B HEX NYLON ZINC LOCK	F81032-2	4
9	WASHER, 8.5/25-6 POLYAMIDE	523952	4

### 4.8 Electric Box MP200 532820

532820\_001  
532820\_MANUAL



REF.	DESCRIPTION (* indicates parts available in assemblies only)	PART #	QTY
-	BOX, ELECTRIC - COMPLETE MP200EH 3X400V CE	532820	
	BOX, ELECTRIC - COMPLETE MP200EB 3X230V CE	532820-2	
	BOX, ELECTRIC - COMPLETE MP200EBU 3X230V UL	532820-2U	
	BOX, ELECTRIC - COMPLETE MP200EC 3X460V CE	532820-4	
	BOX, ELECTRIC - COMPLETE MP200ECU 3X460V UL	532820-4U	
	BOX, ELECTRIC - COMPLETE MP200EA 1X230V CE	532820-6	
	BOX, ELECTRIC - COMPLETE MP200EAU 1X230V UL	532820-6U	
1	BOX, ELECTRIC MP 200	533149	1
2	DECAL, ELECTRIC BOX	533150	1
3	HANDLE, ABB SWITCH	088265-1	1
4	LIGHT, M22 LED 24V BLUE CONTROL	090448	1
5	BUTTON, XB4 BS542 EMERGENCY STOP	086556	1
6	GLAND, DP9/H CABLE	F81096-2	1

REF.	DESCRIPTION (* indicates parts available in assemblies only)	PART #	QTY	
7	GLAND, DP16/H CABLE	F81096-7	1	
8	GLAND, DW11/H CABLE	085388	3	