



user manual

Instrukcja obsługi | Руководство пользователя
Manuel de l'Utilisateur | Betriebsanweisung
Bruksanvisning | Manual del Usuario
Betjeningsvejledning | Gebruikershandleiding
Käyttöohjeet | Manual de utilizare | Bruksanvisning
Manuale d'uso | Příručka uživatele | Navodila
za uporabo

Retain for future use
Zachować do przyszłego użytku
Сохраните для последующего
использования
A conserver pour une utilisation future
Für zukünftige Benutzung aufbewahren
Behold for senere bruk
Säilytä nämä käyttöohjeet tulevaa tarvetta marten
Opbevar manualen til fremtidig brug
Bewaren voor gebruik in de toekomst
Conservare il presente manuale a l'uso futuro
Păstrați acest manual pentru utilizare viitoare
Conservar para futuras consultas
Behall för framtida användning
Uchovejte pro další použití
Hranite za prihodnjo uporabo

Wood-Mizer®

Safety, Setup, Operation and Maintenance

MP200 E6S

rev. A1.00

MP200 E7S-V

rev. A1.00



Safety is our #1 concern! Read and understand all safety information and instructions before operating, setting up or maintaining this machine.

Form #2400

Original Instructions

Table of Content	Section-Page
SECTION 1 INTRODUCTION	1-1
1.1 Machine description	1-2
1.2 Planer/moulder major components	1-6
SECTION 2 SAFETY	2-1
2.1 Safety Symbols.....	2-1
2.2 Safety Instructions	2-1
SECTION 3 SETUP & OPERATION	3-1
3.1 Planer/moulder setup	3-1
3.2 MP200 planer/moulder operation.....	3-3
SECTION 4 MAINTENANCE	4-1
4.1 Wear life	4-1
4.2 Sawdust Removal	4-1
4.3 Miscellaneous Maintenance	4-1
4.4 Drive Belt Tension Adjustment.....	4-2
4.5 Long-term storage	4-6
4.6 Safety Devices Inspection	4-7
SECTION 5 PLANER/MOULDER SPECIFICATIONS	5-1
5.1 Overall dimensions	5-1
5.2 Specifications of the planer/moulder.....	5-2

SECTION 1 INTRODUCTION

Congratulations on your purchase of a Wood-Mizer Planer - Moulder!

Wood-Mizer is committed to providing you with the latest technology, best quality, and strongest customer service available on the market today. We continually evaluate our customers' needs to ensure we are meeting current wood-processing demands. Your comments and suggestions are welcome.

Wood-Mizer is committed to providing you with the latest technology, best quality, and strongest customer service available on the market today. We continually evaluate our customers' needs to ensure we are meeting current wood-processing demands. Your comments and suggestions are welcome.

Wood-Mizer is committed to providing you with the latest technology, best quality, and strongest customer service available on the market today. We continually evaluate our customers' needs to ensure we are meeting current wood-processing demands. Your comments and suggestions are welcome.

This documentation includes information on preparing the planer/moulder for operation and operating, servicing and repairing the machine.

GENERAL

Check your planer/moulder as soon as you receive it. Report any transport damage to the transport company immediately.

Lift the planer/moulder using a forklift or pallet jack with lifting capacity of minimum 500kg.

When replacing spare parts, use only original parts and note that anything electrical must be assembled by a qualified electrician.

APPLICATIONS

The planer/moulder can be used for planing/moulding and planing wood, chipboard, board, etc.

Hard materials such as chipboard, teak, MDF, etc. require hard carbide tools.

The planer/moulder is designed for indoor use, with temporary outdoor use during good weather.

REQUIREMENTS

Planer/moulder can be used in rooms with temperature range from -15°C to +40 C. Ventilation must be mechanical and in accordance with standards.

The planer/moulder must be connected to a dust extractor. Dust extractor must be turned on when the machine is working.

SAFETY DISTANCE



WARNING! Other than the operator, no one should be within 3 meters of the planer/moulder's sides or 8 meters from the in and outfeed sides during operation. Mark a limit that prevents anyone accidentally wandering into the risk area.

TIPS: An extended infeed table is practical to use, and prevents anyone coming into the risk area.

1.1 Machine description

The Wood-Mizer planer/moulder is designed for straight and profiled planing of wooden elements used for the production of wooden houses and other construction elements used in building industry and garden programs. All other uses of the planer are forbidden.

The MP200 is a planer/moulder that can work two sides of a workpiece in one action. The planer/moulder is contained in a stable and strong chassis. The planer/moulder table is made of planed cast iron.

The workpiece is fed, lying on the planer table, through the planer by feed rollers as well as an outfeed roller. The rollers are driven by a chain transmission with separate motor. The workpiece is controlled laterally with adjustable fences and pressure rollers.

The work is done using a top cutter and side cutter which are fixed to the planer table. All the cutters are driven by separate motors, via a belt transmission.

The cutters and feed rollers are covered by a protective cover plate. The cover plate is supplied with a safety switch. A 100 mm (4") dia. hose is connected to the cutter. A 100 mm (4") dia. hose is connected to the side cutter and a 125 mm (5") dia. hose is connected to the top cutter.

TABLE SURFACE

Table is made with a highest quality cast. The table surface is specially processed for the highest precision and the best anti-friction qualities.

When the planer/moulder is new, it requires a breaking-in period until the table gets a slightly shinier surface to optimize the anti-friction qualities. During this period it is recommended to use a lubricant or wax on the table.

Using the machine correctly, you will obtain a perfectly smooth surface and a high degree of accuracy.

The planer/moulder should be operated only by an adult who has read and understood the entire operator's manual.

Planer/moulder is built to be durable and easy to operate and maintain.

MACHINE AND SITE PREPARATION

The machine is delivered on pallet. Due to the weight, it has to be transported with auxiliary carrier equipment and in accordance with general safety rules.

Check your planer/moulder as soon as you receive it. Any transport damage must be reported to the transport company immediately.

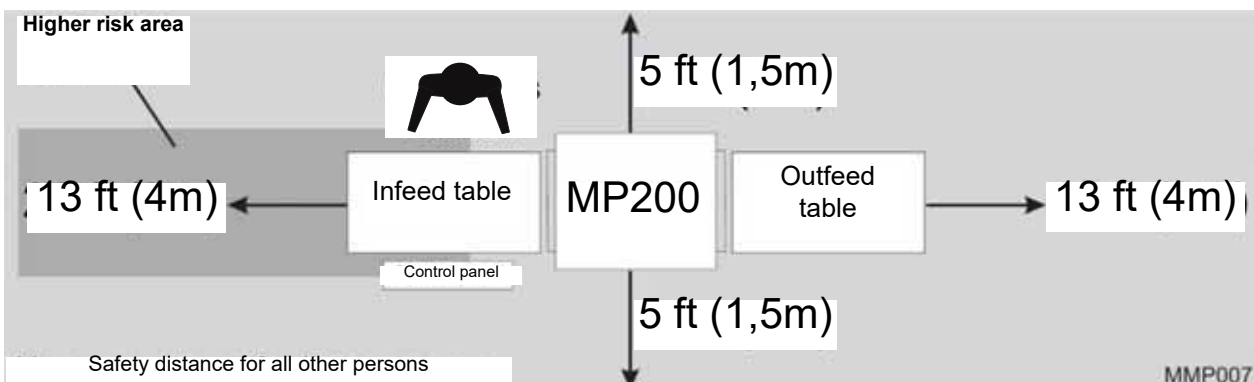
Most of the planer/moulder is protected against rust, but it will require extra maintenance in the form of lubrication for all the parts not protected against rust. See the Maintenance section.

- Place the planer on a stable and flat base.
- It is recommended to screw the planer/moulder down to the ground, if it does not have to be moved.
- Ensure that there is enough space for the longest boards you want to plane at the in and outfeed sides, and that there is enough space for maintenance and timber stocks.
- Connect the dust hoses and fix using the hose clips on the planer and fan.
- Hang the planer/moulder's electrical cable on the ceiling or protect it in another way. Never step on the cable. The planer/moulder should be connected via an earth-fault protection switch.
- CAUTION! The illumination at the operator's position should be at least 300lx. The light source can not cause stroboscopic effect. Ensure that there is no risk of glare.

SPACE REQUIREMENTS

The planer/moulder needs a space of at least 3 m (6 1/2 ft) wide.

The length required depends on the length of the workpieces you want to plane. The minimum length is 4 m (13 ft).



ANCHORING

For the highest safety, the planer/moulder must be anchored to the floor using screws dia. 8-10 mm.

LIST OF THE TOOLS REQUIRED TO WORK WITH THE PLANER/ MOULDER:

- Allen wrench 4mm (supplied)
- Allen wrench 5 mm
- Allen wrench 6 mm
- Flat wrench 10 mm (supplied)
- Wrench 10 mm
- Box wrench 13 mm
- Flat wrench 30 mm (supplied) (for cutter)
- Adjustable wrench 8" or 10" (cutter)
- Slide caliper
- Measuring tape or ruler
- Paraffin oil for grindstone

FOLLOWING SPACER RINGS ARE SUPPLIED:

- 3 x 40 mm height (per cutter)
- 2 x 20 mm height (per cutter)
- 2 x 10 mm height (per cutter)
- 1 x 5 mm height (per cutter)
- 1 x 2 mm height (per cutter)
- 1 x 1 mm height (per cutter)
- 1 x 0.5 mm height (per cutter)
- 1 x 0.3 mm height (per cutter)
- 1 x 0.2 mm height (per cutter)
- 1 x 0.1 mm height (per cutter)

These spacer rings are necessary to set the required height.

CHIP EXTRACTOR

MP200 planer/moulder must be connected to chip extractor with a capacity of at least 3 000m³/h. Remember that chip container has to be equipped with an air vent (e.g. a fine net or filter if dust are collected indoors). Poor suction is often due to poor airflow from the chip container. During work in heated rooms, it is necessary to remember that the fan will quickly cool the space if the filtered air will not be supplied back into the building. The fire risk and dust emissions (discharge) must be considered because of chip collection.



WARNING! Because of chip collection there is fire risk and dust emission.

Contact the local authorities for advice in designing a chip collection system to conform with national rules.

It is necessary to set the fan so that will be easy to reach the switch.



IMPORTANT! Remove the chips from the planer/moulder when the work is finished.

CHIP EXTRACTOR TECHNICAL REQUIREMENTS¹

- The chip extractor must be approved according to the CE-standard.
- The airflow "without external connection" must be approx. 1500 m³/hour.
- (The manufacturer's standard indication of airflow.)
- The chip extractor hose diameters for the planer/moulder = 100 mm (4") x 1 and 125 mm (5") x 1.
- Pressure drop in the planer/moulder is 26 mm column of water at 25 m/s.
- Dust extractor airflow should be 1500 m³/h, pressure drop should not exceed 1,5kPa.



IMPORTANT! The dust extractor hoses must be grounded or made with materials not accumulating electrostatic charge.



CAUTION! Always turn on the chip extractor before starting the machine

1. EN 12779:2016-04 standard contains requirements for chip and dust extraction systems equipment with fixed installations.

1.2 Planer/moulder major components

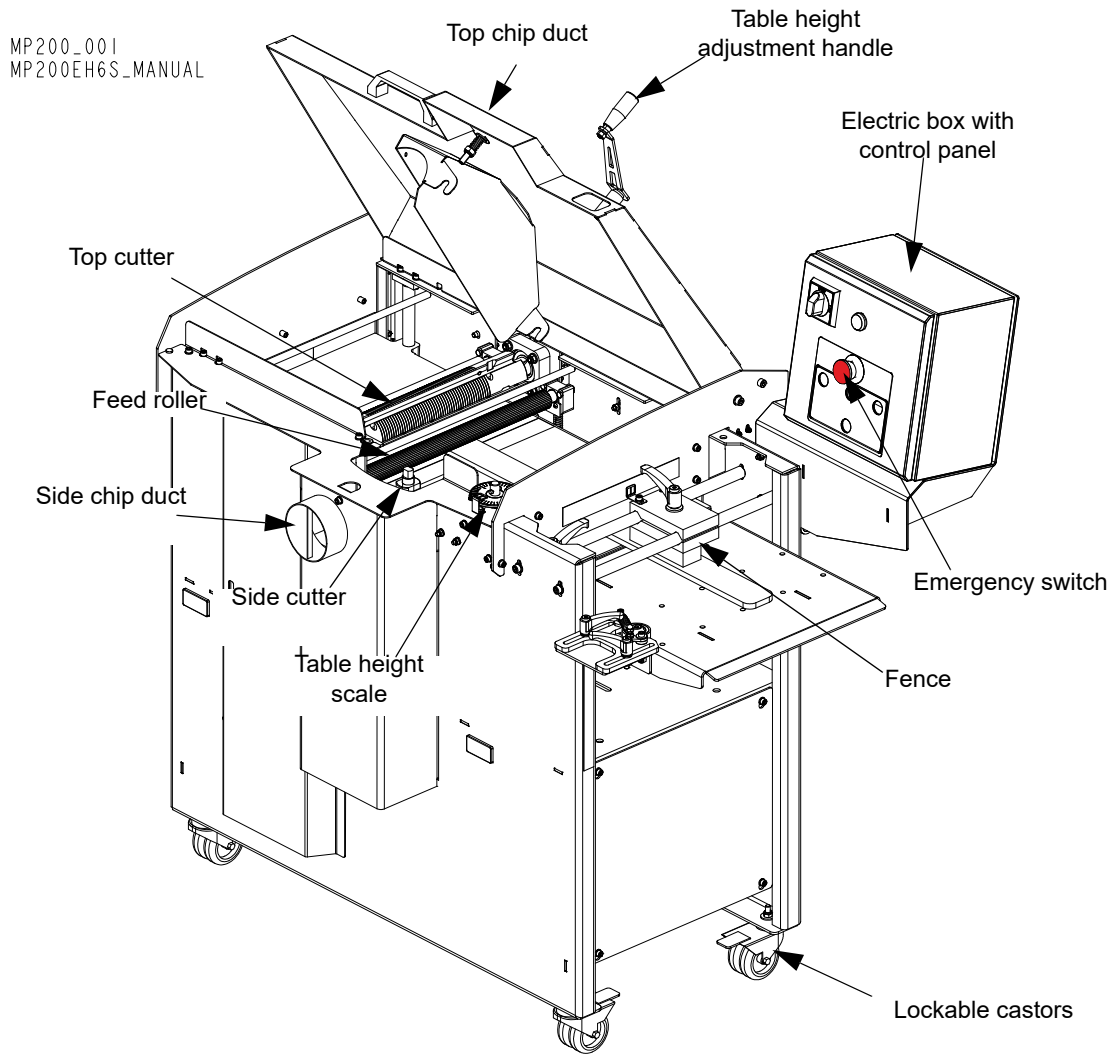


FIG. 1-1 MP200

SECTION 2 SAFETY

2.1 Safety Symbols

The following symbols and signal words call your attention to instructions concerning your personal safety. Be sure to observe and follow these instructions.



DANGER! indicates an imminently hazardous situation which, if not avoided, will result in death or serious injury.



WARNING suggests a potentially hazardous situation which, if not avoided, could result in death or serious injury.



CAUTION! refers to potentially hazardous situations which, if not avoided, may result in minor or moderate injury or damage to equipment.



IMPORTANT! indicates vital information.

NOTE: gives helpful information.



Warning stripes are placed on areas where a single decal would be insufficient. To avoid serious injury, keep out of the path of any equipment marked with warning stripes.

2.2 Safety Instructions

NOTE: ONLY safety instructions regarding personal injury are listed in this section. Caution statements regarding planer/moulder damage appear where applicable throughout the manual.

- Observe Safety Instructions



IMPORTANT! Read the entire Operator's Manual before operating the planer/moulder. Take notice of all safety warnings throughout this manual and those posted on the equipment. Keep this manual with this equipment at all times, regardless of ownership.

Read all additional manufacturer's manuals and observe any applicable safety instructions including dangers, warnings, and cautions!

IMPORTANT! Only adult persons who have read and understood the entire operator's manual should operate the planer/moulder. The sawmill is not intended for use by or around children. Never operate the planer/moulder under the influence alcohol or any other drugs.

IMPORTANT! The operator of the planer/moulder should get adequate training in the operation and adjustment of the machine.

IMPORTANT! It is always the owner's responsibility to comply with all applicable federal, state and local laws, rules and regulations regarding the ownership and operation of your Wood-Mizer planer/moulder. All Wood-Mizer planer/moulder owners are encouraged to become thoroughly familiar with these applicable laws and comply with them fully while using the planer/moulder.

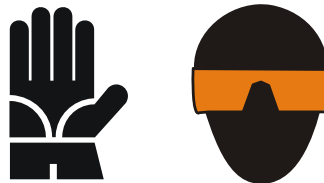


- Wear Safety Clothing



WARNING! Secure all loose clothing and jewelry before operating this machine. Failure to do so may result in serious injury or death.

WARNING! Wear safety goggles and gloves when operating machinery. Failure to do so may result in serious injury.



WARNING! Always wear ear, respiration and foot protection when operating planer/moulder.



- Keep the Machine And Area Around Clean



DANGER! Maintain a clean and clear path for all necessary movement around the planer/moulder and lumber stacking areas. Failure to do so will result in serious injury.

- Dispose of Sawing By-Products Properly



IMPORTANT! Always properly dispose of all sawing by-products, including sawdust and other debris.

- Check planer/moulder before operation.



DANGER! Make sure all guards and covers are in place and secured before operating planer/moulder. Check that knobs, screws, nuts, fences, sleeves, planing cutters, planing knives, etc. are properly tightened. Also check that the cutter can rotate freely and that there are no tools in or on the planer/moulder before it is started. Failure to do so may result in serious injury.



WARNING! Always shut off the motor to stop the cutter whenever the planer/moulder is not in use. Failure to do so may result in serious injury.

WARNING! Do not for any reason adjust the engine drive belts with the engine running. Failure to do so will result in serious injury.

- Keep all people away

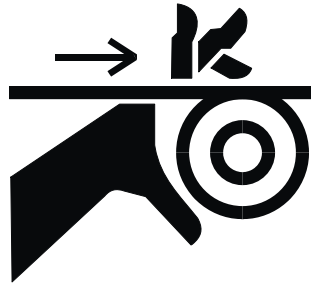


DANGER! Other than the operator, no one should be within 3 meters of the planer/moulder's sides during operation. Failure to do so will result in serious injury.

- Keep Hands Away

DANGER! Moving parts can cut or crush fingers or hand. Keep hands clear. Make sure all guards and covers are in place and secured before operating the planer/moulder. Failure to do so may result in serious injury.

DANGER! Always be aware of and take proper protective measures against rotating shafts, pulleys, fans, etc. Always stay a safe distance from rotating members and make sure that loose clothing or long hair does not engage rotating members resulting in possible injury.



WARNING! Beware of rotating parts. Shut down the sawmill and allow all moving parts to come to a complete stop before removing any guards and covers. Do NOT operate planer/moulder with any guards or covers removed.

DANGER! Before changing the knives or performing any service to planer/moulder, disconnect the power cord from the electric box.

IMPORTANT! Knife and feed assembly covers are equipped with limit switches. After opening the cover, engine will turn off and all moving parts will stop. Limit switches should be always in proper working condition.

Planer/moulder operation



CAUTION! The workplace always should be good illuminated. The illumination at the operator's position should be at least 300lx. Never use the planer/moulder under the influence of strong medication, alcohol or any other strong drugs.



WARNING! Make sure the knives are properly fastened before starting the motor.



WARNING! Never place tools or hands into the in or outfeed areas when the planer/moulder is running.



IMPORTANT! When starting the machine for the first time, check that cutter rotation direction is as indicated by the arrow located on the side cover. If the rotation direction is incorrect, invert the phases in the phase inverter in the power socket (electric box). Setting the phases in the phase inverter correctly will ensure correct rotation directions of cutter.



DANGER! Always measure the workpiece and set suitable thickness and width before planing. There is a risk of accident if you feed in a workpiece that is not high enough for the feed rollers to get hold of it.

When planing smaller material, it should be stiffened/extended, e.g. with a longer piece of wood.

Never stand in front of the material being fed or received, because it may suddenly kickback uncontrollably towards the operator. This applies to both the in and outfeed sides, although the risk is higher on the infeed side.



DANGER! Planing/moulding is possible only in direction shown below.

MP200_002
MP200EH6S-MANUAL

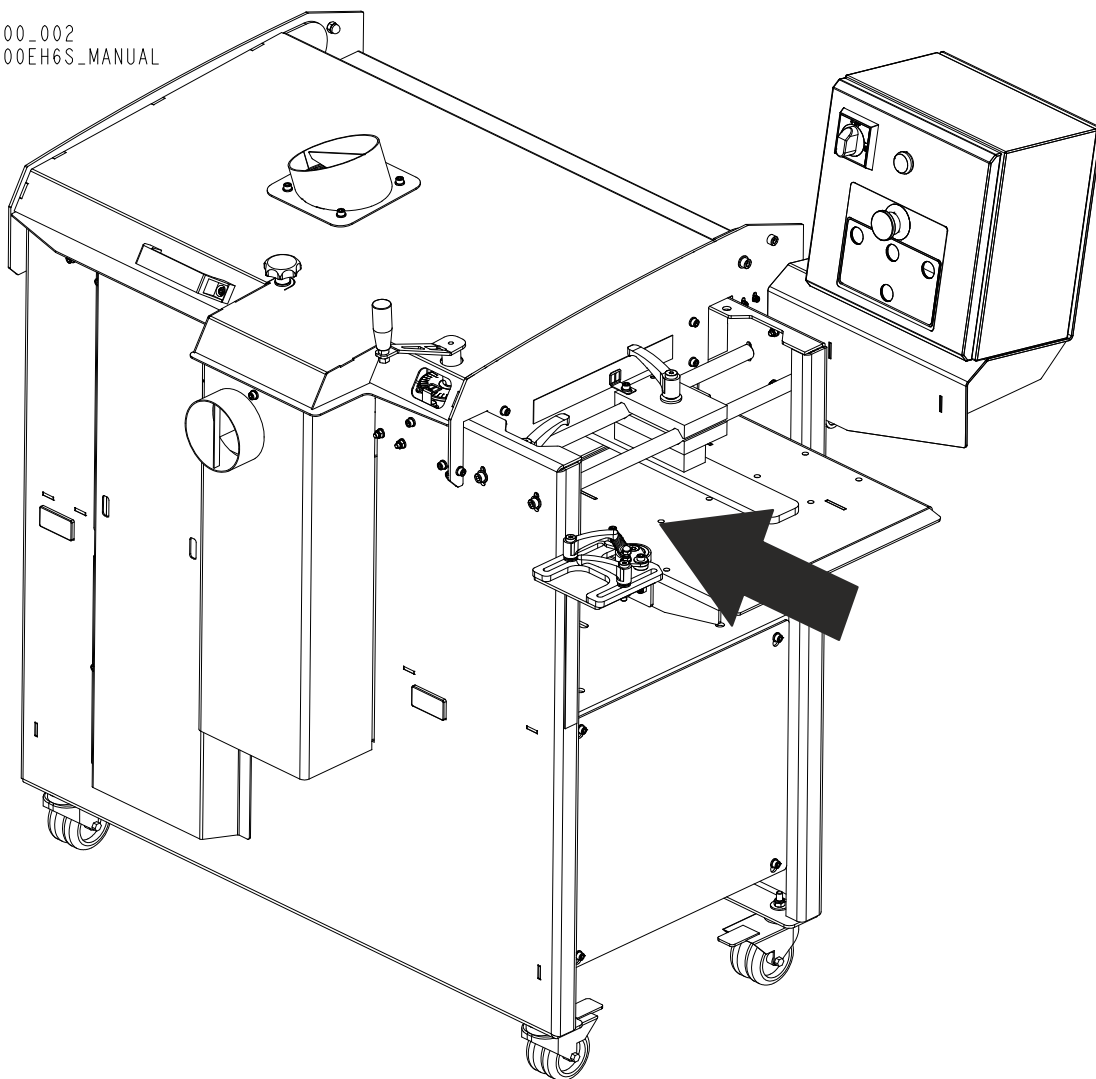


FIG. 2-1

- Use proper maintenance procedures



DANGER! Make sure all electrical installation, service and/or maintenance work is performed by a qualified electrician and is in accordance with applicable electrical codes.

DANGER! Hazardous voltage inside the electric boxes and at the

motor can cause shock, burns, or death. Disconnect and lock out power supply before servicing! Keep all electrical component covers closed and securely fastened during mill operation.



WARNING! Consider all electrical circuits energized and dangerous.

WARNING! Never assume or take the word of another person that the power is off; check it out and lock it out.

WARNING! Do not wear rings, watches, or other jewelry while working around an open electrical circuit.



IMPORTANT! Planer/moulder is equipped with emergency switch. It is used to immediately stop the motor in case of emergency. Emergency switch should be always in good condition.

IMPORTANT! Planer/moulder should not be modified by owner. Use only original spare parts.

- Keep safety labels in good condition.



IMPORTANT! Always be sure that all safety decals are clean and readable. Replace all damaged safety decals to prevent personal injury or damage to the equipment. Contact your local distributor or Wood-Mizer Customer Service to order more decals.

IMPORTANT! If replacing a component which has a safety decal affixed to it, make sure the new component also has the safety decal affixed in the same place.

- Fire protection

CAUTION! The work-stand of the planer/moulder should be equipped with a 4 kg or bigger dry powder extinguisher.

Safety Labels Description

See table below for safety labels description.

TABELA 2-0

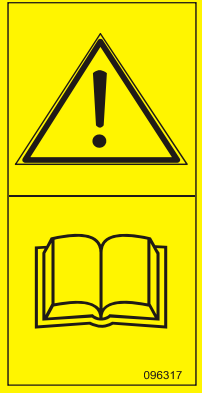


Label View	Label Number	Description
	096317	CAUTION! Carefully read operator's manual before handling the machine. Observe instructions and safety rules when operating.
	099220	Close guards prior to operating the machine
	099221	CAUTION! Keep safe distance when the machine is operating.

TABELA 2-0

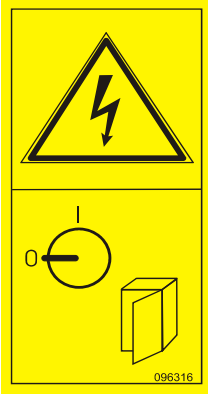
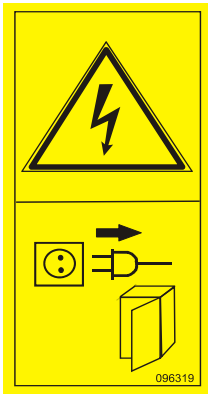



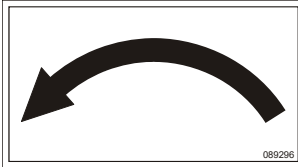


	<p>096316</p>	<p>Electric box opening is possible with the switch in "0" position only.</p>
	<p>096319</p>	<p>Always disconnect the power cord before opening the electric box.</p>
	<p>S12004G</p>	<p>Always wear safety goggles when operating the planer/moulder!</p>
	<p>S12005G</p>	<p>Always wear protective ear muffs when operating the planer/moulder!</p>

TABELA 2-0

	501465	Always wear safety boots when operating the planer/moulder!
	089296	Revolutions direction
	087649 502481	Warning stripes
	P85070	CE safety certification

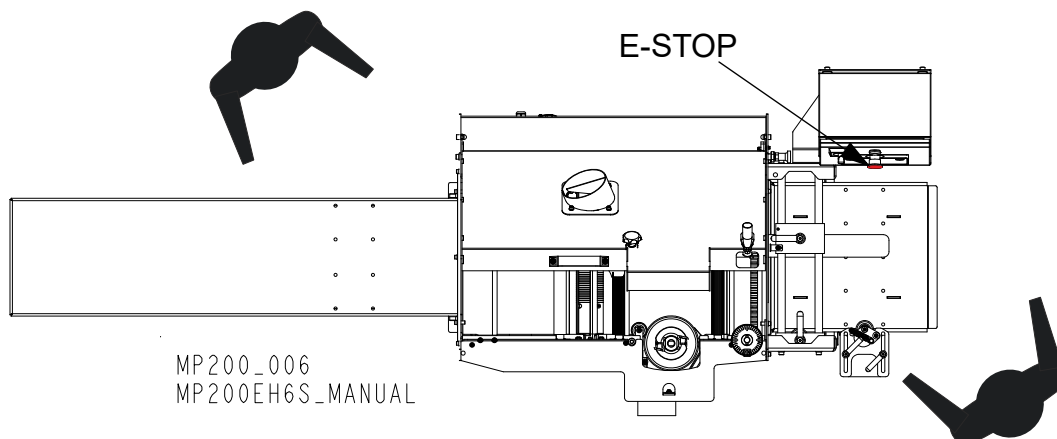
SECTION 3 SETUP & OPERATION

3.1 Planer/moulder setup



IMPORTANT! Before starting to use the planer/moulder you have to meet the following conditions:

- Set up the planer/moulder on firm, level ground and level the planer/moulder. Secure the planer/moulder to the ground to prevent moving during operation. A cement pad with 8-10 mm diameter anchor bolts is recommended.
- Indoors the planer/moulder can be operated with the sawdust collection system only.
- The planer/moulder can not be operated when it is raining/snowing and in case of rain or snow the sawmill must be stored under roof or indoors.
- The planer/moulder can be operated in temperature range from -15° C to 40° C only.
- The illumination at the operator's position should be at least 300lx¹.
- The planer/moulder's operator position and E-Stop safety buttons location are shown below.



See table 3-1. Have a qualified electrician install the power supply (according to EN 60204 Standard). The power supply must meet the specifications given below.

3-Phase Volts	Fused Disconnect Switch	Suggested Wire Size
400 VAC	14 A	1.5 mm ² up to 15 m long

TABLE 3-1



IMPORTANT! It is recommended that a 30mA GFI (Ground Fault Interrupter) be used.

1. Light source can not cause stroboscopic effect.



IMPORTANT! When starting the machine for the first time, check that main motor rotation direction is as indicated by the arrow located on the motor body (fan guard). If the rotation direction is incorrect invert the phases in the phase inverter in the power socket box). Setting the phases in the phase inverter correctly will ensure correct rotation directions of all sawmill motors.



WARNING! In case of a drive belt break, wait until all rotating parts are completely stop. Failure to do so may result in serious injury or death.



DANGER! Use the inspection window to check cutter rotation direction. To do it, look at the motor fan when planer/moulder is turning on or off. Do not check the cutter rotation direction by touching the cutter with any tool. Failure to do so will result in serious injury of death.

BEFORE STARTING:

- Check that no tools have been left in the planer.
- Check that the cutters can rotate freely before the safety doors are closed.
- Review the safety instructions!
- Ensure that all cutters can rotate freely.
- Be sure the emergency switch button is released;
- Be sure the upper cover is closed and the limit switch is activated. Be sure all machine's parts are tightened, especially working element covers.
- Be sure that no one than operator is in the high risk area.
- Turn on the chip extractor.



DANGER! Connect the planer/moulder electrical installation. Check the rotational direction. Looking from the transmission, the upper cutter must rotate in the opposite direction to the material feed direction (to the left).

3.2 MP200 planer/moulder operation

3.2.1 Control panel

See figure 3-1. MP200 planer/moulder controls are shown below:



FIG. 3-1

Top red button (A) - the emergency stop switch, which disconnects power to all functions. When the emergency stop switch is pressed, it must be released before restarting the planer/moulder (turn right).

Under the emergency stop switch there is an indicator light (B) which indicates that the power is on. When replacing knives and servicing, the power On/Off switch (C) must be in the off position. Check if indicator light (B) is off.

The white buttons (D, E, F) start the planer's motors. The black button (G) stops the planer's motors.

The button's function:

Starting the horizontal cutter (D)

Starting the side, vertical cutter (E)

Starting the feed motor (F)

Stop all motors (G).

3.2.2 Top cutter



DANGER! Before you open the safety doors on the planer, ensure that the power is switched off and that the cutters are not rotating.



WARNING! Use protective gloves, particularly when you need to loosen screws that are tightly fastened, or when you are tightening screws (see safety instructions).



WARNING! Beware of the planer knives. It is extremely easy to cut yourself on these, even with the slightest touch.

SETTING THE CUT OF THE TOP CUTTER

The planing thickness is adjusted with the planing table crank (189). The set thickness can be read on the indicator (109) on the machine stand. The indicator must be calibrated. Plane some wood and adjust the top cutter to the correct height. Loosen the cover. The ring above the indicator has a stop screw. Turn the ring so that it shows desired planing height.

The top cutter is fixed to the cover and hung at both ends. Two planing knives are mounted in two cutter sockets in the vertical cutter (planer knife 400 mm HSS). Remaining two planing or moulding knives can be mounted in two other, empty cutter sockets.

DISASSEMBLING, ASSEMBLING AND GRINDING PLANING KNIVES

See figure 3-2.

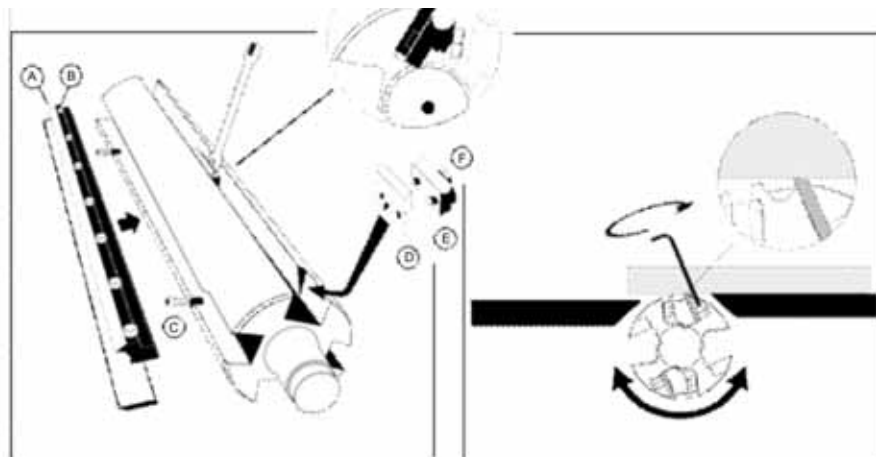


FIG. 3-2

The planing knife is disassembled by loosening the chip breaker's (A) lock screws (B) and then unscrewing the planing knife with adjuster screws (C).

GRINDING THE PLANING KNIVES

Always grind the knives in pairs, so they are the same height, min. 15 mm, otherwise vibrations could occur in the cutter. The grinding angle must be 38 degrees.

ADJUSTING THE PLANING KNIVES

Adjust planing knives (A) so they are on the same level and about 1 mm above the planer table. To adjust knives use the aluminium block (B), delivered together with planer/moulder (it is in the part's bag on the planer table).

See figure 3-3.

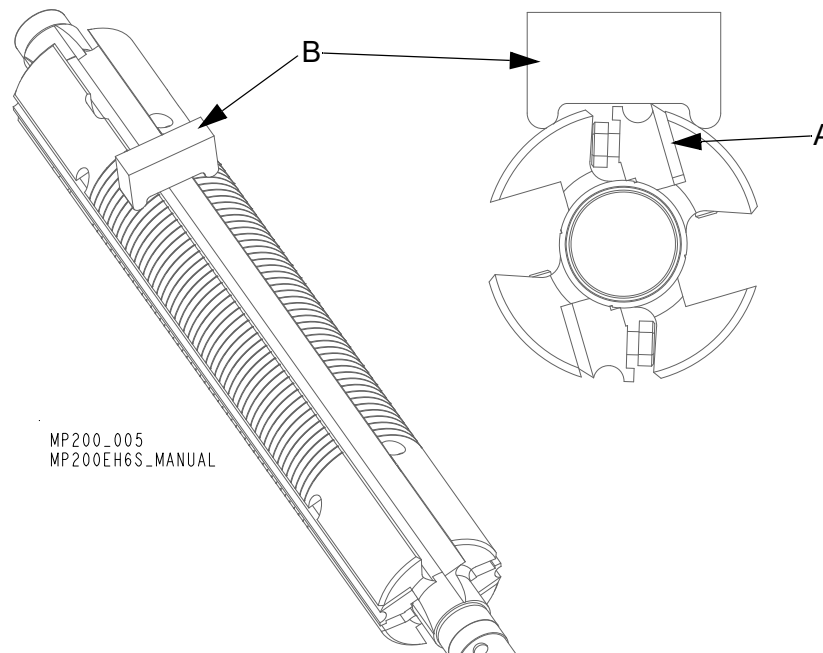


FIG. 3-3

Loosen the chip breaker's lock screws and place the adjustment block above the knife first on the left side of the cutter and next on the right side. Adjust the knife up or down until the knife touches the block. (It can be adjusted also with magnetic adjusting tool. See magnetic adjustment tool manual).

Tighten knife locking bolts counterclockwise. First tighten slightly bolts starting from outside of the cutter, to the middle. Next tighten them.



IMPORTANT! After top cutter bushing cover adjustment or changing planer thickness, scale indicator should be calibrated.

After adjusting or replacing planing knives:

- Check that no tools have been left in the planer.
- Check that all screws have been sufficiently tightened.
- Check that the cutters can rotate freely before the safety cover is closed.
- Review the safety instructions!


3.2.3 Chain transmission with trapezoidal thread adjustment


The chain used to raise and lower the table, must not be slack, but needs to be tensioned enough that teeth mesh correctly.

The chain tension is adjusted with the nut located on the planer/moulder base, under the outfeed table.

Do not adjust the chain tension, when table is raising or lowering. In this case incorrect chain tension can mean that chain has disconnected.

3.2.4 Side cutter

 **WARNING!** Before you open the safety doors on the planer, ensure that the power is switched off and that the cutters are not rotating.

 **WARNING!** Use protective gloves, particularly when you need to loosen screws that are tightly fastened, or when you are tightening screws (see safety instructions).

See figure 3-4.

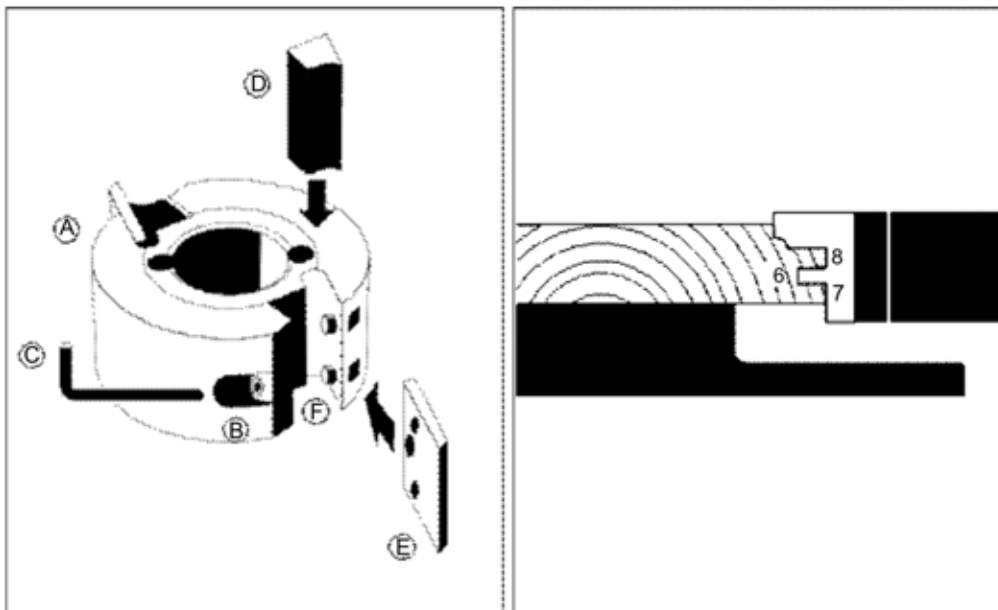



FIG. 3-4

The side cutter is fixed to the planer table with 30 mm diameter spindle, which is a standard dimension. Planer/moulder is equipped with one universal side cutter with planing knives, which can be easily replaced with molding knives. For the user's safety, the workpiece is fed towards the knives rotation direction. Lock nut and side cutter spindle have to be left-hand threaded.

 **IMPORTANT!** Side cutter lock nut has to be left-hand threaded.

After mounting moulding knives perform the following steps:

- Check that no tools have been left in the planer.
- Check that all screws have been sufficiently tightened.
- Check that the cutters can rotate freely before the safety doors are closed.
- Review the safety instructions!

DISASSEMBLING

Fixed cutter: Loosen the nut on the spindle with a 30 mm wrench (supplied) and a 13 mm wrench or adjustable wrench. Unscrew the nut and remove the cutter (A) and any spacing rings under the cutter.



IMPORTANT! Loosen side cutter nuts by turning them in the same direction as cutter rotation direction.

REPLACING KNIVES

Loosen the lock screw (B) with a 4 mm allen wrench (C) (supplied) and remove the chip breaker (D). Then remove the knife (E) from the dowel pin (F). Insert a new wrench and tighten the locking screw tightly.



IMPORTANT! Be sure the knives in the cutter are in proper direction. The cutting edge must be pointed to the chip breaker. Check if cutter is properly set on the spindle.



IMPORTANT! All planer/moulder cutters should turn in the same direction as in conventional milling.

Check that the corrosion-proof spring plate located in front of the cutter will not be bent towards the cutter by the workpiece's unplanned edge. Pay particular attention when cutting workpieces of different widths.

Be sure that the cutter can rotate freely and chip barrier plate located behind the cutter is 5 mm from the knife.

HEIGHT SETTING

The side cutter's height is set by adding or removing the spacers that are delivered in the component package.

Spacers height:

- Spacer40mm
- Spacer20mm
- Spacer10mm

- Spacer 5 mm
- Washer set (0.1 – 2.0 mm)

To remove the planing knife from the side cutter, use 4mm allen wrench (supplied) to loosen lock screws are recessed into the cutters.

The height settings for tongue and grooves:

When tongues and grooves need to be moulded, it is important that they are made opposite one another, i.e. at the same height above the planing table. Remove the cutter from the spindle (see above under the Disassembling heading).

- Decide how the board should look. E.g. 8 mm above the groove, 6 mm groove and 7 mm below groove.
- Assemble the molding knife and tighten the socket head screw that hold the knife properly.
- Place the cutter on the spindle without any spacers.
- Measure the distance between top edge of the bottom knife and planer/moulder table.

If the cutter is 40 mm and the groove (6 mm in this example) is in the middle of the knife, the height of the knife above the groove is 17 mm.

When the cutter is preset, the height of the knife above the table must be 30 mm ($7 + 6 + 17 = 30$ mm). If, for example, the height of the knife above the table is measured to 15.2 mm, the cutter must be raised 14.8 mm (0.58") ($15.2 + 14.8 = 30$ mm).

Follow the procedures below:

- Remove the cutter.
- Use spacers to the desired thickness (14.8 mm in this example) and thread them onto the spindle.
- Place the cutter on the spindle and tighten the lock screw. Be sure the cutter can rotate freely.
- Repeat these steps with cutter and tongue knife, to set it at the same height above the table.
- Plane the small, test board to check if groove and tongue are on the same height.

Or set the knife at any height and run the test planing. Measure and set the knife on the desired height.



IMPORTANT! Spacers must be also above cutter to fix it on the spindle. Add few spacers, which are not used for height setting. The thickest spacer should be on the top and be several millimeters above the lowest threads of the threaded bar. Next tighten properly nuts on the threaded bar.



WARNING! To sharpen dull knife, the flat side of the knife can be grinded. The pair of knives must have the same profile. Always grind knives in pairs, so they have the same weight, otherwise vibrations can occur in the cutter. If knife profile is damaged, it should be re-grinded again using professional sharpener. This service is usually available in the nearby. If not, contact Wood-Mizer.

3.2.5 Variable speed motor manual



WARNING! Do not turn feed speed adjustment knob when the feed is off or material is planing/moulding.

ASSEMBLY (IF VARIABLE SPEED MOTOR IS MOUNTED IN PLACE)

Mount feed motor on the last feed roller. Be sure the torque is constant. Use the lock screw to secure the motor on the roller.

SETTING THE FEED SPEED

To set the feed speed use the knob located on the feed gear. To increase the speed turn the knob right, to decrease - turn left.

MAINTENANCE

Fluid should be visible in the fluid inspection window. Fluid level should be checked when feed gear is not working.

Fluid should be refilled when it is not visible in the inspection window. Use oil for automatic gearboxes or compatible oil according to the table below.

The variator is filled with AGIP BLASIA 32 at the factory and does not normally require an oil change during its life.

The worm gear oil does not normally need changing or topping up during the life of the gear.


See **table 3-2**. Recommended oil types.

AGIP	BLASIA 32
SHELL	A.T.F DEXRON
ESSO	A.T.F DEXRON
MOBIL	A.T.F 220
CASTROL	DEXTRON II
BP	AUTRAN DX

TABLE 3-2

SECTION 4 MAINTENANCE

This section lists the maintenance procedures that need to be performed.

 **CAUTION!** Always disconnect and lock out power supply before performing any maintenance work, cleaning or servicing the planer/moulder. Failure to do so may result in serious injury.

 **This symbol** identifies the interval (hours of operation duty) at which each maintenance procedure should be performed.

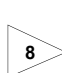
4.1 Wear life

See Table 4-1. Estimated life expectancy of common replacement parts is given in table below. This information is provided so that you may plan ahead in ordering replacement parts. This chart lists estimated life expectancy of common replacement parts if proper maintenance and operation procedures are followed. Due to many variables which exist during machine operation, actual part life may vary significantly.

Part description	Estimated life
Drive belt	1250 hours


TABLE 4-1

4.2 Sawdust Removal

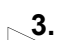
 Remove the excess sawdust and chips from the inside and outside of the planer/moulder using compressed air and brush every eight hours of operation.

4.3 Miscellaneous Maintenance

 1. Oil all chains with Dexron III ATF every fifty hours of operation.

 **CAUTION!** Do not use chain lube. It causes sawdust buildup in chain links.

2. Clean resin from the table. Use solvent if necessary. Lubricate table e.g. with paraffin oil.

 3. Lubricate these parts every 50 oils:

- Feed roller bushing,
- Sprockets
- Table height adjustment chain

- Feed roller drive chain
- Two slide rods and trapezoidal thread
- Cast iron table

4. Every 50 hours check that all screws and bolt connections are tightened. Check that cables and electrical connectors are in good condition.

4.4 Drive Belt Tension Adjustment

4.4.1 *Top cutter drive belt tension adjustment*

50 Check top cutter drive belt tension after first 20 hours of operation and every 50 hours of operation thereafter.

1. Unbolt and remove top cutter drive belt cover (A).
2. Check top cutter drive belt for wear and tension. Replace belt as needed.
3. To tension the drive chain, loosen motor plate mounting bolts (B) and chain tension adjustment bolt

(C).

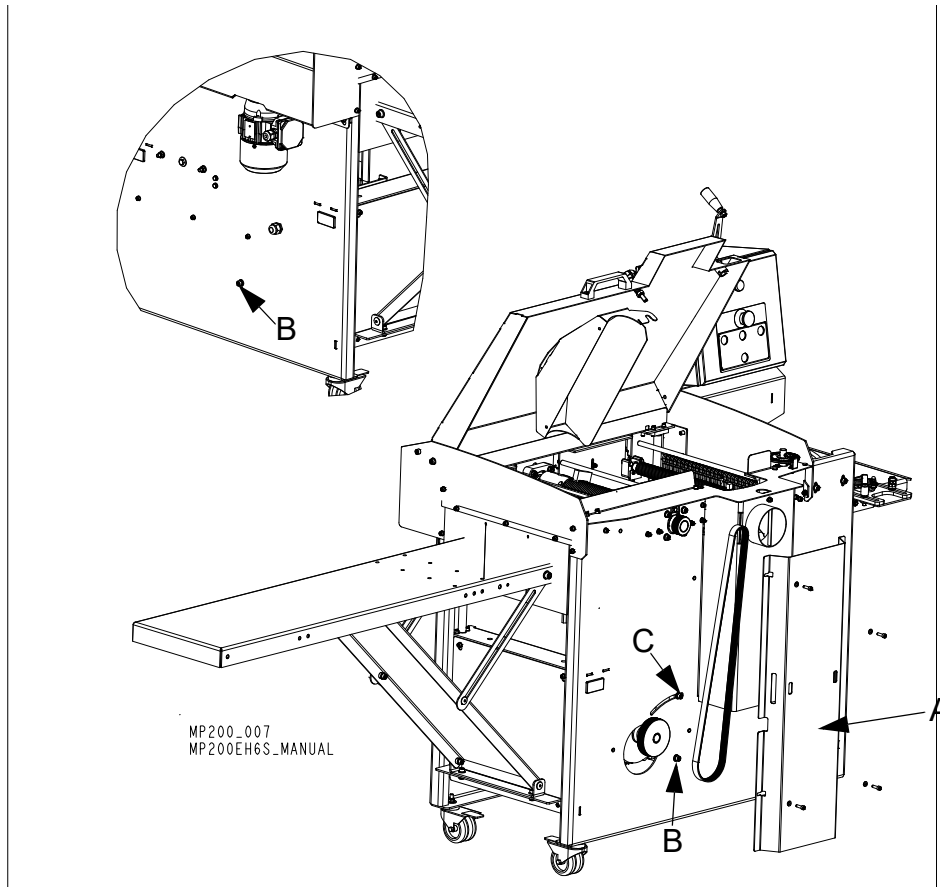


FIG. 4-1

4. Move motor with mounting plate to adjust properly drive belt. Next tighten adjustment bolt and motor plate mounting bolts. Mount top cutter drive belt cover.
5. Check motor and top cutter pulleys alignment. Both pulleys should be in line to avoid premature drive belt wear. Loosen set screw on the shaft to move pulleys. After pulleys alignment, recheck the belt tension.

4.4.2 Side cutter drive belt tension adjustment

4

MAINTENANCE

Drive Belt Tension Adjustment

Loosen four motor mounting bolts (A). Use adjustment bolt B to adjust belt tension.

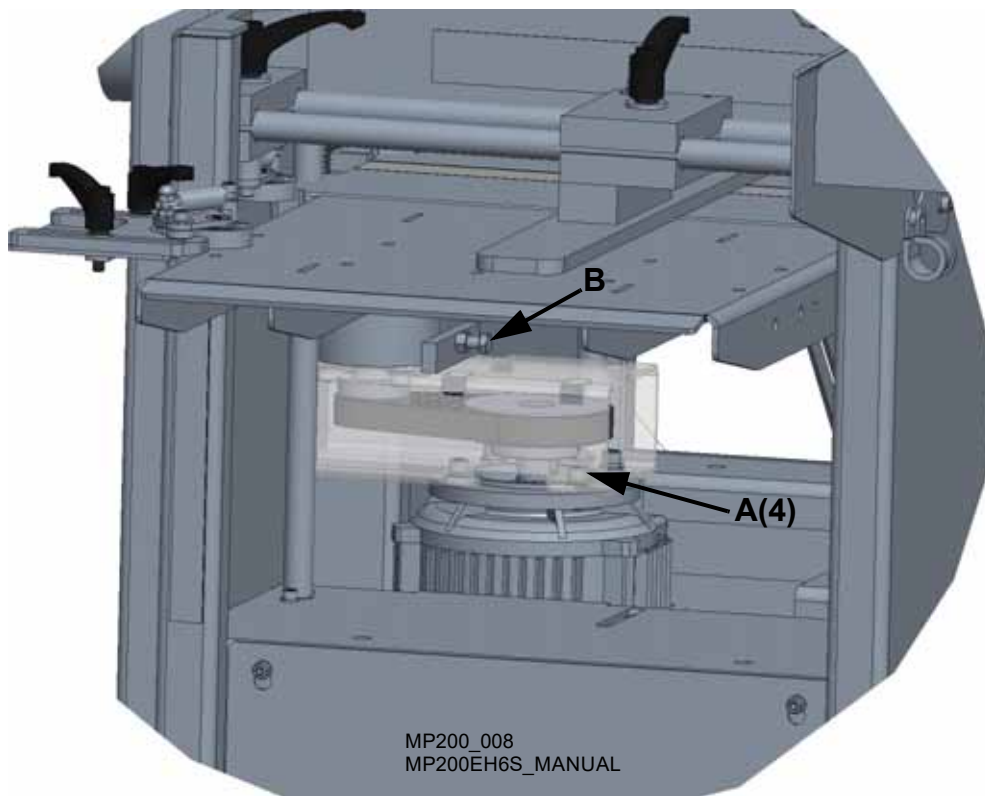


FIG. 4-2

4.4.3 Table chain tension adjustment

Loosen two tension roller mounting bolts (A). Use adjustment bolt B to adjust table chain tension.

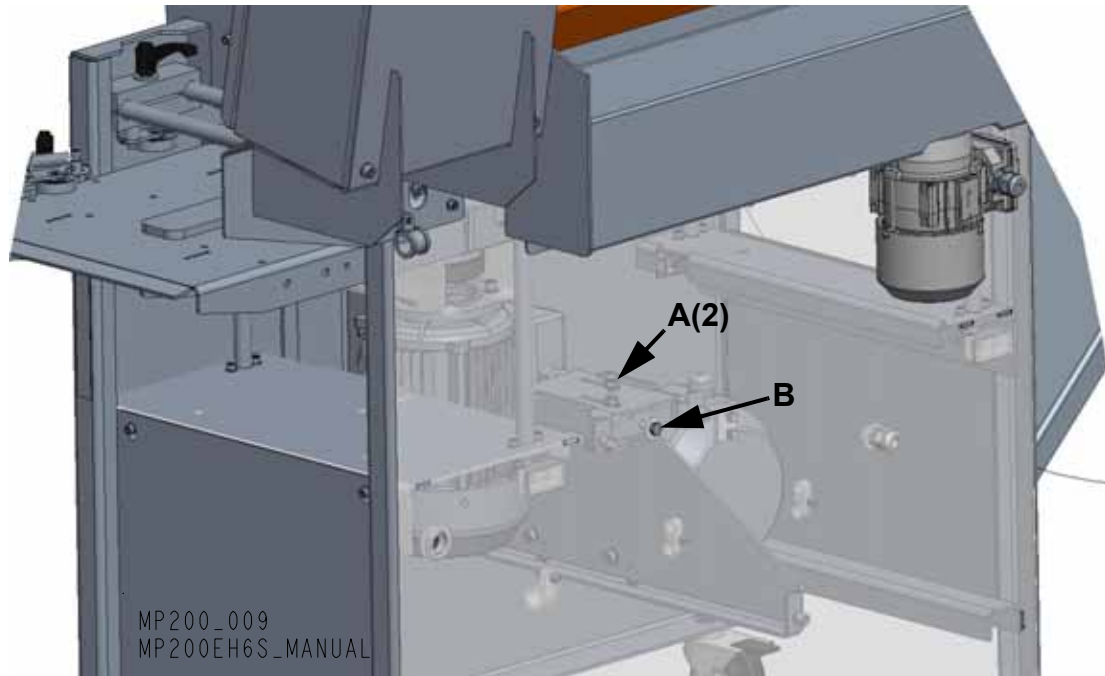


FIG. 4-3

4.4.4 Roller drive chain tension adjustment

1. Unbolt and remove roller drive chain cover (A).
2. Loosen tensioner bolt (B). Move the tensioner up/down to tension the chain properly.

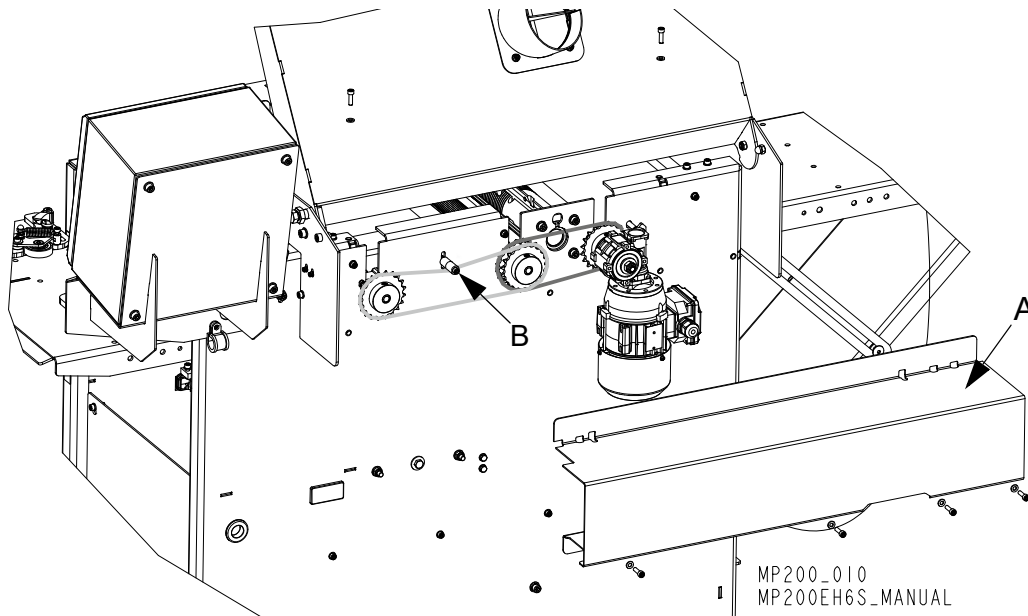


FIG. 4-4

4.5 Long-term storage

If the machine is not used for a long period of time, do as follows:

- Disconnect the power cord.
- Perform all routine actions described above.
- Remove the knives with mounting strips or clamping wedges and store them well lubricated in above zero temperature.
- Loosen the motor belt tension.
- Spray a thin layer of anti-rust coating (such as P.D.R.P) onto the places not protected against rusting.
- Store the machine in a well ventilated room.
- Cover the planer/moulder.

4.6 Safety Devices Inspection

MP200E6S Moulder – Safety Devices Inspection

Safety devices on the machine which must be checked before every shift:

- E-STOP button and its circuit inspection,
- Cutter cover safety switch and its circuit inspection.

1. E-STOP button and its circuit inspection

- Use “I” buttons to start top and side cutter and next feed rollers. The motors should start.
- Press the E-STOP button located on the control box. All motors should be stopped. Pressing any of “I” buttons should not start the motor until the E-STOP button is released.



2. Cutter cover safety switch and its circuit inspection



CAUTION! Use extreme caution when opening cutter housing cover if top and side cutters are working (to inspect safety devices).

- Use “I” buttons to start top and side cutter and next feed rollers. The motors should start.
- Be sure the emergency switch button is released;
- Open the cutter housing cover;
- All motors should be stopped.
- Pressing any of “I” buttons should not start the motors.
- Close the cutter housing cover.
- Motors should remain stopped until they are restarted with the any of “I” buttons.

SECTION 5 PLANER/MOULDER SPECIFICATIONS

5.1 Overall dimensions

See figure 5-1. The overall dimensions of the MP200 Planer/moulder are shown below (all dimensions in millimeters).

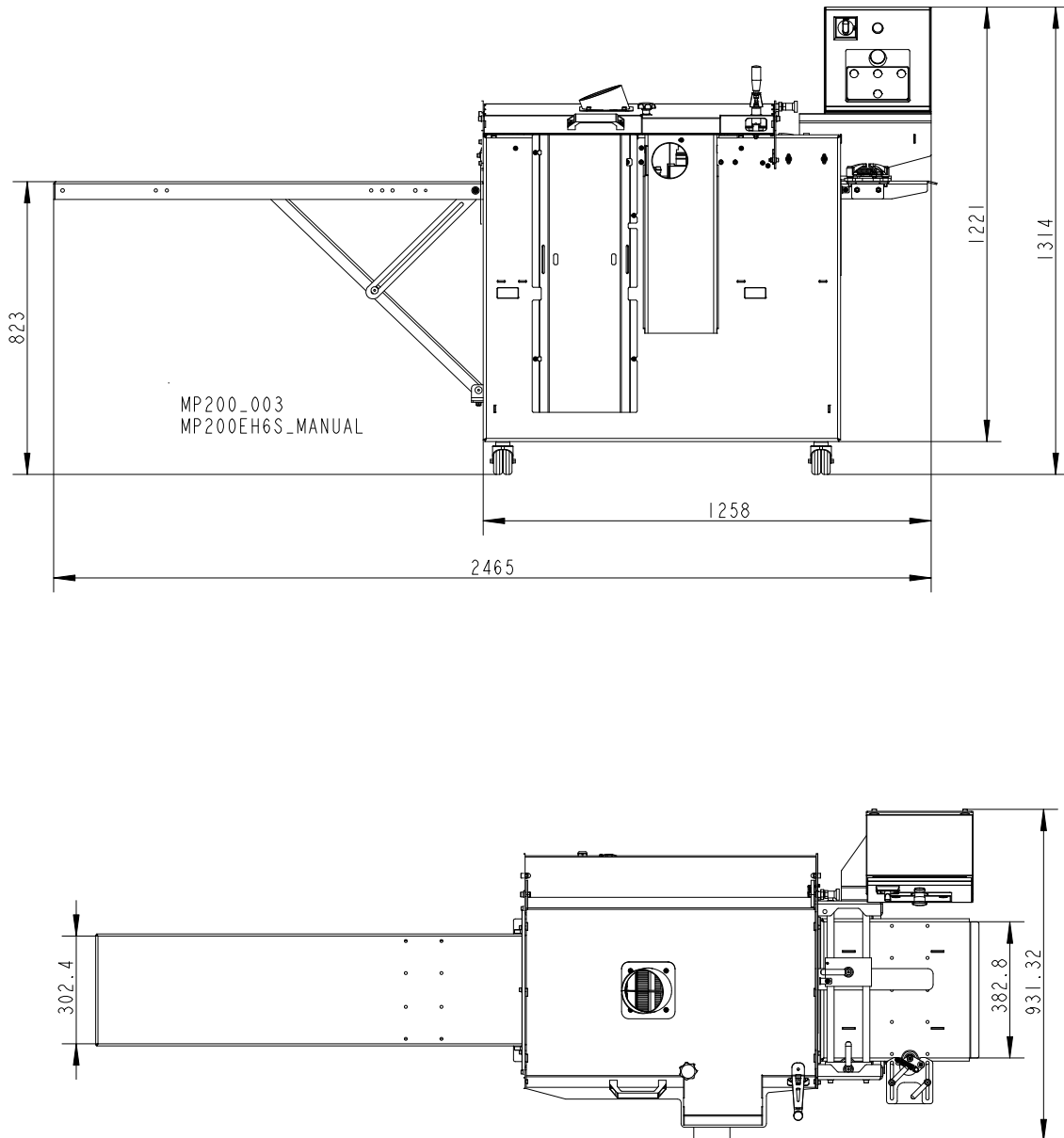


FIG. 5-1 MP200

See table 5-1. The overall dimensions and weight of MP200 are given in the table below.

Planer/moulder type	MP200
Weight	370 kg
Weight with transport box	443 kg
Height	1314 mm
Width	931 mm
Length	1258 mm
Length with optional table	2465 mm

TABLE 5-1

5.2 Specifications of the planer/moulder

See table 5-2. Wood-Mizer planer/moulder nomenclature is given in the table below.

	Volts
MP200EA6S	1 ph 230V CE
MP200EA6U	1 ph 230V UL
MP200EB6S	3 ph 230V CE
MP200EB6U	3 ph 230V UL
MP200EC6U	3 ph 460V UL
MP200EH6S	3 ph 400V CE

TABLE 5-2

See table 5-3. See the table below for specifications of the ECO planer/moulder motors for European markets.

MP200EH6S			
	Top cutter motor specifications	Side cutter motor specifications	Feed motor specifications
Motor Type	Electric Motor	Electric Motor	Electric Motor
Rated Voltage	3x400V	3x400V	3x400V
Rated revolutions	2860 r.p.m.	2860 r.p.m.	1400 r.p.m.
Rated power	6kW	6kW	0,18 kW
Wood-Mizer Part No.	533644	533646	532802
Wood-Mizer Reducer Part No.	----	---	533637

TABLE 5-3

	MP200EB6S		
	Top cutter motor specifications	Side cutter motor specifications	Feed motor specifications
Motor Type	Electric Motor	Electric Motor	Electric Motor
Rated Voltage	3x230V	3x230V	3x230V
Rated revolutions	2860 r.p.m.	2860 r.p.m.	1400 r.p.m.
Rated power	6kW	6kW	0,18 kW
Wood-Mizer Part No.	533644	533646	532802
Wood-Mizer Reducer Part No.	----	---	533637

TABLE 5-3

	MP200EA6S		
	Top cutter motor specifications	Side cutter motor specifications	Feed motor specifications
Motor Type	Electric Motor	Electric Motor	Electric Motor
Rated Voltage	1x230V	1x230V	1x230V
Rated revolutions	2860 r.p.m.	2860 r.p.m.	1580 r.p.m.
Rated power	2.7 kW	2.7 kW	0,18 kW
Wood-Mizer Part No.	533651	533651	535712
Wood-Mizer Reducer Part No.	----	----	533637

TABLE 5-3

See table 5-4. Specifications of the PRO planer/moulder motors for European markets are given in the table below.

	MP200EH7S		
	Top cutter motor specifications	Side cutter motor specifications	Feed motor specifications
Motor Type	Electric Motor	Electric Motor	Electric Motor
Rated Voltage	3x400V	3x400V	3x400V
Rated revolutions	2860 r.p.m.	2860 r.p.m.	2820 r.p.m.
Rated power	4kW	6kW	0.37 kW
Wood-Mizer Part No.	532811	533646	533642
Wood-Mizer Reducer Part No.	----	---	533637

TABLE 5-4

MP200EB7S			
	Top cutter motor specifications	Side cutter motor specifications	Feed motor specifications
Motor Type	Electric Motor	Electric Motor	Electric Motor
Rated Voltage	3x230V	3x230V	3x230V
Rated revolutions	2860 r.p.m.	2860 r.p.m.	2820 r.p.m.
Rated power	4kW	6kW	0.37 kW
Wood-Mizer Part No.	532811	533646	533642
Wood-Mizer Reducer Part No.	----	---	533641
Wood-Mizer CVT Part No.	----	---	533643

TABLE 5-4

See table 5-5. Specifications of the ECO planer/moulder motors for USA are listed below.

MP200EC6U			
	Top cutter motor specifications	Side cutter motor specifications	Feed motor specifications
Motor Type	Electric Motor	Electric Motor	Electric Motor
Rated Voltage	3x400-460V	3x400-460V	3x400-460V
Rated revolutions	--	--	1400 r.p.m.
Rated power	3kW	3kW	0.18 kW
Wood-Mizer Part No.	533644-UL	533646	532802-UL
Wood-Mizer Reducer Part No.	----	---	--

TABLE 5-5

MP200EB6U			
	Top cutter motor specifications	Side cutter motor specifications	Feed motor specifications
Motor Type	Electric Motor	Electric Motor	Electric Motor
Rated Voltage	3x230V	3x230V	3x230V
Rated revolutions	--	--	1400 r.p.m.
Rated power	3kW	3kW	0.18 kW
Wood-Mizer Part No.	533644-UL	533646	532802-UL
Wood-Mizer Reducer Part No.	----	---	533637

TABLE 5-5

	MP200EA6U		
	Top cutter motor specifications	Side cutter motor specifications	Feed motor specifications
Motor Type	Electric Motor	Electric Motor	Electric Motor
Rated Voltage	1x230V	1x230V	1x230V
Rated revolutions	--	--	1580 r.p.m.
Rated power	2.7 kW	2.7 kW	0.18 kW
Wood-Mizer Part No.	533651-UL	533651-UL	535712-UL
Wood-Mizer Reducer Part No.	----	----	533637

TABLE 5-5

See table 5-6. See the table below for specifications of the PRO planer/moulder motors for USA.

	MP200EC6U-V		
	Top cutter motor specifications	Side cutter motor specifications	Feed motor specifications
Motor Type	Electric Motor	Electric Motor	Electric Motor
Rated Voltage	3x400-460V	3x400-460V	3x400-460V
Rated revolutions	2860 r.p.m.	2860 r.p.m.	2820 r.p.m.
Rated power	4kW	3kW	0,37 kW
Wood-Mizer Part No.	532811-UL	533646-UL	533642-UL
Wood-Mizer Reducer Part No.	----	---	533641
Wood-Mizer CVT Part No.	----	---	533643

TABLE 5-6

	MP200EB7U-V		
	Top cutter motor specifications	Side cutter motor specifications	Feed motor specifications
Motor Type	Electric Motor	Electric Motor	Electric Motor
Rated Voltage	3x230V	3x230V	3x230V
Rated revolutions	2860 r.p.m.	2860 r.p.m.	2820 r.p.m.
Rated power	4kW	3kW	0,37 kW
Wood-Mizer Part No.	532811-UL	533646-UL	533642-UL
Wood-Mizer Reducer Part No.	----	---	533641
Wood-Mizer CVT Part No.	----	---	533643

TABLE 5-6

PLANER/MOULDER SPECIFICATIONS

Specifications of the planer/moulder

5

MP200EA6U-V			
	Top cutter motor specifications	Side cutter motor specifications	Feed motor specifications
Motor Type	Electric Motor	Electric Motor	Electric Motor
Rated Voltage	1x230V	1x230V	1x230V
Rated revolutions	--	--	3340 r.p.m.
Rated power	2.7 kW	2.7 kW	0.55 kW
Wood-Mizer Part No.	533651-UL	533651-UL	535714
Wood-Mizer Reducer Part No.	----	----	533641
Wood-Mizer CVT Part No.	----	---	535713

TABLE 5-6

See table 5-7. Feed rate

Planer/moulder type	Feed Rate
MP200EH6S (Constant Feed Speed)	5 m/min
MP200EH6S (Adjustable Feed Speed)	2-12 m/min

TABLE 5-7

See table 5-8. The noise level generated by Wood-Mizer planer/moulder is given in the table below^{1 2 3}

	Noise Level
Planer/Moulder MP200 Equipped with electric motor	$L_{pA} = 104\text{dB (A)}$

TABLE 5-8



IMPORTANT! The total value of hand-arm vibration the operator may be exposed to does not exceed 2.5 m/s^2 . The highest root mean square value of weighted acceleration to which the whole operator's body is subjected does not exceed 0.5 m/s^2 .

See table 5-9. See the table below for planing/moulding material specifications

	One-sided planing	Double-sided planing
Minimum Cant Height	6 mm	6 mm
Maximum Cant Height	220 mm	100 mm
Maximum Cant Width	410 mm	325 mm

TABLE 5-9

1. The noise level measurement was taken in accordance with PN-EN ISO 3746 Standard . Value for associated uncertainty $K=4\text{dB}$.
2. The measured values refer to emission levels, not necessarily to noise levels in the workplace. Although there is a relation between emission levels and exposure levels, it is not possible to determine with certainty if preventives are needed or are not needed. Factors that influence the actual level of exposure of the workforce include the characteristics of the work room and the other sources of noise etc. i.e. the number of machines and other adjacent processes. Also, the permissible exposure level value may vary depending on country. This information enables the machine's user to better identify hazards and a risk.
3. The total value of hand-arm vibration the operator may be exposed to does not exceed 2.5 m/s^2 . The highest root mean square value of weighted acceleration to which the whole operator's body is subjected does not exceed 0.5 m/s^2 .

See table 5-10. Other specifications of the planer/moulder are listed below

Cutter Specifications	
Number of knife sockets	4
Top cutter diameter	72 mm
Top cutter width	410 mm
Side cutter diameter	92 mm
Side cutter width	40 mm
Cutter adjustment	-- mm
Cutter rotations	5840 r.p.m.
Knives Specifications	
Straight knife height "A"	20 mm
Straight knife thickness "B"	3 mm
Straight knife protrusion "C"	1 mm
Pattern knife protrusion "C"	depends on the knife thickness (see table 5-11)

TABLE 5-10

See figure 5-2.

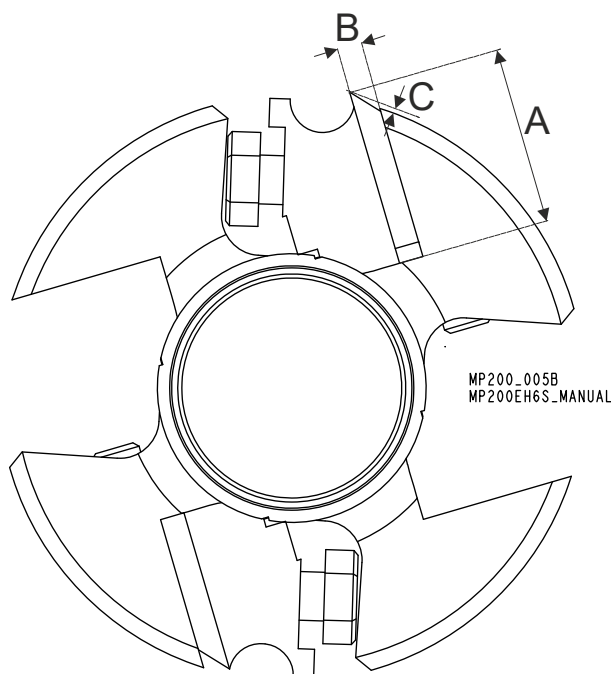


FIG. 5-2

See table 5-11. A relation between the pattern knife protrusion and the thickness is shown below.

Pattern knife thickness	Pattern knife max. protrusion ¹
3 mm	13 mm
4 mm	21 mm
5mm	29 mm

TABLE 5-11

¹ According to EN 847-1:2005 European Standard

EC declaration of conformity according to EC Machinery Directive 2006/42/EC, Annex II, 1.A

Manufacturer: Wood-Mizer Industries sp. z o.o.
Nagórna 114, 62-600 Koło; Poland
Tel. +48 63 26 26 000

This declaration of conformity is issued under the sole responsibility of the manufacturer.

Following machine in our delivered version complies with the appropriate essential safety and health requirements of the EC Machinery Directive 2006/42/EC based on its design and type, as brought into circulation by us. In case of alteration of the machine, not agreed by us, this declaration is no longer valid.

We, the undersigned herewith declare, that:

Designation of the machine: **Combined Thicknesser, 2-sided Moulder**

Type: MP200

No. of manufacturer:

**Is in conformity with the following
EC directives:**

EC Machinery Directive 2006/42/EC
EC Electromagnetic Compatibility Directive
2014/30/EC

**And is in conformity with the following
Harmonized Standards:**

PN-EN ISO 12100:2012;
PN-EN 860+A2:2012;
PN-EN ISO 19085-6
PN-EN ISO 13849-1:2016-02
PN-EN 60204-1:2010
PN-EN 848-2+A2:2013-03

Notified Body according to annex IV : Sieć Badawcza Łukasiewicz
INSTYTUT TECHNOLOGII DREWNA
Centrum Weryfikacji Wyrobów Przemysłu Drzewnego
Winiarska 1, 60-654 Poznań

Notification No: 1583

EC type-examination certificate no. 0701/2019

Responsible for Technical Documentation: Tomasz Agaciński / Engineering Manager
Wood-Mizer Industries Sp. z o.o.
62-600 Koło, ul. Nagórna 114, Poland
Tel. +48 63 26 26 000

Place/Date/Authorized Signature:

Koło, 11.09.2019



Title :

Engineering Manager