

**FORM #2523
LT15 AND LT15W MANUAL TOE BOARDS**

Part No. TB15 and TB15W

| REF | DESCRIPTION | PART # | QTY. |
|-----|---|-----------|------|
| | KIT, LT15 MANUAL TOE BOARD | TB15 | |
| | KIT, LT15 WIDE MANUAL TOE BOARD | TB15W | |
| 1 | Assy, Toe Board | 118124 | 2 |
| | Assy, Toe Board LT15 Wide | 133344 | 2 |
| | Instruction Sheet, LT15/LT15W Manual Toe Boards | TB15-2523 | 1 |

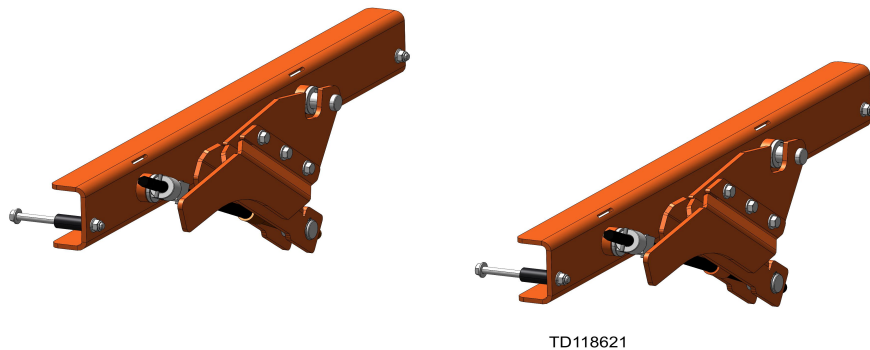


FIG. 1



WARNING! Turn the base unit's power to OFF, remove the key, and disconnect the battery ground terminal, if applicable.

Ensure your unit is on a level surface and secure from movement.

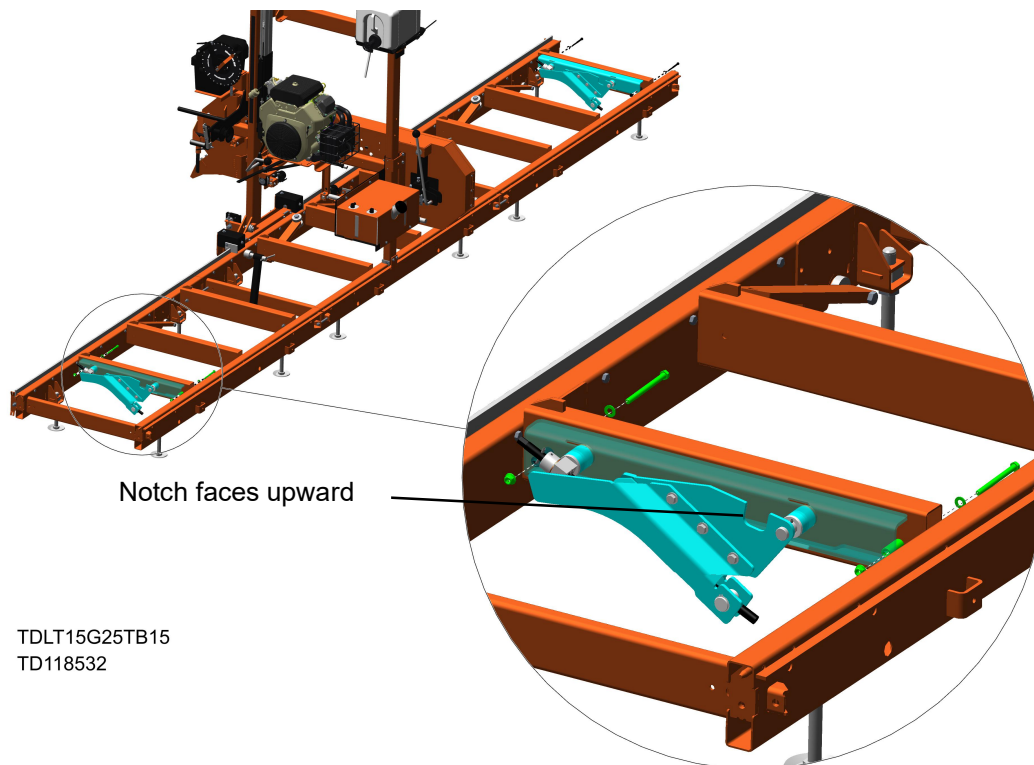
Installation Instructions

TOE BOARD ASSEMBLIES

1. Secure each Toe Board assembly to a bed cross tube using (2) 3/8 x 4 1/2 HH bolts, (2) flat washers, (2) 1 5/8 spacers, and (2) 3/8 flanged nylock nuts.

NOTE: The Toe Boards can be attached to different cross tubes to suit the length of log being milled.

2. Orient each Toe Board as shown in **FIG. 2**.



TDLT15G25TB15
TD118532

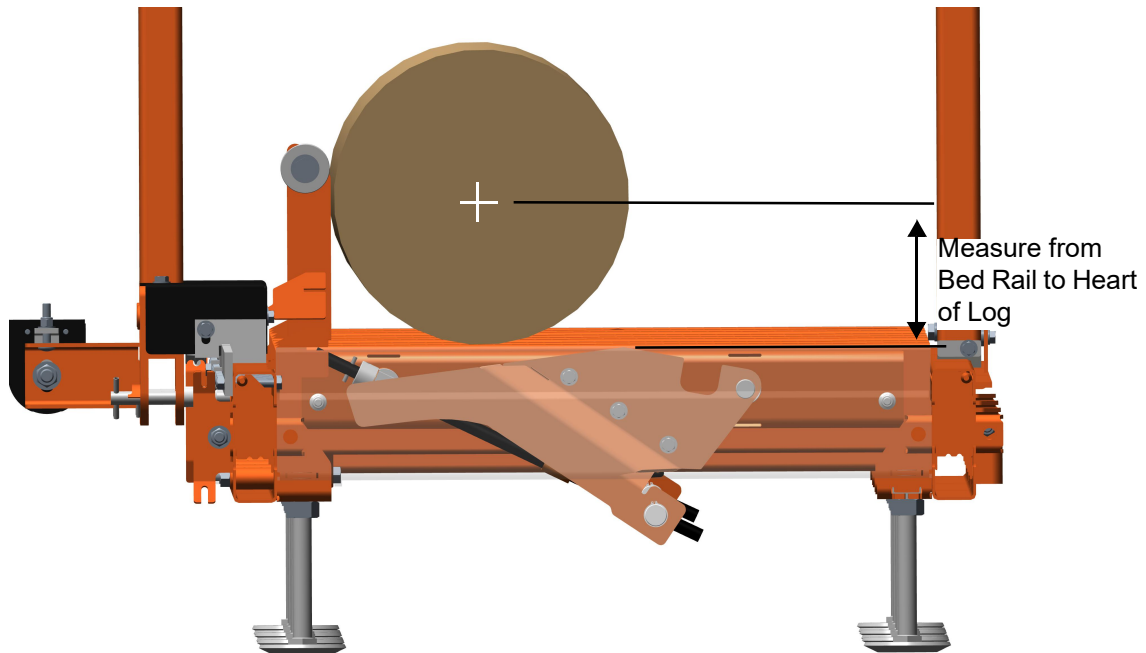
FIG. 2

Toe Board Operation

MEASURE LOG GAP

The Toe Board option allows the operator to lift either end of a log to parallel the heart to the path of the blade.

1. When a log is loaded for the first cut, measure from the bed rail or auxiliary support to the heart of the log as show in **FIG. 3**



TDLT15G25TB15

FIG. 3

2. Take the same measurement at the other end of the log and compare distances.

The distance from the bed to the heart on one end of the log should be within 1/2" of the measurement from the bed to the heart on the other end of the log.

ADJUST TOE BOARD

1. Place a ratchet/extension/socket (or other handle) on toe board at end of log to be raised.
2. Turn handle clockwise to raise end of log. **See FIG. 4**
3. Raise about half the difference measured as other end of log will typically lower as end being raise goes up.

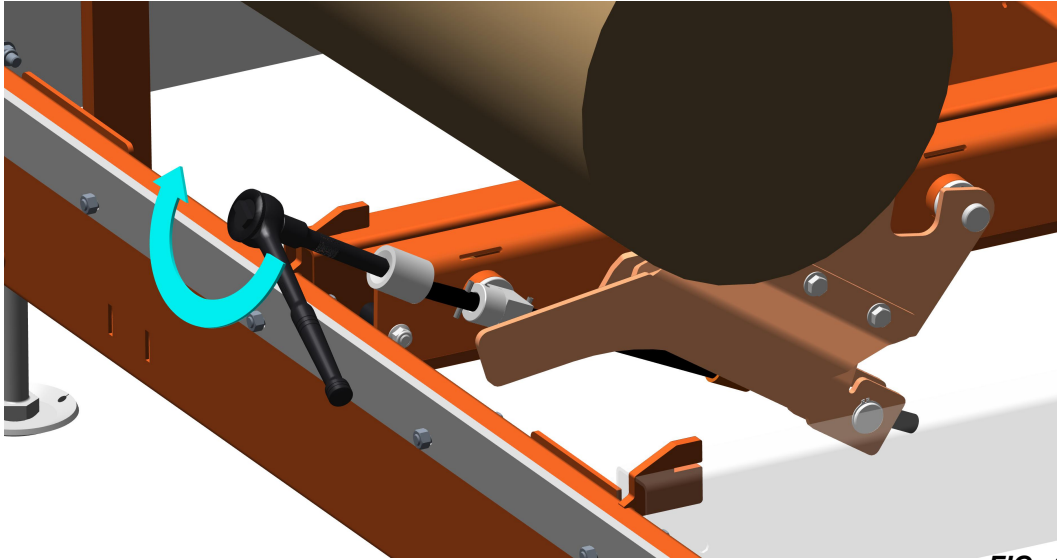


FIG. 4

4. Remeasure both ends of log from bed rails.
5. Adjust toe board as necessary until both ends measure the same distance from bed rails.
6. Remove the handle.
7. Clamp log against side supports.
8. Make desired number of cuts.
9. Lower log clamps.
10. Place a handle or ratchet on raised toe board.
11. Turn counterclockwise to lower toe board below surface of bed rail.



CAUTION! Do not roll the log until the toe boards have been lowered below bed level. Damage to the toe boards will result.

12. Rotate log 180 degrees, so that flat portion of log now lies flat on bed rails.

NOTE: This will result in the two opposite sides of the log cut parallel to the heart.

13. Make desired cuts.
14. Rotate log 90 degrees.
15. Repeat preceding steps to square remaining two sides of log.
16. End of Task.