

Replacement Parts

HR300 Series

rev. A2.00



Safety is our #1 concern! Read and understand all safety information and instructions before operating, setting up or maintaining this machine.

Form #1696

©2019

Printed in the United States of America, all rights reserved. No part of this manual may be reproduced in any form by any photographic, electronic, mechanical or other means or used in any information storage and retrieval system without written permission from

Wood-Mizer
8180 West 10th Street
Indianapolis, Indiana 46214

California
Proposition 65 Warning



WARNING: Breathing gas/diesel engine exhaust exposes you to chemicals known to the State of California to cause cancer and birth defects or other reproductive harm.

Always start and operate the engine in a well-ventilated area.
If in an enclosed area, vent the exhaust to the outside.
Do not modify or tamper with the exhaust system.
Do not idle the engine except as necessary.

For more information go to **www.P65warnings.ca.gov**.



WARNING: Drilling, sawing, sanding or machining wood products can expose you to wood dust, a substance known to the State of California to cause cancer. Avoid inhaling wood dust or use a dust mask or other safeguards for personal protection.

For more information go to **www.P65Warnings.ca.gov/wood**.

Table of Contents

Section-Page

| | | |
|------------------|--|------------|
| SECTION 1 | REPLACEMENT PARTS | 1-1 |
| 1.1 | How To Use The Parts List | 1-1 |
| 1.2 | Sample Assembly | 1-1 |
| SECTION 2 | BLADE GUIDES | 2-1 |
| 2.1 | Blade Guide Assembly, Idle Side..... | 2-1 |
| 2.2 | Blade Guide Assembly, Drive Side..... | 2-4 |
| SECTION 3 | BLADE WHEELS & DRIVE | 3-1 |
| 3.1 | Blade Drive Assembly..... | 3-1 |
| 3.2 | Drive Belt Covers and Brake Solenoid | 3-3 |
| 3.3 | Blade Motor Assembly (20HP/25HP)..... | 3-5 |
| 3.4 | Blade Motor Assembly (10HP)..... | 3-6 |
| 3.5 | Idle Blade Wheel Assembly | 3-7 |
| SECTION 4 | SAW HEAD | 4-1 |
| 4.1 | Blade Tensioner Assembly..... | 4-1 |
| 4.2 | Middle Throat Screw | 4-3 |
| 4.3 | Water Lube Assembly | 4-4 |
| 4.4 | Covers & Sawdust Chute..... | 4-5 |
| 4.5 | Saw Head Decals | 4-7 |
| SECTION 5 | UP/DOWN | 5-1 |
| 5.1 | Mast Assembly | 5-1 |
| 5.2 | Up/Down System Assembly..... | 5-3 |
| SECTION 6 | FEED | 6-1 |
| 6.1 | Feed Track Assembly | 6-1 |
| 6.2 | Feed Motor Assembly | 6-3 |
| 6.3 | Stationary Feed Rollers | 6-4 |
| 6.4 | Pressure Roller Assembly..... | 6-5 |
| 6.5 | Pressure Roller Chain Assembly..... | 6-8 |
| SECTION 7 | FRAME | 7-1 |
| 7.1 | Saw Head Tilt Assembly | 7-1 |
| 7.2 | Control Box & Harnesses..... | 7-3 |
| SECTION 8 | OPTIONS | 8-1 |
| 8.1 | End Table (Optional)..... | 8-1 |

Table of Contents

Section-Page

8.2 Feed Tables (Optional).....8-2
8.3 Side Table (Optional)8-3
8.4 Lube-Mizer Pump Assembly (Optional).....8-4

INDEX

Table of Contents

Section-Page

| | | |
|------------------|--|------------|
| SECTION 1 | REPLACEMENT PARTS | 1-1 |
| 1.1 | How To Use The Parts List | 1-1 |
| 1.2 | Sample Assembly | 1-1 |
| SECTION 2 | BLADE GUIDES | 2-1 |
| 2.1 | Blade Guide Assembly, Idle Side..... | 2-1 |
| 2.2 | Blade Guide Assembly, Drive Side..... | 2-4 |
| SECTION 3 | BLADE WHEELS & DRIVE | 3-1 |
| 3.1 | Blade Drive Assembly..... | 3-1 |
| 3.2 | Drive Belt Covers and Brake Solenoid | 3-3 |
| 3.3 | Blade Motor Assembly (20HP/25HP)..... | 3-5 |
| 3.4 | Blade Motor Assembly (10HP)..... | 3-6 |
| 3.5 | Idle Blade Wheel Assembly | 3-7 |
| SECTION 4 | SAW HEAD | 4-1 |
| 4.1 | Blade Tensioner Assembly..... | 4-1 |
| 4.2 | Middle Throat Screw | 4-3 |
| 4.3 | Water Lube Assembly | 4-4 |
| 4.4 | Covers & Sawdust Chute..... | 4-5 |
| 4.5 | Saw Head Decals | 4-7 |
| SECTION 5 | UP/DOWN | 5-1 |
| 5.1 | Mast Assembly | 5-1 |
| 5.2 | Up/Down System Assembly..... | 5-3 |
| SECTION 6 | FEED | 6-1 |
| 6.1 | Feed Track Assembly | 6-1 |
| 6.2 | Feed Motor Assembly | 6-3 |
| 6.3 | Stationary Feed Rollers | 6-4 |
| 6.4 | Pressure Roller Assembly..... | 6-5 |
| 6.5 | Pressure Roller Chain Assembly..... | 6-8 |
| SECTION 7 | FRAME | 7-1 |
| 7.1 | Saw Head Tilt Assembly | 7-1 |
| 7.2 | Control Box & Harnesses..... | 7-3 |
| SECTION 8 | OPTIONS | 8-1 |
| 8.1 | End Table (Optional)..... | 8-1 |
| 8.2 | Feed Tables (Optional)..... | 8-2 |
| 8.3 | Side Table (Optional) | 8-3 |
| 8.4 | Lube-Mizer Pump Assembly (Optional)..... | 8-4 |

INDEX

I

SECTION 1 REPLACEMENT PARTS

1.1 How To Use The Parts List

- Go to the appropriate section and locate the part in the illustration.
- Use the number pointing to the part to locate the correct part number and description in the table.
- Parts shown indented under another part are included with that part.
- Parts marked with a diamond (◆) are only available in the assembly listed above the part.

See the sample table below. Sample Part #A01111 includes part F02222-2 and subassembly A03333. Subassembly A03333 includes part S04444-4 and subassembly K05555. The diamond (◆) indicates that S04444-4 is not available except in subassembly A03333. Subassembly K05555 includes parts M06666 and F07777-77. The diamond (◆) indicates M06666 is not available except in subassembly K05555.

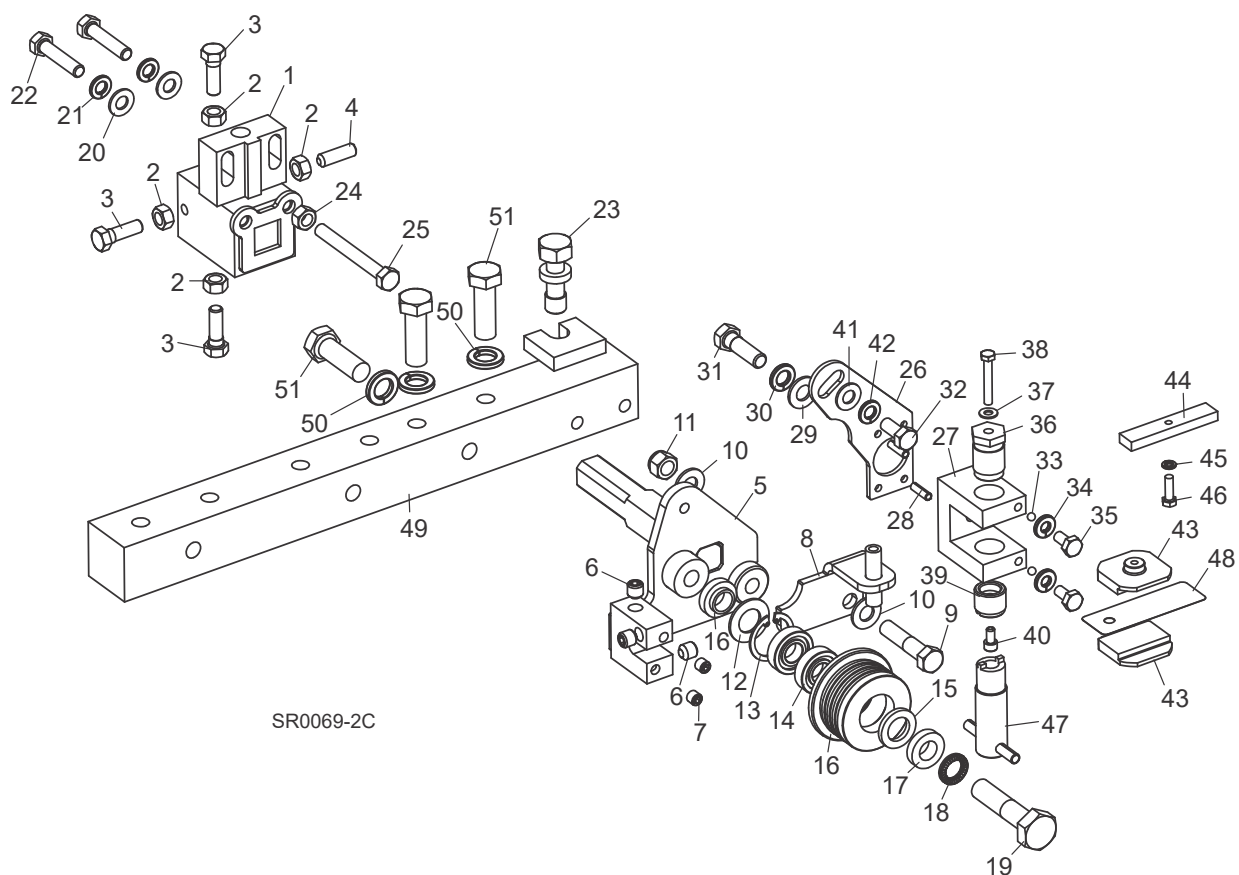
| 1.2 Sample Assembly | | | | |
|----------------------------|--|-----------|------|---|
| REF | DESCRIPTION (◆ Indicates Parts Available In Assemblies Only) | PART # | QTY. | |
| | SAMPLE ASSEMBLY, COMPLETE (Includes All Indented Parts Below) | A01111 | 1 | |
| 1 | Sample Part | F02222-22 | 1 | |
| 2 | Sample Subassembly (Includes All Indented Parts Below) | A03333 | 1 | |
| | Sample Part (Indicates Part Is Only Available With A03333) | S04444-4 | 1 | ◆ |
| 3 | Sample Subassembly (Includes All Indented Parts Below) | K05555 | 1 | |
| | Sample Part (Indicates Part Is Only Available With K05555) | M06666 | 2 | ◆ |
| 4 | Sample Part | F07777-77 | 1 | |

To Order Parts:

From the continental U.S., call **1-800-525-8100** to order parts. Have your customer number, VIN, and part numbers ready when you call. From other international locations, contact the Wood-Mizer distributor in your area for parts.

SECTION 2 BLADE GUIDES

2.1 Blade Guide Assembly, Idle Side



| REF | DESCRIPTION (◆ Indicates Parts Available In Assemblies Only) | PART # | QTY. |
|-----|--|------------|------|
| | GUIDE ASSEMBLY, IDLE SIDE BLADE ROLLER | 006338 | 1 |
| | Block Assembly, Blade Guide Mount | 065677 | 1 |
| 1 | Block Weldment, Blade Guide Mount | 003911 | 1 |
| 2 | Nut, 5/16-18 Hex | F05010-17 | 4 |
| 3 | Bolt, 5/16-18 x 1" Hex Head Stainless Steel | F05006-88 | 3 |
| 4 | Screw, 5/16-18 x 1" Socket Head Flat Point Stainless Steel Set | F05006-122 | 1 |
| 5 | Shaft Weldment, Idle Side Guide | 003924 | 1 |
| 6 | Fitting, 1/8" NPT Socket Pipe Plug | P30127 | 3 |
| 7 | Fitting, 1/16" NPT Socket Pipe Plug | 007734 | 2 |
| 8 | Bracket Weldment, Water Lube | 006322 | 1 |
| 9 | Bolt, 3/8-16UNF-2A x 1 3/4" Grade 5 | F05007-119 | 1 |
| 10 | Washer, 3/8" SAE Flat | F05011-3 | 2 |
| 11 | Nut, 3/8-16 Hex Nylon Lock | F05010-10 | 1 |

Replacement Parts 2

Blade Guide Assembly, Idle Side

| | | | | |
|----|---|---------------------|---|---|
| | Roller Assembly, Blade Guide (standard for use with 1 1/4" & 1 1/2" blades) | A04925 ¹ | 1 | |
| | Roller Assembly, Extended Blade Guide (optional for use with 1 1/2" blades) | 014299 ¹ | 1 | |
| | Bearing Kit, Blade Guide Rebuild | K07079 | 1 | |
| 12 | Washer, 5/8" White Felt | P04252 | 1 | |
| 13 | Ring, 1 1/8" Interior Retaining | F04254-1 | 1 | |
| 14 | Bearing, R8-2RS Blade Guide | 015975 | 2 | ◆ |
| 15 | Washer, 5/8" Gray Felt | P06455 | 1 | |
| | Screw, 1/4-28 x 1/4" Socket Head Cup Point Set Black Oxide | F05005-105 | 1 | |
| | Instruction Sheet, Blade Guide Rebuild | 057407-1507 | 1 | |
| 16 | Roller, Flanged Blade Guide (1 1/4" & 1 1/2" blade) | S04250 | 1 | ◆ |
| | Roller, Flanged Blade Guide (1 1/2" blade) | 014298 | 1 | ◆ |
| | Instruction Sheet, Blade Guide Roller Replacement | A04925-364 | 1 | |
| 17 | Spacer, Blade Guide | S04253 | 2 | |
| 18 | Washer, 1/2" Nord-Lock | F05011-125 | 1 | |
| 19 | Bolt, 1/2-13 x 2 1/4" Hex Head Grade 5 | F05008-10 | 1 | |
| 20 | Washer, 5/16" SAE Flat | F05011-17 | 2 | |
| 21 | Washer, 5/16" Split Lock | F05011-13 | 2 | |
| 22 | Bolt, 5/16-18 x 1 1/2" Hex Head | F05006-76 | 2 | |
| 23 | Bolt, Blade Guide Vertical Adjustment | 035656 | 1 | |
| 24 | Nut, 5/16-18 Hex | F05010-17 | 1 | |
| 25 | Bolt, 5/16-18 x 2 3/4" Hex Head Full Thread | F05006-136 | 1 | |
| | GUIDE KIT, HIGH-PERFORMANCE BLADE GUIDE (OPTIONAL) | 006340 ² | 1 | |
| | Block Assembly, Idle Side Blade Guide | 003928 | 1 | |
| 26 | Plate, Block Tilt Adjustment | 003915 | 1 | |
| 27 | Block, Guide Block Mount | 003909 | 1 | |
| 28 | Pin, 3/16" x 5/8" Roll | F05012-22 | 2 | |
| 29 | Washer, 3/8" SAE Flat | F05011-3 | 1 | |
| 30 | Washer, 3/8" Split Lock | F05011-4 | 1 | |
| 31 | Bolt, 3/8-16 x 1 1/4" Hex Head Grade 5 | F05007-123 | 1 | |
| 32 | Bolt, 5/16-18 x 3/4" Hex Head | F05006-102 | 1 | |
| 33 | Ball, 3/16" Dia. Nylon | 003914 | 2 | |
| 34 | Washer, 1/4" Split Lock | F05011-14 | 2 | |
| 35 | Bolt, 1/4-20 x 1/2" Hex Head | F05005-15 | 2 | |
| 36 | Bolt, Blade Guide Block Mount | 003994 | 1 | |
| 37 | Washer, #10 Brass | 042867 | 1 | |
| 38 | Bolt, #10-32 x 1 1/4" Hex Head Stainless Steel | F05004-240 | 1 | |
| 39 | Screw, Lower Block Adjustment | 044057 | 1 | |
| 40 | Screw, #10-32 x 3/8" Socket Head Stainless Steel | F05004-200 | 1 | |
| 41 | Washer, 5/16" SAE Flat | F05011-17 | 1 | |
| 42 | Washer, 5/16" Split Lock | F05011-13 | 1 | |

2

Replacement Parts

Blade Guide Assembly, Idle Side

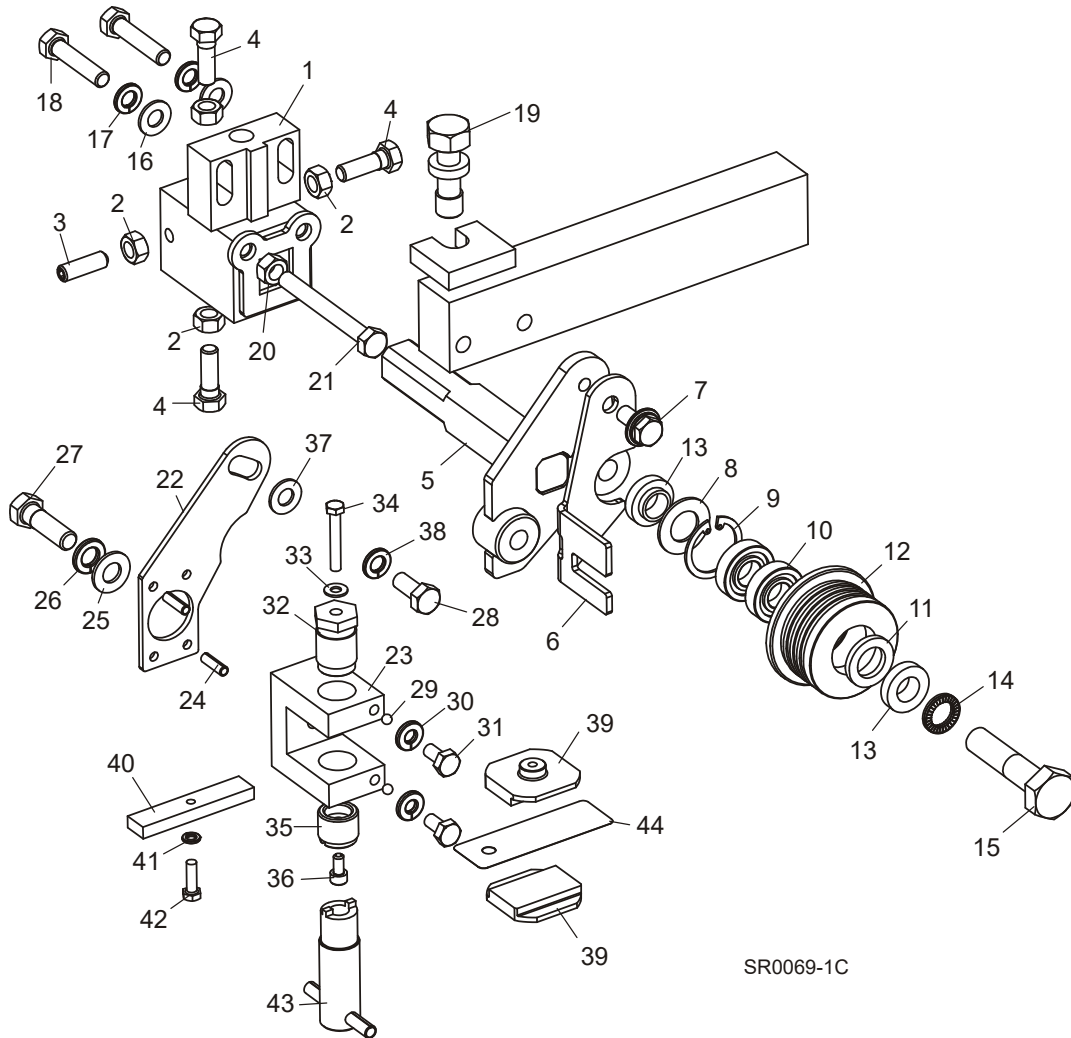
| | | | | |
|--|--|---------------------|---|--|
| 43 | Block, Blade Guide Wear (Standard for 1 1/4" Blades) | 052355 ³ | 2 | |
| | Block, Blade Guide Wear (Optional for 1 1/2" Blades) | 052309 ³ | 2 | |
| | Block Assembly, 1" Sq. EZ-Glide Wear | 036347 ³ | 2 | |
| 44 | Block, Blade Guide Alignment | 035799 | 1 | |
| 45 | Washer, #10 Split Lock | F05011-20 | 1 | |
| 46 | Screw, #10-32 x 5/8" Hex Head | F05004-152 | 1 | |
| 47 | Adjustment Tool, Lower Guide Block | 044064 | 1 | |
| 48 | Shim, .008" Blade Guide Block Spacer | 035248 | 1 | |
| Drive Side Blade Guide Parts (See Section 2.2) | | | | |
| 49 | BAR WELDMENT, SHR IDLE SIDE BLADE GUIDE | 036864 | 1 | |
| 50 | WASHER, 1/2" SPLIT LOCK | F05011-9 | 3 | |
| 51 | BOLT, 1/2-13 X 1 1/2" HEX HEAD GRADE 5 | F05008-33 | 3 | |

¹ The resaw is equipped standard with blade guide rollers that can be used with the standard 1 1/4" blade or 1 1/2" blades. Optional extended blade guide rollers are available for use with 1 1/2" blades. The extended rollers may provide more stability during difficult sawing, but will reduce the total amount of times the blade can be reused after sharpening. Use kit 006382 to convert the rollers and guide blocks for both blade guides for 1 1/2" blades.

² High-Performance Blade Guide Kit requires LMS blade lube system. If resaw already equipped with LMS, use kit 006340 to upgrade both drive and idle side blade guides to High-Performance. If no LMS, add kit LMS-SHR.

³ 052355 blocks for use with 1 1/4" blade provided as standard equipment. 052309 blocks available for optional use with 1 1/2" blades. Use kit 006382 to convert the rollers and guide blocks for both blade guides for 1 1/2" blades. EZ-Glide blocks 036347 are available for customers who prefer this block.

2.2 Blade Guide Assembly, Drive Side



| REF | DESCRIPTION (◆ Indicates Parts Available In Assemblies Only) | PART # | QTY. |
|-----|---|---------------------|------|
| | GUIDE ASSEMBLY, DRIVE SIDE BLADE ROLLER | 003905 | 1 |
| | Block Assembly, Blade Guide Mount | 003910 | 1 |
| 1 | Block Weldment, Blade Guide Mount | 003911 | 1 ◆ |
| 2 | Nut, 5/16-18 Hex | F05010-17 | 4 |
| 3 | Screw, 5/16-18 x 1" Socket Head Flat Point Stainless Steel Set | F05006-122 | 1 |
| 4 | Bolt, 5/16-18 x 1" Hex Head Stainless Steel | F05006-88 | 3 |
| 5 | Shaft Weldment, Drive Side Guide | 003913 | 1 |
| 6 | Plate, Blade Guide Deflector | 003916 | 1 |
| 7 | Bolt, 5/16-18 x 3/4" Hex Head w/Flat & Lock Washer | F05006-101 | 1 |
| | Roller Assembly, Blade Guide (standard for use with 1 1/4" & 1 1/2" blades) | A04925 ¹ | 1 |
| | Roller Assembly, Extended Blade Guide (optional for use with 1 1/2" blades) | 014299 ¹ | 1 |

2

Replacement Parts

Blade Guide Assembly, Drive Side

| | | | | |
|----|--|---------------------|---|---|
| | Bearing Kit, Blade Guide Rebuild | K07079 | 1 | |
| 8 | Washer, 5/8" White Felt | F04252 | 1 | |
| 9 | Ring, 1 1/8" Interior Retaining | F04254-1 | 1 | |
| 10 | Bearing, R8-2RS Blade Guide | 015975 | 2 | ◆ |
| 11 | Washer, 5/8" Gray Felt | F06455 | 1 | |
| | Screw, 1/4-28 x 1/4" Socket Head Cup Point Set Black Oxide | F05005-105 | 1 | |
| | Instruction Sheet, Blade Guide Rebuild | 057407-1507 | 1 | |
| 12 | Roller, Flanged Blade Guide (1 1/4" & 1 1/2" blade) | S04250 | 1 | ◆ |
| | Roller, Flanged Blade Guide (1 1/2" blade) | 014298 | 1 | ◆ |
| | Instruction Sheet, Blade Guide Roller Replacement | A04925-364 | 1 | |
| 13 | Spacer, Blade Guide | S04253 | 2 | |
| 14 | Washer, 1/2" Nord-Lock | F05011-125 | 1 | |
| 15 | Bolt, 1/2-13 x 2 1/4" Hex Head Grade 5 | F05008-10 | 1 | |
| 16 | Washer, 5/16" SAE Flat | F05011-17 | 2 | |
| 17 | Washer, 5/16" Split Lock | F05011-13 | 2 | |
| 18 | Bolt, 5/16-18 x 1 1/2" Hex Head | F05006-76 | 2 | |
| 19 | Bolt, Blade Guide Vertical Adjustment | 035656 | 1 | |
| 20 | Nut, 5/16-18 Hex | F05010-17 | 1 | |
| 21 | Bolt, 5/16-18 x 2 3/4" Hex Head Full Thread | F05006-136 | 1 | |
| | GUIDE KIT, HIGH-PERFORMANCE BLADE GUIDE (OPTIONAL) | 006340 ² | 1 | |
| | Block Assembly, Drive Side Blade Guide | 003927 | 1 | |
| 22 | Plate, Block Tilt Adjustment | 003915 | 1 | |
| 23 | Block, Guide Block Mount | 003909 | 1 | |
| 24 | Pin, 3/16" x 5/8" Roll | F05012-22 | 2 | |
| 25 | Washer, 3/8" SAE Flat | F05011-3 | 1 | |
| 26 | Washer, 3/8" Split Lock | F05011-4 | 1 | |
| 27 | Bolt, 3/8-16 x 1 1/4" Hex Head Grade 5 | F05007-123 | 1 | |
| 28 | Bolt, 5/16-18 x 3/4" Hex Head | F05006-102 | 1 | |
| 29 | Ball, 3/16" Dia. Nylon | 003914 | 2 | |
| 30 | Washer, 1/4" Split Lock | F05011-14 | 2 | |
| 31 | Bolt, 1/4-20 x 1/2" Hex Head | F05005-15 | 2 | |
| 32 | Bolt, Blade Guide Block Mount | 003994 | 1 | |
| 33 | Washer, #10 Brass | 042867 | 1 | |
| 34 | Bolt, #10-32 x 1 1/4" Hex Head Stainless Steel | F05004-240 | 1 | |
| 35 | Screw, Lower Block Adjustment | 044057 | 1 | |
| 36 | Screw, #10-32 x 3/8" Socket Head Stainless Steel | F05004-200 | 1 | |
| 37 | Washer, 5/16" SAE Flat | F05011-17 | 1 | |
| 38 | Washer, 5/16" Split Lock | F05011-13 | 1 | |
| 39 | Block, Blade Guide Wear (Standard for 1 1/4" Blades) | 052355 ³ | 2 | |
| | Block, Blade Guide Wear (Optional for 1 1/2" Blades) | 052309 ³ | 2 | |
| | Block Assembly, 1" Sq. EZ-Glide Wear | 036347 ³ | 2 | |
| 40 | Block, Blade Guide Alignment | 035799 | 1 | |
| 41 | Washer, #10 Split Lock | F05011-20 | 1 | |

Replacement Parts 2

Blade Guide Assembly, Drive Side

| | | | | |
|-----------|---|------------|---|--|
| 42 | Screw, #10-32 x 5/8" Hex Head | F05004-152 | 1 | |
| 43 | Adjustment Tool, Lower Guide Block | 044064 | 1 | |
| 44 | Shim, .008" Blade Guide Block Spacer | 035248 | 1 | |
| | Idle Side Blade Guide Parts (See Section 2.1) | | | |

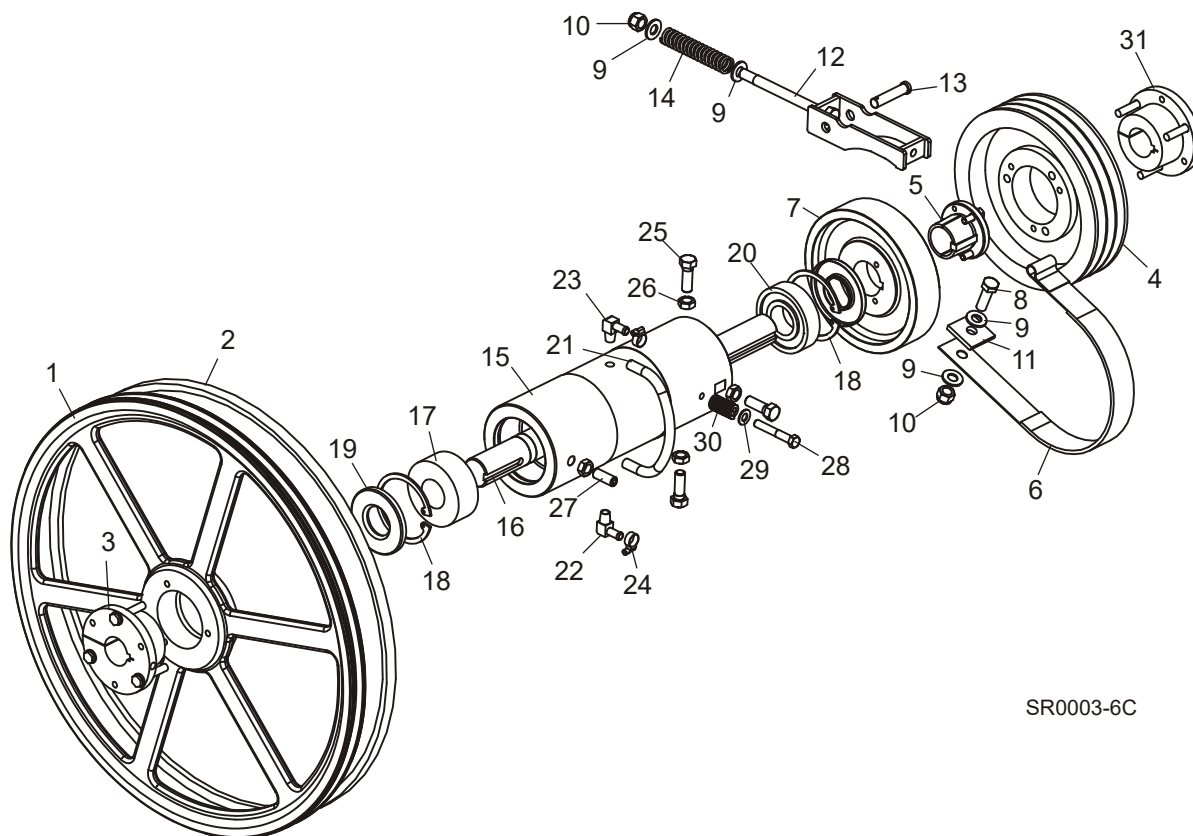
¹ The resaw is equipped standard with blade guide rollers that can be used with the standard 1 1/4" blade or 1 1/2" blades. Optional extended blade guide rollers are available for use with 1 1/2" blades. The extended rollers may provide more stability during difficult sawing, but will reduce the total amount of times the blade can be reused after sharpening. Use kit 006382 to convert the rollers and guide blocks for both blade guides for 1 1/2" blades.

² High-Performance Blade Guide Kit requires LMS blade lube system. If resaw already equipped with LMS, use kit 006340 to upgrade both drive and idle side blade guides to High-Performance. If no LMS, add kit LMS-SHR.

³ 052355 blocks for use with 1 1/4" blade provided as standard equipment. 052309 blocks available for optional use with 1 1/2" blades. Use kit 006382 to convert the rollers and guide blocks for both blade guides for 1 1/2" blades. EZ-Glide blocks 036347 are available for customers who prefer this block.

SECTION 3 BLADE WHEELS & DRIVE

3.1 Blade Drive Assembly



SR0003-6C

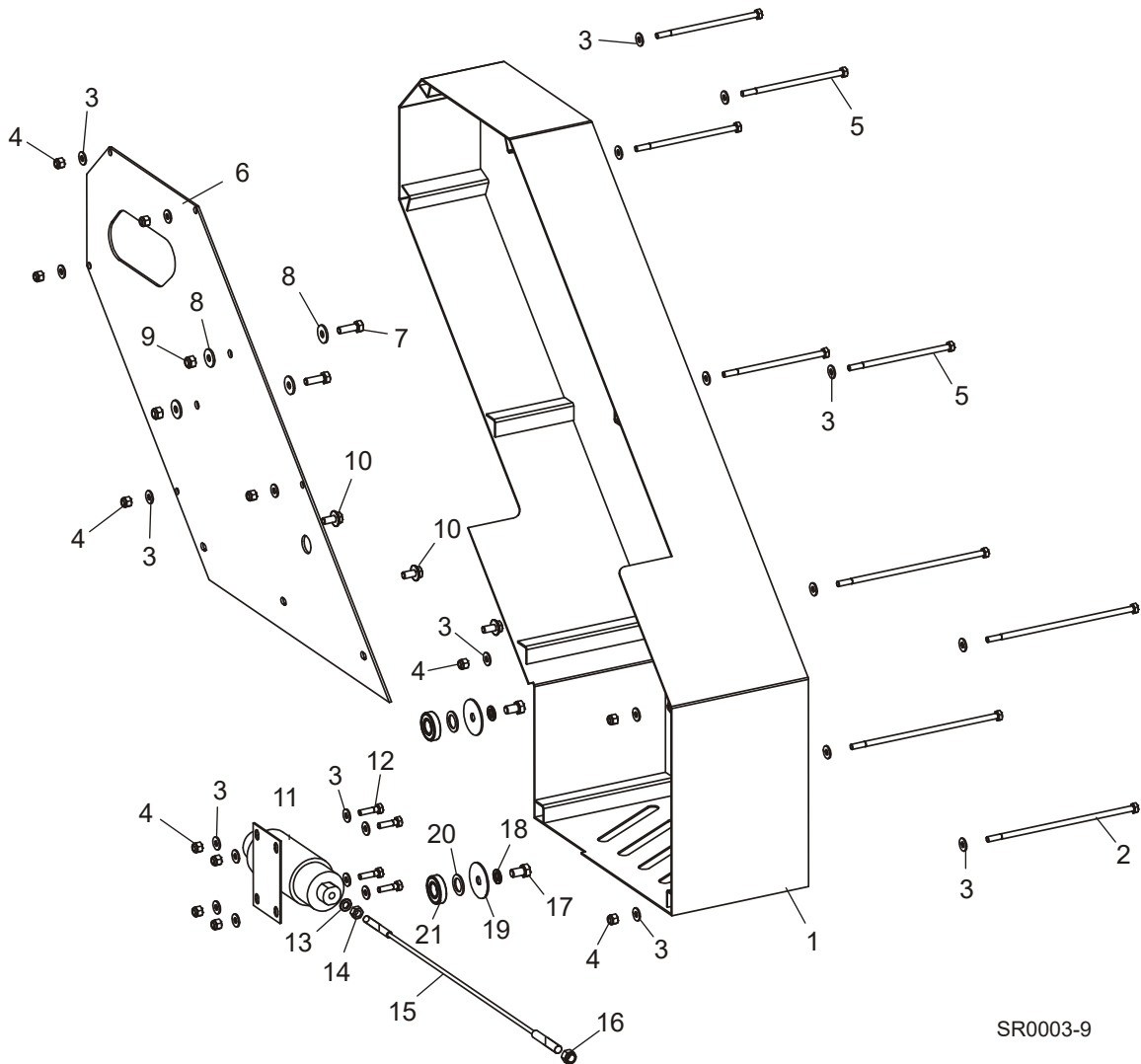
| REF | DESCRIPTION (◆ Indicates Parts Available In Assemblies Only) | PART # | QTY. |
|-----|--|-----------|------|
| 1 | SHEAVE, 24" SHR "V"GROOVE | 036827 | 1 |
| 2 | BELT, B72.5 | 017922-1 | 1 |
| 3 | BUSHING, SF X 1 9/16" | 016532 | 1 |
| 4 | SHEAVE, 3/5V X 9.25SF (HR300EC25-1/HR300EB25-1 60HZ ONLY) | 007349 | 1 |
| | SHEAVE, 3/5V X 9.75SF (HR300EC20-1/HR300EB20-1 60HZ ONLY) | 036929 | 1 |
| | SHEAVE, 3/5V5.5SDS (HR300EC20-1/HR300EB20-1 50HZ ONLY) | 006320 | 1 |
| | SHEAVE, 2B8.6SK (HR300EA10-1 ONLY) | 038845 | 1 |
| 5 | BUSHING, P1 1-9/16 SPLIT TAPER | 014003 | 1 |
| 6 | BAND, UPPER PIVOT BRAKE | 014391 | 1 |
| 7 | PULLEY, BRAKE | 014000 | 1 |
| 8 | BOLT, 1/2-13 X 1 1/2" HEX HEAD GRADE 5 | F05008-33 | 1 |
| 9 | WASHER, 1/2" SAE FLAT | F05011-2 | 4 |
| 10 | NUT, 1/2-13 HEX NYLON LOCK | F05010-8 | 2 |
| 11 | PLATE, 1/4" X 1 3/4" X 1 3/4" BRAKE STRAP | S04195 | 1 |

| | | | | |
|----|--|------------|---|--|
| 12 | BRAKE LINK WELDMENT, SHR | 036953 | 1 | |
| 13 | PIN, 1/2" X 2 1/4" CLEVIS | F05012-81 | 1 | |
| 14 | SPRING, .88" X 4.31" X .125" | 036954 | 1 | |
| | BEARING ASSEMBLY, SHR | 036925 | 1 | |
| 15 | Housing, SHR Cylindrical Bearing | 036927 | 1 | |
| 16 | Shaft, SHR Drive | 036928 | 1 | |
| 17 | Bearing, MU5308TV | 036926 | 1 | |
| 18 | Ring, 90mm I17 IR Retaining | F04254-17 | 2 | |
| 19 | Seal, CR15890 | P10206 | 2 | |
| 20 | Bearing, 6308 C3, Open | 016055 | 1 | |
| 21 | Tube, Oil Level | 016394 | 1 | |
| 22 | Fitting, 1/4" NPT x 3/8" Hose Barb, Elbow | 016330 | 2 | |
| 23 | Fitting, 1/4" NPT x 3/8" Hose Barb, Vented Elbow | 016331 | 1 | |
| 24 | Hose Clamp, 7/32"-5/8" | P649 | 2 | |
| 25 | BOLT, 1/2-20 X 1 1/2" HEX HEAD GRADE 5 | F05008-53 | 3 | |
| 26 | NUT, 1/2-20 HEX JAM | F05010-16 | 4 | |
| 27 | BOLT, 1/2-20 X 1 1/2" STAINLESS STEEL CONE POINT | F05004-170 | 1 | |
| 28 | BOLT, 3/8-16 X 2-1/2" HEX HEAD GRADE 5 | F05007-125 | 1 | |
| 29 | WASHER, 3/8" FLAT SAE | F05011-3 | 1 | |
| 30 | SPRING, 3/4" OD X 1 1/2" DIE | 034430 | 1 | |
| 31 | BUSHING, SF X 1 9/16" (HR300EC20-1/HR300EB20-1/HR300EC25-1/HR300EB25-1 60HZ ONLY) | 016532 | 1 | |
| | BUSHING, SDS X 1 5/8" (HR300EC20-1/HR300EB20-1 50HZ ONLY) | 033249 | 1 | |
| | BUSHING, SK X 1 9/16" (HR300EA10-1 ONLY) | 014690 | 1 | |

3 Replacement Parts

Drive Belt Covers and Brake Solenoid

3.2 Drive Belt Covers and Brake Solenoid



SR0003-9

| REF | DESCRIPTION (◆ Indicates Parts Available In Assemblies Only) | PART # | QTY. |
|-----|--|------------|------|
| 1 | GUARD WELDMENT, SHR | 036935 | 1 |
| 2 | BOLT, 1/4-20 X 8" HEX HEAD GRADE 5 | F05005-173 | 4 |
| 3 | WASHER, 1/4" SAE FLAT | F05011-11 | 26 |
| 4 | NUT, 1/4-20 NYLON LOCK | F05010-69 | 13 |
| 5 | BOLT, 1/4-20 X 5 1/2" HEX HEAD GRADE 5 | F05005-82 | 5 |
| 6 | PLATE, REAR GUARD | 036896 | 1 |
| 7 | BOLT, 5/16-18 X 1" HEX HEAD GRADE 5 | F05006-27 | 2 |
| 8 | WASHER, 5/16" STANDARD FLAT | F05011-16 | 4 |
| 9 | NUT, 5/16-18 HEX NYLON LOCK | F05010-58 | 2 |
| 10 | BOLT, 5/16-18 X 3/4" HEX HEAD W/FLAT & LOCK WASHER | F05006-101 | 3 |

Replacement Parts

Drive Belt Covers and Brake Solenoid

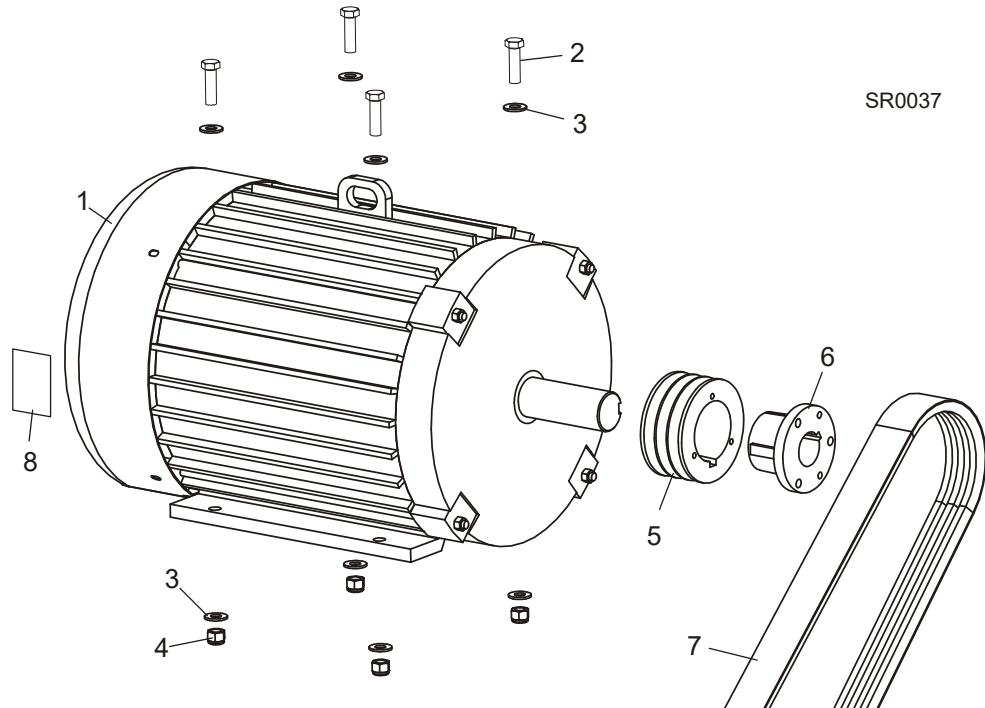
3

| | | | | |
|----|--------------------------------------|------------|---|--|
| 11 | SOLENOID, 39#, 24VDC | 038442 | 1 | |
| 12 | BOLT, 1/4-20 X 1" HEX HEAD GRADE 5 | F05005-101 | 4 | |
| 13 | WASHER, 5/16" SPLIT LOCK | F05011-13 | 1 | |
| 14 | NUT, 5/16-24 HEX | F05010-28 | 1 | |
| 15 | CABLE, SHR BRAKE | 038460 | 1 | |
| 16 | NUT, 3/8-16 HEX NYLON LOCK | F05010-10 | 1 | |
| 17 | BOLT, 3/8-16 X 1/2" HEX HEAD GRADE 5 | F05004-124 | 2 | |
| 18 | WASHER, 3/8" SPLIT LOCK | F05011-4 | 2 | |
| 19 | WASHER, .39" X 1.75" X 14GA | 036931 | 2 | |
| 20 | SHIM, 5/8" X 1" X 1/16" | 016510 | 2 | |
| 21 | BEARING, R-10 | P04156 | 2 | |

3 Replacement Parts

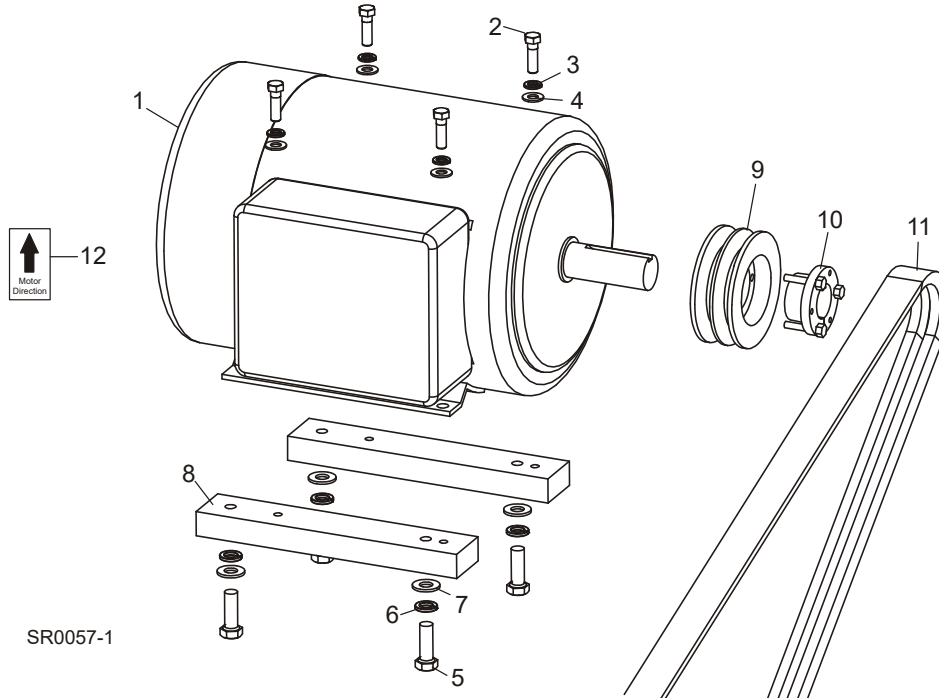
Blade Motor Assembly (20HP/25HP)

3.3 Blade Motor Assembly (20HP/25HP)



| REF | DESCRIPTION (◆ Indicates Parts Available In Assemblies Only) | PART # | QTY. |
|-----|---|-----------|------|
| | MOTOR ASSEMBLY, 20HP SINGLE HEAD RESAW | 038489 | 1 |
| | MOTOR ASSEMBLY, 25HP SINGLE HEAD RESAW | 038488 | 1 |
| 1 | Motor, Lincoln 20HP 1775 RPM (HR300EB20-1, HR300EC20-1, HR300EH20-1 Only) | 074144 | 1 |
| | Motor, Lincoln 25HP 1725 RPM (HR300EB25-1/HR300EC25-1 Only) | 074121 | 1 |
| 2 | Bolt, 1/2-13 x 1 3/4" Hex Head Grade 5 | F05008-88 | 4 |
| 3 | Washer, 1/2" SAE Flat | F05011-2 | 8 |
| 4 | Nut, 1/2-13 Hex Nylon Lock | F05010-8 | 4 |
| 5 | Sheave, 3/5V4.9 Drive (20HP Motor Only) | 034560 | 1 |
| | Sheave, 3/5V4.65 Drive (25HP Motor Only) | 007350 | 1 |
| 6 | Bushing, Q1 x 1 5/8" (20HP Motor Only) | 034503 | 1 |
| | Bushing, SDS x 1 7/8" (25HP Motor Only Rev. A1.04+) | 007351 | 1 |
| 7 | Belt, 3/5V800 Drive | 038478 | 1 |
| | Driven Sheave & Bushing (See Section 3.1) | | |
| 8 | DECAL, MOTOR DIRECTION | S20097 | 1 |

3.4 Blade Motor Assembly (10HP)

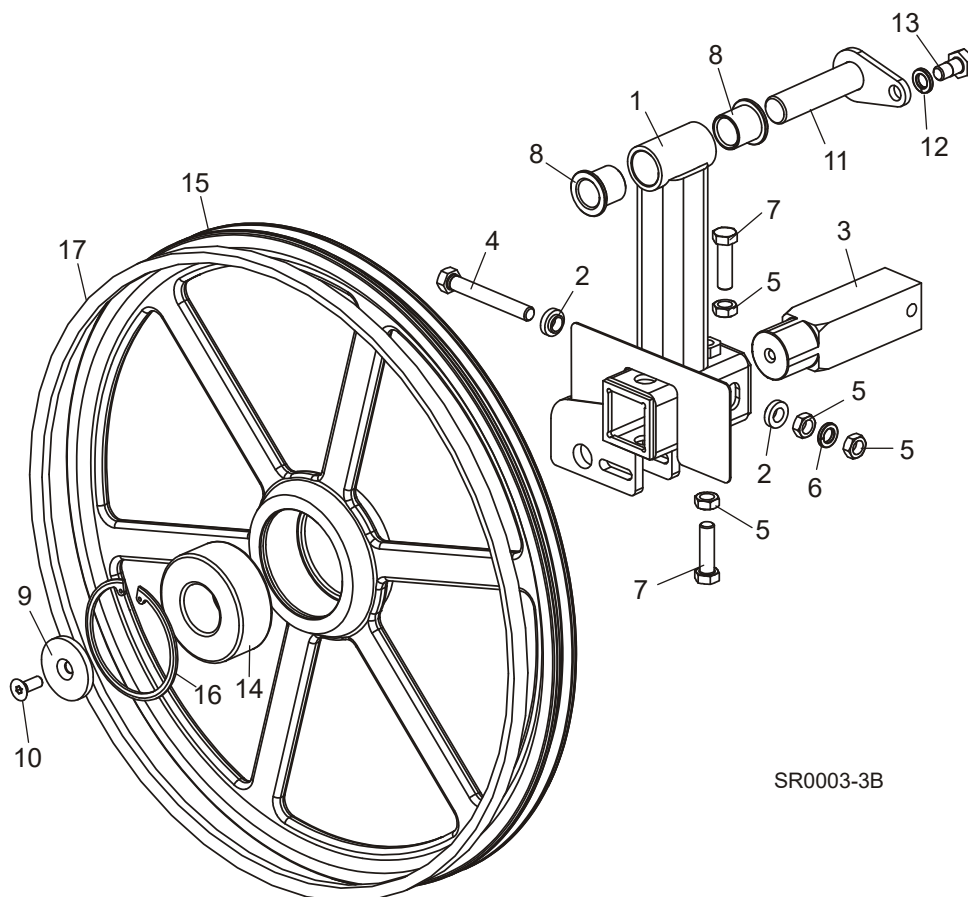


| REF | DESCRIPTION (◆ Indicates Parts Available In Assemblies Only) | PART # | QTY. |
|-----|--|------------|------|
| | MOTOR ASSEMBLY, 10HP SINGLE HEAD RESAW | 038490 | 1 |
| 1 | Motor, Lincoln 10HP 1725 RPM Single Phase | 038487 | 1 |
| 2 | Bolt, 3/8-16 x 1 1/4" Hex Head Grade 5 | F05007-123 | 4 |
| 3 | Washer, 3/8" Split Lock | F05011-4 | 4 |
| 4 | Washer, 3/8" SAE Flat | F05011-3 | 4 |
| 5 | Bolt, 1/2-13 x 1 1/2" Hex Head Grade 5 | F05008-33 | 4 |
| 6 | Washer, 1/2" Split Lock | F05011-9 | 4 |
| 7 | Washer, 1/2" SAE Flat | F05011-2 | 4 |
| 8 | Spacer, 10HP SHR Motor | 038661 | 2 |
| 9 | Sheave, 2B4.0SH | P21003 | 1 |
| 10 | Bushing, SH x 1 3/8" | P21001 | 1 |
| 11 | Belt, 2BX74 Drive | P10277-2 | 1 |
| | Driven Sheave & Bushing (See Section 3.1) | | |
| 12 | DECAL, MOTOR DIRECTION | S20097 | 1 |

3 Replacement Parts

Idle Blade Wheel Assembly

3.5 Idle Blade Wheel Assembly



| REF | DESCRIPTION (◆ Indicates Parts Available In Assemblies Only) | PART # | QTY. |
|-----|--|------------|------|
| | IDLER ASSEMBLY, SHR | 036877 | 1 |
| 1 | Idler Weldment, SHR | 036874 | 1 |
| 2 | Spacer, .510" x .937" x .34" | S04253 | 2 |
| 3 | Shaft, 1 3/4" Idler, 3/8" Retainer | 016398 | 1 |
| 4 | Bolt, 1/2-20 x 3 3/4" Hex Head Full Thread Grade 2 | F05008-111 | 1 |
| 5 | Nut, 1/2-20 Hex Jam | F05010-16 | 4 |
| 6 | Washer, 1/2" Split Lock | F05011-9 | 1 |
| 7 | Bolt, 1/2-20 x 1 3/4" Hex Head Full Thread | F05008-127 | 2 |
| 8 | Bushing, 1" ID x 1-1/4" OD Flanged | P109 | 2 |
| 9 | Retainer, 13/32" I.D. x 2 1/4" O.D. x 1/4" | 016397 | 1 |
| 10 | Screw, 3/8-16 x 1" Socket Head | F05007-64 | 1 |
| 11 | PIN WELDMENT, SIDE SUPPORT | 042232 | 1 |
| 12 | WASHER, 1/2" SPLIT LOCK | F05011-9 | 1 |
| 13 | BOLT, 1/2-13 X 1 HEX HEAD GRADE 2 | F05008-50 | 1 |
| | WHEEL ASSEMBLY, 24 IDLE, BELTED | 017835 | 1 |

Replacement Parts **3**
Idle Blade Wheel Assembly

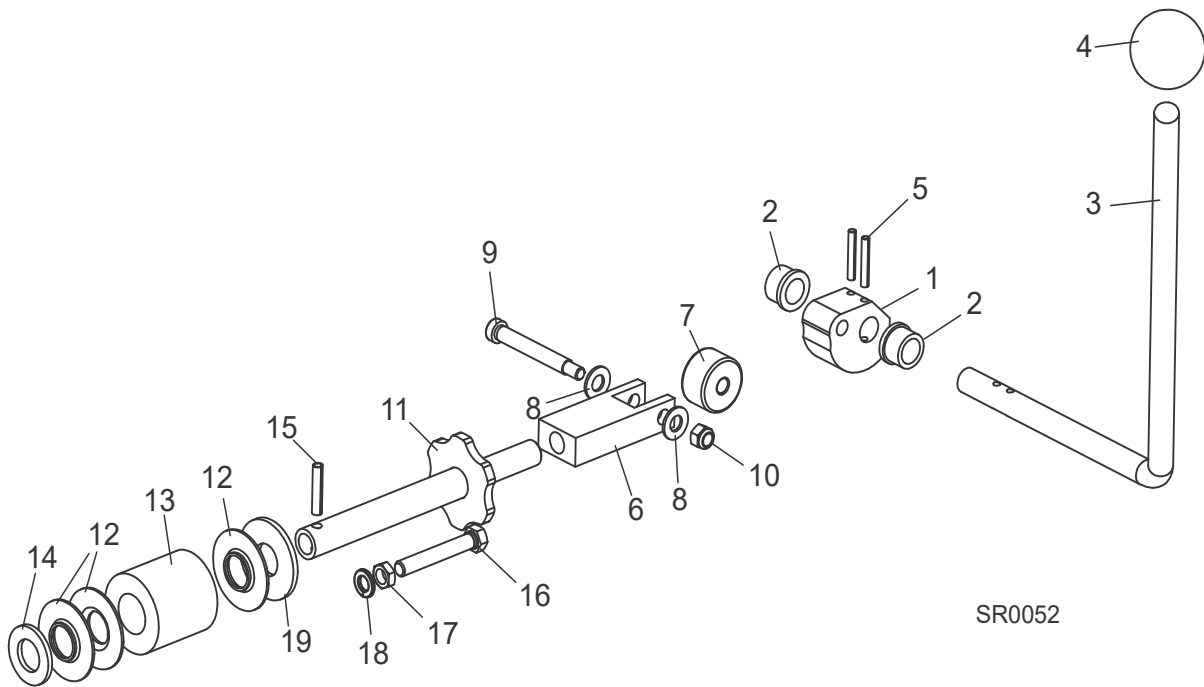
| | | | | |
|-----------|------------------------------|-----------|---|--|
| 14 | Bearing, 5309-2RS | 016014 | 1 | |
| 15 | Sheave, 24" Idler "V"Groove | 034871 | 1 | |
| 16 | Ring, 100mm Internal Beveled | F04254-28 | 1 | |
| 17 | BELT, B72.5 | 017922-1 | 1 | |

4 Replacement Parts

Blade Tensioner Assembly

SECTION 4 SAW HEAD

4.1 Blade Tensioner Assembly



| REF | DESCRIPTION (◆ Indicates Parts Available In Assemblies Only) | PART # | QTY. |
|-----|--|---------------------|------|
| | TENSION ASSEMBLY, CAM ACTUATED BLADE | 038643 | 1 |
| 1 | Cam, Tension | 049104 | 1 |
| 2 | Bushing, 5/8" x 7/8" x 1/2" Bronze | P05135 | 2 |
| 3 | Handle, Blade Tensioner | 048804 | 1 |
| 4 | Knob, 5/8-18 Ball | P04211 | 1 |
| 5 | Pin, 3/16" x 1 1/4" Roll | F05012-16 | 2 |
| 6 | Block, Tensioner Bearing Mount | 128072 ¹ | 1 |
| 7 | Cam Follower, 3/8" x 1 3/8" x 13/16" | 048219 | 1 |
| 8 | Washer, 3/8" SAE Flat | F05011-3 | 2 |
| 9 | Bolt, 3/8 x 2 1/2" Socket Head Shoulder | F05007-202 | 1 |
| 10 | Nut, 5/16-18 Hex Nylon Lock | F05010-58 | 1 |
| 11 | Shaft Weldment, Blade Tension | 038642 | 1 |
| 12 | Guide, Tension Handle | 014925 | 3 |
| 13 | Spring, Rubber Tensioner Blade | 014828 | 1 |
| 14 | Washer, 3/4" SAE Flat | F05011-62 | 1 |
| 15 | Pin, 1/4" x 1 1/4" Roll | F05012-12 | 1 |
| 16 | Bolt, 3/8-16 x 2 1/2" Hex Head Full Thread | F05007-157 | 1 |
| 17 | Nut, 3/8-16 Jam | F05010-29 | 1 |

Replacement Parts **4**
Blade Tensioner Assembly

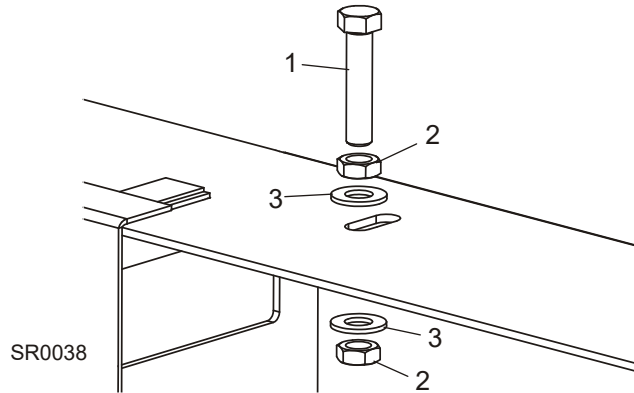
| | | | | |
|-----------|-------------------------|-----------|---|--|
| 18 | Washer, 3/8" Split Lock | F05011-4 | 1 | |
| 19 | Washer, 3/4" USS Flat | F05011-29 | 1 | |

¹ Bearing Mount 049321 was replaced with 128072 on 10/16/2019 per ECN 36137.

4 Replacement Parts

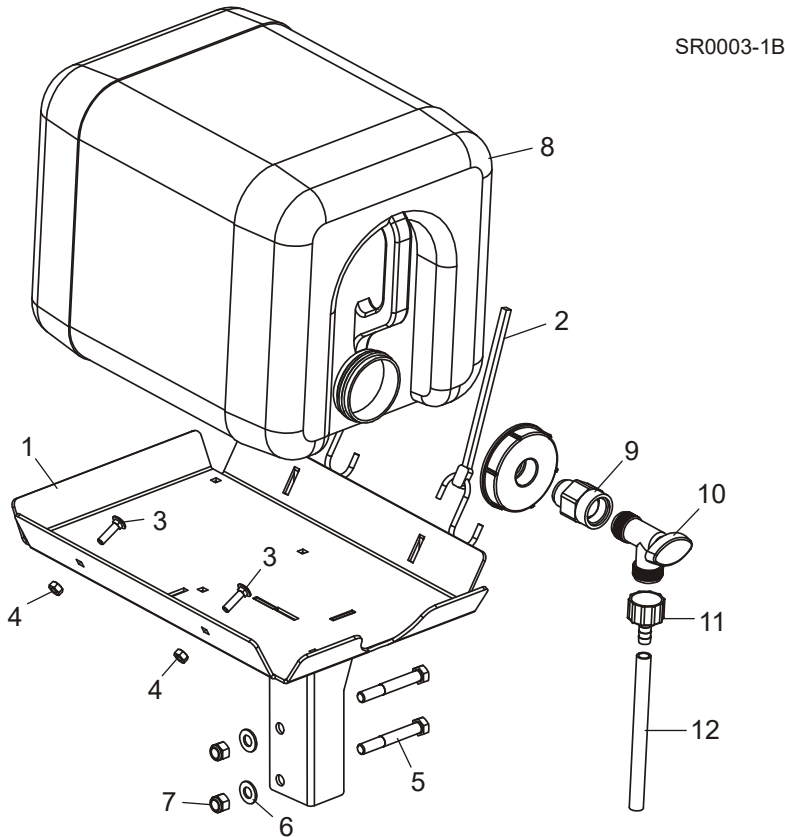
Middle Throat Screw

4.2 Middle Throat Screw



| REF | DESCRIPTION (◆ Indicates Parts Available In Assemblies Only) | PART # | QTY. |
|-----|--|------------|------|
| 1 | BOLT, 3/8-16 X 1 3/4" HEX HEAD GRADE 5 | F05007-129 | 1 |
| 2 | NUT, 3/8-16 JAM | F05010-29 | 2 |
| 3 | WASHER, 3/8" FLAT SAE | F05011-3 | 2 |

4.3 Water Lube Assembly



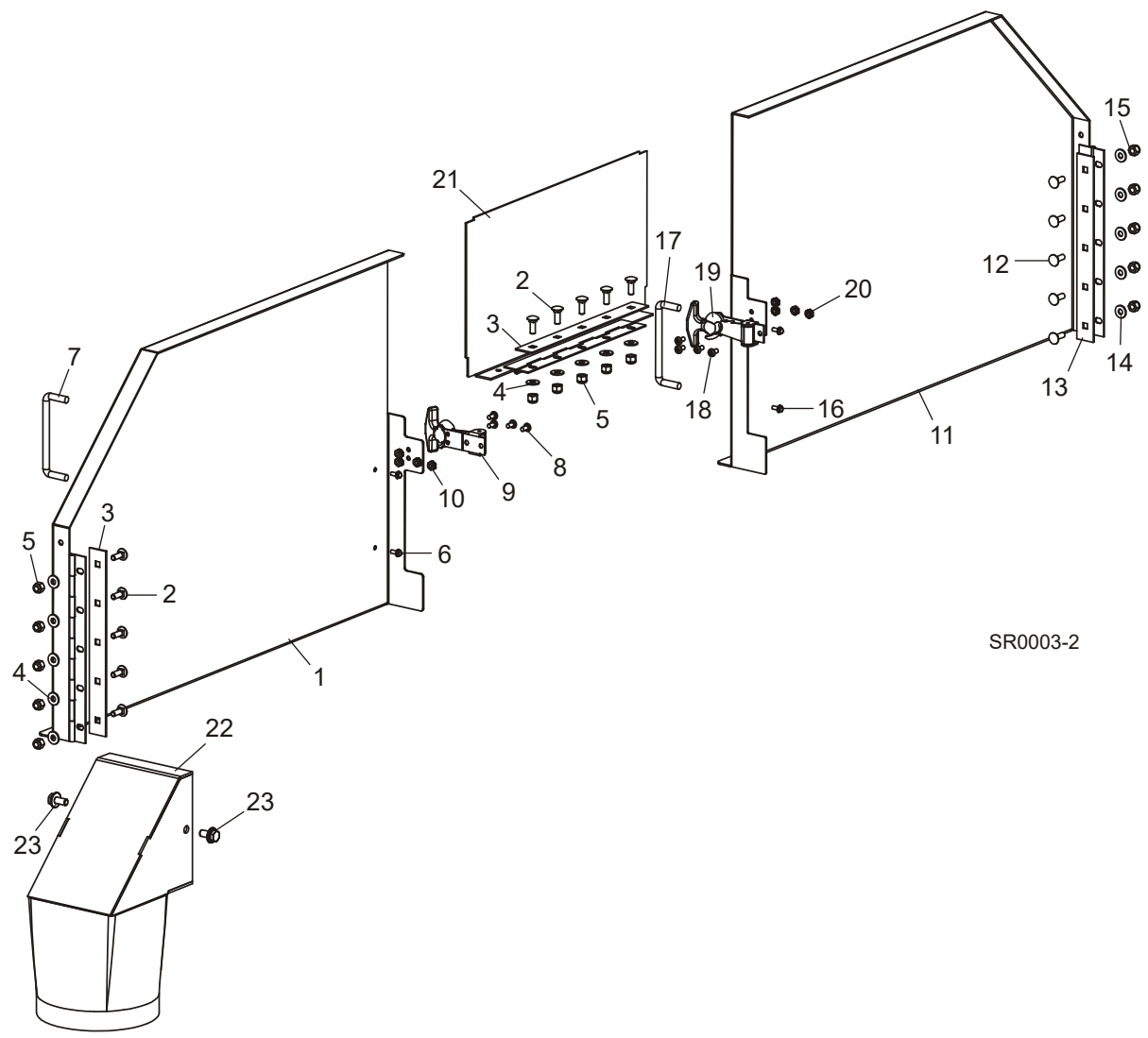
| REF | DESCRIPTION (◆ Indicates Parts Available In Assemblies Only) | PART # | QTY. |
|-----|--|---------------------|-------|
| | TRAY ASSEMBLY, LT28 WATER BOTTLE | 048599 | 1 |
| 1 | Tray Weldment, LT28 Water Bottle | 048600 | 1 |
| 2 | Strap, 20" Rubber w/Hook | P11668 | 2 |
| 3 | Bolt, 1/4-20 X 1" Carriage Head | F05005-34 | 2 |
| 4 | Nut, 1/4-20 Hex Lock | F05010-21 | 2 |
| 5 | Bolt, 3/8-16 x 2 3/4" Hex Head | F05007-29 | 2 |
| 6 | Washer, 3/8" Flat SAE | F05011-3 | 2 |
| 7 | Nut, 3/8-16 Hex Nylon Lock | F05010-10 | 2 |
| 8 | Bottle Assembly, Water Lube w/Cap | 014642 | 1 |
| | O-ring, Water Bottle Cap | 061372 ¹ | 1 |
| 9 | Fitting, 3/4" FPT x 3/4" MPT | 014636 | 1 |
| 10 | Valve, 5/8" 90 deg. Male Shutoff | 014100 | 1 |
| 11 | Fitting, 5/8-3/8 Hose Barb | 014113 | 1 |
| 12 | Hose, Water Lube Stock | R01885 | 6 ft. |

¹ If the water bottle cap keeps leaking, add this o-ring to the cap. Leave the existing o-ring installed.

4 Replacement Parts

Covers & Sawdust Chute

4.4 Covers & Sawdust Chute



SR0003-2

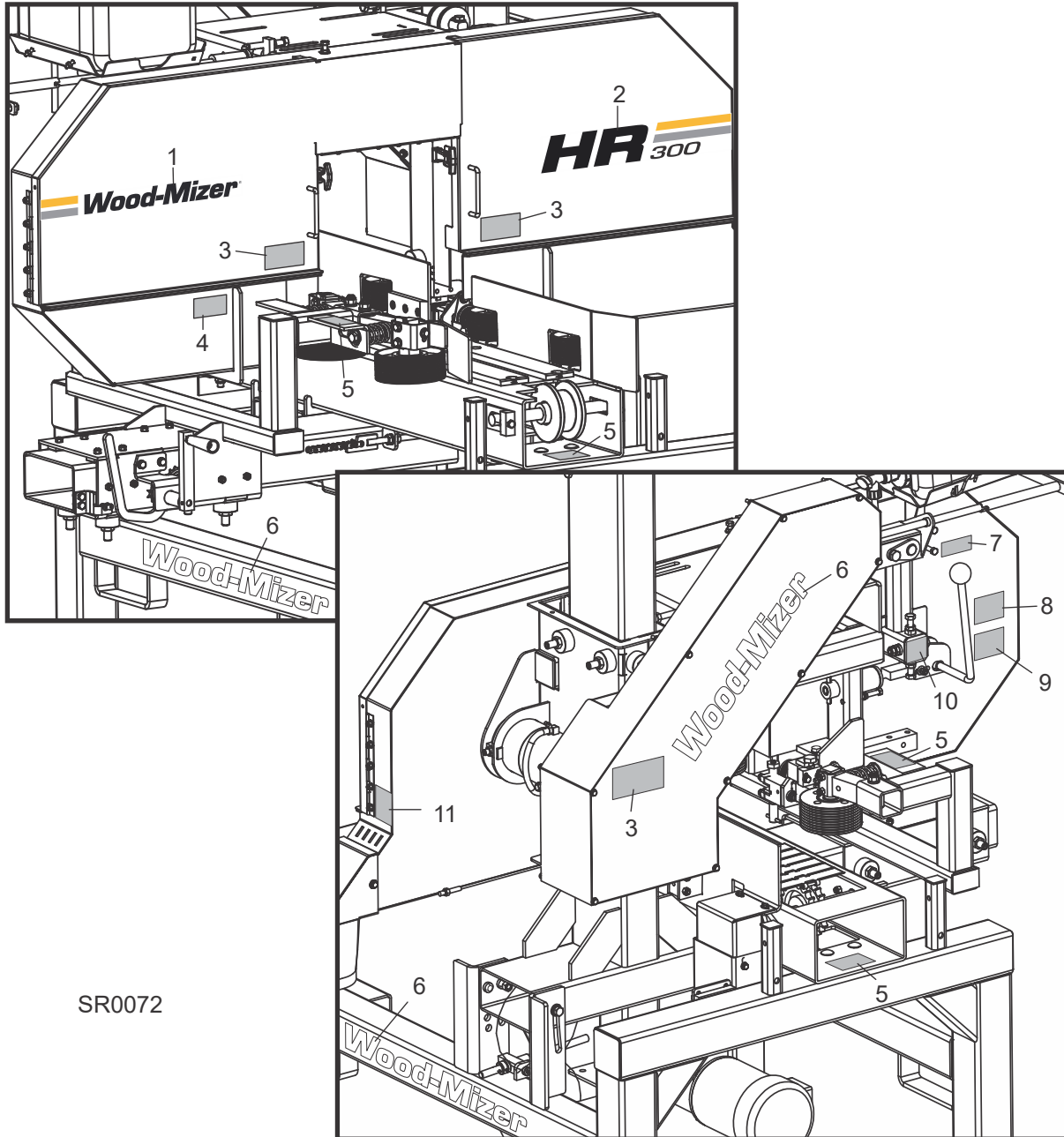
| REF | DESCRIPTION (◆ Indicates Parts Available In Assemblies Only) | PART # | QTY. |
|-----|--|------------|------|
| | COVER ASSEMBLY, SHR DRIVE SIDE | 036922 | 1 |
| 1 | Door Weldment, SHR Drive Side | 036879 | 1 |
| 2 | Bolt, 1/4-20 x 3/4" Carriage | F05005-113 | 5 |
| 3 | Plate, Hinge Backing | 034251 | 1 |
| 4 | Washer, 1/4" SAE Flat | F05011-11 | 5 |
| 5 | Nut, 1/4-20 Nylon Lock | F05010-69 | 5 |
| 6 | Bolt, #8-32 x 3/8" Self Tap | F05015-8 | 2 |
| 7 | Handle, 4" w/Bolts | P08065 | 1 |
| 8 | Screw, #10-24 x 3/8" Phillips | F05004-3 | 4 |
| 9 | Latch, Flexible Draw | 014829 | 1 |

| | | | | |
|----|---|------------|---|--|
| 10 | Nut, #10-24 Keps | F05010-14 | 4 | |
| | COVER ASSEMBLY, SHR IDLE SIDE | 036921 | 1 | |
| 11 | Door Weldment, SHR Drive Side | 036879 | 1 | |
| 12 | Bolt, 1/4-20 x 3/4" Carriage | F05005-113 | 5 | |
| 13 | Plate, Hinge Backing | 034251 | 1 | |
| 14 | Washer, 1/4" SAE Flat | F05011-11 | 5 | |
| 15 | Nut, 1/4-20 Nylon Lock | F05010-69 | 5 | |
| 16 | Bolt, #8-32 x 3/8" Self Tap | F05015-8 | 2 | |
| 17 | Handle, 4" w/Bolts | P08065 | 1 | |
| 18 | Bolt, #10-24 x 3/8" Phillips | F05004-3 | 4 | |
| 19 | Latch, Flexible Draw | 014829 | 1 | |
| 20 | Nut, #10-24 Keps | F05010-14 | 4 | |
| 21 | COVER WELDMENT, SHR MIDDLE | 036895 | 1 | |
| 22 | EXTENSION WELDMENT, SHR DUST CHUTE | 036943 | 1 | |
| 23 | BOLT, 5/16-18 X 3/4" HEX HEAD W/FLAT & LOCK WASHER | F05006-101 | 2 | |

4 Replacement Parts

Saw Head Decals

4.5 Saw Head Decals



SR0072

| REF | DESCRIPTION (◆ Indicates Parts Available In Assemblies Only) | PART # | QTY. |
|-----|--|--------|------|
| 1 | DECAL, BLADE COVER WOOD-MIZER LOGO | 076273 | 1 |
| 2 | DECAL, HR300 LOGO | 076278 | 1 |
| 3 | DECAL, MOVING PARTS DANGER | 033254 | 3 |
| 4 | DECAL, BLADE DANGER ARROW | S11752 | 1 |

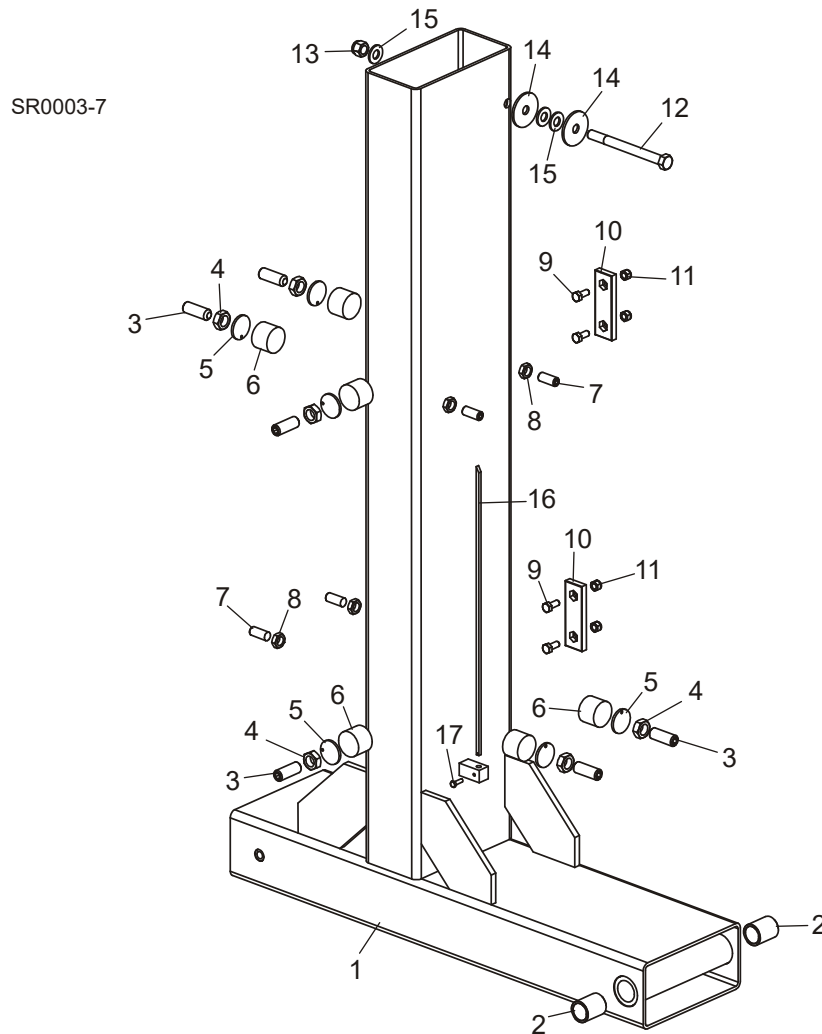
Replacement Parts
Saw Head Decals

4

| | | | | |
|----|------------------------------------|--------|---|--|
| 5 | DECAL, PINCH POINT WARNING | S12641 | 4 | |
| 6 | DECAL, WOOD-MIZER LOGO 20.5" WHITE | 065034 | 3 | |
| 7 | DECAL, RE-SHARP | P12879 | 1 | |
| 8 | DECAL, TENSION INFO | 049368 | 1 | |
| 9 | DECAL, TENSIONER WARNING | 049367 | 1 | |
| 10 | DECAL, BLADE ALIGNMENT | P11789 | 1 | |
| 11 | DECAL, SAWDUST CHUTE WARNING | P11754 | 1 | |

SECTION 5 UP/DOWN

5.1 Mast Assembly



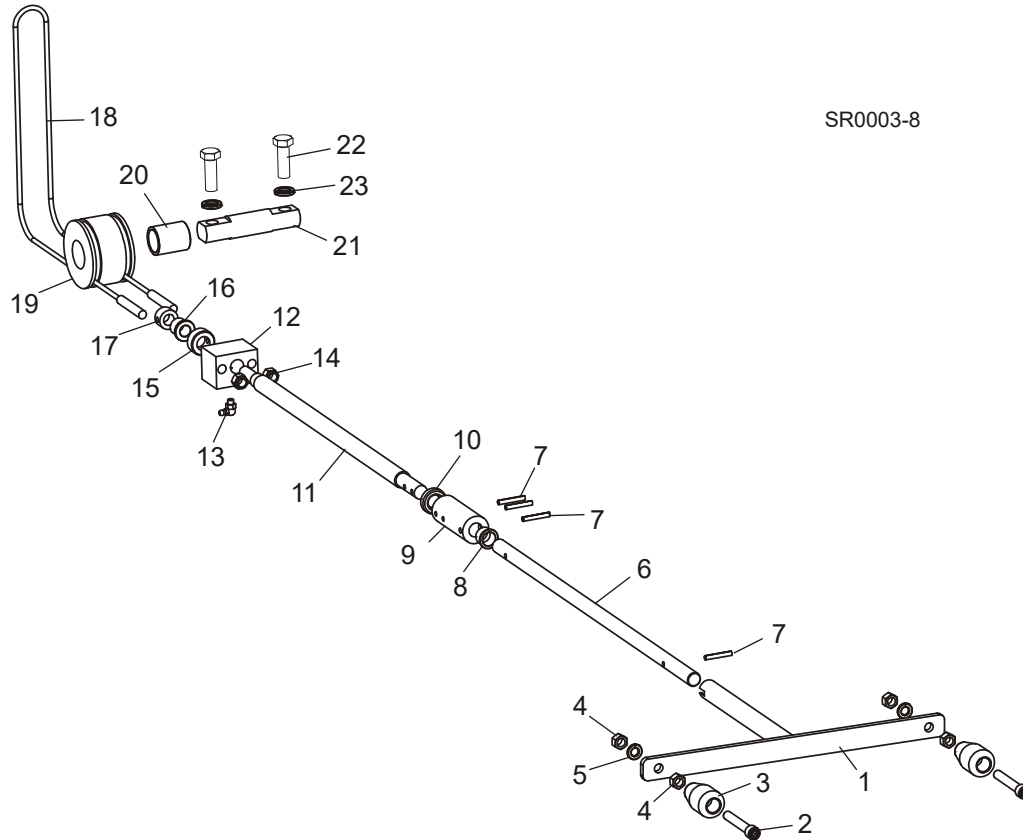
| REF | DESCRIPTION (◆ Indicates Parts Available In Assemblies Only) | PART # | QTY. |
|-----|--|-----------|------|
| 1 | UPRIGHT WELDMENT, SHR | 036916 | 1 |
| 2 | BUSHING, 1" X 1 1/4" X 1 1/2" BRONZE | P05041 | 2 |
| 3 | SCREW, 5/8-18 X 1 3/4" SOCKET HEAD | F05009-27 | 6 |
| 4 | NUT, 5/8-18 HEX JAM | F05010-11 | 6 |
| 5 | PAD, NYLON BACKING | 042432 | 6 |
| 6 | PAD, ROUND NYLON | 033098 | 6 |
| 7 | BOLT, 1/2-13 X 1 1/4" BRASS TIP STAINLESS STEEL | F05008-18 | 4 |
| 8 | NUT, 1/2-13 JAM | F05010-31 | 4 |
| 9 | BOLT, 5/16-18 X 3/4" HEX HEAD GRADE 2 | F05006-5 | 4 |

| | | | | |
|----|---|-----------|---|--|
| 10 | PADS, DELRIN UP/DOWN SLIDE | M04096 | 2 | |
| 11 | NUT, 5/16-18 HEX NYLON LOCK | F05010-58 | 4 | |
| 12 | BOLT, 1/2-13 X 5 1/2" HEX HEAD GRADE 5 | F05008-28 | 1 | |
| 13 | NUT, 1/2-13 HEX NYLON LOCK | F05010-8 | 1 | |
| 14 | WASHER, 1/2" X 2" FENDER | F05011-38 | 2 | |
| 15 | WASHER, 1/2" SAE FLAT | F05011-2 | 3 | |
| 16 | POINTER, MH BLADE HEIGHT STRAIGHT | S22636 | 1 | |
| 17 | SCREW, 10-24 X 5/8" HEX HEAD | F05004-18 | 1 | |

5 Replacement Parts

Up/Down System Assembly

5.2 Up/Down System Assembly



SR0003-8

| REF | DESCRIPTION (◆ Indicates Parts Available In Assemblies Only) | PART # | QTY. |
|-----|--|------------|------|
| | HANDLE ASSEMBLY, UP/DOWN CRANK | 033251 | 1 |
| 1 | Handle Weldment, Crank | 033253 | 1 |
| 2 | Screw, 3/8-16 x 3 1/2" Socket Head Cap | F05007-111 | 2 |
| 3 | Knob, 3/8" Bore Tapered Plastic | 060170 | 2 |
| 4 | Nut, 3/8-16 Jam | F05010-29 | 4 |
| 5 | Washer, 3/8" Split Lock | F05011-4 | 2 |
| 6 | SHAFT, HEAD CRANK, SHR | 036949 | 1 |
| 7 | PIN, 3/16" X 1 1/4" ROLL | F05012-16 | 4 |
| 8 | BUSHING, .635" I.D. X 3/4" O.D. NYLON FLANGED | P22478 | 1 |
| 9 | COUPLING, UP/DOWN CRANK | S22476 | 1 |
| 10 | BEARING, 5/8" THRUST | P04214 | 1 |
| 11 | ROD, HEIGHT ADJUSTMENT | S22208 | 1 |
| 12 | BLOCK, HEIGHT ADJUSTMENT | S22209 | 1 |
| 13 | FITTING, GREASE 90 DEG. 1/4-28 | P04108 | 1 |
| 14 | NUT, 3/8-16 HEX NYLON LOCK | F05010-10 | 2 |
| 15 | COLLAR, 5/8" I.D. LOCK | P05035 | 1 |
| 16 | BUSHING, 1/2" X 3/4" BRONZE FLANGED | P22317 | 1 |

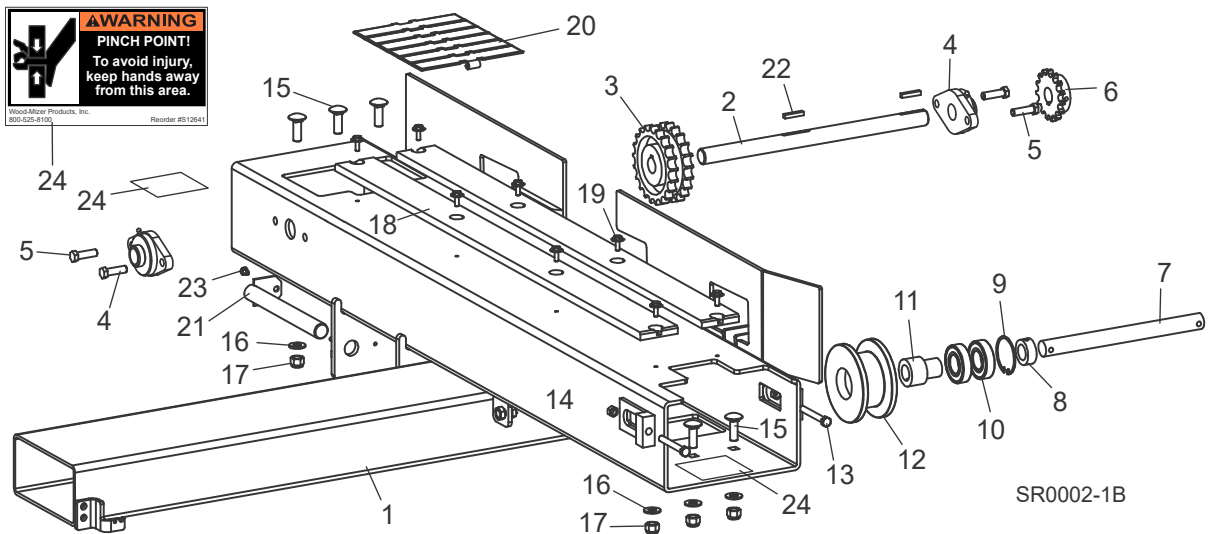
| | | | | |
|----|--|-----------|---|--|
| 17 | COLLAR, 1/2" I.D. X 7/8" O.D. LOCK | 014820 | 1 | |
| 18 | CABLE, UP/DOWN RESAW | S22307 | 1 | |
| 19 | PULLEY, 2-GROOVED CABLE | S22205 | 1 | |
| 20 | BUSHING, 1" X 1 1/4" X 1 1/2" BRONZE | P05041 | 1 | |
| 21 | PIN, CABLE ROLLER | S22203 | 1 | |
| 22 | BOLT, 1/2-13 X 1 1/2" HEX HEAD GRADE 5 | F05008-33 | 2 | |
| 23 | WASHER, 1/2" SPLIT LOCK | F05011-9 | 2 | |

6 Replacement Parts

Feed Track Assembly

SECTION 6 FEED

6.1 Feed Track Assembly



| REF | DESCRIPTION (◆ Indicates Parts Available In Assemblies Only) | PART # | QTY. |
|-----|--|------------|------|
| 1 | TUBE WELDMENT, DRIVE CHAIN | 054349 | 1 |
| 2 | SHAFT, CHAIN DRIVE | 054372 | 1 |
| 3 | SPROCKET, 21-22T FEED | P20202 | 1 |
| 4 | BEARING, 1 FLANGED, VF2S 216 | 038124 | 2 |
| 5 | BOLT, 3/8-16 X 1 1/4" HEX HEAD GRADE 5 | F05007-123 | 4 |
| 6 | SPROCKET, 50-15 X 1" | 054172 | 1 |
| 7 | SHAFT, MULTIHEAD FEED IDLER | S22425 | 1 |
| 8 | COLLAR, 1" LOCK | 038090 | 1 |
| 9 | RING, 62MM IR RETAINING | F04254-12 | 1 |
| 10 | BEARING, 6206-2NSE | P11035 | 2 |
| 11 | BUSHING, FEED IDLER | S20286 | 1 |
| 12 | PULLEY, FEED IDLER | S20282 | 1 |
| 13 | BOLT, 3/8-16 X 3" HEX HEAD FULL THREAD | F05007-1 | 2 |
| 14 | NUT, 3/8-16 HEX | F05010-1 | 2 |
| 15 | BOLT, 1/2-13 X 1-1/2" CARRIAGE | F05008-150 | 6 |
| 16 | WASHER, 1/2" SAE FLAT | F05011-2 | 6 |
| 17 | NUT, 1/2-13 HEX NYLON LOCK | F05010-8 | 6 |
| 18 | STRIP, 40-7/8 X 2-3/4" PRE-DRD TYVAR | 054373 | 2 |
| 19 | BOLT, 1/4-20 X 3/4" HEX HEAD W/CONICAL WASHER | F05005-134 | 8 |
| 20 | CHAIN, 7-1/2" X 105" FLAT FEED TRACK | 054374 | 1 |
| 21 | POST WELDMENT, CONTROL | 054427 | 1 |
| 22 | KEY, 1/4SQ X1 3/8 | 017832 | 2 |

Replacement Parts **6**
Feed Track Assembly

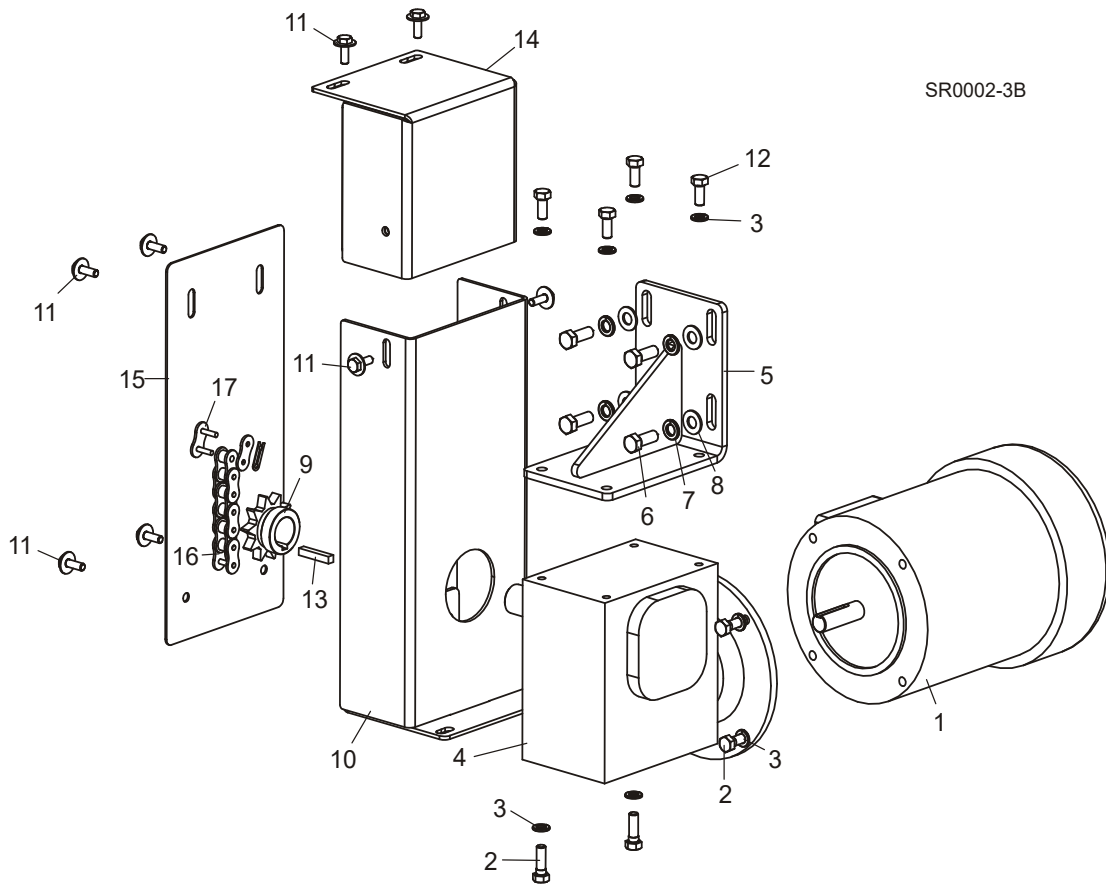
| | | | | |
|----|------------------------------|-----------|---|--|
| 23 | BOLT, 1/4-20 X 1/2" HEX HEAD | F05005-15 | 1 | |
| 24 | DECAL, PINCH POINT WARNING | S12641 | 2 | |

6

Replacement Parts

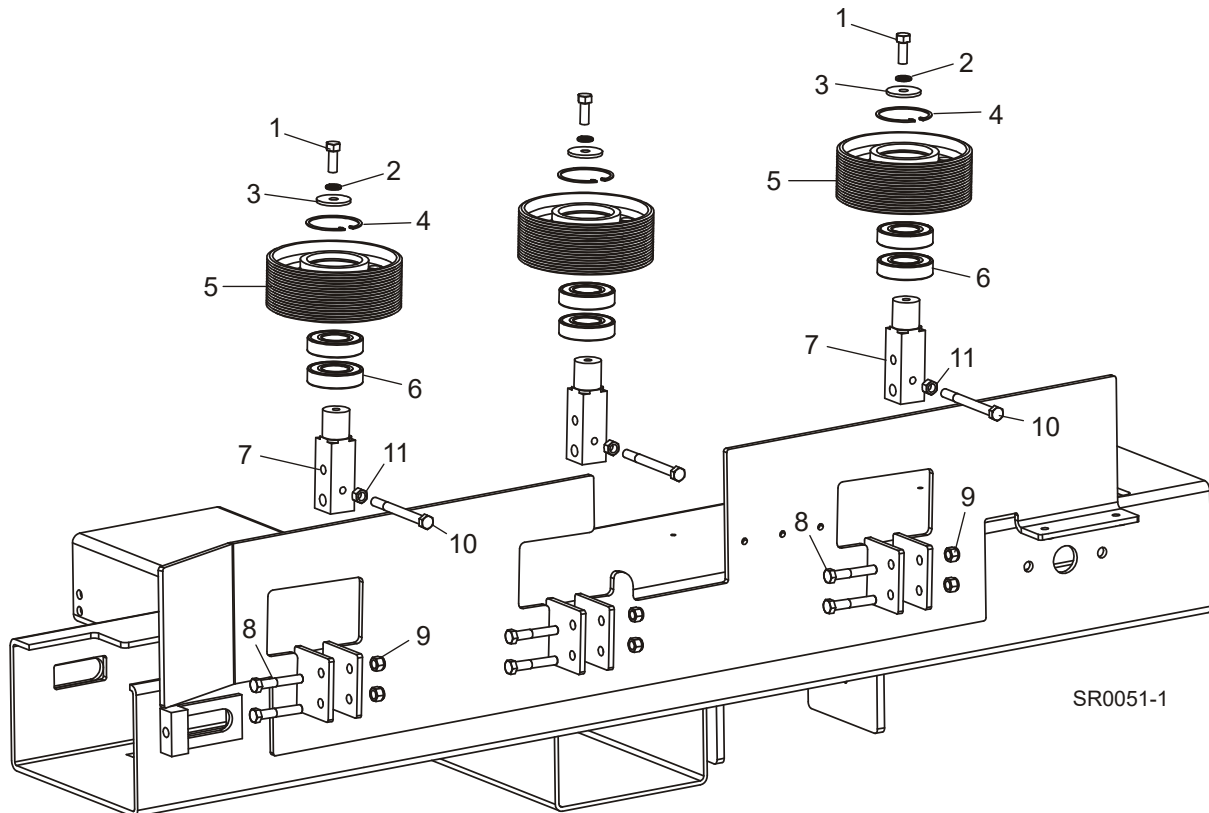
Feed Motor Assembly

6.2 Feed Motor Assembly



| REF | DESCRIPTION (◆ Indicates Parts Available In Assemblies Only) | PART # | QTY. |
|-----|--|------------|------|
| 1 | MOTOR, 1HP AC FEED | 047486 | 1 |
| 2 | BOLT, 5/16-18 X 1" HEX HEAD GRADE 2 | F05006-1 | 6 |
| 3 | WASHER, 5/16" SPLIT LOCK | F05011-13 | 10 |
| 4 | GEARBOX, 90 DEG. BMQ220 RIGHT | 054363 | 1 |
| 5 | PLATE WELDMENT, GEARBOX MOUNT | 054435 | 1 |
| 6 | BOLT, 3/8-16 X 1" HEX HEAD GRADE 5 | F05007-87 | 4 |
| 7 | WASHER, 3/8" SPLIT LOCK | F05011-4 | 4 |
| 8 | WASHER, 3/8" FLAT SAE | F05011-3 | 4 |
| 9 | SPROCKET, 50BS10 X 1 MGR END | P21414 | 1 |
| 10 | GUARD WELDMENT, LOWER | 054451 | 1 |
| 11 | BOLT, 1/4-20 X 3/4" HEX W/CONICAL WASHER HEAD | F05005-134 | 8 |
| 12 | BOLT, 5/16-18 X 3/4" HEX HEAD | F05006-102 | 4 |
| 13 | KEY, 1/4" SQUARE X 1 3/8" | 017832 | 1 |
| 14 | COVER WELDMENT, TOP DRIVE | 054448 | 1 |
| 15 | PLATE, FRONT COVER | 054455 | 1 |
| 16 | CHAIN, #50 X 28 3/4" | 054484 | 1 |
| 17 | LINK, #50 MASTER | P20208 | 1 |

6.3 Stationary Feed Rollers

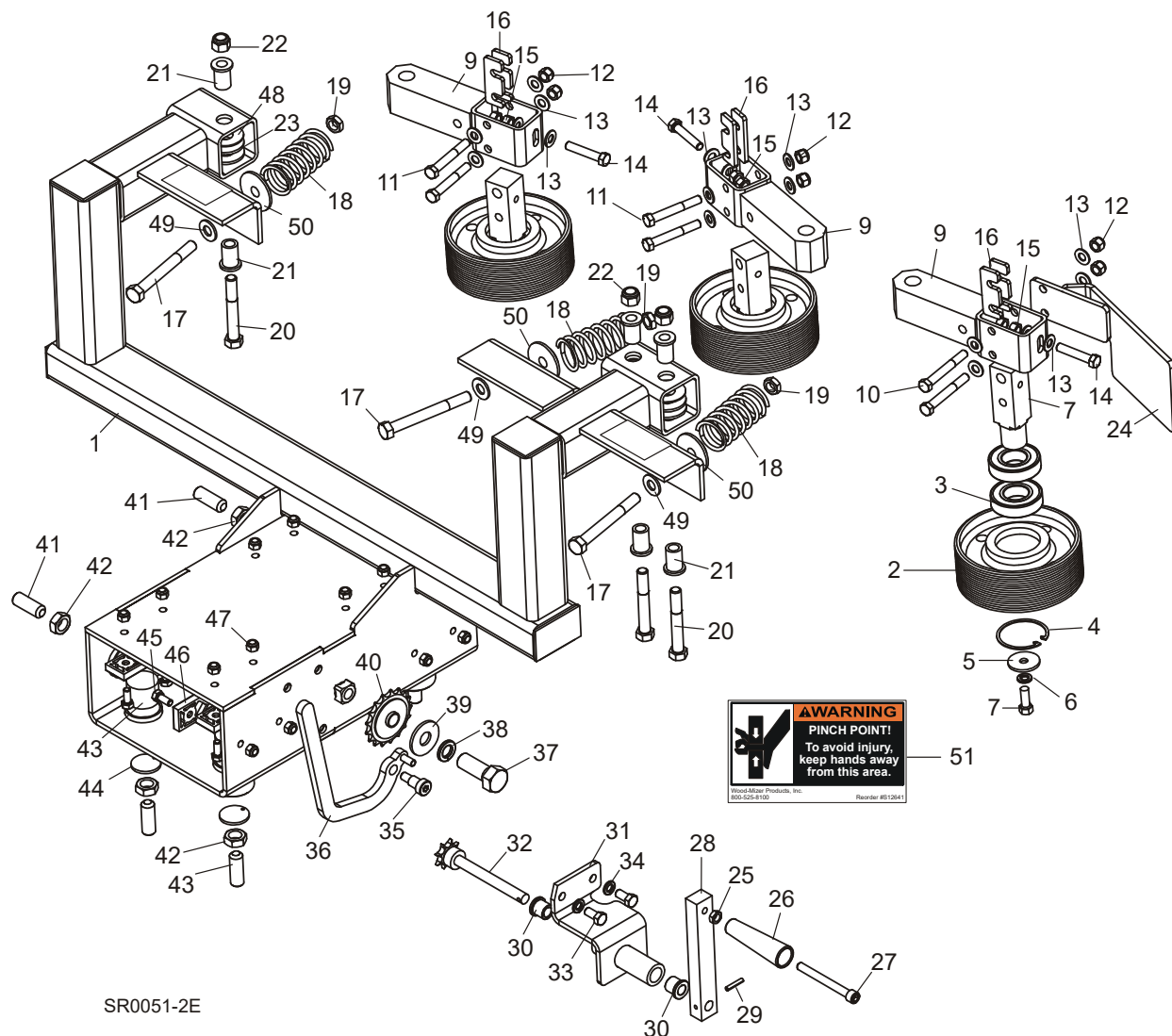


| REF | DESCRIPTION (◆ Indicates Parts Available In Assemblies Only) | PART # | QTY. |
|-----|--|------------|------|
| | ROLLER ASSEMBLY, STATIONARY FEED | 054368 | 3 |
| 1 | Bolt, 3/8-16 x 1" Hex Head | F05007-7 | 1 |
| 2 | Washer, 3/8" Split Lock | F05011-4 | 1 |
| 3 | Washer, 3/8" ID x 1 1/2" OD x 1/8" Thick | F05011-104 | 1 |
| 4 | Ring, 62mm Interior Retaining | F04254-12 | 1 |
| 5 | Roller, Feed | 054369 | 1 |
| 6 | Bearing, 6206-2NSE | P11035 | 2 |
| 7 | Shaft, Stationary Roller | 054370 | 1 |
| 8 | BOLT, 3/8-16 X 2-1/4 HEX HEAD GRADE 5 | F05007-201 | 6 |
| 9 | NUT, 3/8-16 HEX NYLON LOCK | F05010-10 | 6 |
| 10 | BOLT, 3/8-16 X 4" HEX HEAD FULL THREAD G5 | F05007-92 | 3 |
| 11 | NUT, 3/8-16 HEX | F05010-1 | 3 |

6 Replacement Parts

Pressure Roller Assembly

6.4 Pressure Roller Assembly



| REF | DESCRIPTION (◆ Indicates Parts Available In Assemblies Only) | PART # | QTY. |
|-----|--|------------|------|
| | ROLLER ASSEMBLY, PRESSURE | 054375 | 1 |
| 1 | Frame Weldment, Pressure Roller | 054376 | 1 |
| | Roller Assembly, Stationary Feed | 054368 | 3 |
| 2 | Roller, Feed | 054369 | 1 |
| 3 | Bearing, 6206-2NSE | P11035 | 2 |
| 4 | Ring, 62mm Inside Retaining | F04254-12 | 1 |
| 5 | Washer, 3/8" ID x 1 1/2" OD x 1/8" Thick | F05011-104 | 1 |
| 6 | Washer, 3/8" Split Lock | F05011-4 | 1 |

Replacement Parts 6

Pressure Roller Assembly

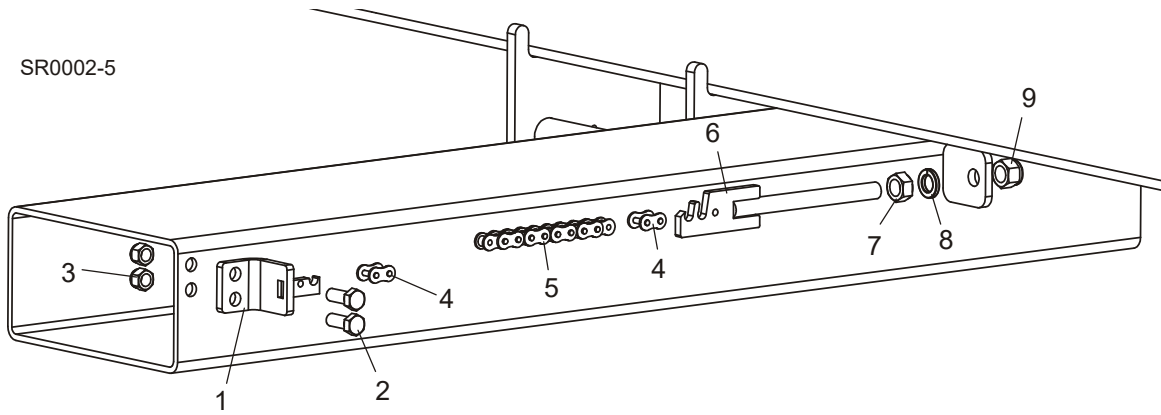
| | | | | |
|----|--|------------|----|--|
| 7 | Bolt, 3/8-16 x 1" Hex Head | F05007-7 | 1 | |
| 8 | Shaft, Stationary Roller | 054370 | 1 | |
| 9 | Block Weldment, Roller Mount | 054399 | 3 | |
| 10 | Bolt, 3/8-16 x 3" Hex Head Grade 5 | F05007-73 | 2 | |
| 11 | Bolt, 3/8-16 x 2 3/4" Hex Head Grade 5 | F05007-206 | 4 | |
| 12 | Nut, 3/8-16 Hex Nylon Lock | F05010-10 | 6 | |
| 13 | Washer, 3/8" Flat SAE | F05011-3 | 18 | |
| 14 | Bolt, 3/8-16 x 2" Hex Head Full Thread | F05007-16 | 3 | |
| 15 | Nut, 3/8-16 Hex | F05010-1 | 6 | |
| 16 | Plate, Roller Shaft Spacer | 038583 | 6 | |
| 17 | Bolt, 1/2-13 x 4 1/2" Hex Head Grade 5 | F05008-35 | 3 | |
| 18 | Spring, 1-11/16" x 3-1/2" x .177" (MH100-300) | 054462 | 3 | |
| 19 | Nut, 1/2-13 Hex Jam | F05010-31 | 3 | |
| 20 | Bolt, 1/2-13 x 3 1/2" Hex Head Grade 5 | F05008-61 | 3 | |
| 21 | Bushing, 1/2" x 3/4" x 1-1/4" | 054403 | 6 | |
| 22 | Nut, 1/2-13 Hex Nylon Lock | F05010-8 | 3 | |
| 23 | Spacer, 1" x 1-3/4" x 1/8" | 054423 | 6 | |
| 24 | Shoe Weldment, Cant | 054400 | 1 | |
| | Crank Assembly, Roller Feed | 054417 | 1 | |
| 25 | Nut, 3/8-16 Hex Jam | F05010-29 | 1 | |
| 26 | Handle, 3/8" Bore Tapered Plastic | 060170 | 1 | |
| 27 | Bolt, 3/8-16 x 3 1/2" Socket Head | F05007-111 | 1 | |
| 28 | Block, Press Roller Handle | 007346 | 1 | |
| 29 | Pin, 3/16" x 1" Roll | F05012-11 | 1 | |
| 30 | Bushing, 1/2" X 3/4" Bronze Flanged | P22317 | 2 | |
| 31 | Feed Weldment, In/Out | 054418 | 1 | |
| 32 | Shaft Weldment, Roller Feed | 054433 | 1 | |
| 33 | Bolt, 3/8-16 x 3/4" Hex Head Grade 5 | F05007-118 | 2 | |
| 34 | Washer, 3/8" Split Lock | F05011-4 | 2 | |
| 35 | Screw, 3/8-16 1/2x1/2 Socket Shoulder | F05008-63 | 1 | |
| 36 | Stop Assembly, Pressure Roller | 065695 | 1 | |
| 37 | Bolt, 5/8-11 x 1-1/2" Hex Head Full Thread Grade 5 | F05009-41 | 1 | |
| 38 | Washer, 5/8" Split Lock | F05011-27 | 1 | |
| 39 | Washer, 5/8" Standard Flat | F05011-40 | 1 | |
| 40 | Sprocket, #40 Idler 17T 5/8" ID | P04333 | 1 | |
| 41 | Screw, 5/8-18 x 1 3/4" Flat Point Socket Set | F05009-27 | 6 | |
| 42 | Nut, 5/8-18 Hex Jam | F05010-11 | 6 | |
| 43 | Pad, Round Nylon | 033098 | 6 | |
| 44 | Pad, Nylon Backing | 042432 | 6 | |
| 45 | Bolt, 5/16-18 x 3/4" Hex Head Grade 2 | F05006-5 | 11 | |
| 46 | Pads, Delrin Up/Down Slide | M04096 | 6 | |
| 47 | Nut, 5/16-18 Hex Nylon Lock | F05010-58 | 12 | |
| 48 | Spacer, 3/4" ID x 1 3/4" OD x 1/16" Thick | 054467 | 3 | |

6 Replacement Parts

Pressure Roller Assembly

| | | | | |
|-----------|--|------------|---|--|
| 49 | Washer, 1/2" SAE Flat Grade 5 | F05011-101 | 3 | |
| 50 | Bushing, Spring | 054457 | 3 | |
| 51 | DECAL, HAND PINCH POINT WARNING | S12641 | 2 | |

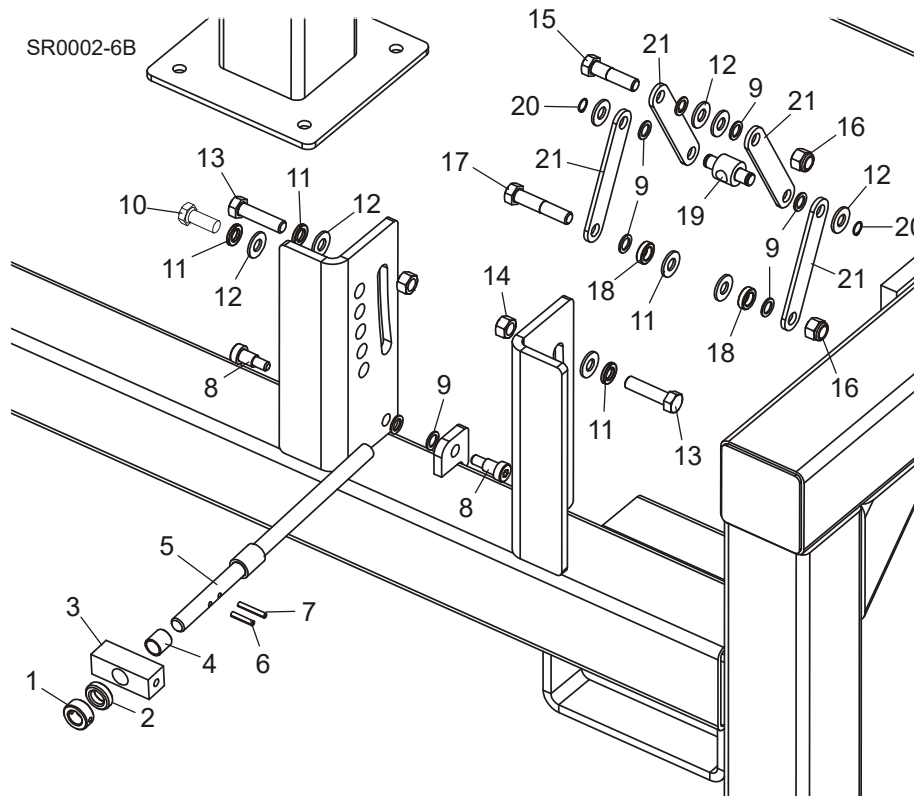
6.5 Pressure Roller Chain Assembly



| REF | DESCRIPTION (◆ Indicates Parts Available In Assemblies Only) | PART # | QTY. |
|-----|--|-----------|------|
| 1 | PLATE WELDMENT, CHAIN MOUNT | 054414 | 1 |
| 2 | BOLT, 3/8-16 X 1" HEX HEAD GRADE 5 | F05007-87 | 2 |
| 3 | NUT, 3/8-16 HEX NYLON LOCK | F05010-10 | 2 |
| 4 | LINK, #40 MASTER | P04200 | 2 |
| 5 | CHAIN, #40 X 21-1/2" | 054465 | 1 |
| 6 | TENSIONER WELDMENT, POWER FEED CHAIN | 015721 | 1 |
| 7 | NUT, 1/2-13 FREE HEX | F05010-35 | 1 |
| 8 | WASHER, 1/2" SPLIT LOCK | F05011-9 | 1 |
| 9 | NUT, 1/2-13 HEX NYLON LOCK | F05010-8 | 1 |

SECTION 7 FRAME

7.1 Saw Head Tilt Assembly



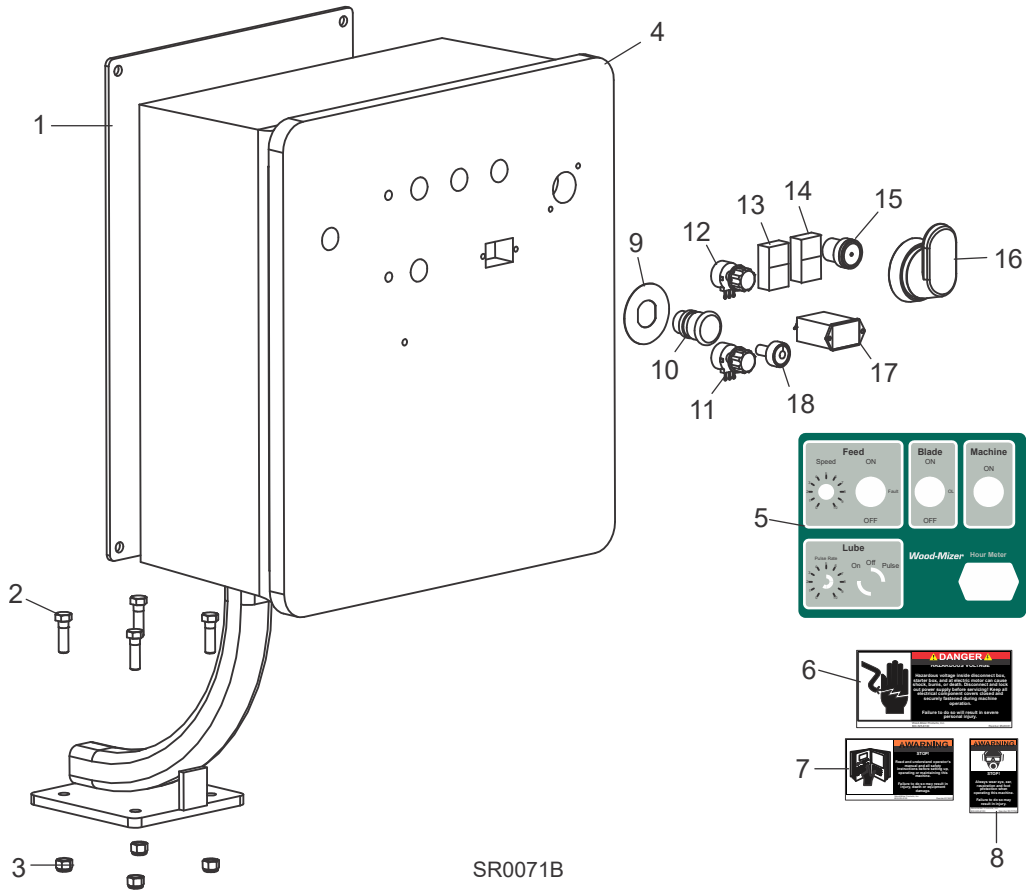
| REF | DESCRIPTION (◆ Indicates Parts Available In Assemblies Only) | PART # | QTY. |
|-----|--|------------|------|
| | SHAFT ASSEMBLY, SHR TILT | 038479 | 1 |
| 1 | Collar, 5/8" I.D. x 1 1/8" O.D. Lock 3/16" thru. | 016267 | 1 |
| 2 | Bearing, 5/8" Thrust | P04214 | 1 |
| 3 | Pivot, SHR Tilt | 038470 | 1 |
| 4 | Spacer, 5/8" I.D. x 3/4" O.D. x 3/4" Long Bronze | P09130 | 1 |
| 5 | Shaft Weldment, SHR Tilt Adjustment | 038477 | 1 |
| 6 | Pin, 3/16" x 1" Roll | F05012-11 | 1 |
| 7 | Pin, 3/16" x 1 1/4" Roll | F05012-16 | 1 |
| 8 | BOLT, 3/8-16 1/2 X 5/8" THREADED SHOULDER | F05008-115 | 2 |
| 9 | WASHER, 1/2" X 3/4" X 1/16" NYLON | P05251-1 | 8 |
| 10 | BOLT, 1/2-13 X 1 1/4" HEX HEAD GRADE 5 | F05008-37 | 1 |
| 11 | WASHER, 1/2" SPLIT LOCK | F05011-9 | 3 |
| 12 | WASHER, 1/2" SAE FLAT | F05011-2 | 9 |
| 13 | BOLT, 1/2-13 X 2" HEX HEAD FULL THREAD GRADE 5 | F05008-116 | 2 |
| 14 | NUT, 1/2-13 SWAGED HEX 2-WAY LOCK | F05010-3 | 2 |

| | | | | |
|----|---|------------|---|--|
| 15 | BOLT, 1/2-13 X 2" HEX HEAD GRADE 5 | F05008-102 | 1 | |
| 16 | NUT, 1/2-13 HEX NYLON LOCK | F05010-8 | 2 | |
| 17 | BOLT, 1/2-13 X 2 1/2" HEX HEAD GRADE 5 | F05008-74 | 1 | |
| 18 | SPACER, 1/2" I.D. X 7/8" O.D. X 1/4" | 041626 | 2 | |
| 19 | TRUNION, SHR TILT | 038475 | 1 | |
| 20 | RING, SHAFT 1/2" OR 3100-50 RETAINING | F04254-18 | 2 | |
| 21 | LINK, SHR TILT ADJUSTMENT | 038474 | 4 | |

7 Replacement Parts

Control Box & Harnesses

7.2 Control Box & Harnesses



SR0071B

| REF | DESCRIPTION (◆ Indicates Parts Available In Assemblies Only) | PART # | QTY. |
|-----|--|------------|------|
| 1 | POST WELDMENT, CONTROL | 054427 | 1 |
| 2 | BOLT, 3/8-16 X 1 1/4" HEX HEAD GRADE 5 | F05007-123 | 4 |
| 3 | NUT, 3/8-16 HEX NYLON LOCK | F05010-10 | 4 |
| | CONTROL BOX ASSEMBLY, HR300 230V 1PH 10HP (NOT SHOWN) | 052480 | 1 |
| | CONTROL BOX ASSEMBLY, HR300 460V 3PH 20HP (NOT SHOWN) | 052476 | 1 |
| | CONTROL BOX ASSEMBLY, HR300 380V 3PH 20HP (NOT SHOWN) | 052772 | 1 |
| | CONTROL BOX ASSEMBLY, HR300 230V 3PH 20HP (NOT SHOWN) | 052478 | 1 |
| | CONTROL BOX ASSEMBLY, HR300 460V 3PH 25HP (NOT SHOWN) | 052472 | 1 |
| | CONTROL BOX ASSEMBLY, HR300 230V 3PH 25HP (NOT SHOWN) | 052474 | 1 |
| 4 | Enclosure, Control Box | 052494 | 1 |

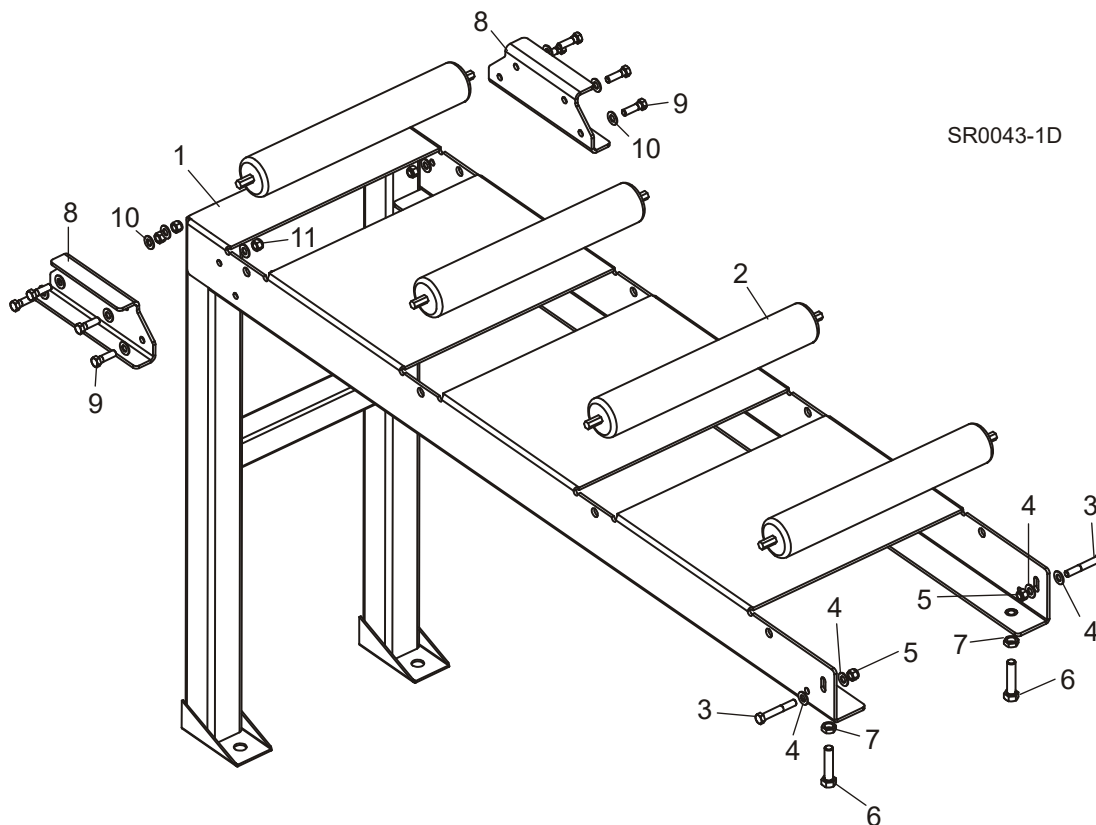
| | | | | |
|--|--|----------|---|--|
| | Insert Assembly, HR300 460V 3Ph 25HP | 052471 | 1 | |
| | Insert Assembly, HR300 230V 3Ph 25HP | 052473 | 1 | |
| | Insert Assembly, HR300 460V 3Ph 20HP | 052475 | 1 | |
| | Insert Assembly, HR300 380V 3Ph 20HP | 052771 | 1 | |
| | Insert Assembly, HR300 230V 3Ph 20HP | 052477 | 1 | |
| | Insert Assembly, HR300 230V 1Ph 10HP | 052479 | 1 | |
| | Harness Assembly, Feed Motor | 052486-1 | 1 | |
| | Harness Assembly, Brake | 052488 | 1 | |
| | Harness Assembly, Blade Motor (380/460V 3-Phase Only) | 052492 | 1 | |
| | Harness Assembly, Blade Motor (230V 3-Phase Only) | 052520 | 1 | |
| | Harness Assembly, Blade Motor (230V 1-Phase Only) | 052523 | 1 | |
| 5 | Decal, Control Box | 052444 | 1 | |
| 6 | Decal, Electrical Hazard Danger | S20061 | 1 | |
| 7 | Decal, Read Manual Warning | 016402 | 1 | |
| 8 | Decal, Eye/Ear Protection Warning | S11753 | 1 | |
| 9 | Legend, E-Stop Round Yellow | 050992 | 1 | |
| 10 | Switch, E-Stop Complete Push-Pull XB5 | 052497 | 1 | |
| | Contact, NC ZBE102 | 050540 | 1 | |
| 11 | Potentiometer Assembly, Lube-Mizer Control (LMS Option Only) | 024590 | 1 | |
| 12 | Potentiometer Assembly, 1K SHR Feed Control | 052451 | 1 | |
| 13 | Switch, 2 PBw/Pilot Green Flush Red Extend | 052499 | 1 | |
| | Switch Body, 22mm Red LED 1NO 1NC 24V XB5 | 052498 | 1 | |
| 14 | Switch, 2 PBw/Pilot Green Flush Red Extend | 052499 | 1 | |
| | Switch Body, 22mm Red LED 1NO 1NC 24V XB5 | 052498 | 1 | |
| | Contact, NC ZBE102 | 050540 | 2 | |
| 15 | Switch, PB Green Flush Illum ZB5 | 052503 | 1 | |
| | Switch Body, 22mm Grn LED 1NO 24V XB5 | 052502 | 1 | |
| 16 | Disconnect, 100Amp 3P Non-Fused 6mm | 050906-1 | 1 | |
| | Operator, Red/Yellow Pistol Grip 6mm | 050907-1 | 1 | |
| | Shaft, Pistol Grip Disconnect 290mm x 6mm | 050908-1 | 1 | |
| 17 | Hour Meter, 12 Volt DC | 015401 | 1 | |
| 18 | Switch Body, 22mm Green LED 2NO 24V (LMS Option Only) | 052612 | 1 | |
| | Switch Head, 22mm Illum Green Selector (LMS Option Only) | 052613 | 1 | |
| See Electrical Information Section in Operator's Manual for a complete list of electrical components | | | | |

8 Replacement Parts

End Table (Optional)

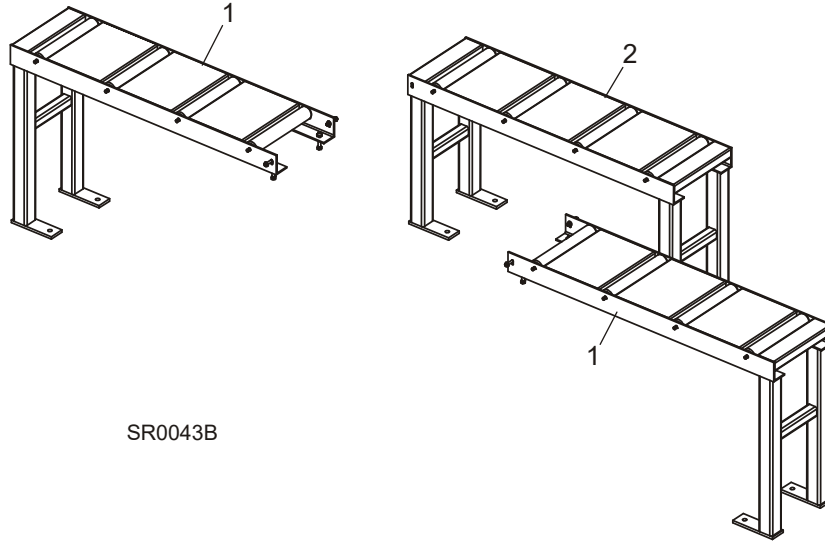
SECTION 8 OPTIONS

8.1 End Table (Optional)



| REF | DESCRIPTION (◆ Indicates Parts Available In Assemblies Only) | PART # | QTY. |
|-----|--|------------|------|
| | TABLE ASSEMBLY, END | 054404 | 2 |
| 1 | Table Weldment, End | 054405 | 1 |
| 2 | Roller, 2.5" OD x 16" | 054412 | 4 |
| 3 | Bolt, 3/8-16 X 2 1/2" Hex Head Grade 2 | F05007-47 | 2 |
| 4 | Washer, 3/8" Flat SAE | F05011-3 | 4 |
| 5 | Nut, 3/8-16 Hex Nylon Lock | F05010-10 | 2 |
| 6 | Bolt, 1/2-13 X 2 1/4" Hex Head Full Thread | F05008-27 | 2 |
| 7 | Nut, 1/2-13 Hex Jam | F05010-31 | 2 |
| | CONNECTOR KIT, SHR TABLE | 003622 | 1 |
| 8 | Plate, SHR Table Connector | 003621 | 2 |
| 9 | Bolt, 3/8-16 x 1 1/4" Hex Head Grade 5 | F05007-123 | 8 |
| 10 | Washer, 3/8" SAE Flat | F05011-3 | 16 |
| 11 | Nut, 3/8-16 Hex Nylon Lock | F05010-10 | 8 |

8.2 Feed Tables (Optional)

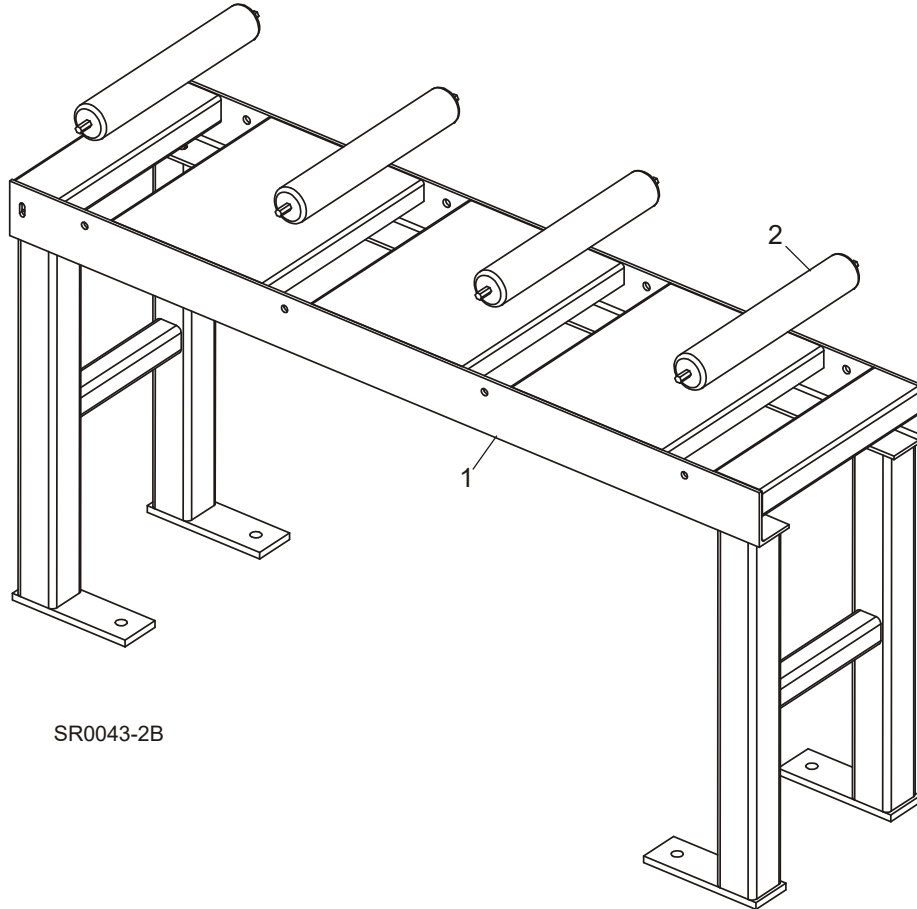


SR0043B

| REF | DESCRIPTION (◆ Indicates Parts Available In Assemblies Only) | PART # | QTY. |
|-----|--|--------|------|
| | TABLE ASSEMBLY, OPTIONAL FEED | 054464 | 1 |
| 1 | End Table Parts (See Section 8.1) | | |
| 2 | Side Table Parts (See Section 8.3) | | |

8 Replacement Parts
Side Table (Optional)

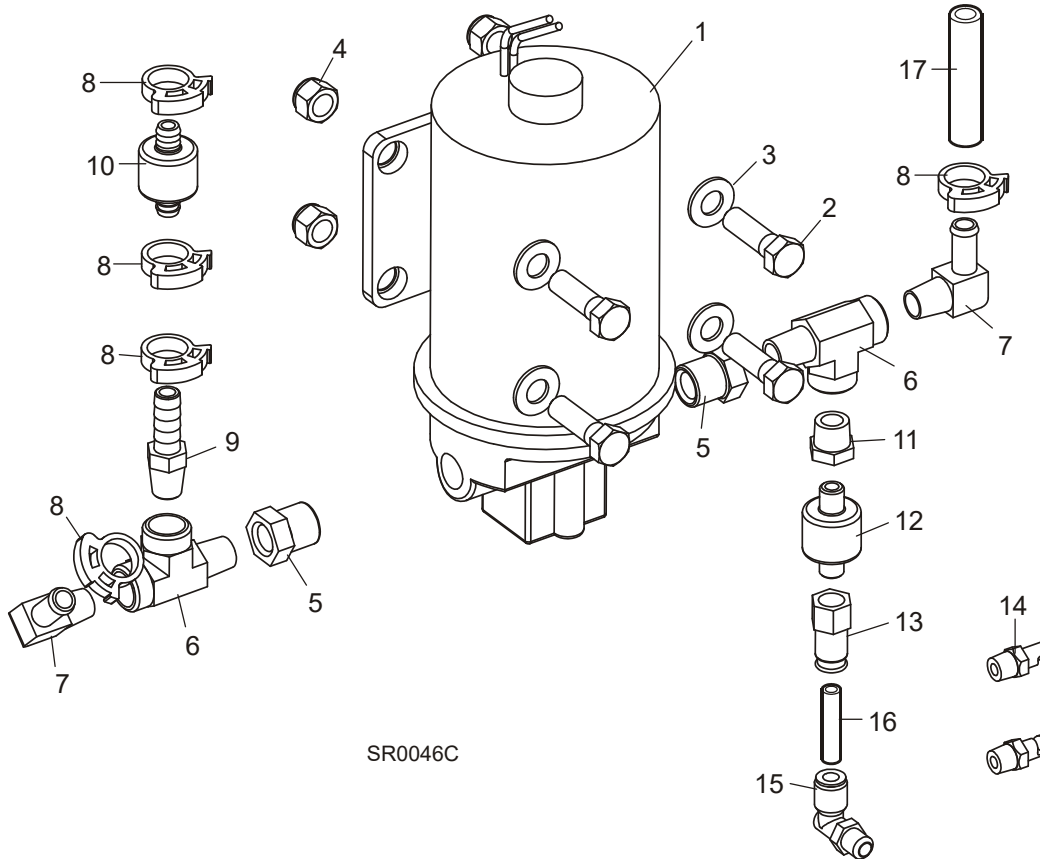
8.3 Side Table (Optional)



SR0043-2B

| REF | DESCRIPTION (◆ Indicates Parts Available In Assemblies Only) | PART # | QTY. | |
|-----|--|--------|------|--|
| | TABLE ASSEMBLY, SIDE | 054442 | 1 | |
| 1 | Table Weldment, Side | 054443 | 1 | |
| 2 | Roller, 2.5 OD x16 | 054412 | 4 | |

8.4 Lube-Mizer Pump Assembly (Optional)



SR0046C

| REF | DESCRIPTION (◆ Indicates Parts Available In Assemblies Only) | PART # | QTY. |
|-----|--|------------|------|
| | LUBE ADDITIVE, CASE 4 60 OZ. BOTTLES | ADD-1 | 1 |
| | LUBE-MIZER OPTION, FIELD-INSTALLED SHR | LMS-SHR | 1 |
| | Pump Assembly, SHR LubeMizer | 038563 | 1 |
| 1 | Pump Assembly, Lube | 050029 | 1 |
| 2 | Bolt, 3/8-16 x 1 1/4" Hex Head Grade 5 | F05007-123 | 4 |
| 3 | Washer, 3/8" Flat SAE | F05011-3 | 8 |
| 4 | Nut, 3/8-16 Hex Nylon Lock | F05010-10 | 4 |
| 5 | Fitting, 3/8" NPT-1/4" NPT Reducer | 015490 | 2 |
| 6 | Fitting, 1/4" NPT x 1/4" JIC Male Run Tee | P09141 | 2 |
| 7 | Fitting, 1/4" NPT x 3/8" Hose Barb, Elbow | 016330 | 2 |
| 8 | Clamp, Single Snap Grip #38 | 016845 | 5 |
| 9 | Fitting, 1/4" NPT-3/8" Barb | 014685 | 1 |
| 10 | Valve, 3/8" Barb 6PSI Check | 033448 | 1 |
| 11 | Reducer, 1/4" NPT - 1/8" NPT | P22680 | 1 |
| 12 | Valve, 1/8" NPT 3PSI Check | 033449 | 1 |
| 13 | Fitting, 1/4" TB x 1/8" NPT Male Air | 033450 | 1 |

8**Replacement Parts***Lube-Mizer Pump Assembly (Optional)*

| | | | | |
|-----------|--|----------|----------|--|
| 14 | Fitting, Blade Lube Spray | 033479 | 2 | |
| 15 | Fitting, 1/4" MPT x 1/4" Tube Swivel Elbow | P09736 | 1 | |
| 16 | Tubing, 1/4" Air | R01869 | 2 ft. | |
| 17 | Tubing, 3/8" ID Flex PVC Braided | R01885-1 | 2.75 ft. | |
| | Control Assembly, SHR LubeMizer | 052615 | 1 | |

INDEX

B

blade drive 3-1

blade guides
drive side 2-4
idle side 2-1

blade motor (10HP) 3-6

blade motor (20HP/25HP) 3-5

C

control box & harnesses 7-3

covers & sawdust chute 4-5

D

drive belt covers and brake solenoid 3-3

E

end table (optional) 8-1

F

feed motor assembly 6-3

feed tables (optional) 8-2

feed track 6-1

H

how to use parts list 1-1

I

idle blade wheel 3-7

L

laser guides housing 4-1

lubemizer pump 8-4

M

mast assembly 5-1

middle throat screw 4-3

P

pressure roller assembly 6-5

pressure roller chain 6-8

S

saw head decals 4-7

saw head tilt assembly 7-1

side table (optional) 8-3

stationary feed rollers 6-4

U

up/down system 5-3

W

water lube 4-4
