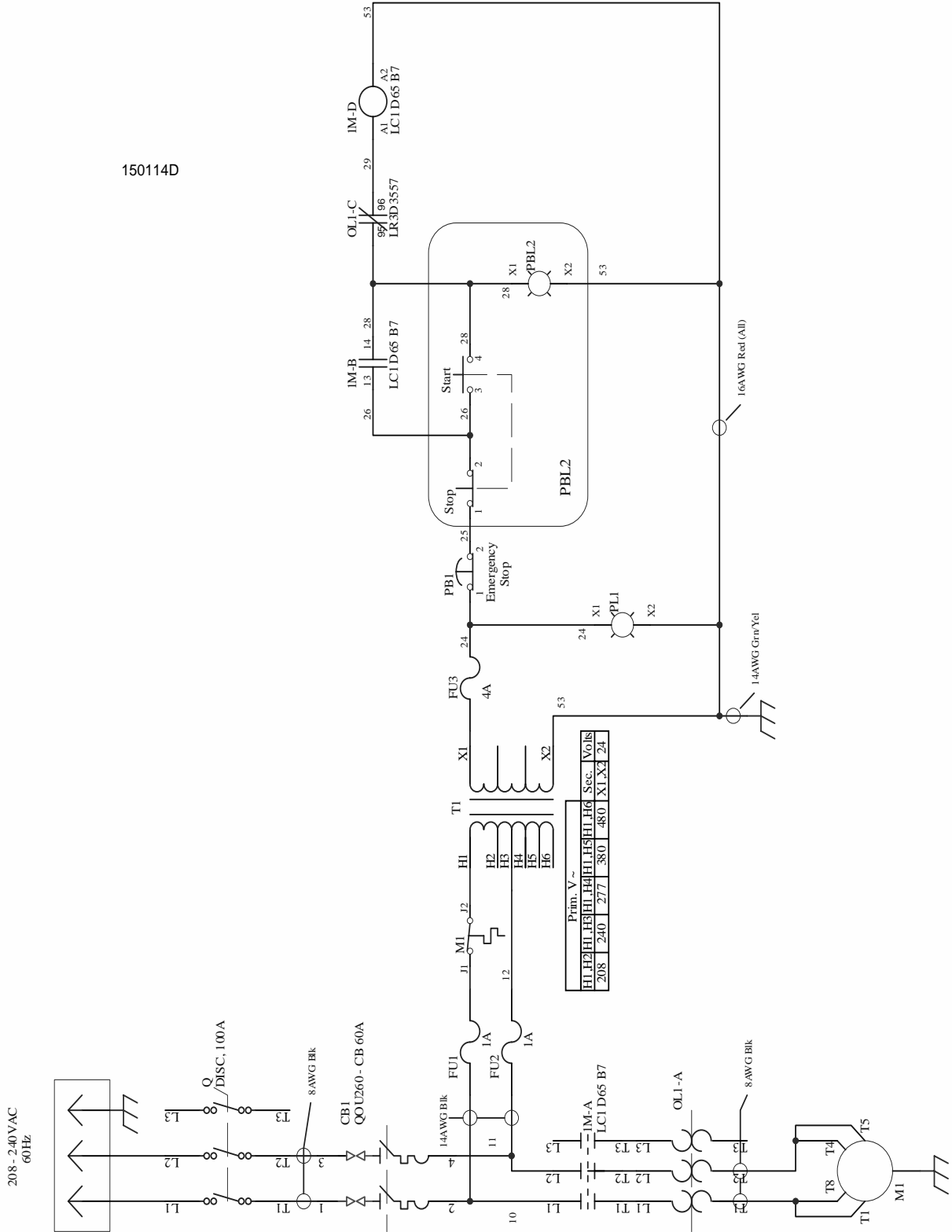


APPENDIX A E10SP ELECTRICAL INFORMATION

LT15E10S

Rev. E2.00 - E6.05

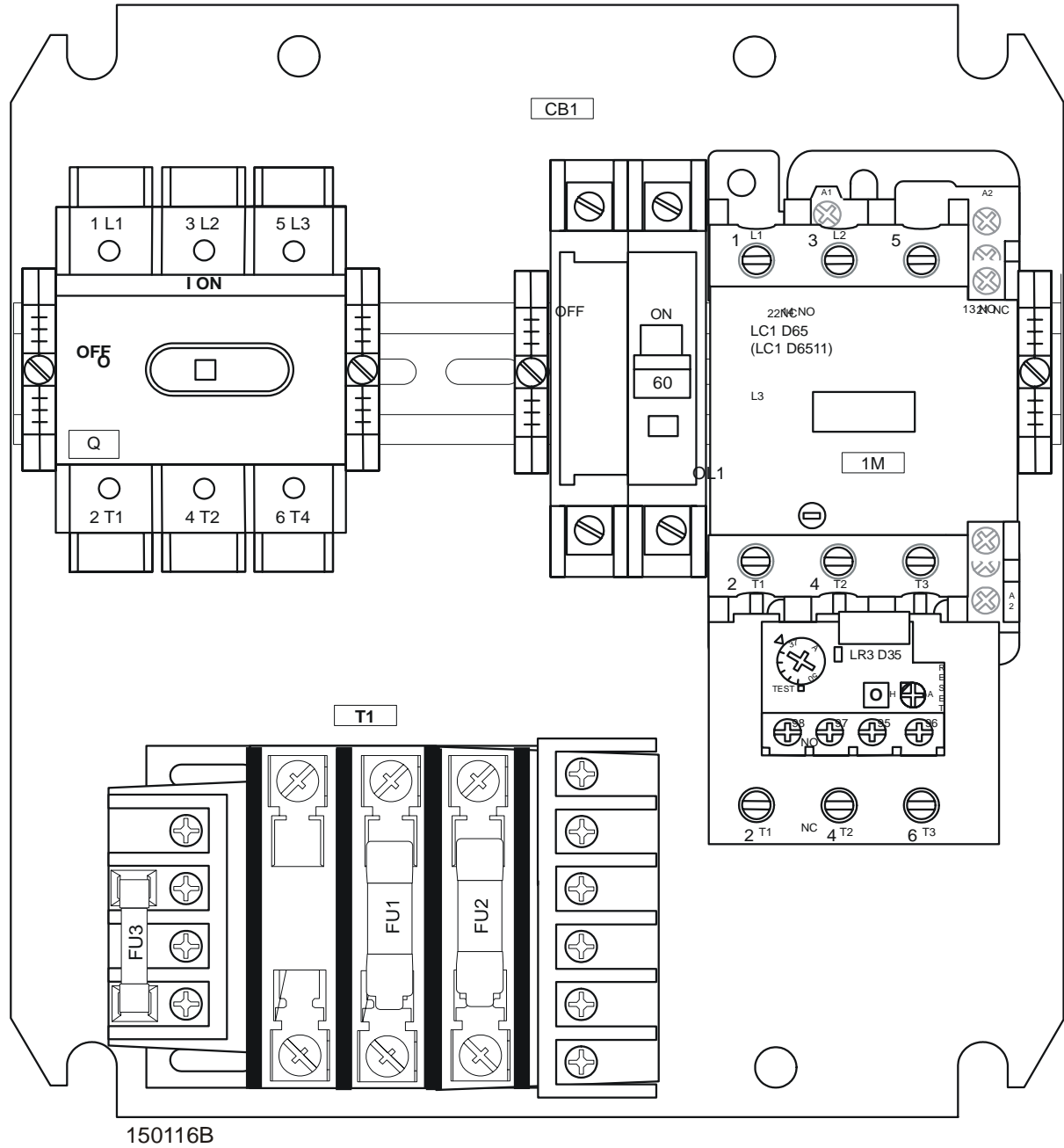
150114D

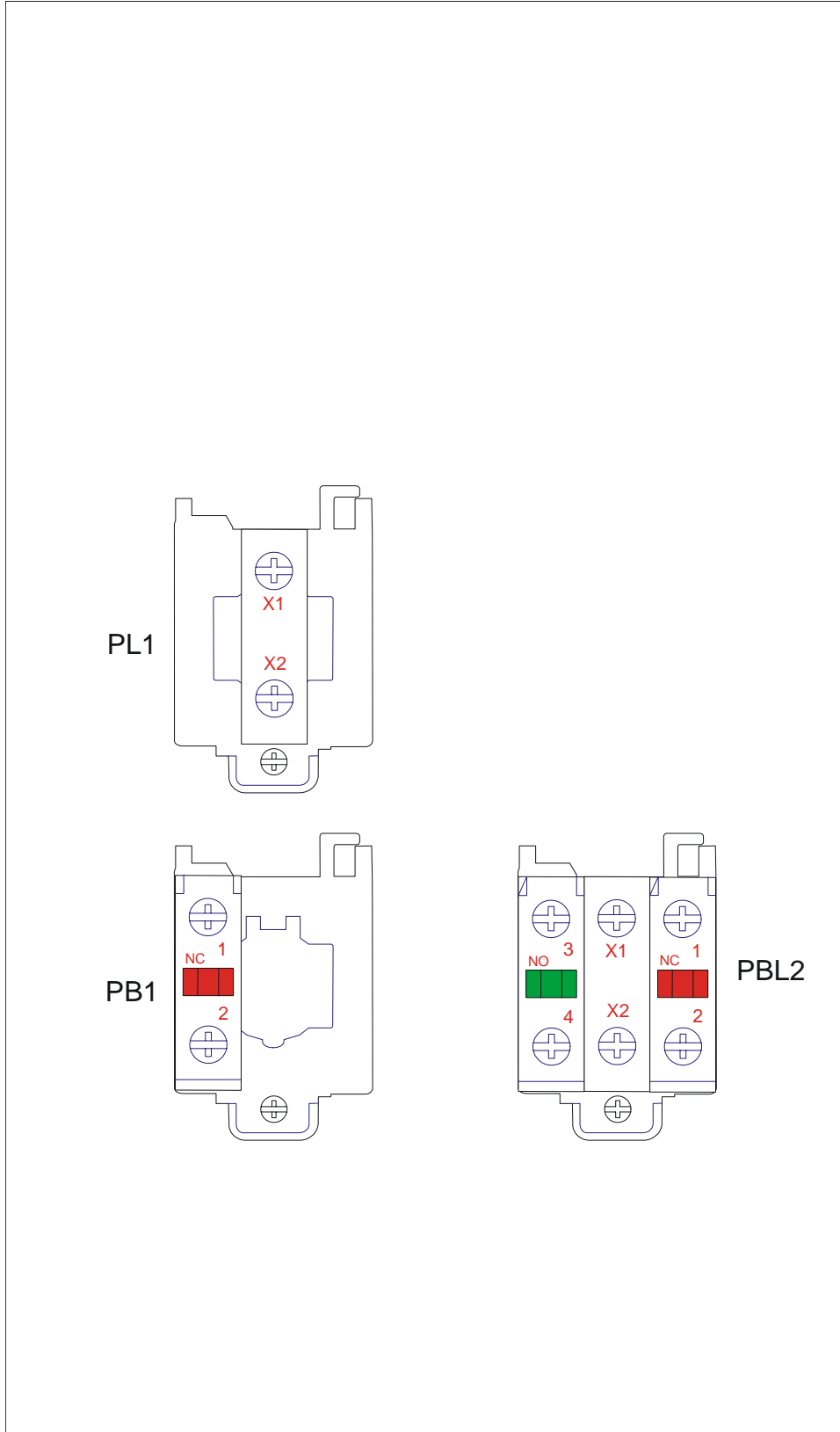


Electrical Component List				
Item	Mfg. Part No.	Mfg.	Wood-Mizer Part No.	Description
1M	LCD1D65B7	Square D	050930	Contactora, 65A 3P 1NO 1NC 24VAC
CB1	QOU260	Square D	050944	Breaker, 60
FU1, FU2	ATQR1	Littlefuse	051286	Fuse, 1A 600V Class CC
FU3	MDL4	Littlefuse	051285	Fuse, 4A 250V 1/4x1-1/4 Glass MDL Delay
OL1	LR3D3357	Square D	050931	Overload, 37-50A Phase Insensitive
PB1	XB4 BS542	Square D	086556	Switch, Emergency
PBL2	---	Moeller	090452	Switch, 24V Start/Stop
PL1	---	Moeller	090448	Light, M22 White LED 24 Control
Q	OT100F3/B	ABB	050906-1 ¹	Disconnect, 100A 3Ph Non-Fused 6mm
T1	9070T100D19	Square D	051282	Transformer, 208-480/24VAC 100VA
---	ZB4BS54	Square D	024945	Switch, PB E-Stop Maintnd Red 22mm XB4
---	ZBY9330	Square D	050992	Legend E-Stop, Round Yellow
---	ZB4BZ102	Square D	025161	Switch Body, 1NC 22mm XB4
---	OHY45J5	ABB	050907	Operator, Red/Yellow Pistol Grip
---	OSP5X265	ABB	050908	Shaft, Disconnect for Pistol Grip 265mm
---	669306	Walther Electric	050942	Conn Plug, 60A 3P Watertight
---	369306	Walther Electric	050943	Conn Socket, 60A 3P Watertight

¹ 5mm Disconnect Shaft OSP5X265 replaced by vendor with 6mm shaft OSP6X290 (2/10). Replacement of any disconnect component requires replacement of disconnect, shaft and operator handle (050906-1, 050907-1 & 050908-1).

MAIN ELECTRICAL COMPONENT DIAGRAM





150115

E10SP ELECTRICAL INFORMATION

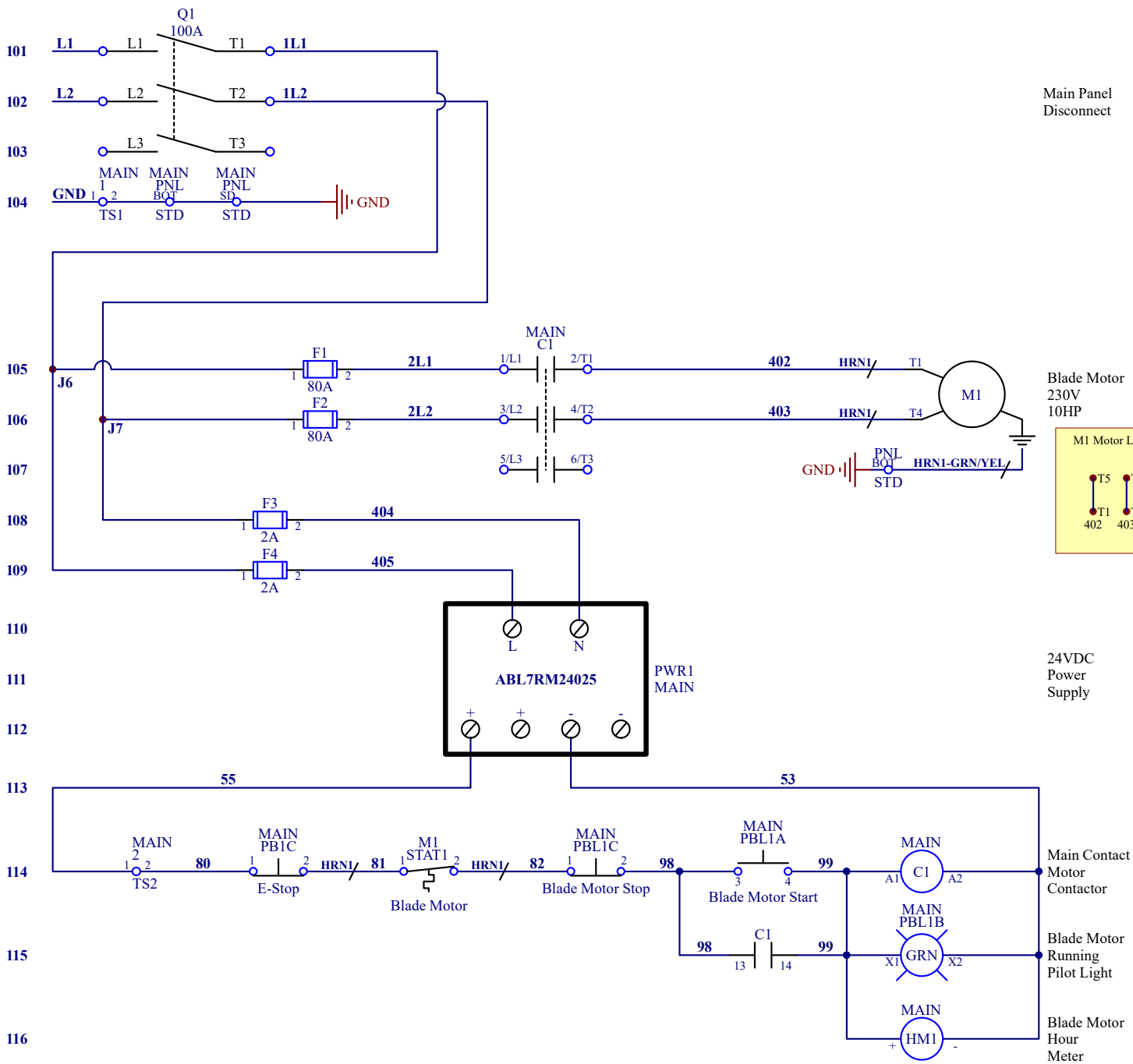
LT15E10S

Rev. E6.06+

LT15E10SW

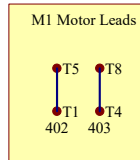
Rev. A1.00+

SYMBOL DIAGRAM



Main Panel Disconnect

Blade Motor
230V
10HP



24VDC
Power
Supply

Main Contact
Motor
Contactor

Blade Motor
Running
Pilot
Light

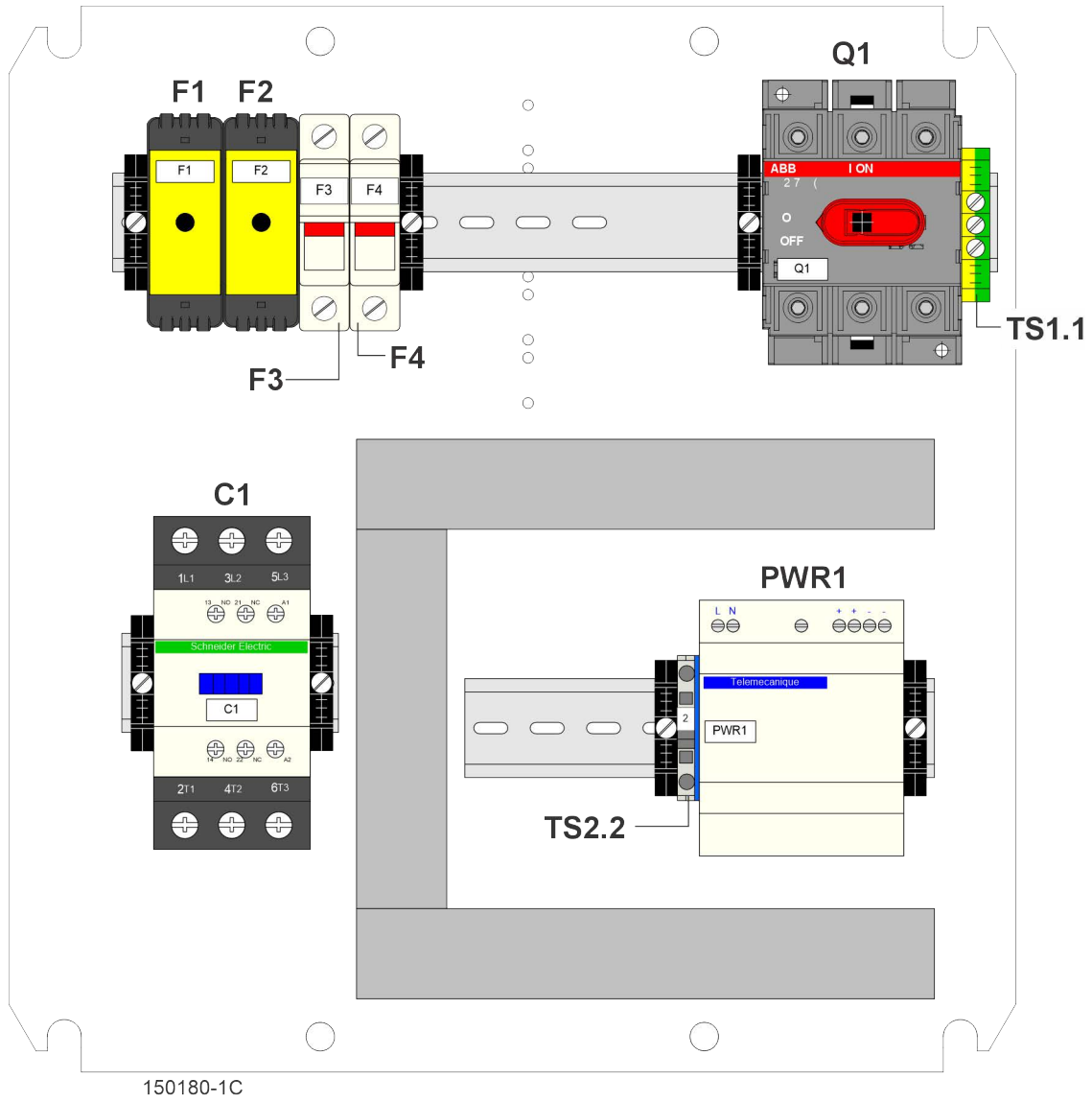
Blade Motor
Hour
Meter

Electrical Component List				
Item	Mfg. Part No.	Mfg.	Wood-Mizer Part No.	Description
C1	LC1D65ABD	Square D	053604	Contact, 65A 3P 24VDC D-A Series
F1 - F2	TCFH100	Cooper Bussman	053586	Fuseholder, Cube 100A
	TCF80RN	Cooper Bussman	053587	Fuse, 80A Class J Cube
F3 - F4	CCMR002	Littlefuse	E22716	Fuse, 2A 600V Class CC
	DFCC2V	Schneider	052512	Fuse Blk, 2P Class CC 30A Ind. DIN
J6 - J7	222-413	Wago	052293	Junction Block, 3-Position Wire Clamp
HM1	732-0004	Redington Counters	015401	Hour Meter, 12 Volt DC
M1	LM129046	Lincoln	036214	Motor, 10HP 1P 60Hz
PB1	ZB4BS54	Square D	024945	Switch Head, Red Push Button 22mm XB4
	ZB4BZ102	Square D	025161	Switch Body, 22mm 1NC ZB4
PBL1	ZB4BBW7L3741 ¹	Square D	051746	Switch Operator, 2 Button w/Pilot Red/Green
	ZBA710 ²	Square D	052501	Boot, Clear Sealing ZB Switch
	ZB4BW0B31	Square D	025236-31	Switch Body, 22mm Green LED 1NO 24V ZB4
	ZBE102	Square D	050540	Contact, NC ZBE102
PWR1	ABL7RM24025	Schneider Electric	053591	Power Supply, 24VDC 60W
Q1	OT100F3/B	RSA, Inc.	050906-1	Disconnect, 100Amp 3P Non-Fused 6mm
	OHY65J6	RSA, Inc.	050907-1	Operator, Red/Yellow Pistol Grip 6mm
	OSP6X290	RSA, Inc.	050908-1	Shaft, Pistol Grip Disconnect 290mm x 6mm
TB1	Wago-283-107	Wago	068125	Terminal Block, Grounding
TB2	Wago-2004-1201	Wago	068106	Terminal Block, 2-Position

¹ Replaces Square D #ZB4BW843743 10/10 (discontinued).

² Replaces Square D #ZBW008 10/10 (discontinued).

MAIN ELECTRICAL COMPONENT DIAGRAM



RIGHT SIDE COMPONENT DIAGRAM

