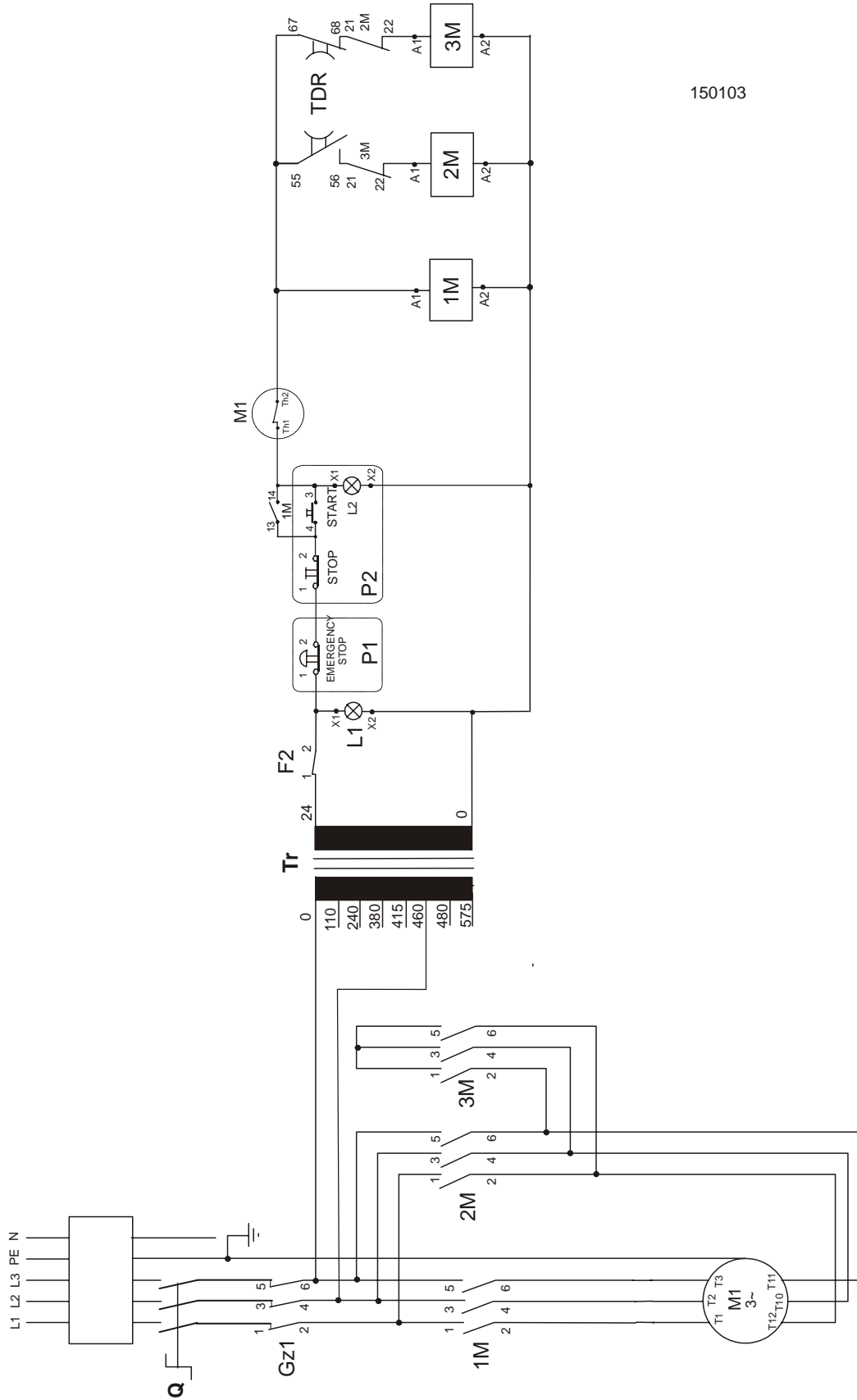


## **APPENDIX A E10 ELECTRICAL INFORMATION**

**LT15E10L  
LT15E10H  
LT15E10C**

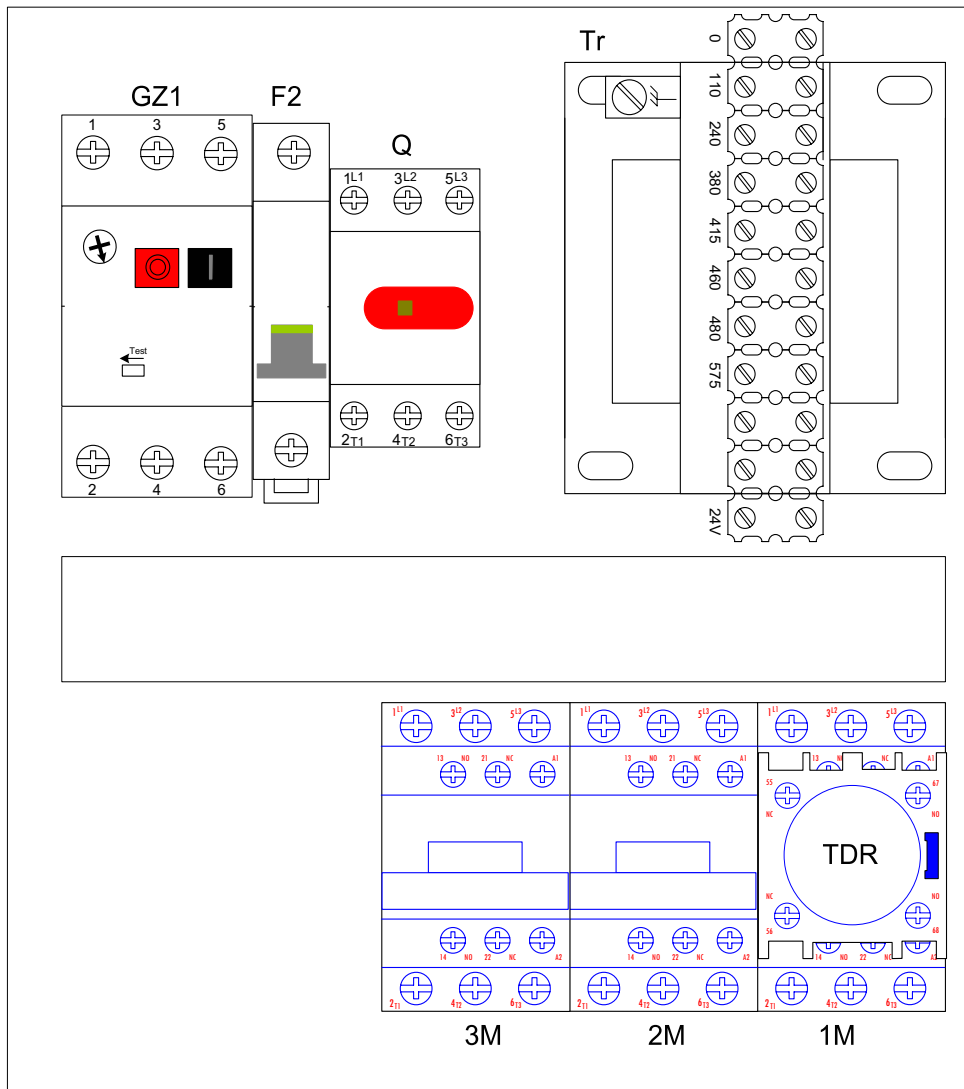
**Rev. E2.00 - E5.00  
Rev. E2.00 - E5.00  
Rev. E2.00 - E5.00**

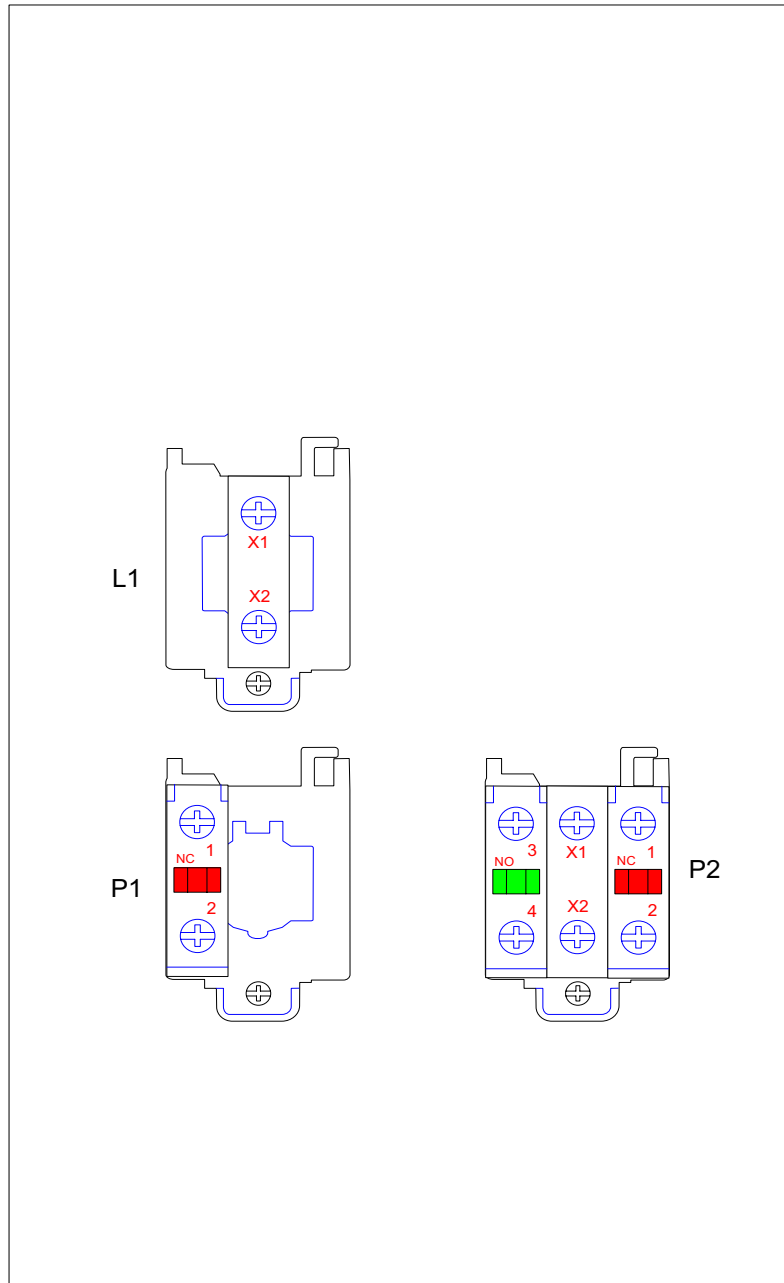


150103

<b>Electrical Component List</b>				
Item	Mfg. Part No.	Mfg.	Wood-Mizer Part No.	Description
<b>TDR</b>	LAD S2	Schneider	084037	Timer, Y-Delta
<b>3M</b>	LC1 D09 B7	Schneider	084305	Contactor
<b>1M, 2M</b>	LC1 D18 B7	Schneider	084306	Contactor
<b>P1</b>	XB4 BS542	Schneider	086556	Switch, Emergency
<b>Q</b>	ABB OT 32 E3	ABB	088265	Switch, Main
<b>F2</b>	C60N 24396	Schneider	088278	Breaker, Circuit
<b>L1</b>	---	Moeller	090448	Light, M22 White LED 24V Control
<b>P2 (L2)</b>	---	Moeller	090452	Switch, 24V Start/Stop
<b>Tr</b>	---	---	090562	Transformer, LT15
<b>Gz1</b>	GZ1M32	Schneider	088264	Starter, Manual Motor 24-32A (LT15E10L)
	GZ1M20	Schneider	090561	Starter, Manual Motor 13-18A (LT15E10H)
	---	Schneider	090430	Starter, Manual Motor 9-14A (LT15E10C)

MAIN ELECTRICAL COMPONENT DIAGRAM

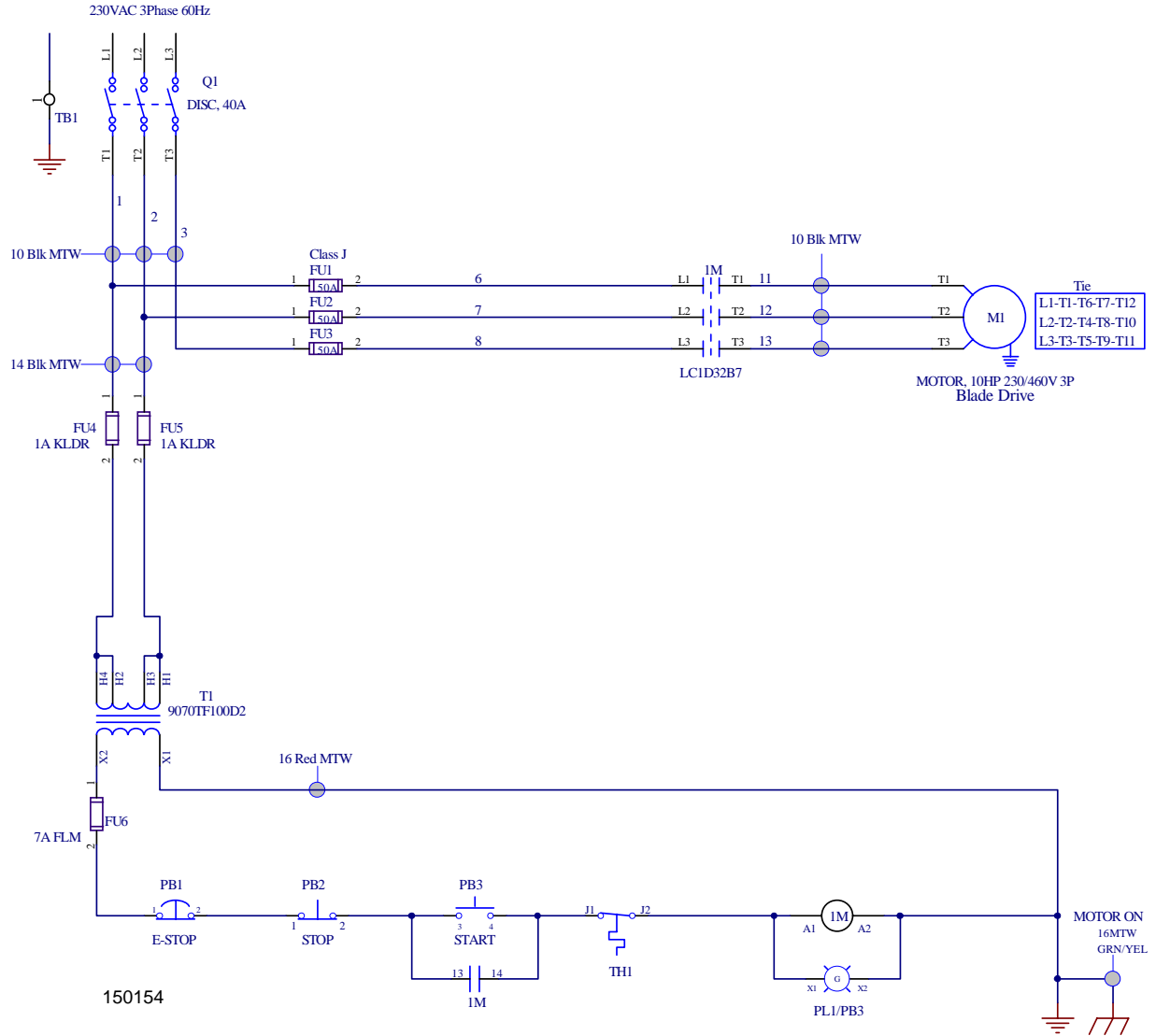




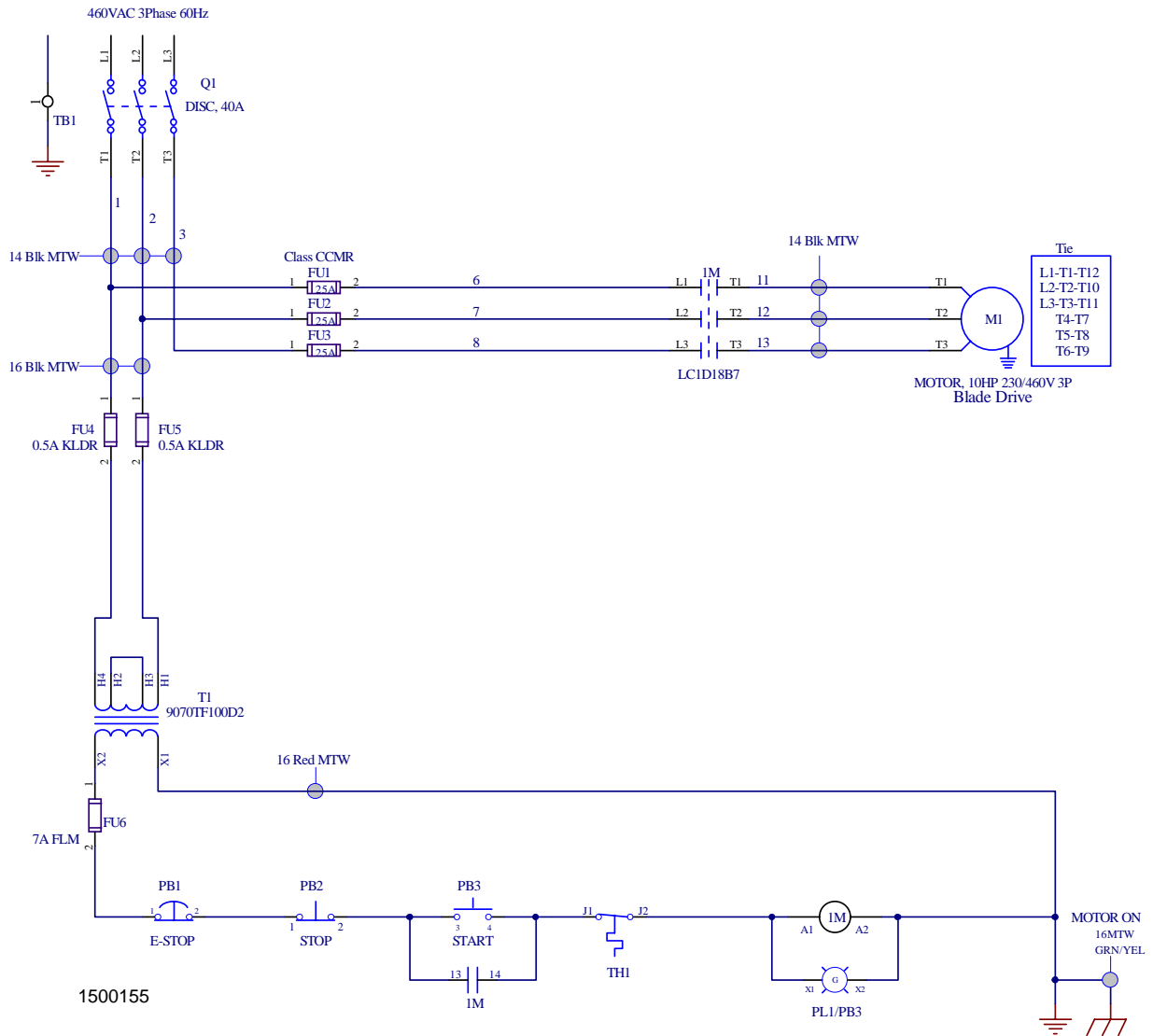
## **APPENDIX A E10 ELECTRICAL INFORMATION**

**LT15E10L  
LT15E10H  
LT15E10C**

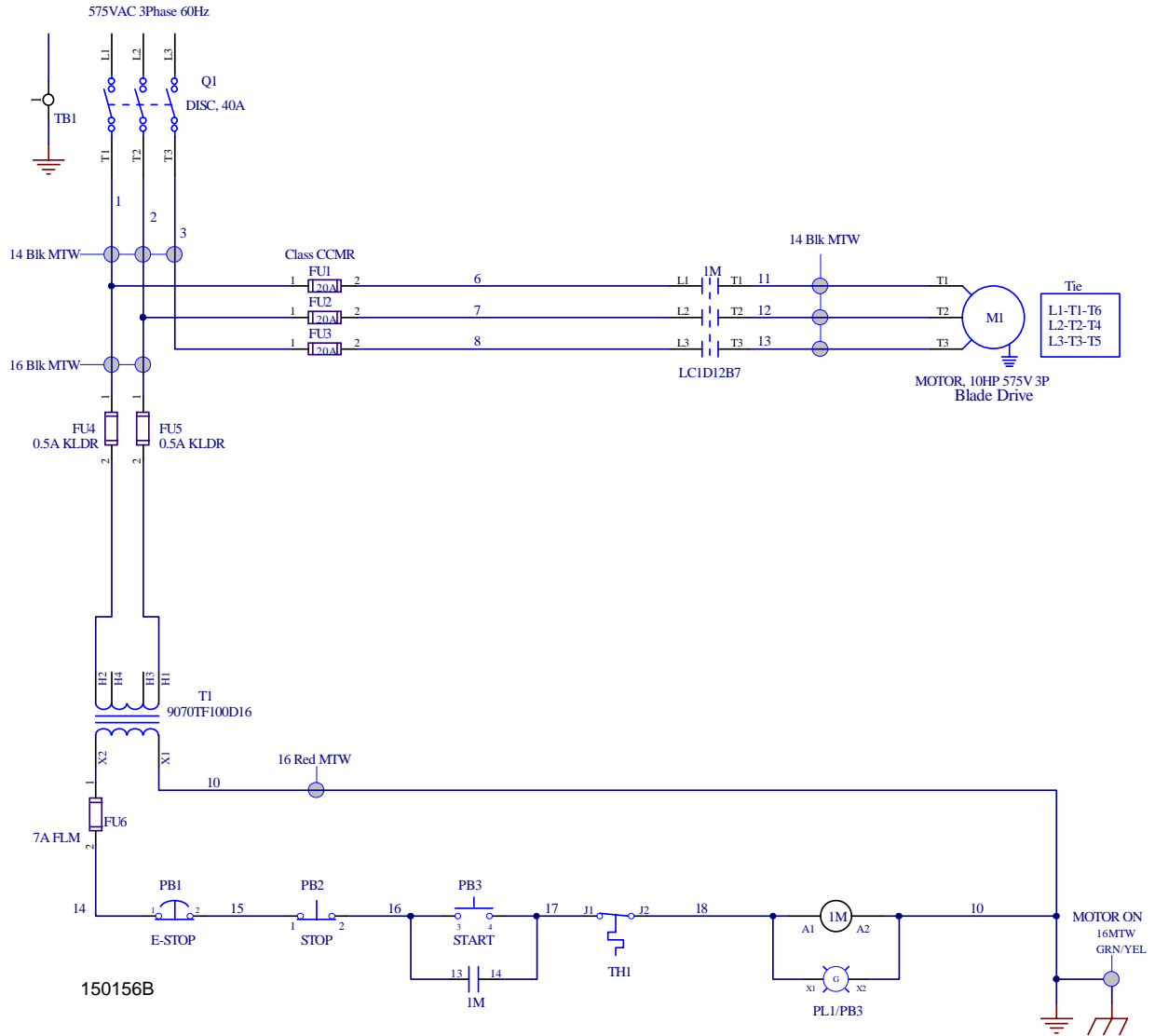
**Rev. E6.00 - E6.05  
Rev. E6.00 - E6.05  
Rev. E6.00 - E6.05**



LT15E10H 460V SYMBOL DIAGRAM







<b>LT15E10L 230V Electrical Component List</b>				
Item	Mfg. Part No.	Mfg.	Wood-Mizer Part No.	Description
<b>1M</b>	LC1D32B7	Square D	052692	Contactora, 32A 3P 24VAC Coil
<b>FU1-FU3</b>	JTD050	Littlefuse	052808	Fuse, 50A 600V Class J Delay
<b>FU4-FU5</b>	KLDR001	Littlefuse	052810	Fuse, 1A 600V KLDR Class CC
<b>FU6</b>	FLM007S	Littlefuse	052811	Fuse, 7A 250V Midget Delay
<b>M1</b>	LM16019	Lincoln	034903	Motor, 10HP 3P 230/460V
<b>PB1</b>	ZB4BS54	Square D	024945	Switch, Red 22mm XB4 E-Stop
	ZB4BZ102	Square D	025161	Switch Body, 1NC 22mm XB4
<b>PB2/PB3/PL1</b>	ZB4BBW7L3741 <sup>1</sup>	Square D	051746	Switch, 2-Button Red/Green
	ZB4BW0B31	Square D	025236-31	Switch Body, 1NO 22mm XB4 24V w/Green LED
	ZBE102	Square D	050540	Contact, NC ZBE102
<b>Q1</b>	OT40F3	RSA Inc.	050903-1 <sup>2</sup>	Disconnect, 40A 3P Non-Fused 6mm
	OHYS2AJ	RSA Inc.	050883-1 <sup>2</sup>	Switch, Red/Yellow Disconnect 6mm
	OXS6X120	RSA Inc.	050882-1 <sup>2</sup>	Shaft, Disconnect Extension 6mm
<b>T1</b>	9070TF100D2	Square D	052809	Transformer, 240V/480V - 24 100VA
	9070FSC-1	Square D	052812	Cover, 100VA Transformer Terminal (Pkg 2)
<b>TB1-TB2</b>	DN-G10	Automation Direct	051344	Terminal Block, Green/Yellow Grounding

<sup>1</sup> Replaces Square D #ZB4BW843743 10/10 (discontinued).

<sup>2</sup> 5mm Disconnect Shaft OXS5X120 replaced by vendor with 6mm shaft OXS6X120 (2/10). Replacement of any disconnect component requires replacement of disconnect, shaft and operator handle (050903-1, 050883-1 & 050882-1).

<b>LT15E10H 460V Electrical Component List</b>				
Item	Mfg. Part No.	Mfg.	Wood-Mizer Part No.	Description
<b>1M</b>	LC1D18B7	Square D	052689	Contactora, 18A 3P 24VAC Coil
<b>FU1-FU3</b>	CCMR025	Littlefuse	052720	Fuse, 25A 600V Class CC Delay
<b>FU4-FU5</b>	KLDR.500	Littlefuse	E31338	Fuse, 1/2A 600V KLDR Class CC
<b>FU6</b>	FLM007S	Littlefuse	052811	Fuse, 7A 250V Midget Delay
<b>M1</b>	LM16019	Lincoln	034903	Motor, 10HP 3P 230/460V
<b>PB1</b>	ZB4BS54	Square D	024945	Switch, Red 22mm XB4 E-Stop
	ZB4BZ102	Square D	025161	Switch Body, 1NC 22mm XB4
<b>PB2/PB3/PL1</b>	ZB4BBW7L3741 <sup>1</sup>	Square D	051746	Switch, 2-Button Red/Green
	ZB4BW0B31	Square D	025236-31	Switch Body, 1NO 22mm XB4 24V w/Green LED
	ZBE102	Square D	050540	Contact, NC ZBE102
<b>Q1</b>	OT40F3	RSA Inc.	050903-1 <sup>2</sup>	Disconnect, 40A 3P Non-Fused 6mm
	OHYS2AJ	RSA Inc.	050883-1 <sup>2</sup>	Switch, Red/Yellow Disconnect 6mm
	OXS6X120	RSA Inc.	050882-1 <sup>2</sup>	Shaft, Disconnect Extension 6mm
<b>T1</b>	9070TF100D2	Square D	052809	Transformer, 240V/480V - 24 100VA
	9070FSC-1	Square D	052812	Cover, 100VA Transformer Terminal (Pkg 2)
<b>TB1-TB2</b>	DN-G10	Automation Direct	051344	Terminal Block, Green/Yellow Grounding

<sup>1</sup> Replaces Square D #ZB4BW843743 10/10 (discontinued).

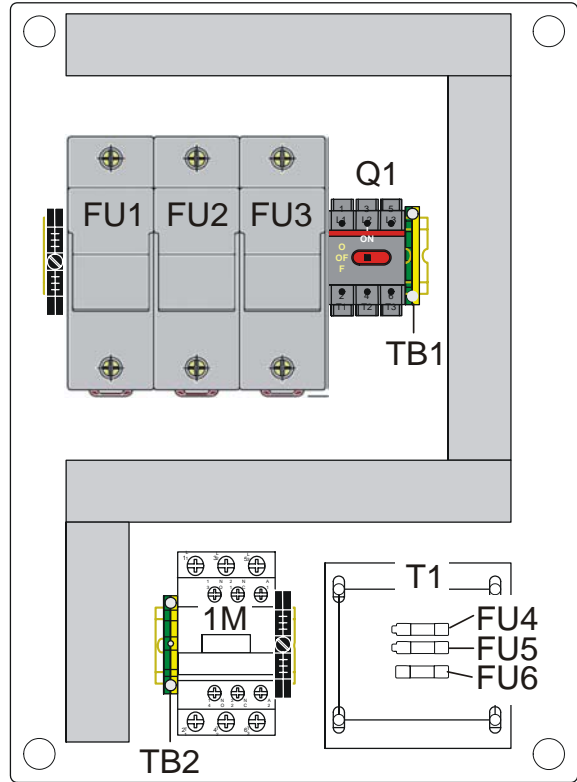
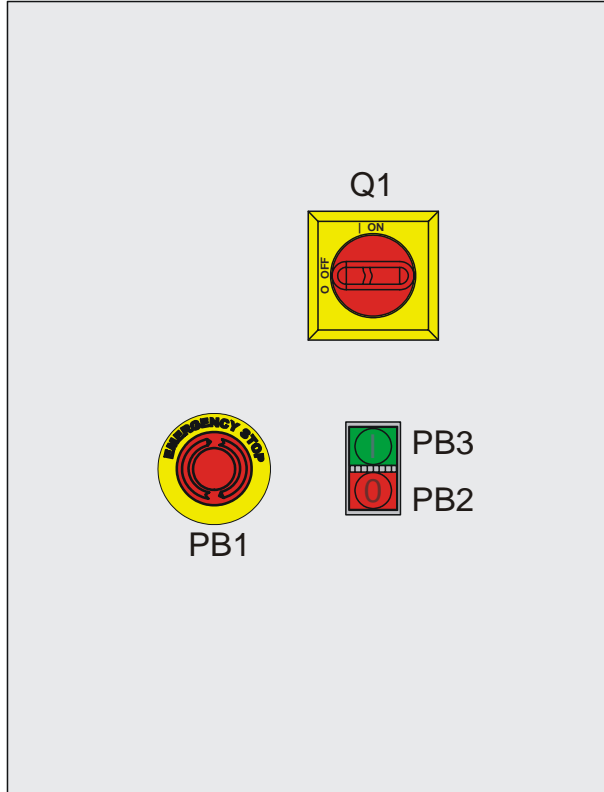
<sup>2</sup> 5mm Disconnect Shaft OXS5X120 replaced by vendor with 6mm shaft OXS6X120 (2/10). Replacement of any disconnect component requires replacement of disconnect, shaft and operator handle (050903-1, 050883-1 & 050882-1).

<b>LT15E10C 575V Electrical Component List</b>				
Item	Mfg. Part No.	Mfg.	Wood-Mizer Part No.	Description
<b>1M</b>	LC1D12B7	Square D	052814	Contactora, 12A 3P 24VAC Coil
<b>FU1-FU3</b>	CCMR020	Littlefuse	052691	Fuse, 20A 600V Class CC Delay
<b>FU4-FU5</b>	KLDR.500	Littlefuse	E31338	Fuse, 1/2A 600V KLDR Class CC
<b>FU6</b>	FLM007S	Littlefuse	052811	Fuse, 7A 250V Midget Delay
<b>M1</b>	LM28428	Lincoln	034907	Motor, 10HP 3P 575V
<b>PB1</b>	ZB4BS54	Square D	024945	Switch, Red 22mm XB4 E-Stop
	ZB4BZ102	Square D	025161	Switch Body, 1NC 22mm XB4
<b>PB2/PB3/ PL1</b>	ZB4BBW7L3741 <sup>1</sup>	Square D	051746	Switch, 2-Button Red/Green
	ZB4BW0B31	Square D	025236-31	Switch Body, 1NO 22mm XB4 24V w/Green LED
	ZBE102	Square D	050540	Contact, NC ZBE102
<b>Q1</b>	OT40F3	RSA Inc.	050903-1 <sup>2</sup>	Disconnect, 40A 3P Non-Fused 6mm
	OHYS2AJ	RSA Inc.	050883-1 <sup>2</sup>	Switch, Red/Yellow Disconnect 6mm
	OXS6X120	RSA Inc.	050882-1 <sup>2</sup>	Shaft, Disconnect Extension 6mm
<b>T1</b>	9070TF100D16	Square D	052815	Transformer, 575V - 24 100VA
	9070FSC-1	Square D	052812	Cover, 100VA Transformer Terminal (Pkg 2)
<b>TB1-TB2</b>	DN-G10	Automation Direct	051344	Terminal Block, Green/Yellow Grounding

<sup>1</sup> Replaces Square D #ZB4BW843743 10/10 (discontinued).

<sup>2</sup> 5mm Disconnect Shaft OXS5X120 replaced by vendor with 6mm shaft OXS6X120 (2/10). Replacement of any disconnect component requires replacement of disconnect, shaft and operator handle (050903-1, 050883-1 & 050882-1).

**ELECTRICAL COMPONENT DIAGRAM**

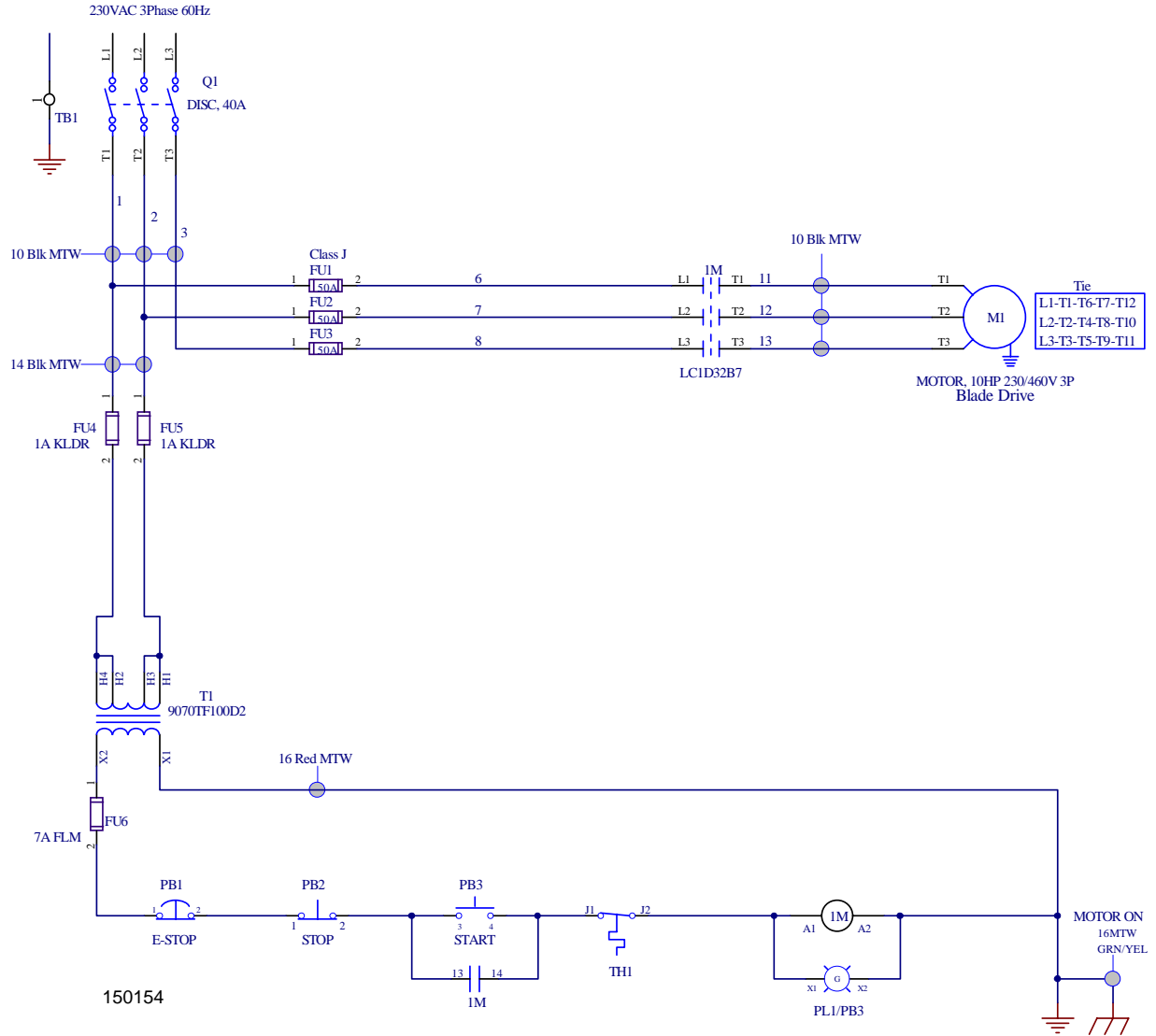


150150-3

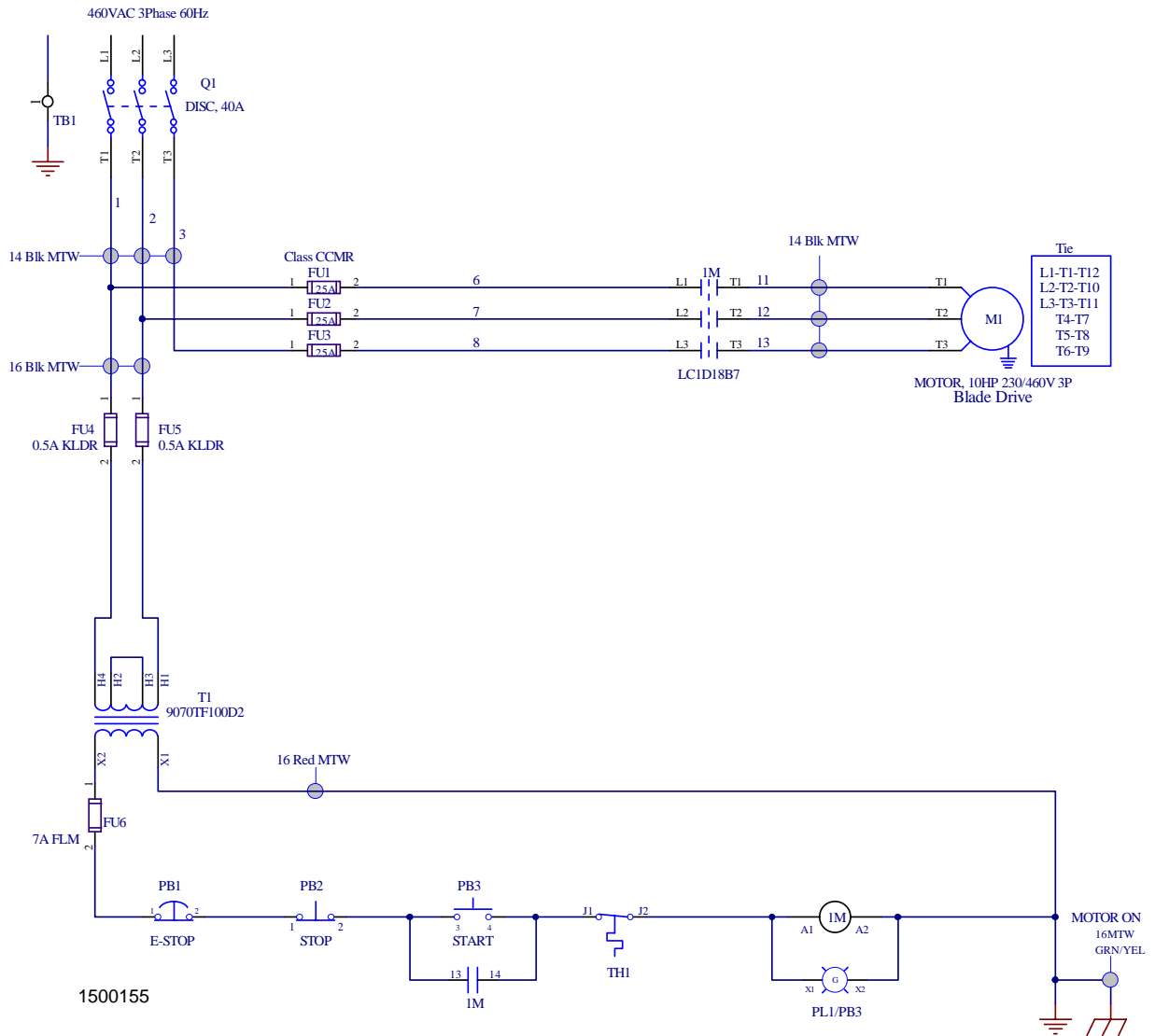
## **APPENDIX A E10 ELECTRICAL INFORMATION**

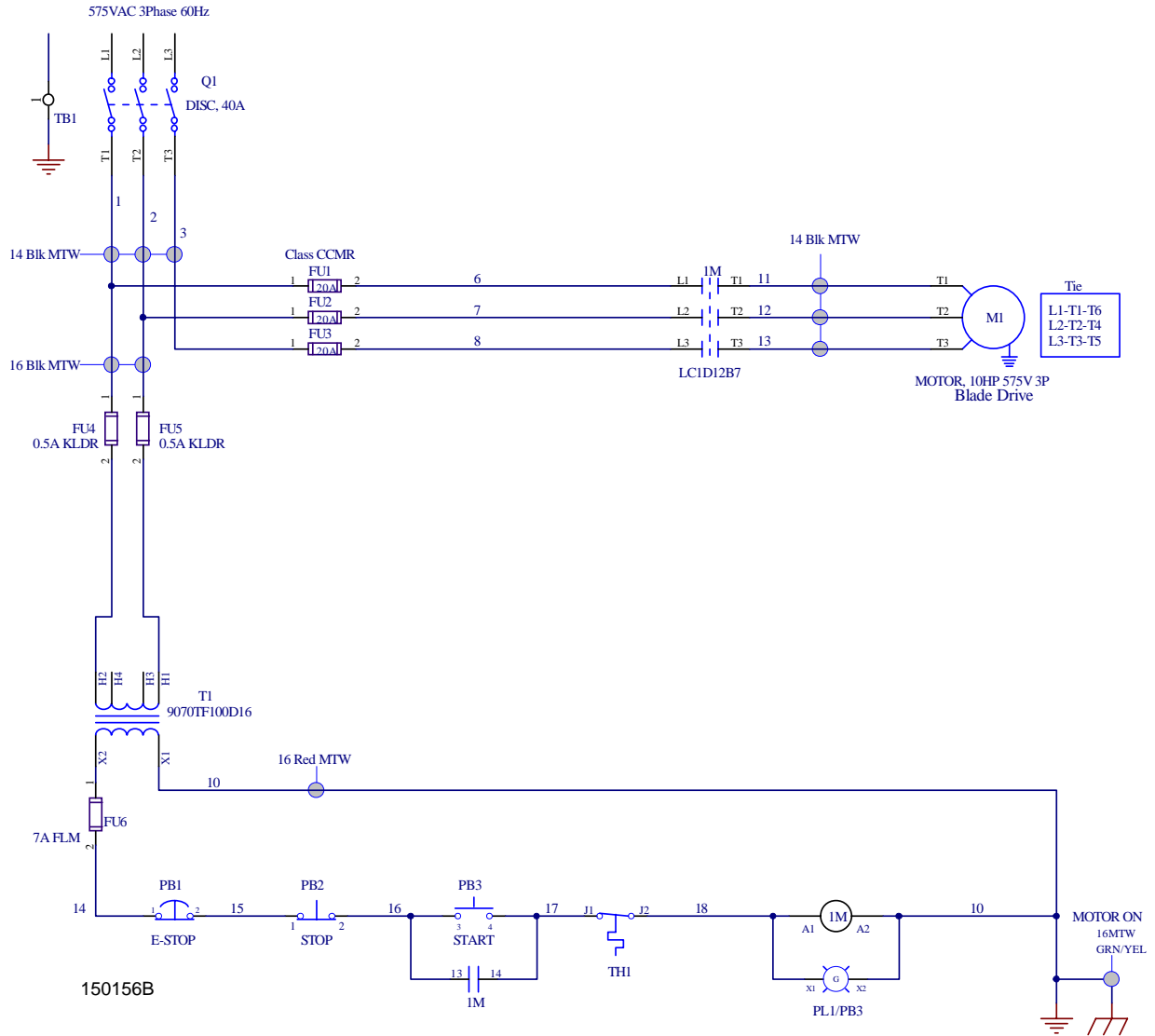
**LT15E10L  
LT15E10H  
LT15E10C**

**Rev. E6.00 - E6.05  
Rev. E6.00 - E6.05  
Rev. E6.00 - E6.05**



LT15E10H 460V SYMBOL DIAGRAM







<b>LT15E10L 230V Electrical Component List</b>				
Item	Mfg. Part No.	Mfg.	Wood-Mizer Part No.	Description
<b>1M</b>	LC1D32B7	Square D	052692	Contactora, 32A 3P 24VAC Coil
<b>FU1-FU3</b>	JTD050	Littlefuse	052808	Fuse, 50A 600V Class J Delay
<b>FU4-FU5</b>	KLDR001	Littlefuse	052810	Fuse, 1A 600V KLDR Class CC
<b>FU6</b>	FLM007S	Littlefuse	052811	Fuse, 7A 250V Midget Delay
<b>M1</b>	LM16019	Lincoln	034903	Motor, 10HP 3P 230/460V
<b>PB1</b>	ZB4BS54	Square D	024945	Switch, Red 22mm XB4 E-Stop
	ZB4BZ102	Square D	025161	Switch Body, 1NC 22mm XB4
<b>PB2/PB3/PL1</b>	ZB4BBW7L3741 <sup>1</sup>	Square D	051746	Switch, 2-Button Red/Green
	ZB4BW0B31	Square D	025236-31	Switch Body, 1NO 22mm XB4 24V w/Green LED
	ZBE102	Square D	050540	Contact, NC ZBE102
<b>Q1</b>	OT40F3	RSA Inc.	050903-1 <sup>2</sup>	Disconnect, 40A 3P Non-Fused 6mm
	OHYS2AJ	RSA Inc.	050883-1 <sup>2</sup>	Switch, Red/Yellow Disconnect 6mm
	OXS6X120	RSA Inc.	050882-1 <sup>2</sup>	Shaft, Disconnect Extension 6mm
<b>T1</b>	9070TF100D2	Square D	052809	Transformer, 240V/480V - 24 100VA
	9070FSC-1	Square D	052812	Cover, 100VA Transformer Terminal (Pkg 2)
<b>TB1-TB2</b>	DN-G10	Automation Direct	051344	Terminal Block, Green/Yellow Grounding

<sup>1</sup> Replaces Square D #ZB4BW843743 10/10 (discontinued).

<sup>2</sup> 5mm Disconnect Shaft OXS5X120 replaced by vendor with 6mm shaft OXS6X120 (2/10). Replacement of any disconnect component requires replacement of disconnect, shaft and operator handle (050903-1, 050883-1 & 050882-1).

<b>LT15E10H 460V Electrical Component List</b>				
Item	Mfg. Part No.	Mfg.	Wood-Mizer Part No.	Description
<b>1M</b>	LC1D18B7	Square D	052689	Contactora, 18A 3P 24VAC Coil
<b>FU1-FU3</b>	CCMR025	Littlefuse	052720	Fuse, 25A 600V Class CC Delay
<b>FU4-FU5</b>	KLDR.500	Littlefuse	E31338	Fuse, 1/2A 600V KLDR Class CC
<b>FU6</b>	FLM007S	Littlefuse	052811	Fuse, 7A 250V Midget Delay
<b>M1</b>	LM16019	Lincoln	034903	Motor, 10HP 3P 230/460V
<b>PB1</b>	ZB4BS54	Square D	024945	Switch, Red 22mm XB4 E-Stop
	ZB4BZ102	Square D	025161	Switch Body, 1NC 22mm XB4
<b>PB2/PB3/PL1</b>	ZB4BBW7L3741 <sup>1</sup>	Square D	051746	Switch, 2-Button Red/Green
	ZB4BW0B31	Square D	025236-31	Switch Body, 1NO 22mm XB4 24V w/Green LED
	ZBE102	Square D	050540	Contact, NC ZBE102
<b>Q1</b>	OT40F3	RSA Inc.	050903-1 <sup>2</sup>	Disconnect, 40A 3P Non-Fused 6mm
	OHYS2AJ	RSA Inc.	050883-1 <sup>2</sup>	Switch, Red/Yellow Disconnect 6mm
	OXS6X120	RSA Inc.	050882-1 <sup>2</sup>	Shaft, Disconnect Extension 6mm
<b>T1</b>	9070TF100D2	Square D	052809	Transformer, 240V/480V - 24 100VA
	9070FSC-1	Square D	052812	Cover, 100VA Transformer Terminal (Pkg 2)
<b>TB1-TB2</b>	DN-G10	Automation Direct	051344	Terminal Block, Green/Yellow Grounding

<sup>1</sup> Replaces Square D #ZB4BW843743 10/10 (discontinued).

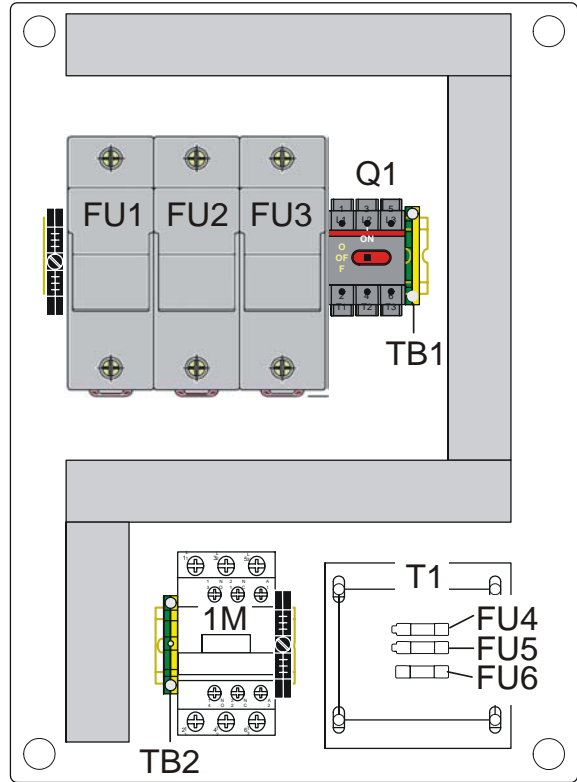
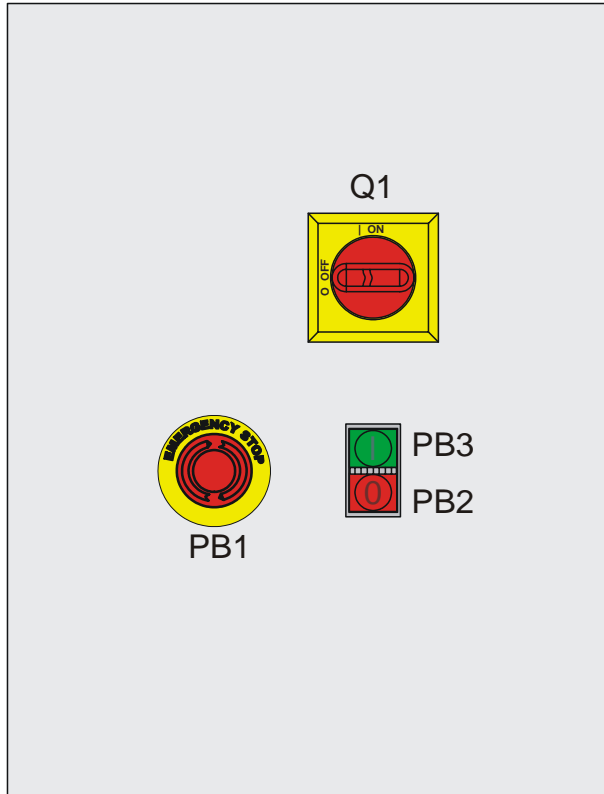
<sup>2</sup> 5mm Disconnect Shaft OXS5X120 replaced by vendor with 6mm shaft OXS6X120 (2/10). Replacement of any disconnect component requires replacement of disconnect, shaft and operator handle (050903-1, 050883-1 & 050882-1).

<b>LT15E10C 575V Electrical Component List</b>				
Item	Mfg. Part No.	Mfg.	Wood-Mizer Part No.	Description
<b>1M</b>	LC1D12B7	Square D	052814	Contactora, 12A 3P 24VAC Coil
<b>FU1-FU3</b>	CCMR020	Littlefuse	052691	Fuse, 20A 600V Class CC Delay
<b>FU4-FU5</b>	KLDR.500	Littlefuse	E31338	Fuse, 1/2A 600V KLDR Class CC
<b>FU6</b>	FLM007S	Littlefuse	052811	Fuse, 7A 250V Midget Delay
<b>M1</b>	LM28428	Lincoln	034907	Motor, 10HP 3P 575V
<b>PB1</b>	ZB4BS54	Square D	024945	Switch, Red 22mm XB4 E-Stop
	ZB4BZ102	Square D	025161	Switch Body, 1NC 22mm XB4
<b>PB2/PB3/ PL1</b>	ZB4BBW7L3741 <sup>1</sup>	Square D	051746	Switch, 2-Button Red/Green
	ZB4BW0B31	Square D	025236-31	Switch Body, 1NO 22mm XB4 24V w/Green LED
	ZBE102	Square D	050540	Contact, NC ZBE102
<b>Q1</b>	OT40F3	RSA Inc.	050903-1 <sup>2</sup>	Disconnect, 40A 3P Non-Fused 6mm
	OHYS2AJ	RSA Inc.	050883-1 <sup>2</sup>	Switch, Red/Yellow Disconnect 6mm
	OXS6X120	RSA Inc.	050882-1 <sup>2</sup>	Shaft, Disconnect Extension 6mm
<b>T1</b>	9070TF100D16	Square D	052815	Transformer, 575V - 24 100VA
	9070FSC-1	Square D	052812	Cover, 100VA Transformer Terminal (Pkg 2)
<b>TB1-TB2</b>	DN-G10	Automation Direct	051344	Terminal Block, Green/Yellow Grounding

<sup>1</sup> Replaces Square D #ZB4BW843743 10/10 (discontinued).

<sup>2</sup> 5mm Disconnect Shaft OXS5X120 replaced by vendor with 6mm shaft OXS6X120 (2/10). Replacement of any disconnect component requires replacement of disconnect, shaft and operator handle (050903-1, 050883-1 & 050882-1).

**ELECTRICAL COMPONENT DIAGRAM**



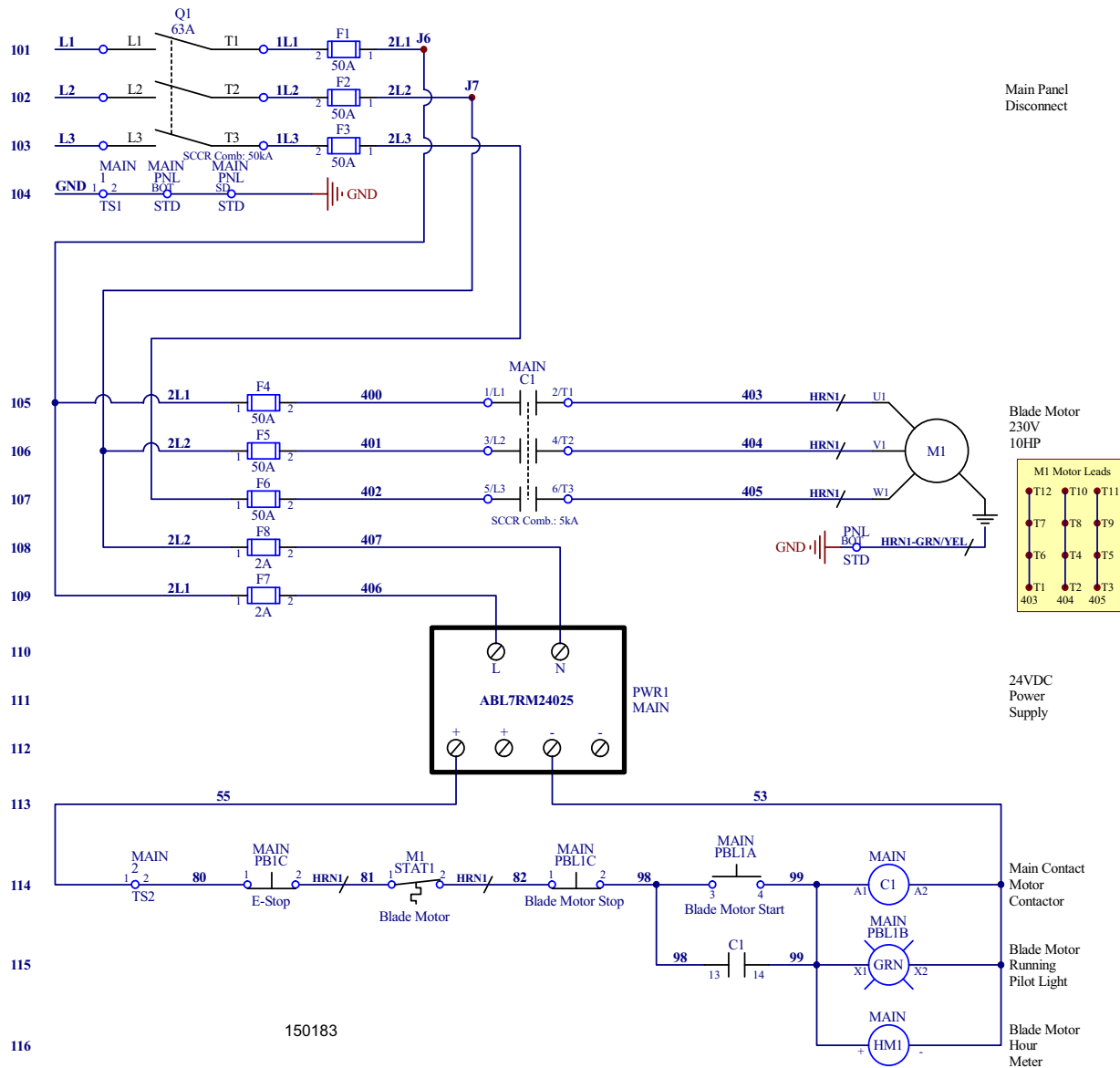
150150-3

## **APPENDIX A E10 ELECTRICAL INFORMATION**

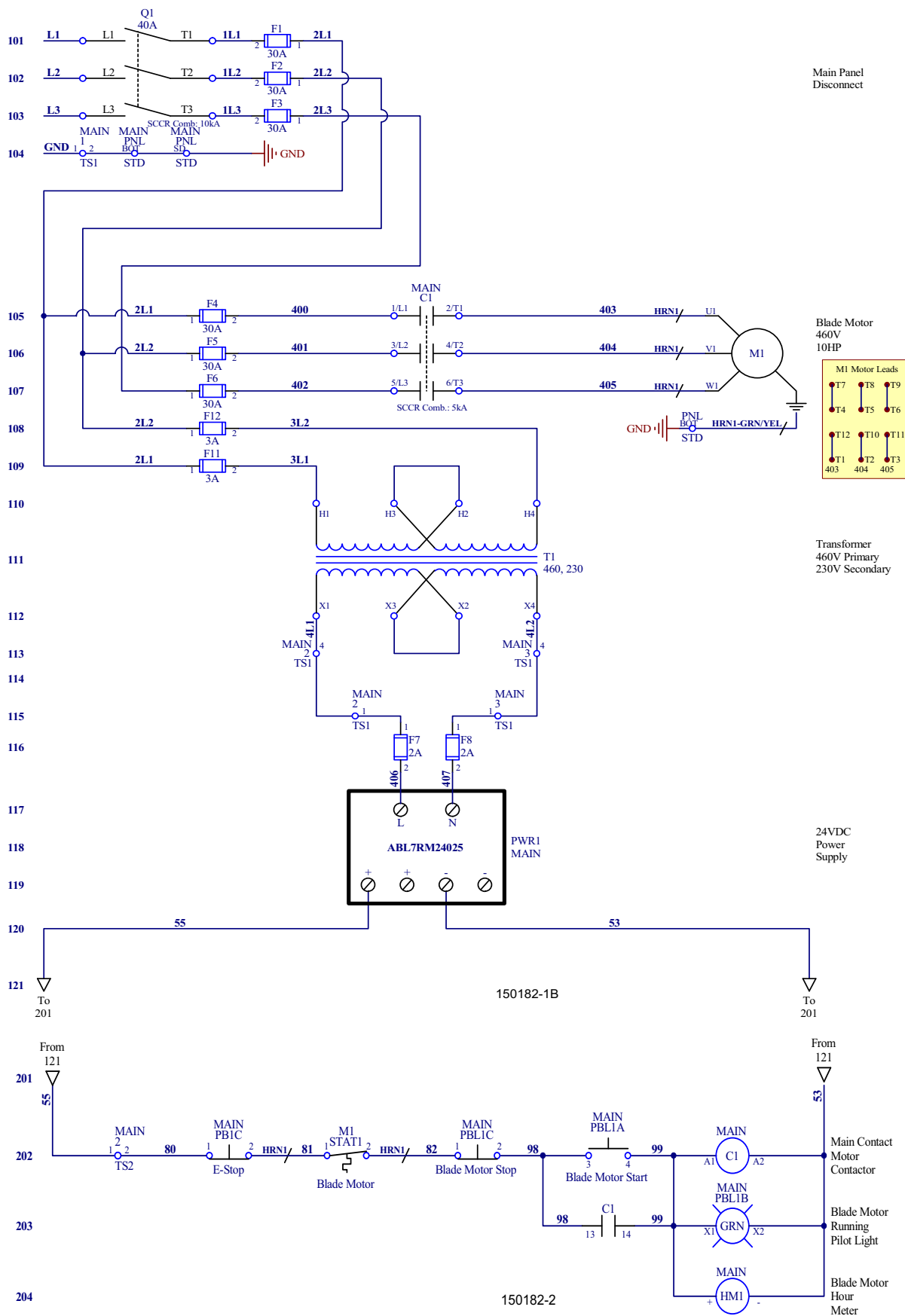
**LT15E10L**  
**LT15E10H**

**Rev. E6.06+**  
**Rev. E6.06+**

LT15E15L 230V SYMBOL DIAGRAM



LT15E10H 460V SYMBOL DIAGRAM

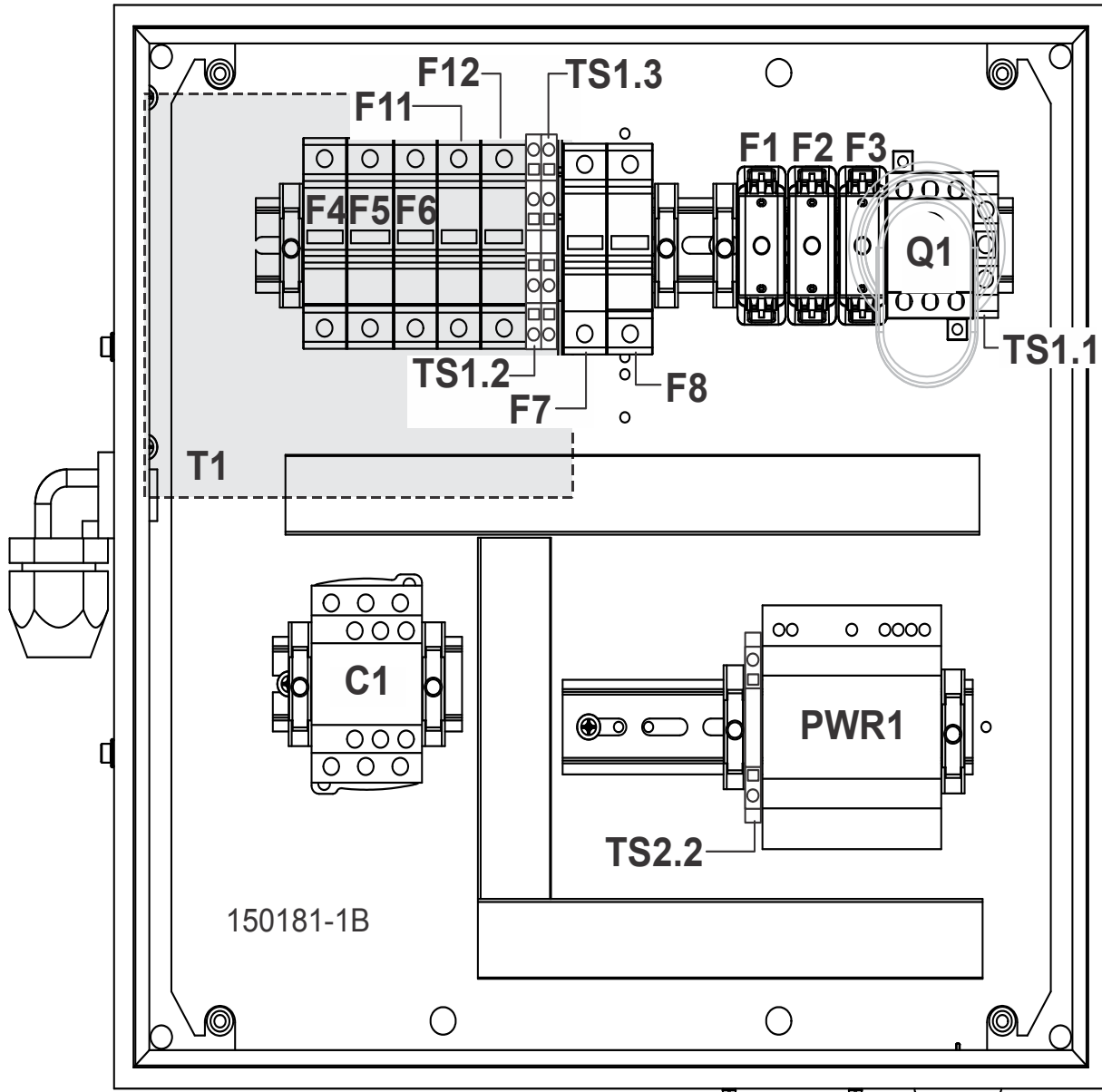


<b>LT15E10L 230V Electrical Component List</b>				
Item	Mfg. Part No.	Mfg.	Wood-Mizer Part No.	Description
<b>C1</b>	LC1D32BD	Schneider Electric	052465	Contact, 32A 3P 24VDC Coil
<b>F1 - F6</b>	TCFH60	Graybar Electric	053717	Fuseholder, 50A Cube
	25257712	Graybar Electric	053718	Fuse, 50A Class J Cube
<b>F7 - F8</b>	DFCC2V	Schneider Electric	052512	Fuseholder, 2P Class CC 30A Ind. DIN
	CCMR002	Standard Electric	E22716	Fuse, 2A 600A Class CC 5x20mm
<b>HM1</b>	732-0004	Redington Counters	015401	Hour Meter, 12 Volt DC
<b>J6 - J7</b>	222-413	Wago	052293	Junction Block, 3-Position Wire Clamp
<b>M1</b>	LM16019	Lincoln	034903	Motor, 10HP 3P 230/460V
<b>PB1</b>	ZB4BS54	Square D	024945	Switch Head, Red Push Button 22mm XB4
	ZB4BZ102	Square D	025161	Switch Body, 22mm 1NC ZB4
<b>PBL1</b>	ZB4BBW7L3741	Square D	051746	Switch Operator, 2 Button w/Pilot Red/Green
	ZBA710	Square D	052501	Boot, Clear Sealing ZB Switch
	ZB4BW0B31	Square D	025236-31	Switch Body, 22mm Green LED 1NO 24V ZB4
	ZBE102	Square D	050540	Contact, NC ZBE102
<b>PWR1</b>	ABL7RM24025	Schneider Electric	053591	Power Supply, 24VDC 60W
<b>Q1</b>	OT63F3	Vision Control	050881-1	Disconnect, 63Amp 600V 3P 6mm
	OHY65J6	RSA, Inc.	050907-1	Operator, Red/Yellow Pistol Grip 6mm
	OXF6X290	RSA, Inc.	050908-1	Shaft, Pistol Grip Disconnect 290mm x 6mm
<b>TS1.1</b>	Wago-283-107	Wago	068125	Terminal Block, Grounding
<b>TS2.2</b>	Wago-2004-1201	Wago	068106	Terminal Block, 2-Position

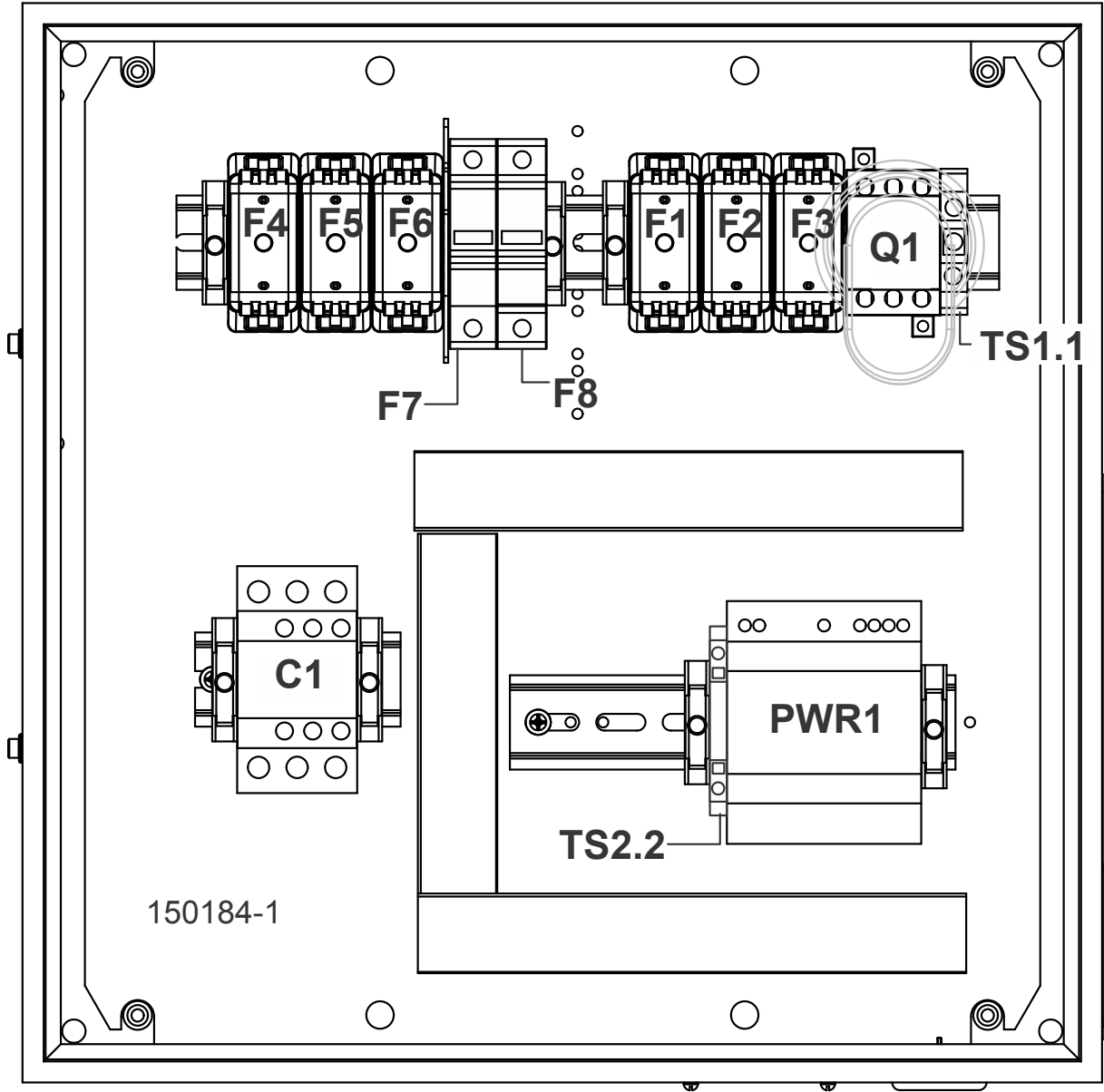
<b>LT15E10H 460V Electrical Component List</b>				
Item	Mfg. Part No.	Mfg.	Wood-Mizer Part No.	Description
<b>C1</b>	LC1D18BL	Schneider Electric	024911	Contact, 18A 3P 24V Low Power Coil
<b>F1 - F3</b>	TCFH30N	Graybar Electric	053736	Fuseholder, 30A Cube
	TCF30RN	Graybar Electric	053737	Fuse, 30A Class J Cube
<b>F4 - F6</b>	LPSC003ID	Richards Electric	052380	Fuseholder, 3P Class CC Finger Safe
	CCMR030	Richards Electric	052726	Fuse, 30A 600V Class CC Delay
<b>F7 - F8</b>	DFCC2V	Schneider Electric	052512	Fuseholder, 2P Class CC 30A Ind. DIN
	CCMR002	Standard Electric	E22716	Fuse, 2A 600A Class CC 5x20mm
<b>F11 - F12</b>	LPSC002ID	Richards Electric	052512	Fuseholder, 2P Class CC 30A DIN
	CCMR003	Richards Electric	052793	Fuse, 3A 600V Class CC Delay
<b>HM1</b>	732-0004	Redington Counters	015401	Hour Meter, 12 Volt DC
<b>M1</b>	LM16019	Lincoln	034903	Motor, 10HP 3P 230/460V
<b>PB1</b>	ZB4BS54	Square D	024945	Switch Head, Red Push Button 22mm XB4
	ZB4BZ102	Square D	025161	Switch Body, 22mm 1NC ZB4
<b>PBL1</b>	ZB4BBW7L3741	Square D	051746	Switch Operator, 2 Button w/Pilot Red/Green
	ZBA710	Square D	052501	Boot, Clear Sealing ZB Switch
	ZB4BW0B31	Square D	025236-31	Switch Body, 22mm Green LED 1NO 24V ZB4
	ZBE102	Square D	050540	Contact, NC ZBE102
<b>PWR1</b>	ABL7RM24025	Schneider Electric	053591	Power Supply, 24VDC 60W
<b>Q1</b>	OT40F3	Vision Control.	050903-1	Disconnect, 40Amp 3P Non-Fused 6mm
	OHY65J6	RSA, Inc.	050907-1	Operator, Red/Yellow Pistol Grip 6mm
	OXp6X290	RSA, Inc.	050908-1	Shaft, Pistol Grip Disconnect 290mm x 6mm
<b>T1</b>	1S1F	Schneider Electric	053740	Transformer, 480/240 1kVA Sealed
<b>TS1.1</b>	Wago-283-107	Wago	068125	Terminal Block, Grounding
<b>TS2.2</b>	Wago-2004-1201	Wago	068106	Terminal Block, 2-Position
<b>TS1.2 - TS1.3</b>	Wago-2001-1401	Wago	068103	Terminal Block, 4-Position



ELECTRICAL COMPONENT DIAGRAM (LT15E10H)



ELECTRICAL COMPONENT DIAGRAM (LT15E10L)



RIGHT SIDE COMPONENT DIAGRAM

