



# Wood-Mizer<sup>®</sup> Sawmill

## Parts Manual

---

|                 |                    |
|-----------------|--------------------|
| LT30/LT30 Super | rev. F4.00 - F6.01 |
| LT40/LT40 Super | rev. F5.00 - F7.01 |

---



**Safety is our #1 concern!** Read and understand all safety information and instructions before operating, setting up or maintaining this machine.

*January 1999*

*Form #687*

# Table of Contents

# Section-Page

|                  |  |            |
|------------------|--|------------|
| <b>SECTION 1</b> | <b>GENERAL INFORMATION</b>                     | <b>1-1</b> |
| 1.1              | How To Use The Parts List .....                | 1-1        |
| 1.2              | Sample Assembly .....                          | 1-1        |
| <b>SECTION 2</b> | <b>BLADE DRIVE &amp; GUIDES</b>                | <b>2-1</b> |
| 2.1              | Blade Guide Assembly, Idle Side.....           | 2-1        |
| 2.2              | Blade Guide Assembly, Drive Side.....          | 2-3        |
| 2.3              | Blade Guide Arm Assembly.....                  | 2-5        |
| 2.4              | Blade Guide Arm Drive Assembly.....            | 2-6        |
| <b>SECTION 3</b> | <b>BLADE WHEELS &amp; TENSIONER</b>            | <b>3-1</b> |
| 3.1              | Blade Drive Assembly (1 9/16" Shaft).....      | 3-1        |
|                  | <i>LT30</i> <i>Rev. F6 - F6.01</i>             |            |
|                  | <i>LT40</i> <i>Rev. F7 - F7.01</i>             |            |
|                  | <i>LT30 Super</i> <i>Rev. F6 - F6.01</i>       |            |
|                  | <i>LT40 Super</i> <i>Rev. F7 - F7.01</i>       |            |
| 3.2              | Blade Drive Assembly (1 7/16" Shaft).....      | 3-3        |
|                  | <i>LT30</i> <i>Rev. F4 - F5</i>                |            |
|                  | <i>LT40</i> <i>Rev. F5 - F6</i>                |            |
| 3.3              | Idle Blade Wheel Assembly .....                | 3-5        |
| 3.4              | Hydraulic Blade Tensioner Assembly.....        | 3-7        |
| <b>SECTION 4</b> | <b>SAW HEAD</b>                                | <b>4-1</b> |
| 4.1              | Middle Throat Screw .....                      | 4-1        |
| 4.2              | Water Lube Solenoid Valve (Super Models) ..... | 4-2        |
| 4.3              | Clutch/Brake Lever Assembly .....              | 4-3        |
|                  | <i>LT30</i> <i>Rev. F6 - F6.01</i>             |            |
|                  | <i>LT40</i> <i>Rev. F7 - F7.01</i>             |            |
|                  | <i>LT30 Super</i> <i>Rev. F4009 - F6.01</i>    |            |
|                  | <i>LT40 Super</i> <i>Rev. F5002 - F7.01</i>    |            |
| 4.4              | Clutch/Brake Lever Assembly .....              | 4-5        |
|                  | <i>LT30</i> <i>Rev. F5</i>                     |            |
|                  | <i>LT40</i> <i>Rev. F6</i>                     |            |
| 4.5              | Clutch/Brake Lever Assembly .....              | 4-7        |
|                  | <i>LT30</i> <i>Rev. F4</i>                     |            |
|                  | <i>LT40</i> <i>Rev. F5</i>                     |            |
| 4.6              | Clutch/Brake Lever Assembly (Super) .....      | 4-9        |
|                  | <i>LT30 Super</i> <i>Rev. F4001 - F4008</i>    |            |
|                  | <i>LT40 Super</i> <i>Rev. F5001</i>            |            |
| 4.7              | Water Lube Assembly .....                      | 4-11       |
| 4.8              | Saw Head Decals.....                           | 4-13       |
| 4.9              | Covers & Sawdust Chute.....                    | 4-15       |
|                  | <i>LT30</i> <i>Rev. F6 - F6.01</i>             |            |
|                  | <i>LT40</i> <i>Rev. F7 - F7.01</i>             |            |
|                  | <i>LT30 Super</i> <i>Rev. F4 - F6.01</i>       |            |
|                  | <i>LT40 Super</i> <i>Rev. F5 - F6.01</i>       |            |

## Table of Contents

## Section-Page

|                  |   |            |
|------------------|---|------------|
| 4.10             | Covers.....                                 | 4-18       |
|                  | <i>LT30</i> <i>Rev. F4 - F5</i>             |            |
|                  | <i>LT40</i> <i>Rev. F5 - F6</i>             |            |
| <br>             |   |            |
| <b>SECTION 5</b> | <b>CONTROL &amp; BATTERY BOXES</b>          | <b>5-1</b> |
| 5.1              | Control Assembly (U.S.).....                | 5-1        |
|                  | <i>LT30</i> <i>Rev. F4723+</i>              |            |
|                  | <i>LT40</i> <i>Rev. F5589+</i>              |            |
|                  | <i>LT30 Super</i> <i>Rev. F4001+</i>        |            |
|                  | <i>LT40 Super</i> <i>Rev. F5001+</i>        |            |
| 5.2              | Control Assembly (U.S.).....                | 5-3        |
|                  | <i>LT30</i> <i>Rev. F4710 - F4722</i>       |            |
|                  | <i>LT40</i> <i>Rev. F5565 - F5587, 592</i>  |            |
| 5.3              | Control Assembly (G.S.).....                | 5-5        |
|                  | <i>LT30</i> <i>Rev. F4723+</i>              |            |
|                  | <i>LT40</i> <i>Rev. F5589+</i>              |            |
|                  | <i>LT30 Super</i> <i>Rev. F4001+</i>        |            |
|                  | <i>LT40 Super</i> <i>Rev. F5001+</i>        |            |
| 5.4              | Control Assembly (G.S.).....                | 5-7        |
|                  | <i>LT30</i> <i>Rev. F4710 - F4722</i>       |            |
|                  | <i>LT40</i> <i>Rev. F5565 - F5587, 592</i>  |            |
| 5.5              | Drum Switches.....                          | 5-9        |
| 5.6              | Circuit Breakers (G.S.).....                | 5-10       |
| 5.7              | Front Panel Assembly & Harnesses.....       | 5-11       |
|                  | <i>LT30</i> <i>Rev. F4723+</i>              |            |
|                  | <i>LT40</i> <i>Rev. F5589+</i>              |            |
|                  | <i>LT30 Super</i> <i>Rev. F4001+</i>        |            |
|                  | <i>LT40 Super</i> <i>Rev. F5001+</i>        |            |
| 5.8              | Front Panel Assembly & Harnesses.....       | 5-13       |
|                  | <i>LT30</i> <i>Rev. F4710 - F4722</i>       |            |
|                  | <i>LT40</i> <i>Rev. F5565 - F5587, 592</i>  |            |
| 5.9              | Battery Box Assembly.....                   | 5-15       |
| 5.10             | Fuse Box.....                               | 5-17       |
| <br>             |   |            |
| <b>SECTION 6</b> | <b>UP/DOWN SYSTEM</b>                       | <b>6-1</b> |
| 6.1              | Saw Head V-Brace Mount.....                 | 6-1        |
|                  | <i>LT30</i> <i>Rev. F4732 - F6.01</i>       |            |
|                  | <i>LT40</i> <i>Rev. F5612 - F7.01</i>       |            |
|                  | <i>LT30 Super</i> <i>Rev. F4001 - F6.01</i> |            |
|                  | <i>LT40 Super</i> <i>Rev. F5001 - F6.01</i> |            |
| 6.2              | Saw Head V-Brace Mount.....                 | 6-2        |
|                  | <i>LT30</i> <i>Rev. F4710 - F4731</i>       |            |
|                  | <i>LT40</i> <i>Rev. F5565 - F5611</i>       |            |
| 6.3              | Blade Height Scale.....                     | 6-4        |
| 6.4              | Up/Down Chain & Sprockets.....              | 5-6        |
| 6.5              | Up/Down Assembly (Standard LT30/LT40).....  | 5-8        |
|                  | <i>LT30</i> <i>Rev. F6 - F6.01</i>          |            |
|                  | <i>LT40</i> <i>Rev. F7 - F7.01</i>          |            |
|                  | <i>LT30HD</i> <i>Rev. F9 - F9.01</i>        |            |
|                  | <i>LT40HD</i> <i>Rev. F9 - F9.01</i>        |            |

# Table of Contents

# Section-Page

|                  |  |            |
|------------------|--|------------|
| 6.6              | Up/Down Assembly (Standard LT30/LT40)..... | 5-10       |
|                  | <i>LT30</i> <i>Rev. F4 - F5</i>            |            |
|                  | <i>LT40</i> <i>Rev. F5 - F6</i>            |            |
|                  | <i>LT30HD</i> <i>Rev. F8</i>               |            |
|                  | <i>LT40HD</i> <i>Rev. F8</i>               |            |
| 6.7              | Up/Down Assembly (Super LT30/LT40) .....   | 5-12       |
| <b>SECTION 7</b> | <b>FEED SYSTEM &amp; TRACK ROLLERS</b>     | <b>7-1</b> |
| 7.1              | Upper Track Rollers And Wipers.....        | 7-1        |
| 7.2              | Power Feed Assembly .....                  | 7-3        |
| 7.3              | Feed Chain/Stop .....                      | 7-5        |
| 7.4              | Lower Track Rollers.....                   | 7-6        |
|                  | <i>Retrofit</i>                            |            |
| 7.5              | Lower Track Rollers.....                   | 7-7        |
|                  | <i>LT30</i> <i>Rev. F4 - F6.01</i>         |            |
|                  | <i>LT40</i> <i>Rev. F5 - F7.01</i>         |            |
|                  | <i>LT30 Super</i> <i>Rev. F4 - F6.01</i>   |            |
|                  | <i>LT40 Super</i> <i>Rev. F5 - F7.01</i>   |            |
| <b>SECTION 8</b> | <b>BED FRAME ASSEMBLY</b>                  | <b>8-1</b> |
| 8.1              | Bed Rail Assembly, Front And Rear.....     | 8-1        |
| 8.2              | Bed Rail Assembly, Front Middle.....       | 8-3        |
| 8.3              | Bed Rail Assembly, Rear Middle.....        | 8-5        |
| 8.4              | Leg, Stationary .....                      | 8-7        |
| 8.5              | Pivot Bed Rail Assembly.....               | 8-9        |
| 8.6              | Log Side Support Assembly.....             | 8-11       |
| 8.7              | Tie Down Chain Assembly .....              | 8-13       |
| 8.8              | Bed Frame Decals.....                      | 8-14       |
| 8.9              | Log Clamp.....                             | 8-15       |
| <b>SECTION 9</b> | <b>MISCELLANEOUS</b>                       | <b>9-1</b> |
| 9.1              | Replacement Manuals .....                  | 9-1        |
|                  | <b>INDEX</b>                               | <b>I</b>   |

## SECTION 1 GENERAL INFORMATION

### 1.1 How To Use The Parts List

- Use the table of contents or index to locate the assembly that contains the part you need.
- Go to the appropriate section and locate the part in the illustration.
- Use the number pointing to the part to locate the correct part number and description in the table.
- Parts shown indented under another part are included with that part.
- Parts marked with a diamond (◆) are only available in the assembly listed above the part.

See the sample table below. Sample Part #A01111 includes part F02222-2 and subassembly A03333. Subassembly A03333 includes part S04444-4 and subassembly K05555. The diamond (◆) indicates that S04444-4 is not available except in subassembly A03333. Subassembly K05555 includes parts M06666 and F07777-77. The diamond (◆) indicates M06666 is not available except in subassembly K05555.

| 1.2 Sample Assembly |  |           |      |   |
|---------------------|--|-----------|------|---|
| REF                 | DESCRIPTION (◆ Indicates Parts Available In Assemblies Only)         | PART #    | QTY. |   |
|                     | <b>SAMPLE ASSEMBLY, COMPLETE (INCLUDES ALL INDENTED PARTS BELOW)</b> | A01111    | 1    |   |
| 1                   | Sample Part  | F02222-22 | 1    |   |
|                     | Sample Subassembly (Includes All Indented Parts Below)               | A03333    | 1    |   |
| 2                   | Sample Part (◆ Indicates Part Is Only Available With A03333)         | S04444-4  | 1    | ◆ |
|                     | Sample Subassembly (Includes All Indented Parts Below)               | K05555    | 1    |   |
| 3                   | Sample Part (◆ Indicates Part Is Only Available With K05555)         | M06666    | 2    | ◆ |
| 4                   | Sample Part  | F07777-77 | 1    |   |

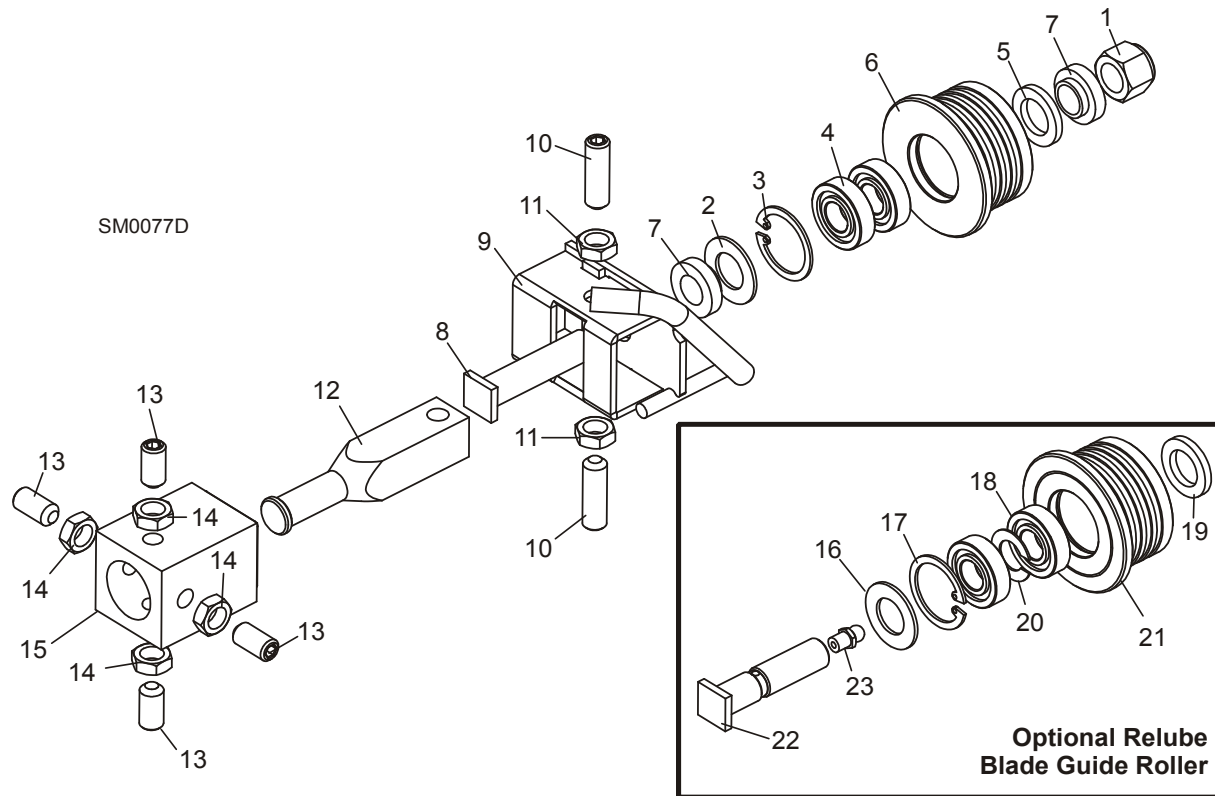
#### To Order Parts:

- From the continental U.S., call **1-800-525-8100** to order parts. Have your customer number, vehicle identification number, and part numbers ready when you call.
- From other international locations, contact the Wood-Mizer distributor in your area for parts.



## SECTION 2 BLADE DRIVE & GUIDES

### 2.1 Blade Guide Assembly, Idle Side



| REF | DESCRIPTION (◆ Indicates Parts Available In Assemblies Only) | PART #              | QTY. |   |
|-----|--|---------------------|------|---|
|     | <b>BLADE GUIDE ASSEMBLY, COMPLETE IDLE SIDE</b>              | A08197 <sup>1</sup> | 1    |   |
| 1   | Nut, 1/2-20 Jam Nylon Lock                                   | F05010-79           | 1    |   |
|     | Roller Assembly, Blade Guide (standard)                      | A04925              | 1    |   |
|     | Bearing Kit, Blade Guide Rebuild                             | K07079              | 1    |   |
| 2   | Washer, 5/8" White Felt                                      | P04252              | 1    |   |
| 3   | Ring, 1 1/8" Interior Retaining                              | F04254-1            | 1    |   |
| 4   | Bearing, R8-2RS Blade Guide                                  | 015975              | 2    | ◆ |
| 5   | Washer, 5/8" Gray Felt                                       | P06455              | 1    |   |
|     | Screw, 1/4-28 x 1/4" Socket Head Cup Point Set Black Oxide   | F05005-105          | 1    |   |
|     | Instruction Sheet, Blade Guide Rebuild                       | 057407-1507         | 1    |   |
| 6   | Roller, Flanged Blade Guide                                  | S04250              | 1    | ◆ |
|     | Instruction Sheet, Blade Guide Roller Replacement            | A04925-364          | 1    |   |
| 7   | Spacer, Blade Guide  | S04253              | 2    |   |
| 8   | Bolt, Blade Guide Roller                                     | 036373              | 1    |   |
| 9   | Bracket, Blade Guide Idle Side With Water Tube               | W08495              | 1    |   |

# 2

## Blade Guide Rollers & Arm

### Blade Guide Assembly, Idle Side

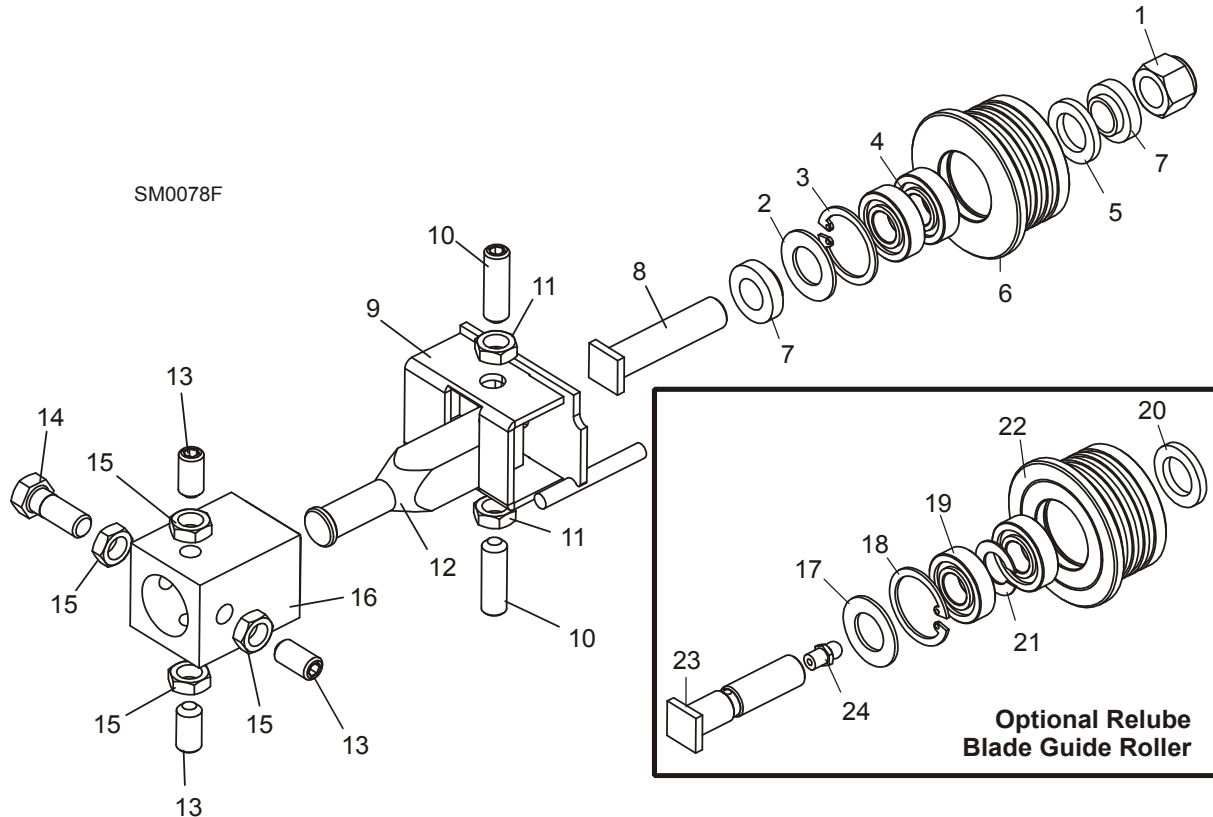
|    |  |                     |   |   |
|----|--|---------------------|---|---|
| 10 | Screw, 3/8-24 X 1 1/4" Stainless Steel Socket Head Flat Point      | F05007-96           | 2 |   |
| 11 | Nut, 3/8-24 Jam  | F05010-22           | 2 |   |
| 12 | Shaft, Blade Guide Adjustment                                      | S08196              | 1 |   |
| 13 | <b>SCREW, 3/8-24 X 3/4" STAINLESS STEEL SOCKET HEAD FLAT POINT</b> | F05007-95           | 4 |   |
| 14 | <b>NUT, 3/8-24 JAM</b>   | F05010-22           | 4 |   |
| 15 | <b>TUBE, BLADE GUIDE MOUNT</b>                                     | W08159              | 1 |   |
|    | <b>ROLLER ASSEMBLY, BLADE GUIDE RELUBE (OPTIONAL)</b>              | 016568              | 1 |   |
|    | Bearing Kit, Relube Blade Guide Rebuild                            | 057407              | 1 |   |
| 16 | Washer, 5/8" White Felt  | P04252              | 1 |   |
| 17 | Ring, 1 1/8" Interior Retaining                                    | F04254-1            | 1 |   |
| 18 | Bearing, R8-2RS Blade Guide  | 015975 <sup>2</sup> | 2 | ◆ |
| 19 | Washer, 5/8" Gray Felt   | P06455              | 1 |   |
| 20 | Spacer, Blade Guide Bearing  | 035411              | 1 |   |
|    | Instruction Sheet, Blade Guide Rebuild                             | 057407-1507         | 1 |   |
| 21 | Roller, Flanged Blade Guide Relube                                 | 035426              | 1 | ◆ |
|    | Instruction Sheet, Blade Guide Roller Replacement                  | A04925-364          | 1 |   |
| 22 | <b>BOLT, BLADE GUIDE ROLLER (RELUBE ONLY)</b>                      | S08192              | 1 |   |
| 23 | <b>FITTING, 1/4-28 GREASE (RELUBE ONLY)</b>                        | P05060              | 1 |   |

<sup>1</sup> Complete blade guide assembly A08197 includes roller with non-greaseable bearings A04925. See optional parts for Relube guide assemblies.

<sup>2</sup> Bearing must be modified for use with relube roller assemblies. Remove one seal from each bearing, place open sides facing each other and place spacer 035411 between bearings.



## 2.2 Blade Guide Assembly, Drive Side



| REF | DESCRIPTION (◆ Indicates Parts Available In Assemblies Only)  | PART #              | QTY. |   |
|-----|---|---------------------|------|---|
|     | <b>BLADE GUIDE ASSEMBLY, COMPLETE DRIVE SIDE</b>              | A08191 <sup>1</sup> | 1    |   |
| 1   | Nut, 1/2-20 Jam Nylon Lock                                    | F05010-79           | 1    |   |
|     | Roller Assembly, Blade Guide (standard)                       | A04925              | 1    |   |
|     | Bearing Kit, Blade Guide Rebuild                              | K07079              | 1    |   |
| 2   | Washer, 5/8" White Felt                                       | P04252              | 1    |   |
| 3   | Ring, 1 1/8" Interior Retaining                               | F04254-1            | 1    |   |
| 4   | Bearing, R8-2RS Blade Guide                                   | 015975              | 2    | ◆ |
| 5   | Washer, 5/8" Gray Felt  | P06455              | 1    |   |
|     | Screw, 1/4-28 x 1/4" Socket Head Cup Point Set Black Oxide    | F05005-105          | 1    |   |
|     | Instruction Sheet, Blade Guide Rebuild                        | 057407-1507         | 1    |   |
| 6   | Roller, Flanged Blade Guide                                   | S04250              | 1    | ◆ |
|     | Instruction Sheet, Blade Guide Roller Replacement             | A04925-364          | 1    |   |
| 7   | Spacer, Blade Guide   | S04253              | 2    |   |
| 8   | Bolt, Blade Guide Roller                                      | 036373              | 1    |   |
| 9   | Bracket, Blade Guide Drive Side                               | W08482              | 1    |   |
| 10  | Screw, 3/8-24 X 1 1/4" Stainless Steel Socket Head Flat Point | F05007-96           | 2    |   |

# 2

## Blade Guide Rollers & Arm

### Blade Guide Assembly, Drive Side

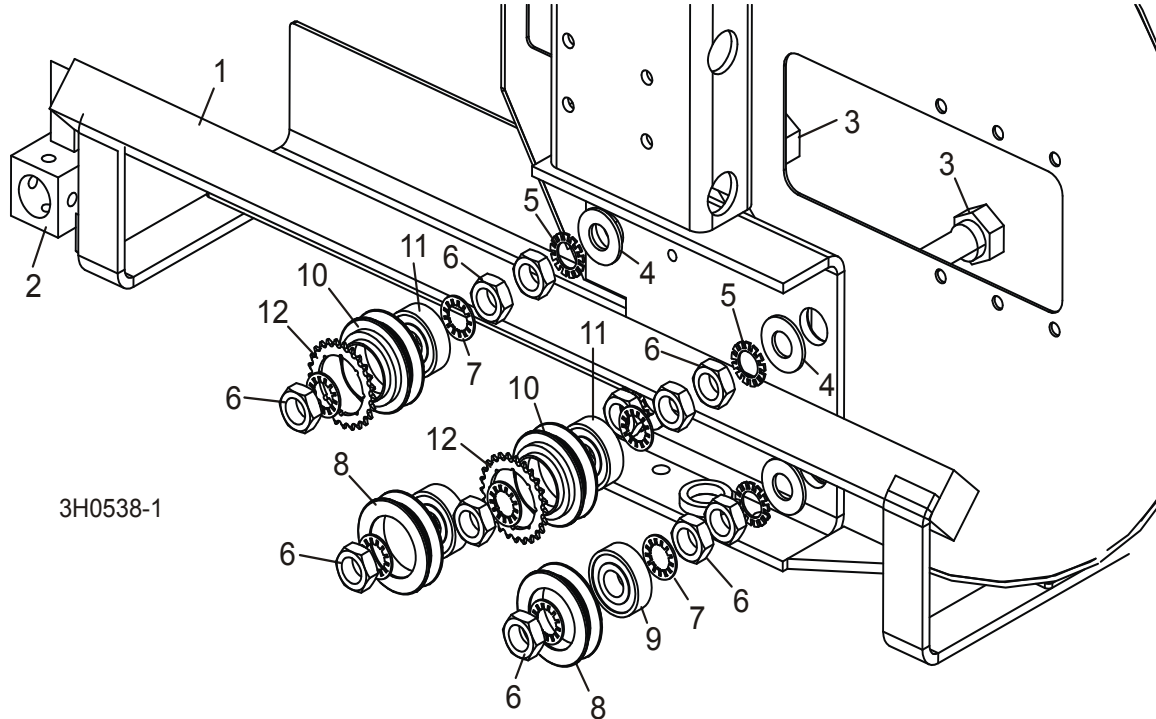
|    |  |                     |   |   |
|----|--|---------------------|---|---|
| 11 | Nut, 3/8-24 Jam  | F05010-22           | 2 |   |
| 12 | Shaft, Blade Guide Adjustment  | S08196              | 1 |   |
| 13 | <b>SCREW, 3/8-24 X 3/4" STAINLESS STEEL SOCKET HEAD FLAT POINT SET</b> | F05007-95           | 3 |   |
| 14 | <b>BOLT, 3/8-24 X 1" STAINLESS STEEL HEX HEAD</b>                      | F05007-99           | 1 |   |
| 15 | <b>NUT, 3/8-24 JAM</b>   | F05010-22           | 4 |   |
| 16 | <b>TUBE, BLADE GUIDE MOUNT</b> (Part of Saw Frame Weldment)            | W08159 <sup>2</sup> | 1 |   |
|    | <b>ROLLER ASSEMBLY, BLADE GUIDE RELUBE (OPTIONAL)</b>                  | 016568              | 1 |   |
|    | Bearing Kit, Relube Blade Guide Rebuild                                | 057407              | 1 |   |
| 17 | Washer, 5/8" White Felt  | P04252              | 1 |   |
| 18 | Ring, 1 1/8" Interior Retaining  | F04254-1            | 1 |   |
| 19 | Bearing, R8-2RS Blade Guide  | 015975 <sup>3</sup> | 2 | ◆ |
| 20 | Washer, 5/8" Gray Felt   | P06455              | 1 |   |
| 21 | Spacer, Blade Guide Bearing  | 035411              | 1 |   |
|    | Instruction Sheet, Blade Guide Rebuild                                 | 057407-1507         | 1 |   |
| 22 | Roller, Flanged Blade Guide Relube                                     | 035426              | 1 | ◆ |
|    | Instruction Sheet, Blade Guide Roller Replacement                      | A04925-364          | 1 |   |
| 23 | <b>BOLT, BLADE GUIDE ROLLER (RELUBE ONLY)</b>                          | S08192              | 1 |   |
| 24 | <b>FITTING, 1/4-28 GREASE (RELUBE ONLY)</b>                            | P05060              | 1 |   |

<sup>1</sup> Complete blade guide assembly A08191 includes roller with non-greaseable bearings A04925. See optional parts for Relube guide assemblies.

<sup>2</sup> Bolt-On blade guide kit available (016566). Requires cutting old block off, welding new receiver to saw head that will accept bolt-on mount. Kit includes all hardware and instructions.

<sup>3</sup> Bearing must be modified for use with relube roller assemblies. Remove one seal from each bearing, place open sides facing each other and place spacer 035411 between bearings.

## 2.3 Blade Guide Arm Assembly



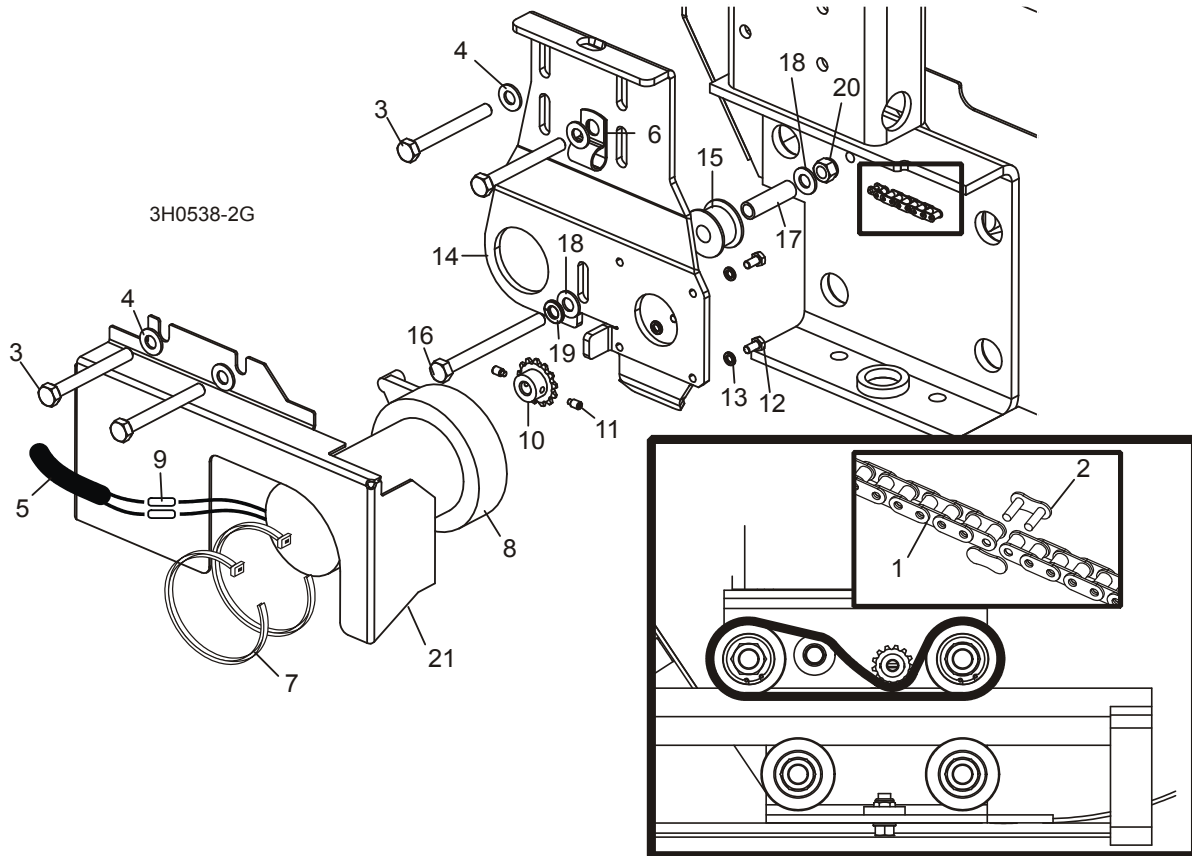
| REF | DESCRIPTION (◆ Indicates Parts Available In Assemblies Only) | PART #                | QTY. |   |
|-----|--|-----------------------|------|---|
| 1   | BLADE GUIDE ARM WELDMENT (U.S. 28 5/8" [72.7 CM])            | W10005                | 1    |   |
|     | BLADE GUIDE ARM WELDMENT (G.S. 37 1/8" [94.2 CM])            | W10429                | 1    |   |
| 2   | Tube, Blade Guide Mount (U.S. - Welded to Blade Guide Arm)   | W08159                | 1    |   |
|     | Tube, Blade Guide Mount (G.S. - Bolted to Blade Guide Arm)   | W10426                | 1    |   |
| 3   | BOLT, BLADE GUIDE ARM ROLLER CAM                             | W09067                | 4    |   |
| 4   | WASHER, 5/8" SAE FLAT  | F05011-5              | 4    |   |
| 5   | WASHER, 5/8" EXTERNAL STAR                                   | F05011-26             | 4    |   |
| 6   | NUT, 5/8-18 HEX JAM  | F05010-11             | 12   |   |
| 7   | WASHER, 5/8" INTERNAL STAR                                   | F05011-25             | 8    |   |
|     | ROLLER ASSEMBLY, BLADE GUIDE ARM WITH BEARING                | A09059 <sup>1</sup>   | 2    |   |
| 8   | Roller, Blade Guide Arm V-Groove                             | S07989                | 1    | ◆ |
| 9   | Bearing, 6203-2NSL 5/8" I.D.                                 | P06030-1              | 1    |   |
|     | Ring, 1.575" ID Beveled 5002-156 Retaining                   | F04254-8 <sup>1</sup> | 1    |   |
|     | ROLLER ASSEMBLY, BLADE GUIDE ARM WITH BEARING AND SPROCKET   | A09932                | 2    |   |
| 10  | Roller, Blade Guide Arm Drive                                | S09930                | 1    | ◆ |
| 11  | Bearing, 6203-2NSL 5/8" I.D.                                 | P06030-1              | 1    |   |
| 12  | Sprocket, #25 26-Tooth                                       | S09931                | 1    | ◆ |
|     | Ring, 1.575" ID Beveled 5002-156 Retaining                   | F04254-8 <sup>1</sup> | 1    |   |

<sup>1</sup> Roller assemblies changed to bearing secured with retaining ring to insure proper fit. Directly interchangeable with all previous rollers supplied prior to 2/00.

## 2 Blade Guide Rollers & Arm

### Blade Guide Arm Drive Assembly

## 2.4 Blade Guide Arm Drive Assembly



| REF | DESCRIPTION (◆ Indicates Parts Available In Assemblies Only) | PART #    | QTY.  |
|-----|--|-----------|-------|
| 1   | CHAIN, #25 X 20 1/4"   | P09984    | 1     |
| 2   | LINK, #25 MASTER   | P09983    | 1     |
| 3   | BOLT, 5/16-18 X 2 3/4" HEX HEAD GRADE 5                      | F05006-28 | 4     |
| 4   | WASHER, 5/16" SAE FLAT                                       | F05011-17 | 4     |
| 5   | TUBE, 3/8" X 1/2" NEOPRENE                                   | R01897    | 2.5ft |
| 6   | CLAMP, 1/2" COATED EMT                                       | P07584    | 2     |
| 7   | WRAP, 1/4" X 6" TIE  | F05089-1  | 2     |
|     | <b>DRIVE ASSEMBLY, BLADE GUIDE ARM</b>                       | A09974    | 1     |
|     | Motor Assembly, Blade Guide Arm Replacement                  | A10353    | 1     |
| 8   | Motor, Blade Guide Arm 53:1 Gear                             | P09698-1  | 1     |
|     | Housing, Klauber Motor End                                   | P12756    | 1     |
|     | Gear Kit, Klauber Motor Replacement                          | P12569    | 1     |
|     | Brush Kit, Gear Motor Replacement                            | P12800    | 1     |
|     | Shaft Kit, Klauber Gear Motor Replacement                    | 009695    | 1     |
| 9   | Connector, 14 Gauge Butt                                     | F04875-1  | 2     |

## Blade Guide Rollers & Arm

*Blade Guide Arm Drive Assembly*

2

|    |  |                     |   |  |
|----|--|---------------------|---|--|
| 10 | Sprocket, Gear Motor #25 14-Tooth              | P09970 <sup>1</sup> | 1 |  |
| 11 | Screw, #10-24 x 1/4" Full Dog Point Socket Set | F05004-274          | 2 |  |
| 12 | Screw, #10-32 x 1/2" Hex Head                  | F05004-60           | 4 |  |
| 13 | Washer, #10 Split Lock                         | F05011-20           | 4 |  |
|    | Instruction Sheet, Blade Guide Arm Motor       | A10353-296          | 1 |  |
| 14 | Bracket, Blade Guide Arm Motor Mount           | S09934              | 1 |  |
| 15 | Roller, Blade Guide Arm Chain Idler            | S09999 <sup>2</sup> | 1 |  |
| 16 | Bolt, 5/16-18 X 3 1/2" Hex Head Full Thread    | F05006-3            | 1 |  |
| 17 | Spacer, 5/16" I.D. X 1 1/2"                    | S09996              | 1 |  |
| 18 | Washer, 5/16" SAE Flat                         | F05011-17           | 2 |  |
| 19 | Washer, 5/16" Split Lock                       | F05011-13           | 1 |  |
| 20 | Nut, 5/16-18 Hex Lock                          | F05010-6            | 1 |  |
| 21 | <b>COVER, BLADE GUIDE ARM MOTOR</b>            | S11617              | 1 |  |
|    | <b>GUARD, BLADE GUIDE ARM (G.S. ONLY)</b>      | S12029              | 1 |  |

<sup>1</sup> Sprocket modified 6/11 with threaded holes to accept included set screws (replace 1/8" x 3/4" roll pin F05012-6).

<sup>2</sup> Replaces S09999-W. Part Number change only.

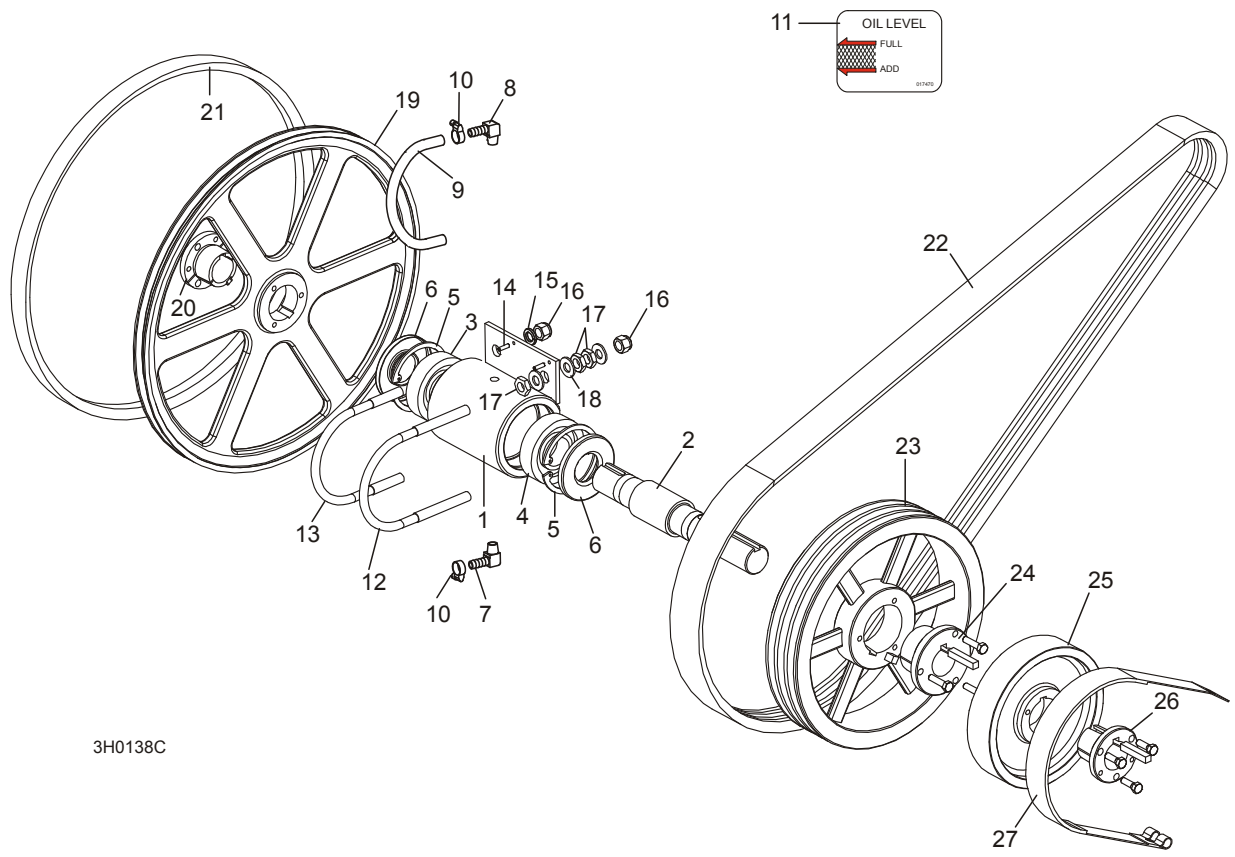
# 3 Blade Wheels & Tensioner

Blade Drive Assembly (1 9/16" Shaft)

## SECTION 3 BLADE WHEELS & TENSIONER

### 3.1 Blade Drive Assembly (1 9/16" Shaft)

LT30 Rev. F6 - F6.01  
 LT40 Rev. F7 - F7.01  
 LT30 Super Rev. F6 - F6.01  
 LT40 Super Rev. F7 - F7.01



3H0138C

| REF | DESCRIPTION (◆ Indicates Parts Available In Assemblies Only) | PART #              | QTY. |   |
|-----|--|---------------------|------|---|
|     | <b>BEARING ASSEMBLY, BLADE WHEEL DRIVE</b>                   | 014561              | 1    |   |
|     | Bearing Assembly, Drive                                      | 014560              | 1    | ◆ |
| 1   | Housing, Blade Wheel Drive Bearing                           | W10201              | 1    | ◆ |
| 2   | Shaft, Blade Wheel Drive                                     | 014005              | 1    | ◆ |
| 3   | Bearing, Blade Wheel Drive #MU1308TV                         | P10205              | 1    | ◆ |
| 4   | Bearing, Blade Wheel Drive #6308 C3 Open                     | 016055 <sup>1</sup> | 1    | ◆ |
| 5   | Ring, 90mm Interior Retaining #17                            | F04254-17           | 2    |   |
| 6   | Seal, Drive Bearing #CR15890                                 | P10206-K            | 2    |   |
| 7   | Fitting, 1/4" NPT x 3/8" Hose Barb Elbow                     | 016330 <sup>2</sup> | 1    |   |
| 8   | Fitting, 1/4" NPT x 3/8" Hose Barb Vented Elbow              | 016331              | 1    |   |

## Blade Wheels & Tensioner

*Blade Drive Assembly (1 9/16" Shaft)*

3

|    |   |                     |   |   |
|----|---|---------------------|---|---|
| 9  | Hose, Oil Level Viewer  | 016337              | 1 |   |
| 10 | Clamp, 7/32-5/8" Hose   | P649                | 2 |   |
| 11 | Decal, Oil Level Gauge  | 017470              | 1 |   |
| 12 | Bolt, 1/2-13 Long U   | S10207-1            | 1 |   |
| 13 | Bolt, 1/2-13 Short U  | S10207-2            | 1 |   |
| 14 | Pin, 3/16" X 5/8" Roll  | F05012-22           | 2 |   |
| 15 | Washer, 1/2" Split Lock   | F05011-9            | 2 |   |
| 16 | Nut, 1/2-13 Hex Nylon Lock  | F05010-8            | 4 |   |
| 17 | Nut, 1/2-13 Hex Jam   | F05010-31           | 6 |   |
| 18 | Washer, 1/2" SAE Flat   | F05011-2            | 6 |   |
|    | Decal, Bearing End-Play   | S12750              | 1 |   |
|    | Instruction Sheet, Bearing Retrofit   | K10200-275          | 1 |   |
|    | <b>WHEEL KIT, DRIVE SIDE BLADE</b>  | 014562 <sup>3</sup> | 1 |   |
| 19 | Wheel, Drive Side Blade   | 016284 <sup>3</sup> | 1 | ◆ |
| 20 | Bushing, Modified 1 9/16" SD  | 016270 <sup>3</sup> | 1 |   |
|    | Instruction Sheet, Drive Side Blade Wheel Replacement                         | K12987-488          | 1 |   |
| 21 | <b>BELT, BLADE WHEEL B57</b>  | P04185              | 1 |   |
| 22 | <b>BELT, 2BX74 DRIVE (24HP ONAN GAS ENGINE)</b>                               | P10277-2            | 1 |   |
|    | <b>BELT, 2BX72 DRIVE (18HP ONAN GAS ENGINE)</b>                               | P09555-2            |   |   |
|    | <b>BELT, 3BX72 DRIVE (20HP/25HP 60HZ ELECTRIC &amp; 40HP DIESEL)</b>          | 014085              | 1 |   |
|    | <b>BELT, 3BX74 DRIVE (35HP GAS &amp; 20HP/25HP 50HZ ELECTRIC<sup>4</sup>)</b> | 014249              | 1 |   |
| 23 | <b>PULLEY, 2B5V124 SPECIAL (G18/G24)</b>                                      | 014416 <sup>5</sup> | 1 | ◆ |
|    | <b>PULLEY, 3B5V124 SPECIAL (D40, E25, G35)</b>                                | 014001 <sup>6</sup> | 1 | ◆ |
| 24 | <b>BUSHING, 1 9/16" TYPE 'B'</b>  | 014002              | 1 |   |
| 25 | <b>WHEEL, BRAKE</b>   | 014000              | 1 | ◆ |
| 26 | <b>BUSHING, 1 9/16" P1</b>  | 014003              | 1 |   |
| 27 | <b>STRAP, METAL-BACKED BRAKE</b>  | 014391              | 1 |   |

<sup>1</sup> Replaces P10205 Blade Wheel Drive Bearing #MU1308TV 6/98.

<sup>2</sup> Oil level viewer added 6/99. New fitting replaces P05498 1/4" NPT Pipe Plug and P12868 1/4" NPT Vented Pipe Plug supplied prior to 6/99 (and P11757 1/4" NPT Square Head Pipe Plug supplied prior to 12/98).

<sup>3</sup> Kit includes 016284 blade wheel (replaces P12981 wheel originally supplied). Use P1 bushing 014098 for original wheel. Use SD bushing 016270 if wheel retrofitted with kit K12897.

<sup>4</sup> Alternate parts for 50Hz Electric operation. Complete conversion kit available (Part Number 014314).

<sup>5</sup> Use Pulley Kit 014692 to replace 014416 Pulley, 014002 Bushing, and S12892 Key originally supplied.

<sup>6</sup> Use Pulley Kit 014691 to replace 014001 Pulley, 014002 Bushing, and S12892 Key originally supplied.

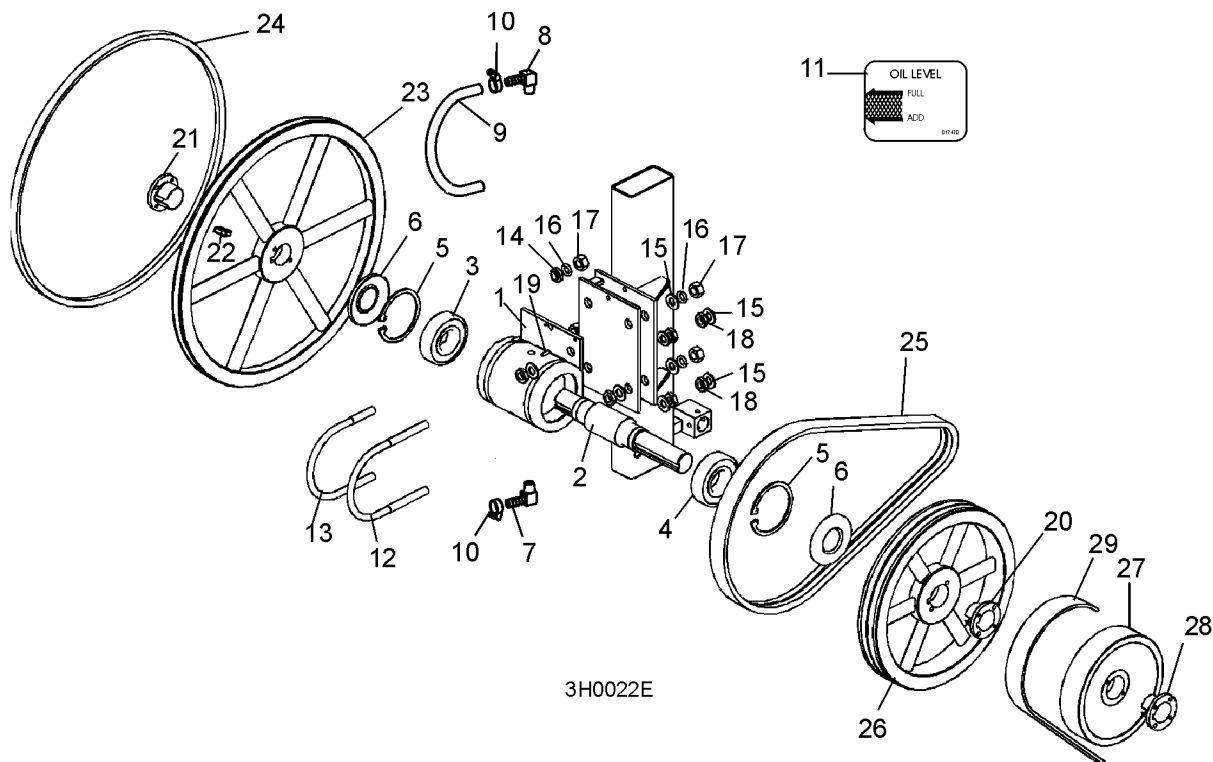
# 3 Blade Wheels & Tensioner

Blade Drive Assembly (1 7/16" Shaft)

## 3.2 Blade Drive Assembly (1 7/16" Shaft)

LT30  
LT40

Rev. F4 - F5  
Rev. F5 - F6



| REF | DESCRIPTION (◆ Indicates Parts Available In Assemblies Only) | PART #              | QTY. |
|-----|--|---------------------|------|
|     | <b>BEARING ASSEMBLY, BLADE WHEEL DRIVE</b>                   | K10200              | 1    |
|     | Bearing Assembly, Drive Painted                              | A10199              | 1 ◆  |
| 1   | Housing, Blade Wheel Drive Bearing                           | W10201              | 1 ◆  |
| 2   | Shaft, Blade Wheel Drive                                     | S10204              | 1 ◆  |
| 3   | Bearing, Blade Wheel Drive #MU1308TV                         | P10205              | 1 ◆  |
| 4   | Bearing, Blade Wheel Drive #6308 C3 Open                     | 016055 <sup>1</sup> | 1 ◆  |
| 5   | Ring, 90mm Interior Retaining #117                           | F04254-17           | 2    |
| 6   | Seal, Drive Bearing #CR15890                                 | P10206-K            | 2    |
| 7   | Fitting, 1/4" NPT x 3/8" Hose Barb Elbow                     | 016330 <sup>2</sup> | 1    |
| 8   | Fitting, 1/4" NPT x 3/8" Hose Barb Vented Elbow              | 016331              | 1    |
| 9   | Hose, Oil Level Viewer                                       | 016337              | 1    |
| 10  | Clamp, 7/32-5/8" Hose  | P649                | 2    |
| 11  | Decal, Oil Level Gauge                                       | 017470              | 1    |
| 12  | Bolt, 1/2-13 Long U  | S10207-1            | 1    |
| 13  | Bolt, 1/2-13 Short U   | S10207-2            | 1    |
| 14  | Spacer, 1/2" I.D. Flanged                                    | S04253              | 2    |



## Blade Wheels & Tensioner

### Blade Drive Assembly (1 7/16" Shaft)

# 3

|    |   |                     |   |   |
|----|---|---------------------|---|---|
| 15 | Washer, 1/2" SAE Flat                                 | F05011-2            | 8 |   |
| 16 | Washer, 1/2" Split Lock                               | F05011-9            | 4 |   |
| 17 | Nut, 1/2-13 Hex                                       | F05010-35           | 4 |   |
| 18 | Nut, 1/2-13 Hex Jam                                   | F05010-31           | 6 |   |
| 19 | Pin, 3/16" X 5/8" Roll                                | F05012-22           | 2 |   |
| 20 | Bushing, 1 7/16" Type 'H' Thick Flange                | P12962              | 3 |   |
|    | Decal, Bearing End-Play                               | S12750              | 1 |   |
|    | Instruction Sheet, Bearing Replacement                | K10200-275          | 1 |   |
|    | <b>WHEEL KIT, DRIVE SIDE BLADE</b>                    | K12897 <sup>3</sup> | 1 |   |
| 21 | Bushing, 1 7/16" SD                                   | 016098 <sup>3</sup> | 1 |   |
| 22 | Key, .375" x .375"                                    | S12892              | 1 |   |
| 23 | Wheel, Drive Side Blade                               | 016284 <sup>3</sup> | 1 | ◆ |
|    | Instruction Sheet, Drive Side Blade Wheel Replacement | K12897-488          | 1 |   |
| 24 | <b>BELT, BLADE WHEEL B57</b>                          | P04185              | 1 |   |
| 25 | <b>BELT, 2BX74 DRIVE (24HP ONAN GAS ENGINE)</b>       | P10277-2            | 1 |   |
|    | <b>BELT, 2BXF71 DRIVE (18HP ONAN GAS ENGINE)</b>      | 036163 <sup>4</sup> | 1 |   |
|    | <b>BELT, 2BX70 DRIVE (15HP BALDOR ELECTRIC MOTOR)</b> | P04857-2            | 1 |   |
| 26 | <b>PULLEY, 2BK130H DRIVE</b>                          | P04854              | 1 |   |
|    | <b>WHEEL ASSEMBLY, BRAKE</b>                          | A09953              | 1 |   |
| 27 | Wheel, Brake  | 014000 <sup>5</sup> | 1 | ◆ |
| 28 | Bushing, 1 7/16 P-1 Split Taper                       | 014460 <sup>6</sup> | 1 |   |
| 29 | <b>STRAP, METAL-BACKED BRAKE</b>                      | 014391 <sup>7</sup> | 1 |   |

<sup>1</sup> Replaces P10205 Blade Wheel Drive Bearing #MU1308TV 6/98.

<sup>2</sup> Oil level viewer added 6/99. New fitting replaces P05498 1/4" NPT Pipe Plug and P12868 1/4" NPT Vented Pipe Plug supplied prior to 6/99 (and P11757 1/4" NPT Square Head Pipe Plug supplied prior to 12/98).

<sup>3</sup> Kit includes 016284 blade wheel (replaces P12981 wheel originally supplied). Use P1 bushing P12890 for original wheel. Use SD bushing 016098 if wheel retrofitted with kit K12897.

<sup>4</sup> 036163 Kevlar 2BXF71 belt replaces P12949 2BX71 belt supplied prior to 9/03. Kevlar belt reduces stretch and provides greater range of adjustment.

<sup>5</sup> Replaces 014339 and W09953 Brake Wheels (4/96). NOTE: Change from W09953 to 014339 was a part number change only.

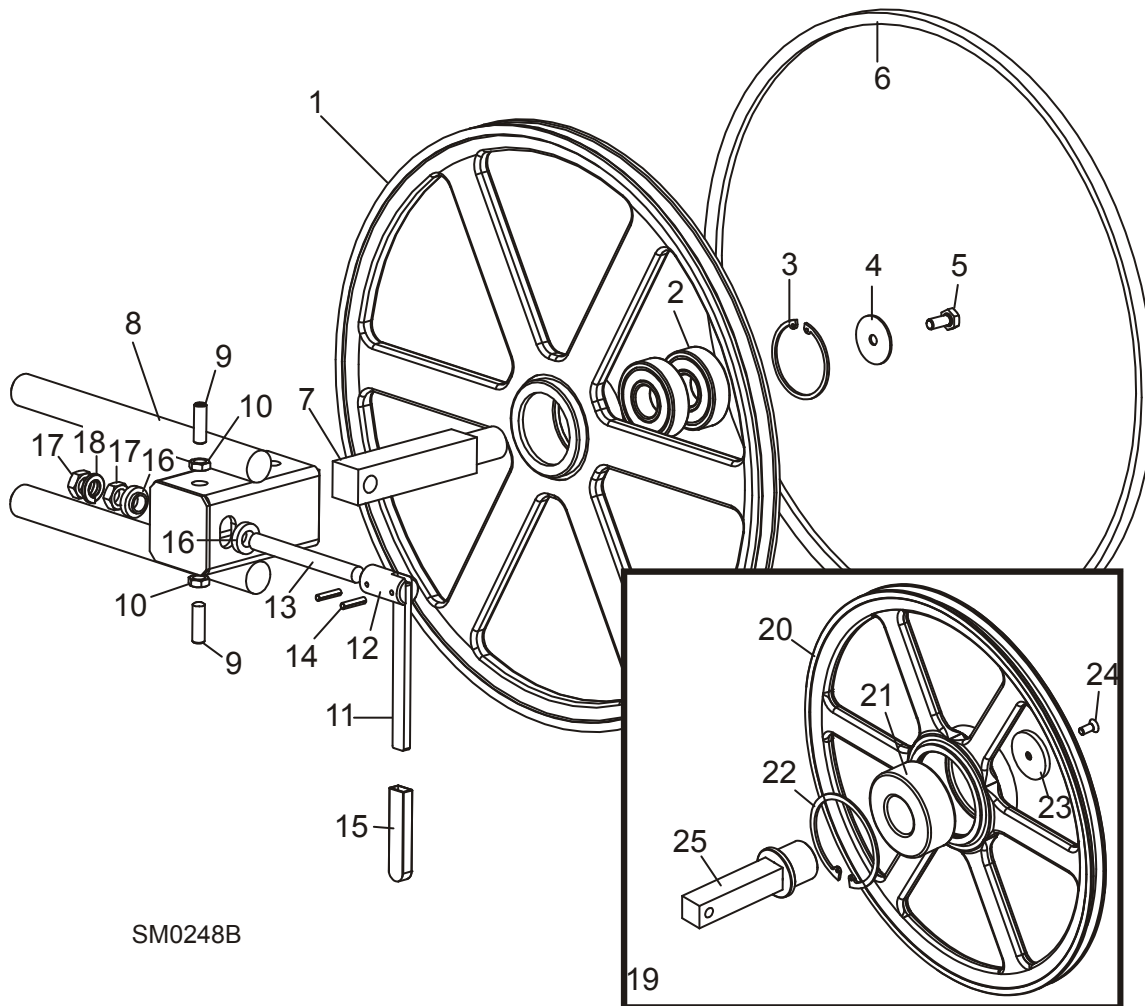
<sup>6</sup> Use P12962 'H' Bushing for W09953 brake pulley used until 4/96. Use 014460 'P1' Bushing if wheel upgraded with 014000 brake wheel.

<sup>7</sup> Replaces P12791 lower pivot brake strap. Use retrofit kit 014443 to retrofit upper pivot brake strap on previous revisions to current design. If replacing lower pivot metal brake strap P12791, purchase entire upper pivot brake strap retrofit kit 014443. If retrofit has already been done, use 014391 to replace only brake strap.

# 3 Blade Wheels & Tensioner

## Idle Blade Wheel Assembly

### 3.3 Idle Blade Wheel Assembly



SM0248B

| REF | DESCRIPTION (◆ Indicates Parts Available In Assemblies Only)      | PART #              | QTY. |   |
|-----|---|---------------------|------|---|
|     | <b>WHEEL ASSEMBLY, IDLE SIDE BLADE</b>                            | A08218 <sup>1</sup> | 1    |   |
| 1   | Wheel, Idle Side Blade  | P08125              | 1    | ◆ |
| 2   | Bearing, Idle Side Blade Wheel #6305-AA, C3, ABEC-1, SRI-2 Grease | P08066 <sup>2</sup> | 2    |   |
| 3   | Ring, 2 7/16" Internal Retaining                                  | F04254-21           | 1    |   |
| 4   | <b>WASHER, IDLE BLADE WHEEL RETAINER</b>                          | S08220              | 1    |   |
| 5   | <b>BOLT, 5/16-18 X 3/4" HEX HEAD</b>                              | F05006-5            | 1    |   |
| 6   | <b>BELT, BLADE WHEEL B57</b>                                      | P04185              | 1    |   |
| 7   | <b>SHAFT, IDLE BLADE WHEEL</b>                                    | S12565              | 1    |   |
| 8   | <b>HOUSING, IDLE BLADE WHEEL SHAFT</b>                            | W10157              | 1    |   |
| 9   | <b>SCREW, 3/8-16 X 1 1/4" SOCKET HEAD OVAL POINT</b>              | F05007-18           | 2    |   |
| 10  | <b>NUT, 3/8-16 HEX JAM</b>  | F05010-29           | 2    |   |

## Blade Wheels & Tensioner

### *Idle Blade Wheel Assembly*

3

|    | HANDLE ASSEMBLY, IDLE SIDE PULLEY TILT                     | A09357              | 1 |   |
|----|--|---------------------|---|---|
| 11 | Handle, Tilt Adjustment Screw                              | S08174              | 1 | ◆ |
| 12 | Driver, Tilt Adjustment Screw                              | S09405              | 1 | ◆ |
| 13 | Rod, Threaded Tilt Adjustment Screw                        | S09358              | 1 | ◆ |
| 14 | Pin, 3/16" x 7/8" Roll                                     | F05012-19           | 2 |   |
| 15 | <b>SLEEVE, PLASTIC HANDLE</b>                              | P08072              | 1 |   |
| 16 | <b>SPACER, 1/2" I.D. FLANGED</b>                           | S04253              | 2 |   |
| 17 | <b>NUT, 1/2-20 HEX JAM</b>                                 | F05010-16           | 2 |   |
| 18 | <b>WASHER, 1/2" SPLIT LOCK</b>                             | F05011-9            | 1 |   |
| 19 | <b>WHEEL KIT, IDLE SIDE BLADE UPGRADE</b>                  | 016189 <sup>1</sup> |   |   |
|    | Wheel Assembly, Idle Side Blade                            | 016120              | 1 |   |
| 20 | Wheel, Idle Side Blade                                     | 016013              | 1 | ◆ |
| 21 | Bearing, Idle Side Blade Wheel #5309-2RS, C3, SRI-2 Grease | 016014              | 1 |   |
| 22 | Ring, 100mm Internal Retaining Beveled                     | F04254-28           | 1 |   |
| 23 | Washer, 2 3/16 x 1/4"                                      | 016095              | 1 |   |
| 24 | Bolt, 5/16-18 X 3/4" Flat Head Socket                      | F05006-95           | 1 |   |
| 25 | Shaft, Idle Side Blade Wheel Retrofit                      | 016180              | 1 |   |

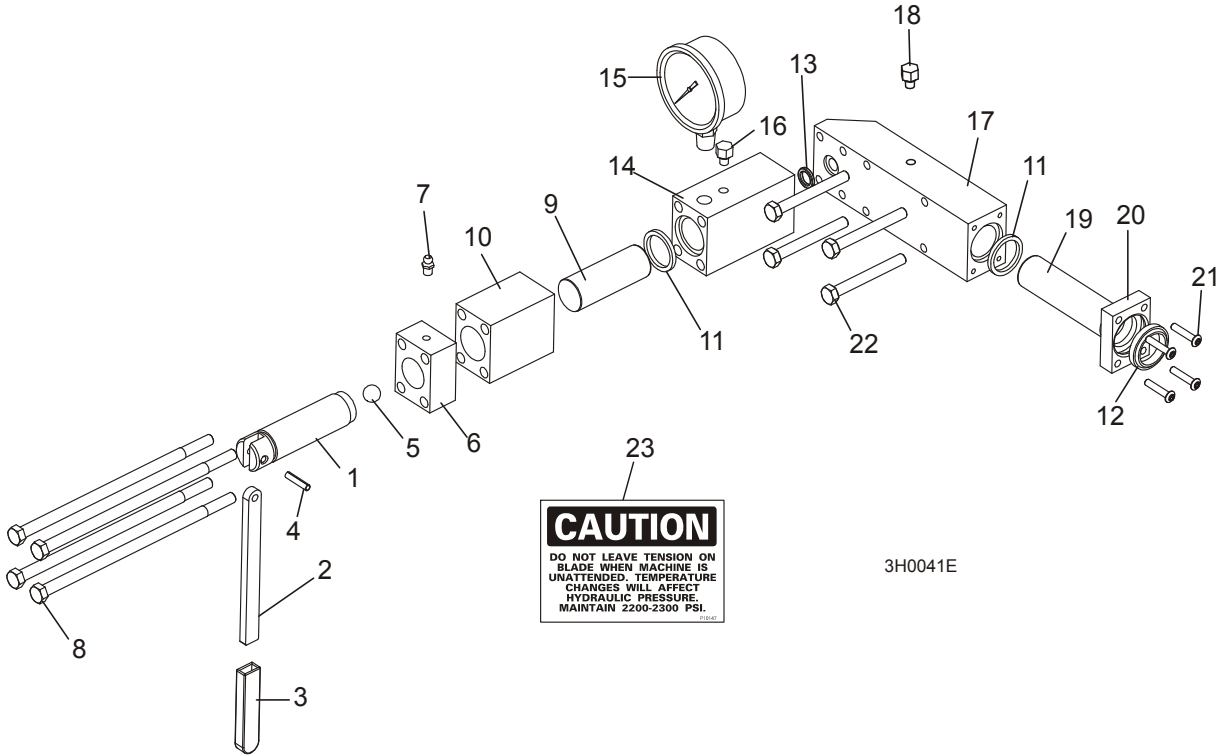
<sup>1</sup> Upgrade kit 016189 including blade wheel with larger diameter bearing and retrofit shaft 016180 available. [See Item #19](#) for upgrade parts.

<sup>2</sup> C3 Clearance bearing replaces C0 clearance supplied until 3/96.

# 3 Blade Wheels & Tensioner

## Hydraulic Blade Tensioner Assembly

### 3.4 Hydraulic Blade Tensioner Assembly



| REF | DESCRIPTION (◆ Indicates Parts Available In Assemblies Only) | PART #              | QTY. |   |
|-----|--|---------------------|------|---|
|     | <b>HYDRAULIC BLADE TENSIONER ASSEMBLY</b>                    | A10136              | 1    |   |
|     | Handle Assembly, Hydraulic Blade Tensioner Screw             | A12294              | 1    |   |
| 1   | Screw, Hydraulic Blade Tensioner                             | S10056 <sup>1</sup> | 1    | ◆ |
| 2   | Handle, Hydraulic Tensioner Screw                            | S08174              | 1    |   |
| 3   | Sleeve, Plastic Handle                                       | P08072              | 1    |   |
| 4   | Pin, 3/16" x 7/8" Roll                                       | F05012-19           | 1    |   |
| 5   | Ball, 1/2" Steel   | P02720              | 1    |   |
| 6   | Block, Threaded Tensioner End                                | S10062 <sup>1</sup> | 1    | ◆ |
| 7   | Fitting, 1/4-28 Grease                                       | P05060              | 1    |   |
|     | Instruction Sheet, Tensioner Screw                           | A12294-518          | 1    |   |
| 8   | Bolt, 5/16-18 X 7 1/2" Hex Head Grade 5                      | F05006-43           | 4    |   |
| 9   | Piston, Hydraulic Tensioner Front 2 3/4" Long                | S10060              | 1    |   |
| 10  | Block, Piston Guide  | S10061 <sup>1</sup> | 1    |   |
|     | Seal Kit, Hydraulic Tensioner                                | 003224              | 1    |   |
| 5   | Ball, 1/2" Steel   | P02720              | 1    |   |
| 11  | Seal, 1" Diameter  | P10051              | 2    |   |
| 12  | Wiper, 1" Diameter   | P10053              | 1    |   |
| 13  | Ring, 5/8" X 3/32" Square "O"                                | P10377              | 1    |   |

## Blade Wheels & Tensioner

### *Hydraulic Blade Tensioner Assembly*

3

|           |   |                     |   |   |
|-----------|---|---------------------|---|---|
| <b>14</b> | Block, Hydraulic Tensioner Gauge Mounting           | S10140 <sup>1</sup> | 1 |   |
| <b>15</b> | Gauge, 5000 P.S.I.                                  | P10052              | 1 |   |
| <b>16</b> | Plug, Hydraulic Tensioner Fill                      | P10065              | 1 |   |
|           | Block Assembly, Rear Tensioner Piston               | 016329              | 1 |   |
| <b>17</b> | Block, Rear Tensioner Piston                        | S10142 <sup>1</sup> | 1 | ◆ |
| <b>18</b> | Plug, Hydraulic Tensioner Fill                      | P10065 <sup>2</sup> | 1 |   |
| <b>19</b> | Piston, Hydraulic Tensioner Rear 3 5/8" Long        | S10059 <sup>1</sup> | 1 |   |
| <b>20</b> | Block, Rear Piston End                              | S10089 <sup>1</sup> | 1 |   |
| <b>21</b> | Bolt, #10-24 X 1" Socket Button Head                | F05004-43           | 4 |   |
| <b>22</b> | Bolt, 5/16-18 X 2 3/4" Hex Head Grade 5             | F05006-28           | 4 |   |
| <b>23</b> | Decal, Hydraulic Tension Caution                    | P10147              | 1 |   |
|           | Instruction Sheet, Hydraulic Tensioner Installation | A10136-272          | 1 |   |

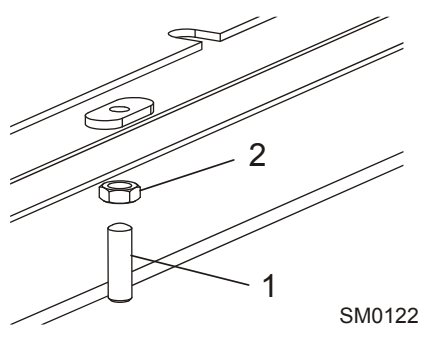
<sup>1</sup> Replaces part number with "-W" suffix. Part number change only.

<sup>2</sup> Plug added to S10142 Rear Tensioner Piston Block 6/99.

**4** Saw Head  
*Middle Throat Screw*

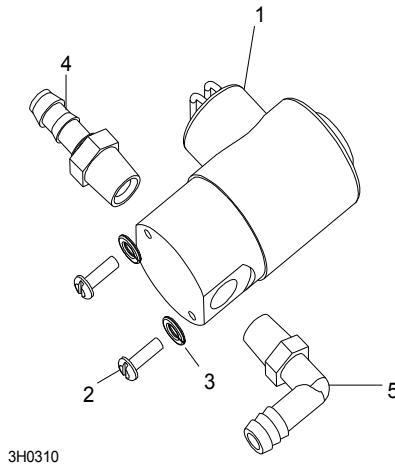
**SECTION 4 SAW HEAD**

**4.1 Middle Throat Screw**



| REF | DESCRIPTION (◆ Indicates Parts Available In Assemblies Only) | PART #    | QTY. |  |
|-----|--|-----------|------|--|
| 1   | ◆ SCREW, 3/8-16 X 1 1/4" OVAL POINT SOCKET SET               | F05007-18 | 1    |  |
| 2   | NUT, 3/8-16 HEX JAM  | F05010-29 | 1    |  |

## 4.2 Water Lube Solenoid Valve (Super Models)



| REF | DESCRIPTION (◆ Indicates Parts Available In Assemblies Only) | PART #              | QTY. |  |
|-----|--|---------------------|------|--|
| 1   | VALVE, WATER LUBE SOLENOID                                   | 016280 <sup>1</sup> | 1    |  |
| 2   | SCREW, 4MM X 12 CROSS SLOT ROUND HEAD                        | F05004-74           | 2    |  |
| 3   | WASHER, 4MM SPLIT LOCK                                       | F05011-57           | 2    |  |
| 4   | FITTING, 1/4" MALE NPT 3/8" HOSE BARB                        | P04682              | 1    |  |
| 5   | FITTING, 1/4" MALE NPT 3/8" HOSE BARB ELBOW                  | P04730              | 1    |  |

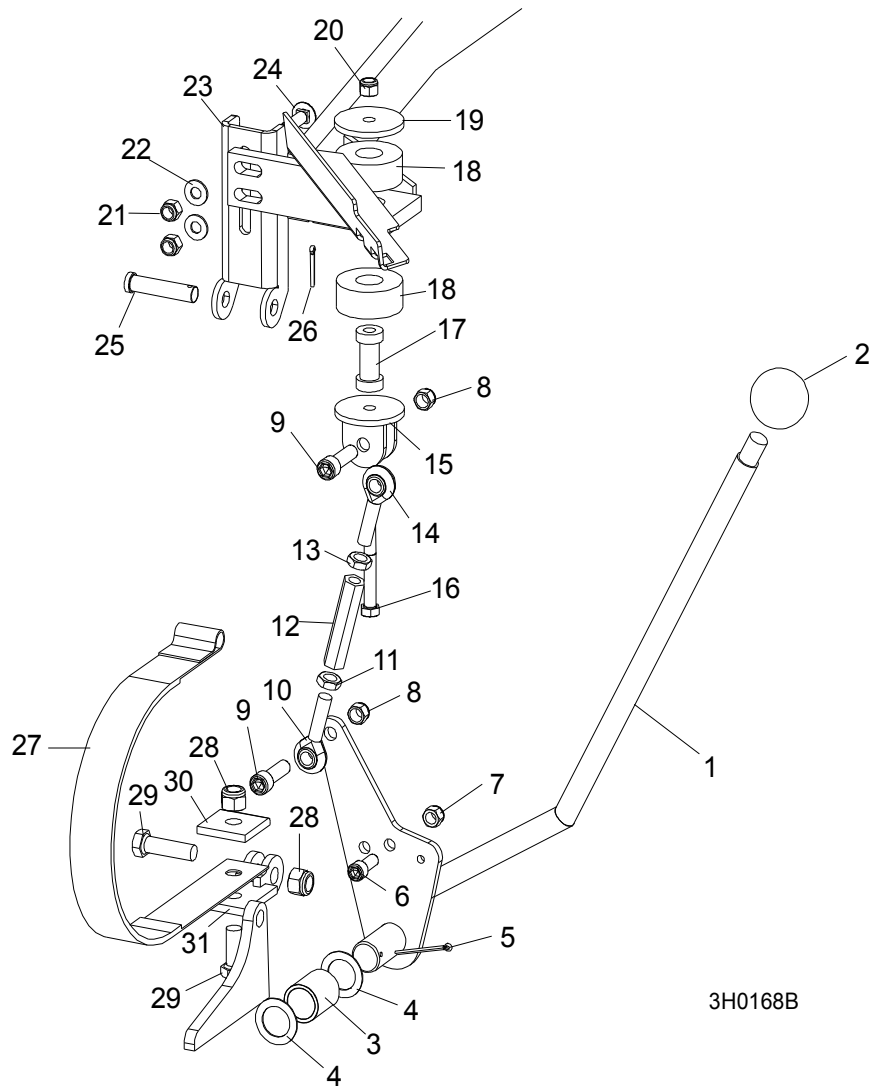
<sup>1</sup> Valve kit 016280 replaces 014165 solenoid valve, F05004-74 4mm x 12 screws and F05011-57 4mm lock washers originally supplied. 014165 valve no longer available. New valve 016140 requires #10 mounting hardware.

# 4 Saw Head

## Clutch/Brake Lever Assembly

### 4.3 Clutch/Brake Lever Assembly

LT30 Rev. F6 - F6.01  
 LT40 Rev. F7 - F7.01  
 LT30 Super Rev. F4009 - F6.01  
 LT40 Super Rev. F5002 - F7.01



| REF | DESCRIPTION (◆ Indicates Parts Available In Assemblies Only) | PART #    | QTY. |   |
|-----|--|-----------|------|---|
|     | <b>LEVER ASSEMBLY, CLUTCH/BRAKE</b>                          | A12334    | 1    |   |
| 1   | Lever, Clutch/brake  | W11571    | 1    | ◆ |
| 2   | Knob, Plastic Round  | P04211    | 1    |   |
| 3   | Bushing, Clutch/Brake Pivot                                  | P05041    | 1    |   |
| 4   | Washer, Clutch/Brake Pivot                                   | S11570    | 2    |   |
| 5   | Pin, 1/8" X 1 3/4" Cotter                                    | F05012-43 | 1    |   |



|    |  |                        |   |   |
|----|--|------------------------|---|---|
| 6  | <b>BOLT, 3/8-16 X 1" SOCKET HEAD</b>                                       | F05007-52              | 1 |   |
| 7  | <b>NUT, 3/8-16 HEX NYLON LOCK</b>  | F05010-10              | 1 |   |
| 8  | <b>NUT, 7/16-20 HEX NYLON LOCK</b>   | F05010-83              | 2 |   |
| 9  | <b>BOLT, 7/16-20 X 1 1/2" SOCKET HEAD</b>                                  | F05007-55              | 2 |   |
|    | <b>TURNBUCKLE ASSEMBLY, CLUTCH/BRAKE LEVER</b>                             | A12304                 | 1 |   |
|    | <b>TURNBUCKLE ASSEMBLY, 3 1/2" CLUTCH/BRAKE LEVER (50Hz Electric Only)</b> | A11576 <sup>1</sup>    | 1 |   |
| 10 | Rod End, 7/16-20 Right Hand Thread   | P11579                 | 1 |   |
| 11 | Nut, 7/16-20 Hex Jam   | F05010-38              | 1 |   |
| 12 | Turnbuckle, 3" Clutch/Brake Lever  | S11577                 | 1 | ◆ |
|    | Turnbuckle, 3 1/2" Clutch/Brake Lever (50Hz Electric Only)                 | S12262 <sup>1</sup>    | 1 | ◆ |
| 13 | Nut, 7/16-20 Hex Jam Left Hand Thread                                      | F05010-87              | 1 |   |
| 14 | Rod End, 7/16-20 Left Hand Thread  | P11578                 | 1 |   |
| 15 | <b>BRACKET, CLUTCH MOUNT</b>   | W12411                 | 1 |   |
| 16 | <b>BOLT, 3/8-16 X 2 3/4" HEX HEAD</b>                                      | F05007-29              | 1 |   |
| 17 | <b>SPACER, MOTOR MOUNT VIBRATION BUSHING</b>                               | S12410 <sup>2</sup>    | 1 |   |
| 18 | <b>BUSHING, MOTOR MOUNT VIBRATION</b>                                      | P05032 <sup>2</sup>    | 2 |   |
| 19 | <b>WASHER, 3/8" I.D. X 2 1/4" O.D. X 3/16" THICK</b>                       | S12412                 | 1 |   |
| 20 | <b>NUT, 3/8-16 NYLON LOCK</b>  | F05010-10              | 1 |   |
|    | <b>STRAP RETROFIT, SUPER BRAKE</b>   | 014441                 | 1 |   |
| 21 | Nut, 3/8-16 Nylon Lock   | F05010-10              | 2 |   |
| 22 | Washer, 3/8" SAE Flat  | F05011-3               | 2 |   |
| 23 | Bracket, Upper Super Brake Strap Mount                                     | 014395                 | 1 |   |
| 24 | Bolt, 3/8-16 x 1 1/4" Carriage Head  | F05007-11              | 2 |   |
| 25 | Pin, 1/2" x 2 1/4" Clevis  | F05012-81 <sup>3</sup> | 1 |   |
| 26 | Pin, 1/8" x 1" Cotter  | F05012-1               | 1 |   |
| 27 | Strap, Upper Pivot Metal Brake   | 014391                 | 1 |   |
| 28 | Nut, 1/2-13 Nylon Lock   | F05010-8               | 2 |   |
| 29 | Bolt, 1/2-13 x 1 1/2" Hex Head Grade 5                                     | F05008-33              | 2 |   |
| 30 | Plate, Brake Strap Clamp   | S04195                 | 1 |   |
| 31 | Bracket, Lower Super Brake Strap Mount                                     | 014392                 | 1 |   |

<sup>1</sup> Alternate parts for 50Hz Electric operation. Complete conversion kit available (Part Number 014314). Turnbuckle revised from 3 3/4" to 3 1/2" to provide increased adjustment (9/03).

<sup>2</sup> Motor Mount Bushing parts may be upgraded to single-bushing style to reduce vibration. Use Motor Mount Kit 016319 (G24/G25), 016320 (G35), 015322 (E25) or 016321 (D40) to upgrade motor mount and bushing parts.

<sup>3</sup> Replaces 014396 originally supplied (duplicate parts).

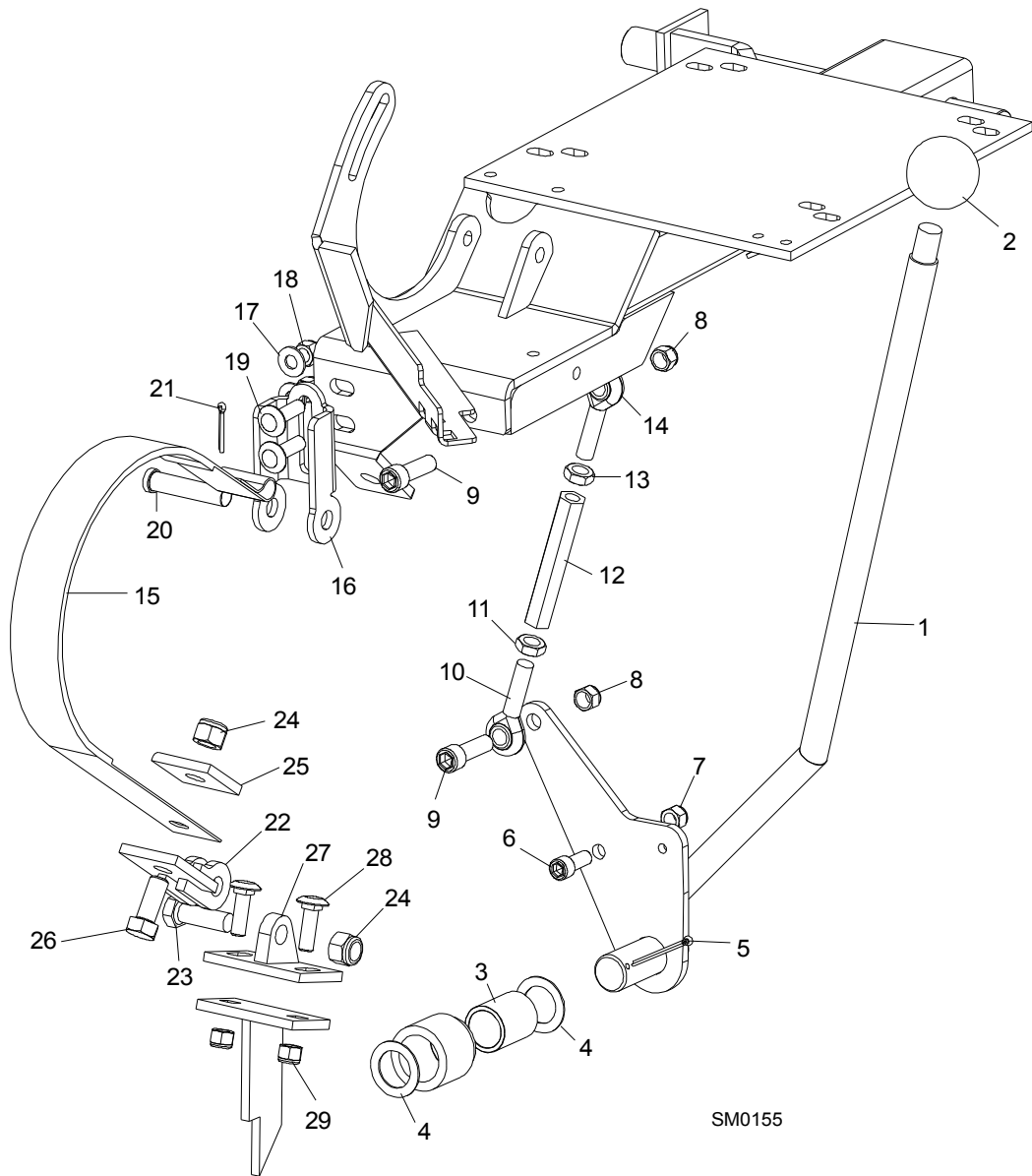
# 4 Saw Head

## Clutch/Brake Lever Assembly

### 4.4 Clutch/Brake Lever Assembly

LT30  
LT40

Rev. F5  
Rev. F6



| REF | DESCRIPTION (◆ Indicates Parts Available In Assemblies Only) | PART # | QTY. |   |
|-----|--|--------|------|---|
|     | <b>LEVER ASSEMBLY, CLUTCH/BRAKE</b>                          | A12334 | 1    |   |
| 1   | Lever, Clutch/brake  | W11571 | 1    | ◆ |
| 2   | Knob, Plastic Round  | P04211 | 1    |   |
| 3   | Bushing, Clutch/Brake Pivot                                  | P05041 | 1    |   |
| 4   | Washer, Clutch/Brake Pivot                                   | S11570 | 2    |   |

|    |  |                        |   |   |
|----|--|------------------------|---|---|
| 5  | Pin, 1/8" X 1 3/4" Cotter                        | F05012-43              | 1 |   |
| 6  | <b>BOLT, 3/8-16 X 1" SOCKET HEAD</b>             | F05007-52              | 1 |   |
| 7  | <b>NUT, 3/8-16 HEX NYLON LOCK</b>                | F05010-10              | 1 |   |
| 8  | <b>NUT, 7/16-20 HEX NYLON LOCK</b>               | F05010-83              | 2 |   |
| 9  | <b>BOLT, 7/16-20 X 1 1/2" SOCKET HEAD</b>        | F05007-55              | 2 |   |
|    | <b>TURNBUCKLE ASSEMBLY, CLUTCH/BRAKE LEVER</b>   | A11576                 | 1 |   |
| 10 | Rod End, 7/16-20 Right Hand Thread               | P11579                 | 1 |   |
| 11 | Nut, 7/16-20 Hex Jam                             | F05010-38              | 1 |   |
| 12 | Turnbuckle, 3 1/2" Clutch/Brake Lever            | S12262 <sup>1</sup>    | 1 | ◆ |
| 13 | Nut, 7/16-20 Hex Jam Left Hand Thread            | F05010-87              | 1 |   |
| 14 | Rod End, 7/16-20 Left Hand Thread                | P11578                 | 1 |   |
|    | <b>STRAP KIT, UPPER PIVOT BRAKE</b>              | 014443                 | 1 |   |
| 15 | Strap, Upper Pivot Brake                         | 014391                 | 1 |   |
| 16 | Bracket, Upper Brake Strap Mount                 | 014397                 | 1 |   |
| 17 | Washer, 3/8" SAE Flat                            | F05011-3               | 2 |   |
| 18 | Nut, 3/8-16 Hex Nylon Lock                       | F05010-10              | 2 |   |
| 19 | Bolt, 3/8-16 X 1 1/4" Carriage Head              | F05007-11              | 2 |   |
| 20 | Pin, 1/2" x 2 1/4" Clevis                        | F05012-81 <sup>2</sup> | 1 |   |
| 21 | Pin, 1/8" x 1" Cotter                            | F05012-1               | 1 |   |
| 22 | Bracket, Lower Brake Strap Mount                 | 014392                 | 1 |   |
| 23 | Bolt, 1/2-13 X 1 1/2" Hex Head                   | F05008-4               | 1 |   |
| 24 | Nut, 1/2-13 Hex Nylon Lock                       | F05010-8               | 2 |   |
| 25 | Plate, Brake Strap Clamp                         | S04195                 | 1 |   |
| 26 | Bolt, 1/2-13 x 1 1/4" Hex Head Grade 5           | F05008-37              | 1 |   |
| 27 | Bracket, Lower Brake Strap Mount (Pre-95)        | W12792                 | 1 |   |
|    | Instruction Sheet, Standard Brake Strap Retrofit | 014443-470             | 1 |   |
| 28 | <b>BOLT, 3/8-16 X 1 1/4" CARRIAGE HEAD</b>       | F05007-11              | 2 |   |
| 29 | <b>NUT, 3/8-16 HEX NYLON LOCK</b>                | F05010-10              | 2 |   |

<sup>1</sup> Replaces S12262-W. Part Number change only. Turnbuckle revised from 3 3/4" to 3 1/2" to provide increased adjustment (9/03).

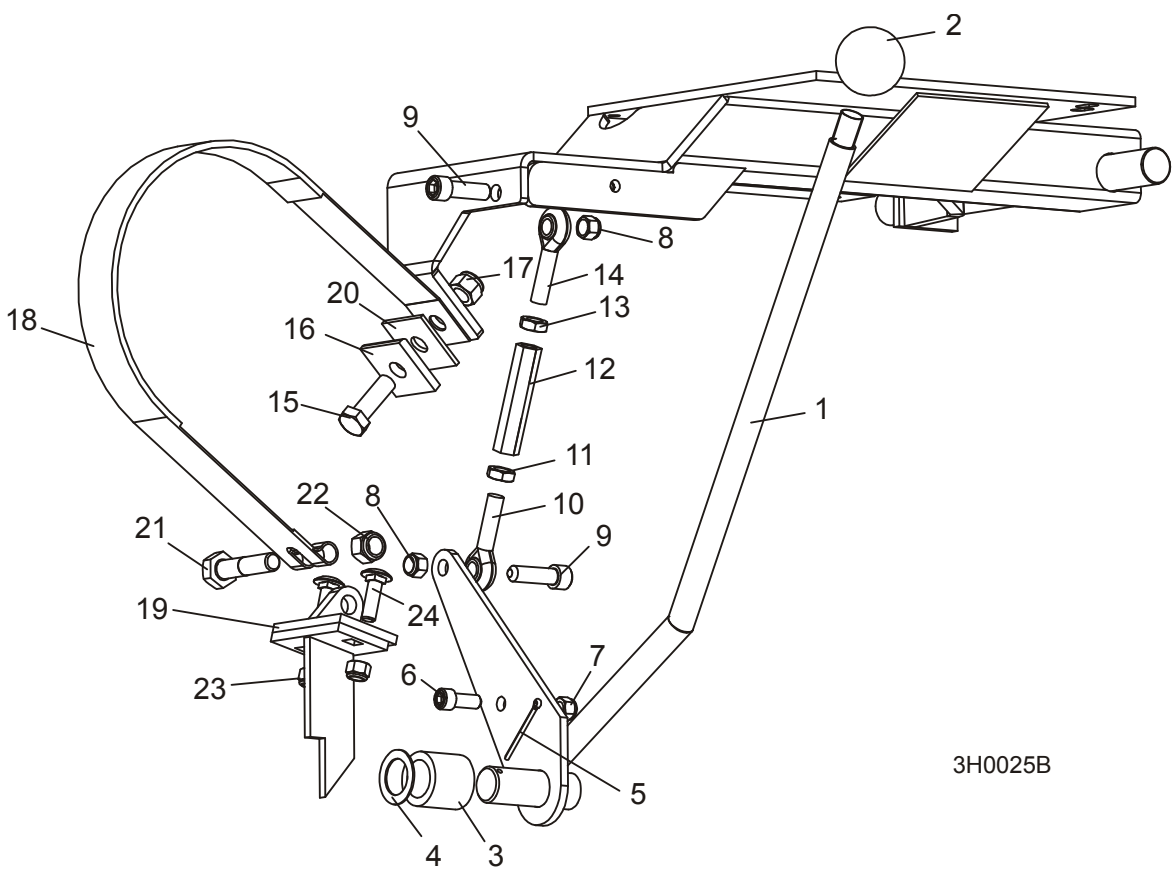
<sup>2</sup> Replaces 014396 originally supplied (duplicate parts).

# 4 Saw Head

## Clutch/Brake Lever Assembly

### 4.5 Clutch/Brake Lever Assembly

LT30 Rev. F4  
 LT40 Rev. F5



| REF | DESCRIPTION (◆ Indicates Parts Available In Assemblies Only) | PART #    | QTY. |   |
|-----|--|-----------|------|---|
|     | <b>LEVER ASSEMBLY, CLUTCH/BRAKE</b>                          | A12334    | 1    |   |
| 1   | Lever, Clutch/brake  | W11571    | 1    | ◆ |
| 2   | Knob, Plastic Round  | P04211    | 1    |   |
| 3   | Bushing, Clutch/Brake Pivot                                  | P05041    | 1    |   |
| 4   | Washer, Clutch/Brake Pivot                                   | S11570    | 2    |   |
| 5   | Pin, 1/8" X 1 3/4" Cotter                                    | F05012-43 | 1    |   |
| 6   | <b>BOLT, 3/8-16 X 1" SOCKET HEAD</b>                         | F05007-52 | 1    |   |
| 7   | <b>NUT, 3/8-16 HEX NYLON LOCK</b>                            | F05010-10 | 1    |   |
| 8   | <b>NUT, 7/16-20 HEX NYLON LOCK</b>                           | F05010-83 | 2    |   |
| 9   | <b>BOLT, 7/16-20 X 1 1/2" SOCKET HEAD</b>                    | F05007-55 | 2    |   |
|     | <b>TURNBUCKLE ASSEMBLY, CLUTCH/BRAKE LEVER</b>               | A11576    | 1    |   |
| 10  | Rod End, 7/16-20 Right Hand Thread                           | P11579    | 1    |   |
| 11  | Nut, 7/16-20 Hex Jam   | F05010-38 | 1    |   |

|    |  |                     |   |   |
|----|--|---------------------|---|---|
| 12 | Turnbuckle, 3 1/2" Clutch/Brake Lever      | S12262 <sup>1</sup> | 1 | ◆ |
| 13 | Nut, 7/16-20 Hex Jam Left Hand Thread      | F05010-87           | 1 |   |
| 14 | Rod End, 7/16-20 Left Hand Thread          | P11578              | 1 |   |
| 15 | <b>BOLT, 1/2-13 X 1 1/2" HEX HEAD</b>      | F05008-4            | 1 |   |
| 16 | <b>PLATE, UPPER BRAKE STRAP CLAMP</b>      | S04195              | 1 |   |
| 17 | <b>NUT, 1/2-13 HEX NYLON LOCK</b>          | F05010-8            | 1 |   |
|    | <b>STRAP KIT, METAL-BACKED BRAKE</b>       | K12820 <sup>2</sup> | 1 | ◆ |
| 18 | Strap, Metal-Backed Brake                  | P12791 <sup>2</sup> | 1 | ◆ |
| 19 | Plate, Lower Brake Strap Clamp             | W12792              | 1 | ◆ |
| 20 | Washer, Brake Strap                        | S12804 <sup>2</sup> | 1 | ◆ |
| 21 | Bolt, 1/2-13 x 2 1/4" Hex Head Grade 5     | F05008-10           | 1 |   |
| 22 | Nut, 1/2-13 Nylon Hex Lock                 | F05010-8            | 1 |   |
| 23 | <b>NUT, 3/8-16 HEX NYLON LOCK</b>          | F05010-10           | 2 |   |
| 24 | <b>BOLT, 3/8-16 X 1 1/4" CARRIAGE HEAD</b> | F05007-11           | 2 |   |

<sup>1</sup> Replaces S12262-W. Part Number change only. Turnbuckle revised from 3 3/4" to 3 1/2" to provide increased adjustment (9/03).

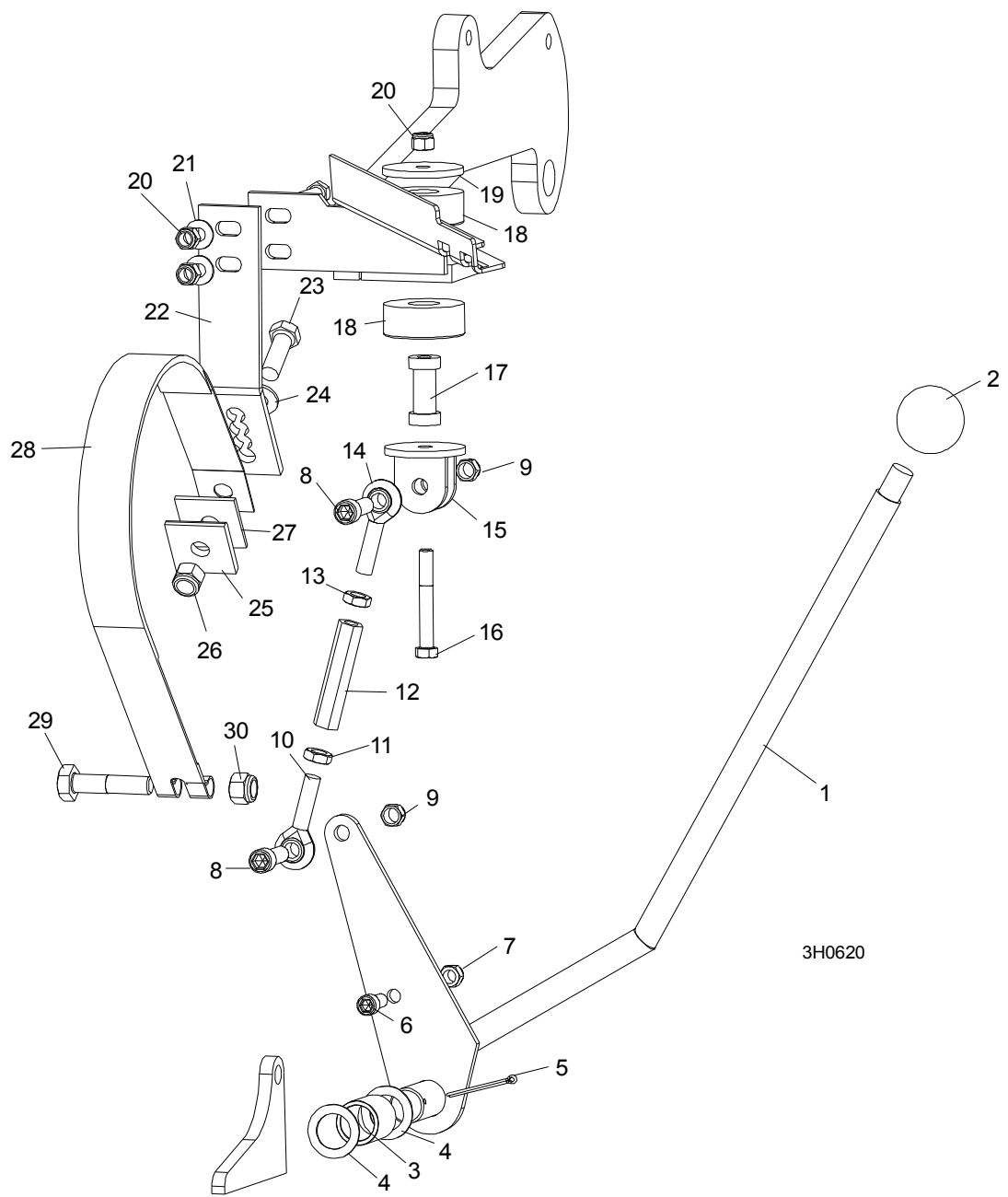
<sup>2</sup> Brake Strap parts obsolete. Retrofit brake strap and mounting hardware with 014443. [See Section 4.4.](#)

# 4 Saw Head

## Clutch/Brake Lever Assembly (Super)

### 4.6 Clutch/Brake Lever Assembly (Super)

LT30 Super Rev. F4001 - F4008  
 LT40 Super Rev. F5001



| REF | DESCRIPTION (◆ Indicates Parts Available In Assemblies Only) | PART # | QTY. |   |
|-----|--|--------|------|---|
|     | <b>LEVER ASSEMBLY, CLUTCH/BRAKE</b>                          | A12334 | 1    |   |
| 1   | Lever, Clutch/brake  | W11571 | 1    | ◆ |

|    |  |                     |   |   |
|----|--|---------------------|---|---|
| 2  | Knob, Plastic Round  | P04211              | 1 |   |
| 3  | Bushing, Clutch/Brake Pivot  | P05041              | 1 |   |
| 4  | Washer, Clutch/Brake Pivot   | S11570              | 2 |   |
| 5  | Pin, 1/8" X 1 3/4" Cotter  | F05012-43           | 1 |   |
| 6  | <b>BOLT, 3/8-16 X 1" SOCKET HEAD</b>                                       | F05007-52           | 1 |   |
| 7  | <b>NUT, 3/8-16 HEX NYLON LOCK</b>  | F05010-10           | 1 |   |
| 8  | <b>NUT, 7/16-20 HEX NYLON LOCK</b>   | F05010-83           | 2 |   |
| 9  | <b>BOLT, 7/16-20 X 1 1/2" SOCKET HEAD</b>                                  | F05007-55           | 2 |   |
|    | <b>TURNBUCKLE ASSEMBLY, CLUTCH/BRAKE LEVER</b>                             | A12304              | 1 |   |
|    | <b>TURNBUCKLE ASSEMBLY, 3 1/2" CLUTCH/BRAKE LEVER (50Hz Electric Only)</b> | A11576 <sup>1</sup> | 1 |   |
| 10 | Rod End, 7/16-20 Right Hand Thread   | P11579              | 1 |   |
| 11 | Nut, 7/16-20 Hex Jam   | F05010-38           | 1 |   |
| 12 | Turnbuckle, 3" Clutch/Brake Lever  | S11577              | 1 | ◆ |
|    | Turnbuckle, 3 1/2" Clutch/Brake Lever (50Hz Electric Only)                 | S12262 <sup>1</sup> | 1 | ◆ |
| 13 | Nut, 7/16-20 Hex Jam Left Hand Thread                                      | F05010-87           | 1 |   |
| 14 | Rod End, 7/16-20 Left Hand Thread  | P11578              | 1 |   |
| 15 | <b>BRACKET, CLUTCH MOUNT</b>   | W12411              | 1 |   |
| 16 | <b>BOLT, 3/8-16 X 2 3/4" HEX HEAD</b>                                      | F05007-29           | 1 |   |
| 17 | <b>SPACER, MOTOR MOUNT VIBRATION BUSHING</b>                               | S12410              | 1 |   |
| 18 | <b>BUSHING, MOTOR MOUNT VIBRATION</b>                                      | P05032              | 2 |   |
| 19 | <b>WASHER, 3/8" I.D. X 2 1/4" O.D. X 3/16" THICK</b>                       | S12412              | 1 |   |
| 20 | <b>NUT, 3/8-16 NYLON LOCK</b>  | F05010-10           | 3 |   |
| 21 | <b>WASHER, 3/8" SAE FLAT</b>   | F05011-3            | 2 |   |
|    | <b>BRACKET ASSEMBLY, SUPER BRAKE STRAP</b>                                 | 014244 <sup>2</sup> | 1 | ◆ |
| 22 | Bracket, Upper Super Brake Strap Mount                                     | 014115 <sup>2</sup> | 1 | ◆ |
| 23 | Bolt, 1/2-13 x 1 1/2" Hex Head Grade 5                                     | F05008-33           | 1 |   |
| 24 | Washer, 1/2" SAE Flat  | F05011-2            | 1 |   |
| 25 | Plate, Brake Strap Clamp   | S04195              | 1 |   |
| 26 | Nut, 1/2-13 Nylon Lock   | F05010-8            | 1 |   |
| 27 | <b>PLATE, BRAKE STRAP WASHER</b>   | S12804 <sup>2</sup> | 1 | ◆ |
| 28 | <b>STRAP, METAL BRAKE</b>  | P12791 <sup>2</sup> | 1 | ◆ |
| 29 | <b>BOLT, 1/2-13 X 2 1/4" HEX HEAD GRADE 5</b>                              | F05008-10           | 1 |   |
| 30 | <b>NUT, 1/2-13 NYLON LOCK</b>  | F05010-8            | 1 |   |

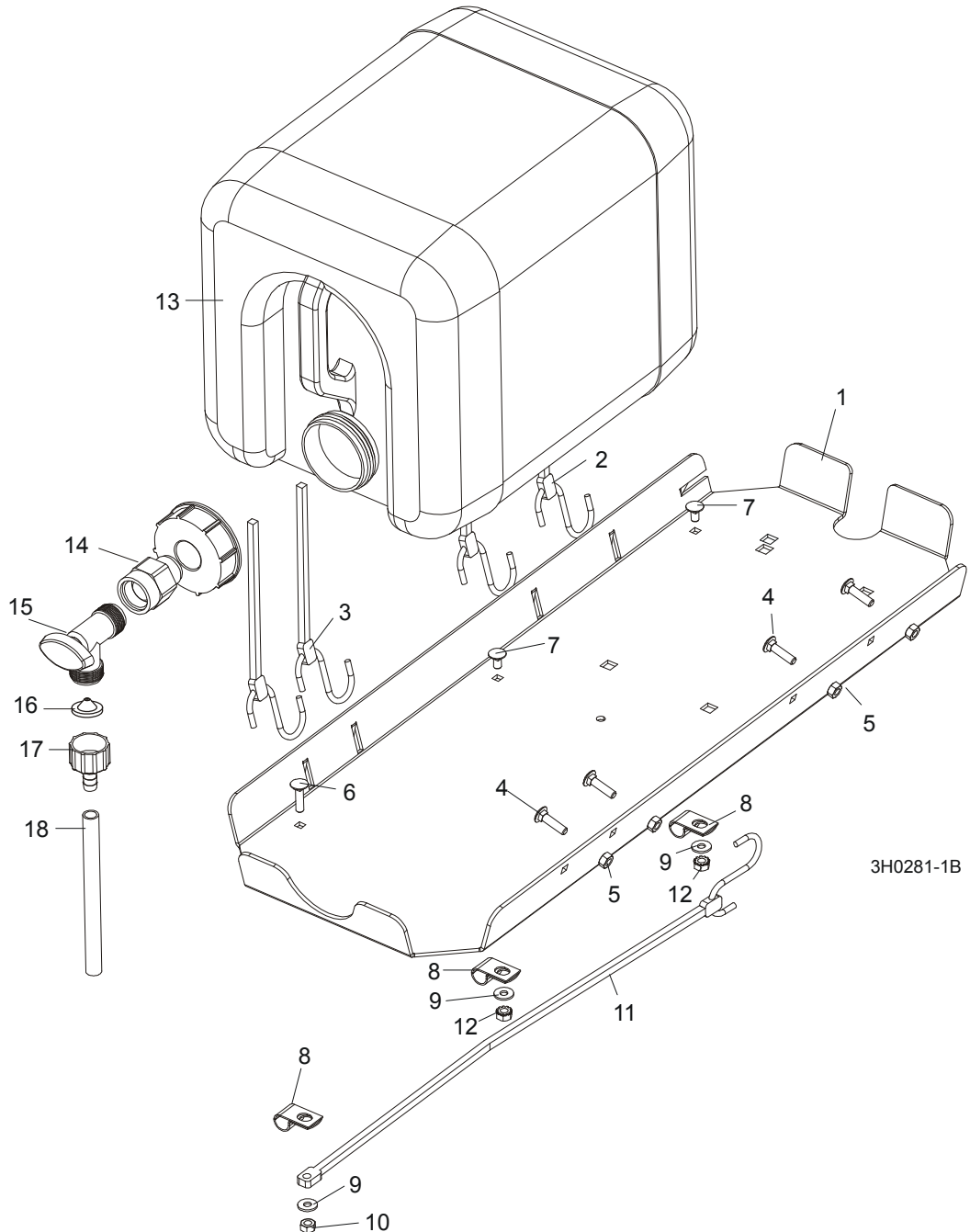
<sup>1</sup> Alternate parts for 50Hz Electric operation. Complete conversion kit available (Part Number 014314). Turnbuckle revised from 3 3/4" to 3 1/2" to provide increased adjustment (9/03).

<sup>2</sup> All Super models should be upgraded with 014441 brake strap retrofit. [See Section 4.3.](#)

# 4 Saw Head

## Water Lube Assembly

### 4.7 Water Lube Assembly



| REF | DESCRIPTION (◆ Indicates Parts Available In Assemblies Only) | PART # | QTY. |   |
|-----|--|--------|------|---|
|     | <b>TRAY ASSEMBLY, FUEL TANK/WATER BOTTLE</b>                 | A11685 | 1    |   |
| 1   | Tray, Fuel Tank/Water Bottle                                 | S11684 | 1    | ◆ |
| 2   | Strap, 24" Rubber (For Fuel Tank - See Engine Manual)        | P11258 | 2    |   |



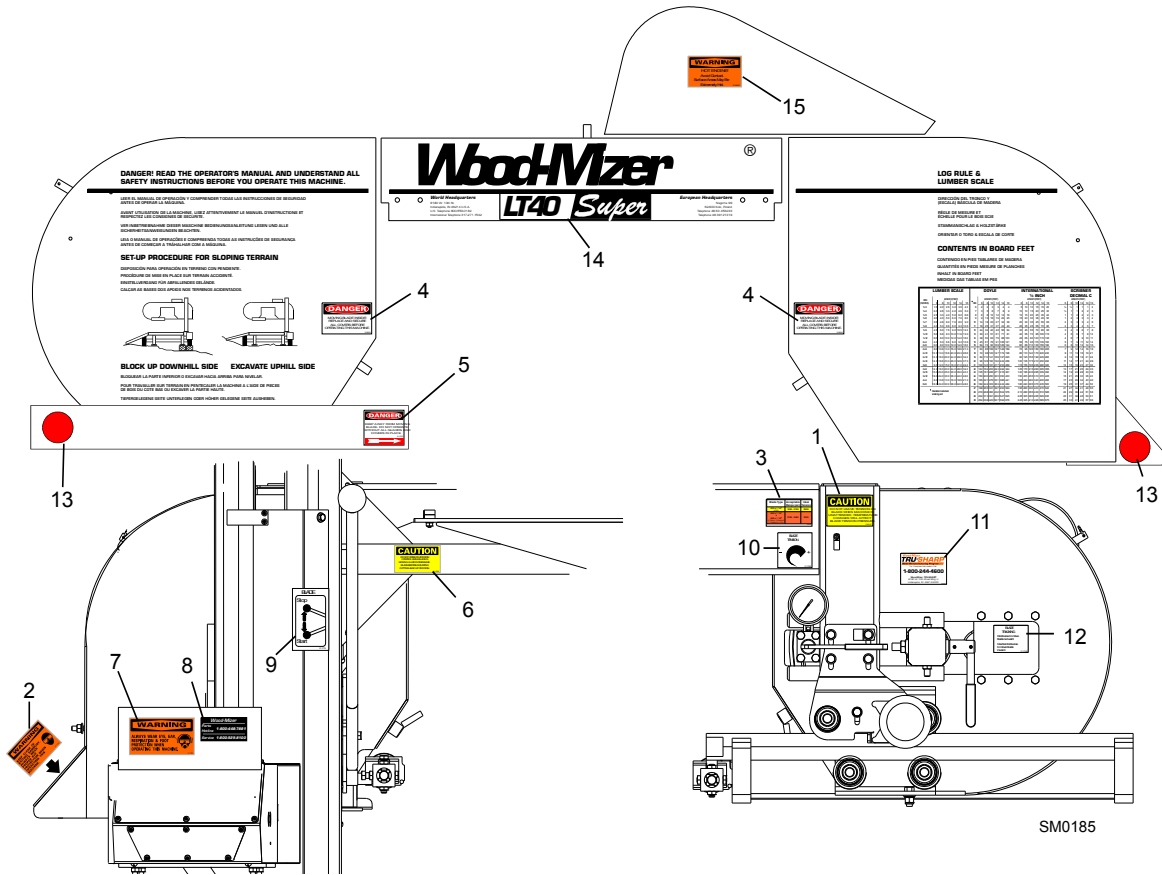
|    |  |                     |       |  |
|----|--|---------------------|-------|--|
| 3  | Strap, 20" Rubber                          | P11668              | 2     |  |
| 4  | Bolt, 1/4-20 X 1" Carriage Head            | F05005-34           | 4     |  |
| 5  | Nut, 1/4-20 Hex Lock                       | F05010-21           | 4     |  |
| 6  | <b>BOLT, 1/4-20 X 1" CARRIAGE HEAD</b>     | F05005-34           | 1     |  |
| 7  | <b>BOLT, 1/4-20 X 1/2" CARRIAGE HEAD</b>   | F05005-33           | 2     |  |
| 8  | <b>CLAMP, 1/2" EMT HOSE</b>                | P07584              | 3     |  |
| 9  | <b>WASHER, 1/4" SAE FLAT</b>               | F05011-11           | 3     |  |
| 10 | <b>NUT, 1/4-20 HEX LOCK</b>                | F05010-21           | 1     |  |
| 11 | <b>STRAP, 15" RUBBER</b>                   | P07461              | 1     |  |
| 12 | <b>NUT, 1/4-20 SELF-LOCKING</b>            | F05010-9            | 2     |  |
| 13 | <b>BOTTLE ASSY, WATER LUBE W/CAP</b>       | 014642 <sup>1</sup> | 1     |  |
| 14 | <b>FITTING, 3/4FPT X 3/4 MPT</b>           | 014636              | 1     |  |
| 15 | <b>FITTING, WATER LUBE SHUTOFF VALVE</b>   | 014100              | 1     |  |
| 16 | <b>FILTER, WATER LUBE</b>                  | 016086 <sup>2</sup> | 1     |  |
| 17 | <b>FITTING, 5/8" NPT TO 3/8" HOSE BARB</b> | 014113              | 1     |  |
| 18 | <b>TUBING, WATER LUBE 3/8" I.D.</b>        | R01885              | 7 ft. |  |

<sup>1</sup> Use Water Bottle Assembly w/Cap 014642 to service all bottle/cap combinations previously supplied. Bottle 014367, 61mm Cap 014773 and 70mm Cap 036744 no longer available separately. 014642 Bottle Kit replaces P04357 bottle & Cap P09088 originally supplied through 4/97 (requires fitting 014636).

<sup>2</sup> Filter recommended for Super models to prevent debris from entering water lube solenoid valve.

# 4 Saw Head Saw Head Decals

## 4.8 Saw Head Decals



| REF | DESCRIPTION (◆ Indicates Parts Available In Assemblies Only) | PART #              | QTY. |
|-----|--|---------------------|------|
| 1   | DECAL, BLADE TENSION CAUTION                                 | P10147              | 1    |
| 2   | DECAL, SAWDUST CHUTE WARNING                                 | P11754              | 1    |
| 3   | DECAL, BLADE TENSION RANGES                                  | P12373              | 1    |
| 4   | DECAL, MOVING PARTS DANGER                                   | 033254 <sup>1</sup> | 2    |
| 5   | DECAL, BLADE DANGER ARROW RIGHT                              | S11752              | 1    |
| 6   | DECAL, UP/DOWN CAUTION                                       | S11762              | 1    |
| 7   | DECAL, EYE/EAR WARNING                                       | S11753              | 1    |
| 8   | DECAL, TOLL FREE PHONE INFO                                  | S12117              | 1    |
| 9   | DECAL, BLADE START/STOP                                      | P11779              | 1    |
| 10  | DECAL, BLADE TENSION INFO                                    | P11790              | 1    |
| 11  | DECAL, TRU-SHARP INFO  | P12879              | 1    |
| 12  | DECAL, BLADE ALIGNMENT INFO                                  | P11789              | 1    |
| 13  | DECAL, RED REFLECTIVE 2" ROUND                               | P07452              | 2    |

|           |                                  |        |   |  |
|-----------|----------------------------------|--------|---|--|
| <b>14</b> | <b>DECAL, LT30G18</b>            | S12586 | 1 |  |
|           | <b>DECAL, LT30E15</b>            | S12585 | 1 |  |
|           | <b>DECAL, LT30G24</b>            | S12587 | 1 |  |
|           | <b>DECAL, LT40G18</b>            | S12593 | 1 |  |
|           | <b>DECAL, LT40E15</b>            | S12592 | 1 |  |
|           | <b>DECAL, LT40G24</b>            | S12594 | 1 |  |
|           | <b>DECAL, LT30 SUPER</b>         | 014166 | 1 |  |
|           | <b>DECAL, LT40 SUPER</b>         | 014167 | 1 |  |
| <b>15</b> | <b>DECAL, HOT ENGINE WARNING</b> | 014419 | 1 |  |

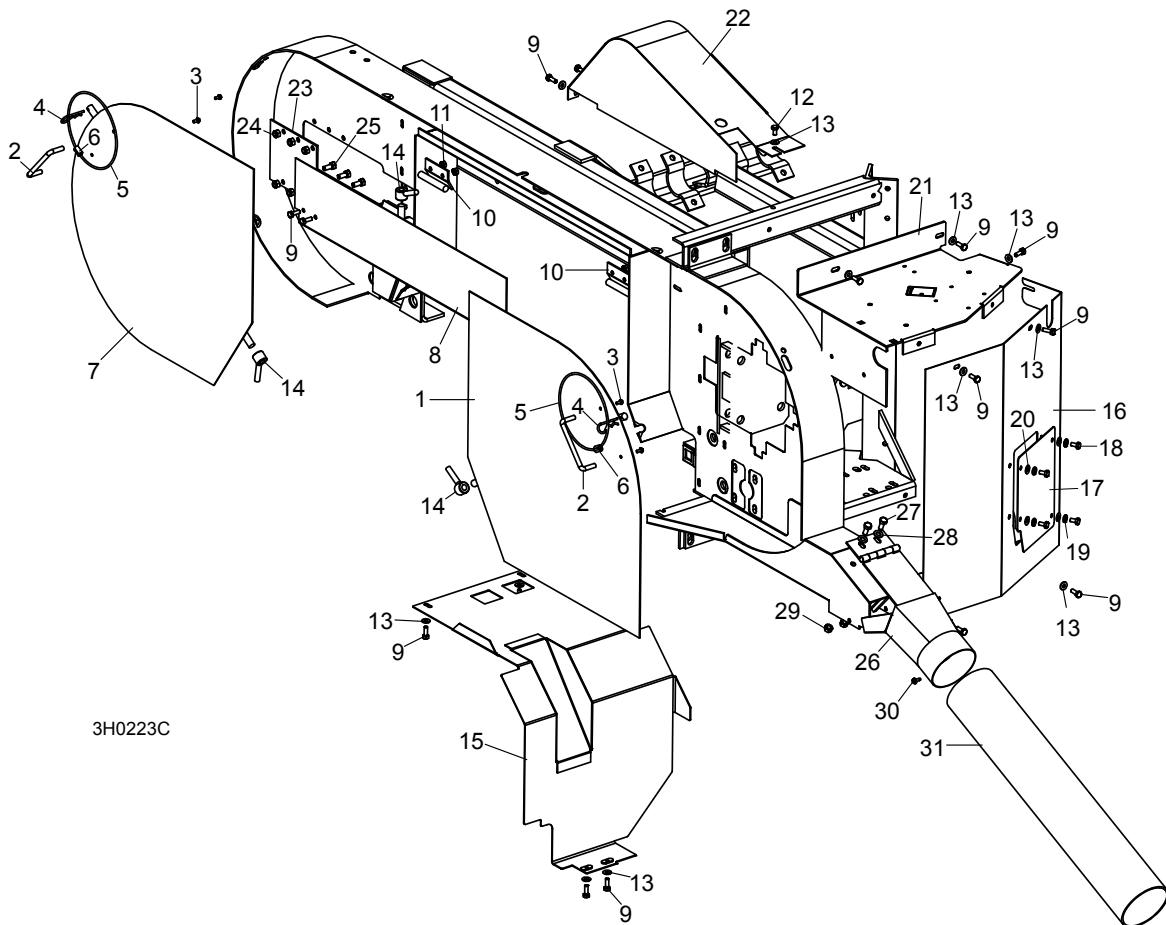
<sup>1</sup> Replaces S20039 originally supplied.

# 4 Saw Head

## Covers & Sawdust Chute

### 4.9 Covers & Sawdust Chute

LT30 Rev. F6 - F6.01  
 LT40 Rev. F7 - F7.01  
 LT30 Super Rev. F4 - F6.01  
 LT40 Super Rev. F5 - F6.01



3H0223C

| REF | DESCRIPTION (◆ Indicates Parts Available In Assemblies Only) | PART #   | QTY.    |   |
|-----|--|----------|---------|---|
|     | <b>COVER, DRIVE SIDE BLADE HOUSING WITH HANDLE</b>           | A09420   | 1       |   |
| 1   | Cover, Drive Side Blade Housing                              | W07948   | 1       | ◆ |
| 2   | Handle, Blade Housing Cover                                  | P08065   | 1       |   |
| 3   | Screw, #8-32 X 3/8" Self-Tap                                 | F05015-8 | 2       |   |
|     | Pin Assembly, Cover Retainer                                 | A12812   | 1       |   |
| 4   | Pin, Safety Retainer   | P05059   | 1       |   |
| 5   | Cable, 1/8" O.D. Coated Nylon                                | R02075   | .92 Ft. |   |
| 6   | Clamp, 1/8" Dual Cable                                       | P11830   | 1       |   |

|    |   |                     |         |   |
|----|---|---------------------|---------|---|
|    | <b>COVER, IDLE SIDE BLADE HOUSING WITH HANDLE</b> | A09419              | 1       |   |
| 7  | Cover, Idle Side Blade Housing                    | W09351              | 1       | ◆ |
| 2  | Handle, Blade Housing Cover                       | P08065              | 1       |   |
| 3  | Screw, #8-32 X 3/8" Self-Tap                      | F05015-8            | 2       |   |
|    | Pin Assembly, Cover Retainer                      | A12812              | 1       |   |
| 4  | Pin, Safety Retainer                              | P05059              | 1       |   |
| 5  | Cable, 1/8" O.D. Coated Nylon                     | R02075              | .92 Ft. |   |
| 6  | Clamp, 1/8" Dual Cable                            | P11830              | 1       |   |
| 8  | <b>COVER, MIDDLE BLADE HOUSING</b>                | W07409              | 1       |   |
| 9  | <b>BOLT, 1/4-20 X 3/4" HEX HEAD</b>               | F05005-1            | 18      |   |
| 10 | <b>HINGE, MIDDLE BLADE HOUSING COVER</b>          | S07522              | 2       |   |
| 11 | <b>NUT, 1/4-20 SELF-LOCKING HEX</b>               | F05010-9            | 4       |   |
| 12 | <b>BOLT, 1/4-20 X 1/2" HEX HEAD</b>               | F05005-15           | 1       |   |
| 13 | <b>WASHER, 1/4" SAE FLAT</b>                      | F05011-11           | 19      |   |
| 14 | <b>NUT, COVER TURN</b>                            | 021145 <sup>1</sup> | 3       |   |
| 15 | <b>GUARD, CLUTCH LEVER</b>                        | 014241              | 1       |   |
| 16 | <b>GUARD, DRIVE PULLEY SIDE</b>                   | W11537 <sup>2</sup> | 1       |   |
| 17 | <b>PLATE, DRIVE PULLEY GUARD COVER</b>            | 006870 <sup>2</sup> | 1       |   |
| 18 | <b>BOLT, 1/4-20 X 1/2" HEX HEAD</b>               | F05005-15           | 4       |   |
| 19 | <b>WASHER, 1/4" SPLIT LOCK</b>                    | F05011-14           | 4       |   |
| 20 | <b>WASHER, 1/4" SAE FLAT</b>                      | F05011-11           | 4       |   |
| 21 | <b>GUARD, DRIVE PULLEY TOP</b>                    | W11750              | 1       |   |
| 22 | <b>GUARD, ENGINE PULLEY (G24)</b>                 | 014498              | 1       |   |
|    | <b>GUARD, ENGINE PULLEY (G18)</b>                 | 014518              | 1       |   |
|    | <b>GUARD, ENGINE PULLEY (G35)</b>                 | 014521 <sup>3</sup> | 1       |   |
|    | <b>GUARD, ENGINE PULLEY (G35)</b>                 | 014300 <sup>3</sup> | 1       |   |
|    | <b>GUARD, MOTOR PULLEY (E25)</b>                  | 014500 <sup>4</sup> | 1       |   |
|    | <b>GUARD, MOTOR PULLEY (E25)</b>                  | 014234 <sup>4</sup> | 1       |   |
|    | <b>GUARD, ENGINE PULLEY (D40)</b>                 | 014519 <sup>5</sup> | 1       |   |
|    | <b>GUARD, ENGINE PULLEY (D40)</b>                 | 014223 <sup>5</sup> | 1       |   |
| 23 | <b>PLATE, IDLE BLADE WHEEL GUARD</b>              | S04433              | 1       |   |
| 24 | <b>NUT, 5/16-18 HEX NYLON LOCK</b>                | F05010-58           | 6       |   |
| 25 | <b>BOLT, 5/16-18 X 3/4" HEX HEAD GRADE 2</b>      | F05006-5            | 6       |   |
|    | <b>CHUTE, ASSEMBLY, SAWDUST</b>                   | A12297              | 1       |   |
| 26 | Chute Weldment, Sawdust                           | W12296              | 1       |   |
| 27 | Bolt, 5/16-18 x 3/4" Hex Head Grade 2             | F05006-5            | 2       |   |
| 28 | Washer, 5/16" Standard                            | F05011-16           | 2       |   |
| 29 | Nut, 5/16-18 Hex Lock                             | F05010-58           | 2       |   |
| 30 | Bolt, #10-24 x 1/2" Self-Tapping                  | F05015-7            | 2       |   |
| 31 | Tubing, 4" I.D. Rubber                            | R02336              | 2 ft.   |   |
|    | Strap, 20" Rubber w/Hook                          | P11668              | 1       |   |
|    | Bolt, 1/4-20 x 1 1/4" Hex Head Full Thread        | F05005-3            | 1       |   |

# 4 Saw Head

## Covers & Sawdust Chute

---

|  |                       |           |   |  |
|--|-----------------------|-----------|---|--|
|  | Washer, 1/4" SAE Flat | F05011-11 | 1 |  |
|  | Nut, 1/4-20 Lock      | F05010-21 | 1 |  |

<sup>1</sup> Directly replaces W07511 nut weldment (8/97).

<sup>2</sup> Guard W11537 modified 3/09. Cutout added to accommodate Simple Set encoder sensor. Plate 006870 added to cover cutout on sawmills without Simple Set. **NOTE:** Simple Set option not available for models prior to 1997. Plate 006870 modified 10/09 to accommodate Super model covers.

<sup>3</sup> Use 014521 for LT30 Super Rev. F6+ & LT40 Super Rev. F7+. Use 014300 for LT30 Super Rev. F4 - F5 & LT40 Super Rev. F5 - F6.

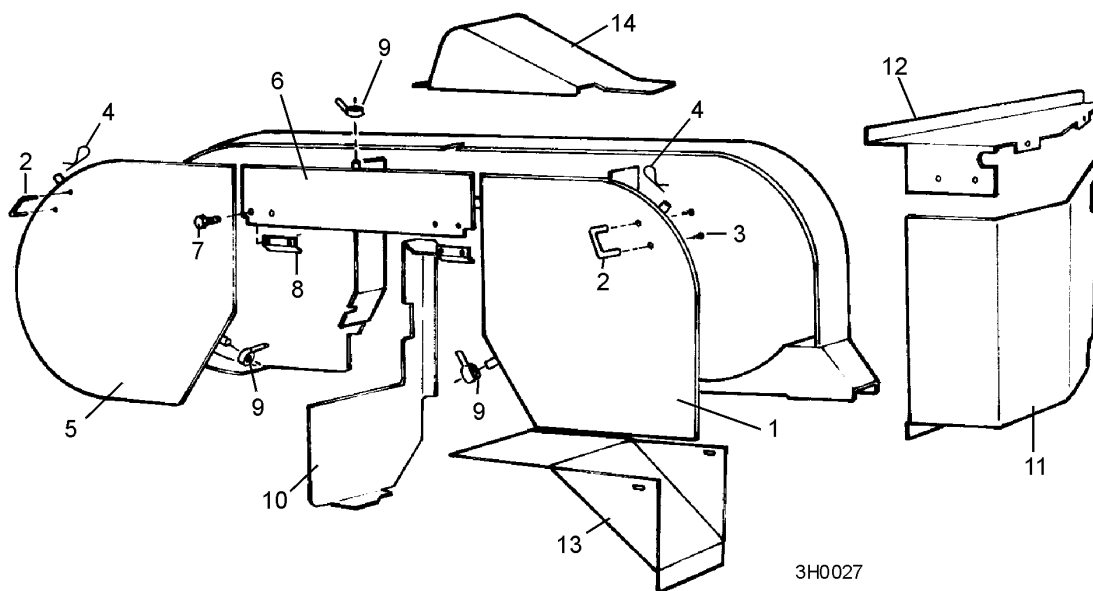
<sup>4</sup> Use 014500 for LT30 Super Rev. F6+ & LT40 Super Rev. F7+. Use 014234 for LT30 Super Rev. F4 - F5 & LT40 Super Rev. F5 - F6. 3/8-16 x 1 1/4" Socket Head Oval Point Screw F05007-18 and 3/8-16 Hex Jam Nut F05010-29 added to 014500 E25 Cover Weldment to prevent the drive belt from jumping the motor pulley.

<sup>5</sup> Use 014519 for LT30 Super Rev. F6+ & LT40 Super Rev. F7+. Use 014223 for LT30 Super Rev. F4 - F5 & LT40 Super Rev. F5 - F6.

## 4.10 Covers

LT30  
LT40

Rev. F4 - F5  
Rev. F5 - F6



3H0027

| REF | DESCRIPTION (◆ Indicates Parts Available In Assemblies Only) | PART #              | QTY.    |   |
|-----|--|---------------------|---------|---|
|     | <b>COVER, DRIVE SIDE BLADE HOUSING WITH HANDLE</b>           | A09420              | 1       |   |
| 1   | Cover, Drive Side Blade Housing                              | W07948              | 1       | ◆ |
| 2   | Handle, Blade Housing Cover                                  | P08065              | 1       |   |
| 3   | Screw, #8-32 X 3/8" Self-Tap                                 | F05015-8            | 2       |   |
|     | Pin Assembly, Cover Retainer                                 | A12812              | 1       |   |
| 4   | Pin, Safety Retainer   | P05059              | 1       |   |
|     | Cable, 1/8" O.D. Coated Nylon                                | R02075              | .92 Ft. |   |
|     | Clamp, 1/8" Dual Cable                                       | P11830              | 1       |   |
|     | <b>COVER, IDLE SIDE BLADE HOUSING WITH HANDLE</b>            | A09419              | 1       |   |
| 5   | Cover, Idle Side Blade Housing                               | W09351              | 1       | ◆ |
| 2   | Handle, Blade Housing Cover                                  | P08065              | 1       |   |
| 3   | Screw, #8-32 X 3/8" Self-Tap                                 | F05015-8            | 2       |   |
|     | Pin Assembly, Cover Retainer                                 | A12812              | 1       |   |
| 4   | Pin, Safety Retainer   | P05059              | 1       |   |
|     | Cable, 1/8" O.D. Coated Nylon                                | R02075              | .92 Ft. |   |
|     | Clamp, 1/8" Dual Cable                                       | P11830              | 1       |   |
| 6   | <b>COVER, MIDDLE BLADE HOUSING</b>                           | W07409              | 1       |   |
| 7   | <b>BOLT, 1/4-20 X 3/4" HEX HEAD</b>                          | F05005-1            | 2       |   |
| 8   | <b>HINGE, MIDDLE BLADE HOUSING COVER</b>                     | S07522              | 2       |   |
| 9   | <b>NUT, COVER TURN</b>                                       | 021145 <sup>1</sup> | 3       |   |

**4****Saw Head  
Covers**

---

|    |                                   |                     |   |  |
|----|-----------------------------------|---------------------|---|--|
| 10 | GUARD, CLUTCH LEVER (G18/G24/E15) | W11772              | 1 |  |
| 11 | GUARD, DRIVE PULLEY SIDE          | W11537 <sup>2</sup> | 1 |  |
| 12 | GUARD, DRIVE PULLEY TOP           | W11750              | 1 |  |
| 13 | GUARD, LOWER DRIVE BELT           | W12288              | 1 |  |
| 14 | GUARD, ENGINE PULLEY (G24)        | W10272              | 1 |  |
|    | GUARD, ENGINE PULLEY (G18/E15)    | W09010              | 1 |  |

<sup>1</sup> Directly replaces W07511 nut weldment (8/97).

<sup>2</sup> Guard W11537 modified 3/09. Cutout added to accommodate Simple Set encoder sensor. Plate 006870 added to cover cutout on sawmills without Simple Set ([See Section 4.9](#)). **NOTE:** Simple Set option not available for models prior to 1997.

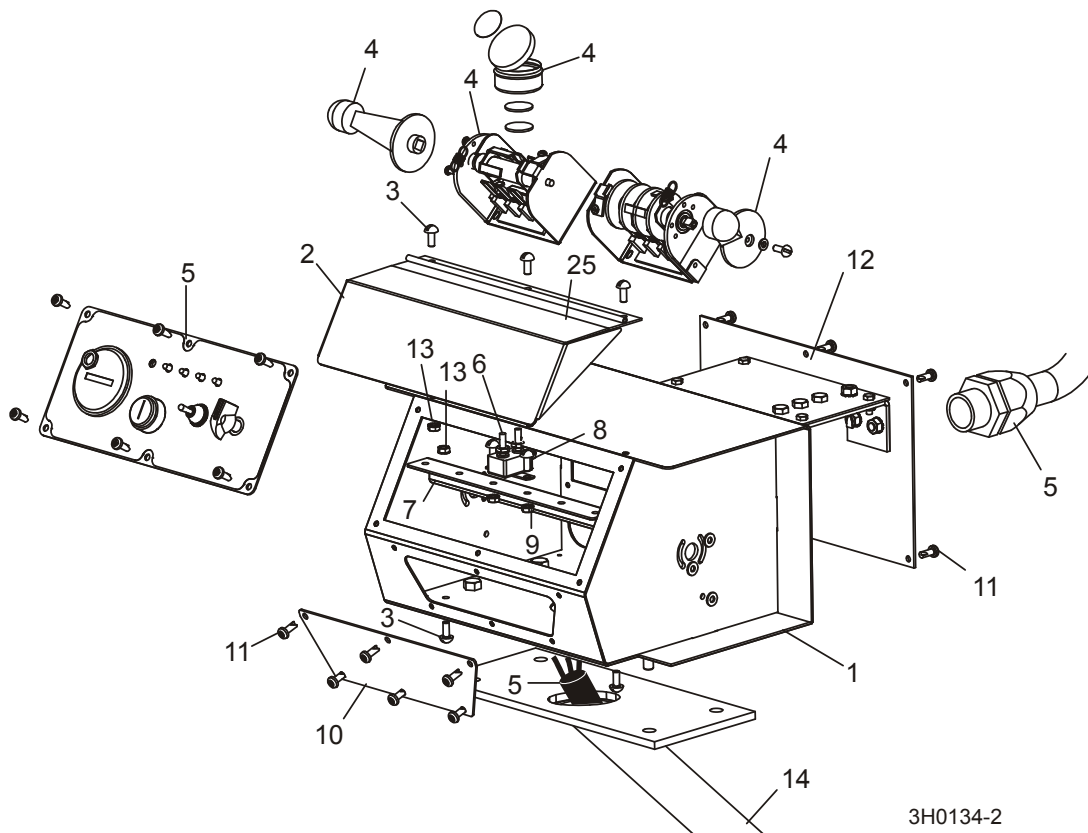


## SECTION 5 CONTROL & BATTERY BOXES

### 5.1 Control Assembly (U.S.)

LT30  
LT40  
LT30 Super  
LT40 Super

Rev. F4723+  
Rev. F5589+<sup>1</sup>  
Rev. F4001+  
Rev. F5001+



3H0134-2

| REF | DESCRIPTION (◆ Indicates Parts Available in Assemblies Only) | PART # | QTY. |
|-----|--|--------|------|
|     | CONTROL BOX ASSEMBLY, G24                                    | 014172 | 1    |
|     | CONTROL BOX ASSEMBLY, G18                                    | 014174 | 1    |
|     | CONTROL BOX ASSEMBLY, G35                                    | 014316 | 1    |
|     | CONTROL BOX ASSEMBLY, E20                                    | 014177 | 1    |
|     | CONTROL BOX ASSEMBLY, E25                                    | 014449 | 1    |
|     | CONTROL BOX ASSEMBLY, D40                                    | 014176 | 1    |
| 1   | Box Weldment, Sawmill Control                                | W11621 | 1    |
| 2   | Cover, Control Box Hinged                                    | W11636 | 1    |

<sup>1</sup> Except LT40 Rev. F5592. [See Section 5.2](#)

# 5

## Control & Battery Boxes

### Control Assembly (U.S.)

|    |   |                        |    |   |
|----|---|------------------------|----|---|
| 3  | Screw, #8-32 x 1/2" Slotted Round Head                              | F05004-12              | 5  |   |
| 4  | Drum Switch Parts ( <a href="#">See Section 5.5</a> )               |                        |    |   |
| 5  | Front Panel Parts and Harnesses ( <a href="#">See Section 5.7</a> ) |                        |    |   |
|    | Breaker Assembly (U.S.), Sawmill Control Circuit                    | A20433                 | 1  | ◆ |
| 6  | Breaker, 30 Amp Auto Reset  | E20486 <sup>1</sup>    | 1  |   |
| 7  | Bracket, Circuit Breaker  | S11656-N               | 1  |   |
| 8  | Screw, #8-32 X 1/2" Slotted Head                                    | F05004-12              | 2  |   |
| 9  | Nut, #8-32 Hex Self-Locking   | F05010-41              | 2  |   |
| 10 | Panel, Control Box Front Access                                     | S11625                 | 1  |   |
| 11 | Screw, #10-24 x 1/2" Pan Head                                       | F05015-17              | 12 |   |
| 12 | Circuit Board Assembly, Power Feed Control                          | 024495 <sup>2</sup>    | 1  |   |
|    | Module Assembly, 92-96 Power Feed Mosfet                            | 024540 <sup>3</sup>    | 1  |   |
|    | Module Assembly, 92-96 SMT Power Feed Control                       | 024396-96 <sup>3</sup> | 1  |   |
|    | Suppressor Assembly, Power Feed                                     | 052294 <sup>4</sup>    | 1  |   |
|    | Capacitor Assembly, Power Feed Filter                               | 052365                 | 1  |   |
|    | Diode Assembly, Power Feed Replacement                              | 052363                 | 1  |   |
| 13 | Nut, #8-32 Self-Locking   | F05010-41              | 5  |   |
| 14 | <b>TUBE, CONTROL BOX MOUNT</b>                                      | W11640                 | 1  |   |

<sup>1</sup> A retrofit is available for Super model mills which provides a second circuit breaker. This will allow the power feed and up/down to be operated at the same time without nuisance tripping of the breaker. Order kit #024235.

<sup>2</sup> Replaces A20428 originally supplied before 4/99. New assembly includes LED indicator lights for easier troubleshooting. Modularized components and surface mount technology improve durability and power capability.

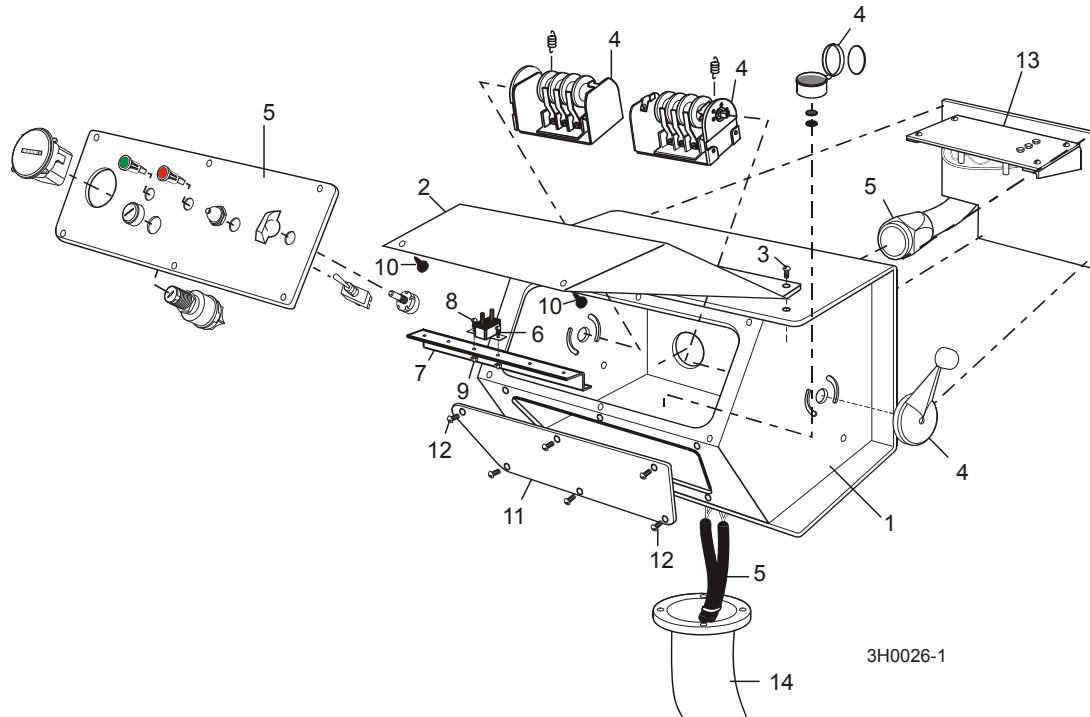
<sup>3</sup> Modules apply to 024495 power feed control only.

<sup>4</sup> Suppressor Assembly 052294 added 6/05 to protect feed circuit.

## 5.2 Control Assembly (U.S.)

LT30  
LT40

Rev. F4710 - F4722  
Rev. F5565 - F5587, 592



| REF | DESCRIPTION (◆ Indicates Parts Available In Assemblies Only)      | PART #              | QTY. |   |
|-----|---|---------------------|------|---|
|     | <b>CONTROL BOX ASSEMBLY, G24</b>                                  | A11981-W            | 1    |   |
|     | <b>CONTROL BOX ASSEMBLY, E15</b>                                  | A11982-W            | 1    |   |
|     | <b>CONTROL BOX ASSEMBLY, G18</b>                                  | A12939              | 1    |   |
| 1   | Box Weldment, Sawmill Control                                     | W11621              | 1    |   |
| 2   | Cover, Control Box Hinged   | W11636              | 1    |   |
| 3   | Rivet, 3/16" x 1/4" Aluminum Pop                                  | F04203-7            | 3    |   |
| 4   | Drum Switch Parts ( <a href="#">See Section 5.5</a> )             |                     |      |   |
| 5   | Front Panel Parts & Harnesses ( <a href="#">See Section 5.8</a> ) |                     |      |   |
|     | Breaker Assembly (U.S.), Sawmill Control Circuit                  | A20433              | 1    | ◆ |
| 6   | Breaker, 30 Amp Auto Reset  | E20486 <sup>1</sup> | 1    |   |
| 7   | Bracket, Circuit Breaker  | S11656-N            | 1    |   |
| 8   | Screw, #8-32 X 1/2" Slotted Head                                  | F05004-12           | 2    |   |
| 9   | Nut, #8-32 Hex Self-Locking                                       | F05010-41           | 2    |   |
| 10  | Pad, Rubber Bumper  | P08184              | 4    |   |
| 11  | Panel, Control Box Front Access                                   | S11625              | 1    |   |
| 12  | Screw, #10-24 x 1/2" Pan Head                                     | F05015-17           | 6    |   |
| 13  | Circuit Board Assembly, Power Feed                                | 024495 <sup>2</sup> | 1    |   |

## 5 Control & Battery Boxes

*Control Assembly (U.S.)*

|           |   |                        |   |  |
|-----------|---|------------------------|---|--|
|           | Module Assembly, 92-96 Power Feed Mosfet      | 024540 <sup>3</sup>    | 1 |  |
|           | Module Assembly, 92-96 SMT Power Feed Control | 024396-96 <sup>3</sup> | 1 |  |
|           | Suppressor Assembly, Power Feed               | 052294 <sup>4</sup>    | 1 |  |
|           | Capacitor Assembly, Power Feed Filter         | 052365                 | 1 |  |
|           | Diode Assembly, Power Feed Replacement        | 052363                 | 1 |  |
| <b>14</b> | <b>TUBE, CONTROL BOX MOUNT</b>                | W11640                 | 1 |  |

<sup>1</sup> A retrofit is available for Super model mills which provides a second circuit breaker. This will allow the power feed and up/down to be operated at the same time without nuisance tripping of the breaker. Order kit #024235.

<sup>2</sup> Replaces A20428 originally supplied before 4/99. New assembly includes LED indicator lights for easier troubleshooting. Modularized components and surface mount technology improve durability and power capability.

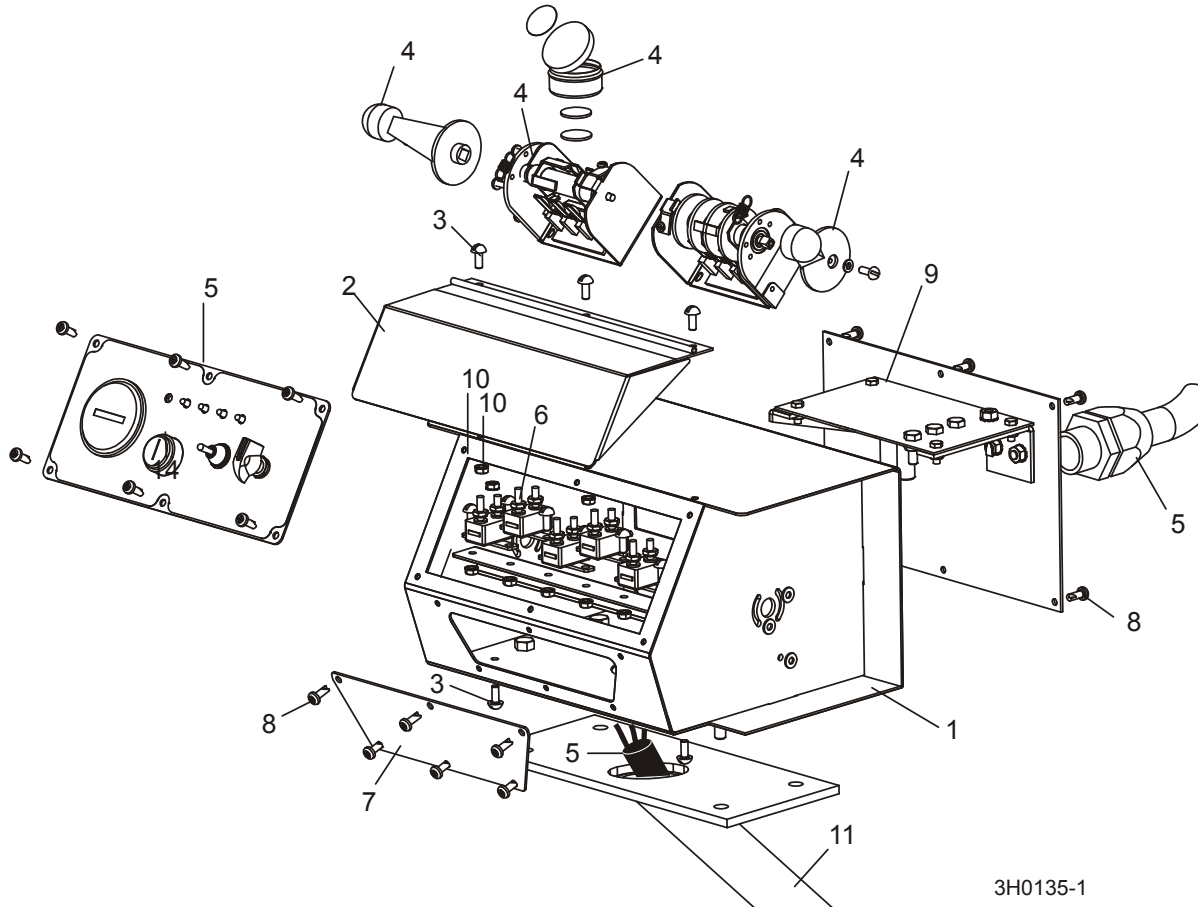
<sup>3</sup> Modules apply to 024495 power feed control only.

<sup>4</sup> Suppressor Assembly 052294 added 6/05 to protect feed circuit.

### 5.3 Control Assembly (G.S.)

LT30  
LT40  
LT30 Super  
LT40 Super

Rev. F4723+  
Rev. F5589+<sup>1</sup>  
Rev. F4001+  
Rev. F5001+



3H0135-1

| REF | DESCRIPTION (◆ Indicates Parts Available in Assemblies Only)      | PART #    | QTY. |
|-----|---|-----------|------|
|     | <b>CONTROL BOX ASSEMBLY, G24S</b>                                 | 014170    | 1    |
|     | <b>CONTROL BOX ASSEMBLY, E20S</b>                                 | 014179    | 1    |
| 1   | Box Weldment, Sawmill Control                                     | W11621    | 1    |
| 2   | Cover, Control Box Hinged   | W11636    | 1    |
| 3   | Screw, #8-32 x 1/2" Slotted Round Head                            | F05004-12 | 5    |
| 4   | Drum Switch Parts ( <a href="#">See Section 5.5</a> )             |           |      |
| 5   | Front Panel Parts & Harnesses ( <a href="#">See Section 5.7</a> ) |           |      |
| 6   | Circuit Breaker Parts ( <a href="#">See Section 5.6</a> )         |           |      |
| 7   | Panel, Control Box Front Access                                   | S11625    | 1    |

<sup>1</sup> Except LT40 Rev. F5592. [See Section 5.4](#)

## 5 Control & Battery Boxes

### Control Assembly (G.S.)

|    |   |                        |    |  |
|----|---|------------------------|----|--|
| 8  | Screw, #10-24 x 1/2" Pan Head                 | F05015-17              | 12 |  |
| 9  | Circuit Board Assembly, Power Feed            | 024495 <sup>1</sup>    | 1  |  |
|    | Module Assembly, 92-96 Power Feed Mosfet      | 024540 <sup>2</sup>    | 1  |  |
|    | Module Assembly, 92-96 SMT Power Feed Control | 024396-96 <sup>2</sup> | 1  |  |
|    | Suppressor Assembly, Power Feed               | 052294 <sup>3</sup>    | 1  |  |
|    | Capacitor Assembly, Power Feed Filter         | 052365                 | 1  |  |
|    | Diode Assembly, Power Feed Replacement        | 052363                 | 1  |  |
| 10 | Nut, #8-32 Self-Locking                       | F05010-41              | 5  |  |
| 11 | <b>TUBE, CONTROL BOX MOUNT</b>                | W11640                 | 1  |  |

<sup>1</sup> Replaces A20428 originally supplied before 4/99. New assembly includes LED indicator lights for easier troubleshooting. Modularized components and surface mount technology improve durability and power capability.

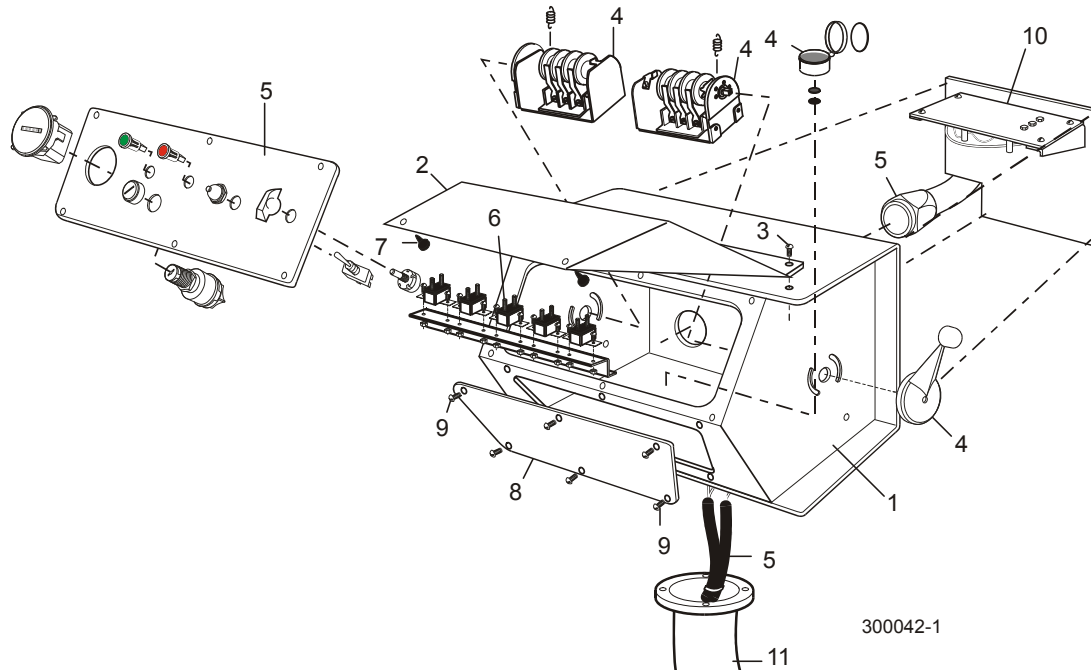
<sup>2</sup> Modules apply to 024495 power feed control only.

<sup>3</sup> Suppressor Assembly 052294 added 6/05 to protect feed circuit.

### 5.4 Control Assembly (G.S.)

LT30  
LT40

Rev. F4710 - F4722  
Rev. F5565 - F5587, 592



| REF | DESCRIPTION (◆ Indicates Parts Available In Assemblies Only)      | PART #                 | QTY. |
|-----|---|------------------------|------|
|     | <b>CONTROL BOX ASSEMBLY, G24S</b>                                 | A11986-W               | 1    |
|     | <b>CONTROL BOX ASSEMBLY, E15S</b>                                 | A11987-W               | 1    |
| 1   | Box Weldment, Sawmill Control                                     | W11621                 | 1    |
| 2   | Cover, Control Box Hinged   | W11636                 | 1    |
| 3   | Rivet, 3/16" x 1/4" Aluminum Pop                                  | F04203-7               | 3    |
| 4   | Drum Switch Parts ( <a href="#">See Section 5.5</a> )             |                        |      |
| 5   | Front Panel Parts & Harnesses ( <a href="#">See Section 5.8</a> ) |                        |      |
| 6   | Circuit Breaker Parts ( <a href="#">See Section 5.6</a> )         |                        |      |
| 7   | Pad, Rubber Bumper  | P08184                 | 4    |
| 8   | Panel, Control Box Front Access                                   | S11625                 | 1    |
| 9   | Screw, #10-24 x 1/2" Pan Head                                     | F05015-17              | 6    |
| 10  | Circuit Board Assembly, Power Feed                                | 024495 <sup>1</sup>    | 1    |
|     | Module Assembly, 92-96 Power Feed Mosfet                          | 024540 <sup>2</sup>    | 1    |
|     | Module Assembly, 92-96 SMT Power Feed Control                     | 024396-96 <sup>2</sup> | 1    |
|     | Suppressor Assembly, Power Feed                                   | 052294 <sup>3</sup>    | 1    |
|     | Capacitor Assembly, Power Feed Filter                             | 052365                 | 1    |
|     | Diode Assembly, Power Feed Replacement                            | 052363                 | 1    |
| 11  | <b>TUBE, CONTROL BOX MOUNT</b>                                    | W11640                 | 1    |

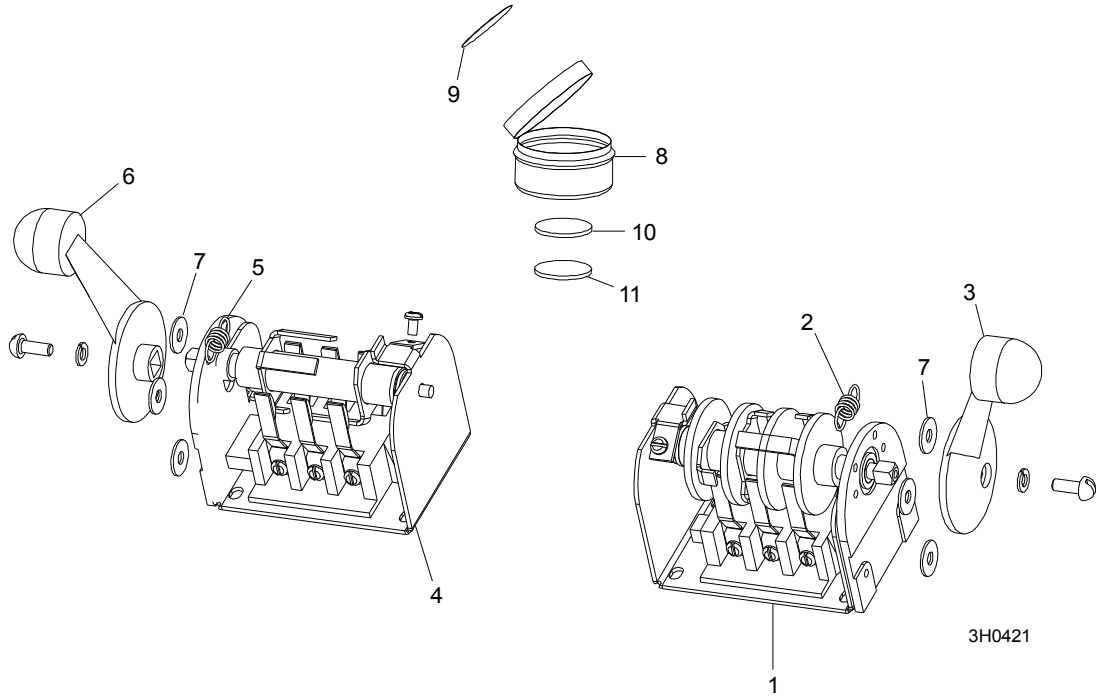
## **5** **Control & Battery Boxes** *Control Assembly (G.S.)*

---

- <sup>1</sup> Replaces A20428 originally supplied before 4/99. New assembly includes LED indicator lights for easier troubleshooting. Modularized components and surface mount technology improve durability and power capability.
- <sup>2</sup> Modules apply to 024495 power feed control only.
- <sup>3</sup> Suppressor Assembly 052294 added 6/05 to protect feed circuit.

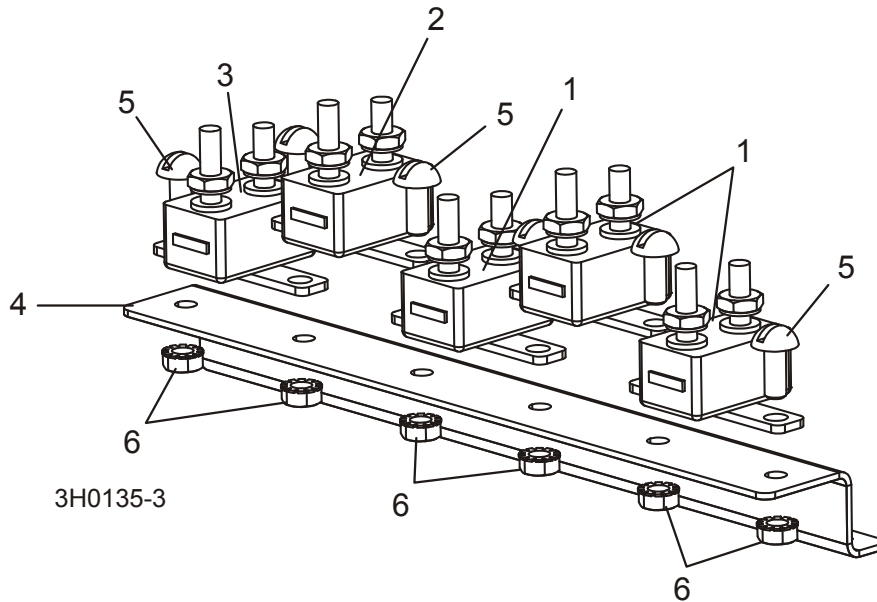


## 5.5 Drum Switches



| REF | DESCRIPTION (◆ Indicates Parts Available In Assemblies Only) | PART #    | QTY.    |   |
|-----|--|-----------|---------|---|
|     | <b>SWITCH ASSEMBLY, UP/DOWN DRUM</b>                         | E20440    | 1       |   |
| 1   | Switch, S12 Bulk Drum  | E20440-B  | 1       | ◆ |
| 2   | Spring, Drum Switch  | P12570    | 1       |   |
| 3   | Handle, Drum Switch Replacement                              | P12500    | 1       |   |
|     | <b>SWITCH ASSEMBLY, POWER FEED DRUM (U.S.)</b>               | E20439    | 1       |   |
|     | <b>SWITCH ASSEMBLY, POWER FEED DRUM (G.S.)</b>               | N/A       | 1       |   |
| 4   | Switch, S11 Bulk Drum (U.S.)                                 | E20439-B  | 1       | ◆ |
|     | Switch, S10 Bulk Drum (G.S.)                                 | N/A       | 1       | ◆ |
| 5   | Spring, Drum Switch  | P12570    | 1       |   |
| 6   | Handle, Drum Switch Replacement                              | P12500    | 1       |   |
| 7   | <b>WASHER, #8 SAE FLAT</b>                                   | F05011-41 | 6       |   |
|     | <b>CUP ASSEMBLY, DRUM SWITCH GREASE</b>                      | A20463    | 1       |   |
| 8   | Cup, Plastic Container                                       | P20464    | 1       | ◆ |
| 9   | Decal, Grease Cup Label                                      | P20467    | 1       |   |
| 10  | Pad, Velcro Loop   | P20466    | 1       | ◆ |
| 11  | Pad, Velcro Hook   | P20465    | 1       | ◆ |
|     | Grease, High Temp Drum Switch                                | P20468    | .025 Lb | ◆ |

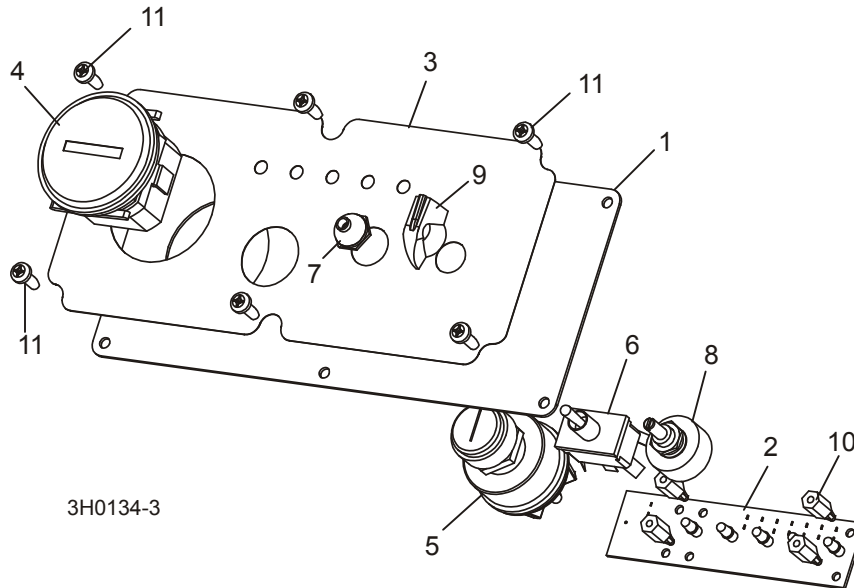
**5.6 Circuit Breakers (G.S.)**



| REF | DESCRIPTION (◆ Indicates Parts Available in Assemblies Only) | PART #    | QTY. |
|-----|--|-----------|------|
|     | <b>BREAKER ASSEMBLY (G.S.), SAWMILL CONTROL CIRCUIT</b>      | A20429    | 1    |
| 1   | Breaker, 15 Amp Manual Reset                                 | E20430    | 3    |
| 2   | Breaker, 30 Amp Manual Reset                                 | E20431    | 1    |
| 3   | Breaker, 50 Amp Manual Reset                                 | E20432    | 1    |
| 4   | Bracket, Circuit Breaker                                     | S11656-N  | 1    |
| 5   | Screw, #8-32 X 1/2" Slotted Head                             | F05004-12 | 8    |
| 6   | Nut, #8-32 Hex Self-Locking                                  | F05010-41 | 8    |

## 5.7 Front Panel Assembly & Harnesses

LT30 Rev. F4723+  
 LT40 Rev. F5589+<sup>a</sup>  
 LT30 Super Rev. F4001+  
 LT40 Super Rev. F5001+



| REF | DESCRIPTION (◆ Indicates Parts Available In Assemblies Only) | PART #              | QTY. |   |
|-----|--|---------------------|------|---|
|     | PANEL ASSEMBLY, CONTROL FRONT (G24/G35/E20)                  | A20435              | 1    |   |
|     | PANEL ASSEMBLY, CONTROL FRONT (G18)                          | A12940              | 1    |   |
|     | PANEL ASSEMBLY, CONTROL FRONT (E25)                          | 014450              | 1    |   |
|     | PANEL ASSEMBLY, CONTROL FRONT (D40)                          | 014183              | 1    |   |
|     | PANEL ASSEMBLY, CONTROL FRONT (G24S, E20S)                   | A20448              | 1    |   |
| 1   | Panel Weldment, Control                                      | 014016              | 1    |   |
| 2   | Board, LED Circuit (G24/G35/E20)                             | 023041              | 1    |   |
|     | Board, LED Circuit (G18)                                     | 023039              | 1    |   |
|     | Board, LED/Load Limit Circuit (E25)                          | 023047 <sup>1</sup> | 1    | ◆ |
|     | Board, LED Circuit (D40)                                     | 023042              | 1    |   |
| 3   | Decal, G24/G35/E20 Control Panel                             | 014012              | 1    |   |
|     | Decal, G18 Control Panel                                     | 014014              | 1    |   |
|     | Decal, D40 Control Panel                                     | 014011              | 1    |   |
|     | Decal, E25 Control Panel                                     | 014444              | 1    |   |
| 4   | Meter, Hour  | P09631              | 1    |   |
| 5   | Switch, Key  | P04350              | 1    |   |
| 6   | Switch, Toggle   | P10006              | 1    |   |

<sup>a</sup> Except LT40 Rev. F5592. [See Section 5.8](#)

# 5 Control & Battery Boxes

## Front Panel Assembly & Harnesses

|    |  |                       |   |  |
|----|--|-----------------------|---|--|
| 7  | Boot, Toggle Switch Rubber                   | P02575                | 1 |  |
| 8  | Switch Assembly, Feed Rate                   | 024450-1 <sup>2</sup> | 1 |  |
| 9  | Knob, Feed Rate With Set Screw               | P06257                | 1 |  |
| 10 | Spacer, 1/2"-#6 Threaded                     | 023147                | 4 |  |
| 11 | <b>SCREW, #10-24 X 1/2" PAN HEAD</b>         | F05015-17             | 6 |  |
|    | <b>HARNESS, UPPER G24 WIRING</b>             | 014173                | 1 |  |
|    | <b>HARNESS, UPPER G18 WIRING</b>             | 014175                | i |  |
|    | <b>HARNESS, UPPER G24S WIRING</b>            | 014171                | 1 |  |
|    | <b>HARNESS, UPPER G35 WIRING</b>             | 014315                | 1 |  |
|    | <b>HARNESS, UPPER E20 WIRING</b>             | 014185                | 1 |  |
|    | <b>HARNESS, UPPER E20S WIRING</b>            | A20450                | 1 |  |
|    | <b>HARNESS, UPPER E25 WIRING</b>             | 014451                | 1 |  |
|    | <b>HARNESS, UPPER D40 WIRING</b>             | 014182                | 1 |  |
|    | <b>HARNESS, LOWER G18/G24/E20/E25 WIRING</b> | A20479                | 1 |  |
|    | <b>HARNESS, LOWER G24S/E20S WIRING</b>       | 014149                | 1 |  |
|    | <b>HARNESS, LOWER G35/D40 WIRING</b>         | 014181                | 1 |  |

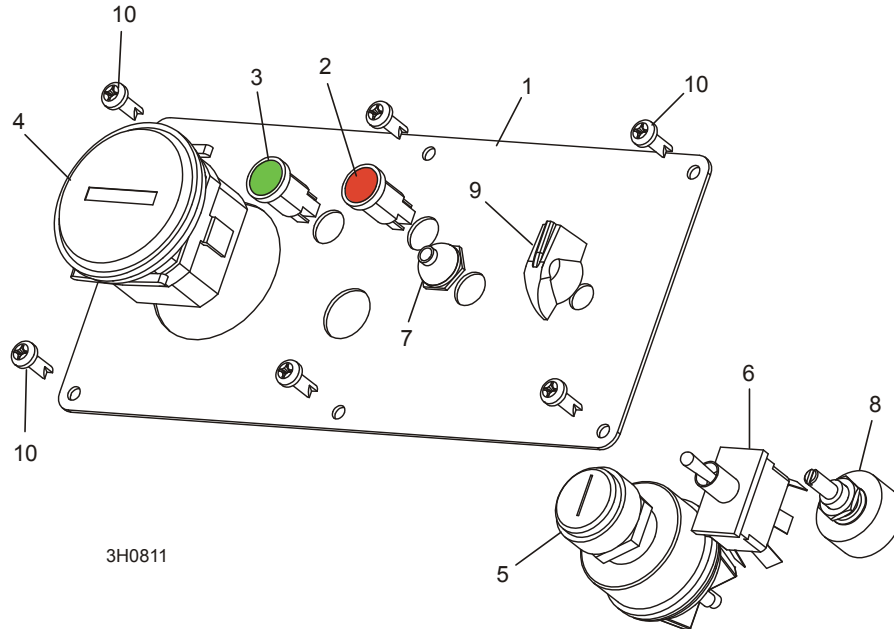
<sup>1</sup> LED circuit board with load limit circuitry and load limit switch assembly no longer available. If a problem with the board affects only the load limit circuitry, the customer may bypass this circuit: Remove one of the violet wires from the terminal block on the circuit board. Connect the wire to the terminal with the other violet wire. If the circuit board requires replacement, use standard LED board 023041: Remove both violet wires and connect together with a wire nut. Remove the three remaining black, white and red wires and tape together or remove the hall effect switch mounted at the motor.

<sup>2</sup> Replaces A20437 and 015408 originally supplied.

## 5.8 Front Panel Assembly & Harnesses

LT30  
LT40

Rev. F4710 - F4722  
Rev. F5565 - F5587, 592



| REF | DESCRIPTION (◆ Indicates Parts Available In Assemblies Only) | PART #                | QTY. |   |
|-----|--|-----------------------|------|---|
|     | PANEL ASSEMBLY, CONTROL FRONT (G24, E15)                     | A20435 <sup>1</sup>   | 1    |   |
|     | PANEL ASSEMBLY, CONTROL FRONT (G18)                          | A12940 <sup>1</sup>   | 1    |   |
|     | PANEL ASSEMBLY, CONTROL FRONT (G24S, E15S)                   | A20448 <sup>1</sup>   | 1    |   |
| 1   | Panel (With Alternator Label), G24/E15 Control               | S11632-1              | 1    | ◆ |
|     | Panel, G18 Control   | S12942                | 1    | ◆ |
| 2   | Light, 12v Red Alternator Indicator (G24, E15 Only)          | P04986                | 1    |   |
| 3   | Light, 12v Green Indicator                                   | P20436                | 1    |   |
| 4   | Meter, Hour  | P09631                | 1    |   |
| 5   | Switch, Key  | P04350                | 1    |   |
| 6   | Switch, Toggle   | P10006                | 1    |   |
| 7   | Boot, Toggle Switch Rubber                                   | P02575                | 1    |   |
| 8   | Switch Assembly, Feed Rate                                   | 024450-1 <sup>2</sup> | 1    |   |
| 9   | Knob, Feed Rate With Set Screw                               | P06257                | 1    |   |
| 10  | <b>SCREW, #10-24 X 1/2" PAN HEAD</b>                         | F05015-17             | 6    |   |
|     | <b>HARNESS, UPPER G24 WIRING</b>                             | A20442                | 1    |   |
|     | <b>HARNESS, UPPER G18 WIRING</b>                             | A12941                | 1    |   |
|     | <b>HARNESS, UPPER G24S WIRING</b>                            | A20447                | 1    |   |
|     | <b>HARNESS, UPPER E15 WIRING</b>                             | A20449                | 1    |   |
|     | <b>HARNESS, UPPER E15S WIRING</b>                            | A20450                | 1    |   |

## **5** Control & Battery Boxes

*Front Panel Assembly & Harnesses*

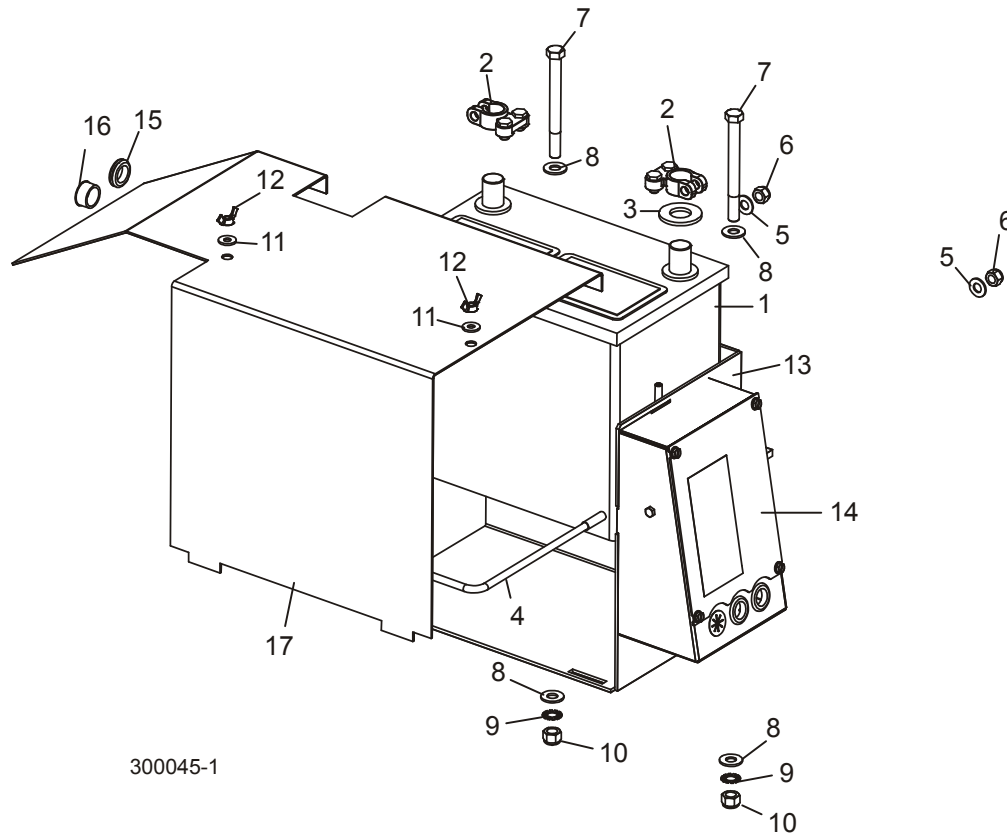
---

|  |  |        |   |  |
|--|--|--------|---|--|
|  | <b>HARNESS, LOWER G18/G24/E15 WIRING</b> | A20479 | 1 |  |
|  | <b>HARNESS, LOWER G24S/E15S WIRING</b>   | A20476 | 1 |  |

<sup>1</sup> Panel replaced with LED panel with decal. [See Section 5.7.](#)

<sup>2</sup> Replaces A20437 and 015408 originally supplied.

## 5.9 Battery Box Assembly



300045-1

| REF | DESCRIPTION (◆ Indicates Parts Available In Assemblies Only) | PART NUMBER | QTY. |   |
|-----|--|-------------|------|---|
| 1   | BATTERY, 524MFD TYPE 24 DEKA DRY (G18/G24/E20)               | P09725-1    | 1    |   |
|     | BATTERY, 875CC TYPE 24F DEKA (D40)                           | P12315      | 1    | ◆ |
|     | BOX ASSEMBLY, 524 BATTERY (U.S. G18/G24/E20 MODELS)          | A11939      | 1    |   |
|     | BOX ASSEMBLY, 524S BATTERY (G.S. G24S/E20S MODELS)           | A11979      | 1    |   |
|     | BOX ASSEMBLY, 875CC BATTERY (D40)                            | 014442      | 1    |   |
| 2   | Terminal, Battery  | P05085      | 2    |   |
| 3   | Washer, Battery Terminal                                     | P12161      | 1    |   |
| 4   | Retainer Loop, Battery                                       | P09790      | 1    |   |
| 5   | Washer, 5/16" SAE Flat                                       | F05011-17   | 2    |   |
| 6   | Nut, 5/16-18 Hex Nylon Lock                                  | F05010-58   | 2    |   |
| 7   | Bolt, 3/8-16 X 4" Hex Head Grade 2                           | F05007-4    | 2    |   |
| 8   | Washer, 3/8" SAE Flat  | F05011-3    | 2    |   |
| 9   | Washer, 3/8" External Star                                   | F05011-36   | 2    |   |
| 10  | Nut, 3/8" Hex Nylon Lock                                     | F05010-10   | 2    |   |
| 11  | Washer, 1/4" SAE Flat  | F05011-11   | 2    |   |
| 12  | Nut, 1/4-20 Wing   | F05010-13   | 2    |   |

# 5 Control & Battery Boxes

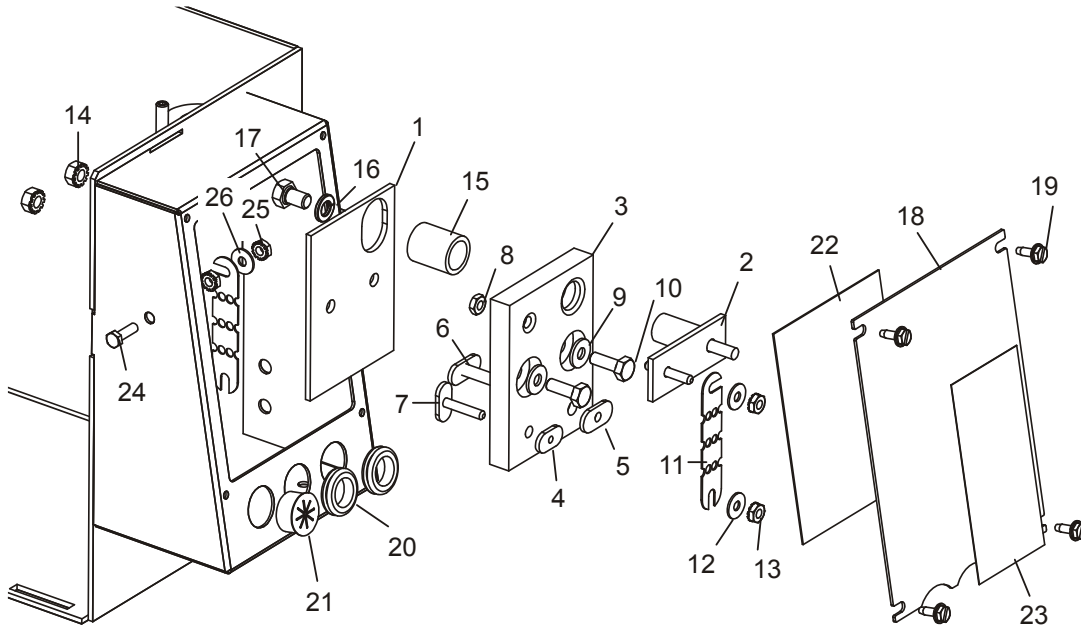
## Battery Box Assembly

---

|    |   |        |   |  |
|----|---|--------|---|--|
| 13 | Box Weldment, Battery                               | W11951 | 1 |  |
| 14 | Fuse Box Parts ( <a href="#">See Section 5.10</a> ) |        |   |  |
| 15 | Grommet, 5/8" Rubber Wire (U.S. Models)             | P11764 | 1 |  |
|    | Grommet, Sealed Rubber Nipple (G.S. Models)         | P11945 | 1 |  |
| 16 | Grommet, Heyco Wire                                 | P04137 | 1 |  |
| 17 | <b>LID, BATTERY BOX</b>                             | S10447 | 1 |  |



### 5.10 Fuse Box



300045-2

| REF | DESCRIPTION (◆ Indicates Parts Available In Assemblies Only)     | PART NUMBER         | QTY. |   |
|-----|--|---------------------|------|---|
| 1   | PAD, FUSE BOX INSULATOR  | S11944              | 1    |   |
|     | <b>FUSE BLOCK REPLACEMENT KIT (G18/G24/G35/E15/E20/E35 ONLY)</b> | A12381 <sup>1</sup> | 1    |   |
|     | Fuse Block Assembly  | A12380-W            | 1    | ◆ |
| 2   | Buss Bar Weldment  | W12388              | 1    |   |
| 3   | Fuse Block   | S12383              | 1    |   |
| 4   | Nut, #10-24 Cadmium Plated Weld                                  | S12391              | 1    |   |
| 5   | Nut, 1/4-20 Cadmium Plated Weld                                  | S12392              | 1    |   |
| 6   | Stud Weldment, 1/4-20 Fuse                                       | W12389              | 1    |   |
| 7   | Stud Weldment, #10-24 Fuse                                       | W12390              | 1    |   |
| 8   | Nut, #10-24 Hex Lock   | F05010-14           | 1    |   |
| 9   | Washer, 1/4" SAE Flat  | F05011-11           | 2    |   |
| 10  | Bolt, 1/4-20 X 3/4" Hex Head Full Thread                         | F05005-1            | 2    |   |
| 11  | Fuse Link, 12 Volt 100 Amp (G24/E15/E20)                         | P11549              | 1    |   |
|     | Fuse Link, 12 Volt 150 Amp (D40)                                 | 023361 <sup>1</sup> | 1    |   |
| 12  | Washer, #10 SAE Flat   | F05011-18           | 2    |   |
| 13  | Nut, #10-24 Hex Self-Locking                                     | F05010-14           | 2    |   |
| 14  | Nut, 1/4-20 Hex Self-Locking                                     | F05010-9            | 2    |   |
| 15  | Bushing, Fuse Post Insulator                                     | S12387              | 1    |   |
| 16  | Washer, 5/16" Split Lock   | F05011-13           | 1    |   |
| 17  | Bolt, 5/16-18 X 1/2" Hex Head                                    | F05006-46           | 1    |   |

# 5 Control & Battery Boxes

## Fuse Box

---

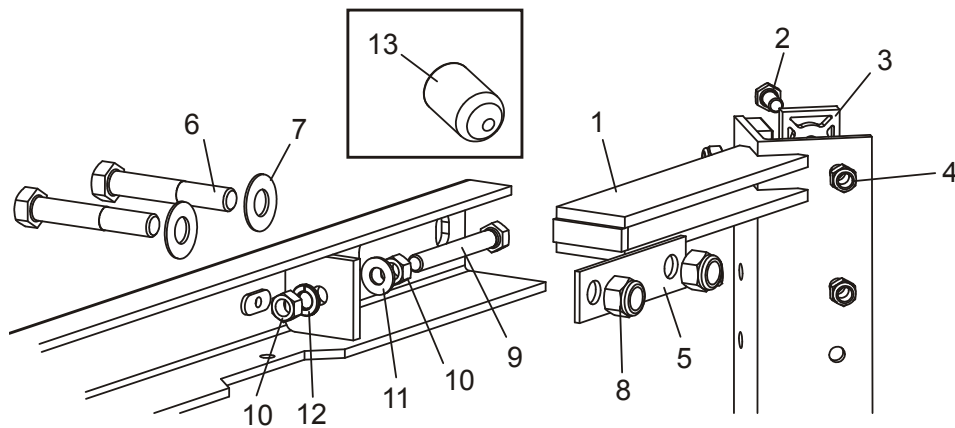
|    |   |           |   |  |
|----|---|-----------|---|--|
| 18 | COVER, FUSE BOX                             | S11950    | 1 |  |
| 19 | SCREW, #10-24 X 1/2" SELF-TAPPING           | F05015-7  | 4 |  |
| 20 | GROMMET, 5/8" RUBBER WIRE (U.S. MODELS)     | P11764    | 3 |  |
|    | GROMMET, SEALED RUBBER NIPPLE (G.S. MODELS) | P11945    | 3 |  |
| 21 | GROMMET, HEYCO WIRE                         | P04137    | 1 |  |
| 22 | DECAL, FUSE LINK I.D. (NON-HYDRAULIC)       | S10023    | 1 |  |
| 23 | DECAL, 12 VOLT WARNING                      | P10364    | 1 |  |
| 24 | BOLT, #10-24 X 5/8" HEX HEAD                | F05004-18 | 1 |  |
| 25 | NUT, #10-24 HEX SELF-LOCKING                | F05010-14 | 2 |  |
| 26 | WASHER, #10 SAE FLAT                        | F05011-18 | 1 |  |

<sup>1</sup> Fuse replacement kit includes 100 amp and 225 amp fuses. Diesel engine requires 150 amp fuse 023361.

## SECTION 6 UP/DOWN SYSTEM

### 6.1 Saw Head V-Brace Mount

LT30 Rev. F4732 - F6.01  
 LT40 Rev. F5612 - F7.01  
 LT30 Super Rev. F4001 - F6.01  
 LT40 Super Rev. F5001 - F6.01

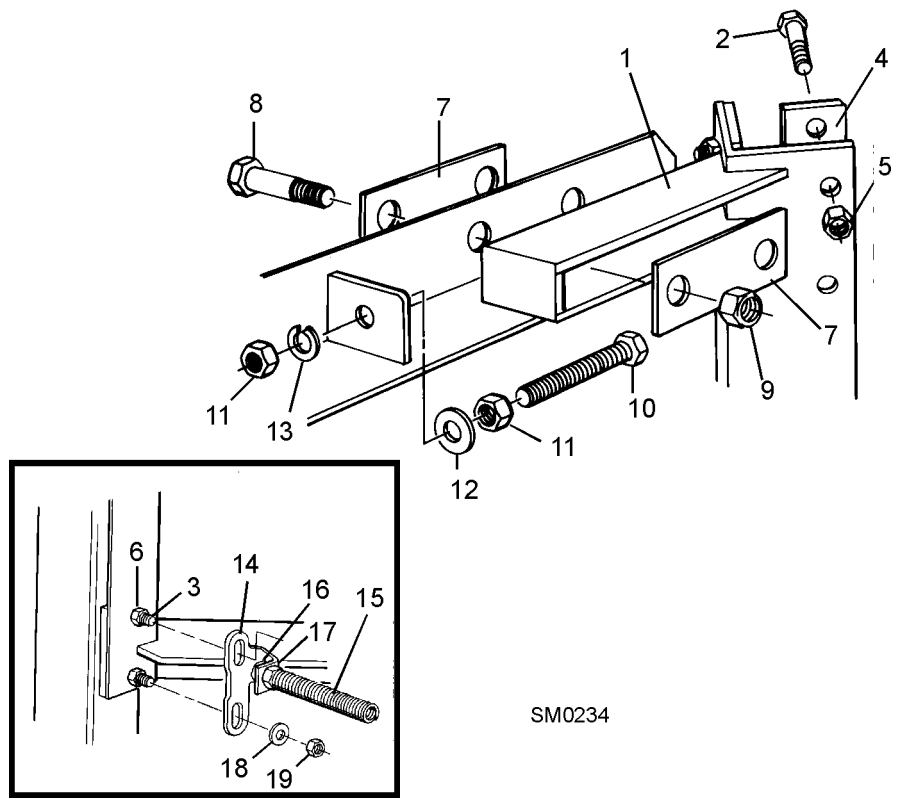


SM0080D

| REF | DESCRIPTION (◆ Indicates Parts Available In Assemblies Only) | PART #    | QTY.  |
|-----|--|-----------|-------|
| 1   | V-BRACE, SAW HEAD MOUNT                                      | W04099    | 1     |
| 2   | BOLT, 5/16-18 X 3/4" HEX HEAD GRADE 5                        | F05006-5  | 11/19 |
|     | BOLT, 5/16-18 X 1 1/4" HEX HEAD FULL THREAD                  | F05006-18 | 5     |
| 3   | PAD, PLASTIC SLIDE (8 REQ'D FOR STANDARD/12 FOR SUPER)       | M04096    | 8/12  |
| 4   | NUT, 5/16-18 NYLON LOCK                                      | F05010-58 | 11/19 |
|     | NUT, 5/16-18 HEX   | F05010-17 | 5     |
| 5   | PLATE, V-BRACE WASHER  | S07935    | 4     |
| 6   | BOLT, 1/2-13 X 3" HEX HEAD                                   | F05008-1  | 4     |
| 7   | WASHER, 1/2" SAE FLAT  | F05011-2  | 4     |
| 8   | NUT, 1/2-13 NYLON LOCK                                       | F05010-8  | 4     |
| 9   | BOLT, 3/8-16 X 3" FULL THREAD                                | F05007-1  | 2     |
| 10  | NUT, 3/8-16 HEX  | F05010-1  | 4     |
| 11  | WASHER, 3/8" SAE FLAT  | F05011-3  | 2     |
| 12  | WASHER, 3/8" SPLIT LOCK                                      | F05011-4  | 2     |

**6.2 Saw Head V-Brace Mount**

LT30 Rev. F4710 - F4731  
LT40 Rev. F5565 - F5611

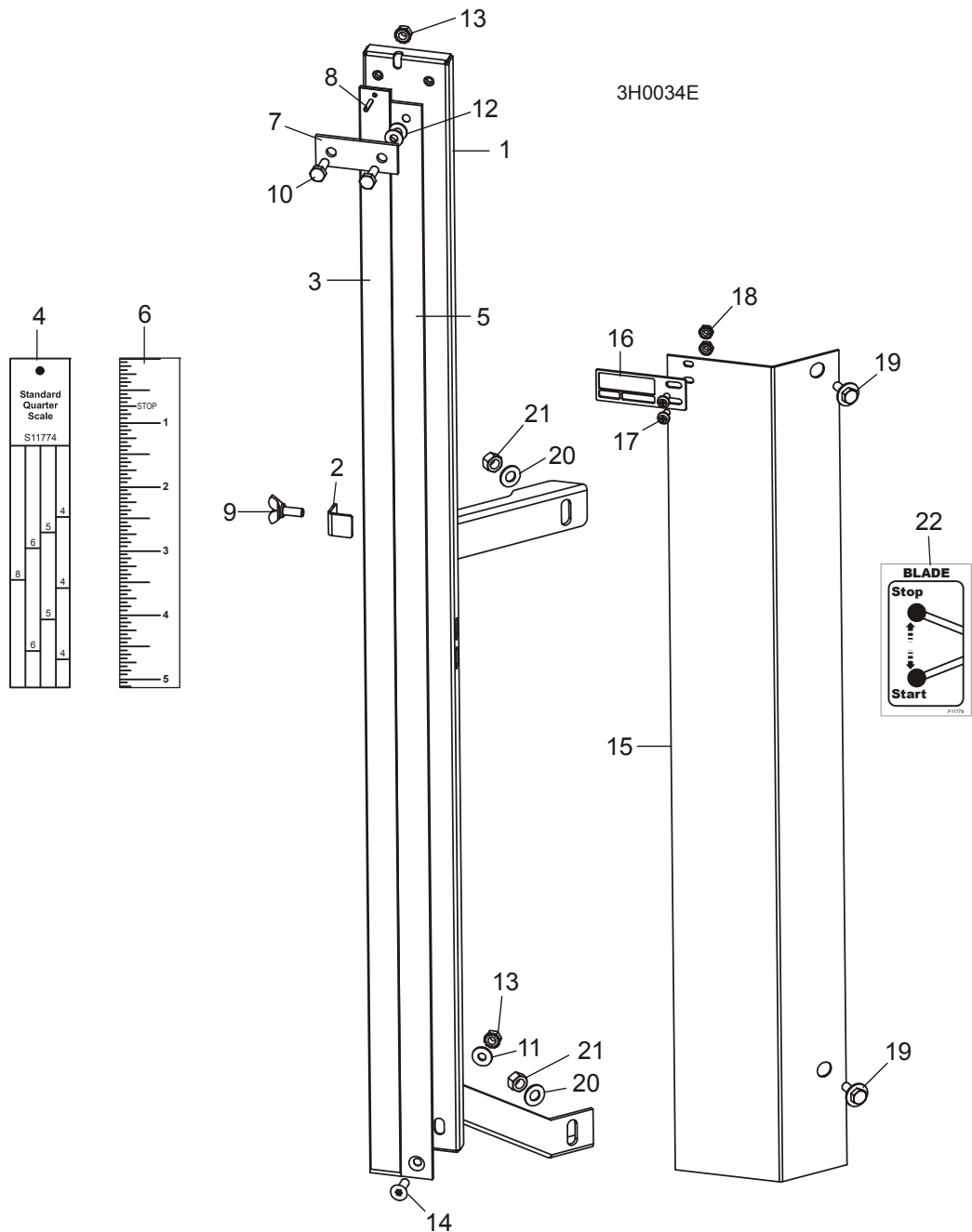


| REF | DESCRIPTION (◆ Indicates Parts Available In Assemblies Only) | PART #              | QTY.  |   |
|-----|--|---------------------|-------|---|
| 1   | V-BRACE, SAW HEAD MOUNT                                      | W04099              | 1     |   |
| 2   | BOLT, 5/16-18 X 3/4" HEX HEAD GRADE 5                        | F05006-5            | 11/19 |   |
| 3   | BOLT, 5/16-18 X 1 1/4" HEX HEAD FULL THREAD                  | F05006-18           | 5     |   |
| 4   | PAD, PLASTIC SLIDE (8 REQ'D FOR STANDARD/12 FOR SUPER)       | M04096              | 8/12  |   |
| 5   | NUT, 5/16-18 NYLON LOCK                                      | F05010-58           | 11/19 |   |
| 6   | NUT, 5/16-18 HEX   | F05010-17           | 5     |   |
| 7   | PLATE, V-BRACE WASHER  | S07935              | 4     |   |
| 8   | BOLT, 1/2-13 X 3" HEX HEAD                                   | F05008-1            | 4     |   |
| 9   | NUT, 1/2-13 NYLON LOCK                                       | F05010-8            | 4     |   |
| 10  | BOLT, 3/8-16 X 3" FULL THREAD                                | F05007-1            | 2     |   |
| 11  | NUT, 3/8-16 HEX  | F05010-1            | 4     |   |
| 12  | WASHER, 3/8" SAE FLAT  | F05011-3            | 2     |   |
| 13  | WASHER, 3/8" SPLIT LOCK                                      | F05011-4            | 2     |   |
|     | SIGHT GAUGE KIT  | A10087 <sup>1</sup> | 1     |   |
|     | Sight Gauge Assembly   | A09997              | 1     | ◆ |

|           |  |            |   |   |
|-----------|--|------------|---|---|
| <b>14</b> | Bracket, Sight Gauge Mount             | S09998     | 1 | ◆ |
| <b>15</b> | Spring, Sight Gauge                    | S10031     | 1 |   |
| <b>16</b> | Bolt, 3/8-16 X 2" Hex Head Full Thread | F05007-16  | 1 |   |
| <b>17</b> | Nut, 3/8-16 Hex Lock                   | F05010-25  | 1 |   |
| <b>18</b> | Washer, 5/16" SAE Flat                 | F05011-17  | 2 |   |
| <b>19</b> | Nut, 5/16-18 Hex Lock                  | F05010-6   | 2 |   |
|           | Instruction Sheet, Sight Gauge         | A10087-257 | 1 |   |

<sup>1</sup> Sight gauge removed and not replaced.

### 6.3 Blade Height Scale

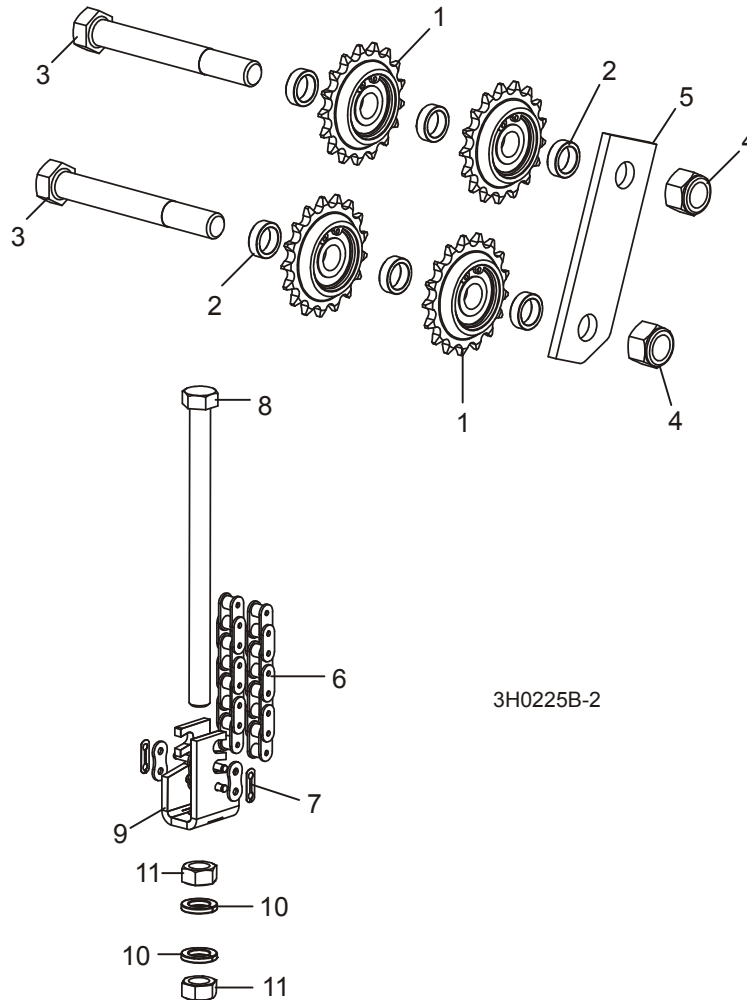


| REF | DESCRIPTION (◆ Indicates Parts Available In Assemblies Only) | PART # | QTY. |   |
|-----|--|--------|------|---|
|     | <b>SCALE RETROFIT, FIXED WITH POINTER</b>                    | A12030 | 1    |   |
|     | Scale Kit, Fixed With Pointer                                | K11998 | 1    | ◆ |
|     | Scale Assembly, Fixed  | A12022 | 1    | ◆ |

|    |  |                     |   |   |
|----|--|---------------------|---|---|
| 1  | Bracket, Scale Mounting                  | W11996 <sup>1</sup> | 1 |   |
| 2  | Plate, Movable Scale Stop                | 036666 <sup>1</sup> | 1 |   |
| 3  | Scale, 35" Quarter                       | S11989              | 1 |   |
| 4  | Decal, 35" Standard Quarter Scale        | S11774              | 1 |   |
|    | Decal, 35" Grade Hardwood Quarter Scale  | P12819              | 1 |   |
| 5  | Scale, 35" Inch                          | S11988              | 1 |   |
| 6  | Decal, 35" Inch                          | S11773              | 1 |   |
| 7  | Strap, Scale Hold-Down                   | S04805              | 1 |   |
| 8  | Pin, 1/8" X 5/8" Roll                    | F05012-14           | 1 |   |
| 9  | Screw, 1/4-20 X 5/8" Wing                | F05005-64           | 1 |   |
| 10 | Bolt, 1/4-20 X 3/4" Hex Head Full Thread | F05005-1            | 2 |   |
| 11 | Washer, 1/4" SAE Flat                    | F05011-11           | 1 |   |
| 12 | Washer, 1/4" X .020 Thick Nylon Flat     | F05011-22           | 2 |   |
| 13 | Nut, 1/4-20 Hex Self-Locking             | F05010-9            | 2 |   |
| 14 | Screw, 1/4-20 X 3/4" Flat Socket Head    | F05005-70           | 1 |   |
|    | Pointer Assembly, Fixed Scale            | A12023              | 1 |   |
| 15 | Bracket, Fixed Scale Pointer Mount       | S12245              | 1 | ◆ |
| 16 | Pointer, Fixed Scale                     | M07267-N            | 1 |   |
| 17 | Screw, #10-24 X 3/8" Phillips Head       | F05004-3            | 2 |   |
| 18 | Nut, #10-24 Hex Self-Locking             | F05010-14           | 2 |   |
| 19 | Bolt, 1/4-20 x 3/4" with Conical Washer  | F05005-134          | 2 |   |
| 20 | Washer, 5/16" SAE Flat                   | F05011-17           | 2 |   |
| 21 | Nut, 5/16-18 Hex Lock                    | F05010-6            | 2 |   |
|    | Bolt, 1/4-20 X 1/2" Hex Head Grade 2     | F05005-15           | 1 |   |
|    | Instruction Sheet, Fixed Scale Retrofit  | A12030-370          | 1 |   |
|    | <b>DECAL KIT, METRIC SCALE</b>           | K12064              | 1 |   |
|    | Decal, Metric                            | S11711              | 1 |   |
|    | Decal, Metric 16-40mm                    | P12040-1            | 1 |   |
|    | Decal, Metric 45-63mm                    | P12040-2            | 1 |   |
| 22 | <b>DECAL, CLUTCH HANDLE OPERATION</b>    | P11779              | 1 |   |

<sup>1</sup> Wing screw moved to side of scale mount and bracket 036666 added to eliminate possible interference with pointer (11/04). Use W11996 to service mount weldment (includes new bracket 036666).

### 6.4 Up/Down Chain & Sprockets



| REF | DESCRIPTION (◆ Indicates Parts Available In Assemblies Only) | PART #              | QTY. |
|-----|--|---------------------|------|
|     | <b>SPROCKET KIT, UP/DOWN IDLER REPLACEMENT</b>               | 016432              | 2    |
| 1   | Sprocket, Up/Down Idler                                      | 016366 <sup>1</sup> | 2    |
| 2   | Spacer, 7/8" OD x .65" ID x .266" Thick                      | 016433 <sup>1</sup> | 4    |
|     | Instruction Sheet, Up/Down Idler Replacement                 | 016432-950          | 1    |
| 3   | <b>BOLT, 5/8-11 X 5" HEX HEAD GRADE 2</b>                    | F05009-6            | 2    |
| 4   | <b>NUT, 5/8-11 HEX NYLON LOCK</b>                            | F05010-34           | 2    |
| 5   | <b>PLATE, UP/DOWN IDLER SPROCKET</b>                         | S09084              | 1    |
|     | <b>CHAIN KIT, UP/DOWN REPLACEMENT</b>                        | 014486              | 1    |
| 6   | Chain, #40 X 75.5" Up/Down                                   | P11602              | 2    |
| 7   | Link, #40 Master   | P04200              | 4    |
|     | Instruction Sheet, Up/Down Chain Replacement                 | 014487-492          | 1    |



| <b>TENSIONER ASSEMBLY, UP/DOWN CHAIN</b> |  | A09046 <sup>2</sup>    | 1 |   |
|--|--|------------------------|---|---|
| <b>8</b>                                 | Bolt, 1/2-13 x 7 1/2" Hex Head Full Thread | F05008-87 <sup>3</sup> | 1 | ◆ |
| <b>9</b>                                 | Bracket, Up/Down Chain Tensioner           | 014216                 | 1 | ◆ |
| <b>10</b>                                | Washer, 1/2" Split Lock                    | F05011-9               | 2 |   |
| <b>11</b>                                | Nut, 1/2-13 Hex                            | F05010-35              | 2 |   |

<sup>1</sup> (4) 016366 Idler Sprocket Assemblies and (6) 016433 Spacers replace (4) P04333 Idler Sprocket Assemblies and (8) F05011-5 5/8" Flat Washers originally supplied (01/00).

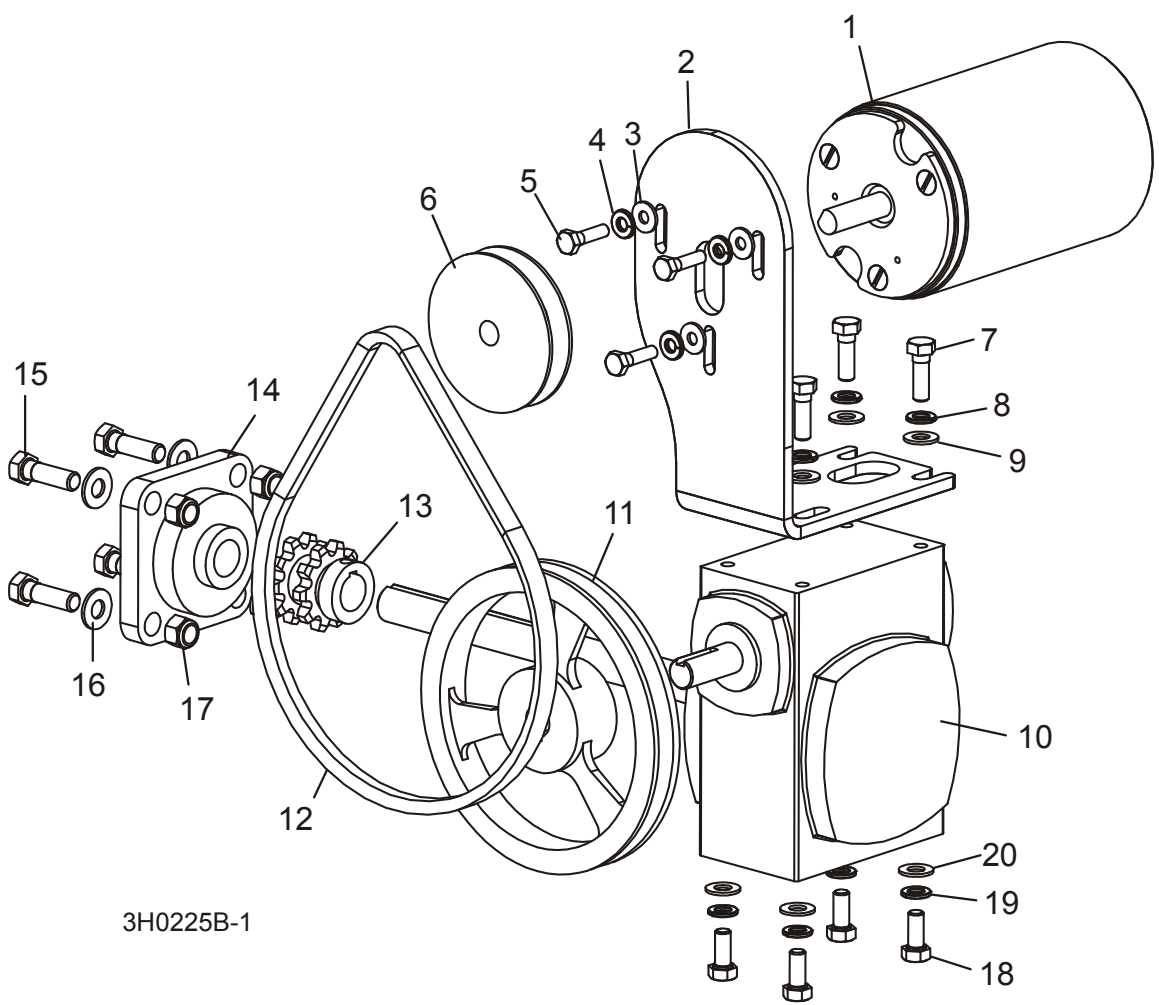
<sup>2</sup> Assembly includes new bolt F05008-87 and bracket 014216. Assembly replaces original rod S04201, bracket S09053, roll pin F05012-11, and bracket retrofit kit A12037 originally supplied until 2/96.

<sup>3</sup> Replaces 014233 threaded rod/nut weldment previously supplied.

**6** Up/Down System  
*Up/Down Assembly (Standard LT30/LT40)*

**6.5 Up/Down Assembly (Standard LT30/LT40)**

LT30 Rev. F6 - F6.01  
 LT40 Rev. F7 - F7.01  
 LT30HD Rev. F9 - F9.01  
 LT40HD Rev. F9 - F9.01



3H0225B-1

| REF | DESCRIPTION (◆ Indicates Parts Available In Assemblies Only) | PART #              | QTY. |
|-----|--|---------------------|------|
|     | <b>UP/DOWN DRIVE ASSEMBLY</b>                                | A11585              | 1    |
| 1   | Motor, Drive   | 006747 <sup>1</sup> | 1    |
|     | Brush Kit, 12V Motor (2009)                                  | 061794 <sup>1</sup> | 1    |
|     | Brush Kit, 12V Motor (2007)                                  | 006619 <sup>1</sup> | 1    |
|     | Brush Kit, 12V Motor   | A09086 <sup>1</sup> | 1    |
|     | Brush Holder, Motor  | 034000 <sup>1</sup> | 1 ◆  |
| 2   | Bracket, Up/Down Motor Mount                                 | 014529              | 1    |
| 3   | Washer, 1/4" SAE Flat  | F05011-11           | 3    |

|    |   |                       |   |  |
|----|---|-----------------------|---|--|
| 4  | Washer, 1/4" Split Lock                               | F05011-14             | 3 |  |
| 5  | Bolt, 1/4-20 X 1" Hex Head Grade 2                    | F05005-38             | 3 |  |
| 6  | Pulley, Up/Down Motor                                 | 014087                | 1 |  |
| 7  | Bolt, 5/16-18 x 1" Hex Head                           | F05006-1              | 4 |  |
| 8  | Washer, 5/16" Split Lock                              | F05011-13             | 4 |  |
| 9  | Washer, 5/16" SAE Flat                                | F05011-17             | 4 |  |
| 10 | Reducer, Gear Box                                     | 016622 <sup>2</sup>   | 1 |  |
| 11 | Pulley, Up/Down                                       | 014528                | 1 |  |
| 12 | Belt, 4L280   | P04031                | 1 |  |
| 13 | Sprocket, Up/Down Dual Chain                          | S07976                | 1 |  |
| 14 | Bearing, Flanged Up/Down                              | P11600                | 1 |  |
| 15 | <b>BOLT, 3/8-16 X 1 1/4" HEX HEAD GRADE 2</b>         | F05007-2              | 4 |  |
| 16 | <b>WASHER, 3/8" SAE FLAT</b>                          | F05011-3              | 4 |  |
| 17 | <b>NUT, 3/8-16 HEX NYLON LOCK</b>                     | F05010-10             | 4 |  |
| 18 | <b>BOLT, 5/16-18 X 3/4" HEX HEAD GRADE 5</b>          | F05006-5              | 4 |  |
| 19 | <b>WASHER, 5/16" SPLIT LOCK</b>                       | F05011-13             | 4 |  |
| 20 | <b>WASHER, 5/16" SAE FLAT</b>                         | F05011-17             | 4 |  |
|    | <b>OIL, 8 OZ. MOBIL SHC634 BOTTLED SYNTHETIC GEAR</b> | L04869-4 <sup>3</sup> | 1 |  |

<sup>1</sup> External-Brush Motor 006747 replaces Motor P04140 and Service Kit A07974 supplied prior to 5/09. Use Brush Kit 061794 to service 006747. Motor P04140 changed by vendor 7/07. Use brush kit A09086 for original motor supplied prior to 7/07. Use brush kit 006619 for newer motor (identified by red & black motor terminal spacers). Brush Holder 034000 applies only to old motor and is no longer available (vendor discontinued 3/09).

<sup>2</sup> Replaces P11692 gear box originally supplied. New gear box features alloy shaft to provide better durability.

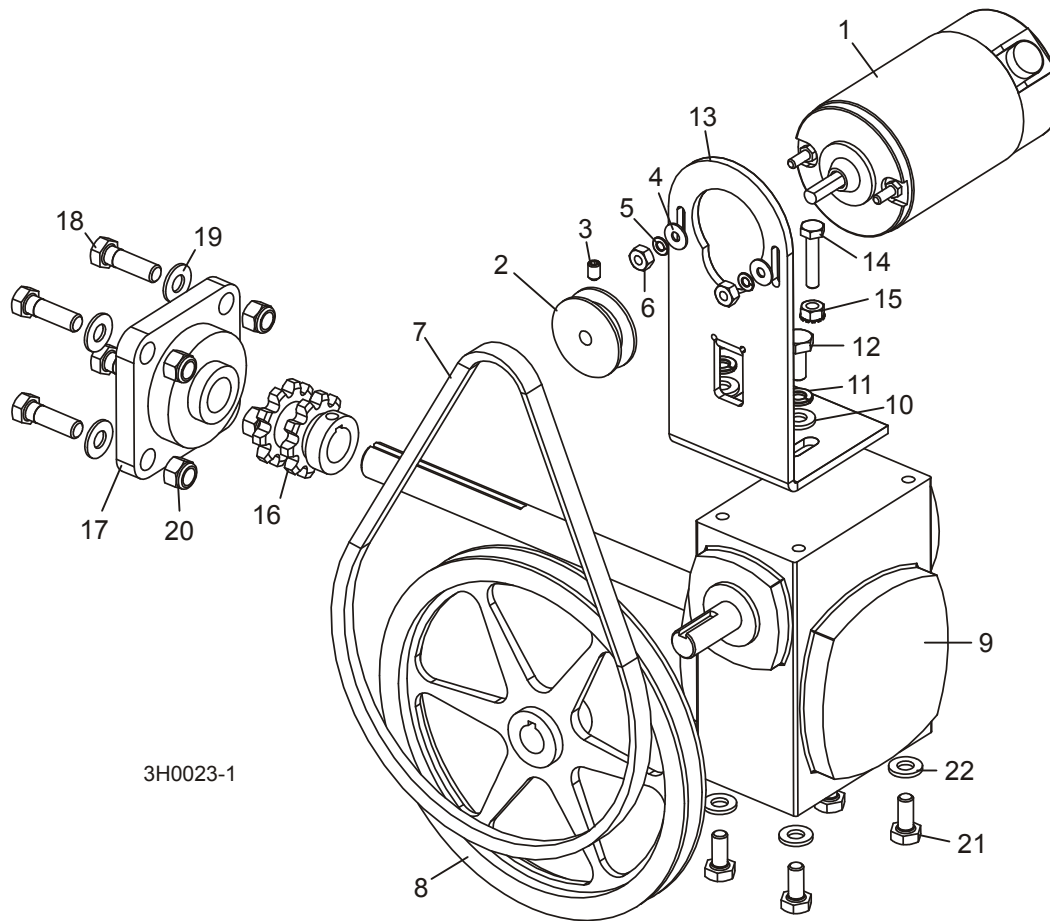
<sup>3</sup> 8 - 11 oz. required for complete oil replacement.

# 6 Up/Down System

Up/Down Assembly (Standard LT30/LT40)

## 6.6 Up/Down Assembly (Standard LT30/LT40)

LT30 Rev. F4 - F5  
 LT40 Rev. F5 - F6  
 LT30HD Rev. F8  
 LT40HD Rev. F8



| REF | DESCRIPTION (◆ Indicates Parts Available In Assemblies Only) | PART #              | QTY. |   |
|-----|--|---------------------|------|---|
|     | <b>UP/DOWN DRIVE ASSEMBLY</b>                                | A11585 <sup>1</sup> | 1    |   |
|     | Motor, Up/Down Replacement                                   | A04367 <sup>1</sup> | 1    |   |
| 1   | Motor, Up/Down External Brush                                | 016706 <sup>2</sup> | 1    | ◆ |
|     | Brush Kit, Up/Down Leeson Motor External                     | 034002 <sup>3</sup> | 1    |   |
|     | Brush Kit, Up/Down Owosso Motor External                     | A12198 <sup>3</sup> | 1    |   |
| 2   | Pulley, Up/Down Motor  | S04338 <sup>1</sup> | 1    |   |
| 3   | Screw, 1/4-28 X 3/8" Cup Point Set                           | F05005-24           | 1    |   |
| 4   | Washer, #10 SAE Flat   | F05011-18           | 2    |   |
| 5   | Washer, #10 Split Lock                                       | F05011-20           | 2    |   |
| 6   | Nut, #10-32 Hex  | F05010-27           | 2    |   |

|    |   |                       |   |  |
|----|---|-----------------------|---|--|
| 7  | Belt, 3L290 Ribbed V                                  | P04349 <sup>1</sup>   | 1 |  |
| 8  | Pulley, 8" Up/Down                                    | P04343                | 1 |  |
| 9  | Reducer, 60:1 Gear With Extended Shaft                | 016622 <sup>4</sup>   | 1 |  |
| 10 | Washer, 5/16" SAE Flat                                | F05011-17             | 2 |  |
| 11 | Washer, 5/16" Split Lock                              | F05011-13             | 2 |  |
| 12 | Bolt, 5/16-18 X 3/4" Hex Head Grade 5                 | F05006-5              | 2 |  |
| 13 | Bracket, Up/Down Motor Mount                          | W11587 <sup>1</sup>   | 1 |  |
| 14 | Bolt, 1/4-20 X 1 1/4" Hex Head Full Thread            | F05005-3              | 1 |  |
| 15 | Nut, 1/4-20 Hex Self-Locking                          | F05010-9              | 1 |  |
| 16 | Sprocket, Up/Down Dual Chain                          | S07976                | 1 |  |
| 17 | Bearing, 3/4" I.D. Flanged                            | P11600                | 1 |  |
| 18 | <b>BOLT, 3/8-16 X 1 1/4" HEX HEAD GRADE 2</b>         | F05007-2              | 4 |  |
| 19 | <b>WASHER, 3/8" SAE FLAT</b>                          | F05011-3              | 4 |  |
| 20 | <b>NUT, 3/8-16 HEX NYLON LOCK</b>                     | F05010-10             | 4 |  |
| 21 | <b>BOLT, 5/16-18 X 3/4" HEX HEAD GRADE 5</b>          | F05006-5              | 4 |  |
| 22 | <b>WASHER, 5/16" SAE FLAT</b>                         | F05011-17             | 4 |  |
|    | <b>OIL, 8 OZ. MOBIL SHC634 BOTTLED SYNTHETIC GEAR</b> | L04869-4 <sup>5</sup> | 1 |  |

<sup>1</sup> Up/Down assembly A11585 upgraded with larger motor and mounting bracket. Upgrade to new motor/bracket requires mounting hardware, belt and motor pulley ([See Section 6.5](#)).

<sup>2</sup> Motor kit A04367 revised 10/01. Leeson motor 016706 replaces Leeson motor 034001 (12/00) or Owosso motor P12093 originally supplied.

<sup>3</sup> Use 034002 Brush Kit for Leeson motors supplied after 12/00. Use A12198 Brush Kit for Owosso motor originally supplied.

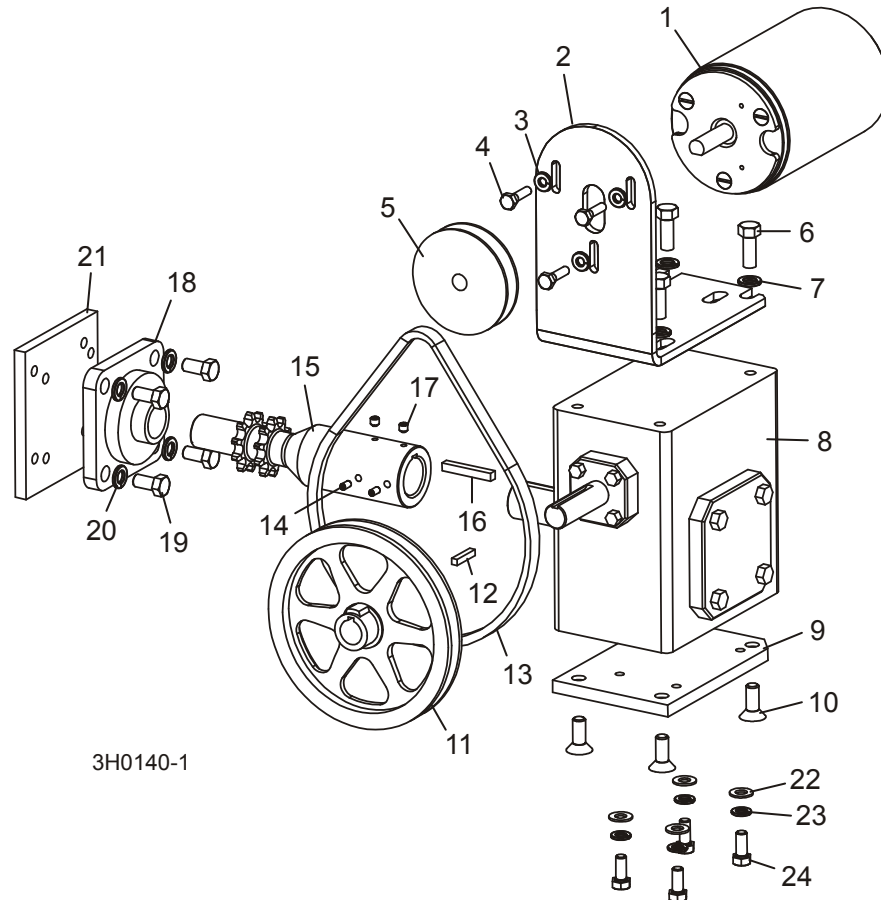
<sup>4</sup> Replaces P11692 gear box originally supplied. New gear box features alloy shaft to provide better durability.

<sup>5</sup> 8 - 11 oz. required for complete oil replacement.

# 6 Up/Down System

*Up/Down Assembly (Super LT30/LT40)*

## 6.7 Up/Down Assembly (Super LT30/LT40)



| REF | DESCRIPTION (◆ Indicates Parts Available In Assemblies Only) | PART #              | QTY. |   |
|-----|--|---------------------|------|---|
|     | <b>UP/DOWN DRIVE ASSEMBLY</b>                                | 014156              | 1    |   |
| 1   | Motor, Drive   | 006747 <sup>1</sup> | 1    |   |
|     | Brush Kit, 12V Motor (2009)                                  | 061794 <sup>1</sup> | 1    |   |
|     | Brush Kit, 12V Motor (2007)                                  | 006619 <sup>1</sup> | 1    |   |
|     | Brush Kit, 12V Motor   | A09086 <sup>1</sup> | 1    |   |
|     | Brush Holder, Motor  | 034000 <sup>1</sup> | 1    | ◆ |
| 2   | Bracket, Up/Down Motor Mount                                 | 014073              | 1    |   |
| 3   | Washer, 1/4" Split Lock                                      | F05011-14           | 3    |   |
| 4   | Bolt, 1/4-20 X 1" Hex Head Grade 2                           | F05005-38           | 3    |   |
| 5   | Pulley, Up/Down Motor  | 014087              | 1    |   |
| 6   | Bolt, 3/8-16 x 1" Hex Head                                   | F05007-7            | 4    |   |
| 7   | Washer, 3/8" Split Lock                                      | F05011-4            | 4    |   |
| 8   | Reducer, Gear Box  | 014074              | 1    |   |
| 9   | Plate, Gear Box Spacer                                       | 014158              | 1    |   |

|           |   |                         |   |  |
|-----------|---|-------------------------|---|--|
| <b>10</b> | Bolt, 3/8-16 x 1" Flat Socket Head                        | F05007-110              | 4 |  |
| <b>11</b> | Pulley,Up/Down  | 014088                  | 1 |  |
| <b>12</b> | Key, 3/16" Square x 1" Long                               | S31027 <sup>2</sup>     | 1 |  |
| <b>13</b> | Belt, 4L280   | P04031                  | 1 |  |
|           | Shaft Kit, '96 Up/Down                                    | 016214 <sup>3</sup>     | 1 |  |
| <b>14</b> | Screw, 10-24 x 3/8" Black Oxide Socket Head Cup Point Set | F05004-76               | 2 |  |
| <b>15</b> | Shaft, #40 Up/Down Sprocket '96 Single Piece              | 016203                  | 1 |  |
| <b>16</b> | Key, 1/4" x 1 11/16"                                      | S04124                  | 1 |  |
| <b>17</b> | Screw, 1/4-28 X 1/4" Cup Point Set                        | F05005-105 <sup>4</sup> | 2 |  |
| <b>18</b> | Bearing, Flanged Up/Down                                  | 014090                  | 1 |  |
| <b>19</b> | Bolt, 3/8-16 x 3/4" Hex Head                              | F05007-27               | 4 |  |
| <b>20</b> | Washer, 3/8" Split Lock                                   | F05011-4                | 4 |  |
| <b>21</b> | <b>PLATE, BEARING SPACER</b>                              | 014108                  | 1 |  |
| <b>22</b> | <b>WASHER, 5/16" SAE FLAT</b>                             | F05011-17               | 4 |  |
| <b>23</b> | <b>WASHER, 5/16" SPLIT LOCK</b>                           | F05011-13               | 4 |  |
| <b>24</b> | <b>BOLT, 5/16-18 X 3/4" HEX HEAD GRADE 5</b>              | F05006-5                | 4 |  |
|           | <b>OIL, 8 OZ. MOBIL SHC634 BOTTLED SYNTHETIC GEAR</b>     | L04869-4 <sup>5</sup>   | 1 |  |

<sup>1</sup> External-Brush Motor 006747 replaces Motor P04140 and Service Kit A07974 supplied prior to 5/09. Motor replacement requires new Mount Bracket 014073. Use Brush Kit 061794 to service 006747. Motor P04140 changed by vendor 7/07. Use brush kit A09086 for original motor supplied prior to 7/07. Use brush kit 006619 for newer motor (identified by red & black motor terminal spacers). Brush Holder 034000 applies only to old motor and is no longer available (vendor discontinued 3/09).

<sup>2</sup> 1" long key S31027 replaces S03060 3/4" long key originally supplied.

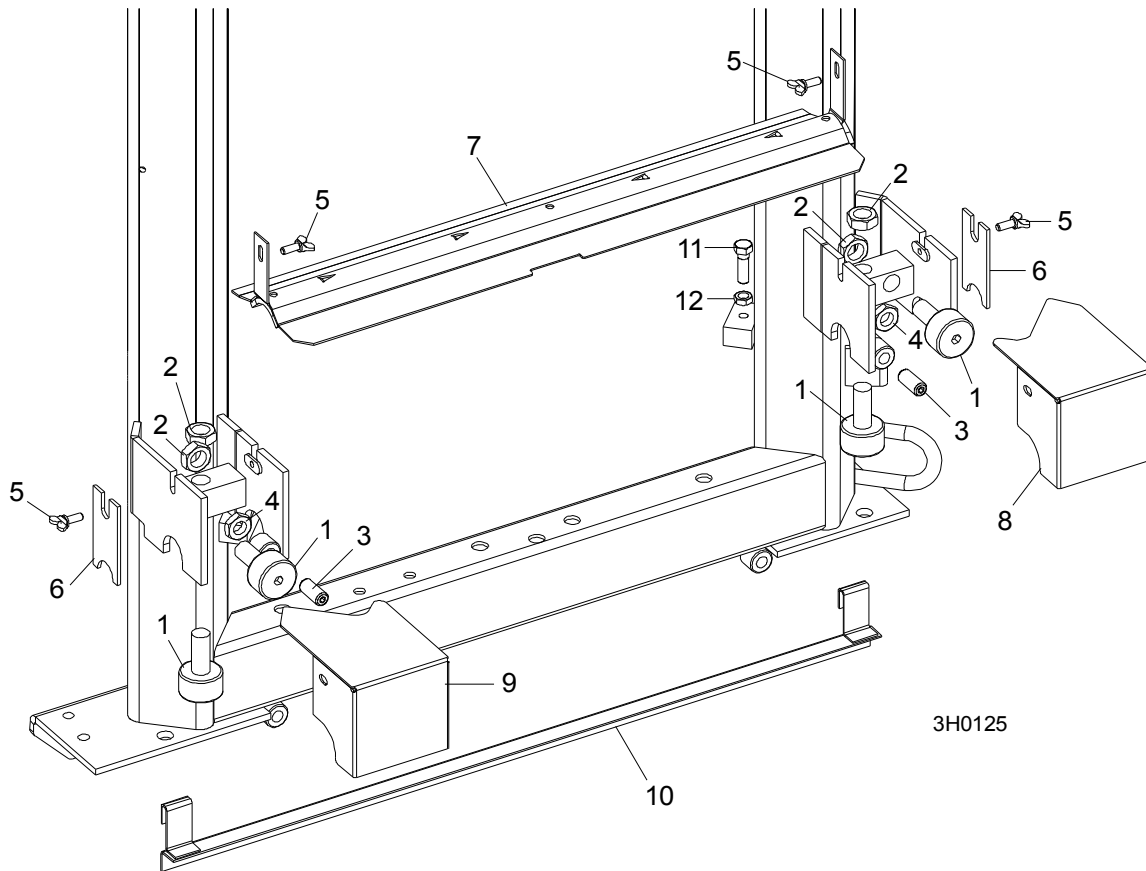
<sup>3</sup> Use Shaft Kit 016214 to upgrade two-piece coupling (014159), sprocket (012976), 1/4" x 3" key (014009) and qty. (4) 1/4-28 X 1/4" Cup Point Set Screws (F05005-105) originally supplied. Available 1/99.

<sup>4</sup> Replaces 1/4-28 x 3/8" Set Screw originally supplied until 5/96 (required for brake strap retrofit).

<sup>5</sup> 24 oz. required for complete oil replacement.

## SECTION 7 FEED SYSTEM & TRACK ROLLERS

### 7.1 Upper Track Rollers And Wipers



| REF | DESCRIPTION (◆ Indicates Parts Available In Assemblies Only) | PART #              | QTY. |   |
|-----|--|---------------------|------|---|
| 1   | ROLLER, TRACK CAM BEARING                                    | 012797 <sup>1</sup> | 4    |   |
| 2   | NUT, 5/8-18 HEX JAM  | F05010-11           | 4    |   |
| 3   | SCREW, 1/2-13 X 1 1/4" OVAL POINT SET                        | F05008-5            | 2    |   |
| 4   | NUT, 1/2-13 HEX JAM  | F05010-31           | 2    |   |
| 5   | SCREW, 1/4-20 X 5/8" THUMB                                   | F05005-64           | 4    |   |
| 6   | WIPER, PLASTIC TRACK   | M04113              | 2    |   |
| 7   | COVER, MIDDLE TRACK OILER ASSEMBLY                           | A09918 <sup>2</sup> | 1    |   |
|     | Cover, Middle Track Oiler                                    | S09917              | 1    | ◆ |
|     | Wiper, Middle Track Felt                                     | S09915              | 1    |   |
| 8   | HOUSING, UPPER TRACK ROLLER REAR                             | 012999              | 1    |   |
| 9   | HOUSING, UPPER TRACK ROLLER FRONT                            | 012998              | 1    |   |
| 10  | GUARD, FEED CHAIN SAWDUST                                    | W11964 <sup>2</sup> | 1    |   |



# Feed System & Track Rollers

## *Upper Track Rollers And Wipers*

7

|    |                                       |           |   |  |
|----|---------------------------------------|-----------|---|--|
| 11 | <b>BOLT, 3/8-16 X 1 1/4" HEX HEAD</b> | F05007-2  | 2 |  |
| 12 | <b>NUT, 3/8-16 HEX JAM</b>            | F05010-29 | 2 |  |

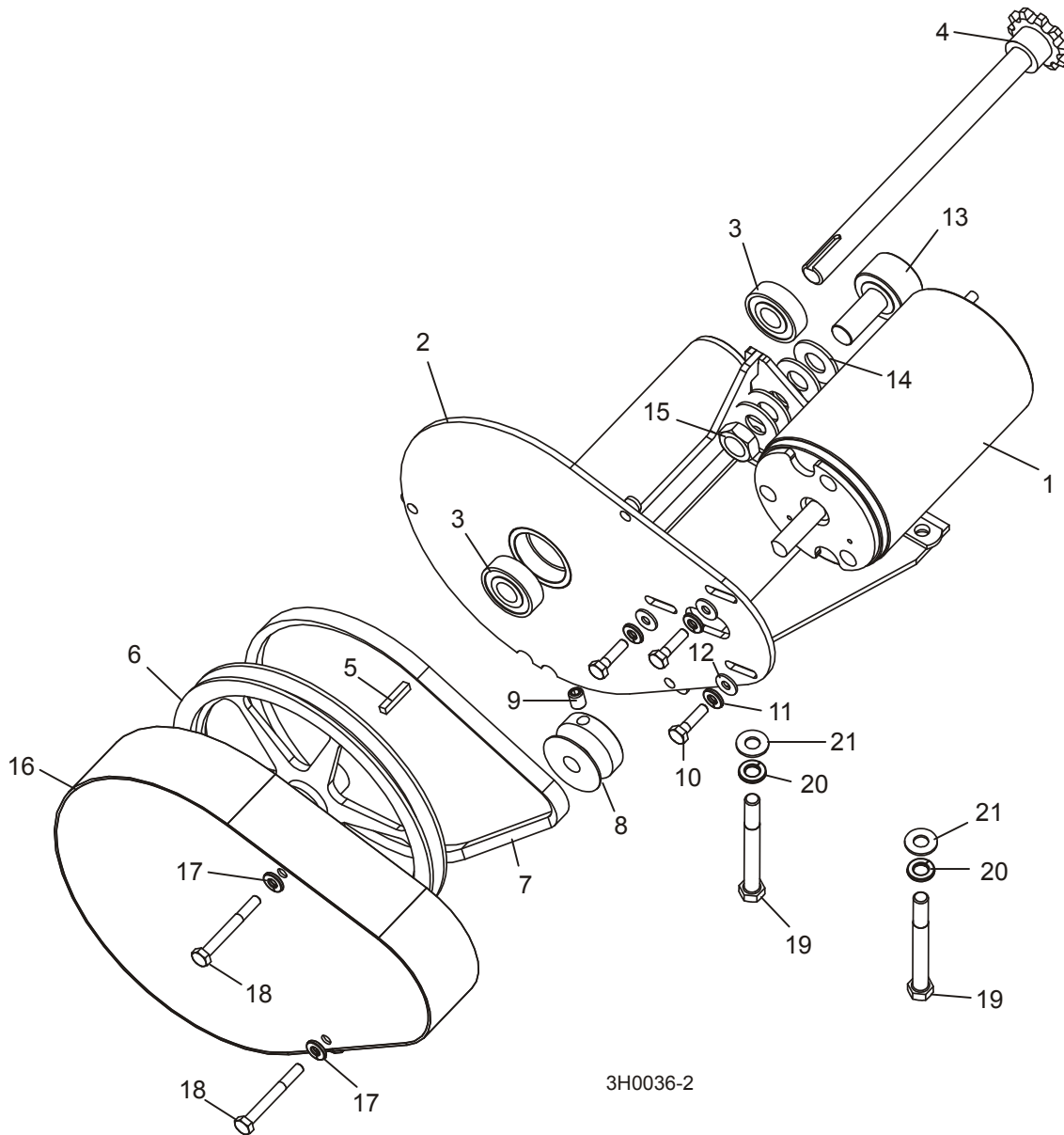
<sup>1</sup> Use 012797 to replace P12843 rollers originally supplied.

<sup>2</sup> Track Wiper Cover A09918 redesigned with "dual-flange" to prevent sawdust buildup (3/97). Feed chain guard W11964 no longer required if A09918 is replaced with new design.

# 7 Feed System & Track Rollers

## Power Feed Assembly

### 7.2 Power Feed Assembly



| REF | DESCRIPTION (◆ Indicates Parts Available In Assemblies Only) | PART #              | QTY. |
|-----|--|---------------------|------|
|     | <b>POWER FEED ASSEMBLY</b>                                   | A11603              | 1    |
| 1   | Motor, Power Feed  | 006747 <sup>1</sup> | 1    |
|     | Brush Kit, 12V Motor (2008)                                  | 061794 <sup>1</sup> | 1    |
|     | Brush Kit, 12V Motor (2007)                                  | 006619 <sup>1</sup> | 1    |
|     | Brush Kit, 12V Motor   | A09086 <sup>1</sup> | 1    |

|           |  |                         |   |   |
|-----------|--|-------------------------|---|---|
|           | Brush Holder, Motor                              | 034000 <sup>1</sup>     | 1 | ◆ |
|           | Screw, 5/16-18 x 3/8" Socket Head Set Oval Point | F05006-40               | 2 |   |
| <b>2</b>  | Bracket, Power Feed Mount                        | W11605                  | 1 |   |
| <b>3</b>  | Bearing, 5/8" 6203-2NSL                          | P06030-1                | 2 |   |
|           | Shaft Assembly, Power Feed with Key              | 016067 <sup>2</sup>     | 1 |   |
| <b>4</b>  | Shaft, Power Feed With Sprocket                  | W11610                  | 1 | ◆ |
| <b>5</b>  | Key, 3/16" Square x 1" Long                      | S31027                  | 1 | ◆ |
| <b>6</b>  | Pulley, 8" Power Feed                            | P04343                  | 1 |   |
| <b>7</b>  | Belt, 4L280 V                                    | P04031                  | 1 |   |
| <b>8</b>  | Pulley, Power Feed Motor                         | S09579                  | 1 |   |
| <b>9</b>  | Screw, 3/8-16 X 1/2" Cup Point Socket Set        | F05007-12               | 1 |   |
| <b>10</b> | Bolt, 1/4-20 X 1" Hex Head Grade 5               | F05005-101 <sup>3</sup> | 3 |   |
| <b>11</b> | Washer, 1/4" Split Lock                          | F05011-14               | 3 |   |
| <b>12</b> | Washer, 1/4" SAE Flat                            | F05011-11               | 3 |   |
| <b>13</b> | Bearing, 1 1/2" Cam Follower                     | 012797 <sup>4</sup>     | 1 |   |
| <b>14</b> | Washer, 5/8" SAE Flat                            | F05011-5                | 5 |   |
| <b>15</b> | Nut, 5/8-11 Hex Jam                              | F05010-11               | 1 |   |
| <b>16</b> | Guard, Power Feed Belt                           | W11613                  | 1 |   |
| <b>17</b> | Washer, 1/4" Split Lock                          | F05011-14               | 2 |   |
| <b>18</b> | Bolt, 1/4-20 X 2 1/4" Hex Head Grade 2           | F05005-32               | 2 |   |
| <b>19</b> | <b>BOLT, 3/8-16 X 3 1/2" HEX HEAD GRADE 8</b>    | F05007-6                | 2 |   |
| <b>20</b> | <b>WASHER, 3/8" SPLIT LOCK</b>                   | F05011-4                | 2 |   |
| <b>21</b> | <b>WASHER, 3/8" SAE FLAT</b>                     | F05011-3                | 2 |   |

<sup>1</sup> Motor 006747 replaces Motor 014359 supplied prior to 11/08. .6HP motor directly replaces .49HP motor P04140 (Discard end cap supplied with motor). Requires two rubber boots (P03807) to protect external motor terminals. Use brush kit 061794 for new motor. Motor 014359 changed by vendor 7/07. Use brush kit 006619 for newer 014359 motor (identified by red & black motor terminal spacers). Use brush kit A09086 for original motor supplied prior to 7/07. Brush Holder 034000 applies only to original 014359 motor and is no longer available (vendor discontinued 3/09).

<sup>2</sup> Square key replaces P04101-1 #606 Woodruff key. Shaft weldment modified to accommodate key change (3/98).

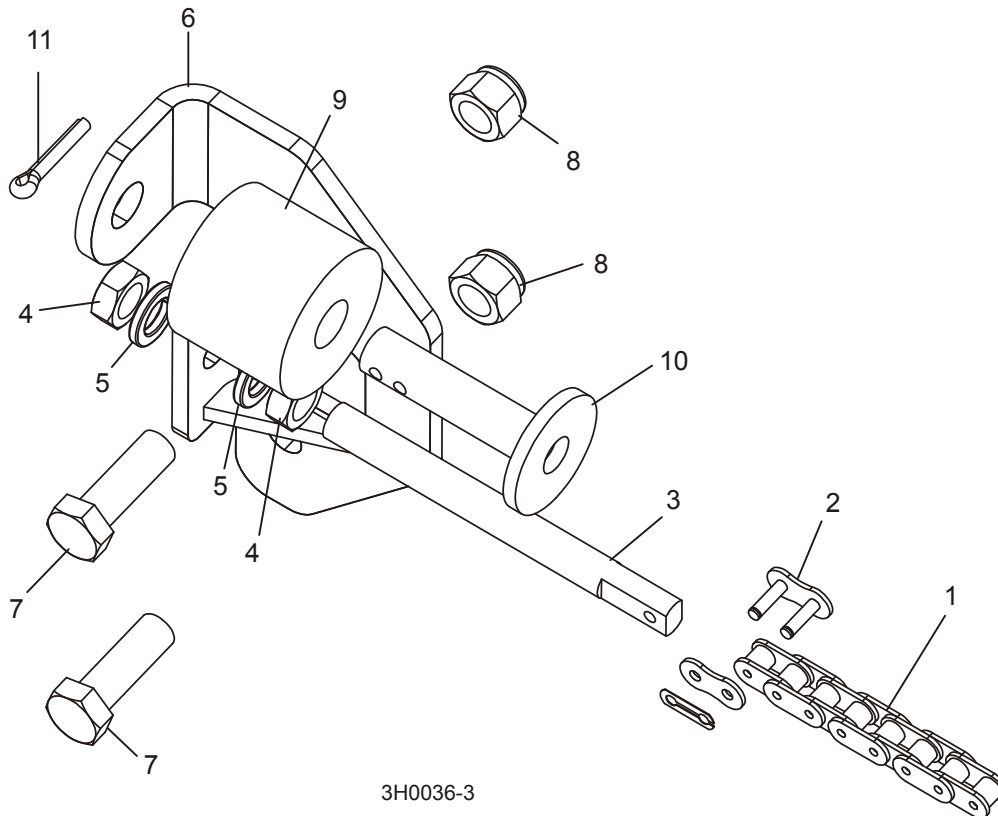
<sup>3</sup> Replaces Grade 2 bolts F05005-38 originally supplied until 2/96.

<sup>4</sup> Replaces P12843 originally supplied. Non-greaseable bearing directly replaces A05044 greaseable bearing assembly, which included P04133 bearing and P05045 45° grease fitting.

# 7 Feed System & Track Rollers

## Feed Chain/Stop

### 7.3 Feed Chain/Stop

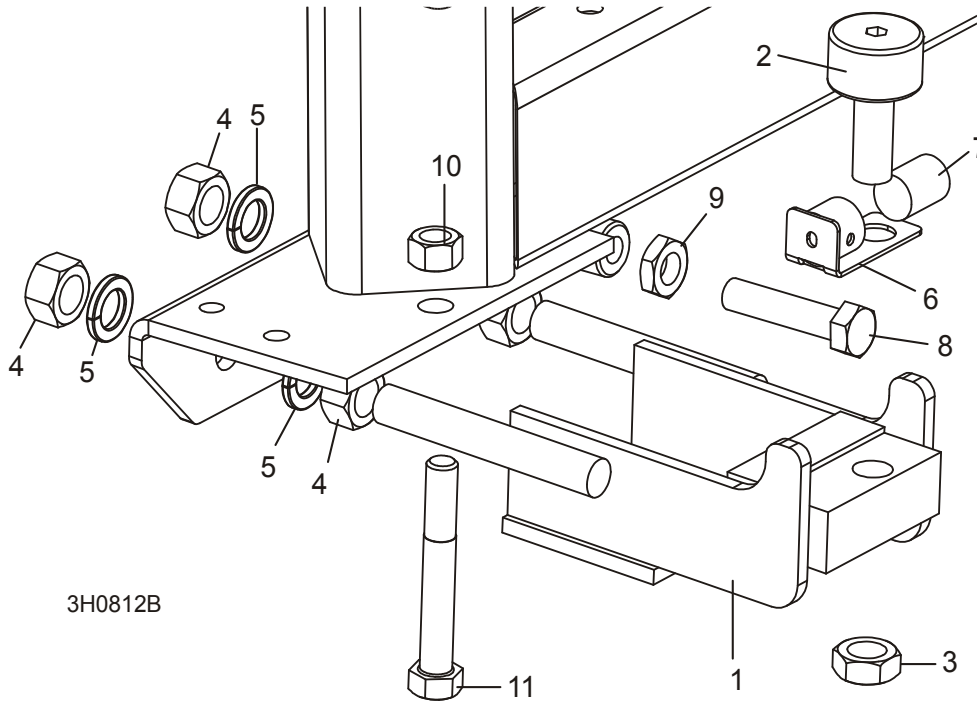


3H0036-3

| REF | DESCRIPTION (◆ Indicates Parts Available In Assemblies Only) | PART #    | QTY. |   |
|-----|--|-----------|------|---|
|     | <b>CHAIN KIT, LT30 FEED</b>                                  | K10408    | 1    |   |
|     | <b>CHAIN KIT, LT40 FEED</b>                                  | K10410    | 1    |   |
| 1   | Chain, #40 X 208.5" LT30 Feed                                | P10407    | 1    |   |
|     | Chain, #40 X 260.5" LT40 Feed                                | P10409    | 1    |   |
| 2   | Link, #40 Master   | P04200    | 2    |   |
| 3   | Rod, Feed Chain Tension                                      | S09569    | 1    |   |
| 4   | Nut, 1/2-20 Hex Jam  | F05010-16 | 2    |   |
| 5   | Washer, 1/2" Split Lock                                      | F05011-9  | 2    |   |
|     | <b>BRACKET KIT, CARRIAGE STOP AND FEED CHAIN</b>             | K11820    | 1    |   |
| 6   | Bracket, Feed Chain Rear Mount                               | W11822    | 1    |   |
| 7   | Bolt, 1/2-13 X 1 1/2" Hex Head Grade 5                       | F05008-33 | 2    |   |
| 8   | Nut, 1/2-13 Hex Nylon Lock                                   | F05010-8  | 2    |   |
|     | <b>STOP KIT, RUBBER CARRIAGE</b>                             | K09630    | 2    |   |
| 9   | Stop, Rubber Carriage  | P12165    | 1    | ◆ |
| 10  | Pin, Rubber Carriage Stop                                    | W09293    | 1    |   |
| 11  | Pin, 3/16" X 1" Cotter                                       | F05012-21 | 1    |   |

## 7.4 Lower Track Rollers

### Retrofit

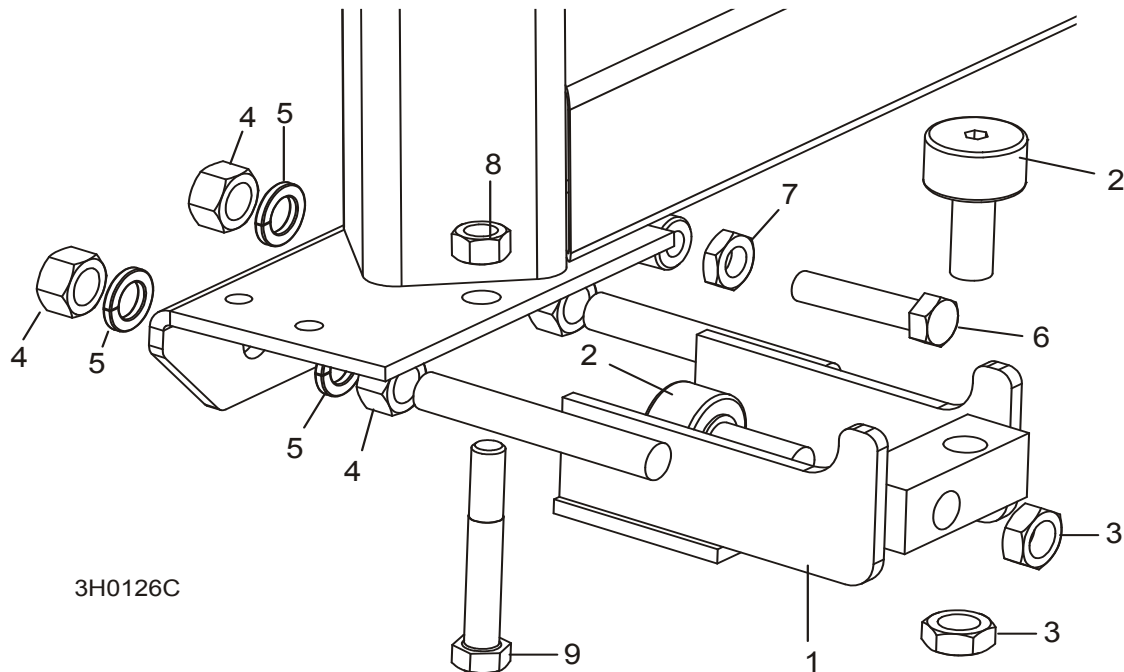


| REF | DESCRIPTION (◆ Indicates Parts Available In Assemblies Only) | PART #                  | QTY. |   |
|-----|--|-------------------------|------|---|
|     | <b>ROLLER ASSEMBLY, LOWER TRACK</b>                          | 012995                  | 2    |   |
| 1   | Bracket, Lower Track Roller Mounting                         | 012982                  | 1    | ◆ |
| 2   | Roller, Track Cam Bearing                                    | 012797                  | 1    |   |
| 3   | Nut, 5/8-18 Hex Jam  | F05010-11               | 1    |   |
| 4   | Nut, 5/8-11 Hex  | F05010-5                | 4    |   |
| 5   | Washer, 5/8" Split Lock Grade 8                              | F05011-118 <sup>1</sup> | 4    |   |
| 6   | Bracket Weldment, Lower Track Roller Wiper                   | 033374                  | 1    |   |
| 7   | Wiper, Round Gray Felt                                       | 033375                  | 1    |   |
| 8   | <b>BOLT, 1/2-13 X 2 1/4" HEX HEAD FULL THREAD</b>            | F05008-2                | 2    |   |
| 9   | <b>NUT, 1/2-13 HEX JAM</b>                                   | F05010-31               | 2    |   |
| 10  | <b>NUT, 1/2-13 HEX LOCK</b>                                  | F05010-3                | 2    |   |
| 11  | <b>BOLT, 1/2-13 X 3 1/2" HEX HEAD GRADE 5</b>                | F05008-61               | 2    |   |

<sup>1</sup> Grade 8 washers replace F05011-27 originally supplied to improve durability.

## 7.5 Lower Track Rollers

LT30                      Rev. F4 - F6.01  
 LT40                      Rev. F5 - F7.01  
 LT30 Super              Rev. F4 - F6.01  
 LT40 Super              Rev. F5 - F7.01



| REF | DESCRIPTION (◆ Indicates Parts Available In Assemblies Only) | PART #                  | QTY. |   |
|-----|--|-------------------------|------|---|
|     | <b>ROLLER ASSEMBLY, LOWER TRACK</b>                          | 012995 <sup>1</sup>     | 2    |   |
| 1   | Bracket, Lower Track Roller Mounting                         | 012982 <sup>1</sup>     | 1    | ◆ |
| 2   | Roller, Track Cam Bearing                                    | 012797 <sup>2</sup>     | 1    |   |
| 3   | Nut, 5/8-18 Hex Jam  | F05010-11               | 2    |   |
| 4   | Nut, 5/8-11 Hex  | F05010-5                | 2    |   |
| 5   | Washer, 5/8" Split Lock Grade 8                              | F05011-118 <sup>3</sup> | 2    |   |
| 6   | <b>BOLT, 1/2-13 X 2 1/4" HEX HEAD FULL THREAD</b>            | F05008-2                | 2    |   |
| 7   | <b>NUT, 1/2-13 HEX JAM</b>                                   | F05010-31               | 2    |   |
| 8   | <b>NUT, 1/2-13 HEX LOCK</b>                                  | F05010-3                | 2    |   |
| 9   | <b>BOLT, 1/2-13 X 3 1/2" HEX HEAD GRADE 5</b>                | F05008-61               | 2    |   |

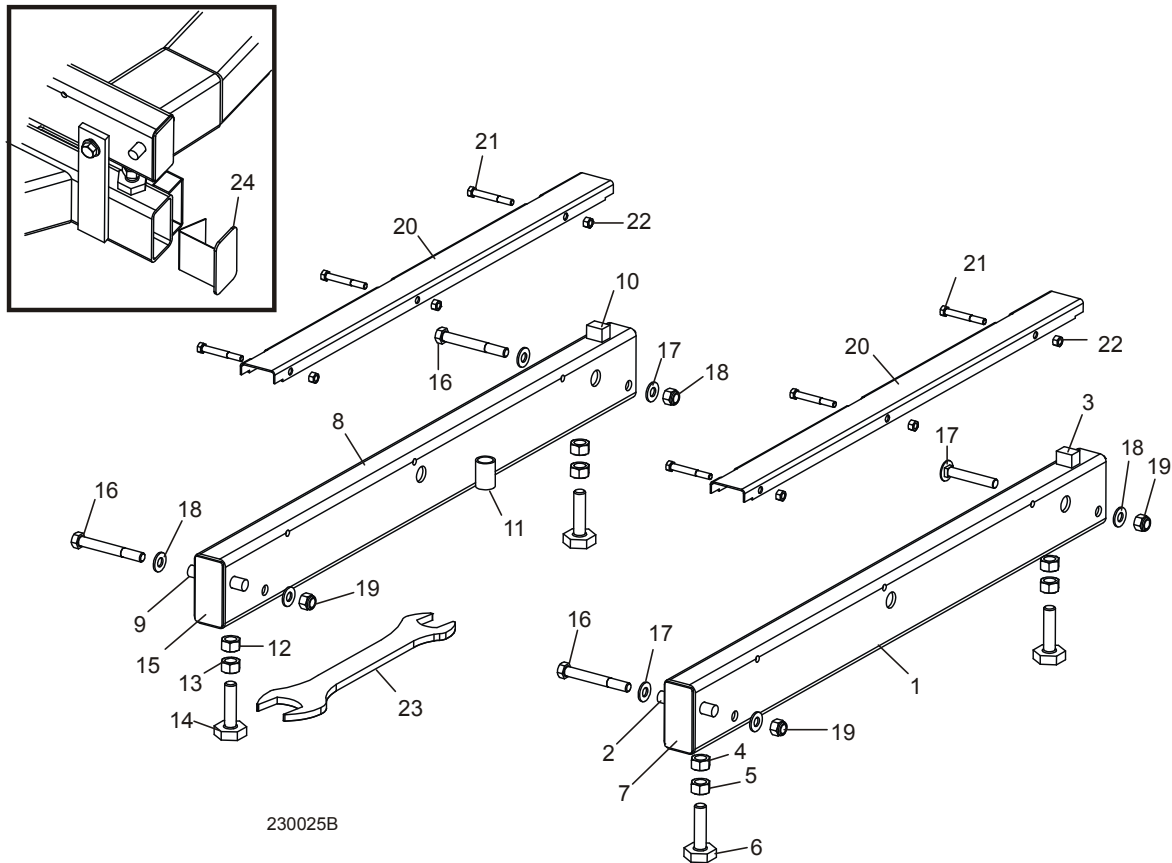
<sup>1</sup> Lower roller assembly includes lower roller wiper assembly (04/00). New bracket required to utilize wipers. Bracket includes stop block which replaces the bottom track roller ([See Section 7.4](#)). Use vertical bolt to adjust stop block to 1/32" - 1/16" from lower track rail.

<sup>2</sup> Use 012797 to replace P12843 rollers originally supplied.

<sup>3</sup> Grade 8 washers replace F05011-27 originally supplied to improve durability.

## SECTION 8 BED FRAME ASSEMBLY

### 8.1 Bed Rail Assembly, Front And Rear



| REF | DESCRIPTION (◆ Indicates Parts Available In Assemblies Only) | PART #                 | QTY. |   |
|-----|--|------------------------|------|---|
|     | <b>BED RAIL ASSEMBLY, REAR PAINTED</b>                       | A09774                 | 1    |   |
| 1   | Bed Rail Tube, Long  | S09102                 | 1    | ◆ |
| 2   | Pin, Ramp Mount  | S04030                 | 1    |   |
| 3   | Block, Log Stop  | S09034                 | 1    |   |
| 4   | Nut, 5/8-11 Pilot Weld                                       | F05010-84 <sup>1</sup> | 2    |   |
| 5   | Nut, 5/8-11 Hex  | F05010-5 <sup>1</sup>  | 2    |   |
| 6   | Bolt, Bed Rail Adjustment                                    | S13006 <sup>1</sup>    | 2    |   |
| 7   | Plate, Bed Rail End Cap                                      | S04058 <sup>2</sup>    | 2    | ◆ |
|     | <b>BED RAIL ASSEMBLY, FRONT PAINTED</b>                      | A09564                 | 1    |   |
| 8   | Bed Rail Tube, Long  | S09102                 | 1    | ◆ |
| 9   | Pin, Ramp Mount  | S04030                 | 1    |   |
| 10  | Block, Log Stop  | S09034                 | 1    |   |

## 8

**Bed Frame Assembly***Bed Rail Assembly, Front And Rear*

|    |  |                        |   |   |
|----|--|------------------------|---|---|
| 11 | Tube, Ramp Retainer Mount                              | S09334                 | 1 | ◆ |
| 12 | Nut, 5/8-11 Pilot Weld                                 | F05010-84 <sup>1</sup> | 2 |   |
| 13 | Nut, 5/8-11 Hex  | F05010-5 <sup>1</sup>  | 2 |   |
| 14 | Bolt, Bed Rail Adjustment                              | S13006 <sup>1</sup>    | 2 |   |
| 15 | Plate, Bed Rail End Cap                                | S04058 <sup>1</sup>    | 2 | ◆ |
| 16 | <b>BOLT, 1/2-13 X 4" HEX HEAD GRADE 5</b>              | F05008-78 <sup>3</sup> | 4 |   |
| 17 | <b>BOLT, 1/2-13 X 3 1/2" CARRIAGE</b>                  | F05008-94 <sup>4</sup> | 1 |   |
| 18 | <b>WASHER, 1/2" SAE FLAT</b>                           | F05011-2               | 8 |   |
| 19 | <b>NUT, 1/2-13 NYLON LOCK</b>                          | F05010-8               | 4 |   |
|    | <b>COVER ASSEMBLY, STAINLESS STEEL BED RAIL (LONG)</b> | A09956                 | 2 |   |
| 20 | Cover, Stainless Steel Bed Rail                        | S09944                 | 1 | ◆ |
| 21 | Bolt, 5/16-18 X 2 1/2" Hex Head                        | F05006-10              | 3 |   |
| 22 | Nut, 5/16-18 Hex Lock                                  | F05010-6               | 3 |   |
| 23 | <b>WRENCH, BED RAIL ADJUSTMENT</b>                     | 015970                 | 1 |   |
| 24 | <b>CAP WELDMENT, BED RAIL REMOVABLE END</b>            | 014652 <sup>2</sup>    | 2 |   |

<sup>1</sup> Bed Rail Adjustment Bolt S13006 zinc-plated 11/99. Two unplated 5/8-11 Hex Nuts F05010-54 replaced with one 5/8-11 Pilot Weld Nut F05010-84 and one 5/8-11 Zinc-Plated Hex Nut F05010-5. Component parts replace assembly A09775 previously supplied.

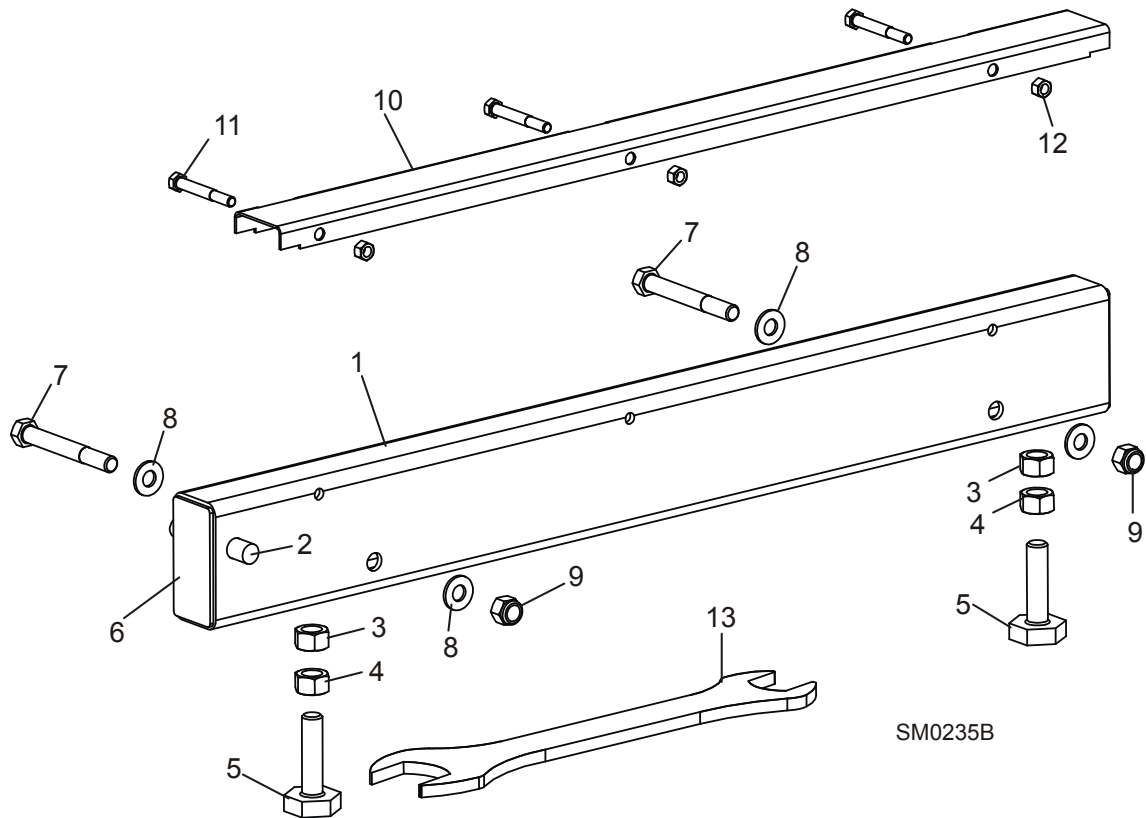
<sup>2</sup> End caps added 6/98 to prevent sawdust/debris buildup.

<sup>3</sup> F05008-78 Grade 5 bolt replaces F05008-26 bolt originally supplied prior to 5/03.

<sup>4</sup> Used on rear bed rail to allow clearance for optional side support rollers.



## 8.2 Bed Rail Assembly, Front Middle



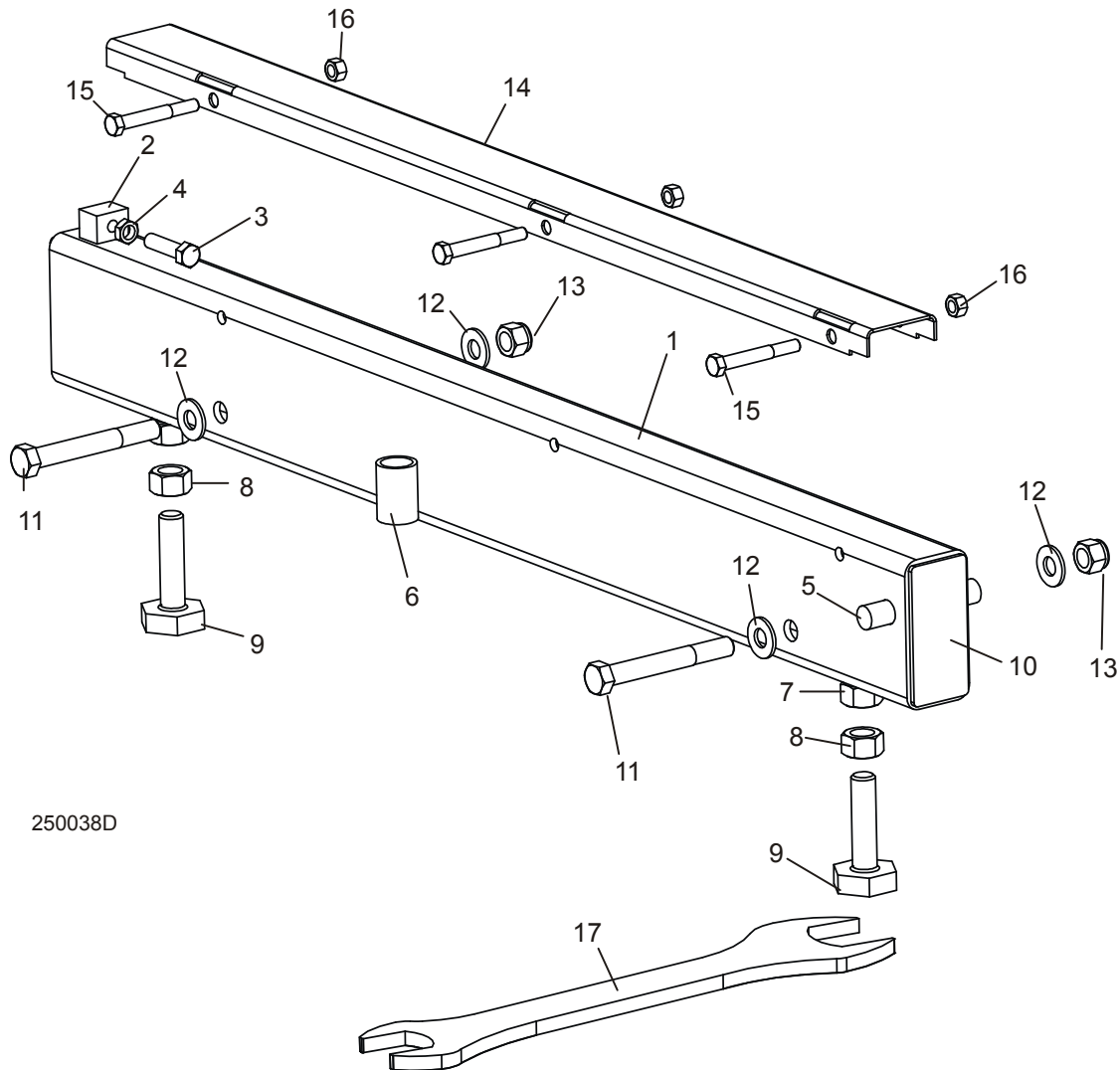
| REF | DESCRIPTION (◆ Indicates Parts Available In Assemblies Only) | PART #                 | QTY. |   |
|-----|--|------------------------|------|---|
|     | <b>BED RAIL ASSEMBLY, FRONT MIDDLE</b>                       | A09566                 | 1    |   |
| 1   | Bed Rail Tube, Short   | S09103                 | 1    | ◆ |
| 2   | Pin, Ramp Mount  | S04030                 | 1    |   |
| 3   | Nut, 5/8-11 Pilot Weld                                       | F05010-84 <sup>1</sup> | 2    |   |
| 4   | Nut, 5/8-11 Hex  | F05010-5 <sup>1</sup>  | 2    |   |
| 5   | Bolt, Bed Rail Adjustment                                    | S13006 <sup>1</sup>    | 2    |   |
| 6   | Plate, Bed Rail End Cap                                      | S04058 <sup>2</sup>    | 2    | ◆ |
| 7   | <b>BOLT, 1/2-13 X 4" HEX HEAD GRADE 5</b>                    | F05008-78 <sup>3</sup> | 2    |   |
| 8   | <b>WASHER, 1/2" SAE FLAT</b>                                 | F05011-2               | 4    |   |
| 9   | <b>NUT, 1/2-13 NYLON LOCK</b>                                | F05010-8               | 2    |   |
|     | <b>COVER ASSEMBLY, STAINLESS STEEL BED RAIL (LONG)</b>       | A09956                 | 1    |   |
| 10  | Cover, Stainless Steel Bed Rail                              | S09944                 | 1    | ◆ |
| 11  | Bolt, 5/16-18 X 2 1/2" Hex Head                              | F05006-10              | 3    |   |
| 12  | Nut, 5/16-18 Hex Lock  | F05010-6               | 3    |   |
| 13  | <b>WRENCH, BED RAIL ADJUSTMENT</b>                           | 015970                 | 1    |   |

**8****Bed Frame Assembly***Bed Rail Assembly, Front Middle*

---

- <sup>1</sup> Bed Rail Adjustment Bolt S13006 zinc-plated 11/99. Two unplated 5/8-11 Hex Nuts F05010-54 replaced with one 5/8-11 Pilot Weld Nut F05010-84 and one 5/8-11 Zinc-Plated Hex Nut F05010-5. Component parts replace assembly A09775 previously supplied.
- <sup>2</sup> End caps added 6/98 to prevent sawdust/debris buildup.
- <sup>3</sup> F05008-78 Grade 5 bolt replaces F05008-26 bolt originally supplied prior to 5/03.

### 8.3 Bed Rail Assembly, Rear Middle



250038D

| REF | DESCRIPTION (◆ Indicates Parts Available In Assemblies Only) | PART #                 | QTY. |   |
|-----|--|------------------------|------|---|
|     | <b>BED RAIL ASSEMBLY, REAR MIDDLE</b>                        | A09565                 | 1    |   |
| 1   | Bed Rail Tube, Short   | S09103                 | 1    | ◆ |
| 2   | Block, Log Stop w/Threaded Hole                              | 014639 <sup>1</sup>    | 1    | ◆ |
| 3   | Bolt, 3/8-16 x 1 1/2 Full Thread Hex Head                    | F05007-17 <sup>1</sup> | 1    |   |
| 4   | Nut, 3/8-16 Hex Jam  | F05010-29 <sup>1</sup> | 1    |   |
| 5   | Pin, Ramp Mount  | S04030                 | 1    |   |
| 6   | Tube, Ramp Retainer Mount                                    | S09334-W               | 1    | ◆ |
| 7   | Nut, 5/8-11 Pilot Weld                                       | F05010-84 <sup>2</sup> | 2    |   |
| 8   | Nut, 5/8-11 Hex  | F05010-5 <sup>2</sup>  | 2    |   |

## 8

**Bed Frame Assembly***Bed Rail Assembly, Rear Middle*

|    |  |                        |   |   |
|----|--|------------------------|---|---|
| 9  | Bolt, Bed Rail Adjustment                              | S13006 <sup>2</sup>    | 2 |   |
| 10 | Plate, Bed Rail End Cap                                | S04058 <sup>3</sup>    | 2 | ◆ |
| 11 | <b>BOLT, 1/2-13 X 4" HEX HEAD GRADE 5</b>              | F05008-78 <sup>4</sup> | 2 |   |
| 12 | <b>WASHER, 1/2" SAE FLAT</b>                           | F05011-2               | 4 |   |
| 13 | <b>NUT, 1/2-13 NYLON LOCK</b>                          | F05010-8               | 2 |   |
|    | <b>COVER ASSEMBLY, STAINLESS STEEL BED RAIL (LONG)</b> | A09956                 | 1 |   |
| 14 | Cover, Stainless Steel Bed Rail                        | S09944                 | 1 | ◆ |
| 15 | Bolt, 5/16-18 X 2 1/2" Hex Head                        | F05006-10              | 3 |   |
| 16 | Nut, 5/16-18 Hex Lock                                  | F05010-6               | 3 |   |
| 17 | <b>WRENCH, BED RAIL ADJUSTMENT</b>                     | 015970                 | 1 |   |

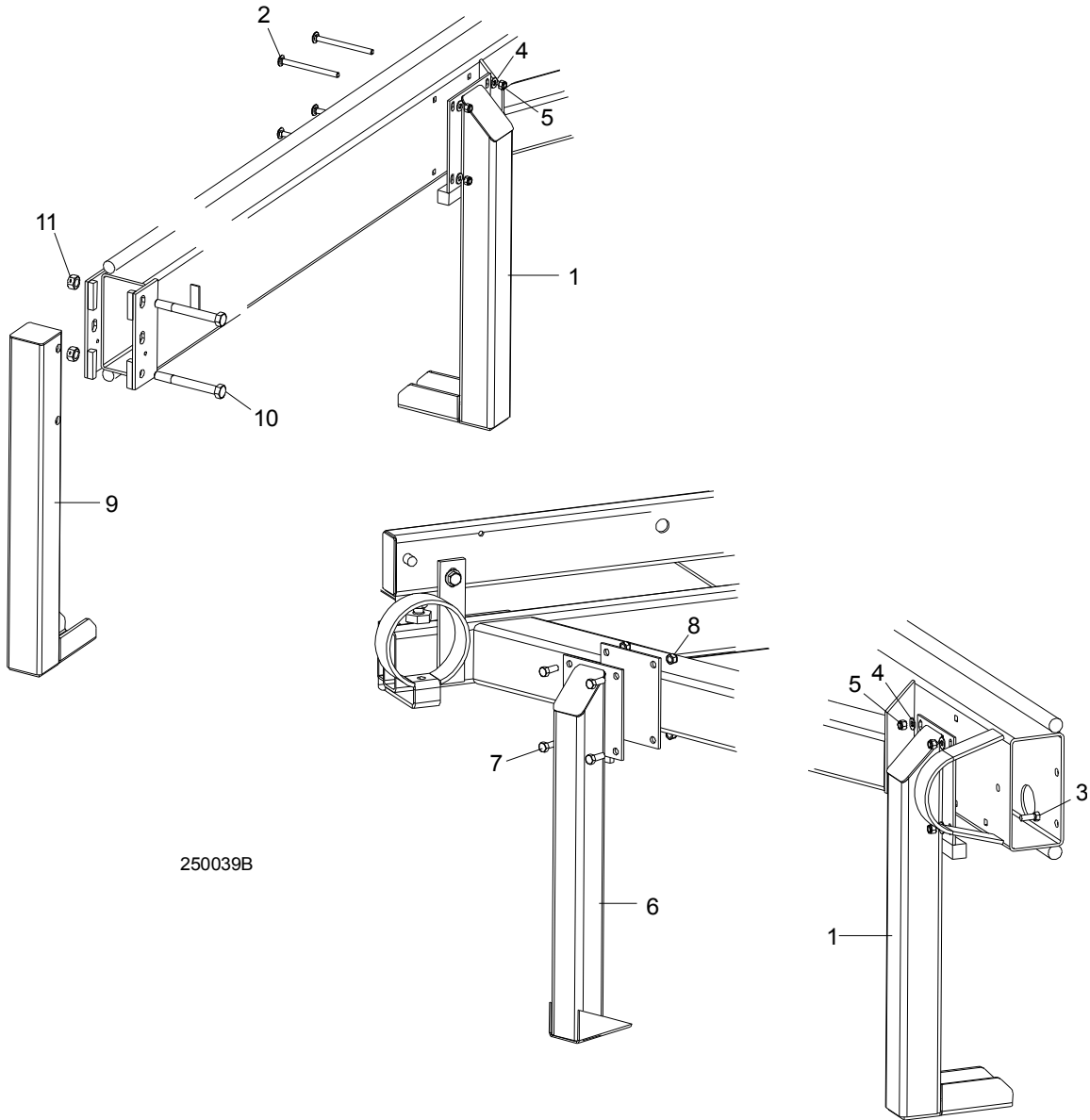
<sup>1</sup> Threaded block, bolt and jam nut added 1/97 to to enable easier clamping of short logs.

<sup>2</sup> Bed Rail Adjustment Bolt S13006 zinc-plated 11/99. Two unplated 5/8-11 Hex Nuts F05010-54 replaced with one 5/8-11 Pilot Weld Nut F05010-84 and one 5/8-11 Zinc-Plated Hex Nut F05010-5. Component parts replace assembly A09775 previously supplied.

<sup>3</sup> End caps added 6/98 to prevent sawdust/debris buildup.

<sup>4</sup> F05008-78 Grade 5 bolt replaces F05008-26 bolt originally supplied prior to 5/03.

## 8.4 Leg, Stationary



| REF | DESCRIPTION (◆ Indicates Parts Available In Assemblies Only)  | PART #                  | QTY. |
|-----|---|-------------------------|------|
| 1   | LEG, LONG STATIONARY (2 REQ'D FOR LT30; 3 REQ'D FOR LT40)     | W09513                  | 2/3  |
| 2   | BOLT, 3/8-16 X 5" CARRIAGE HEAD                               | F05007-113 <sup>1</sup> | 8    |
|     | BOLT, 3/8-16 X 5" HEX HEAD GRADE 2                            | F05007-5 <sup>1</sup>   | 8    |
| 3   | BOLT, 3/8-16 X 1" HEX HEAD GRADE 2 (REQ'D FOR REAR LT40 ONLY) | F05007-7                | 4    |
| 4   | WASHER, 3/8" SAE FLAT   | F05011-3 <sup>2</sup>   | 8/12 |
| 5   | NUT, 3/8-16 HEX NYLON LOCK                                    | F05010-10               | 8/12 |

# 8 Bed Frame Assembly

## *Leg, Stationary*

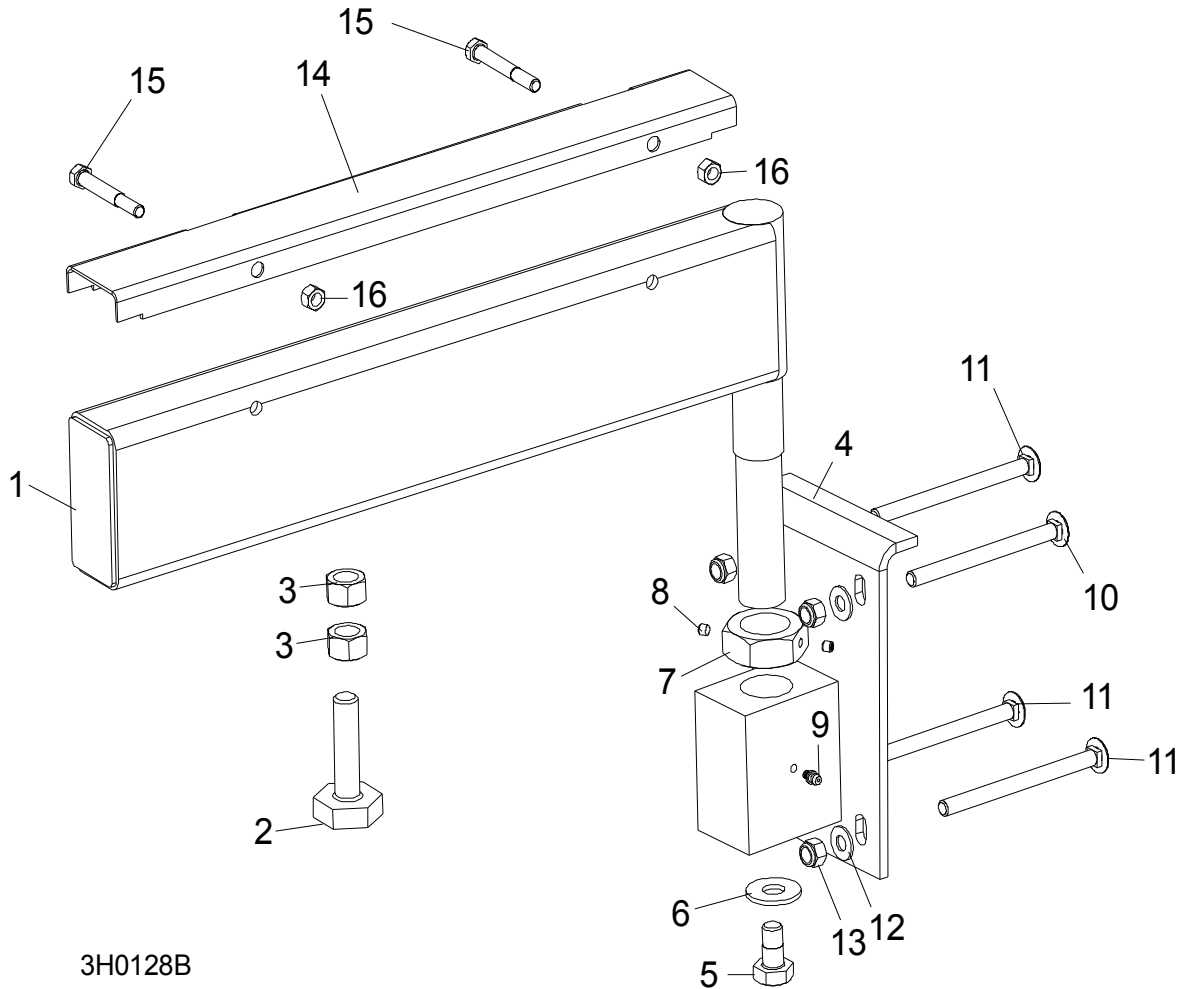
---

|    |  |           |   |  |
|----|--|-----------|---|--|
| 6  | LEG, SHORT STATIONARY                  | W09515    | 2 |  |
| 7  | BOLT, 3/8-16 X 1" HEX HEAD GRADE 2     | F05007-7  | 8 |  |
| 8  | NUT, 3/8-16 HEX NYLON LOCK             | F05010-10 | 8 |  |
| 9  | LEG, LT40 FRONT STATIONARY             | W09517    | 1 |  |
| 10 | BOLT, 5/8-11 X 5 1/2" HEX HEAD GRADE 5 | F05009-11 | 2 |  |
| 11 | NUT, 5/8-11 HEX LOCK                   | F05010-4  | 2 |  |

<sup>1</sup> Carriage bolts F05007-113 used on LT30 Rev. F6822+, LT30 Super Rev. F9040+, LT40 Rev. F7749+, LT40 Super Rev. F7010.  
 Use hex head bolts F05007-5 on prior revisions.

<sup>2</sup> Washers added 5/98.

### 8.5 Pivot Bed Rail Assembly



3H0128B

| REF | DESCRIPTION (◆ Indicates Parts Available In Assemblies Only) | PART #    | QTY. |   |
|-----|--|-----------|------|---|
|     | <b>PIVOT BED RAIL ASSEMBLY (LT30)</b>                        | 012993    | 2    |   |
|     | <b>PIVOT BED RAIL ASSEMBLY (LT40)</b>                        | A13015    | 2    |   |
| 1   | Pivot Bed Rail Weldment (LT30)                               | 012992    | 1    | ◆ |
|     | Pivot Bed Rail Weldment (LT40)                               | W13014    | 1    | ◆ |
|     | Bolt Assembly, Bed Rail Adjustment                           | A09775    | 1    |   |
| 2   | Bolt, Bed Rail Adjustment                                    | S13006    | 1    |   |
| 3   | Nut, 5/8-11 Hex  | F05010-54 | 2    |   |
| 4   | Bracket, Pivot Rail Mounting                                 | W13090    | 1    |   |
| 5   | Bolt, 1/2-13 x 1" Hex Head Grade 2                           | F05008-50 | 1    |   |
| 6   | Washer, 9/16" SAE Flat                                       | F05011-52 | 1    |   |
| 7   | Nut, Pivot Bed Rail Adjustment                               | S13016    | 1    |   |
| 8   | Screw, 1/4-28 x 1/4" Brass Tip Set                           | F05005-42 | 2    |   |

## 8

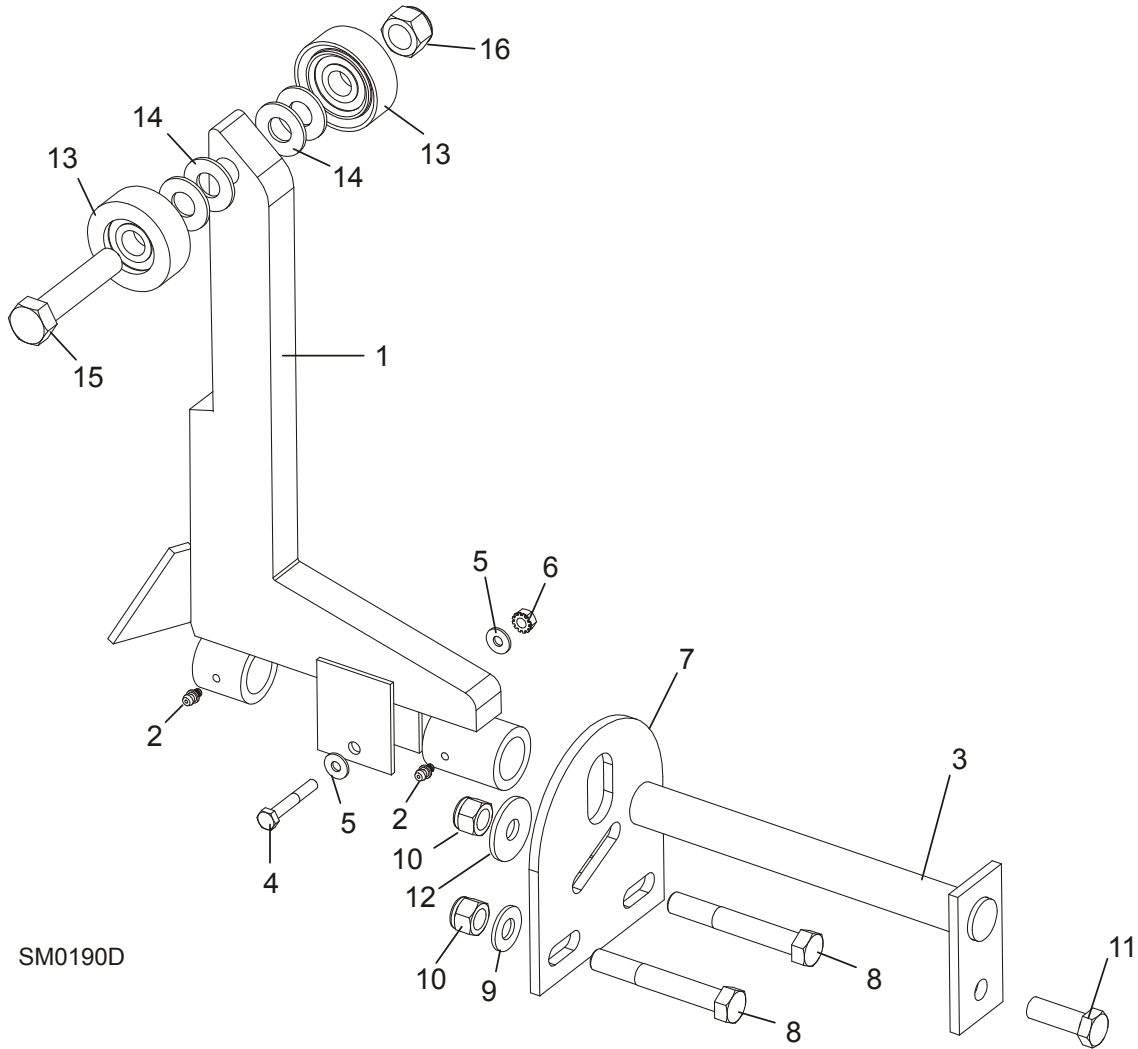
**Bed Frame Assembly***Pivot Bed Rail Assembly*

|    |   |                         |   |  |
|----|---|-------------------------|---|--|
| 9  | Fitting, 3/16" Grease                               | P04107                  | 1 |  |
| 10 | <b>BOLT, 3/8-16 X 4 3/4" CARRIAGE HEAD</b>          | F05007-114 <sup>1</sup> | 2 |  |
|    | <b>BOLT, 3/8-16 X 4 3/4" HEX HEAD GRADE 5</b>       | F05007-109 <sup>1</sup> | 2 |  |
| 11 | <b>BOLT, 3/8-16 X 5" CARRIAGE HEAD</b>              | F05007-113 <sup>1</sup> | 6 |  |
|    | <b>BOLT, 3/8-16 X 5" HEX HEAD GRADE 2</b>           | F05007-5 <sup>1</sup>   | 8 |  |
| 12 | <b>WASHER, 3/8" SAE FLAT</b>                        | F05011-3                | 8 |  |
| 13 | <b>NUT, 3/8-16 NYLON LOCK</b>                       | F05010-10               | 8 |  |
|    | <b>COVER KIT, PIVOT RAIL STAINLESS STEEL (LT40)</b> | 017710                  | 2 |  |
|    | <b>COVER KIT, PIVOT RAIL STAINLESS STEEL (LT30)</b> | 015926                  | 2 |  |
| 14 | Cover, Stainless Steel Pivot Bed Rail (LT40)        | S13012                  | 1 |  |
|    | Cover, Stainless Steel Pivot Bed Rail (LT30)        | 012994                  | 1 |  |
| 15 | Bolt, 5/16-18 X 2 1/2" Hex Head                     | F05006-10               | 2 |  |
| 16 | Nut, 5/16-18 Hex Lock                               | F05010-6                | 2 |  |
|    | <b>WRENCH, BED RAIL ADJUSTMENT (NOT SHOWN)</b>      | 015970                  | 1 |  |

<sup>1</sup> Carriage bolts F05007-114 and F05007-113 used on LLT30 Rev. F6822+, LT30 Super Rev. F9040+, LT40 Rev. F7749+, LT40 Super Rev. F7010. Use hex head bolts F05007-109 and F05007-5 on prior revisions.



## 8.6 Log Side Support Assembly



| REF | DESCRIPTION (◆ Indicates Parts Available In Assemblies Only) | PART #              | QTY. |
|-----|--|---------------------|------|
| 1   | <b>SUPPORT, LOG SIDE</b>                                     | 015235 <sup>1</sup> | 2    |
| 2   | Fitting, 3/16" Grease  | P04107              | 2    |
|     | <b>MOUNTING KIT, LOG SIDE SUPPORT</b>                        | K09440              | 2    |
| 3   | Pin, Log Side Support Pivot                                  | W09238              | 1    |
| 4   | Bolt, 1/4-20 X 1 1/2" Hex Head Grade 5                       | F05005-4            | 1    |
| 5   | Washer, 1/4" SAE Flat  | F05011-11           | 2    |
| 6   | Nut, 1/4-20 Self Locking                                     | F05010-9            | 1    |
| 7   | Plate, Log Side Support End                                  | S09148              | 1    |
| 8   | Bolt, 1/2-13 X 3 1/2" Hex Head                               | F05008-61           | 2    |
| 9   | Washer, 1/2" SAE Flat  | F05011-2            | 4    |
| 10  | Nut, 1/2-13 Hex Nylon Lock                                   | F05010-8            | 3    |

## 8

## Bed Frame Assembly

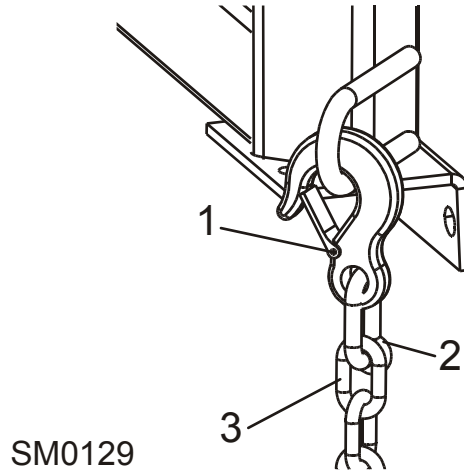
### *Log Side Support Assembly*

|    |  |                        |   |  |
|----|--|------------------------|---|--|
| 11 | Bolt, 1/2-13 X 1 1/2" Hex Head             | F05008-33              | 1 |  |
| 12 | <b>WASHER, .5" X 1.63" SERRATED</b>        | F05011-90 <sup>2</sup> | 1 |  |
|    | <b>ROLLER KIT, SIDE SUPPORT (OPTIONAL)</b> | 015109                 | 4 |  |
| 13 | Roller Assembly, Side Support              | 015014                 | 2 |  |
| 14 | Washer, 5/8" SAE Flat                      | F05011-5               | 4 |  |
| 15 | Bolt, 5/8-11 x 3" Hex Head Grade 5         | F05009-37              | 1 |  |
| 16 | Nut, 5/8-11 Nylon Lock                     | F05010-34              | 1 |  |
|    | Instruction Sheet, Side Support Roller     | 015109-526             | 1 |  |

<sup>1</sup> Replaces W12566 originally supplied. Side support redesigned for added strength.

<sup>2</sup> Replaces F05011-2 1/2" SAE Flat Washer originally supplied. Serrated washer helps maintain side support adjustment.

### 8.7 Tie Down Chain Assembly

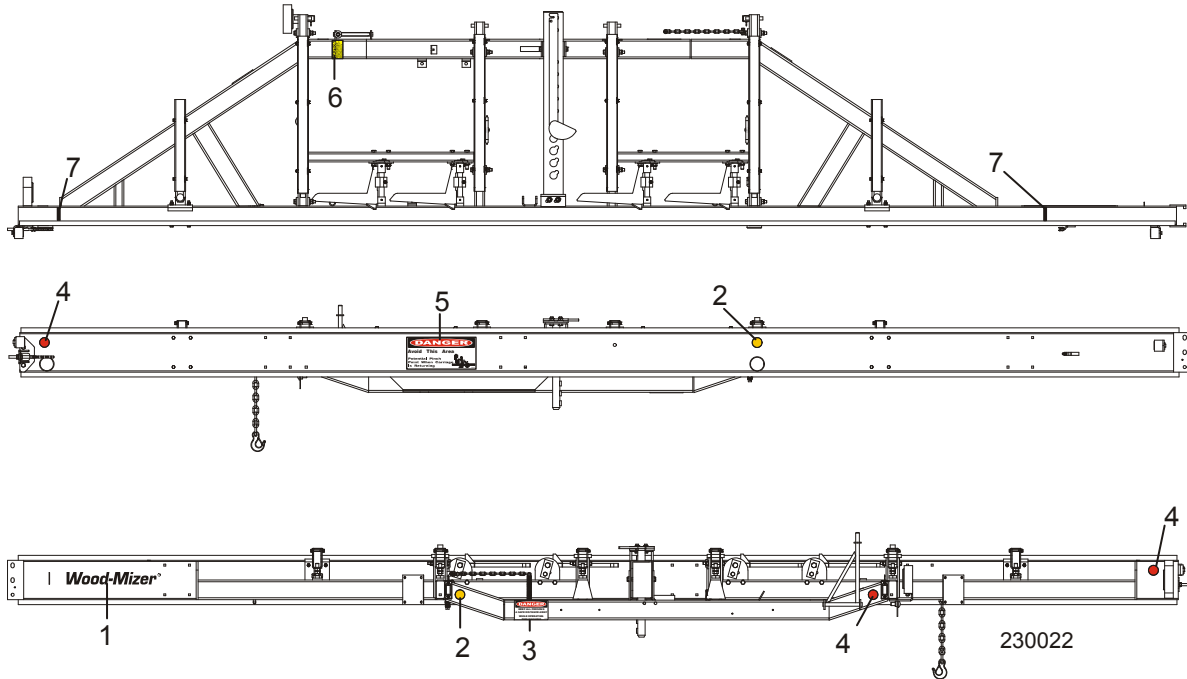


| REF | DESCRIPTION (◆ Indicates Parts Available In Assemblies Only) | PART #   | QTY.     |   |
|-----|--|----------|----------|---|
|     | <b>CHAIN ASSEMBLY, TIE DOWN</b>                              | A04376   | 1        |   |
| 1   | Hook, 5/8" Safety Chain                                      | P12075   | 1        | ◆ |
| 2   | Cold Shut, 3/8" Plain  | P04772-2 | 1        | ◆ |
| 3   | Chain, 5/16" Unplated  | R02111   | .938 ft. | ◆ |

# 8 Bed Frame Assembly

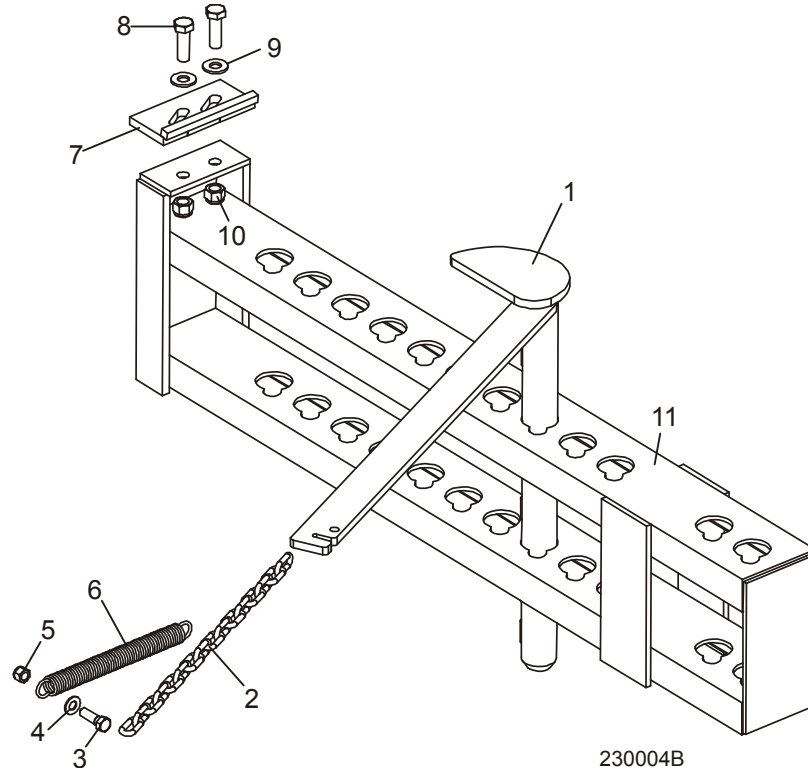
## Bed Frame Decals

### 8.8 Bed Frame Decals



| REF | DESCRIPTION (◆ Indicates Parts Available In Assemblies Only) | PART # | QTY. |
|-----|--|--------|------|
| 1   | DECAL, WOOD-MIZER LOGO                                       | S12281 | 1    |
| 2   | DECAL, AMBER REFLECTIVE 2" ROUND                             | P07453 | 2    |
| 3   | DECAL, KEEP AWAY DANGER                                      | S09851 | 1    |
| 4   | DECAL, RED REFLECTIVE 2" ROUND                               | P07452 | 3    |
| 5   | DECAL, PINCH POINT DANGER                                    | P10287 | 1    |
| 6   | DECAL, SAW HEAD REST CAUTION                                 | S12581 | 1    |
| 7   | DECAL, LOG LIMIT STRIPE                                      | S12051 | 2    |

### 8.9 Log Clamp



| REF | DESCRIPTION (◆ Indicates Parts Available In Assemblies Only) | PART #    | QTY. |
|-----|--|-----------|------|
| 1   | CLAMP, LOG   | W09412    | 1    |
| 2   | CHAIN, LOG CLAMP   | M04311    | 1    |
| 3   | BOLT, 3/8-16 X 1 1/4" HEX HEAD GRADE 2                       | F05007-2  | 1    |
| 4   | WASHER, 3/8" STANDARD FLAT                                   | F05011-3  | 2    |
| 5   | NUT, 3/8-16 HEX NYLON LOCK                                   | F05010-10 | 1    |
| 6   | SPRING, LOG CLAMP CHAIN                                      | P09136    | 1    |
| 7   | PLATE, LOG CLAMP STOP  | W09404    | 1    |
| 8   | BOLT, 1/2-13 X 1 1/2" HEX HEAD GRADE 5                       | F05008-33 | 2    |
| 9   | WASHER, 1/2" SAE FLAT  | F05011-2  | 2    |
| 10  | NUT, 1/2-13 HEX NYLON LOCK                                   | F05010-8  | 2    |
| 11  | CHANNEL WELDMENT, MANUAL LOG CLAMP                           | W09310    | 1    |

## SECTION 9 MISCELLANEOUS

### 9.1 Replacement Manuals

| REF   | DESCRIPTION (◆ Indicates Parts Available In Assemblies Only) | PART # | QTY. |
|---|--|--------|------|
| <b>Wood-Mizer Product Information</b>           |  |        |      |
| 1   | ALL-PRODUCTS CATALOG   | PS750  | 1    |
| <b>Basic Sawmill Manuals</b>                    |  |        |      |
| 2   | TRU-SHARP BLADE HANDBOOK                                     | M600   | 1    |
| 3   | WOOD-MIZER GENERAL INFORMATION                               | M601   | 1    |
| 4   | LT30/LT40 OPERATOR'S MANUAL (1996)                           | M686   | 1    |
| 5   | LT30/40 PARTS MANUAL (1996)                                  | M687   | 1    |
| <b>Power Option Manuals/Electrical Diagrams</b> |  |        |      |
| 6   | G18 ENGINE OPTION MANUAL (1996)                              | M597   | 1    |
| 7   | G24 ENGINE OPTION MANUAL (1996)                              | M598   | 1    |
| 8   | ONAN P218/P220/P224 ENGINE SERVICE MANUAL                    | P12163 | 1    |
| 9   | ONAN P224 ENGINE PARTS MANUAL                                | P12162 | 1    |
| 10  | D40 ENGINE OPTION MANUAL (1996)                              | M662   | 1    |
| 11  | LOMBARDINI DIESEL ENGINE WORKSHOP MANUAL                     | 014282 | 1    |
| 12  | G35 ENGINE OPTION MANUAL (1996)                              | M699   | 1    |
| 13  | WISCONSIN ENGINE PARTS MANUAL                                | 014445 | 1    |
| 14  | WISCONSIN ENGINE REPAIR MANUAL                               | 014446 | 1    |
| 15  | E15 MOTOR OPTION MANUAL (1996)                               | M609   | 1    |
| 16  | E20 MOTOR OPTION MANUAL (1996)                               | M663   | 1    |
| 17  | E25 MOTOR OPTION MANUAL (1996)                               | M669   | 1    |
| <b>Trailer Option Manuals</b>                   |  |        |      |
| 18  | STANDARD TRAILER OPTION (1996)                               | M665   | 1    |
| 19  | ELECTRIC BRAKE TRAILER OPTION (1996)                         | M667   | 1    |
| 20  | SURGE BRAKE TRAILER OPTION (1996)                            | M756   | 1    |
| <b>Miscellaneous Option Manuals</b>             |  |        |      |
| 21  | MANUAL WINCH OPTION MANUAL                                   | M619   | 1    |
| 22  | LOG TURNER OPTION MANUAL                                     | M620   | 1    |
| 23  | MANUAL TOE BOARD OPTION MANUAL                               | M627   | 1    |
| 24  | SHINGLE/LAPSIDER OPTION MANUAL                               | M903   | 1    |
| 25  | OPERATOR'S SEAT OPTION MANUAL                                | M902   | 1    |
| 26  | RESAW ATTACHMENT MASTER OPTION MANUAL                        | M263   | 1    |
| 27  | BED EXTENSION OPTION MANUAL                                  | M503   | 1    |
| 28  | MKI DEBARKER ATTACHMENT OPTION MANUAL                        | M690   | 1    |
| 29  | MKII DEBARKER ATTACHMENT OPTION MANUAL                       | M675   | 1    |
| 30  | SETWORKS OPTION MANUAL                                       | M888   | 1    |
| 31  | LASER SIGHT OPTION MANUAL                                    | M900   | 1    |

# INDEX

---

## B

- battery box 5-15
- bed rails
  - front/rear 8-1
  - middle 8-3, 8-5
  - pivot 8-9
- blade guide
  - drive side 2-3
  - idle side 2-1
  - throat screw 4-1
- blade guide arm
  - arm & rollers 2-5
  - motor & drive 2-6
- blade tensioner 3-7
- blade wheel
  - drive side 3-1, 3-3
  - idle side 3-5

---

## C

- clutch/brake lever 4-3, 4-7, 4-9
- control box 5-1, 5-3, 5-5, 5-7
  - circuit breakers (G.S.) 5-10
  - drum switches 5-9
  - front panel & harnesses 5-11, 5-13
- covers 4-15, 4-18

---

## D

- decals
  - bed 8-14
  - saw head 4-13

---

## F

- fuse box 5-17

---

## L

- legs
  - stationary 8-7
- log clamp 8-15

---

## M

- manuals 9-1

---

## P

- parts list
  - how to use 1-1
- power feed
  - chain and stop 7-5
  - motor/drive 7-3

---

## S

- safety chain 8-13
- sawdust chute 4-15
- scale
  - blade height 6-4
- side supports 8-11
- sight gauge 6-2

---

## T

track rollers  
  lower 7-6, 7-7  
  upper 7-1

---

## U

up/down  
  chain & sprockets 5-6  
  drive (standard) 5-8, 5-10  
  drive (super) 5-12  
  v-brace mount 6-1, 6-2

---

## W

water lube  
  bottle/tray assembly 4-11  
  solenoid valve 4-2