

Manual Winch

Safety, Operation, Maintenance, & Parts Manual

MW

rev. F1.00

Safety is our #1 concern!

March 1997

Form #619



WARNING! Read and understand this manual before using this machine.

Table of Contents

Section-Page

SECTION 1 OPERATION

1.1 Manual Winch1-1

SECTION 2 REPLACEMENT PARTS

2.1 Manual Winch2-1

SECTION 1 OPERATION

NOTICE This manual is provided as a **supplement** to the equipment manufacturer's manuals. Refer to the manufacturer's manual before attempting to operate this equipment. This manual takes into account the specific use of the winch on the Wood-Mizer sawmill. Only safety, maintenance, and operating procedures that are not provided by the manufacturer are supplied in this manual.

The manual winch may be used on LT25¹ through LT40 sawmills to load logs onto the bed. The winch may also be used with the optional log turner to rotate logs on the sawmill bed. The winch features two-speed operation and a brake. The winch rated to handle 3500 pounds (1588 kg).



DANGER! Keep all persons out of the path of moving equipment and logs when operating sawmill or loading and turning logs. Failure to do so will result in serious injury.

NOTE: For installation, see the assembly sheet that came with your retrofit kit.

1.1 Manual Winch

1. Inspect the winch mechanism and cable for proper operation before each use.
2. Check the cable for damage and replace, if necessary.
3. Select the winch speed by placing the crank handle on the correct winding shaft.
 - a. The top winding shaft provides a slow, but stronger, winding action for use when handling larger logs.
 - b. The lower winding shaft will provide a faster winding action for use when handling small to medium size logs.
4. Make sure the handle clip engages with groove in drive shaft.
5. Engage ratchet plunger by placing pin in the horizontal position in the deep slot.

NOTE: If the winch handle refuses to turn, pull the ratchet plunger pin from slot, turn 180 degrees, and reengage.

6. Wind line on winch reel by turning winch handle in counterclockwise direction.

NOTE: The ratchet plunger should bob up and down as line is wound onto the reel.

7. If under load, make sure that the ratchet plunger is fully engaged and holding load before winch handle is released.
8. To unwind or reel out line, securely grip the winch handle and apply force in counterclockwise direction so that ratchet plunger can be easily disengaged.
9. Pull ratchet plunger pin up and turn 90 degrees.
10. Apply force to hand brake to help hold load while carefully turning handle in clockwise direction.
11. Do not lose control.



WARNING! Maintain a firm grip on the winch handle at all times. Do not release handle when ratchet lever is in unlocked position with a load on the winch. The handle will spin violently, which could cause personal injury.

¹ Use the supplied 6" bolts to replace the winch bracket mounting bolts. Longer bolts allow mounting of winch bracket and feed rope bracket.

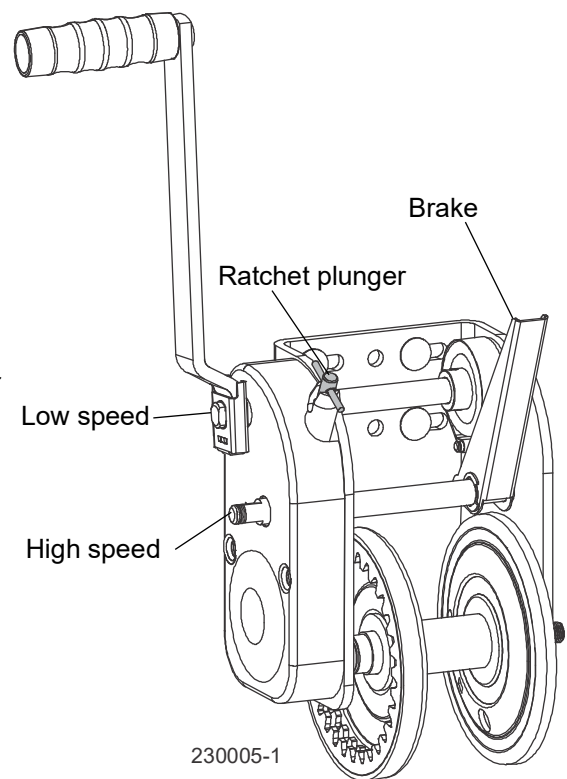


FIG. 1-1

12. After reeling out line, lock the load in position by reengaging ratchet plunger.
13. Ensure that the ratchet plunger bobs up and down when the handle is turned counterclockwise, and that it is **fully** engaged and securely holding the load before releasing handle.
14. When finished, turn the pin 90° and release. (The pin should return to its original position.)
15. If handle is attached to high speed shaft, operate winch as described above, reversing clockwise and counterclockwise.

NOTE: Refer to the manufacturer's manual for lubrication instructions.

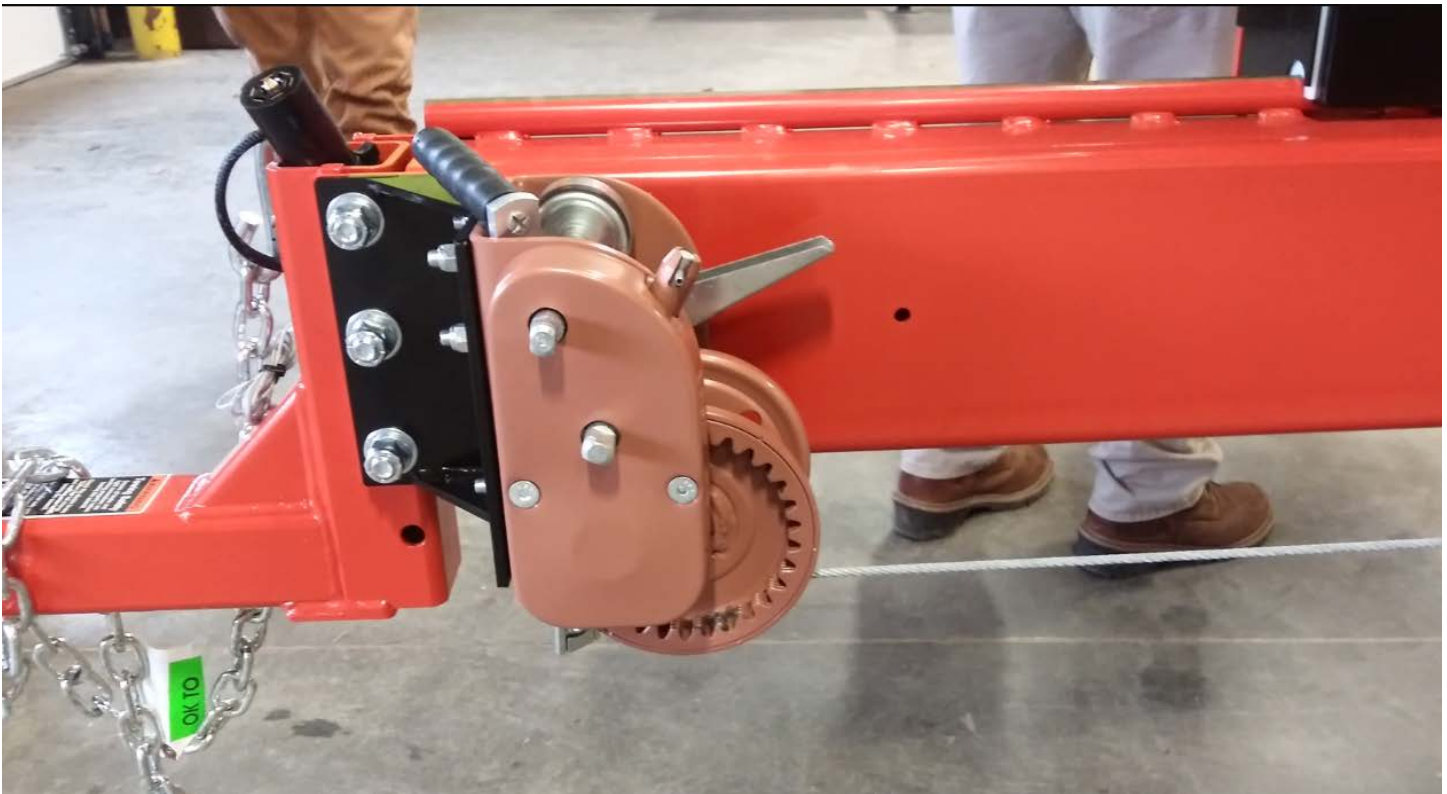
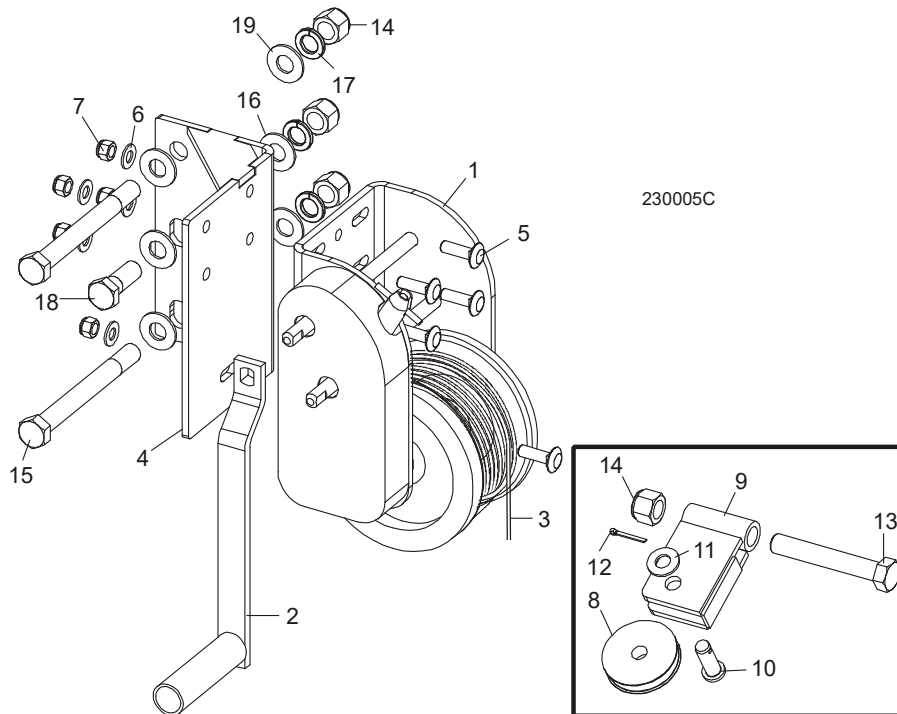


FIG. 1-2 HANDLE IN STORAGE POSITION

SECTION 2 REPLACEMENT PARTS

2.1 Manual Winch



REF	PART #	DESCRIPTION	COMMENTS	QTY.
	MW-A	MANUAL WINCH ASSEMBLY		1
1	P12323	Winch, Manual 3500lb	Available in assemblies only.	1
2	P04487	Handle, Manual Winch		1
3	P05087	Cable, Manual Winch 7/32" Dia. X 50' Long		1
4	S12321	Bracket, Winch Mount		1
5	F05007-127	Bolt, 3/8-16 X 1 1/4" Carriage Grade 5		5
6	F05011-3	Washer, 3/8" Flat		5
7	F05010-10	Nut, 3/8-16 Hex Nylon Lock		5
8	S09393	Pulley, Winch Cable Guide		1
9	W09429	Bracket, Winch Cable Guide Pulley		1
10	F05012-24	Pin, 1/2" X 1 27/64" Clevis		1
11	F05011-2	Washer, 1/2" SAE Flat		1
12	F05012-1	Pin, 1/8" X 1" Cotter		1
13	F05009-8	Bolt, 5/8-11 X 4" Hex Head Full Thread		1
14	F05010-34	Nut, 5/8-11 Nylon Lock	Use supplied hardware to replace mounting hardware previously supplied.	4
15	F05009-22	Bolt, 5/8-11 x 6" Hex Head Grade 5		2
16	F05011-5	Washer, 5/8" SAE Flat		2
17	F05011-27	Washer, 5/8" Split Lock	Use supplied hardware to replace mounting hardware previously supplied.	3
	M619-23	Manual, Manual Winch Option		1
	MW-421	Instruction Sheet, Manual Winch		1
18	F05009-33	Bolt, 5/8-11 x 1 3/4" Hex Head		1
19	F05011-5	WASHER, 5/8" SAE FLAT		4

