

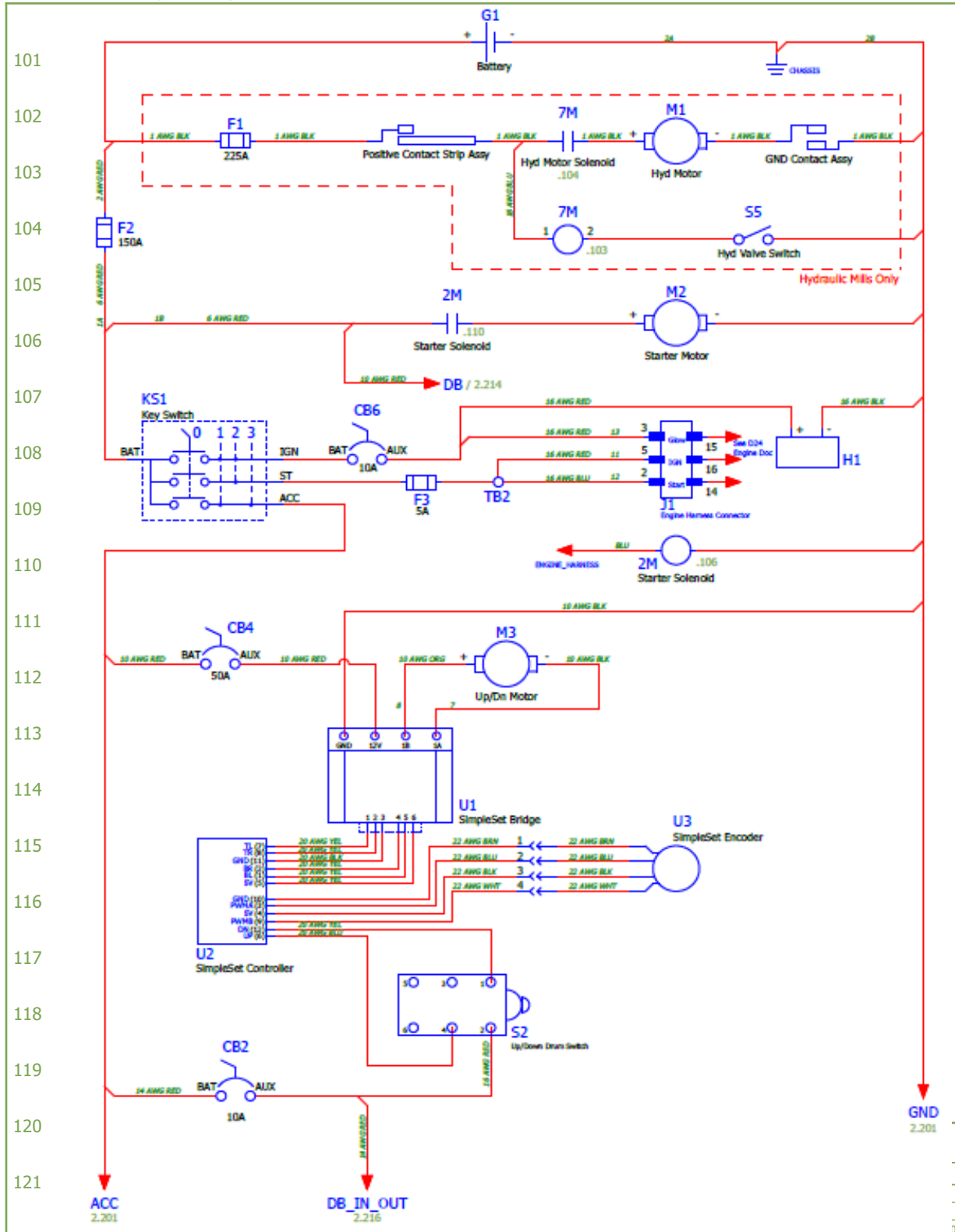


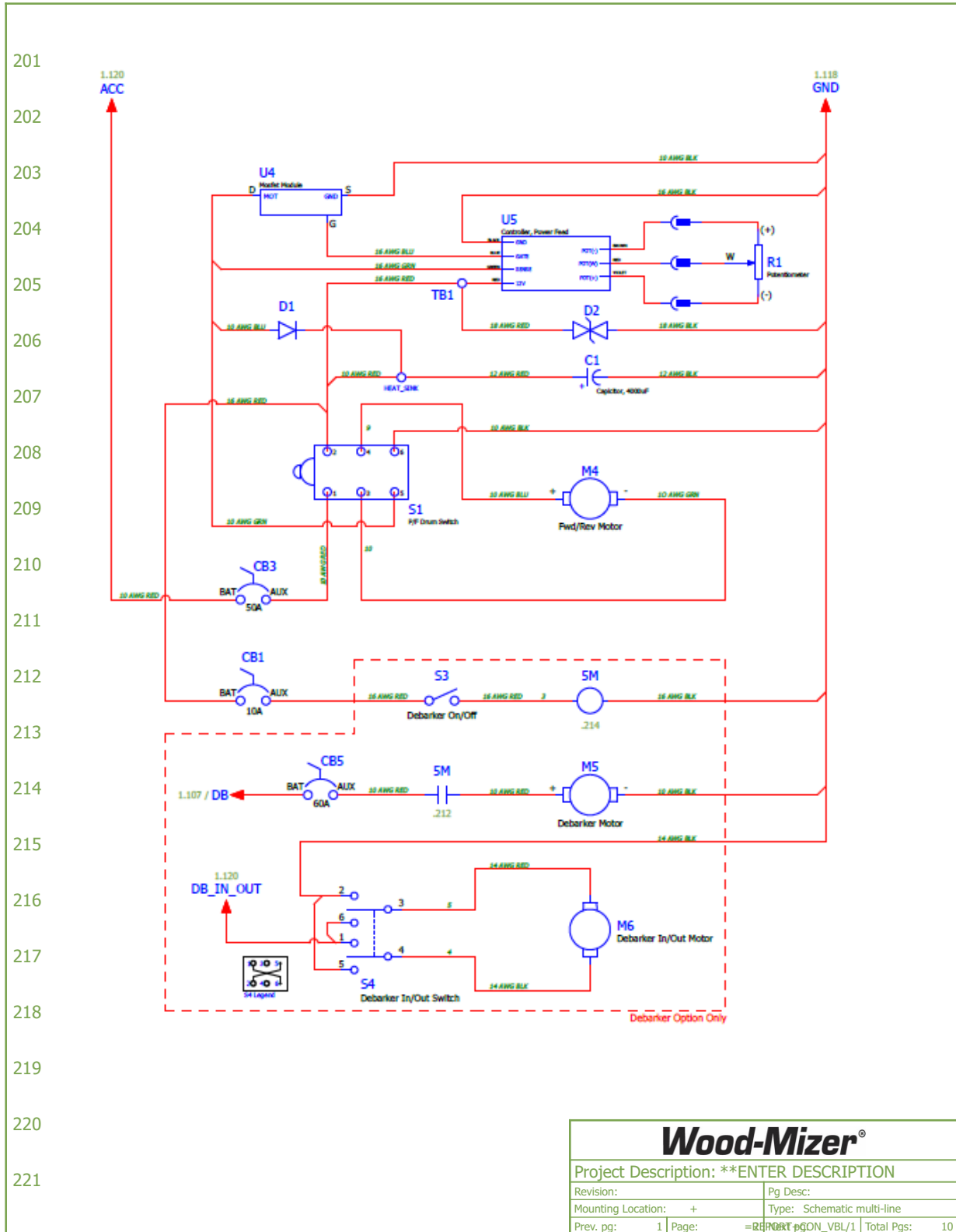
Electrical Information

Wiring Diagrams, D24 (LT35 Rev. A6.08+/LT35HD Rev. A6.10+)

SECTION 9 ELECTRICAL INFORMATION

9.1 Wiring Diagrams, D24 (LT35 Rev. A6.08+/LT35HD Rev. A6.10+)





Wood-Mizer®

Project Description: **ENTER DESCRIPTION	
Revision:	Pg Desc:
Mounting Location: +	Type: Schematic multi-line
Prev. pg: 1	Page: = REPORT pgON_VBL/1 Total Pgs: 10



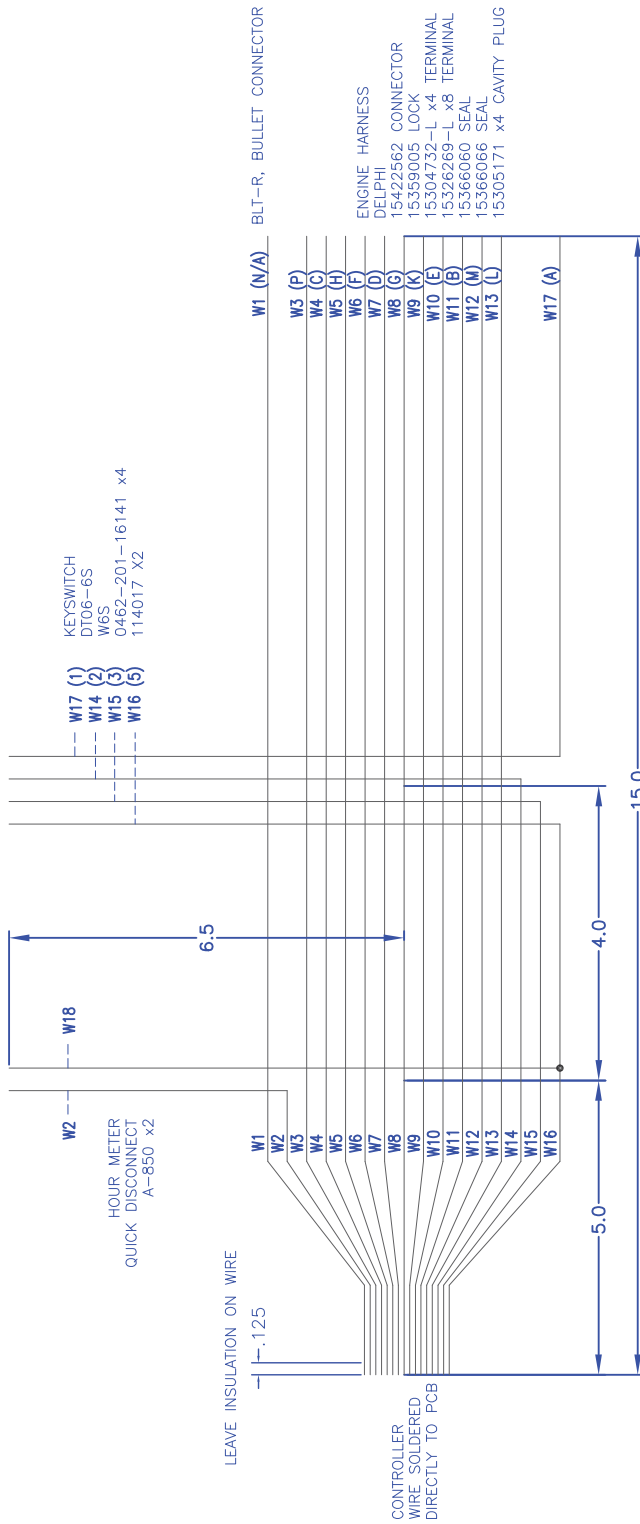
Electrical Information

Component List, D24 (LT35 Rev. A6.08+/LT35HD Rev. A6.10+)

9.2 Component List, D24 (LT35 Rev. A6.08+/LT35HD Rev. A6.10+)

Component List				
Item	Mfg. Part No.	Mfg.	Wood-Mizer Part No.	Description
5M, 7M	016371	Wood-Mizer	016371	Solenoid Kit, 200A 12V SPST Cont. Duty
C1	052365	Wood-Mizer	052365	Capacitor Assembly, P/F Filter
CB1	75105	Various	053464	Circuit Breaker, 10A Manual Reset
CB2	75105	Various	053464	Circuit Breaker, 10A Manual Reset
CB3	1648-009-050-006	Mechanical products	024256	Circuit Breaker, 50A
CB4	1648-009-050-006	Mechanical products	024256	Circuit Breaker, 50A
CB5	1648-009-050-006	Mechanical products	024256	Circuit Breaker, 50A
CB6	75105	Various	053464	Circuit Breaker, 10A Manual Reset
D1	052363	Wood-Mizer	052363	Diode Assembly
D2	052294	Wood-Mizer	052294	Suppressor Assembly, 92+ Power Feed
F1	MEG225	Littelfuse	053339	MEGA Fuse 225A
F2	MEG150	Littelfuse	052370-150	MEGA Fuse 150A
F3	LTFS-0287005.L	Littelfuse	024150-5	Fuse, 5A ATO Blade Tan
G1	24M7 wet	East Penn Manufacturing (Deka)	P12315	Battery, 12V 24M7
H1	N430-0200-8111 & 801-416 015401	Sendec	015401	Meter, Hour
KS1	1218 W/BOOT	---	P04350	Switch, Key
M1	4085-018	Iskra	038683	Motor, Hydraulic Pump
M3	4085-018	Current Applications	006747	0.50 HP DC Motor
M4	4085-018	Current Applications	006747	0.50 HP DC Motor
M5	4085-018	Current Applications	006747	0.50 HP DC Motor
R1	076050	Wood-Mizer	076050	Potentiometer, 1K
S2	2601AF2S12	Schneider Electric	---	Drum Switch, U/D
S5	024198	Wood-Mizer	024198	Switch, Hydraulic Micro
U1	053373	Wood-Mizer	053373	Bridge, SS Key
U2	053774	Key Electronics	053774	Controller, SimpleSet Key
U3	074021	Wood-Mizer	074021	Encoder Assembly, SimpleSet
U4	024387	Key Electronics	024387	Module, Mosfet
U5	024396	Key Electronics	024396	Controller, Power Feed

9.3 Engine Harness Wiring, D24



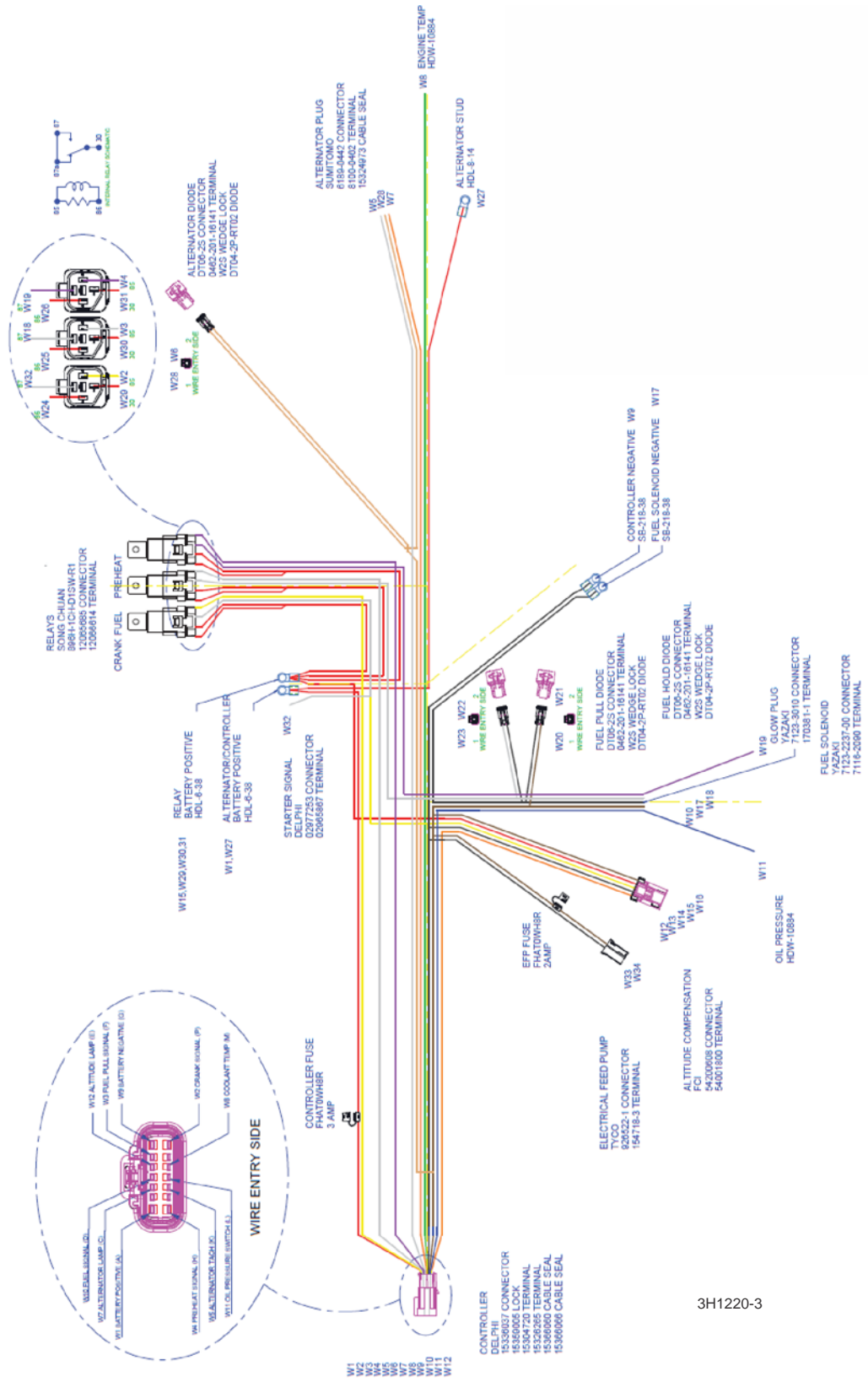
3H1220-1

3H1220-2

WIRE NUMBER	COLOR	WIRE GAUGE	LENGTH (INCHES-REF)	END A CONNECTOR	END A TERMINAL/SEAL	END A PORT	END B CONNECTOR	END B TERMINAL/SEAL	END B PORT	WIRE FUNCTION
W1	BLACK	18AWG	15.0	-	-	1	-	BLT-R	-	PREHEAT INTERVAL SELECT
W2	BLACK	18AWG	11.5	-	-	2	-	A-850	-	HOURLY METER GROUND
W3	BLACK	18AWG	15.0	-	-	3	15422562	15304732-L	P	STARTER
W4	BLACK	18AWG	15.0	-	-	4	15422562	15326269-L	C	ALT CHARGE LAMP
W5	BLACK	18AWG	15.0	-	-	5	15422562	15304732-L	H	GLOW PLUGS
W6	BLACK	18AWG	15.0	-	-	6	15422562	15326269-L	F	FUEL PULL
W7	BLACK	18AWG	15.0	-	-	7	15422562	15326269-L	D	FUEL HOLD
W8	BLACK	18AWG	15.0	-	-	8	15422562	15304732-L	G	BATTERY NEGATIVE, B-
W9	BLACK	18AWG	15.0	-	-	9	15422562	15326269-L	K	ALT TACH
W10	BLACK	18AWG	15.0	-	-	10	15422562	15326269-L	E	HIGH ALTITUDE
W11	BLACK	18AWG	15.0	-	-	11	15422562	15326269-L	B	N/A
W12	BLACK	18AWG	15.0	-	-	12	15422562	15326269-L	M	HIGH TEMP SWITCH
W13	BLACK	18AWG	15.0	-	-	13	15422562	15326269-L	L	LOW PRESSURE SWITCH
W14	BLACK	18AWG	11.5	-	-	14	DT06-6S	0462-201-16141	2	KEY CRANK
W15	BLACK	18AWG	11.5	-	-	15	DT06-6S	0462-201-16141	3	KEY ACCESSORY
W16	BLACK	18AWG	11.5	-	-	16	DT06-6S	0462-201-16141	5	KEY IGNITION
W17	BLACK	18AWG	15.0	DT06-6S	0462-201-16141	1	15422562	15304732-L	A	BATTERY POSITIVE, B+
W18	BLACK	18AWG	8.0	-	A-850	-	SPLICE W/W16	-	-	HOURLY METER B+

* ALL WIRES TO BE MARKED WITH WIRE NUMBERS, VISIBLE WHEN IN CONNECTOR.

WIRE NUMBER	WIRE FUNCTION	PANEL FEATURE
W1	PREHEAT INTERVAL SELECT	4S/10S. (DEFAULT 4S). GROUND INPUT FOR 10S.
W3	STARTER	OVER CRANK PROTECTION: CRANK SIGNAL 30S MAX. CRANK SIGNAL DISABLED DURING ENGINE RUN.
W12	HIGH TEMP SWITCH	HIGH COOLANT TEMPERATURE SHUTDOWN INPUT SIGNAL.
W13	LOW PRESSURE SWITCH	LOW OIL PRESSURE SHUTDOWN: 10S SHUTDOWN BYPASS DURING ENGINE START.



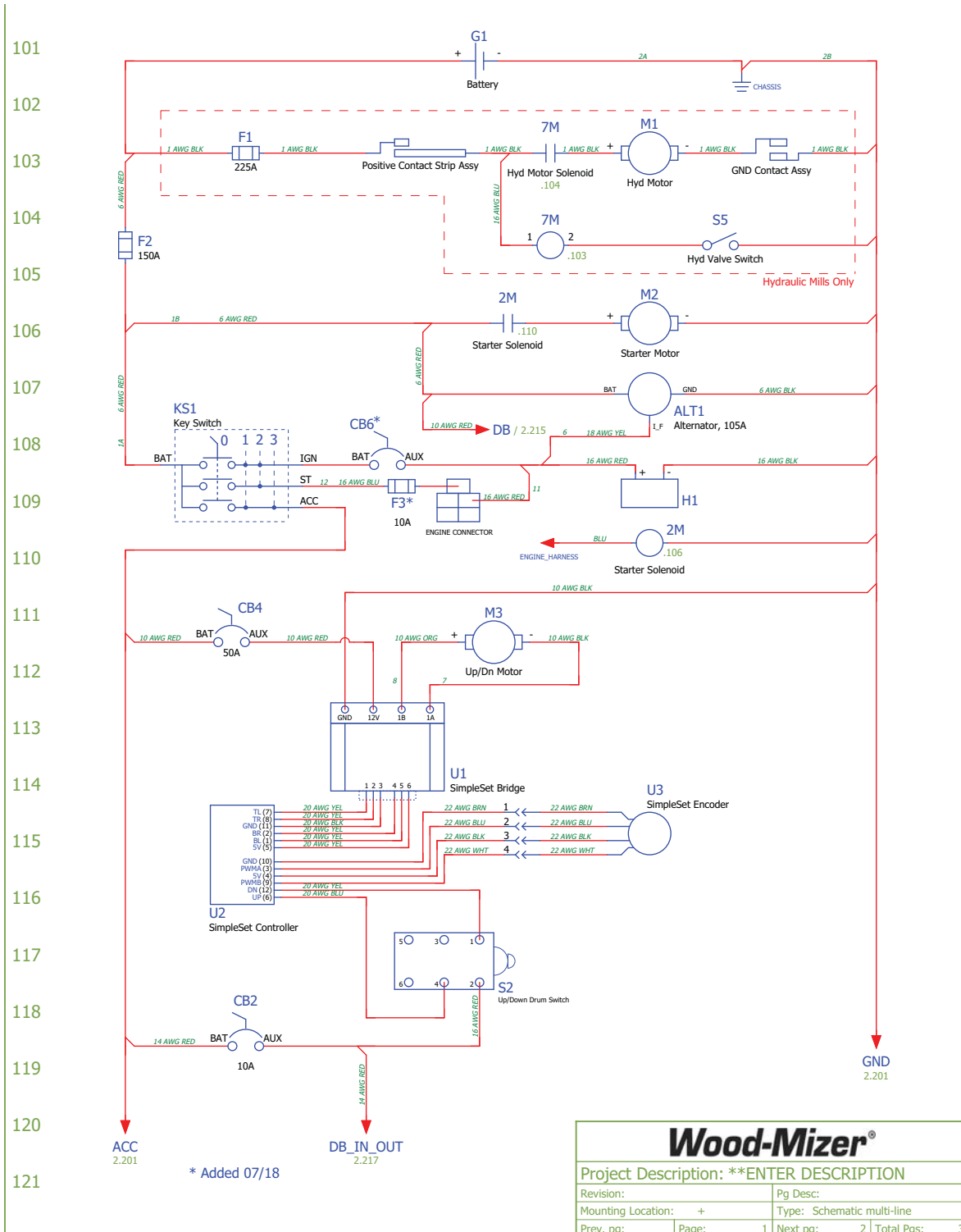
3H1220-3



WIRE NUMBER	COLOR	WIRE GAUGE	LENGTH (INCHES-REF)	END A CONNECTOR	END A TERMINAL/SEAL	END A PORT	END B CONNECTOR	END B TERMINAL/SEAL	END B PORT	WIRE FUNCTION
W1	RED	16 AWG	41.0	15336037	15304720	A	N/A	HDL-6-38	N/A	CONTROLLER BATTERY POSITIVE, B+
W2	YELLOW/RED	16 AWG	53.0	15336037	15304720	P	12065685	12066614	85	CRANK SIGNAL
W3	WHITE	16 AWG	53.0	15336037	15326265	F	12065685	12066614	85	FUEL PULL SIGNAL
W4	VIOLET/RED	16 AWG	53.0	15336037	15304720	H	12065685	12066614	85	GLOW PLUG SIGNAL
W5	WHITE	16 AWG	59.0	15336037	15326265	K	6189-0442	8100-0462	3	ALTERNATOR TACH
W6	TAN	16 AWG	55.0	SPLICE WW10	N/A	N/A	DT06-2S	0462-201-16141	2	ALTERNATOR EXCITE
W7	ORANGE/WHITE	16 AWG	59.0	15336037	15326265	C	6189-0442	8100-0462	1	ALTERNATOR CHARGE LAMP
W8	GREEN	16 AWG	65.0	15336037	15326265	M	N/A	HDW-10884	N/A	HIGH TEMPERATURE SWITCH
W9	BLACK	16 AWG	45.0	15336037	15304720	G	N/A	SB-218-38	N/A	CONTROLLER BATTERY NEGATIVE, B-
W10	BROWN/RED	16 AWG	41.0	15336037	15326265	D	7123-2237-00	7116-2090	R	FUEL HOLD SIGNAL
W11	BLUE	16 AWG	47.0	15336037	15326265	L	N/A	HDW-10884	N/A	LOW PRESSURE SWITCH
W12	ORANGE/RED	16 AWG	66.0	15336037	15326265	E	54200608	54001800	3	HIGH ALTITUDE SIGNAL
W13	BLACK	16 AWG	38.0	SPLICE WW9	N/A	N/A	54200608	54001800	2	ALTITUDE COMPENSATION GROUND, B-
W14	YELLOW/RED	16 AWG	46.0	SPLICE WW132	N/A	N/A	54200608	54001800	6	ALTITUDE COMPENSATION STARTER SIGNAL
W15	RED	14 AWG	48.0	N/A	HDL-6-38	N/A	54200608	54001800	4	ALTITUDE COMPENSATION POSITIVE, B+
W16	BROWN/RED	16 AWG	38.0	SPLICE WW10	N/A	N/A	54200608	54001800	5	ACCESSORY BATTERY POSITIVE, B+
W17	BLACK	16 AWG	26.0	N/A	SB-218-38	N/A	7123-2237-00	7116-2090	B	FUEL SOLENOID GROUND, B-
W18	WHITE	14 AWG	32.0	12065685	12066614	87	7123-2237-00	7116-2090	W	FUEL PULL SIGNAL
W19	VIOLET/RED	14 AWG	38.0	12065685	12066614	87	7123-3010	7116-3010	1	GLOW PLUG SIGNAL
W20	BROWN/RED	16 AWG	5.0	SPLICE WW16	N/A	N/A	DT06-2S	0462-201-16141	1	FUEL HOLD SIGNAL, DIODE
W21	BLACK	16 AWG	5.0	SPLICE WW17	N/A	N/A	DT06-2S	0462-201-16141	2	BATTERY NEGATIVE, B-
W22	BLACK	16 AWG	5.0	SPLICE WW17	N/A	N/A	DT06-2S	0462-201-16141	2	BATTERY NEGATIVE, B-
W23	WHITE	16 AWG	5.0	SPLICE WW18	N/A	N/A	DT06-2S	0462-201-16141	1	FUEL PULL SIGNAL, DIODE
W24	RED	16 AWG	6.0	SPLICE WW29	N/A	N/A	12065685	12066614	86	CRANK RELAY COIL POSITIVE, B+
W25	RED	16 AWG	6.0	SPLICE WW30	N/A	N/A	12065685	12066614	86	FUEL RELAY COIL POSITIVE, B+
W26	RED	16 AWG	6.0	SPLICE WW31	N/A	N/A	12065685	12066614	86	PREHEAT RELAY COIL POSITIVE, B+
W27	RED	8 AWG	30.0	N/A	HDL-8-14	N/A	N/A	HDL-6-38	N/A	ALTERNATOR BATTERY POSITIVE, B+
W28	TAN	16 AWG	36.0	DT06-2S	0462-201-16141	1	6189-0442	8100-0462	2	ALTERNATOR EXCITE
W29	RED	14 AWG	23.0	N/A	HDL-6-38	N/A	12065685	12066614	30	CRANK RELAY BATTERY POSITIVE, B+
W30	RED	14 AWG	23.0	N/A	HDL-6-38	N/A	12065685	12066614	30	FUEL RELAY BATTERY POSITIVE, B+
W31	RED	14 AWG	23.0	N/A	HDL-6-38	N/A	12065685	12066614	30	PREHEAT RELAY BATTERY POSITIVE, B+
W32	WHITE	16 AWG	23.0	12065685	12066614	87	02977253	02965867	N/A	CRANK SIGNAL
W33	BLACK	16 AWG	27.0	SPLICE WW9	N/A	N/A	926522-1	154718-3	2	BATTERY NEGATIVE, B-
W34	BROWN/RED	16 AWG	27.0	SPLICE WW10	N/A	N/A	926522-1	154718-3	1	FUEL HOLD SIGNAL

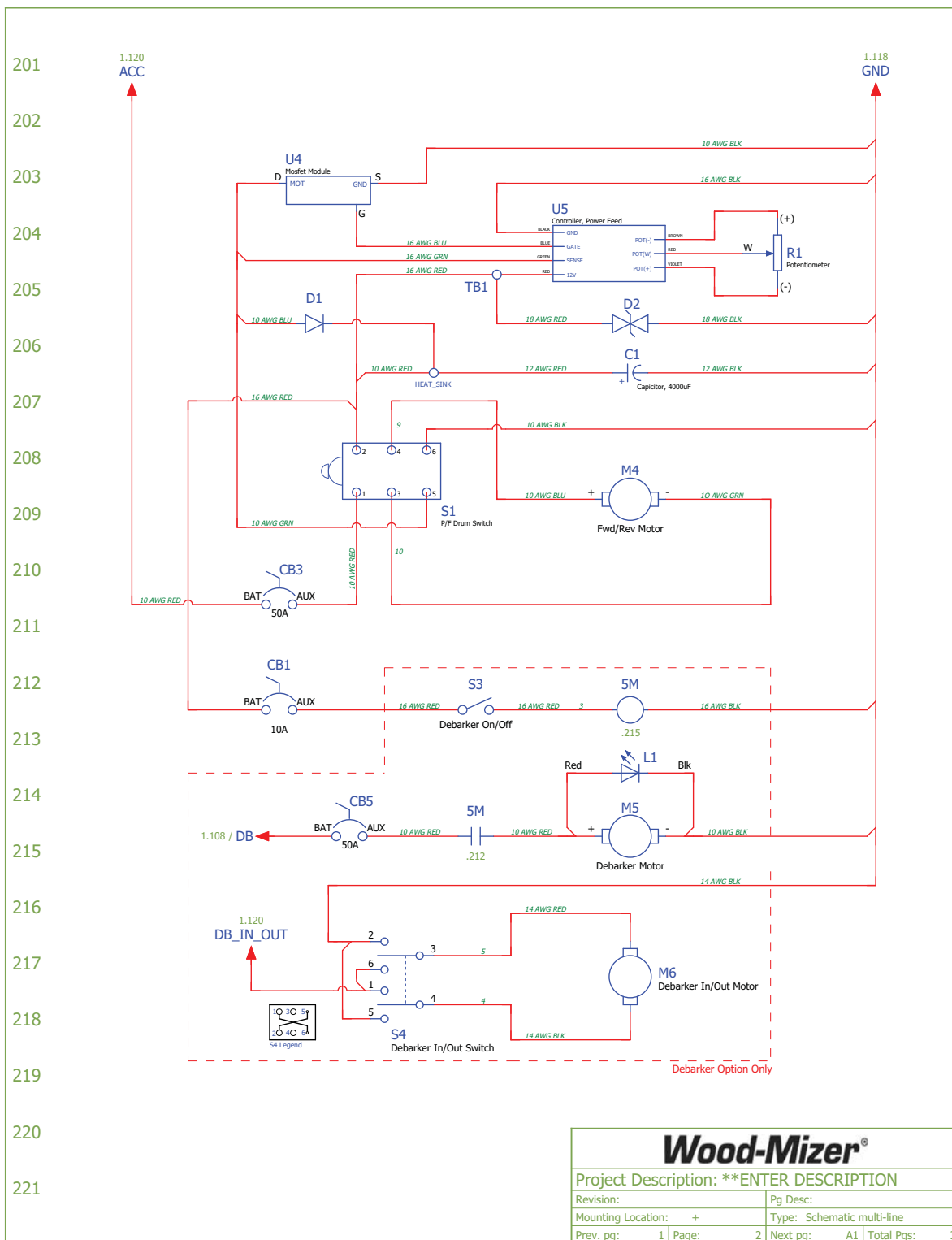
3H1220-4

9.4 Wiring Diagrams, G25 & D17 (Rev. A6.00+)



9 Electrical Information

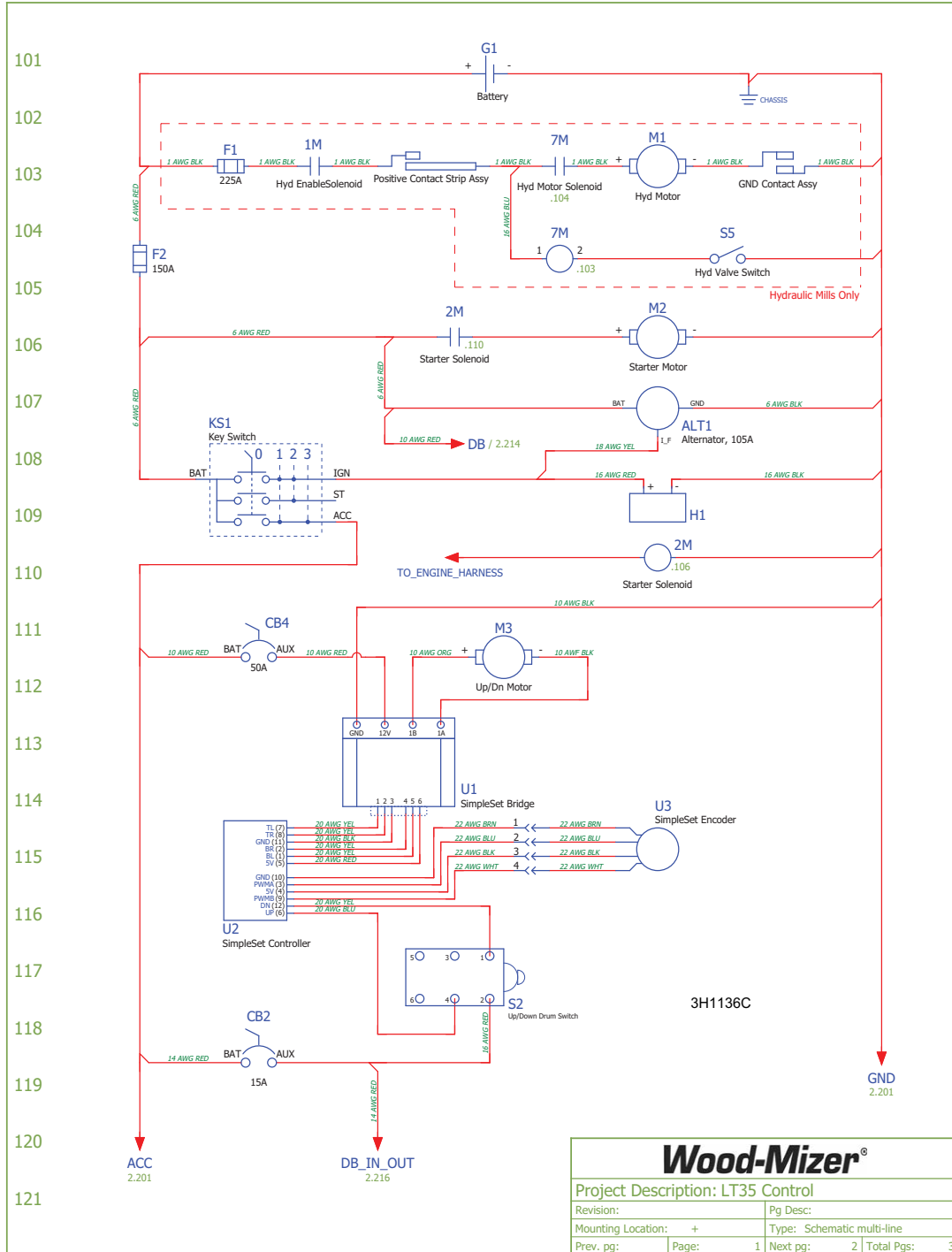
Wiring Diagrams, G25 & D17 (Rev. A6.00+)

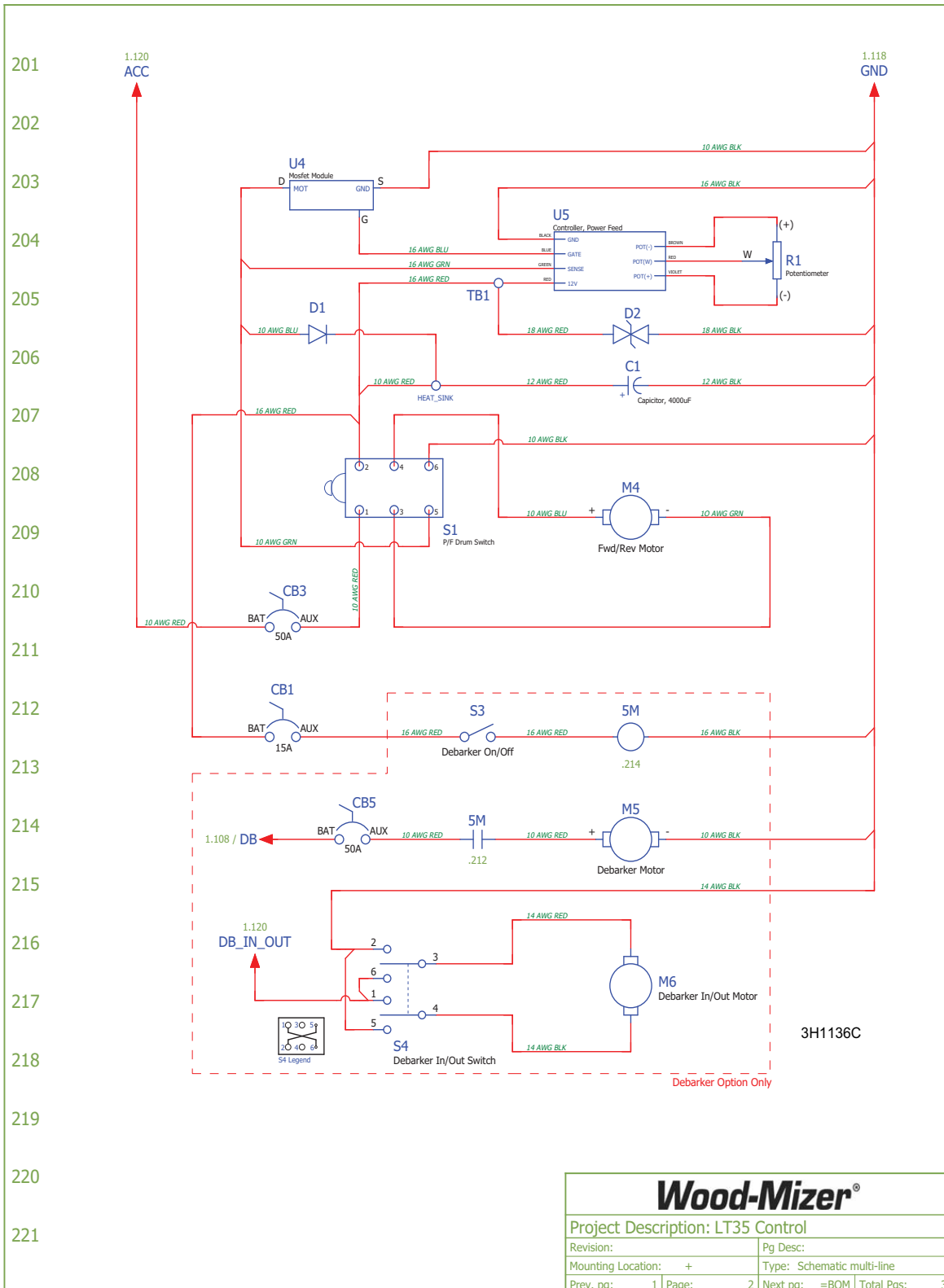


9.5 Component List, G25 & D17 (Rev. A6.00+)

Component List				
Item	Mfg. Part No.	Mfg.	Wood-Mizer Part No.	Description
5M, 7M	016371	Wood-Mizer	016371	Solenoid Kit, 200A 12V SPST Cont. Duty
ALT1	050287-1	Delphi	050287	Alternator, 105A
C1	052365	Wood-Mizer, LLC	052365	Capacitor Assembly, P/F Filter
CB1	75105	Various	053464	Breaker, 10A Manual Reset
CB2	75105	Various	053464	Breaker, 10A Manual Reset
CB3	1648-009-050-006	Mechanical products	021256	Circuit Breaker, 50A
CB4	1648-009-050-006	Mechanical products	021256	Circuit Breaker, 50A
CB5	1648-009-050-006	Mechanical products	021256	Circuit Breaker, 50A
D1	052363	Wood-Mizer, LLC	052363	Diode Assembly
D2	052294	Wood-Mizer, LLC	052294	Suppressor Assembly, 92+ Power Feed
F1	MEG225	Littelfuse	053339	MEGA Fuse 225A
F2	MEG150	Littelfuse	052370-150	MEGA Fuse 150A
F3	---	---	024150-5	Fuse, 5A ATO Blade Tan
G1	24M7 wet	East Penn Manufacturing (Deka)	P12315	Battery, 12V 24M7
H1	N430-0200-8111 & 801-416 015401	Sendec	015401	Meter, Hour
KS1	1218 W/BOOT	---	P04350	Switch, Key
L1	---	---	073555	Lamp Assembly, 180 Degree Amber Strobe
M1	4085-018	Iskra	038683	Motor, Hydraulic Pump
M3	4085-018	Current Applications	006747	0.50 HP DC Motor
M4	4085-018	Current Applications	006747	0.50 HP DC Motor
M5	4085-018	Current Applications	006747	0.50 HP DC Motor
R1	076050	Wood-Mizer, LLC	076050	Potentiometer, 1K
S2	2601AF2S12	Schneider Electric	E20440	Drum Switch, U/D
S5	024198	Wood-Mizer, LLC	024198	Switch, Hydraulic Micro
U1	053373	Wood-Mizer, LLC	053373	Bridge, SS Key
U2	053774	Key Electronics	053774	Controller, SimpleSet Key
U3	074021	Wood-Mizer, LLC	074021	Encoder Assembly, SimpleSet
U4	024387	Key Electronics	024387	Module, Mosfet
U5	024396	Key Electronics	024396	Controller, Power Feed

9.6 Wiring Diagrams, G25 & D17 (Rev. A4.00 - A5.00)





Wood-Mizer®			
Project Description: LT35 Control			
Revision:		Pg Desc:	
Mounting Location:	+	Type: Schematic multi-line	
Prev. pg:	1	Page:	2
		Next pg:	=BOM
		Total Pgs:	3



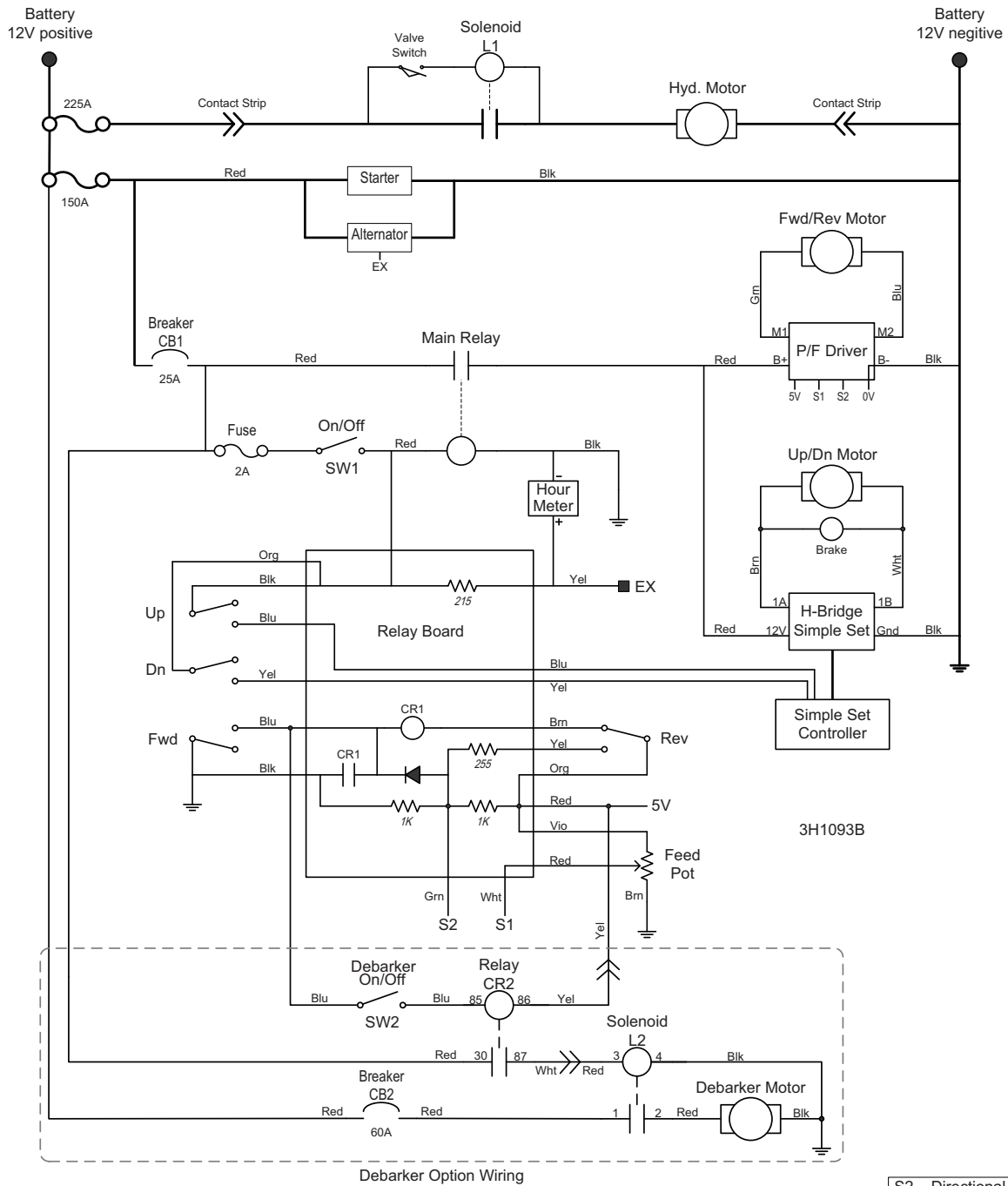
Electrical Information

Component List, G25 & D17 (Rev. A4.00 - A5.00)

9.7 Component List, G25 & D17 (Rev. A4.00 - A5.00)

Component List				
Item	Mfg. Part No.	Mfg.	Wood-Mizer Part No.	Description
5M, 7M	016371	Wood-Mizer	016371	Solenoid Kit, 200A 12V SPST Cont. Duty
ALT1	050287	Delphi	050287	Alternator, 105A
C1	052365	Wood-Mizer, LLC	052365	Capacitor Assembly, P/F Filter
CB1	75105	Various	053464	Breaker, 10A Manual Reset
CB2	75105	Various	053464	Breaker, 10A Manual Reset
CB3	1648-009-050-006	Mechanical products	024256	Circuit Breaker, 50A
CB4	1648-009-050-006	Mechanical products	024256	Circuit Breaker, 50A
CB5	1648-009-050-006	Mechanical products	024256	Circuit Breaker, 50A
D1	052363	Wood-Mizer, LLC	052363	Diode Assembly
D2	052294	Wood-Mizer, LLC	052294	Suppressor Assembly, 92+ Power Feed
F1	MEG225	Littelfuse	053339	MEGA Fuse 225A
F2	MEG150	Littelfuse	052370-150	MEGA Fuse 150A
G1	24M7 wet	East Penn Manufacturing (Deka)	P12315	Battery, 12V 24M7
H1	N430-0200-8111 & 801-416 015401	Sendec	015401	Meter, Hour
KS1	1218 W/BOOT	---	P04350	Switch, Key
M1	4085-018	Iskra	038683	Motor, Hydraulic Pump
M3	4085-018	Current Applications	006747	0.50 HP DC Motor
M4	4085-018	Current Applications	006747	0.50 HP DC Motor
M5	4085-018	Current Applications	006747	0.50 HP DC Motor
R1	076050	Wood-Mizer, LLC	076050	Potentiometer, 1K
S2	2601AF2S12	Schneider Electric	E20440	Drum Switch, U/D
S5	024198	Wood-Mizer, LLC	024198	Switch, Hydraulic Micro
U1	053373	Wood-Mizer, LLC	053373	Bridge, SS Key
U2	053774	Key Electronics	053774	Controller, SimpleSet Key
U3	074021	Wood-Mizer, LLC	074021	Encoder Assembly, SimpleSet
U4	024387	Key Electronics	024387	Module, Mosfet
U5	024396	Key Electronics	024396	Controller, Power Feed

9.8 Wiring Diagram, G25 (Rev. A1.00 - A3.00)

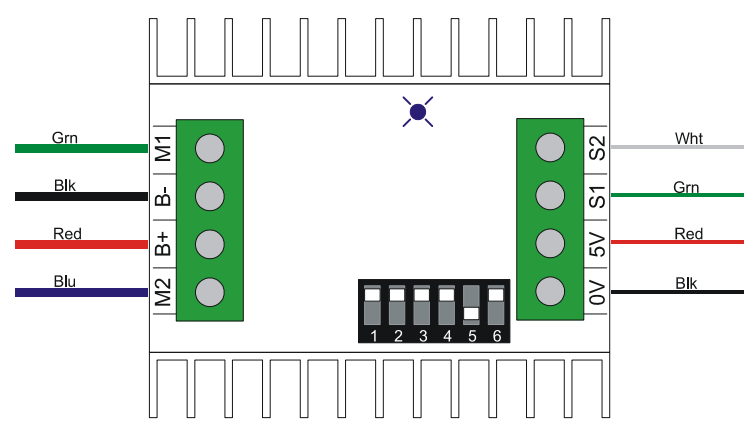
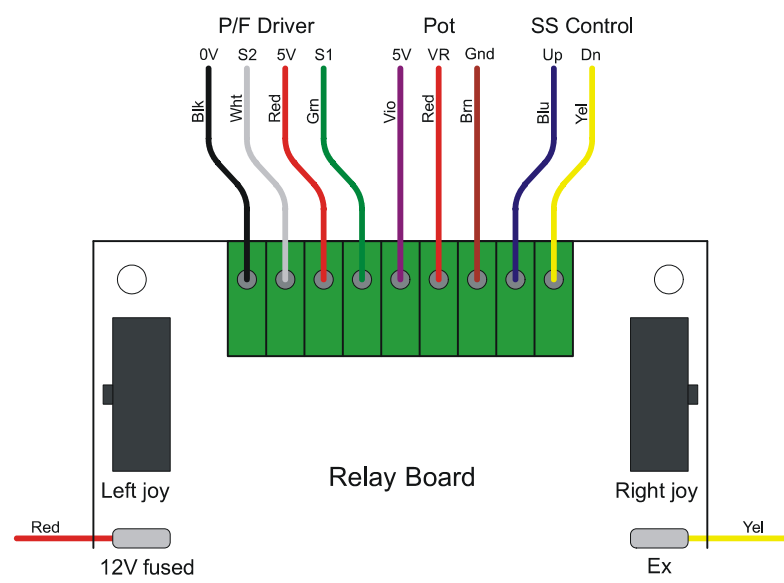


S2 – Directional control
4.2V = Rev
2.5V = Neut
0.5V = Fwd

S1 – Speed control
0 – 5V variable

9 **Electrical Information**
Wiring Diagram, G25 (Rev. A1.00 - A3.00)

G25



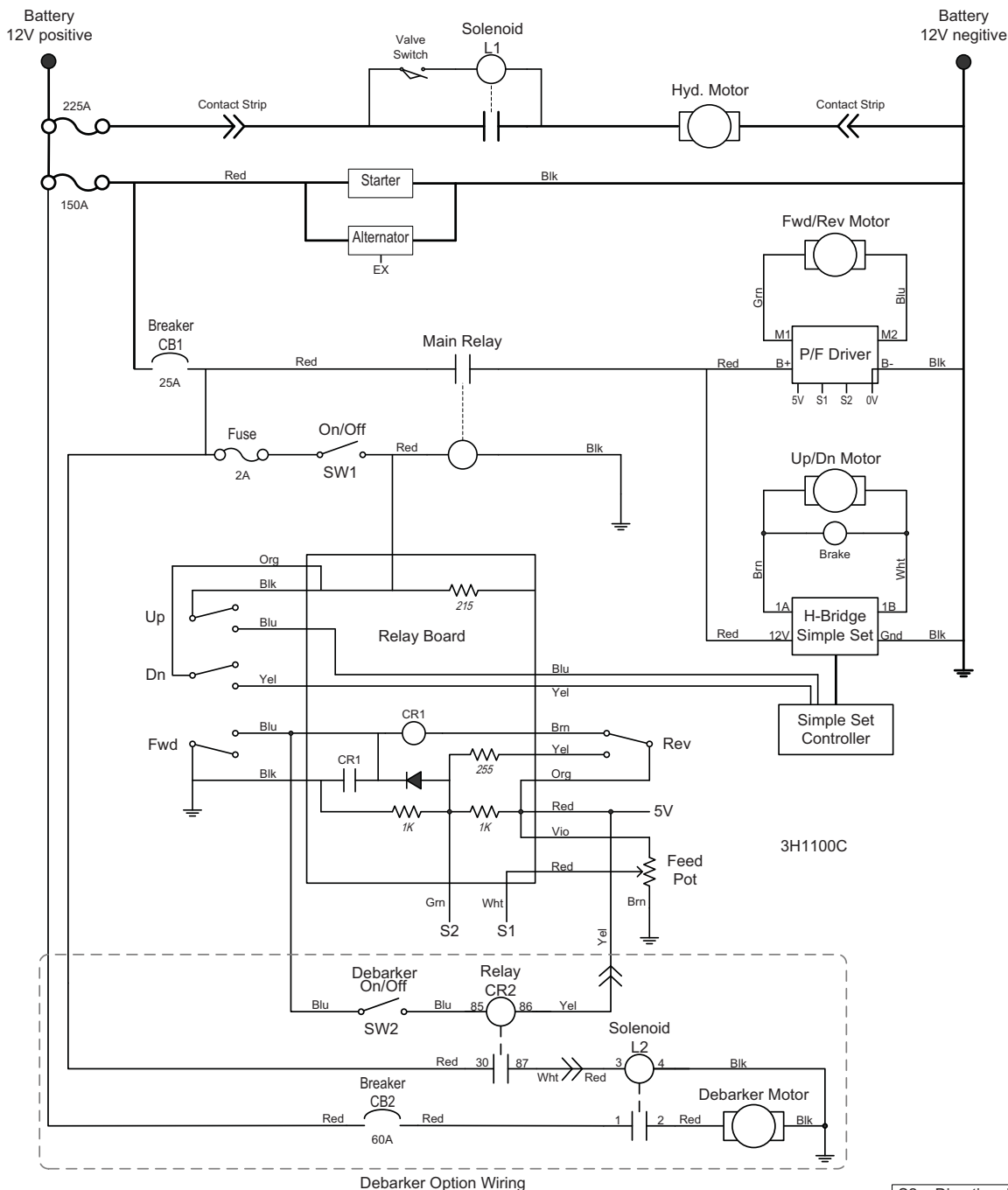
3H1092

Power Feed Motor Driver

9.9 Component List, G25 (Rev. A1.00 - A3.00)

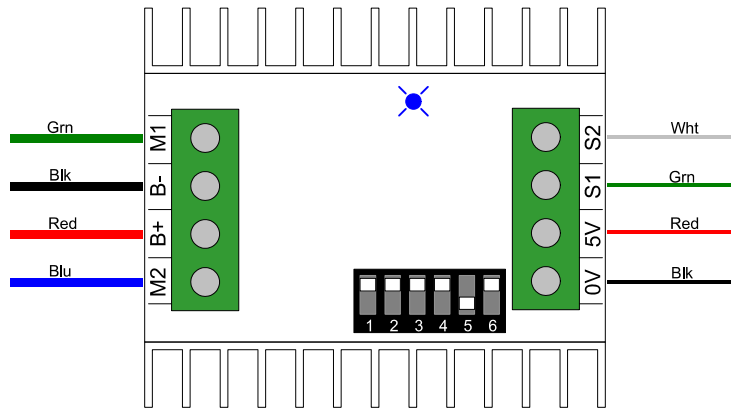
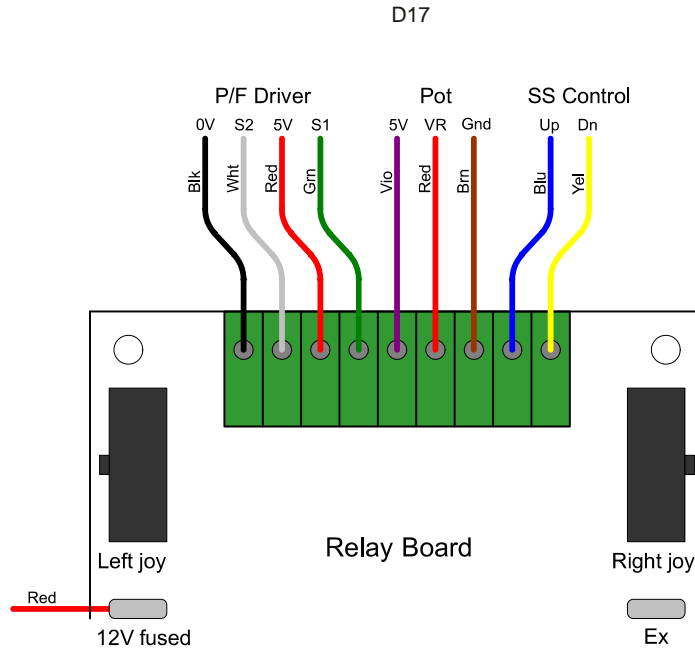
Component List				
Item	Mfg. Part No.	Mfg.	Wood-Mizer Part No.	Description
Battery	---	---	P12315	Battery, 12V 24M-7 (8800mf)
Breaker	46326B	Waytek, Inc.	053781	Breaker, 25A 12V Auto Reset
H-Bridge	053373	Key Electronics	053373	H-Bridge Assembly, SimpleSet
Hour Meter	015401	Wood-Mizer	015401	Meter, Hour Digital LCD w/Gasket
Feed Pot	A07793	Wood-Mizer	A07793	Pot Assembly, Feed Rate Control Pre-92
Fuse	053776	Wood-Mizer	053776	Fuseholder Assembly, LT35 2A
Main Relay	050436	Wood-Mizer	050436	Relay, 40A 12VDC Automotive
P/F Driver	057829	Wood-Mizer	057829	Driver Assembly, LT35 PF
P/F Motor	069361	Wood-Mizer	069361	Motor Assembly, LT28 Power Feed
Relay Board	053772	Wood-Mizer	053772	PCB Assembly, LT35 Relay
Up/Dn Motor	062510	Wood-Mizer	062510	Motor, Gear 250:1 w/Brake
CB2	184-060F-03-1	Marsh Electronics	053440	Breaker, 60A Hi-Amp Panel Mount
CR2	30M9197	Newark InOne	069638	Relay, ISO 60A 6VDC SPDT
Debarker Motor	4085-024C	Current Applications	053683	Motor, 12 V DC 3/4HP Electric
HN20	PS-521	Mallory	021137	Horn, Debarker ON Warning
L1	016371	Wood-Mizer	016371	Solenoid Kit, 200A 12V SPST Cont. Duty
L2	586-902	White Rodgers	015470	Solenoid, 200A 12V SPST Cont. Duty
SW2	4X846	Carling Switch	P03027	Switch, Toggle

9.10 Wiring Diagram, D17 (Rev. A1.00 - A3.00)



S2 – Directional control
4.2V = Rev
2.5V = Neut
0.5V = Fwd

S1 – Speed control
0 – 5V variable



3H1101



Electrical Information

Component List, D17 (Rev. A1.00 - A3.00)

9.11 Component List, D17 (Rev. A1.00 - A3.00)

Component List				
Item	Mfg. Part No.	Mfg.	Wood-Mizer Part No.	Description
Battery	---	---	P12315	Battery, 12v 24m-7 (8800mf)
Breaker	46326B	Waytek, Inc.	053781	Breaker, 25A 12V Auto Reset
H-Bridge	053373	Key Electronics	053373	H-Bridge Assembly, SimpleSet
Feed Pot	A07793	Wood-Mizer	A07793	Pot Assembly, Feed Rate Control Pre-92
Fuse	053776	Wood-Mizer	053776	Fuseholder Assembly, LT35 2A
Main Relay	050436	Wood-Mizer	050436	Relay, 40A 12VDC Automotive
P/F Driver	057829	Wood-Mizer	057829	Driver Assembly, LT35 PF
P/F Motor	069361	Wood-Mizer	069361	Motor Assembly, LT28 Power Feed
Relay Board	053772	Wood-Mizer	053772	PCB Assembly, LT35 Relay
Up/Dn Motor	062510	Wood-Mizer	062510	Motor, Gear 250:1 w/Brake
CB2	184-060F-03-1	Marsh Electronics	053440	Breaker, 60A Hi-Amp Panel Mount
CR2	30M9197	Newark InOne	069638	Relay, ISO 60A 6VDC SPDT
Debarker Motor	4085-024C	Current Applications	053683	Motor, 12 V DC 3/4HP Electric
HN20	PS-521	Mallory	021137	Horn, Debarker ON Warning
L1	016371	Wood-Mizer	016371	Solenoid Kit, 200A 12V SPST Cont. Duty
L2	586-902	White Rodgers	015470	Solenoid, 200A 12V SPST Cont. Duty
SW2	4X846	Carling Switch	P03027	Switch, Toggle