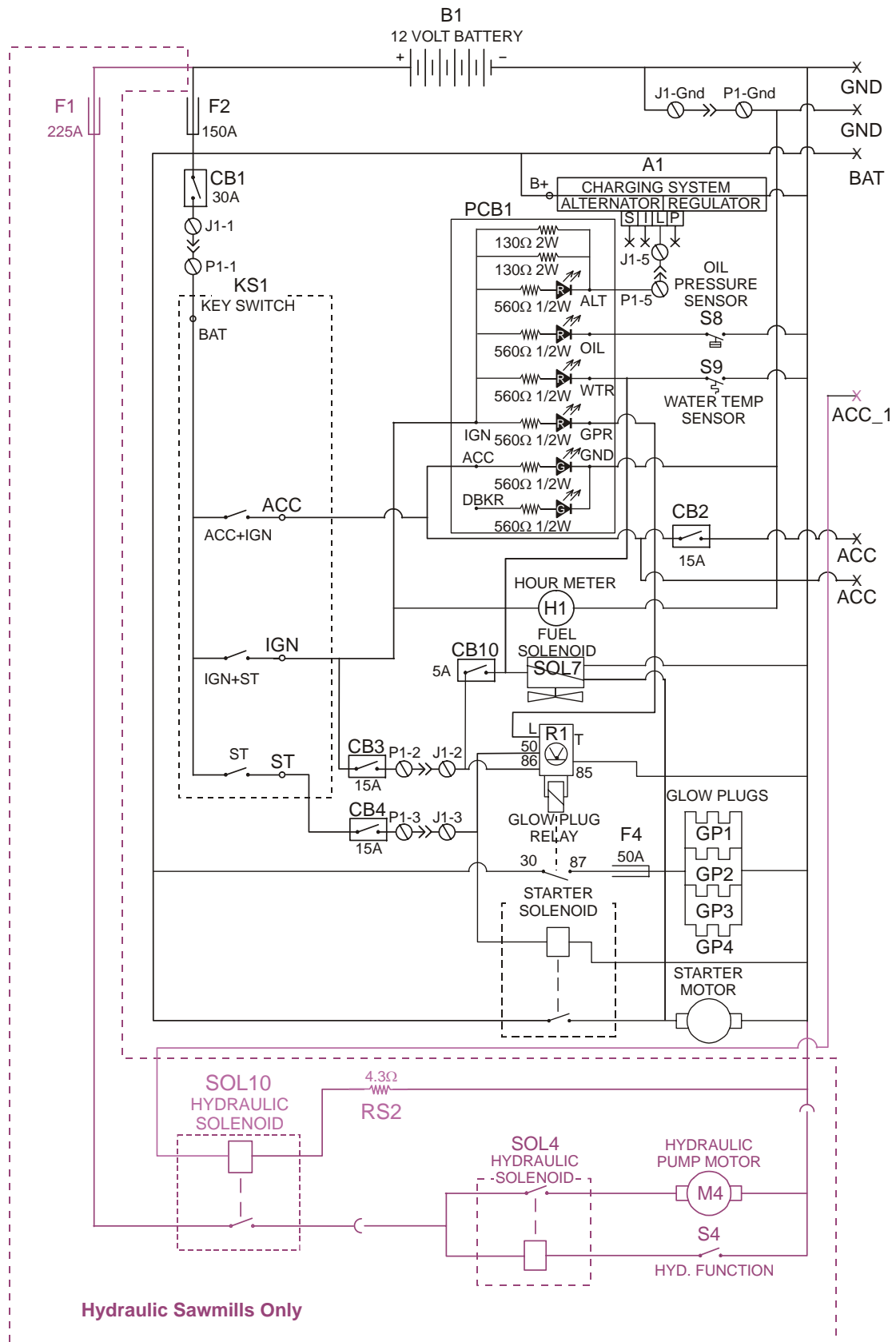


## **APPENDIX A D33-R ELECTRICAL INFORMATION**

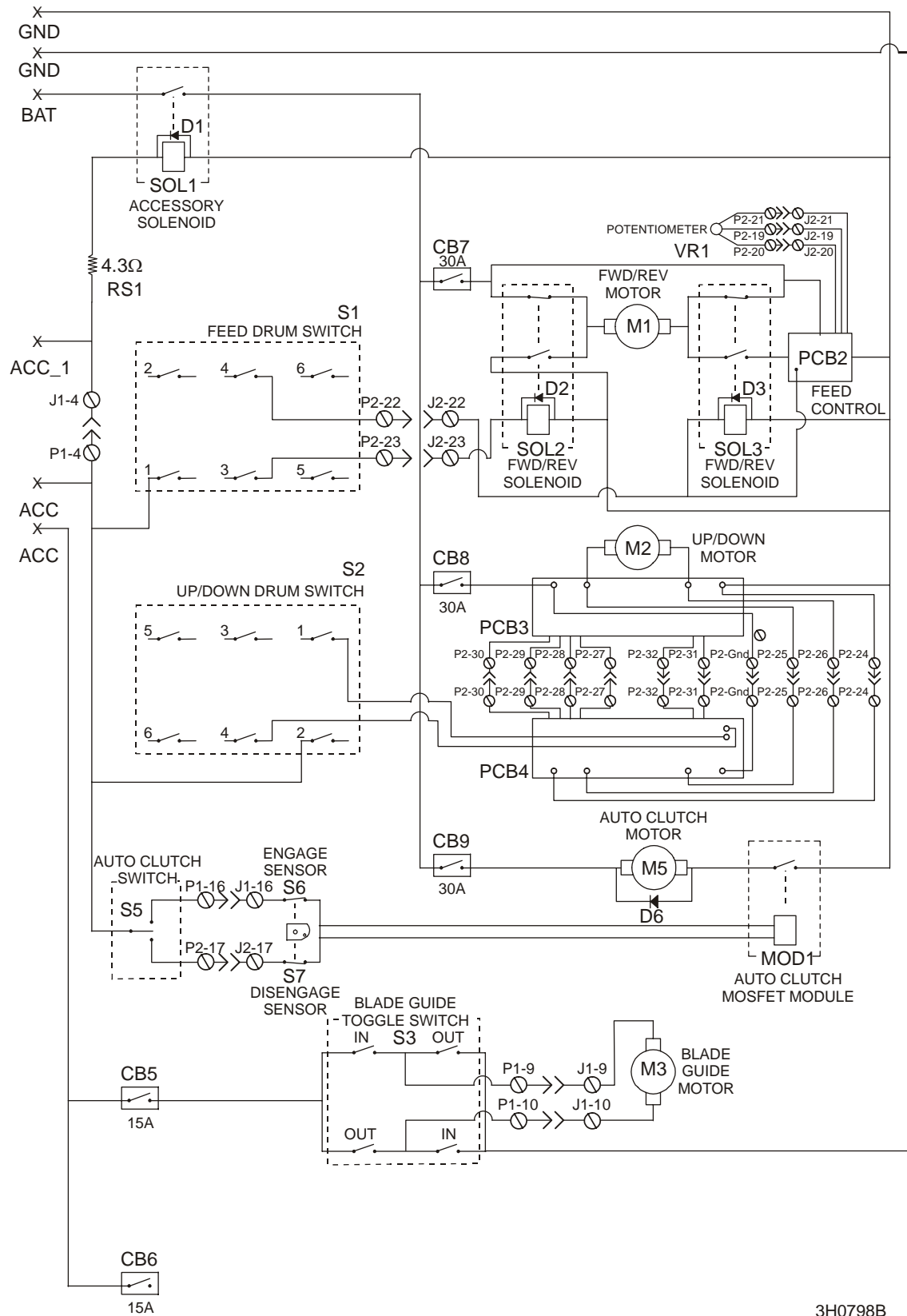
**LT40HD Remote**

**Rev. H4.00 - J8.01**



3H0797B

**SYMBOL DIAGRAM (1 OF 2)**



3H0798B

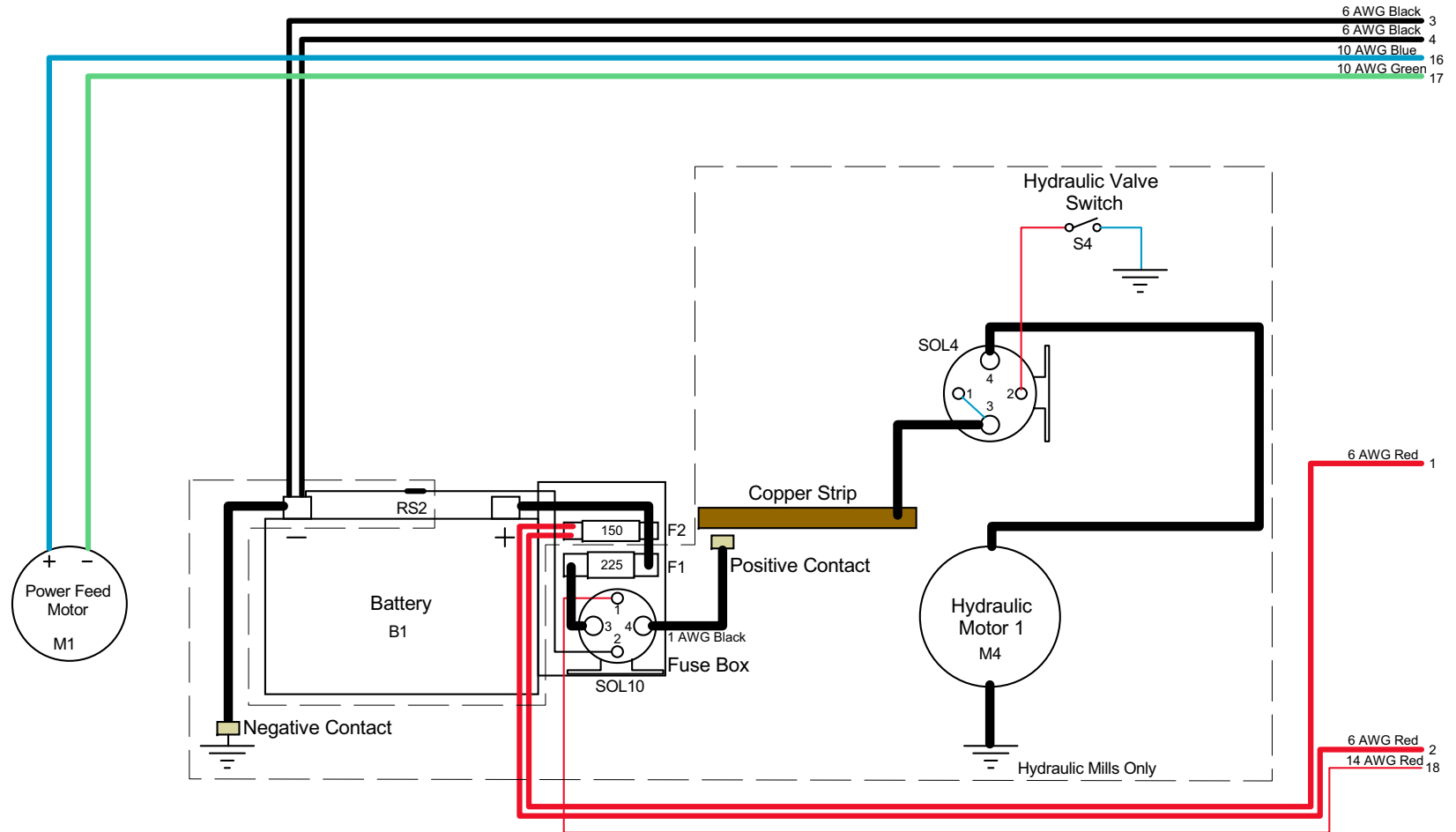
*Electrical Information*

<b>Component List</b>				
<b>Item</b>	<b>Mfg. Part No.</b>	<b>Mfg.</b>	<b>Wood-Mizer Part No.</b>	<b>Description</b>
<b>A1</b>	023695	Wood-Mizer	023695	Alternator, 140 Amp
<b>B1</b>	24M-7	Deka	P12315	Battery, 12 Volt ( <a href="#">See Battery Specifications</a> )
<b>CB1</b>	123A30A2	Richard's Elec	E20431 <sup>1</sup>	Circuit Breaker, 30A Manual Reset
<b>CB2</b>	123A15A2	Richard's Elec	E20430 <sup>2</sup>	Breaker, 15 Amp Manual Reset, Accessory
<b>CB3</b>	123A15A2	Richard's Elec	E20430 <sup>2</sup>	Breaker, 15 Amp Manual Reset, Ignition
<b>CB4</b>	123A15A2	Richard's Elec	E20430 <sup>2</sup>	Breaker, 15 Amp Manual Reset, Start
<b>CB5</b>	123A15A2	Richard's Elec	E20430 <sup>2</sup>	Breaker, 15 Amp Manual Reset, Blade Guide
<b>CB6</b>	123A15A2	Richard's Elec	E20430 <sup>2</sup>	Breaker, 15 Amp Manual Reset, Not Used
<b>CB7-CB9</b>	1600-037-030-009	Mech Prod	024246	Breaker, 30A Manual Reset Panel Mount
<b>CB10</b>	024453	Wood-Mizer	024453	Breaker Assembly, Water Temp Max Circuit
<b>D1 - D3</b>	015426	Wood-Mizer	015426 <sup>3</sup>	Diode Assembly, Solenoid Coil Chassis
<b>D6</b>	024629	Wood-Mizer	024629	Diode Assembly, Autoclutch
<b>F1</b>	RL-225	Gould	P11550	Fuse Link, 225 Amp, 250 Volt For Hydraulic + 12 Volt Circuit
<b>F2</b>	RL-150	Gould	023361	Fuse Link, 150A 250V For Main + 12 Volt Starter, Alternator
<b>F4</b>	10250 / N0171251	Turbo & Diesel	024597	Fuse Link, 50 Amp Kubota Glow Plug
<b>GP1-GP4</b>	16851-65510	Kubota	028562	Glow Plug
<b>H1</b>	732-0004	Redington Counters	015401 <sup>4</sup>	Hour Meter, 12 Volt DC
<b>J1</b>	10.5310	Contact	E23106 <sup>5</sup>	Insert, Female 10A 16P Scr. Term. 1-16
<b>J2</b>	10.5410	Contact	015671 <sup>5</sup>	Insert, Female 10A 16P Scr. Term. 17-32
<b>KS1</b>	121801	General	P04350	Key Switch, 4-position (Accessory, Off, Ignition, Start)
<b>M1</b>	1149-001	Current App.	006747 <sup>6</sup>	Motor, 12 Volt Power Feed
<b>M2</b>	1149-001	Wood-Mizer	006747 <sup>7</sup>	Motor, 12 Volt Up/Down
<b>M3</b>	P09698-1	Klauber	A10365	Motor, 12 Volt Blade Guide Arm 53:1 Gear
<b>M4</b>	08714	Monarch Hyd.	052807 <sup>8</sup>	Motor, 12 Volt Hydraulic Pump
<b>M5</b>	S.I. 2917-A	Leeson	016021	Motor, 12 Volt Autoclutch
<b>MOD1</b>	052791	Wood-Mizer	052791 <sup>9</sup>	Module Assembly, Autoclutch Mosfet Upgrade
<b>P1</b>	10.5300	Contact	E23105	Insert, Male 10A 16P Scr. Term. 1-16
<b>P2</b>	10.5400	Contact	015670	Insert, Male 10A 16P Scr. Term. 17-32
<b>PCB1</b>	015409	ICS	015409	Board, LED Circuit (Diesel)
<b>PCB2</b>	024457	Wood-Mizer	024457	Circuit Board, Control Box Power Feed
<b>PCB3</b>	024270	Wood-Mizer	024270	Circuit Board, Remote Setworks Distribution
<b>PCB4</b>	024269	Wood-Mizer	024269	Circuit Board, Remote Setworks Control
<b>R1</b>	2193-134	Lombardini	023359 <sup>10</sup>	Relay, Glow Plug
	053048	Wood-Mizer	053048 <sup>11</sup>	Socket Kit, D33/D42 Glow Plug Relay
<b>RS1</b>	024260	Wood-Mizer	024260	Wire Assembly, Accessory Solenoid Voltage Drop
<b>RS2</b>	024451	Wood-Mizer	024451	Wire Assembly, Hydraulic Solenoid Voltage Drop
<b>S1</b>	2601-AF2-S11	Square D	E20439	Drum Switch, Power Feed Fwd/Reverse Motor
<b>S2</b>	2601-AF2-S12	Square D	E20440	Drum Switch, Up/Down Motor
<b>S3</b>	34-591Q	Pollak	024200	Toggle Switch, Blade Guide In/Out Motor
<b>S4</b>	024198	Wood-Mizer	024198	Switch, Hydraulic Pump Levers
<b>S5</b>	CH-55015	Indy Wire	051346 <sup>12</sup>	Switch, On/On Toggle SPDT
<b>S6, S7</b>	024627	Wood-Mizer	024627	Sensor Assembly, Proximity Magnetic
<b>SOL1</b>	120-943	Stancor	016372 <sup>13</sup>	Solenoid Kit, Accessory Circuit
<b>SOL2-SOL3</b>	586-911	Stancor	016370 <sup>14</sup>	Solenoid Kit, 200A 12V DPST

<b>Component List</b>				
Item	Mfg. Part No.	Mfg.	Wood-Mizer Part No.	Description
<b>SOL7</b>	17208-60012	Wood-Mizer	046951 <sup>15</sup>	Solenoid, Fuel Stop
<b>SOL4,SOL10</b>	586-902	Stancor	016371 <sup>16</sup>	Solenoid Kit, 200A 12V SPST Hydraulic Pump Motor
<b>VR1</b>	024450-1	Wood-Mizer	024450-1	Potentiometer, Variable Resistance Power Feed

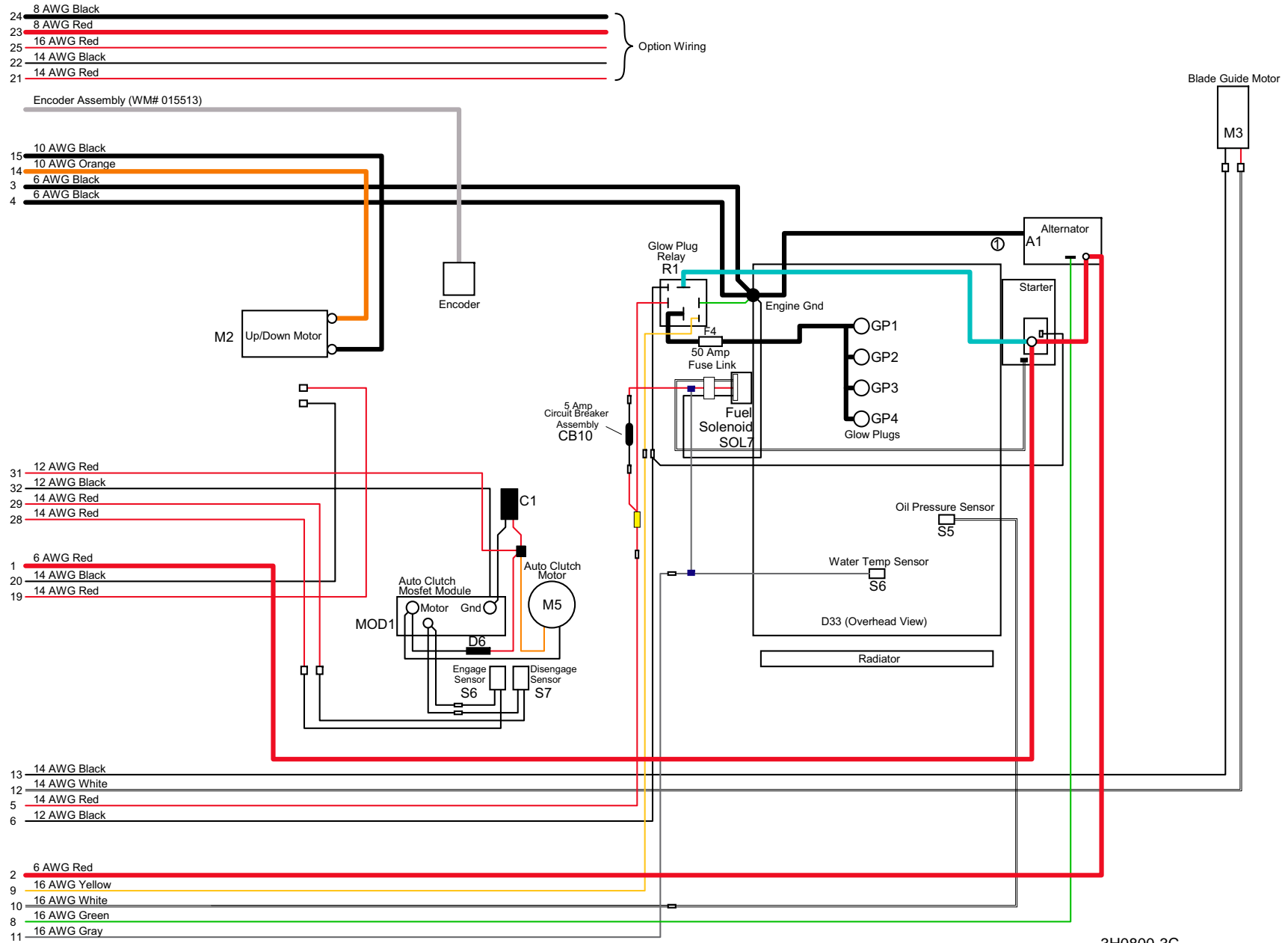
- <sup>1</sup> Circuit Breaker Changed from Cole-Hersee #CH30407-30 to Richard's Electric #123A30A2 to improve durability and reduce cost (11/06).
- <sup>2</sup> Circuit Breaker Changed from Cole-Hersee #CH30407-15 to Richard's Electric #123A15A2 to improve durability and reduce cost (11/06).
- <sup>3</sup> All Solenoid Kits include Diode Wire Assembly 015426 (8/04).
- <sup>4</sup> Was ENM Corp. #T14BH517BC9 (2/09).
- <sup>5</sup> Insert parts manufactured by Contact replace those manufactured by Thomas & Betts to improve durability (Rev. J3.02).
- <sup>6</sup> Motor 006747 replaced 014359 supplied until 11/08.
- <sup>7</sup> Motor 006747 replaced P04140 and Service Kit A07974 supplied until 5/09 (Replacement requires new Mount Bracket 014073).
- <sup>8</sup> Bosch motor P09955 replaced by vendor with Iskra motor 1/06. Brush kit P09585 no longer available to service Bosch motor. Replace motor using kit 052807 ([See Form #1578](#) for applicable discount information). Use Brush Kit 038682 to service Iskra motor.
- <sup>9</sup> Mosfet Upgrade Kit 052791 replaces Mosfet Module 024168 originally supplied. Kit includes upgraded Mosfet and Capacitor Assembly 024163 to protect against inductive voltage spikes (5/06).
- <sup>10</sup> Lombardini Glow Plug Relay 023359 replaces Bosch Relay 024598 to improve durability (Rev. J6.07). New relay requires manual operation of the glow plugs ([See Form #1151](#)).
- <sup>11</sup> Replaces 024554 originally supplied. Kit includes pre-assembled socket with applicable wires, terminals and fuse.
- <sup>12</sup> 051346 On/On Toggle Switch replaces 015665 On/Off/On Toggle Switch supplied before 8/03. Center OFF position not required for Autoclutch operation.
- <sup>13</sup> Solenoid Kit 016372 replaces Solenoid P10449. Kit includes solenoid and replacement instructions. Diode Wire Assembly 015426 added 8/04.
- <sup>14</sup> Solenoid Kit 016370 replaces Solenoid 015417. Kit includes solenoid and replacement instructions. Diode Wire Assembly 015426 added 8/04.
- <sup>15</sup> Fuel Stop Solenoid Kit 046951 replaces 028523 supplied before 7/04. Three-wire Solenoid #17454-60010 no longer available. Kit includes Solenoid #17208-60012 and two-wire adaptor plug.
- <sup>16</sup> Solenoid Kit 016371 replaces Solenoid 015470. Kit includes solenoid and replacement instructions. Diode Wire Assembly 015426 added 8/04.

<b>Battery Specifications</b>							
Group No.	Type No.	Performance Level		Approximate Weight	Maximum Overall Dimensions		
		Cranking Performance	Reserve Capacity	Wet	Length	Width	Height
24	24M-7	875CC	120	45.0 lb. (20.41 kg)	10.75 in. (273 mm)	6.75 in. (171 mm)	9.875 in. (251 mm)



3H0800-1B

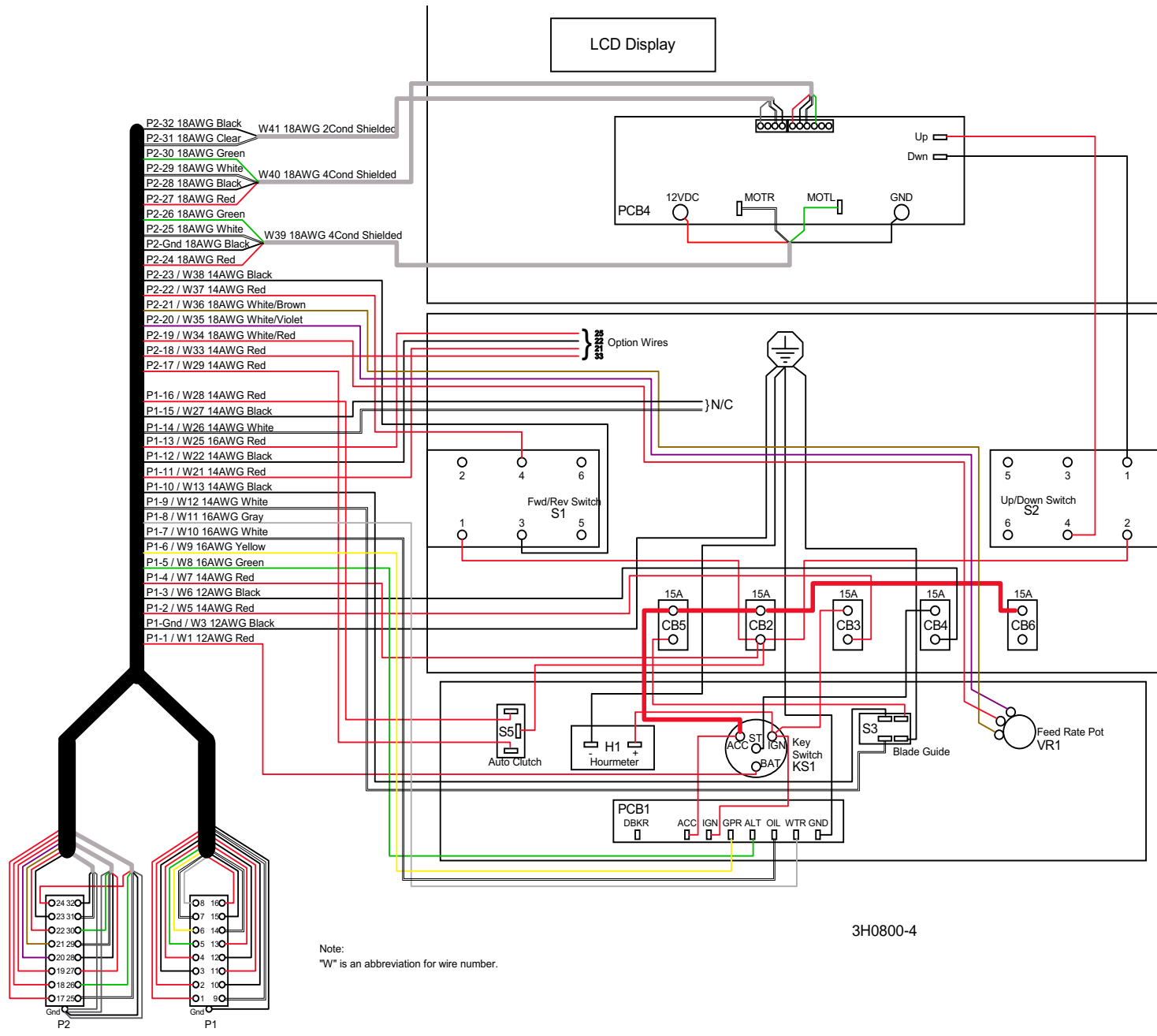




3H0800-3C

Ⓜ Alternator ground wire added 01/03





WIRING DIAGRAM (4 OF 4)

