

# **E15 Motor**

## **Safety, Operation, Maintenance & Parts Manual**

---

**079760 Module, LT15 15HP Motor      rev.B**

---

**Safety is our #1 concern!**

*Form #2262*

---

<b>Used with</b>	
<b>LT15E15N</b>	<b>rev. E8.14+</b>
<b>LT15E15NW</b>	<b>rev. A2.00+</b>

---



**WARNING! Read and understand this manual before using this machine.**

**California**  
Proposition 65 Warning



**WARNING:** Breathing gas/diesel engine exhaust exposes you to chemicals known to the State of California to cause cancer and birth defects or other reproductive harm.

Always start and operate the engine in a well-ventilated area.  
If in an enclosed area, vent the exhaust to the outside.  
Do not modify or tamper with the exhaust system.  
Do not idle the engine except as necessary.

For more information go to **[www.P65warnings.ca.gov](http://www.P65warnings.ca.gov)**.



**WARNING:** Drilling, sawing, sanding or machining wood products can expose you to wood dust, a substance known to the State of California to cause cancer. Avoid inhaling wood dust or use a dust mask or other safeguards for personal protection.

For more information go to **[www.P65Warnings.ca.gov/wood](http://www.P65Warnings.ca.gov/wood)**.

**Active Patents assigned to Wood-Mizer, LLC**

Wood-Mizer, LLC has received patents that protect our inventions which are a result of a dedication to research, innovation, development, and design. Learn more at: [woodmizer.com/patents](http://woodmizer.com/patents)

**©2023 Wood-Mizer LLC**

Printed in the United States of America, all rights reserved. No part of this manual may be reproduced in any form by any photographic, electronic, mechanical or other means or used in any information storage and retrieval system without written permission from

**Wood-Mizer, LLC**  
**8180 West 10th Street**  
**Indianapolis, Indiana 46214**

# Table of Contents

# Section-Page

<b>SECTION 1</b>	<b>SAFETY</b>	<b>1-1</b>
1.1	Safety .....	1-1
<b>SECTION 2</b>	<b>OPERATION</b>	<b>1-1</b>
2.1	Starting The Motor.....	1-1
<b>SECTION 3</b>	<b>REPLACEMENT PARTS</b>	<b>2-1</b>
2.1	Motor Starter Assembly .....	2-1
3.2	Motor Assembly.....	3-1
3.3	Throttle/Clutch Assembly .....	3-2

## SECTION 1 SAFETY

This manual is provided as a supplement to the equipment manufacturer's manuals.

This manual provides information specific to the use of this equipment on the Wood-Mizer® sawmill. Refer to the sawmill operator's manual and manufacturer's manual before attempting to operate this equipment.

**NOTICE** Read the sawmill operator's manual and engine manufacturer's manual for instructions and safety precautions before operating this equipment.

The information and instructions given in this manual do not amend or extend the limited warranties for the equipment given at the time of purchase.

Refer to the manufacturer's manual for maintenance intervals and procedures unless otherwise instructed in this manual. Follow the manufacturer's recommendations for dusty conditions.

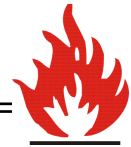
**NOTICE** This manual only provides information about additional procedures or procedures to be performed at different time intervals than found in the manufacturer's manuals. Refer to the manufacturer's manual for complete maintenance instructions.



**WARNING!** Clean sawdust from all guards, vents, control boxes, or any area where sawdust may gather **after every shift**. Failure to do so may result in fire, causing death or serious injury.

---

---



### 1.1 Safety

Use caution when performing maintenance or service to the engine.



**DANGER!** Take proper protective measures against rotating shafts, pulleys, fans, etc.

**DANGER!** TEnsure loose clothing or long hair does not engage rotating members.

**DANGER!** Do not touch or perform service functions on a hot engine. Allow the engine to cool sufficiently before beginning any service function. Hot engine components will cause serious burns.



**WARNING!** Remove the blade before performing any engine service.

**WARNING!** Wear eye, hand, and foot protection equipment when performing service functions.

## SECTION 2 OPERATION

### 2.1 Starting The Motor



**DANGER!** Ensure the blade is disengaged and all persons are out of the path of the blade before starting. Failure to do so will result in death or serious injury.

Turn the main switch on the starter box to the ON position.

Press the green START button located on the starter box to start the motor.

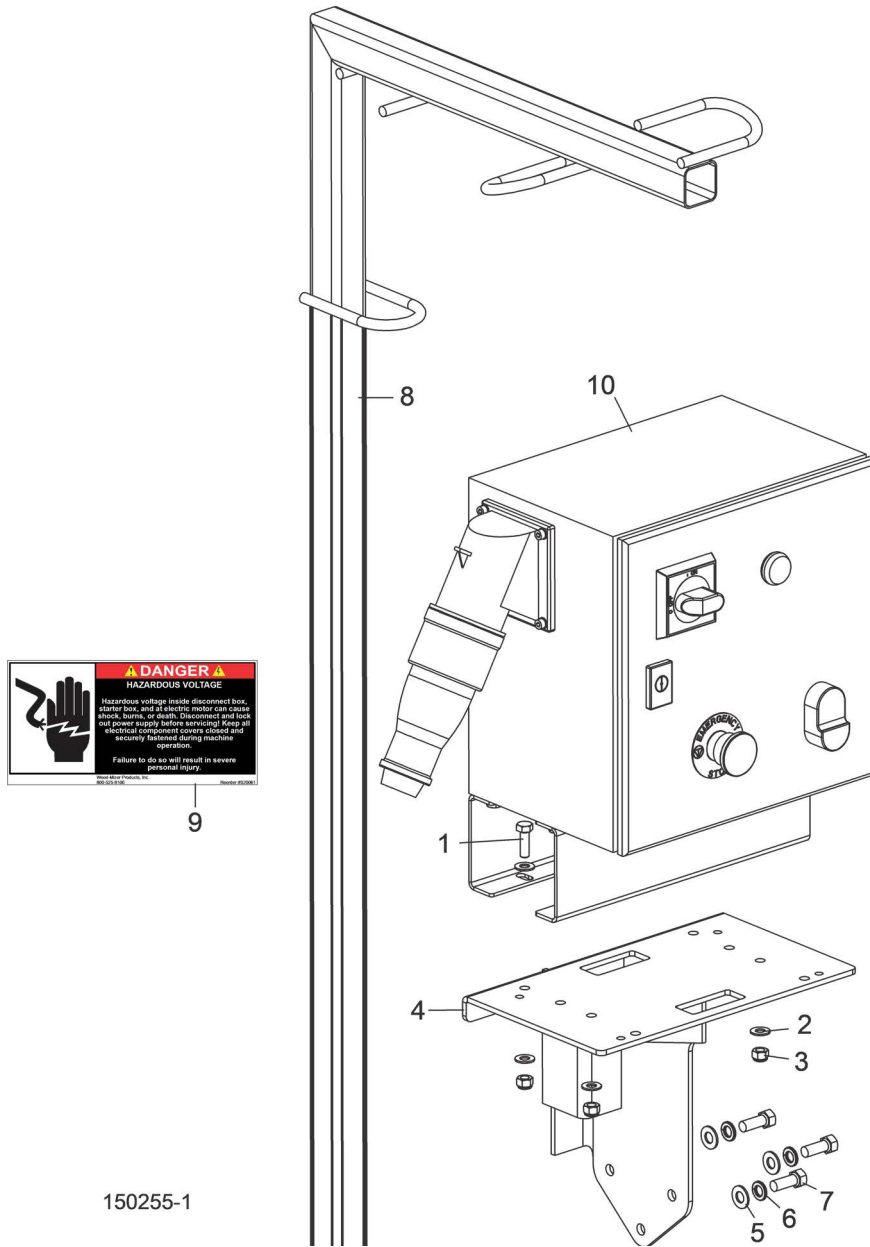
#### MOTOR SHUTOFF

Press the red STOP button on the starter box to stop the motor.

Turn the main switch to the OFF position.

## SECTION 3 REPLACEMENT PARTS

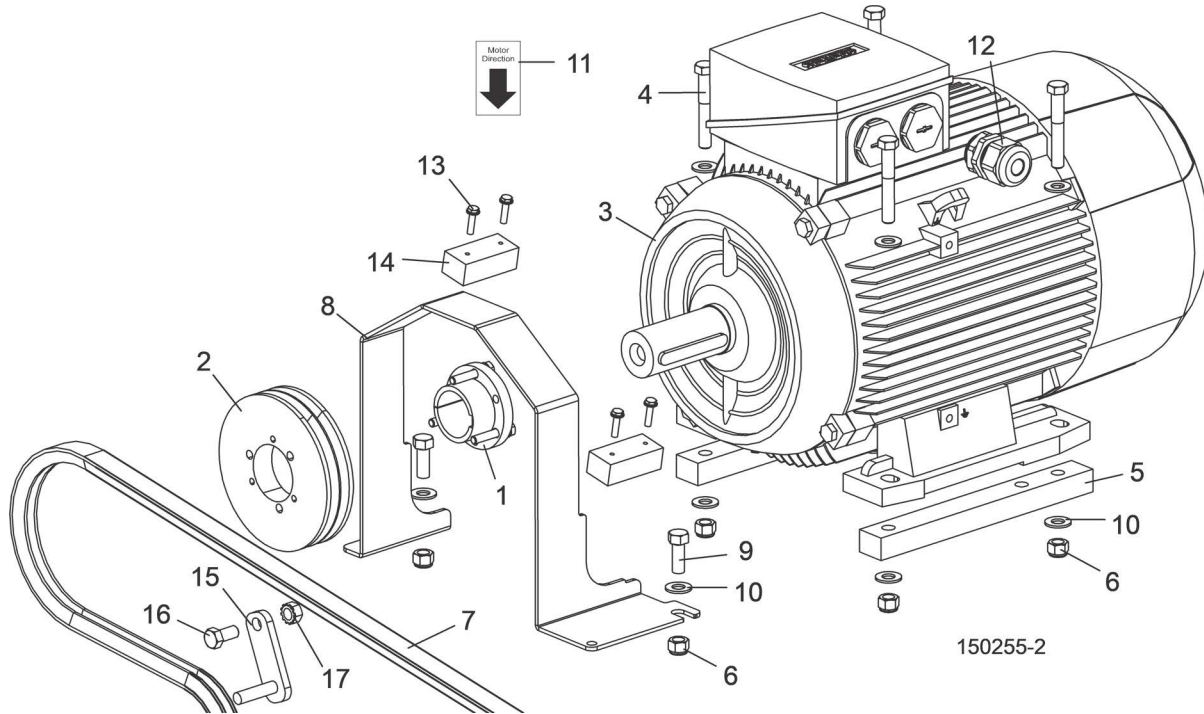
### 3.1 Motor Starter Assembly



150255-1

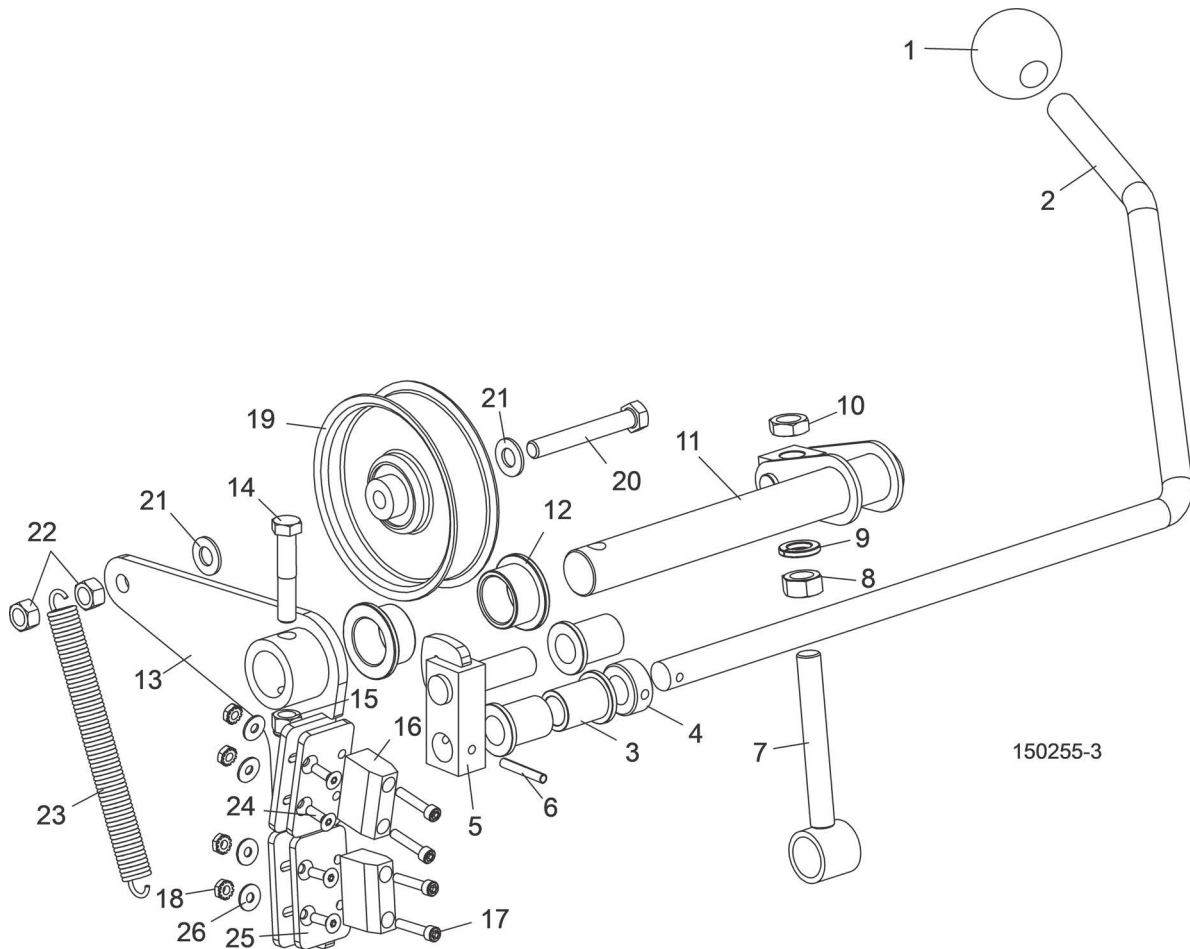
REF	PART #	DESCRIPTION	COMMENTS	QTY.
1	F05006-27	BOLT, 5/16-18X1 GR5 HEX HEAD		4
2	F05011-17	WASHER, 5/16 SAE FLAT		8
3	F05010-58	NUT, 5/16-18 NYLON LOCK		4
4	034899	MOUNT WELDMENT, BATTERY/CONTROL BOX		1
5	F05011-3	WASHER, 3/8" SAE FLAT		3
6	F05011-4	WASHER, 3/8" SPLIT LOCK		3
7	F05007-7	BOLT, 3/8-16 X 1" HEX HEAD		3
8	034906	TUBE WELDMENT, WIRE HANGER LT15E		1
9	S20061	DECAL, ELECTRICAL HAZARD DANGER		1
10	509143	CONTROL ASSEMBLY, LT15E15 POLAND MOTOR		1

### 3.2 Motor Assembly



REF	PART #	DESCRIPTION	COMMENTS	QTY.
	P12393	<b>COVER, ENGINE</b>		1
	079759	<b>MOTOR ASSEMBLY, 11KW(15HP) 400V 50HZ</b>		1
<b>1</b>	079757	Bushing, SH38MM		1
<b>2</b>	079758	Sheave, 2/3V500-SH		1
<b>3</b>	526677-1	Motor, 12kW(16HP) 400/460V 50/60Hz 3Ph	Available in assemblies only. Replaced P85186 after 9/1/2022 per ECN 38804.	1
	P85186	Motor, 11kW(15HP) 1LE1002-1CA63-4AA4-Z	Available in assemblies only.	1
<b>4</b>	F05007-125	<b>BOLT, 3/8-16X2 1/2 HH GR5</b>		4
<b>5</b>	034807	<b>SPACER, MOTOR LT15E</b>		2
<b>6</b>	F05010-10	<b>NUT, 3/8-16 HEX NYLOC</b>		6
<b>7</b>	047751	<b>BELT, 2/3VFL900 DRIVE</b>		1
<b>8</b>	034904	<b>GUARD, MOTOR SHAFT LT15E PTD.</b>		1
<b>9</b>	F05007-7	<b>BOLT, 3/8-16X1 HHC</b>		2
<b>10</b>	F05011-3	<b>WASHER, 3/8 FLAT SAE</b>		10
<b>11</b>	S20097	<b>DECAL, MOTOR DIRECTION</b>		1
<b>12</b>	079776	<b>CORDGRIP, .25-.47 CABLE DIAMETER</b>		1
<b>13</b>	F05015-33	<b>SCREW,#10X3/4 SL HEX WASHER HD SHT METAL</b>		4
<b>14</b>	016506	<b>BLOCK, WOOD 3/4X1X2-3/16</b>		2
<b>15</b>	048237	<b>SUPPORT WELDMENT, LT15G25 BELT</b>		1
<b>16</b>	F05007-118	<b>BOLT, 3/8-16X3/4 HH GR5</b>		1
<b>17</b>	F05010-19	<b>NUT, 3/8-16 KEPS</b>		1

### 3.3 Throttle/Clutch Assembly



REF	PART #	DESCRIPTION	COMMENTS	QTY.
1	P04211	KNOB, 5/8-11 BALL		1
2	016487	HANDLE, LT15 CLUTCH		1
3	016486	BUSHING, 5/8 ID X 7/8 OD X 1 1/8 LONG FL BRONZE		3
4	P05035	COLLAR, 5/8 ID LOCK		1
5	065572	BLOCK WELDMENT, LINKAGE CLUTCH/BRAKE		1
6	F05012-16	PIN, 3/16 X 1 1/4 ROLL		1
7	034605	LINKAGE ASSEMBLY, W/BEARING		1
8	F05010-35	NUT, 1/2-13 FREE HEX, ZINC		1
9	F05011-9	WASHER, 1/2 SPLIT LOCK		1
10	F05010-31	NUT, 1/2-13 JAM		1
11	034608	PIVOT WELDMENT, CLUTCH/BRAKE		1
12	P737	BUSHING, 1 X 1 1/4 X 3/4 FLANGE BRONZE		2
	065874	BRAKE/CLUTCH ASSEMBLY, LT15		1
13	065873	Arm Weldment, Clutch/Brake LT15		1
14	F05007-124	Bolt, 3/8-16 x 2 Hex Head Gr5		1
15	F05010-10	Nut, 3/8-16 Hex Nylon Lock		1
16	016488	Block, LT15 Brake		2

REF	PART #	DESCRIPTION	COMMENTS	QTY.
17	F05004-2	Screw, 10-24 x 1 Socket Head		4
18	F05010-14	Nut, #10-24 Keps		8
19	034602	Idler, 4" O.D. x 3/8 Bore		1
20	F05007-230	Bolt, 3/8-16 x 2-3/4" Hex Head Gr5 Full Thread		1
21	F05011-3	Washer, 3/8 Flat		2
22	F05010-25	Nut, 3/8-16 Swaged Lock		2
23	034810	Spring, Idler Arm LT15/D/E/G		1
24	F05004-282	Screw, 10-24 x 5/8" FSHC		4
25	065872	Plate, Brake Adjustment		2
26	F05011-18	Washer, #10 SAE Flat		4