

E10SP Motor

**Safety, Operation, Maintenance
& Parts Manual**

036215 Motor Assy, 10hp Single Phase rev B

Safety is our #1 concern!

Form #1128

**Used with
LT15E10S
LT15E10S-ICE
LT15E10SW**

**rev. E.200 - E8.14
rev. E2.00 - E8.14
rev. A1.00 - A2.00**



WARNING! Read and understand this manual before using this machine.

California
Proposition 65 Warning



WARNING: Breathing gas/diesel engine exhaust exposes you to chemicals known to the State of California to cause cancer and birth defects or other reproductive harm.

Always start and operate the engine in a well-ventilated area.
If in an enclosed area, vent the exhaust to the outside.
Do not modify or tamper with the exhaust system.
Do not idle the engine except as necessary.

For more information go to **www.P65warnings.ca.gov**.



WARNING: Drilling, sawing, sanding or machining wood products can expose you to wood dust, a substance known to the State of California to cause cancer. Avoid inhaling wood dust or use a dust mask or other safeguards for personal protection.

For more information go to **www.P65Warnings.ca.gov/wood**.

Active Patents assigned to Wood-Mizer, LLC

Wood-Mizer, LLC has received patents that protect our inventions which are a result of a dedication to research, innovation, development, and design. Learn more at: woodmizer.com/patents

©2023 Wood-Mizer LLC

Printed in the United States of America, all rights reserved. No part of this manual may be reproduced in any form by any photographic, electronic, mechanical or other means or used in any information storage and retrieval system without written permission from

Wood-Mizer, LLC
8180 West 10th Street
Indianapolis, Indiana 46214

SECTION 1 SAFETY

1.1 Safety 1-1

SECTION 2 OPERATION

2.1 Starting The Motor..... 2-1

SECTION 3 MAINTENANCE

3.1 Safety 2-1

SECTION 4 REPLACEMENT PARTS

3.1 Motor Starter Assembly .Rev. E6.06+.....3-1
3.2 Motor Starter Assembly Rev. E2.00 - E6.05.....3-3
3.3 Motor Assembly..... 3-6
3.4 Throttle/Clutch Assembly 3-7

SECTION 1 SAFETY

This manual is provided as a supplement to the equipment manufacturer's manuals.

This manual provides information specific to the use of this equipment on the Wood-Mizer® sawmill. Refer to the sawmill operator's manual and manufacturer's manual before attempting to operate this equipment.

NOTICE Read the sawmill operator's manual and engine manufacturer's manual for instructions and safety precautions before operating this equipment.

The information and instructions given in this manual do not amend or extend the limited warranties for the equipment given at the time of purchase.

Refer to the manufacturer's manual for maintenance intervals and procedures unless otherwise instructed in this manual. Follow the manufacturer's recommendations for dusty conditions.

NOTICE This manual only provides information about additional procedures or procedures to be performed at different time intervals than found in the manufacturer's manuals. Refer to the manufacturer's manual for complete maintenance instructions.



WARNING! Clean sawdust from all guards, vents, control boxes, or any area where sawdust may gather **after every shift**. Failure to do so may result in fire, causing death or serious injury.



1.1 Safety

Use caution when performing maintenance or service to the engine.



DANGER! Take proper protective measures against rotating shafts, pulleys, fans, etc.

Ensure loose clothing or long hair does not engage rotating members.

DANGER! Do not touch or perform service functions on a hot engine. Allow the engine to cool sufficiently before beginning any service function. Hot engine components will cause serious burns.



WARNING! Remove the blade before performing any engine service.

WARNING! Wear eye, hand, and foot protection equipment when performing service functions.

SECTION2 OPERATION

2.1 Starting The Motor



DANGER! Ensure the blade is disengaged and all persons are out of the path of the blade before starting. Failure to do so will result in death or serious injury.

Turn the main switch on the starter box to the ON position.

Press the green START button located on the starter box to start the motor.

MOTOR SHUTOFF

Press the red STOP button on the starter box to stop the motor.

Turn the main switch to the OFF position.

SECTION3 MAINTENANCE

Refer to the manufacturer's manual for maintenance intervals and procedures unless otherwise instructed in this manual. Follow the manufacturer's recommendations for dusty conditions.

NOTICE This manual only provides information about additional procedures or procedures to be performed at different time intervals than found in the manufacturer's manuals. Refer to the manufacturer's manual for complete maintenance instructions.



WARNING! Clean sawdust from all guards, vents, control boxes, or any area where sawdust may gather **after every shift**. Failure to do so may result in fire, causing death or serious injury.



3.1 Safety

Use caution when performing maintenance or service to the motor.



DANGER! Take proper protective measures against rotating shafts, pulleys, fans, etc.

Ensure loose clothing or long hair does not engage rotating members.

DANGER! Ensure all electrical installation, service and/or maintenance work is performed by a qualified electrician and is in accordance with applicable electrical codes.

DANGER! Hazardous voltage inside the disconnect box, starter box, and at the motor can cause shock, burns, or death. Disconnect and lock out power supply before servicing! Keep all electrical component covers closed and securely fastened during mill operation.

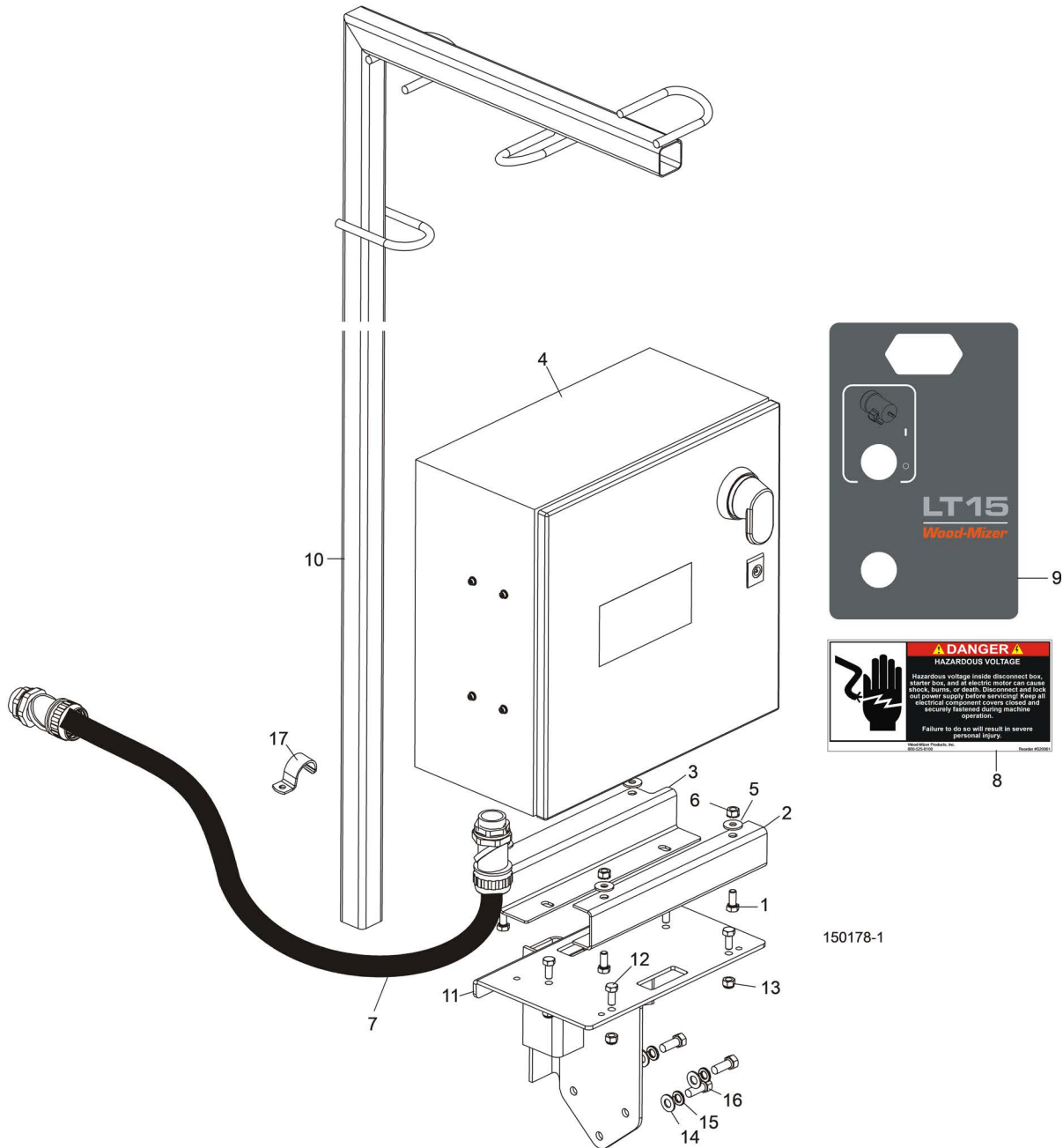


WARNING! Remove the blade before performing any engine service.

WARNING! Wear eye, hand, and foot protection equipment when performing service functions.

SECTION 3 REPLACEMENT PARTS

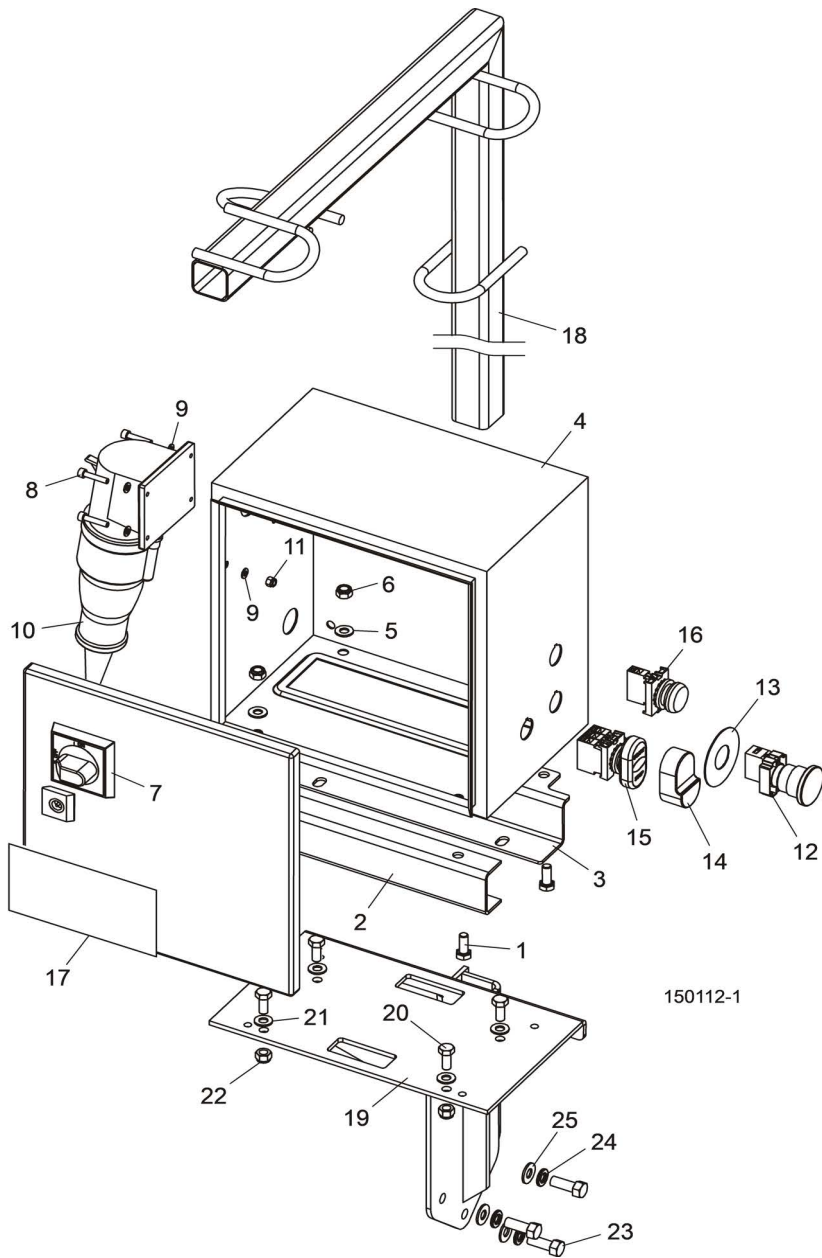
3.1 Motor Starter Assembly *LT15Rev. E6.06+*



| REF | PART # | DESCRIPTION | COMMENTS | QTY. |
|----------|----------|---|-----------------------------------|------|
| | 036216 | MOTOR MODULE, 10HP 1-PHASE 208-230V ELECTRIC MOTOR | | 1 |
| | | Motor Parts | (See Section 4.4) | |
| | 053713 | Control Assembly, LT15 E10 3-Phase 240V | | 1 |
| | 053738 | Control Assembly, LT15 E10 3-Phase 460V | | 1 |
| | 053702 | Control Assembly, LT15 E10 1-Phase 230V | | 1 |
| 1 | F05006-5 | Bolt, 5/16-18 x 3/4 Hex Head | | 4 |

| REF | PART # | DESCRIPTION | COMMENTS | QTY. |
|-----|------------|---|------------------------------------|------|
| 2 | 035991 | Bracket, Front Electric Motor Mount | | 1 |
| 3 | 035992 | Bracket, Rear Electric Motor Mount | | 1 |
| 4 | 053584 | Enclosure, 16" x 16" x 8" Custom | | 1 |
| | | LT15E10S Electrical Components | See Component List | |
| 5 | F05011-16 | Washer, 5/16 Flat | | 4 |
| 6 | F05010-20 | Nut, 5/16-18 Keps | | 4 |
| 7 | 053704 | Harness Assembly, LT15E10S Blade Motor (1-Phase 230V) | | 1 |
| 8 | S20061 | Decal, Electrical Hazard Danger | | 1 |
| 9 | 069362 | Decal, LT15E10 Control Cabinet | | 1 |
| 10 | 034906 | TUBE WELDMENT, WIRE HANGER LT15E | | 1 |
| 11 | 034899 | MOUNT WELDMENT, BATTERY/CONTROL BOX | | 1 |
| 12 | F05006-102 | BOLT, 5/16-18 X 3/4" HEX HEAD | | 4 |
| 13 | F05010-58 | NUT, 5/16-18 NYLON LOCK | | 4 |
| 14 | F05007-7 | BOLT, 3/8-16 X 1" HEX HEAD | | 3 |
| 15 | F05011-4 | WASHER, 3/8" SPLIT LOCK | | 3 |
| 16 | F05011-3 | WASHER, 3/8" SAE FLAT | | 3 |
| 17 | P05436 | CLAMP, 1" EMT | | 1 |

3.2 Motor Starter Assembly *LT15Rev. E2.00 - E6.05*



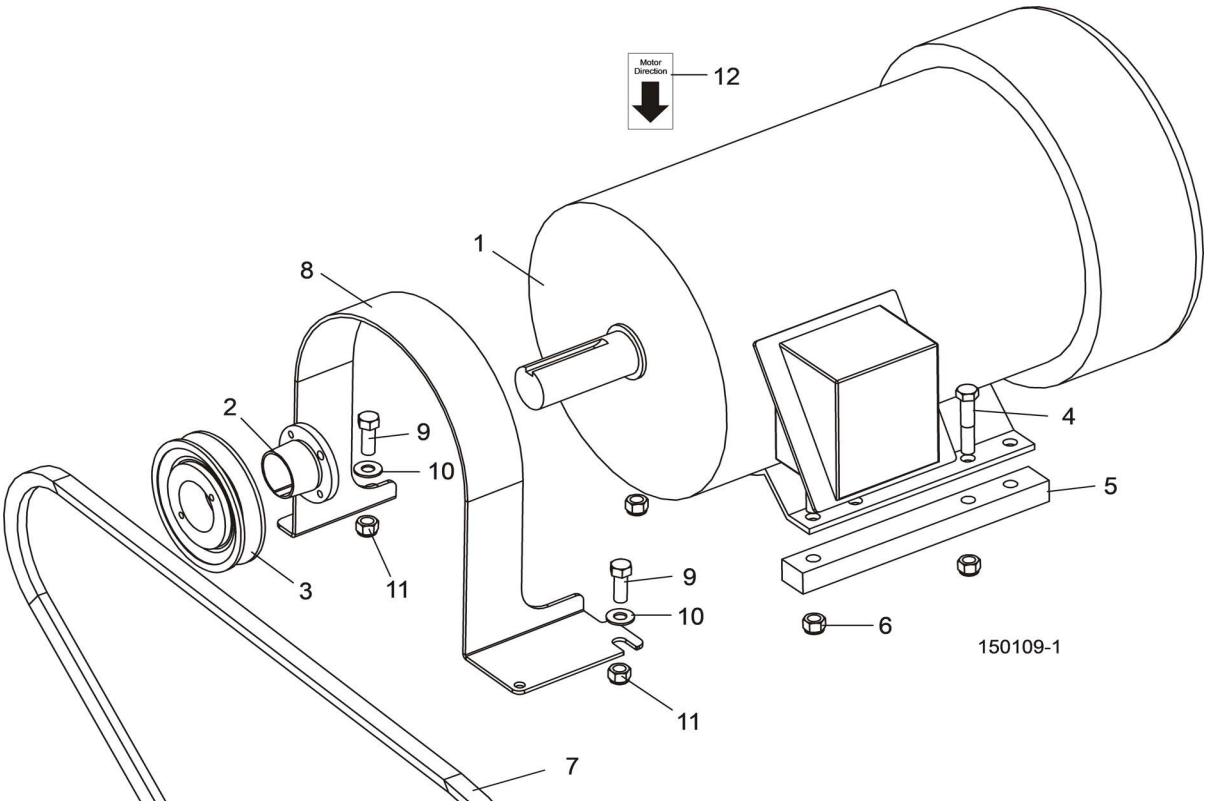
| REF | PART # | DESCRIPTION | COMMENTS | QTY. |
|----------|----------|---|---|------|
| | 036216 | MOTOR MODULE, 10HP 1-PHASE 208-230V ELECTRIC MOTOR | Module Assembly 036216 revised with new control Rev. E6.06 (See Section 4.1). | 1 |
| | | Motor Parts (<i>See Section 4.4</i>) | | |
| | 050984 | Control Assembly, LT15 240V 1P Start/Stop | | 1 |
| 1 | F05006-5 | Bolt, 5/16-18 x 3/4 Hex Head | | 4 |
| 2 | 035991 | Bracket, Front Electric Motor Mount | | 1 |
| 3 | 035992 | Bracket, Rear Electric Motor Mount | | 1 |
| 4 | 035990 | Box, 1-Phase Electric Motor | | 1 |

| REF | PART # | DESCRIPTION | COMMENTS | QTY. |
|-----|------------|--|--|------|
| | 051286 | Fuse, 1A 600V Class CC | 100V Transformer 051282, 1A Fuses 051286 and 4A Fuses 051285 replace 50V Transformer 025291, 4/10 Fuses P03151 and 3A Fuse 025297 originally supplied before 6/03. Larger transformer/fuses delivers enough power to energize contactor. | 2 |
| | 051285 | Fuse, 4A 250V 1/4 x 1-1/4 Glass MDL Delay | | 1 |
| | 050906-1 | Disconnect, 100A 3Ph Non_fused | 5mm Disconnect Shaft OXP5X265 replaced by vendor with 6mm shaft OXP6X290 (2/10). Replacement of any disconnect component requires replacement of disconnect, shaft and operator handle (050906-1, 050907-1 & 050908-1). | 1 |
| | 050944 | Breaker, 60A 2P QUO260 | | 1 |
| | 050930 | Contactora, 65A 3P 1NO 1NC 24VAC | | 1 |
| | 050931 | Overload, 37-50A Phase Insensitive | | 1 |
| | 051282 | Transformer, 208-480/24VAC 100VA | 100V Transformer 051282, 1A Fuses 051286 and 4A Fuses 051285 replace 50V Transformer 025291, 4/10 Fuses P03151 and 3A Fuse 025297 originally supplied before 6/03. Larger transformer/fuses delivers enough power to energize contactor. | 1 |
| 5 | F05011-16 | Washer, 5/16 Flat | | 4 |
| 6 | F05010-20 | Nut, 5/16-18 Keps | | 4 |
| 7 | 050907-1 | Operator, Red/Yellow Pistol Grip | 5mm Disconnect Shaft OXP5X265 replaced by vendor with 6mm shaft OXP6X290 (2/10). Replacement of any disconnect component requires replacement of disconnect, shaft and operator handle (050906-1, 050907-1 & 050908-1). | 1 |
| 8 | N/A | Bolt, Socket Head | | 4 |
| 9 | N/A | Washer, Flat | | 8 |
| 10 | 050942 | Conn Plug, 60A 3P Watertight | | 1 |
| | 050943 | Conn Socket, 60A 3P Watertight | | 1 |
| 11 | N/A | Nut, Hex | | 4 |
| 12 | 024945 | Switch, Emergency Stop | | 1 |
| 13 | 050992 | Decal, Emergency Stop Switch | | 1 |
| 14 | 090462 | Membrane, Start/Stop Switch | | 1 |
| 15 | 090452 | Switch, Start/Stop | | 1 |
| 16 | 090448 | Light, White LED Control | | 1 |
| 17 | S20061 | DECAL, ELECTRICAL HAZARD DANGER | | 1 |
| 18 | 034906 | TUBE WELDMENT, WIRE HANGER LT15E | | 1 |
| 19 | 034899 | MOUNT WELDMENT, BATTERY/CONTROL BOX | | 1 |
| 20 | F05006-102 | BOLT, 5/16-18 X 3/4 HEX HEAD | | 4 |
| 21 | F05011-16 | WASHER, 5/16 STANDARD FLAT | | 4 |
| 22 | F05010-58 | NUT, 5/16-18 NYLON LOCK | | 4 |
| 23 | F05007-7 | BOLT, 3/8-16 X 1 HEX HEAD | | 3 |

3**Replacement Parts***Motor Starter Assembly LT15 Rev. E2.00 - E6.05*

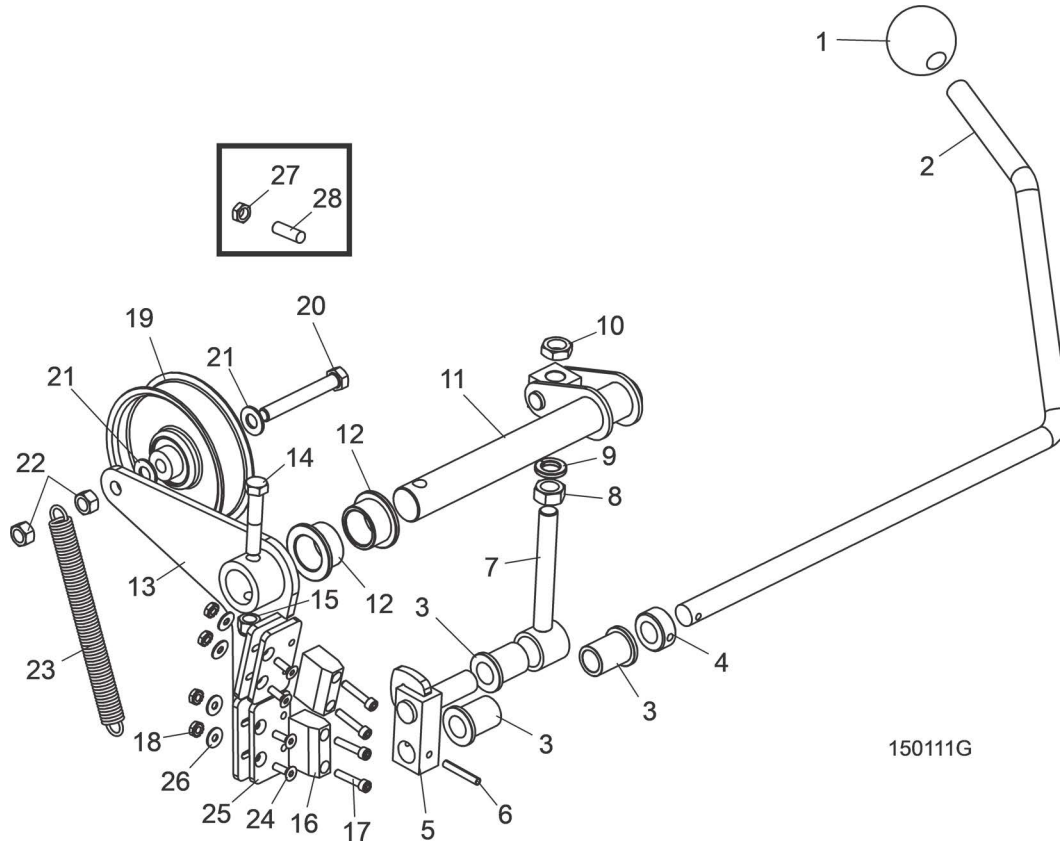
| REF | PART # | DESCRIPTION | COMMENTS | QTY. |
|-----|----------|------------------------|----------|------|
| 24 | F05011-4 | WASHER, 3/8 SPLIT LOCK | | 3 |
| 25 | F05011-3 | WASHER, 3/8 FLAT | | 3 |
| | P05436 | CLAMP, 1 EMT | | 1 |

3.3 Motor Assembly



| REF | PART # | DESCRIPTION | COMMENTS | QTY. |
|-----|------------|--|-------------------------------|------|
| | P12393 | Cover, Engine | | 1 |
| | 036215 | Motor Assembly, Lt15 10hp 1-phase | | 1 |
| 1 | 036214 | Motor, 10HP 1-phase Lincoln 60Hz | Available in assemblies only. | 1 |
| 2 | P04864 | Bushing, 1 3/8 Split Taper | | 1 |
| 3 | 036057 | Sheave, BK45QT | | 1 |
| | 061343 | Fan, Motor Leeson 9139632 | | 1 |
| 4 | F05007-129 | Bolt, 3/8-16 X 1 3/4" Hex Head Grade 5 | | 4 |
| 5 | 034807 | Spacer, Motor Lt15e | | 2 |
| 6 | F05010-10 | Nut, 3/8-16 Hex Nylon Lock | | 4 |
| 7 | P25301 | Belt, Bx85 Drive | | 1 |
| 8 | 034904 | Guard, Motor Shaft Lt15e | | 1 |
| 9 | F05007-7 | Screw, 3/8-16 X 1 Hex Head | | 2 |
| 10 | F05011-3 | Washer, 3/8 Flat Sae | | 2 |
| 11 | F05010-10 | Nut, 3/8-16 Hex Nylon Lock | | 2 |
| 12 | S20097 | Decal, Motor Direction | | 1 |

3.4 Throttle/Clutch Assembly



| REF | PART # | DESCRIPTION | COMMENTS | QTY. |
|-----|-----------|---|--|------|
| 1 | P04211 | KNOB, 5/8-11 BALL | | 1 |
| 2 | 016487 | HANDLE, LT15 CLUTCH | Clutch Handle 016487 modified Rev. E6.01 to eliminate possible pinch point with feed rope pulley with saw head at certain heights. | 1 |
| 3 | 016486 | BUSHING, 5/8 ID X 7/8 OD X 1 1/8 LONG FL BRONZE | | 3 |
| 4 | P05035 | COLLAR, 5/8 ID LOCK | | 1 |
| 5 | 065572 | BLOCK WELDMENT, LINKAGE CLUTCH/BRAKE | Replaces 034612 to make clutch pivot stop adjustable Rev. E6.10. | 1 |
| 6 | F05012-16 | PIN, 3/16 X 1 1/4 ROLL | | 1 |
| 7 | 034605 | LINKAGE ASSEMBLY, W/BEARING | | 1 |
| 8 | F05010-35 | NUT, 1/2-13 FREE HEX, ZINC | | 1 |
| 9 | F05011-9 | WASHER, 1/2 SPLIT LOCK | | 1 |
| 10 | F05010-31 | NUT, 1/2-13 JAM | | 1 |
| 11 | 034608 | PIVOT WELDMENT, CLUTCH/BRAKE | | 1 |
| 12 | P737 | BUSHING, 1 X 1 1/4 X 3/4 FLANGE BRONZE | | 2 |

| REF | PART # | DESCRIPTION | COMMENTS | QTY. |
|-----|------------|--|---|------|
| | 065874 | BRAKE/CLUTCH ASSEMBLY, LT15 | Replaces Brake/Clutch Assembly 034603 to improve durability (Rev. E7.01). Brake/Clutch Assembly 034603 (including Clutch/Brake Arm Weldment 034613) modified 9/10. Spring mount hardware changed to provide more freedom of movement and prevent binding point in spring. | 1 |
| 13 | 065873 | Arm Weldment, Clutch/Brake LT15 | | 1 |
| 14 | F05007-124 | Bolt, 3/8-16 x 2 Hex Head Gr5 | | 1 |
| 15 | F05010-10 | Nut, 3/8-16 Hex Nylon Lock | | 1 |
| 16 | 016488 | Block, LT15 Brake | | 2 |
| 17 | F05004-2 | Screw, 10-24 x 1 Socket Head | | 4 |
| 18 | F05010-14 | Nut, #10-24 Keps | | 8 |
| 19 | 034602 | Idler, 4" O.D. x 3/8 Bore | | 1 |
| 20 | F05007-230 | Bolt, 3/8-16 x 2-3/4" Hex Head Gr5 Full Thread | Replaces Brake/Clutch Assembly 034603 to improve durability (Rev. E7.01). Brake/Clutch Assembly 034603 (including Clutch/Brake Arm Weldment 034613) modified 9/10. Spring mount hardware changed to provide more freedom of movement and prevent binding point in spring. | 1 |
| 21 | F05011-3 | Washer, 3/8 Flat | | 2 |
| 22 | F05010-25 | Nut, 3/8-16 Swaged Lock | | 2 |
| 23 | 034810 | Spring, Idler Arm LT15/D/E/G | | 1 |
| 24 | F05004-282 | Screw, 10-24 x 5/8" FSHC | | 4 |
| 25 | 065872 | Plate, Brake Adjustment | | 2 |
| 26 | F05011-18 | Washer, #10 SAE Flat | | 4 |