

E10SP Motor

Safety, Operation, Maintenance & Parts Manual

036215 Motor, LT15 10hp 1-Phase rev. B

Safety is our #1 concern!

April 2010

Form #1127

**Used with
LT15E10S
LT15E10S-ICE
LT15E10SW**

**rev. F3.00+
rev. F3.00+
rev. A5.00+**



WARNING! Read and understand this manual before using this machine.

California
Proposition 65 Warning



WARNING: Breathing gas/diesel engine exhaust exposes you to chemicals known to the State of California to cause cancer and birth defects or other reproductive harm.

Always start and operate the engine in a well-ventilated area.
If in an enclosed area, vent the exhaust to the outside.
Do not modify or tamper with the exhaust system.
Do not idle the engine except as necessary.

For more information go to **www.P65warnings.ca.gov**.



WARNING: Drilling, sawing, sanding or machining wood products can expose you to wood dust, a substance known to the State of California to cause cancer. Avoid inhaling wood dust or use a dust mask or other safeguards for personal protection.

For more information go to **www.P65Warnings.ca.gov/wood**.

Active Patents assigned to Wood-Mizer, LLC

Wood-Mizer, LLC has received patents that protect our inventions which are a result of a dedication to research, innovation, development, and design. Learn more at: woodmizer.com/patents

©2026 Wood-Mizer LLC

Printed in the United States of America, all rights reserved. No part of this manual may be reproduced in any form by any photographic, electronic, mechanical or other means or used in any information storage and retrieval system without written permission from

Wood-Mizer, LLC
8180 West 10th Street
Indianapolis, Indiana 46214

SECTION 1 SAFETY

1.1 Safety 1-1

SECTION 2 OPERATION

2.1 Starting The Motor..... 2-1

SECTION 3 REPLACEMENT PARTS

3.1 Motor Starter Assembly 3-1
3.2 Motor Assembly..... 3-3
3.3 Throttle/Clutch Assembly 3-4
3.4 Water Lube Assembly..... 3-6

SECTION 1 SAFETY

This manual is provided as a supplement to the equipment manufacturer's manuals.

This manual provides information specific to the use of this equipment on the Wood-Mizer® sawmill. Refer to the sawmill operator's manual and manufacturer's manual before attempting to operate this equipment.

NOTICE Read the sawmill operator's manual and engine manufacturer's manual for instructions and safety precautions before operating this equipment.

The information and instructions given in this manual do not amend or extend the limited warranties for the equipment given at the time of purchase.

Refer to the manufacturer's manual for maintenance intervals and procedures unless otherwise instructed in this manual. Follow the manufacturer's recommendations for dusty conditions.

NOTICE This manual only provides information about additional procedures or procedures to be performed at different time intervals than found in the manufacturer's manuals. Refer to the manufacturer's manual for complete maintenance instructions.



WARNING! Clean sawdust from all guards, vents, control boxes, or any area where sawdust may gather **after every shift**. Failure to do so may result in fire, causing death or serious injury.



1.1 Safety

Use caution when performing maintenance or service to the engine.



DANGER! Take proper protective measures against rotating shafts, pulleys, fans, etc.

Ensure loose clothing or long hair does not engage rotating members.

DANGER! Do not touch or perform service functions on a hot engine. Allow the engine to cool sufficiently before beginning any service function. Hot engine components will cause serious burns.



WARNING! Remove the blade before performing any engine service.

WARNING! Wear eye, hand, and foot protection equipment when performing service functions.

SECTION2 OPERATION

2.1 Starting The Motor



DANGER! Ensure the blade is disengaged and all persons are out of the path of the blade before starting. Failure to do so will result in death or serious injury.

Turn the main switch on the starter box to the ON position.

Press the green START button located on the starter box to start the motor.

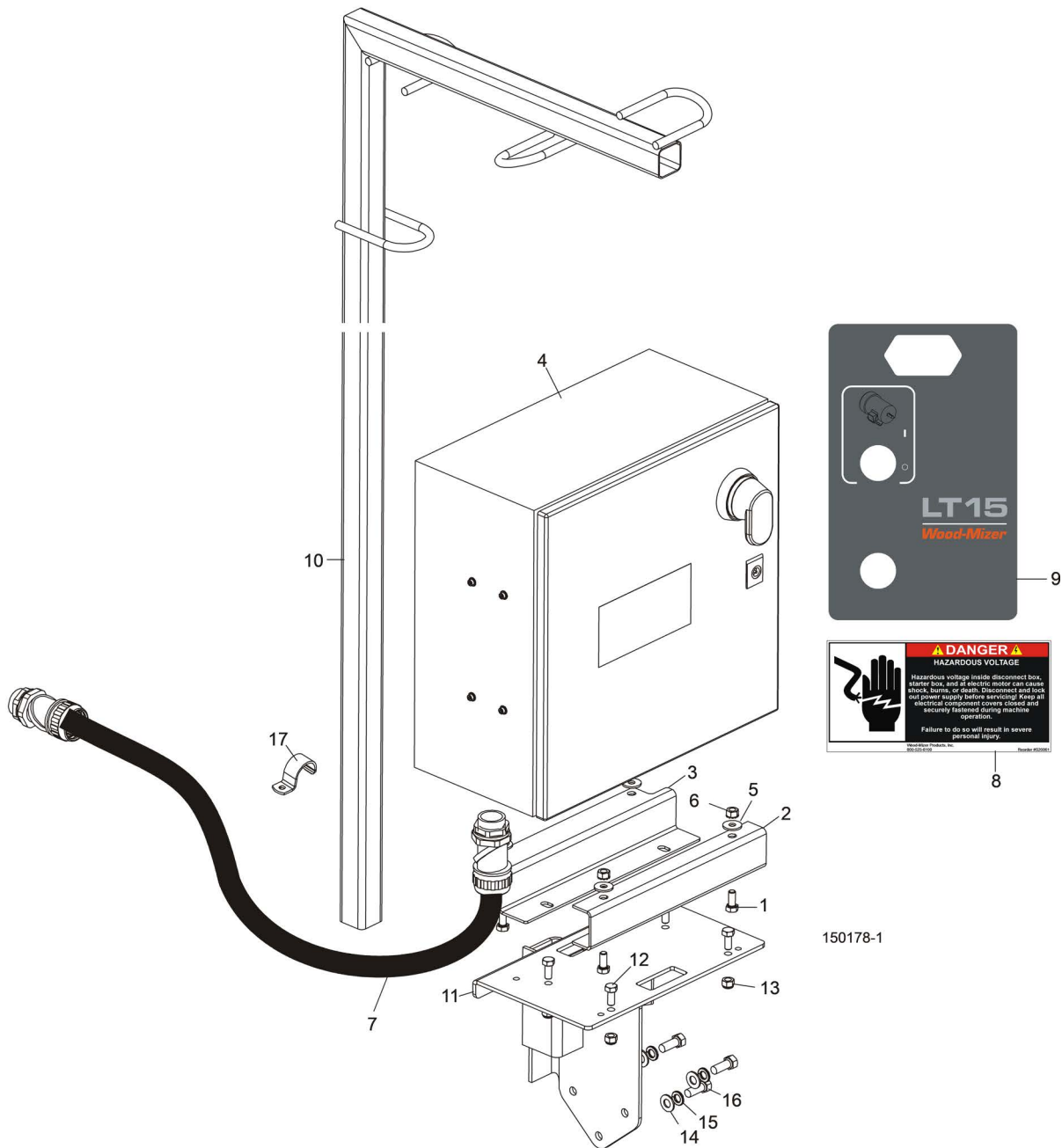
MOTOR SHUTOFF

Press the red STOP button on the starter box to stop the motor.

Turn the main switch to the OFF position.

SECTION 3 REPLACEMENT PARTS

3.1 Motor Starter Assembly

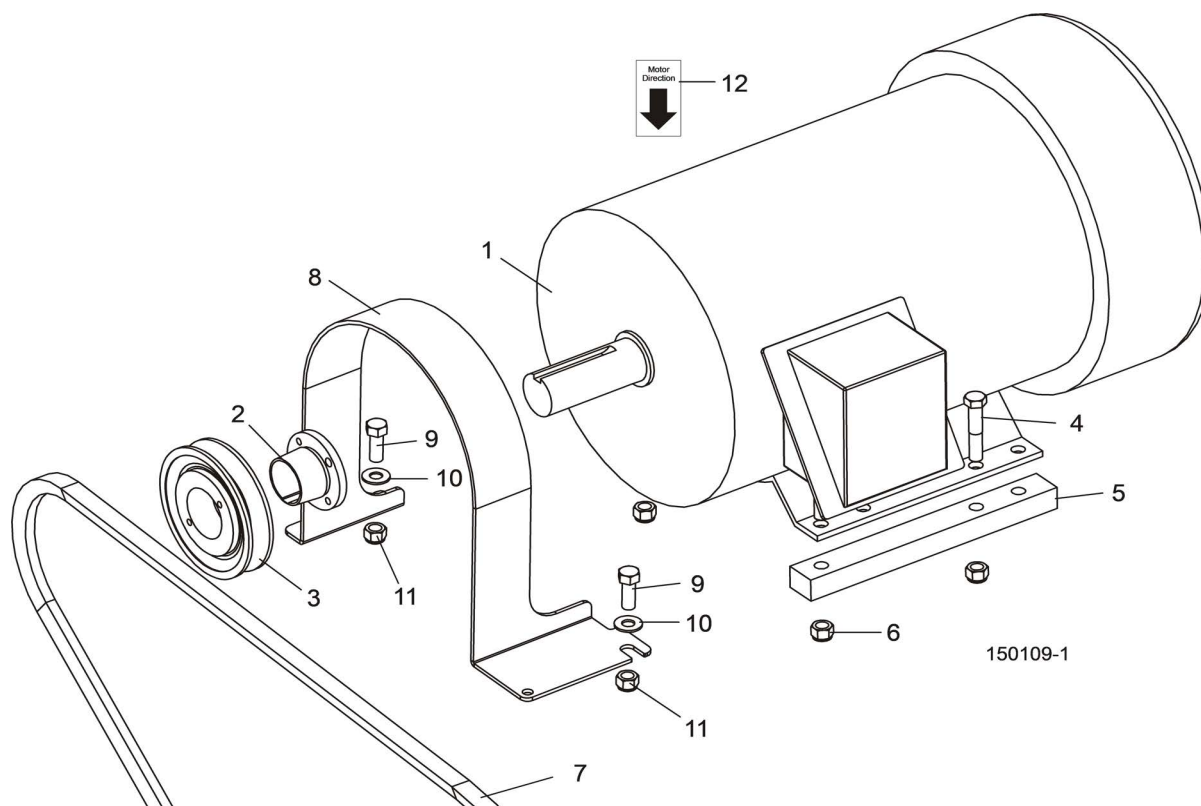


150178-1

REF	PART #	DESCRIPTION	COMMENTS	QTY.
	036216	MOTOR MODULE, 10HP 1-PHASE 208-230V ELECTRIC MOTOR		1
		Motor Parts	(See Section 4.4)	
	053713	Control Assembly, LT15 E10 3-Phase 240V		1
	053738	Control Assembly, LT15 E10 3-Phase 460V		1
	053702	Control Assembly, LT15 E10 1-Phase 230V		1
1	F05006-5	Bolt, 5/16-18 x 3/4 Hex Head		4

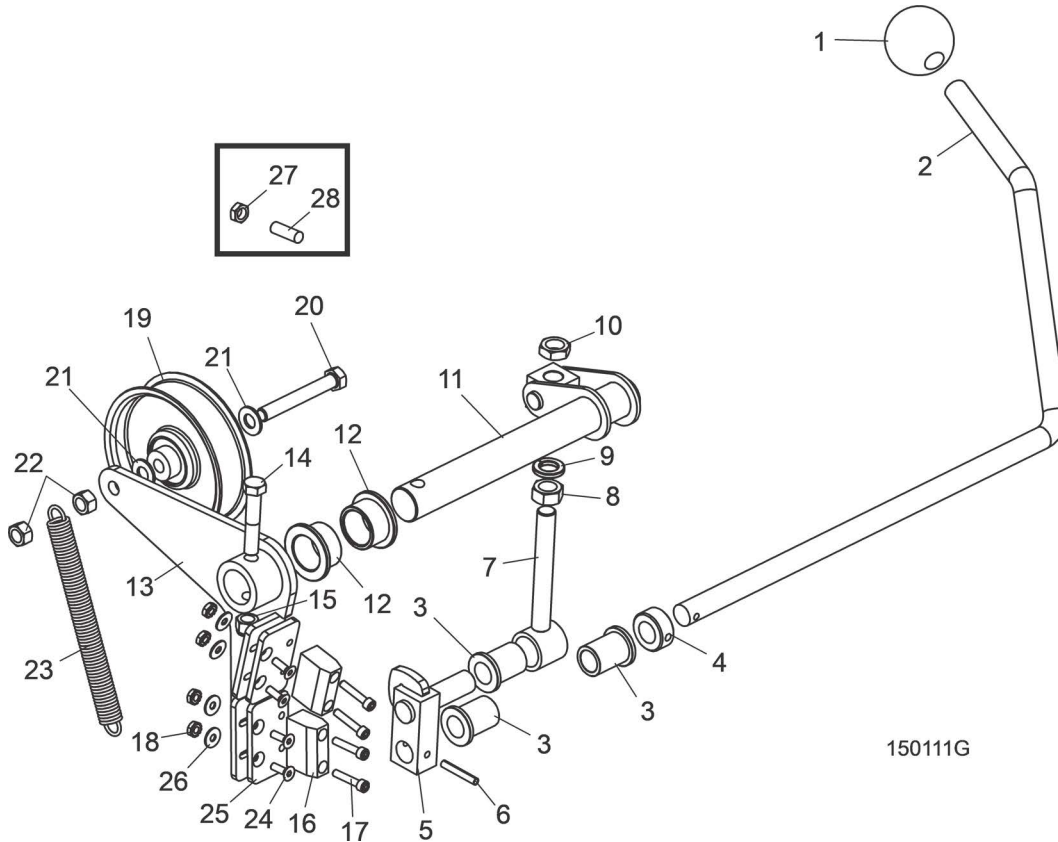
REF	PART #	DESCRIPTION	COMMENTS	QTY.
2	035991	Bracket, Front Electric Motor Mount		1
3	035992	Bracket, Rear Electric Motor Mount		1
4	053584	Enclosure, 16" x 16" x 8" Custom		1
		LT15E10S Electrical Components	See Component List	
5	F05011-16	Washer, 5/16 Flat		4
6	F05010-20	Nut, 5/16-18 Keps		4
7	053704	Harness Assembly, LT15E10S Blade Motor (1-Phase 230V)		1
8	S20061	Decal, Electrical Hazard Danger		1
9	069362	Decal, LT15E10 Control Cabinet		1
10	034906	TUBE WELDMENT, WIRE HANGER LT15E		1
11	034899	MOUNT WELDMENT, BATTERY/CONTROL BOX		1
12	F05006-102	BOLT, 5/16-18 X 3/4" HEX HEAD		4
13	F05010-58	NUT, 5/16-18 NYLON LOCK		4
14	F05007-7	BOLT, 3/8-16 X 1" HEX HEAD		3
15	F05011-4	WASHER, 3/8" SPLIT LOCK		3
16	F05011-3	WASHER, 3/8" SAE FLAT		3
17	P05436	CLAMP, 1" EMT		1

3.2 Motor Assembly



REF	PART #	DESCRIPTION	COMMENTS	QTY.
	P12393	Cover, Engine		1
	036215	Motor Assembly, Lt15 10hp 1-phase		1
1	036214	Motor, 10HP 1-phase Lincoln 60Hz	Available in assemblies only.	1
2	P04864	Bushing, 1 3/8 Split Taper		1
3	036057	Sheave, BK45QT		1
	061343	Fan, Motor Leeson 9139632		1
4	F05007-129	Bolt, 3/8-16 X 1 3/4" Hex Head Grade 5		4
5	034807	Spacer, Motor Lt15e		2
6	F05010-10	Nut, 3/8-16 Hex Nylon Lock		4
7	P25301	Belt, Bx85 Drive		1
8	034904	Guard, Motor Shaft Lt15e		1
9	F05007-7	Screw, 3/8-16 X 1 Hex Head		2
10	F05011-3	Washer, 3/8 Flat Sae		2
11	F05010-10	Nut, 3/8-16 Hex Nylon Lock		2
12	S20097	Decal, Motor Direction		1

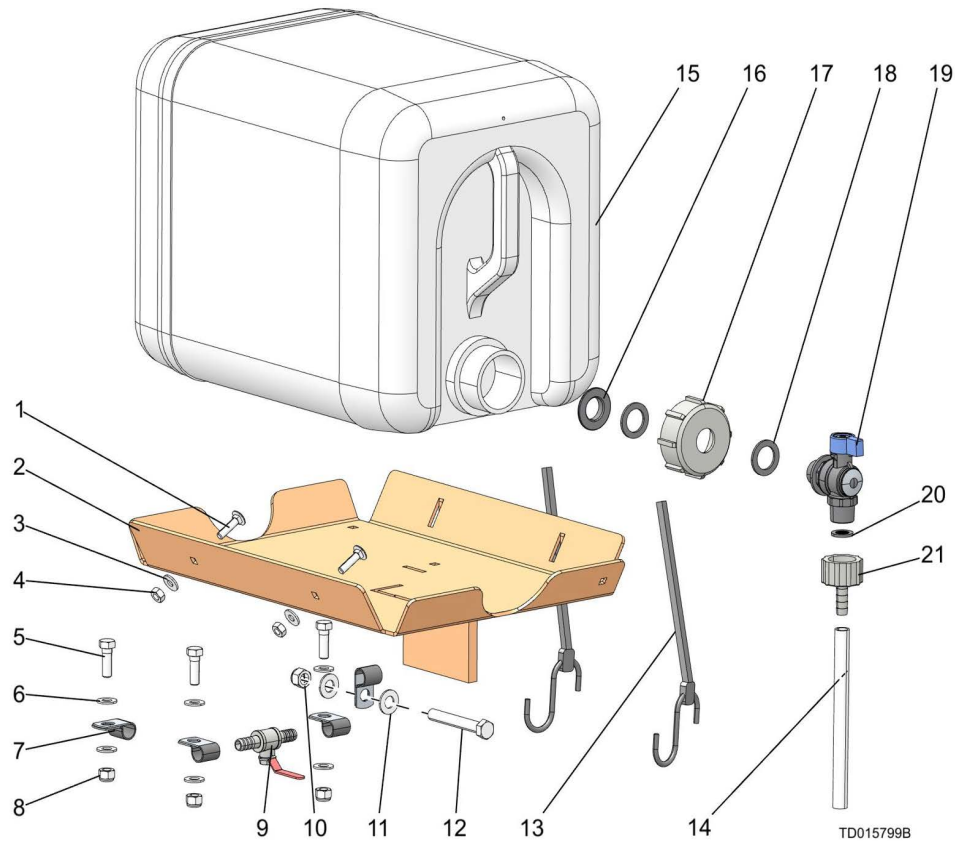
3.3 Throttle/Clutch Assembly



REF	PART #	DESCRIPTION	COMMENTS	QTY.
1	P04211	KNOB, 5/8-11 BALL		1
2	016487	HANDLE, LT15 CLUTCH		1
3	016486	BUSHING, 5/8 ID X 7/8 OD X 1 1/8 LONG FL BRONZE		3
4	P05035	COLLAR, 5/8 ID LOCK		1
5	065572	BLOCK WELDMENT, LINKAGE CLUTCH/BRAKE		1
6	F05012-16	PIN, 3/16 X 1 1/4 ROLL		1
7	034605	LINKAGE ASSEMBLY, W/BEARING		1
8	F05010-35	NUT, 1/2-13 FREE HEX, ZINC		1
9	F05011-9	WASHER, 1/2 SPLIT LOCK		1
10	F05010-31	NUT, 1/2-13 JAM		1
11	034608	PIVOT WELDMENT, CLUTCH/BRAKE		1
12	P737	BUSHING, 1 X 1 1/4 X 3/4 FLANGE BRONZE		2
	065874	BRAKE/CLUTCH ASSEMBLY, LT15		1
13	065873	Arm Weldment, Clutch/Brake LT15		1
14	F05007-124	Bolt, 3/8-16 x 2 Hex Head Gr5		1
15	F05010-10	Nut, 3/8-16 Hex Nylon Lock		1
16	016488	Block, LT15 Brake		2
17	F05004-2	Screw, 10-24 x 1 Socket Head		4
18	F05010-14	Nut, #10-24 Keps		8
19	034602	Idler, 4" O.D. x 3/8 Bore		1

REF	PART #	DESCRIPTION	COMMENTS	QTY.
20	F05007-230	Bolt, 3/8-16 x 2-3/4" Hex Head Gr5 Full Thread		1
21	F05011-3	Washer, 3/8 Flat		2
22	F05010-25	Nut, 3/8-16 Swaged Lock		2
23	034810	Spring, Idler Arm LT15/D/E/G		1
24	F05004-282	Screw, 10-24 x 5/8" FSHC		4
25	065872	Plate, Brake Adjustment		2
26	F05011-18	Washer, #10 SAE Flat		4

3.4 Water Lube Assembly



REF	PART #	DESCRIPTION	COMMENTS	QTY.
	015799	WATER LUBE ASSEMBLY		1
1	F05005-34	Bolt, 1/4-20 X 1 Carr		2
2	015798	Tray Weldment, Water Bottle LT15		1
3	F05011-11	Washer, 1/4 SAE Flat		2
4	F05010-21	Nut, 1/4-20 Swaged		2
5	F05006-1	Bolt, 5/16-18x1 HH Gr2		3
6	F05011-17	Washer, 5/16 SAE Flat		6
7	P07584	Clamp, 1/2EMT Coated		4
8	F05010-58	Nut, 5/16-18 Nyl Lock		3
9	065635	Valve, 1/4Turn Ball 3/8 Hose Barbs		1
10	F05010-10	Nut, 3/8-16 Hex Nyl Lock		1
11	F05011-3	Washer, 3/8 Flat SAE		2
12	F05007-230	Bolt, 3/8-16x2 3/4 FT Gr5		1
13	P11668	Strap, 20 Rubber W/Hooks		2
14	R01885	Hose, Water Lube Stock		12.83'
	601615	Assembly, Water Bottle		1
15	513866	Bottle, Water		1
		Assembly, Cap w/ Valve		
16	625839	Nut, Brass 1/2" for Water Bottle		1
17	550785	Cap, Water Bottle		1
18	550780	O-Ring, 20X30X2		2
19	625845	Valve	Available in assembly only	1
20	550778	Gasket, 1/2" w/Strainer		1
21	550777	Fitting, G3/4" X 10mm Hose Barb		1