

# E25 LT70 Motor

## Safety, Operation, Maintenance & Parts Manual

---

<b>065354 E25 Ultimate E 2011</b>	<b>rev. B</b>
<b>034504 E25 230/460V OBS</b>	<b>rev. E</b>
<b>036422 E25 575V OBS</b>	<b>rev. B</b>

---

**Safety is our #1 concern!**

*January 2010*

*Form #1083*

LT70HDE25-H	rev. A1.02 - B8.03t
LT70HDE25-L	rev. A1.02 - B8.03
LT70HDE25-RXH OBS	rev. A1.08 - B4.02
LT70HDE25-RXL OBS	rev. A1.08 - B4.02
LT70HDE25-WRH OBS	rev. A9.00 - B4.02
LT70HDE25-WRL OBS	rev. A9.00 - B4.02
LT70HDEB25-RD	rev. B4.02 - B8.03t
LT70HDEB25W-RD	rev. B4.02 - B8.03
LT70HDEC25-RD	rev. B4.02 - B8.03
LT70HDEC25W-RD	rev. B4.02 - B8.03t
Canadian	
LT70HDE25-C OBS	rev. A1.02 - B4.02
LT70HDE25-RXC OBS	rev. A1.08 - B4.02
LT70HDE25-WRC OBS	rev. A9.00 - B4.02



**WARNING! Read and understand this manual before using this machine.**

## California

### Proposition 65 Warning



**WARNING:** Breathing gas/diesel engine exhaust exposes you to chemicals known to the State of California to cause cancer and birth defects or other reproductive harm.

Always start and operate the engine in a well-ventilated area.  
If in an enclosed area, vent the exhaust to the outside.  
Do not modify or tamper with the exhaust system.  
Do not idle the engine except as necessary.

For more information go to [www.P65warnings.ca.gov](http://www.P65warnings.ca.gov).



**WARNING:** Drilling, sawing, sanding or machining wood products can expose you to wood dust, a substance known to the State of California to cause cancer. Avoid inhaling wood dust or use a dust mask or other safeguards for personal protection.

For more information go to [www.P65Warnings.ca.gov/wood](http://www.P65Warnings.ca.gov/wood).

### Active Patents assigned to Wood-Mizer, LLC

Wood-Mizer, LLC has received patents that protect our inventions which are a result of a dedication to research, innovation, development, and design. Learn more at: [woodmizer.com/patents](http://woodmizer.com/patents)

### ©2024 Wood-Mizer LLC

Printed in the United States of America, all rights reserved. No part of this manual may be reproduced in any form by any photographic, electronic, mechanical or other means or used in any information storage and retrieval system without written permission from

**Wood-Mizer, LLC**  
**8180 West 10th Street**  
**Indianapolis, Indiana 46214**

**SECTION 1 ABOUT THIS MANUAL**

**SECTION 2 OPERATION**

2.1 Starting The Motor..... 2-1

**SECTION 3 MAINTENANCE**

3.1 Safety ..... 3-1

**SECTION 4 REPLACEMENT PARTS**

3.1 Motor Assembly (8/2011 - Present)..... 3-2  
3.2 Motor Assembly (8/2002 - 8/2011) ..... 3-3  
3.3 AC Cabinet Assembly..... 3-1  
3.4 Motor Pulley Guards..... 3-3  
3.5 Drive Belt Guard Assembly..... 3-4

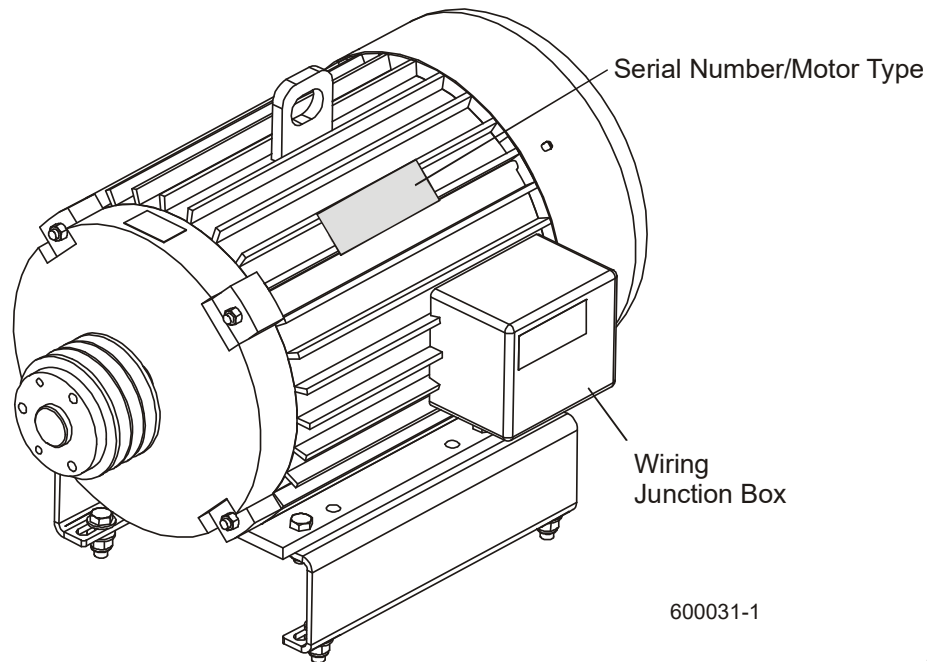
## SECTION 1 ABOUT THIS MANUAL

This manual is provided as a supplement to the equipment manufacturer's manuals. This manual provides information specific to the use of this equipment on the Wood-Mizer® sawmill. Refer to the sawmill operator's manual and manufacturer's manual before attempting to operate this equipment.

**NOTICE** Read the sawmill operator's manual and engine manufacturer's manual for instructions and safety precautions before operating this equipment.

The information and instructions given in this manual do not amend or extend the limited warranties for the equipment given at the time of purchase.

For electric sawmill installation instructions and power requirements, [see Form 1084](#).



**FIG. 1-1**

## SECTION 2 OPERATION

### 2.1 Starting The Motor

#### MOTOR CONTROL LIGHTS



*Battery Charge Indicator.* Not used.



*Key Switch Indicator:* Lights up when the key is in either the on or accessory (#1 or #3) position.

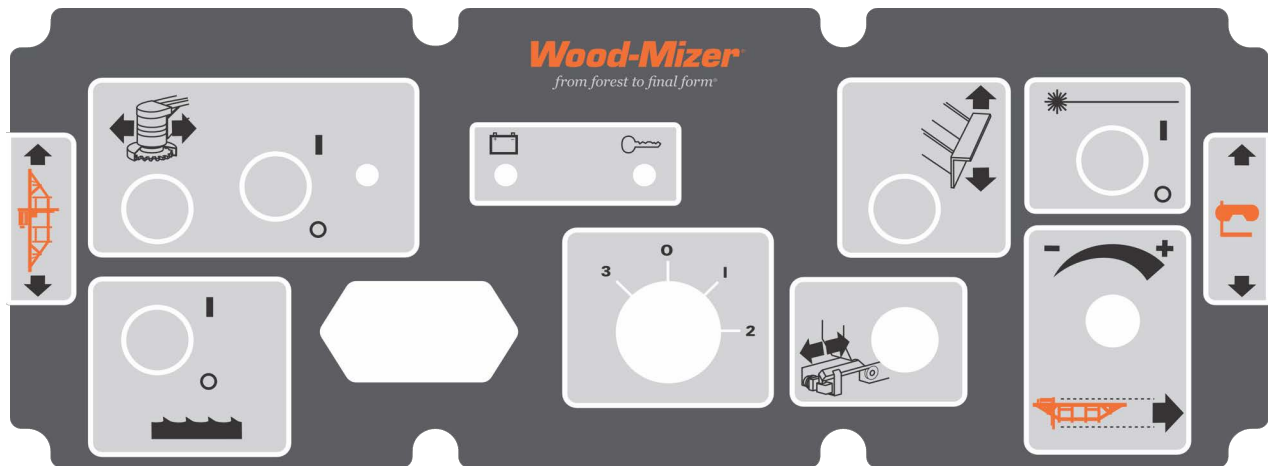


FIG. 2-1

#### MOTOR START



**WARNING!** Be sure the power feed switch is in the neutral position before turning the key switch to the on (#1) or accessory (#3) position. This prevents accidental carriage movement, which may cause serious injury or death.

Turn the key switch to the start (#2) position and release.

## SECTION 3 MAINTENANCE

Refer to the manufacturer's manual for maintenance intervals and procedures unless otherwise instructed in this manual. Follow the manufacturer's recommendations for dusty conditions.

**NOTICE** This manual only provides information about additional procedures or procedures to be performed at different time intervals than found in the manufacturer's manuals. Refer to the manufacturer's manual for complete maintenance instructions.



**WARNING!** Clean sawdust from all guards, vents, control boxes, or any area where sawdust may gather **after every shift**. Failure to do so may result in fire, causing death or serious injury.



### 3.1 Safety

Use caution when performing maintenance or service to the engine.



**DANGER!** Always be aware of and take proper protective measures against rotating shafts, pulleys, fans, etc.

Stay a safe distance from rotating members making sure that loose clothing or long hair do not engage rotating members resulting in possible injury.

Avoid contact with any part of a hot motor. Allow the motor to cool sufficiently before beginning any service function.



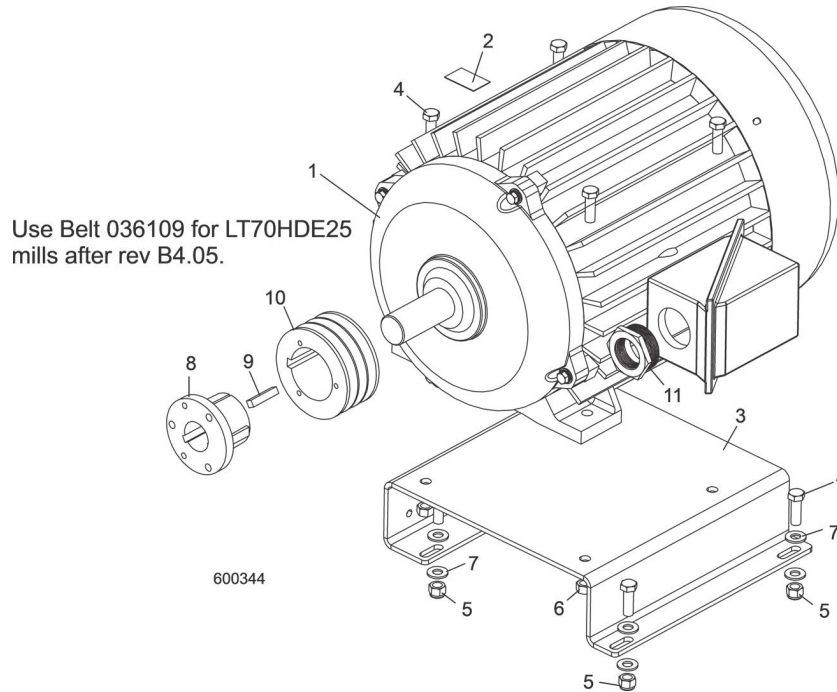
**WARNING!** Remove the blade before performing any engine service. Failure to do so may result in serious injury.

Always wear proper safety equipment (eye, breathing, hand, and foot) when performing service functions.

## SECTION 3 REPLACEMENT PARTS

### 3.1 Motor Assembly (8/2011 - Present)

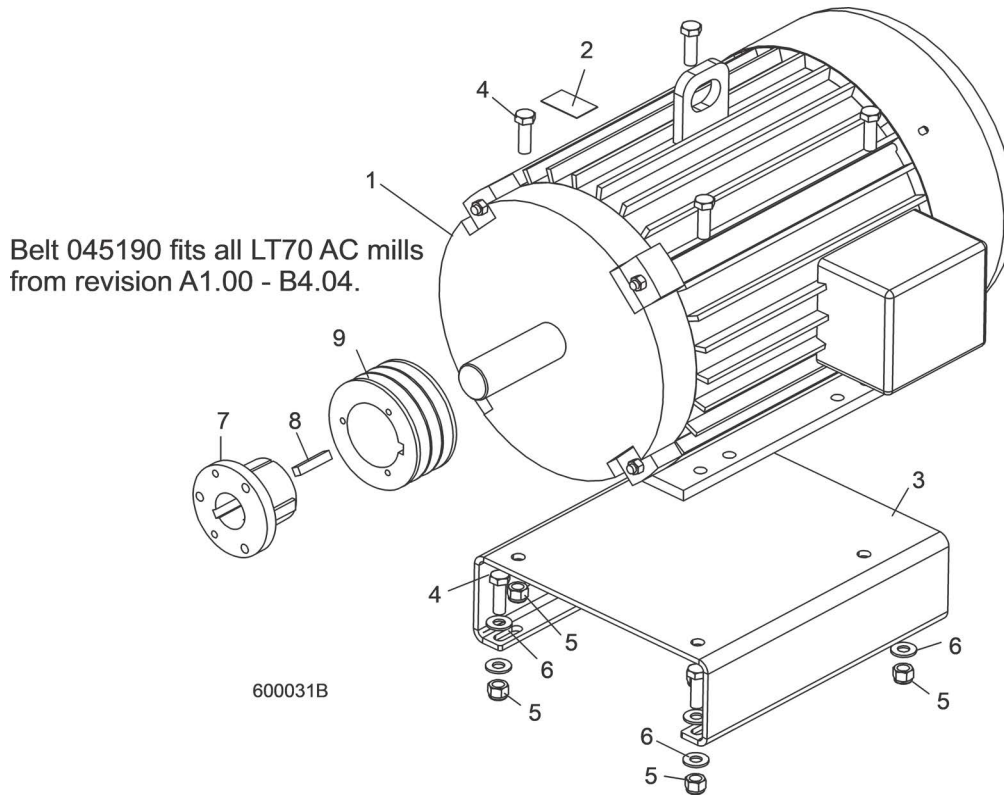
LT70HDs Rev. B4.05+



REF	PART #	DESCRIPTION	COMMENTS	QTY.
	P12393	Cover, Engine		1
	065354	Motor Assembly, E25 Ultimate E 2011	High and Low	1
1	065352	Motor, 25HP Lincoln Ultimate E		1
2	S20097	Decal, Motor Direction		1
3	065458	Plate, LT60/70 E25 Motor Mount 2011		1
4	F05008-33	Bolt, 1/2-13 x 1 1/2" Hex Head Grade 5		8
5	F05010-8	Nut, 1/2-13 Hex Nylon Lock		4
6	F05010-3	Nut, 1/2-13 Hex Lock		4
7	F05011-2	Washer, 1/2" SAE Flat		8
8	034503	Bushing, Q1 x 1 5/8"		1
9	014693	Key, 3/8" x 3/8" x 1 7/8"		1
10	034560	Pulley, 3/5V49 Motor		1
11	065493	Fitting, 2" NPT x 1 1/4" NPT Reducer		1
	036109	Belt, 3/5VFX975 Drive		1

### 3.2 Motor Assembly (8/2002 - 8/2011)

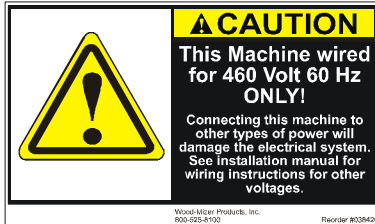
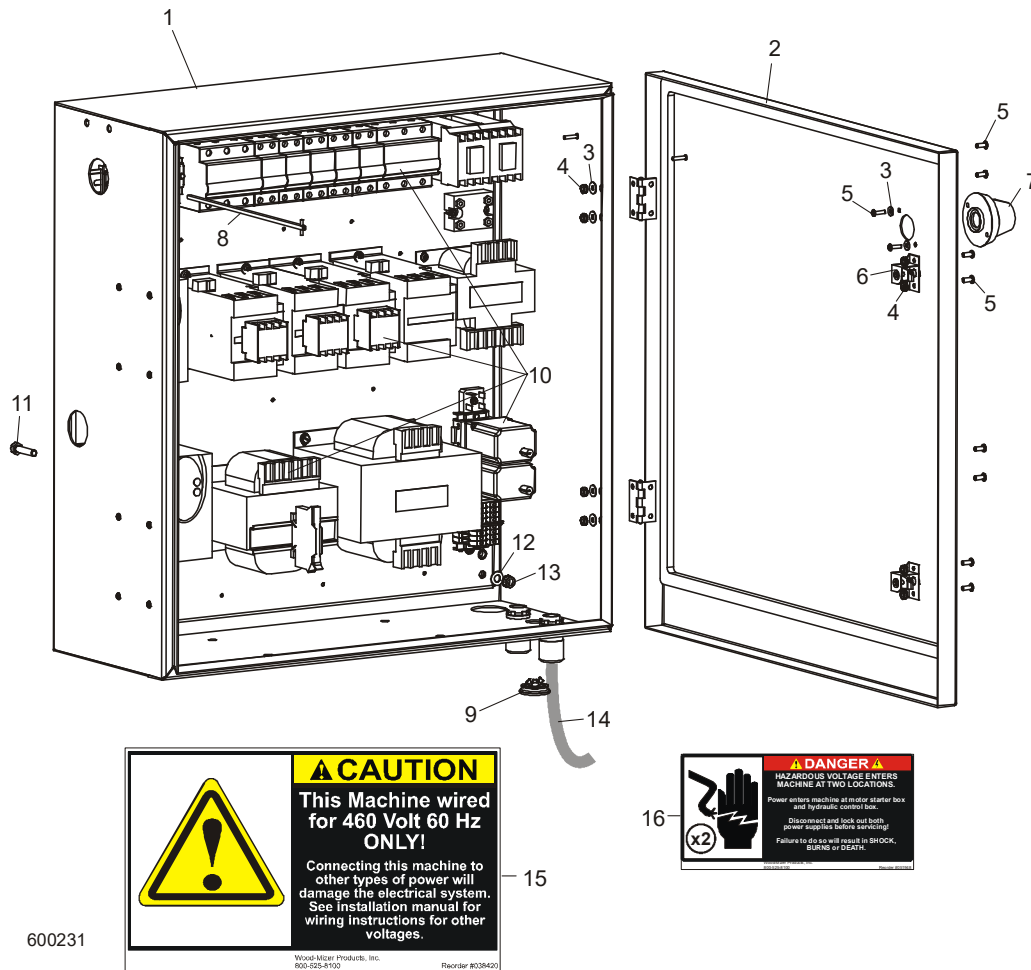
LT70HD Rev. A1.00 - B4.04



REF	PART #	DESCRIPTION	COMMENTS	QTY.
	P12393	Cover, Engine		1
	065488	Kit, E25 Ultimate E Conversion, 230/460V	Original motor assembly 034504 no longer available.	1
	034504	Motor Assy, LT70 E25	High	
	036422	Motor Assembly, E25 575V	Canadian	1
<b>1</b>	021392	Motor, 25HP 230/460V Lincoln E-Pak	High	1
	016022	Motor, 25HP 575V Lincoln E-Pak	Canadian	1
<b>2</b>	S20097	Decal, Motor Direction		1
<b>3</b>	034320	Plate, LT60/70 E25 Motor Mount		1
<b>4</b>	F05008-33	Bolt, 1/2-13 x 1 1/2" Hex Head Grade 5		8
<b>5</b>	F05010-8	Nut, 1/2-13 Hex Nylon Lock		8
<b>6</b>	F05011-2	Washer, 1/2" SAE Flat		8
<b>7</b>	034503	Bushing, Q1 x 1 5/8"		1
<b>8</b>	014693	Key, 3/8" x 3/8" x 1 7/8"		1
<b>9</b>	034560	Sheave, 3/5V49 Drive		1
	F05004-3	Screw, #10-24x3/8 Phillips PH Machine	Not shown	3
	F05092-1	Terminal, #10 10-12Ga Ring NI Loose		14
	F05010-14	Nut, #10-24 Keps->		3
	F05015-1	Bolt, 1/4-20x1/2 Self Tap HH		4
	036644	Cap, Rubber Wire		11
	045190	Belt, 3/5VFX950 Drive		1



### 3.3 AC Cabinet Assembly



600231

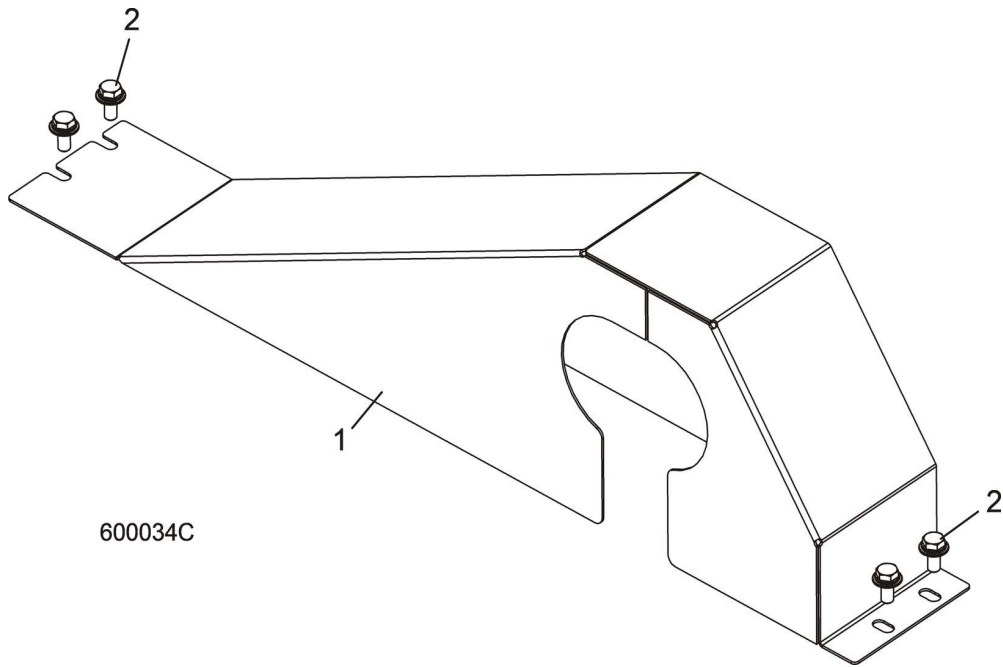
REF	PART #	DESCRIPTION	COMMENTS	QTY.
	050272	Control Assembly, E25L 208-240VAC	Available in assemblies only.	1
	069602	Control Assembly, EB25 208-240VAC DCS	Available in assemblies only.	1
	050273	Control Assembly, E25H 380-480VAC	Available in assemblies only.	1
	069599	Control Assembly, EC25 380-480VAC DCS	Available in assemblies only.	1
	050274	Control Assembly, E25C 550-600VAC	Available in assemblies only. No longer available for sawmills Rev. B4.05 and later.	1
1	050096	Box Weldment, LT70 AC		1
2	050097	Door Weldment, LT70 AC Box		1
3	F05011-41	Washer, #8 SAE Flat		6
4	F05010-169	Nut, #8-32 Hex Nylon Lock		8
5	F05004-91	Screw, #8-32 x 5/7" Button Socket Head Stainless Steel		10
6	051978	Latch, Compression Door		2
7	050907-1	Handle, Pistol Grip Operator	5mm Disconnect Shaft OHY45J5 replaced by vendor with 6mm shaft OXP6X290 (2/10). Replacement of any disconnect component requires replacement of disconnect, shaft and operator handle (050906-1, 050907-1 & 050908-1).	1
8	050908-1	Shaft, 265mm Pistol Grip		1

### 3 Replacement Parts

#### AC Cabinet Assembly

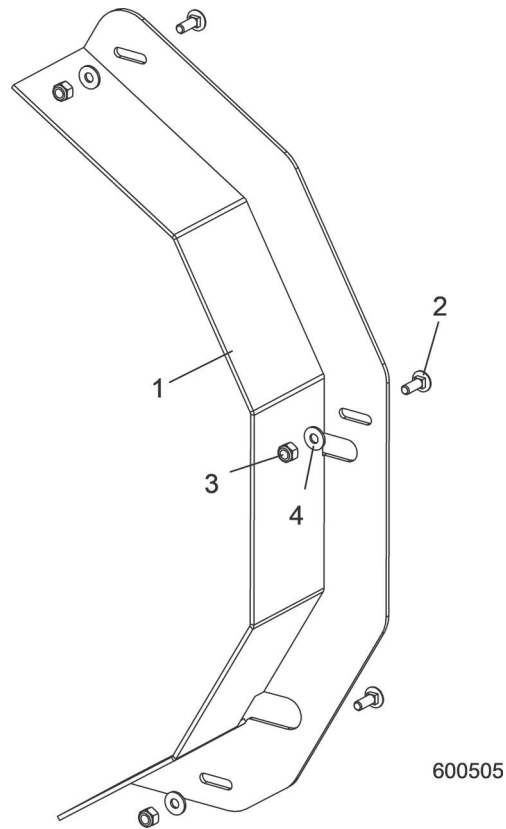
REF	PART #	DESCRIPTION	COMMENTS	QTY.
9	024250	Plug, AS075 Oilite Painted		1
10		Electrical Components ( )	See Electrical Information	
11	F05006-76	Bolt, 5/16-18 x 1 1/2" Hex Head Grade 5 Full Thread		4
12	F05011-17	Washer, 5/16" SAE Flat		8
13	F05010-20	Nut, 5/16-18 Self-Locking Hex		8
14	052860	Cable Assembly, AC LT70 Up/Down Service		1
15	038419	Decal, Electrical Connection (240V)		1
	038420	Decal, Electrical Connection (460V)		1
	038421	Decal, Electrical Connection (575V)	No longer available for sawmills Rev. B4.05 and later.	1
16	051948	Decal, Two Electrical Sources Danger		1
	069603	Harness Assembly, LT70 AC DCS Debarker (DCS models Only)		1
	<b>Harness Assembly, Upper</b> (Includes AC LT70 Power Feed Cable) See Front Panel Harnesses (Non-Remote) or Remote Junction Box (Remote)			

### 3.4 Motor Pulley Guards



REF	PART #	DESCRIPTION	COMMENTS	QTY.
1	065540	Cover Weldment, E25 Top Belt	Cover Weldment 065540 replaces Cover Weldment 033992 supplied prior to Rev. B4.07. New cover works for standard and wide heads.	1
2	F05006-101	Bolt, 5/16-18 x 3/4" Hex Head with washers		4

### 3.5 Drive Belt Guard Assembly



REF	PART #	DESCRIPTION	COMMENTS	QTY.
	079141	Guard Assembly, LT70 Drive Belt		1
1	079132	Guard Weldment, LT70 Drive Belt Guard		1
2	F05005-113	Bolt, 1/4-20x3/4 Carriage		3
3	F05010-69	Nut, 1/4-20 Nylock		3
4	F05011-11	Washer, 1/4 SAE Flat		3