



Wood-Mizer[®] Sawmill

Parts Manual

LT30HD	rev. F8 - F9.01
LT30HD Super	rev. F8 - F9.01
LT40HD	rev. F8 - F9.01
LT40HD Super	rev. F8 - F9.01



Safety is our #1 concern! Read and understand all safety information and instructions before operating, setting up or maintaining this machine.

October 1996

Form #689

Table of Contents

Section-Page

SECTION 1	GENERAL INFORMATION	1-1
1.1	How To Use The Parts List	1-1
1.2	Sample Assembly	1-1
SECTION 2	BLADE DRIVE & GUIDES	2-1
2.1	Blade Guide Assembly, Idle Side.....	2-1
2.2	Blade Guide Assembly, Drive Side.....	2-3
2.3	Blade Guide Arm Drive Assembly.....	2-5
2.4	Blade Guide Arm Assembly.....	2-7
SECTION 3	BLADE WHEELS & TENSIONER	3-1
3.1	Blade Drive Assembly (1 9/16" Shaft).....	3-1
	<i>LT30HD Rev. F9 - F9.01</i>	
	<i>LT40HD Rev. F9 - F9.01</i>	
	<i>LT30HD Super Rev. F8 - F9.01</i>	
	<i>LT40HD Super Rev. F8 - F9.01</i>	
3.2	Blade Drive Assembly (1 7/16" Shaft).....	3-3
	<i>LT30HD Rev. F8</i>	
	<i>LT40HD Rev. F8</i>	
3.3	Idle Blade Wheel Assembly	3-5
3.4	Hydraulic Blade Tensioner Assembly.....	3-7
SECTION 4	SAW HEAD	4-1
4.1	Middle Throat Screw	4-1
4.2	Water Lube Solenoid Valve (Super Models)	4-2
4.3	Clutch/Brake Lever Assembly	4-3
	<i>LT30HD Rev. F9 - F9.01</i>	
	<i>LT40HD Rev. F9 - F9.01</i>	
	<i>LT30HD Super Rev. F8008 - F9.01</i>	
	<i>LT40HD Super Rev. F8098 - F9.01</i>	
4.4	Clutch/Brake Lever Assembly	4-5
	<i>LT30HD N/A</i>	
	<i>LT40HD Rev. F8715 - F8732</i>	
4.5	Clutch/Brake Lever Assembly	4-7
	<i>LT30HD Rev. F8 - F8533</i>	
	<i>LT40HD Rev. F8 - F8714</i>	
4.6	Clutch/Brake Lever Assembly (Super)	4-9
	<i>LT30HD Super Rev. F8001 - F8007</i>	
	<i>LT40HD Super Rev. F8001 - F8097</i>	
4.7	Water Lube Assembly	4-11
4.8	Saw Head Decals.....	4-13
4.9	Covers & Sawdust Chute.....	4-15
	<i>LT30HD Rev. F9 - F9.01</i>	
	<i>LT40HD Rev. F9 - F9.01</i>	
	<i>LT30HD Super Rev. F8 - F9.01</i>	
	<i>LT40HD Super Rev. F8 - F9.01</i>	

Table of Contents

Section-Page

4.10	Covers.....	4-18
	<i>LT30HD</i> <i>Rev. F8</i>	
	<i>LT40HD</i> <i>Rev. F8</i>	
SECTION 5	CONTROL & BATTERY BOXES	5-1
5.1	Control Assembly (U.S.).....	5-1
	<i>LT30HD</i> <i>Rev. F8522 - F9.01</i>	
	<i>LT40HD</i> <i>Rev. F8395 - F9.01</i>	
	<i>LT30HD Super</i> <i>Rev. F8001 - F9.01</i>	
	<i>LT40HD Super</i> <i>Rev. F8001 - F9.01</i>	
5.2	Control Assembly (U.S.).....	5-3
	<i>LT30HD</i> <i>Rev. F8511 - F8521</i>	
	<i>LT40HD</i> <i>Rev. F8334 - F8394, 403</i>	
5.3	Control Assembly (G.S.).....	5-5
	<i>LT30HD</i> <i>Rev. F8522 - F9.01</i>	
	<i>LT40HD</i> <i>Rev. F8395 - F9.01</i>	
	<i>LT30HD Super</i> <i>Rev. F8001 - F9.01</i>	
	<i>LT40HD Super</i> <i>Rev. F8001 - F9.01</i>	
5.4	Control Assembly (G.S.).....	5-7
	<i>LT30HD</i> <i>Rev. F8511 - F8521</i>	
	<i>LT40HD</i> <i>Rev. F8334 - F8394, 403</i>	
5.5	Drum Switches	5-9
5.6	Circuit Breakers (G.S.).....	5-10
5.7	Front Panel Assembly & Harnesses	5-11
	<i>LT30HD</i> <i>Rev. F8522 - F9.01</i>	
	<i>LT40HD</i> <i>Rev. F8395 - F9.01</i>	
	<i>LT30HD Super</i> <i>Rev. F8001 - F9.01</i>	
	<i>LT40HD Super</i> <i>Rev. F8001 - F9.01</i>	
5.8	Front Panel Assembly & Harnesses	5-13
	<i>LT30HD</i> <i>Rev. F8511 - F8521</i>	
	<i>LT40HD</i> <i>Rev. F8334 - F8394, 403</i>	
5.9	Battery Box Assembly.....	5-14
5.10	Fuse Box.....	5-16
SECTION 6	UP/DOWN SYSTEM	6-1
6.1	Saw Head V-Brace Mount.....	6-1
	<i>LT30HD</i> <i>Rev. F8522 - F9.01</i>	
	<i>LT40HD</i> <i>Rev. F8459 - F9.01</i>	
	<i>LT30HD Super</i> <i>Rev. F8002 - F9.01</i>	
	<i>LT40HD Super</i> <i>Rev. F8026 - F9.01</i>	
6.2	Saw Head V-Brace Mount.....	6-2
	<i>LT30HD</i> <i>Rev. F8511 - F8521</i>	
	<i>LT40HD</i> <i>Rev. F8334 - F8458</i>	
	<i>LT30HD Super</i> <i>Rev. F8001</i>	
	<i>LT40HD Super</i> <i>Rev. F8001 - F8025</i>	
6.3	Blade Height Scale	6-4
6.4	Up/Down Chain & Sprockets.....	6-6

Table of Contents

Section-Page

6.5	Up/Down Assembly (Standard LT30HD/LT40HD).....	6-8
	<i>LT30</i> <i>Rev. F6 - F6.01</i>	
	<i>LT40</i> <i>Rev. F7 - F7.01</i>	
	<i>LT30HD</i> <i>Rev. F9 - F9.01</i>	
	<i>LT40HD</i> <i>Rev. F9 - F9.01</i>	
6.6	Up/Down Assembly (Standard LT30HD/LT40HD).....	6-10
	<i>LT30</i> <i>Rev. F4 - F5</i>	
	<i>LT40</i> <i>Rev. F5 - F6</i>	
	<i>LT30HD</i> <i>Rev. F8</i>	
	<i>LT40HD</i> <i>Rev. F8</i>	
6.7	Up/Down Assembly (Super LT30HD/LT40HD).....	6-12
SECTION 7	FEED SYSTEM & TRACK ROLLERS	7-1
7.1	Upper Track Rollers And Wipers.....	7-1
7.2	Power Feed Assembly.....	7-3
7.3	Feed Chain/Stop.....	7-5
7.4	Lower Track Rollers.....	7-6
	<i>Retrofit</i>	
7.5	Lower Track Rollers.....	7-7
	<i>LT30HD</i> <i>Rev. F8 - F9.01</i>	
	<i>LT40HD</i> <i>Rev. F8 - F9.01</i>	
	<i>LT30HD Super</i> <i>Rev. F8 - F9.01</i>	
	<i>LT40HD Super</i> <i>Rev. F8 - F9.01</i>	
SECTION 8	BED FRAME ASSEMBLY	8-1
8.1	Bed Rail Assembly, Front And Rear.....	8-1
8.2	Bed Rail Assembly, Middle.....	8-3
8.3	Leg, Stationary.....	8-5
8.4	Pivot Bed Rail Assembly.....	8-7
8.5	Log Side Support Assembly (Manual).....	8-9
8.6	Tie Down Chain Assembly.....	8-11
8.7	Saw Head Rest Pin Assembly.....	8-12
8.8	Bed Frame Decals.....	8-13
SECTION 9	MISCELLANEOUS	9-1
9.1	Replacement Manuals.....	9-1
SECTION 10	HYDRAULIC SYSTEM	10-1
10.1	Hydraulic Hoses.....	10-1
10.2	Hydraulic Control Box.....	10-2
10.3	Hydraulic Power Supply Strip.....	10-5
	<i>Retrofit</i>	
10.4	Hydraulic Power Supply Strip.....	10-7
	<i>LT30HD</i> <i>Rev. F8.00 - F9.01</i>	
	<i>LT40HD</i> <i>Rev. F8.00 - F9.01</i>	
10.5	Hydraulic Log Loader.....	10-9
10.6	Hydraulic Log Turner.....	10-11
10.7	Hydraulic Log Side Supports.....	10-13

Table of Contents

Section-Page

10.8	Hydraulic Log Clamp Arm & Cylinder.....	10-15
10.9	Hydraulic Log Clamp Box/Plate.....	10-17
10.10	Hydraulic Log Clamp End Plate.....	10-19
	<i>Retrofit</i>	
10.11	Hydraulic Log Clamp End Plate.....	10-20
10.12	Hydraulic Toe Board.....	10-21

INDEX

I

SECTION 1 GENERAL INFORMATION

1.1 How To Use The Parts List

- Use the table of contents or index to locate the assembly that contains the part you need.
- Go to the appropriate section and locate the part in the illustration.
- Use the number pointing to the part to locate the correct part number and description in the table.
- Parts shown indented under another part are included with that part.
- Parts marked with a diamond (◆) are only available in the assembly listed above the part.

See the sample table below. Sample Part #A01111 includes part F02222-2 and subassembly A03333. Subassembly A03333 includes part S04444-4 and subassembly K05555. The diamond (◆) indicates that S04444-4 is not available except in subassembly A03333. Subassembly K05555 includes parts M06666 and F07777-77. The diamond (◆) indicates M06666 is not available except in subassembly K05555.

1.2 Sample Assembly				
REF	DESCRIPTION (◆ Indicates Parts Available In Assemblies Only)	PART #	QTY.	
	SAMPLE ASSEMBLY, COMPLETE (INCLUDES ALL INDENTED PARTS BELOW)	A01111	1	
1	Sample Part	F02222-22	1	
	Sample Subassembly (Includes All Indented Parts Below)	A03333	1	
2	Sample Part (◆ Indicates Part Is Only Available With A03333)	S04444-4	1	◆
	Sample Subassembly (Includes All Indented Parts Below)	K05555	1	
3	Sample Part (◆ Indicates Part Is Only Available With K05555)	M06666	2	◆
4	Sample Part	F07777-77	1	

To Order Parts:

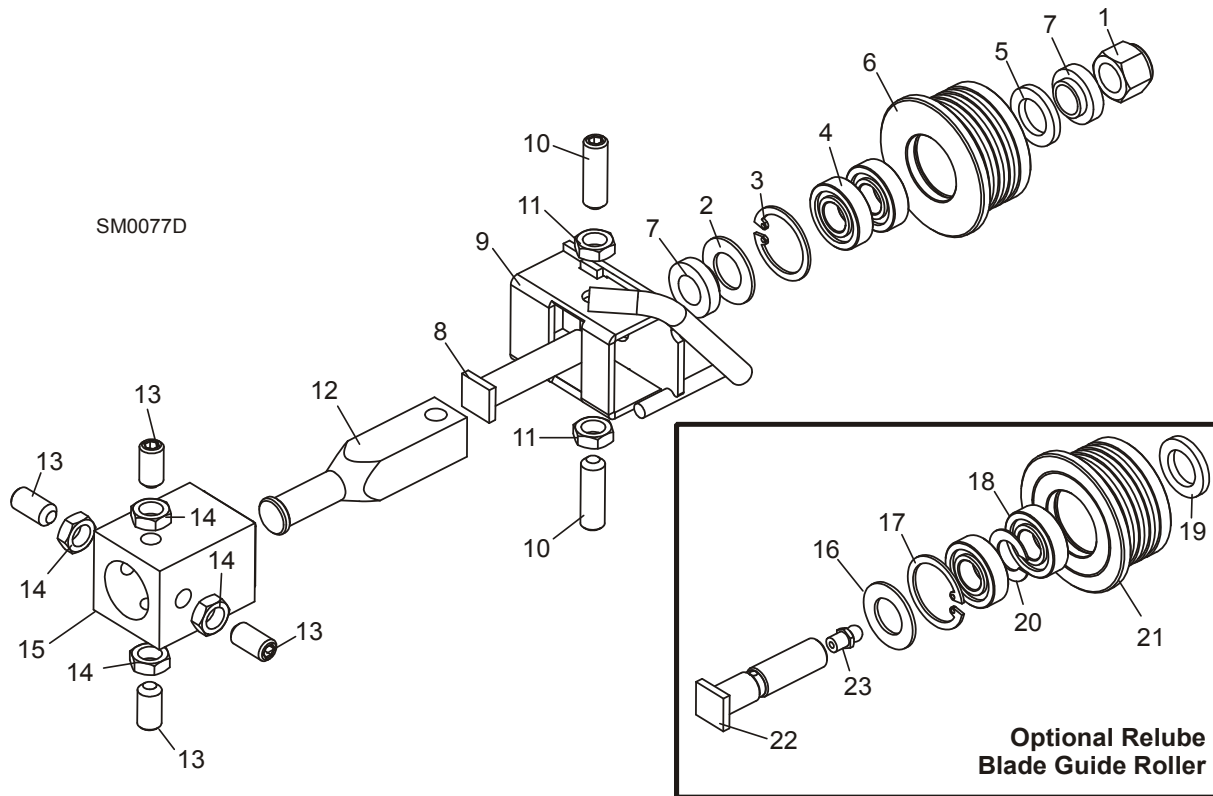
- From the continental U.S., call **1-800-525-8100** to order parts. Have your customer number, vehicle identification number, and part numbers ready when you call.
- From other international locations, contact the Wood-Mizer distributor in your area for parts.

2 Blade Guide Rollers & Arm

Blade Guide Assembly, Idle Side

SECTION 2 BLADE DRIVE & GUIDES

2.1 Blade Guide Assembly, Idle Side



REF	DESCRIPTION (◆ Indicates Parts Available In Assemblies Only)	PART #	QTY.	
	BLADE GUIDE ASSEMBLY, COMPLETE IDLE SIDE	A08197 ¹	1	
1	Nut, 1/2-20 Jam Nylon Lock	F05010-79	1	
	Roller Assembly, Blade Guide (standard)	A04925	1	
	Bearing Kit, Blade Guide Rebuild	K07079	1	
2	Washer, 5/8" White Felt	P04252	1	
3	Ring, 1 1/8" Interior Retaining	F04254-1	1	
4	Bearing, R8-2RS Blade Guide	015975	2	◆
5	Washer, 5/8" Gray Felt	P06455	1	
	Screw, 1/4-28 x 1/4" Socket Head Cup Point Set Black Oxide	F05005-105	1	
	Instruction Sheet, Blade Guide Rebuild	057407-1507	1	
6	Roller, Flanged Blade Guide	S04250	1	◆
	Instruction Sheet, Blade Guide Roller Replacement	A04925-364	1	
7	Spacer, Blade Guide	S04253	2	
8	Bolt, Blade Guide Roller	036373	1	
9	Bracket, Blade Guide Idle Side With Water Tube	W08495	1	

Blade Guide Rollers & Arm

Blade Guide Assembly, Idle Side

2

10	Screw, 3/8-24 X 1 1/4" Stainless Steel Socket Head Flat Point	F05007-96	2	
11	Nut, 3/8-24 Jam	F05010-22	2	
12	Shaft, Blade Guide Adjustment	S08196	1	
13	SCREW, 3/8-24 X 3/4" STAINLESS STEEL SOCKET HEAD FLAT POINT	F05007-95	4	
14	NUT, 3/8-24 JAM	F05010-22	4	
15	TUBE, BLADE GUIDE MOUNT	W08159	1	
	ROLLER ASSEMBLY, BLADE GUIDE RELUBE (OPTIONAL)	016568	1	
	Bearing Kit, Relube Blade Guide Rebuild	057407	1	
16	Washer, 5/8" White Felt	P04252	1	
17	Ring, 1 1/8" Interior Retaining	F04254-1	1	
18	Bearing, R8-2RS Blade Guide	015975 ²	2	◆
19	Washer, 5/8" Gray Felt	P06455	1	
20	Spacer, Blade Guide Bearing	035411	1	
	Instruction Sheet, Blade Guide Rebuild	057407-1507	1	
21	Roller, Flanged Blade Guide Relube	035426	1	◆
	Instruction Sheet, Blade Guide Roller Replacement	A04925-364	1	
22	BOLT, BLADE GUIDE ROLLER (RELUBE ONLY)	S08192	1	
23	FITTING, 1/4-28 GREASE (RELUBE ONLY)	P05060	1	

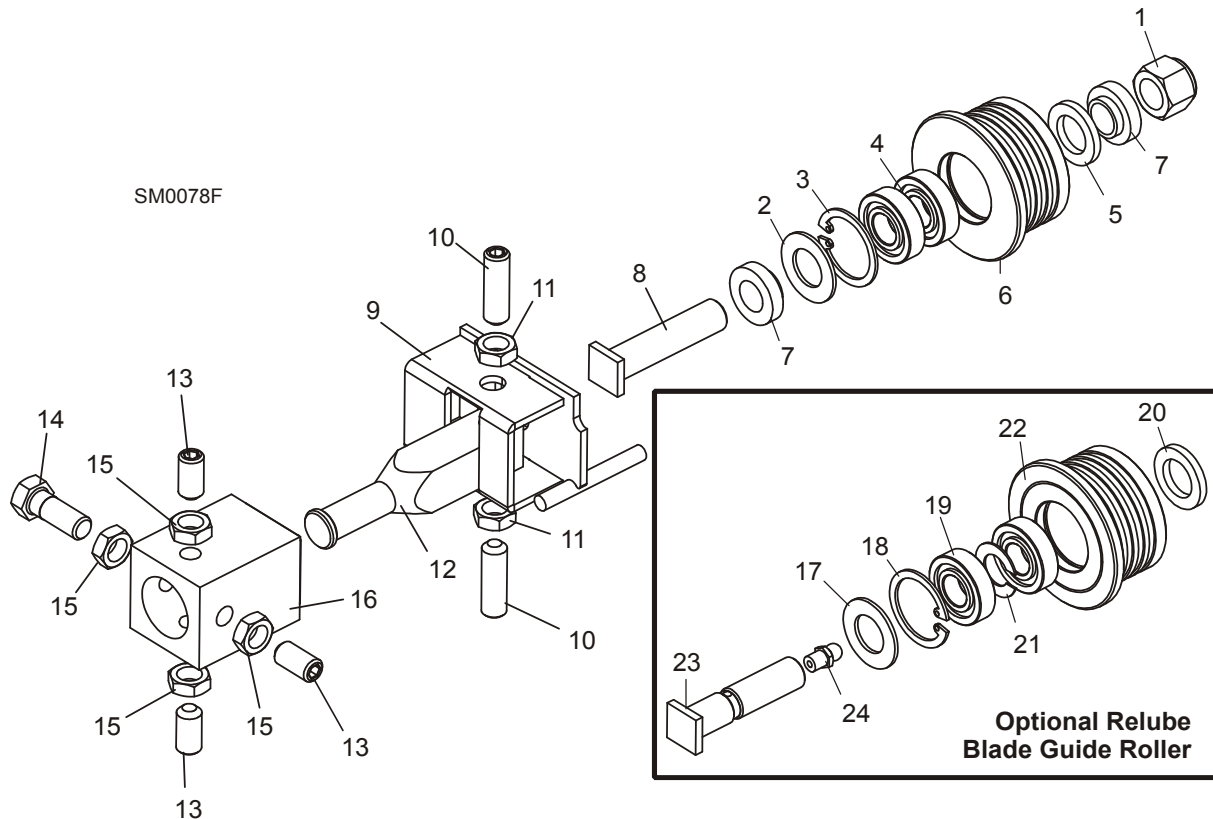
¹ Complete blade guide assembly A08197 includes roller with non-greaseable bearings A04925. See optional parts for Relube guide assemblies.

² Bearing must be modified for use with relube roller assemblies. Remove one seal from each bearing, place open sides facing each other and place spacer 035411 between bearings.

2 Blade Guide Rollers & Arm

Blade Guide Assembly, Drive Side

2.2 Blade Guide Assembly, Drive Side



REF	DESCRIPTION (◆ Indicates Parts Available In Assemblies Only)	PART #	QTY.	
	BLADE GUIDE ASSEMBLY, COMPLETE DRIVE SIDE	A08191 ¹	1	
1	Nut, 1/2-20 Jam Nylon Lock	F05010-79	1	
	Roller Assembly, Blade Guide (standard)	A04925	1	
	Bearing Kit, Blade Guide Rebuild	K07079	1	
2	Washer, 5/8" White Felt	P04252	1	
3	Ring, 1 1/8" Interior Retaining	F04254-1	1	
4	Bearing, R8-2RS Blade Guide	015975	2	◆
5	Washer, 5/8" Gray Felt	P06455	1	
	Screw, 1/4-28 x 1/4" Socket Head Cup Point Set Black Oxide	F05005-105	1	
	Instruction Sheet, Blade Guide Rebuild	057407-1507	1	
6	Roller, Flanged Blade Guide	S04250	1	◆
	Instruction Sheet, Blade Guide Roller Replacement	A04925-364	1	
7	Spacer, Blade Guide	S04253	2	
8	Bolt, Blade Guide Roller	036373	1	
9	Bracket, Blade Guide Drive Side	W08482	1	
10	Screw, 3/8-24 X 1 1/4" Stainless Steel Socket Head Flat Point	F05007-96	2	

Blade Guide Rollers & Arm

Blade Guide Assembly, Drive Side

2

11	Nut, 3/8-24 Jam	F05010-22	2	
12	Shaft, Blade Guide Adjustment	S08196	1	
13	SCREW, 3/8-24 X 3/4" STAINLESS STEEL SOCKET HEAD FLAT POINT SET	F05007-95	3	
14	BOLT, 3/8-24 X 1" STAINLESS STEEL HEX HEAD	F05007-99	1	
15	NUT, 3/8-24 JAM	F05010-22	4	
16	TUBE, BLADE GUIDE MOUNT (Part of Saw Frame Weldment)	W08159 ²	1	
	ROLLER ASSEMBLY, BLADE GUIDE RELUBE (OPTIONAL)	016568	1	
	Bearing Kit, Relube Blade Guide Rebuild	057407	1	
17	Washer, 5/8" White Felt	P04252	1	
18	Ring, 1 1/8" Interior Retaining	F04254-1	1	
19	Bearing, R8-2RS Blade Guide	015975 ³	2	◆
20	Washer, 5/8" Gray Felt	P06455	1	
21	Spacer, Blade Guide Bearing	035411	1	
	Instruction Sheet, Blade Guide Rebuild	057407-1507	1	
22	Roller, Flanged Blade Guide Relube	035426	1	◆
	Instruction Sheet, Blade Guide Roller Replacement	A04925-364	1	
23	BOLT, BLADE GUIDE ROLLER (RELUBE ONLY)	S08192	1	
24	FITTING, 1/4-28 GREASE (RELUBE ONLY)	P05060	1	

¹ Complete blade guide assembly A08191 includes roller with non-greaseable bearings A04925. See optional parts for Relube guide assemblies.

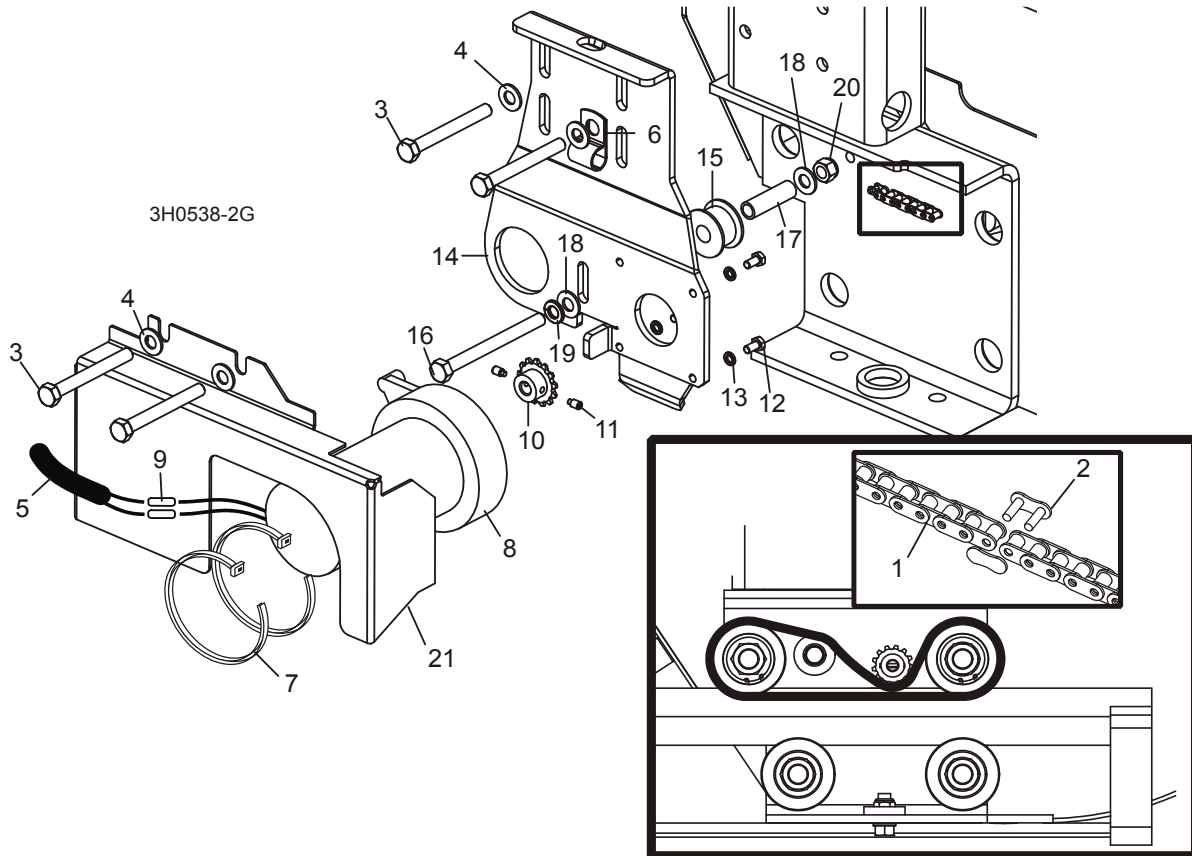
² Bolt-On blade guide kit available (016566). Requires cutting old block off, welding new receiver to saw head that will accept bolt-on mount. Kit includes all hardware and instructions.

³ Bearing must be modified for use with relube roller assemblies. Remove one seal from each bearing, place open sides facing each other and place spacer 035411 between bearings.

2 Blade Guide Rollers & Arm

Blade Guide Arm Drive Assembly

2.3 Blade Guide Arm Drive Assembly



REF	DESCRIPTION (◆ Indicates Parts Available In Assemblies Only)	PART #	QTY.
1	CHAIN, #25 X 20 1/4"	P09984	1
2	LINK, #25 MASTER	P09983	1
3	BOLT, 5/16-18 X 2 3/4" HEX HEAD GRADE 5	F05006-28	4
4	WASHER, 5/16" SAE FLAT	F05011-17	4
5	TUBE, 3/8" X 1/2" NEOPRENE	R01897	2.5ft
6	CLAMP, 1/2" COATED EMT	P07584	2
7	WRAP, 1/4" X 6" TIE	F05089-1	2
	DRIVE ASSEMBLY, BLADE GUIDE ARM	A09974	1
	Motor Assembly, Blade Guide Arm Replacement	A10353	1
8	Motor, Blade Guide Arm 53:1 Gear	P09698-1	1
	Housing, Klauber Motor End	P12756	1
	Gear Kit, Klauber Motor Replacement	P12569	1
	Brush Kit, Gear Motor Replacement	P12800	1
	Shaft Kit, Klauber Gear Motor Replacement	009695	1
9	Connector, 14 Gauge Butt	F04875-1	2

Blade Guide Rollers & Arm

Blade Guide Arm Drive Assembly

2

10	Sprocket, Gear Motor #25 14-Tooth	P09970 ¹	1	
11	Screw, #10-24 x 1/4" Full Dog Point Socket Set	F05004-274	2	
12	Screw, #10-32 x 1/2" Hex Head	F05004-60	4	
13	Washer, #10 Split Lock	F05011-20	4	
	Instruction Sheet, Blade Guide Arm Motor	A10353-296	1	
14	Bracket, Blade Guide Arm Motor Mount	S09934	1	
15	Roller, Blade Guide Arm Chain Idler	S09999 ²	1	
16	Bolt, 5/16-18 X 3 1/2" Hex Head Full Thread	F05006-3	1	
17	Spacer, 5/16" I.D. X 1 1/2"	S09996	1	
18	Washer, 5/16" SAE Flat	F05011-17	2	
19	Washer, 5/16" Split Lock	F05011-13	1	
20	Nut, 5/16-18 Hex Lock	F05010-6	1	
21	COVER, BLADE GUIDE ARM MOTOR	S11617	1	
	GUARD, BLADE GUIDE ARM (G.S. ONLY)	S12029	1	

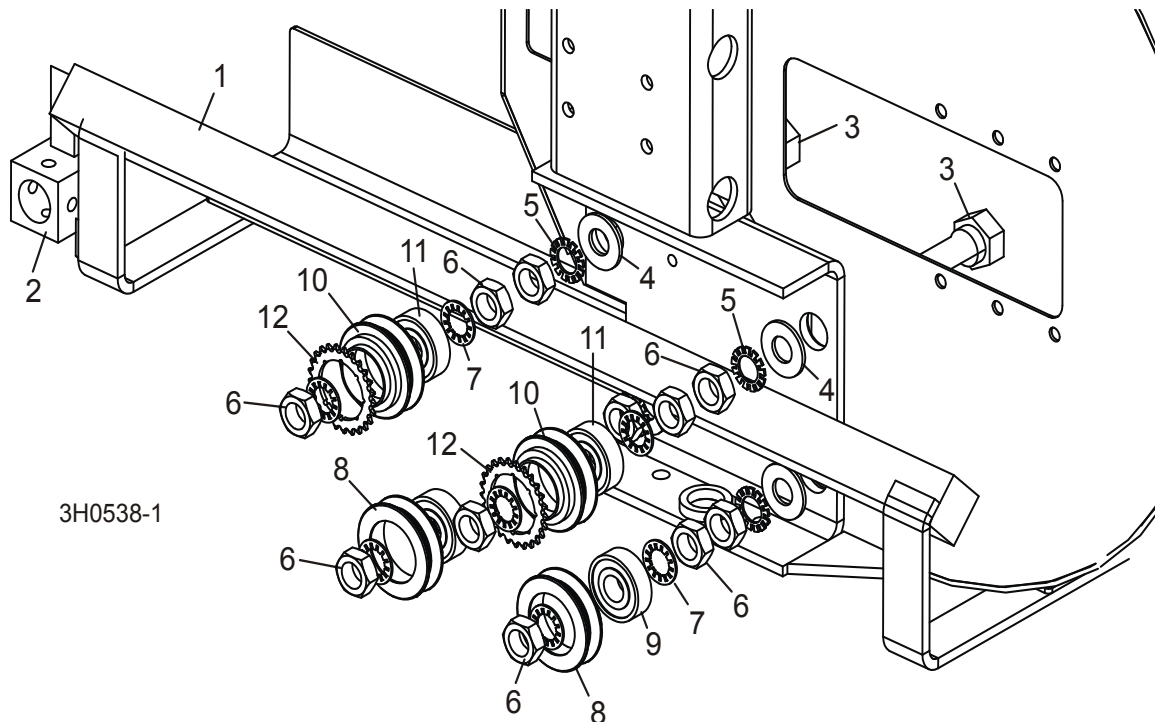
¹ Sprocket modified 6/11 with threaded holes to accept included set screws (replace 1/8" x 3/4" roll pin F05012-6).

² Replaces S09999-W. Part Number change only.

2 Blade Guide Rollers & Arm

Blade Guide Arm Assembly

2.4 Blade Guide Arm Assembly



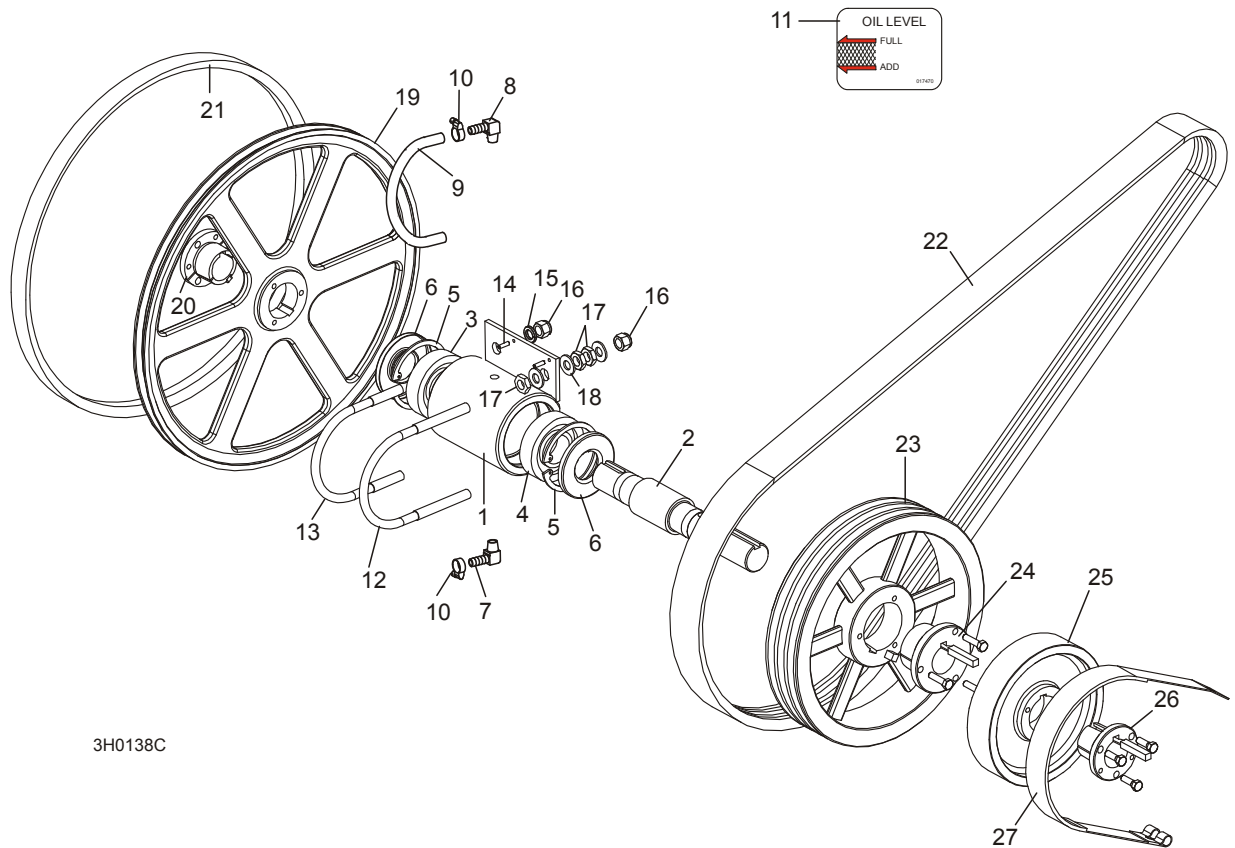
REF	DESCRIPTION (◆ Indicates Parts Available In Assemblies Only)	PART #	QTY.	
1	BLADE GUIDE ARM WELDMENT (U.S. 28 5/8" [72.7 CM])	W10005	1	
	BLADE GUIDE ARM WELDMENT (G.S. 37 1/8" [94.2 CM])	W10429	1	
2	Tube, Blade Guide Mount (U.S. - Welded to Blade Guide Arm)	W08159	1	
	Tube, Blade Guide Mount (G.S. - Bolted to Blade Guide Arm)	W10426	1	
3	BOLT, BLADE GUIDE ARM ROLLER CAM	W09067	4	
4	WASHER, 5/8" SAE FLAT	F05011-5	4	
5	WASHER, 5/8" EXTERNAL STAR	F05011-26	4	
6	NUT, 5/8-18 HEX JAM	F05010-11	12	
7	WASHER, 5/8" INTERNAL STAR	F05011-25	8	
	ROLLER ASSEMBLY, BLADE GUIDE ARM WITH BEARING	A09059 ¹	2	
8	Roller, Blade Guide Arm V-Groove	S07989	1	◆
9	Bearing, 6203-2NSL 5/8" I.D.	P06030-1	1	
	Ring, 1.575" ID Beveled 5002-156 Retaining	F04254-8 ¹	1	
	ROLLER ASSEMBLY, BLADE GUIDE ARM WITH BEARING AND SPROCKET	A09932	2	
10	Roller, Blade Guide Arm Drive	S09930	1	◆
11	Bearing, 6203-2NSL 5/8" I.D.	P06030-1	1	
12	Sprocket, #25 26-Tooth	S09931	1	◆
	Ring, 1.575" ID Beveled 5002-156 Retaining	F04254-8 ¹	1	

¹ Roller assemblies changed to bearing secured with retaining ring to insure proper fit. Directly interchangeable with all previous rollers supplied prior to 2/00.

SECTION 3 BLADE WHEELS & TENSIONER

3.1 Blade Drive Assembly (1 9/16" Shaft)

LT30HD Rev. F9 - F9.01
 LT40HD Rev. F9 - F9.01
 LT30HD Super Rev. F8 - F9.01
 LT40HD Super Rev. F8 - F9.01



3H0138C

REF	DESCRIPTION (◆ Indicates Parts Available In Assemblies Only)	PART #	QTY.	
	BEARING ASSEMBLY, BLADE WHEEL DRIVE	014561	1	
	Bearing Assembly, Drive	014560	1	◆
1	Housing, Blade Wheel Drive Bearing	W10201	1	◆
2	Shaft, Blade Wheel Drive	014005	1	◆
3	Bearing, Blade Wheel Drive #MU1308TV	P10205	1	◆
4	Bearing, Blade Wheel Drive #6308 C3 Open	016055 ¹	1	◆
5	Ring, 90mm Interior Retaining #117	F04254-17	2	
6	Seal, Drive Bearing #CR15890	P10206-K	2	
7	Fitting, 1/4" NPT x 3/8" Hose Barb Elbow	016330 ²	1	
8	Fitting, 1/4" NPT x 3/8" Hose Barb Vented Elbow	016331	1	

3

Blade Wheels & Tensioner Blade Drive Assembly (1 9/16" Shaft)

9	Hose, Oil Level Viewer	016337	1	
10	Clamp, 7/32-5/8" Hose	P649	2	
11	Decal, Oil Level Gauge	017470	1	
12	Bolt, 1/2-13 Long U	S10207-1	1	
13	Bolt, 1/2-13 Short U	S10207-2	1	
14	Pin, 3/16" X 5/8" Roll	F05012-22	2	
15	Washer, 1/2" Split Lock	F05011-9	2	
16	Nut, 1/2-13 Hex Nylon Lock	F05010-8	4	
17	Nut, 1/2-13 Hex Jam	F05010-31	6	
18	Washer, 1/2" SAE Flat	F05011-2	6	
	Decal, Bearing End-Play	S12750	1	
	Instruction Sheet, Bearing Retrofit	K10200-275	1	
	WHEEL KIT, DRIVE SIDE BLADE	014562 ³	1	
19	Wheel, Drive Side Blade	016284 ³	1	◆
20	Bushing, Modified 1 9/16" SD	016270 ³	1	
	Instruction Sheet, Drive Side Blade Wheel Replacement	K12987-488	1	
21	BELT, BLADE WHEEL B57	P04185	1	
22	BELT, 2BX74 DRIVE (24HP ONAN GAS ENGINE)	P10277-2	1	
	BELT, 3BX72 DRIVE (20HP/25HP 60HZ ELECTRIC & 40HP DIESEL)	014085	1	
	BELT, 3BX74 DRIVE (35HP GAS & 20HP/25HP 50HZ ELECTRIC⁴)	014249	1	
23	PULLEY, 2B5V124 SPECIAL (G24)	014416 ⁵	1	◆
	PULLEY, 3B5V124 SPECIAL (D40, E25, G35)	014001 ⁶	1	◆
24	BUSHING, 1 9/16" TYPE 'B'	014002	1	
25	WHEEL, BRAKE	014000	1	◆
26	BUSHING, 1 9/16" P1	014003	1	
27	STRAP, METAL-BACKED BRAKE	014391	1	

¹ Replaces P10205 Blade Wheel Drive Bearing #MU1308TV 6/98.

² Oil level viewer added 6/99. New fitting replaces P05498 1/4" NPT Pipe Plug and P12868 1/4" NPT Vented Pipe Plug supplied prior to 6/99 (and P11757 1/4" NPT Square Head Pipe Plug supplied prior to 12/98).

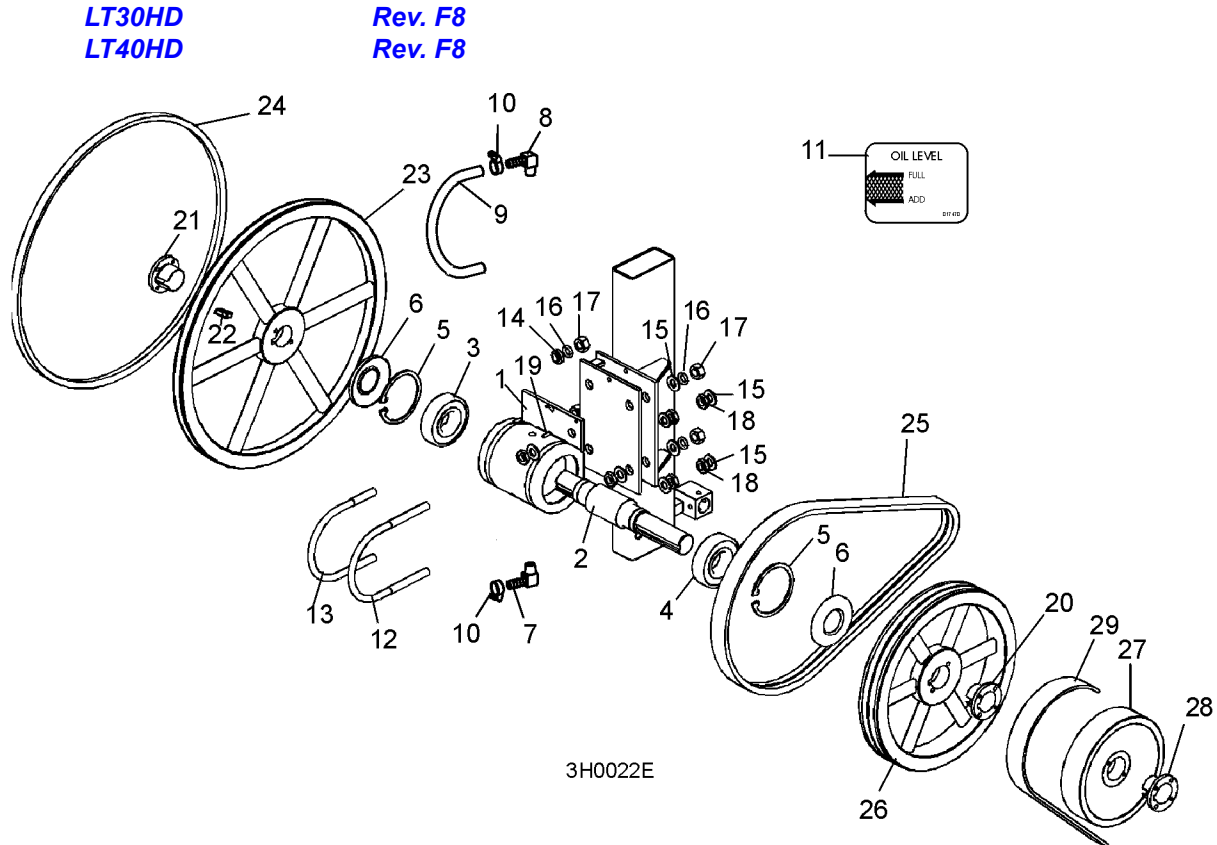
³ Kit includes 016284 blade wheel (replaces P12981 wheel originally supplied). Use P1 bushing 014098 for original wheel. Use SD bushing 016270 if wheel retrofitted with kit K12897.

⁴ Alternate parts for 50Hz Electric operation. Complete conversion kit available (Part Number 014314).

⁵ Use Pulley Kit 014692 to replace 014416 Pulley, 014002 Bushing, and S12892 Key originally supplied.

⁶ Use Pulley Kit 014691 to replace 014001 Pulley, 014002 Bushing, and S12892 Key originally supplied.

3.2 Blade Drive Assembly (1 7/16" Shaft)



REF	DESCRIPTION (◆ Indicates Parts Available In Assemblies Only)	PART #	QTY.	
	BEARING ASSEMBLY, BLADE WHEEL DRIVE	K10200	1	
	Bearing Assembly, Drive Painted	A10199	1	◆
1	Housing, Blade Wheel Drive Bearing	W10201	1	◆
2	Shaft, Blade Wheel Drive	S10204	1	◆
3	Bearing, Blade Wheel Drive #MU1308TV	P10205	1	◆
4	Bearing, Blade Wheel Drive #6308 C3 Open	016055 ¹	1	◆
5	Ring, 90mm Interior Retaining #117	F04254-17	2	
6	Seal, Drive Bearing #CR15890	P10206-K	2	
7	Fitting, 1/4" NPT x 3/8" Hose Barb Elbow	016330 ²	1	
8	Fitting, 1/4" NPT x 3/8" Hose Barb Vented Elbow	016331	1	
9	Hose, Oil Level Viewer	016337	1	
10	Clamp, 7/32-5/8" Hose	P649	2	
11	Decal, Oil Level Gauge	017470	1	
12	Bolt, 1/2-13 Long U	S10207-1	1	
13	Bolt, 1/2-13 Short U	S10207-2	1	
14	Spacer, 1/2" I.D. Flanged	S04253	2	

3

Blade Wheels & Tensioner

Blade Drive Assembly (1 7/16" Shaft)

15	Washer, 1/2" SAE Flat	F05011-2	8	
16	Washer, 1/2" Split Lock	F05011-9	4	
17	Nut, 1/2-13 Hex	F05010-35	4	
18	Nut, 1/2-13 Hex Jam	F05010-31	6	
19	Pin, 3/16" X 5/8" Roll	F05012-22	2	
20	Bushing, 1 7/16" Type 'H' Thick Flange	P12962	3	
	Decal, Bearing End-Play	S12750	1	
	Instruction Sheet, Bearing Replacement	K10200-275	1	
	WHEEL KIT, DRIVE SIDE BLADE	K12897 ³	1	
21	Bushing, 1 7/16" SD	016098 ³	1	
22	Key, .375" x .375"	S12892	1	
23	Wheel, Drive Side Blade	016284 ³	1	◆
	Instruction Sheet, Drive Side Blade Wheel Replacement	K12897-488	1	
24	BELT, BLADE WHEEL B57	P04185	1	
25	BELT, 2BX74 DRIVE (24HP ONAN GAS ENGINE)	P10277-2	1	
	BELT, 2BX70 DRIVE (15HP BALDOR ELECTRIC MOTOR)	P04857-2	1	
26	PULLEY, 2BK130H DRIVE	P04854	1	
	WHEEL ASSEMBLY, BRAKE	A09953	1	
27	Wheel, Brake	014000 ⁴	1	◆
28	Bushing, 1 7/16 P-1 Split Taper	014460 ⁵	1	
29	STRAP, METAL-BACKED BRAKE	014391 ⁶	1	

¹ Replaces P10205 Blade Wheel Drive Bearing #MU1308TV 6/98.

² Oil level viewer added 6/99. New fitting replaces P05498 1/4" NPT Pipe Plug and P12868 1/4" NPT Vented Pipe Plug supplied prior to 6/99 (and P11757 1/4" NPT Square Head Pipe Plug supplied prior to 12/98).

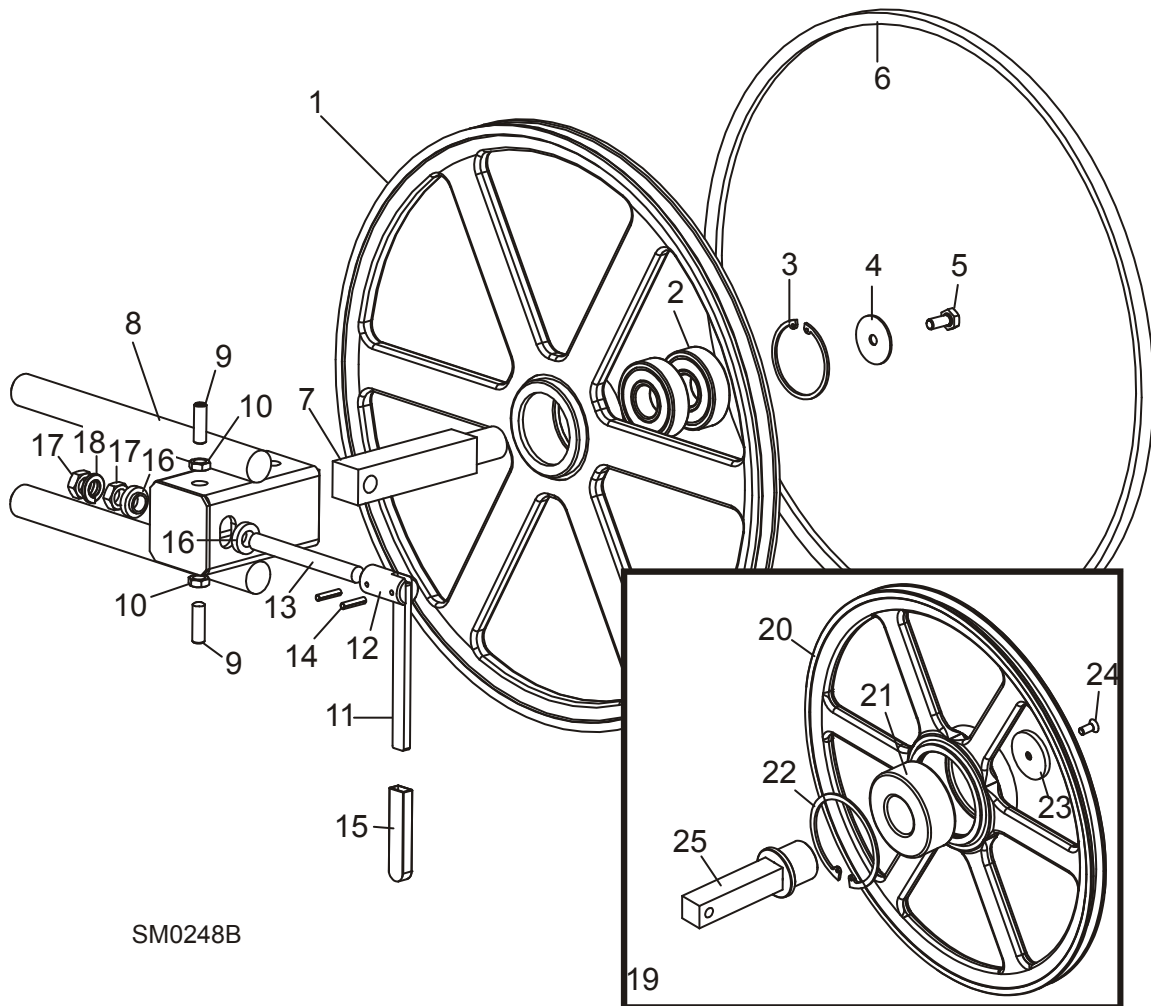
³ Kit includes 016284 blade wheel (replaces P12981 wheel originally supplied). Use P1 bushing P12890 for original wheel. Use SD bushing 016098 if wheel retrofitted with kit K12897.

⁴ Replaces 014339 and W09953 Brake Wheels (4/96). NOTE: Change from W09953 to 014339 was a part number change only.

⁵ Use P12962 'H' Bushing for W09953 brake pulley used until 4/96. Use 014460 'P1' Bushing if wheel upgraded with 014000 brake wheel.

⁶ Replaces P12791 lower pivot brake strap. Use retrofit kit 014443 to retrofit upper pivot brake strap on previous revisions to current design. If replacing lower pivot metal brake strap P12791, purchase entire upper pivot brake strap retrofit kit 014443. If retrofit has already been done, use 014391 to replace only brake strap.

3.3 Idle Blade Wheel Assembly



SM0248B

REF	DESCRIPTION (◆ Indicates Parts Available In Assemblies Only)	PART #	QTY.	
	WHEEL ASSEMBLY, IDLE SIDE BLADE	A08218 ¹	1	
1	Wheel, Idle Side Blade	P08125	1	◆
2	Bearing, Idle Side Blade Wheel #6305-AA, C3, ABEC-1, SRI-2 Grease	P08066 ²	2	
3	Ring, 2 7/16" Internal Retaining	F04254-21	1	
4	WASHER, IDLE BLADE WHEEL RETAINER	S08220	1	
5	BOLT, 5/16-18 X 3/4" HEX HEAD	F05006-5	1	
6	BELT, BLADE WHEEL B57	P04185	1	
7	SHAFT, IDLE BLADE WHEEL	S12565	1	
8	HOUSING, IDLE BLADE WHEEL SHAFT	W10157	1	
9	SCREW, 3/8-16 X 1 1/4" SOCKET HEAD OVAL POINT	F05007-18	2	
10	NUT, 3/8-16 HEX JAM	F05010-29	2	

3

Blade Wheels & Tensioner

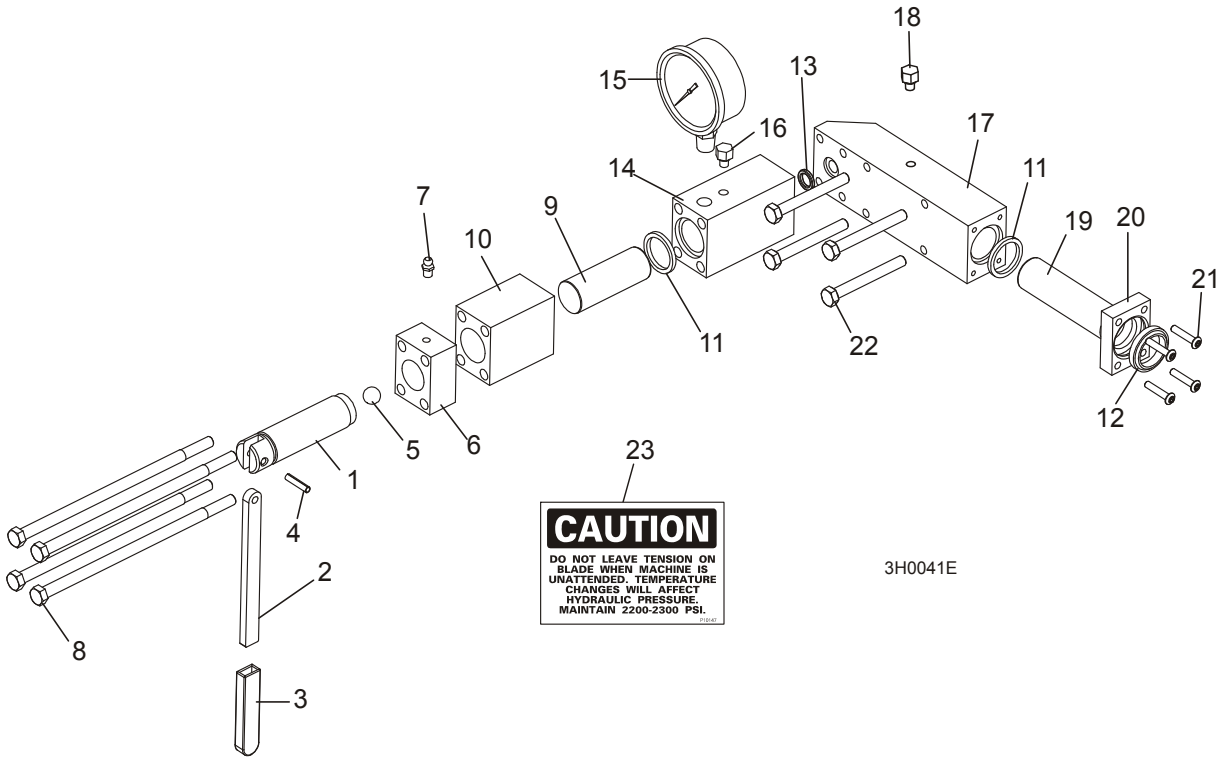
Idle Blade Wheel Assembly

	HANDLE ASSEMBLY, IDLE SIDE PULLEY TILT	A09357	1	
11	Handle, Tilt Adjustment Screw	S08174	1	◆
12	Driver, Tilt Adjustment Screw	S09405	1	◆
13	Rod, Threaded Tilt Adjustment Screw	S09358	1	◆
14	Pin, 3/16" x 7/8" Roll	F05012-19	2	
15	SLEEVE, PLASTIC HANDLE	P08072	1	
16	SPACER, 1/2" I.D. FLANGED	S04253	2	
17	NUT, 1/2-20 HEX JAM	F05010-16	2	
18	WASHER, 1/2" SPLIT LOCK	F05011-9	1	
19	WHEEL KIT, IDLE SIDE BLADE UPGRADE	016189 ¹		
	Wheel Assembly, Idle Side Blade	016120	1	
20	Wheel, Idle Side Blade	016013	1	◆
21	Bearing, Idle Side Blade Wheel #5309-2RS, C3, SRI-2 Grease	016014	1	
22	Ring, 100mm Internal Retaining Beveled	F04254-28	1	
23	Washer, 2 3/16 x 1/4"	016095	1	
24	Bolt, 5/16-18 X 3/4" Flat Head Socket	F05006-95	1	
25	Shaft, Idle Side Blade Wheel Retrofit	016180	1	

¹ Upgrade kit 016189 including blade wheel with larger diameter bearing and retrofit shaft 016180 available. [See Item #19](#) for upgrade parts.

² C3 Clearance bearing replaces C0 clearance supplied until 3/96.

3.4 Hydraulic Blade Tensioner Assembly



REF	DESCRIPTION (◆ Indicates Parts Available In Assemblies Only)	PART #	QTY.	
	HYDRAULIC BLADE TENSIONER ASSEMBLY	A10136	1	
	Handle Assembly, Hydraulic Blade Tensioner Screw	A12294	1	
1	Screw, Hydraulic Blade Tensioner	S10056 ¹	1	◆
2	Handle, Hydraulic Tensioner Screw	S08174	1	
3	Sleeve, Plastic Handle	P08072	1	
4	Pin, 3/16" x 7/8" Roll	F05012-19	1	
5	Ball, 1/2" Steel	P02720	1	
6	Block, Threaded Tensioner End	S10062 ¹	1	◆
7	Fitting, 1/4-28 Grease	P05060	1	
	Instruction Sheet, Tensioner Screw	A12294-518	1	
8	Bolt, 5/16-18 X 7 1/2" Hex Head Grade 5	F05006-43	4	
9	Piston, Hydraulic Tensioner Front 2 3/4" Long	S10060	1	
10	Block, Piston Guide	S10061 ¹	1	
	Seal Kit, Hydraulic Tensioner	003224	1	
5	Ball, 1/2" Steel	P02720	1	
11	Seal, 1" Diameter	P10051	2	
12	Wiper, 1" Diameter	P10053	1	
13	Ring, 5/8" X 3/32" Square "O"	P10377	1	

3

Blade Wheels & Tensioner Hydraulic Blade Tensioner Assembly

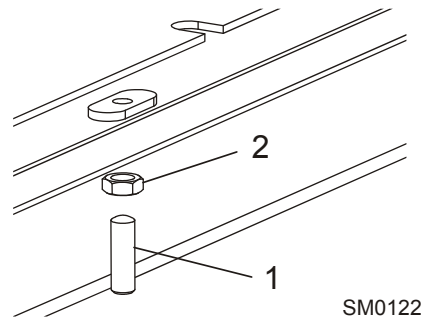
14	Block, Hydraulic Tensioner Gauge Mounting	S10140 ¹	1	
15	Gauge, 5000 P.S.I.	P10052	1	
16	Plug, Hydraulic Tensioner Fill	P10065	1	
	Block Assembly, Rear Tensioner Piston	016329	1	
17	Block, Rear Tensioner Piston	S10142 ¹	1	◆
18	Plug, Hydraulic Tensioner Fill	P10065 ²	1	
19	Piston, Hydraulic Tensioner Rear 3 5/8" Long	S10059 ¹	1	
20	Block, Rear Piston End	S10089 ¹	1	
21	Bolt, #10-24 X 1" Socket Button Head	F05004-43	4	
22	Bolt, 5/16-18 X 2 3/4" Hex Head Grade 5	F05006-28	4	
23	Decal, Hydraulic Tension Caution	P10147	1	
	Instruction Sheet, Hydraulic Tensioner Installation	A10136-272	1	

¹ Replaces part number with "-W" suffix. Part number change only.

² Plug added to S10142 Rear Tensioner Piston Block 6/99.

SECTION 4 SAW HEAD

4.1 Middle Throat Screw

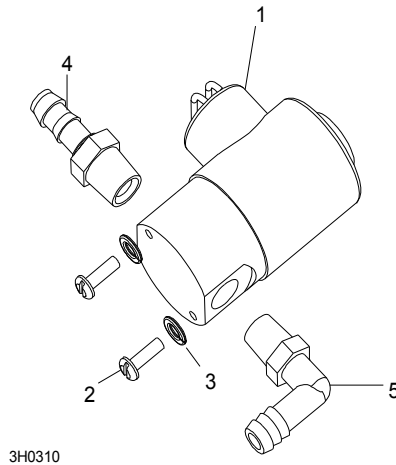


REF	DESCRIPTION (◆ Indicates Parts Available In Assemblies Only)	PART #	QTY.	
1	SCREW, 3/8-16 X 1 1/4" OVAL POINT SOCKET SET	F05007-18	1	
2	NUT, 3/8-16 HEX JAM	F05010-29	1	

4 Saw Head

Water Lube Solenoid Valve (Super Models)

4.2 Water Lube Solenoid Valve (Super Models)



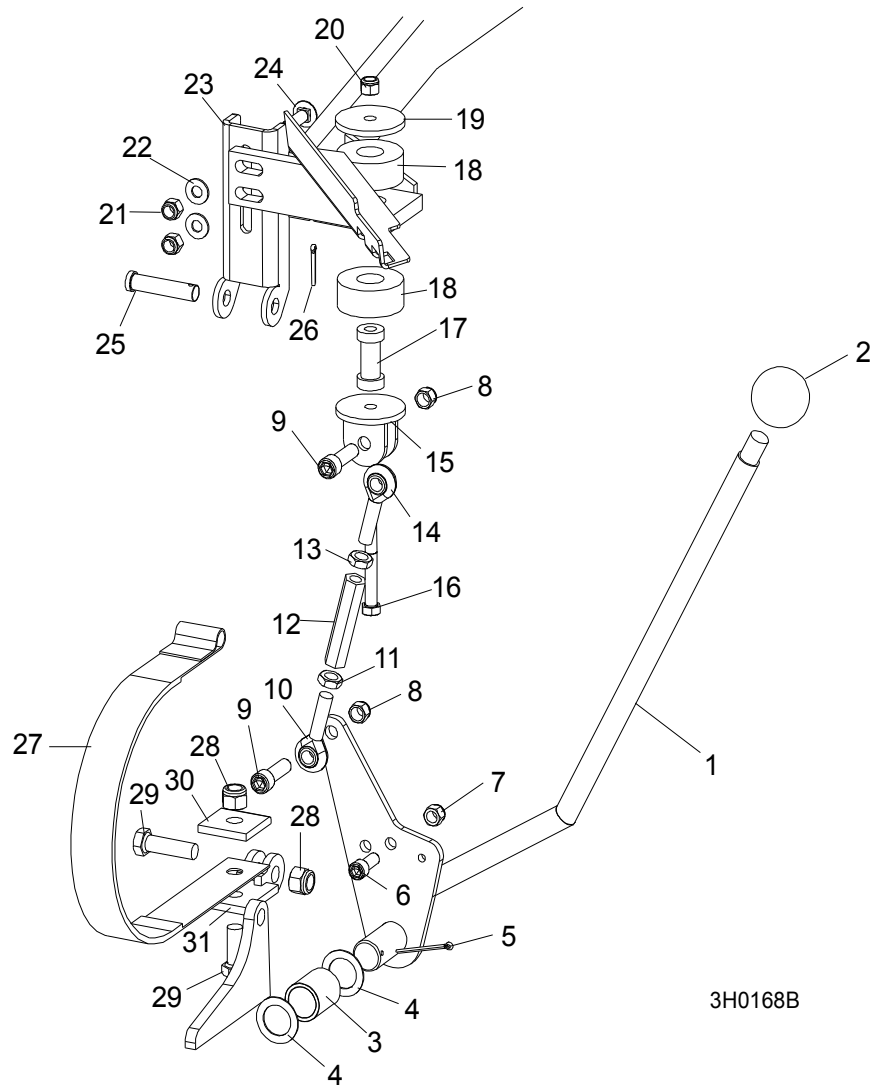
REF	DESCRIPTION (◆ Indicates Parts Available In Assemblies Only)	PART #	QTY.	
1	VALVE, WATER LUBE SOLENOID	016280 ¹	1	
2	SCREW, 4MM X 12 CROSS SLOT ROUND HEAD	F05004-74	2	
3	WASHER, 4MM SPLIT LOCK	F05011-57	2	
4	FITTING, 1/4" MALE NPT 3/8" HOSE BARB	P04682	1	
5	FITTING, 1/4" MALE NPT 3/8" HOSE BARB ELBOW	P04730	1	

¹ Valve kit 016280 replaces 014165 solenoid valve, F05004-74 4mm x 12 screws and F05011-57 4mm lock washers originally supplied. 014165 valve no longer available. New valve 016140 requires #10 mounting hardware.

4.3 Clutch/Brake Lever Assembly

LT30HD
LT40HD
LT30HD Super
LT40HD Super

Rev. F9 - F9.01
Rev. F9 - F9.01
Rev. F8008 - F9.01
Rev. F8098 - F9.01



REF	DESCRIPTION (◆ Indicates Parts Available In Assemblies Only)	PART #	QTY.	
	LEVER ASSEMBLY, CLUTCH/BRAKE	A12334	1	
1	Lever, Clutch/brake	W11571	1	◆
2	Knob, Plastic Round	P04211	1	
3	Bushing, Clutch/Brake Pivot	P05041	1	
4	Washer, Clutch/Brake Pivot	S11570	2	
5	Pin, 1/8" X 1 3/4" Cotter	F05012-43	1	

4

Saw Head*Clutch/Brake Lever Assembly*

6	BOLT, 3/8-16 X 1" SOCKET HEAD	F05007-52	1	
7	NUT, 3/8-16 HEX NYLON LOCK	F05010-10	1	
8	NUT, 7/16-20 HEX NYLON LOCK	F05010-83	2	
9	BOLT, 7/16-20 X 1 1/2" SOCKET HEAD	F05007-55	2	
	TURNBUCKLE ASSEMBLY, CLUTCH/BRAKE LEVER	A12304	1	
	TURNBUCKLE ASSEMBLY, 3 1/2" CLUTCH/BRAKE LEVER (50Hz Electric Only)	A11576 ¹	1	
10	Rod End, 7/16-20 Right Hand Thread	P11579	1	
11	Nut, 7/16-20 Hex Jam	F05010-38	1	
12	Turnbuckle, 3" Clutch/Brake Lever	S11577	1	◆
	Turnbuckle, 3 1/2" Clutch/Brake Lever (50Hz Electric Only)	S12262 ¹	1	◆
13	Nut, 7/16-20 Hex Jam Left Hand Thread	F05010-87	1	
14	Rod End, 7/16-20 Left Hand Thread	P11578	1	
15	BRACKET, CLUTCH MOUNT	W12411	1	
16	BOLT, 3/8-16 X 2 3/4" HEX HEAD	F05007-29	1	
17	SPACER, MOTOR MOUNT VIBRATION BUSHING	S12410 ²	1	
18	BUSHING, MOTOR MOUNT VIBRATION	P05032 ²	2	
19	WASHER, 3/8" I.D. X 2 1/4" O.D. X 3/16" THICK	S12412	1	
20	NUT, 3/8-16 NYLON LOCK	F05010-10	1	
	STRAP RETROFIT, SUPER BRAKE	014441	1	
21	Nut, 3/8-16 Nylon Lock	F05010-10	2	
22	Washer, 3/8" SAE Flat	F05011-3	2	
23	Bracket, Upper Super Brake Strap Mount	014395	1	
24	Bolt, 3/8-16 x 1 1/4" Carriage Head	F05007-11	2	
25	Pin, 1/2" x 2 1/4" Clevis	F05012-81 ³	1	
26	Pin, 1/8" x 1" Cotter	F05012-1	1	
27	Strap, Upper Pivot Metal Brake	014391	1	
28	Nut, 1/2-13 Nylon Lock	F05010-8	2	
29	Bolt, 1/2-13 x 1 1/2" Hex Head Grade 5	F05008-33	2	
30	Plate, Brake Strap Clamp	S04195	1	
31	Bracket, Lower Super Brake Strap Mount	014392	1	

¹ Alternate parts for 50Hz Electric operation. Complete conversion kit available (Part Number 014314). Turnbuckle revised from 3 3/4" to 3 1/2" to provide increased adjustment (9/03).

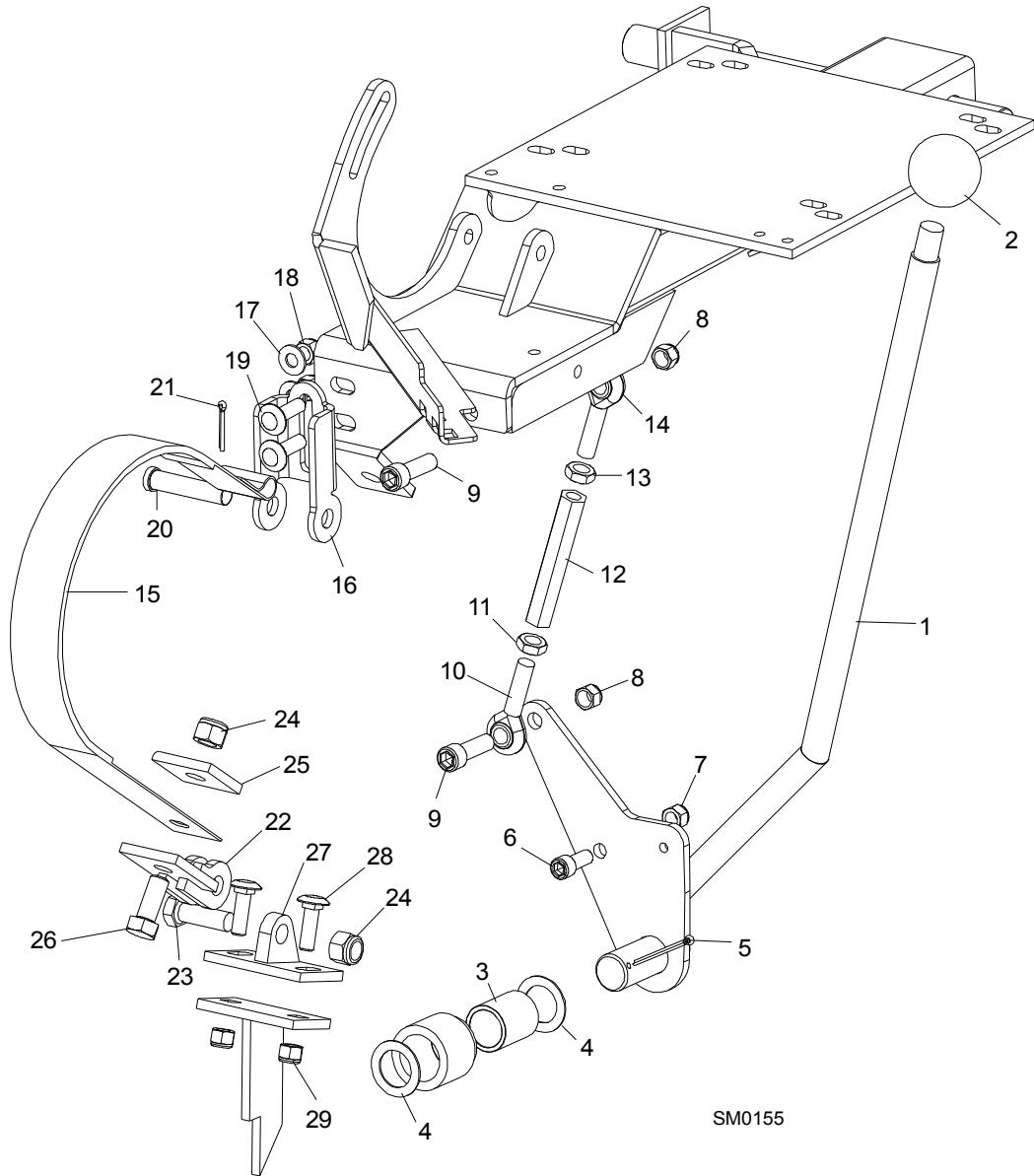
² Motor Mount Bushing parts may be upgraded to single-bushing style to reduce vibration. Use Motor Mount Kit 016319 (G24/G25), 016320 (G35), 015322 (E25) or 016321 (D40) to upgrade motor mount and bushing parts.

³ Replaces 014396 originally supplied (duplicate parts).

4.4 Clutch/Brake Lever Assembly

LT30HD
LT40HD

N/A
Rev. F8715 - F8732



REF	DESCRIPTION (◆ Indicates Parts Available In Assemblies Only)	PART #	QTY.	
	LEVER ASSEMBLY, CLUTCH/BRAKE	A12334	1	
1	Lever, Clutch/brake	W11571	1	◆
2	Knob, Plastic Round	P04211	1	
3	Bushing, Clutch/Brake Pivot	P05041	1	
4	Washer, Clutch/Brake Pivot	S11570	2	

4

Saw Head*Clutch/Brake Lever Assembly*

5	Pin, 1/8" X 1 3/4" Cotter	F05012-43	1	
6	BOLT, 3/8-16 X 1" SOCKET HEAD	F05007-52	1	
7	NUT, 3/8-16 HEX NYLON LOCK	F05010-10	1	
8	NUT, 7/16-20 HEX NYLON LOCK	F05010-83	2	
9	BOLT, 7/16-20 X 1 1/2" SOCKET HEAD	F05007-55	2	
	TURNBUCKLE ASSEMBLY, CLUTCH/BRAKE LEVER	A11576	1	
10	Rod End, 7/16-20 Right Hand Thread	P11579	1	
11	Nut, 7/16-20 Hex Jam	F05010-38	1	
12	Turnbuckle, 3 1/2" Clutch/Brake Lever	S12262 ¹	1	◆
13	Nut, 7/16-20 Hex Jam Left Hand Thread	F05010-87	1	
14	Rod End, 7/16-20 Left Hand Thread	P11578	1	
	STRAP KIT, UPPER PIVOT BRAKE	014443	1	
15	Strap, Upper Pivot Brake	014391	1	
16	Bracket, Upper Brake Strap Mount	014397	1	
17	Washer, 3/8" SAE Flat	F05011-3	2	
18	Nut, 3/8-16 Hex Nylon Lock	F05010-10	2	
19	Bolt, 3/8-16 X 1 1/4" Carriage Head	F05007-11	2	
20	Pin, 1/2" x 2 1/4" Clevis	F05012-81 ²	1	
21	Pin, 1/8" x 1" Cotter	F05012-1	1	
22	Bracket, Lower Brake Strap Mount	014392	1	
23	Bolt, 1/2-13 X 1 1/2" Hex Head	F05008-4	1	
24	Nut, 1/2-13 Hex Nylon Lock	F05010-8	2	
25	Plate, Brake Strap Clamp	S04195	1	
26	Bolt, 1/2-13 x 1 1/4" Hex Head Grade 5	F05008-37	1	
27	Bracket, Lower Brake Strap Mount (Pre-95)	W12792	1	
	Instruction Sheet, Standard Brake Strap Retrofit	014443-470	1	
28	BOLT, 3/8-16 X 1 1/4" CARRIAGE HEAD	F05007-11	2	
29	NUT, 3/8-16 HEX NYLON LOCK	F05010-10	2	

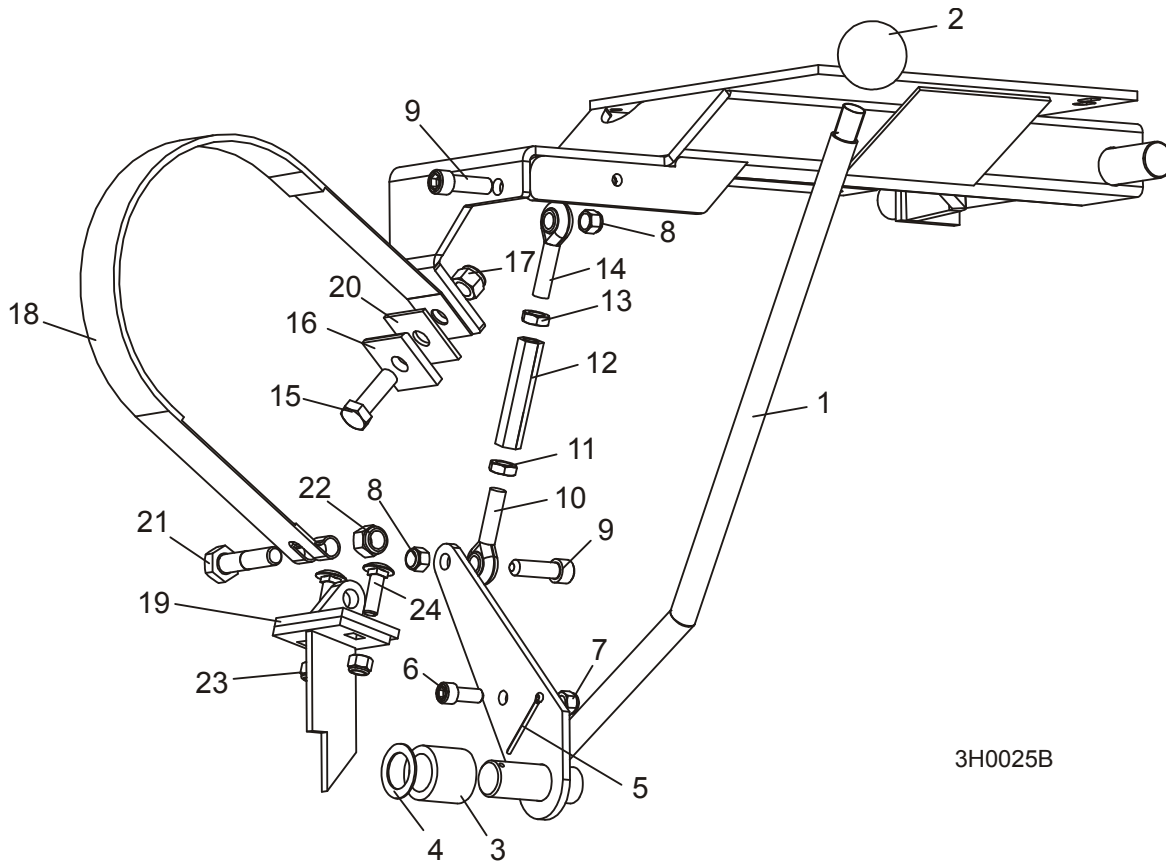
¹ Replaces S12262-W. Part Number change only. Turnbuckle revised from 3 3/4" to 3 1/2" to provide increased adjustment (9/03).

² Replaces 014396 originally supplied (duplicate parts).

4.5 Clutch/Brake Lever Assembly

LT30HD
LT40HD

Rev. F8 - F8533
Rev. F8 - F8714



REF	DESCRIPTION (◆ Indicates Parts Available In Assemblies Only)	PART #	QTY.	
	LEVER ASSEMBLY, CLUTCH/BRAKE	A12334	1	
1	Lever, Clutch/brake	W11571	1	◆
2	Knob, Plastic Round	P04211	1	
3	Bushing, Clutch/Brake Pivot	P05041	1	
4	Washer, Clutch/Brake Pivot	S11570	2	
5	Pin, 1/8" X 1 3/4" Cotter	F05012-43	1	
6	BOLT, 3/8-16 X 1" SOCKET HEAD	F05007-52	1	
7	NUT, 3/8-16 HEX NYLON LOCK	F05010-10	1	
8	NUT, 7/16-20 HEX NYLON LOCK	F05010-83	2	
9	BOLT, 7/16-20 X 1 1/2" SOCKET HEAD	F05007-55	2	
	TURNBUCKLE ASSEMBLY, CLUTCH/BRAKE LEVER	A11576	1	
10	Rod End, 7/16-20 Right Hand Thread	P11579	1	
11	Nut, 7/16-20 Hex Jam	F05010-38	1	

4

Saw Head*Clutch/Brake Lever Assembly*

12	Turnbuckle, 3 1/2" Clutch/Brake Lever	S12262 ¹	1	◆
13	Nut, 7/16-20 Hex Jam Left Hand Thread	F05010-87	1	
14	Rod End, 7/16-20 Left Hand Thread	P11578	1	
15	BOLT, 1/2-13 X 1 1/2" HEX HEAD	F05008-4	1	
16	PLATE, UPPER BRAKE STRAP CLAMP	S04195	1	
17	NUT, 1/2-13 HEX NYLON LOCK	F05010-8	1	
	STRAP KIT, METAL-BACKED BRAKE	K12820 ²	1	◆
18	Strap, Metal-Backed Brake	P12791 ²	1	◆
19	Plate, Lower Brake Strap Clamp	W12792	1	◆
20	Washer, Brake Strap	S12804 ²	1	◆
21	Bolt, 1/2-13 x 2 1/4" Hex Head Grade 5	F05008-10	1	
22	Nut, 1/2-13 Nylon Hex Lock	F05010-8	1	
23	NUT, 3/8-16 HEX NYLON LOCK	F05010-10	2	
24	BOLT, 3/8-16 X 1 1/4" CARRIAGE HEAD	F05007-11	2	

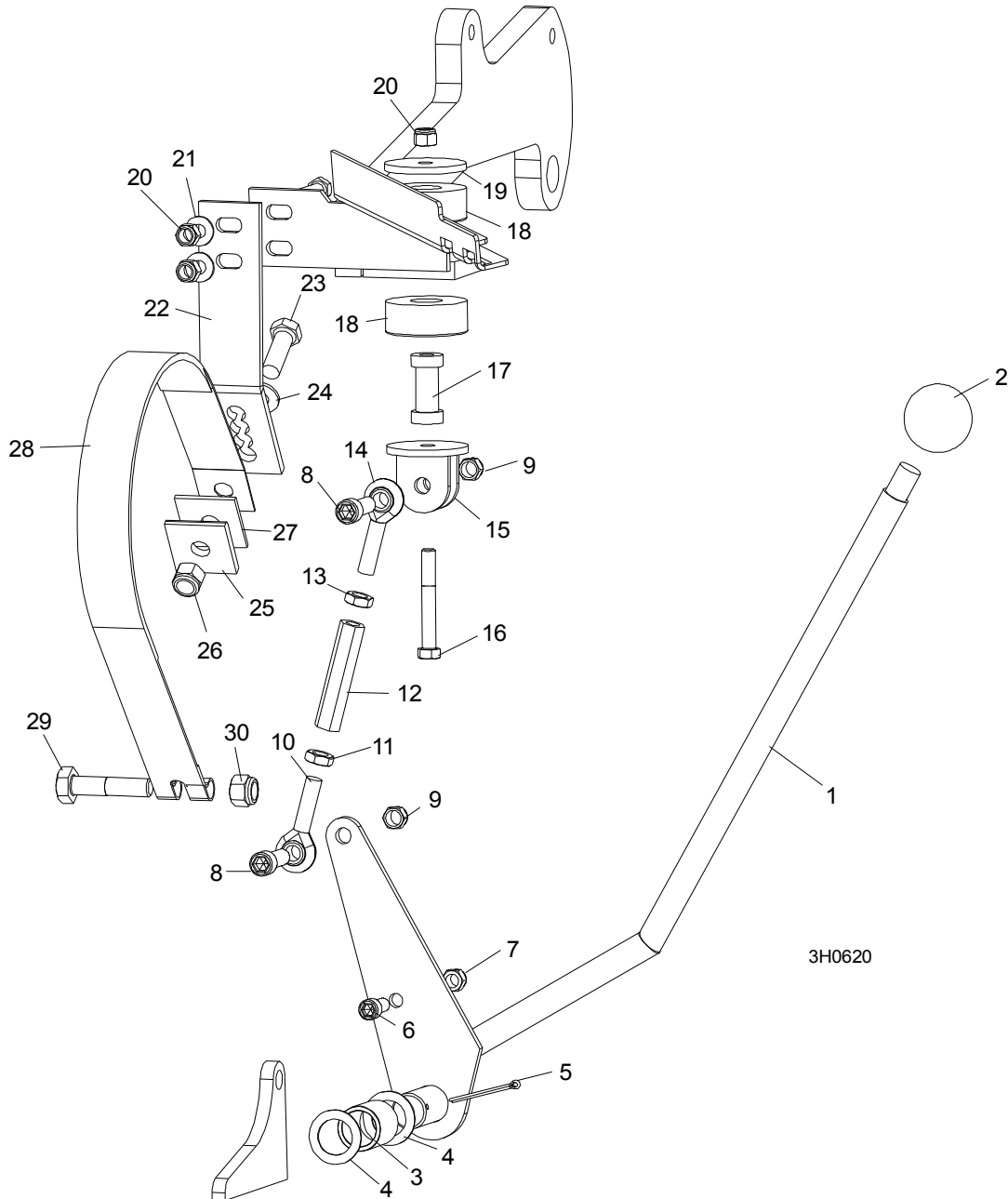
¹ Replaces S12262-W. Part Number change only. Turnbuckle revised from 3 3/4" to 3 1/2" to provide increased adjustment (9/03).

² Brake Strap parts obsolete. Retrofit brake strap and mounting hardware with 014443. [See Section 4.4.](#)

4.6 Clutch/Brake Lever Assembly (Super)

LT30HD Super
LT40HD Super

Rev. F8001 - F8007
Rev. F8001 - F8097



REF	DESCRIPTION (◆ Indicates Parts Available In Assemblies Only)	PART #	QTY.	
	LEVER ASSEMBLY, CLUTCH/BRAKE	A12334	1	
1	Lever, Clutch/brake	W11571	1	◆
2	Knob, Plastic Round	P04211	1	

4

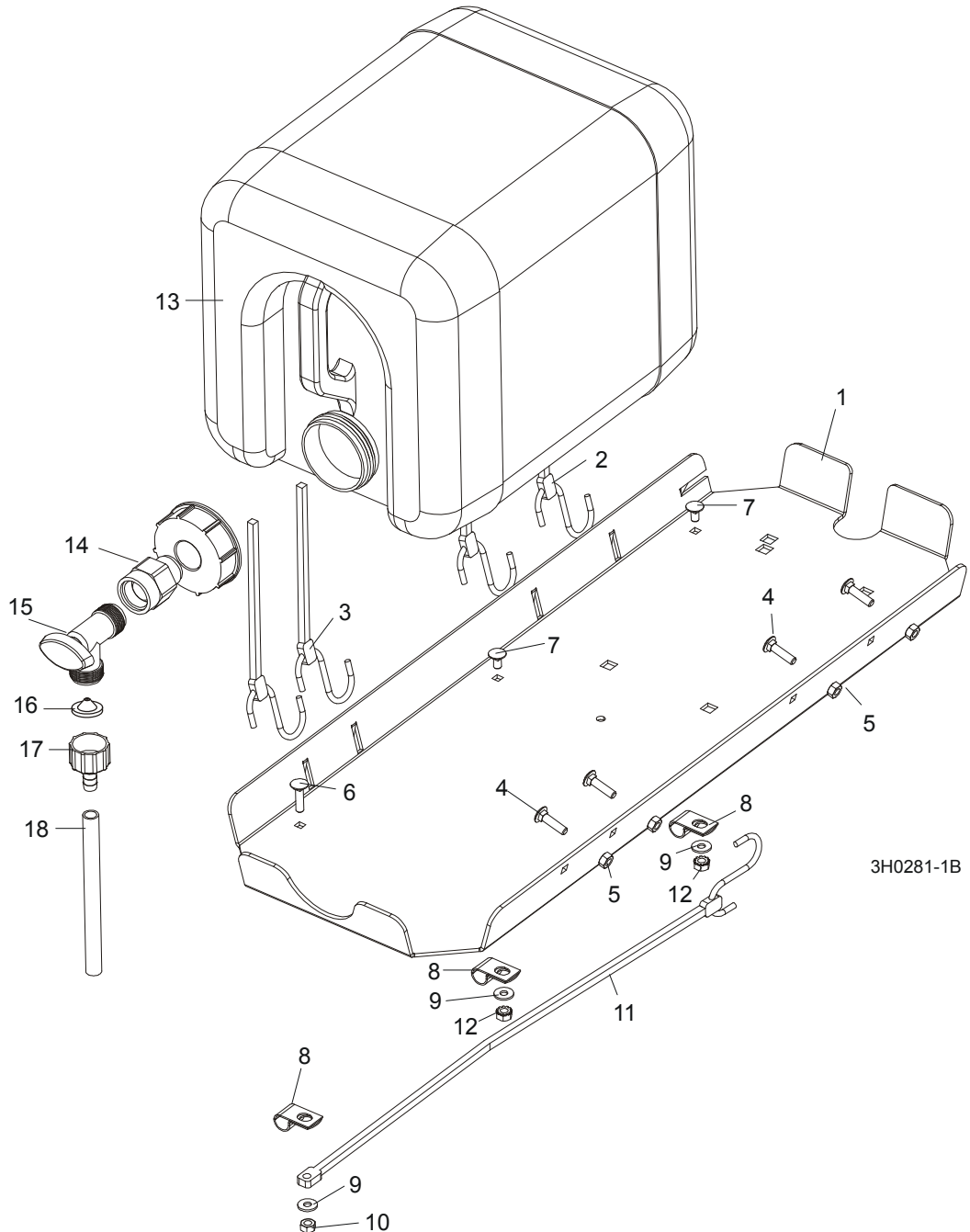
Saw Head*Clutch/Brake Lever Assembly (Super)*

3	Bushing, Clutch/Brake Pivot	P05041	1	
4	Washer, Clutch/Brake Pivot	S11570	2	
5	Pin, 1/8" X 1 3/4" Cotter	F05012-43	1	
6	BOLT, 3/8-16 X 1" SOCKET HEAD	F05007-52	1	
7	NUT, 3/8-16 HEX NYLON LOCK	F05010-10	1	
8	NUT, 7/16-20 HEX NYLON LOCK	F05010-83	2	
9	BOLT, 7/16-20 X 1 1/2" SOCKET HEAD	F05007-55	2	
	TURNBUCKLE ASSEMBLY, CLUTCH/BRAKE LEVER	A12304	1	
	TURNBUCKLE ASSEMBLY, 3 1/2" CLUTCH/BRAKE LEVER (50Hz Electric Only)	A11576 ¹	1	
10	Rod End, 7/16-20 Right Hand Thread	P11579	1	
11	Nut, 7/16-20 Hex Jam	F05010-38	1	
12	Turnbuckle, 3" Clutch/Brake Lever	S11577	1	◆
	Turnbuckle, 3 1/2" Clutch/Brake Lever (50Hz Electric Only)	S12262 ¹	1	◆
13	Nut, 7/16-20 Hex Jam Left Hand Thread	F05010-87	1	
14	Rod End, 7/16-20 Left Hand Thread	P11578	1	
15	BRACKET, CLUTCH MOUNT	W12411	1	
16	BOLT, 3/8-16 X 2 3/4" HEX HEAD	F05007-29	1	
17	SPACER, MOTOR MOUNT VIBRATION BUSHING	S12410	1	
18	BUSHING, MOTOR MOUNT VIBRATION	P05032	2	
19	WASHER, 3/8" I.D. X 2 1/4" O.D. X 3/16" THICK	S12412	1	
20	NUT, 3/8-16 NYLON LOCK	F05010-10	3	
21	WASHER, 3/8" SAE FLAT	F05011-3	2	
	BRACKET ASSEMBLY, SUPER BRAKE STRAP	014244 ²	1	◆
22	Bracket, Upper Super Brake Strap Mount	014115 ²	1	◆
23	Bolt, 1/2-13 x 1 1/2" Hex Head Grade 5	F05008-33	1	
24	Washer, 1/2" SAE Flat	F05011-2	1	
25	Plate, Brake Strap Clamp	S04195	1	
26	Nut, 1/2-13 Nylon Lock	F05010-8	1	
27	PLATE, BRAKE STRAP WASHER	S12804 ²	1	◆
28	STRAP, METAL BRAKE	P12791 ²	1	◆
29	BOLT, 1/2-13 X 2 1/4" HEX HEAD GRADE 5	F05008-10	1	
30	NUT, 1/2-13 NYLON LOCK	F05010-8	1	

¹ Alternate parts for 50Hz Electric operation. Complete conversion kit available (Part Number 014314). Turnbuckle revised from 3 3/4" to 3 1/2" to provide increased adjustment (9/03).

² All Super models should be upgraded with 014441 brake strap retrofit. [See Section 4.3.](#)

4.7 Water Lube Assembly



REF	DESCRIPTION (◆ Indicates Parts Available In Assemblies Only)	PART #	QTY.
	TRAY ASSEMBLY, FUEL TANK/WATER BOTTLE	A11685	1
1	Tray, Fuel Tank/Water Bottle	S11684	1 ◆
2	Strap, 24" Rubber (For Fuel Tank - See Engine Manual)	P11258	2

4

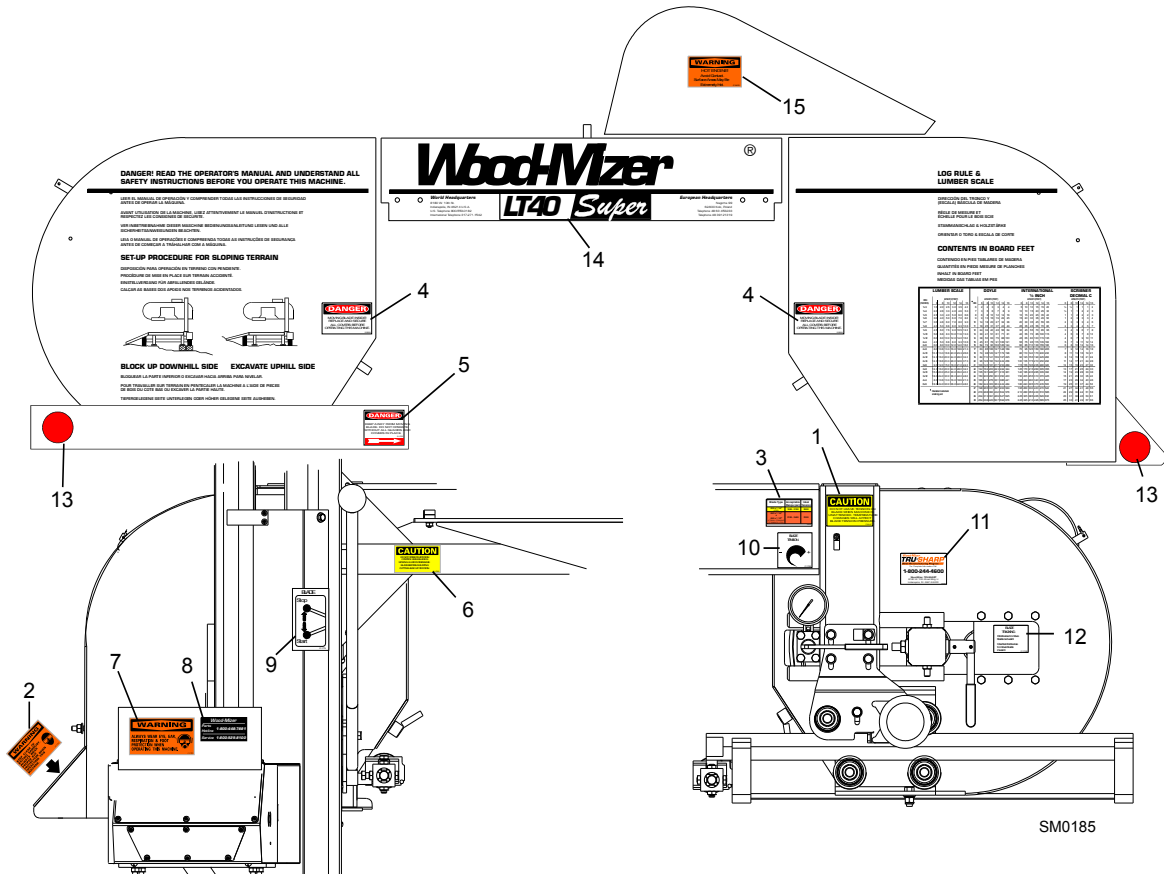
Saw Head*Water Lube Assembly*

3	Strap, 20" Rubber	P11668	2	
4	Bolt, 1/4-20 X 1" Carriage Head	F05005-34	4	
5	Nut, 1/4-20 Hex Lock	F05010-21	4	
6	BOLT, 1/4-20 X 1" CARRIAGE HEAD	F05005-34	1	
7	BOLT, 1/4-20 X 1/2" CARRIAGE HEAD	F05005-33	2	
8	CLAMP, 1/2" EMT HOSE	P07584	3	
9	WASHER, 1/4" SAE FLAT	F05011-11	3	
10	NUT, 1/4-20 HEX LOCK	F05010-21	1	
11	STRAP, 15" RUBBER	P07461	1	
12	NUT, 1/4-20 SELF-LOCKING	F05010-9	2	
13	BOTTLE ASSY, WATER LUBE W/CAP	014642 ¹	1	
14	FITTING, 3/4FPT X 3/4 MPT	014636	1	
15	FITTING, WATER LUBE SHUTOFF VALVE	014100	1	
16	FILTER, WATER LUBE	016086 ²	1	
17	FITTING, 5/8" NPT TO 3/8" HOSE BARB	014113	1	
18	TUBING, WATER LUBE 3/8" I.D.	R01885	7 ft.	

¹ Use Water Bottle Assembly w/Cap 014642 to service all bottle/cap combinations previously supplied. Bottle 014367, 61mm Cap 014773 and 70mm Cap 036744 no longer available separately. 014642 Bottle Kit replaces P04357 bottle & Cap P09088 originally supplied through 4/97 (requires fitting 014636).

² Filter recommended for Super models to prevent debris from entering water lube solenoid valve.

4.8 Saw Head Decals



REF	DESCRIPTION (◆ Indicates Parts Available In Assemblies Only)	PART #	QTY.
1	DECAL, BLADE TENSION CAUTION	P10147	1
2	DECAL, SAWDUST CHUTE WARNING	P11754	1
3	DECAL, BLADE TENSION RANGES	P12373	1
4	DECAL, MOVING PARTS DANGER	033254 ¹	2
5	DECAL, BLADE DANGER ARROW RIGHT	S11752	1
6	DECAL, UP/DOWN CAUTION	S11762	1
7	DECAL, EYE/EAR WARNING	S11753	1
8	DECAL, TOLL FREE PHONE INFO	S12117	1
9	DECAL, BLADE START/STOP	P11779	1
10	DECAL, BLADE TENSION INFO	P11790	1
11	DECAL, TRU-SHARP INFO	P12879	1
12	DECAL, BLADE ALIGNMENT INFO	P11789	1
13	DECAL, RED REFLECTIVE 2" ROUND	P07452	2

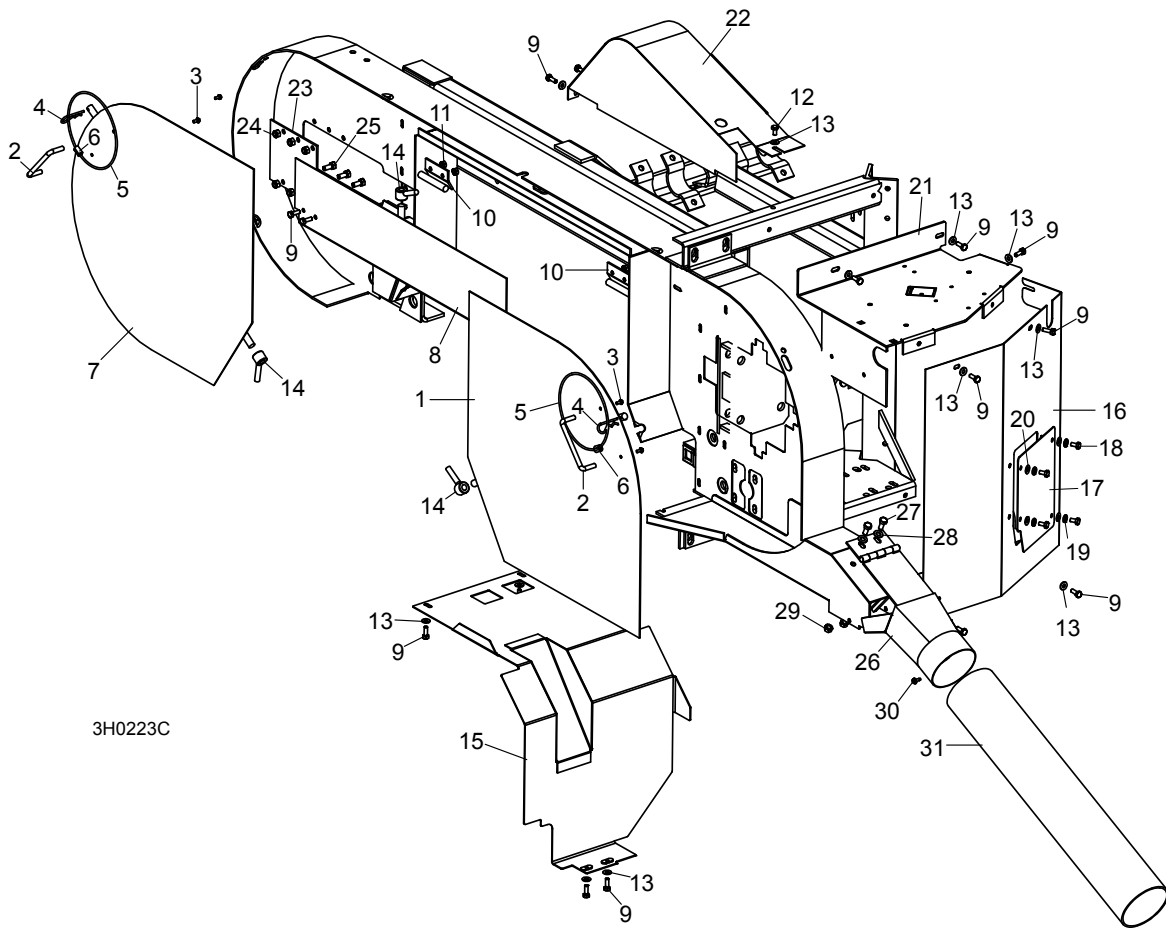
4**Saw Head***Saw Head Decals*

14	DECAL, LT30 SUPER	014166	1	
	DECAL, LT40 SUPER	014167	1	
	DECAL, LT30HDG24	S12590	1	
	DECAL, LT30HDE15	S12589	1	
	DECAL, LT40HDG24	S12597	1	
	DECAL, LT40HDE15	S12596	1	
15	DECAL, HOT ENGINE WARNING	014419	1	

¹ Replaces S20039 originally supplied.

4.9 Covers & Sawdust Chute

<i>LT30HD</i>	<i>Rev. F9 - F9.01</i>
<i>LT40HD</i>	<i>Rev. F9 - F9.01</i>
<i>LT30HD Super</i>	<i>Rev. F8 - F9.01</i>
<i>LT40HD Super</i>	<i>Rev. F8 - F9.01</i>



REF	DESCRIPTION (◆ Indicates Parts Available In Assemblies Only)	PART #	QTY.	
	COVER, DRIVE SIDE BLADE HOUSING WITH HANDLE	A09420	1	
1	Cover, Drive Side Blade Housing	W07948	1	◆
2	Handle, Blade Housing Cover	P08065	1	
3	Screw, #8-32 X 3/8" Self-Tap	F05015-8	2	
	Pin Assembly, Cover Retainer	A12812	1	
4	Pin, Safety Retainer	P05059	1	
5	Cable, 1/8" O.D. Coated Nylon	R02075	.92 Ft.	
6	Clamp, 1/8" Dual Cable	P11830	1	

4

Saw Head*Covers & Sawdust Chute*

	COVER, IDLE SIDE BLADE HOUSING WITH HANDLE	A09419	1	
7	Cover, Idle Side Blade Housing	W09351	1	◆
2	Handle, Blade Housing Cover	P08065	1	
3	Screw, #8-32 X 3/8" Self-Tap	F05015-8	2	
	Pin Assembly, Cover Retainer	A12812	1	
4	Pin, Safety Retainer	P05059	1	
5	Cable, 1/8" O.D. Coated Nylon	R02075	.92 Ft.	
6	Clamp, 1/8" Dual Cable	P11830	1	
8	COVER, MIDDLE BLADE HOUSING	W07409	1	
9	BOLT, 1/4-20 X 3/4" HEX HEAD	F05005-1	18	
10	HINGE, MIDDLE BLADE HOUSING COVER	S07522	2	
11	NUT, 1/4-20 SELF-LOCKING HEX	F05010-9	4	
12	BOLT, 1/4-20 X 1/2" HEX HEAD	F05005-15	1	
13	WASHER, 1/4" SAE FLAT	F05011-11	19	
14	NUT, COVER TURN	021145 ¹	3	
15	GUARD, CLUTCH LEVER	014241 ²	1	
	GUARD, CLUTCH LEVER	014053 ²	1	
16	GUARD, DRIVE PULLEY SIDE	W11537 ³	1	
17	PLATE, DRIVE PULLEY GUARD COVER	006870 ³	1	
18	BOLT, 1/4-20 X 1/2" HEX HEAD	F05005-15	4	
19	WASHER, 1/4" SPLIT LOCK	F05011-14	4	
20	WASHER, 1/4" SAE FLAT	F05011-11	4	
21	GUARD, DRIVE PULLEY TOP	W11750	1	
22	GUARD, ENGINE PULLEY (G24)	014498	1	
	GUARD, ENGINE PULLEY (G35)	014521 ⁴	1	
	GUARD, ENGINE PULLEY (G35)	014300 ⁴	1	
	GUARD, MOTOR PULLEY (E25)	014500 ⁵	1	
	GUARD, MOTOR PULLEY (E25)	014234 ⁵	1	
	GUARD, ENGINE PULLEY (D40)	014519 ⁶	1	
	GUARD, ENGINE PULLEY (D40)	014223 ⁶	1	
	GUARD, ENGINE PULLEY (D40)	014058 ⁶	1	
23	PLATE, IDLE BLADE WHEEL GUARD	S04433	1	
24	NUT, 5/16-18 HEX NYLON LOCK	F05010-58	6	
25	BOLT, 5/16-18 X 3/4" HEX HEAD GRADE 2	F05006-5	6	
	CHUTE, ASSEMBLY, SAWDUST	A12297	1	
26	Chute Weldment, Sawdust	W12296	1	
27	Bolt, 5/16-18 x 3/4" Hex Head Grade 2	F05006-5	2	
28	Washer, 5/16" Standard	F05011-16	2	
29	Nut, 5/16-18 Hex Lock	F05010-58	2	
30	Bolt, #10-24 x 1/2" Self-Tapping	F05015-7	2	
31	Tubing, 4" I.D. Rubber	R02336	2 ft.	

	Strap, 20" Rubber w/Hook	P11668	1	
	Bolt, 1/4-20 x 1 1/4" Hex Head Full Thread	F05005-3	1	
	Washer, 1/4" SAE Flat	F05011-11	1	
	Nut, 1/4-20 Lock	F05010-21	1	

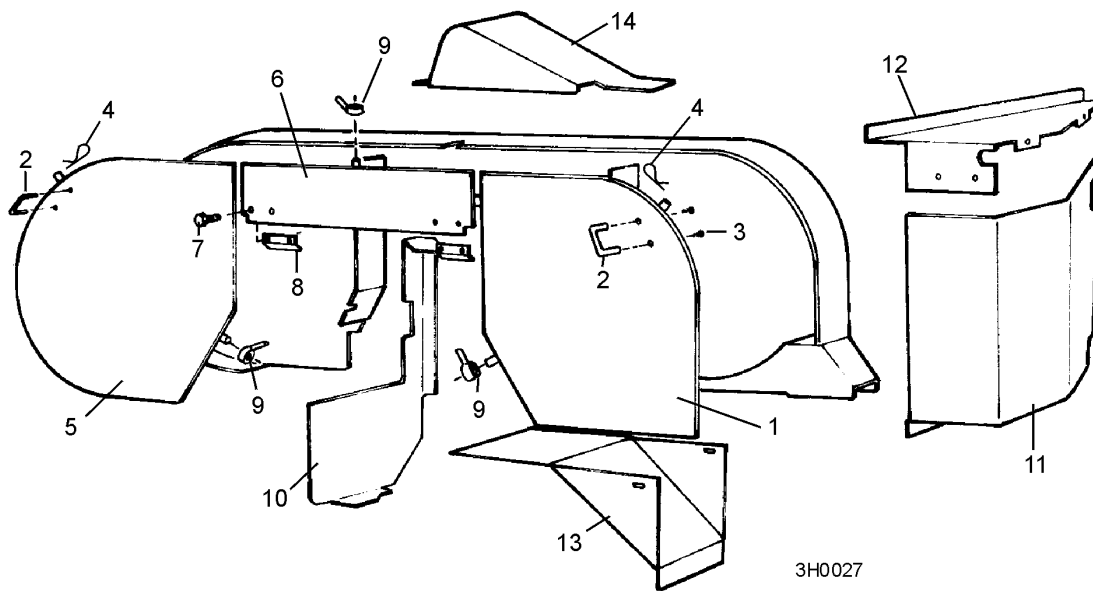
- ¹ Directly replaces W07511 nut weldment (8/97).
- ² Use 014241 for LT30HD Super Rev. F8002+ and LT40HD Super Rev. F8010+. Use 014053 for For LT30HD Super Rev. F8001 and LT40HD Super Rev. F8001-F8009.
- ³ Guard W11537 modified 3/09. Cutout added to accommodate Simple Set encoder sensor. Plate 006870 added to cover cutout on sawmills without Simple Set. **NOTE:** Simple Set option not available for models prior to 1997. Plate 006870 modified 10/09 to accommodate Super model covers.
- ⁴ Use 014521 for LT30HD Super and LT40HD Super Rev. F9+. Use 014300 for LT30HD Super and LT40HD Super Rev. F8.
- ⁵ Use 014500 for LT30HD Super and LT40HD Super Rev. F9+. Use 014234 for LT30HD Super and LT40HD Super Rev. F8. 3/8-16 x 1 1/4" Socket Head Oval Point Screw F05007-18 and 3/8-16 Hex Jam Nut F05010-29 added to 014500 E25 Cover Weldment to prevent the drive belt from jumping the motor pulley.
- ⁶ Use 014519 for LT30HD Super and LT40HD Super Rev. F9+. Use 014223 for LT30HD Super Rev. F8002 - F8017 and LT40HD Super Rev. F8010 - F8287. Use 014058 for LT30HD Super Rev. F8001 and LT40HD Super Rev. F8001 - F8009.

4 Saw Head Covers

4.10 Covers

LT30HD
LT40HD

Rev. F8
Rev. F8



3H0027

REF	DESCRIPTION (◆ Indicates Parts Available In Assemblies Only)	PART #	QTY.	
	COVER, DRIVE SIDE BLADE HOUSING WITH HANDLE	A09420	1	
1	Cover, Drive Side Blade Housing	W07948	1	◆
2	Handle, Blade Housing Cover	P08065	1	
3	Screw, #8-32 X 3/8" Self-Tap	F05015-8	2	
	Pin Assembly, Cover Retainer	A12812	1	
4	Pin, Safety Retainer	P05059	1	
	Cable, 1/8" O.D. Coated Nylon	R02075	.92 Ft.	
	Clamp, 1/8" Dual Cable	P11830	1	
	COVER, IDLE SIDE BLADE HOUSING WITH HANDLE	A09419	1	
5	Cover, Idle Side Blade Housing	W09351	1	◆
2	Handle, Blade Housing Cover	P08065	1	
3	Screw, #8-32 X 3/8" Self-Tap	F05015-8	2	
	Pin Assembly, Cover Retainer	A12812	1	
4	Pin, Safety Retainer	P05059	1	
	Cable, 1/8" O.D. Coated Nylon	R02075	.92 Ft.	
	Clamp, 1/8" Dual Cable	P11830	1	
6	COVER, MIDDLE BLADE HOUSING	W07409	1	
7	BOLT, 1/4-20 X 3/4" HEX HEAD	F05005-1	2	
8	HINGE, MIDDLE BLADE HOUSING COVER	S07522	2	
9	NUT, COVER TURN	021145 ¹	3	

10	GUARD, CLUTCH LEVER (G24/E15)	W11772	1	
11	GUARD, DRIVE PULLEY SIDE	W11537 ²	1	
12	GUARD, DRIVE PULLEY TOP	W11750	1	
13	GUARD, LOWER DRIVE BELT	W12288	1	
14	GUARD, ENGINE PULLEY (G24)	W10272	1	
	GUARD, ENGINE PULLEY (E15)	W09010	1	

¹ Directly replaces W07511 nut weldment (8/97).

² Guard W11537 modified 3/09. Cutout added to accommodate Simple Set encoder sensor. Plate 006870 added to cover cutout on sawmills without Simple Set ([See Section 4.9](#)). **NOTE:** Simple Set option not available for models prior to 1997.

SECTION 5 CONTROL & BATTERY BOXES

5.1 Control Assembly (U.S.)

LT30HD

Rev. F8522 - F9.01

LT40HD

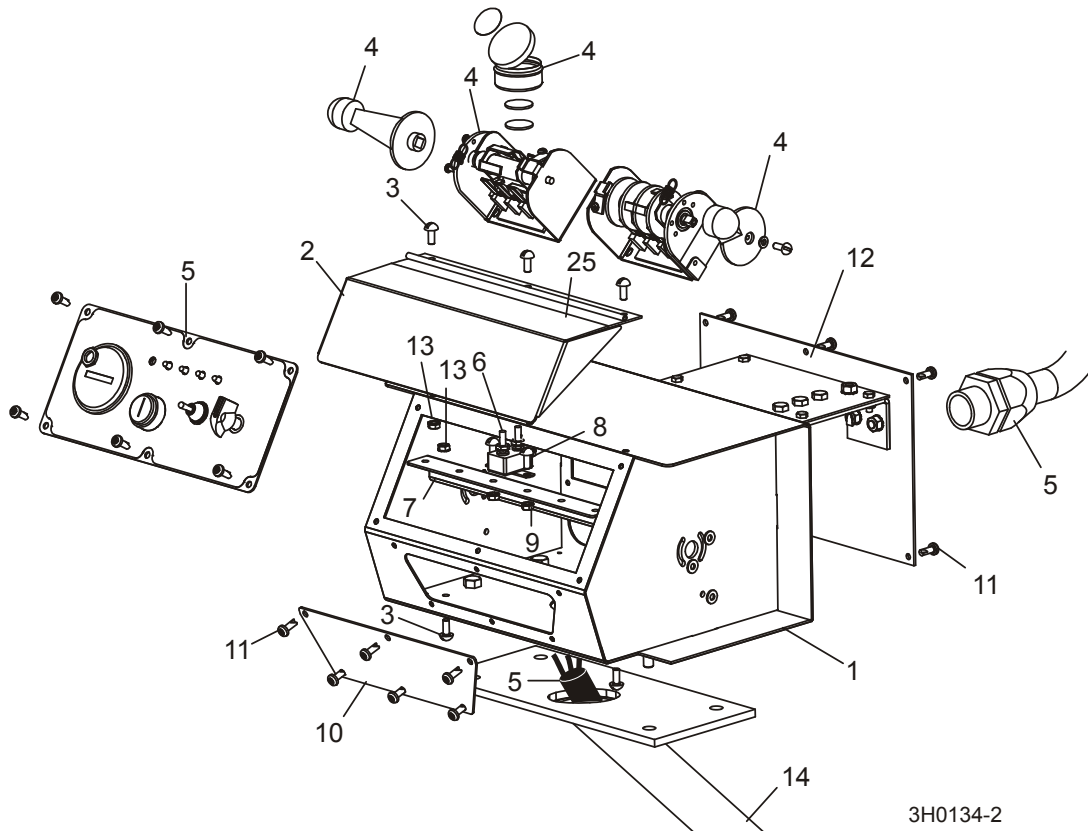
Rev. F8395 - F9.01 ¹

LT30HD Super

Rev. F8001 - F9.01

LT40HD Super

Rev. F8001 - F9.01



REF	DESCRIPTION (◆ Indicates Parts Available in Assemblies Only)	PART #	QTY.
	CONTROL BOX ASSEMBLY, G24	014172	1
	CONTROL BOX ASSEMBLY, G35	014316	1
	CONTROL BOX ASSEMBLY, E20	014177	1
	CONTROL BOX ASSEMBLY, E25	014449	1
	CONTROL BOX ASSEMBLY, D40	014176	1
1	Box Weldment, Sawmill Control	W11621	1
2	Cover, Control Box Hinged	W11636	1
3	Screw, #8-32 x 1/2" Slotted Round Head	F05004-12	5
4	Drum Switch Parts (See Section 5.5)		

¹ Except LT40HD Rev. F8403. [See Section 5.2](#)

5	Front Panel Parts and Harnesses (See Section 5.7)			
	Breaker Assembly (U.S.), Sawmill Control Circuit	A20433	1	◆
6	Breaker, 30 Amp Auto Reset	E20486 ¹	1	
7	Bracket, Circuit Breaker	S11656-N	1	
8	Screw, #8-32 X 1/2" Slotted Head	F05004-12	2	
9	Nut, #8-32 Hex Self-Locking	F05010-41	2	
10	Panel, Control Box Front Access	S11625	1	
11	Screw, #10-24 x 1/2" Pan Head	F05015-17	12	
12	Circuit Board Assembly, Power Feed Control	024495 ²	1	
	Module Assembly, 92-96 Power Feed Mosfet	024540 ³	1	
	Module Assembly, 92-96 SMT Power Feed Control	024396-96 ³	1	
	Suppressor Assembly, Power Feed	052294 ⁴	1	
	Capacitor Assembly, Power Feed Filter	052365	1	
	Diode Assembly, Power Feed Replacement	052363	1	
13	Nut, #8-32 Self-Locking	F05010-41	5	
14	TUBE, CONTROL BOX MOUNT	W11640	1	

¹ A retrofit is available for Super model mills which provides a second circuit breaker. This will allow the power feed and up/down to be operated at the same time without nuisance tripping of the breaker. Order kit #024235.

² Replaces A20428 originally supplied before 4/99. New assembly includes LED indicator lights for easier troubleshooting. Modularized components and surface mount technology improve durability and power capability.

³ Modules apply to 024495 power feed control only.

⁴ Suppressor Assembly 052294 added 6/05 to protect feed circuit.

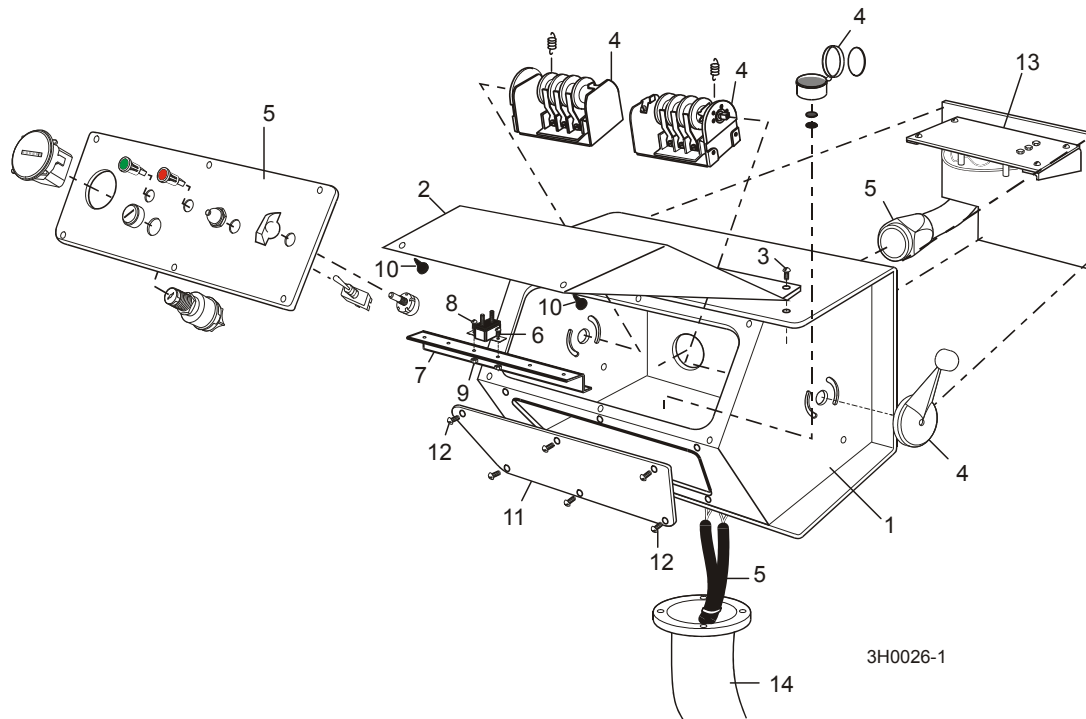
5 Control & Battery Boxes

Control Assembly (U.S.)

5.2 Control Assembly (U.S.)

LT30HD
LT40HD

Rev. F8511 - F8521
Rev. F8334 - F8394, 403



REF	DESCRIPTION (◆ Indicates Parts Available In Assemblies Only)	PART #	QTY.	
	CONTROL BOX ASSEMBLY, G24	A11981-W	1	
	CONTROL BOX ASSEMBLY, E15	A11982-W	1	
1	Box Weldment, Sawmill Control	W11621	1	
2	Cover, Control Box Hinged	W11636	1	
3	Rivet, 3/16" x 1/4" Aluminum Pop	F04203-7	3	
4	Drum Switch Parts (See Section 5.5)			
5	Front Panel Parts & Harnesses (See Section 5.8)			
	Breaker Assembly (U.S.), Sawmill Control Circuit	A20433	1	◆
6	Breaker, 30 Amp Auto Reset	E20486 ¹	1	
7	Bracket, Circuit Breaker	S11656-N	1	
8	Screw, #8-32 X 1/2" Slotted Head	F05004-12	2	
9	Nut, #8-32 Hex Self-Locking	F05010-41	2	
10	Pad, Rubber Bumper	P08184	4	
11	Panel, Control Box Front Access	S11625	1	
12	Screw, #10-24 x 1/2" Pan Head	F05015-17	6	
13	Circuit Board Assembly, Power Feed	024495 ²	1	
	Module Assembly, 92-96 Power Feed Mosfet	024540 ³	1	

	Module Assembly, 92-96 SMT Power Feed Control	024396-96 ³	1	
	Suppressor Assembly, Power Feed	052294 ⁴	1	
	Capacitor Assembly, Power Feed Filter	052365	1	
	Diode Assembly, Power Feed Replacement	052363	1	
14	TUBE, CONTROL BOX MOUNT	W11640	1	

¹ A retrofit is available for Super model mills which provides a second circuit breaker. This will allow the power feed and up/down to be operated at the same time without nuisance tripping of the breaker. Order kit #024235.

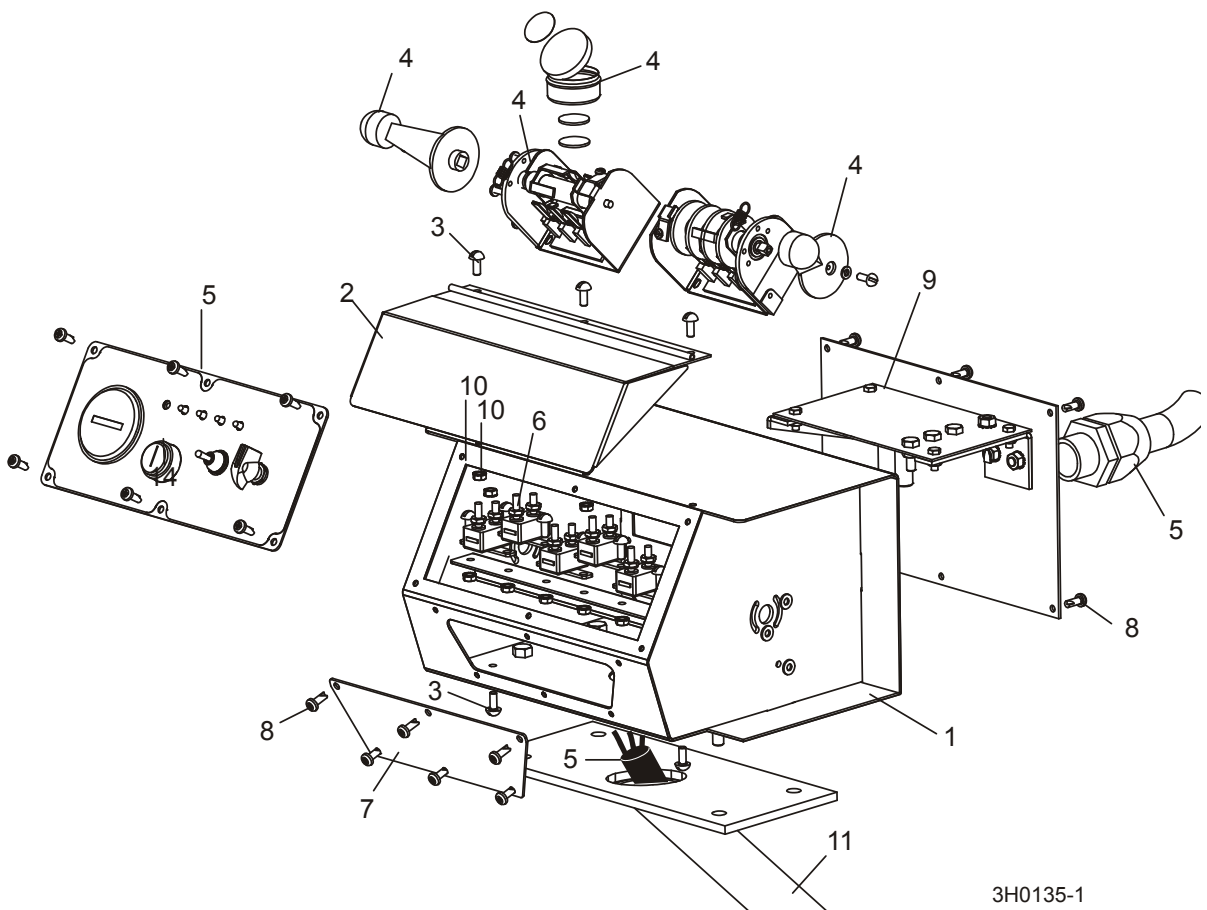
² Replaces A20428 originally supplied before 4/99. New assembly includes LED indicator lights for easier troubleshooting. Modularized components and surface mount technology improve durability and power capability.

³ Modules apply to 024495 power feed control only.

⁴ Suppressor Assembly 052294 added 6/05 to protect feed circuit.

5.3 Control Assembly (G.S.)

LT30HD Rev. F8522 - F9.01
 LT40HD Rev. F8395 - F9.01 ¹
 LT30HD Super Rev. F8001 - F9.01
 LT40HD Super Rev. F8001 - F9.01



3H0135-1

REF	DESCRIPTION (◆ Indicates Parts Available In Assemblies Only)	PART #	QTY.
	CONTROL BOX ASSEMBLY, G24S	014170	1
	CONTROL BOX ASSEMBLY, E20S	014179	1
1	Box Weldment, Sawmill Control	W11621	1
2	Cover, Control Box Hinged	W11636	1
3	Screw, #8-32 x 1/2" Slotted Round Head	F05004-12	5
4	Drum Switch Parts (See Section 5.5)		
5	Front Panel Parts & Harnesses (See Section 5.7)		
6	Circuit Breaker Parts (See Section 5.6)		
7	Panel, Control Box Front Access	S11625	1
8	Screw, #10-24 x 1/2" Pan Head	F05015-17	12

¹ Except LT40HD Rev. F8403. [See Section 5.4](#)

9	Circuit Board Assembly, Power Feed	024495 ¹	1	
	Module Assembly, 92-96 Power Feed Mosfet	024540 ²	1	
	Module Assembly, 92-96 SMT Power Feed Control	024396-96 ²	1	
	Suppressor Assembly, Power Feed	052294 ³	1	
	Capacitor Assembly, Power Feed Filter	052365	1	
	Diode Assembly, Power Feed Replacement	052363	1	
10	Nut, #8-32 Self-Locking	F05010-41	5	
11	TUBE, CONTROL BOX MOUNT	W11640	1	

¹ Replaces A20428 originally supplied before 4/99. New assembly includes LED indicator lights for easier troubleshooting. Modularized components and surface mount technology improve durability and power capability.

² Modules apply to 024495 power feed control only.

³ Suppressor Assembly 052294 added 6/05 to protect feed circuit.

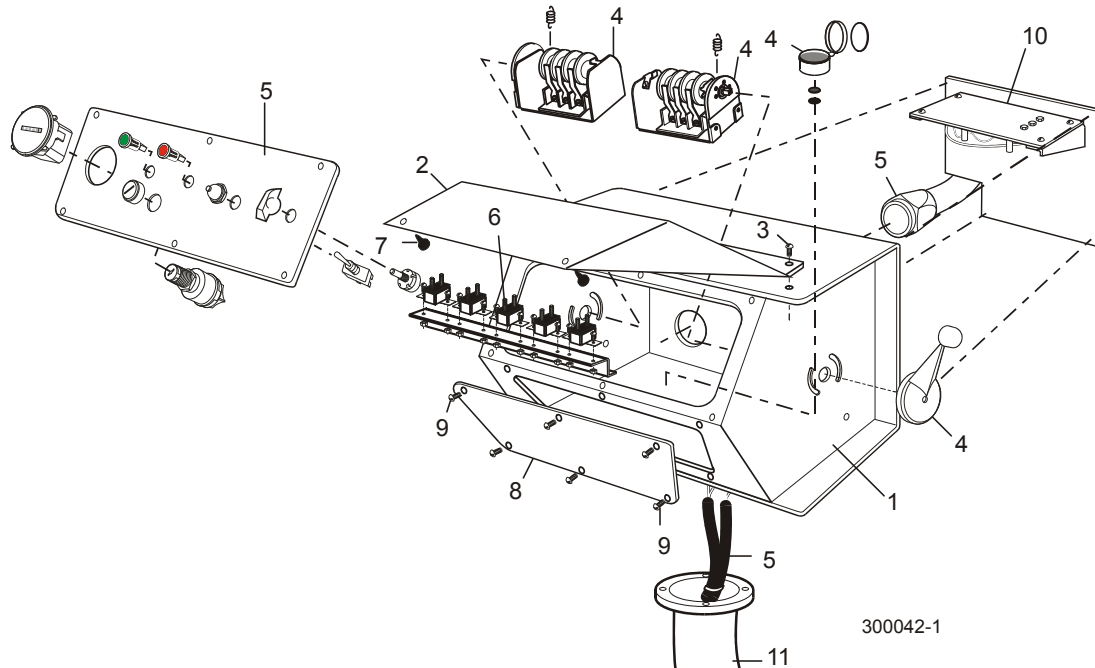
5 Control & Battery Boxes

Control Assembly (G.S.)

5.4 Control Assembly (G.S.)

LT30HD
LT40HD

Rev. F8511 - F8521
Rev. F8334 - F8394, 403



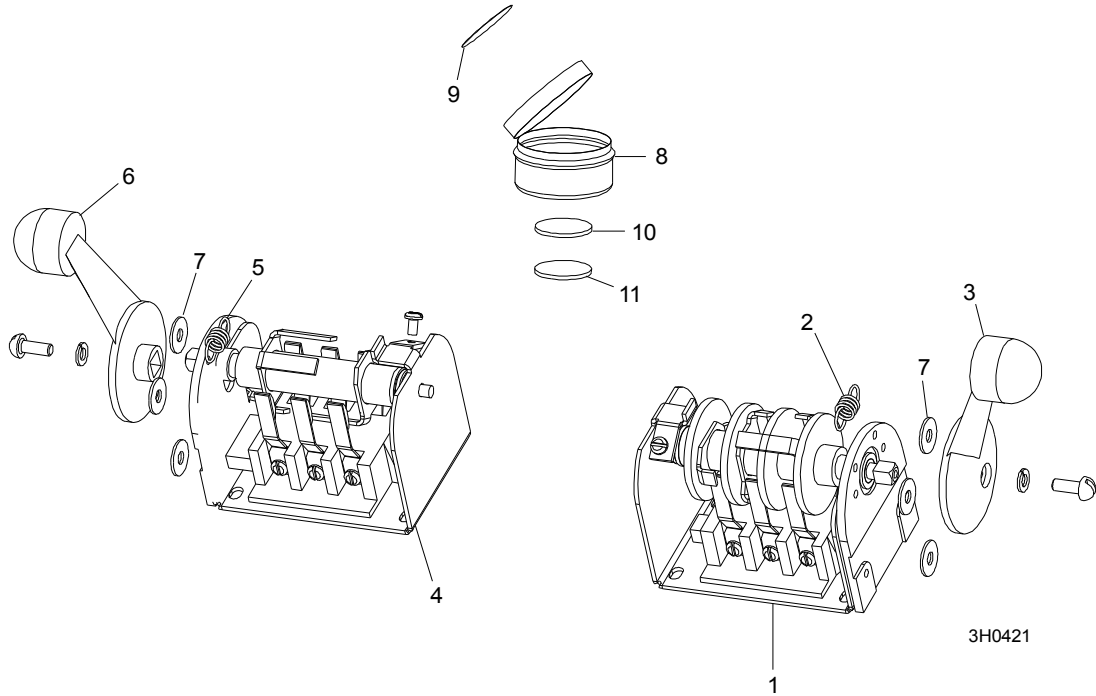
REF	DESCRIPTION (◆ Indicates Parts Available In Assemblies Only)	PART #	QTY.
	CONTROL BOX ASSEMBLY, G24S	A11986-W	1
	CONTROL BOX ASSEMBLY, E15S	A11987-W	1
1	Box Weldment, Sawmill Control	W11621	1
2	Cover, Control Box Hinged	W11636	1
3	Rivet, 3/16" x 1/4" Aluminum Pop	F04203-7	3
4	Drum Switch Parts (See Section 5.5)		
5	Front Panel Parts & Harnesses (See Section 5.8)		
6	Circuit Breaker Parts (See Section 5.6)		
7	Pad, Rubber Bumper	P08184	4
8	Panel, Control Box Front Access	S11625	1
9	Screw, #10-24 x 1/2" Pan Head	F05015-17	6
10	Circuit Board Assembly, Power Feed	024495 ¹	1
	Module Assembly, 92-96 Power Feed Mosfet	024540 ²	1
	Module Assembly, 92-96 SMT Power Feed Control	024396-96 ²	1
	Suppressor Assembly, Power Feed	052294 ³	1
	Capacitor Assembly, Power Feed Filter	052365	1
	Diode Assembly, Power Feed Replacement	052363	1
11	TUBE, CONTROL BOX MOUNT	W11640	1

- ¹ Replaces A20428 originally supplied before 4/99. New assembly includes LED indicator lights for easier troubleshooting. Modularized components and surface mount technology improve durability and power capability.
- ² Modules apply to 024495 power feed control only.
- ³ Suppressor Assembly 052294 added 6/05 to protect feed circuit.

5 Control & Battery Boxes

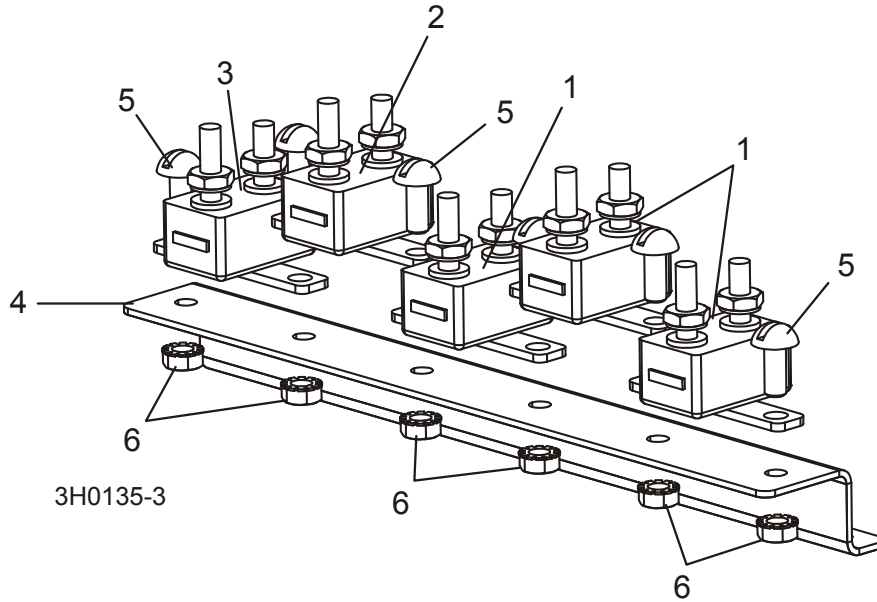
Drum Switches

5.5 Drum Switches



REF	DESCRIPTION (◆ Indicates Parts Available In Assemblies Only)	PART #	QTY.	
	SWITCH ASSEMBLY, UP/DOWN DRUM	E20440	1	
1	Switch, S12 Bulk Drum	E20440-B	1	◆
2	Spring, Drum Switch	P12570	1	
3	Handle, Drum Switch Replacement	P12500	1	
	SWITCH ASSEMBLY, POWER FEED DRUM (U.S.)	E20439	1	
	SWITCH ASSEMBLY, POWER FEED DRUM (G.S.)	N/A	1	
4	Switch, S11 Bulk Drum (U.S.)	E20439-B	1	◆
	Switch, S10 Bulk Drum (G.S.)	N/A	1	◆
5	Spring, Drum Switch	P12570	1	
6	Handle, Drum Switch Replacement	P12500	1	
7	WASHER, #8 SAE FLAT	F05011-41	6	
	CUP ASSEMBLY, DRUM SWITCH GREASE	A20463	1	
8	Cup, Plastic Container	P20464	1	◆
9	Decal, Grease Cup Label	P20467	1	
10	Pad, Velcro Loop	P20466	1	◆
11	Pad, Velcro Hook	P20465	1	◆
	Grease, High Temp Drum Switch	P20468	.025 Lb	◆

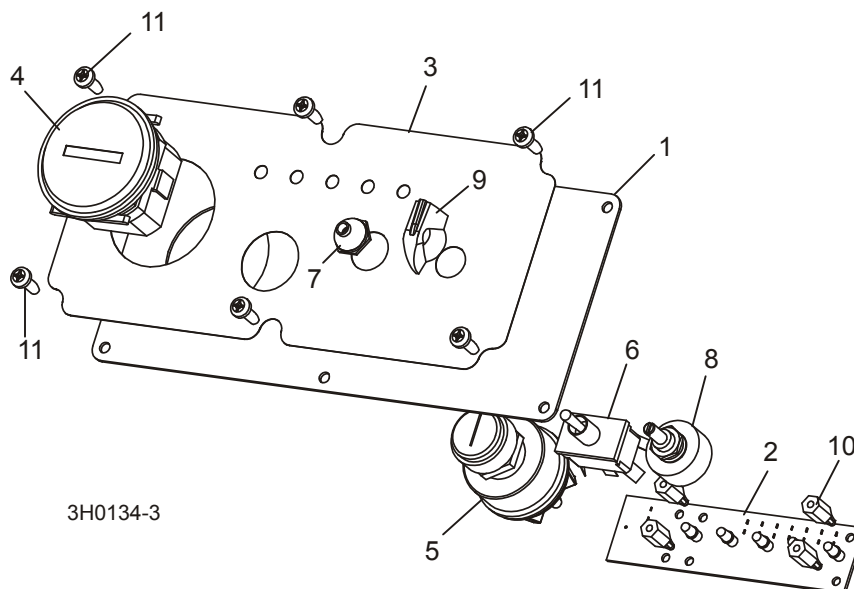
5.6 Circuit Breakers (G.S.)



REF	DESCRIPTION (◆ Indicates Parts Available in Assemblies Only)	PART #	QTY.
	BREAKER ASSEMBLY (G.S.), SAWMILL CONTROL CIRCUIT	A20429	1
1	Breaker, 15 Amp Manual Reset	E20430	3
2	Breaker, 30 Amp Manual Reset	E20431	1
3	Breaker, 50 Amp Manual Reset	E20432	1
4	Bracket, Circuit Breaker	S11656-N	1
5	Screw, #8-32 X 1/2" Slotted Head	F05004-12	8
6	Nut, #8-32 Hex Self-Locking	F05010-41	8

5.7 Front Panel Assembly & Harnesses

LT30HD Rev. F8522 - F9.01
 LT40HD Rev. F8395 - F9.01^a
 LT30HD Super Rev. F8001 - F9.01
 LT40HD Super Rev. F8001 - F9.01



REF	DESCRIPTION (◆ Indicates Parts Available In Assemblies Only)	PART #	QTY.	
	PANEL ASSEMBLY, CONTROL FRONT (G24/G35/E20)	A20435	1	
	PANEL ASSEMBLY, CONTROL FRONT (E25)	014450	1	
	PANEL ASSEMBLY, CONTROL FRONT (D40)	014183	1	
	PANEL ASSEMBLY, CONTROL FRONT (G24S, E20S)	A20448	1	
1	Panel Weldment, Control	014016	1	
2	Board, LED Circuit (G24/G35/E20)	023041	1	
	Board, LED/Load Limit Circuit (E25)	023047 ¹	1	◆
	Board, LED Circuit (D40)	023042	1	
3	Decal, G24/G35/E20 Control Panel	014012	1	
	Decal, D40 Control Panel	014011	1	
	Decal, E25 Control Panel	014444	1	
4	Meter, Hour	P09631	1	
5	Switch, Key	P04350	1	
6	Switch, Toggle	P10006	1	
7	Boot, Toggle Switch Rubber	P02575	1	
8	Switch Assembly, Feed Rate	024450-1 ²	1	
9	Knob, Feed Rate With Set Screw	P06257	1	
10	Spacer, 1/2" -#6 Threaded	023147	4	

^a Except LT40HD Rev. F8403. [See Section 5.8](#)

11	SCREW, #10-24 X 1/2" PAN HEAD	F05015-17	6	
	HARNESS, UPPER G24 WIRING	014173	1	
	HARNESS, UPPER G24S WIRING	014171	1	
	HARNESS, UPPER G35 WIRING	014315	1	
	HARNESS, UPPER E20 WIRING	014185	1	
	HARNESS, UPPER E20S WIRING	A20450	1	
	HARNESS, UPPER E25 WIRING	014451	1	
	HARNESS, UPPER D40 WIRING	014182	1	
	HARNESS, LOWER G24/E20/E25 WIRING	A20479	1	
	HARNESS, LOWER G24S/E20S WIRING	014149	1	
	HARNESS, LOWER G35/D40 WIRING	014181	1	

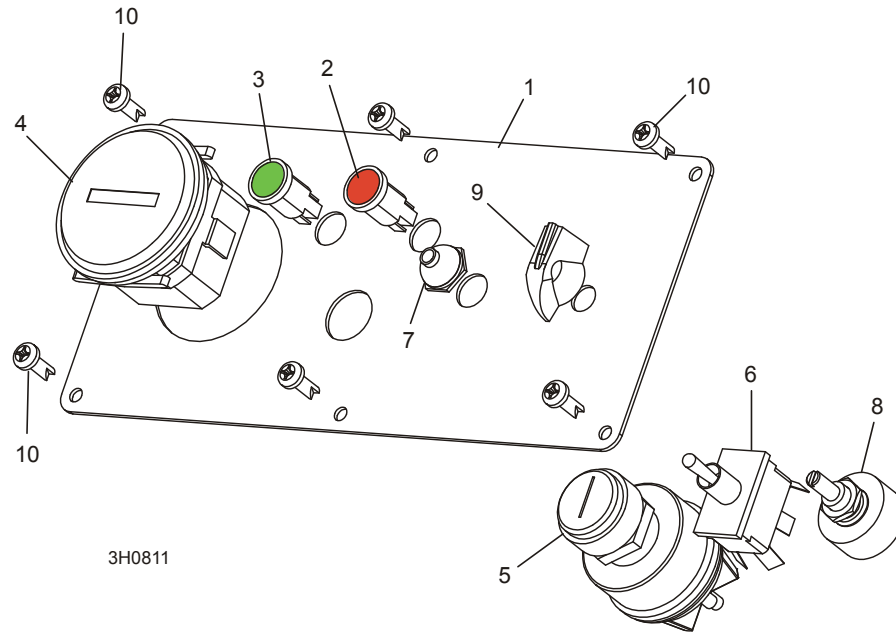
¹ LED circuit board with load limit circuitry and load limit switch assembly no longer available. If a problem with the board affects only the load limit circuitry, the customer may bypass this circuit: Remove one of the violet wires from the terminal block on the circuit board. Connect the wire to the terminal with the other violet wire. If the circuit board requires replacement, use standard LED board 023041: Remove both violet wires and connect together with a wire nut. Remove the three remaining black, white and red wires and tape together or remove the hall effect switch mounted at the motor.

² Replaces A20437 and 015408 originally supplied.

5.8 Front Panel Assembly & Harnesses

LT30HD
LT40HD

Rev. F8511 - F8521
Rev. F8334 - F8394, 403

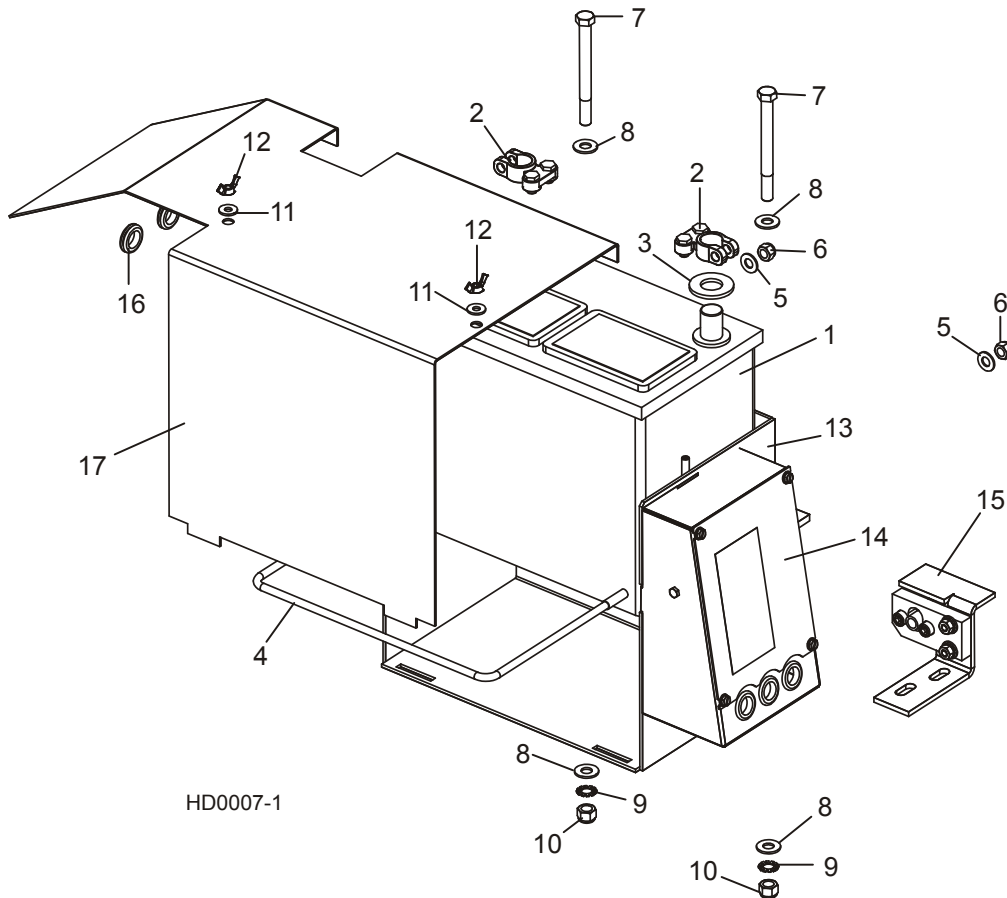


REF	DESCRIPTION (◆ Indicates Parts Available In Assemblies Only)	PART #	QTY.	
	PANEL ASSEMBLY, CONTROL FRONT (G24, E15)	A20435 ¹	1	
	PANEL ASSEMBLY, CONTROL FRONT (G24S, E15S)	A20448 ¹	1	
1	Panel (With Alternator Label), G24/E15 Control	S11632-1	1	◆
2	Light, 12v Red Alternator Indicator (G24, E15 Only)	P04986	1	
3	Light, 12v Green Indicator	P20436	1	
4	Meter, Hour	P09631	1	
5	Switch, Key	P04350	1	
6	Switch, Toggle	P10006	1	
7	Boot, Toggle Switch Rubber	P02575	1	
8	Switch Assembly, Feed Rate	024450-1 ²	1	
9	Knob, Feed Rate With Set Screw	P06257	1	
10	SCREW, #10-24 X 1/2" PAN HEAD	F05015-17	6	
	HARNESS, UPPER G24 WIRING	A20442	1	
	HARNESS, UPPER G24S WIRING	A20447	1	
	HARNESS, UPPER E15 WIRING	A20449	1	
	HARNESS, UPPER E15S WIRING	A20450	1	
	HARNESS, LOWER G24/E15 WIRING	A20479	1	
	HARNESS, LOWER G24S/E15S WIRING	A20476	1	

¹ Panel replaced with LED panel with decal. [See Section 5.7.](#)

² Replaces A20437 and 015408 originally supplied.

5.9 Battery Box Assembly



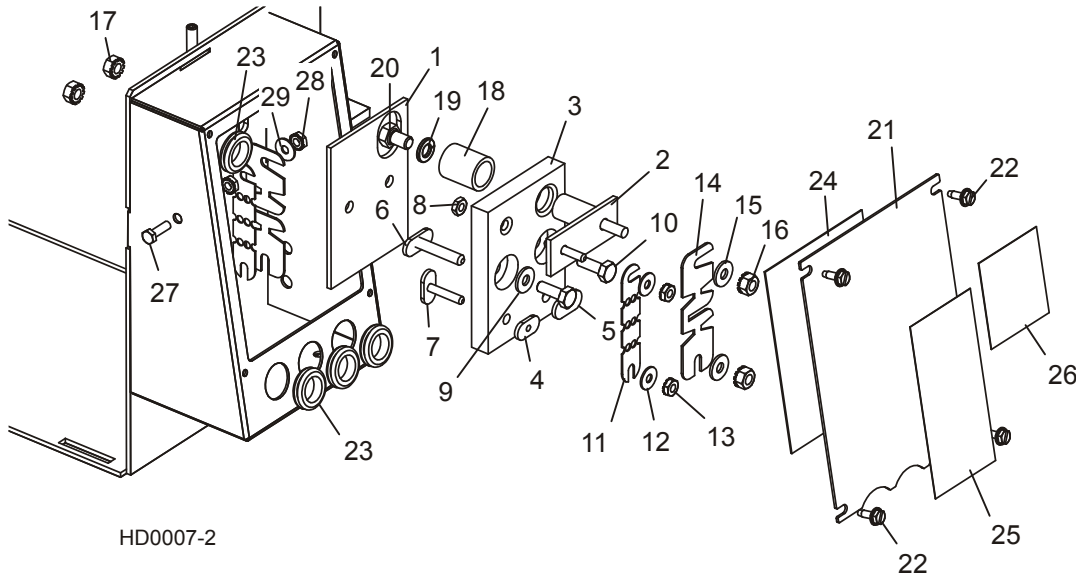
REF	DESCRIPTION (◆ Indicates Parts Available In Assemblies Only)	PART NUMBER	QTY.	
1	BATTERY, 8T24 DEKA 12 VOLT DEEP CYCLE DRY (G24/G35/E15/E20/E25)	P09853-1	1	
	BATTERY, 875CC TYPE 24F DEKA (D40)	P12315	1	◆
	BOX ASSEMBLY, 8T24 BATTERY (U.S. G24/G35/E15/E20/E25 MODELS)	A11938	1	
	BOX ASSEMBLY, 875CC BATTERY (D40)	014184	1	
2	Terminal, Battery	P05085	2	
3	Washer, Battery Terminal	P12161	1	
4	Retainer Loop, Battery	P09790	1	
5	Washer, 5/16" SAE Flat	F05011-17	2	
6	Nut, 5/16-18 Hex Nylon Lock	F05010-58	2	
7	Bolt, 3/8-16 X 4" Hex Head Grade 2	F05007-4	2	
8	Washer, 3/8" SAE Flat	F05011-3	2	
9	Washer, 3/8" External Star	F05011-36	2	
10	Nut, 3/8" Hex Nylon Lock	F05010-10	2	
11	Washer, 1/4" SAE Flat	F05011-11	2	
12	Nut, 1/4-20 Wing	F05010-13	2	

5 Control & Battery Boxes

Battery Box Assembly

13	Box Weldment, Battery	W11951	1	
14	Fuse Box Parts (See Section 5.10)			
15	Hydraulic Contact Parts (See Section 10.3)			
16	Grommet, 5/8" Rubber Wire (U.S. Models)	P11764	2	
	Grommet, Sealed Rubber Nipple (G.S. Models)	P11945	2	
17	LID, BATTERY BOX	S10447	1	

5.10 Fuse Box



REF	DESCRIPTION (◆ Indicates Parts Available In Assemblies Only)	PART NUMBER	QTY.	
1	PAD, FUSE BOX INSULATOR	S11944	1	
	FUSE BLOCK REPLACEMENT KIT (G24/G35/E15/E20/E35 ONLY)	A12381 ¹	1	
	Fuse Block Assembly	A12380-W	1	◆
2	Buss Bar Weldment	W12388	1	
3	Fuse Block	S12383	1	
4	Nut, #10-24 Cadmium Plated Weld	S12391	1	
5	Nut, 1/4-20 Cadmium Plated Weld	S12392	1	
6	Stud Weldment, 1/4-20 Fuse	W12389	1	
7	Stud Weldment, #10-24 Fuse	W12390	1	
8	Nut, #10-24 Hex Lock	F05010-14	1	
9	Washer, 1/4" SAE Flat	F05011-11	2	
10	Bolt, 1/4-20 X 3/4" Hex Head Full Thread	F05005-1	2	
11	Fuse Link, 12 Volt 100 Amp (G24/E15/E20)	P11549	1	
	Fuse Link, 12 Volt 150 Amp (D40)	023361 ¹	1	
12	Washer, #10 SAE Flat	F05011-18	2	
13	Nut, #10-24 Hex Self-Locking	F05010-14	2	
14	Fuse Link, 12 Volt 225 Amp	P11550	1	
15	Washer, 1/4" SAE Flat	F05011-11	1	
16	Nut, 1/4-20 Hex Self-Locking	F05010-9	2	
17	Nut, 1/4-20 Hex Self-Locking	F05010-9	2	
18	Bushing, Fuse Post Insulator	S12387	1	
19	Washer, 5/16" Split Lock	F05011-13	1	

5 Control & Battery Boxes

Fuse Box

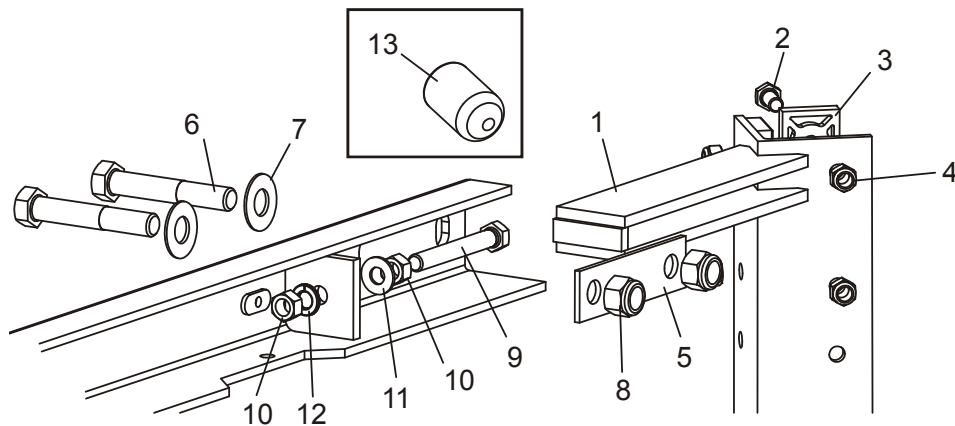
20	Bolt, 5/16-18 X 1/2" Hex Head	F05006-46	1	
21	COVER, FUSE BOX	S11950	1	
22	SCREW, #10-24 X 1/2" SELF-TAPPING	F05015-7	4	
23	GROMMET, 5/8" RUBBER WIRE (U.S. MODELS)	P11764	4	
	GROMMET, SEALED RUBBER NIPPLE (G.S. MODELS)	P11945	4	
24	DECAL, FUSE LINK I.D. (HYDRAULIC)	S11949	1	
25	DECAL, 12 VOLT WARNING	P10364	1	
26	DECAL, HYDRAULIC CONTACT CAUTION	P12960	1	
27	BOLT, #10-24 X 5/8" HEX HEAD	F05004-18	1	
28	NUT, #10-24 HEX SELF-LOCKING	F05010-14	2	
29	WASHER, #10 SAE FLAT	F05011-18	1	

¹ Fuse replacement kit includes 100 amp and 225 amp fuses. Diesel engine requires 150 amp fuse 023361.

SECTION 6 UP/DOWN SYSTEM

6.1 Saw Head V-Brace Mount

LT30HD Rev. F8522 - F9.01
 LT40HD Rev. F8459 - F9.01
 LT30HD Super Rev. F8002 - F9.01
 LT40HD Super Rev. F8026 - F9.01

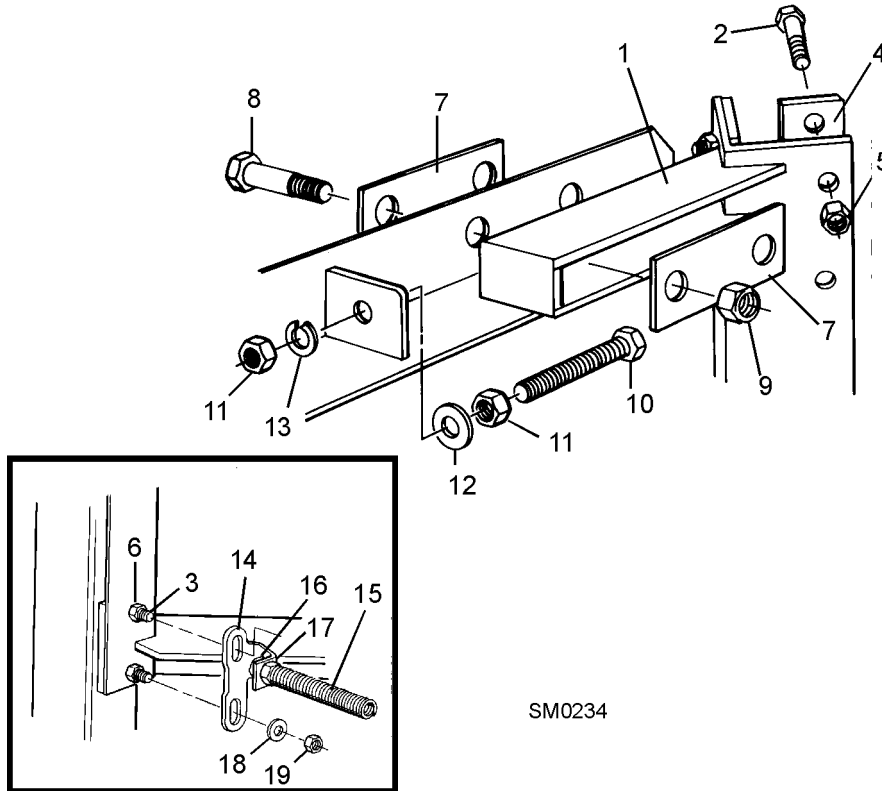


SM0080D

REF	DESCRIPTION (◆ Indicates Parts Available In Assemblies Only)	PART #	QTY.
1	V-BRACE, SAW HEAD MOUNT	W04099	1
2	BOLT, 5/16-18 X 3/4" HEX HEAD GRADE 5	F05006-5	11/19
	BOLT, 5/16-18 X 1 1/4" HEX HEAD FULL THREAD	F05006-18	5
3	PAD, PLASTIC SLIDE (8 REQ'D FOR STANDARD/12 FOR SUPER)	M04096	8/12
4	NUT, 5/16-18 NYLON LOCK	F05010-58	11/19
	NUT, 5/16-18 HEX	F05010-17	5
5	PLATE, V-BRACE WASHER	S07935	4
6	BOLT, 1/2-13 X 3" HEX HEAD	F05008-1	4
7	WASHER, 1/2" SAE FLAT	F05011-2	4
8	NUT, 1/2-13 NYLON LOCK	F05010-8	4
9	BOLT, 3/8-16 X 3" FULL THREAD	F05007-1	2
10	NUT, 3/8-16 HEX	F05010-1	4
11	WASHER, 3/8" SAE FLAT	F05011-3	2
12	WASHER, 3/8" SPLIT LOCK	F05011-4	2

6.2 Saw Head V-Brace Mount

LT30HD Rev. F8511 - F8521
 LT40HD Rev. F8334 - F8458
 LT30HD Super Rev. F8001
 LT40HD Super Rev. F8001 - F8025

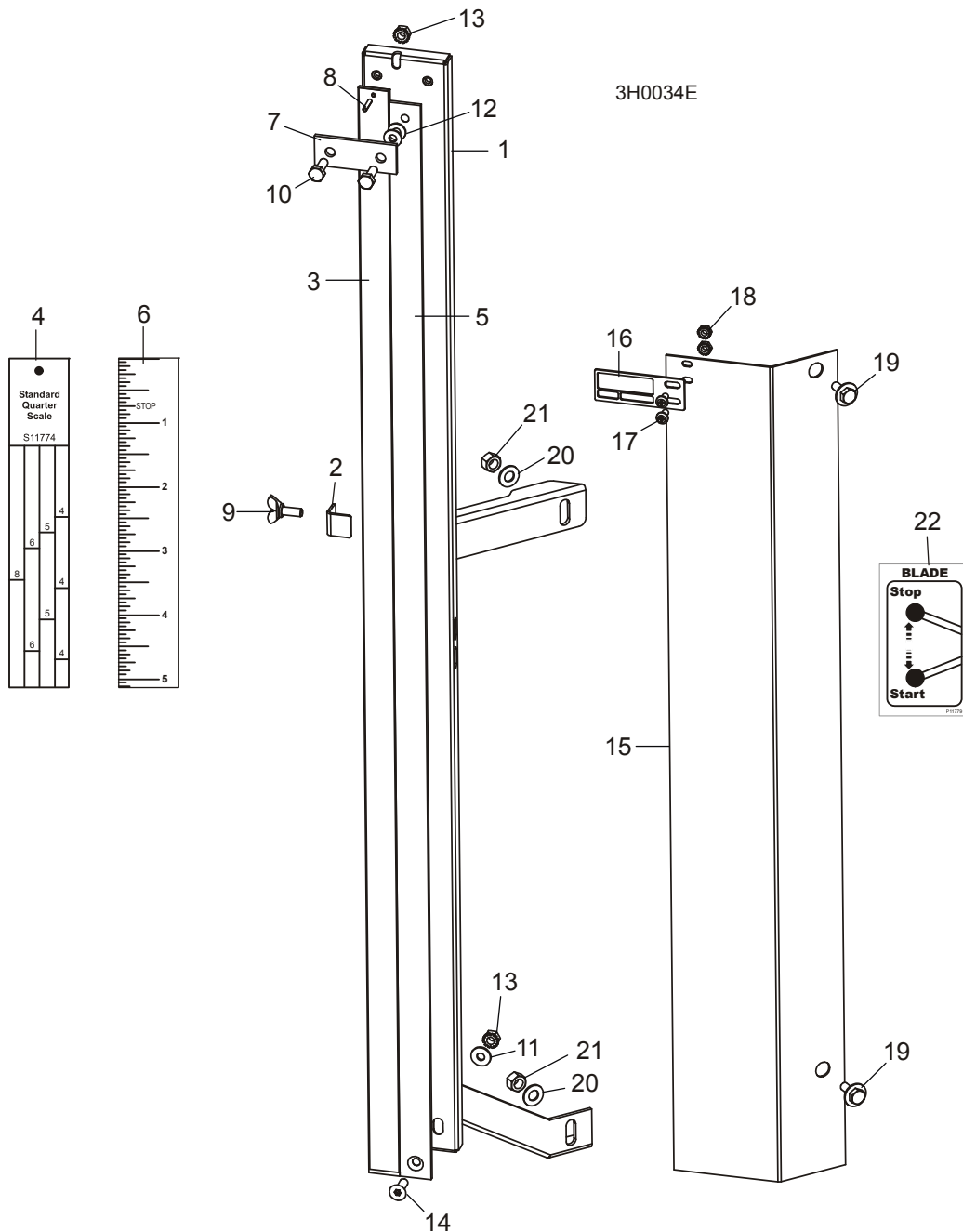


REF	DESCRIPTION (◆ Indicates Parts Available In Assemblies Only)	PART #	QTY.
1	V-BRACE, SAW HEAD MOUNT	W04099	1
2	BOLT, 5/16-18 X 3/4" HEX HEAD GRADE 5	F05006-5	11/19
3	BOLT, 5/16-18 X 1 1/4" HEX HEAD FULL THREAD	F05006-18	5
4	PAD, PLASTIC SLIDE (8 REQ'D FOR STANDARD/12 FOR SUPER)	M04096	8/12
5	NUT, 5/16-18 NYLON LOCK	F05010-58	11/19
6	NUT, 5/16-18 HEX	F05010-17	5
7	PLATE, V-BRACE WASHER	S07935	4
8	BOLT, 1/2-13 X 3" HEX HEAD	F05008-1	4
9	NUT, 1/2-13 NYLON LOCK	F05010-8	4
10	BOLT, 3/8-16 X 3" FULL THREAD	F05007-1	2
11	NUT, 3/8-16 HEX	F05010-1	4
12	WASHER, 3/8" SAE FLAT	F05011-3	2
13	WASHER, 3/8" SPLIT LOCK	F05011-4	2

	SIGHT GAUGE KIT	A10087 ¹	1	
	Sight Gauge Assembly	A09997	1	◆
14	Bracket, Sight Gauge Mount	S09998	1	◆
15	Spring, Sight Gauge	S10031	1	
16	Bolt, 3/8-16 X 2" Hex Head Full Thread	F05007-16	1	
17	Nut, 3/8-16 Hex Lock	F05010-25	1	
18	Washer, 5/16" SAE Flat	F05011-17	2	
19	Nut, 5/16-18 Hex Lock	F05010-6	2	
	Instruction Sheet, Sight Gauge	A10087-257	1	

¹ Sight gauge removed and not replaced.

6.3 Blade Height Scale

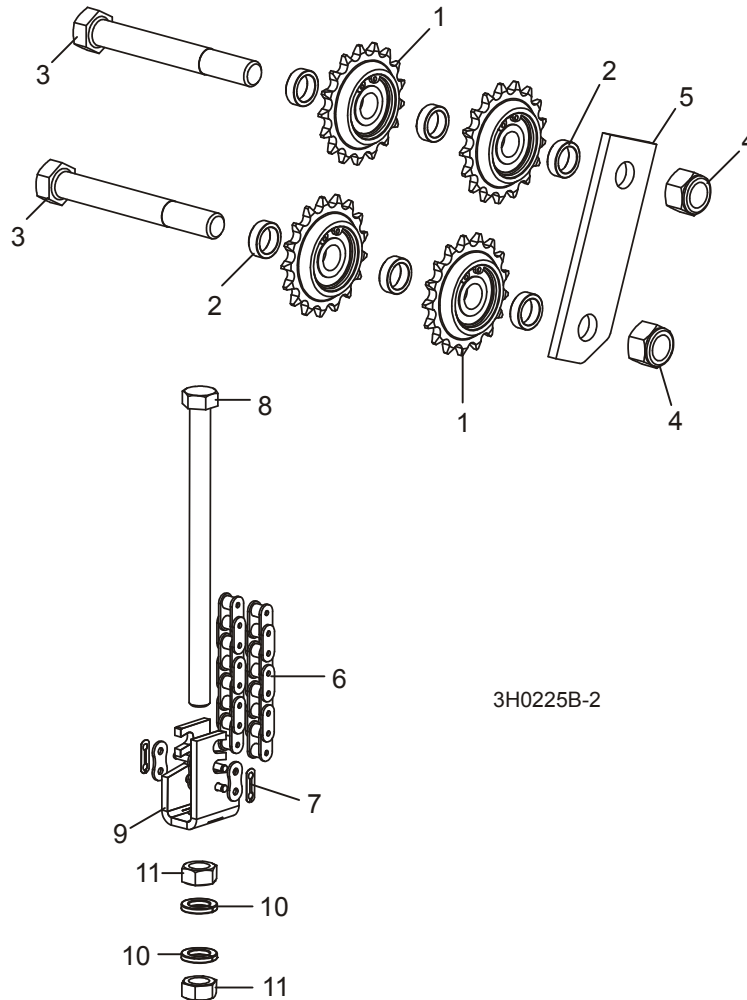


REF	DESCRIPTION (◆ Indicates Parts Available In Assemblies Only)	PART #	QTY.	
	SCALE RETROFIT, FIXED WITH POINTER	A12030	1	
	Scale Kit, Fixed With Pointer	K11998	1	◆
	Scale Assembly, Fixed	A12022	1	◆

1	Bracket, Scale Mounting	W11996 ¹	1	
2	Plate, Movable Scale Stop	036666 ¹	1	
3	Scale, 35" Quarter	S11989	1	
4	Decal, 35" Standard Quarter Scale	S11774	1	
	Decal, 35" Grade Hardwood Quarter Scale	P12819	1	
5	Scale, 35" Inch	S11988	1	
6	Decal, 35" Inch	S11773	1	
7	Strap, Scale Hold-Down	S04805	1	
8	Pin, 1/8" X 5/8" Roll	F05012-14	1	
9	Screw, 1/4-20 X 5/8" Wing	F05005-64	1	
10	Bolt, 1/4-20 X 3/4" Hex Head Full Thread	F05005-1	2	
11	Washer, 1/4" SAE Flat	F05011-11	1	
12	Washer, 1/4" X .020 Thick Nylon Flat	F05011-22	2	
13	Nut, 1/4-20 Hex Self-Locking	F05010-9	2	
14	Screw, 1/4-20 X 3/4" Flat Socket Head	F05005-70	1	
	Pointer Assembly, Fixed Scale	A12023	1	
15	Bracket, Fixed Scale Pointer Mount	S12245	1	◆
16	Pointer, Fixed Scale	M07267-N	1	
17	Screw, #10-24 X 3/8" Phillips Head	F05004-3	2	
18	Nut, #10-24 Hex Self-Locking	F05010-14	2	
19	Bolt, 1/4-20 x 3/4" with Conical Washer	F05005-134	2	
20	Washer, 5/16" SAE Flat	F05011-17	2	
21	Nut, 5/16-18 Hex Lock	F05010-6	2	
	Bolt, 1/4-20 X 1/2" Hex Head Grade 2	F05005-15	1	
	Instruction Sheet, Fixed Scale Retrofit	A12030-370	1	
	DECAL KIT, METRIC SCALE	K12064	1	
	Decal, Metric	S11711	1	
	Decal, Metric 16-40mm	P12040-1	1	
	Decal, Metric 45-63mm	P12040-2	1	
22	DECAL, CLUTCH HANDLE OPERATION	P11779	1	

¹ Wing screw moved to side of scale mount and bracket 036666 added to eliminate possible interference with pointer (11/04). Use W11996 to service mount weldment (includes new bracket 036666).

6.4 Up/Down Chain & Sprockets



REF	DESCRIPTION (◆ Indicates Parts Available In Assemblies Only)	PART #	QTY.
	SPROCKET KIT, UP/DOWN IDLER REPLACEMENT	016432	2
1	Sprocket, Up/Down Idler	016366 ¹	2
2	Spacer, 7/8" OD x .65" ID x .266" Thick	016433 ¹	4
	Instruction Sheet, Up/Down Idler Replacement	016432-950	1
3	BOLT, 5/8-11 X 5" HEX HEAD GRADE 2	F05009-6	2
4	NUT, 5/8-11 HEX NYLON LOCK	F05010-34	2
5	PLATE, UP/DOWN IDLER SPROCKET	S09084	1
	CHAIN KIT, UP/DOWN REPLACEMENT	014486	1
6	Chain, #40 X 75.5" Up/Down	P11602	2
7	Link, #40 Master	P04200	4
	Instruction Sheet, Up/Down Chain Replacement	014487-492	1

TENSIONER ASSEMBLY, UP/DOWN CHAIN		A09046 ²	1	
8	Bolt, 1/2-13 x 7 1/2" Hex Head Full Thread	F05008-87 ³	1	◆
9	Bracket, Up/Down Chain Tensioner	014216	1	◆
10	Washer, 1/2" Split Lock	F05011-9	2	
11	Nut, 1/2-13 Hex	F05010-35	2	

¹ (4) 016366 Idler Sprocket Assemblies and (6) 016433 Spacers replace (4) P04333 Idler Sprocket Assemblies and (8) F05011-5 5/8" Flat Washers originally supplied (01/00).

² Assembly includes new bolt F05008-87 and bracket 014216. Assembly replaces original rod S04201, bracket S09053, roll pin F05012-11, and bracket retrofit kit A12037 originally supplied until 2/96.

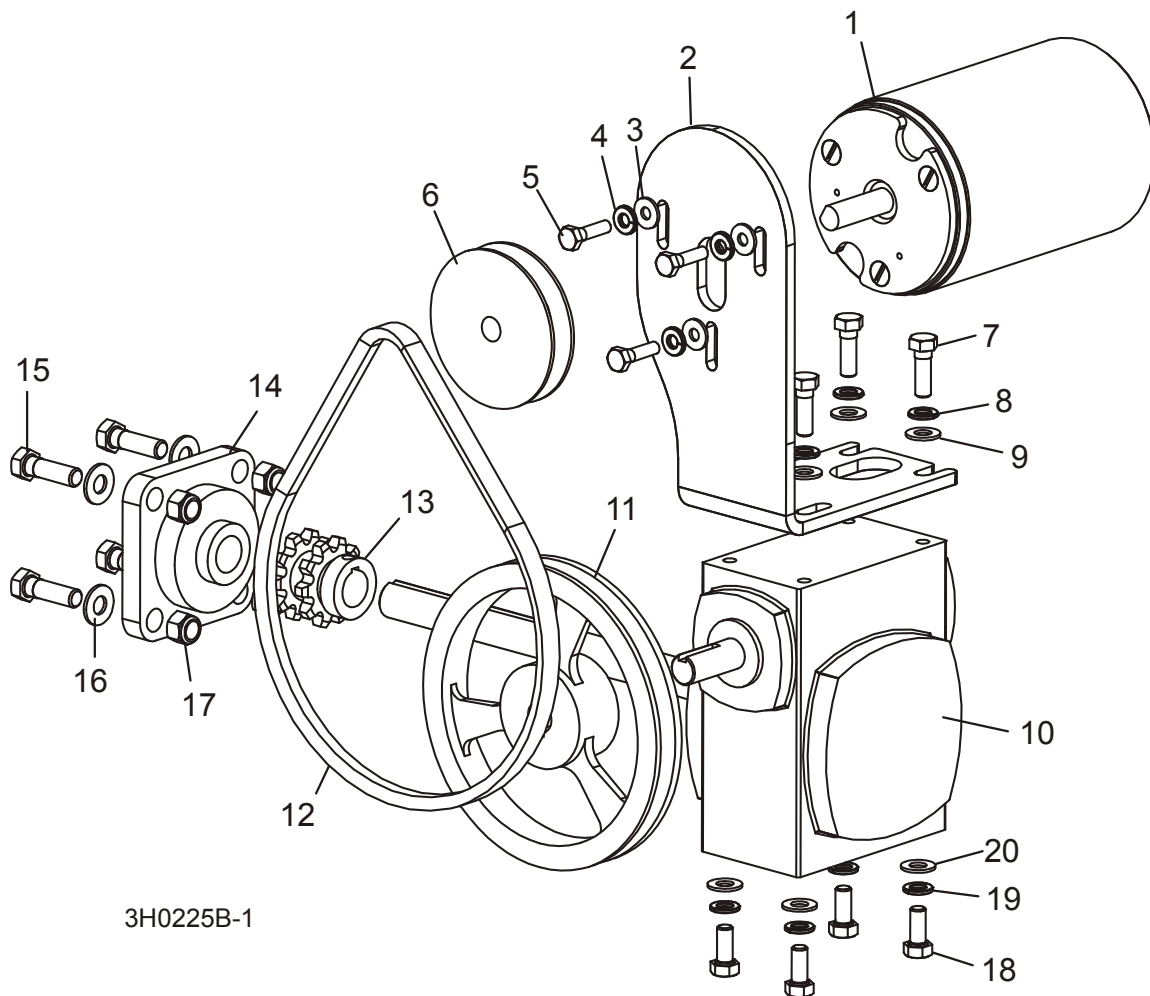
³ Replaces 014233 threaded rod/nut weldment previously supplied.

6 Up/Down System

Up/Down Assembly (Standard LT30HD/LT40HD)

6.5 Up/Down Assembly (Standard LT30HD/LT40HD)

LT30 Rev. F6 - F6.01
 LT40 Rev. F7 - F7.01
 LT30HD Rev. F9 - F9.01
 LT40HD Rev. F9 - F9.01



3H0225B-1

REF	DESCRIPTION (◆ Indicates Parts Available In Assemblies Only)	PART #	QTY.
	UP/DOWN DRIVE ASSEMBLY	A11585	1
1	Motor, Drive	006747 ¹	1
	Brush Kit, 12V Motor (2009)	061794 ¹	1
	Brush Kit, 12V Motor (2007)	006619 ¹	1
	Brush Kit, 12V Motor	A09086 ¹	1
	Brush Holder, Motor	034000 ¹	1 ◆
2	Bracket, Up/Down Motor Mount	014529	1
3	Washer, 1/4" SAE Flat	F05011-11	3

4	Washer, 1/4" Split Lock	F05011-14	3	
5	Bolt, 1/4-20 X 1" Hex Head Grade 2	F05005-38	3	
6	Pulley, Up/Down Motor	014087	1	
7	Bolt, 5/16-18 x 1" Hex Head	F05006-1	4	
8	Washer, 5/16" Split Lock	F05011-13	4	
9	Washer, 5/16" SAE Flat	F05011-17	4	
10	Reducer, Gear Box	016622 ²	1	
11	Pulley, Up/Down	014528	1	
12	Belt, 4L280	P04031	1	
13	Sprocket, Up/Down Dual Chain	S07976	1	
14	Bearing, Flanged Up/Down	P11600	1	
15	BOLT, 3/8-16 X 1 1/4" HEX HEAD GRADE 2	F05007-2	4	
16	WASHER, 3/8" SAE FLAT	F05011-3	4	
17	NUT, 3/8-16 HEX NYLON LOCK	F05010-10	4	
18	BOLT, 5/16-18 X 3/4" HEX HEAD GRADE 5	F05006-5	4	
19	WASHER, 5/16" SPLIT LOCK	F05011-13	4	
20	WASHER, 5/16" SAE FLAT	F05011-17	4	
	OIL, 8 OZ. MOBIL SHC634 BOTTLED SYNTHETIC GEAR	L04869-4 ³	1	

¹ External-Brush Motor 006747 replaces Motor P04140 and Service Kit A07974 supplied prior to 5/09. Use Brush Kit 061794 to service 006747. Motor P04140 changed by vendor 7/07. Use brush kit A09086 for original motor supplied prior to 7/07. Use brush kit 006619 for newer motor (identified by red & black motor terminal spacers). Brush Holder 034000 applies only to old motor and is no longer available (vendor discontinued 3/09).

² Replaces P11692 gear box originally supplied. New gear box features alloy shaft to provide better durability.

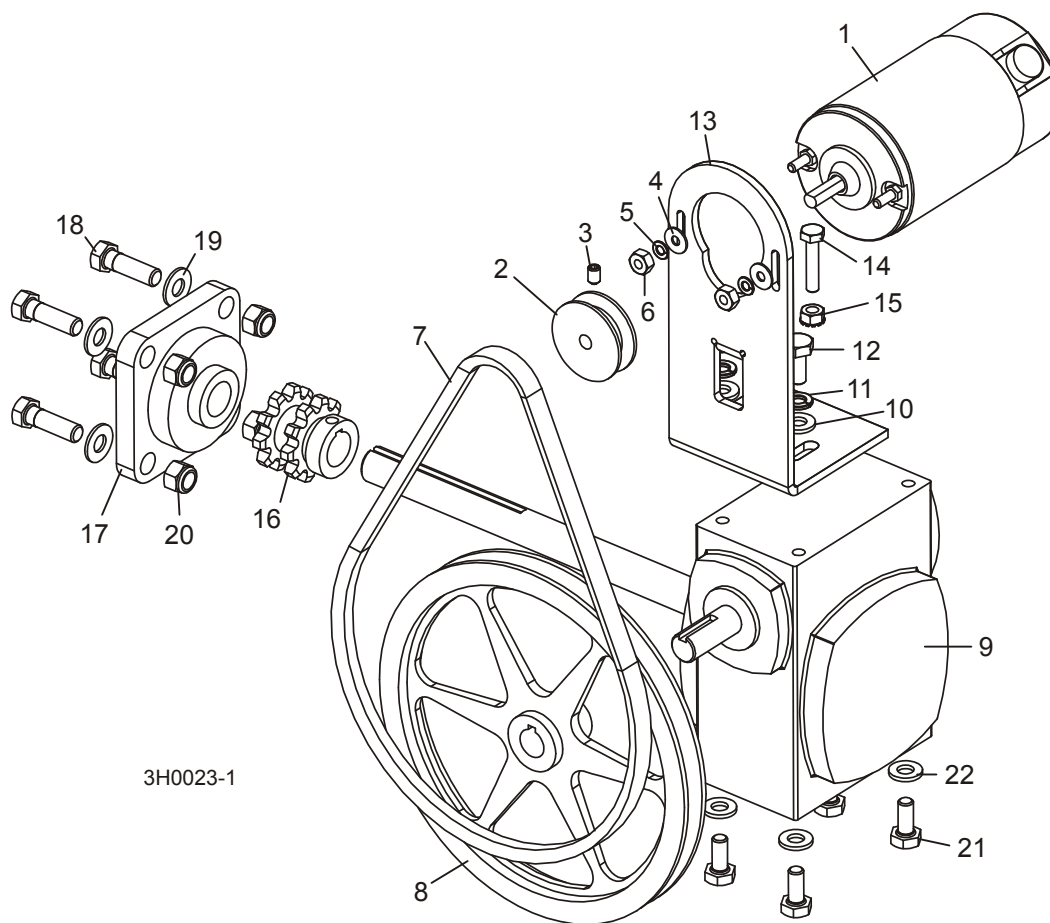
³ 8 - 11 oz. required for complete oil replacement.

6 Up/Down System

Up/Down Assembly (Standard LT30HD/LT40HD)

6.6 Up/Down Assembly (Standard LT30HD/LT40HD)

LT30 Rev. F4 - F5
 LT40 Rev. F5 - F6
 LT30HD Rev. F8
 LT40HD Rev. F8



REF	DESCRIPTION (◆ Indicates Parts Available In Assemblies Only)	PART #	QTY.	
	UP/DOWN DRIVE ASSEMBLY	A11585 ¹	1	
	Motor, Up/Down Replacement	A04367 ¹	1	
1	Motor, Up/Down External Brush	016706 ²	1	◆
	Brush Kit, Up/Down Leeson Motor External	034002 ³	1	
	Brush Kit, Up/Down Owosso Motor External	A12198 ³	1	
2	Pulley, Up/Down Motor	S04338 ¹	1	
3	Screw, 1/4-28 X 3/8" Cup Point Set	F05005-24	1	
4	Washer, #10 SAE Flat	F05011-18	2	
5	Washer, #10 Split Lock	F05011-20	2	
6	Nut, #10-32 Hex	F05010-27	2	

7	Belt, 3L290 Ribbed V	P04349 ¹	1	
8	Pulley, 8" Up/Down	P04343	1	
9	Reducer, 60:1 Gear With Extended Shaft	016622 ⁴	1	
10	Washer, 5/16" SAE Flat	F05011-17	2	
11	Washer, 5/16" Split Lock	F05011-13	2	
12	Bolt, 5/16-18 X 3/4" Hex Head Grade 5	F05006-5	2	
13	Bracket, Up/Down Motor Mount	W11587 ¹	1	
14	Bolt, 1/4-20 X 1 1/4" Hex Head Full Thread	F05005-3	1	
15	Nut, 1/4-20 Hex Self-Locking	F05010-9	1	
16	Sprocket, Up/Down Dual Chain	S07976	1	
17	Bearing, 3/4" I.D. Flanged	P11600	1	
18	BOLT, 3/8-16 X 1 1/4" HEX HEAD GRADE 2	F05007-2	4	
19	WASHER, 3/8" SAE FLAT	F05011-3	4	
20	NUT, 3/8-16 HEX NYLON LOCK	F05010-10	4	
21	BOLT, 5/16-18 X 3/4" HEX HEAD GRADE 5	F05006-5	4	
22	WASHER, 5/16" SAE FLAT	F05011-17	4	
	OIL, 8 OZ. MOBIL SHC634 BOTTLED SYNTHETIC GEAR	L04869-4 ⁵	1	

¹ Up/Down assembly A11585 upgraded with larger motor and mounting bracket. Upgrade to new motor/bracket requires mounting hardware, belt and motor pulley ([See Section 6.5](#)).

² Motor kit A04367 revised 10/01. Leeson motor 016706 replaces Leeson motor 034001 (12/00) or Owosso motor P12093 originally supplied.

³ Use 034002 Brush Kit for Leeson motors supplied after 12/00. Use A12198 Brush Kit for Owosso motor originally supplied.

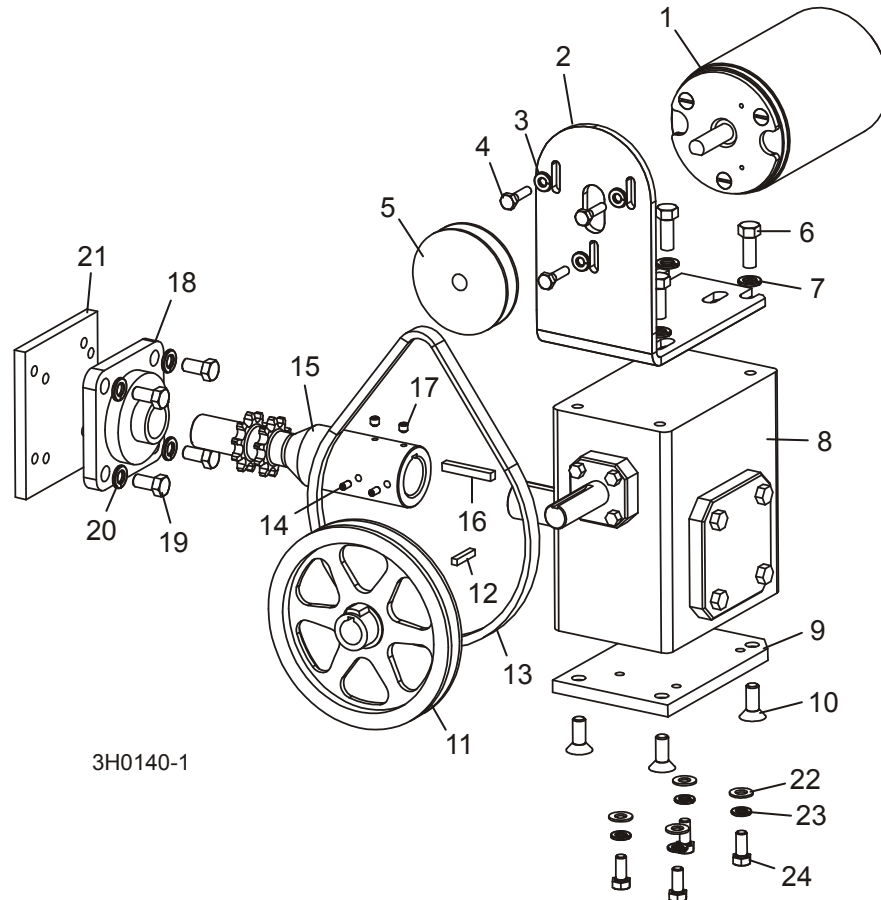
⁴ Replaces P11692 gear box originally supplied. New gear box features alloy shaft to provide better durability.

⁵ 8 - 11 oz. required for complete oil replacement.

6 Up/Down System

Up/Down Assembly (Super LT30HD/LT40HD)

6.7 Up/Down Assembly (Super LT30HD/LT40HD)



REF	DESCRIPTION (◆ Indicates Parts Available In Assemblies Only)	PART #	QTY.	
	UP/DOWN DRIVE ASSEMBLY	014156	1	
1	Motor, Drive	006747 ¹	1	
	Brush Kit, 12V Motor (2009)	061794 ¹	1	
	Brush Kit, 12V Motor (2007)	006619 ¹	1	
	Brush Kit, 12V Motor	A09086 ¹	1	
	Brush Holder, Motor	034000 ¹	1	◆
2	Bracket, Up/Down Motor Mount	014073	1	
3	Washer, 1/4" Split Lock	F05011-14	3	
4	Bolt, 1/4-20 X 1" Hex Head Grade 2	F05005-38	3	
5	Pulley, Up/Down Motor	014087	1	
6	Bolt, 3/8-16 x 1" Hex Head	F05007-7	4	
7	Washer, 3/8" Split Lock	F05011-4	4	
8	Reducer, Gear Box	014074	1	
9	Plate, Gear Box Spacer	014158	1	

10	Bolt, 3/8-16 x 1" Flat Socket Head	F05007-110	4	
11	Pulley,Up/Down	014088	1	
12	Key, 3/16" Square x 1" Long	S31027 ²	1	
13	Belt, 4L280	P04031	1	
	Shaft Kit, '96 Up/Down	016214 ³	1	
14	Screw, 10-24 x 3/8" Black Oxide Socket Head Cup Point Set	F05004-76	2	
15	Shaft, #40 Up/Down Sprocket '96 Single Piece	016203	1	
16	Key, 1/4" x 1 11/16"	S04124	1	
17	Screw, 1/4-28 X 1/4" Cup Point Set	F05005-105 ⁴	2	
18	Bearing, Flanged Up/Down	014090	1	
19	Bolt, 3/8-16 x 3/4" Hex Head	F05007-27	4	
20	Washer, 3/8" Split Lock	F05011-4	4	
21	PLATE, BEARING SPACER	014108	1	
22	WASHER, 5/16" SAE FLAT	F05011-17	4	
23	WASHER, 5/16" SPLIT LOCK	F05011-13	4	
24	BOLT, 5/16-18 X 3/4" HEX HEAD GRADE 5	F05006-5	4	
	OIL, 8 OZ. MOBIL SHC634 BOTTLED SYNTHETIC GEAR	L04869-4 ⁵	1	

¹ External-Brush Motor 006747 replaces Motor P04140 and Service Kit A07974 supplied prior to 5/09. Motor replacement requires new Mount Bracket 014073. Use Brush Kit 061794 to service 006747. Motor P04140 changed by vendor 7/07. Use brush kit A09086 for original motor supplied prior to 7/07. Use brush kit 006619 for newer motor (identified by red & black motor terminal spacers). Brush Holder 034000 applies only to old motor and is no longer available (vendor discontinued 3/09).

² 1" long key S31027 replaces S03060 3/4" long key originally supplied.

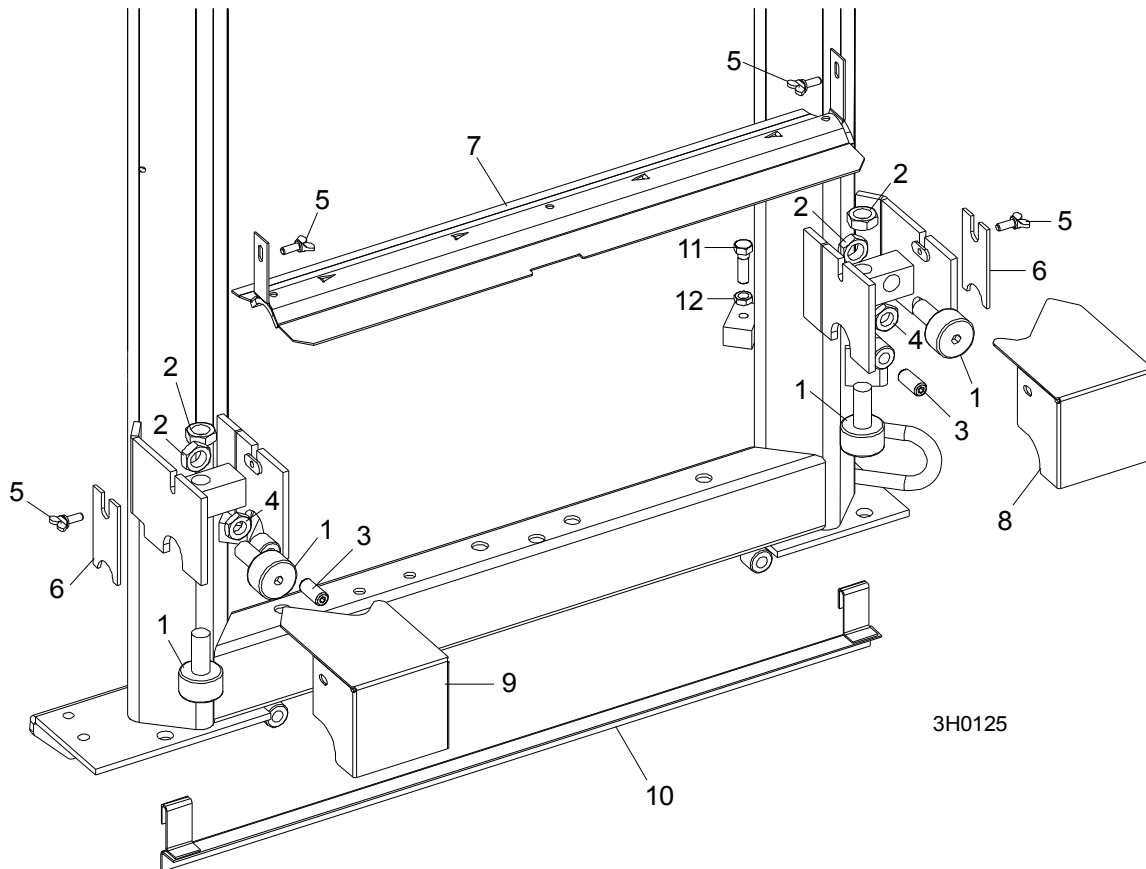
³ Use Shaft Kit 016214 to upgrade two-piece coupling (014159), sprocket (012976), 1/4" x 3" key (014009) and qty. (4) 1/4-28 X 1/4" Cup Point Set Screws (F05005-105) originally supplied. Available 1/99.

⁴ Replaces 1/4-28 x 3/8" Set Screw originally supplied until 5/96 (required for brake strap retrofit).

⁵ 24 oz. required for complete oil replacement.

SECTION 7 FEED SYSTEM & TRACK ROLLERS

7.1 Upper Track Rollers And Wipers



REF	DESCRIPTION (◆ Indicates Parts Available In Assemblies Only)	PART #	QTY.	
1	ROLLER, TRACK CAM BEARING	012797 ¹	4	
2	NUT, 5/8-18 HEX JAM	F05010-11	4	
3	SCREW, 1/2-13 X 1 1/4" OVAL POINT SET	F05008-5	2	
4	NUT, 1/2-13 HEX JAM	F05010-31	2	
5	SCREW, 1/4-20 X 5/8" THUMB	F05005-64	4	
6	WIPER, PLASTIC TRACK	M04113	2	
7	COVER, MIDDLE TRACK OILER ASSEMBLY	A09918 ²	1	
	Cover, Middle Track Oiler	S09917	1	◆
	Wiper, Middle Track Felt	S09915	1	
8	HOUSING, UPPER TRACK ROLLER REAR	012999	1	
9	HOUSING, UPPER TRACK ROLLER FRONT	012998	1	
10	GUARD, FEED CHAIN SAWDUST	W11964 ²	1	

Feed System & Track Rollers

Upper Track Rollers And Wipers

7

11	BOLT, 3/8-16 X 1 1/4" HEX HEAD	F05007-2	2	
12	NUT, 3/8-16 HEX JAM	F05010-29	2	

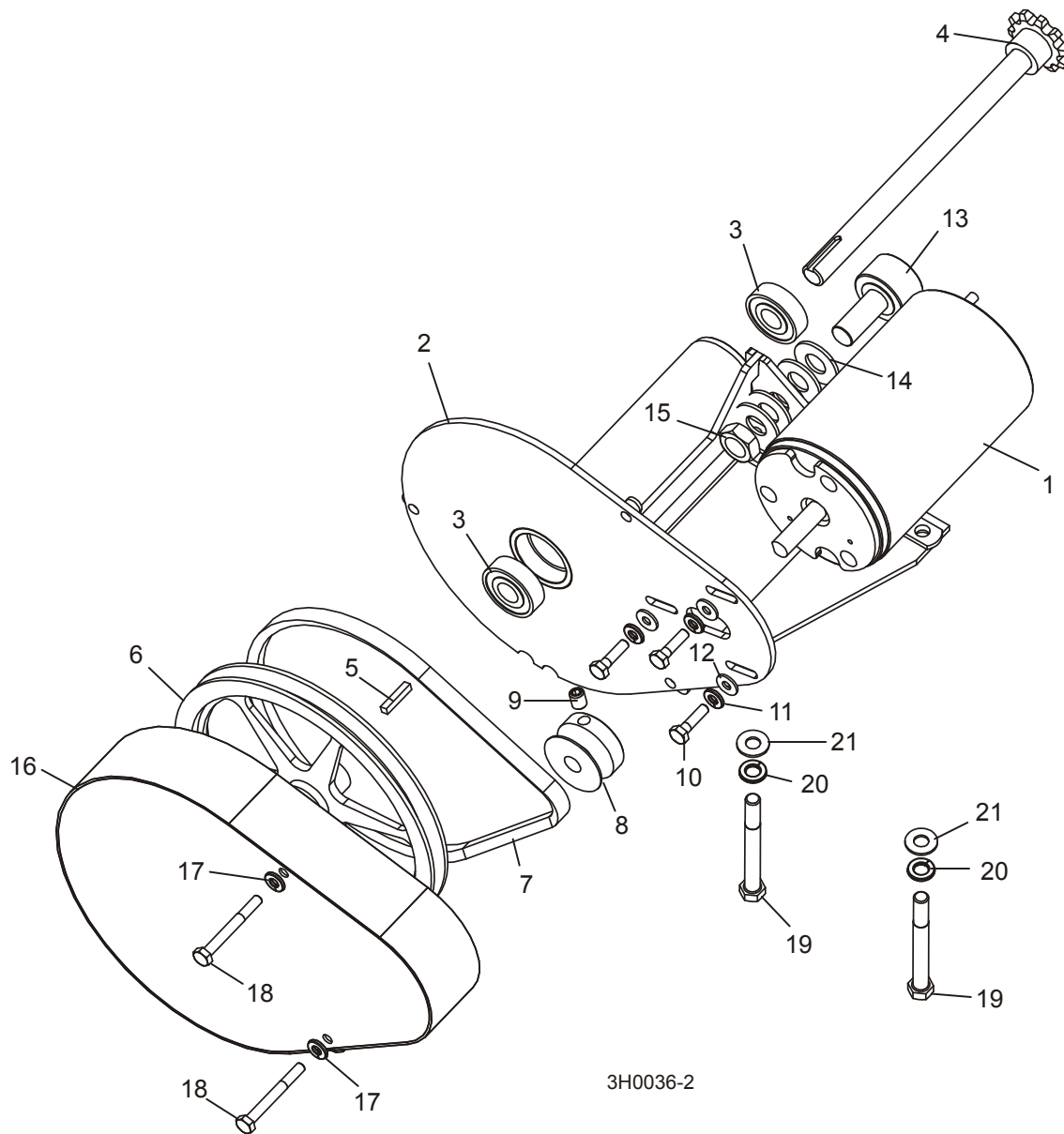
¹ Use 012797 to replace P12843 rollers originally supplied.

² Track Wiper Cover A09918 redesigned with "dual-flange" to prevent sawdust buildup (3/97). Feed chain guard W11964 no longer required if A09918 is replaced with new design.

7 Feed System & Track Rollers

Power Feed Assembly

7.2 Power Feed Assembly



REF	DESCRIPTION (◆ Indicates Parts Available In Assemblies Only)	PART #	QTY.
	POWER FEED ASSEMBLY	A11603	1
1	Motor, Power Feed	006747 ¹	1
	Brush Kit, 12V Motor (2008)	061794 ¹	1
	Brush Kit, 12V Motor (2007)	006619 ¹	1
	Brush Kit, 12V Motor	A09086 ¹	1

	Brush Holder, Motor	034000 ¹	1	◆
	Screw, 5/16-18 x 3/8" Socket Head Set Oval Point	F05006-40	2	
2	Bracket, Power Feed Mount	W11605	1	
3	Bearing, 5/8" 6203-2NSL	P06030-1	2	
	Shaft Assembly, Power Feed with Key	016067 ²	1	
4	Shaft, Power Feed With Sprocket	W11610	1	◆
5	Key, 3/16" Square x 1" Long	S31027	1	◆
6	Pulley, 8" Power Feed	P04343	1	
7	Belt, 4L280 V	P04031	1	
8	Pulley, Power Feed Motor	S09579	1	
9	Screw, 3/8-16 X 1/2" Cup Point Socket Set	F05007-12	1	
10	Bolt, 1/4-20 X 1" Hex Head Grade 5	F05005-101 ³	3	
11	Washer, 1/4" Split Lock	F05011-14	3	
12	Washer, 1/4" SAE Flat	F05011-11	3	
13	Bearing, 1 1/2" Cam Follower	012797 ⁴	1	
14	Washer, 5/8" SAE Flat	F05011-5	5	
15	Nut, 5/8-11 Hex Jam	F05010-11	1	
16	Guard, Power Feed Belt	W11613	1	
17	Washer, 1/4" Split Lock	F05011-14	2	
18	Bolt, 1/4-20 X 2 1/4" Hex Head Grade 2	F05005-32	2	
19	BOLT, 3/8-16 X 3 1/2" HEX HEAD GRADE 8	F05007-6	2	
20	WASHER, 3/8" SPLIT LOCK	F05011-4	2	
21	WASHER, 3/8" SAE FLAT	F05011-3	2	

¹ Motor 006747 replaces Motor 014359 supplied prior to 11/08. .6HP motor directly replaces .49HP motor P04140 (Discard end cap supplied with motor). Requires two rubber boots (P03807) to protect external motor terminals. Use brush kit 061794 for new motor. Motor 014359 changed by vendor 7/07. Use brush kit 006619 for newer 014359 motor (identified by red & black motor terminal spacers). Use brush kit A09086 for original motor supplied prior to 7/07. Brush Holder 034000 applies only to original 014359 motor and is no longer available (vendor discontinued 3/09).

² Square key replaces P04101-1 #606 Woodruff key. Shaft weldment modified to accommodate key change (3/98).

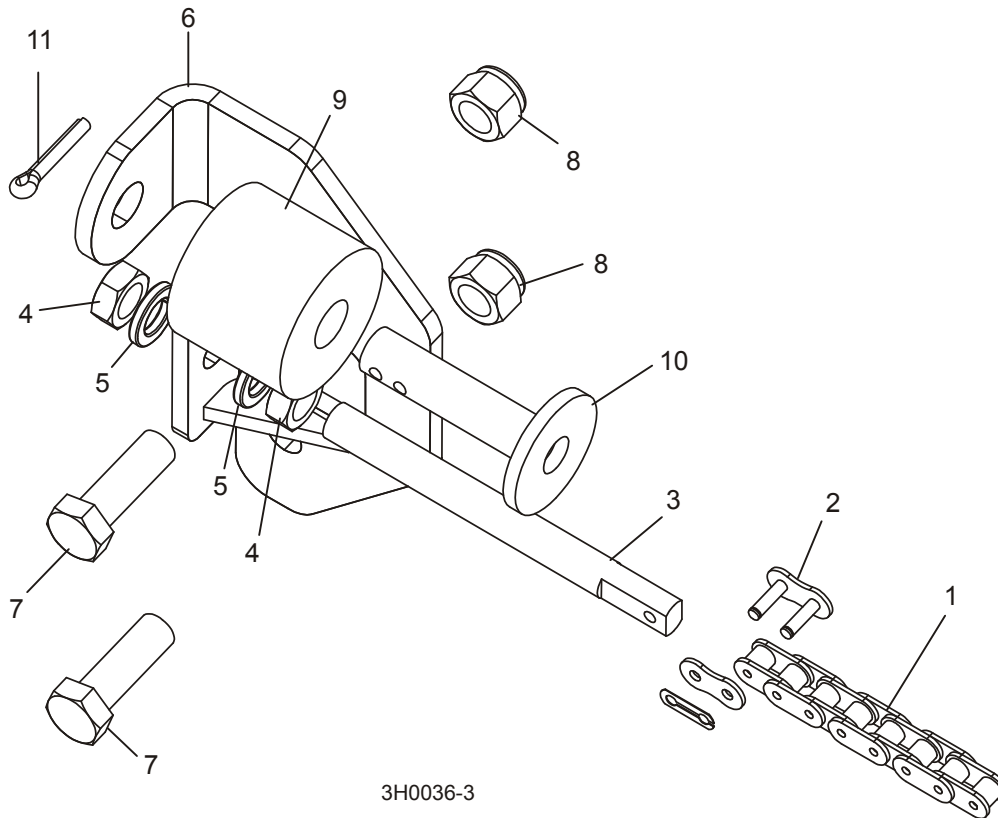
³ Replaces Grade 2 bolts F05005-38 originally supplied until 2/96.

⁴ Replaces P12843 originally supplied. Non-greaseable bearing directly replaces A05044 greaseable bearing assembly, which included P04133 bearing and P05045 45° grease fitting.

7 Feed System & Track Rollers

Feed Chain/Stop

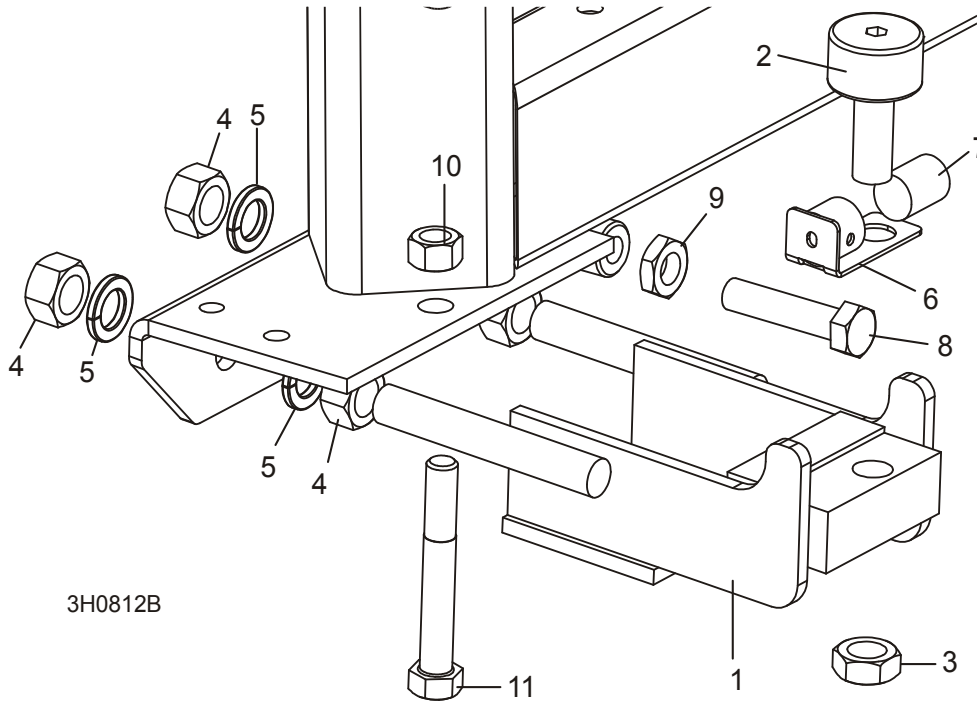
7.3 Feed Chain/Stop



REF	DESCRIPTION (◆ Indicates Parts Available In Assemblies Only)	PART #	QTY.	
	CHAIN KIT, LT30 FEED	K10408	1	
	CHAIN KIT, LT40 FEED	K10410	1	
1	Chain, #40 X 208.5" LT30 Feed	P10407	1	
	Chain, #40 X 260.5" LT40 Feed	P10409	1	
2	Link, #40 Master	P04200	2	
3	Rod, Feed Chain Tension	S09569	1	
4	Nut, 1/2-20 Hex Jam	F05010-16	2	
5	Washer, 1/2" Split Lock	F05011-9	2	
	BRACKET KIT, CARRIAGE STOP AND FEED CHAIN	K11820	1	
6	Bracket, Feed Chain Rear Mount	W11822	1	
7	Bolt, 1/2-13 X 1 1/2" Hex Head Grade 5	F05008-33	2	
8	Nut, 1/2-13 Hex Nylon Lock	F05010-8	2	
	STOP KIT, RUBBER CARRIAGE	K09630	2	
9	Stop, Rubber Carriage	P12165	1	◆
10	Pin, Rubber Carriage Stop	W09293	1	
11	Pin, 3/16" X 1" Cotter	F05012-21	1	

7.4 Lower Track Rollers

Retrofit



REF	DESCRIPTION (◆ Indicates Parts Available In Assemblies Only)	PART #	QTY.	
	ROLLER ASSEMBLY, LOWER TRACK	012995	2	
1	Bracket, Lower Track Roller Mounting	012982	1	◆
2	Roller, Track Cam Bearing	012797	1	
3	Nut, 5/8-18 Hex Jam	F05010-11	1	
4	Nut, 5/8-11 Hex	F05010-5	4	
5	Washer, 5/8" Split Lock Grade 8	F05011-118 ¹	4	
6	Bracket Weldment, Lower Track Roller Wiper	033374	1	
7	Wiper, Round Gray Felt	033375	1	
8	BOLT, 1/2-13 X 2 1/4" HEX HEAD FULL THREAD	F05008-2	2	
9	NUT, 1/2-13 HEX JAM	F05010-31	2	
10	NUT, 1/2-13 HEX LOCK	F05010-3	2	
11	BOLT, 1/2-13 X 3 1/2" HEX HEAD GRADE 5	F05008-61	2	

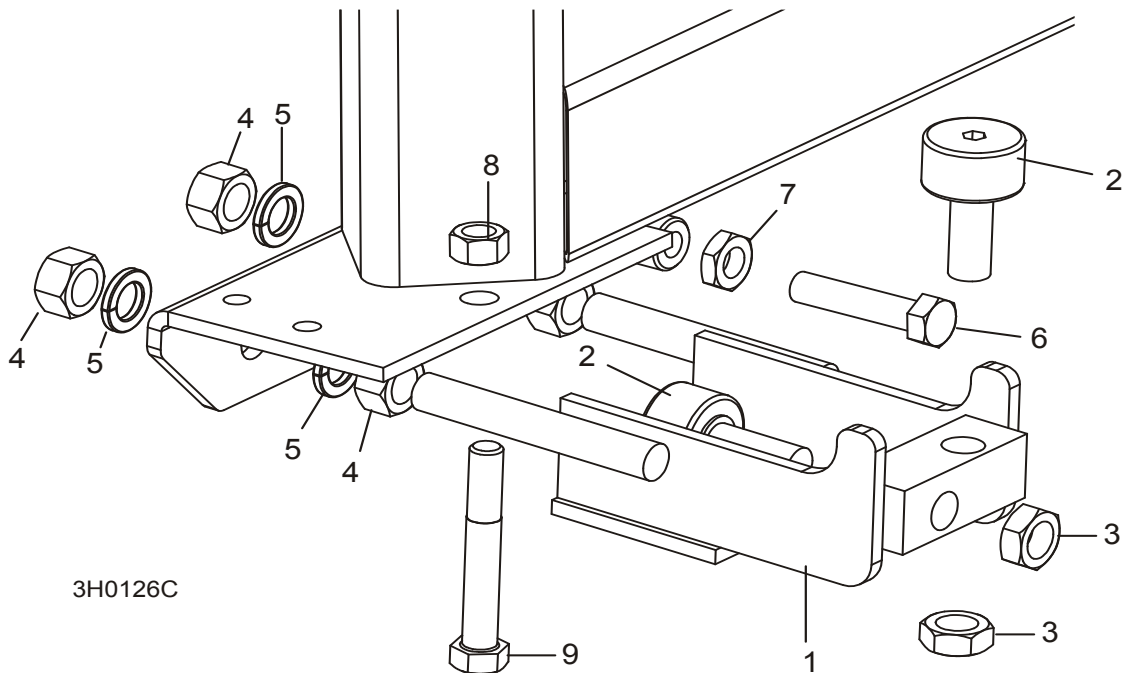
¹ Grade 8 washers replace F05011-27 originally supplied to improve durability.

7 Feed System & Track Rollers

Lower Track Rollers

7.5 Lower Track Rollers

LT30HD Rev. F8 - F9.01
LT40HD Rev. F8 - F9.01
LT30HD Super Rev. F8 - F9.01
LT40HD Super Rev. F8 - F9.01



REF	DESCRIPTION (◆ Indicates Parts Available In Assemblies Only)	PART #	QTY.	
	ROLLER ASSEMBLY, LOWER TRACK	012995 ¹	2	
1	Bracket, Lower Track Roller Mounting	012982 ¹	1	◆
2	Roller, Track Cam Bearing	012797 ²	1	
3	Nut, 5/8-18 Hex Jam	F05010-11	2	
4	Nut, 5/8-11 Hex	F05010-5	2	
5	Washer, 5/8" Split Lock Grade 8	F05011-118 ³	2	
6	BOLT, 1/2-13 X 2 1/4" HEX HEAD FULL THREAD	F05008-2	2	
7	NUT, 1/2-13 HEX JAM	F05010-31	2	
8	NUT, 1/2-13 HEX LOCK	F05010-3	2	
9	BOLT, 1/2-13 X 3 1/2" HEX HEAD GRADE 5	F05008-61	2	

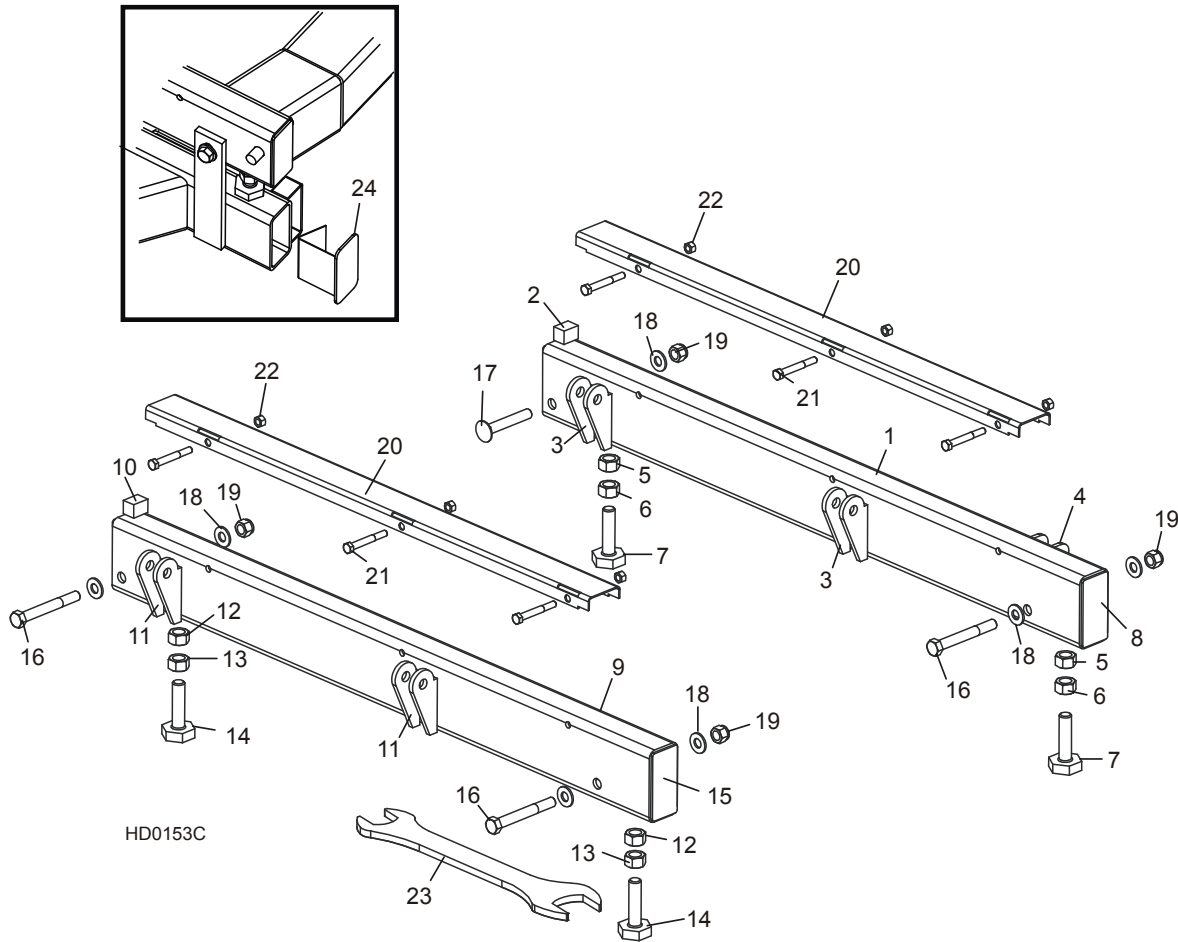
¹ Lower roller assembly includes lower roller wiper assembly (04/00). New bracket required to utilize wipers. Bracket includes stop block which replaces the bottom track roller ([See Section 7.4](#)). Use vertical bolt to adjust stop block to 1/32" - 1/16" from lower track rail.

² Use 012797 to replace P12843 rollers originally supplied.

³ Grade 8 washers replace F05011-27 originally supplied to improve durability.

SECTION 8 BED FRAME ASSEMBLY

8.1 Bed Rail Assembly, Front And Rear



REF	DESCRIPTION (◆ Indicates Parts Available In Assemblies Only)	PART #	QTY.	
	BED RAIL ASSEMBLY, REAR PAINTED	014467	1	
1	Bed Rail Tube, Long	015974	1	◆
2	Block, Log Stop	S09034	1	
3	Bracket, Roller Toe Board Mount	S13021	4	◆
4	Bracket, Saw Head Rest Pin Mount	014150	2	◆
5	Nut, 5/8-11 Pilot Weld	F05010-84 ¹	2	
6	Nut, 5/8-11 Hex	F05010-5 ¹	2	
7	Bolt, Bed Rail Adjustment	S13006 ¹	2	
8	Plate, Bed Rail End Cap	S04058 ²	2	◆
	BED RAIL ASSEMBLY, FRONT PAINTED	014455	1	
9	Bed Rail Tube, Long	015974	1	◆

8

Bed Frame Assembly*Bed Rail Assembly, Front And Rear*

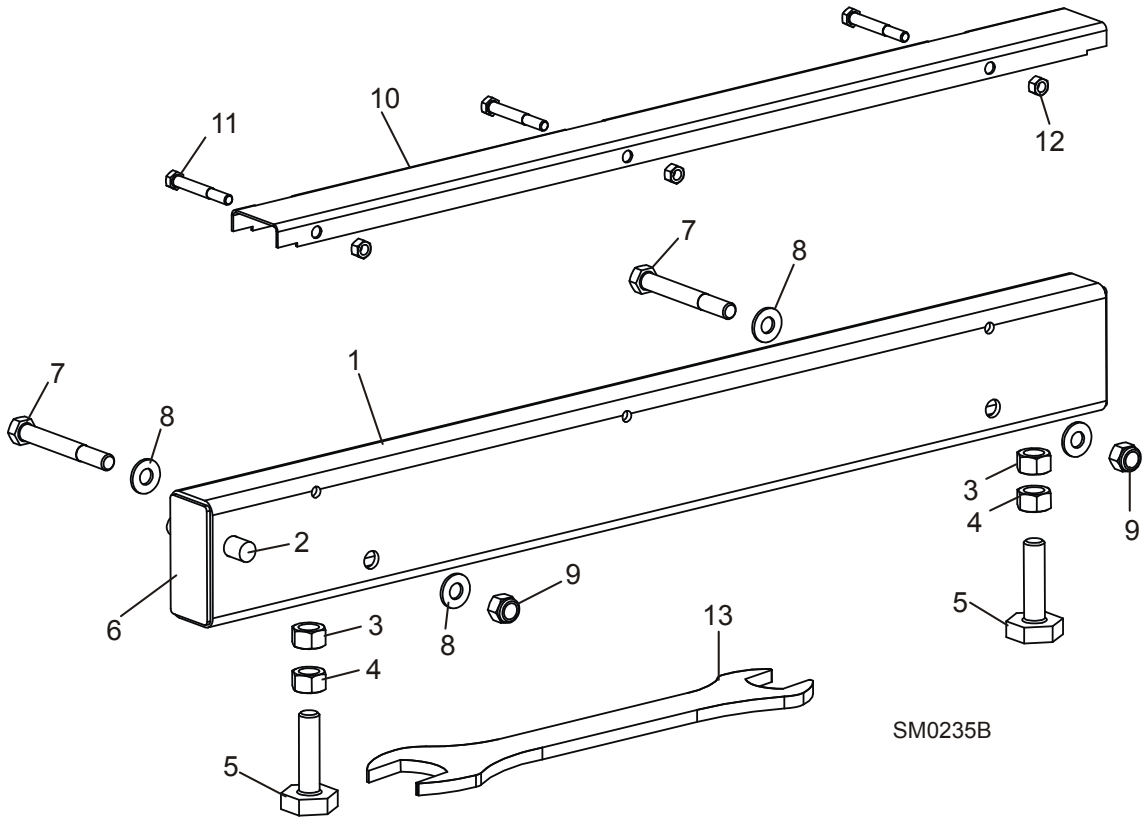
10	Block, Log Stop	S09034	1	
11	Bracket, Roller Toe Board Mount	S13021	4	◆
12	Nut, 5/8-11 Pilot Weld	F05010-84 ¹	2	
13	Nut, 5/8-11 Hex	F05010-5 ¹	2	
14	Bolt, Bed Rail Adjustment	S13006 ¹	2	
15	Plate, Bed Rail End Cap	S04058 ²	2	◆
16	BOLT, 1/2-13 X 4" HEX HEAD	F05008-26	4	
17	BOLT, 1/2-13 X 3 1/2" CARRIAGE	F05008-94 ³	1	
18	WASHER, 1/2" SAE FLAT	F05011-2	8	
19	NUT, 1/2-13 NYLON LOCK	F05010-8	4	
	COVER ASSEMBLY, STAINLESS STEEL BED RAIL (LONG)	A09956	2	
20	Cover, Stainless Steel Bed Rail	S09944	1	◆
21	Bolt, 5/16-18 X 2 1/2" Hex Head	F05006-10	3	
22	Nut, 5/16-18 Hex Lock	F05010-6	3	
23	WRENCH, BED RAIL ADJUSTMENT	015970	1	
24	CAP WELDMENT, BED RAIL REMOVABLE END	014652 ²	2	

¹ Bed Rail Adjustment Bolt S13006 zinc-plated 11/99. Two unplated 5/8-11 Hex Nuts F05010-54 replaced with one 5/8-11 Pilot Weld Nut F05010-84 and one 5/8-11 Zinc-Plated Hex Nut F05010-5. Component parts replace assembly A09775 previously supplied.

² End caps added 6/98 to prevent sawdust/debris buildup.

³ Used on rear bed rail to allow clearance for optional side support rollers.

8.2 Bed Rail Assembly, Middle

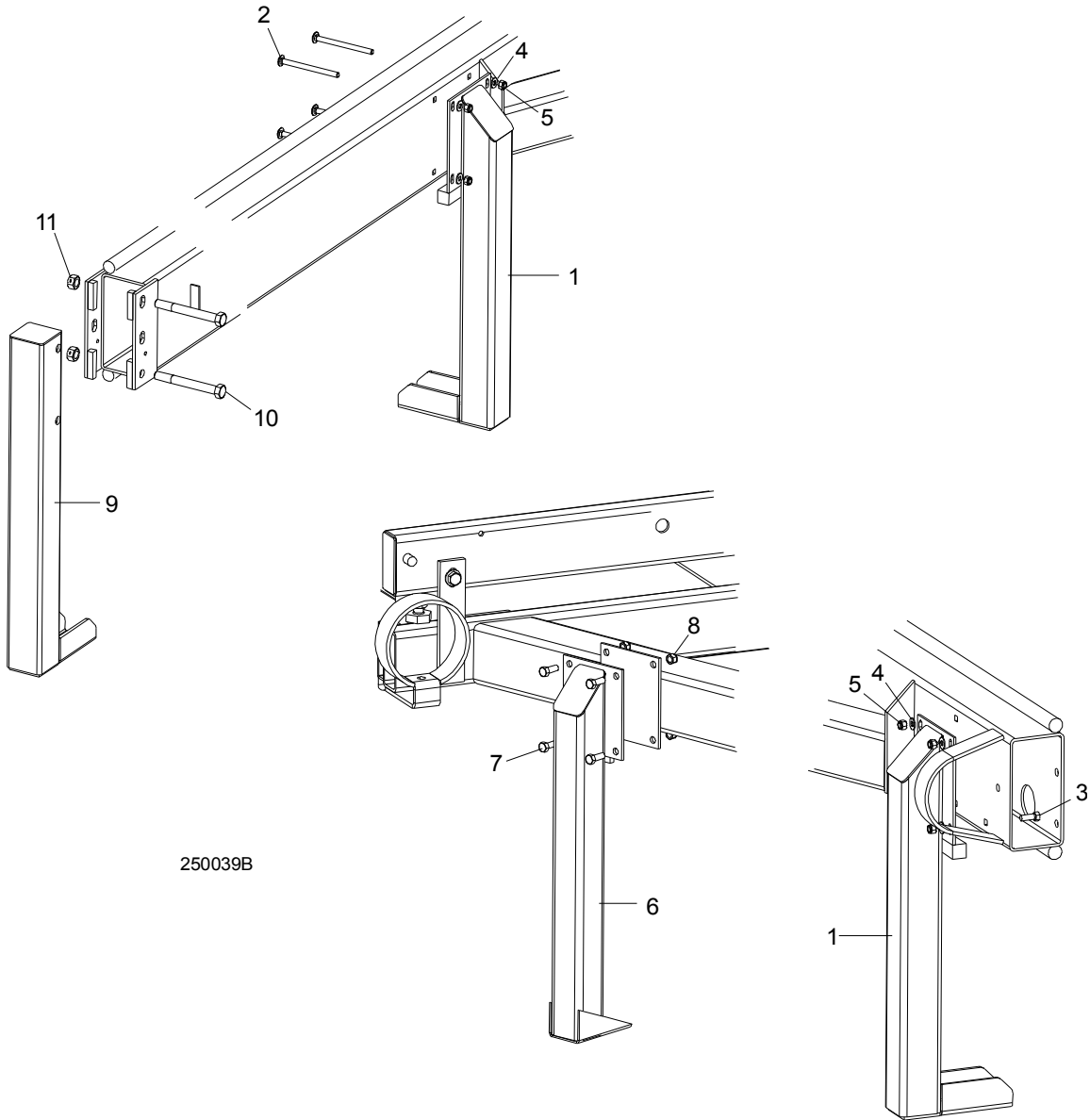


REF	DESCRIPTION (◆ Indicates Parts Available In Assemblies Only)	PART #	QTY.	
	BED RAIL ASSEMBLY, MIDDLE	A09566	2	
1	Bed Rail Tube, Short	S09103	1	◆
2	Pin, Ramp Mount	S04030	1	
3	Nut, 5/8-11 Pilot Weld	F05010-84 ¹	2	
4	Nut, 5/8-11 Hex	F05010-5 ¹	2	
5	Bolt, Bed Rail Adjustment	S13006 ¹	2	
6	Plate, Bed Rail End Cap	S04058 ²	2	◆
7	BOLT, 1/2-13 X 4" HEX HEAD GRADE 5	F05008-78 ³	4	
8	WASHER, 1/2" SAE FLAT	F05011-2	8	
9	NUT, 1/2-13 NYLON LOCK	F05010-8	4	
	COVER ASSEMBLY, STAINLESS STEEL BED RAIL (LONG)	A09956	2	
10	Cover, Stainless Steel Bed Rail	S09944	1	◆
11	Bolt, 5/16-18 X 2 1/2" Hex Head	F05006-10	3	
12	Nut, 5/16-18 Hex Lock	F05010-6	3	
13	WRENCH, BED RAIL ADJUSTMENT	015970	1	

8**Bed Frame Assembly***Bed Rail Assembly, Middle*

- ¹ Bed Rail Adjustment Bolt S13006 zinc-plated 11/99. Two unplated 5/8-11 Hex Nuts F05010-54 replaced with one 5/8-11 Pilot Weld Nut F05010-84 and one 5/8-11 Zinc-Plated Hex Nut F05010-5. Component parts replace assembly A09775 previously supplied.
- ² End caps added 6/98 to prevent sawdust/debris buildup.
- ³ F05008-78 Grade 5 bolt replaces F05008-26 bolt originally supplied prior to 5/03.

8.3 Leg, Stationary



250039B

REF	DESCRIPTION (◆ Indicates Parts Available In Assemblies Only)	PART #	QTY.
1	LEG, LONG STATIONARY (2 REQ'D FOR LT30HD; 3 REQ'D FOR LT40HD)	W09513	2/3
2	BOLT, 3/8-16 X 5" CARRIAGE HEAD	F05007-113 ¹	8
	BOLT, 3/8-16 X 5" HEX HEAD GRADE 2	F05007-5 ¹	8
3	BOLT, 3/8-16 X 1" HEX HEAD GRADE 2 (REQ'D FOR REAR LT40HD ONLY)	F05007-7	4
4	WASHER, 3/8" SAE FLAT	F05011-3 ²	8/12
5	NUT, 3/8-16 HEX NYLON LOCK	F05010-10	8/12

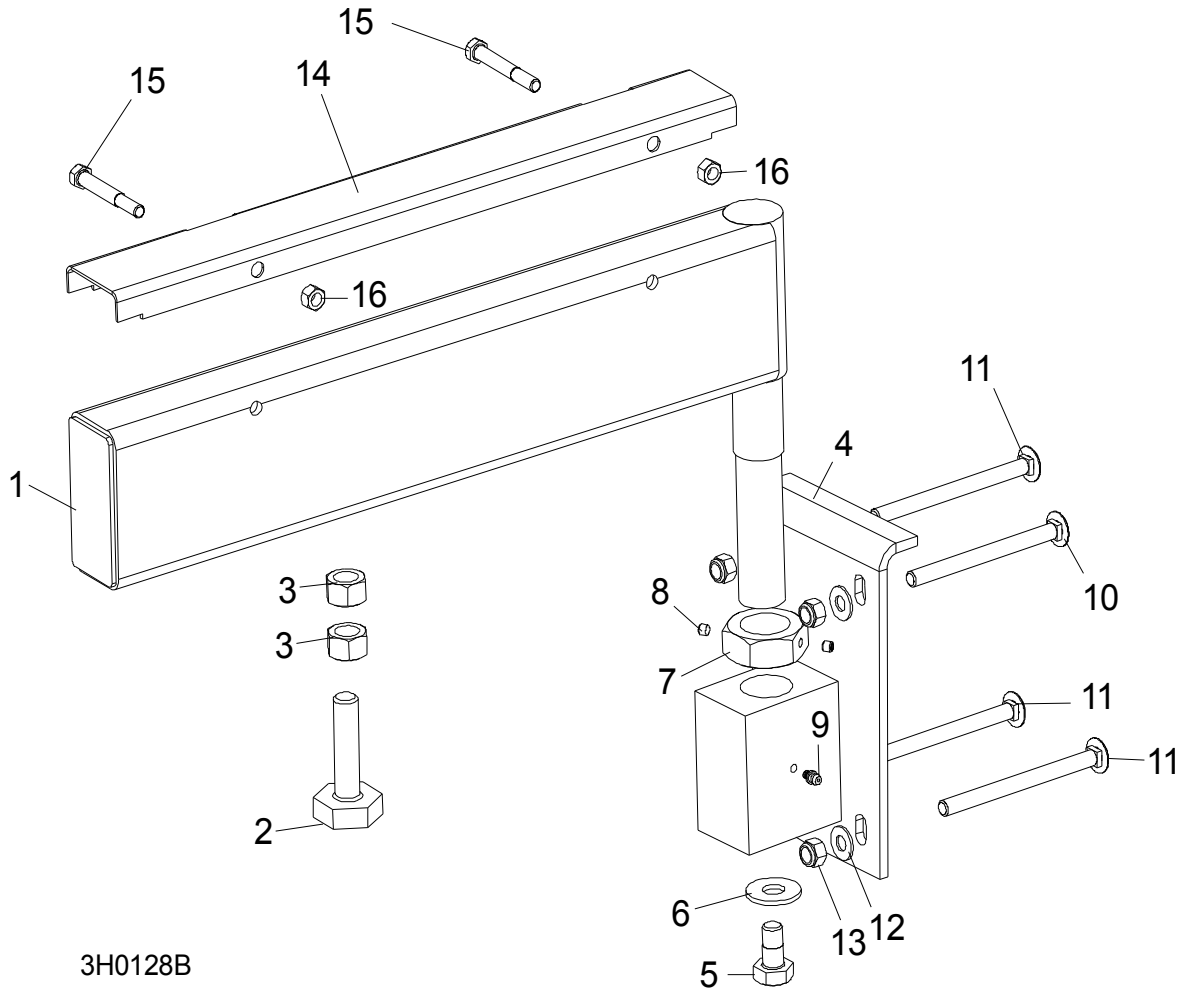
8**Bed Frame Assembly***Leg, Stationary*

6	LEG, SHORT STATIONARY	W09515	2	
7	BOLT, 3/8-16 X 1" HEX HEAD GRADE 2	F05007-7	8	
8	NUT, 3/8-16 HEX NYLON LOCK	F05010-10	8	
9	LEG, LT40HD FRONT STATIONARY	W09517	1	
10	BOLT, 5/8-11 X 5 1/2" HEX HEAD GRADE 5	F05009-11	2	
11	NUT, 5/8-11 HEX LOCK	F05010-4	2	

¹ Carriage bolts F05007-113 used on LT30HD Rev. F9535+, LT30HD Super Rev. F9040+, LT40HD Rev. F9824+, LT40HD Super Rev. F9437+. Use hex head bolts F05007-5 on prior revisions.

² Washers added 5/98.

8.4 Pivot Bed Rail Assembly



3H0128B

REF	DESCRIPTION (◆ Indicates Parts Available In Assemblies Only)	PART #	QTY.	
	PIVOT BED RAIL ASSEMBLY (LT30HD)	012993	2	
	PIVOT BED RAIL ASSEMBLY (LT40HD)	A13015	2	
1	Pivot Bed Rail Weldment (LT30HD)	012992	1	◆
	Pivot Bed Rail Weldment (LT40HD)	W13014	1	◆
	Bolt Assembly, Bed Rail Adjustment	A09775	1	
2	Bolt, Bed Rail Adjustment	S13006	1	
3	Nut, 5/8-11 Hex	F05010-54	2	
4	Bracket, Pivot Rail Mounting	W13090	1	
5	Bolt, 1/2-13 x 1" Hex Head Grade 2	F05008-50	1	
6	Washer, 9/16" SAE Flat	F05011-52	1	
7	Nut, Pivot Bed Rail Adjustment	S13016	1	
8	Screw, 1/4-28 x 1/4" Brass Tip Set	F05005-42	2	

8

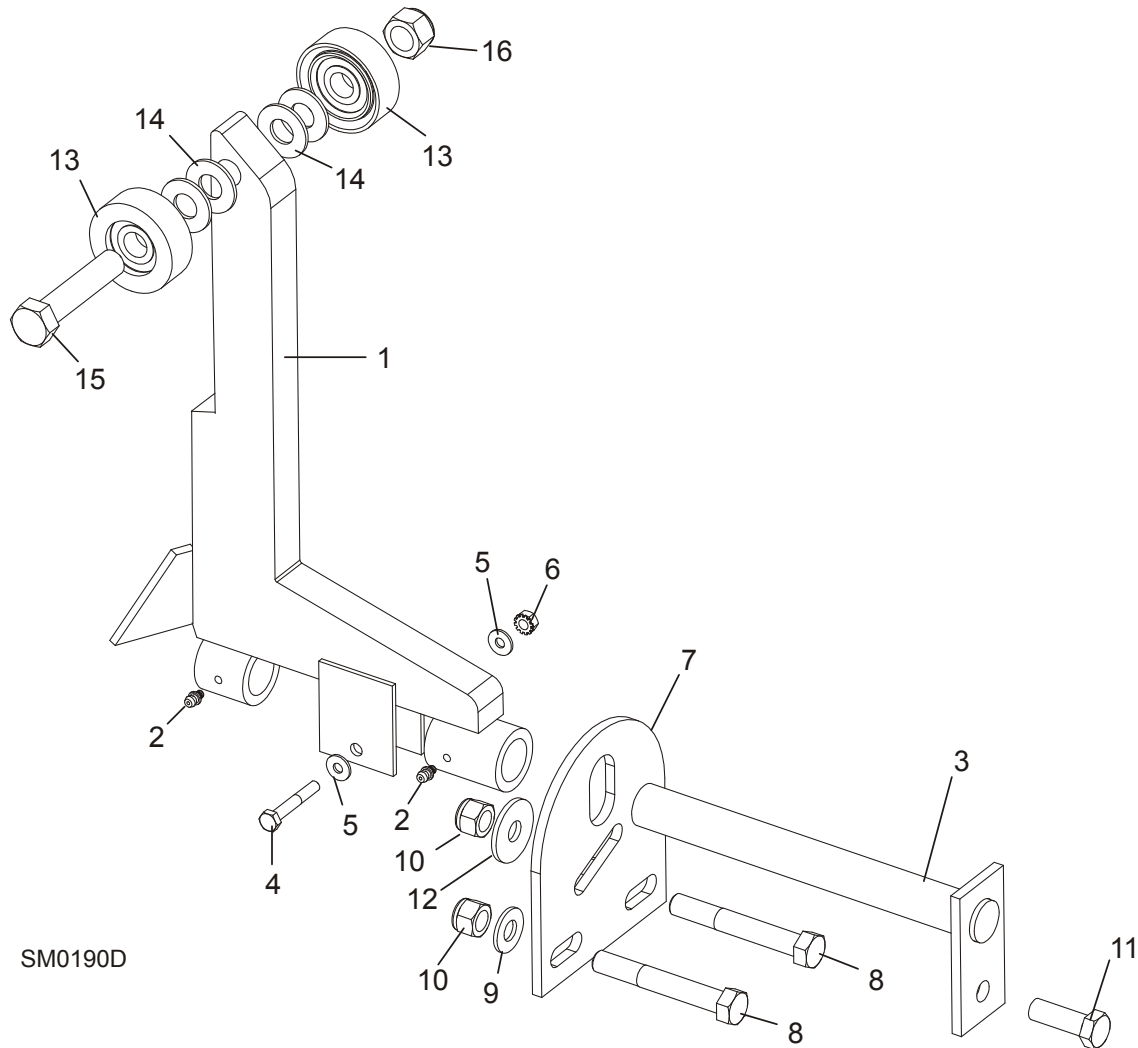
Bed Frame Assembly*Pivot Bed Rail Assembly*

9	Fitting, 3/16" Grease	P04107	1	
10	BOLT, 3/8-16 X 4 3/4" CARRIAGE HEAD	F05007-114 ¹	2	
	BOLT, 3/8-16 X 4 3/4" HEX HEAD GRADE 5	F05007-109 ¹	2	
11	BOLT, 3/8-16 X 5" CARRIAGE HEAD	F05007-113 ¹	6	
	BOLT, 3/8-16 X 5" HEX HEAD GRADE 2	F05007-5 ¹	8	
12	WASHER, 3/8" SAE FLAT	F05011-3	8	
13	NUT, 3/8-16 NYLON LOCK	F05010-10	8	
	COVER KIT, PIVOT RAIL STAINLESS STEEL (LT40HD)	017710	2	
	COVER KIT, PIVOT RAIL STAINLESS STEEL (LT30HD)	015926	2	
14	Cover, Stainless Steel Pivot Bed Rail (LT40HD)	S13012	1	
	Cover, Stainless Steel Pivot Bed Rail (LT30HD)	012994	1	
15	Bolt, 5/16-18 X 2 1/2" Hex Head	F05006-10	2	
16	Nut, 5/16-18 Hex Lock	F05010-6	2	
	WRENCH, BED RAIL ADJUSTMENT (NOT SHOWN)	015970	1	

¹ Carriage bolts F05007-114 and F05007-113 used on LLT30HD Rev. F9535+, LT30HD Super Rev. F9040+, LT40HD Rev. F9824+, LT40HD Super Rev. F9437+. Use hex head bolts F05007-109 and F05007-5 on prior revisions.

8.5 Log Side Support Assembly (Manual)

[See Section 10.7](#) for hydraulic side supports



REF	DESCRIPTION (◆ Indicates Parts Available In Assemblies Only)	PART #	QTY.
1	SUPPORT, LOG SIDE	015235 ¹	2
2	Fitting, 3/16" Grease	P04107	2
	MOUNTING KIT, LOG SIDE SUPPORT	K09440	2
3	Pin, Log Side Support Pivot	W09238	1
4	Bolt, 1/4-20 X 1 1/2" Hex Head Grade 5	F05005-4	1
5	Washer, 1/4" SAE Flat	F05011-11	2
6	Nut, 1/4-20 Self Locking	F05010-9	1
7	Plate, Log Side Support End	S09148	1
8	Bolt, 1/2-13 X 3 1/2" Hex Head	F05008-61	2
9	Washer, 1/2" SAE Flat	F05011-2	4

8

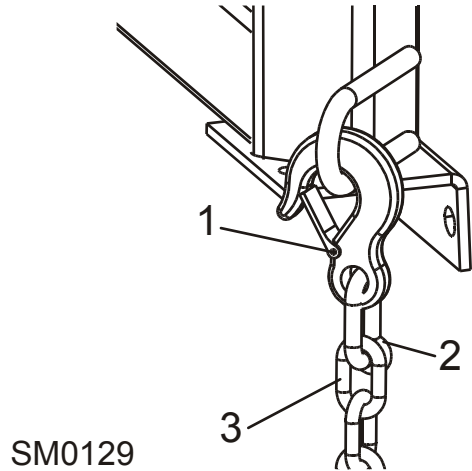
Bed Frame Assembly*Log Side Support Assembly (Manual)*

10	Nut, 1/2-13 Hex Nylon Lock	F05010-8	3	
11	Bolt, 1/2-13 X 1 1/2" Hex Head	F05008-33	1	
12	WASHER, .5" X 1.63" SERRATED	F05011-90 ²	1	
	ROLLER KIT, SIDE SUPPORT (OPTIONAL)	015109	4	
13	Roller Assembly, Side Support	015014	2	
14	Washer, 5/8" SAE Flat	F05011-5	4	
15	Bolt, 5/8-11 x 3" Hex Head Grade 5	F05009-37	1	
16	Nut, 5/8-11 Nylon Lock	F05010-34	1	
	Instruction Sheet, Side Support Roller	015109-526	1	

¹ Replaces W12566 originally supplied. Side support redesigned for added strength.

² Replaces F05011-2 1/2" SAE Flat Washer originally supplied. Serrated washer helps maintain side support adjustment.

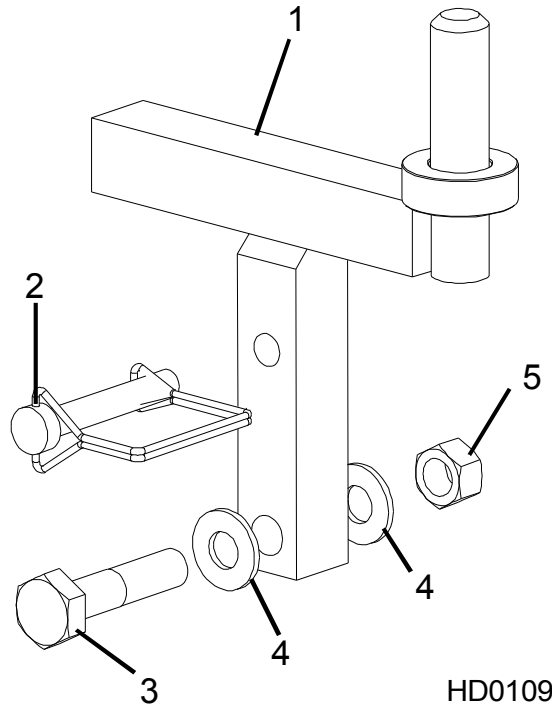
8.6 Tie Down Chain Assembly



REF	DESCRIPTION (◆ Indicates Parts Available In Assemblies Only)	PART #	QTY.	
	CHAIN ASSEMBLY, TIE DOWN	A04376	1	
1	Hook, 5/8" Safety Chain	P12075	1	◆
2	Cold Shut, 3/8" Plain	P04772-2	1	◆
3	Chain, 5/16" Unplated	R02111	.938 ft.	◆

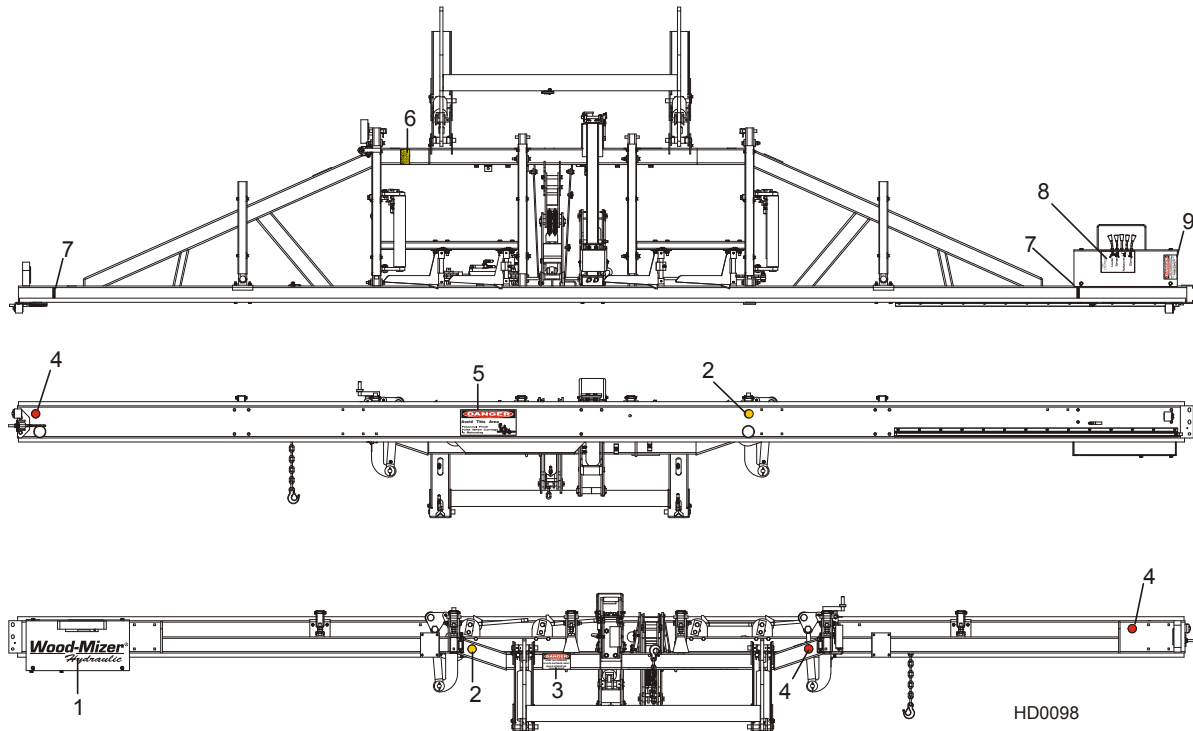
8 **Bed Frame Assembly**
Saw Head Rest Pin Assembly

8.7 Saw Head Rest Pin Assembly



REF	DESCRIPTION (◆ Indicates Parts Available In Assemblies Only)	PART #	QTY.
1	PIN, SAW HEAD REST ('96 HD)	014102	1
2	PIN, 3/8" X 2 1/4" SNAP RETAINER	014151	1
3	BOLT, 1/2-13 X 2 1/4" HEX HEAD GRADE 5	F05008-10	1
4	WASHER, 1/2" SAE FLAT	F05011-2	2
5	NUT, 1/2-13 HEX LOCK	F05010-3	1

8.8 Bed Frame Decals



REF	DESCRIPTION (◆ Indicates Parts Available In Assemblies Only)	PART #	QTY.
1	DECAL, WOOD-MIZER HYDRAULIC LOGO	S12573	1
	DECAL, WOOD-MIZER SUPER HYDRAULIC LOGO	014168	1
2	DECAL, AMBER REFLECTIVE 2" ROUND	P07453	2
3	DECAL, KEEP AWAY DANGER	S09851	1
4	DECAL, RED REFLECTIVE 2" ROUND	P07452	3
5	DECAL, PINCH POINT DANGER	P10287	1
6	DECAL, SAW HEAD REST CAUTION	S12581	1
7	DECAL, LOG LIMIT STRIPE	S12051	2
8	DECAL, HYDRAULIC CONTROL OPERATION	014013	1
9	DECAL, HYDRAULIC KEEP AWAY DANGER	P12961	1

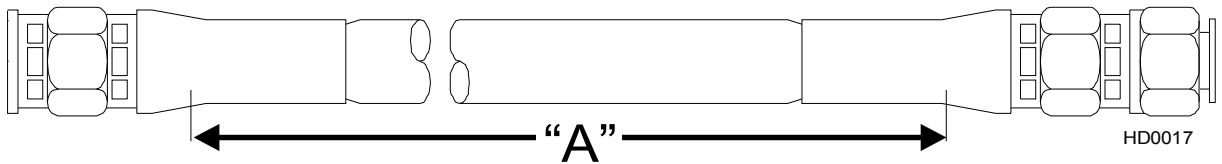
SECTION 9 MISCELLANEOUS

9.1 Replacement Manuals

REF	DESCRIPTION (◆ Indicates Parts Available In Assemblies Only)	PART #	QTY.
Wood-Mizer Product Information			
1	ALL-PRODUCTS CATALOG	PS750	1
Basic Sawmill Manuals			
2	TRU-SHARP BLADE HANDBOOK	M600	1
3	WOOD-MIZER GENERAL INFORMATION	M601	1
4	LT30HD/LT40HD OPERATOR'S MANUAL (1996)	M688	1
5	LT30HD/40HD PARTS MANUAL (1996)	M689	1
Power Option Manuals/Electrical Diagrams			
6	G24 ENGINE OPTION MANUAL (1996)	M598	1
7	ONAN P218/P220/P224 ENGINE SERVICE MANUAL	P12163	1
8	ONAN P224 ENGINE PARTS MANUAL	P12162	1
9	D40 ENGINE OPTION MANUAL (1996)	M662	1
10	LOMBARDINI DIESEL ENGINE WORKSHOP MANUAL	014282	1
11	G35 ENGINE OPTION MANUAL (1996)	M699	1
12	WISCONSIN ENGINE PARTS MANUAL	014445	1
13	WISCONSIN ENGINE REPAIR MANUAL	014446	1
14	E15 MOTOR OPTION MANUAL (1996)	M609	1
15	E20 MOTOR OPTION MANUAL (1996)	M663	1
16	E25 MOTOR OPTION MANUAL (1996)	M669	1
Trailer Option Manuals			
17	ELECTRIC BRAKE TRAILER OPTION (1996)	M667	1
18	SURGE BRAKE TRAILER OPTION (1996)	M756	1
Miscellaneous Option Manuals			
19	SHINGLE/LAPSIDER OPTION MANUAL	M903	1
20	OPERATOR'S SEAT OPTION MANUAL	M902	1
21	RESAW ATTACHMENT MASTER OPTION MANUAL	M263	1
22	BED EXTENSION OPTION MANUAL	M503	1
23	MKI DEBARKER ATTACHMENT OPTION MANUAL	M690	1
24	MKII DEBARKER ATTACHMENT OPTION MANUAL	M675	1
25	SETWORKS OPTION MANUAL	M888	1
26	LASER SIGHT OPTION MANUAL	M900	1

SECTION 10 HYDRAULIC SYSTEM

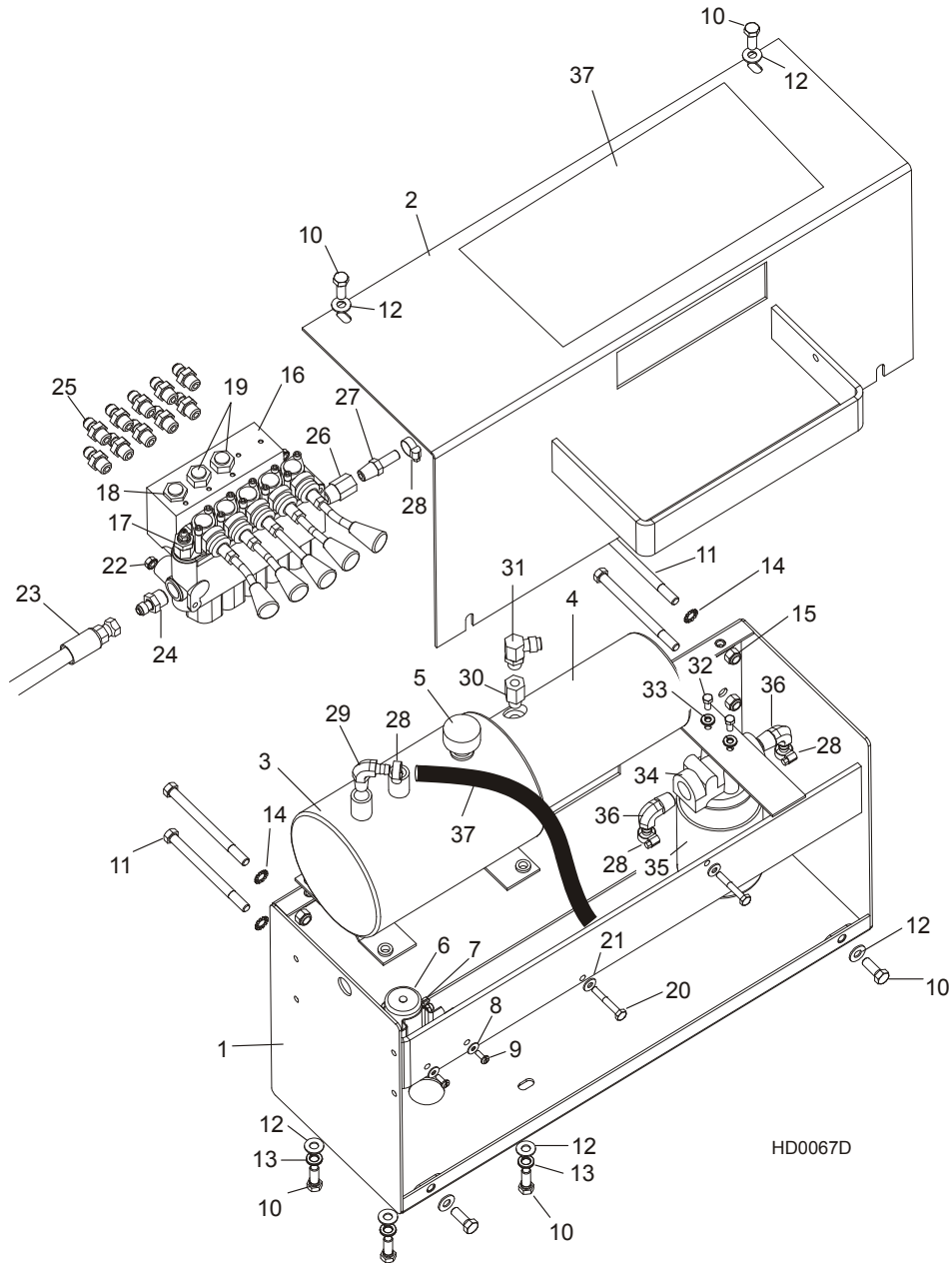
10.1 Hydraulic Hoses



COLOR	LENGTH "A"	DESCRIPTION (◆ Indicates Parts Available In Assemblies Only)	PART #	QTY.	
None	16"	HYDRAULIC PUMP TO VALVE	P12705 ¹	1	
Plain	14"	LOG TURNER CYLINDER BASE	P12533	1	
Orange	27"	LOG TURNER CYLINDER TOP	P12535	1	
Yellow	91"	FRONT TOE BOARD TOP (LT30HD)	P12540	1	
	113"	FRONT TOE BOARD TOP (LT40HD)	P12542	1	
Gray	91"	FRONT TOE BOARD BASE (LT30HD)	P12540	1	
	113"	FRONT TOE BOARD BASE (LT40HD)	P12542	1	
Pink	151"	SIDE SUPPORT CYLINDER BASE (LT30HD)	P12545	1	
	173"	SIDE SUPPORT CYLINDER BASE (LT40HD)	P12549	1	
White	142"	CLAMP CYLINDER TOP (LT30HD)	P12544	1	
	164"	CLAMP CYLINDER TOP (LT40HD)	P12548	1	
Dark Orange	135"	CLAMP CYLINDER BASE (LT30HD)	P12543	1	
	157"	CLAMP CYLINDER BASE (LT40HD)	P12546	1	
Plain	159"	SIDE SUPPORT CYLINDER TOP (LT30HD)	P12547	1	
	186"	SIDE SUPPORT CYLINDER TOP (LT40HD)	P12550	1	
Purple	186"	REAR TOE BOARD TOP (LT30HD)	P12550	1	
	208"	REAR TOE BOARD TOP (LT40HD)	P12551	1	
Black	186"	REAR TOE BOARD BASE (LT30HD)	P12550	1	
	208"	REAR TOE BOARD BASE (LT40HD)	P12551	1	
Green	52"	LOADING ARM BRANCH TOP	P12537	2	
Yellow	55"	LOADING ARM BRANCH BASE	P12538	2	
Blue	151"	LOADING ARM CYLINDER TOP (LT30HD)	P12545	1	
	173"	LOADING ARM CYLINDER TOP (LT40HD)	P12549	1	
Red	151"	LOADING ARM CYLINDER BOTTOM (LT30HD)	P12545	1	
	173"	LOADING ARM CYLINDER BOTTOM (LT40HD)	P12549	1	

¹ 16" hose replaces 22" hose originally supplied before solenoid moved 5/96.

10.2 Hydraulic Control Box



REF	DESCRIPTION (◆ Indicates Parts Available In Assemblies Only)	PART #	QTY.
1	BOX, HYDRAULIC PUMP HOUSING	W12852	1
2	COVER, HYDRAULIC PUMP HOUSING	W12849	1
3	PUMP KIT, HYDRAULIC W/MOTOR	061764 ¹	1
	Pump, Hydraulic Replacement Monarch Model #12070	016199	1
	Motor Kit, Hydraulic Replacement	052807	1

4	Motor, 12 VDC Hydraulic Pump #08714 (Iskra)	038683 ²	1	◆
	Brush Kit, 4-Valve Hydraulic Pump Motor #08658-I (Iskra)	038682 ²	1	
	Brush Kit, 4-Valve Hydraulic Pump Motor #08658	P09585 ²	1	◆
	Bearing, Base Motor #02318	P12513	1	
	Wire Assembly, Motor Brush Ground	052806 ³	1	
5	Cap, Hydraulic Pump Vented Fill #03171	P12817	1	
	O-Ring, Hydraulic Pump/Reservoir #02352	P10198	1	
	Seal, Hydraulic Pump/Motor #02330	P10315	1	
6	SOLENOID KIT, 200A 12V SPST	015783 ⁴	1	
7	NUT, #10-24 SELF-LOCKING HEX	F05010-14	2	
8	WASHER, #10 SAE FLAT	F05011-18	2	
9	BOLT, #10-24 X 1/2" SLOTTED PAN HEAD	F05004-1	2	
	FLUID, 1-QUART DEXRON III HYDRAULIC	P12742	2 1/4 gal.	
	FLUID, 1-GALLON CONOCO MV32 HYDRAULIC	006397 ⁵	2 1/4 gal.	
	FLUID, 1-GALLON EXXON UNIVIS HVI 13⁶ HYDRAULIC	P12822	2 1/4 gal.	
10	BOLT, 3/8-16 X 1" HEX HEAD GRADE 5	F05007-87	8	
11	BOLT, 3/8-16 X 5" CARRIAGE HEAD	F05007-113 ⁷	4	
	BOLT, 3/8-16 X 5" HEX HEAD GRADE 2	F05007-5 ⁷	4	
12	WASHER, 3/8" SAE FLAT	F05011-3	8	
13	WASHER, 3/8" SPLIT LOCK	F05011-4	4	
14	WASHER, 3/8" EXTERNAL STAR LOCK	F05011-36	4	
15	NUT, 3/8-16 HEX NYLON LOCK	F05010-10	4	
16	VALVE, HYDRAULIC 5-HANDLE	014218 ⁸	1	
	Handle Kit, Hydraulic 5-Handle Valve 07151	018040	1	
	Switch, Hydraulic Valve Electric	024198 ⁹	1	
	Operators, Spool	014218-1	1	
	Rack, Paddles	014218-3	1	
	Spring Kit, Centering w/Bolts	014218-4	1	
	Pin Kit, Paddle	014218-5	1	
	Paddle, Valve Operator	014218-6	1	
	Bracket, Micro Switch Mount	014218-7	1	
17	Valve, Main Relief 07184	014218-8	1	
	Valve Kit, Low-Pressure Check Replacement	014534	1	
18	Valve, Low-Pressure Check 07186	014533	1	◆
	Instruction Sheet, Check Valve Replacement	A12869-649	1	◆
	Valve Kit, High-Pressure Check Replacement	A12869	1	
19	Valve, High-Pressure Check 04282	P12844	2	◆
	Instruction Sheet, Check Valve Replacement	A12869-649	1	◆
20	BOLT, 1/4-20 X 1 3/4" HEX HEAD GRADE 2	F05005-4	2	
21	WASHER, 1/4" SAE FLAT	F05011-11	2	
22	NUT, 1/4-20 HEX SELF-LOCKING HEX	F05010-9	2	

10

Hydraulic System

Hydraulic Control Box

23	HOSE W/FITTINGS, 3/8" DIA. X 16" HYDRAULIC	P12705 ¹⁰	1	
24	FITTING, #8 SAE - #6 JIC HOSE	P12703	1	
25	FITTING, 3/8" O-RING - 1/4" JIC	P26284	10	
26	FITTING, #8 SAE MALE - 3/8" NPT FEMALE	P12706	1	
27	FITTING, 3/8" NPT - 3/8" HOSE BARB	P12724	1	
28	CLAMP, 11/16" HOSE	P12739	4	
29	FITTING, #6-6 (3/8" NPT) - 3/8" HOSE BARB ELBOW	P12708	1	
30	FITTING, #6 SAE - #6 NPT ADAPTOR	P12723	1	
31	FITTING, #6 SAE - 3/8" JIC ELBOW	P12704	1	
32	BOLT, 1/4-20 X 1/2" HEX HEAD	F05005-15	2	
33	WASHER, 1/4" SPLIT LOCK	F05011-14	2	
34	MANIFOLD, HYDRAULIC CARTRIDGE FILTER	P22683	1	
35	Filter, S28 Hydraulic Cartridge	P20301	1	
36	FITTING, #6-8 (1/2" NPT) - 3/8" HOSE BARB ELBOW	P12707	2	
37	DECAL, 1996 HYDRAULIC CONTROL BOX	014013	1	
38	HOSE, 3/8" LOW PRESSURE HYDRAULIC	R01892-1	A/R	

¹ Pump Kit 061764 replaces Pump P12701 1/09. Kit includes P12701 plus Brush Ground Wire Kit 052805 to insure adequate ground connection.

² Bosch motor P09955 replaced by vendor with Iskra motor 1/06. Brush kit P09585 no longer available to service Bosch motor. Replace motor using kit 052807. Use Brush Kit 038682 to service Iskra motor.

³ Brush Ground Wire 052806 added 7/06 to improve ground connection. Kit 052805 to be supplied to all customers who purchased sawmills with Iskra pump motors after 1/06. Kit includes wire, hardware and instructions.

⁴ Solenoid supplied separately from pump and mounted to valve bracket after 5/96. Flat base solenoid #3301 replaces curved base solenoid #03336. Solenoid bracket may be bent to fit mount on motor. 015783 solenoid kit includes 200 amp solenoid 015470 to replace P09595 100 amp solenoid.

⁵ Conoco MV32 Fluid 006397 replaces Univis HVI 26 Fluid P12823 (formerly named J26) used prior to 1/08. Fluids are interchangeable.

⁶ Formerly named J13.

⁷ Carriage bolts used on LT30HD Rev. F9535+, LT30HD Super Rev. F9040+, LT40HD Rev. F9824+, LT40HD Super Rev. F9437+. Use hex head bolts on prior revisions.

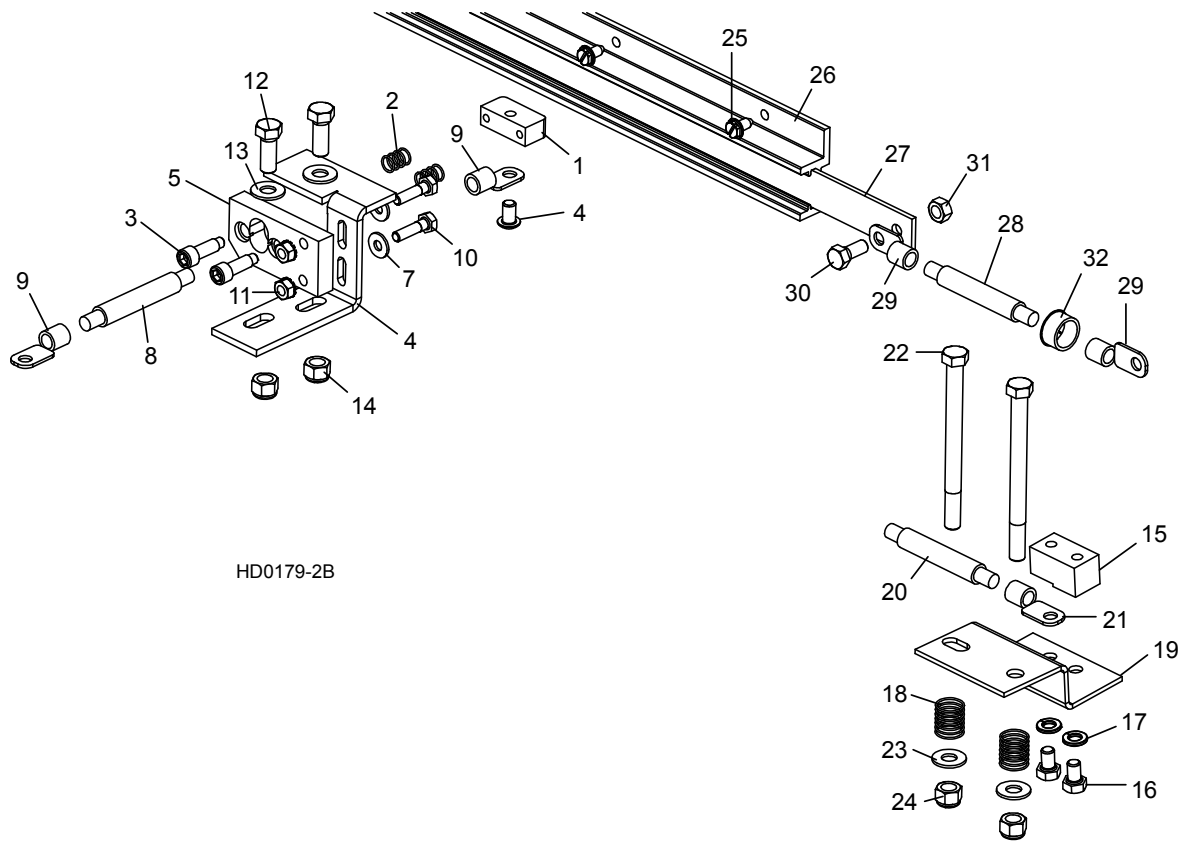
⁸ Use 014218 on all 1996 models Rev. F8+. P12700 valve only applies to pre-1996 models (Rev. E7 - F7).

⁹ Saleable service assembly created which includes 014765 3-wire switch and crimped terminals (7/97). 014765 3-wire switch directly replaces P12735 2-wire switch (4/97).

¹⁰ 16" hose replaces 22" hose originally supplied before solenoid moved 5/96.

10.3 Hydraulic Power Supply Strip

Retrofit



HD0179-2B

REF	DESCRIPTION (◆ Indicates Parts Available In Assemblies Only)	PART #	QTY.	
	CONTACT HARDWARE KIT	A10073-N	1	
	Contact Assembly, Hydraulic Power Supply (Positive)	A11971 ¹	1	
	Contact Kit, Hydraulic Power Supply Positive	007720	1	
1	Contact, Hydraulic Power Supply	014532	1	
2	Spring, Positive Contact	P10077	2	
3	Bolt, 5/16" X 3/4" Shoulder (1/4-20 Thread) Stainless	F05006-143 ²	2	
4	Bolt, 5/16-18 x 1/2" Socket Button Head	F05006-20	1	
5	Insulator, Positive Contact	S10072	1	
6	Bracket, Positive Contact Mounting	S11972	1	
7	Washer, 1/4" SAE Flat	F05011-11	2	
	Cable Assy, Hydraulic Positive Contact	015885	1	
8	Cable, #1 Weld	R01971	2.5 Ft	◆
9	Terminal, 5/16" Ring #1-2 Gauge	F05092-16	2	
10	Bolt, 1/4-20 X 1" Hex Head Grade 2	F05005-38	2	
11	Nut, 1/4-20 Hex Self-Locking	F05010-9	2	

10

Hydraulic System

Hydraulic Power Supply Strip

12	Bolt, 3/8-16 X 1" Hex Head Grade 5	F05007-87	2	
13	Washer, 3/8" SAE Flat	F05011-3	2	
14	Nut, 3/8-16 Hex Nylon Lock	F05010-10	2	
	Contact Assembly, Hydraulic Power Supply (Ground)	010102 ³	1	
	Contact Kit, Hydraulic Power Supply Ground	007721	1	
15	Contact, Hydraulic Power Supply (Ground)	014320	1	
16	Bolt, 5/16-18 X 1/2" Hex Head Grade 5	F05006-15	2	
17	Washer, 5/16" Split Lock	F05011-13	2	
18	Spring, Ground Contact	P04282	2	
19	Bracket, Ground Contact Mounting	S10067	1	
	Cable Assembly, Hydraulic Negative Contact	024676	1	
20	Cable, #1 Weld	R01971	2.2 Ft	◆
21	Terminal, 5/16" Ring #1-2 Gauge	F05092-16	1	
22	Bolt, 3/8-16 X 4 1/2" Hex Head Grade 2	F05007-35	2	
23	Washer, 3/8" SAE Flat	F05011-3	2	
24	Nut, 3/8-16 Hex Nylon Lock	F05010-10	2	
	CONTACT 6' STRIP ASSEMBLY	A12042-N	1	
25	Screw, 1/4-20 X 1/2" Slotted Hex Head	F05015-1	8 ⁴	
26	Housing, 6' Contact Strip	P11976	1	
	Strip, 6' Contact With Cable	A12043-N	1	
27	Strip, 6' Contact	S10075	1	◆
28	Cable, #1 Weld	R01971	3 Ft	◆
29	Terminal, 5/16" Ring #1-2 Gauge	F05092-16	2	
30	Bolt, 5/16-18 X 3/4" Hex Head Black Nylon	F05006-45	1	
31	Nut, 5/16-18 Hex Black Nylon	F05010-86	1	
	Tube, 5/8" Heat Shrink	R01950-5	.10 Ft	◆
32	Grommet, 5/8" Wire	P04137	1	

¹ Kit A11971 includes updated contact and hardware. [See Section 10.4](#) to service original components.

² Stainless Steel Bolt F05006-143 replaces F05006-44 to prevent corrosion (12/09).

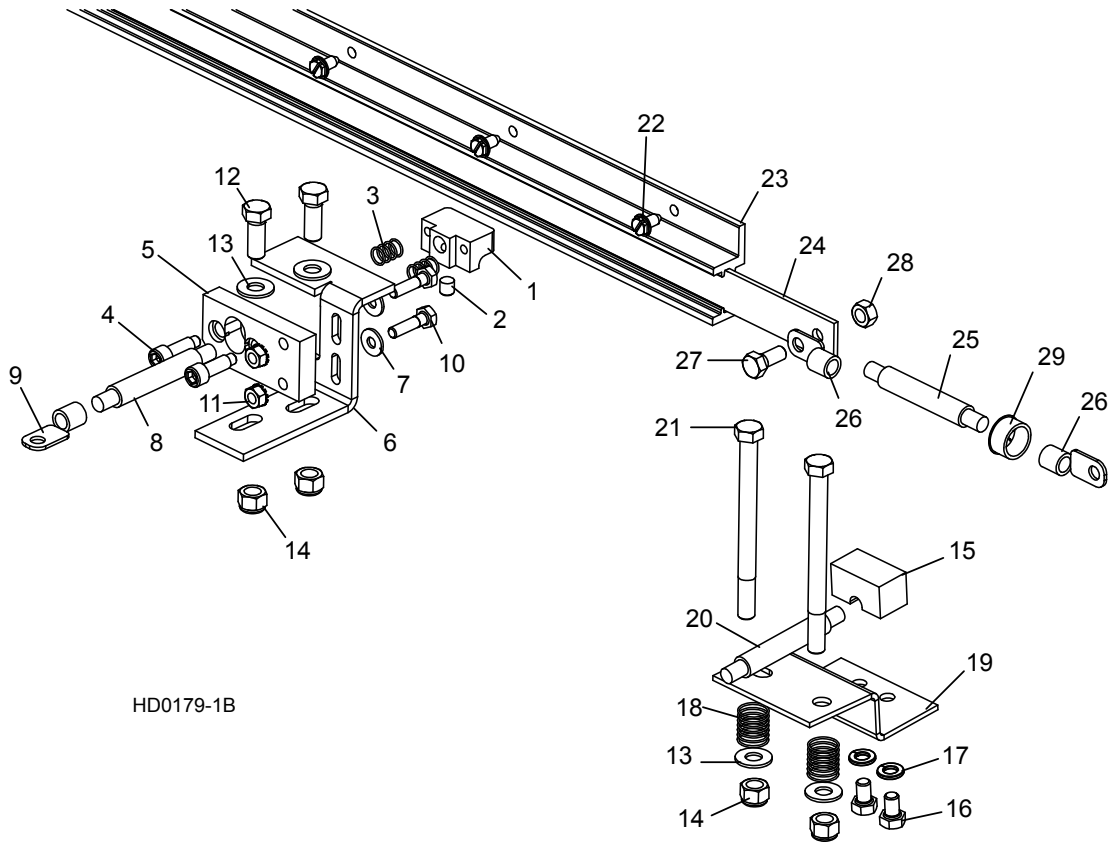
³ Kit 010102 includes updated contact and hardware. [See Section 10.4](#) to service original components.

⁴ Quantity changed from 14 to 8 (2/97).

10.4 Hydraulic Power Supply Strip

LT30HD
LT40HD

Rev. F8.00 - F9.01
Rev. F8.00 - F9.01



HD0179-1B

REF	DESCRIPTION (◆ Indicates Parts Available In Assemblies Only)	PART #	QTY.	
	CONTACT KIT, HYDRAULIC 6' POWER SUPPLY	A10130 ¹	1	◆
	Contact Hardware Kit	A10073-N	1	
	Contact Assembly, Hydraulic Power Supply (Positive)	A11971 ²	1	◆
	Contact Kit, Hydraulic Power Supply Positive	007718	1	
1	Contact, Hydraulic Power Supply w/Set Screw	S11970 ³	1	
2	Screw, 5/16-24 X 3/8 Socket Head Oval Point Set	F05006-40	1	
3	Spring, Positive Contact	P10077	2	
4	Bolt, 5/16" X 3/4" Shoulder (1/4-20 Thread) Stainless	F05006-143 ⁴	2	
5	Insulator, Positive Contact	S10072	1	
6	Bracket, Positive Contact Mounting	S11972	1	
7	Washer, 1/4" SAE Flat	F05011-11	2	
	Cable Assy, Hydraulic Positive Contact	015885	1	
8	Cable, #1 Weld	R01971	2.5 Ft	◆

10

Hydraulic System

Hydraulic Power Supply Strip

9	Terminal, 5/16" Ring #1-2 Gauge	F05092-16 ⁵	2	
10	Bolt, 1/4-20 X 1" Hex Head Grade 2	F05005-38	2	
11	Nut, 1/4-20 Hex Self-Locking	F05010-9	2	
12	Bolt, 3/8-16 X 1" Hex Head Grade 5	F05007-87	2	
13	Washer, 3/8" SAE Flat	F05011-3	4	
14	Nut, 3/8-16 Hex Nylon Lock	F05010-10	4	
	Contact Assembly, Hydraulic Power Supply (Ground)	A10066 ⁶	1	
	Contact Kit, Hydraulic Power Supply Ground	007719	1	
15	Contact, Hydraulic Power Supply (Ground)	S10048 ⁷	1	
16	Bolt, 5/16-18 X 1/2" Hex Head Grade 5	F05006-15	2	
17	Washer, 5/16" Split Lock	F05011-13	2	
18	Spring, Ground Contact	P04282	2	
19	Bracket, Ground Contact Mounting	S10067	1	
	Cable Assembly, Hydraulic Negative Contact	024676	1	
20	Cable, #1 Weld	R01971	2.2 Ft	◆
	Terminal, 5/16" 1-2Ga Ring	F05092-19	1	
21	Bolt, 3/8-16 X 4 1/2" Hex Head Grade 2	F05007-35	2	
	Contact 6' Strip Assembly	A12042-N	1	
22	Screw, 1/4-20 X 1/2" Slotted Hex Head	F05015-1	8 ⁸	
23	Housing, 6' Contact Strip	P11976	1	
	Strip, 6' Contact With Cable	A12043-N	1	
24	Strip, 6' Contact	S10075	1	◆
25	Cable, #1 Weld	R01971	3 Ft	◆
26	Terminal, 5/16" Ring #1-2 Gauge	F05092-16	2	
27	Bolt, 5/16-18 X 3/4" Hex Head Black Nylon	F05006-45	1	
28	Nut, 5/16-18 Hex Black Nylon	F05010-86	1	
	Tube, 5/8" Heat Shrink	R01950-5	.10 Ft	◆
29	Grommet, 5/8" Wire	P04137	1	

¹ A10130 Kit no longer available. Order contact kit A10073-N & strip assembly A12042-N.

² Kit A11971 includes updated parts ([See Section 10.3](#)). Use component parts to service original design.

³ Set screw included with block after 1/99. S11970 used until 8/96. Upgrade to 014532 requires new S10072 insulator pad, F05092-16 ring terminal, and F05006-20 bolt ([See Section 10.3](#)).

⁴ Stainless Steel Bolt F05006-143 replaces F05006-44 to prevent corrosion (12/09).

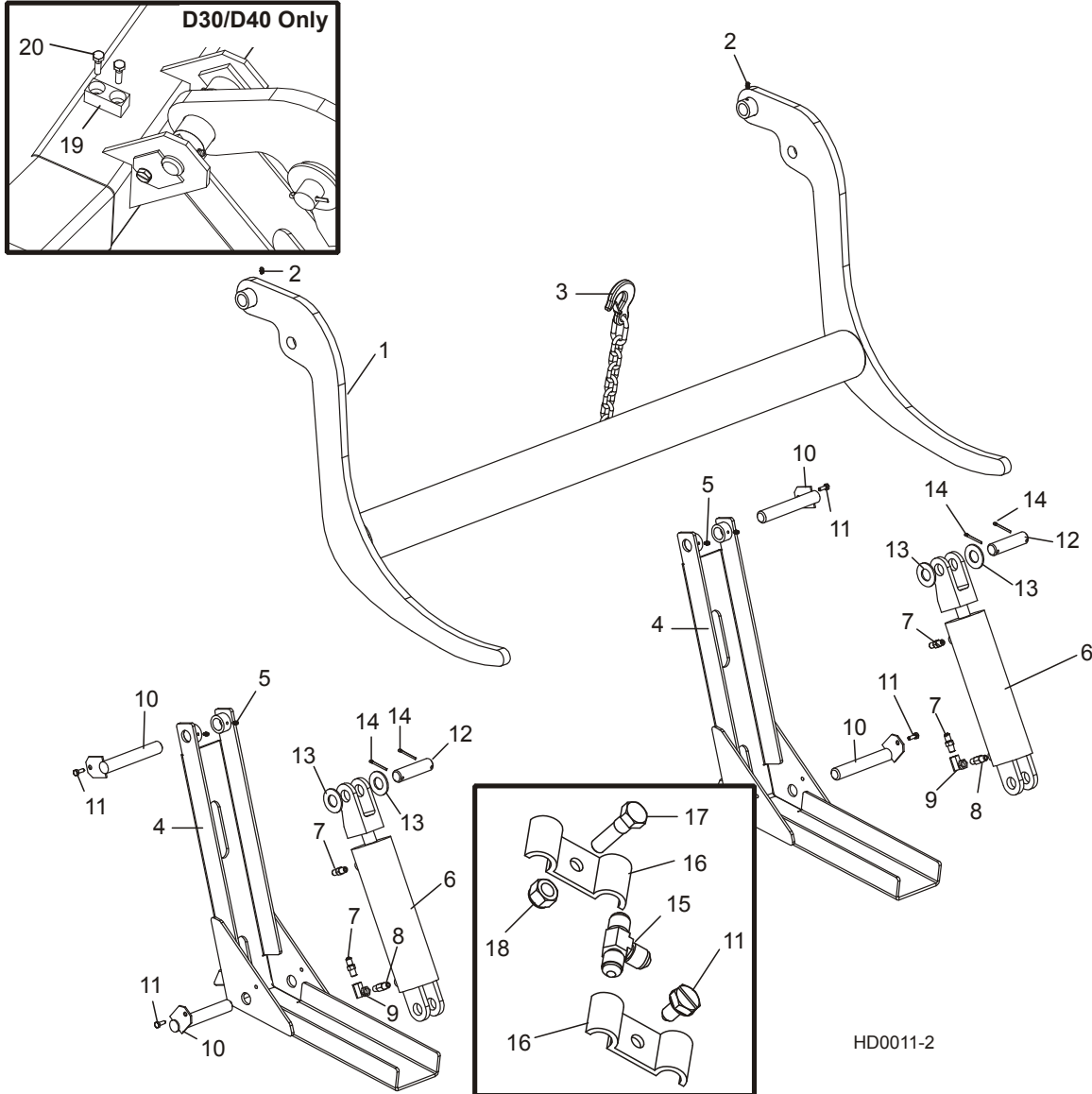
⁵ Additional ring terminal added with change of contact button 8/96.

⁶ Use kit 010102 to upgrade ground contact ([See Section 10.3](#)).

⁷ S10048 used until 3/96. Upgrade to 014320 requires ring terminal F05092-16 and button head bolt F05006-20 ([See Section 10.3](#)).

⁸ Quantity changed from 14 to 8 (2/97).

10.5 Hydraulic Log Loader



REF	DESCRIPTION (◆ Indicates Parts Available In Assemblies Only)	PART #	QTY.	
	LOADER KIT, HYDRAULIC LOG (LT30HD)	LTHDLA-30H	1	
	LOADER KIT, HYDRAULIC LOG (LT40HD)	LTHDLA	1	
1	Arm, Hydraulic Log Loading	W11805	1	
2	Fitting, 3/16" Grease	P04107	2	
3	Chain, Hydraulic Log Loader Safety	A04376	1	
4	Channel, Hydraulic Log Loading Foot	W09444	2	
5	Fitting, 3/16" Grease	P04107	2	
	Cylinder Assembly, Hydraulic Log Loading Arm	A09284 ¹	2	◆

10

Hydraulic System

Hydraulic Log Loader

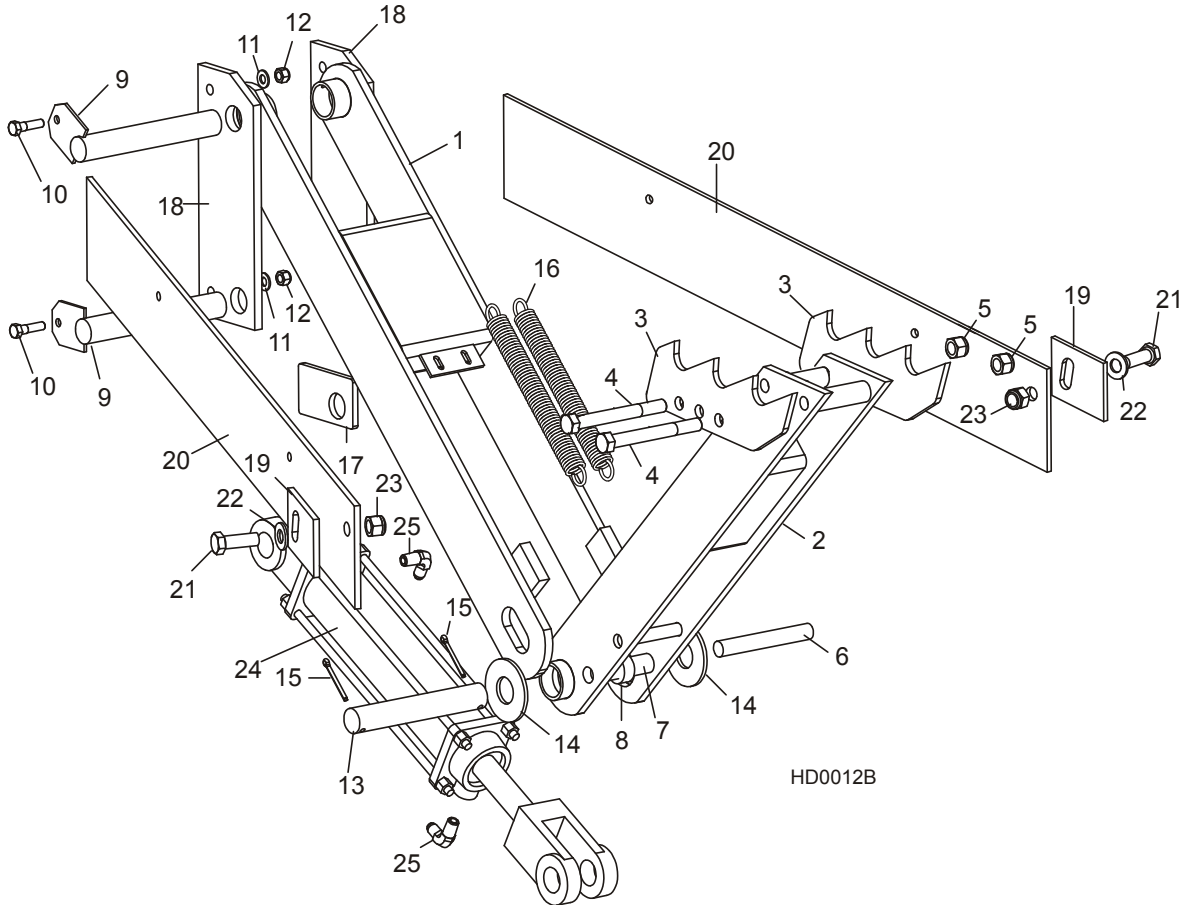
6	Cylinder, 8" X 3" Hydraulic	P12847	1	
	Seal Kit, 8" x 3" Hydraulic Cylinder	P12956	1	
7	Fitting, C5205x4x4 Male Connector	P09143	2	
	Fitting Kit, 1/4NPT 4.0GPM Velocity Fuse	015832	1	
8	Fitting, 1/4NPT 4.0GPM Velocity Fuse	015750 ²	2	◆
	Instruction Sheet, Velocity Fuse Replacement	015832-255	1	
9	Fitting, 0455x4x4 90° Swivel Elbow	P12199	1	
10	Pin, Loading Arm Mount	W09446	4	
11	Screw, 5/16-24 X 5/8" Self Tapping	F05015-15	8	
12	Pin, Loading Arm Cylinder Mount	S09251	2	
13	Washer, 1" SAE Flat	F05011-28	4	
14	Pin, 3/16" X 1 1/2" Cotter	F05012-23	4	
15	Fitting, C5705x5x4 Union 'T'	P09145	2	
16	Clamp, Hydraulic Hose	S09245	6	
17	Bolt, 5/16-18 X 3/4" Hex Head Grade 5	F05006-102 ³	2	
18	Nut, 5/16-18 Hex Lock	F05010-6	2	
	Hose Kit, Hydraulic Log Loader (LT30HD)	P10318	1	
	Hose Kit, Hydraulic Log Loader (LT40HD)	P09896	1	
19	BLOCK, LOADING ARM STOP (DIESEL MODELS ONLY)	014169	2	
20	BOLT, 1/4-20 X 1" SELF-TAPPING HEX HEAD	F05005-87	4	

¹ Cylinder assembly no longer available for service. Sell cylinder w/o fittings P12847 to insure compatibility of velocity fuses.

² Replaces 3.0GPM velocity fuse P11566 originally supplied.

³ Grade 5 Hex Head Bolt F05006-102 replaces self-tapping bolt F05006-30 to eliminate shearing of bolts head (4/08).

10.6 Hydraulic Log Turner



REF	DESCRIPTION (◆ Indicates Parts Available In Assemblies Only)	PART #	QTY.
	TURNER KIT, HYDRAULIC LOG (WITHOUT CYLINDER)	K09686	1
1	Arm, Hydraulic Log Turner Link	W09260	1
	Arm Assembly, Hydraulic Log Turner	A09258	1
2	Arm, Hydraulic Log Turner Painted	015233 ¹	1
3	Claw, Hydraulic Log Turner	014675 ²	2
4	Bolt, 1/2-13 X 4 1/2" Hex Head Grade 5	F05008-35	2
5	Nut, 1/2-13 Hex Nylon Lock	F05010-8	2
6	Pin, Log Turner Stop	S09211 ³	1
7	Spacer, Log Turner Stop Pin	S09913 ³	2
8	Collar, 5/8" I.D. With Set Screw	P05035 ³	1
9	Pin, Log Turner Mount	W09446	2
10	Bolt, 5/16-18 X 1" Hex Head Grade 2	F05006-1	2
11	Washer, 5/16 SAE Flat	F05011-17	2
12	Nut, 5/16-18 Hex Lock	F05010-6	2

10

Hydraulic System

Hydraulic Log Turner

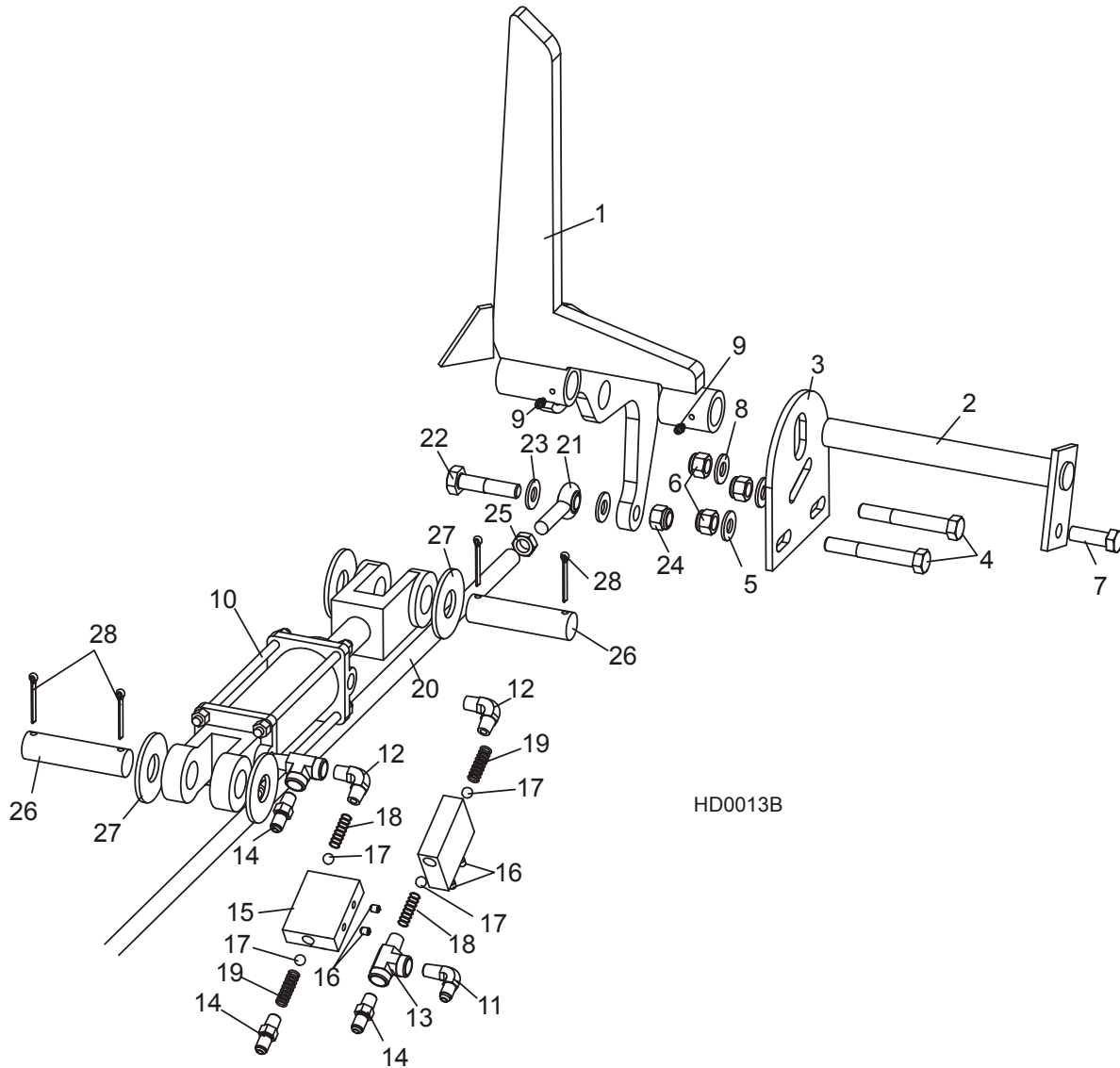
13	Pin, Log Turner Pivot	S09247	1	
14	Washer, 1" SAE Flat	F05011-28	2	
15	Pin, 3/16" X 1 1/2" Cotter	F05012-23	2	
16	Spring, Hydraulic Log Turner	P09136	2	
17	Plate, Log Turner Cylinder Mount	S09155	1	
18	Plate, Log Turner Brace Mount	S09109	2	
	Brace Assembly, Hydraulic Log Turner	A09606	2	
19	Plate, Log Turner Mount	S09604	1	◆
20	Plate, Log Turner Brace	S09605	1	◆
21	Bolt, 1/2-13 X 1 1/2" Hex Head Grade 5	F05008-33	1	
22	Washer, 1/2" SAE Flat	F05011-2	1	
23	Nut, 1/2-13 Hex Nylon Lock	F05010-8	1	
	Paint, Orange Aerosol	P04498	1	
	CYLINDER ASSEMBLY, HYDRAULIC LOG TURNER	A09286	1	
24	Cylinder, 8" X 2 1/2" Hydraulic	P12846	1	◆
	Seal Kit, 8" x 2 1/2" Hydraulic Cylinder	P12955	1	
25	Fitting, 90° Male Elbow	P09142	2	

¹ Turner arm 015233 replaces W12340 originally supplied. Requires change in quantity of F05008-35 bolts and F05010-8 nuts from 5 to 2.

² Painted claw 014675 replace unpainted S09146.

³ Parts not required if turner arm replaced after 5/97. New arm includes welded stop pin. S09913 replaces S09913-W (part number change only).

10.7 Hydraulic Log Side Supports



REF	DESCRIPTION (◆ Indicates Parts Available In Assemblies Only)	PART #	QTY.
1	SUPPORT, HYDRAULIC LOG SIDE	W12339	2
	MOUNTING KIT, HYDRAULIC LOG SIDE SUPPORT	K09344	2
2	Pin, Log Side Support Pivot	W09238	1
3	Plate, Log Side Support End	S09148	1
4	Bolt, 1/2-13 X 3 1/2" Hex Head	F05008-15	2
5	Washer, 1/2" SAE Flat	F05011-2	2
6	Nut, 1/2-13 Hex Nylon Lock	F05010-8	3
7	Bolt, 1/2-13 X 1 1/2" Hex Head Grade 5	F05008-33	1
8	Washer, .5" x 1.63" Serrated	F05011-90 ¹	1

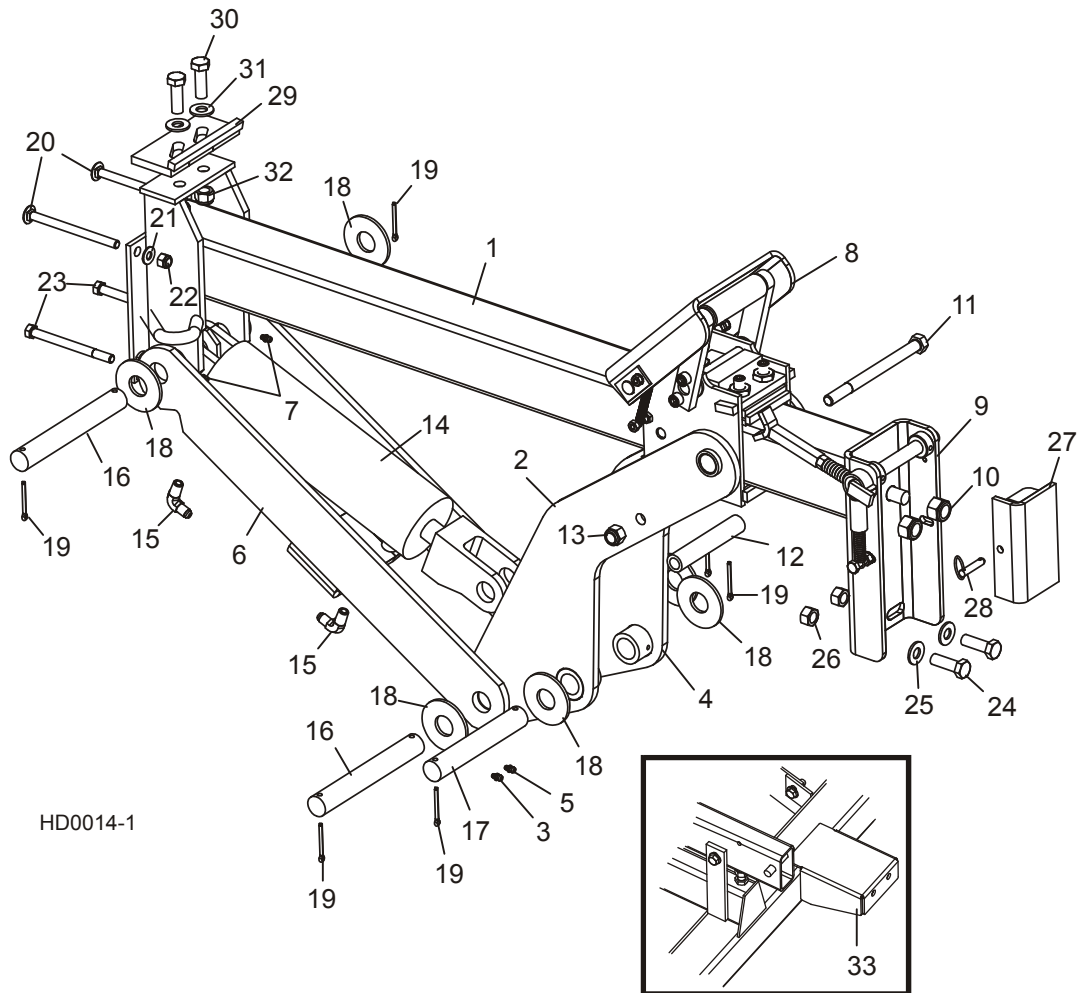
10

Hydraulic System Hydraulic Log Side Supports

9	FITTING, 3/16" GREASE	P04107	4	
	CYLINDER ASSEMBLY, HYDRAULIC LOG SIDE SUPPORT	A09283	1	
10	Cylinder, 6" X 2" Hydraulic	P12845	1	
	Seal Kit, 6" x 2" Hydraulic Cylinder	P12954	1	
11	Fitting, 90° Male Elbow	P09142	1	
12	Fitting, C3529x4 90° Pipe	P09140	2	
13	Fitting, C3759x4 Male 'T'	P09141	2	
14	Fitting, C5205x4x4 Male Connector	P09143	3	
	Valve Assembly, Hydraulic Sequence	A09207	2	
15	Block, Sequence Valve	S09205-W	1	◆
16	Plug, 1/16" NPT Pipe	P09206	2	
17	Ball, 3/8" Steel	P09133	2	◆
18	Spring, Hydraulic Sequence Valve	P09135	1	◆
19	Spring, Hydraulic Sequence Valve (Heavy)	P11644	1	◆
20	ROD, HYDRAULIC SIDE SUPPORT LINK	S12744	1	
21	END, 1/2" ROD	P09137	2	
22	BOLT, 1/2-13 X 2 1/4" HEX HEAD GRADE 5	F05008-10	2	
23	WASHER, 1/2" SAE FLAT	F05011-2	4	
24	NUT, 1/2-13 HEX NYLON LOCK	F05010-8	2	
25	NUT, 1/2-20 HEX JAM	F05010-16	1	
26	PIN, CYLINDER MOUNT	S09251	2	
27	WASHER, 1" SAE FLAT	F05011-28	4	
28	PIN, 3/16" X 1 1/2" COTTER	F05012-23	4	

¹ Replaces S09225 or 014632 Washer originally supplied. Serrated washer helps maintain side support adjustment.

10.8 Hydraulic Log Clamp Arm & Cylinder



REF	DESCRIPTION (◆ Indicates Parts Available In Assemblies Only)	PART #	QTY.
	CLAMP KIT, 30" HYDRAULIC LOG	K09465	1
	Clamp Assembly, 30" Hydraulic Log	A11792	1 ◆
1	Tube, 30" Hydraulic Log Clamp	W11802	1
2	Arm, 30" Hydraulic Log Clamp (Front)	W11793	1
3	Fitting, 3/16" Straight Grease	P04107	1
4	Arm, 30" Hydraulic Log Clamp (Rear)	W11795	1
5	Fitting, 3/16" Straight Grease	P04107	1
6	Arm, 30" Hydraulic Log Clamp Link	W11799	1
7	Fitting, 3/16" Straight Grease	P04107	2
8	Sliding Clamp Box & Plate Parts (See Section 10.9)		
9	Clamp End Plate Parts (See Section 10.11)		
10	Nut, 5/8-11 Hex Nylon Lock	F05010-34	2

10

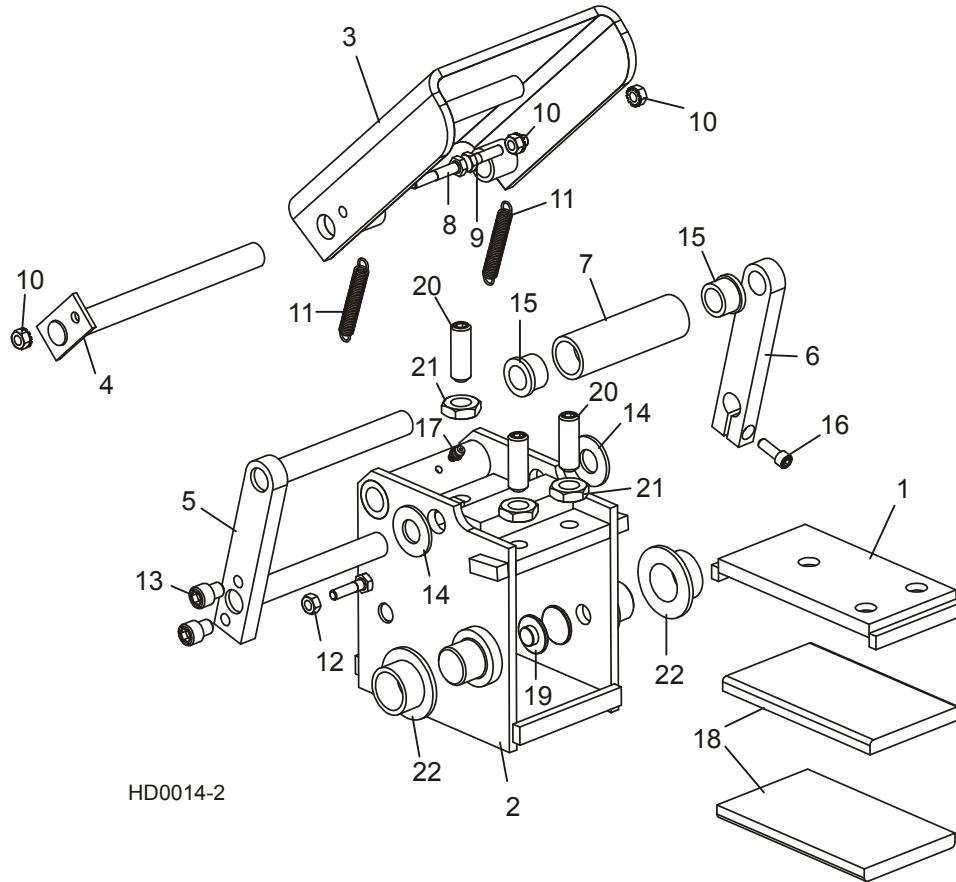
Hydraulic System

Hydraulic Log Clamp Arm & Cylinder

11	Bolt, 1/2-13 X 6 1/2" Hex Head	F05008-6	1	
12	Spacer, Clamp	S09493	1	
13	Nut, 1/2-13 Hex Nylon Lock	F05010-8	1	
	Cylinder Assembly, Hydraulic Log Clamp	A09285	1	
14	Cylinder, 8" X 3" Hydraulic	P12847	1	◆
	Seal Kit, 8" x 3" Hydraulic Cylinder	P12956	1	
15	Fitting, 90° Male Elbow	P09142	2	
16	Pin, Clamp Cylinder Mount	S09246	2	
17	Pin, Clamp Pivot	S09247	1	
18	Washer, 1" SAE Flat	F05011-28	6	
19	Pin, 3/16" X 1 1/2" Cotter	F05012-23	6	
20	Bolt, 3/8-16 X 5" Carriage Head	F05007-113 ¹	2	
	Bolt, 3/8-16 X 5" Hex Head Grade 2	F05007-5 ¹	2	
21	Washer, 3/8" SAE Flat	F05011-3	2	
22	Nut, 3/8-16 Hex Nylon Lock	F05010-10	2	
23	Bolt, 3/8-16 X 4 1/2" Hex Head Grade 2	F05007-35	2	
24	Bolt, 1/2-13 X 1 1/2" Hex Head Grade 5	F05008-33	2	
25	Washer, 1/2" SAE Flat	F05011-2	2	
26	Nut, 1/2-13 Hex Lock	F05010-3	2	
	Clamp Extension Assembly	A12208	1	
27	Clamp Extension, 3" Hydraulic	W09922	1	◆
28	Pin, 5/16" X 1" Retaining	F05012-45	1	
	CLAMP STOP KIT, HYDRAULIC LOG	K09485	1	
29	Plate, Clamp Stop	W09404	1	
30	Bolt, 1/2-13 X 1 1/2" Hex Head Grade 5	F05008-33	2	
31	Washer, 1/2" SAE Flat	F05011-2	2	
32	Nut, 1/2-13 Hex Nylon Lock	F05010-8	2	
33	BRACKET, LOG CLAMP SUPPORT	S11810	1	

¹ Carriage bolts F05007-113 used on LT30HD Rev. F9535+, LT30HD Super Rev. F9040+, LT40HD Rev. F9824+, LT40HD Super Rev. F9437+. Use hex head bolts F05007-5 on prior revisions.

10.9 Hydraulic Log Clamp Box/Plate



REF	DESCRIPTION (◆ Indicates Parts Available In Assemblies Only)	PART #	QTY.
1	PLATE, CLAMP SLIDE PAD MOUNT	W09422	1
	BOX/PLATE ASSEMBLY, HYDRAULIC CLAMP	A09635	1
2	Box Weldment, Hydraulic Clamp	W12069	1
3	Plate Weldment, Hydraulic Clamp	W12752 ¹	1
4	Pin Weldment, Hydraulic Clamp Plate Pivot	W09639	1
5	Arm, Clamp Prop	W09638	1
6	Plate, Clamp Prop Arm End	S09649	1
7	Spacer, Clamp Prop Arm	S09657	1
8	Bolt, 1/4-20 X 1 1/2" Hex Head Grade 2	F05005-5	1
9	Bolt, 1/4-20 X 1" Hex Head Grade 2	F05005-38	1
10	Nut, 1/4-20 Hex Self-Locking	F05010-9	4
11	Spring, .36 O.D. X 2.5" Extension	P11817	2
12	Nut, 1/4-20 Hex Lock	F05010-21	2
13	Screw, 3/8-16 X 1/2" Socket Head	F05007-50	2
14	Washer, 5/8" SAE Flat	F05011-5	2

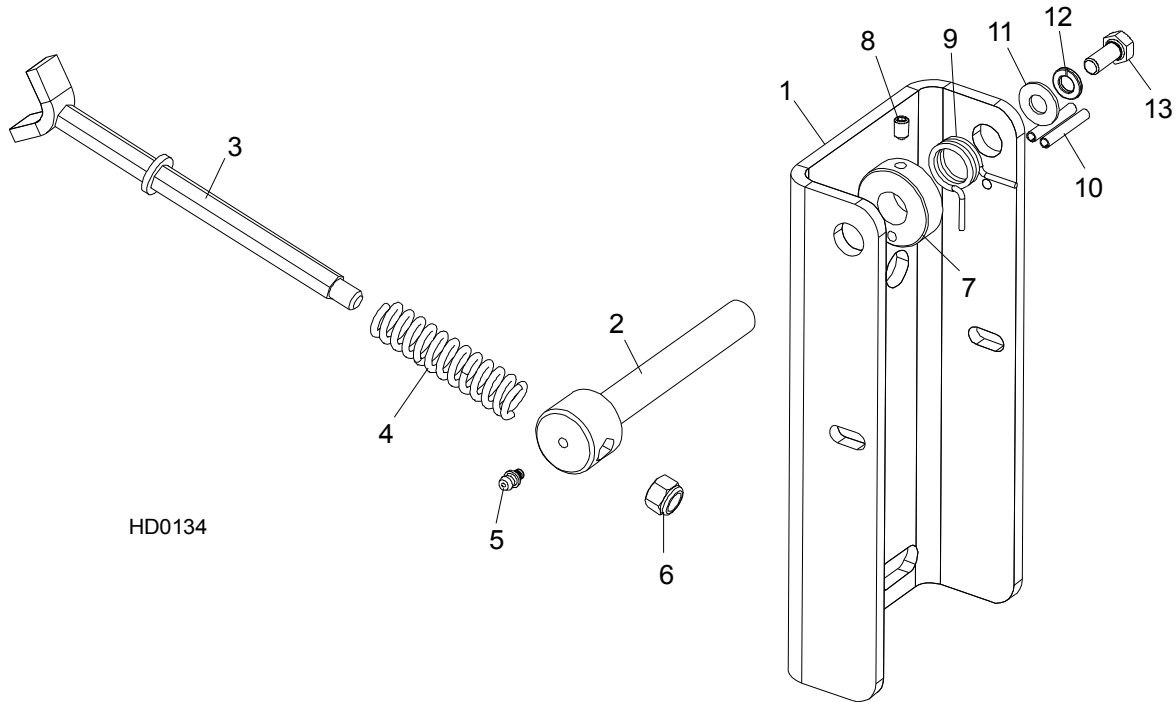
10**Hydraulic System***Hydraulic Log Clamp Box/Plate*

15	Bushing, 5/8" I.D. Bronze	P05135	2	
16	Screw, 1/4-20 X 3/4" Socket Head	F05005-26	1	
17	Fitting, 3/16" Straight Grease	P04107	1	
18	PAD, CLAMP BOX PLASTIC SLIDE	S09219	2	
19	BUTTON, BRONZE	S09167	4	
20	SCREW, 1/2-13 X 1 1/2" FLAT POINT SET	F05008-31	3	
21	NUT, 1/2-13 HEX JAM	F05010-31	3	
22	BEARING, HYDRAULIC CLAMP BRONZE	P09464	2	

¹ Use W12752 painted clamp plate to replace W12068 unpainted clamp plate.

10.10 Hydraulic Log Clamp End Plate

Retrofit



HD0134

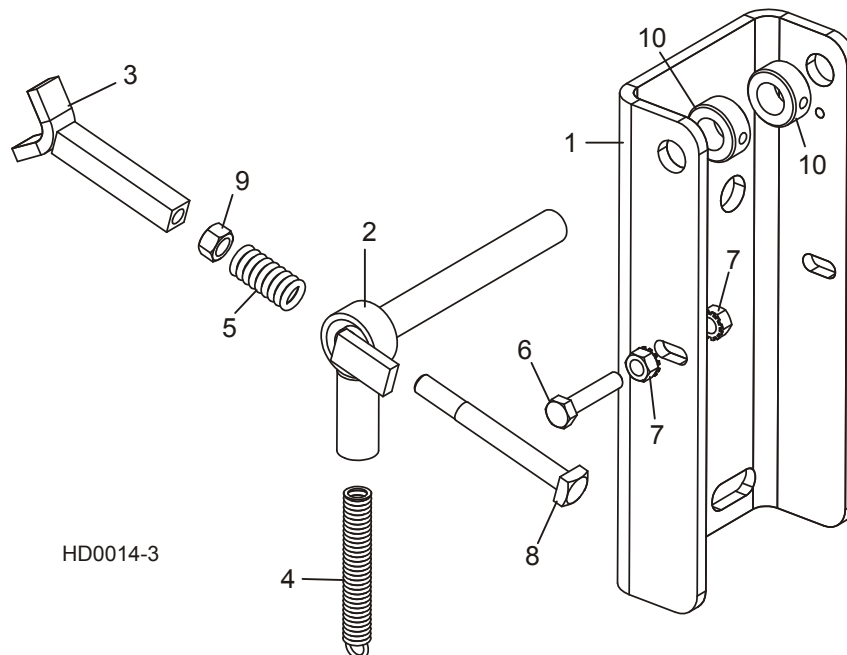
REF	DESCRIPTION (◆ Indicates Parts Available In Assemblies Only)	PART #	QTY.
	PLATE ASSEMBLY, HYDRAULIC CLAMP END	014614 ¹	1
1	Plate, Hydraulic Clamp End	S09660	1
2	Arm Pivot, Clamp Activator	014615	1
3	Arm, Clamp Activator	014613	1
4	Spring, Clamp Activator Compression	014617	1
5	Fitting, 3/16" Grease	P04107	1
6	Nut, 3/8-16 Hex Nylon Lock	F05010-10	1
7	Collar, Clamp Activator Arm	014616	1
8	Screw, 1/4-20 x 3/8" Socket Head Cup Point Set	F05005-47	1
9	Spring, Clamp Activator Torsion	014618	1
10	Pin, 3/16" x 1 1/4" Roll	F05012-16	2
11	Washer, 3/8" SAE Flat	F05011-3	1
12	Washer, 5/16" Split Lock	F05011-13	1
13	Bolt, 5/16-18 x 3/4" Hex Head	F05006-5	1

¹ Replaces A09640 originally supplied. Spring-loaded activator provides more consistent clamp operation.

10 Hydraulic System

Hydraulic Log Clamp End Plate

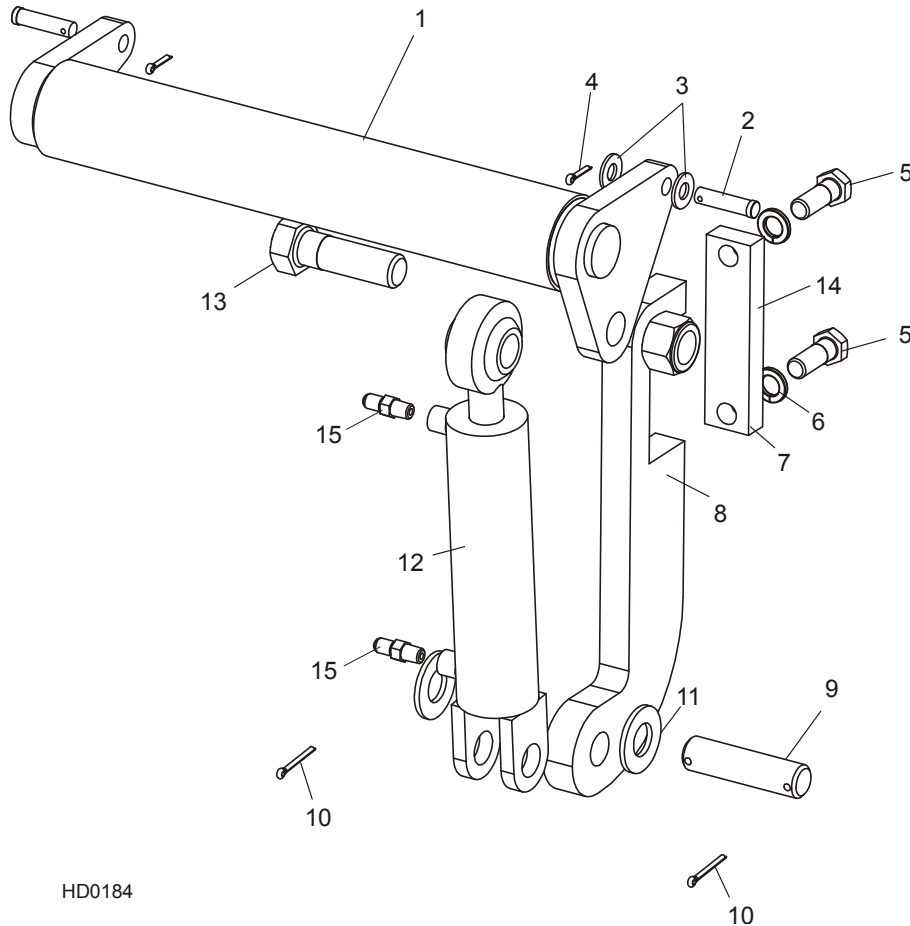
10.11 Hydraulic Log Clamp End Plate



REF	DESCRIPTION (◆ Indicates Parts Available In Assemblies Only)	PART #	QTY.	
	PLATE ASSEMBLY, HYDRAULIC CLAMP END	A09640 ¹	1	◆
1	Plate, Hydraulic Clamp End	S09660	1	
	Clamp Kit, Y-Activator	K12872	1	
2	Arm Pivot, Clamp Activator	W09642	1	
3	Arm, Clamp Activator	W09641-N	1	
4	Spring, .5 X 3.75 X .08 Extension Modified	S09661	1	
5	Spring, Clamp Die Compression	P09663	1	
6	Bolt, 5/16-18 X 1 1/2" Hex Head Full Thread	F05006-2	1	
7	Nut, 5/16-18 Hex Self-Retaining	F05010-20	2	
8	Bolt, 3/8-16 X 3 1/2" Square Head Grade 5	F05007-38	1	
9	Nut, 3/8-16 Hex	F05010-1	1	
10	Collar, 5/8" I.D.	P05035	2	

¹ Use 014614 to replace original activator assembly A09640 ([See Section 10.10](#)).

10.12 Hydraulic Toe Board



REF	DESCRIPTION (◆ Indicates Parts Available In Assemblies Only)	PART #	QTY.
1	TOE BOARD WELDMENT, HYDRAULIC	W13025	2
2	PIN, 1/2-1 3/4 CLEVIS	F05012-82 ¹	4
3	WASHER, 1/2" SAE FLAT	F05011-2 ²	8
4	PIN, 1/8 X 3/4" COTTER	F05012-3 ³	4
5	BOLT, 5/8-11 X 1 1/2" HEX HEAD	F05009-41 ⁴	4
6	WASHER, 5/8 SPLIT LOCK	F05011-27	4
7	PLATE, HYDRAULIC TOEBOARD MOUNT	S13023	2
8	BRACKET, HYDRAULIC TOEBOARD MOUNT	S13022	2
9	PIN, CYLINDER MOUNT	S09251	2
10	PIN, 3/16" X 1 1/2" COTTER	F05012-23	4
11	WASHER, 1" SAE FLAT	F05011-28	4
12	CYLINDER, 1 1/2" X 6" HYDRAULIC TOE BOARD	014482 ⁵	2
	Seal Kit, 1 1/2" x 6" Hydraulic Cylinder	014547	1

10**Hydraulic System***Hydraulic Toe Board*

13	BOLT, 1-8 X 3 1/2" HEX HEAD GRADE 5	F05009-50	2	
14	NUT, 1-8 HEX NYLON LOCK	F05010-109	2	
	FITTING, 90° MALE ELBOW	P09142 ⁶	2	

¹ Clevis pin replaces F05008-25 bolt (8/96). Use of clevis pin also requires F05012-3 cotter pin.

² Four washers removed from frame-side pivot to increase clearance for easier assembly.

³ Cotter pin replaces F05010-8 nut (8/96). Use of cotter pin also requires F05012-82 clevis pin.

⁴ Replaces F05009-33 1 3/4" Bolt originally supplied.

⁵ 014482 1 1/2" x 6" Rod End In Line Ports Cylinder Replaces 014426 1 1/2" x 6" Cylinder (6/96). Replaces P13582 2" x 6" Cylinder originally supplied before LT30HD F8534, LT40HD F8715, LT30HD Super F8011, & LT40HD Super F8188. Also requires two 90° fittings P09142.

⁶ Replaces P09143 Straight Fittings used with 1 1/2" x 6" Cylinder.

INDEX

B

- battery box 5-14
- bed rails
 - front/rear 8-1
 - middle 8-3
 - pivot 8-7
- blade guide
 - drive side 2-3
 - idle side 2-1
 - throat screw 4-1
- blade guide arm
 - arm & rollers 2-7
 - motor & drive 2-5
- blade tensioner 3-7
- blade wheel
 - drive side 3-1, 3-3
 - idle side 3-5

C

- clutch/brake lever 4-3, 4-7, 4-9
- control box 5-1, 5-3, 5-5, 5-7
 - circuit breakers (G.S.) 5-10
 - drum switches 5-9
 - front panel & harnesses 5-11, 5-13
- covers 4-15, 4-18

D

- decals
 - bed 8-13
 - saw head 4-13

F

- fuse box 5-16

H

- hydraulic
 - control box 10-2
 - hoses 10-1
 - log clamp arm/cylinder 10-15
 - log clamp box/plate 10-17
 - log clamp end plate 10-20
 - log clamp end plate (retrofit) 10-19
 - log loader 10-9
 - log turner 10-11
 - power strip 10-5, 10-7
 - side support 10-13
 - toe board 10-21

L

- legs
 - stationary 8-5

M

- manuals 9-1

P

- parts list
 - how to use 1-1
- power feed
 - chain and stop 7-5
 - motor/drive 7-3

S

- safety chain 8-11

saw head rest pin 8-12

sawdust chute 4-15

scale

blade height 6-4

side supports 8-9

sight gauge 6-3

T

track rollers

lower 7-6, 7-7

upper 7-1

U

up/down

chain & sprockets 6-6

drive (standard) 6-8, 6-10

drive (super) 6-12

v-brace mount 6-1, 6-2

W

water lube

bottle/tray assembly 4-11

solenoid valve 4-2