

# Wood-Mizer<sup>®</sup> Sawmill

## Parts Manual

---

LT25  
LT25L/LT27

rev. E3.03 - E3.05  
rev. E3.03 - E3.05

---



**Safety is our #1 concern!** Read and understand all safety information and instructions before operating, setting up or maintaining this machine.

*January 2004*

*Form #1177*

# Table of Contents

# Section-Page

|                  |   |            |
|------------------|---|------------|
| <b>SECTION 1</b> | <b>GENERAL INFORMATION</b>              | <b>1-1</b> |
| 1.1              | How To Use The Parts List .....         | 1-1        |
| 1.2              | Sample Assembly .....                   | 1-1        |
| <b>SECTION 2</b> | <b>BLADE GUIDE ROLLERS &amp; ARM</b>    | <b>2-1</b> |
| 2.1              | Blade Guide Assembly, Idle Side.....    | 2-1        |
| 2.2              | Blade Guide Assembly, Drive Side.....   | 2-3        |
| 2.3              | Blade Guide Arm.....                    | 2-5        |
| <b>SECTION 3</b> | <b>BLADE WHEELS &amp; TENSIONER</b>     | <b>3-1</b> |
| 3.1              | Blade Drive Assembly.....               | 3-1        |
| 3.2              | Idle Blade Wheel Assembly .....         | 3-3        |
| 3.3              | Hydraulic Blade Tensioner Assembly..... | 3-4        |
| <b>SECTION 4</b> | <b>SAW HEAD</b>                         | <b>4-1</b> |
| 4.1              | Middle Throat Screw .....               | 4-1        |
| 4.2              | Clutch Lever Assembly .....             | 4-2        |
| 4.3              | Clutch Mount Assembly.....              | 4-4        |
| 4.4              | Water Lube Assembly .....               | 4-5        |
| 4.5              | Saw Head Decals .....                   | 4-7        |
| 4.6              | Blade Housing Covers .....              | 4-8        |
| 4.7              | Drive Belt Covers .....                 | 4-10       |
| 4.8              | Sawdust Chute .....                     | 4-11       |
| 4.9              | Battery Box Assembly.....               | 4-12       |
| <b>SECTION 5</b> | <b>UP/DOWN SYSTEM</b>                   | <b>5-1</b> |
| <b>SECTION 6</b> | <b>SAW HEAD MOUNT &amp; SCALES</b>      | <b>6-1</b> |
| 6.1              | Saw Head Mount .....                    | 6-1        |
| 6.2              | Blade Height & Quarter Scales .....     | 6-2        |
| <b>SECTION 7</b> | <b>FEED SYSTEM &amp; TRACK ROLLERS</b>  | <b>7-1</b> |
| 7.1              | Upper Track Rollers And Wipers.....     | 7-1        |
| 7.2              | Manual Feed .....                       | 7-3        |
| 7.3              | Lower Track Rollers.....                | 7-5        |
| <b>SECTION 8</b> | <b>BED FRAME ASSEMBLY</b>               | <b>8-1</b> |
| 8.1              | Bed Rail Assembly, Front And Rear.....  | 8-1        |
| 8.2              | Bed Rail Assembly, Middle Front.....    | 8-3        |
| 8.3              | Bed Rail Assembly, Middle Rear.....     | 8-4        |

## Table of Contents

## Section-Page

|                  |                                     |      |            |
|------------------|-------------------------------------|------|------------|
| 8.4              | Leg Assembly (Stationary).....      | 8-6  |            |
| 8.5              | Pivot Bed Rail Assembly.....        | 8-8  |            |
| 8.6              | Log Side Support Assembly.....      | 8-10 |            |
| 8.7              | Safety Chain Assembly.....          | 8-12 |            |
| 8.8              | Bed Frame Decals.....               | 8-13 |            |
| 8.9              | Log Clamp.....                      | 8-14 |            |
| 8.10             | Log Loading Ramps.....              | 8-15 |            |
| 8.11             | Board Outfeed Table (Optional)..... | 8-16 |            |
| <b>SECTION 9</b> | <b>MISCELLANEOUS</b>                |      | <b>9-1</b> |
| 9.1              | Replacement Manuals.....            | 9-1  |            |
|                  | <b>INDEX</b>                        |      | <b>I</b>   |

## SECTION 1 GENERAL INFORMATION

### 1.1 How To Use The Parts List

- Use the table of contents or index to locate the assembly that contains the part you need.
- Go to the appropriate section and locate the part in the illustration.
- Use the number pointing to the part to locate the correct part number and description in the table.
- Parts shown indented under another part are included with that part.
- Parts marked with a diamond (◆) are only available in the assembly listed above the part.

See the sample table below. Sample Part #A01111 includes part F02222-2 and subassembly A03333. Subassembly A03333 includes part S04444-4 and subassembly K05555. The diamond (◆) indicates that S04444-4 is not available except in subassembly A03333. Subassembly K05555 includes parts M06666 and F07777-77. The diamond (◆) indicates M06666 is not available except in subassembly K05555.

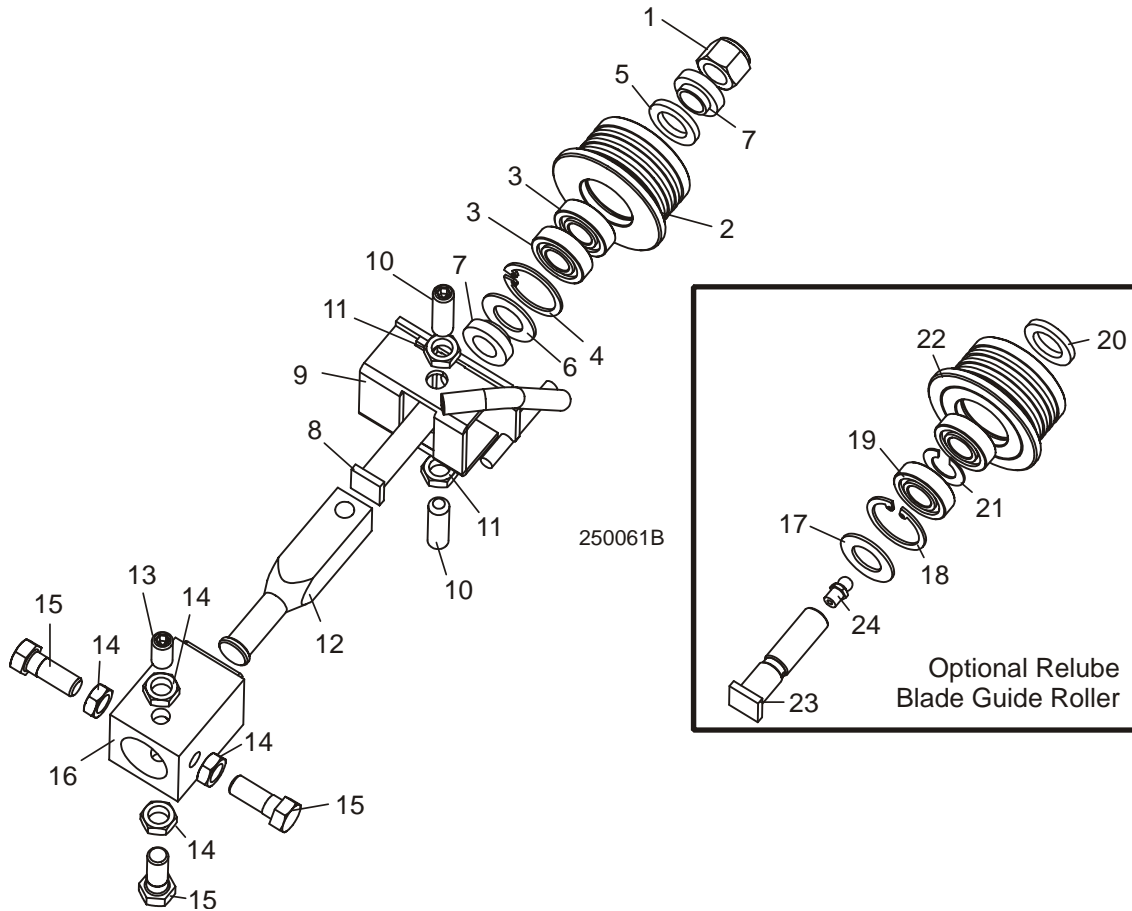
| <b>1.2 Sample Assembly</b> |  |           |      |   |
|----------------------------|--|-----------|------|---|
| REF                        | DESCRIPTION (◆ Indicates Parts Available In Assemblies Only)         | PART #    | QTY. |   |
|                            | <b>SAMPLE ASSEMBLY, COMPLETE (INCLUDES ALL INDENTED PARTS BELOW)</b> | A01111    | 1    |   |
| 1                          | Sample Part  | F02222-22 | 1    |   |
|                            | Sample Subassembly (Includes All Indented Parts Below)               | A03333    | 1    |   |
| 2                          | Sample Part (◆ Indicates Part Is Only Available With A03333)         | S04444-4  | 1    | ◆ |
|                            | Sample Subassembly (Includes All Indented Parts Below)               | K05555    | 1    |   |
| 3                          | Sample Part (◆ Indicates Part Is Only Available With K05555)         | M06666    | 2    | ◆ |
| 4                          | Sample Part  | F07777-77 | 1    |   |

#### To Order Parts:

- From the continental U.S., call **1-800-525-8100** to order parts. Have your customer number, vehicle identification number, and part numbers ready when you call.
- From other international locations, contact the Wood-Mizer distributor in your area for parts.

## SECTION 2 BLADE GUIDE ROLLERS & ARM

### 2.1 Blade Guide Assembly, Idle Side



| REF | DESCRIPTION (◆ Indicates Parts Available In Assemblies Only) | PART #    | QTY. |   |
|-----|--|-----------|------|---|
|     | <b>BLADE GUIDE ASSEMBLY, COMPLETE IDLE SIDE</b>              | A08197    | 1    |   |
| 1   | Nut, 1/2-20 Hex Nylon Lock                                   | F05010-15 | 1    |   |
|     | Roller Assembly, Blade Guide (standard)                      | A04925    | 1    |   |
|     | Bearing Kit, Blade Guide Rebuild                             | K07079    | 1    |   |
| 2   | Washer, 5/8" White Felt                                      | P04252    | 1    |   |
| 3   | Ring, 1 1/8" Interior Retaining                              | F04254-1  | 1    |   |
| 4   | Bearing, R8-2RS Blade Guide                                  | 015975    | 2    | ◆ |
| 5   | Washer, 5/8" Gray Felt                                       | P06455    | 1    |   |

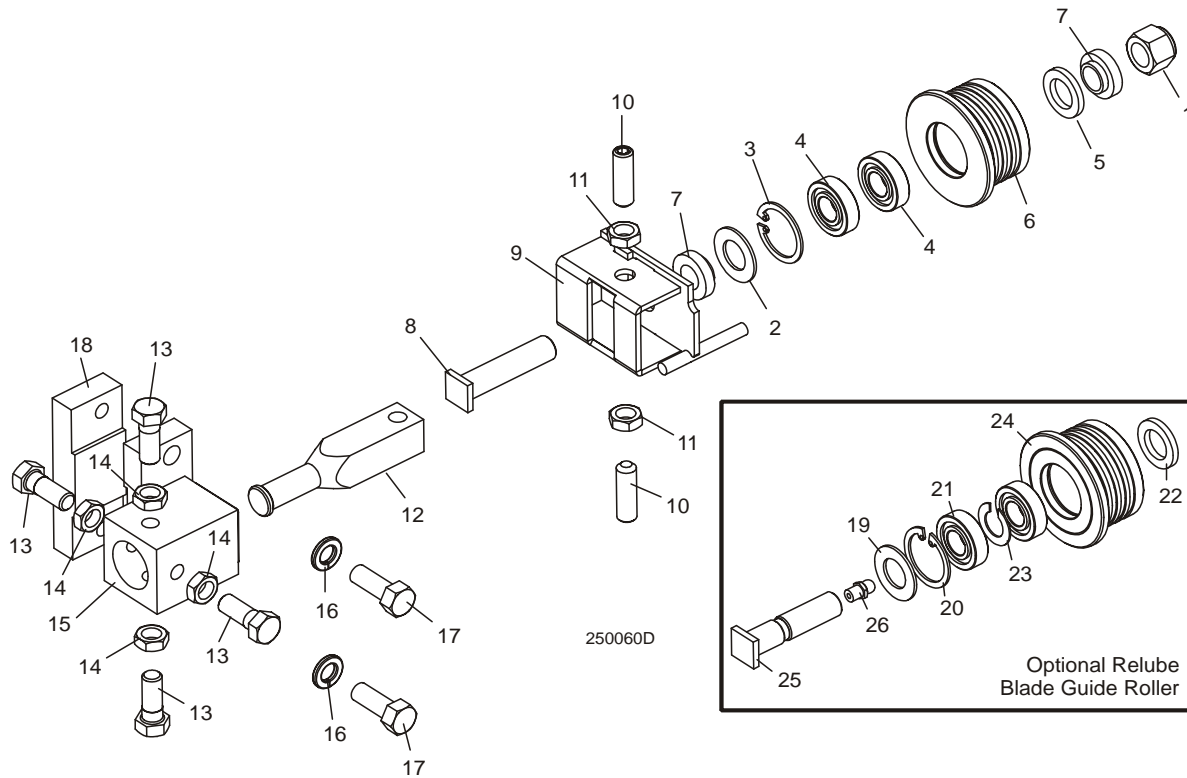
## 2 Blade Guide Rollers & Arm

### Blade Guide Assembly, Idle Side

|    |  |                     |   |   |
|----|--|---------------------|---|---|
|    | Screw, 1/4-28 x 1/4" Socket Head Cup Point Set Black Oxide         | F05005-105          | 1 |   |
|    | Instruction Sheet, Blade Guide Rebuild                             | 057407-1507         | 1 |   |
| 6  | Roller, Flanged Blade Guide  | S04250              | 1 | ◆ |
|    | Instruction Sheet, Blade Guide Roller Replacement                  | A04925-364          | 1 |   |
| 7  | Spacer, Blade Guide  | S04253              | 2 |   |
| 8  | Bolt, Blade Guide Roller   | 036373              | 1 |   |
| 9  | Bracket, Blade Guide Idle Side With Water Tube                     | W08495              | 1 |   |
| 10 | Screw, 3/8-24 X 1 1/4" Stainless Steel Socket Head Flat Point      | F05007-96           | 2 |   |
| 11 | Nut, 3/8-24 Jam  | F05010-22           | 2 |   |
| 12 | Shaft, Blade Guide Adjustment                                      | S08196              | 1 |   |
| 13 | <b>SCREW, 3/8-24 X 3/4" STAINLESS STEEL SOCKET HEAD FLAT POINT</b> | F05007-95           | 1 |   |
| 14 | <b>NUT, 3/8-24 JAM</b>   | F05010-22           | 4 |   |
| 15 | <b>BOLT, 3/8-24 X 1" STAINLESS STEEL HEX HEAD</b>                  | F05007-99           | 3 |   |
| 16 | <b>TUBE, BLADE GUIDE MOUNT</b> ( <a href="#">See Section 2.3</a> ) | W08159              | 1 |   |
|    | <b>ROLLER ASSEMBLY, BLADE GUIDE RELUBE (OPTIONAL)</b>              | 016568              | 1 |   |
|    | Bearing Kit, Relube Blade Guide Rebuild                            | 057407              | 1 |   |
| 17 | Washer, 5/8" White Felt  | P04252              | 1 |   |
| 18 | Ring, 1 1/8" Interior Retaining                                    | F04254-1            | 1 |   |
| 19 | Bearing, R8-2RS Blade Guide  | 015975 <sup>1</sup> | 2 | ◆ |
| 20 | Washer, 5/8" Gray Felt   | P06455              | 1 |   |
|    | Instruction Sheet, Blade Guide Rebuild                             | 057407-1507         | 1 |   |
| 21 | Spacer, Blade Guide Bearing  | 035411              | 1 |   |
| 22 | Roller, Flanged Blade Guide Relube                                 | 035426              | 1 | ◆ |
|    | Instruction Sheet, Blade Guide Roller Replacement                  | A04925-364          | 1 |   |
| 23 | <b>BOLT, BLADE GUIDE ROLLER (RELUBE ONLY)</b>                      | S08192              | 1 |   |
| 24 | <b>FITTING, 1/4-28 GREASE (RELUBE ONLY)</b>                        | P05060              | 1 |   |

<sup>1</sup> Bearing must be modified for use with relube roller assemblies. Remove one seal from each bearing, place open sides facing each other and place spacer 035411 between bearings.

## 2.2 Blade Guide Assembly, Drive Side



| REF | DESCRIPTION (◆ Indicates Parts Available In Assemblies Only)  | PART #      | QTY. |
|-----|---|-------------|------|
|     | <b>BLADE GUIDE ASSEMBLY, COMPLETE DRIVE SIDE</b>              | A08191      | 1    |
| 1   | Nut, 1/2-20 Hex Nylon Lock                                    | F05010-15   | 1    |
|     | Roller Assembly, Blade Guide (standard)                       | A04925      | 1    |
|     | Bearing Kit, Blade Guide Rebuild                              | K07079      | 1    |
| 2   | Washer, 5/8" White Felt                                       | P04252      | 1    |
| 3   | Ring, 1 1/8" Interior Retaining                               | F04254-1    | 1    |
| 4   | Bearing, R8-2RS Blade Guide                                   | 015975      | 2    |
| 5   | Washer, 5/8" Gray Felt  | P06455      | 1    |
|     | Screw, 1/4-28 x 1/4" Socket Head Cup Point Set Black Oxide    | F05005-105  | 1    |
|     | Instruction Sheet, Blade Guide Rebuild                        | 057407-1507 | 1    |
| 6   | Roller, Flanged Blade Guide                                   | S04250      | 1    |
|     | Instruction Sheet, Blade Guide Roller Replacement             | A04925-364  | 1    |
| 7   | Spacer, Blade Guide   | S04253      | 2    |
| 8   | Bolt, Blade Guide Roller                                      | 036373      | 1    |
| 9   | Bracket Weldment, Blade Guide Drive Side                      | W08482      | 1    |
| 10  | Screw, 3/8-24 X 1 1/4" Stainless Steel Socket Head Flat Point | F05007-96   | 2    |
| 11  | Nut, 3/8-24 Jam   | F05010-22   | 2    |

## 2 Blade Guide Rollers & Arm

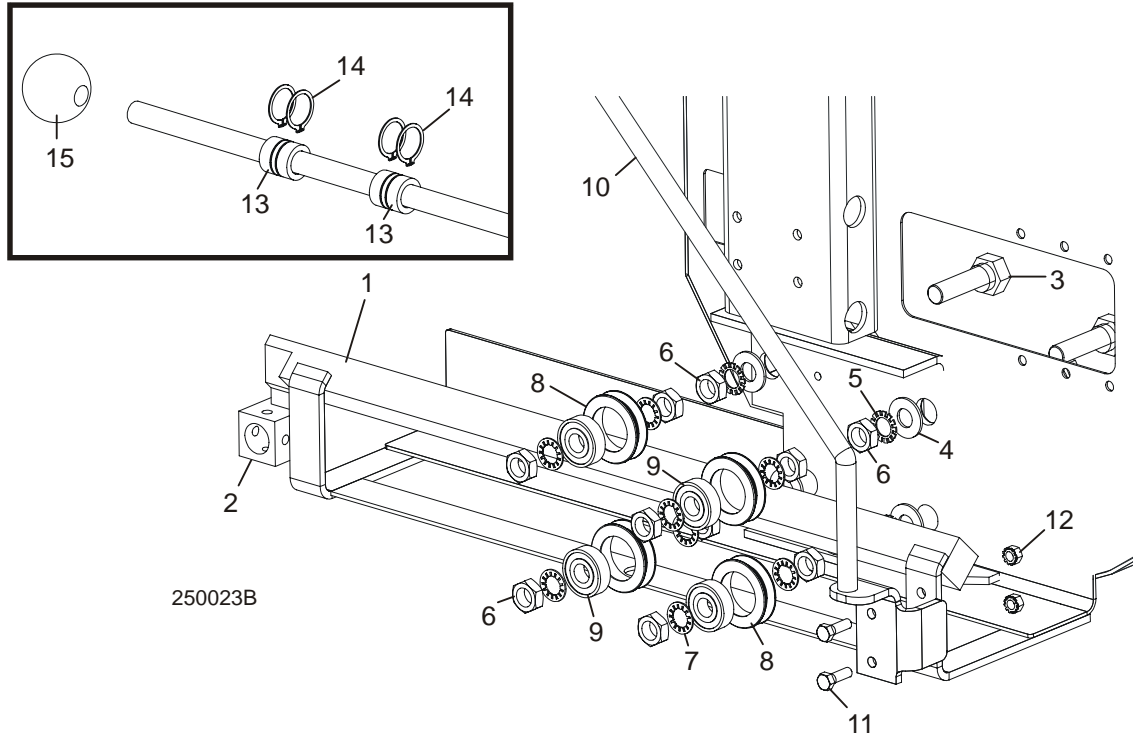
### Blade Guide Assembly, Drive Side

|    |   |                     |   |   |
|----|---|---------------------|---|---|
| 12 | Shaft, Blade Guide Adjustment                         | S08196              | 1 |   |
|    | <b>BLOCK KIT, DRIVE SIDE BLADE GUIDE BOLT ON</b>      | 016566              | 1 |   |
| 13 | Bolt, 3/8-24 X 1" Stainless Steel Hex Head            | F05007-99           | 4 |   |
| 14 | Nut, 3/8-24 Jam                                       | F05010-22           | 4 |   |
| 15 | Block Weldment, Drive Side Blade Guide Bolt On        | 016550              | 1 |   |
| 16 | Washer, 3/8" Split Lock                               | F05011-4            | 2 |   |
| 17 | Bolt, 3/8-16 x 1" Hex Head                            | F05007-7            | 2 |   |
| 18 | Block, Bolt On Blade Guide Mount                      | 016548              | 1 |   |
|    | <b>ROLLER ASSEMBLY, BLADE GUIDE RELUBE (OPTIONAL)</b> | 016568              | 1 |   |
|    | Bearing Kit, Relube Blade Guide Rebuild               | 057407              | 1 |   |
| 19 | Washer, 5/8" White Felt                               | P04252              | 1 |   |
| 20 | Ring, 1 1/8" Interior Retaining                       | F04254-1            | 1 |   |
| 21 | Bearing, R8-2RS Blade Guide                           | 015975 <sup>1</sup> | 2 | ◆ |
| 22 | Washer, 5/8" Gray Felt                                | P06455              | 1 |   |
| 23 | Spacer, Blade Guide Bearing                           | 035411              | 1 |   |
|    | Instruction Sheet, Blade Guide Rebuild                | 057407-1507         | 1 |   |
| 24 | Roller, Flanged Blade Guide Relube                    | 035426              | 1 | ◆ |
|    | Instruction Sheet, Blade Guide Roller Replacement     | A04925-364          | 1 |   |
| 25 | <b>BOLT, BLADE GUIDE ROLLER (RELUBE ONLY)</b>         | S08192              | 1 |   |
| 26 | <b>FITTING, 1/4-28 GREASE (RELUBE ONLY)</b>           | P05060              | 1 |   |

<sup>1</sup> Bearing must be modified for use with relube roller assemblies. Remove one seal from each bearing, place open sides facing each other and place spacer 035411 between bearings.



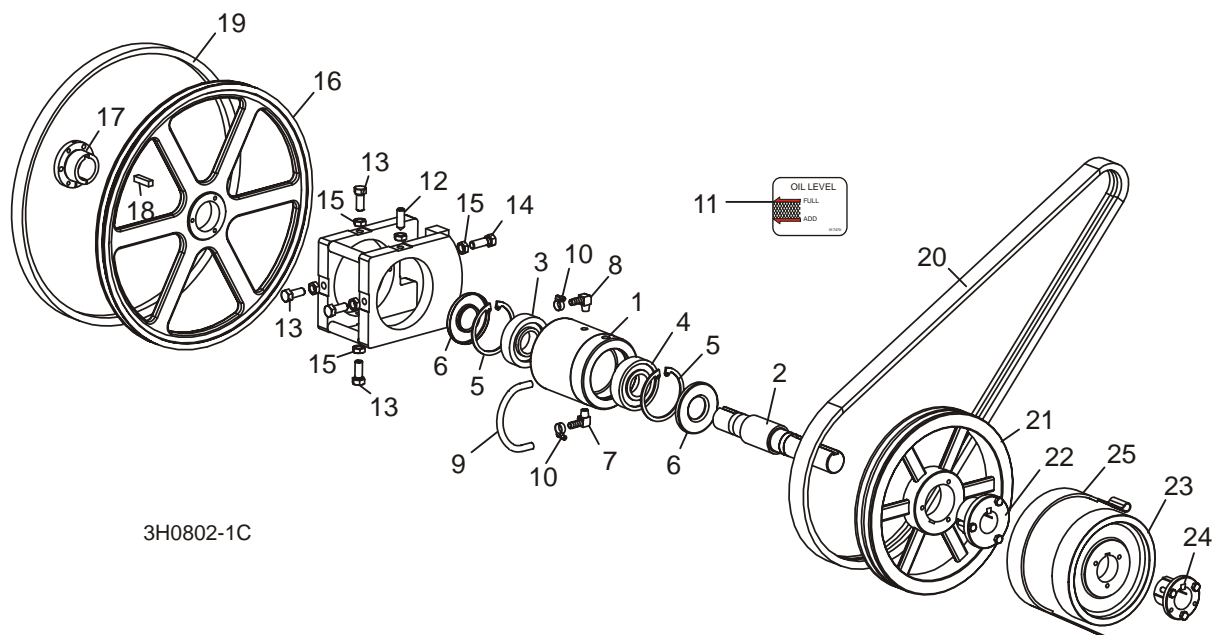
### 2.3 Blade Guide Arm



| REF | DESCRIPTION (◆ Indicates Parts Available In Assemblies Only) | PART #    | QTY. |   |
|-----|--|-----------|------|---|
| 1   | <b>BLADE GUIDE ARM WELDMENT</b>                              | W12428    | 1    |   |
| 2   | Tube, Blade Guide Mount                                      | W08159    | 1    |   |
| 3   | <b>BOLT, BLADE GUIDE ARM ROLLER CAM</b>                      | W09067    | 4    |   |
| 4   | <b>WASHER, 5/8" SAE FLAT</b>                                 | F05011-5  | 4    |   |
| 5   | <b>WASHER, 5/8" EXTERNAL STAR</b>                            | F05011-26 | 4    |   |
| 6   | <b>NUT, 5/8-18 HEX JAM</b>                                   | F05010-11 | 12   |   |
| 7   | <b>WASHER, 5/8" INTERNAL STAR</b>                            | F05011-25 | 8    |   |
|     | <b>ROLLER ASSEMBLY, BLADE GUIDE ARM WITH BEARING</b>         | A09059    | 4    |   |
| 8   | Roller, Blade Guide Arm V-Groove                             | S07989    | 1    | ◆ |
| 9   | Bearing, 6203-2NSL 5/8" I.D.                                 | P06030-1  | 1    | ◆ |
|     | Ring, 1.575" ID Beveled 5002-156 Retaining                   | F04254-8  | 1    |   |
| 10  | <b>HANDLE, LT25/LT27 BLADE GUIDE ARM ADJUSTMENT</b>          | W12433    | 1    |   |
| 11  | <b>BOLT, 5/16-18 X 1" HEX HEAD GRADE 2</b>                   | F05006-1  | 2    |   |
| 12  | <b>NUT, 5/16-18 HEX SELF LOCKING</b>                         | F05010-20 | 2    |   |
|     | <b>BEARING, BLADE GUIDE ARM SLIDE</b>                        | S12436    | 2    |   |
|     | <b>RING, 1" EXTERNAL RETAINING</b>                           | F04254-15 | 4    |   |
| 15  | <b>KNOB, PLASTIC ROUND</b>                                   | P04211    | 1    |   |

## SECTION 3 BLADE WHEELS & TENSIONER

### 3.1 Blade Drive Assembly



| REF | DESCRIPTION (◆ Indicates Parts Available In Assemblies Only) | PART #     | QTY. |   |
|-----|--|------------|------|---|
|     | <b>BEARING ASSEMBLY, BLADE WHEEL DRIVE</b>                   | 016393     | 1    |   |
|     | Bearing Assembly, Cylindrical Drive                          | 016392     | 1    | ◆ |
| 1   | Housing, Blade Wheel Drive Bearing                           | 016391     | 1    | ◆ |
| 2   | Shaft, Blade Wheel Drive                                     | 014005     | 1    | ◆ |
| 3   | Bearing, Blade Wheel Drive #MU1308TV                         | P10205     | 1    | ◆ |
| 4   | Bearing, Blade Wheel Drive #6308 C3 Open                     | 016055     | 1    | ◆ |
| 5   | Ring, 90mm Interior Retaining #117                           | F04254-17  | 2    |   |
| 6   | Seal, Drive Bearing #CR15890                                 | P10206-K   | 2    |   |
| 7   | Fitting, 1/4" NPT x 3/8" Hose Barb Elbow                     | 016330     | 1    |   |
| 8   | Fitting, 1/4" NPT x 3/8" Hose Barb Vented Elbow              | 016331     | 1    |   |
| 9   | Hose, Oil Level Viewer                                       | 016394     | 1    |   |
| 10  | Clamp, 7/32-5/8" Hose  | P649       | 2    |   |
| 11  | Decal, Oil Level Gauge                                       | 017470     | 1    |   |
|     | Instruction Sheet, Drive Bearing Replacement                 | 016393-555 | 1    |   |
| 12  | <b>SCREW, 1/2-20 X 1 1/2" CONE POINT SET</b>                 | F05004-170 | 1    |   |
| 13  | <b>BOLT, 1/2-20 X 1 1/4" HEX HEAD GRADE 5</b>                | F05008-108 | 4    |   |
| 14  | <b>BOLT, 1/2-20 X 1 3/4" HEX HEAD GRADE 5</b>                | F05008-49  | 1    |   |
| 15  | <b>NUT, 1/2-20 HEX JAM</b>                                   | F05010-16  | 6    |   |
|     | <b>WHEEL KIT, DRIVE SIDE BLADE</b>                           | 014562     | 1    |   |

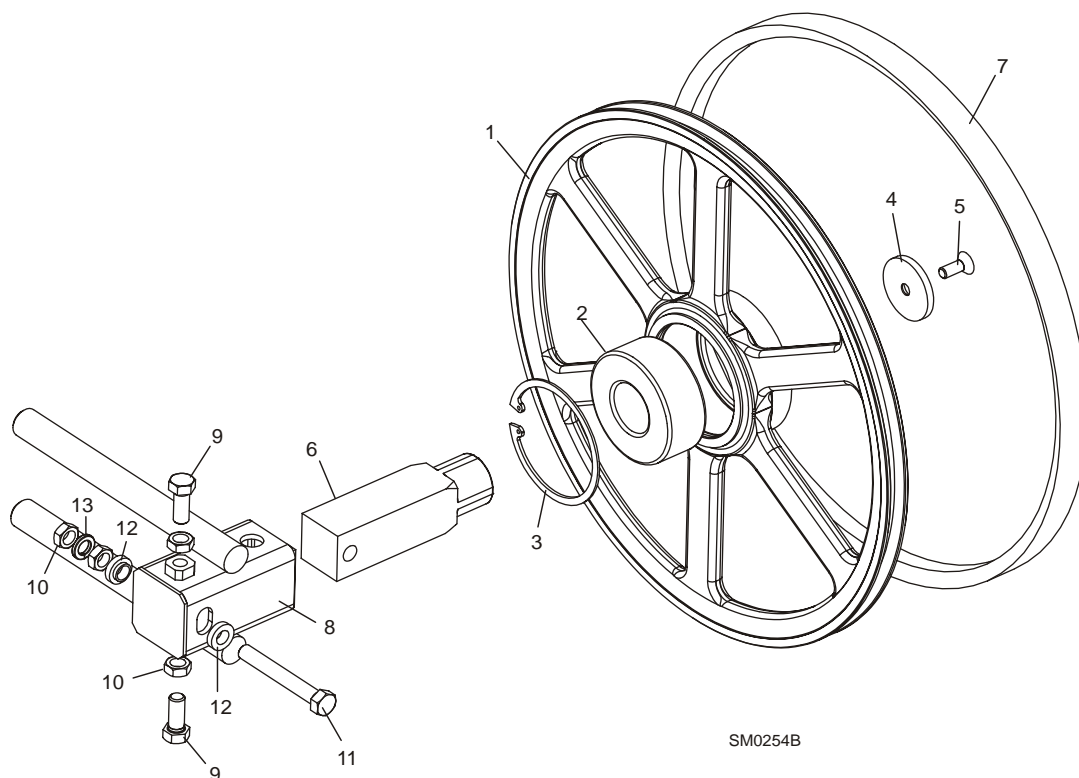
## Blade Wheel & Tensioner

*Blade Drive Assembly*

3

|    |   |            |   |   |
|----|---|------------|---|---|
| 16 | Wheel, Drive Side Blade                               | 016284     | 1 | ◆ |
| 17 | Bushing, Modified 1 9/16" SD                          | 016270     | 1 |   |
| 18 | Key, 3/8" x 3/8" x 1 5/8"                             | S12892     | 1 |   |
|    | Instruction Sheet, Drive Side Blade Wheel Replacement | K12897-488 | 1 |   |
| 19 | <b>BELT, BLADE WHEEL B57</b>                          | P04185     | 1 |   |
| 20 | <b>BELT, 2BXF71 DRIVE (G15E/G18)</b>                  | 036163     | 1 |   |
|    | <b>PULLEY KIT, 2B124SK DRIVE</b>                      | 014692     | 1 |   |
| 21 | Pulley, 2B124SK Drive                                 | 014689     | 1 | ◆ |
| 22 | Bushing, 1 9/16" Type 'SK'                            | 014690     | 1 |   |
|    | Key, 3/8" x 3/8" x 1 7/8"                             | 014693     | 1 |   |
| 23 | <b>WHEEL, BRAKE</b>                                   | 014000     | 1 |   |
| 24 | <b>BUSHING, 1 9/16" P1</b>                            | 014003     | 1 |   |
| 25 | <b>STRAP, METAL-BACKED BRAKE</b>                      | 014391     | 1 |   |

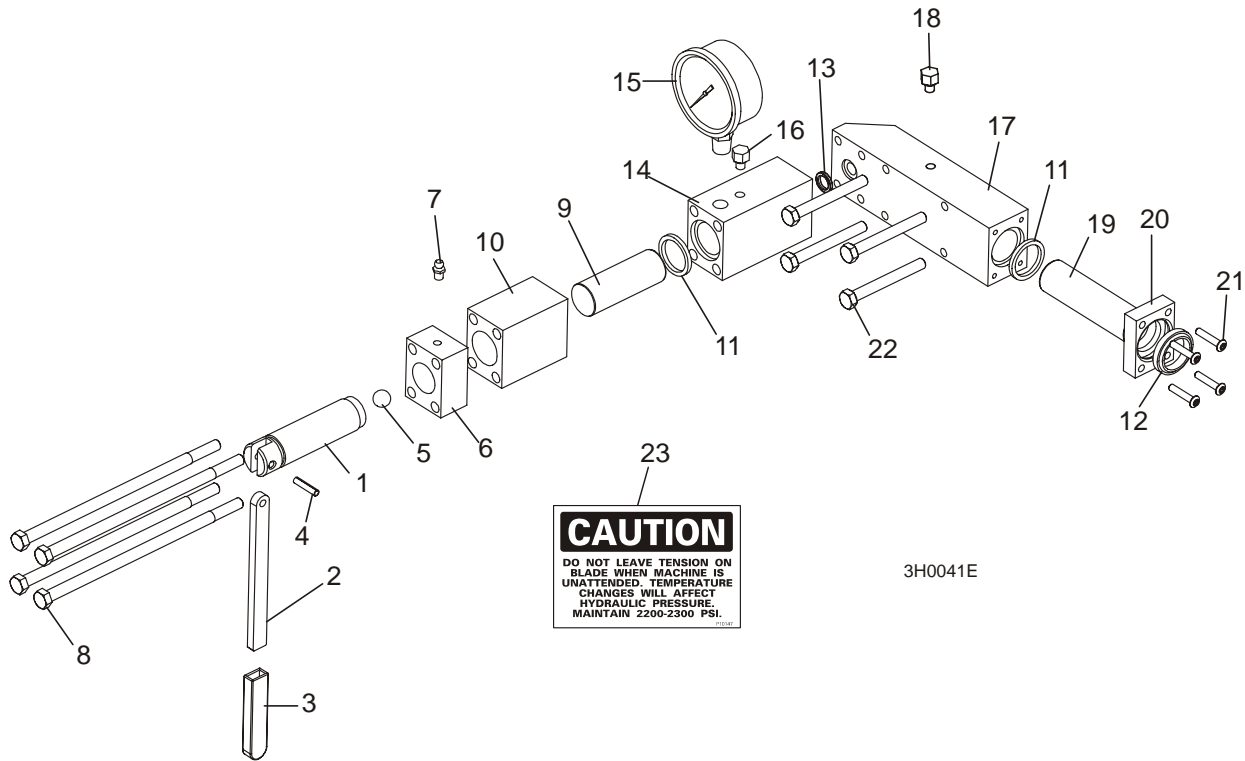
### 3.2 Idle Blade Wheel Assembly



| REF | DESCRIPTION (◆ Indicates Parts Available In Assemblies Only) | PART #                 | QTY. |   |
|-----|--|------------------------|------|---|
|     | <b>WHEEL ASSEMBLY, IDLE SIDE BLADE</b>                       | 016120                 | 1    |   |
| 1   | Wheel, Idle Side Blade                                       | 016013                 | 1    | ◆ |
| 2   | Bearing, Idle Side Blade Wheel #5309-2RS, C3, SRI-2 Grease   | 016014                 | 1    |   |
| 3   | Ring, 100mm Internal Retaining Beveled                       | F04254-28              | 1    |   |
|     | <b>SHAFT KIT, IDLE BLADE WHEEL</b>                           | 016441                 | 1    |   |
| 4   | Washer, 13/32" I.D. x 2 3/16 O.D. x 1/4"                     | 016397                 | 1    |   |
| 5   | Bolt, 3/8-16 x 1" Flat Head Socket                           | F05007-64              | 1    |   |
| 6   | Shaft, Idle Side Blade Wheel                                 | 016398                 | 1    |   |
| 7   | <b>BELT, BLADE WHEEL B57</b>                                 | P04185                 | 1    |   |
| 8   | <b>HOUSING, IDLE BLADE WHEEL SHAFT</b>                       | 016103                 | 1    |   |
| 9   | <b>BOLT, 1/2-20 X 1 1/2" HEX HEAD GRADE 5</b>                | F05008-53 <sup>1</sup> | 2    |   |
| 10  | <b>NUT, 1/2-20 HEX JAM</b>                                   | F05010-16              | 4    |   |
| 11  | <b>BOLT, 1/2-20 X 3 3/4" HEX HEAD FULL THREAD GRADE 2</b>    | F05008-111             | 1    |   |
| 12  | <b>SPACER, 1/2" I.D. FLANGED</b>                             | S04253                 | 2    |   |
| 13  | <b>WASHER, 1/2" SPLIT LOCK</b>                               | F05011-9               | 1    |   |

<sup>1</sup> Replaces 1 1/4" Bolt F05008-108 originally supplied to allow for more tilt adjustment. Requires trimming of blade guide arm drive cover and mount channel to provide clearance for longer bolt ().

### 3.3 Hydraulic Blade Tensioner Assembly



| REF | DESCRIPTION (◆ Indicates Parts Available In Assemblies Only) | PART #     | QTY. |   |
|-----|--|------------|------|---|
|     | <b>HYDRAULIC BLADE TENSIONER ASSEMBLY</b>                    | A10136     | 1    |   |
|     | Handle Assembly, Hydraulic Blade Tensioner Screw             | A12294     | 1    |   |
| 1   | Screw, Hydraulic Blade Tensioner                             | S10056     | 1    | ◆ |
| 2   | Handle, Hydraulic Tensioner Screw                            | S08174     | 1    |   |
| 3   | Sleeve, Plastic Handle                                       | P08072     | 1    |   |
| 4   | Pin, 3/16" x 7/8" Roll                                       | F05012-19  | 1    |   |
| 5   | Ball, 1/2" Steel   | P02720     | 1    |   |
| 6   | Block, Threaded Tensioner End                                | S10062     | 1    | ◆ |
| 7   | Fitting, 1/4-28 Grease                                       | P05060     | 1    |   |
|     | Instruction Sheet, Tensioner Screw                           | A12294-518 | 1    |   |
| 8   | Bolt, 5/16-18 X 7 1/2" Hex Head Grade 5                      | F05006-43  | 4    |   |
| 9   | Piston, Hydraulic Tensioner Front 2 3/4" Long                | S10060     | 1    |   |
| 10  | Block, Piston Guide  | S10061     | 1    |   |
|     | Seal Kit, Hydraulic Tensioner                                | 003224     | 1    |   |
| 5   | Ball, 1/2" Steel   | P02720     | 1    |   |
| 11  | Seal, 1" Diameter  | P10051     | 2    |   |
| 12  | Wiper, 1" Diameter   | P10053     | 1    |   |
| 13  | Ring, 5/8" X 3/32" Square "O"                                | P10377     | 1    |   |

# 3

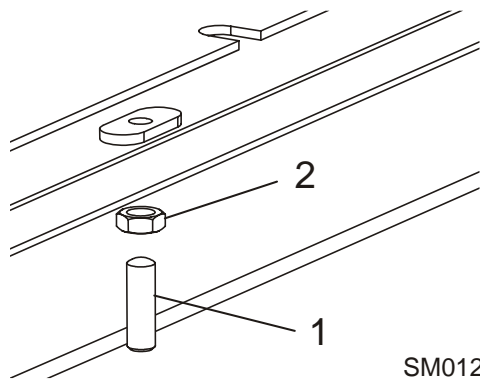
## Blade Wheels & Tensioner

### Hydraulic Blade Tensioner Assembly

|    |   |            |   |   |
|----|---|------------|---|---|
| 14 | Block, Hydraulic Tensioner Gauge Mounting           | S10140     | 1 |   |
| 15 | Gauge, 5000 P.S.I.                                  | P10052     | 1 |   |
| 16 | Plug, Hydraulic Tensioner Fill                      | P10065     | 1 |   |
|    | Block Assembly, Rear Tensioner Piston               | 016329     | 1 |   |
| 17 | Block, Rear Tensioner Piston                        | S10142     | 1 | ◆ |
| 18 | Plug, Hydraulic Tensioner Fill                      | P10065     | 1 |   |
| 19 | Piston, Hydraulic Tensioner Rear 3 5/8" Long        | S10059     | 1 |   |
| 20 | Block, Rear Piston End                              | S10089     | 1 |   |
| 21 | Bolt, #10-24 X 1" Socket Button Head                | F05004-43  | 4 |   |
| 22 | Bolt, 5/16-18 X 2 3/4" Hex Head Grade 5             | F05006-28  | 4 |   |
| 23 | Decal, Hydraulic Tension Caution                    | P10147     | 1 |   |
|    | Instruction Sheet, Hydraulic Tensioner Installation | A10136-272 | 1 |   |

## SECTION 4 SAW HEAD

### 4.1 Middle Throat Screw

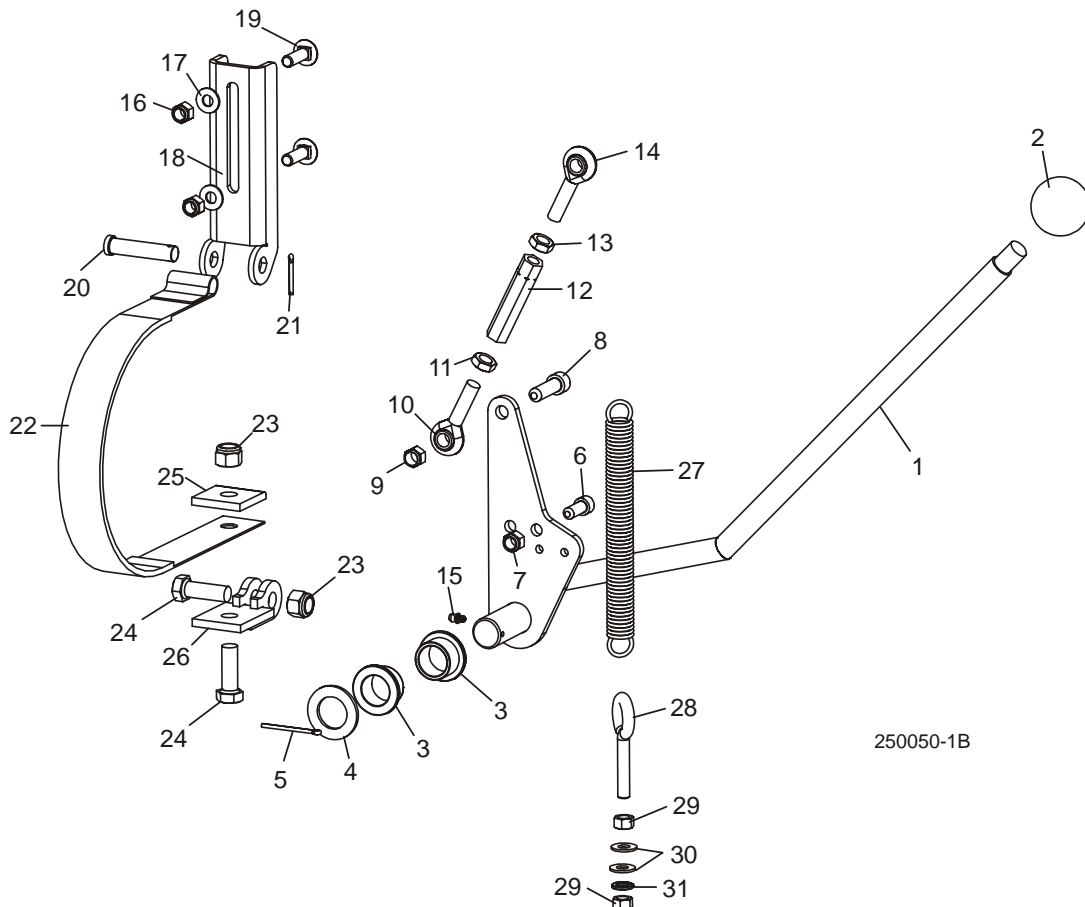


| REF | DESCRIPTION (◆ Indicates Parts Available In Assemblies Only) | PART #    | QTY. |  |
|-----|--|-----------|------|--|
| 1   | ◆ SCREW, 3/8-16 X 1 1/4" OVAL POINT SOCKET SET               | F05007-18 | 1    |  |
| 2   | NUT, 3/8-16 HEX JAM  | F05010-29 | 1    |  |

# 4 Saw Head

## Clutch Lever Assembly

### 4.2 Clutch Lever Assembly



| REF | DESCRIPTION (◆ Indicates Parts Available In Assemblies Only) | PART #    | QTY. |   |
|-----|--|-----------|------|---|
| 1   | LEVER, CLUTCH/BRAKE  | 016297    | 1    |   |
| 2   | KNOB, PLASTIC ROUND  | P04211    | 1    |   |
| 3   | BUSHING, CLUTCH/BRAKE PIVOT                                  | P737      | 2    |   |
| 4   | WASHER, CLUTCH/BRAKE PIVOT                                   | P116      | 1    |   |
| 5   | PIN, 1/8" X 1 1/2" COTTER                                    | F05012-49 | 1    |   |
| 6   | BOLT, 3/8-16 X 1" SOCKET HEAD                                | F05007-52 | 1    |   |
| 7   | NUT, 3/8-16 HEX NYLON LOCK                                   | F05010-10 | 1    |   |
| 8   | BOLT, 7/16-20 X 1 1/2" SOCKET HEAD                           | F05007-55 | 1    |   |
| 9   | NUT, 7/16-20 HEX NYLON LOCK                                  | F05010-83 | 1    |   |
|     | <b>TURNBUCKLE ASSEMBLY, CLUTCH/BRAKE LEVER</b>               | A12304    | 1    |   |
| 10  | Rod End, 7/16-20 Right Hand Thread                           | P11579    | 1    |   |
| 11  | Nut, 7/16-20 Hex Jam   | F05010-38 | 1    |   |
| 12  | Turnbuckle, 3" Clutch/Brake Lever                            | S11577-W  | 1    | ◆ |
| 13  | Nut, 7/16-20 Hex Jam Left Hand Thread                        | F05010-87 | 1    |   |

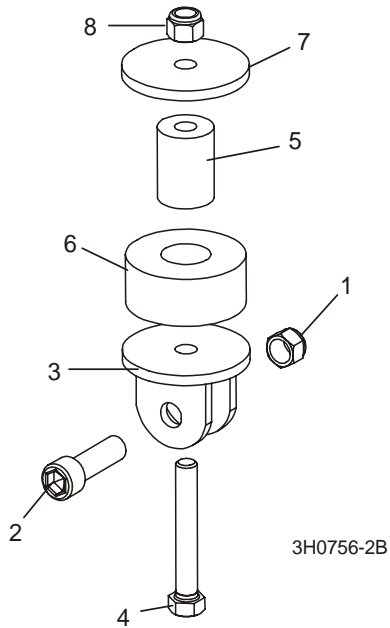


|    |  |            |   |  |
|----|--|------------|---|--|
| 14 | Rod End, 7/16-20 Left Hand Thread                            | P11578     | 1 |  |
| 15 | <b>FITTING, 3/16" STRAIGHT GREASE</b>                        | P04107     | 1 |  |
|    | <b>STRAP RETROFIT, BRAKE</b>                                 | 014441     | 1 |  |
| 16 | Nut, 3/8-16 Nylon Lock                                       | F05010-10  | 2 |  |
| 17 | Washer, 3/8" SAE Flat  | F05011-3   | 2 |  |
| 18 | Bracket, Upper Brake Strap Mount                             | 014395     | 1 |  |
| 19 | Bolt, 3/8-16 x 1 1/4" Carriage Head Grade 5                  | F05007-127 | 2 |  |
| 20 | Pin, 1/2" x 2 1/4" Clevis                                    | F05012-81  | 1 |  |
| 21 | Pin, 1/8" x 1" Cotter  | F05012-1   | 1 |  |
| 22 | Strap, Upper Pivot Metal Brake                               | 014391     | 1 |  |
| 23 | Nut, 1/2-13 Nylon Lock                                       | F05010-8   | 2 |  |
| 24 | Bolt, 1/2-13 x 1 1/2" Hex Head Grade 5                       | F05008-33  | 2 |  |
| 25 | Plate, Brake Strap Clamp                                     | S04195     | 1 |  |
| 26 | Bracket, Lower Brake Strap Mount                             | 014392     | 1 |  |
| 27 | <b>SPRING, 7/8" DIA. X 8 1/2" LONG X 1/8" WIRE EXTENSION</b> | P09136     | 1 |  |
| 28 | <b>BOLT, 3/8-16 X 2" 5/16" DIA EYE</b>                       | F05007-30  | 1 |  |
| 29 | <b>NUT, 3/8-16 HEX</b>                                       | F05010-1   | 2 |  |
| 30 | <b>WASHER, 3/8 SAE FLAT</b>                                  | F05011-3   | 2 |  |
| 31 | <b>WASHER, 3/8" SPLIT LOCK</b>                               | F05011-4   | 1 |  |

# 4 Saw Head

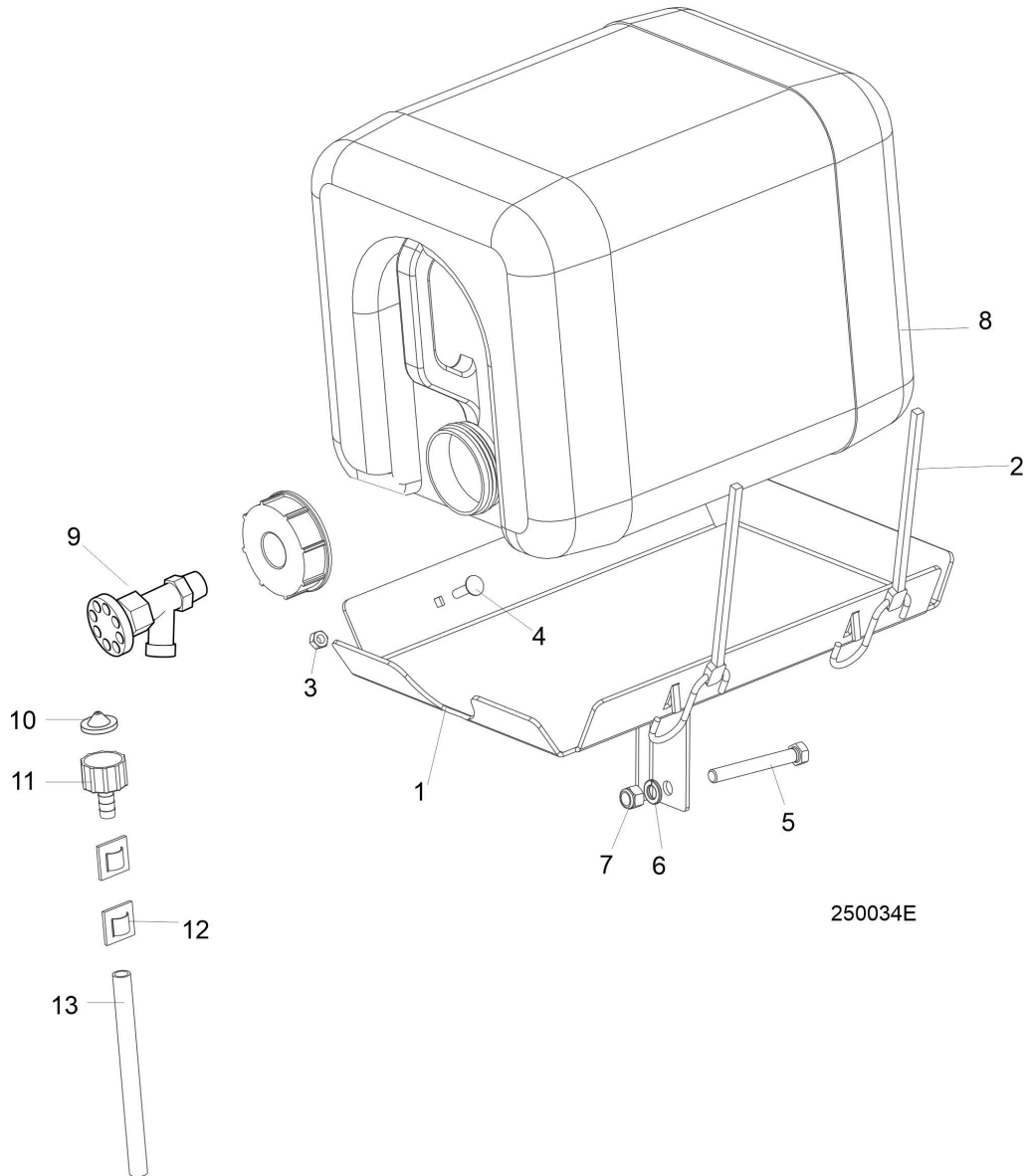
## Clutch Mount Assembly

### 4.3 Clutch Mount Assembly



| REF | DESCRIPTION (◆ Indicates Parts Available In Assemblies Only) | PART #     | QTY. |  |
|-----|--|------------|------|--|
| 1   | NUT, 7/16-20 HEX NYLON LOCK                                  | F05010-83  | 1    |  |
| 2   | BOLT, 7/16-20 X 1 1/2" SOCKET HEAD                           | F05007-55  | 1    |  |
| 3   | BRACKET, CLUTCH MOUNT  | W12411     | 1    |  |
| 4   | BOLT, 3/8-16 X 2 1/2" HEX HEAD                               | F05007-157 | 1    |  |
| 5   | SPACER, MOTOR MOUNT VIBRATION BUSHING                        | 016316     | 1    |  |
| 6   | BUSHING, MOTOR MOUNT VIBRATION                               | P05032     | 1    |  |
| 7   | WASHER, .40" I.D. X 1.44" O.D. X .18" THICK                  | 021276     | 1    |  |
| 8   | NUT, 3/8-16 NYLON LOCK                                       | F05010-10  | 1    |  |

### 4.4 Water Lube Assembly



| REF | DESCRIPTION (◆ Indicates Parts Available In Assemblies Only) | PART #    | QTY. |   |
|-----|--|-----------|------|---|
|     | <b>BOTTLE KIT, LT25/LT27 WATER LUBE</b>                      | 25WLS     | 1    |   |
|     | Tray Assembly, LT25/LT27 Water Lube                          | 015434    | 1    |   |
| 1   | Tray Weldment, LT25/LT27 Water Lube                          | 015431    | 1    | ◆ |
| 2   | Strap, 20" Rubber  | P11668    | 2    |   |
| 3   | Nut, 1/4-20 Hex Lock   | F05010-21 | 2    |   |
| 4   | Bolt, 1/4-20 x 1" Carriage Head                              | F05005-34 | 2    |   |
| 5   | Bolt, 3/8-16 x 3" Hex Head Full Thread                       | F05007-1  | 2    |   |
| 6   | Washer, 3/8" Split Lock                                      | F05011-4  | 2    |   |
| 7   | Nut, 3/8" Nylon Lock   | F05010-10 | 2    |   |

**4****Saw Head***Water Lube Assembly*

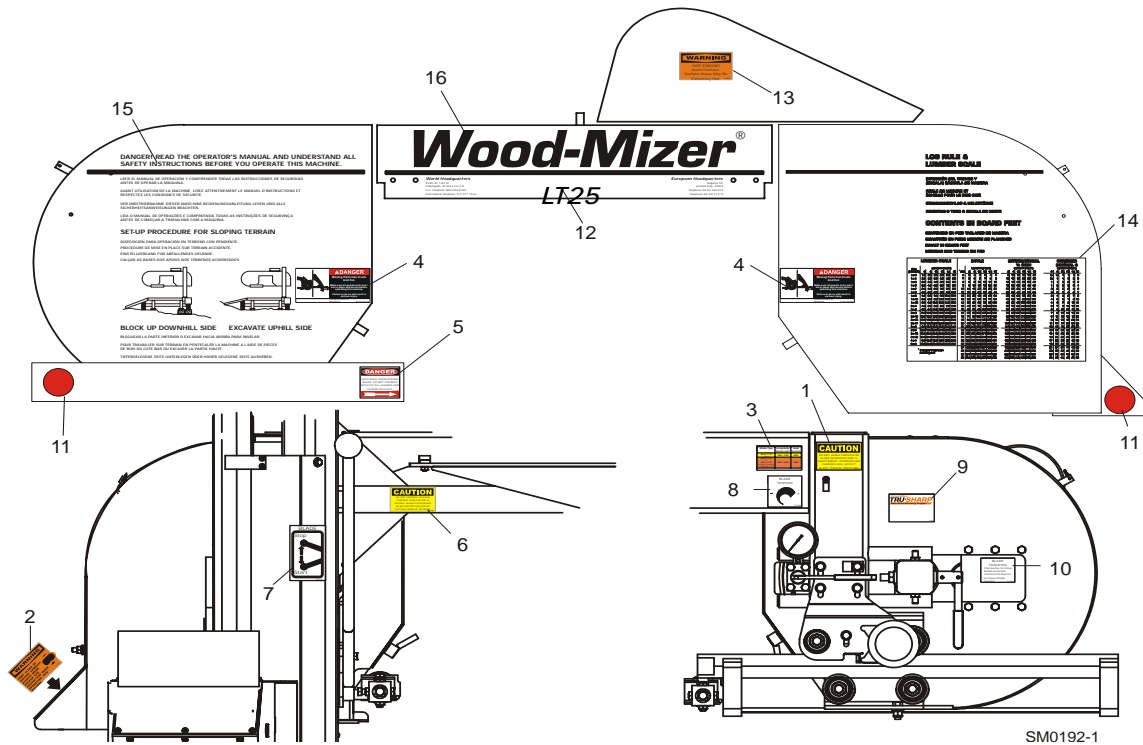
---

|           |  |                     |       |  |
|-----------|--|---------------------|-------|--|
| <b>8</b>  | Bottle Assy, Water Lube w/Cap            | 014642 <sup>1</sup> | 1     |  |
| <b>9</b>  | Valve, 3/4 NPT Elbow 3/4 Male GHT Outlet | 013320 <sup>2</sup> | 1     |  |
|           | Fitting, 3/4 FPT x 3/4 MPT               | 014636              | 1     |  |
|           | Fitting, Water Lube Shutoff Valve        | 014100              | 1     |  |
| <b>10</b> | Filter, Water Lube                       | 016086              | 1     |  |
| <b>11</b> | Fitting, 5/8" NPT to 3/8" Hose Barb      | 014113              | 1     |  |
| <b>12</b> | Clip, Adhesive Hose                      | P04445              | 2     |  |
| <b>13</b> | Tubing, Water Lube 3/8" I.D.             | R01885              | 7 ft. |  |

<sup>1</sup> Use Water Bottle Assembly w/Cap 014642 to service all bottle/cap combinations previously supplied. Bottle 014367, 61mm Cap 014773 and 70mm Cap 036744 no longer available separately.

<sup>2</sup> Replaced 014100 & 014636 after 9/19/2022 per ECN 38718.

## 4.5 Saw Head Decals



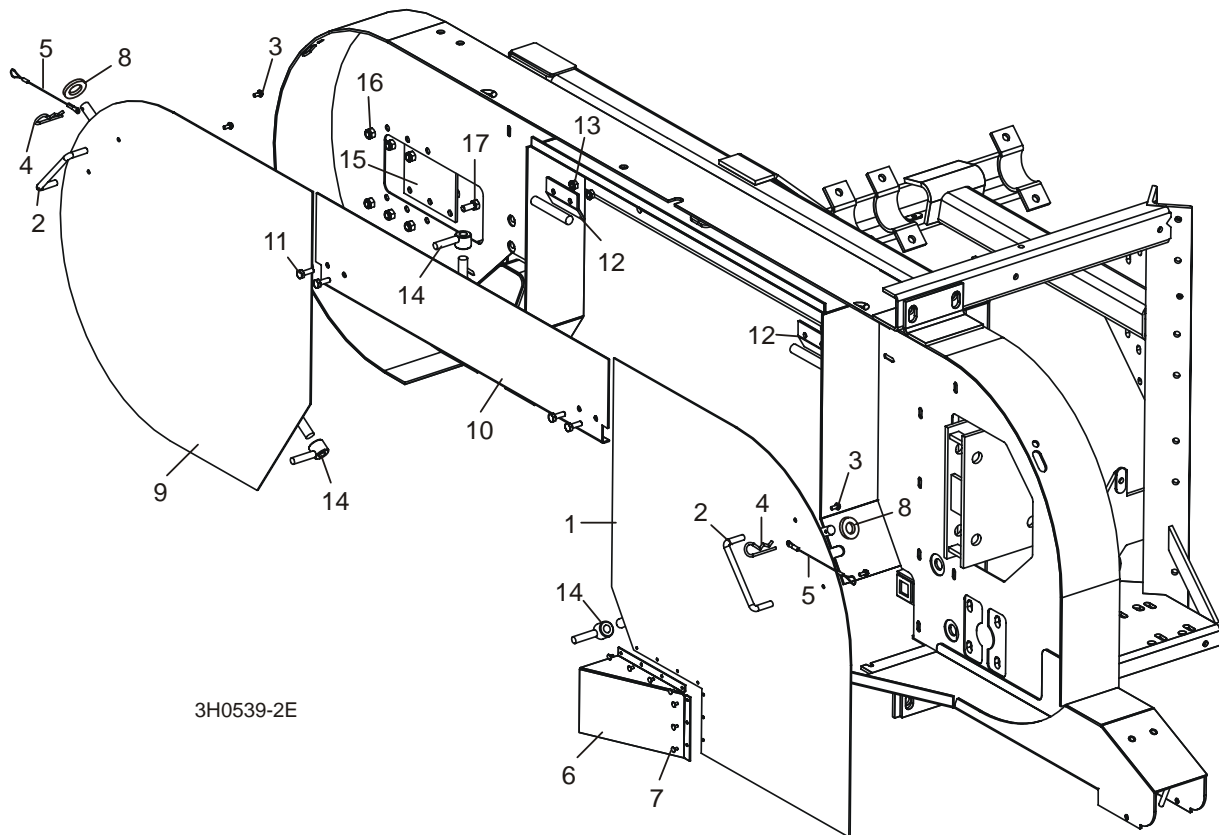
SM0192-1

| REF | DESCRIPTION (◆ Indicates Parts Available In Assemblies Only) | PART # | QTY. |
|-----|--|--------|------|
| 1   | DECAL, BLADE TENSION CAUTION                                 | P10147 | 1    |
| 2   | DECAL, SAWDUST CHUTE WARNING                                 | P11754 | 1    |
| 3   | DECAL, BLADE TENSION RANGES                                  | P12373 | 1    |
| 4   | DECAL, BLADE COVERS DANGER                                   | 033254 | 2    |
| 5   | DECAL, BLADE DANGER ARROW RIGHT                              | S11752 | 1    |
| 6   | DECAL, UP/DOWN CAUTION                                       | S11762 | 1    |
| 7   | DECAL, BLADE START/STOP                                      | P11779 | 1    |
| 8   | DECAL, BLADE TENSION INFO                                    | P11790 | 1    |
| 9   | DECAL, TRU-SHARP INFO  | P12879 | 1    |
| 10  | DECAL, BLADE ALIGNMENT INFO                                  | P11789 | 1    |
| 11  | DECAL, RED REFLECTIVE 2" ROUND                               | P07452 | 2    |
| 12  | DECAL, LT25  | S12582 | 1    |
|     | DECAL, LT27  | 016891 | 1    |
| 13  | DECAL, HOT ENGINE WARNING                                    | 014419 | 1    |
| 14  | DECAL, BLADE HOUSING COVER (DRIVE SIDE)                      | 016243 | 1    |
| 15  | DECAL, BLADE HOUSING COVER (IDLE SIDE)                       | 016242 | 1    |
| 16  | DECAL, BLADE HOUSING COVER (MIDDLE)                          | 016244 | 1    |

# 4 Saw Head

## Blade Housing Covers

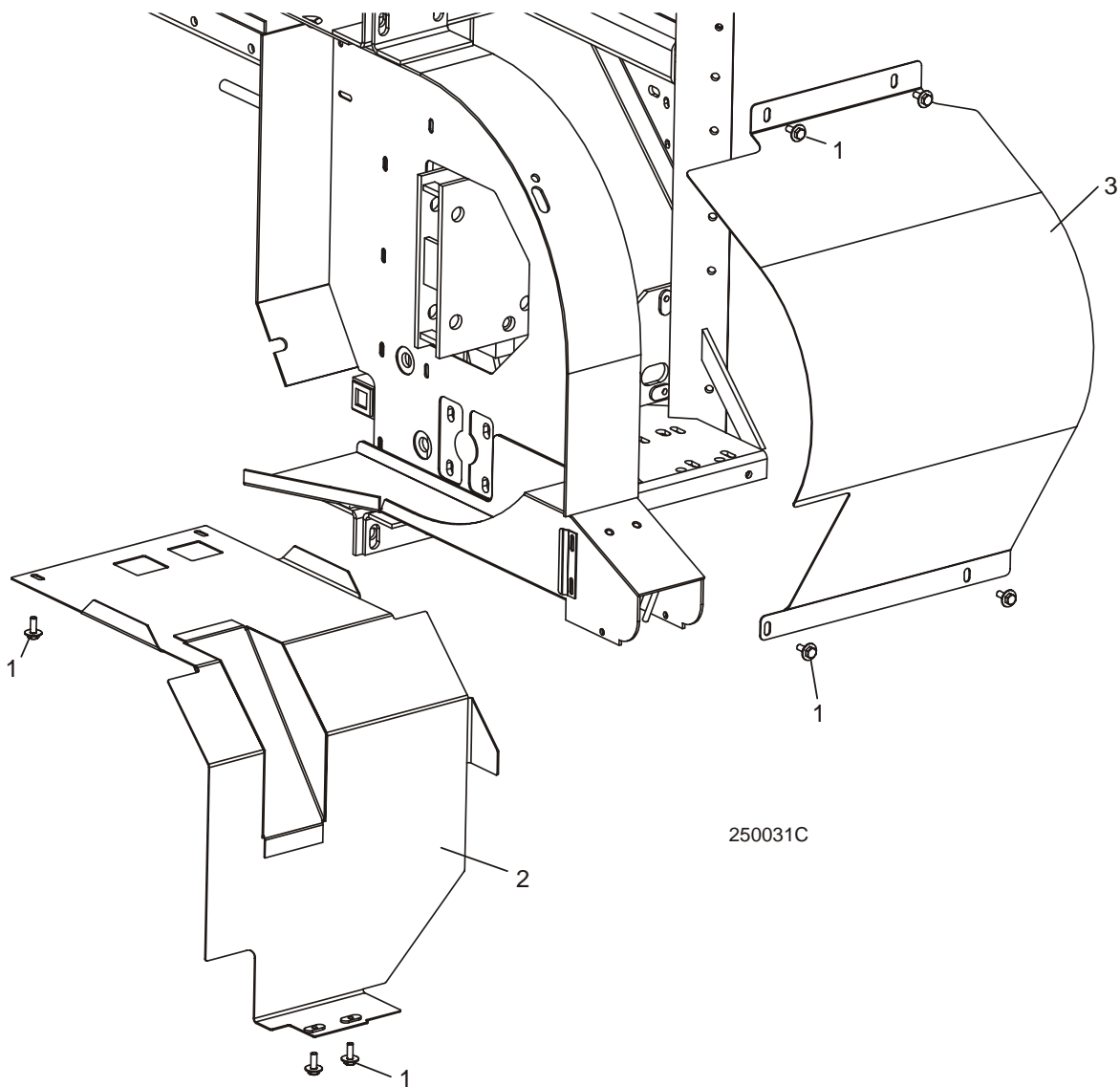
### 4.6 Blade Housing Covers



| REF | DESCRIPTION (◆ Indicates Parts Available In Assemblies Only)                              | PART #    | QTY. |   |
|-----|---|-----------|------|---|
|     | <b>COVER ASSEMBLY, DRIVE SIDE BLADE HOUSING WITH HANDLE</b>                               | 015937    | 1    |   |
| 1   | Cover, Drive Side Blade Housing (Includes Cover Decal - <a href="#">See Section 4.5</a> ) | 015911    | 1    | ◆ |
| 2   | Handle, Blade Housing Cover   | P08065    | 1    |   |
| 3   | Screw, #8-32 X 3/8" Self-Tap  | F05015-8  | 2    |   |
|     | Pin Assembly, Cover Retainer  | A12812    | 1    |   |
| 4   | Pin, Safety Retainer  | P05059    | 1    |   |
| 5   | Cable, 3/64" x 6" Lanyard   | 016030    | 1    |   |
| 6   | Funnel, Sawdust Exit  | 015734    | 1    |   |
| 7   | Rivet, 1/8" x 1/8" Aluminum Pop   | F04203-8  | 7    |   |
| 8   | Washer, 1/2" ID x 1 1/8" OD x .093" Rubber  | F05011-87 | 1    |   |
|     | <b>COVER, IDLE SIDE BLADE HOUSING WITH HANDLE</b>   | A09419    | 1    |   |
| 9   | Cover, Idle Side Blade Housing (Includes Cover Decal - <a href="#">See Section 4.5</a> )  | W09351    | 1    | ◆ |
| 2   | Handle, Blade Housing Cover   | P08065    | 1    |   |
| 3   | Screw, #8-32 X 3/8" Self-Tap  | F05015-8  | 2    |   |
|     | Pin Assembly, Cover Retainer  | A12812    | 1    |   |
| 4   | Pin, Safety Retainer  | P05059    | 1    |   |

|    |  |           |    |  |
|----|--|-----------|----|--|
| 5  | Cable, 3/64" x 6" Lanyard                    | 016030    | 1  |  |
| 8  | Washer, 1/2" ID x 1 1/8" OD x .093" Rubber   | F05011-87 | 1  |  |
| 10 | <b>COVER, MIDDLE BLADE HOUSING</b>           | W07409    | 1  |  |
| 11 | <b>BOLT, 1/4-20 X 3/4" HEX HEAD</b>          | F05005-1  | 18 |  |
| 12 | <b>HINGE, MIDDLE BLADE HOUSING COVER</b>     | S07522    | 2  |  |
| 13 | <b>NUT, 1/4-20 SELF-LOCKING HEX</b>          | F05010-9  | 4  |  |
| 14 | <b>NUT, COVER TURN</b>                       | 021145    | 3  |  |
| 15 | <b>PLATE, IDLE BLADE WHEEL GUARD</b>         | S04433    | 1  |  |
| 16 | <b>NUT, 5/16-18 HEX NYLON LOCK</b>           | F05010-58 | 6  |  |
| 17 | <b>BOLT, 5/16-18 X 3/4" HEX HEAD GRADE 2</b> | F05006-5  | 6  |  |

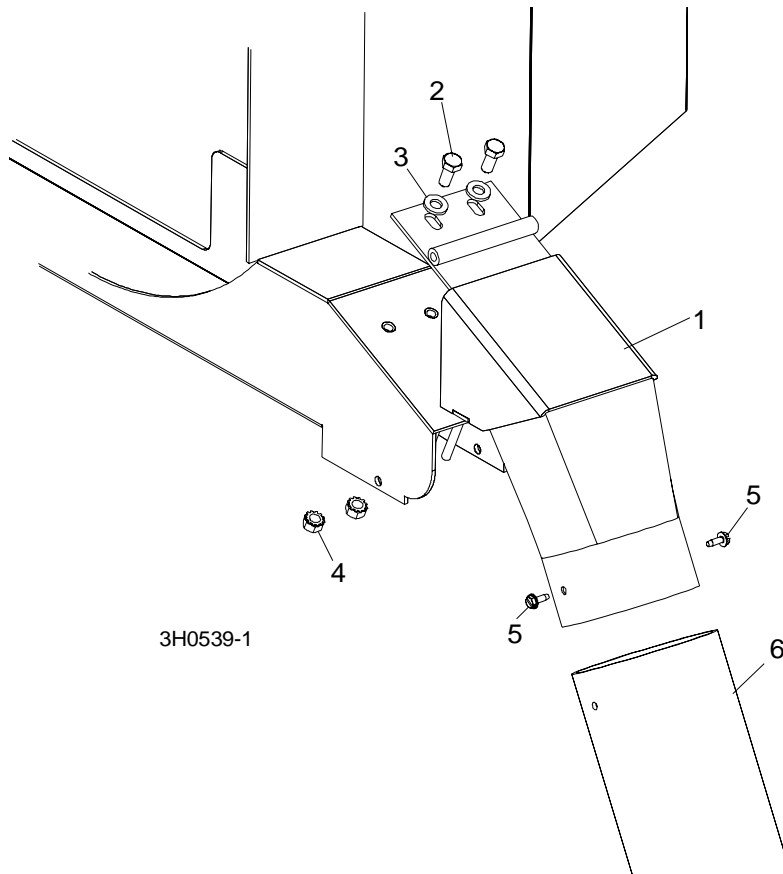
**4.7 Drive Belt Covers**



| REF | DESCRIPTION (◆ Indicates Parts Available In Assemblies Only) | PART #     | QTY. |  |
|-----|--|------------|------|--|
| 1   | BOLT, 1/4-20 X 3/4" HEX HEAD WITH CONICAL WASHER             | F05005-134 | 8    |  |
| 2   | GUARD, STANDARD LOWER DRIVE BELT                             | 014241     | 1    |  |
| 3   | GUARD, DRIVE PULLEY BELT                                     | 014494     | 1    |  |



## 4.8 Sawdust Chute

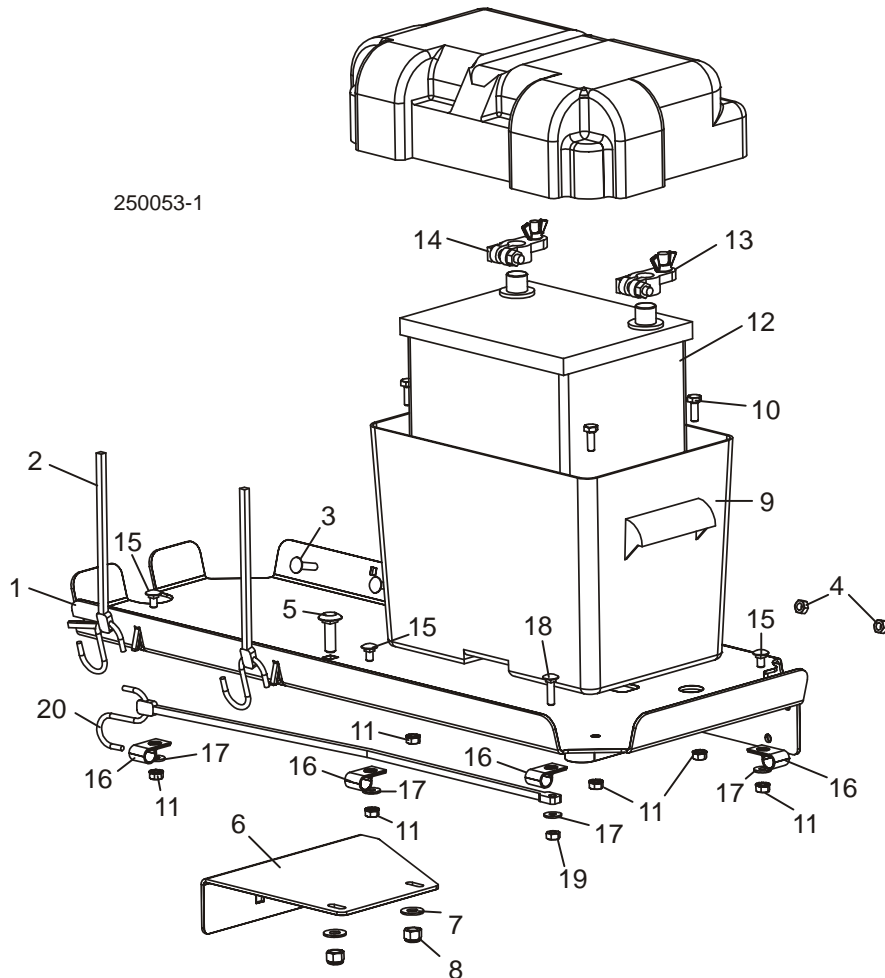


| REF | DESCRIPTION (◆ Indicates Parts Available In Assemblies Only) | PART #    | QTY. |  |
|-----|--|-----------|------|--|
| 1   | CHUTE WELDMENT, SAWDUST                                      | 015466    | 1    |  |
| 2   | BOLT, 5/16-18 X 3/4" HEX HEAD GRADE 2                        | F05006-5  | 2    |  |
| 3   | WASHER, 5/16" SAE FLAT                                       | F05011-17 | 2    |  |
| 4   | NUT, 5/16-18 SELF-LOCKING HEX                                | F05010-20 | 2    |  |
| 5   | BOLT, #10-24 X 1/2" SELF-TAPPING                             | F05015-7  | 2    |  |
| 6   | TUBING, RUBBER SAWDUST                                       | 016727    | 1    |  |
|     | STRAP, 20" RUBBER W/HOOK                                     | P11668    | 1    |  |
|     | BOLT, 1/4-20 X 1 1/4" HEX HEAD FULL THREAD                   | F05005-3  | 1    |  |
|     | WASHER, 1/4" SAE FLAT  | F05011-11 | 1    |  |
|     | NUT, 1/4-20 LOCK   | F05010-21 | 1    |  |

# 4 Saw Head

## Battery Box Assembly

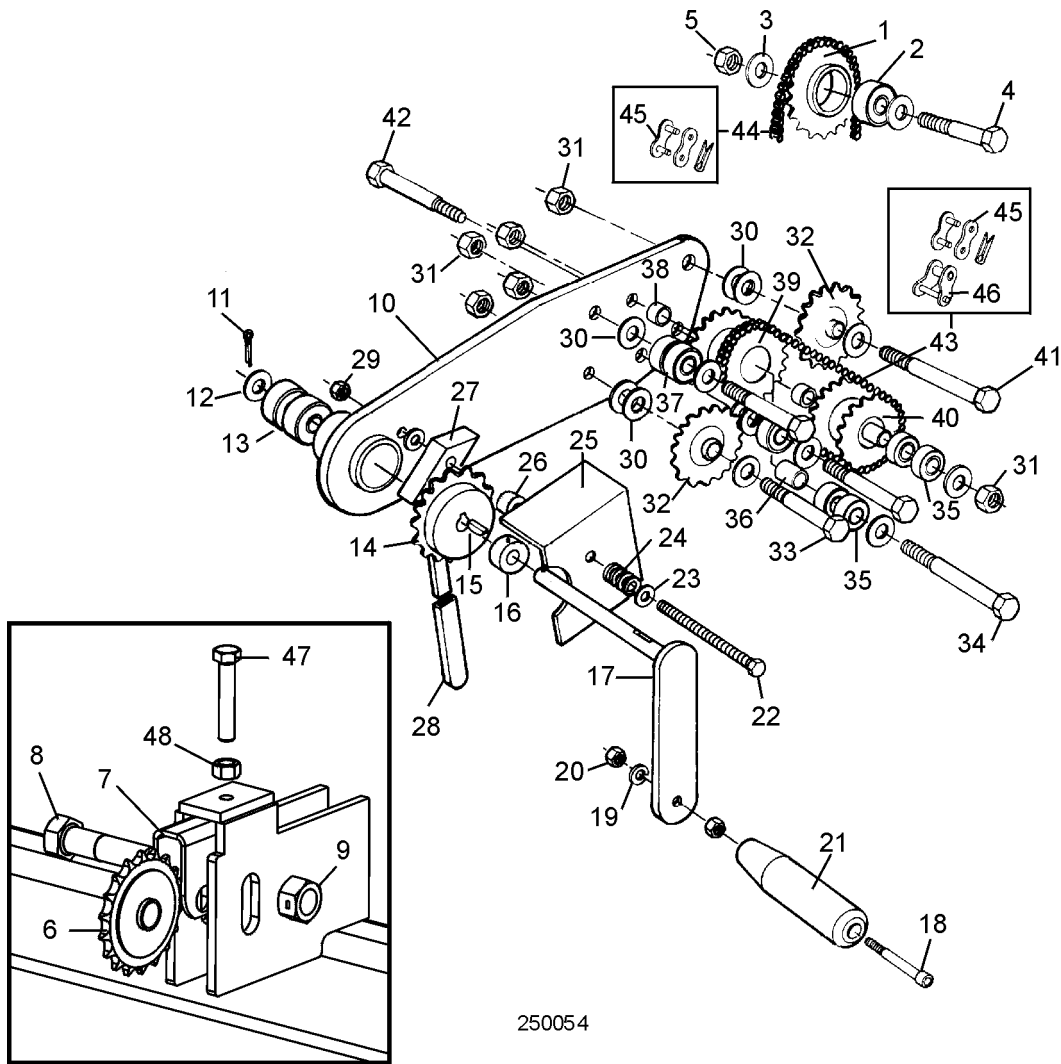
### 4.9 Battery Box Assembly



| REF | DESCRIPTION (◆ Indicates Parts Available In Assemblies Only) | PART NUMBER | QTY. |
|-----|--|-------------|------|
|     | <b>TRAY ASSEMBLY, FUEL TANK/BATTERY</b>                      | 016423      | 1    |
| 1   | Tray, Fuel Tank/Battery                                      | 033273      | 1    |
| 2   | Strap, 24" Rubber w/Hooks                                    | P11258      | 2    |
| 3   | Bolt, 1/4-20 x 1" Carriage Head                              | F05005-34   | 2    |
| 4   | Nut, 1/4-20 Lock   | F05010-21   | 2    |
| 5   | <b>BOLT, 3/8-16 X 1 1/4" CARRIAGE HEAD</b>                   | F05007-11   | 2    |
| 6   | <b>BRACKET, BATTERY TRAY MOUNT</b>                           | 033272      | 1    |
| 7   | <b>WASHER, 3/8" SAE FLAT</b>                                 | F05011-3    | 2    |
| 8   | <b>NUT, 3/8" NYLON LOCK</b>                                  | F05010-10   | 2    |
| 9   | <b>BOX ASSEMBLY, LT15 BATTERY</b>                            | 016413      | 1    |
| 10  | <b>BOLT, 1/4-20 X 3/4" HEX HEAD FULL THREAD</b>              | F05005-1    | 4    |
| 11  | <b>WASHER, 1/4" SAE FLAT</b>                                 | F05011-11   | 8    |

|    |                                   |           |   |   |
|----|-----------------------------------|-----------|---|---|
| 12 | BATTERY, 12 VOLT 526A             | 028004    | 1 | ◆ |
| 13 | TERMINAL, POSITIVE BATTERY        | 033358    | 1 |   |
| 14 | TERMINAL, NEGATIVE BATTERY        | 033359    | 1 |   |
| 15 | BOLT, 1/4-20 X 1/2" CARRIAGE HEAD | F05005-33 | 3 |   |
| 16 | CLAMP, 1/2" EMT COATED            | P07584    | 4 |   |
| 17 | WASHER, 1/4" SAE FLAT             | F05011-11 | 4 |   |
| 18 | BOLT, 1/4-20 X 1" CARRIAGE HEAD   | F05005-34 | 1 |   |
| 19 | NUT, 1/4-20 LOCK                  | F05010-21 | 1 |   |
| 20 | STRAP, 15" RUBBER W/HOOKS         | P07461    | 1 |   |

**SECTION 5 UP/DOWN SYSTEM**



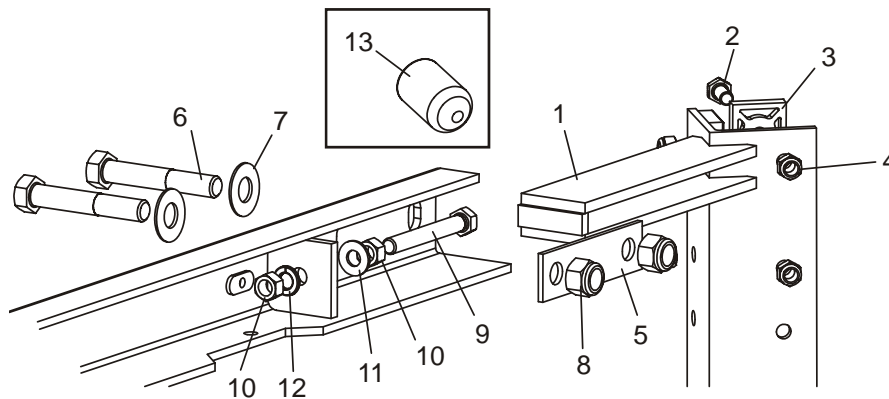
| REF | DESCRIPTION (◆ Indicates Parts Available In Assemblies Only) | PART NUMBER | QTY. |   |
|-----|--|-------------|------|---|
|     | <b>SPROCKET ASSEMBLY, UPPER IDLER</b>                        | A12399      | 1    |   |
| 1   | Sprocket, Upper Idler With Hub                               | W12398      | 1    | ◆ |
| 2   | Bearing, 5/8" 6203-2NSL                                      | P06030-1    | 1    |   |
| 3   | <b>WASHER, 5/8" SAE FLAT</b>                                 | F05011-5    | 2    |   |
| 4   | <b>BOLT, 5/8-11 X 2 1/2" HEX HEAD GRADE 5</b>                | F05009-20   | 1    |   |
| 5   | <b>NUT, 5/8-11 HEX LOCK</b>                                  | F05010-4    | 1    |   |
| 6   | <b>SPROCKET, G1-40-41-17 5/8" BORE 17T</b>                   | P04333      | 1    |   |
| 7   | <b>BRACKET, CHAIN TENSIONER</b>                              | 016439      | 1    |   |
| 8   | <b>BOLT, 5/8-11 X 2 1/2" HEX HEAD GRADE 5</b>                | F05009-20   | 1    |   |
| 9   | <b>NUT, 5/8-11 NYLON LOCK</b>                                | F05010-34   | 1    |   |

| <b>CRANK ASSEMBLY, LT25/LT27 UP/DOWN</b> |  | A12469    | 1  |   |
|--|--|-----------|----|---|
| <b>10</b>                                | Arm, LT25/LT27 Up/Down Crank Mounting          | W12470    | 1  |   |
| <b>11</b>                                | Pin, 1/8" x 1" Cotter                          | F05012-1  | 1  |   |
| <b>12</b>                                | Washer, 5/8" SAE Flat                          | F05011-5  | 1  |   |
| <b>13</b>                                | Bearing, 5/8" 6203-2NSL                        | P06030-1  | 2  |   |
| <b>14</b>                                | Sprocket, 40B17 5/8" Bore                      | P12483    | 1  |   |
| <b>15</b>                                | Key, #606 Woodruff                             | P04101-1  | 1  |   |
| <b>16</b>                                | Collar, 5/8" I.D. With Set Screw               | P05035    | 1  |   |
|  | Handle Assembly, LT25/LT27 Up/Down Crank       | A12335    | 1  |   |
| <b>17</b>                                | Crank, LT25/LT27 Up/Down                       | W12472    | 1  | ◆ |
| <b>18</b>                                | Bolt, 3/8-16 x 2 1/2" Socket Head              | F05007-24 | 1  |   |
| <b>19</b>                                | Washer, 3/8" Split Lock                        | F05011-4  | 1  |   |
| <b>20</b>                                | Nut, 3/8-16 Hex                                | F05010-1  | 2  |   |
| <b>21</b>                                | Handle, Crank                                  | S12456-W  | 1  |   |
| <b>22</b>                                | Bolt, 3/8-16 x 4" Hex Head Full Thread Grade 5 | F05007-92 | 1  |   |
| <b>23</b>                                | Washer, 3/8" SAE Flat                          | F05011-3  | 2  |   |
| <b>24</b>                                | Spring, Up/Down Lock Lee #LC-045G-5MW          | P12494    | 1  |   |
| <b>25</b>                                | Guard, Up/Down Lock                            | S12488    | 1  |   |
| <b>26</b>                                | Spacer, Up/Down Lock                           | S12284    | 1  |   |
| <b>27</b>                                | Handle, LT25/LT27 Up/Down Lock                 | W12490    | 1  |   |
| <b>28</b>                                | Sleeve, Vinyl Handle                           | P08072    | 1  |   |
| <b>29</b>                                | Nut, 3/8-16 Hex                                | F05010-1  | 1  |   |
| <b>30</b>                                | Washer, 5/8" SAE Flat                          | F05011-5  | 13 |   |
| <b>31</b>                                | Nut, 5/8-11 Hex Nylon Lock                     | F05010-34 | 6  |   |
| <b>32</b>                                | Sprocket, G1-40-41-17 5/8" Bore 17T            | P04333    | 2  |   |
| <b>33</b>                                | Bolt, 5/8-11 x 2 1/2" Hex Head                 | F05009-20 | 3  |   |
| <b>34</b>                                | Bolt, 5/8-11 x 3" Hex Head                     | F05009-18 | 1  |   |
| <b>35</b>                                | Bearing, R10-2NSL                              | P04156    | 4  |   |
| <b>36</b>                                | Spacer, 1"                                     | S12479-W  | 2  |   |
| <b>37</b>                                | Bearing, 5/8" 6203-2NSL                        | P06030-1  | 3  |   |
| <b>38</b>                                | Spacer, 5/16"                                  | S12480-W  | 2  |   |
| <b>39</b>                                | Sprocket, Dual 17T/17T                         | W12474    | 1  |   |
| <b>40</b>                                | Sprocket, Dual 17T/16T                         | W12476    | 1  |   |
| <b>41</b>                                | Bolt, 5/8-11 x 4 1/2" Hex Head                 | F05009-3  | 1  |   |
| <b>42</b>                                | Bolt, 5/8-11 x 5" Hex Head Grade 2             | F05009-6  | 1  |   |
| <b>43</b>                                | <b>CHAIN, #40 X 15.5"</b>                      | P12496    | 1  |   |
| <b>44</b>                                | <b>CHAIN, #40 X 170.5"</b>                     | P12497    | 1  |   |
| <b>45</b>                                | <b>LINK, #40 MASTER</b>                        | P04200    | 2  |   |
| <b>46</b>                                | <b>LINK, #40 HALF</b>                          | P12495    | 1  |   |
| <b>47</b>                                | <b>BOLT, 3/8-16 X 2" FULL THREAD HEX HEAD</b>  | F05007-16 | 1  |   |
| <b>48</b>                                | <b>NUT, 3/8-16 HEX</b>                         | F05010-1  | 1  |   |



## SECTION 6 SAW HEAD MOUNT & SCALES

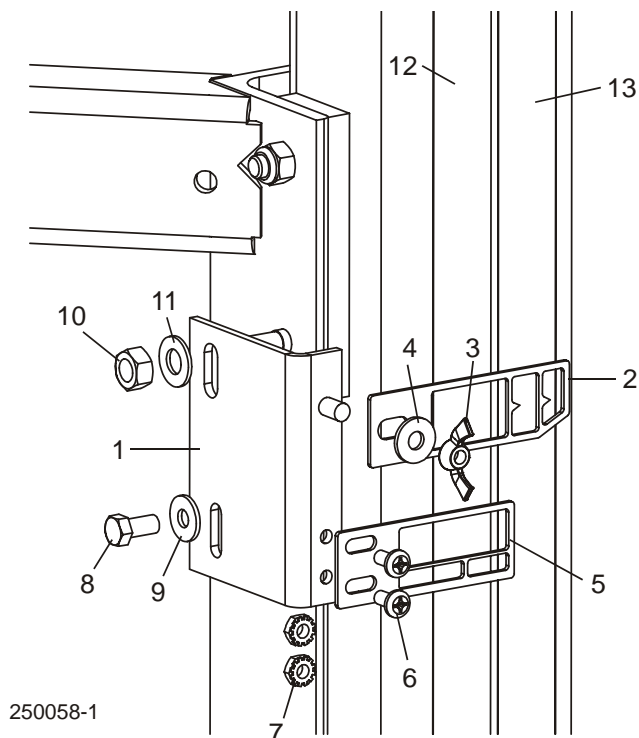
### 6.1 Saw Head Mount



SM0080D

| REF | DESCRIPTION (◆ Indicates Parts Available In Assemblies Only) | PART #    | QTY. |
|-----|--|-----------|------|
| 1   | V-BRACE, SAW HEAD MOUNT                                      | W04099    | 1    |
| 2   | BOLT, 5/16-18 X 3/4" HEX HEAD GRADE 5                        | F05006-5  | 12   |
|     | BOLT, 5/16-18 X 1 1/4 HEX HEAD FULL THREAD GRADE 5           | F05006-93 | 4    |
| 3   | PAD, PLASTIC SLIDE   | M04096    | 6    |
|     | PAD, PLASTIC SLIDE LOWER W/CHAMFER                           | 016241    | 2    |
| 4   | NUT, 5/16-18 NYLON LOCK                                      | F05010-58 | 16   |
| 5   | PLATE, V-BRACE WASHER  | S07935    | 2    |
| 6   | BOLT, 1/2-13 X 3 1/2" HEX HEAD GRADE 5                       | F05008-61 | 4    |
| 7   | WASHER, 1/2" SAE FLAT  | F05011-2  | 4    |
| 8   | NUT, 1/2-13 NYLON LOCK                                       | F05010-8  | 4    |
| 9   | BOLT, 3/8-16 X 3" FULL THREAD                                | F05007-1  | 2    |
| 10  | NUT, 3/8-16 HEX  | F05010-1  | 4    |
| 11  | WASHER, 3/8" SAE FLAT  | F05011-3  | 2    |
| 12  | WASHER, 3/8" SPLIT LOCK                                      | F05011-4  | 2    |
| 13  | CAP, .281" X 1/2" BLACK VINYL                                | 017715    | 3    |

## 6.2 Blade Height & Quarter Scales

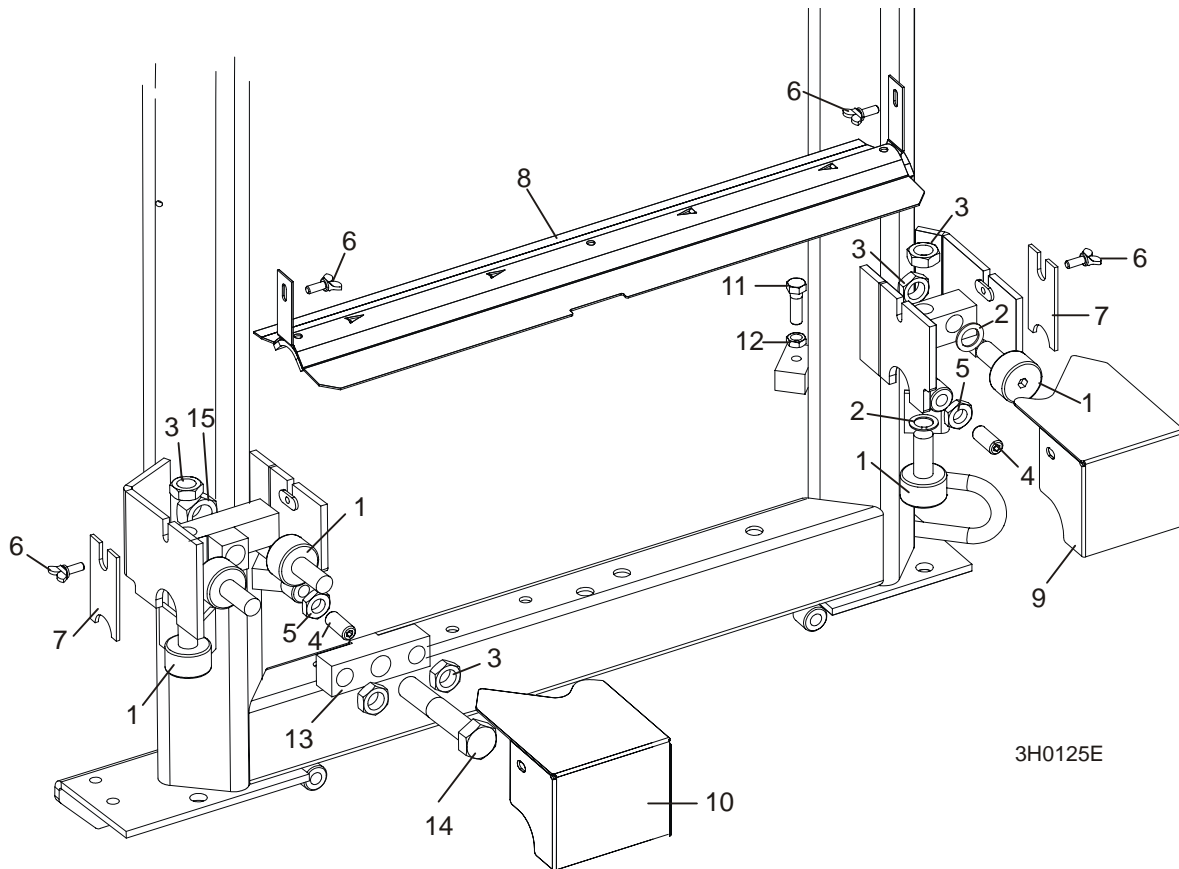


| REF | DESCRIPTION (◆ Indicates Parts Available In Assemblies Only) | PART #    | QTY. |   |
|-----|--|-----------|------|---|
|     | <b>POINTER ASSEMBLY, LT25/LT27 BLADE HEIGHT</b>              | A12414    | 1    |   |
| 1   | Bracket, Pointer Mount                                       | W12415    | 1    | ◆ |
| 2   | Pointer, LT25/LT27 Quarter Scale                             | 017806    | 1    |   |
| 3   | Nut, 1/4-20 Wing   | F05010-13 | 1    |   |
| 4   | Washer, 1/4" SAE Flat  | F05011-11 | 1    |   |
| 5   | Pointer, Blade Height  | 017778    | 1    |   |
| 6   | Screw, #10-24 x 3/8" Phillips Pan Head                       | F05004-3  | 2    |   |
| 7   | Nut, #10-24 Self Locking                                     | F05010-14 | 2    |   |
| 8   | <b>BOLT, 1/4-20 X 1/2" HEX HEAD GRADE 2</b>                  | F05005-15 | 1    |   |
| 9   | <b>WASHER, 1/4" SAE FLAT</b>                                 | F05011-11 | 1    |   |
| 10  | <b>NUT, 5/16-18 HEX LOCK</b>                                 | F05010-17 | 1    |   |
| 11  | <b>WASHER, 5/16" SAE FLAT</b>                                | F05011-17 | 1    |   |
| 12  | <b>DECAL, 35" INCH SCALE</b>                                 | P11038    | 1    |   |
| 13  | <b>DECAL, 35" QUARTER SCALE</b>                              | P11039    | 1    |   |



## SECTION 7 FEED SYSTEM & TRACK ROLLERS

### 7.1 Upper Track Rollers And Wipers



| REF | DESCRIPTION (◆ Indicates Parts Available In Assemblies Only) | PART #    | QTY. |   |
|-----|--|-----------|------|---|
| 1   | ROLLER, TRACK CAM BEARING                                    | 012797    | 5    |   |
| 2   | SHIM, 5/8" X 1" X .062"                                      | 016510    | 2    |   |
| 3   | NUT, 5/8-18 HEX JAM  | F05010-11 | 5    |   |
| 4   | SCREW, 1/2-13 X 1 1/4" OVAL POINT SET                        | F05008-5  | 2    |   |
| 5   | NUT, 1/2-13 HEX JAM  | F05010-31 | 2    |   |
| 6   | SCREW, 1/4-20 X 5/8" THUMB                                   | F05005-64 | 4    |   |
| 7   | WIPER, PLASTIC TRACK   | M04113    | 2    |   |
| 8   | COVER, MIDDLE TRACK OILER ASSEMBLY                           | A09918    | 1    |   |
|     | Cover, Middle Track Oiler                                    | S09917    | 1    | ◆ |
|     | Wiper, Middle Track Felt                                     | S09915    | 1    |   |
| 9   | HOUSING, UPPER TRACK ROLLER REAR                             | 012999    | 1    |   |
| 10  | HOUSING, UPPER TRACK ROLLER FRONT                            | 016285    | 1    |   |
| 11  | BOLT, 3/8-16 X 1 1/4" HEX HEAD                               | F05007-2  | 2    |   |
| 12  | NUT, 3/8-16 HEX JAM  | F05010-29 | 2    |   |

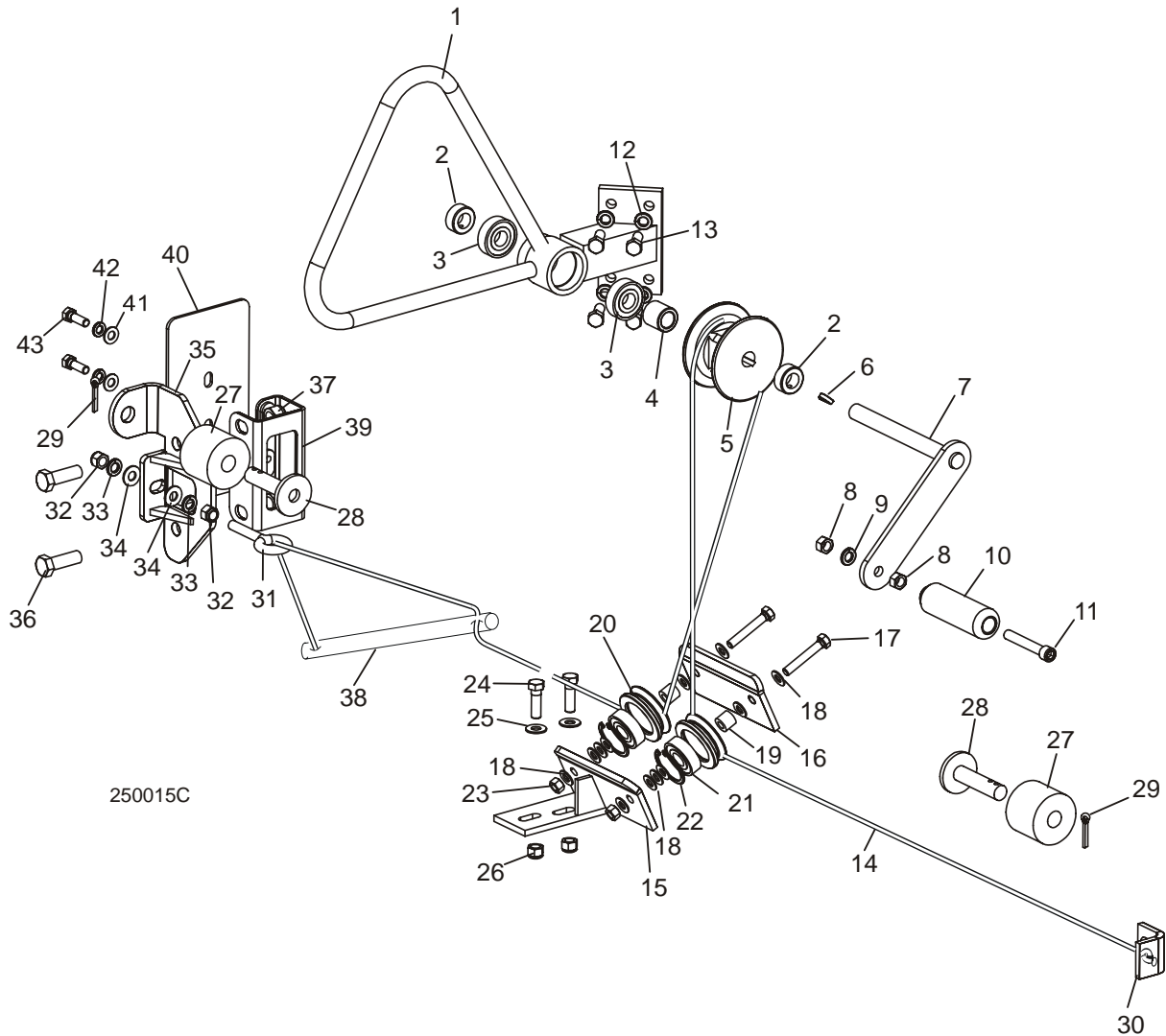
## **7** Feed System & Track Rollers

*Upper Track Rollers And Wipers*

---

|    |                                    |           |   |  |
|----|------------------------------------|-----------|---|--|
| 13 | BLOCK, UPPER ROLLER PIVOT          | 016501    | 1 |  |
| 14 | BOLT, 3/4-10 X 4" HEX HEAD GRADE 5 | F05013-3  | 1 |  |
| 15 | NUT, 3/4-10 SELF LOCKING           | F05010-80 | 1 |  |

7.2 Manual Feed



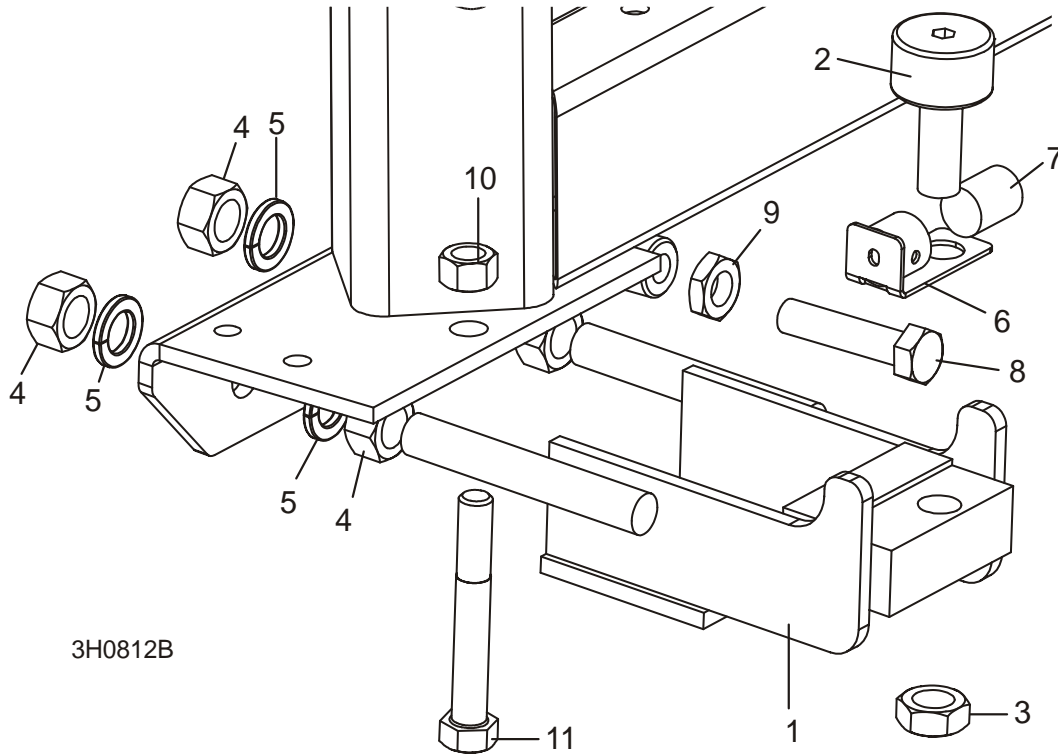
| REF | DESCRIPTION (◆ Indicates Parts Available In Assemblies Only) | PART #   | QTY. |   |
|-----|--|----------|------|---|
|     | <b>CRANK ASSEMBLY, MANUAL FEED ROPE</b>                      | A12453   | 1    |   |
| 1   | Housing, Manual Feed Crank                                   | W12443   | 1    | ◆ |
| 2   | Collar, 5/8" I.D. With Set Screw                             | P05035   | 2    |   |
| 3   | Bearing, 5/8" 6203-2NSL                                      | P06030-1 | 2    |   |
| 4   | Spacer, 1"   | S12479-W | 1    |   |
| 5   | Pulley, LT25/LT27 Manual Feed Crank                          | S12457   | 1    |   |
| 6   | Key, #606 Woodruff   | P04101-1 | 1    |   |
|     | Handle Assembly, LT25/LT27 Manual Feed Crank                 | A12336   | 1    |   |
| 7   | Crank, LT25/LT27 Manual Feed                                 | W12449   | 1    | ◆ |
| 8   | Nut, 3/8/16 Hex  | F05010-1 | 2    |   |

# 7 Feed System & Track Rollers

## Manual Feed

|    |  |           |          |   |
|----|--|-----------|----------|---|
| 9  | Washer, 3/8" Split Lock                                | F05011-4  | 1        |   |
| 10 | Handle, Crank  | S12456    | 1        |   |
| 11 | Bolt, 3/8-16 x 2 1/2" Socket Head                      | F05007-24 | 1        |   |
| 12 | <b>WASHER, 3/8" SPLIT LOCK</b>                         | F05011-4  | 4        |   |
| 13 | <b>BOLT, 3/8-16 X 1" HEX HEAD GRADE 2</b>              | F05007-7  | 4        |   |
| 14 | <b>ROPE, 5/16" DIA. SOLID BRAIDED POLYESTER (LT25)</b> | R02080    | 26 Ft.   |   |
|    | <b>ROPE, 5/16" DIA. SOLID BRAIDED POLYESTER (LT27)</b> | R02080    | 30.3 Ft. |   |
|    | <b>ROLLER ASSEMBLY, FEED ROPE GUIDE</b>                | A12458    | 1        |   |
| 15 | Bracket, Rope Guide Roller Mount                       | W12459    | 1        | ◆ |
| 16 | Plate, Rope Guide Roller Mount                         | S12464    | 1        | ◆ |
| 17 | Bolt, 5/16-18 x 2" Hex Head Full Thread                | F05006-13 | 2        |   |
| 18 | Washer, 5/16" SAE Flat                                 | F05011-17 | 12       |   |
| 19 | Sleeve, Bearing  | S05142    | 2        | ◆ |
|    | Roller Assembly, Rope Guide With Bearing               | A09059    | 2        |   |
| 20 | Roller, Rope Guide V-Groove                            | S07989    | 1        | ◆ |
| 21 | Bearing, 5/8" I.D. 6203-2NSL                           | P06030-1  | 1        |   |
| 22 | Ring, 1.575" ID Beveled 5002-156 Retaining             | F04254-8  | 1        |   |
| 23 | Nut, 5/16-18 Hex Lock                                  | F05010-6  | 2        |   |
| 24 | <b>BOLT, 3/8-16 X 1 1/4" HEX HEAD GRADE 2</b>          | F05007-2  | 2        |   |
| 25 | <b>WASHER, 3/8" SAE FLAT</b>                           | F05011-3  | 2        |   |
| 26 | <b>NUT, 3/8-16 HEX NYLON LOCK</b>                      | F05010-10 | 2        |   |
|    | <b>STOP KIT, RUBBER CARRIAGE</b>                       | K09630    | 2        |   |
| 27 | Stop, Rubber Carriage                                  | P12165    | 1        | ◆ |
| 28 | Pin, Rubber Carriage Stop                              | W09293    | 1        |   |
| 29 | Pin, 3/16" x 1" Cotter                                 | F05012-21 | 1        |   |
| 30 | <b>BRACKET, FEED ROPE MOUNTING</b>                     | S12466    | 1        |   |
| 31 | <b>BOLT, 3/8-16 X 2" EYE 5/8" I.D.</b>                 | F05007-30 | 1        |   |
| 32 | <b>NUT, 3/8-16 HEX</b>                                 | F05010-10 | 2        |   |
| 33 | <b>WASHER, 3/8" SPLIT LOCK</b>                         | F05011-4  | 2        |   |
| 34 | <b>WASHER, 3/8" SAE FLAT</b>                           | F05011-3  | 2        |   |
| 35 | <b>BRACKET, REAR FEED ROPE TENSIONER</b>               | W11822    | 1        |   |
| 36 | <b>BOLT, 1/2-13 X 1 1/2" HEX HEAD GRADE 5</b>          | F05008-33 | 2        |   |
| 37 | <b>NUT, 1/2-13 NYLON HEX</b>                           | F05010-8  | 2        |   |
| 38 | <b>ROD, FEED ROPE TENSIONER</b>                        | S12468    | 1        |   |
| 39 | <b>BRACKET WELDMENT, REAR TUBE COVER MOUNT</b>         | 015021    | 1        |   |
| 40 | <b>COVER, MAIN TUBE REAR</b>                           | 015023    | 1        |   |
| 41 | <b>WASHER, 5/16" SAE FLAT</b>                          | F05011-17 | 2        |   |
| 42 | <b>WASHER, 5/16" SPLIT LOCK</b>                        | F05011-13 | 2        |   |
| 43 | <b>BOLT, 5/16-18 X 1" HEX HEAD</b>                     | F05006-1  | 2        |   |

### 7.3 Lower Track Rollers



| REF | DESCRIPTION (◆ Indicates Parts Available In Assemblies Only) | PART #                  | QTY. |   |
|-----|--|-------------------------|------|---|
|     | <b>ROLLER ASSEMBLY, LOWER TRACK</b>                          | 012995                  | 2    |   |
| 1   | Bracket, Lower Track Roller Mounting                         | 012982                  | 1    | ◆ |
| 2   | Roller, Track Cam Bearing                                    | 012797                  | 1    |   |
| 3   | Nut, 5/8-18 Hex Jam  | F05010-11               | 1    |   |
| 4   | Nut, 5/8-11 Hex  | F05010-5                | 4    |   |
| 5   | Washer, 5/8" Split Lock Grade 8                              | F05011-118 <sup>1</sup> | 4    |   |
| 6   | Bracket Weldment, Lower Track Roller Wiper                   | 033374                  | 1    |   |
| 7   | Wiper, Round Gray Felt                                       | 033375                  | 1    |   |
| 8   | <b>BOLT, 1/2-13 X 2 1/4" HEX HEAD FULL THREAD</b>            | F05008-2                | 2    |   |
| 9   | <b>NUT, 1/2-13 HEX JAM</b>                                   | F05010-31               | 2    |   |
| 10  | <b>NUT, 1/2-13 HEX LOCK</b>                                  | F05010-3                | 2    |   |
| 11  | <b>BOLT, 1/2-13 X 3 1/2" HEX HEAD GRADE 5</b>                | F05008-61               | 2    |   |

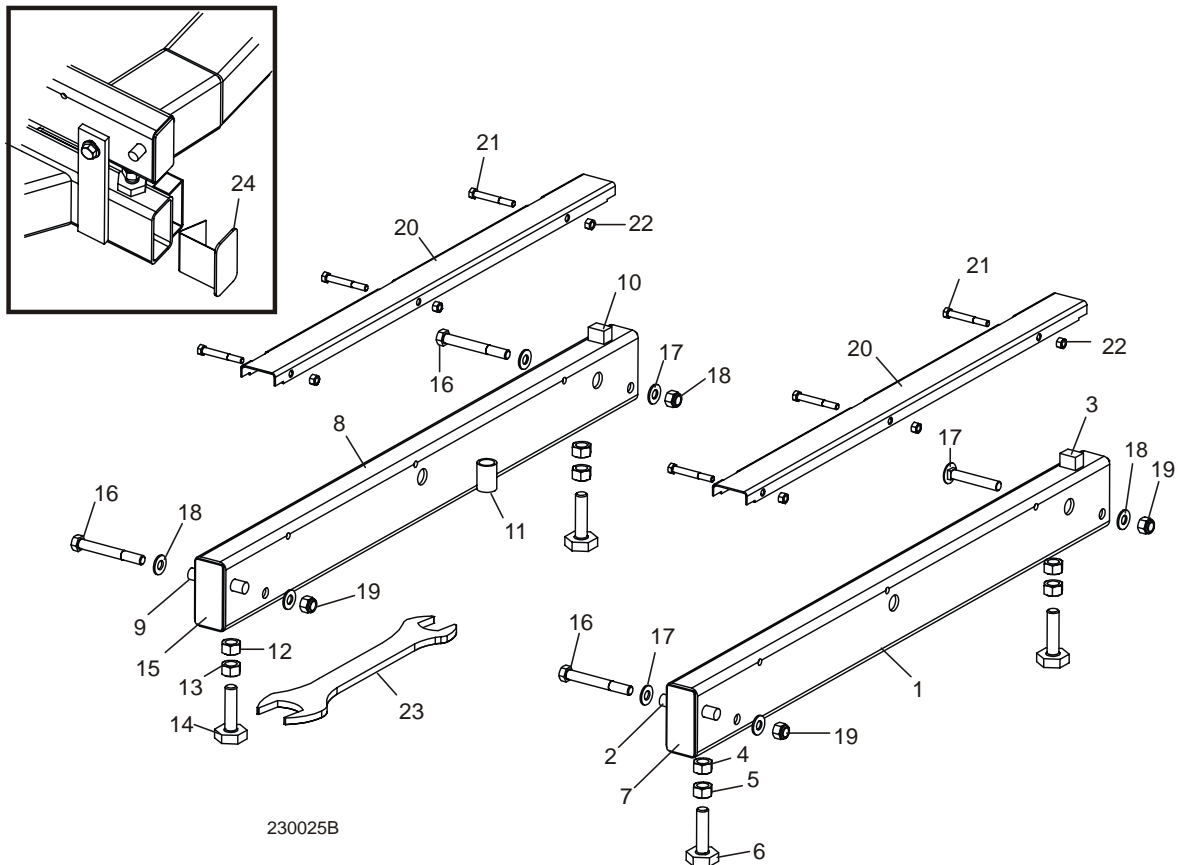
<sup>1</sup> Grade 8 washers replace F05011-27 originally supplied before 8/07 to improve durability.

# 8 Bed Frame Assembly

## Bed Rail Assembly, Front And Rear

### SECTION 8 BED FRAME ASSEMBLY

#### 8.1 Bed Rail Assembly, Front And Rear



| REF | DESCRIPTION (◆ Indicates Parts Available In Assemblies Only) | PART #    | QTY. |   |
|-----|--|-----------|------|---|
|     | <b>BED RAIL ASSEMBLY, REAR PAINTED</b>                       | A09774    | 1    |   |
| 1   | Bed Rail Tube, Long  | S09102    | 1    | ◆ |
| 2   | Pin, Ramp Mount  | S04030    | 1    |   |
| 3   | Block, Log Stop  | S09034    | 1    |   |
| 4   | Nut, 5/8-11 Pilot Weld                                       | F05010-84 | 2    |   |
| 5   | Nut, 5/8-11 Hex  | F05010-5  | 2    |   |
| 6   | Bolt, Bed Rail Adjustment                                    | S13006    | 2    |   |
| 7   | Plate, Bed Rail End Cap                                      | S04058    | 2    | ◆ |
|     | <b>BED RAIL ASSEMBLY, FRONT PAINTED</b>                      | A09564    | 1    |   |
| 8   | Bed Rail Tube, Long  | S09102    | 1    | ◆ |
| 9   | Pin, Ramp Mount  | S04030    | 1    |   |
| 10  | Block, Log Stop  | S09034    | 1    |   |
| 11  | Tube, Ramp Retainer Mount                                    | S09334    | 1    | ◆ |

## Bed Frame Assembly

### *Bed Rail Assembly, Front And Rear*

8

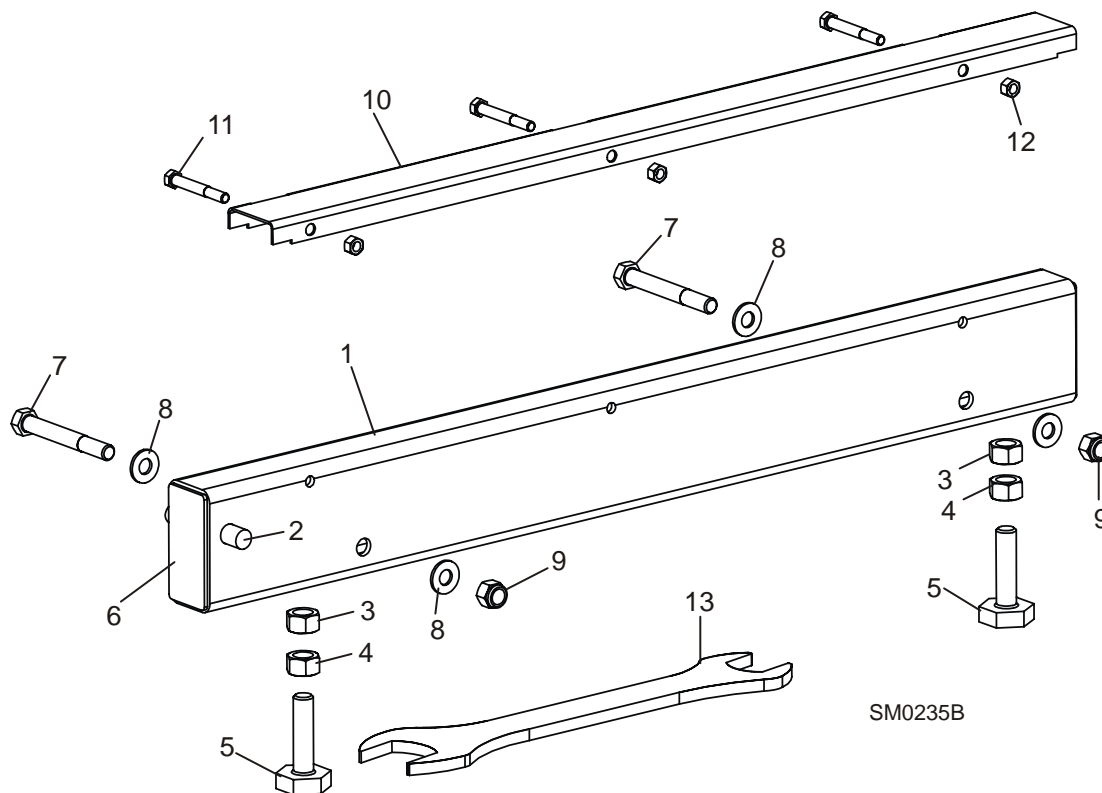
|    |   |                        |   |   |
|----|---|------------------------|---|---|
| 12 | Nut, 5/8-11 Pilot Weld                      | F05010-84              | 2 |   |
| 13 | Nut, 5/8-11 Hex                             | F05010-5               | 2 |   |
| 14 | Bolt, Bed Rail Adjustment                   | S13006                 | 2 |   |
| 15 | Plate, Bed Rail End Cap                     | S04058                 | 2 | ◆ |
| 16 | <b>BOLT, 1/2-13 X 4" HEX HEAD GRADE 5</b>   | F05008-78              | 3 |   |
| 17 | <b>BOLT, 1/2-13 X 3 1/2" CARRIAGE</b>       | F05008-94 <sup>1</sup> | 1 |   |
| 18 | <b>WASHER, 1/2" SAE FLAT</b>                | F05011-2               | 7 |   |
| 19 | <b>NUT, 1/2-13 NYLON LOCK</b>               | F05010-8               | 4 |   |
| 20 | <b>COVER, STAINLESS STEEL BED RAIL</b>      | 016898                 | 2 |   |
| 21 | <b>BOLT, 5/16-18 X 2 1/2" HEX HEAD</b>      | F05006-10              | 6 |   |
| 22 | <b>NUT, 5/16-18 HEX LOCK</b>                | F05010-6               | 6 |   |
| 23 | <b>WRENCH, BED RAIL ADJUSTMENT</b>          | 015970                 | 1 |   |
| 24 | <b>CAP WELDMENT, BED RAIL REMOVABLE END</b> | 014652                 | 2 |   |

<sup>1</sup> Used on rear bed rail to allow clearance for optional side support rollers.

# 8 Bed Frame Assembly

## Bed Rail Assembly, Middle Front

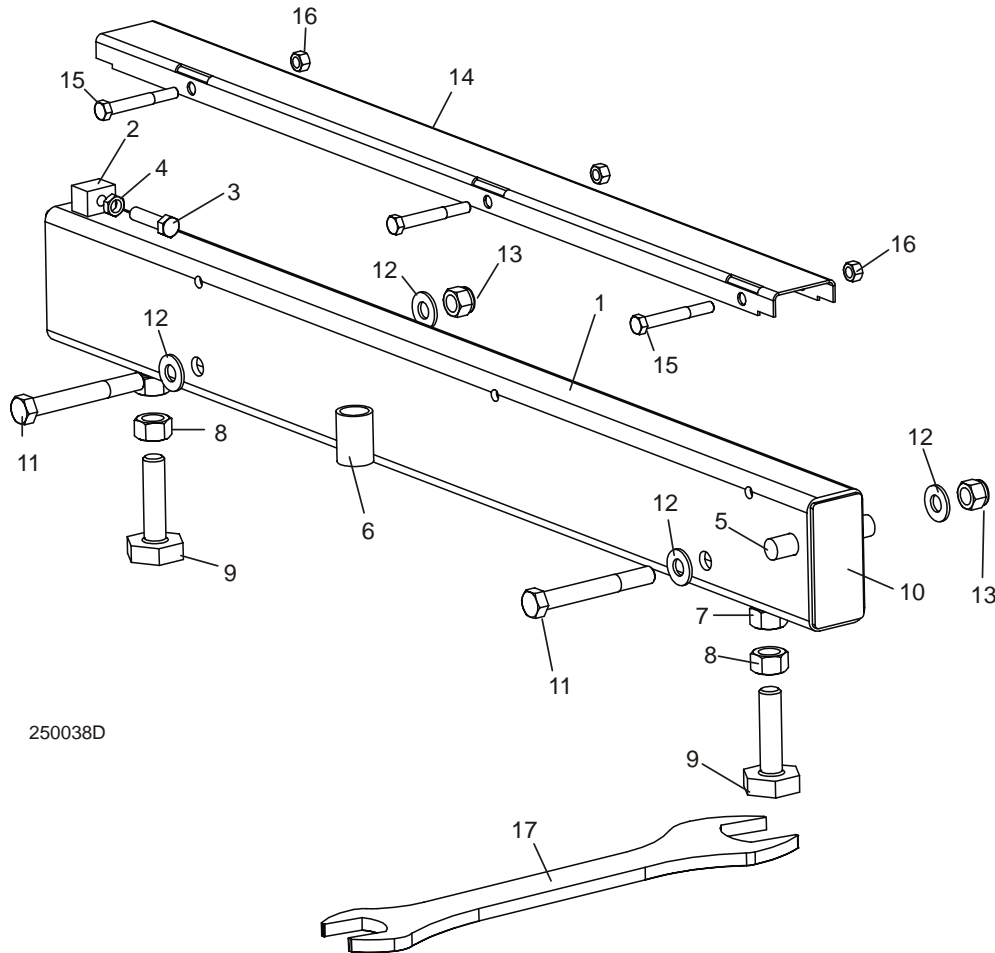
### 8.2 Bed Rail Assembly, Middle Front



| REF | DESCRIPTION (◆ Indicates Parts Available In Assemblies Only) | PART #    | QTY. |   |
|-----|--|-----------|------|---|
|     | <b>BED RAIL ASSEMBLY, FRONT MIDDLE</b>                       | A09566    | 1    |   |
| 1   | Bed Rail Tube, Short   | S09103    | 1    | ◆ |
| 2   | Pin, Ramp Mount  | S04030    | 1    |   |
| 3   | Nut, 5/8-11 Pilot Weld                                       | F05010-84 | 2    |   |
| 4   | Nut, 5/8-11 Hex  | F05010-5  | 2    |   |
| 5   | Bolt, Bed Rail Adjustment                                    | S13006    | 2    |   |
| 6   | Plate, Bed Rail End Cap                                      | S04058    | 2    | ◆ |
| 7   | <b>BOLT, 1/2-13 X 4" HEX HEAD GRADE 5</b>                    | F05008-78 | 2    |   |
| 8   | <b>WASHER, 1/2" SAE FLAT</b>                                 | F05011-2  | 4    |   |
| 9   | <b>NUT, 1/2-13 NYLON LOCK</b>                                | F05010-8  | 2    |   |
|     | <b>COVER ASSEMBLY, STAINLESS STEEL BED RAIL (LONG)</b>       | A09956    | 1    |   |
| 10  | Cover, Stainless Steel Bed Rail                              | S09944    | 1    | ◆ |
| 11  | Bolt, 5/16-18 X 2 1/2" Hex Head                              | F05006-10 | 3    |   |
| 12  | Nut, 5/16-18 Hex Lock  | F05010-6  | 3    |   |
| 13  | <b>WRENCH, BED RAIL ADJUSTMENT</b>                           | 015970    | 1    |   |



### 8.3 Bed Rail Assembly, Middle Rear



| REF | DESCRIPTION (◆ Indicates Parts Available In Assemblies Only) | PART #    | QTY. |   |
|-----|--|-----------|------|---|
|     | <b>BED RAIL ASSEMBLY, REAR MIDDLE</b>                        | A09565    | 1    |   |
| 1   | Bed Rail Tube, Short   | 014640    | 1    | ◆ |
| 2   | Block, Log Stop w/Threaded Hole                              | 014639    | 1    | ◆ |
| 3   | Bolt, 3/8-16 x 1 1/2 Full Thead Hex Head                     | F05007-17 | 1    |   |
| 4   | Nut, 3/8-16 Hex Jam  | F05010-29 | 1    |   |
| 5   | Pin, Ramp Mount  | S04030    | 1    |   |
| 6   | Tube, Ramp Retainer Mount                                    | S09334    | 1    | ◆ |
| 7   | Nut, 5/8-11 Pilot Weld                                       | F05010-84 | 2    |   |
| 8   | Nut, 5/8-11 Hex  | F05010-5  | 2    |   |
| 9   | Bolt, Bed Rail Adjustment                                    | S13006    | 2    |   |
| 10  | Plate, Bed Rail End Cap                                      | S04058    | 2    | ◆ |
| 11  | <b>BOLT, 1/2-13 X 4" HEX HEAD GRADE 5</b>                    | F05008-78 | 2    |   |
| 12  | <b>WASHER, 1/2" SAE FLAT</b>                                 | F05011-2  | 4    |   |
| 13  | <b>NUT, 1/2-13 NYLON LOCK</b>                                | F05010-8  | 2    |   |

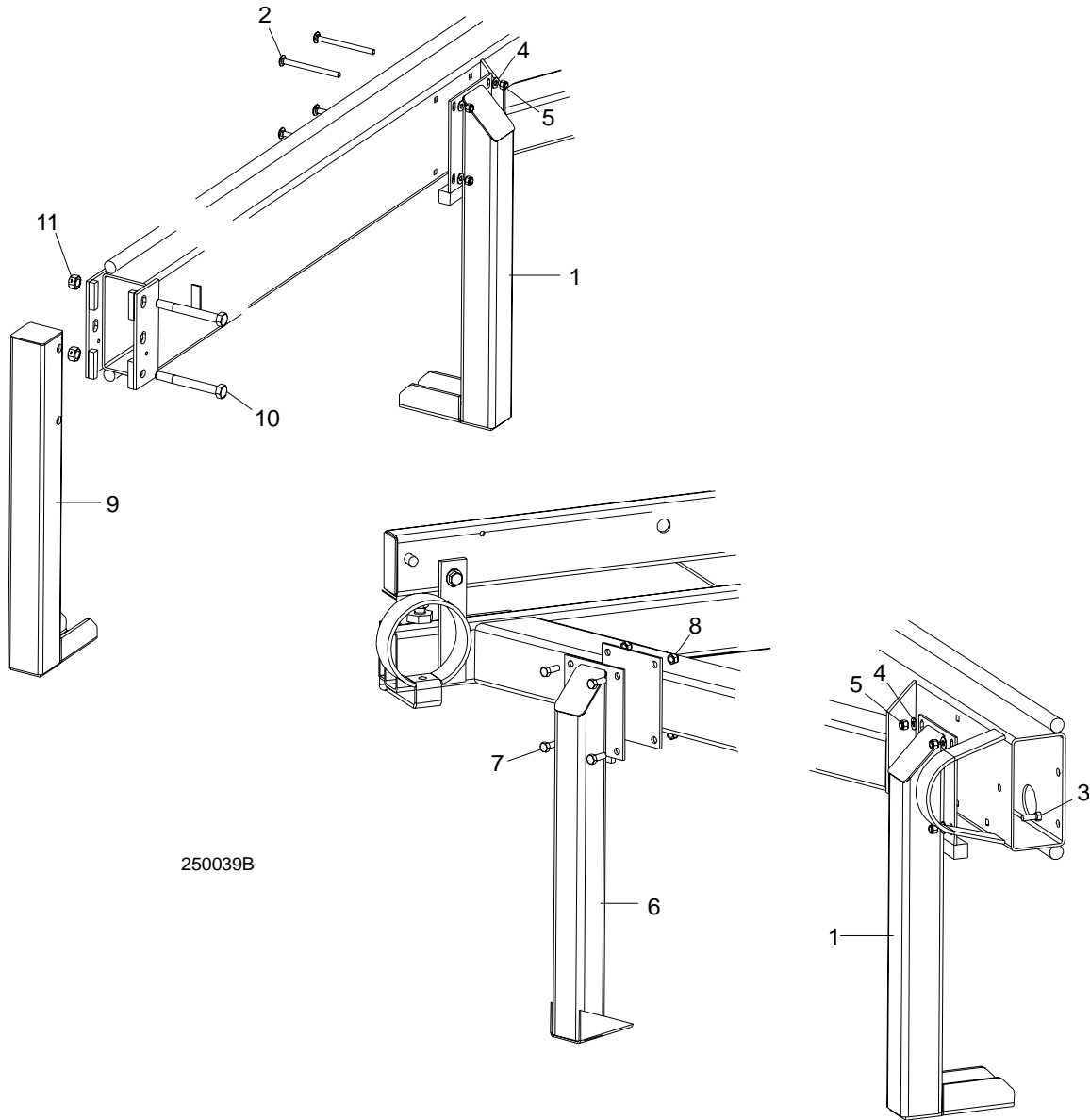
# 8 Bed Frame Assembly

## *Bed Rail Assembly, Middle Rear*

---

|    |  |           |   |   |
|----|--|-----------|---|---|
|    | <b>COVER ASSEMBLY, STAINLESS STEEL BED RAIL (LONG)</b> | A09956    | 1 |   |
| 14 | Cover, Stainless Steel Bed Rail                        | S09944    | 1 | ◆ |
| 15 | Bolt, 5/16-18 X 2 1/2" Hex Head                        | F05006-10 | 3 |   |
| 16 | Nut, 5/16-18 Hex Lock                                  | F05010-6  | 3 |   |
| 17 | <b>WRENCH, BED RAIL ADJUSTMENT</b>                     | 015970    | 1 |   |

### 8.4 Leg Assembly (Stationary)



250039B

| REF | DESCRIPTION (◆ Indicates Parts Available In Assemblies Only) | PART #     | QTY. |
|-----|--|------------|------|
| 1   | LEG, LONG STATIONARY (2 REQ'D FOR LT25; 3 REQ'D FOR LT27)    | W09513     | 2/3  |
| 2   | BOLT, 3/8-16 X 5" CARRIAGE HEAD                              | F05007-113 | 8    |
| 3   | BOLT, 3/8-16 X 1 1/4" HEX HEAD (REQ'D FOR REAR LT27 ONLY)    | F05007-2   | 4    |
| 4   | WASHER, 3/8" SAE FLAT  | F05011-3   | 8/12 |
| 5   | NUT, 3/8-16 HEX NYLON LOCK                                   | F05010-10  | 8/12 |
| 6   | LEG, SHORT STATIONARY  | W09515     | 2    |
| 7   | BOLT, 3/8-16 X 1 1/4" HEX HEAD                               | F05007-2   | 8    |

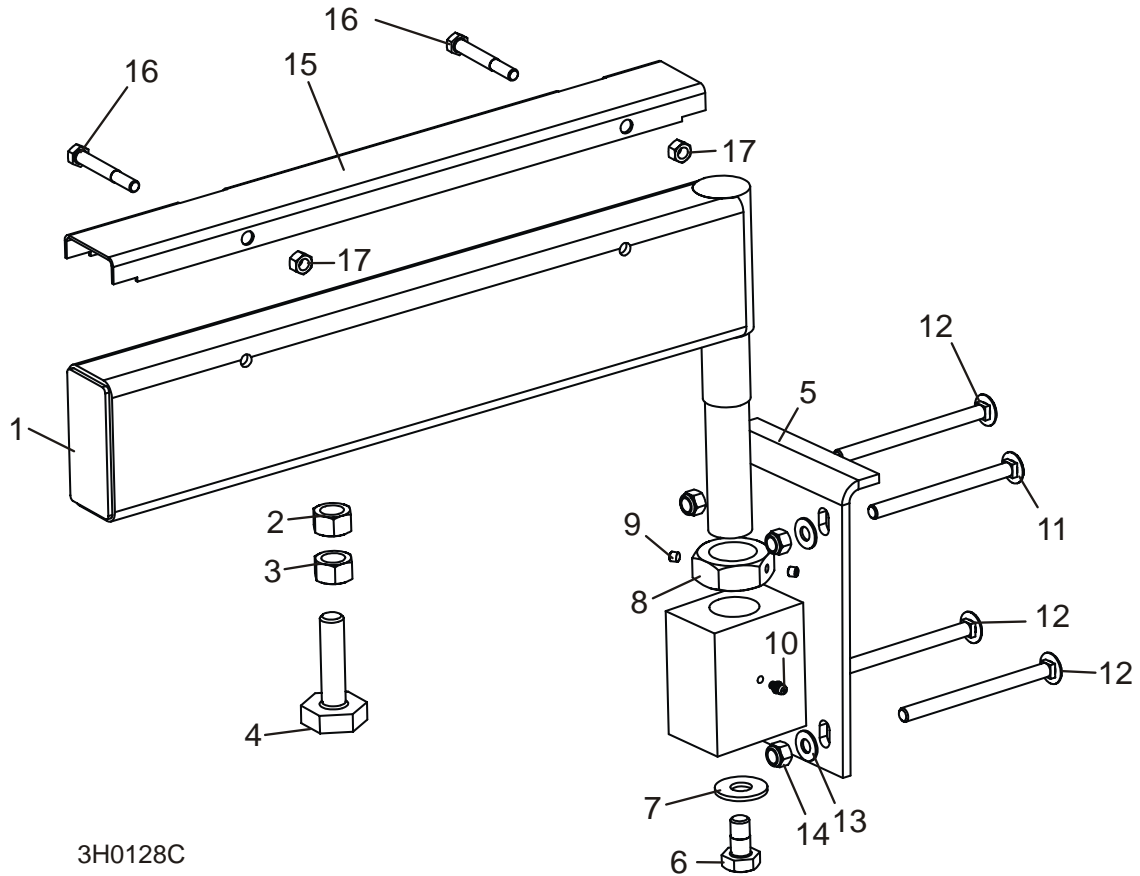
# **8** Bed Frame Assembly

*Leg Assembly (Stationary)*

---

|    |  |           |   |  |
|----|--|-----------|---|--|
| 8  | NUT, 3/8-16 HEX NYLON LOCK             | F05010-10 | 8 |  |
| 9  | LEG, FRONT STATIONARY                  | W09517    | 1 |  |
| 10 | BOLT, 5/8-11 X 5 1/2" HEX HEAD GRADE 5 | F05009-11 | 2 |  |
| 11 | NUT, 5/8-11 HEX LOCK                   | F05010-4  | 2 |  |

## 8.5 Pivot Bed Rail Assembly



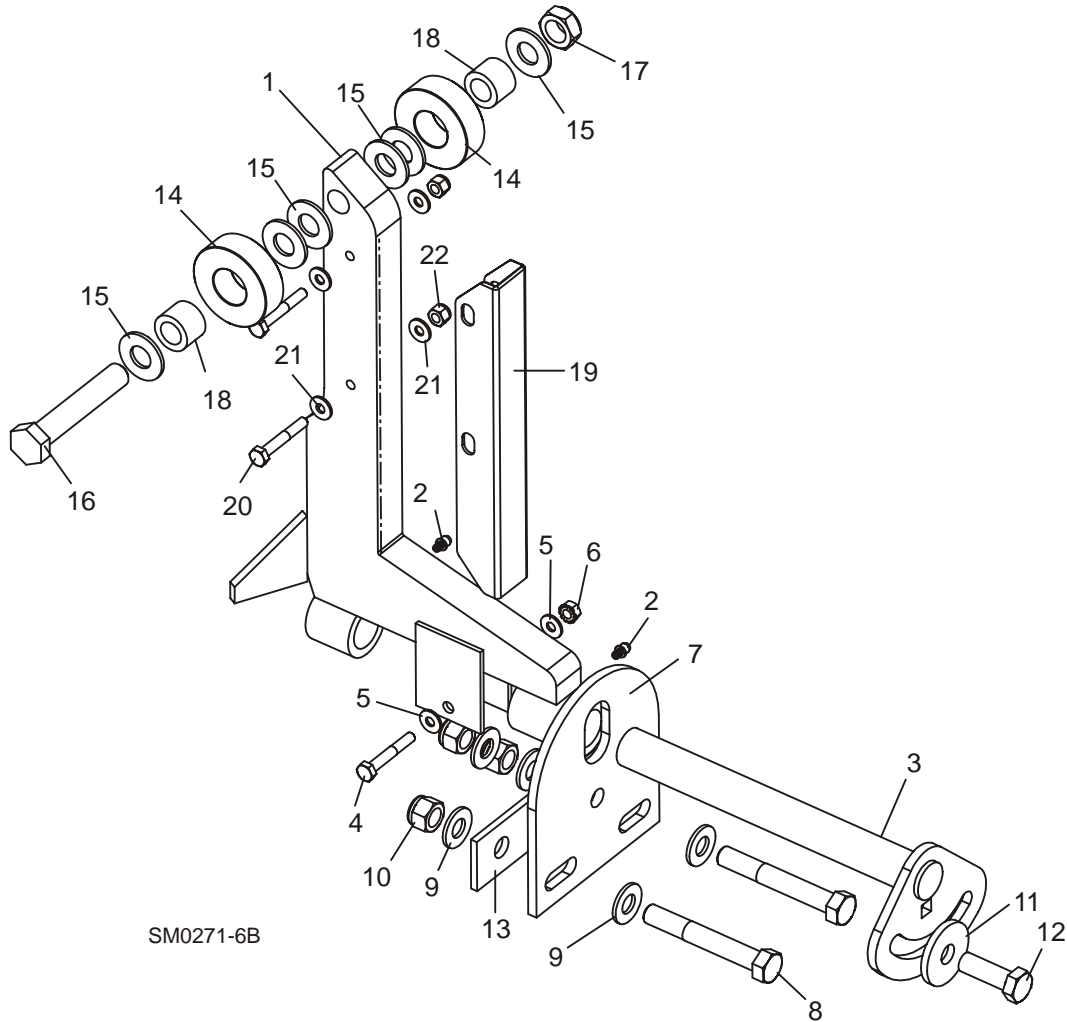
| REF | DESCRIPTION (◆ Indicates Parts Available In Assemblies Only) | PART #     | QTY. |   |
|-----|--|------------|------|---|
|     | <b>PIVOT BED RAIL ASSEMBLY</b> LT27                          | A13015     | 2    |   |
|     | <b>PIVOT BED RAIL ASSEMBLY (LT25)</b>                        | 012993     | 2    |   |
| 1   | Pivot Bed Rail WeldmentLT27                                  | W13014     | 1    | ◆ |
|     | Pivot Bed Rail Weldment (LT25)                               | 012992     | 1    | ◆ |
| 2   | Nut, 5/8-11 Pilot Weld                                       | F05010-84  | 2    |   |
| 3   | Nut, 5/8-11 Hex  | F05010-5   | 2    |   |
| 4   | Bolt, Bed Rail Adjustment                                    | S13006     | 2    |   |
| 5   | Bracket, Pivot Rail Mounting                                 | W13090     | 1    |   |
| 6   | Bolt, 1/2-13 x 1" Hex Head Grade 2                           | F05008-50  | 1    |   |
| 7   | Washer, 9/16" SAE Flat                                       | F05011-52  | 1    |   |
| 8   | Nut, Pivot Rail Adjustment                                   | S13016     | 1    |   |
| 9   | Screw, 1/4-28 x 1/4" Brass Tip Set                           | F05005-42  | 2    |   |
| 10  | Fitting, 3/16" Grease  | P04107     | 1    |   |
| 11  | <b>BOLT, 3/8-16 X 4 3/4" CARRIAGE HEAD</b>                   | F05007-114 | 2    |   |

## 8

**Bed Frame Assembly***Pivot Bed Rail Assembly*

|    |  |            |   |  |
|----|--|------------|---|--|
| 12 | <b>BOLT, 3/8-16 X 5" CARRIAGE HEAD</b>                               | F05007-113 | 6 |  |
| 13 | <b>WASHER, 3/8" SAE FLAT</b>   | F05011-3   | 8 |  |
| 14 | <b>NUT, 3/8-16 NYLON LOCK</b>  | F05010-10  | 8 |  |
|    | <b>COVER KIT, PIVOT RAIL STAINLESS STEEL (LT27)</b>                  | 017710     | 2 |  |
|    | <b>COVER KIT, PIVOT RAIL STAINLESS STEEL (LT25)</b>                  | 015926     | 2 |  |
| 15 | Cover, Stainless Steel Pivot Bed Rail (LT27)                         | S13012     | 1 |  |
|    | Cover, Stainless Steel Pivot Bed Rail (LT25)                         | 012994     | 1 |  |
| 16 | Bolt, 5/16-18 X 2 1/2" Hex Head                                      | F05006-10  | 2 |  |
| 17 | Nut, 5/16-18 Hex Lock  | F05010-6   | 2 |  |
|    | <b>WRENCH, BED RAIL ADJUSTMENT (<a href="#">See Section 8.1</a>)</b> | 015970     | 1 |  |

### 8.6 Log Side Support Assembly



| REF | DESCRIPTION (◆ Indicates Parts Available In Assemblies Only) | PART #    | QTY. |
|-----|--|-----------|------|
| 1   | <b>SUPPORT, LOG SIDE</b>                                     | 015235    | 4    |
| 2   | Fitting, 3/16" Grease  | P04107    | 2    |
|     | <b>MOUNTING KIT, LOG SIDE SUPPORT</b>                        | 016559    | 4    |
| 3   | Pin, Log Side Support Pivot                                  | 016544    | 1    |
| 4   | Bolt, 1/4-20 X 1 1/2" Hex Head Grade 5                       | F05005-4  | 1    |
| 5   | Washer, 1/4" SAE Flat  | F05011-11 | 2    |
| 6   | Nut, 1/4-20 Self Locking                                     | F05010-9  | 1    |
| 7   | Plate, Log Side Support End                                  | 016555    | 1    |
| 8   | Bolt, 1/2-13 X 3 1/2" Hex Head Grade 5                       | F05008-61 | 2    |
| 9   | Washer, 1/2" SAE Flat  | F05011-2  | 5    |
| 10  | Nut, 1/2-13 Hex Nylon Lock                                   | F05010-8  | 3    |

## 8

## Bed Frame Assembly

### Log Side Support Assembly

|    |   |                         |    |  |
|----|---|-------------------------|----|--|
| 11 | Washer, .52" x 1.69"  | 014632 <sup>1</sup>     | 1  |  |
| 12 | Bolt, 1/2-13 X 1 1/2" Hex Head Grade 5                      | F05008-33               | 1  |  |
| 13 | Plate, Side Support Washer Clamp                            | 016558                  | 1  |  |
|    | <b>ROLLER KIT, SIDE SUPPORT (OPTIONAL)</b>                  | 016562                  | 4  |  |
| 14 | Roller, Side Support  | 016561                  | 2  |  |
| 15 | Washer, 5/8" SAE Flat                                       | F05011-5 <sup>2</sup>   | 6  |  |
| 16 | Bolt, 5/8-11 x 3 3/4" Hex Head Grade 5                      | F05009-118 <sup>3</sup> | 1  |  |
| 17 | Nut, 5/8-11 Hex Nylon Lock Jam                              | F05010-96               | 1  |  |
| 18 | Bushing, Bronze 5/8" x 1" x 3/4"                            | 016560                  | 2  |  |
|    | Bolt, 1/2-13 x 3 1/2" Carriage Head                         | F05008-94               | 1  |  |
|    | Instruction Sheet, Side Support Roller                      | 016562-526              | 1  |  |
|    | <b>GUARD KIT, STAINLESS STEEL SIDE SUPPORT (OPTIONAL)</b>   | 016798                  | 1  |  |
| 19 | Guard, Stainless Steel Side Support                         | 016722                  | 4  |  |
| 20 | Bolt, 1/4-20 x 1 3/4" Hex Head                              | F05005-4                | 8  |  |
| 21 | Washer, 1/4" SAE Flat                                       | F05011-11               | 16 |  |
|    | Washer, 5/8" SAE Flat                                       | F05011-5 <sup>2</sup>   | 4  |  |
| 22 | Nut, 1/4-20 Hex Nylon Lock                                  | F05010-69               | 8  |  |
|    | Instruction Sheet, Stainless Steel Side Support Guard Retro | 016798-1005             | 1  |  |

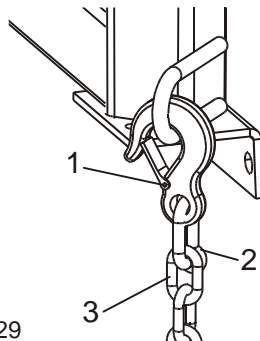
<sup>1</sup> Oversized Washer 014632 replaces 1/2" SAE Flat Washer F05011-2 to provide larger clamping area during adjustment (12/09).

<sup>2</sup> Additional 5/8" SAE Flat Washer F05011-5 may be required on each side of side support to provide clearance for optional stainless steel side support guards. Extra washers are included in the stainless steel guard retrofit kit (016798).

<sup>3</sup> Longer bolt replaces 3 1/2" F05009-93 used before 3/07.



## 8.7 Safety Chain Assembly



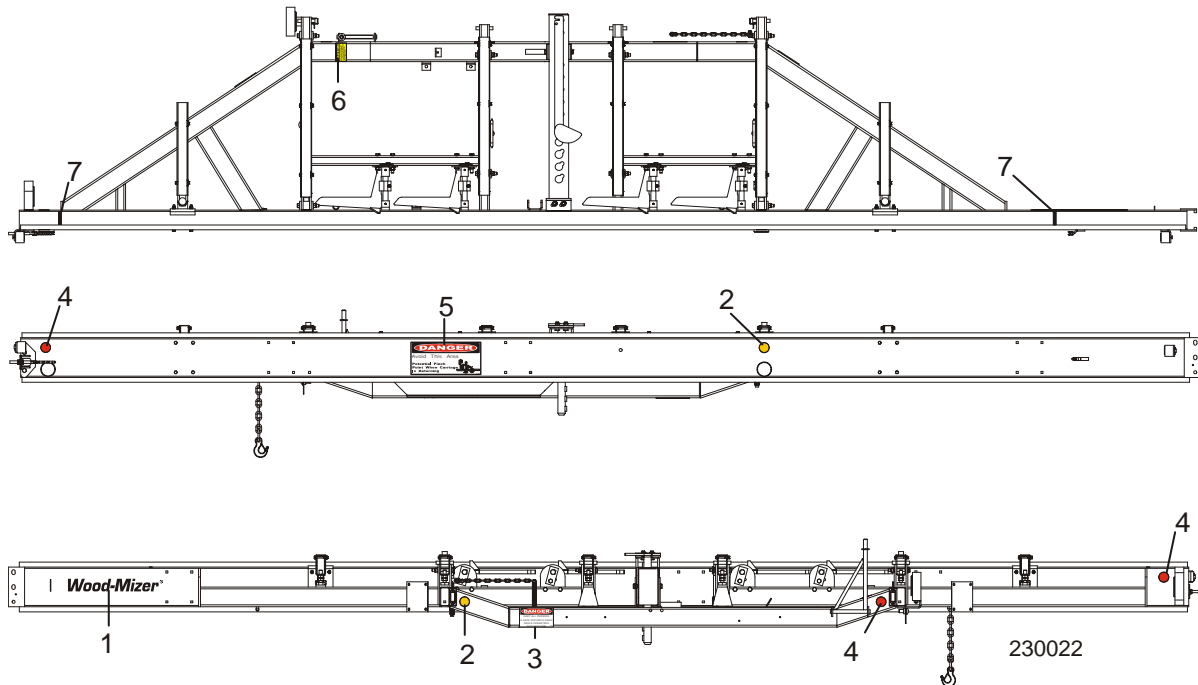
SM0129

| REF | DESCRIPTION (◆ Indicates Parts Available In Assemblies Only) | PART #   | QTY.     |   |
|-----|--|----------|----------|---|
|     | <b>CHAIN ASSEMBLY, TIE DOWN</b>                              | A04376   | 1        |   |
| 1   | Hook, 5/8" Safety Chain                                      | P12075   | 1        | ◆ |
| 2   | Cold Shut, 3/8" Plain  | P04772-2 | 1        | ◆ |
| 3   | Chain, 5/16" Unplated  | R02111   | .938 ft. | ◆ |

# 8 Bed Frame Assembly

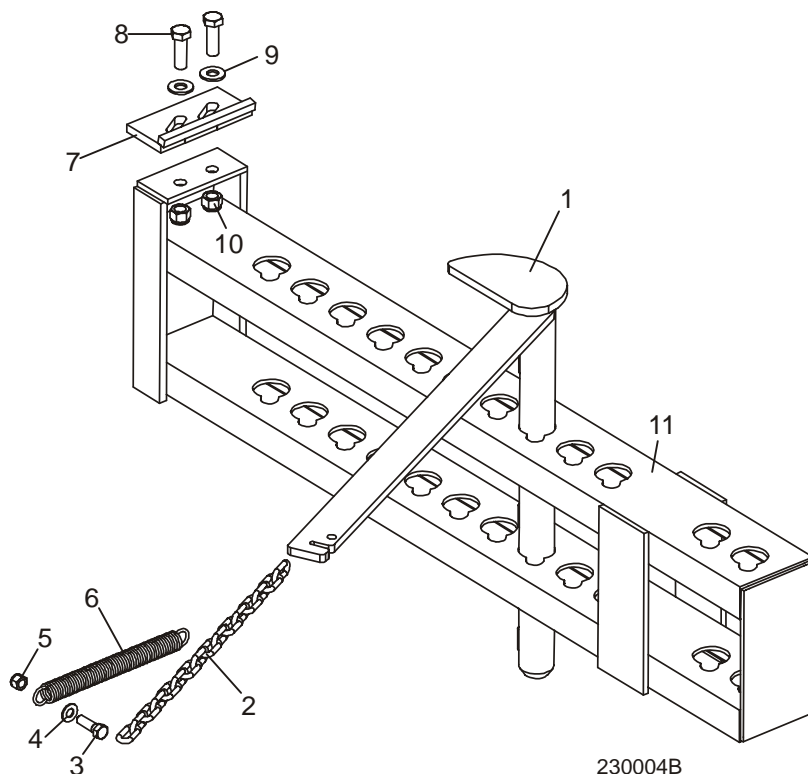
## Bed Frame Decals

### 8.8 Bed Frame Decals



| REF | DESCRIPTION (◆ Indicates Parts Available In Assemblies Only) | PART # | QTY. |
|-----|--|--------|------|
| 1   | DECAL, WOOD-MIZER LOGO                                       | S12281 | 1    |
| 2   | DECAL, AMBER REFLECTIVE 2" ROUND                             | P07453 | 2    |
| 3   | DECAL, KEEP AWAY DANGER                                      | S09851 | 1    |
| 4   | DECAL, RED REFLECTIVE 2" ROUND                               | P07452 | 3    |
| 5   | DECAL, PINCH POINT DANGER                                    | P10287 | 1    |
| 6   | DECAL, SAW HEAD REST CAUTION                                 | S12581 | 1    |
| 7   | DECAL, LOG LIMIT STRIPE                                      | S12051 | 2    |

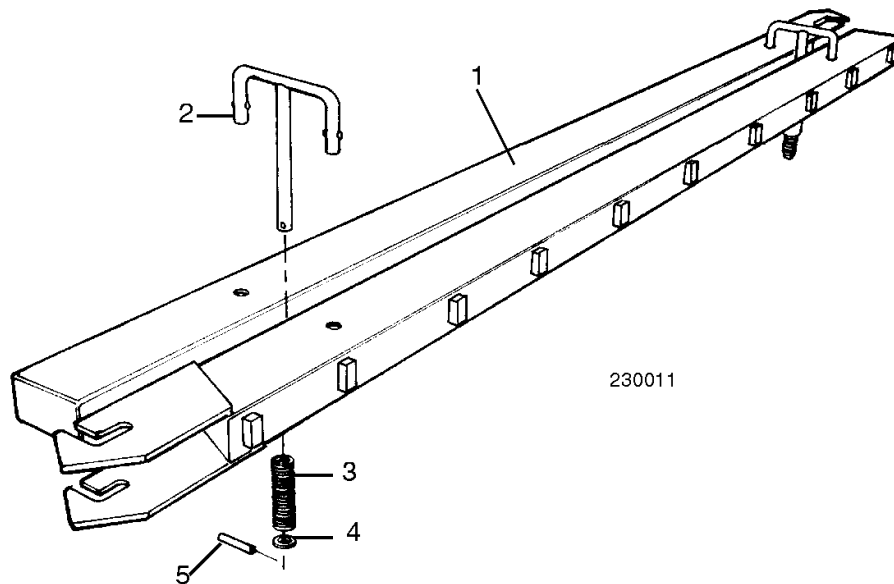
### 8.9 Log Clamp



230004B

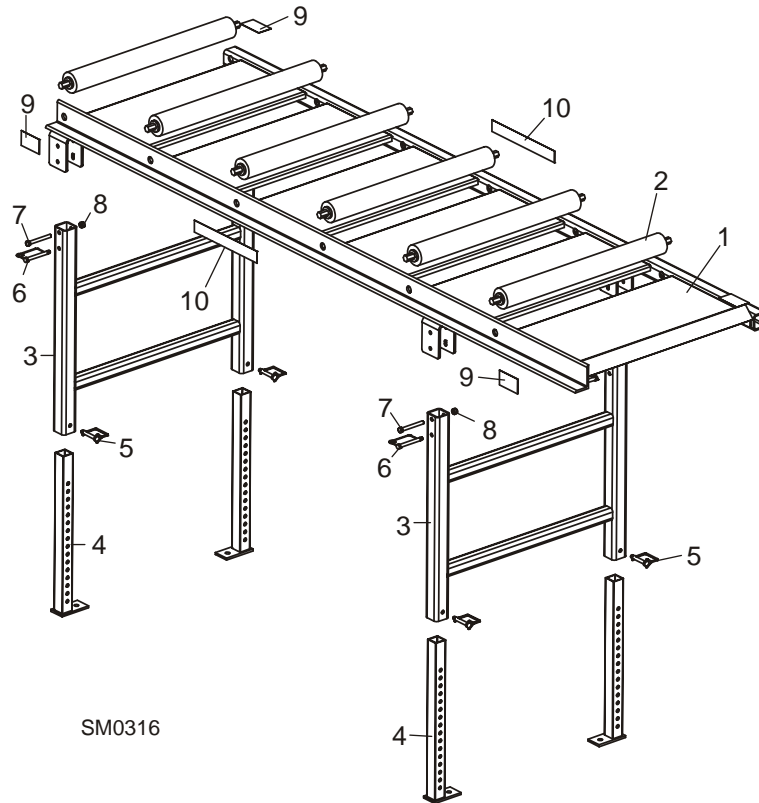
| REF | DESCRIPTION (◆ Indicates Parts Available In Assemblies Only) | PART #    | QTY. |
|-----|--|-----------|------|
| 1   | CLAMP, LOG   | W09412    | 1    |
| 2   | CHAIN, LOG CLAMP   | M04311    | 1    |
| 3   | BOLT, 3/8-16 X 1 1/4" HEX HEAD GRADE 2                       | F05007-2  | 1    |
| 4   | WASHER, 3/8" STANDARD FLAT                                   | F05011-3  | 2    |
| 5   | NUT, 3/8-16 HEX NYLON LOCK                                   | F05010-10 | 1    |
| 6   | SPRING, LOG CLAMP CHAIN                                      | P09136    | 1    |
| 7   | PLATE, LOG CLAMP STOP  | W09404    | 1    |
| 8   | BOLT, 1/2-13 X 1 1/2" HEX HEAD GRADE 5                       | F05008-33 | 2    |
| 9   | WASHER, 1/2" SAE FLAT  | F05011-2  | 2    |
| 10  | NUT, 1/2-13 HEX NYLON LOCK                                   | F05010-8  | 2    |
| 11  | CHANNEL WELDMENT, MANUAL LOG CLAMP                           | W09310    | 1    |

**8.10 Log Loading Ramps**



| REF | DESCRIPTION (◆ INDICATES PARTS AVAILABLE IN ASSEMBLIES ONLY) | PART #    | QTY. |   |
|-----|--|-----------|------|---|
|     | <b>RAMP KIT, LOG LOADING WITH RETAINERS</b>                  | K09466    | 1    |   |
| 1   | Ramp, Log Loading  | W09014    | 2    |   |
|     | Retainer Kit, Log Ramp                                       | K09810    | 2    |   |
| 2   | Retainer, Log Ramp   | W09413    | 1    | ◆ |
| 3   | Spring, Log Ram Retainer                                     | P09335    | 1    |   |
| 4   | Washer, 5/8" I.D. x .100" Thick Nylon                        | F05011-19 | 1    |   |
| 5   | Pin, 3/16" x 1" Roll   | F05012-11 | 1    |   |

### 8.11 Board Outfeed Table (Optional)



| REF | DESCRIPTION (◆ Indicates Parts Available In Assemblies Only) | PART #     | QTY. |
|-----|--|------------|------|
|     | <b>TABLE ASSEMBLY, BOARD OUTFEED</b>                         | 016652     | 1    |
| 1   | Table Weldment, Board Outfeed                                | 016606     | 1    |
| 2   | Roller, 2 1/2" x 25"   | 038167     | 6    |
| 3   | Mount Weldment, Outfeed Table Leg                            | 016609     | 2    |
| 4   | Leg Weldment, Outfeed Table                                  | 016651     | 4    |
| 5   | Pin, 3/8" x 2 1/4" Square Wire Lock                          | 014151     | 4    |
| 6   | Pin, Snap - Coil Tension                                     | 016677     | 4    |
| 7   | Bolt, 3/8-16 x 3 1/4" Hex Head                               | F05007-135 | 4    |
| 8   | Nut, 3/8-16 Hex Nylon Lock                                   | F05010-10  | 4    |
| 9   | Decal, Hand Pinch Point Warning                              | S12641     | 4    |
| 10  | Decal, 1 1/2" Wood-Mizer Logo                                | 016991     | 2    |



## SECTION 9 MISCELLANEOUS

### 9.1 Replacement Manuals

| REF                                   | DESCRIPTION (◆ Indicates Parts Available In Assemblies Only) | PART #  | QTY. |
|---------------------------------------|--|---------|------|
| <b>Wood-Mizer Product Information</b> |  |         |      |
| 1                                     | ALL-PRODUCTS CATALOG   | PS750   | 1    |
| <b>Basic Sawmill Manuals</b>          |  |         |      |
| 2                                     | TRU-SHARP BLADE HANDBOOK                                     | M600    | 1    |
| 3                                     | WOOD-MIZER GENERAL INFORMATION                               | M601    | 1    |
| 4                                     | LT25/LT27 OPERATOR'S MANUAL                                  | M1187   | 1    |
| 5                                     | LT25/LT27 PARTS MANUAL                                       | M1177   | 1    |
| <b>Power Option Manuals</b>           |  |         |      |
| 6                                     | G15 ENGINE OPTION MANUAL                                     | M984    | 1    |
| 7                                     | G18 ENGINE OPTION MANUAL                                     | M1050   | 1    |
| 8                                     | KOHLER 15HP SERVICE MANUAL                                   | 014706  | 1    |
| 9                                     | KOHLER 15HP PARTS MANUAL                                     | 014707  | 1    |
| 10                                    | KOHLER CH20 OWNER'S MANUAL                                   | 015993  | 1    |
| 11                                    | KOHLER CH20 SERVICE MANUAL                                   | 015994  | 1    |
| <b>Trailer Option Manuals</b>         |  |         |      |
| 12                                    | STANDARD TRAILER OPTION                                      | M793    | 1    |
| <b>Miscellaneous Option Manuals</b>   |  |         |      |
| 13                                    | MANUAL WINCH OPTION MANUAL                                   | M619-23 | 1    |
| 14                                    | LOG TURNER OPTION MANUAL                                     | M620    | 1    |
| 15                                    | MANUAL TOE BOARD OPTION MANUAL                               | M627    | 1    |
| 16                                    | SHINGLE/LAPSIDER OPTION MANUAL                               | M621    | 1    |
| 17                                    | LATHE-MIZER OPTION MANUAL                                    | M1337   | 1    |

# INDEX

---

## B

- battery box 4-12
- bed rails
  - front/rear 8-1
  - middle front 8-3
  - middle rear 8-4
  - pivot 8-8
- blade guide arm 2-5
- blade guides
  - drive side roller 2-3
  - idle side roller 2-1
  - throat screw 4-1
- blade tensioner 3-4
- blade wheels
  - drive side 3-1
  - idle side 3-3

---

## C

- clutch mount 4-4
- covers
  - blade housing 4-8
  - drive belt 4-10

---

## D

- decals
  - frame 8-13
  - saw head 4-7

---

## F

- feed system
  - manual feed 7-3

---

## L

- legs
  - stationary 8-6
- log clamp 8-14
- log loading ramps 8-15

---

## M

- manuals 9-1

---

## O

- outfeed table option 8-16

---

## P

- parts list
  - how to use 1-1

---

## S

- sawdust chute 4-11
- side supports 8-10

---

## T

- track rollers
  - lower 7-5
  - upper 7-1

---

## U

- up/down
  - blade scales 6-2
  - saw head mount 6-1

---

**W**

water lube  
bottle/tray 4-5